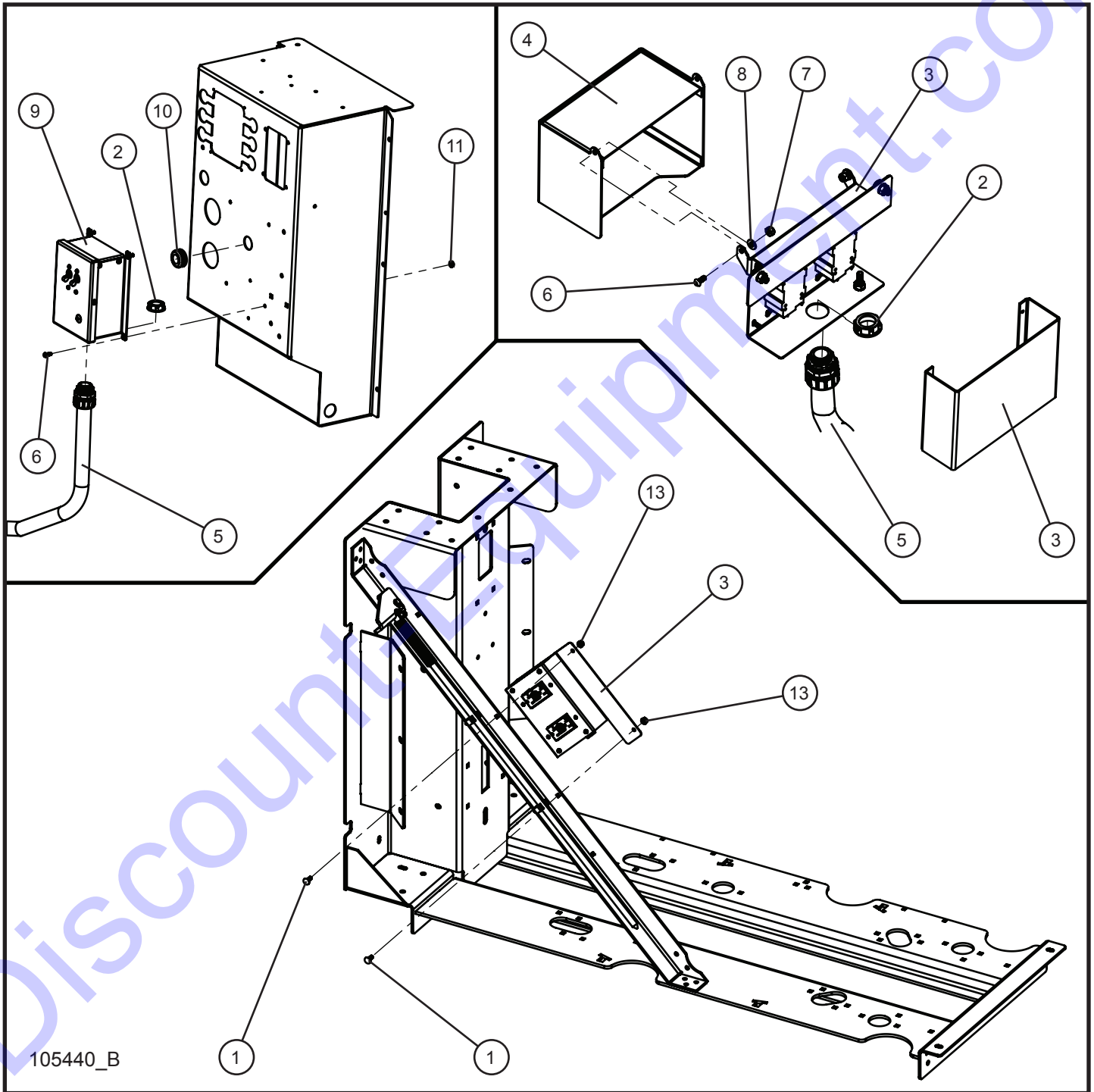


7.14 - Internal GFCI Outlet Group

SN 0001XX12 and UP



105440_B

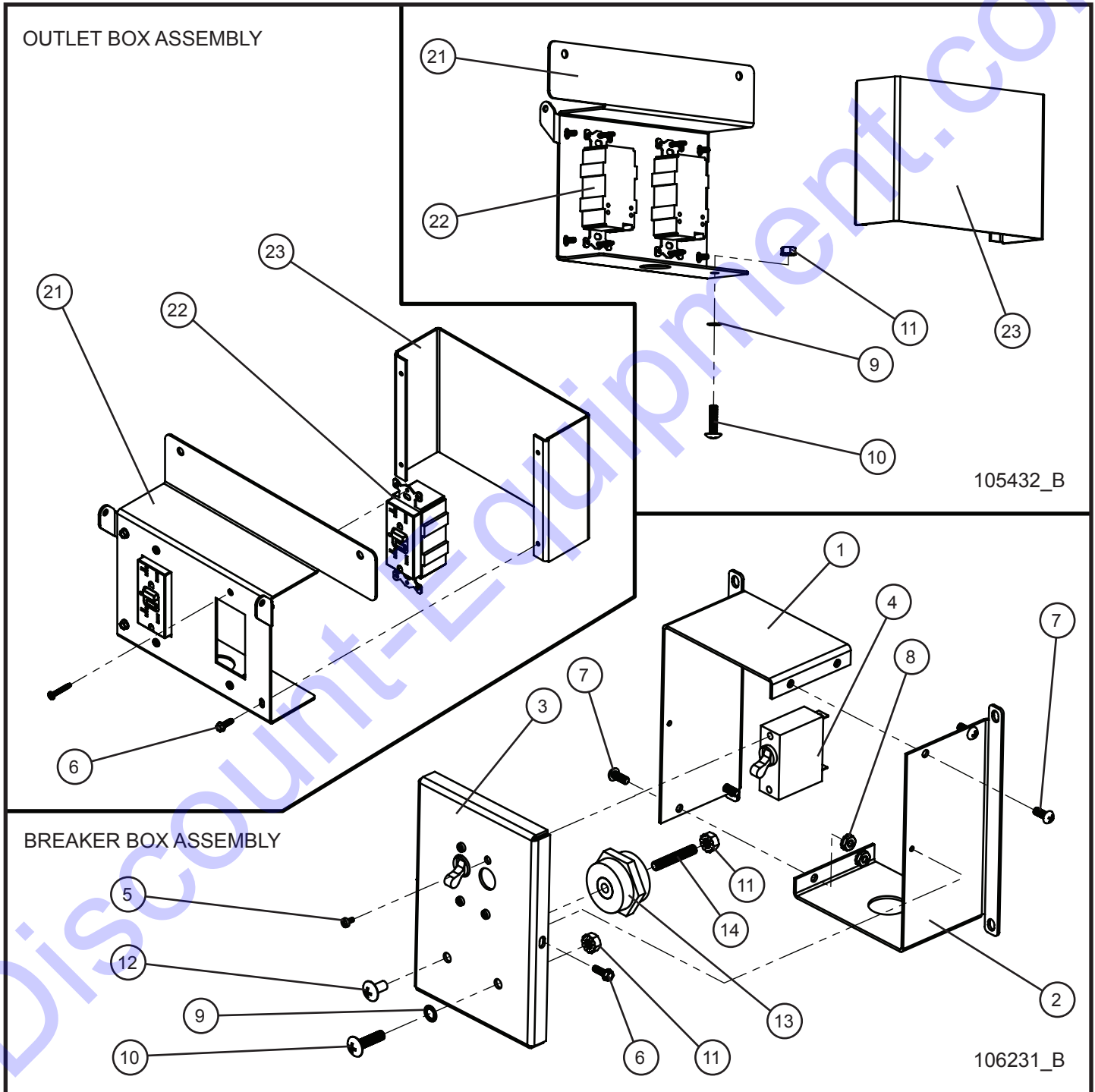
7.14 - Internal GFCI Outlet Group

SN 0001XX12 and UP

Item	Part No.	Part Description	Qty.
1	053006	1/4-20 x 3/4 CARRIAGE BOLT	2
2	022175	3/4 INSULATING BUSHING	2
3	105432	INTERNAL GFCI OUTLET BOX	1
4	105436P	INTERNAL GFCI OUTLET BOX DOOR	1
5	105441	INTERNAL GFCI OUTLET WIRE HARNESS	1
6	041021	#10-24 x 1/2 PH-ROUND HEAD MS PL	6
7	044019	#10-24 NYLOCK HEX NUT SS	2
8	047003	#10 FLAT WASHER SAE SS	2
9	106231	INTERNAL GFCI OUTLET BREAKER BOX	1
10	330463	11/16 RUBBER GROMMET	1
11	044016	#10-24 KEPS HEX NUT PL	4
12	106086	INTERNAL GFCI OUTLET SCHEMATIC	1
13	044021	1/4-20 KEPS HEX NUT PL	2

7.15 - Internal GFCI Outlet Box and Breaker Box

SN 0001XX12 and UP



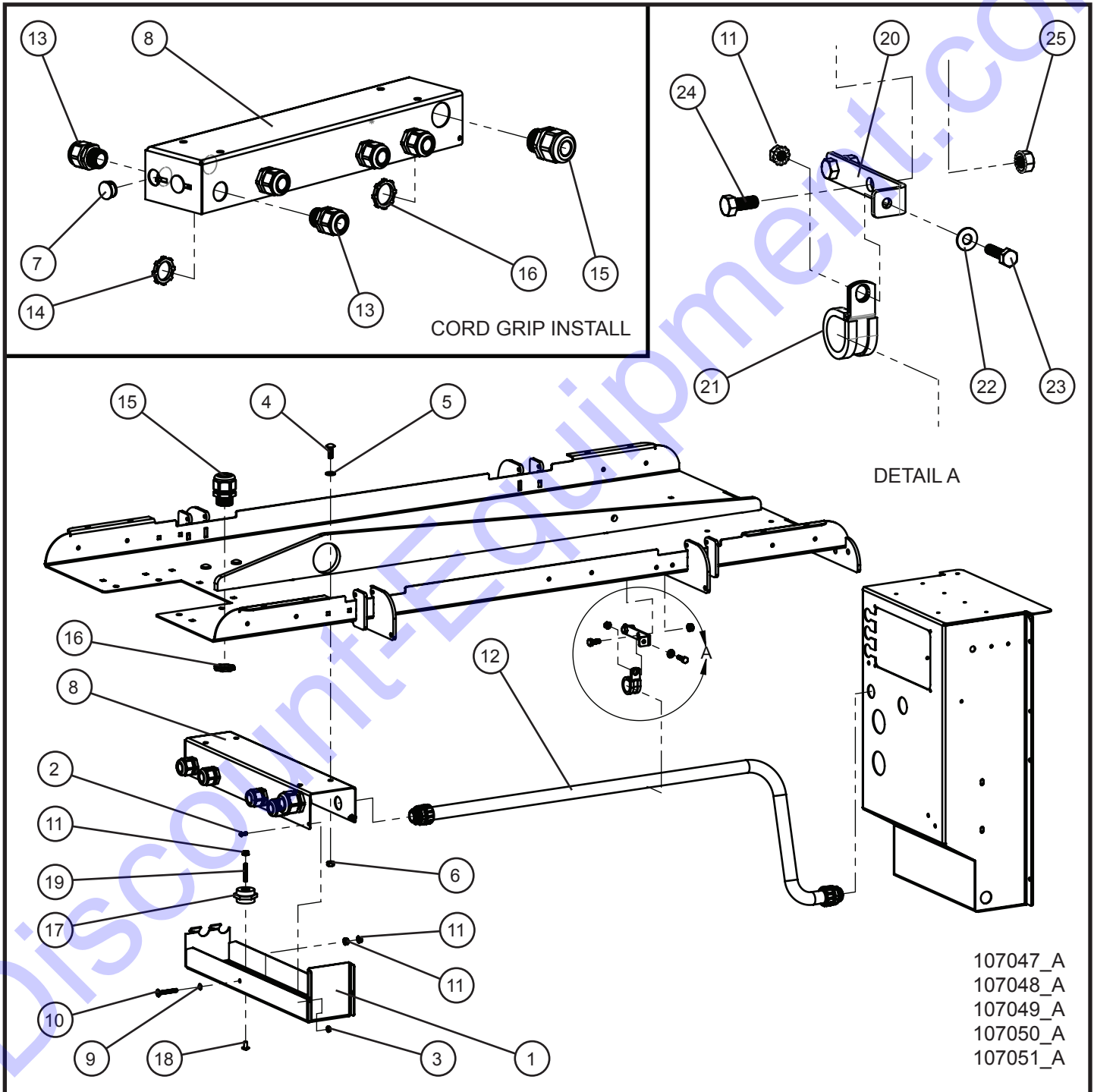
7.15 - Internal GFCI Outlet Box and Breaker Box

SN 0001XX12 and UP

Item	Part No.	Part Description	Qty.
1	106241P	TOP COVER BREAKER BOX	1
2	106242P	BOTTOM BREAKER BOX	1
3	106240P	FACE PLATE BREAKER BOX	1
4	330453	20A SPST BREAKER SWITCH	2
5	041018	#6-32 x 1/4 PH-ROUND HEAD MS PL	4
6	041029	#8-32 x 1/2 HEX WASHER HEAD SCREW	6
7	041024	#10-24 x 1/2 PH-ROUND HEAD MS SS	4
8	044016	#10-24 KEPS HEX NUT PL	4
9	043050	1/4 INT'L TOOTH LOCK WASHER	2
10	041080	1/4-20 x 1 PH-TRUSS HEAD MS SS	2
11	044021	1/4-20 KEPS HEX NUT PL	3
12	041078	1/4-20 x 1/2 PH-TRUSS HEAD MS SS	1
13	106318	LOW VOLTAGE INSULATOR 1-1/4", 1/4-20	1
14	045003	1/4-20 x 1 1/2 STUD PL	1
15	020140	WIRE 12 AWG BLACK x 36.00	1
16	020130	WIRE 12 AWG RED x 36.00	1
17	020135	WIRE 12 AWG GREEN x 36.00	1
18	022323	TERM RING 10-12 AWG #8	2
19	022095-35	TERM 1/4 EYE 10-12 AWG	2
20	106086	SCHEMATIC RECEPTACLE MOUNT	1
21	105433P	FACE GFCI OUTLET BOX	1
22	330499	20A GFCI RECEPTACLE	2
23	105435P	REAR COVER OUTLET BOX	1

7.16 - Junction Box and Cord

SN 0001XX12 and UP



107047_A
 107048_A
 107049_A
 107050_A
 107051_A

7.16 - 4/6 Light Junction Box and Cord

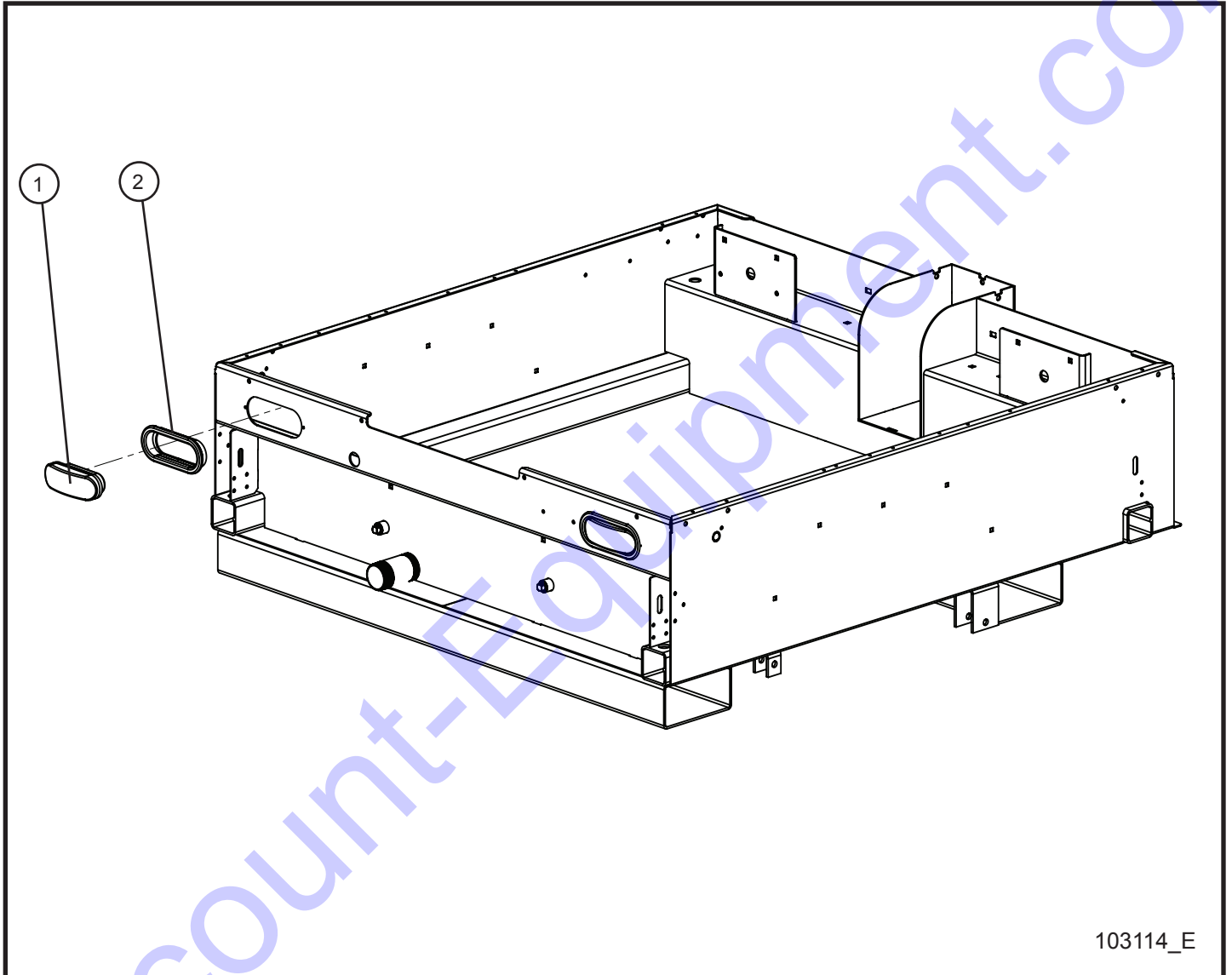
SN 0001XX12 and UP

Item	Part No.	Part Description	Qty.
1	105727P	BOTTOM JUNCTION NYLON CORD GRIP	1
2	041021	#10-24 x 1/2 PH-ROUND HEAD MS PL	2
3	044016	#10-24 KEPS HEX NUT PL	2
4	053020	5/16-18 x 1 CARRIAGE BOLT PL	4
5	100644	RUBBER WASHER BLACK NEOPRENE	4
6	044033	5/16-18 NYLOCK HEX NUT PL	4
7	711029	7/8 LOCKING HOLE PLUG	2
8	105726P	TOP JUNCTION BOX NYLON CORD GRIP	1
9	043050	1/4 INTL TOOTHLOCK WASHER	1
10	041053	1/4-20 x 1 3/4 PH-TRUSS HEAD MS SS	1
11	044021	1/4-20 KEPS HEX NUT PL	4
12	105461	CONDUIT WIRE HARNESS 4 LIGHT OR 4 LIGHT LED	1
	105361	CONDUIT WIRE HARNESS 6 LIGHT OR 6 LIGHT LED	1
	106135	CONDUIT WIRE HARNESS 6 LIGHT W/ AUX LIGHT	1
13	105916	GRIP CORD 3/4" NYLON BLACK	4 (6)
	105626	CORD GRIP 1/2" NYLON BLACK	4 (6)
14	022036	3/4 CORD GRIP NUT	4 (6)
	022035	1/2 CORD GRIP NUT	4 (6)
15	105627	CORD GRIP 1" NYLON BLACK	2
16	022038	1" CORD GRIP NUT	2
17	106318	LOW VOLTAGE INSULATOR 1-1/4", 1/4-20	1
18	041078	1/4-20 x 1/2 PH-TRUSS HEAD MS SS	1
19	045003	1/4-20 x 1-1/2 STUD PL	1
20	105673P	HANGER CONDUIT	1
21	022083	#16 CLAMP CUSH 3/8 HOLE	1
22	047009	1/4 FLAT WASHER SAE SS	1
23	046015	1/4-20 x 1 HEX HEAD CS GR5 PL	1
24	046045	5/16-18 x 3/4 HEX HEAD CS GR5 PL	2
25	044031	5/16-18 KEPS HEX NUT PL	2
26	105273	SCHEMATIC AUS/NZ 2 LIGHT SWITCHES	1
27	105274	SCHEMATIC AUS/NZ 3 LIGHT SWITCHES	1
28	105277	SCHEMATIC 1P 4 LIGHT SWITCHES	1
29	105281	SCHEMATIC 1P 6 LIGHT SWITCHES	1
30	105279	SCHEMATIC 3P 4 LIGHT SWITCHES	1
31	105282	SCHEMATIC 3P 6 LIGHT SWITCHES	1
32	105283	SCHEMATIC 14/7 CORD 4 LIGHT JUNCTION BOX	1
33	105284	SCHEMATIC 16/8 CORD 4 LIGHT JUNCTION BOX	1
34	105285	SCHEMATIC 16/10 CORD 6 LIGHT JUNCTION BOX	1
35	105634	SCHEMATIC 4 LED LIGHT JUNCTION BOX	1
36	105635	SCHEMATIC 6 LED LIGHT JUNCTION BOX	1
37	105319	SCHEMATIC 16/14 CORD 6 LIGHT JUNCTION W/ AUX LIGHT	1

*NOTE: QUANTITY OF PARTS FOR 6-LIGHT OPTION IS SHOWN IN PARENTHESIS IN THIS PARTS LIST.

8.1 - Oval Taillight

SN 0001XX12 and UP



103114_E

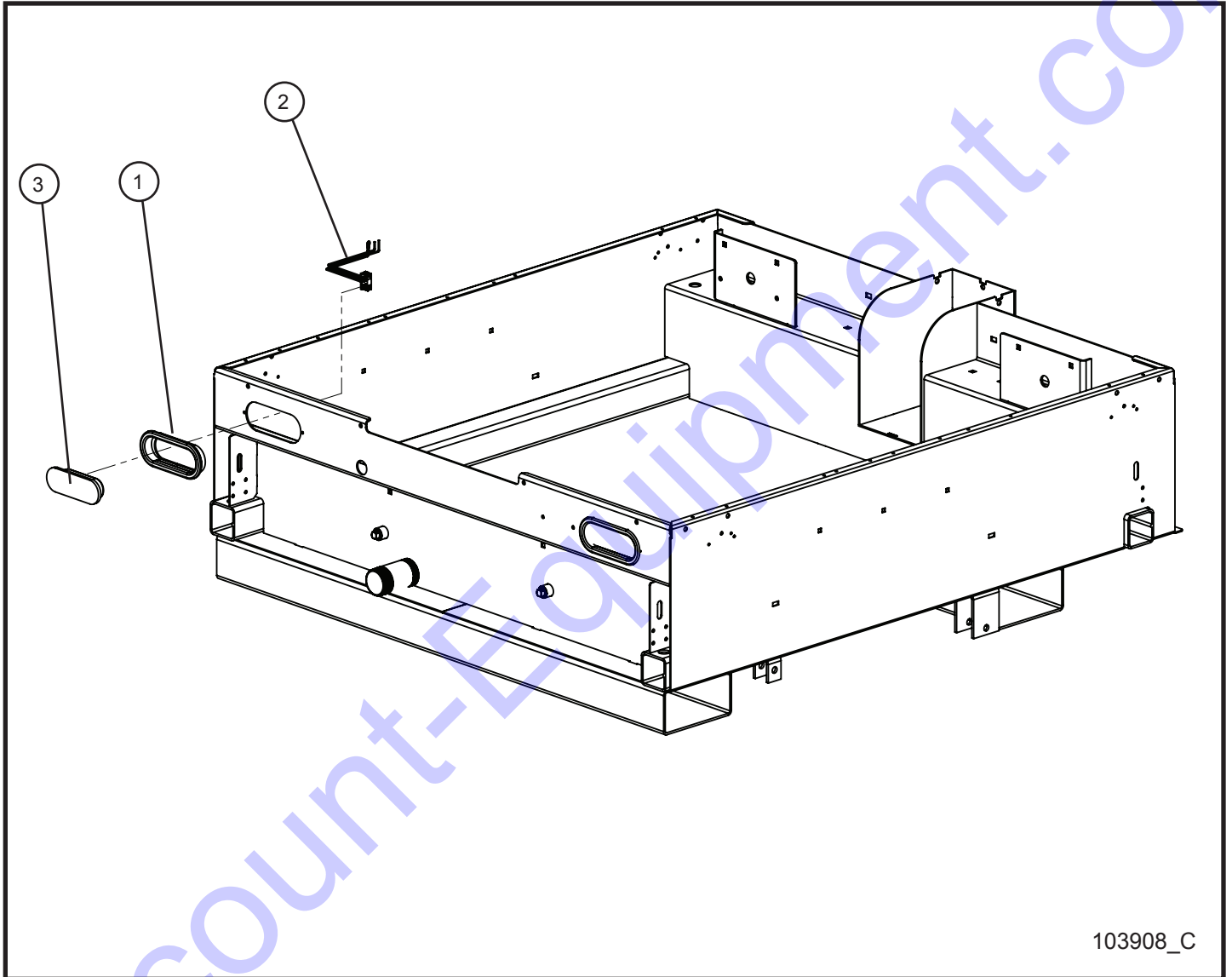
8.1 - Oval Taillight

SN 0001XX12 and UP

Item	Part No.	Part Description	Qty.
1	102826	STOP, TAIL, TURN LAMP	2
2	102825	OVAL LAMP GROMMET	2

8.2 - LED Taillight

SN 0001XX12 and UP



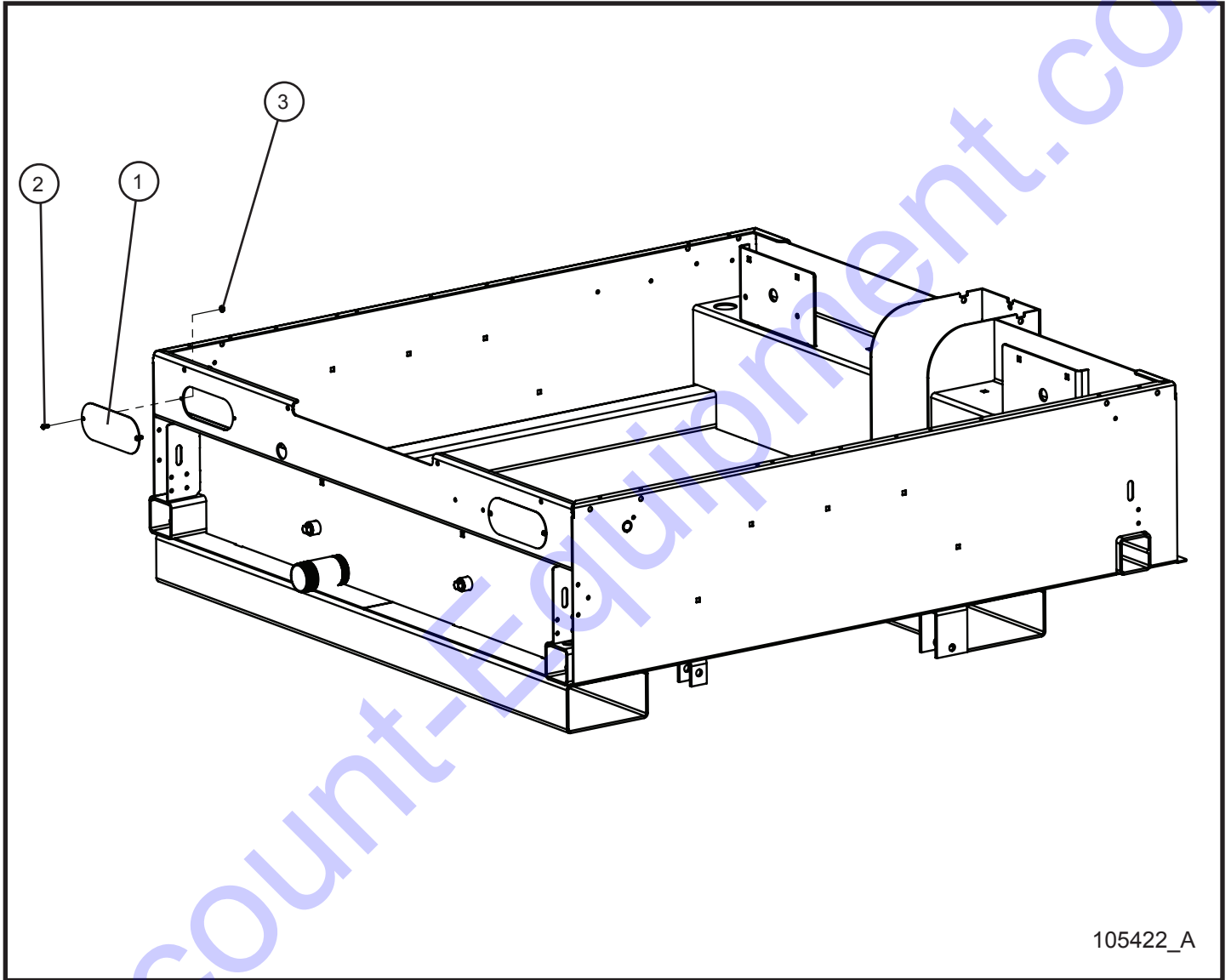
8.2 - LED Taillight

SN 0001XX12 and UP

Item	Part No.	Part Description	Qty.
1	102825	OVAL LAMP GROMMET	2
2	102827	ECONO 90 DEG 3-PRONG PIGTAIL	2
3	102721	LED TAIL LAMP STOP TURN	2

8.3 - No Taillight Cover

SN 0001XX12 and UP



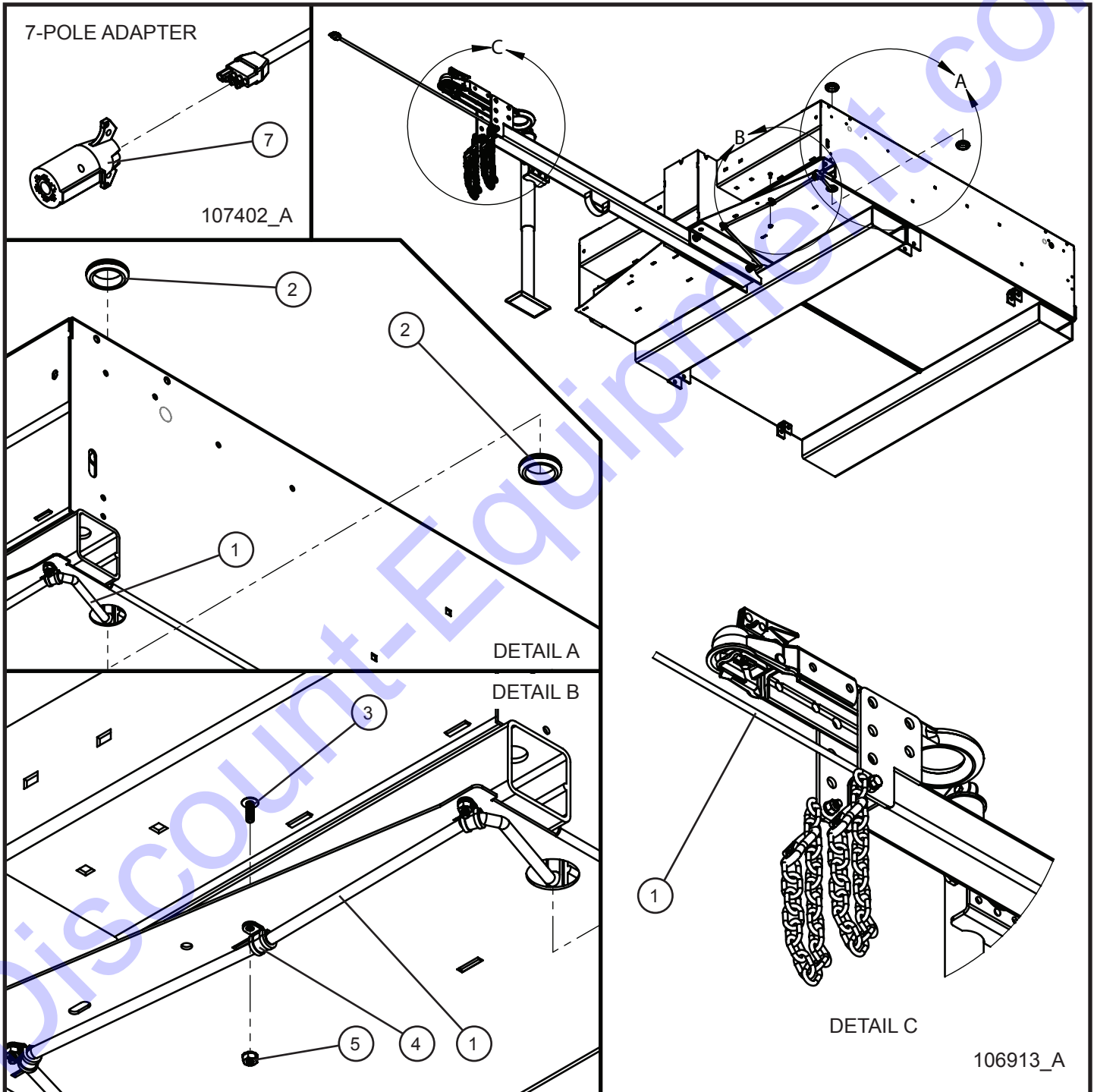
8.3 - No Taillight Cover

SN 0001XX12 and UP

Item	Part No.	Part Description	Qty.
1	105414P	COVER PLATE OVAL TAILLIGHT HOLE	2
2	041021	#10-24 x 1/2 PH-ROUND HEAD MS PL	4
3	044016	#10-24 KEPS HEX NUT PL	4

8.4 - 4-Pin Taillight Harness w/ 7-Pole Adapter (1 of 2)

SN 0001XX12 and UP



Maxi-Lite II

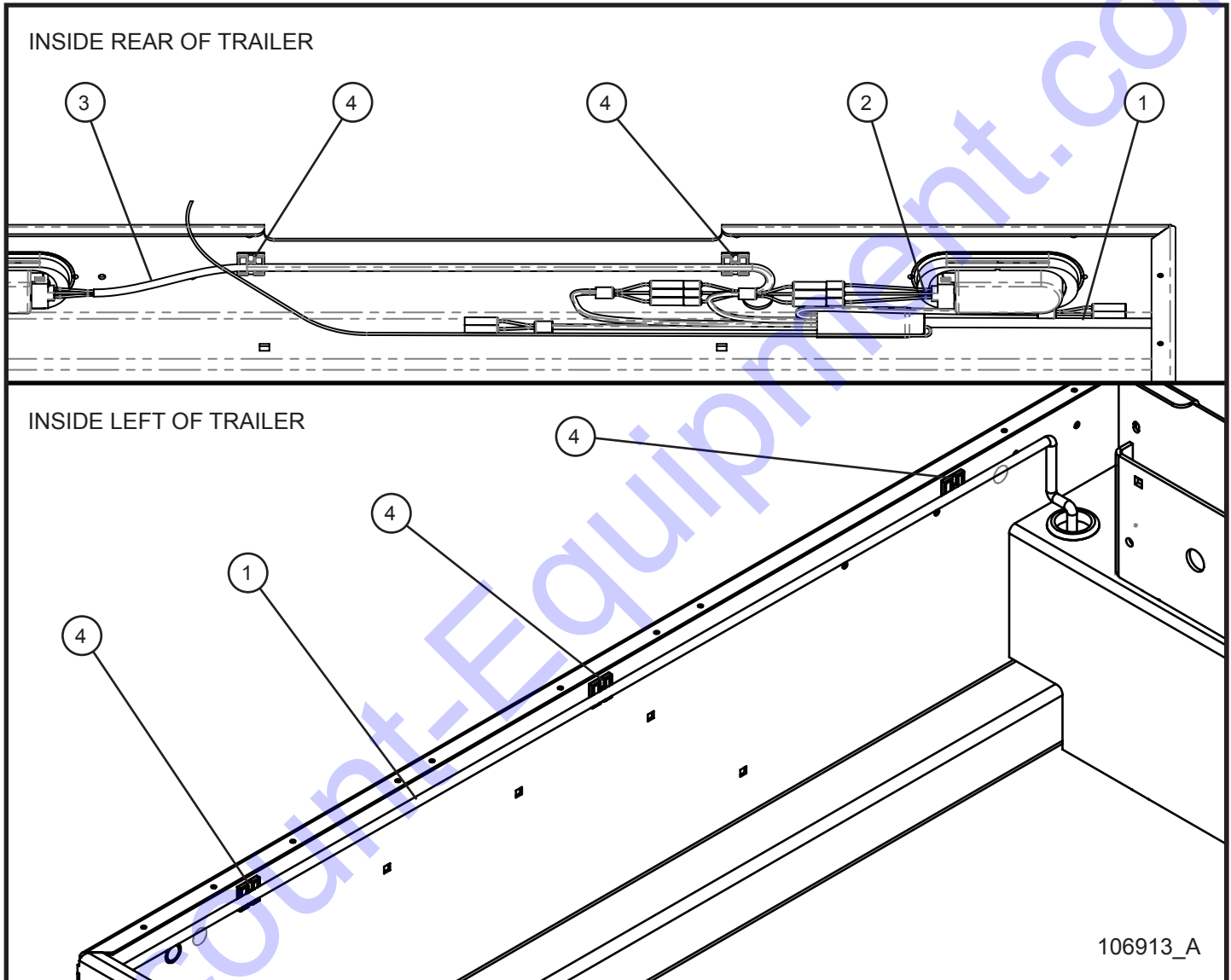
8.4 - 4-Pin Taillight Harness w/ 7-Pole Adapter (1 of 2)

SN 0001XX12 and UP

Item	Part No.	Part Description	Qty.
1	106903	BASE HARNESS TAILLIGHTS	1
2	106542	GROMMET RUBBER 1.5" ID	2
3	041050	1/4-20 x 3/4 PH-TRUSS HEAD MS SS	3
4	022016	#6 CUSH CLAMP 1/4 HOLE	3
5	044021	1/4-20 KEPS HEX NUT PL	3
6	107266	SCHEMATIC TAIL LIGHT HARNESS	1
7	107401	7-WAY RV PLUG, BLADE STYLE	1

8.4 - 4-Pin Taillight Harness w/ 7-Pole Adapter (2 of 2)

SN 0001XX12 and UP



Maxi-Lite II

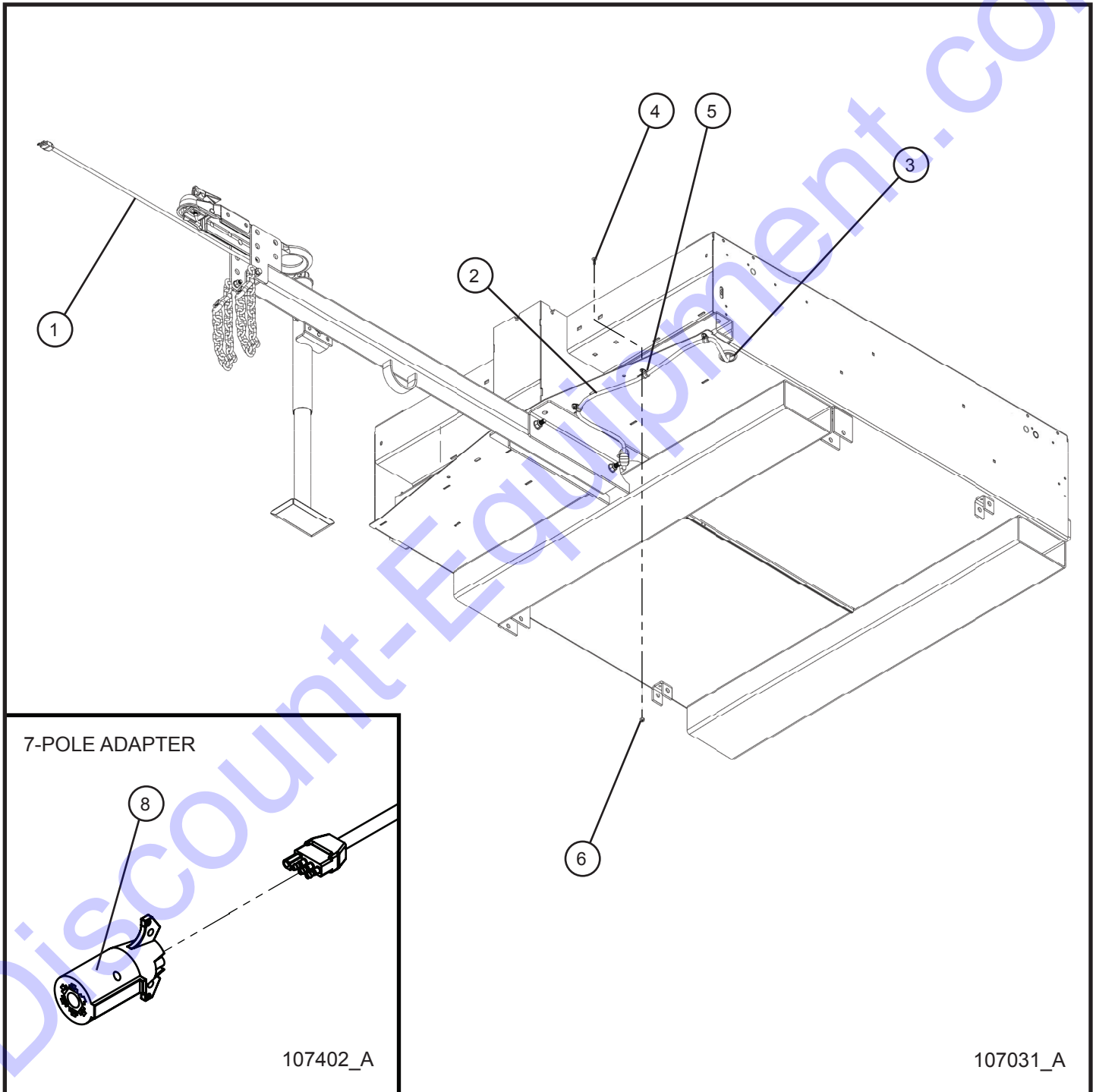
8.4 - 4-Pin Taillight Harness w/ 7-Pole Adapter (2 of 2)

SN 0001XX12 and UP

Item	Part No.	Part Description	Qty.
1	106903	BASE HARNESS TAILLIGHTS	1
2	106907	TAIL LIGHT PIGTAIL SHORT HARNESS MAXI II	1
3	106906	TAIL LIGHT PIGTAIL LONG HARNESS MAXI II	1
4	022135	TIE ADHESIVE MOUNT	5

8.5 - 4-Pin 2-Piece Taillight Harness w/ 7-Pole Adapter (1 of 2)

SN 0001XX12 and UP



Maxi-Lite II

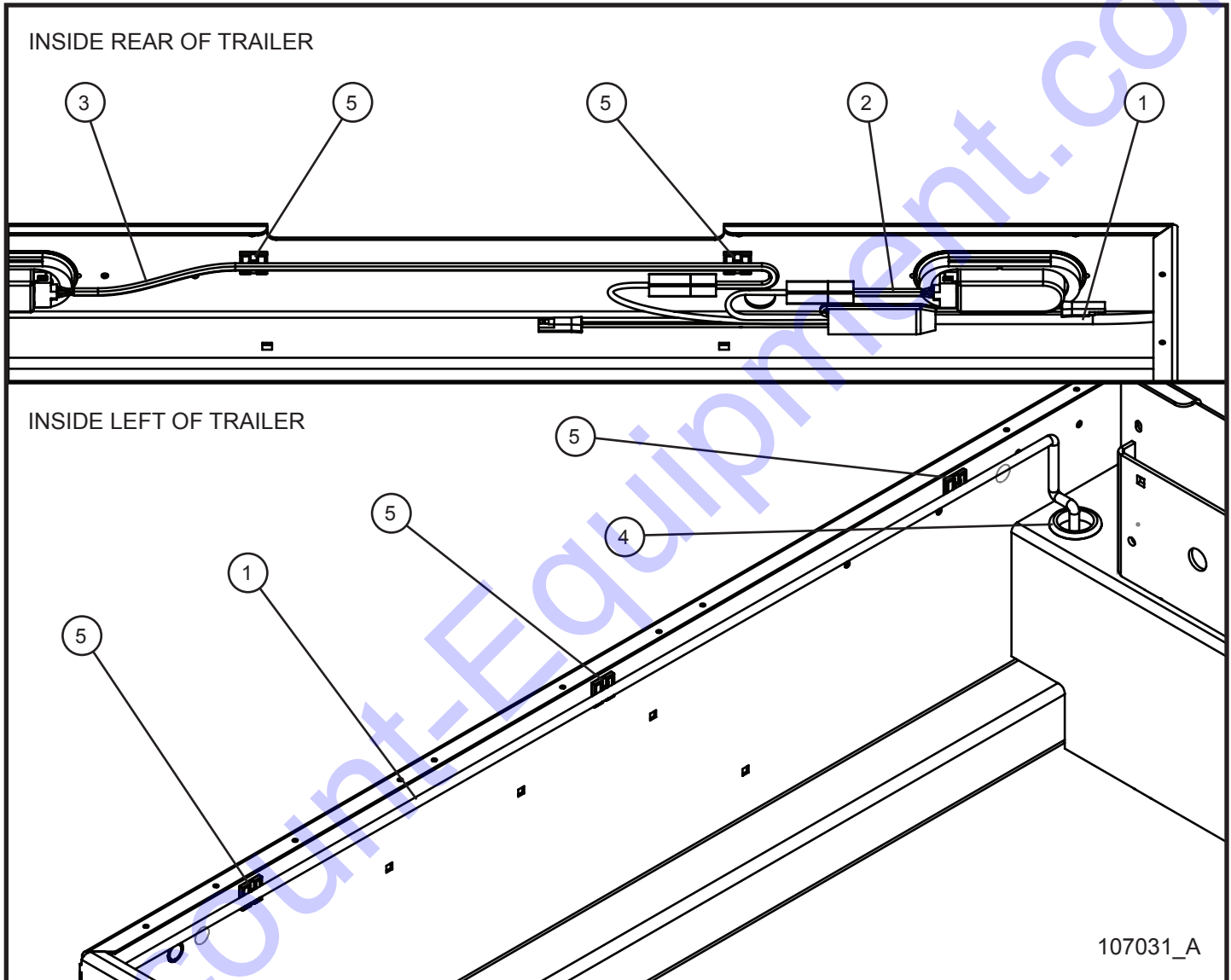
8.5 - 4-Pin 2-Piece Taillight Harness w/ 7-Pole Adapter (1 of 2)

SN 0001XX12 and UP

Item	Part No.	Part Description	Qty.
1	107856	SHORT TONGUE TAIL LIGHTS	1
2	107860	BASE HARNESS TAIL LIGHTS	1
3	106542	GROMMET RUBBER 1.5" ID	2
4	041050	1/4-20 x 3/4 PH-TRUSS HEAD MS SS	3
5	022016	#6 CUSH CLAMP 1/4 HOLE	3
6	044021	1/4-20 KEPS HEX NUT PL	3
7	107266	SCHEMATIC TAIL LIGHT HARNESS	1
8	107401	7-WAY RV PLUG, BLADE STYLE	1

8.5 - 4-Pin 2-Piece Taillight Harness w/ 7-Pole Adapter (2 of 2)

SN 0001XX12 and UP



Maxi-Lite II

8.5 - 4-Pin 2-Piece Taillight Harness w/ 7-Pole Adapter (2 of 2)

SN 0001XX12 and UP

Item	Part No.	Part Description	Qty.
1	107860	BASE HARNESS TAIL LIGHTS	1
2	107861	TAIL LIGHT PIGTAIL SHORT SQUARE PLUG HARNESS	1
3	107862	TAIL LIGHT PIGTAIL LONG SQUARE PLUG HARNESS	1
4	106542	GROMMET RUBBER 1.5" ID	2
5	022135	TIE ADHESIVE MOUNT	5

Maxi-Lite II

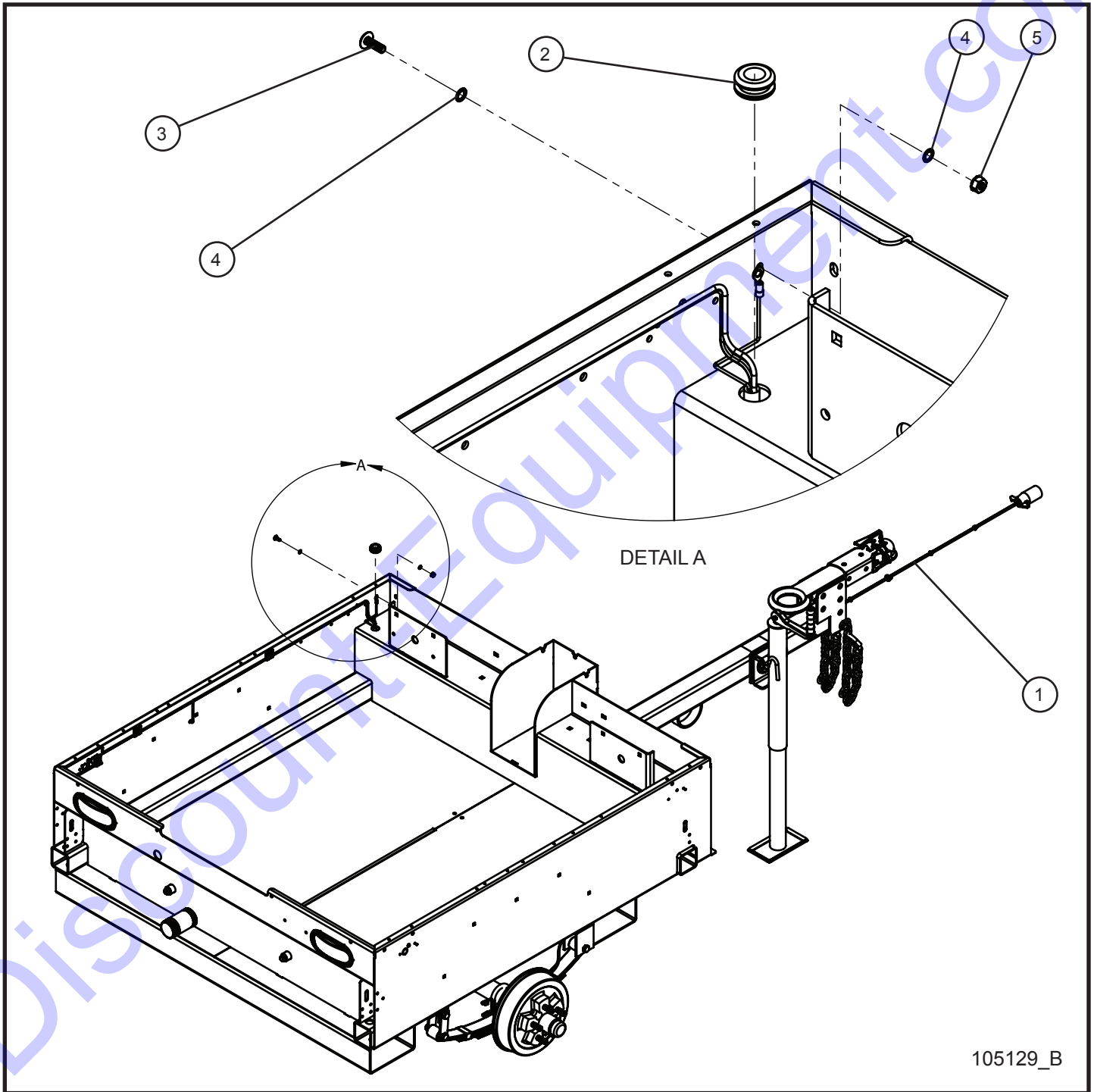
8.6 - 7-Pole Electric Brake Taillight Harness (1 of 2)

SN 0001XX12 and UP

Item	Part No.	Part Description	Qty.
1	104618	HARNESS TL 7-POLE ELECTRIC BRAKE	1
2	022135	TIE ADHESIVE MOUNT	4
3	041050	1/4-20 x 3/4 PH-TRUSS HEAD MS SS	3
4	043050	1/4 INTL TOOTHLOCK WASHER	1
5	022016	#6 CUSH CLAMP 1/4 HOLE	3
6	044021	1/4-20 KEPS HEX NUT PL	4
7	043015	#10 INTL TOOTH LOCK WASHER PL	4
8	041024	#10-24 x 1/2 PH-ROUND HEAD MS SS	2
9	044016	#10-24 KEPS HEX NUT PL	2
10	041070	1/4-20 x 3/4 SL-HEX WASHER HEAD MS TP F	1
11	105999	GROUND WIRE ELECTRIC BRAKE MAXI II	1
12	105298	SCHEMATIC TAIL LIGHT HARNESS	1
13	100486	1/2 OD x 1/4 ID GROMMET	1

8.6 - 7-Pole Electric Brake Taillight Harness (2 of 2)

SN 0001XX12 and UP



105129_B

Maxi-Lite II

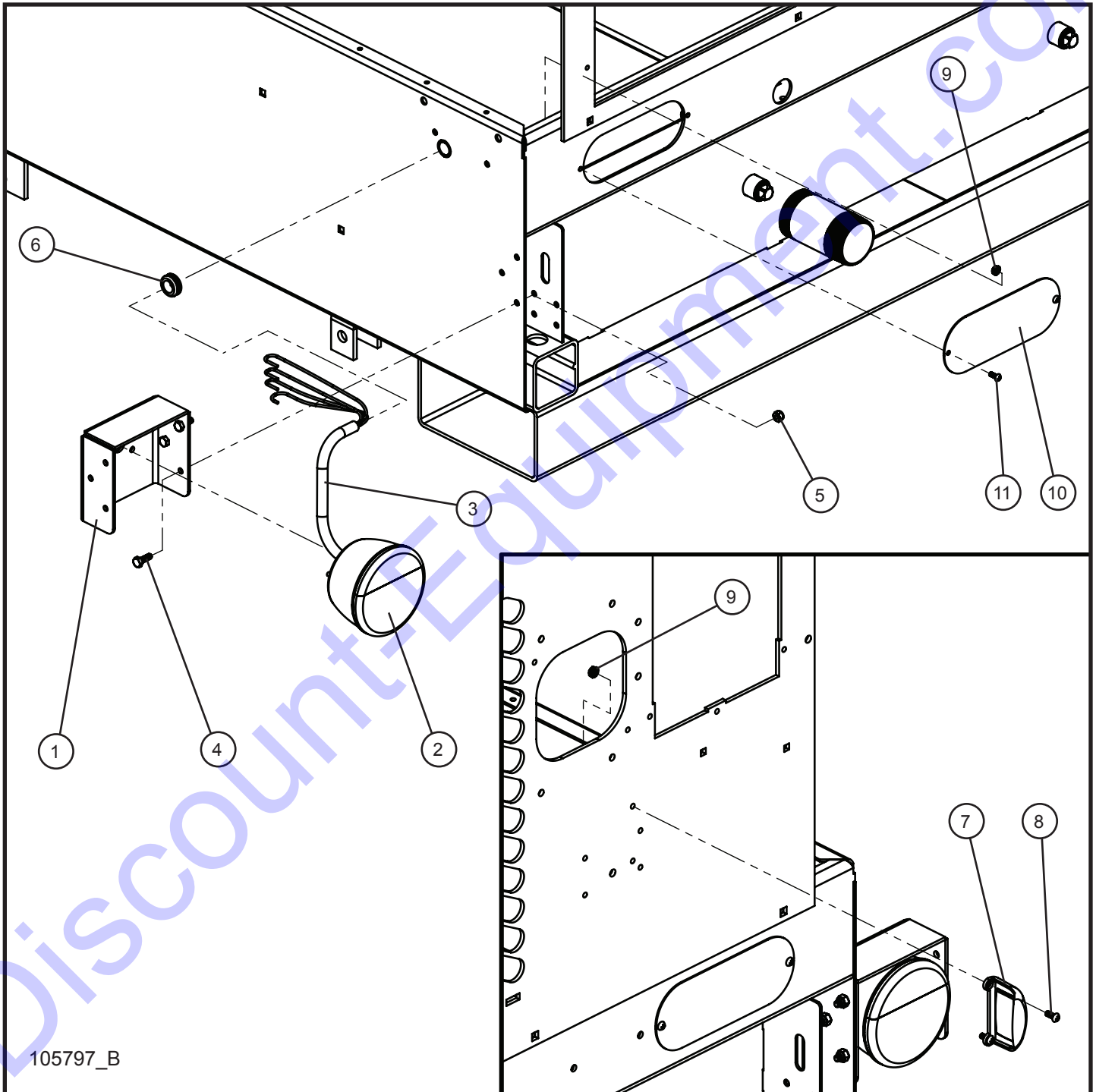
8.6 - 7-Pole Electric Brake Taillight Harness (2 of 2)

SN 0001XX12 and UP

Item	Part No.	Part Description	Qty.
1	104618	HARNES TL 7-POLE ELECTRIC BRAKE	1
2	330463	11/16 RUBBER GROMMET	2
3	041050	1/4-20 x 3/4 PH-TRUSS HEAD MS SS	1
4	043050	1/4 INTL TOOTHLOCK WASHER	2
5	044021	1/4-20 KEPS HEX NUT PL	1

8.7 - AS3000 Taillight and Taillight Harness (1 of 3)

SN 0001XX12 and UP



105797_B

Maxi-Lite II

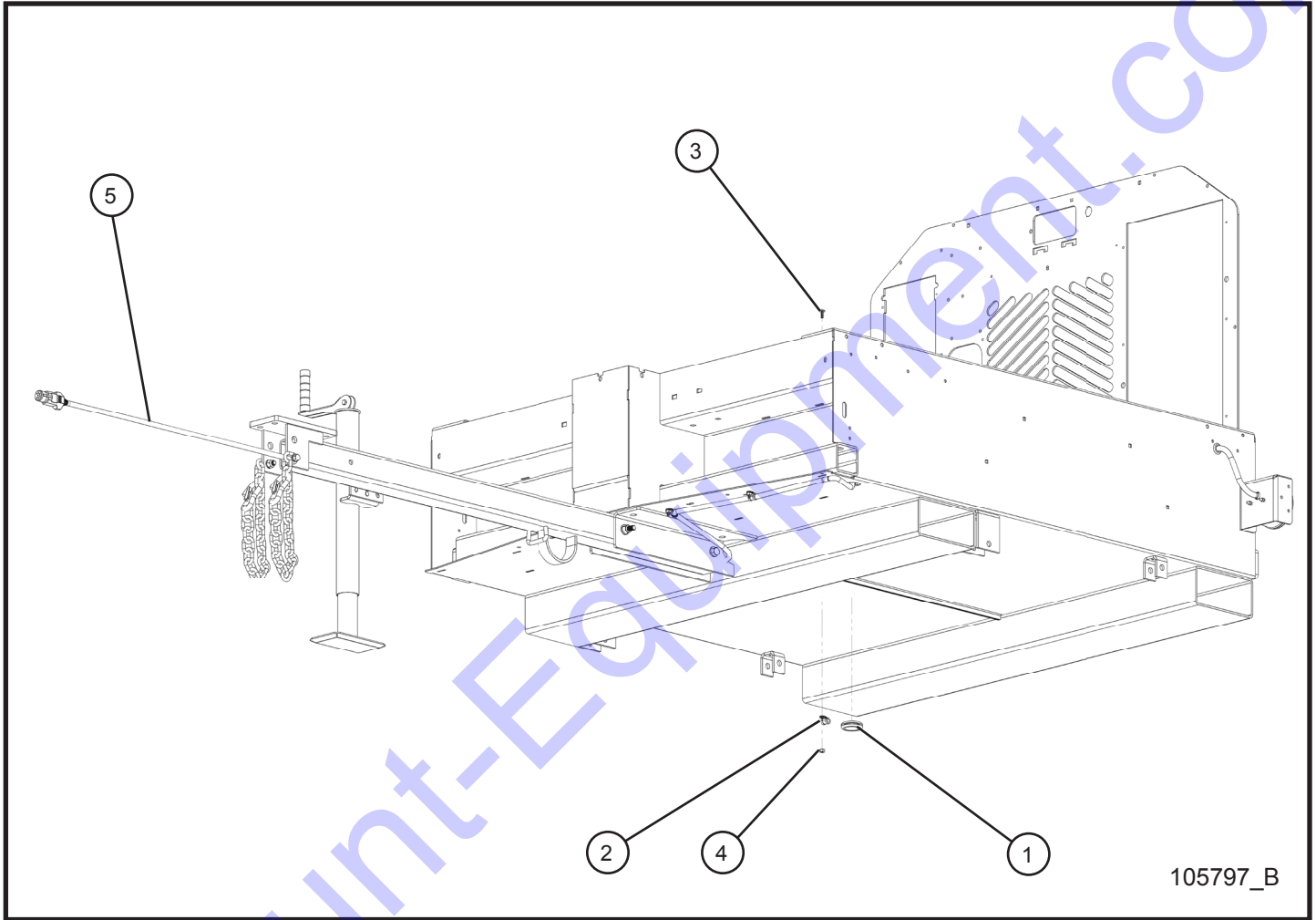
8.7 - AS3000 Taillight and Taillight Harness (1 of 3)

SN 0001XX12 and UP

Item	Part No.	Part Description	Qty.
1	103063P	BRACKET TAIL LIGHT	2
2	102107	REAR LAMP MULTIFUNCTION	2
3	022202	3/8 LOOM x 9.0	2
4	046010	1/4-20 x 3/4 HEX HEAD CS GR5 SS	6
5	044023	1/4-20 NYLOCK HEX NUT PL	6
6	711028	7/8 RUBBER GROMMET	2
7	C103489	LICENSE PLATE LAMP CAPS LED AS3000	1
8	041021	#10-24 x 1/2 PH-ROUND HEAD MS SS	2
9	044016	#10-24 KEPS HEX NUT PL	6
10	105414P	COVER PLATE OVAL TAILLIGHT HOLE	2
11	041021	#10-24 x 1/2 PH-ROUND MS PL	4
12	105176	TAIL LIGHT SCHEMATIC AS3000 MAXI II	1

8.7 - AS3000 Taillight and Taillight Harness (2 of 3)

SN 0001XX12 and UP



Maxi-Lite II

8.7 - AS3000 Taillight and Taillight Harness (2 of 3)

SN 0001XX12 and UP

Item	Part No.	Part Description	Qty.
1	106542	GROMMET RUBBER 1.5" ID	2
2	022016	#6 CUSH CLAMP 1/4 HOLE	3
3	041050	1/4-20 x 3/4 PH-TRUSS HEAD MS SS	3
4	044021	1/4-20 KEPS HEX NUT PL	3
5	106181	TAIL LIGHT HARNESS AS3000 MAXI II	1

Maxi-Lite II

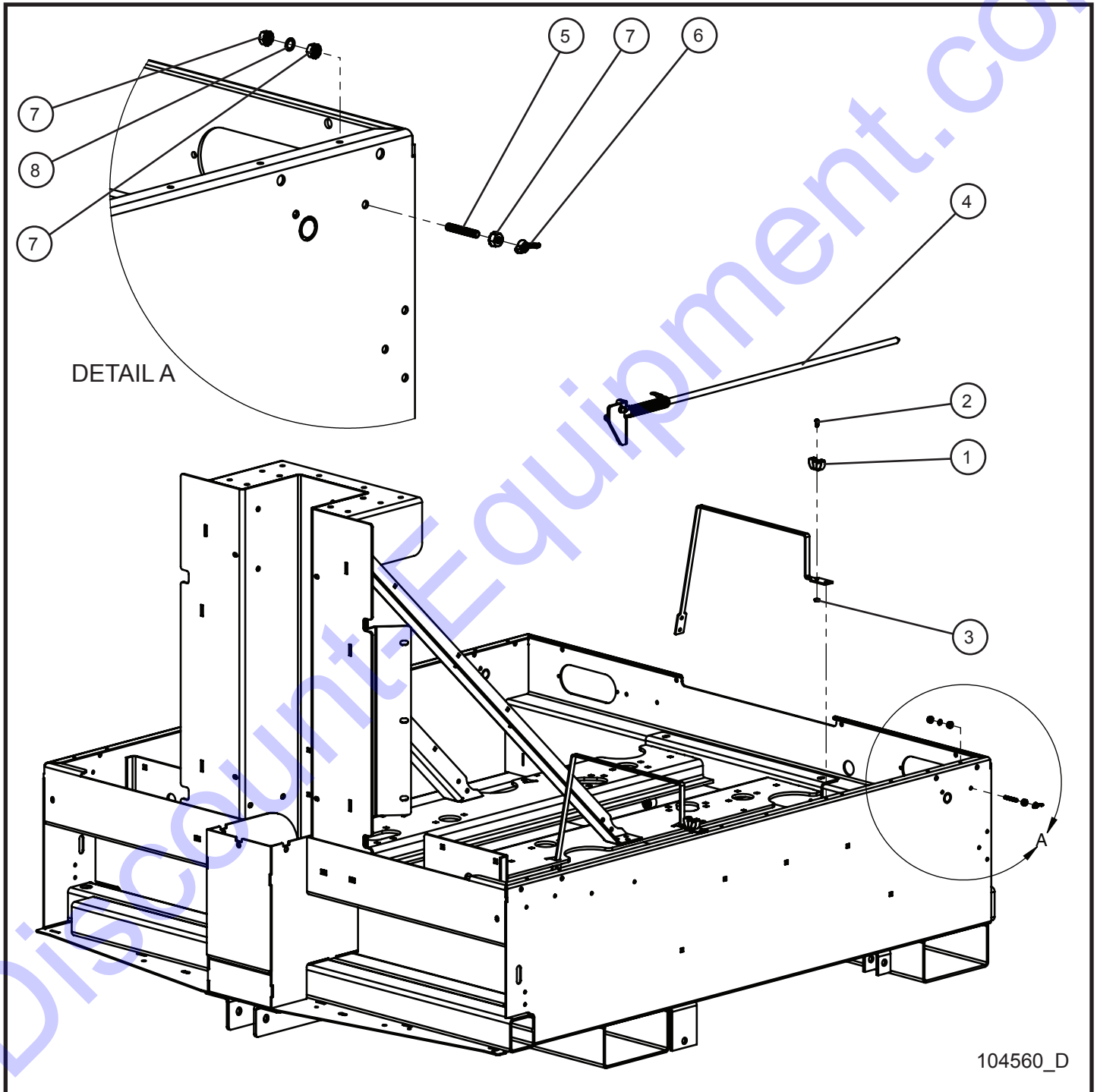
8.7 - AS3000 Taillight and Taillight Harness (3 of 3)

SN 0001XX12 and UP

Item	Part No.	Part Description	Qty.
1	022135	TIE ADHESIVE MOUNT	4
2	068041	4" UV CABLE TIE	4
3	102624	2 WIRE LEVER LOCK	4
4	102623	3 PIN LEVER LOCK	5
5	105938	REAR TAIL LIGHT HARNESS AS3000 MAXI II	1
6	106181	TAIL LIGHT HARNESS AS3000 MAXI II	1
7	105176	TAIL LIGHT SCHEMATIC AS3000 MAXI II	1

8.8 - Ground Rod Options

SN 0001XX12 and UP



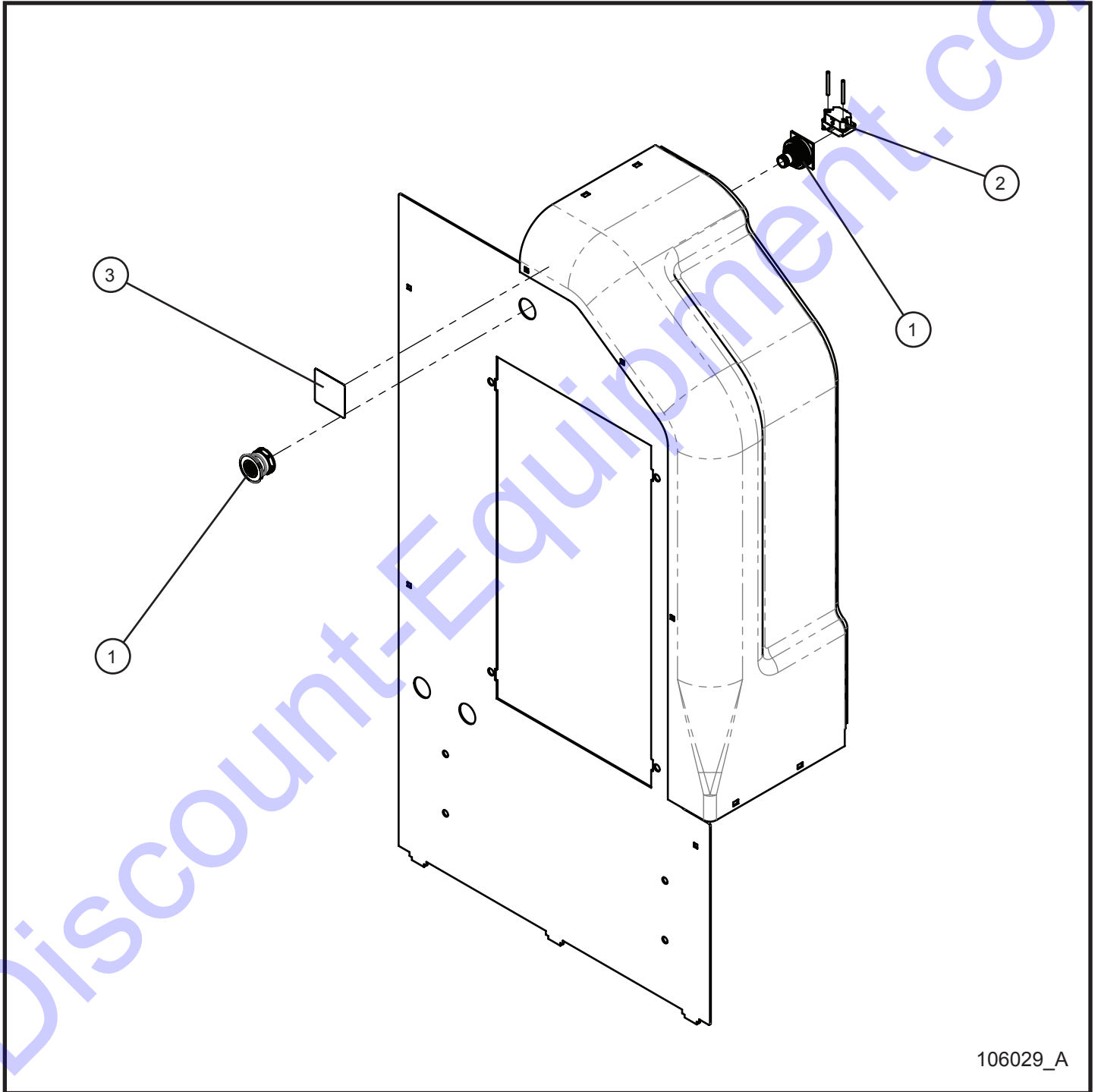
8.8 - Ground Rod Options

SN 0001XX12 and UP

Item	Part No.	Part Description	Qty.
1	330481	GROUND ROD CLIP	2
2	041024	#10-24 x 1/2 PH-ROUND HEAD MS SS	2
3	044016	#10-24 KEPS HEX NUT PL	2
4	340058	GROUND ROD ASSEMBLY	1
	105331	GROUND ROD 4 AWG WIRE ASSEMBLY	1
5	045003	1/4-20 x 1-1/2 STUD PL	1
6	330494	NUT WING 1/4-20 PL	1
7	044021	1/4-20 KEPS HEX NUT PL	3
8	043050	1/4 INTL TOOTH LOCK WASHER	1

8.9 - Emergency Stop

SN 0001XX12 and UP



106029_A

8.9 - Emergency Stop

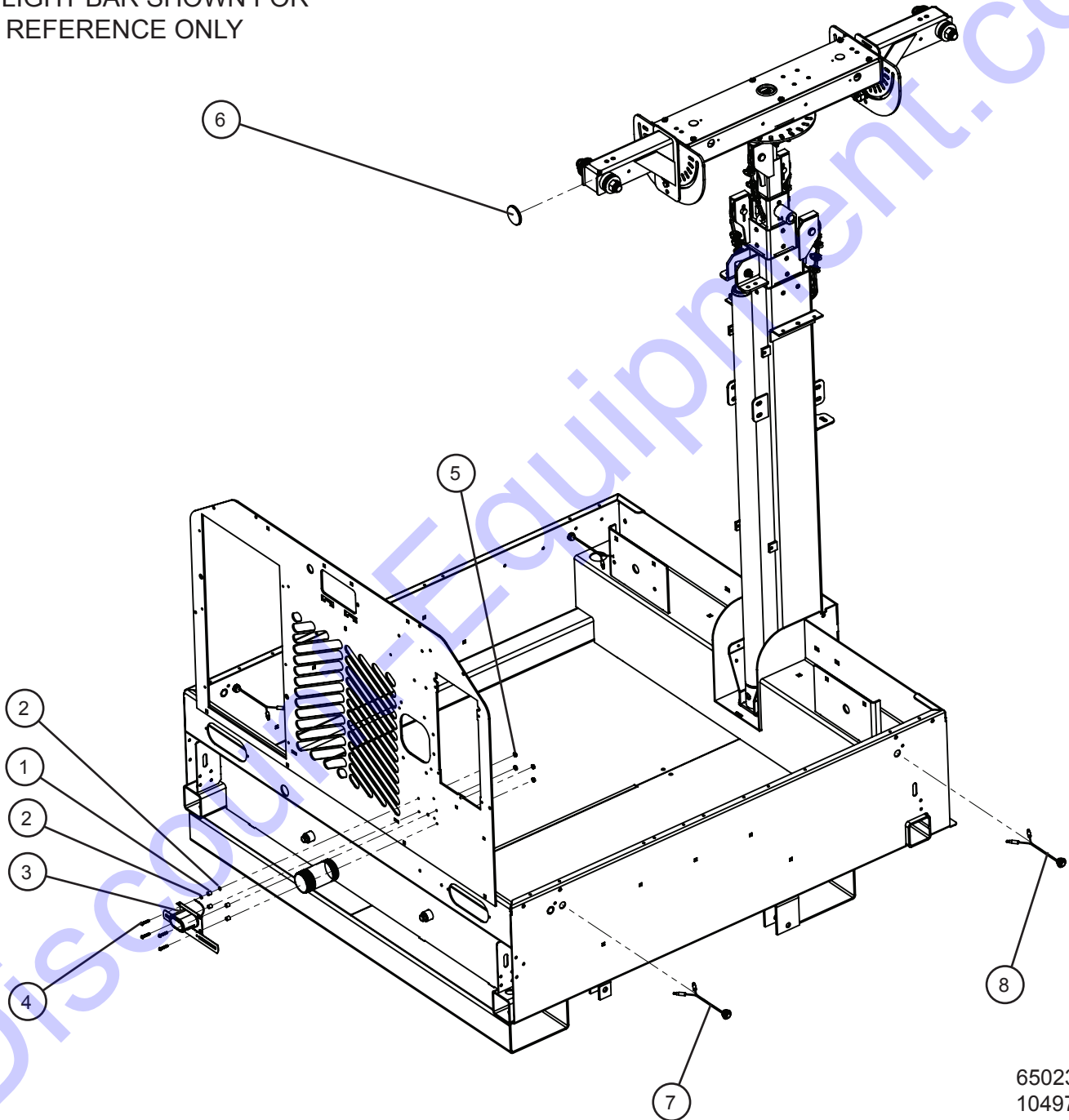
SN 0001XX12 and UP

Item	Part No.	Part Description	Qty.
1	650460	EMERGENCY STOP	1
2	650461	CONTACT BLOCK EMERGENCY STOP	1
3	105567	EMERGENCY STOP DECAL	1
4	105991	WIRE HARNESS E-STOP MAXI II (NOT SHOWN)	1

8.10 - VIN Package with License Plate Bracket

SN 0001XX12 and UP

*LIGHT BAR SHOWN FOR
REFERENCE ONLY



650238_E
104976_C

Maxi-Lite II

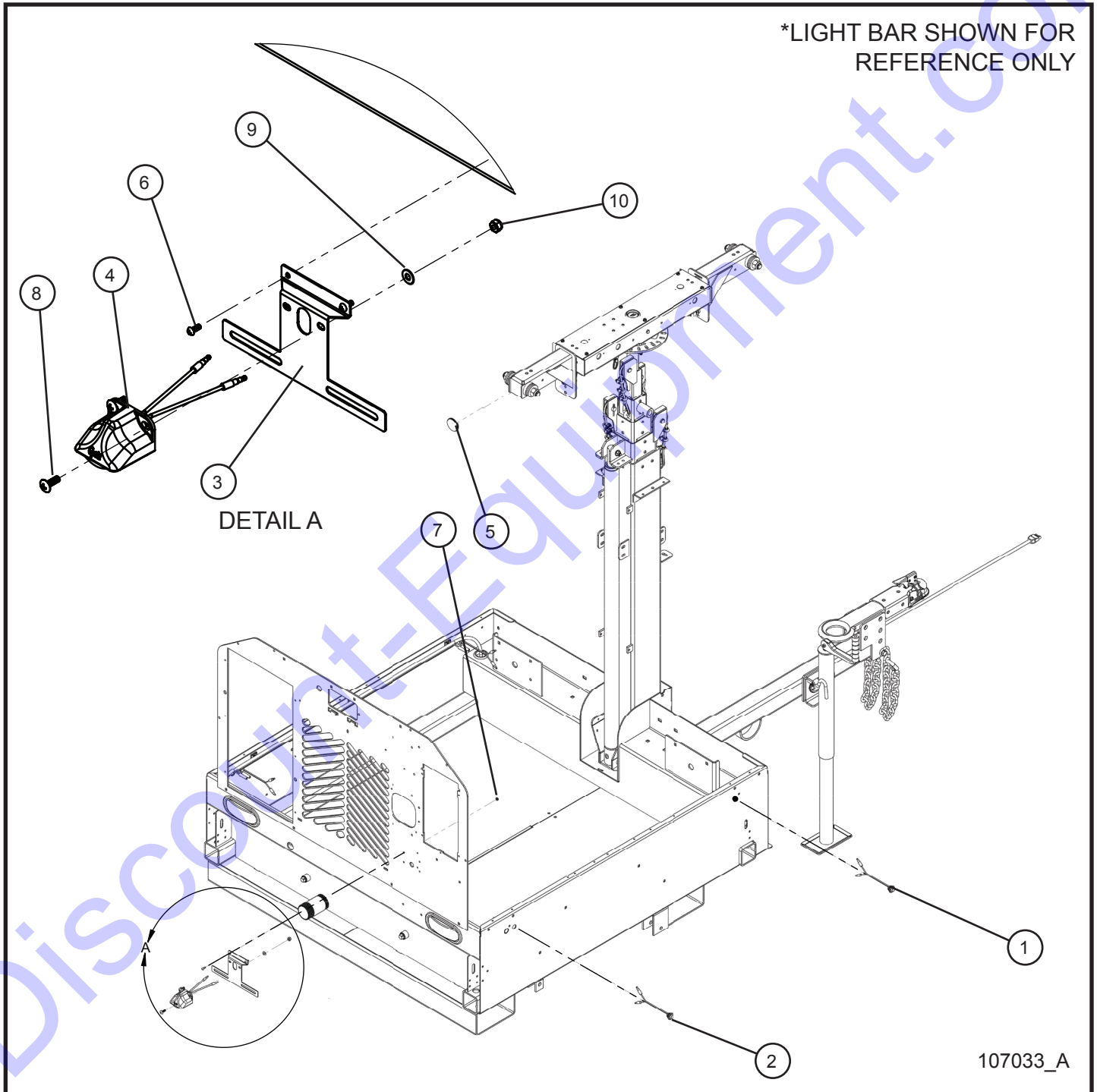
8.10 - VIN Package with License Plate Bracket

SN 0001XX12 and UP

Item	Part No.	Part Description	Qty.
1	022180	SPACER RICOHO	4
2	043015	#10 INT'L TOOTHLOCK WASHER PL	2
3	032035	LICENSE PLATE LAMP WITH BRACKET	1
4	041030	#10-24 x 1 PH-ROUND HEAD MS PL	4
5	044016	#10-24 KEPS HEX NUT PL	4
6	650237	2" RED REFLECTOR	2
7	106211	LIGHT LED MARKER RED	2
8	106212	LIGHT LED MARKER AMBER	2
9	107267	MARKER LIGHTS SCHEMATIC	1

8.11 - VIN LED Package with License Plate Bracket (1 of 2)

SN 0001XX12 and UP



Maxi-Lite II

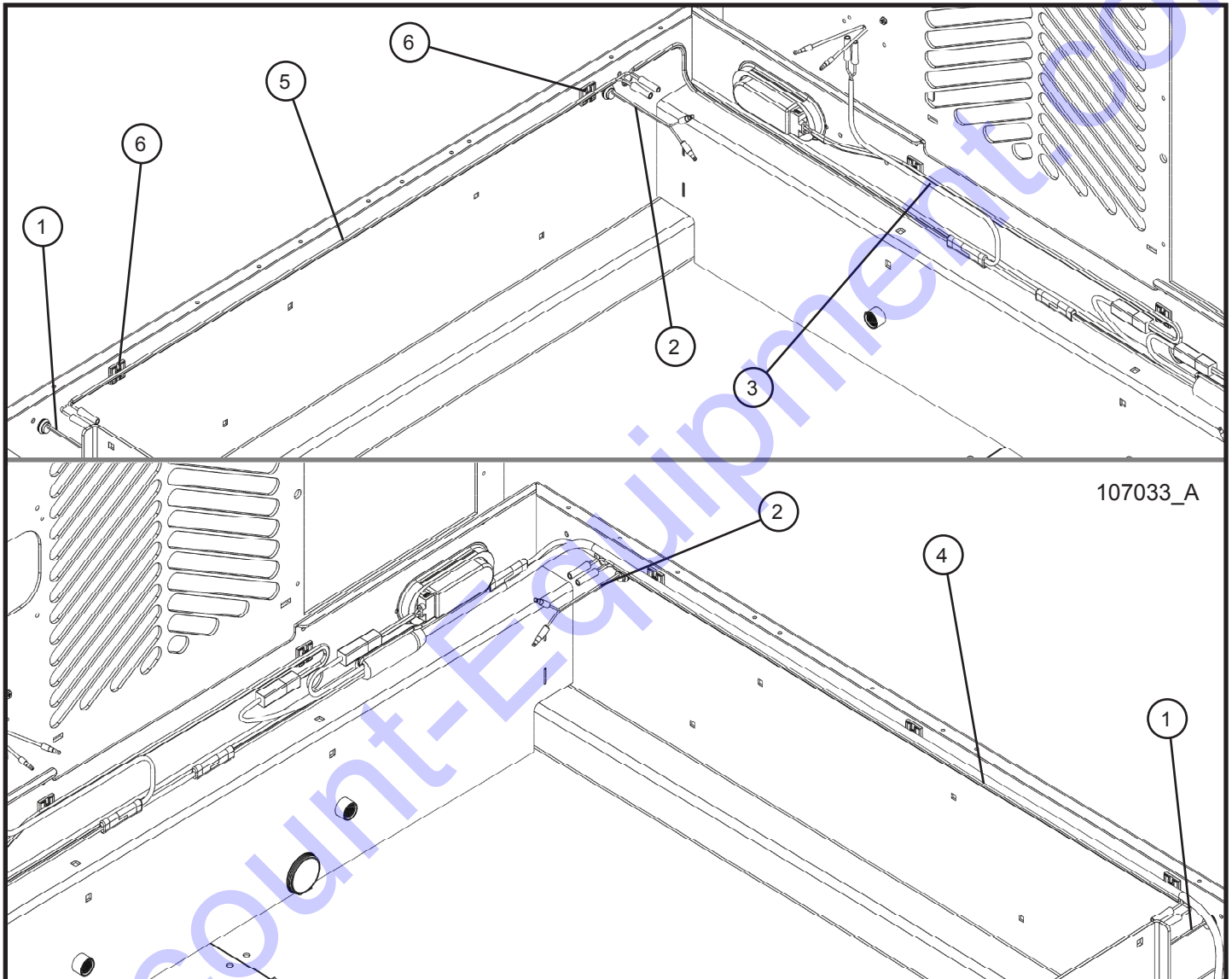
8.11 - VIN LED Package with License Plate Bracket (1 of 2)

SN 0001XX12 and UP

Item	Part No.	Part Description	Qty.
1	106212	LIGHT LED MARKER AMBER	2
2	106211	LIGHT LED MARKER RED	2
3	105349P	BRACKET LICENSE PLATE	1
4	107605	MOUNT LED LIGHT CLEAR	1
5	650237	2" RED REFLECTOR	2
6	041021	#10-24 x 1/2 PH-ROUND HEAD MS PL	2
7	044016	#10-24 KEPS HEX NUT PL	2
8	041050	1/4-20 x 3/4 PH-TRUSS HEAD MS SS MACHINE SCREW	2
9	047009	1/4 FLAT WASHER SAE SS	2
10	044023	1/4-20 NYLOCK HEX NUT PL	2
11	107267	MARKER LIGHTS SCHEMATIC	1

8.11 - VIN LED Package with License Plate Bracket (2 of 2)

SN 0001XX12 and UP



Maxi-Lite II

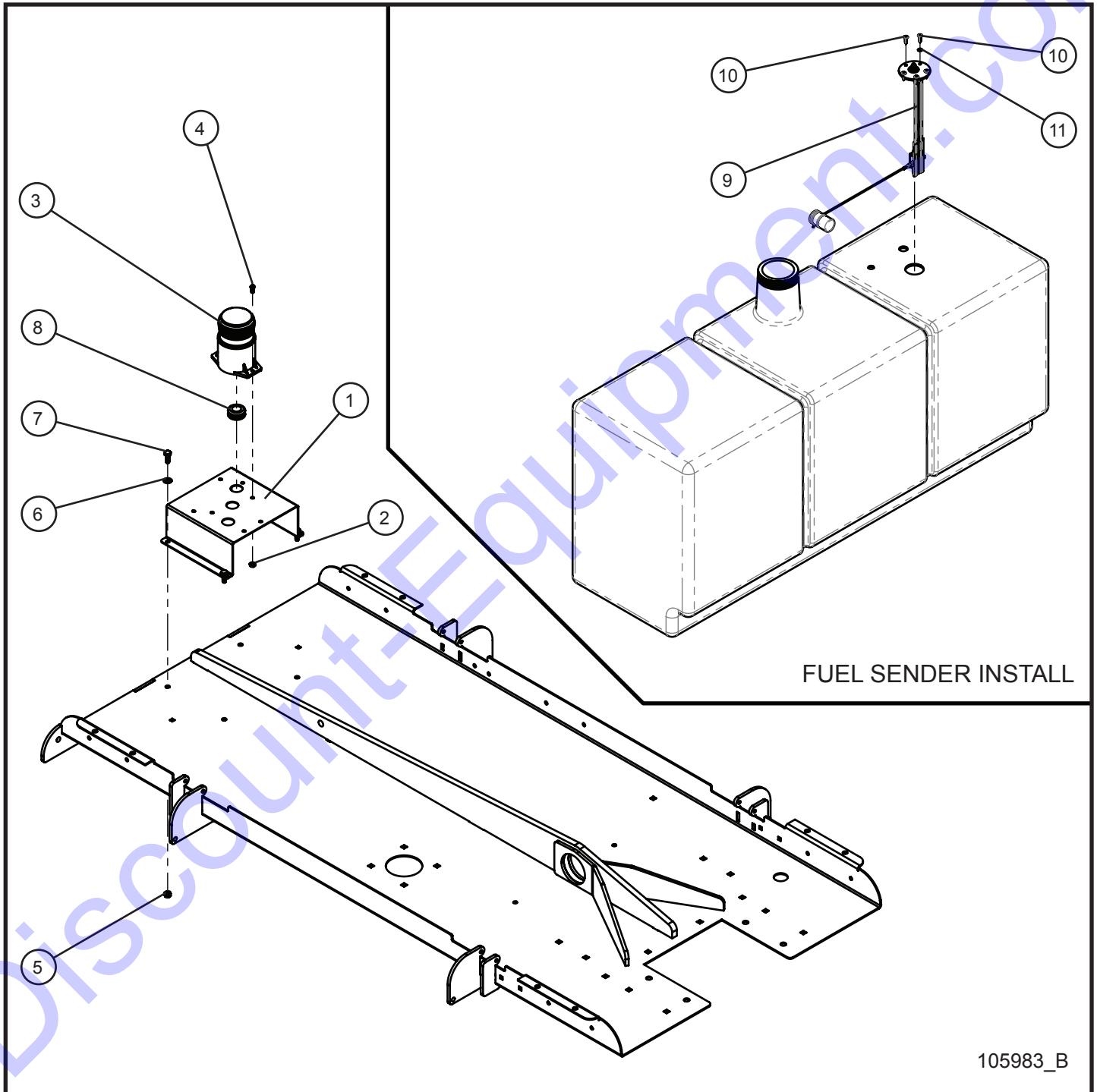
8.11 - VIN LED Package with License Plate Bracket (2 of 2)

SN 0001XX12 and UP

Item	Part No.	Part Description	Qty.
1	106212	LIGHT LED MARKER AMBER	2
2	106211	LIGHT LED MARKER RED	2
3	105348	LONG LED LIGHT LICENSE PLATE	1
4	107863	SHORT-2 PIN PLUG MARKER LIGHTS	1
5	107864	LONG-2 PIN PLUG MARKER LIGHTS	1
6	022135	TIE ADHESIVE MOUNT	2
7	107267	MARKER LIGHTS SCHEMATIC	1

8.12 - Low Fuel Beacon

SN 0001XX12 and UP



105983_B

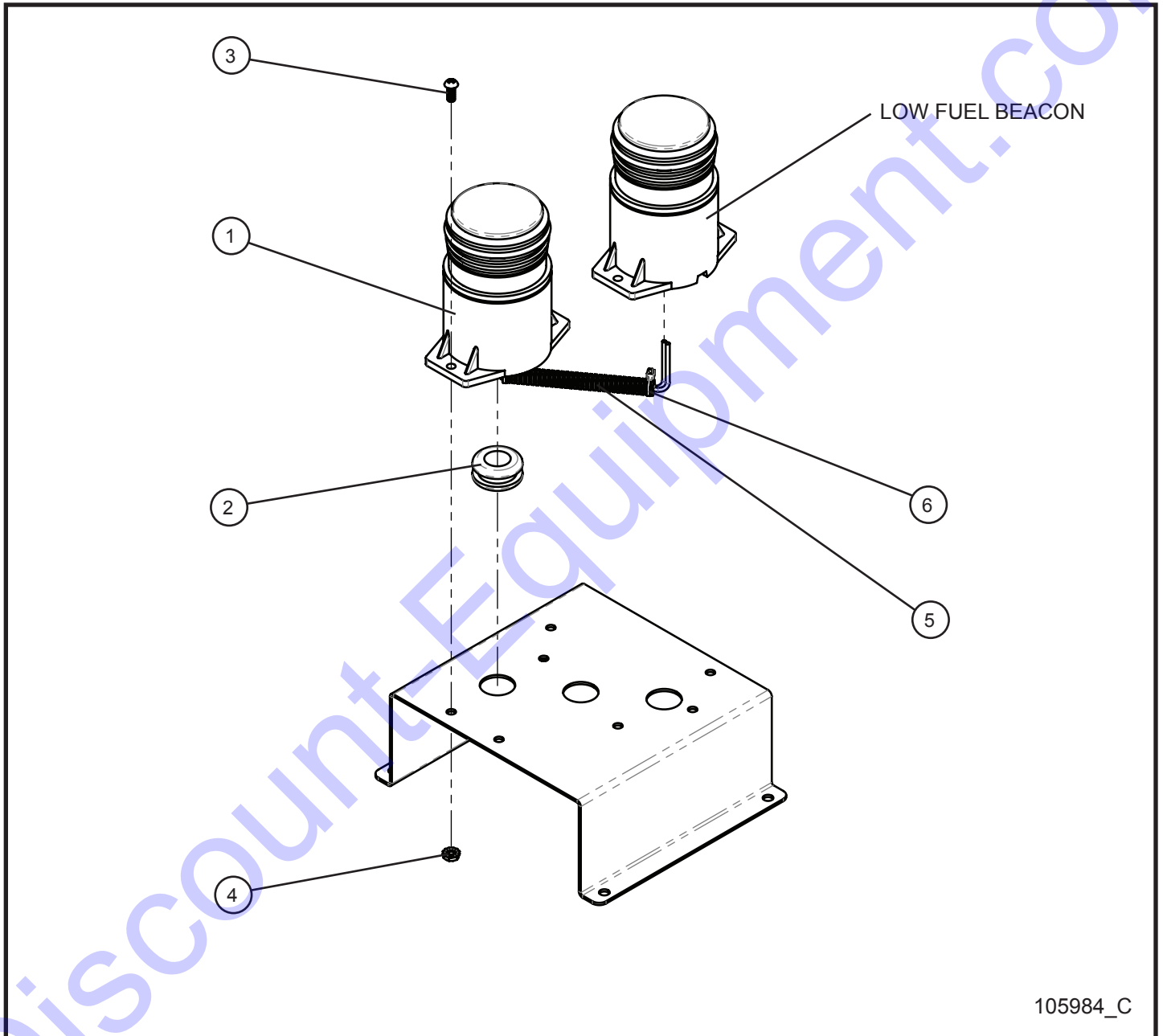
8.12 - Low Fuel Beacon

SN 0001XX12 and UP

Item	Part No.	Part Description	Qty.
1	104636P	BRACKET BEACON MAXI II	1
2	044016	#10-24 KEPS HEX NUT PL	2
3	104974	LED STROBE LIGHT AMBER 3" ROUND	1
4	041021	#10-24 x 1/2 PH-ROUND HEAD MS PL	2
5	044023	1/4-20 NYLOCK HEX NUT PL	4
6	047009	1/4 FLAT WASHER SAE SS	4
7	046010	1/4-20 x 3/4 HEX HEAD CS GR5 SS	4
8	330463	11/16 RUBBER GROMMET	1
9	352479	FUEL LEVEL SENDER ISS PRO	1
10	102556	SCREW #8 x 3/4	5
11	043015	#10 INT'L TOOTH LOCK WASHER PL	1
12	106055	HARNESS SENDER FUEL LEVEL (NOT SHOWN)	1
13	106051	HARNESS LOW FUEL BEACON RUN LIGHT (NOT SHOWN)	1
14	106341	SCHEMATIC FUEL SENDING UNIT (NOT SHOWN)	1
15	105887	SCHEMATIC LOW FUEL BEACON (NOT SHOWN)	1

8.13 - Run Beacon

SN 0001XX12 and UP



105984_C

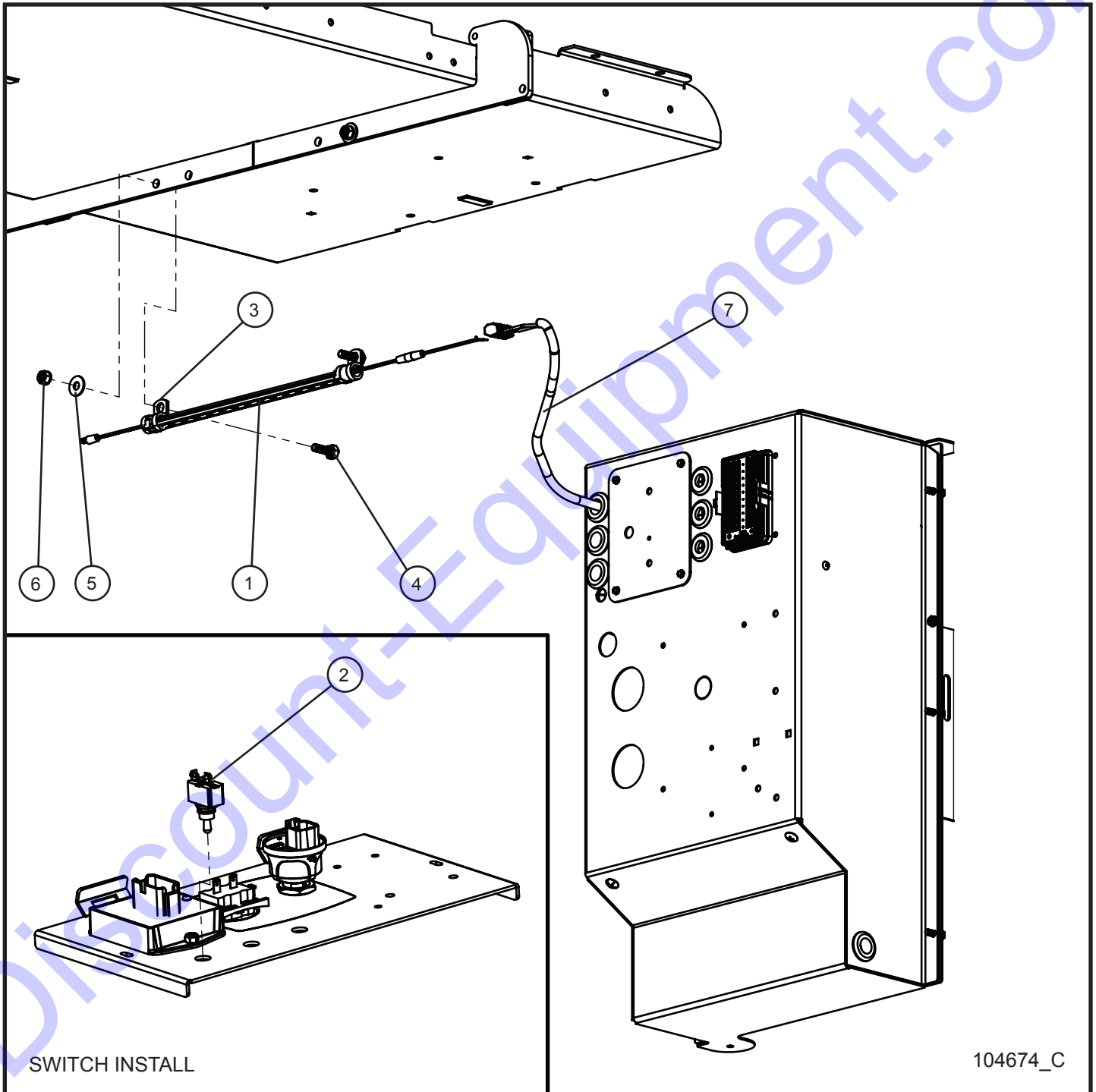
8.13 - Run Beacon

SN 0001XX12 and UP

Item	Part No.	Part Description	Qty.
1	104975	LED STROBE LIGHT GREEN 3" ROUND	1
2	330463	11/16 RUBBER GROMMET	1
3	041021	#10-24 x 1/2 PH-ROUND HEAD MS PL	2
4	044016	#10-24 KEPS HEX NUT PL	2
5	022200	1/4 SPLIT LOOM x 4.0	1
6	068041	4" UV CABLE TIE	2
7	106092	SCHEMATIC RUN BEACON	1

8.14 - Interior LED Light

SN 0001XX12 and UP



Maxi-Lite II

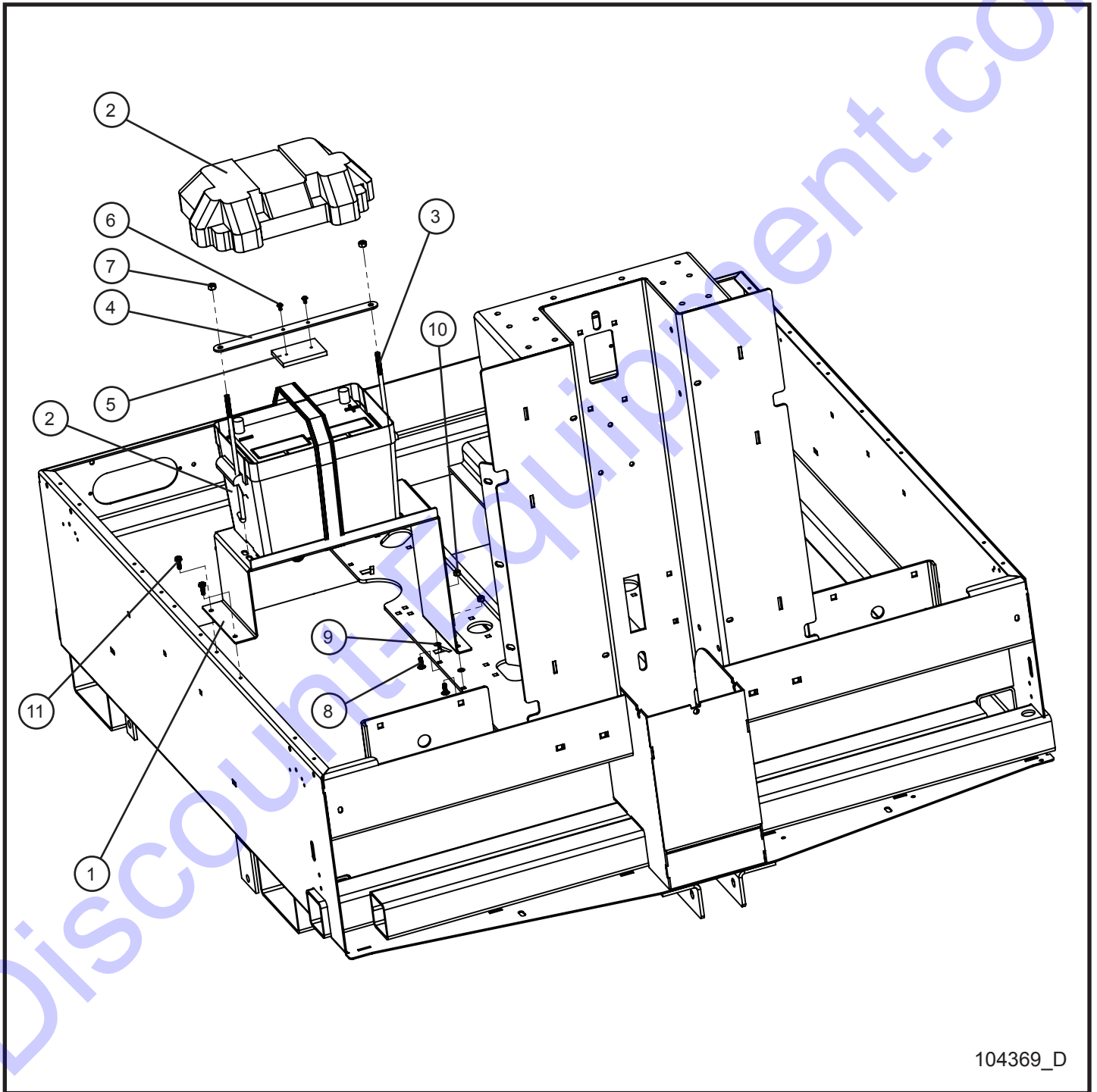
8.14 - Interior LED Light

SN 0001XX12 and UP

Item	Part No.	Part Description	Qty.
1	104820	LED LIGHT 12 INCH	1
2	340009	SWITCH 15A SPST	1
3	022018	#8 CUSH CLAMP	2
4	046050	5/16-18 x 1 HEX HEAD CS GR5 PL	2
5	047010	5/16 FLAT WASHER PL	2
6	044031	5/16-KEPS HEX NUT PL	2
7	105037	WIRE KIT INTERIOR LIGHT MAXI II	1
8	105341	SCHEMATIC WORK LIGHT	1

9.1 - Battery Install Group

SN 0001XX12 and UP



104369_D

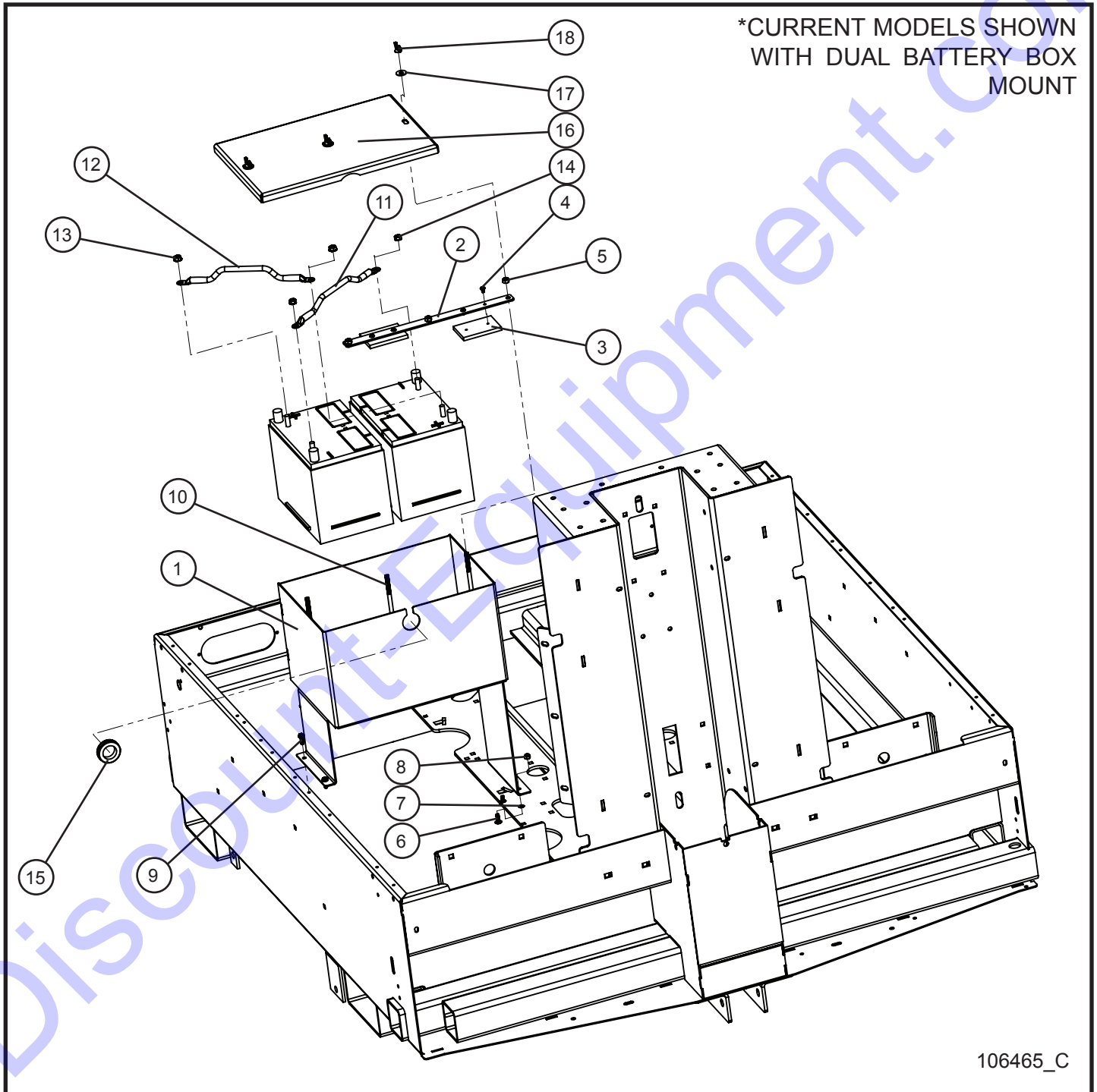
9.1 - Battery Install Group

SN 0001XX12 and UP

Item	Part No.	Part Description	Qty.
1	104697P	MOUNT BRACKET BATTERY	1
2	103886	BATTERY BOX HERTZ	1
3	433507	5/16-18 J BOLT	2
4	103305P	HOLD DOWN STRAP BATTERY BOX	1
5	650110	.312 TOWER PAD	1
6	041023	#10 x 3/8 PH-ROUND HEAD MS PL	2
7	044033	5/16-18 NYLOCK HEX NUT PL	2
8	053006	1/4-20 x 3/4 CARRIAGE BOLT	2
9	101701	1/4 PUSH NUT	2
10	044023	1/4-20 NYLOCK HEX NUT PL	2
11	041070	1/4-20 x 3/4 SL-HEX WASHER HEAD MS TP F	2

9.2 - Dual Battery Install Group

SN 0001XX12 and UP



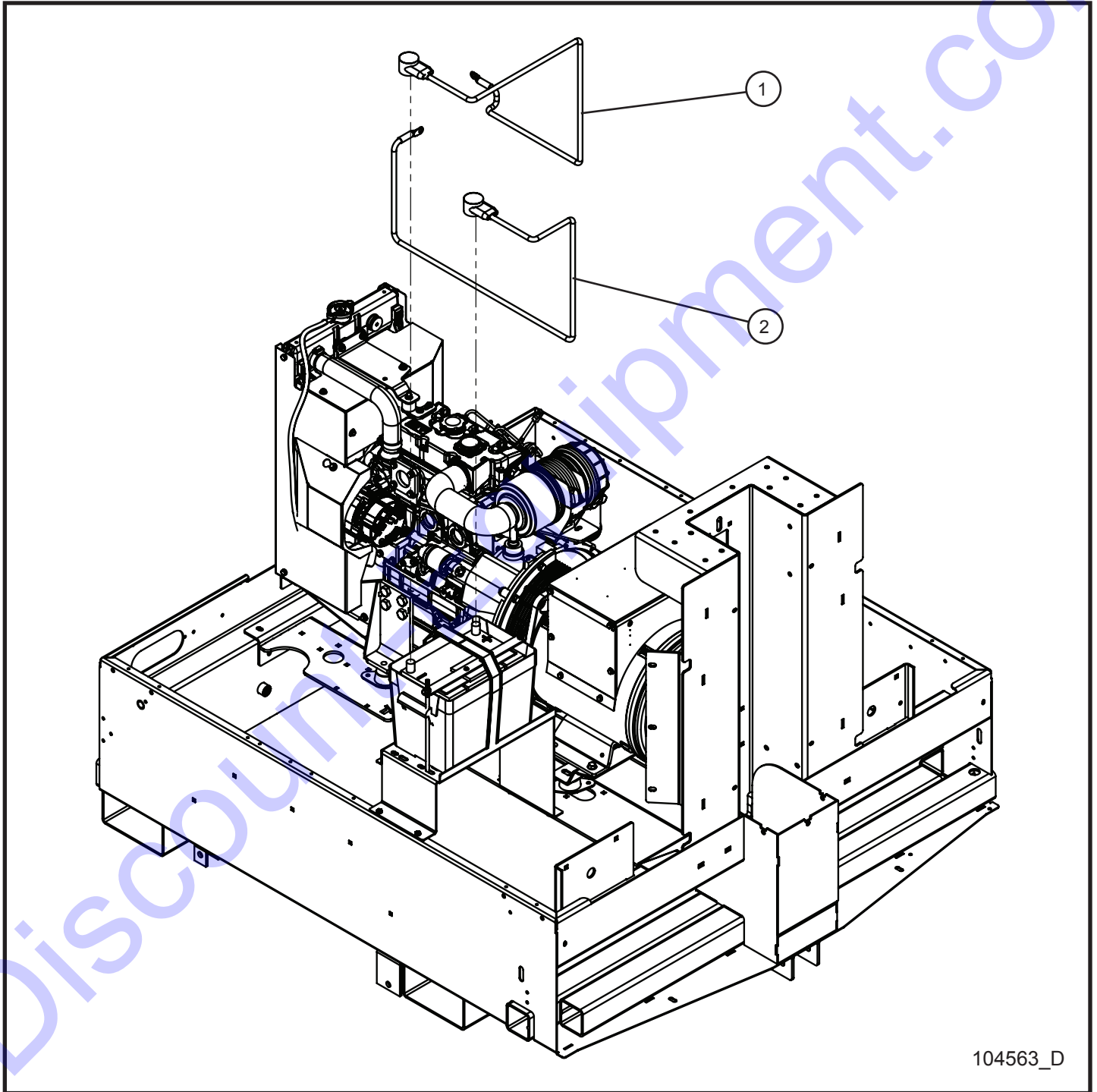
9.2 - Dual Battery Install Group

SN 0001XX12 and UP

Item	Part No.	Part Description	Qty.
1	105913P	DUAL BATTERY BOX MOUNT	1
2	106464P	HOLD DOWN STRAP 2 BATTERY	1
3	650110	.312 TOWER PAD	2
4	041023	#10 x 3/8 PH-ROUND HEAD MS PL	4
5	044033	5/16-18 NYLOCK HEX NUT PL	3
6	053006	1/4-20 x 3/4 CARRIAGE BOLT	2
7	101701	1/4 PUSH NUT	2
8	044023	1/4-20 NYLOCK HEX NUT PL	2
9	041070	1/4-20 x 3/4 SL-HEX WASHER HEAD MS TP F	2
10	433507	5/16-18 J BOLT x 11 ZINC	3
11	106466	CABLE NEGATIVE BATTERY PARALLEL MAXI II	1
12	106467	CABLE POSITIVE BATTERY PARALLEL MAXI II	1
13	044036	3/8-16 KEPS HEX NUT PL	2
14	044031	5/16-18 KEPS HEX NUT PL	2
15	650542	1 1/4 ID x 1 1/2 OD GROMMET	1
16	106471P	BOX LID DUAL BATTERY	1
17	047010	5/16 FLAT WASHER PL	3
18	044017	5/16-18 WING NUT	3

9.3 - Battery Cables

SN 0001XX12 and UP



104563_D

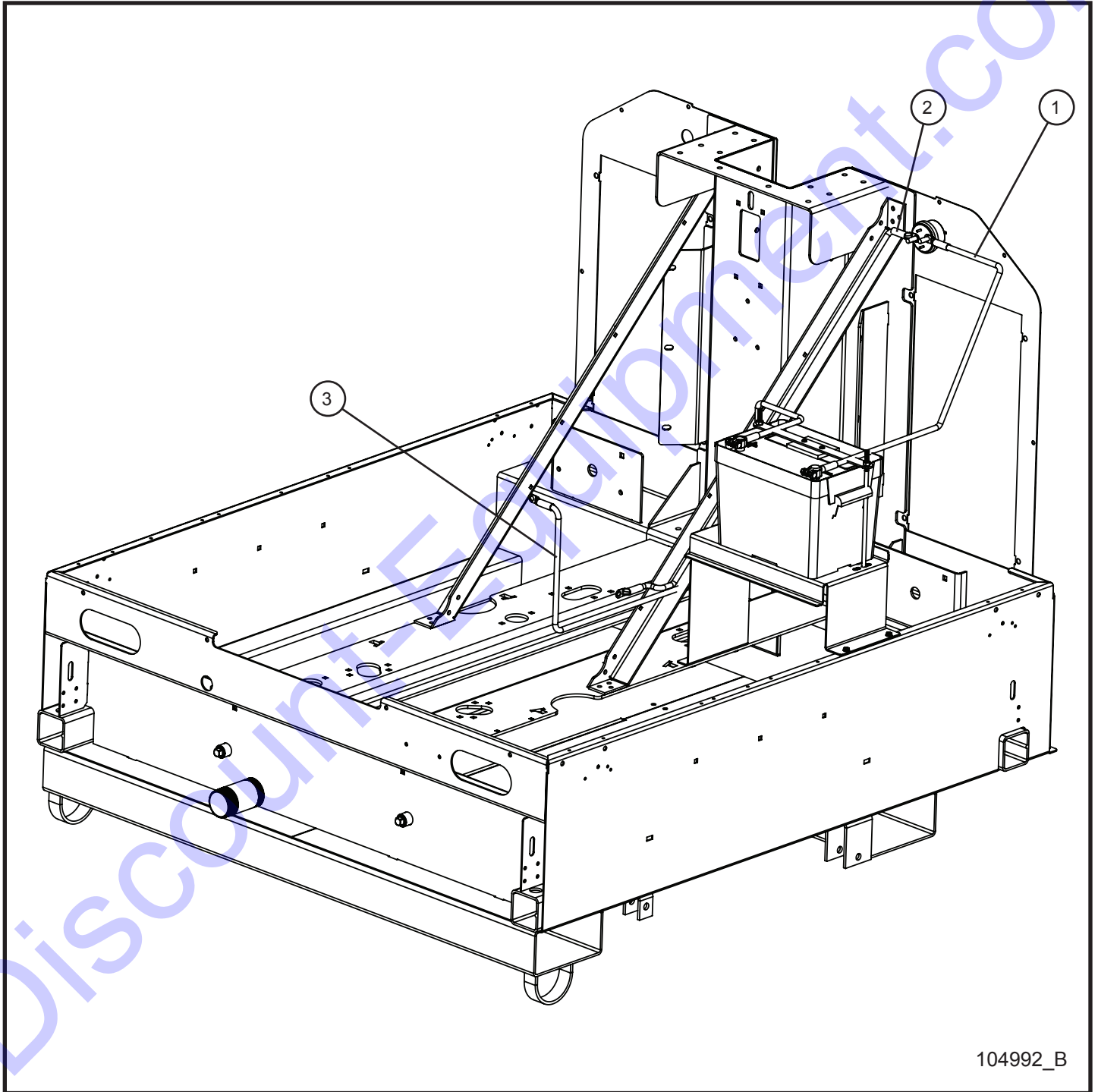
9.3 - Battery Cables

SN 0001XX12 and UP

Item	Part No.	Part Description	Qty.
1	713098	BATTERY CABLE BLACK 2GA 36" (NEGATIVE)	1
2	027026	BATTERY CABLE RED 2GA 48" (POSITIVE)	1

9.4 - Battery Cable Disconnect

SN 0001XX12 and UP



104992_B

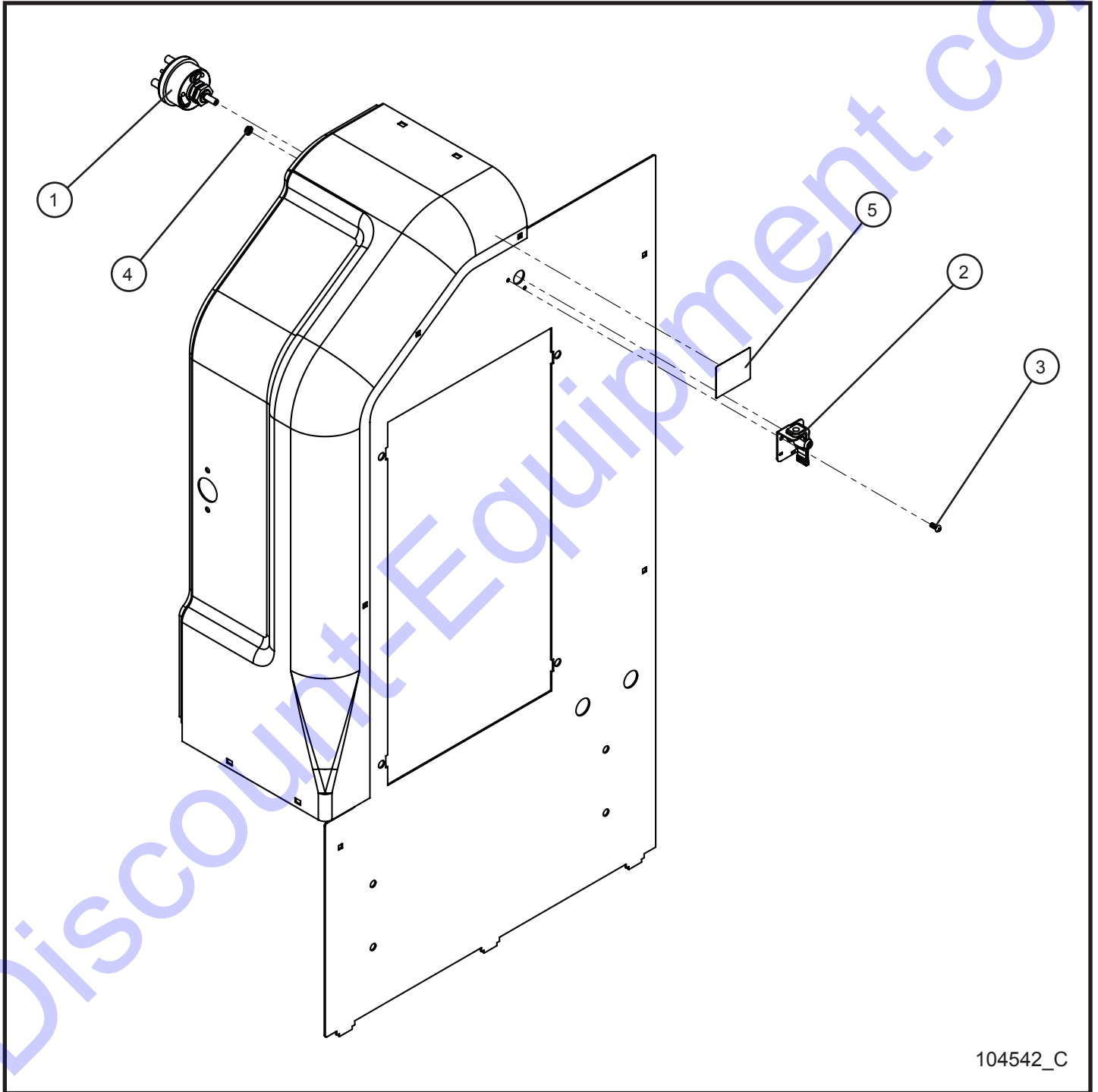
9.4 - Battery Cable Disconnect

SN 0001XX12 and UP

Item	Part No.	Part Description	Qty.
1	713098	BATTERY CABLE BLACK 2 GA 36"	1
2	104991	BATTERY CABLE BLACK 60" w/ 2 EYELETS	1
3	027026	BATTERY CABLE RED 2 GA 48"	1

9.5 - Battery Cable Disconnect Switch

SN 0001XX12 and UP



104542_C

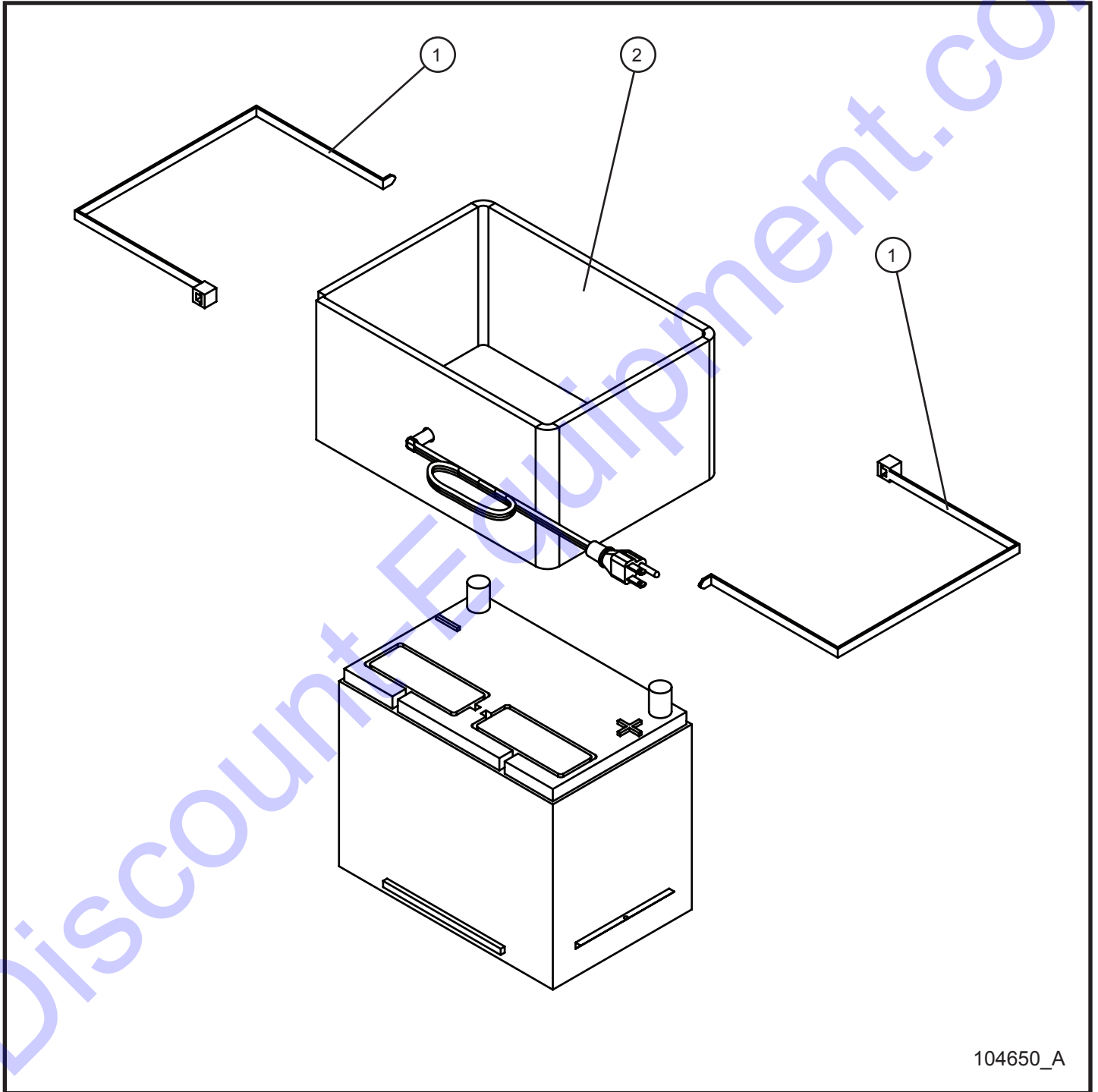
9.5 - Battery Cable Disconnect Switch

SN 0001XX12 and UP

Item	Part No.	Part Description	Qty.
1	102534	SWITCH BATTERY DISCONNECT	1
2	103483	LOCK OUT BATTERY DISCONNECT	1
3	041024	#10-24 x 1/2 PH-ROUND HEAD MS SS	2
4	044016	#10-24 KEPS HEX NUT PL	2
5	104777	DECAL BATTERY DISCONNECT	1

9.6 - Battery Blanket

SN 0001XX12 and UP



104650_A

9.6 - Battery Blanket

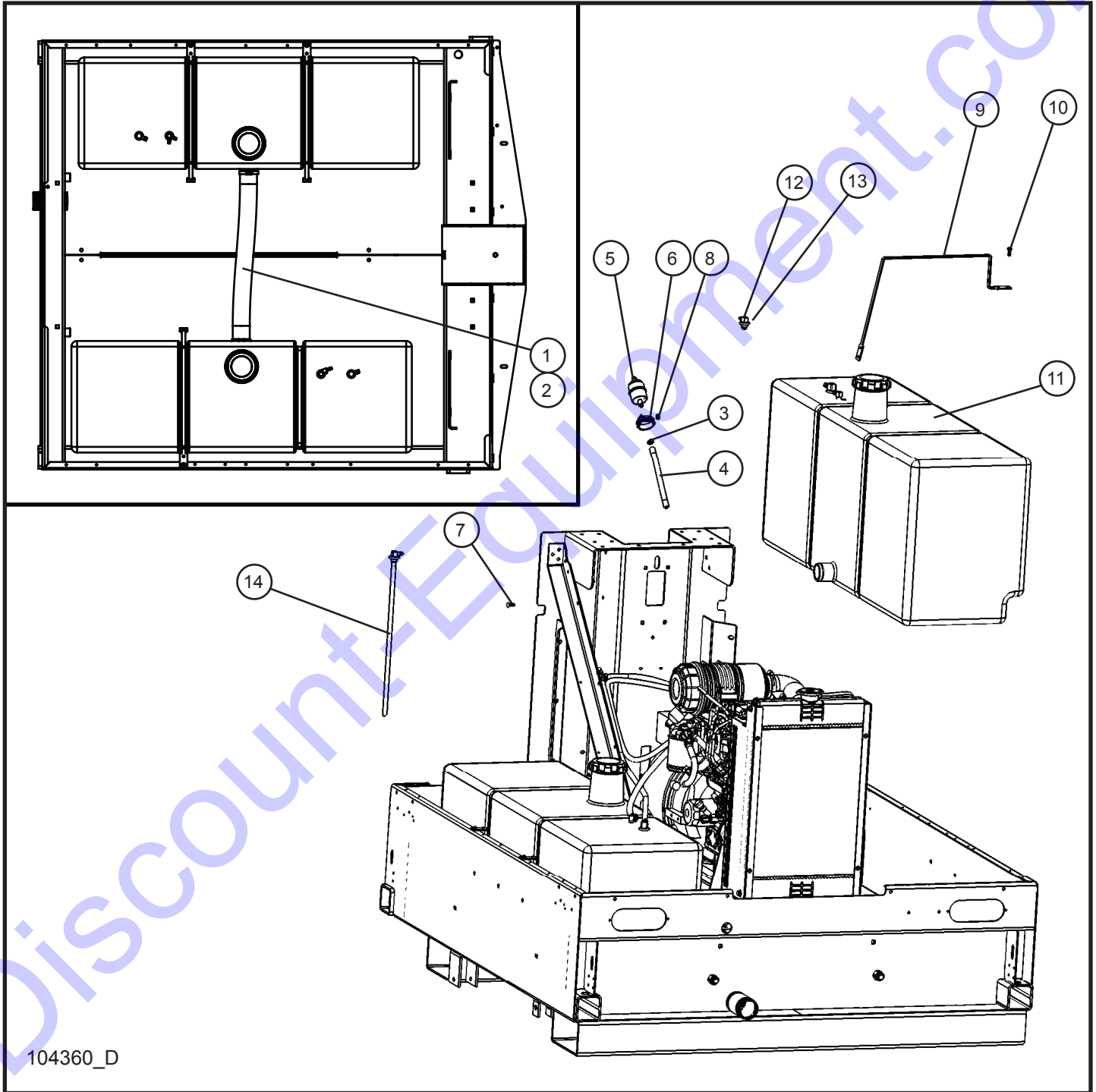
SN 0001XX12 and UP

Item	Part No.	Part Description	Qty.
1	105759	CABLE TIE 32"	2
2	024010	80 WATT BATTERY BLANKET	1

Discount-Equipment.com

9.7 - Fuel Tank Install Group (1 of 2)

SN 0001XX12 and UP



104360_D

Maxi-Lite II

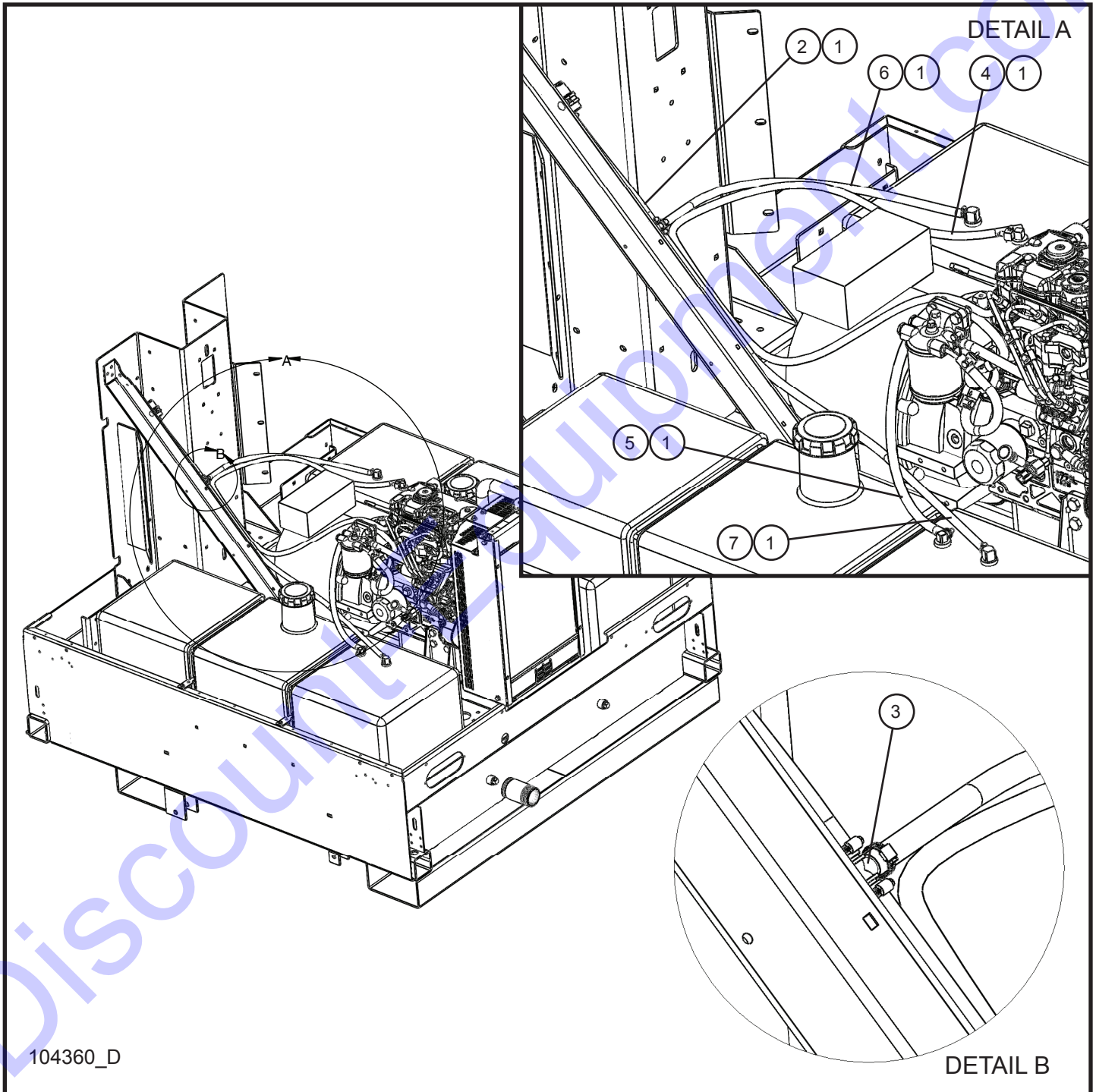
9.7 - Fuel Tank Install Group (1 of 2)

SN 0001XX12 and UP

Item	Part No.	Part Description	Qty.
1	104383	CROSSOVER HOSE FUEL TANKS	1
2	045038	#32 HOSE CLAMP	2
3	433400	#4 HOSE CLAMP	1
4	101266	HOSE 3/8 SAE 30R7 24 INCHES	1
5	104692	FUEL FILTER 3/8	1
6	920365	#20 CUSHION CLAMP	1
7	053006	1/4-20 x 3/4 CARRIAGE BOLT	1
8	044021	1/4-20 KEPS HEX NUT PL	1
9	104698P	STRAP TIEDOWN FUEL TANK	3
10	041070	1/4-20 x 3/4 SL-HEX WASHER HEAD MS TP F	3
11	104359	50 GAL ASSEMBLY FUEL TANK MAXI II	2
12	105106	DAPCO 90° ELBOW	1
13	340025C	DAPCO GROMMET	2
14	104465	TUBE ASSEMBLY FUEL SUCTION	1

9.7 - Fuel Tank Install Group (2 of 2)

SN 0001XX12 and UP



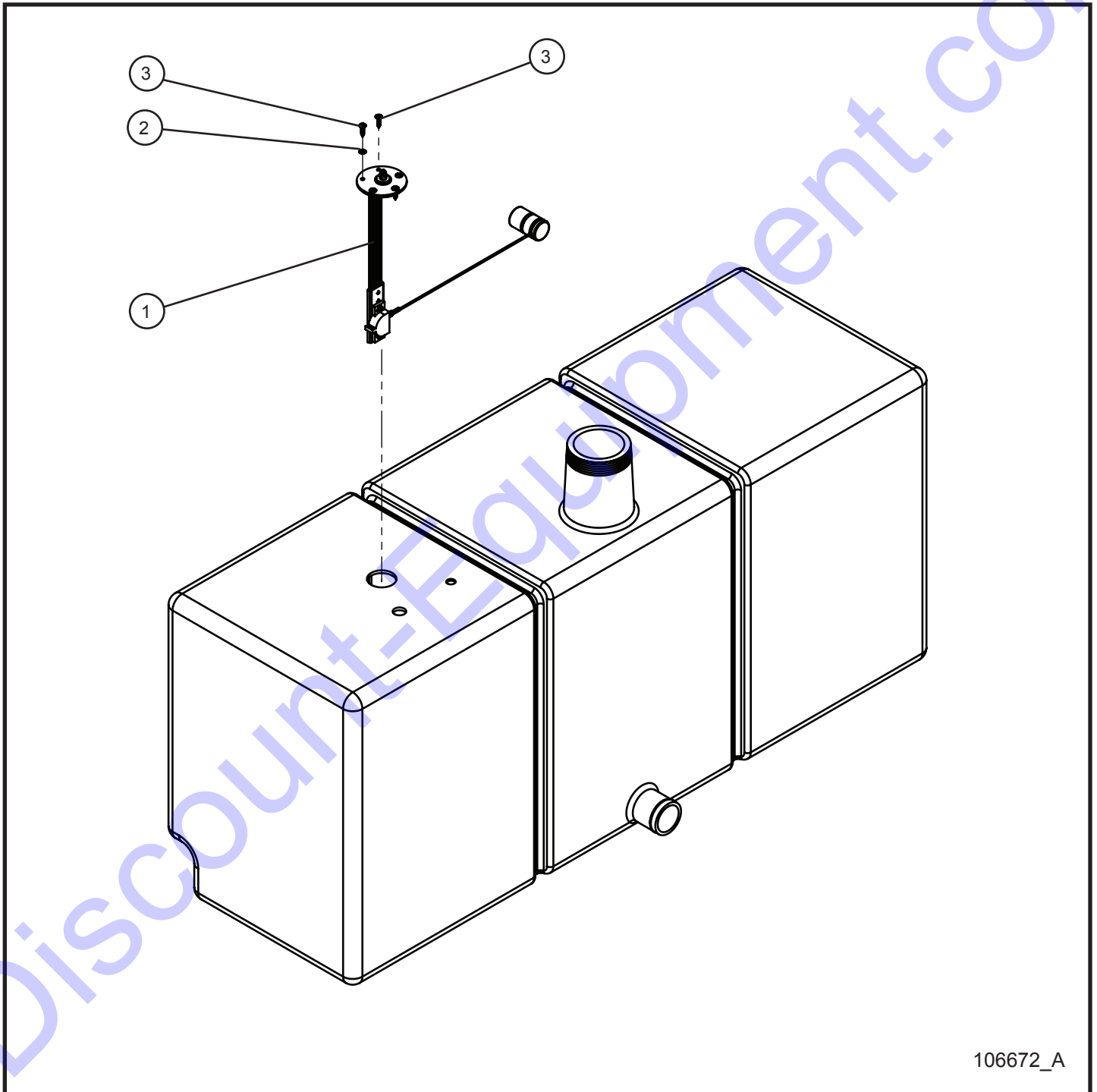
9.7 - Fuel Tank Install Group (2 of 2)

SN 0001XX12 and UP

Item	Part No.	Part Description	Qty.
1	433400	#4 HOSE CLAMP	10
2	101266	HOSE 3/8 SAE 30R7 24 INCHES	1
3	104693	HOSE CONNECTION 3/8 TEE	1
4	081016	1/4" BLACK FUEL LINE 60 INCHES	1
5	081018	5/16" HOSE FUEL LINE 24 INCHES	1
6	101266	HOSE 3/8 SAE 30R7 40 INCHES	1
7	101266	HOSE 3/8 SAE 30R7 32 INCHES	1

9.8 - Fuel Sender

SN 0001XX12 and UP



106672_A

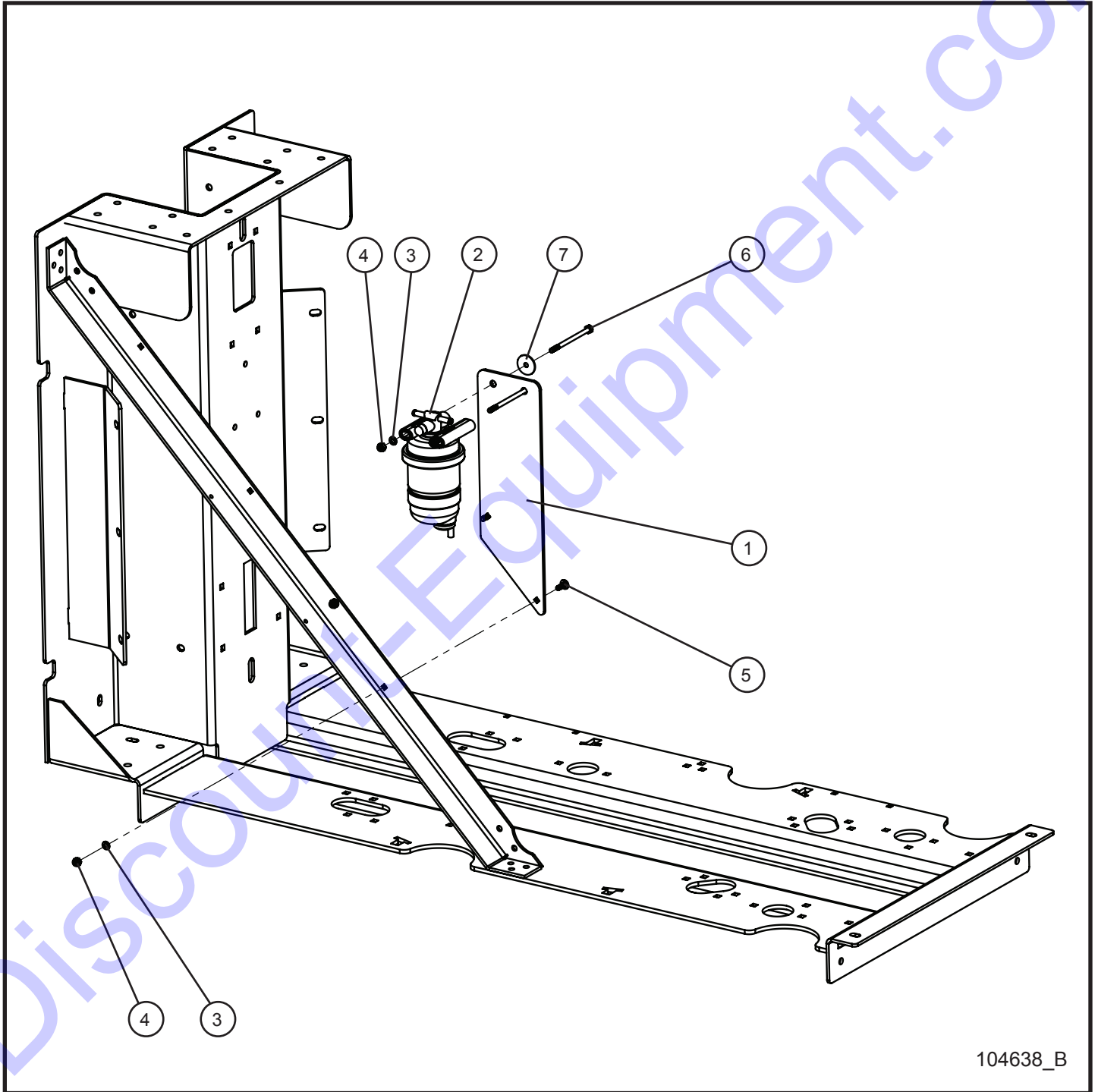
9.8 - Fuel Sender

SN 0001XX12 and UP

Item	Part No.	Part Description	Qty.
1	352479	FUEL LEVEL SENDER ISS PRO	1
2	043015	#10 INTL TOOTHLOCK WASHER PL	1
3	102556	SCREW #8 x 3/4	5
4	106055	HARNESS SENDER FUEL LEVEL	1
5	106341	SCHEMATIC FUEL SENDING UNIT	1

9.9 - Fuel Water Separator

SN 0001XX12 and UP



104638_B

9.9 - Fuel Water Separator

SN 0001XX12 and UP

Item	Part No.	Part Description	Qty.
1	104630P	PLATE MOUNT WATER SEPARATOR	1
2	100898	FUEL WATER SEPARATOR	1
	100899	FUEL WATER SEPARATOR FILTER	1
3	047009	1/4 FLAT WASHER SAE SS	4
4	044023	1/4-20 NYLOCK HEX NUT PL	4
5	053102	1/4-20 x 3/4 CARRIAGE BOLT GR2	2
6	046039	1/4-20 x 4 HEX HEAD CS Z5	2
7	047007	1/4 x 1 1/4 .056 FENDER WASHER	2

9.10 - Heated Fuel Water Separator

SN 0001XX12 and UP

Item	Part No.	Part Description	Qty.
1	104630P	PLATE MOUNT WATER SEPARATOR	1
2	053102	1/4-20 x 3/4 CARRIAGE BOLT GR2	2
3	047009	1/4 FLAT WASHER SAE SS	2
4	044023	1/4-20 NYLOCK HEX NUT PL	2
5	100611	HEATER PREFILTER STANADYNE ASSEMBLY	1
	100612	STANDADYNE FILTER ELEMENT	1
	100613	STANDADYNE HEATER ELEMENT	1
6	047016	3/8 FLAT WASHER SAE ZINC	2
7	044038	3/8-16 NYLOCK HEX NUT PL	2
8	046115	3/8-16 x 1 1/4 HEX HEAD CS GR5 PL	2
9	105878	FUEL WATER SEPARATOR HEATER HARNESS MAXI II	1
10	105886	HEATED FUEL WATER SEPARATOR SCHEMATIC	1
11	044016	#10-24 KEPS HEX NUT PL	1
12	041021	#10-24 x 1/2 PH-ROUND HEAD MS PL	1
13	081018	HOSE 5/16" x 26.0	1
14	100655	STRAIGHT CONNECTOR	2
15	101263	90° SWIVEL FITTING	2
16	101267	HOLLOW HEX PLUG 1/2-20	1
17	106030	FITTING HOSE BARB - 6 JIC - 5/16 BARB	2
18	433400	#4 HOSE CLAMP	2
19	104254	RELAY 12V 40AMP	1

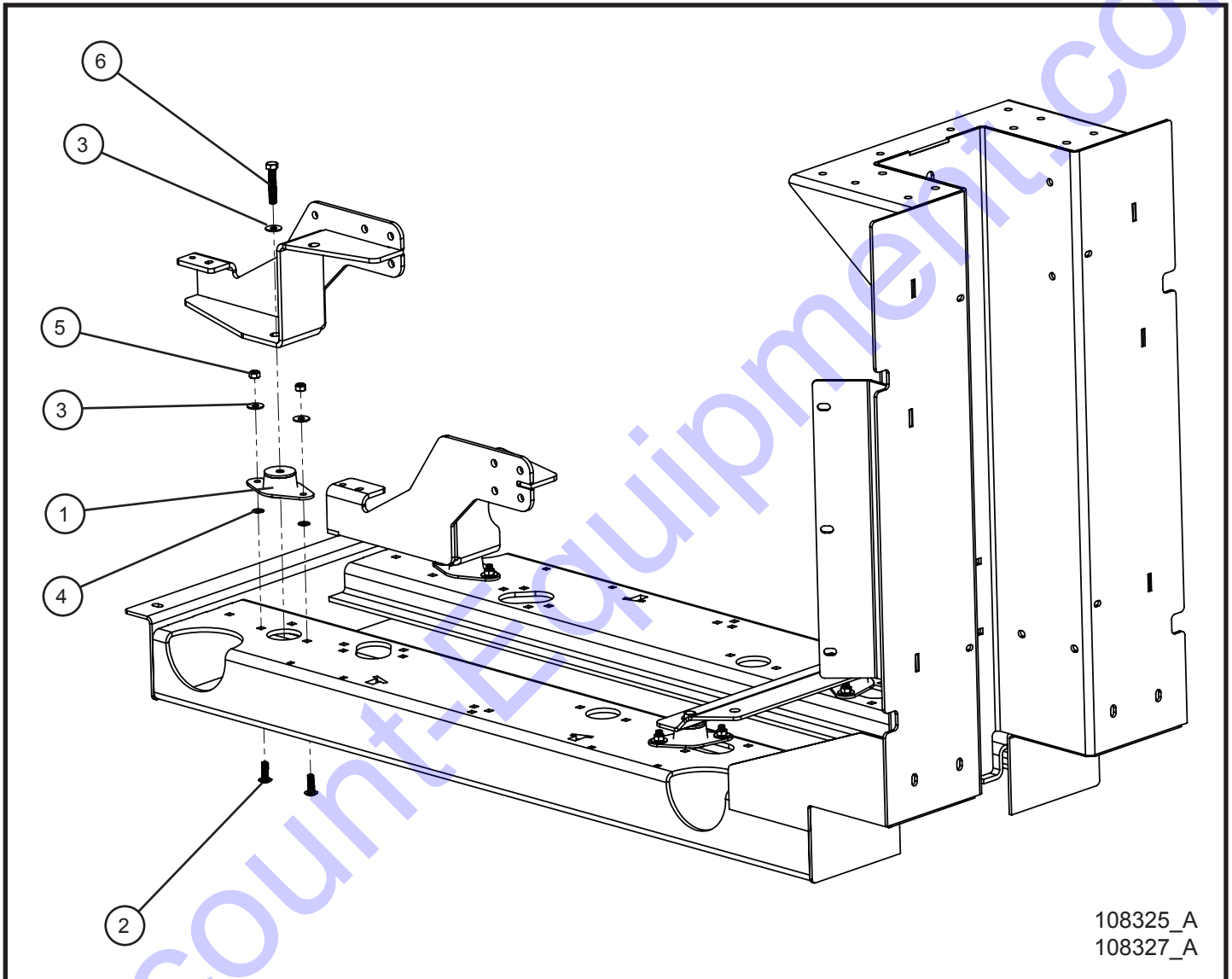
9.11 - Engine Isolator Mount Options

SN 0001XX12 and UP

Item	Part No.	Part Description	Qty.
1	848997	ISOLATOR MOUNT HEAVY DUTY	4
	650259	ISOLATOR MOUNT LIGHT DUTY	4
2	053020	5/16-18 x 1 CARRIAGE BOLT PL	8
3	047010	5/16 FLAT WASHER PL	12
4	044038	3/8-16 NYLOCK HEX NUT PL	4
5	045218	3/8 PUSH NUT	4
6	045217	5/16 PUSH NUT	8
7	640565	ENGINE MOUNT WASHER 1.55 OD x .41 ID x .135 THK	4
8	046134	3/8-16 x 2 1/2 HEX HEAD CS GR8 PL	4
9	044033	5/16-18 NYLOCK HEX NUT PL	8

9.12 - Engine Threaded Isolator Mount Options

SN 0001XX12 and UP



108325_A
108327_A

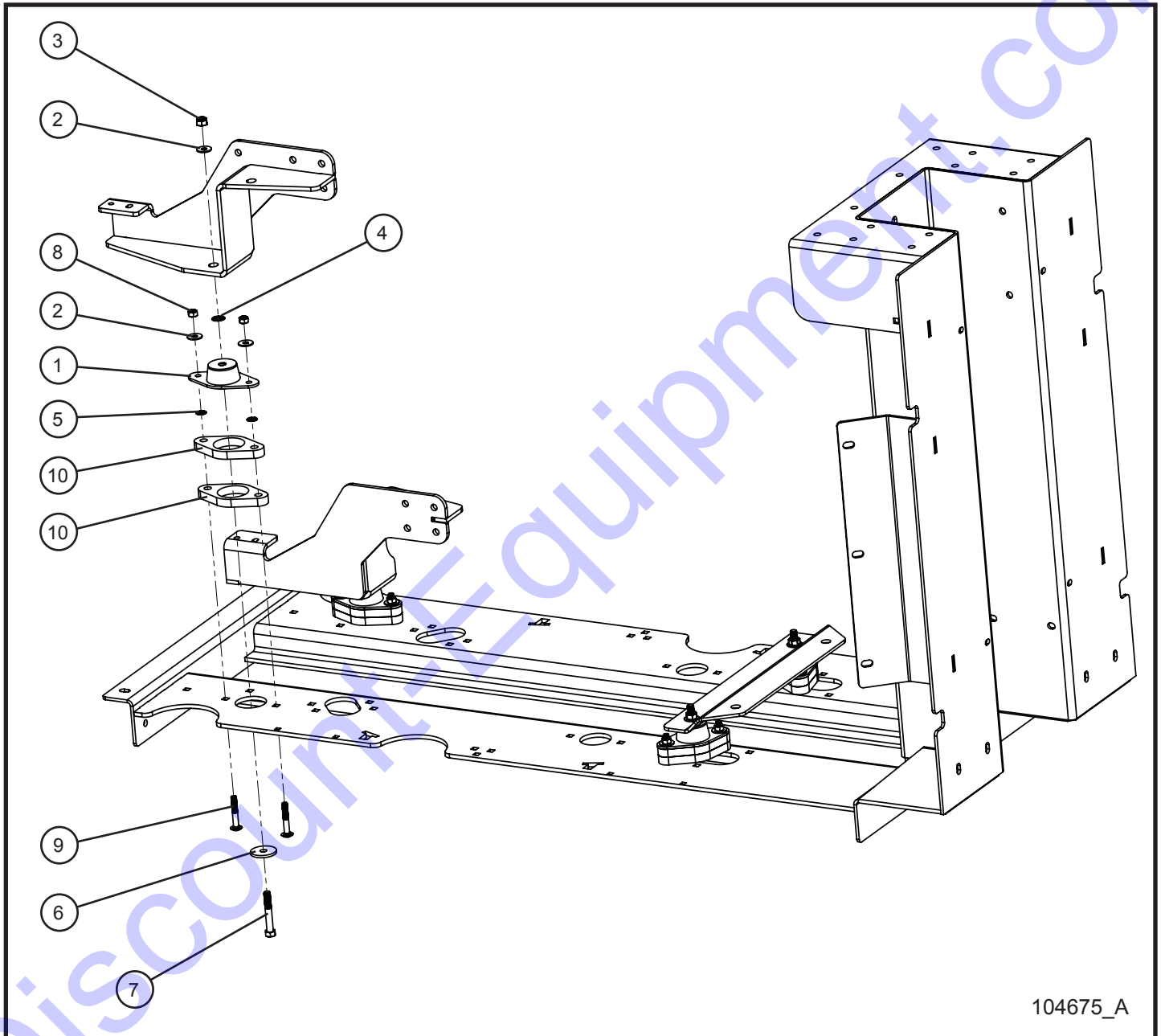
9.12 - Engine Threaded Isolator Mount Options

SN 0001XX12 and UP

Item	Part No.	Part Description	Qty.
1	107029	ISOLATOR THREADED MOUNT HEAVY DUTY	4
	107028	ISOLATOR THREADED MOUNT LIGHT DUTY	4
2	053020	5/16-18 x 1 CARRIAGE BOLT PL	8
3	047010	5/16 FLAT WASHER PL	12
4	045217	5/16 PUSH NUT	8
5	044033	5/16-18 NYLOCK HEX NUT PL	8
6	046133	3/8-16 x 2 HEX HEAD CS GR8 PL	4

9.13 - Heavy Duty Engine Isolator Mounts Isuzu 4LE1

SN 0001XX12 and UP



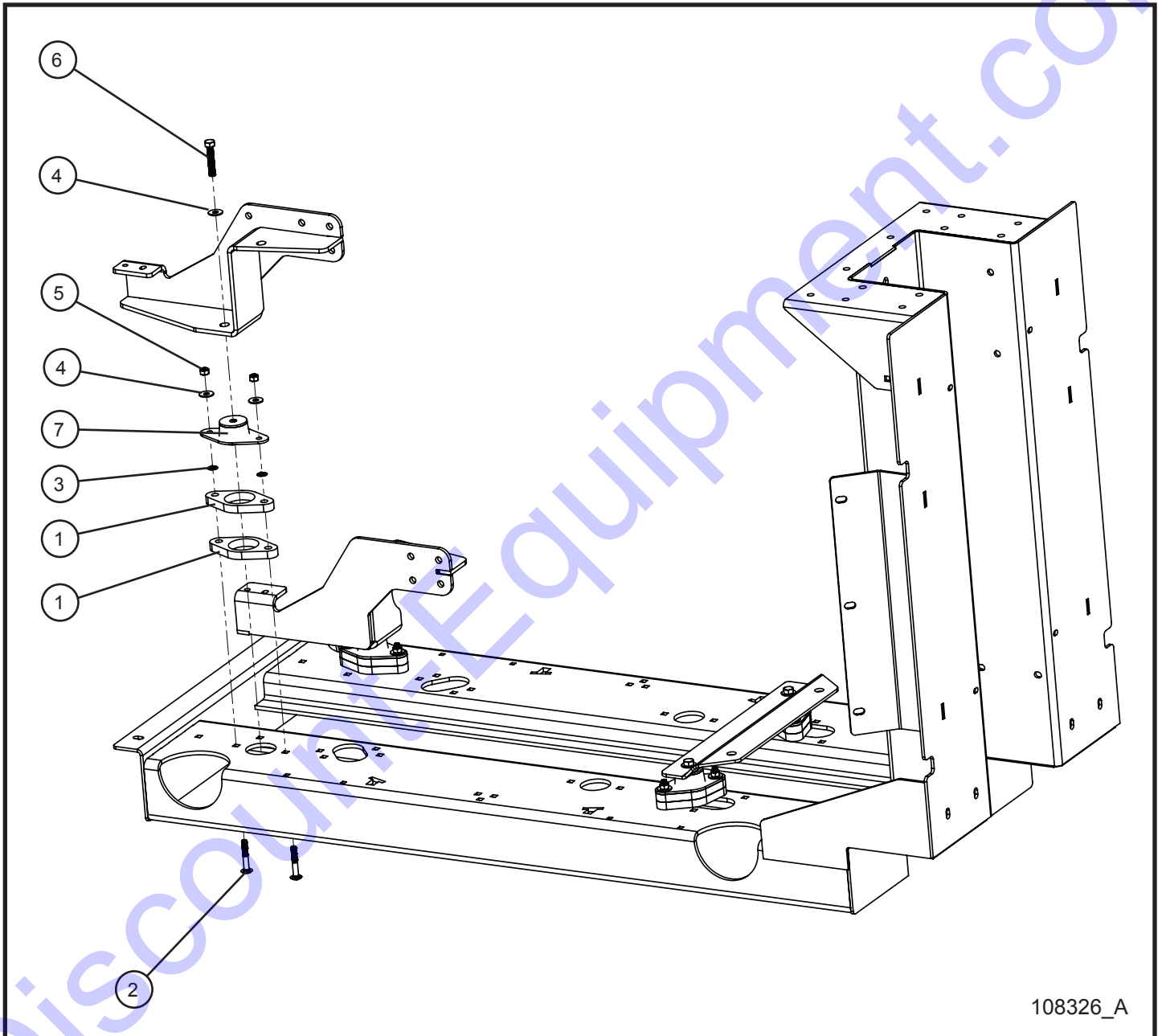
9.13 - Heavy Duty Engine Isolator Mounts Isuzu 4LE1

SN 0001XX12 and UP

Item	Part No.	Part Description	Qty.
1	848997	ISOLATOR MOUNT HEAVY DUTY	4
2	047010	5/16 FLAT WASHER PL	12
3	044038	3/8-16 NYLOCK HEX NUT PL	4
4	045218	3/8 PUSH NUT	4
5	045217	5/16 PUSH NUT	8
6	640565	ENGINE MOUNT WASHER 1.55 OD x .41 x .135 THK	4
7	046134	3/8-16 x 2 1/2 HEX HEAD CS GR8 PL	4
8	044033	5/16-18 NYLOCK HEX NUT PL	8
9	053025	5/16-18 x 2 CARRIAGE BOLT ZC	8
10	104696P	PLATE SPACER 1/2" ENGINE ISOLATOR	8

9.14 - Heavy Duty Engine Threaded Isolator Mounts Isuzu 4LE1

SN 0001XX12 and UP



108326_A

Maxi-Lite II

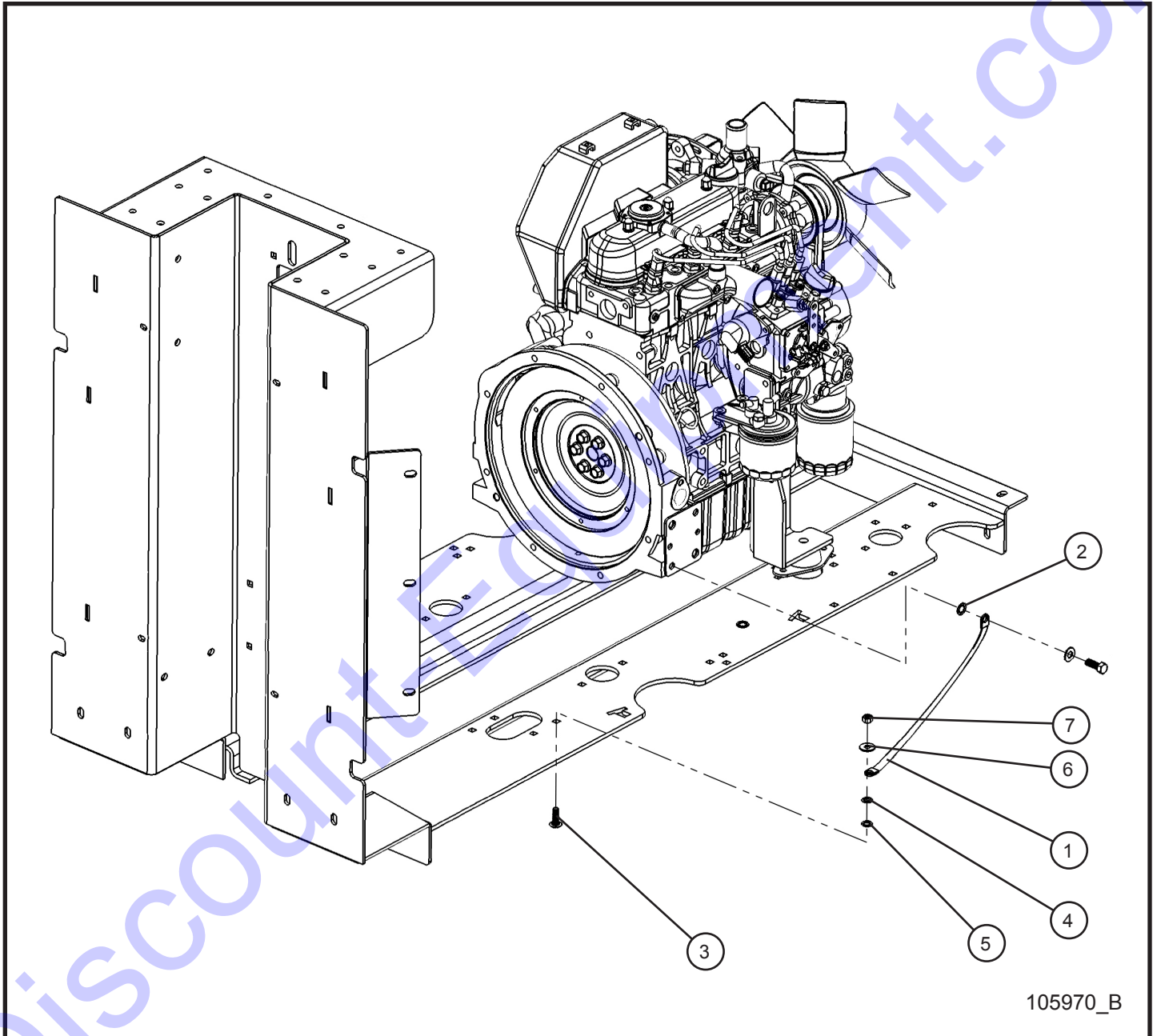
9.14 - Heavy Duty Engine Threaded Isolator Mounts Isuzu 4LE1

SN 0001XX12 and UP

Item	Part No.	Part Description	Qty.
1	104696P	PLATE SPACER 1/2" ENGINE ISOLATOR	8
2	053025	5/16-18 x 2 CARRIAGE BOLT ZC	8
3	045217	5/16 PUSH NUT	8
4	047010	5/16 FLAT WASHER PL	12
5	044033	5/16-18 NYLOCK HEX NUT PL	8
6	046133	3/8-16 x 2 HEX HEAD CS GR8 PL	4
7	107029	ISOLATOR THREADED MOUNT HEAVY DUTY	4

9.15 - Engine Ground Strap

SN 0001XX12 and UP



105970_B

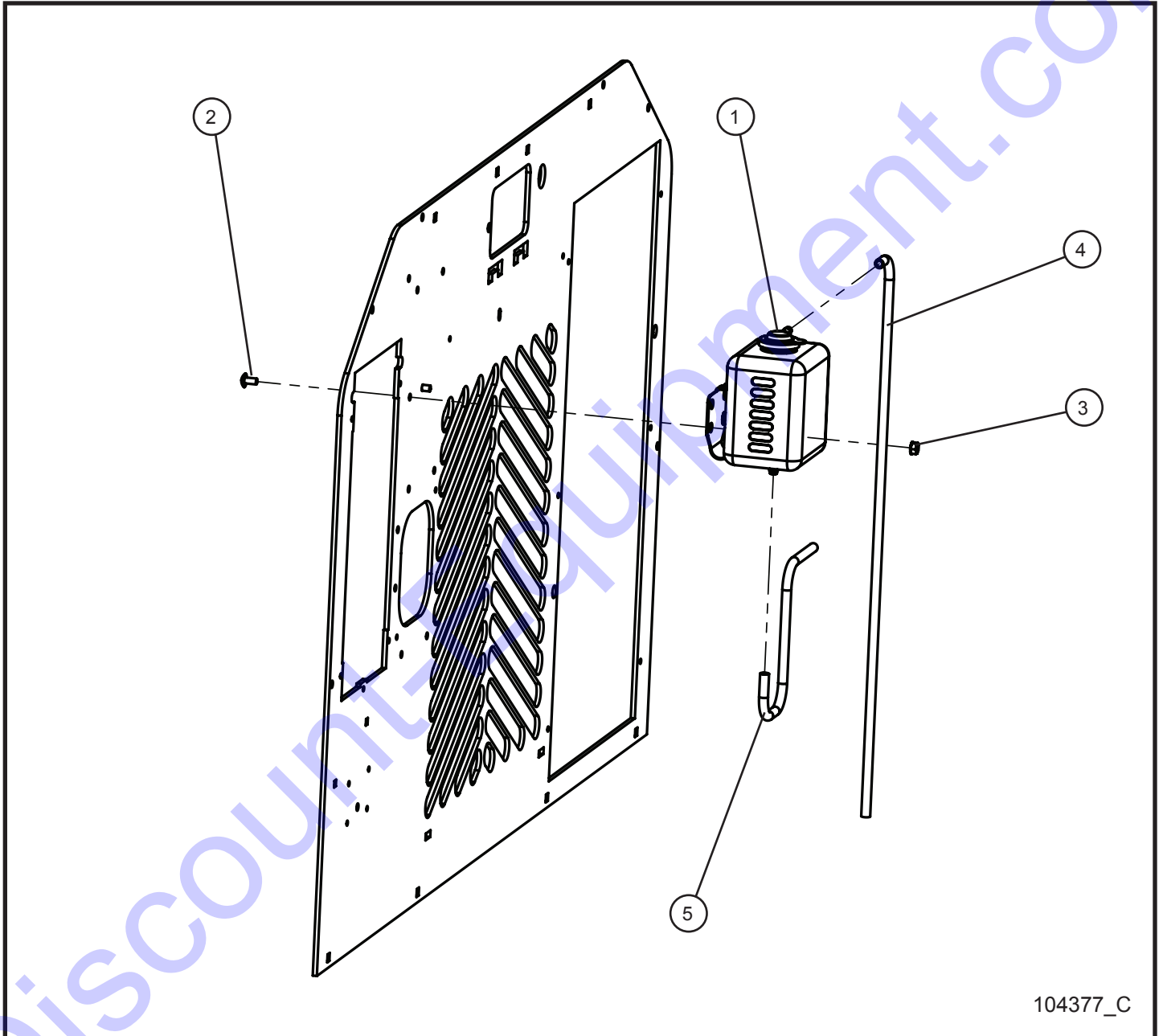
9.15 - Engine Ground Strap

SN 0001XX12 and UP

Item	Part No.	Part Description	Qty.
1	340105	GROUND STRAP	1
2	043070	3/8 INT'L TOOTHLOCK WASHER	2
3	053020	5/16-18 x 1 CARRIAGE BOLT PL	1
4	045217	5/16 PUSH NUT	1
5	043060	5/16 INT'L TOOTHLOCK WASHER	1
6	047010	5/16 FLAT WASHER PL	1
7	044033	5/16-8 NYLOCK HEX NUT PL	1

9.16 - Coolant Recovery Tank

SN 0001XX12 and UP



104377_C

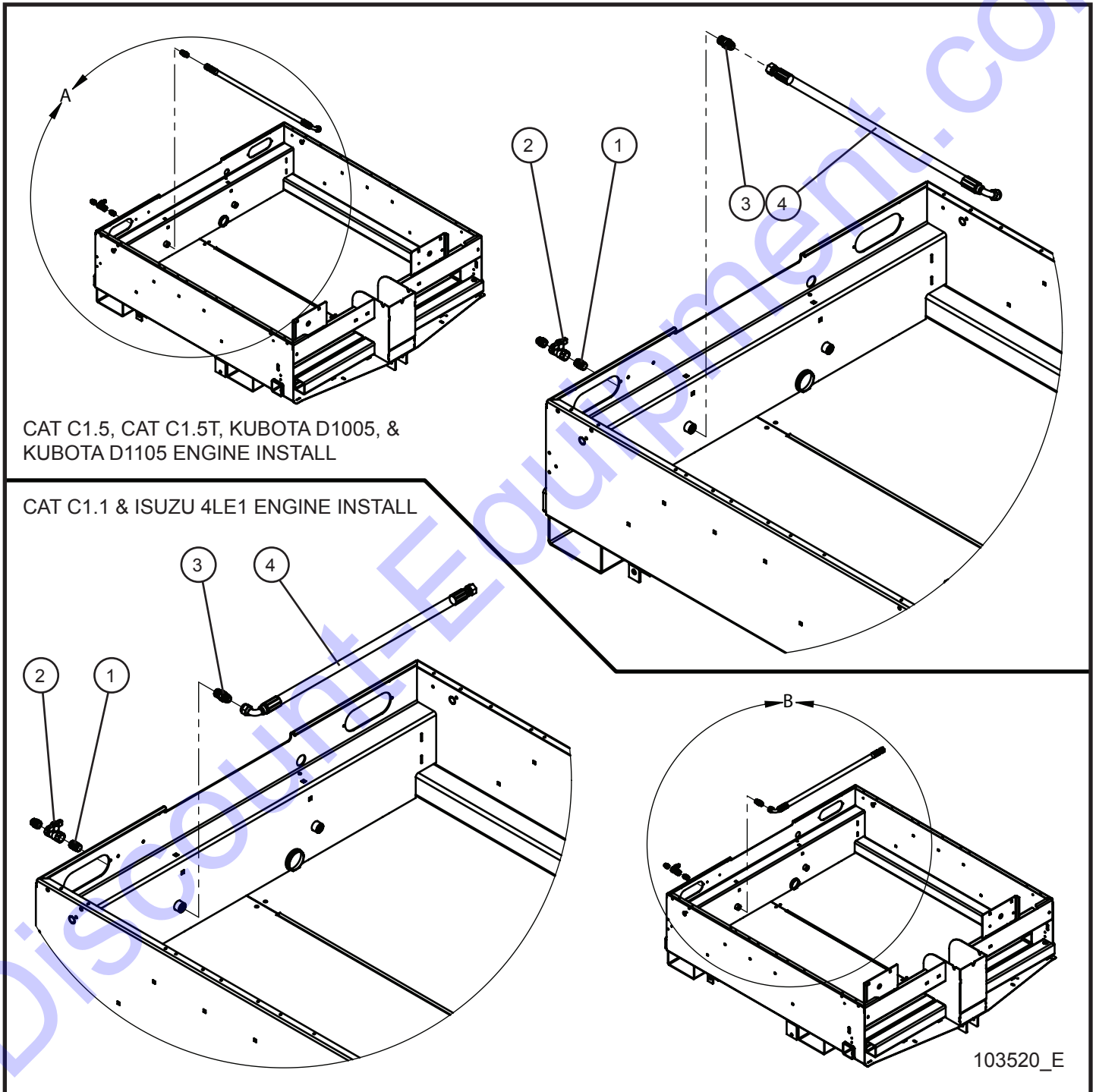
9.16 - Coolant Recovery Tank

SN 0001XX12 and UP

Item	Part No.	Part Description	Qty.
1	650027	RESERVOIR WITH BRACKET	1
2	041078	1/4-20 x 1/2 PH-TRUSS HEAD MS SS	2
3	044021	1/4-20 KEPS HEX NUT PL	2
4	102268	COOLANT HOSE 1/4 x 44.0	1
5	102268	COOLANT HOSE 1/4 x 28.0	1

9.17 - Oil Drain

SN 0001XX12 and UP



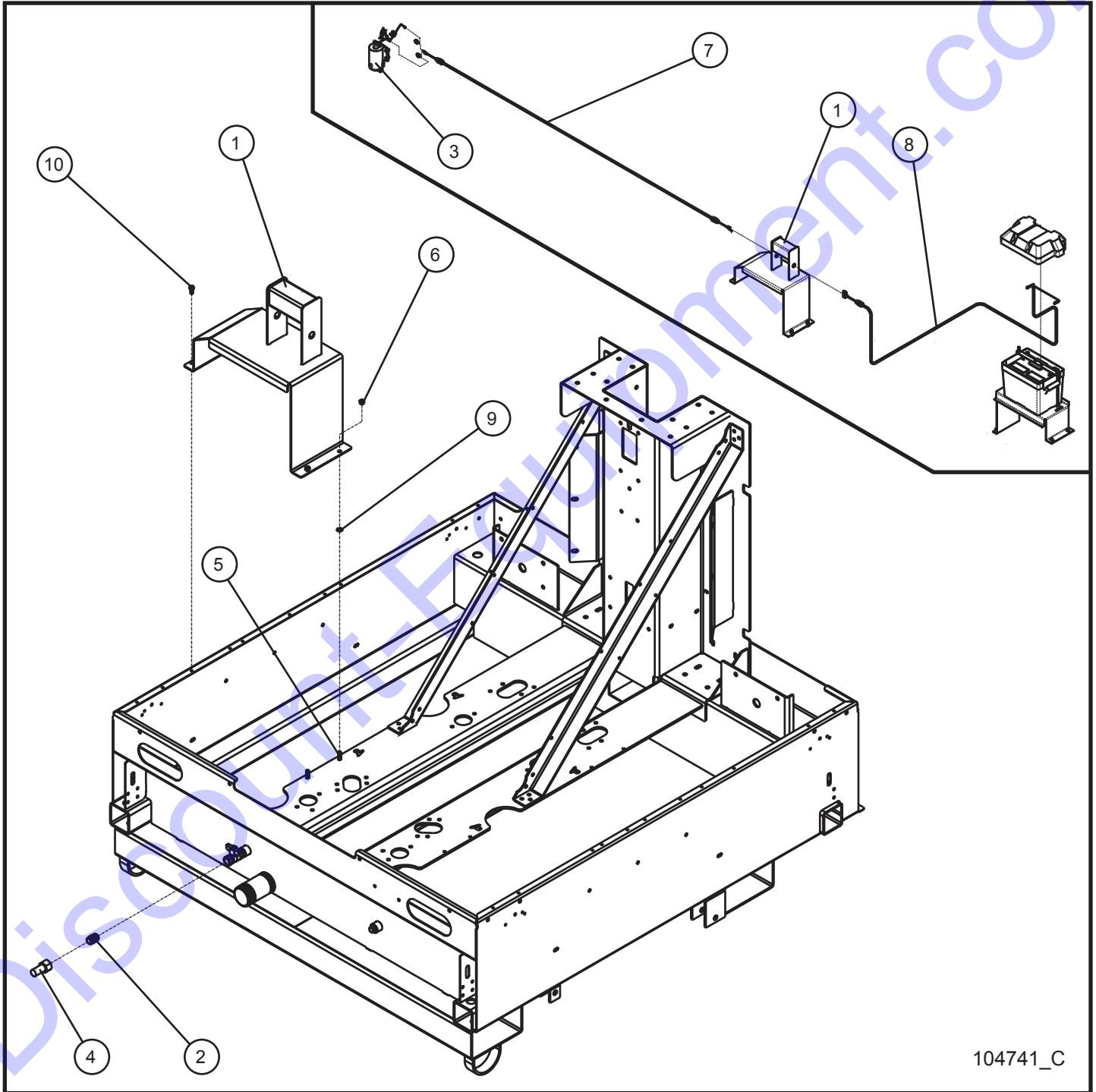
9.17 - Oil Drain

SN 0001XX12 and UP

Item	Part No.	Part Description	Qty.
1	610215	1/2 NPT NIPPLE	1
2	104133	1/2 BALL VALVE	1
3	104131	MALE ADAPTER 1/2-20 NPT #10 JIC FLARE	1
4	103325	OIL DRAIN HOSE 10TOC-10FJX-BT-10FJX90-32.5	1

9.18 - Oil Drain Rear Pump (1 of 2)

SN 0001XX12 and UP



104741_C

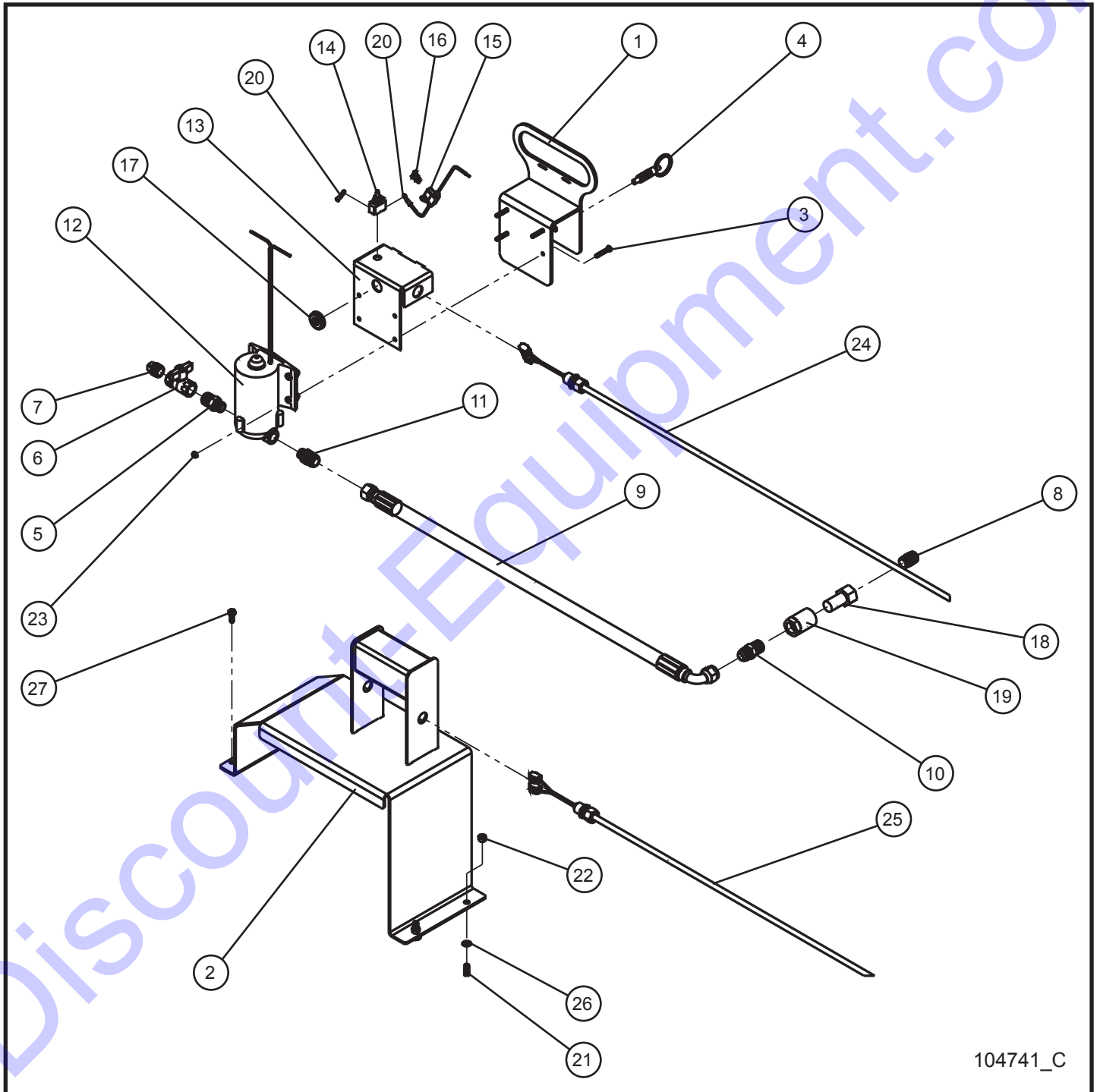
9.18 - Oil Drain Rear Pump (1 of 2)

SN 0001XX12 and UP

Item	Part No.	Part Description	Qty.
1	104737	STORAGE BRACKET OIL PUMP	1
2	610215	1/2 NPT NIPPLE	1
3	104937	PUMP OIL	1
4	104940	COUPLER MALE DRY BREAK	1
5	053022	5/16-18 x 1 1/4 CARRIAGE BOLT PL	2
6	044033	5/16-18 NYLOCK HEX NUT PL	2
7	104943	OIL PUMP HARNESS PUMP SIDE	1
8	104942	OIL PUMP HARNESS BATTERY SIDE	1
9	045217	5/16 PUSH NUT	2
10	041070	1/4-20 x 3/4 SL-HEX WASHER HEAD MS TP F	2

9.18 - Oil Drain Rear Pump (2 of 2)

SN 0001XX12 and UP



104741_C