

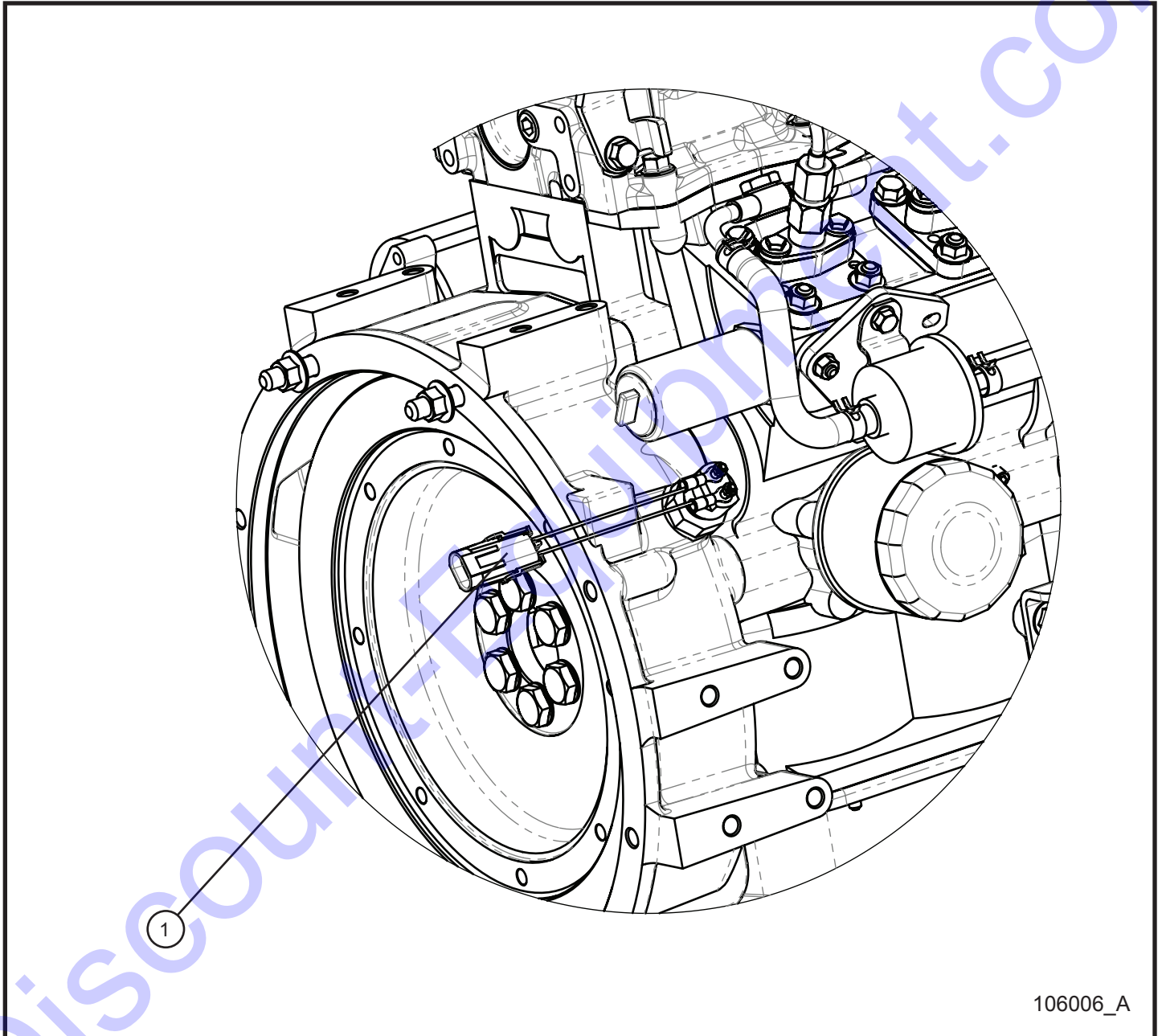
14.9 - Isuzu Belt Guard

SN 0001XX12 and UP

Item	Part No.	Part Description	Qty.
1	103898P	BELT GUARD ISUZU	1
2	047010	5/16 FLAT WASHER PL	1
3	044038	3/8-16 NYLOCK HEX NUT PL	1
4	046110	3/8-16 x 1 HEX HEAD CS GR5 PL	1

14.10 - Isuzu Magnetic Pick-Up w/ Electronic Governor

SN 0001XX12 and UP



106006_A

Maxi-Lite II

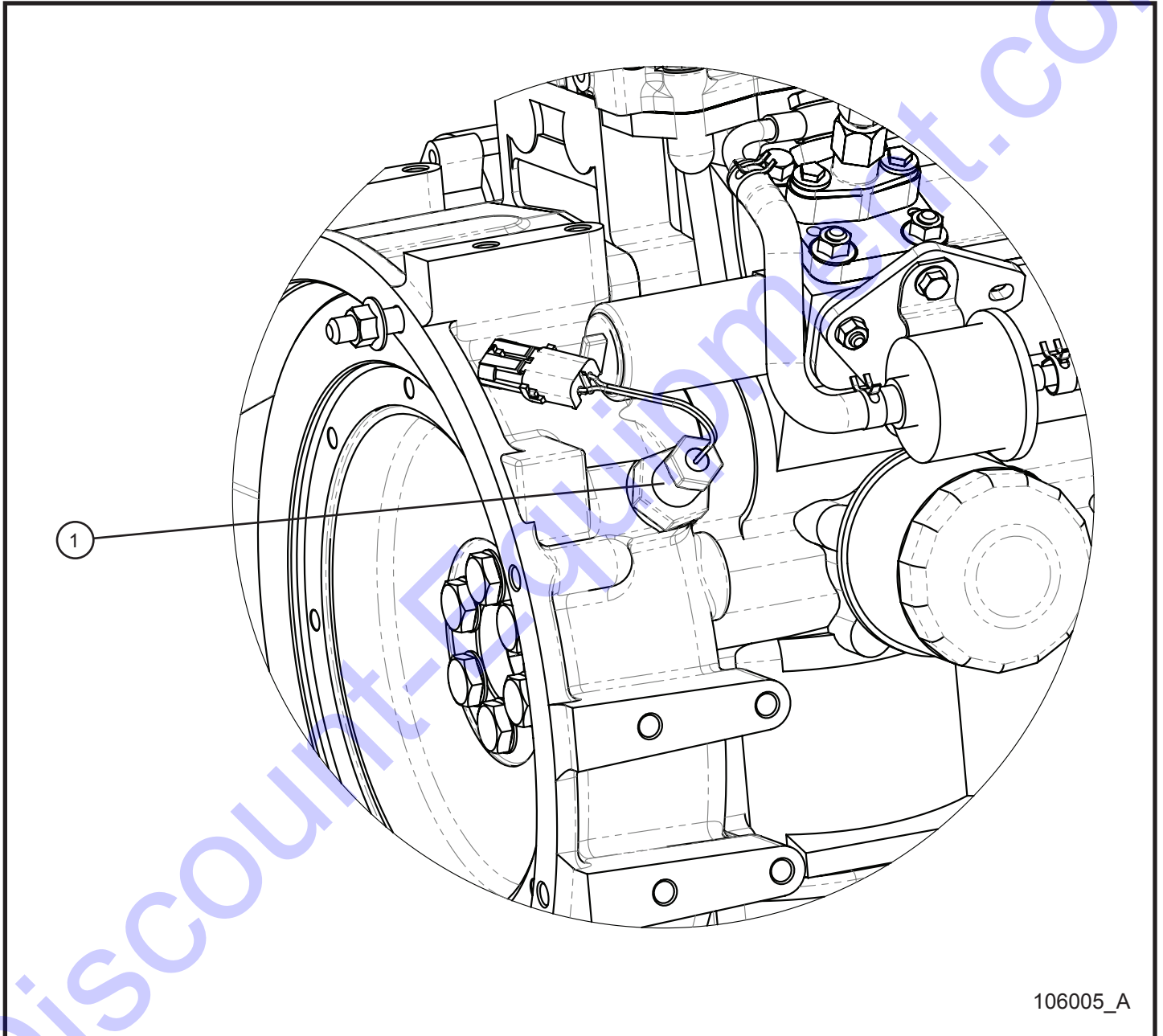
14.10 - Isuzu Magnetic Pick-Up w/ Electronic Governor

SN 0001XX12 and UP

Item	Part No.	Part Description	Qty.
1	106007	PIGTAIL MAGNETIC PICKUP	1

14.11 - Isuzu Magnetic Pick-Up w/o Electronic Governor

SN 0001XX12 and UP



106005_A

Maxi-Lite II

14.11 - Isuzu Magnetic Pick-Up w/o Electronic Governor

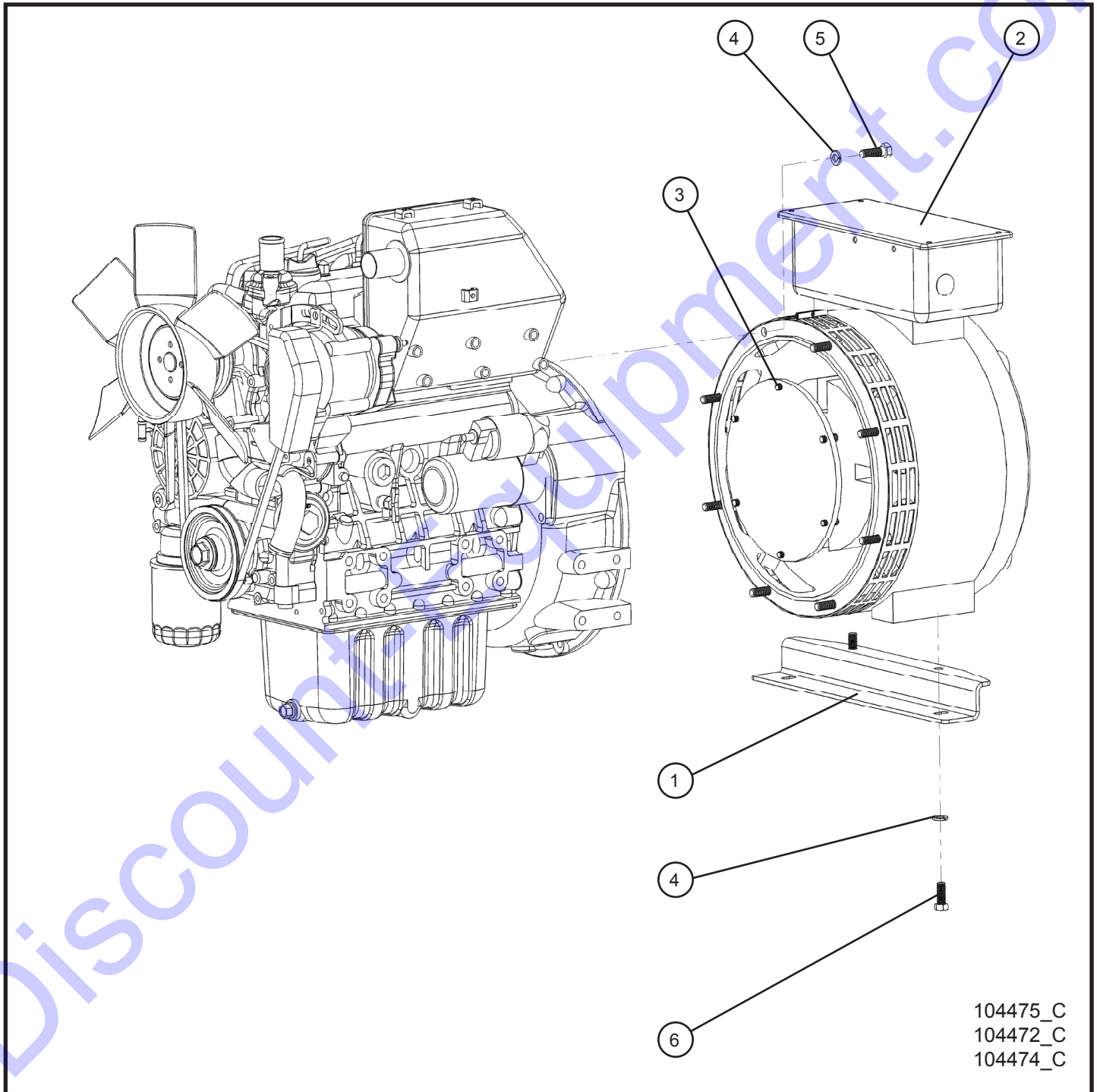
SN 0001XX12 and UP

Item	Part No.	Part Description	Qty.
1	105337	MAGNETIC SENSOR 3/4" x 16 WITH PLUG	1

Discount-Equipment.com

15.1 - 6/8kW Marathon Generator Options

SN 0001XX12 and UP



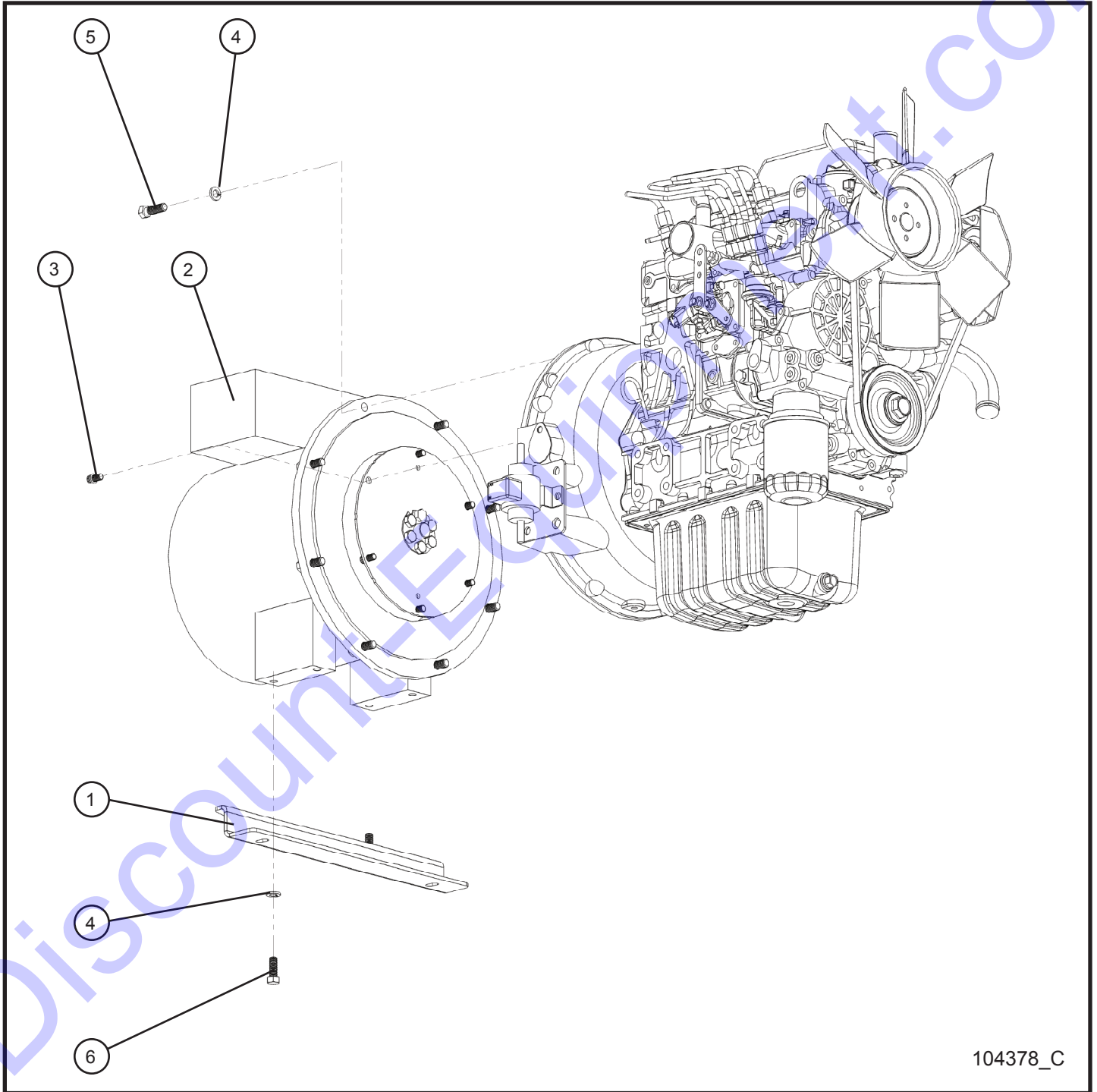
15.1 - 6/8kW Marathon Generator Options

SN 0001XX12 and UP

Item	Part No.	Part Description	Qty.
1	651012P	GENERATOR MOUNT BRACKET	1
2	650286	GENERATOR MARATHON 6kW 50Hz	1
	106920	GENERATOR MARATHON 6kW 50Hz 201 SERIES SAE	1
	101075	GENERATOR MARATHON 8kW 60Hz	1
	654000	GENERATOR MARATHON 8kW 60Hz AVR	1
3	046041	5/16-18 x 1/2 PT FLANGE HEAD BOLT	6
4	043065	3/8 SPLITLOCK WASHER PL	10
5	046115	3/8-16 x 1 1/4 HEX HEAD CS GR5 PL	8
6	046110	3/8-16 x 1 HEX HEAD CS GR5 PL	2

15.2 - 8kW Athlon Generator Option

SN 0001XX12 and UP



104378_C

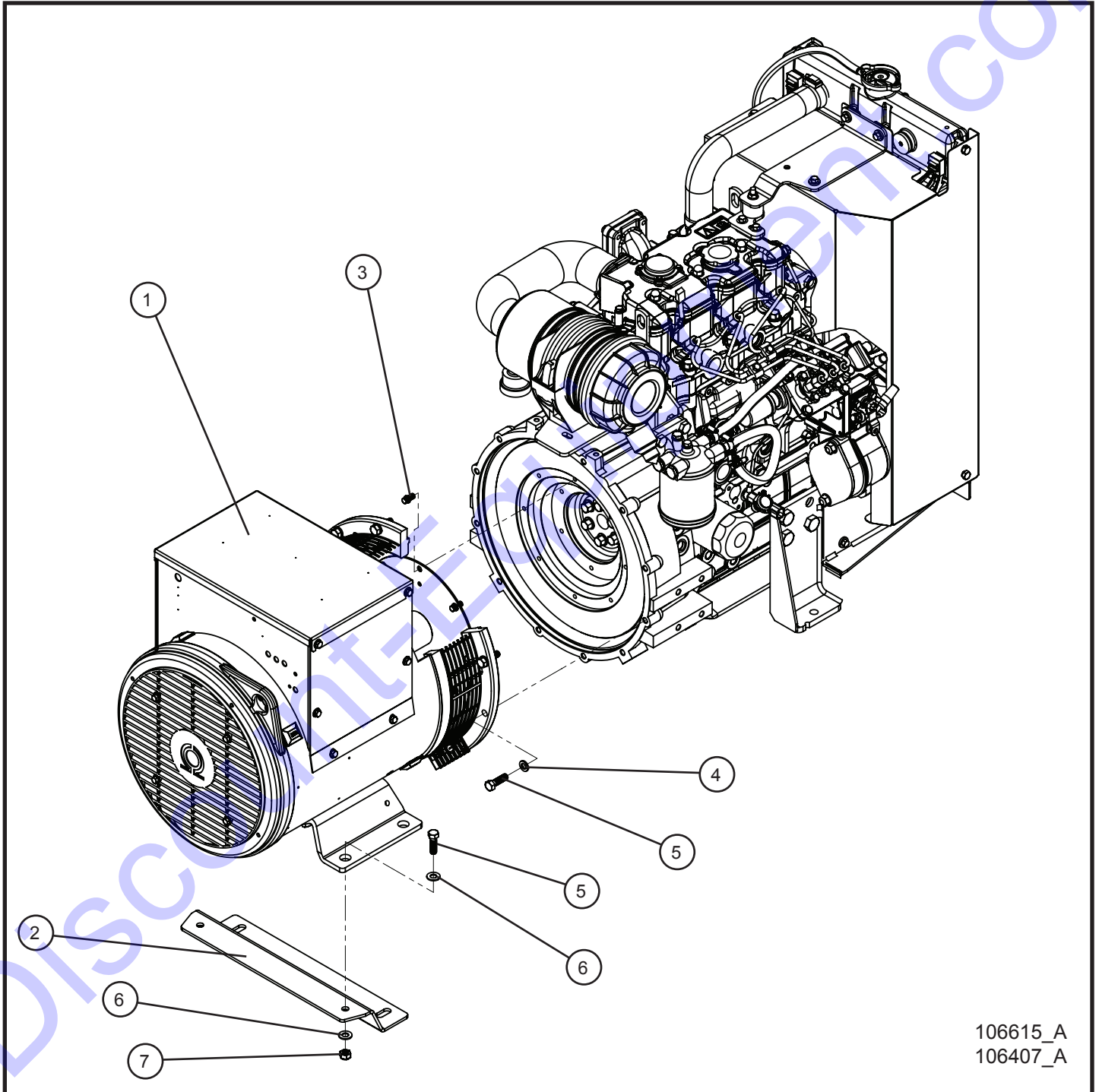
15.2 - 8kW Athlon Generator Option

SN 0001XX12 and UP

Item	Part No.	Part Description	Qty.
1	651012P	GENERATOR MOUNT BRACKET	1
2	102692	GENERATOR ATHLON 8kW 60Hz	1
3	046041	5/16-18 x 1/2 PT FLANGE HEAD BOLT	6
4	043065	3/8 SPLITLOCK WASHER PL	10
5	046115	3/8-16 x 1 1/4 HEX HEAD CS GR5 PL	8
6	046110	3/8-16 x 1 HEX HEAD CS GR5 PL	2

15.3 - 11/15kW CAT C1.5 Marathon Generator Options

SN 0001XX12 and UP



106615_A
106407_A

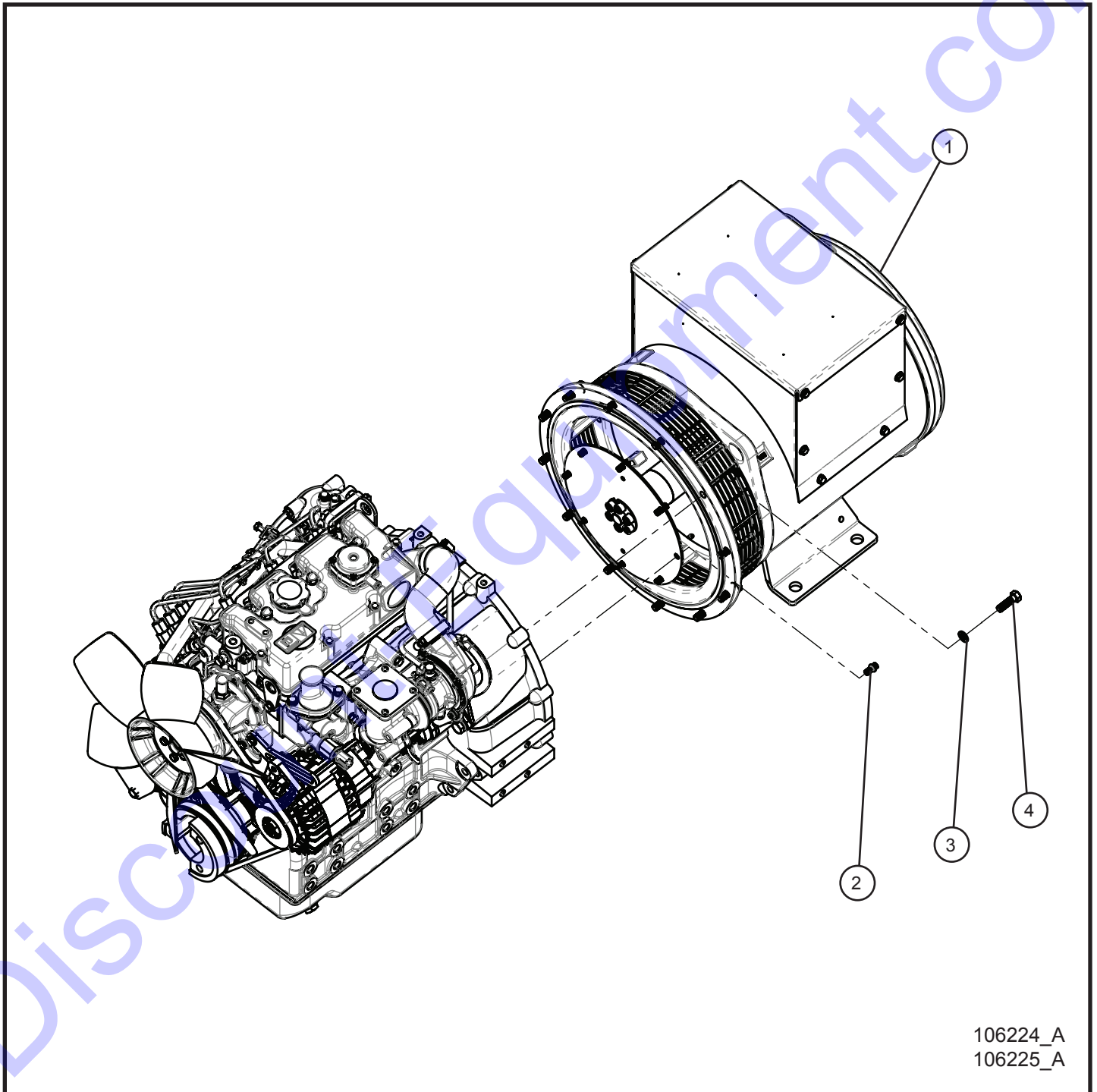
15.3 - 11/15kW CAT C1.5 Marathon Generator Options

SN 0001XX12 and UP

Item	Part No.	Part Description	Qty.
1	106214	GENERATOR MARATHON 11/15kW 50/60Hz	1
	106215	GENERATOR MARATHON 15kW 60Hz 3PH	1
2	103490P	BRACKET GENERATOR CAT C1.5	1
3	046041	5/16-18 x 1/2" 12 PT FLANGE HEAD BOLT	8
4	043065	3/8 SPLITLOCK WASHER PL	12
5	046115	3/8-16 x 1 1/4 HEX HEAD CS GR5 PL	14
6	047016	3/8 FLAT WASHER SAE ZINC	4
7	044038	3/8-16 NYLOCK HEX NUT PL	2

15.4 - 11/15kW CAT Turbo C1.5 Marathon Generator Options

SN 0001XX12 and UP



106224_A
106225_A

Maxi-Lite II

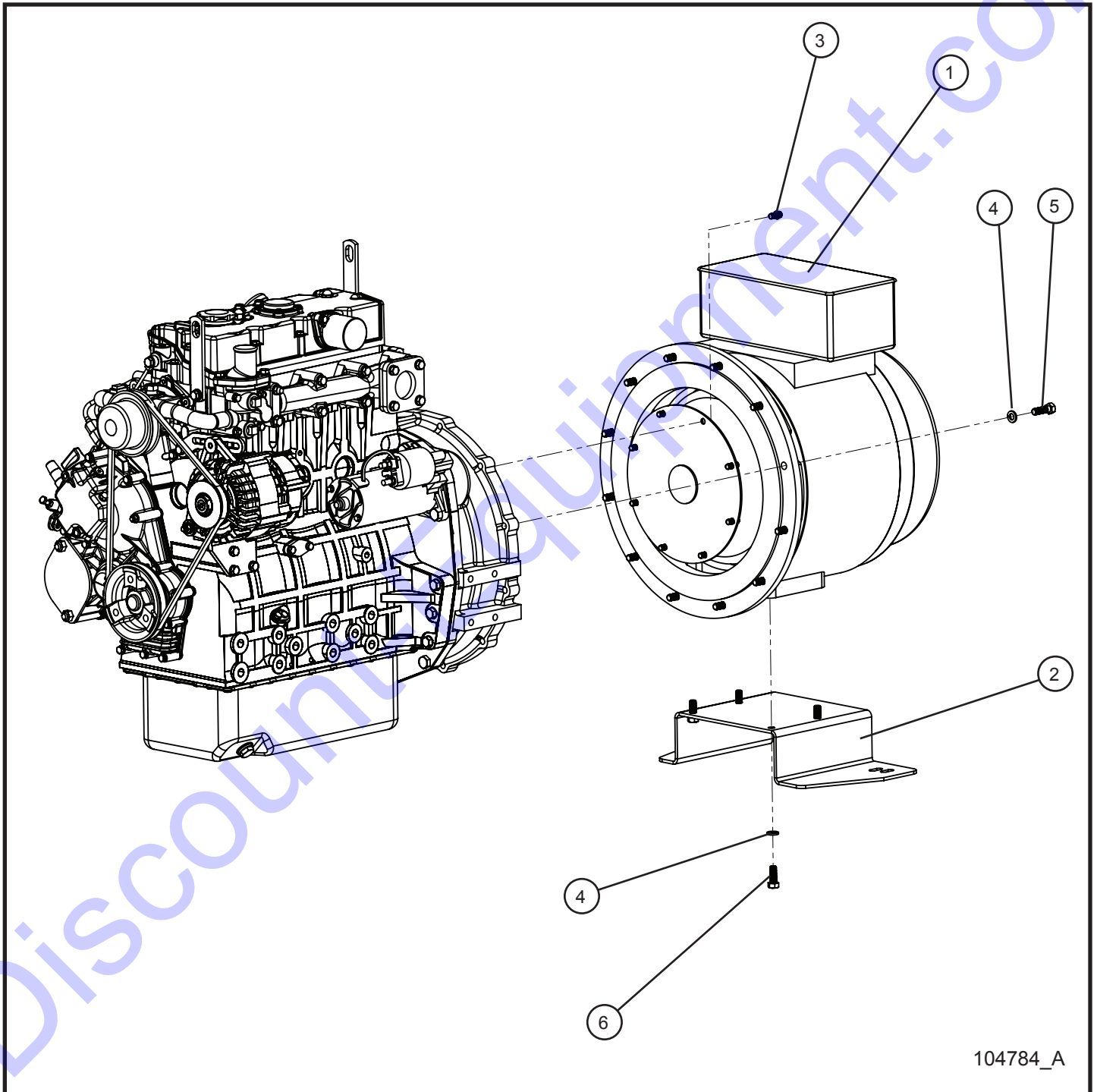
15.4 - 11/15kW CAT Turbo C1.5 Marathon Generator Options

SN 0001XX12 and UP

Item	Part No.	Part Description	Qty.
1	106214	GEN MARATHON 11/15kW 50/60Hz	1
	106215	GEN MARATHON 15kW 60Hz 3PH	1
2	046041	5/16-18 x 1/2" 12 PT FLANGE HEAD BOLT	8
3	043065	3/8 SPLITLOCK WASHER PL	12
4	046115	3/8-16 x 1 1/4 HEX HEAD CS GR5 PL	12

15.5 - 20kW CAT C1.5 Marathon Generator Option

SN 0001XX12 and UP



104784_A

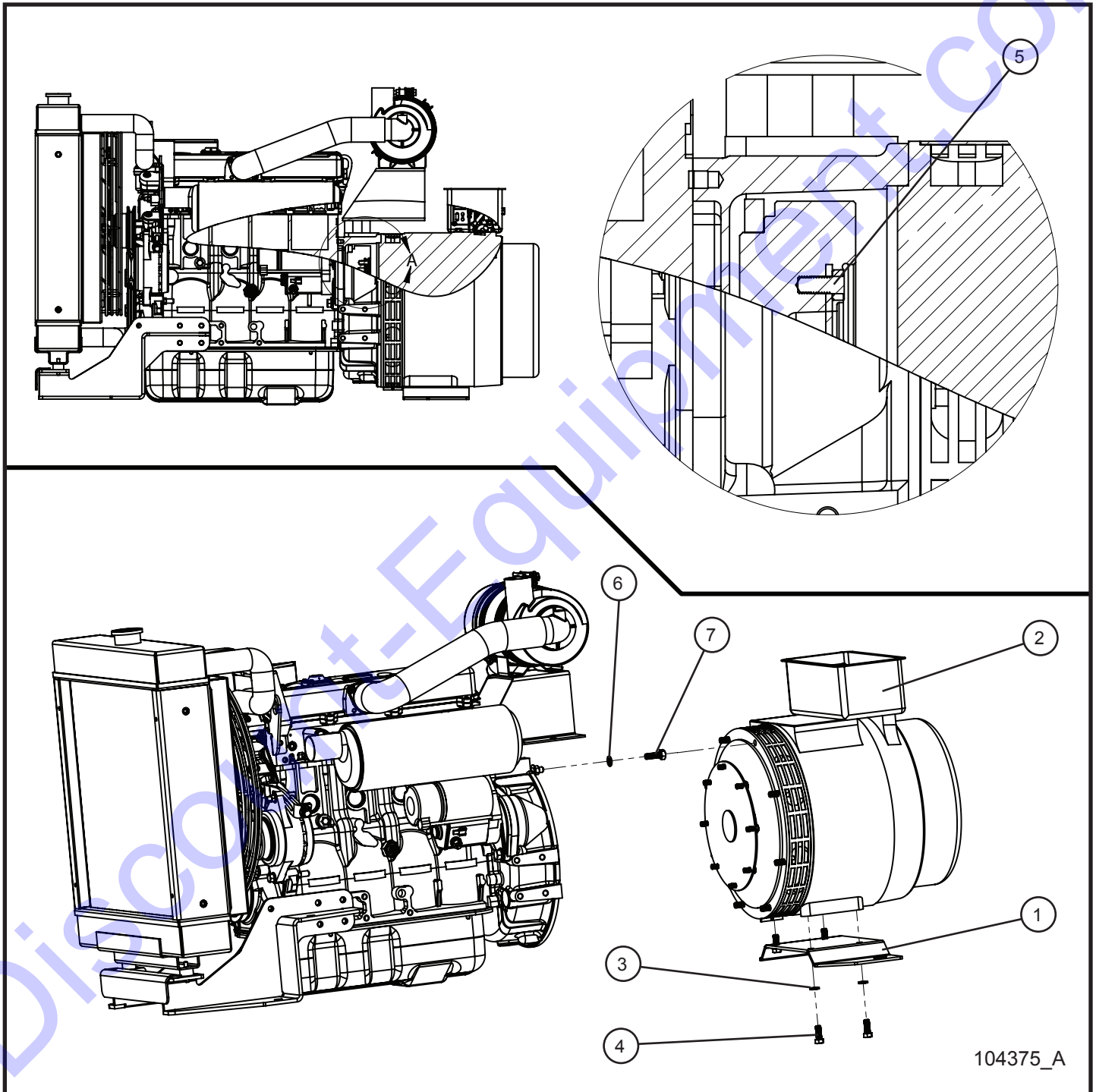
15.5 - 20kW CAT C1.5 Marathon Generator Option

SN 0001XX12 and UP

Item	Part No.	Part Description	Qty.
1	109670	GENERATOR MARATHON 20KW 3PH	1
2	104256P	MOUNT GENERATOR CAT C1.5	1
3	046041	5/16-18 x 1/2" 12 PT FLANGE HEAD BOLT	8
4	043065	3/8 SPLITLOCK WASHER PL	16
5	046115	3/8-16 x 1 1/4 HEX HEAD CS GR5 PL	12
6	046110	3/8-16 x 1 HEX HEAD CS GR5 PL	4

15.6 - 20kW Isuzu 4LE1 Marathon Generator Option

SN 0001XX12 and UP



104375_A

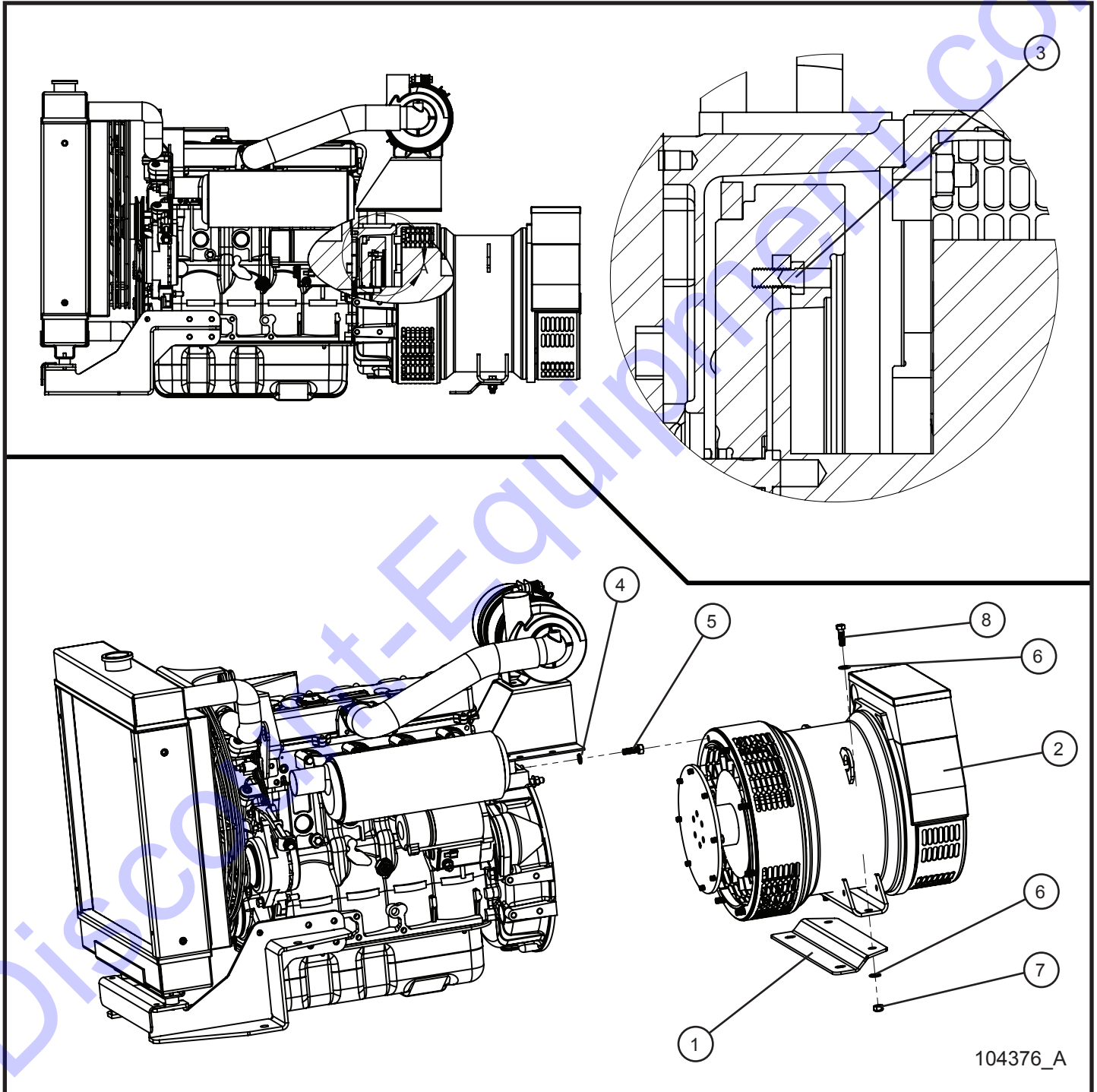
15.6 - 20kW Isuzu 4LE1 Marathon Generator Option

SN 0001XX12 and UP

Item	Part No.	Part Description	Qty.
1	102509P	BRACKET GEN MOUNT MARATHON 334	1
2	350356	GENERATOR MARATHON 334 20kW 1PH	1
3	043065	3/8 SPLITLOCK WASHER PL	4
4	046110	3/8-16 x 1 HEX HEAD CS GR5 PL	4
5	042027	M8 x 16MM x 1.25MM HEX HEAD CS GR10.9 PL	8
6	042151	M10 SPLITLOCK WASHER PL	8
7	042040	M10 x 30MM x 1.5MM HEX HEAD CS GR8.8 PL	8

15.7 - 20kW Isuzu 4LE1 Cummins Generator Option

SN 0001XX12 and UP



104376_A

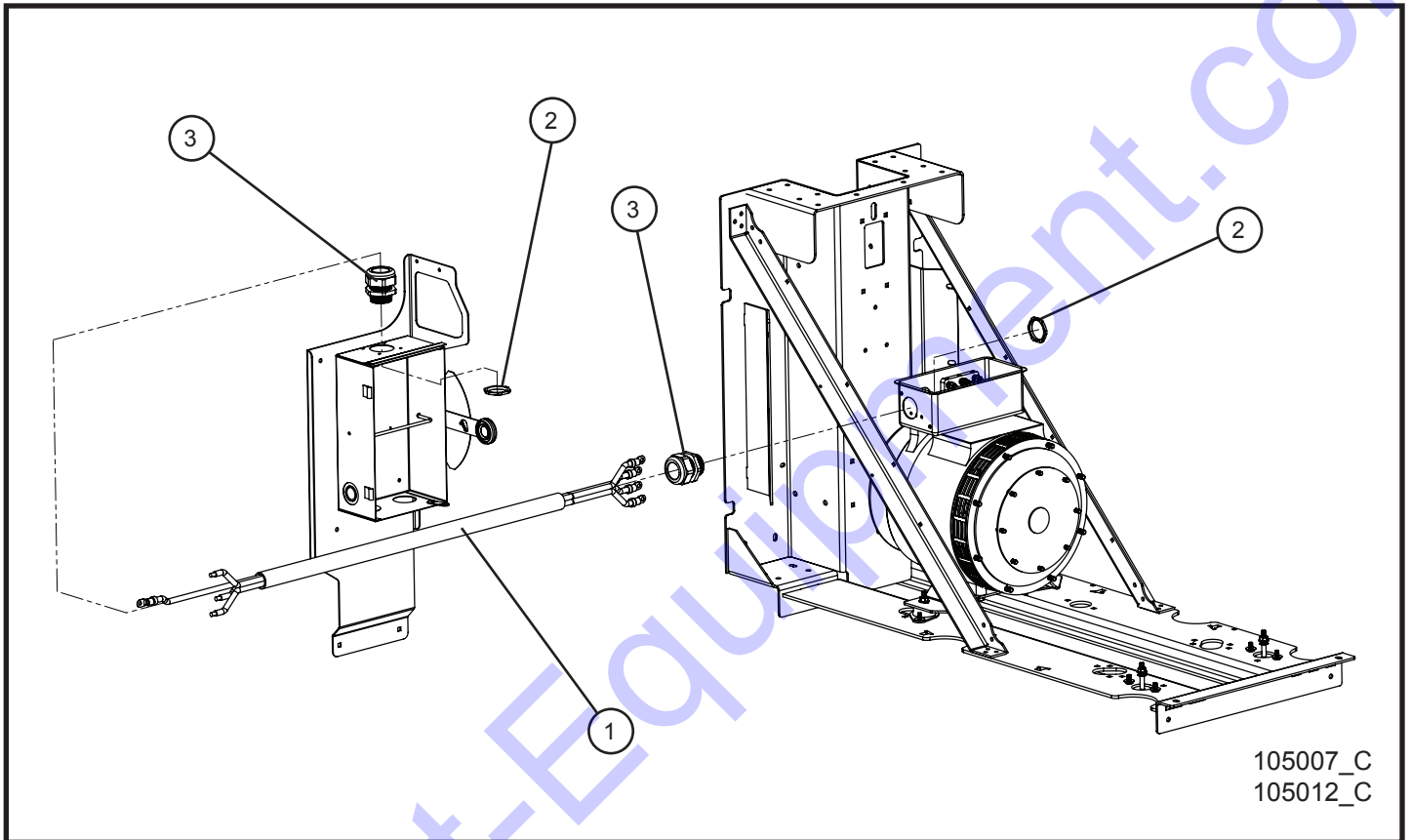
15.7 - 20kW Isuzu 4LE1 Cummins Generator Option

SN 0001XX12 and UP

Item	Part No.	Part Description	Qty.
1	109700P	BRACKET GEN MOUNT 20kW 3 PHASE	1
2	102860	GENERATOR CUMMINS 20kW 3 PHASE	1
3	042027	M8 x 16MM x 1.25MM HEX HEAD CS GR10.9 PL	8
4	042151	M10 SPLITLOCK WASHER PL	8
5	042040	M10 x 30MM x 1.5MM HEX HEAD CS GR8.8 PL	8
6	047016	3/8 FLAT WASHER SAE ZINC	4
7	044038	3/8-16 NYLOCK HEX NUT PL	2
8	046115	3/8-16 x 1 1/4 HEX HEAD CS GR5 PL	2

15.8 - Double Throw Switch Generator Cord Options

SN 0001XX12 and UP



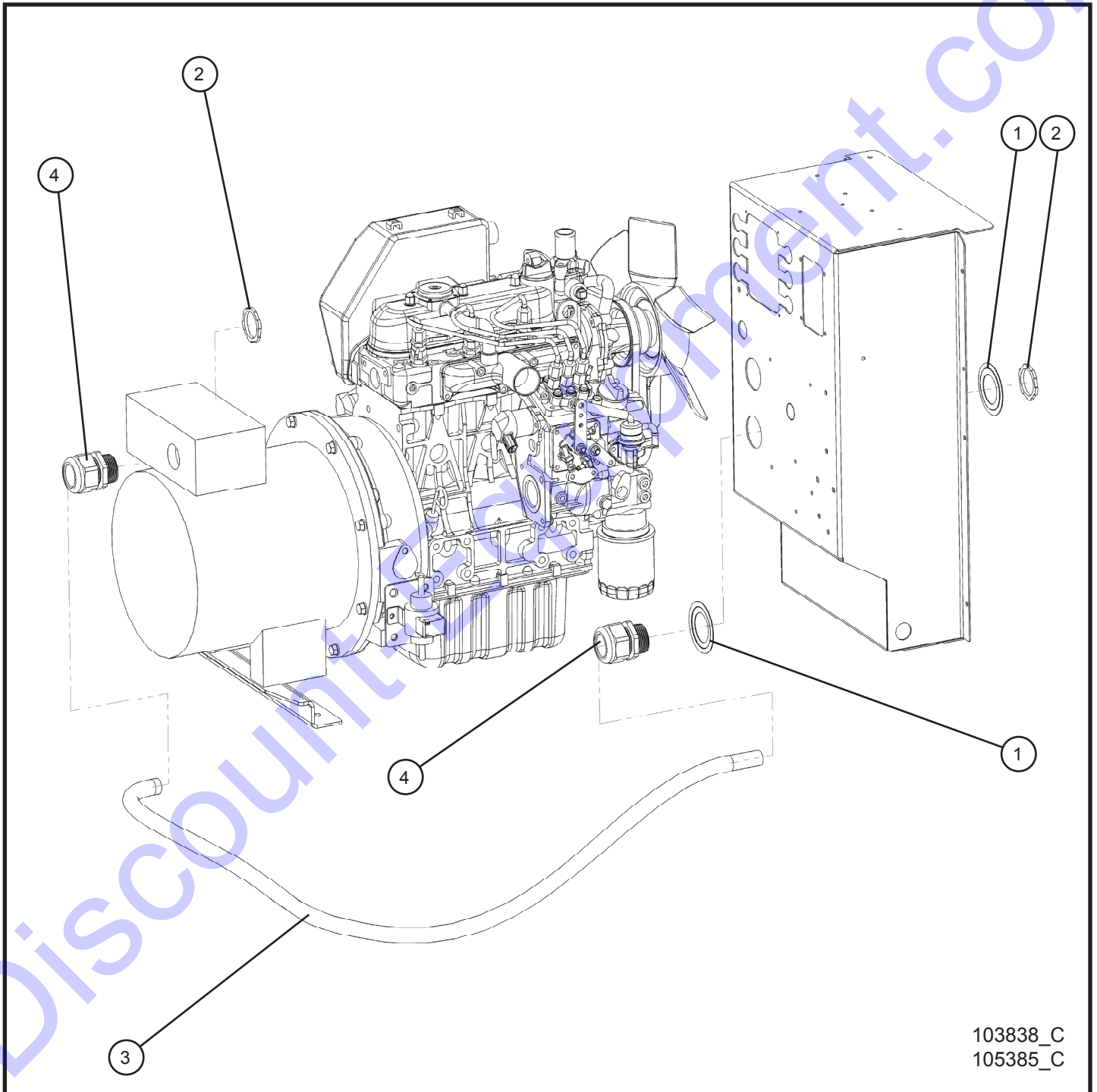
15.8 - Double Throw Switch Generator Cord Options

SN 0001XX12 and UP

Item	Part No.	Part Description	Qty.
1	105020	2/4 CORD SWITCH BOX/GENERATOR	1
	104861	2/4 CORD SWITCH BOX/GENERATOR ISUZU	1
2	022232	1 1/2 LOCK NUT	2
3	105629	CORD GRIP 1-1/2" NYLON BLACK	2
4	105303	SCHEMATIC 20kW 1PH TRANSFER SWITCH	1

15.9 - 6/4 CSA Generator Cord Options

SN 0001XX12 and UP



103838_C
105385_C

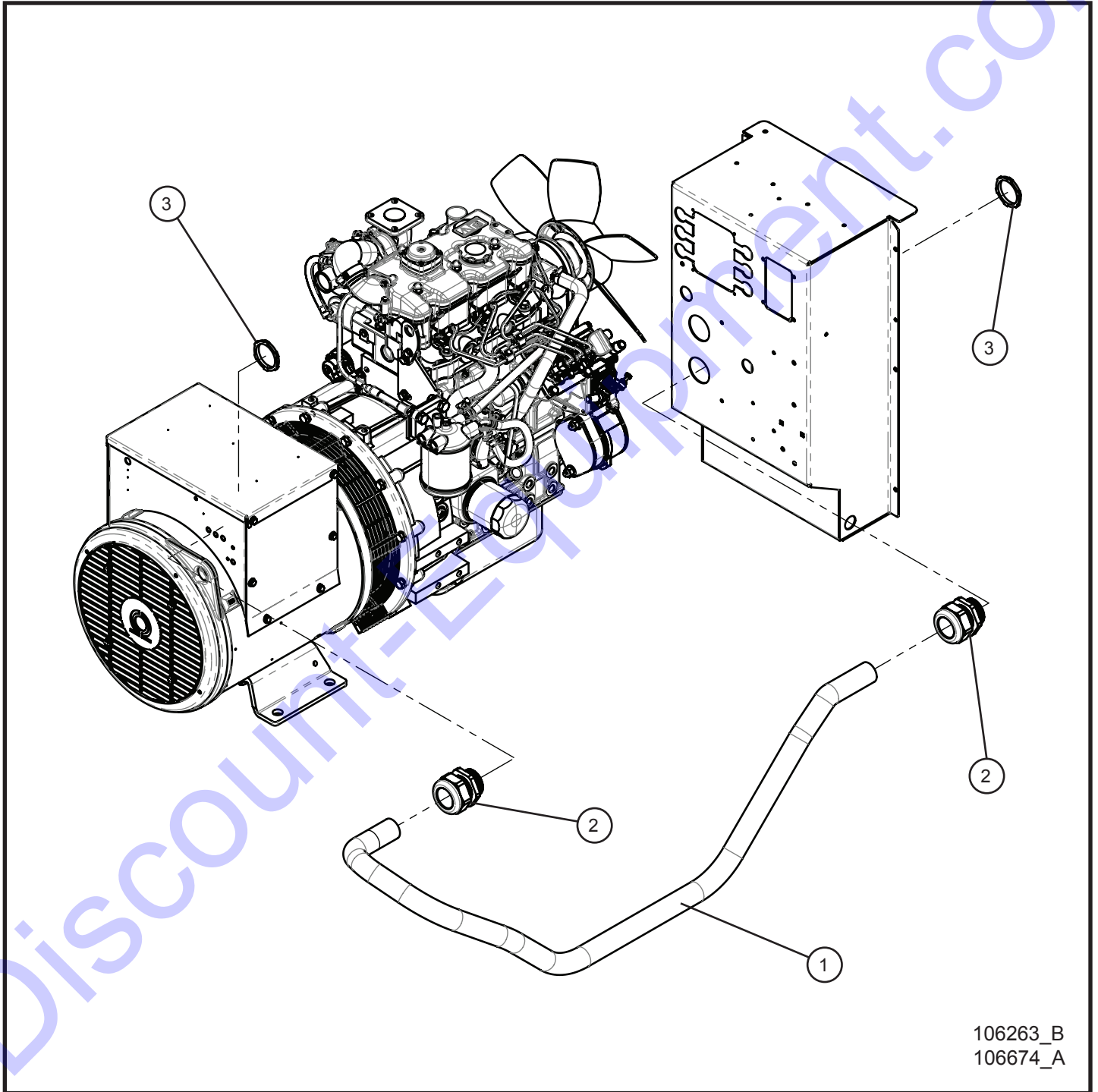
15.9 - 6/4 CSA Generator Cord Options

SN 0001XX12 and UP

Item	Part No.	Part Description	Qty.
1	022023	2 x 1-1/4 REDUCING WASHER TYPE RW	2
2	350363	1 1/4 LOCK NUT	2
3	104996	GEN CORD 6/4 MAXI LITE II	1
	105384	GEN CORD 6/4 AVR MAXI LITE II	1
4	105628	CORD GRIP 1-1/4" NYLON BLACK	2
5	105269	SCHEMATIC 8kW 1P MARATHON/ATHLON	1
6	106150	CORD SECURING INSTALLATION KIT MAXI II	1

15.10 - CAT C1.5 Turbo Generator Cord Options

SN 0001XX12 and UP



106263_B
106674_A

Maxi-Lite II

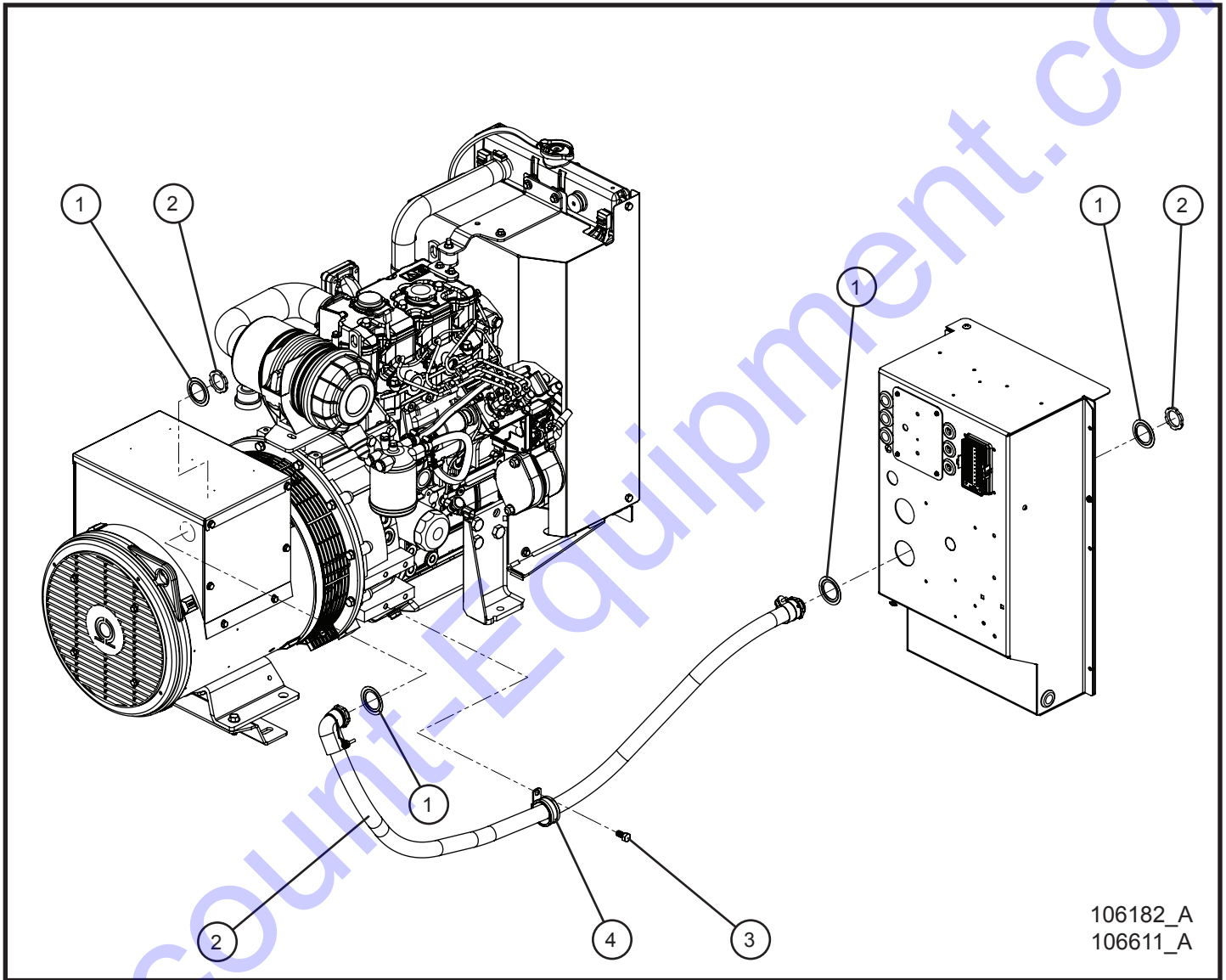
15.10 - CAT C1.5 Turbo Generator Cord Options

SN 0001XX12 and UP

Item	Part No.	Part Description	Qty.
1	106541	GEN CORD 4/5 CSA	1
	104997	GEN CORD 4/4 CORD	1
2	105629	CORD GRIP 1-1/2" NYLON BLACK	2
3	022232	1 1/2 LOCKNUT	2
NS	106067	3 PHASE GEN WIRE LEAD	1
NS	106555	3 PHASE SCHEMATIC	1
NS	106090	SCHEMATIC 4/4 CORD 220/240 L-L	1
NS	106150	CORD SECURING INSTALLATION KIT MAXI II	1

15.11 - AS3000 Generator Cord Options

SN 0001XX12 and UP



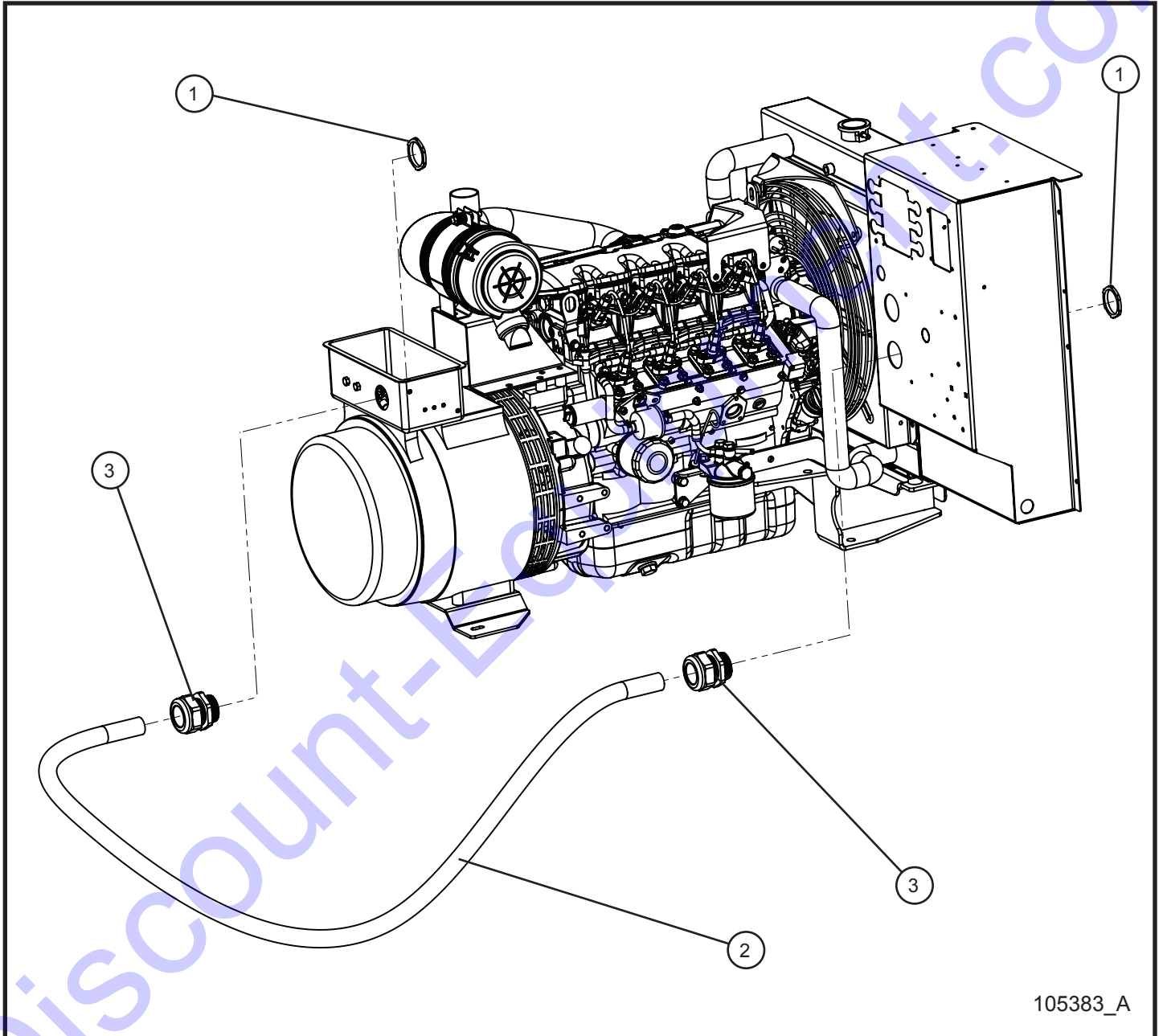
15.11 - AS3000 Generator Cord Options

SN 0001XX12 and UP

Item	Part No.	Part Description	Qty.
1	022350	1 1/4 TO 1" REDUCING WASHER	4
2	106179	GENERATOR CORD 6/8kW NZL/AS3000	1
	106405	GENERATOR CORD 11/13kW NZL/AS3000	1
3	046105	3/8-16 x 3/4 HEX HEAD CS GR8 PL	1
4	106144	#20 CUSH CLAMP W/ 3/8 HOLE	1
5	106180	SCHEMATIC GENERATOR CORD	1

15.12 - 20kW Marathon Generator Cord Option

SN 0001XX12 and UP



105383_A

Maxi-Lite II

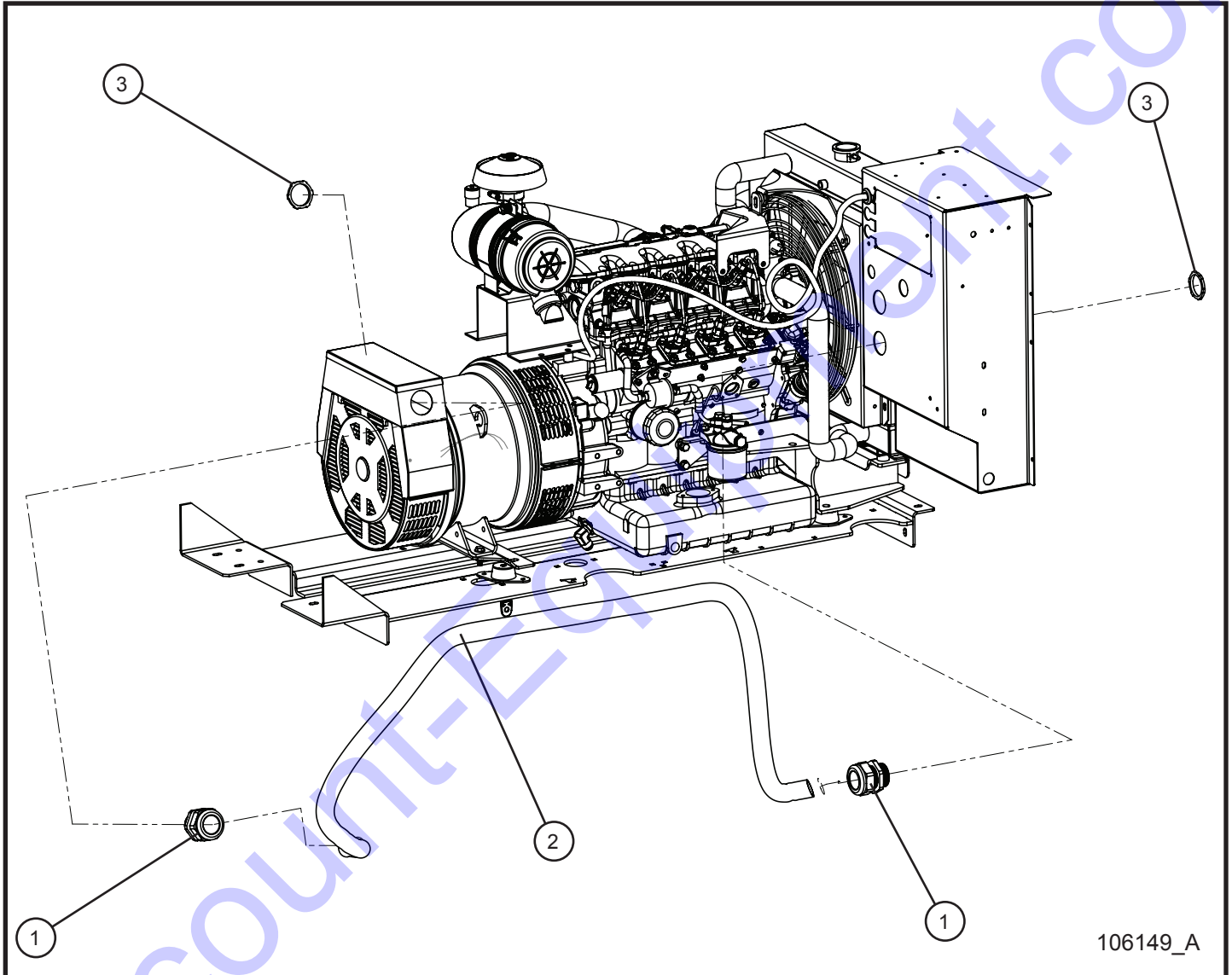
15.12 - 20kW Marathon Generator Cord Option

SN 0001XX12 and UP

Item	Part No.	Part Description	Qty.
1	022232	1 1/2 LOCK NUT	2
2	104998	GEN CORD 2/4 20kW CSA MAXI II	1
3	105629	CORD GRIP 1-1/2" NYLON BLACK	2
4	105933	SCHEMATIC 20kW 1P MARATHON	1
5	106150	CORD SECURING INSTALLATION KIT MAXI II	1

15.13 - 20kW Cummins Generator Cord Option

SN 0001XX12 and UP



Maxi-Lite II

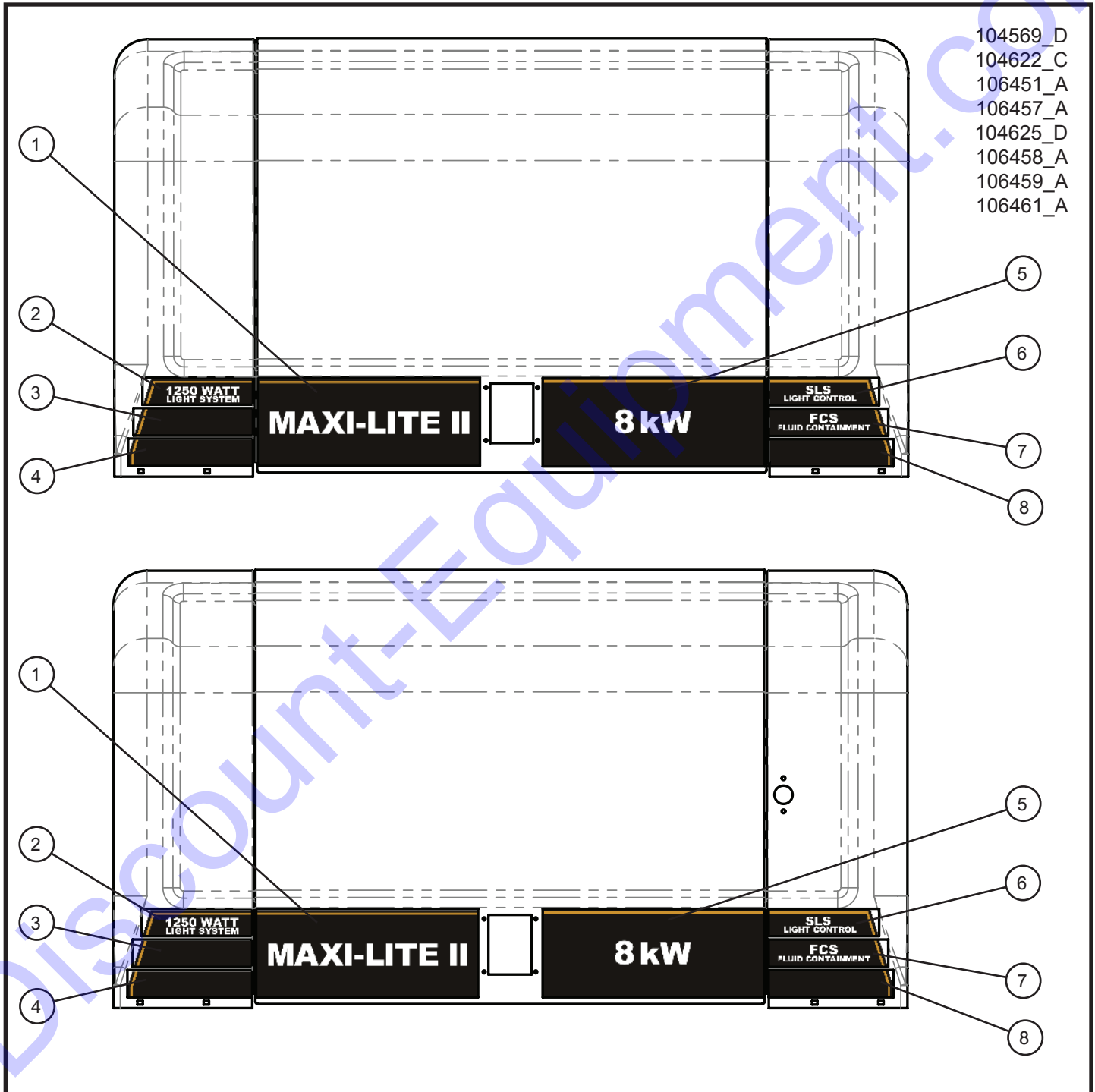
15.13 - 20kW Cummins Generator Cord Option

SN 0001XX12 and UP

Item	Part No.	Part Description	Qty.
1	105629	CORD GRIP 1-1/2"	2
2	105066	4/5 208V CSA GEN CORD	1
3	022232	1 1/2 LOCK NUT	2
4	105272	SCHEMATIC 20kW 3P 208V 60Hz CUMMINS GENERATOR	1
5	106150	CORD SECURING INSTALLATION KIT MAXI II	1

16.1 - Door Stripe Decals (1 of 4)

SN 0001XX12 and UP



16.1 - Door Stripe Decals (1 of 4)

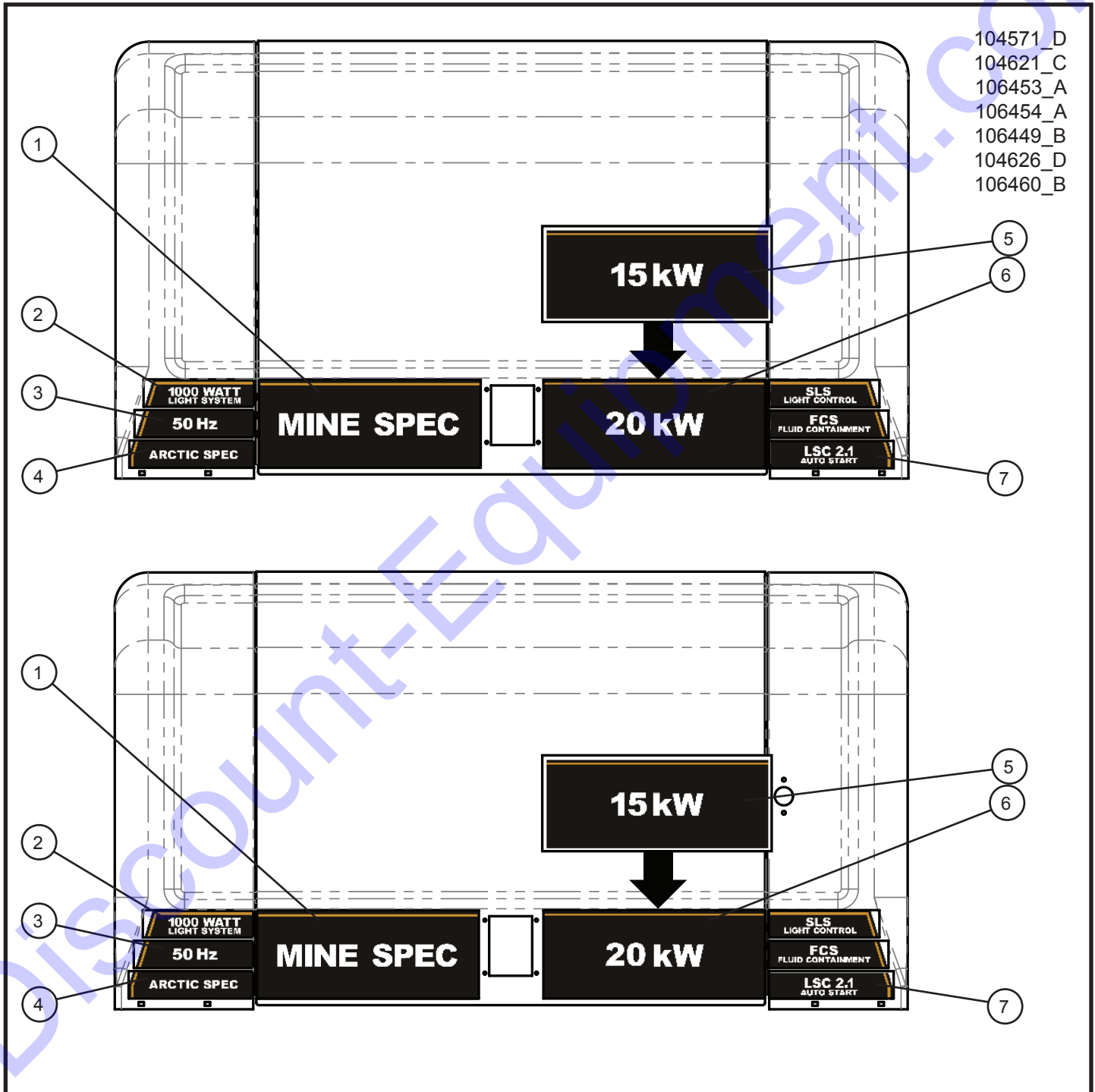
SN 0001XX12 and UP

Item	Part No.	Part Description	Qty.
1	106356	MAXI-LITE II DOOR STRIPE DECAL	2
2	106361	1250 WATT DOOR STRIPE DECAL	2
3	106362	BLANK DOOR STRIPE DECAL	2
4	106368	BLANK DOOR STRIPE DECAL	2
5	106352	8kW DOOR STRIPE DECAL	2
6	106369	SLS DOOR STRIPE DECAL	2
7	106370	FCS DOOR STRIPE DECAL	2
8	106373	BLANK DOOR STRIPE DECAL	2

*NOTE: DOOR STRIPE DECALS ON THESE PAGES ARE SHOWN FOR PLACEMENT ONLY.

16.1 - Door Stripe Decals (2 of 4)

SN 0001XX12 and UP



16.1 - Door Stripe Decals (2 of 4)

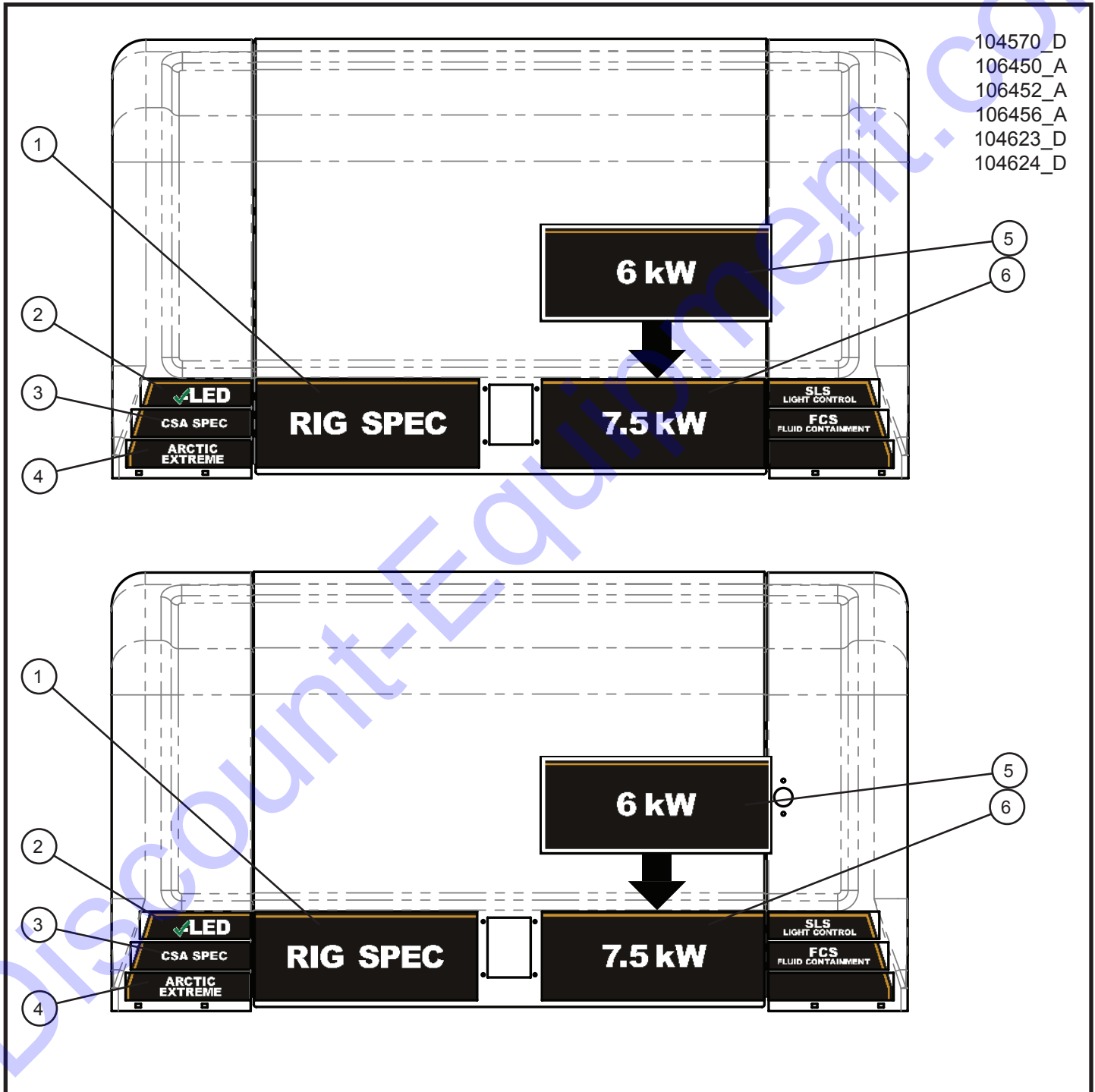
SN 0001XX12 and UP

Item	Part No.	Part Description	Qty.
1	106357	MINE SPEC DOOR STRIPE DECAL	2
2	106360	1000 WATT DOOR STRIPE DECAL	2
3	106364	50Hz DOOR STRIPE DECAL	2
4	106365	ARCTIC SPEC DOOR STRIPE DECAL	2
5	106354	15kW DOOR STRIPE	2
6	106355	20kW DOOR STRIPE	2
7	107406	LSC 2.1 DOOR STRIPE DECAL	2

*NOTE: DOOR STRIPE DECALS ON THESE PAGES ARE SHOWN FOR PLACEMENT ONLY.

16.1 - Door Stripe Decals (3 of 4)

SN 0001XX12 and UP



16.1 - Door Stripe Decals (3 of 4)

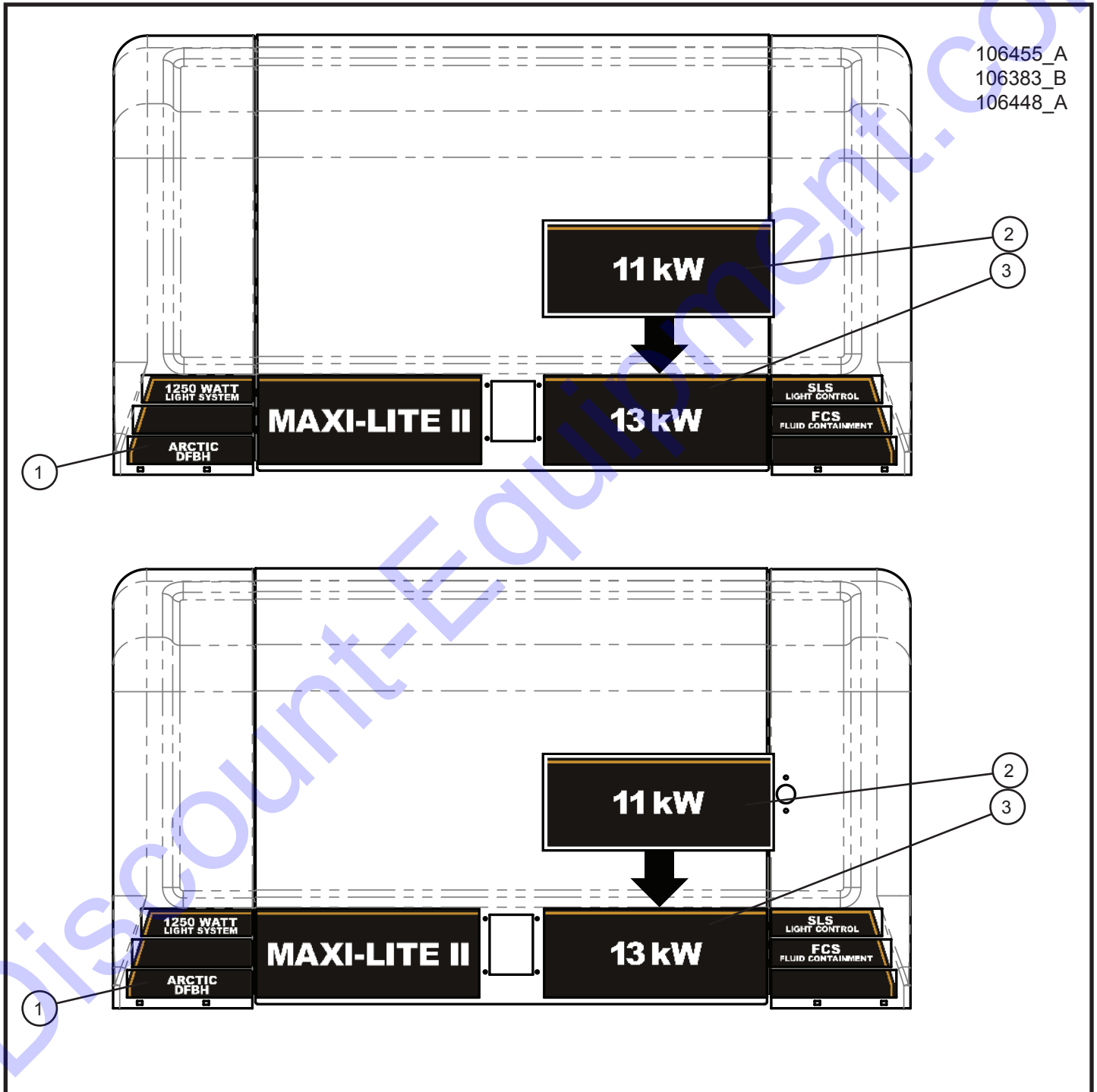
SN 0001XX12 and UP

Item	Part No.	Part Description	Qty.
1	106358	RIG SPEC DOOR STRIPE DECAL	2
2	106359	LED DOOR STRIPE DECAL	2
3	106363	CSA SPEC DOOR STRIPE DECAL	2
4	106367	ARCTIC EXTREME DOOR STRIPE DECAL	2
5	106203	6kW DOOR STRIPE DECAL	2
6	106204	7.5kW DOOR STRIPE DECAL	2

*NOTE: DOOR STRIPE DECALS ON THESE PAGES ARE SHOWN FOR PLACEMENT ONLY.

16.1 - Door Stripe Decals (4 of 4)

SN 0001XX12 and UP



16.1 - Door Stripe Decals (4 of 4)

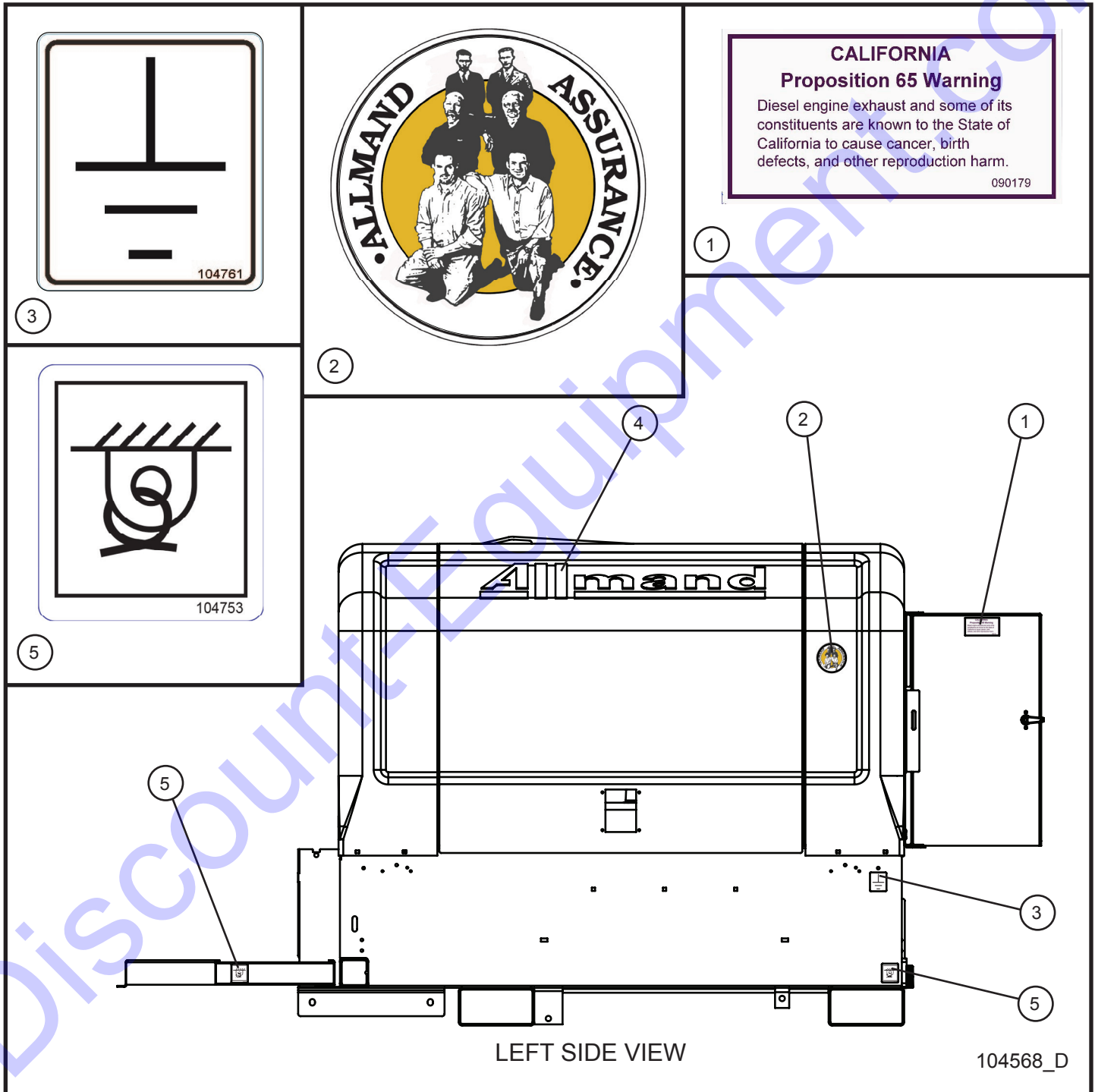
SN 0001XX12 and UP

Item	Part No.	Part Description	Qty.
1	106366	ARCTIC DFBH DOOR STRIPE DECAL	2
2	106393	11kW DOOR STRIPE DECAL	2
3	106353	13kW DOOR STRIPE DECAL	2

*NOTE: DOOR STRIPE DECALS ON THESE PAGES ARE SHOWN FOR PLACEMENT ONLY.

16.2 - Universal Trailer Decals (1 of 4)

SN 0001XX12 and UP



16.2 - Universal Trailer Decals (1 of 4)

SN 0001XX12 and UP

Item	Part No.	Part Description	Qty.
1	090179	CALIFORNIA PROPOSITION 65 WARNING DECAL	1
2	102088	3 GENERATIONS DECAL	1
3	104761	DECAL GROUND	1
4	102939	RAISED LETTERING DOOR DECAL	1
5	104753	DECAL TIE DOWN	2

16.2 - Universal Trailer Decals (2 of 4)

SN 0001XX12 and UP

