

# Allmand™

Brighter. Warmer. Safer.

Portable  
Industrial  
Heaters

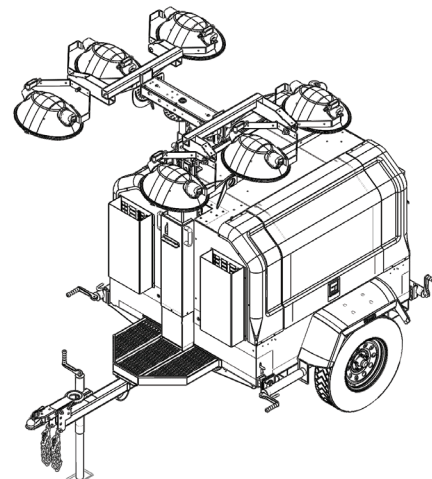
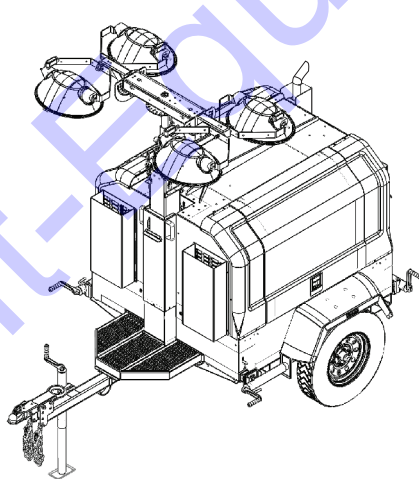
Portable  
Light Towers

Portable  
Light Stands

Solar Flashing  
Arrow Boards



(en) Parts Manual  
MAXI-LITE® II, RIG SPEC™,  
& MINE SPEC™



Copyright © 2015 Allmand Bros., Inc.  
Holdrege, NE, USA. All rights reserved.

Part No.: 106643  
Revision: B

LIGHT TOWER APP



Reliability, Performance, and Integrity Since 1938



www.discount-equipment.com

# **Discount Equipment**

Discount-Equipment.com is your online resource for commercial and industrial quality parts and equipment sales.

## **Locations:**

Florida (West Palm Beach): [561-964-4949](tel:561-964-4949)

Outside Florida TOLL FREE: [877-690-3101](tel:877-690-3101)

**Need parts?** Check out our website at [www.discount-equipment.com](http://www.discount-equipment.com)

## **Can't find what you need?**

Click on this link: <http://www.discount-equipment.com/category/5443-parts/> and fill out the request form.

Please have the machine model and serial number available in order to help us get you the correct parts. One of our experienced staff members will get back to you with a quote for the right part that your machine needs.

We sell worldwide for the brands: Genie, Terex, JLG, MultiQuip, Mayco, Toro/Stone, Diamond Products, Magnum, Airman, Mustang, Power Blanket, Nifty Lift, Atlas Copco, Chicago Pneumatic, Allmand Brothers, Essick, Miller Spreader, Skyjack, Lull, Skytrak, Tsurumi, Husquvarna/Target, Whiteman-Concrete/Mortar, Stow-Concrete/Mortar, Baldor, Wacker, Sakai, Snorkel, Upright, Mi-T-M, Sullair, Neal, Basic, Dynapac, MBW, Weber, Bartell, Bennar Newman, Haulotte, Ditch Runner, Blaw-Knox, Himoina, Best, Buddy, Crown, Edco, Wyco, Bomag, Laymor, Terremite, Barreto, EZ Trench, Takeuchi, Basic, Bil-Jax, Curtis, Gehl, Heli, Honda, ICS/PowerGrit, Puckett, Waldon, ASV, IHI, Partner, Imer, Clipper, MMD, Koshin, Rice, Gorman Rupp, CH&E, Cat Pumps, Comet, General Pump, Giant, AMida, Coleman, NAC, Gradall, Square Shooter, Kent, Stanley, Tamco, Toku, Hatz, Kohler, Robin, Wisconsin, Northrock, Oztec, Toker TK, Rol-Air, Small Line, Wanco, Yanmar

**New Equipment - Used Equipment - Rental Equipment - Parts and Accessories**

# **Discount Equipment**

[www.discount-equipment.com](http://www.discount-equipment.com)

**561-964-4949**

Parts: [wbparts@Discount-Equipment.com](mailto:wbparts@Discount-Equipment.com)

Sales: [info@Discount-Equipment.com](mailto:info@Discount-Equipment.com)

## TABLE OF CONTENTS

### 1.0 FRAME/AXLE/TONGUE/OUTRIGGERS

Universal Frame and Axle .....	(1.1)
Electric and Hydraulic Brake Axle Options .....	(1.2)
Hydraulic Brake Line .....	(1.3)
Removeable Tongue .....	(1.4)
Removeable Tube Mount Tongue .....	(1.5)
Coupler and Pintle Group .....	(1.6)
Bulldog Hitch Options .....	(1.7)
Tongue Platform Install Group .....	(1.8)
Australian Tongue and Coupler .....	(1.9)
Outriggers and Jacks .....	(1.10)
Heavy Duty Outriggers and Jacks .....	(1.11)
Skid Mount Install Group .....	(1.12)

### 2.0 TRAILER BASE PARTS

Engine Cradle and Stringer Group .....	(2.1)
Rear Panel Options .....	(2.2)
Containment Drain .....	(2.3)
Multi Option Front Panels .....	(2.4)
Intake Air Deflector Option .....	(2.5)
Intake Air Front Cover Option .....	(2.6)
Wheel Chock Block .....	(2.7)
Front Tower Cover .....	(2.8)
Fire Extinguisher Install Group .....	(2.9)
Fender Options .....	(2.10)
No Fender Option .....	(2.11)
Outer Shell and Door Group .....	(2.12)
Manual Canister .....	(2.13)

### 3.0 LAYDOWN TOWER GROUP

Laydown Tower Trailer Group .....	(3.1)
Laydown Tower Parts .....	(3.2)
Laydown Tower Light Bar .....	(3.3)

## TABLE OF CONTENTS

### 3.0 LAYDOWN TOWER GROUP (Continued)

Laydown Tower Pivot Group .....	(3.4)
Laydown Tower Pivot Section .....	(3.5)
Laydown Tower Rear Support .....	(3.6)
Laydown Tower Rear Extended Support .....	(3.7)
Laydown Tower Winch Group .....	(3.8)
Laydown Tower 16/8 Cord Reel Group .....	(3.9)
Laydown Tower 14/7 Cord Group .....	(3.10)
Laydown Tower 16/8 Cord Group .....	(3.11)

### 4.0 VERTICAL TOWER GROUP

Vertical Tower Trailer Group .....	(4.1)
Vertical Tower Hydraulic Pump w/Bottom Port Cylinder .....	(4.2)
Vertical Tower Hydraulic Pump w/Top Port Cylinder .....	(4.3)
Vertical Tower Parts .....	(4.4)
Vertical Tower Galvanized Parts .....	(4.5)
Vertical Tower 4-Light Bar .....	(4.6)
Vertical Tower 6-Light Bar .....	(4.7)
Vertical Tower Go-Green LED Light Bar .....	(4.8)
Vertical Tower Light Bar Brace Option .....	(4.9)
Vertical Tower 16/8 Nycoil Cord Group .....	(4.10)
Vertical Tower 16/10 Nycoil Cord Group .....	(4.11)
Vertical Tower 16/14 Nycoil Cord Group .....	(4.12)
Vertical Tower 16/8 Cord Reel Group .....	(4.13)
Vertical Tower 16/10 Cord Reel Group .....	(4.14)

### 5.0 LAMP AND BALLAST GROUP

1000W Lamps with 50Hz 120V Ballast Boxes .....	(5.1)
1000W 50Hz 120V Ballast Box Assembly .....	(5.2)
1000W Lamps with 50Hz 220V Ballast Boxes .....	(5.3)
1000W 50Hz 220V Ballast Box Assembly .....	(5.4)
1000W Lamps with 60Hz 120V Ballasts Boxes .....	(5.5)
1000W 60Hz 120V Ballast Box Assembly .....	(5.6)



## TABLE OF CONTENTS

### 5.0 LAMP AND BALLAST GROUP (Continued)

1000W HPS Lamps with 60Hz 120V Ballast Boxes .....	(5.7)
1000W HPS 60Hz 120V Ballast Box Assembly .....	(5.8)
1250W Lamps with 60Hz 120V Ballast Boxes .....	(5.9)
1250W 60Hz 120V Ballast Box Assembly .....	(5.10)
1250W Lamps with 60Hz 240V Ballast Boxes .....	(5.11)
1250W 60Hz 240V Ballast Box Assembly .....	(5.12)
4-LED Lamp Cords with LED 4 Driver .....	(5.13)
LED 4 Driver Assembly .....	(5.14)
6-LED Lamp Cords with LED 4 and 2 Drivers .....	(5.15)
LED 2 Driver Assembly .....	(5.16)
4-No Lamps with Non Ballast Boxes .....	(5.17)
6-No Lamps with Non Ballast Boxes .....	(5.18)
Non Ballast Assembly .....	(5.19)
4-SHO Light Fixtures .....	(5.20)
6-SHO Light Fixtures .....	(5.21)
Domestic SHO Light Assembly Group .....	(5.22)
CSA/UL SHO Light Assembly Group .....	(5.23)
4-LED Light Fixtures and LED Assembly Group .....	(5.24)
6-LED Light Fixtures .....	(5.25)
SHO Light SAF-T-Visor .....	(5.26)
4-SHO Light SFR Safety Lanyards .....	(5.27)
6-SHO Light SFR Safety Lanyards .....	(5.28)
4-LED Light SFR Safety Lanyards .....	(5.29)
6-LED Light SFR Safety Lanyards .....	(5.30)
4-SHO Light Solid Wired Lamp Connector .....	(5.31)
6-SHO Light Solid Wired Lamp Connector .....	(5.32)
4-SHO Light Quick Disconnect Lamp Connector .....	(5.33)
6-SHO Light Quick Disconnect Lamp Connector .....	(5.34)
4-LED Light Solid Wired Lamp Connector .....	(5.35)
6-LED Light Solid Wired Lamp Connector .....	(5.36)
4-LED Light Quick Disconnect Lamp Connector .....	(5.37)
6-LED Light Quick Disconnect Lamp Connector .....	(5.38)

## TABLE OF CONTENTS

### 6.0 CONTROL BOX GROUP

Control Box .....	(6.1)
Control Box Strip Brush .....	(6.2)
Outlet Panel 8kW CSA .....	(6.3)
Outlet Panel 8kW CSA UL489 .....	(6.4)
Outlet Panel 8kW, 1-RV, 2-GFCI .....	(6.5)
Outlet Panel 8kW, 2-RV, 1-GFCI .....	(6.6)
Outlet Panel 8kW 50Hz Schuko .....	(6.7)
Outlet Panel 8kW 60Hz NZL/AS3000 .....	(6.8)
Outlet Panel 8kW 50Hz NZL/AS3000 .....	(6.9)
Outlet Panel 11kW 50Hz NZL/AS3000 .....	(6.10)
Outlet Panel 11kW 50Hz Schuko .....	(6.11)
Outlet Panel 15kW CSA .....	(6.12)
Outlet Panel 15kW CSA UL489 .....	(6.13)
Outlet Panel 15kW Domestic .....	(6.14)
Outlet Panel 15kW RV .....	(6.15)
Outlet Panel 13kW 50Hz NZL/AS3000 .....	(6.16)
Outlet Panel 15/20kW 208V 3PH .....	(6.17)
Outlet Panel 15/20kW 208V 3PH UL489 .....	(6.18)
Outlet Panel 20kW 240V 3PH .....	(6.19)
Outlet Panel 20kW CSA .....	(6.20)
Outlet Panel 20kW CSA UL489 .....	(6.21)
Outlet Panel 20kW Domestic .....	(6.22)
Outlet Panel 20kW RV .....	(6.23)
Outlet Panel 20kW 240V 1PH 2-GFCI .....	(6.24)
SLS Control Panel .....	(6.25)
LSC Control Panel .....	(6.26)
4/6 Light Switch Panel .....	(6.27)
4/6 Light Switch Panel UL489 .....	(6.28)
4/6 Light 240V 3PH Switch Panel .....	(6.29)
4/6 Light Australian Switch Panel .....	(6.30)
Quartz Light Toggle Switch .....	(6.31)
50Hz Electric Governor CAT C1.5 Turbo .....	(6.32)

## TABLE OF CONTENTS

### 6.0 CONTROL BOX GROUP (Continued)

50Hz Electric Governor Isuzu 4LE1 .....	(6.33)
CAT Engine Voltage Regulator .....	(6.34)
Low Level Fuel Module .....	(6.35)
GPS Module .....	(6.36)
GPS Unit .....	(6.37)
4 Light Relay .....	(6.38)
6 Light Relay .....	(6.39)

### 7.0 REAR OUTLET AND JUNCTION BOX GROUP

208V 3PH Rear Outlet .....	(7.1)
240V Rear Outlet .....	(7.2)
50Hz Rear Disconnect .....	(7.3)
50A Rear Receptacle w/Cover .....	(7.4)
Auxiliary Outlet Panel w/Cover .....	(7.5)
Auxiliary Power Outlet Panel 2-20A 1-50A .....	(7.6)
Auxiliary Power Outlet Panel 3-50A 1-30A .....	(7.7)
2/4 & 4/4 Rear Outlet Cord .....	(7.8)
10/4 Rear Outlet Cord .....	(7.9)
Rear Outlet Cover .....	(7.10)
No Rear Outlet Cover .....	(7.11)
Double Throw Switch Box .....	(7.12)
Double Throw Switch Box Mount .....	(7.13)
Internal GFCI Outlet Group .....	(7.14)
Internal GFCI Outlet Box and Breaker Box .....	(7.15)
4/6 Light Junction Box and Cord Group .....	(7.16)

### 8.0 ELECTRICAL GROUP

Oval Taillight .....	(8.1)
LED Taillight .....	(8.2)
No Taillight Cover .....	(8.3)
4-Pin Taillight Harness w/ 7-Pole Adapter .....	(8.4)

## TABLE OF CONTENTS

### 8.0 ELECTRICAL GROUP (Continued)

4-Pin 2-Piece Taillight Harness w/ 7-Pole Adapter .....	(8.5)
7-Pole Electric Brake Taillight Harness .....	(8.6)
AS3000 Taillight and Taillight Harness .....	(8.7)
Ground Rod Options .....	(8.8)
Emergency Stop .....	(8.9)
VIN Package with License Plate Bracket .....	(8.10)
LED VIN Package with License Plate Bracket .....	(8.11)
Low Fuel Beacon .....	(8.12)
Run Beacon .....	(8.13)
Interior LED Light .....	(8.14)

### 9.0 BATTERY/FUEL TANK/ENGINE PARTS

Battery Install Group .....	(9.1)
Dual Battery Install Group .....	(9.2)
Battery Cables .....	(9.3)
Battery Cable Disconnect .....	(9.4)
Battery Cable Disconnect Switch .....	(9.5)
Battery Blanket .....	(9.6)
Fuel Tank Install Group .....	(9.7)
Fuel Sender .....	(9.8)
Fuel Water Separator .....	(9.9)
Heated Fuel Water Separator .....	(9.10)
Engine Isolator Mount Options .....	(9.11)
Engine Threaded Isolator Mount Options .....	(9.12)
Heavy Duty Engine Isolator Mounts Isuzu 4LE1 .....	(9.13)
Heavy Duty Engine Threaded Isolator Mounts Isuzu 4LE1 .....	(9.14)
Engine Ground Strap .....	(9.15)
Coolant Recovery Tank .....	(9.16)
Oil Drain .....	(9.17)
Oil Drain Rear Pump .....	(9.18)
Coolant Drain .....	(9.19)
Coolant Drain Isuzu .....	(9.20)

## TABLE OF CONTENTS

### 9.0 BATTERY/FUEL TANK/ENGINE PARTS (Continued)

Radiator Arctic Cover .....	(9.21)
Exhaust Plate/Shield CAT/Kubota .....	(9.22)
Exhaust Plate/Shield Isuzu .....	(9.23)
Exhaust Plate CAT C1.5 Turbo .....	(9.24)
Diesel Fired Block Heater Install Group .....	(9.25)

### 10.0 CAT C1.1 ENGINE GROUP

CAT C1.1 Engine and Filters .....	(10.1)
CAT C1.1 Engine Assembly Group .....	(10.2)
CAT C1.1 Oil Drain Fitting .....	(10.3)
CAT C1.1 LSC Sending Unit .....	(10.4)
CAT C1.1 Block Heater .....	(10.5)
CAT C1.1 Diesel Fired Block Heater Hoses .....	(10.6)
CAT C1.1 Shocker Group .....	(10.7)
CAT C1.1 Exhaust Blanket .....	(10.8)

### 11.0 CAT C1.5 ENGINE GROUP

CAT C1.5 Engine and Filters .....	(11.1)
CAT C1.5 Engine Assembly Group .....	(11.2)
CAT C1.5 Oil Drain Fitting .....	(11.3)
CAT C1.5 LSC Sending Unit .....	(11.4)
CAT C1.5 Block Heater .....	(11.5)
CAT C1.5 Diesel Fired Block Heater Hoses .....	(11.6)
CAT C1.5 Shocker Group .....	(11.7)
CAT C1.5 Exhaust Blanket .....	(11.8)

### 12.0 CAT C1.5 TURBO ENGINE GROUP

CAT C1.5 Turbo Engine and Filters .....	(12.1)
CAT C1.5 Turbo Engine Assembly Group .....	(12.2)
CAT C1.5 Turbo Oil Drain Fitting .....	(12.3)
CAT C1.5 Turbo LSC Sending Unit .....	(12.4)

## TABLE OF CONTENTS

### 12.0 CAT C1.5 TURBO ENGINE GROUP (Continued)

CAT C1.5 Turbo Diesel Fired Block Heater Hoses .....	(12.5)
CAT C1.5 Turbo Shocker Group .....	(12.6)
CAT C1.5 Turbo Exhaust Blanket .....	(12.7)

### 13.0 KUBOTA D1005/D1105 ENGINE GROUP

Kubota Engine and Filters .....	(13.1)
Kubota Engine Assembly Group .....	(13.2)
Kubota Remote Oil Drain Fitting .....	(13.3)
Kubota LSC Sending Unit .....	(13.4)
Kubota Block Heater .....	(13.5)
Kubota Diesel Block Fired Heater Hoses .....	(13.6)
Kubota Shocker Group .....	(13.7)
Kubota Exhaust Blanket .....	(13.8)

### 14.0 ISUZU 4LE1 ENGINE GROUP

Isuzu 4LE1 Engine and Filters .....	(14.1)
Isuzu 4LE1 Engine Assembly Group .....	(14.2)
Isuzu Remote Oil Drain Fitting .....	(14.3)
Isuzu LSC Sending Unit .....	(14.4)
Isuzu Block Heater .....	(14.5)
Isuzu Diesel Block Fired Heater Hoses .....	(14.6)
Isuzu Shocker Group .....	(14.7)
Isuzu Exhaust Blanket .....	(14.8)
Isuzu Belt Guard .....	(14.9)
Isuzu Magnetic Pick-Up w/ Electronic Governor .....	(14.10)
Isuzu Magnetic Pick-Up w/o Electronic Governor .....	(14.11)

### 15.0 GENERATORS AND GENERATOR CORDS

6/8kW Marathon Generator Options .....	(15.1)
8kW Athlon Generator Option .....	(15.2)
11/15kW CAT C1.5 Marathon Generator Options .....	(15.3)



## TABLE OF CONTENTS

### 15.0 GENERATORS AND GENERATOR CORDS (Continued)

11/15kW CAT C1.5 Turbo Marathon Generator Options .....	(15.4)
20kW CAT C1.5 Marathon Generator Option .....	(15.5)
20kW Isuzu 4LE1 Marathon Generator Option .....	(15.6)
20kW Isuzu 4LE1 Cummins Generator Option .....	(15.7)
Double Throw Switch Generator Cord Options .....	(15.8)
6/4 CSA Generator Cord Options .....	(15.9)
CAT C1.5 Turbo Generator Cord Options .....	(15.10)
AS3000 Generator Cord Options .....	(15.11)
20kW Marathon Generator Cord Option .....	(15.12)
20kW Cummins Generator Cord Option .....	(15.13)

### 16.0 DECALS

Door Stripe Decals .....	(16.1)
Universal Trailer Decals .....	(16.2)
Danger/Warning Decals .....	(16.3)
LSC Warning Decal .....	(16.4)
Laydown Tower Decals .....	(16.5)
Vertical Tower Decals .....	(16.6)
Conspicuity Tape .....	(16.7)
CSA Decals .....	(16.8)
French Danger/Warning Decals .....	(16.9)

### 17.0 WIRING SCHEMATICS

SLS Key Start Schematic .....	(17.1)
SLS Relay Schematic .....	(17.2)
LSC Schematic .....	(17.3)
CAT C1.1 Schematic .....	(17.4)
CAT C1.1 Voltage Regulator Schematic .....	(17.5)
CAT C1.1 LSC Schematic .....	(17.6)
CAT C1.5 Engine Schematic .....	(17.7)
CAT C1.5 LSC Schematic .....	(17.8)
CAT C1.5 Turbo Engine Schematic .....	(17.9)

## TABLE OF CONTENTS

### 17.0 WIRING SCHEMATICS (Continued)

CAT C1.5 Turbo LSC Schematic .....	(17.10)
CAT C1.5 Turbo Governor Schematic .....	(17.11)
Kubota D1005/1105 Schematic .....	(17.12)
Kubota D1005/1105 LSC Schematic .....	(17.13)
Isuzu 4LE1 Engine Schematic .....	(17.14)
Isuzu 4LE1 LSC Schematic .....	(17.15)
Isuzu 4LE1 Governor Schematic .....	(17.16)
Shocker Valve Schematic .....	(17.17)
Low Fuel Shutdown Schematic .....	(17.18)
Fuel Sending Unit Schematic .....	(17.19)
Fuel Beacon Run Light Schematic .....	(17.20)
Run Beacon Schematic .....	(17.21)
Heated Fuel/Water Separator .....	(17.22)
Diesel Fired Block Heater Schematic .....	(17.23)
4 Light 14/7 Cord Junction Box Schematic .....	(17.24)
4 Light 16/8 Cord Junction Box Schematic .....	(17.25)
6 Light 16/10 Cord Junction Box Schematic .....	(17.26)
6 Light 16/14 Cord w/Aux Light Junction Box Schematic .....	(17.27)
4 LED Light Junction Box Schematic .....	(17.28)
6 LED Light Junction Box Schematic .....	(17.29)
4 Light 1P Switches Schematic .....	(17.30)
4 Light 3P Switches Schematic .....	(17.31)
6 Light 1P Switches Schematic .....	(17.32)
6 Light 3P Switches Schematic .....	(17.33)
2 Light AUS/NZ Switches Schematic .....	(17.34)
3 Light AUS/NZ Switches Schematic .....	(17.35)
4 Light 2 Relay Schematic .....	(17.36)
6 Light 2 Relay Schematic .....	(17.37)
6 Light 3 Relay Schematic .....	(17.38)
4 Light 14/7 Cord Schematic .....	(17.39)
4 Light 16/8 Cord Schematic .....	(17.40)
6 Light 14/10 Cord Schematic .....	(17.41)
6 Light 16/14 Cord Schematic .....	(17.42)

---

---

## TABLE OF CONTENTS

### 17.0 WIRING SCHEMATICS (Continued)

4 Light LED Schematic .....	(17.43)
4 Light LED Disconnect Schematic .....	(17.44)
6 Light LED Schematic .....	(17.45)
6 Light LED Disconnect Schematic .....	(17.46)
1000W 50Hz 120V Ballast Schematic .....	(17.47)
1000W 50Hz 220V Ballast Schematic .....	(17.48)
1000W 60Hz 120V Ballast Schematic .....	(17.49)
1000W 60Hz 120V HPS Ballast Schematic .....	(17.50)
1250W 60Hz 120V Ballast Schematic .....	(17.51)
1250W 60Hz 240V Ballast Schematic .....	(17.52)
Aux Outlet 1-50A Schematic .....	(17.53)
Aux Outlet 3-50A 1-30A Schematic .....	(17.54)
Aux Outlet 1-60A 3P 600V Schematic .....	(17.55)
Aux Outlet 1-50A 4-50R Schematic .....	(17.56)
Internal GFCI Schematic .....	(17.57)
50Hz Aux Outlet Disconnect Box Schematic .....	(17.58)
20kW 1P Transfer Switch Schematic .....	(17.59)
8kW 1P Marathon/Athlon Schematic .....	(17.60)
4/4 Cord 240 L-L CAT C1.5 Schematic .....	(17.61)
3P CAT C1.5T Schematic .....	(17.62)
AS3000 Generator Cord Schematic .....	(17.63)
20kW 1P Marathon Schematic .....	(17.64)
20kW 3P 208V 60Hz Cummins Schematic .....	(17.65)
Tail Light Schematic .....	(17.66)
Electrical Brake Tail Light Schematic .....	(17.67)
AS3000 Tail Light Schematic .....	(17.68)
Marker Lights Schematic .....	(17.69)
Interior Work Light Schematic .....	(17.70)

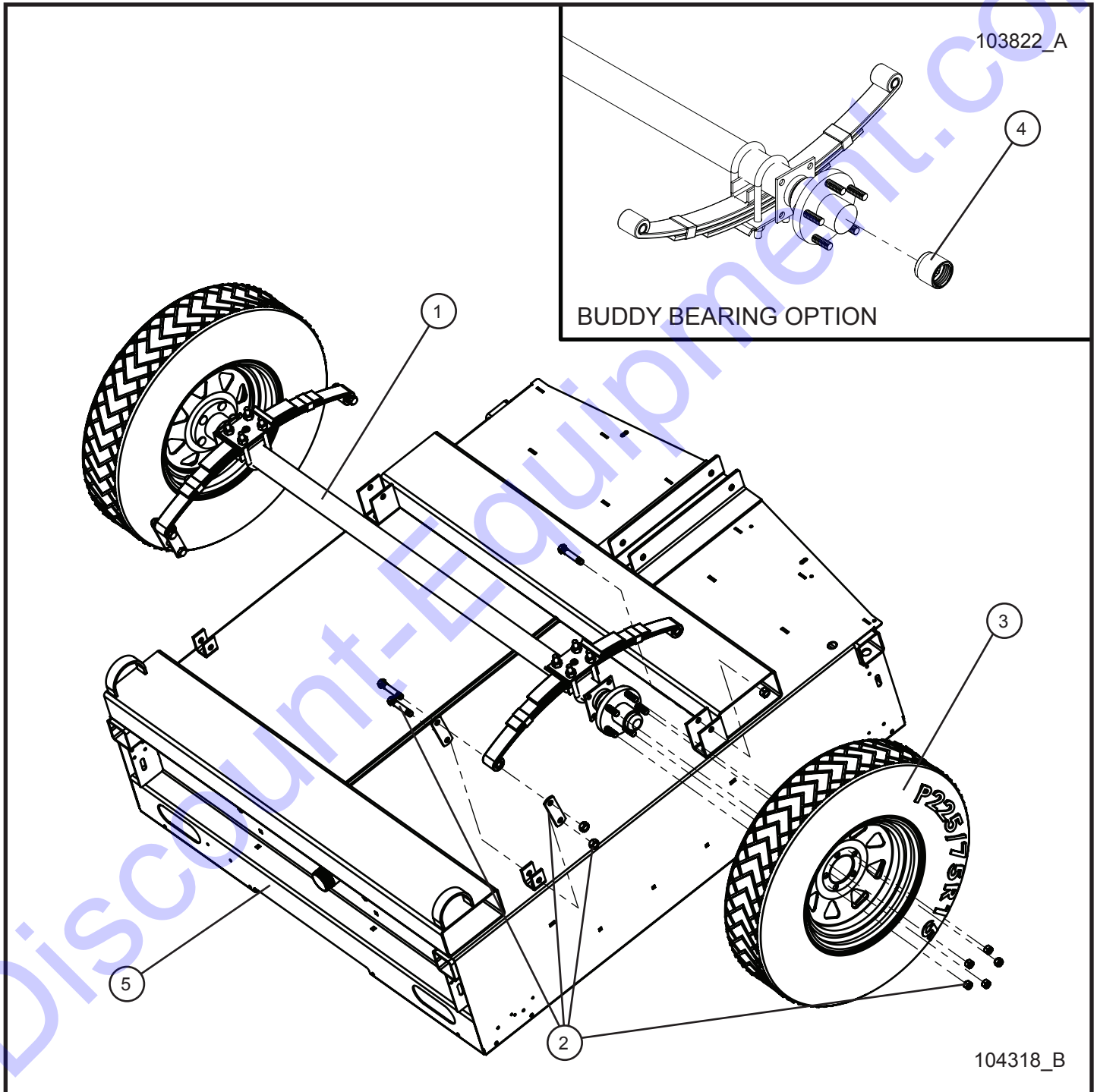
**TABLE OF CONTENTS**

PAGE LEFT BLANK  
INTENTIONALLY

Discount-Equipment.com

## 1.1 - Universal Frame and Axle

SN 0001XX12 and UP



# Maxi-Lite II

## 1.1 - Universal Frame and Axle

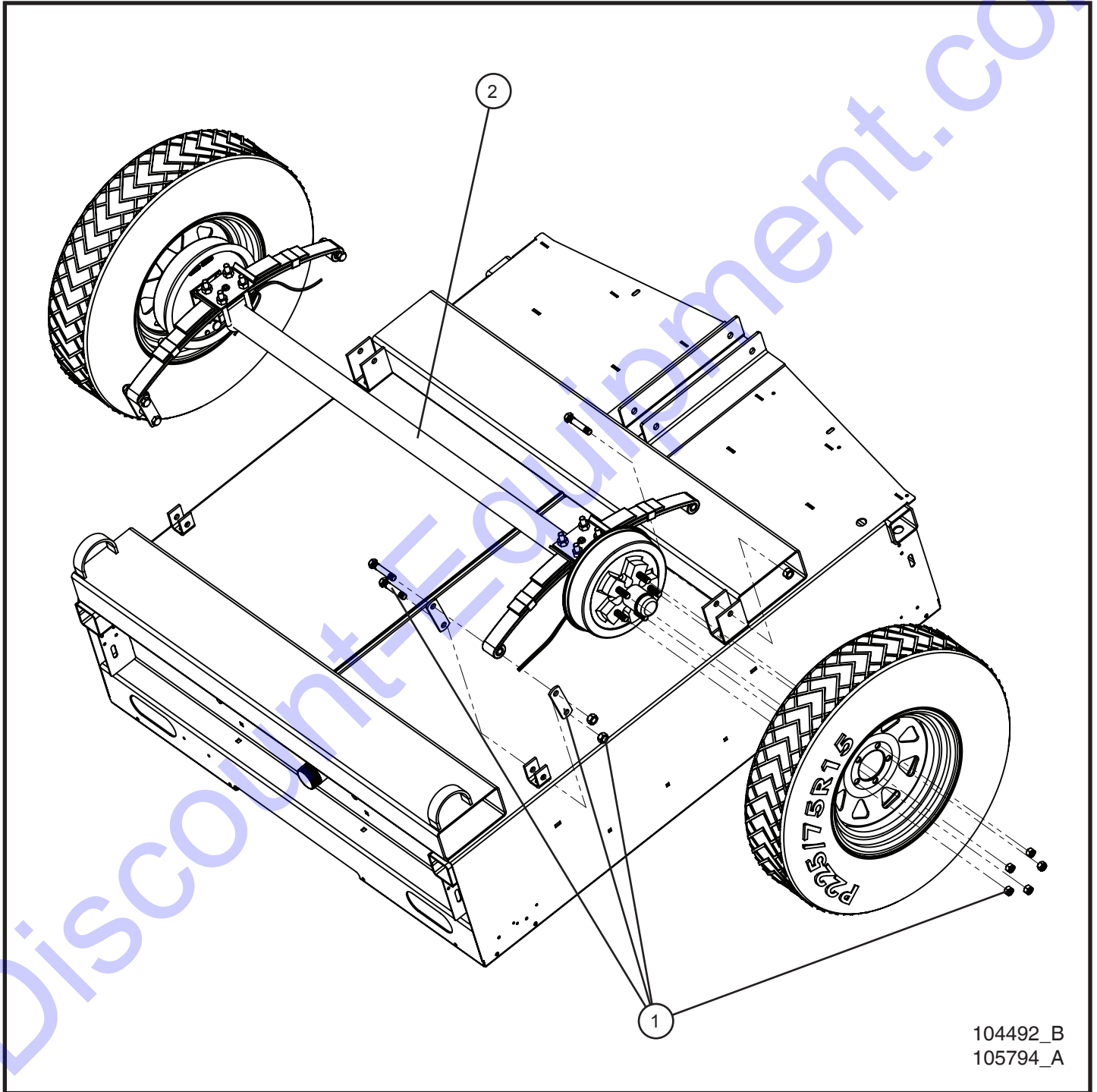
SN 0001XX12 and UP

Item	Part No.	Part Description	Qty.
1	102106	AXLE HARDWARE KIT LONG	1
2	103639	AXLE 3700 LBS.	1
3	106199	15" WHEEL/TIRE ASSEMBLY	2
	680124-12	15" CHROME WHEEL/TIRE ASSEMBLY (OPTION)	2
4	103952	BEARING BUDDY HUB COVER (OPTION)	2
5	104272P	MAXI II FRAME	1



## 1.2 - Electric and Hydraulic Brake Axle Options

SN 0001XX12 and UP



104492\_B  
105794\_A

# Maxi-Lite II

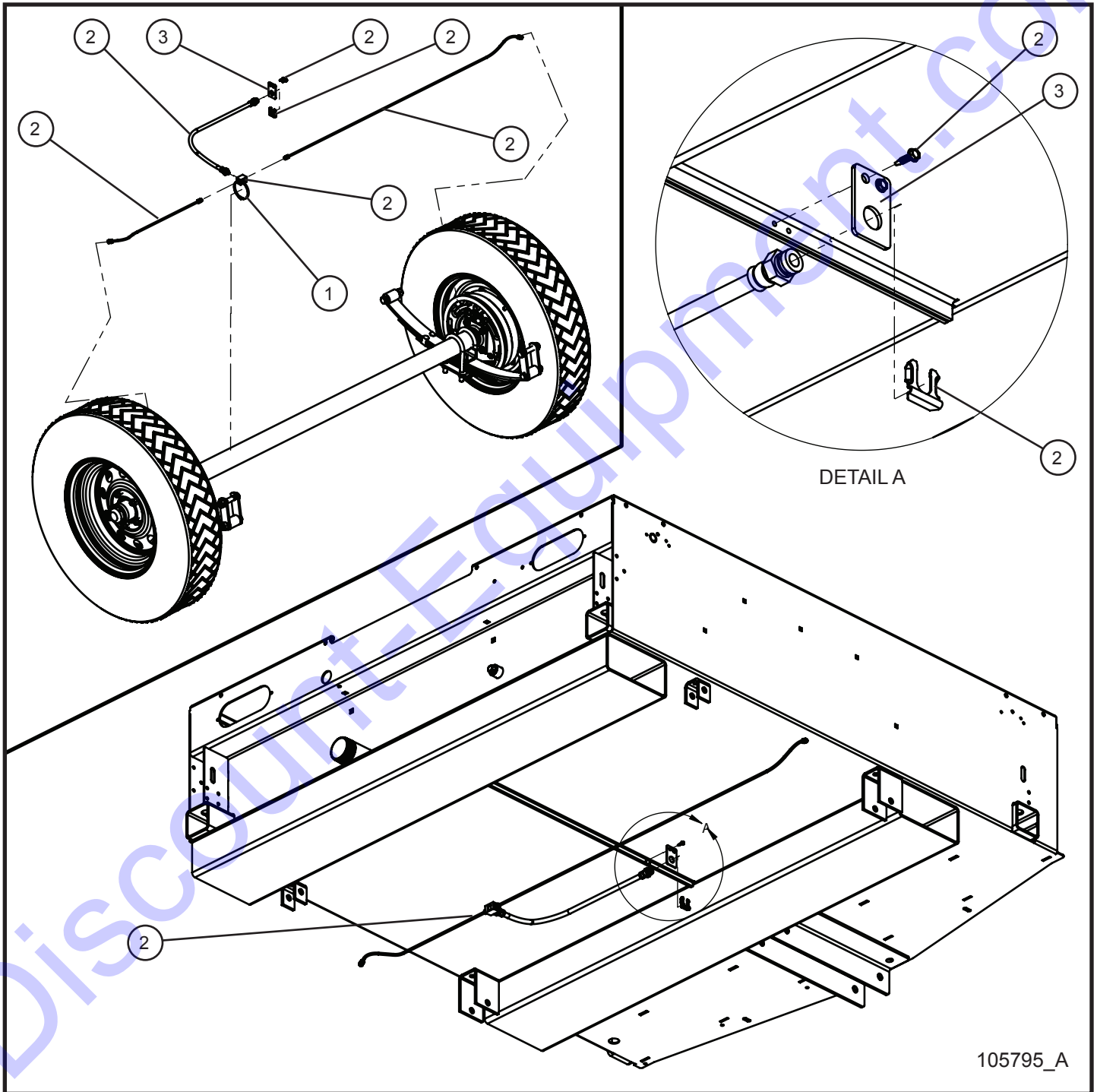
## 1.2 - Electric and Hydraulic Brake Axle Options

SN 0001XX12 and UP

Item	Part No.	Part Description	Qty.
1	102106	AXLE HARDWARE KIT LONG	1
2	103640	3700 LBS ELECTRIC AXLE	1
	105793	HYDRAULIC AXLE	1

## 1.3 - Hydraulic Brake Line

SN 0001XX12 and UP



105795\_A

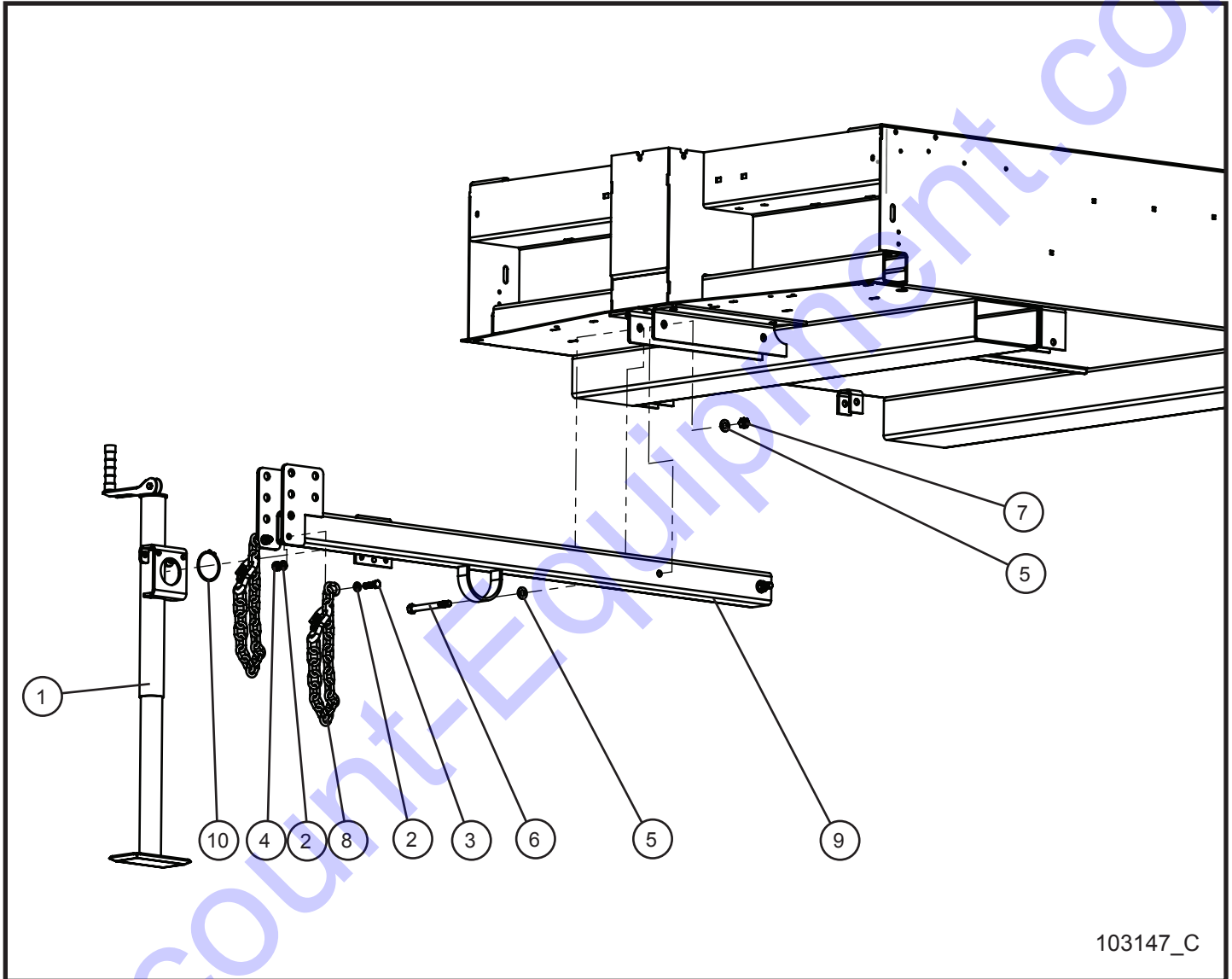
## 1.3 - Hydraulic Brake Line

SN 0001XX12 and UP

Item	Part No.	Part Description	Qty.
1	103433	14" SS TIE	1
2	105796	HYDRAULIC BRAKE LINE MAXI II AS3000	1
3	106176P	BRACKET BRAKE LINE HYD	1

## 1.4 - Removeable Tongue

SN 0001XX12 and UP



103147\_C

# Maxi-Lite II

## 1.4 - Removeable Tongue

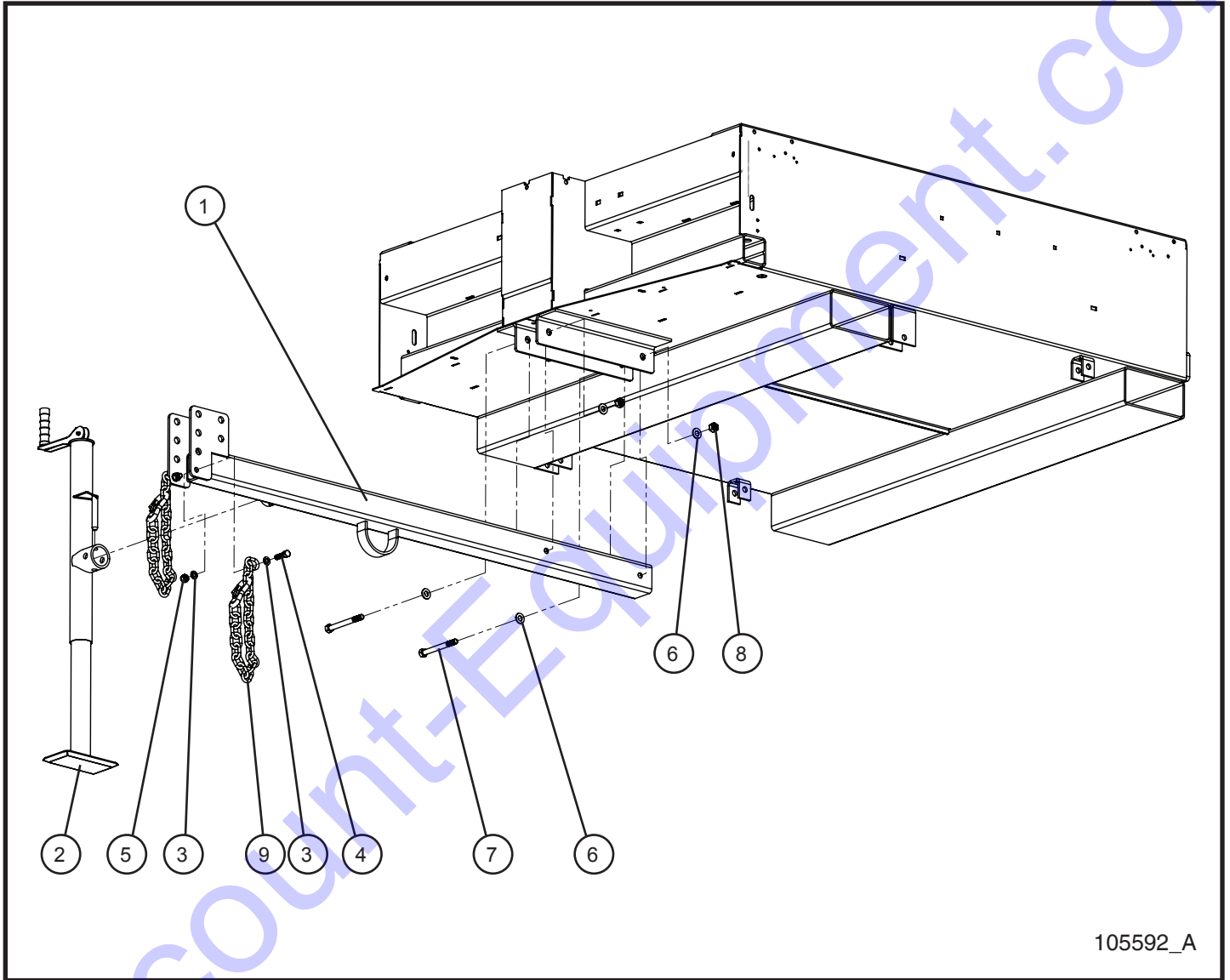
SN 0001XX12 and UP

Item	Part No.	Part Description	Qty.
1	102089	TOP CRANK JACK SNAP RING	1
2	047075	7/16 FLAT WASHER SAE ZC	4
3	046160	7/16-14 x 1 1/2 HEX HEAD CS GR5 PL	2
4	044043	7/16-14 NYLOCK HEX NUT PL	2
5	047025	1/2 FLAT WASHER PL	4
6	046230	1/2-13 x 5 HEX HEAD CS GR5 PL	2
7	044048	1/2-13 NYLOCK HEX NUT PL	2
8	049040	SAFETY CHAIN	2
9	650398P	TONGUE	1
10	330014	2 5/6 XT JACK SNAP RING	1



## 1.5 - Removeable Tube Mount Tongue

SN 0001XX12 and UP



105592\_A

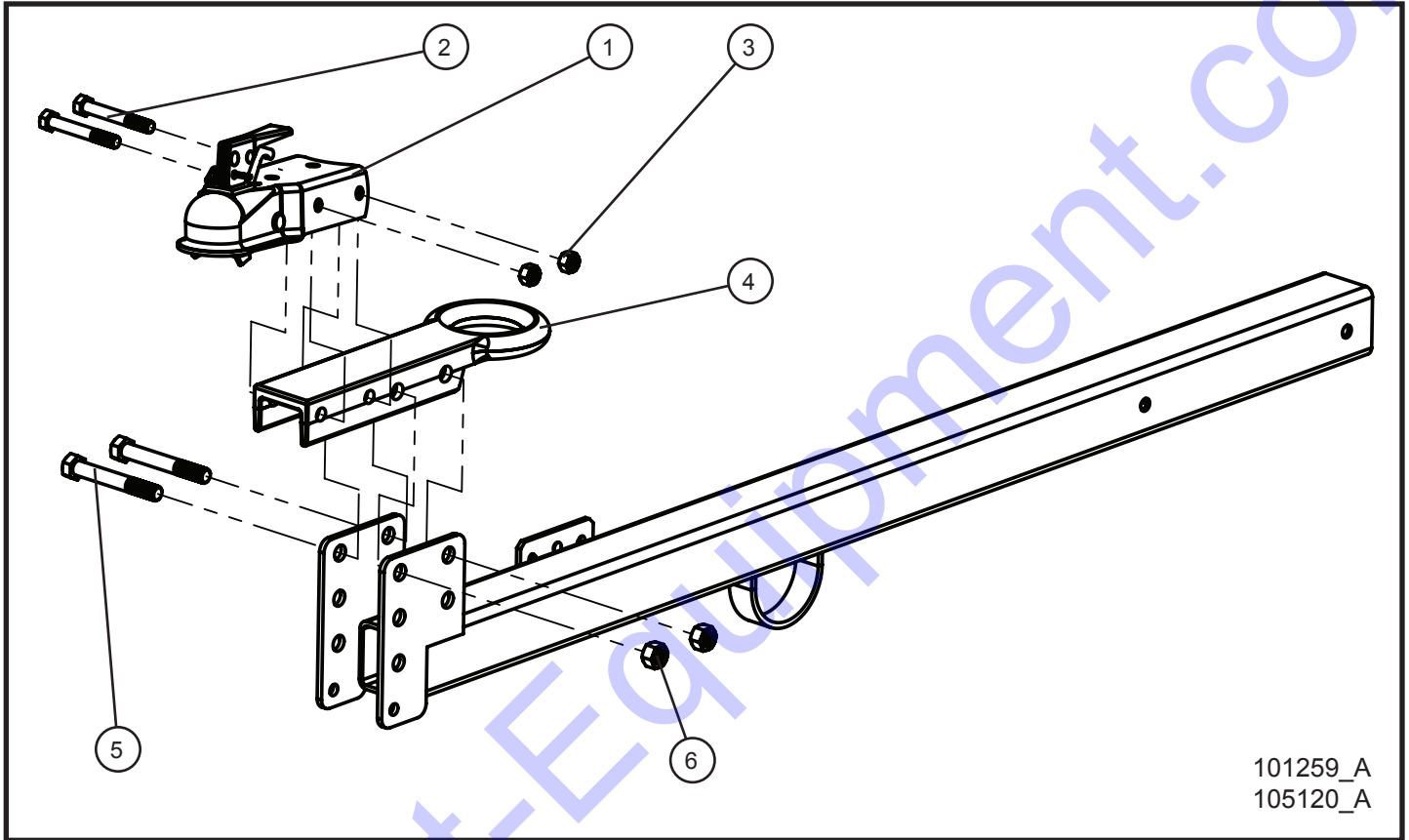
## 1.5 - Removeable Tube Mount Tongue

SN 0001XX12 and UP

Item	Part No.	Part Description	Qty.
1	651225P	REMOVEABLE TUBE MOUNT TONGUE	1
2	105951	TOP CRANK JACK TUBE MOUNT	1
3	047075	7/16 FLAT WASHER SAE ZC	4
4	046160	7/16-14 x 1 1/2 HEX HEAD CS GR5 PL	2
5	044043	7/16-14 NYLOCK HEX NUT PL	2
6	047025	1/2 FLAT WASHER PL	4
7	046230	1/2-13 x 5 HEX HEAD CS GR5 PL	2
8	044048	1/2-13 NYLOCK HEX NUT PL	2
9	049040	SAFETY CHAIN	2

## 1.6 - Coupler and Pintle Group

SN 0001XX12 and UP



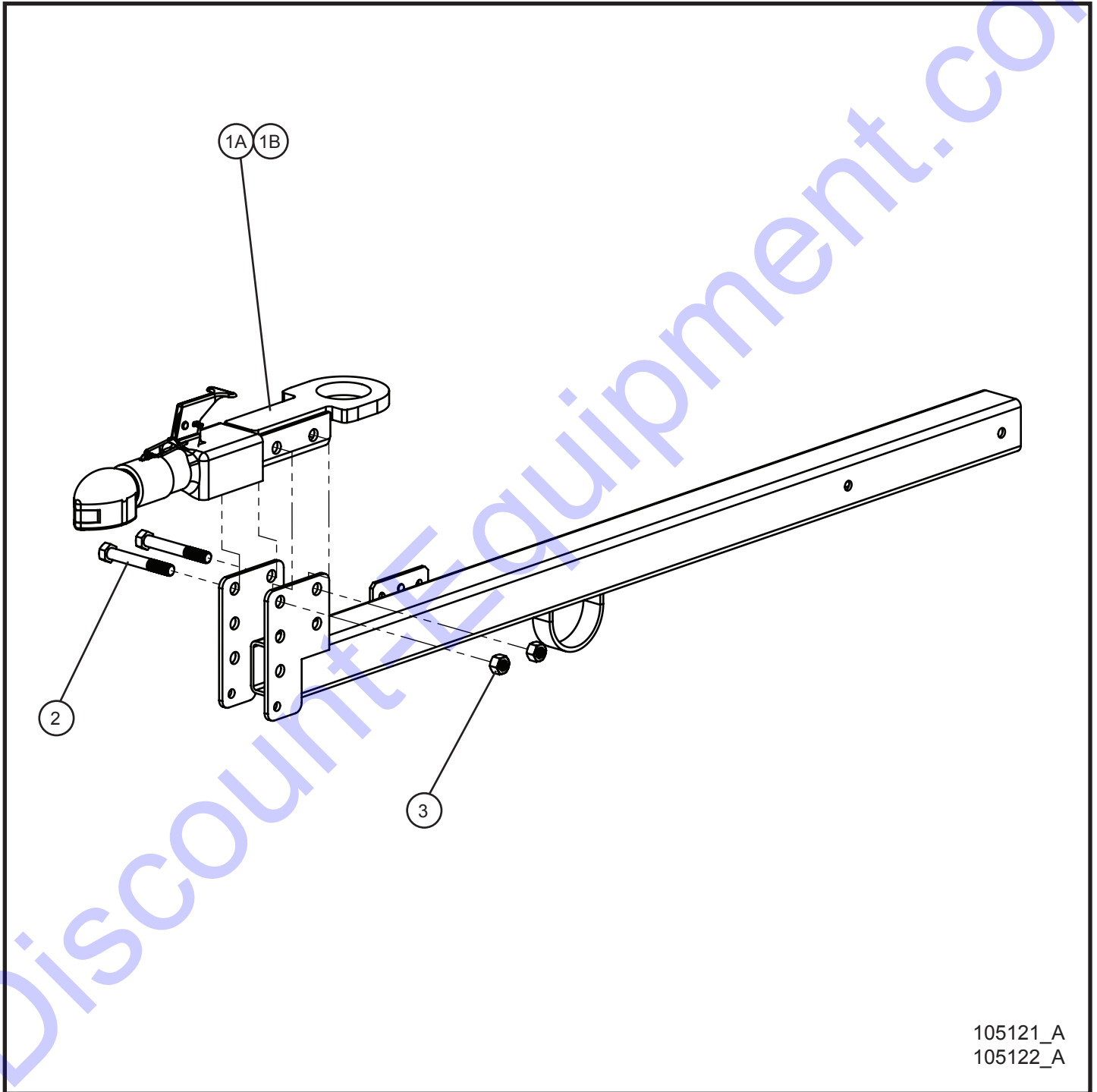
## 1.6 - Coupler and Pintle Group

SN 0001XX12 and UP

Item	Part No.	Part Description	Qty.
1	100794	2" BALL SAE 5000 LBS	1
2	046220	1/2-13 x 4 HEX HEAD CS GR5 PL	2
3	044062	1/2-13 TOPLOCK HEX NUT PL	2
4	712540-13	PINTLE HITCH DUCTILE IRON	1
5	046250	5/8-11 x 4 1/2 HEX HEAD CS GR5 PL	2
6	044061	5/8-11 TOPLOCK HEX NUT PL	2

## 1.7 - Bulldog Hitch Options

SN 0001XX12 and UP



105121\_A  
105122\_A

## 1.7 - Bulldog Hitch Options

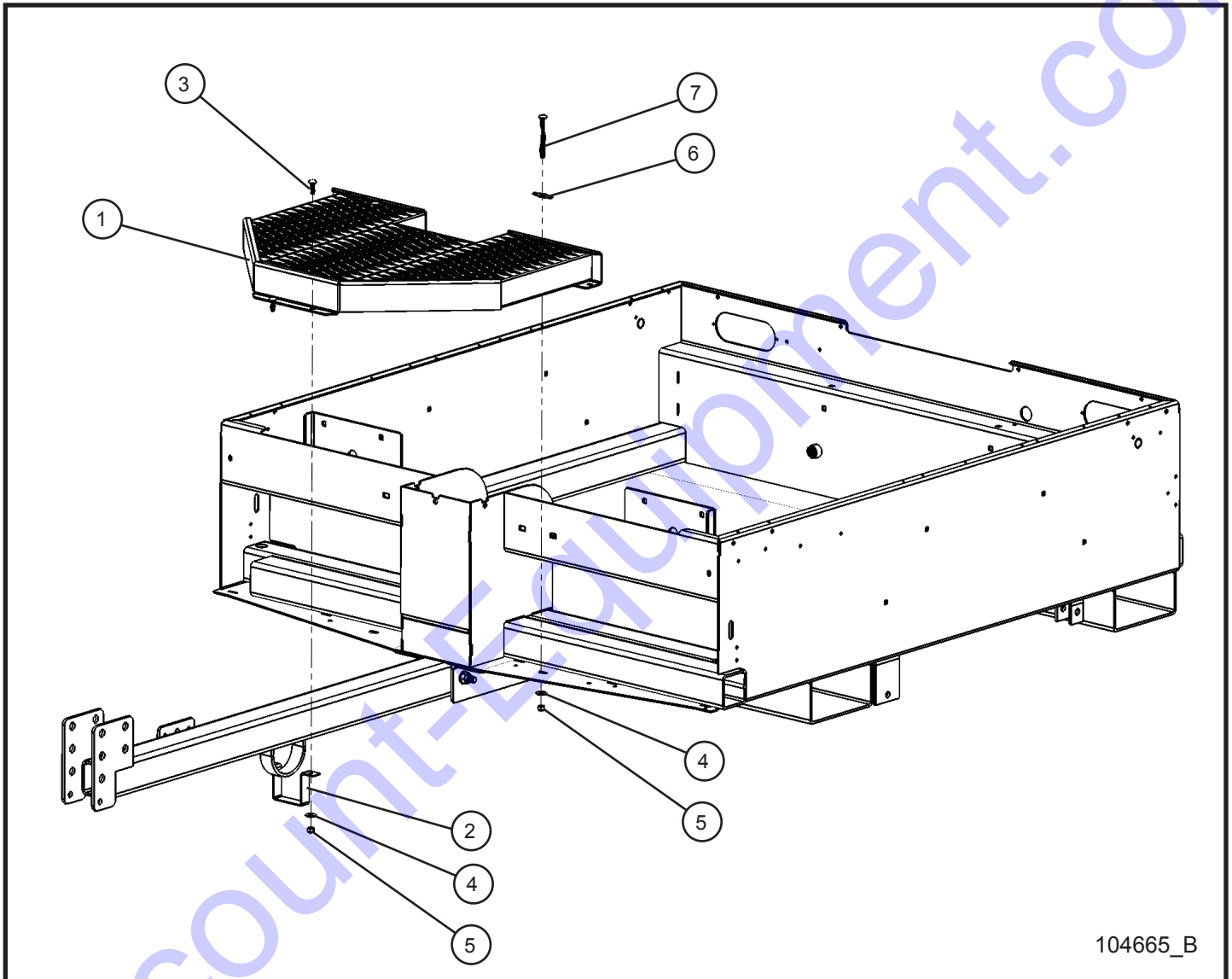
SN 0001XX12 and UP

Item	Part No.	Part Description	Qty.
1A	300775P	2" HITCH PINTLE COMBO	1
1B	680489P	2 5/16 HITCH PINTLE COMBO	1
2	046250	5/8-11 x 4 1/2 HEX HEAD CS GR5 PL	2
3	044061	5/8-11 TOPLOCK HEX NUT PL	2



## 1.8 - Tongue Platform Install Group

SN 0001XX12 and UP



104665\_B

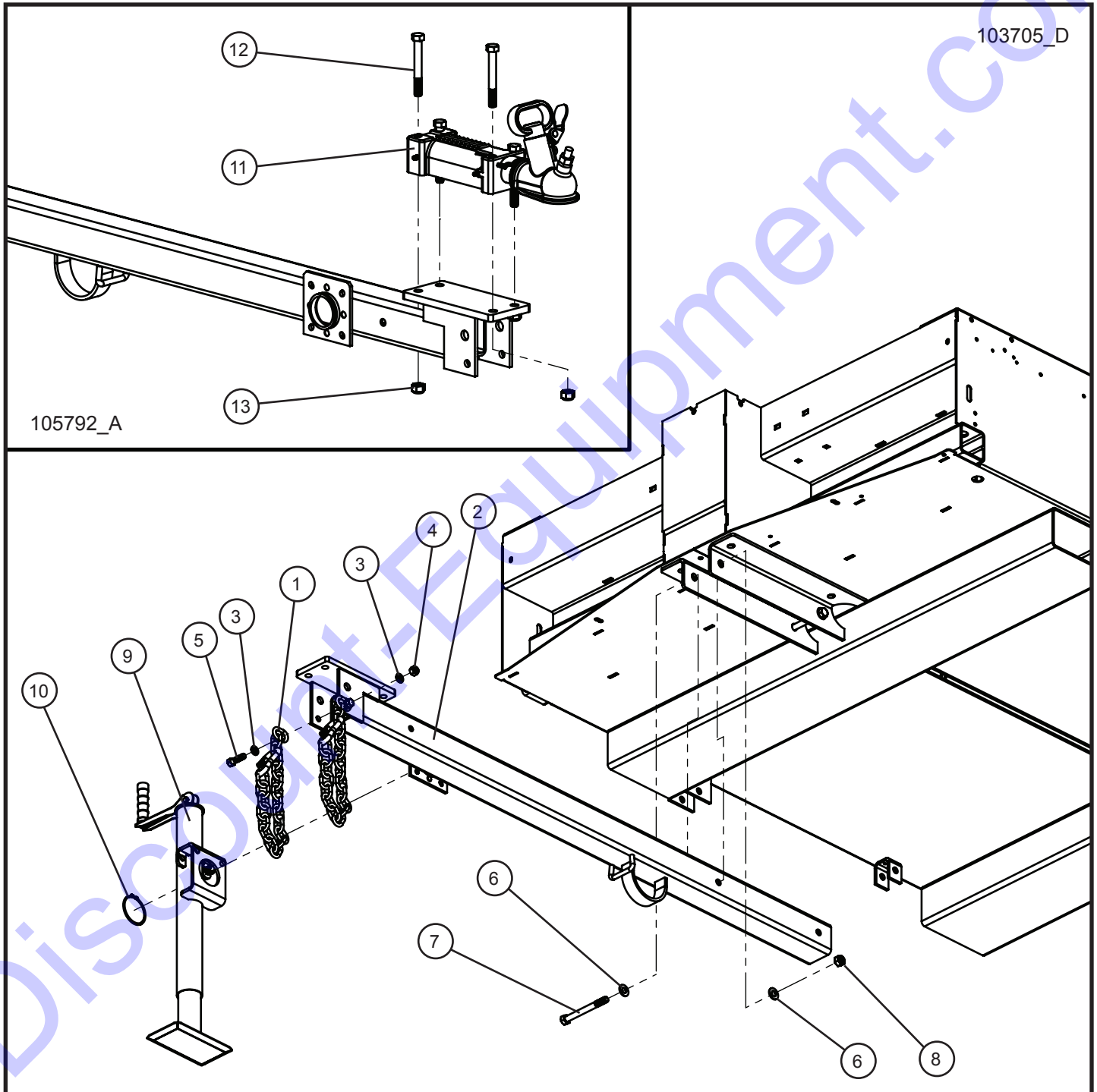
## 1.8 - Tongue Platform Install Group

SN 0001XX12 and UP

Item	Part No.	Part Description	Qty.
1	104529P	PLATFORM GRIP STEP	1
2	104530P	TONGUE STRAP GRIP STEP	1
3	053020	5/16-18 x 1 CARRIAGE BOLT	2
4	047010	5/16 FLAT WASHER PL	4
5	044033	5/16-18 NYLOCK HEX NUT PL	4
6	106908P	DIAMOND WASHER GRIP STRUT	2
7	053027	5/16-18 x 2 CARRIAGE BOLT ZC	2

## 1.9 - Australian Tongue and Coupler

SN 0001XX12 and UP



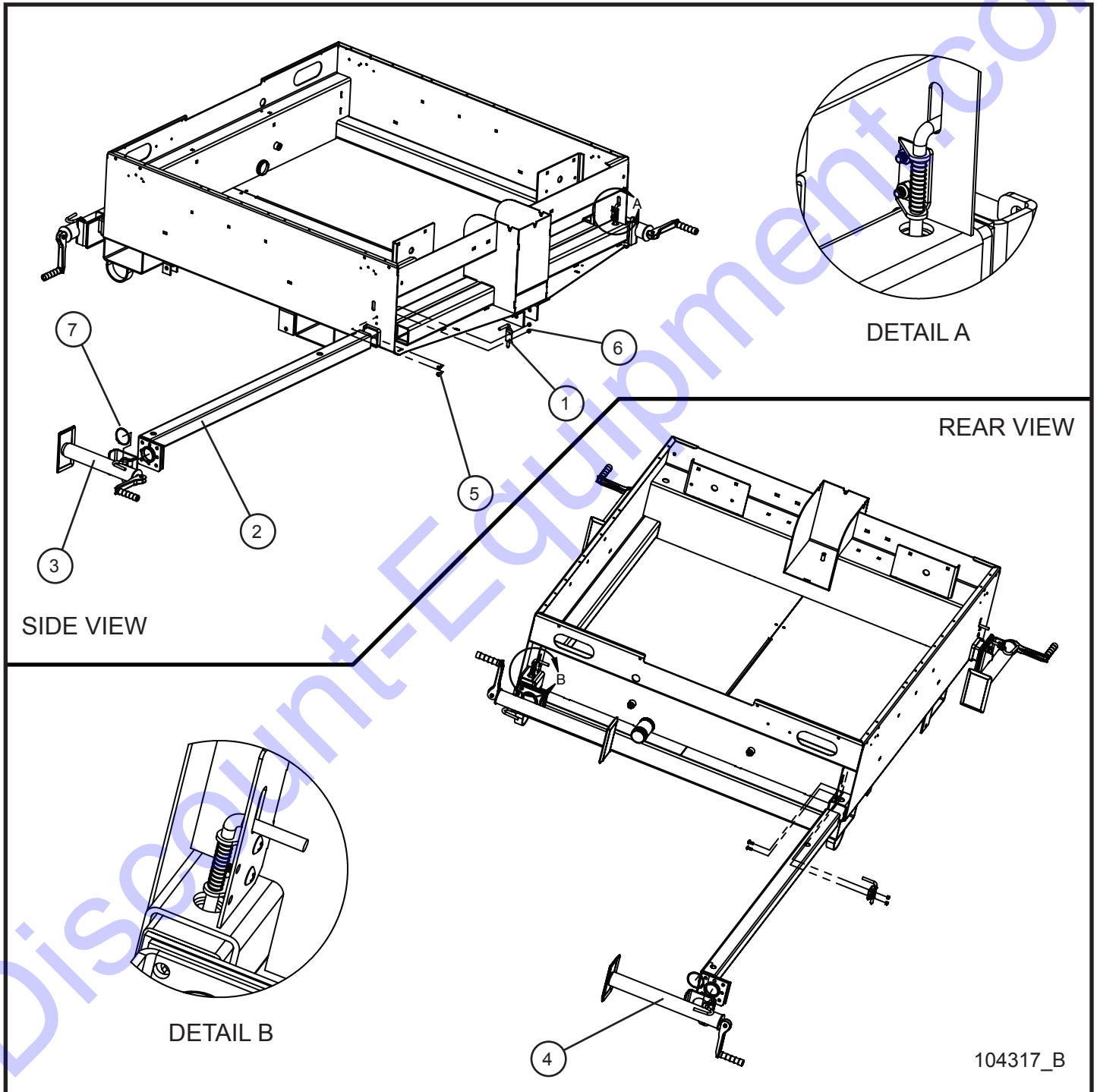
## 1.9 - Australian Tongue and Coupler

SN 0001XX12 and UP

Item	Part No.	Part Description	Qty.
1	049040	SAFETY CHAIN	2
2	102864P	PRO SE POWER TONGUE WELDMENT	1
3	047075	7/16 FLAT WASHER SAE ZC	4
4	044043	7/16-14 NYLOCK HEX NUT PL	2
5	046160	7/16-14 x 1 1/2 HEX HEAD CS GR5 PL	2
6	047025	1/2 FLAT WASHER PL	4
7	046230	1/2-13 x 5 HEX CS GR5 PL	2
8	044048	1/2-13 NYLOCK HEX NUT PL	2
9	102089	TOP CRANK JACK SNAP RING	1
10	330014	2 5/6 XT JACK SNAP RING	1
11	C103486	COUPLING O/R 3/4 HYD TB A0105	1
12	C103493	1/2"-20 x 4" GRADE 8 HEX BOLT	4
13	C103495	1/2"-20 NYLON INSERT HEX NUT	4

## 1.10 - Outriggers and Jacks

SN 0001XX12 and UP



# Maxi-Lite II

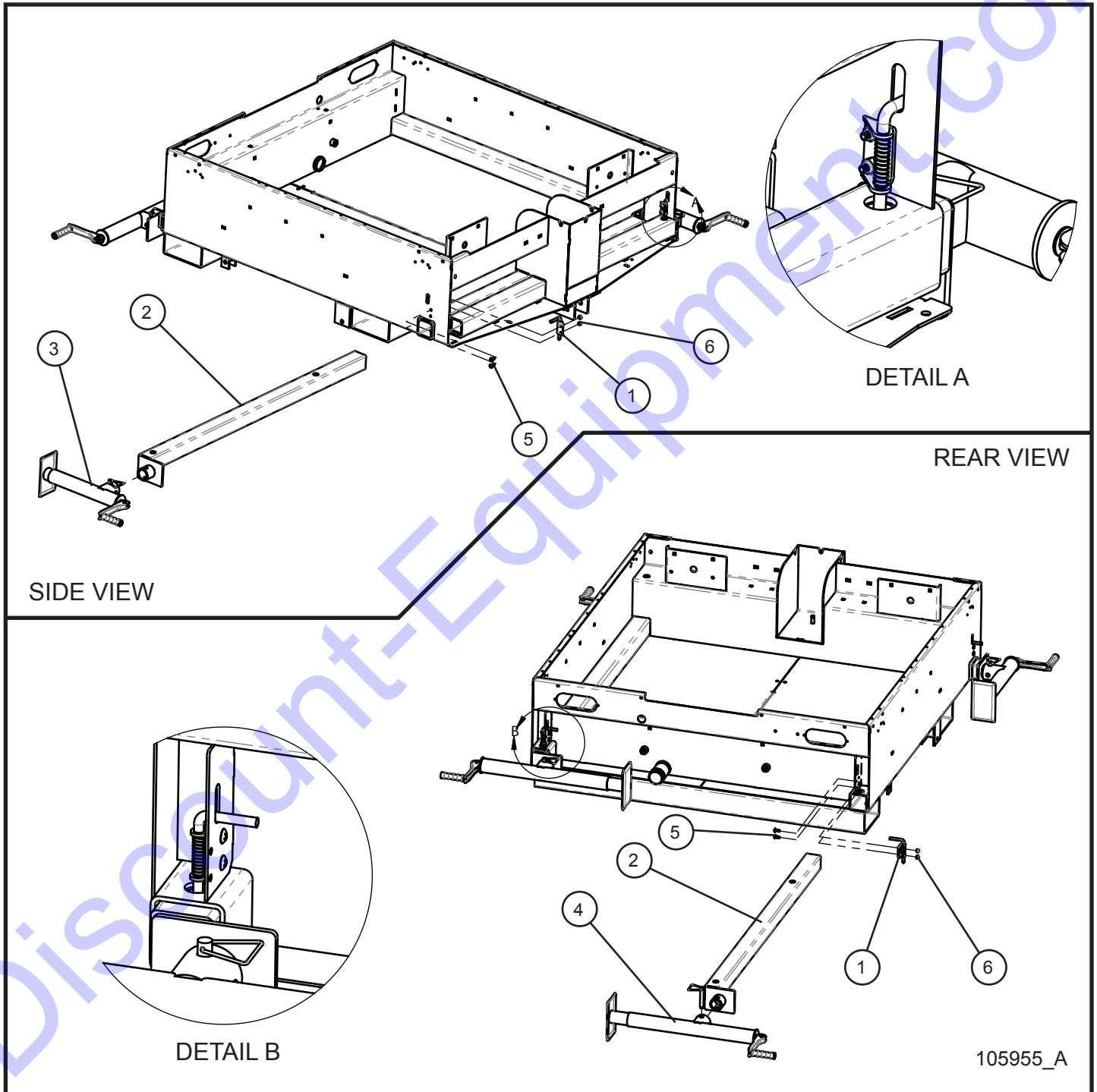
## 1.10 - Outriggers and Jacks

SN 0001XX12 and UP

Item	Part No.	Part Description	Qty.
1	650723	PIN OUTRIGGER RETENTION RIGHT	4
2	104273P	OUTRIGGER WELDMENT	4
3	330008	TOP CRANK SHORT JACK	2
4	330010	TOP CRANK LONG JACK	2
5	041050	1/4-20 x 3/4 PH-TRUSS HEAD MS SS	8
6	044023	1/4-20 NYLOCK HEX NUT PL	8
7	330014	2 5/6 XT JACK SNAP RING	4

## 1.11 - Heavy Duty Outriggers and Jacks

SN 0001XX12 and UP



# Maxi-Lite II

## 1.11 - Heavy Duty Outriggers and Jacks

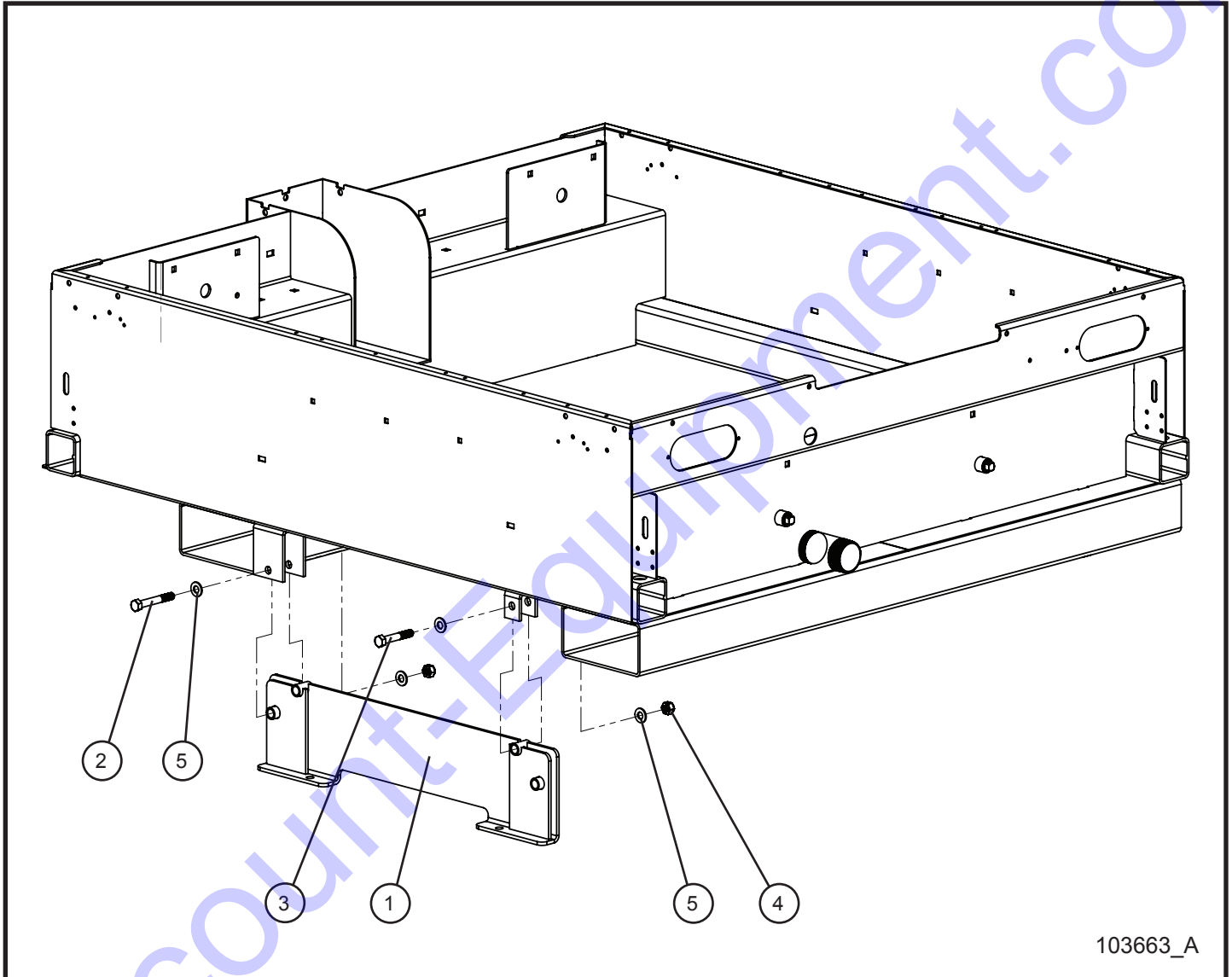
SN 0001XX12 and UP

Item	Part No.	Part Description	Qty.
1	650723	PIN OUTRIGGER RETENTION RIGHT	4
2	105946P	HD OUTRIGGER WELDMENT MAXI II	4
3	105950	HD SHORT JACK TOP CRANK	2
4	105954	HD JACK TOP CRANK TUBE MOUNT	2
5	041050	1/4-20 x 3/4 PH-TRUSS HEAD MS SS	8
6	044023	1/4-20 NYLOCK HEX NUT PL	8



## 1.12 - Skid Mount Install Group

SN 0001XX12 and UP



# Maxi-Lite II

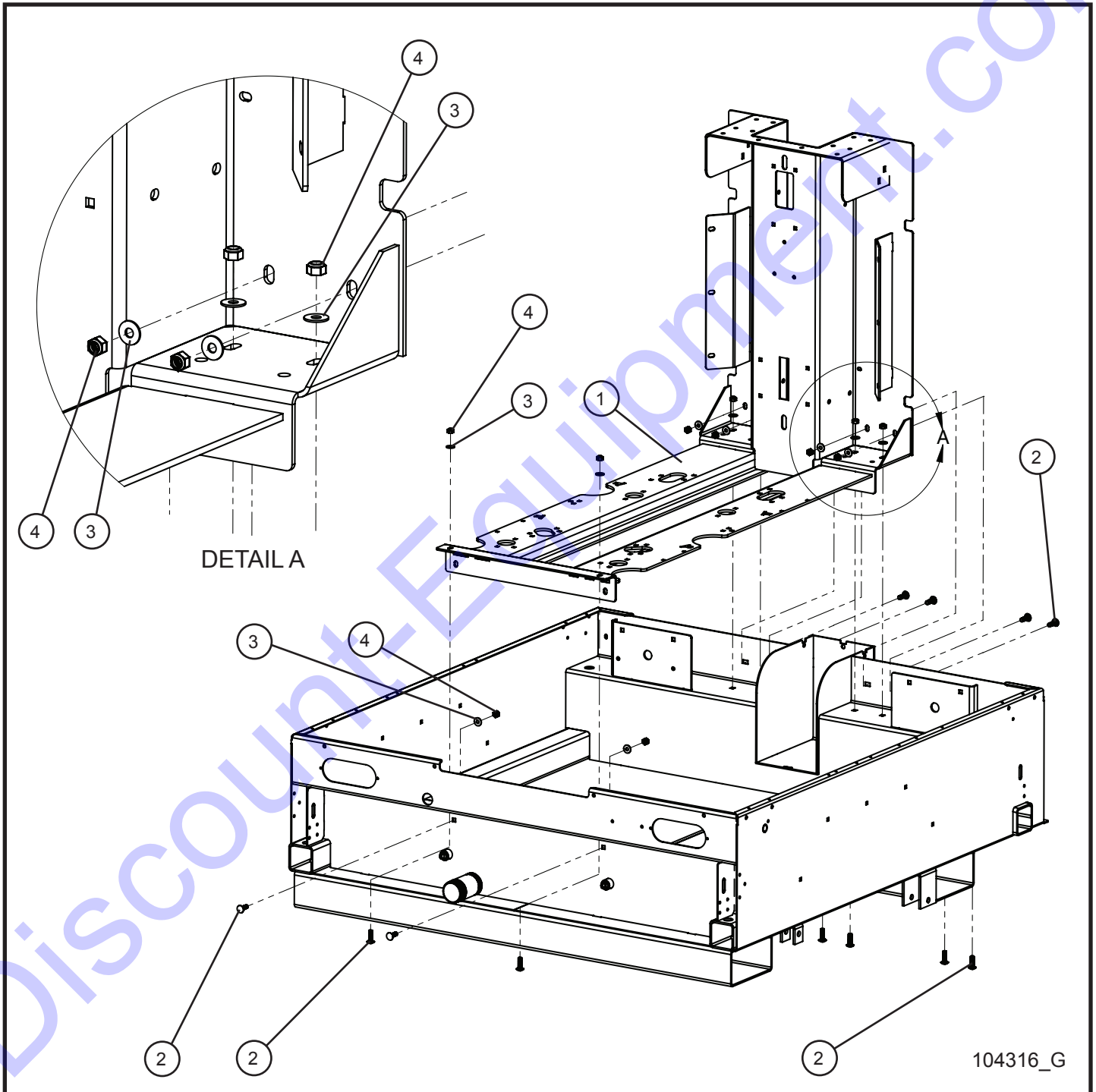
## 1.12 - Skid Mount Install Group

SN 0001XX12 and UP

Item	Part No.	Part Description	Qty.
1	105223P	SKID MOUNT MAXI II	2
2	046215	1/2-13 x 3 1/2 HEX HEAD CS	2
3	046210	1/2-13 x 3 HEX HEAD CS GR5 PL	2
4	044048	1/2-13 NYLOCK	4
5	047025	1/2 FLAT WASHER PL	8

## 2.1 - Engine Cradle and Stringer Group (1 of 3)

SN 0001XX12 and UP



# Maxi-Lite II

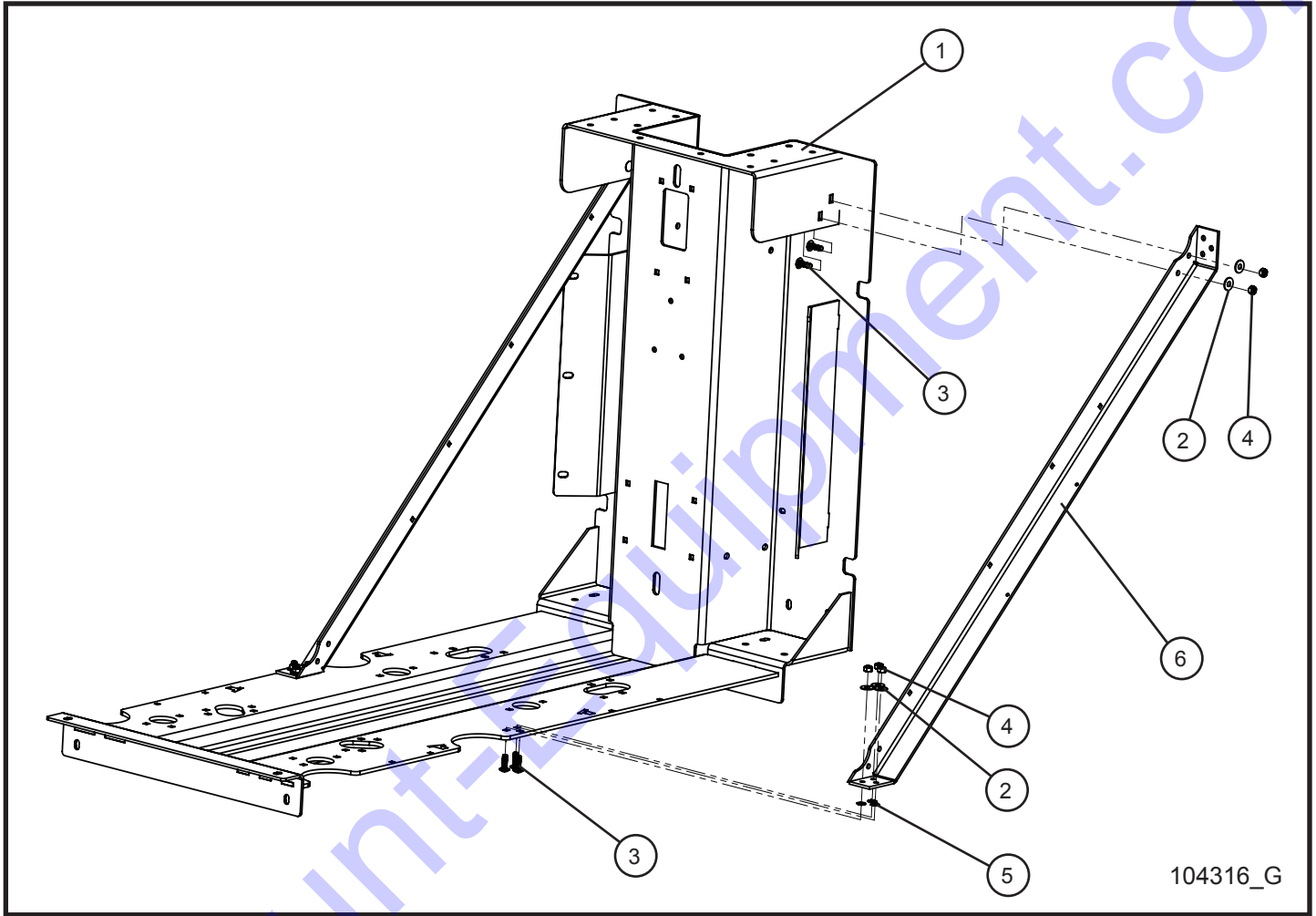
## 2.1 - Engine Cradle and Stringer Group (1 of 3)

SN 0001XX12 and UP

Item	Part No.	Part Description	Qty.
1	104400P	ENGINE CRADLE MAXI II	1
2	100670	3/8-16 x 1 1/4 CARRIAGE BOLT	12
3	047010	5/16 FLAT WASHER PL	12
4	044038	3/8-16 NYLOCK HEX NUT PL	12

## 2.1 - Engine Cradle and Stringer Group (2 of 3)

SN 0001XX12 and UP



# Maxi-Lite II

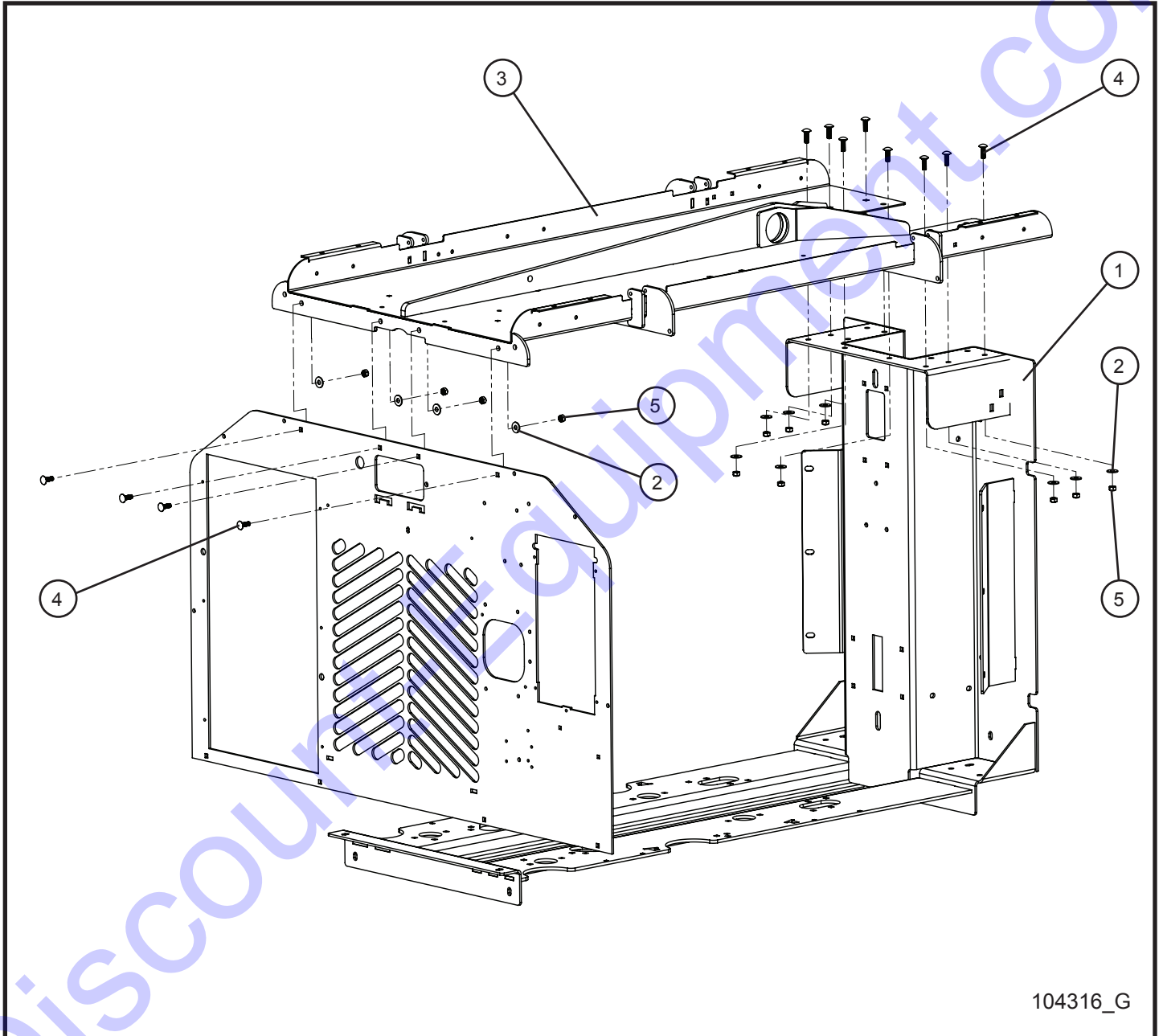
## 2.1 - Engine Cradle and Stringer Group (2 of 3)

SN 0001XX12 and UP

Item	Part No.	Part Description	Qty.
1	104400P	ENGINE CRADLE MAXI II	1
2	047010	5/16 FLAT WASHER PL	10
3	053020	5/16-18 x 1 CARRIAGE BOLT PL	10
4	044033	5/16-18 NYLOCK HEX NUT PL	10
5	045217	5/16 PUSH NUT	6
6	104391P	ANGLE BRACE ENGINE CRADLE	2

## 2.1 - Engine Cradle and Stringer Group (3 of 3)

SN 0001XX12 and UP



104316\_G

# Maxi-Lite II

## 2.1 - Engine Cradle and Stringer Group (3 of 3)

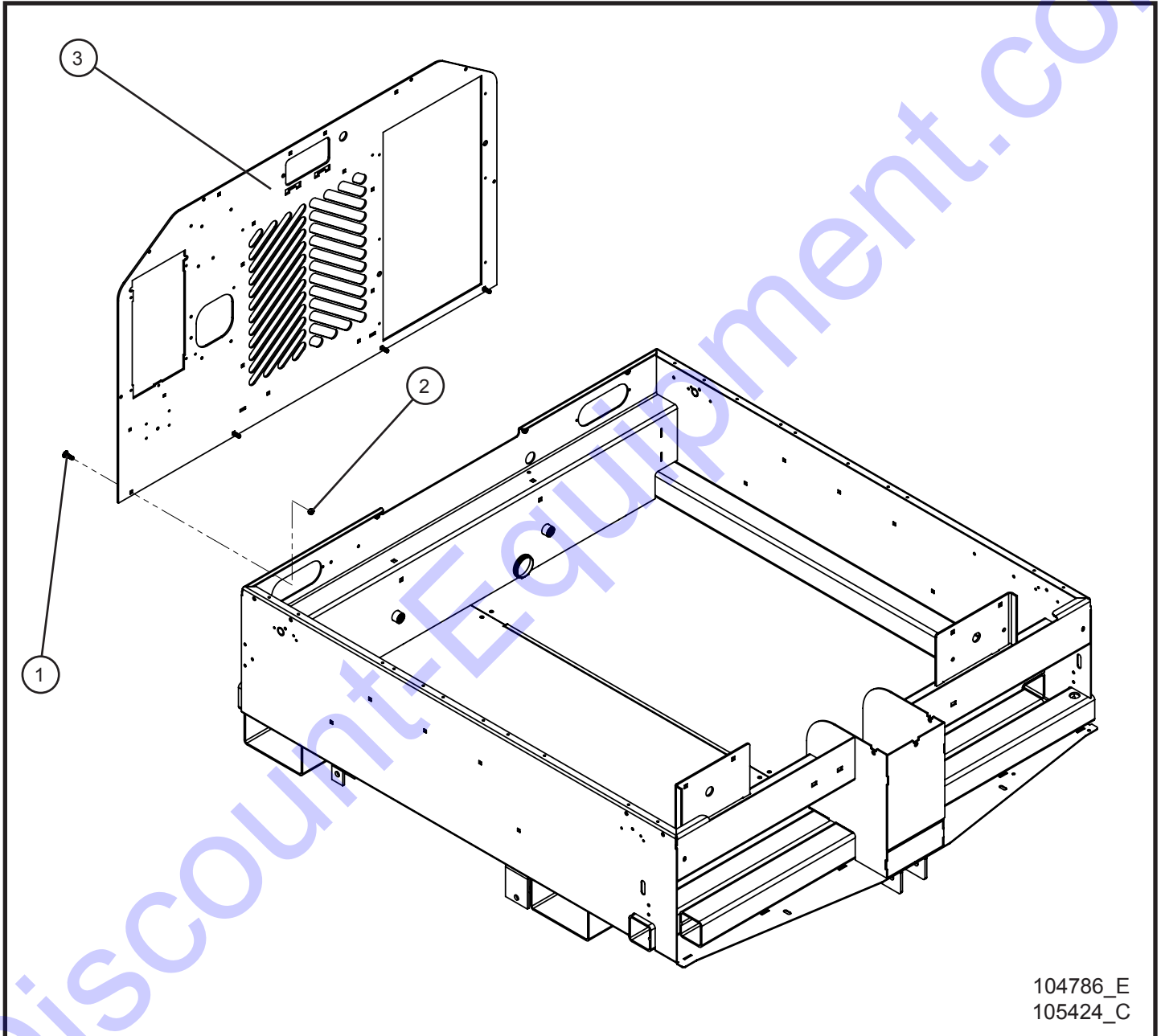
SN 0001XX12 and UP

Item	Part No.	Part Description	Qty.
1	104400P	ENGINE CRADLE MAXI II	1
2	047010	5/16 FLAT WASHER PL	12
3	105055P	STRINGER WELDMENT MAXI II	1
4	053020	5/16-18 x 1 CARRIAGE BOLT PL	12
5	044033	5/16-18 NYLOCK HEX NUT PL	12



## 2.2 - Rear Panel Options

SN 0001XX12 and UP



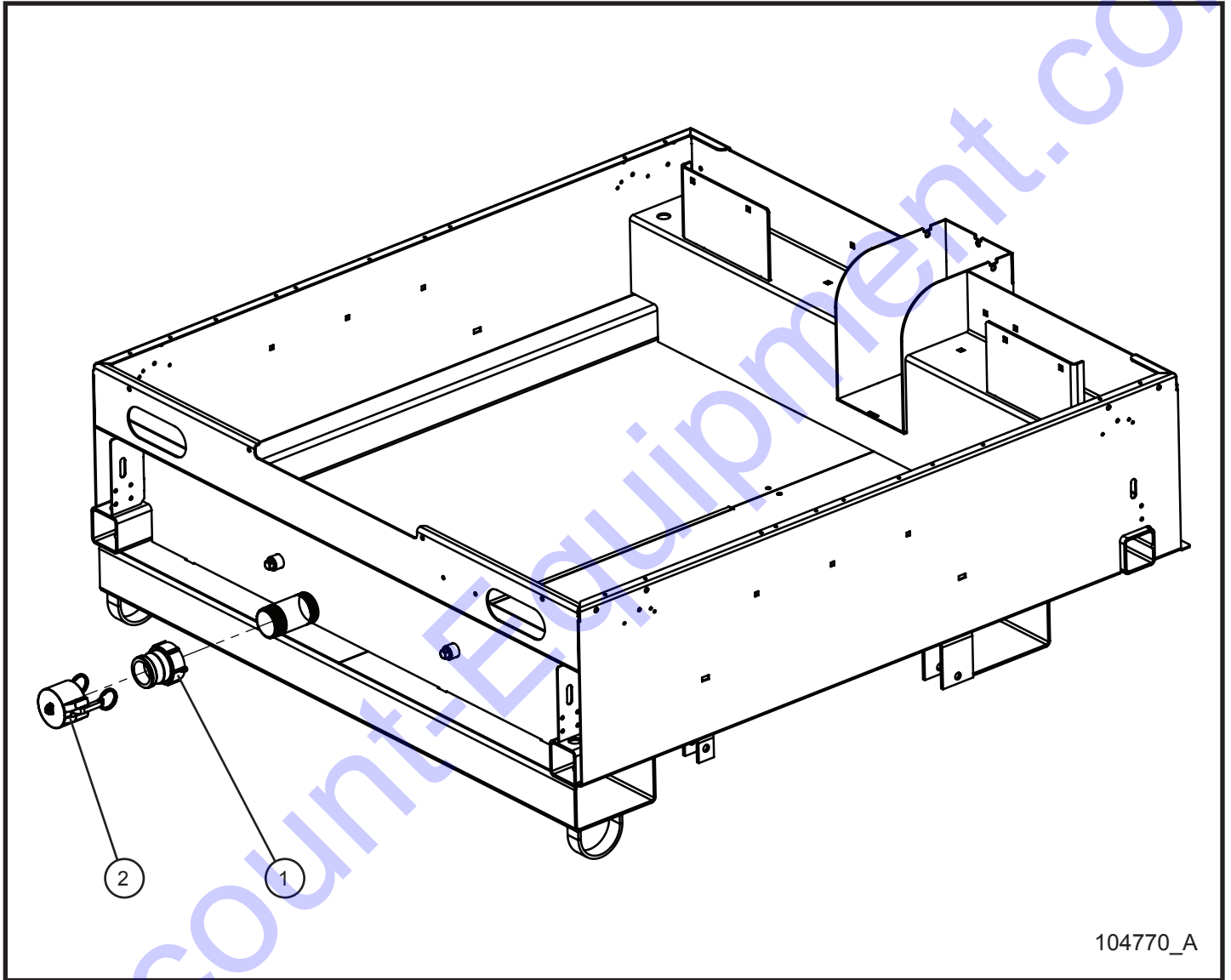
## 2.2 - Rear Panel Options

SN 0001XX12 and UP

Item	Part No.	Part Description	Qty.
1	053020	5/16-18 x 1 CARRIAGE BOLT PL	4
2	044033	5/16-18 x NYLOCK HEX NUT PL	4
3	104789P	UNIVERSAL REAR PANEL	1
	105413P	RADIATOR MOUNTED REAR PANEL	1

## 2.3 - Containment Drain

SN 0001XX12 and UP



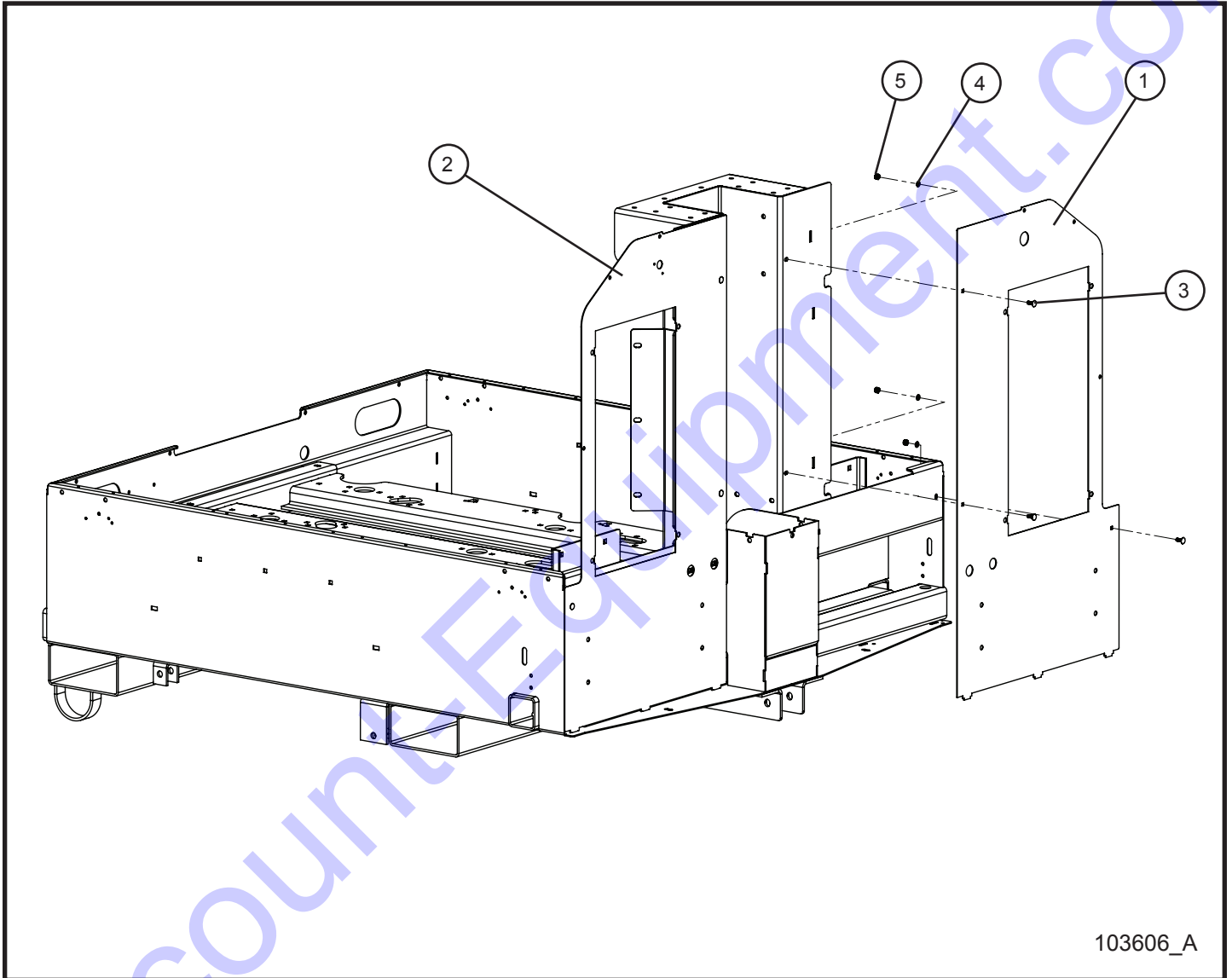
## 2.3 - Containment Drain

SN 0001XX12 and UP

Item	Part No.	Part Description	Qty.
1	104464	PIPE CONNECTION 2 INCH COUPLING	1
2	104463	CAP 2 INCH COUPLING	1

## 2.4 - Multi Option Front Panels

SN 0001XX12 and UP



103606\_A

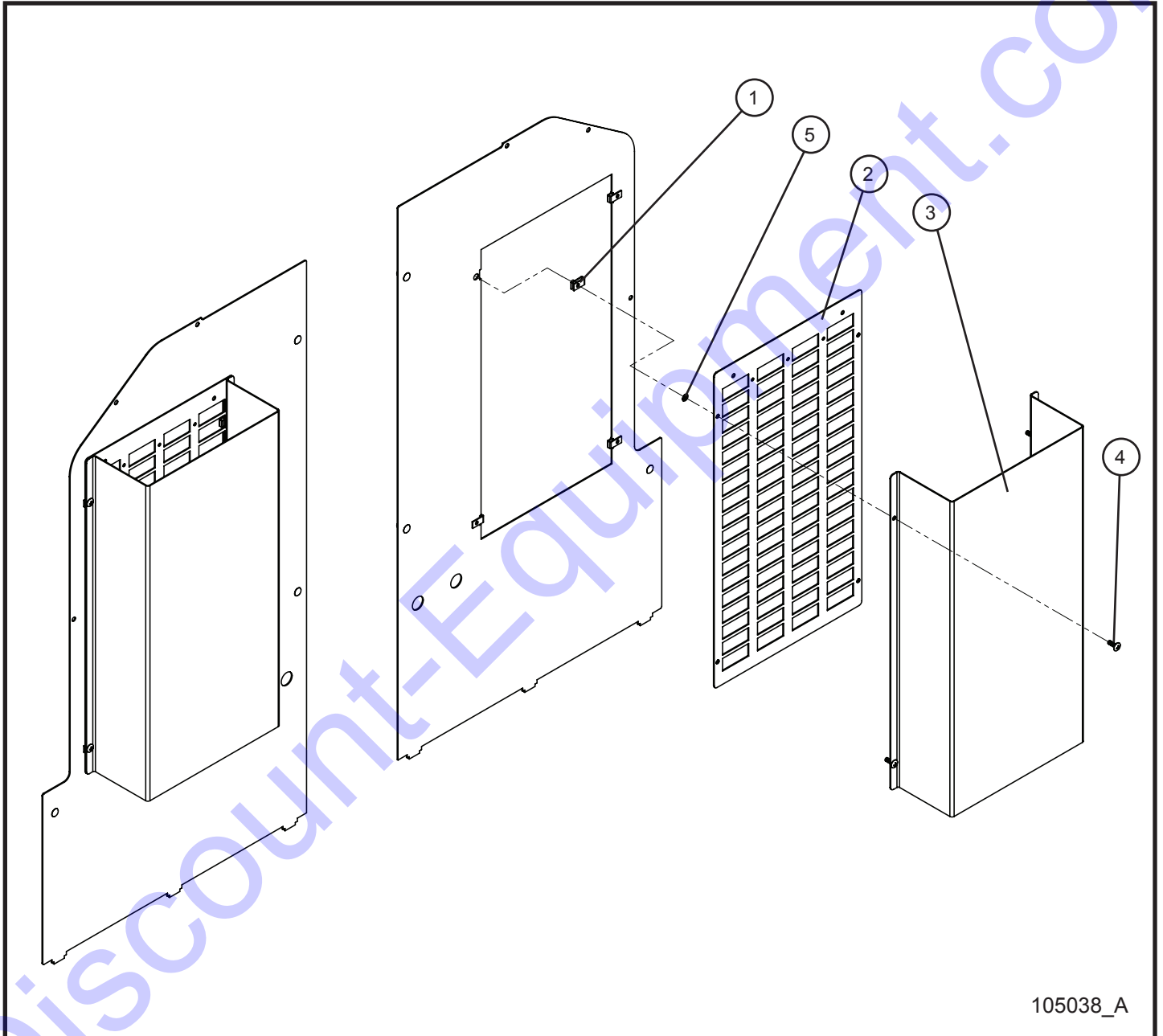
## 2.4 - Multi Option Front Panels

SN 0001XX12 and UP

Item	Part No.	Part Description	Qty.
1	103607P	PANEL FRONT LEFT (SPECIFY CHIP RESISTANT)	1
2	104290P	PANEL FRONT RIGHT (SPECIFY CHIP RESISTANT)	1
3	053006	1/4-20 x 3/4 CARRIAGE BOLT	6
4	047009	1/4 FLAT WASHER SAE SS	6
5	044023	1/4-20 NYLOCK HEX NUT PL	6

## 2.5 - Intake Air Deflector Option

SN 0001XX12 and UP



105038\_A

## 2.5 - Intake Air Deflector Option

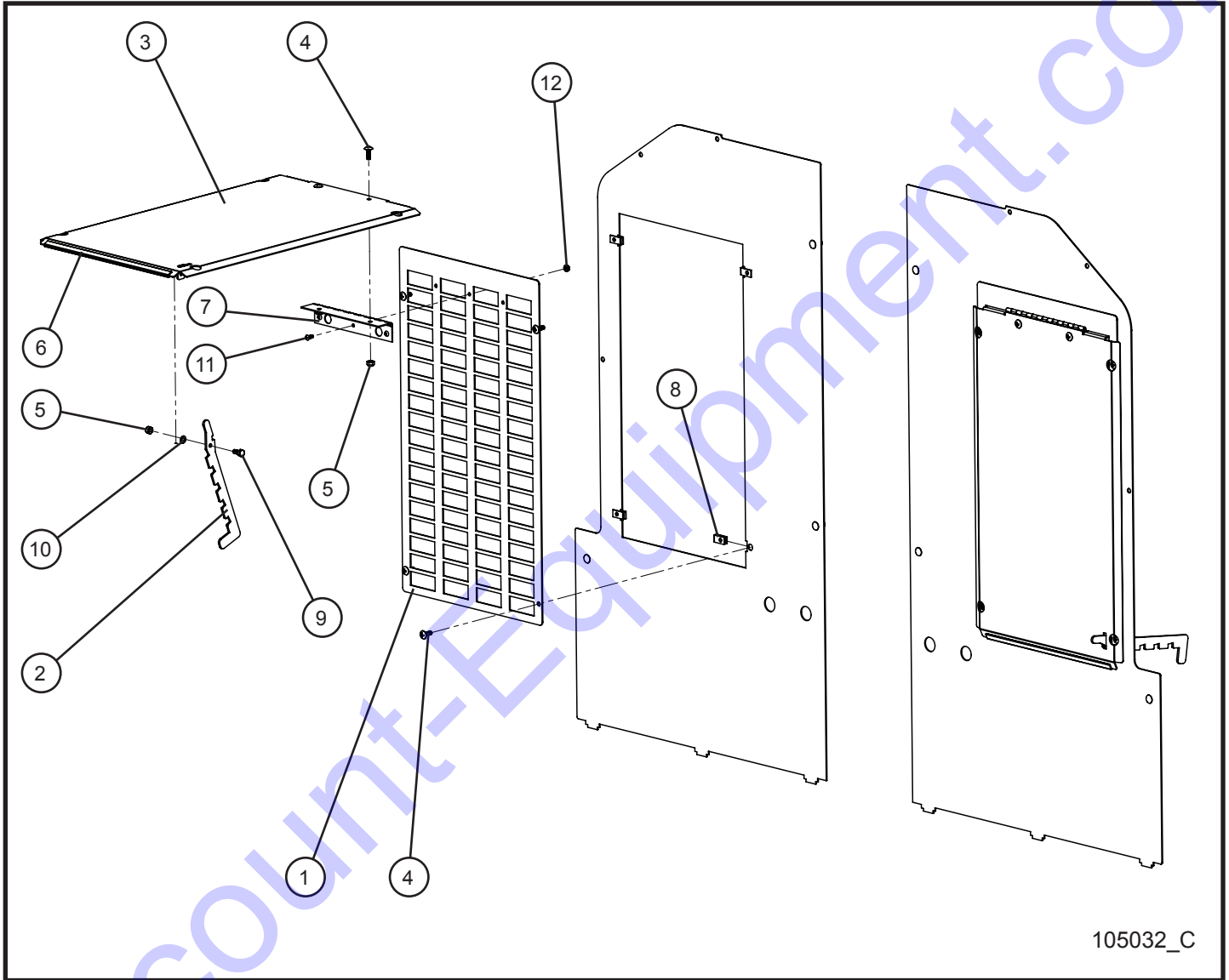
SN 0001XX12 and UP

Item	Part No.	Part Description	Qty.
1	044106	1/4-20 TINNERMAN NUT	8
2	104800P	PLATE AIR VENT GRID MAXI II	2
3	104799P	AIR VENT DEFLECTORS MAXI II (SPECIFY CHIP RESISTANT)	2
4	041050	1/4-20 x 3/4 PH-TRUSS HEAD MS SS	8
5	101701	1/4 PUSH NUT	8



## 2.6 - Intake Air Front Cover Option

SN 0001XX12 and UP



105032\_C

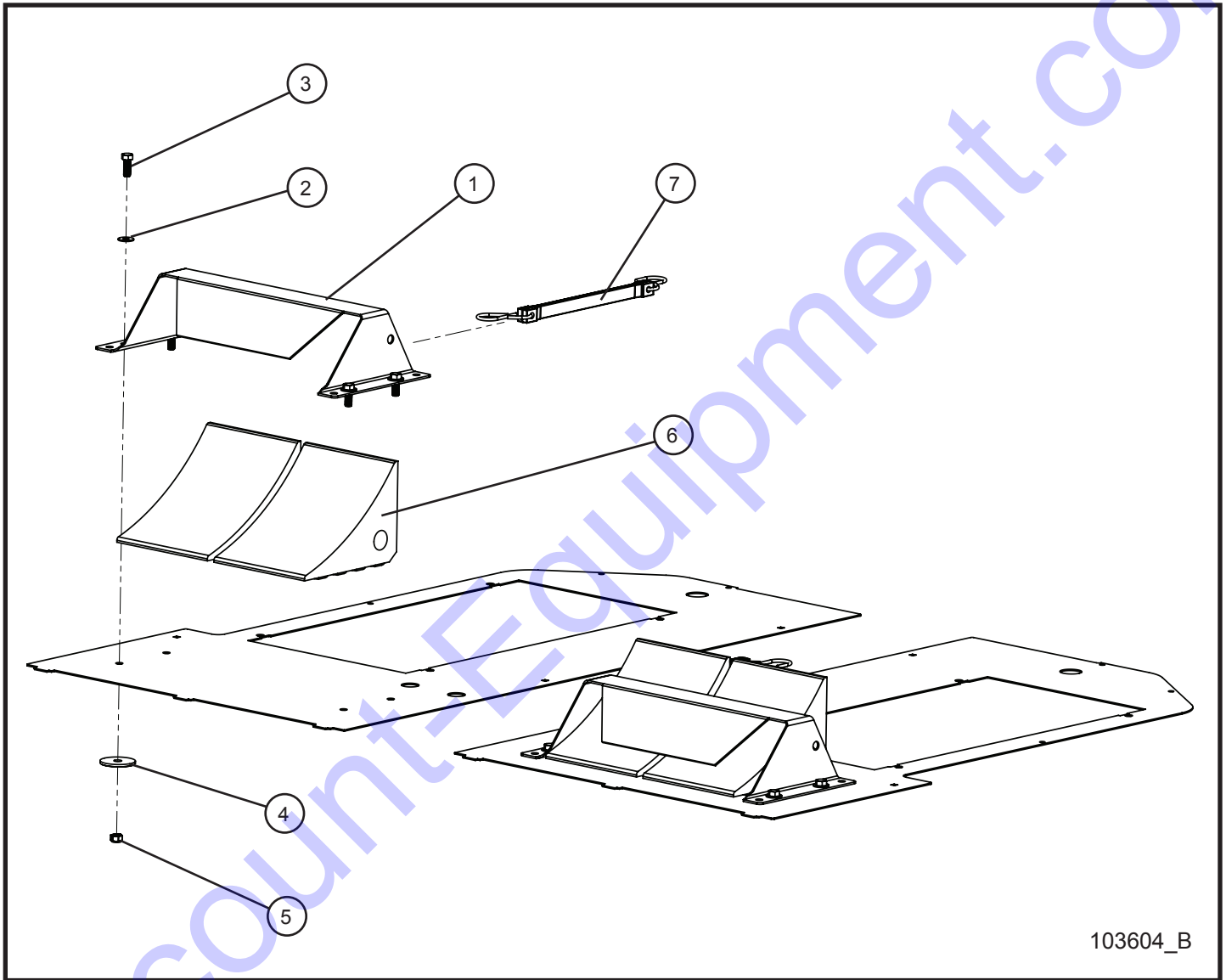
## 2.6 - Intake Air Front Cover Option

SN 0001XX12 and UP

Item	Part No.	Part Description	Qty.
1	104800P	PLATE AIR VENT GRID MAXI II	2
2	105029P	LOCK PLATE SOLID COVER	2
3	105001P	SOLID COVER DOOR AIR INLET MAXI II	2
4	041050	1/4-20 x 3/4 PH-TRUSS HEAD MS SS	12
5	044023	1/4-20 NYLOCK HEX NUT PL	6
6	030053	5/64 x 7/16 TRIM LOCK 12 INCH	2
7	105028	COVER HINGE AIR INTAKE	2
8	044106	1/4-20 TINNERMAN NUT	8
9	046006	1/4-20 x 5/8 HEX HEAD CS GR5 PL	2
10	047009	1/4 FLAT WASHER SAE SS	2
11	041021	#10-24 x 1/2 PH-ROUND HEAD MS PL	6
12	044016	#10-24 KEPS HEX NUT PL	6

## 2.7 - Wheel Chock Block

SN 0001XX12 and UP



103604\_B

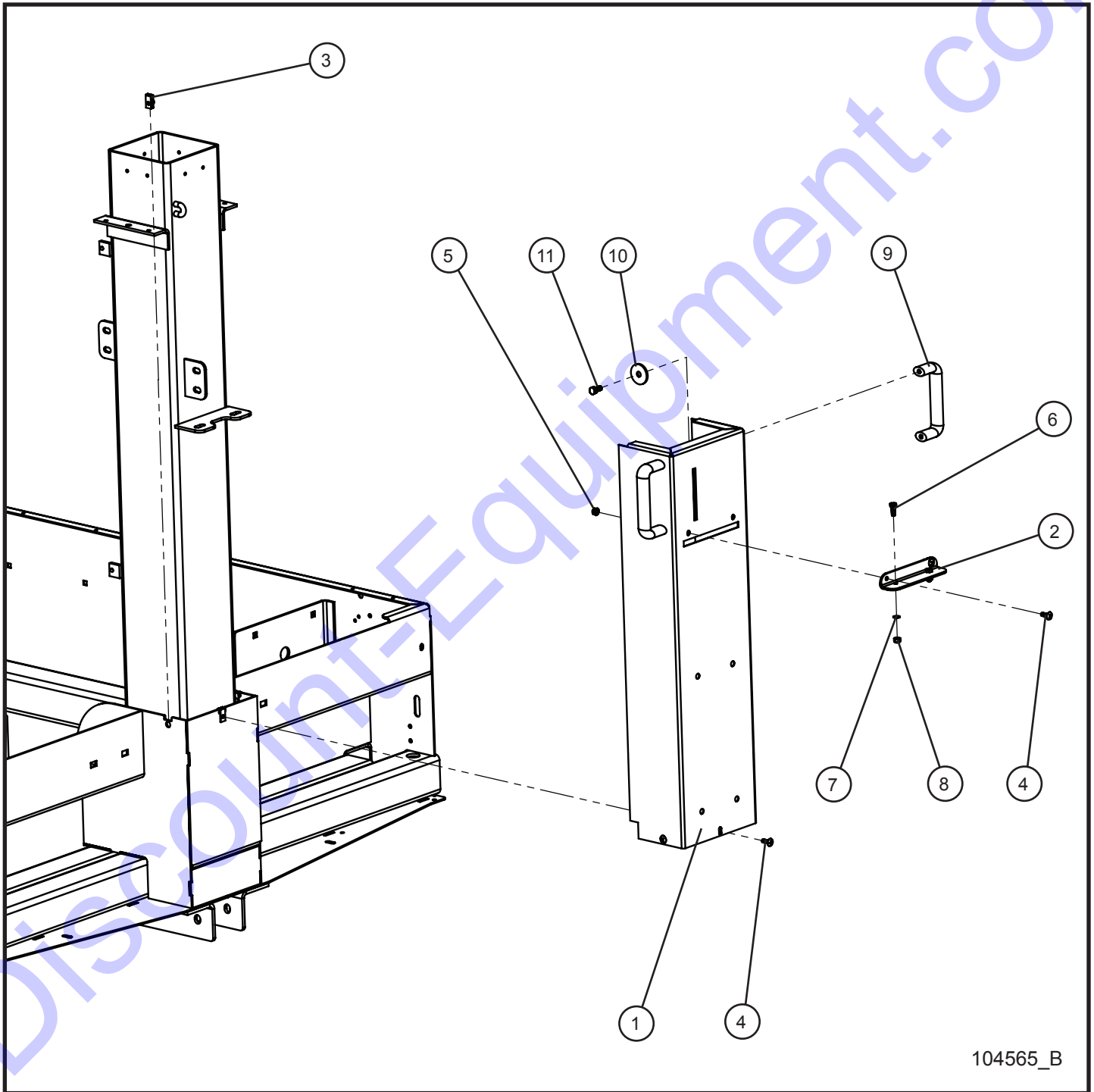
## 2.7 - Wheel Chock Block

SN 0001XX12 and UP

Item	Part No.	Part Description	Qty.
1	103621P	BRACKET WHEEL CHOCK (SPECIFY CHIP RESISTANT)	2
2	047010	5/16 FLAT WASHER PL	8
3	046110	3/8-16 x 1 HEX HEAD CS GR5 PL	8
4	650260	WASHER 2 OD x .451 ID x .125 THK	8
5	044038	3/8-16 NYLOCK HEX NUT PL	8
6	104031	WHEEL CHOCK	4
7	103625	STRAP RUBBER 14"	2

## 2.8 - Front Tower Cover

SN 0001XX12 and UP



104565\_B

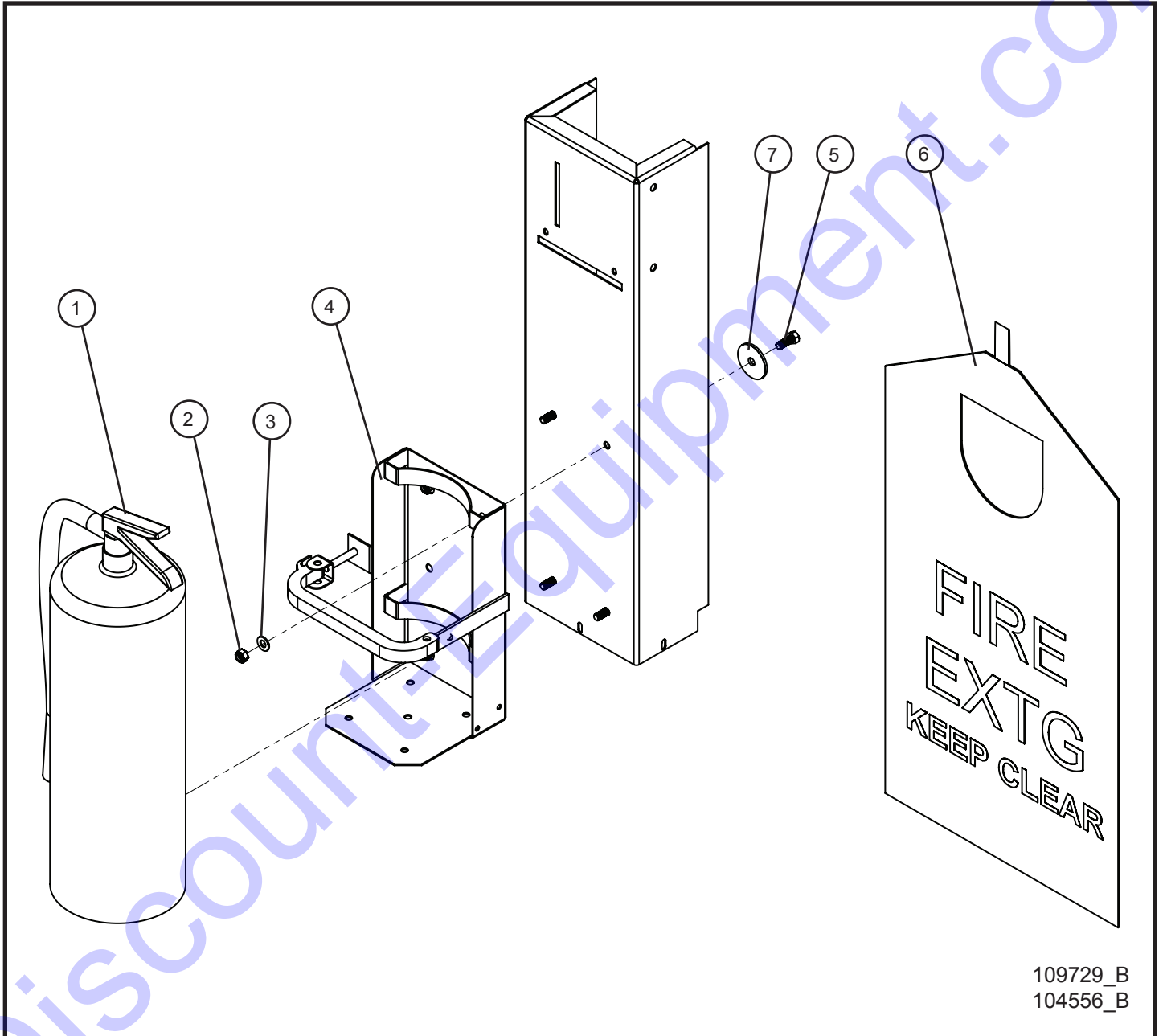
## 2.8 - Front Tower Cover

SN 0001XX12 and UP

Item	Part No.	Part Description	Qty.
1	104555P	COVER PANEL TOWER (SPECIFY CHIP RESISTANT)	1
2	104299P	HANDLE BRACKET VERTICAL TOWER	1
3	044106	1/4-20 TINNERMAN NUT	3
4	041050	1/4-20 x 3/4 PH-TRUSS HEAD MS SS	5
5	044021	1/4-20 KEPS HEX NUT PL	2
6	046010	1/4-20 x 3/4 HEX HEAD CS GR5 SS	2
7	047009	1/4 FLAT WASHER	2
8	044023	1/4-20 NYLOCK HEX NUT	2
9	103887	HANDLE THREE POINT	2
10	640565	ENGINE MOUNT WASHER 1.55 OD x .41 ID x .135 THK	4
11	046045	5/16-18 x 3/4 HEX HEAD CS GR5 PL	4

## 2.9 - Fire Extinguisher

SN 0001XX12 and UP



109729\_B  
104556\_B

## 2.9 - Fire Extinguisher

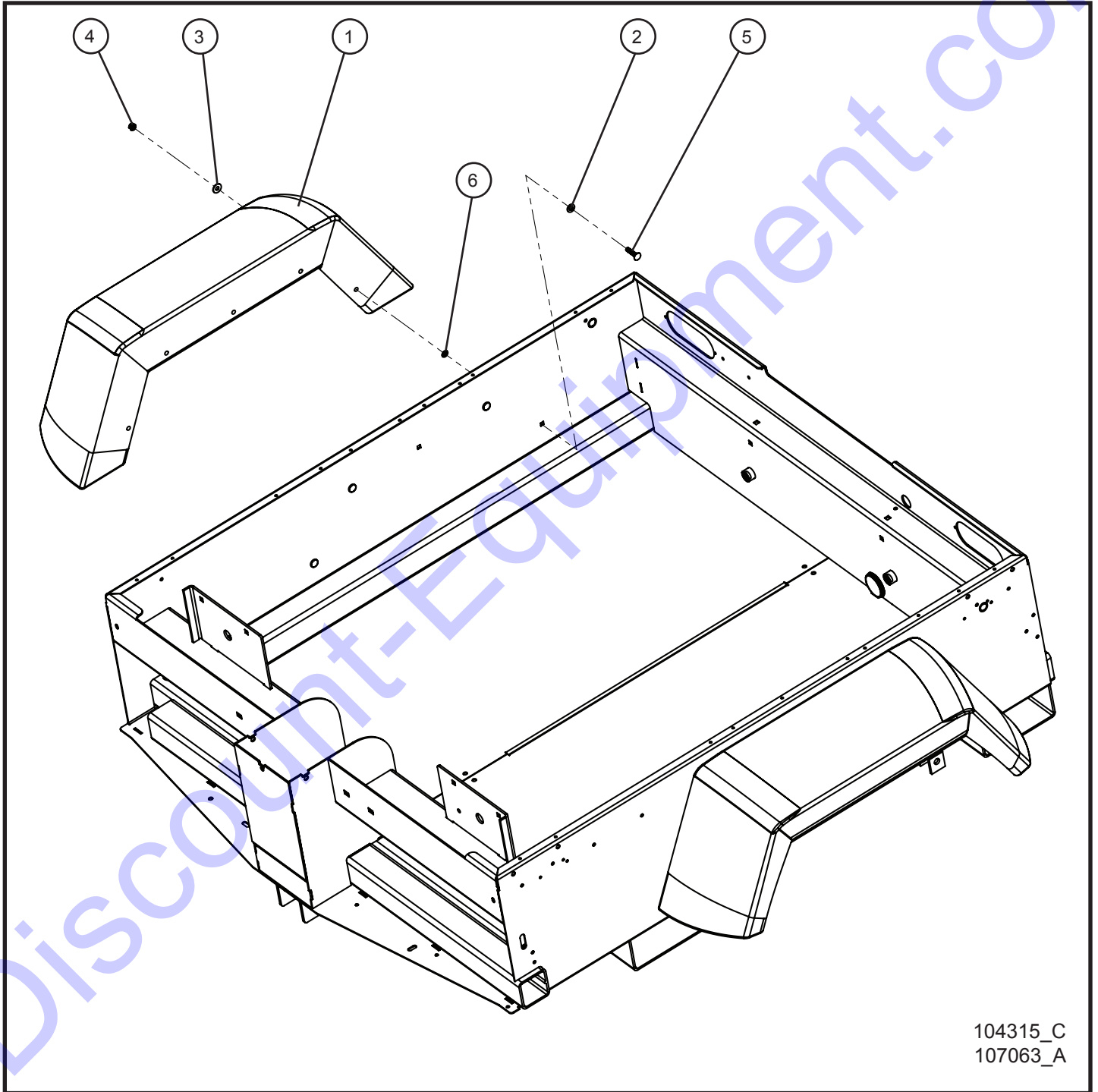
SN 0001XX12 and UP

Item	Part No.	Part Description	Qty.
1	109724	EXTINGUISHER FIRE 20# ABC TYPE	1
2	044038	3/8-16 NYLOCK HEX NUT PL	4
3	047016	3/8 FLAT WASHER SAE ZINC	4
4	109725	BRACKET EXTINGUISHER FIRE HD	1
5	046110	3/8-16 x 1 HEX HEAD CS GR5 PL	4
6	105247	COVER FIRE EXTINGUISHER	1
7	650260	WASHER 2 OD x .451 ID x .125 THK	4



## 2.10 - Fender Options

SN 0001XX12 and UP



104315\_C  
107063\_A

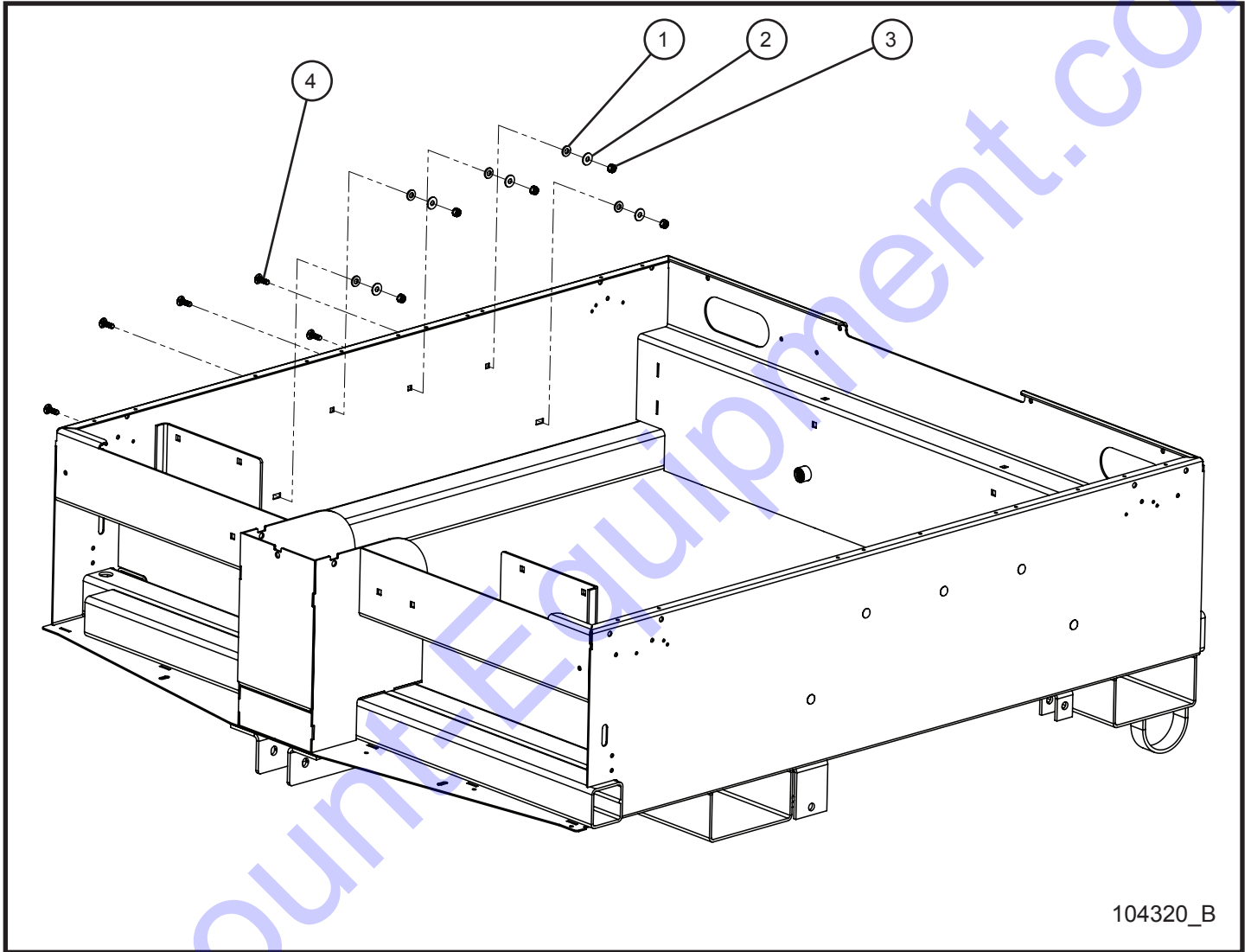
## 2.10 - Fender Options

SN 0001XX12 and UP

Item	Part No.	Part Description	Qty.
1	103066	FENDER ROTATION MOLDED 15 INCH EMBEDDED DECAL	2
	106152	FENDER ROTATION MOLDED 15 INCH NO EMBEDDED DECAL	2
2	100644	RUBBER WASHER BLACK NEOPRENE	8
3	047010	5/16 FLAT WASHER PL	8
4	044031	5/16-18 KEPS HEX NUT PL	8
5	053023	5/16-18 x 1 1/2 CARRIAGE BOLT PL	8
6	045217	5/16 PUSH NUT	8

## 2.11 - No Fender Option

SN 0001XX12 and UP



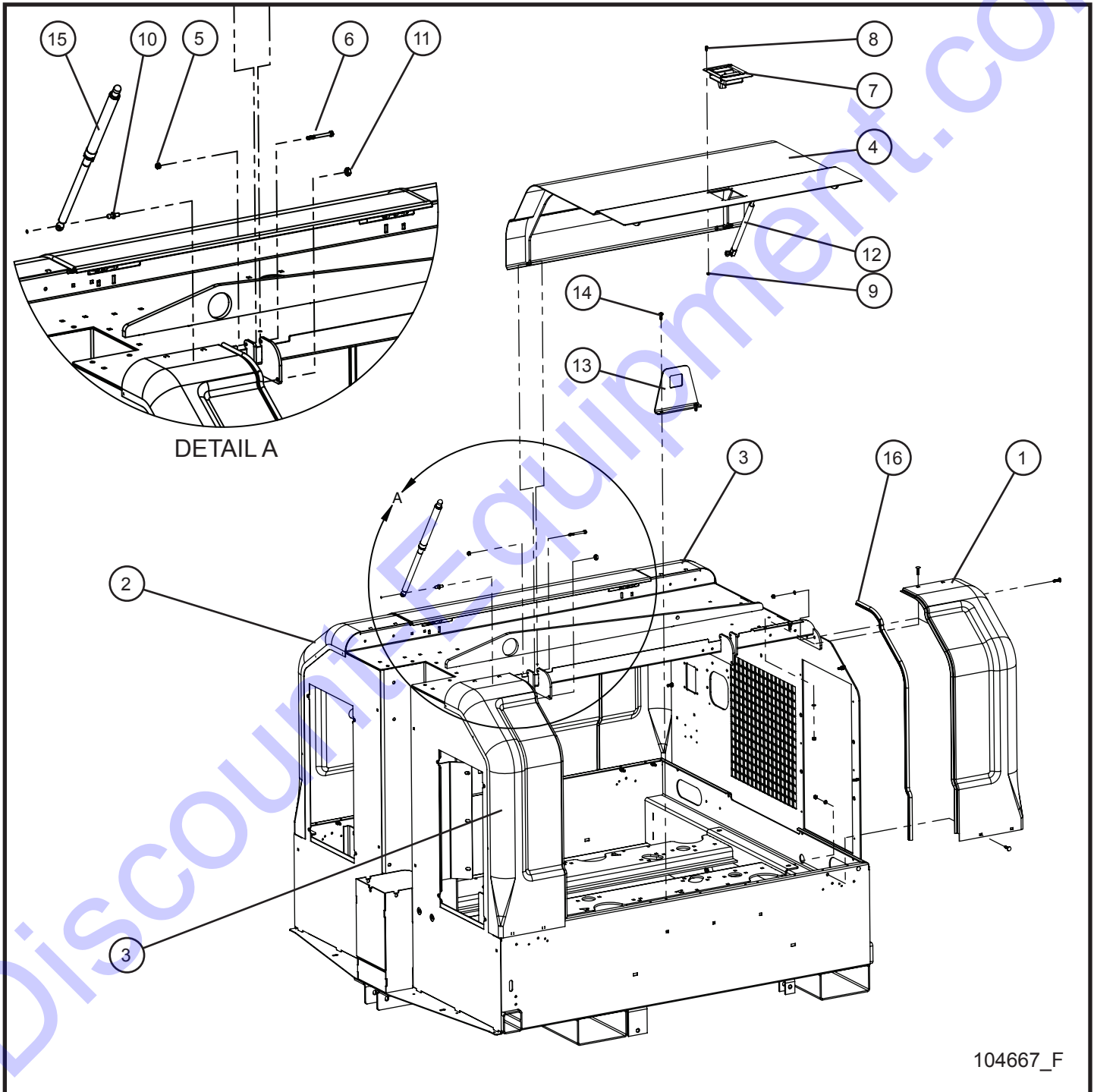
## 2.11 - No Fender Option

SN 0001XX12 and UP

Item	Part No.	Part Description	Qty.
1	100644	RUBBER WASHER BLACK NEOPRENE	8
2	047010	5/16 FLAT WASHER PL	8
3	044031	5/16-18 KEPS HEX NUT PL	8
4	053023	5/16-18 x 1 1/2 CARRIAGE BOLT PL	10

## 2.12 - Outer Shell and Door Group (1 of 3)

SN 0001XX12 and UP



# Maxi-Lite II

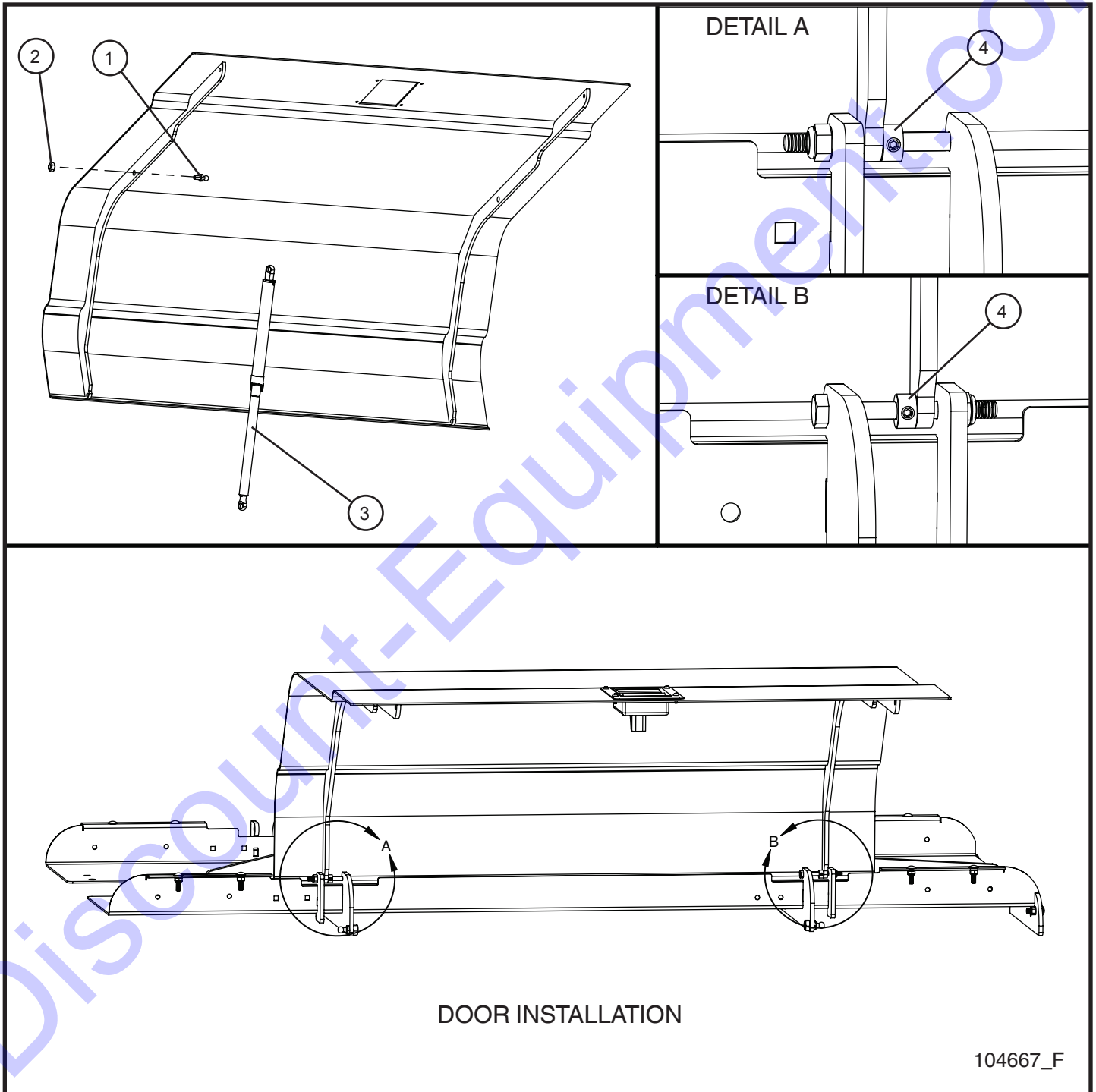
## 2.12 - Outer Shell and Door Group (1 of 3)

SN 0001XX12 and UP

Item	Part No.	Part Description	Qty.
1	103642P	PANEL QUARTER LEFT REAR	1
2	103641P	PANEL QUARTER RIGHT FRONT	1
3	103643P	PANEL QUARTER LEFT FRONT/RIGHT REAR	2
4	104540P	MAXI II DOOR	2
5	044023	1/4-20 NYLOCK HEX NUT PL	4
6	046036	1/4-20 x 2 1/2 HEX HEAD CS GR5 PL	4
7	680459	SLAM LATCH	2
8	041021	#10-24 x 1/2 PH-ROUND HEAD MS PL	8
9	044018	#10-24 NYLOCK HEX NUT PL	8
10	330437	BALL STUD M10	8
11	044090	5/16-18 TOP LOCK HEX NUT PL	8
12	680813	LIFT SUPPORT	2
13	104313P	BRACKET DOOR SLAM LATCH	2
14	041070	1/4-20 x 3/4 SL-HEX WASHER HEAD MS TP F	4
15	105245	CYLINDER GAS SPRING LOCKING	2
16	105998	TRIM GASKET 1/16" x 41" WITH 3/8 BULB	4

## 2.12 - Outer Shell and Door Group (2 of 3)

SN 0001XX12 and UP



# Maxi-Lite II

## 2.12 - Outer Shell and Door Group (2 of 3)

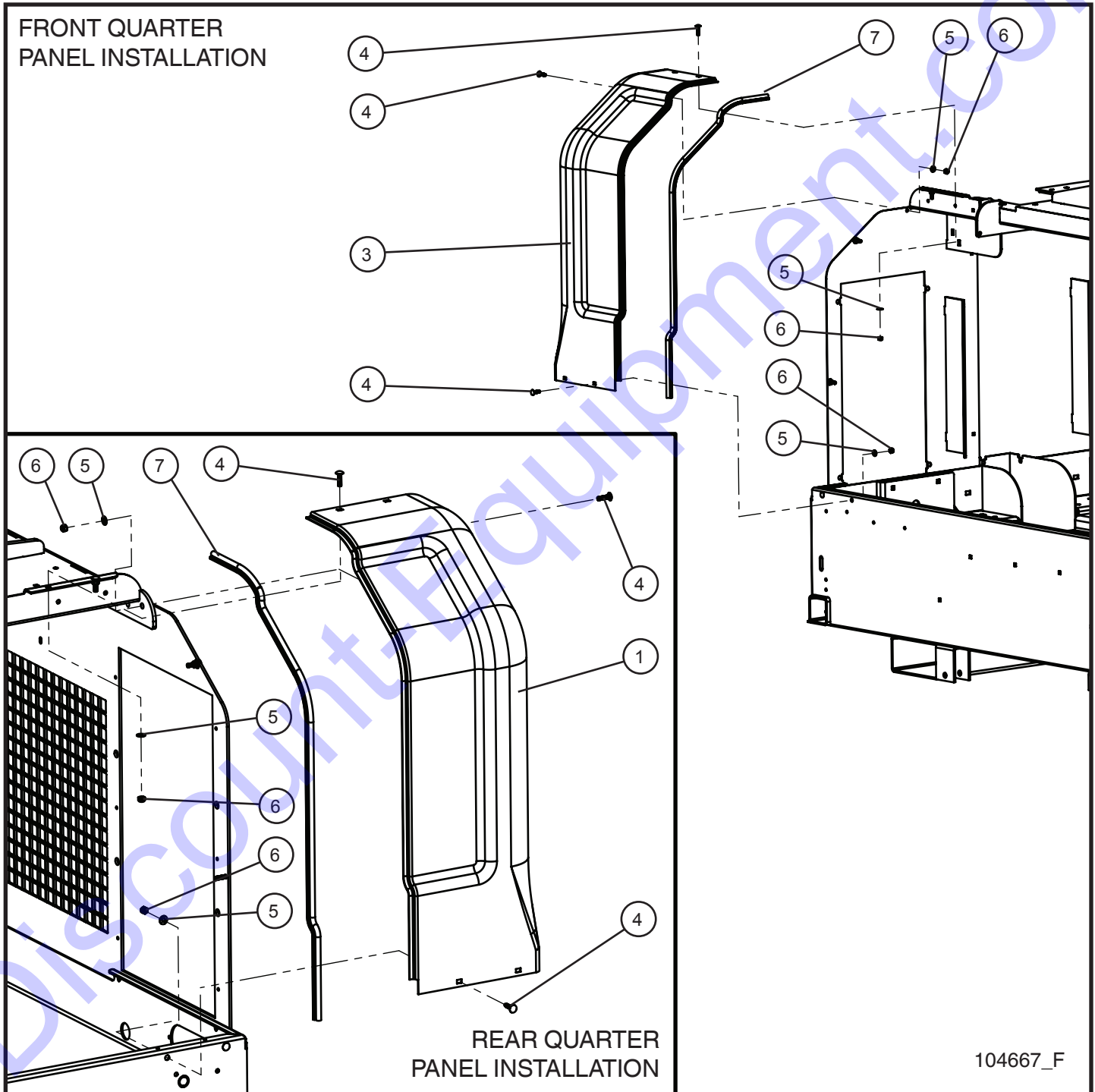
SN 0001XX12 and UP

Item	Part No.	Part Description	Qty.
1	330437	BALL STUD M10	8
2	044090	5/16-18 TOP LOCK HEX NUT PL	8
3	105245	CYLINDER GAS SPRING LOCKING	2
4	105362	COLLAR LOCKING .25 ID	4



## 2.12 - Outer Shell and Door Group (3 of 3)

SN 0001XX12 and UP



104667\_F

# Maxi-Lite II

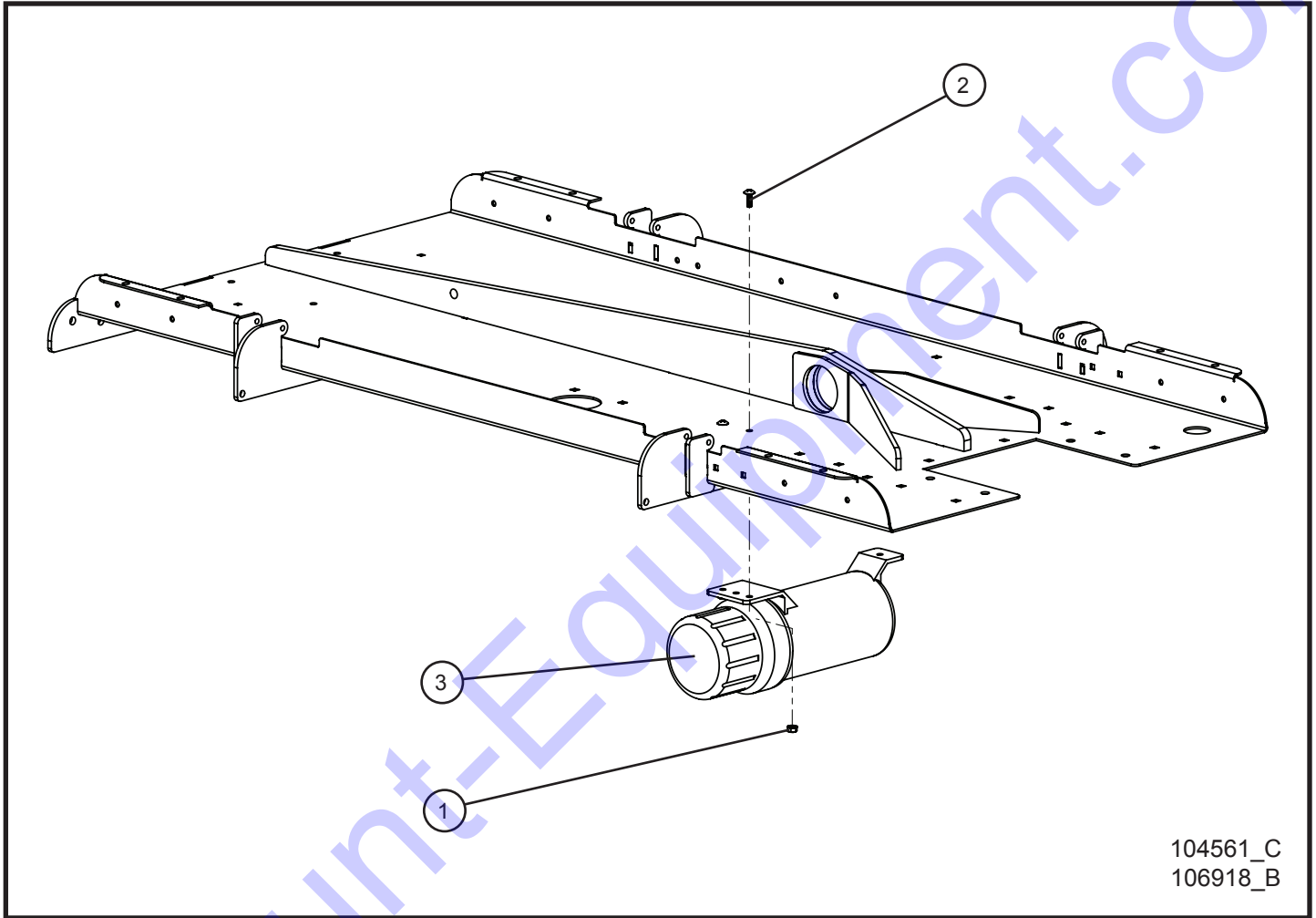
## 2.12 - Outer Shell and Door Group (3 of 3)

SN 0001XX12 and UP

Item	Part No.	Part Description	Qty.
1	103642P	PANEL QUARTER LEFT REAR	1
2	103641P	PANEL QUARTER RIGHT FRONT (NOT SHOWN)	1
3	103643P	PANEL QUARTER LEFT FRONT/RIGHT REAR	2
4	100342	1/4-20 x 1 CARRIAGE BOLT PL	28
5	047009	1/4 FLAT WASHER SAE SS	28
6	044023	1/4-20 NYLOCK HEX NUT PL	28
7	105998	TRIM GASKET 1/16" x 41" WITH 3/8 BULB	4

## 2.13 - Manual Canister Options

SN 0001XX12 and UP



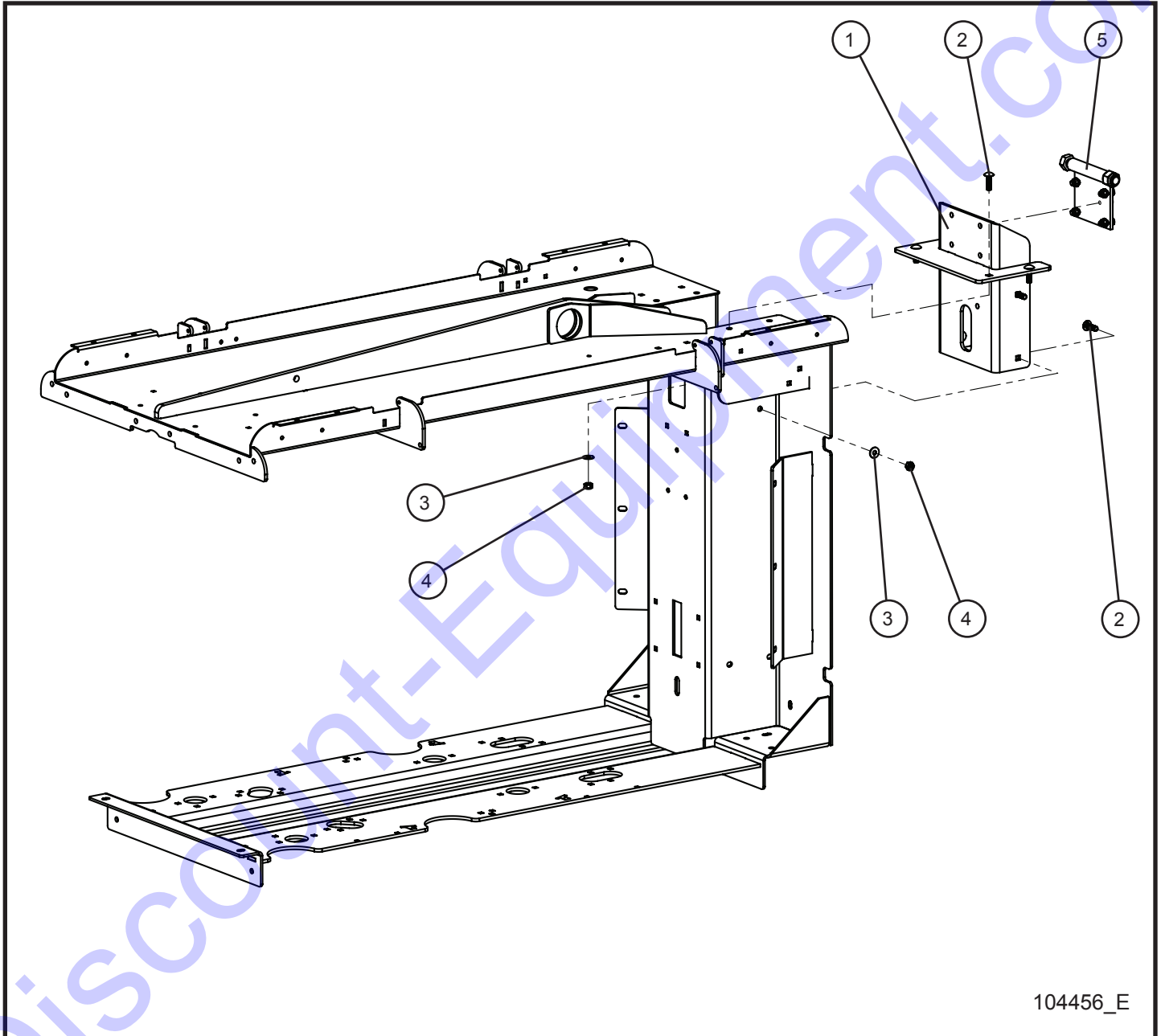
## 2.13 - Manual Canister Options

SN 0001XX12 and UP

Item	Part No.	Part Description	Qty.
1	044021	1/4-20 KEPS HEX NUT PL	3
2	041050	1/4-20 x 3/4 PH-TRUSS HEAD MS SS	3
3	103651	CANISTER PRODUCT MANUAL	1
	106916	MEGA CANISTER PRODUCT MANUAL	1

## 3.1 - Laydown Tower Trailer Group (1 of 2)

SN 0001XX12 and UP



104456\_E

# Maxi-Lite II

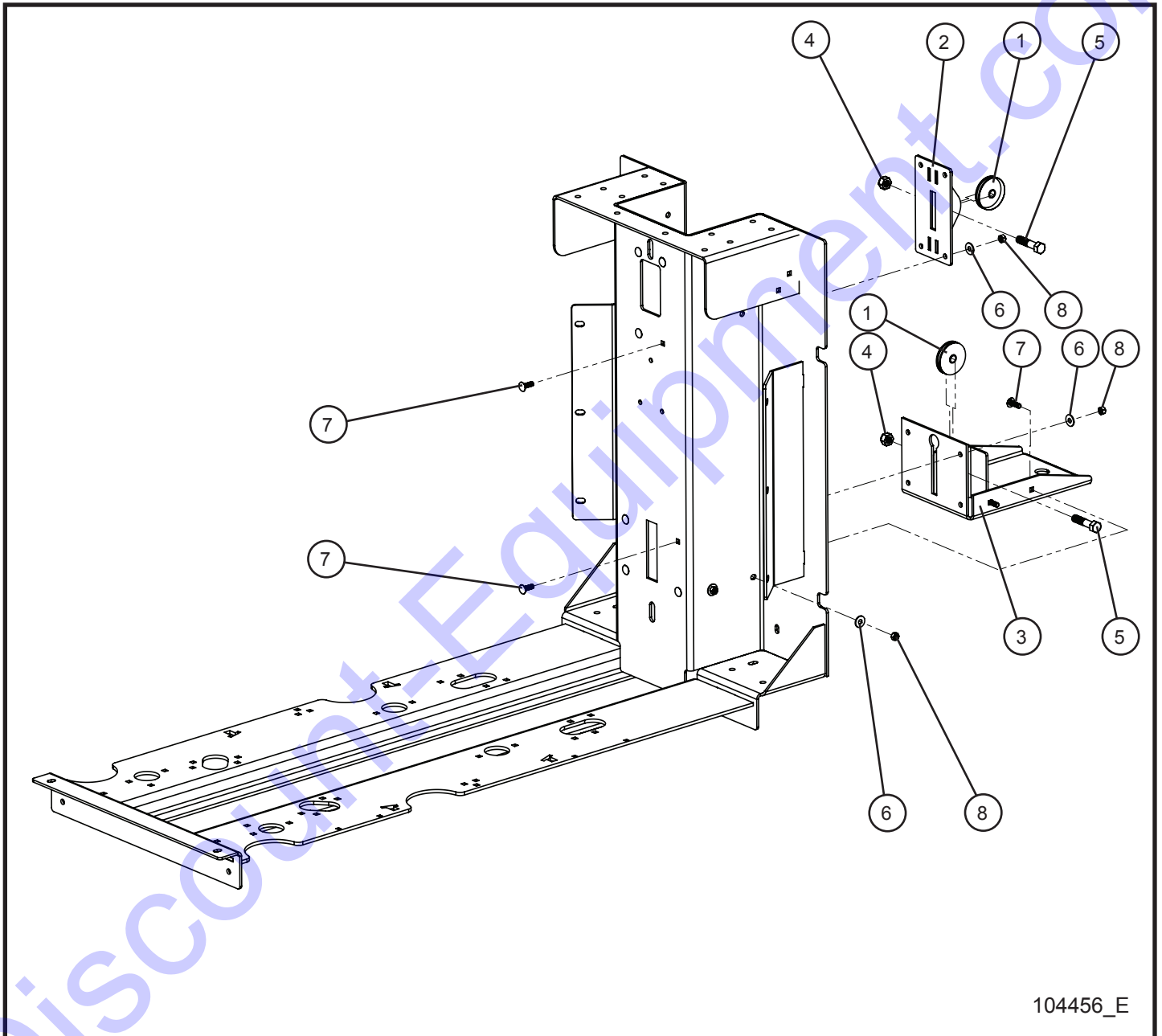
## 3.1 - Laydown Tower Trailer Group (1 of 2)

SN 0001XX12 and UP

Item	Part No.	Part Description	Qty.
1	104325P	PIVOT PLATE LAYDOWN TOWER MAXI II	1
2	100670	3/8-16 x 1 1/4 CARRIAGE BOLT	8
3	047010	5/16 FLAT WASHER PL	8
4	044038	3/8-16 NYLOCK HEX NUT PL	8
5	104410	PIVOT PLATE INSTALLATION	1

## 3.1 - Laydown Tower Trailer Group (2 of 2)

SN 0001XX12 and UP



104456\_E

# Maxi-Lite II

## 3.1 - Laydown Tower Trailer Group (2 of 2)

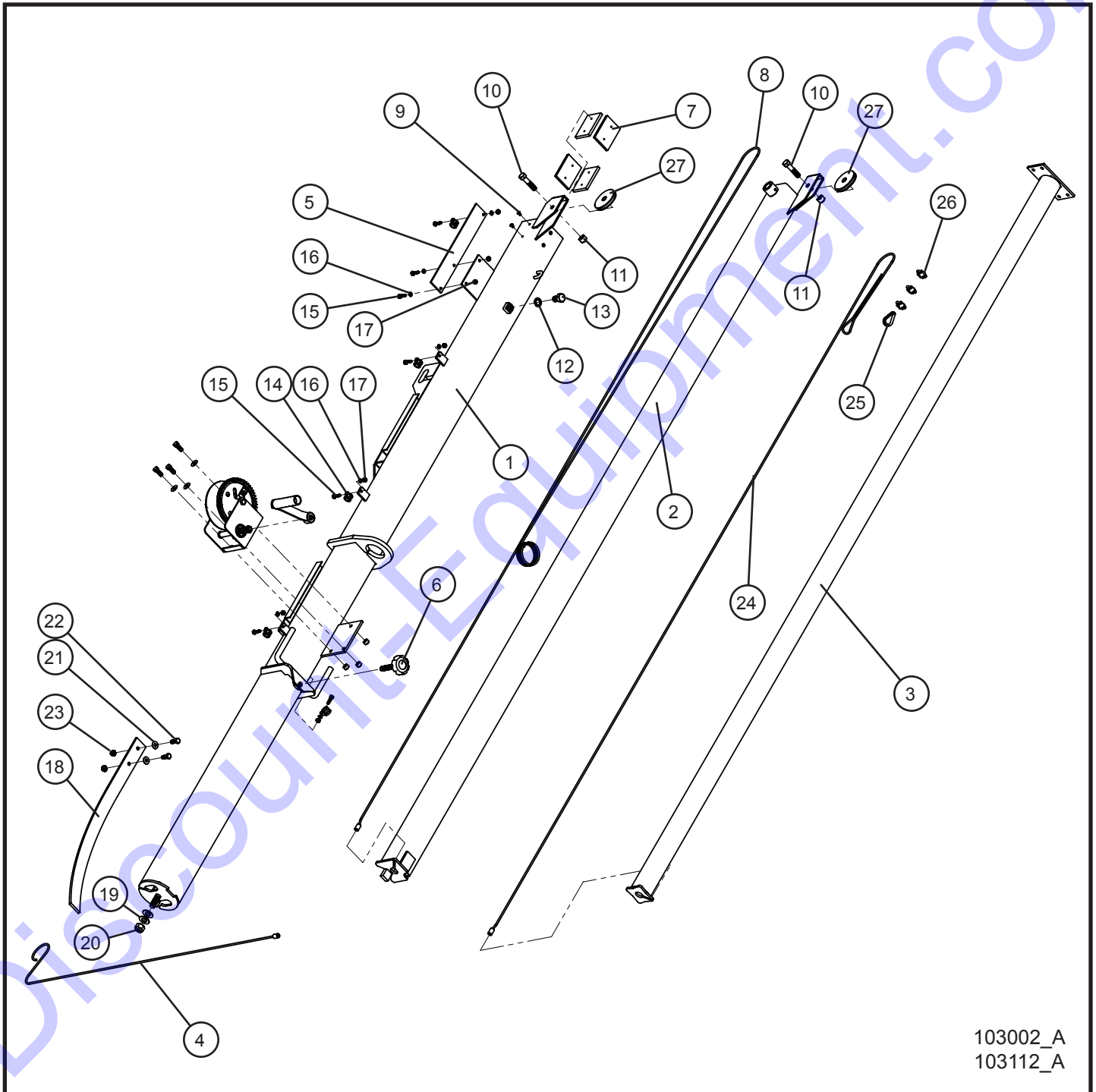
SN 0001XX12 and UP

Item	Part No.	Part Description	Qty.
1	320112	2-1/2 PULLEY W/ BUSHING	2
2	104322P	PULLEY BRACKET TOP PULLEY MAXI II	1
3	104328P	WELDMENT LOCK LAYDOWN TOWER	1
4	044048	1/2-13 NYLOCK HEX NUT PL	2
5	046200	1/2-13 x 2 1/4 HEX HEAD CS GR5 PL	2
6	047010	5/16 FLAT WASHER PL	12
7	053020	5/16-18 x 1 CARRIAGE BOLT PL	12
8	044033	5/16-18 NYLOCK HEX NUT PL	12



## 3.2 - Laydown Tower Parts

SN 0001XX12 and UP



103002\_A  
103112\_A

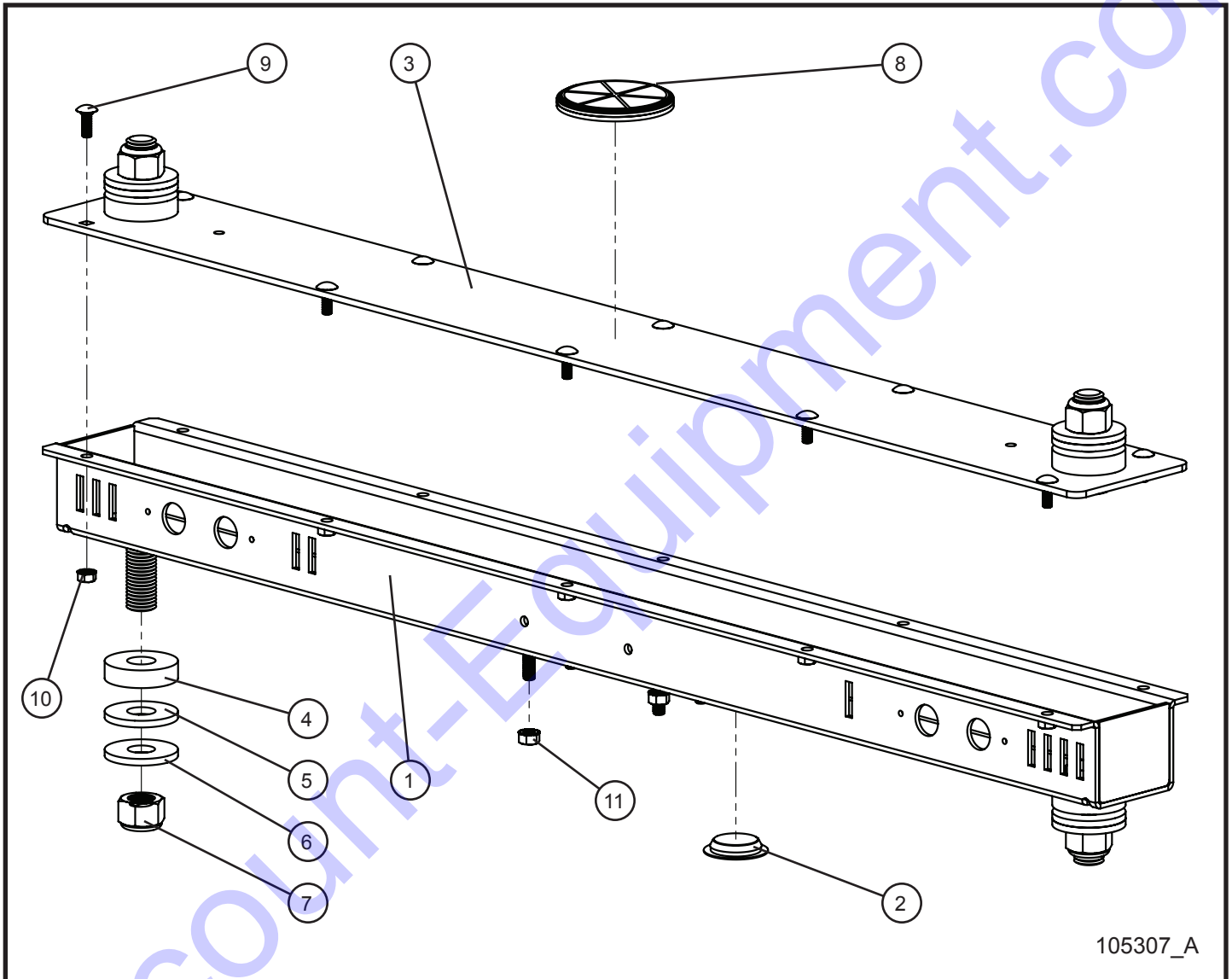
## 3.2 - Laydown Tower Parts

SN 0001XX12 and UP

Item	Part No.	Part Description	Qty.
1	102943P	4" SECTION LAYDOWN TOWER	1
	102943-20	4" SECTION LAYDOWN TOWER (GALVANIZED)	
2	680180P	3" SECTION LAYDOWN TOWER	1
	680180-20	3" SECTION LAYDOWN TOWER (GALVANIZED)	
3	352017P	2 5/8" ROUND SECTION LAYDOWN TOWER	1
	352017-20	2 5/8" ROUND SECTION LAYDOWN TOWER (GALVANIZED)	
4	320185	CABLE 3/16 STEEL 10'	1
5	102677P	4" TOWER CORD BRACKET	1
6	620550	1/2-13 x 2 1/8 LOCKING KNOB	1
7	650110	.312 TOWER PAD	4
8	650133	CABLE 3/16 STEEL 17' 9"	1
9	041023	#10 x 3/8 PH-ROUND HEAD MS PL	8
10	046200	1/2-13 x 2 1/4 HEX HEAD CS GR5 PL	2
11	044048	1/2-13 NYLOCK HEX NUT PL	2
12	043100	5/8 INT'L TOOTH LOCK WASHER PL	1
13	046242	5/8-11 x 1 HEX HEAD CS GR5 PL	1
14	310212	#10 CUSH CLAMP 1/4 HOLE	5
15	046015	1/4-20 x 1 HEX HEAD CS GR5 PL	7
16	047009	1/4 FLAT WASHER SAE SS	7
17	044023	1/4-20 NYLOCK HEX NUT PL	7
18	630555P	KICKOUT SPRING LAYDOWN	1
19	047030	5/8 FLAT WASHER PL	2
20	044053	5/8-11 NYLOCK HEX NUT PL	1
21	047010	5/16 FLAT WASHER PL	2
22	046110	3/8-16 x 1 HEX HEAD CS GR5 PL	2
23	044036	3/8-16 KEPS HEX NUT PL	2
24	620076	CABLE 3/16 STEEL 11'	1
25	045040	3/16 CABLE THIMBLE	1
26	620084	1/4 CABLE CLIP	3
27	320110	PULLEY 3 OD W/ BUSHING	2

## 3.3 - Laydown Tower Light Bar

SN 0001XX12 and UP



105307\_A

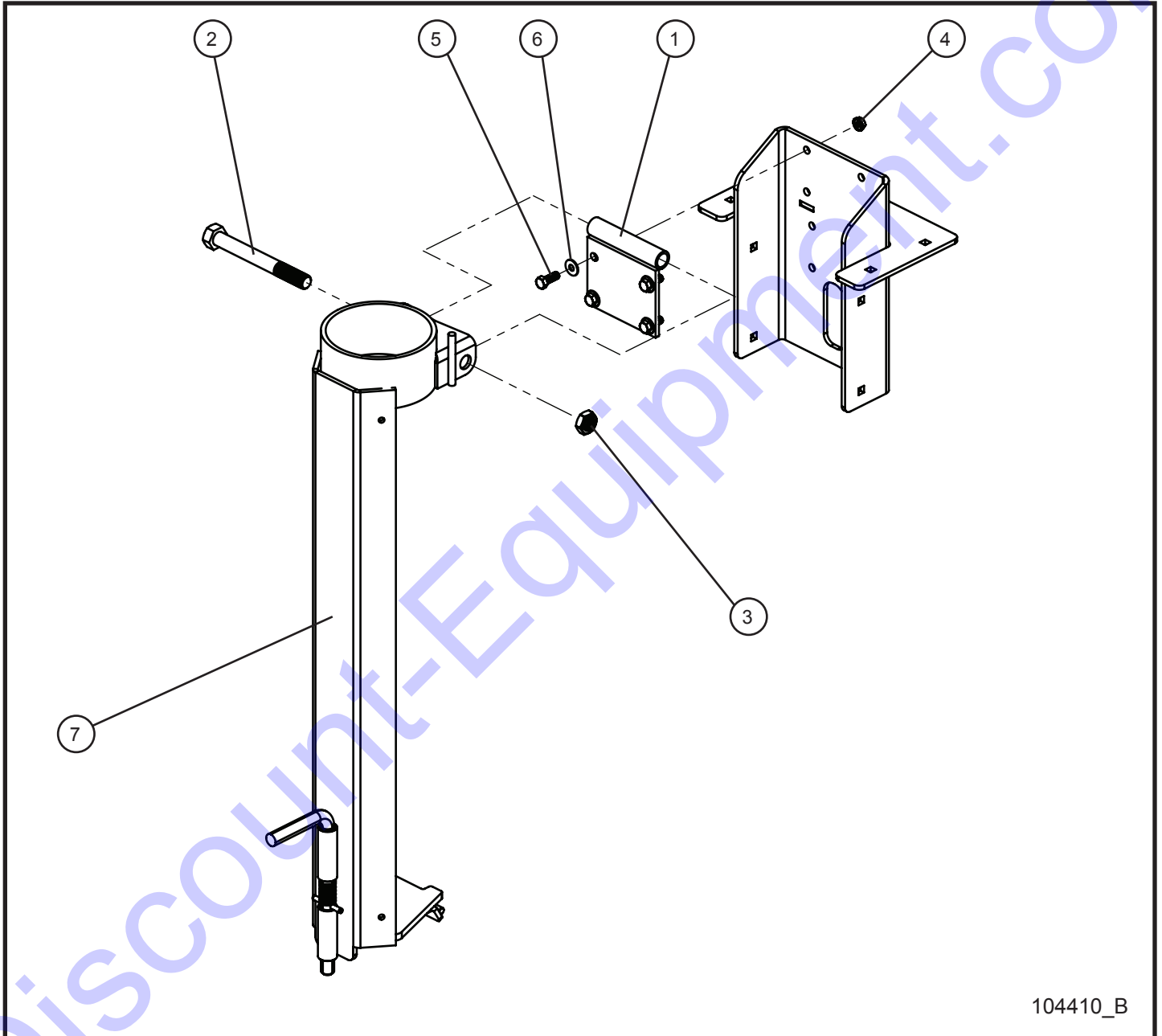
## 3.3 - Laydown Tower Light Bar

SN 0001XX12 and UP

Item	Part No.	Part Description	Qty.
1	105718P	FRAME LIGHT BAR NYLON CORD GRIP	1
2	064040	1 3/8 CAP PLUG	1
3	620537P	COVER LIGHT BAR	1
4	101813	.781 x 2 OD x 1/2 HDPE WASHER	4
5	650550	.785 x 2 HDPE WASHER	4
6	047035	3/4 FLAT WASHER PL	4
7	044121	3/4-10 NYLOCK HEX NUT SS	4
8	330037	REFLECTOR RED 3"	1
9	053006	1/4-20 x 3/4 CARRIAGE BOLT	10
10	044021	1/4-20 KEPS HEX NUT PL	10
11	044031	5/16-18 KEPS HEX NUT PL	4

## 3.4 - Laydown Tower Pivot Group

SN 0001XX12 and UP



104410\_B

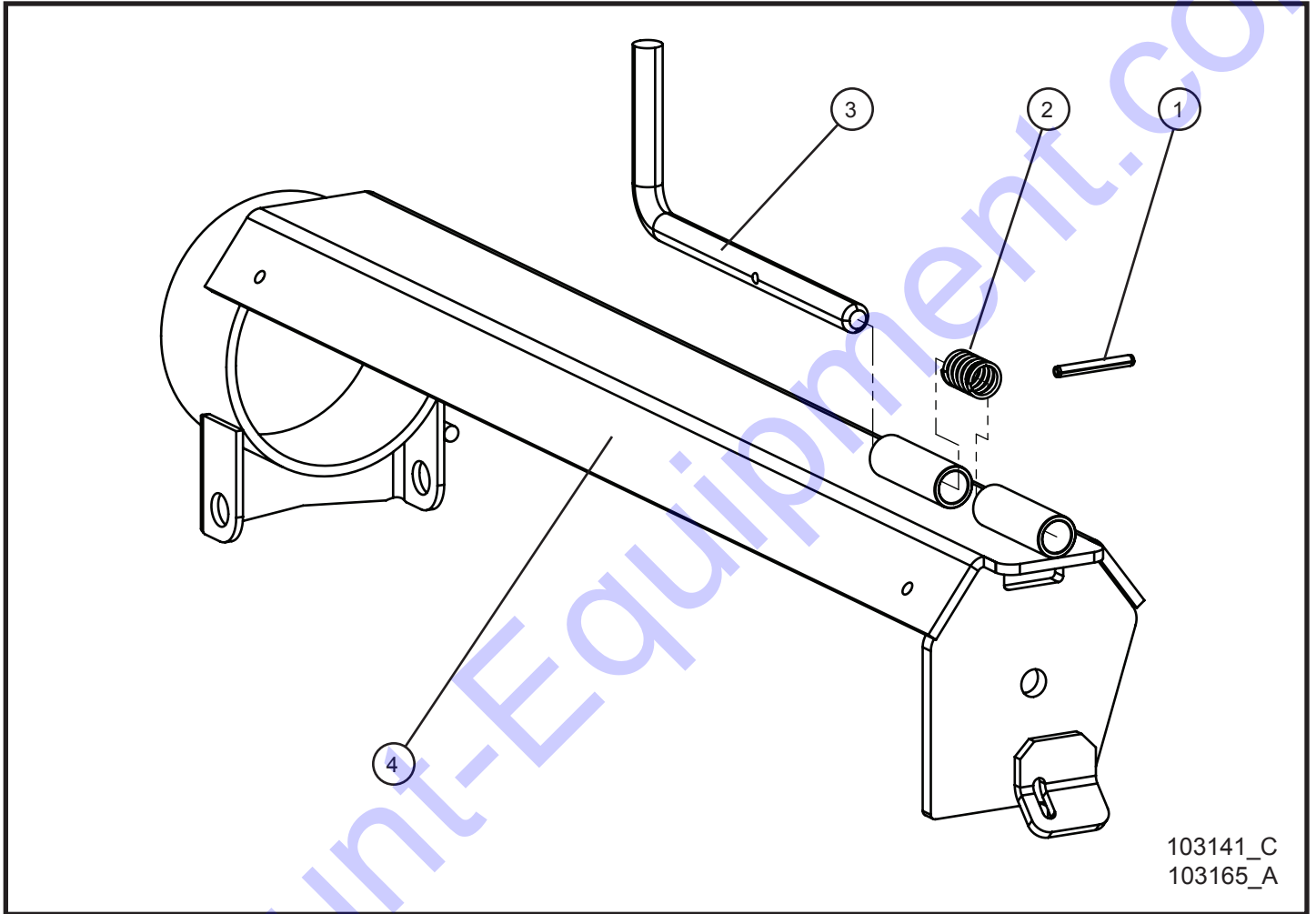
## 3.4 - Laydown Tower Pivot Group

SN 0001XX12 and UP

Item	Part No.	Part Description	Qty.
1	650111P	WELD BRACKET PIVOT	1
2	046286	3/4-10 x 6 1/2 HEX HEAD CS GR5 PL	1
3	044067	3/4-10 JAM TOP LOCK NUT PL	1
4	044036	3/8-16 KEPS HEX NUT PL	4
5	046110	3/8-16 x 1 HEX HEAD CS GR5 PL	4
6	047010	5/16 FLAT WASHER PL	8
7	103141	LAYDOWN TOWER PIVOT SECTION	1
	103165	LAYDOWN TOWER PIVOT SECTION (GALVANIZED)	1

## 3.5 - Laydown Tower Pivot Section

SN 0001XX12 and UP



103141\_C  
103165\_A

## 3.5 - Laydown Tower Pivot Section

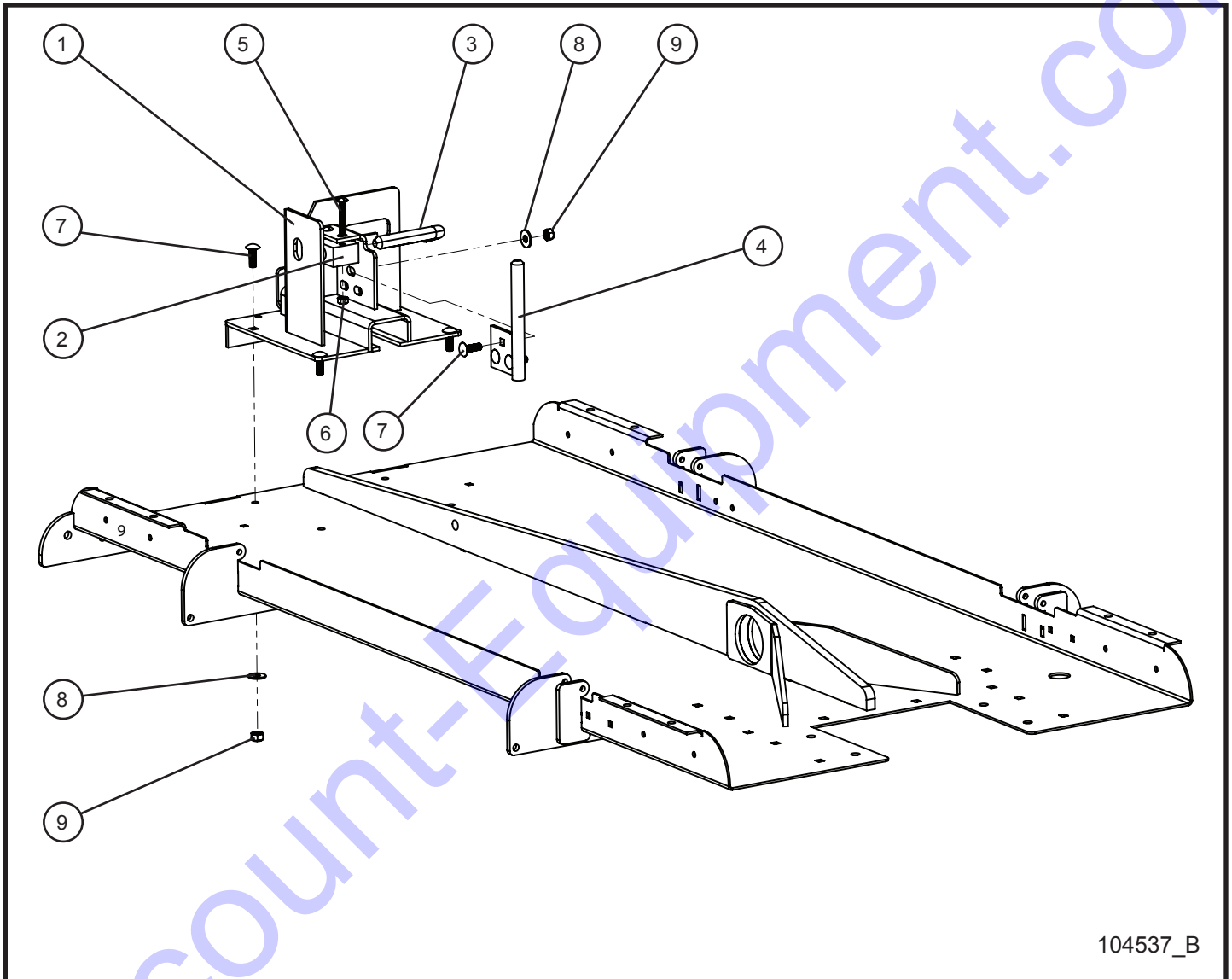
SN 0001XX12 and UP

Item	Part No.	Part Description	Qty.
1	045156	1/4 x 2 SPRING ROLL PIN	1
2	102944	SPRING TOWER LATCH	1
3	330450	LOCKING PIN	1
4	103030P	LAYDOWN TOWER PIVOT	1
	103030-20	LAYDOWN TOWER PIVOT (GALVANIZED)	1



## 3.6 - Laydown Tower Rear Support

SN 0001XX12 and UP



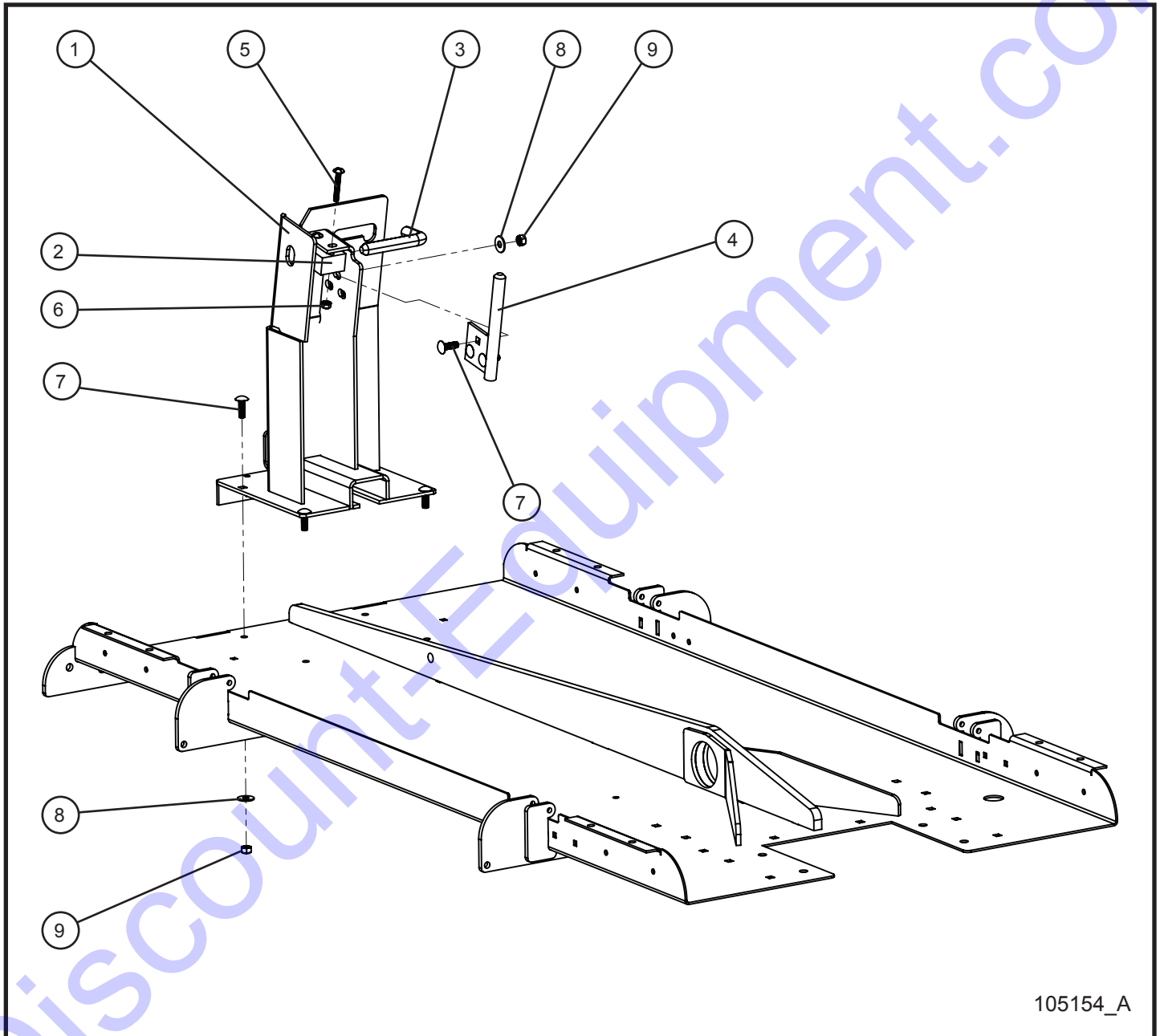
## 3.6 - Laydown Tower Rear Support

SN 0001XX12 and UP

Item	Part No.	Part Description	Qty.
1	104343P	REAR SUPPORT LAYDOWN TOWER	1
2	330430	GUIDE BLOCK OUTRIGGER	1
3	330455	OUTRIGGER PIN MANUFACTURED	1
4	104335P	PIN TOWER SUPPORT	1
5	041053	1/4-20 x 1 3/4 PH-TRUSS HEAD MS SS	2
6	044021	1/4-20 KEPS HEX NUT PL	2
7	053020	5/16-18 x 1 CARRIAGE BOLT PL	7
8	047010	5/16 FLAT WASHER PL	7
9	044033	5/16-18 NYLOCK HEX NUT PL	7

## 3.7 - Laydown Tower Rear Extended Support

SN 0001XX12 and UP



105154\_A

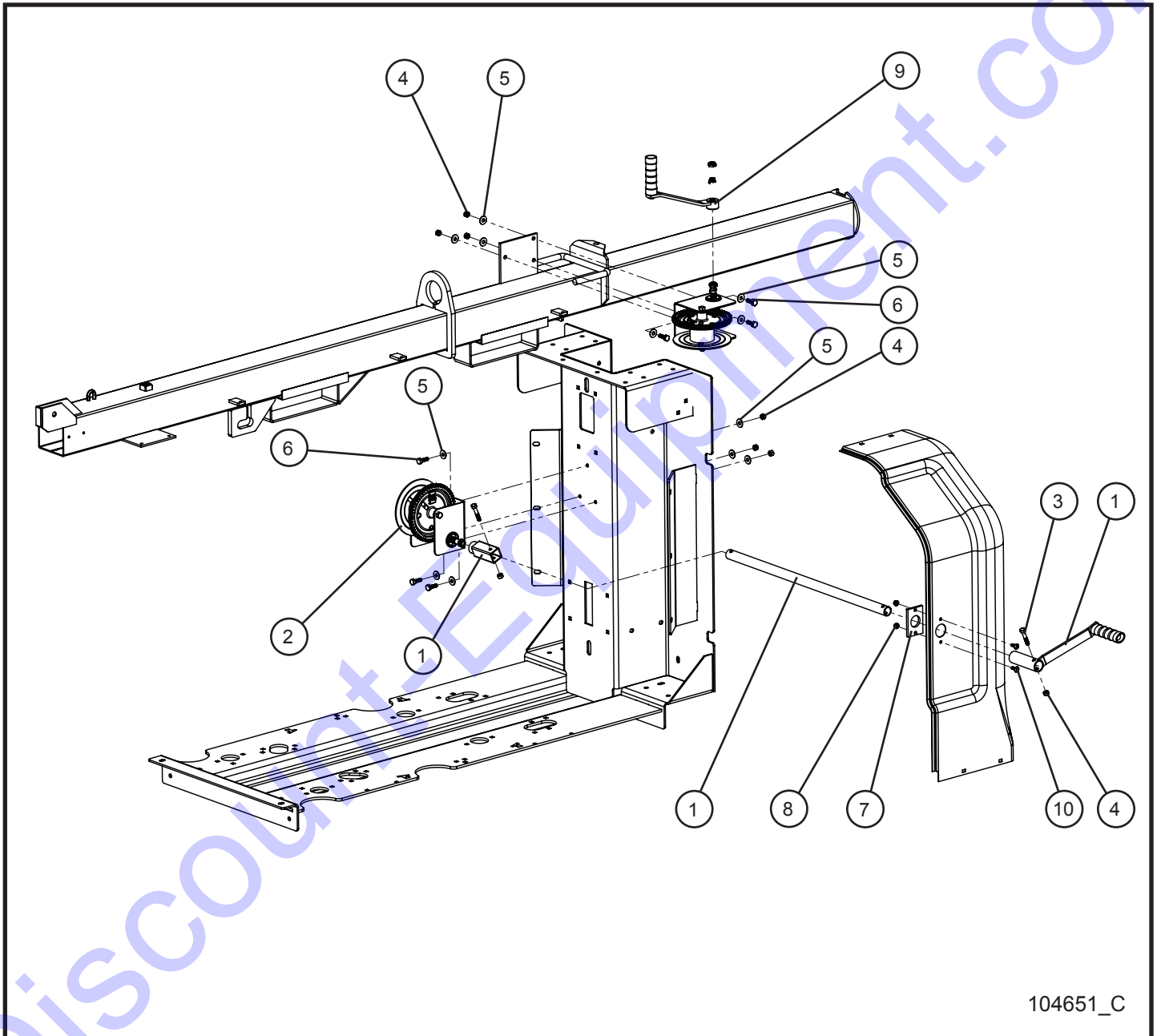
## 3.7 - Laydown Tower Rear Extended Support

SN 0001XX12 and UP

Item	Part No.	Part Description	Qty.
1	105151P	EXTENDED REAR SUPPORT LAYDOWN TOWER	1
2	330430	GUIDE BLOCK OUTRIGGER	1
3	330455	OUTRIGGER PIN MANUFACTURED	1
4	104335P	PIN TOWER SUPPORT	1
5	041053	1/4-20 x 1 3/4 PH-TRUSS HEAD MS SS	2
6	044021	1/4-20 KEPS HEX NUT PL	2
7	053020	5/16-18 x 1 CARRIAGE BOLT PL	7
8	047010	5/16 FLAT WASHER PL	7
9	044033	5/16-18 NYLOCK HEX NUT PL	7

## 3.8 - Laydown Tower Winch Group

SN 0001XX12 and UP



104651\_C

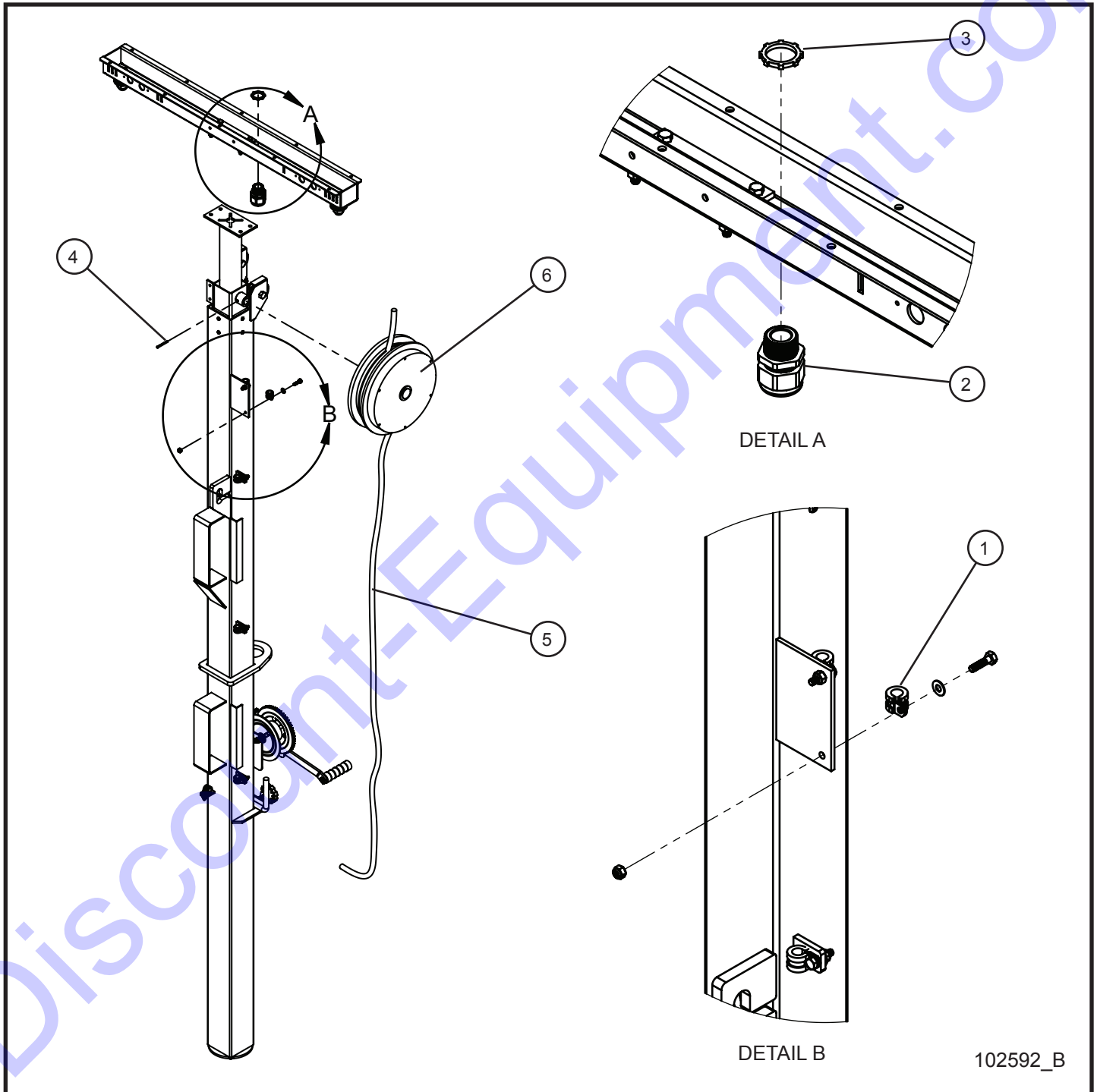
## 3.8 - Laydown Tower Winch Group

SN 0001XX12 and UP

Item	Part No.	Part Description	Qty.
1	104620	WINCH HANDLE KIT MANUAL TOWER	1
2	610531	DL 1200 LB. WINCH	2
3	046065	5/16-18 x 1 3/4 HEX HEAD CS GR5 PL	2
4	044033	5/16-18 NYLOCK HEX NUT PL	8
5	047010	5/16 FLAT WASHER PL	12
6	046050	5/16-18 x 1 HEX HEAD CS GR5 PL	6
7	650106	GUIDE BLOCK	1
8	044021	1/4-20 KEPS HEX NUT PL	2
9	712032	WINCH HANDLE DBL 1200 7	1
10	041050	1/4-20 x 3/4 PH-TRUSS HEAD MS SS	2

## 3.9 - Laydown Tower 16/8 Cord Reel Group

SN 0001XX12 and UP



## 3.9 - Laydown Tower 16/8 Cord Reel Group

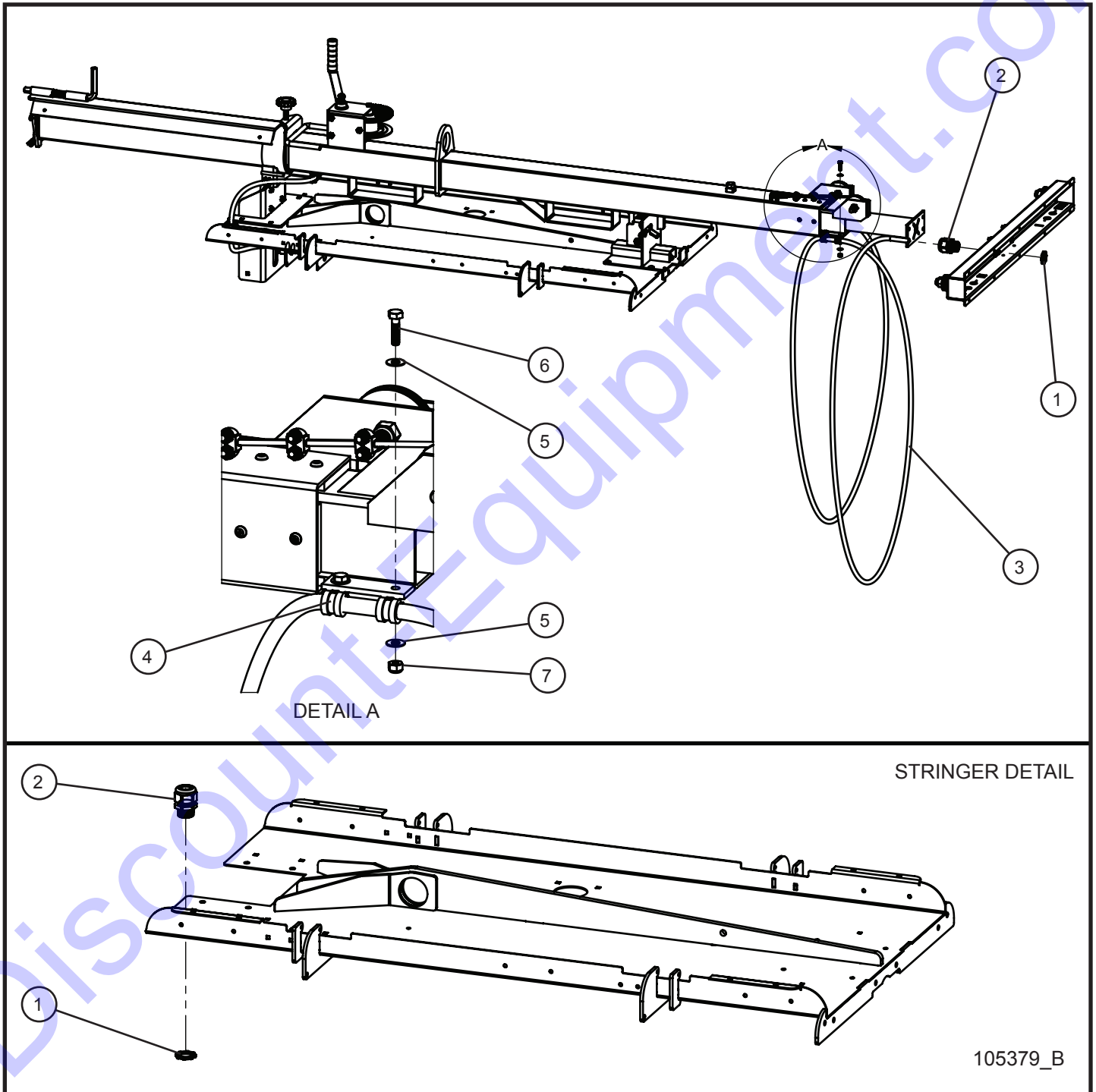
SN 0001XX12 and UP

Item	Part No.	Part Description	Qty.
1	310212	#10 CUSH CLAMP 1/4 HOLE	1
2	105627	CORD GRIP 1" NYLON BLACK	1
3	022038	1" CORD GRIP NUT	1
4	320453	3/16 x 1 3/4 SPRING ROLL PIN	1
5	103080	16/8 CORD REEL MANUAL TOWER	1
6	320410P	CORD REEL	1
7	105284	SCHEMATIC 4 LIGHT JUNCTION BOX	1
8	105292	SCHEMATIC LIGHT BAR 4 LIGHT 16/8 CORD	1



## 3.10 - Laydown Tower 14/7 Cord Group

SN 0001XX12 and UP



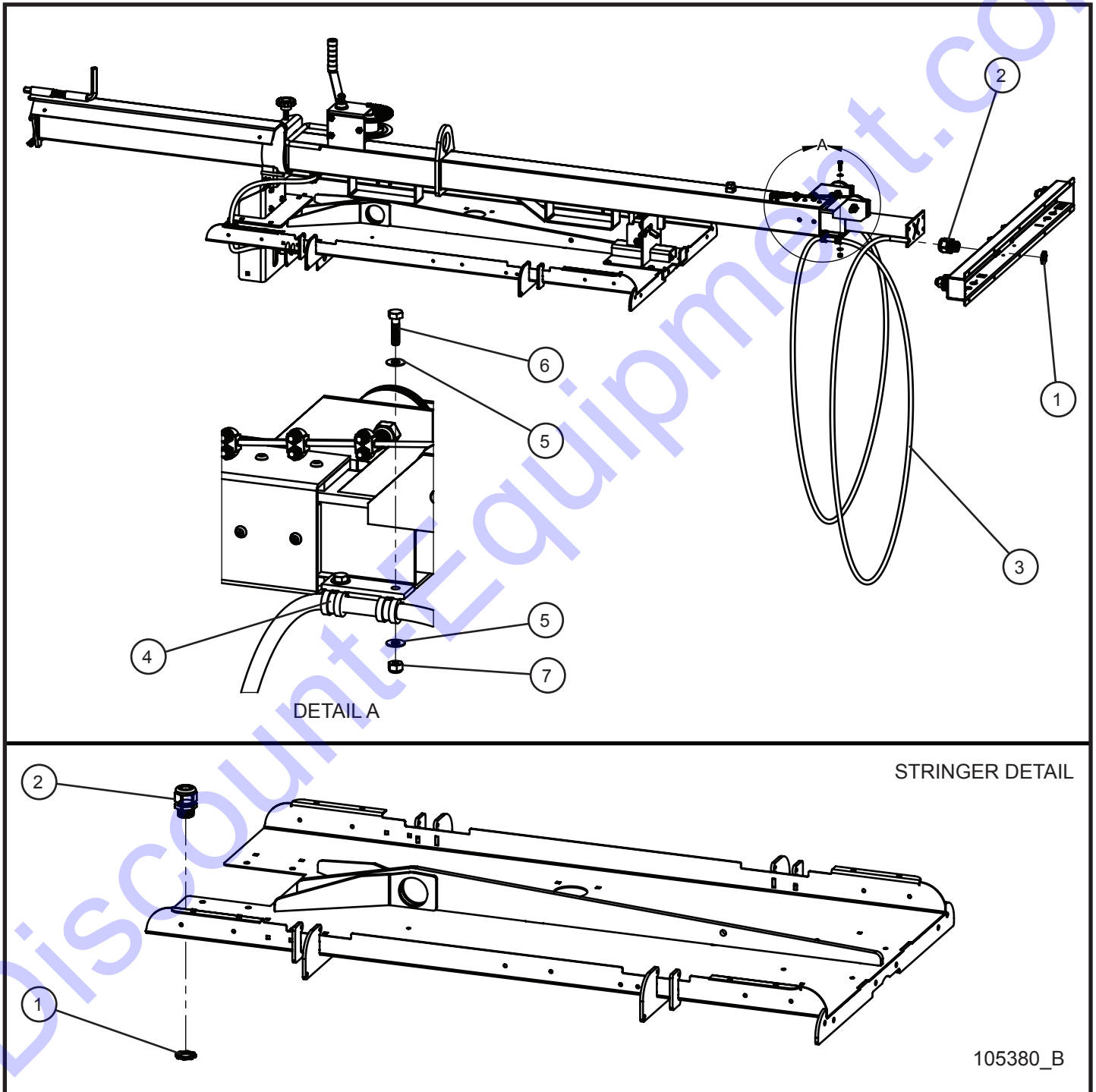
## 3.10 - Laydown Tower 14/7 Cord Group

SN 0001XX12 and UP

Item	Part No.	Part Description	Qty.
1	022038	1" CORD GRIP NUT	2
2	105627	CORD GRIP 1" NYLON BLACK	2
3	103049	14/7 STRAIGHT CORD MANUAL TOWER	1
4	310212	#10 CUSH CLAMP 1/4 HOLE	2
5	047009	1/4 FLAT WASHER SAE SS	4
6	046015	1/4-20 x 1 HEX HEAD CS GR5 PL	2
7	044023	1/4-20 NYLOCK HEX NUT PL	2
8	105283	SCHEMATIC 4 LIGHT JUNCTION BOX	1
9	105291	SCHEMATIC LIGHT BAR 4 LIGHT 14/7 CORD	1

## 3.11 - Laydown Tower 16/8 Cord Group

SN 0001XX12 and UP



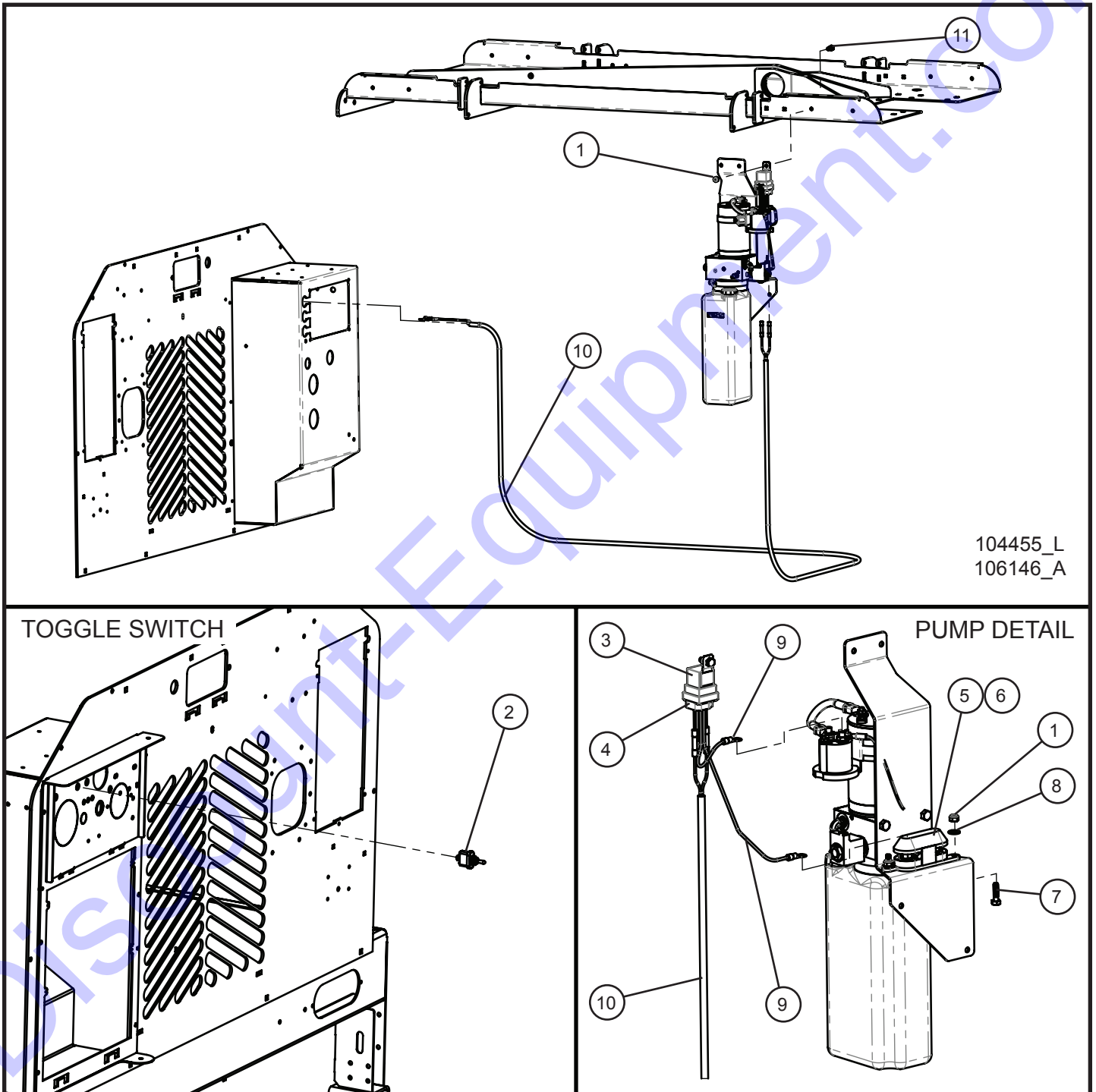
## 3.11 - Laydown Tower 16/8 Cord Group

SN 0001XX12 and UP

Item	Part No.	Part Description	Qty.
1	022038	1" CORD GRIP NUT	2
2	105627	CORD GRIP 1" NYLON BLACK	2
3	105006	16/8 CSA STRAIGHT CORD MANUAL TOWER	1
	105679	16/8 CSA STRAIGHT LED CORD MANUAL TOWER	1
4	310212	#10 CUSH CLAMP 1/4 HOLE	2
5	047009	1/4 FLAT WASHER SAE SS	4
6	046015	1/4-20 x 1 HEX HEAD CS GR5 PL	2
7	044023	1/4-20 NYLOCK HEX NUT PL	2
8	105284	SCHEMATIC 4 LIGHT JUNCTION BOX	1
9	105292	SCHEMATIC LIGHT BAR 4 LIGHT 16/8 CORD	1

## 4.1 - Vertical Tower Trailer Group (1 of 2)

SN 0001XX12 and UP



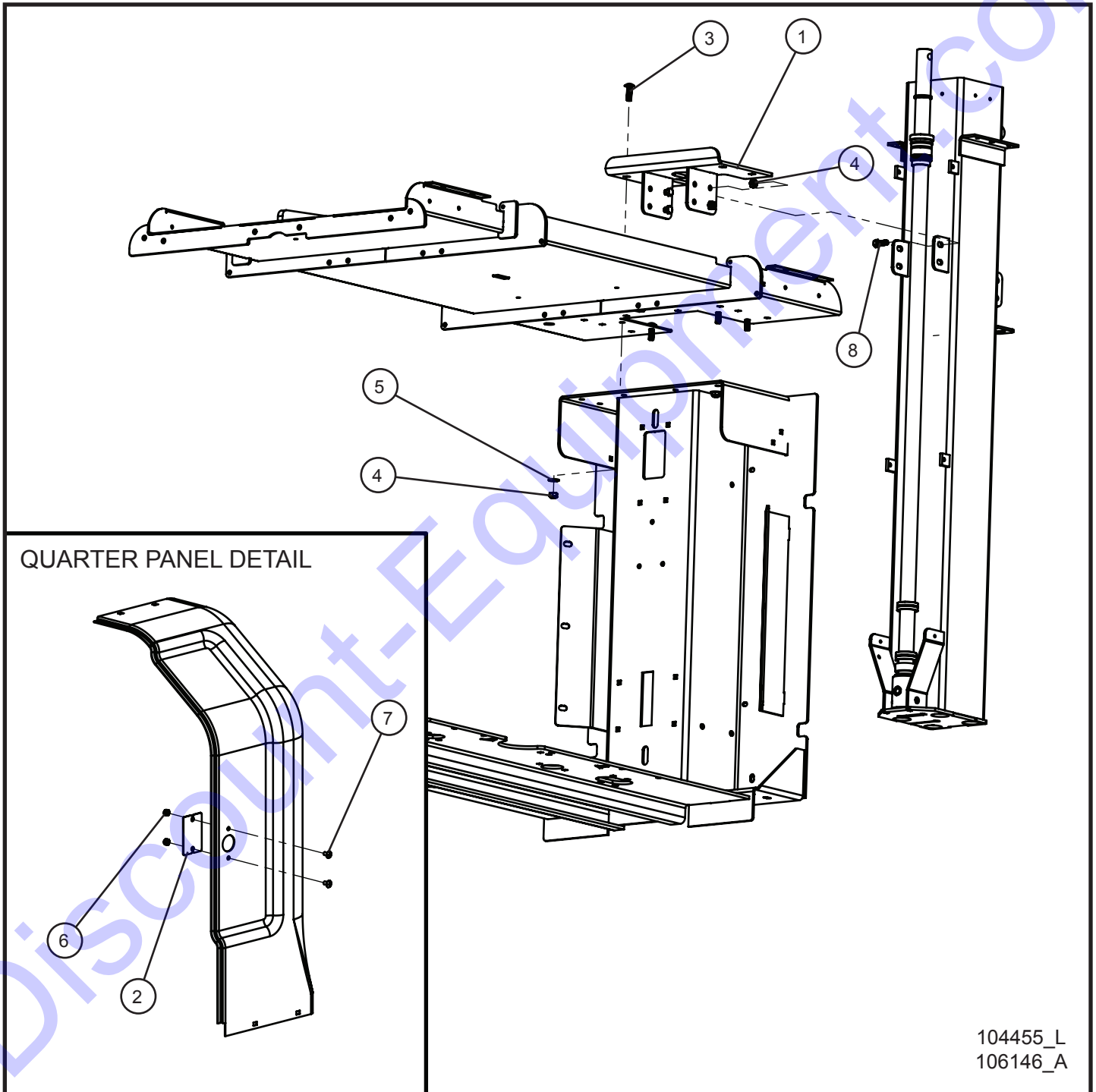
## 4.1 - Vertical Tower Trailer Group (1 of 2)

SN 0001XX12 and UP

Item	Part No.	Part Description	Qty.
1	044023	1/4-20 NYLOCK HEX NUT PL	3
2	102453	TOGGLE SWITCH SINGLE POLE	1
3	105173	RELAY 12VDC 150 AMP INRUSH	1
4	105174	RELAY BLOCK WEATHER PACK	1
5	100235	FUSE HOLDER F AMG FUSE	1
6	100234	125A FUSE LINK BUSS AMG	1
7	046015	1/4-20 x 1 HEX HEAD CS GR5 PL	2
8	047005	1/4 FLAT WASHER PL	2
9	022099	TERM 10-12 GA 5/16 EYE INSULATED	2
10	105182	HARNESS RELAY HYDRAULIC PUMP	1
11	046010	1/4-20 x 3/4 HEX HEAD CS GR5 SS	1
NS	105216	BLACK WIRE BUCHER HYD PUMP (NOT SHOWN)	1
NS	105217	RED BUCHER WIRE HYD PUMP (NOT SHOWN)	1
NS	105234	SWITCH CORD VERTICAL HYDRAULIC (NOT SHOWN)	1

## 4.1 - Vertical Tower Trailer Group (2 of 2)

SN 0001XX12 and UP



104455\_L  
106146\_A

# Maxi-Lite II

## 4.1 - Vertical Tower Trailer Group (2 of 2)

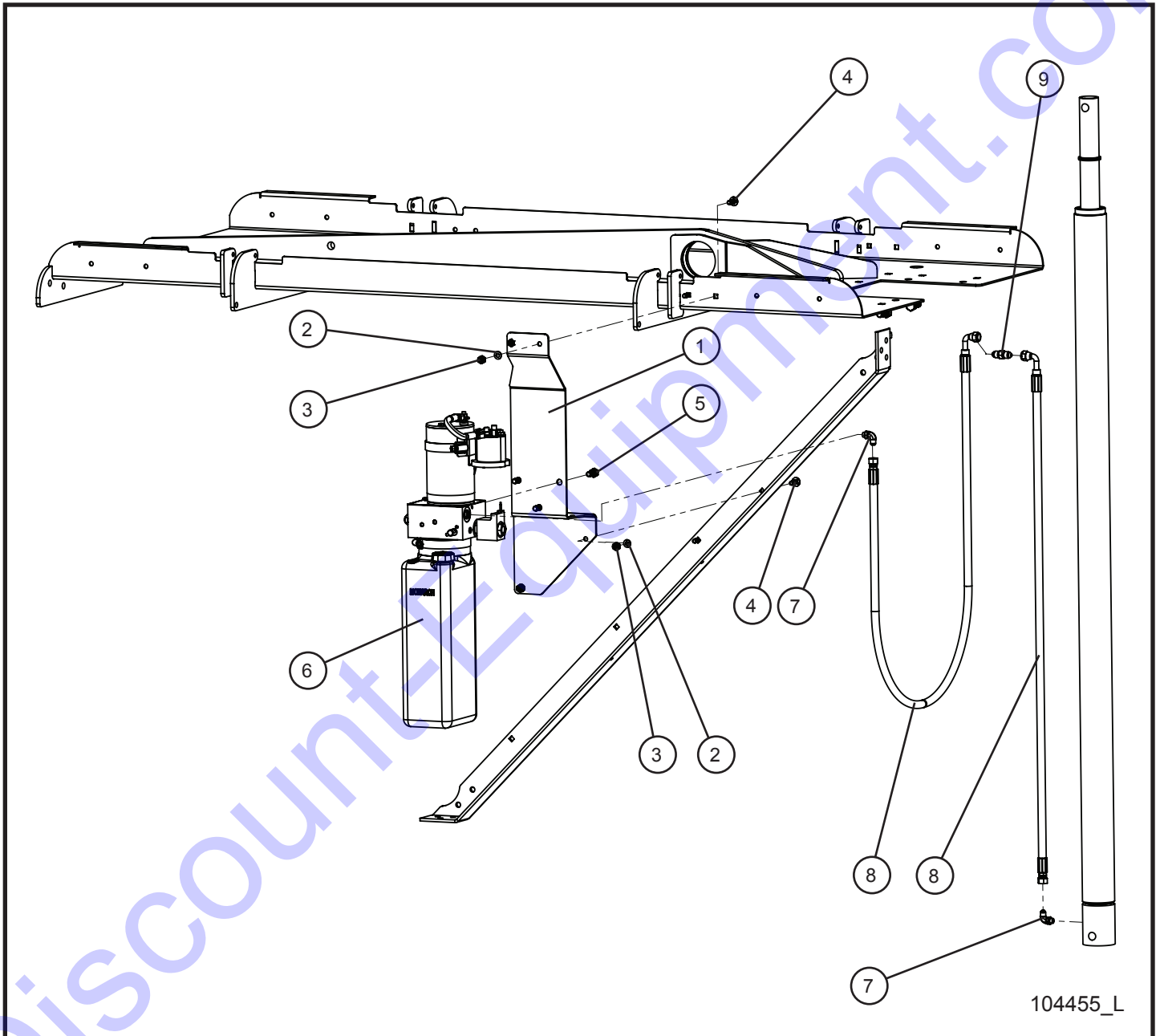
SN 0001XX12 and UP

Item	Part No.	Part Description	Qty.
1	104301P	MOUNT WELDMENT VERTICAL TOWER	1
2	044023	1/4-20 NYLOCK HEX NUT PL	11
3	100670	3/8-16 x 1 1/4 CARRIAGE BOLT	4
4	044038	3/8-16 NYLOCK HEX NUT PL	8
5	047010	5/16 FLAT WASHER PL	11
6	680329P	COVER PLATE WINCH HANDLE	1
7	041078	1/4-20 x 1/2 PH-TRUSS HEAD MS SS	2
8	046110	3/8-16 x 1 HEX HEAD CS GR5 PL	4



## 4.2 - Vertical Tower Hydraulic Pump w/Bottom Port Cylinder

SN 0001XX12 and UP



# Maxi-Lite II

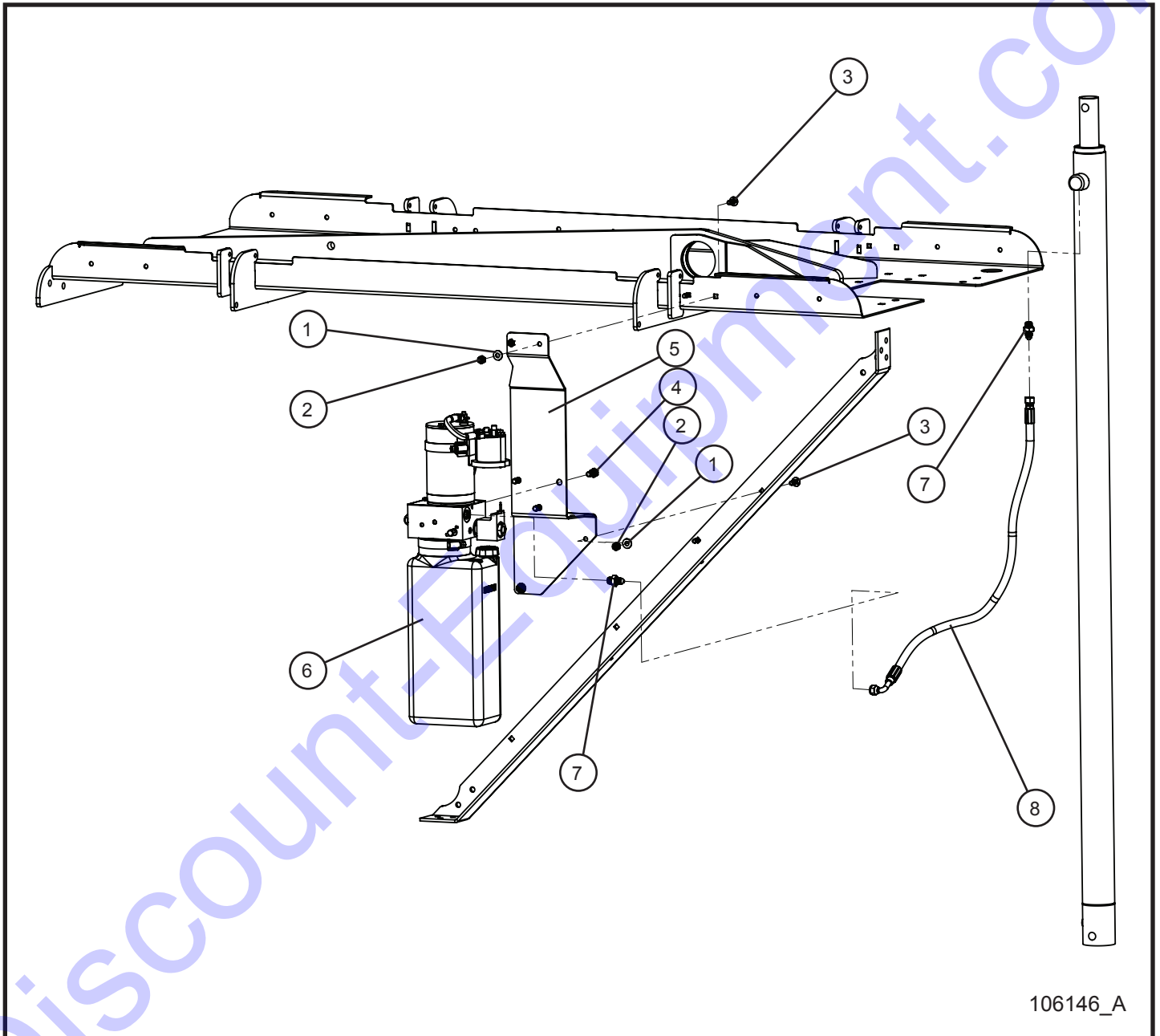
## 4.2 - Vertical Tower Hydraulic Pump w/Bottom Port Cylinder

SN 0001XX12 and UP

Item	Part No.	Part Description	Qty.
1	104308P	BRACKET MOUNT VERTICAL PUMP	1
2	047009	1/4 FLAT WASHER SAE SS	4
3	044023	1/4-20 NYLOCK HEX NUT PL	4
4	053006	1/4-20 x 3/4 CARRIAGE BOLT	4
5	046045	5/16-18 x 3/4 HEX HEAD CS GR5 PL	3
6	104358	POWER UNIT VERTICAL TOWER	1
7	920676	90° HYDRAULIC FITTING	2
8	101356	HYDRAULIC HOSE	2
9	104461	STRAIGHT HYDRAULIC FITTING	1

## 4.3 - Vertical Tower Hydraulic Pump w/Top Port Cylinder

SN 0001XX12 and UP



# Maxi-Lite II

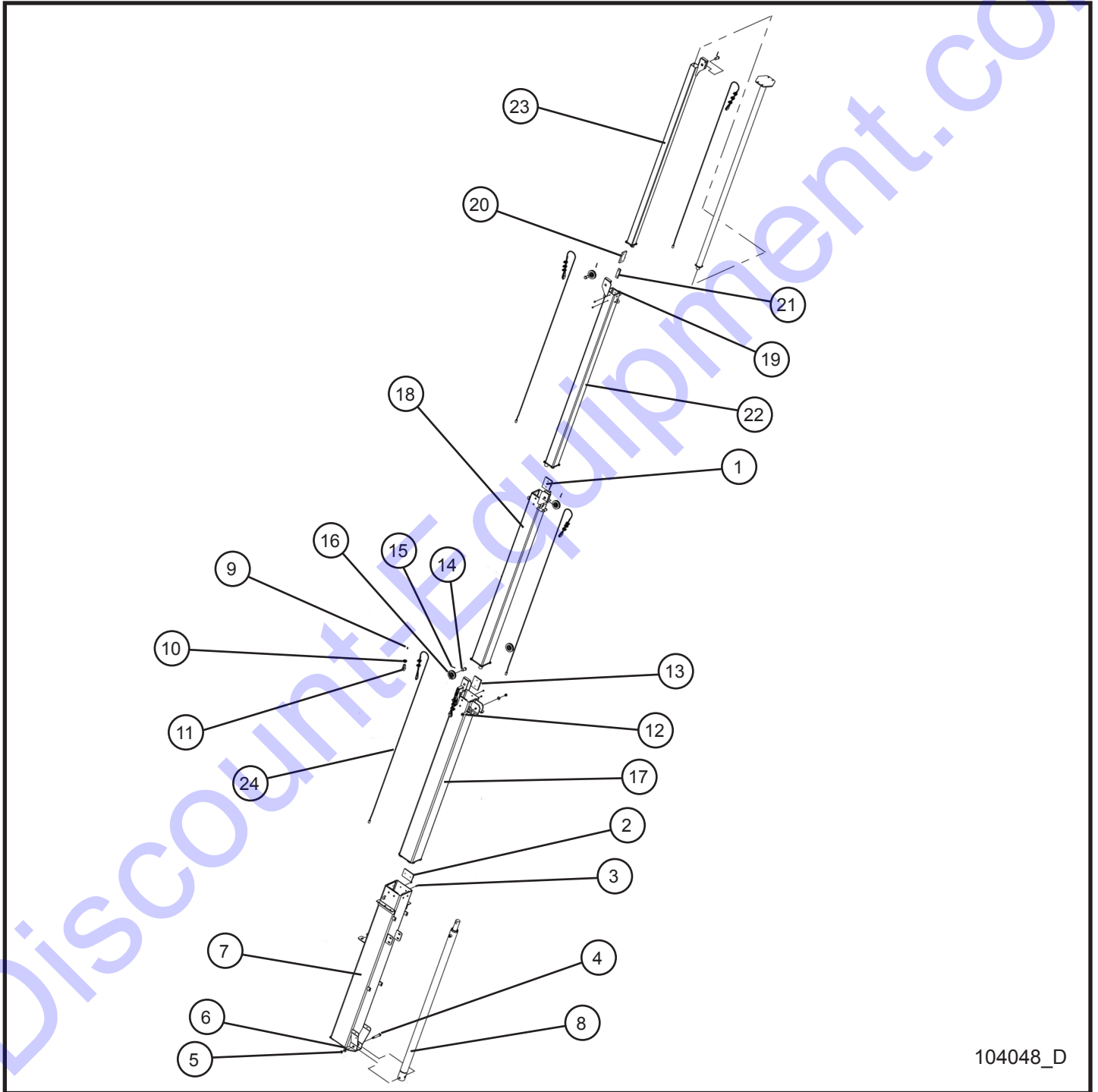
## 4.3 - Vertical Tower Hydraulic Pump w/Top Port Cylinder

SN 0001XX12 and UP

Item	Part No.	Part Description	Qty.
1	047009	1/4 FLAT WASHER SAE SS	4
2	044023	1/4-20 NYLOCK HEX NUT PL	4
3	053006	1/4-20 x 3/4 CARRIAGE BOLT	4
4	046045	5/16-18 x 3/4 HEX HEAD CS GR5 PL	3
5	104308P	BRACKET MOUNT VERTICAL PUMP	1
6	104358	POWER UNIT VERTICAL TOWER	1
7	923205	STRAIGHT ADAPTER	2
8	104461	HYDRAULIC HOSE 41.00 MAXI HYD V-SERIES	1

## 4.4 - Vertical Tower Parts (1 of 6)

SN 0001XX12 and UP



104048\_D

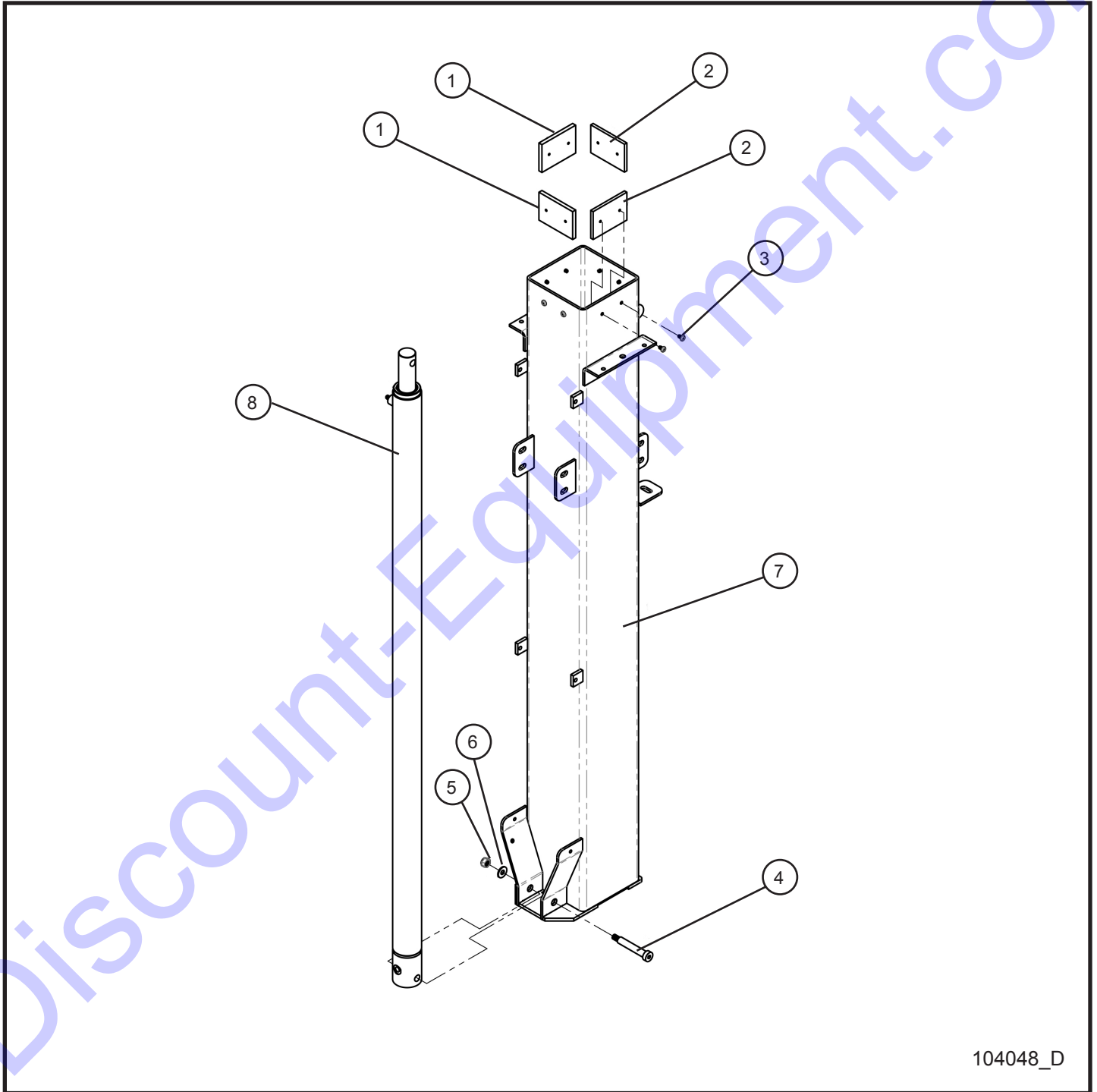
## 4.4 - Vertical Tower Parts (1 of 6)

SN 0001XX12 and UP

Item	Part No.	Part Description	Qty.
1	650110	.312 TOWER PAD	6
2	102954	.250 TOWER PAD	2
3	041023	#10 x 3/8 PH-ROUND HEAD MS PL	32
4	101379	1/2 x 2 3/4 (3/8-16 x 5/8) HX-SOCKET HEAD SHOULDER BOLT	1
5	047010	5/16 FLAT WASHER PL	2
6	044038	3/8-16 NYLOCK HEX NUT PL	2
7	104036P	6" VERTICAL TOWER 2 SECTION	1
8	109764	VERTICAL TOWER 2 HYDRAULIC CYLINDER	1
	106140	VERTICAL TOWER TOP PORT HYDRAULIC CYLINDER	1
9	022150	FERRULE 10-12 AWG	5
10	045040	3/16 CABLE THIMBLE	5
11	620084	3/16 CABLE CLIP	15
12	101378	1/2 x 2 (3/8-16 x 5/8) HX-SOCKET HEAD SHOULDER BOLT	1
13	650109	.375 TOWER PAD	4
14	102906	5/8 x 1 1/4 CLEVIS PIN	5
15	045042	COTTER PIN 1/8 x 1 1/2"	5
16	100160	2 1/2 PULLEY BALL BEARING W/ BALL BEARING	5
17	104037P	VERTICAL TOWER 2 5" SECTION	1
18	102961P	VERTICAL TOWER 2 4" SECTION	1
19	352280	PLASTIC TOWER PAD	2
20	100446	3/8 PAD SMALL	1
21	100062	3/8 UHMW SPACER	1
22	102965P	VERTICAL TOWER 2 CORD REEL 3" SECTION	1
23	102968P	VERTICAL TOWER 2" SECTION	1
24	320185	STEEL CABLE 3/16 x 10'	5

## 4.4 - Vertical Tower Parts (2 of 6)

SN 0001XX12 and UP



104048\_D

## 4.4 - Vertical Tower Parts (2 of 6)

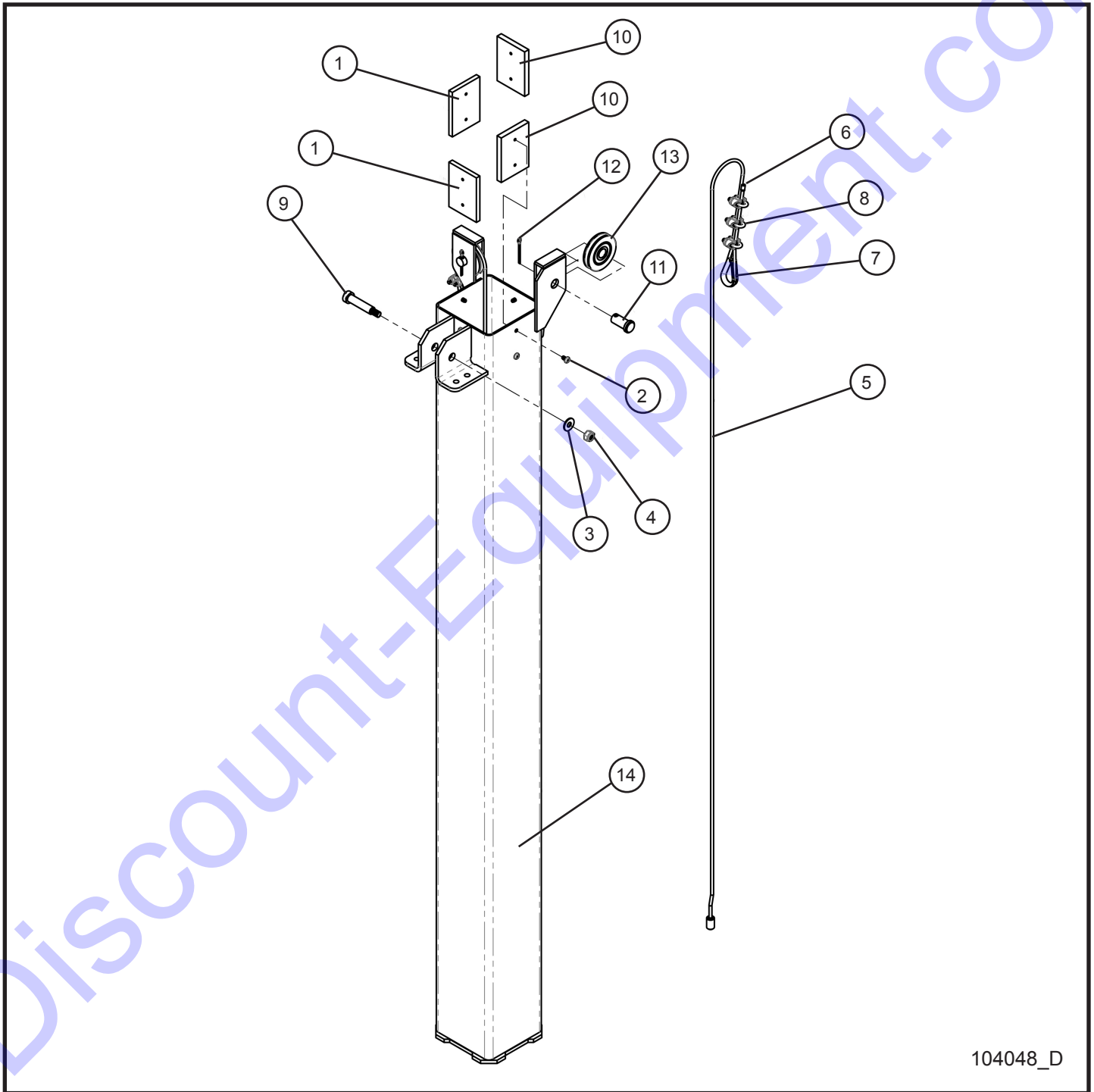
SN 0001XX12 and UP

Item	Part No.	Part Description	Qty.
1	650110	.312 TOWER PAD	2
2	102954	.250 TOWER PAD	2
3	041023	#10 x 3/8 PH-ROUND HEAD MS PL	8
4	101379	1/2 x 2 3/4 (3/8-16 x 5/8) HX-SOCKET HEAD SHOULDER BOLT	1
5	047010	5/16 FLAT WASHER PL	1
6	044038	3/8-16 NYLOCK HEX NUT PL	1
7	104036P	6" VERTICAL TOWER 2 SECTION	1
8	109764	VERTICAL TOWER 2 HYDRAULIC CYLINDER	1
	106140	VERTICAL TOWER TOP PORT HYDRAULIC CYLINDER	1



## 4.4 - Vertical Tower Parts (3 of 6)

SN 0001XX12 and UP



104048\_D

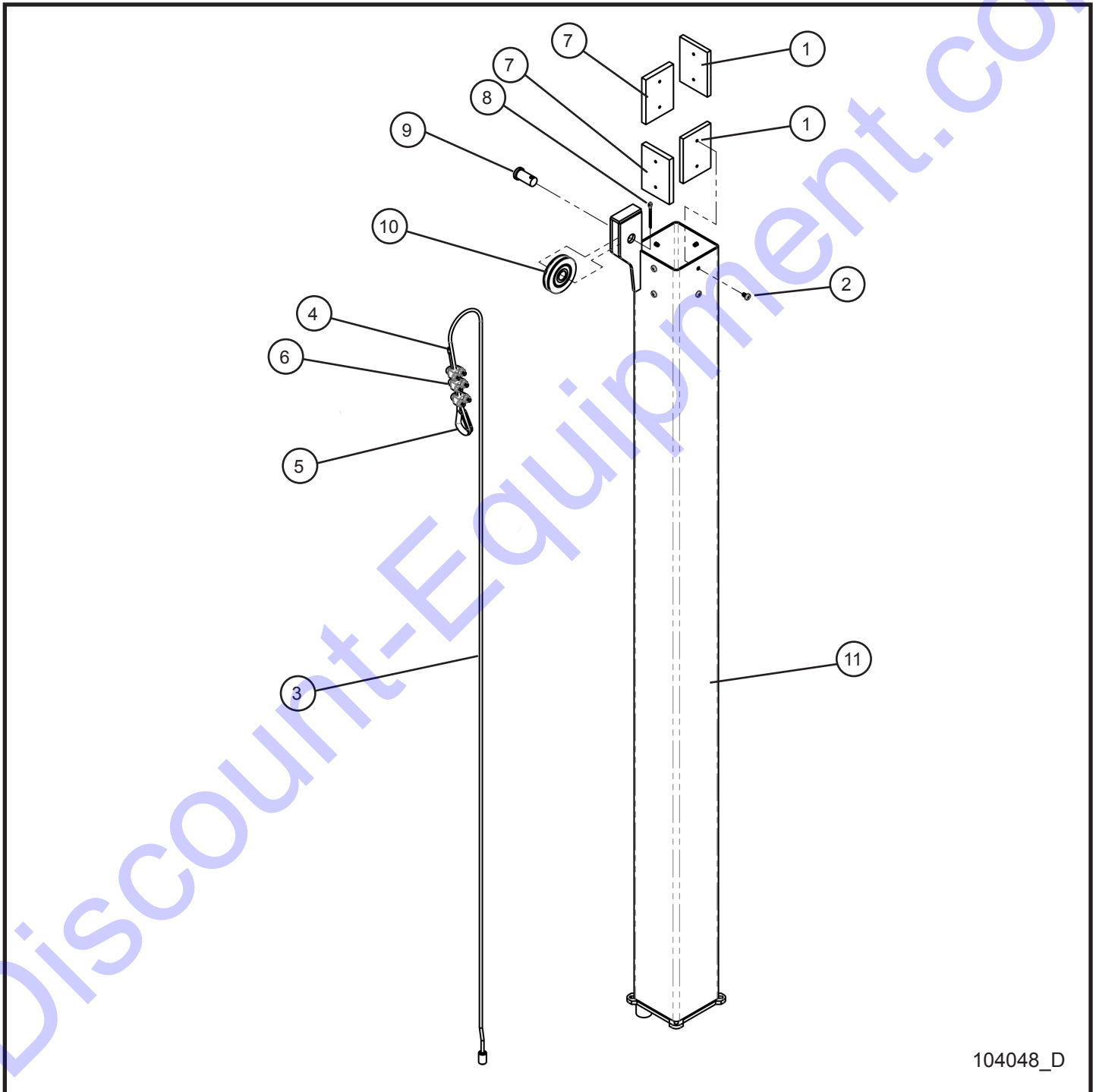
## 4.4 - Vertical Tower Parts (3 of 6)

SN 0001XX12 and UP

Item	Part No.	Part Description	Qty.
1	650110	.312 TOWER PAD	2
2	041023	#10 x 3/8 PH-ROUND HEAD MS PL	8
3	047010	5/16 FLAT WASHER PL	1
4	044038	3/8-16 NYLOCK HEX NUT PL	1
5	320185	STEEL CABLE 3/16 x 10'	2
6	022150	FERRULE 10-12 AWG	2
7	045040	3/16 CABLE THIMBLE	2
8	620084	1/4 CABLE CLIP	6
9	101378	1/2 x 2 (3/8-16 x 5/8) HX-SOCKET HEAD SHOULDER BOLT	1
10	650109	.375 TOWER PAD	2
11	102906	5/8 x 1 1/4 CLEVIS PIN	2
12	045045	5/32 x 1 1/2 COTTER PIN	2
13	100160	2 1/2 PULLEY BALL BEARING W/ BALL BEARING	2
14	104037P	VERTICAL TOWER 2 5" SECTION	1

## 4.4 - Vertical Tower Parts (4 of 6)

SN 0001XX12 and UP



104048\_D

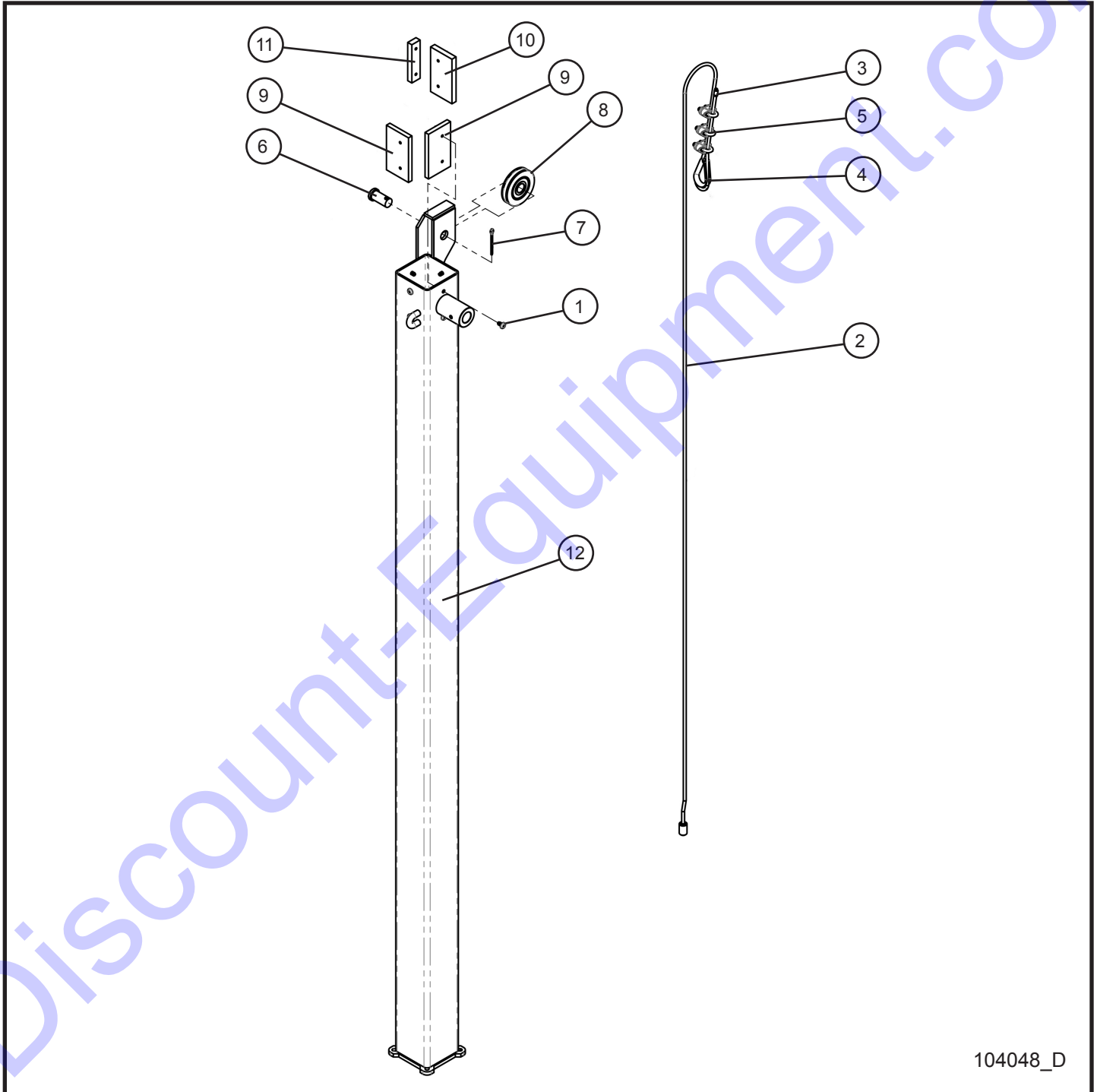
## 4.4 - Vertical Tower Parts (4 of 6)

SN 0001XX12 and UP

Item	Part No.	Part Description	Qty.
1	650110	.312 TOWER PAD	2
2	041023	#10 x 3/8 PH-ROUND HEAD MS PL	8
3	320185	STEEL CABLE 3/16 x 10'	1
4	022150	FERRULE 10-12 AWG	1
5	045040	3/16 CABLE THIMBLE	1
6	620084	1/4 CABLE CLIP	3
7	650109	.375 TOWER PAD	2
8	102906	5/8 x 1 1/4 CLEVIS PIN	1
9	045045	5/32 x 1 1/2 COTTER PIN	1
10	100160	2 1/2 PULLEY BALL BEARING W/ BALL BEARING	1
11	102961P	VERTICAL TOWER 2 4" SECTION	1

## 4.4 - Vertical Tower Parts (5 of 6)

SN 0001XX12 and UP



104048\_D

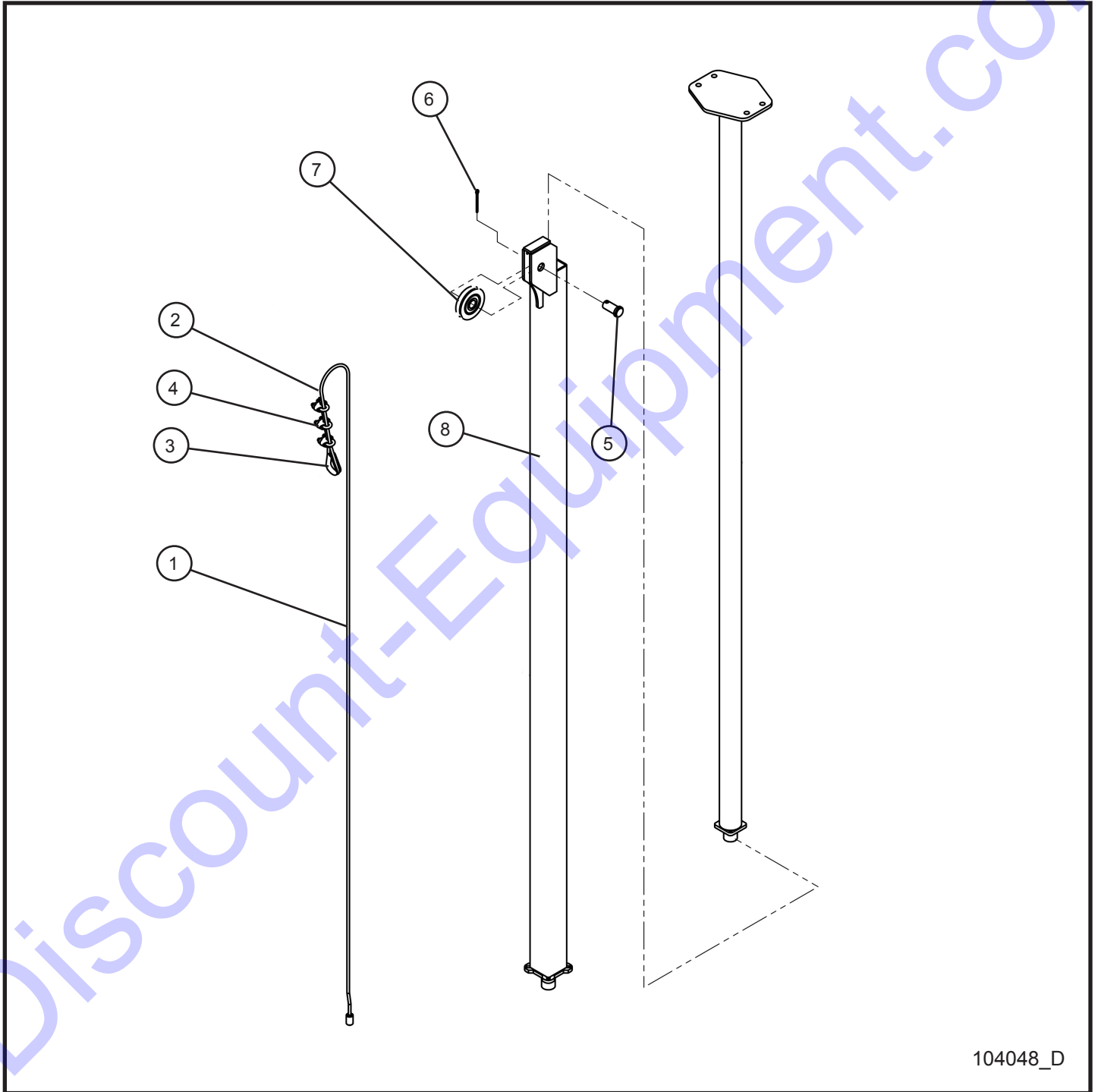
## 4.4 - Vertical Tower Parts (5 of 6)

SN 0001XX12 and UP

Item	Part No.	Part Description	Qty.
1	041023	#10 x 3/8 PH-ROUND HEAD MS PL	8
2	320185	STEEL CABLE 3/16 x 10'	1
3	022150	FERRULE 10-12 AWG	1
4	045040	3/16 CABLE THIMBLE	1
5	620084	1/4 CABLE CLIP	3
6	102906	5/8 x 1 1/4 CLEVIS PIN	1
7	045045	5/32 x 1 1/2 COTTER PIN	1
8	100160	2 1/2 PULLEY BALL BEARING W/ BALL BEARING	1
9	352280	PLASTIC TOWER PAD	2
10	100446	3/8 PAD SMALL	1
11	100062	3/8 UHMW SPACER	1
12	102965P	VERTICAL TOWER 2 3" SECTION	1

## 4.4 - Vertical Tower Parts (6 of 6)

SN 0001XX12 and UP



104048\_D

## 4.4 - Vertical Tower Parts (6 of 6)

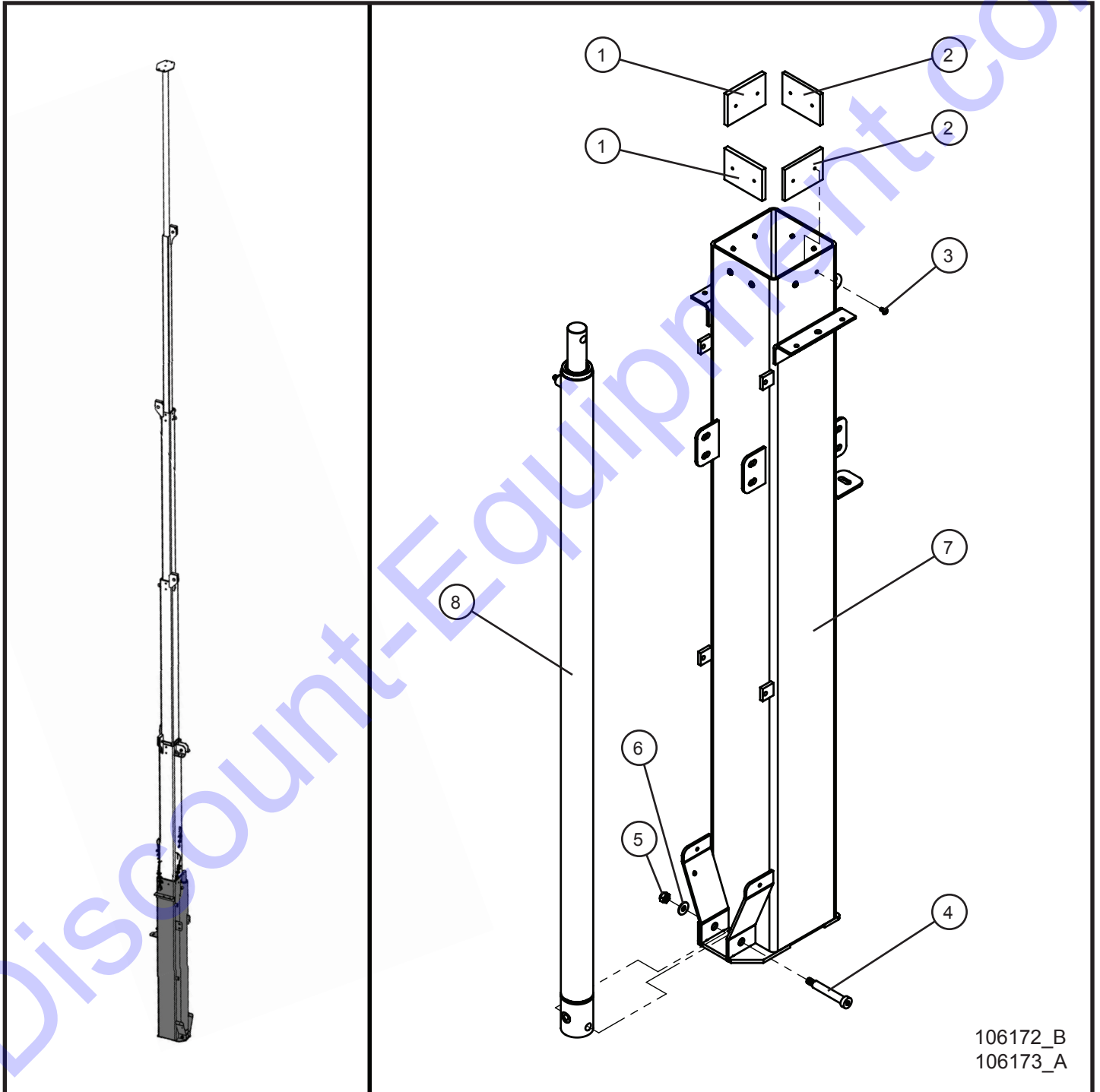
SN 0001XX12 and UP

Item	Part No.	Part Description	Qty.
1	320185	STEEL CABLE 3/16 x 10'	1
2	022150	FERRULE 10-12 AWG	1
3	045040	3/16 CABLE THIMBLE	1
4	620084	1/4 CABLE CLIP	3
5	102906	5/8 x 1 1/4 CLEVIS PIN	1
6	045045	5/32 x 1 1/2 COTTER PIN	1
7	100160	2 1/2 PULLEY BALL BEARING W/ BALL BEARING	1
8	102968P	VERTICAL TOWER 2 2" SECTION	1



## 4.5 - Vertical Tower Galvanized Parts (1 of 5)

SN 0001XX12 and UP



106172\_B  
106173\_A

# Maxi-Lite II

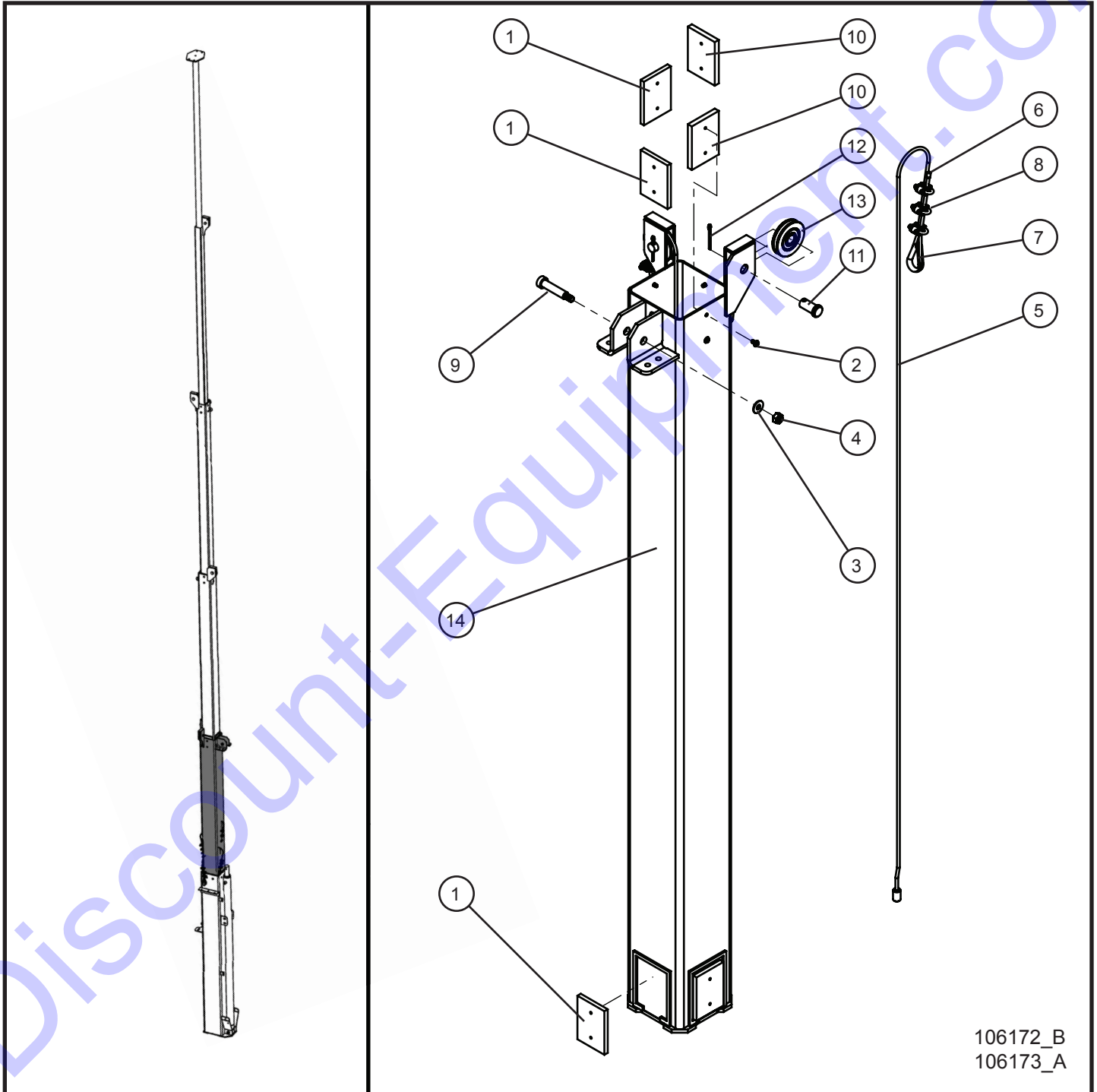
## 4.5 - Vertical Tower Galvanized Parts (1 of 5)

SN 0001XX12 and UP

Item	Part No.	Part Description	Qty.
1	650110	.312 TOWER PAD	2
2	102954	.250 TOWER PAD	2
3	041023	#10 x 3/8 PH-ROUND HEAD MS PL	8
4	101379	1/2 x 2 3/4 (3/8-16 x 5/8) HX-SOCKET HEAD SHOULDER BOLT	1
5	047010	5/16 FLAT WASHER PL	1
6	044038	3/8-16 NYLOCK HEX NUT PL	1
7	104036-20	GALVANIZED 6" VERTICAL TOWER SECTION	1
8	109764	VERTICAL TOWER HYDRAULIC CYLINDER	1
	106140	VERTICAL TOWER TOP PORT HYDRAULIC CYLINDER	1

## 4.5 - Vertical Tower Galvanized Parts (2 of 5)

SN 0001XX12 and UP



106172\_B  
106173\_A

# Maxi-Lite II

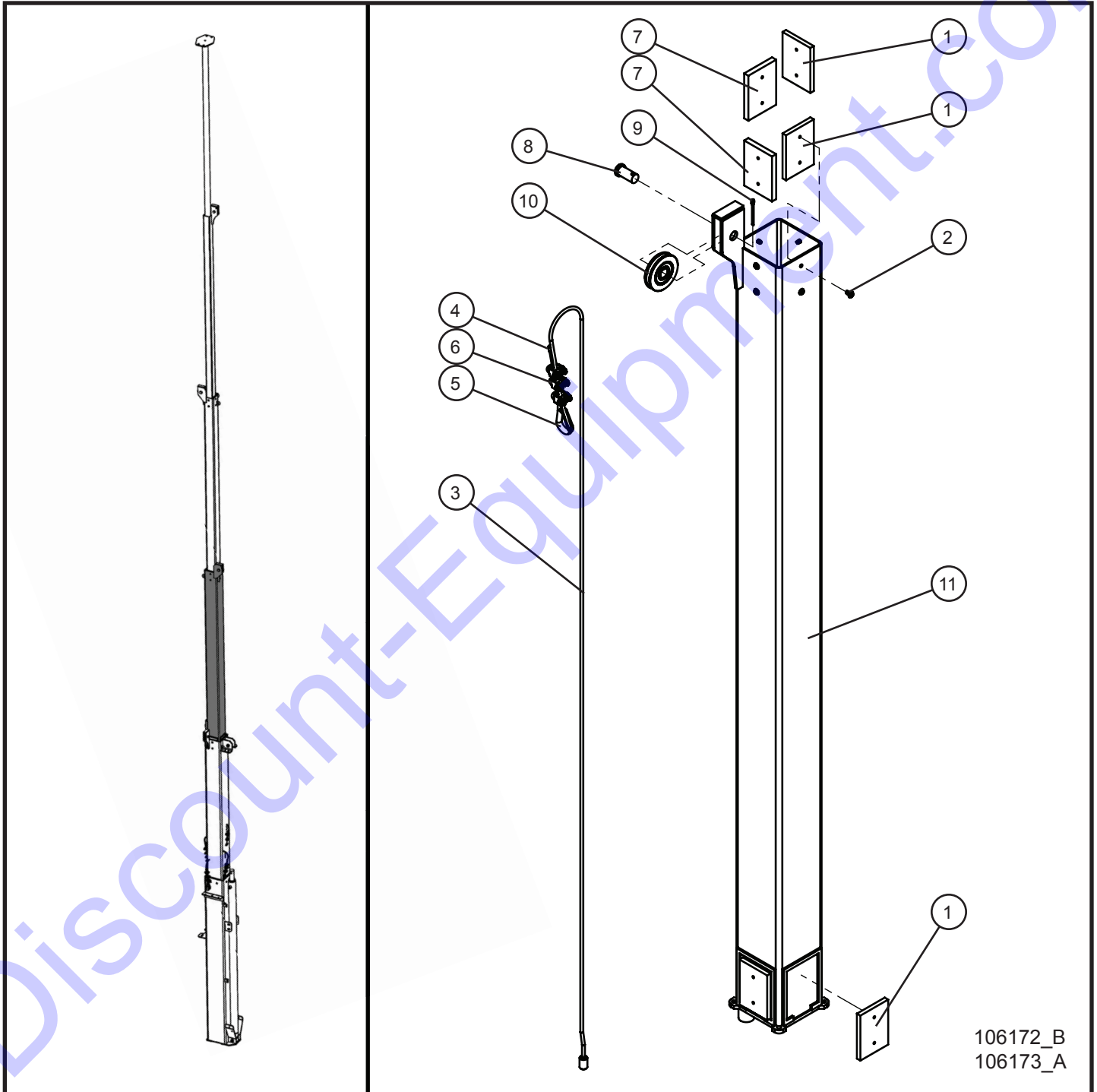
## 4.5 - Vertical Tower Galvanized Parts (2 of 5)

SN 0001XX12 and UP

Item	Part No.	Part Description	Qty.
1	650110	.312 TOWER PAD	6
2	041023	#10 x 3/8 PH-ROUND HEAD MS PL	8
3	047010	5/16 FLAT WASHER PL	1
4	044038	3/8-16 NYLOCK HEX NUT PL	1
5	320185	STEEL CABLE 3/16 x 10'	2
6	022150	FERRULE 10-12 AWG	2
7	045040	3/16 CABLE THIMBLE 3/16 WIRE ROPE	2
8	620084	3/16 CABLE CLIP	6
9	101378	1/2 x 2 (3/8-16 x 5/8) HX-SOCKET HEAD SHOULDER BOLT	1
10	650109	.375 TOWER PAD	4
11	102906	5/8 x 1 1/4 CLEVIS PIN	5
12	045042	COTTER PIN 1/8 x 1 1/2	5
13	100160	2 1/2 PULLEY BALL BEARING	5
14	106171-20	GALVANIZED 5" VERTICAL TOWER SECTION	1

## 4.5 - Vertical Tower Galvanized Parts (3 of 5)

SN 0001XX12 and UP



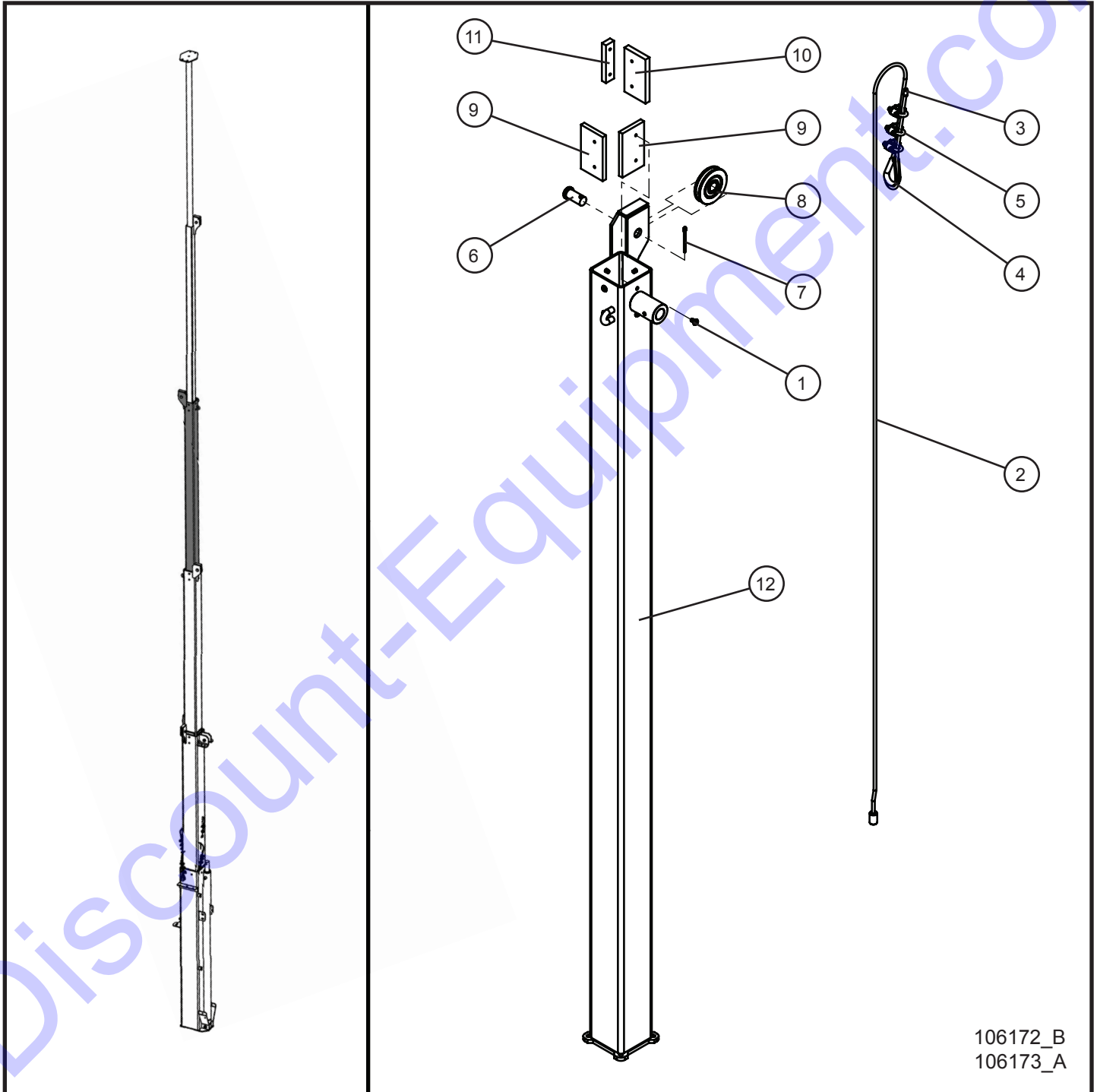
## 4.5 - Vertical Tower Galvanized Parts (3 of 5)

SN 0001XX12 and UP

Item	Part No.	Part Description	Qty.
1	650110	.312 TOWER PAD	6
2	041023	#10 x 3/8 PH-ROUND HEAD MS PL	8
3	320185	STEEL CABLE 3/16 x 10'	1
4	022150	FERRULE 10-12 AWG	1
5	045040	3/16 CABLE THIMBLE 3/16 WIRE ROPE	1
6	620084	3/16 CABLE CLIP	3
7	650109	.375 TOWER PAD	4
8	102906	5/8 x 1 1/4 CLEVIS PIN	5
9	045042	COTTER PIN 1/8 x 1 1/2	5
10	100160	2 1/2 PULLEY BALL BEARING	5
11	106170-20	GALVANIZED 4" VERTICAL TOWER SECTION	1

## 4.5 - Vertical Tower Galvanized Parts (4 of 5)

SN 0001XX12 and UP



106172\_B  
106173\_A

# Maxi-Lite II

## 4.5 - Vertical Tower Galvanized Parts (4 of 5)

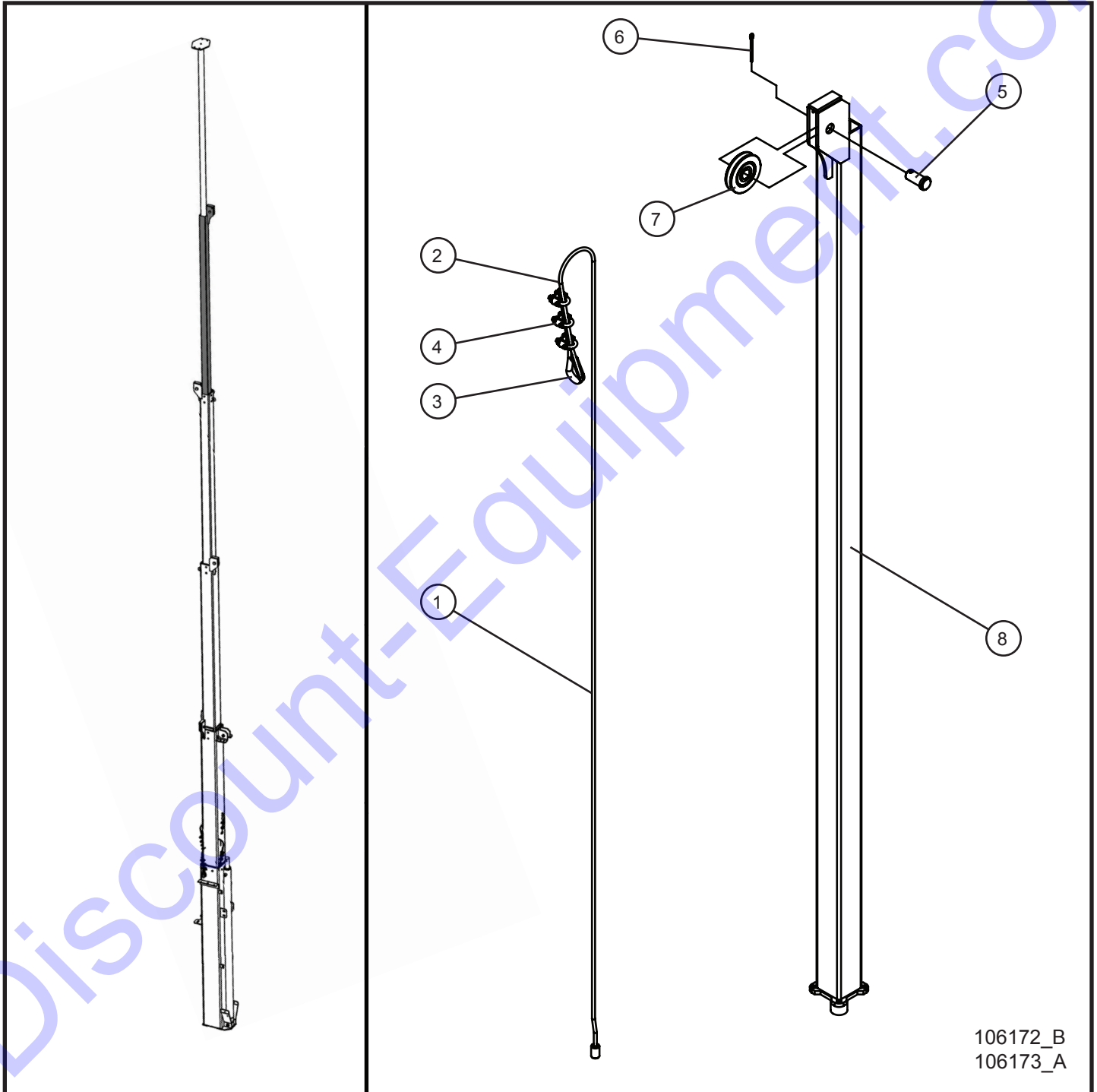
SN 0001XX12 and UP

Item	Part No.	Part Description	Qty.
1	041023	#10 x 3/8 PH-ROUND HEAD MS PL	8
2	320185	STEEL CABLE 3/16 x 10'	1
3	022150	FERRULE 10-12 AWG	1
4	045040	3/16 CABLE THIMBLE 3/16 WIRE ROPE	1
5	620084	3/16 CABLE CLIP	3
6	102906	5/8 x 1 1/4 CLEVIS PIN	1
7	045042	COTTER PIN 1/8 x 1 1/2	1
8	100160	2 1/2 PULLEY BALL BEARING	1
9	352280	PLASTIC TOWER PAD	2
10	100446	3/8 PAD SMALL	1
11	100062	3/8 UHMW SPACER	1
12	102965-20	GALVANIZED 3" VERTICAL TOWER SECTION	1



## 4.5 - Vertical Tower Galvanized Parts (5 of 5)

SN 0001XX12 and UP



106172\_B  
106173\_A

# Maxi-Lite II

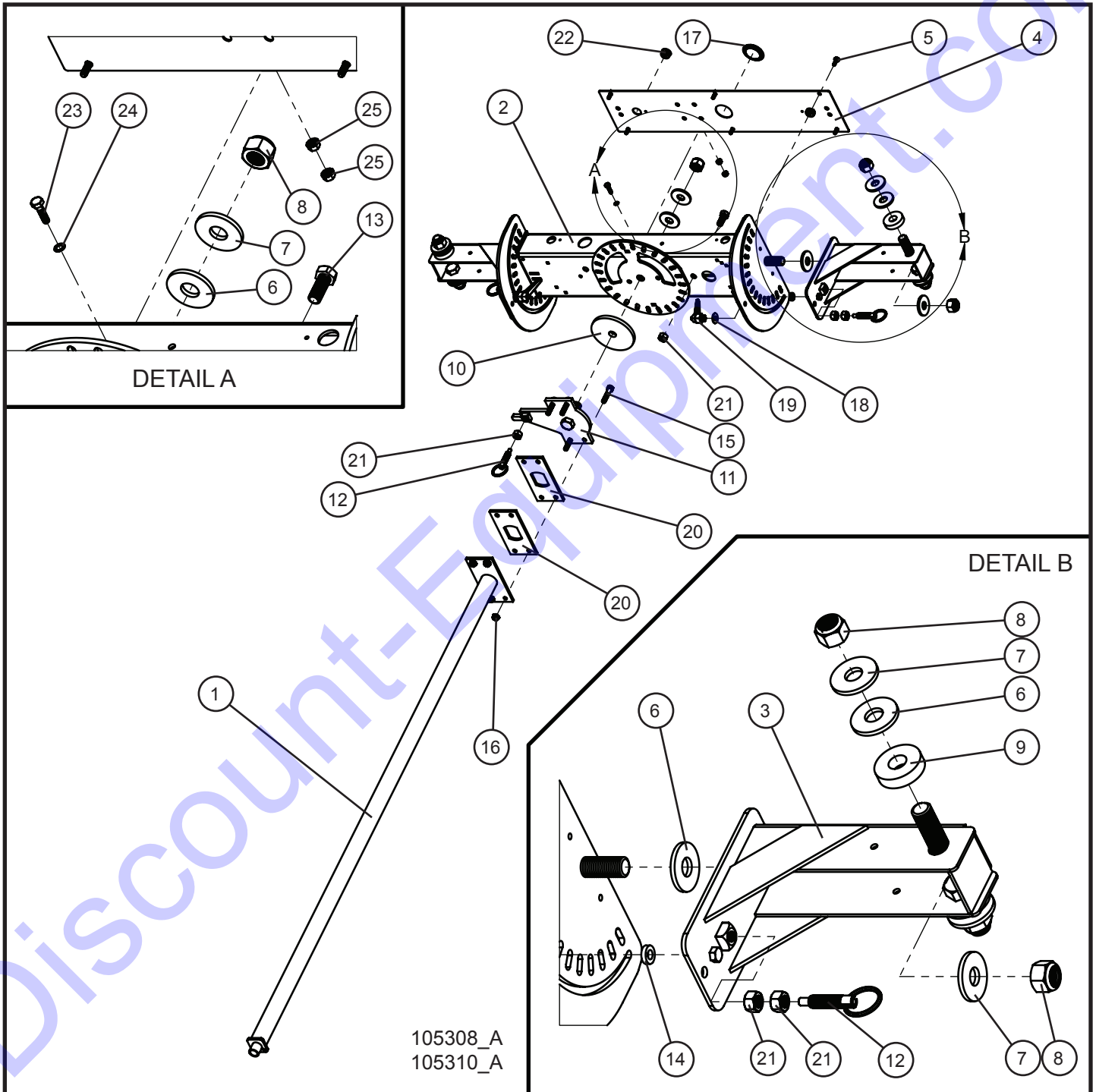
## 4.5 - Vertical Tower Galvanized Parts (5 of 5)

SN 0001XX12 and UP

Item	Part No.	Part Description	Qty.
1	320185	STEEL CABLE 3/16 x 10'	1
2	022150	FERRULE 10-12 AWG	1
3	045040	3/16 CABLE THIMBLE 3/16 WIRE ROPE	1
4	620084	3/16 CABLE CLIP	3
5	102906	5/8 x 1 1/4 CLEVIS PIN	1
6	045042	COTTER PIN 1/8 x 1 1/2	1
7	100160	2 1/2 PULLEY BALL BEARING	1
8	102968-20	GALVANIZED 2" VERTICAL TOWER SECTION	1

## 4.6 - Vertical Tower 4-Light Bar

SN 0001XX12 and UP



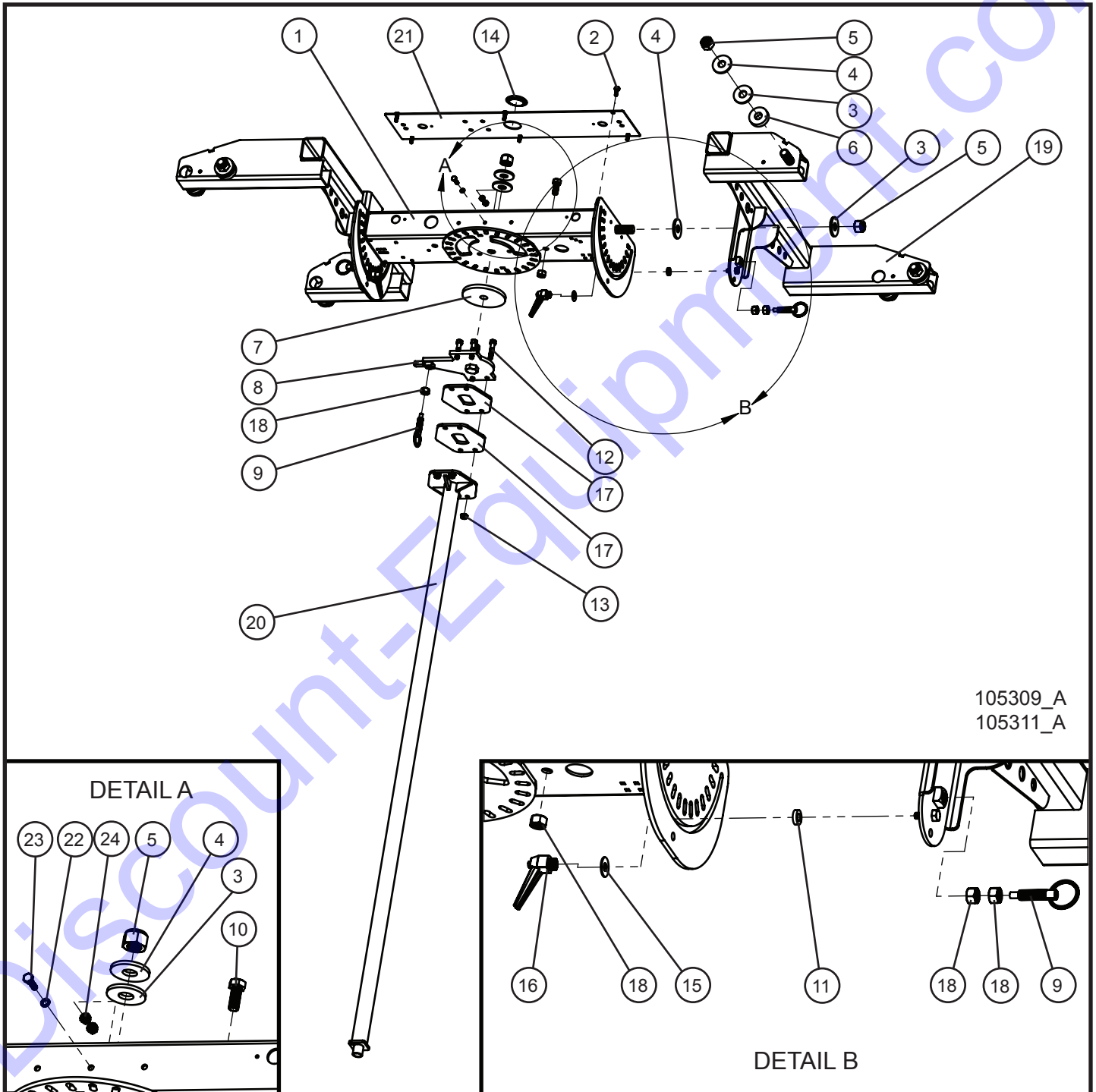
## 4.6 - Vertical Tower 4-Light Bar

SN 0001XX12 and UP

Item	Part No.	Part Description	Qty.
1	102972P	ROUND TOWER SECTION	1
	102972-20	ROUND TOWER SECTION (GALVANIZED)	1
2	105716P	VERTICAL LIGHT BAR WELDMENT	1
3	105363P	BRACKET LAMP ROTATING INDEXING LIGHT BAR	2
4	104063P	COVER LIGHT BAR	1
5	041070	1/4-20 x 3/4 SL-HEX WASHER HEAD MS TP F	6
6	650550	.785" x 2" HDPE WASHER	7
7	047035	3/4 FLAT WASHER	7
8	044058	3/4-10 NYLOCK HEX NUT PL	7
9	101813	.781 ID x 2 OD x 1/2 HDPE WASHER	4
10	100147	UHMW BEARING TOWER ROTATION	1
11	100143P	ROTATION MOUNT	1
12	100148	SPRING LOCK 1/2-13 UNC x 1.4	3
13	046180	1/2-13 X 1 1/4 HEX HEAD CS GR5 PL	1
14	047019	NYLON BUSHING 3/4 OD x .385 ID	2
15	046126	3/8-16 x 1 3/4 HEX HEAD CS GR5 PL	4
16	044036	3/8-16 KEPS HEX NUT PL	4
17	680878	1 3/4 CAPLUG	1
18	047015	3/8 FLAT WASHER PL	2
19	102361	ADJUSTABLE LEVER PUSH BUTTON	2
20	100104P	LIGHT BAR BRACKET	2
21	044045	1/2-13 HEX NUT PL	6
22	711029	7/8 LOCKING HOLE PLUG	2
23	046010	1/4-20 x 1 HEX HEAD CS GR5 PL	1
24	043050	1/4 INT'L TOOTH LOCK WASHER	1
25	044021	1/4-20 KEPS HEX NUT PL	2

## 4.7 - Vertical Tower 6-Light Bar

SN 0001XX12 and UP



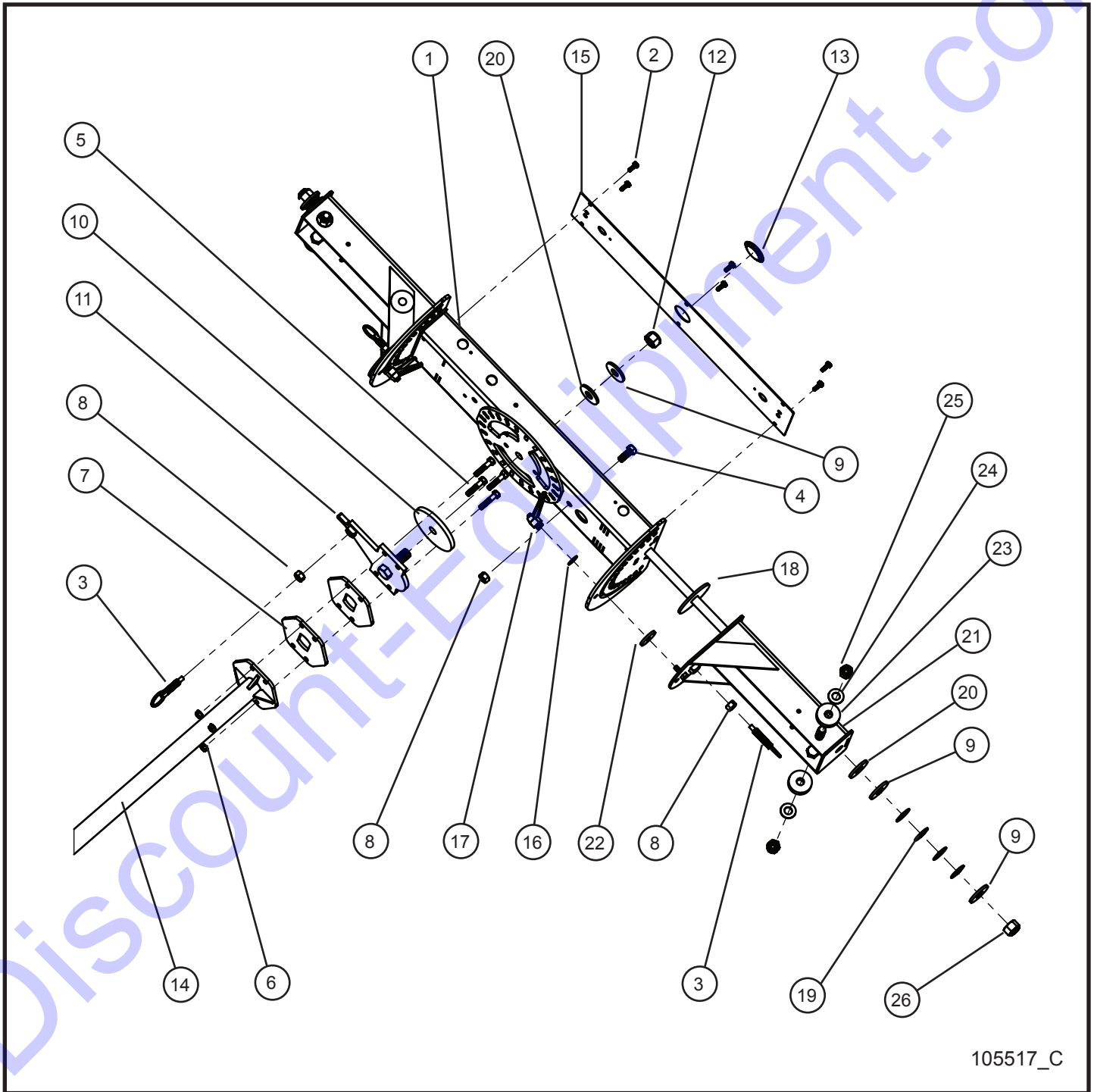
## 4.7 - Vertical Tower 6-Light Bar

SN 0001XX12 and UP

Item	Part No.	Part Description	Qty.
1	104008P	VERTICAL LIGHT BAR WELDMENT	1
2	041070	1/4-20 x 3/4 SL-HEX WASHER HEAD MS TP F	6
3	650550	.785 x 2 HDPE WASHER	9
4	047035	3/4 FLAT WASHER	9
5	044058	3/4-10 NYLOCK HEX NUT PL	9
6	101813	.781 ID x 2 OD x 1/2 HDPE WASHER	6
7	100147	UHMW BEARING TOWER ROTATION	1
8	100143P	ROTATION MOUNT	1
9	100148	SPRING LOCK 1/2-13 UNC x 1.4	3
10	046180	1/2-13 x 1 1/4 HEX HEAD CS GR5 PL	1
11	047019	NYLON BUSHING 3/4 OD x .385 ID	2
12	046126	3/8-16 x 1 3/4 HEX HEAD CS GR5 PL	4
13	044036	3/8-16 KEPS HEX NUT PL	4
14	680878	1 3/4 CAPLUG	1
15	047015	3/8 FLAT WASHER PL	2
16	102361	ADJUSTABLE LEVER PUSH BUTTON	2
17	105501P	BRACKET LIGHT BAR SPACER	2
18	044045	1/2-13 HEX NUT PL	4
19	104091P	6 LIGHT FIXTURE BRACKET	2
20	104053P	ROUND SECTION OPTION	1
	104053-20	ROUND SECTION OPTION (GALVANIZED)	1
21	104063P	COVER LIGHT BAR	1
22	043050	1/4 INT'L TOOTH LOCK WASHER	1
23	046015	1/4-20 x 1 HEX HEAD CS GR5 PL	1
24	044021	1/4-20 KEPS HEX NUT PL	2

## 4.8 - Vertical Tower Go-Green LED Light Bar

SN 0001XX12 and UP



## 4.8 - Vertical Tower Go-Green LED Light Bar

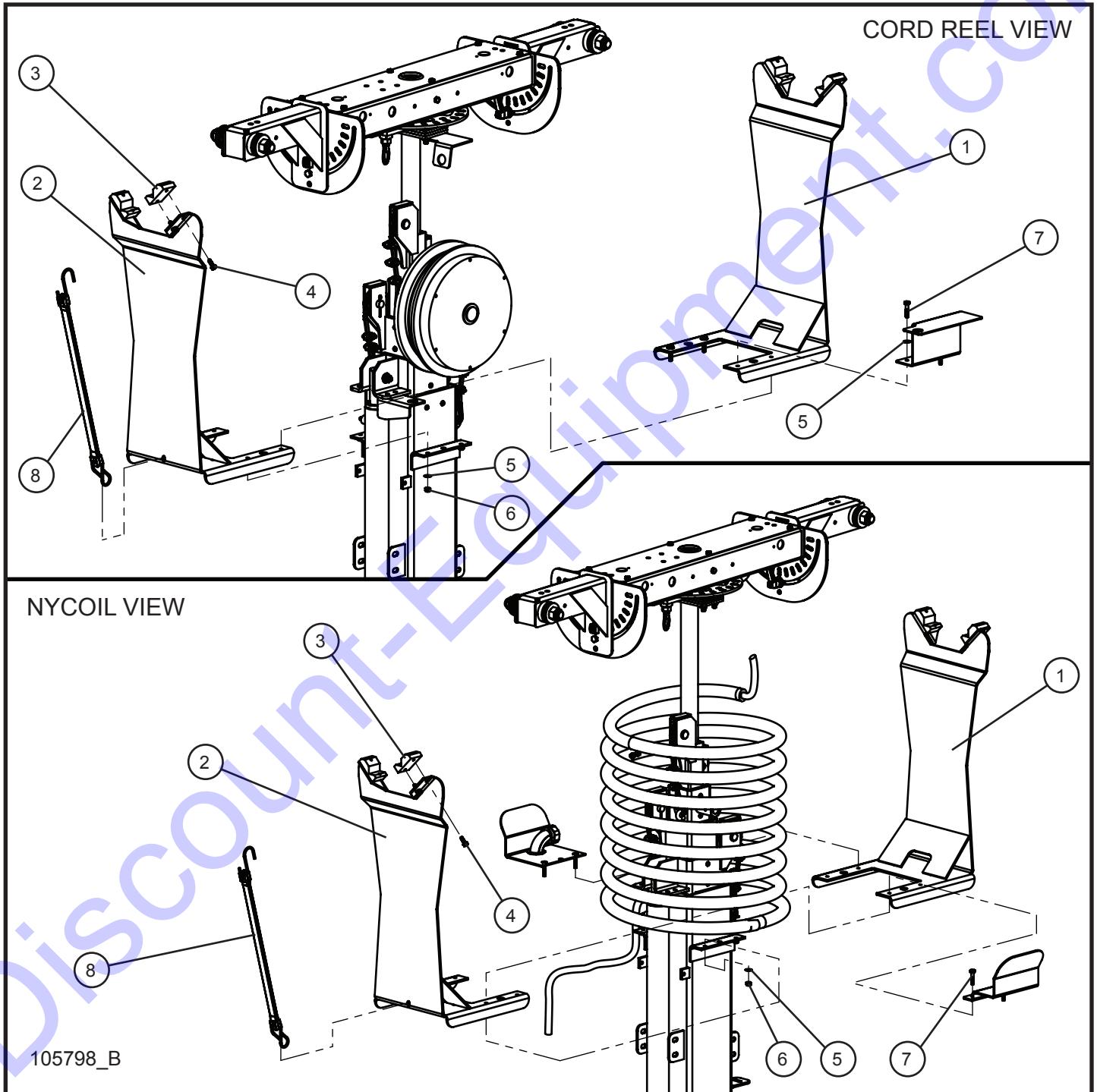
SN 0001XX12 and UP

Item	Part No.	Part Description	Qty.
1	105503	LED LIGHT BAR	1
2	041070	1/4-20 x 3/4 SL-HEX WASHER MEAD MS TP F	6
3	100148	SPRING LOCK 1/2-13 UNC x 1.4	3
4	046180	1/2-13 x 1 1/4 HEX HEAD CS GR5 PL	1
5	046126	3/8-16 x 1 3/4 HEX HEAD CS GR5 PL	4
6	044036	3/8-16 KEPS HEX NUT PL	4
7	105501P	LIGHT BAR SPACER BRACKET	2
8	044045	1/2-13 HEX NUT PL	4
9	047035	3/4 FLAT WASHER PL	5
10	100147	UHMW BEARING TOWER ROTATION	1
11	100143P	ROTATION MOUNT	1
12	044058	3/4-NYLOCK HEX NUT PL	1
13	680878	1 3/4 CAPLUG	1
14	104053P	ROUND SECTION OPTION	1
15	104063P	LIGHT BAR COVER	1
16	047015	3/8 FLAT WASHER PL	2
17	102361	ADJUSTABLE LEVER PUSH BUTTON	2
18	105492	THRUST BUSHING	2
19	105494	BELLVILLE WASHER .75 I.D.	8
20	650550	.785" x 2" HDPE WASHER	3
21	105514P	ROTATION BRACKET LED WELDMENT	2
22	105518	THRUST BUSHING, LEVER LOCK	2
23	105496	THRUST BUSHING, HDPE 2"	4
24	047030	5/8 FLAT WASHER PL	4
25	044053	5/8-11 NYLOCK HEX NUT PL	4
26	044066	3/4-16 NYLOCK HEX NUT PL	2



## 4.9 - Vertical Tower Light Bar Brace Option

SN 0001XX12 and UP



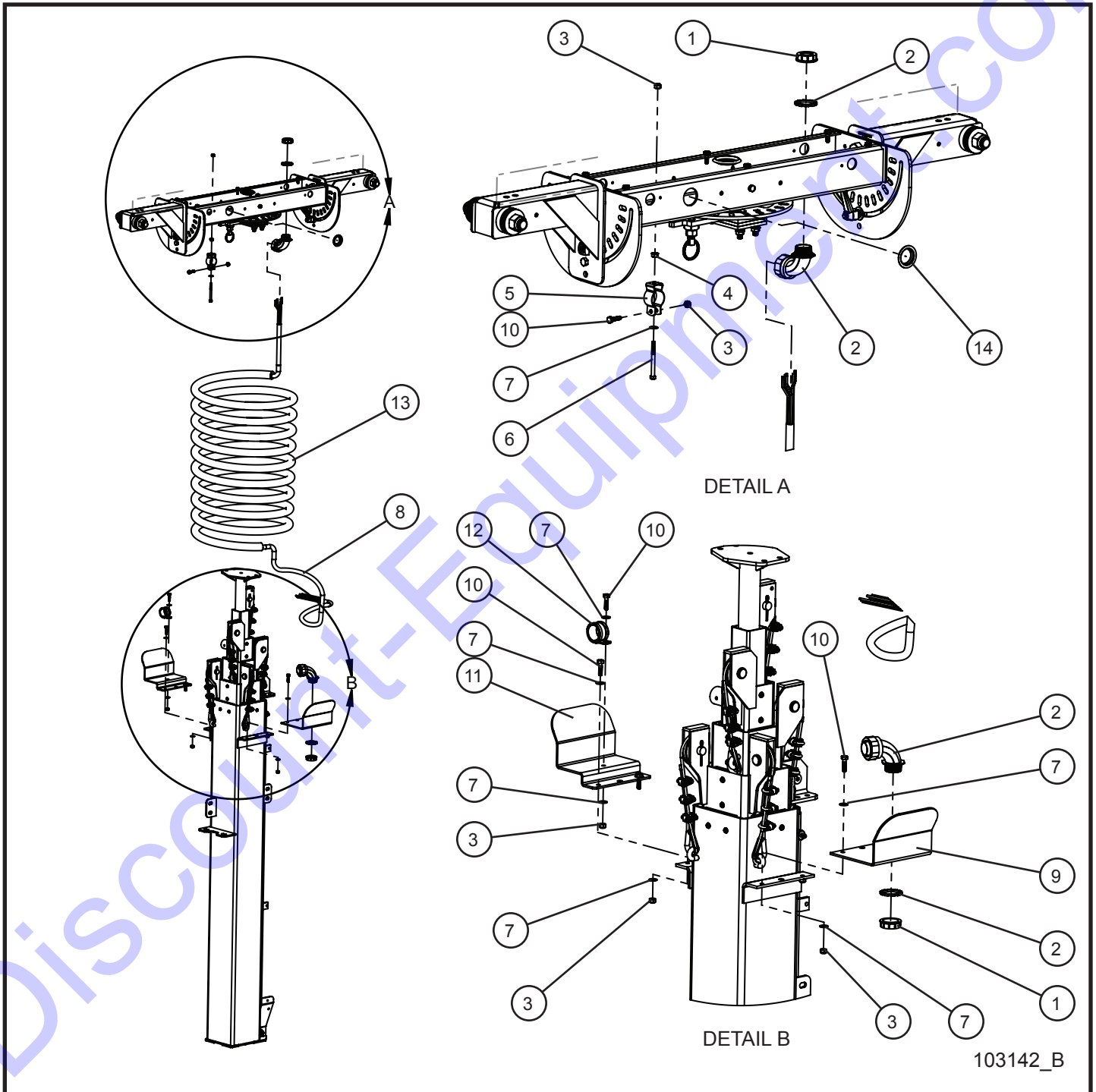
## 4.9 - Vertical Tower Light Bar Brace Option

SN 0001XX12 and UP

Item	Part No.	Part Description	Qty.
1	102362P	NON CYLINDER SIDE LIGHT BAR BRACE	1
2	102314P	CYLINDER SIDE LIGHT BAR BRACE	1
3	103497	PAD LIGHT BAR BRACE	4
4	041070	1/4-20 x 3/4 SL-HEX WASHER HEAD MS TP F	8
5	047009	1/4 FLAT WASHER SAE SS	8
6	044023	1/4-20 NYLOCK HEX NUT PL	4
7	046020	1/4-20 x 1 1/4 HEX HEAD CS GR5 PL	4
8	102831	RUBBER STRAP	1

## 4.10 - Vertical Tower 16/8 Nycoil Cord Group

SN 0001XX12 and UP



103142\_B

# Maxi-Lite II

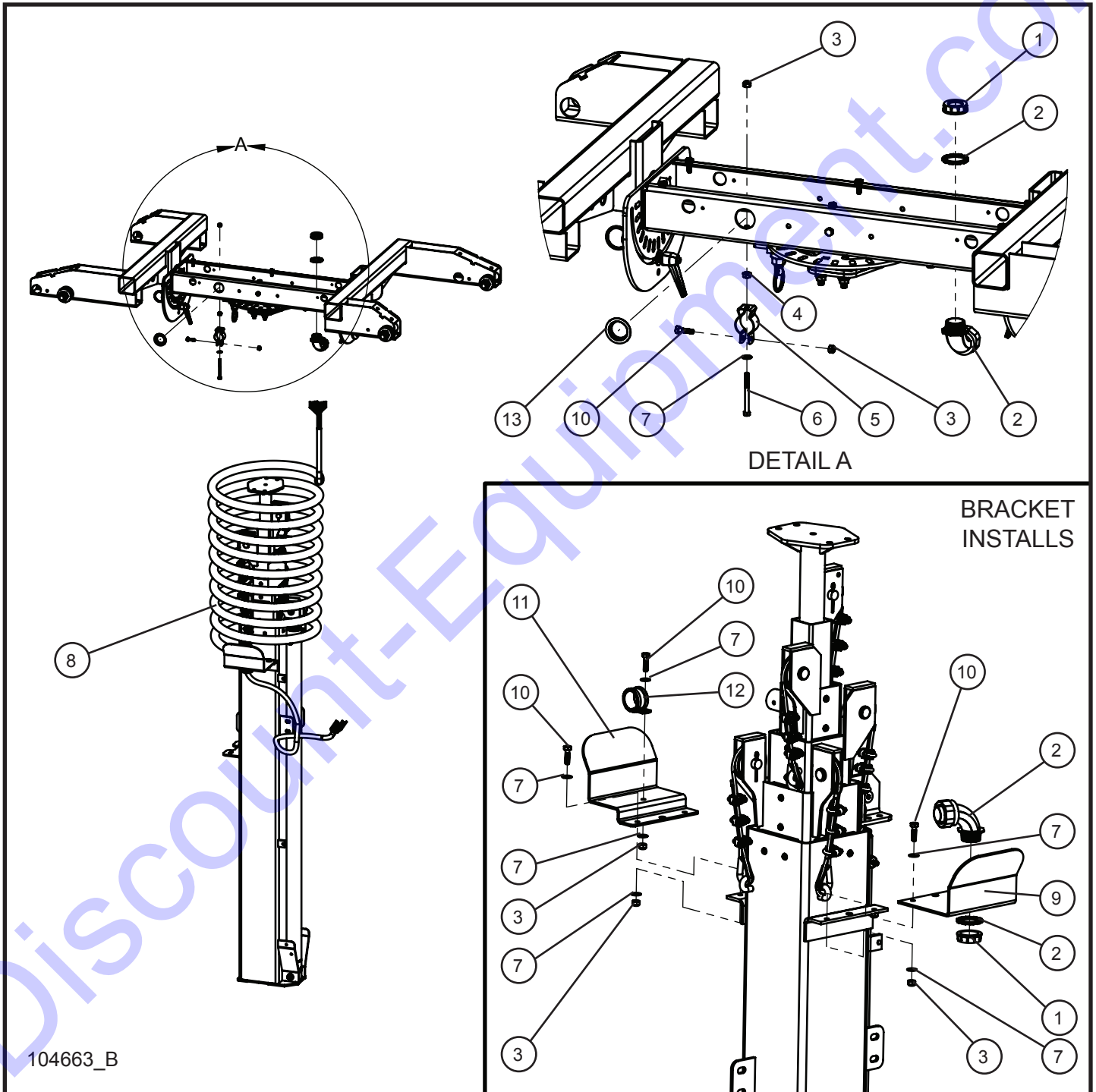
## 4.10 - Vertical Tower 16/8 Nycoil Cord Group

SN 0001XX12 and UP

Item	Part No.	Part Description	Qty.
1	101672	1" INSULATING BUSHING	2
2	102979	CORD GRIP 90° ELBOW LIQUID TIGHT	2
3	044023	1/4-20 NYLOCK HEX NUT PL	7
4	044021	1/4-20 KEPS HEX NUT PL	1
5	100474	1" CONDUIT CLAMP	1
6	046037	1/4-20 x 2 3/4 HEX HEAD CS GR5 PL	1
7	047009	1/4 FLAT WASHER SAE SS	11
8	103289	16/8 NYCOIL VERTICAL TOWER	1
9	102977P	CORD GRIP BRACKET	1
10	046015	1/4-20 x 1 HEX HEAD CS GR5 PL	6
11	102978P	NYCOIL CLAMP PLATE	1
12	920366	#16 CUSH CLAMP W/ 3/8 HOLE	1
13	103390	HOSE SELF STORING	1
14	064040	1 3/8 CAP PLUG	1
15	106880	NYCOIL ASSEMBLY (INCLUDES 102979 (2), 103390, & 103289)	1
16	105284	SCHEMATIC 4 LIGHT JUNCTION BOX	1
17	105292	SCHEMATIC LIGHT BAR 4 LIGHT 16/8 CORD	1

## 4.11 - Vertical Tower 16/10 Nycoil Cord Group

SN 0001XX12 and UP



# Maxi-Lite II

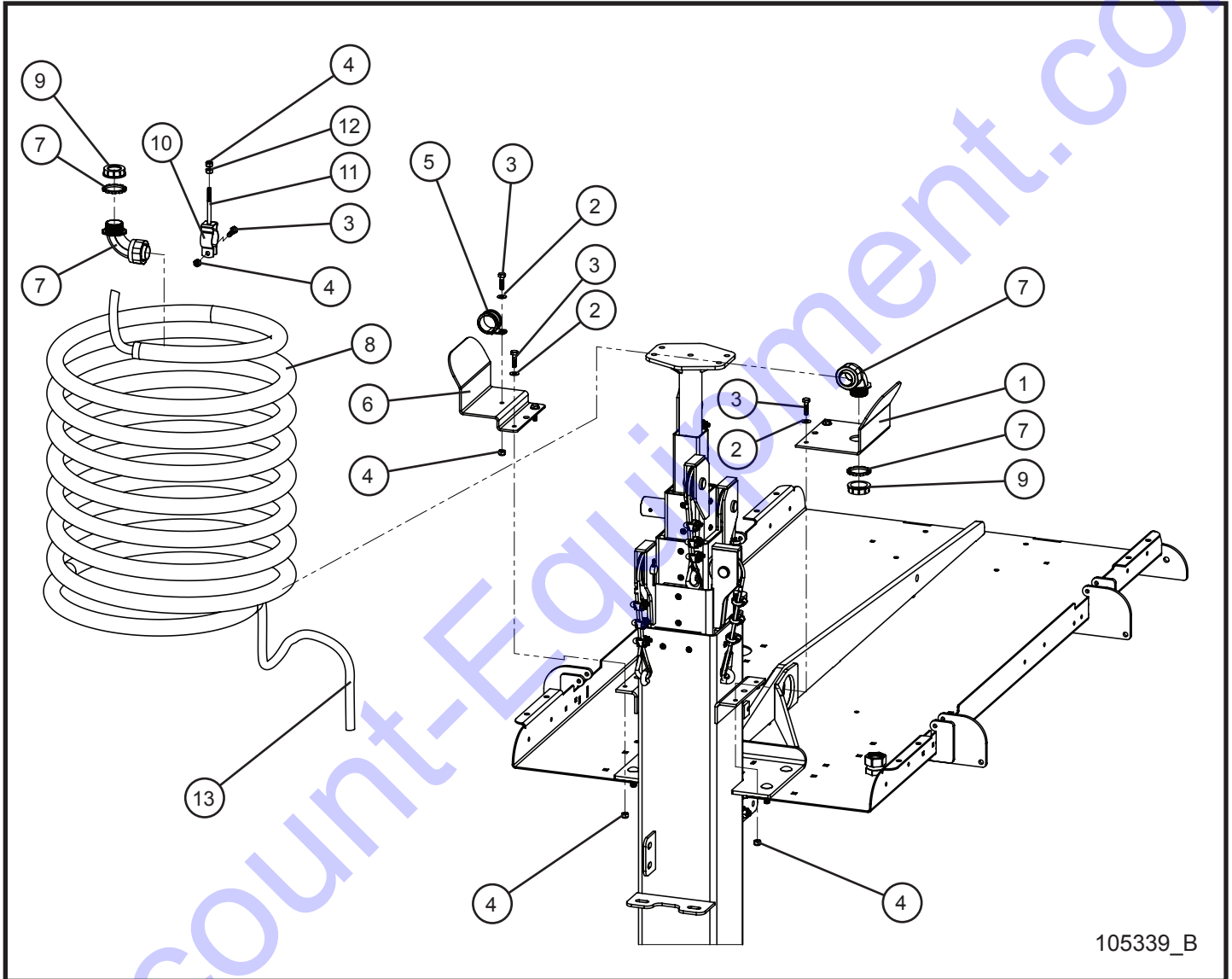
## 4.11 - Vertical Tower 16/10 Nycoil Cord Group

SN 0001XX12 and UP

Item	Part No.	Part Description	Qty.
1	101672	1" INSULATING BUSHING	2
2	102979	CORD GRIP 90° ELBOW LIQUID TIGHT	2
3	044023	1/4-20 NYLOCK HEX NUT PL	7
4	044021	1/4-20 KEPS HEX NUT PL	1
5	100474	1" CONDUIT CLAMP	1
6	046037	1/4-20 x 2 3/4 HEX HEAD CS GR5 PL	1
7	047009	1/4 FLAT WASHER SAE SS	11
8	107792	NYCOIL VERT 16/10 6 LIGHT ASSEMBLY	1
9	102977P	CORD GRIP BRACKET	1
10	046015	1/4-20 x 1 HEX HEAD CS GR5 PL	6
11	102978P	NYCOIL CLAMP PLATE	1
12	920366	#16 CUSH CLAMP W/ 3/8 HOLE	1
13	064040	1 3/8 CAP PLUG	1
14	105285	SCHEMATIC 6 LIGHT JUNCTION BOX	1
15	105293	SCHEMATIC LIGHT BAR 6 LIGHT 16/10 CORD	1

## 4.12 - Vertical Tower 16/14 Nycoil Cord Group

SN 0001XX12 and UP



105339\_B

# Maxi-Lite II

## 4.12 - Vertical Tower 16/14 Nycoil Cord Group

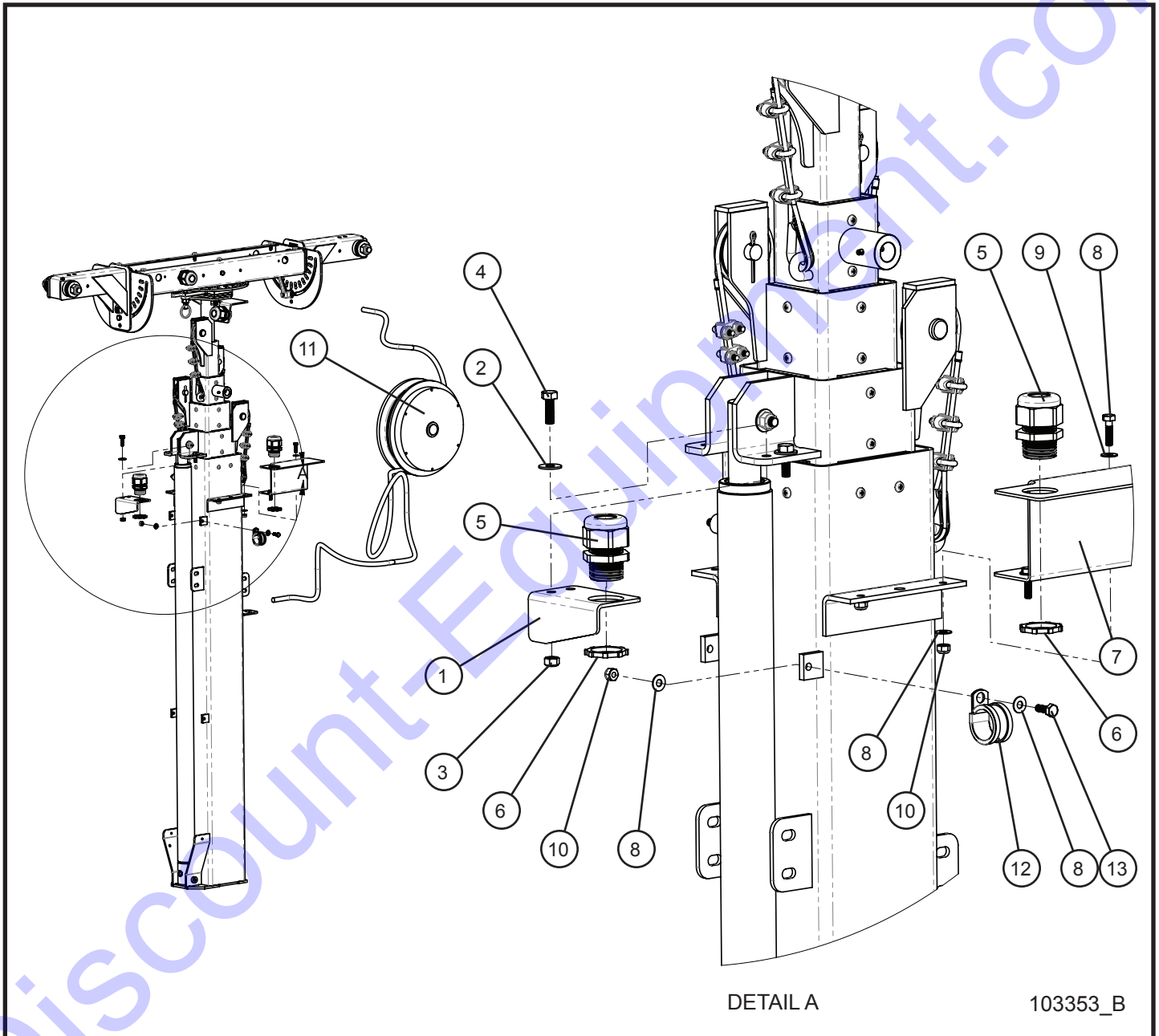
SN 0001XX12 and UP

Item	Part No.	Part Description	Qty.
1	102977P	CORD GRIP BRACKET	1
2	047009	1/4 FLAT WASHER SAE SS	5
3	046015	1/4-20 x 1 HEX HEAD CS GR5 PL	6
4	044023	1/4-20 NYLOCK HEX NUT PL	7
5	920366	#16 CUSH CLAMP W/ 3/8 HOLE	1
6	102978P	NYCOIL CLAMP PLATE	1
7	102979	CORD GRIP 90° ELBOW LIQUID TIGHT	2
8	103390	HOSE SELF STORING	1
9	101672	1" INSULATING BUSHING	2
10	100474	1" CONDUIT CLAMP	1
11	046037	1/4-20 x 2 3/4 HEX HEAD CS GR5 PL	1
12	044020	1/4-20 HEX NUT PL	1
13	105231	TOWER HARNESS 16/14 NYCOIL 6LT EPL VERT TOWER	1
14	105319	SCHEMATIC 6 LIGHT JUNCTION BOX W/ AUX LIGHT	1
15	105320	SCHEMATIC LIGHT BAR 6 LIGHT 16/14 CORD	1



## 4.13 - Vertical Tower 16/8 Cord Reel Group (1 of 2)

SN 0001XX12 and UP



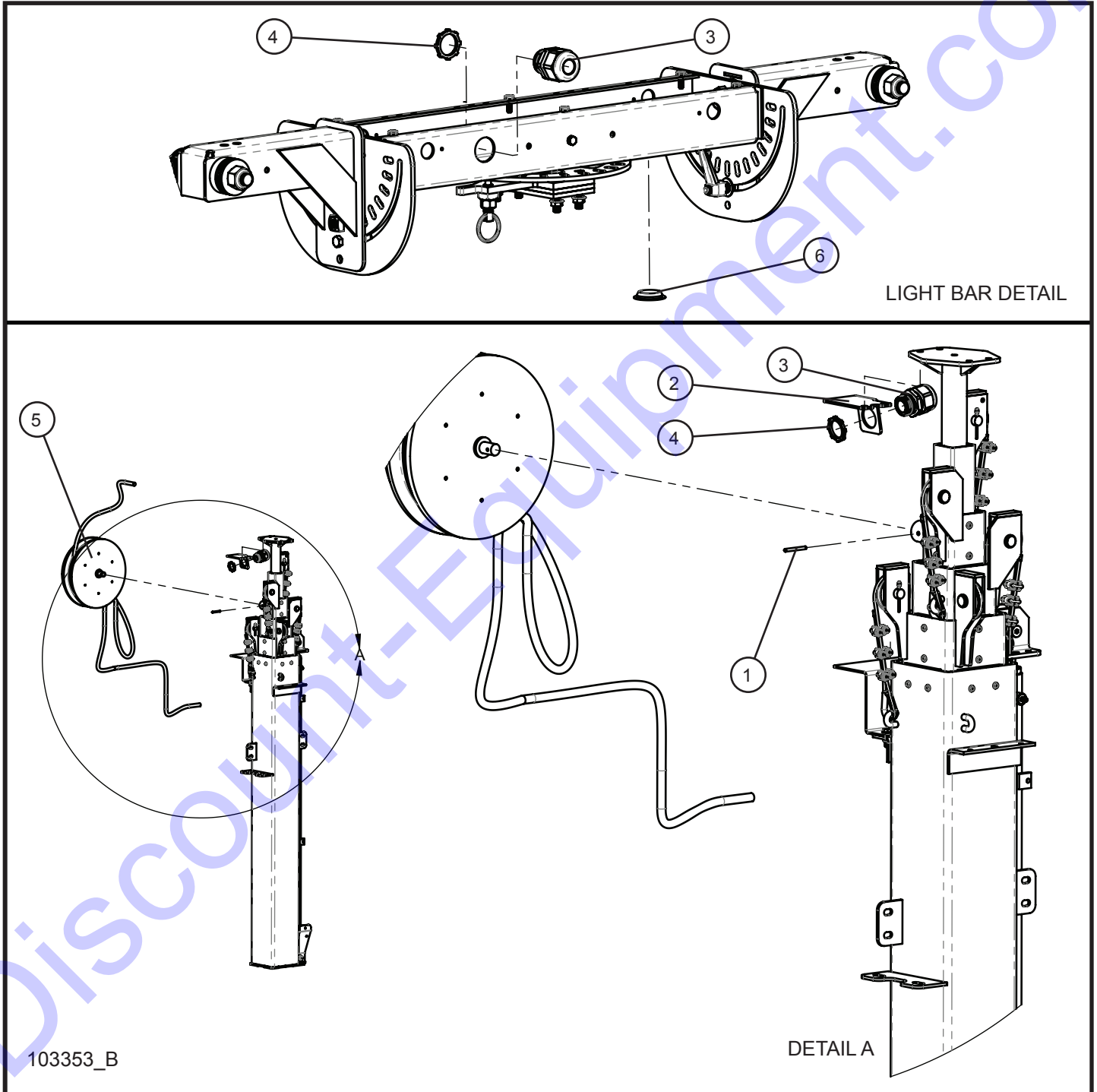
## 4.13 - Vertical Tower 16/8 Cord Reel Group (1 of 2)

SN 0001XX12 and UP

Item	Part No.	Part Description	Qty.
1	105772P	CORD REEL 5" SECTION 2 CORD GRIP BRACKET	1
2	047010	5/16 FLAT WASHER PL	2
3	046050	5/16-18 NYLOCK HEX NUT PL	2
4	046050	5/16-18 x 1 HEX HEAD CS GR5 PL	2
5	105627	CORD GRIP 1" NYLON BLACK	2
6	022038	1" CORD GRIP NUT	2
7	105723P	CORD REEL SECTION 1 CORD GRIP BRACKET	1
8	047009	1/4 FLAT WASHER SAE SS	6
9	046015	1/4-20 x 1 HEX HEAD CS GR5 PL	2
10	044023	1/4-20 NYLOCK HEX NUT PL	3
11	103299	CORD REEL WITH 16/8 TOWER CORD ASSEMBLY	1
12	920366	#16 CUSH CLAMP W/ 3/8 HOLE	1
13	046010	1/4-20 x 3/4 HEX HEAD CS GR5 SS	1
14	105284	SCHEMATIC 4 LIGHT JUNCTION BOX	1
15	105292	SCHEMATIC LIGHT BAR 4 LIGHT 16/8 CORD	1

## 4.13 - Vertical Tower 16/8 Cord Reel Group (2 of 2)

SN 0001XX12 and UP



103353\_B

DETAIL A

## Maxi-Lite II

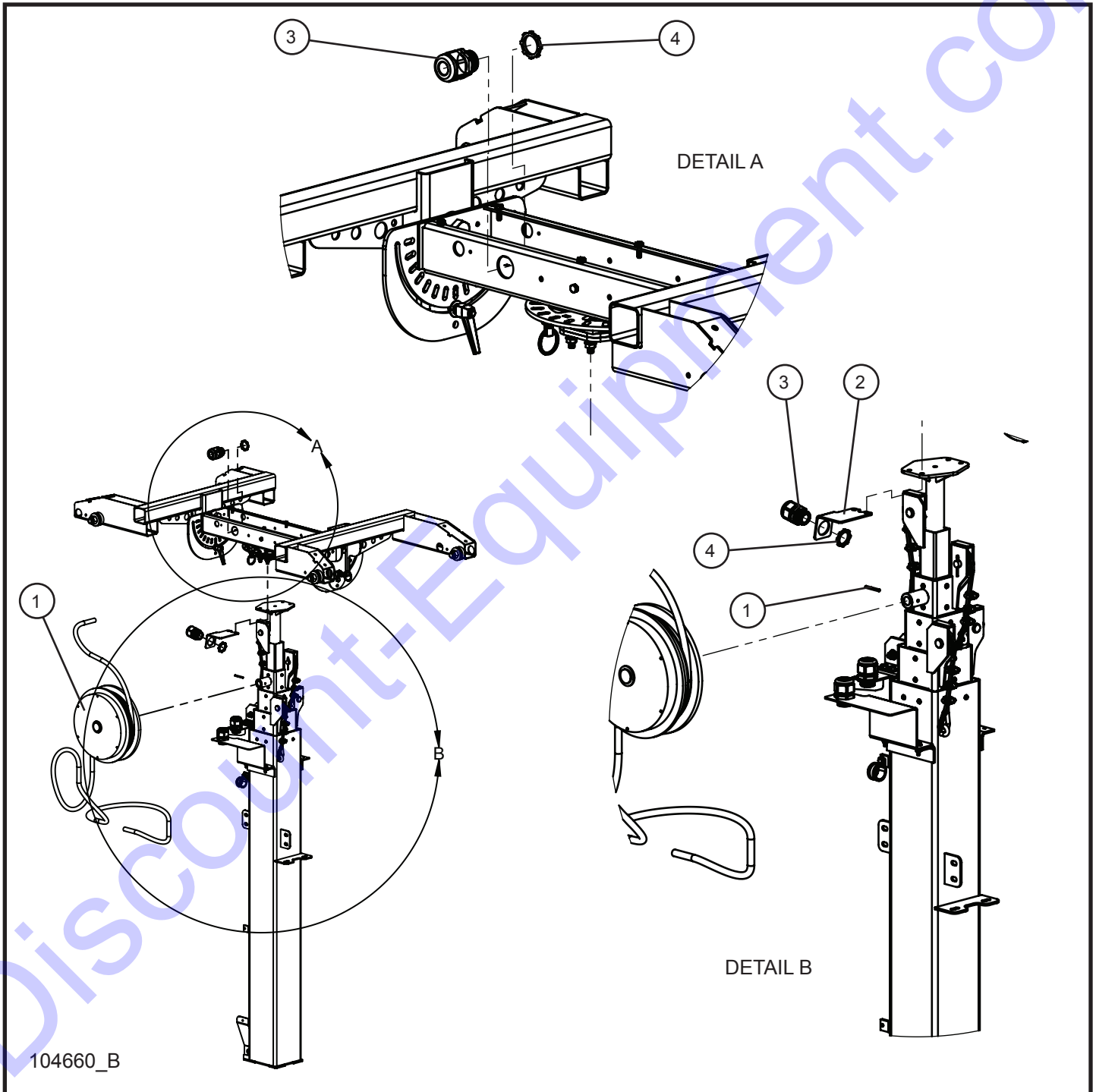
### 4.13 - Vertical Tower 16/8 Cord Reel Group (2 of 2)

SN 0001XX12 and UP

Item	Part No.	Part Description	Qty.
1	320453	3/16 x 1 3/4 SPRING ROLL PIN	1
2	105721P	CORD REEL ROUND SECTION CORD GRIP BRACKET	1
3	105627	CORD GRIP 1" NYLON BLACK	2
4	022038	1" CORD GRIP NUT	2
5	103299	CORD REEL WITH 16/8 TOWER CORD ASSEMBLY	1
6	064040	1 3/8 CAP PLUG	1

## 4.14 - Vertical Tower 16/10 Cord Reel Group (1 of 2)

SN 0001XX12 and UP



## Maxi-Lite II

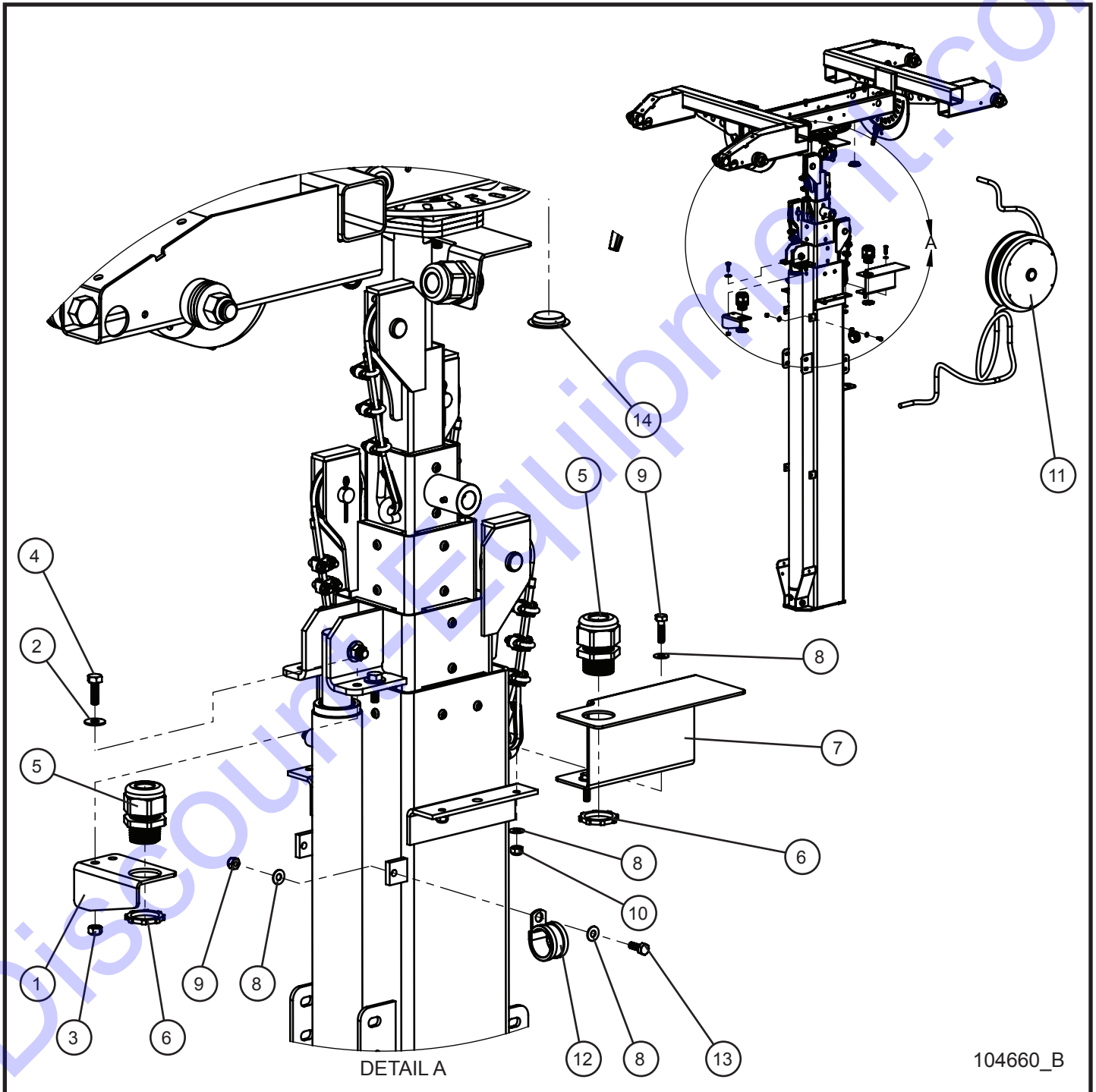
### 4.14 - Vertical Tower 16/10 Cord Reel Group (1 of 2)

SN 0001XX12 and UP

Item	Part No.	Part Description	Qty.
1	320453	3/16 x 1 3/4 SPRING ROLL PIN	1
2	105721P	CORD REEL ROUND SECTION CORD GRIP BRACKET	1
3	105627	CORD GRIP 1" NYLON BLACK	4
4	022038	1" CORD GRIP NUT	4
5	104661	CORD REEL WITH 16/10 TOWER CORD ASSEMBLY	1
6	105285	SCHEMATIC 6 LIGHT JUNCTION BOX	1
7	105293	SCHEMATIC LIGHT BAR 6 LIGHT 16/10 CORD	1

## 4.14 - Vertical Tower 16/10 Cord Reel Group (2 of 2)

SN 0001XX12 and UP



# Maxi-Lite II

## 4.14 - Vertical Tower 16/10 Cord Reel Group (2 of 2)

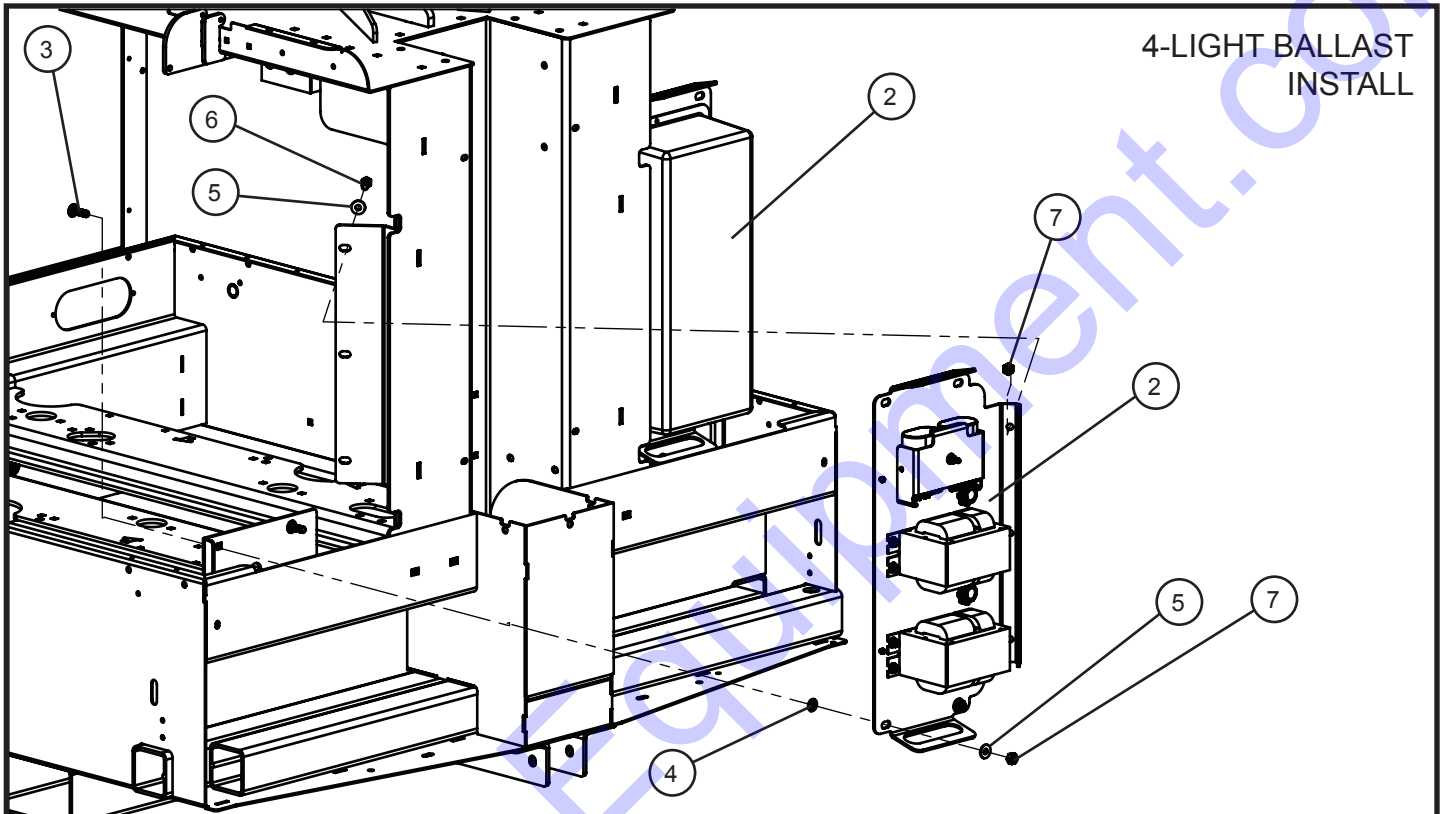
SN 0001XX12 and UP

Item	Part No.	Part Description	Qty.
1	105722P	CORD REEL SECTION 2 CORD GRIP BRACKET	1
2	047010	5/16 FLAT WASHER PL	2
3	044033	5/16-18 NYLOCK HEX NUT PL	2
4	046050	5/16-18 x 1 HEX HEAD CS GR5 PL	2
5	105627	CORD GRIP 1" NYLON BLACK	2
6	022038	1" CORD GRIP NUT	2
7	105723P	CORD REEL SECTION 1 CORD GRIP BRACKET	1
8	047009	1/4 FLAT WASHER WASHER SAE SS	6
9	046015	1/4-20 x 1 HEX HEAD CS GR5 PL	2
10	044023	1/4-20 NYLOCK HEX NUT PL	3
11	104661	CORD REEL WITH 16/10 TOWER CORD ASSEMBLY	1
12	920366	#16 CUSH CLAMP W/ 3/8 HOLE	1
13	046010	1/4-20 x 3/4 HEX HEAD CS GR5 SS	1
14	064040	1 3/8 CAP PLUG	1

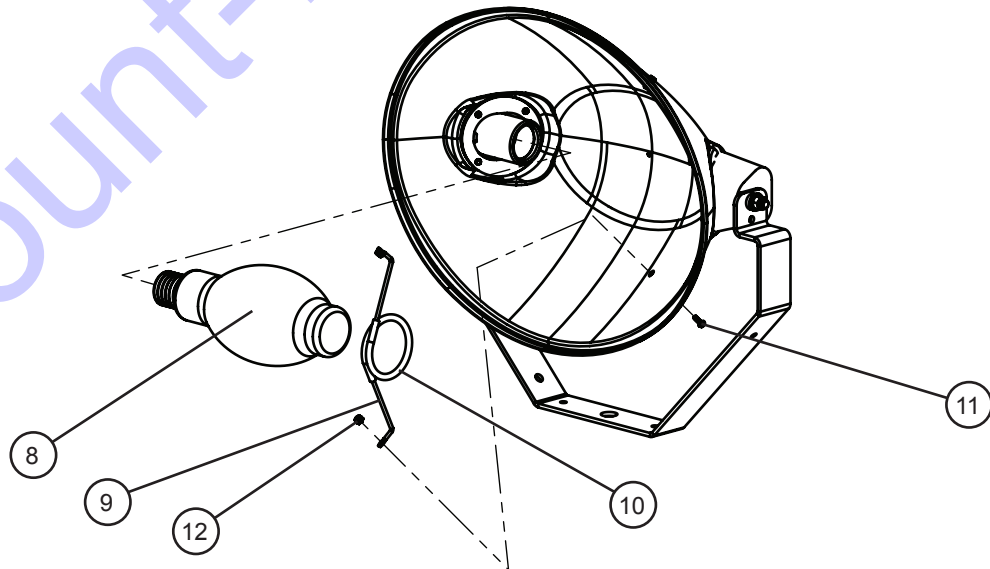


## 5.1 - 1000W Lamps w/ 50Hz 120V Ballast Boxes (1 of 2)

SN 0001XX12 and UP



### LAMP DETAIL



104612\_F  
104658\_D

# Maxi-Lite II

## 5.1 - 1000W Lamps w/ 50Hz 120V Ballast Boxes (1 of 2)

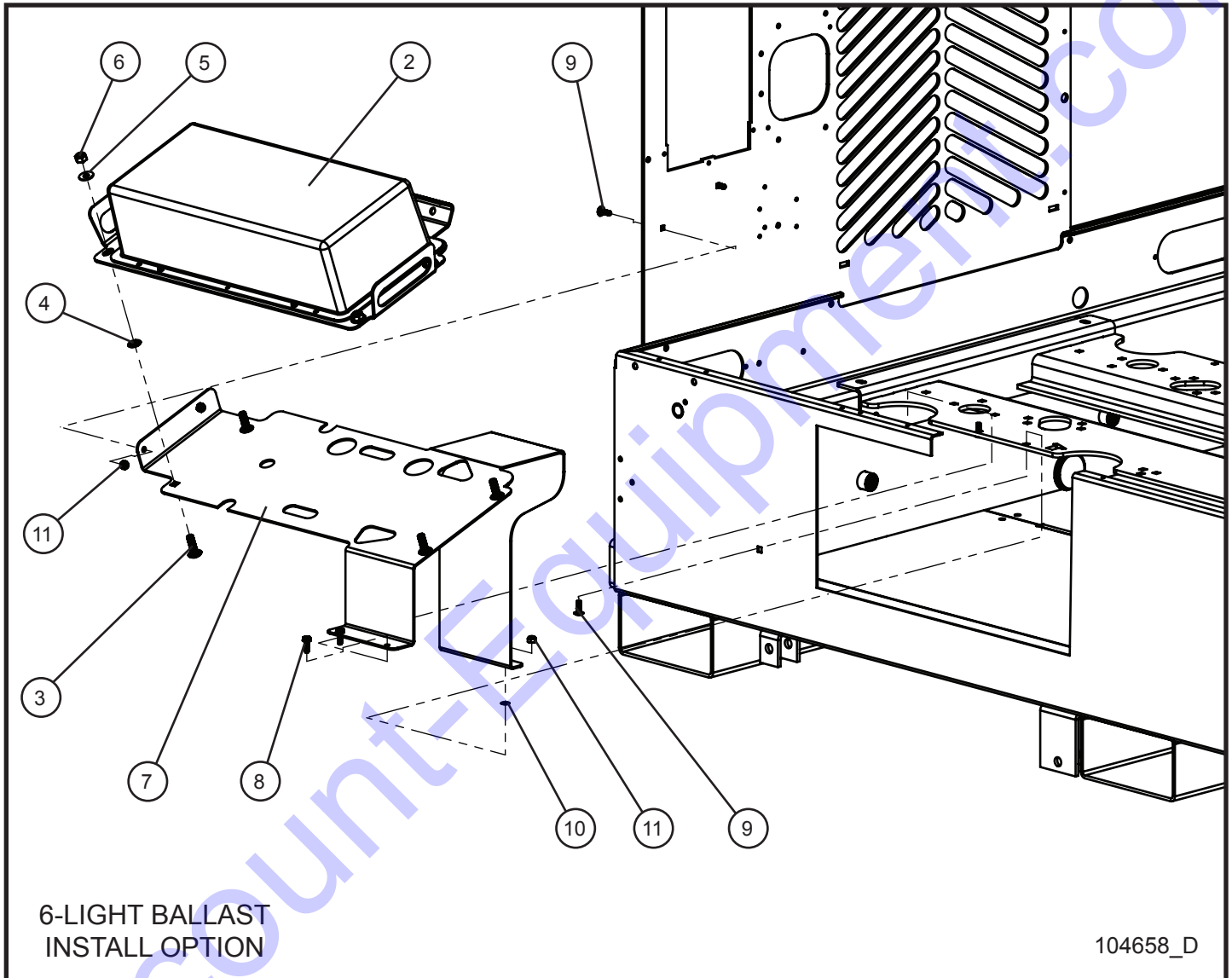
SN 0001XX12 and UP

Item	Part No.	Part Description	Qty.
1	103624	BALLAST CORD ASSEMBLY	4
2	102402	1000W 50Hz 120V BALLAST ASSEMBLY	2
3	100670	3/8-16 x 1 1/4 CARRIAGE BOLT	4
4	045218	3/8 PUSH NUT	4
5	047010	5/16 FLAT WASHER PL	6
6	046110	3/8-16 x 1 HEX HEAD CS GR5 PL	2
7	044038	3/8-16 NYLOCK HEX NUT PL	6
8	610211	LAMP 1000W BT37 (MH)	4(6)
9	610209	SUPPORT TIP LAMP SHO	4(6)
10	610210	FIBERGLASS TUBE 12" LAMP SUPPORT	4(6)
11	041200	#8-32 x 1/2 HEX WASHER HEAD INDT	8(12)
12	044013	#8-32 NYLOCK HEX NUT SS	8(12)
13	105288	SCHEMATIC BALLAST 1000W 50Hz 120V (NOT SHOWN)	1

\*NOTE: QUANTITY OF PARTS FOR 6-LIGHT OPTION IS SHOWN IN PARENTHESIS IN THIS PARTS LIST.

## 5.1 - 1000W Lamps w/ 50Hz 120V Ballast Boxes (2 of 2)

SN 0001XX12 and UP



# Maxi-Lite II

## 5.1 - 1000W Lamps w/ 50Hz 120V Ballast Boxes (2 of 2)

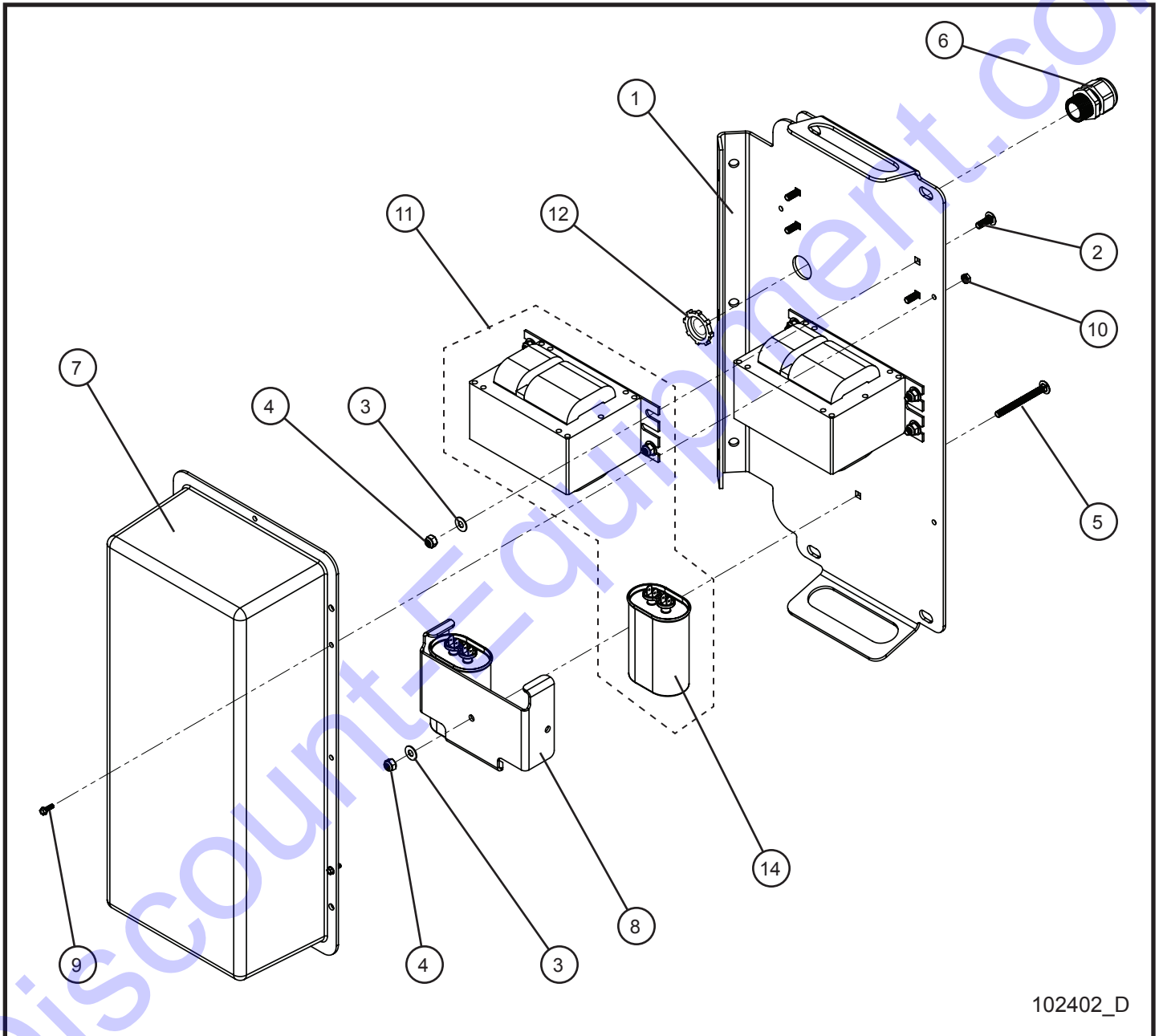
SN 0001XX12 and UP

Item	Part No.	Part Description	Qty.
1	104362	CORD BALLAST 5/6 LIGHT	2
2	102402	1000W 50Hz 120V BALLAST ASSEMBLY	1
3	100670	3/8-16 x 1 1/4 CARRIAGE BOLT	4
4	045218	3/8 PUSH NUT	4
5	047010	5/16 FLAT WASHER PL	4
6	044038	3/8-16 NYLOCK HEX NUT PL	4
7	104699P	MOUNT BRACKET 6 LIGHT BALLAST BOX	1
8	041070	1/4-20 x 3/4 SL-HEX WASHER HEAD MS TP F	2
9	053006	1/4-20 x 3/4 CARRIAGE BOLT	4
10	101701	1/4 PUSH NUT	2
11	044023	1/4-20 NYLOCK HEX NUT PL	4

\*NOTE: PARTS IN THIS SET ARE FOR 6-LIGHT OPTION ONLY.

## 5.2 - 1000W 50Hz 120V Ballast Box Assembly

SN 0001XX12 and UP



102402\_D

# Maxi-Lite II

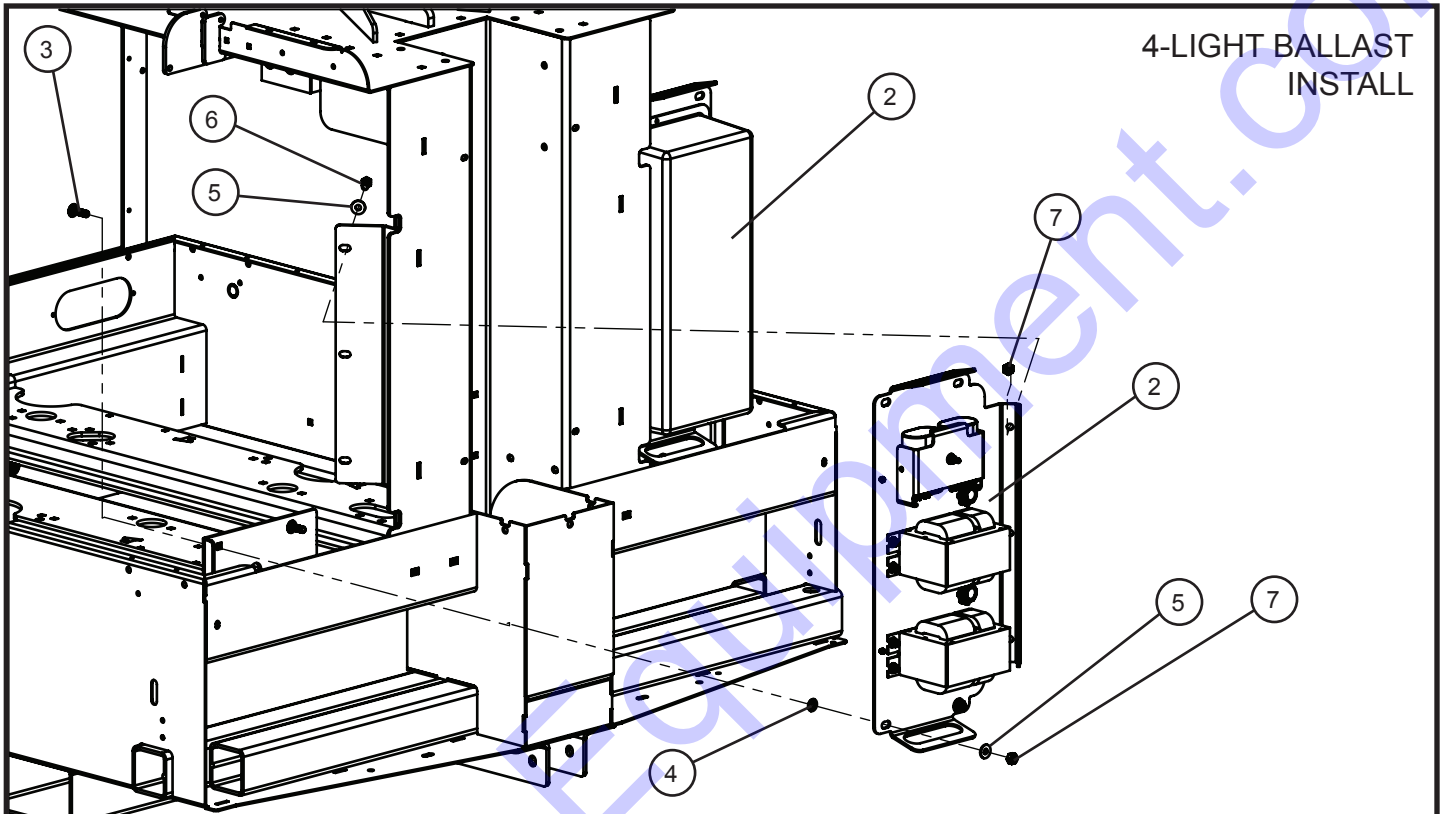
## 5.2 - 1000W 50Hz 120V Ballast Box Assembly

SN 0001XX12 and UP

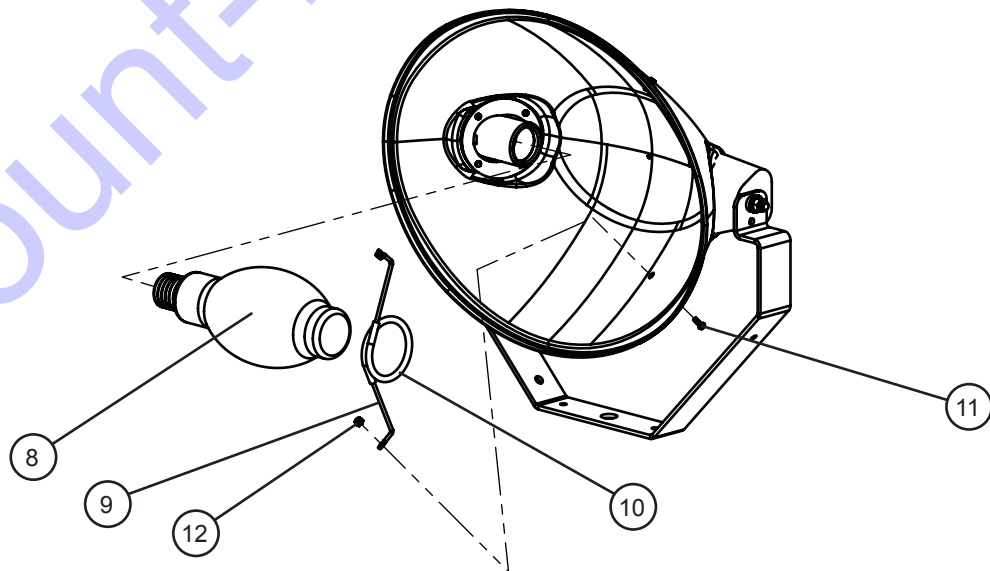
Item	Part No.	Part Description	Qty.
1	105914P	MOUNT PLATE BALLAST BOX	1
2	053006	1/4-20 x 3/4 CARRIAGE BOLT	8
3	047009	1/4 FLAT WASHER SAE SS	9
4	044023	1/4-20 NYLOCK HEX NUT PL	9
5	100718	1/4-20 x 2 1/4 CARRIAGE BOLT	1
6	105916	GRIP CORD NYLON 3/4	2
7	102752	BALLAST TOP MODULAR BOX	1
8	680608P	TABBED CAPACITOR CLAMP	1
9	041029	#8-32 x 1/2 HEX WASHER HEAD SCREW	4
10	044003	#8-32 NC KEPS NUT	4
11	310116A	BALLAST KIT 1000W 50Hz	2
12	022036	3/4 CORD GRIP NUT	2
13	105288	SCHEMATIC BALLAST 1000W 50Hz 120V (NOT SHOWN)	1
14	310115A	CAPACITOR 26UF 60/50Hz 540V	2

## 5.3 - 1000W Lamps w/ 50Hz 220V Ballast Boxes (1 of 2)

SN 0001XX12 and UP



### LAMP DETAIL



105957\_A  
106408\_B

# Maxi-Lite II

## 5.3 - 1000W Lamps w/ 50Hz 220V Ballast Boxes (1 of 2)

SN 0001XX12 and UP

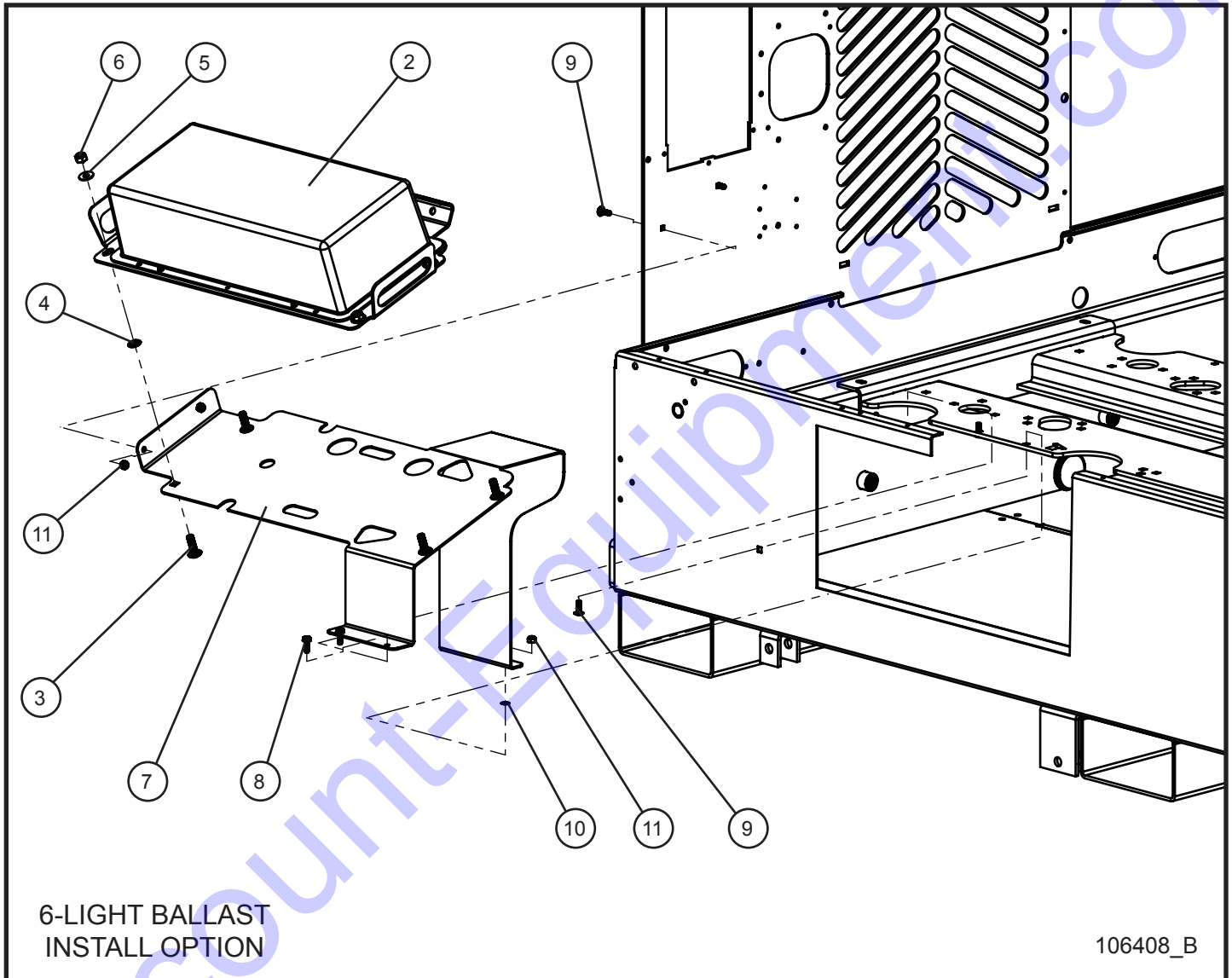
Item	Part No.	Part Description	Qty.
1	103624	BALLAST CORD ASSEMBLY	4
2	105956	1000W-26uF 50Hz 220V BALLAST ASSEMBLY	2
3	100670	3/8-16 x 1 1/4 CARRIAGE BOLT	4
4	045218	3/8 PUSH NUT	4
5	047010	5/16 FLAT WASHER PL	6
6	046110	3/8-16 x 1 HEX HEAD CS GR5 PL	2
7	044038	3/8-16 NYLOCK HEX NUT PL	6
8	610211	LAMP 1000W BT37 (MH)	4(6)
9	610209	SUPPORT TIP LAMP SHO	4(6)
10	610210	FIBERGLASS TUBE 12" LAMP SUPPORT	4(6)
11	041200	#8-32 x 1/2 HEX WASHER HEAD INDT	8(12)
12	044013	#8-32 NYLOCK HEX NUT SS	8(12)
13	105289	SCHEMATIC BALLAST 1000W 50Hz 220V (NOT SHOWN)	1

\*NOTE: QUANTITY OF PARTS FOR 6-LIGHT OPTION IS SHOWN IN PARENTHESIS IN THIS PARTS LIST.



## 5.3 - 1000W Lamps w/ 50Hz 220V Ballast Boxes (2 of 2)

SN 0001XX12 and UP



# Maxi-Lite II

## 5.3 - 1000W Lamps w/ 50Hz 220V Ballast Boxes (2 of 2)

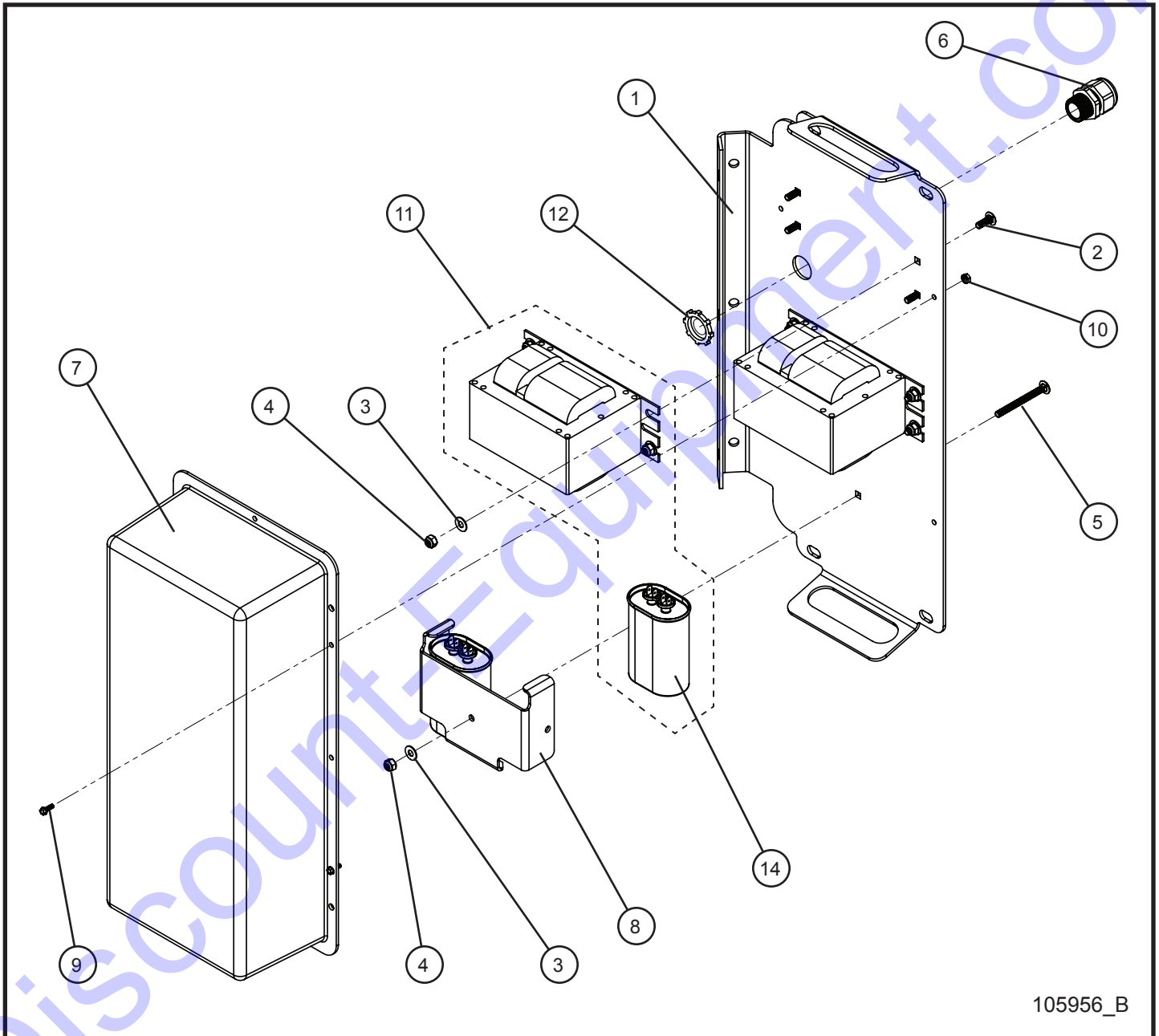
SN 0001XX12 and UP

Item	Part No.	Part Description	Qty.
1	104362	CORD BALLAST 5/6 LIGHT	2
2	105956	1000W-26uF 50Hz 220V BALLAST ASSEMBLY	1
3	100670	3/8-16 x 1 1/4 CARRIAGE BOLT	4
4	045218	3/8 PUSH NUT	4
5	047010	5/16 FLAT WASHER PL	4
6	044038	3/8-16 NYLOCK HEX NUT PL	4
7	104699P	MOUNT BRACKET 6 LIGHT BALLAST BOX	1
8	041070	1/4-20 x 3/4 SL-HEX WASHER HEAD MS TP F	2
9	053006	1/4-20 x 3/4 CARRIAGE BOLT	4
10	101701	1/4 PUSH NUT	2
11	044023	1/4-20 NYLOCK HEX NUT PL	4

\*NOTE: PARTS IN THIS SET ARE FOR 6-LIGHT OPTION ONLY.

## 5.4 - 1000W 50Hz 220V Ballast Box Assembly

SN 0001XX12 and UP



105956\_B

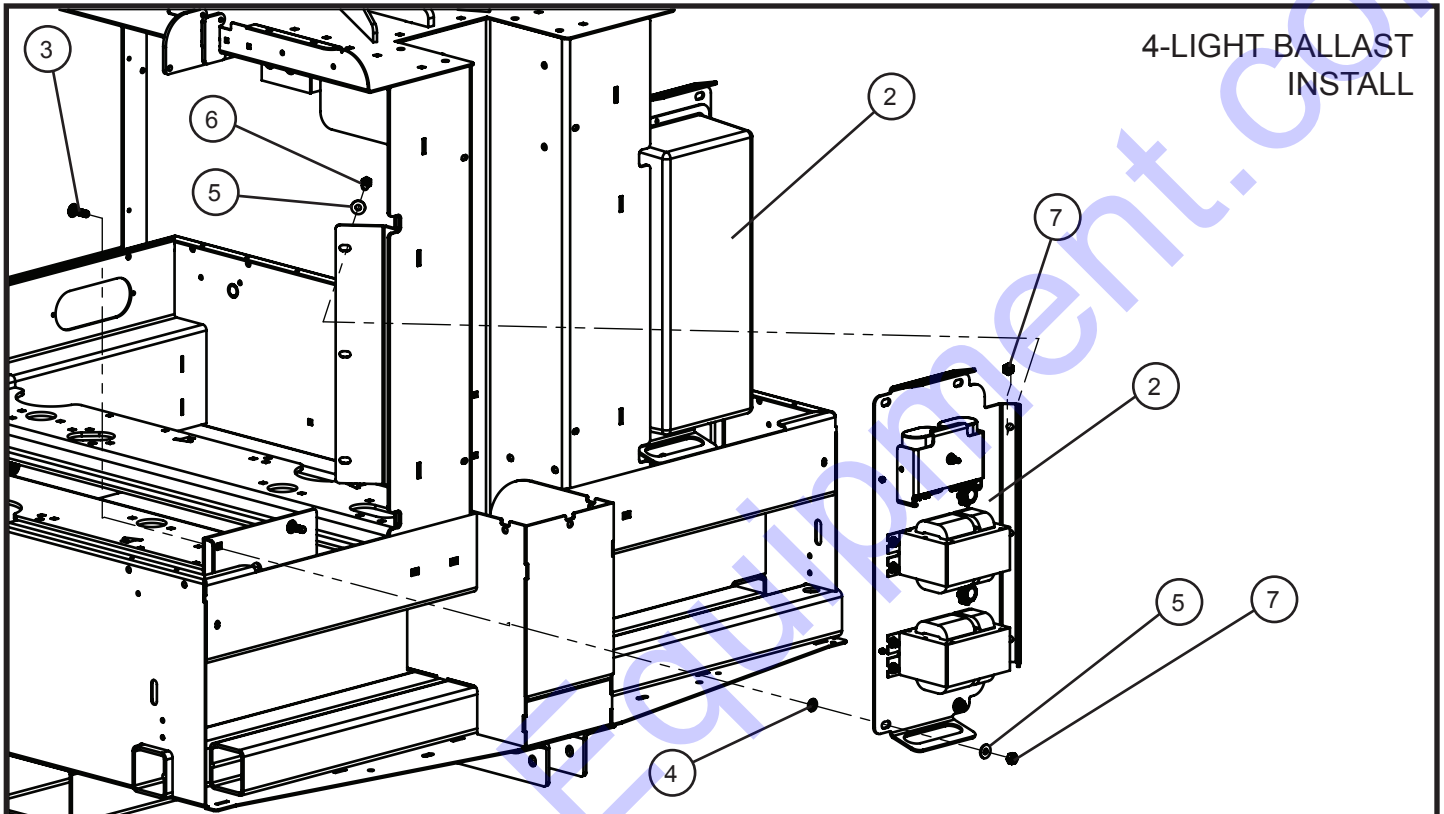
## 5.4 - 1000W 50Hz 220V Ballast Box Assembly

SN 0001XX12 and UP

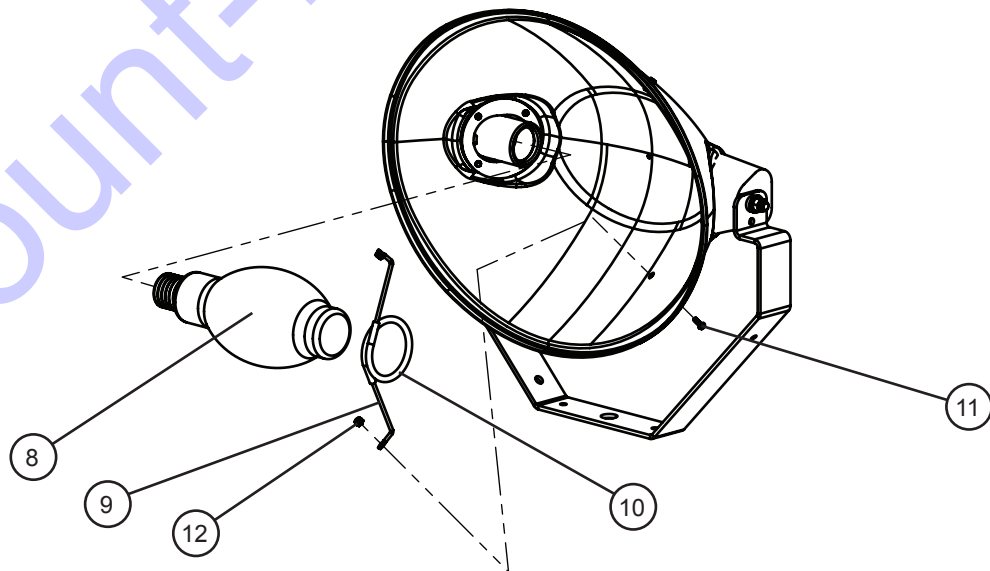
Item	Part No.	Part Description	Qty.
1	105914P	MOUNT PLATE BALLAST BOX	1
2	053006	1/4-20 x 3/4 CARRIAGE BOLT	8
3	047009	1/4 FLAT WASHER SAE SS	9
4	044023	1/4-20 NYLOCK HEX NUT PL	9
5	100718	1/4-20 x 2 1/4 CARRIAGE BOLT	1
6	105916	GRIP CORD NYLON 3/4	2
7	102752	BALLAST TOP MODULAR BOX	1
8	680608P	TABBED CAPACITOR CLAMP	1
9	041029	#8-32 x 1/2 HEX WASHER HEAD SCREW	4
10	044003	#8-32 NC KEPS NUT	4
11	310116A	BALLAST KIT 1000W 50Hz	2
12	022036	3/4 CORD GRIP NUT	2
13	105289	SCHEMATIC BALLAST 1000W 50Hz 220V (NOT SHOWN)	1
14	310115A	CAPACITOR 26UF 60/50Hz 540V	2

## 5.5 - 1000W Lamps w/ 60Hz 120V Ballast Boxes (1 of 2)

SN 0001XX12 and UP



### LAMP DETAIL



104611\_F  
104657\_D

# Maxi-Lite II

## 5.5 - 1000W Lamps w/ 60Hz 120V Ballast Boxes (1 of 2)

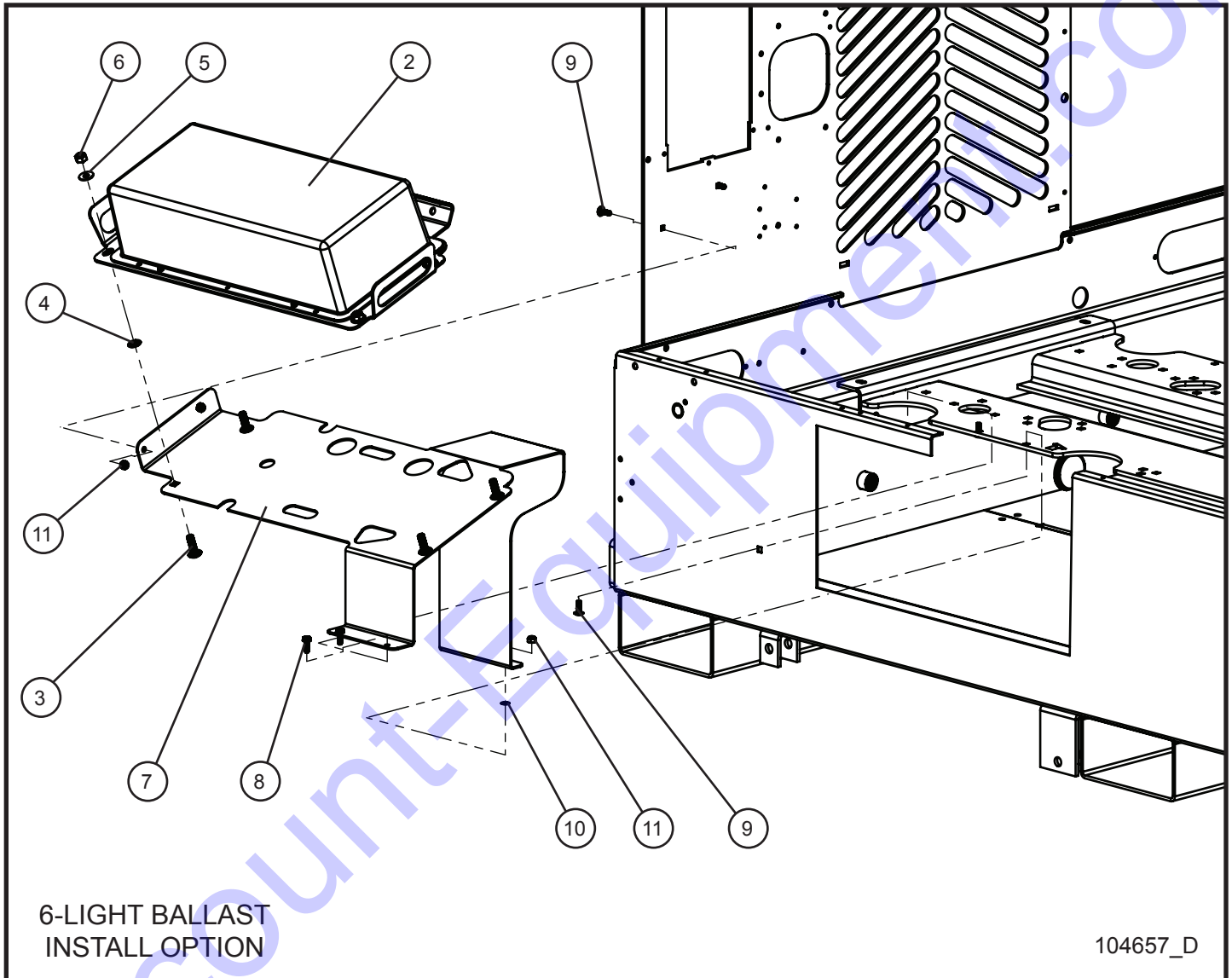
SN 0001XX12 and UP

Item	Part No.	Part Description	Qty.
1	103624	BALLAST CORD ASSEMBLY	4
2	102400	1000W 60Hz 120V BALLAST ASSEMBLY	2
3	100670	3/8-16 x 1 1/4 CARRIAGE BOLT	4
4	045218	3/8 PUSH NUT	4
5	047010	5/16 FLAT WASHER PL	6
6	046110	3/8-16 x 1 HEX HEAD CS GR5 PL	2
7	044038	3/8-16 NYLOCK HEX NUT PL	6
8	610211	LAMP 1000W BT37 (MH)	4(6)
9	610209	SUPPORT TIP LAMP SHO	4(6)
10	610210	FIBERGLASS TUBE 12" LAMP SUPPORT	4(6)
11	041200	#8-32 x 1/2 HEX WASHER HEAD INDT	8(12)
12	044013	#8-32 NYLOCK HEX NUT SS	8(12)
13	105287	SCHEMATIC BALLAST 1000W 60Hz 120V (NOT SHOWN)	1

\*NOTE: QUANTITY OF PARTS FOR 6-LIGHT OPTION IS SHOWN IN PARENTHESIS IN THIS PARTS LIST.

## 5.5 - 1000W Lamps w/ 60Hz 120V Ballast Boxes (2 of 2)

SN 0001XX12 and UP



# Maxi-Lite II

## 5.5 - 1000W Lamps w/ 60Hz 120V Ballast Boxes (2 of 2)

SN 0001XX12 and UP

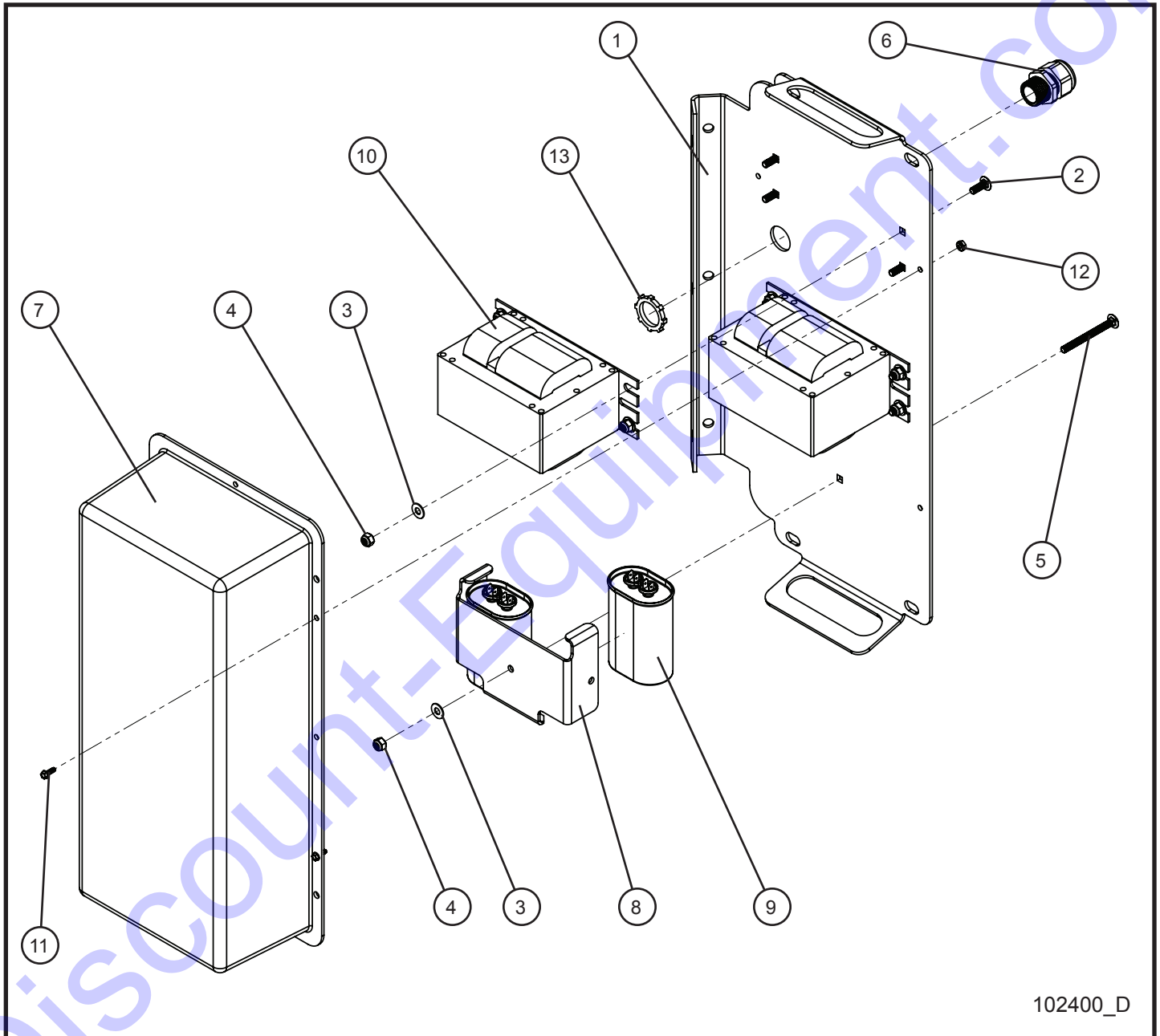
Item	Part No.	Part Description	Qty.
1	104362	CORD BALLAST 5/6 LIGHT	2
2	102400	1000W 60Hz 120V BALLAST ASSEMBLY	1
3	100670	3/8-16 x 1 1/4 CARRIAGE BOLT	4
4	045218	3/8 PUSH NUT	4
5	047010	5/16 FLAT WASHER PL	4
6	044038	3/8-16 NYLOCK HEX NUT PL	4
7	104699P	MOUNT BRACKET 6 LIGHT BALLAST BOX	1
8	041070	1/4-20 x 3/4 SL-HEX WASHER HEAD MS TP F	2
9	053006	1/4-20 x 3/4 CARRIAGE BOLT	4
10	101701	1/4 PUSH NUT	2
11	044023	1/4-20 NYLOCK HEX NUT PL	4

\*NOTE: PARTS IN THIS SET ARE FOR 6-LIGHT OPTION ONLY.



## 5.6 - 1000W 60Hz 120V Ballast Box Assembly

SN 0001XX12 and UP



102400\_D

# Maxi-Lite II

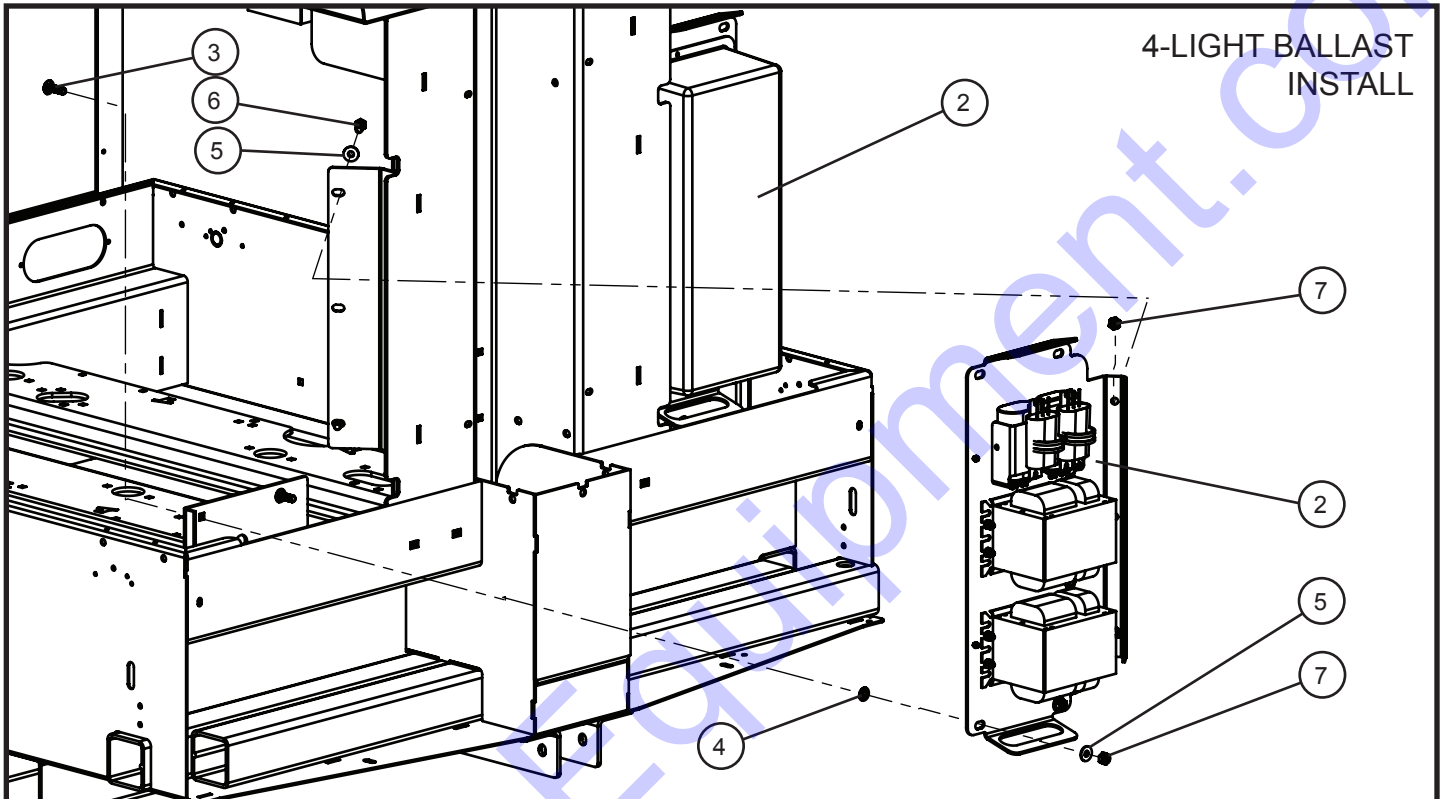
## 5.6 - 1000W 60Hz 120V Ballast Box Assembly

SN 0001XX12 and UP

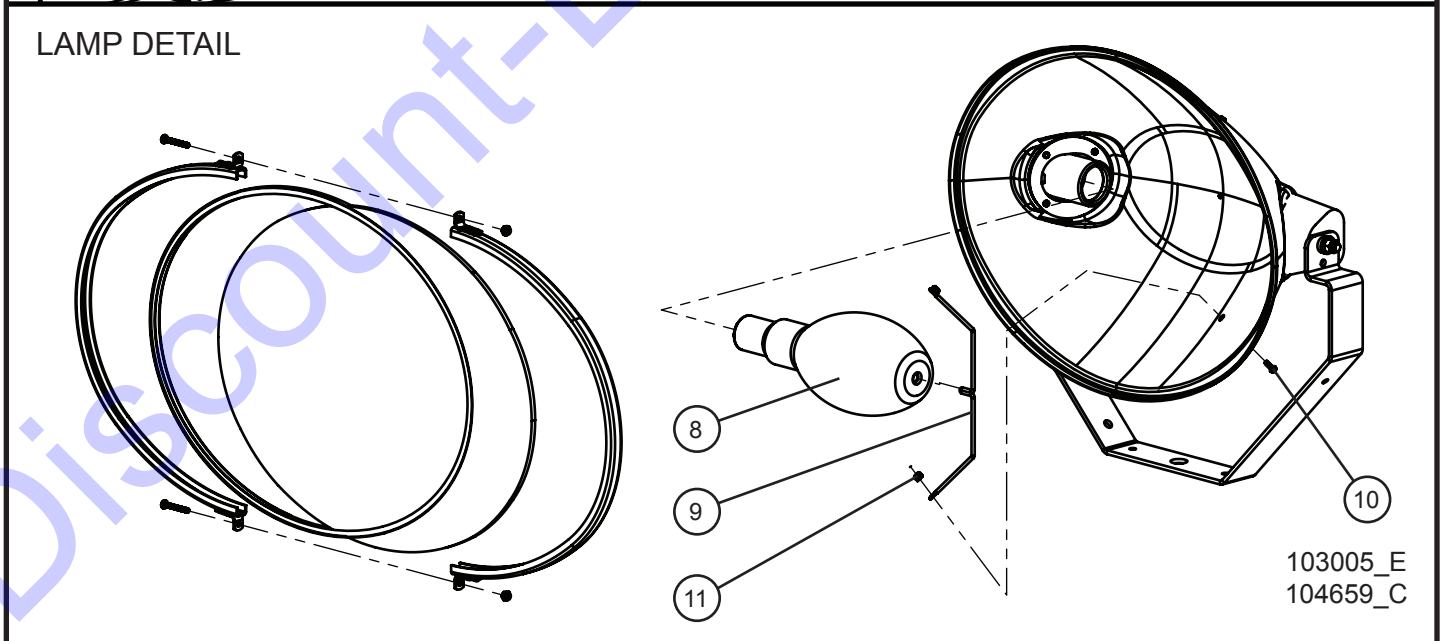
Item	Part No.	Part Description	Qty.
1	105914P	MOUNT PLATE BALLAST BOX	1
2	053006	1/4-20 x 3/4 CARRIAGE BOLT	8
3	047009	1/4 FLAT WASHER SAE SS	9
4	044023	1/4-20 NYLOCK HEX NUT PL	9
5	100718	1/4-20 x 2 1/4 CARRIAGE BOLT	1
6	105916	GRIP CORD NYLON 3/4	2
7	102752	BALLAST TOP MODULAR BOX	1
8	680608P	TABBED CAPACITOR CLAMP	1
9	310115	CAPACITOR 24uF 1000W	2
10	310124	BALLAST 1000W 60Hz 120V	2
11	041029	#8-32 x 1/2 HEX WASHER HEAD SCREW	4
12	044003	#8-32 NC KEPS NUT	4
13	022036	3/4 CORD GRIP NUT	2
14	105287	SCHEMATIC BALLAST 1000W 60Hz 120V (NOT SHOWN)	1

## 5.7 - 1000W HPS Lamps w/ 60Hz 120V Ballast Boxes (1 of 2)

SN 0001XX12 and UP



LAMP DETAIL



# Maxi-Lite II

## 5.7 - 1000W HPS Lamps w/ 60Hz 120V Ballast Boxes (1 of 2)

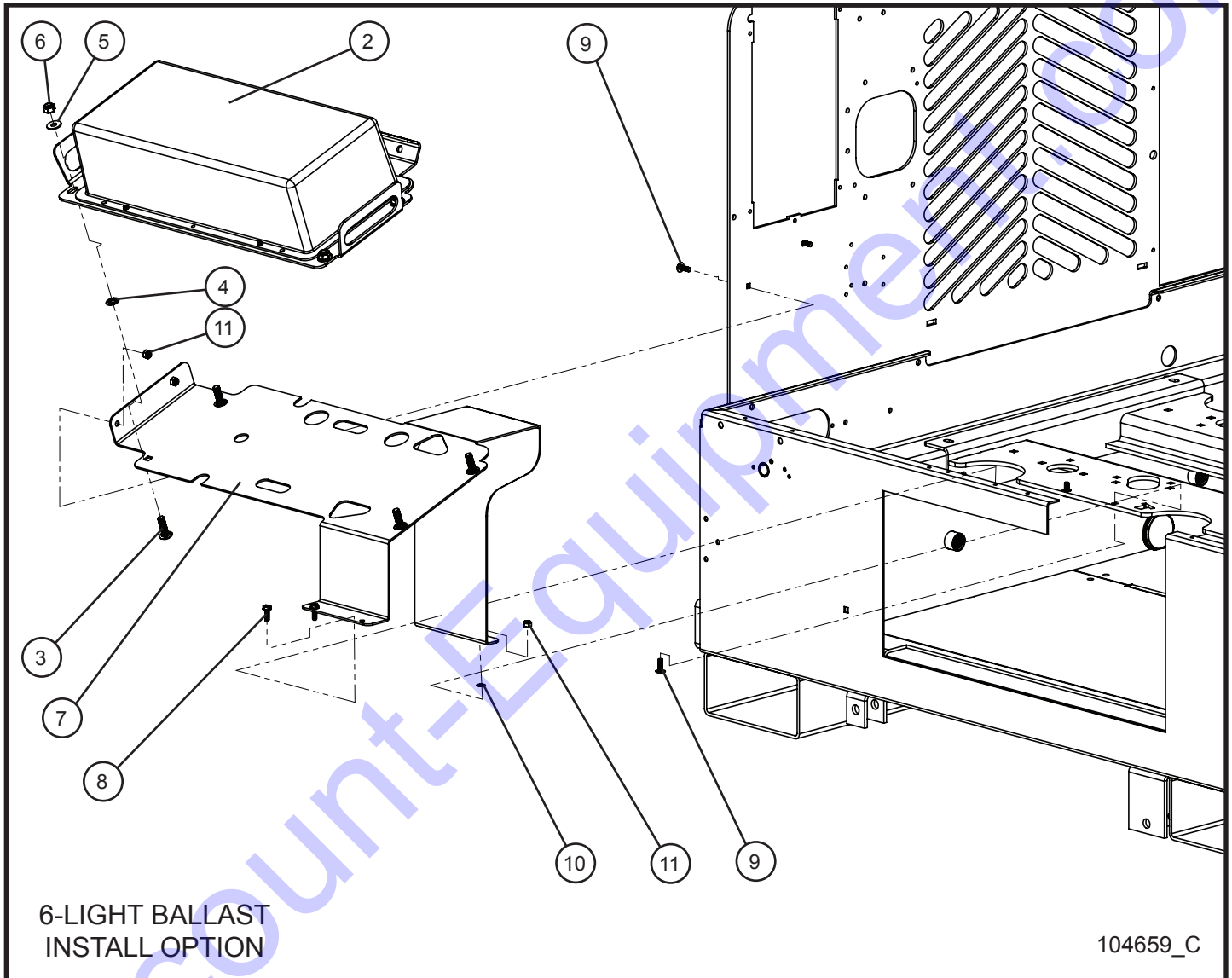
SN 0001XX12 and UP

Item	Part No.	Part Description	Qty.
1	103624	CORD 14/4 BALLAST (NOT SHOWN)	4
2	102938	BALLAST HPS 1000W 60Hz 120V ASSEMBLY	2
3	100670	3/8-16 x 1 1/4 CARRIAGE BOLT	4
4	045218	3/8 PUSH NUT	4
5	047010	5/16 FLAT WASHER PL	6
6	046110	3/8-16 x 1 HEX HEAD CS GR5 PL	2
7	044038	3/8-16 NYLOCK HEX NUT PL	6
8	610218	LAMP 1000W ED37 (HPS)	4(6)
9	650250	TIP SUPPORT HPS 1000W	4(6)
10	041200	#8-32 x 1/2 HEX WASHER HEAD INDT	8(12)
11	044013	#8-32 NYLOCK HEX NUT SS	8(12)
12	105184	1000W 120V HPS BALLAST 60Hz SCHEMATIC	1

\*NOTE: QUANTITY OF PARTS FOR 6-LIGHT OPTION IS SHOWN IN PARENTHESIS IN THIS PARTS LIST.

## 5.7 - 1000W HPS Lamps w/ 60Hz 120V Ballast Boxes (2 of 2)

SN 0001XX12 and UP



## Maxi-Lite II

### 5.7 - 1000W HPS Lamps w/ 60Hz 120V Ballast Boxes (2 of 2)

SN 0001XX12 and UP

Item	Part No.	Part Description	Qty.
1	104362	CORD 14/4 BALLAST 5/6 LIGHT (NOT SHOWN)	2
2	102938	BALLAST HPS 1000W 60Hz 120V ASSEMBLY	1
3	100670	3/8-16 x 1 1/4 CARRIAGE BOLT	4
4	045218	3/8 PUSH NUT	4
5	047010	5/16 FLAT WASHER PL	4
6	044038	3/8-16 NYLOCK HEX NUT PL	4
7	104699P	MOUNT BRACKET 6 LIGHT BALLAST BOX	1
8	041070	1/4-20 x 3/4 SL-HEX WASHER HEAD MS TP F	2
9	053006	1/4-20 x 3/4 CARRIAGE BOLT	4
10	101701	1/4 PUSH NUT	2
11	044023	1/4-20 NYLOCK HEX NUT PL	4

\*NOTE: PARTS IN THIS SET ARE FOR 6-LIGHT OPTION ONLY.