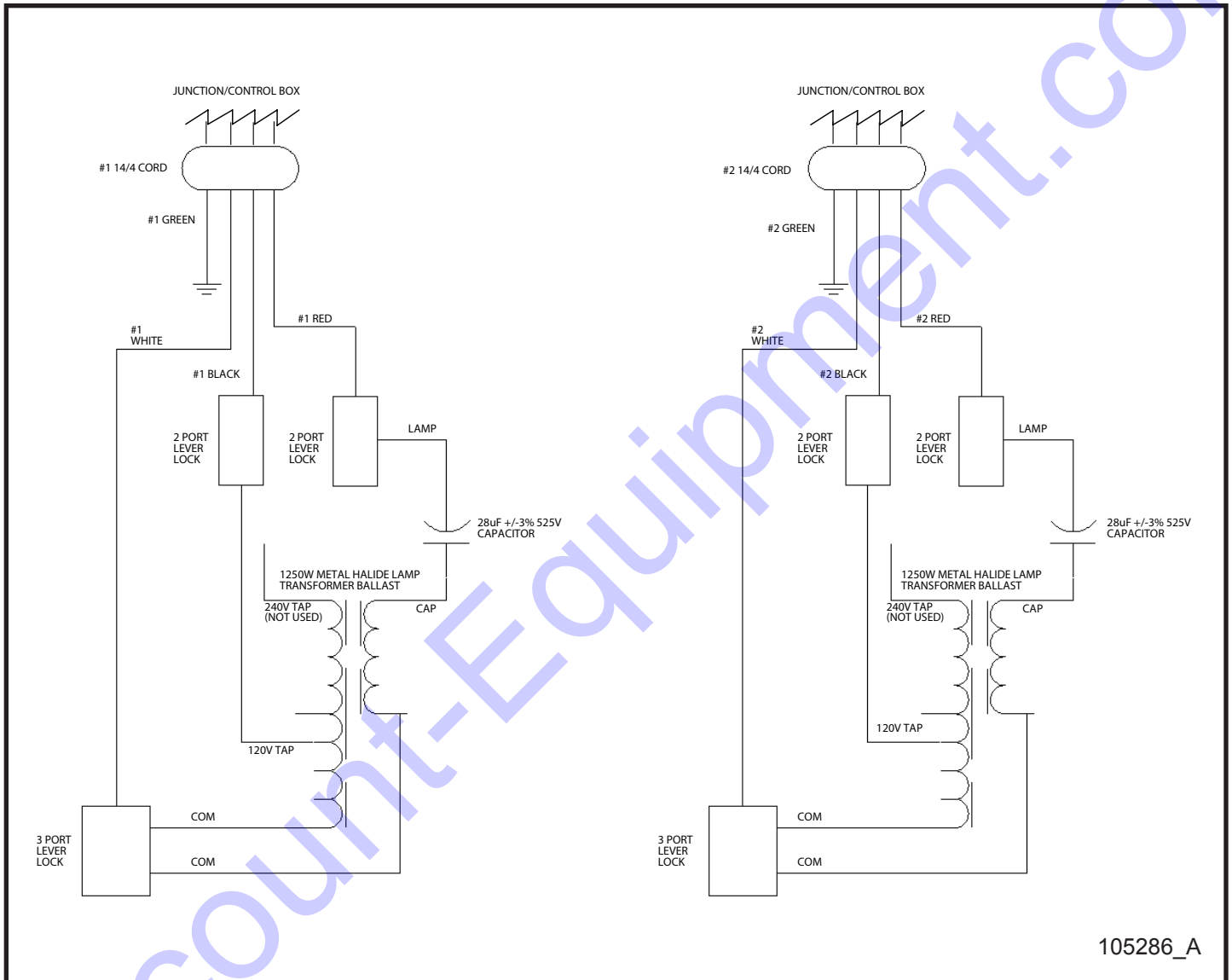


## 17.51 - 1250W 60Hz 120V Ballast Schematic

SN 0001XX12 and UP

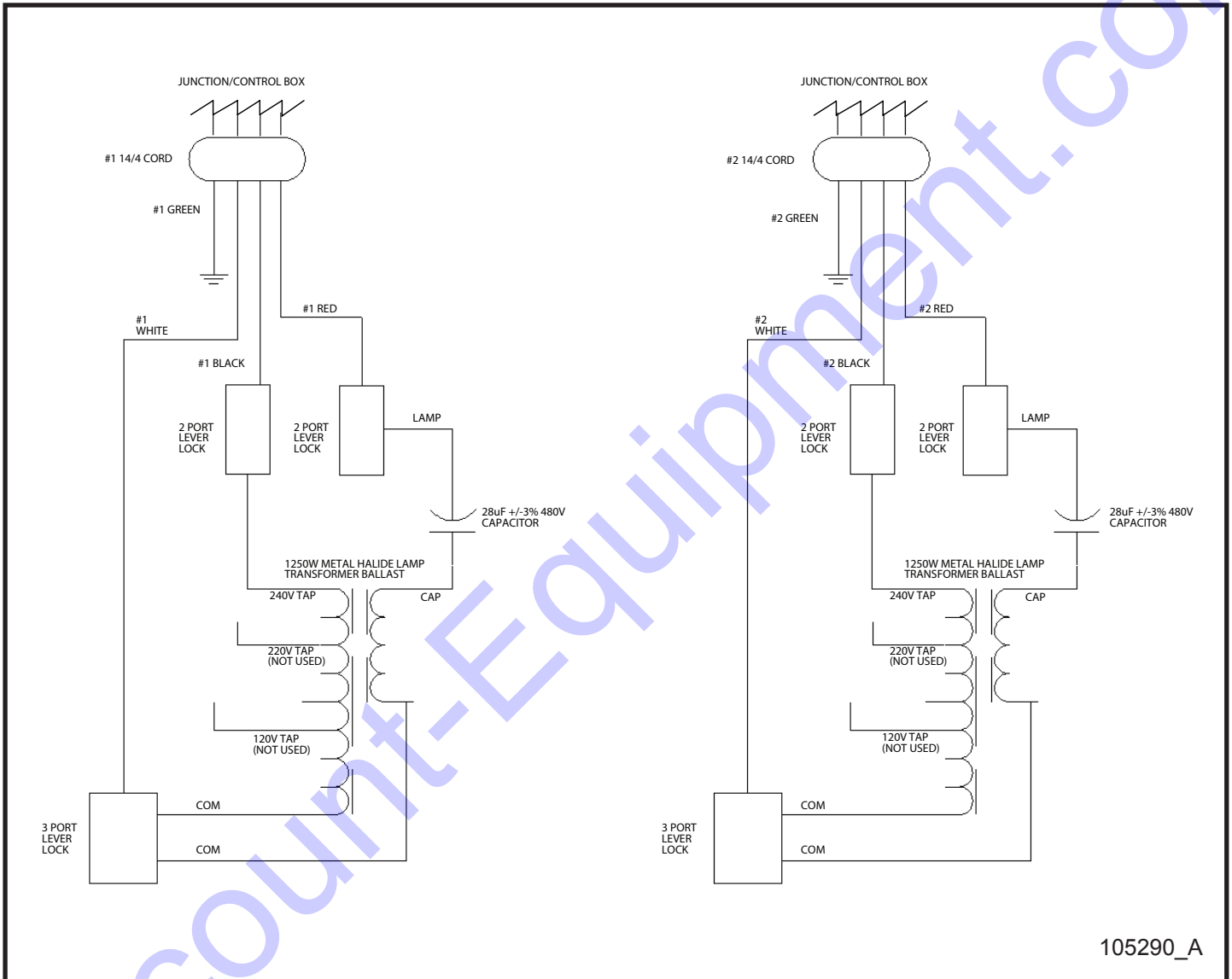


105286\_A

# Maxi-Lite II

## 17.52 - 1250W 60Hz 240V Ballast Schematic

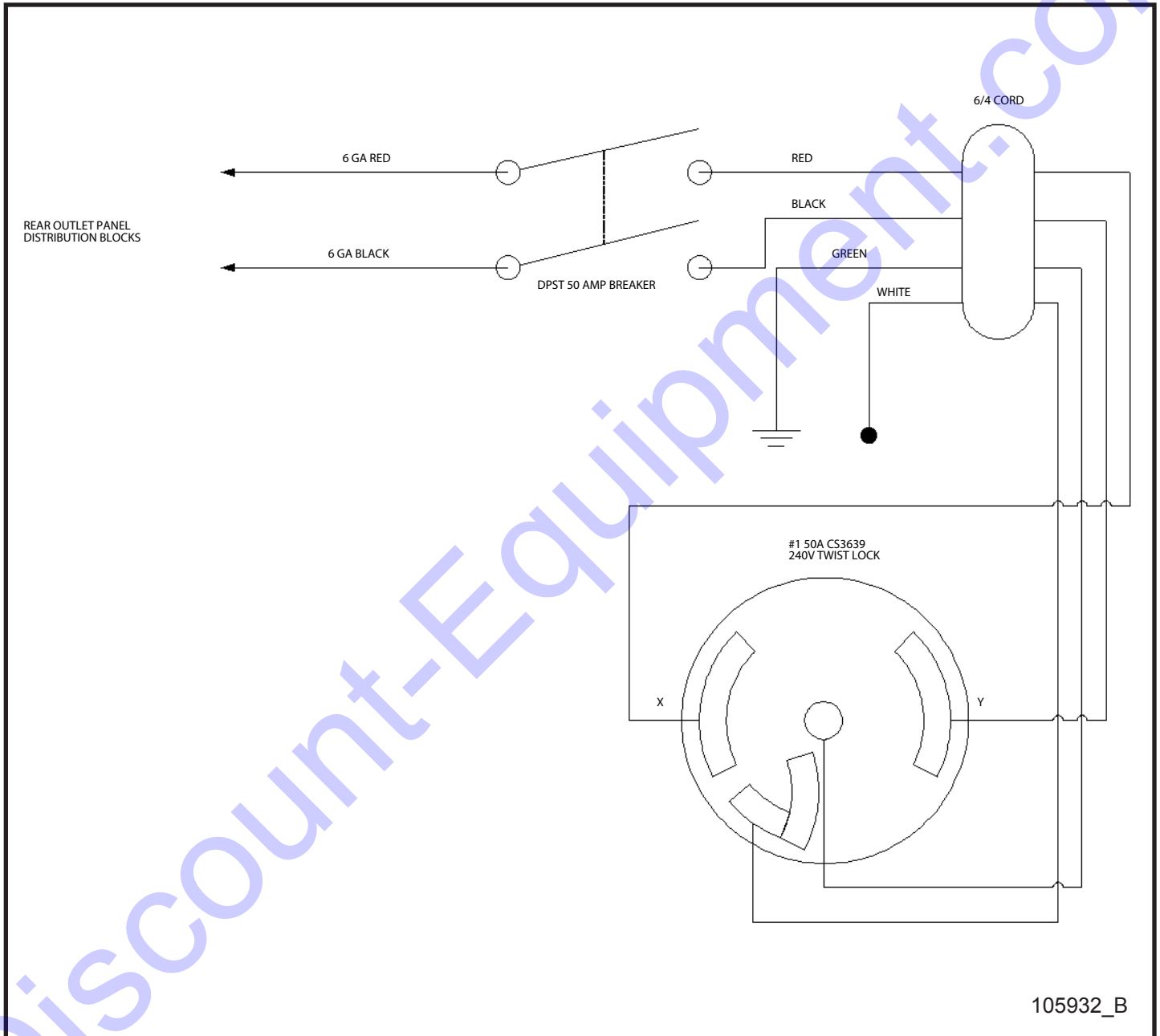
SN 0001XX12 and UP



105290\_A

## 17.53 - Aux Outlet 1-50A Schematic

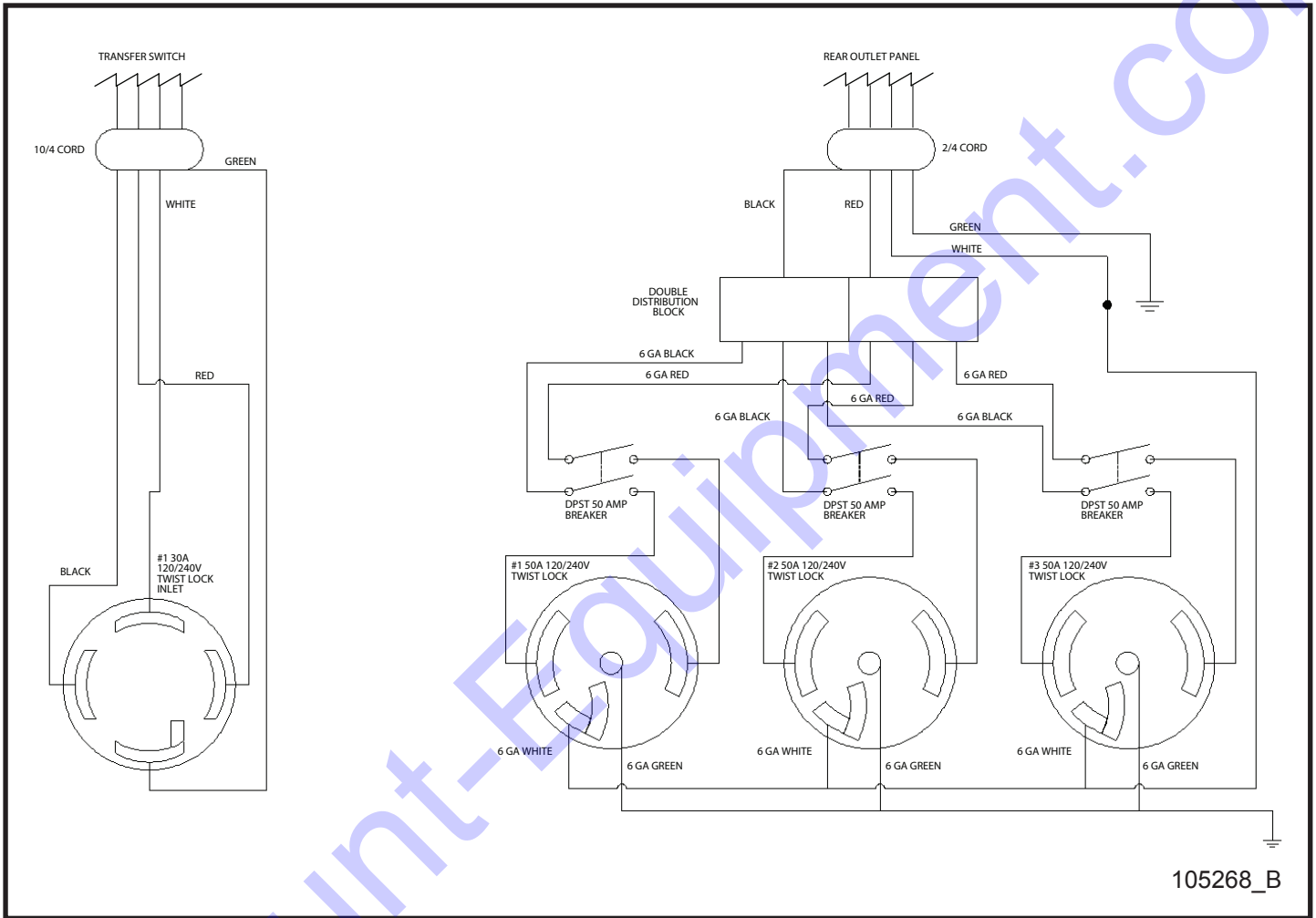
SN 0001XX12 and UP



# Maxi-Lite II

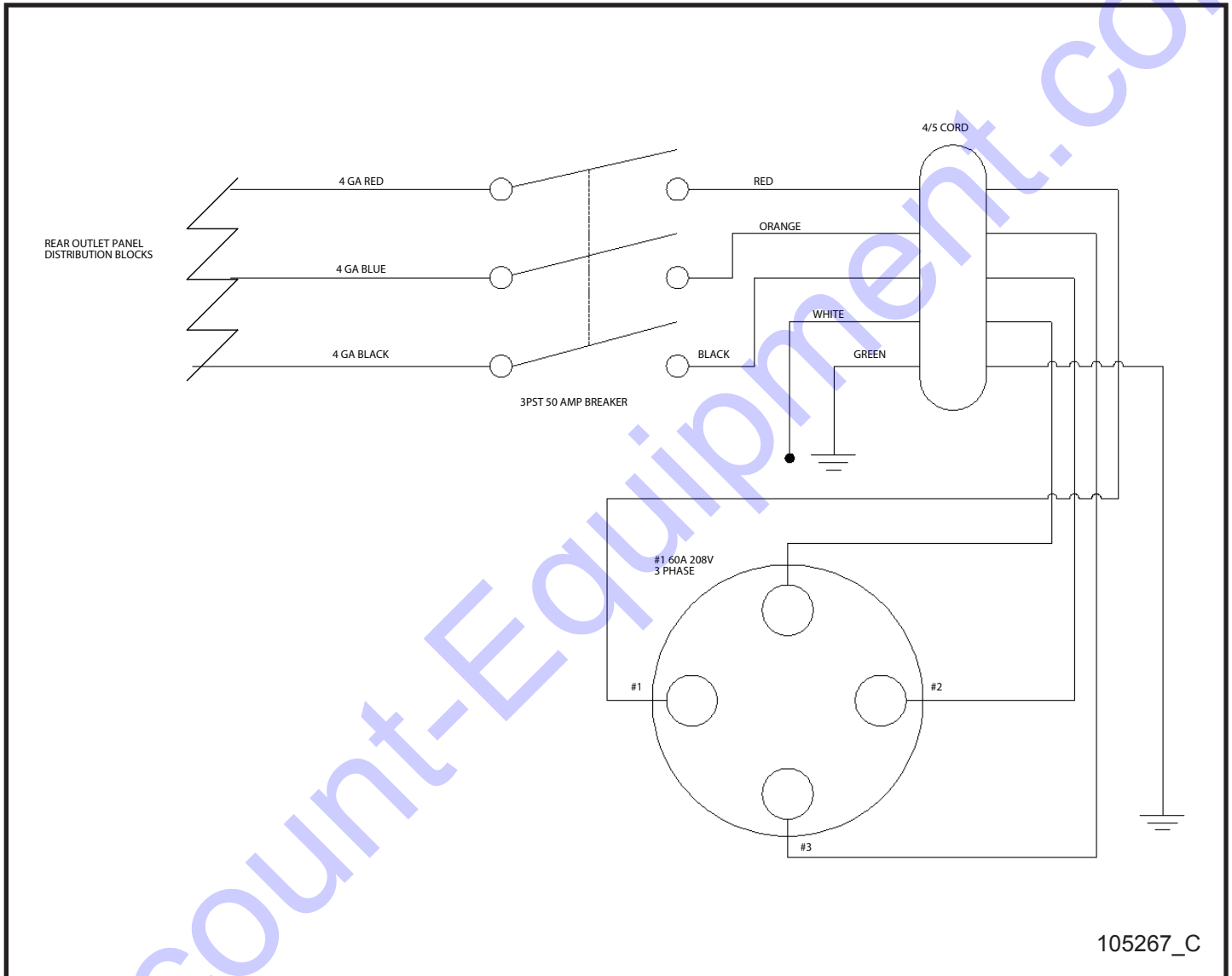
## 17.54 - Aux Outlet 3-50A 1-30A Schematic

SN 0001XX12 and UP



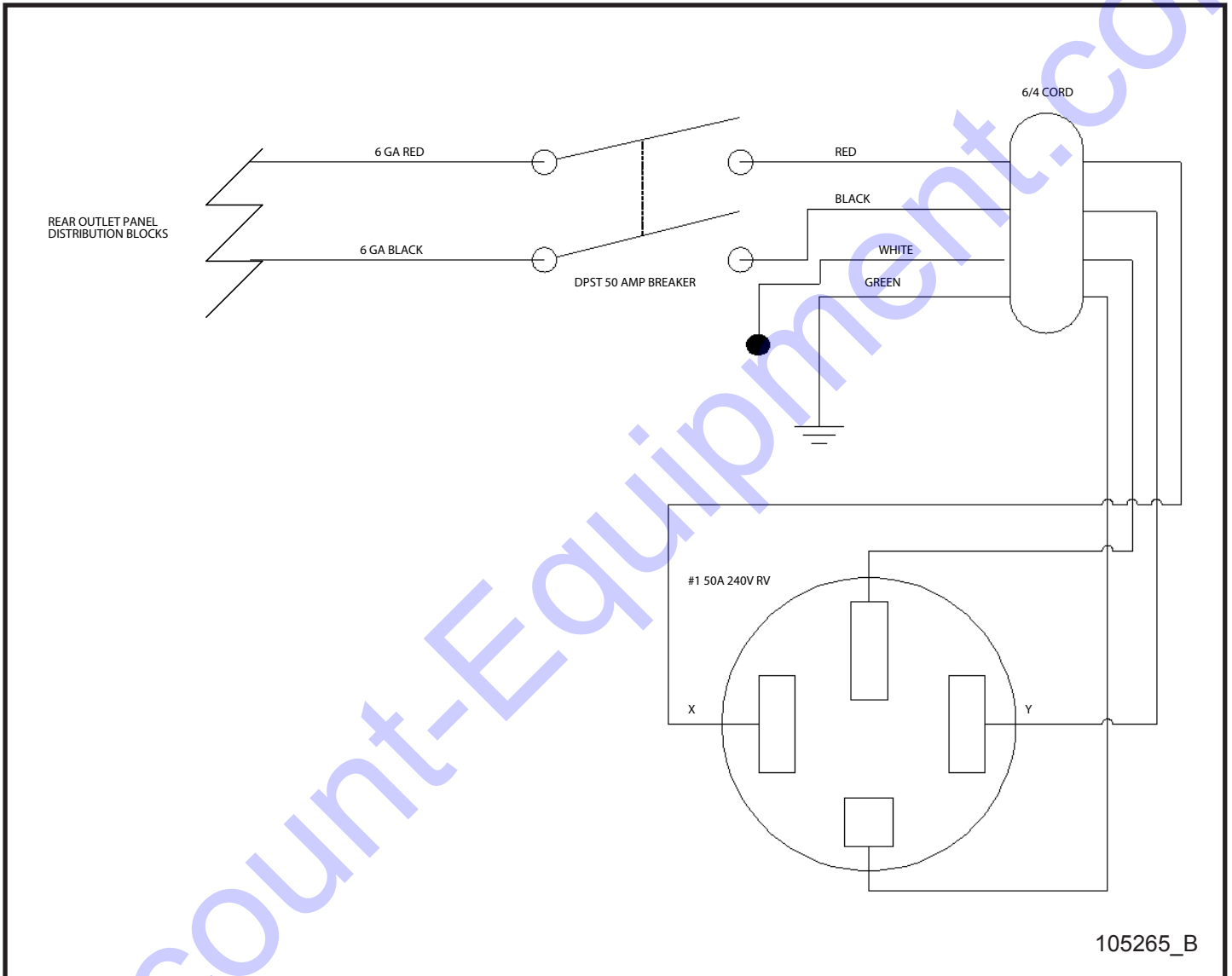
## 17.55 - Aux Outlet 1-60A 3P 600V Schematic

SN 0001XX12 and UP



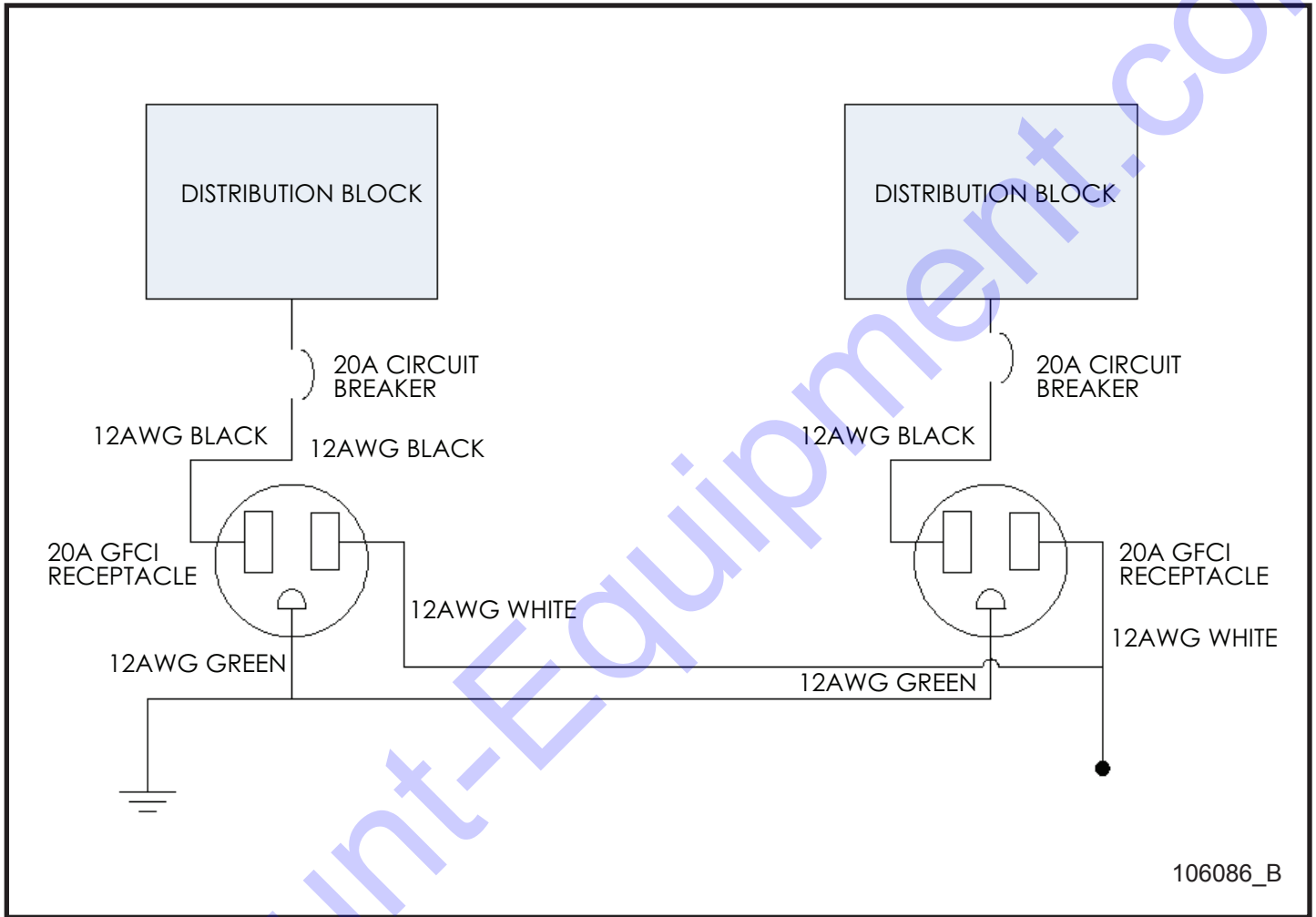
## 17.56 - Aux Outlet 1-50A 4-50R Schematic

SN 0001XX12 and UP



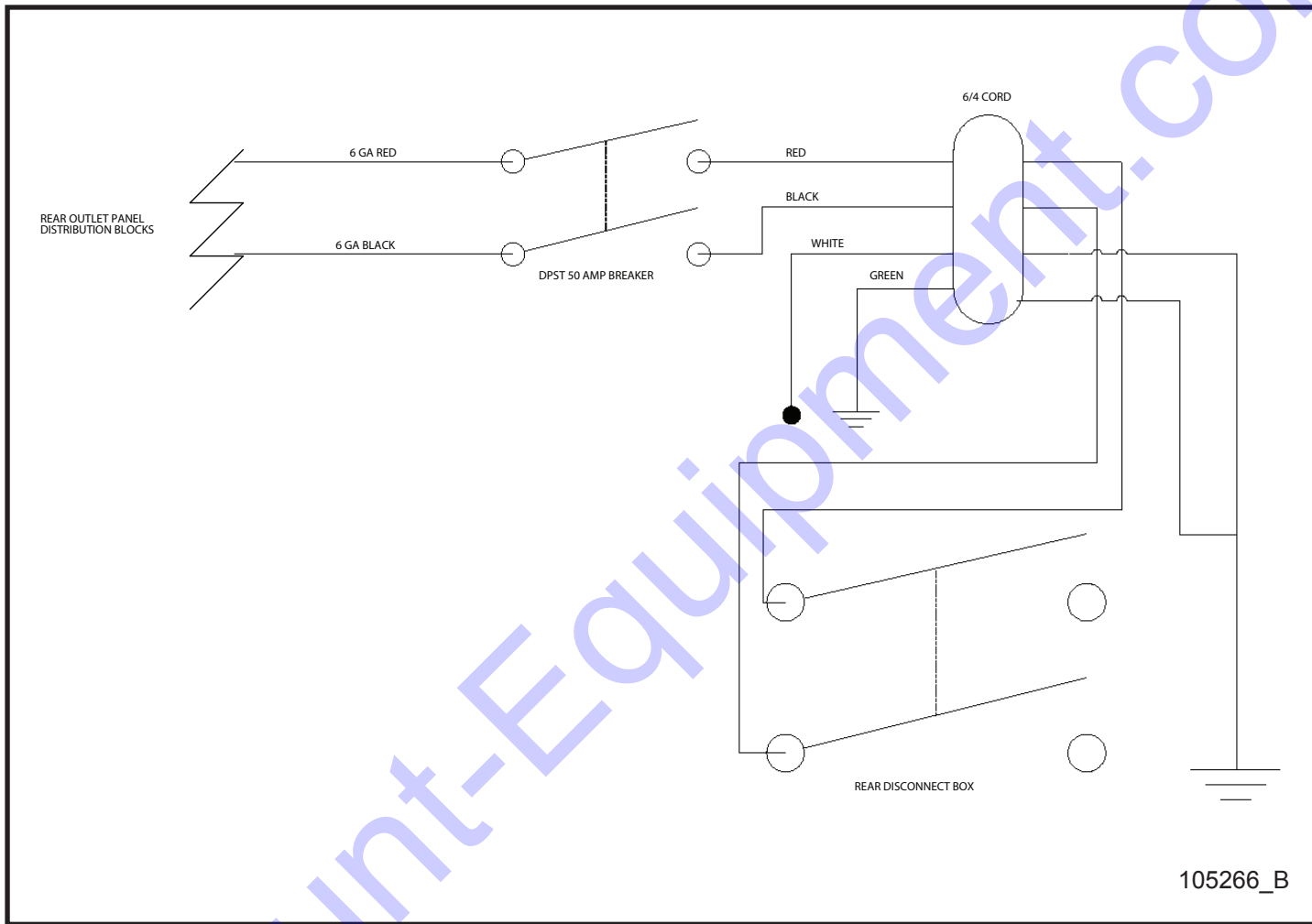
## 17.57 - Internal GFCI Schematic

SN 0001XX12 and UP



## 17.58 - 50Hz Aux Outlet Disconnect Box Schematic

SN 0001XX12 and UP

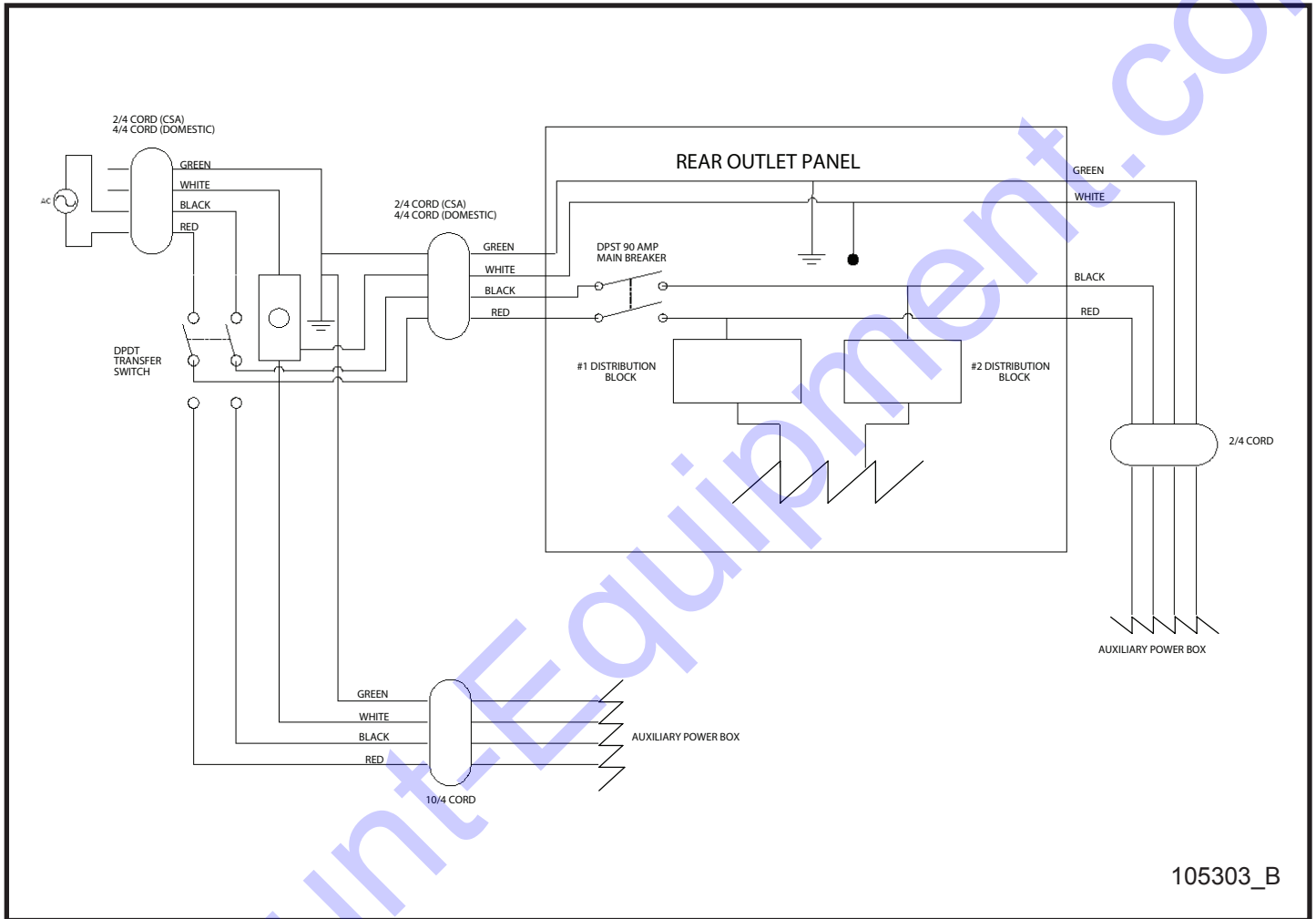


105266\_B



## 17.59 - 20kW 1P Transfer Switch Schematic

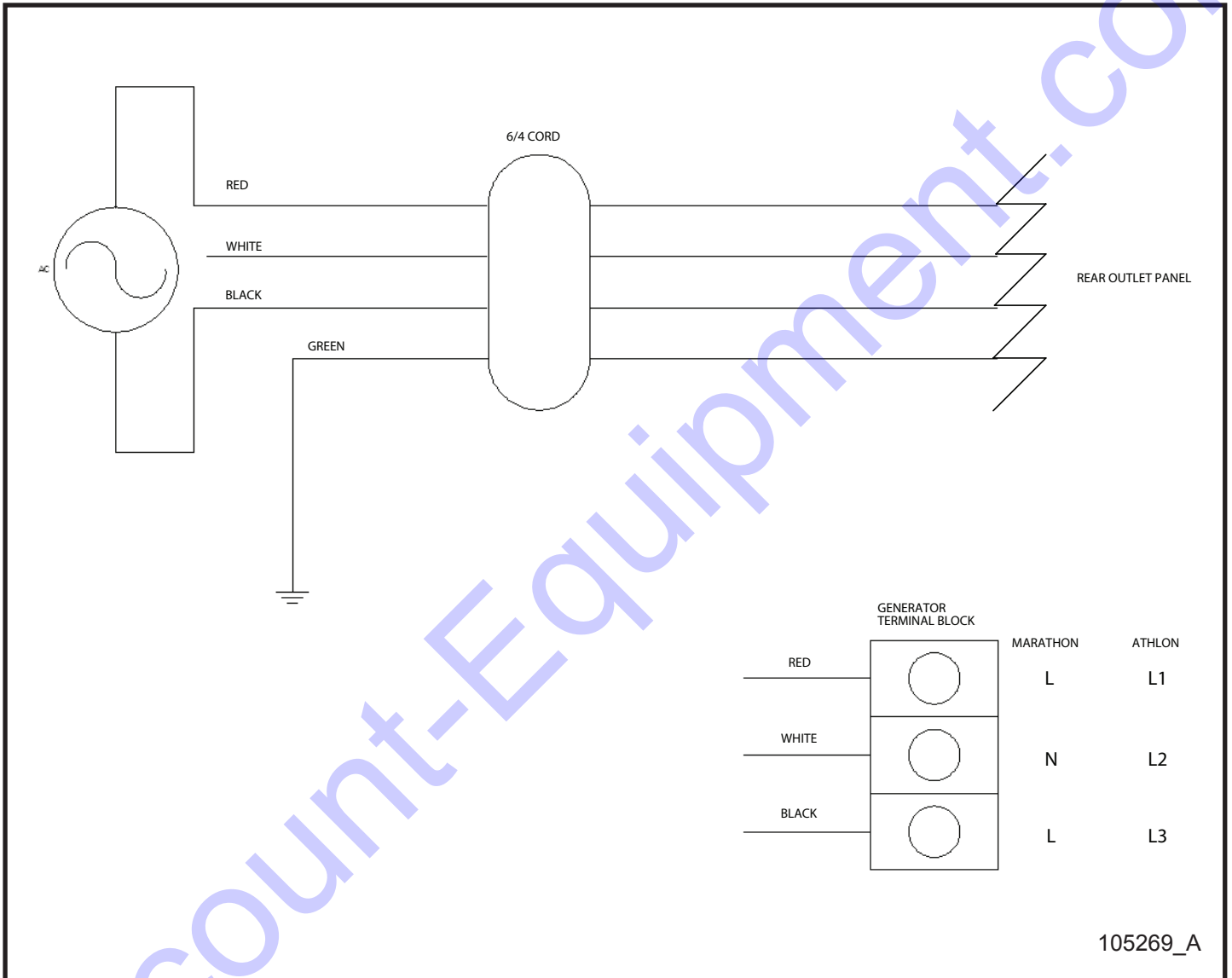
SN 0001XX12 and UP



# Maxi-Lite II

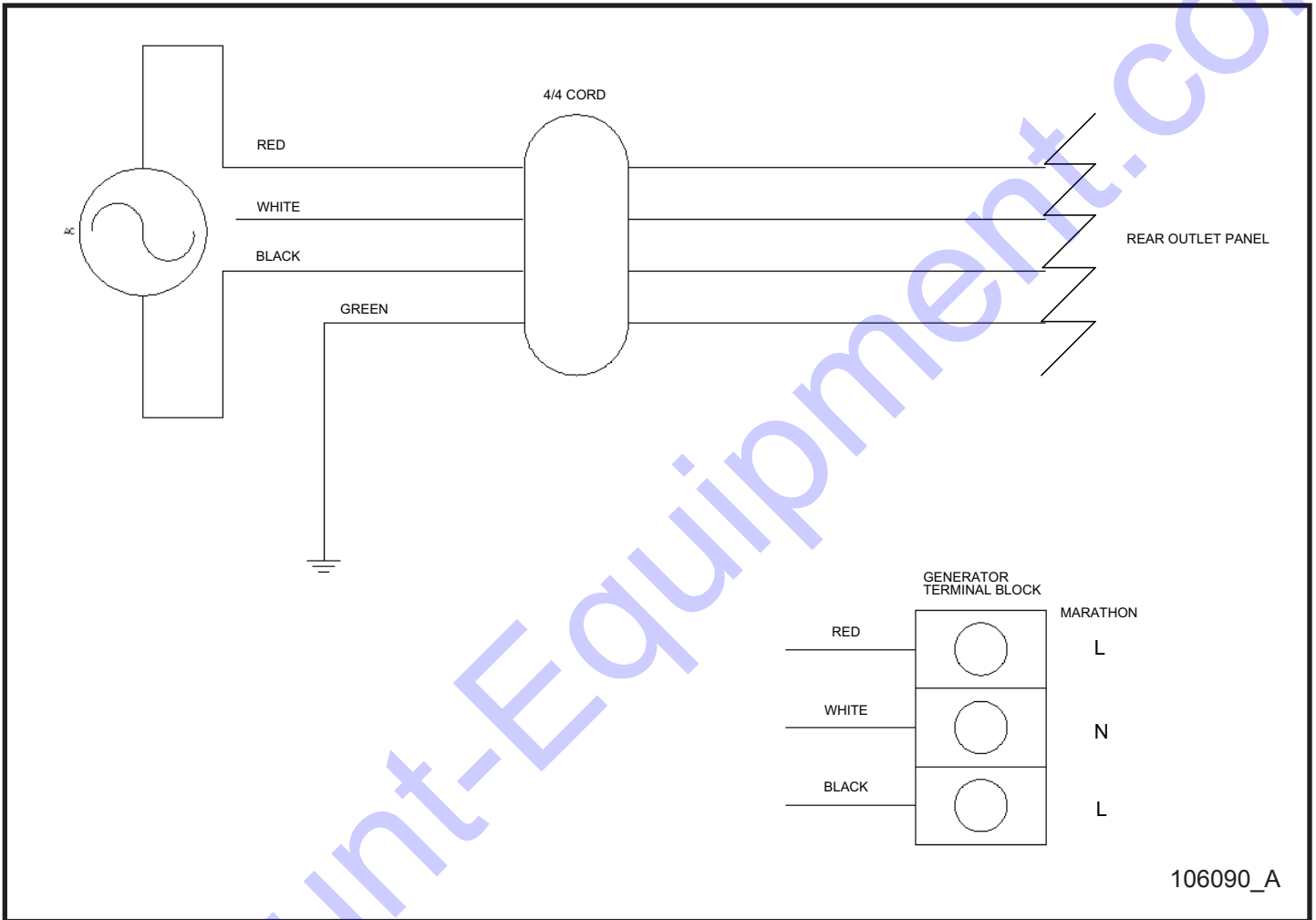
## 17.60 - 8kW 1P Marathon/Athlon Schematic

SN 0001XX12 and UP



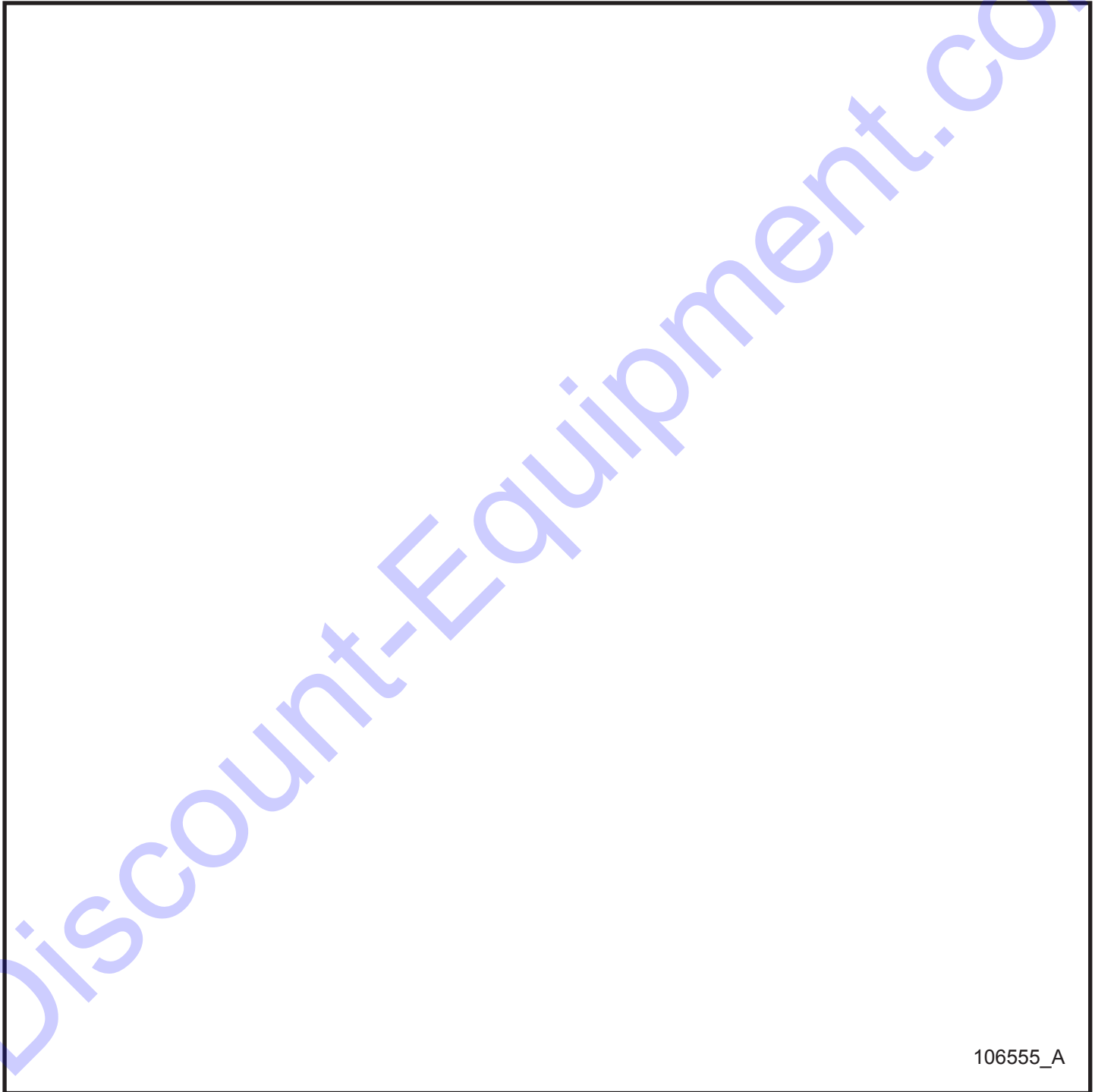
## 17.61 - 4/4 Cord 240 L-L CAT C1.5 Schematic

SN 0001XX12 and UP



**17.62 - 3P CAT C1.5T Schematic**

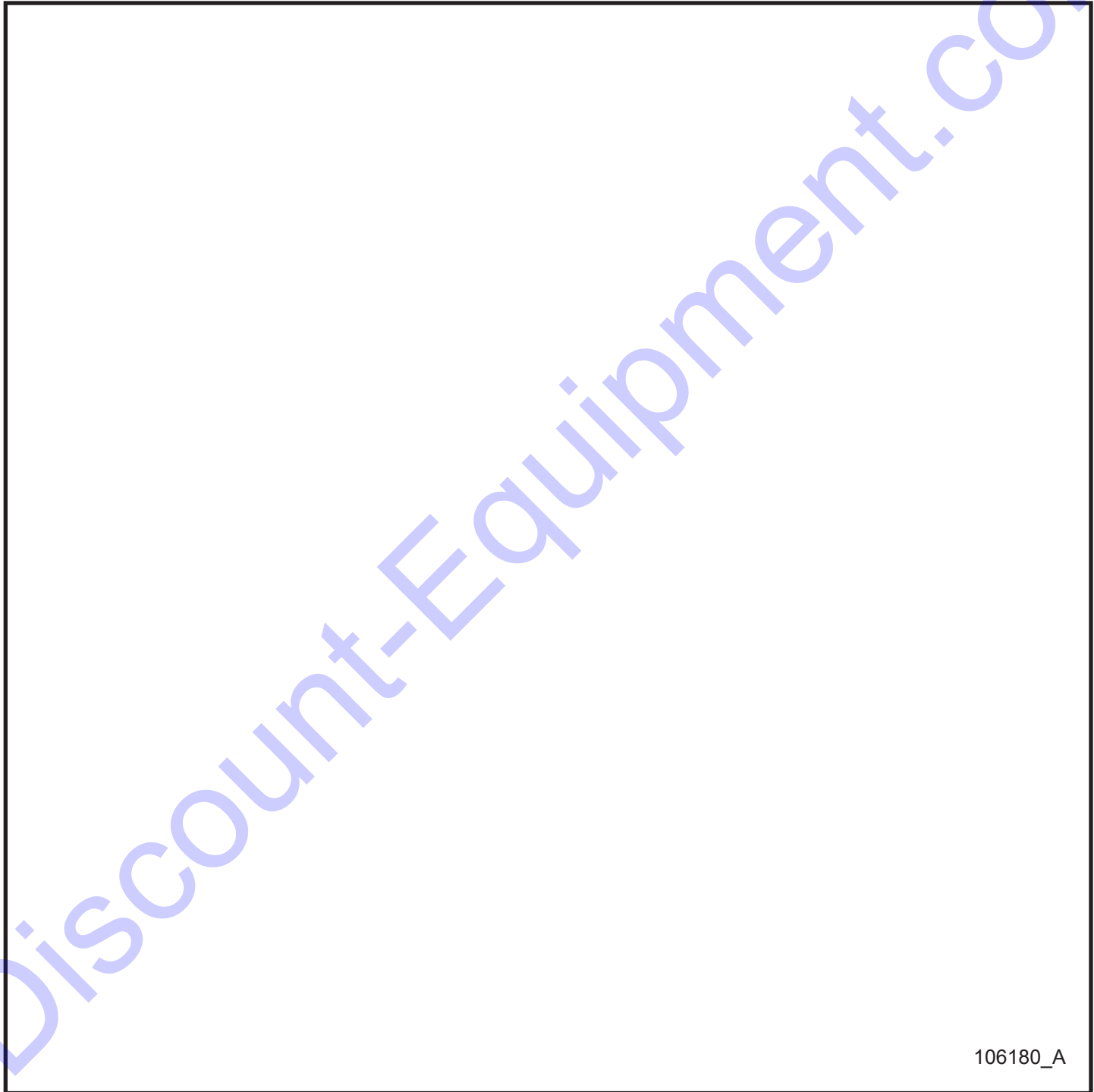
SN 0001XX12 and UP



106555\_A

**17.63 - AS3000 Generator Cord Schematic**

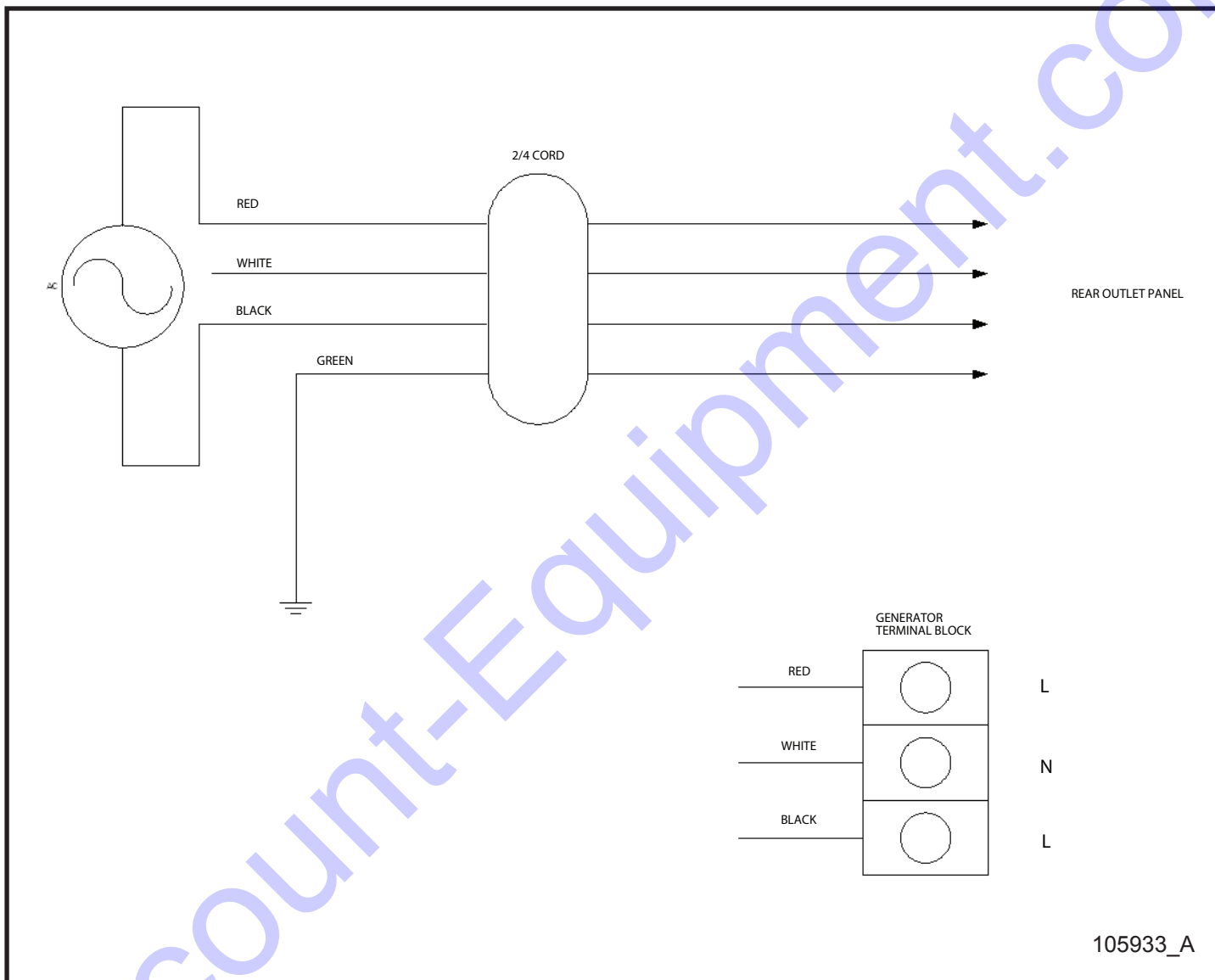
SN 0001XX12 and UP



106180\_A

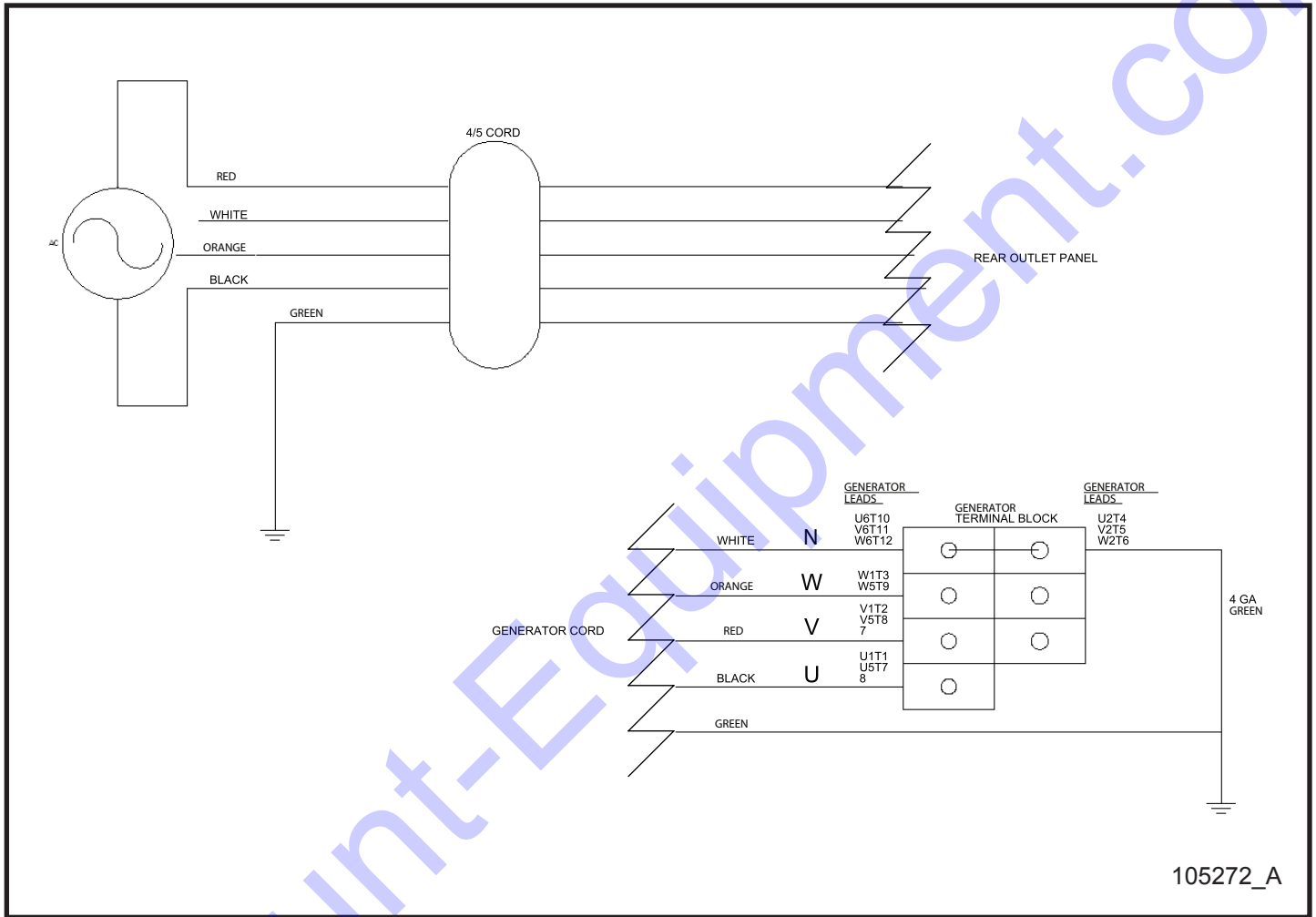
## 17.64 - 20kW 1P Marathon Schematic

SN 0001XX12 and UP



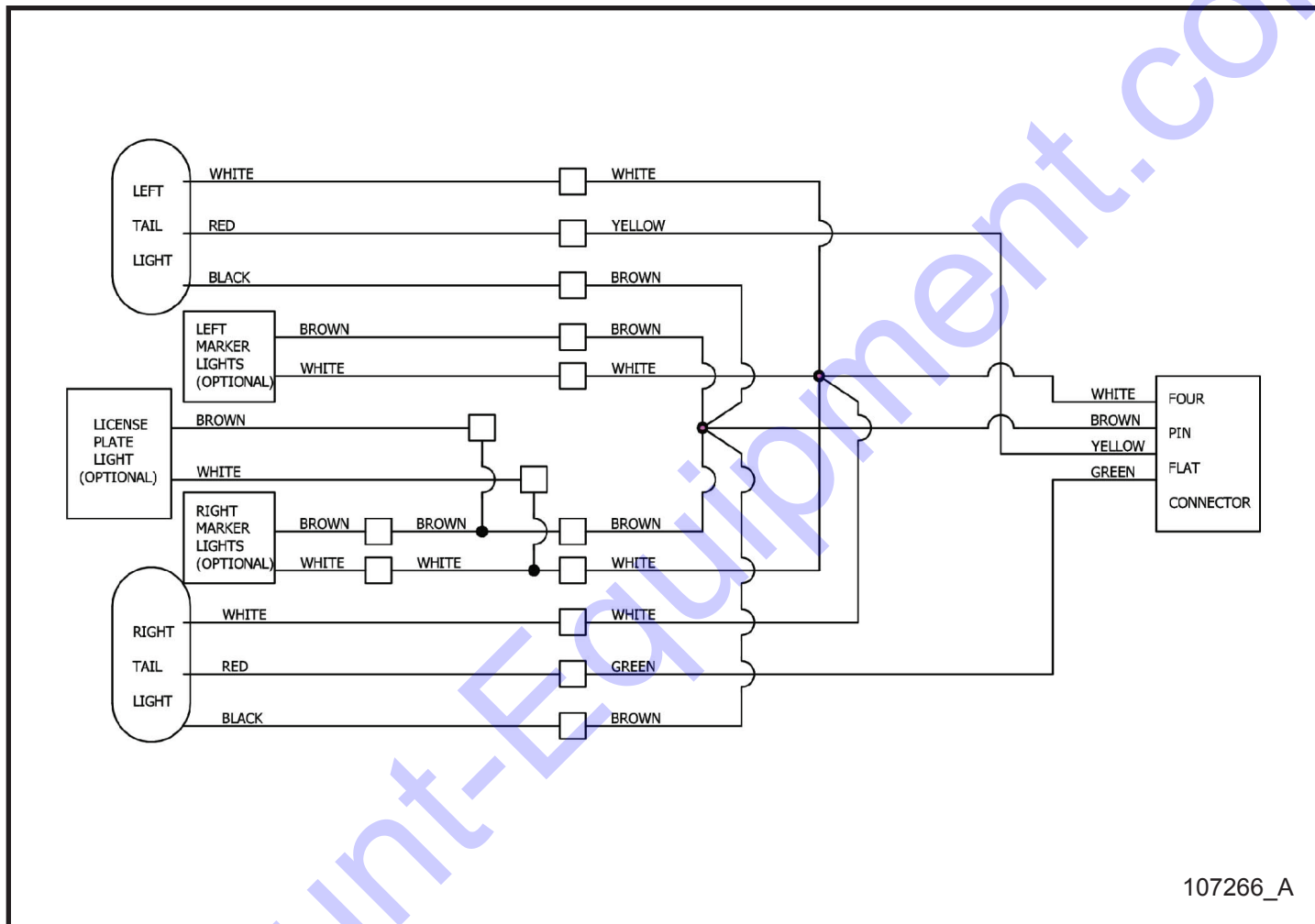
## 17.65 - 20kW 3P 208V 60Hz Cummins Schematic

SN 0001XX12 and UP



## 17.66 - Tail Light Schematic

SN 0001XX12 and UP

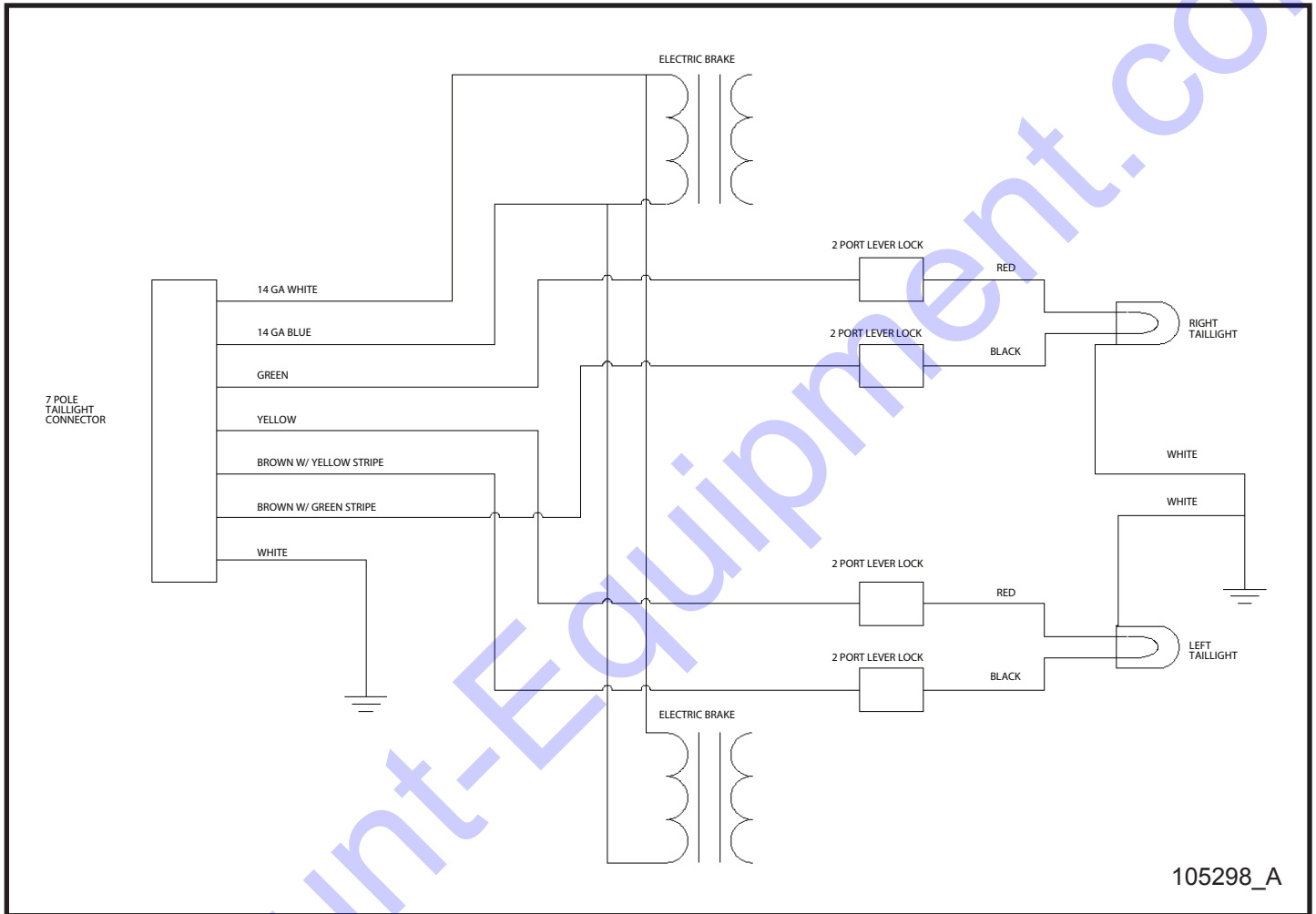


107266\_A



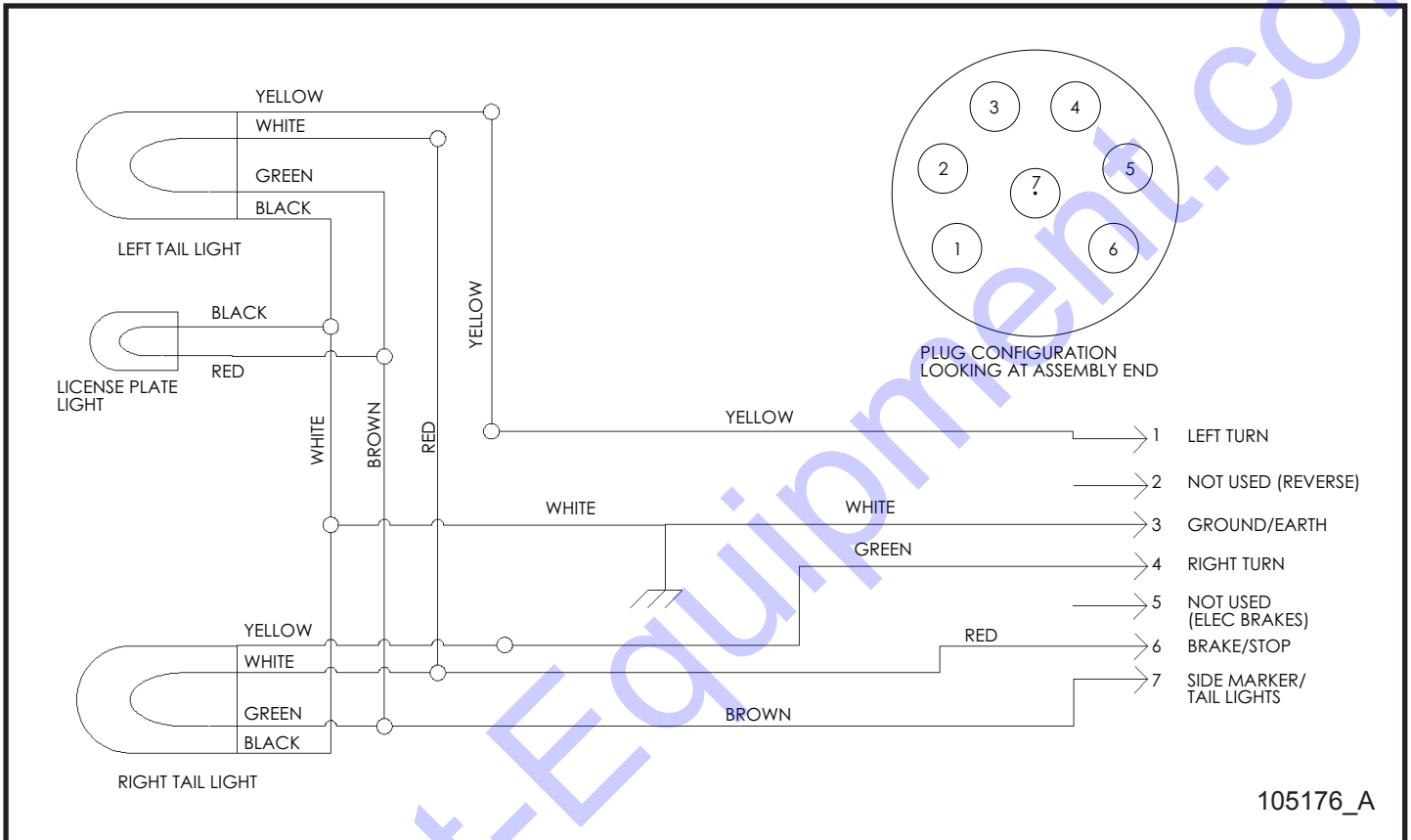
## 17.67 - Electrical Brake Tail Light Schematic

SN 0001XX12 and UP



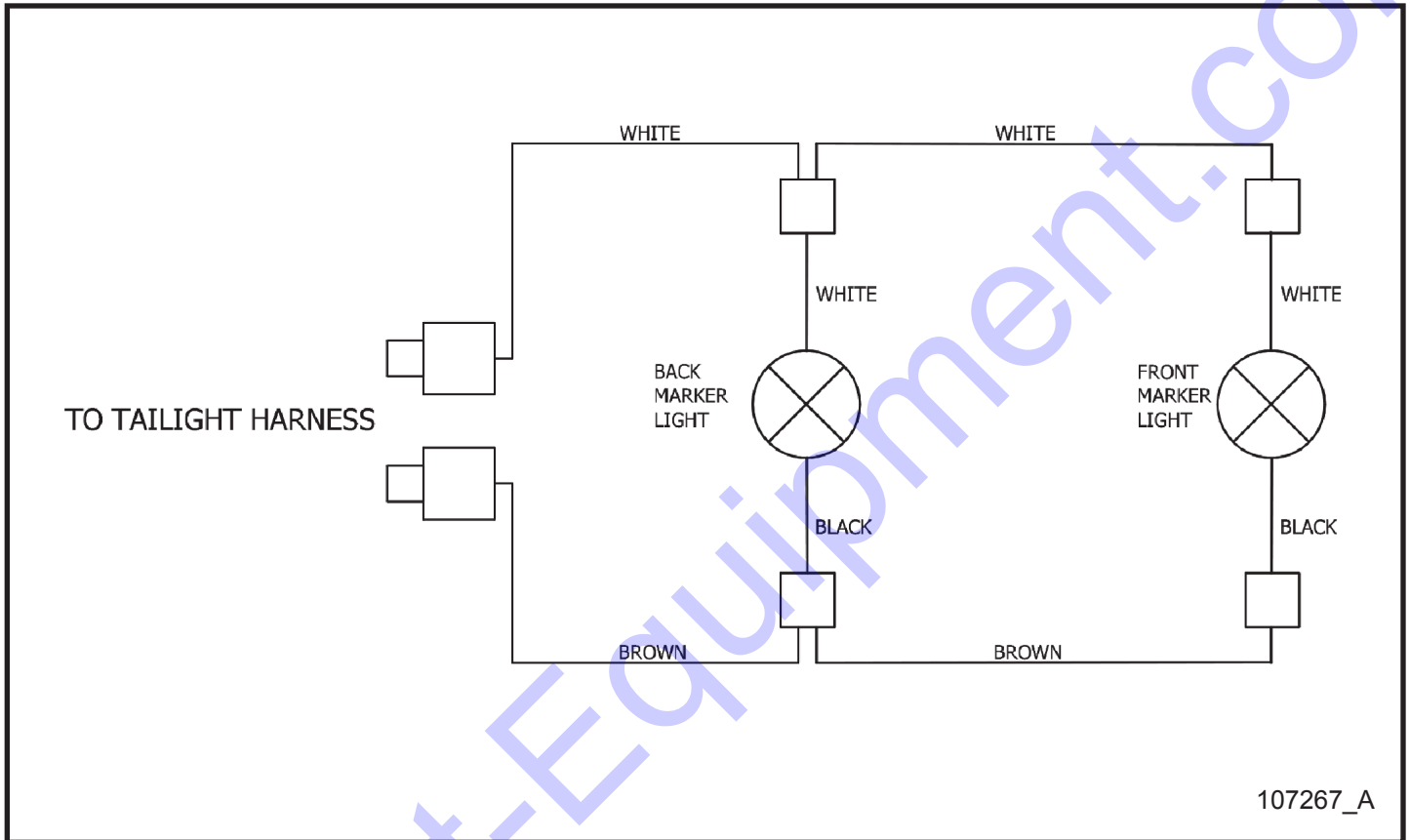
## 17.68 - AS3000 Tail Light Schematic

SN 0001XX12 and UP



## 17.69 - Marker Lights Schematic

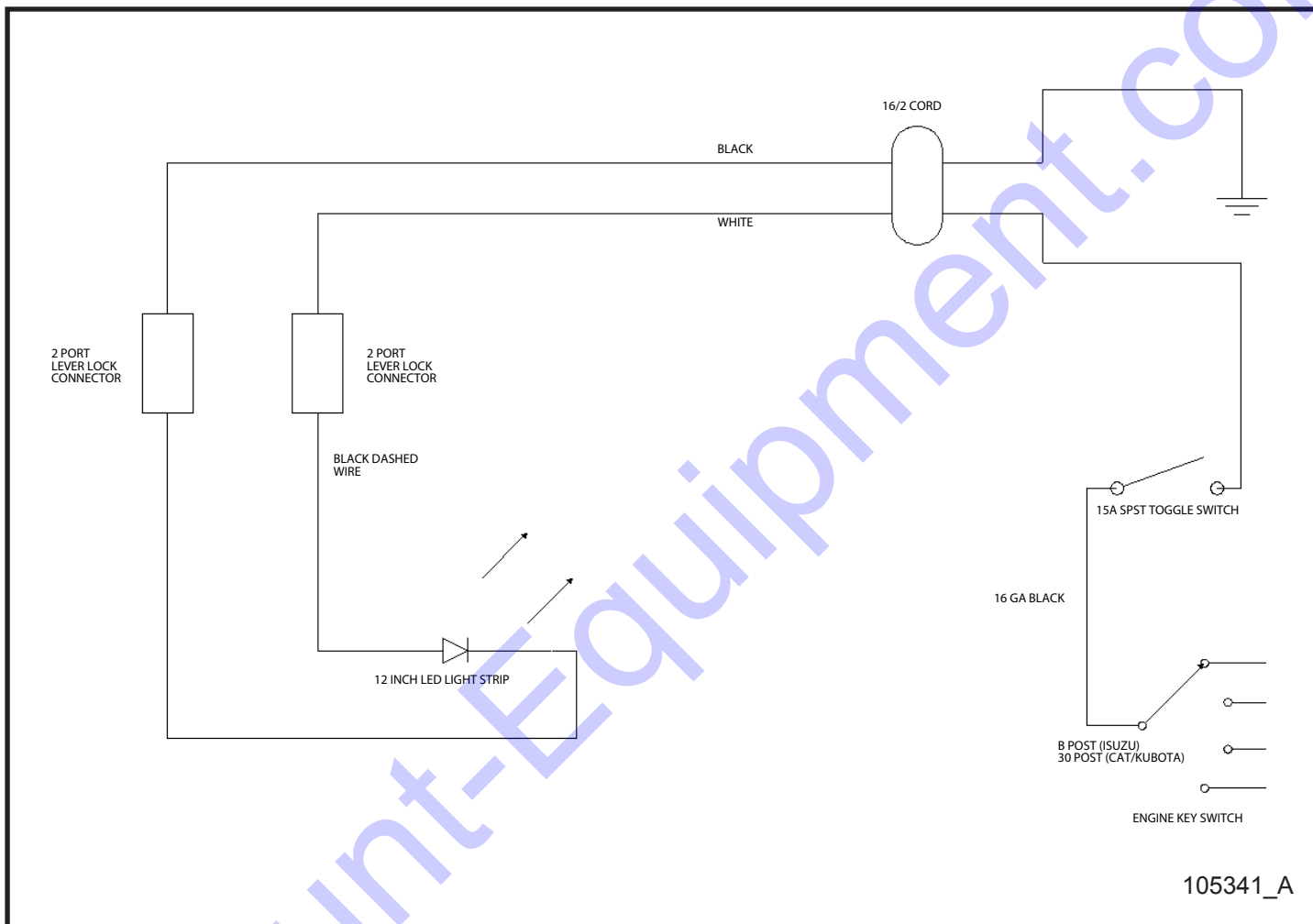
SN 0001XX12 and UP



# Maxi-Lite II

## 17.70 - Interior Work Light Schematic

SN 0001XX12 and UP



# **Discount Equipment**

Discount-Equipment.com is your online resource for commercial and industrial quality parts and equipment sales.

## Locations:

Florida (West Palm Beach): [561-964-4949](tel:561-964-4949)

Outside Florida TOLL FREE: [877-690-3101](tel:877-690-3101)

Need parts? Check out our website at [www.discount-equipment.com](http://www.discount-equipment.com)

## Can't find what you need?

Click on this link: <http://www.discount-equipment.com/category/5443-parts/> and fill out the request form.

Please have the machine model and serial number available in order to help us get you the correct parts. One of our experienced staff members will get back to you with a quote for the right part that your machine needs.

We sell worldwide for the brands: Genie, Terex, JLG, MultiQuip, Mayco, Toro/Stone, Diamond Products, Magnum, Airman, Mustang, Power Blanket, Nifty Lift, Atlas Copco, Chicago Pneumatic, Allmand Brothers, Essick, Miller Spreader, Skyjack, Lull, Skytrak, Tsurumi, Husquvarna/Target, Whiteman-Concrete/Mortar, Stow-Concrete/Mortar, Baldor, Wacker, Sakai, Snorkel, Upright, Mi-T-M, Sullair, Neal, Basic, Dynapac, MBW, Weber, Bartell, Bennar Newman, Haulotte, Ditch Runner, Blaw-Knox, Himoina, Best, Buddy, Crown, Edco, Wyco, Bomag, Laymor, Terremite, Barreto, EZ Trench, Takeuchi, Basic, Bil-Jax, Curtis, Gehl, Heli, Honda, ICS/PowerGrit, Puckett, Waldon, ASV, IHI, Partner, Imer, Clipper, MMD, Koshin, Rice, Gorman Rupp, CH&E, Cat Pumps, Comet, General Pump, Giant, AMida, Coleman, NAC, Gradall, Square Shooter, Kent, Stanley, Tamco, Toku, Hatz, Kohler, Robin, Wisconsin, Northrock, Oztec, Toker TK, Rol-Air, Small Line, Wanco, Yanmar

**New Equipment - Used Equipment - Rental Equipment - Parts and Accessories**

# **Discount Equipment**

[www.discount-equipment.com](http://www.discount-equipment.com)

**561-964-4949**

Parts: [wbparts@Discount-Equipment.com](mailto:wbparts@Discount-Equipment.com)

Sales: [info@Discount-Equipment.com](mailto:info@Discount-Equipment.com)

**Allmand™**



[www.discount-equipment.com](http://www.discount-equipment.com)



*Reliability, performance, and integrity since 1938*

13-0267