

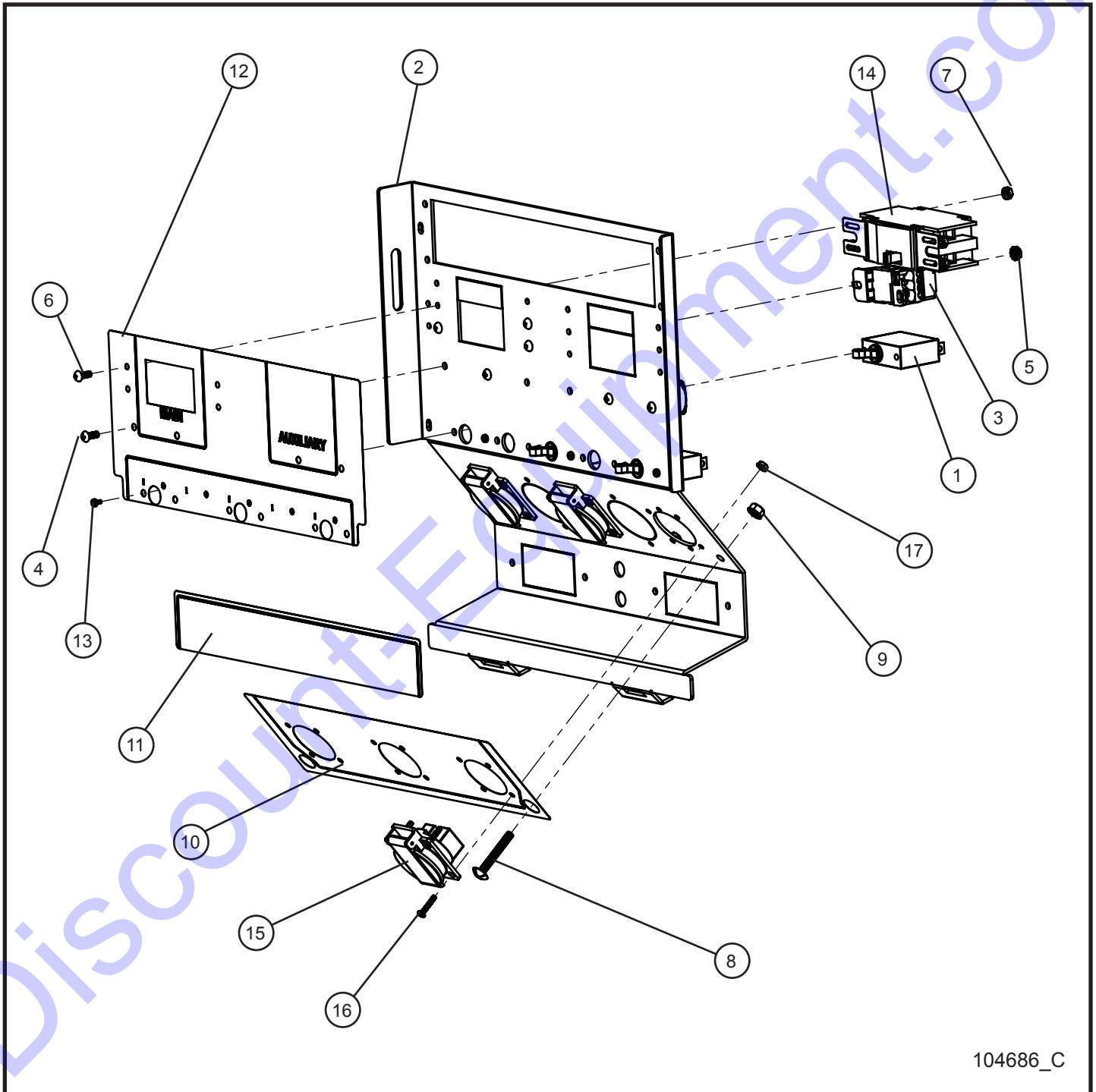
6.10 - Outlet Panel 11kW 50Hz NZL/AS3000

SN 0001XX12 and UP

Item	Part No.	Part Description	Qty.
1	105787P	OUTLET PANEL NZL/AS3000	1
2	104779	DISTRIBUTION BLOCK ERIFLEX	2
3	041021	#10-24 x 1/2 PH-ROUND HEAD MS PL	4
4	044016	#10-24 KEPS HEX NUT PL	4
5	105789	DECAL BREAKER NZL/AS3000	1
6	104549	DECAL GFCI OUTLETS	1
7	104548	DECAL MAIN OUTLETS	1
8	041053	1/4-20 x 1 3/4 PH-TRUSS HEAD MS SS	2
9	044021	1/4-20 KEPS HEX NUT PL	4
10	105775	DIN RAIL 5"	1
11	100718	1/4-20 x 2 1/4 CARRIAGE BOLT	4
12	047009	1/4 FLAT WASHER SAE SS	4
13	044023	1/4-20 NYLOCK HEX NUT PL	4
14	C106178	CIRCUIT BREAKER 63 AMP	1
15	C104516	CIRCUIT BREAKER 10 AMP	2
16	103476	DIN RAIL 4"	1
17	102124	AU1-10 240V RECEPTACLE AUSTRALIAN	2
18	041202	#8-32 x 1 PH-ROUND HEAD MS ZC	4
19	044003	#8-32 NC KEPS NUT	4
20	103521	50Hz ELECTRIC SYSTEM NOTICE DECAL	1
21	043051	1/4 INT'L TOOTH LOCK WASHER	2

6.11 - Outlet Panel 11kW 50Hz Schuko

SN 0001XX12 and UP



104686_C

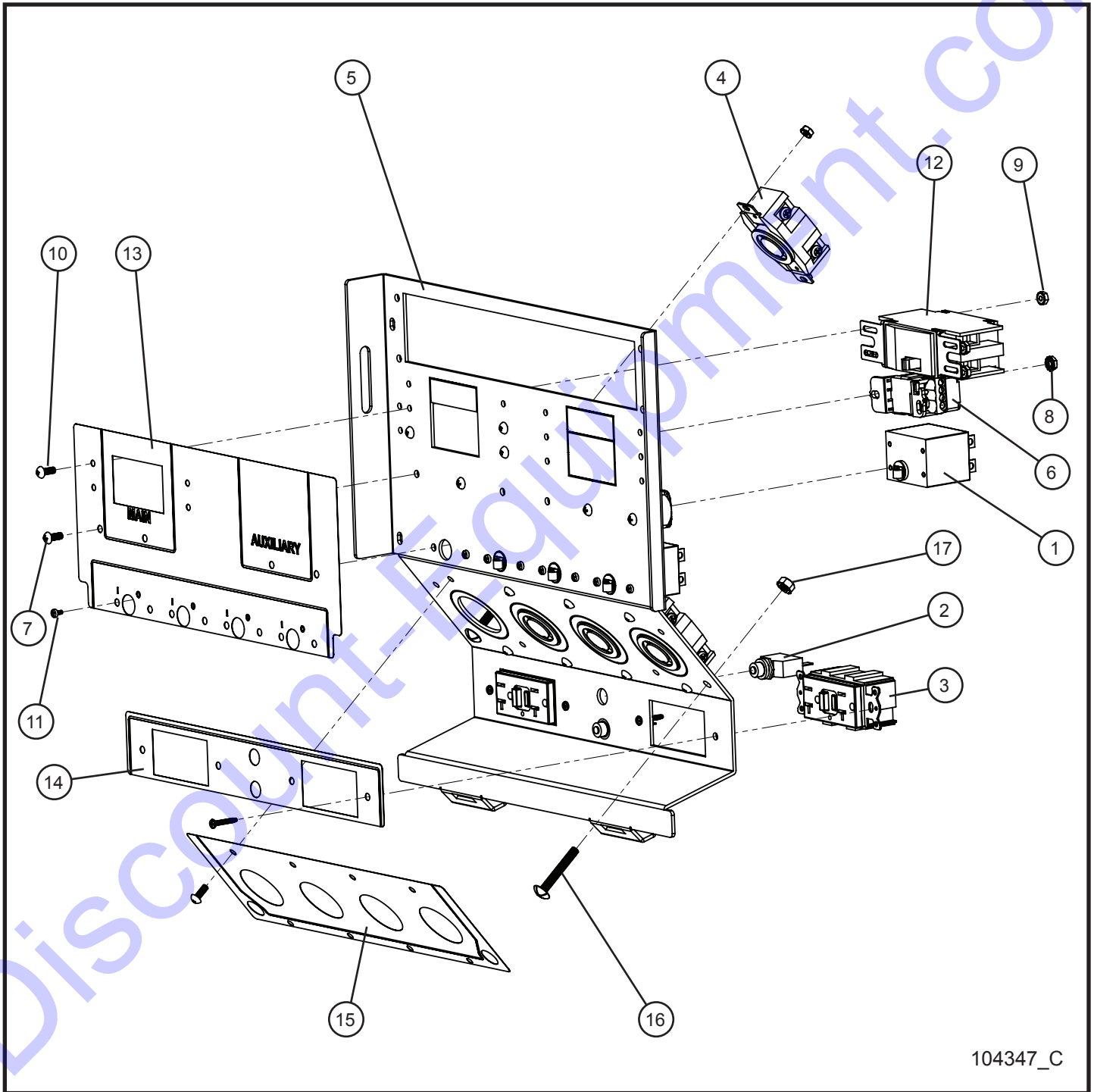
6.11 - Outlet Panel 11kW 50Hz Schuko

SN 0001XX12 and UP

Item	Part No.	Part Description	Qty.
1	330459	15A DPST, CARLING SWITCH	3
2	104685P	OUTLET PANEL MULTI OPTION	1
3	104779	DISTRIBUTION BLOCK ERIFLEX	2
4	041021	#10-24 x 1/2 PH-ROUND HEAD MS PL	4
5	044016	#10-24 KEPS HEX NUT PL	4
6	041012	SCREW MS #8-32 x 1/2 PL	4
7	044003	#8-32 NC KEPS NUT	4
8	041053	1/4-20 x 1 3/4 PH-TRUSS HEAD MS SS	2
9	044021	1/4-20 KEPS HEX NUT PL	2
10	104548	DECAL MAIN OUTLETS	1
11	104549	DECAL GFCI OUTLETS	1
12	104552	DECAL BREAKER FOREIGN OPTIONS	1
13	041018	#6-32 x 1/4 PH-ROUND HEAD MS PL	6
14	353280	70 AMP DOUBLE POLE BREAKER	1
15	650485	RECEPTACLE SCHUKO (EURO)	3
16	101291	#6-32 x 3/4 PH-PAN HEAD MS ZC	12
17	044004	#6-32 KEPS HEX NUT PL	12

6.12 - Outlet Panel 15kW CSA

SN 0001XX12 and UP



104347_C

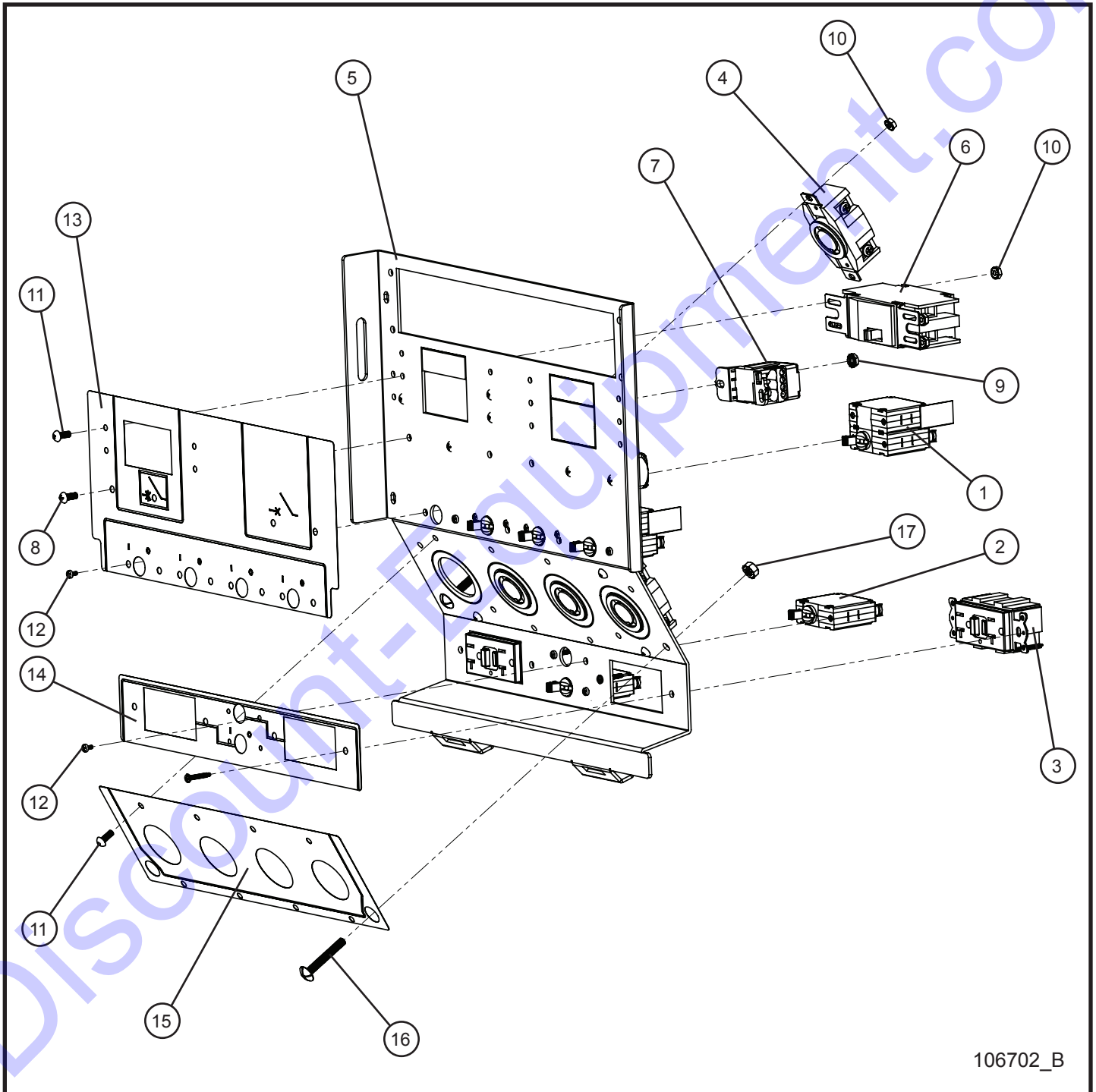
6.12 - Outlet Panel 15kW CSA

SN 0001XX12 and UP

Item	Part No.	Part Description	Qty.
1	330456	30A DPST CIRCUIT BREAKER	4
2	650138	CIRCUIT BREAKER 20A PUSH BUTTON	2
3	330499	20A GFCI RECEPTACLE	2
4	653102	30A 125-250V TWISTLOCK RECEPTACLE	4
5	104306P	OUTLET PANEL STANDARD	1
6	104779	DISTRIBUTION BLOCK ERIFLEX	2
7	041021	#10-24 x 1/2 PH-ROUND HEAD MS PL	4
8	044016	#10-24 KEPS HEX NUT PL	4
9	044003	#8-32 NC KEPS NUT	12
10	041012	SCREW MS #8-32 x 1/2 PL	12
11	041018	#6-32 x 1/4 PH-ROUND HEAD MS PL	8
12	353280	70 AMP DOUBLE POLE BREAKER	1
13	104551	DECAL BREAKER DOMESTIC STANDARD	1
14	104549	DECAL GFCI OUTLETS	1
15	104548	DECAL MAIN OUTLETS	1
16	041053	1/4-20 x 1 3/4 PH-TRUSS HEAD MS SS	2
17	044021	1/4-20 KEPS HEX NUT	2

6.13 - Outlet Panel 15kW CSA UL489

SN 0001XX12 and UP



106702_B

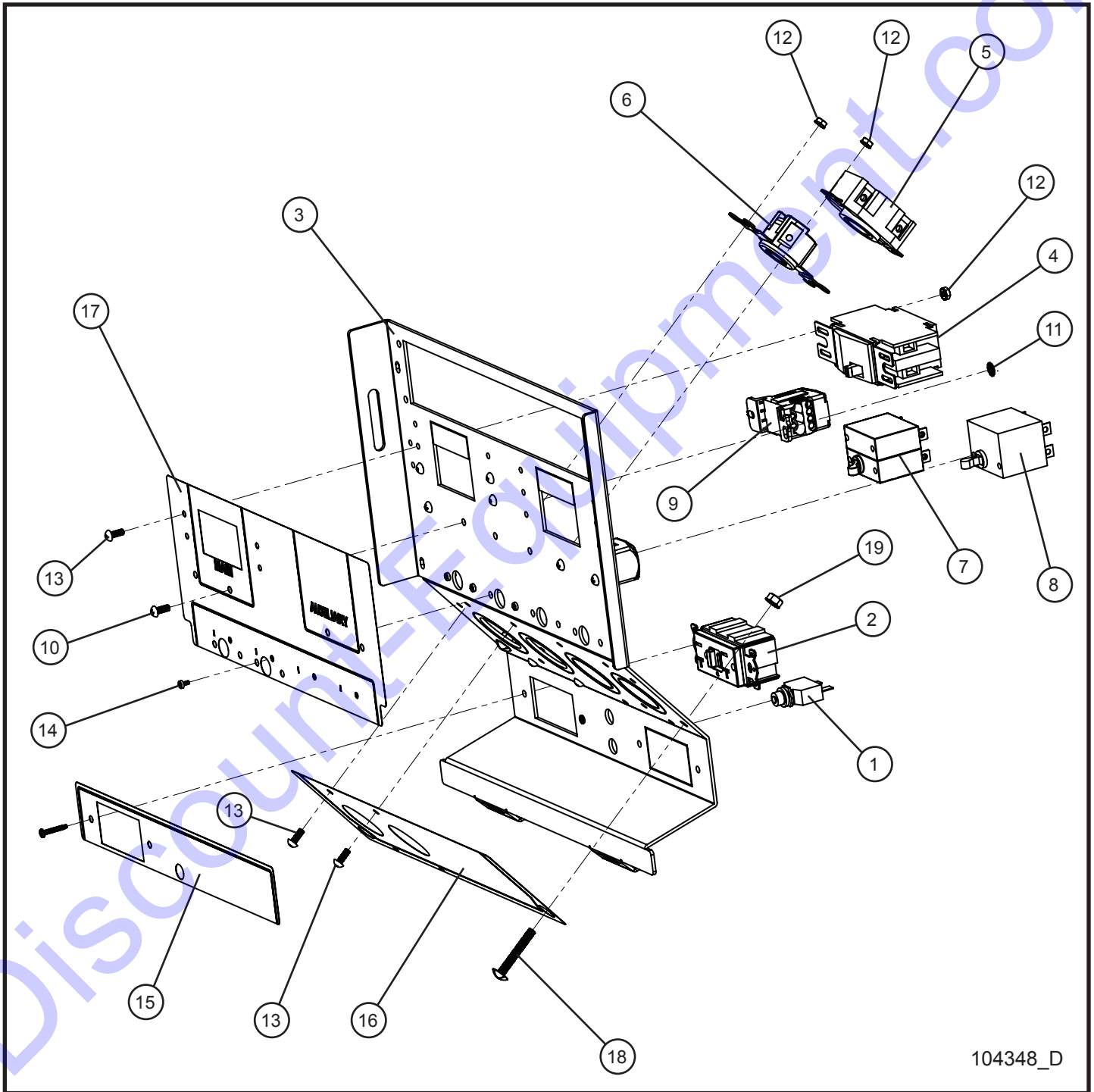
6.13 - Outlet Panel 15kW CSA UL489

SN 0001XX12 and UP

Item	Part No.	Part Description	Qty.
1	106785	CIRCUIT BREAKER 30AMP	4
2	106787	CIRCUIT BREAKER 20AMP	2
3	330499	20A GFCI RECEPTACLE	2
4	653102	30A 125-250V TWISTLOCK RECEPTACLE	4
5	106880P	OUTLET PANEL STANDARD	1
6	353280	70 AMP DOUBLE POLE BREAKER	1
7	104779	DISTRIBUTION BLOCK ERIFLEX	2
8	041021	#10-24 x 1/2 PH-ROUND HEAD MS PL	4
9	044016	#10-24 KEPS HEX NUT PL	4
10	044003	#8-32 NC KEPS NUT	12
11	041012	SCREW MS #8-32 x 1/2 PL	12
12	041018	#6-32 x 1/4 PH-ROUND HEAD MS PL	8
13	107300	DECAL BREAKER DOMESTIC STANDARD	1
14	107186	DECAL GFCI OUTLETS	1
15	104548	DECAL MAIN OUTLETS	1
16	041053	1/4-20 x 1 3/4 PH-TRUSS HEAD MS SS	2
17	044021	1/4-20 KEPS HEX NUT	2
18	108020	SCHEMATIC 15kW 1P 4-240V 30A 2-120V 20A GFCI	1

6.14 - Outlet Panel 15kW Domestic

SN 0001XX12 and UP



104348_D

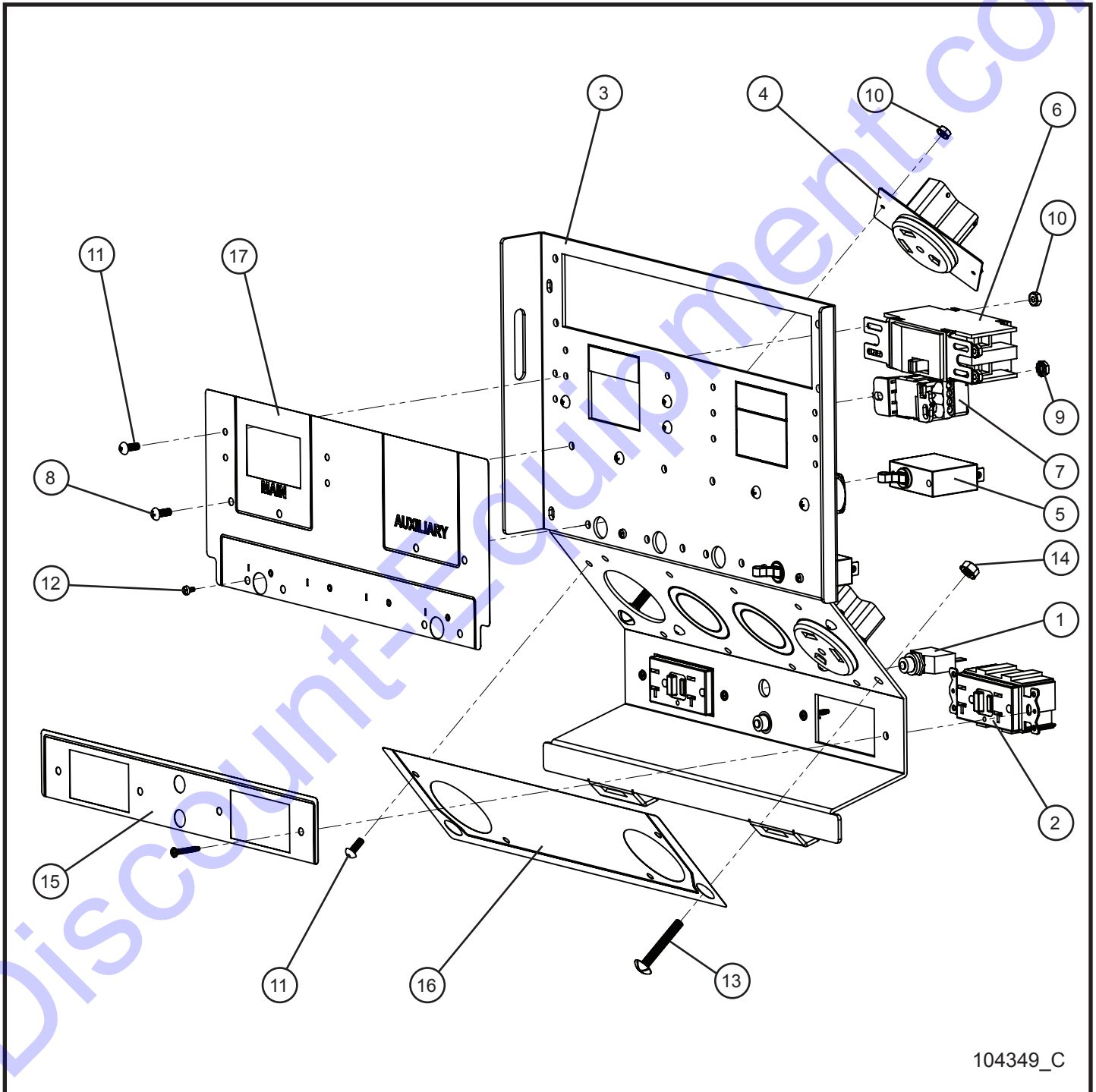
6.14 - Outlet Panel 15kW Domestic

SN 0001XX12 and UP

Item	Part No.	Part Description	Qty.
1	650138	CIRCUIT BREAKER 20A PUSH BUTTON	1
2	330499	20A GFCI RECEPTACLE	1
3	104306P	OUTLET PANEL STANDARD	1
4	353280	70 AMP DOUBLE POLE BREAKER	1
5	352172	20A 125-250V TWISTLOCK RECEPTACLE	1
6	330490	15A 250 V TWISTLOCK SINGLE RECEPTACLE	1
7	330459	15A DPST CARLING SWITCH	1
8	352178	20A DPST CIRCUIT BREAKER	1
9	104779	DISTRIBUTION BLOCK ERIFLEX	2
10	041021	#10-24 x 1/2 PH-ROUND HEAD MS PL	4
11	044016	#10-24 KEPS HEX NUT PL	4
12	044003	#8-32 NC KEPS NUT	8
13	041012	SCREW MS #8-32 x 1/2 PL	8
14	041018	#6-32 x 1/4 PH-ROUND HEAD MS PL	4
15	104549	DECAL GFCI OUTLETS	1
16	104548	DECAL MAIN OUTLETS	1
17	104551	DECAL BREAKER DOMESTIC STANDARD	1
18	041053	1/4-20 x 1 3/4 PH-TRUSS HEAD MS SS	2
19	044021	1/4-20 KEPS HEX NUT PL	2
20	105258	SCHEMATIC 14kW 1P 1-20A GFCI, 1-15A L6-15R	1

6.15 - Outlet Panel 15kW RV

SN 0001XX12 and UP



104349_C

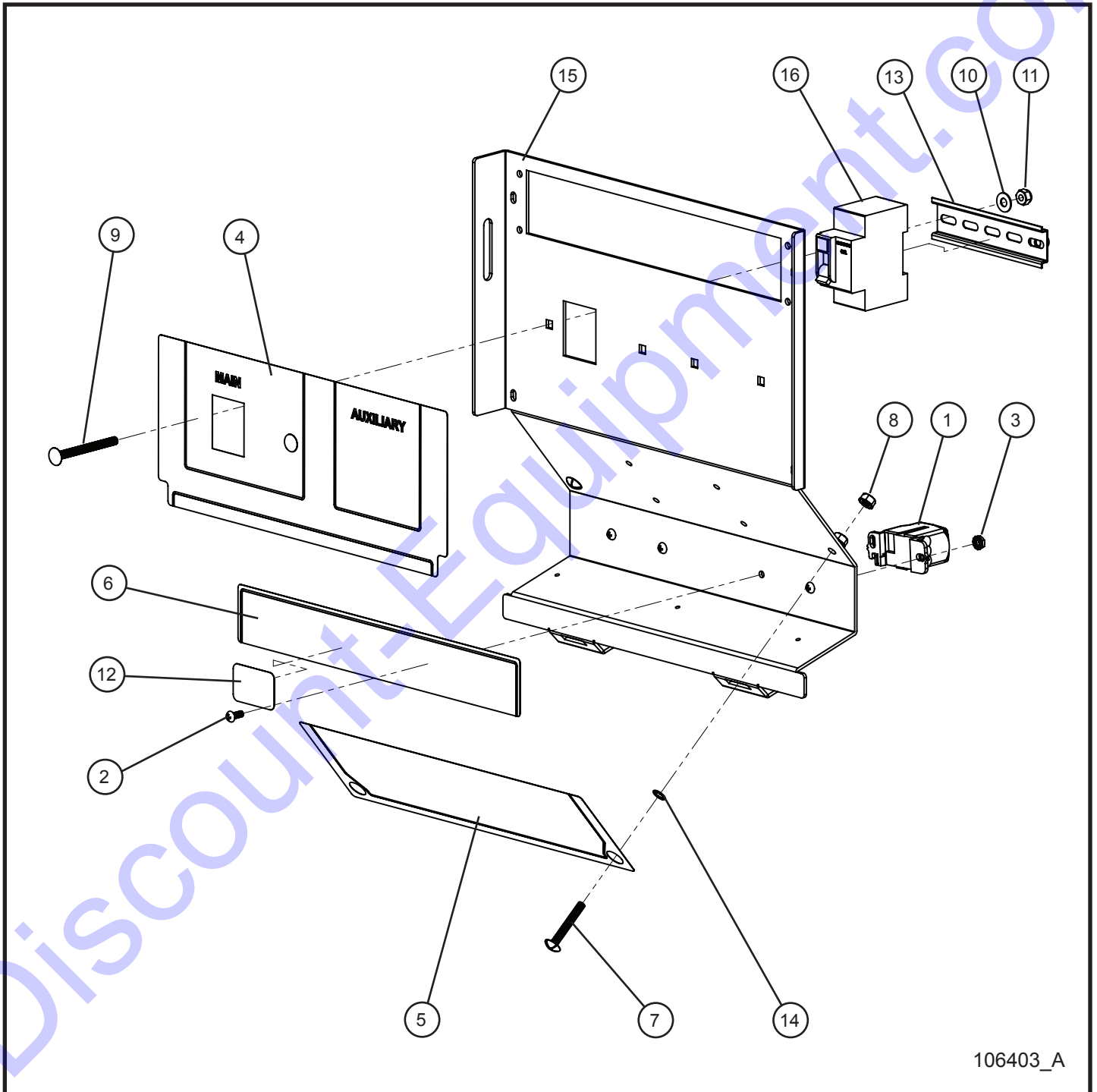
6.15 - Outlet Panel 15kW RV

SN 0001XX12 and UP

Item	Part No.	Part Description	Qty.
1	650138	CIRCUIT BREAKER 20A PUSH BUTTON	2
2	330499	20A GFCI RECEPTACLE	2
3	104306P	OUTLET PANEL STANDARD	1
4	680815	125V 30A OUTLET	2
5	330472	30A SPST CIRCUIT BREAKER	2
6	353280	70 AMP DOUBLE POLE BREAKER	1
7	104779	DISTRIBUTION BLOCK ERIFLEX	2
8	041021	#10-24 x 1/2 PH-ROUND HEAD MS PL	4
9	044016	#10-24 KEPS HEX NUT PL	4
10	044003	#8-32 NC KEPS NUT	8
11	041012	SCREW MS #8-32 x 1/2 PL	8
12	041018	#6-32 x 1/4 PH-ROUND HEAD MS PL	4
13	041053	1/4-20 x 1 3/4 PH-TRUSS HEAD MS SS	2
14	044021	1/4-20 KEPS HEX NUT PL	2
15	104549	DECAL GFCI OUTLETS	1
16	104548	DECAL MAIN OUTLETS	1
17	104551	DECAL BREAKER DOMESTIC STANDARD	1

6.16 - Outlet Panel 13kW 50Hz NZL/AS3000

SN 0001XX12 and UP



106403_A

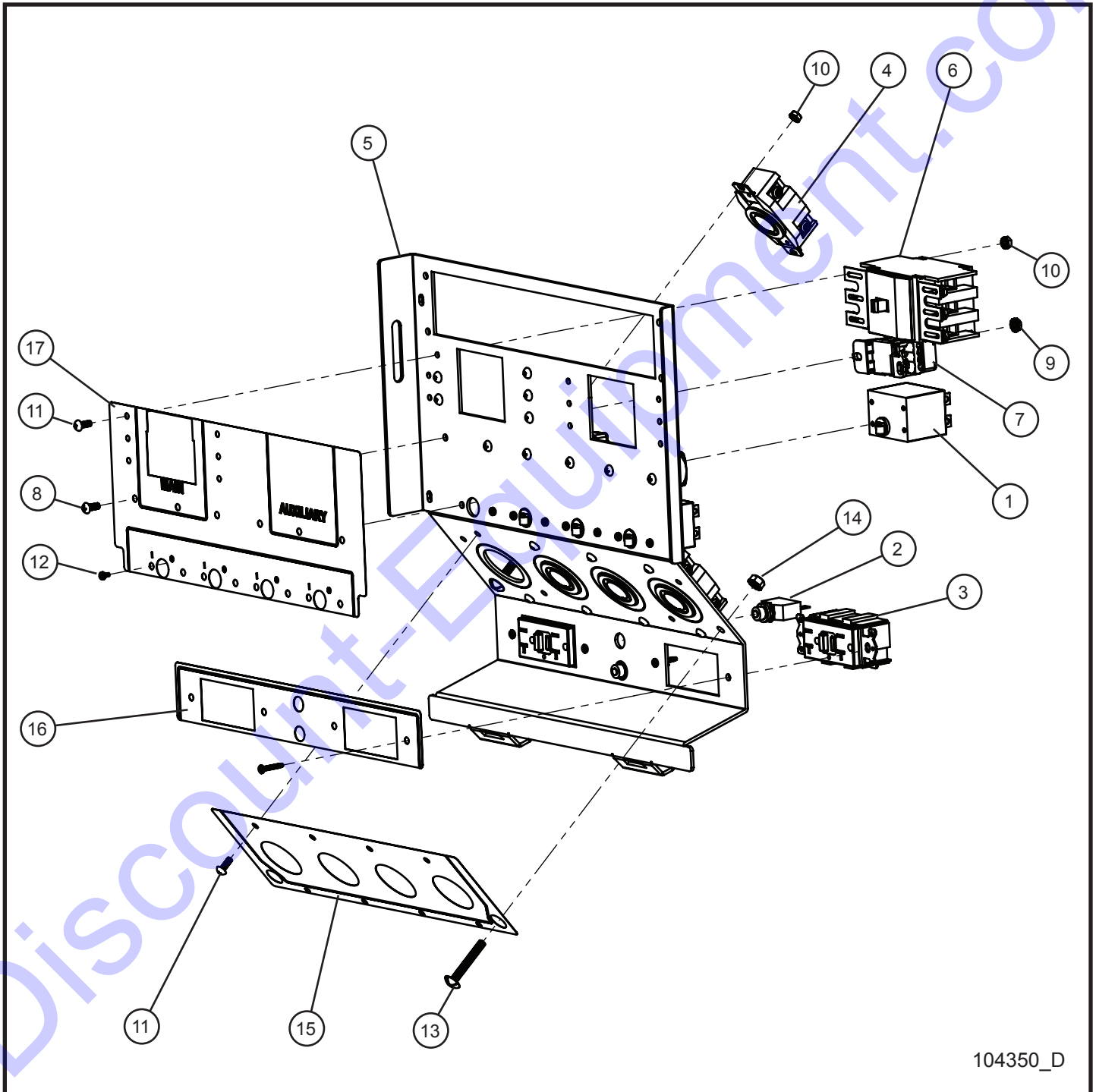
6.16 - Outlet Panel 13kW 50Hz NZL/AS3000

SN 0001XX12 and UP

Item	Part No.	Part Description	Qty.
1	104779	DISTRIBUTION BLOCK ERIFLEX	2
2	041021	#10-24 x 1/2 PH-ROUND HEAD MS PL	4
3	044016	#10-24 KEPS HEX NUT PL	4
4	105789	DECAL BREAKER NZL/AS3000	1
5	104548	DECAL MAIN OUTLETS	1
6	104549	DECAL GFCI OUTLETS	1
7	041053	1/4-20 x 1 3/4 PH-TRUSS HEAD MS SS	2
8	044021	1/4-20 KEPS HEX NUT PL	4
9	100718	1/4-20 x 2 1/4 CARRIAGE BOLT	2
10	047009	1/4 FLAT WASHER SAE SS	2
11	044023	1/4-20 NYLOCK HEX NUT PL	2
12	103522	60Hz ELECTRIC SYSTEM NOTICE	1
13	105775	DIN RAIL 5"	1
14	043051	1/4 INT'L TOOTHLOCK WASHER SS	2
15	105787P	OUTLET PANEL NZL/AS3000	1
16	C106178	CIRCUIT BREAKER 63 AMP	1

6.17 - Outlet Panel 15/20kW 208V 3PH

SN 0001XX12 and UP



104350_D

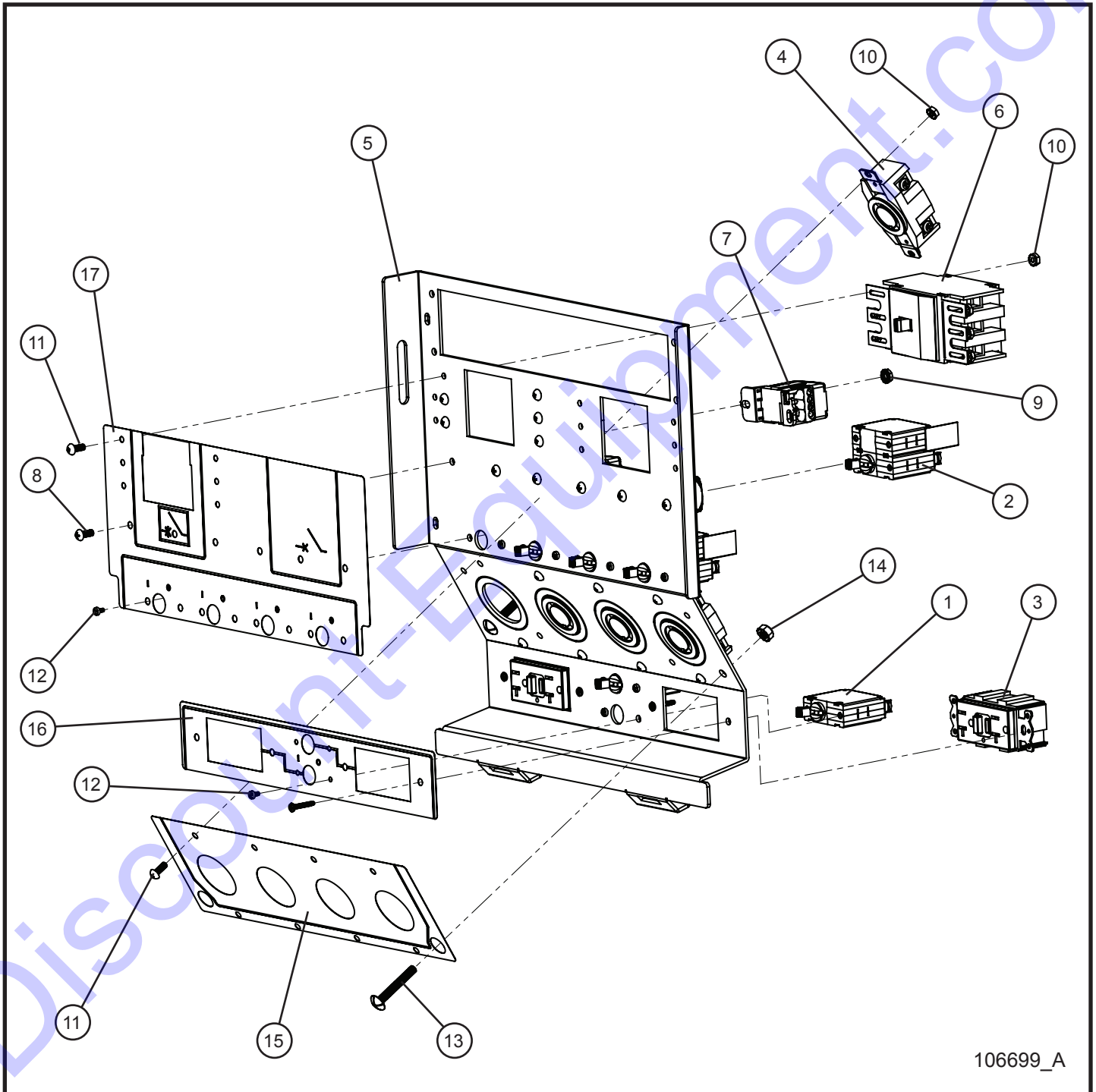
6.17 - Outlet Panel 15/20kW 208V 3PH

SN 0001XX12 and UP

Item	Part No.	Part Description	Qty.
1	330456	30A DPST CIRCUIT BREAKER	4
2	650138	CIRCUIT BREAKER 20A PUSH BUTTON	2
3	330499	20A GFCI RECEPTACLE	2
4	653102	30A 125-250V TWISTLOCK RECEPTACLE	4
5	104306P	OUTLET PANEL STANDARD	1
6	022235	BREAKER 60A 3PH 208V CIRCUIT BREAKER	1
7	104779	DISTRIBUTION BLOCK ERIFLEX	3
8	041021	#10-24 x 1/2 PH-ROUND HEAD MS PL	6
9	044016	#10-24 KEPS HEX NUT PL	6
10	044003	#8-32 NC KEPS NUT	14
11	041012	SCREW MS #8-32 x 1/2 PL	14
12	041018	#6-32 x 1/4 PH-ROUND HEAD MS PL	8
13	041053	1/4-20 x 1 3/4 PH-TRUSS HEAD MS SS	2
14	044021	1/4-20 KEPS HEX NUT PL	2
15	104548	DECAL MAIN OUTLETS	1
16	104549	DECAL GFCI OUTLETS	1
17	104551	DECAL BREAKER DOMESTIC STANDARD	1

6.18 - Outlet Panel 15/20kW 208V 3PH UL489

SN 0001XX12 and UP



106699_A

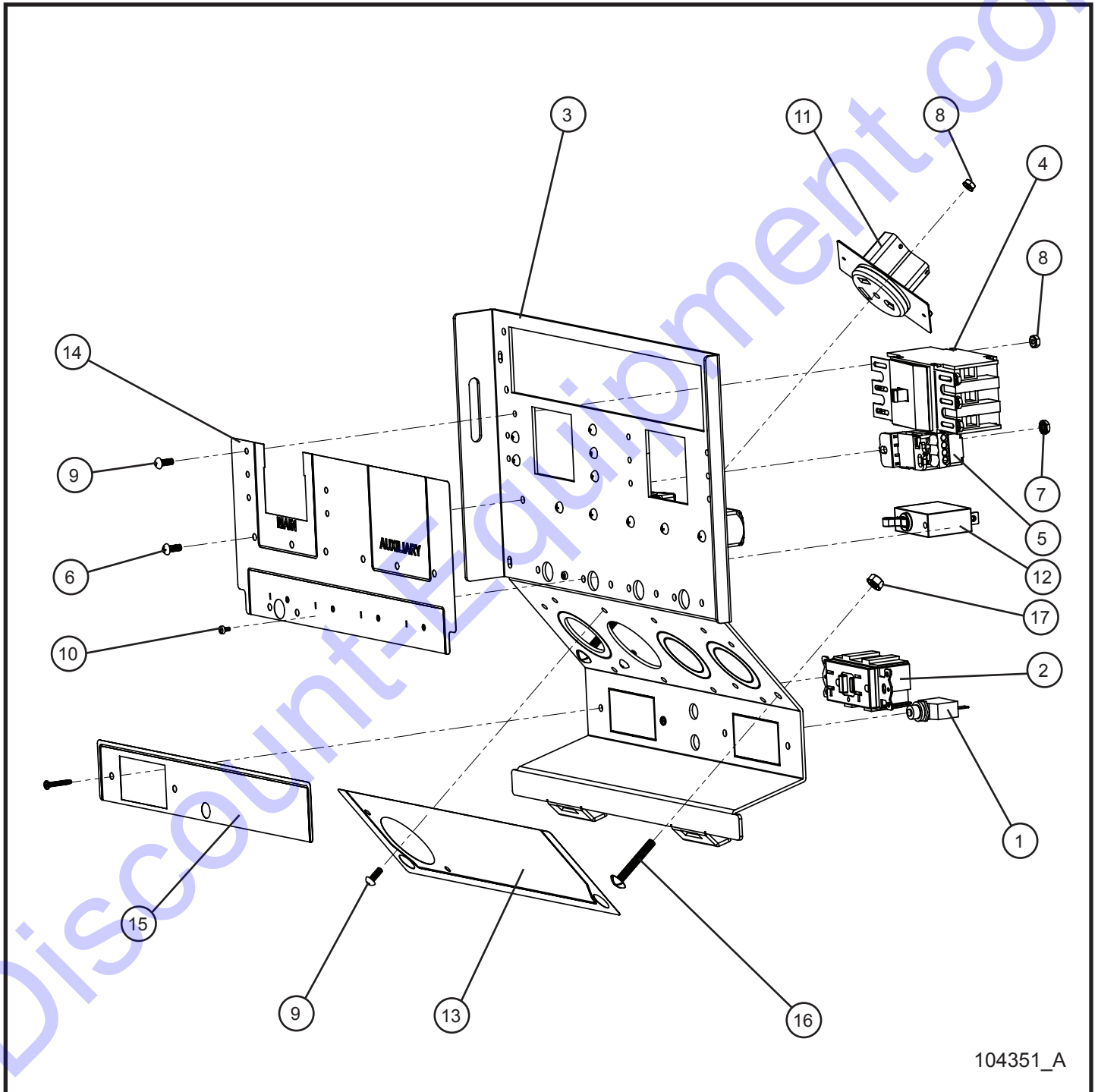
6.18 - Outlet Panel 15/20kW 208V 3PH UL489

SN 0001XX12 and UP

Item	Part No.	Part Description	Qty.
1	106787	CIRCUIT BREAKER 20AMP	2
2	106785	CIRCUIT BREAKER 30AMP	4
3	330499	20A GFCI RECEPTACLE	2
4	653102	30A 125-250V TWISTLOCK RECEPTACLE	4
5	106680P	OUTLET PANEL STANDARD	1
6	022235	BREAKER 60A 3PH 208V CIRCUIT BREAKER	1
7	104779	DISTRIBUTION BLOCK ERIFLEX	3
8	041021	#10-24 x 1/2 PH-ROUND HEAD MS PL	6
9	044016	#10-24 KEPS HEX NUT PL	6
10	044003	#8-32 NC KEPS NUT	14
11	041012	SCREW MS #8-32 x 1/2 PL	14
12	041018	#6-32 x 1/4 PH-ROUND HEAD MS PL	8
13	041053	1/4-20 x 1 3/4 PH-TRUSS HEAD MS SS	2
14	044021	1/4-20 KEPS HEX NUT PL	2
15	104548	DECAL MAIN OUTLETS	1
16	107186	DECAL GFCI OUTLETS	1
17	107300	DECAL BREAKER DOMESTIC STANDARD	1
18	108024	SCHEMATIC 20KW 3P 4-208V 30A 2-120V 20A GFCI	1

6.19 - Outlet Panel 20kW 240V 3PH

SN 0001XX12 and UP



104351_A

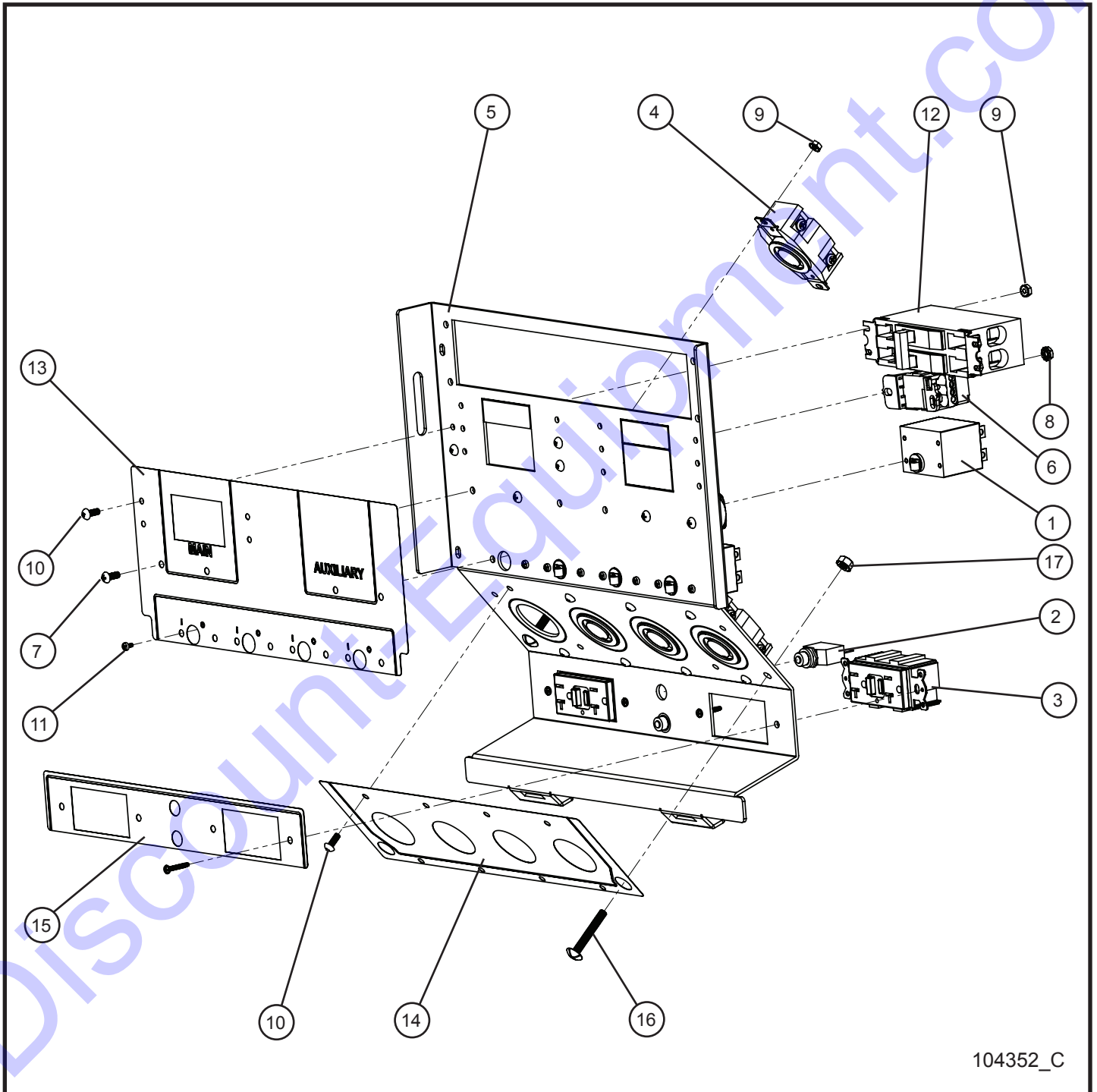
6.19 - Outlet Panel 20kW 240V 3PH

SN 0001XX12 and UP

Item	Part No.	Part Description	Qty.
1	650138	CIRCUIT BREAKER 20A PUSH BUTTON	1
2	330499	20A GFCI RECEPTACLE	1
3	104306P	OUTLET PANEL STANDARD	1
4	022235	60A 3 POLE CIRCUIT BREAKER	1
5	104779	DISTRIBUTION BLOCK ERIFLEX	3
6	041021	#10-24 x 1/2 PH-ROUND HEAD MS PL	6
7	044016	#10-24 KEPS HEX NUT PL	6
8	044003	#8-32 NC KEPS NUT	8
9	041012	SCREW MS #8-32 x 1/2 PL	8
10	041018	#6-32 x 1/4 PH ROUND HEAD MS PL	2
11	680815	125V 30A OUTLET	1
12	330472	30A SPST CIRCUIT BREAKER	1
13	104548	DECAL MAIN OUTLETS	1
14	104551	DECAL BREAKER DOMESTIC STANDARD	1
15	104549	DECAL GFCI OUTLETS	1
16	041053	1/4-20 x 1 3/4 PH-TRUSS HEAD MS SS	2
17	044021	1/4-20 KEPS HEX NUT PL	2

6.20 - Outlet Panel 20kW CSA

SN 0001XX12 and UP



104352_C

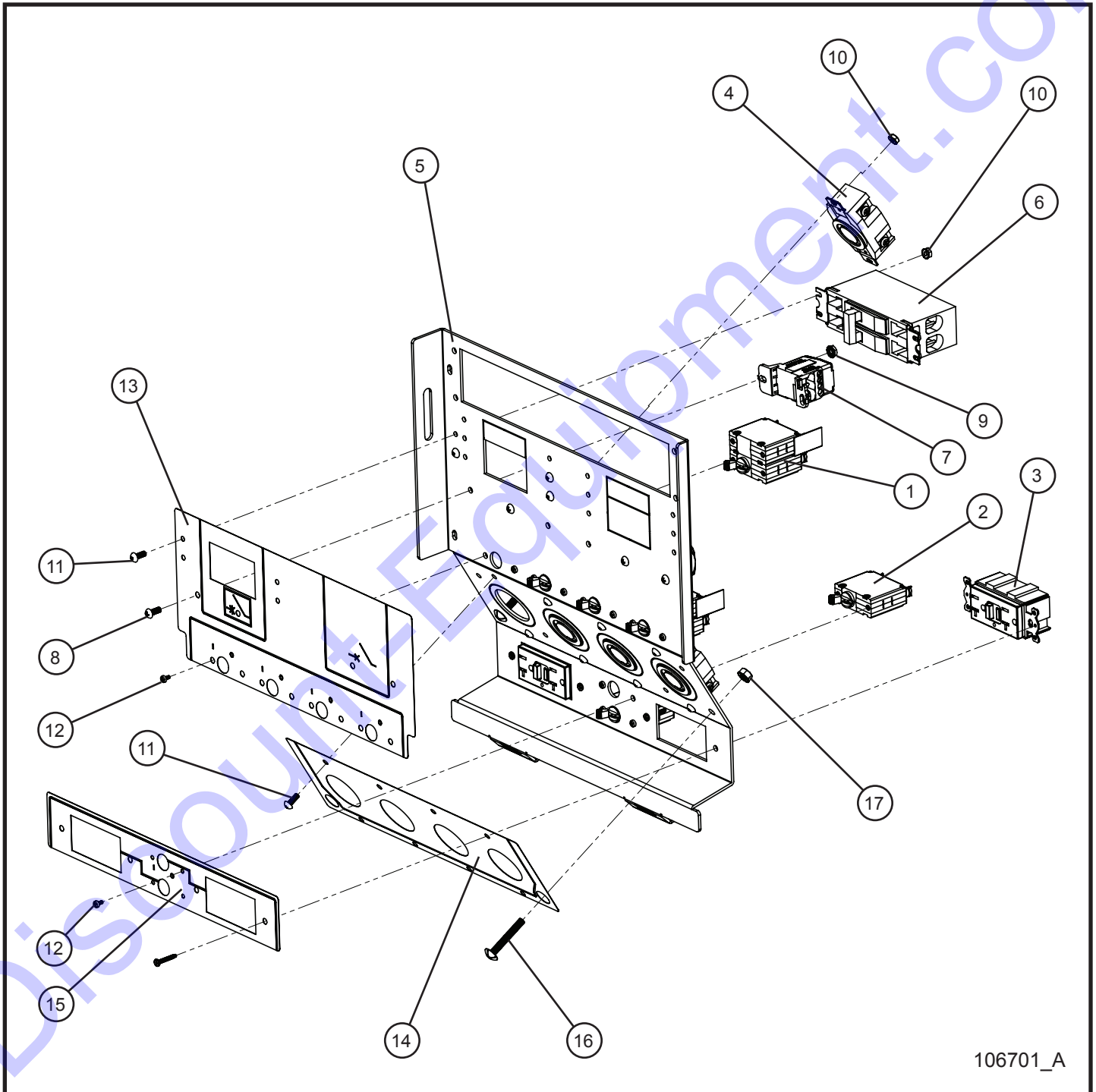
6.20 - Outlet Panel 20kW CSA

SN 0001XX12 and UP

Item	Part No.	Part Description	Qty.
1	330456	30A DPST CIRCUIT BREAKER	4
2	650138	CIRCUIT BREAKER 20A PUSH BUTTON	2
3	330499	20A GFCI RECEPTACLE	2
4	653102	30A 125-250V TWISTLOCK RECEPTACLE	4
5	104306P	OUTLET PANEL STANDARD	1
6	104779	DISTRIBUTION BLOCK ERIFLEX	2
7	041021	#10-24 x 1/2 PH-ROUND HEAD MS PL	4
8	044016	#10-24 KEPS HEX NUT PL	4
9	044003	#8-32 NC KEPS NUT	12
10	041012	SCREW MS #8-32 x 1/2 PL	12
11	041018	#6-32 x 1/4 PH-ROUND HEAD MS PL	8
12	353301	90 AMP 2 POLE BREAKER	1
13	104551	DECAL BREAKER DOMESTIC STANDARD	1
14	104548	DECAL MAIN OUTLETS	1
15	104549	DECAL GFCI OUTLETS	1
16	041053	1/4-20 x 1 3/4 PH-TRUSS HEAD MS SS	2
17	044021	1/4-20 KEPS HEX NUT PL	2

6.21 - Outlet Panel 20kW CSA UL489

SN 0001XX12 and UP



106701_A

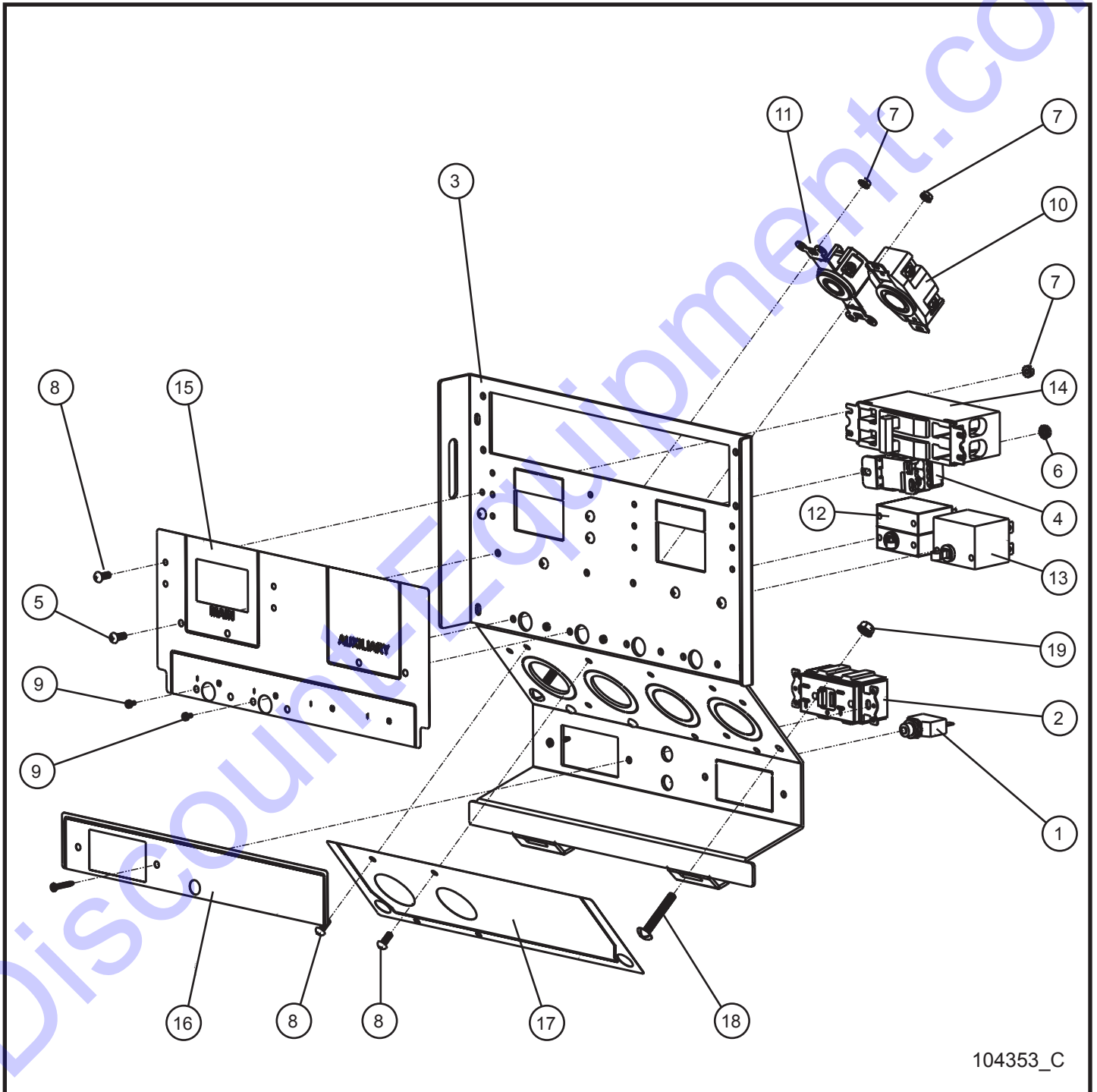
6.21 - Outlet Panel 20kW CSA UL489

SN 0001XX12 and UP

Item	Part No.	Part Description	Qty.
1	106785	CIRCUIT BREAKER 30AMP	4
2	106787	CIRCUIT BREAKER 20AMP	2
3	330499	20A GFCI RECEPTACLE	2
4	653102	30A 125-250V TWISTLOCK RECEPTACLE	4
5	106680P	OUTLET PANEL STANDARD	1
6	353301	90 AMP 2 POLE BREAKER	1
7	104779	DISTRIBUTION BLOCK ERIFLEX	2
8	041021	#10-24 x 1/2 PH-ROUND HEAD MS PL	4
9	044016	#10-24 KEPS HEX NUT PL	4
10	044003	#8-32 NC KEPS NUT	12
11	041012	SCREW MS #8-32 x 1/2 PL	12
12	041018	#6-32 x 1/4 PH-ROUND HEAD MS PL	8
13	107300	DECAL BREAKER DOMESTIC STANDARD	1
14	104548	DECAL MAIN OUTLETS	1
15	107186	DECAL GFCI OUTLETS	1
16	041053	1/4-20 x 1 3/4 PH-TRUSS HEAD MS SS	2
17	044021	1/4-20 KEPS HEX NUT PL	2
18	108023	SCHEMATIC 20KW 1P 4-240V 30A 2-120V 20A GFCI	1

6.22 - Outlet Panel 20kW Domestic

SN 0001XX12 and UP



104353_C

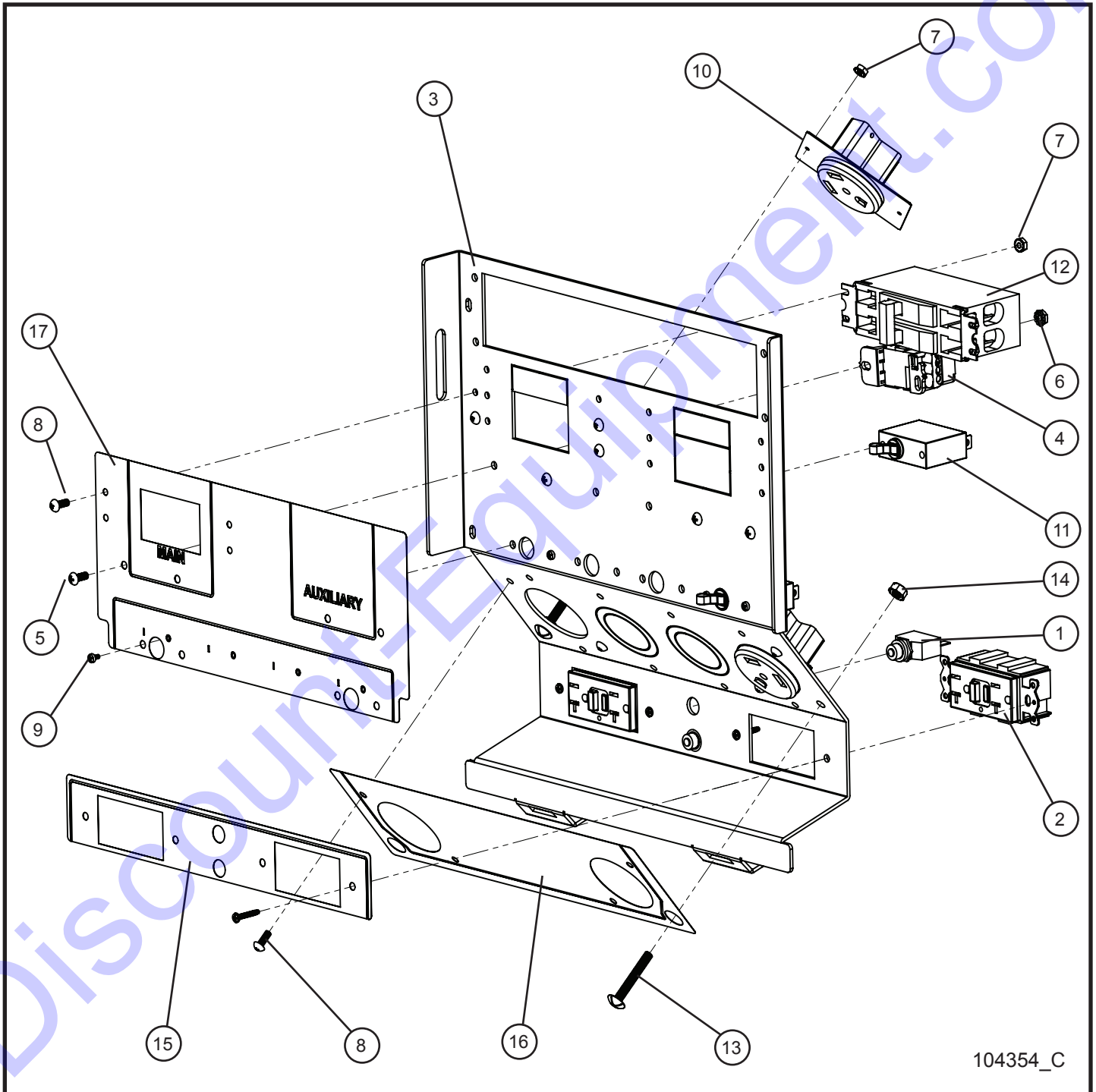
6.22 - Outlet Panel 20kW Domestic

SN 0001XX12 and UP

Item	Part No.	Part Description	Qty.
1	650138	CIRCUIT BREAKER 20A PUSH BUTTON	1
2	330499	20A GFCI RECEPTACLE	1
3	104306P	OUTLET PANEL STANDARD	1
4	104779	DISTRIBUTION BLOCK ERIFLEX	2
5	041021	#10-24 x 1/2 PH-ROUND HEAD MS PL	4
6	044016	#10-24 KEPS HEX NUT PL	4
7	044003	#8-32 NC KEPS NUT	8
8	041012	SCREW MS #8-32 x 1/2 PL	8
9	041018	#6-32 x 1/4 PH-ROUND HEAD MS PL	4
10	352172	20A 125-250V TWISTLOCK RECEPTACLE	1
11	330490	15A 250 V TWISTLOCK SINGLE RECEPTACLE	1
12	330459	15A DPST CARLING SWITCH	1
13	352178	20A DPST CIRCUIT BREAKER	1
14	353301	90 AMP 2 POLE BREAKER	1
15	104551	DECAL BREAKER DOMESTIC STANDARD	1
16	104549	DECAL GFCI OUTLETS	1
17	104548	DECAL MAIN OUTLETS	1
18	041053	1/4-20 x 1 3/4 PH-TRUSS HEAD MS SS	2
19	044021	1/4-20 KEPS HEX NUT PL	2

6.23 - Outlet Panel 20kW RV

SN 0001XX12 and UP



104354_C

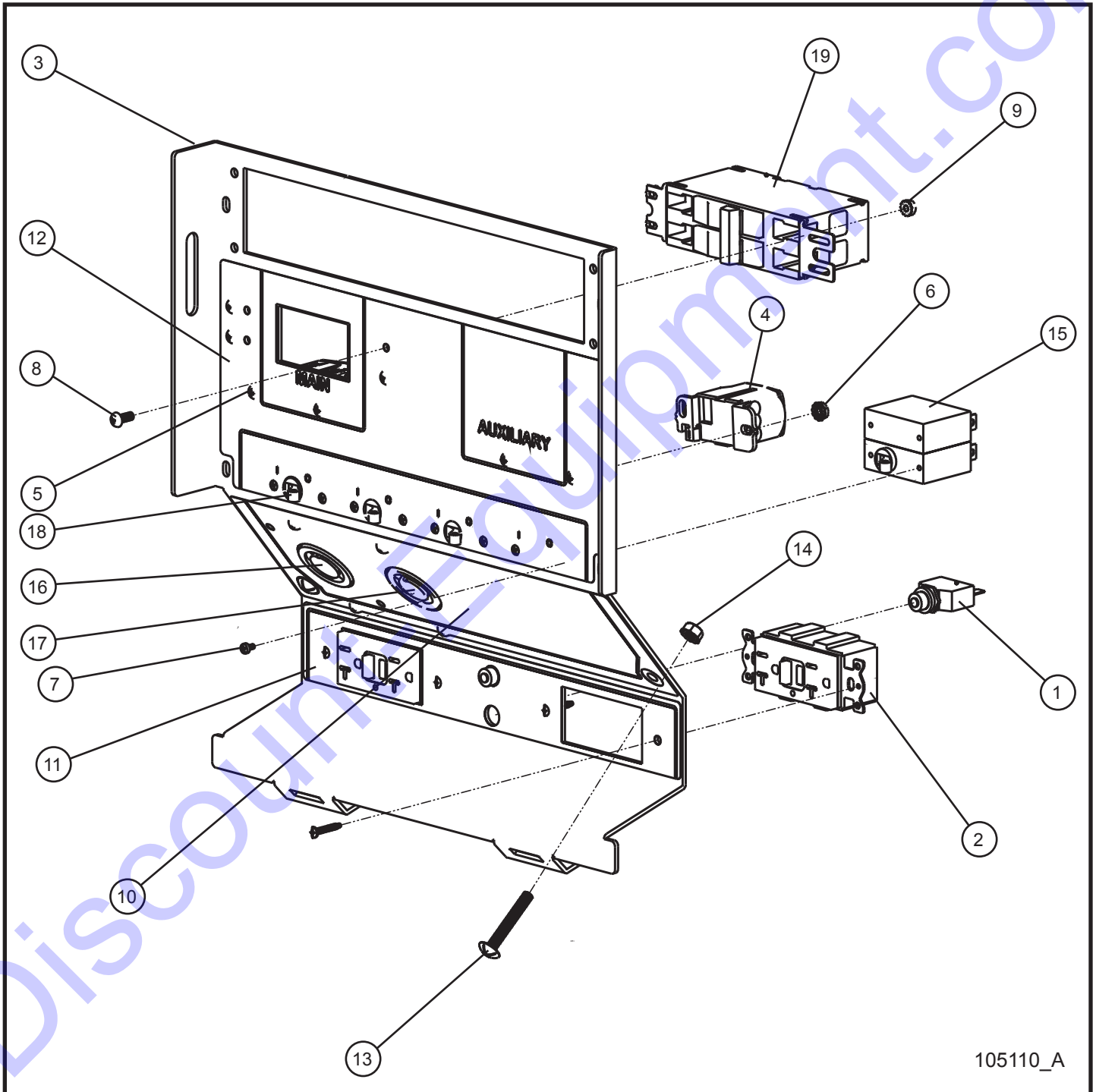
6.23 - Outlet Panel 20kW RV

SN 0001XX12 and UP

Item	Part No.	Part Description	Qty.
1	650138	CIRCUIT BREAKER 20A PUSH BUTTON	2
2	330499	20A GFCI RECEPTACLE	2
3	104306P	OUTLET PANEL STANDARD	1
4	104779	DISTRIBUTION BLOCK ERIFLEX	2
5	041021	#10-24 x 1/2 PH-ROUND HEAD MS PL	4
6	044016	#10-24 KEPS HEX NUT PL	4
7	044003	#8-32 NC KEPS NUT	8
8	041012	SCREW MS #8-32 x 1/2 PL	8
9	041018	#6-32 x 1/4 PH-ROUND HEAD MS PL	4
10	680815	125V 30A OUTLET	2
11	330472	30A SPST CIRCUIT BREAKER	2
12	353301	90AMP 2 POLE BREAKER	1
13	041053	1/4-20 x 1 3/4 PH-TRUSS HEAD MS SS	2
14	044021	1/4-20 KEPS HEX NUT PL	2
15	104549	DECAL GFCI OUTLETS	1
16	104548	DECAL MAIN OUTLETS	1
17	104551	DECAL BREAKER DOMESTIC STANDARD	1

6.24 - Outlet Panel 20kW 240V 1PH 2-GFCI

SN 0001XX12 and UP



105110_A

Maxi-Lite II

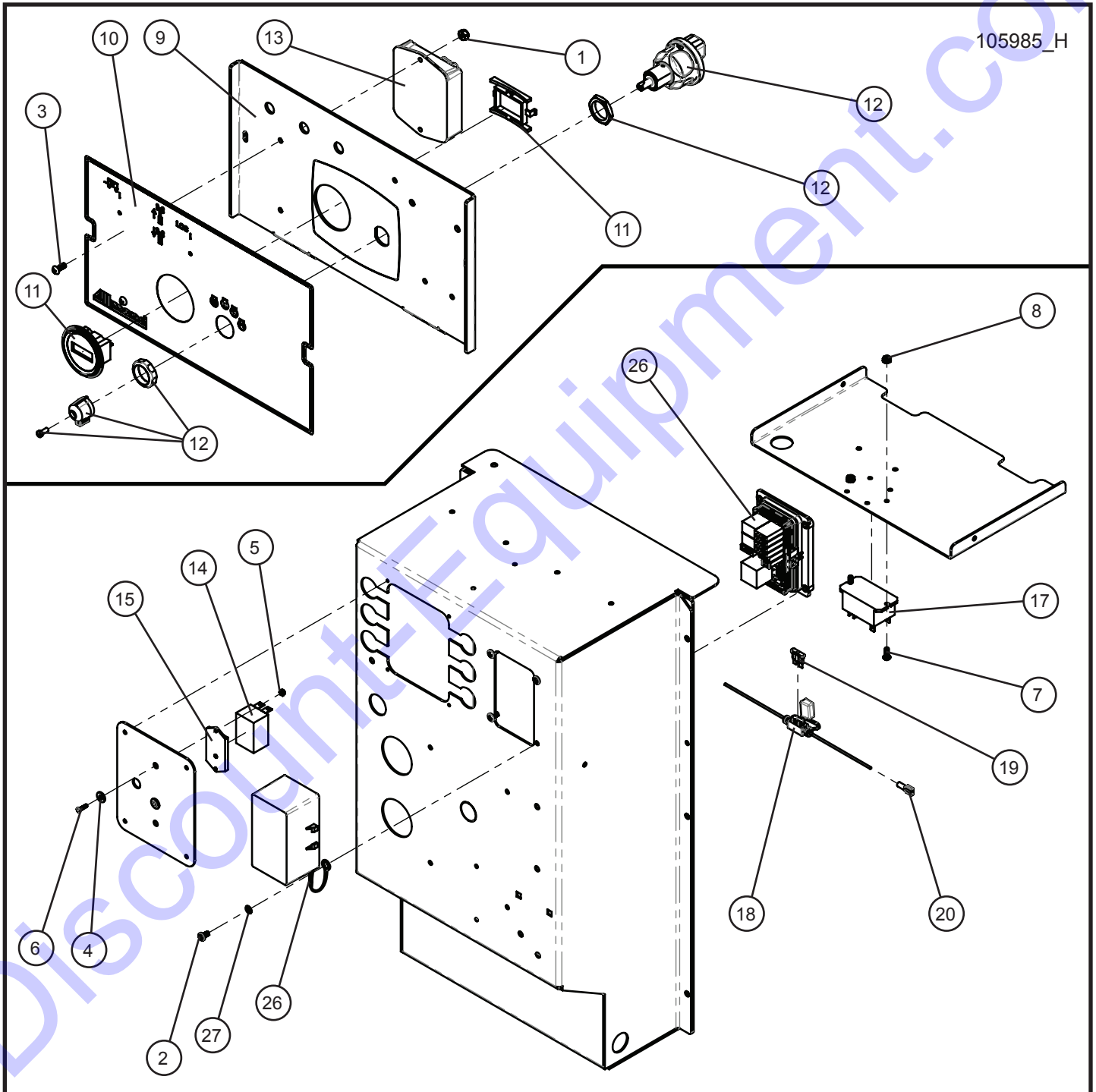
6.24 - Outlet Panel 20kW 240V 1PH 2-GFCI

SN 0001XX12 and UP

Item	Part No.	Part Description	Qty.
1	650138	CIRCUIT BREAKER 20A PUSH BOTTON	2
2	330499	20A GFCI RECEPTACLE	2
3	104306P	OUTLET PANEL	1
4	104779	DISTRIBUTION BLOCK ERIFLEX	2
5	041021	#10-24 x 1/2 PH-ROUND HEAD MS PL	4
6	044016	#10-24 KEPS HEX NUT PL	4
7	041018	#6-32 x 1/4 PH-ROUND HEAD MS PL	8
8	041012	SCREW MS #8-32 x 1/2 PL	8
9	044003	#8-32 NC KEPS NUT	8
10	104548	DECAL MAIN OUTLETS	1
11	104549	DECAL GFCI OUTLETS	1
12	104551	DECAL BREAKER DOMESTIC STANDARD	1
13	041053	1/4-20 x 1 3/4 PH-TRUSS HEAD MS SS	2
14	044021	1/4-20 KEPS HEX NUT PL	4
15	330456	30A DPST CIRCUIT BREAKER	3
16	352172	20A 125-250V TWISTLOCK RECEPTACLE	1
17	330491	30A 250V TWISTLOCK RECEPTACLE	1
18	352178	20A DPST CIRCUIT BREAKER	1
19	353301	90 AMP 2 POLE BREAKER	1

6.25 - SLS Control Panel

SN 0001XX12 and UP



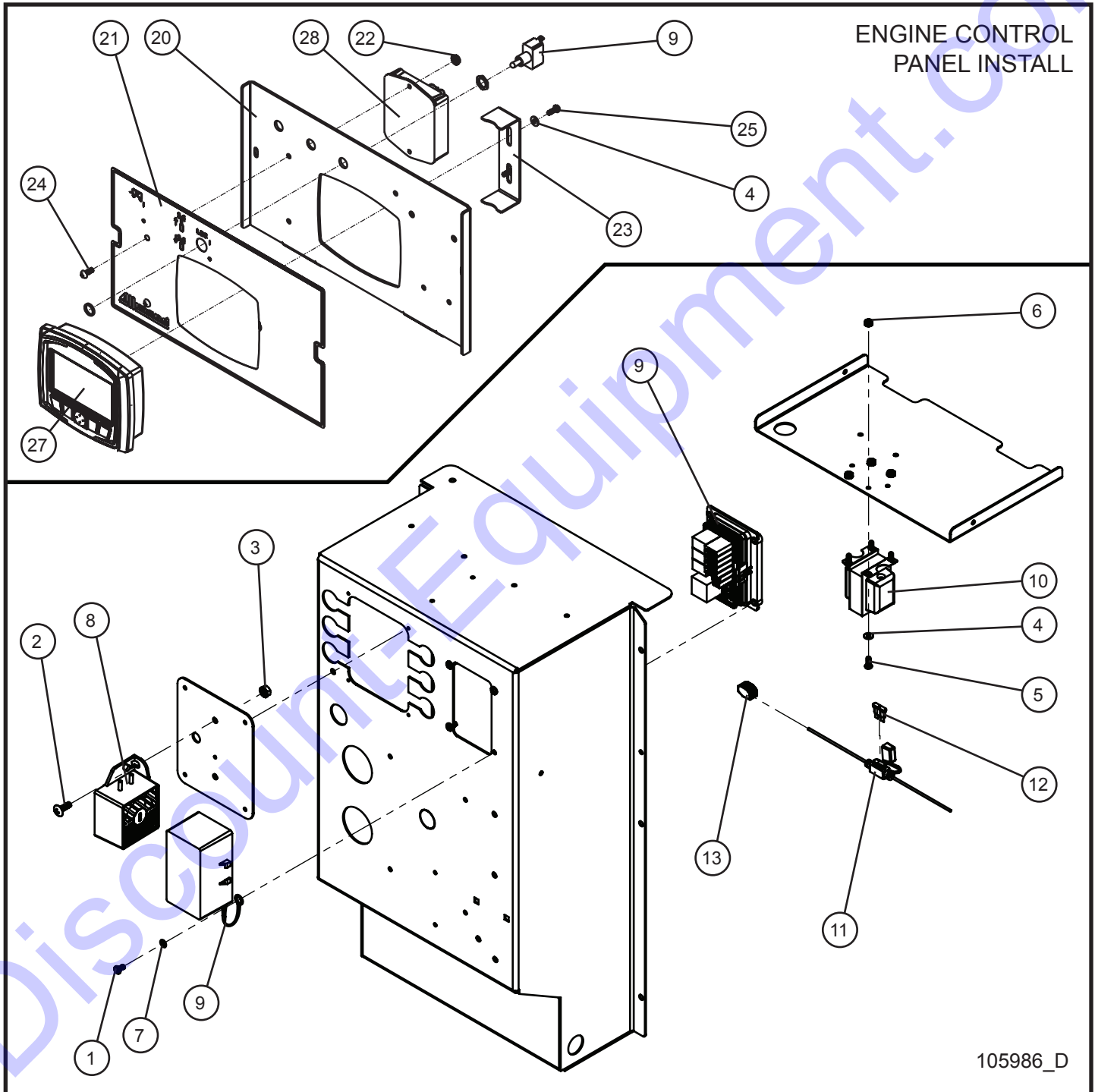
6.25 - SLS Control Panel

SN 0001XX12 and UP

Item	Part No.	Part Description	Qty.
1	044019	#10-24 NYLOCK HEX NUT SS	2
2	041019	#10-32 x 3/8 PH-ROUND HEAD MS PL	4
3	041021	#10-24 x 1/2 PH-ROUND HEAD MS PL	2
4	047003	#10 FLAT WASHER SAE SS	2
5	044133	#5-40 NYLOCK	2
6	041258	#5-40 x 1/2 PH-ROUND HEAD	2
7	041013	#8-32 x 1/2 SLOTTED-ROUND HEAD MS PL	2
8	044003	#8-32 NC KEPS NUT	2
9	105412P	ENGINE CONTROL PANEL	1
10	105969	DECAL ENGINE CONTROL PANEL	1
11	340014	HOUR METER DIGITAL	1
12	106273	IGNITION SWITCH LEVER STYLE	1
13	108053	SLS 1.1 MODULE	1
14	105845	CLOSED TIMER RELAY	1
15	105857	TIMER RELAY MOUNT PANEL	1
16	105894	SLS SCHEMATIC	1
17	105219	RELAY 30 AMP	1
18	103864	FUSE HOLDER INLINE BLADE	1
19	104990	FUSE BLADE 2 AMP ATO/ATC	1
20	022342	TERM SPADE FEMALE 10-12 AWG 1/4	1
21	106894	FUSE TO MAIN BREAKER WIRE	1
22	106895	AC GROUND TO RELAY WIRE	1
23	106896	DC GROUND TO RELAY WIRE	1
24	106897	SLS PIN 4 TO RELAY WIRE	1
25	106877	RELAY SCHEMATIC SLS 1.1	1
26	105211	HARNESS SLS CONTROL PANEL	1
27	043017	#10 INTL TOOTH LOCK WASHER	1
28	107850	SOFTWARE UPDATE KIT SLS 1.1 W/KEY SWITCH MAXI II	1

6.26 - LSC Control Panel

SN 0001XX12 and UP



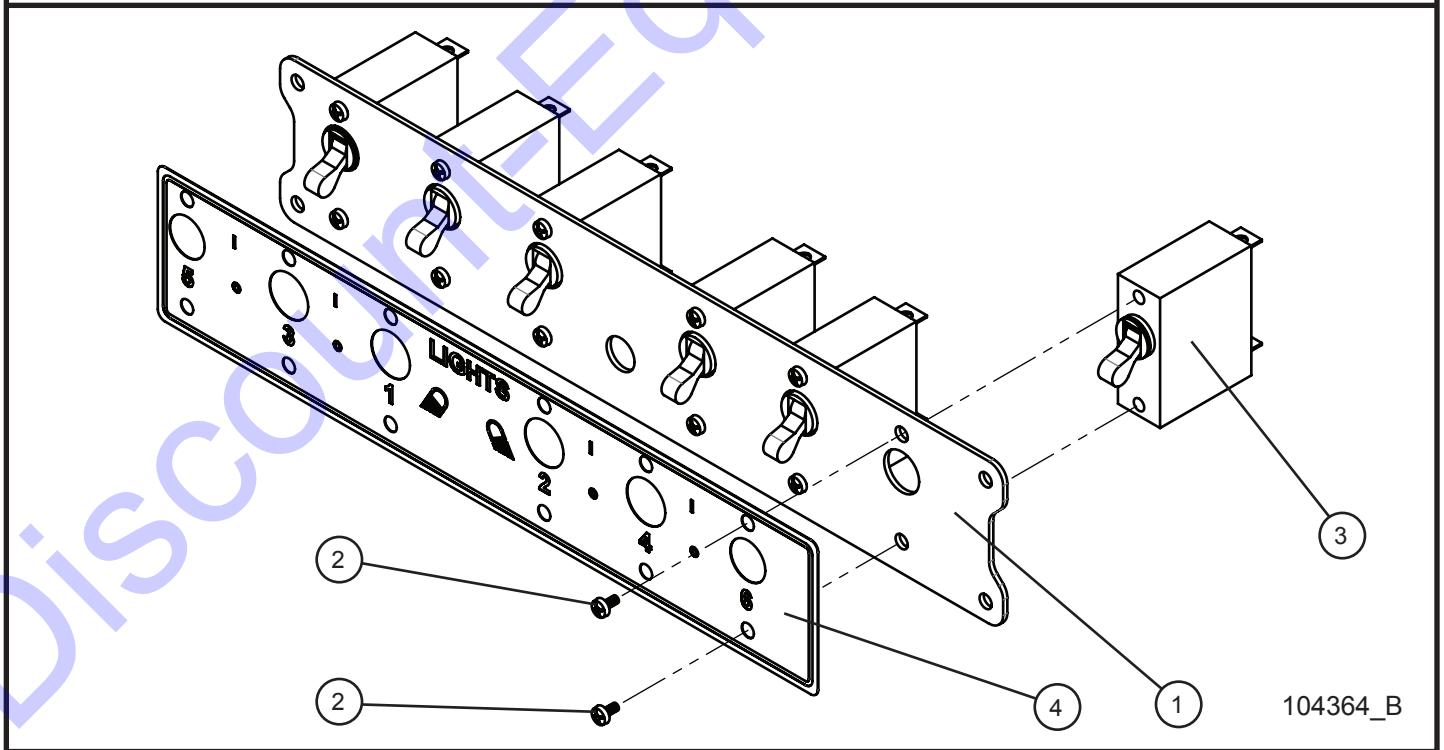
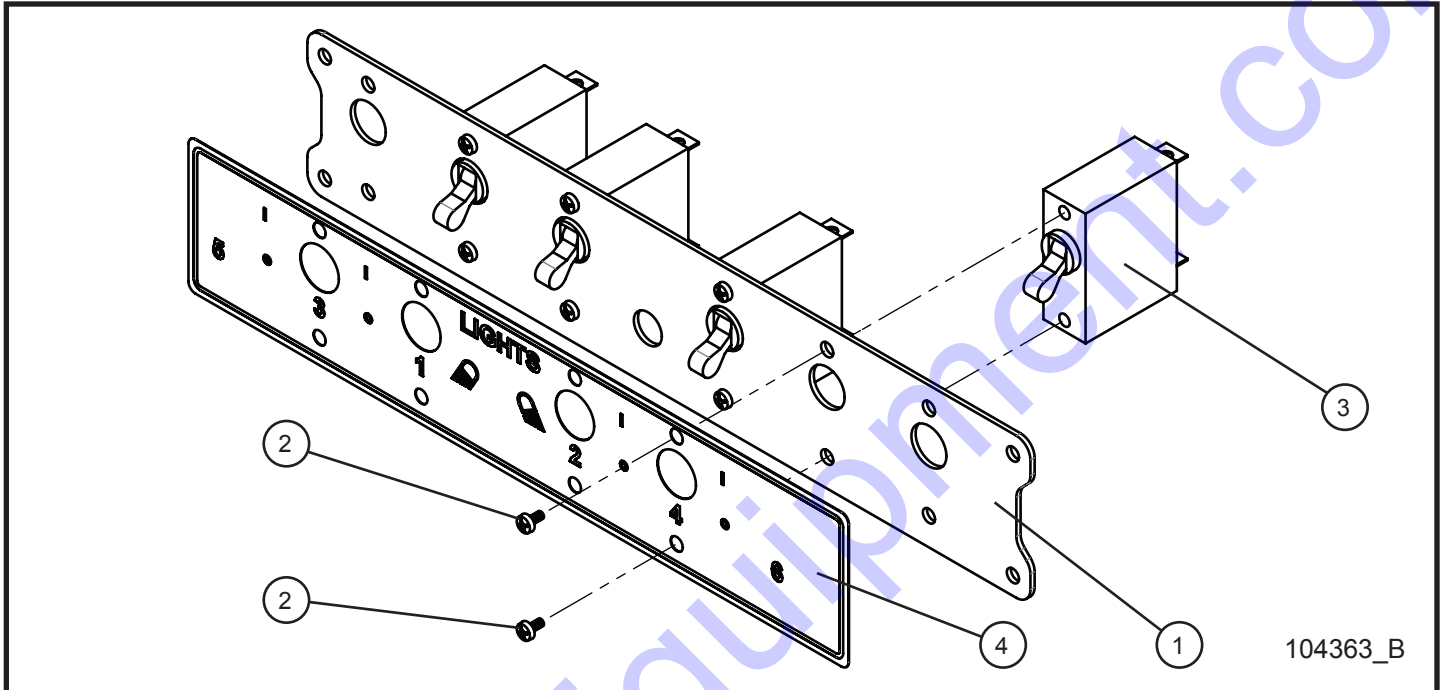
6.26 - LSC Control Panel

SN 0001XX12 and UP

Item	Part No.	Part Description	Qty.
1	041019	#10-32 x 3/8 PH-ROUND HEAD MS PL	4
2	041050	1/4-20 x 3/4 PH-TRUSS HEAD MS SS	2
3	044021	1/4-20 KEPS HEX NUT PL	2
4	047004	#8 FLAT WASHER SAE ZC	6
5	041013	#8-32 x 1/2 SLOTTED-ROUND HEAD MS PL	4
6	044003	#8-32 NC KEPS NUT	4
7	043017	#10 INTL TOOTH LOCK WASHER	1
8	105846	ALARM 102 DB	1
9	105210	HARNESS LSC CONTROL PANEL	1
10	107403	TRANSFORMER ENCLOSED FILAMENT	1
11	103864	FUSE HOLDER INLINE BLADE	1
12	104990	FUSE BLADE 2 AMP ATO/ATC	1
13	102624	2 WIRE LEVER LOCK	1
14	105895	LSC SCHEMATIC	1
15	106885	TRANSFORMER SCHEMATIC	1
16	106886	FUSE HOLDER TO MAIN BREAKER WIRE	1
17	106887	AC GROUND TO TRANSFORMER WIRE	1
18	106888	DC GROUND TO TRANSFORMER WIRE	1
19	106889	LSC PIN 16 TO TRANSFORMER WIRE	1
20	105412P	PANEL ENGINE CONTROL	1
21	105969	DECAL ENGINE CONTROL PANEL	1
22	044019	#10-24 NYLOCK HEX NUT SS	2
23	105188P	BRACKET BACK LSC	1
24	041021	#10-24 x 1/2 PH-ROUND HEAD MS PL	2
25	041200	#8-32 x 1/2 HEX WASHER HEAD INDT	2
26	106037	AUTOSTART ALARM WIRE HARNESS (NOT SHOWN)	1
27	107404	LSC 2.1 MODULE	1
28	108053	SLS 1.1 MODULE	1
29	107851	SOFTWARE UPDATE KIT LSC 2.1 MAXI II	1

6.27 - 4/6 Light Switch Panel

SN 0001XX12 and UP



6.27 - 4/6 Light Switch Panel

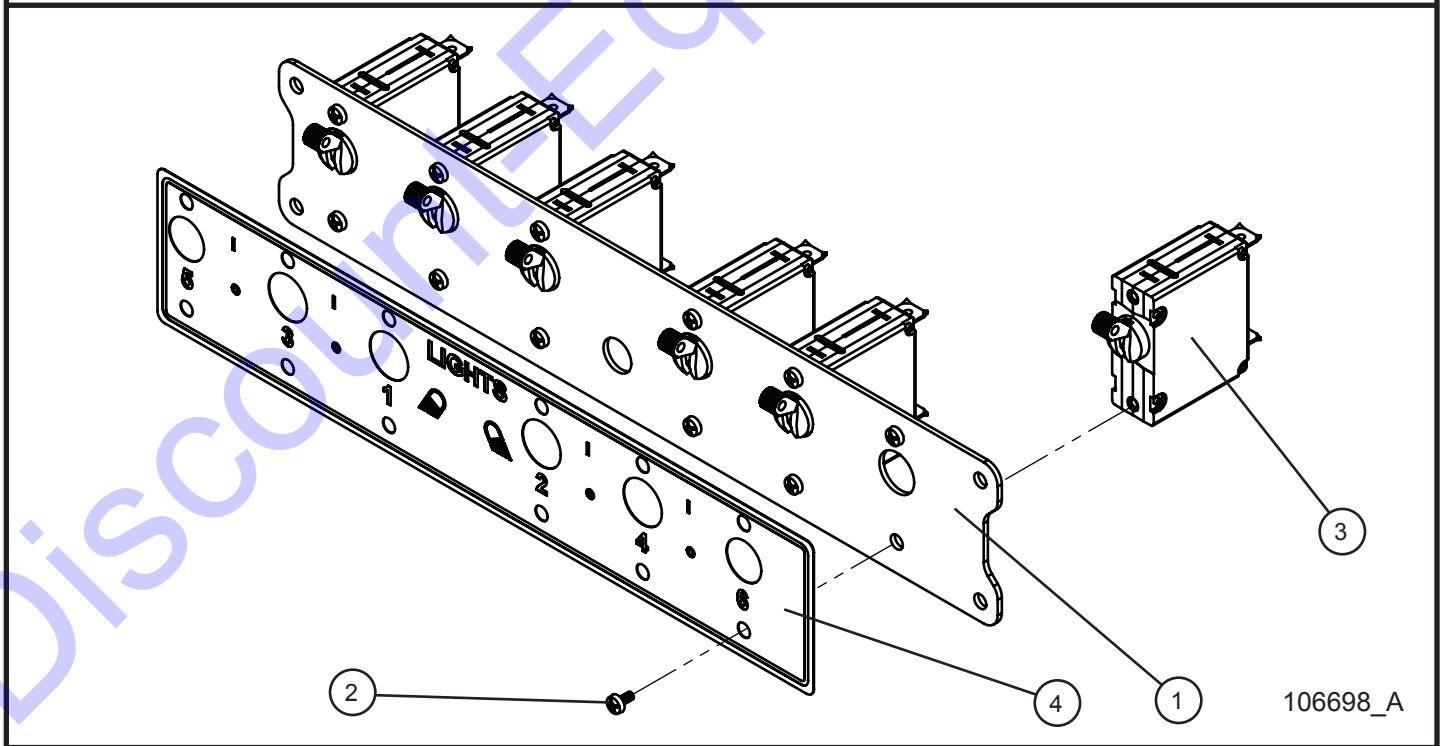
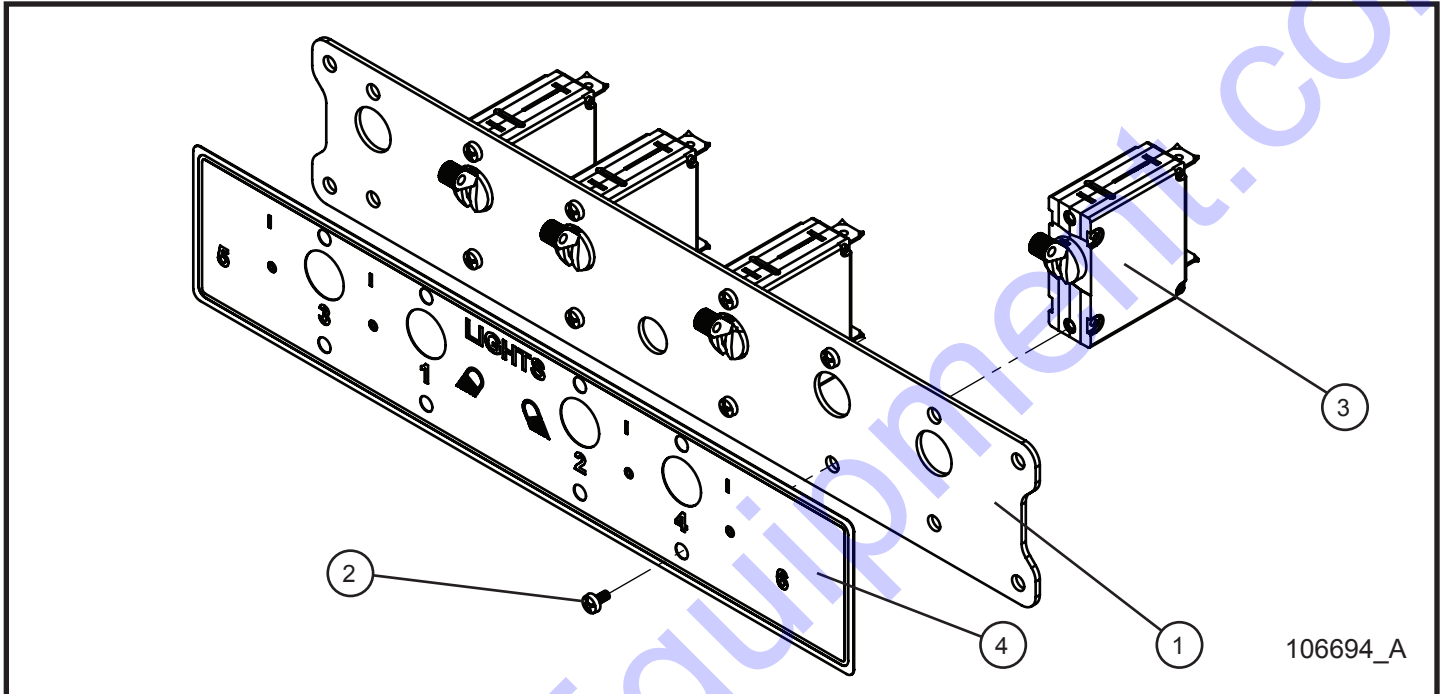
SN 0001XX12 and UP

Item	Part No.	Part Description	Qty.
1	104314P	SWITCH PLATE LIGHT	1
2	041018	#6-32 x 1/4 PH-ROUND HEAD MS PL	8(12)
3	330458	15A SPST BREAKER SWITCH	4(6)
4	104546	DECAL LIGHT SWITCHES ONE LIGHT PER SWITCH	1

*NOTE: QUANTITY OF PARTS FOR 6-LIGHT OPTION IS SHOWN IN PARENTHESIS IN THIS PARTS LIST.

6.28 - 4/6 Light Switch Panel UL489

SN 0001XX12 and UP



6.28 - 4/6 Light Switch Panel UL489

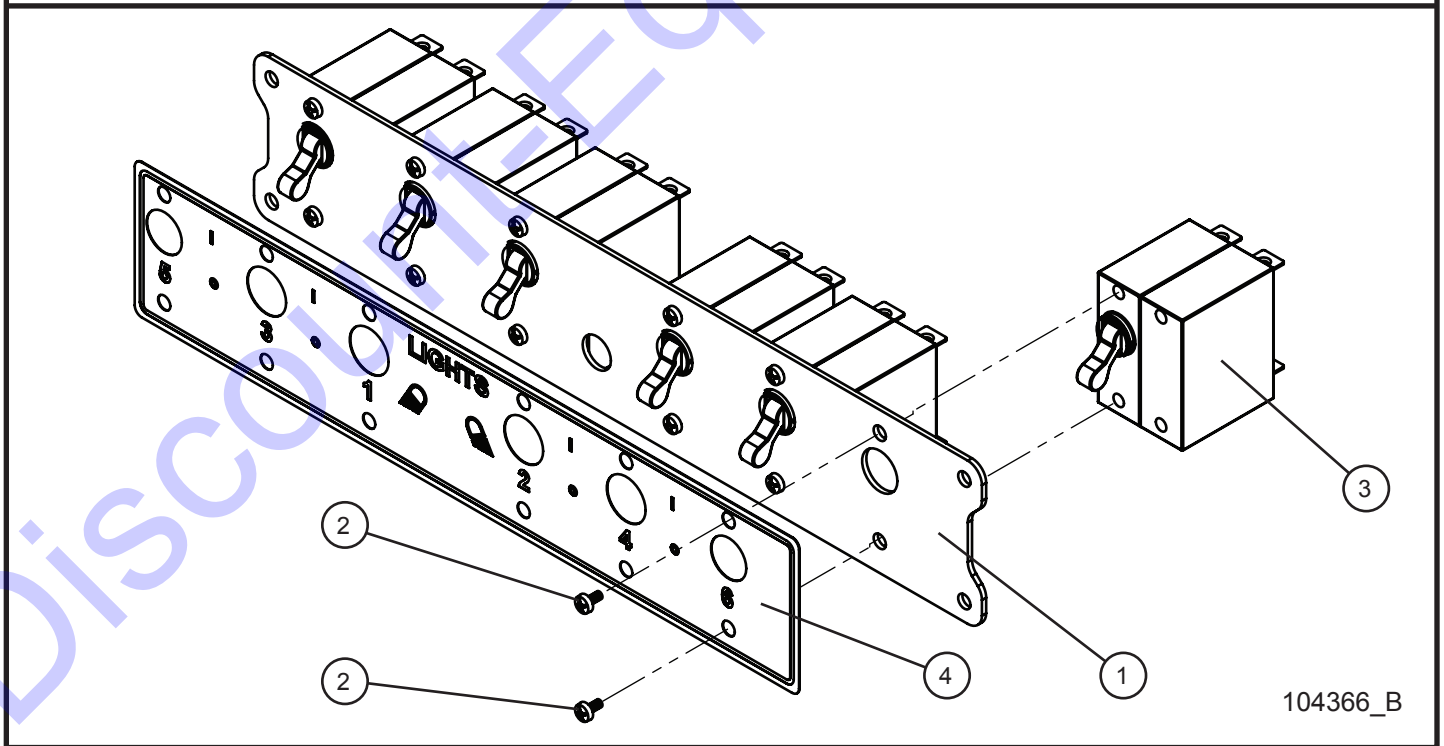
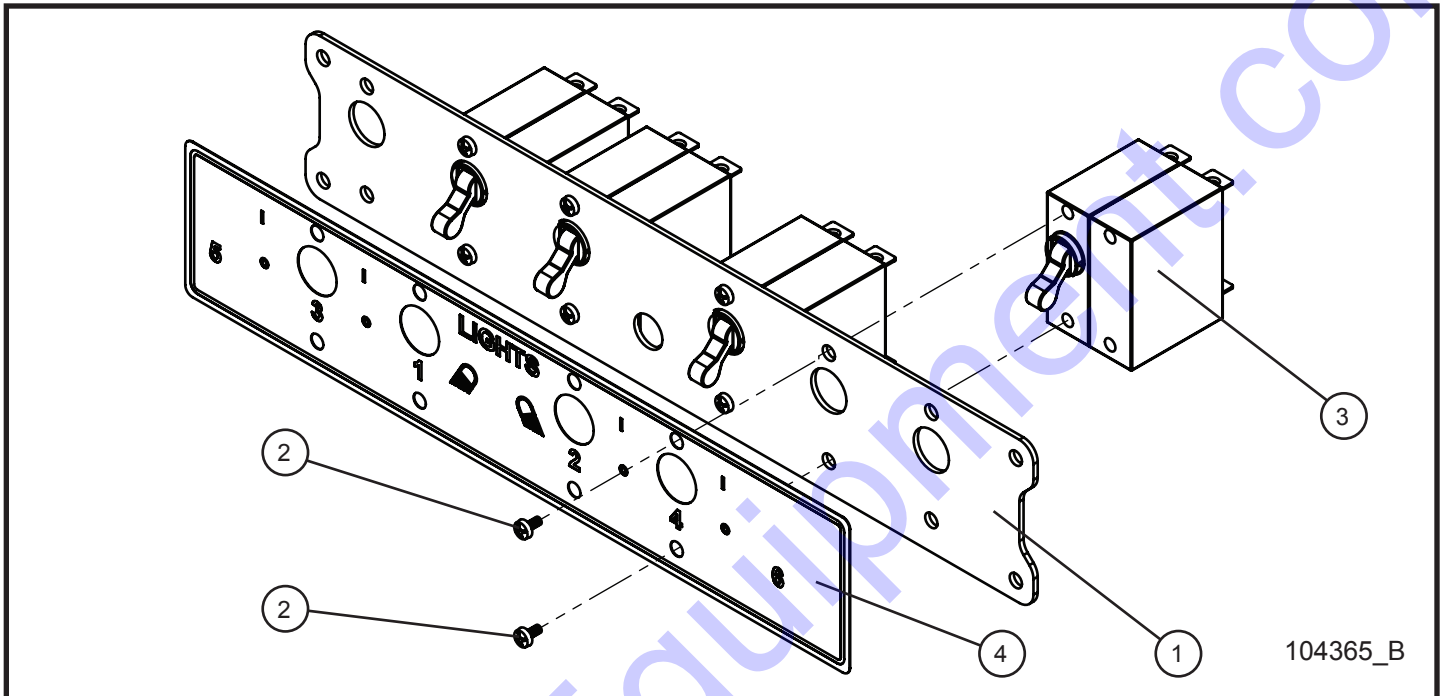
SN 0001XX12 and UP

Item	Part No.	Part Description	Qty.
1	104314P	SWITCH PLATE LIGHT	1
2	041018	#6-32 x 1/4 PH-ROUND HEAD MS PL	8(12)
3	106781	CIRCUIT BREAKER 15 AMP	4(6)
4	104546	DECAL LIGHT SWITCHES ONE LIGHT PER SWITCH	1

*NOTE: QUANTITY OF PARTS FOR 6-LIGHT OPTION IS SHOWN IN PARENTHESIS IN THIS PARTS LIST.

6.29 - 4/6 Light 240V 3PH Switch Panel

SN 0001XX12 and UP



Maxi-Lite II

6.29 - 4/6 Light 240V 3PH Switch Panel

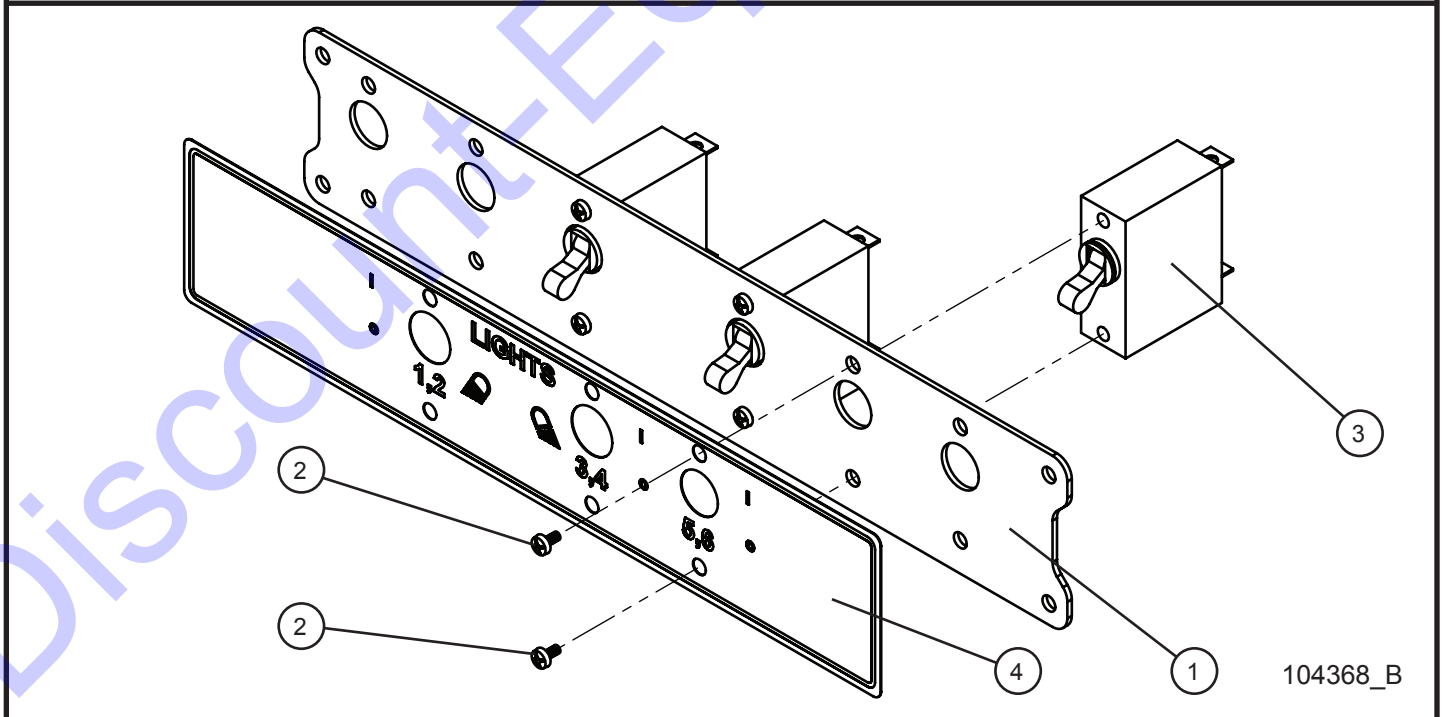
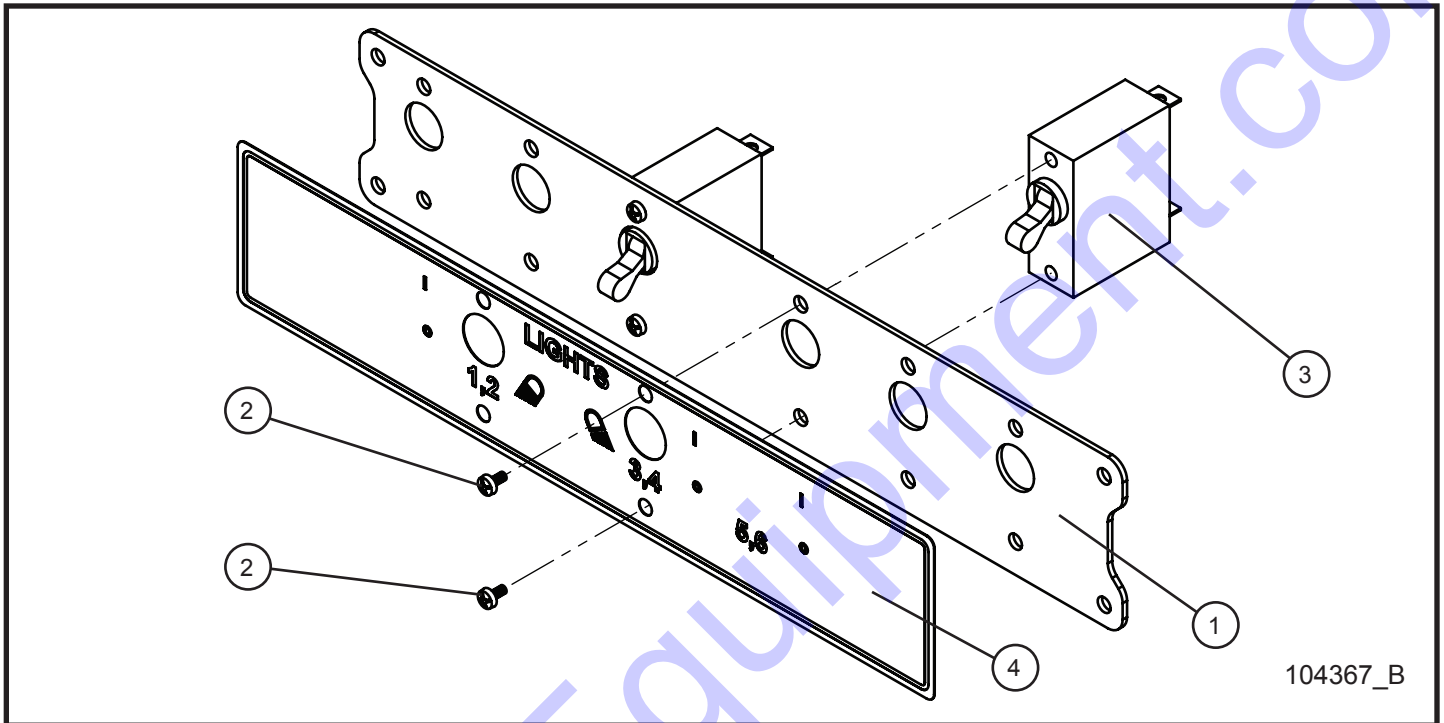
SN 0001XX12 and UP

Item	Part No.	Part Description	Qty.
1	104314P	SWITCH PLATE LIGHT	1
2	041018	#6-32 x 1/4 PH-ROUND HEAD MS PL	8(12)
3	330459	15A DPST CARLING SWITCH	4(6)
4	104546	DECAL LIGHT SWITCHES ONE LIGHT PER SWITCH	1

*NOTE: QUANTITY OF PARTS FOR 6-LIGHT OPTION IS SHOWN IN PARENTHESIS IN THIS PARTS LIST.

6.30 - 4/6 Light Australian Switch Panel

SN 0001XX12 and UP



Maxi-Lite II

6.30 - 4/6 Light Australian Switch Panel

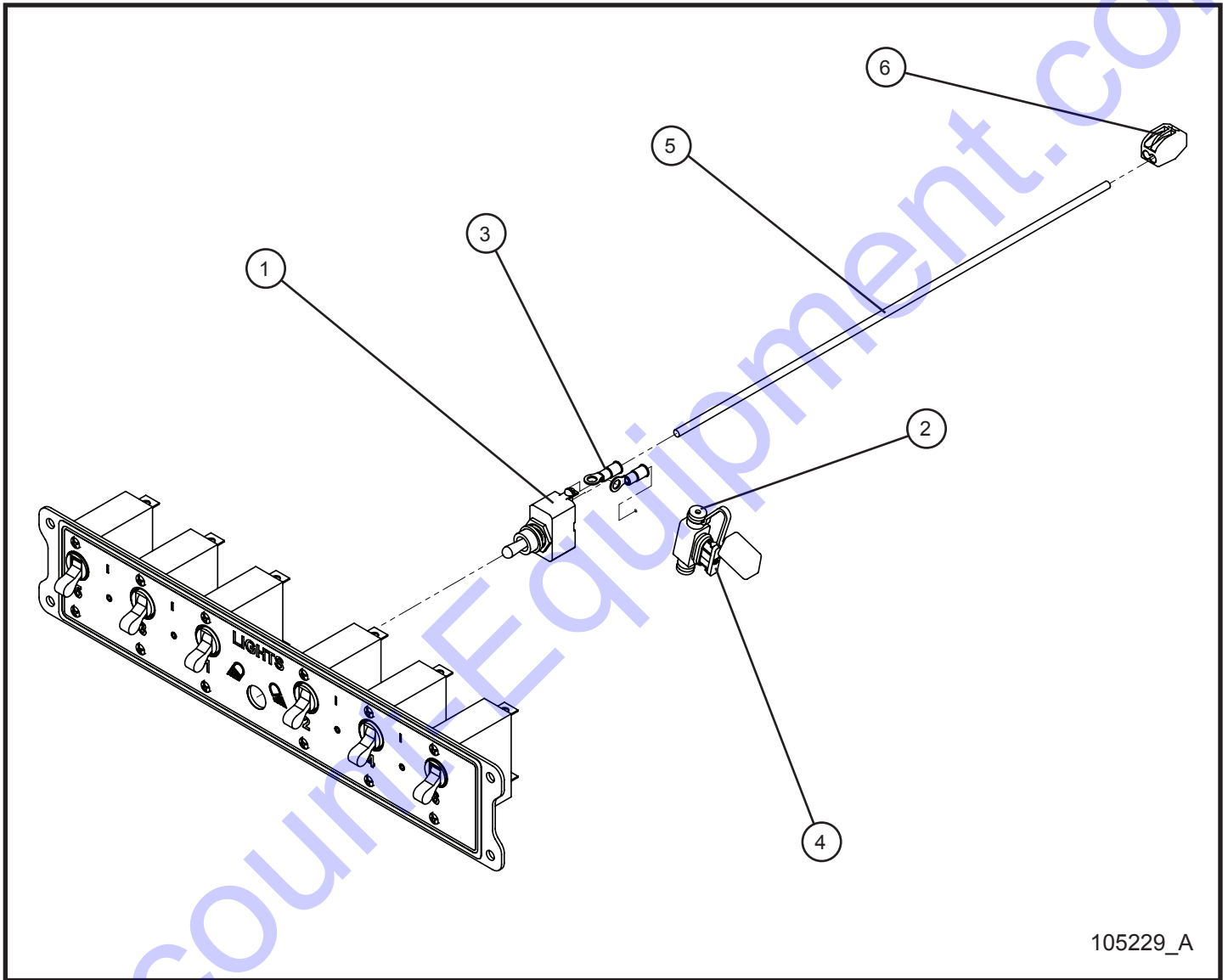
SN 0001XX12 and UP

Item	Part No.	Part Description	Qty.
1	104314P	SWITCH PLATE LIGHT	1
2	041018	#6-32 x 1/4 PH-ROUND HEAD MS PL	4(6)
3	650104	25A SPST BREAKER SWITCH	2(3)
4	104546	DECAL LIGHT SWITCHES ONE LIGHT PER SWITCH	1

*NOTE: QUANTITY OF PARTS FOR 6-LIGHT OPTION IS SHOWN IN PARENTHESIS IN THIS PARTS LIST.

6.31 - Quartz Light Toggle Switch

SN 0001XX12 and UP



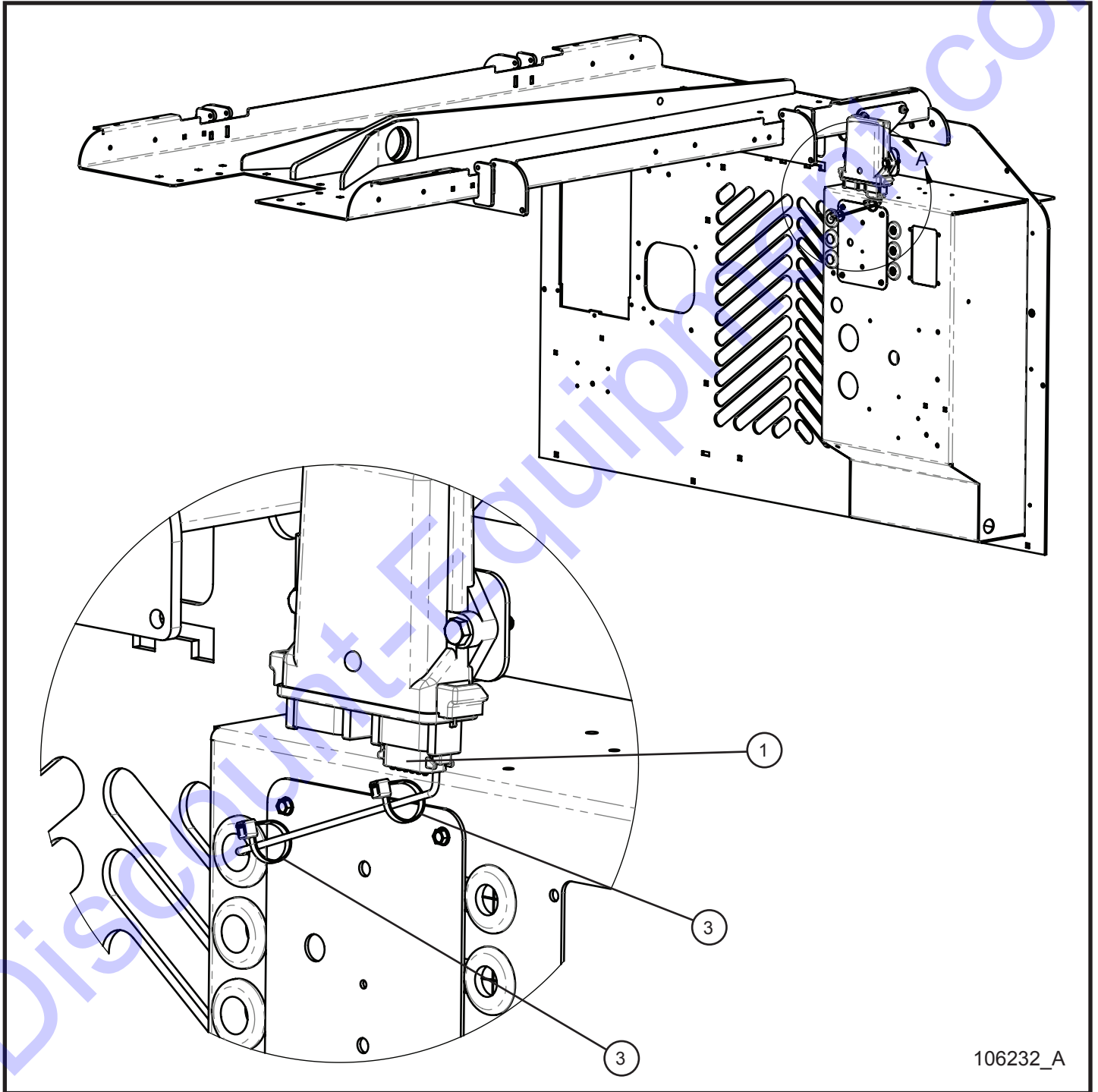
6.31 - Quartz Light Toggle Switch

SN 0001XX12 and UP

Item	Part No.	Part Description	Qty.
1	340009	SWITCH 15A 125V	1
2	103864	FUSE HOLDER INLINE BLADE	1
3	022413	TERM #6 EYE 10-12 AWG	2
4	103865	FUSE 10AMP BLADE	1
5	020155	12 AWG BROWN x 20.0	1
6	102624	2 WIRE LEVER LOCK	1

6.32 - 50Hz Electric Governor CAT C1.5 Turbo

SN 0001XX12 and UP



Maxi-Lite II

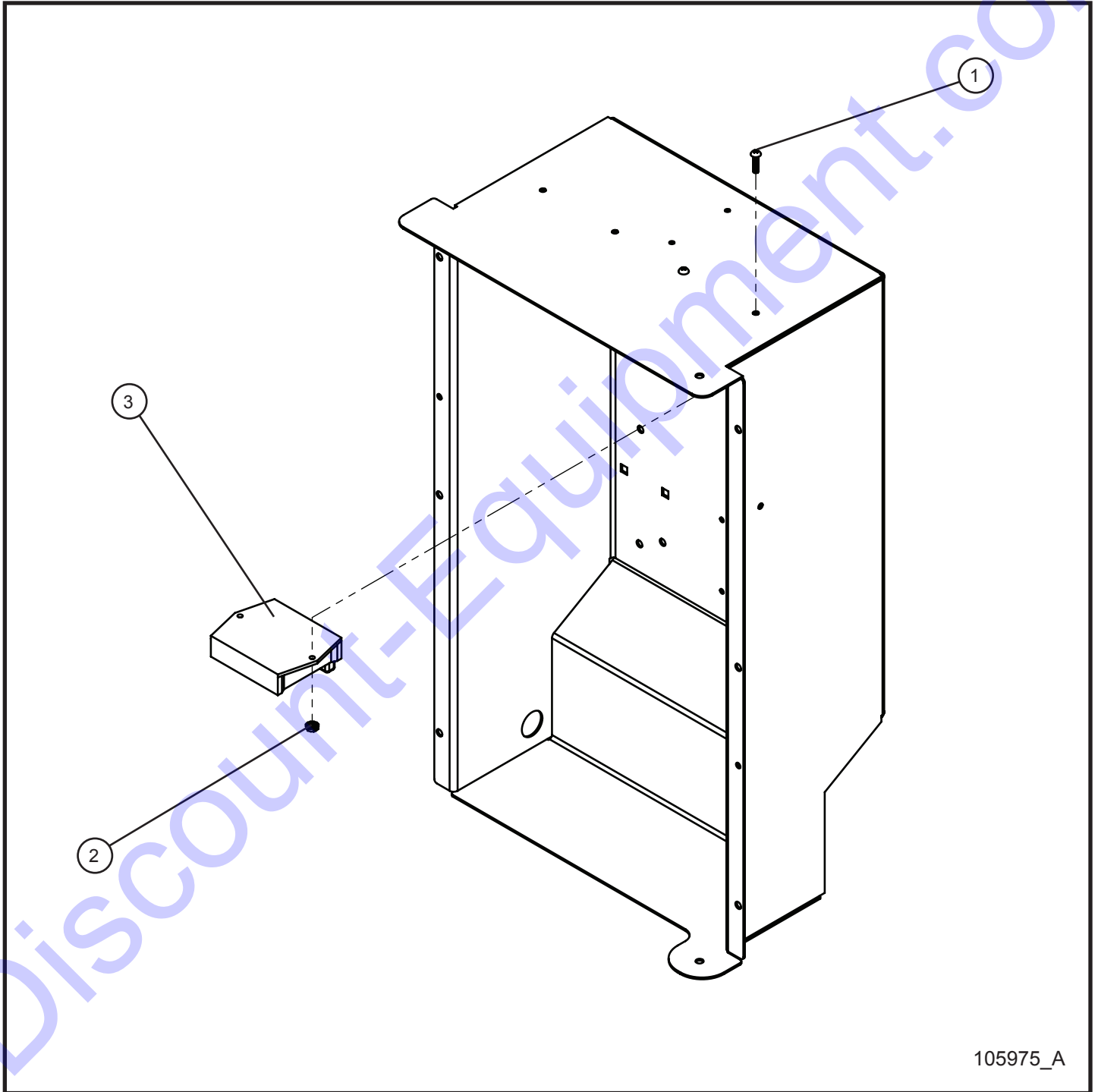
6.32 - 50Hz Electric Governor CAT C1.5 Turbo

SN 0001XX12 and UP

Item	Part No.	Part Description	Qty.
1	106243	ELECTRIC GOVERNOR 50Hz C1.5T	1
2	105746	ELECTRIC GOVERNOR HARNESS 50Hz C1.5T SCHEMATIC	1
3	068090	CABLE TIE 8"	2

6.33 - 50Hz Electric Governor Isuzu 4LE1

SN 0001XX12 and UP



105975_A

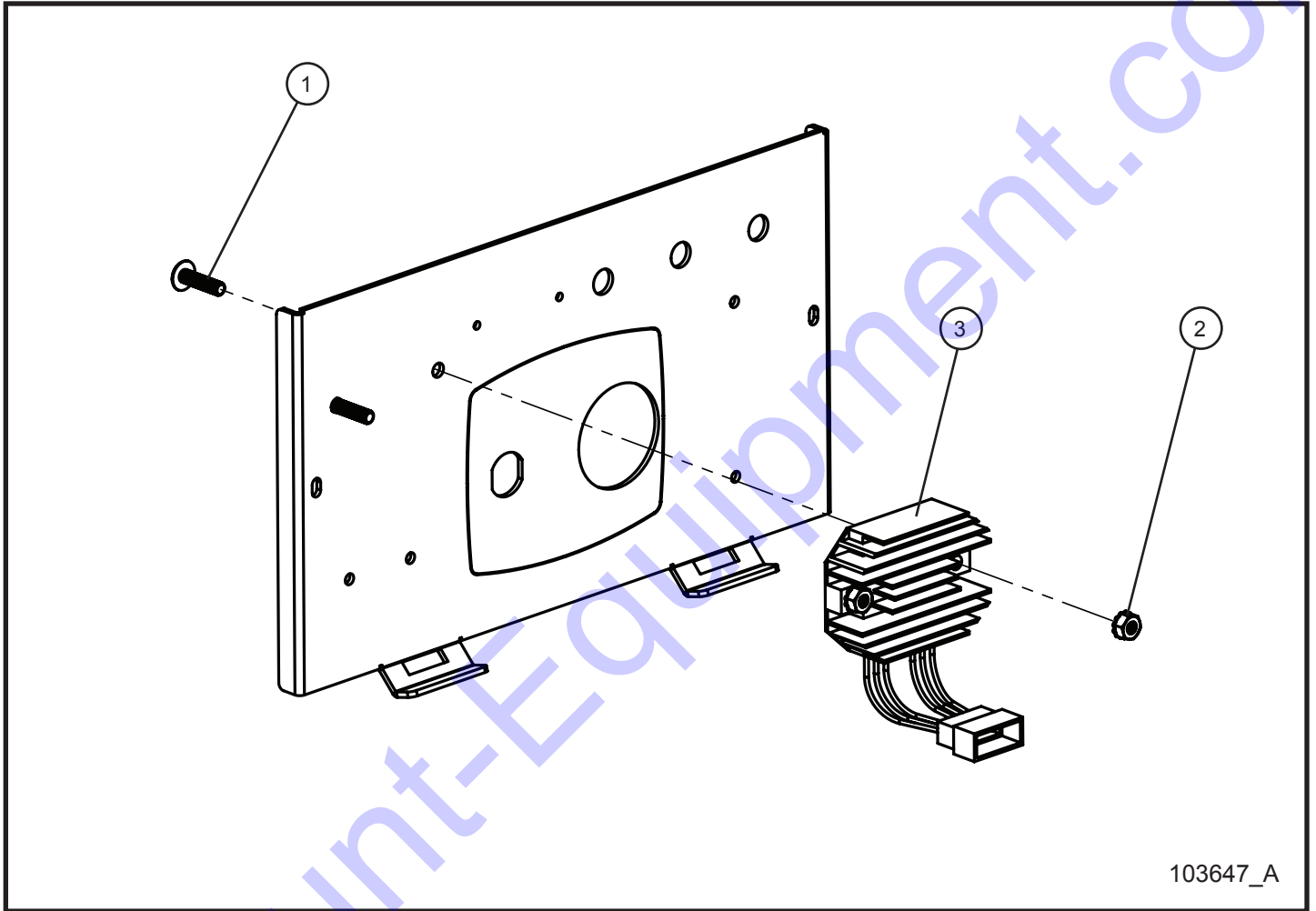
6.33 - 50Hz Electric Governor Isuzu 4LE1

SN 0001XX12 and UP

Item	Part No.	Part Description	Qty.
1	041027	#10-24 x 3/4 PH-ROUND HEAD MS	2
2	044016	#10-24 KEPS HEX NUT PL	2
3	N/A	ISUZU ELECTRONIC GOVERNOR	1
4	105885	SCHEMATIC ISUZU ELECTRIC GOVERNOR	1
5	105877	ELECTRIC GOVERNOR HARNESS ISUZU	1

6.34 - CAT Engine Voltage Regulator

SN 0001XX12 and UP



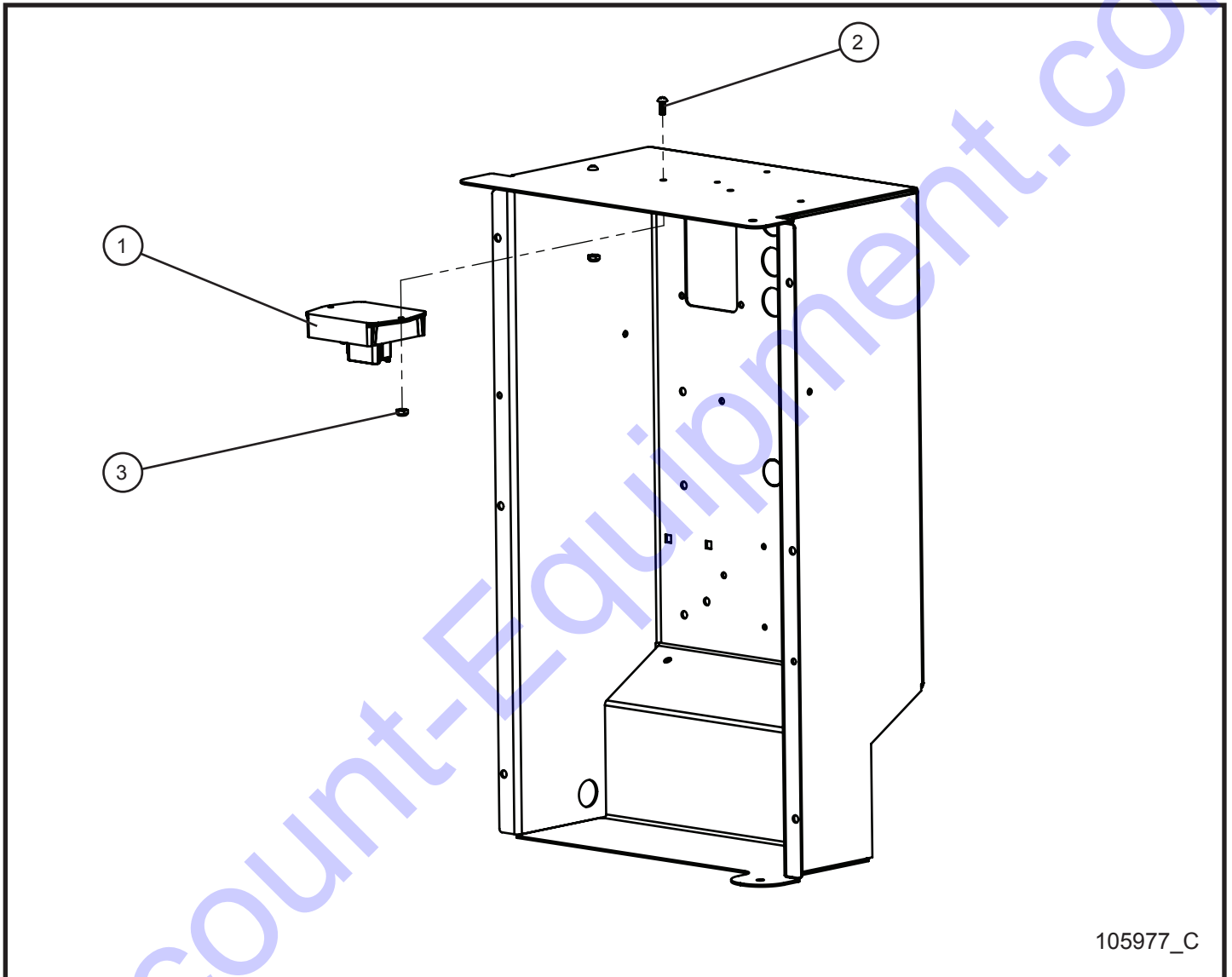
6.34 - CAT Engine Voltage Regulator

SN 0001XX12 and UP

Item	Part No.	Part Description	Qty.
1	041080	1/4-20 x PH-TRUSS HEAD MS SS	2
2	044021	1/4-20 KEPS HEX NUT PL	2
3	650446	VOLTAGE REGULATOR	1
NS	105988	CAT ENGINE VR HARNESS	1
NS	105899	CAT VOLTAGE REGULATOR SCHEMATIC	1

6.35 - Low Level Fuel Module

SN 0001XX12 and UP



105977_C

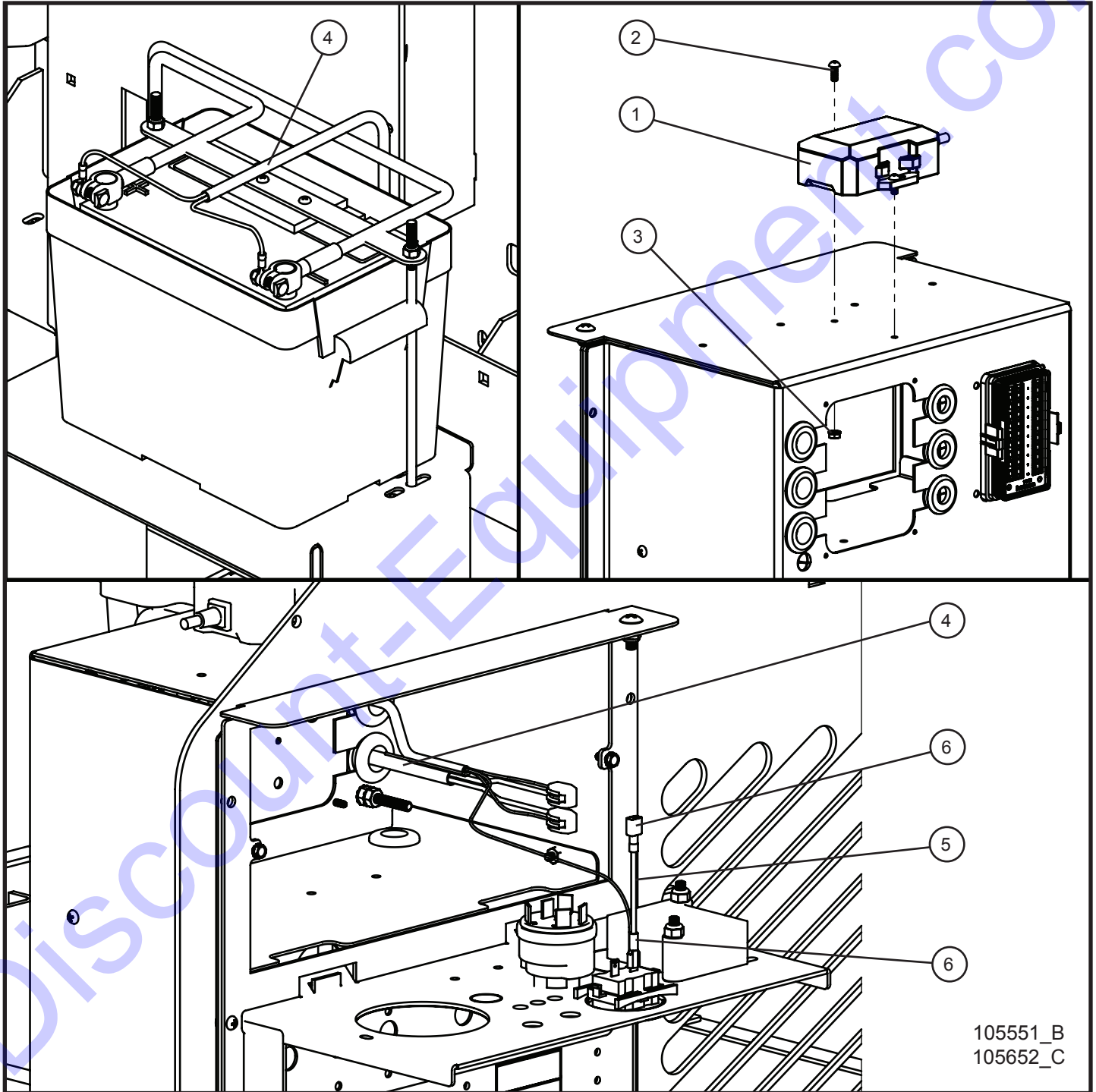
6.35 - Low Level Fuel Module

SN 0001XX12 and UP

Item	Part No.	Part Description	Qty.
1	105856	SLS MODULE WITH 5V POWER SUPPLY	1
2	041021	#10-24 x 1/2 PH-ROUND HEAD MS PL	2
3	044018	#10-24 NYLOCK HEX NUT PL	2
NS	105901	LOW FUEL SHUTDOWN WIRE SCHEMATIC	1
NS	105900	WIRE HARNESS LOW FUEL MODULE	1

6.36 - GPS Module Options

SN 0001XX12 and UP



105551_B
105652_C

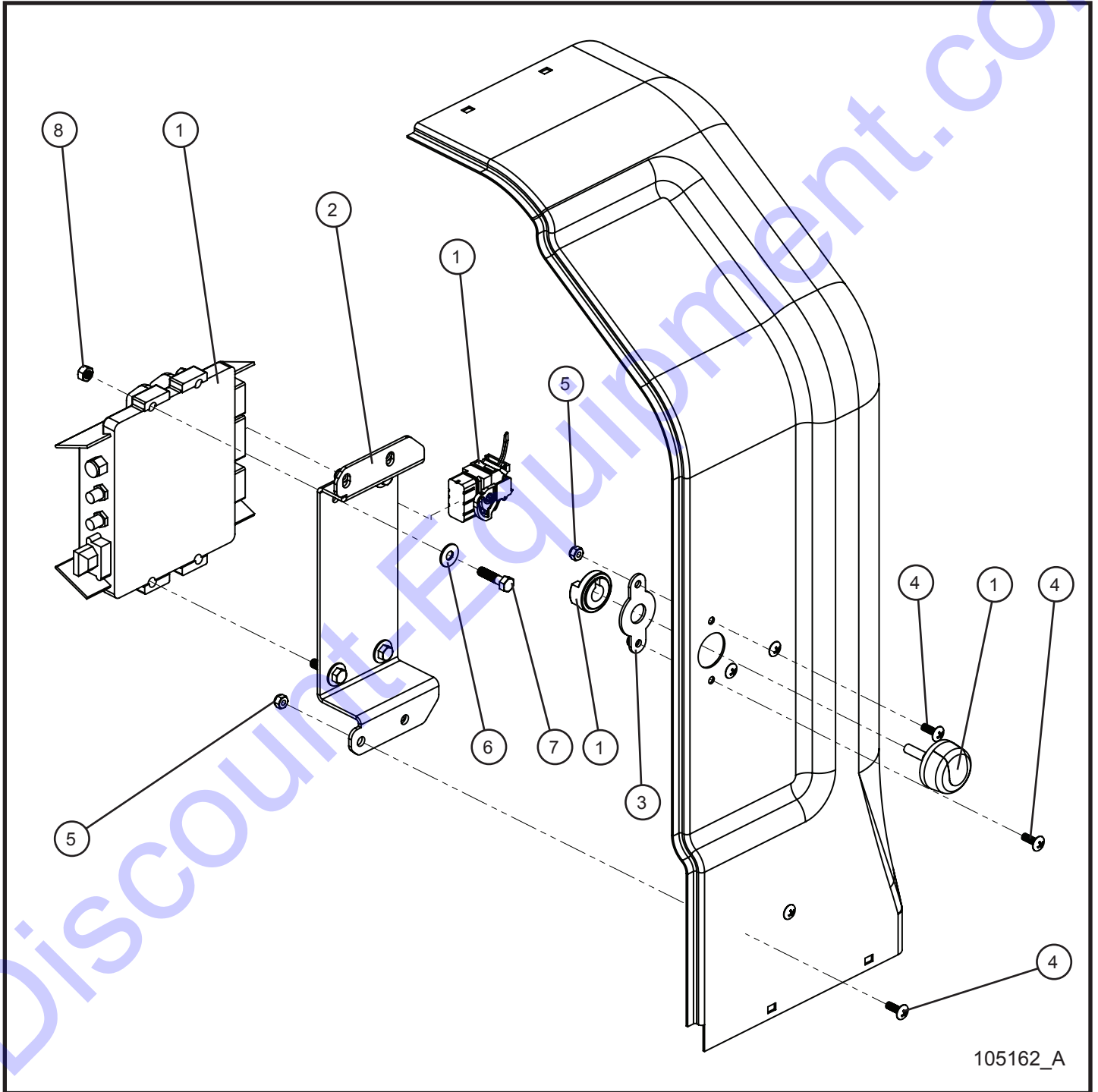
6.36 - GPS Module Options

SN 0001XX12 and UP

Item	Part No.	Part Description	Qty.
1	C105446	GPS MODULE	1
	105650	ZTR GPS MODULE	1
2	041013	#8-32 x 1/2 PH-ROUND MEAD MS PL	2
3	044003	#8-32 NC KEPS NUT	2
4	105549	POWER CORD GPS	1
5	020051	WIRE, WHITE 16 GA x 3"	1
6	022309	1/4 FEMALE BLUE PUSH-ON ELECTRIC TERMINAL	1
7	022070	1/4 MALE BLUE PUSH-ON ELECTRIC TERMINAL	1
8	105345	SCHEMATIC GPS ZTR SYSTEM W/SLS	1

6.37 - GPS Unit

SN 0001XX12 and UP



105162_A

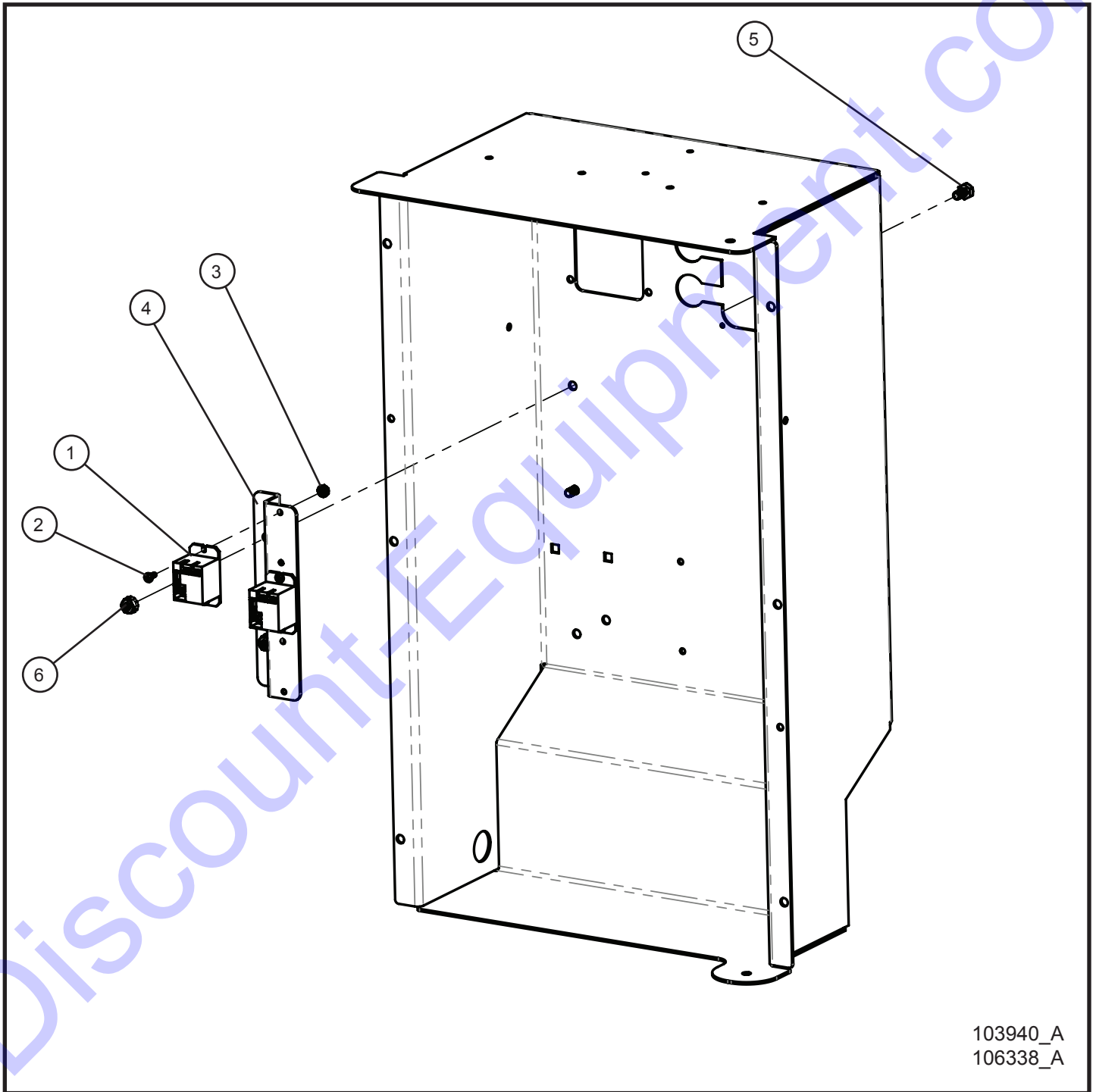
6.37 - GPS Unit

SN 0001XX12 and UP

Item	Part No.	Part Description	Qty.
1	C104966	GPS UNIT	1
2	104967P	GPS MOUNT QUARTER PANEL	1
3	104970P	ANTENNA PLATE GPS	1
4	041050	1/4-20 x 3/4 PH-TRUSS HEAD MS SS	6
5	044023	1/4-20 NYLOCK HEX NUT	6
6	047010	5/16 FLAT WASHER PL	4
7	046055	5/16-18 x 1 1/4 HEX HEAD CS GR5 PL	4
8	044033	5/16-18 NYLOCK HEX NUT PL	4

6.38 - 2 Relays for 4/6 Lights

SN 0001XX12 and UP



Maxi-Lite II

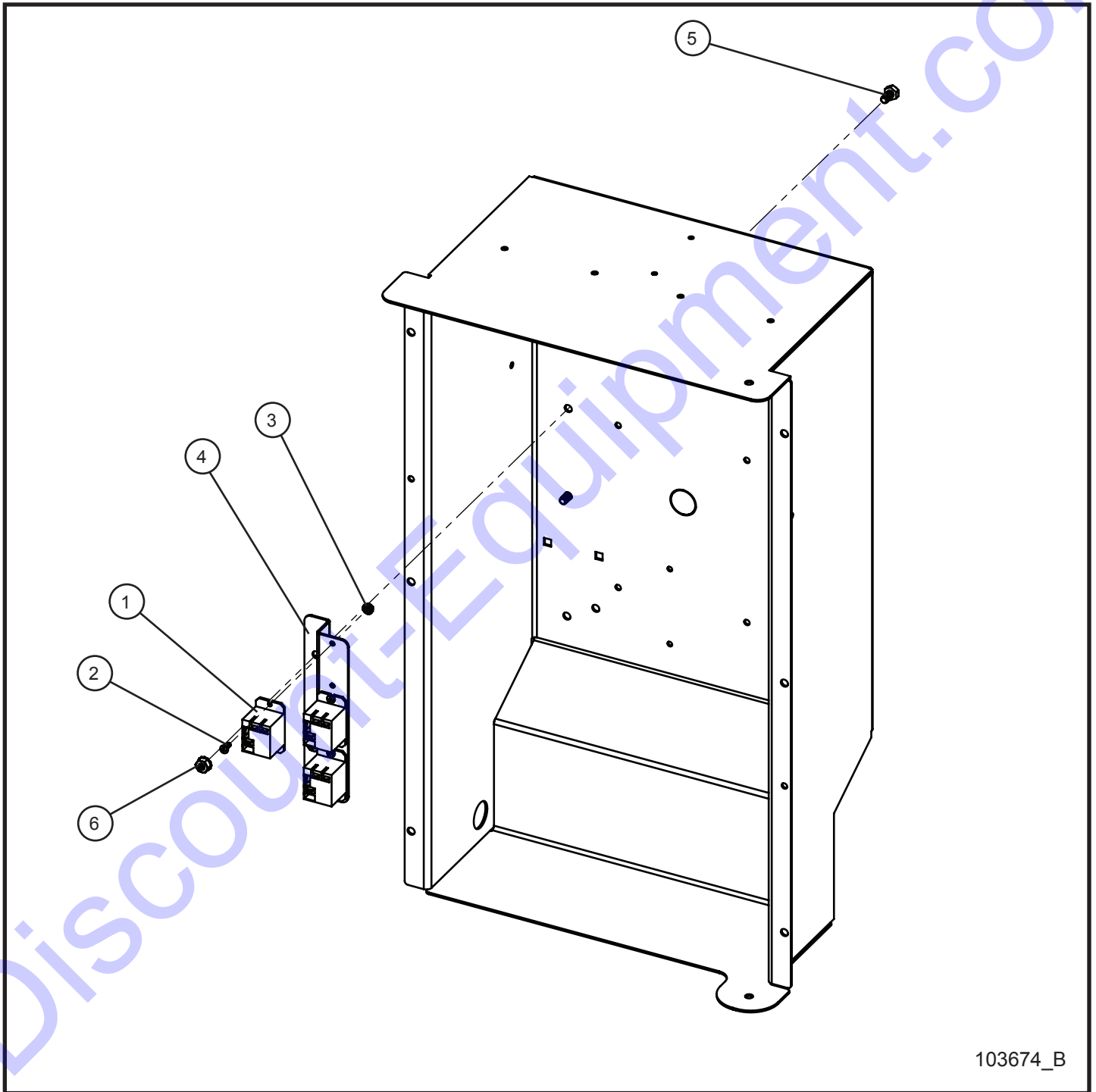
6.38 - 2 Relays for 4/6 Lights

SN 0001XX12 and UP

Item	Part No.	Part Description	Qty.
1	104957	RELAY 120V 30AMP 12-28 VDC CONTROL	2
2	041017	#6-32 x 3/8 PH-PAN HEAD MS PL	6
3	044004	#6-32 KEPS HEX NUT PL	6
4	105979P	RELAY BRACKET CONTROL BOX	1
5	046005	1/4-20 x 1/2 HEX HEAD CS GR5 PL	2
6	044021	1/4-20 KEPS HEX NUT PL	2
7	106082	WIRE HARNESS 4 LIGHT 2 RELAY MAXI II (NOT SHOWN)	1
8	105892	WIRING SCHEMATIC 4 LIGHT 2 RELAY MAXI II (NOT SHOWN)	1
9	106339	WIRE HARNESS 6 LIGHT 2 RELAY MAXI II (NOT SHOWN)	1
10	106340	WIRING SCHEMATIC 6 LIGHT 2 RELAY MAXI II (NOT SHOWN)	1

6.39 - 3 Relays for 6 Lights

SN 0001XX12 and UP



103674_B

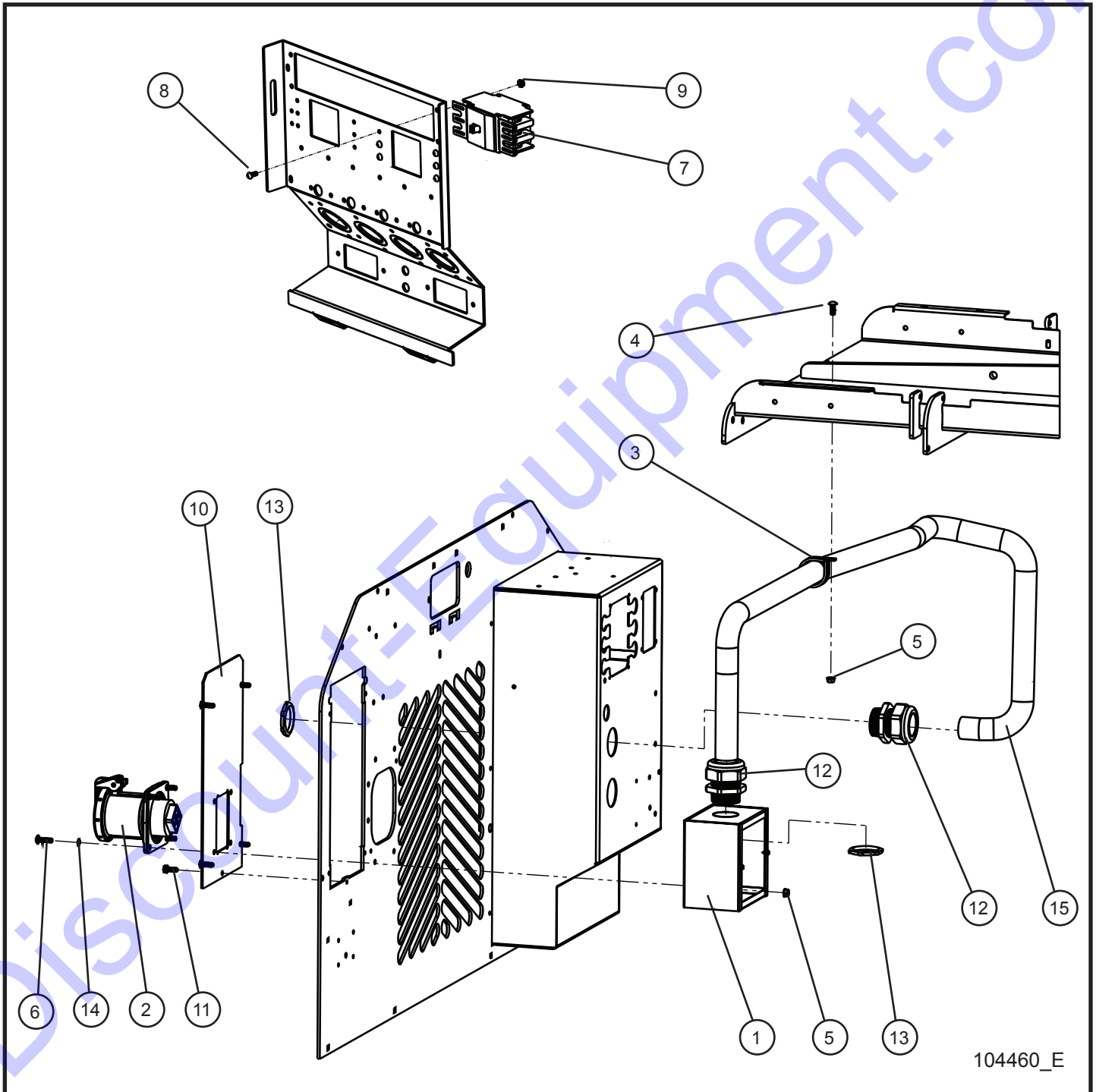
6.39 - 3 Relays for 6 Lights

SN 0001XX12 and UP

Item	Part No.	Part Description	Qty.
1	104957	RELAY 120V 30AMP 12-28 VDC CONTROL	3
2	041017	#6-32 x 3/8 PH-PAN HEAD MS PL	6
3	044004	#6-32 KEPS HEX NUT PL	6
4	105979P	RELAY BRACKET CONTROL BOX	1
5	046005	1/4-20 x 1/2 HEX HEAD CS GR5 PL	2
6	044021	1/4-20 KEPS HEX NUT PL	2
7	106084	WIRE HARNESS 6 LIGHT 3 RELAY MAXI II (NOT SHOWN)	1
8	105891	WIRING SCHEMATIC 6 LIGHT 3 RELAY MAXI II (NOT SHOWN)	1

7.1 - 208V 3PH Rear Outlet

SN 0001XX12 and UP



104460_E

Maxi-Lite II

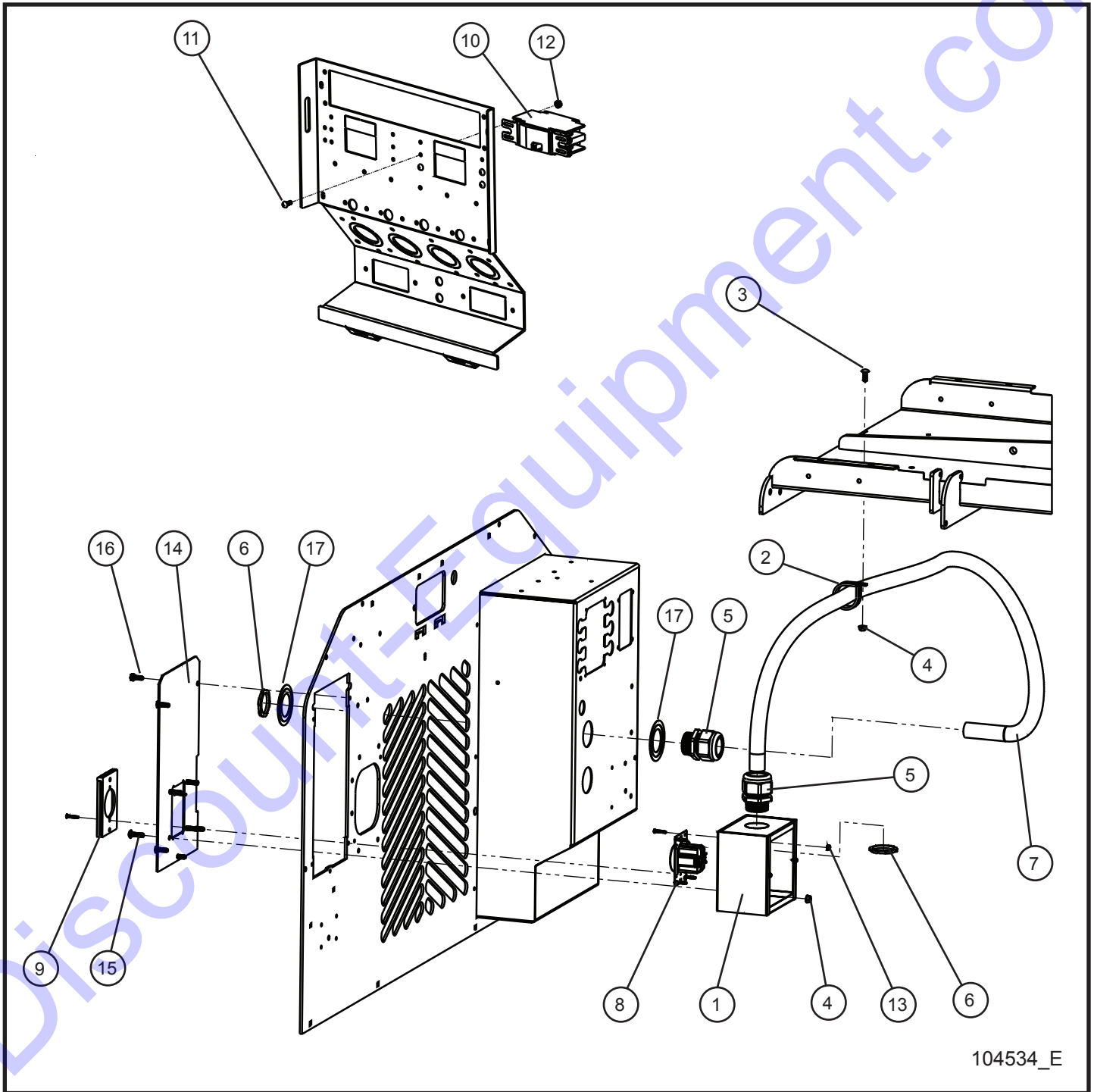
7.1 - 208V 3PH Rear Outlet

SN 0001XX12 and UP

Item	Part No.	Part Description	Qty.
1	022424	RECEPTACLE BOX	1
2	680870	RECEPTACLE 600V 4 PIN	1
3	920365	#20 CUSHION CLAMP	1
4	053006	1/4-20 x 3/4 CARRIAGE BOLT	1
5	044021	1/4-20 KEPS HEX NUT PL	5
6	041080	1/4-20 x 1 PH-TRUSS HEAD MS SS	4
7	022236	50A 3 POLE CIRCUIT BREAKER	1
8	041012	SCREW MS#8-32 x 1/2 PL	6
9	044003	#8-32 NC KEPS NUT	6
10	105025P	FILLER PLATE REAR PANEL CUTOUT	1
11	041070	1/4-20 x 3/4 SL-HEX WASHER HEAD MS TP F	5
12	105629	CORD GRIP 1-1/2 NYLON BLACK	2
13	022232	1 1/2 LOCK NUT	2
14	043050	1/4 INT'L TOOTHLOCK WASHER	1
15	104902	CORD 208V 3PH 4/5 REAR OUTLET	1
NS	105267	SCHEMATIC AUX OUTLET 1-60A 3P 600V	1

7.2 - 240V Rear Outlet

SN 0001XX12 and UP



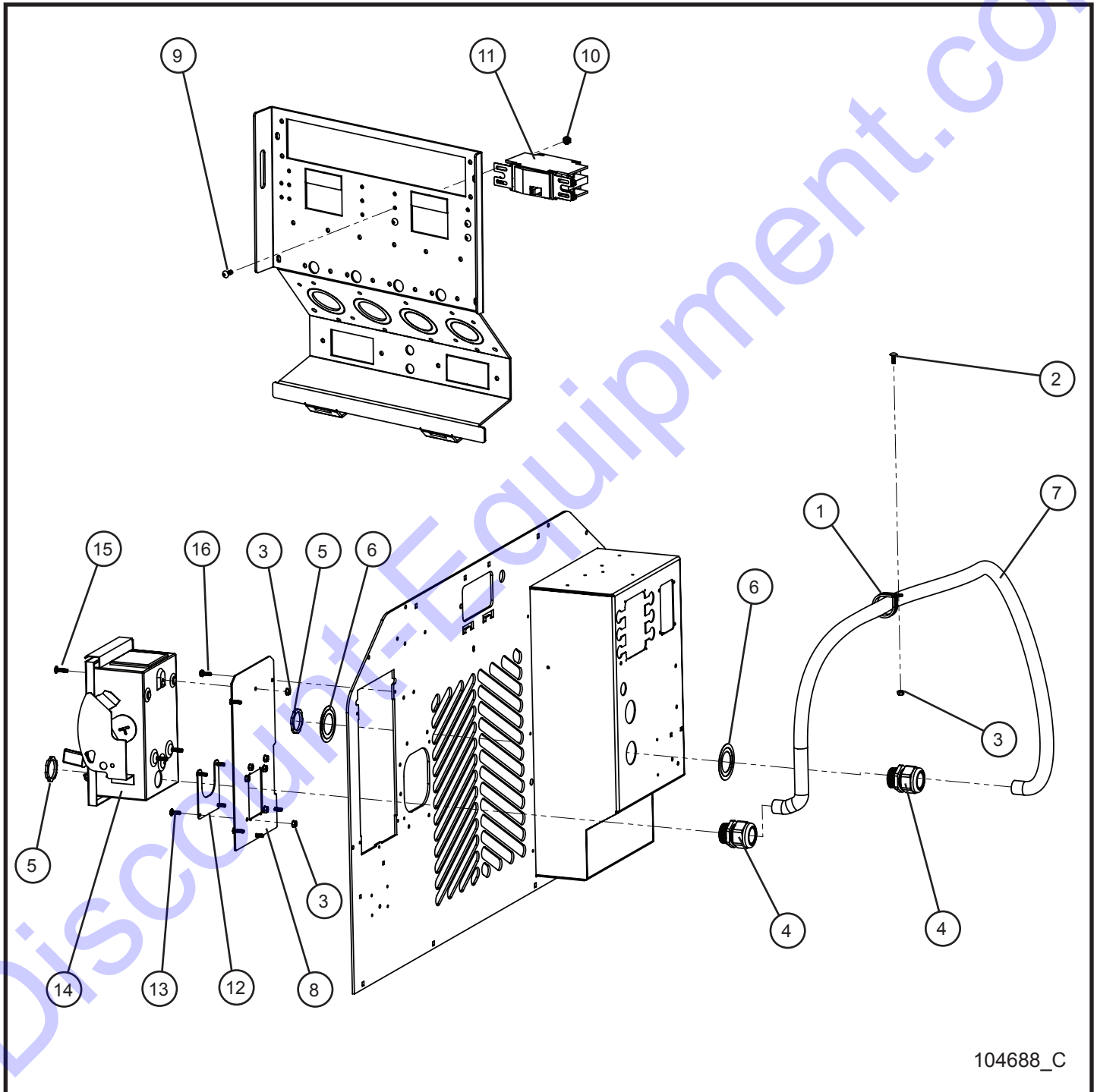
7.2 - 240V Rear Outlet

SN 0001XX12 and UP

Item	Part No.	Part Description	Qty.
1	022424	RECEPTACLE BOX	1
2	920365	#20 CUSHION CLAMP	1
3	053006	1/4-20 x 3/4 CARRIAGE BOLT	1
4	044021	1/4-20 KEPS HEX NUT PL	5
5	105628	CORD GRIP 1-1/4 NYLON BLACK	2
6	350363	1 1/4 LOCK NUT	2
7	104533	REAR OUTLET CORD DOMESTIC 15KW & 20KW	1
8	022351	14-50R 50A/250V NEMA RECEPTACLE	1
9	022352	RECEPTACLE COVER	1
10	352175	50 AMP BREAKER DPST	1
11	041012	SCREW MS #8-32 x 1/2 PL	4
12	044003	#8-32 NC KEPS NUT	4
13	044004	#6-32 KEPS HEX NUT PL	4
14	105025P	FILLER PLATE REAR PANEL CUTOUT	1
15	041080	1/4-20 x 1 PH-TRUSS HEAD MS SS	4
16	041070	1/4-20 x 3/4 SL-HEX WASHER HEAD MS TP F	5
17	022023	2 x 1-1/4 REDUCING WASHER TYPE RW	2
NS	105265	SCHEMATIC AUX OUTLET 1-50A TT14-50R	1

7.3 - 50Hz Rear Disconnect

SN 0001XX12 and UP



104688_C

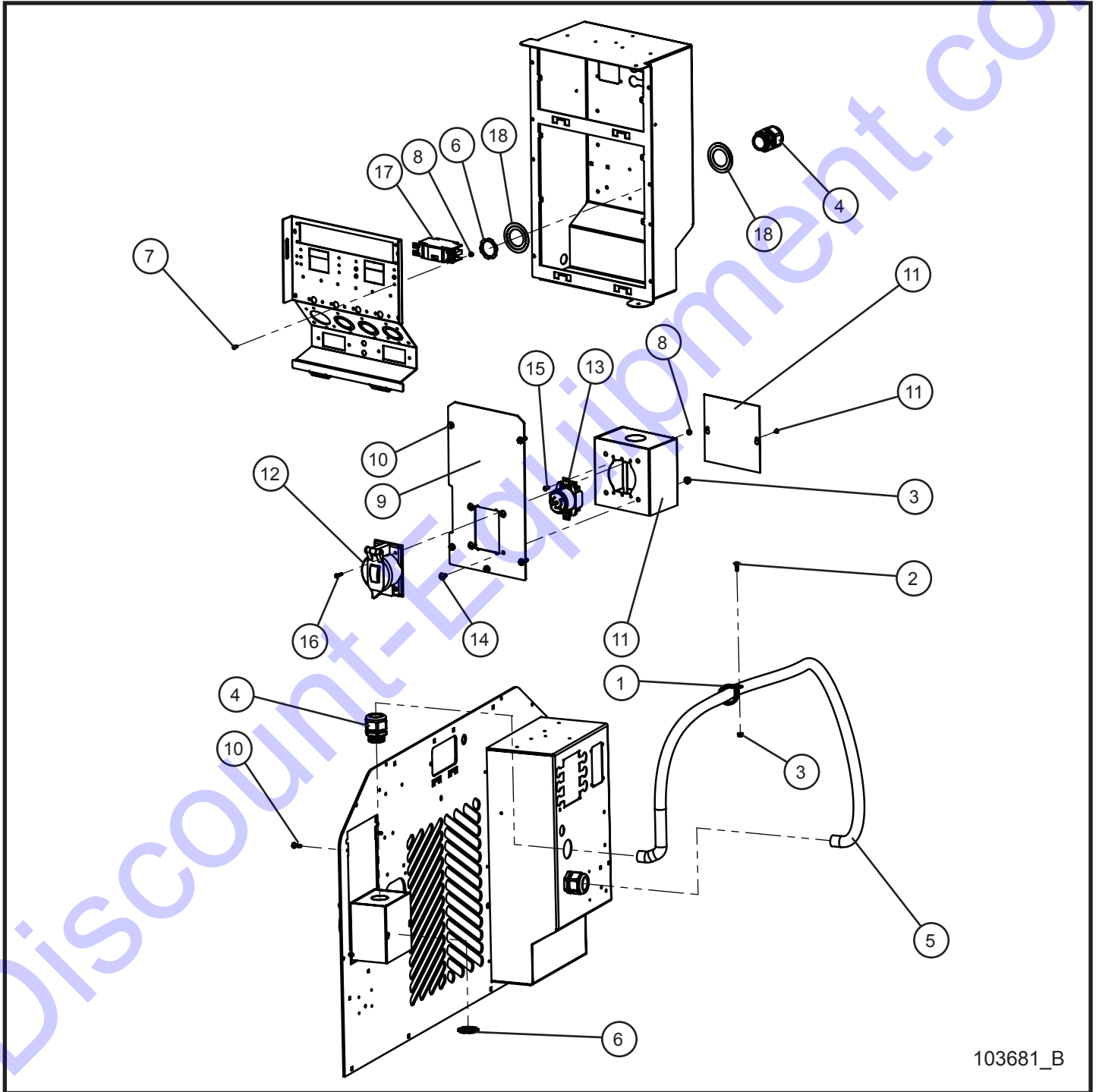
7.3 - 50Hz Rear Disconnect

SN 0001XX12 and UP

Item	Part No.	Part Description	Qty.
1	920365	#20 CUSHION CLAMP	1
2	053006	1/4-20 x 3/4 CARRIAGE BOLT	1
3	044021	1/4-20 KEPS HEX NUT PL	8
4	105628	CORD GRIP 1 1/4 NYLON BLACK	2
5	350363	1 1/4 LOCK NUT	2
6	022023	2 x 1 1/4 REDUCING WASHER TYPE RW	2
7	104690	REAR OUTLET CORD DOMESTIC 15KW & 20KW	1
8	105025P	FILLER PLATE REAR PANEL CUTOUT	1
9	041012	SCREW MS #8-32 x 1/2 PL	4
10	044003	#8-32 NC KEPS NUT	4
11	353280	70 AMP DOUBLE POLE BREAKER	1
12	104689P	PLATE COVER REAR OUTLET HOLE	1
13	041050	1/4-20 x 3/4 PH-TRUSS HEAD MS SS	4
14	352398	SWITCH BOX	1
15	041080	1/4-20 x 1 PH-TRUSS HEAD MS SS	3
16	041070	1/4-20 x 3/4 SL-HEX WASHER HEAD MS TP F	5
NS	105266	SCHEMATIC AUX OUTLET 50Hz DISCONNECT BOX	1

7.4 - 50AMP Rear Receptacle w/Cover

SN 0001XX12 and UP



103681_B

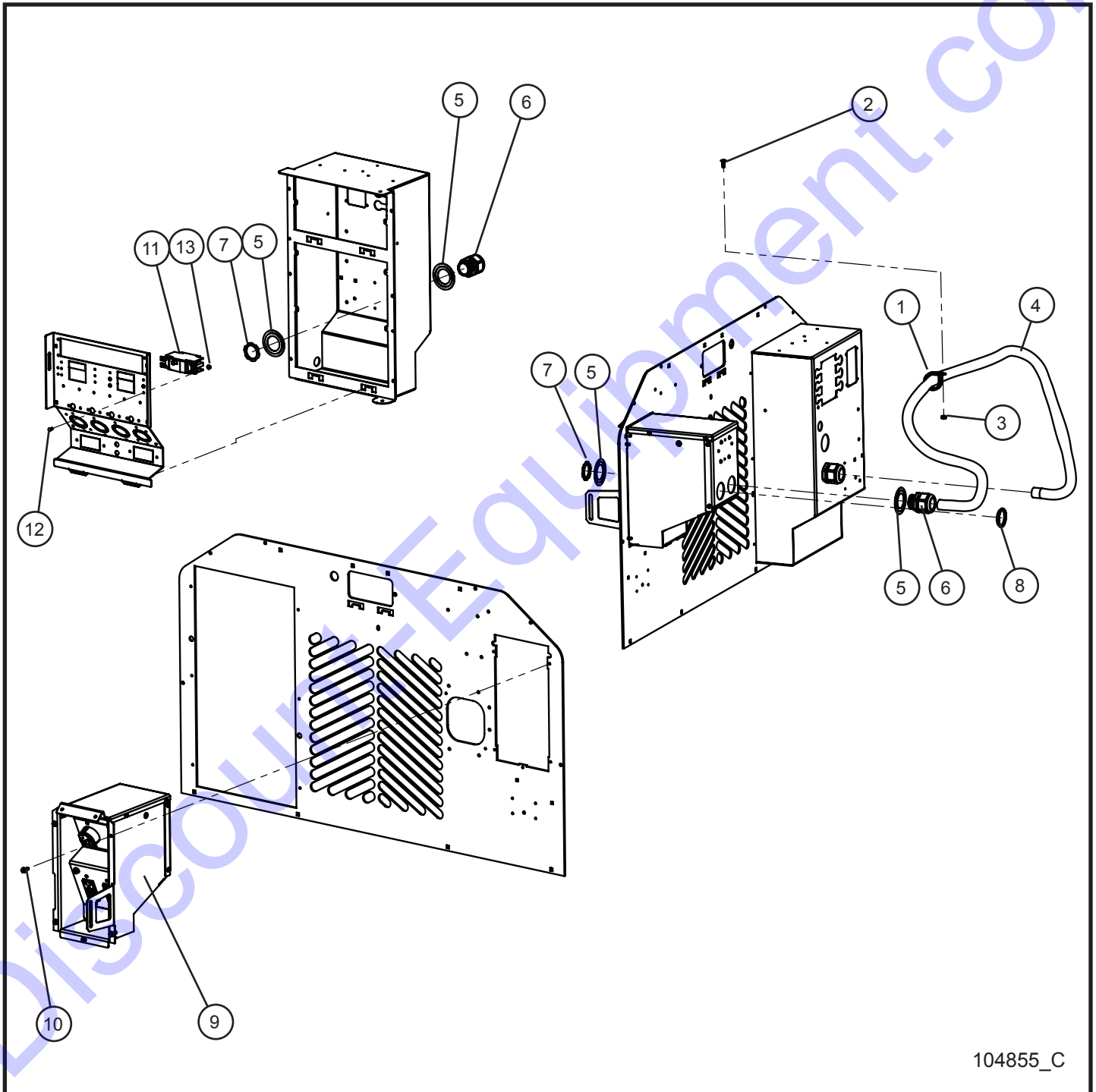
7.4 - 50AMP Rear Receptacle w/Cover

SN 0001XX12 and UP

Item	Part No.	Part Description	Qty.
1	920365	#20 CUSHION CLAMP	1
2	053006	1/4-20 x 3/4 CARRIAGE BOLT	1
3	044021	1/4-20 KEPS HEX NUT PL	5
4	105628	CORD GRIP 1 1/4 NYLON BLACK	2
5	104690	REAR OUTLET CORD DOMESTIC 15KW & 20KW	1
6	350363	1 1/4 LOCK NUT	2
7	041012	SCREW MS #8-32 x 1/2 PL	4
8	044003	#8-32 NC KEPS NUT	10
9	105025P	FILLER PLATE REAR PANEL CUTOUT	1
10	041070	1/4-20 x 3/4 SL-HEX WASHER HEAD MS TP F	5
11	022424	RECEPTACLE BOX	1
12	103688	COVER WEATHERPROOF	1
13	104267	CS6369 RECEPTACLE 50AMP 125/250 VOLT	1
14	041078	1/4-20 x 1/2 PH-TRUSS HEAD MS SS	4
15	041014	#8-32 x 1/2 PH-ROUND HEAD MS SS	2
16	041201	#8-32 x 3/4 SL-ROUND HEAD MS PL	4
17	352175	50 AMP BREAKER DPST	1
18	022023	2 x 1 1/4 REDUCING WASHER TYPE RW	2
NS	105932	SCHEMATIC AUX OUTLET 1-50A CS 6369	1

7.5 - Auxiliary Outlet Panel w/Cover

SN 0001XX12 and UP



104855_C

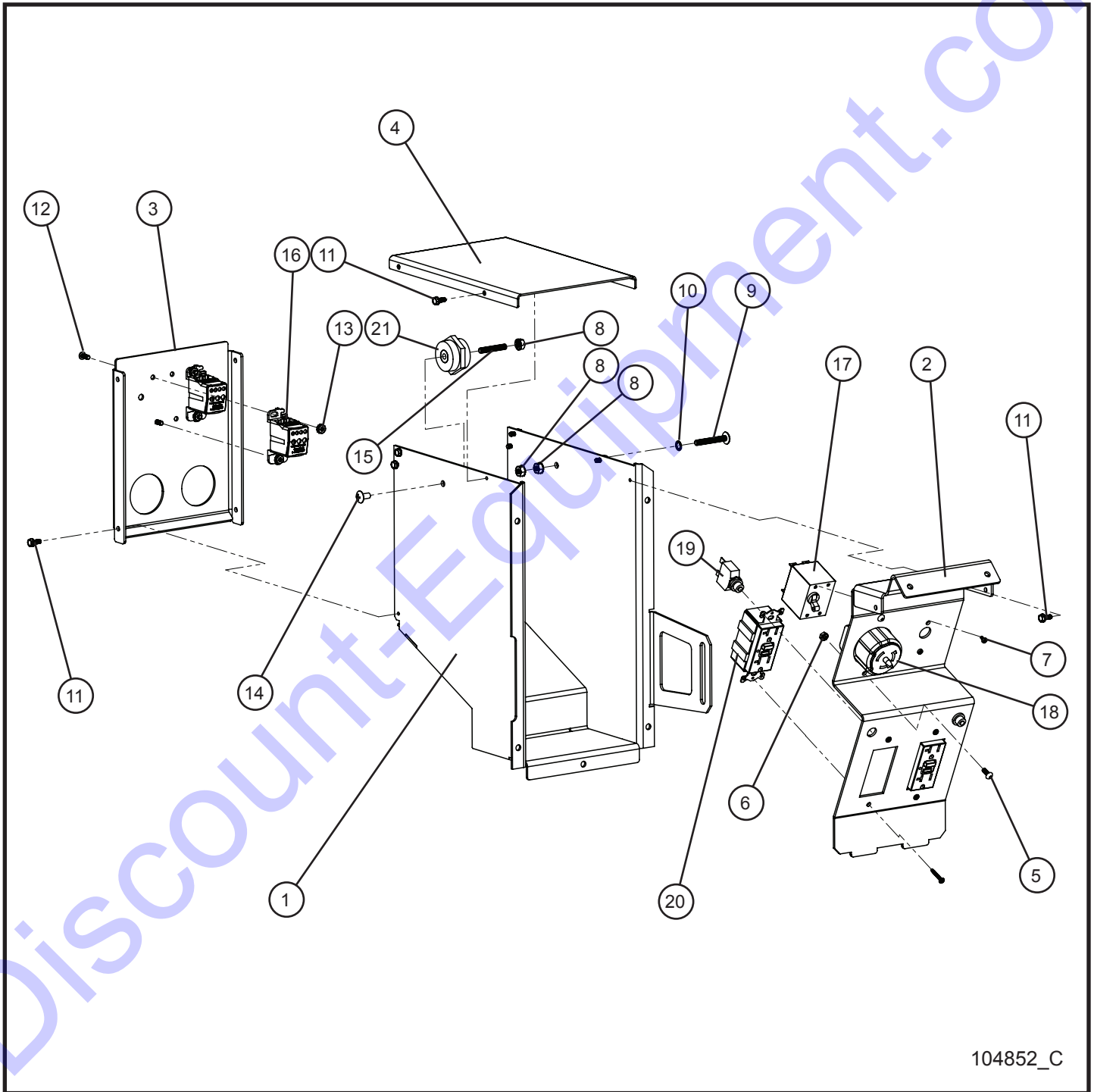
7.5 - Auxiliary Outlet Panel w/Cover

SN 0001XX12 and UP

Item	Part No.	Part Description	Qty.
1	920365	#20 CUSHION CLAMP	1
2	053006	1/4-20 x 3/4 CARRIAGE BOLT	1
3	044021	1/4-20 KEPS HEX NUT PL	1
4	105321	AUXILARY OUTLET CORD DOMESTIC 15KW & 20KW	1
5	022023	2 x 1 1/4 REDUCING WASHER TYPE RW	4
6	105628	CORD GRIP 1 1/4 NYLON BLACK	2
7	350363	1 1/4 LOCK NUT	2
8	103933	2" PLUG RECESSED BUTTON	1
9	104852	OUTLET PANEL AUXILARY POWER 2-20A GFCI, 1-50 AMP	1
10	041070	1/4-20 x 3/4 SL-HEX WASHER HEAD MS TP F	5
11	352175	50 AMP BREAKER DPST	1
12	041012	SCREW MS #8-32 x 1/2 PL	4
13	044003	#8-32 NC KEPS NUT	4
NS	105317	SCHEMATIC AUXILARY OUTLET 2-20A GFCI	1

7.6 - Auxiliary Power Outlet Panel 2-20AMP 1-50AMP

SN 0001XX12 and UP



104852_C

Maxi-Lite II

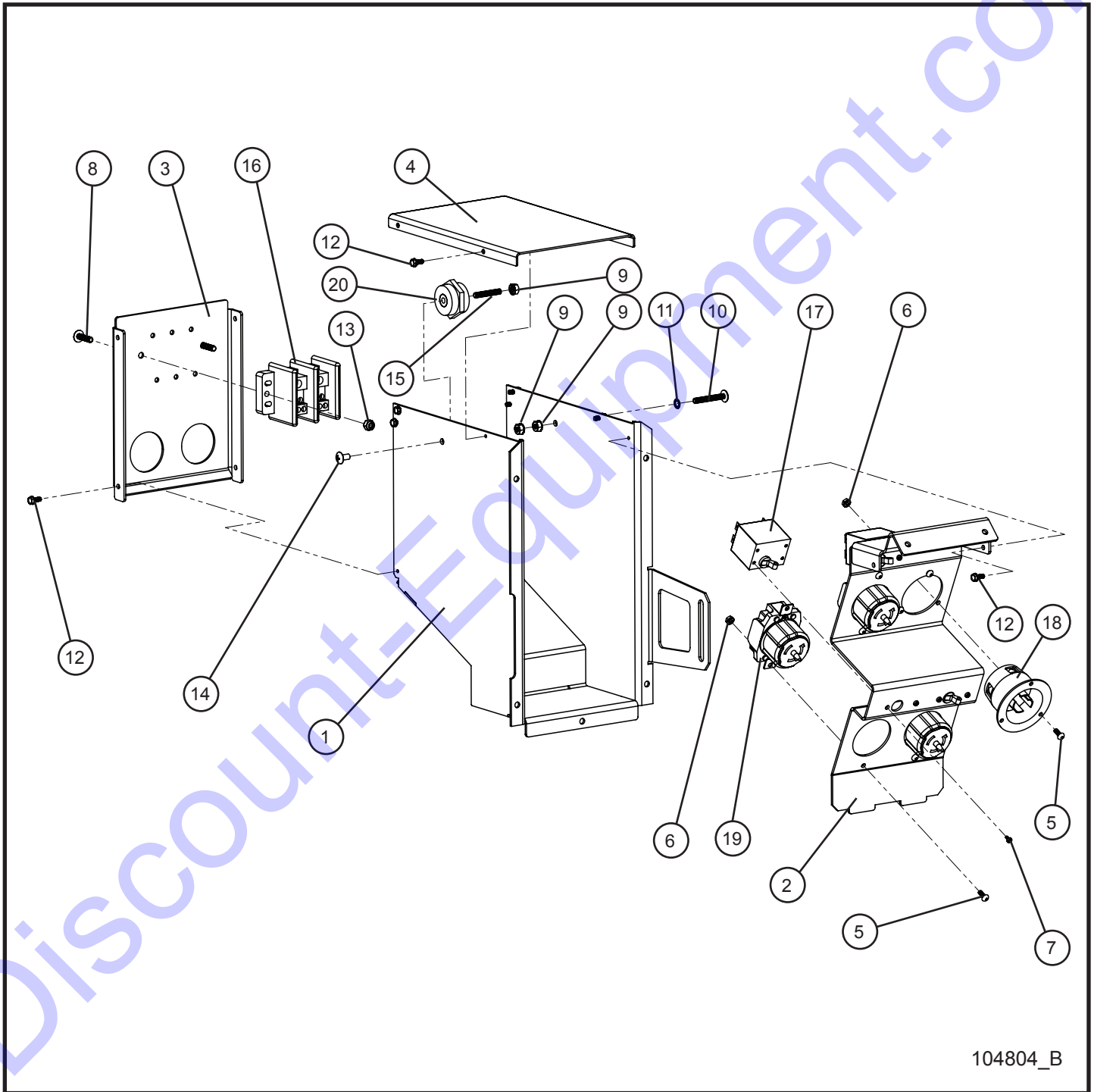
7.6 - Auxiliary Power Outlet Panel 2-20AMP 1-50AMP

SN 0001XX12 and UP

Item	Part No.	Part Description	Qty.
1	104805P	BOX FRAME	1
2	105232P	FACE PLATE	1
3	104809P	REAR PLATE	1
4	104810P	COVER PLATE	1
5	041012	SCREW MS #8-32 x 1/2 PL	2
6	044003	#8-32 NC KEPS NUT	2
7	041018	#6-32 x 1/4 PH-ROUND HEAD MS PL	2
8	044021	1/4-20 KEPS HEX NUT PL	3
9	041053	1/4-20 x 1 3/4 PH-TRUSS HEAD MS SS	1
10	043050	1/4 INT'L TOOTHLOCK WASHER	1
11	041031	#10-24 x 1/2 HEX HEAD MS PL	10
12	041021	#10-24 x 1/2 PH-ROUND HEAD MS PL	4
13	044016	#10-24 KEPS HEX NUT PL	4
14	041078	1/4-20 x 1/2 PH-TRUSS HEAD MS SS	1
15	045003	1/4-20 x 1-1/2 STUD PL	1
16	104779	DISTRIBUTION BLOCK ERIFLEX	2
17	353279	50A DPST CIRCUIT BREAKER	1
18	104267	CS 6369 RECEPTACLE 50 AMP 125/250V	1
19	650138	CIRCUIT BREAKER 20A PUSH BUTTON	2
20	330499	20A GFCI RECEPTACLE	2
21	106318	LOW VOLTAGE INSULATOR 1-1/4", 1/4-20	1
22	105317	SCHEMATIC AUX OUTLET 2-20A GFCI	1

7.7 - Auxiliary Power Outlet Panel 3-50AMP 1-30AMP

SN 0001XX12 and UP



104804_B

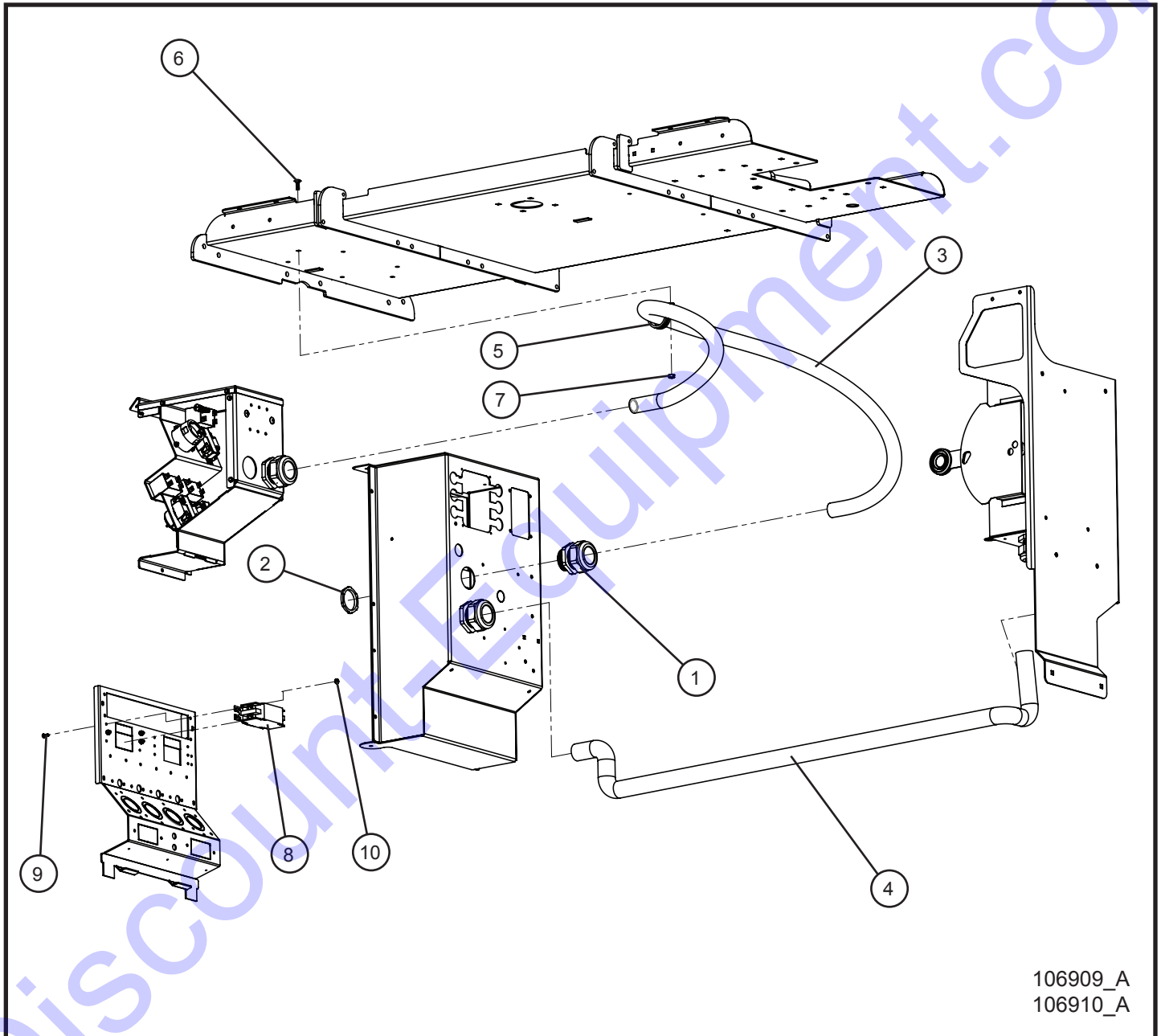
7.7 - Auxiliary Power Outlet Panel 3-50AMP 1-30AMP

SN 0001XX12 and UP

Item	Part No.	Part Description	Qty.
1	104805P	BOX FRAME	1
2	104811P	FACE PLATE THREE 50 AMP	1
3	104809P	REAR PLATE	1
4	104810P	COVER PLATE	1
5	041012	SCREW MS #8-32 x 1/2 PL	9
6	044003	#8-32 NC KEPS NUT	9
7	041018	#6-32 x 1/4 PH-ROUND HEAD MS PL	6
8	041080	1/4-20 x 1 PH-TRUSS HEAD MS SS	2
9	044021	1/4-20 KEPS HEX NUT PL	2
10	041053	1/4-20 x 1 3/4 PH-TRUSS HEAD MS SS	1
11	043050	1/4 INT'L TOOTHLOCK WASHER	1
12	041031	#10-24 x 1/2 HEX HEAD MS PL	10
13	044023	1/4-20 NYLOCK HEX NUT PL	2
14	041078	1/4-20 x 1/2 PH-TRUSS HEAD MS SS	1
15	045003	1/4-20 x 1-1/2 STUD PL	1
16	350360	POWER DISTRIBUTION BLOCK	1
17	353279	50A DPST CIRCUIT BREAKER	3
18	105010	FLANGED INLET NEMA 30 AMP	1
19	104267	CS6369 RECEPTACLE 50 AMP 125/250V	3
20	106318	LOW VOLTAGE INSULATOR 1-1/4", 1/4-20	1
21	105268	SCHEMATIC AUX OUTLET 1-30A L14-30R	1

7.8 - 2/4 & 4/4 Rear Outlet Cords

SN 0001XX12 and UP



106909_A
106910_A

Maxi-Lite II

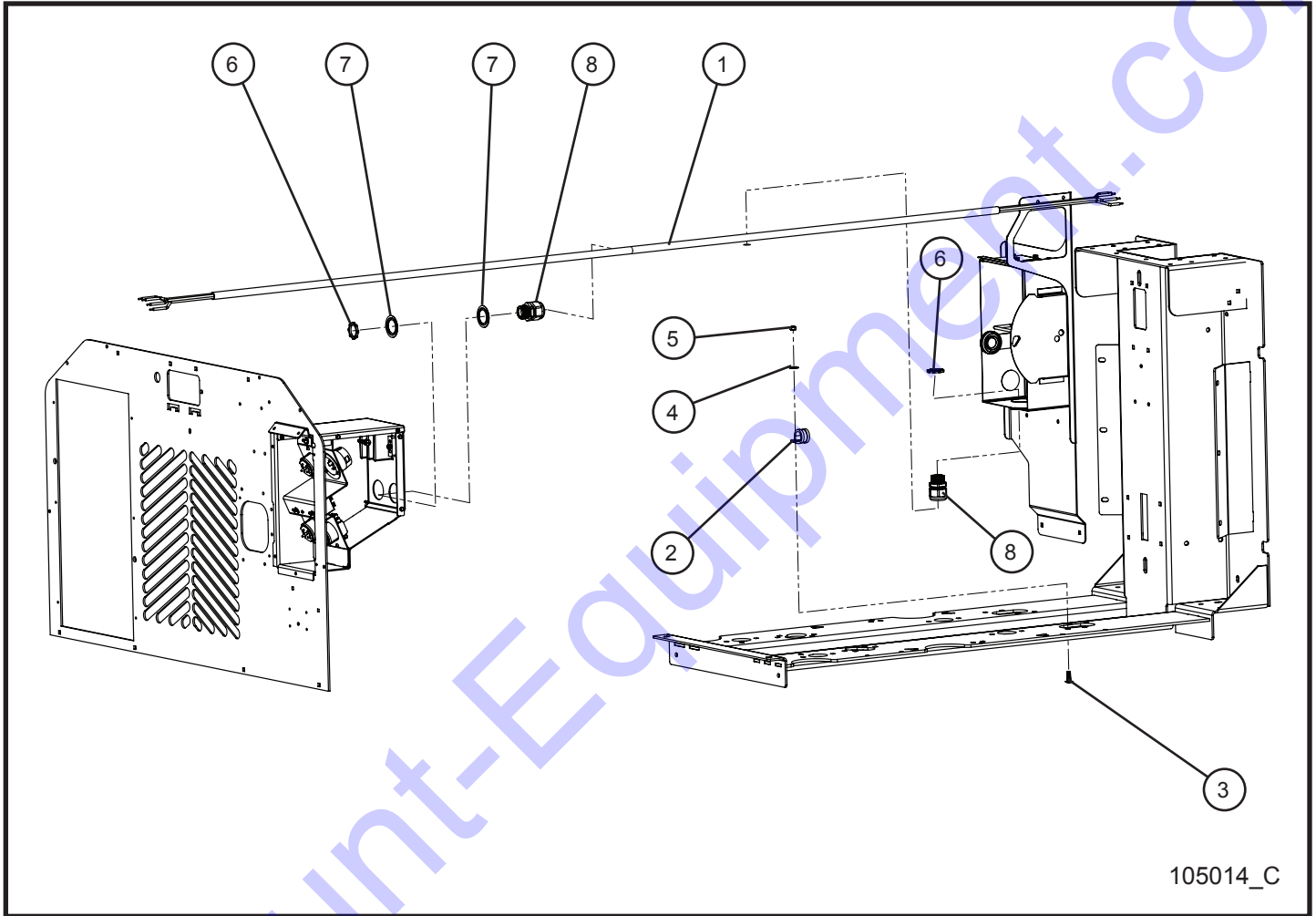
7.8 - 2/4 & 4/4 Rear Outlet Cords

SN 0001XX12 and UP

Item	Part No.	Part Description	Qty.
1	105629	CORD GRIP 1-1/2 NYLON BLACK	4
2	022232	1 1/2 LOCK NUT	4
3	105022	2/4 CORD SECONDARY OUTLET/REAR OUTLET PANEL	1
	106911	4/4 CORD SECONDARY OUTLET/REAR OUTLET PANEL	1
4	105021	2/4 CORD SWITCH BOX/REAR OUTLET PANEL	1
	106912	4/4 CORD SWITCH BOX/REAR OUTLET PANEL	1
5	920365	#28 CUSHION CLAMP	1
6	053006	1/4-20 x 3/4 CARRIAGE BOLT	1
7	044021	1/4-20 KEPS HEX NUT PL	1
8	352175	50 AMP BREAKER DPST	1
9	041012	SCREW MS #8-32 x 1/2 PL	4
10	044003	#8-32 NC KEPS NUT	4
11	105303	SCHEMATIC AUX OUTLET 1-50A TT14-50R	1

7.9 - 10/4 Rear Outlet Cord

SN 0001XX12 and UP



105014_C

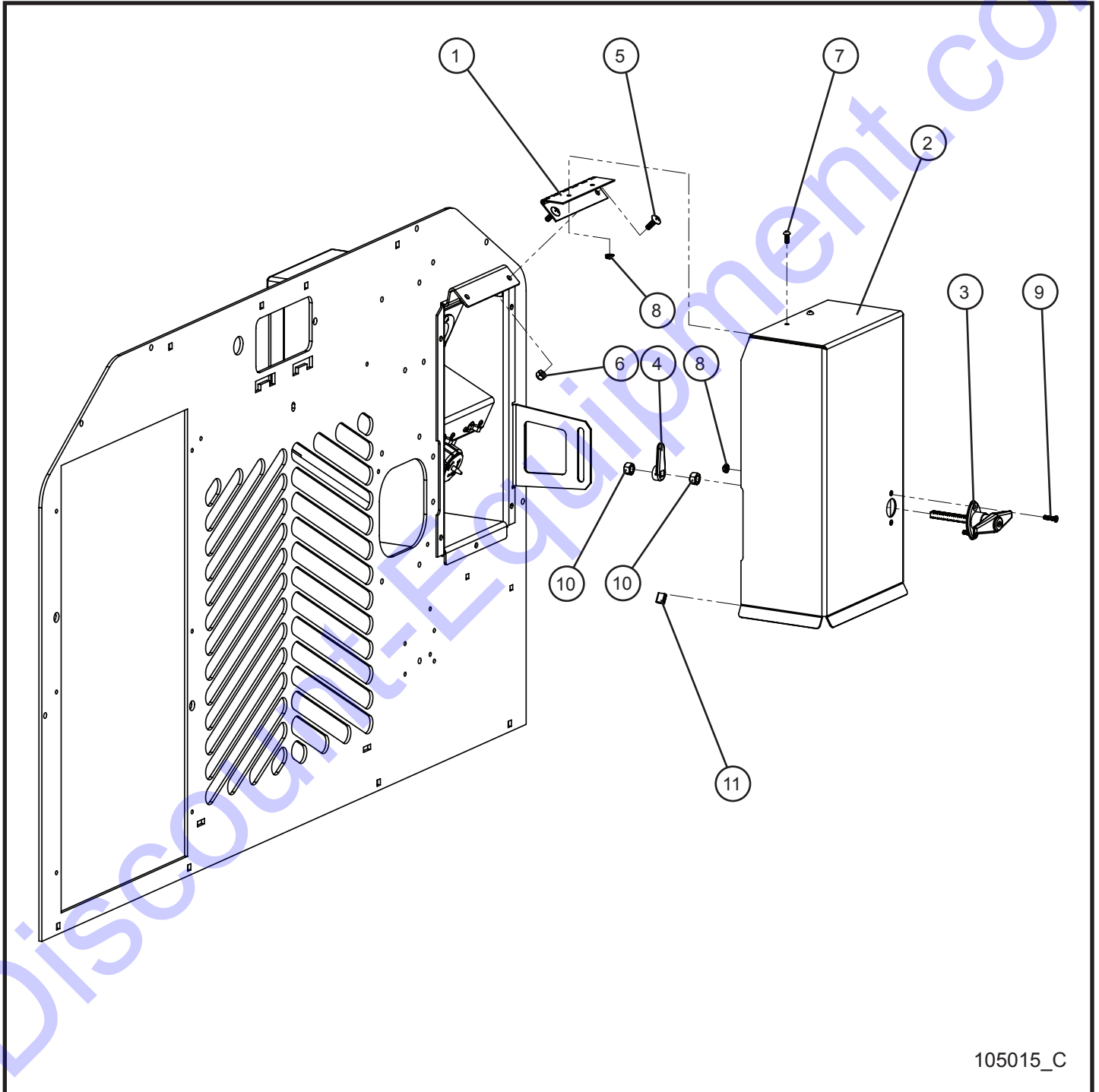
7.9 - 10/4 Rear Outlet Cord

SN 0001XX12 and UP

Item	Part No.	Part Description	Qty.
1	104812	10/4 CORD SWITCH BOX/SECONDARY OUTLET	1
2	022083	#16 CLAMP CUSH 3/8 HOLE	1
3	053020	5/16-18 x 1 CARRIAGE BOLT PL	1
4	047010	5/16 FLAT WASHER PL	1
5	044033	5/16-18 NYLOCK HEX NUT PL	1
6	022038	1" CORD GRIP NUT	2
7	022350	1 1/4 TO 1" REDUCING WASHER	2
8	105627	CORD GRIP 1" NYLON GRAY	2
9	105303	SCHEMATIC 20kW 1PH TRANSFER SWITCH	1

7.10 - Rear Outlet Cover

SN 0001XX12 and UP



105015_C

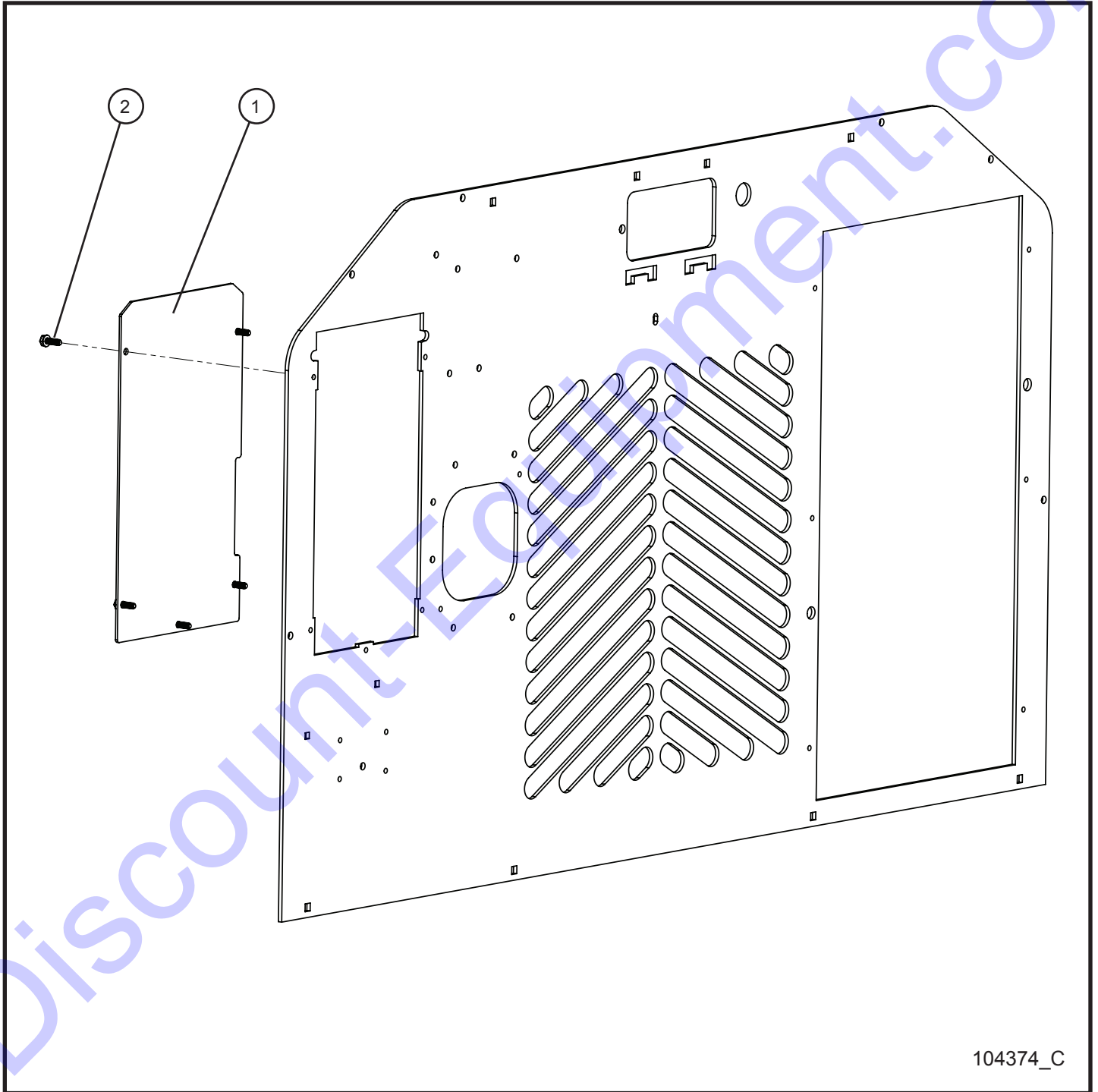
7.10 - Rear Outlet Cover

SN 0001XX12 and UP

Item	Part No.	Part Description	Qty.
1	104814	SECONDARY OUTLET COVER HINGE	1
2	104815P	COVER OUTLET BOX	1
3	650131	HANDLE-T LOCKING	1
4	650132	CAM LOCK	1
5	041050	1/4-20 x 3/4 PH-TRUSS HEAD MS SS	2
6	044023	1/4-20 NYLOCK HEX NUT PL	2
7	041021	#10-24 x 1/2 PH-ROUND HEAD MS PL	2
8	044016	#10-24 KEPS HEX NUT PL	4
9	041032	#10-24 x 3/4 SL-FLAT HEAD MS PL	2
10	044042	3/8-24 HEX NUT PL	2
11	030053	5/64 x 7/16 TRIM LOCK	2

7.11 - No Rear Outlet Cover

SN 0001XX12 and UP



104374_C

Maxi-Lite II

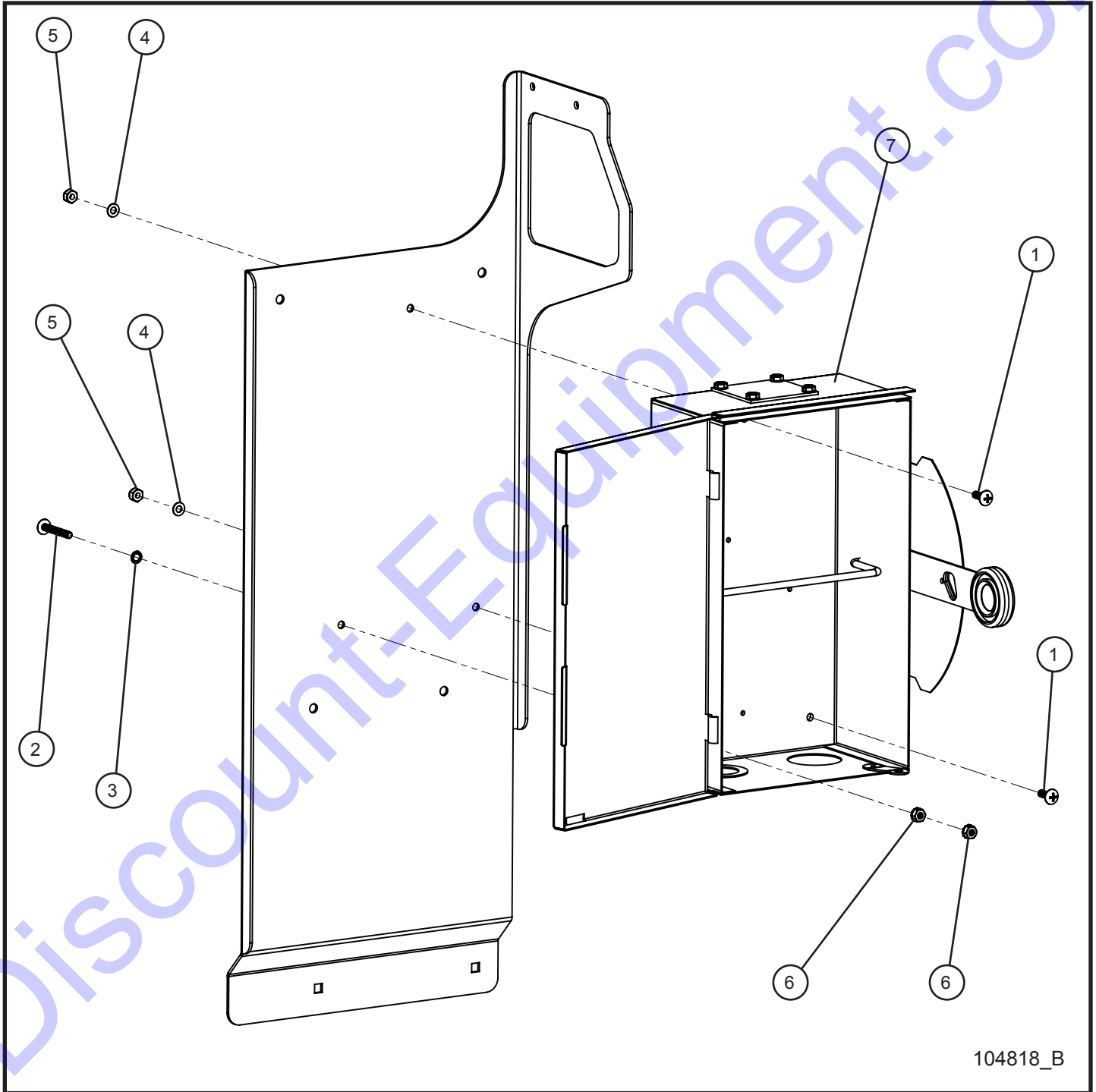
7.11 - No Rear Outlet Cover

SN 0001XX12 and UP

Item	Part No.	Part Description	Qty.
1	105018P	FILLER PLATE REAR PANEL CUTOUT	1
2	041070	1/4-20 x 3/4 SL-HEX WASHER HEAD MS TP F	5

7.12 - Double Throw Switch Box

SN 0001XX12 and UP



104818_B

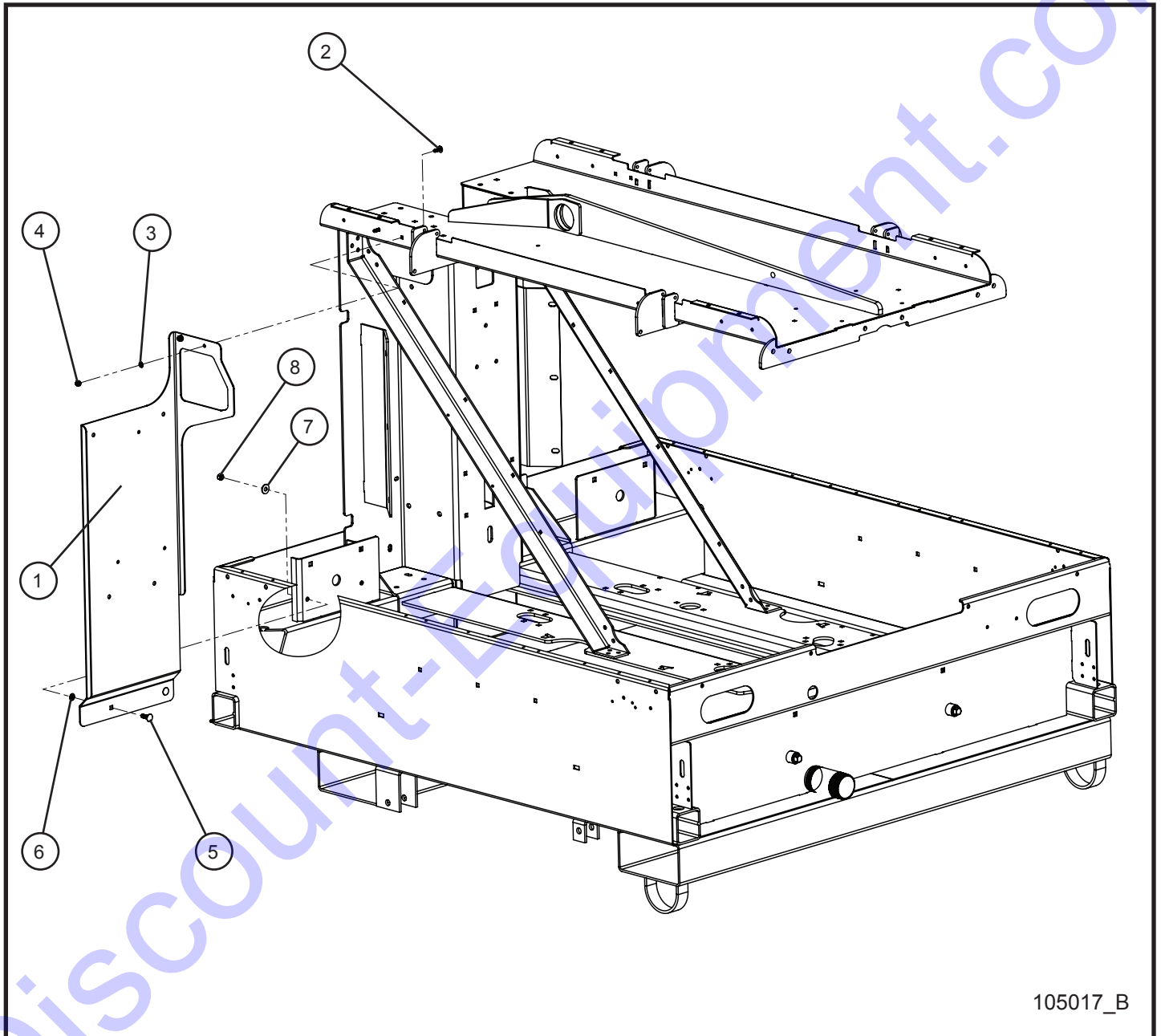
7.12 - Double Throw Switch Box

SN 0001XX12 and UP

Item	Part No.	Part Description	Qty.
1	041050	1/4-20 x 3/4 PH-TRUSS HEAD MS SS	2
2	041053	1/4-20 x 1 3/4 PH-TRUSS HEAD MS SS	1
3	043050	1/4 INT'L TOOTH LOCK WASHER	1
4	047009	1/4 FLAT WASHER SAE SS	2
5	044023	1/4-20 NYLOCK HEX NUT PL	2
6	044021	1/4-20 KEPS HEX NUT PL	2
7	105019	SWITCH BOX DOUBLE THROW 100AMP 120/240 VOLT	1

7.13 - Double Throw Switch Box Mount

SN 0001XX12 and UP



105017_B

7.13 - Double Throw Switch Box Mount

SN 0001XX12 and UP

Item	Part No.	Part Description	Qty.
1	104803P	MOUNT PLATE SWITCH BOX	1
2	041050	1/4-20 x 3/4 PH-TRUSS HEAD MS SS	2
3	047009	1/4 FLAT WASHER SAE SS	2
4	044023	1/4-20 NYLOCK HEX NUT PL	2
5	053020	5/16-18 x 1 CARRIAGE BOLT PL	2
6	045217	5/16 PUSH NUT	2
7	047010	5/16 FLAT WASHER PL	2
8	044033	5/16-18 NYLOCK HEX NUT PL	2