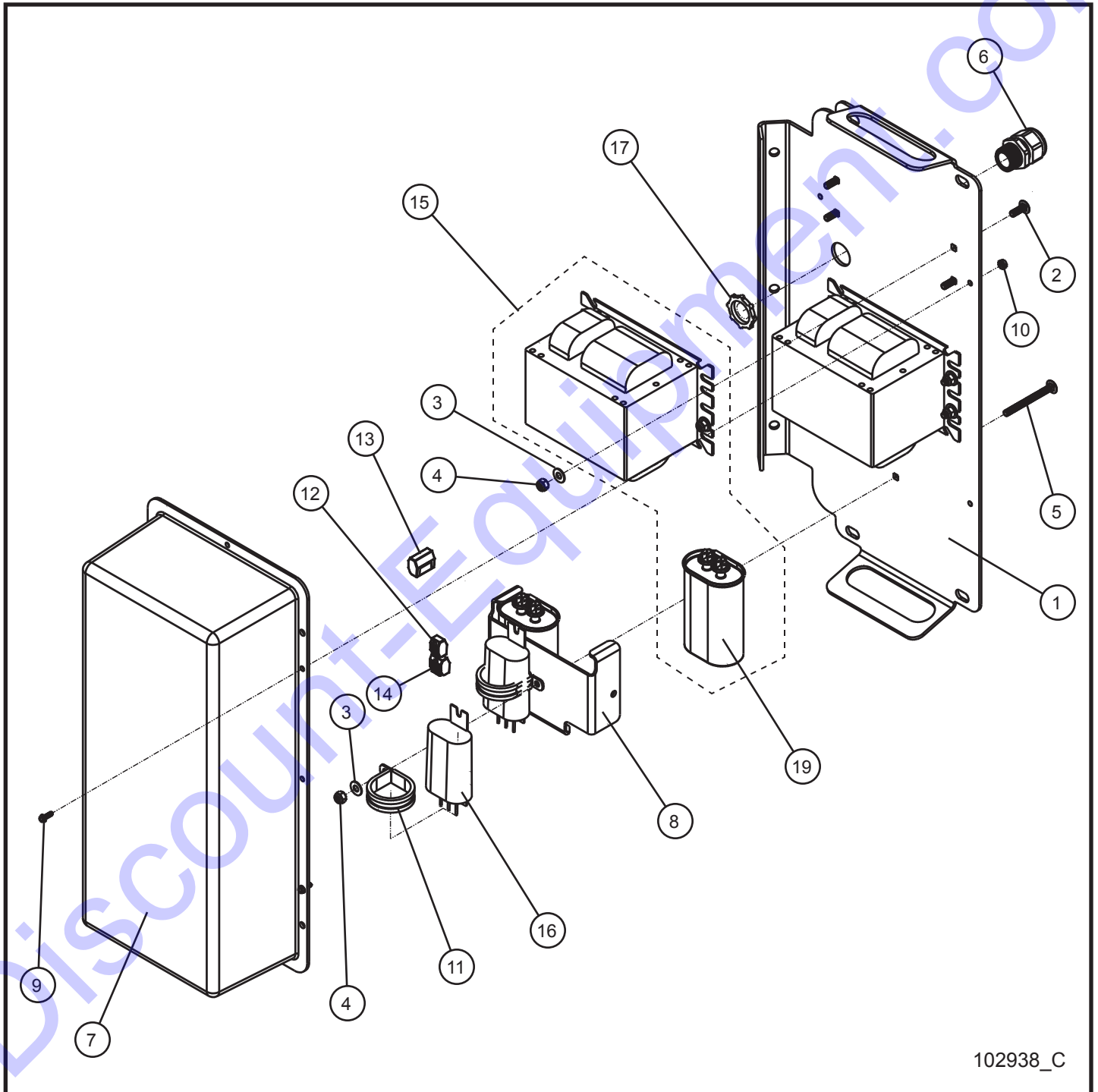


## 5.8 - 1000W HPS 60Hz 120V Ballast Box Assembly

SN 0001XX12 and UP



102938\_C

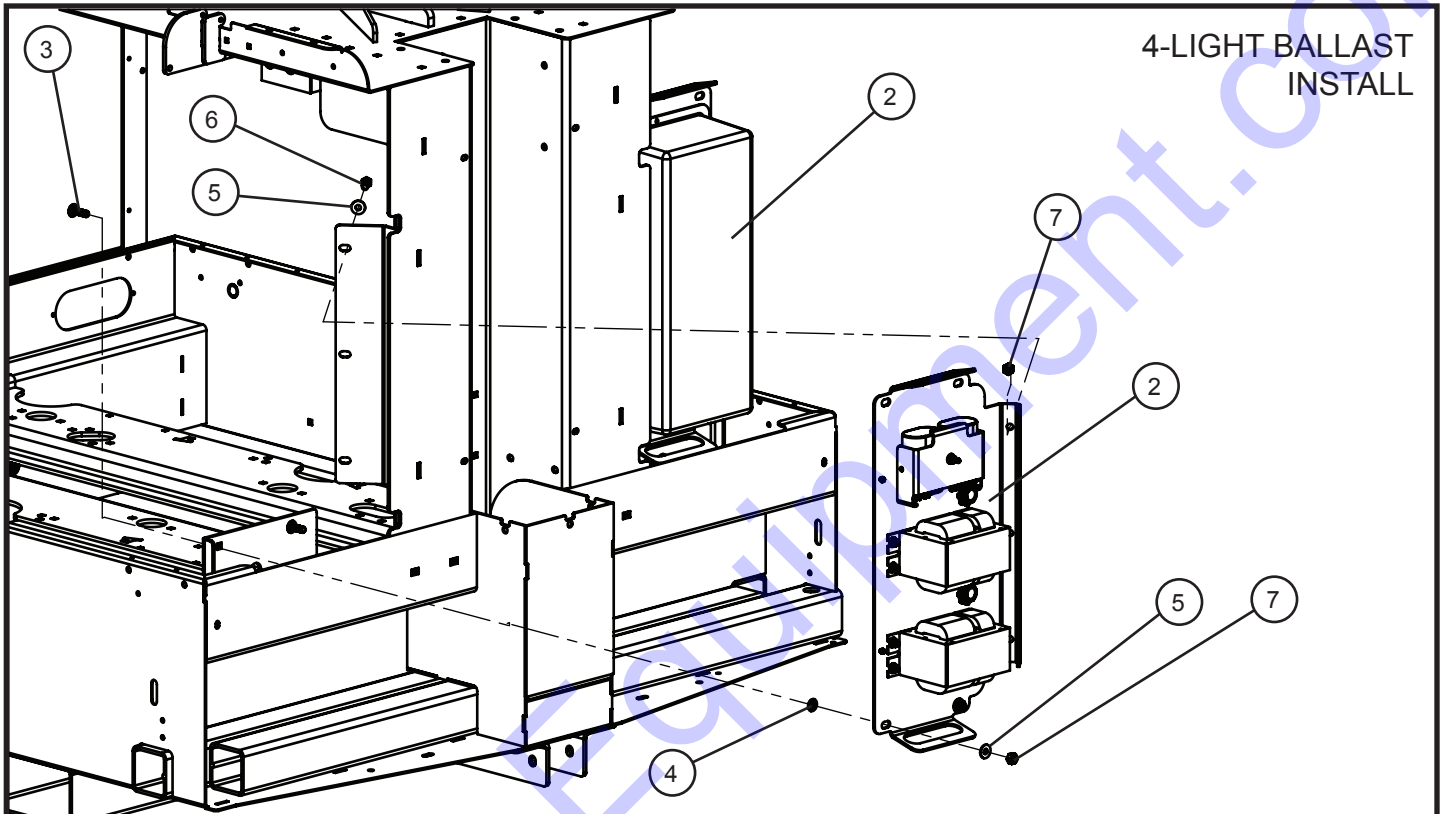
## 5.8 - 1000W HPS 60Hz 120V Ballast Box Assembly

SN 0001XX12 and UP

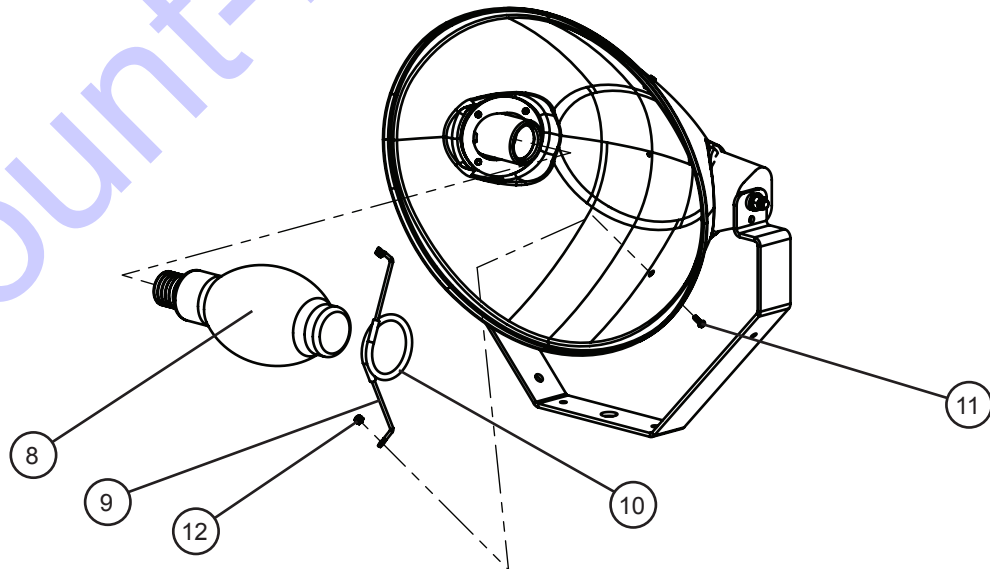
Item	Part No.	Part Description	Qty.
1	105914P	MOUNT PLATE BALLAST BOX	1
2	053006	1/4-20 x 3/4 CARRIAGE BOLT	8
3	047009	1/4 FLAT WASHER SAE SS	9
4	044023	1/4-20 NYLOCK HEX NUT PL	9
5	100718	1/4-20 x 2 1/4 CARRIAGE BOLT	1
6	105916	GRIP CORD NYLON 3/4"	2
7	102752	BALLAST TOP MODULAR BOX	1
8	680608P	TAPPED CAPACITOR CLAMP	1
9	041029	#8-32 x 1/2 HEX WASHER HEAD SCREW	4
10	044003	#8-32 NC KEPS NUT	4
11	920365	#28 CUSHION CLAMP	2
12	102624	2 WIRE LEVER LOCK	4
13	102622	CONNECTOR BLOCK 5 TERMINAL LEVERS	2
14	102623	3 PIN LEVER LOCK	2
15	310118	BALLAST KIT 1000W 60Hz 120V HPS (INCLUDES 310115A)	2
16	028015	LAMP IGNITOR 1000W	2
17	022036	3/4 CORD GRIP NUT	2
18	105184	1000W 120V HPS BALLAST 60Hz SCHEMATIC	1
19	310115A	CAPACITOR 26UF 60/50Hz 540V	2

## 5.9 - 1250W Lamps w/ 60Hz 120V Ballast Boxes (1 of 2)

SN 0001XX12 and UP



### LAMP DETAIL



104610\_E  
104653\_D

# Maxi-Lite II

## 5.9 - 1250W Lamps w/ 60Hz 120V Ballast Boxes (1 of 2)

SN 0001XX12 and UP

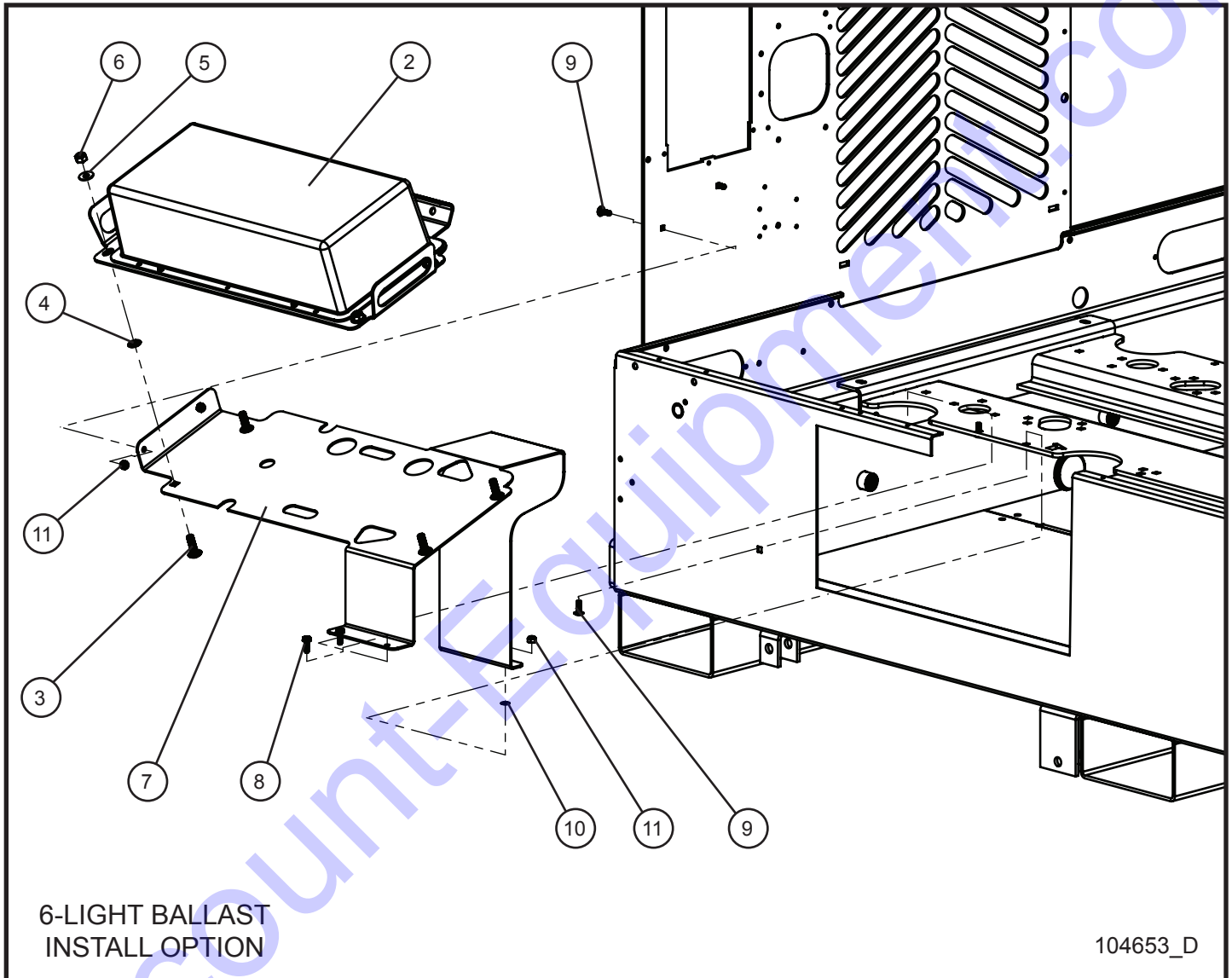
Item	Part No.	Part Description	Qty.
1	103624	BALLAST CORD ASSEMBLY	4
2	104481	1250W-28uF 60Hz 120V BALLAST ASSEMBLY	2
3	100670	3/8-16 x 1 1/4 CARRIAGE BOLT	4
4	045218	3/8 PUSH NUT	4
5	047010	5/16 FLAT WASHER PL	6
6	046110	3/8-16 x 1 HEX HEAD CS GR5 PL	2
7	044038	3/8-16 NYLOCK HEX NUT PL	6
8	610221	LAMP 1250W BT37 (MH)	4(6)
9	610209	SUPPORT TIP LAMP SHO	4(6)
10	610210	FIBERGLASS TUBE 12" LAMP SUPPORT	4(6)
11	041200	#8-32 x 1/2 HEX WASHER HEAD INDT	8(12)
12	044013	#8-32 NYLOCK HEX NUT SS	8(12)
13	105286	SCHEMATIC BALLAST 1250W 60Hz 120V (NOT SHOWN)	1

\*NOTE: QUANTITY OF PARTS FOR 6-LIGHT OPTION IS SHOWN IN PARENTHESIS IN THIS PARTS LIST.



## 5.9 - 1250W Lamps w/ 60Hz 120V Ballast Boxes (2 of 2)

SN 0001XX12 and UP



# Maxi-Lite II

## 5.9 - 1250W Lamps w/ 60Hz 120V Ballast Boxes (2 of 2)

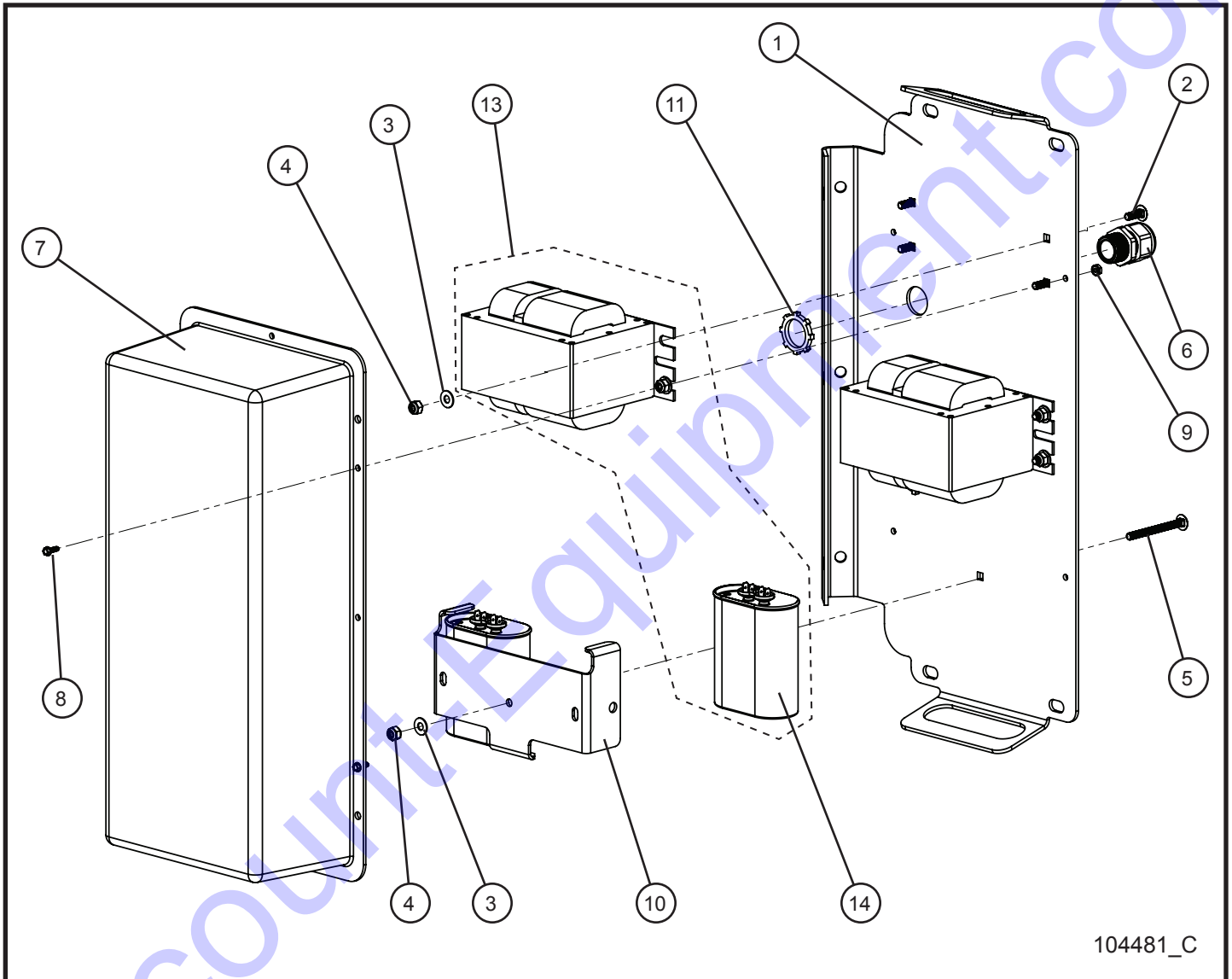
SN 0001XX12 and UP

Item	Part No.	Part Description	Qty.
1	104362	CORD BALLAST 5/6 LIGHT	2
2	104481	1250W-28uF 60Hz 120V BALLAST ASSEMBLY	1
3	100670	3/8-16 x 1 1/4 CARRIAGE BOLT	4
4	045218	3/8 PUSH NUT	4
5	047010	5/16 FLAT WASHER PL	4
6	044038	3/8-16 NYLOCK HEX NUT PL	4
7	104699P	MOUNT BRACKET 6 LIGHT BALLAST BOX	1
8	041070	1/4-20 x 3/4 SL-HEX WASHER HEAD MS TP F	2
9	053006	1/4-20 x 3/4 CARRIAGE BOLT	4
10	101701	1/4 PUSH NUT	2
11	044023	1/4-20 NYLOCK HEX NUT PL	4

\*NOTE: PARTS IN THIS SET ARE FOR 6-LIGHT OPTION ONLY.

## 5.10 - 1250W 60Hz 120V Ballast Box Assembly

SN 0001XX12 and UP



104481\_C

# Maxi-Lite II

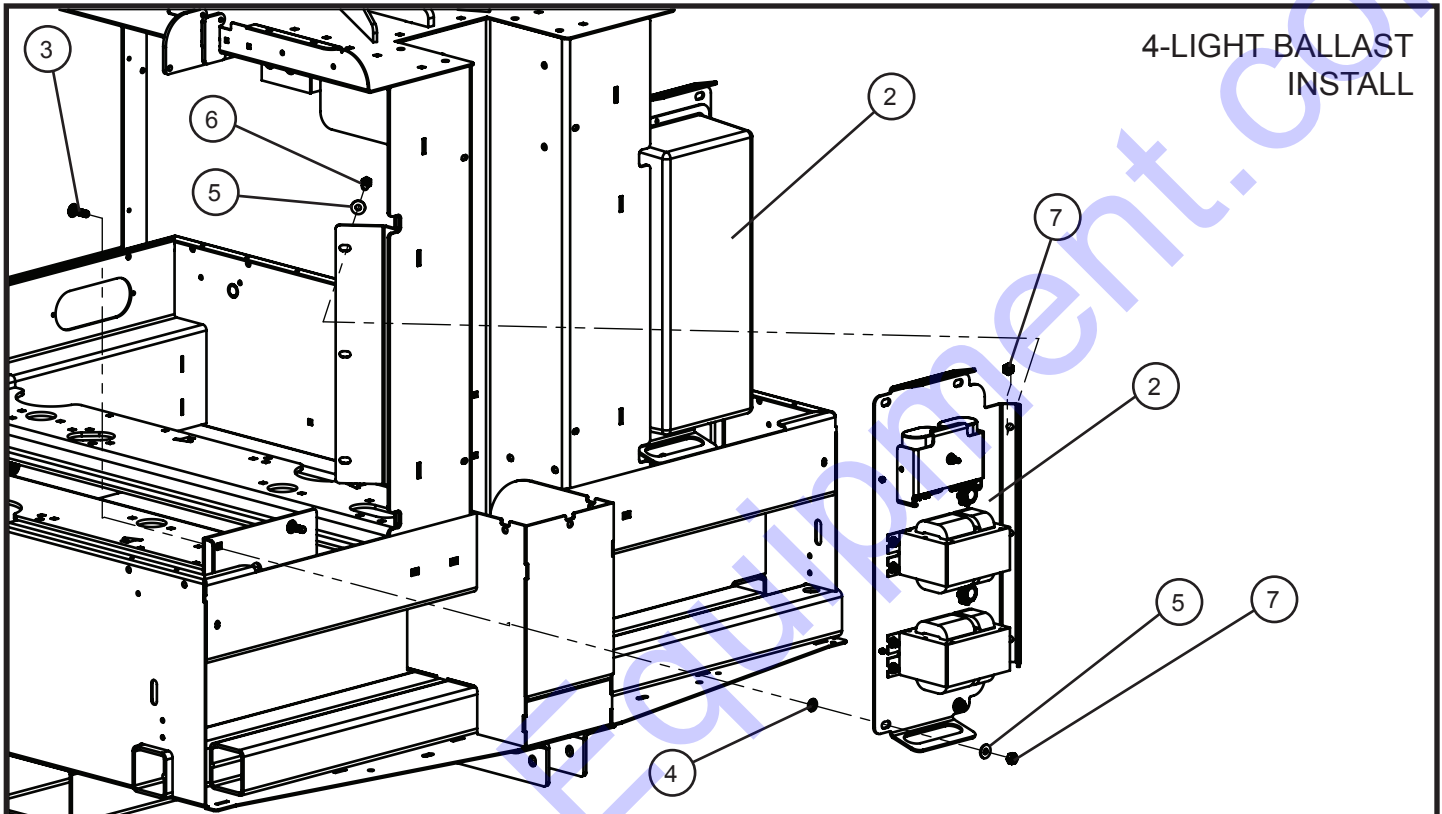
## 5.10 - 1250W 60Hz 120V Ballast Box Assembly

SN 0001XX12 and UP

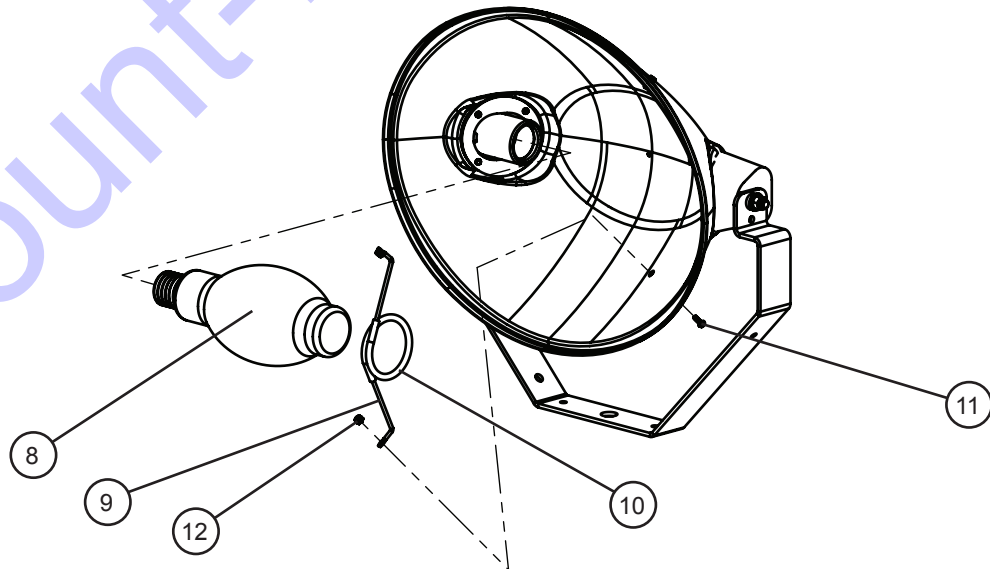
Item	Part No.	Part Description	Qty.
1	105914P	MOUNT PLATE BALLAST BOX	1
2	053006	1/4-20 x 3/4 CARRIAGE BOLT	8
3	047009	1/4 FLAT WASHER SAE SS	9
4	044023	1/4-20 NYLOCK HEX NUT PL	9
5	100718	1/4-20 x 2 1/4 CARRIAGE BOLT	1
6	105916	GRIP CORD NYLON 3/4	2
7	102752	BALLAST TOP MODULAR BOX	1
8	041029	#8-32 x 1/2 HEX WASHER HEAD SCREW	4
9	044003	#8-32 NC KEPS NUT	4
10	100392P	TABBED CAPACITOR CLAMP	1
11	022036	3/4 CORD GRIP NUT	2
12	105286	SCHEMATIC BALLAST 1250W 60Hz 120V (NOT SHOWN)	1
13	109606	BALLAST KIT 1250W 60Hz 120/240V 28uF (INCLUDES 100329)	2
14	100329	CAPACITOR 28uF 1250W	2

## 5.11 - 1250W Lamps w/ 60Hz 240V Ballast Boxes (1 of 2)

SN 0001XX12 and UP



### LAMP DETAIL



106175\_B  
106410\_B

# Maxi-Lite II

## 5.11 - 1250W Lamps w/ 60Hz 240V Ballast Boxes (1 of 2)

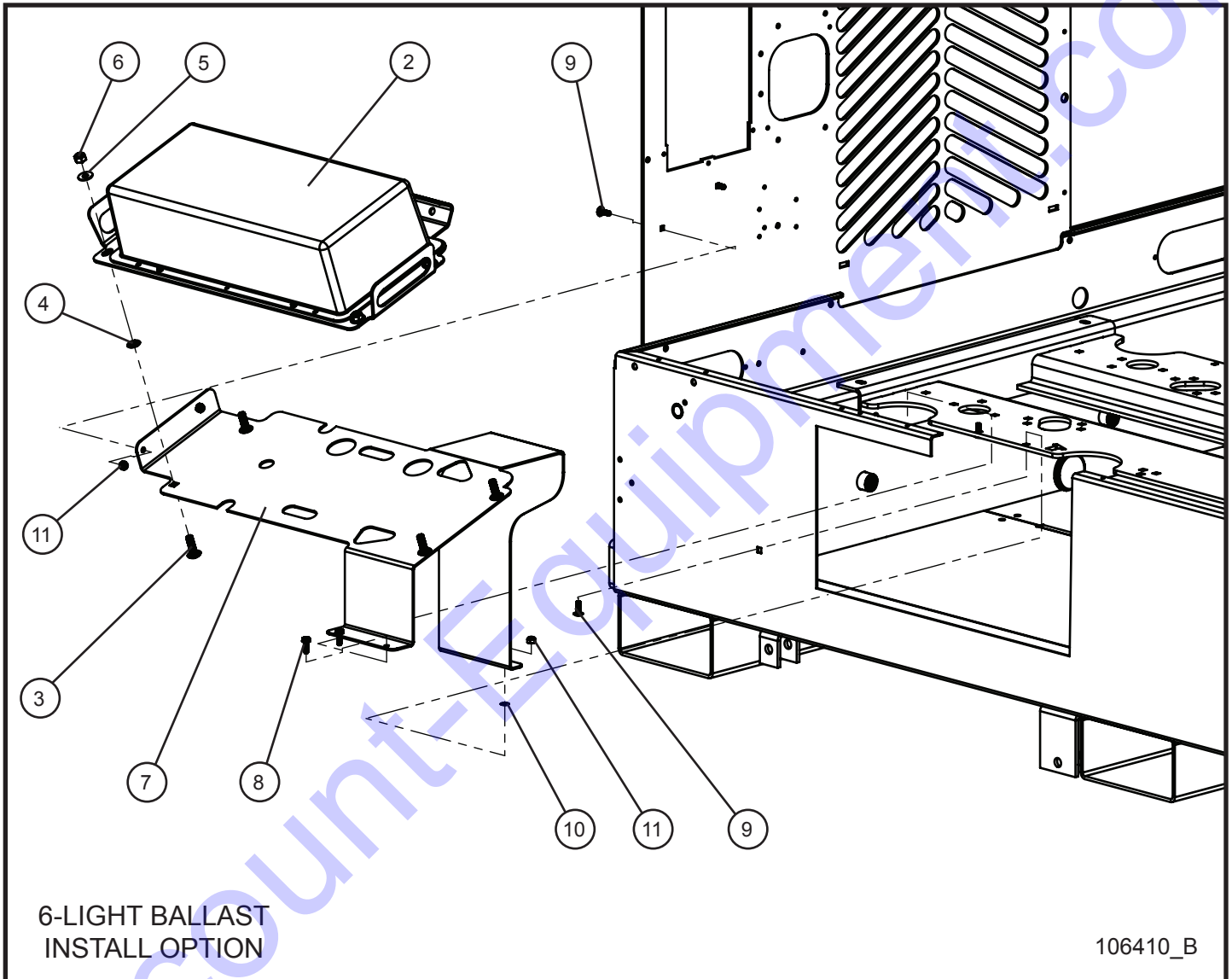
SN 0001XX12 and UP

Item	Part No.	Part Description	Qty.
1	103624	BALLAST CORD ASSEMBLY	4
2	106174	1250W-28uF 60Hz 240V BALLAST ASSEMBLY	2
3	100670	3/8-16 x 1 1/4 CARRIAGE BOLT	4
4	045218	3/8 PUSH NUT	4
5	047010	5/16 FLAT WASHER PL	6
6	046110	3/8-16 x 1 HEX HEAD CS GR5 PL	2
7	044038	3/8-16 NYLOCK HEX NUT PL	6
8	610221	LAMP 1250W BT37 (MH)	4(6)
9	610209	SUPPORT TIP LAMP SHO	4(6)
10	610210	FIBERGLASS TUBE 12" LAMP SUPPORT	4(6)
11	041200	#8-32 x 1/2 HEX WASHER HEAD INDT	8(12)
12	044013	#8-32 NYLOCK HEX NUT SS	8(12)
13	105290	SCHEMATIC BALLAST 1250W 60Hz 240V (NOT SHOWN)	1

\*NOTE: QUANTITY OF PARTS FOR 6-LIGHT OPTION IS SHOWN IN PARENTHESIS IN THIS PARTS LIST.

## 5.11 - 1250W Lamps w/ 60Hz 240V Ballast Boxes (2 of 2)

SN 0001XX12 and UP



# Maxi-Lite II

## 5.11 - 1250W Lamps w/ 60Hz 240V Ballast Boxes (2 of 2)

SN 0001XX12 and UP

Item	Part No.	Part Description	Qty.
1	104362	CORD BALLAST 5/6 LIGHT	2
2	106174	1250W-28uF 60Hz 240V BALLAST ASSEMBLY	1
3	100670	3/8-16 x 1 1/4 CARRIAGE BOLT	4
4	045218	3/8 PUSH NUT	4
5	047010	5/16 FLAT WASHER PL	4
6	044038	3/8-16 NYLOCK HEX NUT PL	4
7	104699P	MOUNT BRACKET 6 LIGHT BALLAST BOX	1
8	041070	1/4-20 x 3/4 SL-HEX WASHER HEAD MS TP F	2
9	053006	1/4-20 x 3/4 CARRIAGE BOLT	4
10	101701	1/4 PUSH NUT	2
11	044023	1/4-20 NYLOCK HEX NUT PL	4

\*NOTE: PARTS IN THIS SET ARE FOR 6-LIGHT OPTION ONLY.





# Maxi-Lite II

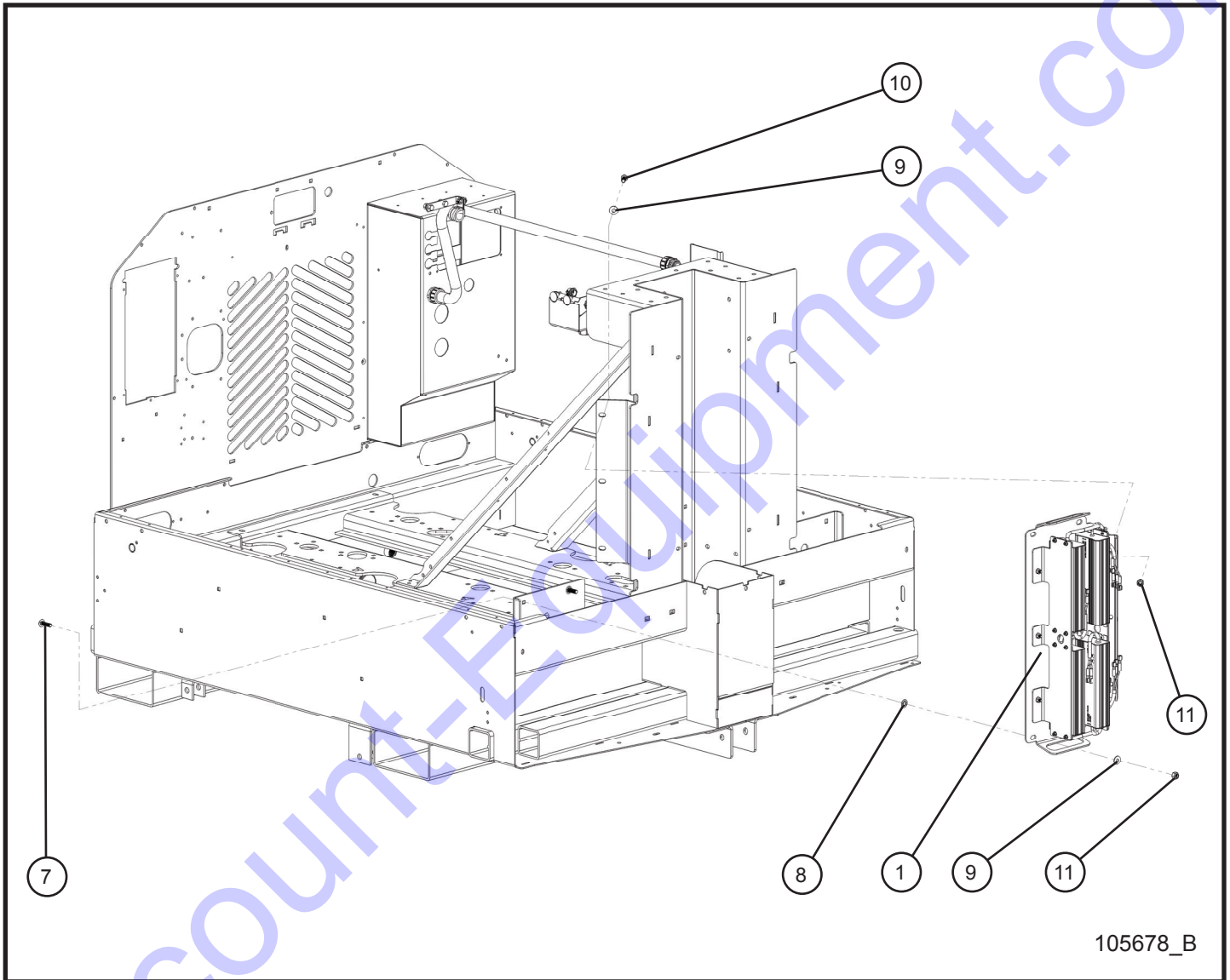
## 5.12 - 1250W 60Hz 240V Ballast Box Assembly

SN 0001XX12 and UP

Item	Part No.	Part Description	Qty.
1	105914P	MOUNT PLATE BALLAST BOX	1
2	053006	1/4-20 x 3/4 CARRIAGE BOLT	8
3	047009	1/4 FLAT WASHER SAE SS	9
4	044023	1/4-20 NYLOCK HEX NUT PL	9
5	100718	1/4-20 x 2 1/4 CARRIAGE BOLT	1
6	105916	GRIP CORD NYLON 3/4	2
7	102752	BALLAST TOP MODULAR BOX	1
8	041029	#8-32 x 1/2 HEX WASHER HEAD SCREW	4
9	044003	#8-32 NC KEPS NUT	4
10	100392P	TABBED CAPACITOR CLAMP	1
11	022036	3/4 CORD GRIP NUT	2
12	105290	SCHEMATIC BALLAST 1250W 60Hz 240V (NOT SHOWN)	1
13	109606	BALLAST KIT 1250W 60Hz 120/240V 28uF (INCLUDES 100329)	2
14	100329	CAPACITOR 28uF 1250W	2

## 5.13 - LED 4 Driver Install Group

SN 0001XX12 and UP



105678\_B

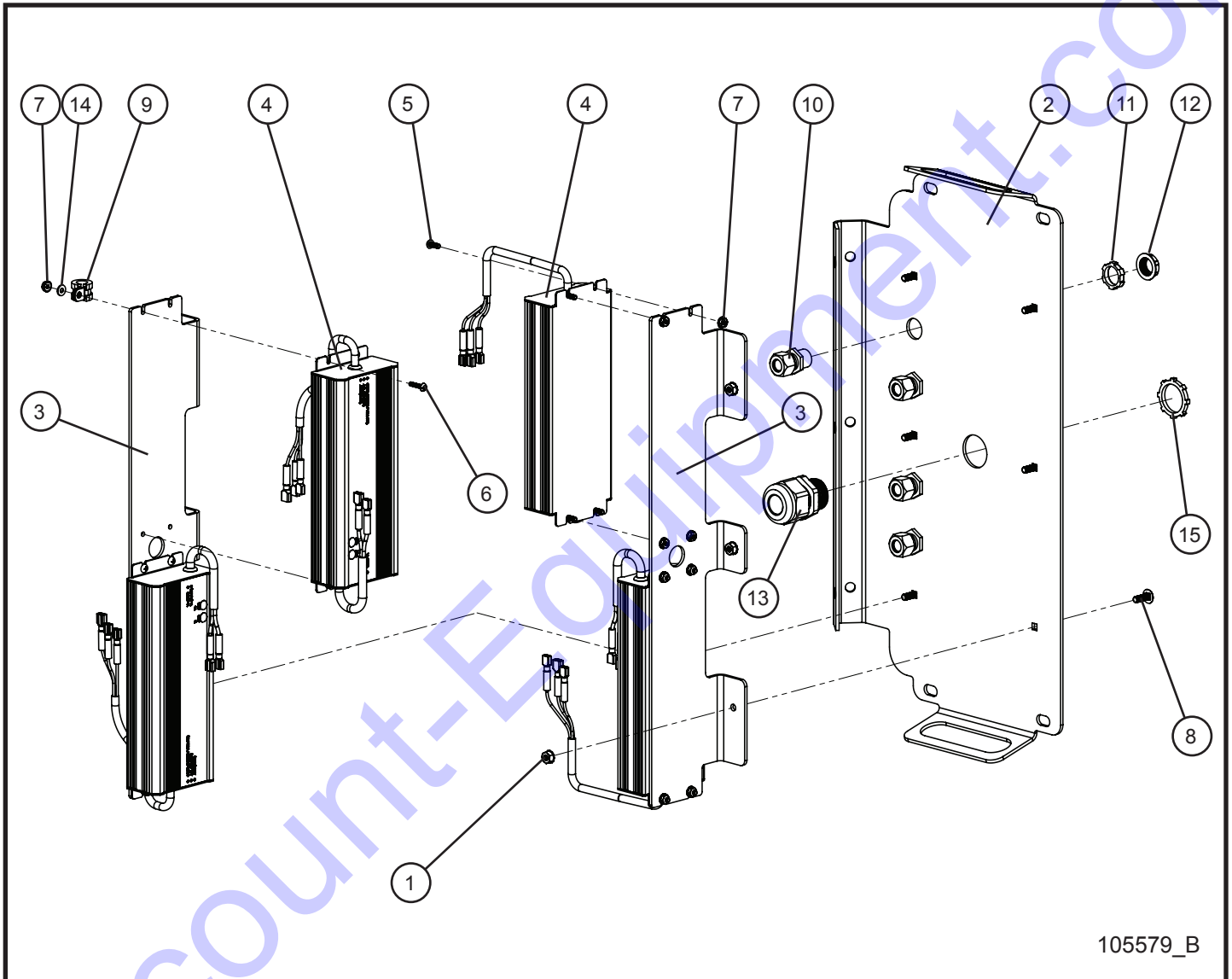
## 5.13 - LED 4 Driver Install Group

SN 0001XX12 and UP

Item	Part No.	Part Description	Qty.
1	105579	LED 4 DRIVER ASSEMBLY	1
2	105665	#1 INPUT CORD	1
3	105674	#2 INPUT CORD	1
4	105667	#3 INPUT CORD	1
5	105668	#4 INPUT CORD	1
6	105671	#1 OUTPUT CORD	1
7	100670	3/8-16 x 1 1/4 CARRIAGE BOLT	2
8	045218	3/8 PUSH NUT	2
9	047010	5/16 FLAT WASHER PL	3
10	046110	3/8-16 x 1 HEX HEAD CS GR5 PL	1
11	044038	3/8-16 NYLOCK HEX NUT PL	3
12	105634	4 LIGHT SCHEMATIC LED JUNCTION BOX	1

## 5.14 - LED 4 Driver Assembly

SN 0001XX12 and UP



105579\_B

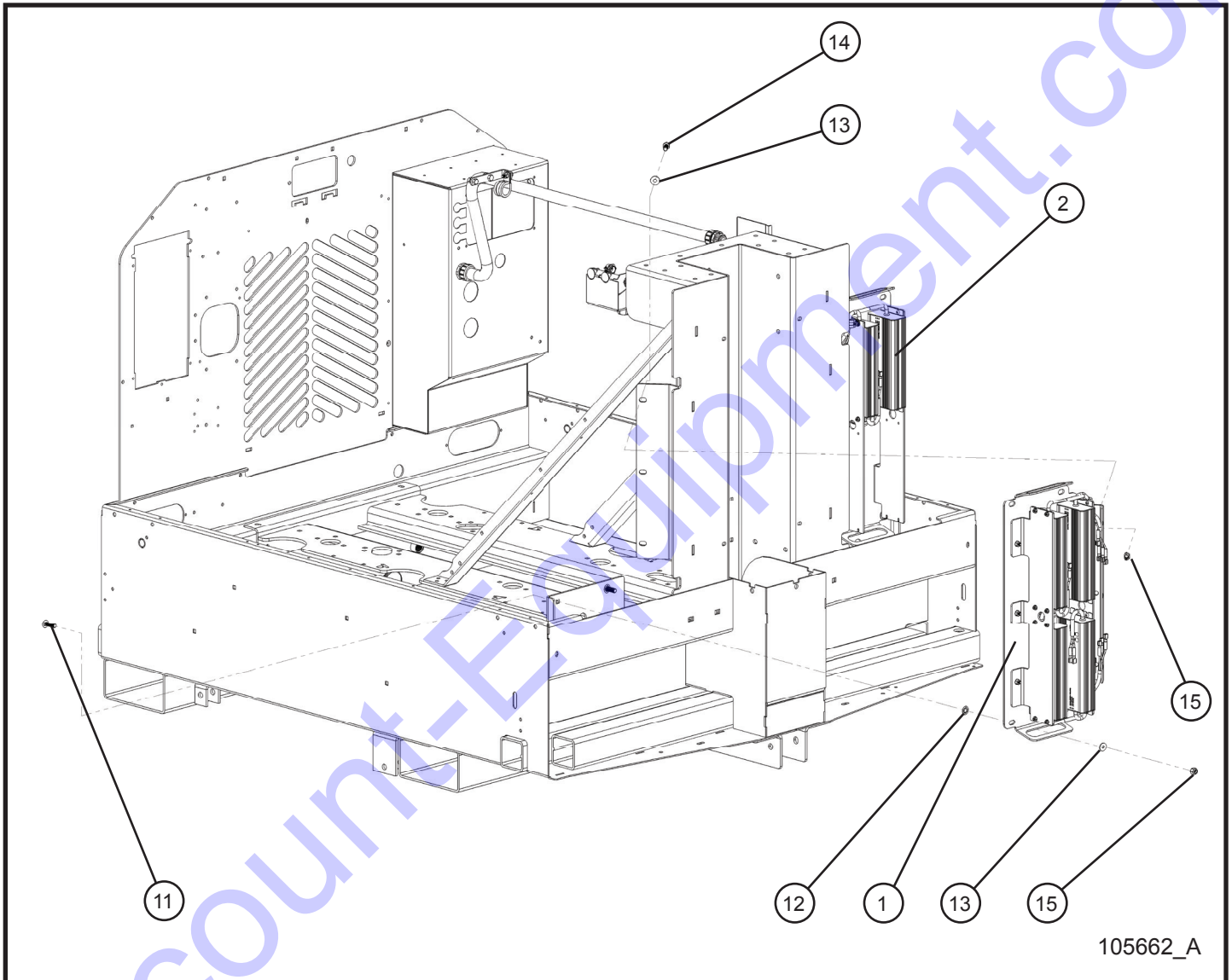
## 5.14 - LED 4 Driver Assembly

SN 0001XX12 and UP

Item	Part No.	Part Description	Qty.
1	044021	1/4 KEPS HEX NUT PL	6
2	105915P	MOUNT PLATE LED DRIVER	1
3	105578P	MOUNT LED DRIVER	2
4	105677	DRIVER W/ TERMINALS LED LIGHT	4
5	041014	#8-32 x 1/2 PH-ROUND HEAD MS SS	14
6	041201	#8-32 x 3/4 SL-ROUND HEAD MS PL	2
7	044015	#8-32 KEPS HEX NUT SS	16
8	053007	1/4-20 x 3/4 CARRIAGE BOLT SS	6
9	310212	#10 CUSH CLAMP 1/4 HOLE	2
10	510007	1/2 CORD GRIP	4
11	022035	1/2 CORD GRIP NUT	4
12	022415	1/2 INSULATING BUSHING THREADED	4
13	105627	CORD GRIP 1" NYLON GRAY	1
14	047004	#8 FLAT WASHER SAE ZC	2
15	022038	1" CORD GRIP NUT	1

## 5.15 - LED 4 and 2 Drivers Install Group

SN 0001XX12 and UP



# Maxi-Lite II

## 5.15 - LED 4 and 2 Drivers Install Group

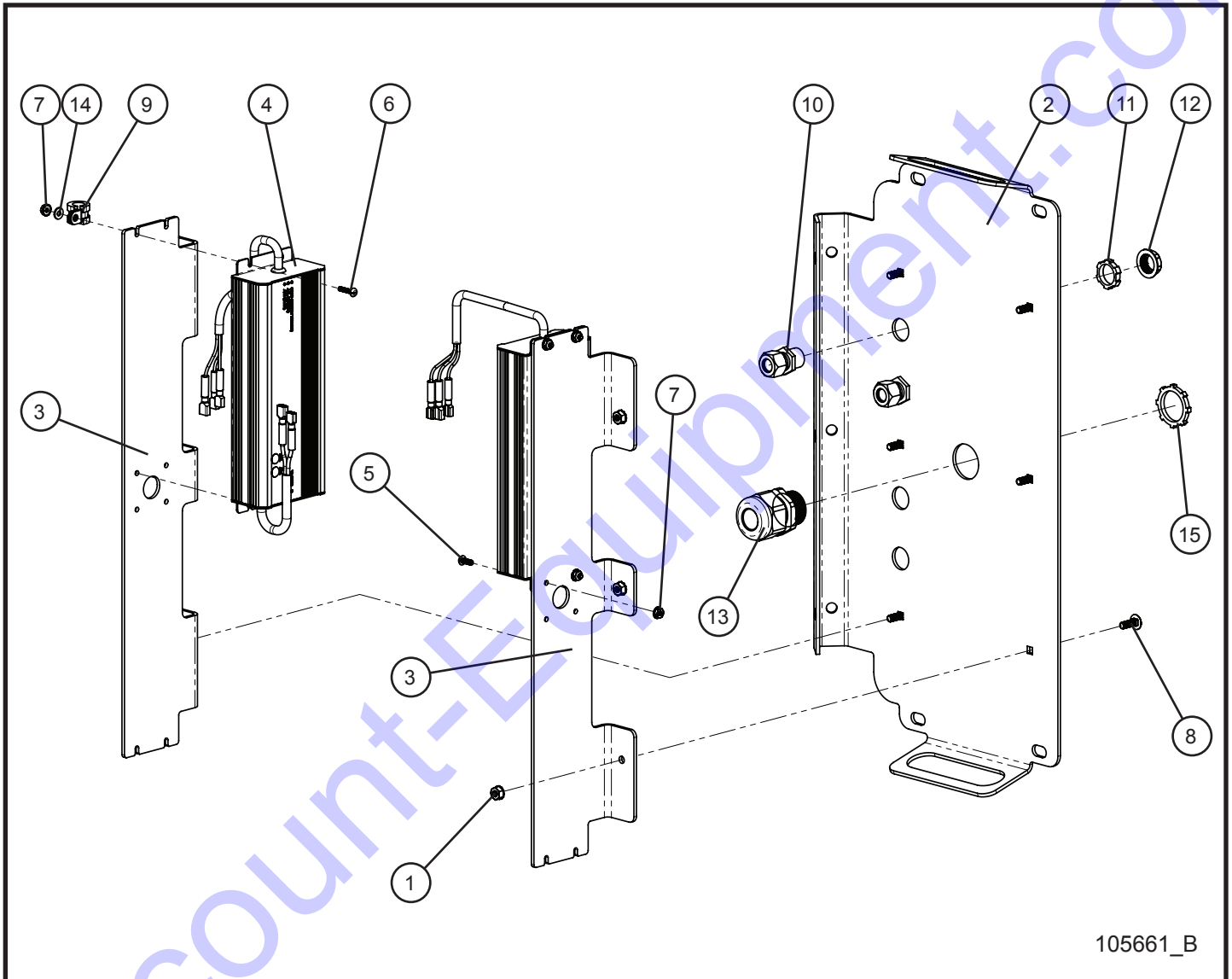
SN 0001XX12 and UP

Item	Part No.	Part Description	Qty.
1	105579	LED 4 DRIVER ASSEMBLY	1
2	105661	LED 2 DRIVER ASSEMBLY	1
3	105665	#1 INPUT CORD	1
4	105674	#2 INPUT CORD	1
5	105667	#3 INPUT CORD	1
6	105668	#4 INPUT CORD	1
7	105669	#5 INPUT CORD	1
8	105670	#6 INPUT CORD	1
9	105671	#1 OUTPUT CORD	1
10	105672	#2 OUTPUT CORD	1
11	100670	3/8-16 x 1 1/4 CARRIAGE BOLT	4
12	045218	3/8 PUSH NUT	4
13	047010	5/16 FLAT WASHER PL	6
14	046110	3/8-16 x 1 HEX HEAD CS GR5 PL	2
15	044038	3/8-16 NYLOCK HEX NUT PL	6
16	105635	6 LIGHT SCHEMATIC LED JUNCTION BOX	1



## 5.16 - LED 2 Driver Assembly

SN 0001XX12 and UP



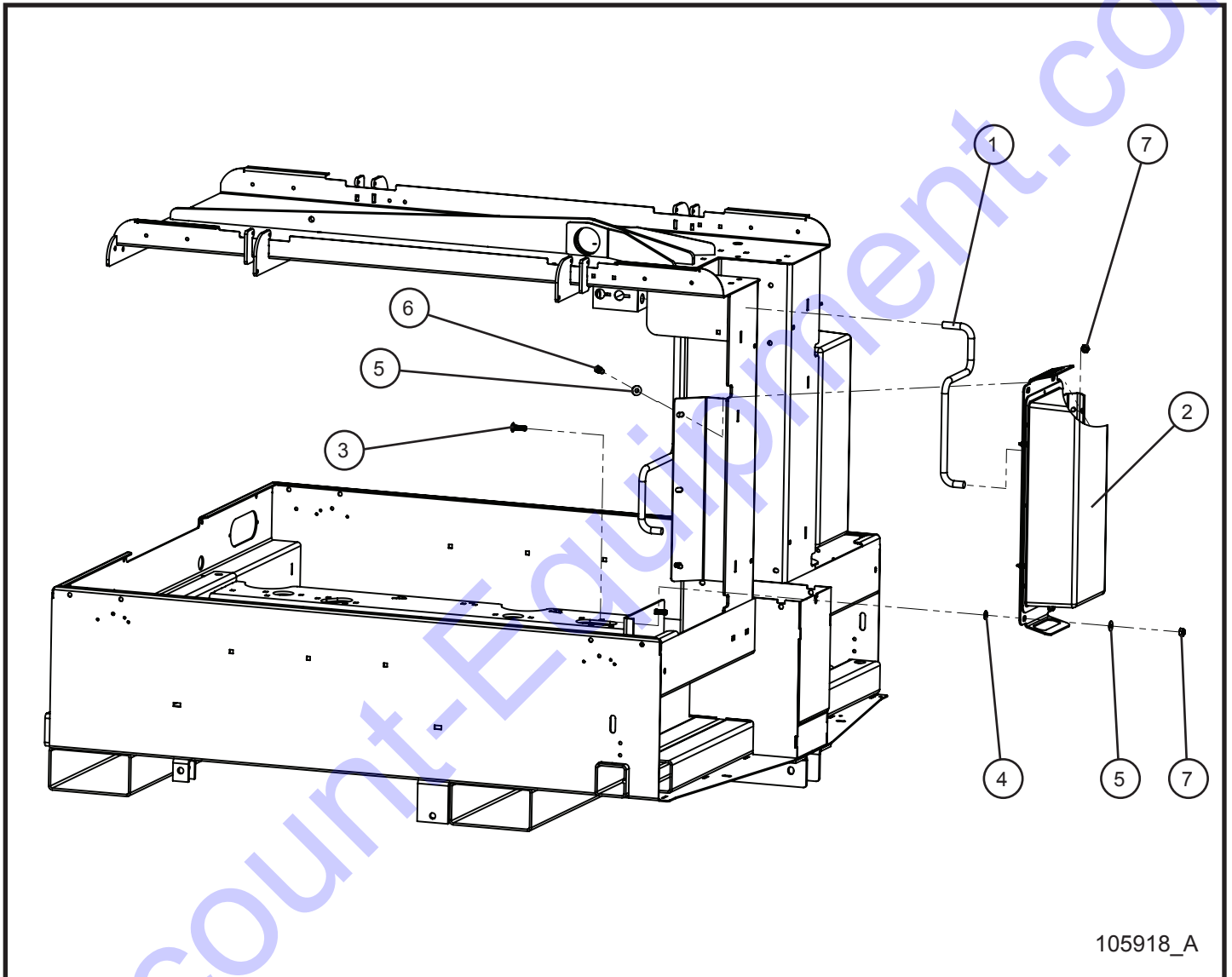
## 5.16 - LED 2 Driver Assembly

SN 0001XX12 and UP

Item	Part No.	Part Description	Qty.
1	044021	1/4 KEPS HEX NUT PL	6
2	105915P	MOUNT PLATE LED DRIVER	1
3	105578P	MOUNT LED DRIVER	2
4	105677	DRIVER W/ TERMINALS LED LIGHT	2
5	041014	#8-32 x 1/2 PH-ROUND HEAD MS SS	7
6	041201	#8-32 x 3/4 SL-ROUND HEAD MS PL	1
7	044015	#8-32 KEPS HEX NUT SS	8
8	053007	1/4-20 x 3/4 CARRIAGE BOLT SS	6
9	310212	#10 CUSH CLAMP 1/4 HOLE	1
10	510007	1/2 CORD GRIP	2
11	022035	1/2 CORD GRIP NUT	2
12	022415	1/2 INSULATING BUSHING THREADED	2
13	105627	CORD GRIP 1" NYLON GRAY	1
14	047004	#8 FLAT WASHER SAE ZC	1
15	022038	1" CORD GRIP NUT	1

## 5.17 - 4-No Lamps with Non Ballast Boxes

SN 0001XX12 and UP



# Maxi-Lite II

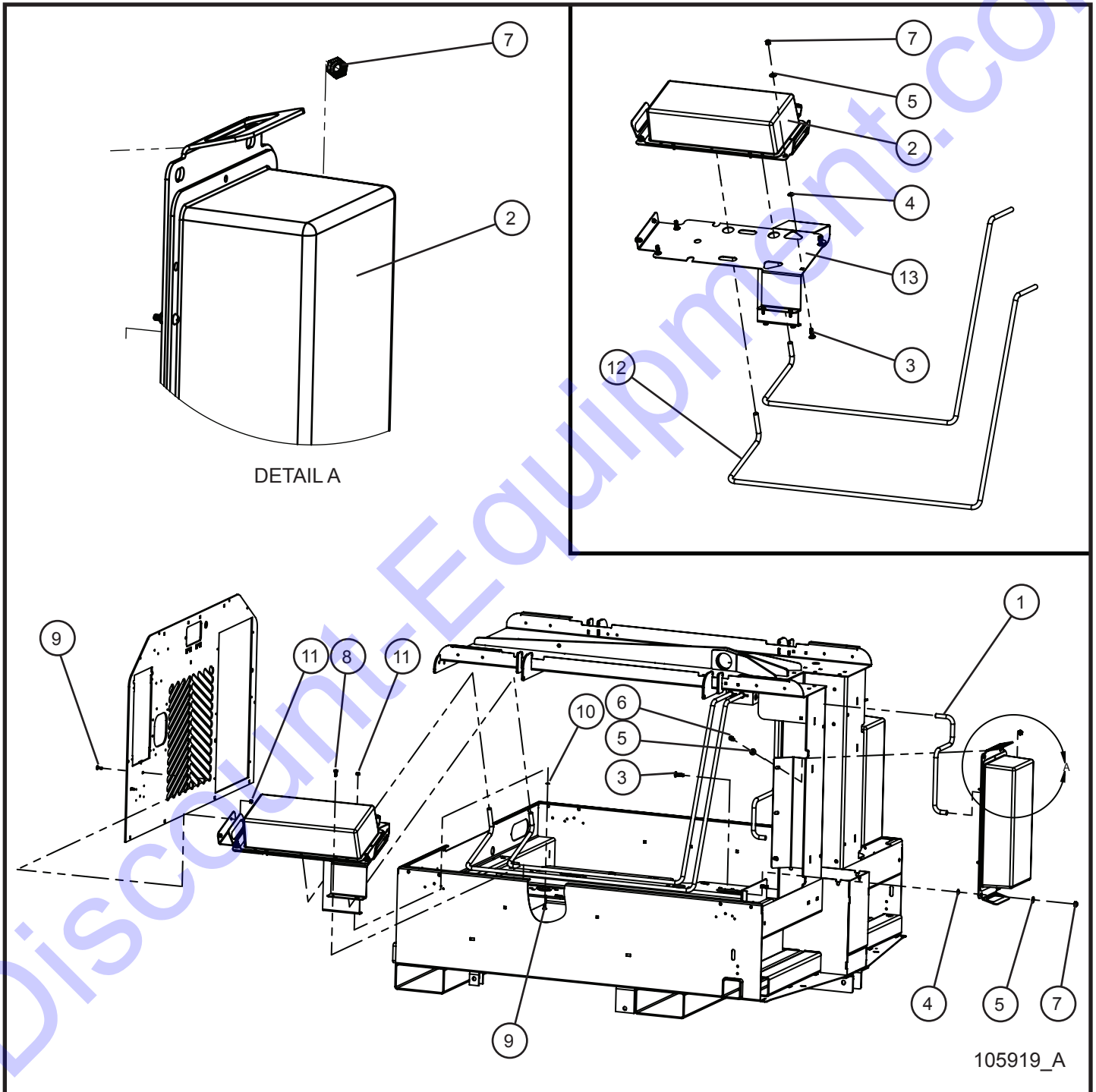
## 5.17 - 4-No Lamps with Non Ballast Boxes

SN 0001XX12 and UP

Item	Part No.	Part Description	Qty.
1	103624	BALLAST ASSEMBLY CORD	4
2	104918	NO LAMPS NON BALLAST BOX	2
3	100670	3/8-16 x 1 1/4 CARRIAGE BOLT	4
4	045218	3/8 PUSH NUT	4
5	047010	5/16 FLAT WASHER PL	8
6	046110	3/8-16 x 1 HEX HEAD CS GR5 PL	4
7	044038	3/8-16 NYLOCK HEX NUT PL	8

## 5.18 - 6-No Lamps with Non Ballast Boxes

SN 0001XX12 and UP



# Maxi-Lite II

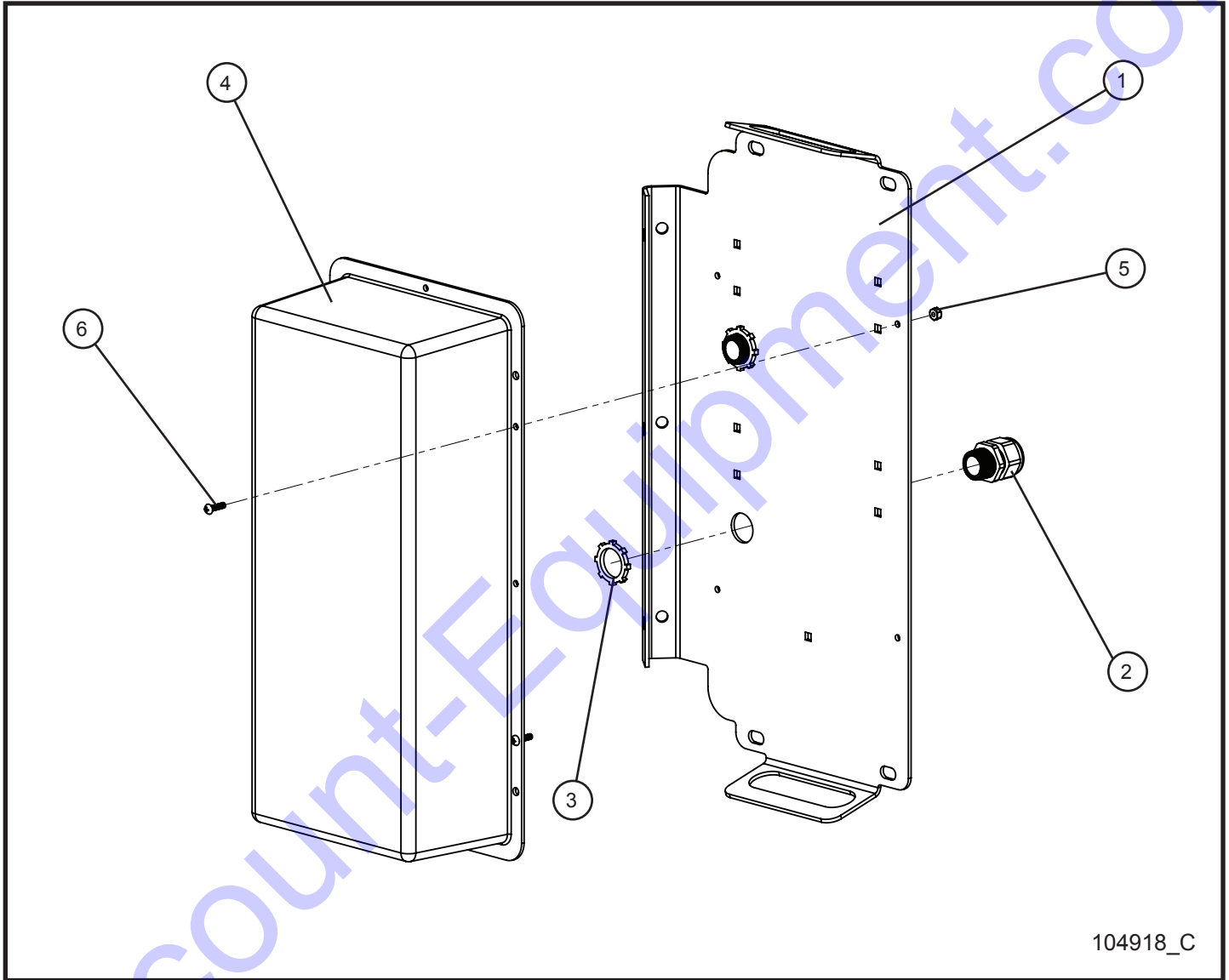
## 5.18 - 6-No Lamps with Non Ballast Boxes

SN 0001XX12 and UP

Item	Part No.	Part Description	Qty.
1	103624	BALLAST ASSEMBLY CORD	4
2	104918	NO LAMPS NON BALLAST BOX	3
3	100670	3/8-16 x 1 1/4 CARRIAGE BOLT	8
4	045218	3/8 PUSH NUT	8
5	047010	5/16 FLAT WASHER PL	12
6	046110	3/8-16 x 1 HEX HEAD CS GR5 PL	4
7	044038	3/8-16 NYLOCK HEX NUT PL	12
8	041070	1/4-20 x 3/4 SL-HEX WASHER HEAD MS TP F	2
9	053006	1/4-20 x 3/4 CARRIAGE BOLT	4
10	101701	1/4 PUSH NUT	2
11	044023	1/4-20 NYLOCK HEX NUT PL	4
12	104362	CORD BALLAST 5/6 LIGHT	2
13	104699P	MOUNT BRACKET 6 LIGHT BALLAST BOX	1

## 5.19 - Non Ballast Assembly

SN 0001XX12 and UP



104918\_C

## 5.19 - Non Ballast Assembly

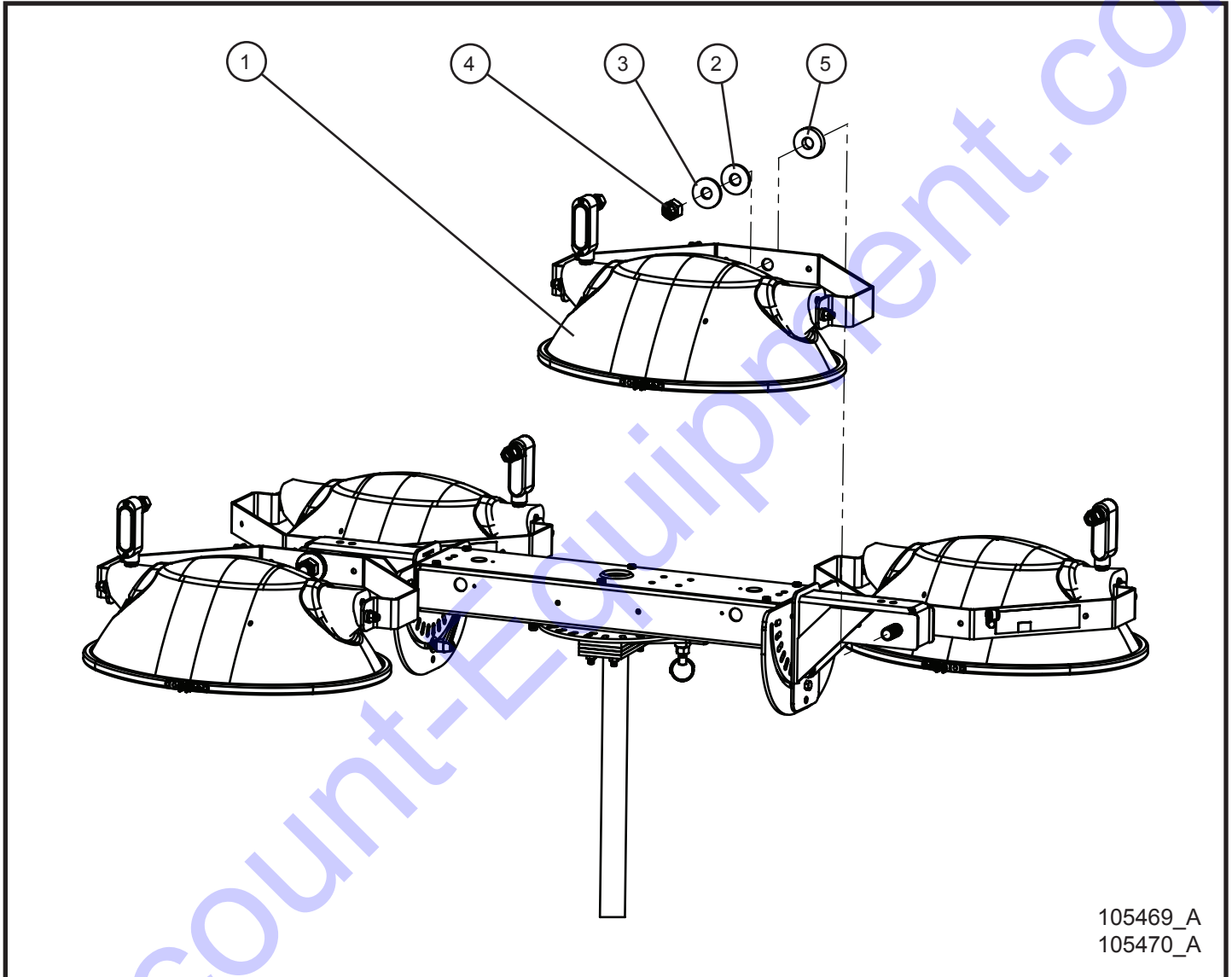
SN 0001XX12 and UP

Item	Part No.	Part Description	Qty.
1	105914P	MOUNT PLATE BALLAST BOX	1
2	105916	GRIP CORD NYLON 3/4	2
3	022036	3/4 CORD GRIP NUT	2
4	102752	BALLAST TOP MODULAR BOX	1
5	044019	#10-24 NYLOCK HEX NUT SS	4
6	041027	#10-24 x 3/4 PH-ROUND HEAD MS	4



## 5.20 - 4-SHO Light Fixtures

SN 0001XX12 and UP



105469\_A  
105470\_A

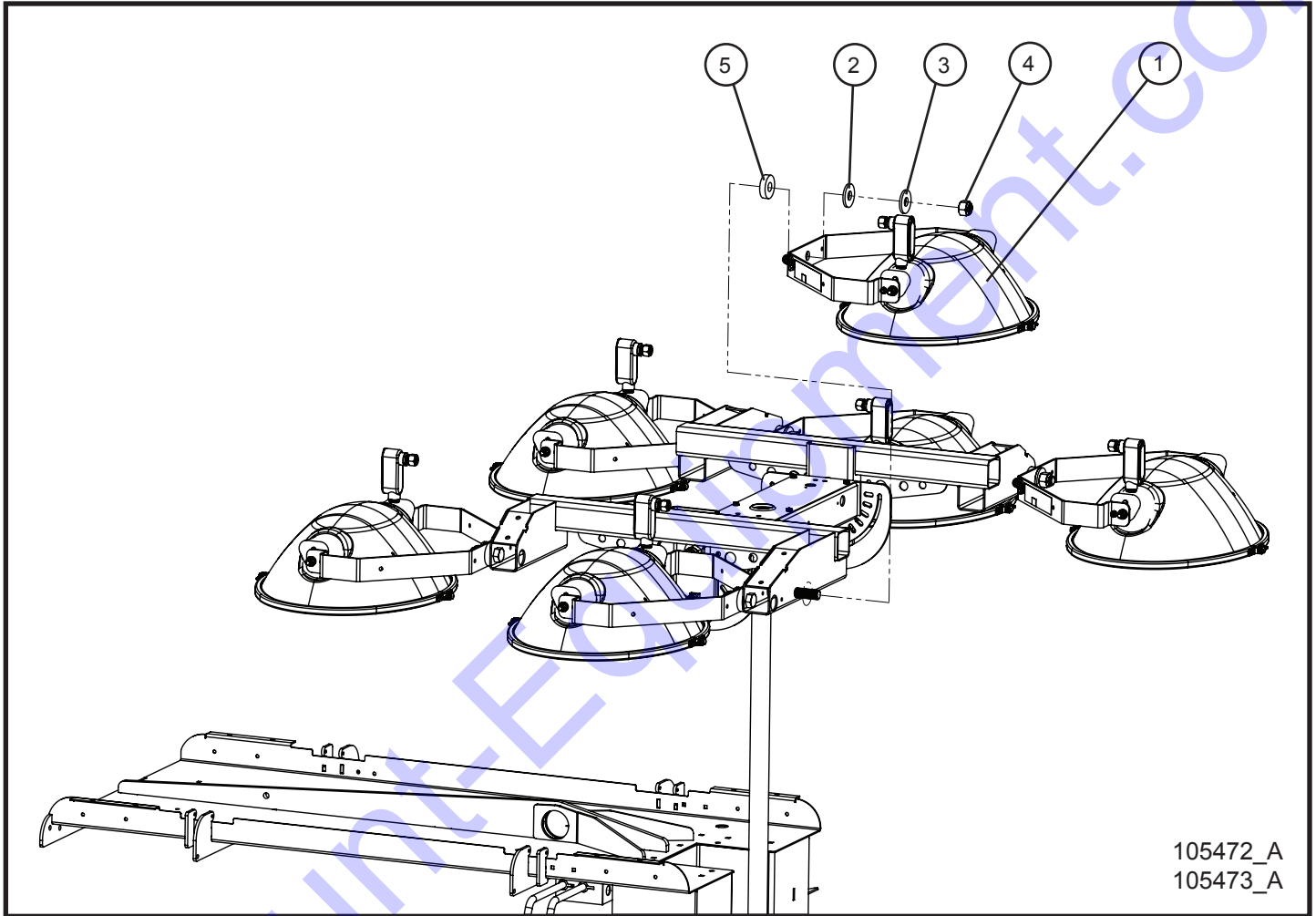
## 5.20 - 4-SHO Light Fixtures

SN 0001XX12 and UP

Item	Part No.	Part Description	Qty.
1	105243	LAMPHOLDER DOMESTIC SHO LIGHT	4
	105244	LAMPHOLDER CSA/UL SHO LIGHT	4
2	650550	.785" x 2" HDPE WASHER	4
3	047035	3/4 FLAT WASHER PL	4
4	044058	3/4-10 NYLOCK HEX NUT PL	4
5	101813	.781 ID x 2 OD x 1/2 HDPE WASHER	4

## 5.21 - 6-SHO Light Fixtures

SN 0001XX12 and UP



105472\_A  
105473\_A

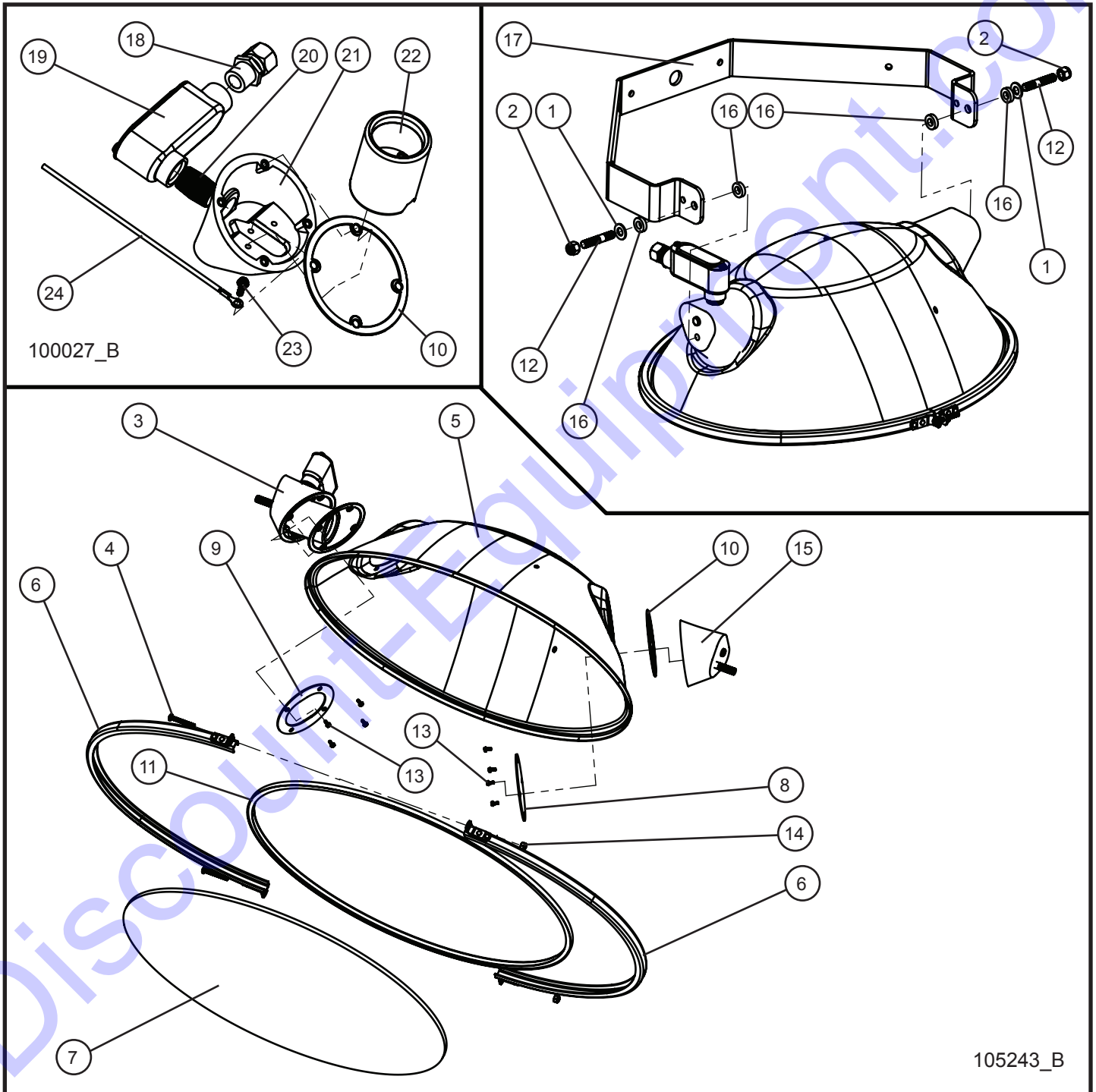
## 5.21 - 6-SHO Light Fixtures

SN 0001XX12 and UP

Item	Part No.	Part Description	Qty.
1	105243	LAMPHOLDER DOMESTIC SHO LIGHT	4
	105244	LAMPHOLDER CSA/UL SHO LIGHT	6
2	650550	.785" x 2" HDPE WASHER	6
3	047035	3/4 FLAT WASHER PL	6
4	044058	3/4-10 NYLOCK HEX NUT PL	6
5	101813	.781 ID x 2 OD x 1/2 HDPE WASHER	6

## 5.22 - Domestic SHO Light Assembly Group

SN 0001XX12 and UP



## 5.22 - Domestic SHO Light Assembly Group

SN 0001XX12 and UP

Item	Part No.	Part Description	Qty.
1	047016	3/8 FLAT WASHER SAE ZINC	2
2	044037	3/8-24 NYLOCK HEX NUT PL	2
3	100027	LEFT SOCKET END CAP ASSEMBLY	1
4	041040	#10-24 x 1 1/2 PH-ROUND HEAD MS SS	2
5	610201	REFLECTOR	1
6	610202	LENS CHANNEL SET SHO LIGHTS	2
7	610203	LENS GLASS	1
8	610207	INTERIOR COVER PLATE WITHOUT HOLE	1
9	610208	INTERIOR COVER PLATE WITH HOLE	1
10	610213	GASKET SOCKET END CAP	2
11	610217	SILICONE GASKET	1
12	045142	3/8-24 x 3/8-16 x 2 STUD	2
13	041028	#10-24 x 1/2 HEX WASHER HEAD INDT	8
14	044019	#10-24 NYLOCK HEX NUT SS	2
15	610206	CASTING END SHO	1
16	047019	NYLON BUSHING 3/4 OD x .385 ID	4
17	660130P	YOKE MOUNT SHO LAMP	1
18	510007	1/2 CORD GRIP	1
19	610214	ELBOW 1/2 SLB SHO ENTRANCE	1
20	610215	1/2 NPT NIPPLE	1
21	610205	SOCKET CASTING END SHO	1
22	610212	CERAMIC SOCKET	1
23	041257	#10-32 x 3/8 SL-HEX WASHER HEAD MS GROUND	1
24	610219	GROUND WIRE LAMPHOLDER SHO ENTRANCE	1



## 5.23 - CSA/UL SHO Light Assembly Group

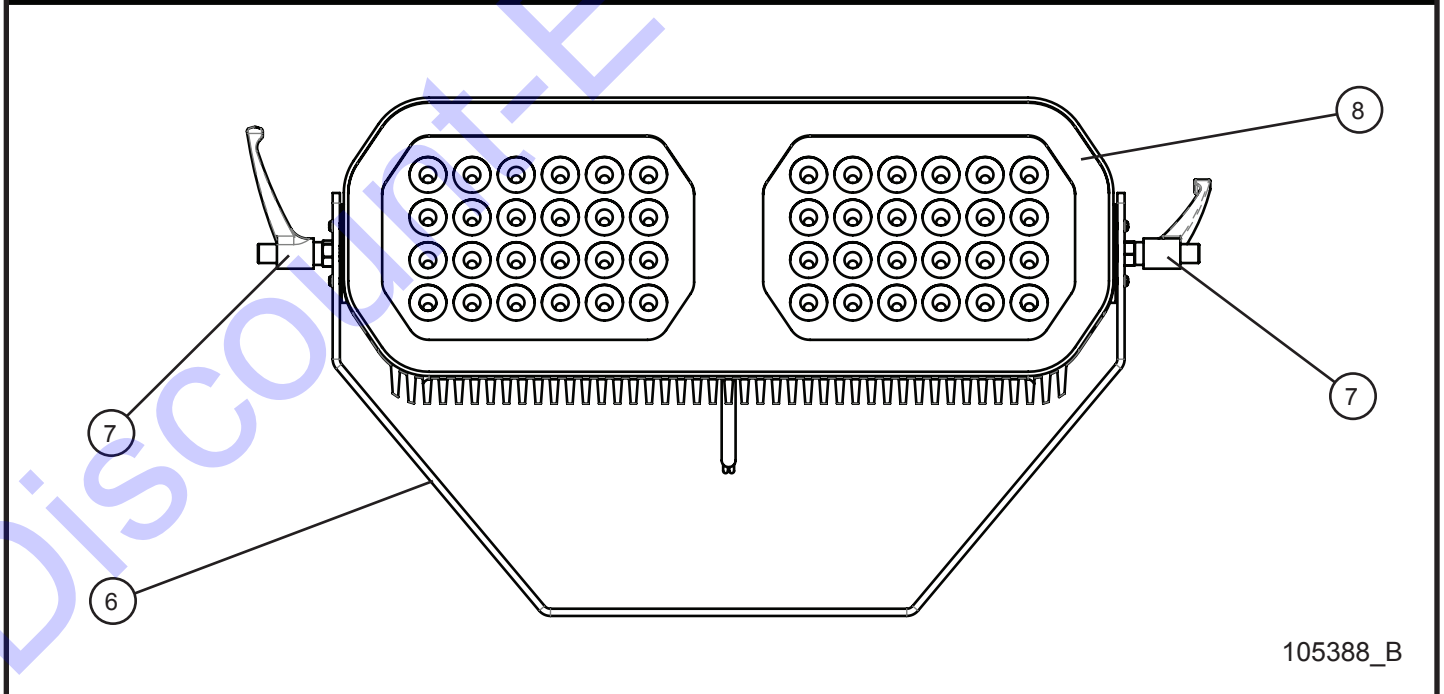
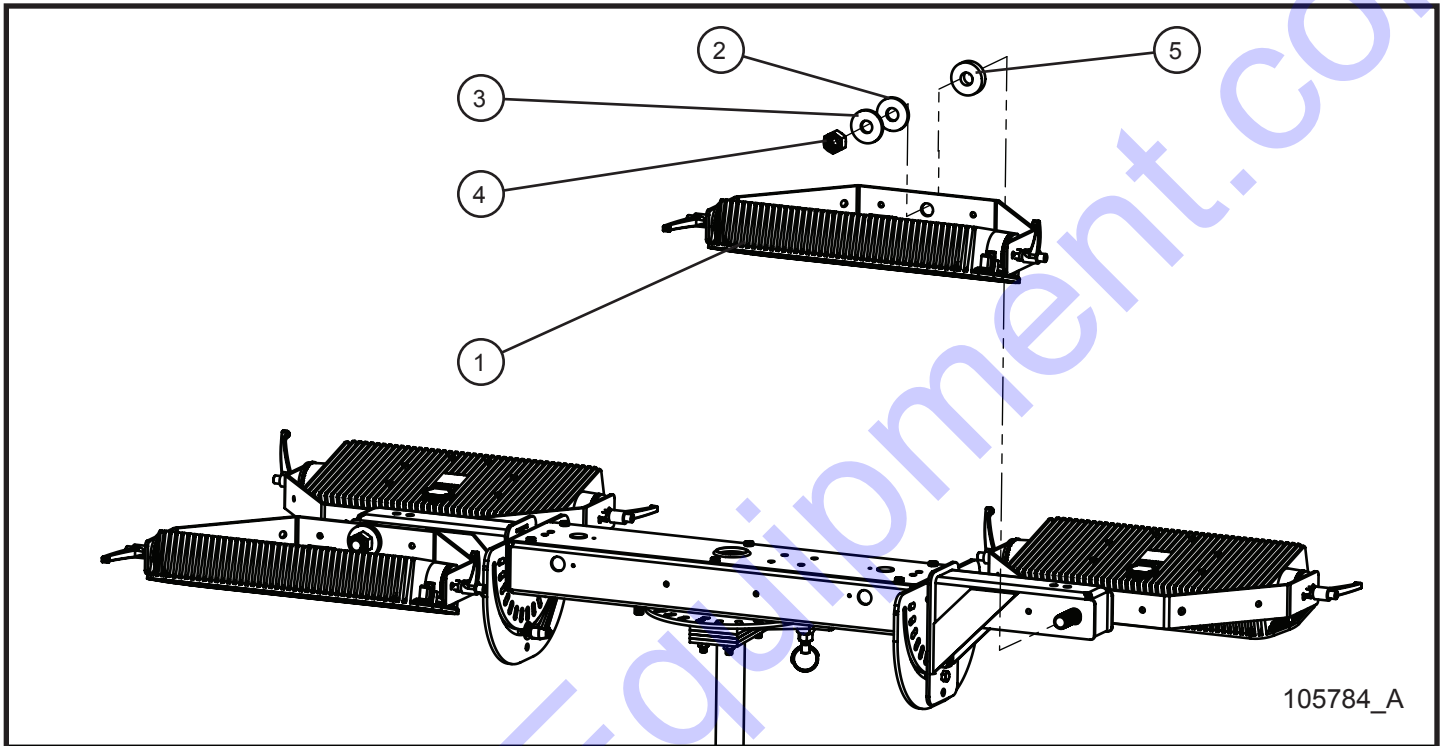
SN 0001XX12 and UP

Item	Part No.	Part Description	Qty.
1	047016	3/8 FLAT WASHER SAE ZINC	2
2	044037	3/8-24 NYLOCK HEX NUT PL	2
3	660130P	YOKE MOUNT SHO LAMP	1
4	046005	1/4-20 x 1/2 HEX HEAD CS GR5 PL	2
5	022022	#8 CUSH CLAMP 1/4 HOLE	1
6	105485	SOCKET ENTRANCE END CAP ASSEMBLY	1
7	041040	#10-24 x 1 1/2 PH-ROUND HEAD MS SS	2
8	610201	REFLECTOR	1
9	610202	LENS CHANNEL SET SHO LIGHT	2
10	610203	GLASS LENS	1
11	610207	INTERIOR COVER PLATE WITHOUT HOLE	1
12	610208	INTERIOR COVER PLATE WITH HOLE	1
13	610213	GASKET SOCKET END CAP	2
14	610217	SILICONE GASKET	1
15	045142	3/8-24 x 3/8-16 x 2 STUD	2
16	041028	#10-24 x 1/2 HEX WASHER HEAD INDT	8
17	044019	#10-24 NYLOCK HEX NUT SS	2
18	610206	CASTING END SHO	1
19	047019	NYLON BUSHING 3/4 OD x .385 ID	4
20	044021	1/4-20 KEPS HEX NUT PL	2
21	510007	1/2 CORD GRIP	1
22	610214	ELBOW 1/2 SLB SHO ENTRANCE	1
23	610215	1/2 NPT NIPPLE	1
24	610205	SOCKET CASTING END SHO	1
25	041257	#10-32 x 3/8 SL-HEX WASHER HEAD MS GRND	1
26	610212	CERAMIC SOCKET	1
27	610219	GROUND WIRE LAMPHOLDER SHO ENTRANCE	1



## 5.24 - 4-LED Light Fixtures and LED Light Assembly Group

SN 0001XX12 and UP



# Maxi-Lite II

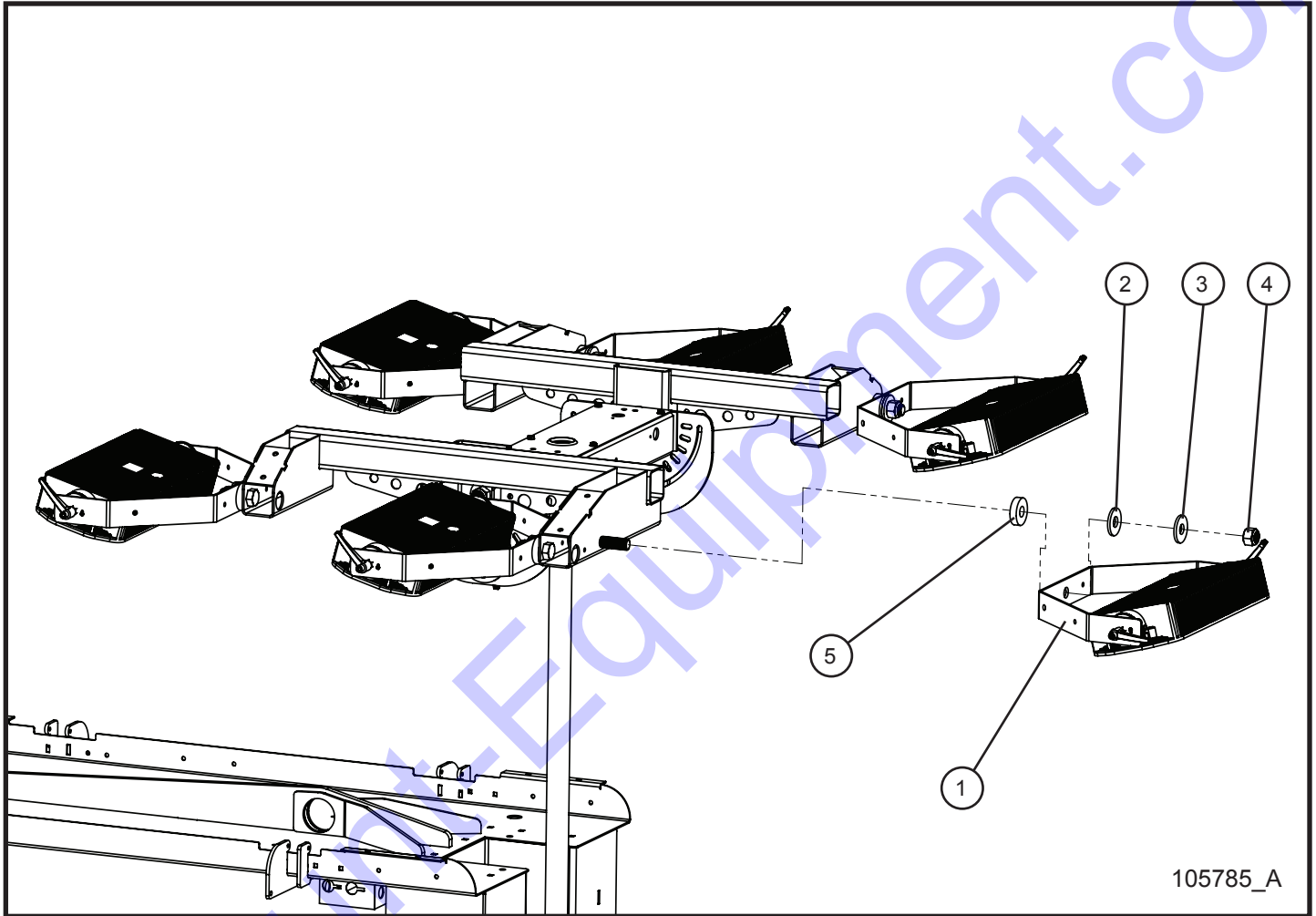
## 5.24 - 4-LED Light Fixtures and LED Light Assembly Group

SN 0001XX12 and UP

Item	Part No.	Part Description	Qty.
1	105388	LED SCENE LIGHT WIDE FLOOD	4
2	650550	.785" x 2" HDPE WASHER	4
3	047035	3/4 FLAT WASHER PL	4
4	044058	3/4-10 NYLOCK HEX NUT PL	4
5	101813	.781 ID x 2 OD x 1/2 HDPE WASHER	4
6	105387P	YOKE LED LIGHT (EACH LED)	1
7	105390	NYLON ADJUSTABLE HANDLE (EACH LED)	2
8	105325	LED SCENE LIGHT MODEL 623 WIDE FLOOD (EACH LED)	1

## 5.25 - 6-LED Light Fixtures

SN 0001XX12 and UP



105785\_A

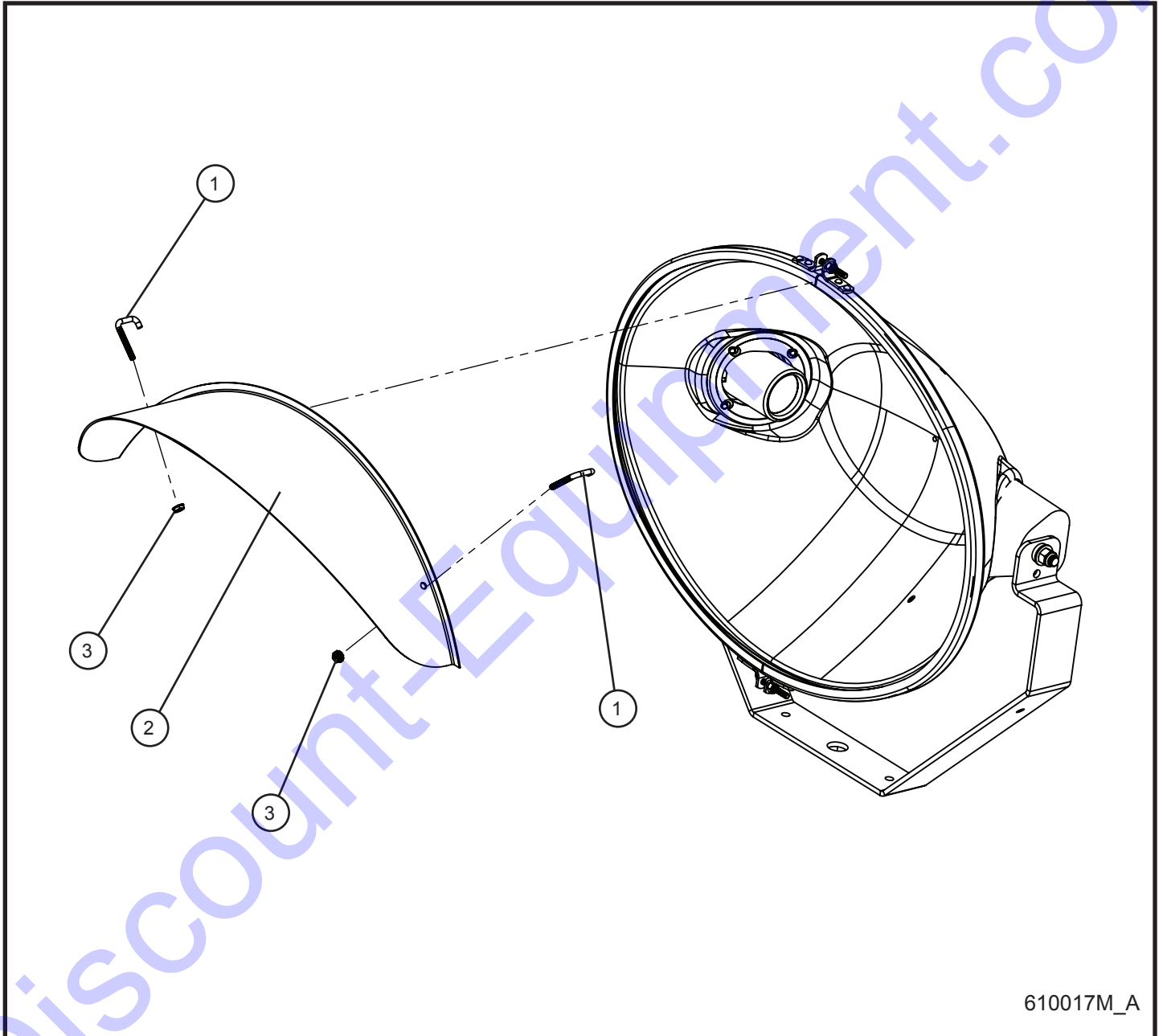
## 5.25 - 6-LED Light Fixtures

SN 0001XX12 and UP

Item	Part No.	Part Description	Qty.
1	105388	LED SCENE LIGHT WIDE FLOOD	6
2	650550	.785" x 2" HDPE WASHER	6
3	047035	3/4 FLAT WASHER PL	6
4	044058	3/4-10 NYLOCK HEX NUT PL	6
5	101813	.781 ID x 2 OD x 1/2 HDPE WASHER	6

## 5.26 - SHO Light SAF-T-Visor

SN 0001XX12 and UP



610017M\_A

## 5.26 - SHO Light SAF-T-Visor

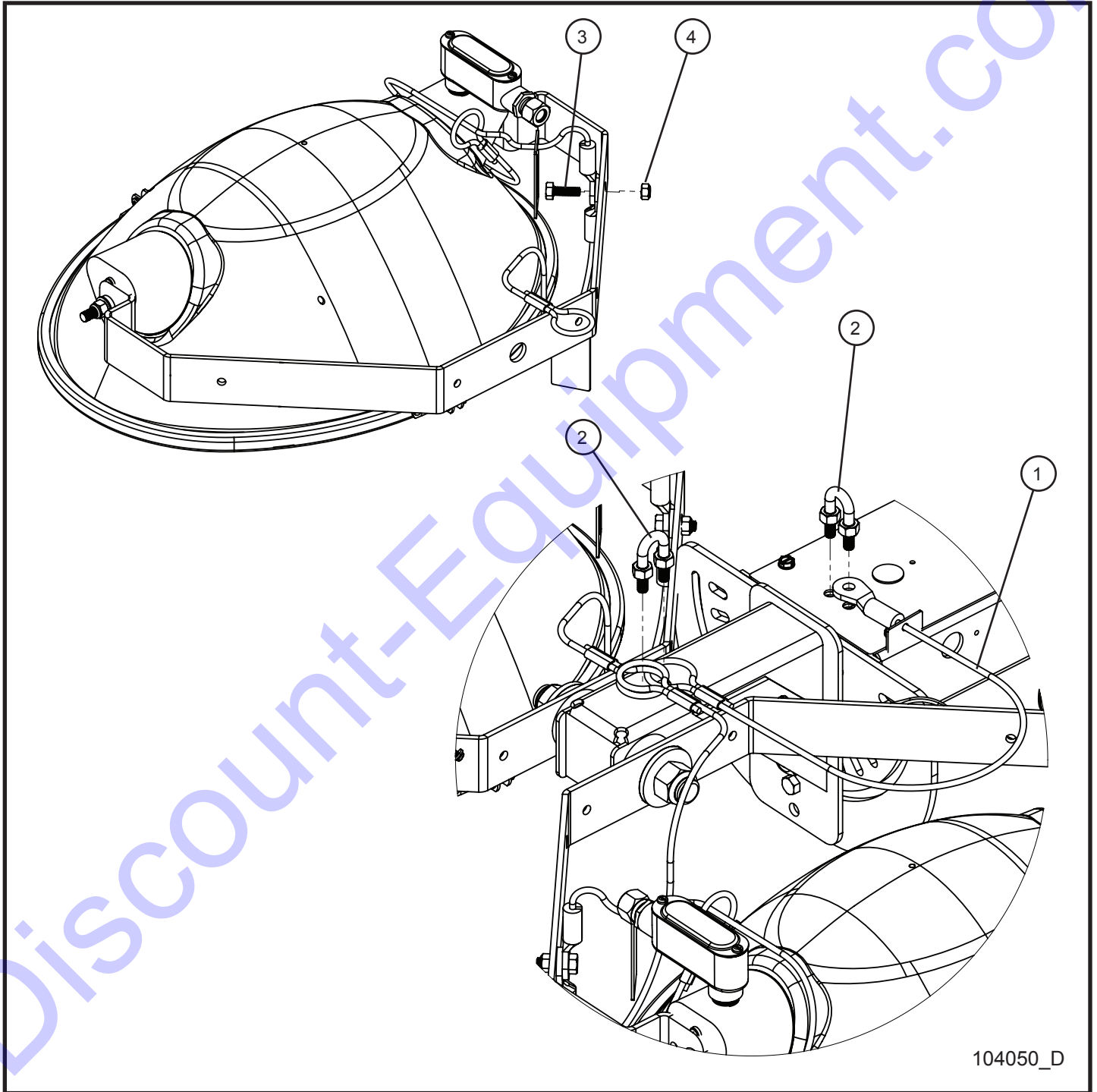
SN 0001XX12 and UP

Item	Part No.	Part Description	Qty.
1	045070	#10-24 HOOK SQ BEND BOLT	8
2	610017	SAF-T VISOR SHO LAMP (*SEE NOTE)	4
3	044016	#10-24 KEPS HEX NUT PL	8

\*NOTE: SAF-T VISOR MUST BE INSTALLED WITH LIP BETWEEN GASKET AND GLASS LENS.

## 5.27 - 4-SHO Light SFR Safety Lanyards

SN 0001XX12 and UP



104050\_D

## 5.27 - 4-SHO Light SFR Safety Lanyards

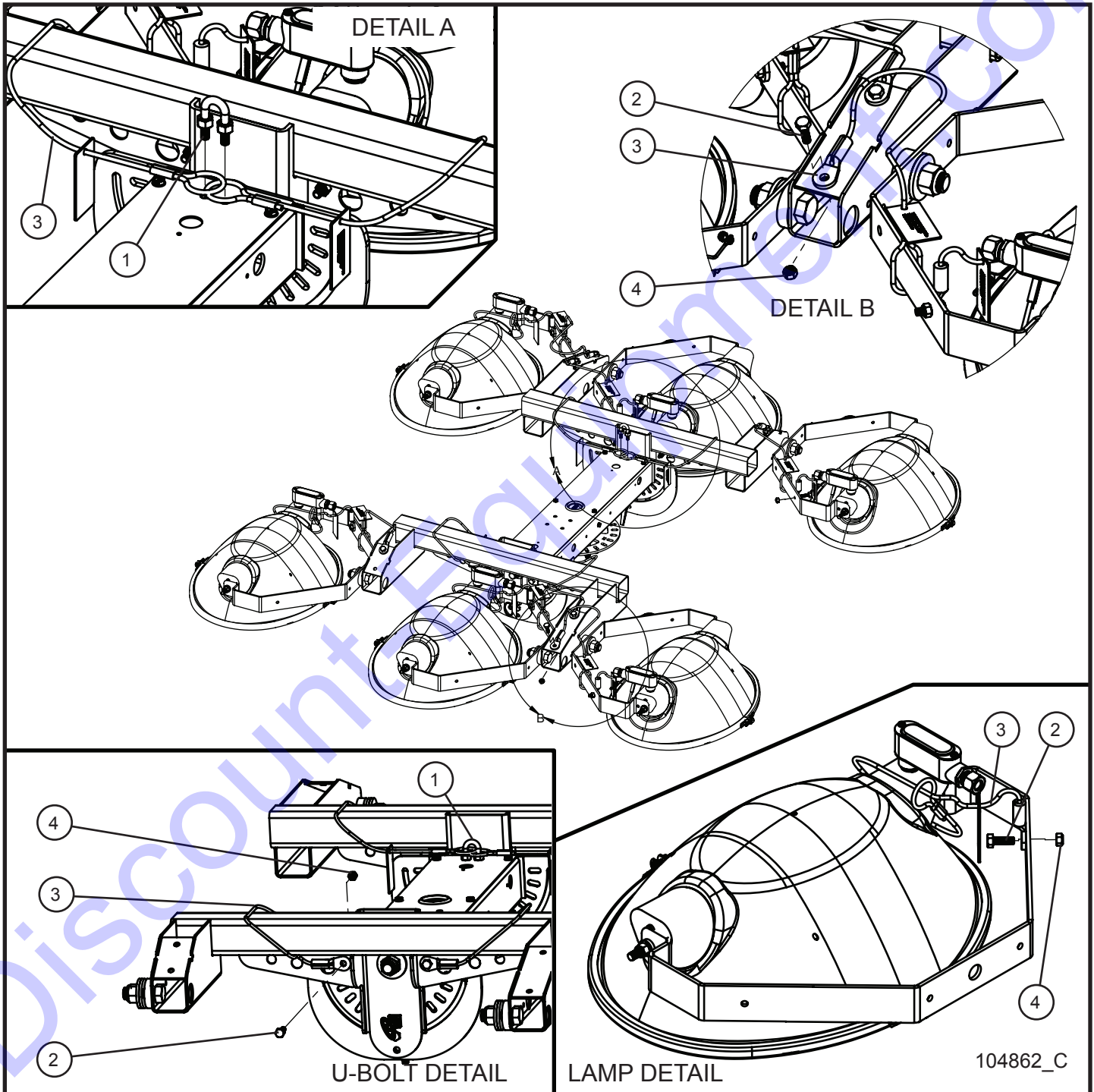
SN 0001XX12 and UP

Item	Part No.	Part Description	Qty.
1	103907	LOAD RATED LANYARD	10
2	045085	3/8-16 U BOLT	4
3	046050	5/16-18 x 1 HEX HEAD CS GR5 PL	4
4	044033	5/16-18 NYLOCK HEX NUT PL	4



## 5.28 - 6-SHO Light SFR Safety Lanyards

SN 0001XX12 and UP



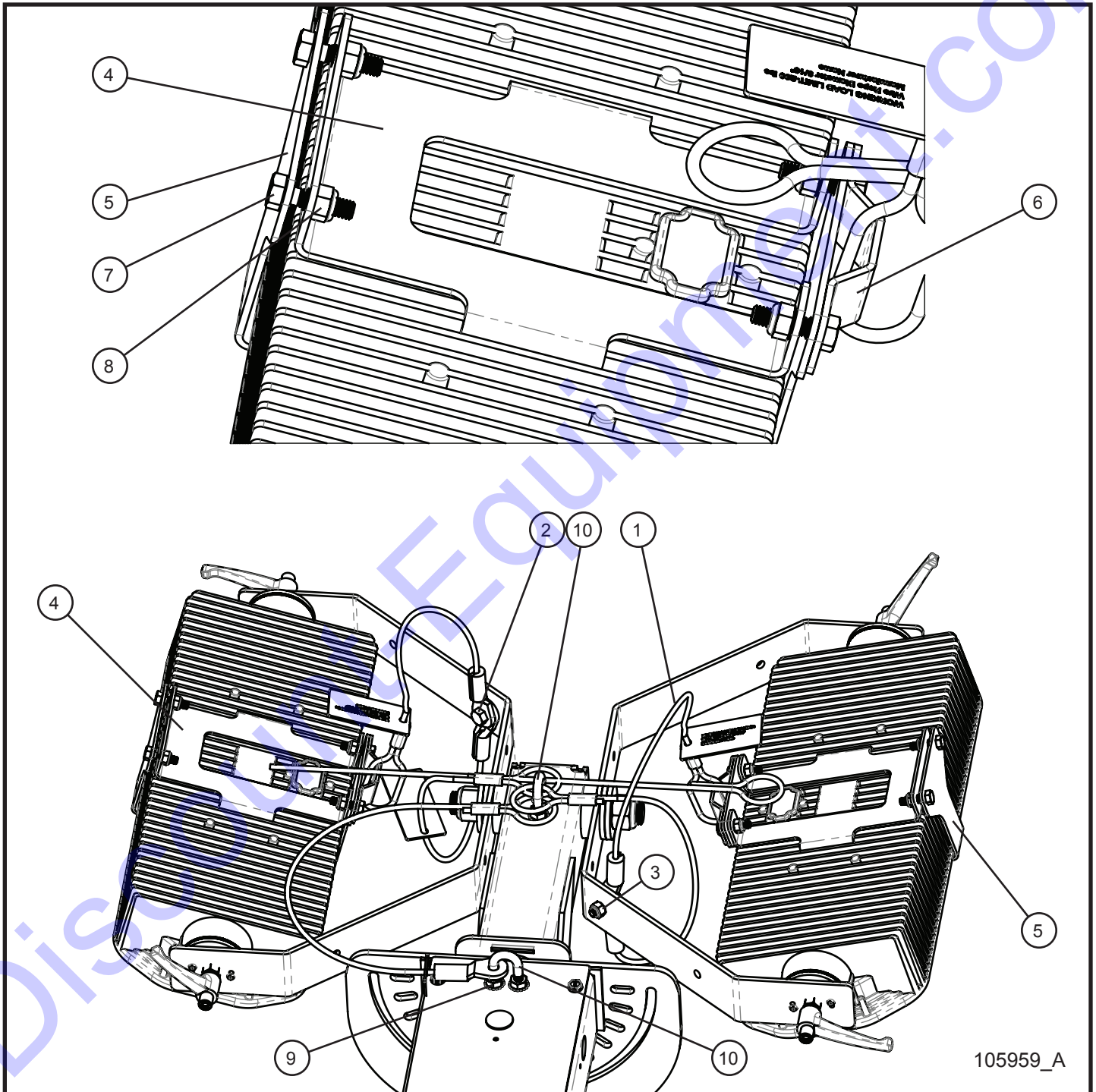
## 5.28 - 6-SHO Light SFR Safety Lanyards

SN 0001XX12 and UP

Item	Part No.	Part Description	Qty.
1	045085	3/8-16 U BOLT	2
2	046050	5/16-18 x 1 HEX HEAD CS GR5 PL	16
3	103907	LANYARD LOAD RATED	16
4	044033	5/16-18 NYLOCK HEX NUT PL	16

## 5.29 - 4-LED Light SFR Safety Lanyards

SN 0001XX12 and UP



105959\_A

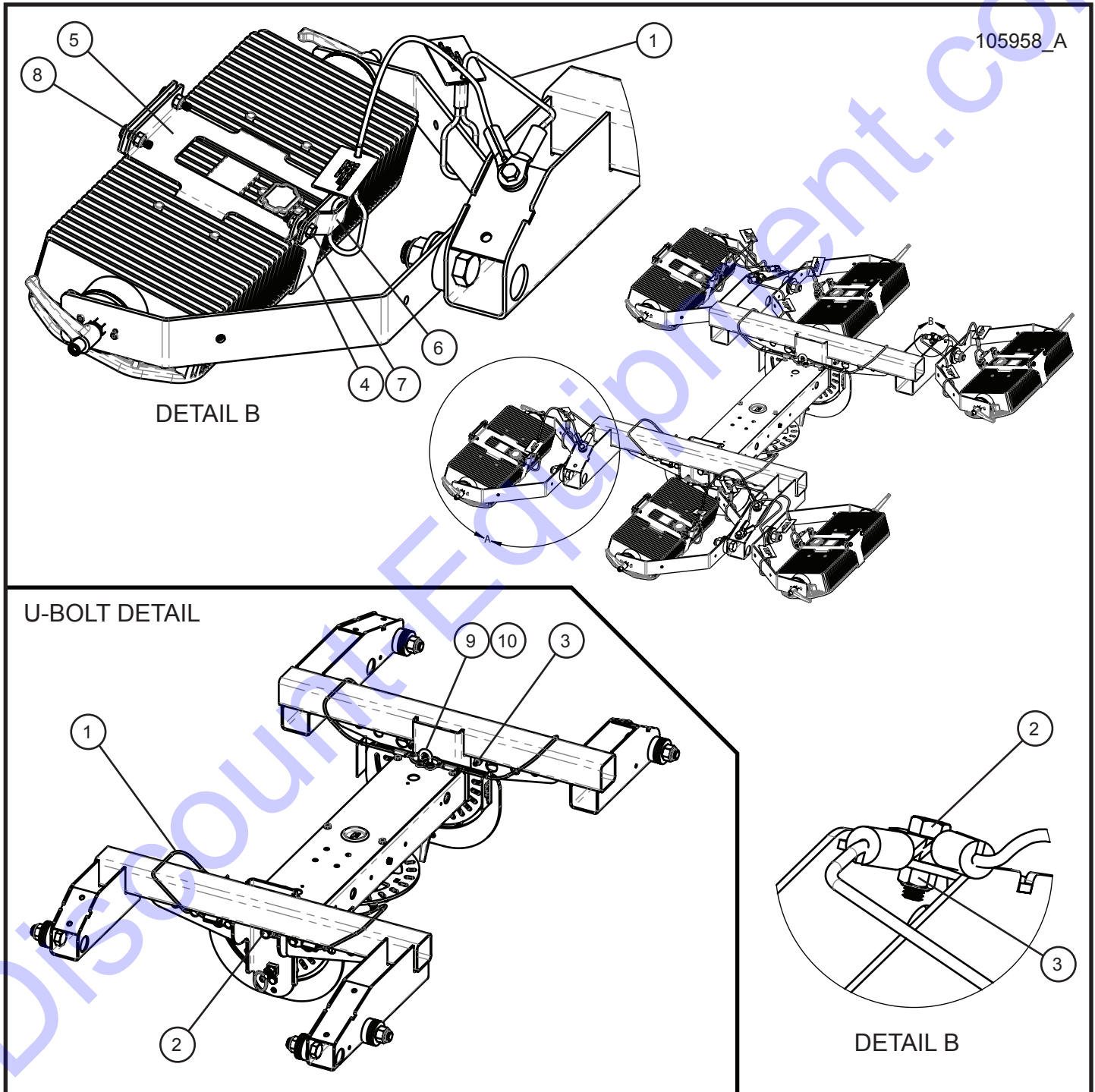
## 5.29 - 4-LED Light SFR Safety Lanyards

SN 0001XX12 and UP

Item	Part No.	Part Description	Qty.
1	103907	LOAD RATED LANYARD	10
2	046050	5/16-18 x 1 HEX HEAD CS GR5 PL	4
3	044033	5/16-18 NYLOCK HEX NUT PL	4
4	106712P	SFR TOP BRACKET LED	4
5	106711P	SFR BOTTOM BRACKET LED	4
6	106713P	SFR LANYARD BRACKET LED	4
7	046015	1/4-20 x 1 HEX HEAD CS GR5 PL	16
8	044023	1/4-20 NYLOCK HEX NUT PL	16
9	044036	3/8-16 KEPS HEX NUT PL	16
10	045085	3/8-16 U BOLT	4

## 5.30 - 6-LED Light SFR Safety Lanyards

SN 0001XX12 and UP



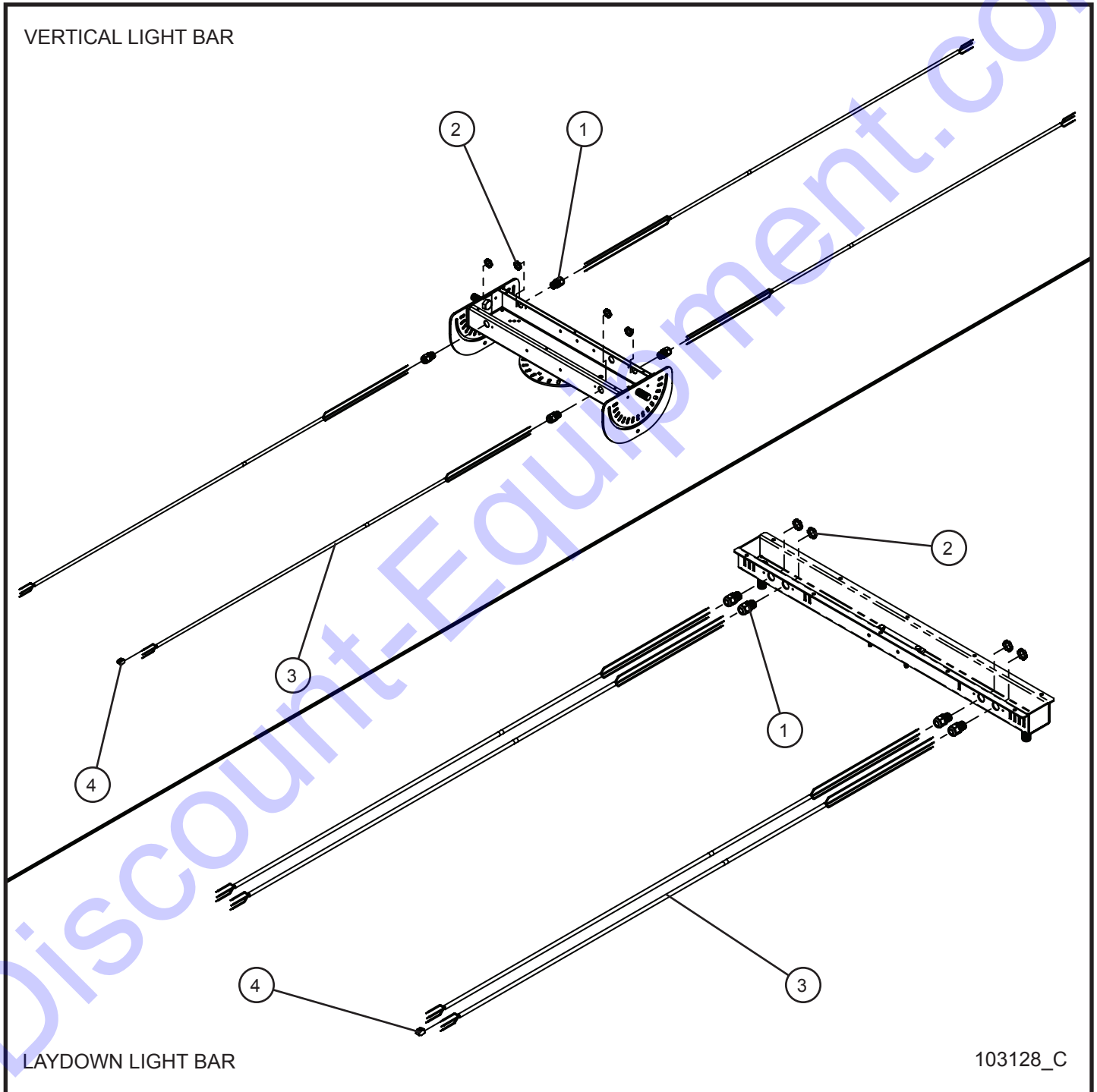
## 5.30 - 6-LED Light SFR Safety Lanyards

SN 0001XX12 and UP

Item	Part No.	Part Description	Qty.
1	103907	LOAD RATED LANYARD	16
2	046050	5/16-18 x 1 HEX HEAD CS GR5 PL	10
3	044033	5/16-18 NYLOCK HEX NUT PL	10
4	106712P	SFR TOP BRACKET LED	6
5	106711P	SFR BOTTOM BRACKET LED	6
6	106713P	SFR LANYARD BRACKET LED	6
7	046015	1/4-20 x 1 HEX HEAD CS GR5 PL	24
8	044023	1/4-20 NYLOCK HEX NUT PL	24
9	044036	3/8-16 KEPS HEX NUT PL	24
10	045085	3/8-16 U BOLT	2

## 5.31 - 4-SHO Light Solid Wired Lamp Connector

SN 0001XX12 and UP



# Maxi-Lite II

## 5.31 - 4-SHO Light Solid Wired Lamp Connector

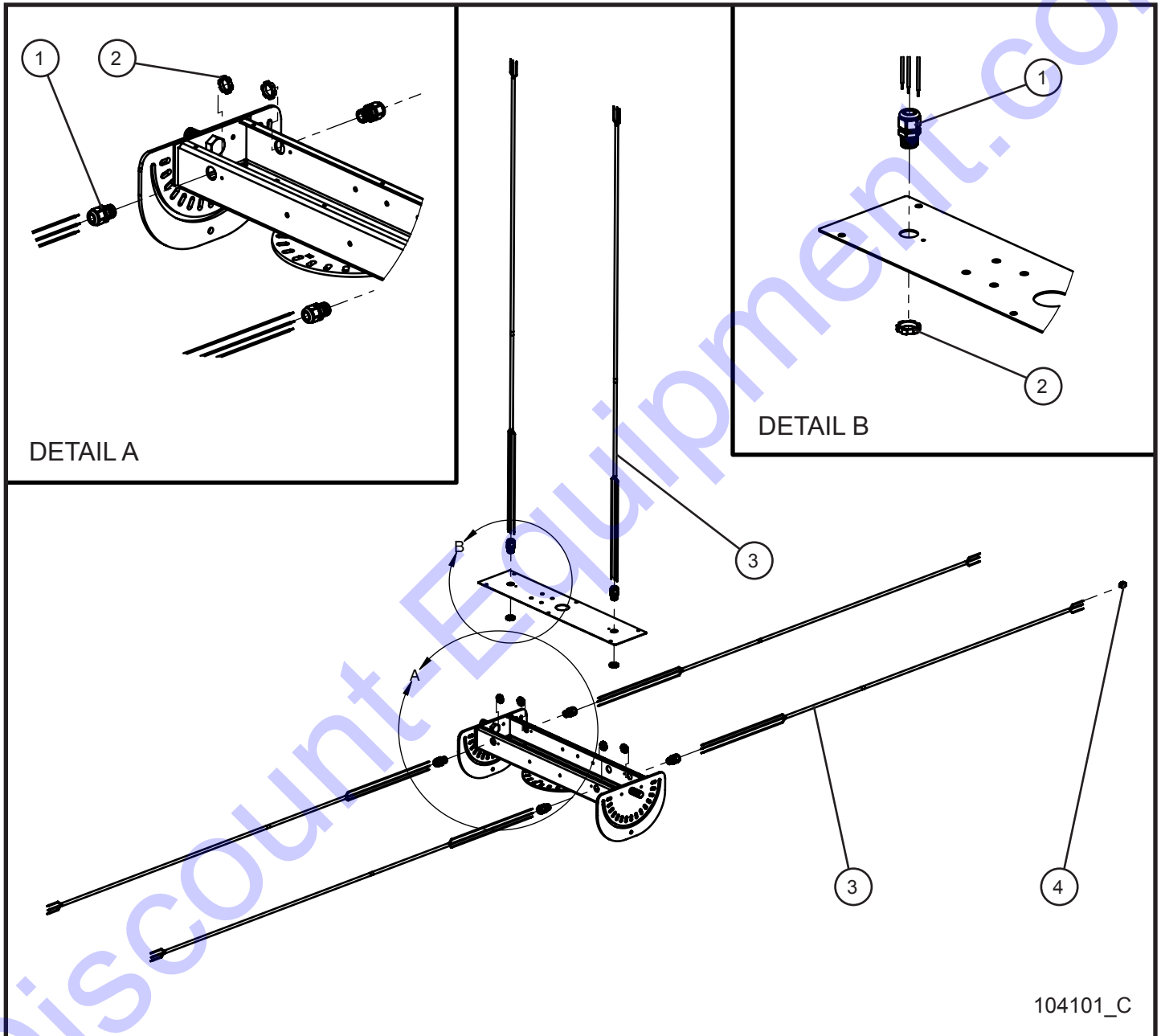
SN 0001XX12 and UP

Item	Part No.	Part Description	Qty.
1	105626	CORD GRIP 1/2" NYLON BLACK	4
2	022035	1/2 CORD GRIP NUT	4
3	650159	CORD ASSEMBLY 16/3 SOOW 68 INCHES	4
4	102624	2 WIRE LEVER LOCK	12



## 5.32 - 6-SHO Light Solid Wired Lamp Connector

SN 0001XX12 and UP



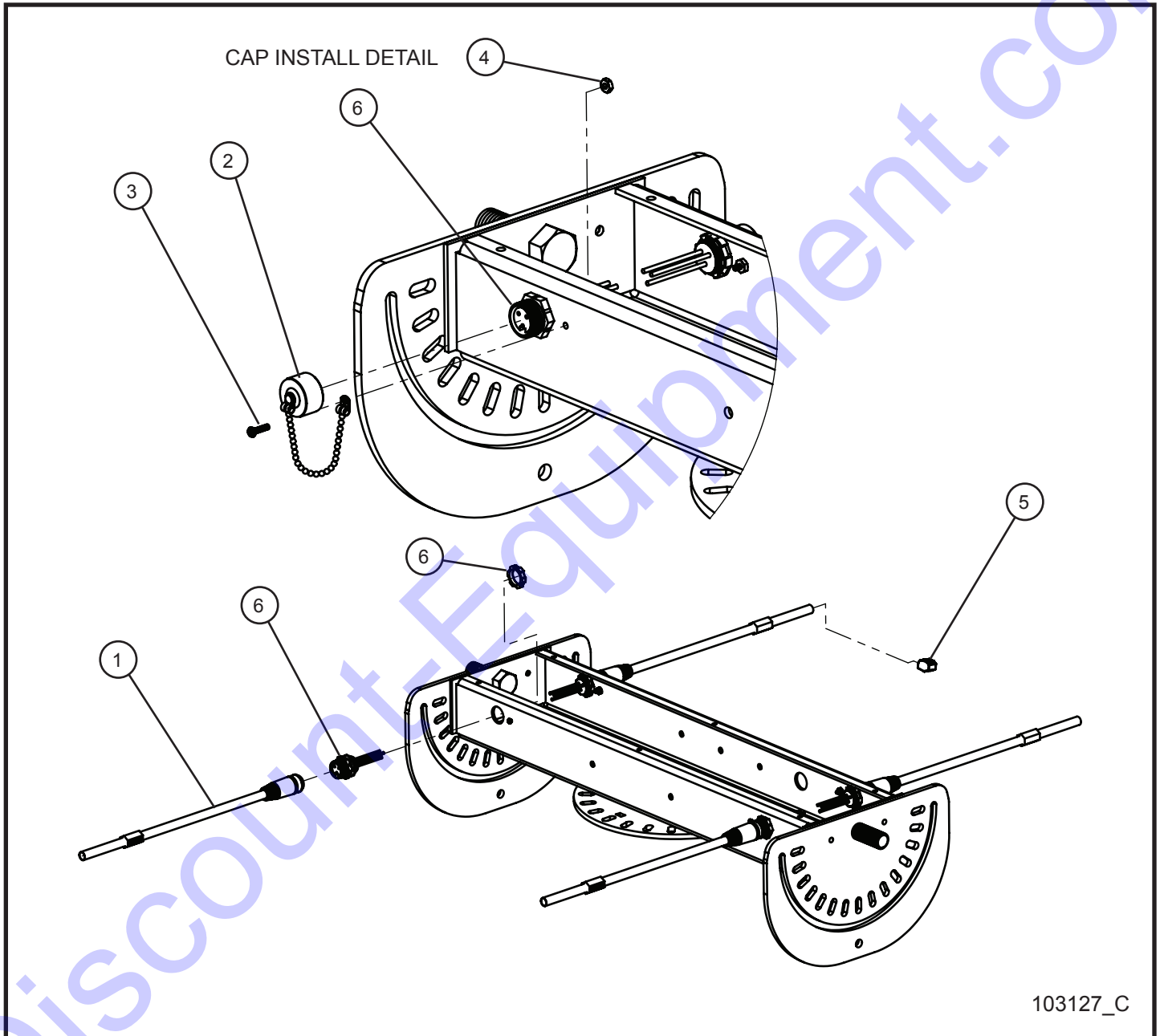
## 5.32 - 6-SHO Light Solid Wired Lamp Connector

SN 0001XX12 and UP

Item	Part No.	Part Description	Qty.
1	105626	CORD GRIP 1/2" NYLON BLACK	6
2	022035	1/2 CORD GRIP NUT	6
3	650159	CORD ASSEMBLY 16/3 SOOW 68 IN.	6
4	102624	2 WIRE LEVER LOCK	18

## 5.33 - 4-SHO Light Quick Disconnect Lamp Connector

SN 0001XX12 and UP



# Maxi-Lite II

## 5.33 - 4-SHO Light Quick Disconnect Lamp Connector

SN 0001XX12 and UP

Item	Part No.	Part Description	Qty.
1	310434	MALE CONNECTOR CABLE HUBBEL #HPMS03112	4
2	310413	CAP QUICK DISCONNECT	4
3	100029	#6-32 x 1/2 PH-ROUND HEAD MS PL	4
4	044004	#6-32 KEPS HEX NUT PL	4
5	102624	2 WIRE LEVER LOCK	12
6	310414	QD CONNECTOR FEMALE	4

\*NOTE: PARTS CALLED OUT IN SAME NUMBER ARE THE ASSEMBLY OF THAT PART NUMBER.



# Maxi-Lite II

## 5.34 - 6-SHO Light Quick Disconnect Lamp Connector

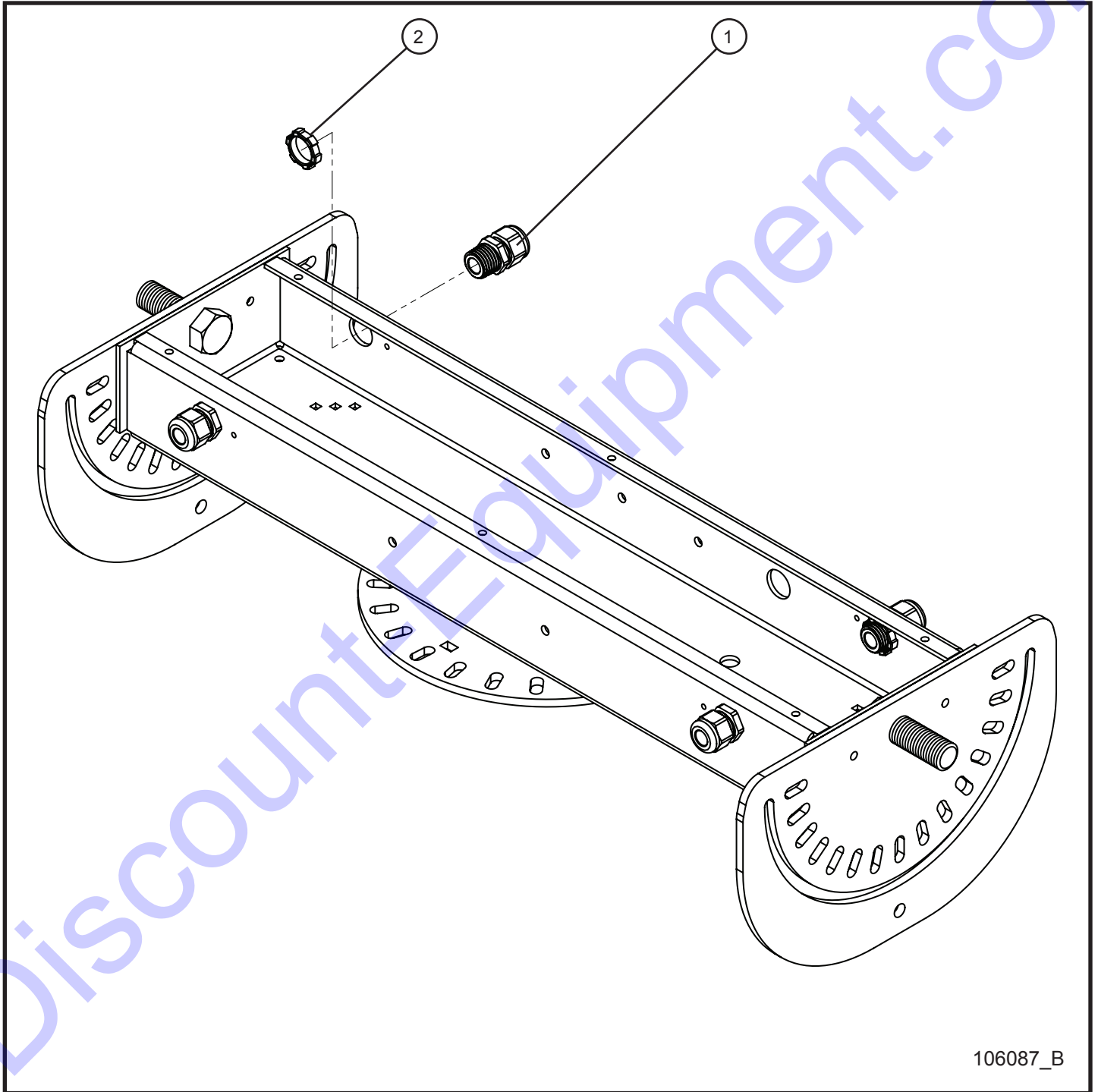
SN 0001XX12 and UP

Item	Part No.	Part Description	Qty.
1	310434	MALE CONNECTOR CABLE HUBBEL #HPMS03112	6
2	310413	CAP QUICK DISCONNECT	6
3	100029	#6-32 x 1/2 PH-ROUND HEAD MS PL	6
4	044004	#6-32 KEPS HEX NUT PL	6
5	102624	2 WIRE LEVER LOCK	18
6	310414	QD CONNECTOR FEMALE	6

\*NOTE: PARTS CALLED OUT IN SAME NUMBER ARE THE ASSEMBLY OF THAT PART NUMBER.

## 5.35 - 4-LED Light Solid Wired Lamp Connector

SN 0001XX12 and UP



106087\_B

## 5.35 - 4-LED Light Solid Wired Lamp Connector

SN 0001XX12 and UP

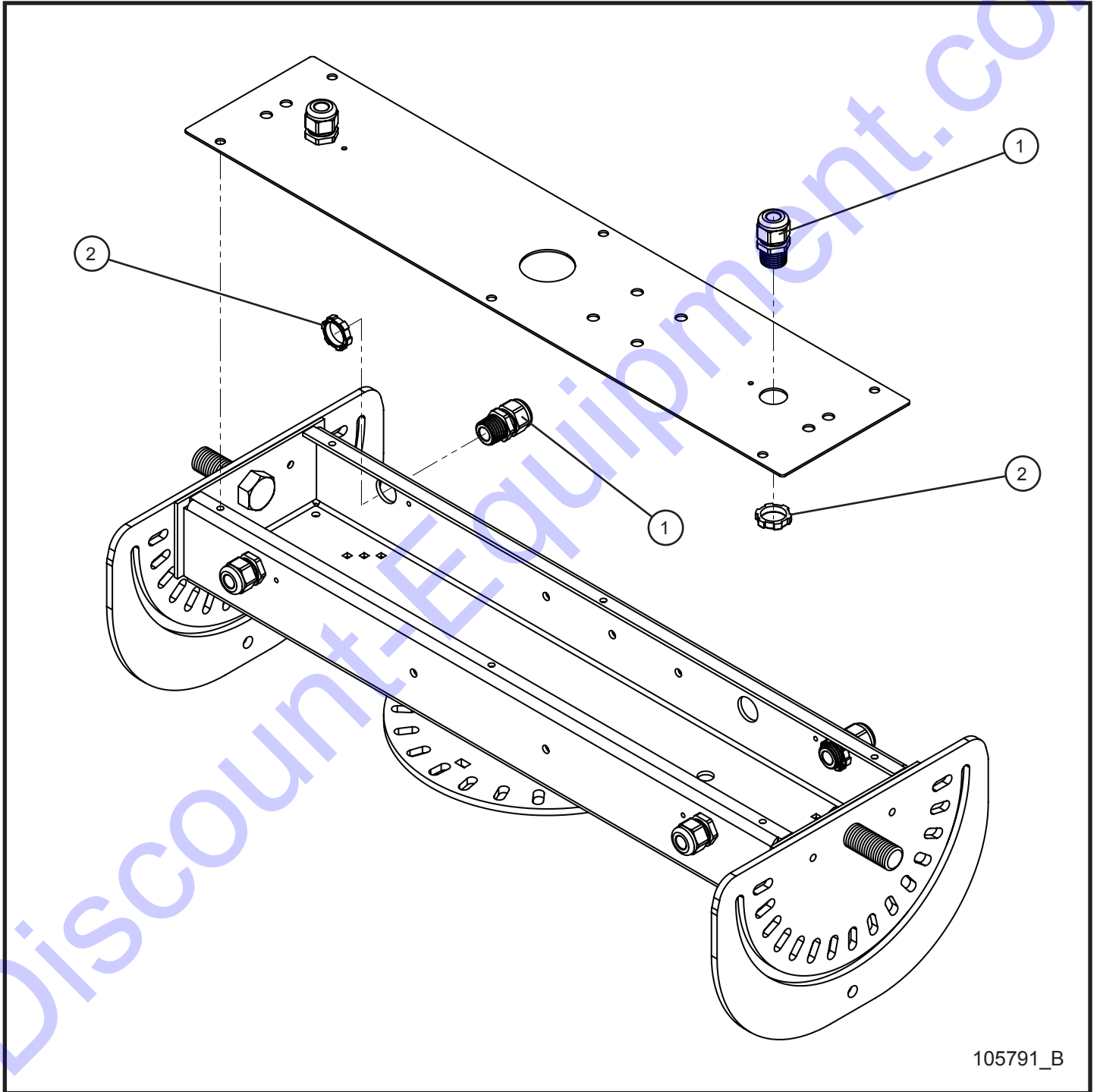
Item	Part No.	Part Description	Qty.
1	105626	CORD GRIP 1/2" NYLON BLACK	4
2	022035	1/2 CORD GRIP NUT	4
3	105713	SCHEMATIC LED LIGHT BAR	1

\*NOTE: THE CORD FOR LED SCENE LIGHT WIDE FLOOD IS FOUND IN ITS ASSEMBLY.



## 5.36 - 6-LED Light Solid Wired Lamp Connector

SN 0001XX12 and UP



105791\_B

## 5.36 - 6-LED Light Solid Wired Lamp Connector

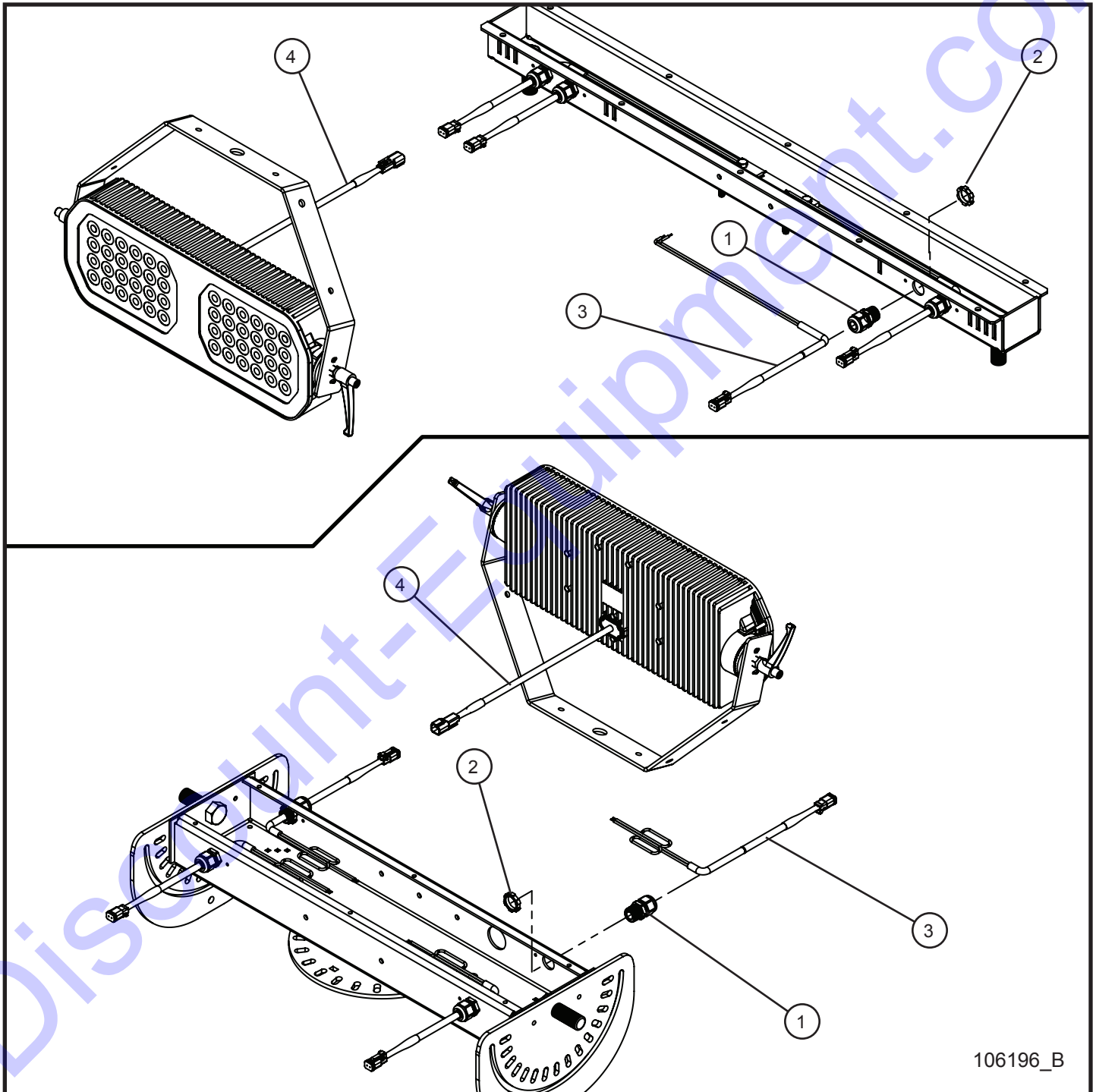
SN 0001XX12 and UP

Item	Part No.	Part Description	Qty.
1	105626	CORD GRIP 1/2" NYLON BLACK	4
2	022035	1/2 CORD GRIP NUT	4
3	105714	SCHEMATIC LED LIGHT BAR	1

\*NOTE: THE CORD FOR LED SCENE LIGHT WIDE FLOOD IS FOUND IN ITS ASSEMBLY.

## 5.37 - 4-LED Light Quick Disconnect Lamp Connector

SN 0001XX12 and UP



106196\_B

## Maxi-Lite II

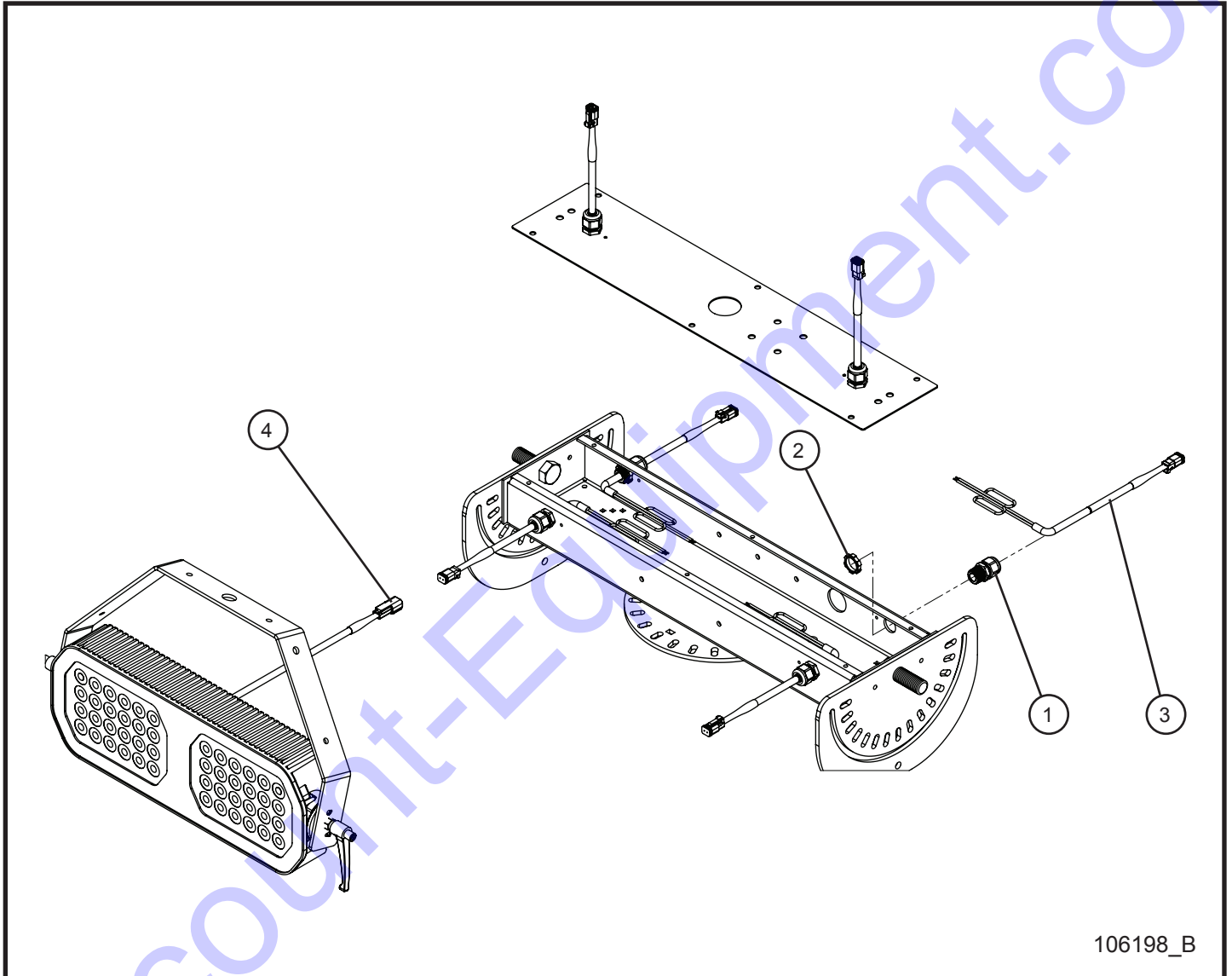
### 5.37 - 4-LED Light Quick Disconnect Lamp Connector

SN 0001XX12 and UP

Item	Part No.	Part Description	Qty.
1	105626	CORD GRIP 1/2" NYLON BLACK	4
2	022035	1/2 CORD GRIP NUT	4
3	106197	CORD QUICK DISCONNECT LED	4
4	106201	LED LAMP ASSY QUICK DISCONNECT	4
5	106157	SCHEMATIC LED DISCONNECT	1

## 5.38 - 6-LED Light Quick Disconnect Lamp Connector

SN 0001XX12 and UP



## Maxi-Lite II

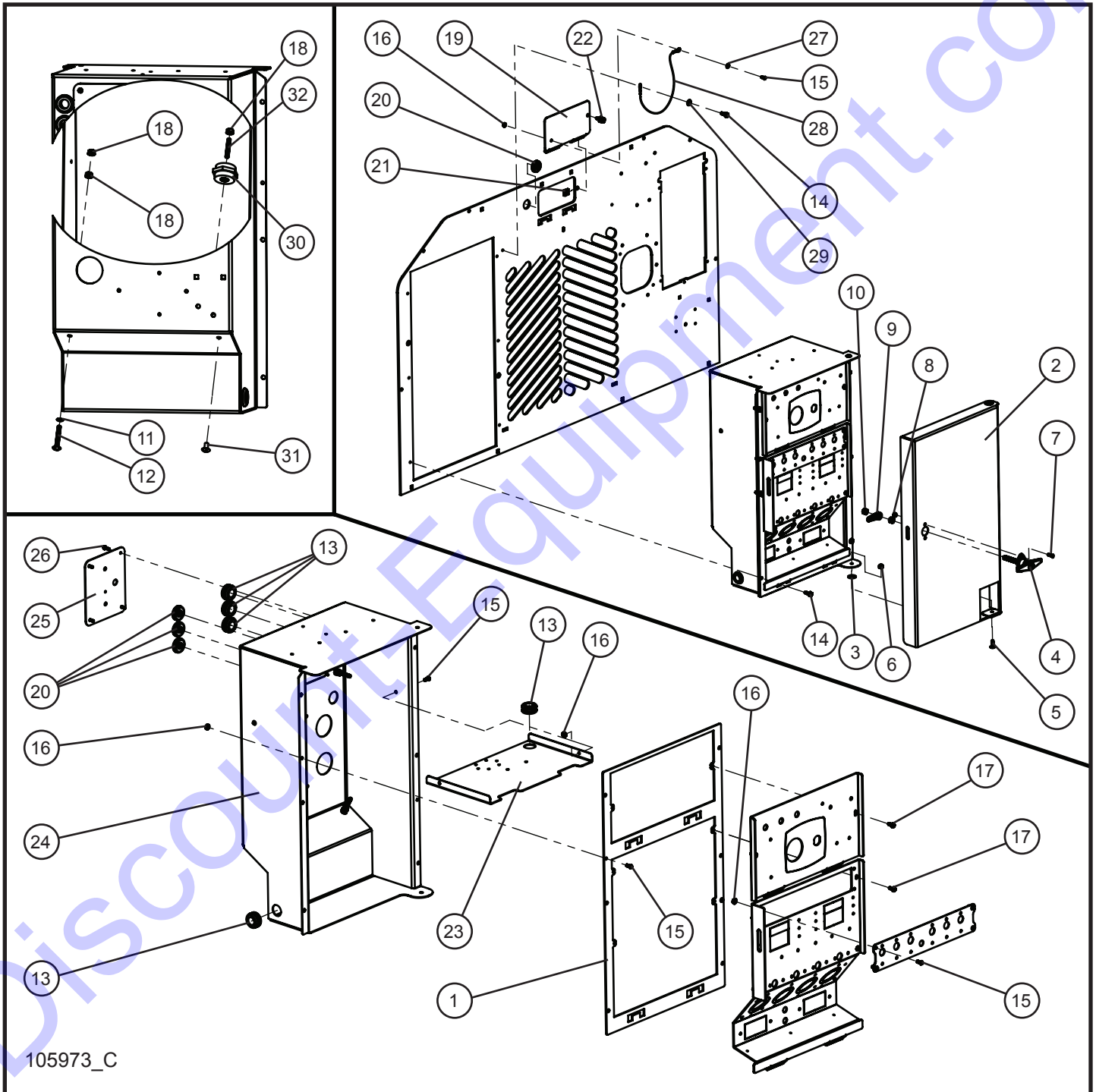
### 5.38 - 6-LED Light Quick Disconnect Lamp Connector

SN 0001XX12 and UP

Item	Part No.	Part Description	Qty.
1	105626	CORD GRIP 1/2" NYLON BLACK	4
2	022035	1/2 CORD GRIP NUT	4
3	106197	CORD QUICK DISCONNECT LED	4
4	106201	LED LAMP ASSY QUICK DISCONNECT	4
5	106158	SCHEMATIC LED DISCONNECT	1

## 6.1 - Control Box

SN 0001XX12 and UP



105973\_C

# Maxi-Lite II

## 6.1 - Control Box

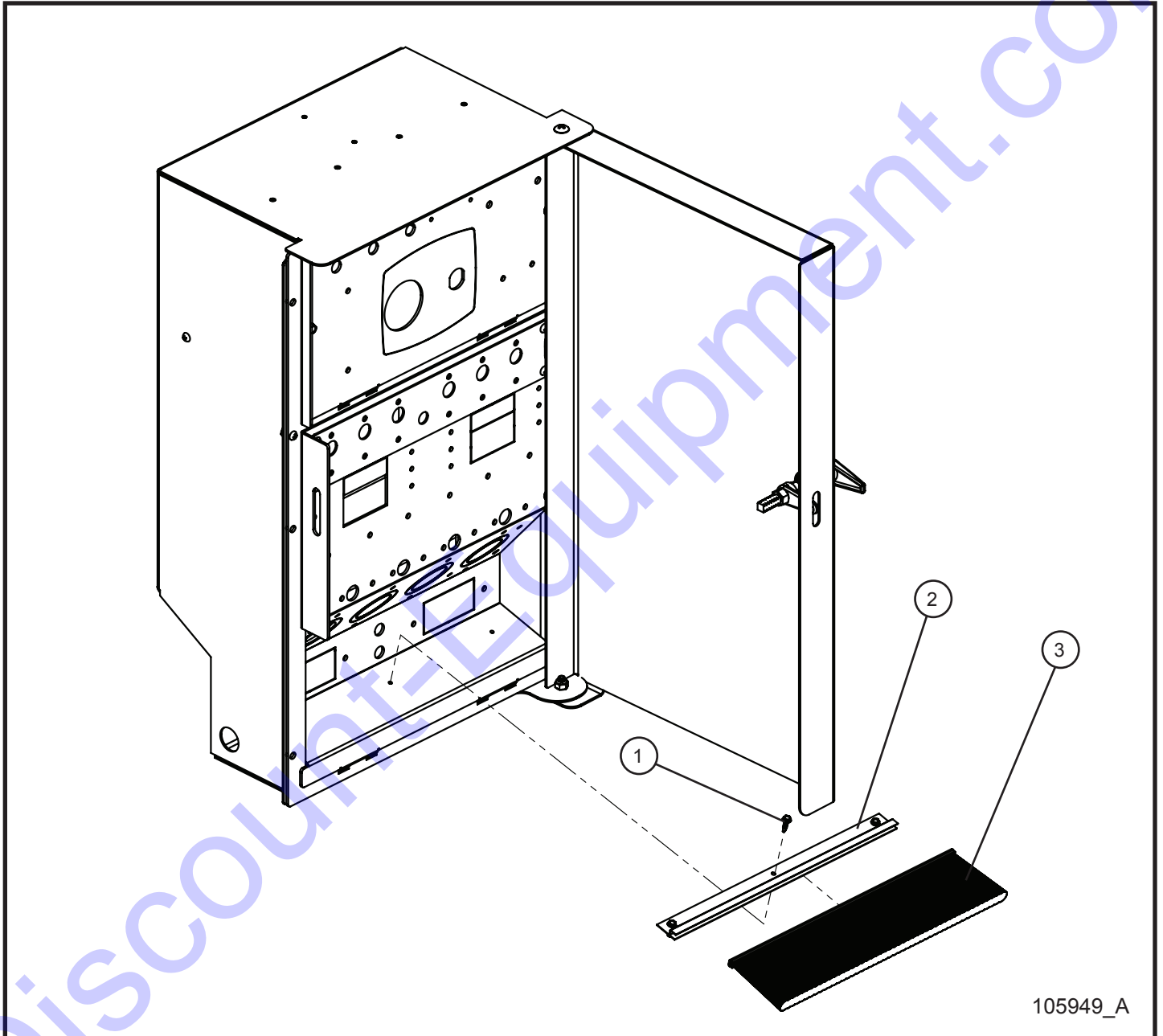
SN 0001XX12 and UP

Item	Part No.	Part Description	Qty.
1	104305P	DOOR MOUNT PANEL REAR CONTROL	1
2	104304P	DOOR PANEL REAR CONTROL MAXI II	1
3	711036	3/8 NYLON WASHER 7/8 OD x .344 ID	2
4	650131	HANDLE-T LOCKING	1
5	041050	1/4-20 x 3/4 PH-TRUSS HEAD MS SS	2
6	044023	1/4-20 NYLOCK HEX NUT PL	2
7	041032	#10-24 x 3/4 SL-FLAT HEAD MS PL	2
8	044019	#10-24 NYLOCK HEX NUT SS	2
9	650132	CAM LOCK	1
10	044042	3/8-24 HEX NUT PL	2
11	043050	1/4 INT'L TOOTHLOCK WASHER	2
12	041053	1/4-20 x 1 3/4 PH-TRUSS HEAD MS SS	2
13	330463	11/16 RUBBER GROMMET	5
14	041070	1/4-20 x 3/4 SL-HEX WASHER HEAD MS TP F	7
15	041021	#10-24 x 1/2 PH-ROUND MS PL	9
16	044016	#10-24 KEPS HEX NUT PL	9
17	041031	#10-24 x 1/2 HEX HEAD MS PL	6
18	044021	1/4-20 KEPS HEX NUT PL	5
19	104816P	ACCESS PANEL RADIATOR CAP	1
20	100859	7/8 ID x 1 1/4 OD GROMMET	4
21	045216	1/4-20 TINNEMAN NUT	1
22	102435	KNURLED SHMS w/ RETAINER	1
23	105115P	DIVIDER PANEL DEEP COMPONENT BOX	1
24	105774P	COMPONENT BOX DEEP PDM	1
25	105972P	PLATE COVER REAR PDM CONTROL BOX	1
26	041029	#8-32 x 1/2 HEX WASHER HEAD	4
27	047003	#10 FLAT WASHER SAE SS	1
28	712061	STEEL LANYARD	1
29	047005	1/4 FLAT WASHER PL	1
30	106318	LOW VOLTAGE INSULATOR 1-1/4", 1/4-20	1
31	041078	1/4-20 x 1/2 PH-TRUSS HEAD MS SS	1
32	045003	1/4-20 x 1-1/2 STUD PL	1



## 6.2 - Control Box Strip Brush

SN 0001XX12 and UP



105949\_A

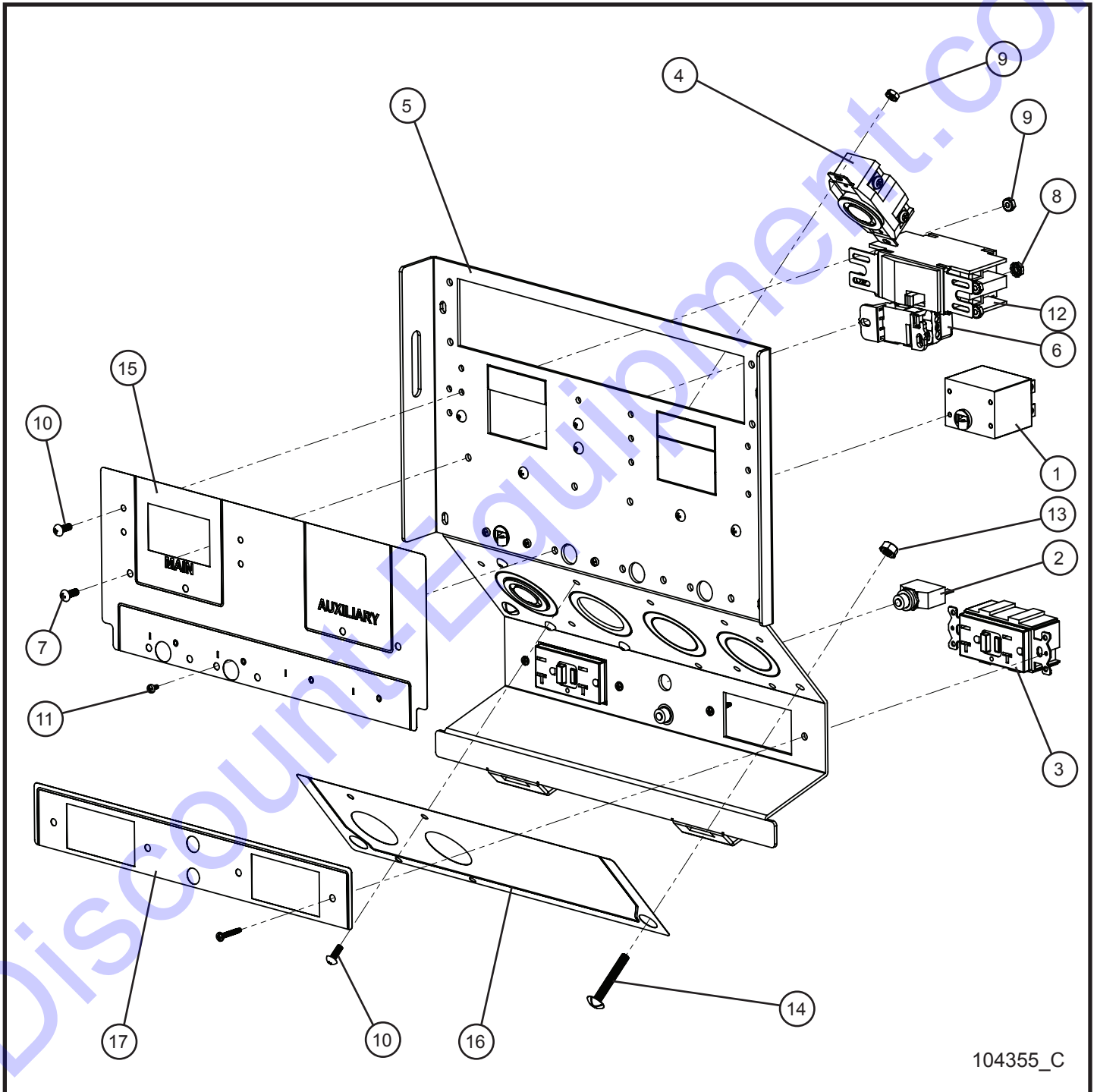
## 6.2 - Control Box Strip Brush

SN 0001XX12 and UP

Item	Part No.	Part Description	Qty.
1	041015	#8 x 5/8 HEX WASHER HEAD TEK MS PL	3
2	105947	HOLDER STRIP BRUSH	1
3	105948	STRIP BRUSH NYLON	1

## 6.3 - Outlet Panel 8kW CSA

SN 0001XX12 and UP



104355\_C

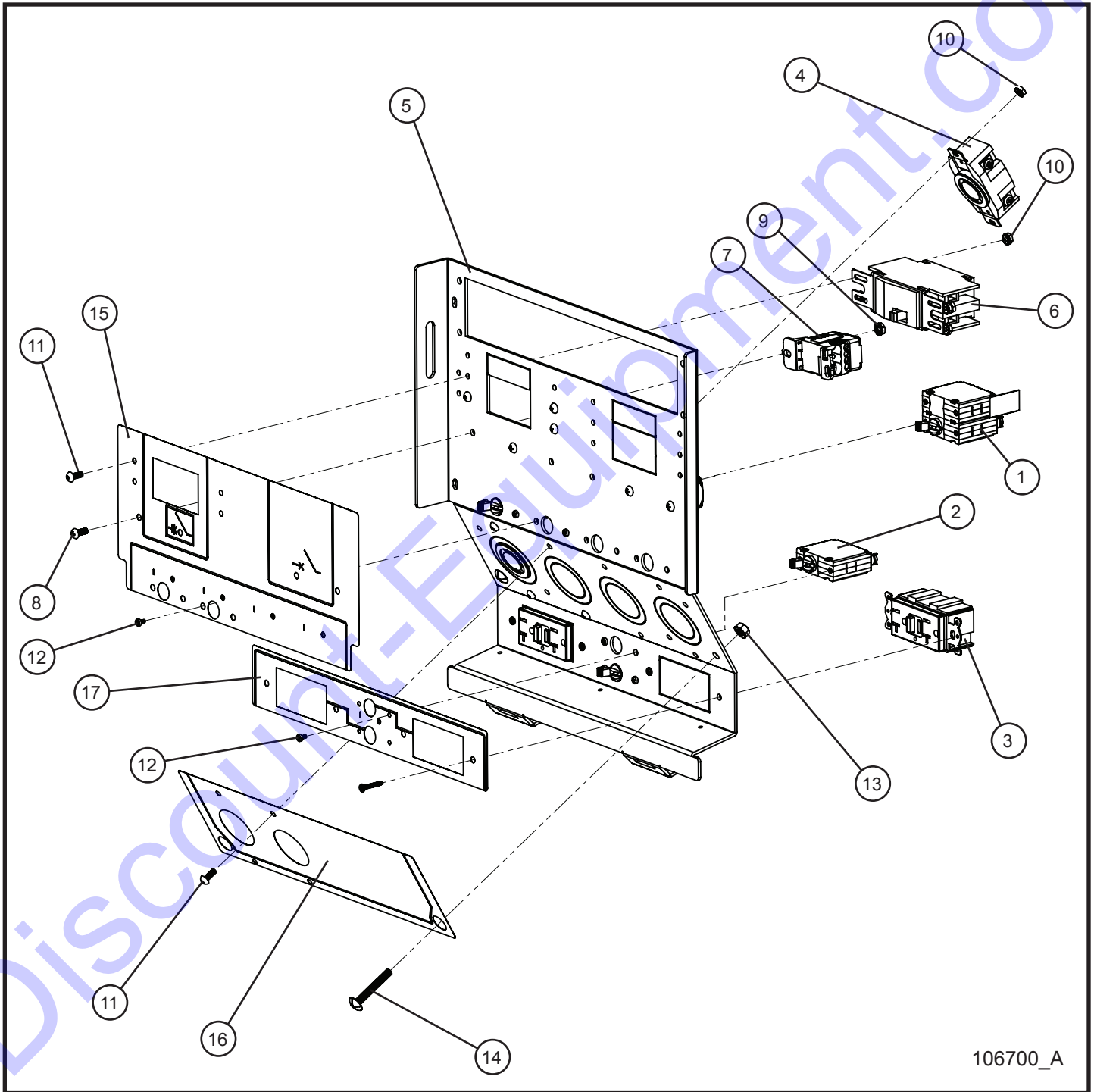
## 6.3 - Outlet Panel 8kW CSA

SN 0001XX12 and UP

Item	Part No.	Part Description	Qty.
1	330456	30A DPST CIRUIT BREAKER	2
2	650138	CIRCUIT BREAKER 20A PUSH BUTTON	2
3	330499	20A GFCI RECEPTACLE	2
4	653102	30A 125-250V TWISTLOCK RECEPTACLE	2
5	104306P	OUTLET PANEL STANDARD	1
6	104779	DISTRIBUTION BLOCK ERIFLEX	2
7	041021	#10-24 x 1/2 PH-ROUND HEAD MS PL	4
8	044016	#10-24 KEPS HEX NUT PL	4
9	044003	#8-32 NC KEPS NUT	8
10	041012	SCREW MS #8-32 x 1/2 PL	8
11	041018	#6-32 x 1/4 PH-ROUND HEAD MS PL	4
12	350354	35 AMP DOUBLE POLE BREAKER	1
13	044021	1/4-20 KEPS HEX NUT PL	2
14	041053	1/4-20 x 1 3/4 PH-TRUSS HEAD MS SS	2
15	104551	DECAL BREAKER DOMESTIC STANDARD	1
16	104548	DECAL MAIN OUTLETS	1
17	104549	DECAL GFCI OUTLETS	1

## 6.4 - Outlet Panel 8kW CSA UL489

SN 0001XX12 and UP



106700\_A

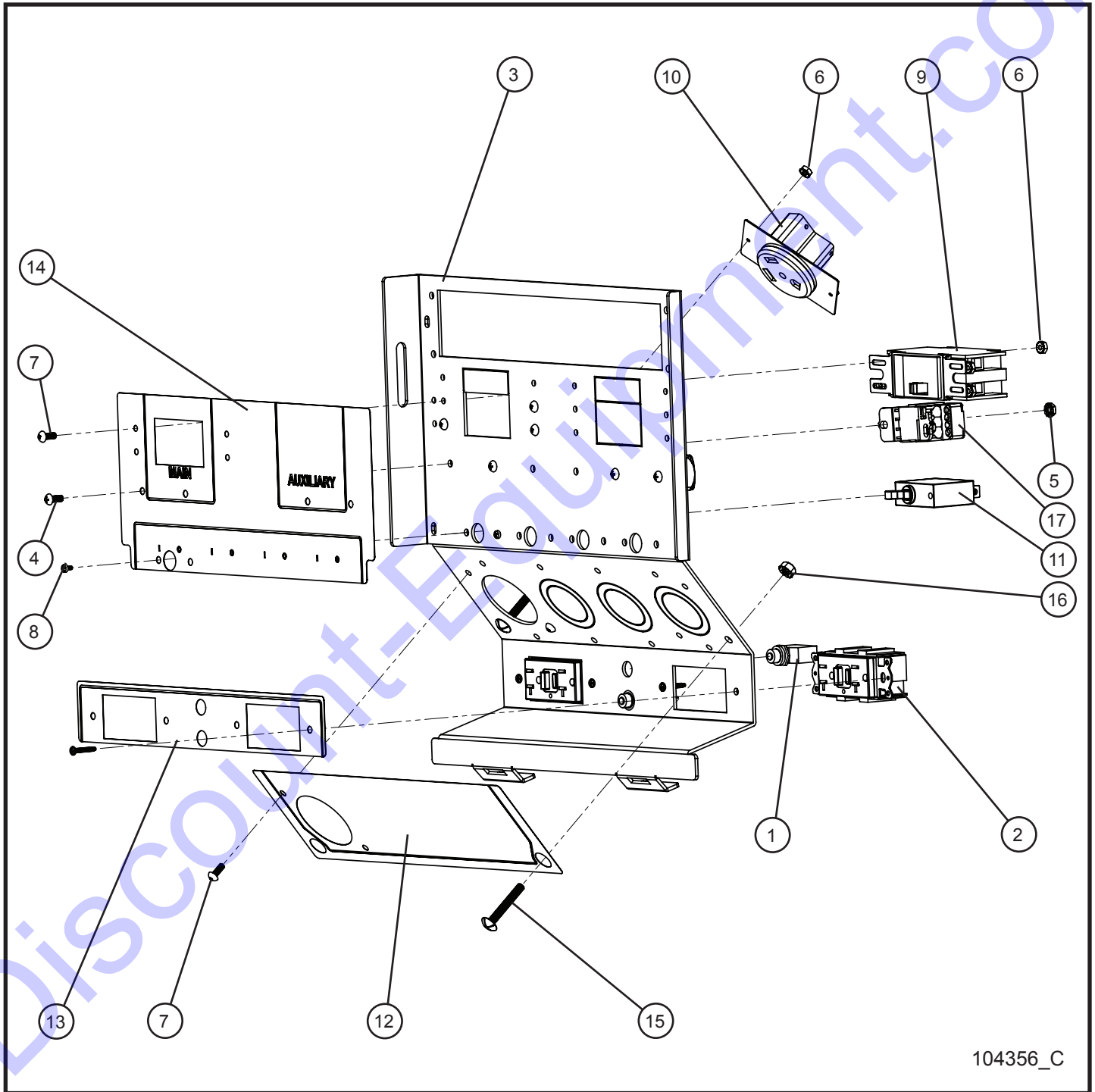
## 6.4 - Outlet Panel 8kW CSA UL489

SN 0001XX12 and UP

Item	Part No.	Part Description	Qty.
1	106785	CIRCUIT BREAKER 30AMP	2
2	106787	CIRCUIT BREAKER 20AMP	2
3	330499	20A GFCI RECEPTACLE	2
4	653102	30A 125-250V TWISTLOCK RECEPTACLE	2
5	106680P	OUTLET PANEL STANDARD	1
6	350354	35 AMP DOUBLE POLE BREAKER	1
7	104779	DISTRIBUTION BLOCK ERIFLEX	2
8	041021	#10-24 x 1/2 PH-ROUND HEAD MS PL	4
9	044016	#10-24 KEPS HEX NUT PL	4
10	044003	#8-32 NC KEPS NUT	8
11	041012	SCREW MS #8-32 x 1/2 PL	8
12	041018	#6-32 x 1/4 PH-ROUND HEAD MS PL	4
13	044021	1/4-20 KEPS HEX NUT PL	2
14	041053	1/4-20 x 1 3/4 PH-TRUSS HEAD MS SS	2
15	107300	DECAL BREAKER DOMESTIC STANDARD	1
16	104548	DECAL MAIN OUTLETS	1
17	107186	DECAL GFCI OUTLETS	1
18	108017	SCHEMATIC 8kW 1P 2-240V 30A 1-120V 20A GFCI	1

## 6.5 - Outlet Panel 8kW, 1 RV, 2 GFCI

SN 0001XX12 and UP



104356\_C

## 6.5 - Outlet Panel 8kW, 1 RV, 2 GFCI

SN 0001XX12 and UP

Item	Part No.	Part Description	Qty.
1	650138	CIRCUIT BREAKER 20A PUSH BUTTON	2
2	330499	20A GFCI RECEPTACLE	2
3	104306P	OUTLET PANEL STANDARD	1
4	041021	#10-24 x 1/2 PH-ROUND HEAD MS PL	4
5	044016	#10-24 KEPS HEX NUT PL	4
6	044003	#8-32 NC KEPS NUT	6
7	041012	SCREW MS #8-32 x 1/2 PL	6
8	041018	#6-32 x 1/4 PH-ROUND HEAD MS PL	2
9	350354	35 AMP DOUBLE POLE BREAKER	1
10	680815	125V 30A OUTLET	1
11	330472	30A SPST CIRCUIT BREAKER	1
12	104548	DECAL MAIN OUTLETS	1
13	104549	DECAL GFCI OUTLETS	1
14	104551	DECAL BREAKER DOMESTIC STANDARD	1
15	041053	1/4-20 x 1 3/4 PH-TRUSS HEAD MS SS	2
16	044021	1/4-20 KEPS HEX NUT PL	2
17	104779	DISTRIBUTION BLOCK ERIFLEX	2





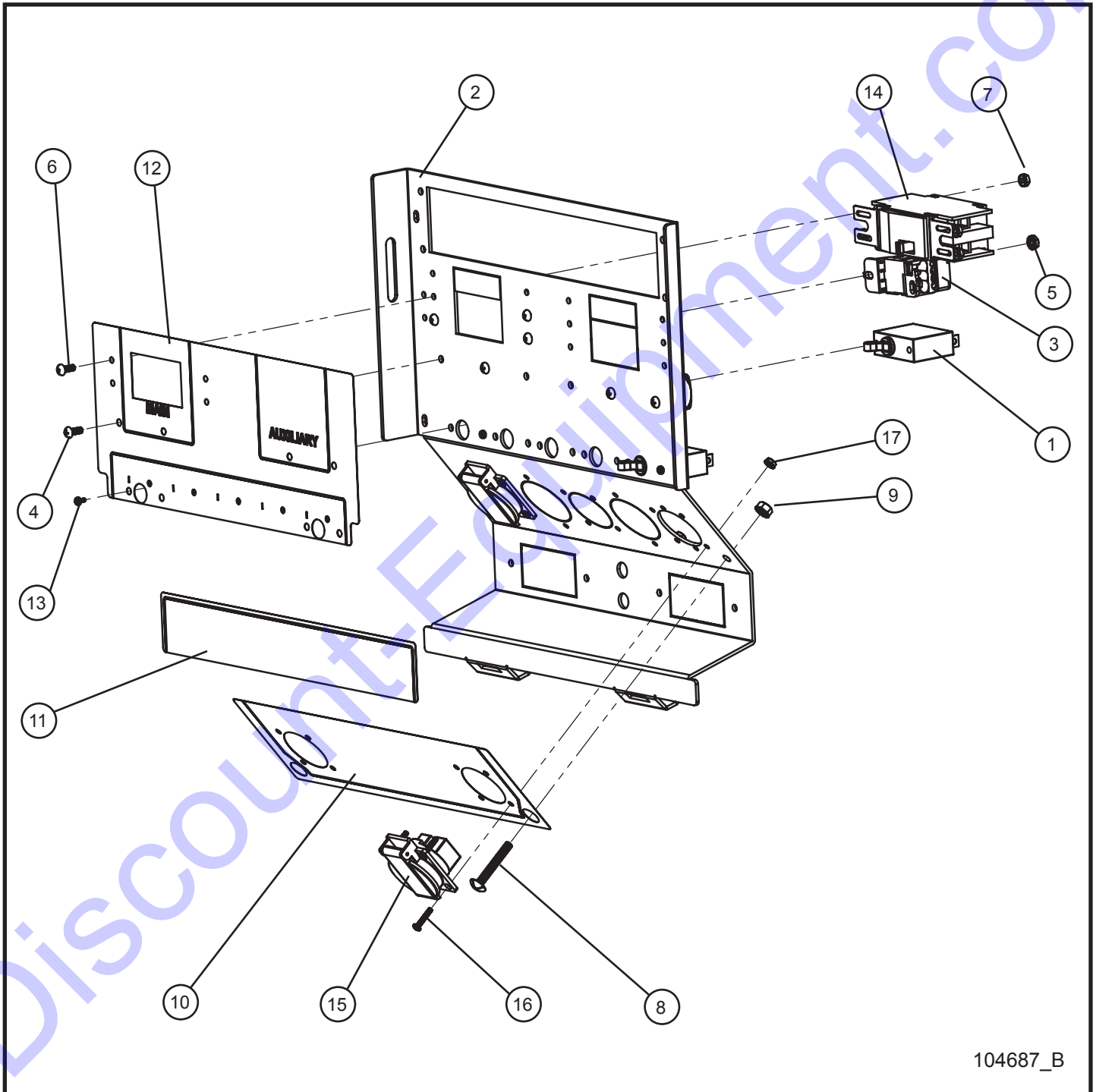
## 6.6 - Outlet Panel 8kW, 2 RV, 1 GFCI

SN 0001XX12 and UP

Item	Part No.	Part Description	Qty.
1	650138	CIRCUIT BREAKER 20A PUSH BUTTON	1
2	330499	20A GFCI RECEPTACLE	1
3	104306P	OUTLET PANEL STANDARD	1
4	104779	DISTRIBUTION BLOCK ERIFLEX	2
5	041021	#10-24 x 1/2 PH-ROUND HEAD MS PL	4
6	044016	#10-24 KEPS HEX NUT PL	4
7	044003	#8-32 NC KEPS NUT	8
8	041012	SCREW MS #8-32 x 1/2 PL	8
9	041018	#6-32 x 1/4 PH-ROUND HEAD MS PL	4
10	350354	35 AMP DOUBLE POLE BREAKER	1
11	680815	125V 30A OUTLET	2
12	330472	30A SPST CIRCUIT BREAKER	2
13	104548	DECAL MAIN OUTLETS	1
14	104549	DECAL GFCI OUTLETS	1
15	104551	DECAL BREAKER DOMESTIC STANDARD	1
16	044021	1/4-20 KEPS HEX NUT PL	2
17	041053	1/4-20 x 1 3/4 PH-TRUSS HEAD MS SS	2

## 6.7 - Outlet Panel 8kW 50Hz Schuko

SN 0001XX12 and UP



104687\_B

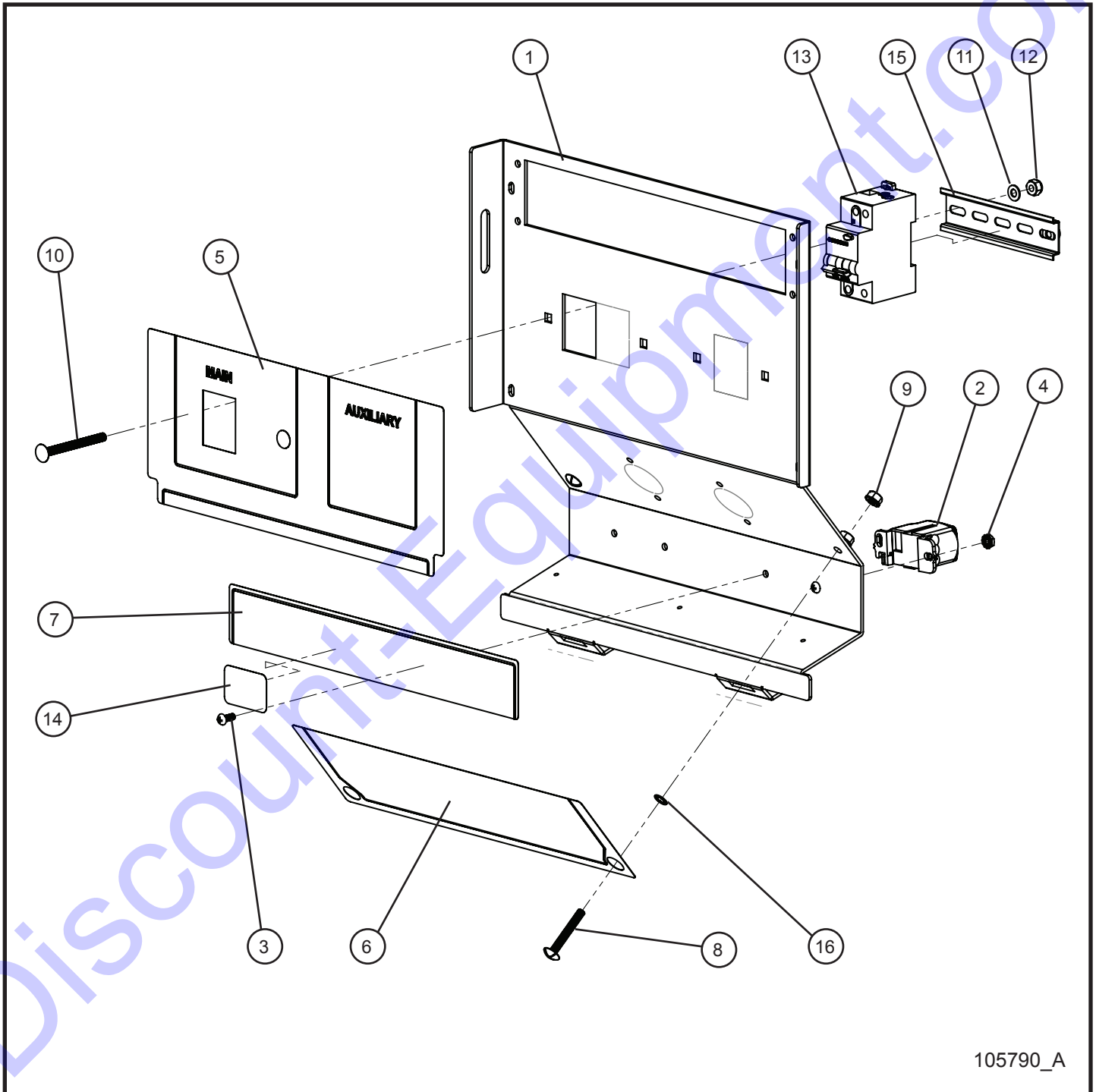
## 6.7 - Outlet Panel 8kW 50Hz Schuko

SN 0001XX12 and UP

Item	Part No.	Part Description	Qty.
1	330459	15A DPST CARLING SWITCH	2
2	104685P	OUTLET PANEL MULTI OPTION	1
3	104779	DISTRIBUTION BLOCK ERIFLEX	2
4	041021	#10-24 x 1/2 PH-ROUND HEAD MS PL	4
5	044016	#10-24 KEPS HEX NUT PL	4
6	041012	SCREW MS #8-32 x 1/2 PL	4
7	044003	#8-32 NC KEPS NUT	4
8	041053	1/4-20 x 1 3/4 PH-TRUSS HEAD MS SS	2
9	044021	1/4-20 KEPS HEX NUT PL	2
10	104548	DECAL MAIN OUTLETS	1
11	104549	DECAL GFCI OUTLETS	1
12	104552	DECAL BREAKER FOREIGN OPTIONS	1
13	041018	#6-32 x 1/4 PH-ROUND HEAD MS PL	4
14	650534	25 AMP 120/240V DPST MAIN BREAKER	1
15	650485	RECEPTACLE SCHUKO (EURO)	2
16	101291	#6-32 x 3/4 PH-PAN HEAD MS ZC	8
17	044004	#6-32 KEPS HEX NUT PL	8

## 6.8 - Outlet Panel 8kW 60Hz NZL/AS3000

SN 0001XX12 and UP



105790\_A

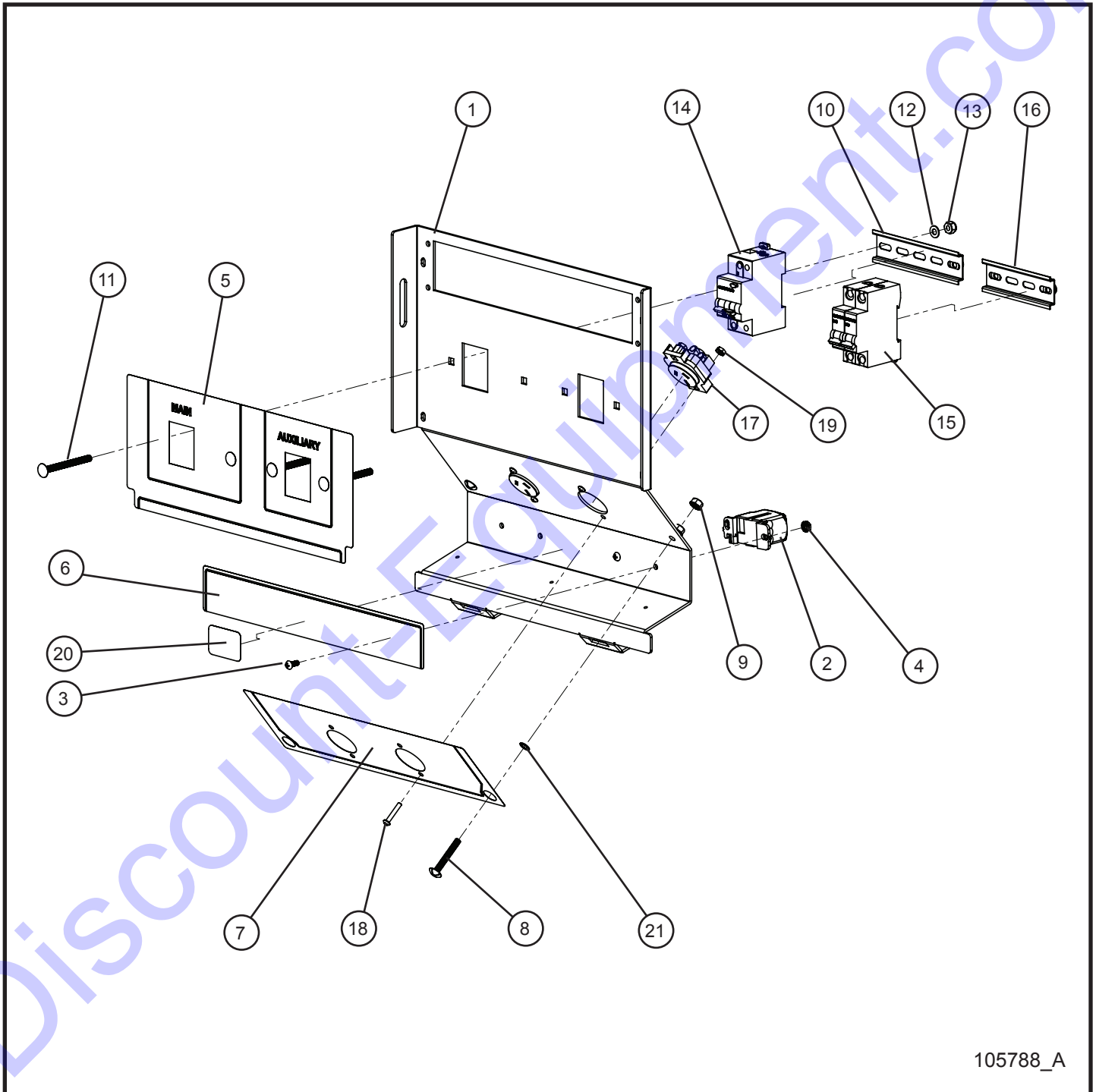
## 6.8 - Outlet Panel 8kW 60Hz NZL/AS3000

SN 0001XX12 and UP

Item	Part No.	Part Description	Qty.
1	105787P	OUTLET PANEL NZL/AS3000	1
2	104779	DISTRIBUTION BLOCK ERIFLEX	1
3	041021	#10-24 x 1/2 PH-ROUND HEAD MS PL	2
4	044016	#10-24 KEPS HEX NUT PL	2
5	105789	DECAL BREAKER NZL/AS3000	1
6	104548	DECAL MAIN OUTLETS	1
7	104549	DECAL GFCI OUTLETS	1
8	041053	1/4-20 x 1 3/4 PH-TRUSS HEAD MS SS	2
9	044021	1/4-20 KEPS HEX NUT PL	4
10	100718	1/4-20 x 2 1/4 CARRIAGE BOLT	2
11	047009	1/4 FLAT WASHER SAE SS	2
12	044023	1/4-20 NYLOCK HEX NUT PL	2
13	C104040	CIRCUIT BREAKER 32 AMP	1
14	103522	60Hz ELECTRIC SYSTEM NOTICE	1
15	105775	DIN RAIL 5"	1
16	043051	1/4 INT'L TOOTH LOCK WASHER SS	1

## 6.9 - Outlet Panel 8kW 50Hz NZL/AS3000

SN 0001XX12 and UP



105788\_A

## 6.9 - Outlet Panel 8kW 50Hz NZL/AS3000

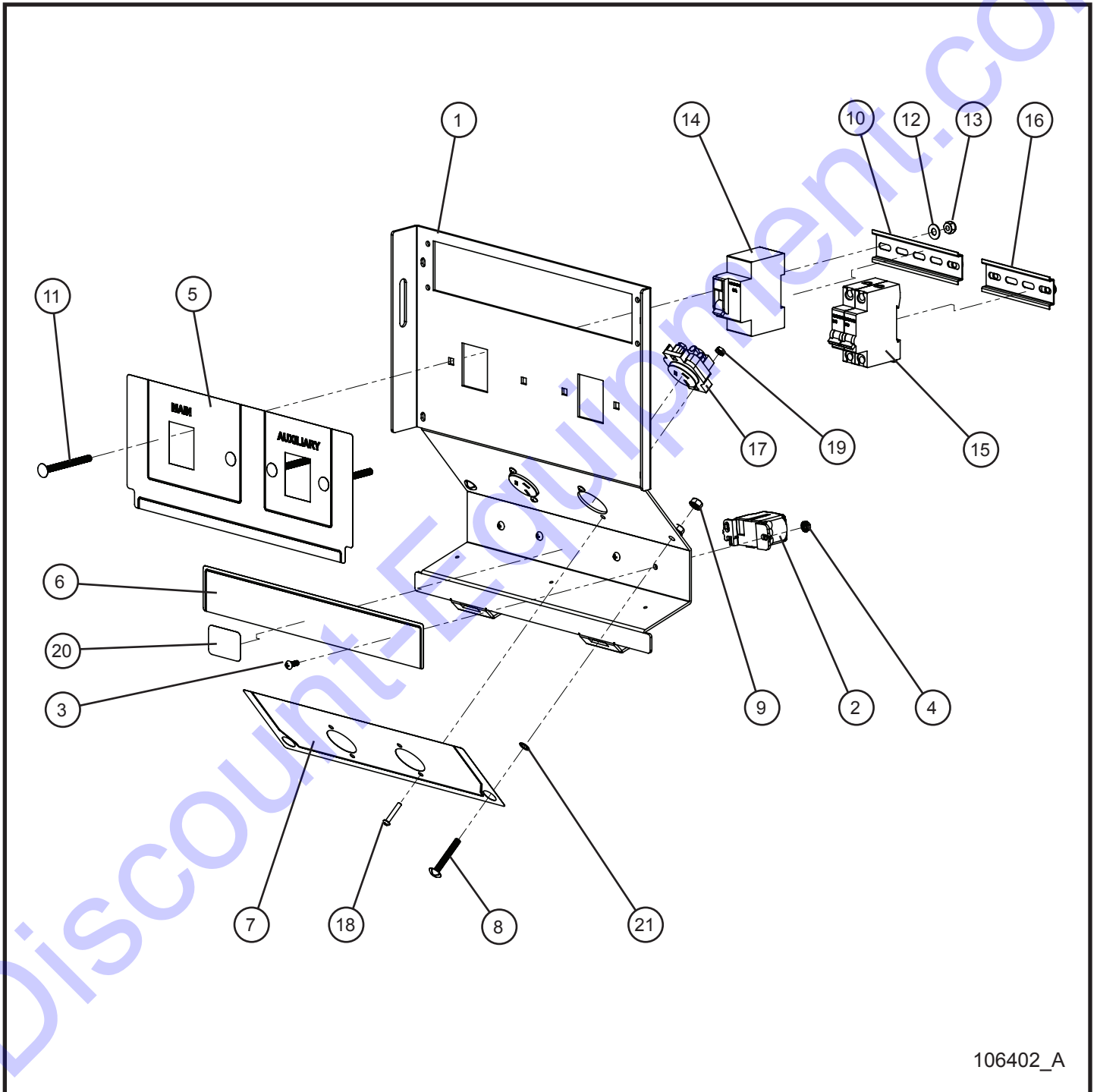
SN 0001XX12 and UP

Item	Part No.	Part Description	Qty.
1	105787P	OUTLET PANEL NZL/AS3000	1
2	104779	DISTRIBUTION BLOCK ERIFLEX	1
3	041021	#10-24 x 1/2 PH-ROUND HEAD MS PL	2
4	044016	#10-24 KEPS HEX NUT PL	2
5	105789	DECAL BREAKER NZL/AS3000	1
6	104549	DECAL GFCI OUTLETS	1
7	104548	DECAL MAIN BREAKER	1
8	041053	1/4-20 x 1 3/4 PH-TRUSS HEAD MS SS	2
9	044021	1/4-20 KEPS HEX NUT PL	4
10	105775	DIN RAIL 5"	1
11	100718	1/4-20 x 2 1/4 CARRIAGE BOLT	4
12	047009	1/4 FLAT WASHER SAE SS	4
13	044023	1/4-20 NYLOCK HEX NUT PL	4
14	C104040	CIRCUIT BREAKER 32 AMP	1
15	C104516	CIRCUIT BREAKER 10 AMP	2
16	103476	DIN RAIL 4"	1
17	102124	AU1-10 240V RECEPTACLE AUSTRALIAN	2
18	041202	#8-32 x 1 PH-ROUND HEAD MS ZC	4
19	044003	#8-32 NC KEPS NUT	4
20	103521	50Hz ELECTRIC SYSTEM NOTICE DECAL	1
21	043051	1/4 INT'L TOOTH LOCK WASHER SS	2



## 6.10 - Outlet Panel 11kW 50Hz NZL/AS3000

SN 0001XX12 and UP



106402\_A