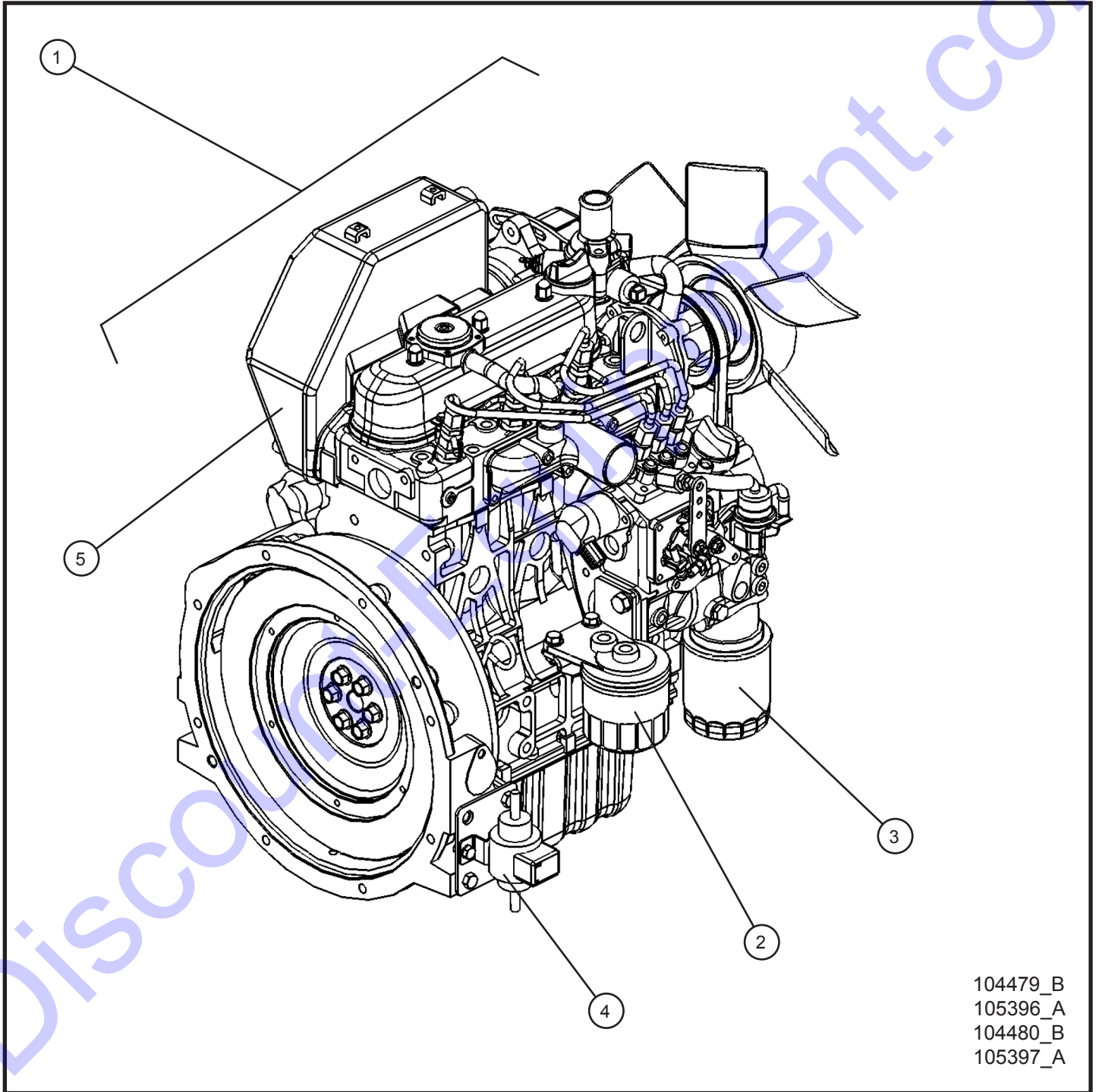


10.1 - Kubota Engine and Filters

SN 0001PRO215 and UP
SN 0001PRO2V15 and UP



104479_B
105396_A
104480_B
105397_A

Night-Lite ProII™

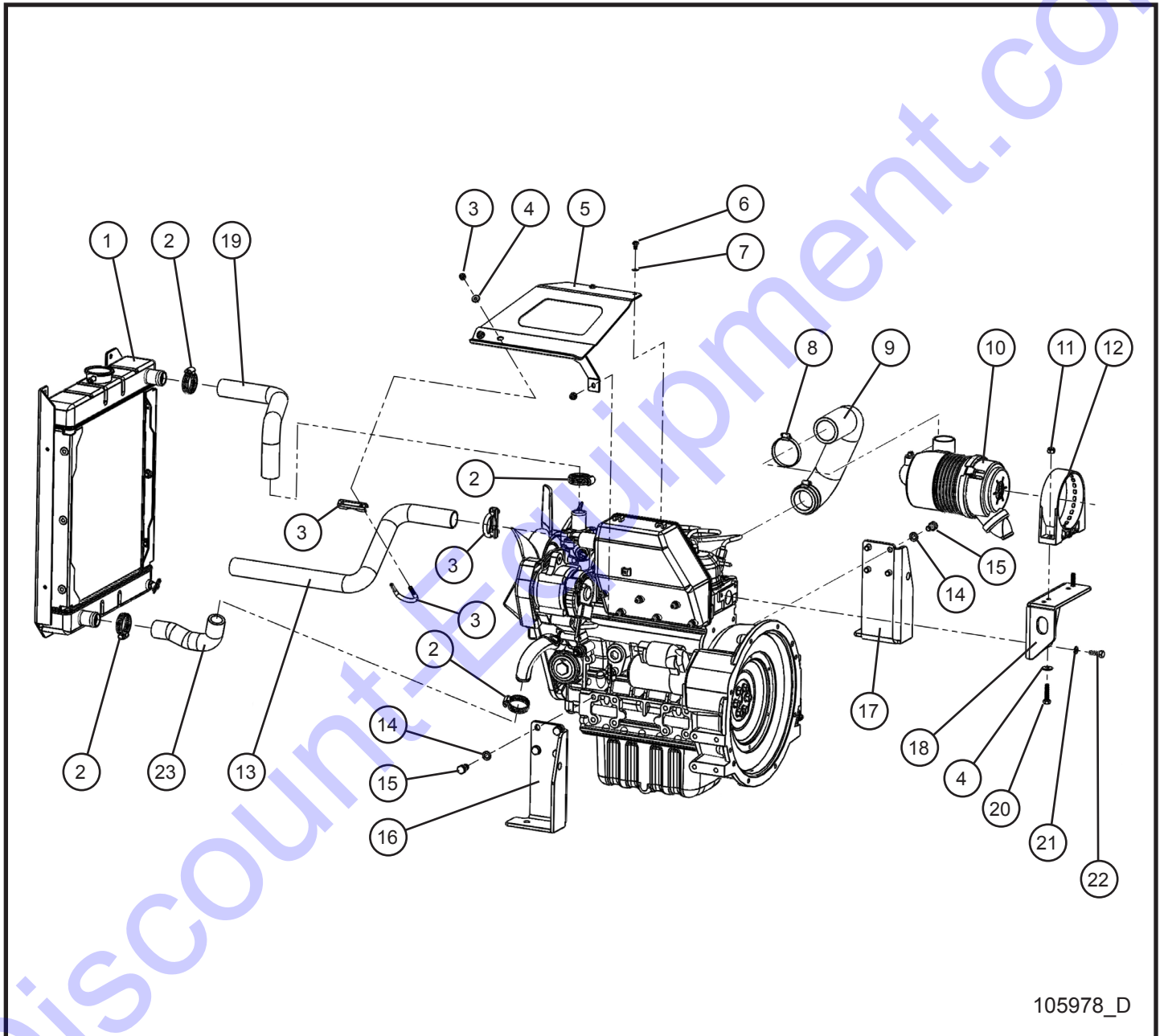
10.1- Kubota Engine and Filters

SN 0001PRO215 and UP
SN 0001PRO2V15 and UP

Item	Part No.	Part Description	Qty.
1	104479	ENGINE D1005 NRTC/NTE KUBOTA	1
	105396	ENGINE D1005 NRTC/NTE T4 KUBOTA	1
	104480	ENGINE D1105 NRTC/NTE KUBOTA	1
	105397	ENGINE D1105 NRTC/NTE T4 KUBOTA	1
2	920745	FUEL FILTER	1
3	920743	OIL FILTER	1
4	103331	FUEL PUMP	1
5	352139	BOX MUFFLER	1
NS	650290	AIR FILTER	1
NS	108962	KUBOTA FILTER KIT (INCLUDES PART NUMBERS 920745, 920743, & 650290)	1
NS	340302	HIGH TEMP SWITCH	1
NS	340301	OIL PRESSURE SWITCH	1
NS	920751	FUEL SHUT OFF SOLENOID	1

10.2 - Kubota Engine Assembly Group (1 of 3)

SN 0001PRO215 and UP
SN 0001PRO2V15 and UP



105978_D

Night-Lite ProII™

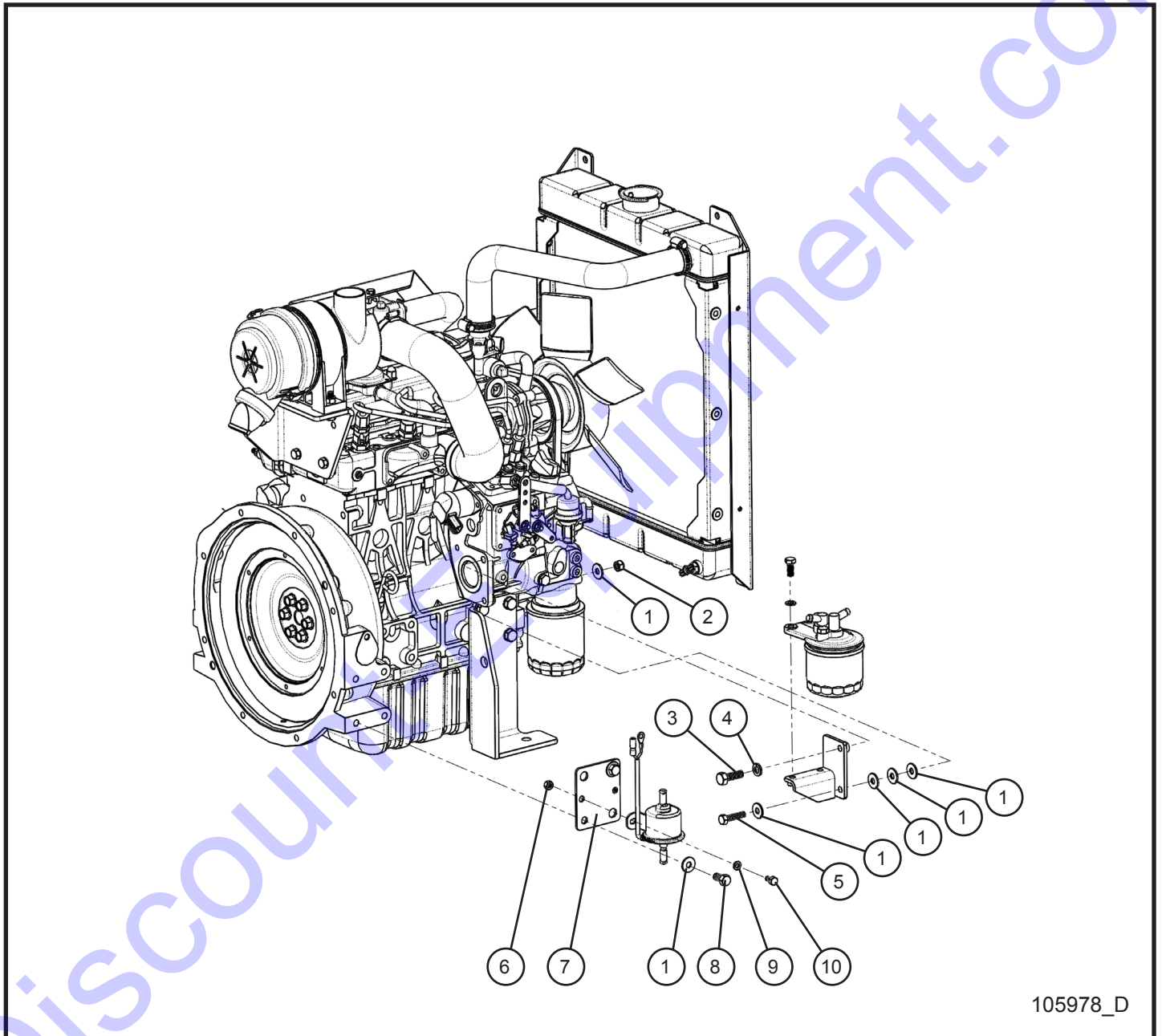
10.2 - Kubota Engine Assembly Group (1 of 3)

SN 0001PRO215 and UP
SN 0001PRO2V15 and UP

Item	Part No.	Part Description	Qty.
1	105393	RADIATOR KUBOTA	1
2	045035	#20 HOSE CLAMP	4
3	713086	1 3/8 MUFFLER CLAMP	2
4	047005	1/4 FLAT WASHER	4
5	103579P	TAILPIPE MOUNT D1105 NL PRO II	1
6	042018	M6 x 1.0MM x 10MM HEX HEAD CS GR 8.8 PL	2
7	043050	1/4 INTL TOOTH LOCK WASHER	2
8	045038	#32 HOSE CLAMP	2
9	101734	AIR CLEANER HOSE KUBOTA D1005/D1105	1
10	650262	AIR CLEANER RADIAL SEAL	1
11	042081	M8 x 1.25MM NYLOCK HEX NUT PL METRIC	2
12	650263	MOUNTING BAND AIR CLEANER	1
13	109800	TAIL PIPE KUBOTA	1
14	042151	M10 SPLIT LOCK WASHER PL	8
15	042038	M10 x 20MM x 1.25MM HEX HEAD CS GR 8.8 PL	8
16	103470P	BRACKET ENGINE FOOT RIGHT WELDMENT KUBOTA	1
17	103469P	BRACKET ENGINE FOOT LEFT WELDMENT KUBOTA	1
18	105800P	MOUNT WELDED AIR FILTER KUBOTA	1
19	105391	RADIATOR HOSE UPPER KUBOTA	1
20	102127	8MM x 35MM x 1.25 HEX GR 8.8 PLATED	2
21	043055	5/16 SPLIT LOCK WASHER PL	2
22	042027	M8 x 16MM x 1.25 HEX HEAD CS GR8.8 PL	2
23	105392	RADIATOR HOSE LOWER KUBOTA	1
NS	105406	KUBOTA JB RADIATOR KIT (INCLUDES PARTS 105391, 105392, AND 105393)	1
NS	105193	HARNESS KUBOTA	1
NS	105875	KUBOTA CHARGE CIRCUIT FUSE	1
NS	105893	KUBOTA ENGINE HARNESS SCHEMATIC	1

10.2 - Kubota Engine Assembly Group (2 of 3)

SN 0001PRO215 and UP
SN 0001PRO2V15 and UP



105978_D

Night-Lite ProII™

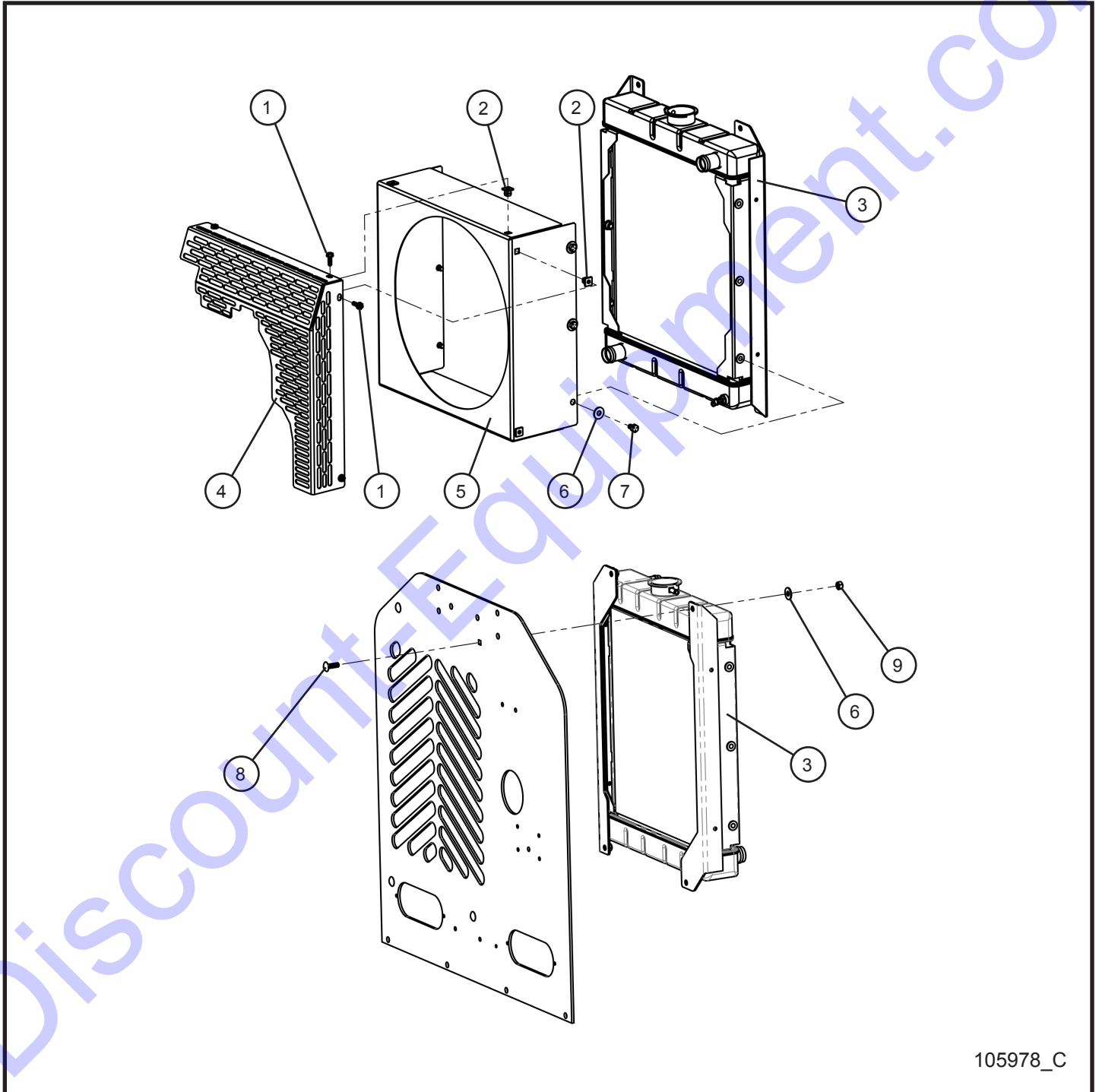
10.2 - Kubota Engine Assembly Group (2 of 3)

SN 0001PRO215 and UP
SN 0001PRO2V15 and UP

Item	Part No.	Part Description	Qty.
1	047010	5/16 FLAT WASHER PL	7
2	042081	M8 x 1.25MM NYLOCK HEX NUT PL METRIC	1
3	102130	10MM x 1.25MM x 25MM	1
4	042151	M10 SPLIT LOCK WASHER PL	1
5	102127	8MM x 35MM x 1.25 HEX GR 8.8 PLATED	1
6	044020	1/4-20 x HEX NUT PL	2
7	105402P	FUEL PUMP MOUNT KUBOTA D1005/D1105	1
8	046105	3/8-16 x 3/4 HEX HEAD CS GR8 PL	2
9	043020	1/4 SPLITLOCK WASHER	2
10	046005	1/4-20 x 1/2 HEX HEAD CS GR5 PL	2

10.2 - Kubota Engine Assembly Group (3 of 3)

SN 0001PRO215 and UP
SN 0001PRO2V15 and UP



105978_C

Night-Lite ProII™

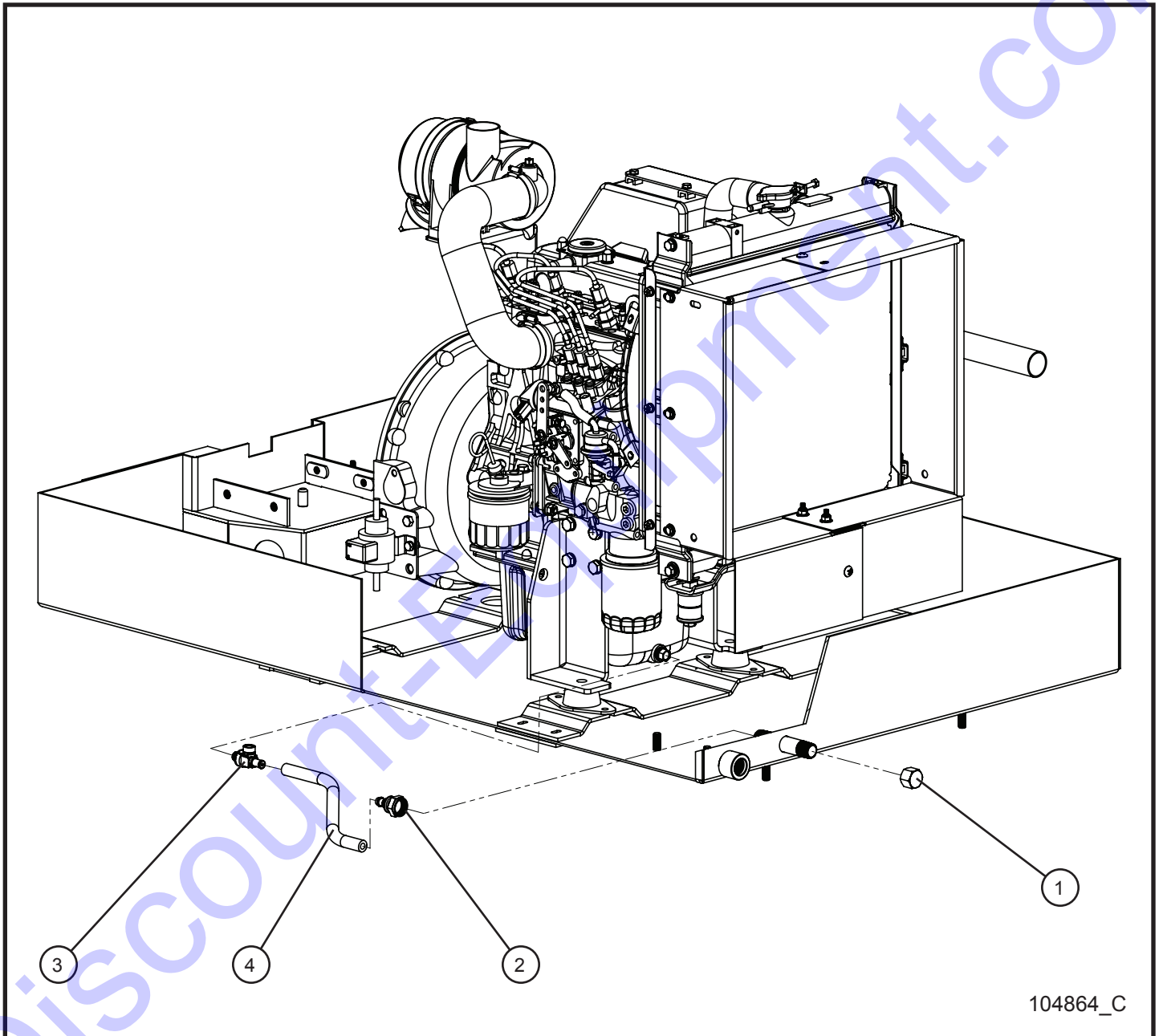
10.2 - Kubota Engine Assembly Group (3 of 3)

SN 0001PRO215 and UP
SN 0001PRO2V15 and UP

Item	Part No.	Part Description	Qty.
1	041070	1/4-20 x 3/4 SL-HEX WASHER HEAD MS TP F	4
2	105408	GROMMET NUT DOUBLE SPLIT	4
3	105393	RADIATOR KUBOTA	1
4	105405P	HAND GUARD JB RADIATOR	1
5	105404P	FAN SHROUD JB RADIATOR	1
6	047010	5/16 FLAT WASHER PL	10
7	046045	5/16-18 x 3/4 HEX HEAD CS GR5 PL	6
8	053020	5/16-18 x 1 CARRIAGE BOLT PL	4
9	044033	5/16-18 NYLOCK HEX NUT PL	4

10.3 - Kubota Remote Oil Drain and Fumoto Valve

SN 0001PRO215 and UP
SN 0001PRO2V15 and UP



Night-Lite ProII™

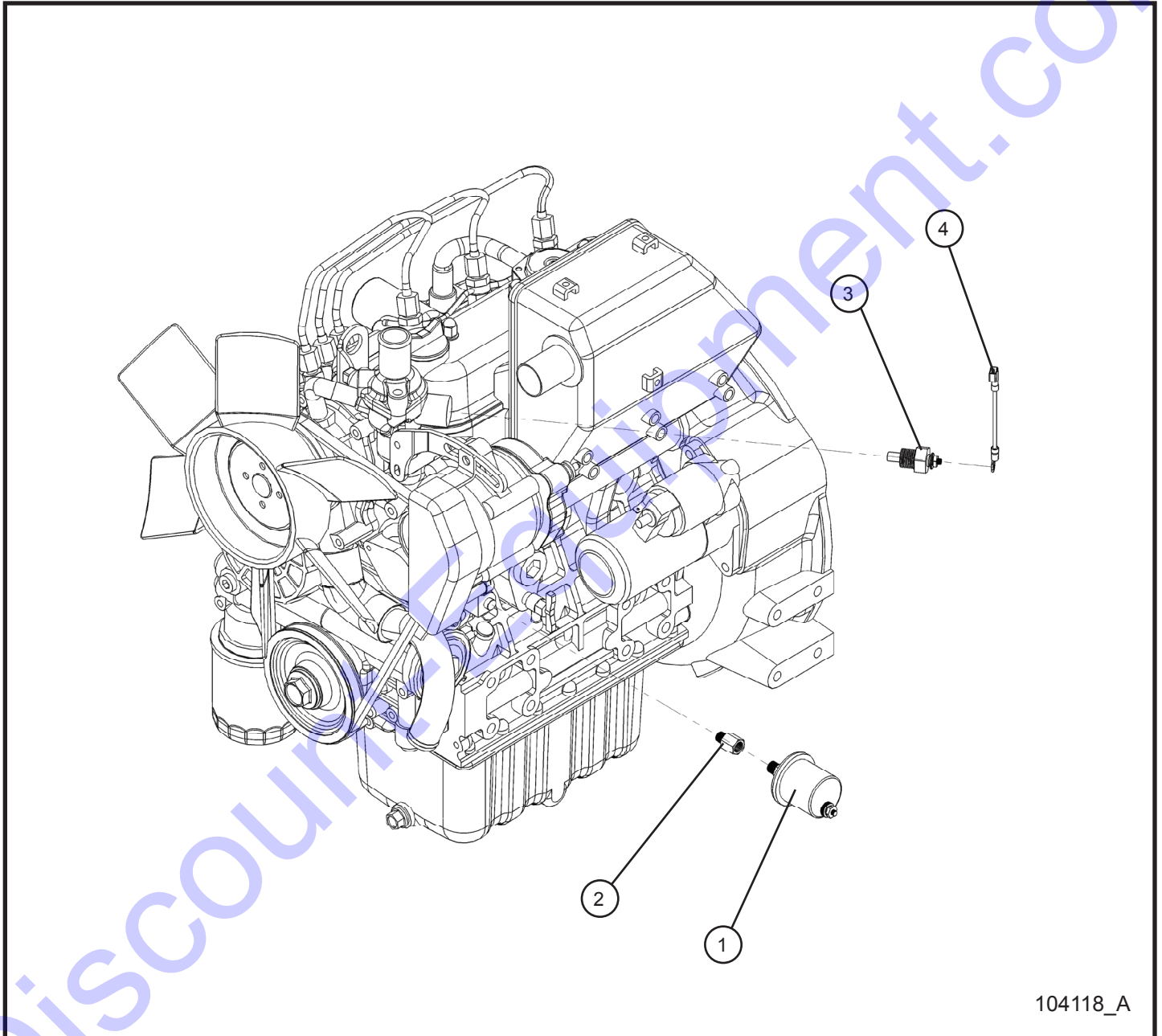
10.3 - Kubota Remote Oil Drain and Fumoto Valve

SN 0001PRO215 and UP
SN 0001PRO2V15 and UP

Item	Part No.	Part Description	Qty.
1	105089	1/2 NPT BRASS CAP	1
2	104865	3/8 HOSE x 1/2 NPT BARBED TO FEMALE	1
3	848299	DRAIN VALVE FUMOTO D1105 OIL	1
4	081017	3/8 x 15" YELLOW FUEL HOSE	1

10.4 - Kubota LSC Sending Unit

SN 0001PRO215 and UP
SN 0001PRO2V15 and UP



104118_A

Night-Lite ProII™

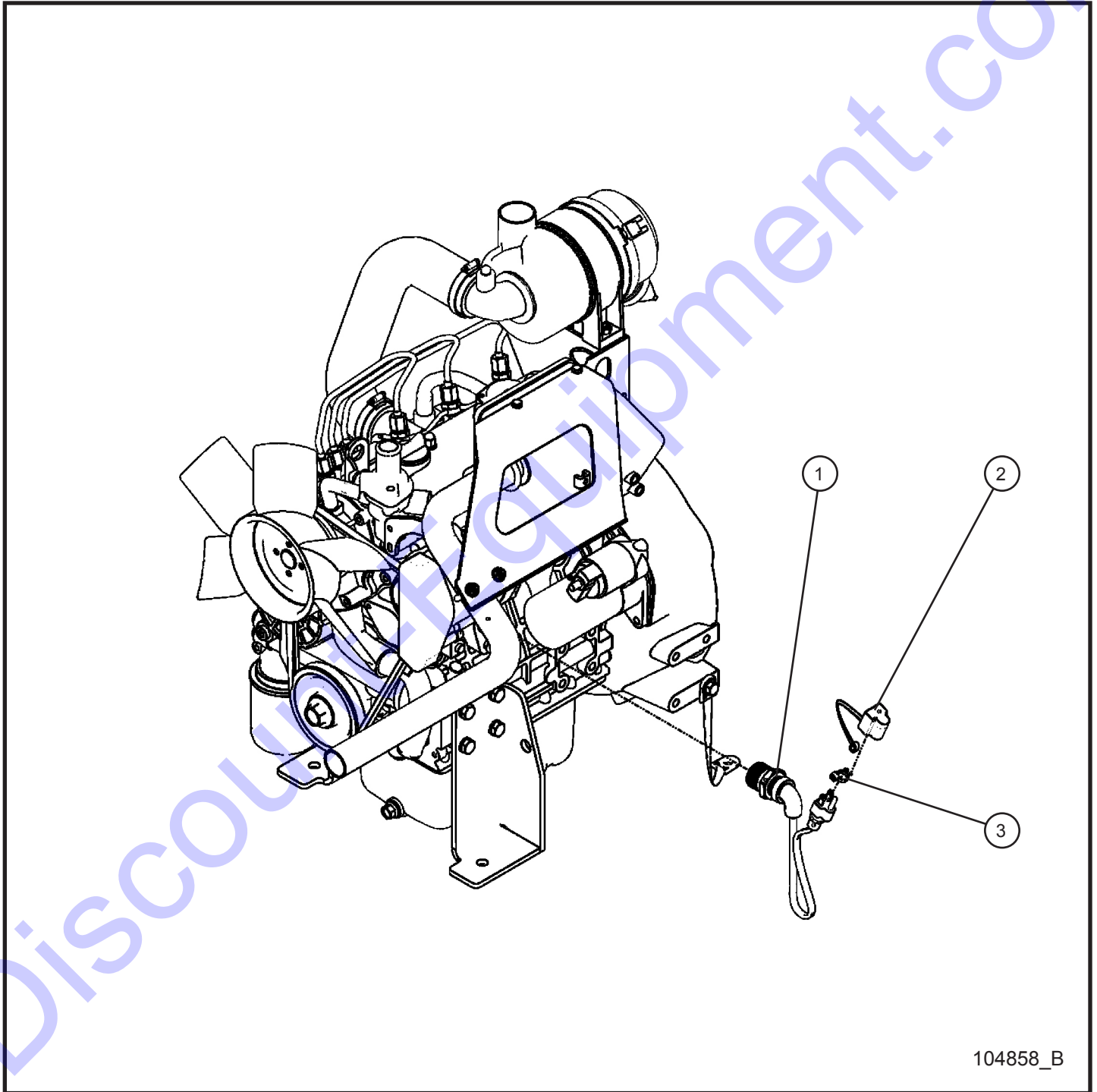
10.4 - Kubota LSC Sending Unit

SN 0001PRO215 and UP
SN 0001PRO2V15 and UP

Item	Part No.	Part Description	Qty.
1	104019	SENDER OIL PRESSURE	1
2	104558	FITTING ADAPTER 1/8 BSPM x 1/8 NPTF	1
3	104020	SENDER WATER TEMPERATURE	1
4	105883	TEMP JUMPER KUBOTA	1
NS	105905	SCHEMATIC LSC KUBOTA D1005/D1105	1

10.5 - Kubota Block Heater

SN 0001PRO215 and UP
SN 0001PRO2V15 and UP



104858_B

Night-Lite ProII™

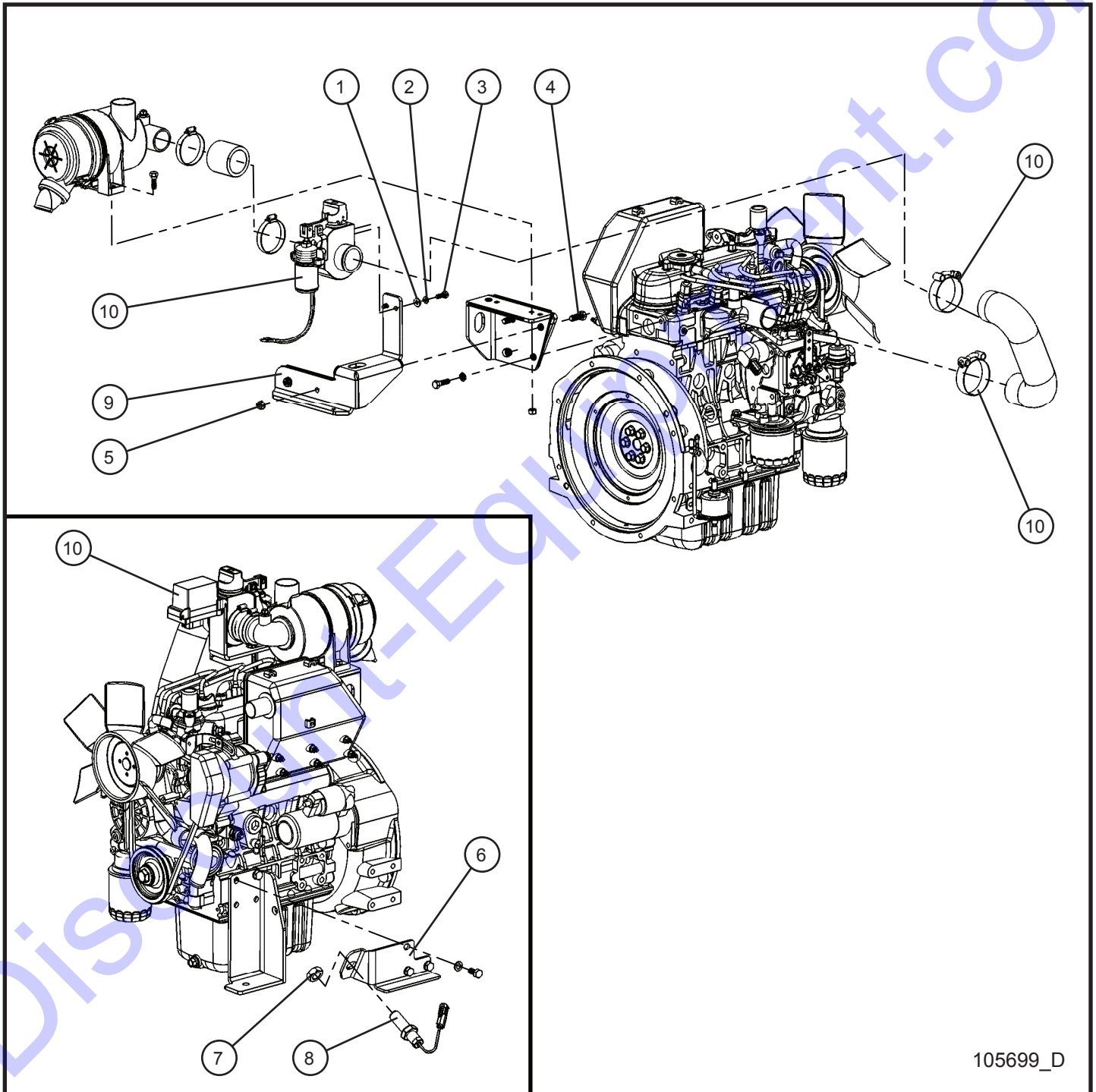
10.5 - Kubota Block Heater

SN 0001PRO215 and UP
SN 0001PRO2V15 and UP

Item	Part No.	Part Description	Qty.
1	352373	BLOCK HEATER D1005/D1105	1
2	105995	END COVER 120 VOLT CORD	1
3	068090	CABLE TIE 8"	1

10.6 - Kubota Shocker Group (1 of 2)

SN 0001PRO215 and UP
SN 0001PRO2V15 and UP



105699_D

Night-Lite ProII™

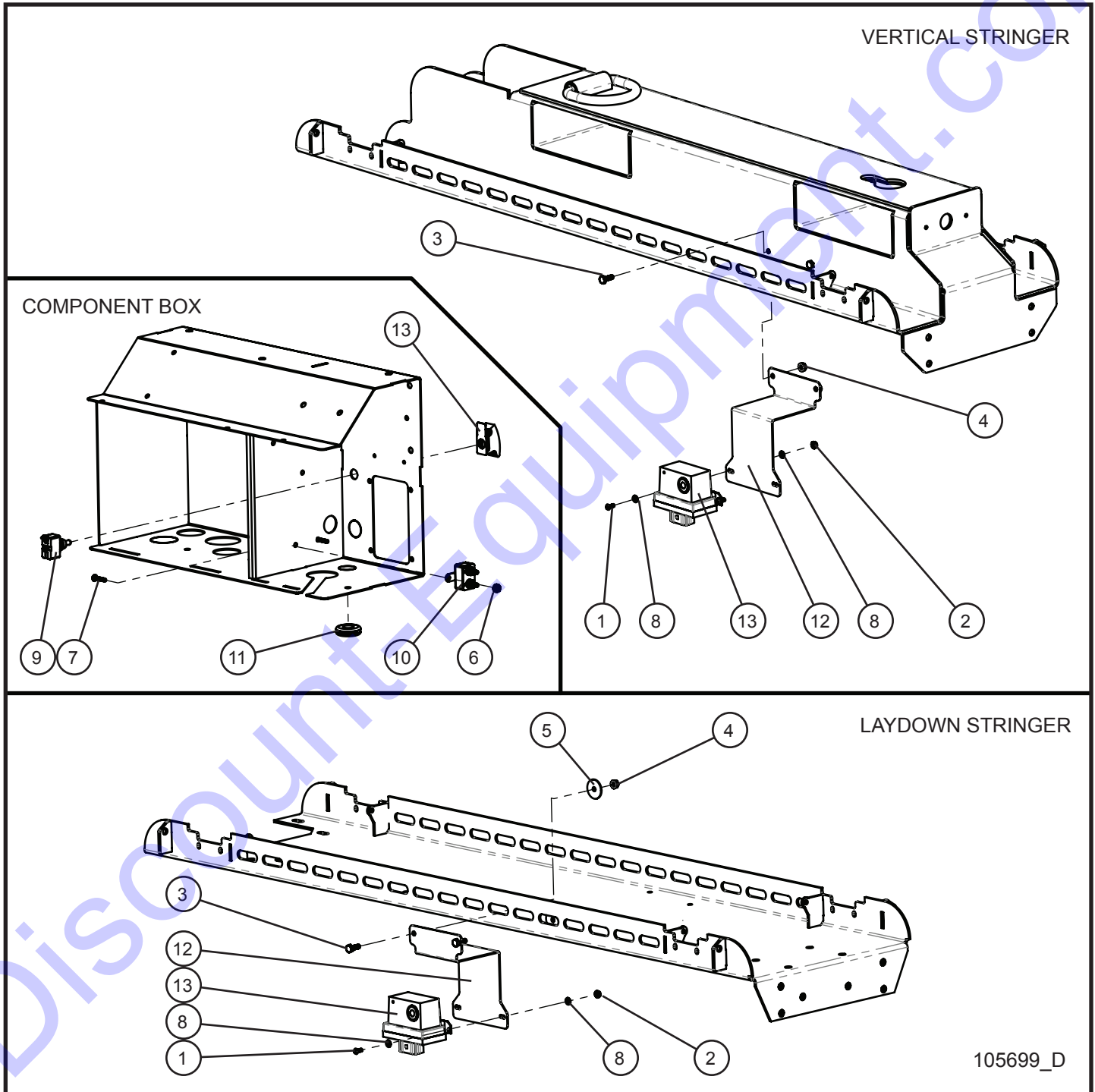
10.6 - Kubota Shocker Group (1 of 2)

SN 0001PRO215 and UP
SN 0001PRO2V15 and UP

Item	Part No.	Part Description	Qty.
1	047005	1/4 FLAT WASHER PL	2
2	043020	1/4 SPLITLOCK WASHER	2
3	102573	1/4-20 x 3/4 HEX HEAD CS GR5 ZINC	2
4	046110	3/8-16 x 1 HEX HEAD CS GR5 PL	2
5	044036	3/8-16 KEPS HEX NUT PL	2
6	106003P	MAG SENSOR KUBOTA BRACKET	1
7	044059	3/4-16 JAM NUT	1
8	105537	MAGNETIC SENSOR 3/4 x 16 WITH PLUG	1
9	105801P	MOUNT SHOCKER VALVE	1
10	105705	SHOCKER 2" VALVE KIT	1
NS	106156	SCHEMATIC SHOCKER VALVE HARNESS	1
NS	105802	HARNESS SHOCKER VALVE	1
NS	105702	SHOCKER SETUP INSTRUCTIONS	1

10.6 - Kubota Shocker Group (2 of 2)

SN 0001PRO215 and UP
SN 0001PRO2V15 and UP



105699_D

Night-Lite ProII™

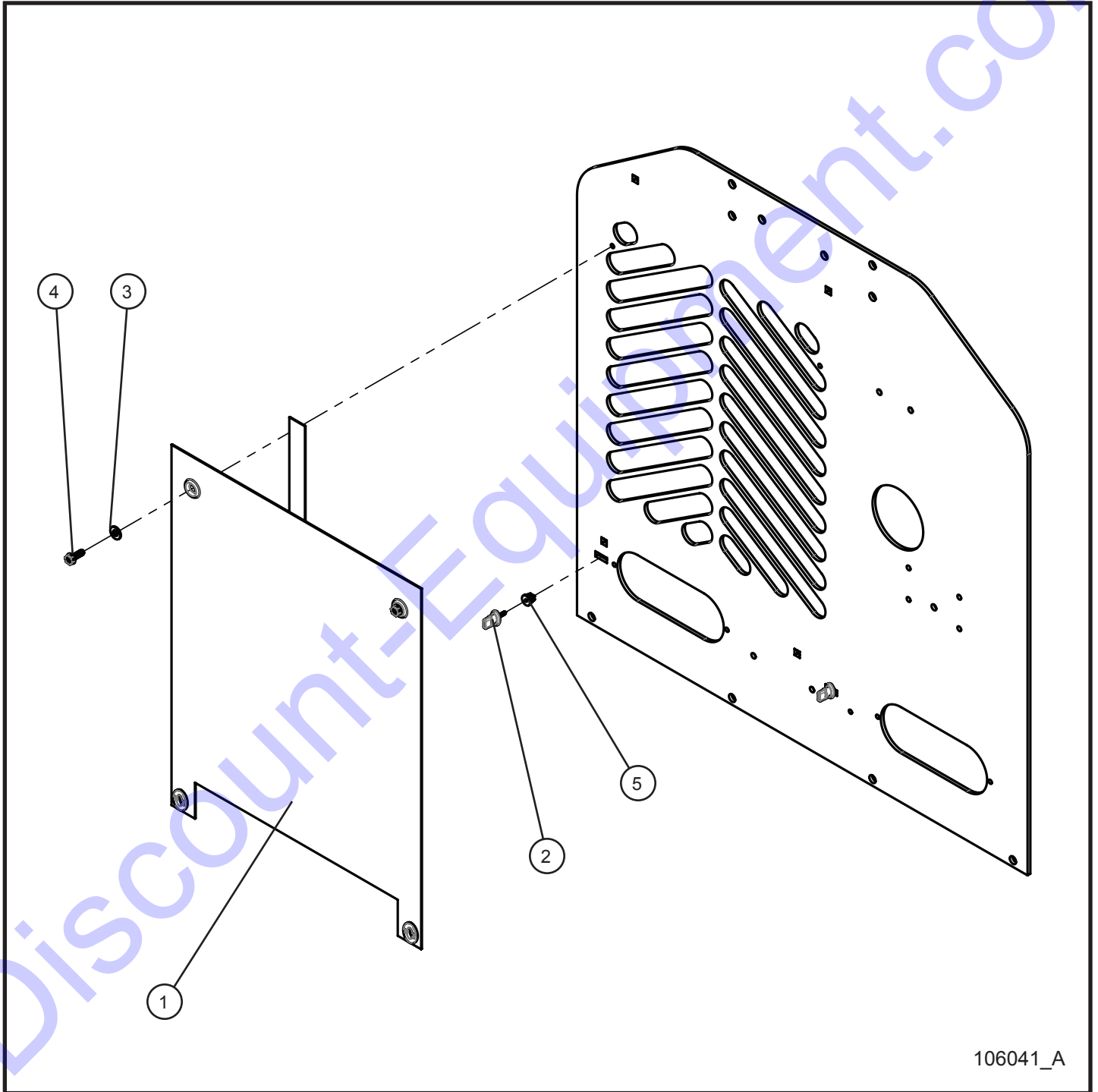
10.6 - Kubota Shocker Group (2 of 2)

SN 0001PRO215 and UP
SN 0001PRO2V15 and UP

Item	Part No.	Part Description	Qty.
1	041013	#8-32 x 1/2 PH-ROUND HEAD MS PL	4
2	044015	#8-32 KEPS HEX NUT SS	4
3	046010	1/4-20 x 3/4 HEX HEAD CS GR5 SS	2
4	044021	1/4-20 KEPS HEX NUT PL	2
5	047007	1/4 x 1 1/4 x .056 FENDER WASHER (LAYDOWN ONLY)	2
6	044003	#8-32 NC KEPS NUT	2
7	041201	#8-32 x 3/4 SL-ROUND HEAD MS PL	2
8	047004	#8 FLAT WASHER SAE ZC	8
9	340009	SWITCH 15A 125V	1
10	105636	20 AMP BREAKER	1
11	100859	7/8 ID x 1 1/4 OD GROMMET	1
12	105803P	MOUNT SHOCKER CONTROL	1
13	105705	SHOCKER 2" VALVE KIT	1

10.7 - Kubota Cold Front

SN 0001PRO215 and UP
SN 0001PRO2V15 and UP



106041_A

Night-Lite ProII™

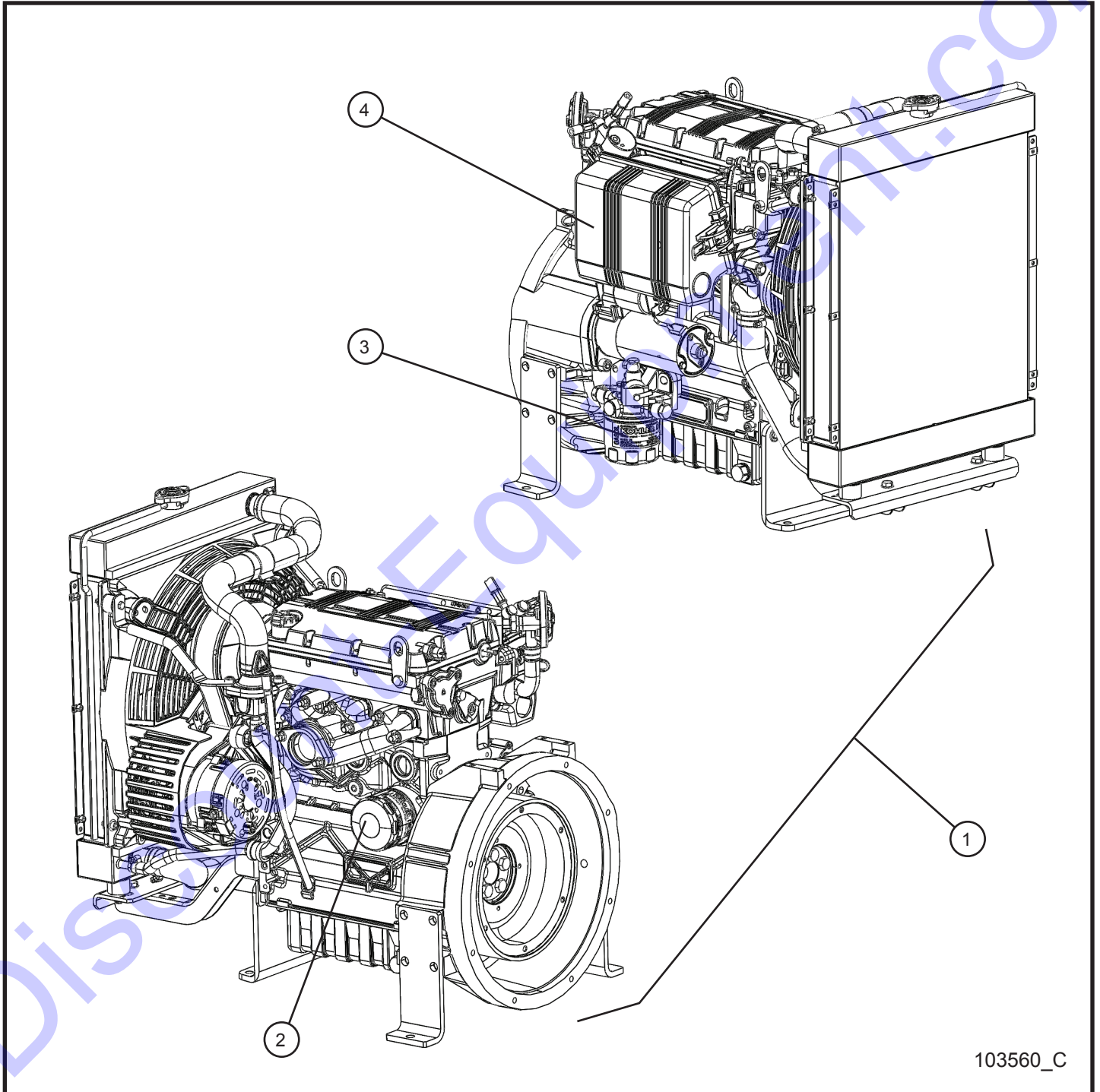
10.7 - Kubota Cold Front

SN 0001PRO215 and UP
SN 0001PRO2V15 and UP

Item	Part No.	Part Description	Qty.
--	106041	COLD FRONT KIT KUBOTA	1
1	106038	COLD FRONT KUBOTA	1
2	106056	TURN BUTTON QUARTER TURNS	2
3	047005	1/4 FLAT WASHER PL	2
4	041070	1/4-20 x 3/4 SL-HEX WASHER HEAD MS TP F	2
5	106052	NYLON NUT	2

11.1 - Kohler Engine and Filters

SN 0001PRO215 and UP
SN 0001PRO2V15 and UP



103560_C

Night-Lite ProII™

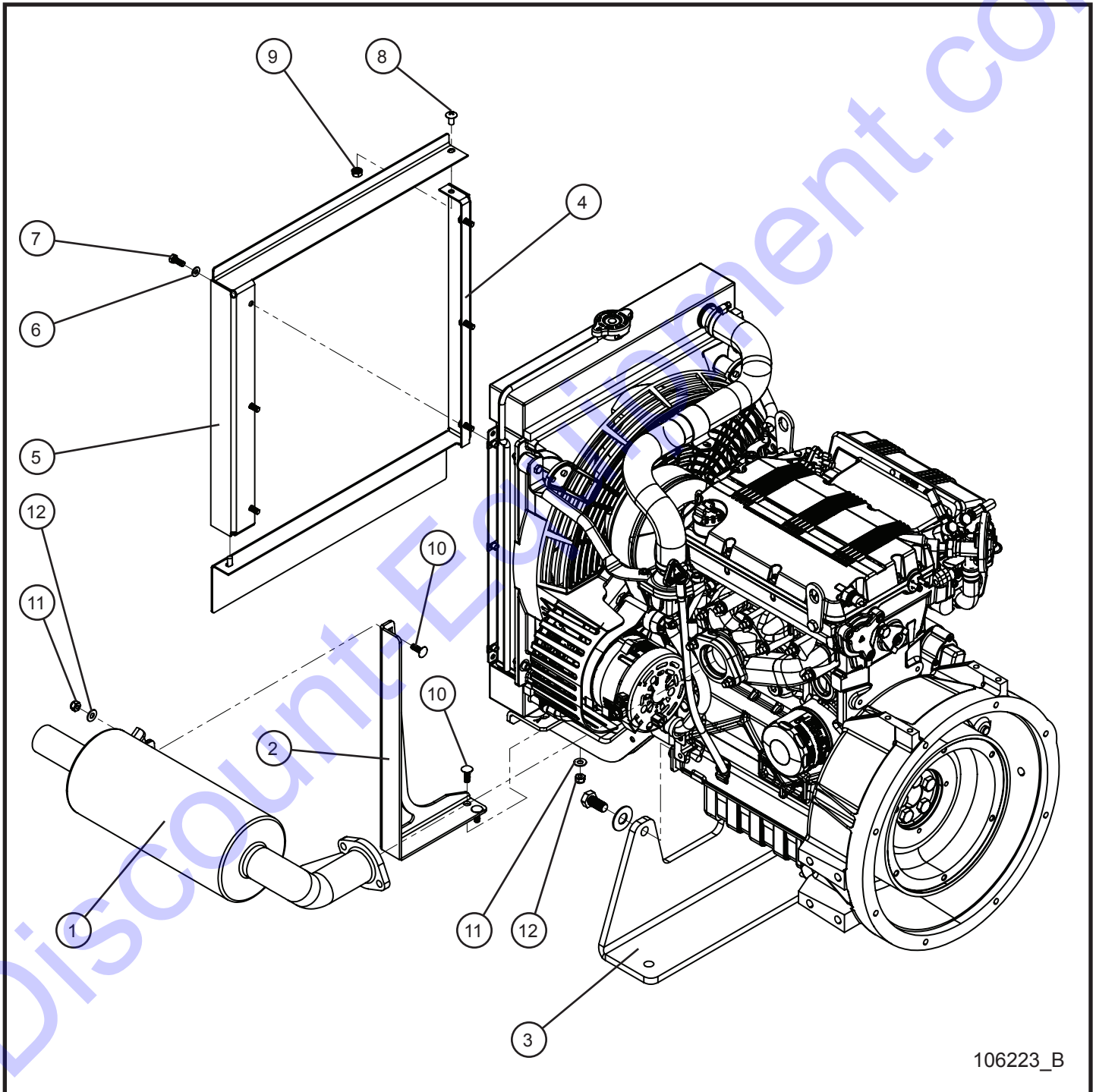
11.1 - Kohler Engine and Filters

SN 0001PRO215 and UP
SN 0001PRO2V15 and UP

Item	Part No.	Part Description	Qty.
1	103560	ENGINE KOHLER KDW1003 T4F	1
2	650011	KOHLER OIL FILTER	1
3	650010	KOHLER FUEL FILTER	1
4	650012	KOHLER AIR FILTER	1

11.2 - Kohler Engine Assembly Group

SN 0001PRO215 and UP
SN 0001PRO2V15 and UP



106223_B

Night-Lite ProII™

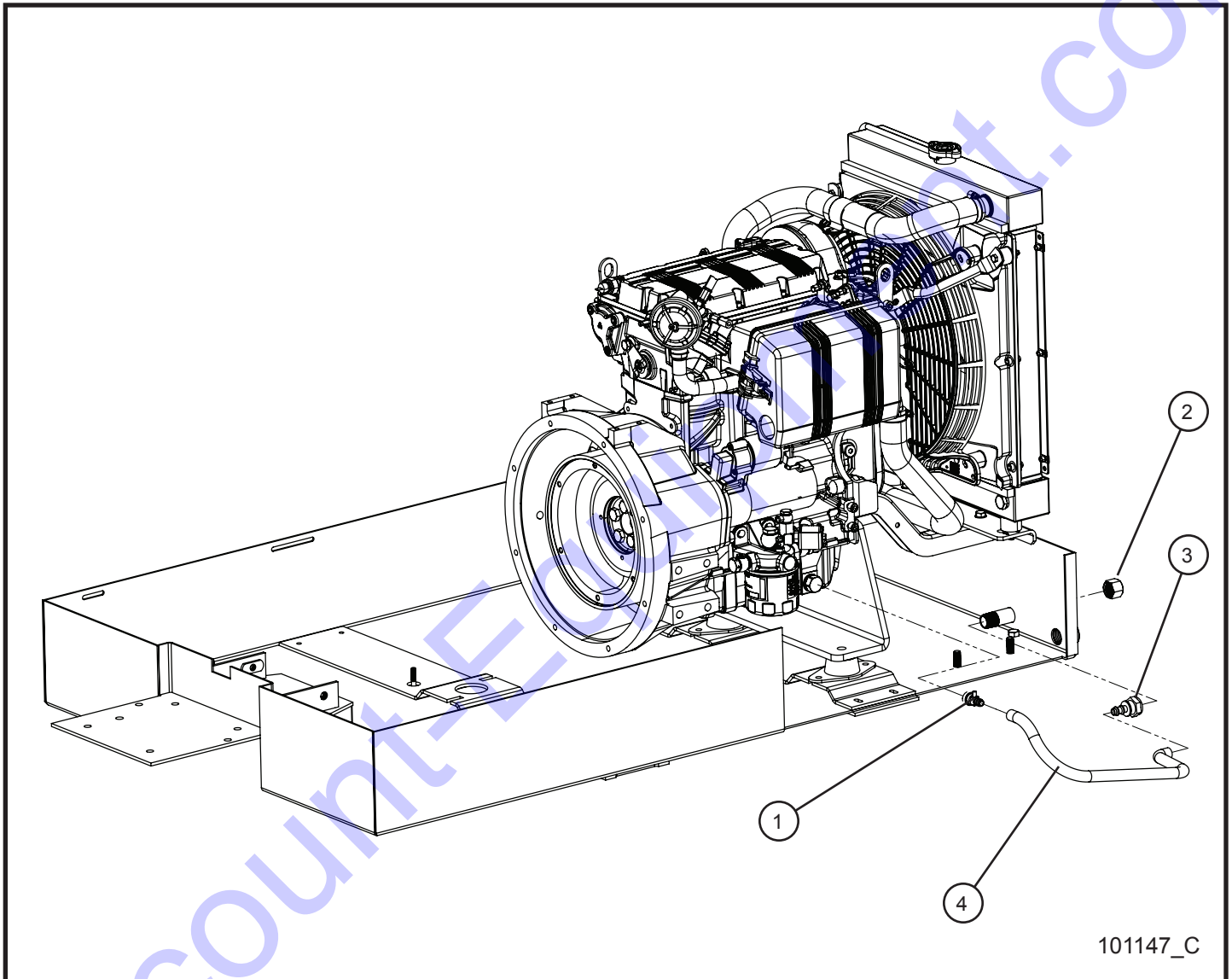
11.2 - Kubota Engine Assembly Group

SN 0001PRO215 and UP
SN 0001PRO2V15 and UP

Item	Part No.	Part Description	Qty.
1	109803	MUFFLER KOHLER KDW1003	1
2	109804P	MUFFLER BRACE KOHLER KDW1003	1
3	109718P	FRONT ENGINE MOUNT KOHLER KDW1003	1
4	103060P	SHROUD BOTTOM/LEFT KOHLER KDW1003	1
5	103061P	SHROUD TOP/RIGHT KOHLER KDW1003	1
6	047070	#10 FLAT WASHER USS PL	6
7	042019	M6 x 1.0mm x 16mm HEX HEAD CS GR8.8 PL	6
8	041078	1/4-20 x 1/2 PH-TRUSS HEAD MS SS	2
9	044021	1/4-20 KEPS HEX NUT PL	2
10	053006	1/4-20 x 3/4 CARRIAGE BOLT	3
11	047009	1/4 FLAT WASHER SAE SS	3
12	044023	1/4-20 NYLOCK HEX NUT PL	3

11.3 - Kohler Remote Oil Drain and Fumoto Valve

SN 0001PRO215 and UP
SN 0001PRO2V15 and UP



Night-Lite ProII™

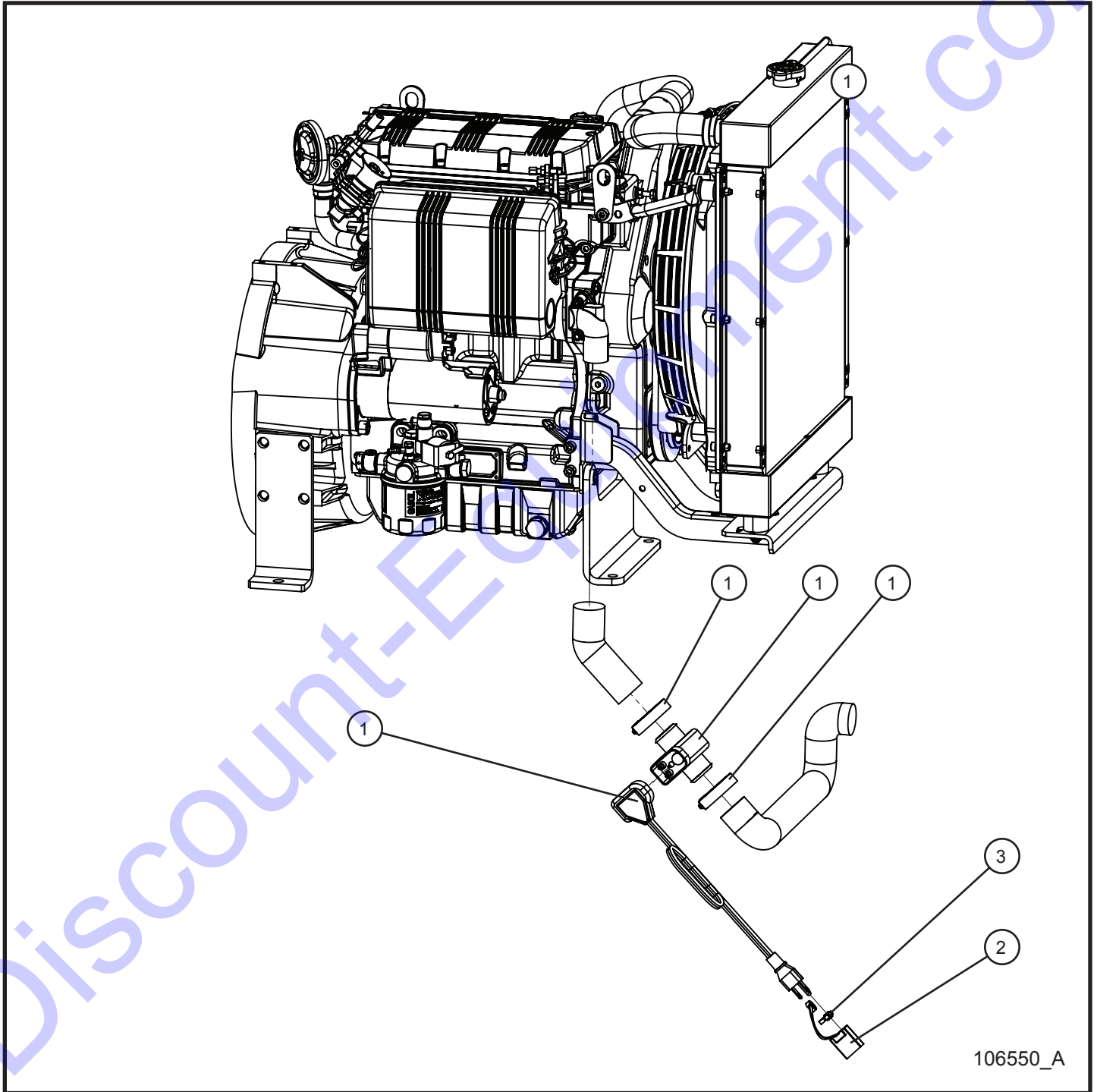
11.3 - Kohler Remote Oil Drain and Fumoto Valve

SN 0001PRO215 and UP
SN 0001PRO2V15 and UP

Item	Part No.	Part Description	Qty.
1	100901	LOMBARDINI FUMOTO VALVE	1
2	105089	1/2 NPT BRASS CAP	1
3	104865	3/8 HOSE x 1/2 NPT BARBED TO FEMALE	1
4	081017	3/8 x 23" YELLOW FUEL HOSE	1

11.4 - Kohler Block Heater

SN 0001PRO215 and UP
SN 0001PRO2V15 and UP



106550_A

Night-Lite ProII™

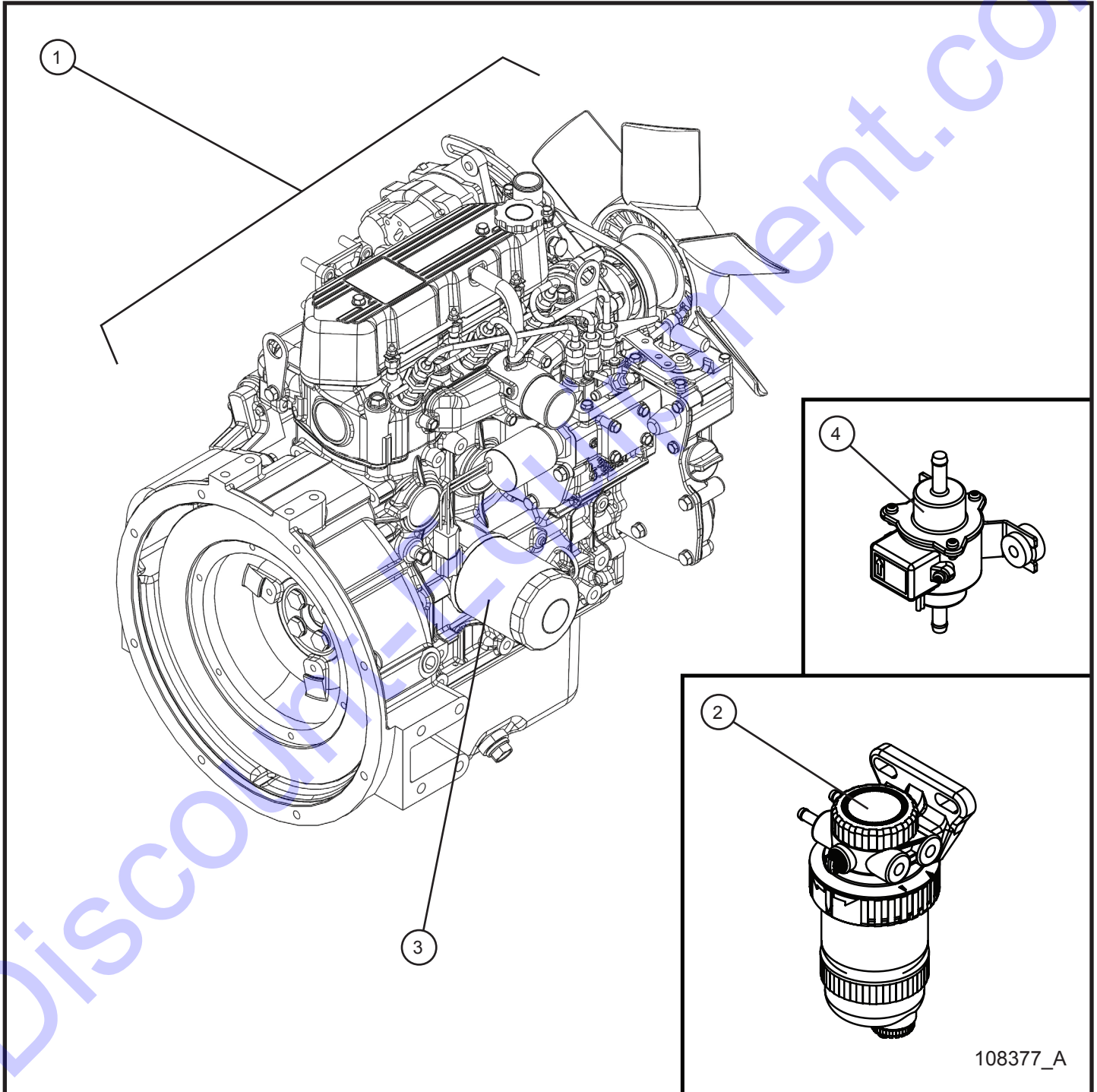
11.4 - Kohler Block Heater

SN 0001PRO215 and UP
SN 0001PRO2V15 and UP

Item	Part No.	Part Description	Qty.
1	352459	BLOCK HEATER KOHLER	1
2	105995	END COVER 120 VOLT CORD	1
3	068090	CABLE TIE 8"	1

12.1 - Mitsubishi Engine and Filters

SN 0001PRO215 and UP
SN 0001PRO2V15 and UP



108377_A

Night-Lite ProII™

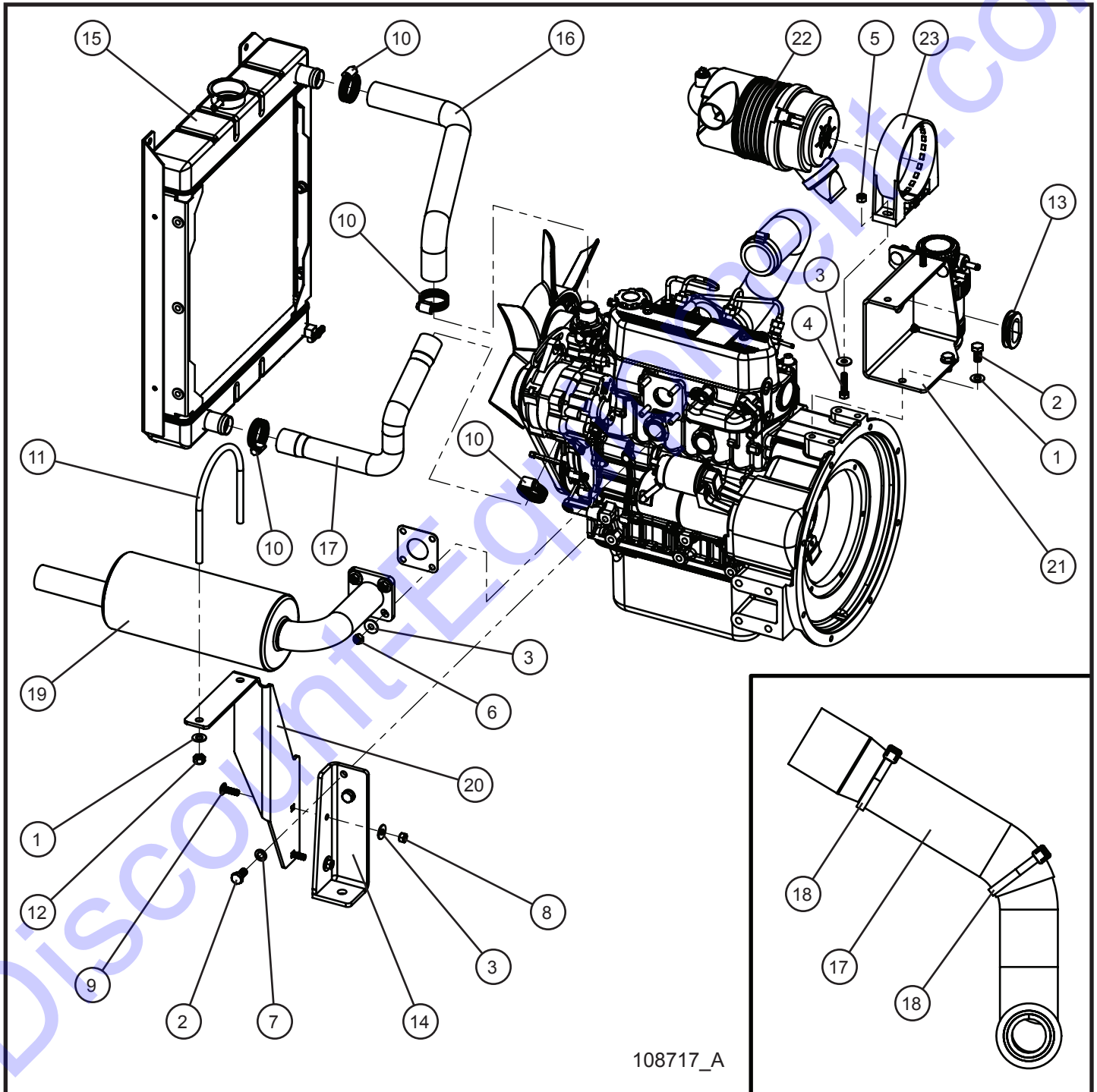
12.1 - Mitsubishi Engine and Filters

SN 0001PRO215 and UP
SN 0001PRO2V15 and UP

Item	Part No.	Part Description	Qty.
1	108377	mitsubishi L3E TIER 4 FINAL ENGINE	1
2	108430	FUEL FILTER	1
3	108429	OIL FILTER	1
4	108897	FUEL PUMP	1
NS	650290	AIR FILTER	1

12.2 - Mitsubishi Engine Assembly Group (1 of 4)

SN 0001PRO215 and UP
SN 0001PRO2V15 and UP



Night-Lite ProII™

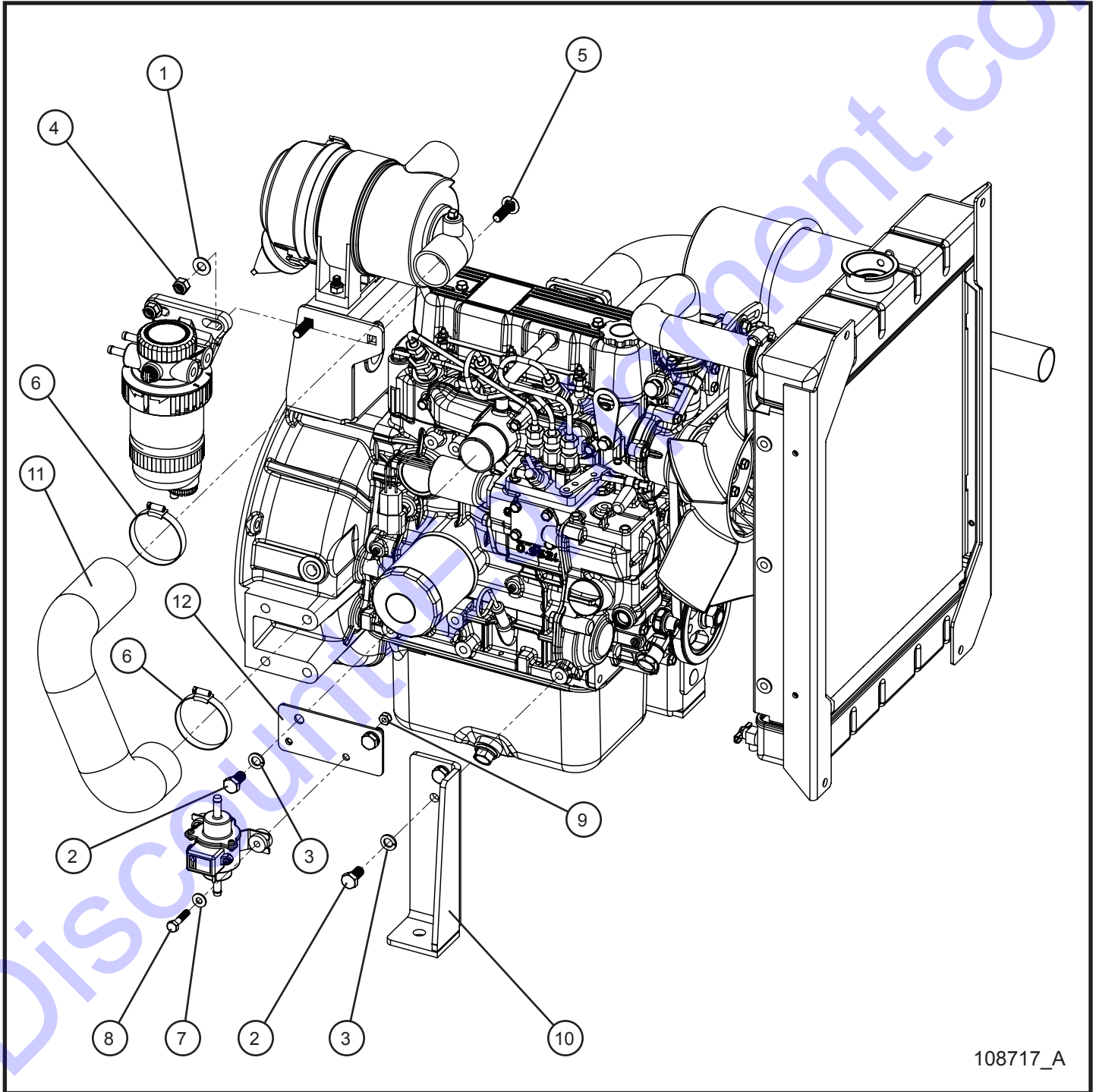
12.2 - Mitsubishi Engine Assembly Group (1 of 4)

SN 0001PRO215 and UP
SN 0001PRO2V15 and UP

Item	Part No.	Part Description	Qty.
1	047016	3/8 FLAT WASHER SAE ZINC	4
2	042038	M10 x 20mm x 1.25mm HEX HEAD CS GR8.8 PL	4
3	047010	5/16 FLAT WASHER PL	10
4	102127	8mm x 35mm x 1.25 HEX GR 8.8 PLATED	2
5	042081	M8 x 1.25mm NYLOCK HEX NUT PL	2
6	042079	M8 x 1.25 GR8 TOP LOCK NUT	4
7	042151	M10 SPLIT LOCK WASHER PL	2
8	044033	5/16-18 NYLOCK HEX NUT PL	2
9	053020	5/16-18 x 1 CARRIAGE BOLT PL	2
10	045035	#20 HOSE CLAMP	4
11	105744	4.75" MUFFLER U-BOLT	1
12	044080	3/8-16 TOP LOCK HEX NUT PL	2
13	650542	1 1/4 ID x 1 1/2 OD GROMMET	1
14	108239P	ENGINE BRACKET RIGHT WELDMENT	1
15	105393	RADIATOR KUBOTA	1
16	105395	RADIATOR HOSE UPPER MITSUBISHI L3E	1
17	105394	RADIATOR HOSE LOWER MITSUBISHI L3E	1
18	068090	CABLE TIE 8"	2
19	108245	MUFFLER MITSUBISHI	1
20	108246P	MUFFLER BRACKET	1
21	108720P	AIR CLEANER BRACKET WELDMENT	1
22	650262	AIR CLEANER RADIAL SEAL	1
23	650263	MOUNTING BAND AIR CLEANER	1
24	108311	SCHEMATIC ENGINE HARNESS	1
25	108310	ENGINE HARNESS MITSUBISHI L3E	1
26	108369	CHARGE CIRCUIT FUSE 40AMP	1

12.2 - Mitsubishi Engine Assembly Group (2 of 4)

SN 0001PRO215 and UP
SN 0001PRO2V15 and UP



108717_A

Night-Lite ProII™

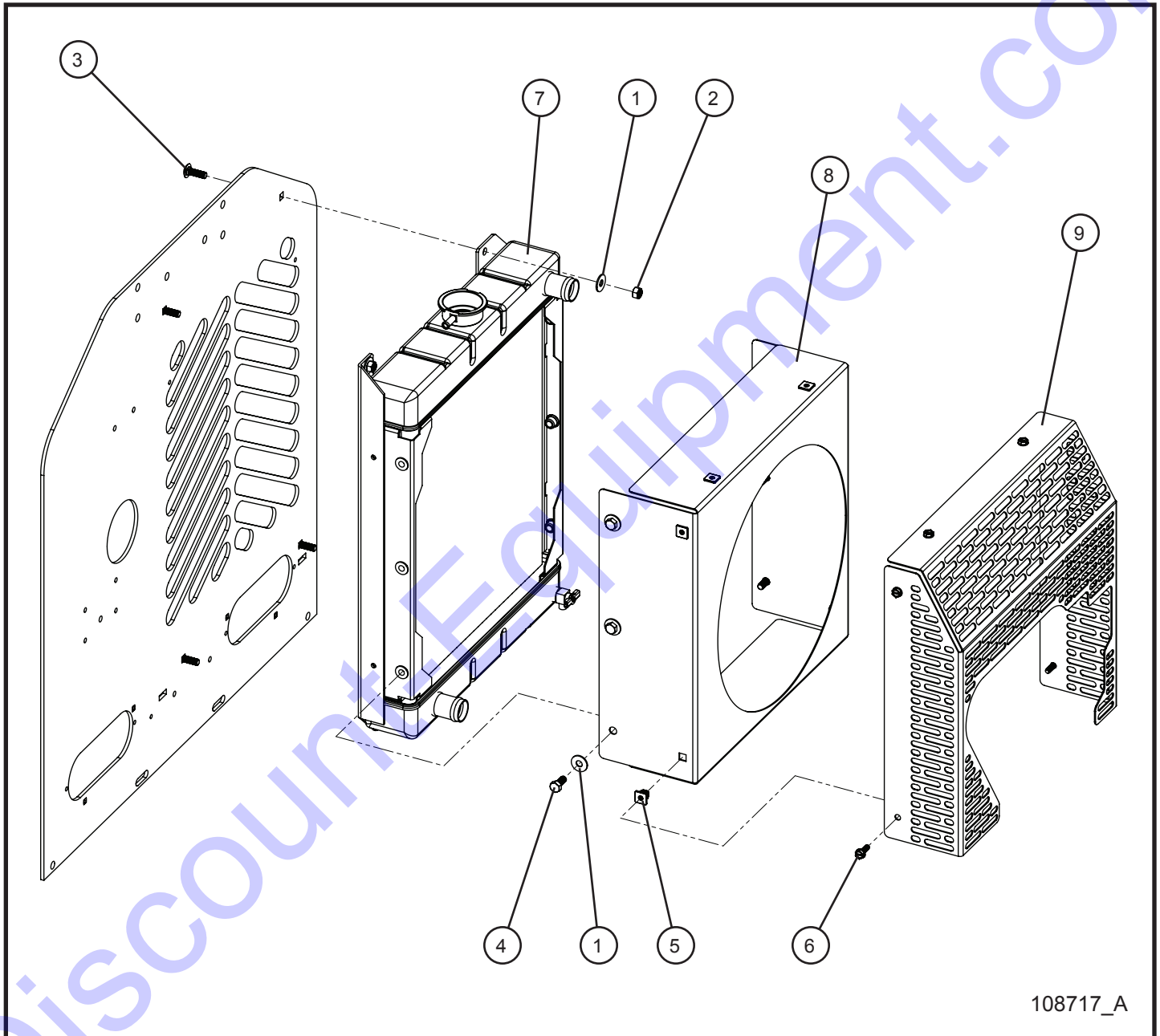
12.2 - Mitsubishi Engine Assembly Group (2 of 4)

SN 0001PRO215 and UP
SN 0001PRO2V15 and UP

Item	Part No.	Part Description	Qty.
1	047016	3/8 FLAT WASHER SAE ZINC	2
2	042038	M10 x 20mm x 1.25mm HEX HEAD CS GR8.8 PL	4
3	042151	M10 SPLIT LOCK WASHER PL	4
4	044038	3/8-16 NYLOCK HEX NUT PL	2
5	100670	3/8-16 x 1 1/4 CARRIAGE BOLT	2
6	045038	#32 HOSE CLAMP	2
7	047005	1/4 FLAT WASHER PL	2
8	046020	1/4-20 x 1 1/4 HEX HEAD CS GR5 PL	2
9	044023	1/4-20 NYLOCK HEX NUT PL	2
10	108266P	ENGINE BRACKET LEFT WELDMENT	1
11	101734	AIR INTAKE HOSE SMALL ENGINES	1
12	108284P	FUEL PUMP BRACKET	1

12.2 - Mitsubishi Engine Assembly Group (3 of 4)

SN 0001PRO215 and UP
SN 0001PRO2V15 and UP



108717_A

Night-Lite ProII™

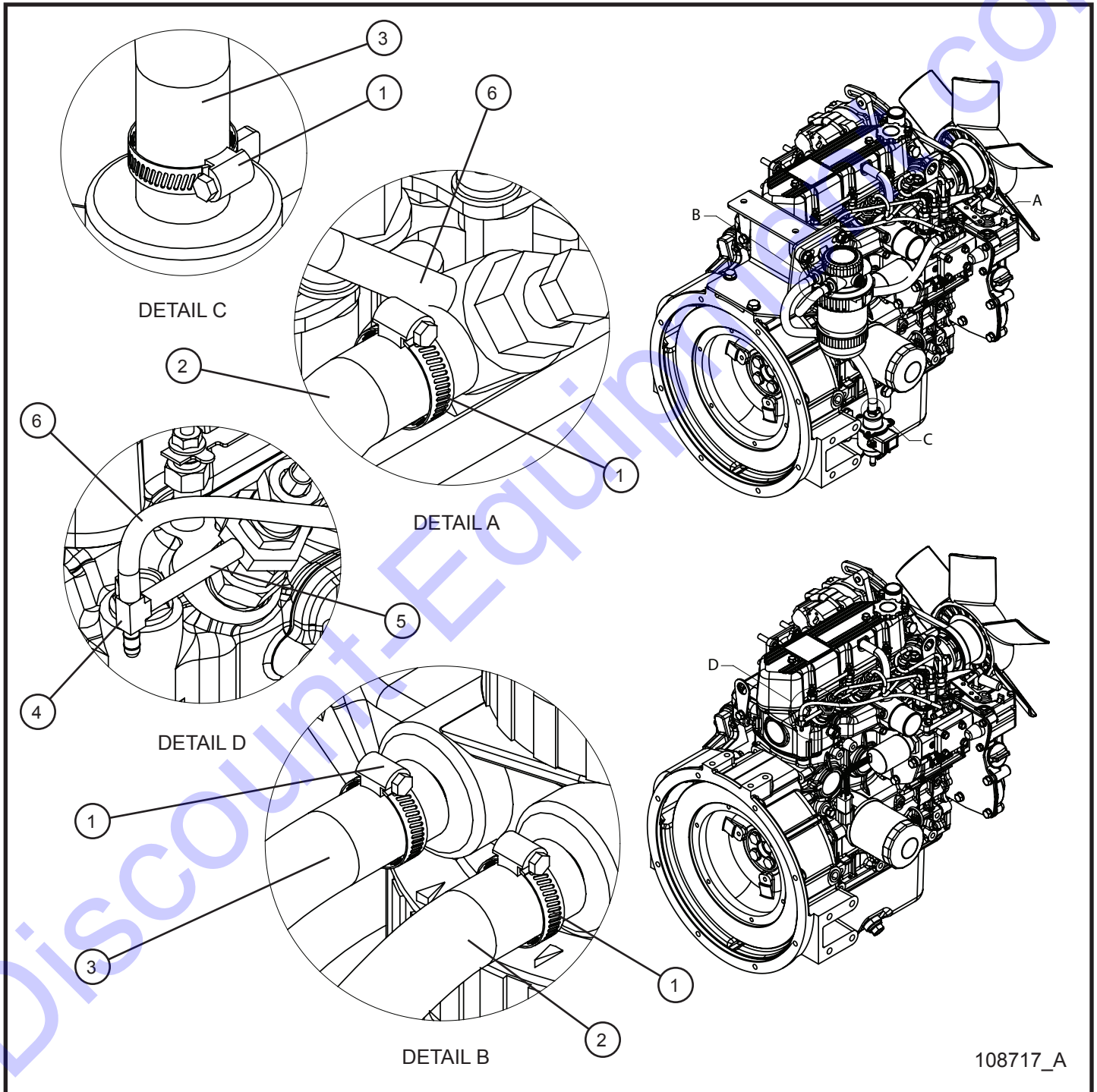
12.2 - Mitsubishi Engine Assembly Group (3 of 4)

SN 0001PRO215 and UP
SN 0001PRO2V15 and UP

Item	Part No.	Part Description	Qty.
1	047010	5/16 FLAT WASHER PL	10
2	044033	5/16-18 NYLOCK HEX NUT PL	4
3	053020	5/16-18 x 1 CARRIAGE BOLT PL	4
4	046045	5/16-18 x 3/4 HEX HEAD CS GR5 PL	6
5	105408	GROMMET NUT DOUBLE SPLIT	6
6	041070	1/4-20 x 3/4 SL-HEX WASHER HEAD MS TP F	6
7	105393	RADIATOR KUBOTA	1
8	108434P	FAN SHROUD MITSUBISHI L3E	1
9	108686P	FINGER GUARD MITSUBISHI L3E	1

12.2 - Mitsubishi Engine Assembly Group (4 of 4)

SN 0001PRO215 and UP
SN 0001PRO2V15 and UP



108717_A

Night-Lite ProII™

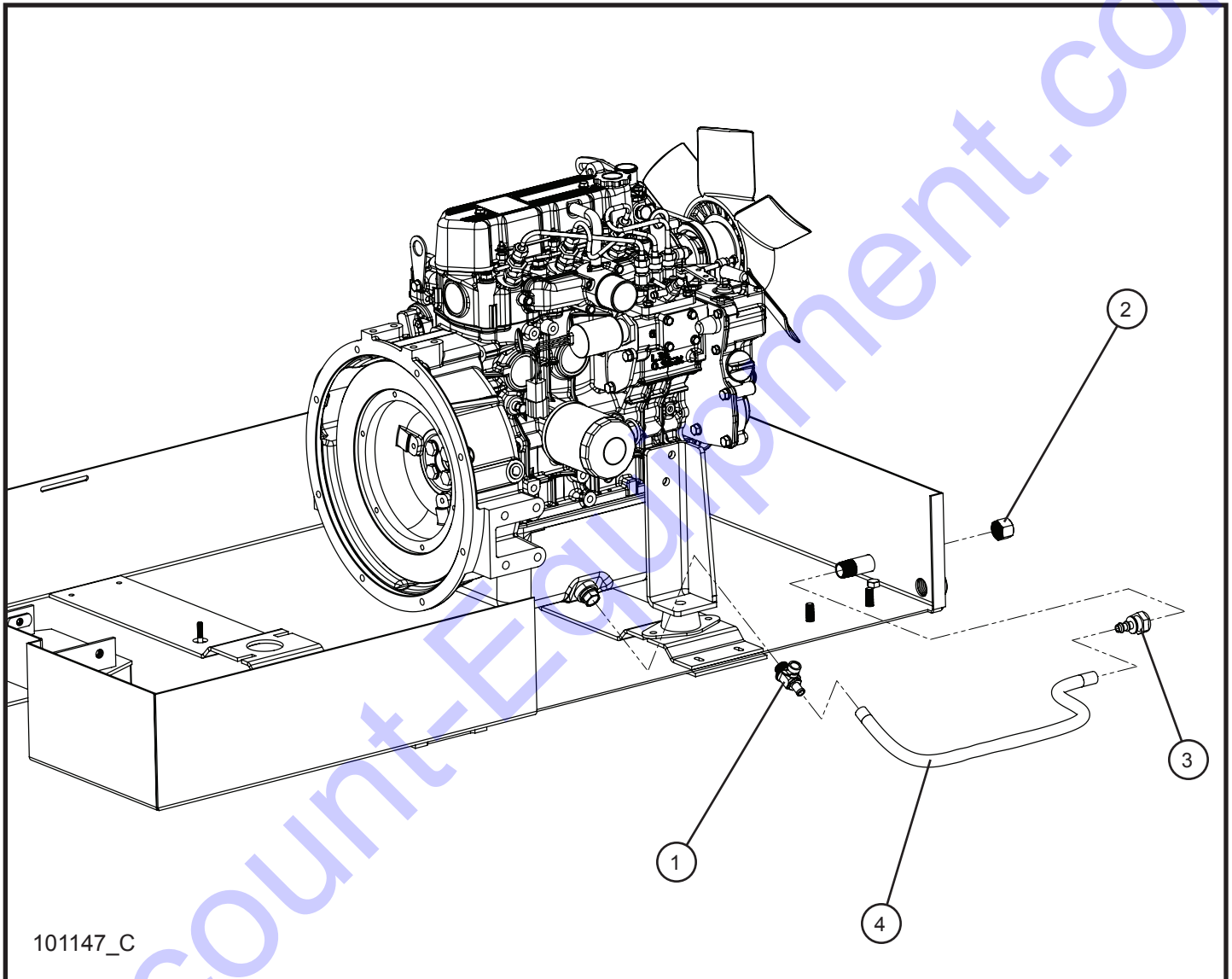
12.2 - Mitsubishi Engine Assembly Group (4 of 4)

SN 0001PRO215 and UP
SN 0001PRO2V15 and UP

Item	Part No.	Part Description	Qty.
1	433400	#4 HOSE CLAMP	4
2	081018	HOSE 5/16 BLACK LINE x 22.0	1
3	081018	HOSE 5/16 BLACK LINE x 18.0	1
4	108713	TEE FITTING FOR .25in. OD TUBE	1
5	081005	HOSE 1/4 ODX .035 WALL 250WP FUEL LINE BK x 1.5	1
6	081005	HOSE 1/4 ODX .035 WALL 250WP FUEL LINE BK x 11.0	1

12.3 - Mitsubishi Remote Oil Drain and Fumoto Valve

SN 0001PRO215 and UP
SN 0001PRO2V15 and UP



Night-Lite ProII™

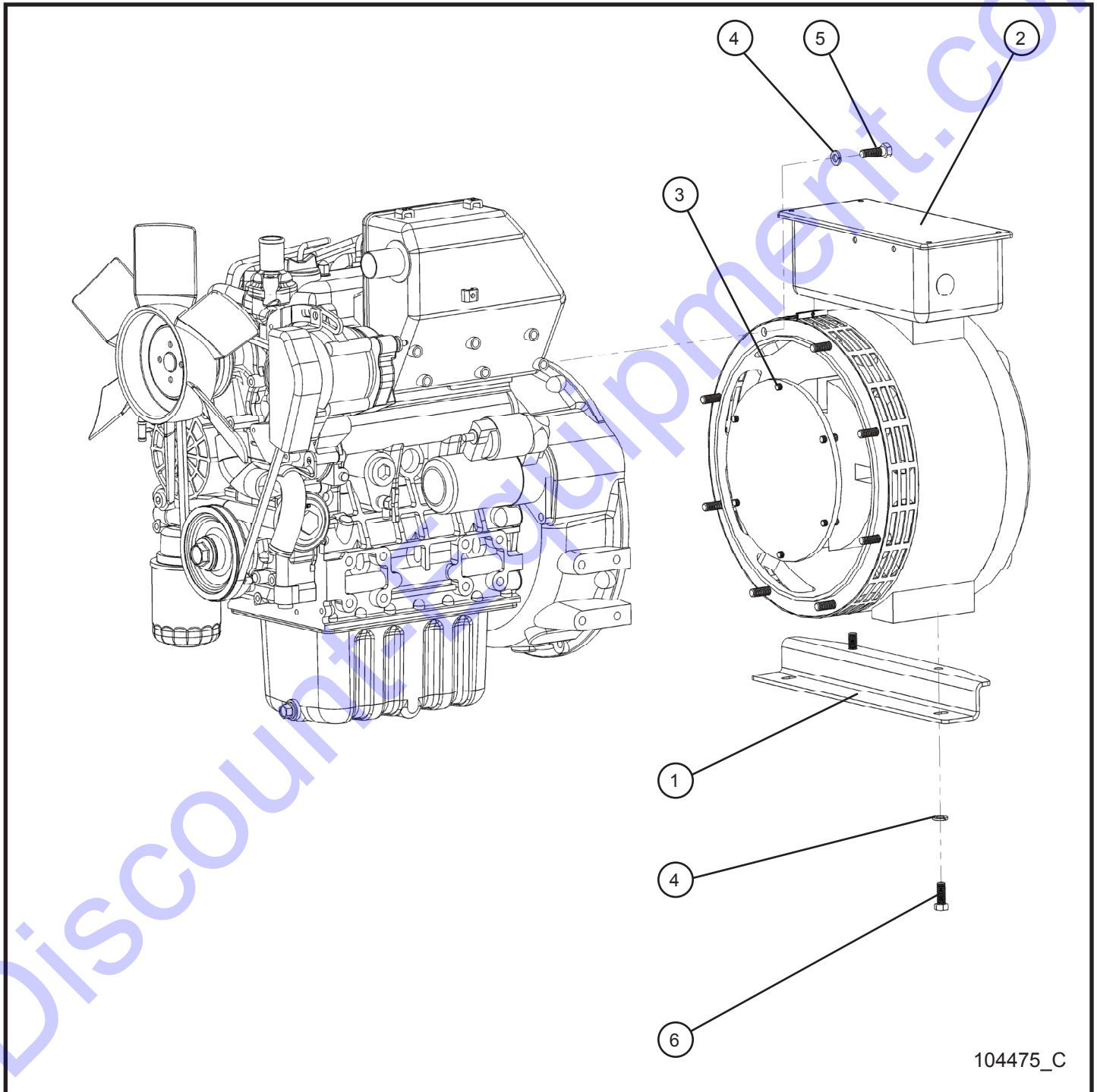
12.3 - Mitsubishi Remote Oil Drain and Fumoto Valve

SN 0001PRO215 and UP
SN 0001PRO2V15 and UP

Item	Part No.	Part Description	Qty.
1	100901	LOMBARDINI FUMOTO VALVE	1
2	105089	1/2 NPT BRASS CAP	1
3	104865	3/8 HOSE x 1/2 NPT BARBED TO FEMALE	1
4	081017	3/8 x 23" YELLOW FUEL HOSE	1

13.1 - Marathon 6kW 50Hz Generator

SN 0001PRO215 and UP
SN 0001PRO2V15 and UP



Night-Lite ProII™

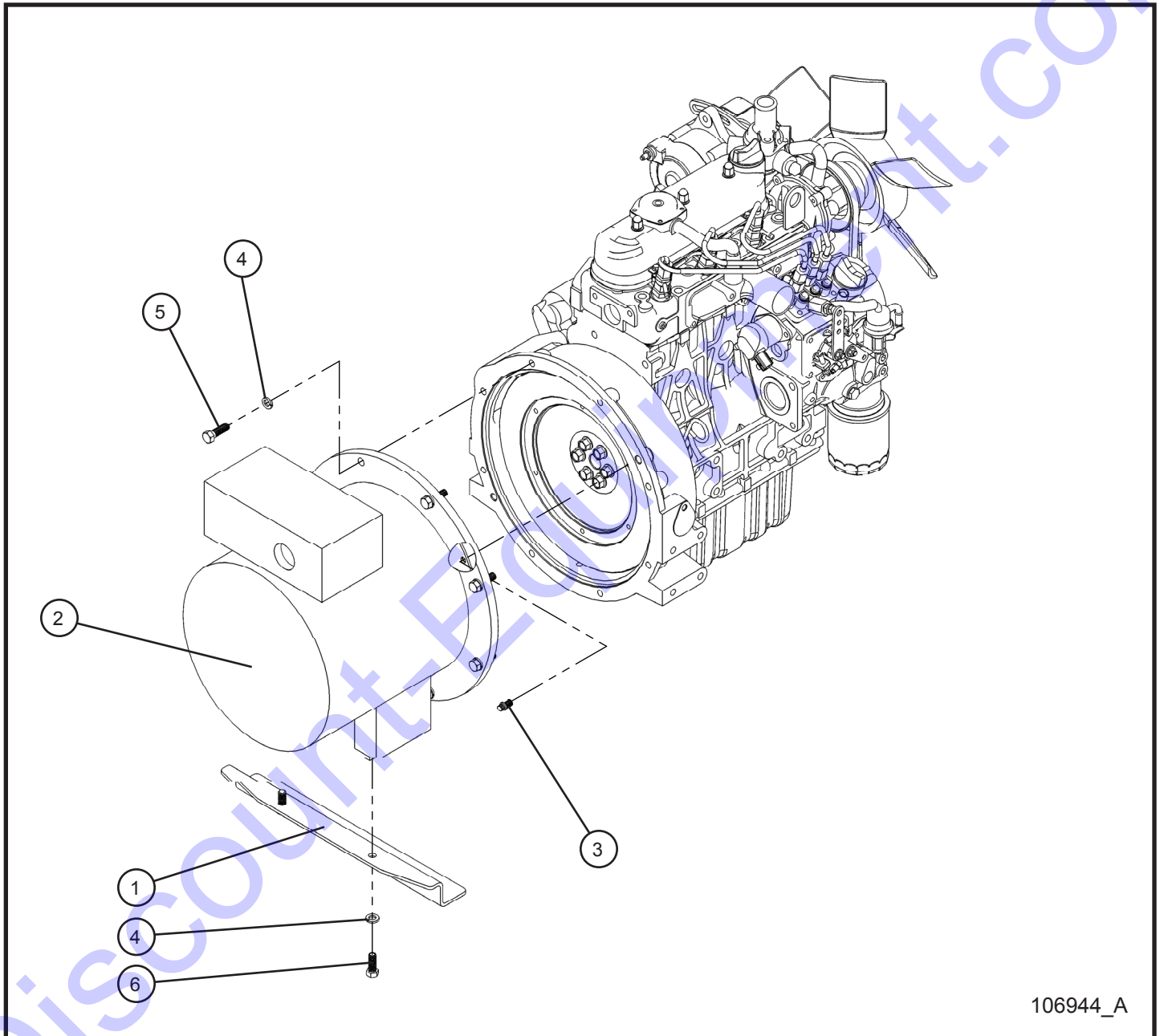
13.1 - Marathon 6kW 50Hz Generator

SN 0001PRO215 and UP
SN 0001PRO2V15 and UP

Item	Part No.	Part Description	Qty.
1	651012P	GENERATOR MOUNT BRACKET	1
2	650286	GENERATOR MARATHON 6kW 50Hz	1
3	046041	5/16-18 x 1/2 PT FLANGE HEAD BOLT	6
4	043065	3/8 SPLITLOCK WASHER PL	10
5	046115	3/8-16 x 1 1/4 HEX HEAD CS GR5 PL	8
6	046110	3/8-16 x 1 HEX HEAD CS GR5 PL	2

13.2 - Marathon 201 Series 6kW 50Hz Generator

SN 0001PRO215 and UP
SN 0001PRO2V15 and UP



106944_A

Night-Lite ProII™

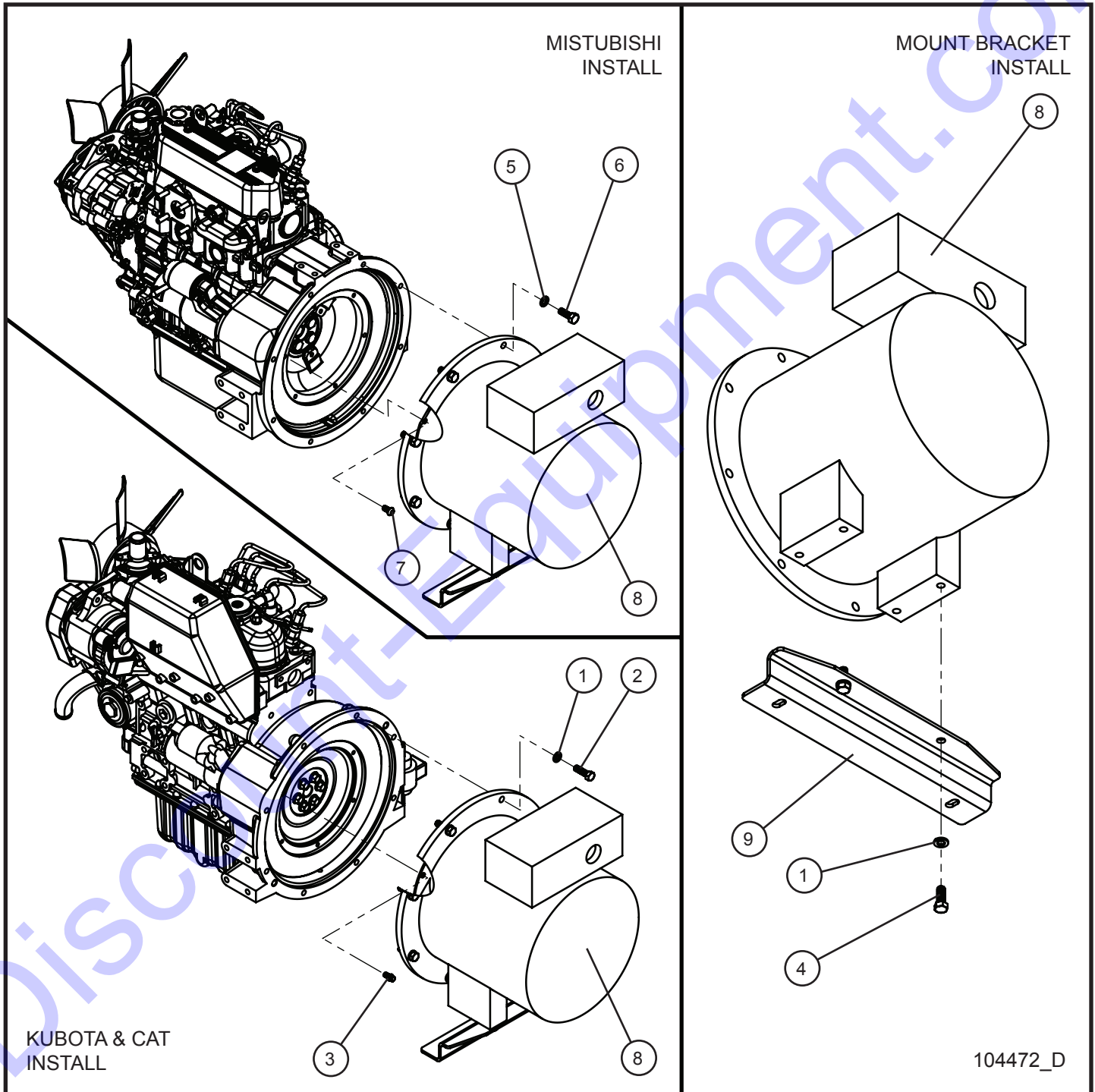
13.2 - Marathon 201 Series 6kW 50Hz Generator

SN 0001PRO215 and UP
SN 0001PRO2V15 and UP

Item	Part No.	Part Description	Qty.
1	651012P	GENERATOR MOUNT BRACKET	1
2	106920	GENERATOR MARATHON 6kW 50Hz	1
3	046041	5/16-18 x 1/2 PT FLANGE HEAD BOLT	6
4	043065	3/8 SPLITLOCK WASHER PL	10
5	046115	3/8-16 x 1 1/4 HEX HEAD CS GR5 PL	8
6	046110	3/8-16 x 1 HEX HEAD CS GR5 PL	2

13.3 - Marathon 8kW 60Hz Generator

SN 0001PRO215 and UP
SN 0001PRO2V15 and UP



Night-Lite ProII™

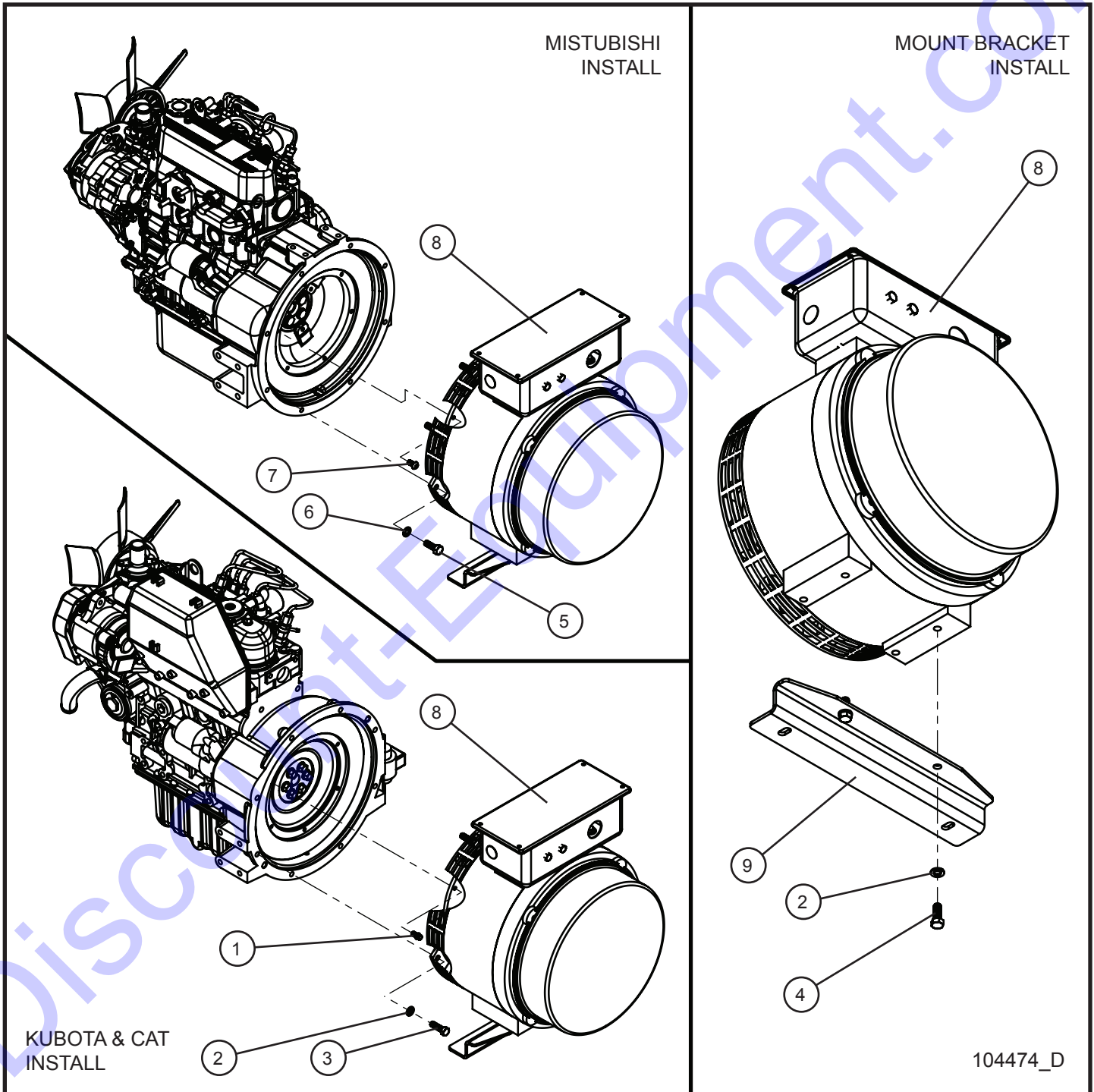
13.3 - Marathon 8kW 60Hz Generator

SN 0001PRO215 and UP
SN 0001PRO2V15 and UP

Item	Part No.	Part Description	Qty.
1	043065	3/8 SPLITLOCK WASHER PL	10
2	046115	3/8-16 x 1 1/4 HEX HEAD CS GR5 PL	8
3	046041	5/16-18 x 1/2 PT FLANGE HEAD BOLT	6
4	046110	3/8-16 x 1 HEX HEAD CS GR5 PL	2
5	042151	M10 SPLITLOCK WASHER PL	8
6	042041	10mm x 1.25mm x 30mm HEX HEAD	8
7	042028	M8 x 1.25mm x 16mm SOCKET BUTTON HEAD CS	8
8	101075	GENERATOR MARATHON 8kW 60Hz	1
9	651012P	GENERATOR MOUNT BRACKET	1
NS	108714	LOCTITE #242 BLUE	1
NS	108715	LOCTITE #271 RED	1
NS	105100	CAPACITOR 25uf 600V	1

13.4 - Marathon 8kW 60Hz AVR Generator

SN 0001PRO215 and UP
SN 0001PRO2V15 and UP



Night-Lite ProII™

13.4 - Marathon 8kW 60Hz AVR Generator

SN 0001PRO215 and UP
SN 0001PRO2V15 and UP

Item	Part No.	Part Description	Qty.
1	046041	5/16-18 x 1/2 PT FLANGE HEAD BOLT	6
2	043065	3/8 SPLITLOCK WASHER PL	10
3	046115	3/8-16 x 1 1/4 HEX HEAD CS GR5 PL	8
4	046110	3/8-16 x 1 HEX HEAD CS GR5 PL	2
5	042041	10mm x 1.25mm x 30mm HEX HEAD	8
6	042151	M10 SPLITLOCK WASHER PL	8
7	042028	M8 x 1.25mm x 16mm SOCKET BUTTON HEAD CS	8
8	654000	GENERATOR MARATHON 8kW 60Hz	1
9	651012P	GENERATOR MOUNT BRACKET	1
NS	108714	LOCTITE #242 BLUE	1
NS	108715	LOCTITE #271 RED	1