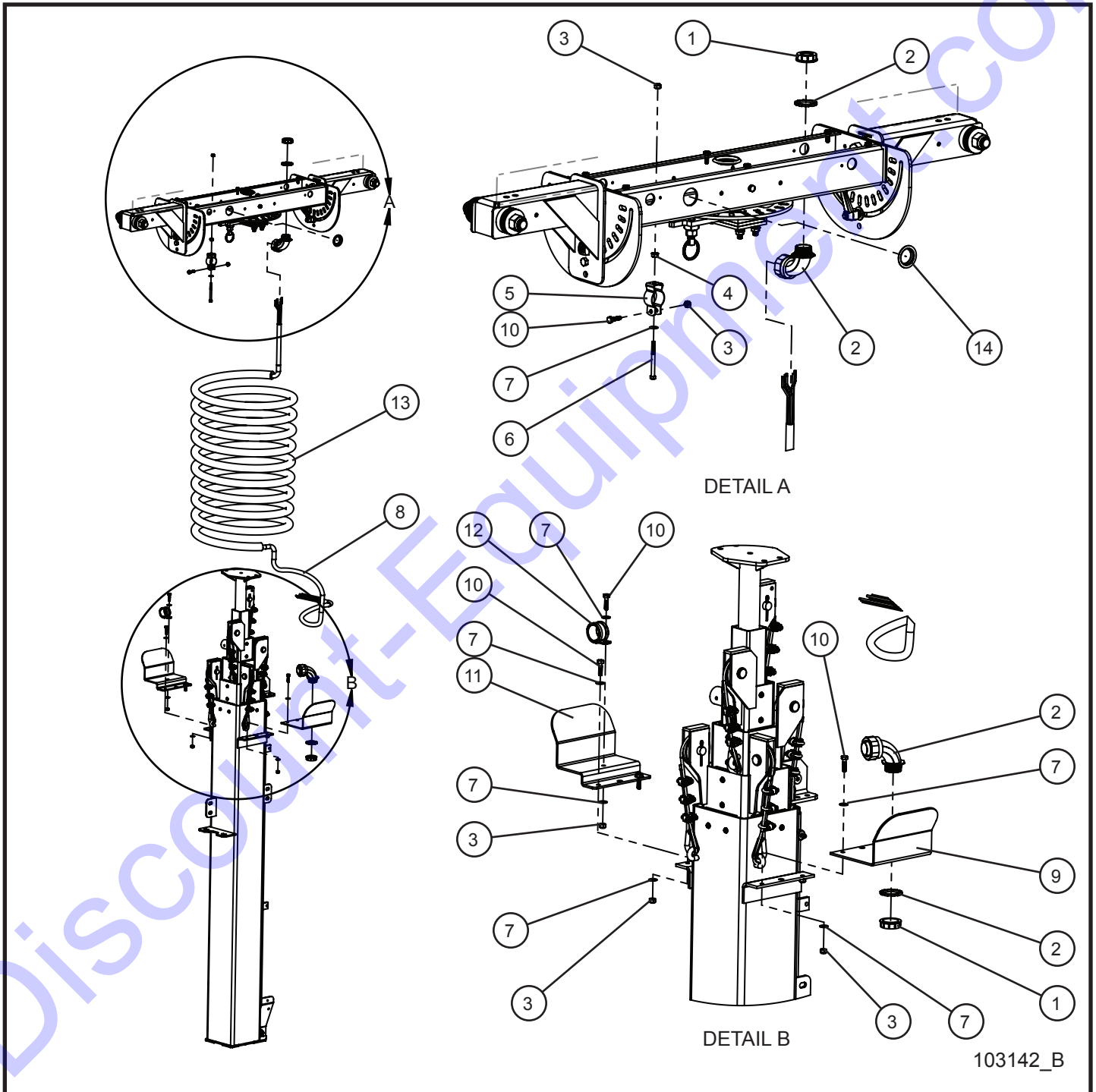


4.15 - Vertical Tower 16/8 Nycoil Cord Group

SN 0001PRO2V15 and UP



Night-Lite ProII™

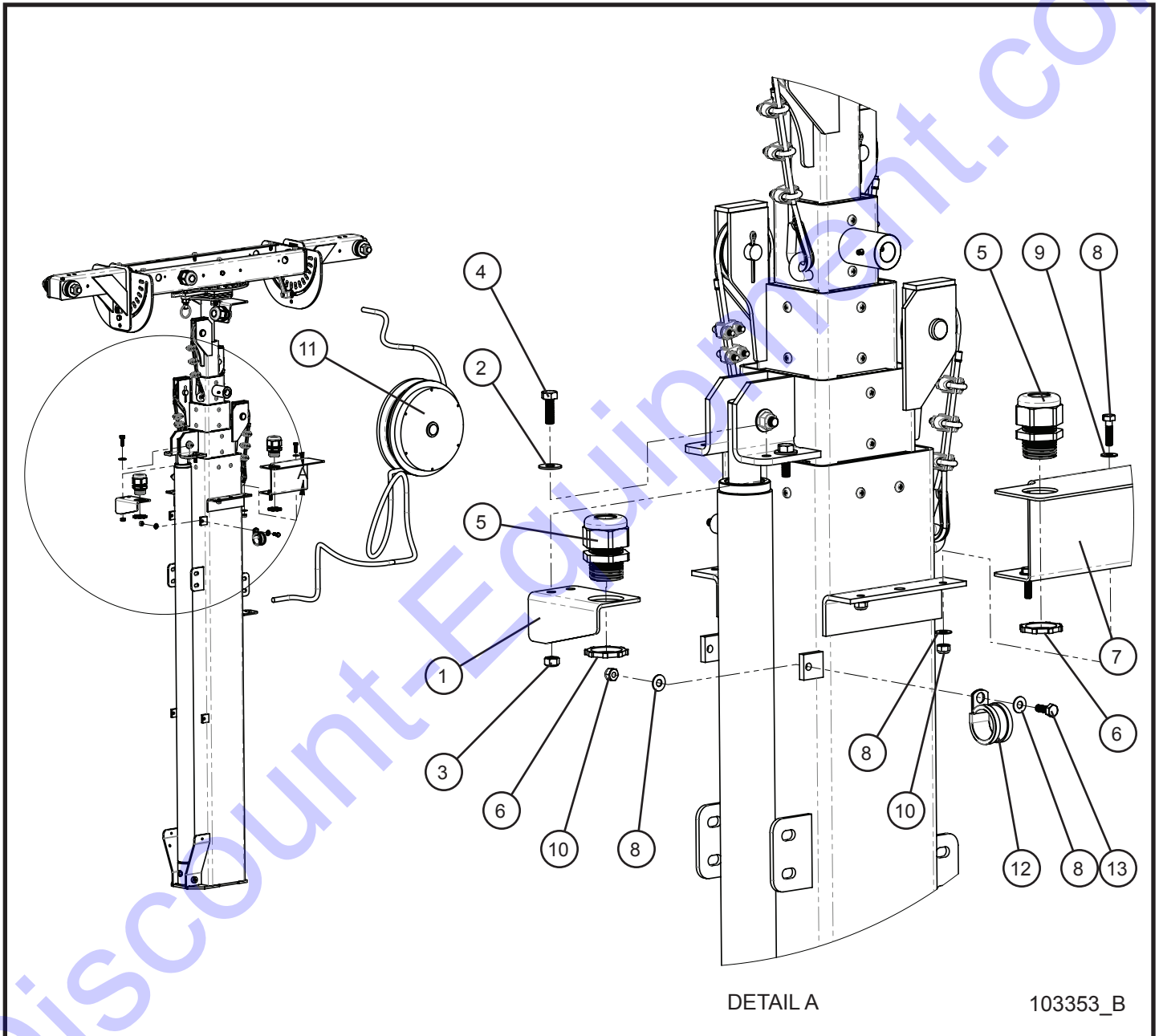
4.15 - Vertical Tower 16/8 Nycoil Cord Group

SN 0001PRO2V15 and UP

Item	Part No.	Part Description	Qty.
1	101672	1" INSULATING BUSHING	2
2	102979	CORD GRIP 90° ELBOW LIQUID TIGHT	2
3	044023	1/4-20 NYLOCK HEX NUT PL	7
4	044021	1/4-20 KEPS HEX NUT PL	1
5	100474	1" CONDUIT CLAMP	1
6	046037	1/4-20 x 2 3/4 HEX HEAD CS GR5 PL	1
7	047009	1/4 FLAT WASHER SAE SS	11
8	103289	16/8 NYCOIL VERTICAL TOWER	1
9	102977P	CORD GRIP BRACKET	1
10	046015	1/4-20 x 1 HEX HEAD CS GR5 PL	6
11	102978P	NYCOIL CLAMP PLATE	1
12	920366	#16 CUSH CLAMP W/ 3/8 HOLE	1
13	103390	HOSE SELF STORING	1
14	064040	1 3/8 CAP PLUG	1
15	106880	NYCOIL ASSEMBLY (INCLUDES 102979 (2), 103390, & 103289)	1
16	105292	SCHEMATIC LIGHT BAR 4 LIGHT 16/8 CORD	1

4.16 - Vertical Tower 16/8 Cord Reel Group (1 of 2)

SN 0001PRO2V15 and UP



Night-Lite ProII™

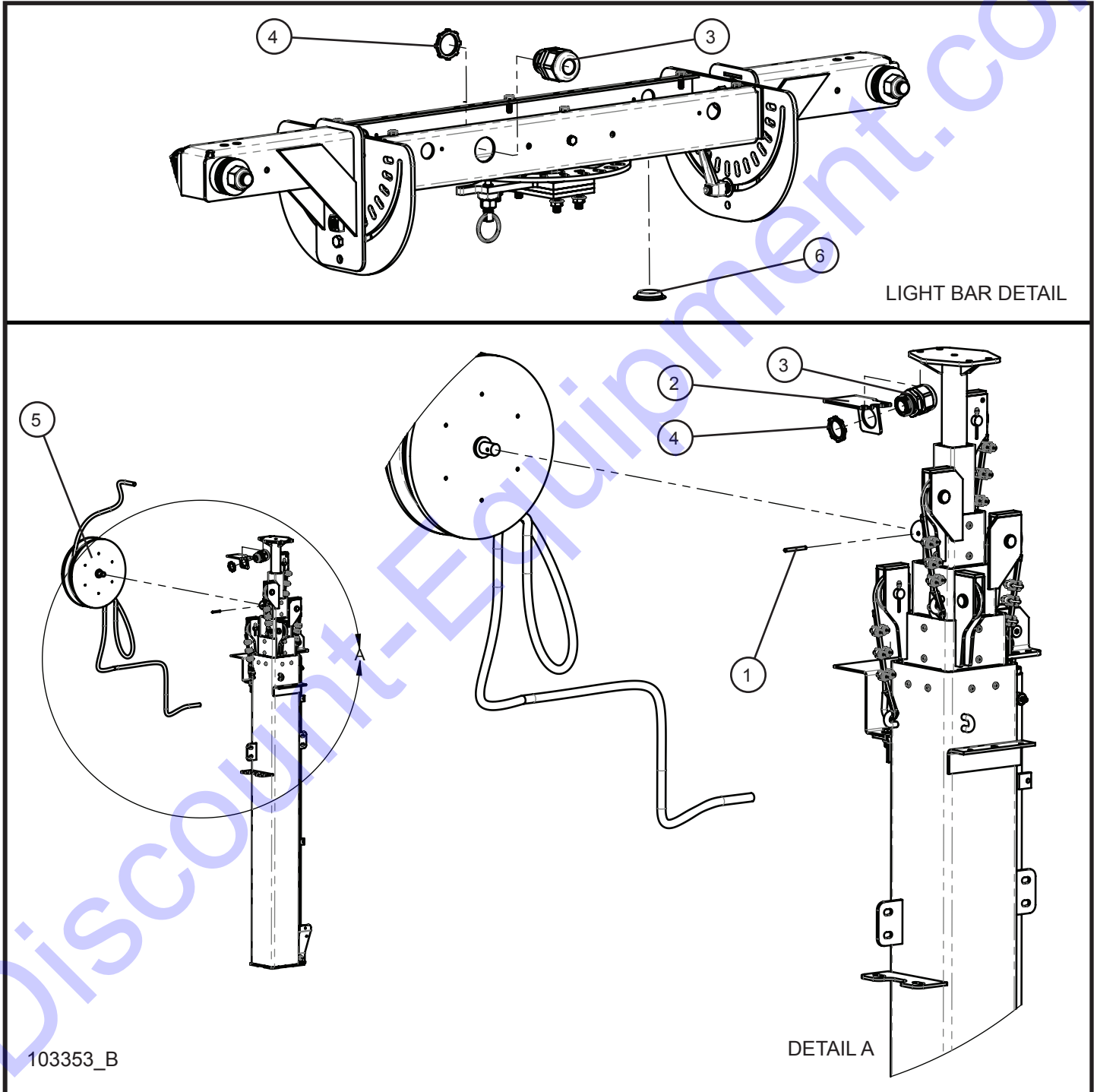
4.16 - Vertical Tower 16/8 Cord Reel Group (1 of 2)

SN 0001PRO2V15 and UP

Item	Part No.	Part Description	Qty.
1	105772P	CORD REEL 5" SECTION 2 CORD GRIP BRACKET	1
2	047010	5/16 FLAT WASHER PL	2
3	046050	5/16-18 NYLOCK HEX NUT PL	2
4	046050	5/16-18 x 1 HEX HEAD CS GR5 PL	2
5	105627	CORD GRIP 1" NYLON BLACK	2
6	022038	1" CORD GRIP NUT	2
7	105723P	CORD REEL SECTION 1 CORD GRIP BRACKET	1
8	047009	1/4 FLAT WASHER SAE SS	6
9	046015	1/4-20 x 1 HEX HEAD CS GR5 PL	2
10	044023	1/4-20 NYLOCK HEX NUT PL	3
11	103299	CORD REEL WITH 16/8 TOWER CORD ASSEMBLY	1
12	920366	#16 CUSH CLAMP W/ 3/8 HOLE	1
13	046010	1/4-20 x 3/4 HEX HEAD CS GR5 SS	1
14	105292	SCHEMATIC LIGHT BAR 4 LIGHT 16/8 CORD	1

4.16 - Vertical Tower 16/8 Cord Reel Group (2 of 2)

SN 0001PRO2V15 and UP



103353_B

DETAIL A

Night-Lite ProII™

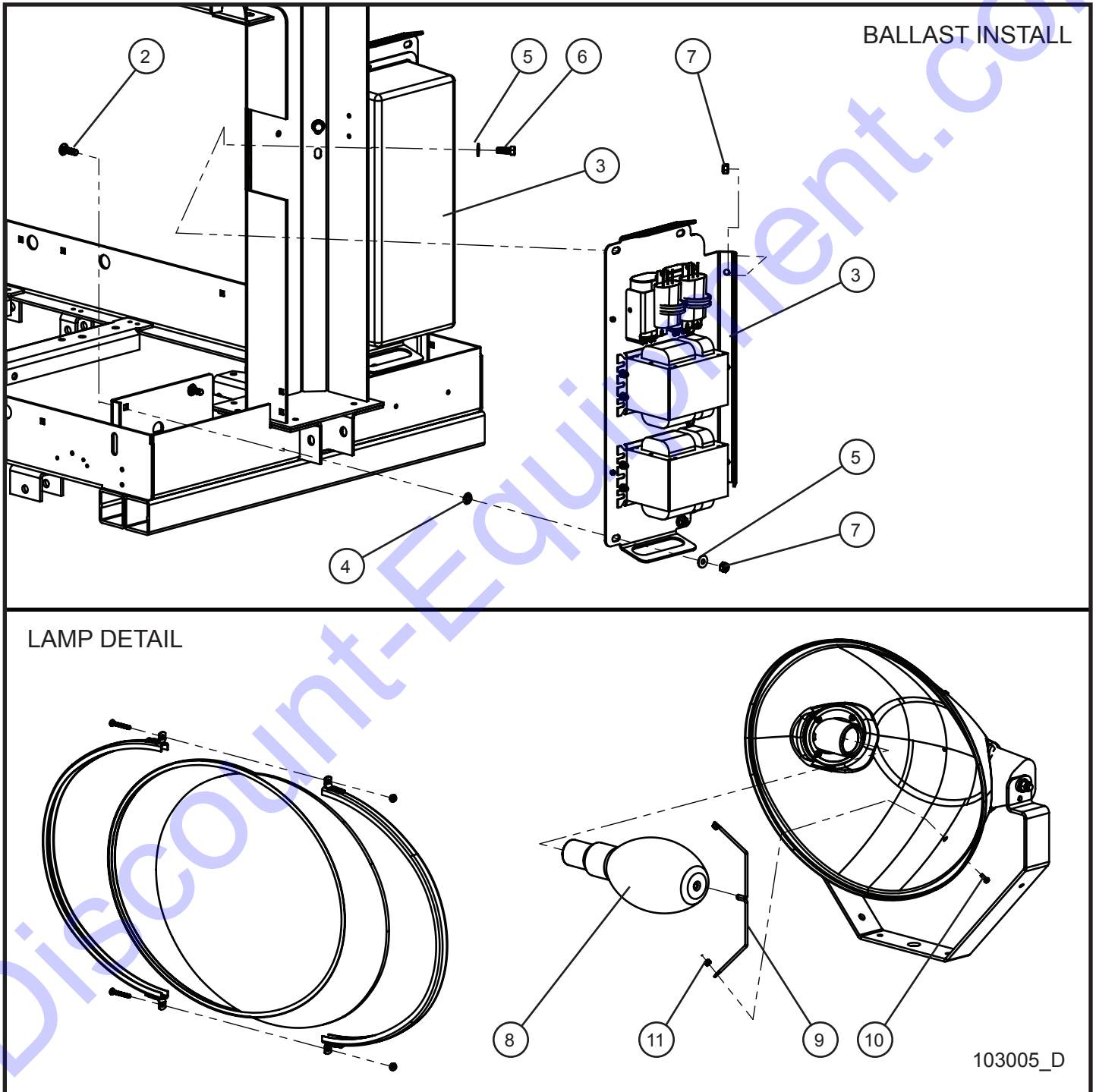
4.16 - Vertical Tower 16/8 Cord Reel Group (2 of 2)

SN 0001PRO2V15 and UP

Item	Part No.	Part Description	Qty.
1	320453	3/16 x 1 3/4 SPRING ROLL PIN	1
2	105721P	CORD REEL ROUND SECTION CORD GRIP BRACKET	1
3	105627	CORD GRIP 1" NYLON BLACK	2
4	022038	1" CORD GRIP NUT	2
5	103299	CORD REEL WITH 16/8 TOWER CORD ASSEMBLY	1
6	064040	1 3/8 CAP PLUG	1

5.1 - 1000W HPS Lamps with 60Hz 120V Ballast Boxes

SN 0001PRO215 and UP
SN 0001PRO2V15 and UP



Night-Lite ProII™

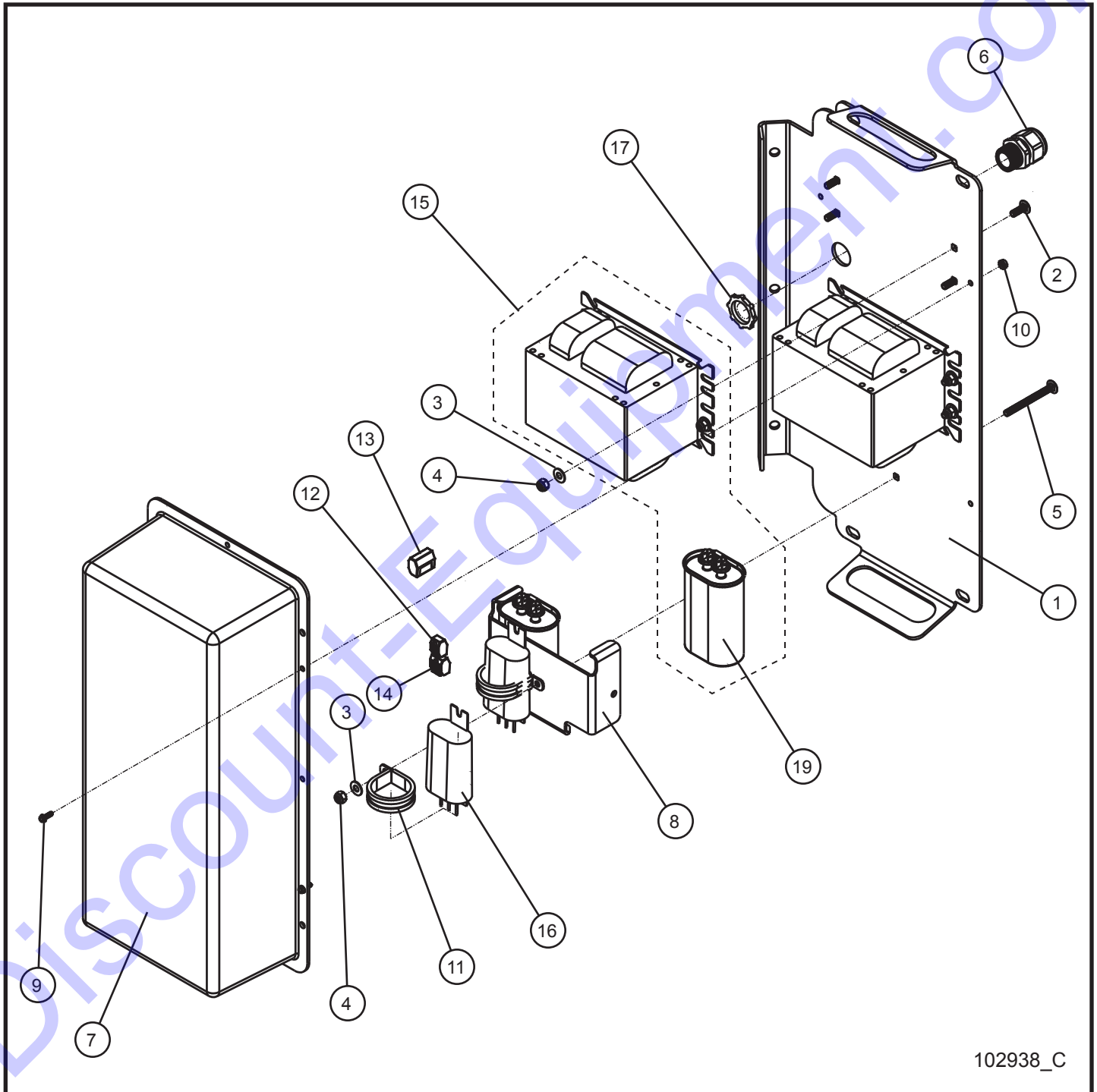
5.1 - 1000W HPS Lamps with 60Hz 120V Ballast Boxes

SN 0001PRO215 and UP
SN 0001PRO2V15 and UP

Item	Part No.	Part Description	Qty.
1	103624	CORD 14/4 BALLAST (NOT SHOWN)	4
2	100670	3/8-16 x 1 1/4 CARRIAGE BOLT	4
3	102938	1000W HPS 60Hz 120V BALLAST BOX ASSEMBLY	2
4	045218	3/8 PUSH NUT	4
5	047010	5/16 FLAT WASHER PL	8
6	046110	3/8-16 x 1 HEX HEAD CS GR5 PL	4
7	044038	3/8-16 NYLOCK HEX NUT PL	8
8	610218	LAMP 1000W HPS	4
9	650250	TIP SUPPORT HPS 1000W	4
10	041200	#8-32 x 1/2 HEX WASHER HEAD INDT	8
11	044013	#8-32 NYLOCK HEX NUT SS	8

5.2 - 1000W HPS 60Hz 120V Ballast Box Assembly

SN 0001PRO215 and UP
SN 0001PRO2V15 and UP



102938_C

Night-Lite ProII™

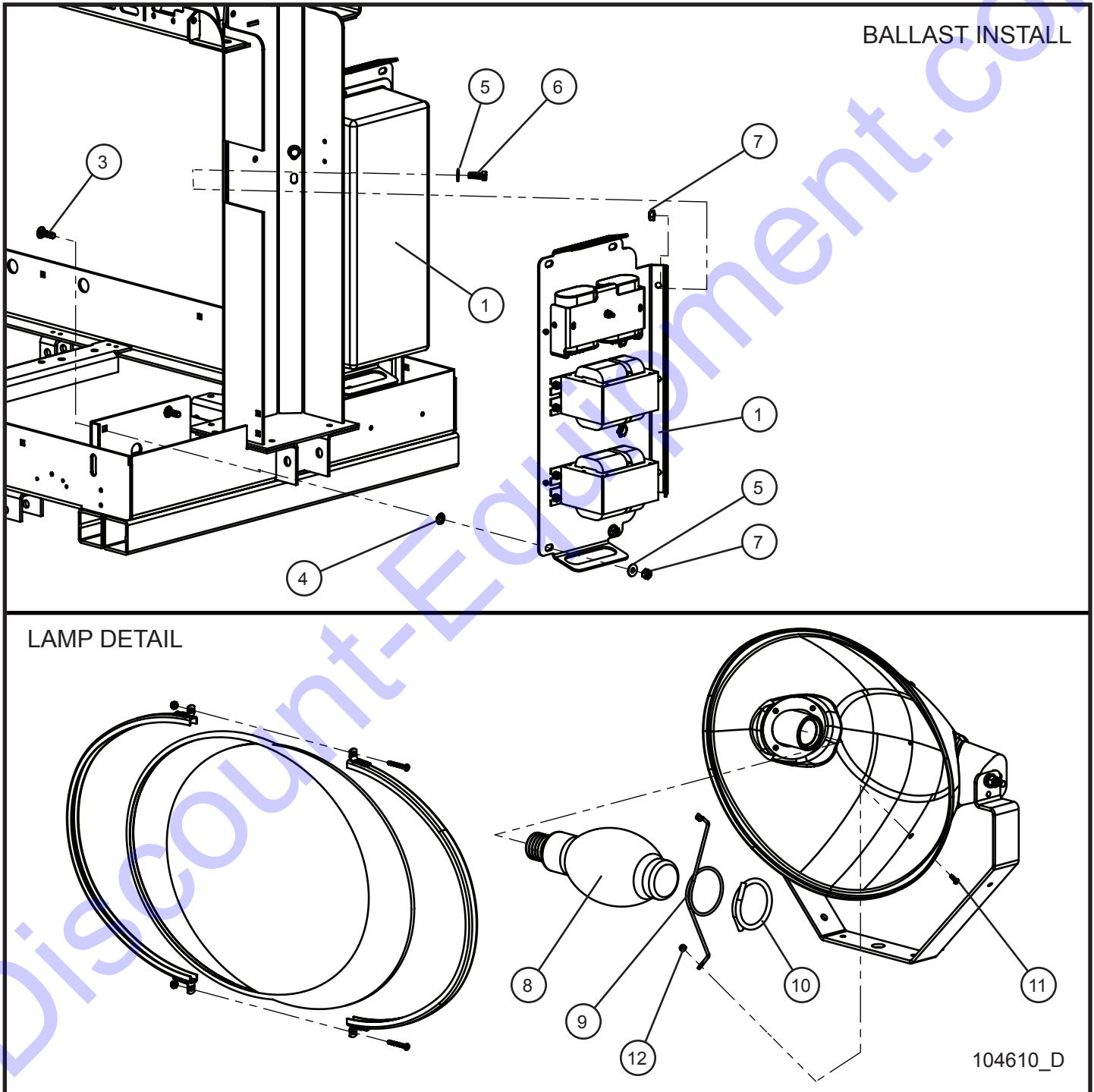
5.2 - 1000W HPS 60Hz 120V Ballast Box Assembly

SN 0001PRO215 and UP
SN 0001PRO2V15 and UP

Item	Part No.	Part Description	Qty.
1	105914P	MOUNT PLATE BALLAST BOX	1
2	053006	1/4-20 x 3/4 CARRIAGE BOLT	8
3	047009	1/4 FLAT WASHER SAE SS	9
4	044023	1/4-20 NYLOCK HEX NUT PL	9
5	100718	1/4-20 x 2 1/4 CARRIAGE BOLT	1
6	105916	GRIP CORD NYLON 3/4"	2
7	102752	BALLAST TOP MODULAR BOX	1
8	680608P	TAPPED CAPACITOR CLAMP	1
9	041029	#8-32 x 1/2 HEX WASHER HEAD SCREW	4
10	044003	#8-32 NC KEPS NUT	4
11	920365	#28 CUSHION CLAMP	2
12	102624	2 WIRE LEVER LOCK	4
13	102622	CONNECTOR BLOCK 5 TERMINAL LEVERS	2
14	102623	3 PIN LEVER LOCK	2
15	310118	BALLAST KIT 1000W 60Hz 120V HPS (INCLUDES 310115A)	2
16	028015	LAMP IGNITOR 1000W	2
17	022036	3/4 CORD GRIP NUT	2
18	105287	SCHEMATIC BALLAST 1000W 60Hz 120V (NOT SHOWN)	1
19	310115A	CAPACITOR 26UF 60/50Hz 540V	2

5.3 - 1250W Lamps with 60Hz 120V Ballasts

SN 0001PRO215 and UP
SN 0001PRO2V15 and UP



Night-Lite ProII™

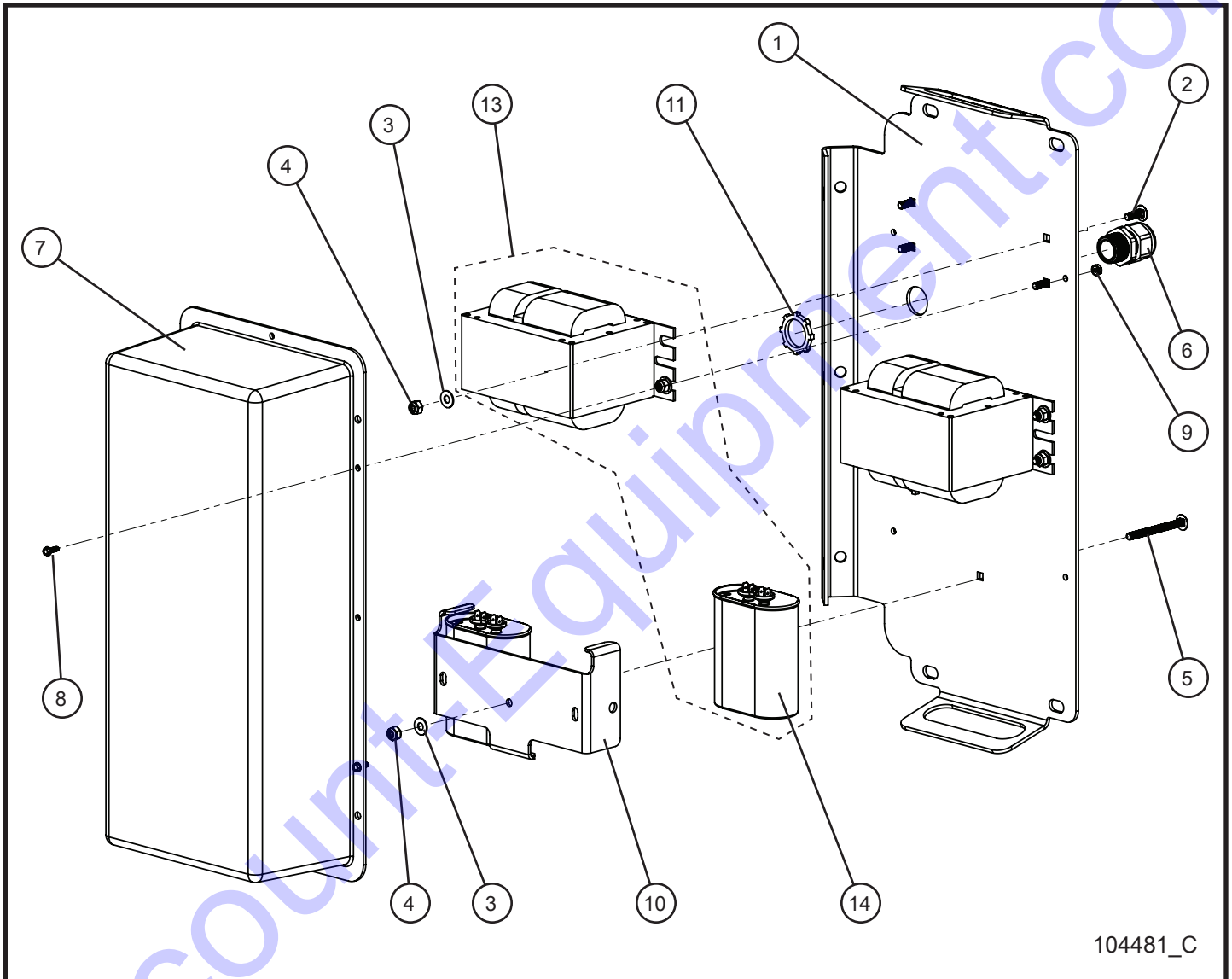
5.3 - 1250W Lamps with 60Hz 120V Ballasts

SN 0001PRO215 and UP
SN 0001PRO2V15 and UP

Item	Part No.	Part Description	Qty.
1	104481	1250W 28uF 60Hz 120V BALLAST	2
2	103624	CORD 14/4 BALLAST	4
3	100670	3/8-16 x 1 1/4 CARRIAGE BOLT	4
4	045218	3/8 PUSH NUT	4
5	047010	5/16 FLAT WASHER PL	8
6	046110	3/8-16 x 1 HEX HEAD CS GR5 PL	4
7	044038	3/8-16 NYLOCK HEX NUT PL	8
8	610221	LAMP 1250W	4
9	610209	SUPPORT TIP LAMP SHO	4
10	610210	FIBERGLASS TUBE 12" LAMP SUPPORT	4
11	041200	#8-32 x 1/2 HEX WASHER HEAD INDT	8
12	044013	#8-32 NYLOCK HEX NUT SS	8

5.4 - 1250W 60Hz 120V Ballast Box Assembly

SN 0001PRO215 and UP
SN 0001PRO2V15 and UP



104481_C

Night-Lite ProII™

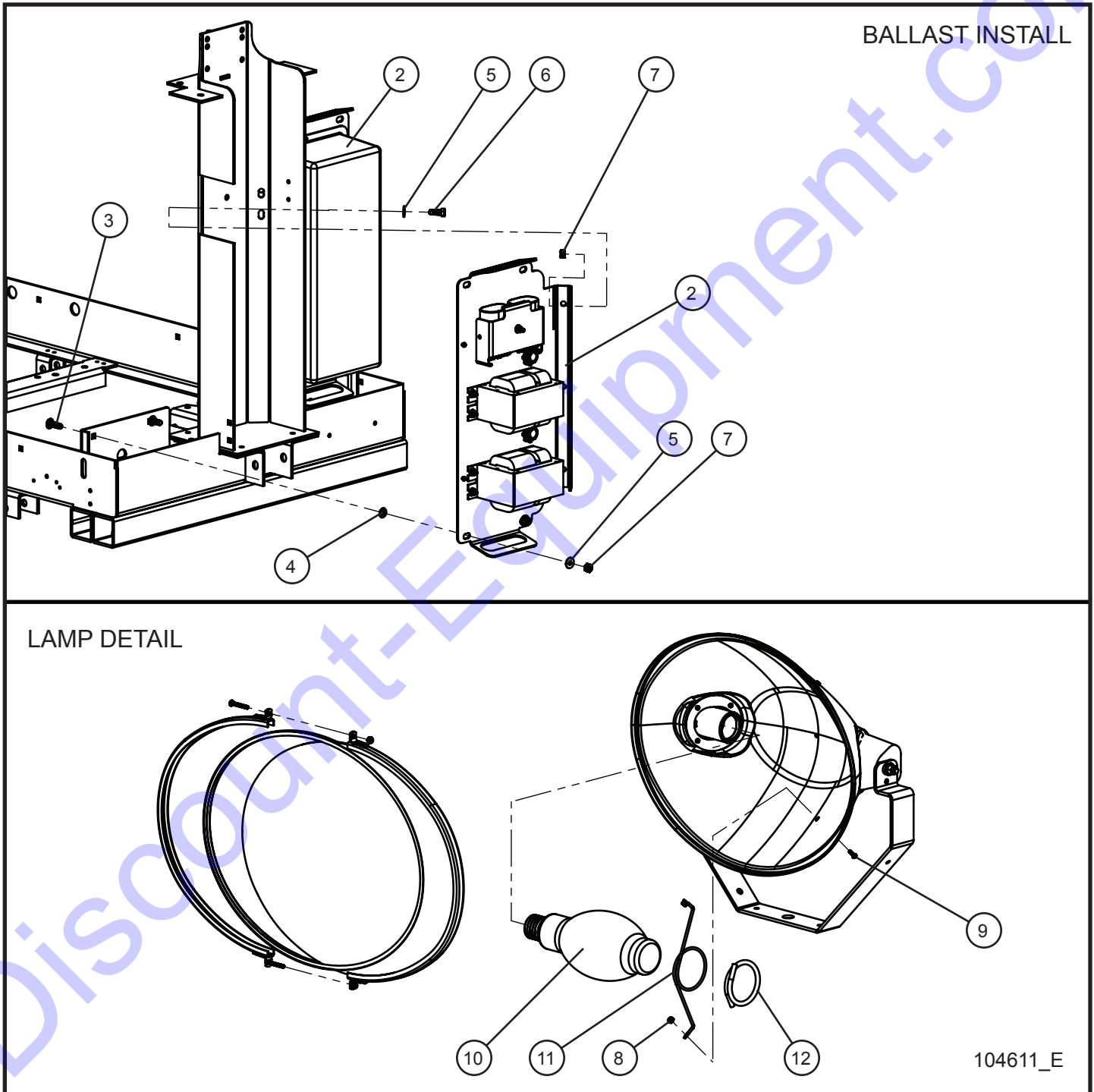
5.4 - 1250W 60Hz 120V Ballast Box Assembly

SN 0001PRO215 and UP
SN 0001PRO2V15 and UP

Item	Part No.	Part Description	Qty.
1	105914P	MOUNT PLATE BALLAST BOX	1
2	053006	1/4-20 x 3/4 CARRIAGE BOLT	8
3	047009	1/4 FLAT WASHER SAE SS	9
4	044023	1/4-20 NYLOCK HEX NUT PL	9
5	100718	1/4-20 x 2 1/4 CARRIAGE BOLT	1
6	105916	GRIP CORD NYLON 3/4	2
7	102752	BALLAST TOP MODULAR BOX	1
8	041029	#8-32 x 1/2 HEX WASHER HEAD SCREW	4
9	044003	#8-32 NC KEPS NUT	4
10	100392P	TABBED CAPACITOR CLAMP	1
11	022036	3/4 CORD GRIP NUT	2
12	105286	SCHEMATIC 60Hz 1250W	1
13	109606	BALLAST KIT 1250W 60Hz 120/240V 28uF (INCLUDES 100329)	2
14	100329	CAPACITOR 28uF 1250W	2

5.5 - 1000W Lamps with 60Hz 120V Ballast Boxes

SN 0001PRO215 and UP
SN 0001PRO2V15 and UP



Night-Lite ProII™

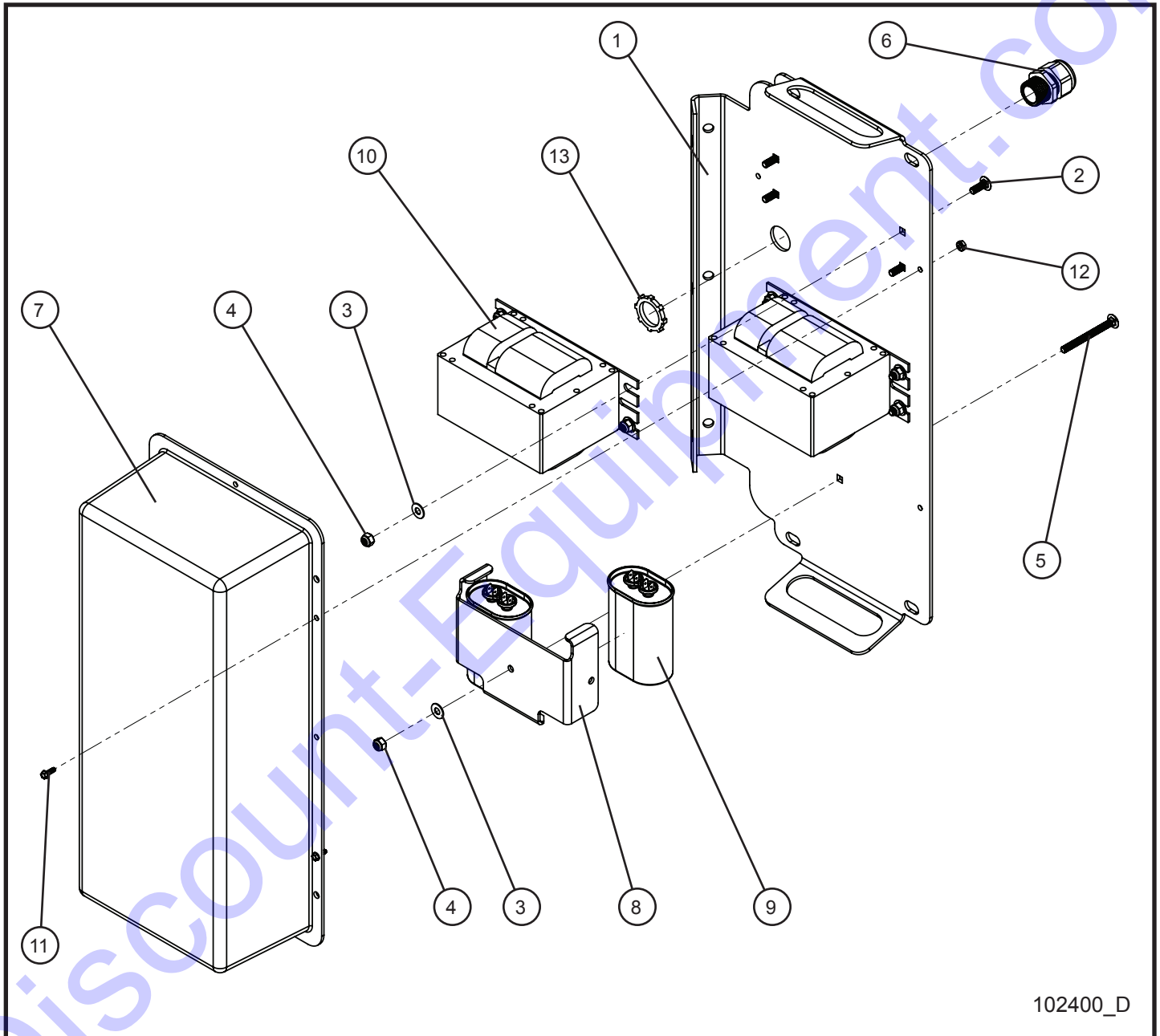
5.5 - 1000W Lamps with 60Hz 120V Ballast Boxes

SN 0001PRO215 and UP
SN 0001PRO2V15 and UP

Item	Part No.	Part Description	Qty.
1	103624	PRO II BALLAST ASSEMBLY CORD (NOT SHOWN)	4
2	102400	1000W 60Hz 120V BALLAST ASSEMBLY	2
3	100670	3/8-16 x 1 1/4 CARRIAGE BOLT	4
4	045218	3/8 PUSH NUT	4
5	047010	5/16 FLAT WASHER PL	8
6	046110	3/8-16 x 1 HEX HEAD CS GR5 PL	4
7	044038	3/8-16 NYLOCK HEX NUT PL	8
8	044013	#8-32 NYLOCK HEX NUT SS	8
9	041200	#8-32 x 1/2 HEX WASHER HEAD INDT	8
10	610211	LAMP 1000W	4
11	610209	SUPPORT TIP LAMP SHO	4
12	610210	FIBERGLASS TUBE 12" LAMP SUPPORT	4

5.6 - 1000W 60Hz 120V Ballast Box Assembly

SN 0001PRO215 and UP
SN 0001PRO2V15 and UP



102400_D

Night-Lite ProII™

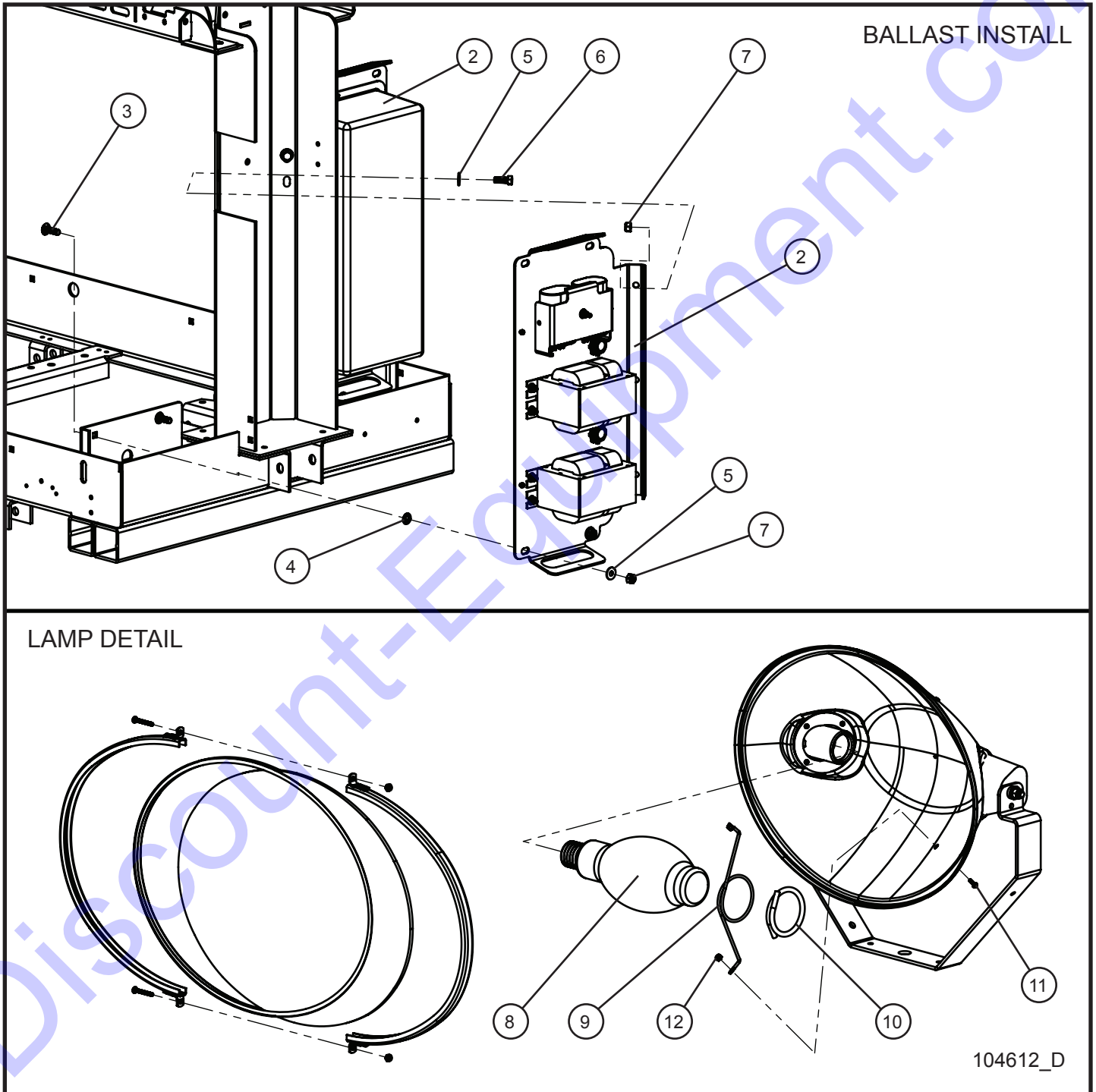
5.6 - 1000W 60Hz 120V Ballast Box Assembly

SN 0001PRO215 and UP
SN 0001PRO2V15 and UP

Item	Part No.	Part Description	Qty.
1	105914P	MOUNT PLATE BALLAST BOX	1
2	053006	1/4-20 x 3/4 CARRIAGE BOLT	8
3	047009	1/4 FLAT WASHER SAE SS	9
4	044023	1/4-20 NYLOCK HEX NUT PL	9
5	100718	1/4-20 x 2 1/4 CARRIAGE BOLT	1
6	105916	GRIP CORD NYLON 3/4	2
7	102752	BALLAST TOP MODULAR BOX	1
8	680608P	TABBED CAPACITOR CLAMP	1
9	310115	CAPACITOR 24uF 1000W	2
10	310124	BALLAST 1000W 60Hz 120V	2
11	041029	#8-32 x 1/2 HEX WASHER HEAD SCREW	4
12	044003	#8-32 NC KEPS NUT	4
13	022036	3/4 CORD GRIP NUT	2
14	105287	SCHEMATIC BALLAST 1000W 60Hz 120V (NOT SHOWN)	1

5.7 - 1000W Lamps with 50Hz 220V Ballast Boxes

SN 0001PRO215 and UP
SN 0001PRO2V15 and UP



Night-Lite ProII™

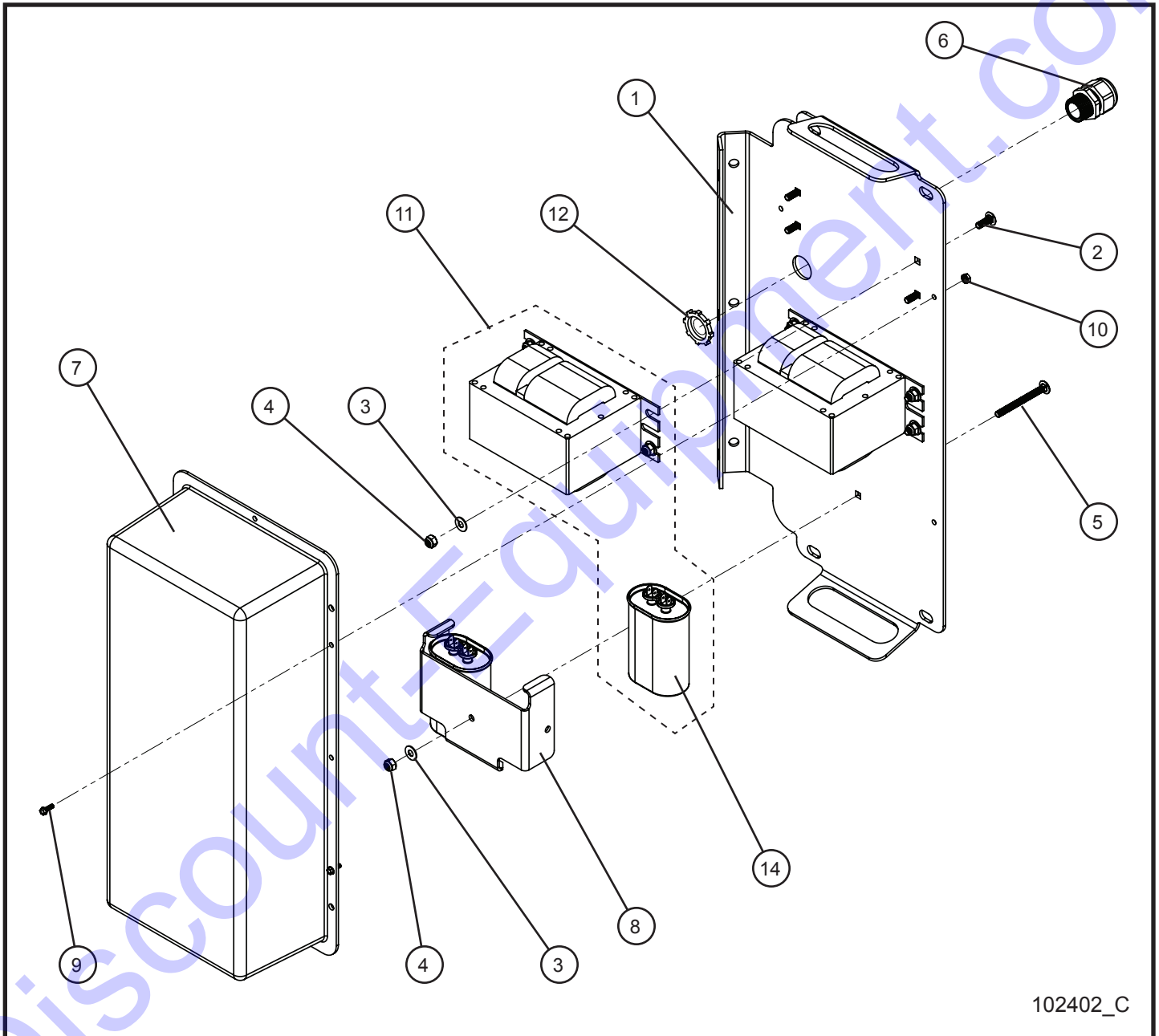
5.7 - 1000W Lamps with 50Hz 220V Ballast Boxes

SN 0001PRO215 and UP
SN 0001PRO2V15 and UP

Item	Part No.	Part Description	Qty.
1	103624	PRO II BALLAST ASSEMBLY CORD	4
2	102402	1000W 50Hz 220V BALLAST ASSEMBLY	2
3	100670	3/8-16 x 1 1/4 CARRIAGE BOLT	4
4	045218	3/8 PUSH NUT	4
5	047010	5/16 FLAT WASHER PL	8
6	046110	3/8-16 x 1 HEX HEAD CS GR5 PL	4
7	044038	3/8-16 NYLOCK HEX NUT PL	8
8	610211	LAMP 1000W	4
9	610209	SUPPORT TIP LAMP SHO	4
10	610210	FIBERGLASS TUBE 12" LAMP SUPPORT	4
11	041200	#8-32 x 1/2 HEX WASHER HEAD INDT	8
12	044013	#8-32 NYLOCK HEX NUT SS	8

5.8 - 1000W 50Hz 220V Ballast Box Assembly

SN 0001PRO215 and UP
SN 0001PRO2V15 and UP



102402_C

Night-Lite ProII™

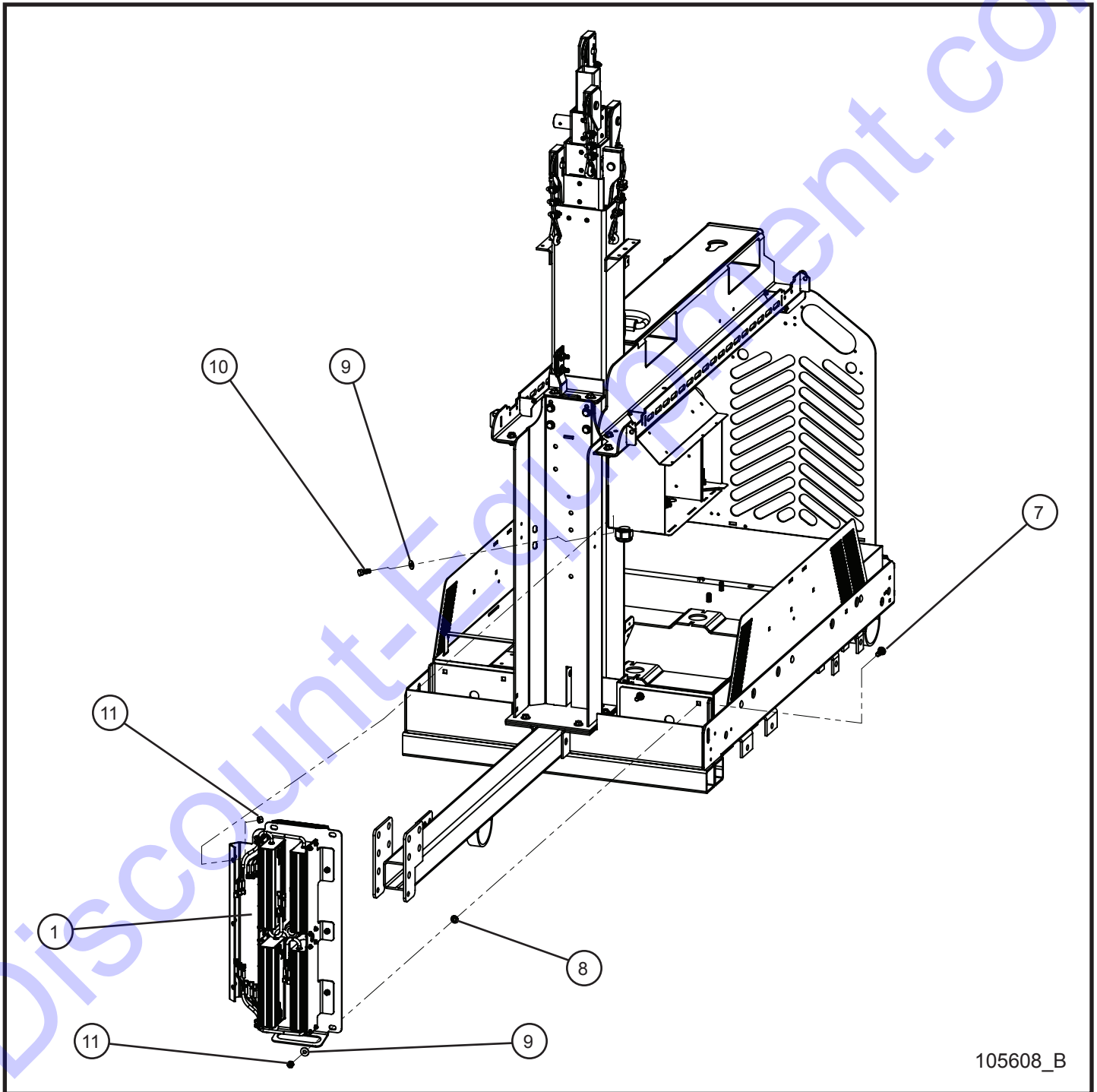
5.8 - 1000W 50Hz 220V Ballast Box Assembly

SN 0001PRO215 and UP
SN 0001PRO2V15 and UP

Item	Part No.	Part Description	Qty.
1	105914P	MOUNT PLATE BALLAST BOX	1
2	053006	1/4-20 x 3/4 CARRIAGE BOLT	8
3	047009	1/4 FLAT WASHER SAE SS	9
4	044023	1/4-20 NYLOCK HEX NUT PL	9
5	100718	1/4-20 x 2 1/4 CARRIAGE BOLT	1
6	105916	GRIP CORD NYLON 3/4	2
7	102752	BALLAST TOP MODULAR BOX	1
8	680608P	TABBED CAPACITOR CLAMP	1
9	041029	#8-32 x 1/2 HEX WASHER HEAD SCREW	4
10	044003	#8-32 NC KEPS NUT	4
11	310116A	BALLAST KIT 1000W 50Hz	2
12	022036	3/4 CORD GRIP NUT	2
13	105289	SCHEMATIC BALLAST 1000W 50Hz 220V	1
14	310115A	CAPACITOR 26UF 60/50Hz 540V	2

5.9 - LED 4 Driver Install Group

SN 0001PRO215 and UP
SN 0001PRO2V15 and UP



105608_B

Night-Lite ProII™

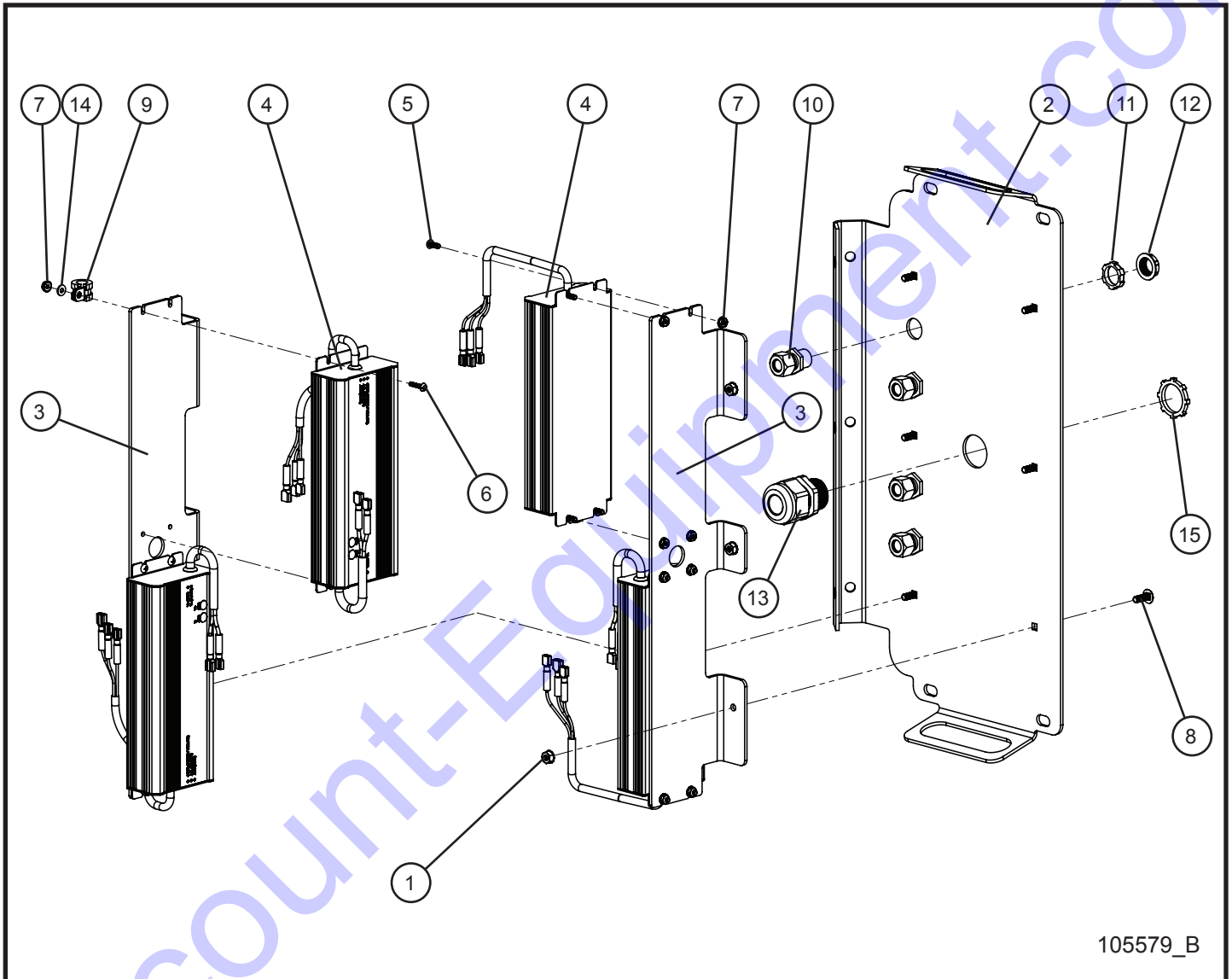
5.9 - LED 4 Driver Install Group

SN 0001PRO215 and UP
SN 0001PRO2V15 and UP

Item	Part No.	Part Description	Qty.
1	105579	LED 4 DRIVER ASSEMBLY	1
2	105609	#1 INPUT CORD	1
3	105612	#2 INPUT CORD	1
4	105613	#3 INPUT CORD	1
5	105614	#4 INPUT CORD	1
6	105615	#1 OUTPUT CORD	1
7	100670	3/8-16 x 1 1/4 CARRIAGE BOLT	2
8	045218	3/8 PUSH NUT	2
9	047010	5/16 FLAT WASHER PL	3
10	046110	3/8-16 x 1 HEX HEAD CS GR5 PL	1
11	044035	3/8-16 HEX NUT ZINC	3
12	105632	LED DRIVER 4 LIGHT SCHEMATIC NL PRO II	1

5.10 - LED 4 Driver Assembly

SN 0001PRO215 and UP
SN 0001PRO2V15 and UP



105579_B

Night-Lite ProII™

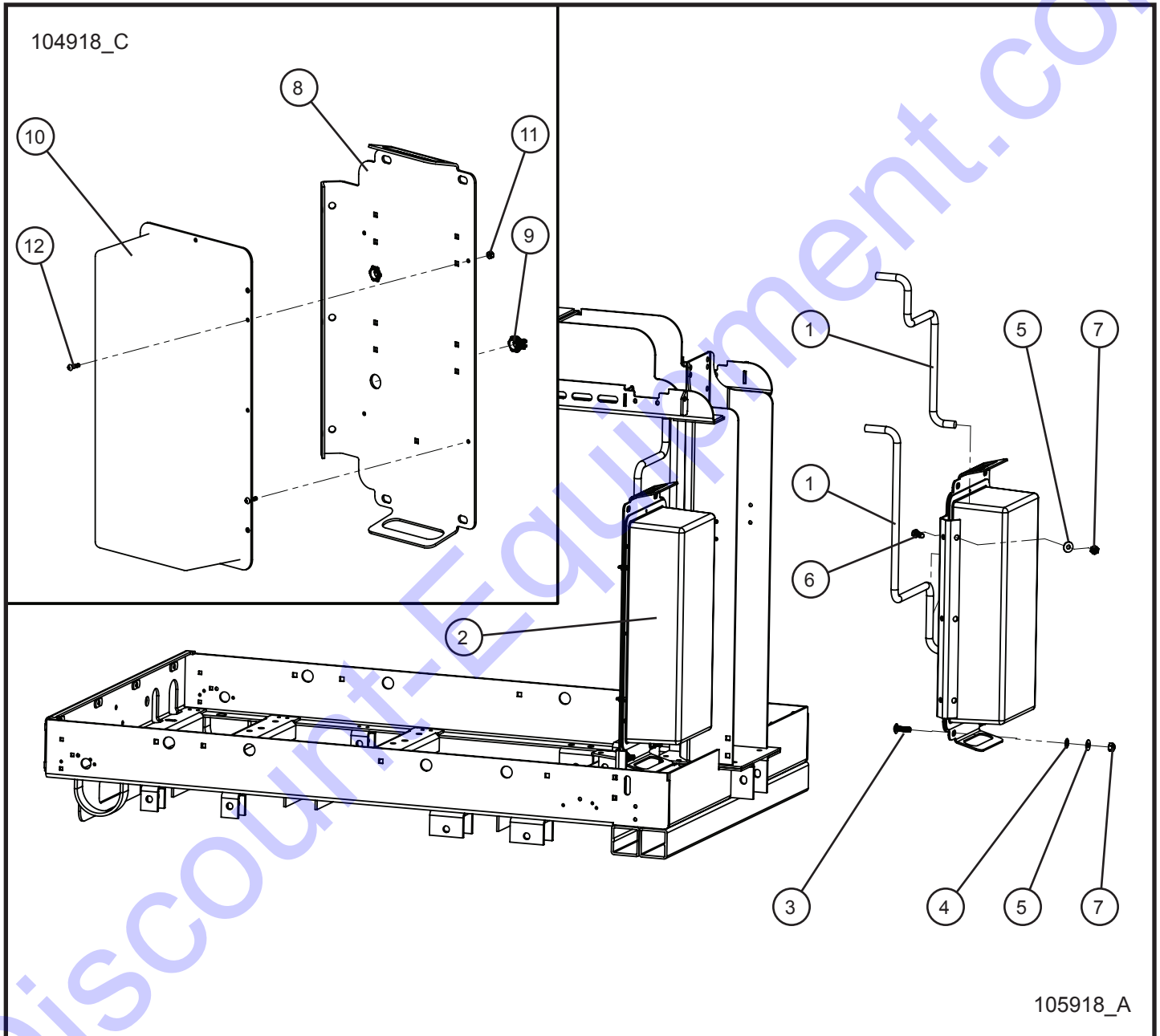
5.10 - LED 4 Driver Assembly

SN 0001PRO215 and UP
SN 0001PRO2V15 and UP

Item	Part No.	Part Description	Qty.
1	044021	1/4 KEPS HEX NUT PL	6
2	105915P	MOUNT PLATE LED DRIVER	1
3	105578P	MOUNT LED DRIVER	2
4	105677	DRIVER W/ TERMINALS LED LIGHT	4
5	041014	#8-32 x 1/2 PH-ROUND HEAD MS SS	14
6	041201	#8-32 x 3/4 SL-ROUND HEAD MS PL	2
7	044015	#8-32 KEPS HEX NUT SS	16
8	053007	1/4-20 x 3/4 CARRIAGE BOLT SS	6
9	310212	#10 CUSH CLAMP 1/4 HOLE	2
10	510007	1/2 CORD GRIP	4
11	022035	1/2 CORD GRIP NUT	4
12	022415	1/2 INSULATING BUSHING THREADED	4
13	105627	CORD GRIP 1" NYLON GRAY	1
14	047004	#8 FLAT WASHER SAE ZC	2
15	022038	1" CORD GRIP NUT	1

5.11 - No Lamps with Non Ballast Box Assembly

SN 0001PRO215 and UP
SN 0001PRO2V15 and UP



Night-Lite ProII™

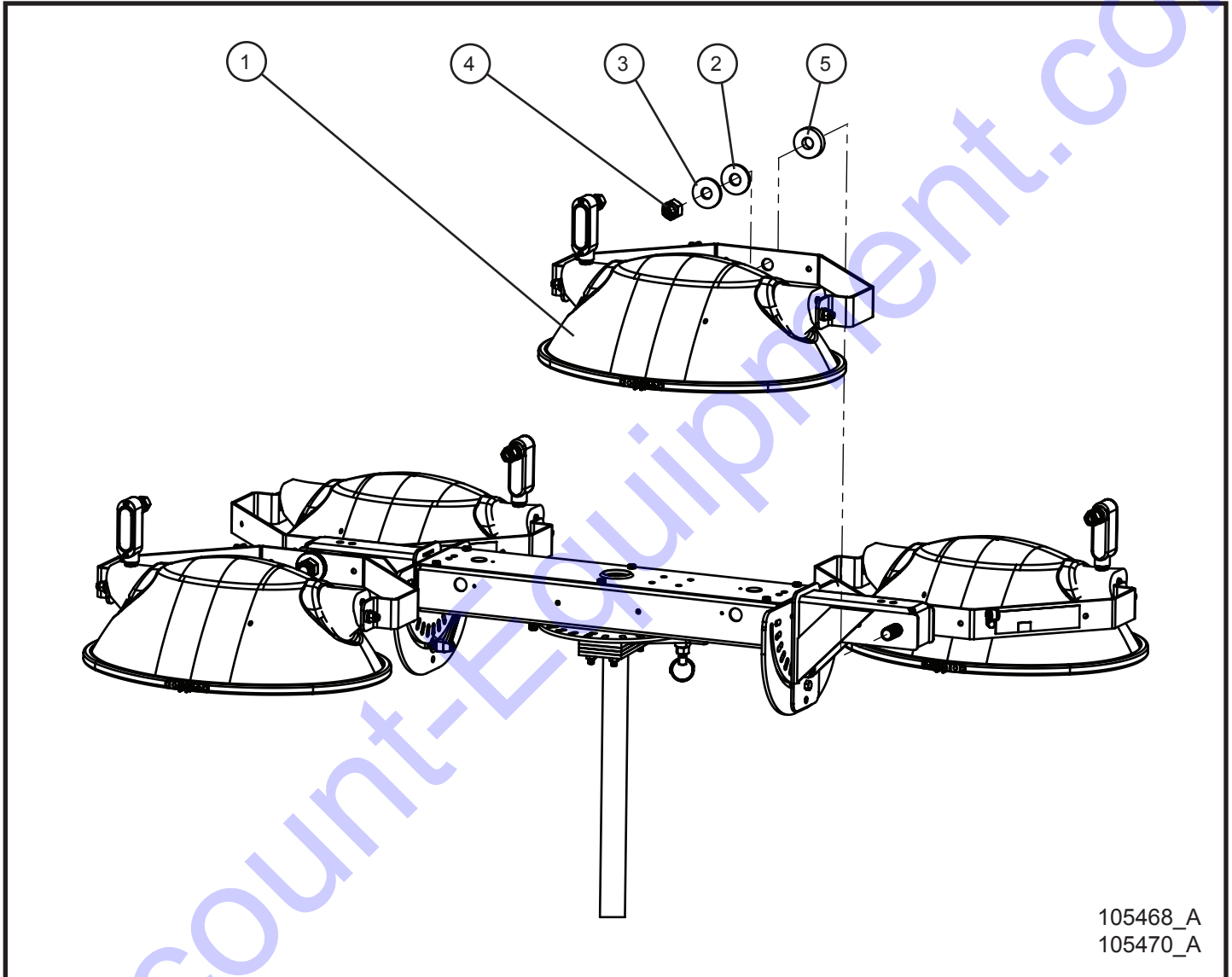
5.11 - No Lamps with Non Ballast Box Assembly

SN 0001PRO215 and UP
SN 0001PRO2V15 and UP

Item	Part No.	Part Description	Qty.
1	103624	PRO II BALLAST ASSEMBLY CORD	4
2	104918	NO LAMPS NON BALLAST BOX	2
3	100670	3/8-16 x 1 1/4 CARRIAGE BOLT	4
4	045218	3/8 PUSH NUT	4
5	047010	5/16 FLAT WASHER PL	8
6	046110	3/8-16 x 1 HEX HEAD CS GR5 PL	4
7	044038	3/8-16 NYLOCK HEX NUT PL	8
8	103936P	MOUNT PLATE BALLAST BOX	1
9	022020	3/8 2 SCREW CLAMP	2
10	102752	BALLAST TOP MODULAR BOX	1
11	044019	#10-24 NYLOCK HEX NUT SS	4
12	041027	#10-24 x 3/4 PH-ROUND HEAD MS	4

5.12 - SHO Light Fixtures

SN 0001PRO215 and UP
SN 0001PRO2V15 and UP



Night-Lite ProII™

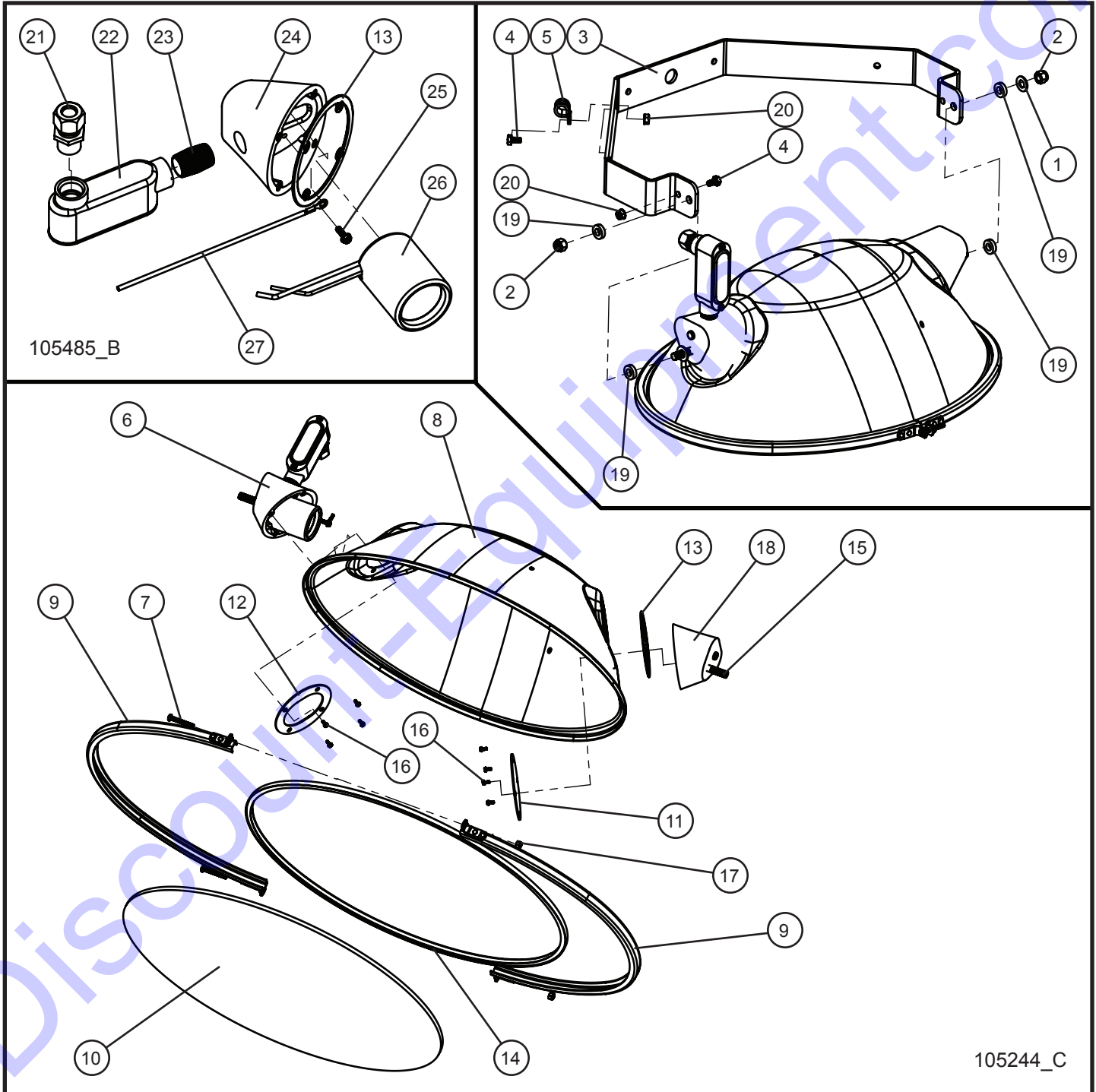
5.12 - SHO Light Fixtures

SN 0001PRO215 and UP
SN 0001PRO2V15 and UP

Item	Part No.	Part Description	Qty.
1	650147	LAMPHOLDER SHO LIGHT	4
	105244	LAMPHOLDER CSA/UL SHO LIGHT	4
2	650550	.785" x 2" HDPE WASHER	4
3	047035	3/4 FLAT WASHER PL	4
4	044058	3/4-10 NYLOCK HEX NUT PL	4
5	101813	.781 ID x 2 OD x 1/2 HDPE WASHER	4

5.13 - SHO Light Assembly Group

SN 0001PRO215 and UP
SN 0001PRO2V15 and UP



Night-Lite ProII™

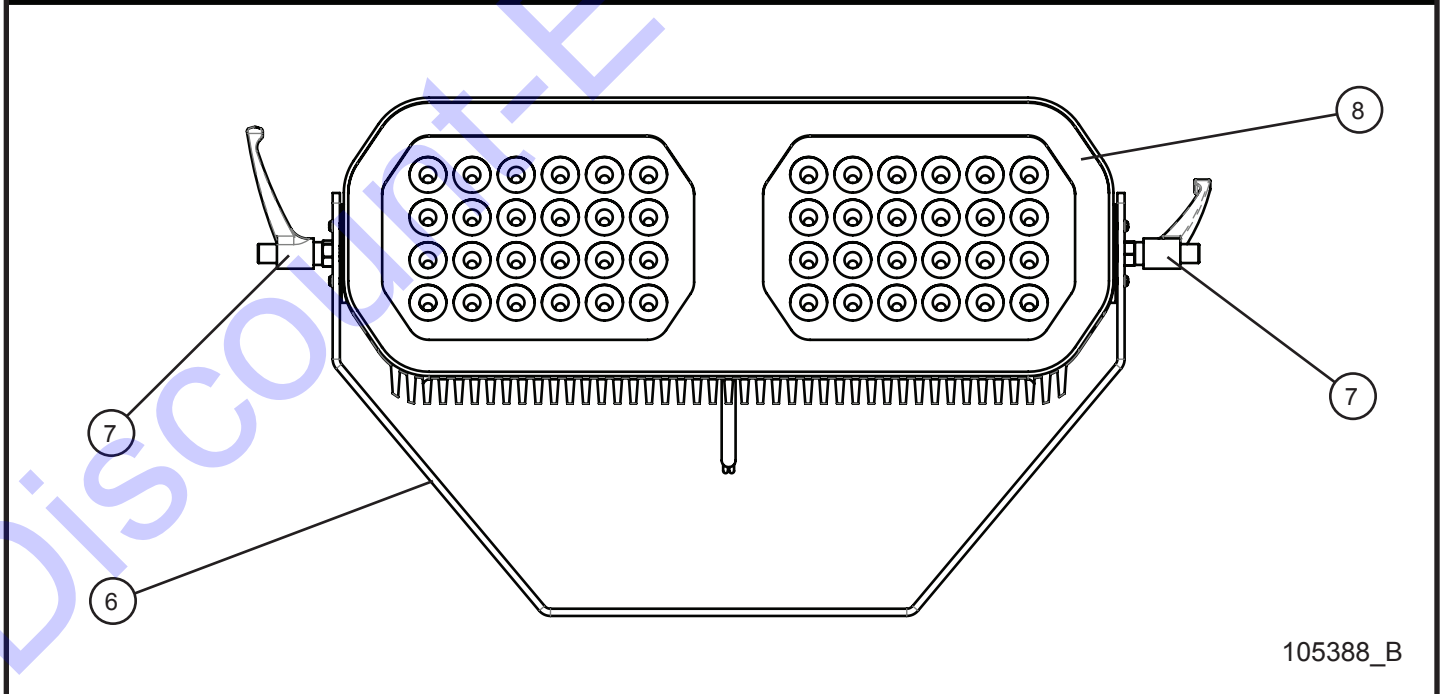
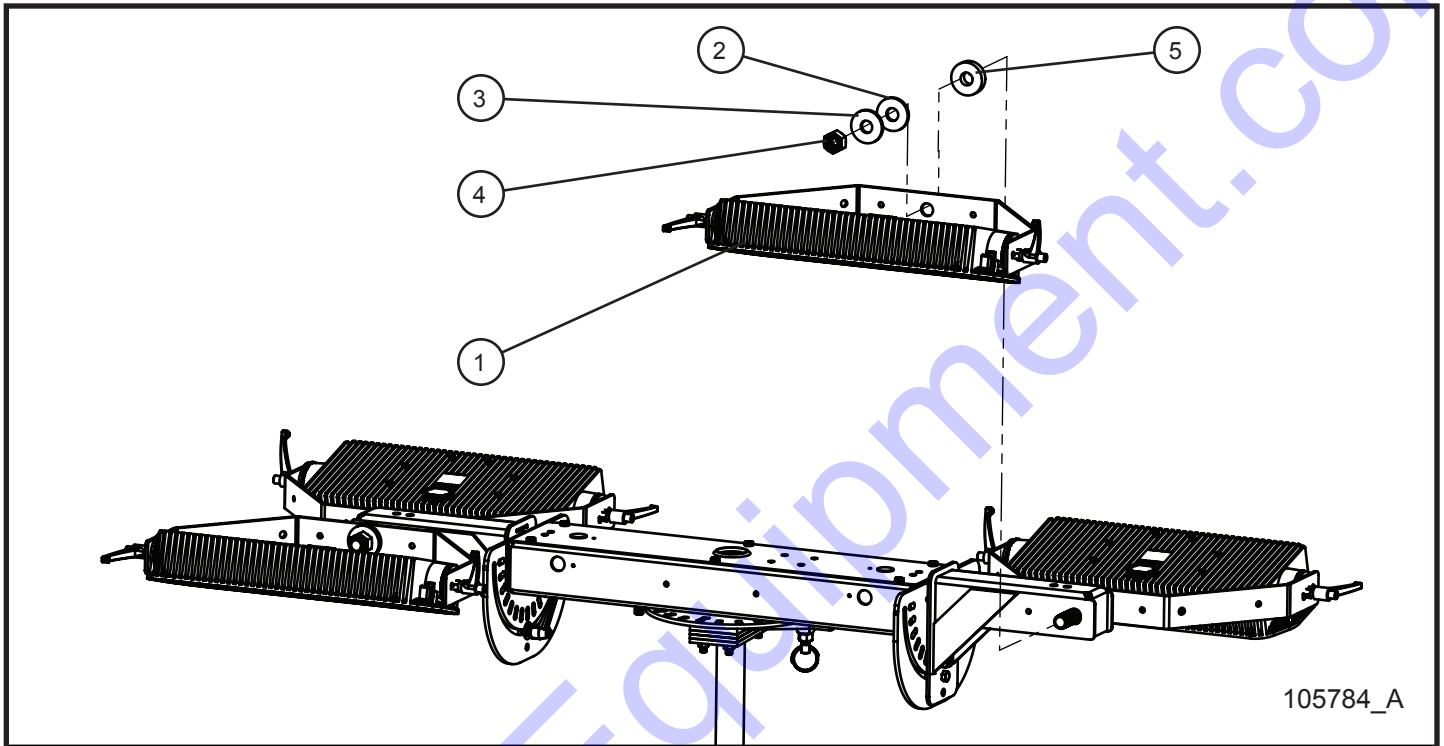
5.13 - SHO Light Assembly Group

SN 0001PRO215 and UP
SN 0001PRO2V15 and UP

Item	Part No.	Part Description	Qty.
1	047016	3/8 FLAT WASHER SAE ZINC	2
2	044037	3/8-24 NYLOCK HEX NUT PL	2
3	660130P	YOKE MOUNT SHO LAMP	1
4	046005	1/4-20 x 1/2 HEX HEAD CS GR5 PL	2
5	022022	#8 CUSH CLAMP 1/4 HOLE	1
6	105485	SOCKET ENTRANCE END CAP ASSEMBLY	1
7	041040	#10-24 x 1 1/2 PH-ROUND HEAD MS SS	2
8	610201	REFLECTOR	1
9	610202	LENS CHANNEL SET SHO LIGHT	2
10	610203	GLASS LENS	1
11	610207	INTERIOR COVER PLATE WITHOUT HOLE	1
12	610208	INTERIOR COVER PLATE WITH HOLE	1
13	610213	GASKET SOCKET END CAP	2
14	610217	SILICONE GASKET	1
15	045142	3/8-24 x 3/8-16 x 2 STUD	2
16	041028	#10-24 x 1/2 HEX WASHER HEAD INDT	8
17	044019	#10-24 NYLOCK HEX NUT SS	2
18	610206	CASTING END SHO	1
19	047019	NYLON BUSHING 3/4 OD x .385 ID	4
20	044021	1/4-20 KEPS HEX NUT PL	2
21	510007	1/2 CORD GRIP	1
22	610214	ELBOW 1/2 SLB SHO ENTRANCE	1
23	610215	1/2 NPT NIPPLE	1
24	610205	SOCKET CASTING END SHO	1
25	041257	#10-32 x 3/8 SL-HEX WASHER HEAD MS GRND	1
26	610212	CERAMIC SOCKET	1
27	610219	GROUND WIRE LAMPHOLDER SHO ENTRANCE	1

5.14 - LED Light Fixtures and LED Assembly Group

SN 0001PRO215 and UP
SN 0001PRO2V15 and UP



Night-Lite ProII™

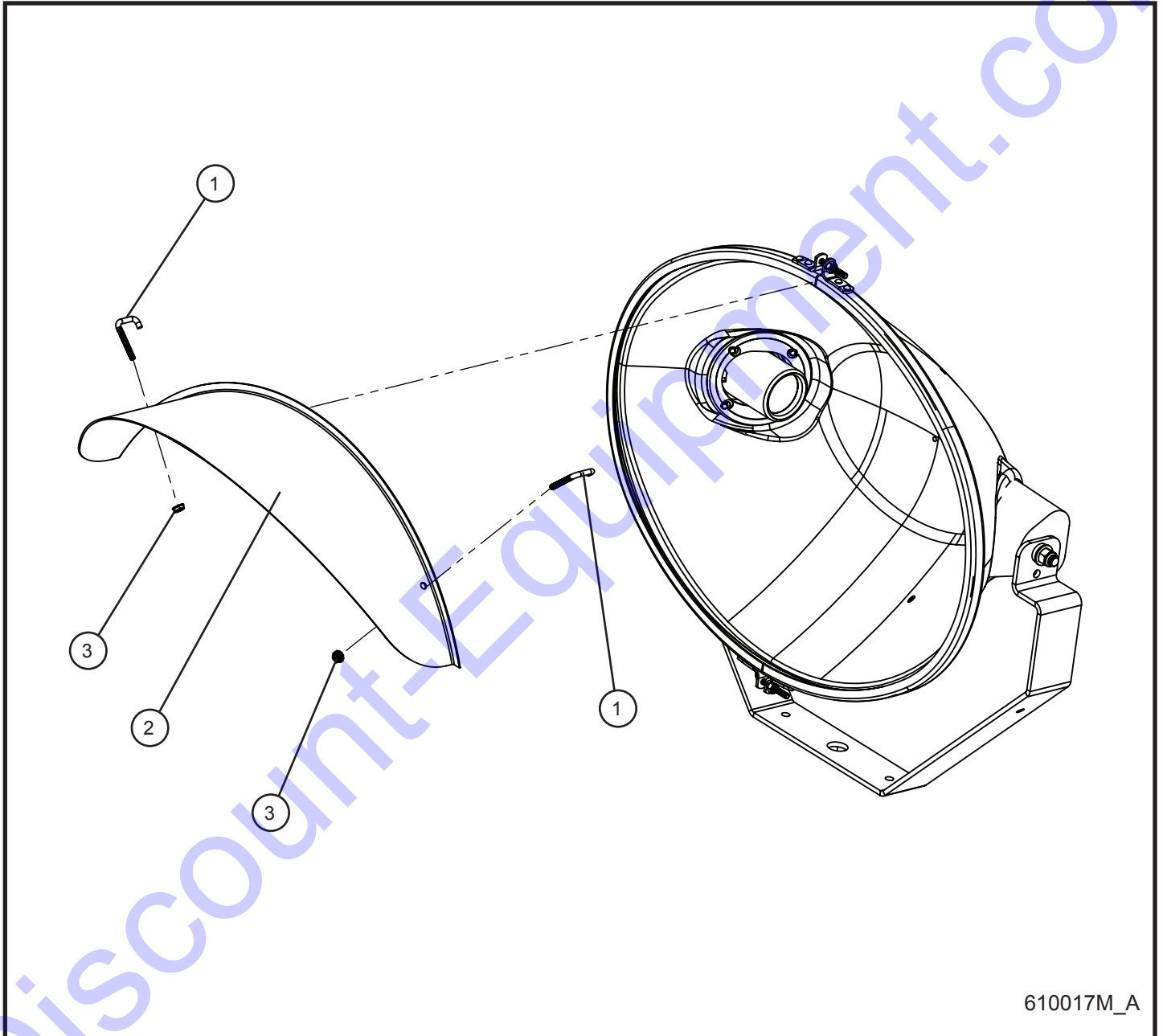
5.14 - LED Light Fixtures and LED Assembly Group

SN 0001PRO215 and UP
SN 0001PRO2V15 and UP

Item	Part No.	Part Description	Qty.
1	105388	LED SCENE LIGHT WIDE FLOOD	4
2	650550	.785" x 2" HDPE WASHER	4
3	047035	3/4 FLAT WASHER PL	4
4	044058	3/4-10 NYLOCK HEX NUT PL	4
5	101813	.781 ID x 2 OD x 1/2 HDPE WASHER	4
6	105387P	YOKE LED LIGHT (EACH LED)	1
7	105390	NYLON ADJUSTABLE HANDLE (EACH LED)	2
8	105325	LED SCENE LIGHT MODEL 623 WIDE FLOOD (EACH LED)	1

5.15 - SHO Light SAF-T-Visor

SN 0001PRO215 and UP
SN 0001PRO2V15 and UP



610017M_A

Night-Lite ProII™

5.15 - SHO Light SAF-T-Visor

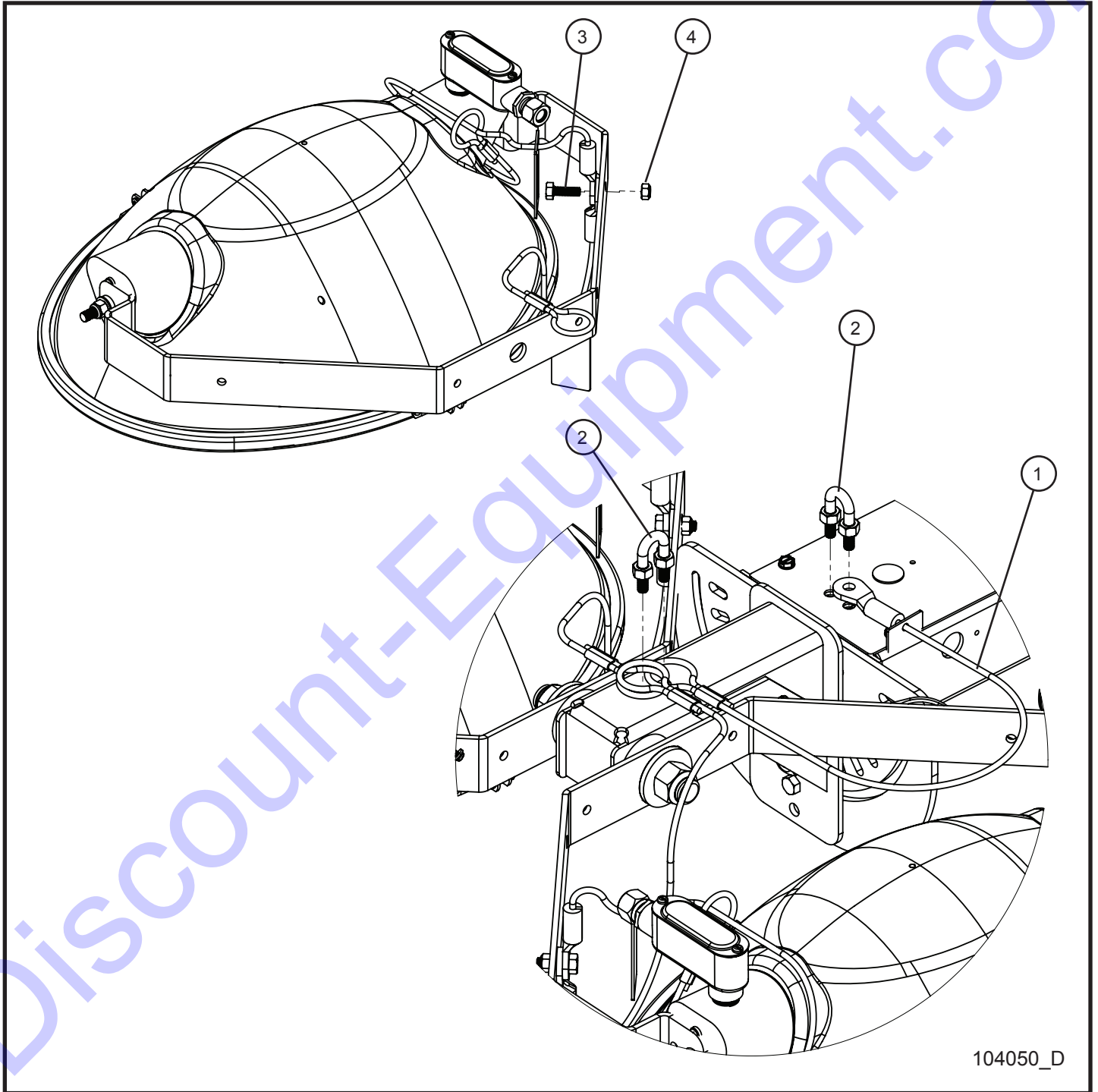
SN 0001PRO215 and UP
SN 0001PRO2V15 and UP

Item	Part No.	Part Description	Qty.
1	045070	#10-24 HOOK SQ BEND BOLT	8
2	610017	SAF-T VISOR SHO LAMP (*SEE NOTE)	4
3	044016	#10-24 KEPS HEX NUT PL	8

*NOTE: SAF-T VISOR MUST BE INSTALLED WITH LIP BETWEEN GASKET AND GLASS LENS.

5.16 - SHO Light SFR Safety Lanyards

SN 0001PRO215 and UP
SN 0001PRO2V15 and UP



Night-Lite ProII™

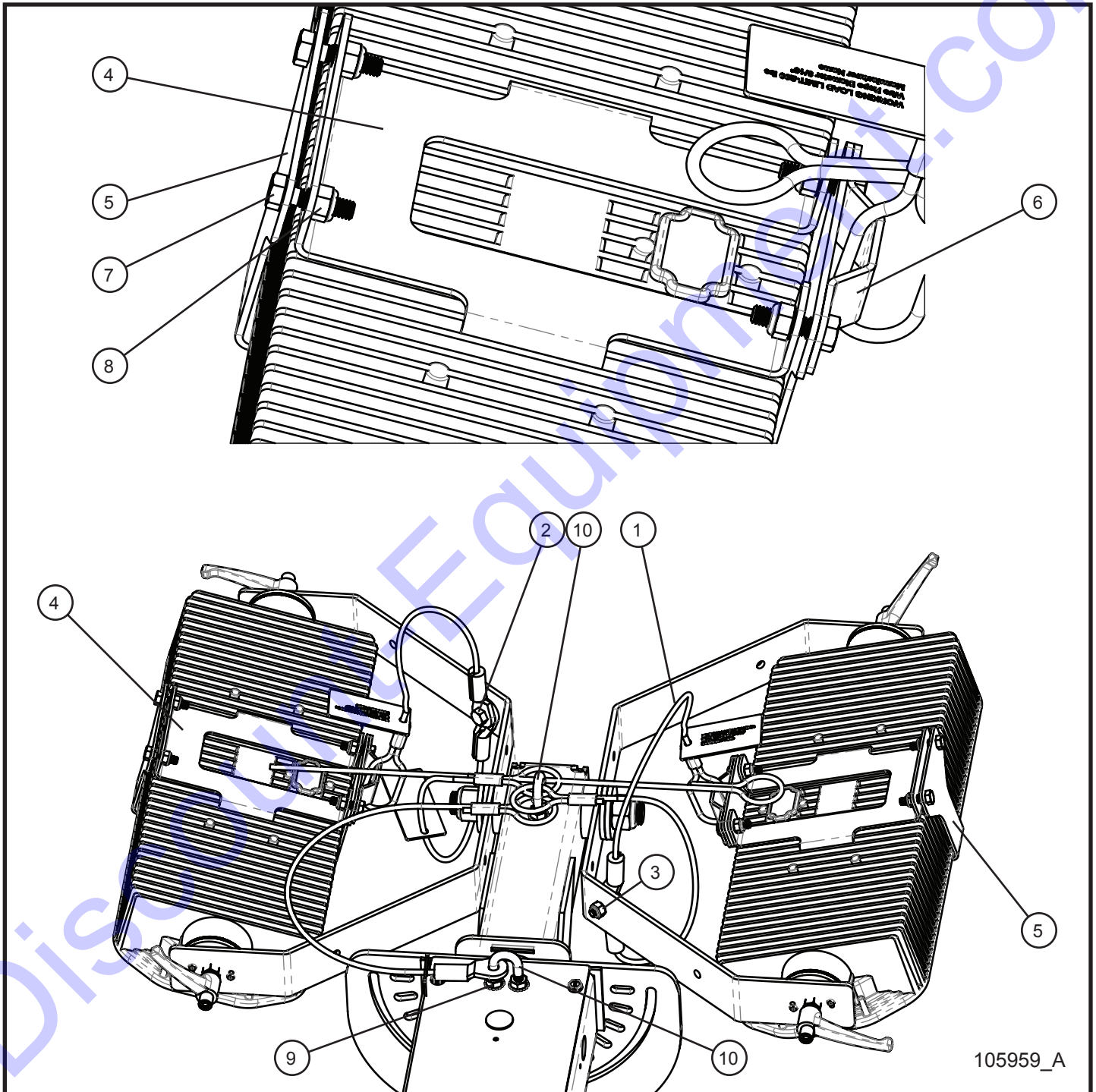
5.16 - SHO Light SFR Safety Lanyards

SN 0001PRO215 and UP
SN 0001PRO2V15 and UP

Item	Part No.	Part Description	Qty.
1	103907	LOAD RATED LANYARD	10
2	045085	3/8-16 U BOLT	4
3	046050	5/16-18 x 1 HEX HEAD CS GR5 PL	4
4	044033	5/16-18 NYLOCK HEX NUT PL	4

5.17 - LED Light SFR Safety Lanyards

SN 0001PRO215 and UP
SN 0001PRO2V15 and UP



105959_A

Night-Lite ProII™

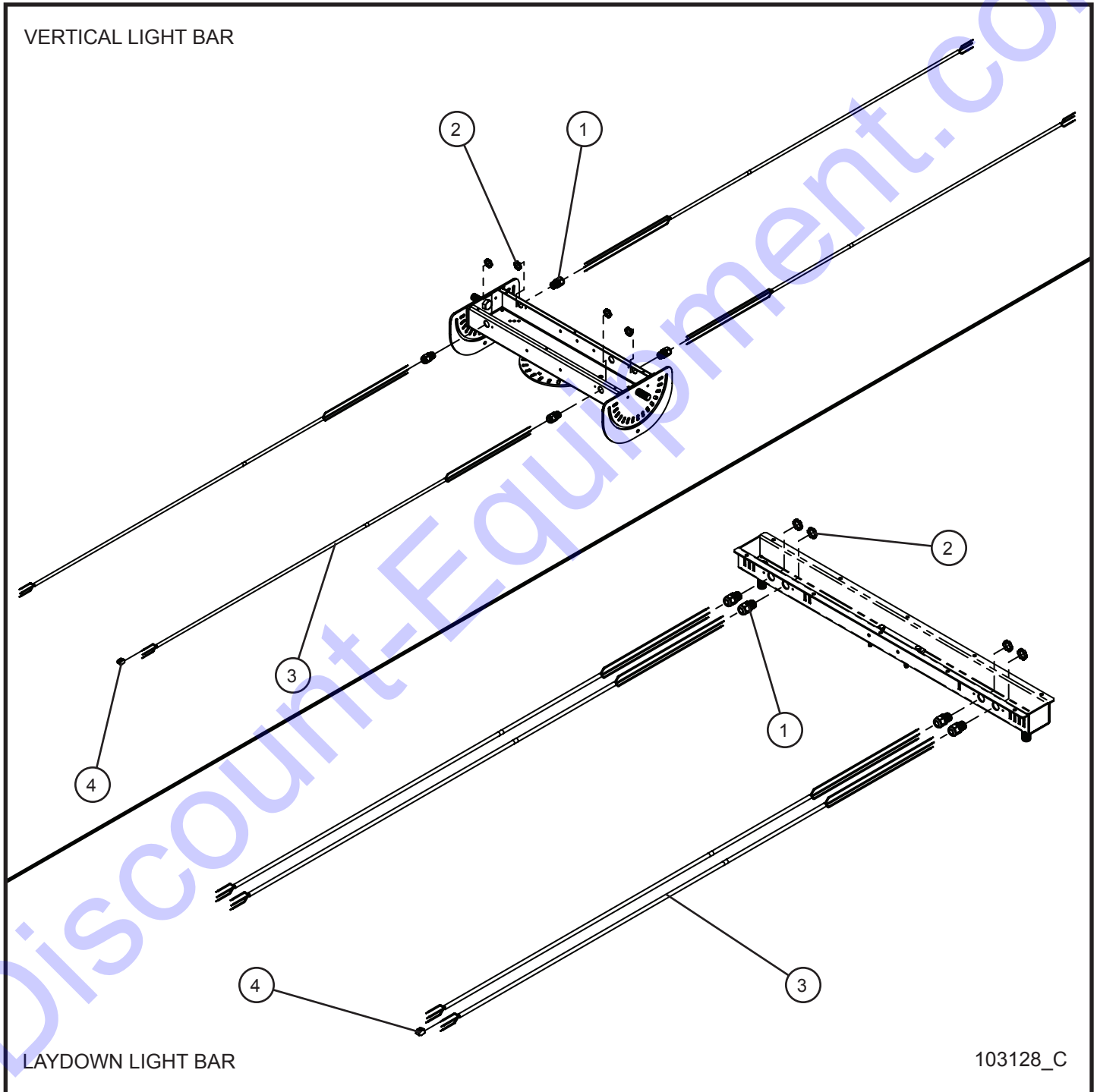
5.17 - LED Light SFR Safety Lanyards

SN 0001PRO215 and UP
SN 0001PRO2V15 and UP

Item	Part No.	Part Description	Qty.
1	103907	LOAD RATED LANYARD	10
2	046050	5/16-18 x 1 HEX HEAD CS GR5 PL	4
3	044033	5/16-18 NYLOCK HEX NUT PL	4
4	106712P	SFR TOP BRACKET LED	4
5	106711P	SFR BOTTOM BRACKET LED	4
6	106713P	SFR LANYARD BRACKET LED	4
7	046015	1/4-20 x 1 HEX HEAD CS GR5 PL	16
8	044023	1/4-20 NYLOCK HEX NUT PL	16
9	044036	3/8-16 KEPS HEX NUT PL	16
10	045085	3/8-16 U BOLT	4

5.18 - SHO Light Solid Wired Lamp Connector

SN 0001PRO215 and UP
SN 0001PRO2V15 and UP



103128_C

Night-Lite ProII™

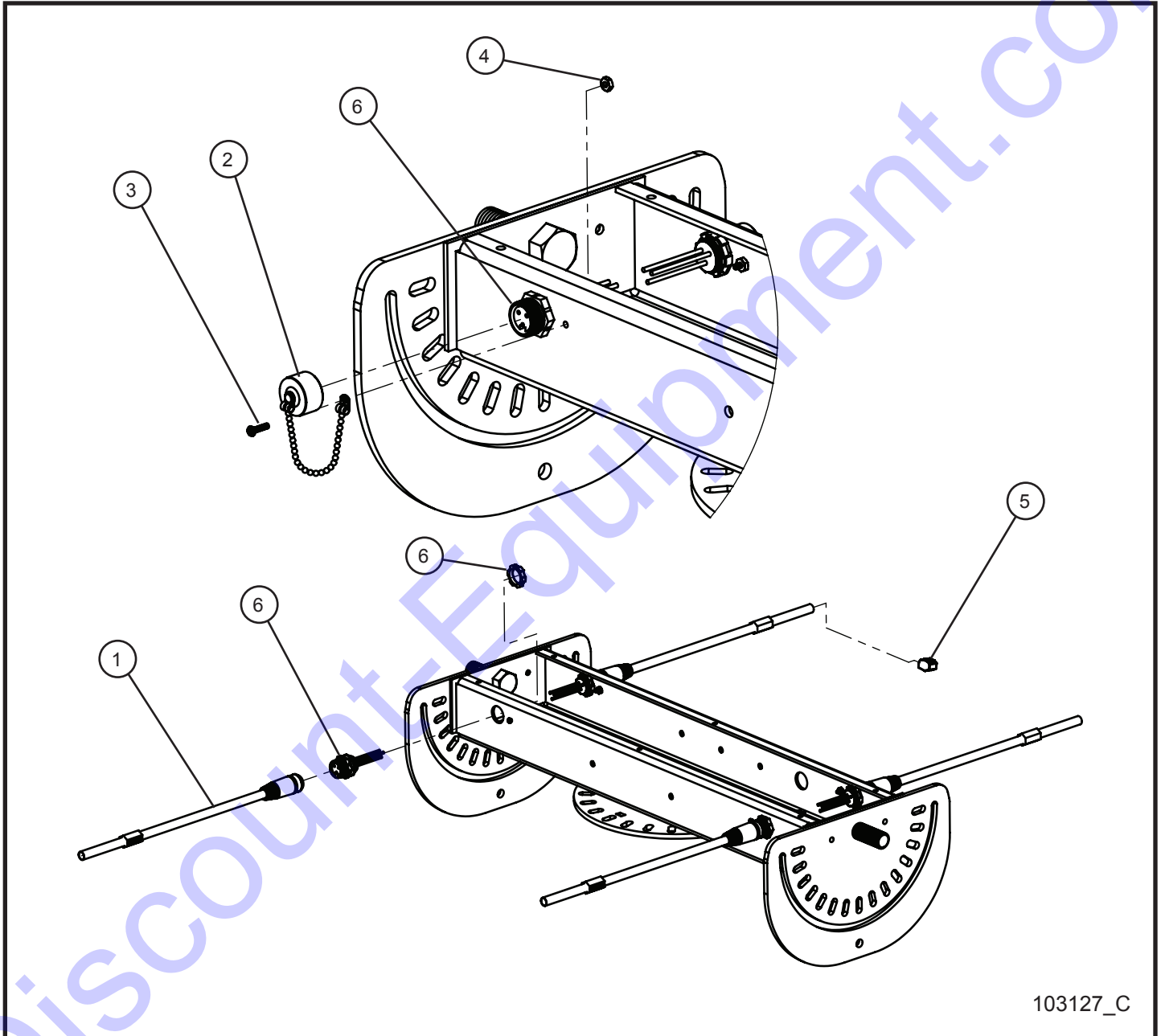
5.18 - SHO Light Solid Wired Lamp Connector

SN 0001PRO215 and UP
SN 0001PRO2V15 and UP

Item	Part No.	Part Description	Qty.
1	105626	CORD GRIP 1/2" NYLON BLACK	4
2	022035	1/2 CORD GRIP NUT	4
3	650159	CORD ASSEMBLY 16/3 SOOW 68 INCHES	4
4	102624	2 WIRE LEVER LOCK	12

5.19 - SHO Light Quick Disconnect Lamp Connector

SN 0001PRO215 and UP
SN 0001PRO2V15 and UP



103127_C

Night-Lite ProII™

5.19 - SHO Light Quick Disconnect Lamp Connector

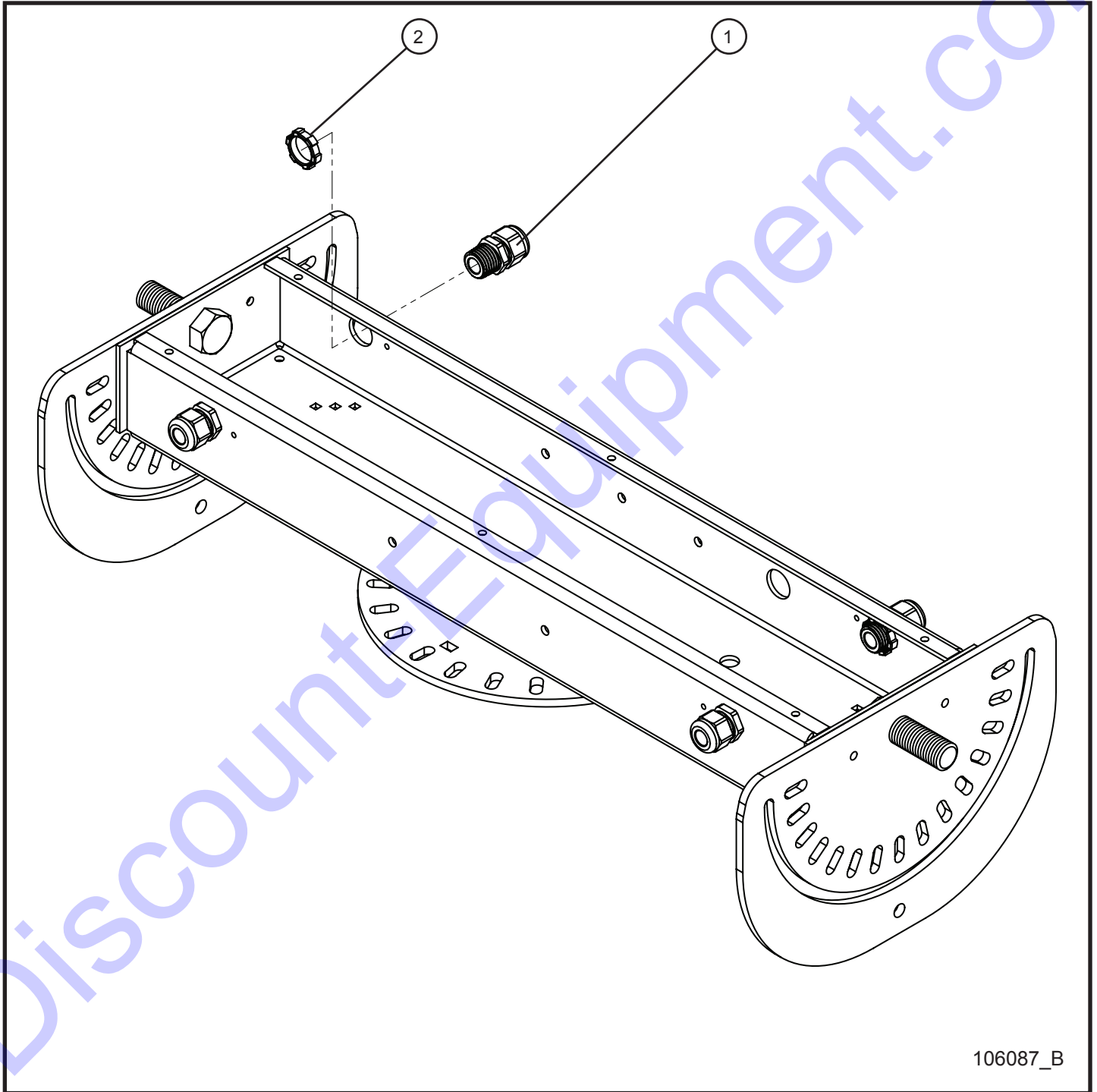
SN 0001PRO215 and UP
SN 0001PRO2V15 and UP

Item	Part No.	Part Description	Qty.
1	310434	MALE CONNECTOR CABLE HUBBEL #HPMS03112	4
2	310413	CAP QUICK DISCONNECT	4
3	100029	#6-32 x 1/2 PH-ROUND HEAD MS PL	4
4	044004	#6-32 KEPS HEX NUT PL	4
5	102624	2 WIRE LEVER LOCK	12
6	310414	QD CONNECTOR FEMALE	4

*NOTE: PARTS CALLED OUT IN SAME NUMBER ARE THE ASSEMBLY OF THAT PART NUMBER.

5.20 - LED Light Solid Wired Lamp Connector

SN 0001PRO215 and UP
SN 0001PRO2V15 and UP



Night-Lite ProII™

5.20 - LED Light Solid Wired Lamp Connector

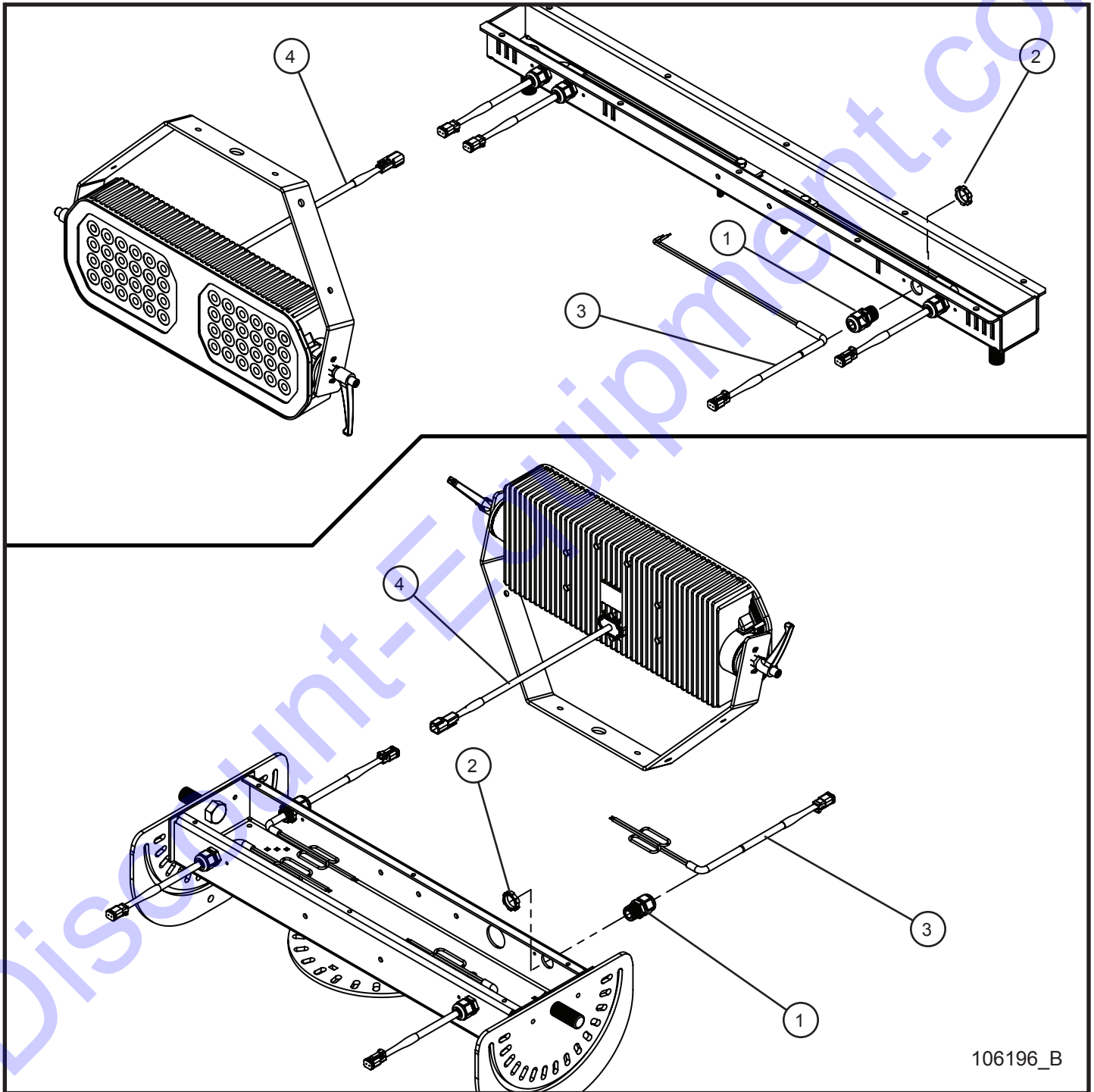
SN 0001PRO215 and UP
SN 0001PRO2V15 and UP

Item	Part No.	Part Description	Qty.
1	105626	CORD GRIP 1/2" NYLON BLACK	4
2	022035	1/2 CORD GRIP NUT	4
3	105713	SCHEMATIC LED LIGHT BAR	1

*NOTE: THE CORD FOR LED SCENE LIGHT WIDE FLOOD IS FOUND IN ITS ASSEMBLY.

5.21 - LED Light Quick Disconnect Lamp Connector

SN 0001PRO215 and UP
SN 0001PRO2V15 and UP



106196_B

Night-Lite ProII™

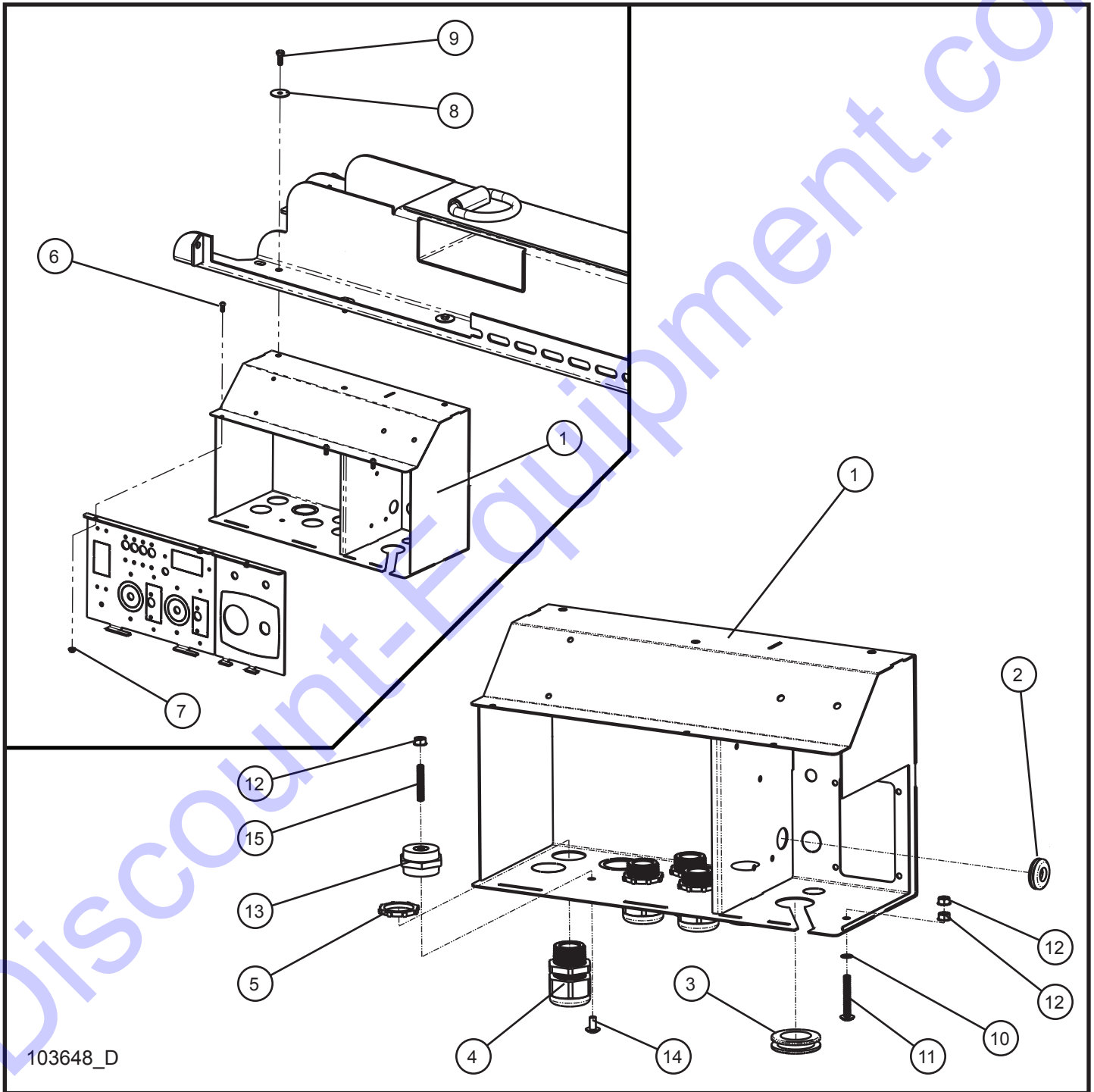
5.21 - LED Light Quick Disconnect Lamp Connector

SN 0001PRO215 and UP
SN 0001PRO2V15 and UP

Item	Part No.	Part Description	Qty.
1	105626	CORD GRIP 1/2" NYLON BLACK	4
2	022035	1/2 CORD GRIP NUT	4
3	106197	CORD QUICK DISCONNECT LED	4
4	106201	LED LAMP ASSY QUICK DISCONNECT	4
5	106157	SCHEMATIC LED DISCONNECT	1

6.1 - Component Box

SN 0001PRO215 and UP
SN 0001PRO2V15 and UP



103648_D

Night-Lite ProII™

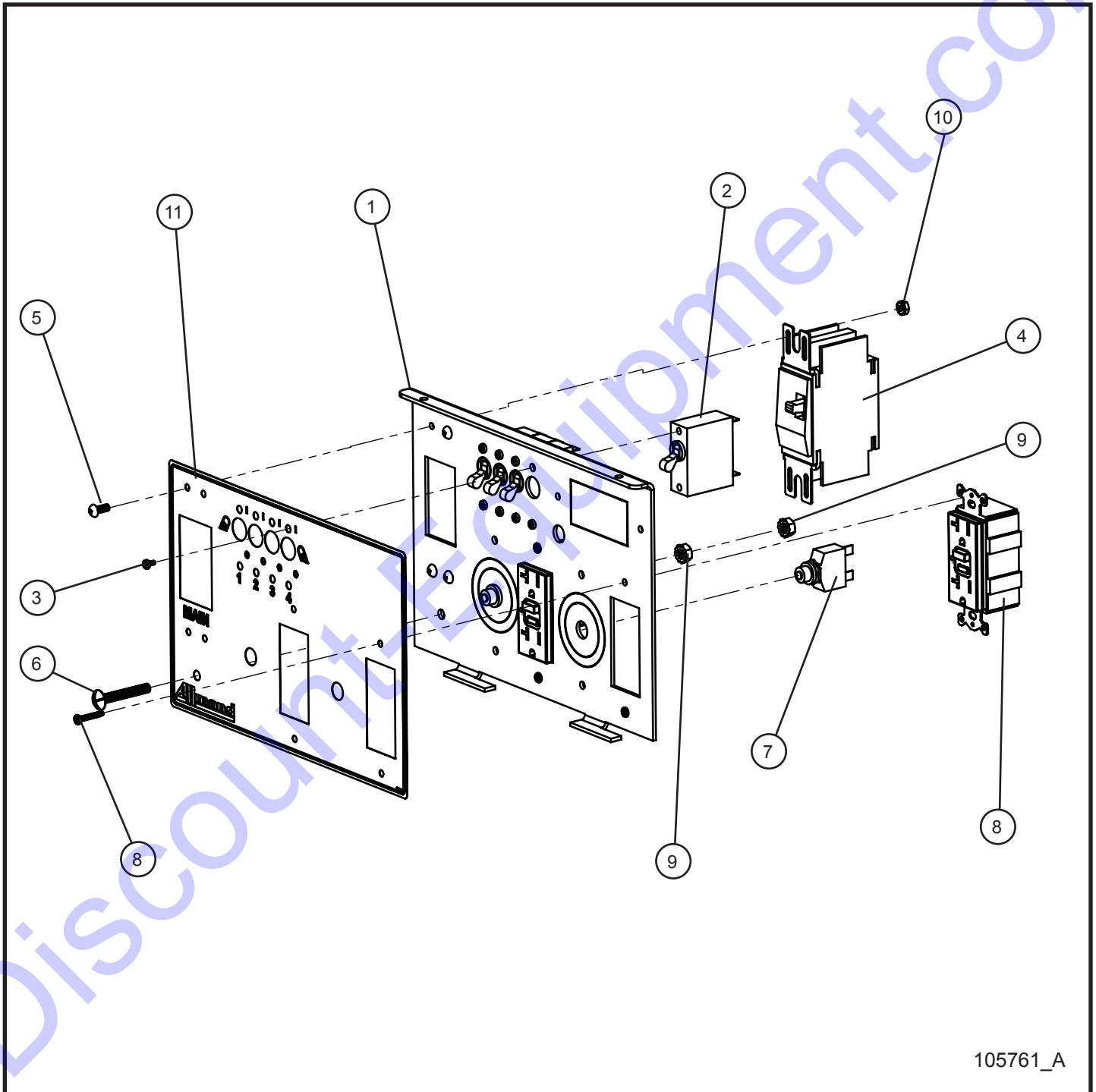
6.1 - Component Box

SN 0001PRO215 and UP
SN 0001PRO2V15 and UP

Item	Part No.	Part Description	Qty.
1	105780P	COMPONENT BOX WELDMENT	1
2	100859	7/8 ID x 1 1/4 OD GROMMET	1
3	650542	1 1/4 ID x 1 1/2 OD GROMMET	1
4	105627	CORD GRIP 1" NYLON BLACK	5
5	022038	1" CORD GRIP NUT	5
6	041024	#10-24 x 1/2 PH-ROUND HEAD MS SS	3
7	044016	#10-24 KEPS HEX NUT PL	3
8	047007	1/4 x 1 1/4 x .056 FENDER WASHER	3
9	046010	1/4-20 x 3/4 HEX HEAD CS GR5 SS	3
10	043050	1/4 INT'L TOOTH LOCK WASHER	1
11	041053	1/4-20 x 1 3/4 PH-TRUSS HEAD MS SS	1
12	044021	1/4-20 KEPS HEX NUT PL	3
13	106318	LOW VOLTAGE INSULATOR 1-1/4, 1/4-20	1
14	041078	1/4-20 x 1/2 PH-TRUSS HEAD MS SS	1
15	045003	1/4-20 x 1-1/2 STUD PL	1

6.2 - 2-20AMP GFCI Outlet Package

SN 0001PRO215 and UP
SN 0001PRO2V15 and UP



105761_A

Night-Lite ProII™

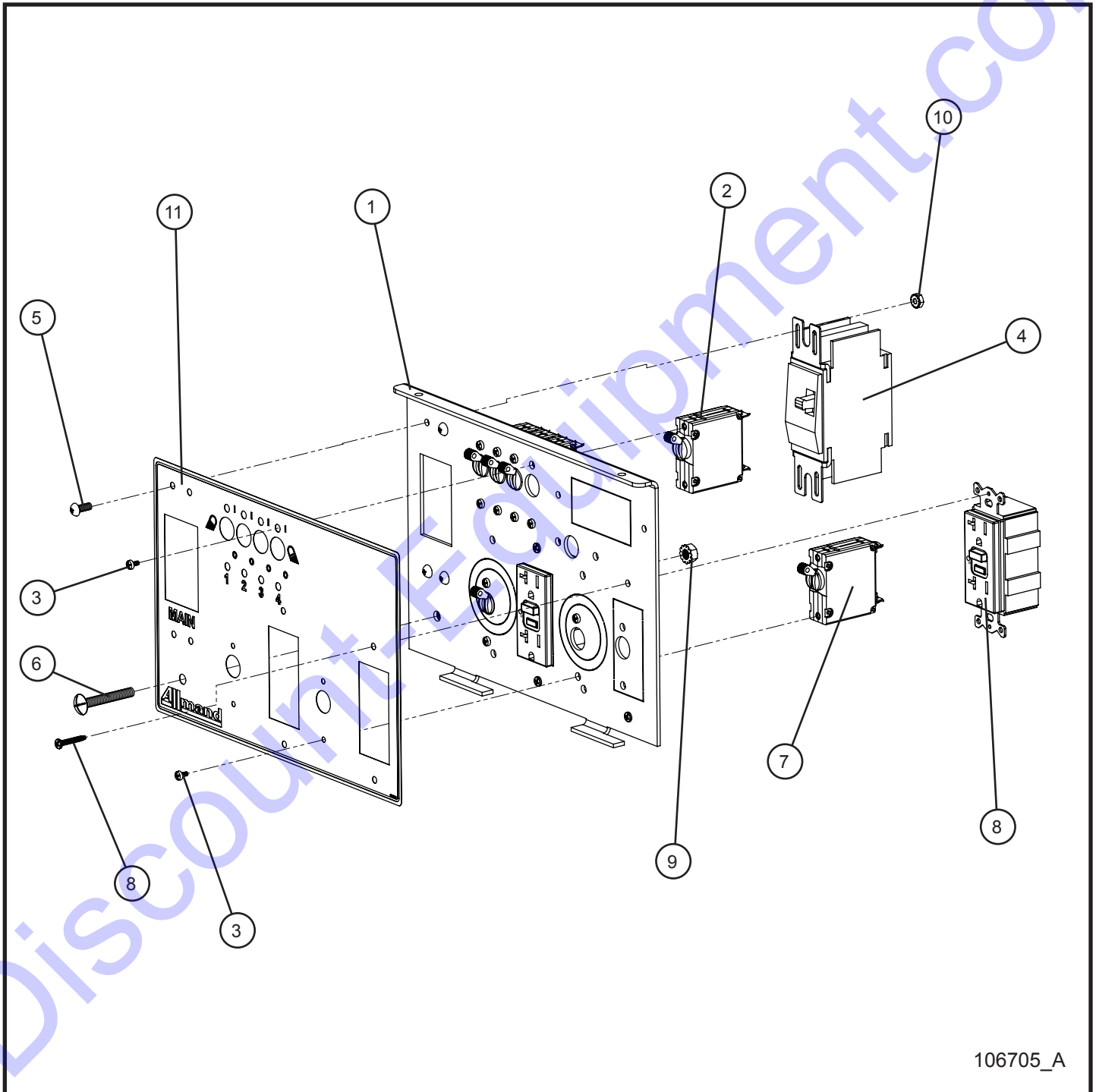
6.2 - 2-20AMP GFCI Outlet Package

SN 0001PRO215 and UP
SN 0001PRO2V15 and UP

Item	Part No.	Part Description	Qty.
1	105777P	OUTLET PANEL UNIVERSAL 3	1
2	330458	15A SPST BREAKER SWITCH	4
3	041018	#6-32 x 1/4 PH-ROUND HEAD MS PL	8
4	350354	35 AMP DOUBLE POLE BREAKER	1
5	041012	SCREW MS #8-32 x 1/2 PL	4
6	041053	1/4-20 x 1 3/4 PH-TRUSS HEAD MS SS	1
7	650138	CIRCUIT BREAKER 20A PUSH BUTTON	2
8	330499	20 A GFCI RECEPTACLE	2
9	044021	1/4-20 KEPS HEX NUT PL	2
10	044003	#8-32 NC KEPS NUT	4
11	105771	DECAL BREAKER DOMESTIC OPTIONS	1

6.3 - 2-20AMP GFCI Outlet UL489 Package

SN 0001PRO215 and UP
SN 0001PRO2V15 and UP



106705_A

Night-Lite ProII™

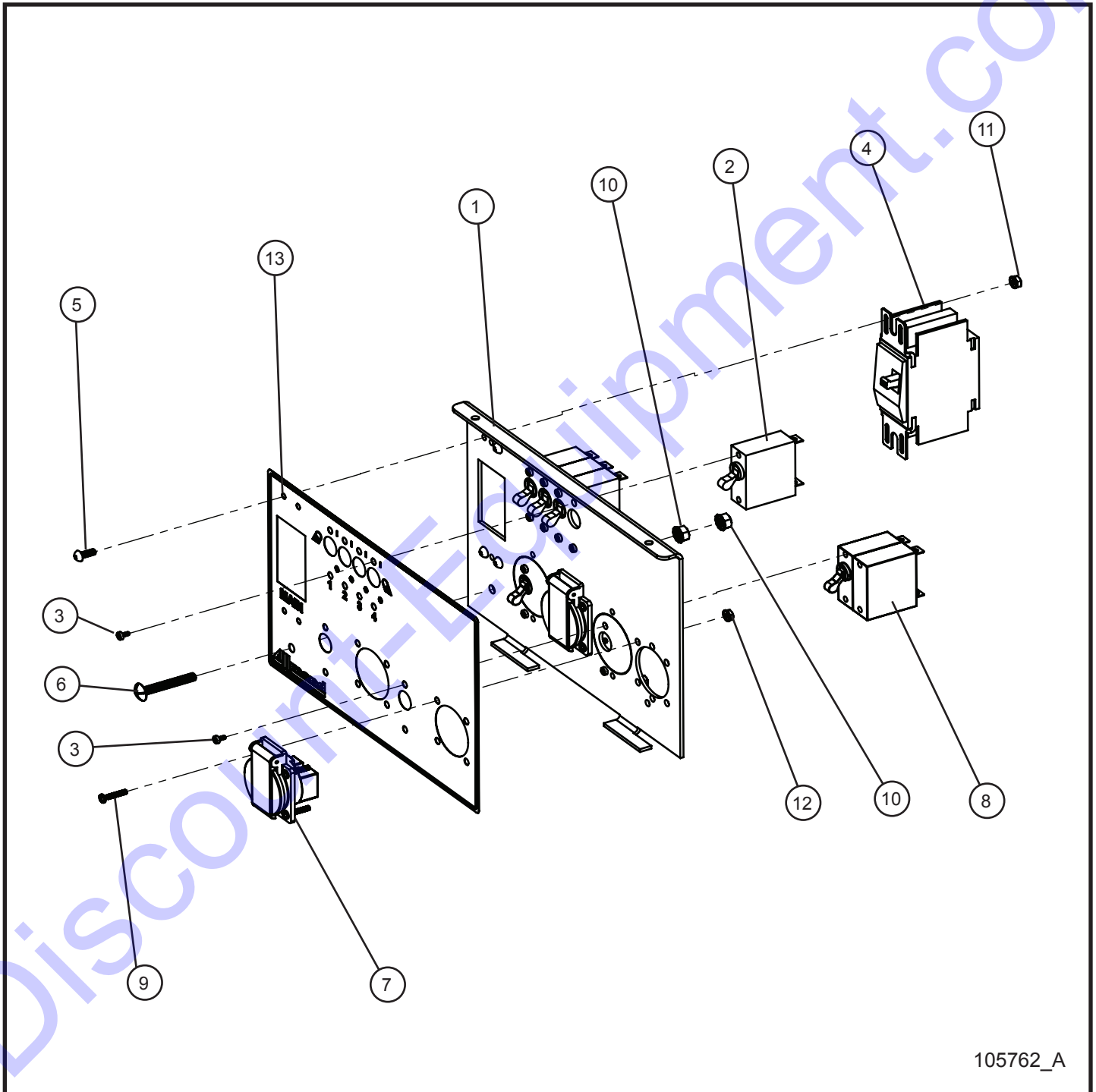
6.3 - 2-20AMP GFCI Outlet UL489 Package

SN 0001PRO215 and UP
SN 0001PRO2V15 and UP

Item	Part No.	Part Description	Qty.
1	106684P	OUTLET PANEL UNIVERSAL 3	1
2	106781	CIRCUIT BREAKER 15AMP	4
3	041018	#6-32 x 1/4 PH-ROUND HEAD MS PL	12
4	350354	35 AMP DOUBLE POLE BREAKER	1
5	041012	SCREW MS #8-32 x 1/2 PL	4
6	041053	1/4-20 x 1 3/4 PH-TRUSS HEAD MS SS	1
7	106787	CIRCUIT BREAKER 20AMP	2
8	330499	20 A GFCI RECEPTACLE	2
9	044021	1/4-20 KEPS HEX NUT PL	2
10	044003	#8-32 NC KEPS NUT	4
11	105771	DECAL BREAKER DOMESTIC OPTIONS	1
12	107599	SCHEMATIC 2-20 AMP GFCI	1

6.4 - 50Hz Schuko Outlet Package

SN 0001PRO215 and UP
SN 0001PRO2V15 and UP



105762_A

Night-Lite ProII™

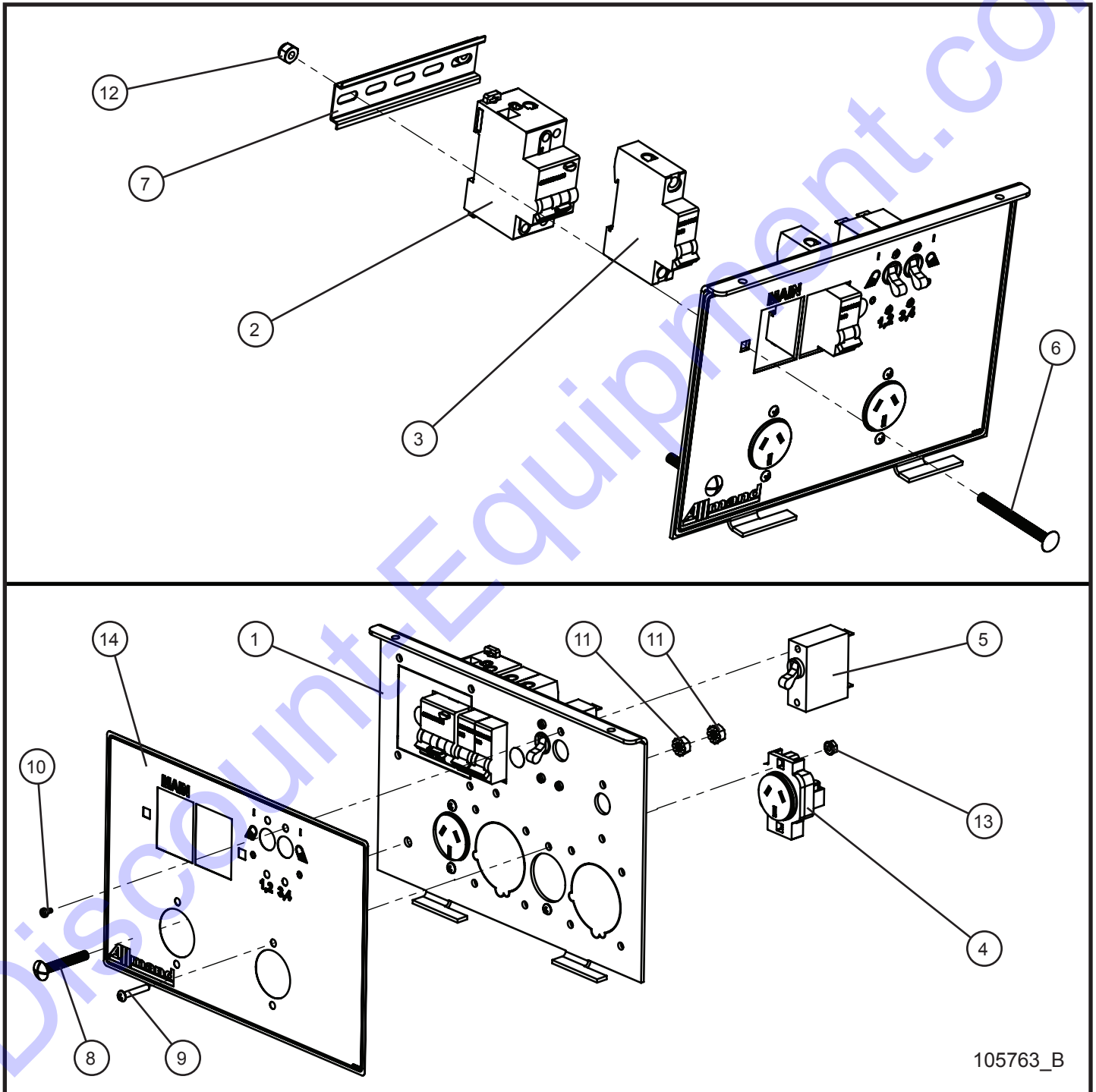
6.4 - 50Hz Schuko Outlet Package

SN 0001PRO215 and UP
SN 0001PRO2V15 and UP

Item	Part No.	Part Description	Qty.
1	105778P	OUTLET PANEL UNIVERSAL 1	1
2	330458	15A SPST BREAKER SWITCH	4
3	041018	#6-32 x 1/4 PH-ROUND HEAD MS PL	12
4	650534	25 AMP 120/240V DPST MAIN BREAKER	1
5	041012	SCREW MS #8-32 x 1/2 PL	4
6	041053	1/4-20 x 1 3/4 PH-TRUSS HEAD MS SS	1
7	650485	SCHUKO RECEPTACLE	2
8	330459	15A DPST, CARLING SWITCH	2
9	101291	#6-32 x 3/4 PH-PAN HEAD MS ZC	8
10	044021	1/4-20 KEPS HEX NUT PL	2
11	044003	#8-32 NC KEPS NUT	4
12	044004	#6-32 KEPS HEX NUT PL	8
13	105771	DECAL BREAKER FOREIGN OPTIONS	1

6.5 - 2-10AMP Outlet Package Australian

SN 0001PRO215 and UP
SN 0001PRO2V15 and UP



105763_B

Night-Lite ProII™

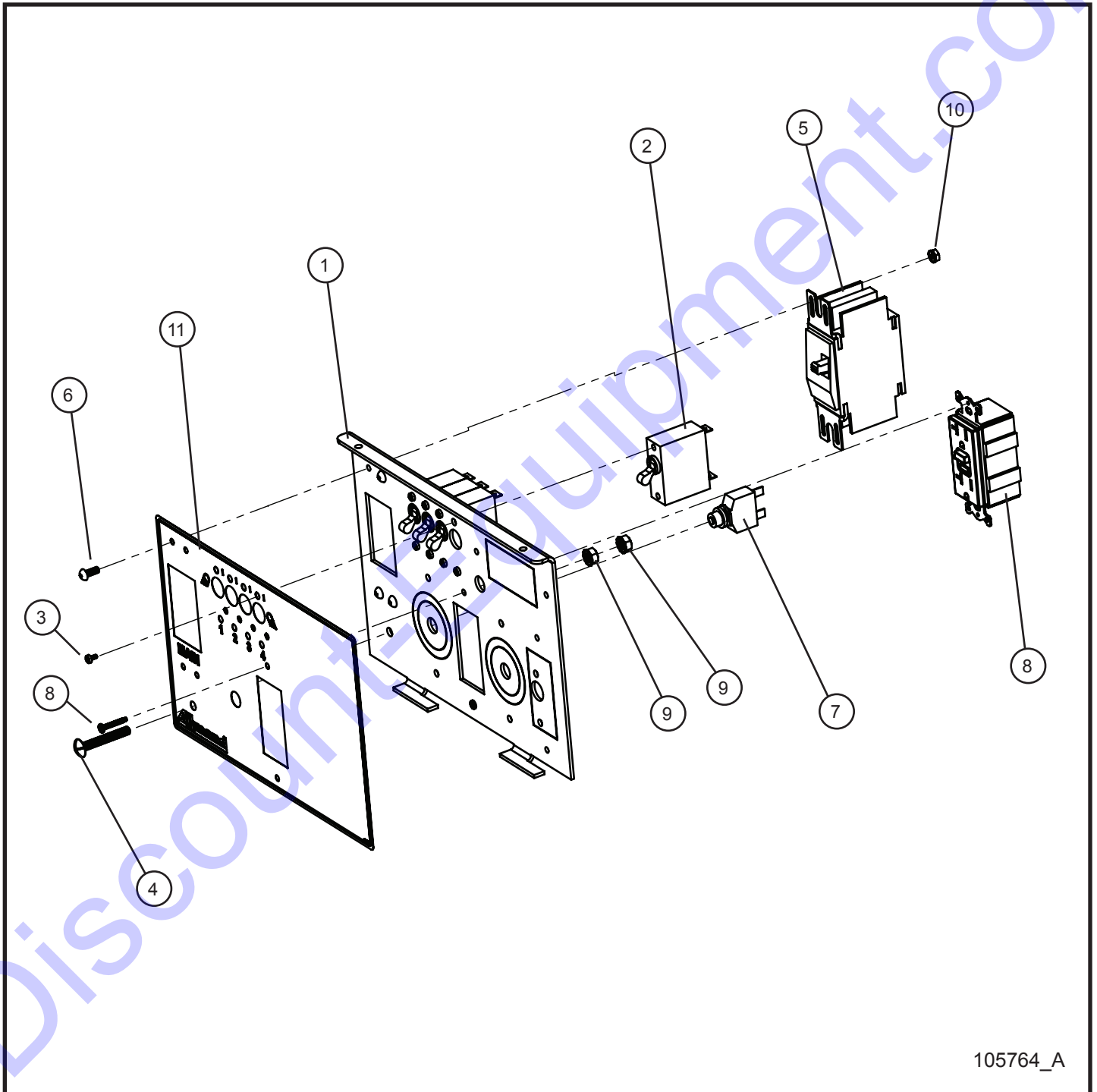
6.5 - 2-10AMP Outlet Package Australian

SN 0001PRO215 and UP
SN 0001PRO2V15 and UP

Item	Part No.	Part Description	Qty.
1	105779P	OUTLET PANEL UNIVERSAL 2	1
2	C104040	CIRCUIT BREAKER 32 AMP	1
3	C104516	CIRCUIT BREAKER 10 AMP	2
4	102124	AU1-10 240V RECEPTACLE	2
5	330458	15A SPST BREAKER SWITCH	2
6	100718	1/4-20 x 2 1/4 CARRIAGE BOLT	2
7	105775	DIN RAIL 5"	1
8	041053	1/4-20 x 1 3/4 PH-TRUSS HEAD MS SS	1
9	041202	#8-32 x 1 PH-ROUND HEAD MS ZC	4
10	041018	#6-32 x 1/4 PH-ROUND HEAD MS PL	4
11	044021	1/4-20 KEPS HEX NUT PL	2
12	044023	1/4-20 NYLOCK HEX NUT PL	2
13	044003	#8-32 NC KEPS NUT	4
14	102930	DECAL BREAKER	1

6.6 - 1-20AMP GFCI Outlet Package

SN 0001PRO215 and UP
SN 0001PRO2V15 and UP



105764_A

Night-Lite ProII™

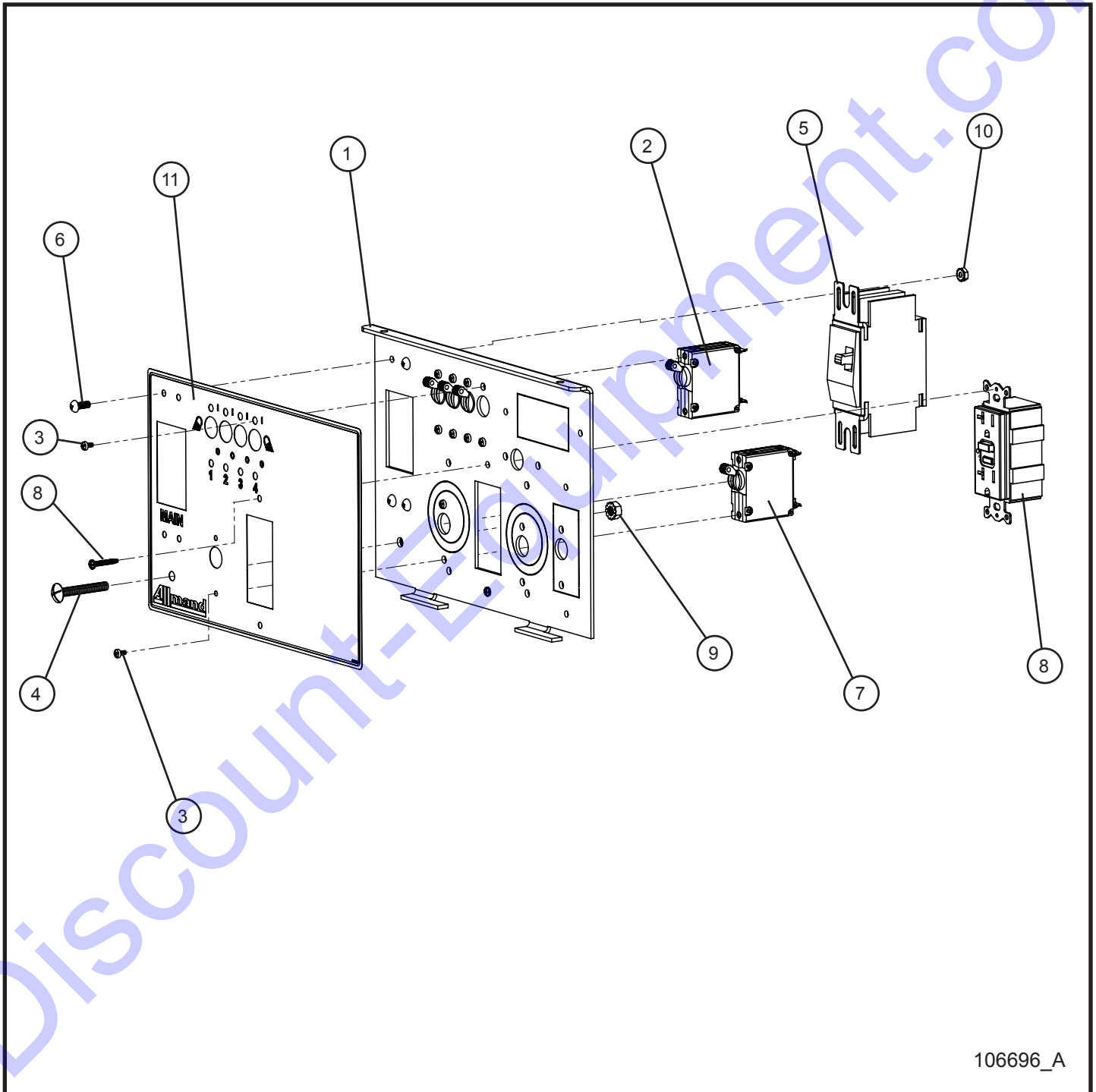
6.6 - 1-20AMP GFCI Outlet Package

SN 0001PRO215 and UP
SN 0001PRO2V15 and UP

Item	Part No.	Part Description	Qty.
1	105777P	OUTLET PANEL UNIVERSAL 3	1
2	330458	15A SPST BREAKER SWITCH	4
3	041018	#6-32 x 1/4 PH-ROUND HEAD MS PL	8
4	041053	1/4-20 x 1 3/4 PH-TRUSS HEAD MS SS	1
5	350354	35 AMP DOUBLE POLE BREAKER	1
6	041012	SCREW MS #8-32 x 1/2 PL	4
7	650138	CIRCUIT BREAKER 20A PUSH BUTTON	1
8	330499	20 A GFCI	1
9	044021	1/4-20 KEPS HEX NUT PL	2
10	044003	#8-32 NC KEPS NUT	4
11	105771	DECAL BREAKER DOMESTIC OPTIONS	1

6.7 - 1-20AMP GFCI Outlet UL489 Package

SN 0001PRO215 and UP
SN 0001PRO2V15 and UP



106696_A

Night-Lite ProII™

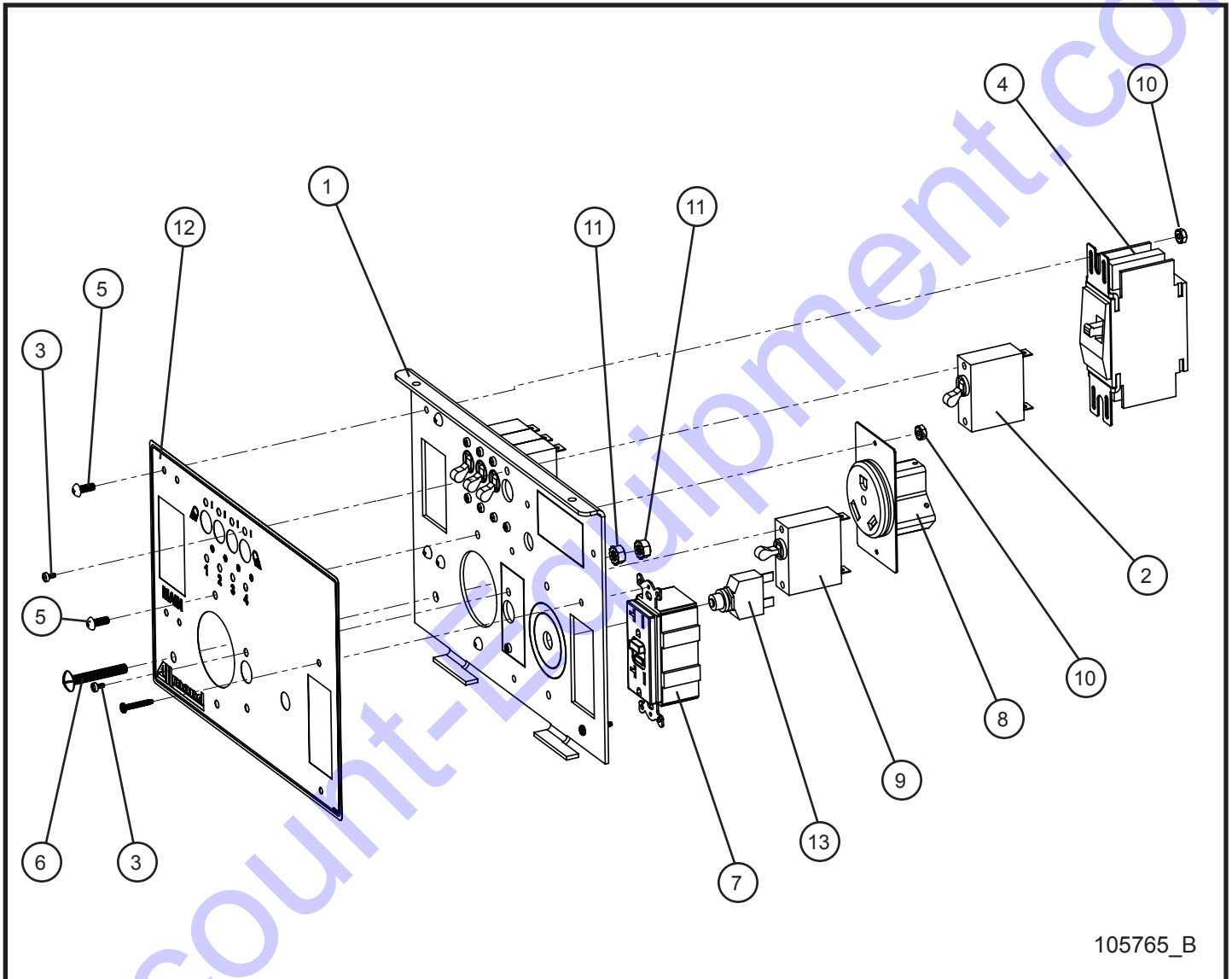
6.7 - 1-20AMP GFCI Outlet UL489 Package

SN 0001PRO215 and UP
SN 0001PRO2V15 and UP

Item	Part No.	Part Description	Qty.
1	106684P	OUTLET PANEL UNIVERSAL 3	1
2	106781	CIRCUIT BREAKER 15 AMP	4
3	041018	#6-32 x 1/4 PH-ROUND HEAD MS PL	10
4	041053	1/4-20 x 1 3/4 PH-TRUSS HEAD MS SS	1
5	350354	35 AMP DOUBLE POLE BREAKER	1
6	041012	SCREW MS #8-32 x 1/2 PL	4
7	106787	CIRCUIT BREAKER 20 AMP	1
8	330499	20 A GFCI RECEPTACLE	1
9	044021	1/4-20 KEPS HEX NUT PL	2
10	044003	#8-32 NC KEPS NUT	4
11	105771	DECAL BREAKER DOMESTIC OPTIONS	1
12	107620	SCHEMATIC 1-20 AMP GFCI	1

6.8 - 1-30AMP RV 1-20AMP GFCI Outlet Package

SN 0001PRO215 and UP
SN 0001PRO2V15 and UP



Night-Lite ProII™

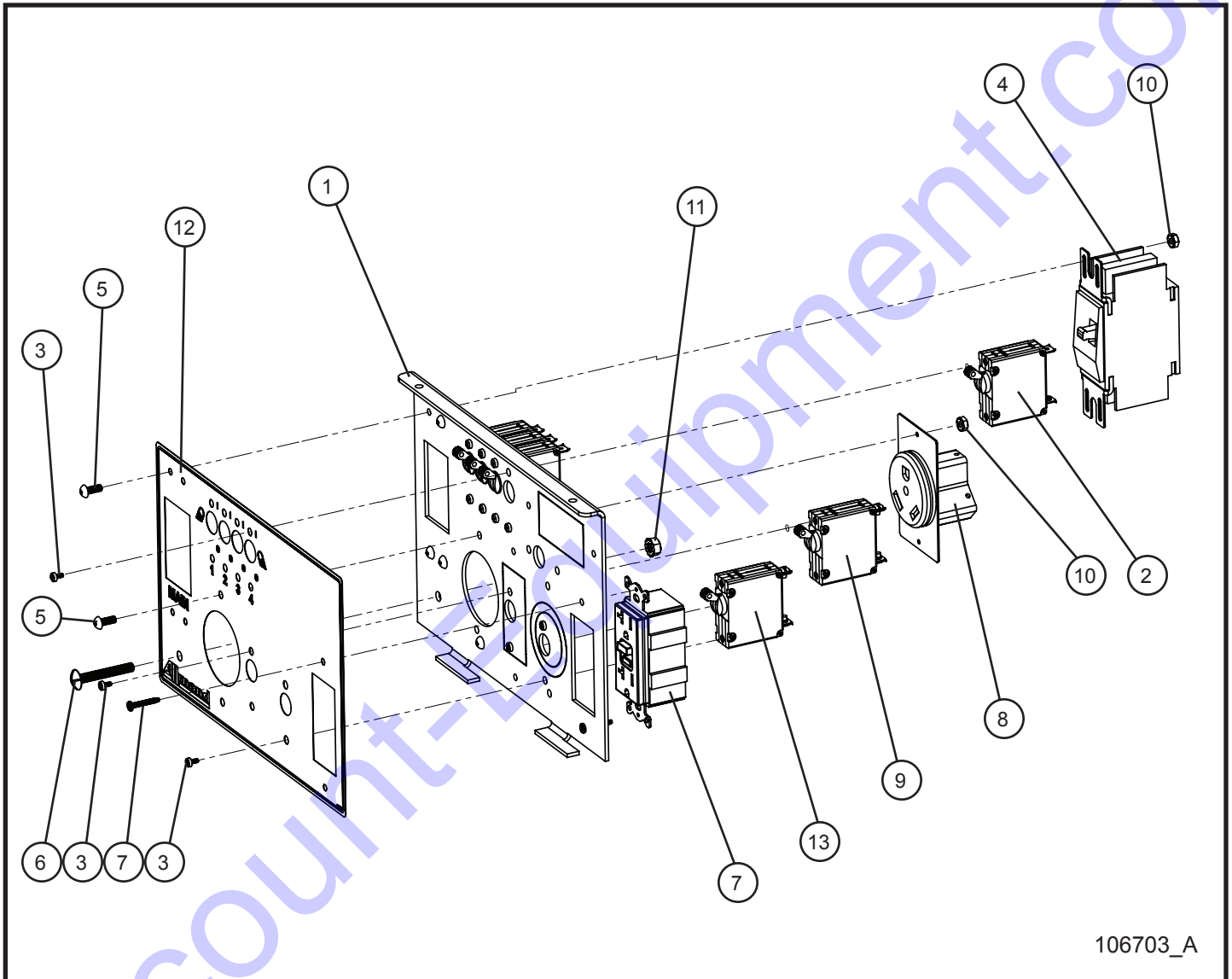
6.8 - 1-30AMP RV 1-20AMP GFCI Outlet Package

SN 0001PRO215 and UP
SN 0001PRO2V15 and UP

Item	Part No.	Part Description	Qty.
1	105777P	OUTLET PANEL UNIVERSAL 3	1
2	330458	15A SPST BREAKER SWITCH	4
3	041018	#6-32 x 1/4 PH-ROUND HEAD MS PL	10
4	350354	35 AMP DOUBLE POLE BREAKER	1
5	041012	SCREW MS #8-32 x 1/2 PL	6
6	041053	1/4-20 x 1 3/4 PH-TRUSS HEAD MS SS	1
7	330499	20 A GFCI RECEPTACLE	1
8	680815	125V 30A OUTLET	1
9	330472	30 AMP SINGLE POLE SWITCH	1
10	044003	#8-32 NC KEPS NUT	6
11	044021	1/4-20 KEPS HEX NUT PL	2
12	105771	DECAL BREAKER DOMESTIC OPTIONS	1
13	650138	CIRCUIT BREAKER 20A PUSH BUTTON	1

6.9 - 1-30AMP RV 1-20AMP GFCI Outlet UL489 Package

SN 0001PRO215 and UP
SN 0001PRO2V15 and UP



Night-Lite ProII™

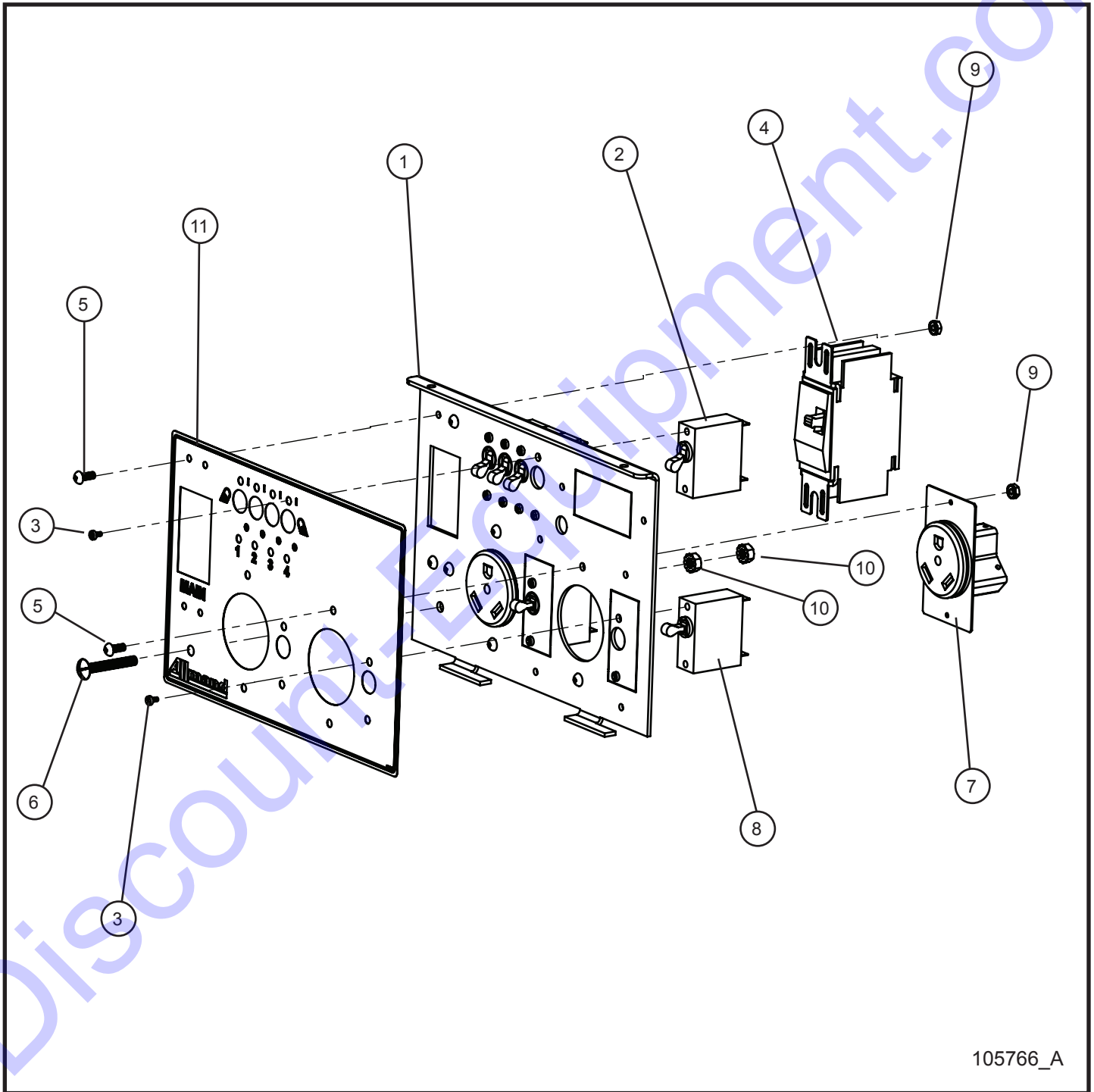
6.9 - 1-30AMP RV 1-20AMP GFCI Outlet UL489 Package

SN 0001PRO215 and UP
SN 0001PRO2V15 and UP

Item	Part No.	Part Description	Qty.
1	106684P	OUTLET PANEL UNIVERSAL 3	1
2	106781	CIRCUIT BREAKER 15 AMP	4
3	041018	#6-32 x 1/4 PH-ROUND HEAD MS PL	12
4	350354	35 AMP DOUBLE POLE BREAKER	1
5	041012	SCREW MS #8-32 x 1/2 PL	6
6	041053	1/4-20 x 1 3/4 PH-TRUSS HEAD MS SS	1
7	330499	20 A GFCI RECEPTACLE	1
8	680815	125V 30A OUTLET	1
9	106782	CIRCUIT BREAKER 30 AMP	1
10	044003	#8-32 NC KEPS NUT	6
11	044021	1/4-20 KEPS HEX NUT PL	2
12	105771	DECAL BREAKER DOMESTIC OPTIONS	1
13	106787	CIRCUIT BREAKER 20AMP	1
14	107621	SCHEMATIC 1-30 AMP RV	1

6.10 - 2-30AMP RV Outlet Package

SN 0001PRO215 and UP
SN 0001PRO2V15 and UP



105766_A

Night-Lite ProII™

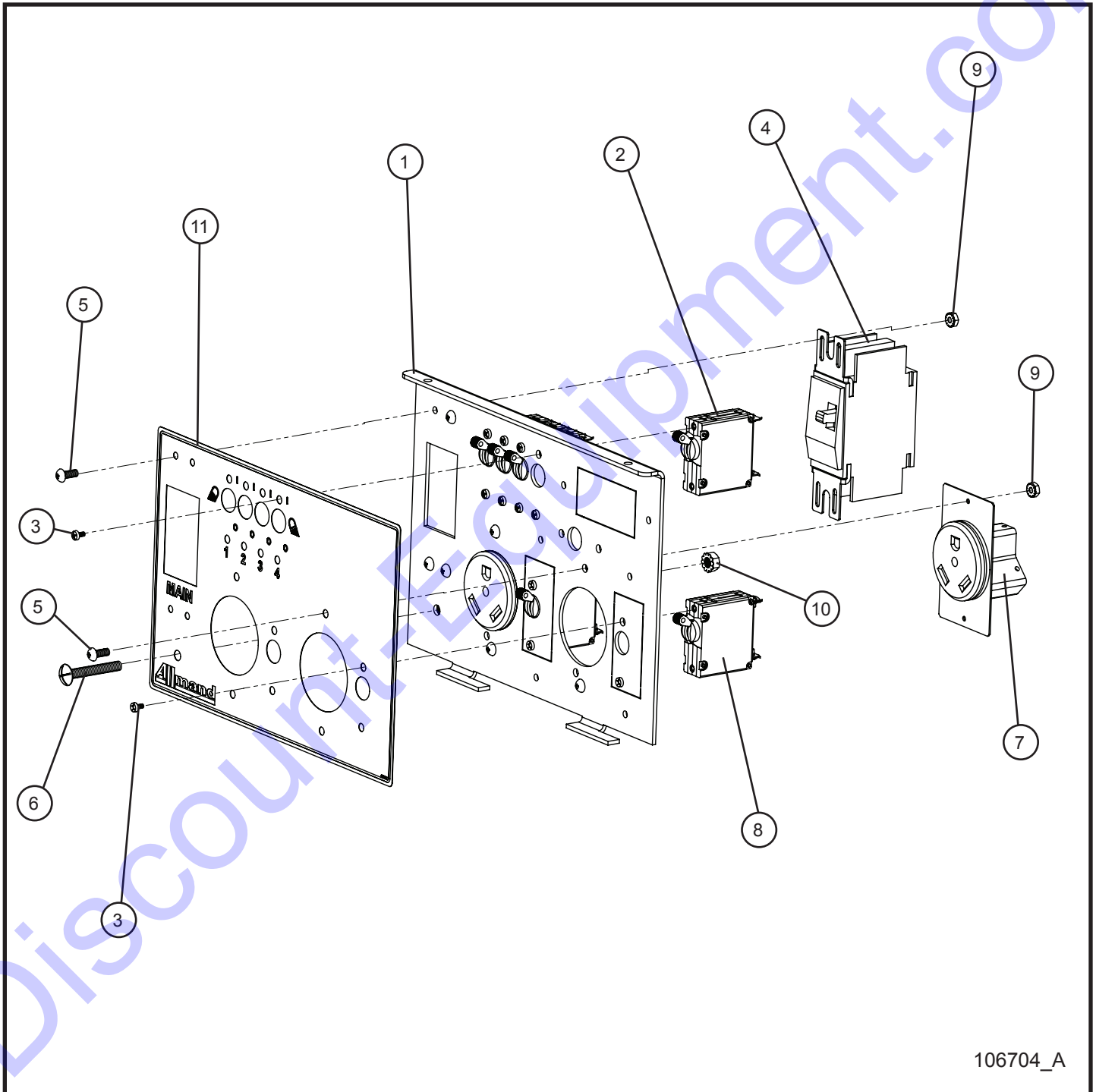
6.10 - 2-30AMP RV Outlet Package

SN 0001PRO215 and UP
SN 0001PRO2V15 and UP

Item	Part No.	Part Description	Qty.
1	105777P	OUTLET PANEL UNIVERSAL 3	1
2	330458	15A SPST BREAKER SWITCH	4
3	041018	#6-32 x 1/4 PH-ROUND HEAD MS PL	12
4	350354	35 AMP DOUBLE POLE BREAKER	1
5	041012	SCREW MS #8-32 x 1/2 PL	8
6	041053	1/4-20 x 1 3/4 PH-TRUSS HEAD MS SS	1
7	680815	125V 30A OUTLET	2
8	330472	30 AMP SINGLE POLE SWITCH	2
9	044003	#8-32 NC KEPS NUT	8
10	044021	1/4-20 KEPS HEX NUT PL	2
11	105771	DECAL BREAKER DOMESTIC OPTIONS	1

6.11 - 2-30AMP RV Outlet UL489 Package

SN 0001PRO215 and UP
SN 0001PRO2V15 and UP



106704_A

Night-Lite ProII™

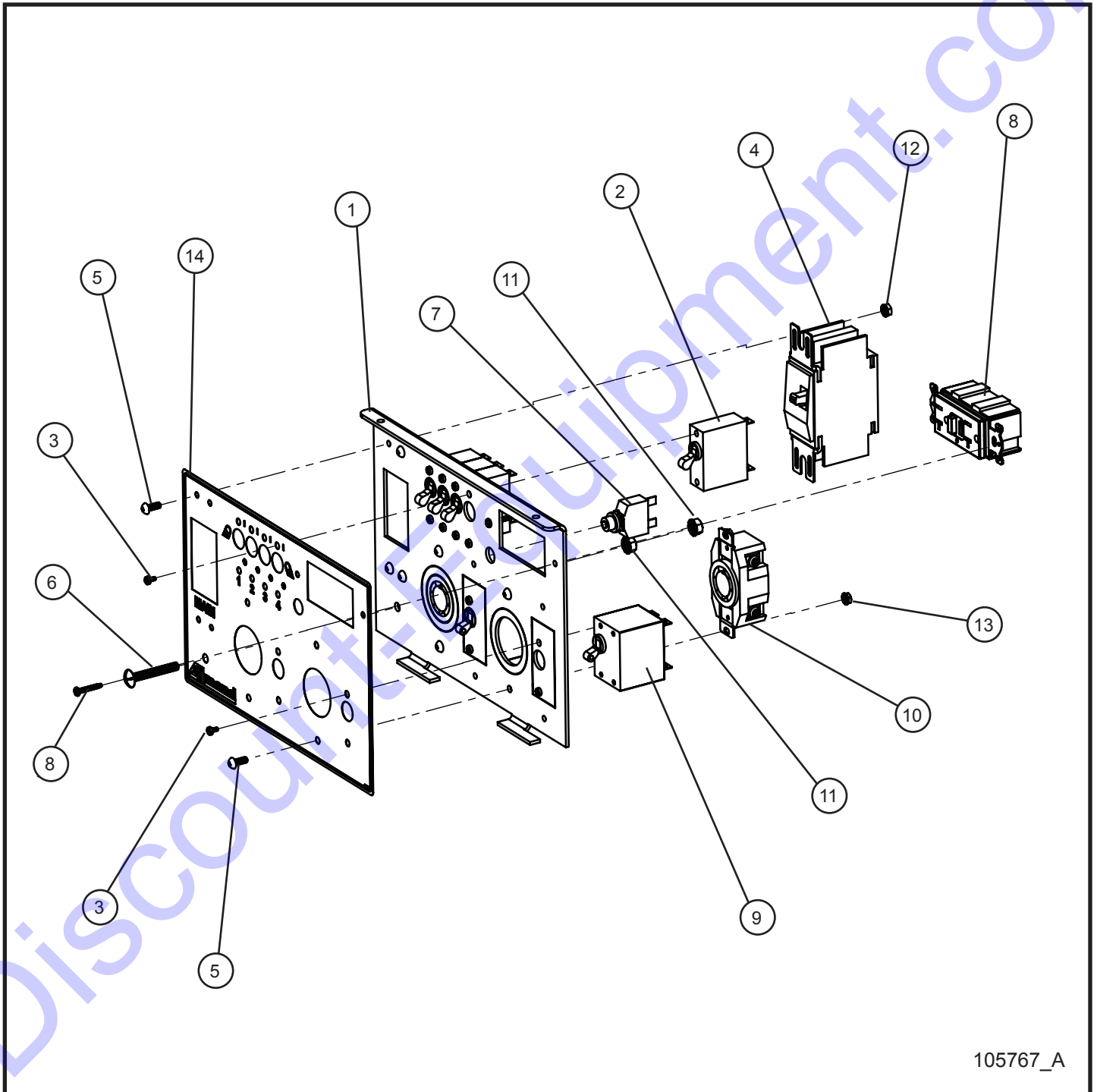
6.11 - 2-30AMP RV Outlet UL489 Package

SN 0001PRO215 and UP
SN 0001PRO2V15 and UP

Item	Part No.	Part Description	Qty.
1	106684P	OUTLET PANEL UNIVERSAL 3	1
2	106781	CIRCUIT BREAKER 15 AMP	4
3	041018	#6-32 x 1/4 PH-ROUND HEAD MS PL	12
4	350354	35 AMP DOUBLE POLE BREAKER	1
5	041012	SCREW MS #8-32 x 1/2 PL	8
6	041053	1/4-20 x 1 3/4 PH-TRUSS HEAD MS SS	1
7	680815	125V 30A OUTLET	2
8	106782	CIRCUIT BREAKER 30 AMP	2
9	044003	#8-32 NC KEPS NUT	8
10	044021	1/4-20 KEPS HEX NUT PL	2
11	105771	DECAL BREAKER DOMESTIC OPTIONS	1
12	107624	SCHEMATIC 2-30 AMP RV	1

6.12 - 2-30AMP Twistlock 1-20AMP GFCI Outlet Package

SN 0001PRO215 and UP
SN 0001PRO2V15 and UP



105767_A

Night-Lite ProII™

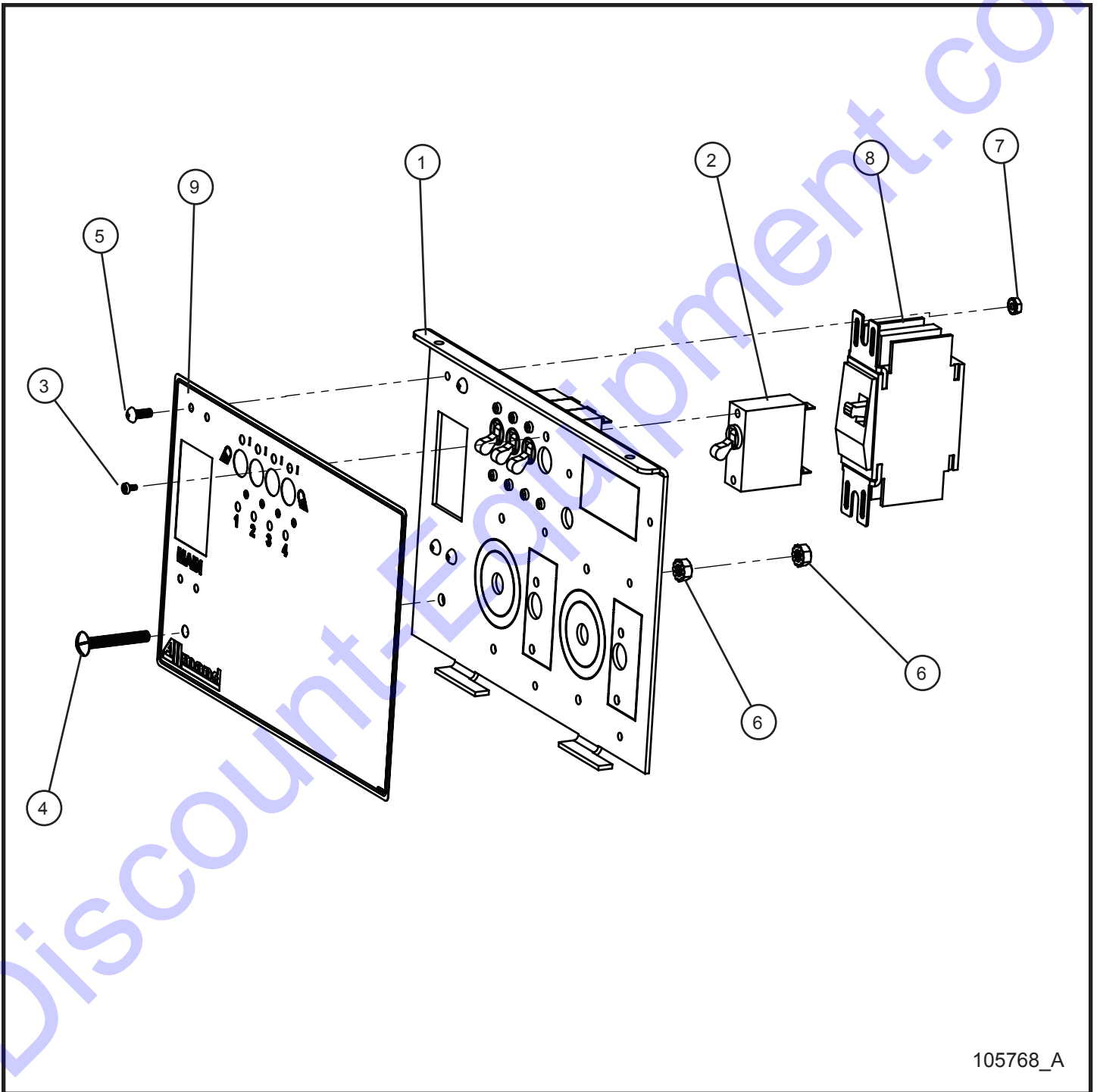
6.12 - 2-30AMP Twistlock 1-20AMP GFCI Outlet Package

SN 0001PRO215 and UP
SN 0001PRO2V15 and UP

Item	Part No.	Part Description	Qty.
1	105777P	OUTLET PANEL UNIVERSAL 3	1
2	330458	15A SPST BREAKER SWITCH	4
3	041018	#6-32 x 1/4 PH-ROUND HEAD MS PL	12
4	350354	35 AMP DOUBLE POLE BREAKER	1
5	041012	SCREW MS #8-32 x 1/2 PL	8
6	041053	1/4-20 x 1 3/4 PH-TRUSS HEAD MS SS	1
7	650138	CIRCUIT BREAKER 20A PUSH BUTTON	1
8	330499	20 A GFCI RECEPTACLE	1
9	330456	30A DPST CIRCUIT BREAKER	2
10	653102	30A 125-250V TWISTLOCK RECEPTACLE	2
11	044021	1/4-20 KEPS NUT PL	2
12	044003	#8-32 NC KEPS NUT	4
13	044004	#6-32 KEPS HEX NUT PL	4
14	105771	DECAL BREAKER DOMESTIC OPTIONS	1

6.13 - No Outlet Package

SN 0001PRO215 and UP
SN 0001PRO2V15 and UP



105768_A

Night-Lite ProII™

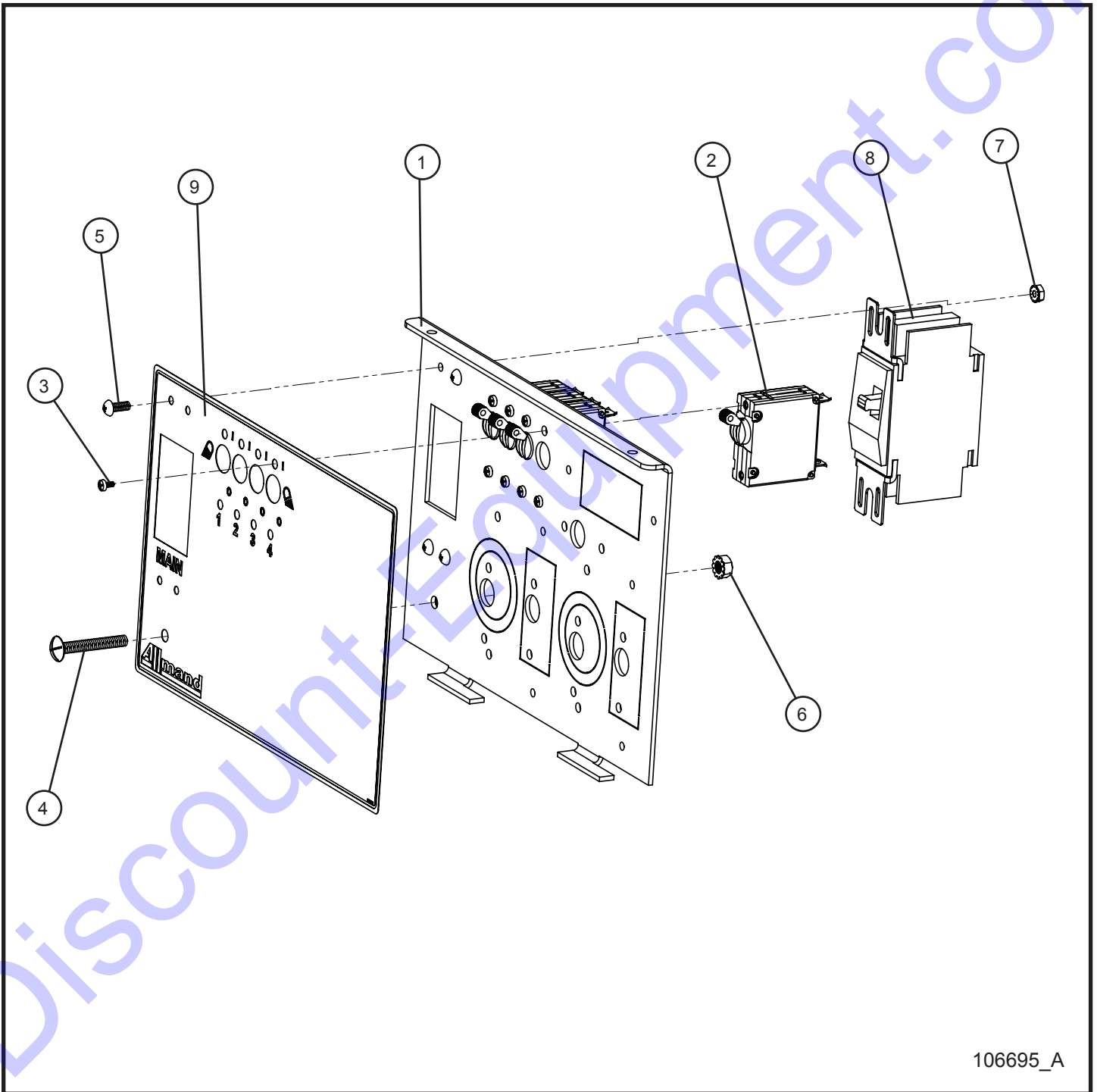
6.13 - No Outlet Package

SN 0001PRO215 and UP
SN 0001PRO2V15 and UP

Item	Part No.	Part Description	Qty.
1	105777P	OUTLET PANEL UNIVERSAL 3	1
2	330458	15A SPST BREAKER SWITCH	4
3	041018	#6-32 x 1/4 ROUND HEAD MS PL	8
4	041053	1/4-20 x 1 3/4 PH-TRUSS HEAD MS SS	1
5	041012	SCREW MS #8-32 x 1/2 PL	4
6	044021	1/4-20 KEPS HEX NUT PL	2
7	044003	#8-32 NC KEPS NUT	4
8	350354	35 AMP DOUBLE POLE BREAKER	1
9	105771	DECAL BREAKER DOMESTIC OPTIONS	1

6.14 - No Outlet UL489 Package

SN 0001PRO215 and UP
SN 0001PRO2V15 and UP



106695_A

Night-Lite ProII™

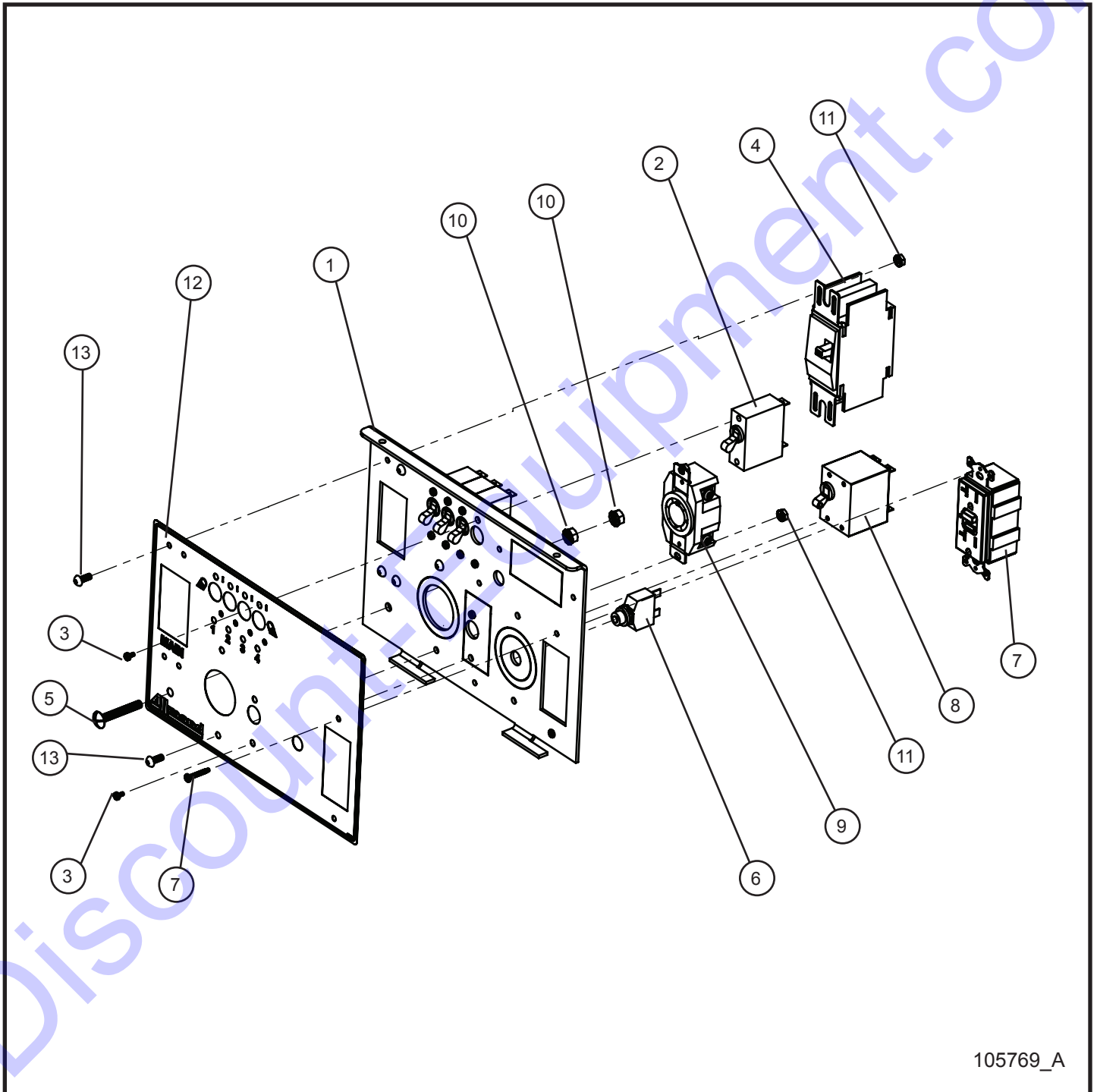
6.14 - No Outlet UL489 Package

SN 0001PRO215 and UP
SN 0001PRO2V15 and UP

Item	Part No.	Part Description	Qty.
1	106684P	OUTLET PANEL UNIVERSAL 3	1
2	106781	CIRCUIT BREAKER 15 AMP	4
3	041018	#6-32 x 1/4 ROUND HEAD MS PL	8
4	041053	1/4-20 x 1 3/4 PH-TRUSS HEAD MS SS	1
5	041012	SCREW MS #8-32 x 1/2 PL	4
6	044021	1/4-20 KEPS HEX NUT PL	2
7	044003	#8-32 NC KEPS NUT	4
8	350354	35 AMP DOUBLE POLE BREAKER	1
9	105771	DECAL BREAKER DOMESTIC OPTIONS	1
10	107627	SCHEMATIC NO OUTLET	1

6.15 - 1-30AMP Twistlock 1-GFCI Outlet Package

SN 0001PRO215 and UP
SN 0001PRO2V15 and UP



105769_A

Night-Lite ProII™

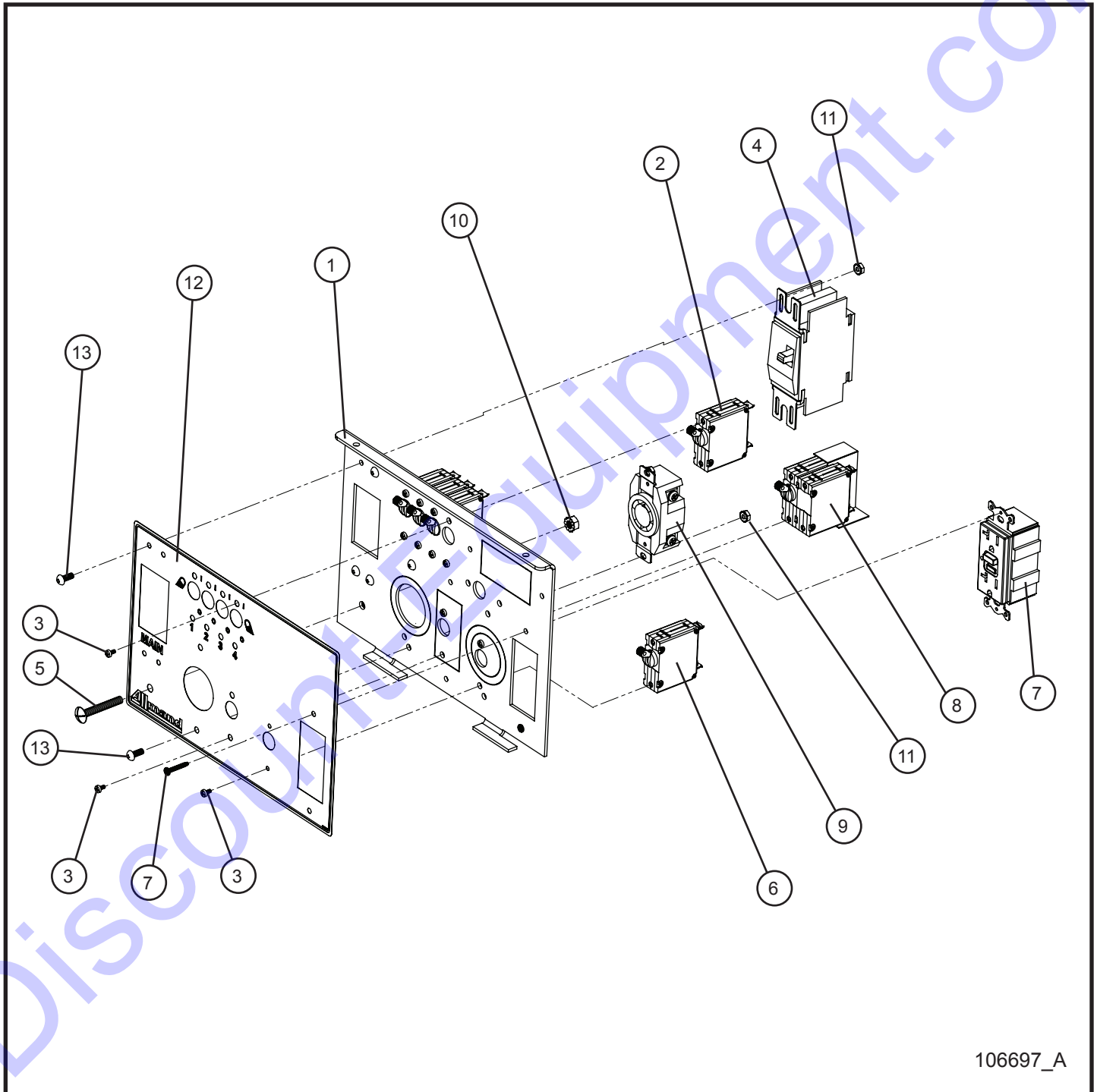
6.15 - 1-30AMP Twistlock 1-GFCI Outlet Package

SN 0001PRO215 and UP
SN 0001PRO2V15 and UP

Item	Part No.	Part Description	Qty.
1	105777P	OUTLET PANEL UNIVERSAL 3	1
2	330458	15A SPST BREAKER SWITCH	4
3	041018	#6-32 x 1/4 PH-ROUND HEAD MS PL	10
4	350354	35 AMP DOUBLE POLE BREAKER	1
5	041053	1/4-20 x 1 3/4 PH-TRUSS HEAD MS SS	1
6	650138	CIRCUIT BREAKER 20A PUSH BUTTON	1
7	330499	20 A GFCI RECEPTACLE	1
8	330456	30A DPST CIRCUIT BREAKER	1
9	653102	30A 125-250V TWISTLOCK RECEPTACLE	1
10	044021	1/4-20 KEPS HEX NUT PL	2
11	044003	#8-32 NC KEPS NUT	6
12	105771	DECAL BREAKER DOMESTIC OPTIONS	1
13	041012	SCREW MS #8-32 x 1/2 PL	6

6.16 - 1-30AMP Twistlock 1-GFCI Outlet UL489 Package

SN 0001PRO215 and UP
SN 0001PRO2V15 and UP



106697_A

Night-Lite ProII™

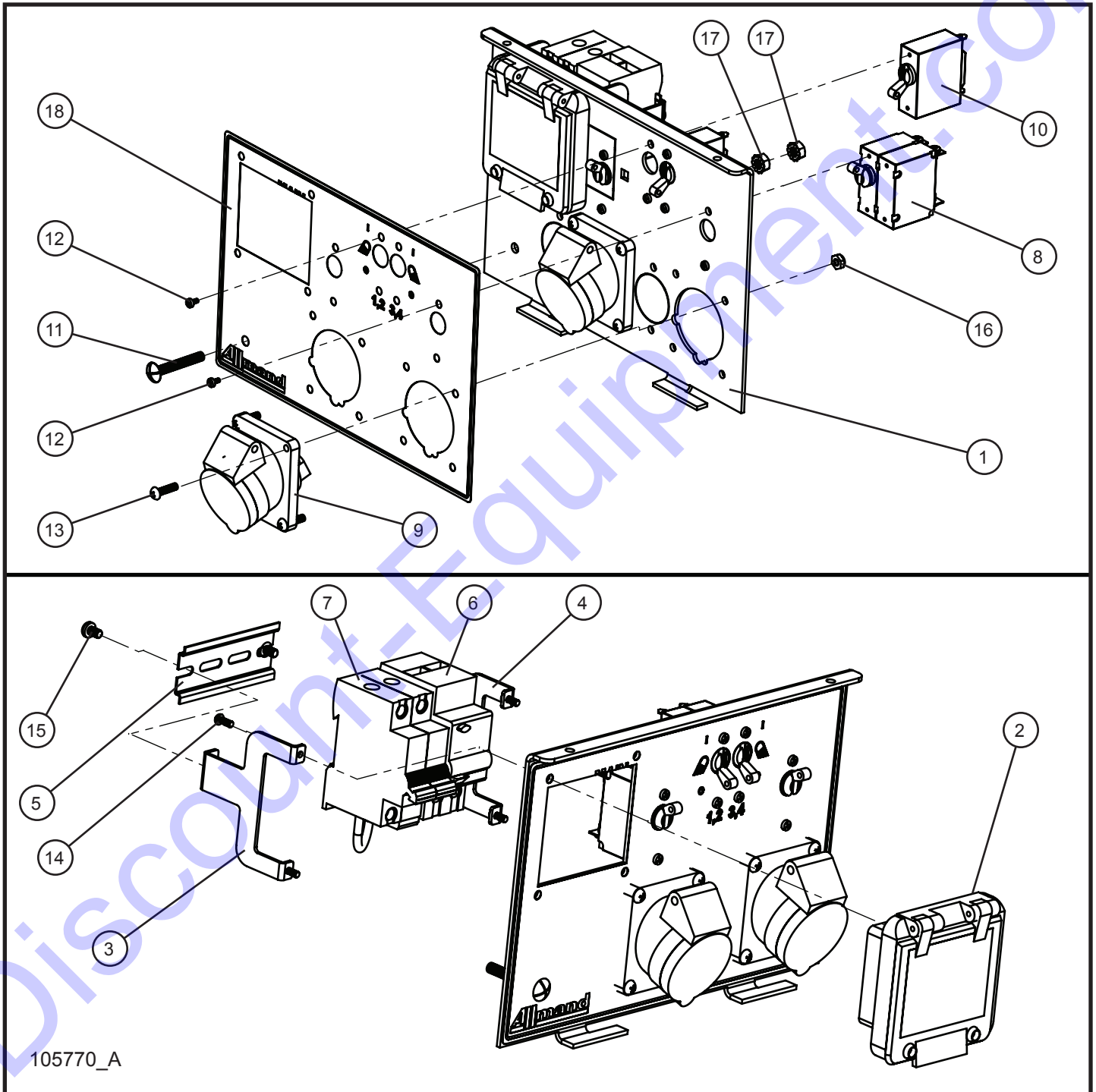
6.16 - 1-30AMP Twistlock 1-GFCI Outlet UL489 Package

SN 0001PRO215 and UP
SN 0001PRO2V15 and UP

Item	Part No.	Part Description	Qty.
1	106684P	OUTLET PANEL UNIVERSAL 3	1
2	106781	CIRCUIT BREAKER 15 AMP	4
3	041018	#6-32 x 1/4 PH-ROUND HEAD MS PL	12
4	350354	35 AMP DOUBLE POLE BREAKER	1
5	041053	1/4-20 x 1 3/4 PH-TRUSS HEAD MS SS	1
6	106787	CIRCUIT BREAKER 20 AMP	1
7	330499	20 A GFCI RECEPTACLE	1
8	106785	CIRCUIT BREAKER 30 AMP	1
9	653102	30A 125-250V TWISTLOCK RECEPTACLE	1
10	044021	1/4-20 KEPS HEX NUT PL	2
11	044003	#8-32 NC KEPS NUT	6
12	105771	DECAL BREAKER DOMESTIC OPTIONS	1
13	041012	SCREW MS #8-32 x 1/2 PL	6
14	107628	SCHEMATIC 1-30 AMP TWISTLOCK	1

6.17 - 50Hz CE Outlet Package

SN 0001PRO215 and UP
SN 0001PRO2V15 and UP



105770_A

Night-Lite ProII™

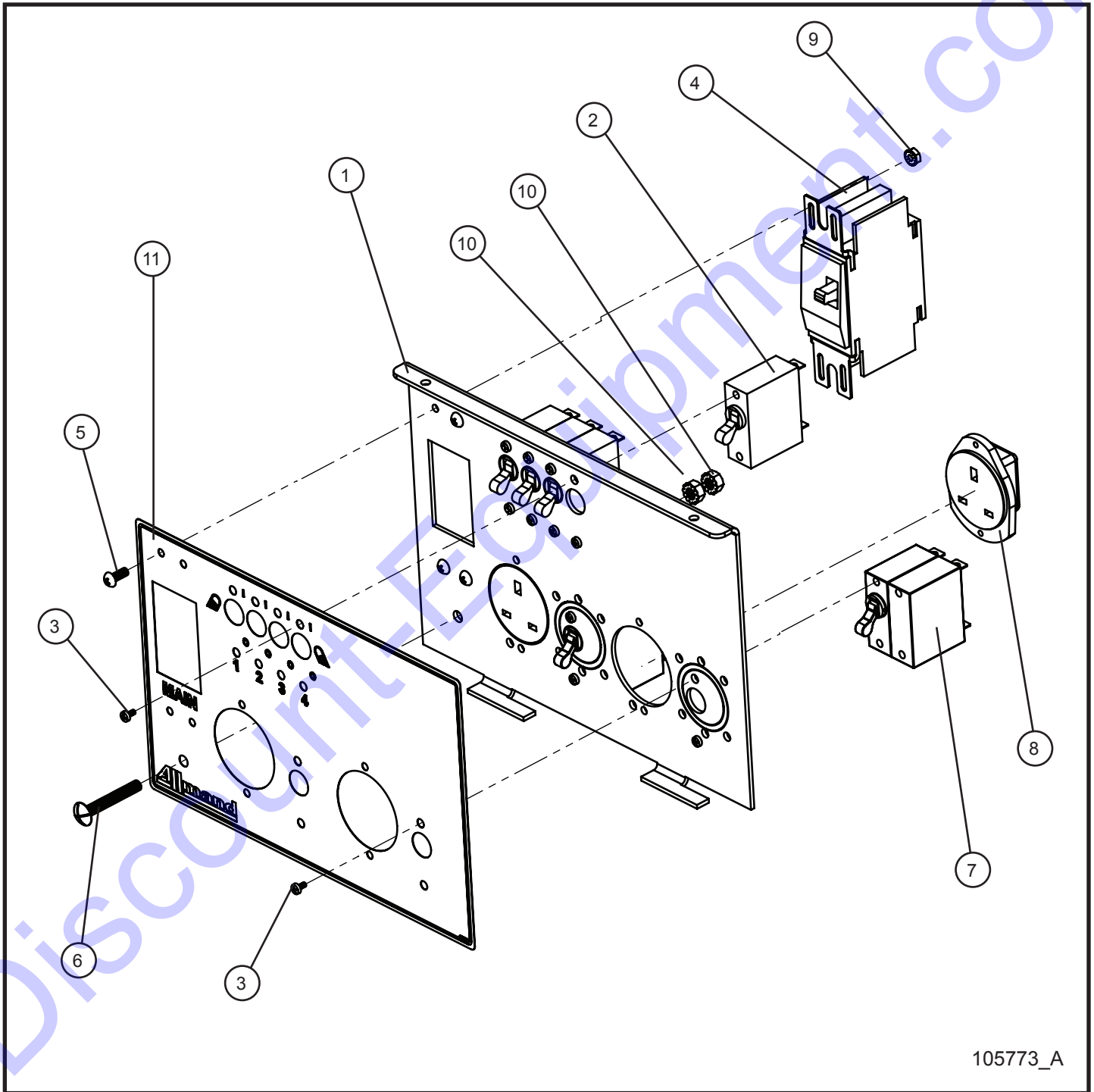
6.17 - 50Hz CE Outlet Package

SN 0001PRO215 and UP
SN 0001PRO2V15 and UP

Item	Part No.	Part Description	Qty.
1	105779P	OUTLET PANEL UNIVERSAL 2	1
2	A109608	CIRCUIT BREAKER COVER	1
3	A109608-1	CIRCUIT BREAKER COVER LEFT BRACKET	1
4	A109608-2	CIRCUIT BREAKER COVER RIGHT BRACKET	1
5	A109608-3	CIRCUIT BREAKER DIN RAIL	1
6	A109602	VIGI C60 EARTH LEAKAGE DEVICE	1
7	A109603	63A DP CIRCUIT BREAKER	1
8	650530	15 AMP DPST BREAKER SWITCH 15 AMP DPST	2
9	A109605	16A 110V RECEPTACLE	2
10	650127	25A SPST NIKKO CIRCUIT BREAKER 50/60Hz	2
11	041053	1/4-20 x 3/4 PH-TRUSS HEAD MS SS	1
12	041018	#6-32 x 1/4 PH-ROUND HEAD MS PL MACHINE SCREW	8
13	041027	#10-24 x 3/4 PH-ROUND HEAD MS	8
14	A109608-4	M4 x 1.8 x 10mm PHTS	4
15	A109608-5	M5 x 0.8 x 8mm PHMS	2
16	044018	#10-24 NYLOCK HEX NUT PL	8
17	044021	1/4-20 KEPS HEX NUT PL	2
18	102930	DECAL BREAKER FOREIGN OPTIONS	1

6.18 - 50Hz Africa Outlet Package

SN 0001PRO215 and UP
SN 0001PRO2V15 and UP



105773_A

Night-Lite ProII™

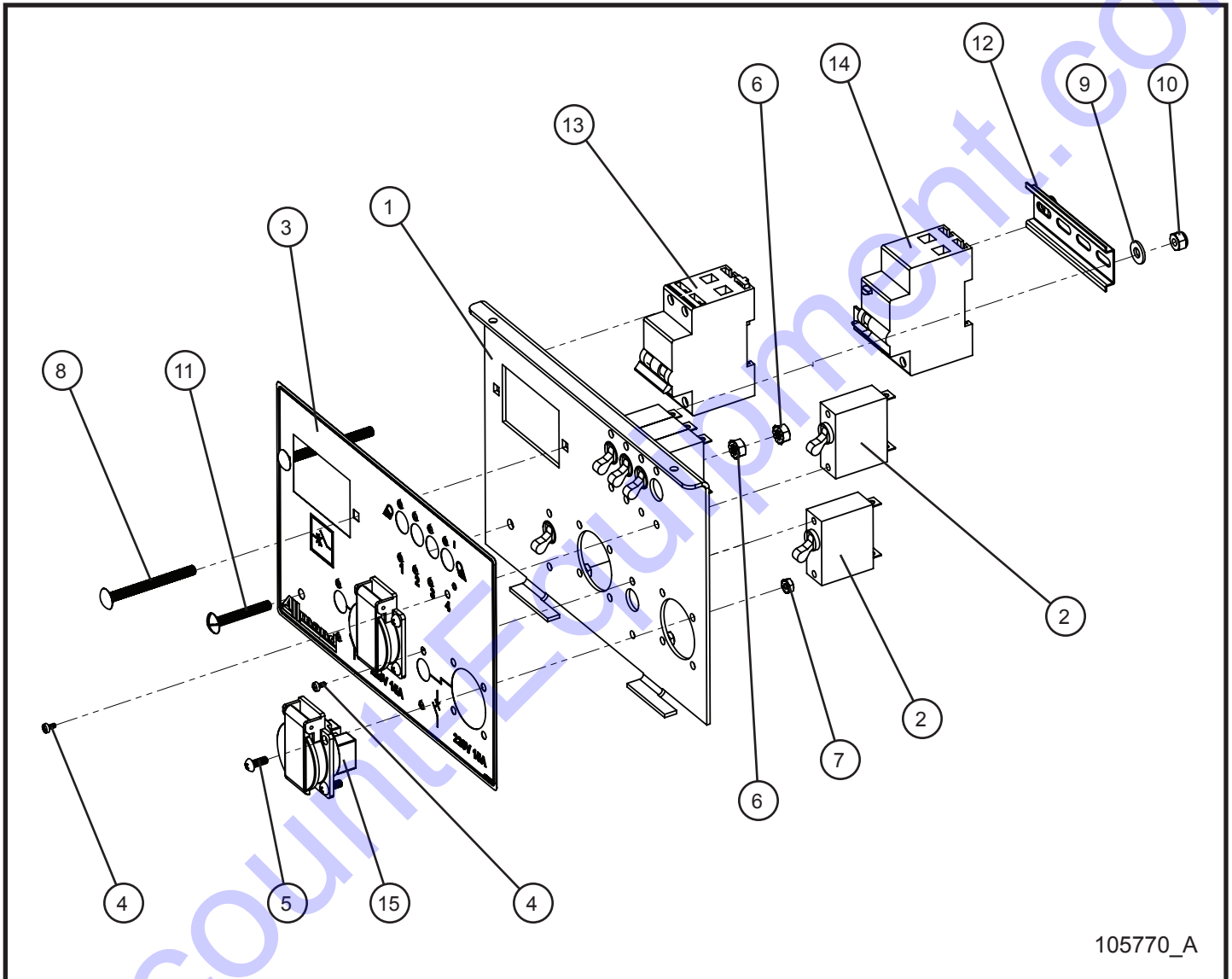
6.18 - 50Hz Africa Outlet Package

SN 0001PRO215 and UP
SN 0001PRO2V15 and UP

Item	Part No.	Part Description	Qty.
1	105778P	OUTLET PANEL UNIVERSAL	1
2	330458	15A SPST BREAKER SWITCH	4
3	041018	#6-32 x 1/4 PH-ROUND HEAD MS PL	12
4	650534	25 AMP 120/240V DPST MAIN BREAKER	1
5	041013	#8-32 x 1/2 PH-ROUND HEAD MS PL	4
6	041053	1/4-20 x 1 3/4 PH-TRUSS HEAD MS SS	1
7	330459	15A DPST CARLING SWITCH	2
8	103876	OUTLET UK PANEL MOUNT	2
9	044003	#8-32 NC KEPS NUT	4
10	044021	1/4-20 KEPS HEX NUT PL	2
11	105771	DECAL BREAKER DOMESTIC OPTIONS	1

6.19 - 50Hz Schuko International Outlet Package

SN 0001PRO215 and UP
SN 0001PRO2V15 and UP



105770_A

Night-Lite ProII™

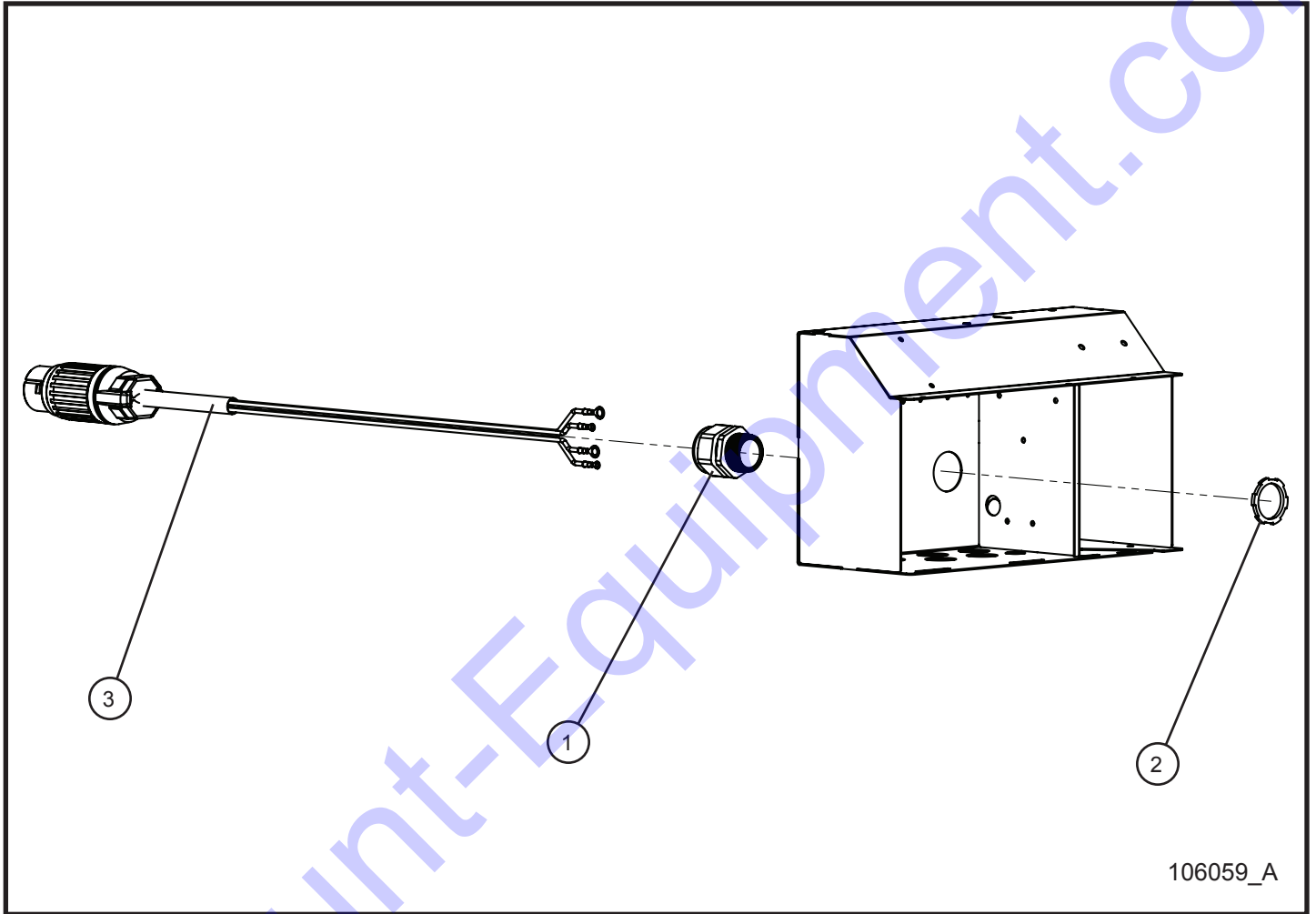
6.19 - 50Hz Schuko International Outlet Package

SN 0001PRO215 and UP
SN 0001PRO2V15 and UP

Item	Part No.	Part Description	Qty.
1	104891P	OUTLET PANEL CE 50Hz SCHUKO	1
2	330458	15A SPST BREAKER SWITCH	6
3	104892	DECAL BREAKER 50 Hz SCHUKO	1
4	041018	#6-32 x 1/4 PH-ROUND HEAD MS PL	12
5	041013	#8-32 x 1/2 PH-ROUND HEAD MS PL	8
6	044021	1/4-20 KEPS HEX NUT PL	2
7	044003	#8-32 NC KEPS NUT	8
8	100718	1/4-20 x 2 1/4 CARRIAGE BOLT	2
9	047005	1/4 FLAT WASHER PL	2
10	044023	1/4-20 NYLOCK HEX NUT PL	2
11	041053	1/4-20 x 1 3/4 PH-TRUSS HEAD MS SS	1
12	103476	4" DIN RAIL	1
13	106609	CIRCUIT PROTECTOR 32A C60H-DC	1
14	106610	MODULE EARTH LEAKAGE VIGI C60 30mA	1
15	650485	RECEPTACLE SCHUKO (EURO)	2
16	105513	WIRE SCHEMATIC TWO 16 SCHUKO INT'L PRO II	1

6.20 - 50AMP Auxiliary Outlet

SN 0001PRO215 and UP
SN 0001PRO2V15 and UP



106059_A

Night-Lite ProII™

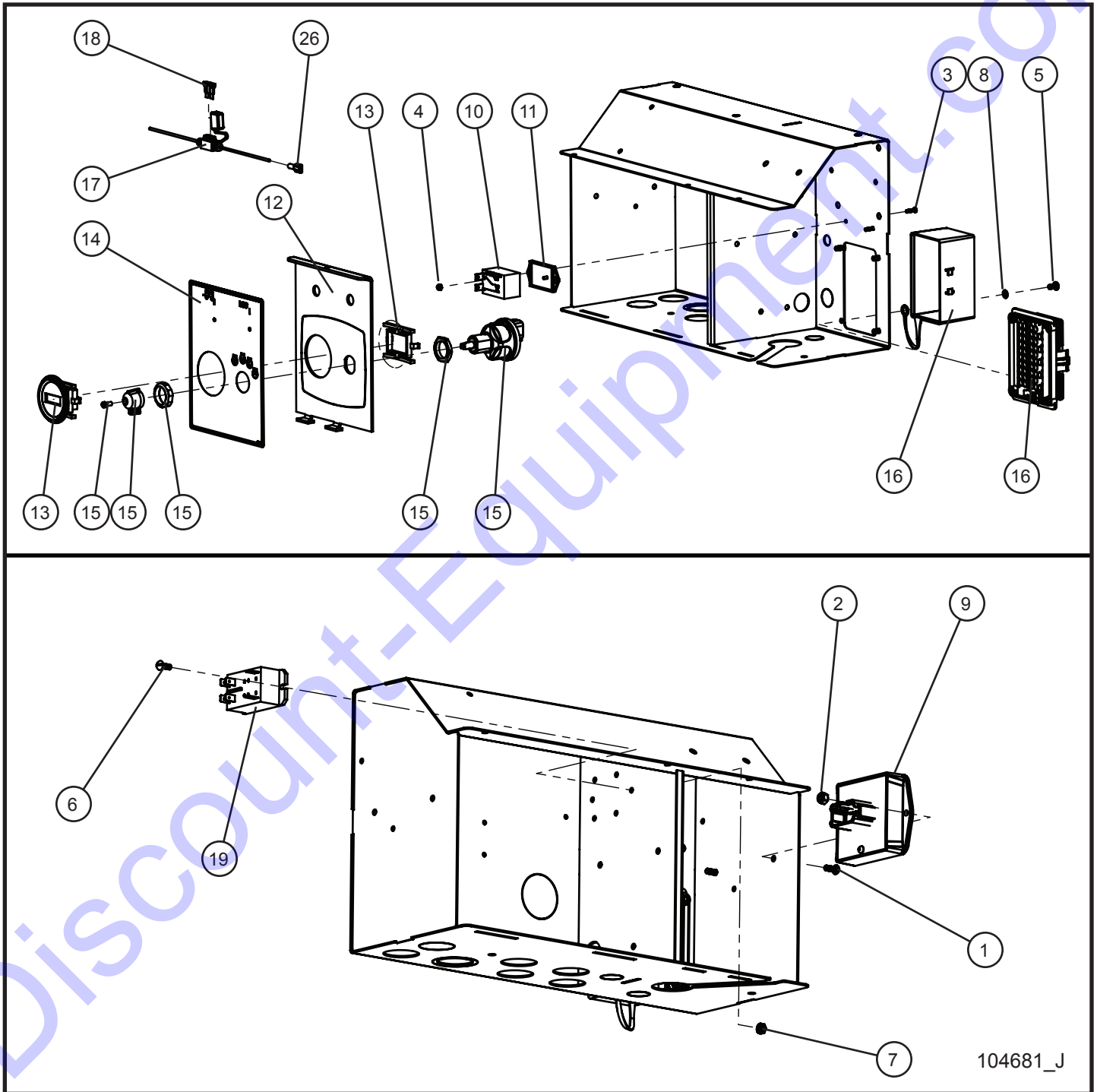
6.20 - 50AMP Auxiliary Outlet

SN 0001PRO215 and UP
SN 0001PRO2V15 and UP

Item	Part No.	Part Description	Qty.
1	105628	CORD GRIP 1-1/4 NYLON BLACK	1
2	350363	1 1/4 LOCK NUT	1
3	106054	AUXILIARY 50AMP HARNESS	1

6.21 - Key Start Engine Control

SN 0001PRO215 and UP
SN 0001PRO2V15 and UP



104681_J

Night-Lite ProII™

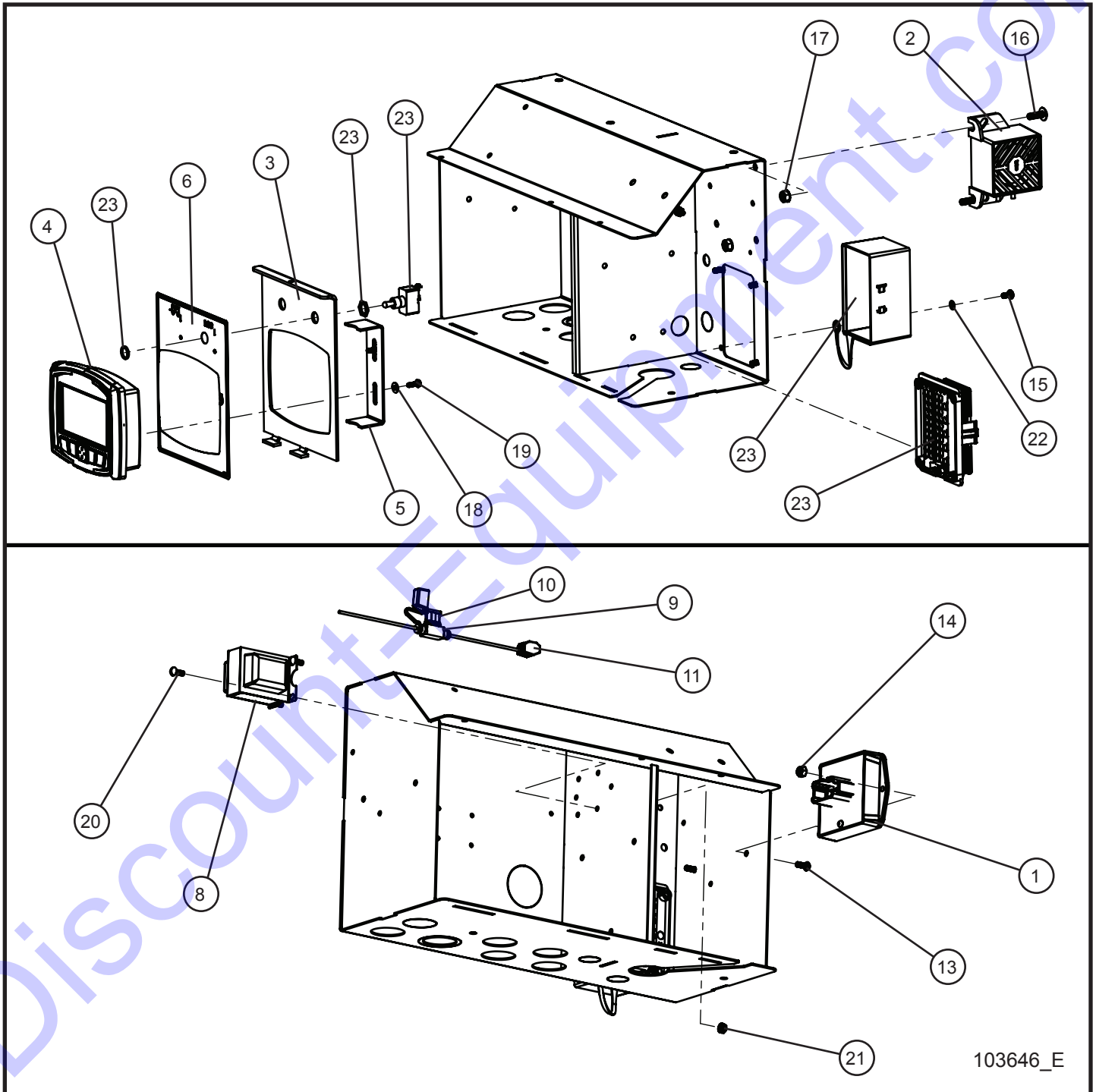
6.21 - Key Start Engine Control

SN 0001PRO215 and UP
SN 0001PRO2V15 and UP

Item	Part No.	Part Description	Qty.
1	041021	#10-24 x 1/2 PH-ROUND HEAD MS PL	2
2	044019	#10-24 NYLOCK HEX NUT SS	2
3	041258	#5-40 x 1/2 PH-ROUND HEAD	2
4	044133	#5-40 NYLOCK	2
5	041019	#10-32 x 3/8 PH-ROUND HEAD MS PL	4
6	041013	#8-32 x 1/2 SLOTTED-ROUND HEAD MS PL	2
7	044003	#8-32 NC KEPS NUT	2
8	043017	#10 INTL TOOTH LOCK WASHER	1
9	108053	SLS 1.1 MODULE	1
10	105845	TIMER RELAY 1 AMP	1
11	105857	MOUNT PANEL TIMER RELAY	1
12	105776P	ENGINE PANEL COMPONENT BOX	1
13	340014	HOUR METER DIGITAL	1
14	103417	DECAL ENGINE CONTROL PANEL	1
15	104310	IGNITION KEY SWITCH W/ KEYS	1
	107793	KEYS (PAIR)	1
	107794	KEY RUBBER BOOT (EACH / REQUIRED WITH 107793)	1
	106273	IGNITION SWITCH LEVER STYLE	1
16	105211	HARNESS SLS CONTROL PANEL	1
	105201	35 AMP SPST RELAY	2
	105202	50 AMP SPST RELAY	1
17	103864	FUSE HOLDER INLINE BLADE	1
18	104990	FUSE BLADE 2 AMP ATO/ATC	1
19	105219	RELAY 30 AMP	1
20	106890	FUSE HOLDER TO MAIN BREAKER WIRE	1
21	106891	AC GROUND TO RELAY WIRE	1
22	106892	DC GROUND TO RELAY WIRE	1
23	106893	SLS PIN 4 TO RELAY WIRE	1
24	105894	SLS SCHEMATIC	1
25	106877	RELAY SCHEMATIC SLS 1.1	1
26	022342	TERM SPADE FEMALE 10-12 AWG 1/4	1
27	107417	SOFTWARE UPDATE KIT SLS 1.1 W/KEY SWITCH NL PRO II	1

6.22 - LSC Start Engine Control

SN 0001PRO215 and UP
SN 0001PRO2V15 and UP



103646_E

Night-Lite ProII™

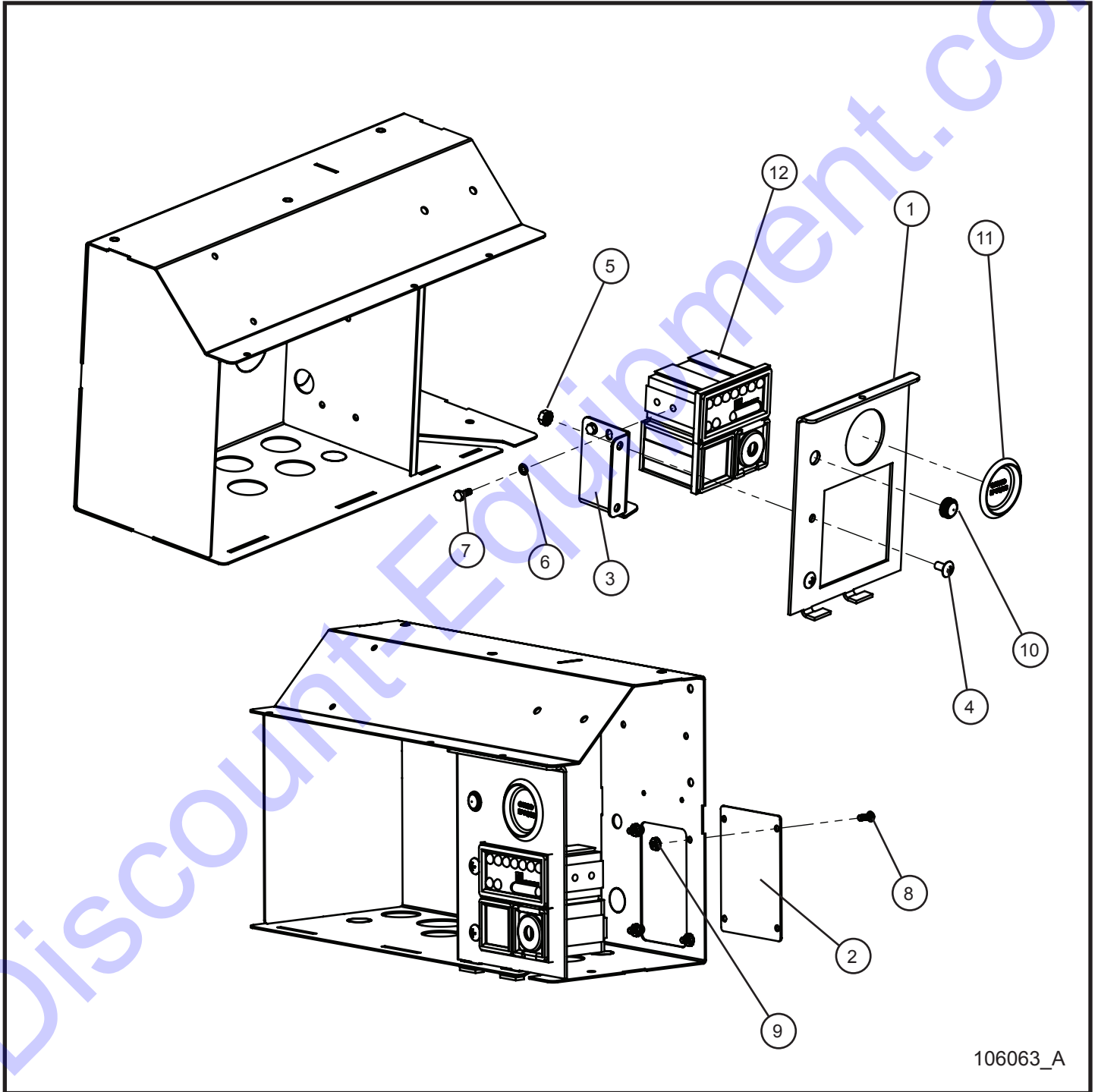
6.22 - LSC Start Engine Control

SN 0001PRO215 and UP
SN 0001PRO2V15 and UP

Item	Part No.	Part Description	Qty.
1	108053	SLS 1.1 MODULE	1
2	105846	ALARM 102 DB	1
3	105776P	ENGINE PANEL COMPONENT BOX	1
4	107404	LSC 2.1 MODULE	1
5	105188P	BRACKET BACK LSC	1
6	103417	DECAL ENGINE CONTROL PANEL	1
7	106037	AUTOSTART ALARM WIRE HARNESS	1
8	107403	TRANSFORMER ENCLOSED FILAMENT	1
9	103864	FUSE HOLDER INLINE BLADE	1
10	104990	FUSE BLADE 2 AMP ATO/ATC	1
11	102624	2 WIRE LEVER LOCK	1
12	105895	LSC SCHEMATIC	1
13	041021	#10-24 x 1/2 PH-ROUND HEAD MS PL	2
14	044019	#10-24 NYLOCK HEX NUT PL	2
15	041019	#10-32 x 3/8 PH-ROUND HEAD MS PL	4
16	041050	1/4-20 x 3/4 PH-TRUSS HEAD MS SS MACHINE SCREW	2
17	044021	1/4-20 KEPS HEX NUT PL	2
18	047004	#8 FLAT WASHER SAE ZC	2
19	041200	#8-32 x 1/2 HEX WASHER HEAD INDT	2
20	041013	#8-32 x 1/2 SLOTTED-ROUND HEAD MS PL	4
21	044003	#8-32 NC KEPS NUT	4
22	043017	#10 INTL TOOTH LOCK WASHER	1
23	105210	HARNESS LSC CONTROL PANEL	1
	105201	35 AMP SPST RELAY	3
	105202	50 AMP SPST RELAY	1
24	106881	FUSE HOLDER TO MAIN BREAKER WIRE	1
25	106882	AC GROUND TO TRANSFORMER WIRE	1
26	106883	DC GROUND TO TRANSFORMER WIRE	1
27	106884	LSC PIN 16 TO TRANSFORMER WIRE	1
28	106885	TRANSFORMER SCHEMATIC	1
29	107414	SOFTWARE UPDATE KIT LSC 2.1 NL PRO II	1

6.23 - Kohler Start Engine Control

SN 0001PRO215 and UP
SN 0001PRO2V15 and UP



106063_A

Night-Lite ProII™

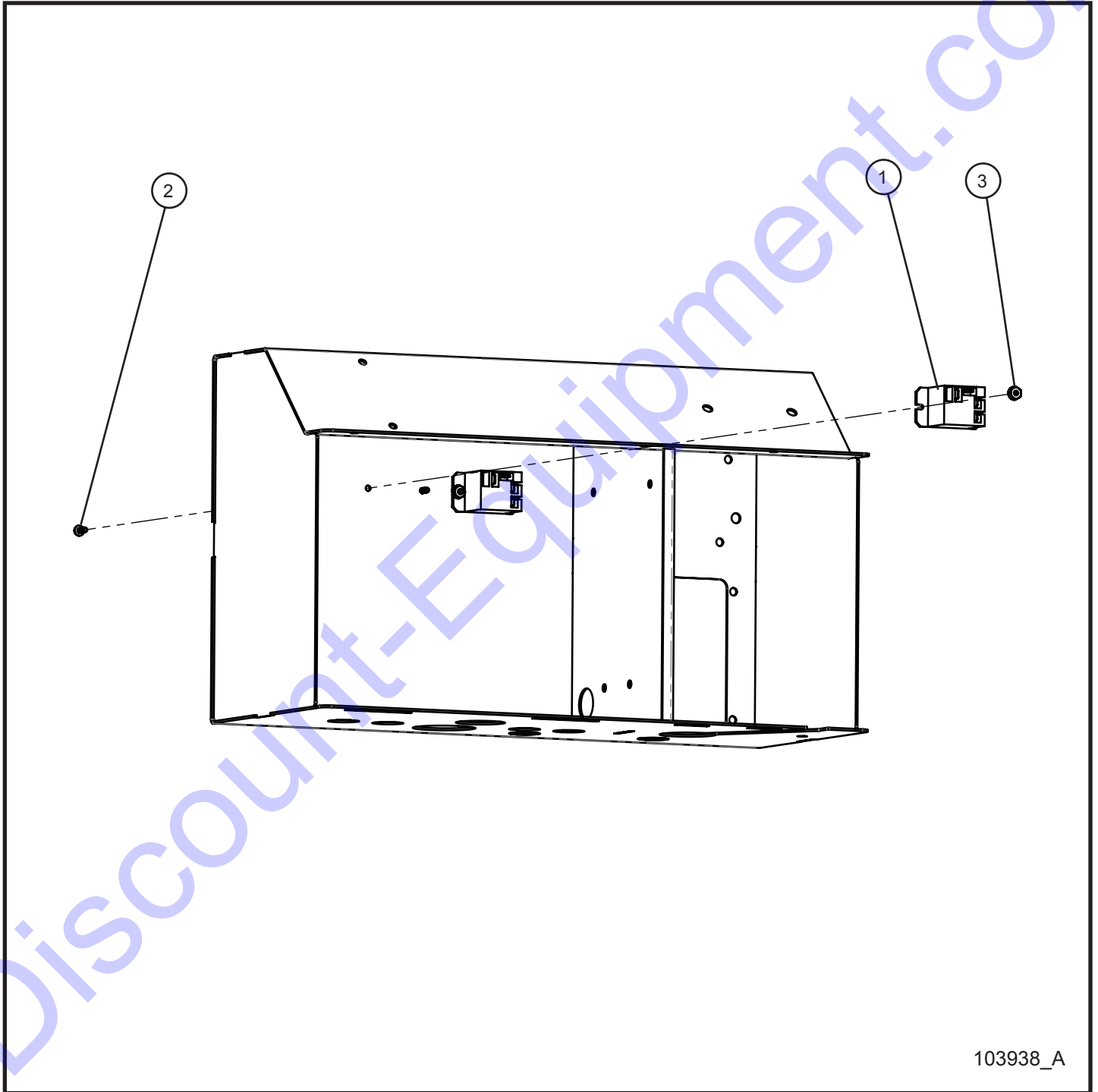
6.23 - Kohler Start Engine Control

SN 0001PRO215 and UP
SN 0001PRO2V15 and UP

Item	Part No.	Part Description	Qty.
1	106061P	ENGINE PANEL COMPONENT BOX	1
2	106062P	PANEL COVER PDM CUT OUT	1
3	102803P	KOHLER/LOMB CONTROL PANEL MOUNT	1
4	041078	1/4-20 x 1/2 PH-TRUSS HEAD MS SS	2
5	044021	1/4-20 KEPS HEX NUT PL	2
6	043015	#10 INTL TOOTH LOCK WASHER PL	2
7	046426	M5 x 0.8MM x 12MM HEX HEAD CS	2
8	041021	#10-24 x 1/2 PH-ROUND HEAD MS PL	4
9	044016	#10-24 KEPS HEX NUT PL	4
10	433328	1/2 PLASTIC PLUG	1
11	680878	1 3/4 CAPLUG	1
12	103317	KOHLER CONTROL PANEL	1
	650832	SWITCH W/KEYS	1
	650833	KEY (SINGLE)	1

6.24 - 4-Light Relay

SN 0001PRO215 and UP
SN 0001PRO2V15 and UP



103938_A

Night-Lite ProII™

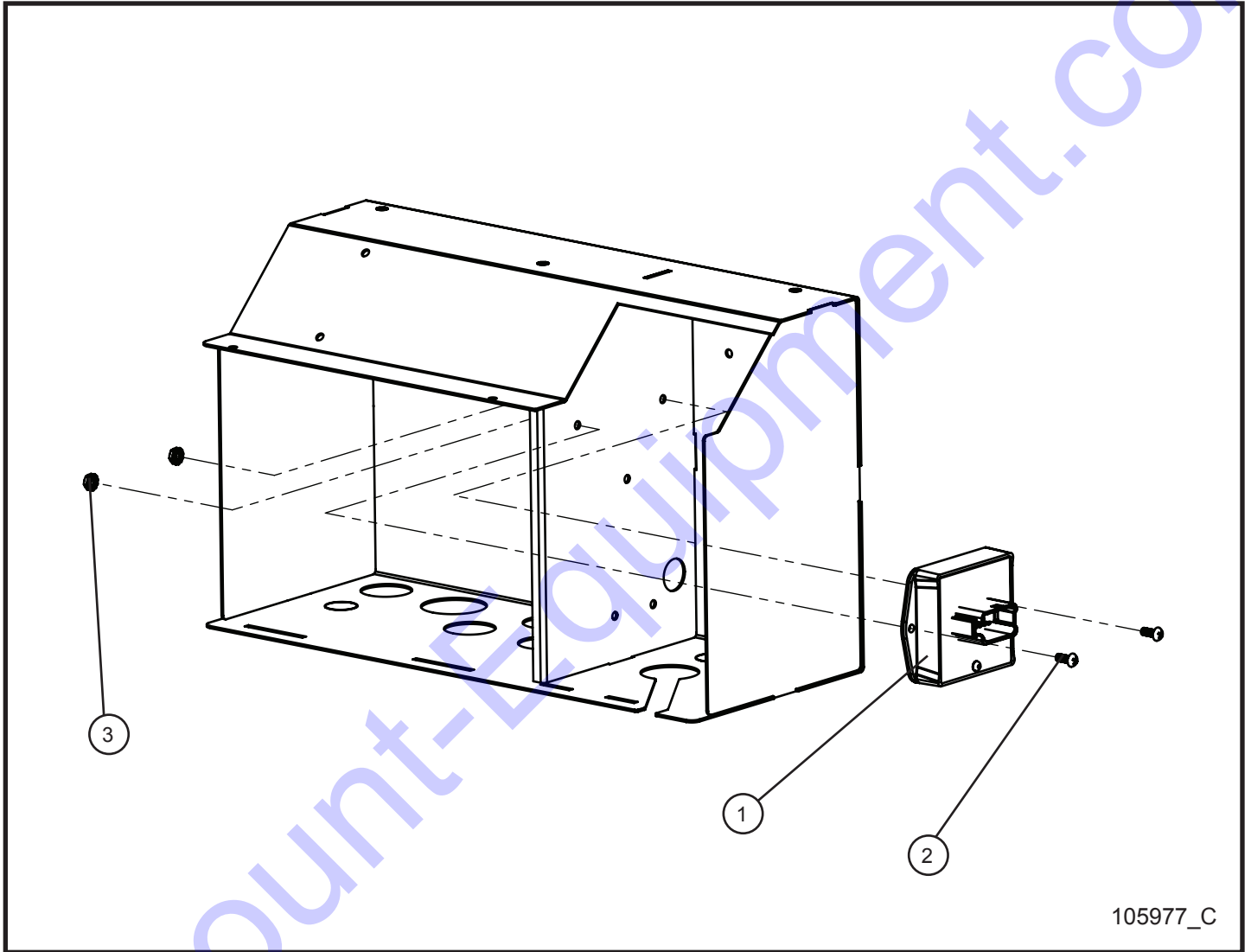
6.24 - 4-Light Relay

SN 0001PRO215 and UP
SN 0001PRO2V15 and UP

Item	Part No.	Part Description	Qty.
1	104957	RELAY 120 VAC 30 AMP 12-28 VDC CONTROL	2
2	041017	#6-32 x 3/8 PH-PAN HEAD MS PL	4
3	044004	#6-32 KEPS NUT PL	4
NS	105898	WIRING SCHEMATIC 4 LIGHT PRO II	1
NS	106081	WIRE HARNESS 4 LIGHT RELAY PRO II	1

6.25 - Low Level Fuel Module

SN 0001PRO215 and UP
SN 0001PRO2V15 and UP



Night-Lite ProII™

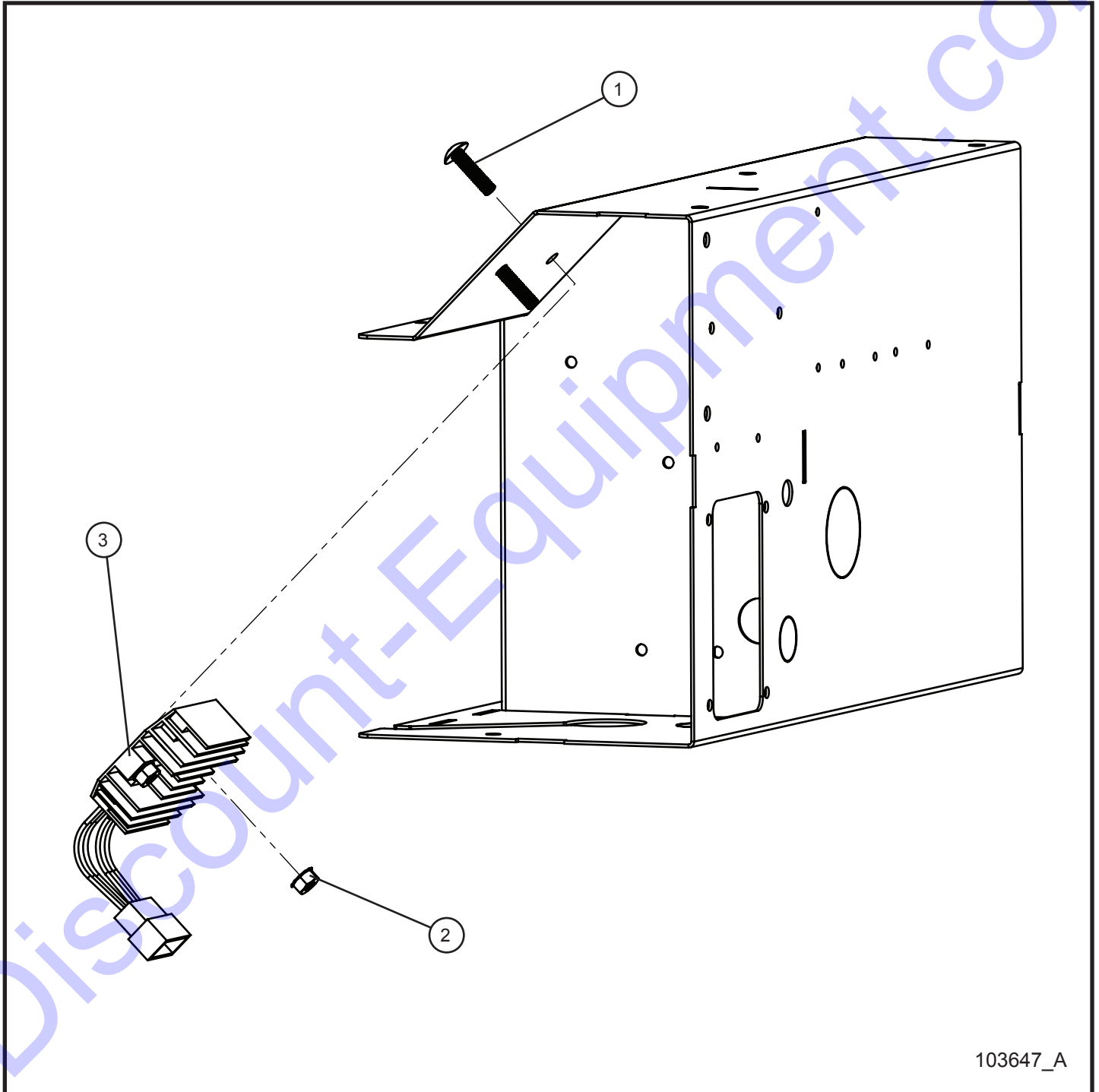
6.25 - Low Level Fuel Module

SN 0001PRO215 and UP
SN 0001PRO2V15 and UP

Item	Part No.	Part Description	Qty.
1	105856	SLS MODULE WITH 5V POWER SUPPLY	1
2	041021	#10-24 x 1/2 PH-ROUND HEAD MS PL	2
3	044018	#10-24 NYLOCK HEX NUT PL	2
NS	105901	LOW FUEL SHUTDOWN WIRE SCHEMATIC	1
NS	105900	WIRE HARNESS LOW FUEL MODULE	1

6.26 - CAT Engine Voltage Regulator

SN 0001PRO215 and UP
SN 0001PRO2V15 and UP



103647_A

Night-Lite ProII™

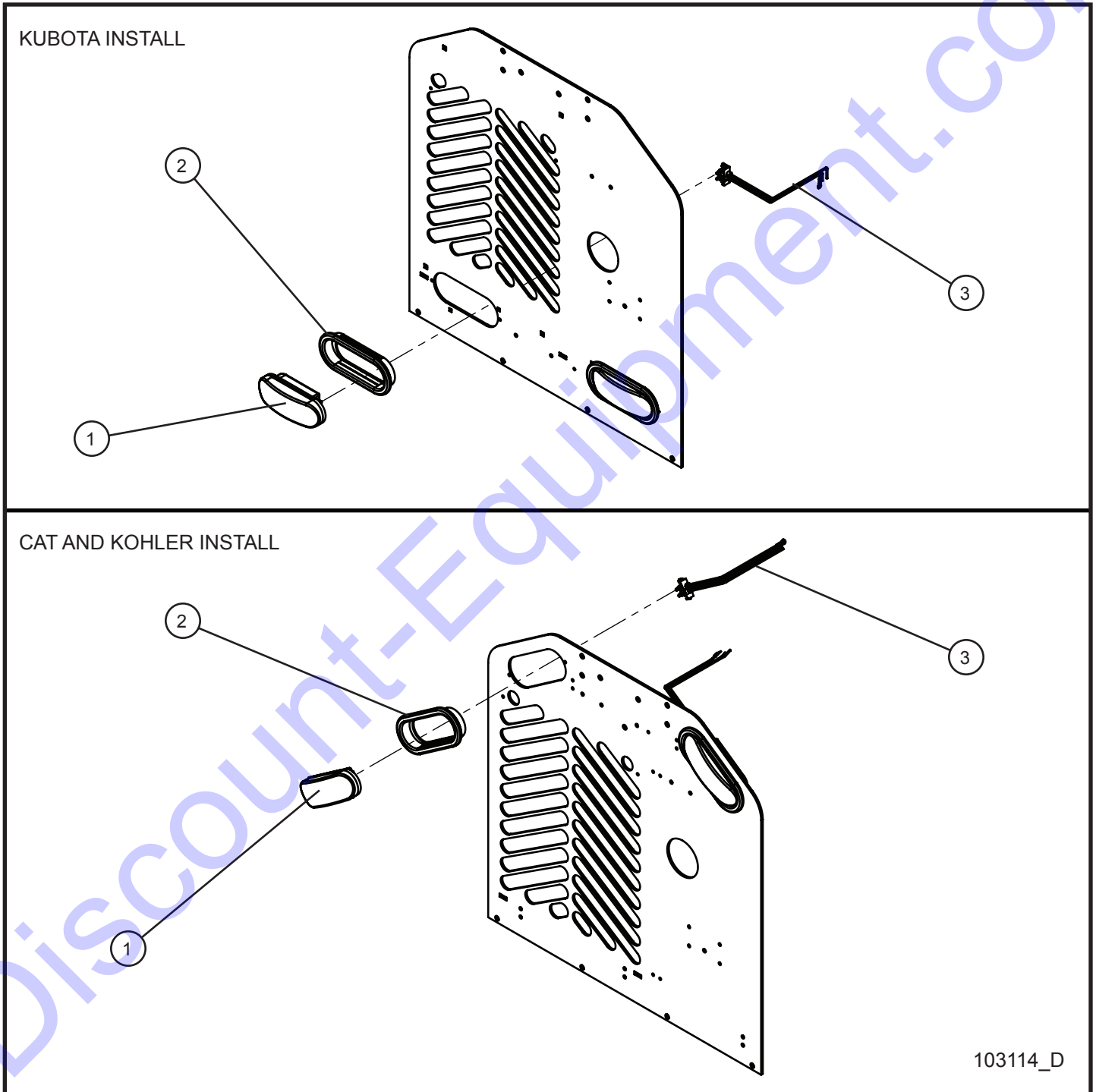
6.26 - CAT Engine Voltage Regulator

SN 0001PRO215 and UP
SN 0001PRO2V15 and UP

Item	Part No.	Part Description	Qty.
1	041080	1/4-20 x PH-TRUSS HEAD MS SS	2
2	044021	1/4-20 KEPS HEX NUT PL	2
3	650446	VOLTAGE REGULATOR	1
NS	105988	CAT ENGINE VR HARNESS	1
NS	105899	C1.1 VOLTAGE REGULATOR SCHEMATIC	1

7.1 - Oval Taillight

SN 0001PRO215 and UP
SN 0001PRO2V15 and UP



Night-Lite ProII™

7.1 - Oval Taillight

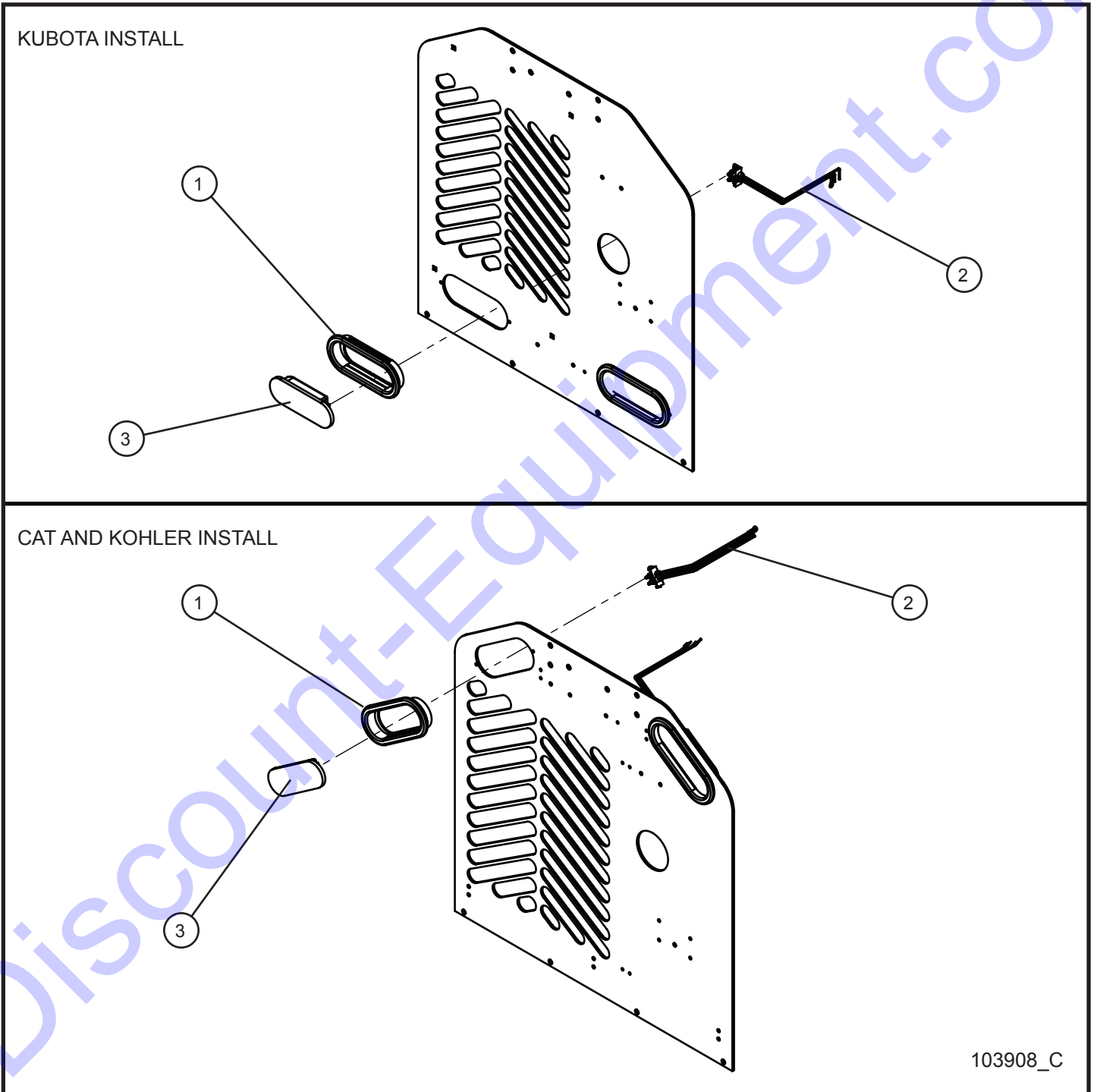
SN 0001PRO215 and UP
SN 0001PRO2V15 and UP

Item	Part No.	Part Description	Qty.
1	102826	STOP, TAIL, TURN LAMP	2
2	102825	OVAL LAMP GROMMET	2
3	102827	ECONO 90 DEG 3-PRONG PIGTAIL	2

Discount-Equipment.com

7.2 - LED Taillight

SN 0001PRO215 and UP
SN 0001PRO2V15 and UP



Night-Lite ProII™

7.2 - LED Taillight

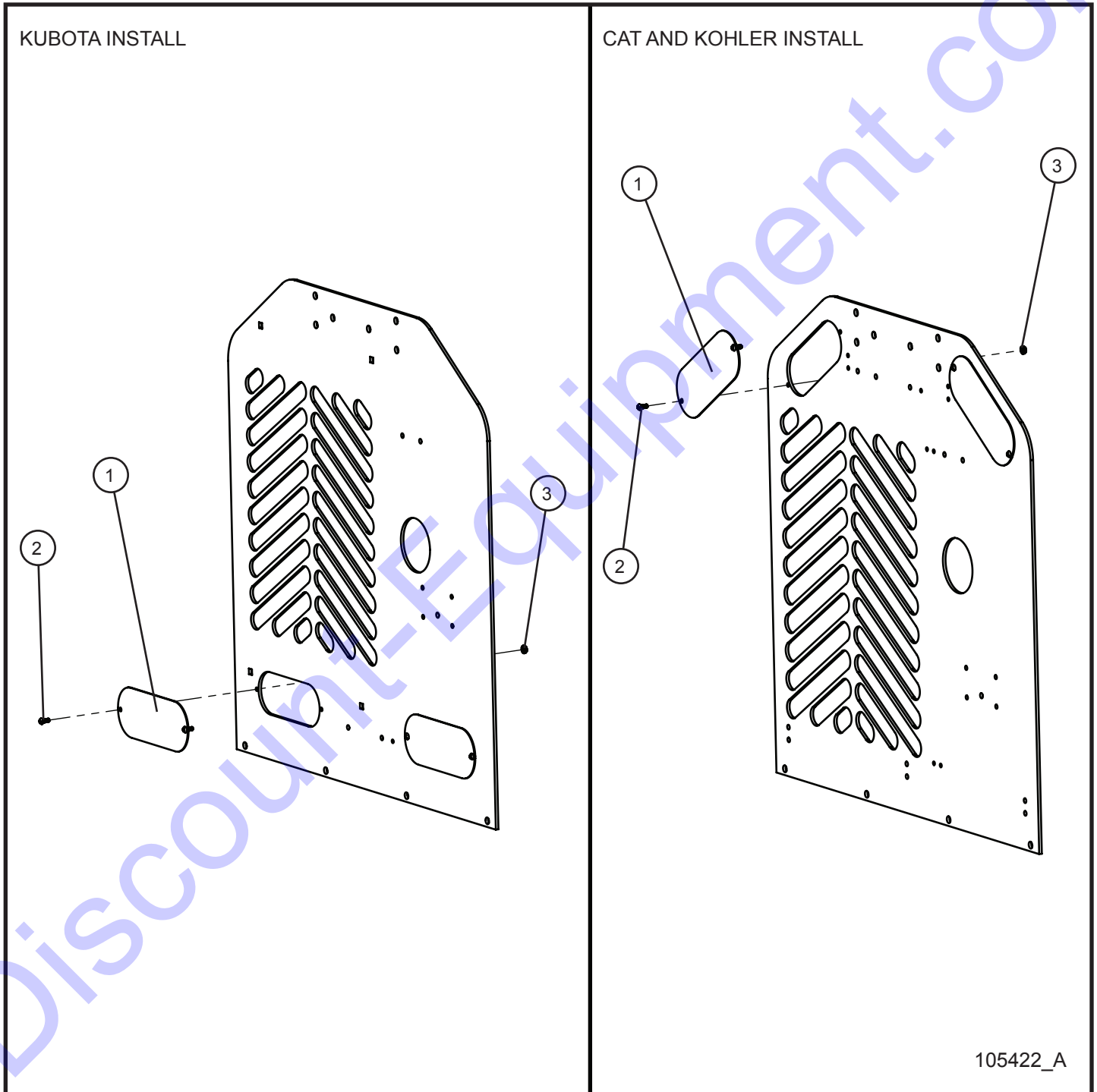
SN 0001PRO215 and UP
SN 0001PRO2V15 and UP

Item	Part No.	Part Description	Qty.
1	102825	OVAL LAMP GROMMET	2
2	102827	ECONO 90 DEG 3-PRONG PIGTAIL	2
3	102721	LED TAIL LAMP STOP TURN	2

Discount-Equipment.com

7.3 - No Taillight Cover

SN 0001PRO215 and UP
SN 0001PRO2V15 and UP



105422_A

Night-Lite ProII™

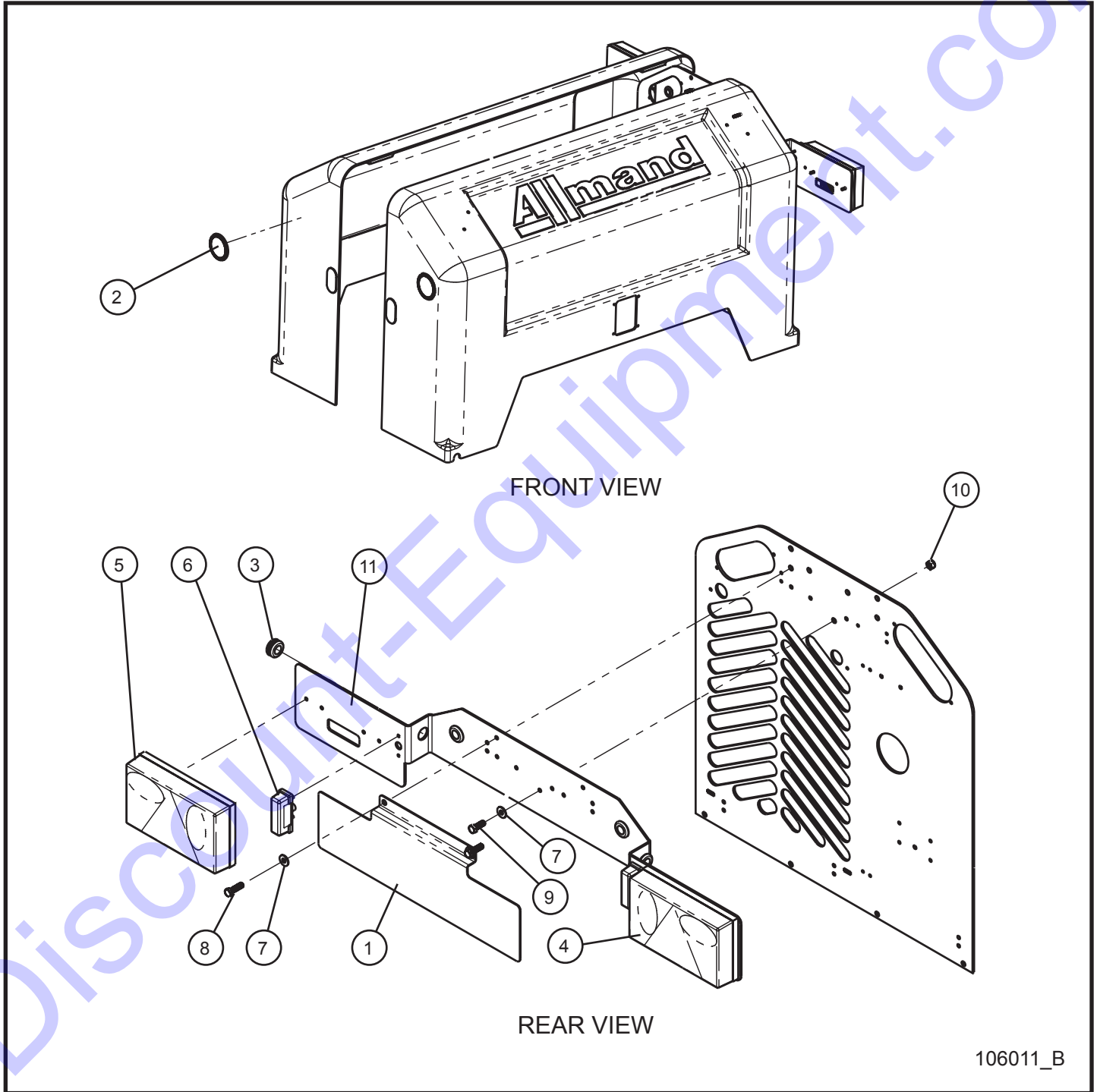
7.3 - No Taillight Cover

SN 0001PRO215 and UP
SN 0001PRO2V15 and UP

Item	Part No.	Part Description	Qty.
1	105414P	COVER PLATE OVAL TAILLIGHT HOLE	2
2	041021	#10-24 x 1/2 PH-ROUND HEAD MS PL	4
3	044016	#10-24 KEPS HEX NUT PL	4

Discount-Equipment.com

7.4 - CAT International Taillight

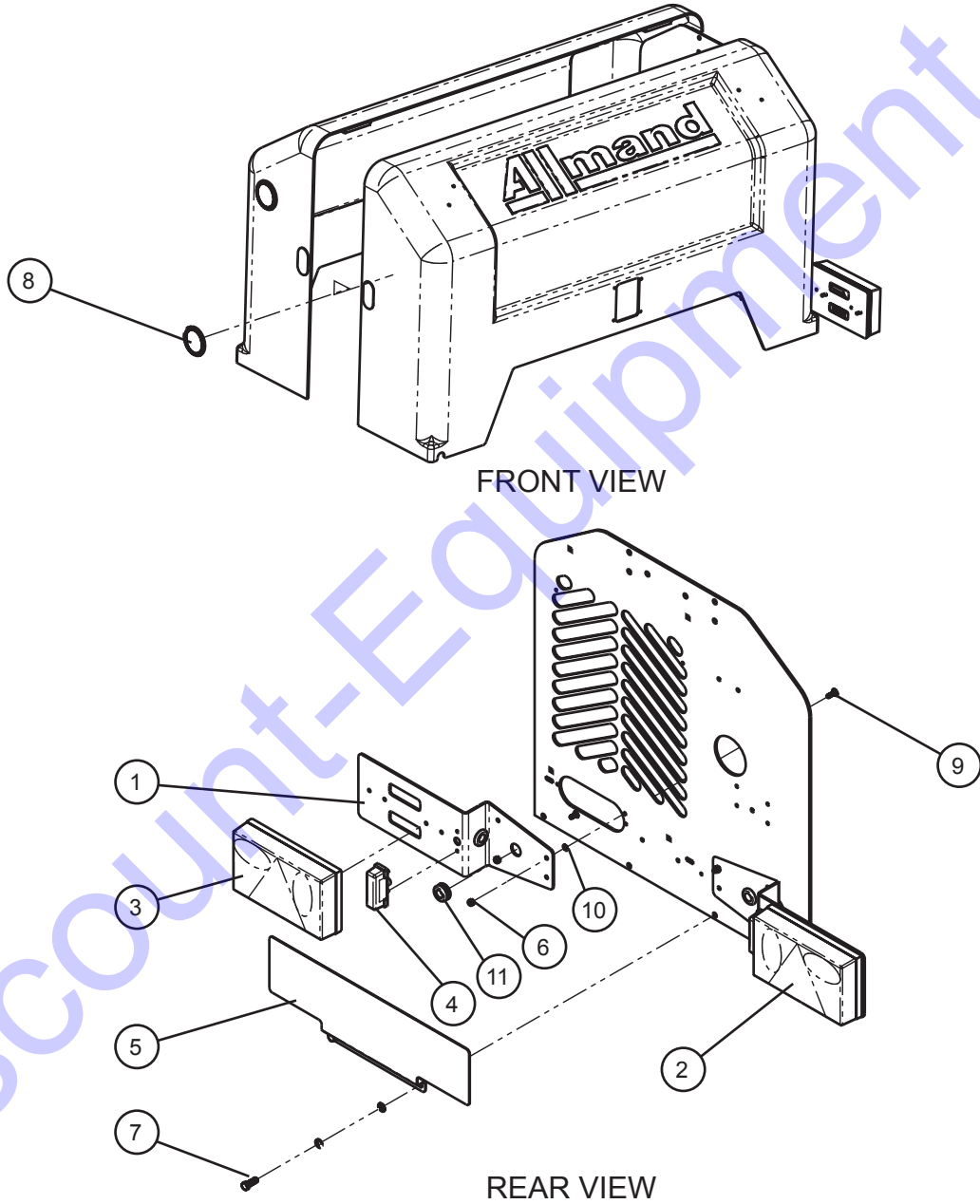


Night-Lite ProII™

7.4 - CAT International Taillight

Item	Part No.	Part Description	Qty.
1	104901P	BRACKET LICENSE PLATE INTERNATIONAL	1
2	105499	REFLECTOR CLEAR INTERNATIONAL	2
3	330463	11/16 RUBBER GROMMET	4
4	104899	COBO RIGHT TAIL LIGHT WITH BACKUP INCANDESCENT CE	1
5	104900	COBO LEFT TAIL LIGHT WITH FOG LAMP INCANDESCENT CE	1
6	104912	LICENSE PLATE LAMP INCANDESCENT INTERNATIONAL	1
7	047010	5/16 FLAT WASHER PL	3
8	046115	3/8-16 x 1 1/4 HEX HEAD CS GR5 PL	2
9	046110	3/8-16 x 1 HEX HEAD CS GR5 PL	1
10	044038	3/8-16 NYLOCK HEX NUT PL	1
11	106012P	BRACKET TAIL LIGHT CAT COBO INTERNATIONAL	1

7.5 - Kubota International Taillight



104906_A

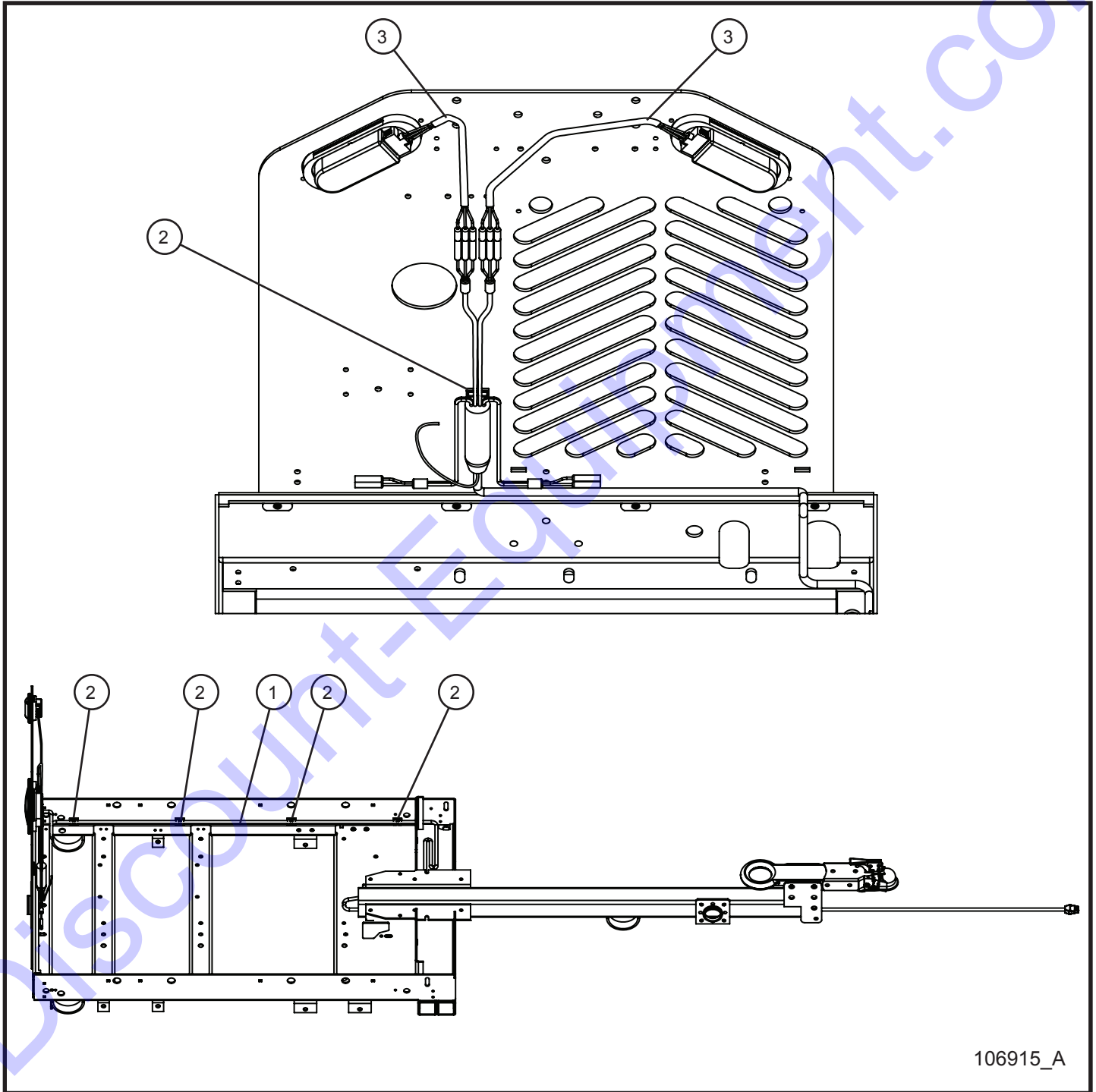
Night-Lite ProII™

7.5 - Kubota International Taillight

Item	Part No.	Part Description	Qty.
1	104913P	BRACKET TAIL LIGHT KUBOTA COBO INTERNATIONAL	2
2	104899	COBO RIGHT TAIL LIGHT WITH BACKUP INCANDESENT CE	1
3	104900	COBO LEFT TAIL LIGHT WITH FOG LAMP INCANDESENT CE	1
4	104912	LICENSE PLATE LAMP INCANDESENT INTERNATIONAL	2
5	104901P	BRACKET LICENSE PLATE INTERNATIONAL	1
6	044023	1/4-20 NYLOCK HEX NUT PL	4
7	046110	3/8-16 x 1 HEX HEAD CS GR5 PL	2
8	105499	REFLECTOR CLEAR INTERNATIONAL	2
9	053006	1/4-20 x 3/4 CARRIAGE BOLT	4
10	101701	1/4 PUSH NUT	4
11	330463	11/16 RUBBER GROMMET	4

7.6 - CAT 4-Pin Taillight Harness

SN 0001PRO215 and UP
SN 0001PRO2V15 and UP



106915_A

Night-Lite ProII™

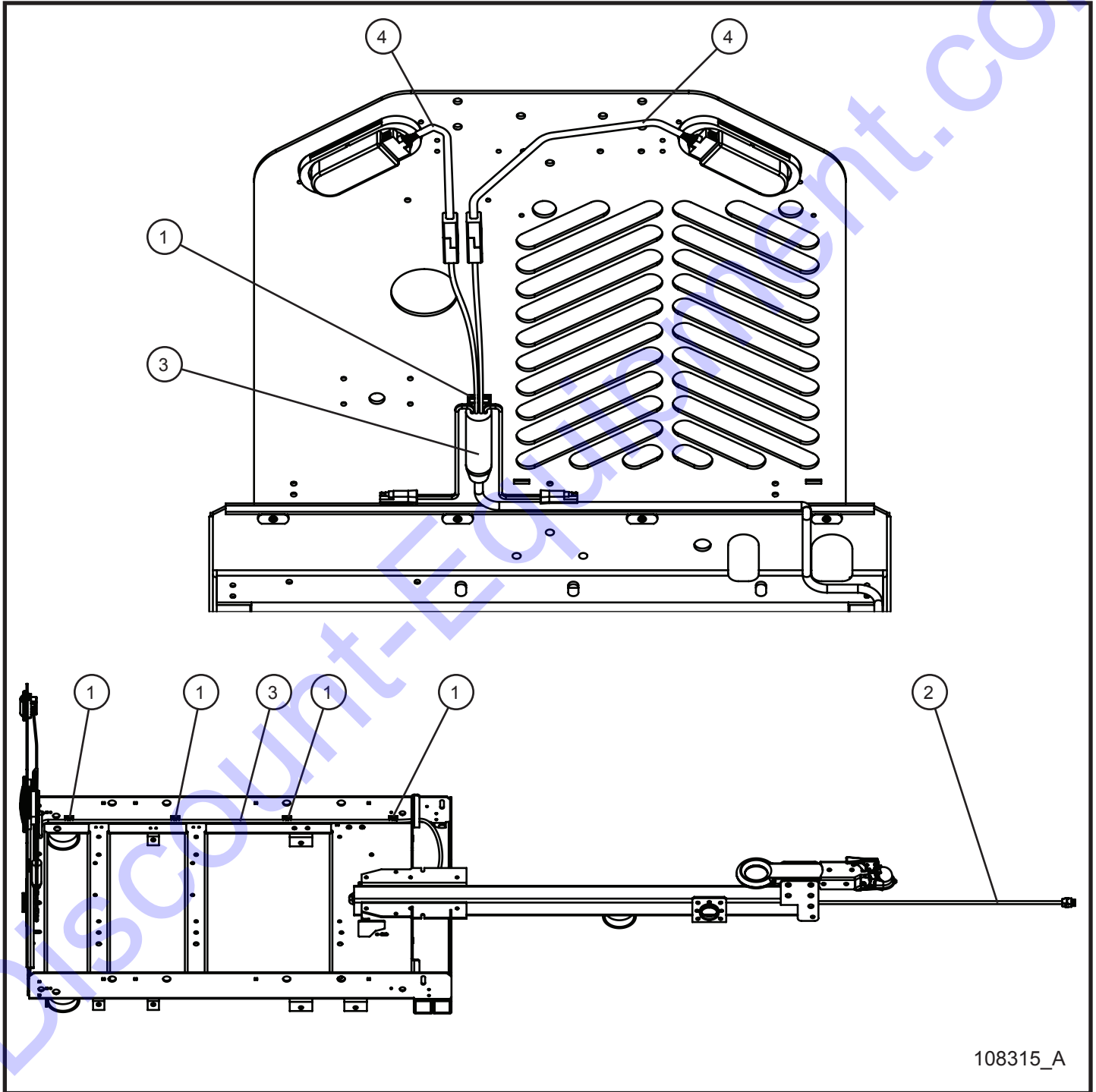
7.6 - CAT 4-Pin Taillight Harness

SN 0001PRO215 and UP
SN 0001PRO2V15 and UP

Item	Part No.	Part Description	Qty.
1	106903	BASE HARNESS TAILLIGHTS	1
2	022135	TIE ADHESIVE MOUNT	5
3	106906	TAILLIGHT PIGTAIL LONG HARNESS PRO II	2
4	107266	SCHEMATIC TAILLIGHT HARNESS	1

7.7 - CAT 4-Pin 2 Piece Taillight Harness

SN 0001PRO215 and UP
SN 0001PRO2V15 and UP



108315_A

Night-Lite ProII™

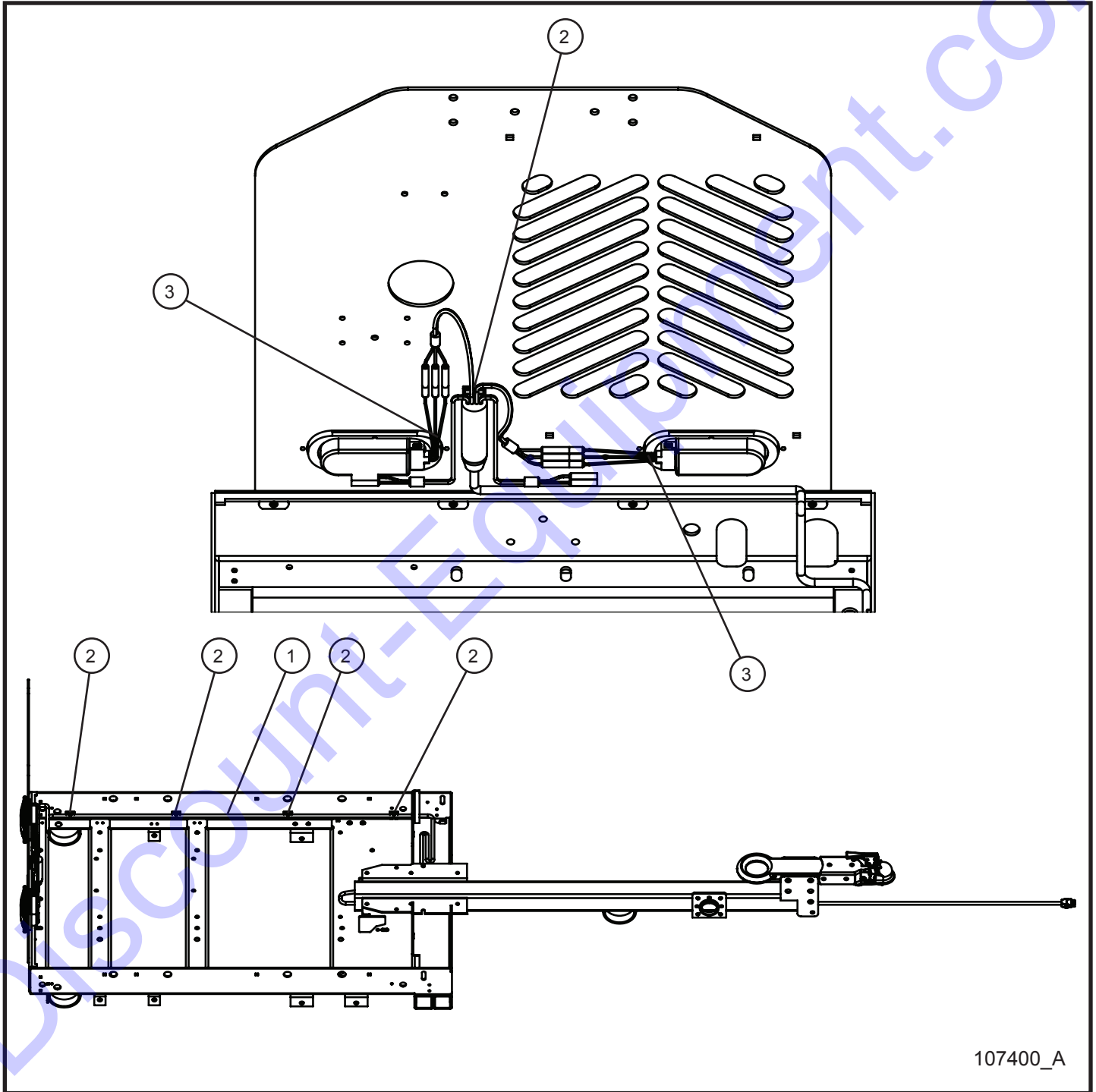
7.7 - CAT 4-Pin 2 Piece Taillight Harness

SN 0001PRO215 and UP
SN 0001PRO2V15 and UP

Item	Part No.	Part Description	Qty.
1	022135	TIE ADHESIVE MOUNT	5
2	107856	SHORT TONGUE TAIL LIGHTS	1
3	107859	BASE HARNESS TAIL LIGHTS	1
4	107862	TAIL LIGHT PIGTAIL LONG SQUARE PLUG HARNESS	2
5	107266	SCHEMATIC TAILLIGHT HARNESS	1

7.8 - Kubota 4-Pin Taillight Harness

SN 0001PRO215 and UP
SN 0001PRO2V15 and UP



107400_A

Night-Lite ProII™

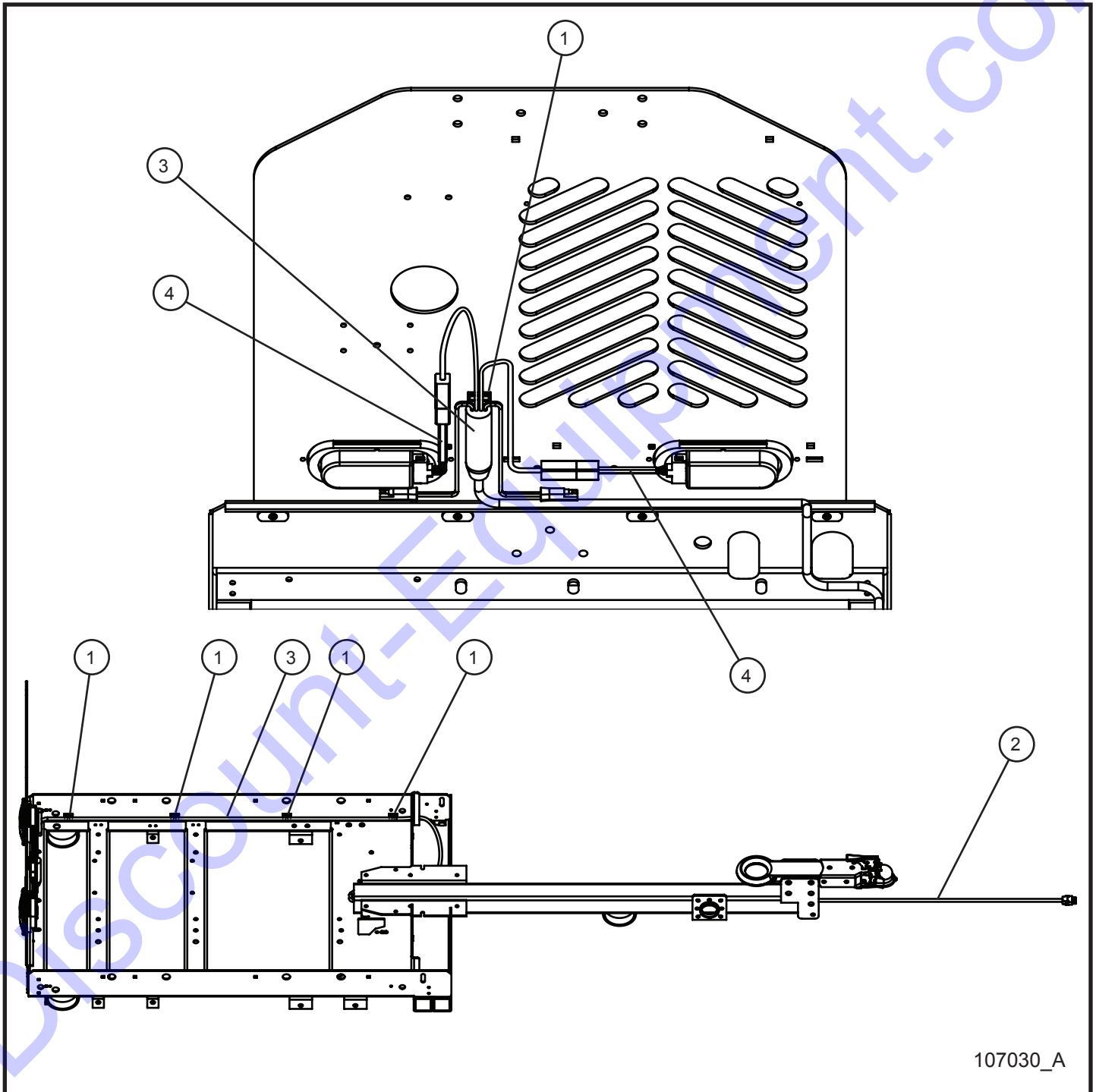
7.8 - Kubota 4-Pin Taillight Harness

SN 0001PRO215 and UP
SN 0001PRO2V15 and UP

Item	Part No.	Part Description	Qty.
1	106903	BASE HARNESS TAILLIGHTS	1
2	022135	TIE ADHESIVE MOUNT	5
3	106907	TAILLIGHT PIGTAIL SHORT HARNESS PRO II	2
4	107266	SCHEMATIC TAILLIGHT HARNESS	1

7.9 - Kubota 4-Pin 2 Piece Taillight Harness

SN 0001PRO215 and UP
SN 0001PRO2V15 and UP



107030_A

Night-Lite ProII™

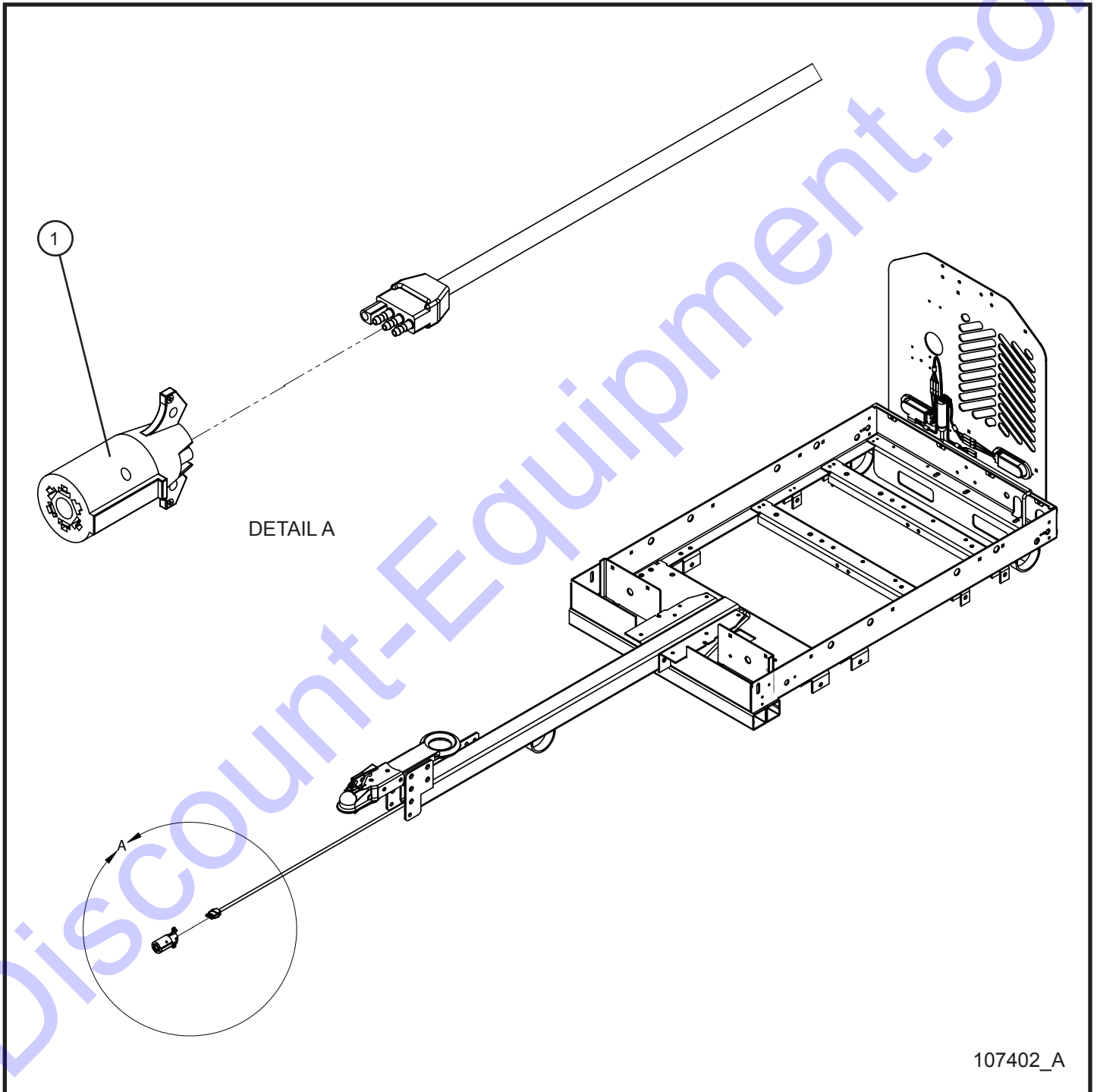
7.9 - Kubota 4-Pin 2 Piece Taillight Harness

SN 0001PRO215 and UP
SN 0001PRO2V15 and UP

Item	Part No.	Part Description	Qty.
1	022135	TIE ADHESIVE MOUNT	5
2	107856	SHORT TONGUE TAIL LIGHTS	1
3	107859	BASE HARNESS TAIL LIGHTS	1
4	107861	TAIL LIGHT PIGTAIL LONG SQUARE PLUG HARNESS	2
5	107266	SCHEMATIC TAILLIGHT HARNESS	1

7.10 - 7-Pole Plug Adapter

SN 0001PRO215 and UP
SN 0001PRO2V15 and UP



Night-Lite ProII™

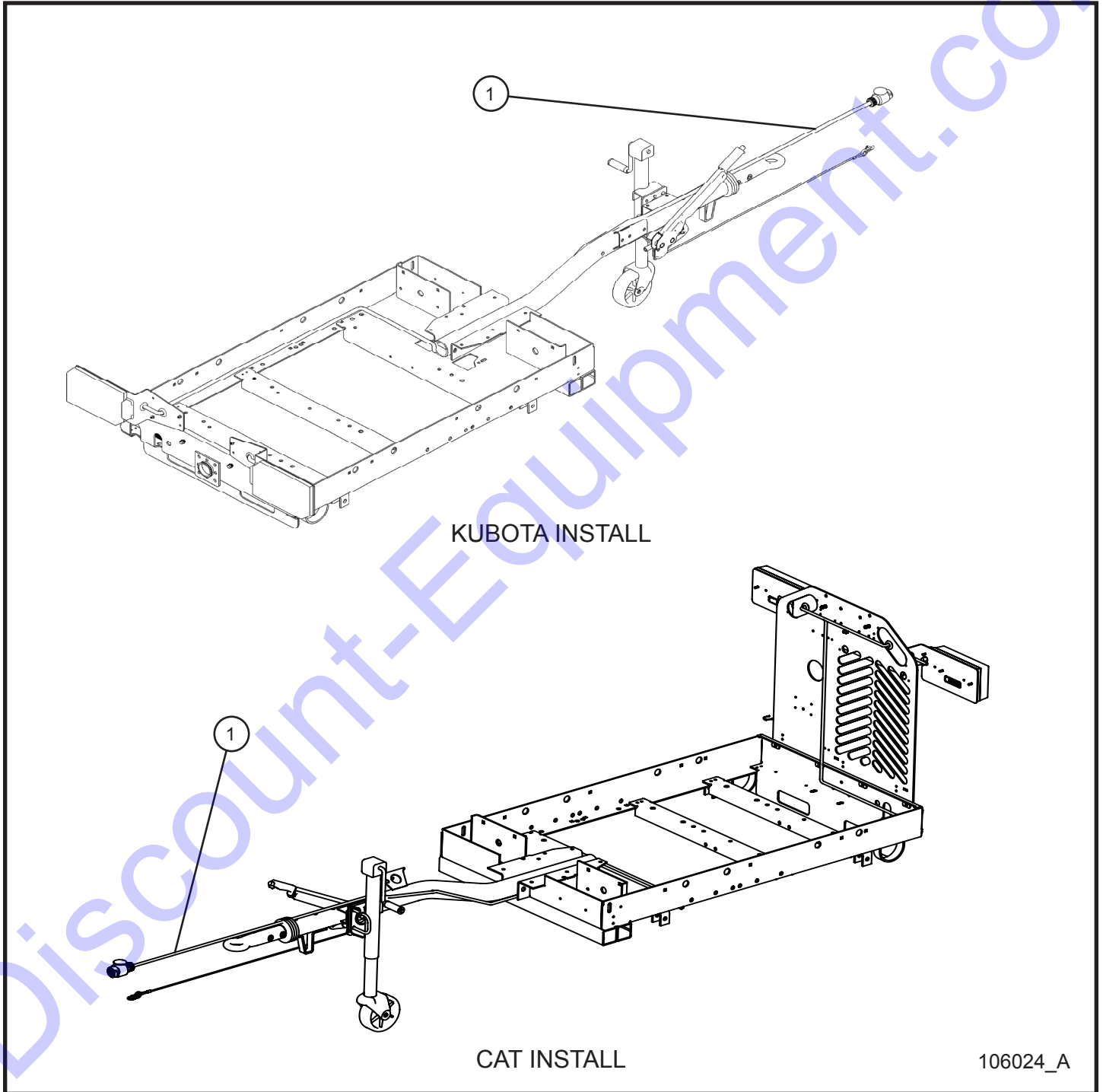
7.10 - 7-Pole Plug Adapter

SN 0001PRO215 and UP
SN 0001PRO2V15 and UP

Item	Part No.	Part Description	Qty.
1	107401	7-WAY RV PLUG, BLADE STYLE	1

Discount-Equipment.com

7.11 - International Taillight Harness



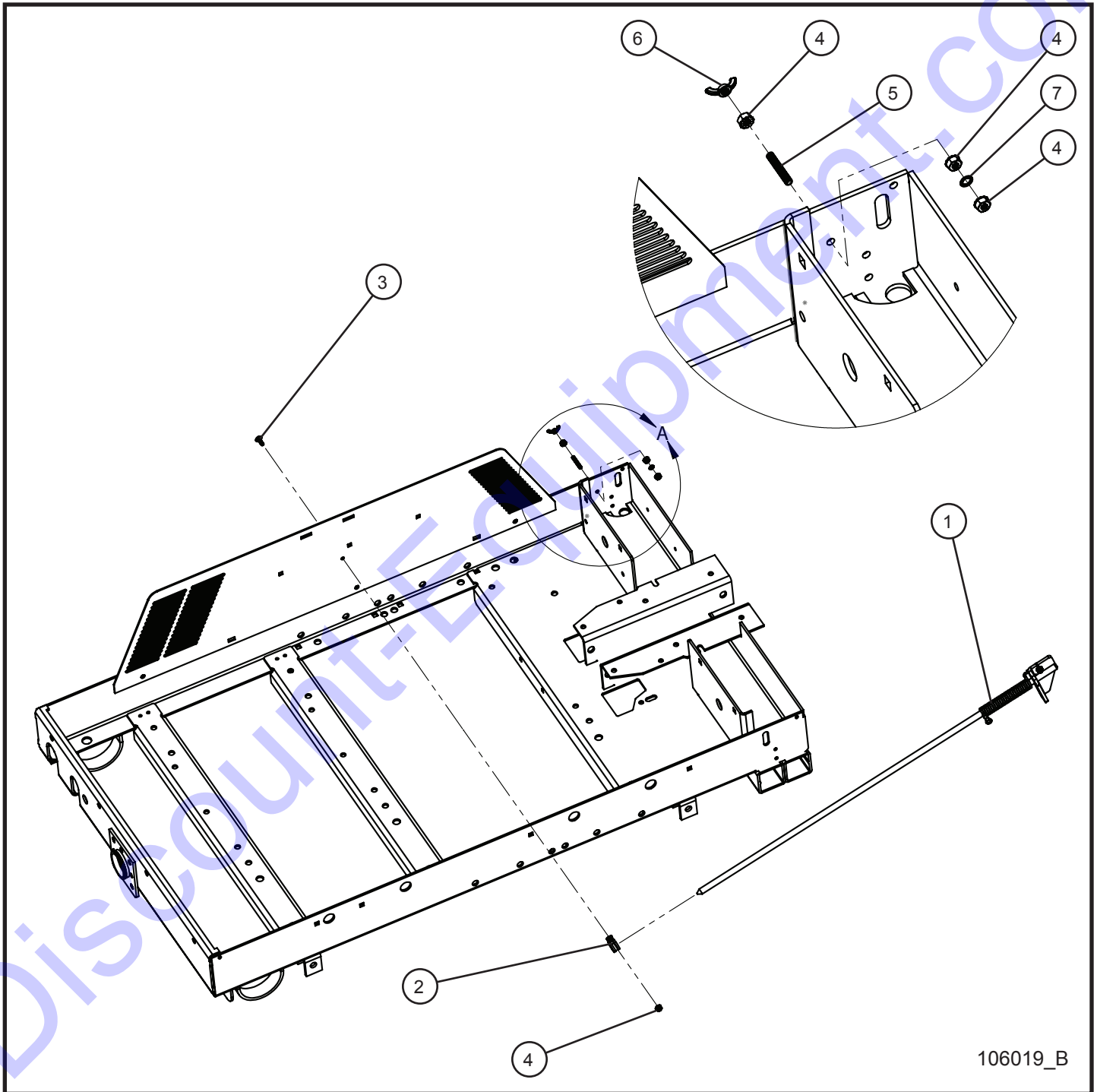
Night-Lite ProII™

7.11 - International Taillight Harness

Item	Part No.	Part Description	Qty.
1	105500	HARNES TAIL LIGHT INTERNATIONAL PRO II	1
NS	105502	WIRE SCHEMATIC TAIL LIGHT INTERNATIONAL PRO II	1

7.12 - Ground Rod

SN 0001PRO215 and UP
SN 0001PRO2V15 and UP



106019_B

Night-Lite ProII™

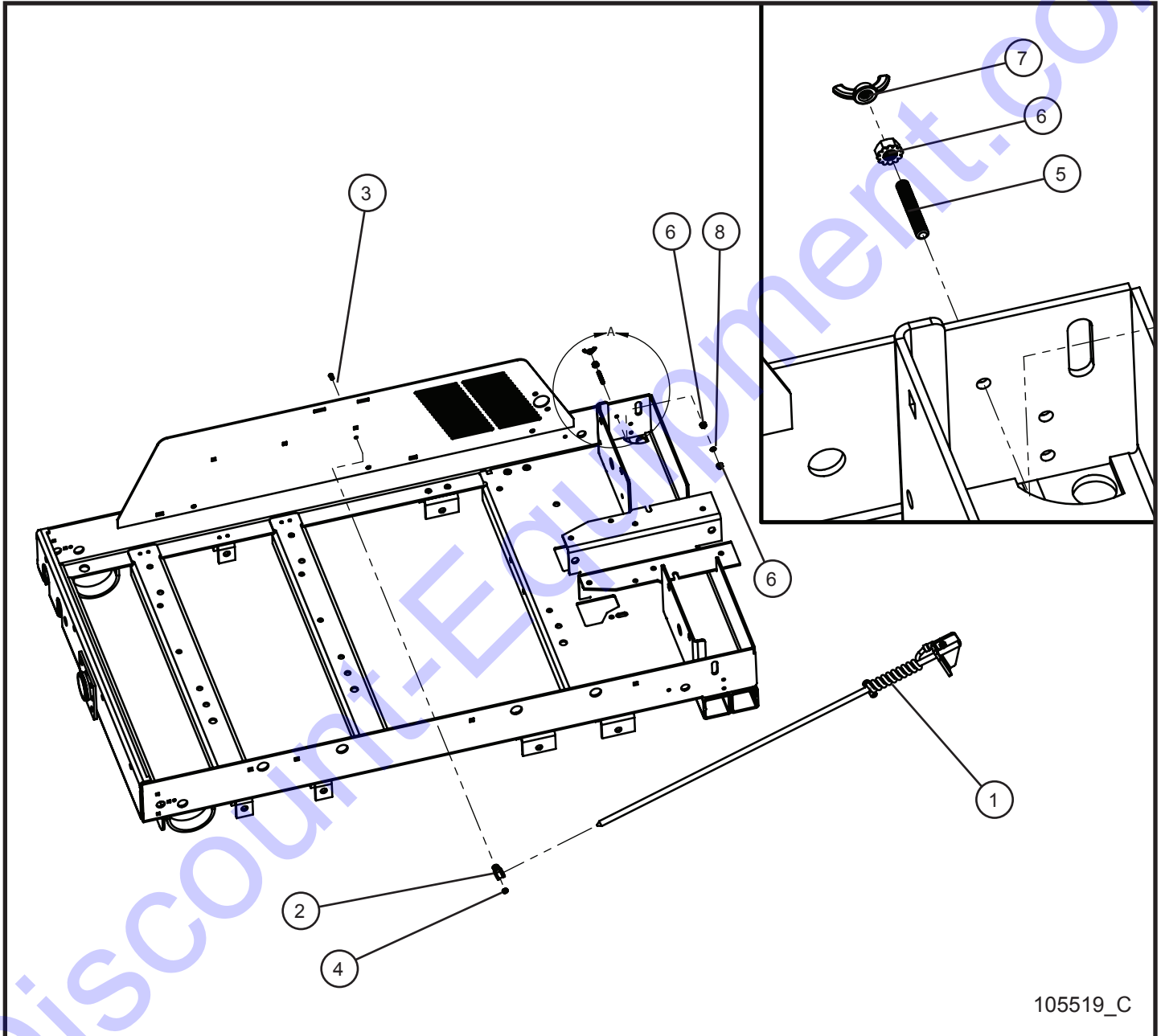
7.12 - Ground Rod

SN 0001PRO215 and UP
SN 0001PRO2V15 and UP

Item	Part No.	Part Description	Qty.
1	340058	GROUND ROD ASSEMBLY	1
2	022021	#10 CLAMP CUSH	1
3	041050	1/4-20 x 3/4 PH-TRUSS HEAD MS SS MACHINE SCREW	1
4	044021	1/4-20 KEPS HEX NUT PL	4
5	045003	1/4-20 x 1-1/2 STUD PL	1
6	330494	NUT WING 1/4-20 PL	1
7	043050	1/4 INTL TOOTH LOCK WASHER	1

7.13 - Ground Rod 4 AWG Wire

SN 0001PRO215 and UP
SN 0001PRO2V15 and UP



105519_C

Night-Lite ProII™

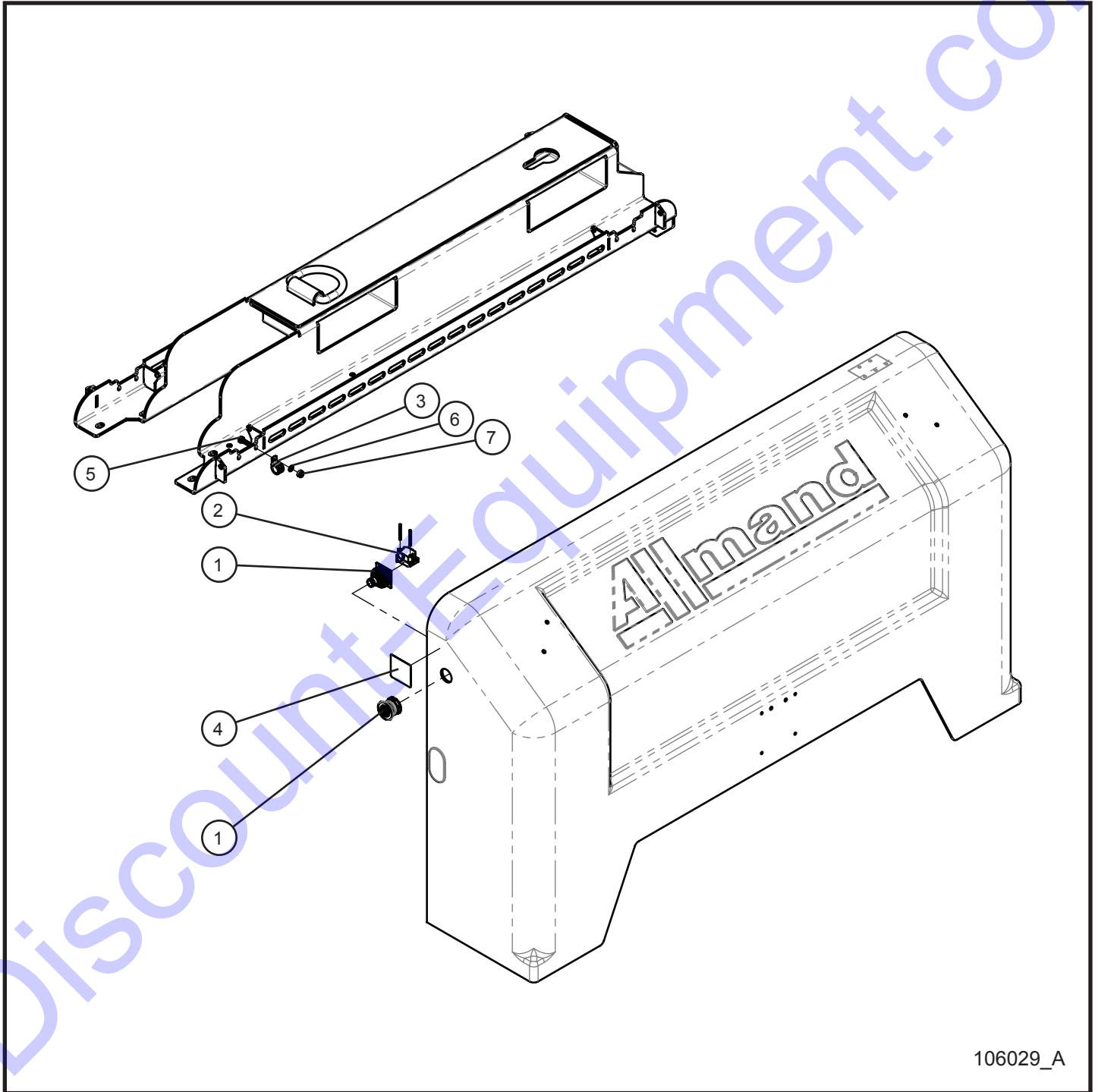
7.13 - Ground Rod 4 AWG Wire

SN 0001PRO215 and UP
SN 0001PRO2V15 and UP

Item	Part No.	Part Description	Qty.
1	105331	GROUND ROD 4 AWG WIRE	1
2	022022	#8 CUSH CLAMP 1/4 HOLE	1
3	041024	#10-24 x 1/2 PH-ROUND HEAD MS SS	1
4	044016	#10-24 KEPS HEX NUT PL	1
5	045003	1/4-20 x 1-1/2 STUD PL	1
6	044021	1/4-20 KEPS HEX NUT PL	3
7	330494	NUT WING 1/4-20 PL	1
8	043050	1/4 INTL TOOTH LOCK WASHER	1

7.14 - Emergency Stop

SN 0001PRO215 and UP



106029_A

Night-Lite ProII™

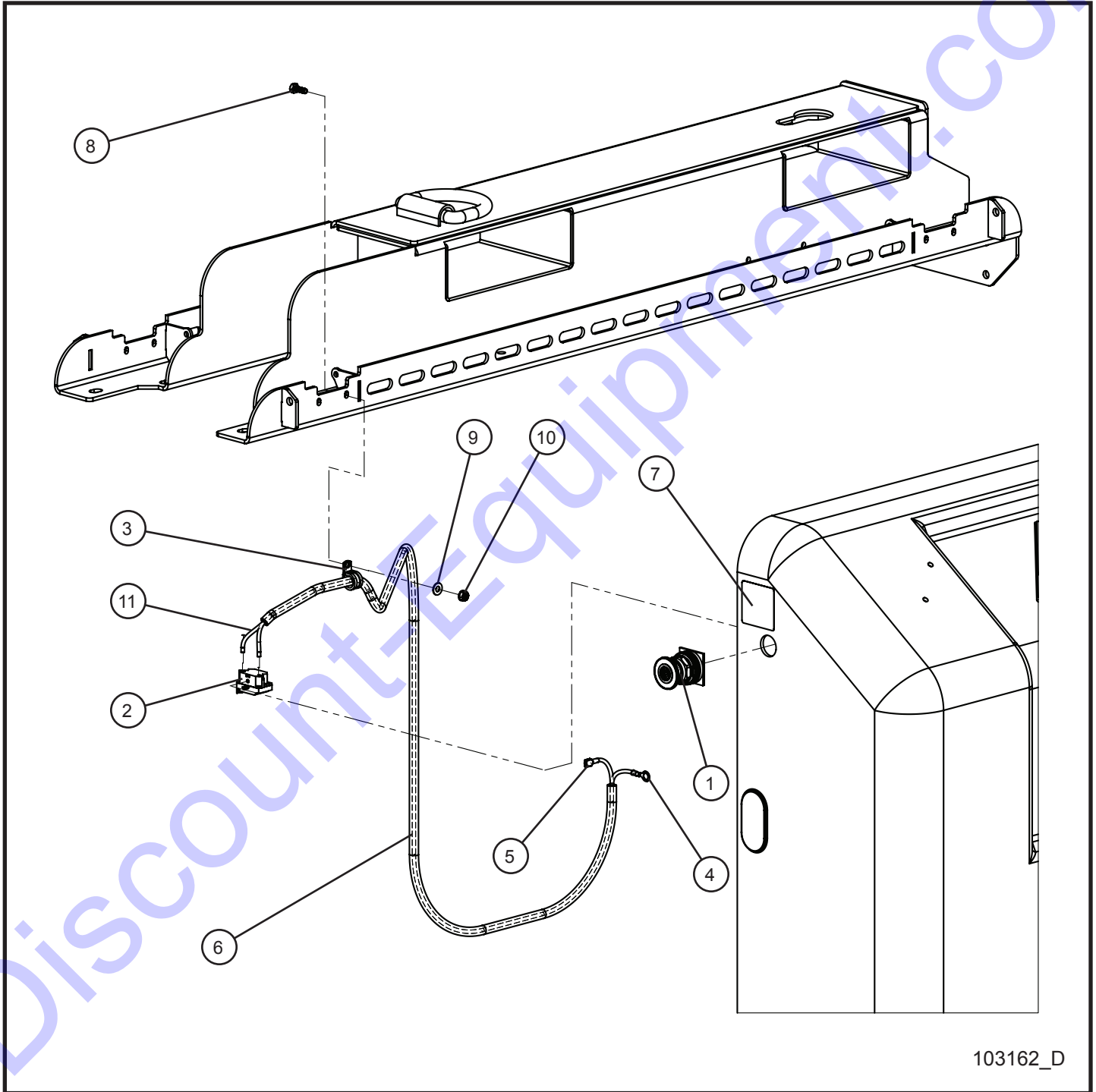
7.14 - Emergency Stop

SN 0001PRO215 and UP

Item	Part No.	Part Description	Qty.
1	650460	EMERGENCY STOP	1
2	650461	CONTACT BLOCK EMERGENCY STOP	1
3	022021	#10 CUSH CLAMP	1
4	105567	EMERGENCY STOP DECAL	1
5	046010	1/4-20 x 3/4 HEX HEAD CS GR5 SS	1
6	047009	1/4 FLAT WASHER SAE SS	1
7	044021	1/4-20 KEPS HEX NUT PL	1
8	105991	WIRE HARNESS E-STOP PRO	1

7.15 - Emergency Stop Kohler

SN 0001PRO215 and UP



103162_D

Night-Lite ProII™

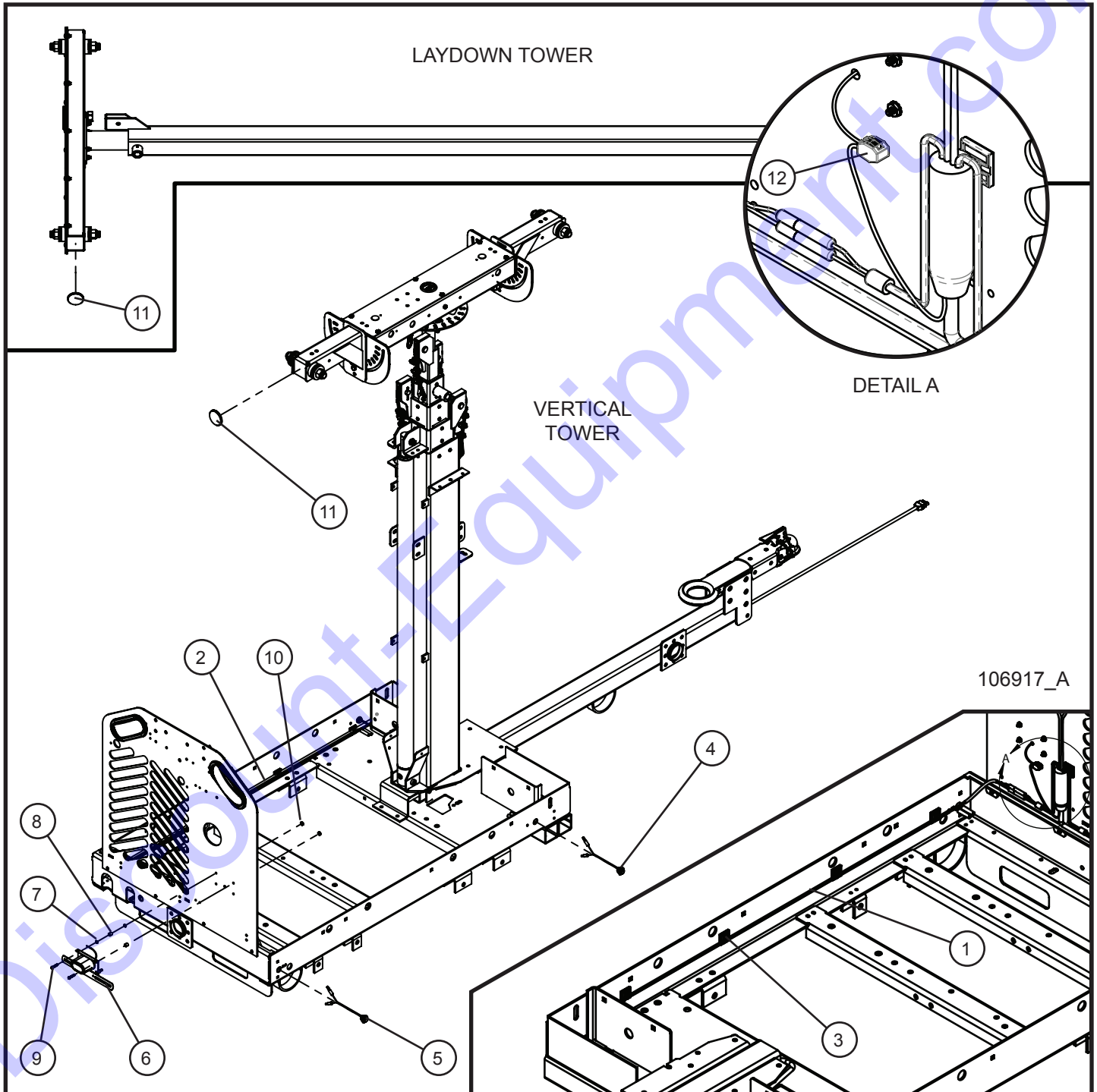
7.15 - Emergency Stop Kohler

SN 0001PRO215 and UP

Item	Part No.	Part Description	Qty.
1	650460	EMERGENCY STOP OPERATORS	1
2	650461	CONTACT BLOCK EMERGENCY STOP	1
3	022021	#10 CUSH CLAMP	1
4	022347	TERM RING 10-12 AWG 5/16	1
5	022145	TERM SPADE FEMALE 10-12 AWG 1/4 MOLEX	1
6	022202	3/8 LOOM x 66.00	1
7	105567	EMERGENCY STOP DECAL	1
8	046010	1/4-20 x 3/4 HEX HEAD CS GR5 SS	1
9	047009	1/4 FLAT WASHER SAE SS	1
10	044021	1/4-20 KEPS HEX NUT PL	1
11	020160	10 GA RED x 70.00	2

7.16 - VIN Package

SN 0001PRO215 and UP



Night-Lite ProII™

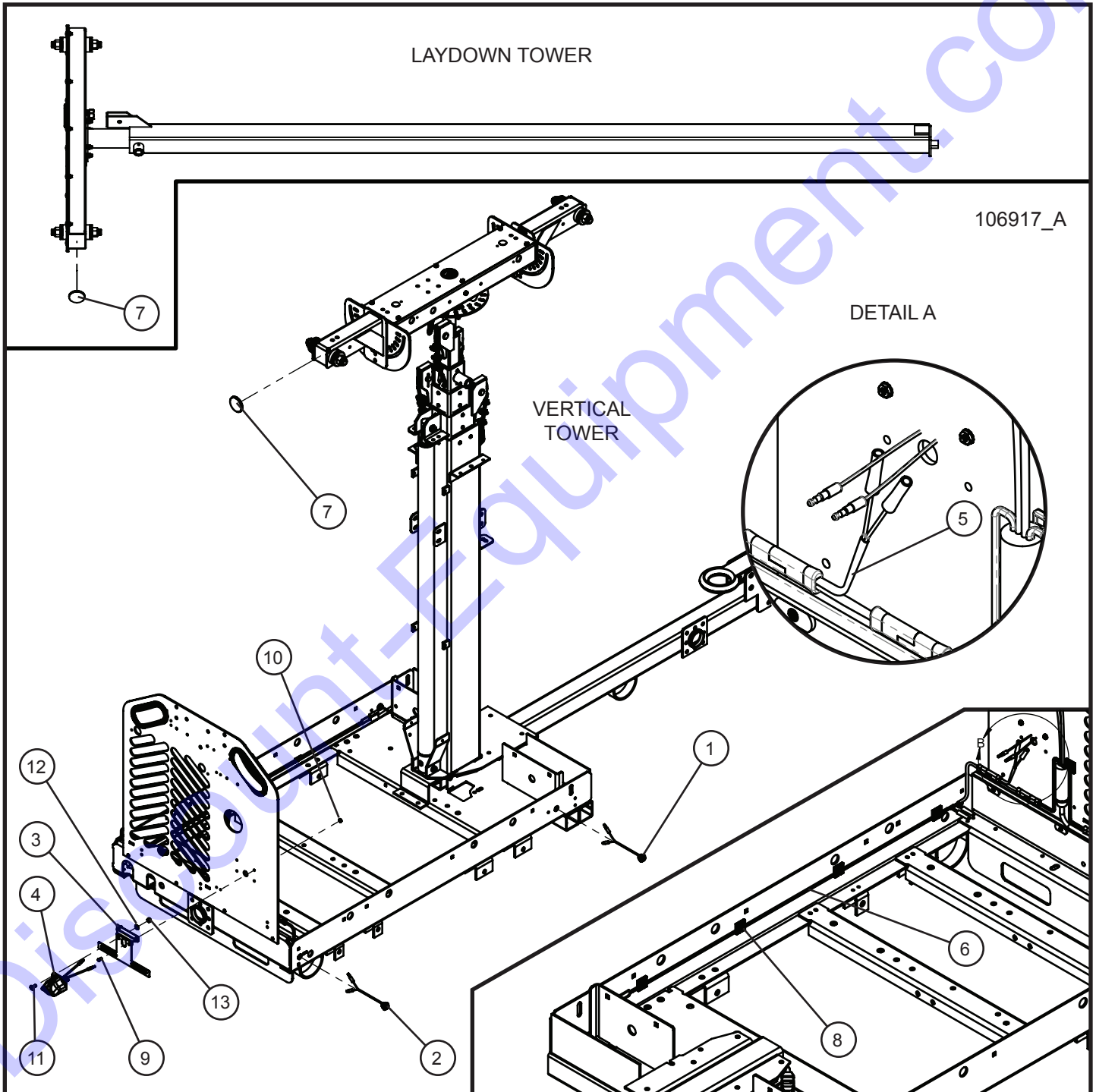
7.16 - VIN Package

SN 0001PRO215 and UP

Item	Part No.	Part Description	Qty.
1	106904	SHORT HARNESS MARKER LIGHTS	1
2	106905	LONG HARNESS MARKER LIGHTS	1
3	022135	TIE ADHESIVE MOUNT	4
4	106212	LIGHT LED MARKER AMBER	2
5	106211	LIGHT LED MARKER RED	2
6	032035	LICENSE PLATE LAMP WITH BRACKET	1
7	043015	#10 INT'L TOOTHLOCK WASHER PL	2
8	022180	SPACER RICOHO	4
9	041030	#10-24 x 1 PH-ROUND HEAD MS PL	4
10	044016	#10-24 KEPS HEX NUT PL	4
11	650237	2" RED REFLECTOR	2
12	102624	2 WIRE LEVER LOCK	1
13	107267	SCHEMATIC MARKER LIGHTS	1

7.17 - VIN LED Package

SN 0001PRO215 and UP



Night-Lite ProII™

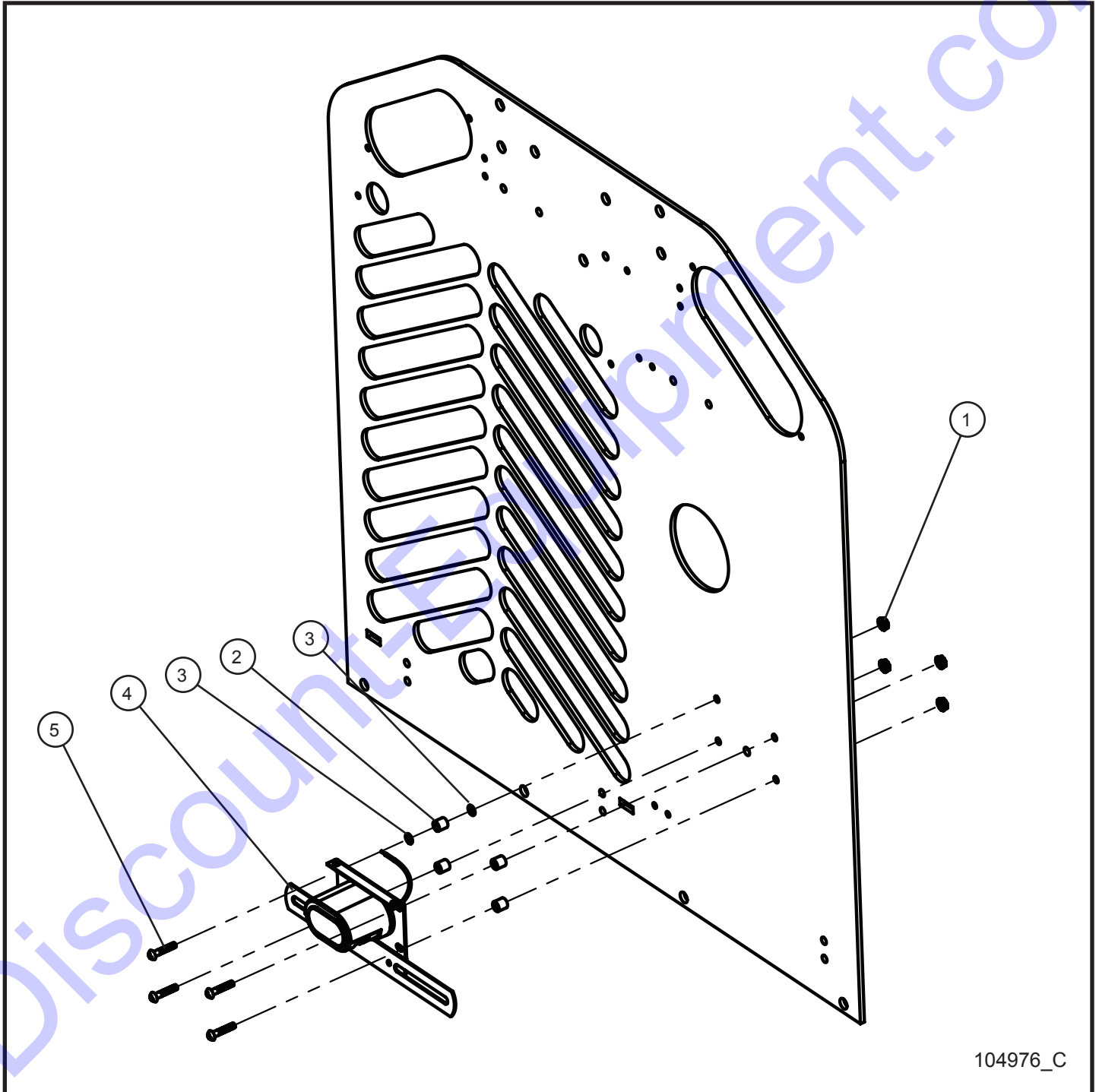
7.17 - VIN LED Package

SN 0001PRO215 and UP

Item	Part No.	Part Description	Qty.
1	106212	LIGHT LED MARKER AMBER	2
2	106211	LIGHT LED MARKER RED	2
3	105349P	BRACKET LICENSE PLATE	1
4	107605	MOUNT LED LIGHT CLEAR	1
5	105347	SHORT LED LIGHT LICENSE PLATE	1
6	107863	SHORT-2 PIN PLUG MARKER LIGHTS	2
7	650237	2" RED REFLECTOR	2
8	022135	TIE ADHESIVE MOUNT	4
9	041021	#10-24 x 1/2 PH-ROUND HEAD MS PL	2
10	044016	#10-24 KEPS HEX NUT PL	2
11	041050	1/4-20 x 3/4 PH-TRUSS HEAD MS SS MACHINE SCREW	2
12	047009	1/4 FLAT WASHER SAE SS	2
13	044023	1/4-20 NYLOCK HEX NUT PL	2
14	107267	SCHEMATIC MARKER LIGHTS	1

7.18 - License Plate Bracket with Lamp

SN 0001PRO215 and UP
SN 0001PRO2V15 and UP



104976_C

Night-Lite ProII™

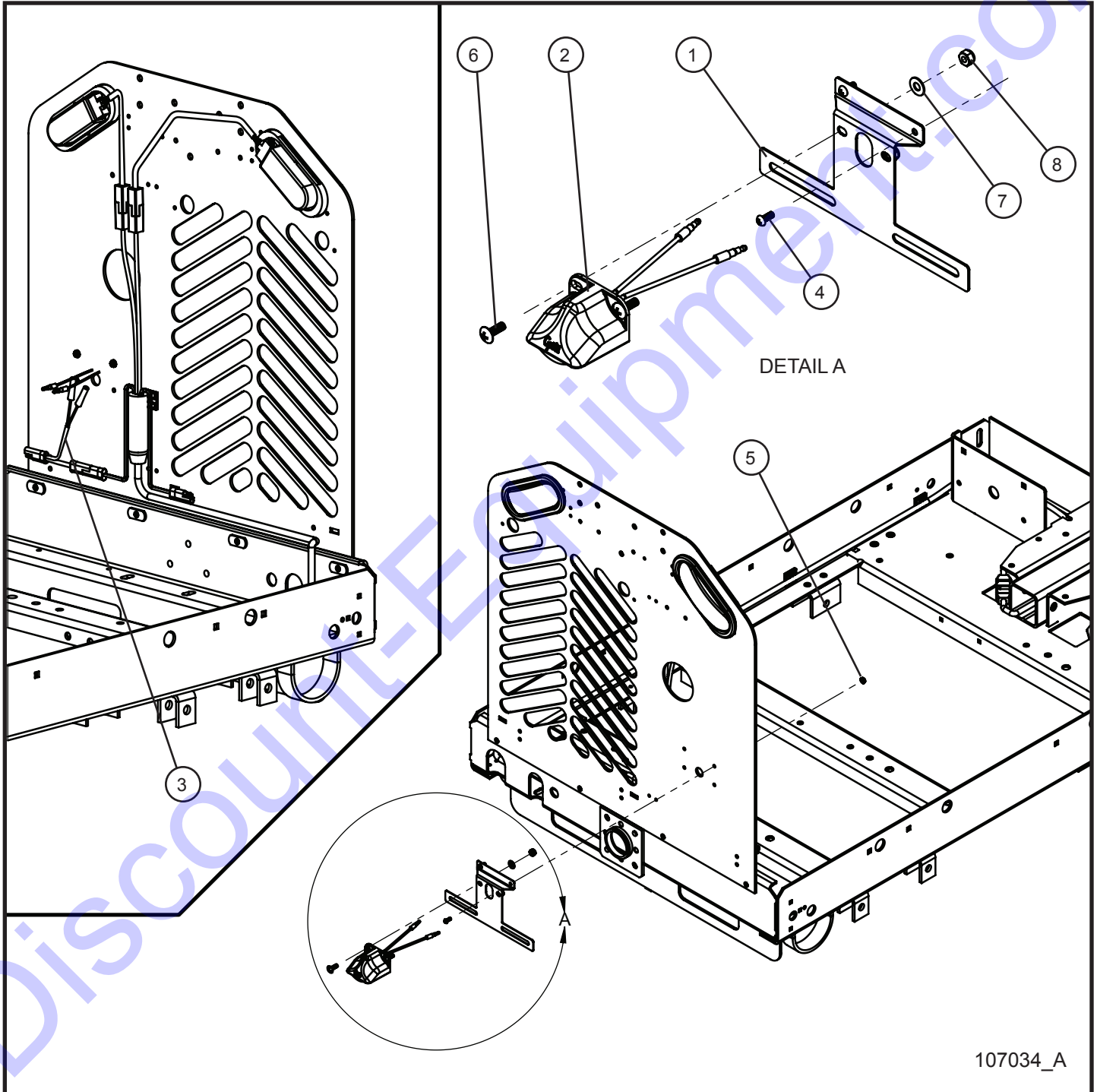
7.18 - License Plate Bracket with Lamp

SN 0001PRO215 and UP
SN 0001PRO2V15 and UP

Item	Part No.	Part Description	Qty.
1	044016	#10-24 KEPS HEX NUT PL	4
2	022180	SPACER RICOHO	4
3	043015	#10 INT'L TOOTH LOCK WASHER	2
4	032035	LICENSE PLATE LAMP WITH BRACKET	1
5	041030	#10-24 x 1 PH-ROUND HEAD MS PL	4

7.19 - License Plate Bracket with LED Lamp

SN 0001PRO215 and UP
SN 0001PRO2V15 and UP



Night-Lite ProII™

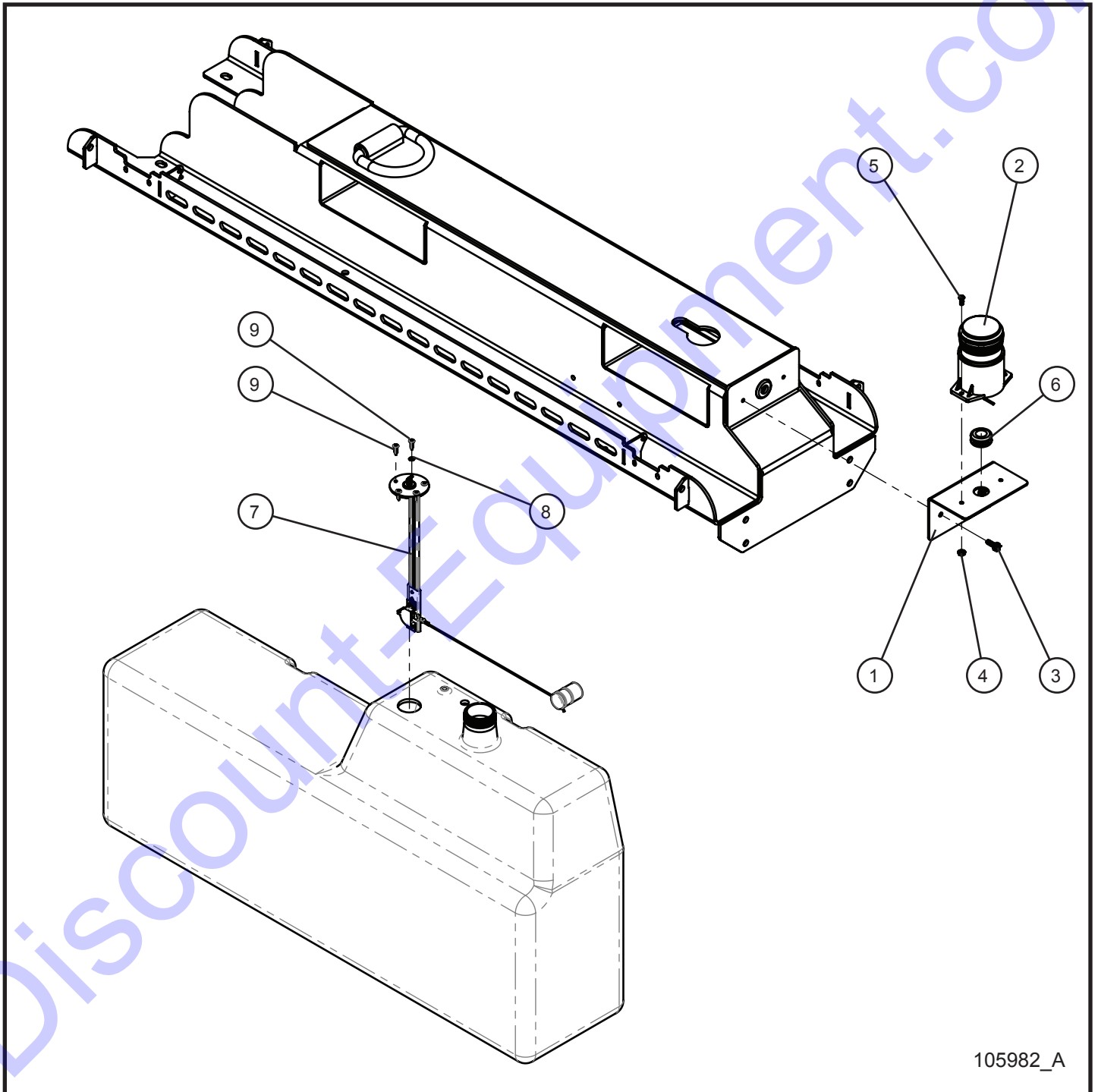
7.19 - License Plate Bracket with LED Lamp

SN 0001PRO215 and UP
SN 0001PRO2V15 and UP

Item	Part No.	Part Description	Qty.
1	105349P	BRACKET LICENSE PLATE	1
2	107605	MOUNT LED LIGHT CLEAR	1
3	105347	SHORT LED LIGHT LICENSE PLATE	1
4	041021	#10-24 x 1/2 PH-ROUND HEAD MS PL	2
5	044016	#10-24 KEPS HEX NUT PL	2
6	041050	1/4-20 x 3/4 PH-TRUSS HEAD MS SS MACHINE SCREW	2
7	047009	1/4 FLAT WASHER SAE SS	2
8	044023	1/4-20 NYLOCK	2
9	105350	SCHEMATIC LICENSE PLATE LED LIGHT	1

7.20 - Low Fuel Beacon

SN 0001PRO2V15 and UP



105982_A

Night-Lite ProII™

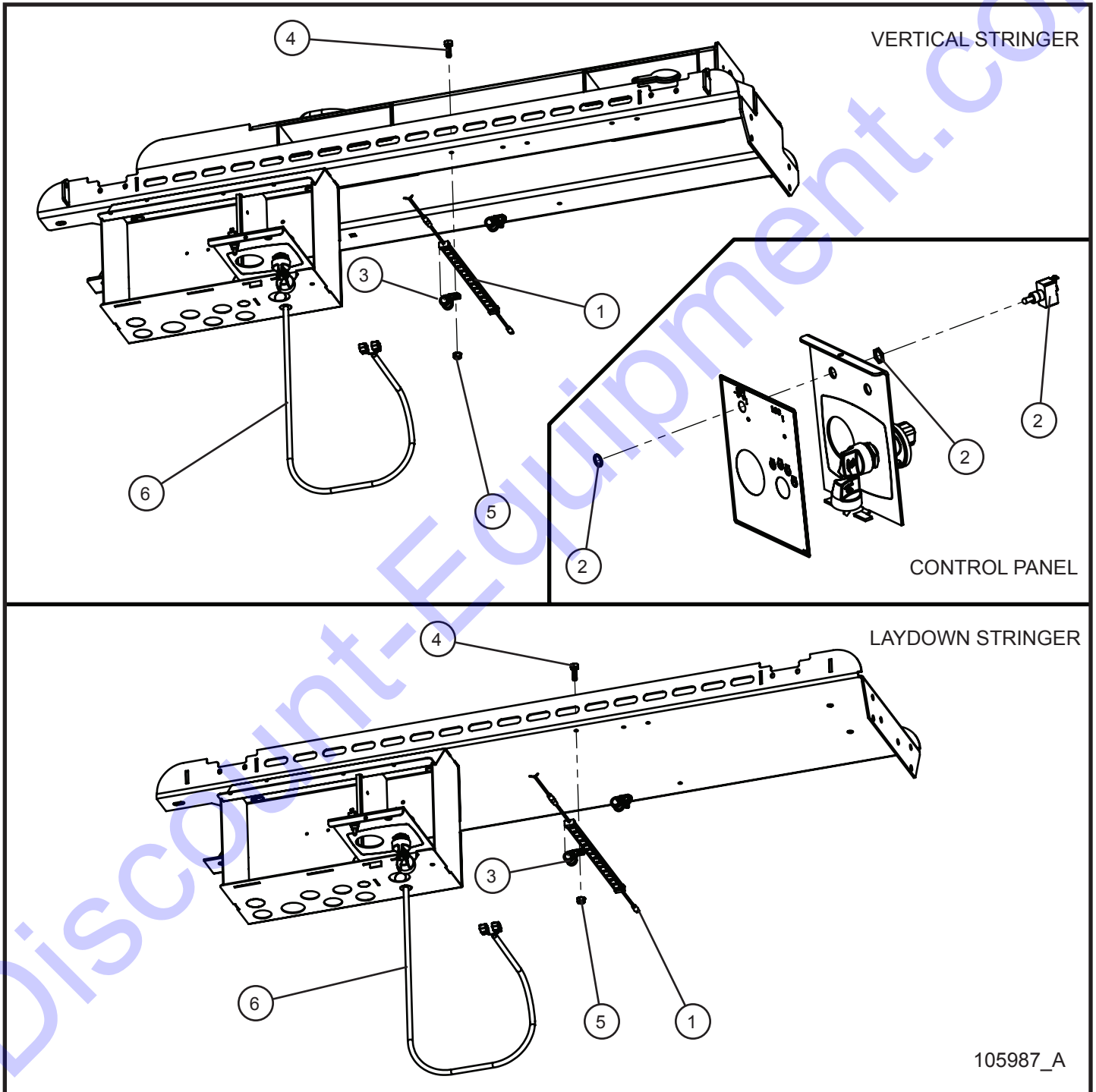
7.20 - Low Fuel Beacon

SN 0001PRO2V15 and UP

Item	Part No.	Part Description	Qty.
1	103645P	BRACKET BEACON PRO II	1
2	104974	LED STROBE LIGHT AMBER 3" ROUND	1
3	041070	1/4-20 x 3/4 SL-HEX WASHER HEAD MS TP F	2
4	044016	#10-24 KEPS HEX NUT PL	2
5	041021	#10-24 x 1/2 PH-ROUND HEAD MS PL	2
6	330463	11/16 RUBBER GROMMET	1
7	352479	FUEL LEVEL SENDER ISS PRO	1
8	043015	#10 INT'L TOOTH LOCK WASHER PL	1
9	102556	SCREW #8 x 3/4	5
10	105897	LOW FUEL BEACON SCHEMATIC PRO II	1
11	106050	LOW FUEL BEACON WIRE HARNESS PRO II	1

7.21 - Interior LED Light

SN 0001PRO215 and UP
SN 0001PRO2V15 and UP



Night-Lite ProII™

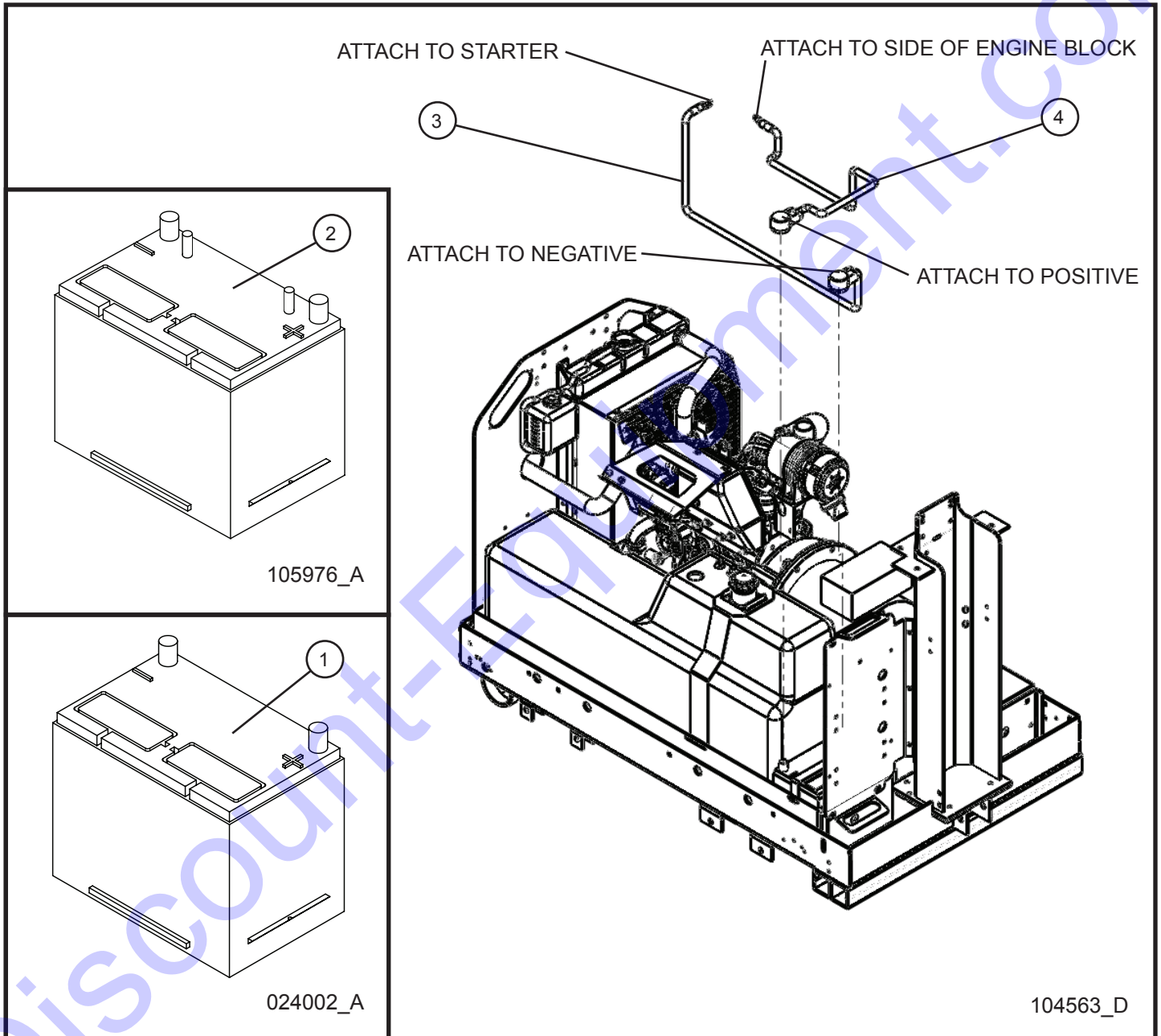
7.21 - Interior LED Light

SN 0001PRO215 and UP
SN 0001PRO2V15 and UP

Item	Part No.	Part Description	Qty.
1	104820	LED LIGHT 12 INCH	1
2	340009	SWITCH 15A 125V	1
3	022018	#8 CUSH CLAMP	2
4	046050	5/16-18 x 1 HEX HEAD CS GR5 PL	2
5	044031	5/16-18 KEPS HEX NUT PL	2
6	105989	WIRE KIT INTERIOR LIGHT	1
7	105896	INTERIOR LIGHT WIRING SCHEMATIC	1

8.1 - Battery and Battery Cables

SN 0001PRO215 and UP
SN 0001PRO2V15 and UP



Night-Lite ProII™

8.1 - Battery and Battery Cables

SN 0001PRO215 and UP
SN 0001PRO2V15 and UP

Item	Part No.	Part Description	Qty.
1	N/A	BATTERY 12 VOLT GROUP	1
2	N/A	HEAVY DUTY BATTERY AGM GROUP 24	1
3	713098	BATTERY CABLE BLACK 2GA 36" (NEGATIVE)	1
4	027026	BATTERY CABLE RED 2GA 48" (POSITIVE)	1