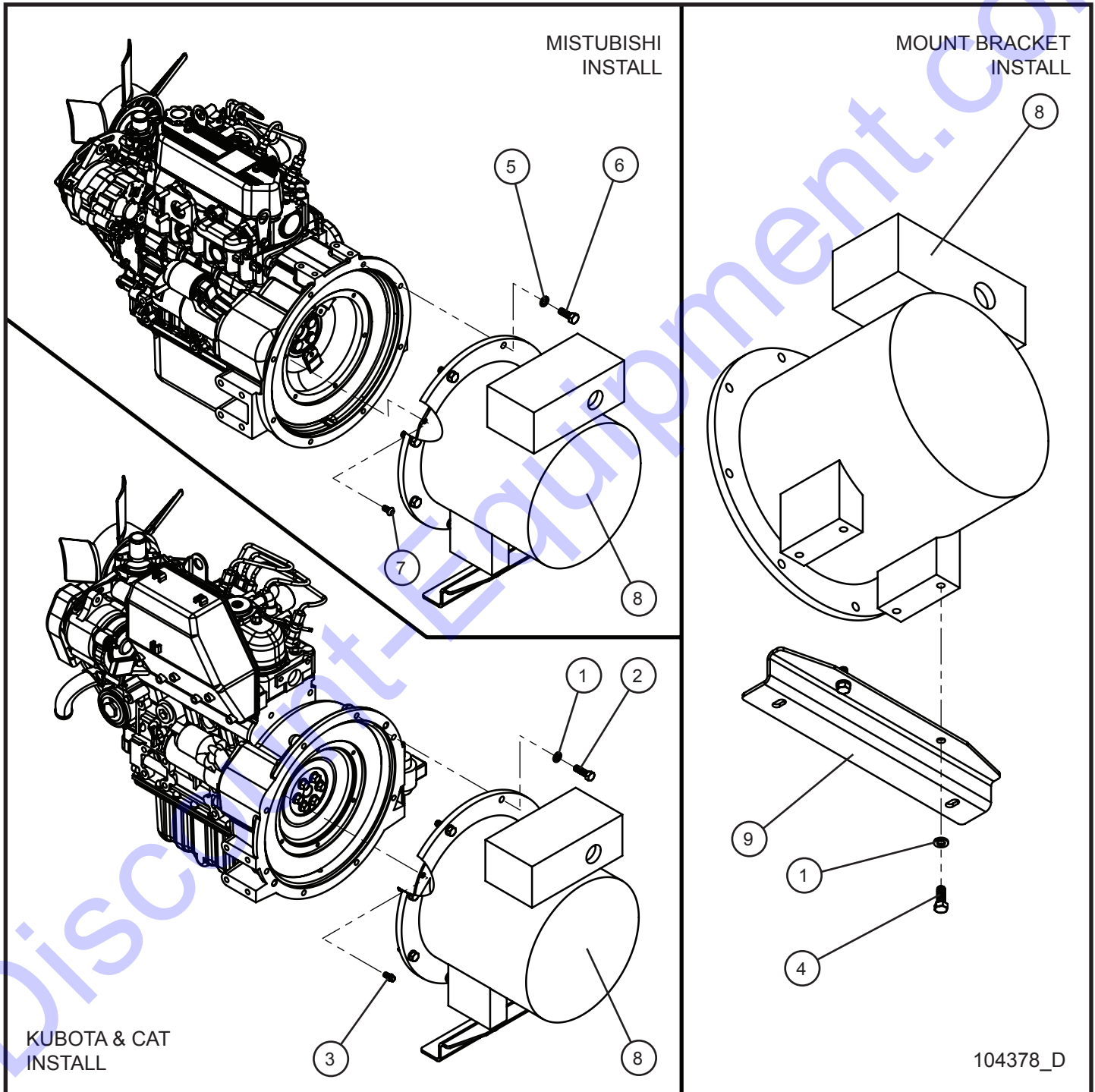


13.5 - Athlon 8kW 60Hz Generator

SN 0001PRO215 and UP
SN 0001PRO2V15 and UP



Night-Lite ProII™

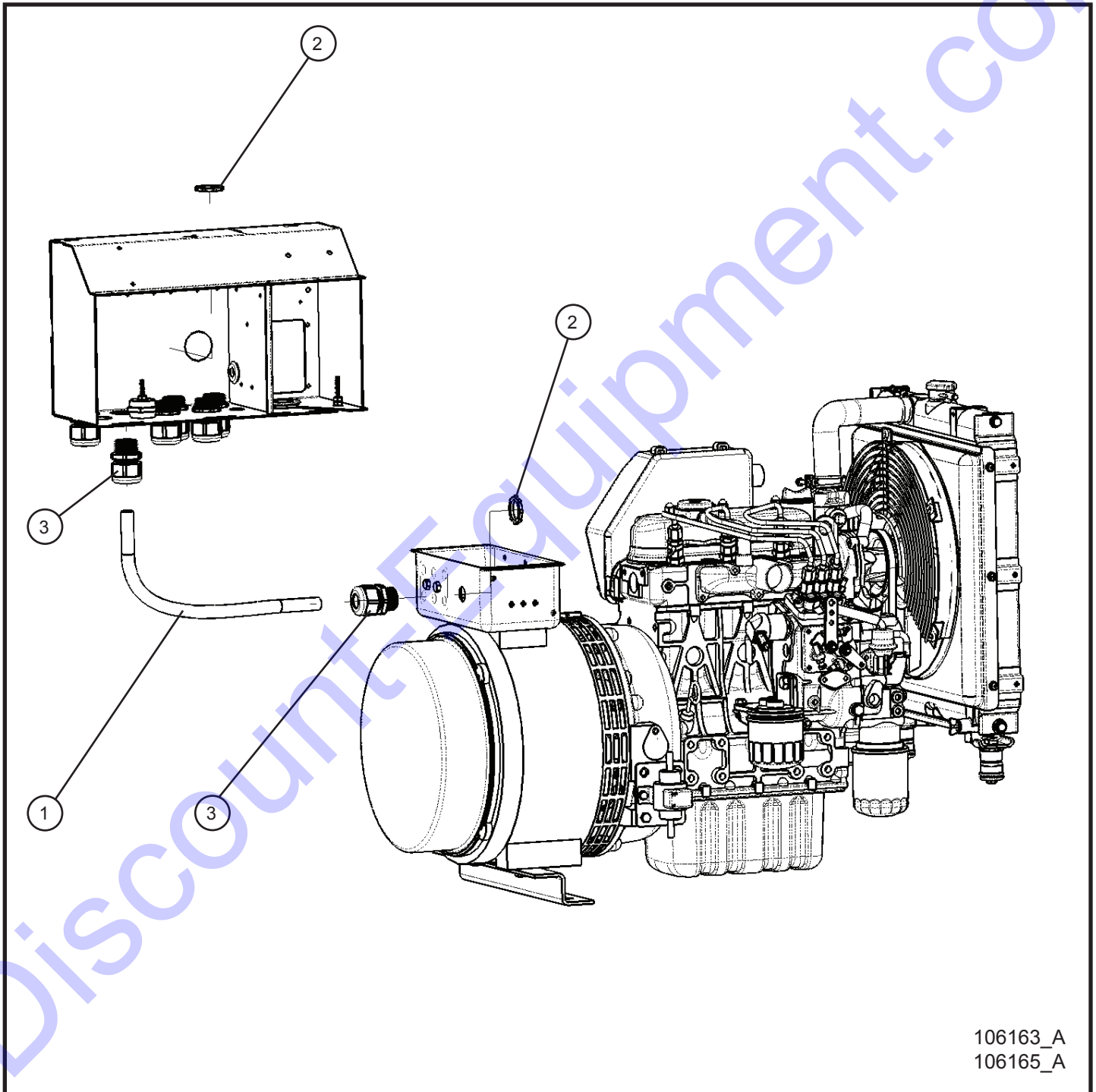
13.5 - Athlon 8kW 60Hz Generator

SN 0001PRO215 and UP
SN 0001PRO2V15 and UP

Item	Part No.	Part Description	Qty.
1	043065	3/8 SPLITLOCK WASHER PL	10
2	046115	3/8-16 x 1 1/4 HEX HEAD CS GR5 PL	8
3	046041	5/16-18 x 1/2 PT FLANGE HEAD BOLT	6
4	046110	3/8-16 x 1 HEX HEAD CS GR5 PL	2
5	042151	M10 SPLITLOCK WASHER PL	8
6	042041	10mm x 1.25mm x 30mm HEX HEAD	8
7	042028	M8 x 1.25mm x 16mm SOCKET BUTTON HEAD CS	8
8	102692	GENERATOR ATHLON 8kW 60Hz	1
9	651012P	GENERATOR MOUNT BRACKET	1
NS	108714	LOCTITE #242 BLUE	1
NS	108715	LOCTITE #271 RED	1
NS	640158	CAPACITOR 25uf 550V	1

13.6 - 10/4 Generator Cord

SN 0001PRO215 and UP
SN 0001PRO2V15 and UP



106163_A
106165_A

Night-Lite ProII™

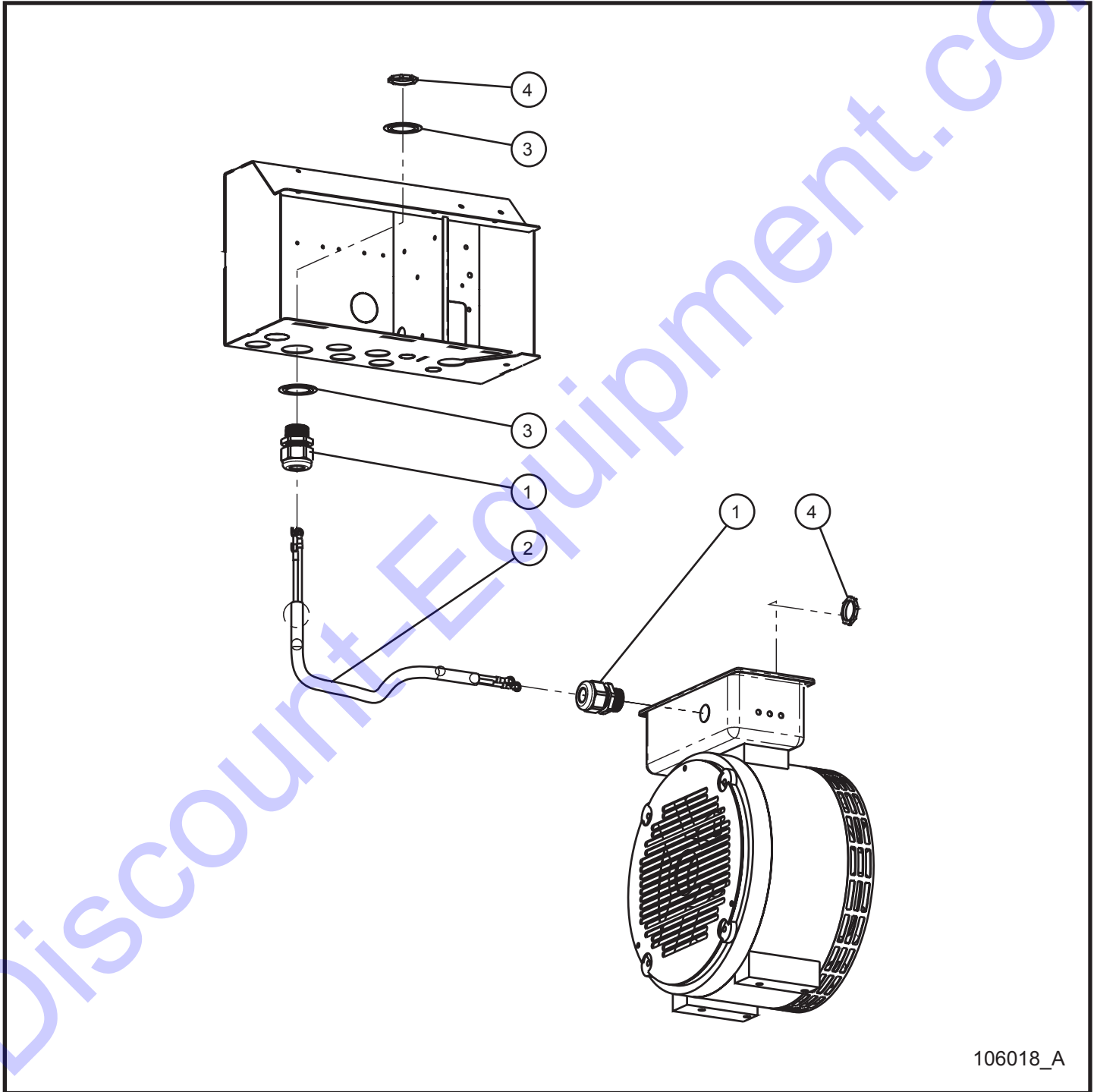
13.6 - 10/4 Generator Cord

SN 0001PRO215 and UP
SN 0001PRO2V15 and UP

Item	Part No.	Part Description	Qty.
1	106162	CORD GENERATOR 10/4 DOMESTIC	1
	106164	CORD GENERATOR 10/4 AVR	1
2	022038	1" CORD GRIP NUT	2
3	105627	1" CORD GRIP NYLON BLACK	2

13.7 - 10/3 International Generator Cord

SN 0001PRO215 and UP
SN 0001PRO2V15 and UP



106018_A

Night-Lite ProII™

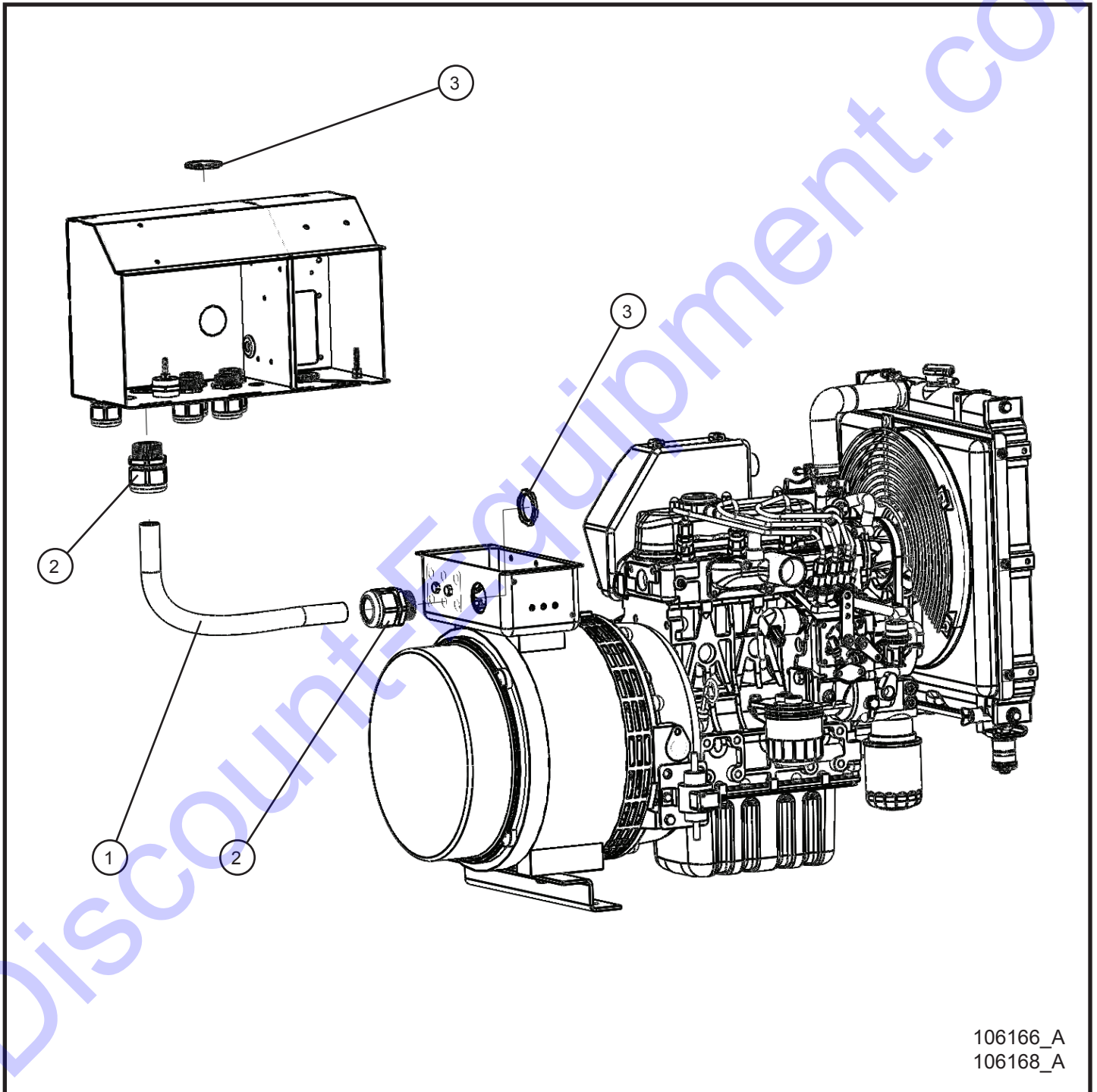
13.7 - 10/3 International Generator Cord

SN 0001PRO215 and UP
SN 0001PRO2V15 and UP

Item	Part No.	Part Description	Qty.
1	105627	CORD GRIP 1" NYLON BLACK	2
2	106017	10/3 GENERATOR CORD INTERNATIONAL 6kW PRO II	1
3	022350	1 1/4 TO 1" REDUCING WASHER	2
4	022038	1" CORD GRIP NUT	2
NS	106337	AC WIRE SCHEMATIC GENERATOR TO LIGHTS INT'L PRO II	1

13.8 - 6/4 CSA Generator Cord

SN 0001PRO215 and UP
SN 0001PRO2V15 and UP



106166_A
106168_A

Night-Lite ProII™

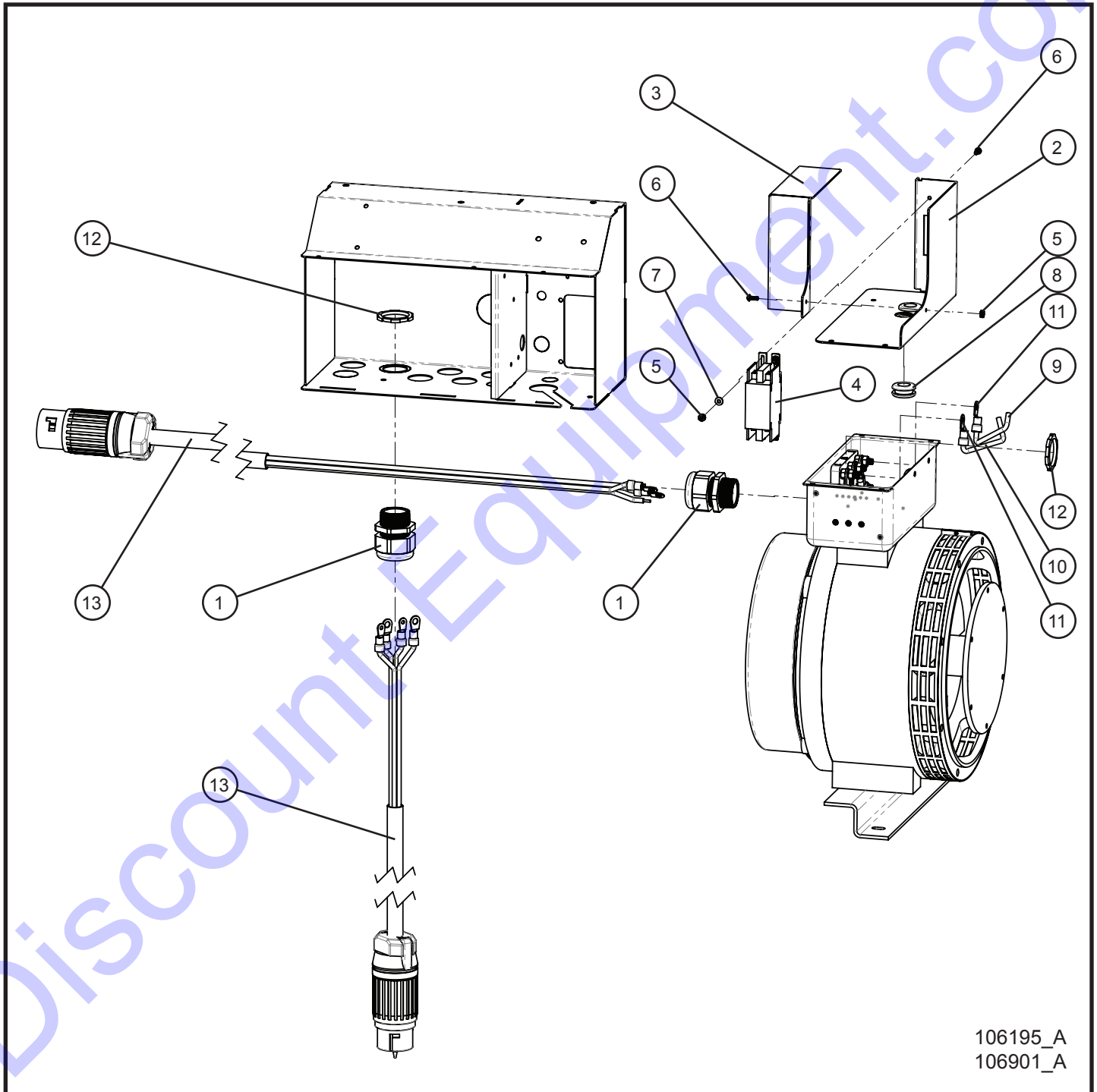
13.8 - 6/4 CSA Generator Cord

SN 0001PRO215 and UP
SN 0001PRO2V15 and UP

Item	Part No.	Part Description	Qty.
1	650295	CORD GENERATOR 6/4 CSA	1
	106167	CORD GENERATOR 6/4 CSA AVR	1
2	105628	1-1/4 NYLON BLACK CORD GRIP	2
3	350363	1-1/4 LOCK NUT	2

13.9 - 50 AMP Disconnect Generator Cord

SN 0001PRO215 and UP
SN 0001PRO2V15 and UP



106195_A
106901_A

Night-Lite ProII™

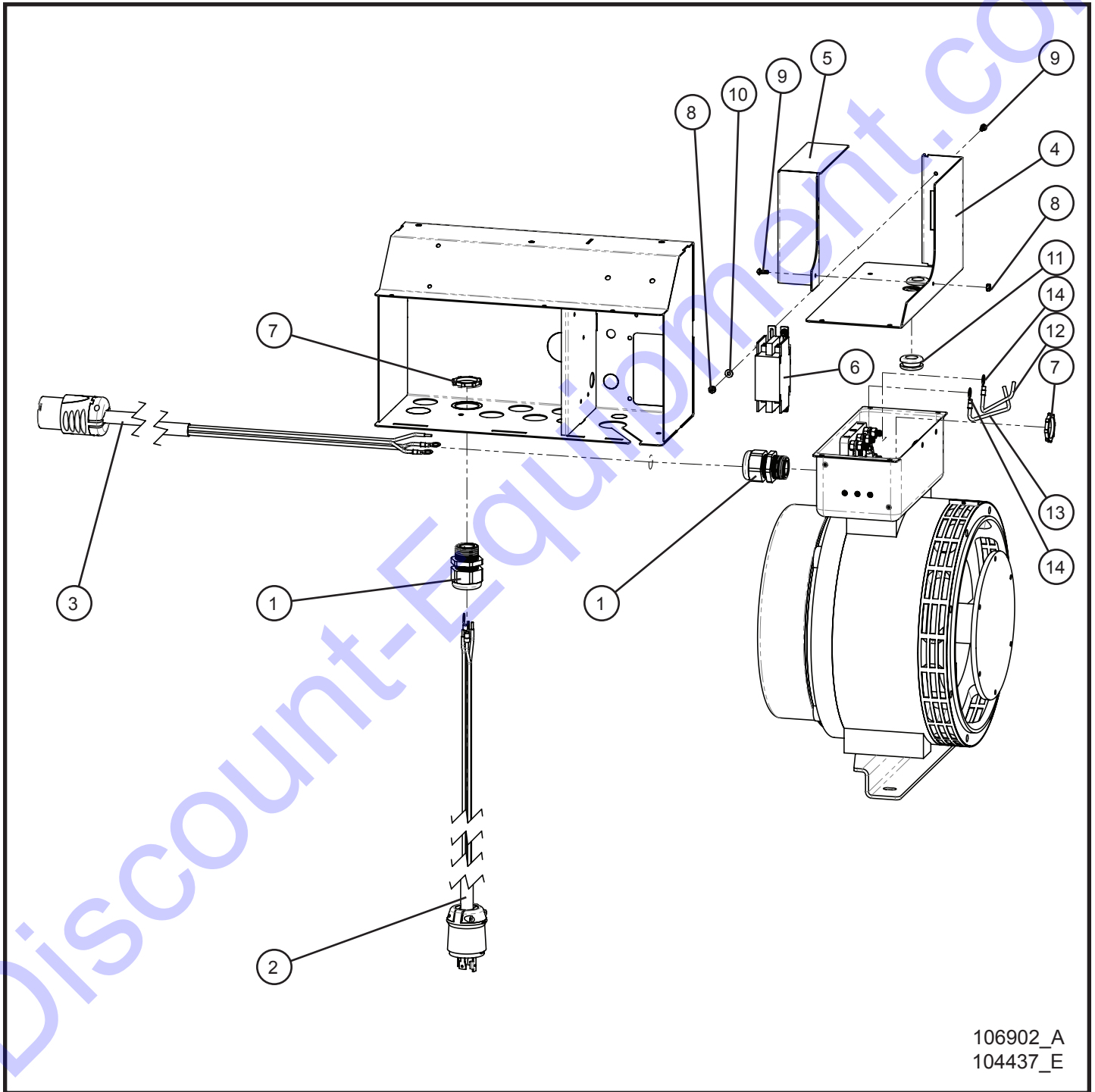
13.9 - 50 AMP Disconnect Generator Cord

SN 0001PRO215 and UP
SN 0001PRO2V15 and UP

Item	Part No.	Part Description	Qty.
1	105628	1-1/4 NYLON BLACK CORD GRIP	2
2	106900P	COVER MARATHON GENERATOR	1
	105491P	COVER MARATHON AVR GENERATOR	1
3	105490P	COVER GENERATOR	1
4	104434	30 AMP QOU230 BREAKER	1
5	044003	#8-32 NC KEPS NUT	7
6	041013	#8-32 x 1/2 PH-ROUND HEAD MS PL	7
7	047004	#8 FLAT WASHER SAE ZC	4
8	330463	11/16 RUBBER GROMMET	2
9	020199	6 AWG BLACK x 12.0	1
10	020195	6 AWG RED x 12.0	1
11	022330	TERM 5/16 EYE 6 AWG	2
12	350363	1-1/4 LOCK NUT	2
13	104178	6/4 GENERATOR CORD 50 AMP DISCONNECT	1

13.10 - 30 AMP Disconnect Generator Cord

SN 0001PRO215 and UP
SN 0001PRO2V15 and UP



106902_A
104437_E

Night-Lite ProII™

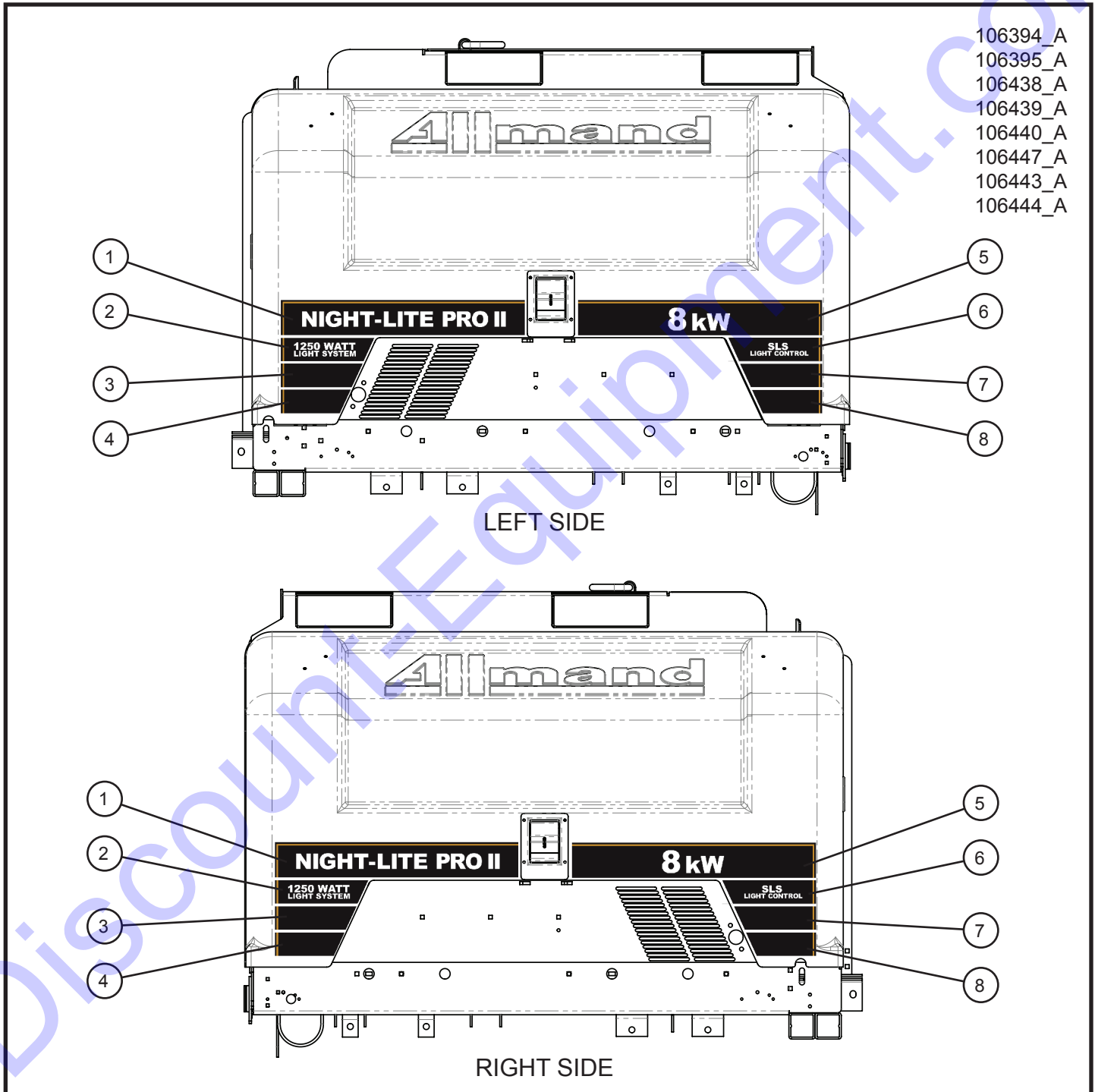
13.10 - 30 AMP Disconnect Generator Cord

SN 0001PRO215 and UP
SN 0001PRO2V15 and UP

Item	Part No.	Part Description	Qty.
1	105627	1" NYLON BLACK CORD GRIP	2
2	105487	GENERATOR CORD W/ DISCONNECT	1
3	105486	GENERATOR CORD W/ DISCONNECT	1
4	106900P	COVER MARATHON GENERATOR	1
	105491P	COVER MARATHON AVR GENERATOR	1
5	105490P	COVER GENERATOR	1
6	104434	30AMP QOU230 BREAKER	1
7	022038	1" CORD GRIP NUT	2
8	044003	#8-32 NC KEPS NUT	7
9	041013	#8-32 x 1/2 PH-ROUND HEAD MS PL	7
10	047004	#8 FLAT WASHER SAE ZC	4
11	330463	11/16 RUBBER GROMMET	2
12	020170	10 AWG x 12.0	1
13	020160	10 AWG x 12.0	1
14	022347	TERM RING 10-12 AWG 5/16	2

14.1 - Door Stripe Decals (1 of 3)

SN 0001PRO215 and UP
SN 0001PRO2V15 and UP



Night-Lite ProII™

14.1 - Door Stripe Decals (1 of 3)

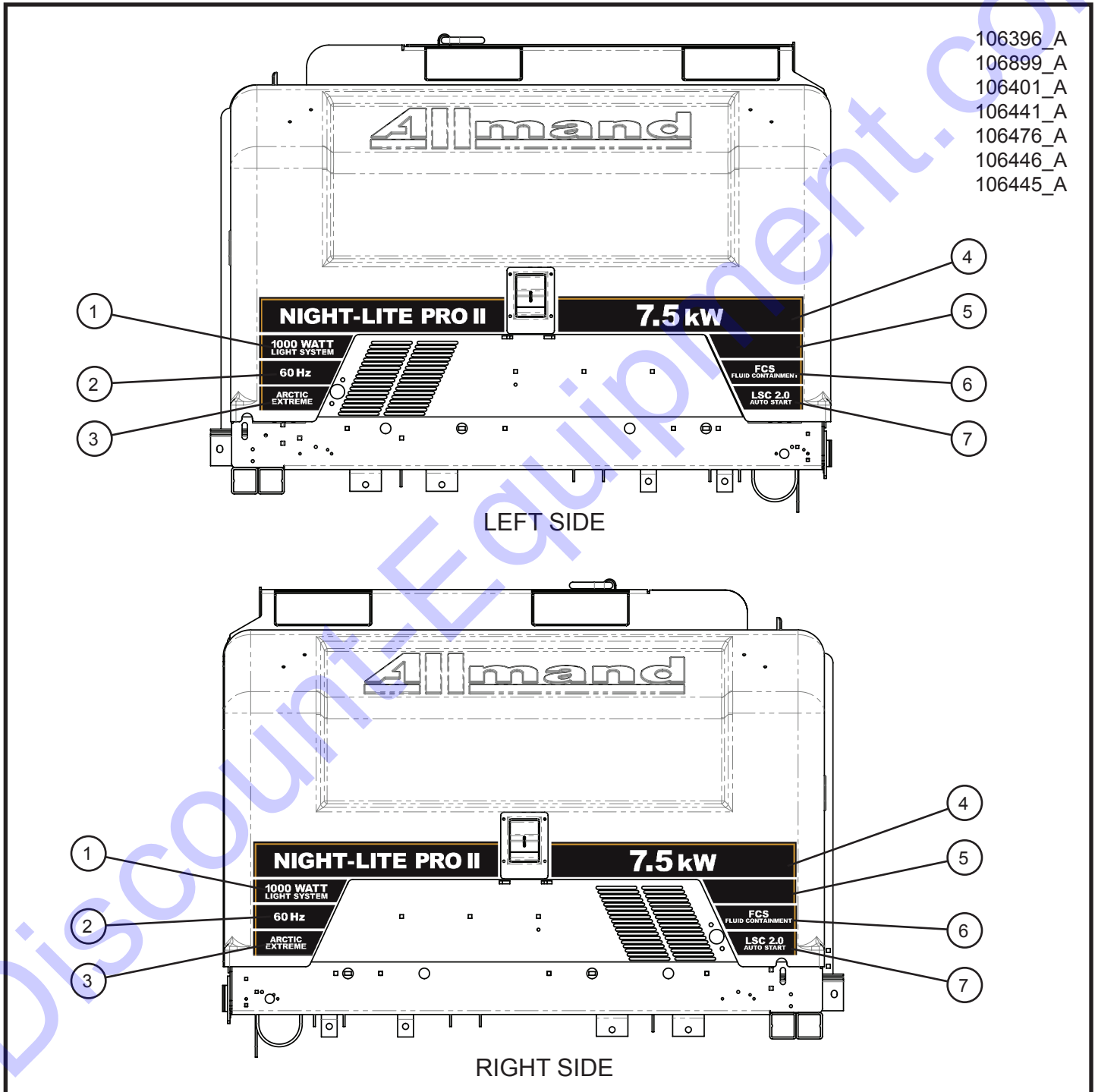
SN 0001PRO215 and UP
SN 0001PRO2V15 and UP

Item	Part No.	Part Description	Qty.
1	106374	NIGHT-LITE DOOR STRIPE DECAL	2
2	106375	1250 WATT DOOR STRIPE DECAL	2
3	106382	BLANK DOOR STRIPE DECAL	2
4	106384	BLANK DOOR STRIPE DECAL	2
5	106385	8 kW DOOR STRIPE DECAL	2
6	106392	SLS DOOR STRIPE DECAL	2
7	106388	BLANK DOOR STRIPE	2
8	106389	BLANK DOOR STRIPE DECAL	2

*NOTE: DOOR STRIPE DECALS ON THESE PAGES ARE SHOWN FOR PLACEMENT ONLY.

14.1 - Door Stripe Decals (2 of 3)

SN 0001PRO215 and UP
SN 0001PRO2V15 and UP



Night-Lite ProII™

14.1 - Door Stripe Decals (2 of 3)

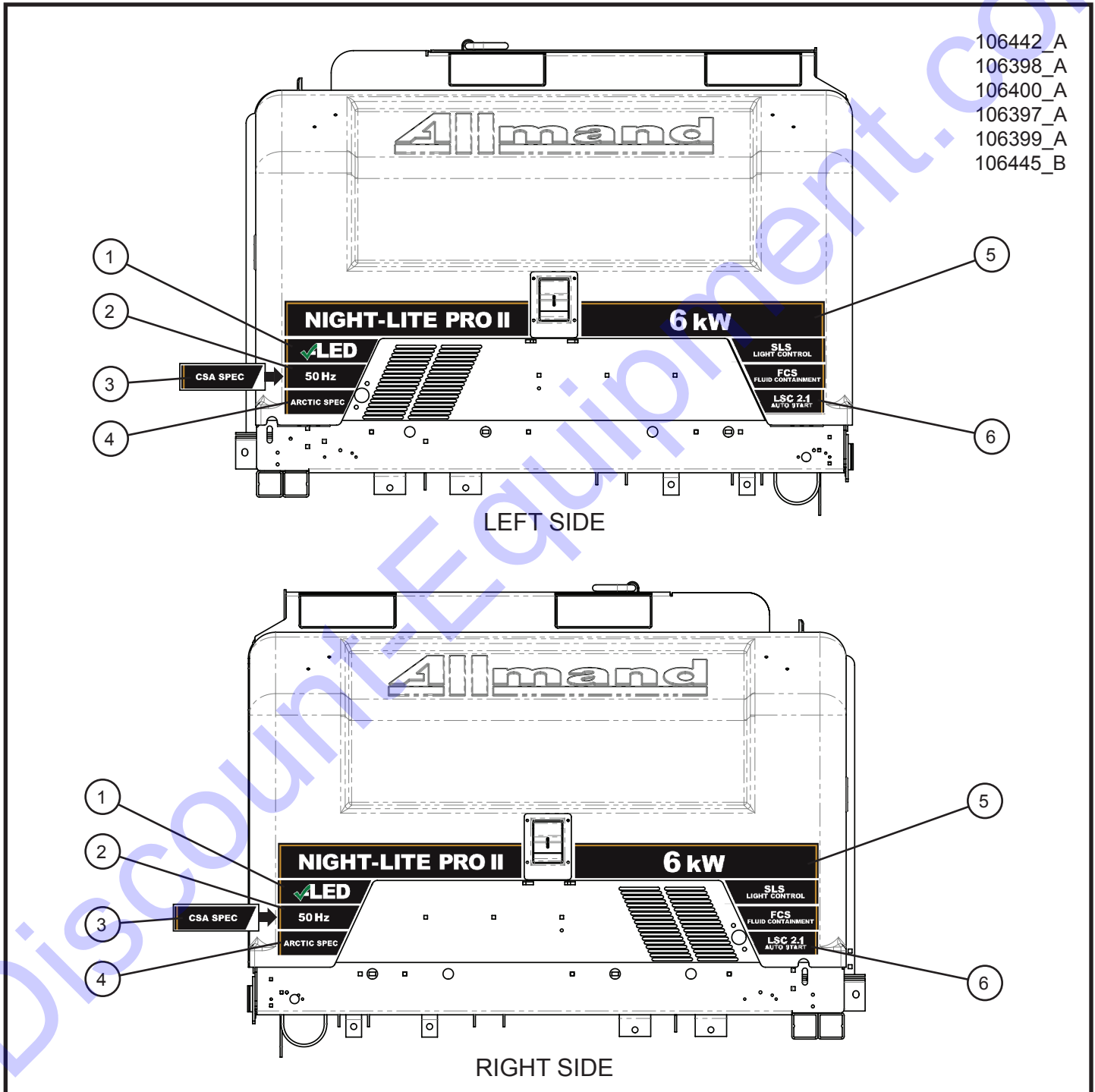
SN 0001PRO215 and UP
SN 0001PRO2V15 and UP

Item	Part No.	Part Description	Qty.
1	106376	1000 WATT DOOR STRIPE DECAL	2
2	106477	60 Hz DOOR STRIPE DECAL	2
3	106381	ARCTIC EXTREME DOOR STRIPE DECAL	2
4	106386	7.5 kW DOOR STRIPE DECAL	2
5	106475	BLANK SLS DOOR STRIPE DECAL	2
6	106391	FCS DOOR STRIPE DECAL	2
7	106390	LSC 2.0 DOOR STRIPE DECAL	2

*NOTE: DOOR STRIPE DECALS ON THESE PAGES ARE SHOWN FOR PLACEMENT ONLY.

14.1 - Door Stripe Decals (3 of 3)

SN 0001PRO215 and UP
SN 0001PRO2V15 and UP



Night-Lite ProII™

14.1 - Door Stripe Decals (3 of 3)

SN 0001PRO215 and UP
SN 0001PRO2V15 and UP


Item	Part No.	Part Description	Qty.
1	106378	LED DOOR STRIPE DECAL	2
2	106380	50 Hz DOOR STRIPE DECAL	2
3	106377	CSA SPEC DOOR STRIPE DECAL	2
4	106379	ARCTIC SPEC DOOR STRIPE DECAL	2
5	106387	6 kW DOOR STRIPE DECAL	2
6	107407	LSC 2.1 DOOR STRIPE DECAL	2

*NOTE: DOOR STRIPE DECALS ON THESE PAGES ARE SHOWN FOR PLACEMENT ONLY.

14.2 - Universal Trailer Decals

SN 0001PRO215 and UP
SN 0001PRO2V15 and UP

⚠ WARNING



COMBUSTIBLE GAS


Can Cause Severe Burns or Blindness

- Keep sparks and open flame away from batteries

090159

1

⚠ DANGER



HAZARDOUS VOLTAGE

To prevent serious injury or death from electrocution:

- Do not enter electrical compartment while engine is running.
- Close cover before operating.
- Keep components in good repair.

090162

3

⚠ WARNING

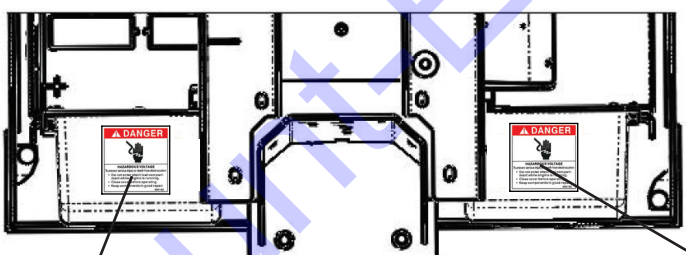
Excessive towing speed could result in death or serious injury.

Do not exceed 55 MPH (90km/h) when towing trailer.


090160

2

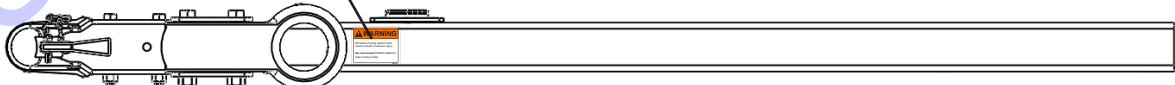
TOP VIEW OF BALLAST BOXES



REAR VIEW OF RIGHT BALLAST BOX



TOP VIEW OF TONGUE



104181_A
104155_A

Night-Lite ProII™

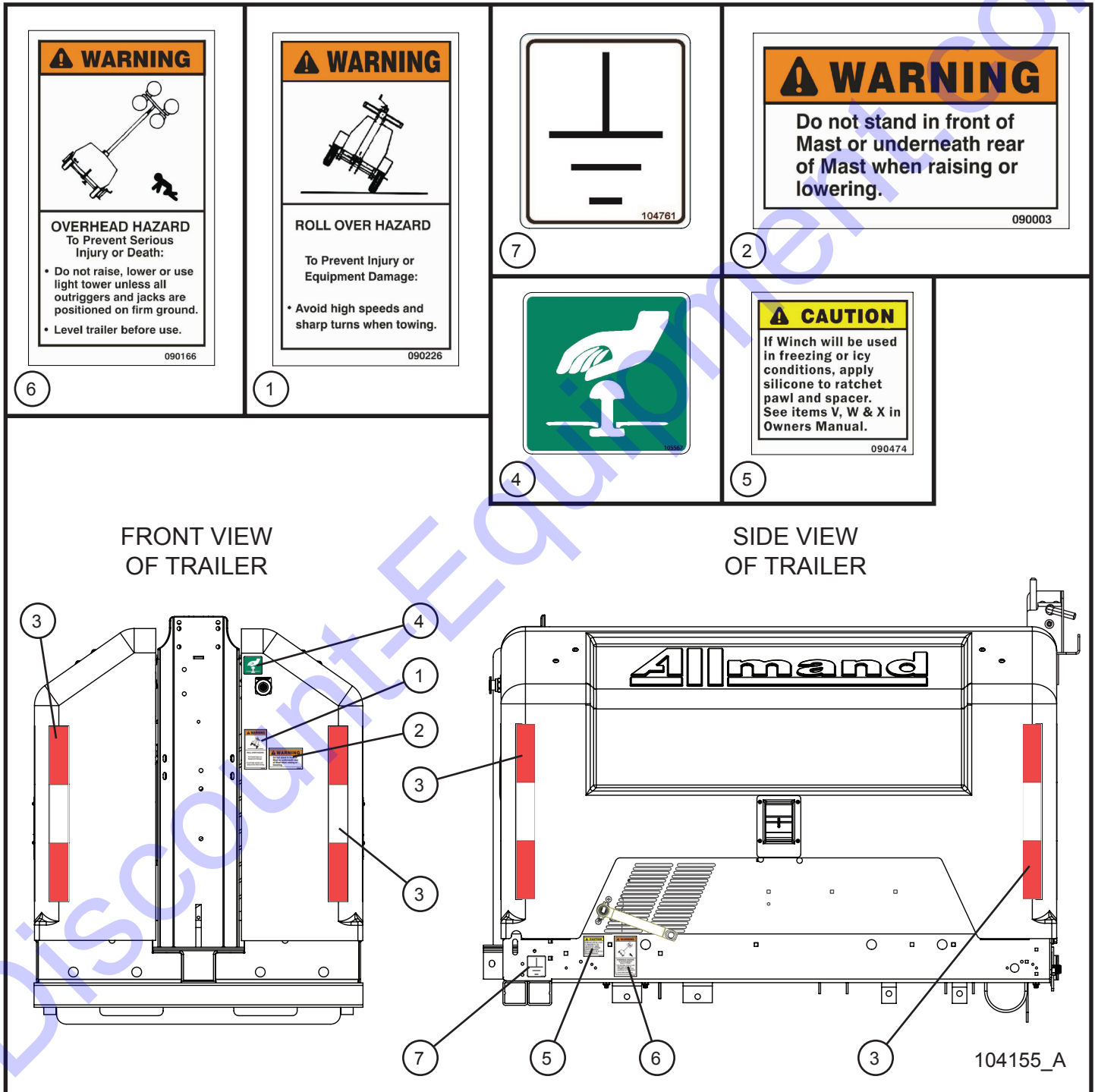
14.2 - Universal Trailer Decals

SN 0001PRO215 and UP
SN 0001PRO2V15 and UP

Item	Part No.	Part Description	Qty.
1	090159	BATTERY COMBUSTIBLE GAS WARNING DECAL	1
2	090160	EXCESS TOWING WARNING DECAL	1
3	090162	VOLTAGE HAZARD DANGER DECAL	2

14.3 - Laydown Tower Trailer Front and Side Decals

SN 0001PRO215 and UP



Night-Lite ProII™

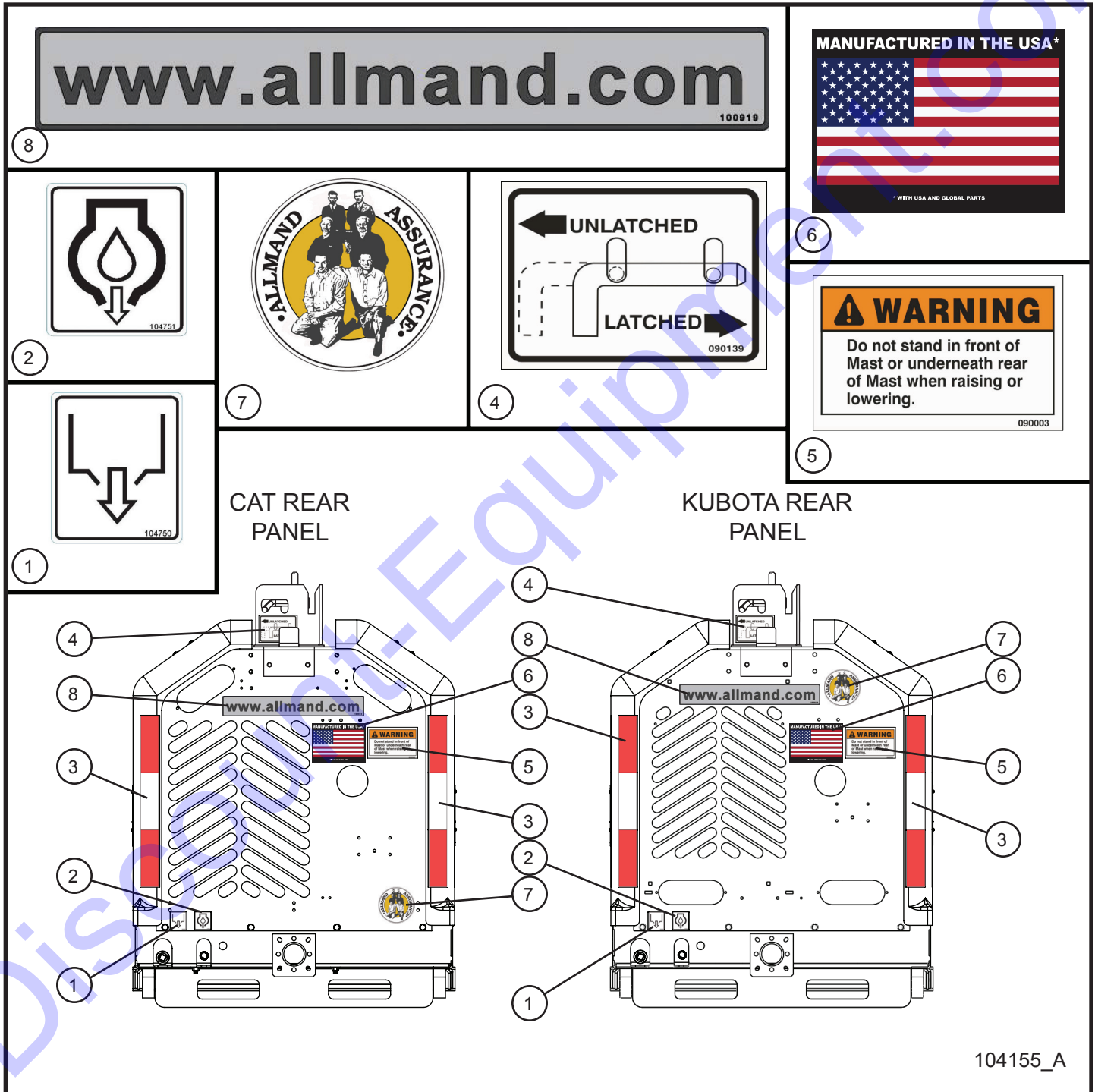
14.3 - Laydown Tower Trailer Front and Side Decals

SN 0001PRO215 and UP

Item	Part No.	Part Description	Qty.
1	090226	ROLL OVER WARNING DECAL	1
2	090003	DO NOT STAND LAYDOWN TOWER WARNING DECAL	1
3	654004	CONSPICUITY TAPE x 18.0 (OPTION)	6
4	105567	EMERGENCY STOP DECAL (EMERGENCY STOP OPTION ONLY)	1
5	090474	WINCH CAUTION DECAL	1
6	090166	OVERHEAD HAZARD WARNING DECAL	1
7	104761	GROUND DECAL	1

14.4 - Laydown Tower Trailer Rear Decals

SN 0001PRO215 and UP



Night-Lite ProII™

14.4 - Laydown Tower Trailer Rear Decals

SN 0001PRO215 and UP

Item	Part No.	Part Description	Qty.
1	104750	FLUID CONTAINMENT DRAIN DECAL (FCS TRAY OPTION ONLY)	1
2	104751	ENGINE OIL DRAIN DECAL (FCS TRAY OPTION ONLY)	1
3	654004	CONSPICUITY TAPE x 18.0 (OPTION)	2
4	090139	TOWER LATCH DECAL	1
5	090003	DO NOT STAND LAYDOWN TOWER WARNING DECAL	1
6	105467	MANUFACTURED IN THE USA DECAL	1
7	102088	3 GENERATIONS ALLMAND ASSURANCE DECAL	1
8	100919	WWW.ALLMAND.COM DECAL	1

14.5 - Laydown Tower Trailer Door Interior Decals (1 of 2)

SN 0001PRO215 and UP

SETUP TRAILER AND RAISE TOWER

WARNING

CHECK FOR OVERHEAD POWER LINES AND OBSTRUCTIONS BEFORE RAISING TOWER.

1. EXTEND BOTH SIDE OUTRIGGERS. LEVEL TRAILER WITH ALL JACKS.
2. PULL REAR PIN BACK TO RELEASE MAST FROM MAST SUPPORT.
3. TURN CRANK ON SIDE OF TRAILER CLOCKWISE TO RAISE TOWER TO VERTICAL.
4. LATCH PIN TO SECURE TOWER.
5. TURN CRANK ON MAST CLOCKWISE TO RAISE LIGHTS.
6. TURN KNOB TO ALLOW MAST AND LIGHTS TO ROTATE.

FOR PARTS AND SERVICE CONTACT YOUR AUTHORIZED DEALER OR VISIT ALLMAND ON THE WEB AT www.allmand.com OR CALL 1-800-562-1373

103018

LOWER TOWER AND PREPARE FOR TOWING

1. ROTATE MAST UNTIL WINCH HANDLE POINTS TO FRONT OF TRAILER.
2. TURN CRANK ON MAST COUNTERCLOCKWISE TO LOWER LIGHTS TO LOWEST VERTICAL POSITION.
3. TURN CRANK ON SIDE OF TRAILER CLOCKWISE UNTIL CABLE IS TIGHT.
4. RELEASE LATCH PIN.
5. TURN CRANK ON SIDE OF TRAILER TO FOLD MAST DOWN.
6. LOCK MAST WITH REAR PULL PIN.
7. RAISE JACKS AND SWING INTO TRANSPORT POSITION.
8. RETRACT OUTRIGGERS AND SECURE.

DANGER

ELECTRICAL SHOCK HAZARD

Failure to use ground rod could cause severe injury or death.

Drive ground rod into earth and attach ground wire to grounding lug on front of trailer.

090163

Allmand

For parts and service contact your authorized dealer or visit Allmand on the web at www.allmand.com or call 1-800-562-1373

090465

CALIFORNIA Proposition 65 Warning

Diesel engine exhaust and some of its constituents are known to the State of California to cause cancer, birth defects, and other reproduction harm.

090179

INSIDE LEFT DOOR

104155_A

Night-Lite ProII™

14.5 - Laydown Tower Trailer Door Interior Decals (1 of 2)

SN 0001PRO215 and UP

Item	Part No.	Part Description	Qty.
1	103018	LAYDOWN TOWER SETUP DECAL	1
2	090163	ELECTRICAL SHOCK DANGER DECAL	1
3	090179	CALIFORNIA PROPOSITION 65 WARNING DECAL	1
4	090465	PARTS & SERVICE DECAL	1


14.5 - Laydown Tower Trailer Door Interior Decals (2 of 2)

SN 0001PRO215 and UP

LIFTING INSTRUCTIONS

WARNING

A MINIMUM OF 2 TONS LIFTING CAPACITY IS REQUIRED TO LIFT THIS MACHINE



BEFORE LIFTING:

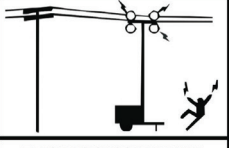
1. MAKE SURE THE MAST HOLD DOWN PIN (SHOWN ABOVE) IS FULLY INSERTED AND SECURE TO LOCK THE MAST IN PLACE.
2. UNPLUG ALL EXTERNAL EQUIPMENT AND MOVE IT A SAFE DISTANCE AWAY.
3. CLEAR THE MACHINE OF ALL LOOSE OBJECTS.

LATCH PIN

LIFTING HEAVY EQUIPMENT IS A DANGEROUS ACTIVITY. DO NOT ALLOW PERSONNEL ON OR NEAR THE MACHINE AND KEEP ALL BYSTANDERS A SAFE DISTANCE AWAY. FAILURE TO FOLLOW THESE INSTRUCTIONS COULD RESULT IN SEVERE INJURY OR DEATH.

103019


DANGER



ELECTRIC SHOCK HAZARD
Will Cause Severe Injury or Death.
Do not position light tower under electric power lines.

090165

WARNING

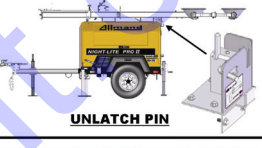


To prevent serious injury or death:

- Avoid unsafe operation or maintenance.
- Do not operate or work on this machine without reading and understanding the operator's manual.
- If manual is lost, contact your nearest dealer for a new manual.

103020

WARNING

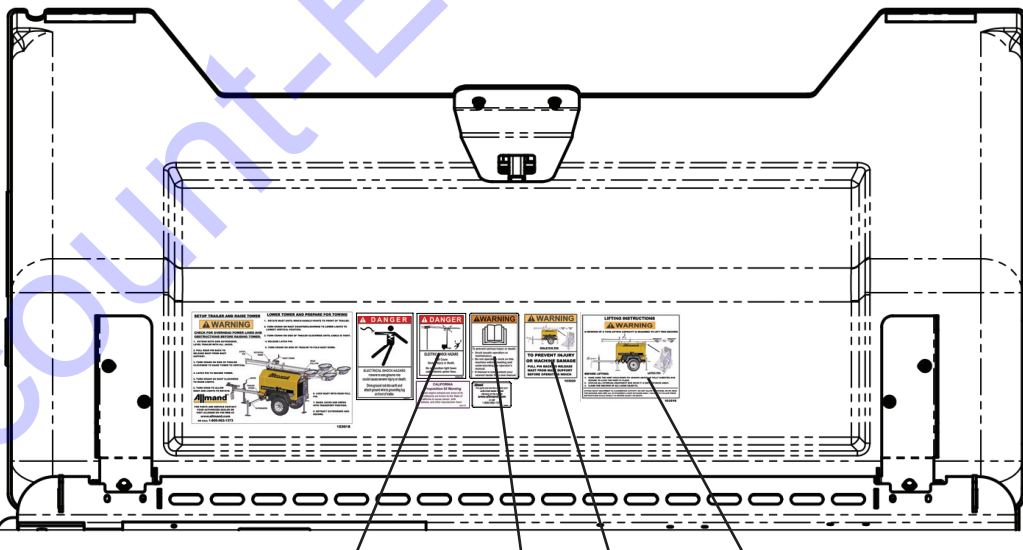


UNLATCH PIN

TO PREVENT INJURY OR MACHINE DAMAGE
PULL PIN BACK TO RELEASE MAST FROM MAST SUPPORT BEFORE OPERATING WINCH

103020

INSIDE LEFT DOOR



1 2 3 4

Night-Lite ProII™

14.5 - Laydown Tower Trailer Door Interior Decals (2 of 2)

SN 0001PRO215 and UP

Item	Part No.	Part Description	Qty.
1	090165	ELECTRIC SHOCK HAZARD DANGER DECAL	1
2	090158	OPERATOR'S MANUAL WARNING DECAL	1
3	103020	LAYDOWN TOWER UNLATCH PIN WARNING DECAL	1
4	103019	LAYDOWN TOWER LIFTING INSTRUCTIONS WARNING DECAL	1

14.6 - Laydown Tower Decals

SN 0001PRO215 and UP

REAR VIEW OF LIGHT BAR

SIDE VIEW OF TOWER

TOP VIEW OF TOWER

104155_A

1

5

3

4

2

5

1

4

3

2

106028

090002

090474

090164

2,150 lbs.
975 kg.

DANGER HIGH VOLTAGE

CAUTION
If Winch will be used in freezing or icy conditions, apply silicone to ratchet pawl and spacer. See items V, W & X in Owners Manual.

WARNING
NON-VERTICAL TOWER
Can Cause Severe Injury or Death.
• Keep all persons clear before raising or lowering mast.
• Do not extend or retract mast unless latch is securely in place.

Night-Lite ProII™

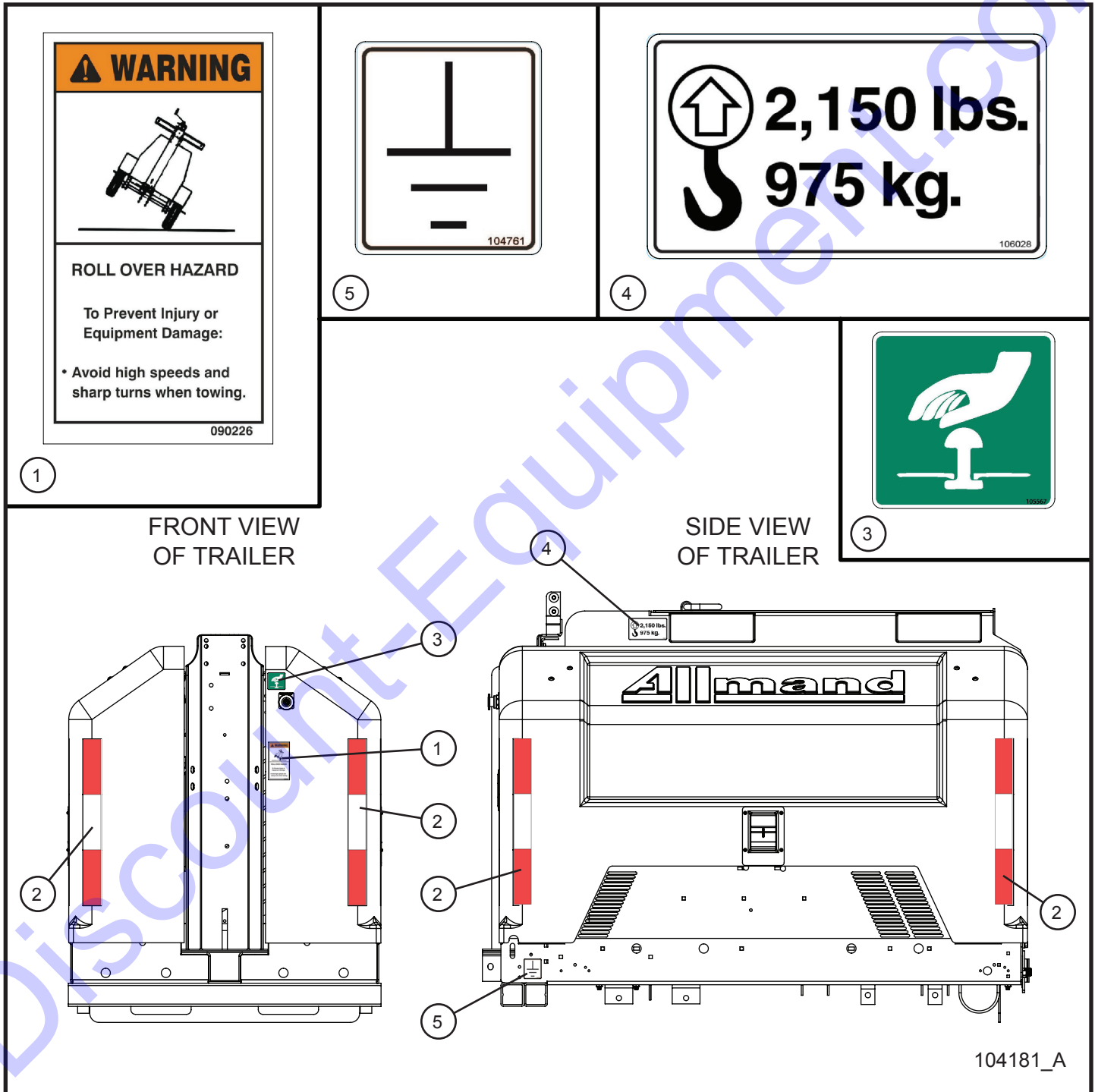
14.6 - Laydown Tower Decals

SN 0001PRO215 and UP

Item	Part No.	Part Description	Qty.
1	090002	HIGH VOLTAGE DANGER DECAL	1
2	090164	NON-VERTICAL TOWER WARNING DECAL	1
3	090474	WINCH CAUTION DECAL	1
4	090177	ALIGNMENT ARROW DECAL	1
5	106028	LIFT POINT DECAL	2

14.7 - Vertical Tower Trailer Front and Side Decals

SN 0001PRO2V15 and UP



Night-Lite ProII™

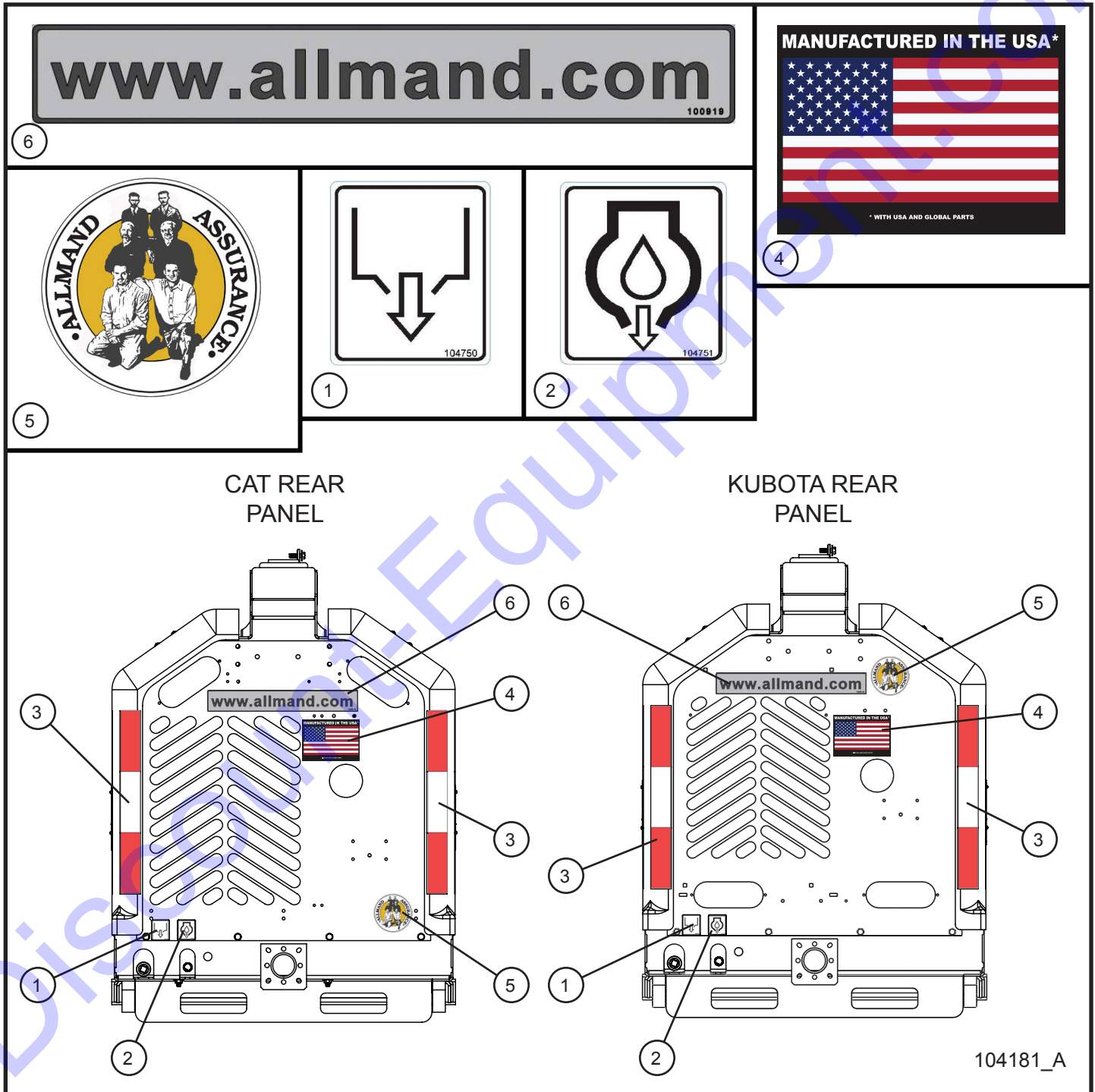
14.7 - Vertical Tower Trailer Front and Side Decals

SN 0001PRO2V15 and UP

Item	Part No.	Part Description	Qty.
1	090226	ROLL OVER WARNING DECAL	1
2	654004	CONSPICUITY TAPE x 18.0 (OPTION)	6
3	105567	EMERGENCY STOP DECAL (EMERGENCY STOP OPTION ONLY)	1
4	106028	LIFT POINT DECAL	1
5	104761	GROUND DECAL	1

14.8 - Vertical Tower Trailer Rear Decals

SN 0001PRO2V15 and UP



Night-Lite ProII™

14.8 - Vertical Tower Trailer Rear Decals

SN 0001PRO2V15 and UP

Item	Part No.	Part Description	Qty.
1	104750	FLUID CONTAINMENT DRAIN DECAL (FCS TRAY OPTION ONLY)	1
2	104751	ENGINE OIL DRAIN DECAL (FCS TRAY OPTION ONLY)	1
3	654004	CONSPICUITY TAPE x 18.0 (OPTION)	2
4	105467	MANUFACTURED IN THE USA DECAL	1
5	102088	3 GENERATIONS ALLMAND ASSURANCE DECAL	1
6	100919	WWW.ALLMAND.COM DECAL	1

14.9 - Vertical Tower Trailer Door Interior Decals (1 of 2)

SN 0001PRO2V15 and UP

SETUP TRAILER AND RAISE TOWER

WARNING
CHECK FOR OVERHEAD POWER LINES AND OBSTRUCTIONS BEFORE RAISING TOWER.

- EXTEND BOTH SIDE OUTRIGGERS. LEVEL TRAILER WITH ALL JACKS.
- RELEASE LIGHT BAR PARK PIN BY PULLING ON RING AND TURNING 90° SO THE PIN REMAINS IN THE RETRACTED POSITION.
- DIRECT LAMPS TOWARD WORK ZONE BY ROTATING LIGHT BAR AND POSITIONING LAMP FIXTURES.
- STAND CLEAR OF TOWER WHEN RAISING AND LOWERING.
- OPERATE TOWER SWITCH UP TO RAISE TOWER TO DESIRED HEIGHT.

LOWER TOWER AND PREPARE FOR TOWING

- OPERATE TOWER SWITCH TO LOWER TOWER.
- STAND CLEAR OF TOWER WHEN RAISING AND LOWERING.
- ROTATE LIGHT BAR INTO PARK POSITION (IN LINE WITH TRAILER).
- ENGAGE PARK PIN BY TWISTING ON RING UNTIL THE PLUNGER IS RELEASED AND THE PIN ENGAGES THE HOLE IN THE LIGHT BAR.
- REPOSITION LAMP FIXTURE FOR TRANSPORT BY PULLING THEM DOWN INTO THE LOWEST POSITION AND FACING TOWARD THE CENTER OF THE TRAILER.
- RAISE JACKS AND SWING INTO TRANSPORT POSITION.
- RETRACT OUTRIGGERS AND SECURE.

Allmand™

FOR PARTS AND SERVICE CONTACT YOUR AUTHORIZED DEALER OR VISIT ALLMAND ON THE WEB AT www.allmand.com OR CALL 1-800-562-1373

103021

DANGER

ELECTRICAL SHOCK HAZARD
Failure to use ground rod could cause severe injury or death.
Drive ground rod into earth and attach ground wire to grounding lug on front of trailer.

Allmand

For parts and service contact your authorized dealer or visit Allmand on the web at www.allmand.com or call 1-800-562-1373

090465

CALIFORNIA Proposition 65 Warning

Diesel engine exhaust and some of its constituents are known to the State of California to cause cancer, birth defects, and other reproduction harm.

090179

INSIDE LEFT DOOR

104181_A

Night-Lite ProII™

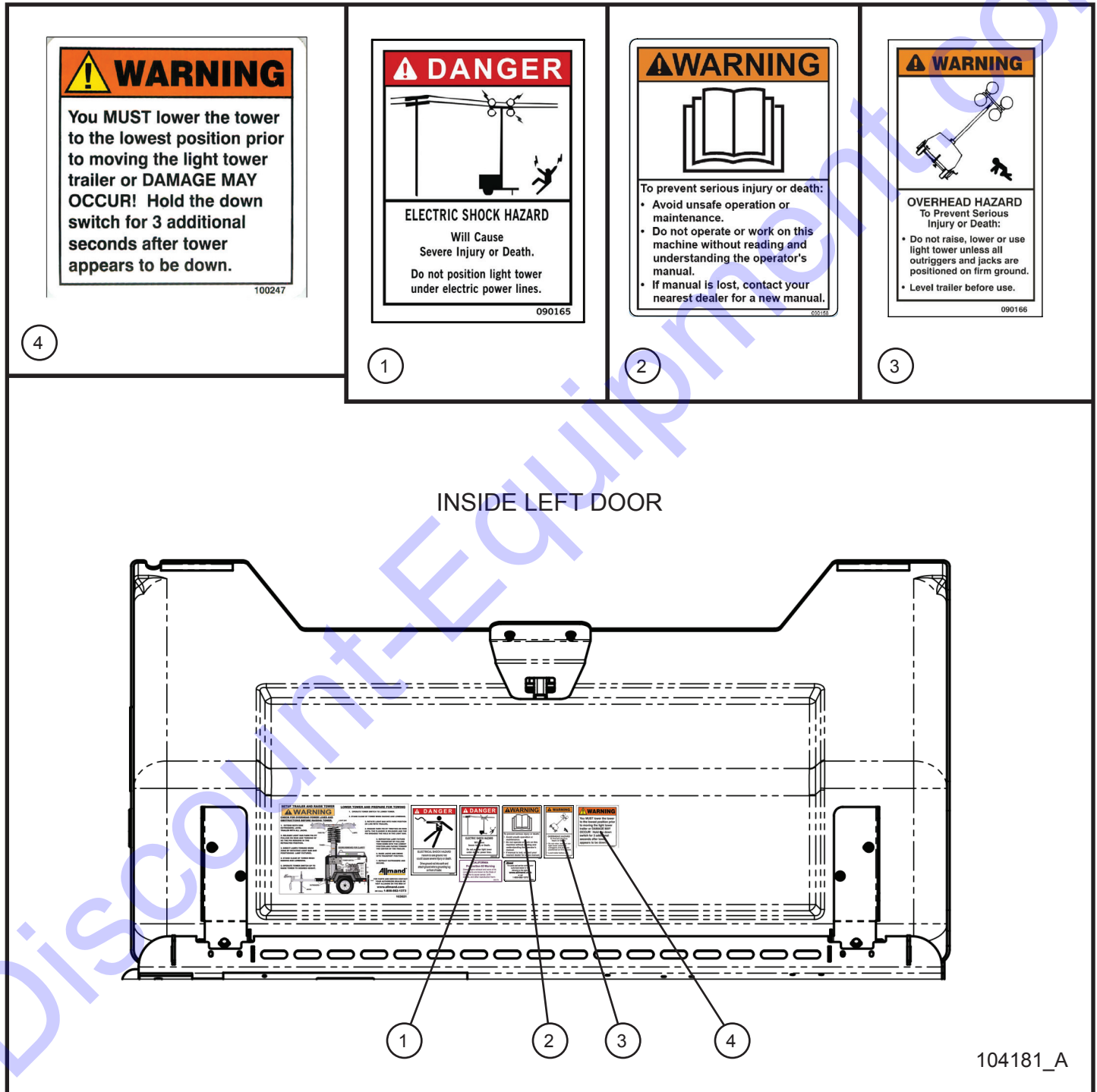
14.9 - Vertical Tower Trailer Door Interior Decals (1 of 2)

SN 0001PRO2V15 and UP

Item	Part No.	Part Description	Qty.
1	103021	VERTICAL TOWER SETUP DECAL	1
2	090163	ELECTRICAL SHOCK DANGER DECAL	1
3	090179	CALIFORNIA PROPOSITION 65 WARNING DECAL	1
4	090465	PARTS & SERVICE DECAL	1

14.9 - Vertical Tower Trailer Door Interior Decals (2 of 2)

SN 0001PRO2V15 and UP



104181_A

Night-Lite ProII™

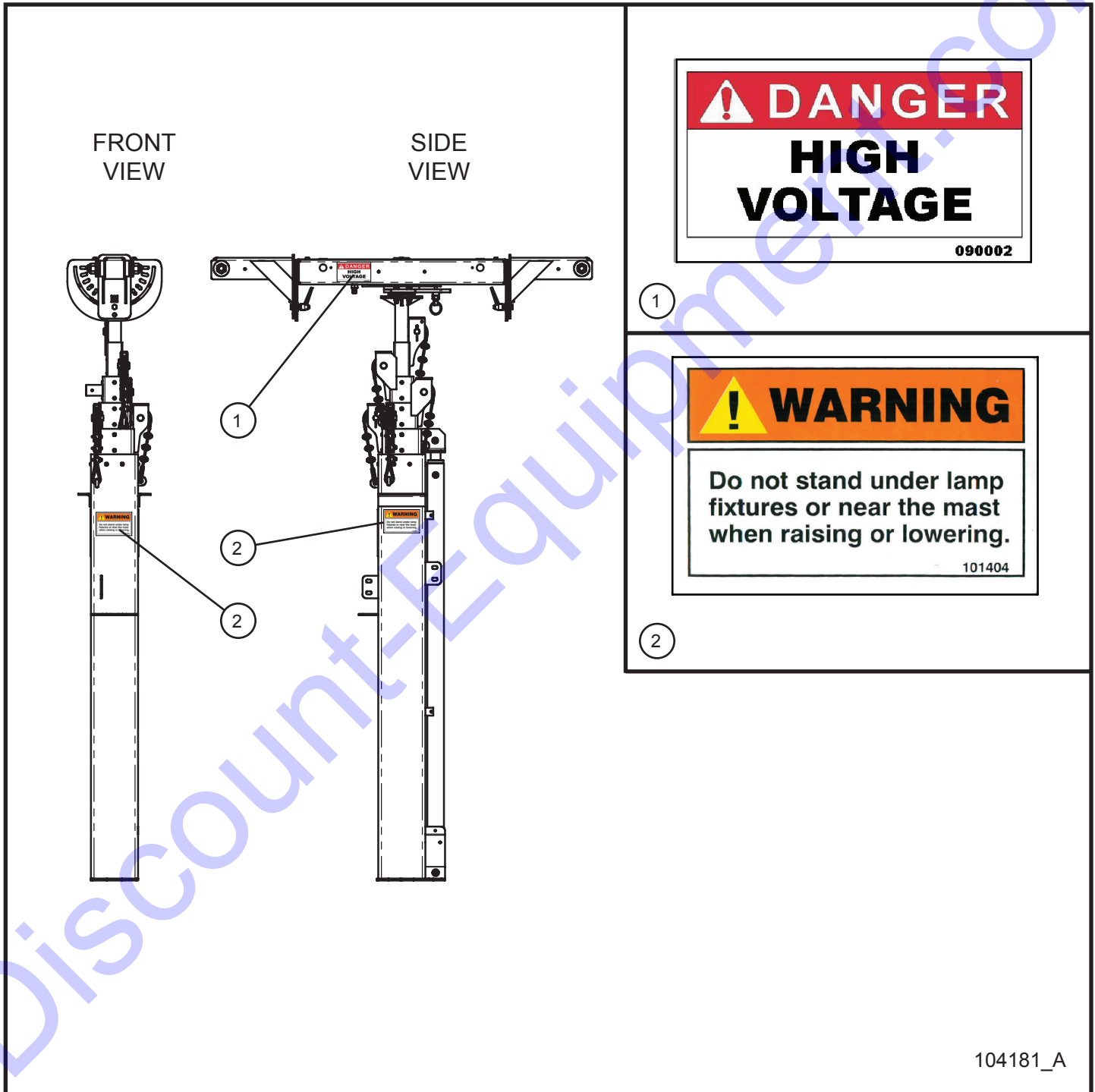
14.9 - Vertical Tower Trailer Door Interior Decals (2 of 2)

SN 0001PRO2V15 and UP

Item	Part No.	Part Description	Qty.
1	090165	ELECTRIC SHOCK HAZARD DANGER DECAL	1
2	090158	OPERATOR'S MANUAL WARNING DECAL	1
3	090166	OVERHEAD HAZARD WARNING DECAL	1
4	100247	TOWER DOWN WARNING DECAL	1

14.10 - Vertical Tower Decals

SN 0001PRO2V15 and UP



Night-Lite ProII™

14.10 - Vertical Tower Decals

SN 0001PRO2V15 and UP

Item	Part No.	Part Description	Qty.
1	090002	HIGH VOLTAGE DANGER DECAL	1
2	101404	DO NOT STAND UNDER MAST WARNING DECAL	1

Discount-Equipment.com

15.1 - Vertical or Laydown with 60Hz or LED Lighting (1 of 3)

SN 0001PRO215 and UP
SN 0001PRO2V15 and UP

Item	Part No.	Part Description	Qty.
LED OPTION			
1	105325	LED LAMP	1
2	105677	DRIVER W/TERMINALS	1
1000W HPS 60Hz OPTION			
1	610218	LAMP 1000W HPS	12
2	310118	BALLAST/CAPACITOR 1000W HPS 60HZ	1
3	310119	CAPACITOR ONLY 1000W HPS 26uf 525V	2
1000W 60Hz OPTION			
1	610211	LAMP 1000W BT-37	12
2	310124	BALLAST 1000W 60HZ	1
3	310115	CAPACITOR 1000W 24uf 480V	2
4	650104	SWITCH 25A SINGLE POLE	2
1250W 60Hz OPTION			
1	610221	LAMP 1250W BT-37	12
2	109606	BALLAST/CAPACITOR 1250W 60HZ 120/240V	1
3	100329	CAPACITOR ONLY 1250W 28uf 525V	2
4	106781	SWITCH 15A SINGLE POLE	2
LAMP ASSEMBLY			
1	610212	CERAMIC SOCKET	4
2	610203	GLASS LENS	4
3	610217	LENS GASKET	2
4	610202	LENS CHANNEL SET	2
5	610209	LAMP TIP SUPPORT	4
6	610210	TIP SUPPORT TUBING	4
7	660130P	SOLID MOUNT YOKE	2
8	310434	MALE LAMP LEAD (QUICK DISCONNECT OPTION)	4
9	310414	FEMALE LAMP LEAD (QUICK DISCONNECT OPTION)	1
10	650159	LAMP LEAD (HARD WIRED OPTION)	4

Night-Lite ProII™

15.1 - Vertical or Laydown with 60Hz or LED Lighting (2 of 3)

SN 0001PRO215 and UP
SN 0001PRO2V15 and UP

Item	Part No.	Part Description	Qty.
VERTICAL TOWER			
1	106880	NYCOIL MAST HARNESS	1
2	320185	CABLE STEEL 3/16" X 10'	2
3	104358	HYD POWER UNIT BUCHER	1
4	100236	SOLENOID SWITCH HYD PUMP	1
5	100234	125 AMP FUSE	1
LAYDOWN TOWER			
1	103049	MAST WIRING HARNESS STRAIGHT CORD	2
2	650133	CABLE 3/16" STEEL X 17' 9"	1
3	620076	CABLE 3/16" STEEL X 11'	1
4	320185	CABLE 3/16" STEEL X 10'	1
5	610531	WINCH BRAKE	1
6	620550	LOCKING KNOB	4
GENERAL PARTS			
1	350354	35A 120/240 MAIN BREAKER	1
2	340014	HOUR METER	2
3	104957	RELAY 30A 120V	4
4	340058	GROUND ROD ASSEMBLY	2
5	650387-13	13" TIRE/WHEEL ASSEMBLY	1
6	102089	TONGUE JACK (SNAP RING, TOP CRANK)	1
7	330008	STABILIZER JACK (SNAP RING, TOP CRANK)	2
8	650235	REAR JACK (SNAP RING, SIDE CRANK)	2
9	330014	JACK SNAP RING	4
10	330012	REPLACEMENT JACK HANDLE (TOP CRANK)	3
11	330012A	REPLACEMENT JACK LOCK KIT	4
ATHLON GENERATOR			
1	640158	CAPACITOR 25uf 550V (ATHLON)	2
MARATHON GENERATOR			
1	105100	CAPACITOR 25uf 600V (MARATHON)	2

15.1 - Vertical or Laydown with 60Hz or LED Lighting (3 of 3)

SN 0001PRO215 and UP
SN 0001PRO2V15 and UP

Item	Part No.	Part Description	Qty.
CAT SERVICE PARTS			
1	650304	CAT OIL FILTER	6
2	103155	CAT FUEL FILTER	4
3	102580	CAT AIR FILTER	2
4	108461	CAT C1.1 FILTER KIT (INCLUDES PART NUMBERS 650304, 102580, & 103155)	1
5	104310	KEYSWITCH W/KEYS	1
6	107793	KEYS (PAIR)	1
7	107794	KEY RUBBER BOOT (EACH / REQUIRED WITH 107793)	2
KOHLER SERVICE PARTS			
1	650011	KOHLER OIL FILTER	6
2	650010	KOHLER FUEL FILTER	4
3	650012	KOHLER AIR FILTER	2
4	650832	SWITCH W/KEYS	1
5	650833	KEY (SINGLE)	2
KUBOTA SERVICE PARTS			
1	920743	KUBOTA OIL FILTER	6
2	920745	KUBOTA FUEL FILTER	4
3	650290	KUBOTA AIR FILTER	2
4	108962	KUBOTA FILTER KIT (INCLUDES PART NUMBERS 920745, 920743, & 650290)	1
5	104310	KEYSWITCH W/KEYS	1
6	107793	KEYS (PAIR)	1
7	107794	KEY RUBBER BOOT (EACH / REQUIRED WITH 107793)	2

Night-Lite ProII™

15.2 - Vertical or Laydown with 50Hz Lighting (1 of 3)

SN 0001PRO215 and UP
SN 0001PRO2V15 and UP

Item	Part No.	Part Description	Qty.
1000W 50Hz OPTION			
1	610211	LAMP 1000W BT-37	12
2	310116A	BALLAST/CAPACITOR 1000W 50HZ	1
3	310115A	CAPACITOR 1000W 26uf	2
4	650104	SWITCH 25A SINGLE POLE	2
LAMP ASSEMBLY			
1	610212	CERAMIC SOCKET	4
2	610203	GLASS LENS	4
3	610217	LENS GASKET	2
4	610202	LENS CHANNEL SET	2
5	610209	LAMP TIP SUPPORT	4
6	610210	TIP SUPPORT TUBING	4
7	660130P	SOLID MOUNT YOKE	2
8	310434	MALE LAMP LEAD (QUICK DISCONNECT OPTION)	4
9	310414	FEMALE LAMP LEAD (QUICK DISCONNECT OPTION)	1
10	650159	LAMP LEAD (HARD WIRED OPTION)	4
VERTICAL TOWER			
1	106880	NYCOIL MAST HARNESS	1
2	320185	CABLE STEEL 3/16" X 10'	2
3	104358	HYD POWER UNIT BUCHER	1
4	100236	SOLENOID SWITCH HYD PUMP	1
5	100234	125 AMP FUSE	1
LAYDOWN TOWER			
1	103049	MAST WIRING HARNESS STRAIGHT CORD	2
2	650133	CABLE 3/16" STEEL X 17' 9"	1
3	620076	CABLE 3/16" STEEL X 11'	1
4	320185	CABLE 3/16" STEEL X 10'	1
5	610531	WINCH BRAKE	1
6	620550	LOCKING KNOB	4

15.2 - Vertical or Laydown with 50Hz Lighting (2 of 3)

SN 0001PRO215 and UP
SN 0001PRO2V15 and UP

Item	Part No.	Part Description	Qty.
GENERAL PARTS			
1	350354	35A 120/240 MAIN BREAKER	1
2	340014	HOUR METER	2
3	104957	RELAY 30A 120V	4
4	340058	GROUND ROD ASSEMBLY	2
5	650387-13	13" TIRE/WHEEL ASSEMBLY	1
6	102089	TONGUE JACK (SNAP RING, TOP CRANK)	1
7	330008	STABILIZER JACK (SNAP RING, TOP CRANK)	2
8	650235	REAR JACK (SNAP RING, SIDE CRANK)	2
9	330014	JACK SNAP RING	4
10	330012	REPLACEMENT JACK HANDLE (TOP CRANK)	3
11	330012A	REPLACEMENT JACK LOCK KIT	4
MARATHON GENERATOR			
1	640152	CAPACITOR 45uf (MARATHON 50HZ)	1
CAT SERVICE PARTS			
1	650304	CAT OIL FILTER	6
2	103155	CAT FUEL FILTER	4
3	102580	CAT AIR FILTER	2
4	108461	CAT C1.1 FILTER KIT (INCLUDES PART NUMBERS 650304, 102580, & 103155)	1
5	104310	KEYSWITCH W/KEYS	1
6	107793	KEYS (PAIR)	1
7	107794	KEY RUBBER BOOT (EACH / REQUIRED WITH 107793)	2
KOHLER SERVICE PARTS			
1	650011	KOHLER OIL FILTER	6
2	650010	KOHLER FUEL FILTER	4
3	650012	KOHLER AIR FILTER	2
4	650832	SWITCH W/KEYS	1
5	650833	KEY (SINGLE)	2

Night-Lite ProII™

15.2 - Vertical or Laydown with 50Hz Lighting (3 of 3)

SN 0001PRO215 and UP
SN 0001PRO2V15 and UP

Item	Part No.	Part Description	Qty.
KUBOTA SERVICE PARTS			
1	920743	KUBOTA OIL FILTER	6
2	920745	KUBOTA FUEL FILTER	4
3	650290	KUBOTA AIR FILTER	2
4	108962	KUBOTA FILTER KIT (INCLUDES PART NUMBERS 920745, 920743, & 650290)	1
5	104310	KEYSWITCH W/KEYS	1
6	107793	KEYS (PAIR)	1
7	107794	KEY RUBBER BOOT (EACH / REQUIRED WITH 107793)	2

Discount Equipment

Discount-Equipment.com is your online resource for commercial and industrial quality parts and equipment sales.

Locations:

Florida (West Palm Beach): [561-964-4949](tel:561-964-4949)

Outside Florida TOLL FREE: [877-690-3101](tel:877-690-3101)

Need parts? Check out our website at www.discount-equipment.com

Can't find what you need?

Click on this link: <http://www.discount-equipment.com/category/5443-parts/> and fill out the request form.

Please have the machine model and serial number available in order to help us get you the correct parts. One of our experienced staff members will get back to you with a quote for the right part that your machine needs.

We sell worldwide for the brands: Genie, Terex, JLG, MultiQuip, Mayco, Toro/Stone, Diamond Products, Magnum, Airman, Mustang, Power Blanket, Nifty Lift, Atlas Copco, Chicago Pneumatic, Allmand Brothers, Essick, Miller Spreader, Skyjack, Lull, Skytrak, Tsurumi, Husquvarna/Target, Whiteman-Concrete/Mortar, Stow-Concrete/Mortar, Baldor, Wacker, Sakai, Snorkel, Upright, Mi-T-M, Sullair, Neal, Basic, Dynapac, MBW, Weber, Bartell, Bennar Newman, Haulotte, Ditch Runner, Blaw-Knox, Himoina, Best, Buddy, Crown, Edco, Wyco, Bomag, Laymor, Terremite, Barreto, EZ Trench, Takeuchi, Basic, Bil-Jax, Curtis, Gehl, Heli, Honda, ICS/PowerGrit, Puckett, Waldon, ASV, IHI, Partner, Imer, Clipper, MMD, Koshin, Rice, Gorman Rupp, CH&E, Cat Pumps, Comet, General Pump, Giant, AMida, Coleman, NAC, Gradall, Square Shooter, Kent, Stanley, Tamco, Toku, Hatz, Kohler, Robin, Wisconsin, Northrock, Oztec, Toker TK, Rol-Air, Small Line, Wanco, Yanmar

New Equipment - Used Equipment - Rental Equipment - Parts and Accessories

Discount Equipment

www.discount-equipment.com

561-964-4949

Parts: wbparts@Discount-Equipment.com

Sales: info@Discount-Equipment.com

Allmand™



www.discount-equipment.com



Reliability, performance, and integrity since 1938

13-0267