

# Allmand™

Brighter. Warmer. Safer.



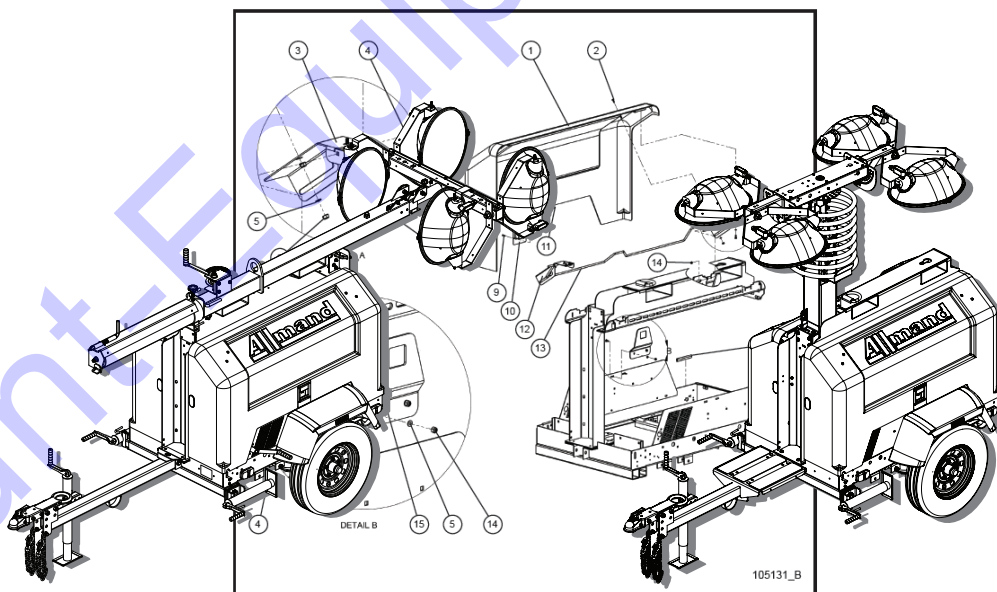
(en) Parts Manual  
50 & 60Hz NIGHT-LITE PRO II™

Portable  
Industrial  
Heaters

Portable  
Light Towers

Portable  
Light Stands

Solar Flashing  
Arrow Boards



Copyright © 2016 Allmand Bros., Inc.  
Holdrege, NE, USA. All rights reserved.

Part No.: 107518  
Revision: C

LIGHT TOWER APP



Reliability, Performance, and Integrity Since 1938



[www.discount-equipment.com](http://www.discount-equipment.com)

# **Discount Equipment**

Discount-Equipment.com is your online resource for commercial and industrial quality parts and equipment sales.

## **Locations:**

Florida (West Palm Beach): [561-964-4949](tel:561-964-4949)

Outside Florida TOLL FREE: [877-690-3101](tel:877-690-3101)

**Need parts?** Check out our website at [www.discount-equipment.com](http://www.discount-equipment.com)

## **Can't find what you need?**

Click on this link: <http://www.discount-equipment.com/category/5443-parts/> and fill out the request form.

Please have the machine model and serial number available in order to help us get you the correct parts. One of our experienced staff members will get back to you with a quote for the right part that your machine needs.

We sell worldwide for the brands: Genie, Terex, JLG, MultiQuip, Mayco, Toro/Stone, Diamond Products, Magnum, Airman, Mustang, Power Blanket, Nifty Lift, Atlas Copco, Chicago Pneumatic, Allmand Brothers, Essick, Miller Spreader, Skyjack, Lull, Skytrak, Tsurumi, Husquvarna/Target, Whiteman-Concrete/Mortar, Stow-Concrete/Mortar, Baldor, Wacker, Sakai, Snorkel, Upright, Mi-T-M, Sullair, Neal, Basic, Dynapac, MBW, Weber, Bartell, Bennar Newman, Haulotte, Ditch Runner, Blaw-Knox, Himoina, Best, Buddy, Crown, Edco, Wyco, Bomag, Laymor, Terremite, Barreto, EZ Trench, Takeuchi, Basic, Bil-Jax, Curtis, Gehl, Heli, Honda, ICS/PowerGrit, Puckett, Waldon, ASV, IHI, Partner, Imer, Clipper, MMD, Koshin, Rice, Gorman Rupp, CH&E, Cat Pumps, Comet, General Pump, Giant, AMida, Coleman, NAC, Gradall, Square Shooter, Kent, Stanley, Tamco, Toku, Hatz, Kohler, Robin, Wisconsin, Northrock, Oztec, Toker TK, Rol-Air, Small Line, Wanco, Yanmar

**New Equipment - Used Equipment - Rental Equipment - Parts and Accessories**

# **Discount Equipment**

[www.discount-equipment.com](http://www.discount-equipment.com)

**561-964-4949**

Parts: [wbparts@Discount-Equipment.com](mailto:wbparts@Discount-Equipment.com)

Sales: [info@Discount-Equipment.com](mailto:info@Discount-Equipment.com)

## TABLE OF CONTENTS

### 1.0 FRAME/AXLE/TONGUE/OUTRIGGERS

Universal Frame and Axle .....	(1.1)
Universal Frame 25.25 Axle Eye Spacing and 25.25 Axle .....	(1.2)
Universal Frame and Hydraulic Brake Axle .....	(1.3)
AL-CO Frame and Axle Mount .....	(1.4)
AL-CO Tongue and Axle .....	(1.5)
AL-CO Tongue Platform .....	(1.6)
Removeable Tongue .....	(1.7)
Coupler and Pintle Group .....	(1.8)
Bulldog Hitch Options .....	(1.9)
Croft Ball Coupler .....	(1.10)
Removeable Tongue Platform .....	(1.11)
Foldable Tongue .....	(1.12)
Australian Tongue and Coupler .....	(1.13)
Adjustable Tongue .....	(1.14)
Outriggers and Jacks .....	(1.15)
Wheel Chock Block .....	(1.16)

### 2.0 TRAILER BASE PARTS

Left Door .....	(2.1)
Right Door .....	(2.2)
Left Door w/ Cord Opening .....	(2.3)
Right Door w/ Cord Opening .....	(2.4)
Cord Opening Hooks .....	(2.5)
Sound Attenuation Package .....	(2.6)
Tower Pedestal .....	(2.7)
CAT Rear Panel .....	(2.8)
Kubota Rear Panel .....	(2.9)
Mobile Platform Rear Panel .....	(2.10)
FCS Tray Group .....	(2.11)
Non FCS Group .....	(2.12)
Fender .....	(2.13)

## TABLE OF CONTENTS

### 2.0 TRAILER BASE PARTS (CONTINUED)

Manual Canister .....	(2.14)
Fire Extinguisher Bracket .....	(2.15)

### 3.0 LAYDOWN TOWER GROUP

Laydown Tower Trailer Group .....	(3.1)
Laydown Tower Parts .....	(3.2)
Laydown Tower Light Bar .....	(3.3)
Laydown Tower Pivot Group .....	(3.4)
Laydown Tower Pivot Section .....	(3.5)
Laydown Tower Rear Support .....	(3.6)
Laydown Tower Winch Group .....	(3.7)
Laydown Tower 16/8 Cord Reel Group .....	(3.8)
Laydown Tower 14/7 Cord Group .....	(3.9)
Laydown Tower 16/8 Cord Group .....	(3.10)

### 4.0 VERTICAL TOWER GROUP

Vertical Tower Trailer Group .....	(4.1)
Vertical Tower Parts .....	(4.2)
Vertical Tower Galvanized Parts .....	(4.3)
Vertical Tower Light Bar .....	(4.4)
Vertical Tower Go Green LED Light Bar .....	(4.5)
Vertical Tower Hydraulic Pump w/ Bottom Port Cylinder .....	(4.6)
Vertical Tower Hydraulic Pump w/ Top Port Cylinder .....	(4.7)
Vertical Tower Hydraulic Pump Mount .....	(4.8)
Vertical Tower Bottom Port Cylinder Quick Disconnect .....	(4.9)
Vertical Tower Top Port Cylinder Cap and Plug .....	(4.10)
Vertical Tower Pump-Key Switch Relay .....	(4.11)
Vertical Tower Switch Panel .....	(4.12)
Vertical Tower Momentary Switch Panel w/ Relay .....	(4.13)
Vertical Tower Switch Panel w/ Alarm .....	(4.14)
Vertical Tower 16/8 Nycoil Cord Group .....	(4.13)
Vertical Tower 16/8 Cord Reel Group .....	(4.14)

## TABLE OF CONTENTS

### 5.0 LAMP AND BALLAST GROUP

1000W HPS Lamps with 60Hz 120V Ballast Boxes .....	(5.1)
1000W HPS 60Hz 120V Ballast Box Assembly .....	(5.2)
1250W Lamps with 60Hz 120V Ballasts .....	(5.3)
1250W 60Hz 120V Ballast Box Assembly .....	(5.4)
1000W Lamps with 60Hz 120V Ballasts Boxes .....	(5.5)
1000W 60Hz 120V Ballast Box Assembly .....	(5.6)
1000W Lamps with 50Hz 220V Ballast Boxes .....	(5.7)
1000W 50Hz 220V Ballast Box Assembly .....	(5.8)
LED 4 Driver Install Group .....	(5.9)
LED 4 Driver Assembly .....	(5.10)
No Lamps with Non Ballast Box Assembly .....	(5.11)
SHO Light Fixtures .....	(5.12)
SHO Light Assembly Group .....	(5.13)
LED Light Fixtures and LED Assembly Group .....	(5.14)
SHO Light SAF-T-Visor .....	(5.15)
SHO Light SFR Safety Lanyards .....	(5.16)
LED Light SFR Safety Lanyards .....	(5.17)
SHO Light Solid Wired Lamp Connector .....	(5.18)
SHO Light Quick Disconnect Lamp Connector .....	(5.19)
LED Light Solid Wired Lamp Connector .....	(5.20)
LED Light Quick Disconnect Lamp Connector .....	(5.21)

### 6.0 COMPONENT BOX GROUP

Component Box .....	(6.1)
2-20AMP GFCI Outlet Package .....	(6.2)
2-20AMP GFCI Outlet UL489 Package .....	(6.3)
50Hz Schuko Outlet Package .....	(6.4)
2-10AMP Outlet Package Australian .....	(6.5)
1-20AMP GFCI Outlet Package .....	(6.6)
1-20AMP GFCI Outlet UL489 Package .....	(6.7)
1-30AMP RV 1-20AMP GFCI Outlet Package .....	(6.8)
1-30AMP RV 1-20AMP GFCI Outlet UL489 Package .....	(6.9)

## TABLE OF CONTENTS

### 6.0 COMPONENT BOX GROUP (CONTINUED)

2-30AMP RV Outlet Package .....	(6.10)
2-30AMP RV Outlet UL489 Package .....	(6.11)
2-30AMP Twistlock 1-20AMP GFCI Outlet Package .....	(6.12)
No Outlet Package .....	(6.13)
No Outlet UL489 Package .....	(6.14)
1-30AMP Twistlock 1-GFCI Outlet Package .....	(6.15)
1-30AMP Twistlock 1-GFCI Outlet UL489 Package .....	(6.16)
50Hz CE Outlet Package .....	(6.17)
50Hz Africa Outlet Package .....	(6.18)
50Hz Schuko International Outlet Package .....	(6.19)
50AMP Auxiliary Outlet .....	(6.20)
Key Start Engine Control .....	(6.21)
LSC Start Engine Control .....	(6.22)
Kohler Start Engine Control .....	(6.23)
4-Light Relay .....	(6.24)
Low Level Fuel Module .....	(6.25)
CAT Engine Voltage Regulator .....	(6.26)

### 7.0 ELECTRICAL GROUP

Oval Taillight .....	(7.1)
LED Taillight .....	(7.2)
No Taillight Cover .....	(7.3)
CAT International Taillight .....	(7.4)
Kubota International Taillight .....	(7.5)
CAT 4-PIN Taillight Harness .....	(7.6)
CAT 4-PIN 2 Piece Taillight Harness .....	(7.7)
Kubota 4-PIN Taillight Harness .....	(7.8)
Kubota 4-PIN 2 Piece Taillight Harness .....	(7.9)
7-Pole Plug Adapter .....	(7.10)
International Taillight Harness .....	(7.11)
Ground Rod .....	(7.12)
Ground Rod 4 AWG Wire .....	(7.13)

## TABLE OF CONTENTS

### 7.0 ELECTRICAL GROUP (CONTINUED)

Emergency Stop .....	(7.14)
Emergency Stop Kohler .....	(7.15)
VIN Package .....	(7.16)
LED VIN Package .....	(7.17)
License Plate Bracket with Lamp .....	(7.18)
License Plate Bracket with LED Lamp .....	(7.19)
Low Fuel Beacon .....	(7.20)
Interior LED Light .....	(7.21)

### 8.0 BATTERY/FUEL TANK/UNIVERSAL ENGINE PARTS

Battery and Battery Cables .....	(8.1)
Kohler Battery Cables .....	(8.2)
Battery Blanket .....	(8.3)
Battery Negative Pole Disconnect .....	(8.4)
FCS Fuel Tank Group .....	(8.5)
Non FCS Fuel Tank Group .....	(8.6)
Fuel Sender .....	(8.7)
CAT Fuel Line Kit .....	(8.8)
Kubota and Mitsubishi Fuel Line Kit .....	(8.9)
Fuel Water Separator .....	(8.10)
Fuel Water Separator CAT 1.1 50Hz Marathon .....	(8.11)
Fuel Water Separator Heated .....	(8.12)
Engine Isolator Mounts .....	(8.13)
Engine Isolator Threaded Mounts .....	(8.14)
CAT and Kubota Engine Ground Strap .....	(8.15)
Mitsubishi Engine Ground Strap .....	(8.16)
Coolant Recovery Tank .....	(8.17)

### 9.0 CAT ENGINE GROUP

CAT C1.1 Engine and Filters .....	(9.1)
CAT C1.1 Engine Assembly Group .....	(9.2)

## TABLE OF CONTENTS

### 9.0 CAT ENGINE GROUP (CONTINUED)

CAT C1.1 Remote Oil Drain and Fumoto Valve .....	(9.3)
CAT C1.1 LSC Sending Unit .....	(9.4)
CAT C1.1 Block Heater .....	(9.5)
CAT C1.1 Shocker Group .....	(9.6)
CAT C1.1 Cold Front .....	(9.7)

### 10.0 KUBOTA ENGINE GROUP

Kubota Engine and Filters .....	(10.1)
Kubota Engine Assembly Group .....	(10.2)
Kubota Remote Oil Drain and Fumoto Valve .....	(10.3)
Kubota LSC Sending Unit .....	(10.4)
Kubota Block Heater .....	(10.5)
Kubota Shocker Group .....	(10.6)
Kubota Cold Front .....	(10.7)

### 11.0 KOHLER ENGINE GROUP

Kohler Engine and Filters .....	(11.1)
Kohler Engine Assembly Group .....	(11.2)
Kohler Remote Oil Drain and Fumoto Valve .....	(11.3)
Kohler Block Heater .....	(11.4)

### 12.0 MITSUBISHI ENGINE GROUP

Mitsubishi Engine and Filters .....	(12.1)
Mitsubishi Engine Assembly Group .....	(12.2)
Mitsubishi Remote Oil Drain and Fumoto Valve .....	(12.3)

### 13.0 GENERATORS AND GENERATOR CORDS

Marathon 6kW 50Hz Generator .....	(13.1)
Marathon 6kW 50Hz 201 Series Generator .....	(13.2)
Marathon 8kW 60Hz Generator .....	(13.3)



## TABLE OF CONTENTS

### 13.0 GENERATORS AND GENERATOR CORDS (CONTINUED)

Marathon 8kW 60Hz AVR Generator .....	(13.4)
Athlon 8kW 60Hz Generator .....	(13.5)
10/4 Generator Cord .....	(13.6)
10/3 International Generator Cord .....	(13.7)
6/4 CSA Generator Cord .....	(13.8)
50 AMP Disconnect Generator Cord .....	(13.9)
30 AMP Disconnect Generator Cord .....	(13.10)

### 14.0 DECALS

Door Stripe Decals .....	(14.1)
Universal Trailer Decals .....	(14.2)
Laydown Tower Trailer Front and Side Decals .....	(14.3)
Laydown Tower Trailer Rear Decals .....	(14.4)
Laydown Tower Trailer Door Interior Decals .....	(14.5)
Laydown Tower Decals .....	(14.6)
Vertical Tower Trailer Front and Side Decals .....	(14.7)
Vertical Tower Trailer Rear Decals .....	(14.8)
Vertical Tower Trailer Door Interior Decals .....	(14.9)
Vertical Tower Decals .....	(14.10)

### 15.0 RECOMMENDED SPARE PARTS LIST TABLES

Vertical or Laydown with 60Hz or LED Lighting .....	(15.1)
Vertical or Laydown with 50Hz Lighting .....	(15.2)

# Night-Lite ProII™

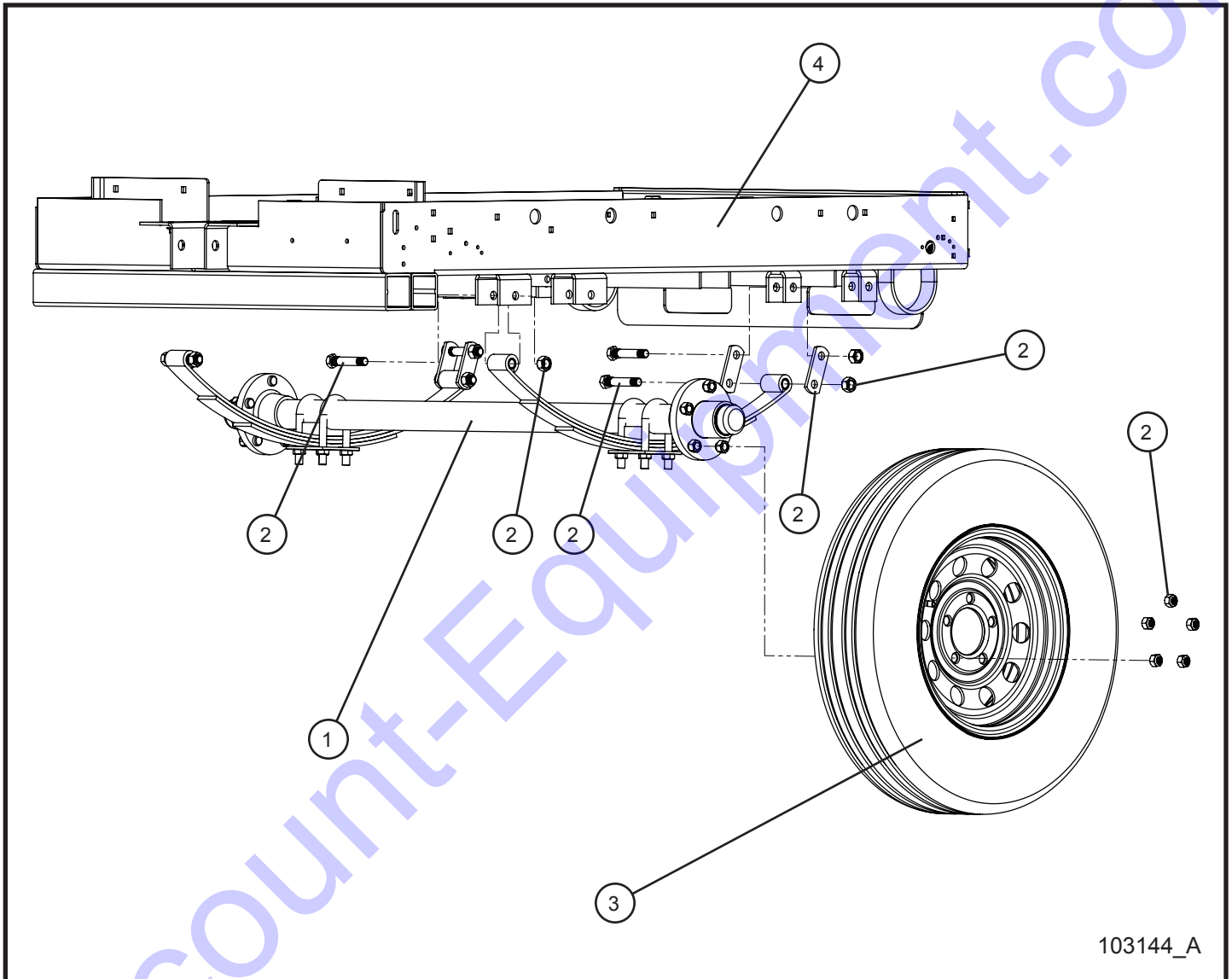
---

PAGE LEFT BLANK  
INTENTIONALLY

Discount-Equipment.com

## 1.1 - Universal Frame and Axle

SN 0001PRO215 to 0782PRO215  
SN 0001PRO2V15 to 1595PRO2V15



103144\_A

# Night-Lite ProII™

---

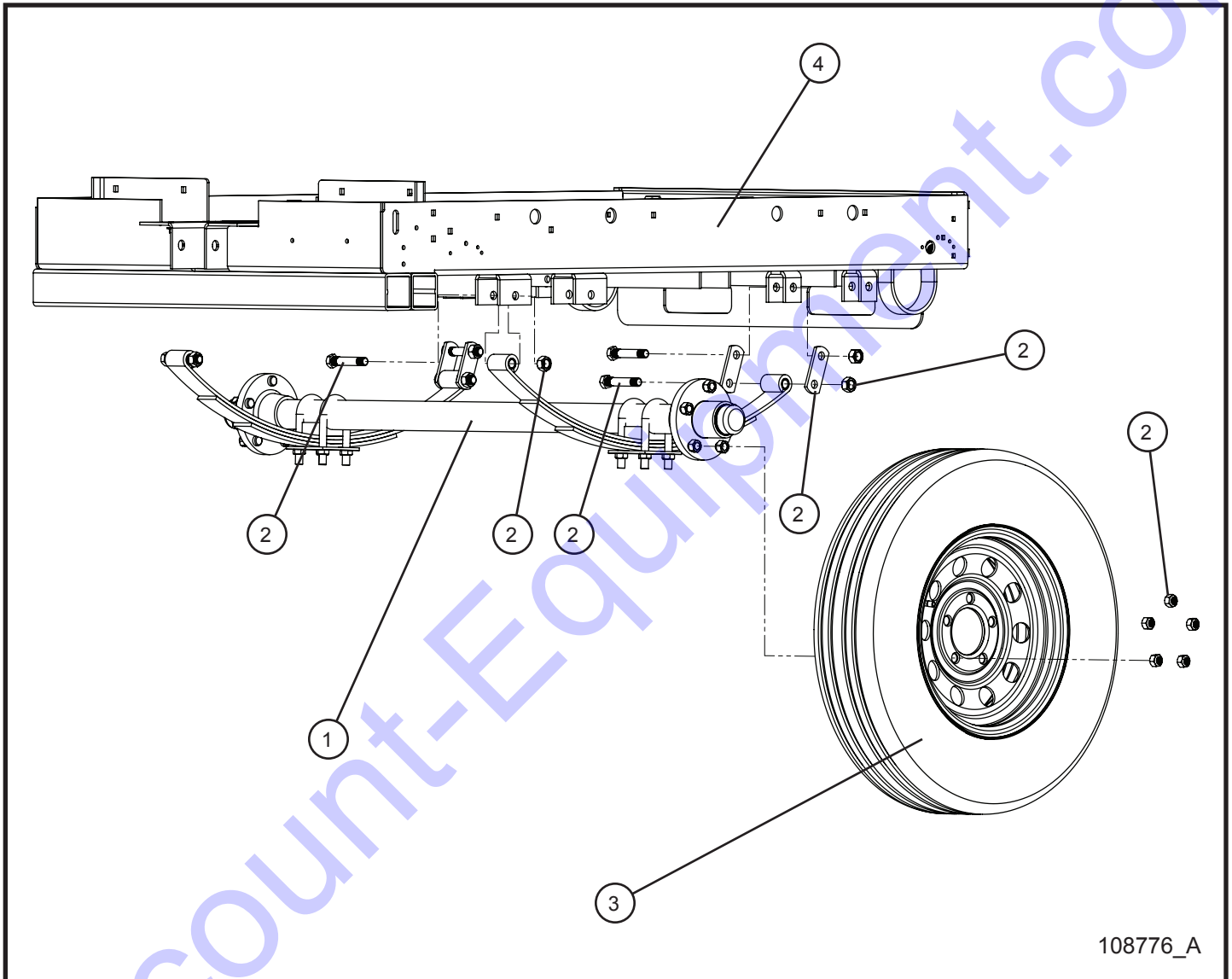
## 1.1 - Universal Frame and Axle

SN 0001PRO215 to 0782PRO215  
SN 0001PRO2V15 to 1595PRO2V15

Item	Part No.	Part Description	Qty.
1	650100	AXLE 13" HUBS	1
2	102105	AXLE HARDWARE KIT	1
3	650387-13	13" TIRE/WHEEL ASSEMBLY	2
4	104114P	UNIVERSAL PRO II FRAME	1

## 1.2 - Universal Frame 25.25 Axle Eye Spacing and 25.25 Axle

SN 0783PRO215 and UP  
SN 1596PRO2V15 and UP



108776\_A

# Night-Lite ProII™

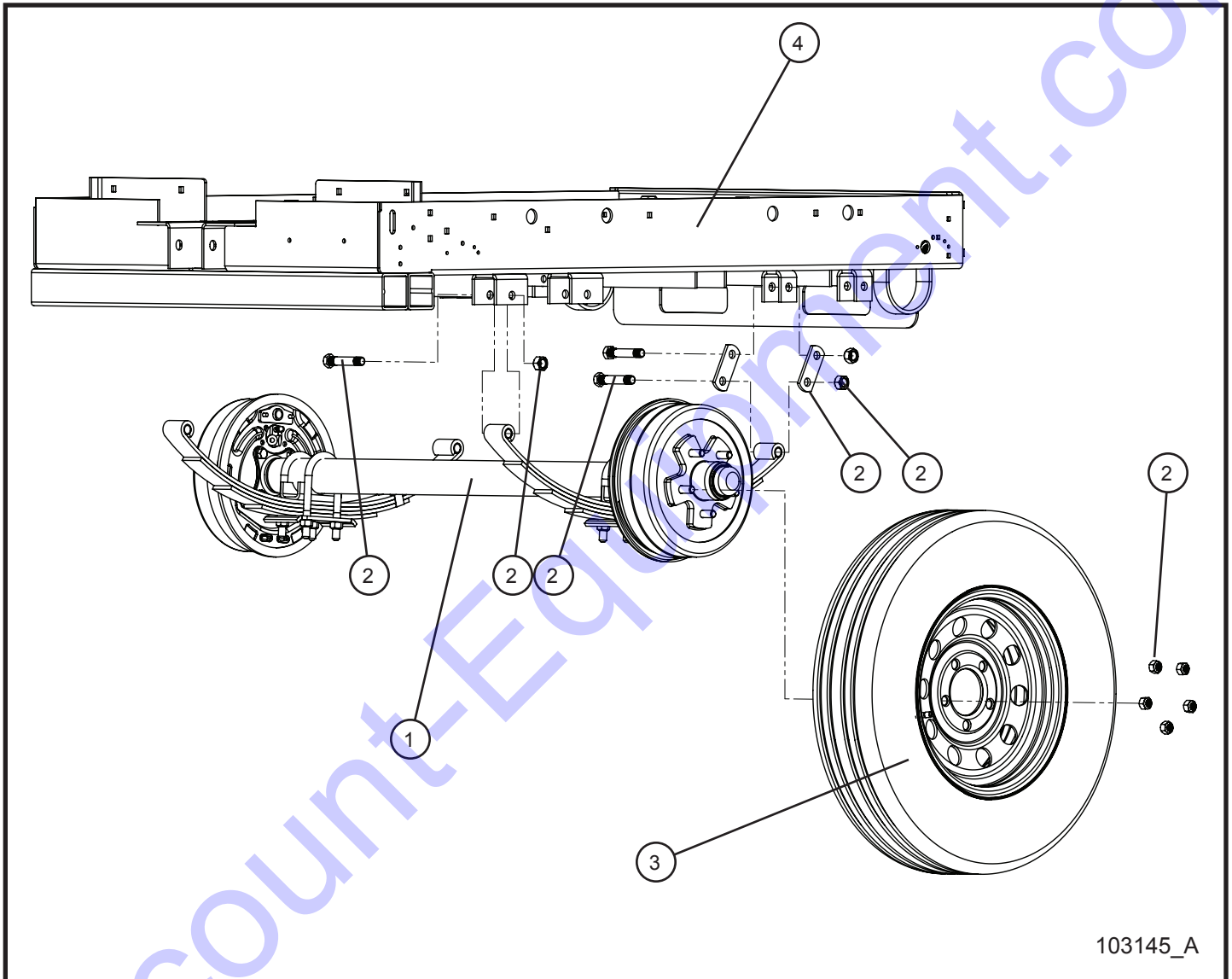
## 1.2 - Universal Frame 25.25 Axle Eye Spacing and 25.25 Axle

SN 0783PRO215 and UP  
SN 1596PRO2V15 and UP

Item	Part No.	Part Description	Qty.
1	108237	AXLE 25.25 SPRING EYE SPACING	1
2	102105	AXLE HARDWARE KIT	1
3	650387-13	13" TIRE/WHEEL ASSEMBLY	2
4	108775P	UNIVERSAL PRO II FRAME	1

## 1.3 - Universal Frame and Hydraulic Brake Axle

SN 0001PRO215 and UP  
SN 0001PRO2V15 and UP



# Night-Lite ProII™

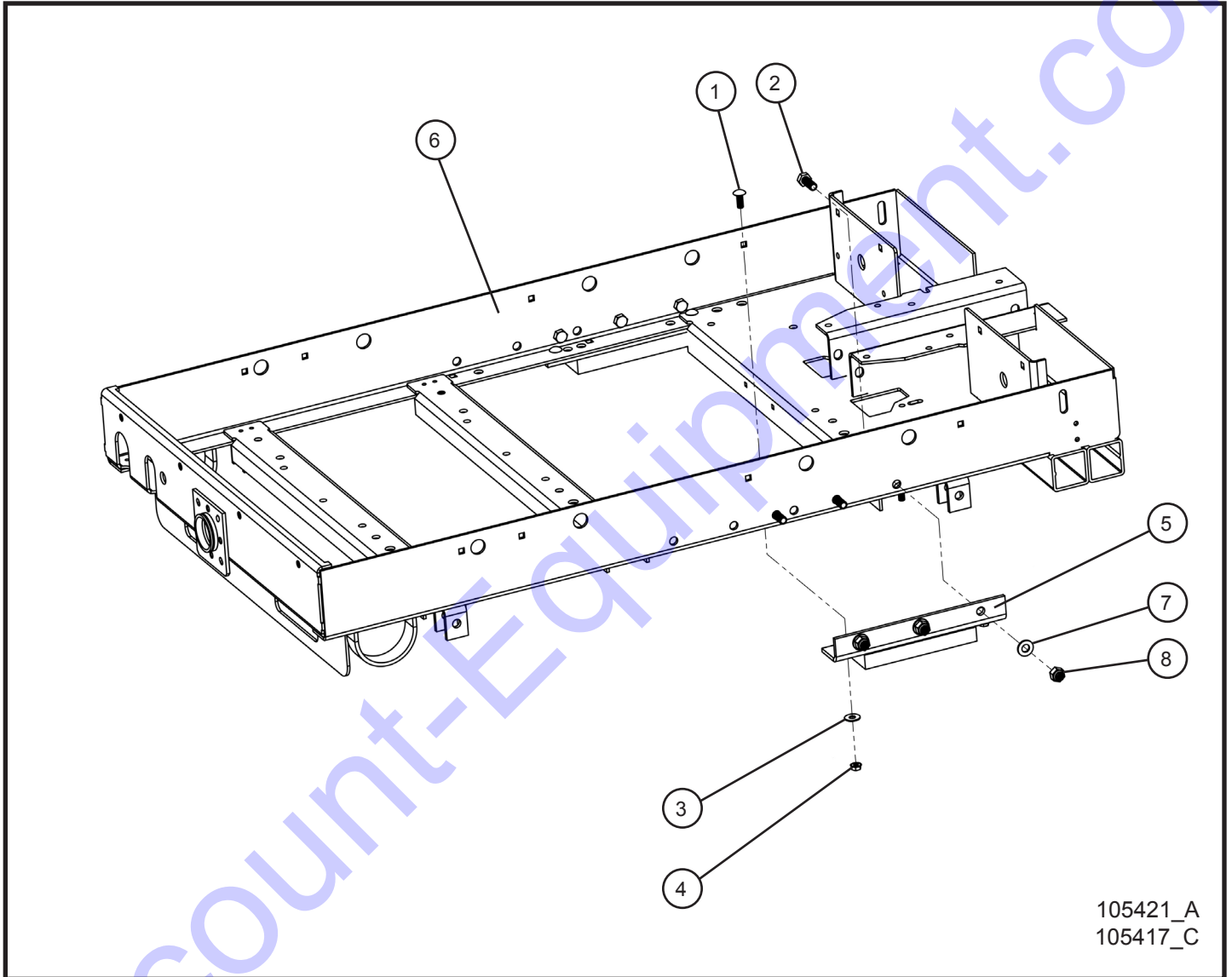
## 1.3 - Universal Frame and Hydraulic Brake Axle

SN 0001PRO215 and UP  
SN 0001PRO2V15 and UP

Item	Part No.	Part Description	Qty.
1	650183	HYDRAULIC BRAKE AXLE 3500LB NLPRO II	1
2	102105	AXLE HARDWARE KIT	1
3	650387-13	13" TIRE/WHEEL ASSEMBLY	2
4	104114P	UNIVERSAL PRO II FRAME	1
NS	330025A	HYDRAULIC AXLE LINE KIT	1



## 1.4 - AL-CO Frame and Axle Mount

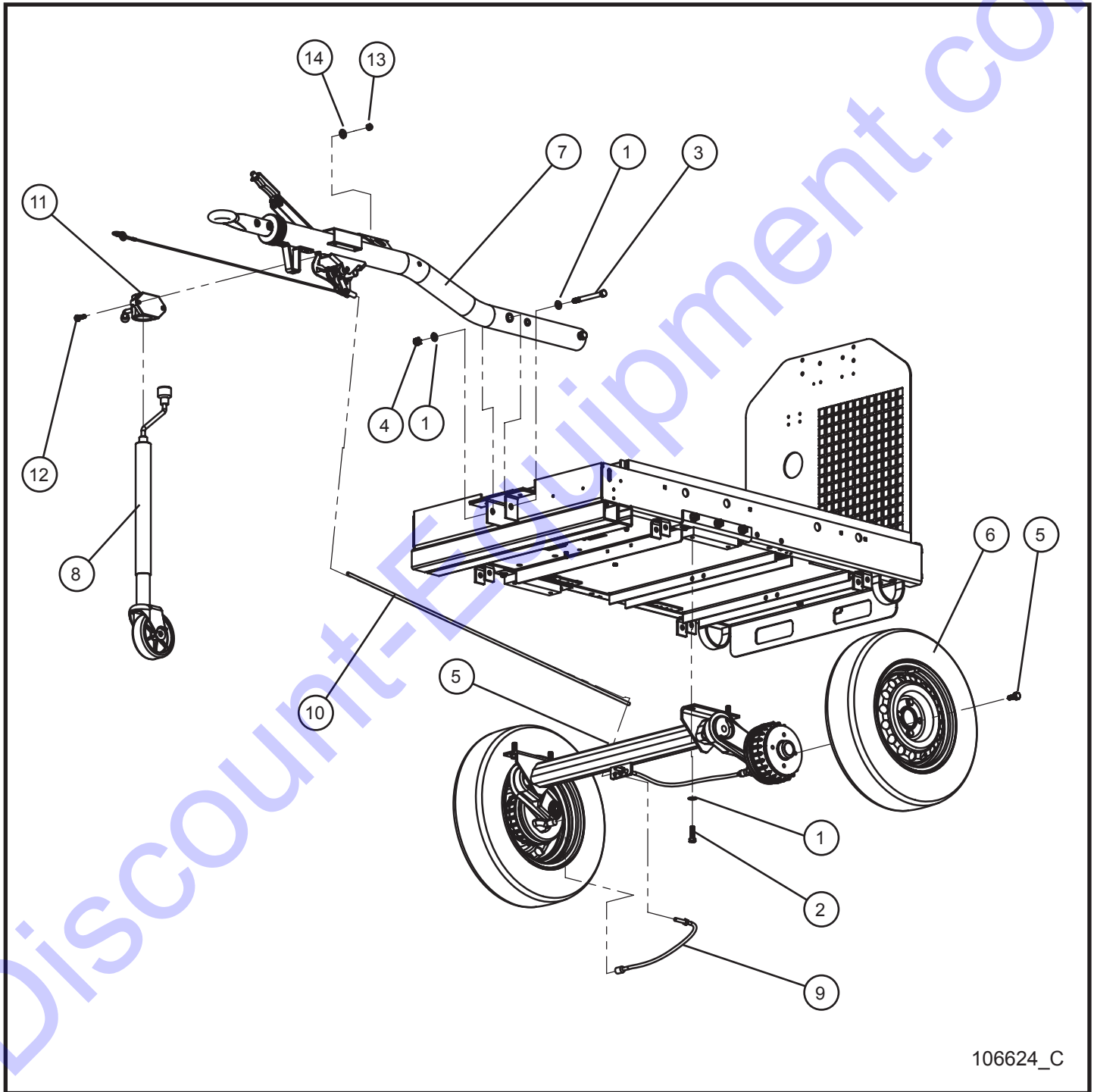


# Night-Lite ProII™

## 1.4 - AL-CO Frame and Axle Mount

Item	Part No.	Part Description	Qty.
1	100670	3/8-16 x 1 1/4 CARRIAGE BOLT	4
2	046180	1/2-13 x 1 1/4 HEX HEAD CS GR5 PL	6
3	047015	3/8 FLAT WASHER PL	4
4	044036	3/8-16 KEPS HEX NUT PL	4
5	103286P	AL-CO AXLE MOUNT	2
6	105417P	AL-CO FRAME TRAILER	1
7	047025	1/2 FLAT WASHER PL	6
8	044048	1/2-13 NYLOCK HEX NUT PL	6

## 1.5 - AL-CO Tongue and Axle



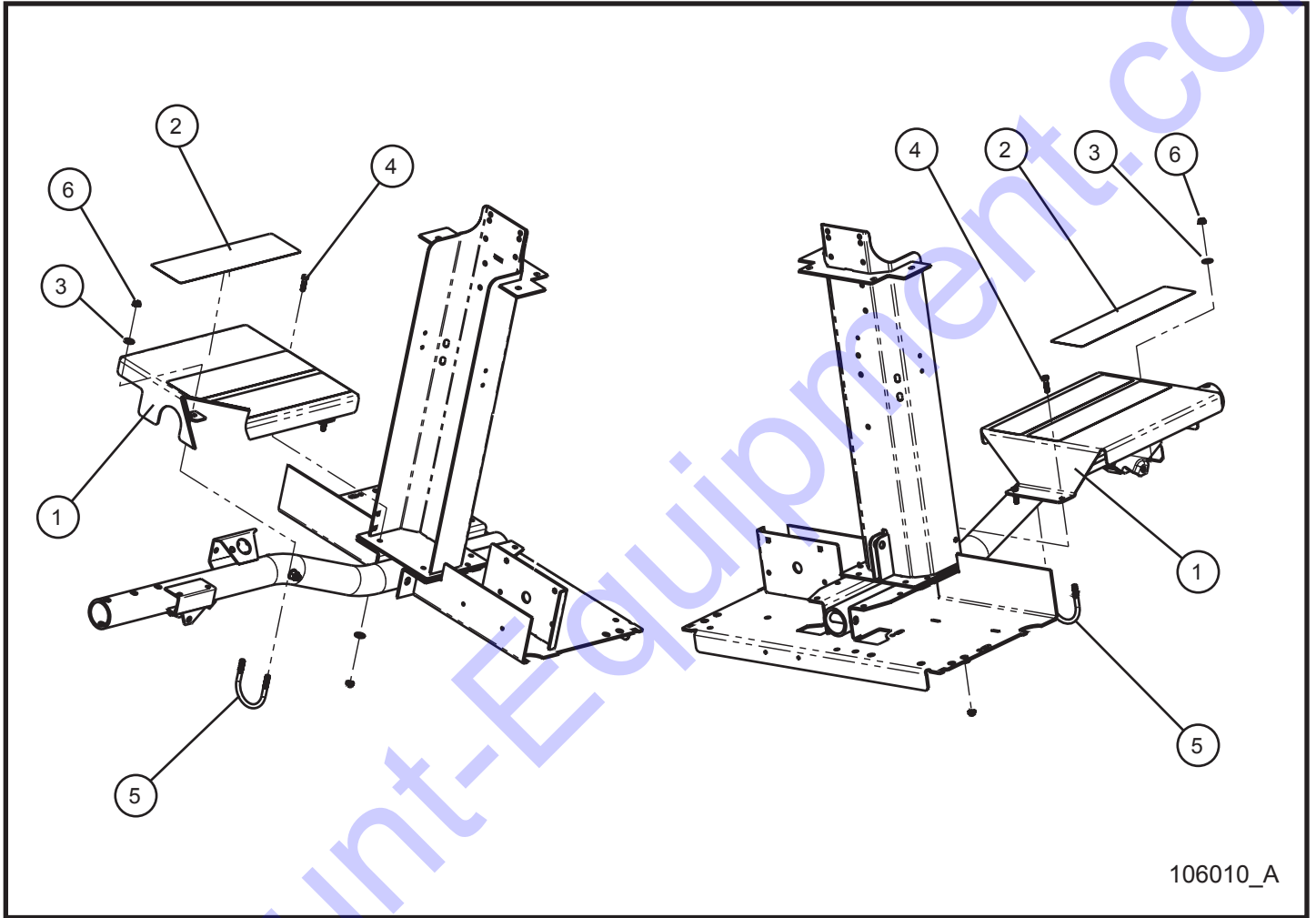
106624\_C

# Night-Lite ProII™

## 1.5 - AL-CO Tongue and Axle

Item	Part No.	Part Description	Qty.
1	042155	M12 FLAT WASHER SAE	8
2	042054	M12 x 1.75 x 40MM HEX HEAD CAP SCREW	4
3	046230	1/2-13 x 5 HEX HEAD CS GR5 PL	2
4	044048	1/2-13 NYLOCK HEX NUT PL	2
--	106021	AL-KO EUROPEAN KIT NL PRO II	1
5	106607	TORSION AXLE 2,000 LB	1
6	106623	WHEEL/TIRE AL-KO AXLE	2
7	106621	TONGUE OVERRUN DEVISE	1
8	106628	JOCKEY WHEEL JACK TOP CRANK	1
9	106624-2	BOWDEN CABLE	2
10	106624-1	BRAKE ROD	1
11	106621-14	JOCKEY WHEEL CLAMP	1
12	042040	M10 x 1.5 x 30MM HEX HEAD CS GR8.8 PL	2
13	047025	1/2 FLAT WASHER PL	2
14	044129	M10 x 1.5MM NYLOCK HEX NUT	2
NS	106027	THREAD LOCK MEDIUM STRENGTH (LOCKTITE)	1

## 1.6 - AL-CO Tongue Platform



106010\_A

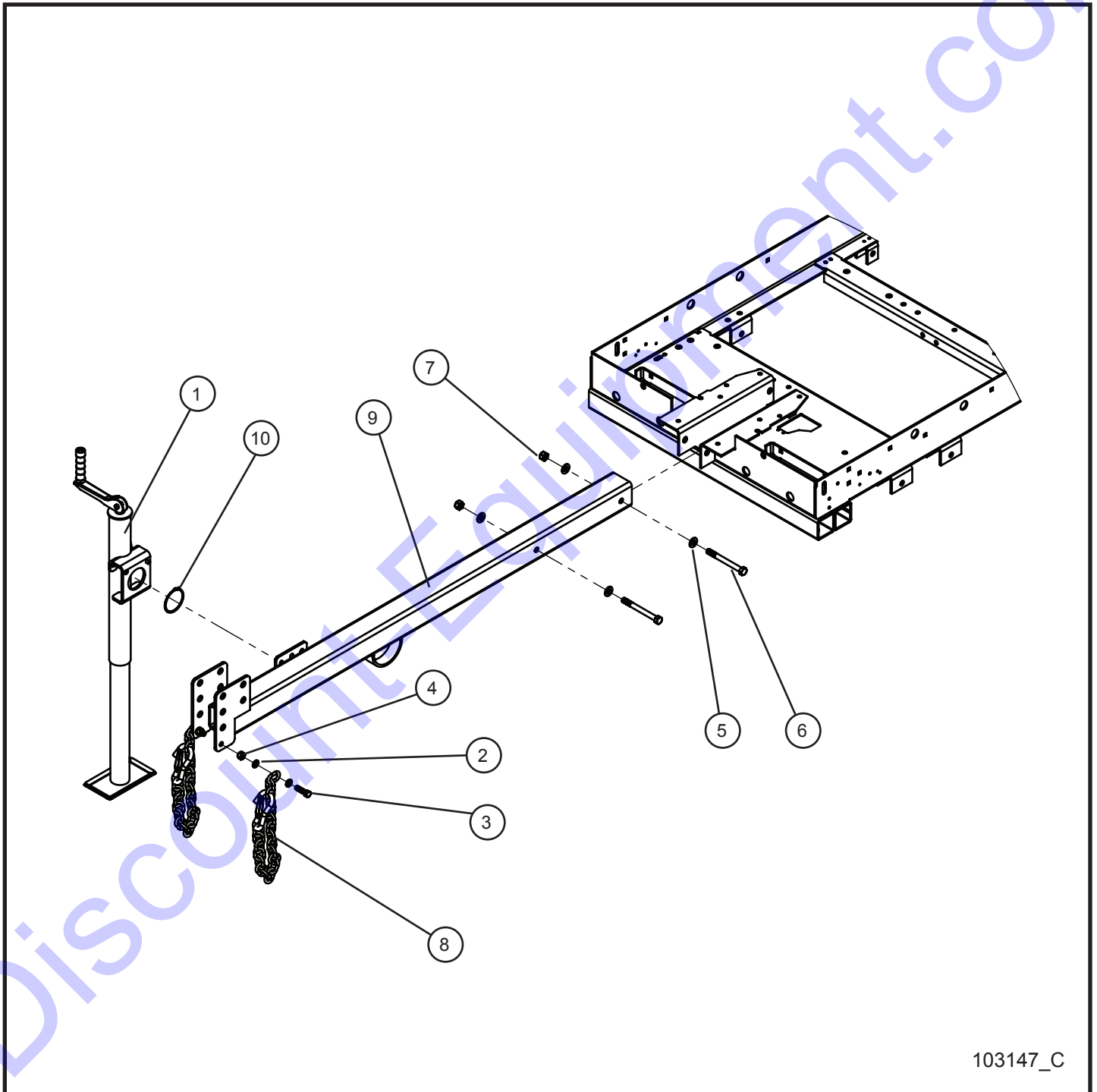
# Night-Lite ProII™

## 1.6 - AL-CO Tongue Platform

Item	Part No.	Part Description	Qty.
1	105538P	WELDMENT PLATFORM INTERNATIONAL PRO II	1
2	062005	ANTI SKID TAPE x 15.5	3
3	047020	7/16 FLAT WASHER	2
4	046055	5/16-18 x 1 1/4 HEX HEAD CS GR5 PL	2
5	045087	3-3/8 x 3/8-16 ZINC PLATED U BOLT	1
6	044036	3/8-16 HEX NUT PL	2

## 1.7 - Removeable Tongue

SN 0001PRO215 and UP  
SN 0001PRO2V15 and UP



103147\_C

# Night-Lite ProII™

## 1.7 - Removeable Tongue

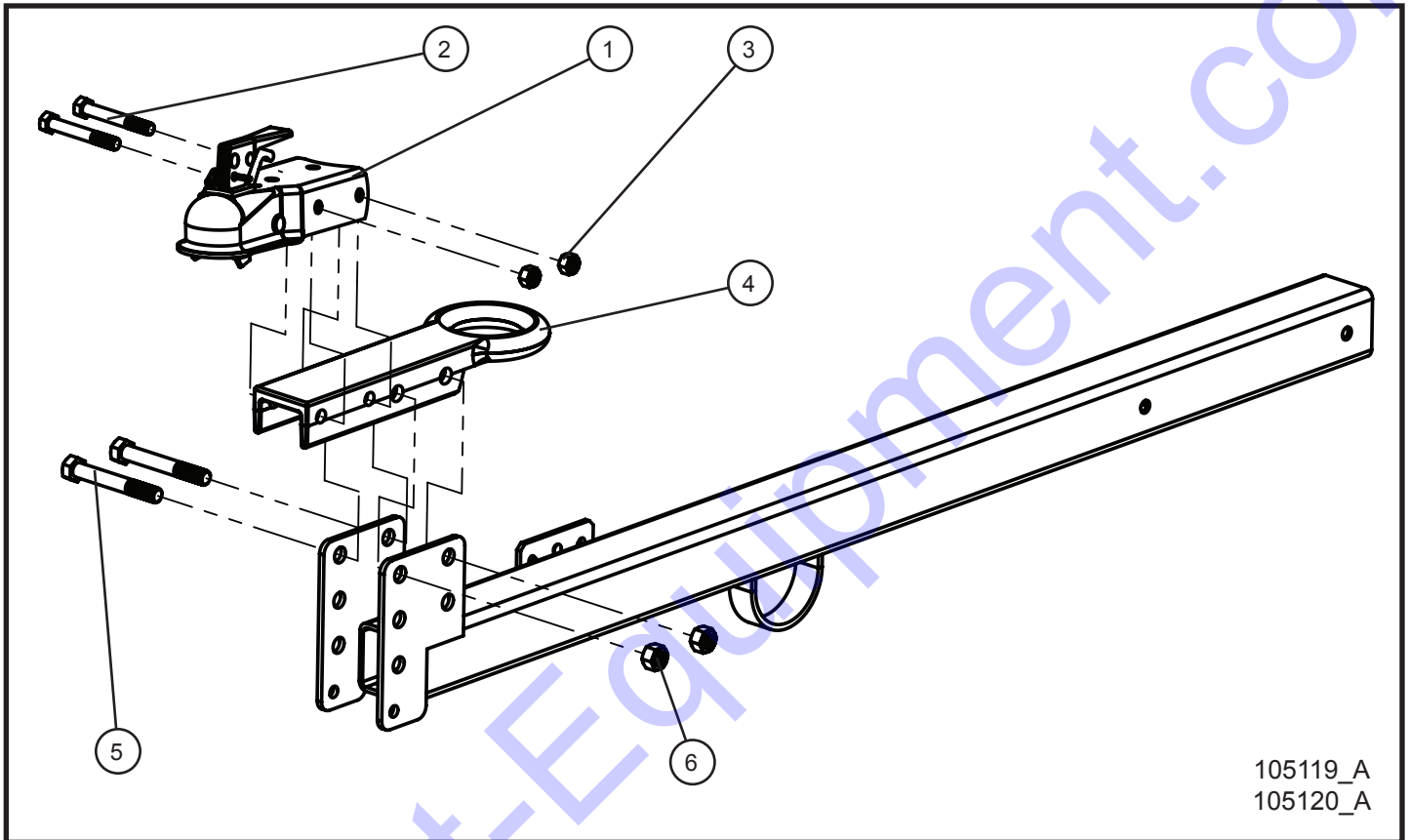
SN 0001PRO215 and UP  
SN 0001PRO2V15 and UP

Item	Part No.	Part Description	Qty.
1	102089	TOP CRANK JACK SNAP RING	1
2	047075	7/16 FLAT WASHER SAE ZC	4
3	046160	7/16-14 x 1 1/2 HEX HEAD CS GR5 PL	2
4	044043	7/16-14 NYLOCK HEX NUT PL	2
5	047025	1/2 FLAT WASHER PL	4
6	046230	1/2-13 x 5 HEX HEAD CS GR5 PL	2
7	044048	1/2-13 NYLOCK HEX NUT PL	2
8	049040	SAFETY CHAIN	2
9	650398P	TONGUE	1
10	330014	2 5/6 XT JACK SNAP RING	1



## 1.8 - Coupler and Pintle Group

SN 0001PRO215 and UP  
SN 0001PRO2V15 and UP



# Night-Lite ProII™

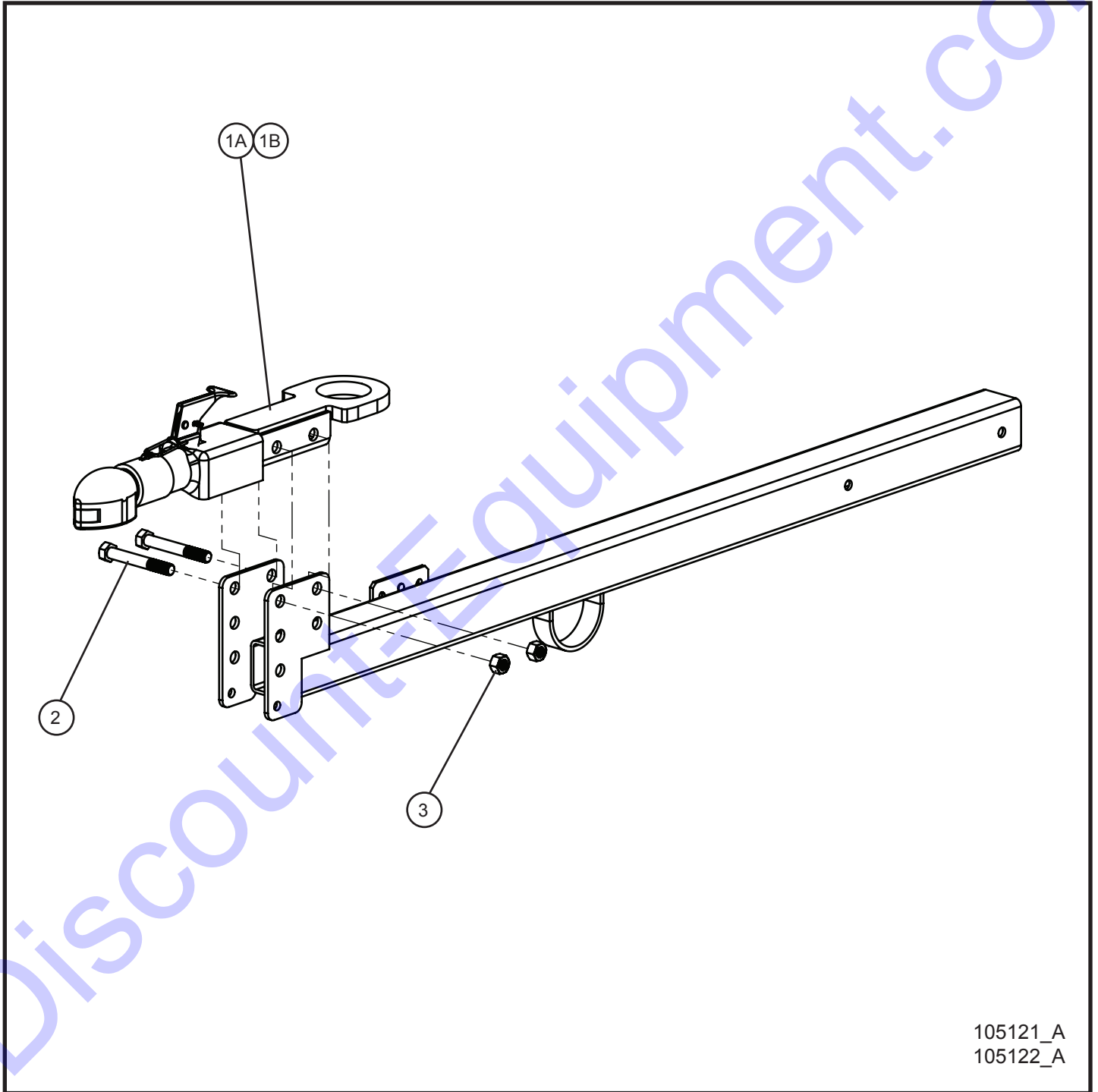
## 1.8 - Coupler and Pintle Group

SN 0001PRO215 and UP  
SN 0001PRO2V15 and UP

Item	Part No.	Part Description	Qty.
1	712021	2" BALL SAE CLASS 2 3500 LBS	1
2	046220	1/2-13 x 4 HEX HEAD CS GR5 PL	2
3	044062	1/2-13 TOPLOCK HEX NUT PL	2
4	712540-13	PINTLE HITCH DUCTILE IRON	1
5	046250	5/8-11 x 4 1/2 HEX HEAD CS GR5 PL	2
6	044061	5/8-11 TOPLOCK HEX NUT PL	2

## 1.9 - Bulldog Hitch Options

SN 0001PRO215 and UP  
SN 0001PRO2V15 and UP



105121\_A  
105122\_A

# Night-Lite ProII™

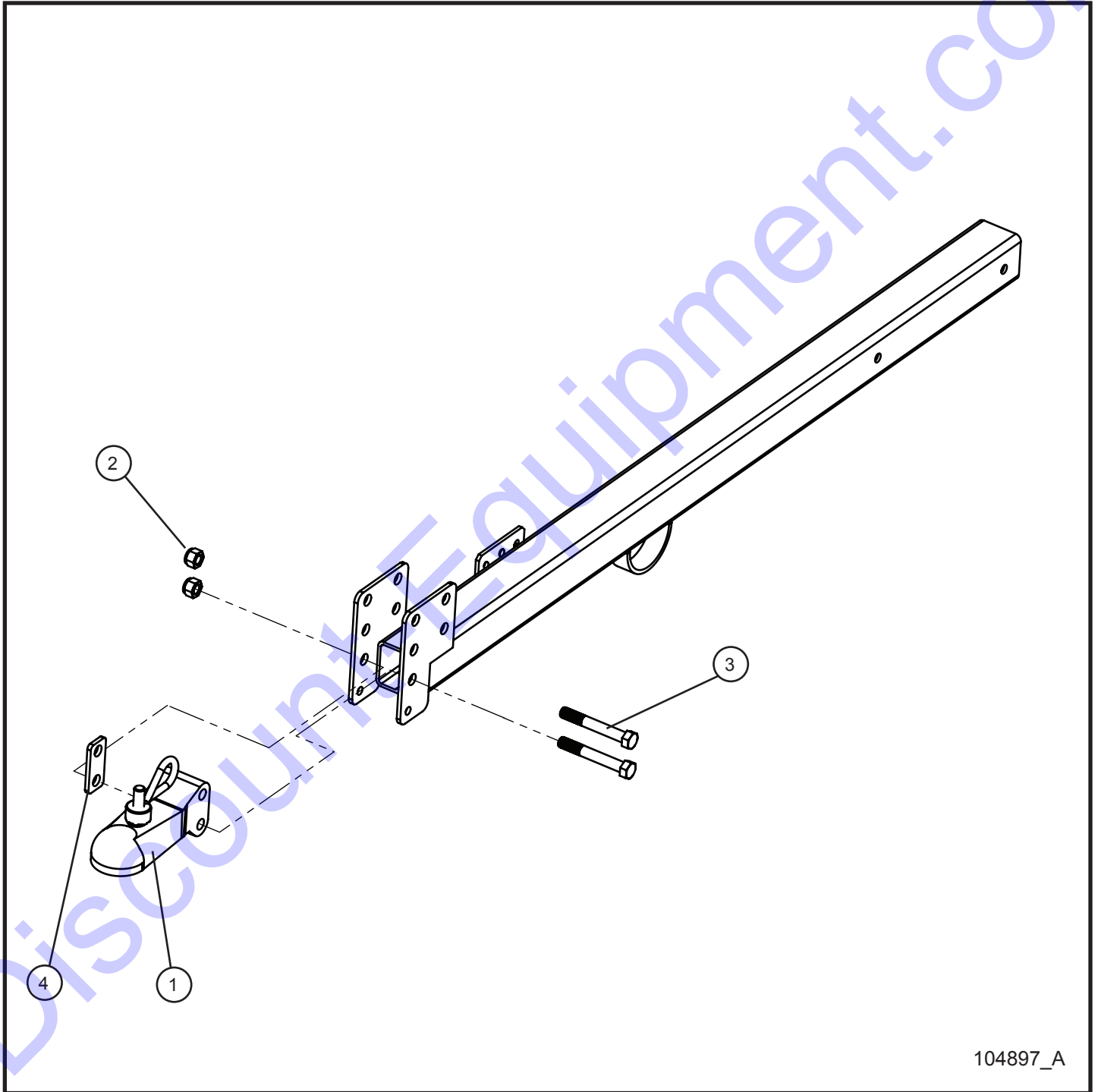
## 1.9 - Bulldog Hitch Options

SN 0001PRO215 and UP  
SN 0001PRO2V15 and UP

Item	Part No.	Part Description	Qty.
1A	300775P	2" HITCH PINTLE COMBO	1
1B	680489P	2 5/16 HITCH PINTLE COMBO	1
2	046250	5/8-11 x 4 1/2 HEX HEAD CS GR5 PL	2
3	044061	5/8-11 TOPLOCK HEX NUT PL	2

## 1.10 - Croft Ball Coupler

SN 0001PRO215 and UP  
SN 0001PRO2V15 and UP



104897\_A

# Night-Lite ProII™

---

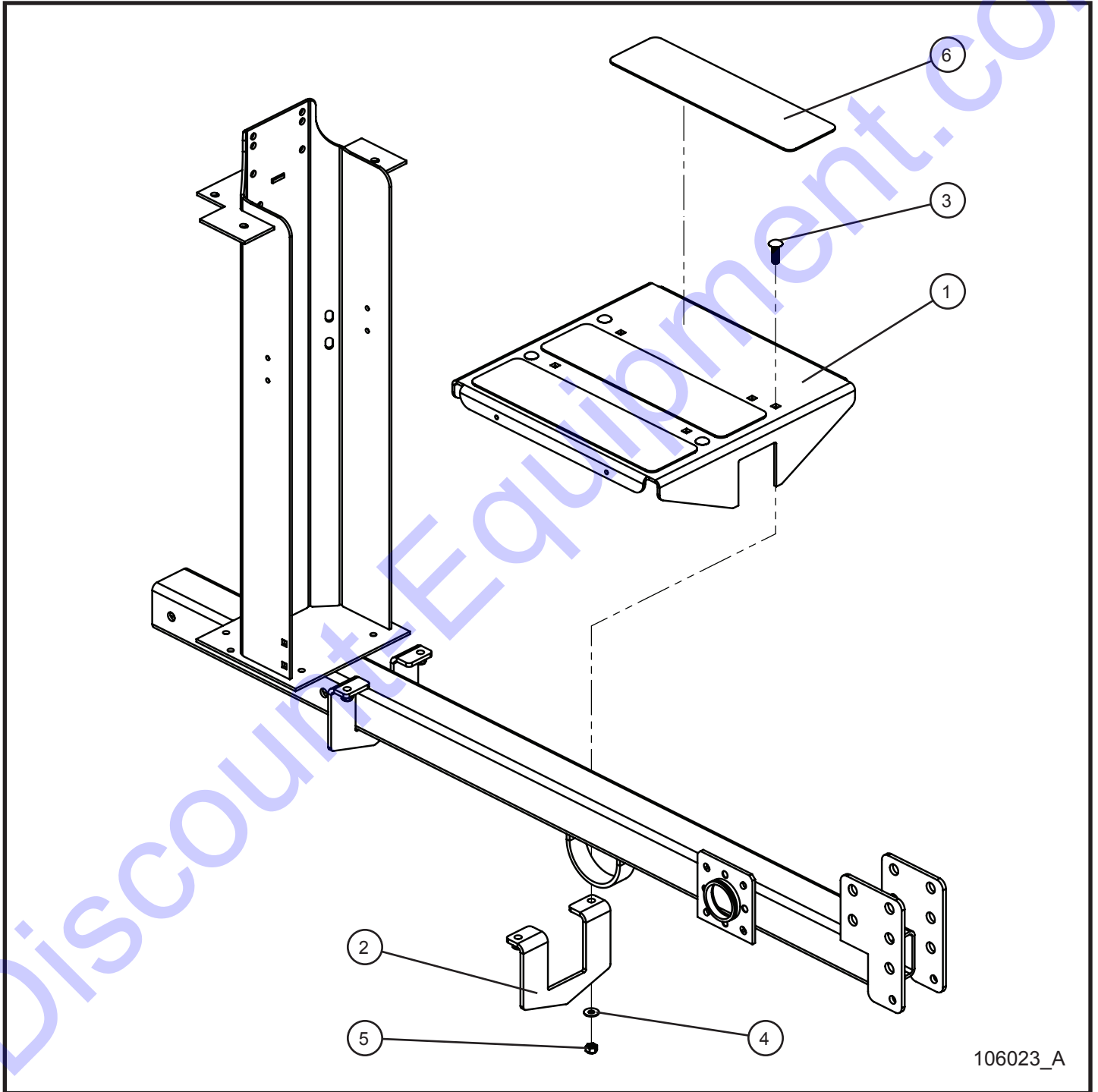
## 1.10 - Croft Ball Coupler

SN 0001PRO215 and UP  
SN 0001PRO2V15 and UP

Item	Part No.	Part Description	Qty.
1	104894	2" BALL COUPLER CROFT AH3	1
2	044053	5/8-11 NYLOCK HEX NUT PL	2
3	046250	5/8-11 x 4 1/2 HEX HEAD CS GR5 PL	2
4	104898	5/8 FLAT WASHER	1

## 1.11 - Removeable Tongue Platform

SN 0001PRO2V15 and UP



106023\_A

# Night-Lite ProII™

## 1.11 - Removeable Tongue Platform

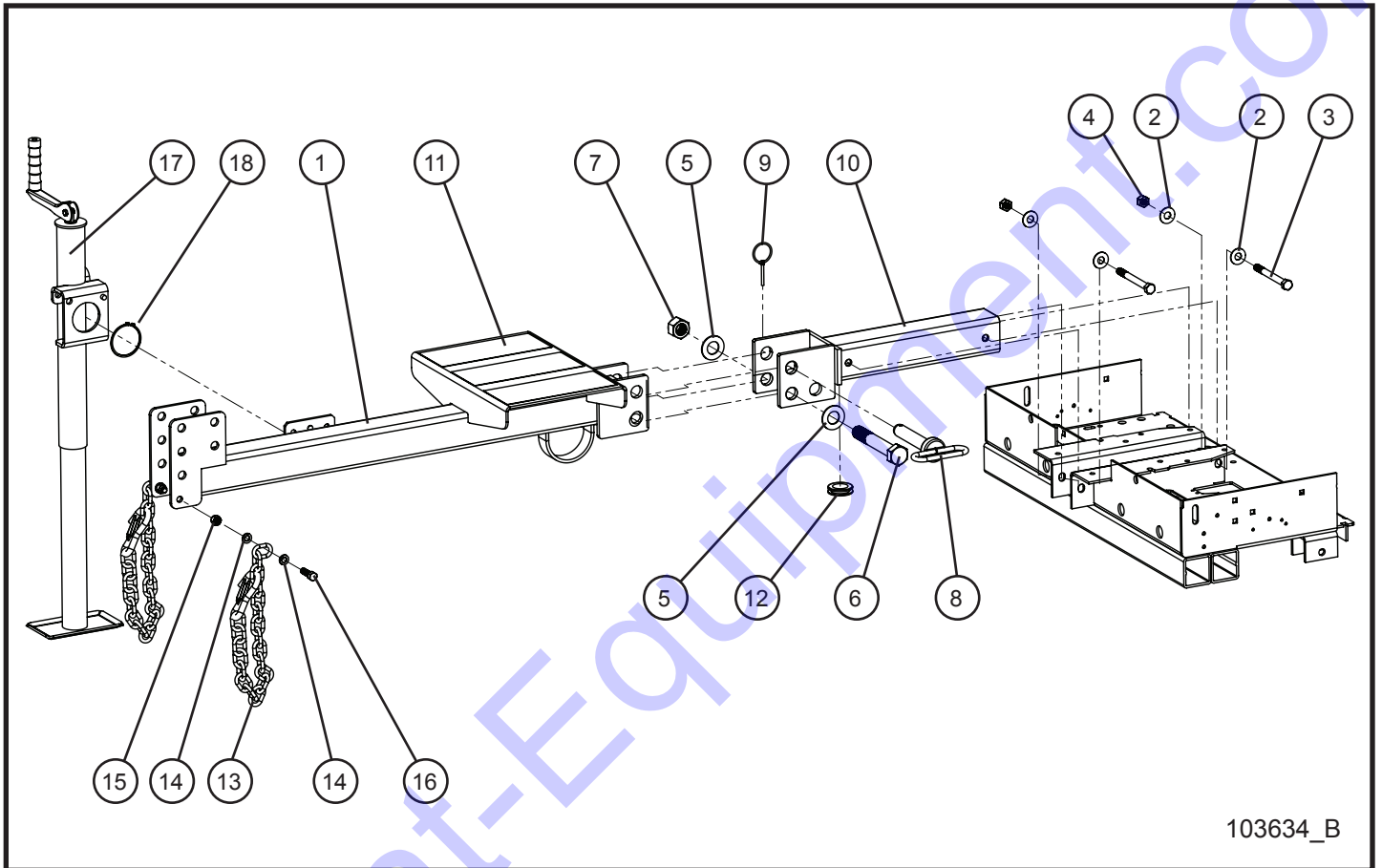
SN 0001PRO2V15 and UP

Item	Part No.	Part Description	Qty.
1	105330P	STEP PLATFORM	1
2	104406P	ANCHOR STEP	2
3	100670	3/8-16 x 1 1/4 CARRIAGE BOLT	4
4	047010	5/16 FLAT WASHER PL	4
5	044038	3/8-16 NYLOCK HEX NUT PL	4
6	062006	ANTI SKID TAPE DIE CUT	3



## 1.12 - Foldable Tongue

SN 0001PRO2V15 and UP



103634\_B

# Night-Lite ProII™

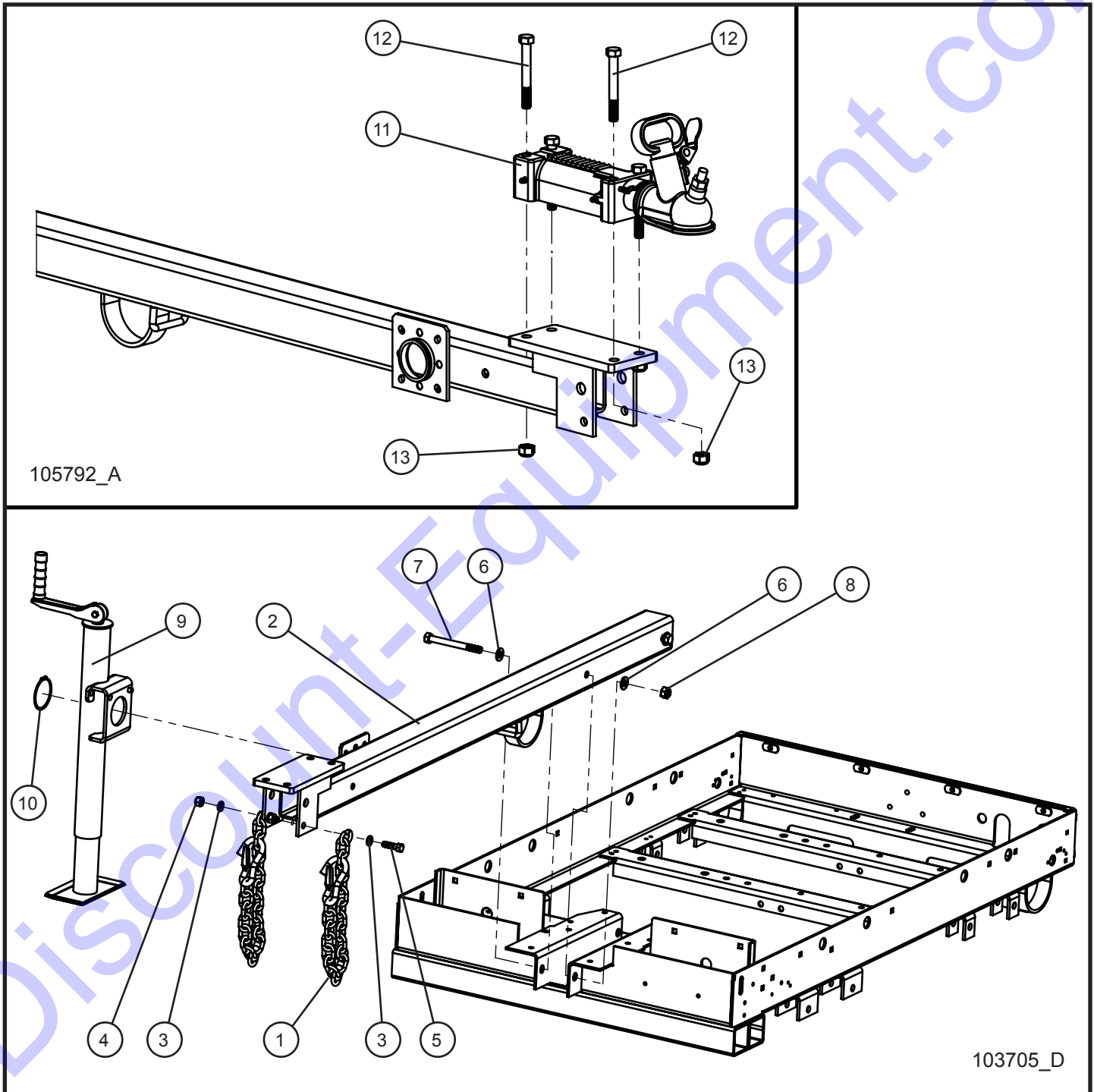
## 1.12 - Foldable Tongue

SN 0001PRO2V15 and UP

Item	Part No.	Part Description	Qty.
1	103629P	FOLDABLE TONGUE	1
2	047028	1/2 FLAT WASHER HDND PL	4
3	046230	1/2-13 x 5 HEX HEAD CS GR5 PL	2
4	044048	1/2-13 NYLOCK HEX NUT PL	2
5	047040	1 FLAT WASHER ZC	2
6	046290	1-8 x 6 1/2 HEX HEAD GR8 ZC	1
7	044070	1-8 NYLOCK HEX NUT GR8 ZC	1
8	103633	LOCK PIN	1
9	045140	SNAP-RING PIN	1
10	103630P	FOLDABLE TONGUE MOUNT	1
11	062005	ANTI-SKID TAPE	3
12	650542	1 1/4 ID x 1 1/2 OD GROMMET	1
13	049040	SAFETY CHAIN	2
14	047075	7/16 FLAT WASHER SAE ZC	4
15	044043	7/16-14 NYLOCK HEX NUT PL	2
16	046160	7/16-14 x 1 1/2 HEX HEAD CS GR5 PL	2
17	102089	TOP CRANK JACK	1
18	330014	2 5/6 XT JACK SNAP RING	1

## 1.13 - Australian Tongue and Coupler

SN 0001PRO215 and UP  
SN 0001PRO2V15 and UP



# Night-Lite ProII™

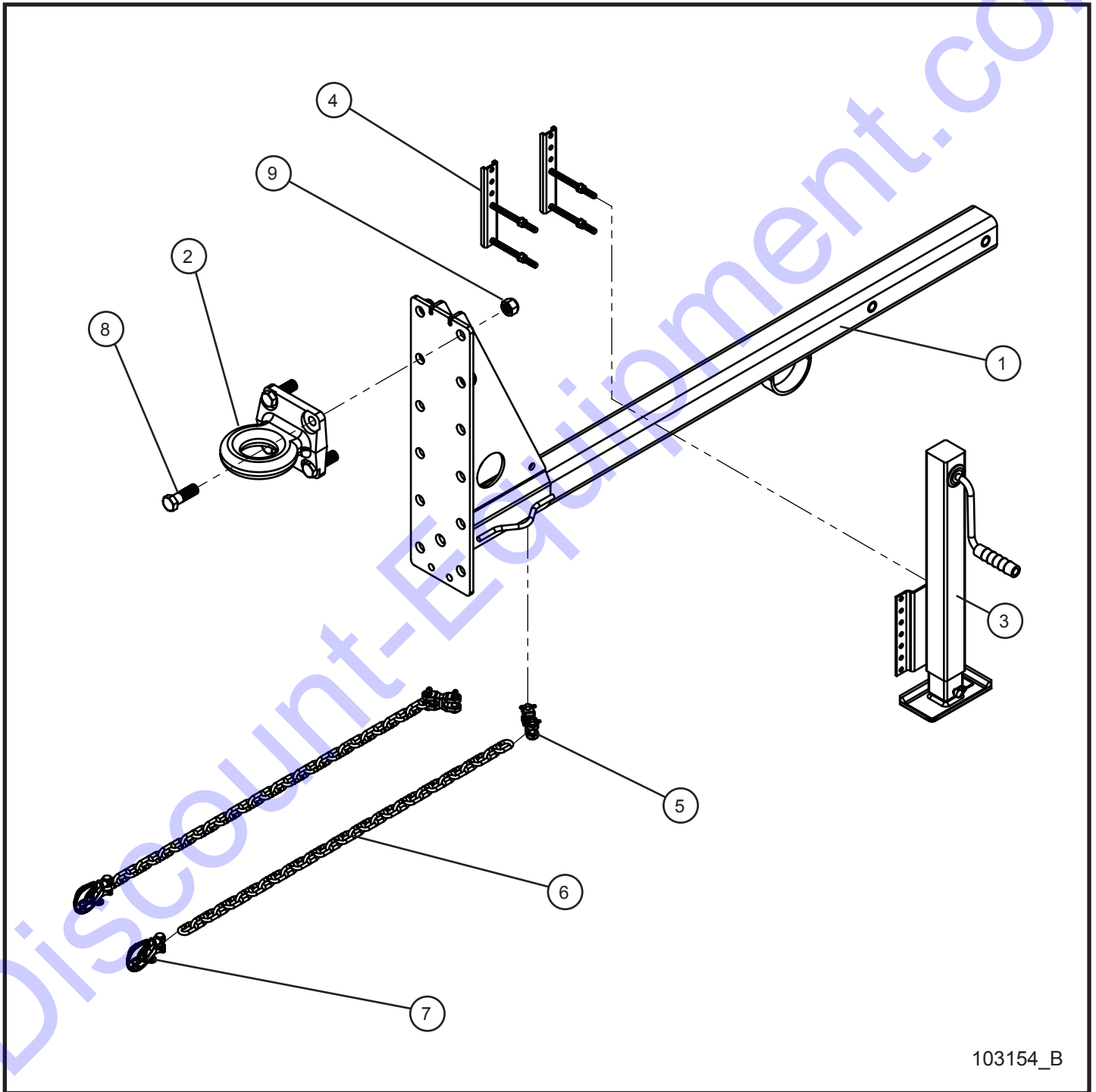
## 1.13 - Australian Tongue and Coupler

SN 0001PRO215 and UP  
SN 0001PRO2V15 and UP

Item	Part No.	Part Description	Qty.
1	049040	SAFETY CHAIN	2
2	102864P	PRO SE POWER TONGUE WELDMENT	1
3	047075	7/16 FLAT WASHER SAE ZC	4
4	044043	7/16-14 NYLOCK HEX NUT PL	2
5	046160	7/16-14 x 1 1/2 HEX HEAD CS GR5 PL	2
6	047025	1/2 FLAT WASHER PL	4
7	046230	1/2-13 x 5 HEX CS GR5 PL	2
8	044048	1/2-13 NYLOCK HEX NUT PL	2
9	102089	TOP CRANK JACK SNAP RING	1
10	330014	2 5/6 XT JACK SNAP RING	1
11	C103486	COUPLING O/R 3/4 HYD TB A0105	1
12	C103493	1/2"-20 x 4" GRADE 8 HEX BOLT	4
13	C103495	1/2"-20 NYLON INSERT HEX NUT	4

## 1.14 - Adjustable Tongue

SN 0001PRO215 and UP  
SN 0001PRO2V15 and UP



103154\_B

# Night-Lite ProII™

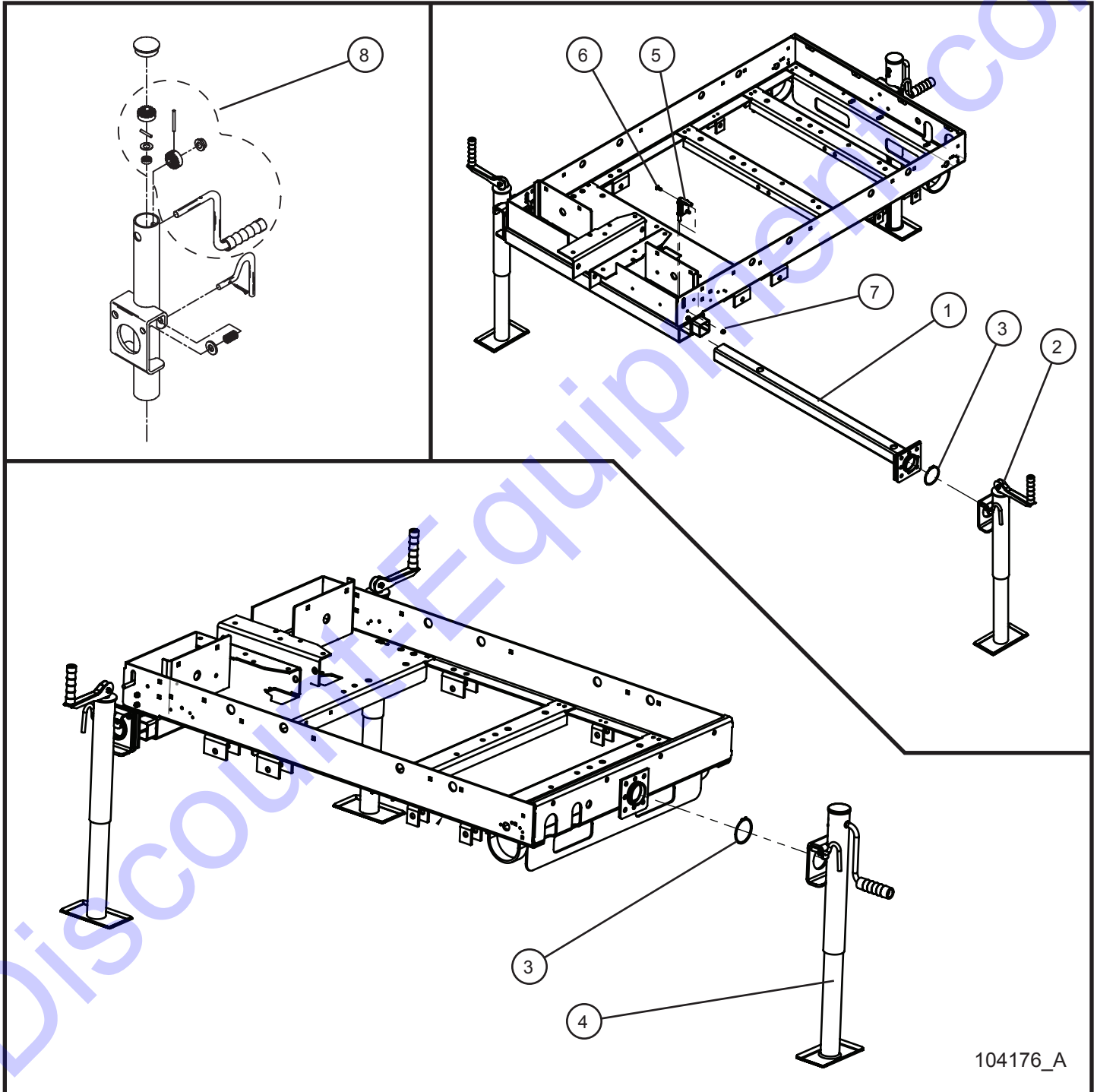
## 1.14 - Adjustable Tongue

SN 0001PRO215 and UP  
SN 0001PRO2V15 and UP

Item	Part No.	Part Description	Qty.
1	102669P	ADJUSTABLE TONGUE 5 POSITION	1
2	102661	3 INCH ID PINTLE DROP FORGED STEEL	1
3	103893	SIDE CRANK JACK TONGUE MOUNT	1
4	103894	HARDWARE KIT DROP LEG JACK	1
5	103891	DOUBLE CLEVIS 4,700 LB CHAIN ANCHOR	2
6	103912	36 INCH CHAIN 5/16 GRADE 70	2
7	103902	CLEVIS GRAB HOOK W/ SAFETY PIN	2
8	046263	3/4-10 x 2 1/2 HEX HEAD CS GR5 PL	4
9	044058	3/4-10 NYLOCK HEX NUT PL	4

## 1.15 - Outriggers and Jacks

SN 0001PRO215 and UP  
SN 0001PRO2V15 and UP



104176\_A

# Night-Lite ProII™

## 1.15 - Outriggers and Jacks

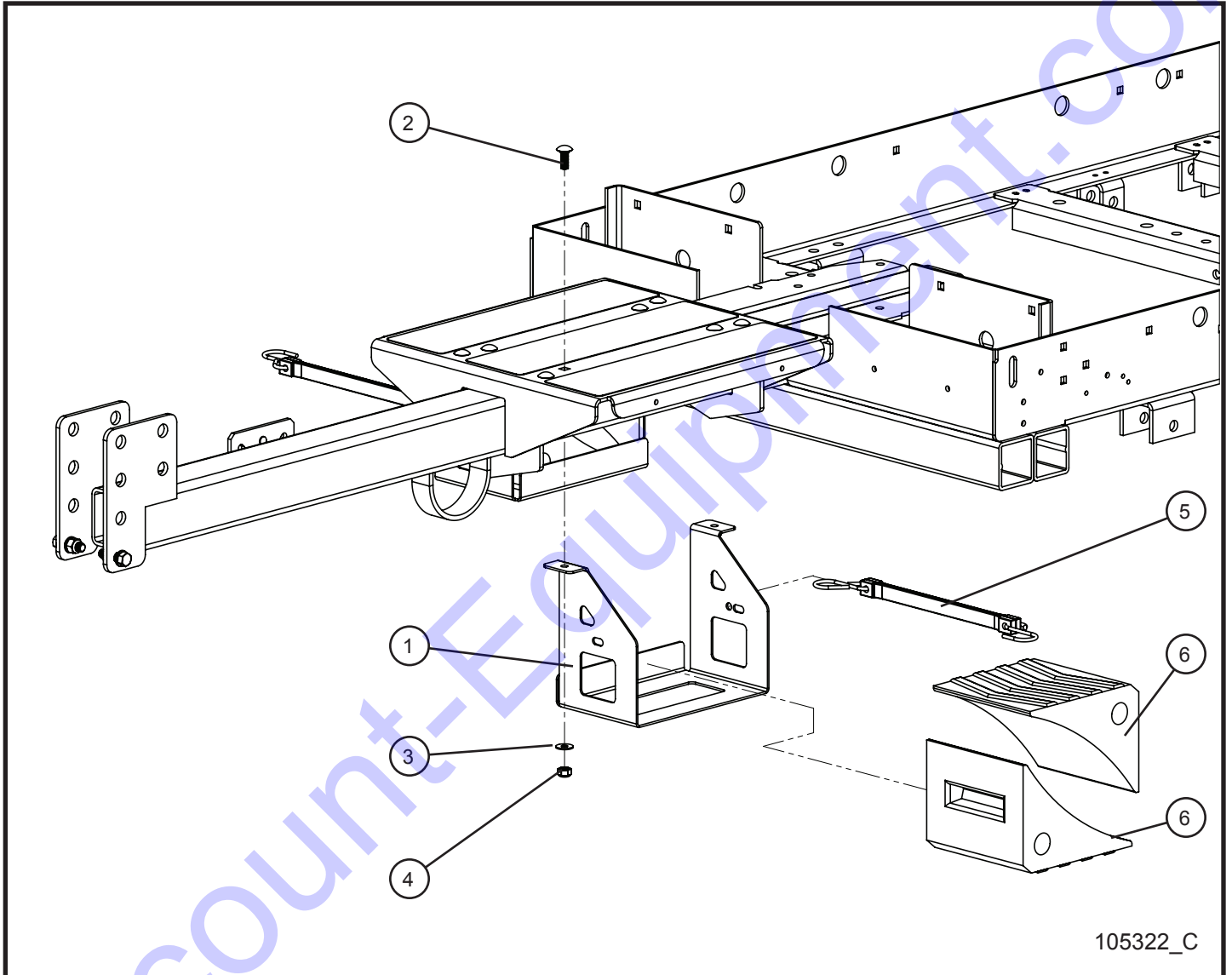
SN 0001PRO215 and UP  
SN 0001PRO2V15 and UP

Item	Part No.	Part Description	Qty.
1	102809P	WELDMENT, OUTRIGGER LEFT AND RIGHT	2
2	330008	SHORT JACK TOP CRANK	2
3	330014	2 5/6 XT JACK SNAP RING	3
4	650235	JACK SIDE CRANK	1
5	650723	PIN OUTRIGGER RETENTION RIGHT	2
6	041050	1/4-20 x 3/4 PH-TRUSS HEAD MS SS MACHINE SCREW	4
7	044023	1/4-20 NYLOCK HEX NUT PL	4
8	107299	JACK SIDE CRANK HANDLE AND GEAR KIT	1



## 1.16 - Wheel Chock Block

SN 0001PRO2V15 and UP



# Night-Lite ProII™

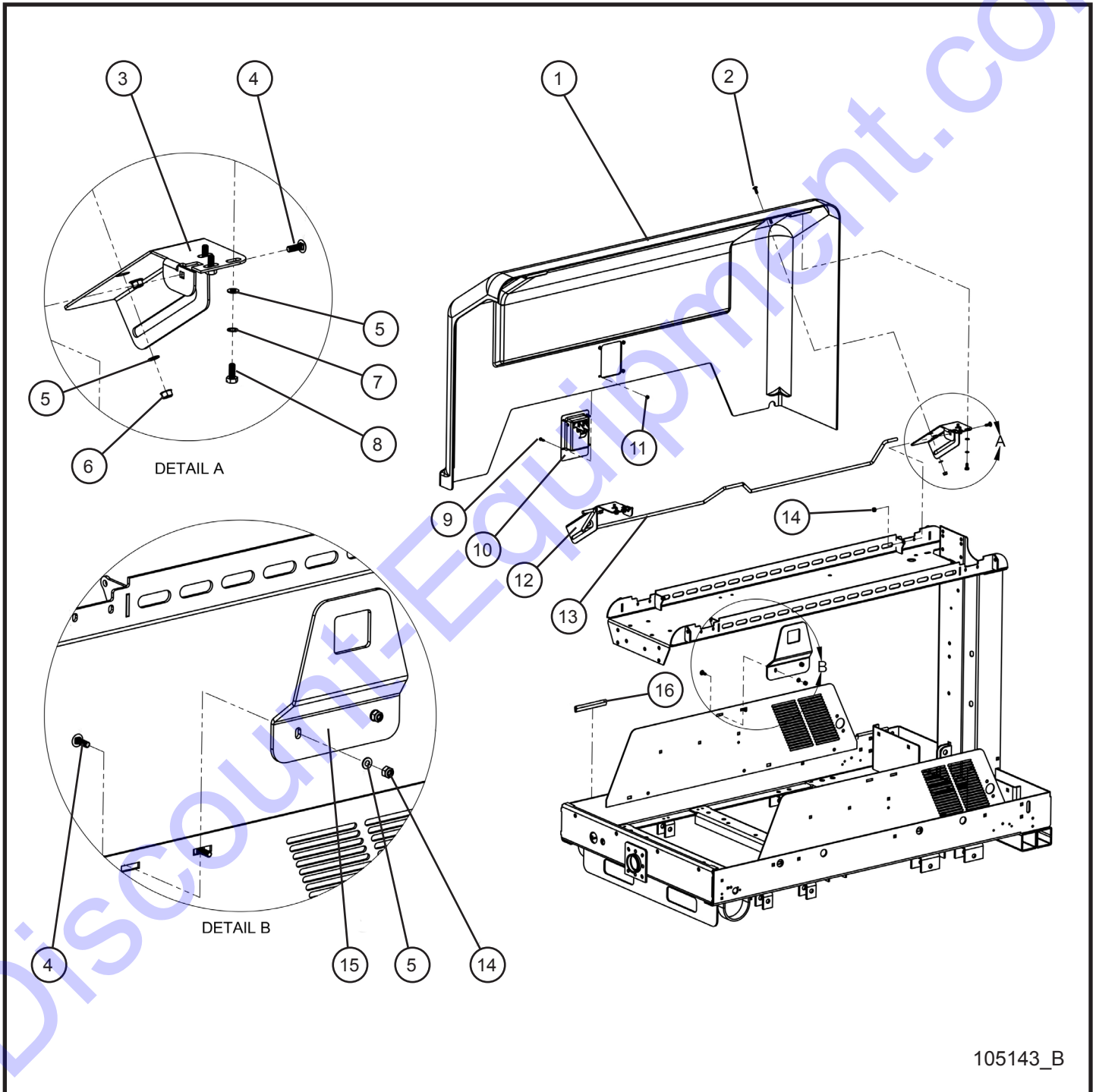
## 1.16 - Wheel Chock Block

SN 0001PRO2V15 and UP

Item	Part No.	Part Description	Qty.
1	106404P	MOUNT CHOCK BLOCK	2
2	053028	3/8-16 x 1 CARRIAGE BOLT	4
3	047010	5/16 FLAT WASHER	4
4	044038	3/8-16 NYLOCK HEX NUT PL	4
5	103625	14" RUBBER STRAP	2
6	104031	WHEEL CHOCK BLOCK	4

## 2.1 - Left Door Group

SN 0001PRO215 and UP  
SN 0001PRO2V15 and UP



105143\_B

# Night-Lite ProII™

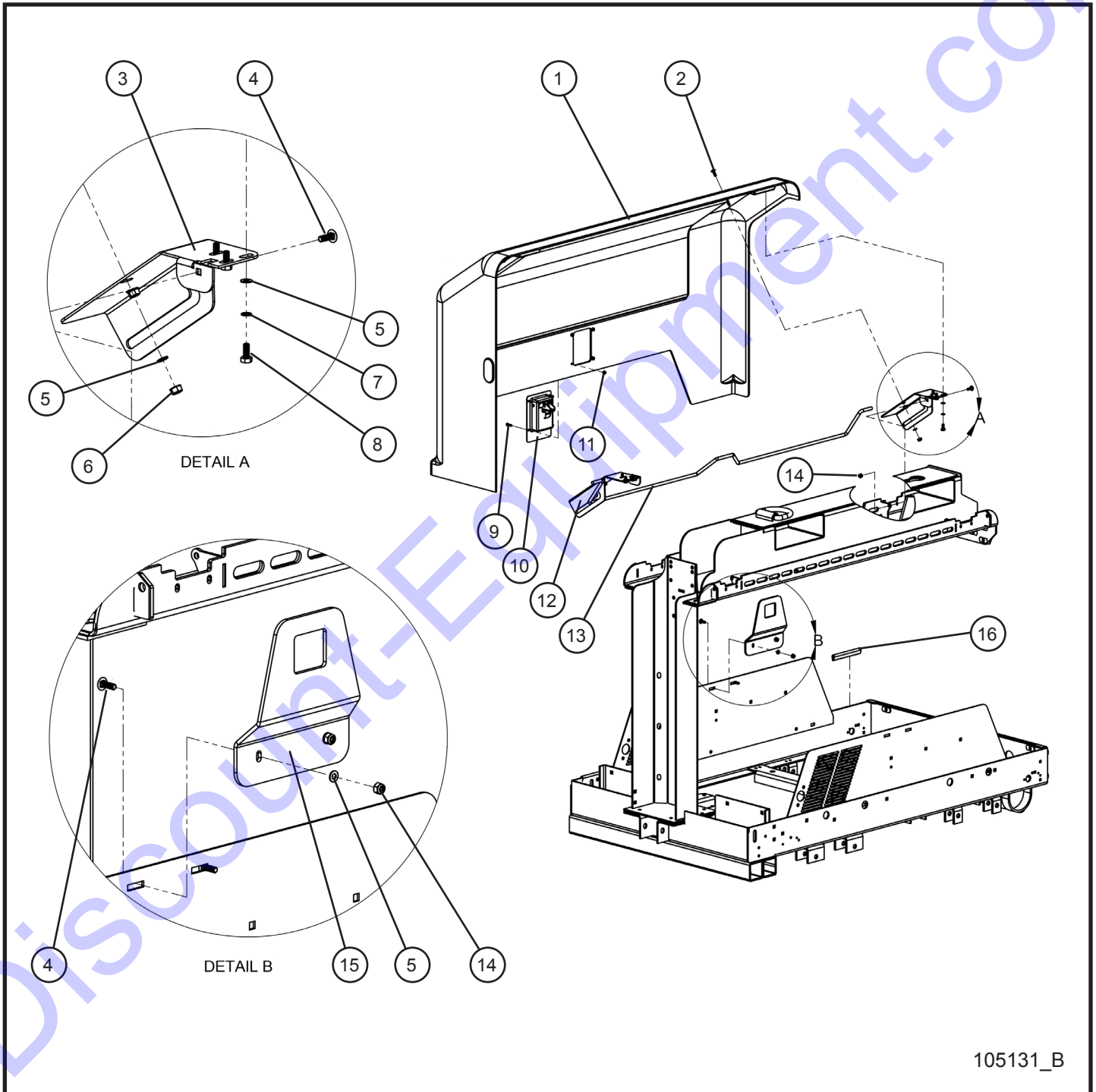
## 2.1 - Left Door Group

SN 0001PRO215 and UP  
SN 0001PRO2V15 and UP

Item	Part No.	Part Description	Qty.
1	105140P	LEFT PRO II DOOR	1
2	041050	1/4-20 x 3/4 PH-TRUSS HEAD MS SS	4
3	105139P	FRONT HINGE BRACKET PLASTIC DOOR	1
4	053006	1/4-20 x 3/4 CARRIAGE BOLT	4
5	047009	1/4 FLAT WASHER SAE SS	12
6	044021	1/4-20 KEPS HEX NUT PL	4
7	043050	1/4 INTL TOOTH LOCK WASHER	6
8	046006	1/4-20 x 5/8 HEX HEAD CS GR5 PL	6
9	041027	#10-24 x 3/4 PH-ROUND HEAD MS	4
10	680459	SLAM LATCH	1
11	044018	#10-24 NYLOCK HEX NUT PL	4
12	105138P	REAR HINGE BRACKET PLASTIC DOOR	1
13	103047	DOOR PROP	1
14	044023	1/4-20 NYLOCK HEX PL	4
15	105132P	SLAM LATCH CATCH PLATE	1
16	030054	TRIMLOK 3/16 x 3/4, 5 INCH	2

## 2.2 - Right Door Group

SN 0001PRO215 and UP  
SN 0001PRO2V15 and UP



105131\_B

# Night-Lite ProII™

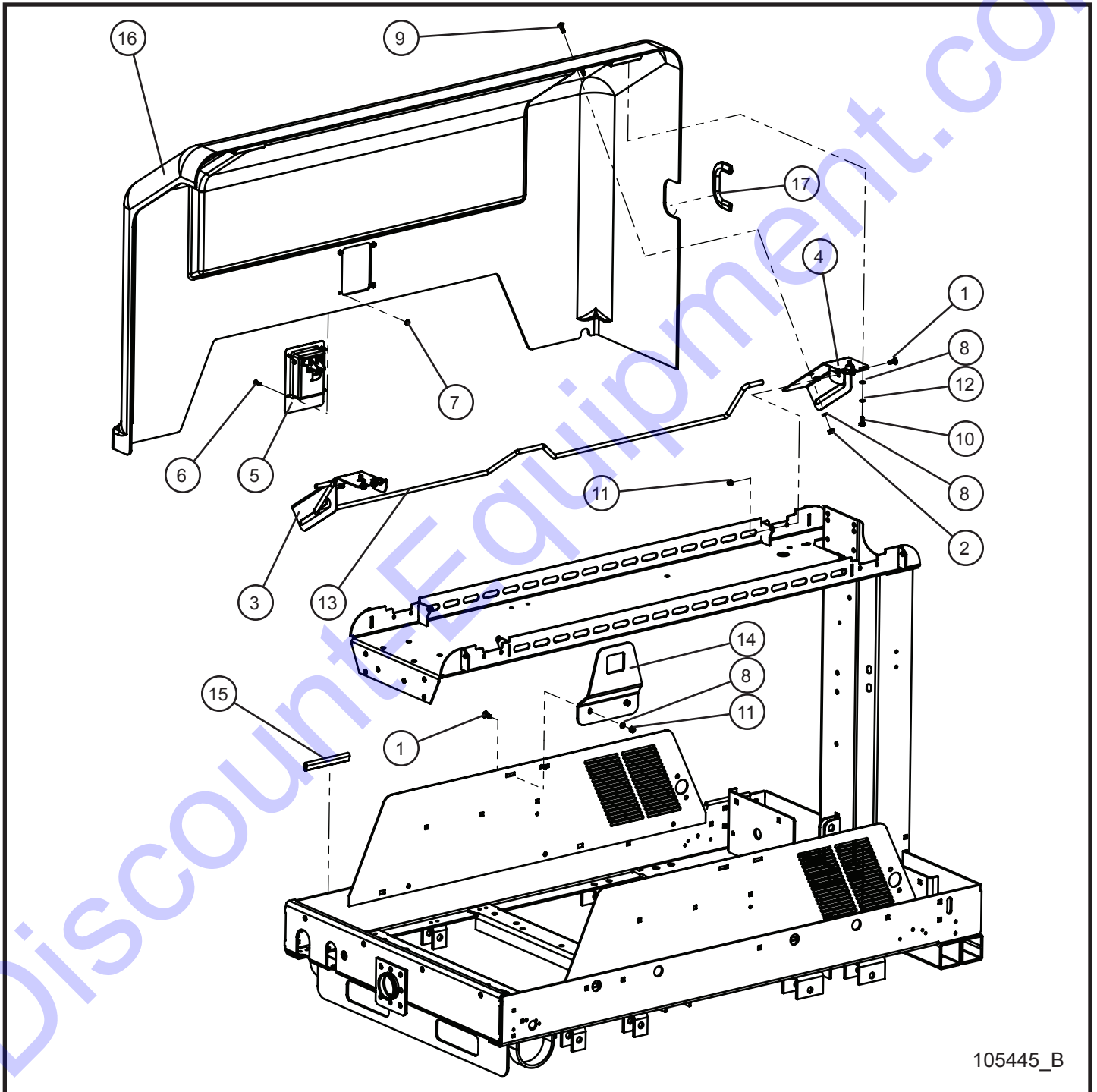
## 2.2 - Right Door Group

SN 0001PRO215 and UP  
SN 0001PRO2V15 and UP

Item	Part No.	Part Description	Qty.
1	105141P	RIGHT PRO II DOOR	1
2	041050	1/4-20 x 3/4 PH-TRUSS HEAD MS SS	4
3	105139P	FRONT HINGE BRACKET PLASTIC DOOR	1
4	053006	1/4-20 x 3/4 CARRIAGE BOLT	4
5	047009	1/4 FLAT WASHER SAE SS	12
6	044021	1/4-20 KEPS HEX NUT PL	4
7	043050	1/4 INTL TOOTH LOCK WASHER	6
8	046006	1/4-20 x 5/8 HEX HEAD CS GR5 PL	6
9	041027	#10-24 x 3/4 PH-ROUND HEAD MS	4
10	680459	SLAM LATCH	1
11	044018	#10-24 NYLOCK HEX NUT PL	4
12	105138P	REAR HINGE BRACKET PLASTIC DOOR	1
13	103047	DOOR PROP	1
14	044023	1/4-20 NYLOCK HEX PL	4
15	105132P	SLAM LATCH CATCH PLATE	1
16	030054	TRIMLOK 3/16 x 3/4, 5 INCH	2

## 2.3 - Left Door w/ Cord Opening

SN 0001PRO215 and UP  
SN 0001PRO2V15 and UP



105445\_B

# Night-Lite ProII™

## 2.3 - Left Door w/ Cord Opening

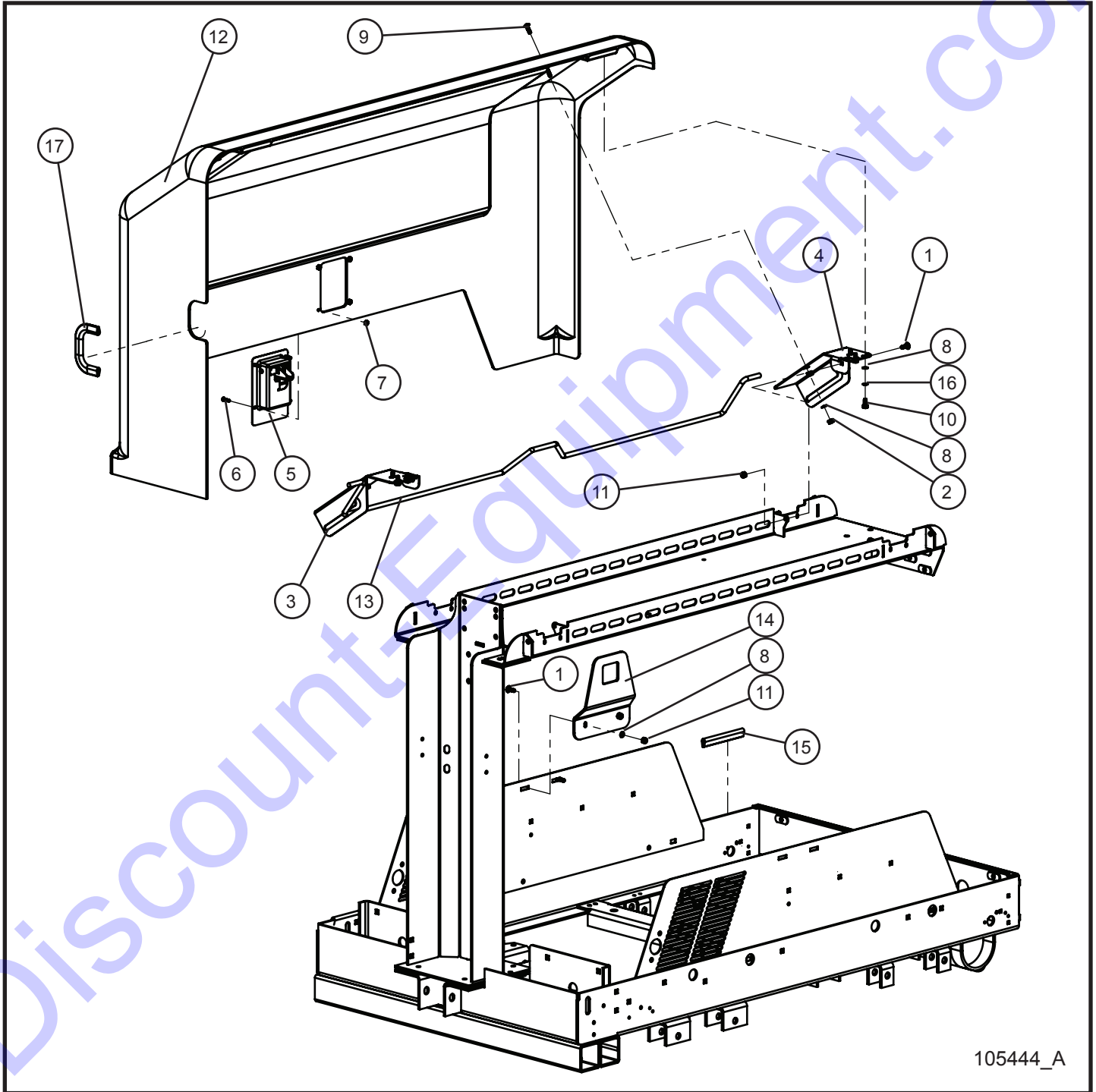
SN 0001PRO215 and UP  
SN 0001PRO2V15 and UP

Item	Part No.	Part Description	Qty.
1	053006	1/4-20 x 3/4 CARRIAGE BOLT	4
2	044021	1/4-20 KEPS HEX NUT PL	4
3	105138P	BRACKET HINGE FRONT PLASTIC DOOR	1
4	105139P	BRACKET HINGE REAR PLASTIC DOOR	1
5	680459	SLAM LATCH	1
6	041027	#10-24 x 3/4 PH-ROUND HEAD MS	4
7	044018	#10-24 NYLOCK HEX NUT PL	4
8	047009	1/4 FLAT WASHER SAE SS	12
9	041050	1/4-20 x 3/4 PH-TRUSS HEAD MS SS	4
10	046006	1/4-20 x 5/8 HEX HEAD CS GR5 PL	6
11	044023	1/4-20 NYLOCK HEX NUT PL	4
12	043050	1/4 INT'L TOOTH LOCK WASHER	6
13	103047	DOOR PROP	1
14	105132P	CATCH PLATE SLAM LATCH	1
15	030054	TRIMLOCK 3/16 x 3/4 x 5 INCH	2
16	105333P	LEFT DOOR W/ CORD OPENING	1
17	030054	TRIMLOCK 3/16 x 3/4 x 7 INCH	1



## 2.4 - Right Door w/ Cord Opening

SN 0001PRO215 and UP  
SN 0001PRO2V15 and UP



105444\_A

# Night-Lite ProII™

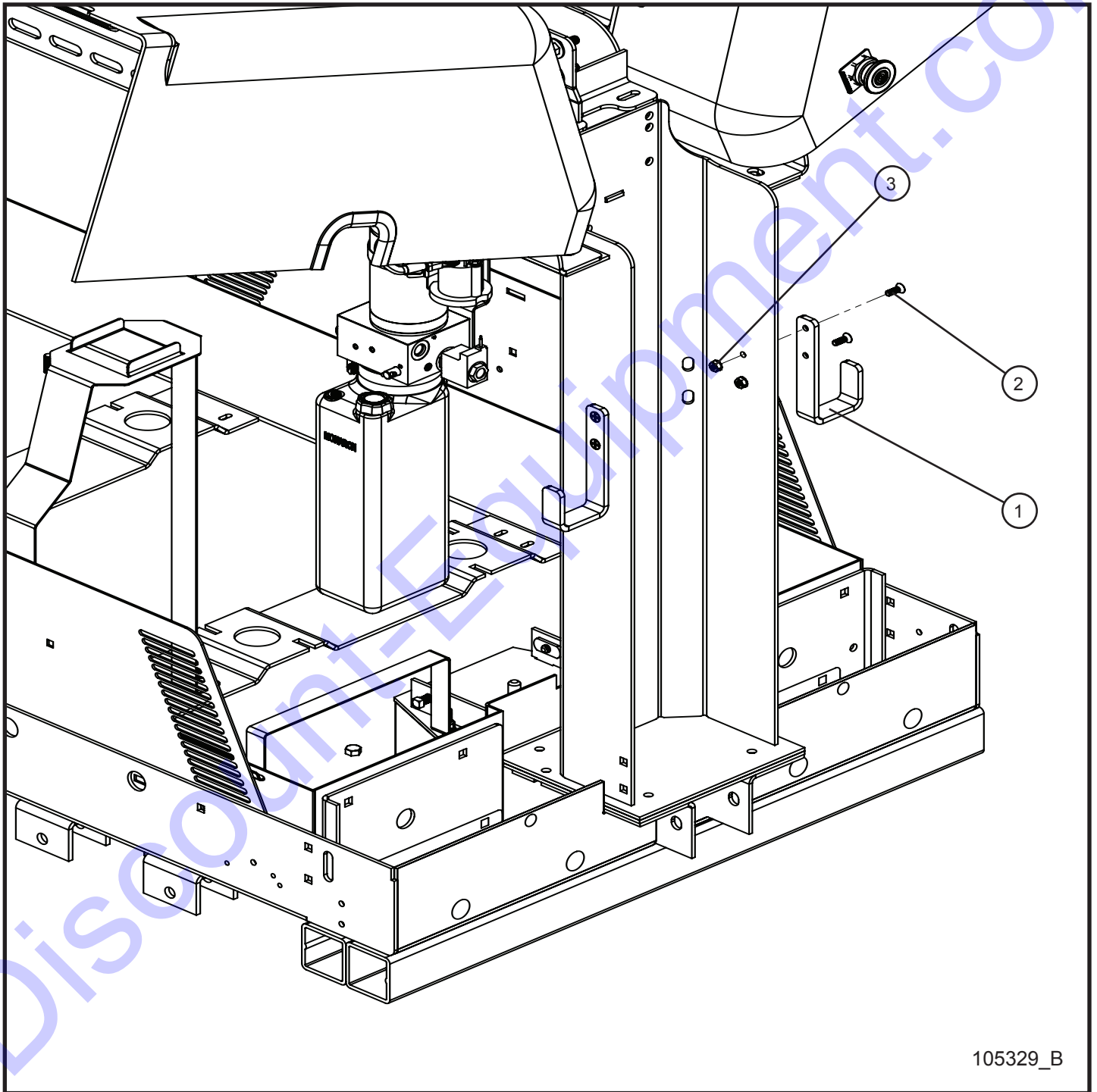
## 2.4 - Right Door w/ Cord Opening

SN 0001PRO215 and UP  
SN 0001PRO2V15 and UP

Item	Part No.	Part Description	Qty.
1	053006	1/4-20 x 3/4 CARRIAGE BOLT	4
2	044021	1/4-20 KEPS HEX NUT PL	4
3	105138P	BRACKET HINGE FRONT PLASTIC DOOR	1
4	105139P	BRACKET HINGE REAR PLASTIC DOOR	1
5	680459	SLAM LATCH	1
6	041027	#10-24 x 3/4 PH-ROUND HEAD MS	4
7	044018	#10-24 NYLOCK HEX NUT PL	4
8	047009	1/4 FLAT WASHER SAE SS	12
9	041050	1/4-20 x 3/4 PH-TRUSS HEAD MS SS	4
10	046006	1/4-20 x 5/8 HEX HEAD CS GR5 PL	6
11	044023	1/4-20 NYLOCK	4
12	105332P	RIGHT DOOR W/ CORD OPENING	1
13	103047	DOOR PROP	1
14	105132P	CATCH PLATE SLAM LATCH	1
15	030054	TRIMLOCK 3/16 x 3/4 x 5 INCH	2
16	043050	1/4 INT'L TOOTH LOCK WASHER	6
17	030054	TRIMLOCK 3/16 x 3/4 x 7 INCH	1

## 2.5 - Cord Opening Hooks

SN 0001PRO215 and UP  
SN 0001PRO2V15 and UP



105329\_B

# Night-Lite ProII™

---

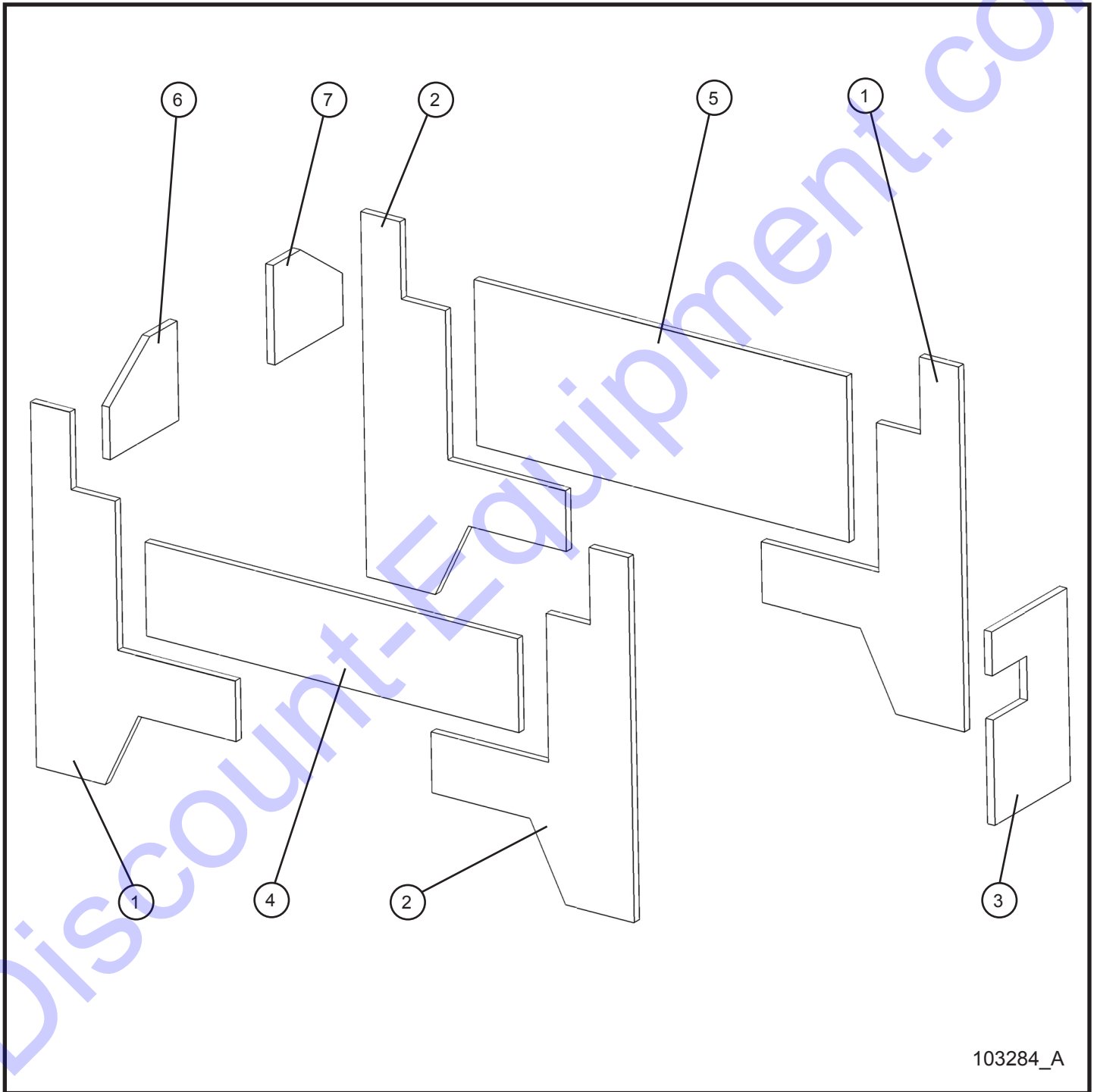
## 2.5 - Cord Opening Hooks

SN 0001PRO215 and UP  
SN 0001PRO2V15 and UP

Item	Part No.	Part Description	Qty.
1	105323P	HOOK CORD	2
2	041047	1/4-20 x 3/4 PH-FLAT HEAD MS PL	4
3	044021	1/4-20 KEPS HEX NUT PL	4

## 2.6 - Sound Attenuation Package

SN 0001PRO215 and UP  
SN 0001PRO2V15 and UP



103284\_A

# Night-Lite ProII™

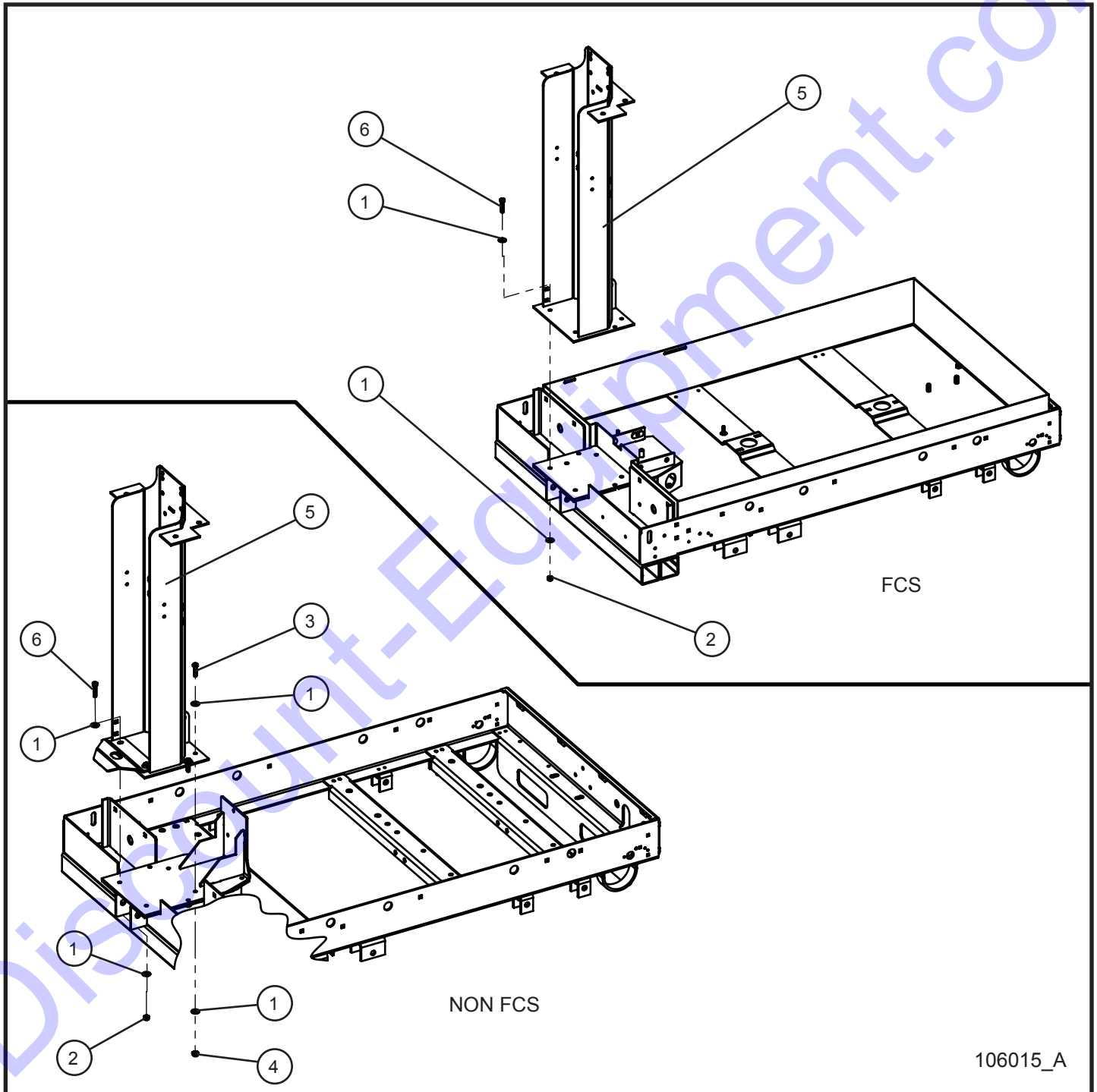
## 2.6 - Sound Attenuation Package

SN 0001PRO215 and UP  
SN 0001PRO2V15 and UP

Item	Part No.	Part Description	Qty.
1	103277	3/4 POLY ACOUSTICAL FOAM-DOOR HALF 1	2
2	103278	3/4 POLY ACOUSTICAL FOAM-DOOR HALF 2	2
3	103279	3/4 POLY ACOUSTICAL FOAM-REAR PANEL	1
4	103280	3/4 POLY ACOUSTICAL FOAM-LEFT DOOR RECESS	1
5	103281	3/4 POLY ACOUSTICAL FOAM-RIGHT DOOR RECESS	1
6	103282	3/4 POLY ACOUSTICAL FOAM-LEFT DOOR FRONT	1
7	103283	3/4 POLY ACOUSTICAL FOAM-RIGHT DOOR FRONT	1

## 2.7 - Tower Pedestal

SN 0001PRO215 and UP  
SN 0001PRO2V15 and UP



106015\_A

# Night-Lite ProII™

## 2.7 - Tower Pedestal

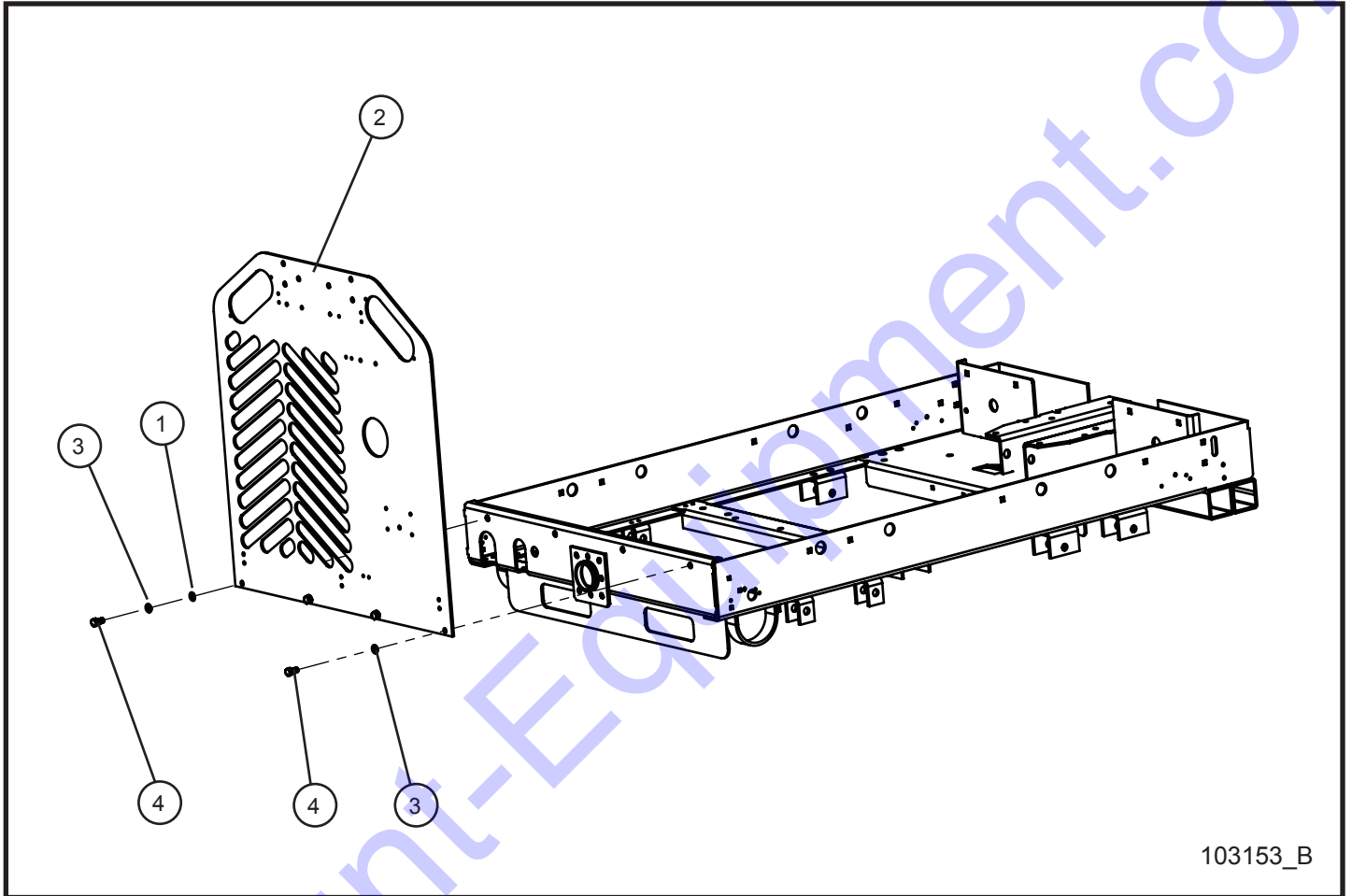
SN 0001PRO215 and UP  
SN 0001PRO2V15 and UP

Item	Part No.	Part Description	Qty.
1	047010	5/16 FLAT WASHER PL	12
2	044031	5/16-18 KEPS HEX NUT PL	2
3	046055	5/16-18 x 1 1/4 HEX HEAD CS GR5 PL	4
4	044036	3/8-16 KEPS HEX NUT PL	4
5	103937P	TOWER PEDESTAL	1
6	046060	5/16-18 x 1 1/2 HEX HEAD CS GR5 PL	2



## 2.8 - CAT Rear Panel

SN 0001PRO215 and UP  
SN 0001PRO2V15 and UP



103153\_B

# Night-Lite ProII™

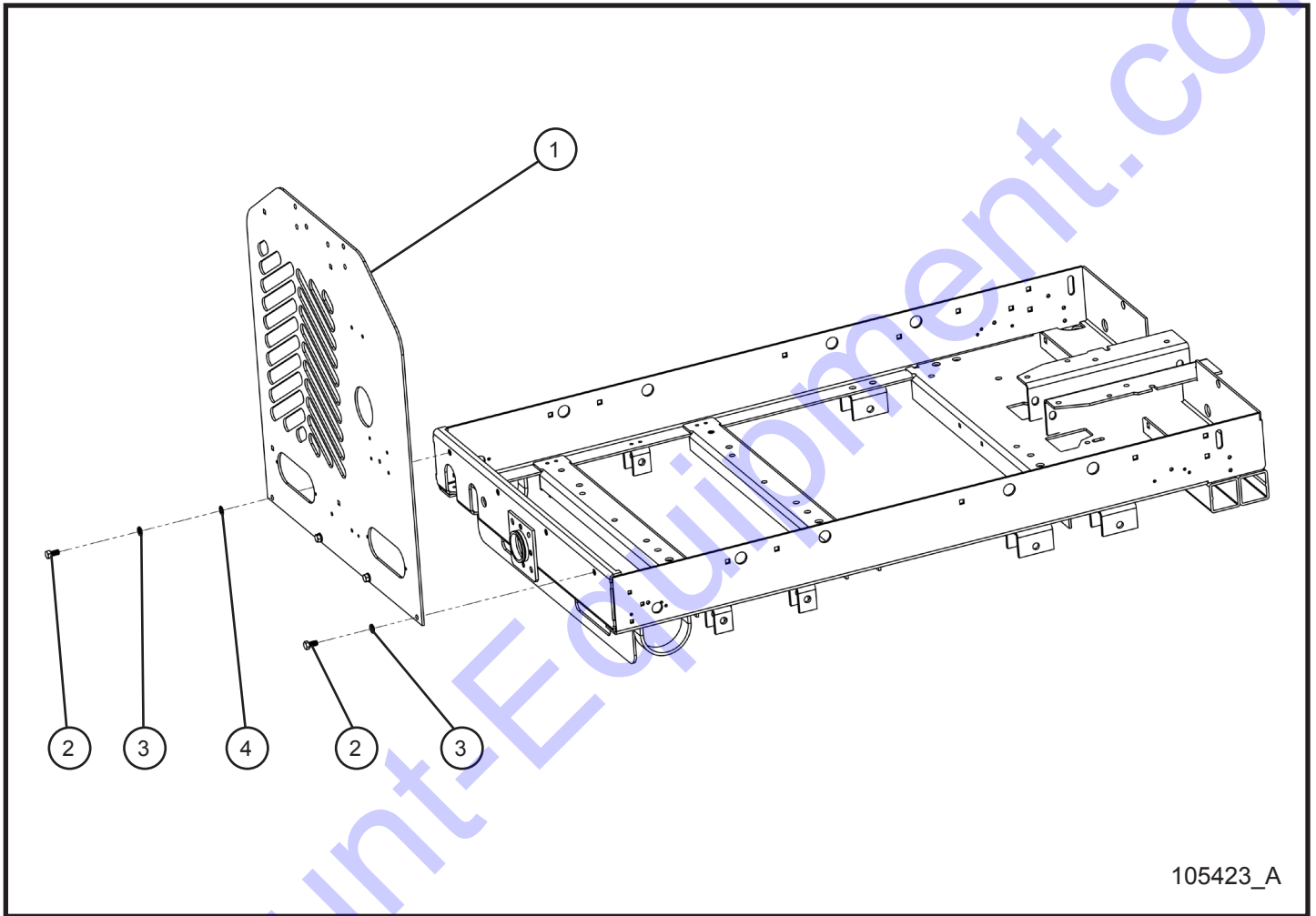
## 2.8 - CAT Rear Panel

SN 0001PRO215 and UP  
SN 0001PRO2V15 and UP

Item	Part No.	Part Description	Qty.
1	043070	3/8 INTL TOOTH LOCK WASHER PL	1
2	102823P	REAR PANEL UNIVERSAL	1
3	043065	3/8 SPLITLOCK WASHER PL	4
4	046105	3/8-16 x 3/4 HEX HEAD CS GR8 PL	4

## 2.9 - Kubota Rear Panel

SN 0001PRO215 and UP  
SN 0001PRO2V15 and UP



# Night-Lite ProII™

---

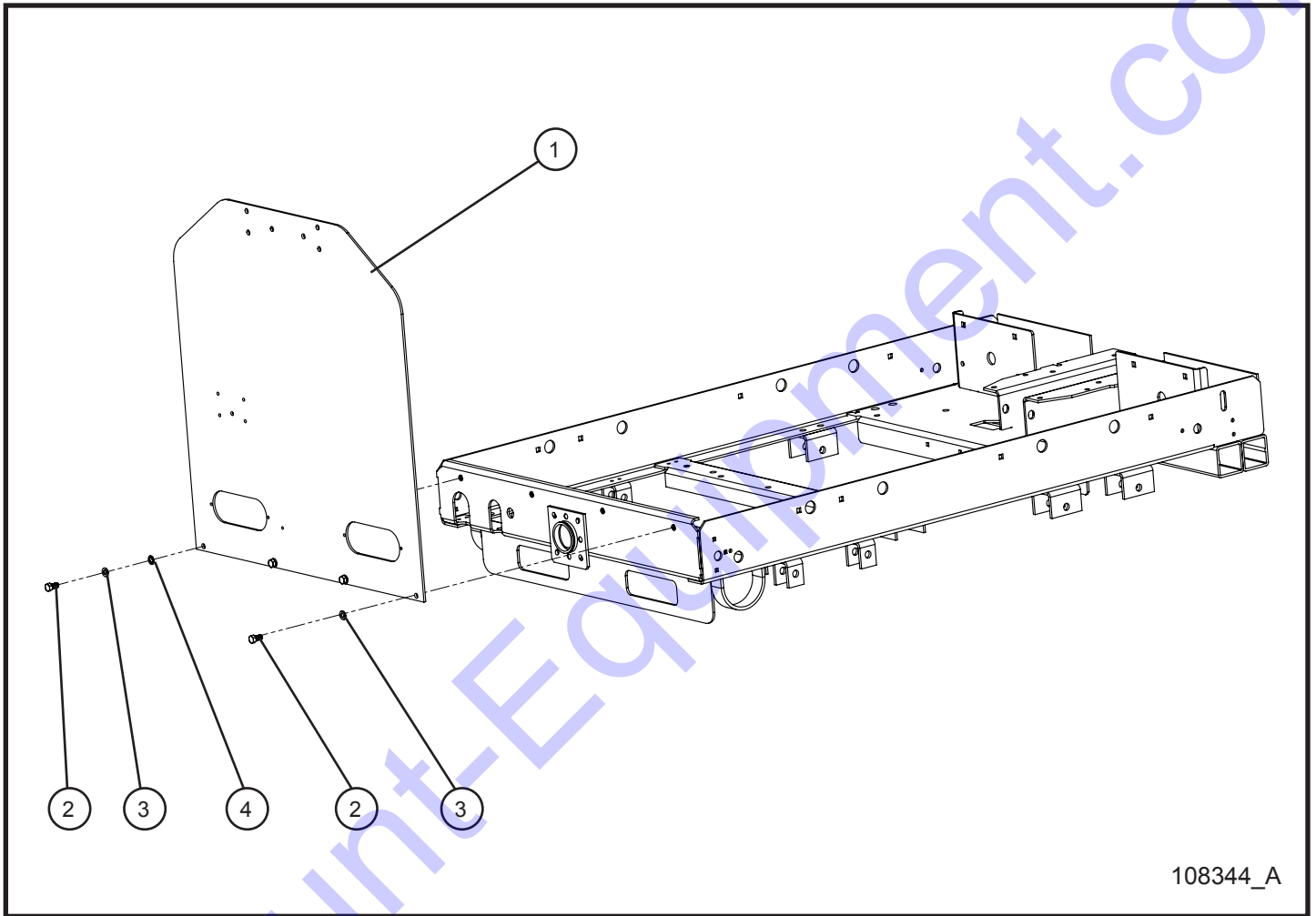
## 2.9 - Kubota Rear Panel

SN 0001PRO215 and UP  
SN 0001PRO2V15 and UP

Item	Part No.	Part Description	Qty.
1	105403P	REAR PANEL (KUBOTA)	1
2	046105	3/8-16 x 3/4 HEX HEAD CS GR8 PL	4
3	043065	3/8 SPLITLOCK WASHER PL	4
4	043070	3/8 INTL TOOTH LOCK WASHER PL	1

## 2.10 - Mobile Platform Rear Panel

SN 0001PRO215 and UP  
SN 0001PRO2V15 and UP



108344\_A

# Night-Lite ProII™

---

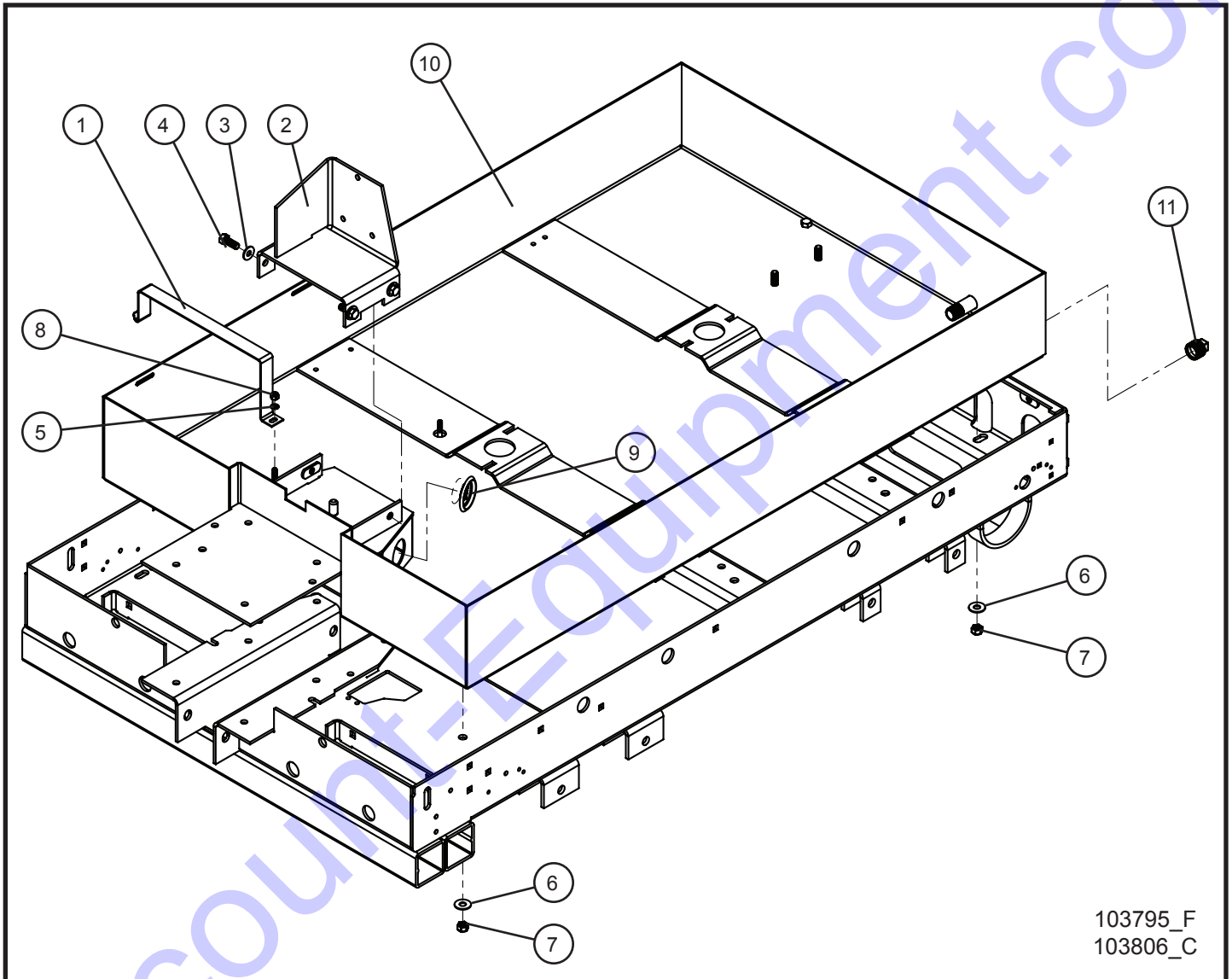
## 2.10 - Mobile Platform Rear Panel

SN 0001PRO215 and UP  
SN 0001PRO2V15 and UP

Item	Part No.	Part Description	Qty.
1	108343P	MOBILE PLATFORM REAR PANEL	1
2	046105	3/8-16 x 3/4 HEX HEAD CS GR8 PL	4
3	043065	3/8 SPLITLOCK WASHER PL	4
4	043070	3/8 INTL TOOTH LOCK WASHER PL	1

## 2.11 - FCS Tray Group

SN 0001PRO215 and UP  
SN 0001PRO2V15 and UP



# Night-Lite ProII™

## 2.11 - FCS Tray Group

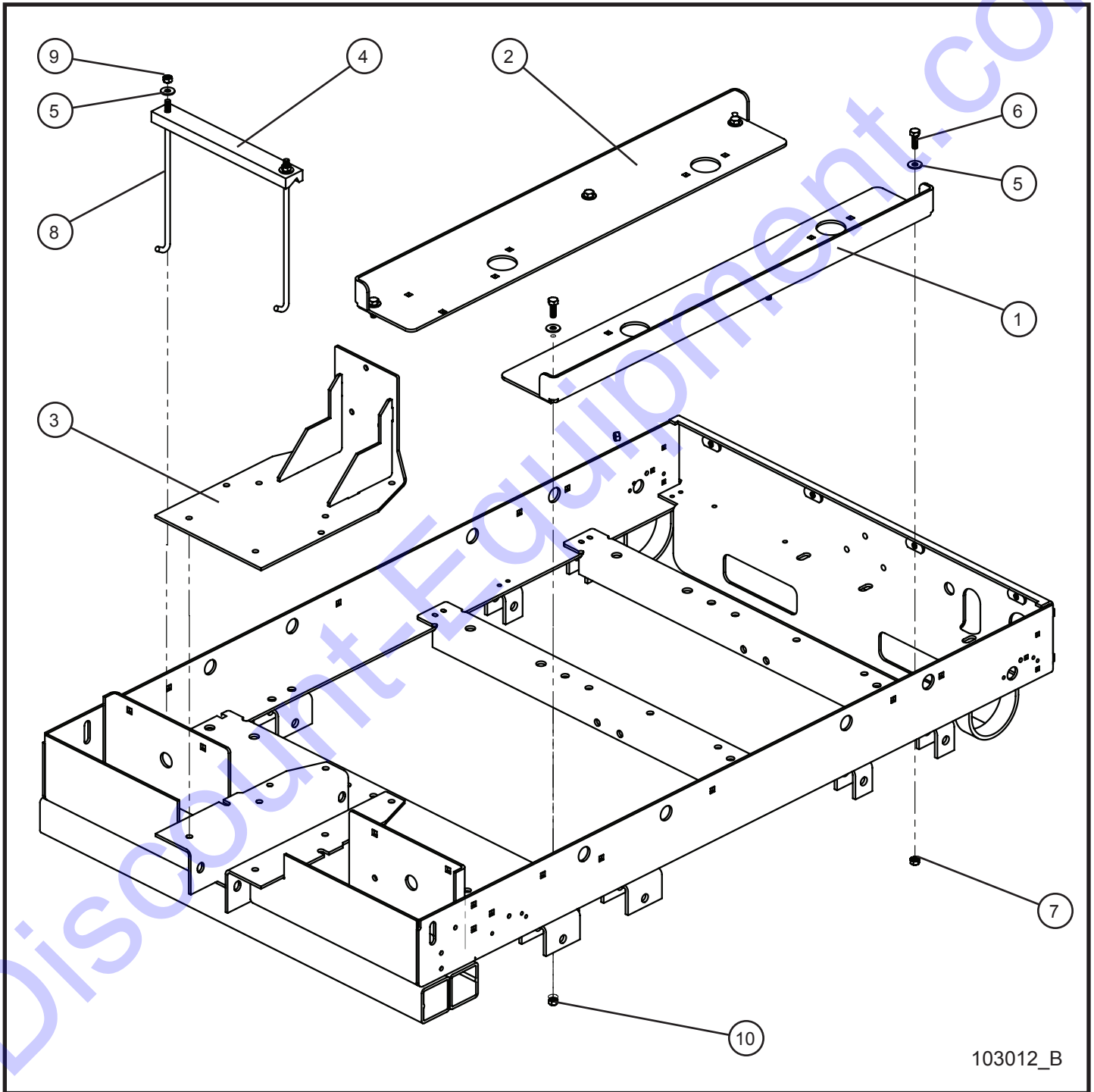
SN 0001PRO215 and UP  
SN 0001PRO2V15 and UP

Item	Part No.	Part Description	Qty.
1	102820P	BATTERY STRAP	1
2	102770P	FCS TRAY WINCH MOUNT (LAYDOWN TOWER ONLY)	1
3	047010	5/16 FLAT WASHER PL (LAYDOWN TOWER ONLY)	4
4	046110	3/8-16 x 1 HEX HEAD CS GR5 PL (LAYDOWN TOWER ONLY)	4
5	047009	1/4 FLAT WASHER SAE SS	1
6	047015	3/8 FLAT WASHER PL	4
7	044038	3/8-16 NYLOCK HEX NUT PL	4
8	044023	1/4-20 NYLOCK HEX NUT PL	1
9	680878	1 3/4 CAP PLUG	1
10	103991P	FCS CONTAINMENT TRAY	1
	105755P	JB RADIATOR FCS CONTAINMENT TRAY	1
11	104148	PIPE PLUG 3/4 NPT SQUARE HEAD	1



## 2.12 - Non FCS Group

SN 0001PRO215 and UP



103012\_B

# Night-Lite ProII™

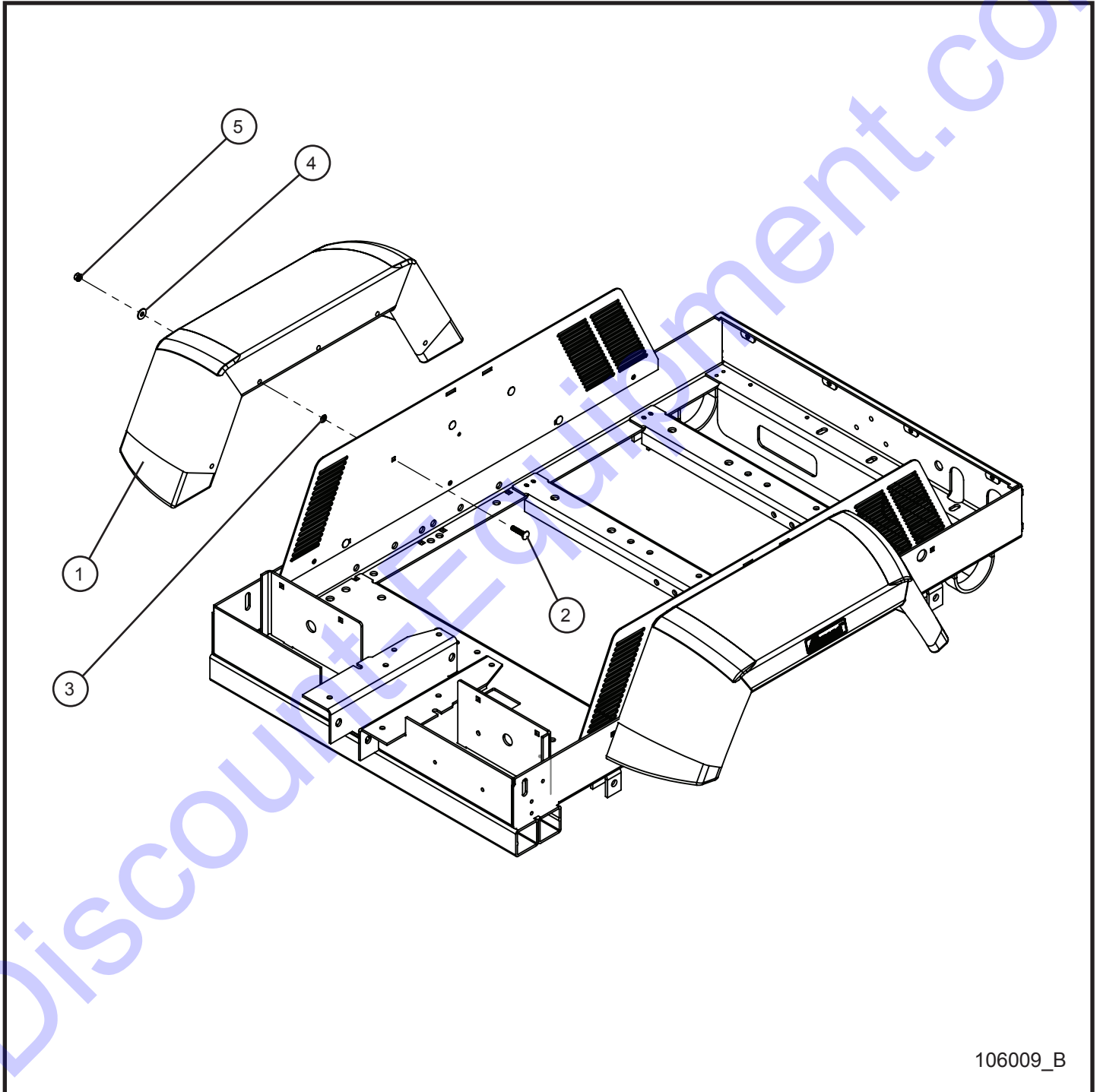
## 2.12 - Non FCS Group

SN 0001PRO215 and UP

Item	Part No.	Part Description	Qty.
1	102793P	LEFT ENGINE RAIL	1
2	102794P	RIGHT ENGINE RAIL	1
3	102842P	LAYDOWN TOWER WINCH MOUNT	1
4	340017	HOLD DOWN BATTERY	1
5	047010	5/16 FLAT WASHER PL	8
6	046050	5/16-18 x 1 HEX HEAD CS GR5 PL	6
7	044031	5/16-18 KEPS HEX NUT PL	1
8	433507	5/16-18 J BOLT x 11 ZINC	2
9	044030	5/16-18 HEX NUT PL	2
10	044033	5/16-18 NYLOCK HEX NUT PL	5

## 2.13 - Fender

SN 0001PRO215 and UP  
SN 0001PRO2V15 and UP



106009\_B

# Night-Lite ProII™

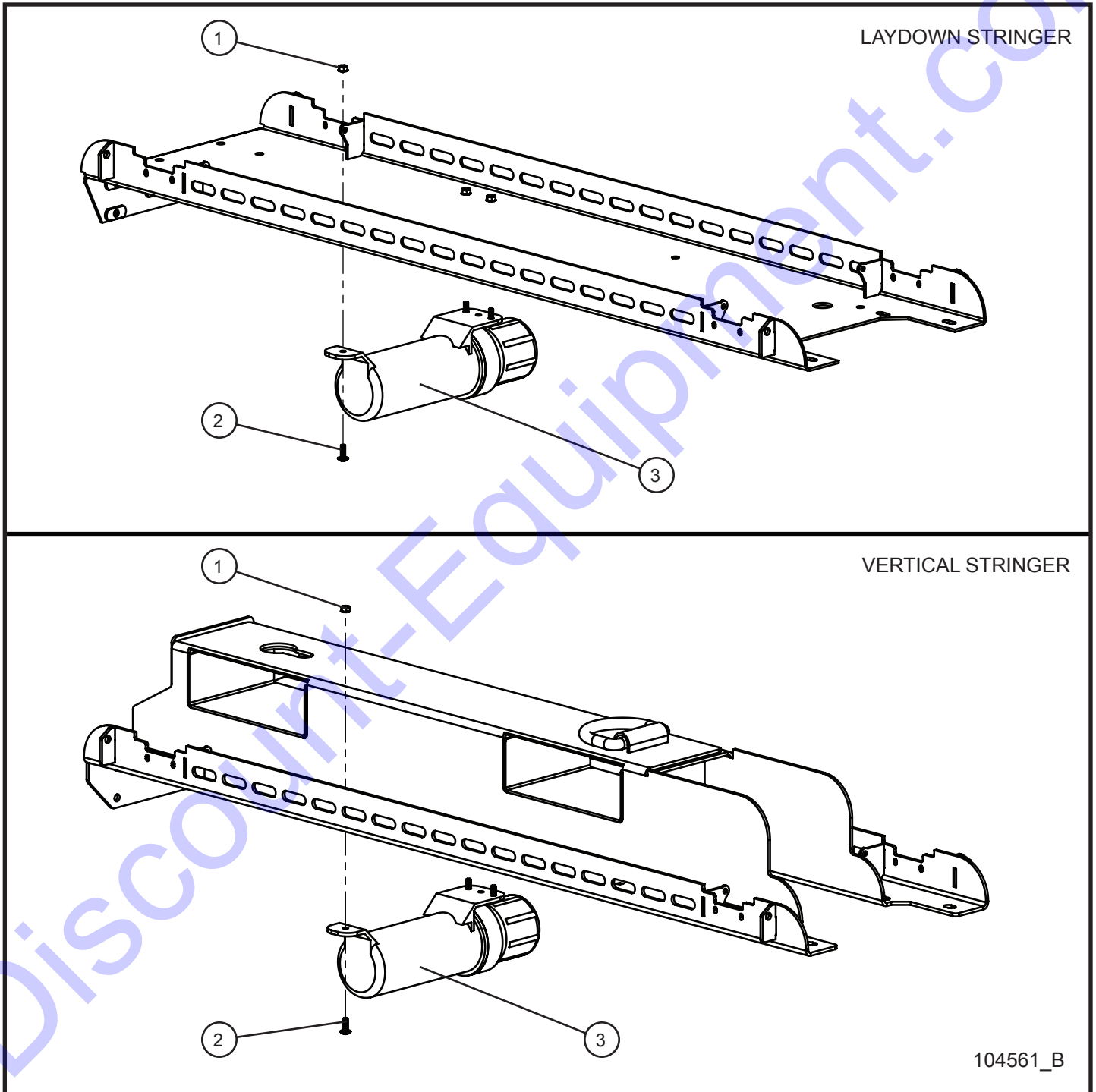
## 2.13 - Fender

SN 0001PRO215 and UP  
SN 0001PRO2V15 and UP

Item	Part No.	Part Description	Qty.
1	650297	FENDER MOLDED BLACK 13 INCH	2
2	053023	5/16-18 x 1 1/2 CARRIAGE BOLT PL	10
3	045217	5/16 PUSH NUT	10
4	047010	5/16 FLAT WASHER PL	10
5	044031	5/16-18 KEPS HEX NUT PL	10

## 2.14 - Manual Canister

SN 0001PRO215 and UP  
SN 0001PRO2V15 and UP



104561\_B

# Night-Lite ProII™

---

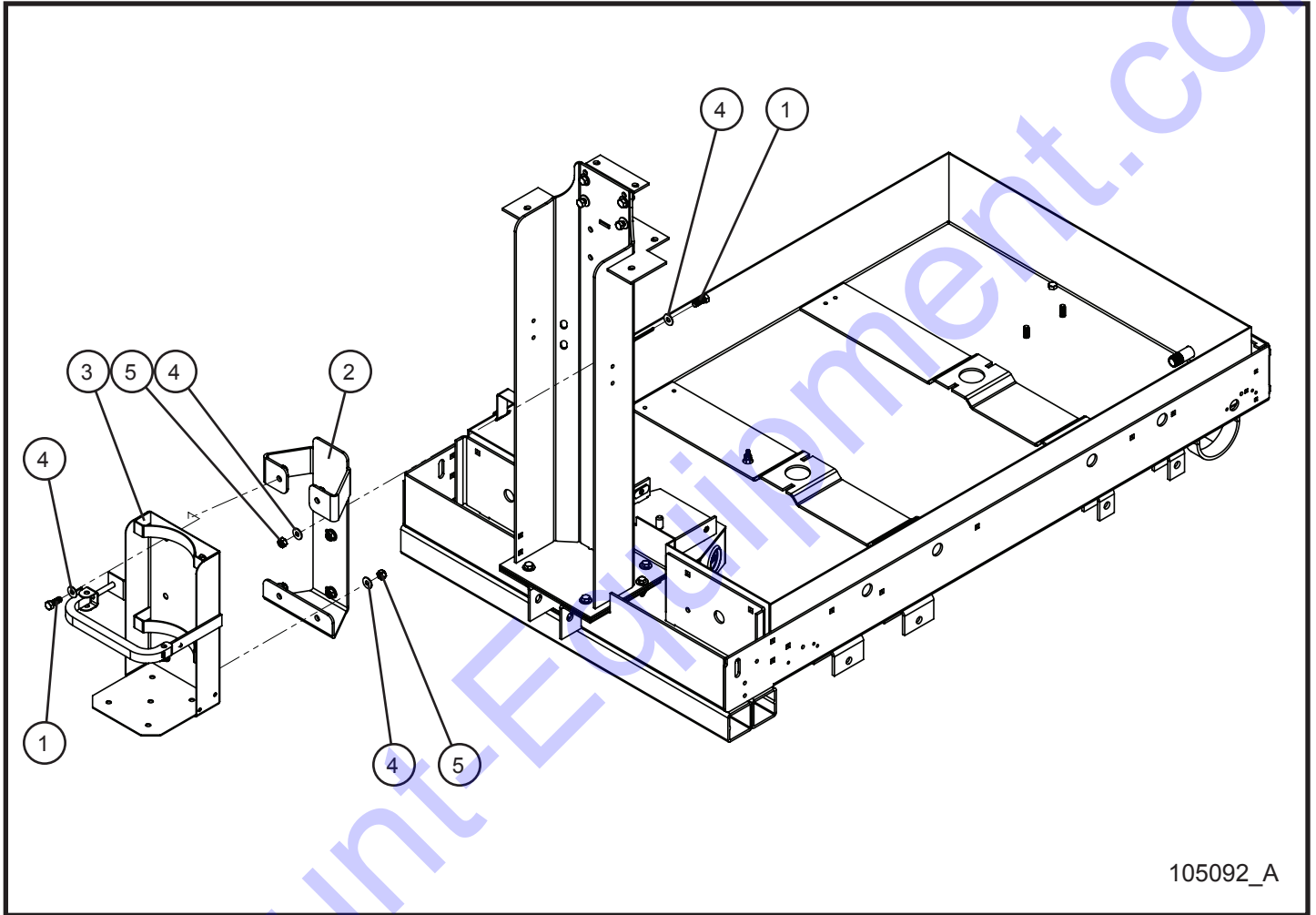
## 2.14 - Manual Canister

SN 0001PRO215 and UP  
SN 0001PRO2V15 and UP

Item	Part No.	Part Description	Qty.
1	044021	1/4-20 KEPS HEX NUT PL	3
2	041050	1/4-20 x 3/4 PH-TRUSS HEAD MS SS	3
3	103651	CANISTER PRODUCT MANUAL	1

## 2.15 - Fire Extinguisher Bracket

SN 0001PRO2V15 and UP



105092\_A

# Night-Lite ProII™

## 2.15 - Fire Extinguisher Bracket

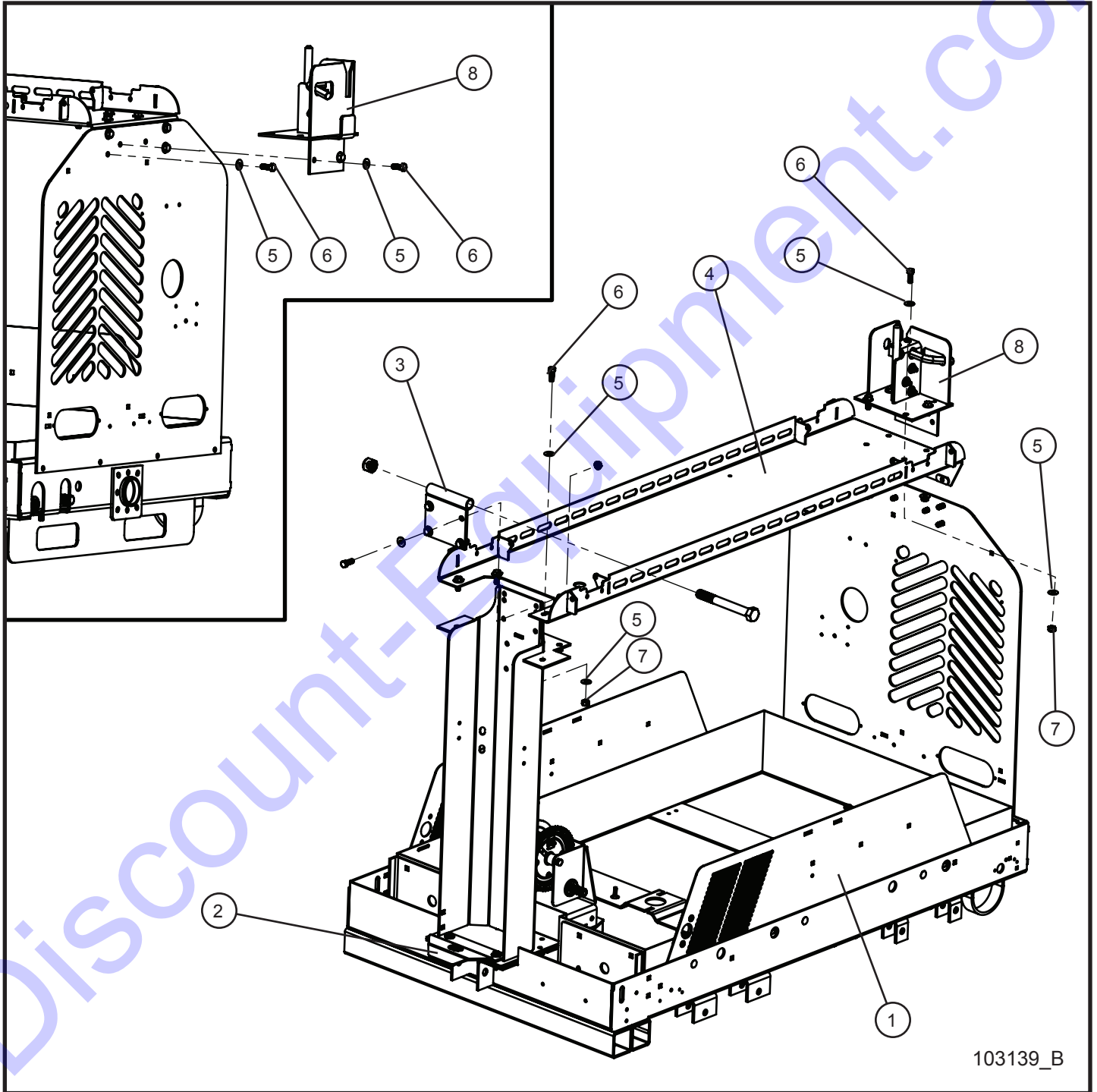
SN 0001PRO2V15 and UP

Item	Part No.	Part Description	Qty.
1	046110	3/8-16 x 1 HEX HEAD CS GR5 PL	7
2	105090P	MOUNT BRACKET FIRE EXTINGUISHER	1
3	109725	BRACKET EXTINGUISHER FIRE HD	1
4	047010	5/16 FLAT WASHER PL	14
5	044038	3/8-16 NYLOCK HEX NUT PL	7
6	105522	FIRE EXTINGUISHER (NOT SHOWN)	1



## 3.1 - Laydown Tower Trailer Group (1 of 2)

SN 0001PRO215 and UP



103139\_B

# Night-Lite ProII™

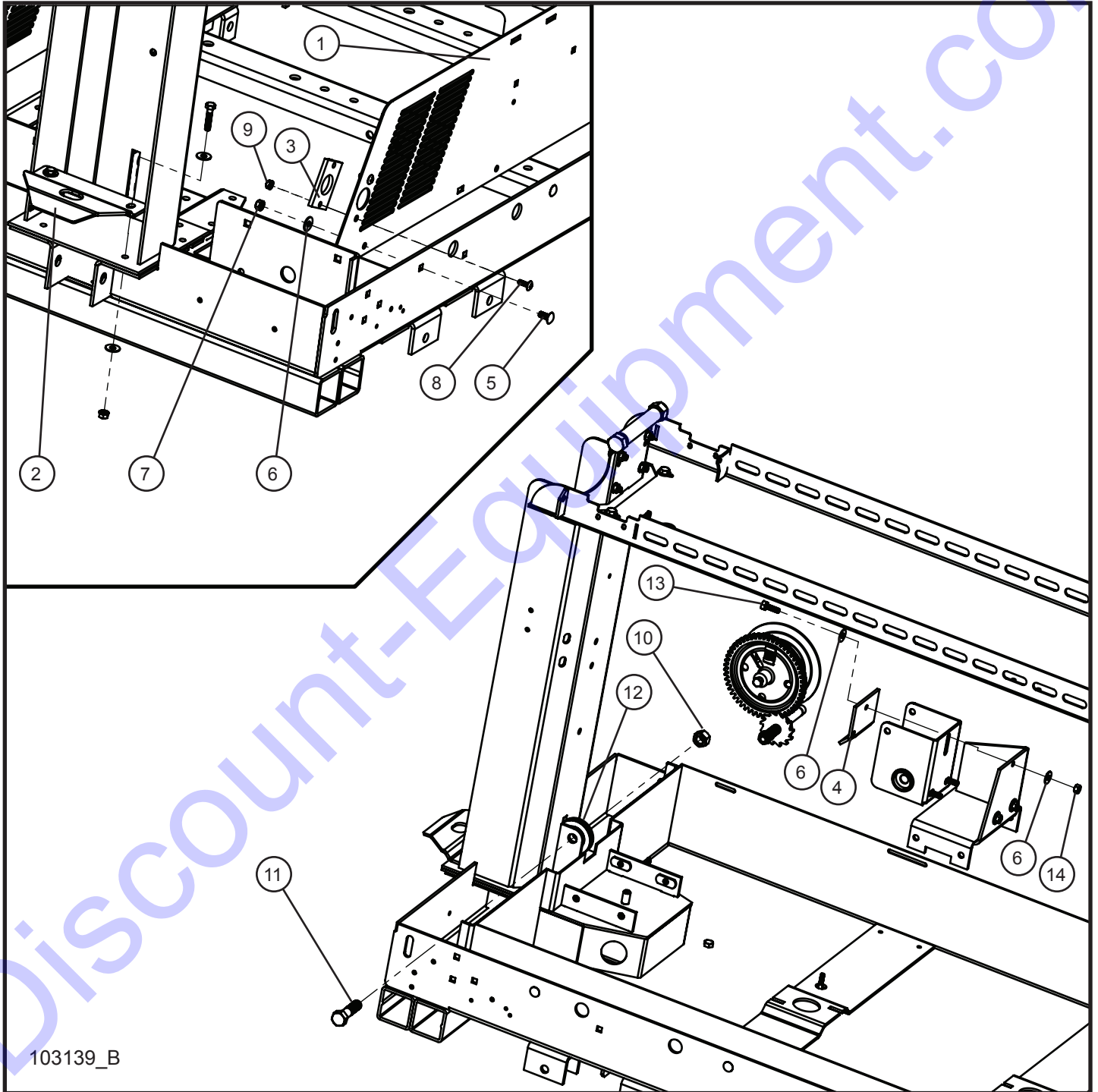
## 3.1 - Laydown Tower Trailer Group (1 of 2)

SN 0001PRO215 and UP

Item	Part No.	Part Description	Qty.
1	102765P	LAYDOWN TOWER FENDER MOUNT PANEL	2
2	102839P	PIN CATCH TOWER LOCK	1
3	104410	LAYDOWN TOWER PIVOT GROUP	1
4	105135P	STRINGER LAYDOWN TOWER	1
5	047010	5/16 FLAT WASHER PL	22
6	046110	3/8-16 x 1 HEX HEAD CS GR5 PL	14
7	044038	3/8-16 NYLOCK NEX NUT PL	8
8	103143	LAYDOWN TOWER REAR SUPPORT GROUP	1

## 3.1 - Laydown Tower Trailer Group (2 of 2)

SN 0001PRO215 and UP



103139\_B

# Night-Lite ProII™

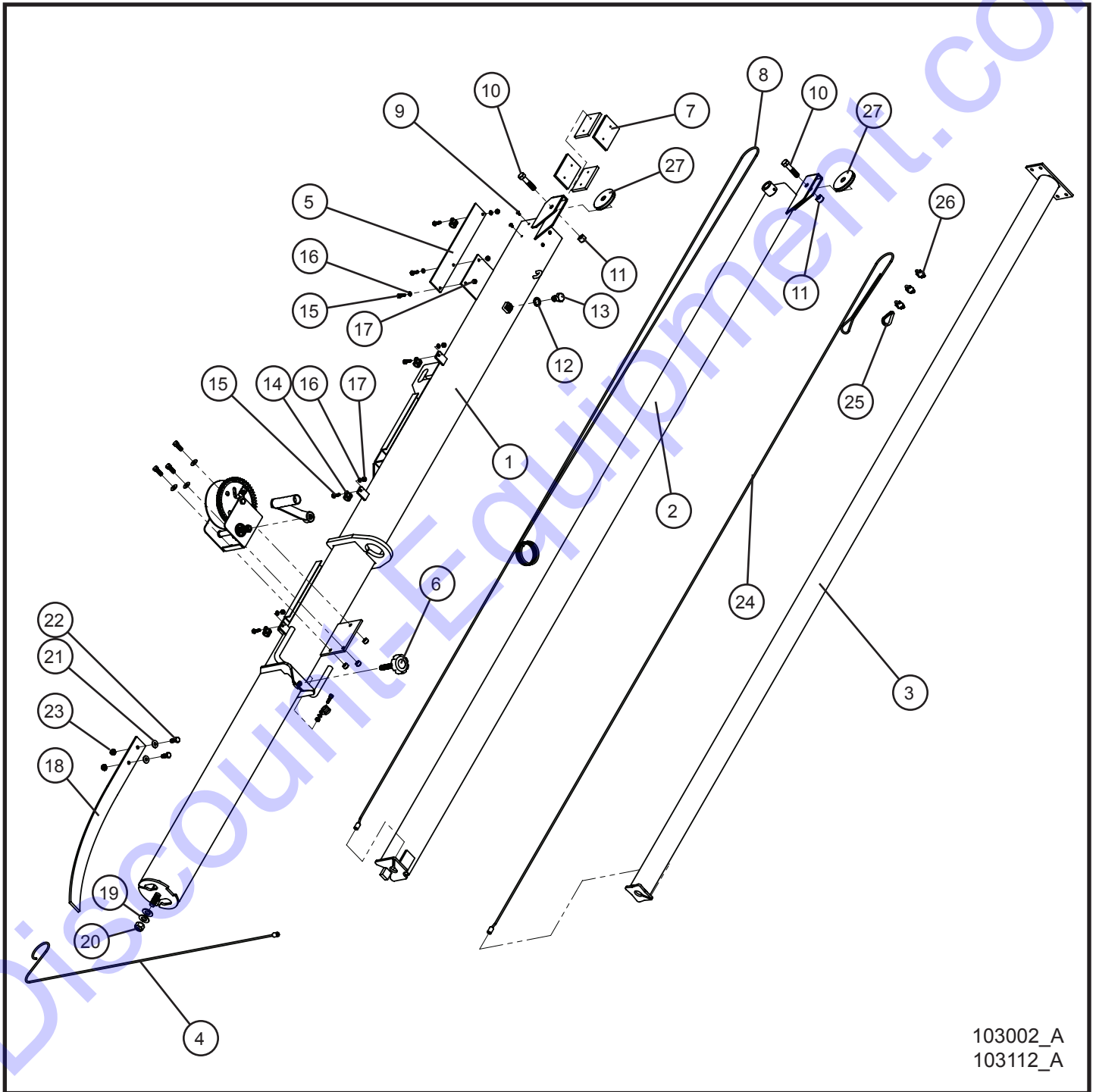
## 3.1 - Laydown Tower Trailer Group (2 of 2)

SN 0001PRO215 and UP

Item	Part No.	Part Description	Qty.
1	102765P	LAYDOWN TOWER FENDER MOUNT PANEL	2
2	102839P	PIN CATCH TOWER LOCK	1
3	650106	GUIDE BLOCK	1
4	651021P	WINCH CABLE GUIDE	1
5	102081	5/16-18 x 3/4 CARRIAGE BOLT GR5	6
6	047010	5/16 FLAT WASHER PL	12
7	044031	5/16-18 KEPS NEX NUT PL	6
8	041050	1/4-20 x 3/4 PH-TRUSS HEAD MS SS MACHINE SCREW	2
9	044021	1/4-20 KEPS HEX NUT PL	2
10	044050	5/8-11 HEX NUT PL	1
11	046243	5/8-11 x 2 1/2 HEX HEAD CS PL	1
12	100160	2 1/2 PULLEY W/ BALL BEARING	1
13	046050	5/16-18 x 1 HEX HEAD CS GR5 PL	3
14	044030	5/16-18 HEX NUT PL	3

## 3.2 - Laydown Tower Parts

SN 0001PRO215 and UP



103002\_A  
103112\_A

# Night-Lite ProII™

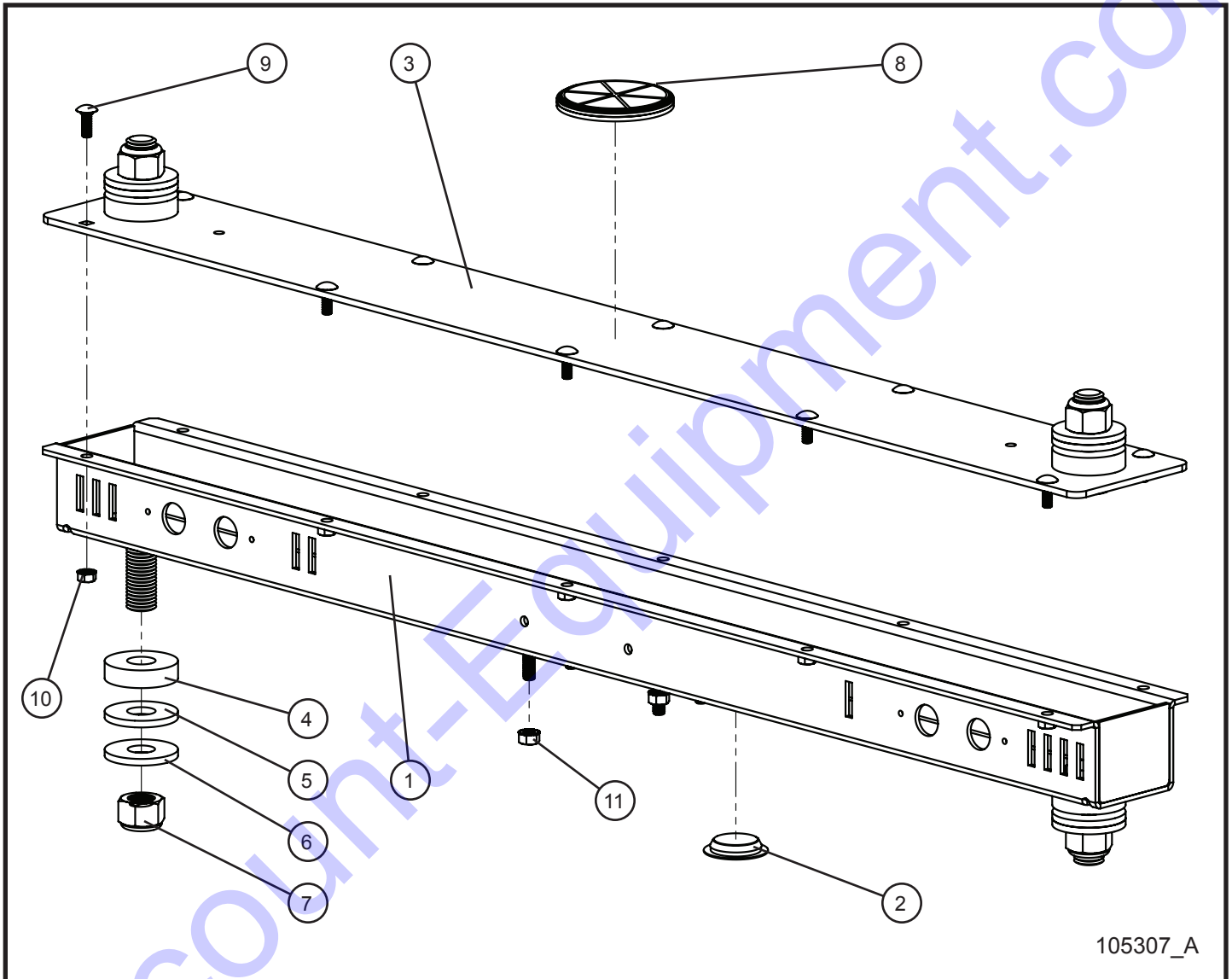
## 3.2 - Laydown Tower Parts

SN 0001PRO215 and UP

Item	Part No.	Part Description	Qty.
1	102943P	4" SECTION LAYDOWN TOWER	1
	102943-20	4" SECTION LAYDOWN TOWER (GALVANIZED)	
2	680180P	3" SECTION LAYDOWN TOWER	1
	680180-20	3" SECTION LAYDOWN TOWER (GALVANIZED)	
3	352017P	2 5/8" ROUND SECTION LAYDOWN TOWER	1
	352017-20	2 5/8" ROUND SECTION LAYDOWN TOWER (GALVANIZED)	
4	320185	CABLE 3/16 STEEL 10'	1
5	102677P	4" TOWER CORD BRACKET	1
6	620550	1/2-13 x 2 1/8 LOCKING KNOB	1
7	650110	.312 TOWER PAD	4
8	650133	CABLE 3/16 STEEL 17' 9"	1
9	041023	#10 x 3/8 PH-ROUND HEAD MS PL	8
10	046200	1/2-13 x 2 1/4 HEX HEAD CS GR5 PL	2
11	044048	1/2-13 NYLOCK HEX NUT PL	2
12	043100	5/8 INT'L TOOTH LOCK WASHER PL	1
13	046242	5/8-11 x 1 HEX HEAD CS GR5 PL	1
14	310212	#10 CUSH CLAMP 1/4 HOLE	5
15	046015	1/4-20 x 1 HEX HEAD CS GR5 PL	7
16	047009	1/4 FLAT WASHER SAE SS	7
17	044023	1/4-20 NYLOCK HEX NUT PL	7
18	630555P	KICKOUT SPRING LAYDOWN	1
19	047030	5/8 FLAT WASHER PL	2
20	044053	5/8-11 NYLOCK HEX NUT PL	1
21	047010	5/16 FLAT WASHER PL	2
22	046110	3/8-16 x 1 HEX HEAD CS GR5 PL	2
23	044036	3/8-16 KEPS HEX NUT PL	2
24	620076	CABLE 3/16 STEEL 11'	1
25	045040	3/16 CABLE THIMBLE	1
26	620084	1/4 CABLE CLIP	3
27	320110	PULLEY 3 OD W/ BUSHING	2

## 3.3 - Laydown Tower Light Bar

SN 0001PRO215 and UP



# Night-Lite ProII™

## 3.3 - Laydown Tower Light Bar

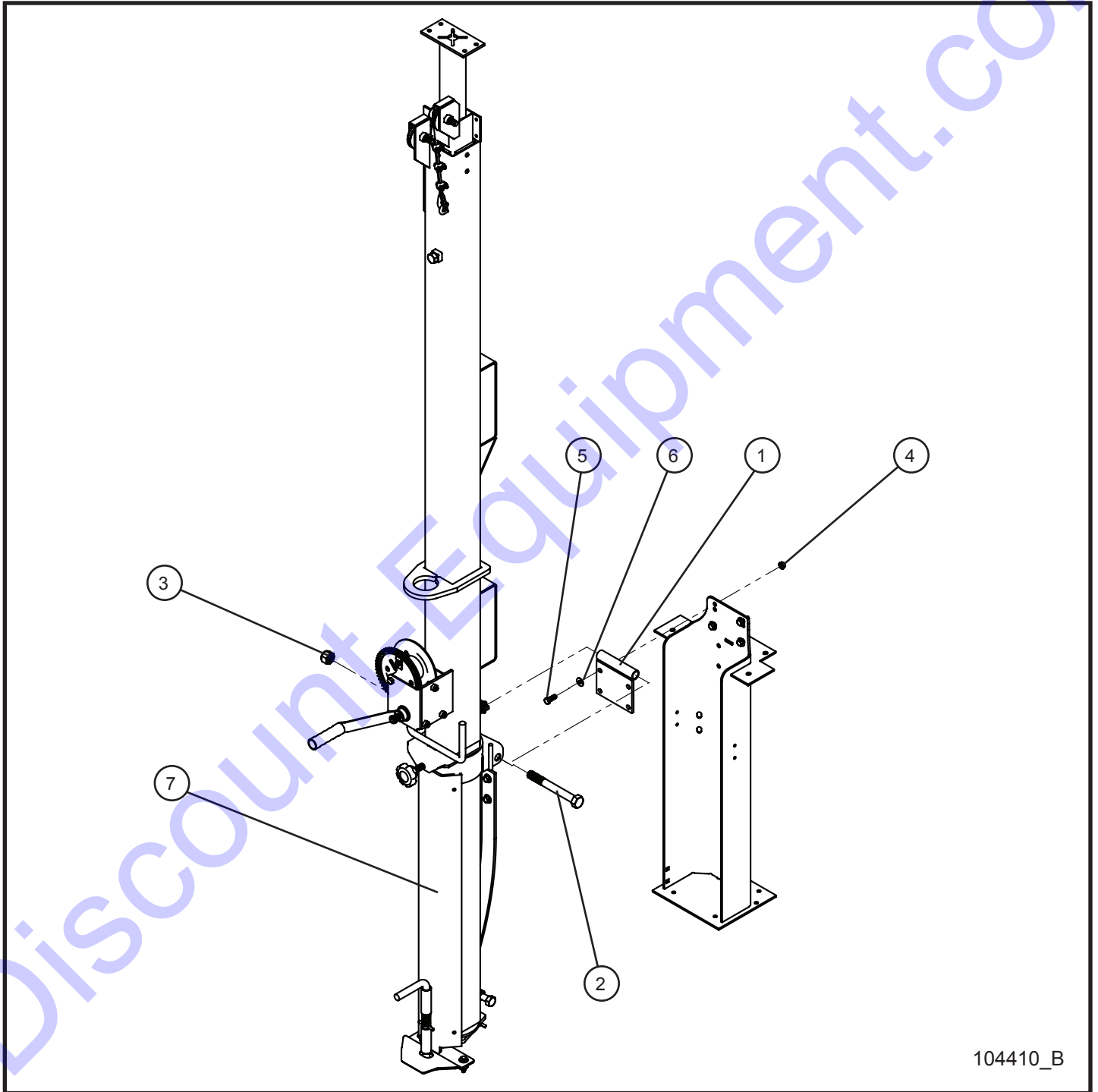
SN 0001PRO215 and UP

Item	Part No.	Part Description	Qty.
1	105718P	FRAME LIGHT BAR NYLON CORD GRIP	1
2	064040	1 3/8 CAP PLUG	1
3	620537P	COVER LIGHT BAR	1
4	101813	.781 x 2 OD x 1/2 HDPE WASHER	4
5	650550	.785 x 2 HDPE WASHER	4
6	047035	3/4 FLAT WASHER PL	4
7	044121	3/4-10 NYLOCK HEX NUT SS	4
8	330037	REFLECTOR RED 3"	1
9	053006	1/4-20 x 3/4 CARRIAGE BOLT	10
10	044021	1/4-20 KEPS HEX NUT PL	10
11	044031	5/16-18 KEPS HEX NUT PL	4



## 3.4 - Laydown Tower Pivot Group

SN 0001PRO215 and UP



104410\_B

# Night-Lite ProII™

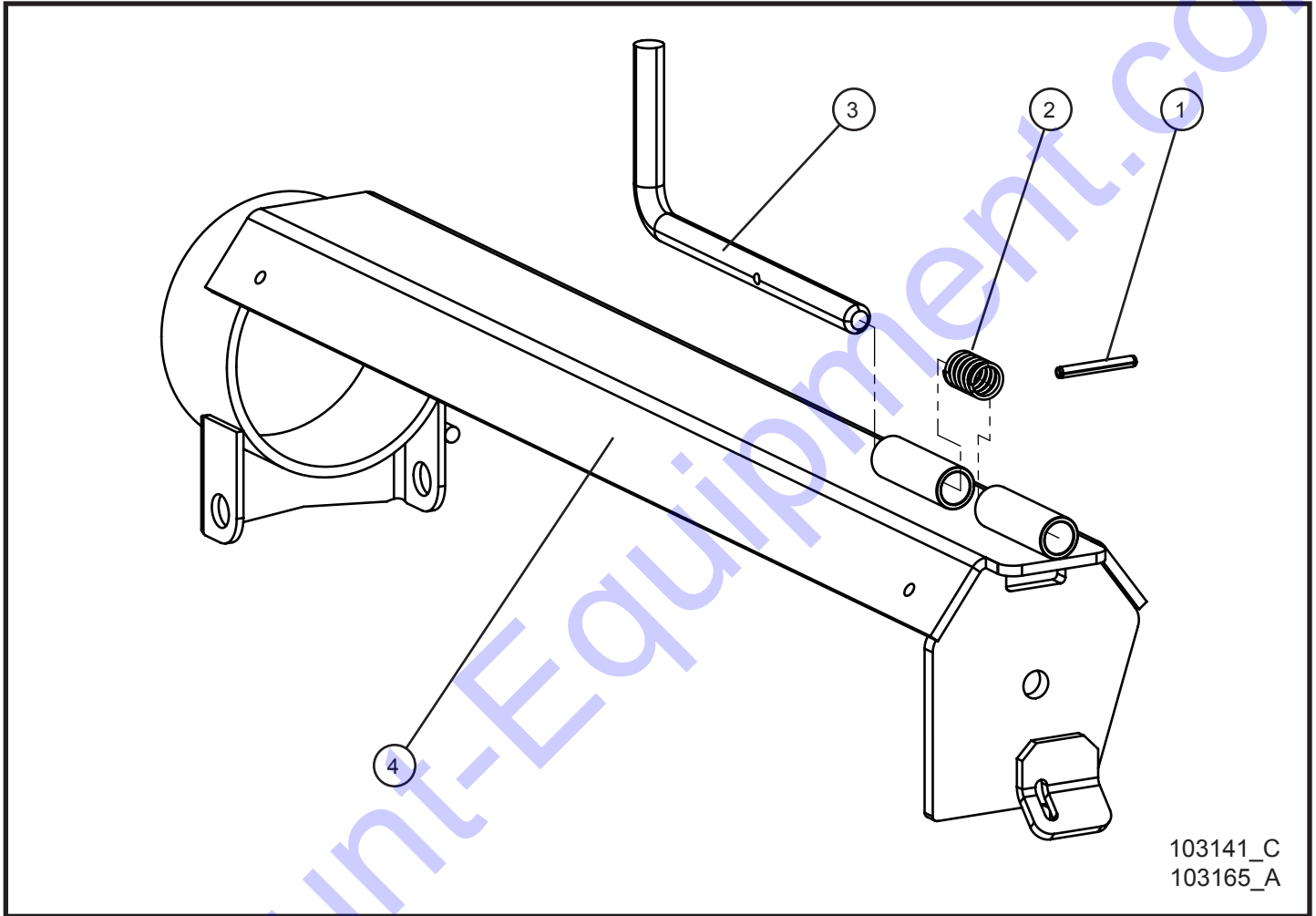
## 3.4 - Laydown Tower Pivot Group

SN 0001PRO215 and UP

Item	Part No.	Part Description	Qty.
1	650111P	WELD BRACKET PIVOT	1
2	046286	3/4-10 x 6 1/2 HEX HEAD CS GR5 PL	1
3	044067	3/4-10 JAM TOP LOCK NUT PL	1
4	044036	3/8-16 KEPS HEX NUT PL	4
5	046110	3/8-16 x 1 HEX HEAD CS GR5 PL	4
6	047010	5/16 FLAT WASHER PL	8
7	103141	LAYDOWN TOWER PIVOT SECTION	1
	103165	LAYDOWN TOWER PIVOT SECTION (GALVANIZED)	1

## 3.5 - Laydown Tower Pivot Section

SN 0001PRO215 and UP



103141\_C  
103165\_A

# Night-Lite ProII™

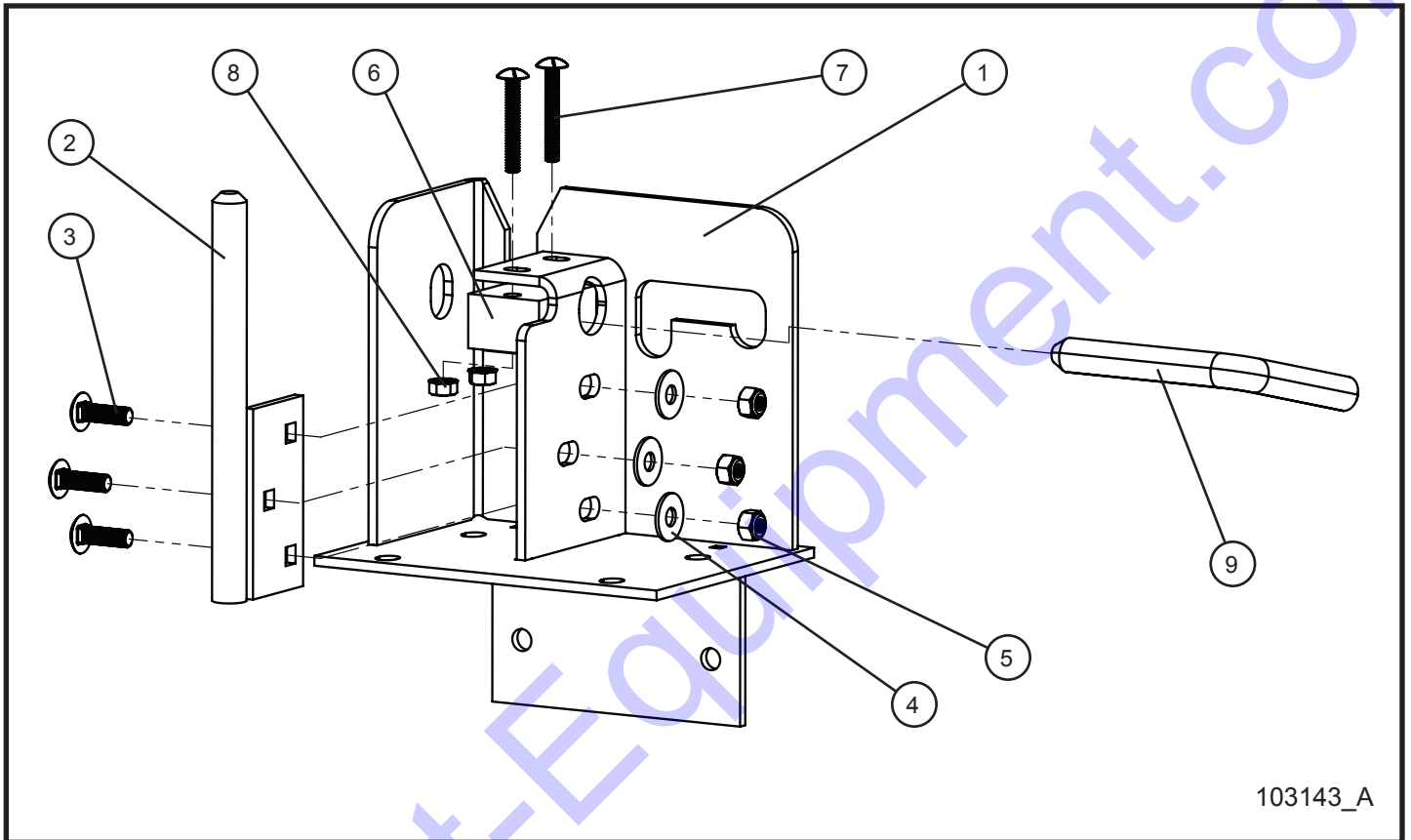
## 3.5 - Laydown Tower Pivot Section

SN 0001PRO215 and UP

Item	Part No.	Part Description	Qty.
1	045156	1/4 x 2 SPRING ROLL PIN	1
2	102944	SPRING TOWER LATCH	1
3	330450	LOCKING PIN	1
4	103030P	LAYDOWN TOWER PIVOT	1
	103030-20	LAYDOWN TOWER PIVOT (GALVANIZED)	1

## 3.6 - Laydown Tower Rear Support

SN 0001PRO215 and UP



103143\_A

# Night-Lite ProII™

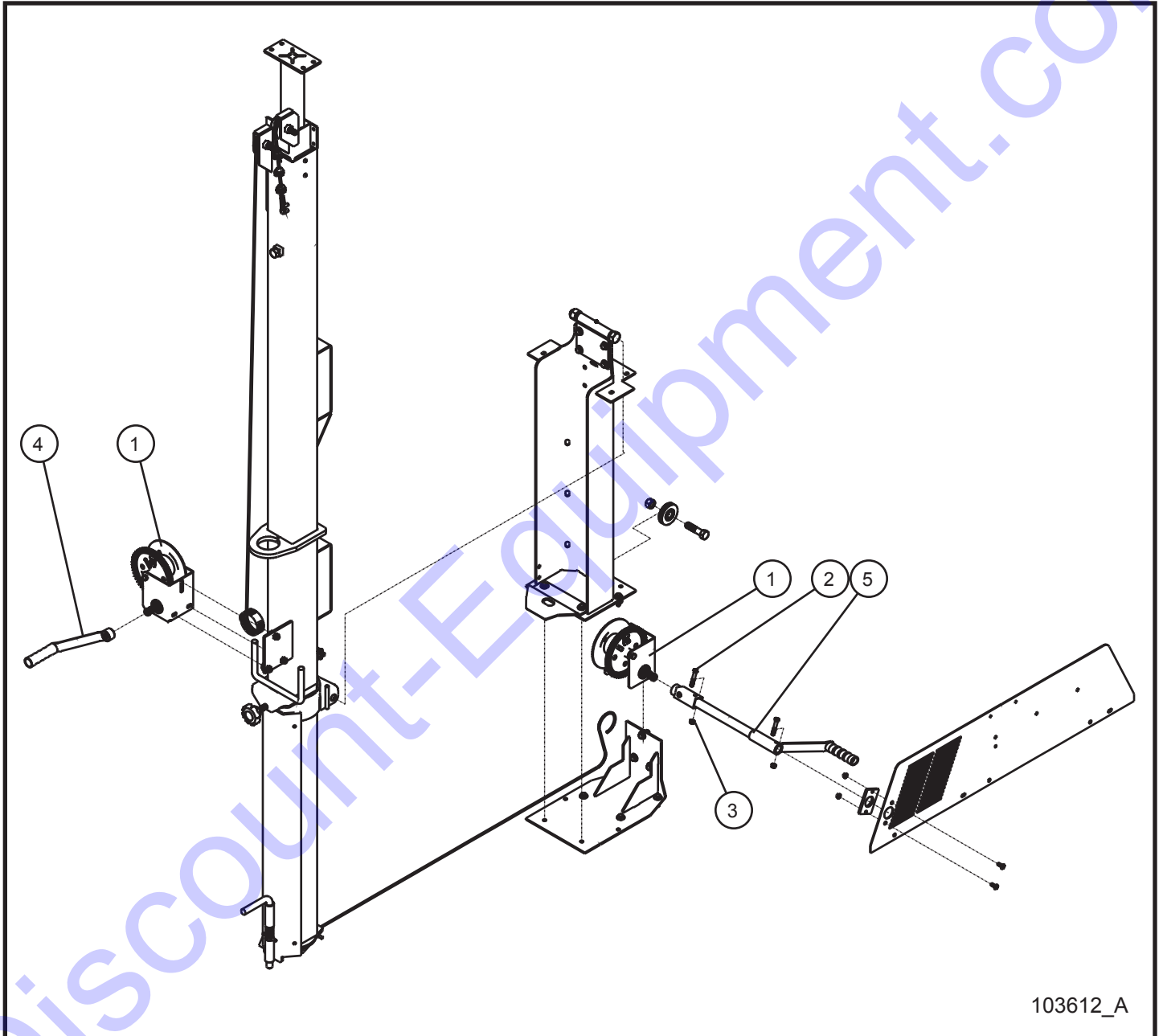
## 3.6 - Laydown Tower Rear Support

SN 0001PRO215 and UP

Item	Part No.	Part Description	Qty.
1	103295P	REAR TOWER SUPPORT	1
2	103292P	PIN TOWER SUPPORT	1
3	053020	5/16-18 x 1 CARRIAGE BOLT PL	3
4	047010	5/16 FLAT WASHER PL	3
5	044033	5/16-18 NYLOCK HEX NUT PL	3
6	330430	GUIDE BLOCK OUTRIGGER	1
7	041053	1/4-20 x 1 3/4 PH-TRUSS HEAD MS SS	2
8	044021	1/4-20 KEPS HEX NUT PL	2
9	330455	OUTRIGGER PIN	1

## 3.7 - Laydown Tower Winch Group

SN 0001PRO215 and UP



103612\_A

# Night-Lite ProII™

## 3.7 - Laydown Tower Winch Group

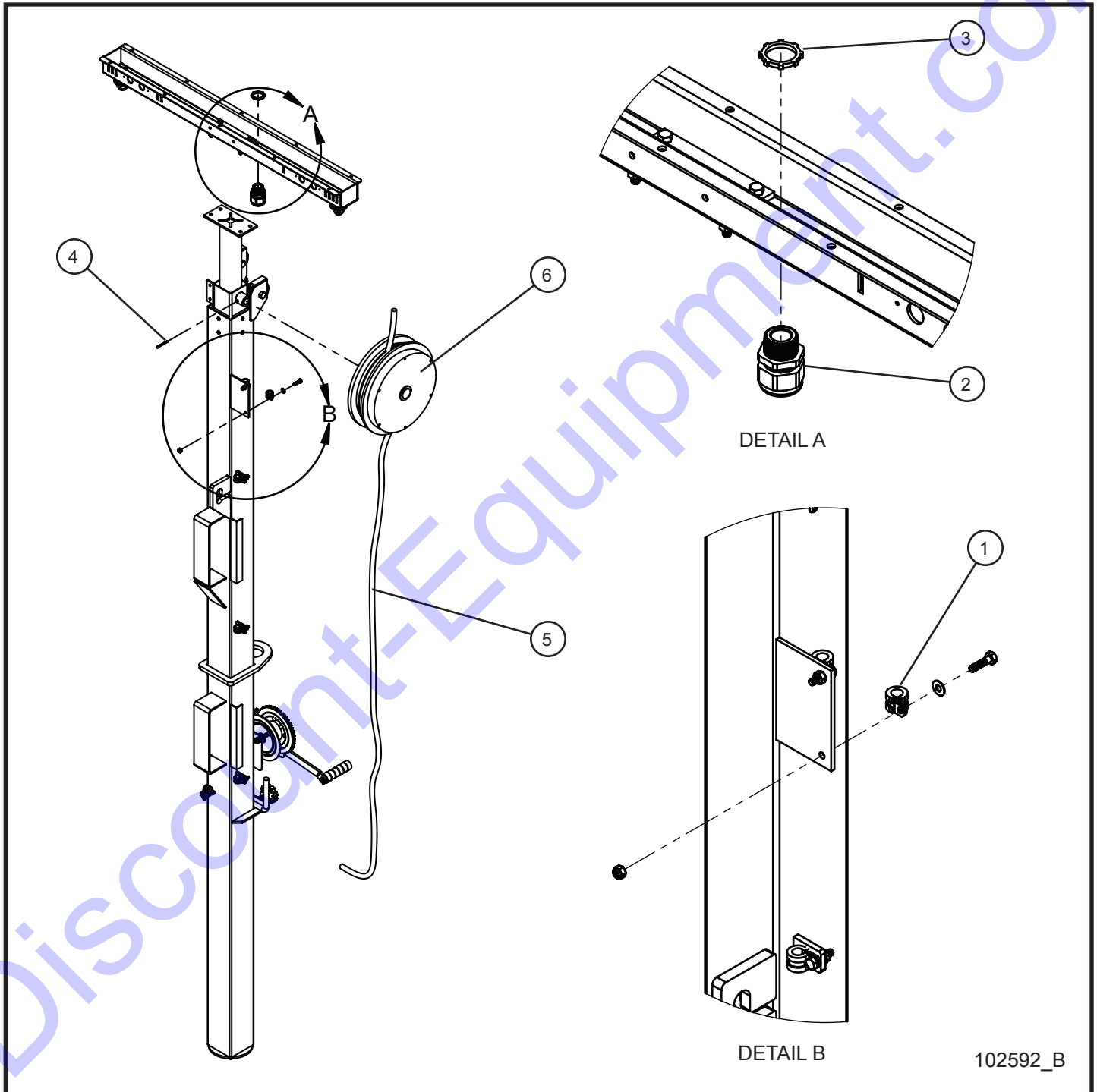
SN 0001PRO215 and UP

Item	Part No.	Part Description	Qty.
1	610531	DL 1200 LB. WINCH	2
2	046065	5/16-18 x 1 3/4 HEX HEAD CS GR5 PL	2
3	044030	5/16-18 HEX NUT PL	2
4	712032	WINCH HANDLE	1
5	102924	STAND-UP WINCH HANDLE	1



## 3.8 - Laydown Tower 16/8 Cord Reel Group

SN 0001PRO215 and UP



# Night-Lite ProII™

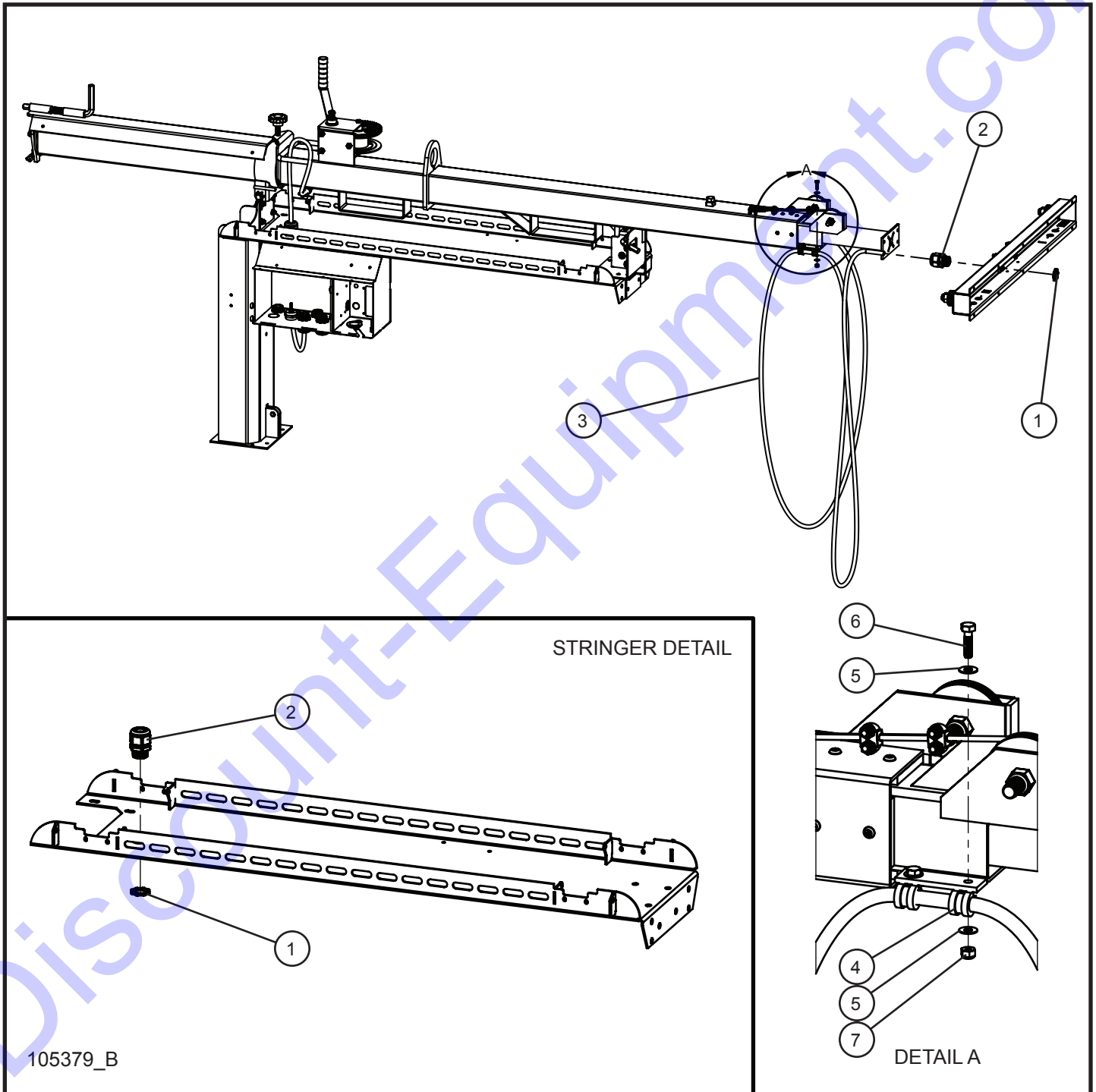
## 3.8 - Laydown Tower 16/8 Cord Reel Group

SN 0001PRO215 and UP

Item	Part No.	Part Description	Qty.
1	310212	#10 CUSH CLAMP 1/4 HOLE	1
2	105627	CORD GRIP 1" NYLON BLACK	1
3	022038	1" CORD GRIP NUT	1
4	320453	3/16 x 1 3/4 SPRING ROLL PIN	1
5	103080	16/8 CORD REEL MANUAL TOWER	1
6	320410P	CORD REEL	1
7	105292	SCHEMATIC LIGHT BAR 4 LIGHT 16/8 CORD	1

## 3.9 - Laydown Tower 14/7 Cord Group

SN 0001PRO215 and UP



# Night-Lite ProII™

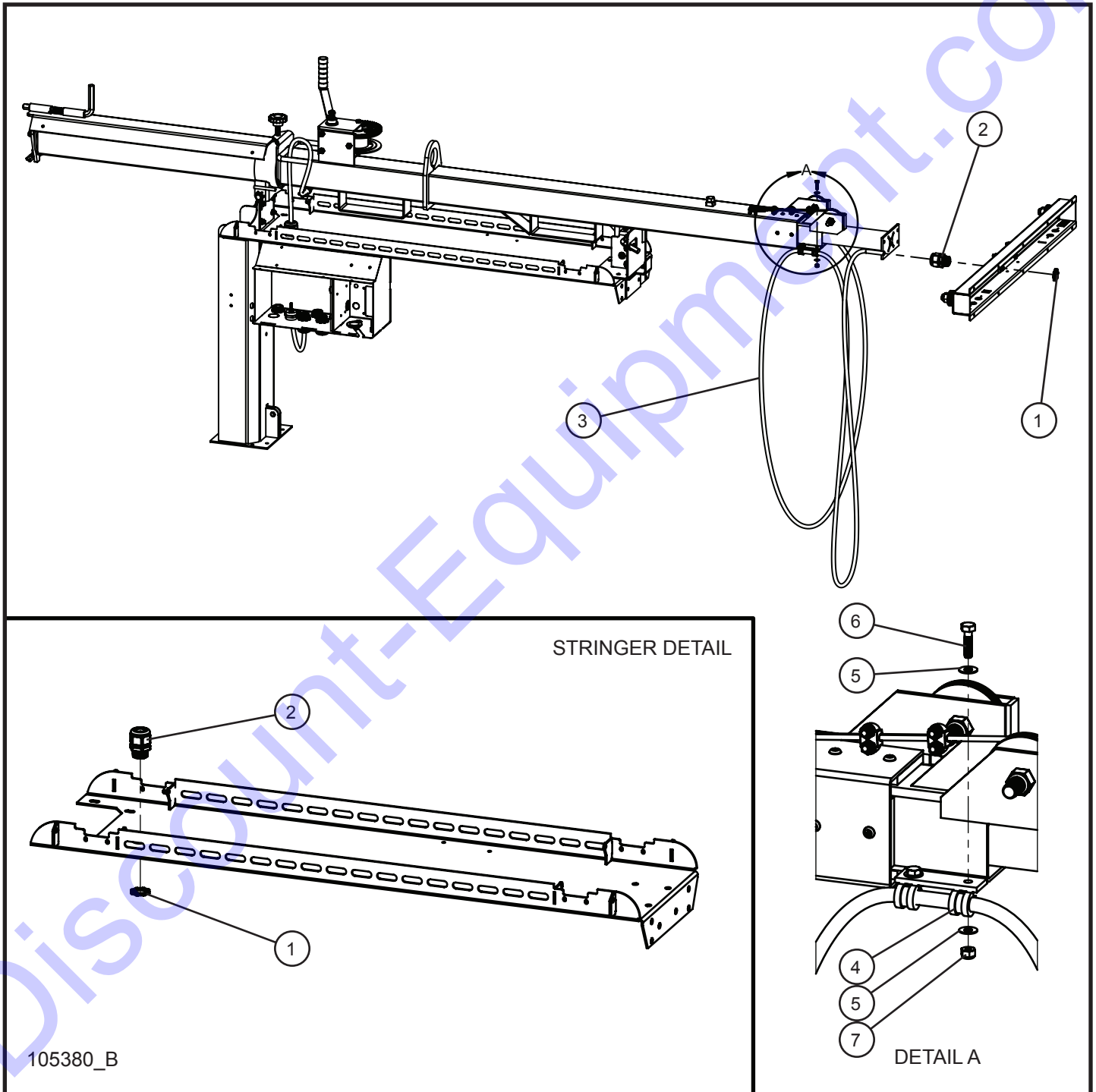
## 3.9 - Laydown Tower 14/7 Cord Group

SN 0001PRO215 and UP

Item	Part No.	Part Description	Qty.
1	022038	1" CORD GRIP NUT	2
2	105627	CORD GRIP 1" NYLON BLACK	2
3	103049	14/7 STRAIGHT CORD MANUAL TOWER	1
4	310212	#10 CUSH CLAMP 1/4 HOLE	2
5	047009	1/4 FLAT WASHER SAE SS	4
6	046015	1/4-20 x 1 HEX HEAD CS GR5 PL	2
7	044023	1/4-20 NYLOCK HEX NUT PL	2
8	105291	SCHEMATIC LIGHT BAR 4 LIGHT 14/7 CORD	1

## 3.10 - Laydown Tower 16/8 Cord Group

SN 0001PRO215 and UP



105380\_B

# Night-Lite ProII™

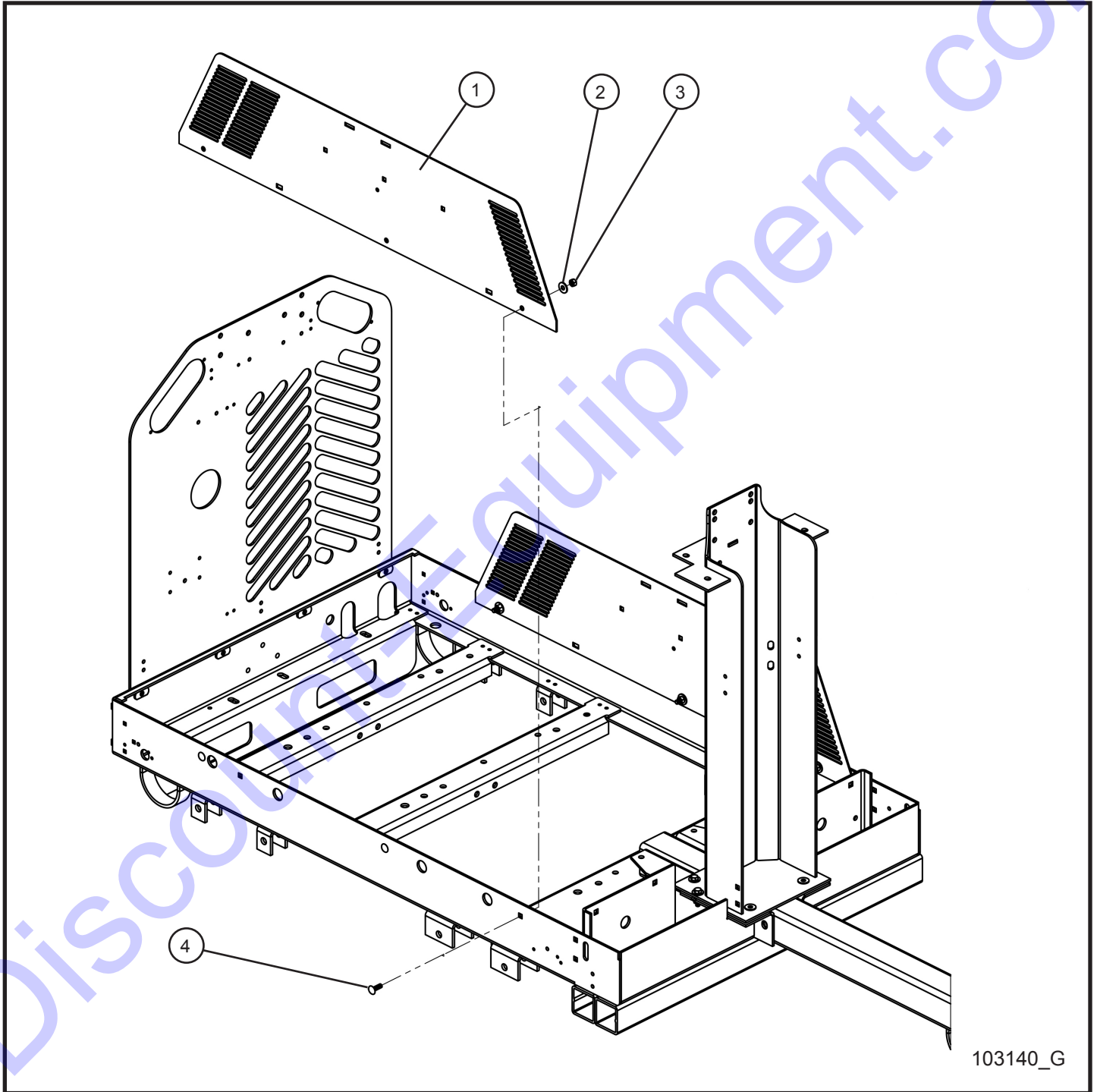
## 3.10 - Laydown Tower 16/8 Cord Group

SN 0001PRO215 and UP

Item	Part No.	Part Description	Qty.
1	022038	1" CORD GRIP NUT	2
2	105627	CORD GRIP 1" NYLON BLACK	2
3	105006	16/8 CSA STRAIGHT CORD MANUAL TOWER	1
	105679	16/8 CSA STRAIGHT LED CORD MANUAL TOWER	1
4	310212	#10 CUSH CLAMP 1/4 HOLE	2
5	047009	1/4 FLAT WASHER SAE SS	4
6	046015	1/4-20 x 1 HEX HEAD CS GR5 PL	2
7	044023	1/4-20 NYLOCK HEX NUT PL	2
8	105292	SCHEMATIC LIGHT BAR 4 LIGHT 16/8 CORD	1

## 4.1 - Vertical Tower Trailer Group (1 of 3)

SN 0001PRO2V15 and UP



103140\_G

# Night-Lite ProII™

## 4.1 - Vertical Tower Trailer Group (1 of 3)

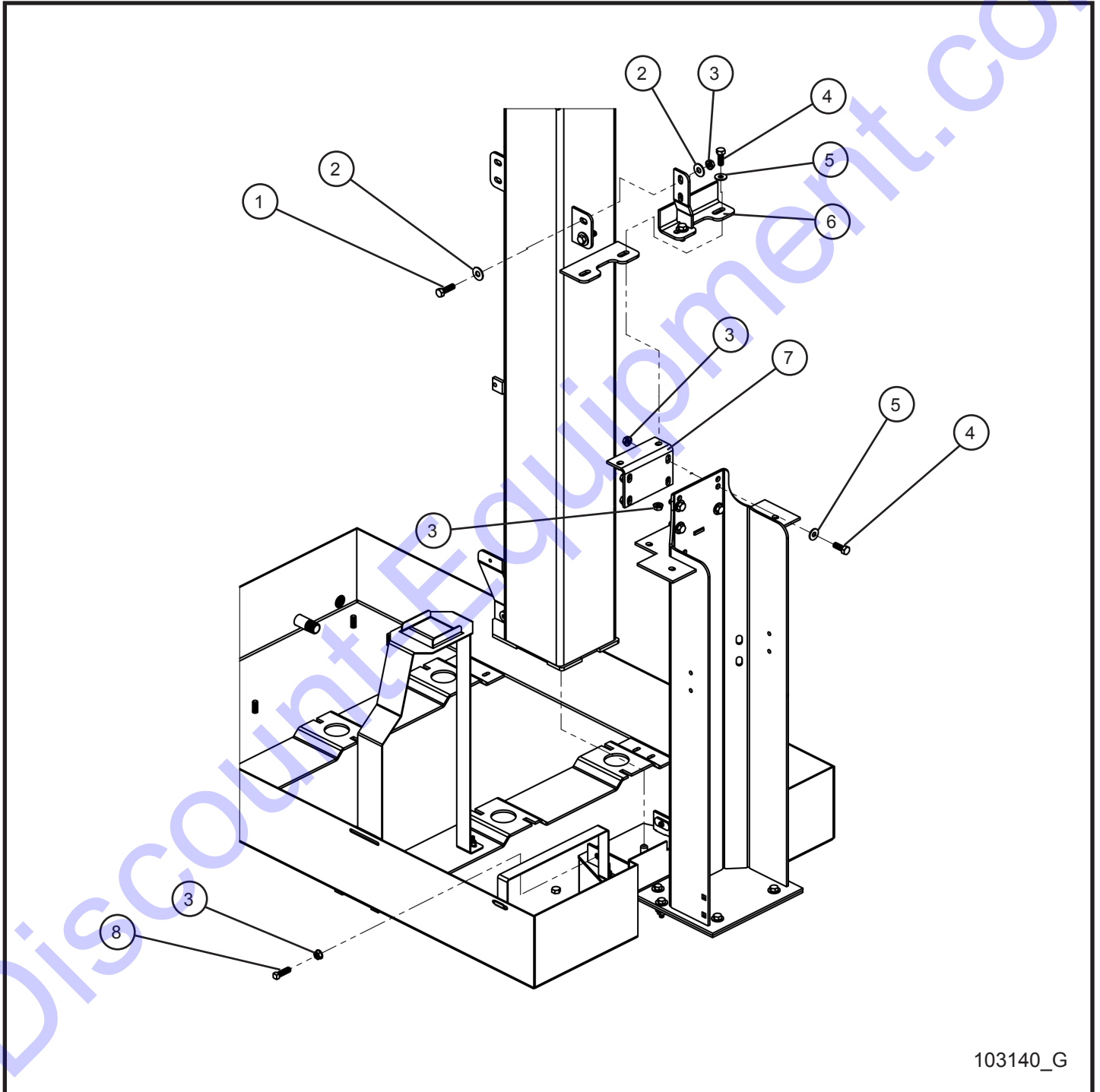
SN 0001PRO2V15 and UP

Item	Part No.	Part Description	Qty.
1	102840P	VERTICAL TOWER FENDER MOUNT PANEL	2
2	047010	5/16 FLAT WASHER PL	6
3	044030	5/16-18 HEX NUT PL	6
4	053020	5/16-18 x 1 CARRIAGE BOLT PL	6



## 4.1 - Vertical Tower Trailer Group (2 of 3)

SN 0001PRO2V15 and UP



103140\_G

# Night-Lite ProII™

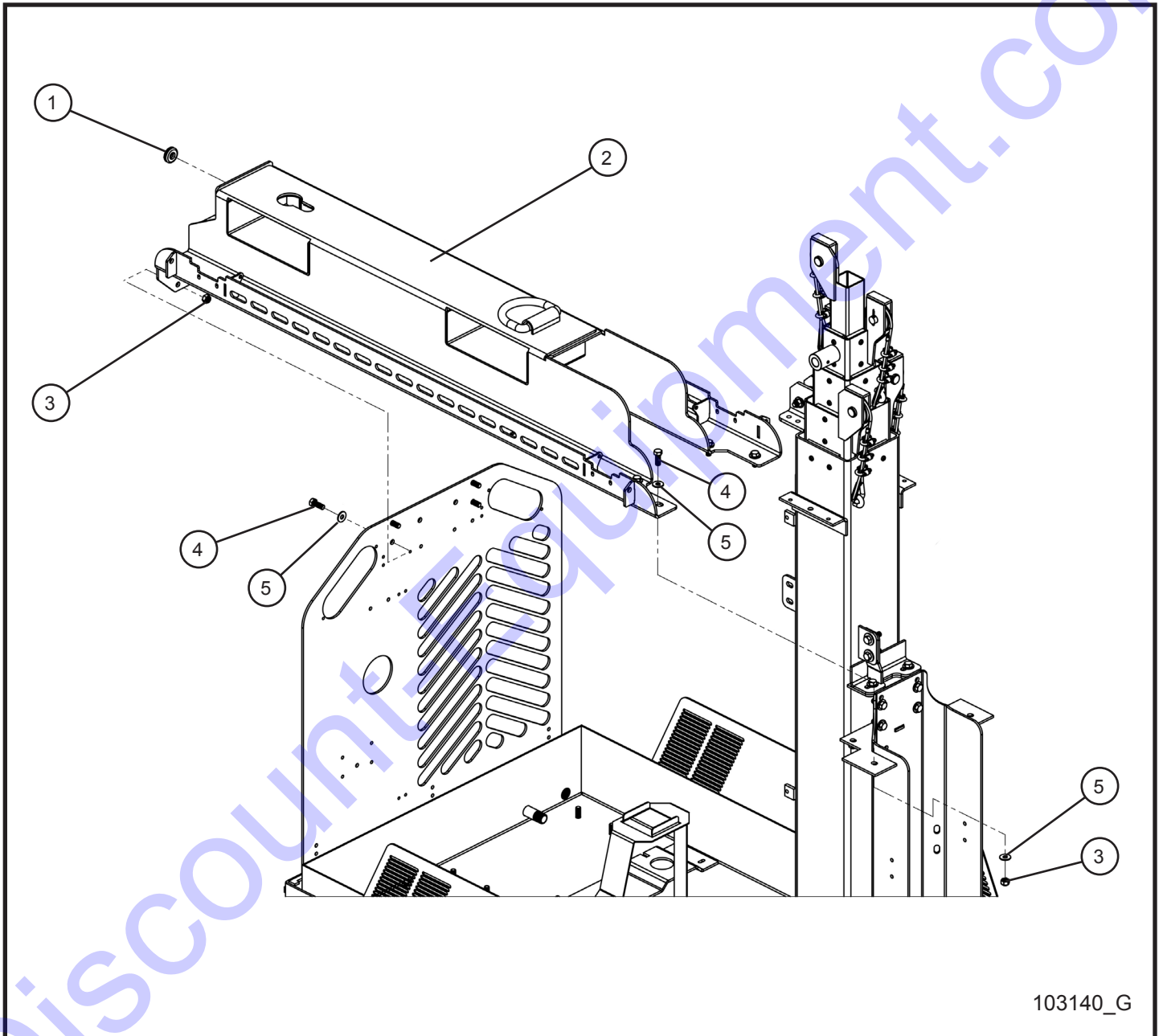
## 4.1 - Vertical Tower Trailer Group (2 of 3)

SN 0001PRO2V15 and UP

Item	Part No.	Part Description	Qty.
1	046115	3/8-16 x 1 1/4 HEX HEAD CS GR5 PL	2
2	047015	3/8 FLAT WASHER PL	4
3	044036	3/8-16 KEPS HEX NUT PL	12
4	046110	3/8-16 x 1 HEX HEAD CS GR5 PL	6
5	047010	5/16 FLAT WASHER PL	6
6	101410P	VERTICAL TOWER MOUNT REINFORCEMENT	1
7	102799P	VERTICAL TOWER MOUNT ANGLE	1
8	040010	SET SCREW SQ HEAD CUP TIP	4

## 4.1 - Vertical Tower Trailer Group (3 of 3)

SN 0001PRO2V15 and UP



# Night-Lite ProII™

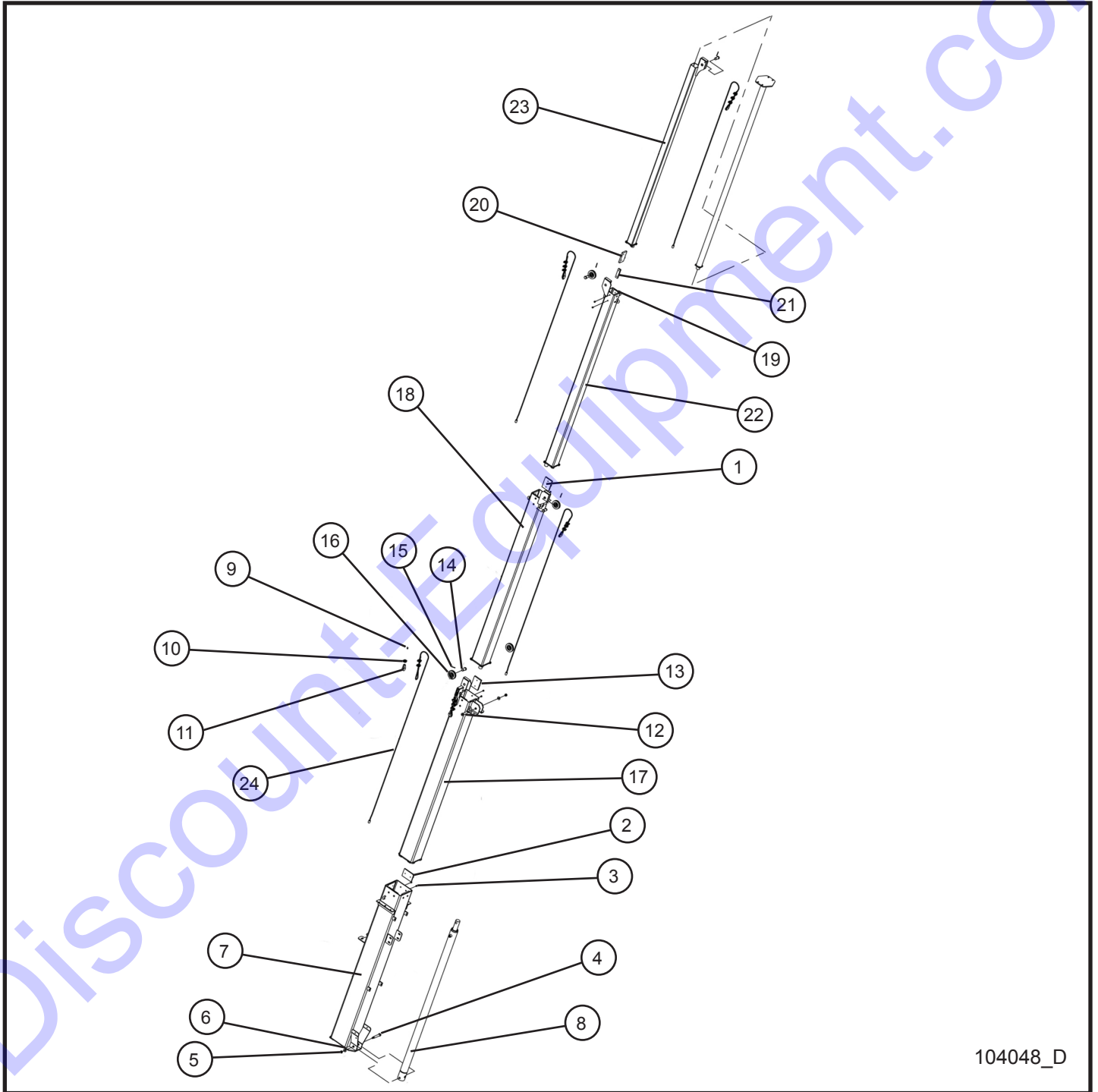
## 4.1 - Vertical Tower Trailer Group (3 of 3)

SN 0001PRO2V15 and UP

Item	Part No.	Part Description	Qty.
1	100859	7/8 ID x 1 1/4 OD GROMMET	1
2	105133P	VERTICAL TOWER STRINGER	1
3	044038	3/8-16 NYLOCK HEX NUT PL	8
4	046110	3/8-16 x 1 HEX HEAD CS GR5 PL	8
5	047010	5/16 FLAT WASHER PL	12

## 4.2 - Vertical Tower Parts (1 of 6)

SN 0001PRO2V15 and UP



104048\_D

# Night-Lite ProII™

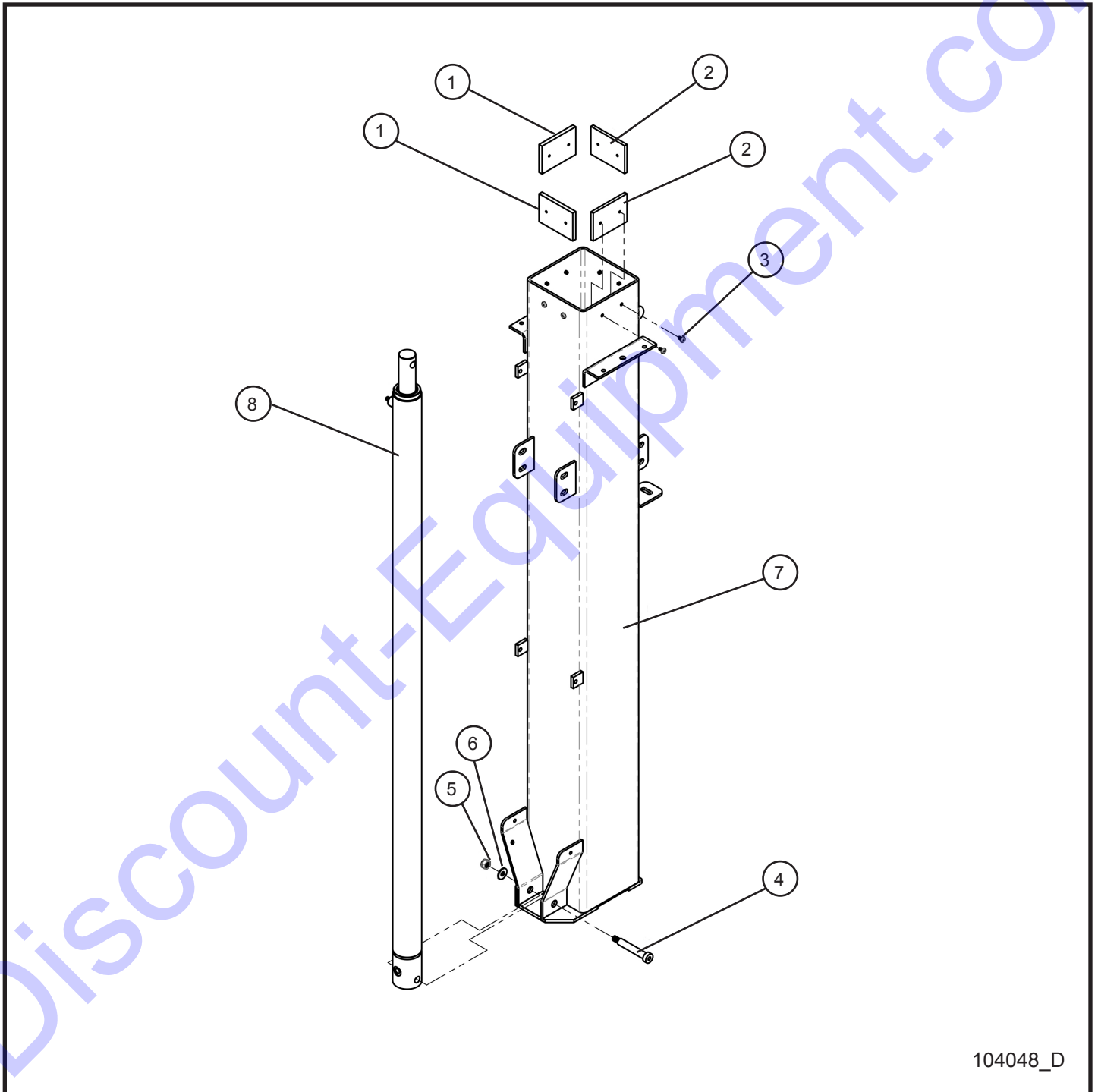
## 4.2 - Vertical Tower Parts (1 of 6)

SN 0001PRO2V15 and UP

Item	Part No.	Part Description	Qty.
1	650110	.312 TOWER PAD	6
2	102954	.250 TOWER PAD	2
3	041023	#10 x 3/8 PH-ROUND HEAD MS PL	32
4	101379	1/2 x 2 3/4 (3/8-16 x 5/8) HX-SOCKET HEAD SHOULDER BOLT	1
5	047010	5/16 FLAT WASHER PL	2
6	044038	3/8-16 NYLOCK HEX NUT PL	2
7	104036P	6" VERTICAL TOWER 2 SECTION	1
8	106140	VERTICAL TOWER TOP PORT HYDRAULIC CYLINDER	1
	109764	VERTICAL TOWER 2 HYDRAULIC CYLINDER	1
9	022150	FERRULE 10-12 AWG	5
10	045040	3/16 CABLE THIMBLE	5
11	620084	3/16 CABLE CLIP	15
12	101378	1/2 x 2 (3/8-16 x 5/8) HX-SOCKET HEAD SHOULDER BOLT	1
13	650109	.375 TOWER PAD	4
14	102906	5/8 x 1 1/4 CLEVIS PIN	5
15	045042	COTTER PIN 1/8 x 1 1/2"	5
16	100160	2 1/2 PULLEY BALL BEARING W/ BALL BEARING	5
17	104037P	VERTICAL TOWER 2 5" SECTION	1
18	102961P	VERTICAL TOWER 2 4" SECTION	1
19	352280	PLASTIC TOWER PAD	2
20	100446	3/8 PAD SMALL	1
21	100062	3/8 UHMW SPACER	1
22	102965P	VERTICAL TOWER 2 CORD REEL 3" SECTION	1
23	102968P	VERTICAL TOWER 2" SECTION	1
24	320185	STEEL CABLE 3/16 x 10'	5

## 4.2 - Vertical Tower Parts (2 of 6)

SN 0001PRO2V15 and UP



104048\_D

# Night-Lite ProII™

## 4.2 - Vertical Tower Parts (2 of 6)

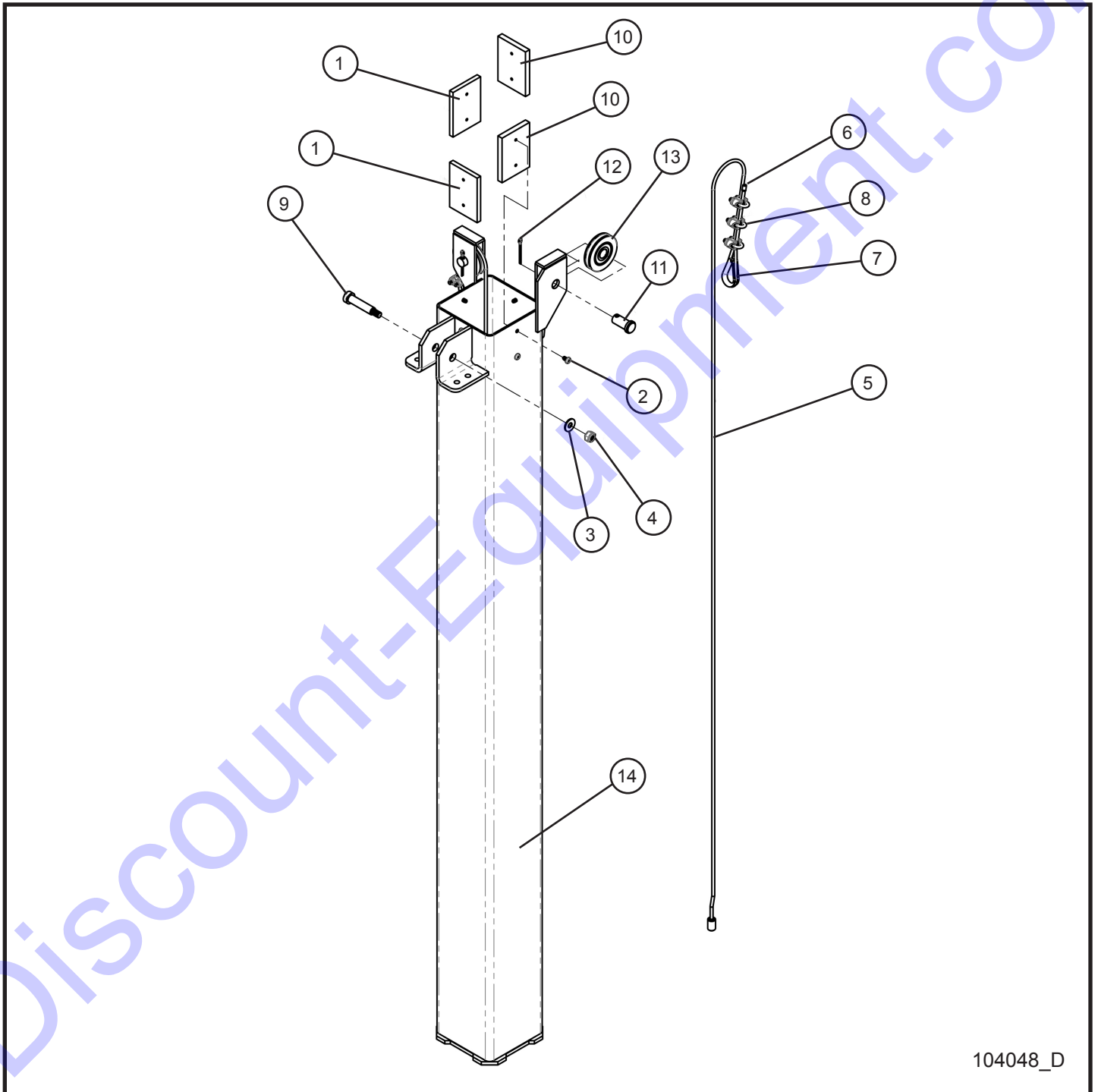
SN 0001PRO2V15 and UP

Item	Part No.	Part Description	Qty.
1	650110	.312 TOWER PAD	2
2	102954	.250 TOWER PAD	2
3	041023	#10 x 3/8 PH-ROUND HEAD MS PL	8
4	101379	1/2 x 2 3/4 (3/8-16 x 5/8) HX-SOCKET HEAD SHOULDER BOLT	1
5	047010	5/16 FLAT WASHER PL	1
6	044038	3/8-16 NYLOCK HEX NUT PL	1
7	104036P	6" VERTICAL TOWER 2 SECTION	1
8	106140	VERTICAL TOWER TOP PORT HYDRAULIC CYLINDER	1
	109764	VERTICAL TOWER 2 HYDRAULIC CYLINDER	1



## 4.2 - Vertical Tower Parts (3 of 6)

SN 0001PRO2V15 and UP



104048\_D

# Night-Lite ProII™

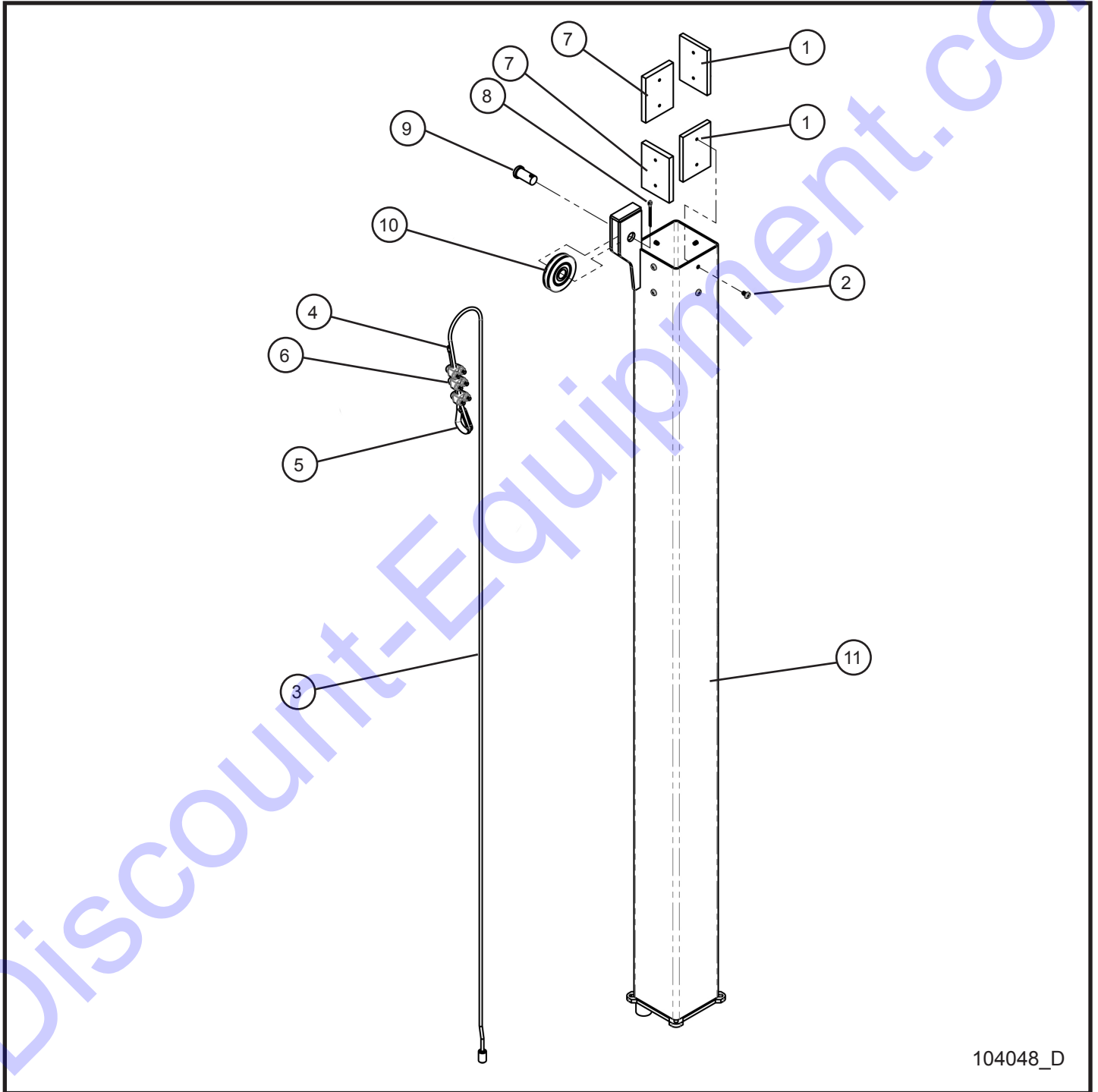
## 4.2 - Vertical Tower Parts (3 of 6)

SN 0001PRO2V15 and UP

Item	Part No.	Part Description	Qty.
1	650110	.312 TOWER PAD	2
2	041023	#10 x 3/8 PH-ROUND HEAD MS PL	8
3	047010	5/16 FLAT WASHER PL	1
4	044038	3/8-16 NYLOCK HEX NUT PL	1
5	320185	STEEL CABLE 3/16 x 10'	2
6	022150	FERRULE 10-12 AWG	2
7	045040	3/16 CABLE THIMBLE	2
8	620084	1/4 CABLE CLIP	6
9	101378	1/2 x 2 (3/8-16 x 5/8) HX-SOCKET HEAD SHOULDER BOLT	1
10	650109	.375 TOWER PAD	2
11	102906	5/8 x 1 1/4 CLEVIS PIN	2
12	045045	5/32 x 1 1/2 COTTER PIN	2
13	100160	2 1/2 PULLEY BALL BEARING W/ BALL BEARING	2
14	104037P	VERTICAL TOWER 2 5" SECTION	1

## 4.2 - Vertical Tower Parts (4 of 6)

SN 0001PRO2V15 and UP



104048\_D

# Night-Lite ProII™

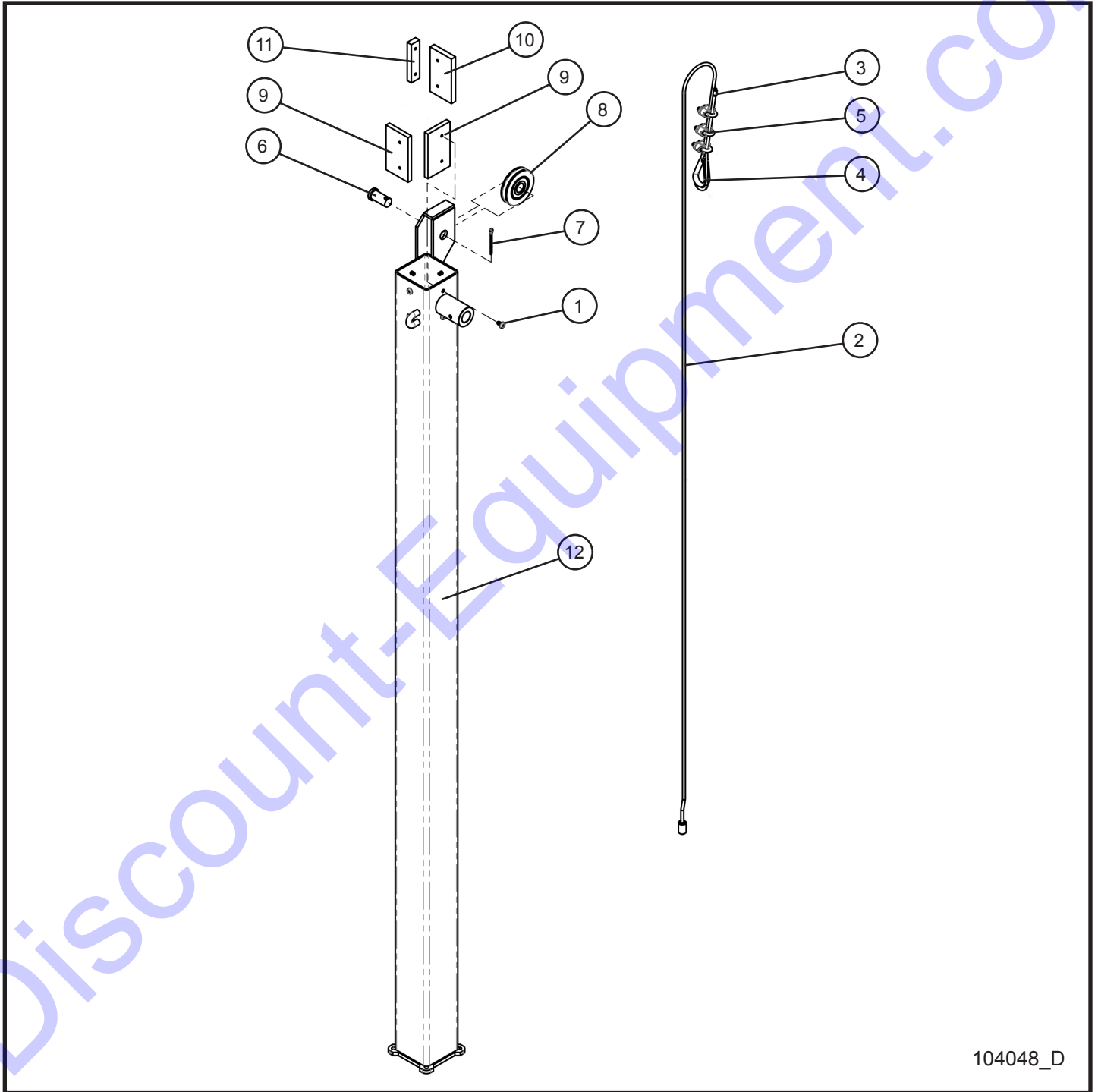
## 4.2 - Vertical Tower Parts (4 of 6)

SN 0001PRO2V15 and UP

Item	Part No.	Part Description	Qty.
1	650110	.312 TOWER PAD	2
2	041023	#10 x 3/8 PH-ROUND HEAD MS PL	8
3	320185	STEEL CABLE 3/16 x 10'	1
4	022150	FERRULE 10-12 AWG	1
5	045040	3/16 CABLE THIMBLE	1
6	620084	1/4 CABLE CLIP	3
7	650109	.375 TOWER PAD	2
8	102906	5/8 x 1 1/4 CLEVIS PIN	1
9	045045	5/32 x 1 1/2 COTTER PIN	1
10	100160	2 1/2 PULLEY BALL BEARING W/ BALL BEARING	1
11	102961P	VERTICAL TOWER 2 4" SECTION	1

## 4.2 - Vertical Tower Parts (5 of 6)

SN 0001PRO2V15 and UP



104048\_D

# Night-Lite ProII™

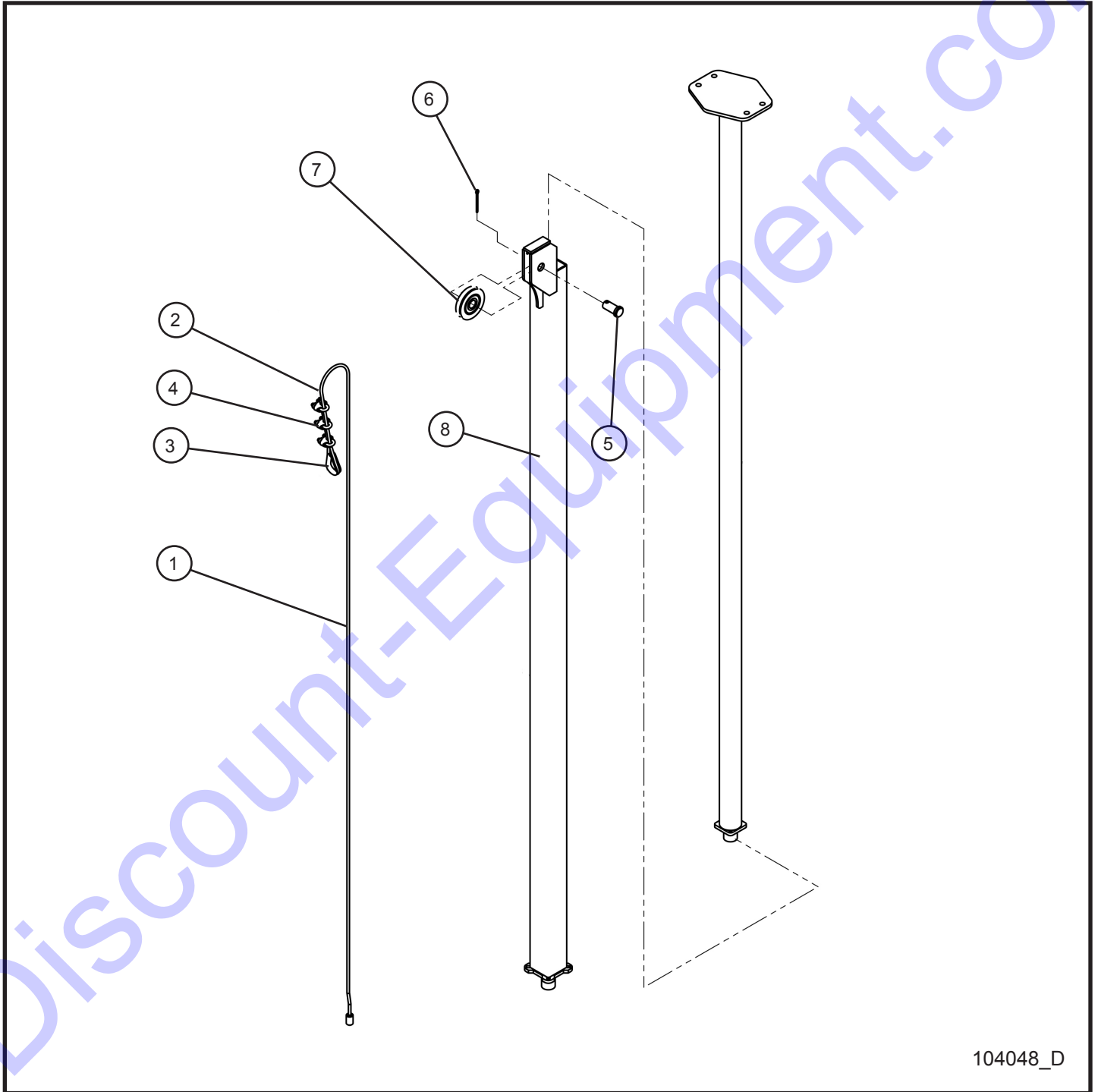
## 4.2 - Vertical Tower Parts (5 of 6)

SN 0001PRO2V15 and UP

Item	Part No.	Part Description	Qty.
1	041023	#10 x 3/8 PH-ROUND HEAD MS PL	8
2	320185	STEEL CABLE 3/16 x 10'	1
3	022150	FERRULE 10-12 AWG	1
4	045040	3/16 CABLE THIMBLE	1
5	620084	1/4 CABLE CLIP	3
6	102906	5/8 x 1 1/4 CLEVIS PIN	1
7	045045	5/32 x 1 1/2 COTTER PIN	1
8	100160	2 1/2 PULLEY BALL BEARING W/ BALL BEARING	1
9	352280	PLASTIC TOWER PAD	2
10	100446	3/8 PAD SMALL	1
11	100062	3/8 UHMW SPACER	1
12	102965P	VERTICAL TOWER 2 3" SECTION	1

## 4.2 - Vertical Tower Parts (6 of 6)

SN 0001PRO2V15 and UP



104048\_D

# Night-Lite ProII™

## 4.2 - Vertical Tower Parts (6 of 6)

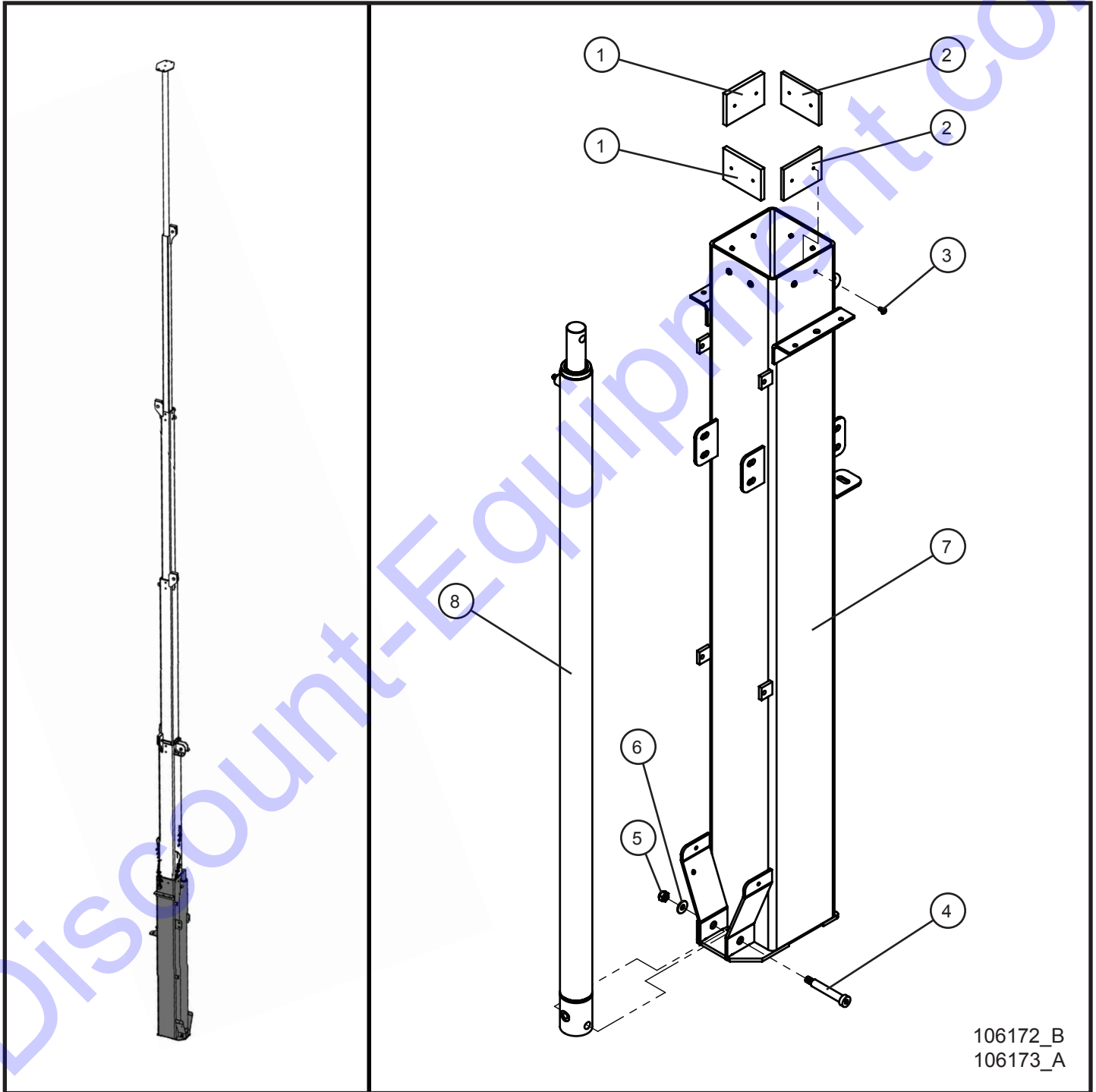
SN 0001PRO2V15 and UP

Item	Part No.	Part Description	Qty.
1	320185	STEEL CABLE 3/16 x 10'	1
2	022150	FERRULE 10-12 AWG	1
3	045040	3/16 CABLE THIMBLE	1
4	620084	1/4 CABLE CLIP	3
5	102906	5/8 x 1 1/4 CLEVIS PIN	1
6	045045	5/32 x 1 1/2 COTTER PIN	1
7	100160	2 1/2 PULLEY BALL BEARING W/ BALL BEARING	1
8	102968P	VERTICAL TOWER 2 2" SECTION	1



## 4.3 - Vertical Tower Galvanized Parts (1 of 5)

SN 0001PRO2V15 and UP



# Night-Lite ProII™

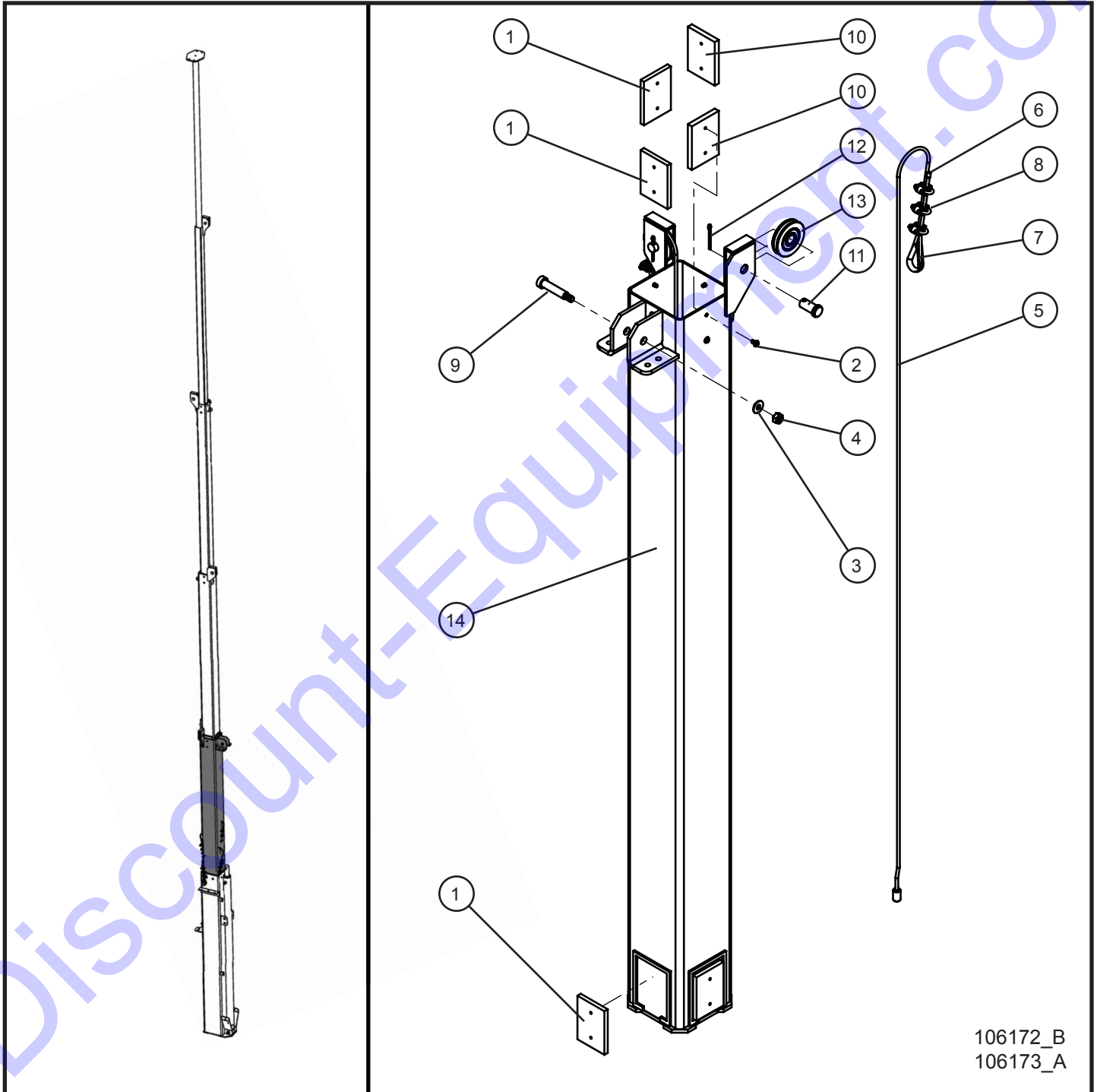
## 4.3 - Vertical Tower Galvanized Parts (1 of 5)

SN 0001PRO2V15 and UP

Item	Part No.	Part Description	Qty.
1	650110	.312 TOWER PAD	2
2	102954	.250 TOWER PAD	2
3	041023	#10 x 3/8 PH-ROUND HEAD MS PL	8
4	101379	1/2 x 2 3/4 (3/8-16 x 5/8) HX-SOCKET HEAD SHOULDER BOLT	1
5	047010	5/16 FLAT WASHER PL	1
6	044038	3/8-16 NYLOCK HEX NUT PL	1
7	104036-20	6" GALVANIZED VERTICAL TOWER SECTION	1
8	106140	VERTICAL TOWER TOP PORT HYDRAULIC CYLINDER	1
	109764	VERTICAL TOWER HYDRAULIC CYLINDER	1

## 4.3 - Vertical Tower Galvanized Parts (2 of 5)

SN 0001PRO2V15 and UP



106172\_B  
106173\_A

# Night-Lite ProII™

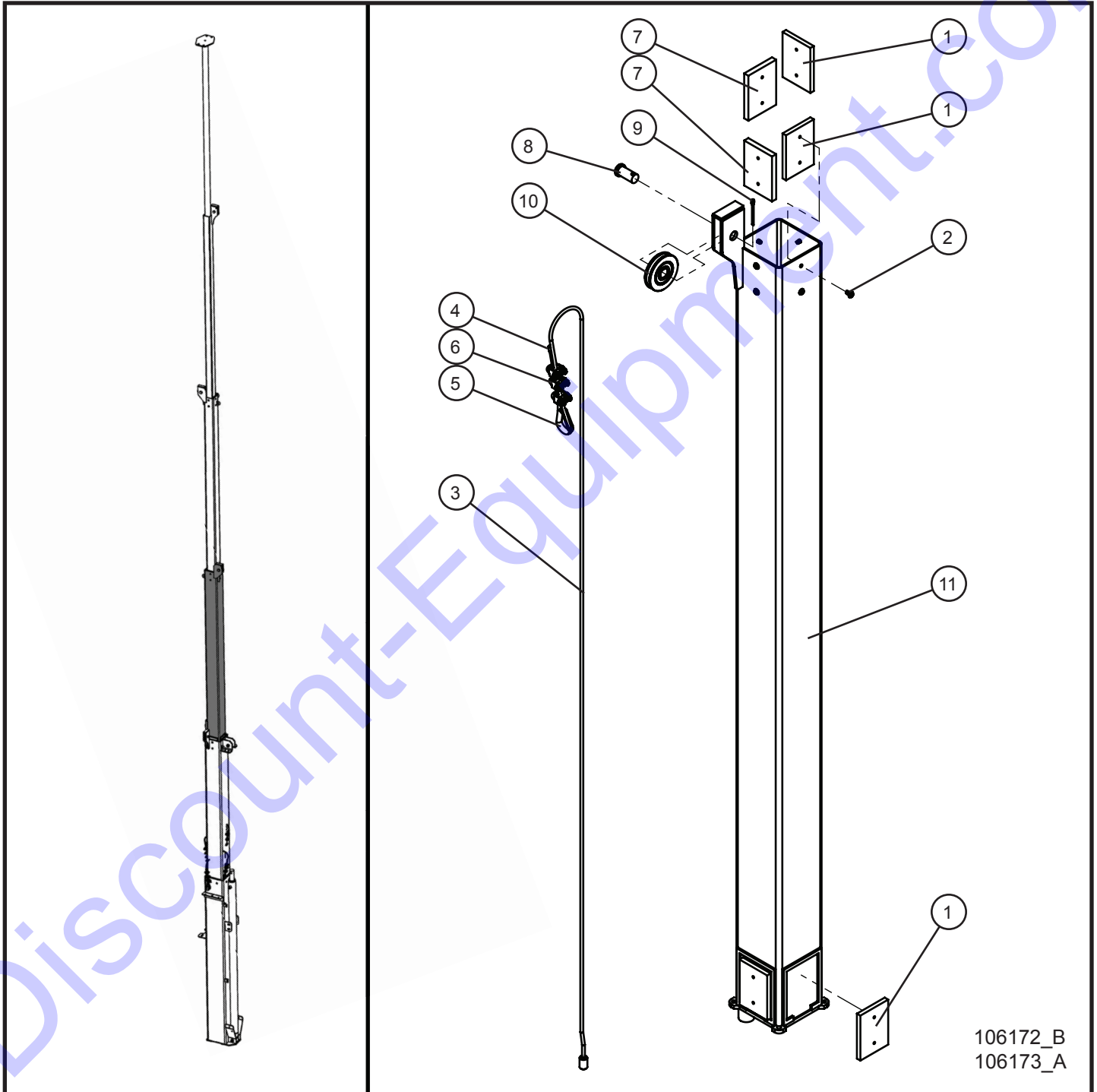
## 4.3 - Vertical Tower Galvanized Parts (2 of 5)

SN 0001PRO2V15 and UP

Item	Part No.	Part Description	Qty.
1	650110	.312 TOWER PAD	6
2	041023	#10 x 3/8 PH-ROUND HEAD MS PL	8
3	047010	5/16 FLAT WASHER PL	1
4	044038	3/8-16 NYLOCK HEX NUT PL	1
5	320185	STEEL CABLE 3/16 x 10'	2
6	022150	FERRULE 10-12 AWG	2
7	045040	3/16 CABLE THIMBLE 3/16 WIRE ROPE	2
8	620084	3/16 CABLE CLIP	6
9	101378	1/2 x 2 (3/8-16 x 5/8) HX-SOCKET HEAD SHOULDER BOLT	1
10	650109	.375 TOWER PAD	4
11	102906	5/8 x 1 1/4 CLEVIS PIN	5
12	045042	COTTER PIN 1/8 x 1 1/2	5
13	100160	2 1/2 PULLEY BALL BEARING	5
14	106171-20	5" GALVANIZED VERTICAL TOWER SECTION	1

## 4.3 - Vertical Tower Galvanized Parts (3 of 5)

SN 0001PRO2V15 and UP



# Night-Lite ProII™

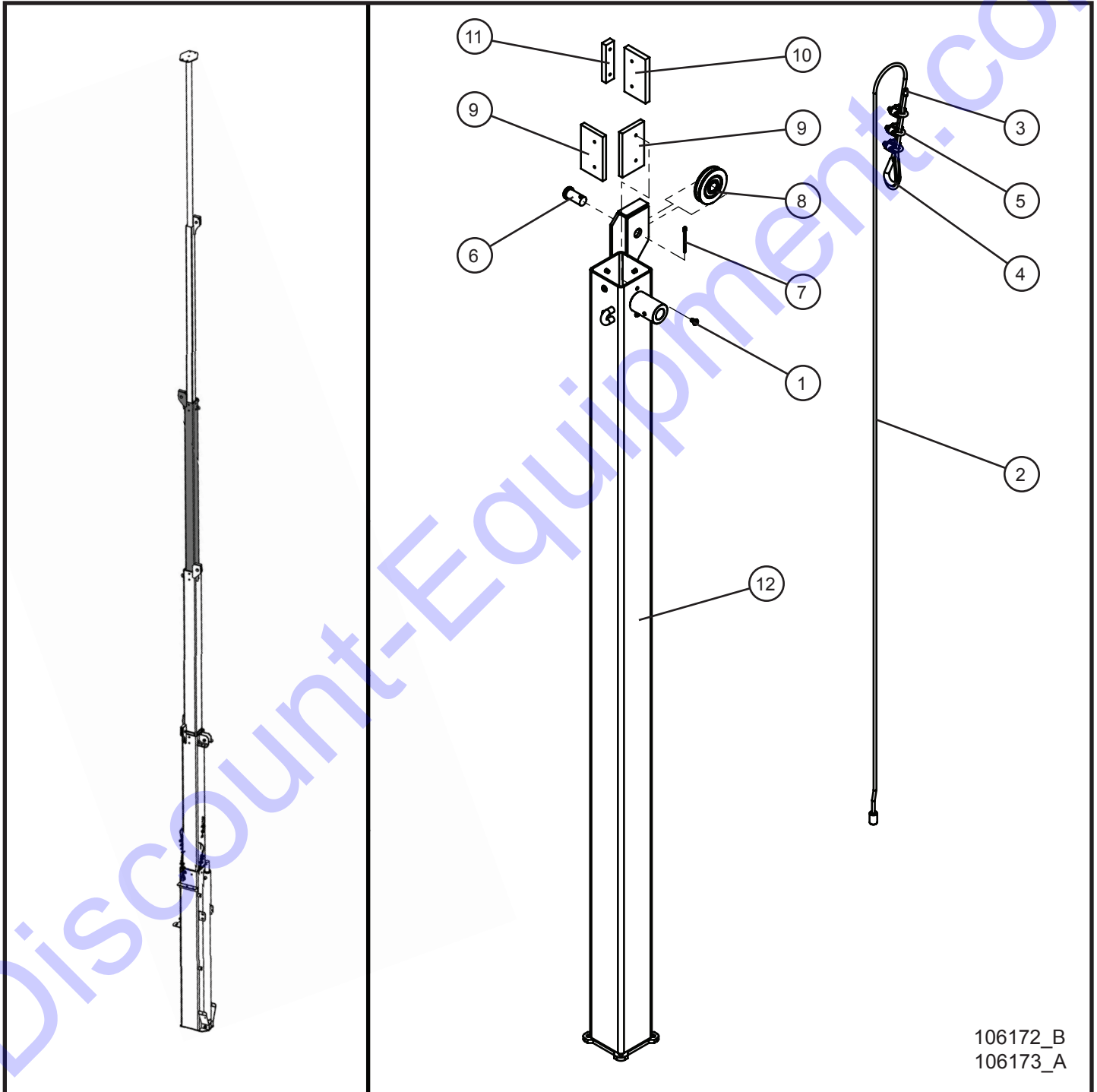
## 4.3 - Vertical Tower Galvanized Parts (3 of 5)

SN 0001PRO2V15 and UP

Item	Part No.	Part Description	Qty.
1	650110	.312 TOWER PAD	6
2	041023	#10 x 3/8 PH-ROUND HEAD MS PL	8
3	320185	STEEL CABLE 3/16 x 10'	1
4	022150	FERRULE 10-12 AWG	1
5	045040	3/16 CABLE THIMBLE 3/16 WIRE ROPE	1
6	620084	3/16 CABLE CLIP	3
7	650109	.375 TOWER PAD	4
8	102906	5/8 x 1 1/4 CLEVIS PIN	5
9	045042	COTTER PIN 1/8 x 1 1/2	5
10	100160	2 1/2 PULLEY BALL BEARING	5
11	106170-20	4" GALVANIZED VERTICAL TOWER SECTION	1

## 4.3 - Vertical Tower Galvanized Parts (4 of 5)

SN 0001PRO2V15 and UP



# Night-Lite ProII™

## 4.3 - Vertical Tower Galvanized Parts (4 of 5)

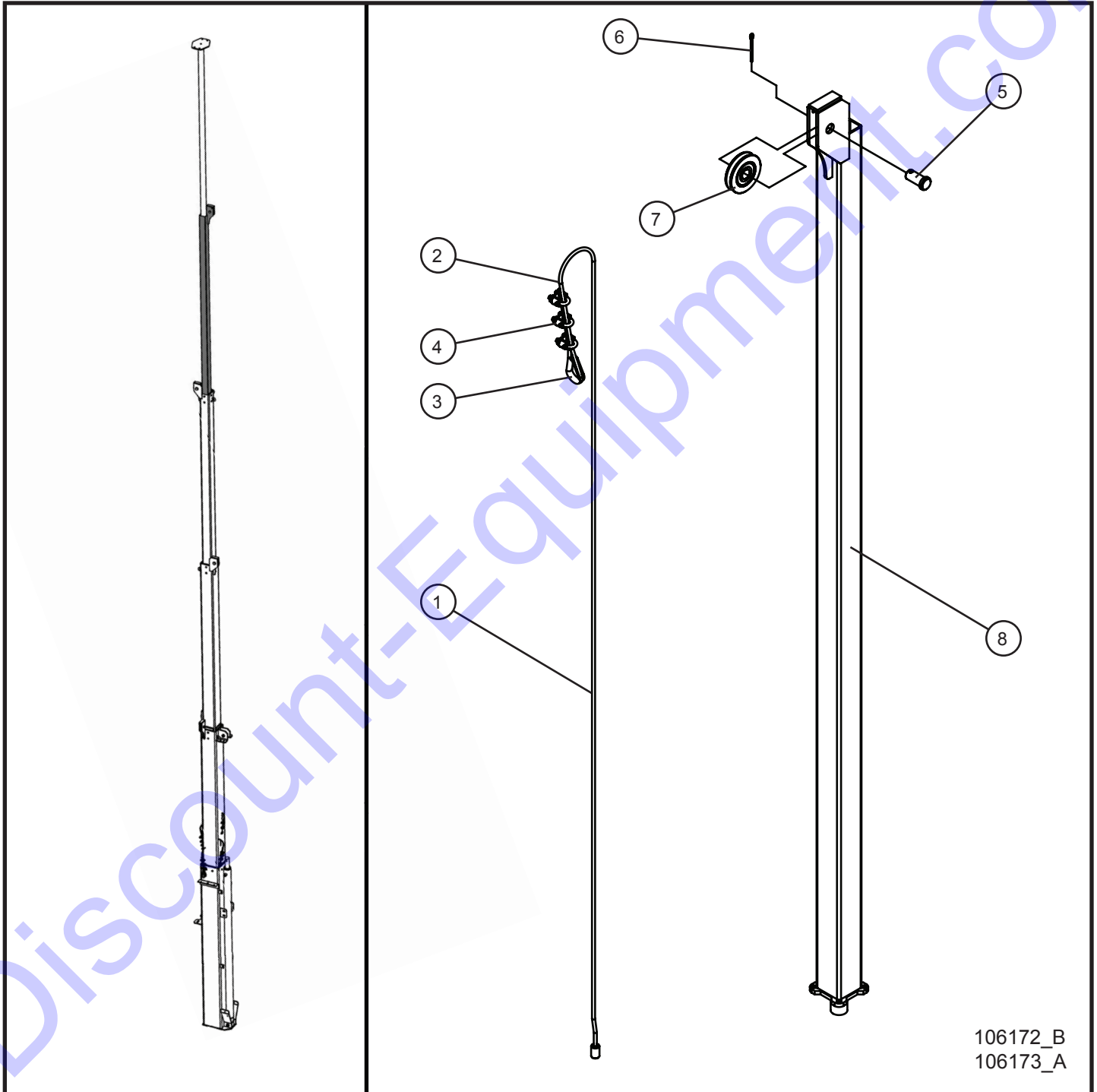
SN 0001PRO2V15 and UP

Item	Part No.	Part Description	Qty.
1	041023	#10 x 3/8 PH-ROUND HEAD MS PL	8
2	320185	STEEL CABLE 3/16 x 10'	1
3	022150	FERRULE 10-12 AWG	1
4	045040	3/16 CABLE THIMBLE 3/16 WIRE ROPE	1
5	620084	3/16 CABLE CLIP	3
6	102906	5/8 x 1 1/4 CLEVIS PIN	1
7	045042	COTTER PIN 1/8 x 1 1/2	1
8	100160	2 1/2 PULLEY BALL BEARING	1
9	352280	PLASTIC TOWER PAD	2
10	100446	3/8 PAD SMALL	1
11	100062	3/8 UHMW SPACER	1
12	102965-20	3" GALVANIZED VERTICAL TOWER SECTION	1



## 4.3 - Vertical Tower Galvanized Parts (5 of 5)

SN 0001PRO2V15 and UP



106172\_B  
106173\_A

# Night-Lite ProII™

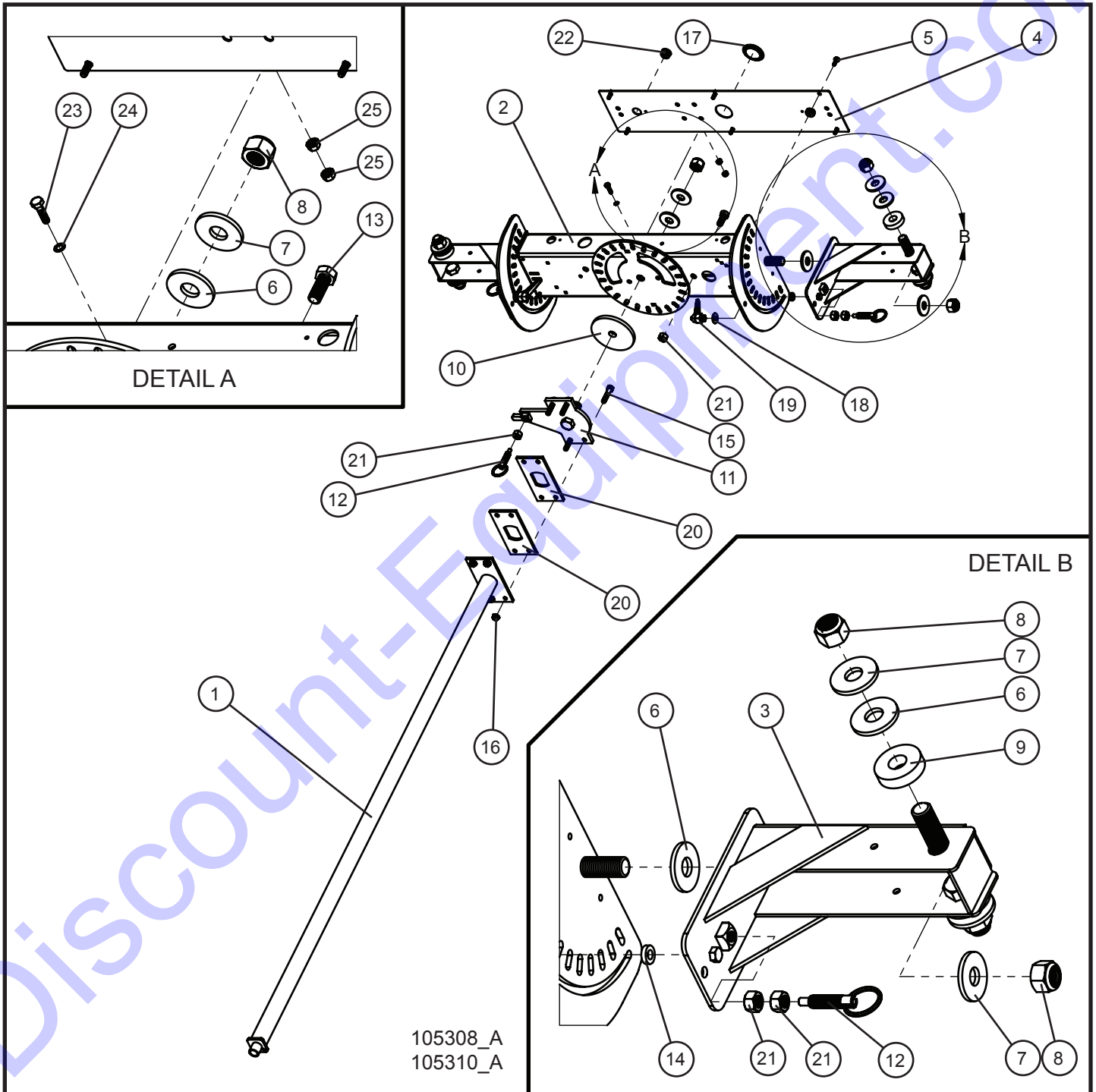
## 4.3 - Vertical Tower Galvanized Parts (5 of 5)

SN 0001PRO2V15 and UP

Item	Part No.	Part Description	Qty.
1	320185	STEEL CABLE 3/16 x 10'	1
2	022150	FERRULE 10-12 AWG	1
3	045040	3/16 CABLE THIMBLE 3/16 WIRE ROPE	1
4	620084	3/16 CABLE CLIP	3
5	102906	5/8 x 1 1/4 CLEVIS PIN	1
6	045042	COTTER PIN 1/8 x 1 1/2	1
7	100160	2 1/2 PULLEY BALL BEARING	1
8	102968-20	2" GALVANIZED VERTICAL TOWER SECTION	1

## 4.4 - Vertical Tower Light Bar

SN 0001PRO2V15 and UP



# Night-Lite ProII™

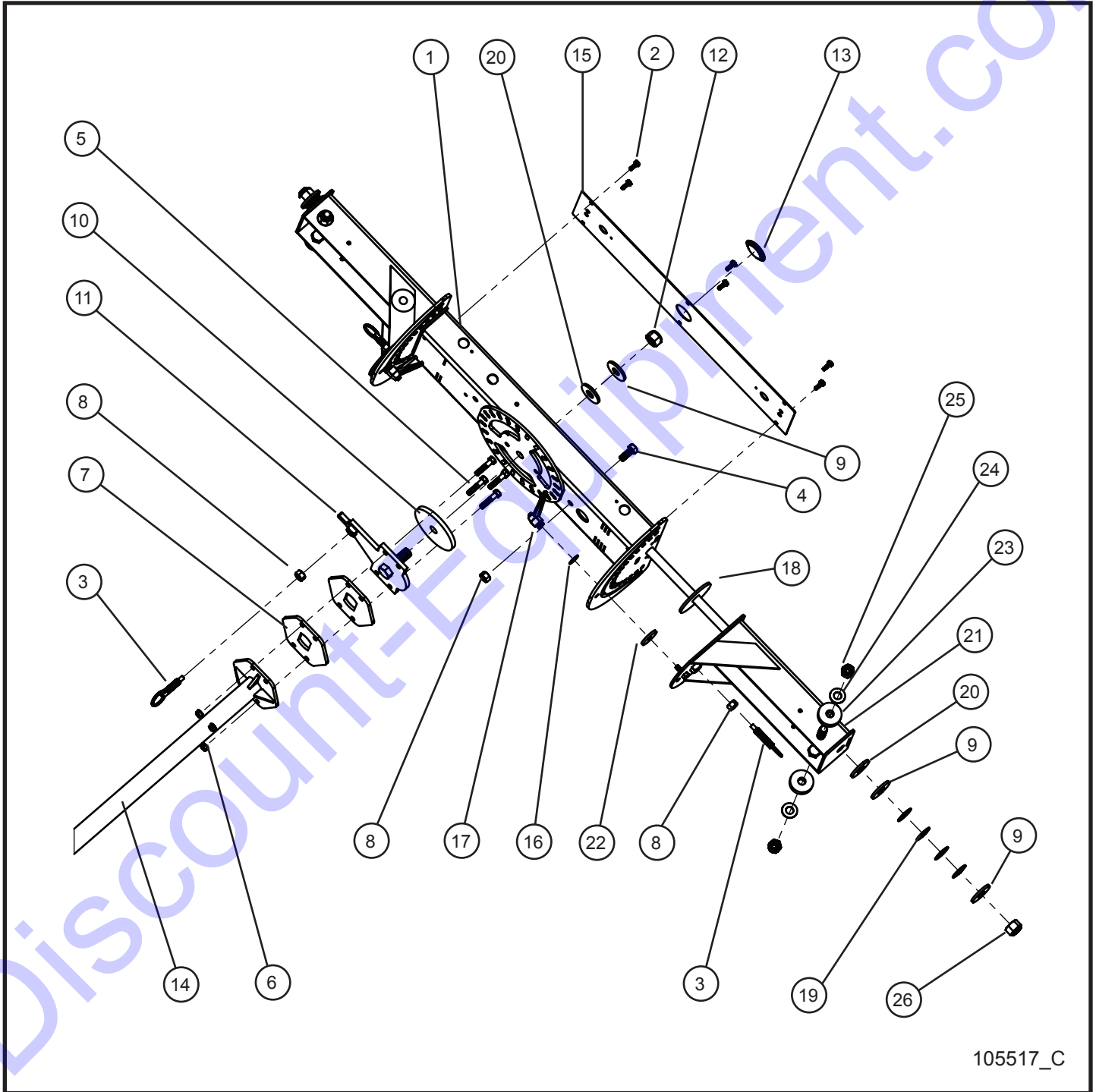
## 4.4 - Vertical Tower Light Bar

SN 0001PRO2V15 and UP

Item	Part No.	Part Description	Qty.
1	102972P	ROUND TOWER SECTION	1
	102972-20	ROUND GALVANIZED TOWER SECTION	1
2	105716P	VERTICAL LIGHT BAR WELDMENT	1
3	105363P	BRACKET LAMP ROTATING INDEXING LIGHT BAR	2
4	104063P	COVER LIGHT BAR	1
5	041070	1/4-20 x 3/4 SL-HEX WASHER HEAD MS TP F	6
6	650550	.785" x 2" HDPE WASHER	7
7	047035	3/4 FLAT WASHER	7
8	044058	3/4-10 NYLOCK HEX NUT PL	7
9	101813	.781 ID x 2 OD x 1/2 HDPE WASHER	4
10	100147	UHMW BEARING TOWER ROTATION	1
11	100143P	ROTATION MOUNT	1
12	100148	SPRING LOCK 1/2-13 UNC x 1.4	3
13	046180	1/2-13 X 1 1/4 HEX HEAD CS GR5 PL	1
14	047019	NYLON BUSHING 3/4 OD x .385 ID	2
15	046126	3/8-16 x 1 3/4 HEX HEAD CS GR5 PL	4
16	044036	3/8-16 KEPS HEX NUT PL	4
17	680878	1 3/4 CAPLUG	1
18	047015	3/8 FLAT WASHER PL	2
19	102361	ADJUSTABLE LEVER PUSH BUTTON	2
20	100104P	LIGHT BAR BRACKET	2
21	044045	1/2-13 HEX NUT PL	6
22	711029	7/8 LOCKING HOLE PLUG	2
23	046010	1/4-20 x 1 HEX HEAD CS GR5 PL	1
24	043050	1/4 INT'L TOOTH LOCK WASHER	1
25	044021	1/4-20 KEPS HEX NUT PL	2

## 4.5 - Vertical Tower Go Green LED Light Bar

SN 0001PRO2V15 and UP



105517\_C

# Night-Lite ProII™

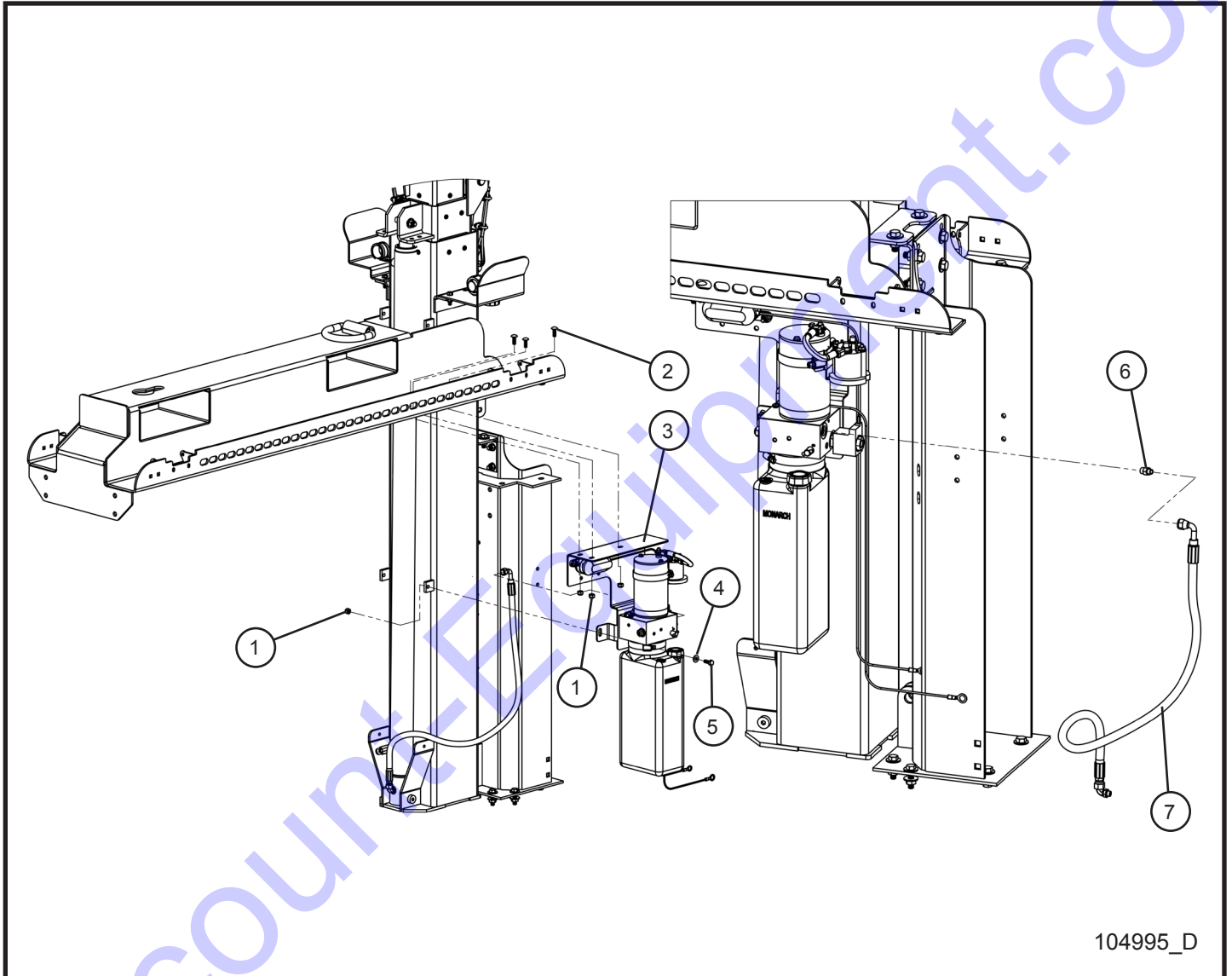
## 4.5 - Vertical Tower Go Green LED Light Bar

SN 0001PRO2V15 and UP

Item	Part No.	Part Description	Qty.
1	105503	GO GREEN LED LIGHT BAR	1
2	041070	1/4-20 x 3/4 SL-HEX WASHER MEAD MS TP F	6
3	100148	SPRING LOCK 1/2-13 UNC x 1.4	3
4	046180	1/2-13 x 1 1/4 HEX HEAD CS GR5 PL	1
5	046126	3/8-16 x 1 3/4 HEX HEAD CS GR5 PL	4
6	044036	3/8-16 KEPS HEX NUT PL	4
7	105501P	LIGHT BAR SPACER BRACKET	2
8	044045	1/2-13 HEX NUT PL	4
9	047035	3/4 FLAT WASHER PL	5
10	100147	UHMW BEARING TOWER ROTATION	1
11	100143P	ROTATION MOUNT	1
12	044058	3/4-NYLOCK HEX NUT PL	1
13	680878	1 3/4 CAPLUG	1
14	104053P	ROUND SECTION OPTION	1
15	104063P	LIGHT BAR COVER	1
16	047015	3/8 FLAT WASHER PL	2
17	102361	ADJUSTABLE LEVER PUSH BUTTON	2
18	105492	THRUST BUSHING	2
19	105494	BELLVILLE WASHER .75 I.D.	8
20	650550	.785" x 2" HDPE WASHER	3
21	105514P	ROTATION BRACKET LED WELDMENT	2
22	105518	THRUST BUSHING, LEVER LOCK	2
23	105496	THRUST BUSHING, HDPE 2"	4
24	047030	5/8 FLAT WASHER PL	4
25	044053	5/8-11 NYLOCK HEX NUT PL	4
26	044066	3/4-16 NYLOCK HEX NUT PL	2

## 4.6 - Vertical Tower Hydraulic Pump w/Bottom Port Cylinder

SN 0001PRO2V15 and UP



104995\_D

# Night-Lite ProII™

## 4.6 - Vertical Tower Hydraulic Pump w/Bottom Port Cylinder

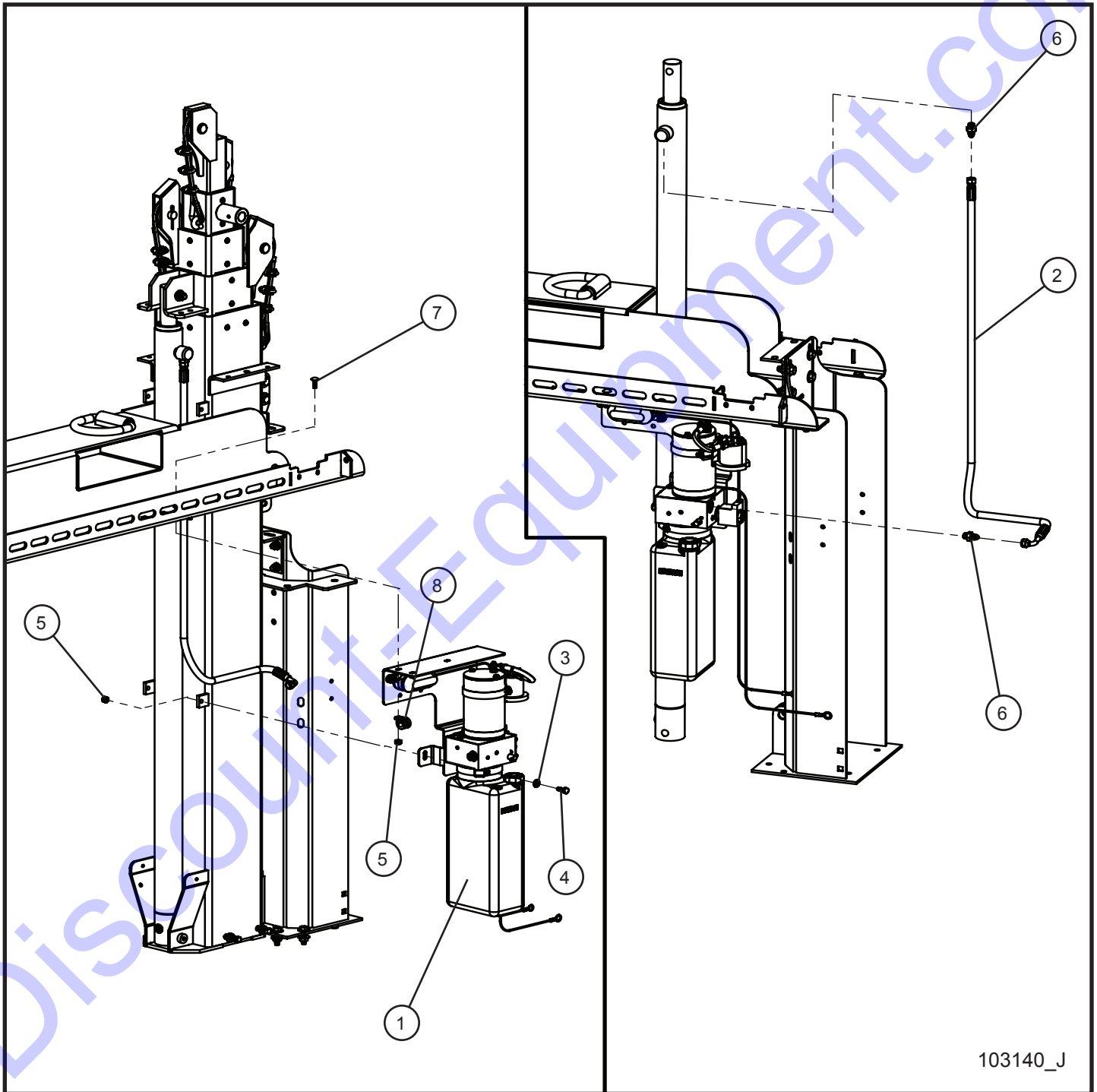
SN 0001PRO2V15 and UP

Item	Part No.	Part Description	Qty.
1	044023	1/4-20 NYLOCK HEX NUT PL	4
2	053007	1/4-20 x 3/4 CARR BOLT SS	3
3	104994	PUMP W/ MOUNT VERTICAL TOWER NL PRO II	1
4	047005	1/4 FLAT WASHER PL	1
5	046010	1/4-20 x 3/4 HEX HEAD CS GR5 SS	1
6	923205	ADPT HYD FITTING	1
7	101356	HYDRAULIC HOSE V-SERIES	1



## 4.7 - Vertical Tower Hydraulic Pump w/Top Port Cylinder

SN 0001PRO2V15 and UP



103140\_J

# Night-Lite ProII™

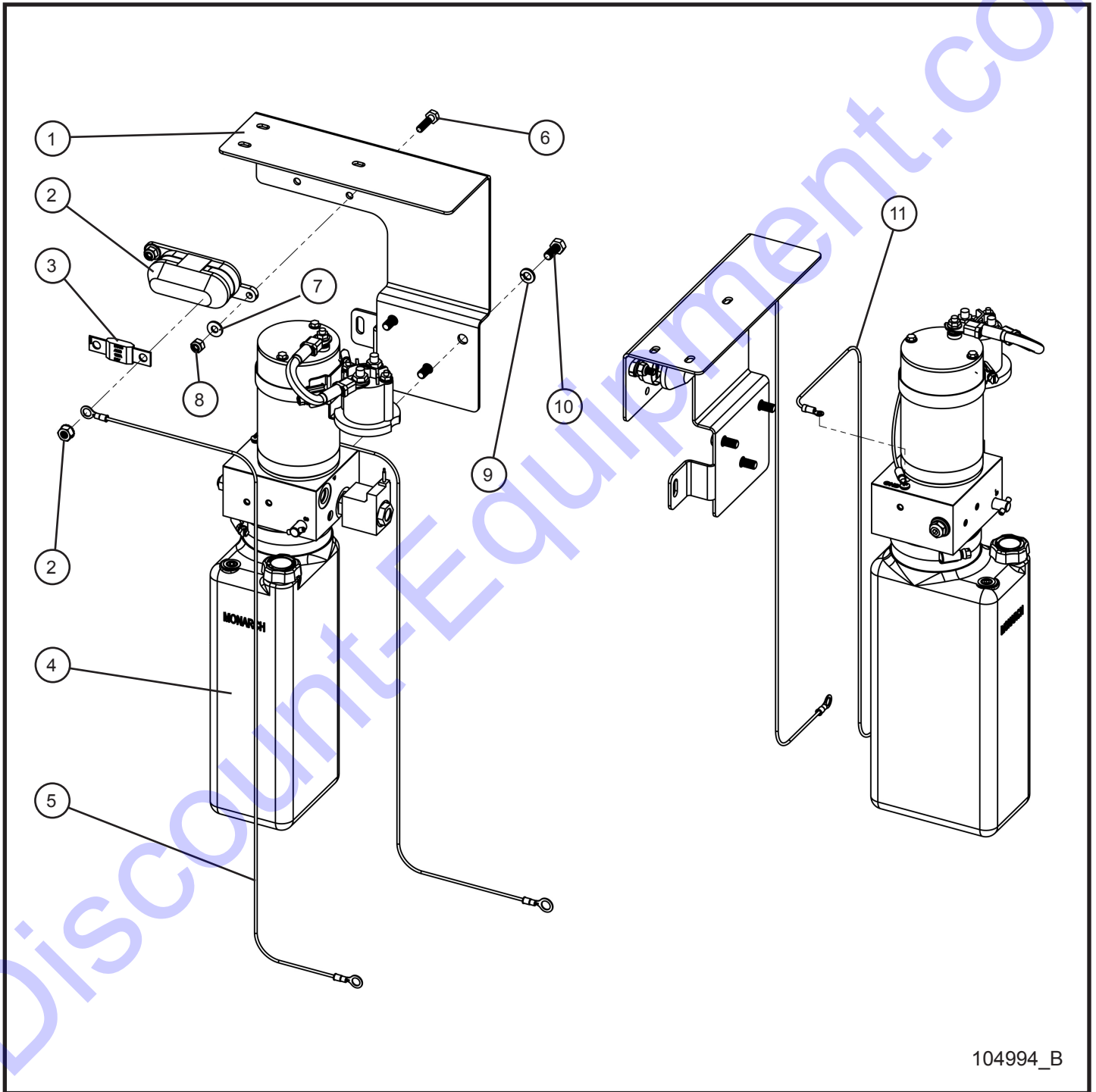
## 4.7 - Vertical Tower Hydraulic Pump w/Top Port Cylinder

SN 0001PRO2V15 and UP

Item	Part No.	Part Description	Qty.
1	104994	PUMP W/ MOUNT VERTICAL TOWER NL PRO II	1
2	101910	HYDRAULIC HOSE - 41" MAXI HYD V-SERIES	1
3	047005	1/4 FLAT WASHER PL	1
4	046010	1/4-20 x 3/4 HEX HEAD CS GR5 SS	1
5	044023	1/4-20 NYLOCK HEX NUT PL	4
6	923205	ADPT HYD FITTING	2
7	053007	1/4-20 x 3/4 CARR BOLT SS	3
8	310212	#10 CUSH CLAMP 1/4 HOLE	1

## 4.8 - Vertical Tower Hydraulic Pump Mount

SN 0001PRO2V15 and UP



104994\_B

# Night-Lite ProII™

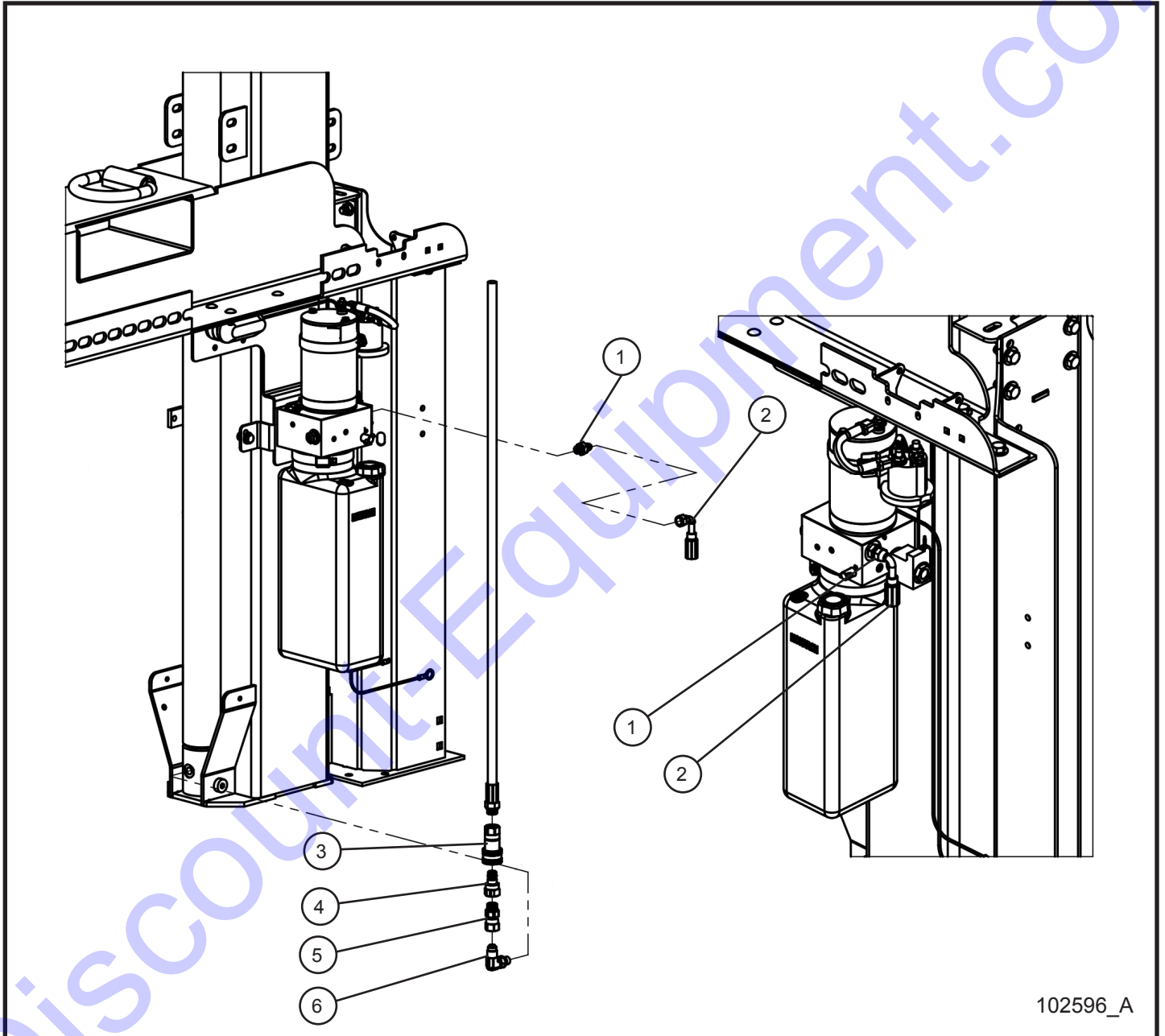
## 4.8 - Vertical Tower Hydraulic Pump Mount

SN 0001PRO2V15 and UP

Item	Part No.	Part Description	Qty.
1	104993P	PUMP MOUNT VERTICAL	1
2	100235	FUSE HOLDER F AMG FUSE	1
3	100234	125A FUSE LINK BUSS AMG	1
4	104358	POWER UNIT VERTICAL TOWER	1
5	105217	RED WIRE BUCHER HYD PUMP	1
6	046015	1/4-20 x 1 HEX HEAD CS GR5 PL	2
7	047005	1/4 FLAT WASHER PL	2
8	044023	1/4-20 NYLOCK HEX NUT PL	2
9	043055	5/16 SPLITLOCK WASHER	3
10	046045	5/16-18 x 3/4 HEX HEAD CS GR5 PL	3
11	105216	BLACK WIRE BUCHER HYD PUMP	1

## 4.9 - Vertical Tower Bottom Port Cylinder Quick Disconnect

SN 0001PRO2V15 and UP



102596\_A

# Night-Lite ProII™

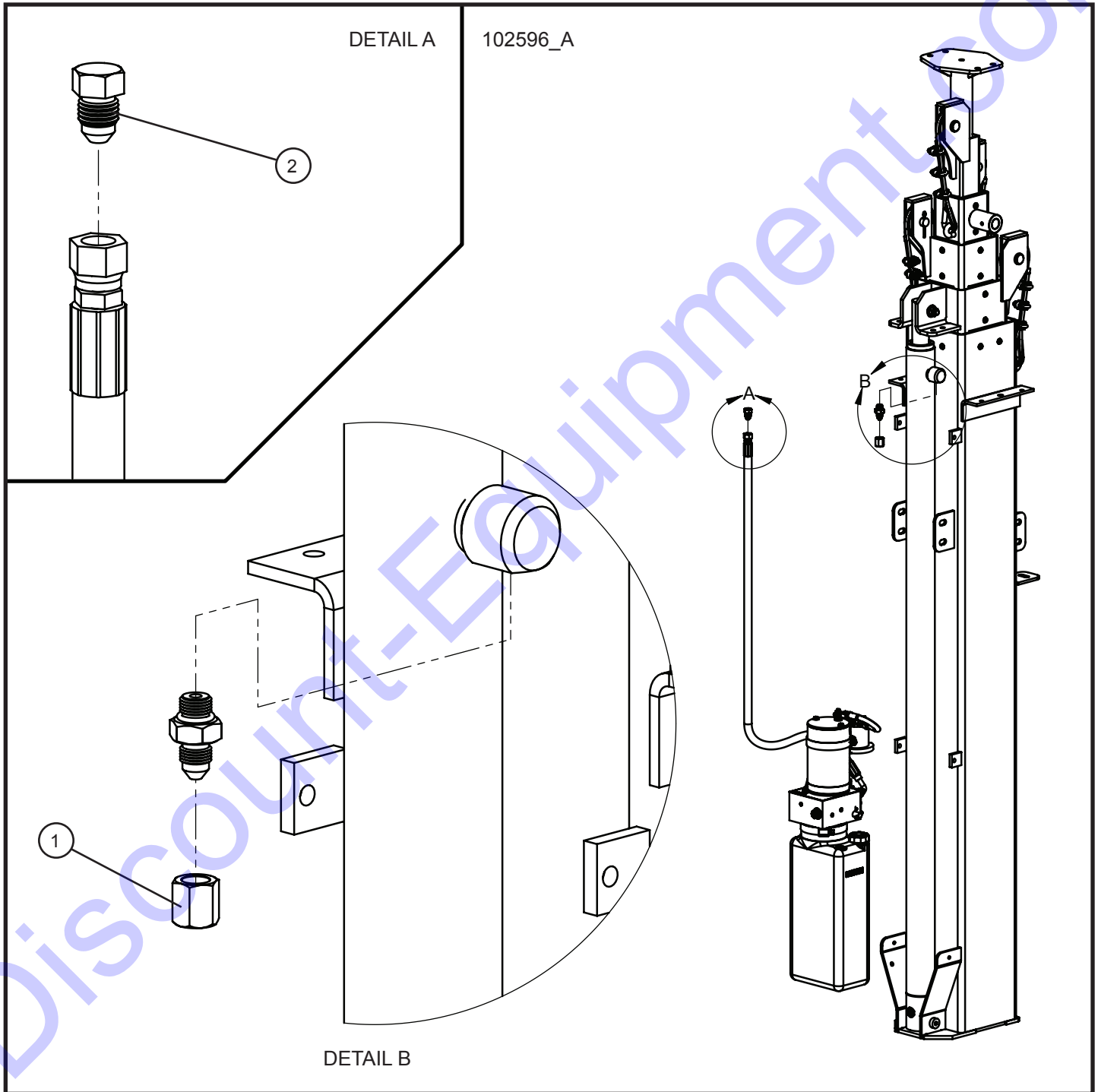
## 4.9 - Vertical Tower Bottom Port Cylinder Quick Disconnect

SN 0001PRO2V15 and UP

Item	Part No.	Part Description	Qty.
1	923205	STRAIGHT THREAD 6400	1
2	109605	PRO V QUICK COUPLER HYDRAULIC HOSE	1
3	109603	1/4 FEMALE QUICK DISCONNECT	1
4	109602	QUICK COUPLING MALE QUICK DISCONNECT	1
5	103272	SWIVEL NUT ADAPTER 6402-06-06	1
6	103273	STRAIGHT THREAD ELBOW 6801/6801R	1

## 4.10 - Vertical Tower Top Port Cylinder Cap and Plug

SN 0001PRO2V15 and UP



# Night-Lite ProII™

---

## 4.10 - Vertical Tower Top Port Cylinder Cap and Plug

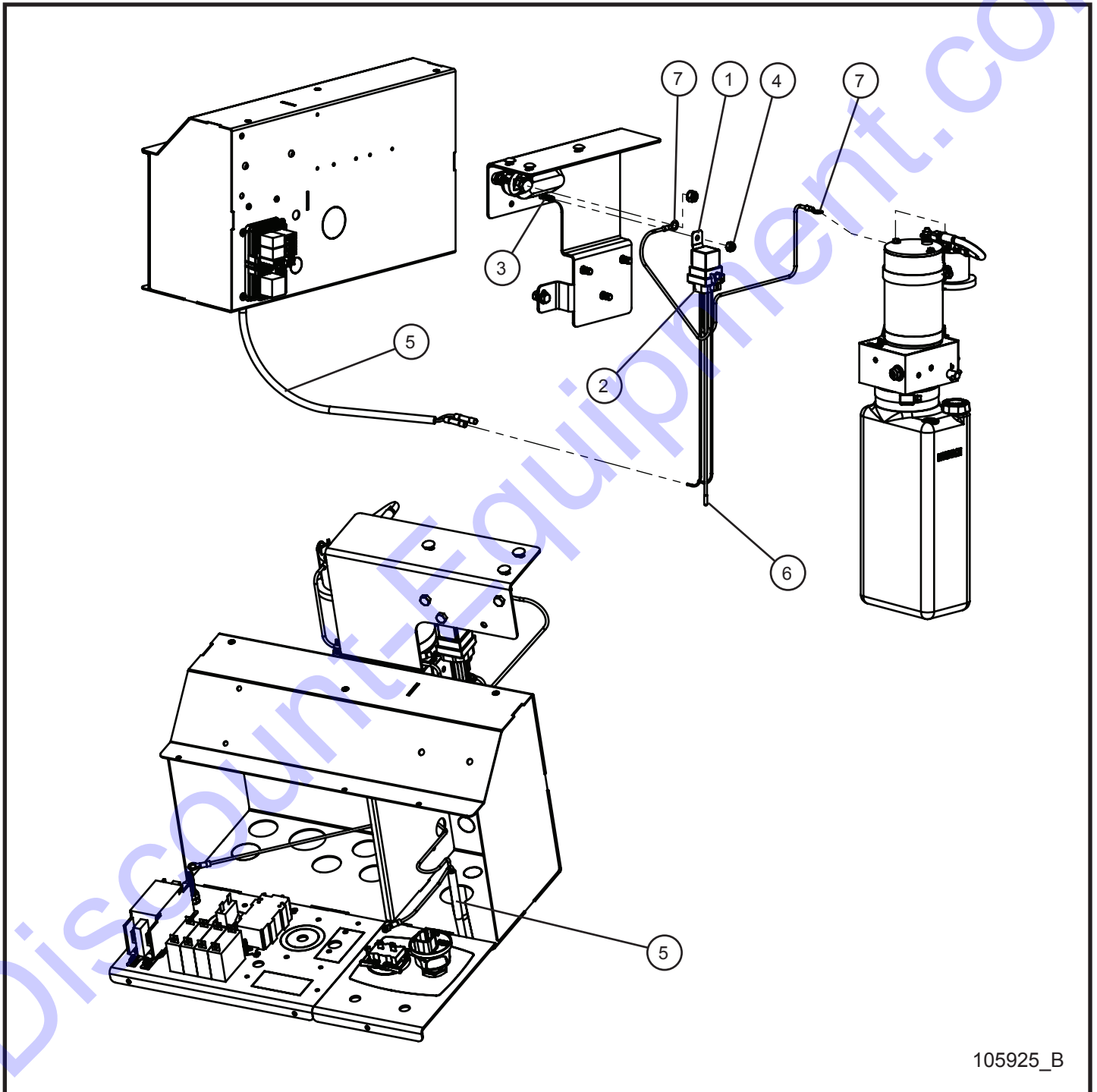
SN 0001PRO2V15 and UP

Item	Part No.	Part Description	Qty.
1	102467	CAP JIC #4 VERTICAL TOWER	1
2	102468	PLUG JIC #4 VERTICAL TOWER	1



## 4.11 - Vertical Tower Pump-Key Switch Relay

SN 0001PRO2V15 and UP



105925\_B

# Night-Lite ProII™

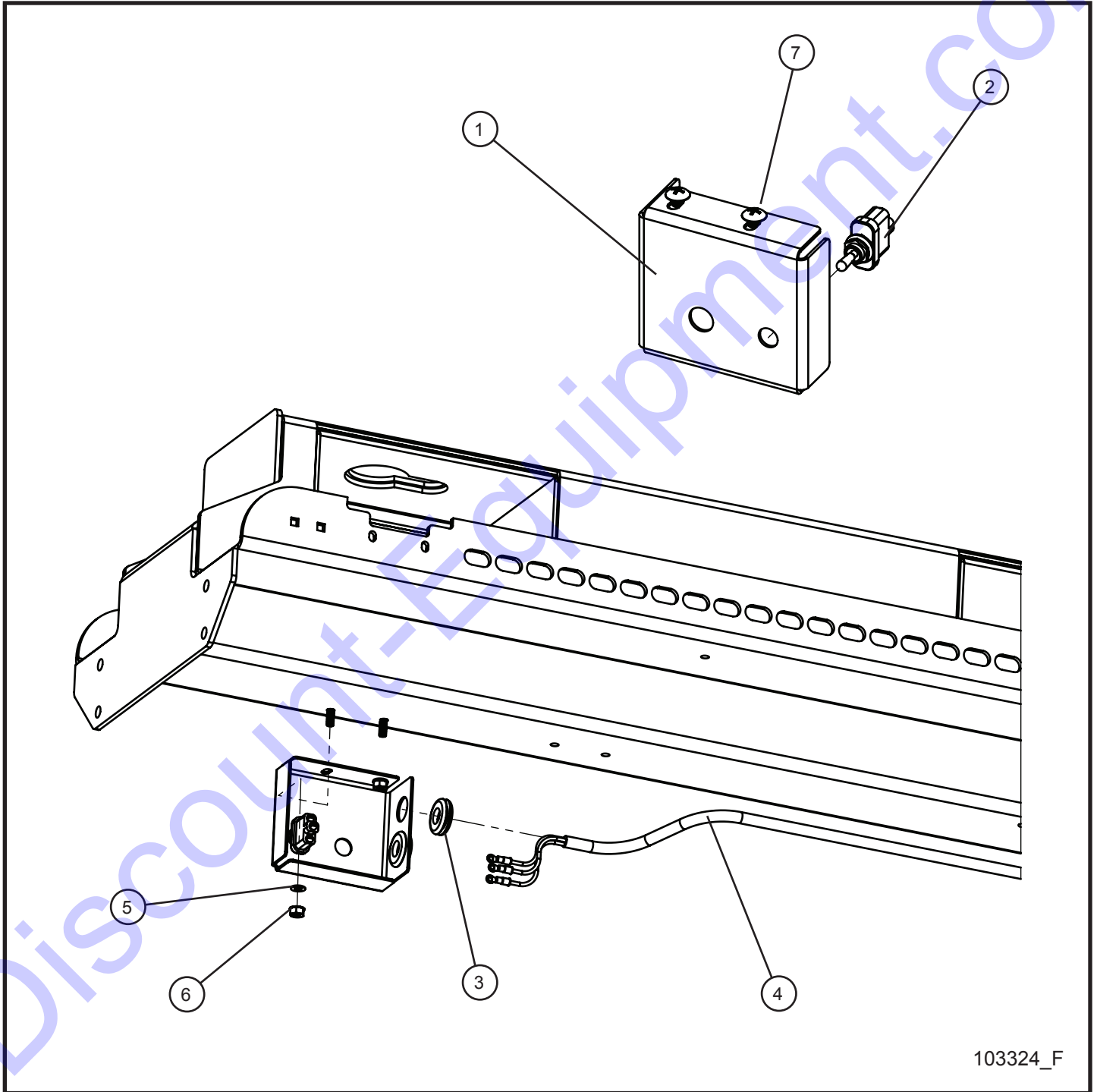
## 4.11 - Vertical Tower Pump-Key Switch Relay

SN 0001PRO2V15 and UP

Item	Part No.	Part Description	Qty.
1	105173	RELAY 12VDC 150AMP INRUSH	1
2	105174	RELAY BLOCK WEATHER PACK	1
3	046015	1/4-20 x 1 HEX HEAD CS GR5 PL	1
4	044023	1/4-20 NYLOCK HEX NUT PL	1
5	105183	CORD HYDRAULIC RELAY KEY SWITCH NL PRO II	1
6	022244	1/4 HEAT SHRINK x 1.0	1
7	022347	TERM RING 10-12 AWG 5/16	2

## 4.12 - Vertical Tower Switch Panel

SN 0001PRO2V15 and UP



103324\_F

# Night-Lite ProII™

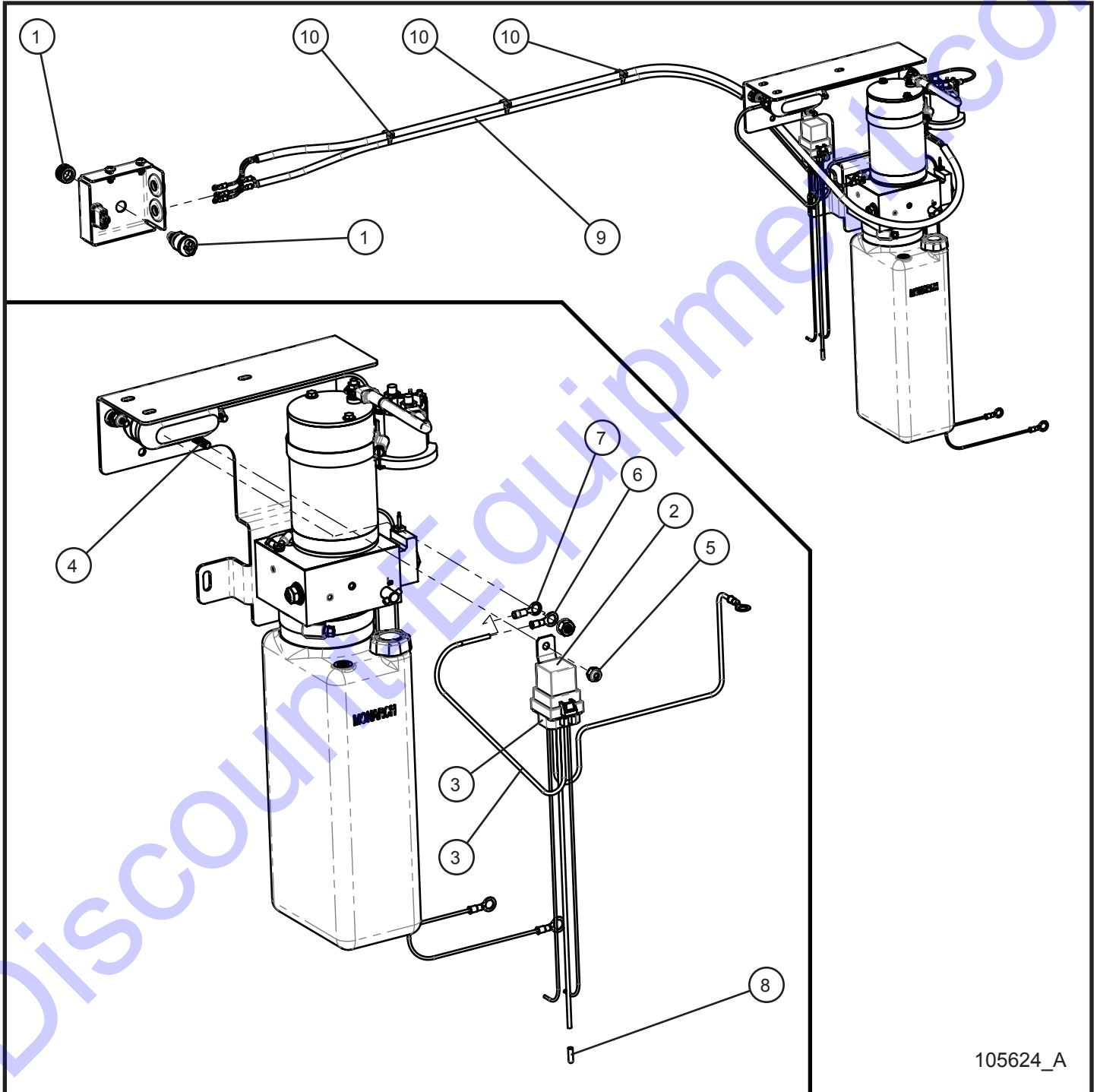
## 4.12 - Vertical Tower Switch Panel

SN 0001PRO2V15 and UP

Item	Part No.	Part Description	Qty.
1	102947P	CONTROL BRACKET VERTICAL TOWER	1
2	102453	TOGGLE SWITCH SINGLE POLE	1
3	100859	7/8 ID x 1 1/4 OD GROMMET	2
4	105215	SWITCH CORD BUCHER VERTICAL HYDRAULIC	1
5	047009	1/4 FLAT WASHER SAE SS	2
6	044021	1/4-20 KEPS HEX NUT PL	2
7	041050	1/4-20 x 3/4 PH-TRUSS HEAD MS SS MACHINE SCREW	2
NS	105935	SCHEMATIC VERTICAL UP/DOWN MOMENTARY	1

## 4.13 - Vertical Tower Momentary Switch Panel w/ Relay

SN 0001PRO2V15 and UP



# Night-Lite ProII™

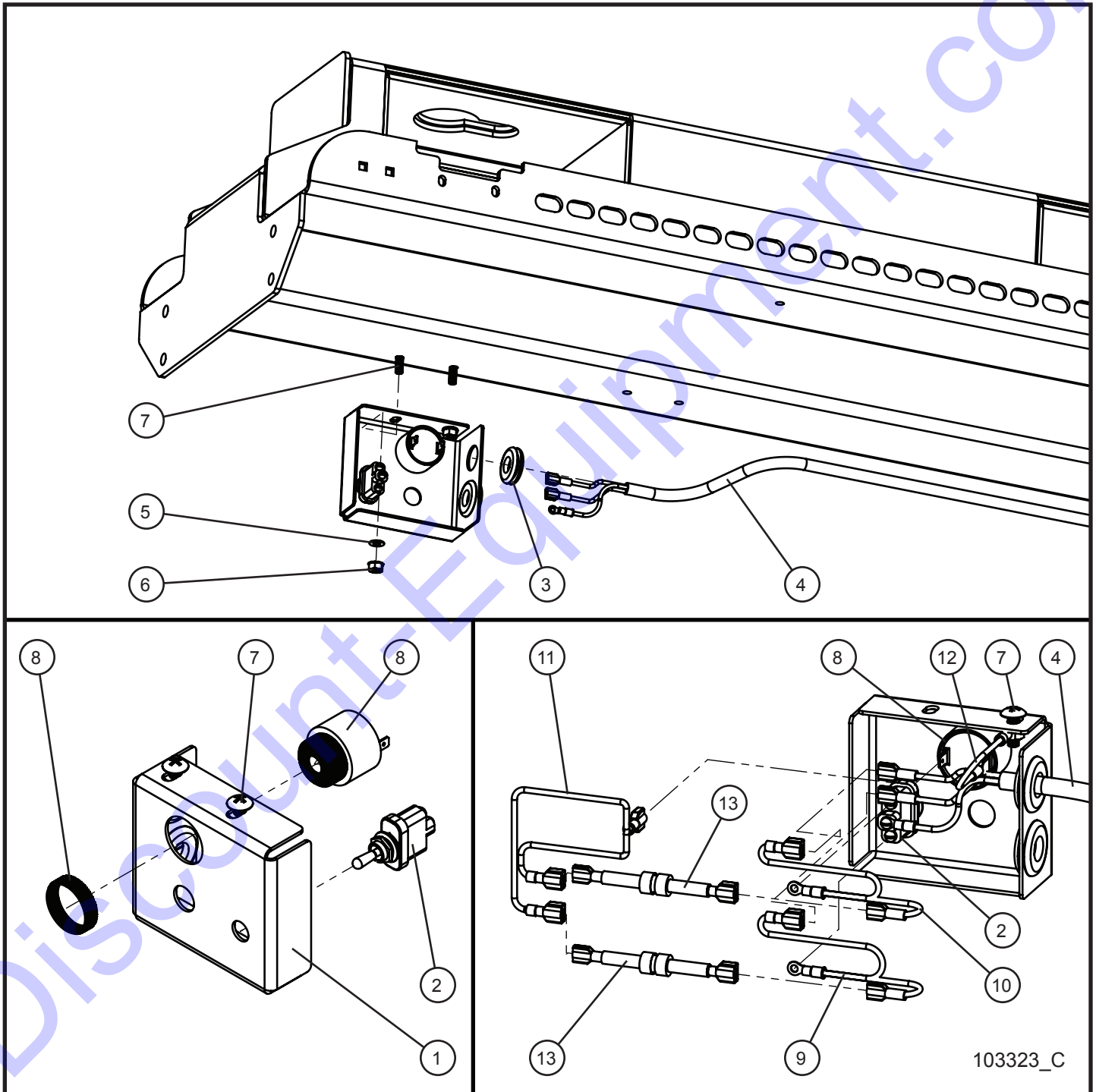
## 4.13 - Vertical Tower Momentary Switch Panel w/ Relay

SN 0001PRO2V15 and UP

Item	Part No.	Part Description	Qty.
1	105172	SWITCH MOMENTARY 35AMP 12VDC	1
2	105173	RELAY 12VDC 150 AMP INRUSH	1
3	105174	RELAY BLOCK WEATHER PACK	1
4	046015	1/4-20 x 1 HEX HEAD CS GR5 PL	1
5	044023	1/4-20 NYLOCK HEX NUT PL	1
6	022347	TERM RING 10-12 AWG 5/16	2
7	022418	TERM RING 14-16 AWG 5/16	1
8	022244	1/4 HEAT SHRINK x 1.0	1
9	105934	CORD RELAY MOMENTARY SWITCH	1
10	068090	CABLE TIE 8"	4
11	106154	SCHEMATIC HYDRAULIC PUMP W/ PUSH SWITCH	1

## 4.14 - Vertical Tower Switch Panel w/ Alarm

SN 0001PRO2V15 and UP



103323\_C

# Night-Lite ProII™

## 4.14 - Vertical Tower Switch Panel w/ Alarm

SN 0001PRO2V15 and UP

Item	Part No.	Part Description	Qty.
1	102947P	CONTROL BRACKET VERTICAL TOWER	1
2	102453	TOGGLE SWITCH SINGLE POLE	1
3	100859	7/8 ID x 1 1/4 OD GROMMET	2
4	105930	SWITCH CORD BUCHER VERTICAL HYDRAULIC	1
5	047009	1/4 FLAT WASHER SAE SS	2
6	044021	1/4-20 KEPS HEX NUT PL	2
7	041050	1/4-20 x 3/4 PH-TRUSS HEAD MS SS MACHINE SCREW	2
8	921255	AUDIBLE ALARM	1
9	105926	WIRE WHITE JUMPER UP/DOWN ALARM VERTICAL SWITCH	1
10	105927	WIRE BLACK JUMPER UP/DOWN ALARM VERTICAL SWITCH	1
11	105928	WIRE BLACK/WHITE UP/DOWN ALARM VERTICAL SWITCH	1
12	105929	WIRE GROUND UP/DOWN ALARM VERTICAL TOWER	1
13	713002	DIODE ASSEMBLY	2
14	105936	SCHEMATIC VERTICAL UP/DOWN MOMENTARY	1