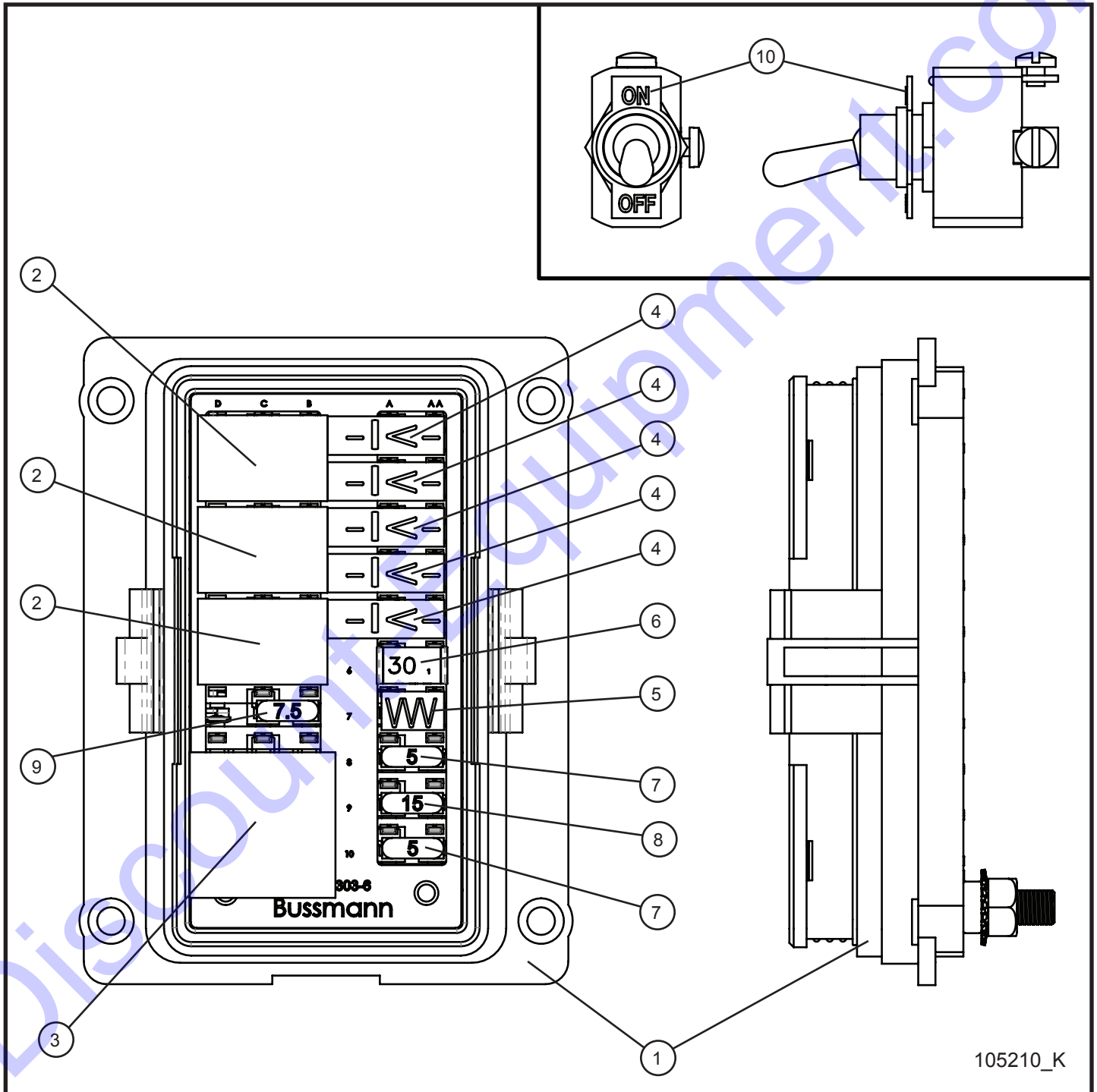


5.4 - LSC Harness Control Panel

SN 39-000001 and UP



105210_K

Night-Lite V-Series

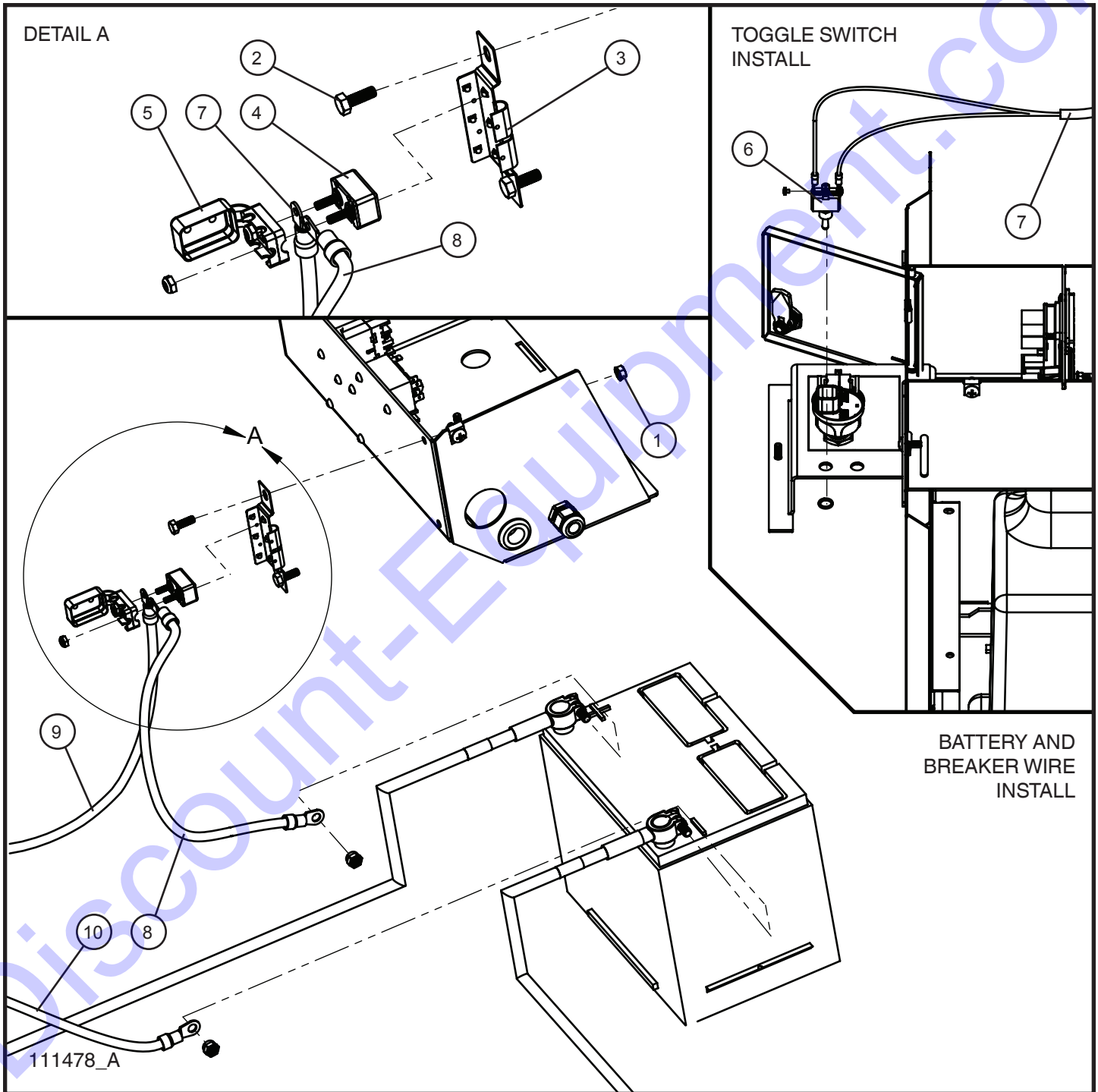
5.4 - LSC Harness Control Panel

SN 39-000001 and UP

Item	Part No.	Part Description	Qty.
--	105210	HARNESS LSC CONTROL PANEL COMPLETE	1
1	105199	BUSSMANN 45 PIN BOARD MODULE	1
2	105201	35 AMP SPST RELAY	3
3	105202	50 AMP SPST RELAY	1
4	105203	BLOCKING DIODE KEYED	5
5	105204	RESISTOR 68OHM	1
6	105832	CIRCUIT BREAKER 30A	1
7	105843	5A MINI FUSE	2
8	105844	15A MINI FUSE	1
9	105876	7.5A MINI FUSE	1
10	101067	SPST SWITCH	1

5.5 - Electric Winch Control

SN 39-00001 and UP



Night-Lite V-Series

5.5 - Electric Winch Control

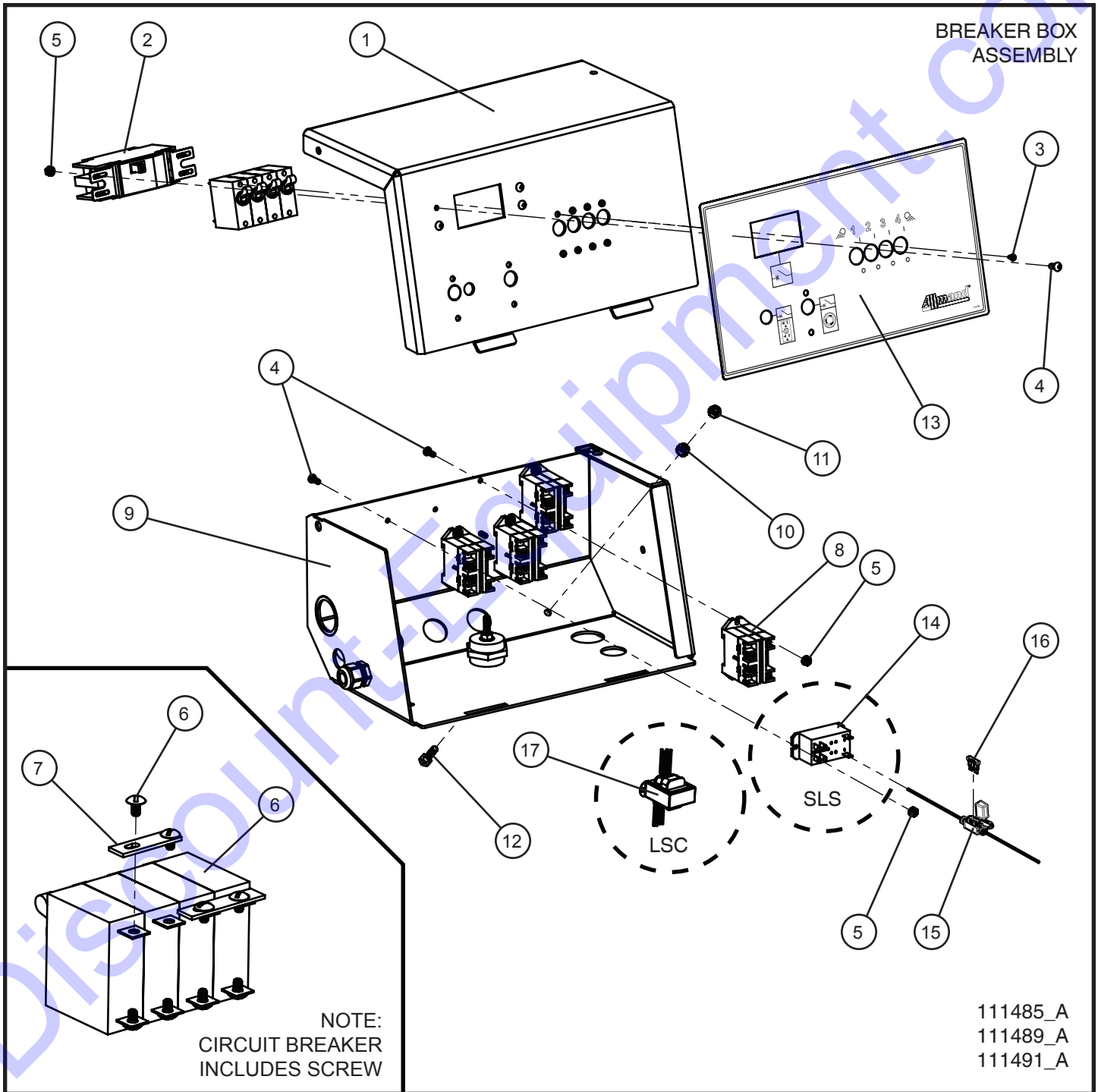
SN 39-000001 and UP

Item	Part No.	Part Description	Qty.
1	044021	1/4-20 KEPS HEX NUT PL	2
2	102573	1/4-20 x 3/4 HEX HEAD BOLT	2
3	112292	SHORT STOP BREAKER BRACKET	1
4	112290	50AMP 12V SHORT STOP CIRCUIT BREAKER	1
5	102698	RED BOOT CIRCUIT BREAKER COVER	1
6	102453	TOGGLE SWITCH SINGLE POLE	1
7	112366	16/2 ELECTRIC WINCH TO TOGGLE SWITCH CORD	1
8	112364	BATTERY TO SHORT STOP BREAKER RED 6 AWG WIRE	1
9	110046	ELECTRIC WINCH TO SHORT STOP BREAKER RED 6 AWG WIRE	1
10	112277	ELECTRIC WINCH TO BATTERY BLACK 6 AWG WIRE	1
NS	110117	SCHEMATIC ELECTRIC WINCH	1

*NS - NOT SHOWN

5.6 - Circuit Breaker Box (1 of 2)

SN 39-00001 and UP



Night-Lite V-Series

5.6 - Circuit Breaker Box (1 of 2)

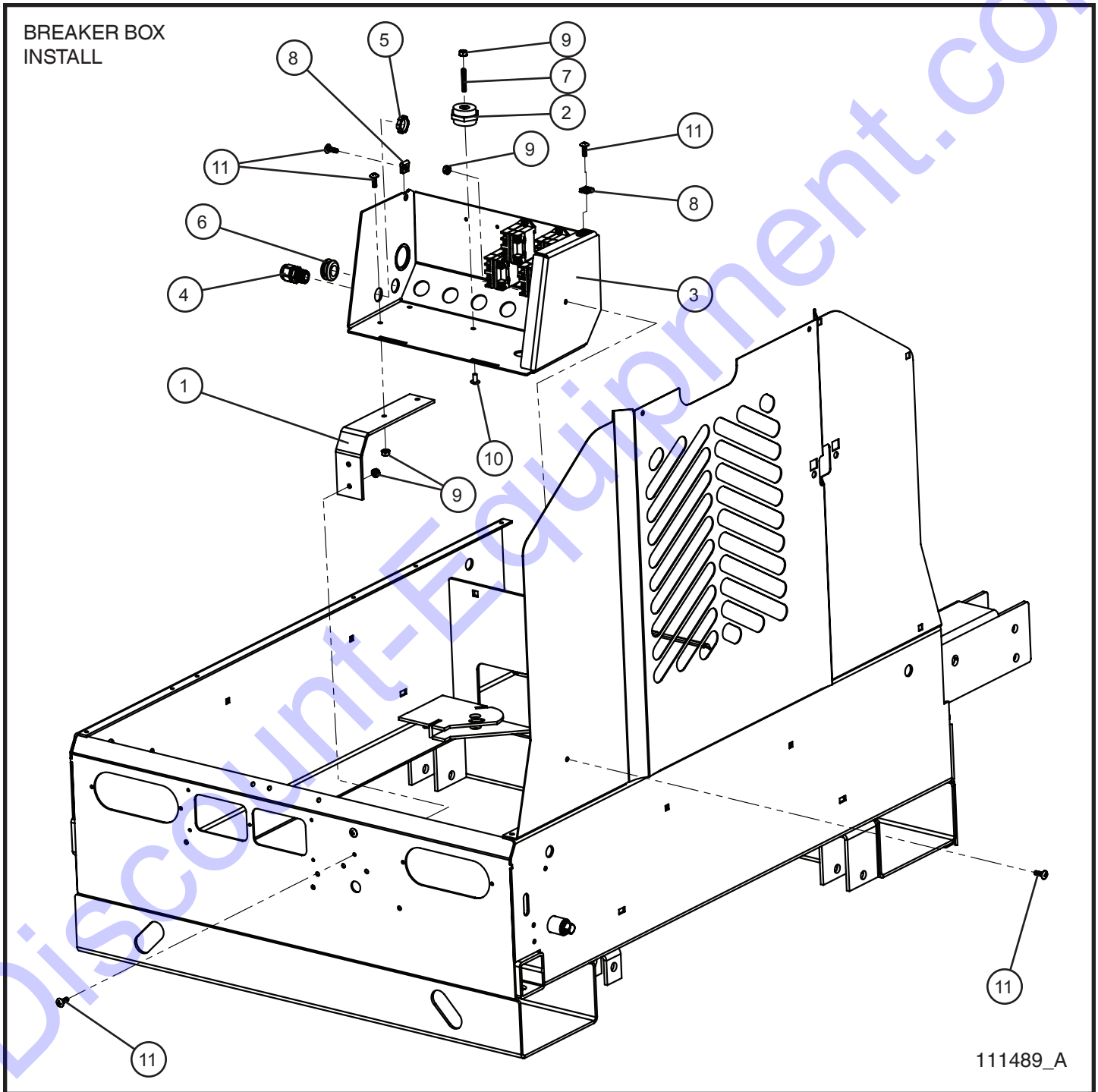
SN 39-000001 and UP

Item	Part No.	Part Description	Qty.
1	111431P	CIRCUIT BREAKER BOX PANEL	1
2	350354	35 AMP DOUBLE POLE BREAKER	1
3	041018	#6-32 x 1/4 PH-ROUND HEAD MS PL MACHINE SCREW	8
4	041012	SCREW MS #8-32 x 1/2 PL	14
5	044003	#8-32 NC KEPS NUT	14
6	330458	15 AMP SPST BREAKER SWITCH	4
7	620560	BUSS BAR	2
8	109025	RELAY 277VAC 30 AMP 12VDC COIL	4
9	111430P	CIRCUIT BREAKER BOX	1
10	044021	1/4-20 KEPS HEX NUT PL	1
11	044023	1/4-20 NYLOCK HEX NUT PL	1
12	046015	1/4-20 x 1 HEX HEAD CS GR5 PL	1
13	110299	DECAL BREAKER BOX	1
14	105219	RELAY 30 AMP	1
15	103864	FUSE HOLDER INLINE BLADE	1
16	104990	FUSE BLADE 2 AMP ATO/ATC	1
17	108057	POWER FILAMENT 266 SERIES	1
NS	112035	SCHEMATIC MAIN BREAKER TO LIGHT	1

*NS - NOT SHOWN

5.6 - Circuit Breaker Box (2 of 2)

SN 39-000001 and UP



Night-Lite V-Series

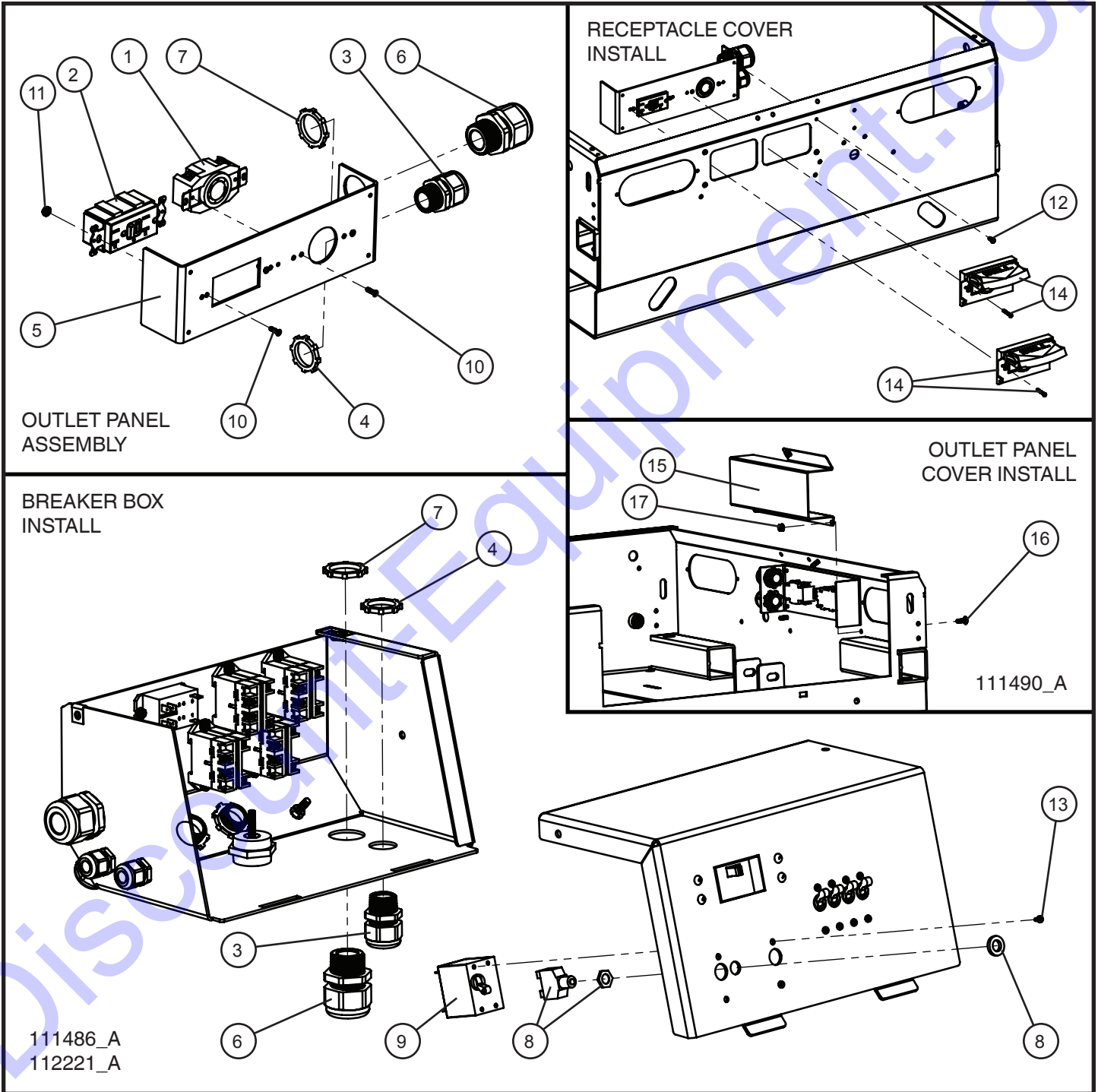
5.6 - Circuit Breaker Box (2 of 2)

SN 39-000001 and UP

Item	Part No.	Part Description	Qty.
1	111429P	CIRCUIT BREAKER BOX MOUNT	1
2	106318	LOW VOLTAGE INSULATOR 1-1/4", 1/4-20	1
3	111430P	CIRCUIT BREAKER BOX	1
4	105626	CORD GRIP 1/2" NYLON BLACK	1
5	022035	1/2 CORD GRIP NUT	1
6	330463	11/16 RUBBER GROMMET	1
7	045003	1/4-20 x 1-1/2 STUD PL	1
8	045216	1/4-20 TINNERMAN NUT	2
9	044021	1/4-20 KEPS HEX NUT PL	6
10	041078	1/4-20 x 1/2 PH-TRUSS HEAD MS SS	1
11	041050	1/4-20 x 3/4 PH-TRUSS HEAD MS SS MACHINE SCREW	7

5.7 - 20A GFCI and 30A Twistlock Outlets Install Group

SN 39-000001 and UP



Night-Lite V-Series

5.7 - 20A GFCI and 30A Twistlock Outlets Install Group

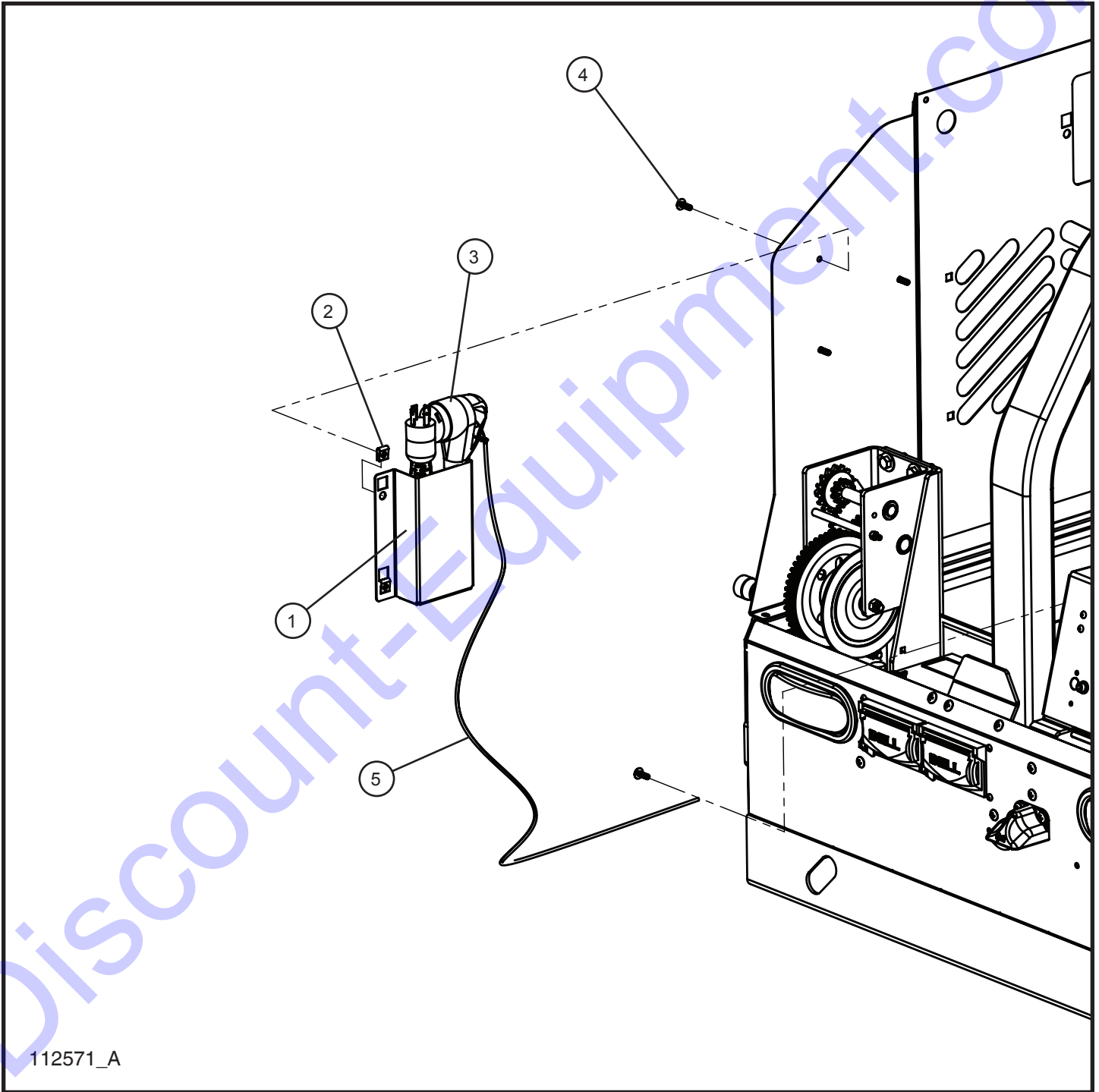
SN 39-000001 and UP

Item	Part No.	Part Description	Qty.
1	653102	4-PRONG 30A 125-250V TWISTLOCK RECEPTACLE	1
	330491	3-PRONG 30A 250V TWISTLOCK RECEPTACLE	1
2	330499	20A GFCI RECEPTACLE	1
3	105916	3/4" CORD GRIP NYLON	2
4	022036	3/4" CORD GRIP NUT	2
5	111476P	OUTLET PANEL	1
6	105627	1" CORD GRIP NYLON	2
7	022038	1" CORD GRIP NUT	2
8	650138	CIRCUIT BREAKER 20A PUSH BUTTON	1
9	330456	30A DPST CIRCUIT BREAKER	1
10	041259	#6-32 x 1/2 PH-FLAT HEAD MS PL	4
11	044004	#6-32 KEPS HEX NUT PL	4
12	041021	#10-24 x 1/2 PH-ROUND HEAD MS PL	4
13	041018	#6-32 x 1/4 PH-ROUND HEAD MS PL	2
14	112278	HORIZONTAL WEATHERPROOF COVER	2
15	111477P	OUTLET PANEL COVER	1
16	041050	1/4-20 x 3/4 PH-TRUSS HEAD MS SS MACHINE SCREW	3
17	044021	1/4-20 KEPS HEX NUT PL	3
NS	112037	1-GFCI, 1-30A OUTLET PANEL SCHEMATIC	1
NS	110439	CORD 10/4 240V TWISTLOCK	1
NS	110438	CORD 12/3 GFCI OUTLET	1

*NS - NOT SHOWN

5.8 - 30A RV Plug Adapter

SN 39-000001 and UP



112571_A

Night-Lite V-Series

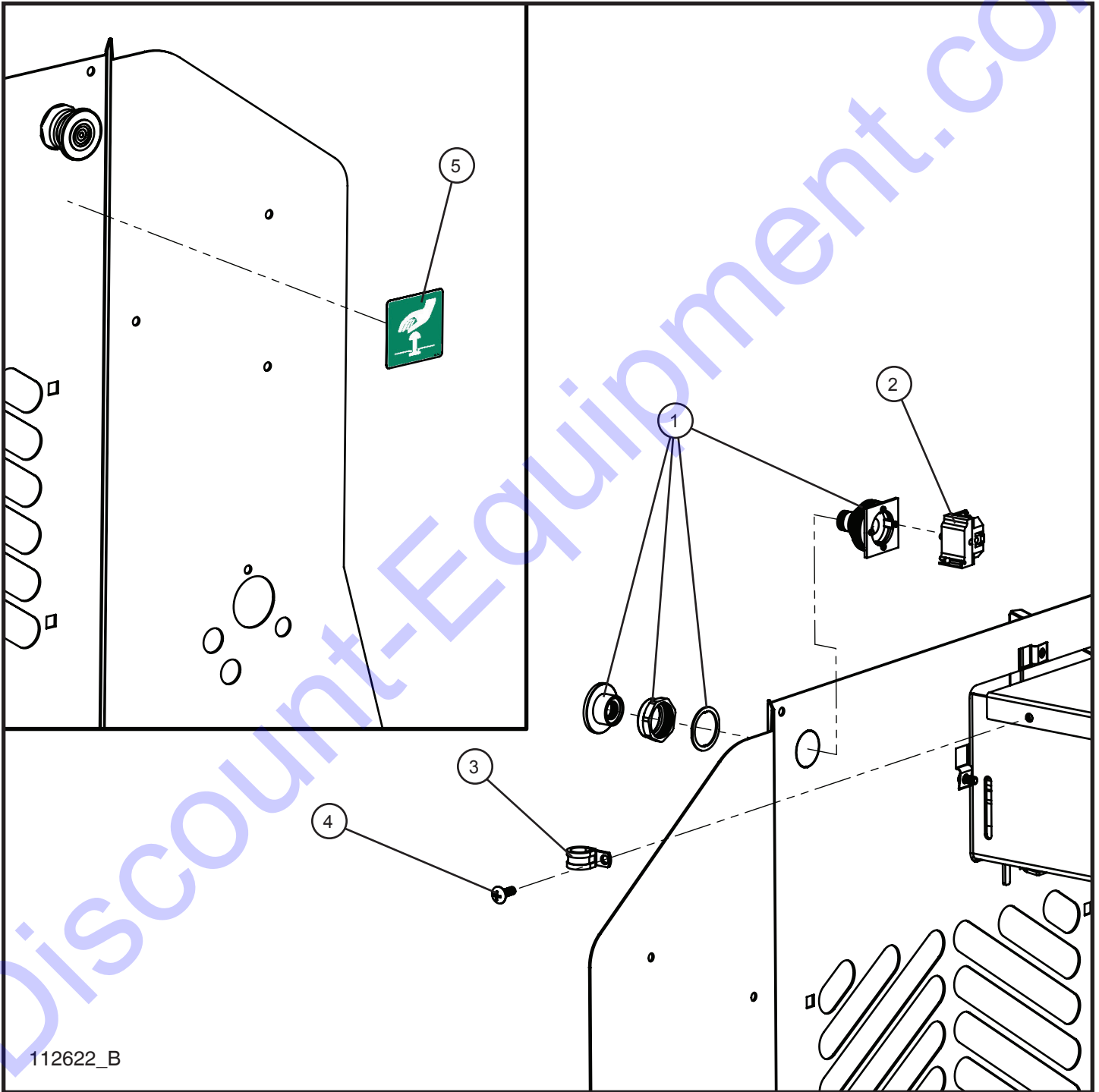
5.8 - 30A RV Plug Adapter

SN 39-000001 and UP

Item	Part No.	Part Description	Qty.
1	112403P	RV PLUG ADAPTER TRAY	1
2	045216	1/4-20 TINNEMAN NUT	3
3	112400	RV PLUG ADAPTER	1
4	041050	1/4-20 x 3/4 PH-TRUSS HEAD MACHINE SCREW	3
5	112402	LANYARD 36 INCHES	1

5.9 - Emergency Stop

SN 39-000001 and UP



112622_B

Night-Lite V-Series

5.9 - Emergency Stop

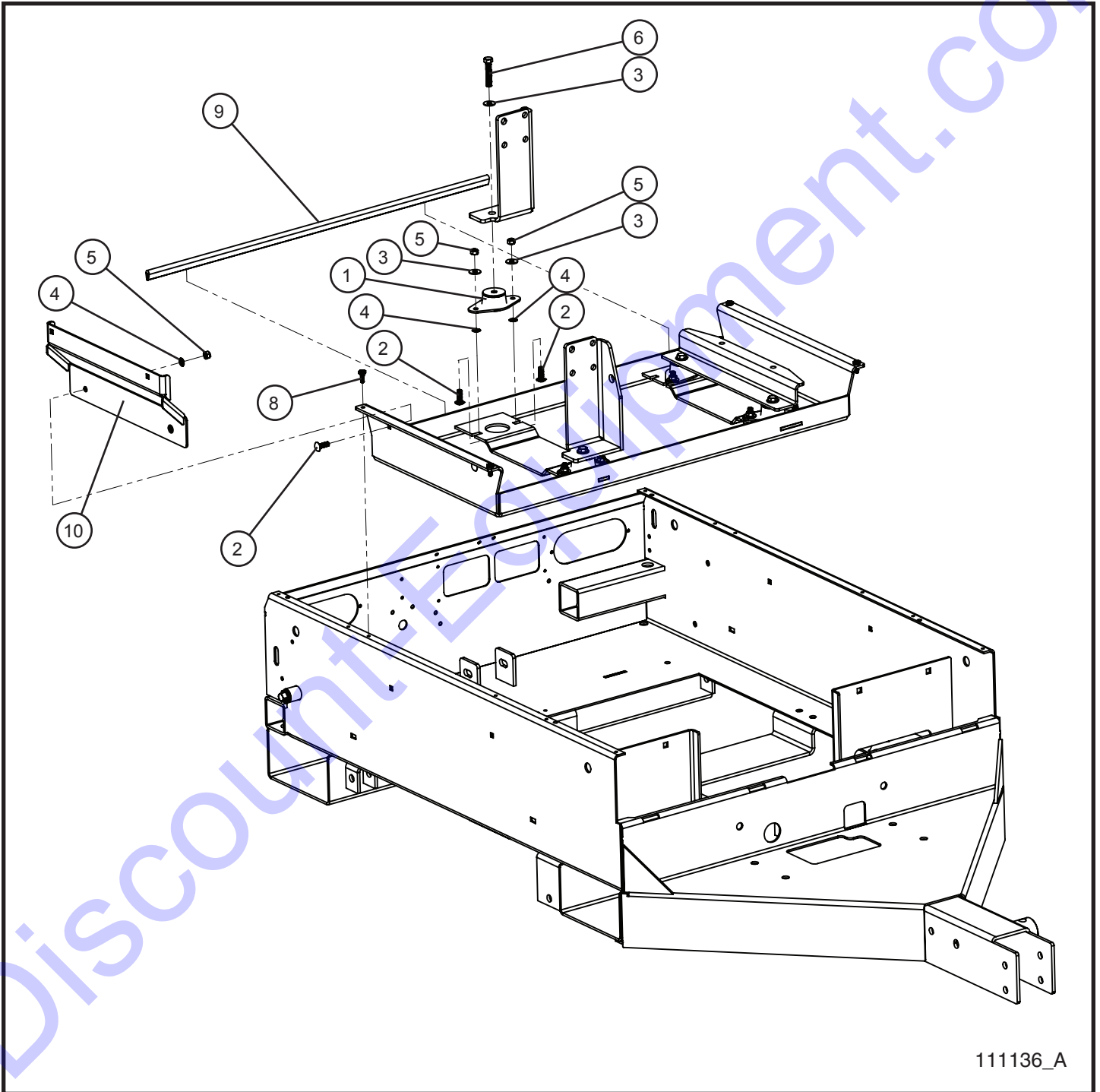
SN 39-000001 and UP

Item	Part No.	Part Description	Qty.
1	650460	EMERGENCY STOP OPERATOR BUTTON	1
2	650461	EMERGENCY STOP CONTACT BLOCK	1
3	022021	#10 CUSH CLAMP	1
4	041050	1/4-20 x 3/4 PH-TRUSS HEAD MS SS MACHINE SCREW	1
5	105567	EMERGENCY STOP DECAL	1
NS	108867	EMERGENCY STOP SCHEMATIC	1
NS	105991	EMERGENCY STOP WIRE HARNESS	1

*NS - NOT SHOWN

6.1 - Engine Mounting Group

SN 39-000001 and UP



111136_A

Night-Lite V-Series

6.1 - Engine Mounting Group

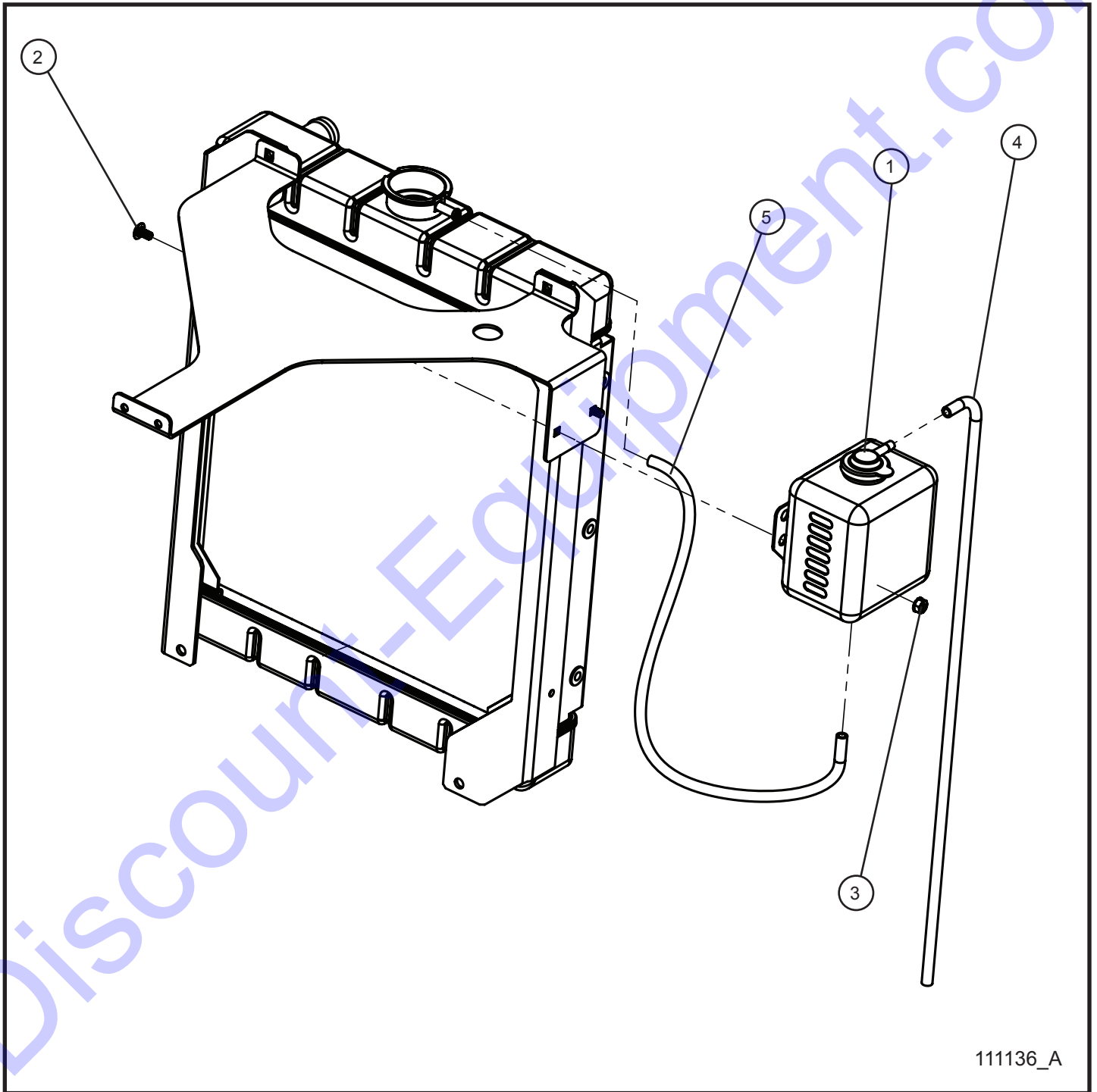
SN 39-000001 and UP

Item	Part No.	Part Description	Qty.
1	107028	ENGINE ISOLATOR THREADED MOUNT LIGHT DUTY	4
2	053020	5/16-18 x 1 CARRIAGE BOLT PL	10
3	047010	5/16 FLAT WASHER PL	12
4	045217	5/16 PUSH NUT	10
5	044033	5/16-18 NYLOCK HEX NUT PL	10
6	046133	3/8-16 x 2 HEX HEAD CS GR8 PL	4
7	109857	ENGINE TRAY	1
8	041070	1/4-20-3/4 SLOTTED HEX WASHER HEAD MS TP F	4
9	030054	TRIMLOK 3/16 x 3/4 x 32.00	1
10	110393P	LOWER RADIATOR LOWER	1
NS	112724	LIGHT DUTY ENGINE MOUNT SERVICE KIT	1

*NS - NOT SHOWN

6.2 - Coolant Reservoir Tank

SN 39-000001 and UP



111136_A

Night-Lite V-Series

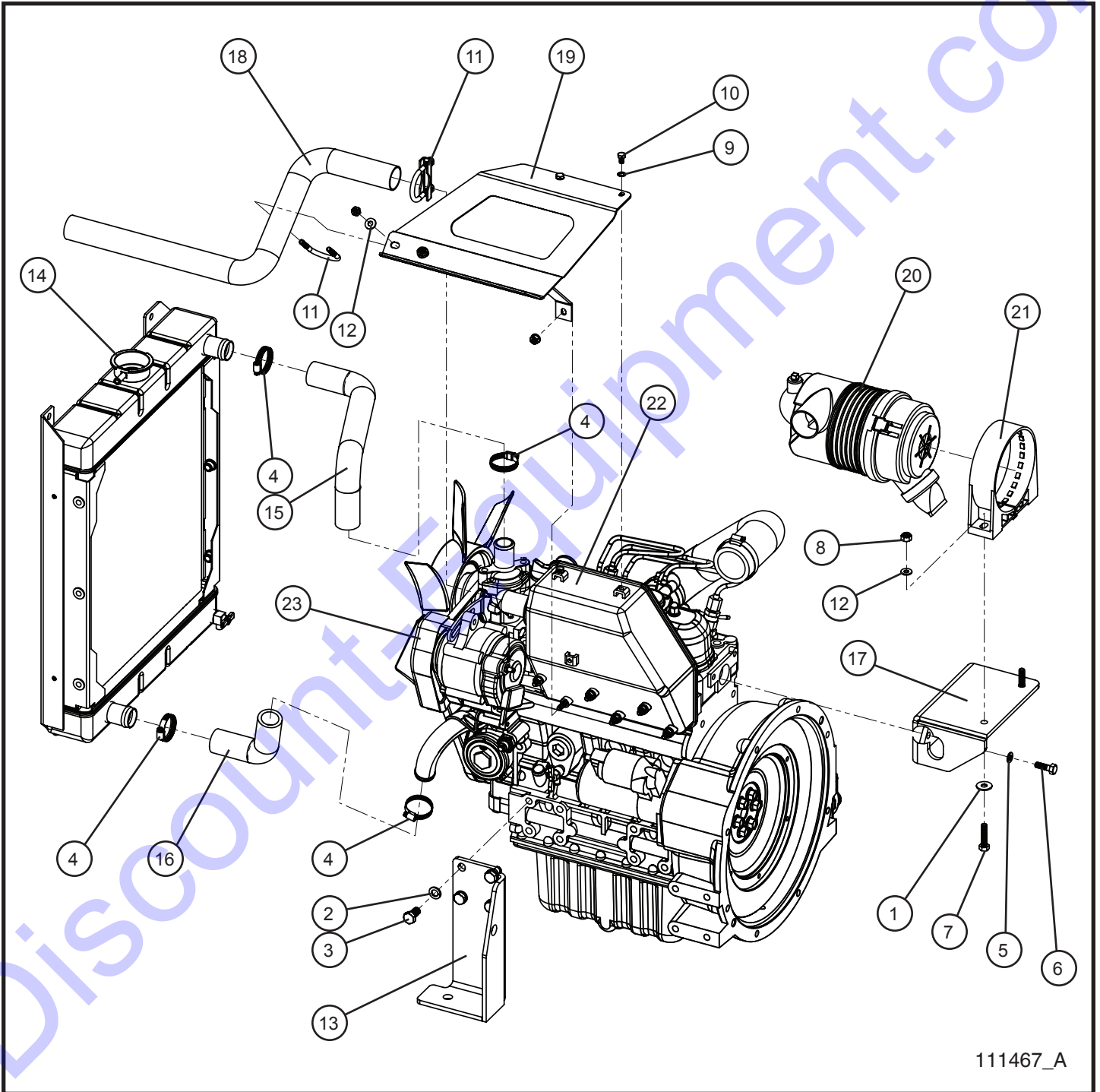
6.2 - Coolant Reservoir Tank

SN 39-000001 and UP

Item	Part No.	Part Description	Qty.
1	650027	RESERVOIR WITH BRACKET	1
2	053005	1/4-20 x 1/2 CARRIAGE BOLT PL	2
3	044021	1/4-20 KEPS HEX NUT PL	2
4	102268	COOLANT HOSE 1/4 x 44.0	1
5	102268	COOLANT HOSE 1/4 x 28.0	1

6.3 - Kubota Engine Assembly Group (1 of 3)

SN 39-00001 and UP



111467_A

Night-Lite V-Series

6.3 - Kubota Engine Assembly Group (1 of 3)

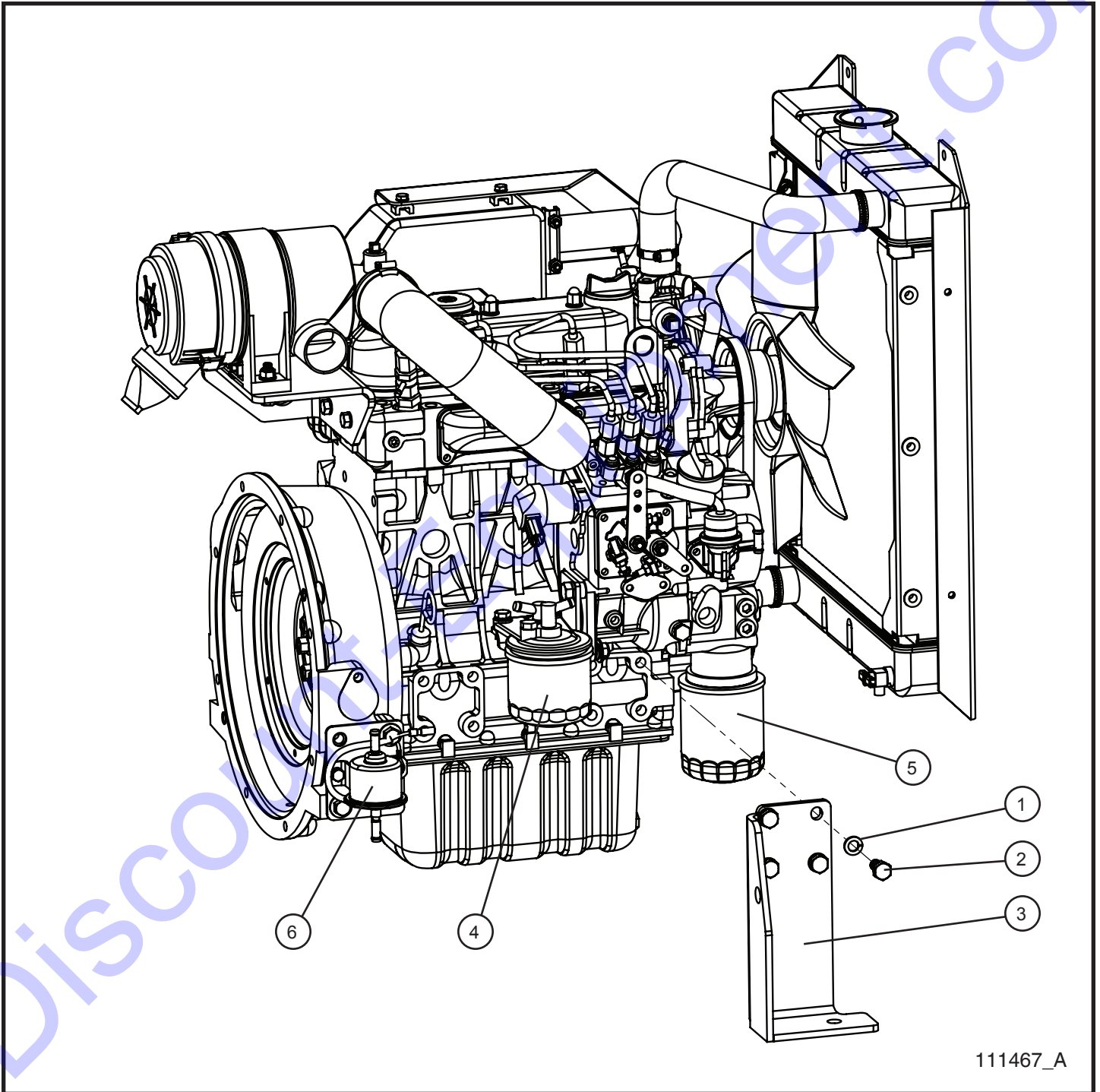
SN 39-000001 and UP

Item	Part No.	Part Description	Qty.
1	047010	5/16 FLAT WASHER PL	8
2	042151	M10 SPLIT LOCK WASHER PL	4
3	042038	M10 x 20MM x 1.25MM HEX HEAD CS GR 8.8 PL	4
4	045034	#16 HOSE CLAMP	4
5	102131	M8 SPLIT LOCK WASHER PL	2
6	042031	M8 x 25MM x 1.25 HEX HEAD CS GR8.8 PL	2
7	102127	8MM x 35MM x 1.25 HEX GR 8.8 PLATED	2
8	042081	M8 x 1.25MM NYLOCK HEX NUT PL METRIC	2
9	043050	1/4 INTL TOOTH LOCK WASHER	2
10	042018	M6 x 1.0MM x 10MM HEX HEAD CS GR 8.8 PL	2
11	713086	1 3/8 MUFFLER CLAMP	2
12	047005	1/4 FLAT WASHER	4
13	103470P	BRACKET ENGINE FOOT RIGHT WELDMENT KUBOTA	1
14	105393	RADIATOR KUBOTA	1
15	107119	RADIATOR HOSE UPPER KUBOTA	1
16	107120	RADIATOR HOSE LOWER KUBOTA	1
17	107356P	MOUNT WELDED AIR FILTER	1
18	109800	TAIL PIPE KUBOTA	1
19	103579P	TAILPIPE MOUNT D1105 NL PRO II	1
20	650262	AIR CLEANER RADIAL SEAL	1
	650290	AIR FILTER	1
21	650263	MOUNTING BAND AIR CLEANER	1
22	352139	BOX MUFFLER	1
23	104479	ENGINE D1005 NRTC/NTE KUBOTA	1
NS	045038	#32 HOSE CLAMP	2
NS	101734	AIR CLEANER HOSE KUBOTA D1005/D1105	1
NS	107347	RADIATOR KIT KUBOTA (INCLUDES PART NUMBERS 105393, 107119, & 107120)	1
NS	108043	HARNESS KUBOTA	1
NS	105875	KUBOTA CHARGE CIRCUIT FUSE	1
NS	108044	KUBOTA ENGINE HARNESS SCHEMATIC	1

*NS - NOT SHOWN

6.3 - Kubota Engine Assembly Group (2 of 3)

SN 39-00001 and UP



111467_A

Night-Lite V-Series

6.3 - Kubota Engine Assembly Group (2 of 3)

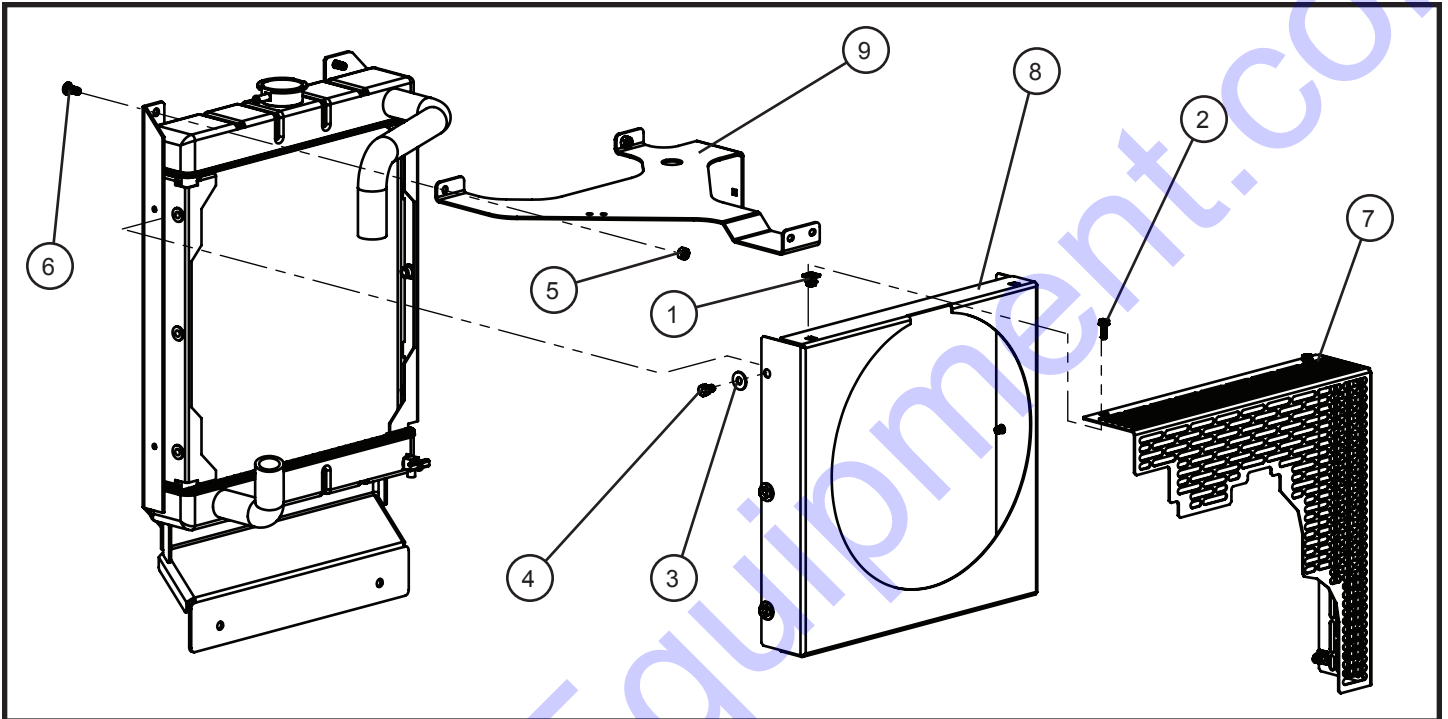
SN 39-000001 and UP

Item	Part No.	Part Description	Qty.
1	042151	M10 SPLIT LOCK WASHER PL	4
2	042038	M10 x 20MM x 1.25MM HEX HEAD CS GR 8.8 PL	4
3	103469P	BRACKET ENGINE FOOT LEFT WELDMENT KUBOTA	1
4	920745	FUEL FILTER	1
5	920743	OIL FILTER	1
6	103331	FUEL PUMP	1
NS	108962	KUBOTA FILTER KIT (INCLUDES PART NUMBERS 920745, 920743, & 650290)	1
NS	340302	HIGH TEMP SWITCH	1
NS	340301	OIL PRESSURE SWITCH	1
NS	920751	FUEL SHUT OFF SOLENOID	1

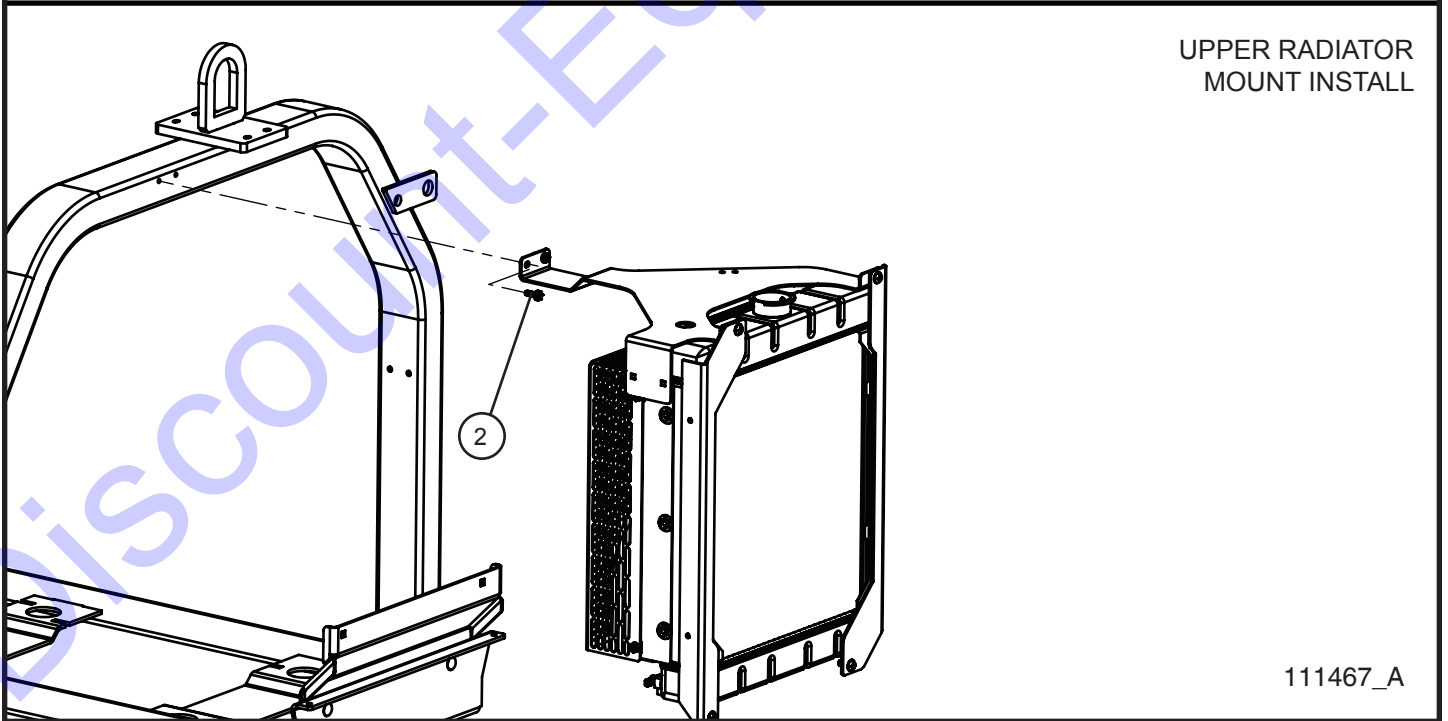
*NS - NOT SHOWN

6.3 - Kubota Engine Assembly Group (3 of 3)

SN 39-000001 and UP



UPPER RADIATOR
MOUNT INSTALL



111467_A

Night-Lite V-Series

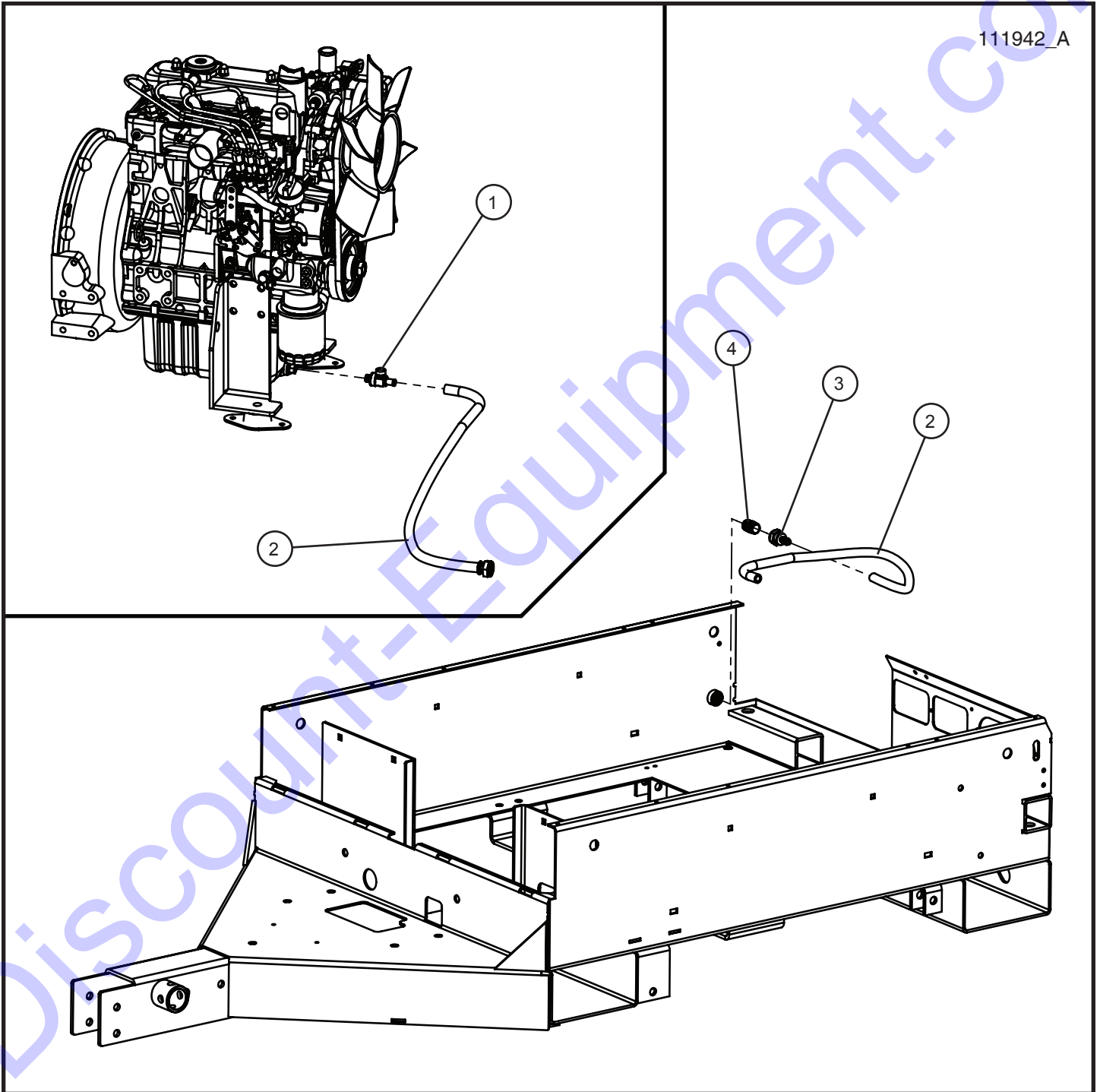
6.3 - Kubota Engine Assembly Group (3 of 3)

SN 39-000001 and UP

Item	Part No.	Part Description	Qty.
1	105408	GROMMET NUT DOUBLE SPLIT	4
2	041070	1/4-20 x 3/4 SL-HEX WASHER HEAD MS TP F	6
3	047010	5/16 FLAT WASHER PL	6
4	046046	5/16-18 x 1/2 HEX HEAD CS GR5 PL	6
5	044033	5/16-18 NYLOCK HEX NUT PL	4
6	041071	SCREW MACHINE PHILLIPS HEAD ROUND 5/16-18 x 3/4 PLATED	4
7	110318P	FINGER GUARD KUBOTA	1
8	107184P	FAN SHROUD SHORT JB RADIATOR	1
9	112413P	TOP RADIATOR MOUNT	1

6.4 - Kubota Oil Line

SN 39-000001 and UP



Night-Lite V-Series

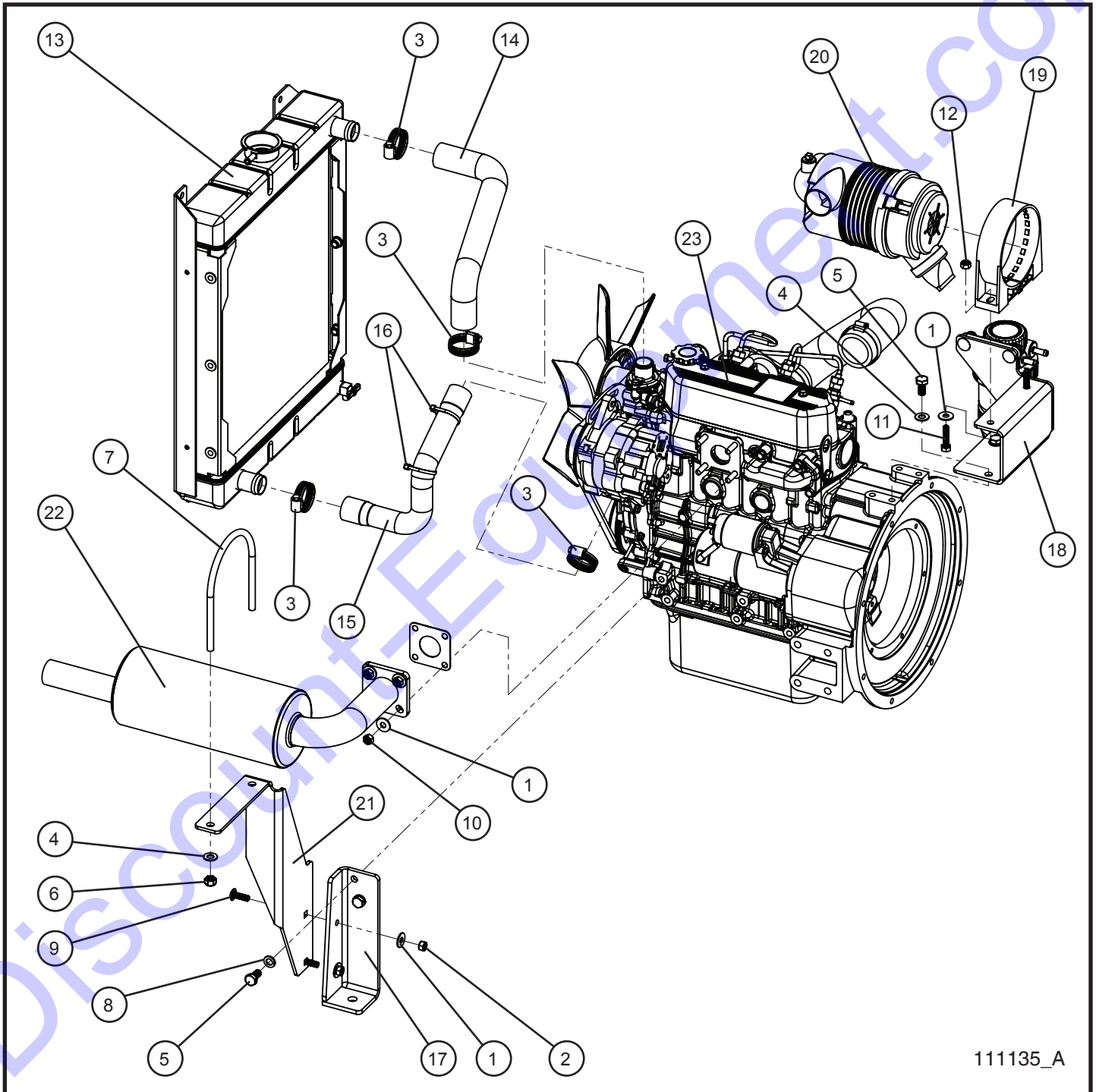
6.4 - Kubota Oil Line

SN 39-000001 and UP

Item	Part No.	Part Description	Qty.
1	848299	DRAIN VALVE M12 x 1.5 - 3/8 HOSE	1
2	081017	3/8 YELLOW FUEL HOSE x 26 INCHES	1
3	104865	3/8 HOSE x 1/2 NPT BARBED TO FEMALE	1
4	610215	1/2 NPT NIPPLE	1

6.5 - Mitsubishi Engine Assembly Group (1 of 4)

SN 39-00001 and UP



111135_A

Night-Lite V-Series

6.5 - Mitsubishi Engine Assembly Group (1 of 4)

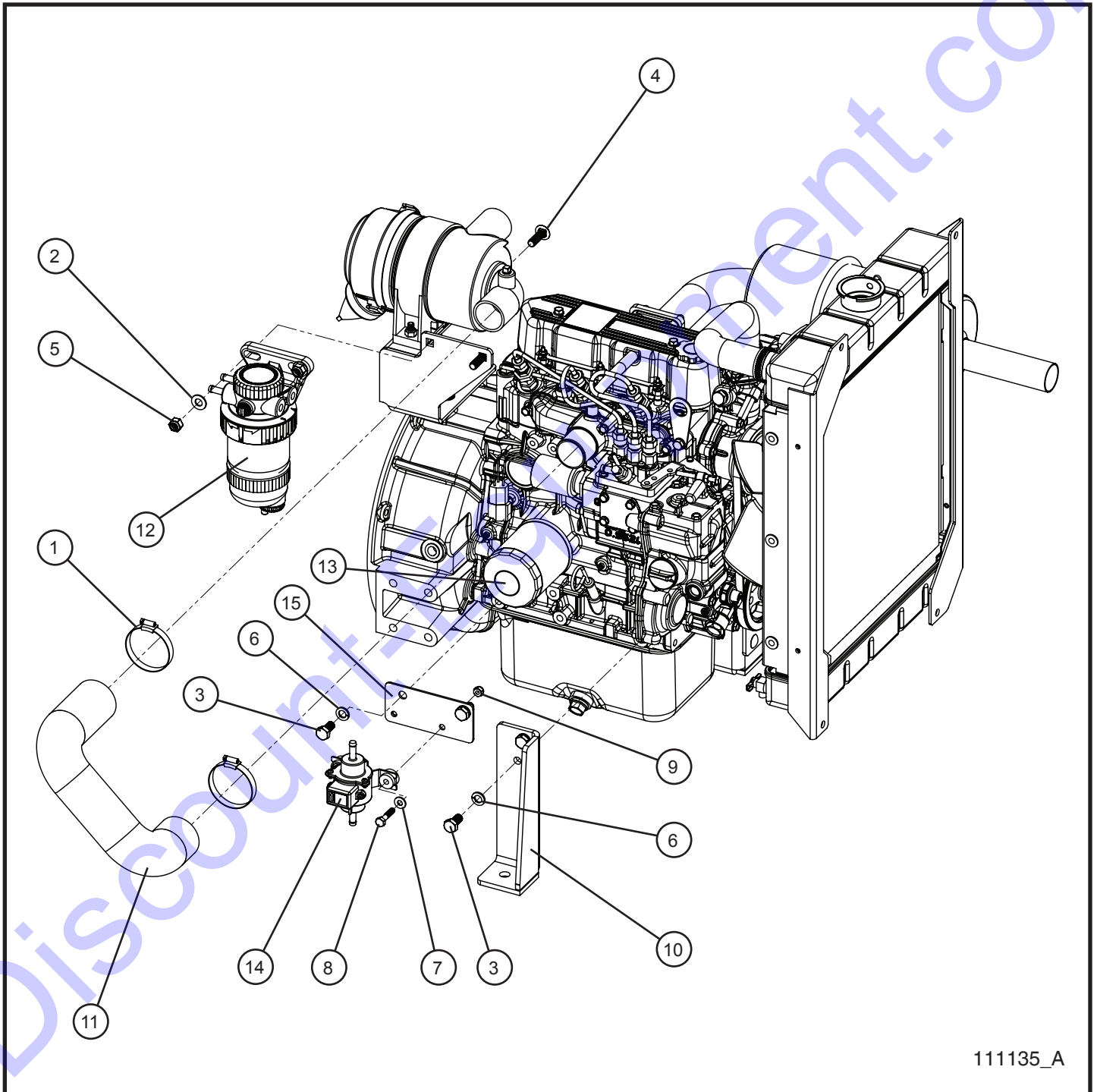
SN 39-000001 and UP

Item	Part No.	Part Description	Qty.
1	047010	5/16 FLAT WASHER PL	8
2	044033	5/16-18 NYLOCK HEX NUT PL	2
3	045035	#20 HOSE CLAMP	4
4	047016	3/8 FLAT WASHER SAE ZINC	4
5	042038	M10 x 20mm x 1.25mm HEX HEAD CS GR8.8 PL	4
6	044080	3/8-16 TOP LOCK HEX NUT PL	2
7	105744	4.75" MUFFLER U-BOLT	1
8	042151	M10 SPLIT LOCK WASHER PL	2
9	053020	5/16-18 x 1 CARRIAGE BOLT PL	2
10	042079	M8 x 1.25 GR8 TOP LOCK NUT	4
11	102127	8mm x 35mm x 1.25 HEX GR8.8 PLATED	2
12	042081	M8 x 1.25mm NYLOCK HEX NUT PL METRIC	2
13	105393	RADIATOR SMALL ENGINES 1.0L / 1.1L	1
14	108241	RADIATOR HOSE UPPER MITSUBISHI L3E	1
15	108435	RADIATOR HOSE LOWER MITSUBISHI L3E	1
16	068090	CABLE TIE 8	2
17	108239P	ENGINE BRACKET RIGHT WELDMENT	1
18	108690P	AIR CLEANER BRACKET WELDMENT NL5000	1
19	650263	MOUNTING BAND AIR CLEANER	1
20	650262	AIR CLEANER RADIAL SEAL	1
	650290	AIR FILTER	1
21	108246P	MUFFLER BRACKET	1
22	108245	MUFFLER MITSUBISHI L3E	1
23	108377	MITSUBISHI L3E TIER 4 FINAL ENGINE	1
NS	108311	SCHEMATIC ENGINE HARNESS	1
NS	108041	ENGINE HARNESS MISTUBISHI L3E	1
NS	108369	CHARGE CIRCUIT FUSE 40AMP	1

*NS - NOT SHOWN

6.5 - Mitsubishi Engine Assembly Group (2 of 4)

SN 39-000001 and UP



111135_A

Night-Lite V-Series

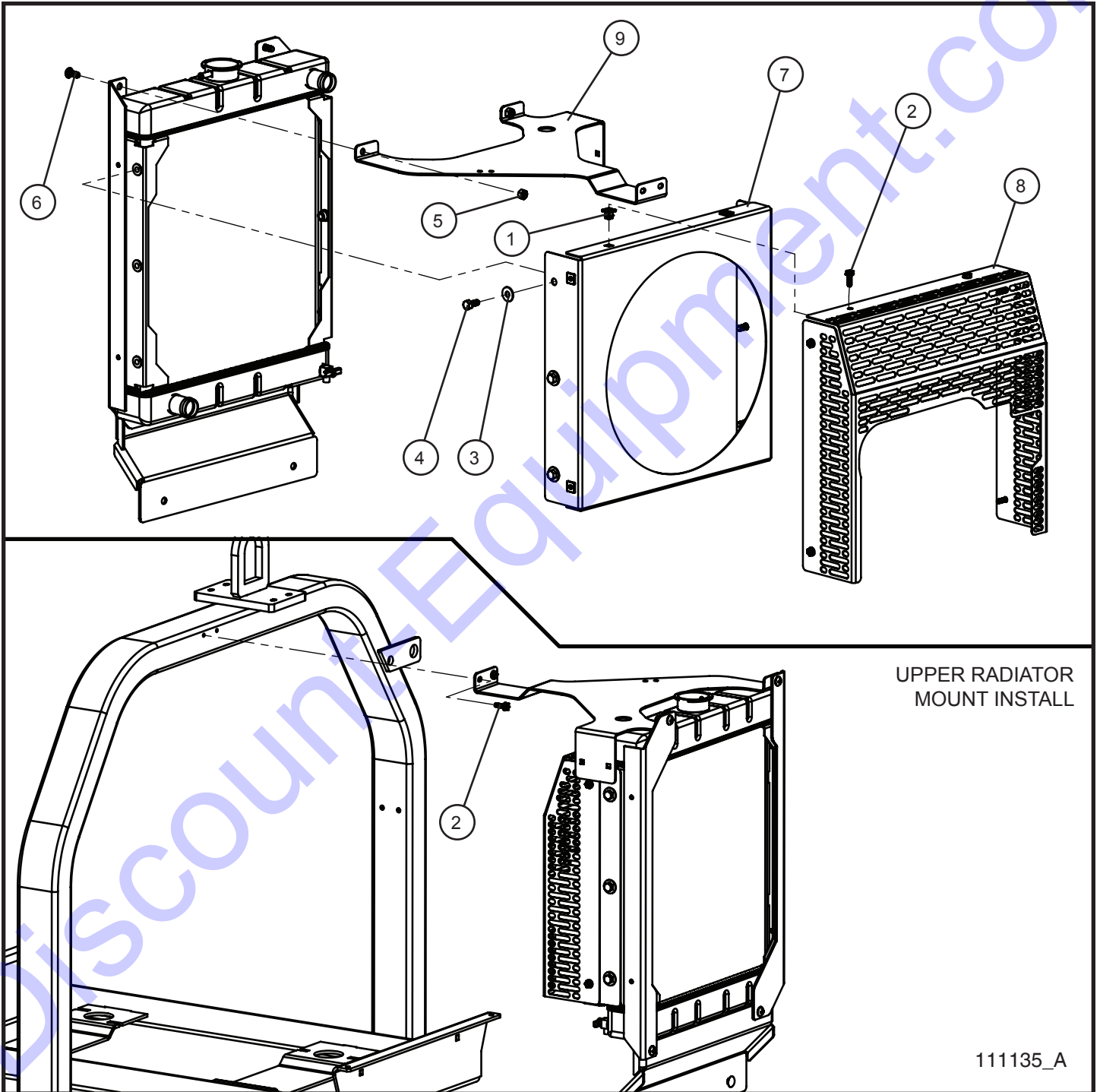
6.5 - Mitsubishi Engine Assembly Group (2 of 4)

SN 39-000001 and UP

Item	Part No.	Part Description	Qty.
1	045038	#32 HOSE CLAMP	2
2	047016	3/8 FLAT WASHER SAE ZINC	2
3	042038	M10 x 20mm x 1.25mm HEX HEAD CS GR8.8 PL	4
4	100670	3/8-16 x 1 1/4 CARRIAGE BOLT	2
5	044038	3/8-16 NYLOCK HEX NUT PL	2
6	042151	M10 SPLIT LOCK WASHER PL	4
7	047005	1/4 FLAT WASHER PL	2
8	046020	1/4-20 x 1 1/4 HEX HEAD CS GR5 PL	2
9	044023	1/4-20 NYLOCK HEX NUT PL	2
10	108266P	ENGINE BRACKET LEFT WELDMENT	1
11	101734	AIR INTAKE HOSE SMALL ENGINES	1
12	108430	FUEL FILTER	1
13	108429	OIL FILTER	1
14	108897	FUEL PUMP	1
15	108248P	FUEL PUMP BRACKET	1

6.5 - Mitsubishi Engine Assembly Group (3 of 4)

SN 39-000001 and UP



Night-Lite V-Series

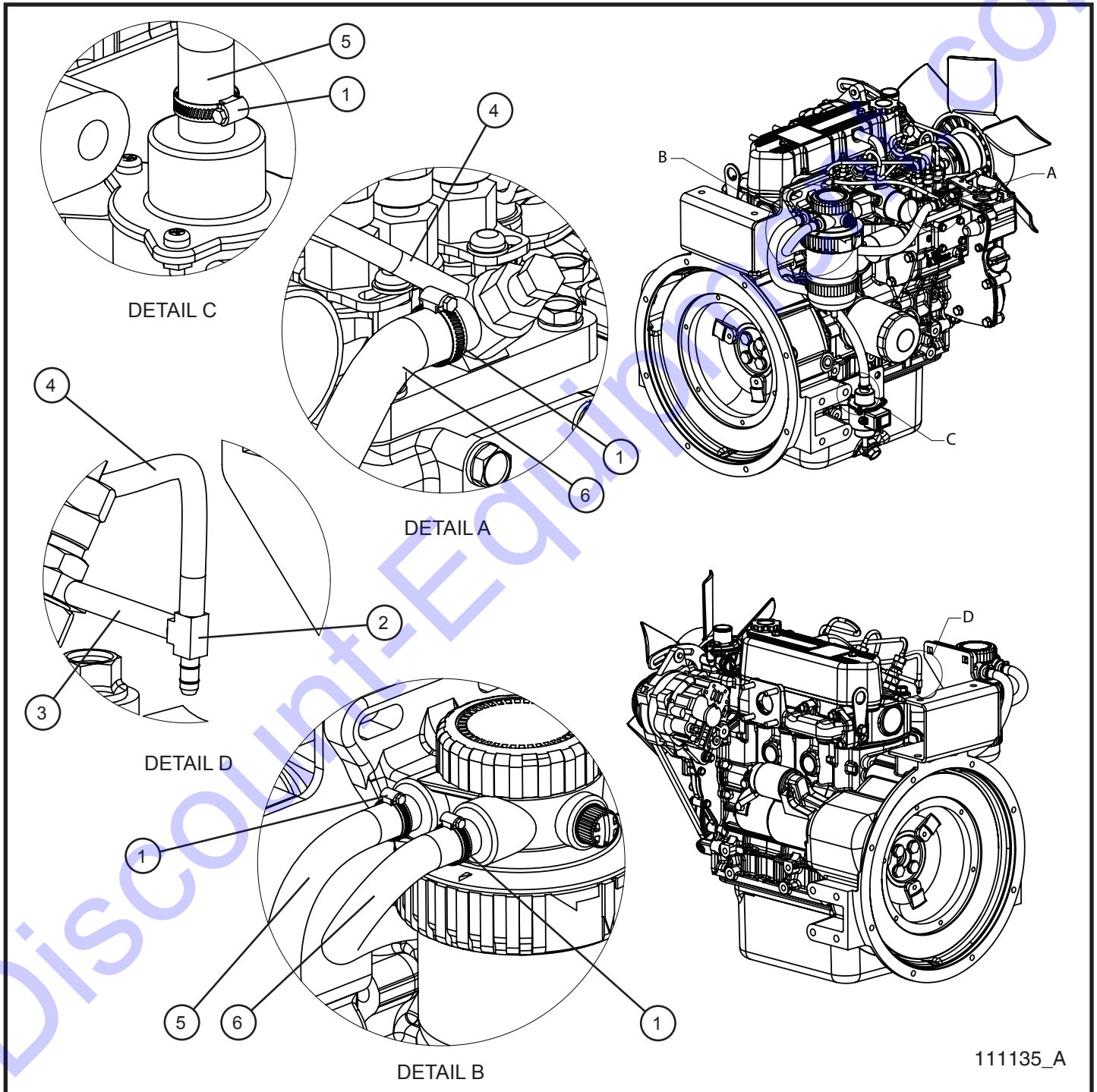
6.5 - Mitsubishi Engine Assembly Group (3 of 4)

SN 39-000001 and UP

Item	Part No.	Part Description	Qty.
1	105408	GROMMET NUT DOUBLE SPLIT	4
2	041070	1/4-20 x 3/4 SL-HEX WASHER HEAD MS TP F	6
3	047010	5/16 FLAT WASHER PL	6
4	046047	5/16-18 x 3/4 HEX HEAD CS GR5 PL	6
5	044033	5/16-18 NYLOCK HEX NUT PL	4
6	041071	SCREW MACHINE PHILLIPS HEAD ROUND 5/16-18 x 3/4 PLATED	4
7	108243P	FAN SHROUD MITSUBISHI L3E	1
8	110316P	FINGER GUARD MITSUBISHI L3E	1
9	112413P	UPPER RADIATOR MOUNT	1

6.5 - Mitsubishi Engine Assembly Group (4 of 4)

SN 39-00001 and UP



111135_A

Night-Lite V-Series

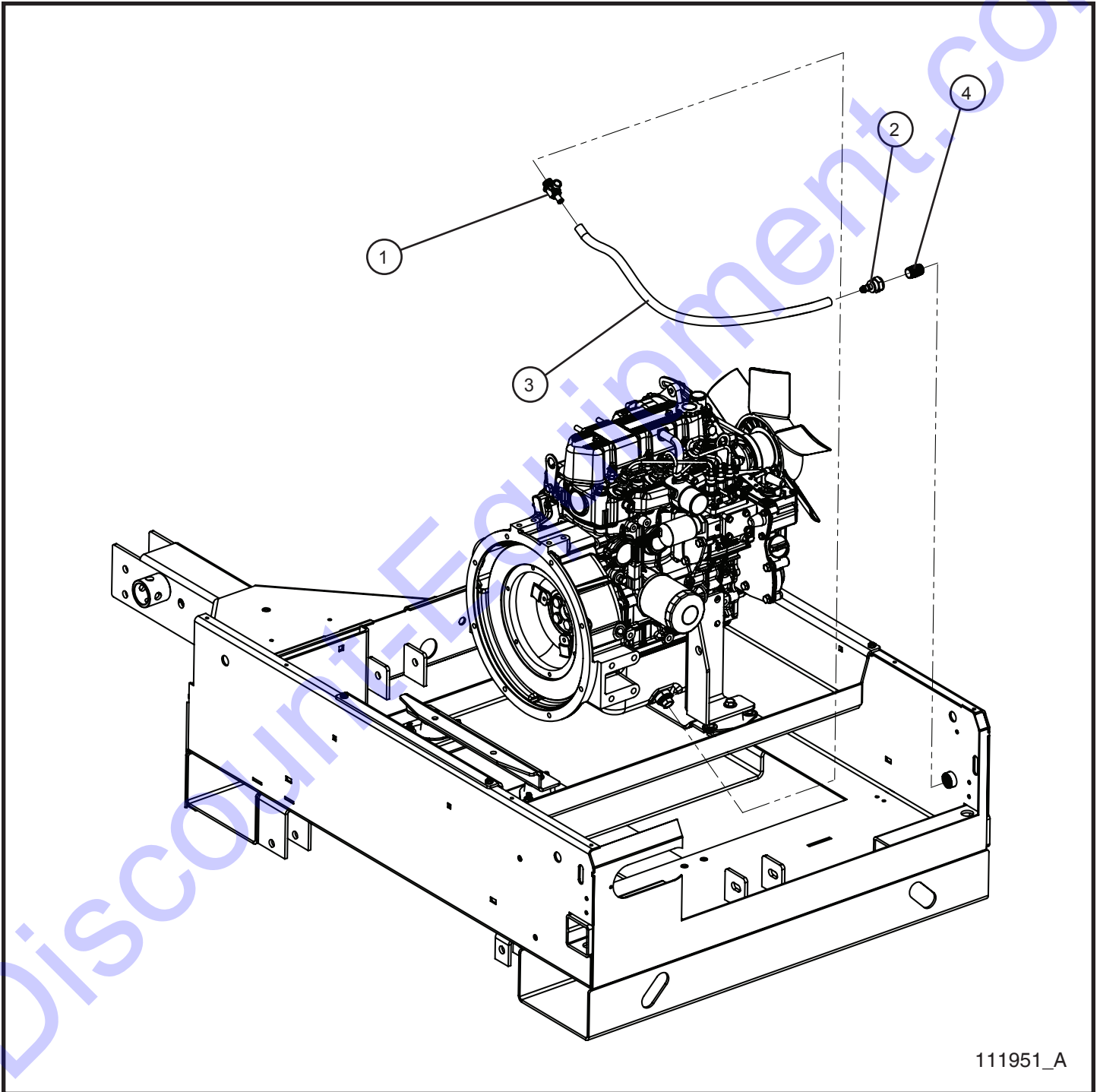
6.5 - Mitsubishi Engine Assembly Group (4 of 4)

SN 39-000001 and UP

Item	Part No.	Part Description	Qty.
1	433400	#4 HOSE CLAMP	4
2	108713	TEE FITTING FOR .25in. OD TUBE	1
3	081005	HOSE 1/4 OD x .035 WALL 250WP FUEL LINE BK x 1.5	1
4	081005	HOSE 1/4 OD x .035 WALL 250WP FUEL LINE BK x 11.0	1
5	081018	HOSE 5/16 BLACK FUEL LINE x 18.0	1
6	081018	HOSE 5/16 BLACK FUEL LINE x 18.0	1

6.6 - Mitsubishi Oil Line

SN 39-000001 and UP



111951_A

Night-Lite V-Series

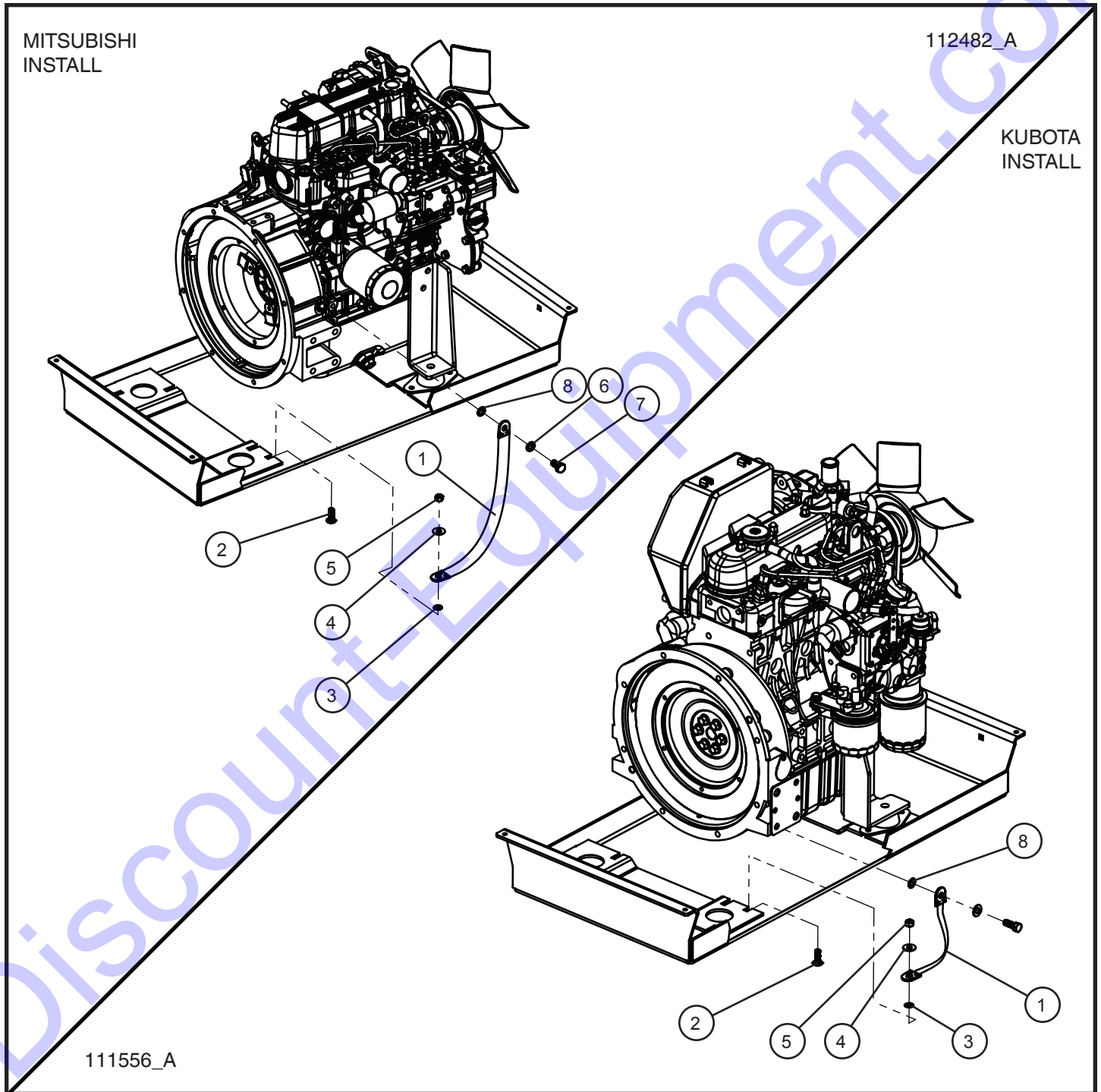
6.6 - Mitsubishi Oil Line

SN 39-000001 and UP

Item	Part No.	Part Description	Qty.
1	100901	DRAIN VALVE M18 x 1.5 - 3/8 HOSE	1
2	104865	3/8 HOSE x 1/2 NPT BARBED TO FEMALE	1
3	081017	HOSE 3/8 YELLOW LINE x 26.0	1
4	610215	1/2 NPT NIPPLE	1

6.7 - Ground Strap

SN 39-000001 and UP



Night-Lite V-Series

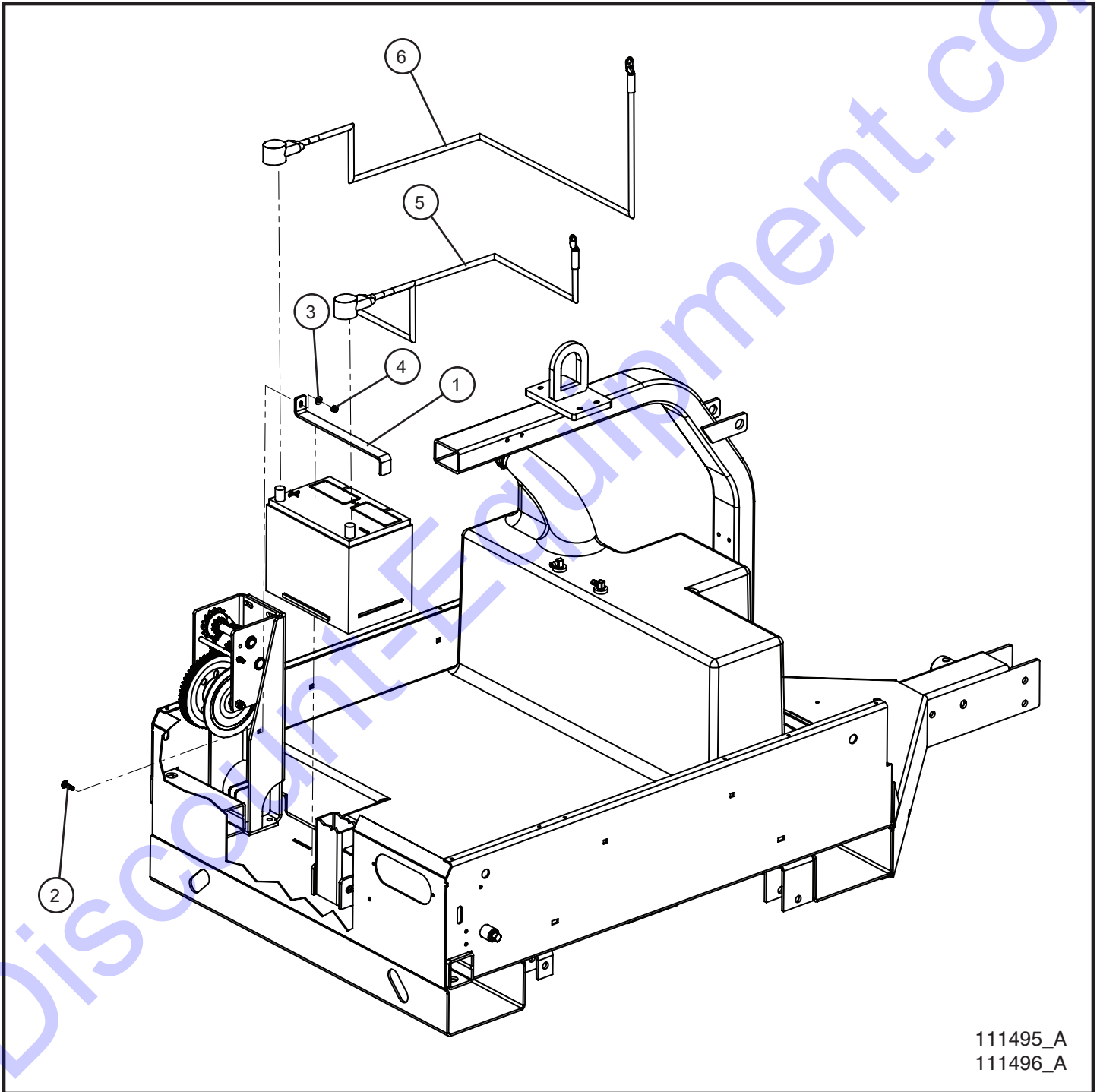
6.7 - Ground Strap

SN 39-000001 and UP

Item	Part No.	Part Description	Qty.
1	340105	GROUND STRAP	1
2	053020	5/16-18 x 1 CARRIAGE BOLT PL	1
3	043060	5/16 INTL TOOTH LOCK WASHER	1
4	047010	5/16 FLAT WASHER PL	1
5	044033	5/16-18 NYLOCK HEX NUT PL	1
6	042151	M10 SPLIT LOCK WASHER	1
7	042038	M10 x 20mm x 1.25mm HEX HEAD CS GR8.8 PL	1
8	043070	3/8 INTL TOOTH LOCK WASHER PL	2

6.8 - Battery Install Group

SN 39-000001 and UP



111495_A
111496_A

Night-Lite V-Series

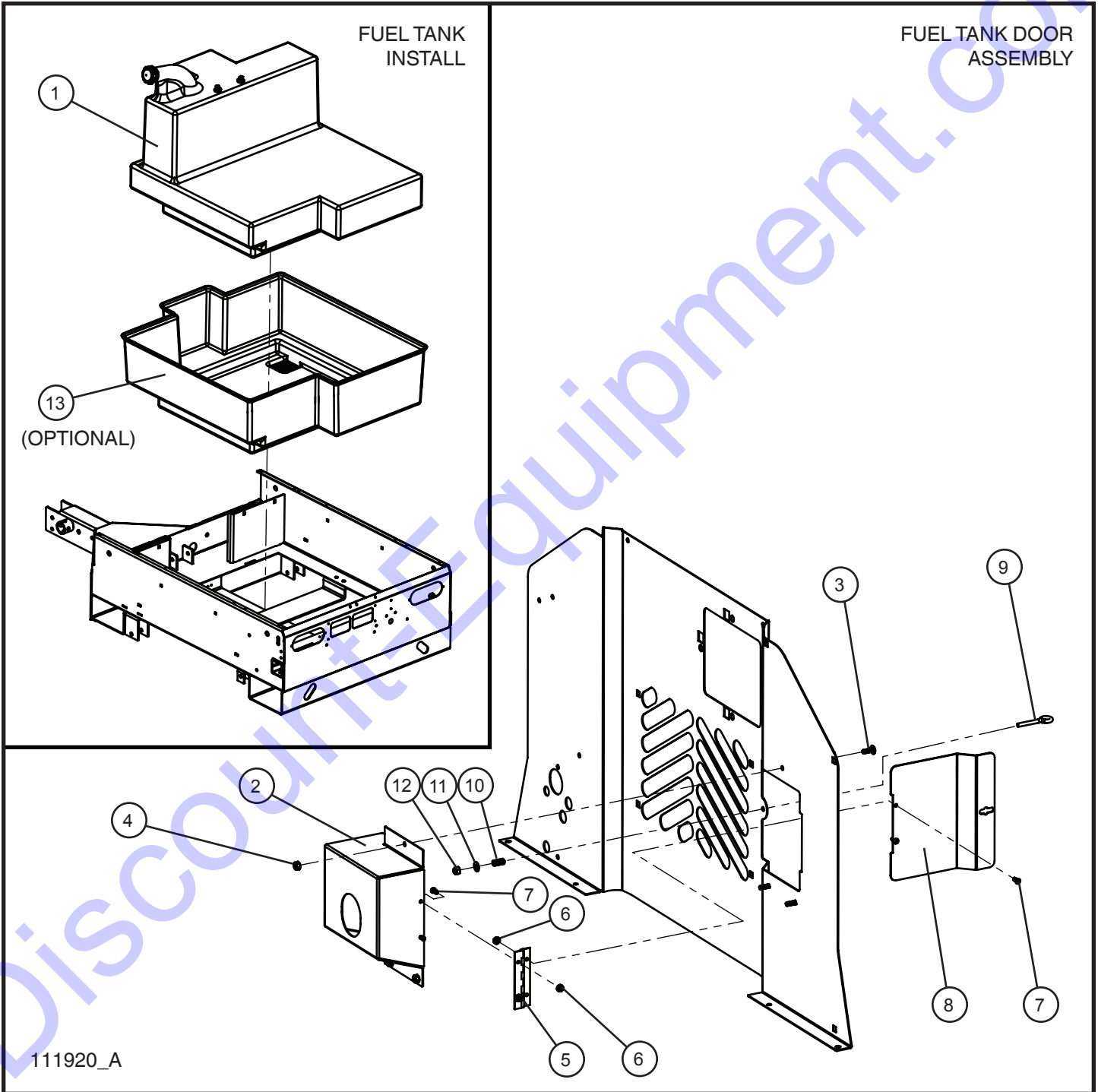
6.8 - Battery Install Group

SN 39-000001 and UP

Item	Part No.	Part Description	Qty.
1	111503P	BATTERY HOLDDOWN STRAP	1
2	100342	1/4-20 x 1 CARRIAGE BOLT PL	1
3	047005	1/4 FLAT WASHER PL	1
4	044023	1/4-20 NYLOCK HEX NUT PL	1
5	713098	BATTERY CABLE BLACK 2GA 36" (NEGATIVE)	1
6	027026	BATTERY CABLE RED 2GA 48" (POSITIVE)	1

6.9 - Fuel Tank

SN 39-000001 and UP



Night-Lite V-Series

6.9 - Fuel Tank

SN 39-000001 and UP

Item	Part No.	Part Description	Qty.
1	108921	TANK POLY 45 GALLON	1
2	109856	FUEL TANK SHELL	1
3	041050	1/4-20 x 3/4 PH-TRUSS HEAD MACHINE SCREW	3
4	044021	1/4-20 KEPS HEX NUT PL	3
5	045023	HINGE APF & ALT BOARDS	1
6	044016	#10-24 KEPS HEX NUT PL	4
7	041021	#10-24 x 1/2 PH-ROUND HEAD MS PL	4
8	109872	PANEL ACCESS FUEL FILL	1
9	045066	BOLT EYE 1/4-20 x 1 ZINC	1
10	106528	SPRING COMPRESSION 3/8 x 3/4	1
11	047009	1/4 FLAT WASHER SAE SS	1
12	044023	1/4-20 NYLOCK HEX NUT PL	1
13	108924	FUEL TANK LINER	1

Night-Lite V-Series

6.10 - Fuel Sender

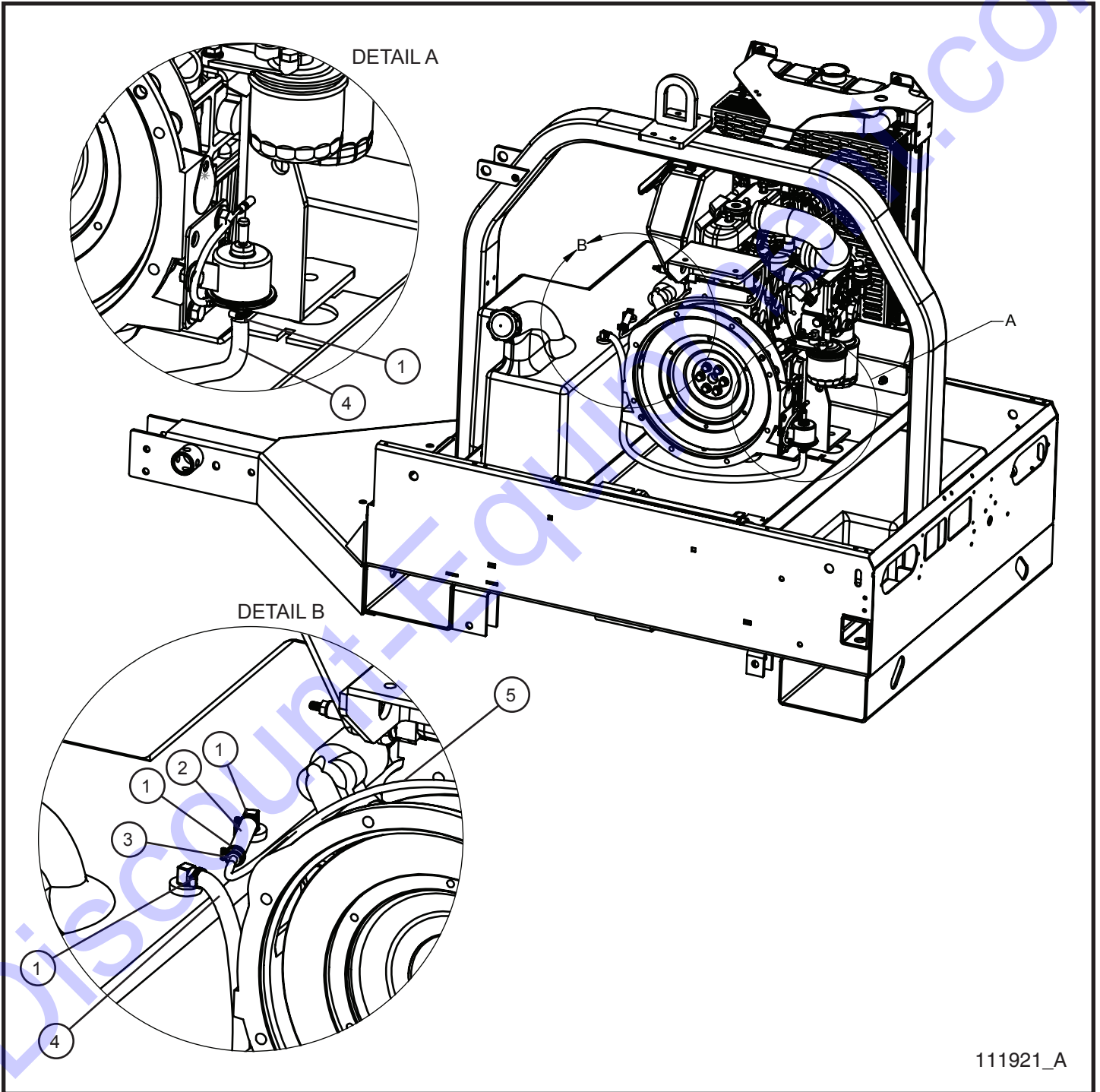
SN 39-000001 and UP

Item	Part No.	Part Description	Qty.
1	102556	#8 x 3/4 SCREW	5
2	112641	VERTICAL SHAFT FUEL LEVEL SENDER	1
NS	110090	FUEL LEVEL SENDER HARNESS	1

*NS - NOT SHOWN

6.11 - Kubota Fuel Lines

SN 39-000001 and UP



111921_A

Night-Lite V-Series

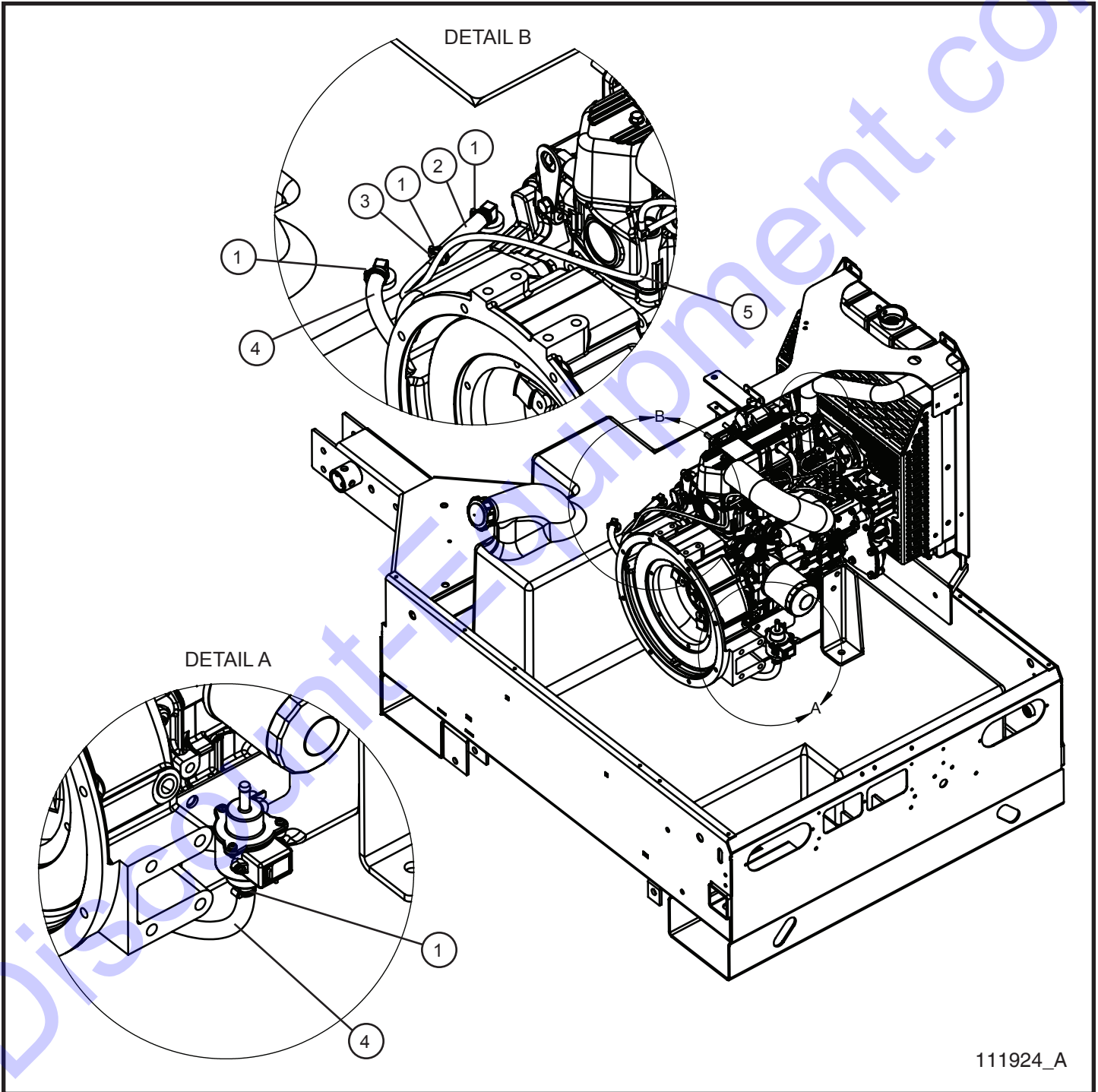
6.11 - Kubota Fuel Lines

SN 39-000001 and UP

Item	Part No.	Part Description	Qty.
1	433400	#4 HOSE CLAMP	4
2	081018	HOSE 5/16" FUEL LINE x 3.0	1
3	106134	REDUCER FITTING HOSE BARB	1
4	081018	HOSE 5/16" FUEL LINE x 30.0	1
5	081005	NYLON HOSE 1/4 OD x .035 WALL 250WP FUEL LINE BK	1

6.12 - Mitsubishi Fuel Lines

SN 39-000001 and UP



111924_A

Night-Lite V-Series

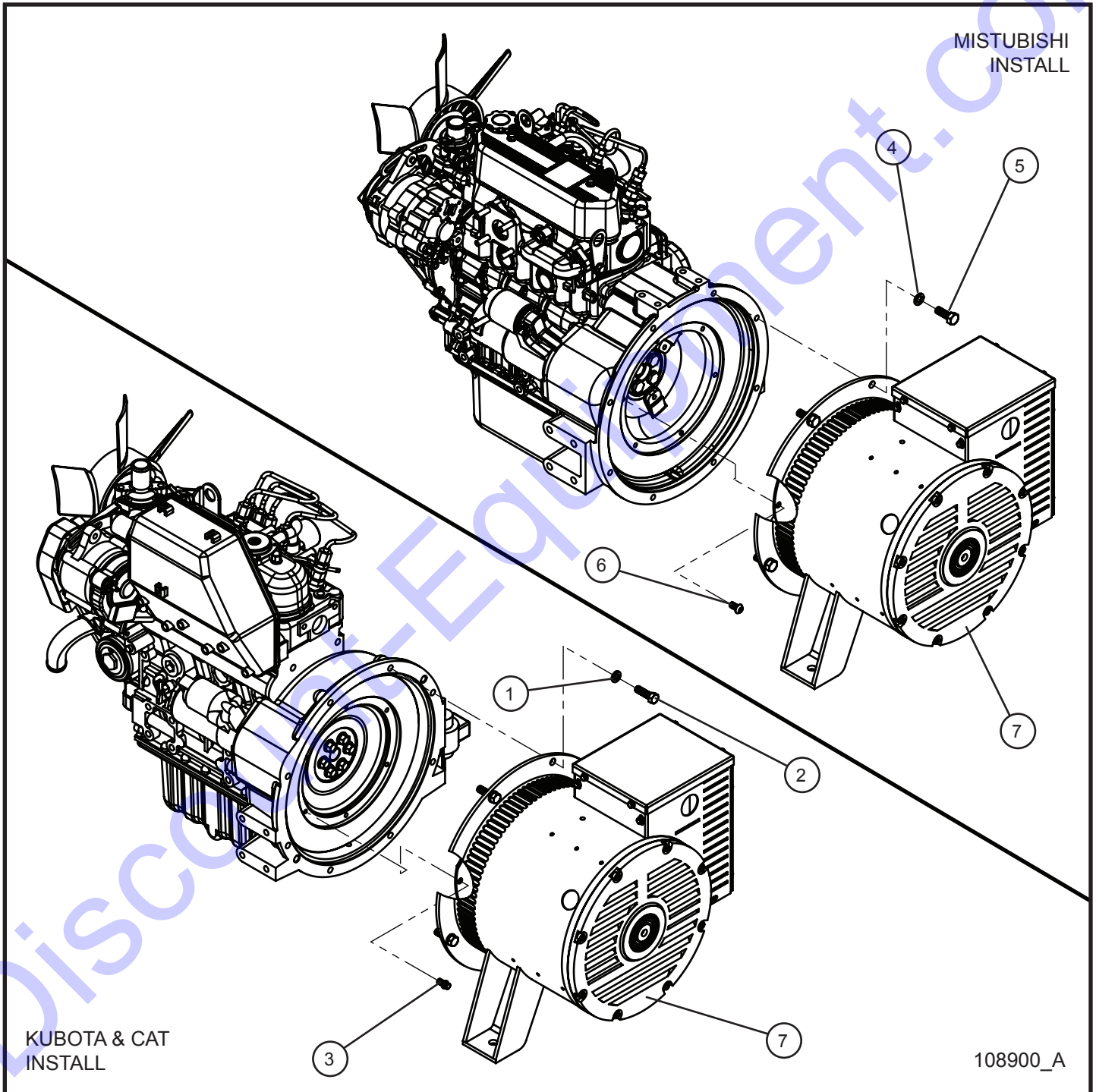
6.12 - Mitsubishi Fuel Lines

SN 39-000001 and UP

Item	Part No.	Part Description	Qty.
1	433400	#4 HOSE CLAMP	4
2	081018	HOSE 5/16" FUEL LINE x 3.0	1
3	106134	REDUCER FITTING HOSE BARB	1
4	081018	HOSE 5/16" FUEL LINE x 30.0	1
5	081005	NYLON HOSE 1/4 OD x .035 WALL 250WP FUEL LINE BK	1

7.1 - Coliseum 6/8kW 50/60Hz Generator

SN 39-000001 and UP



Night-Lite V-Series

7.1 - Coliseum 6/8kW 50/60Hz Generator

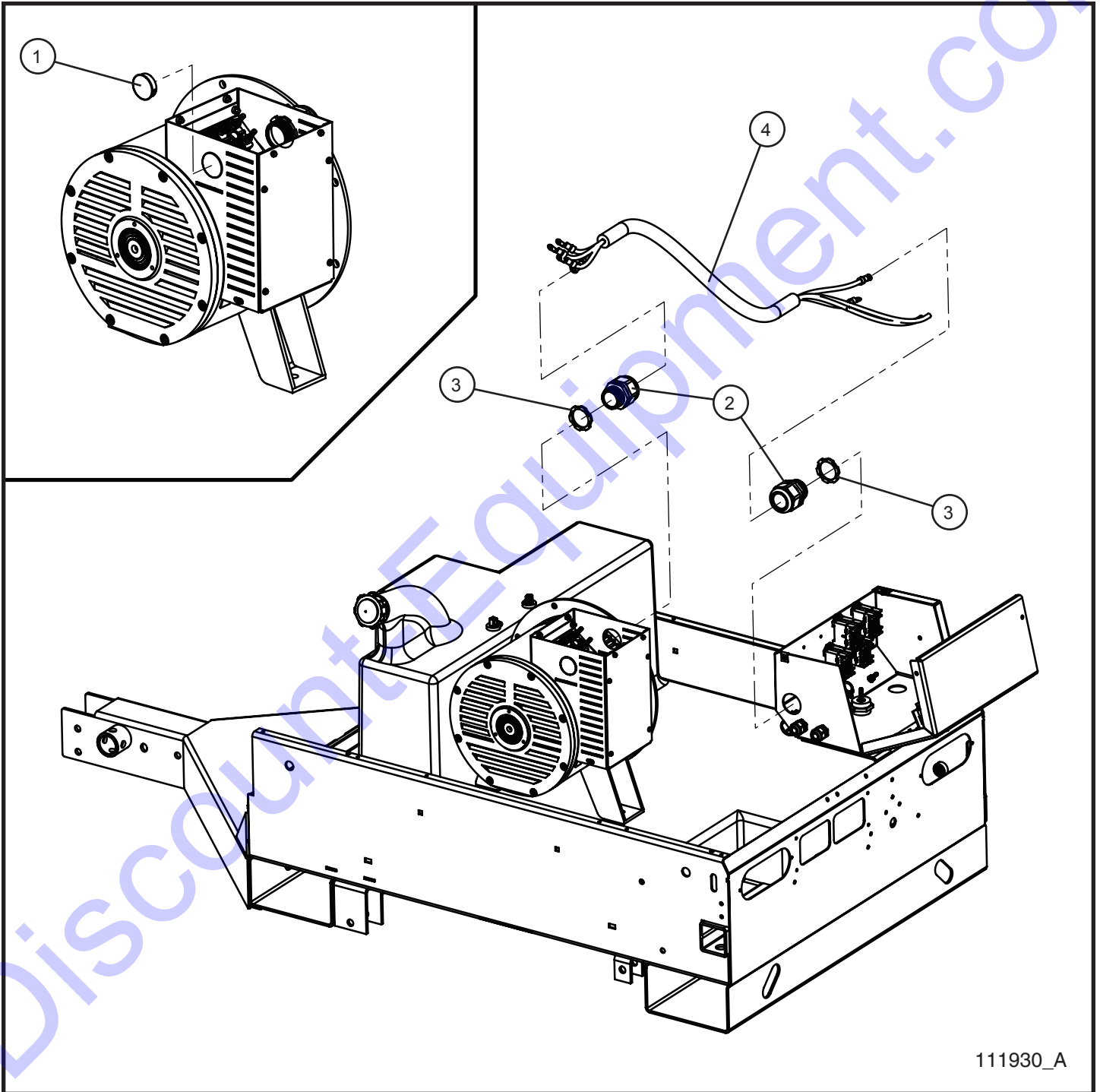
SN 39-000001 and UP

Item	Part No.	Part Description	Qty.
1	043065	3/8 SPLITLOCK WASHER PL	10
2	046115	3/8-16 x 1 1/4 HEX HEAD CS GR5 PL	8
3	046041	5/16-18 x 1/2 PT FLANGE HEAD BOLT	6
4	042151	M10 SPLITLOCK WASHER PL	8
5	042041	10mm x 1.25mm x 30mm HEX HEAD	8
6	042028	M8 x 1.25mm x 16mm SOCKET BUTTON HEAD CS	8
7	108858	GENERATOR 50/60Hz COLISEUM 6/8kW	1
NS	108892	CAPACITOR 65uf 630V	1

*NS - NOT SHOWN

7.2 - 6/4 Generator Cord Install Group

SN 39-000001 and UP



111930_A

Night-Lite V-Series

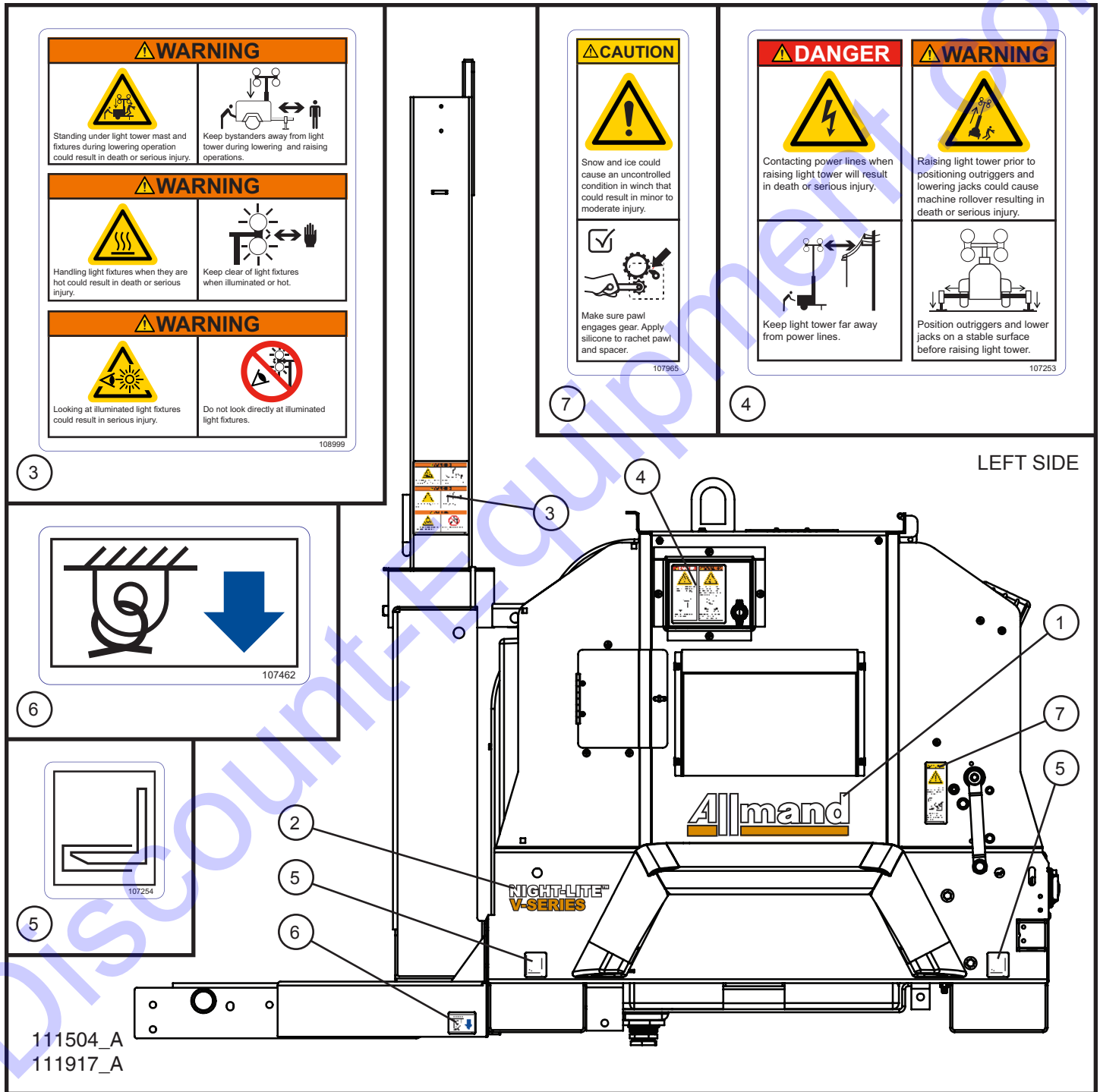
7.2 - 6/4 Generator Cord Install Group

SN 39-000001 and UP

Item	Part No.	Part Description	Qty.
1	108911	LOCKING DOME PLUG 1.375	1
2	105628	CORD GRIP 1 1/4 NYLON BLACK	2
3	350363	1 1/4 CORD GRIP NUT	2
4	111929	GENERATOR CORD 6/4	1
NS	107480	AC SCHEMATIC GEN SIDE 6/4 CORD	1

8.1 - Left Side Decals

SN 39-000001 and UP



Night-Lite V-Series

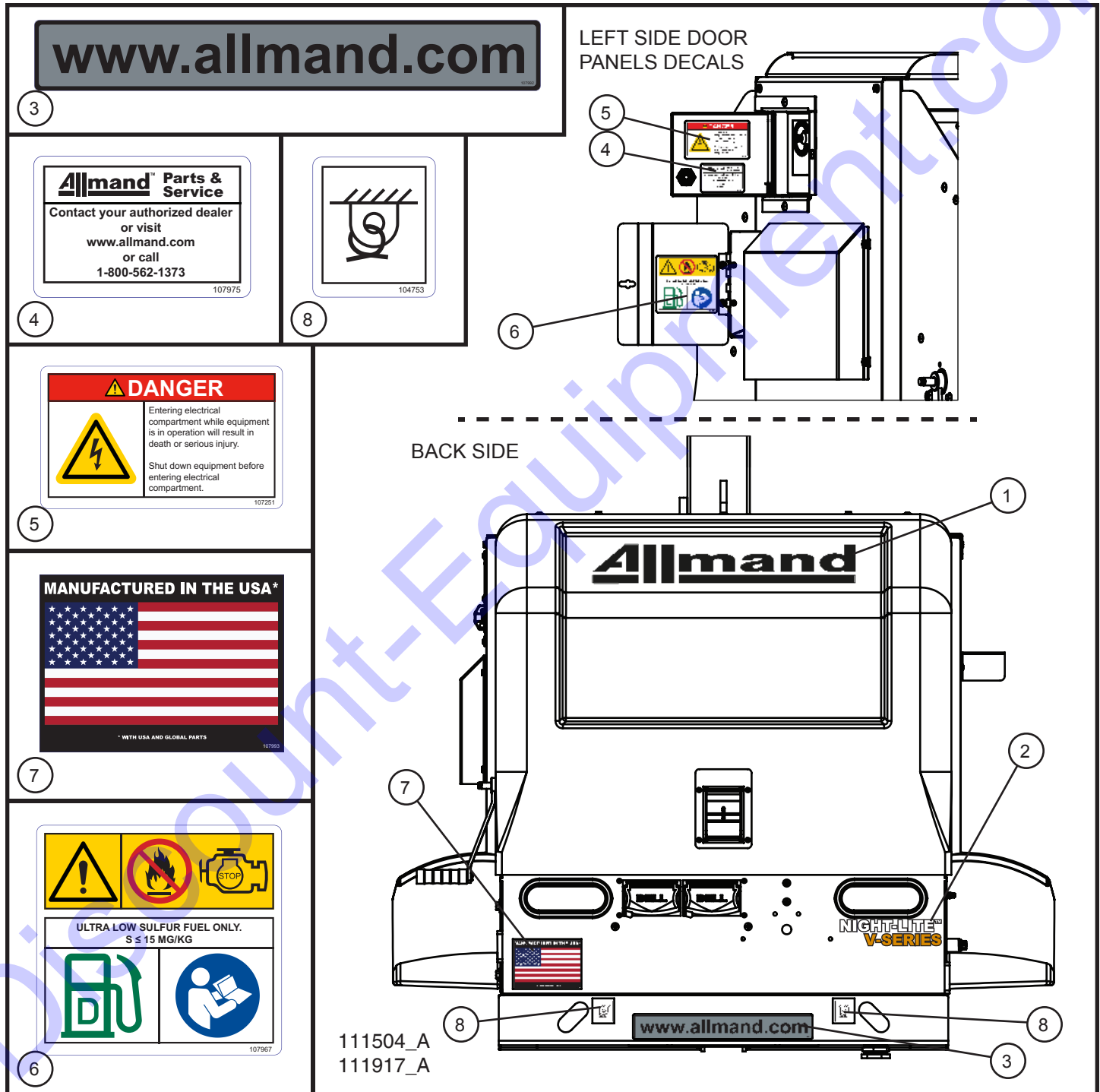
8.1 - Left Side Decals

SN 39-000001 and UP

Item	Part No.	Part Description	Qty.
1	112134	ALLMAND WHITE GOLD STRIPE DECAL	1
2	112233	NIGHT-LITE V-SERIES LEFT DECAL	1
3	108999	VERTICAL TOWER 3 PANEL WARNING DECAL	1
4	107253	POWER LINE DANGER AND OUTRIGGERS WARNING DECAL	1
5	107254	FORKLIFT DECAL	2
6	107462	TIE DOWN POSITION DECAL	1
7	107965	WINCH CAUTION DECAL	1

8.2 - Left Side Door Panels and Back Side Decals

SN 39-000001 and UP



Night-Lite V-Series

8.2 - Left Side Door Panels and Back Side Decals

SN 39-000001 and UP

Item	Part No.	Part Description	Qty.
1	112232	ALLMAND BLACK 21 INCH DECAL	1
2	112234	NIGHT-LITE V-SERIES RIGHT DECAL	1
3	107992	WWW.ALLMAND.COM DECAL	1
4	107975	PARTS & SERVICE DECAL	1
5	107251	HAZARDOUS VOLTAGE DANGER DECAL	1
6	107967	LOW SULFUR FUEL DECAL	1
7	107993	MANUFACTURED IN THE USA DECAL	1
8	104753	TIE DOWN POINT DECAL	2

8.3 - Right Side Decals

SN 39-000001 and UP

WARNING

Contact with hot exhaust gases and parts could cause serious injury.

Avoid hot exhaust gases. Keep hands and combustible materials away from hot parts.

107465

4

107969

8

107462

6

107973

7

RIGHT SIDE

WARNING

Standing under light tower mast and fixtures during lowering operation could result in death or serious injury.

Keep bystanders away from light tower during lowering and raising operations.

3

WARNING

Handling light fixtures when they are hot could result in death or serious injury.

Keep clear of light fixtures when illuminated or hot.

WARNING

Looking at illuminated light fixtures could result in serious injury.

Do not look directly at illuminated light fixtures.

108999

107254

5

111504_A
111917_A

Night-Lite V-Series

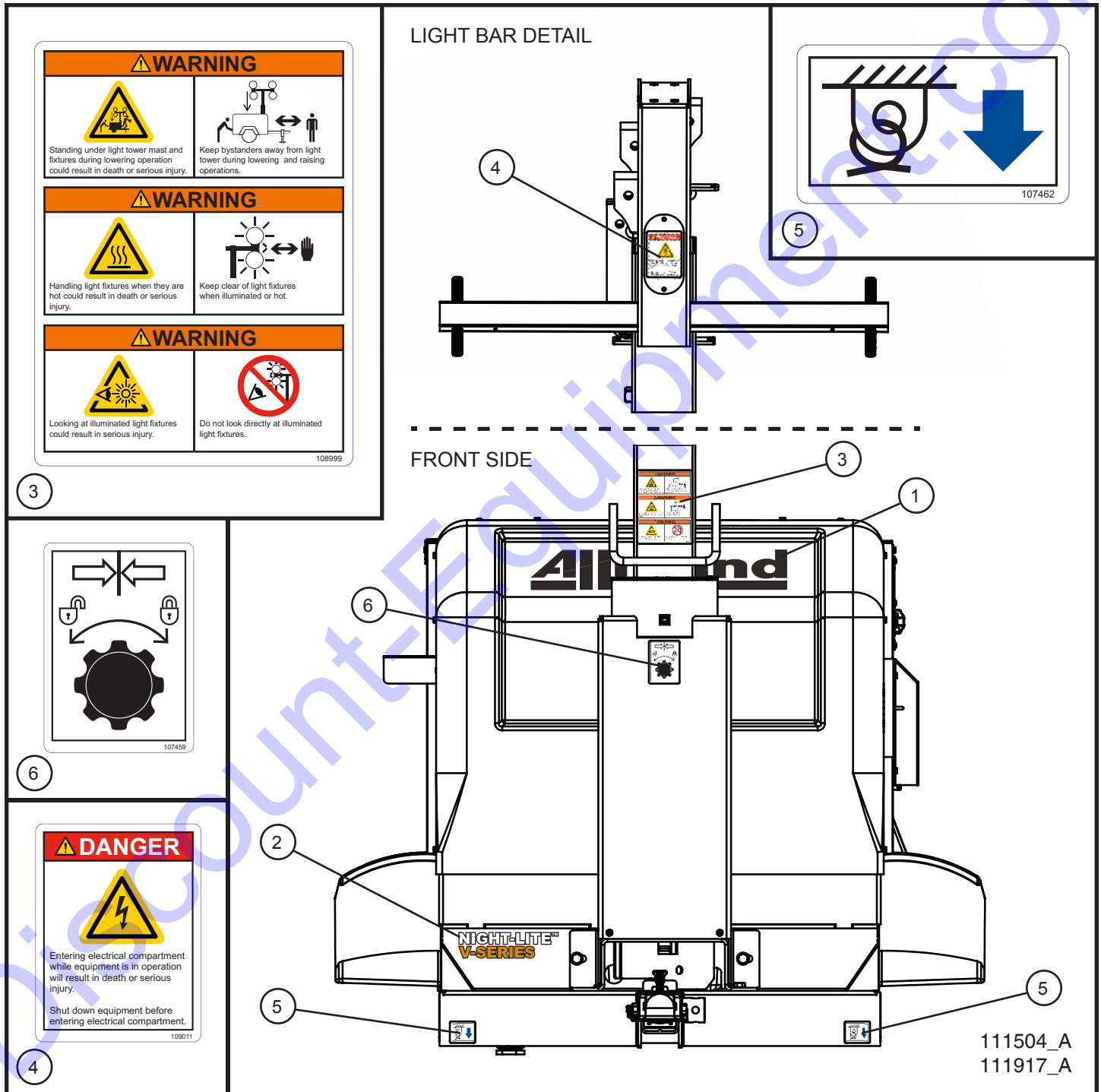
8.3 - Right Side Decals

SN 39-000001 and UP

Item	Part No.	Part Description	Qty.
1	112134	ALLMAND WHITE GOLD STRIPE DECAL	1
2	112234	NIGHT-LITE V-SERIES RIGHT DECAL	1
3	108999	VERTICAL TOWER 3 PANEL WARNING DECAL	1
4	107465	HOT SURFACE WARNING DECAL	1
5	107254	FORKLIFT DECAL	2
6	107462	TIE DOWN POSITION DECAL	1
7	107973	OIL DRAIN DECAL	1
8	107969	GROUND DECAL	1

8.4 - Front Side Decals

SN 39-000001 and UP



Night-Lite V-Series

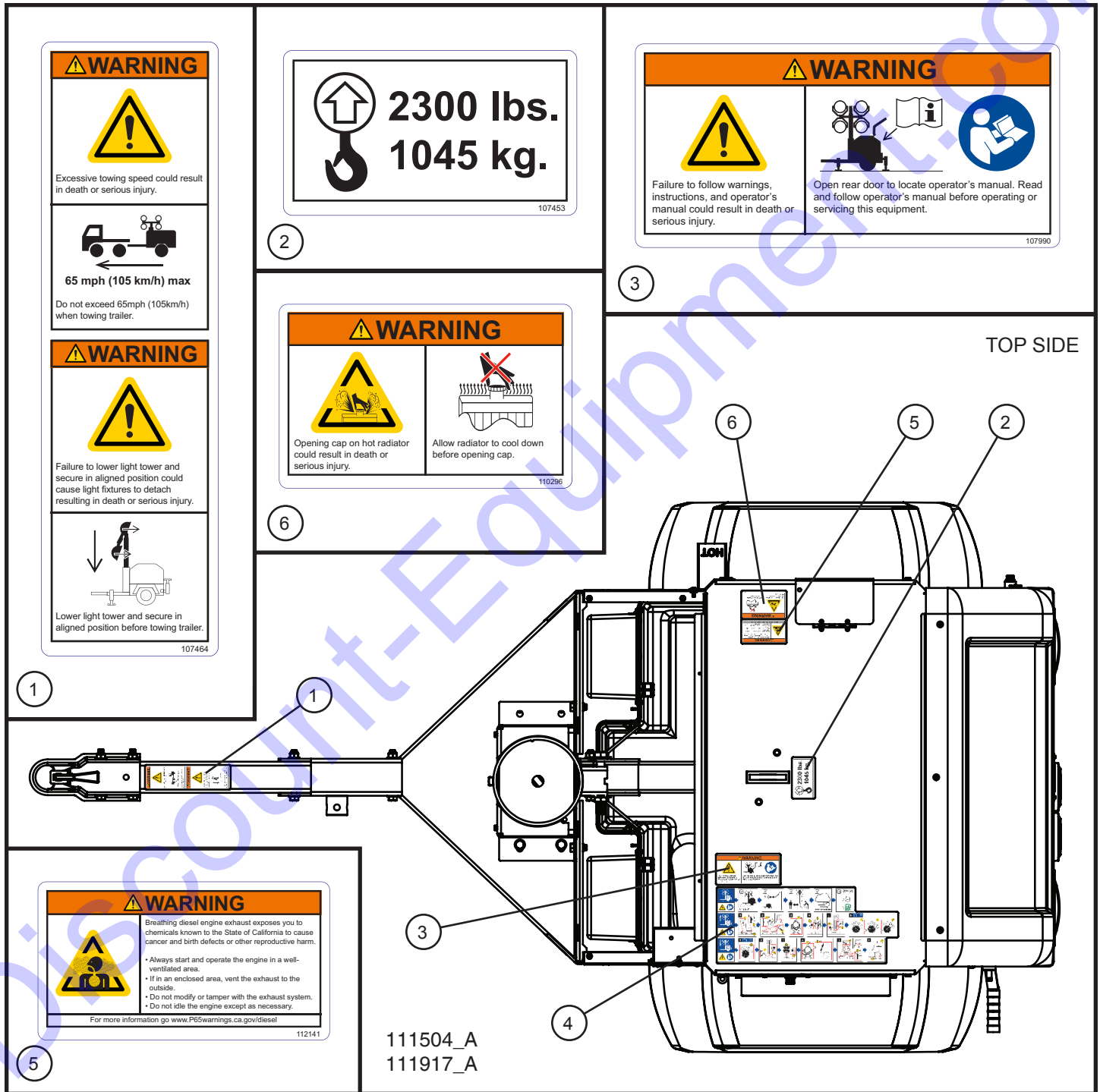
8.4 - Front Side Decals

SN 39-000001 and UP

Item	Part No.	Part Description	Qty.
1	112232	ALLMAND BLACK 21 INCH DECAL	1
2	112233	NIGHT-LITE V-SERIES LEFT DECAL	1
3	108999	VERTICAL TOWER 3 PANEL WARNING DECAL	1
4	109011	HAZARDOUS VOLTAGE VERTICAL DANGER DECAL	1
5	107462	TIE DOWN POSITION DECAL	2
6	107459	TOWER ALIGNMENT DECAL	1

8.5 - Top Side Decals

SN 39-000001 and UP



Night-Lite V-Series





8.5 - Top Side Decals

SN 39-000001 and UP

Item	Part No.	Part Description	Qty.
1	107464	EXCESSIVE TOWING DECAL	1
2	107453	LIFT HOOK WEIGHT DECAL	1
3	107990	OPERATOR WARNING DECAL	1
4	110303	MANUAL WINCH TOWER INSTRUCTIONS DECAL	1
	110304	ELECTRIC WINCH TOWER INSTRUCTIONS DECAL	1
	107256	LSC MANUAL WINCH TOWER INSTRUCTIONS DECAL	1
	107519	LSC ELECTRIC WINCH TOWER INSTRUCTIONS DECAL	1
5	112141	PROPOSITION 65 WARNING DECAL	1
6	110296	RADIATOR WARNING DECAL	1

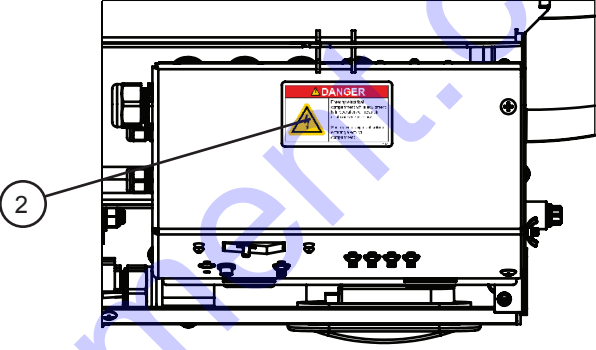
8.6 - Interior Decals

SN 39-00001 and UP


<p style="text-align: center;">WARNING</p>  <p>Contact with rotating parts could result in death or serious injury.</p> <p>Keep away from rotating parts.</p>	<p style="text-align: center;">WARNING</p>  <p>Opening cap on hot radiator could result in death or serious injury.</p> <p>Allow radiator to cool down before opening cap.</p>
<p style="text-align: center;">WARNING</p>  <p>Smoking materials, open flames, or other forms of ignition near the battery could cause explosion resulting in death or serious injury.</p> <p>Keep smoking materials, open flames, and other forms of ignition away from the battery.</p>	<p style="text-align: center;">WARNING</p>  <p>Exposure to corrosive material could result in death or serious injury.</p> <p>Wear protective gloves when handling battery.</p>

110295

BREAKER BOX DETAIL



DANGER

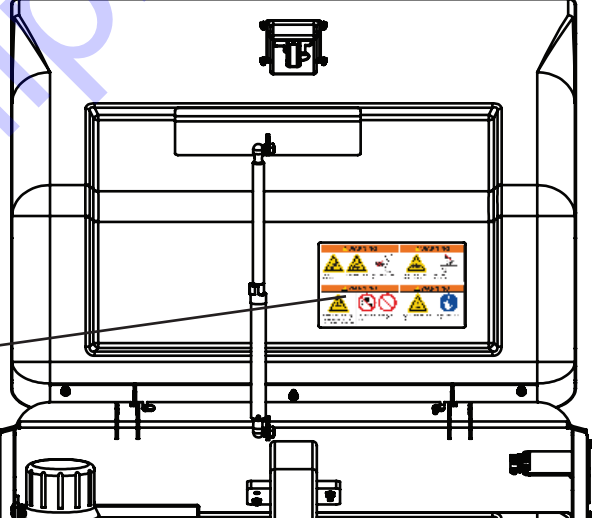


Entering electrical compartment while equipment is in operation will result in death or serious injury.

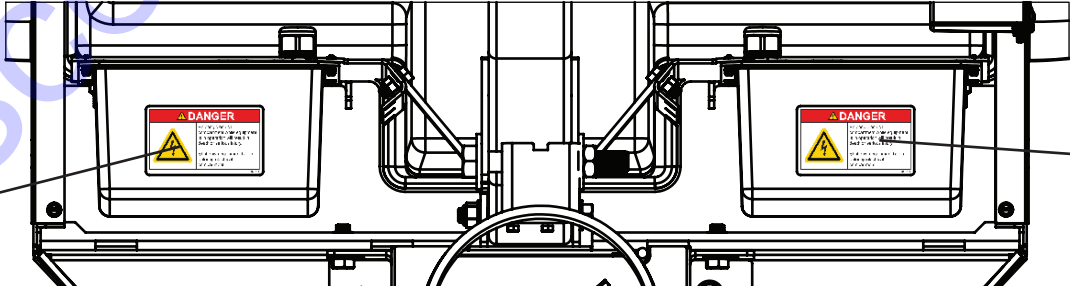
Shut down equipment before entering electrical compartment.

107251

REAR DOOR INTERIOR DETAIL



BALLAST BOXES DETAIL



111504_A
111917_A

Night-Lite V-Series

8.6 - Interior Decals

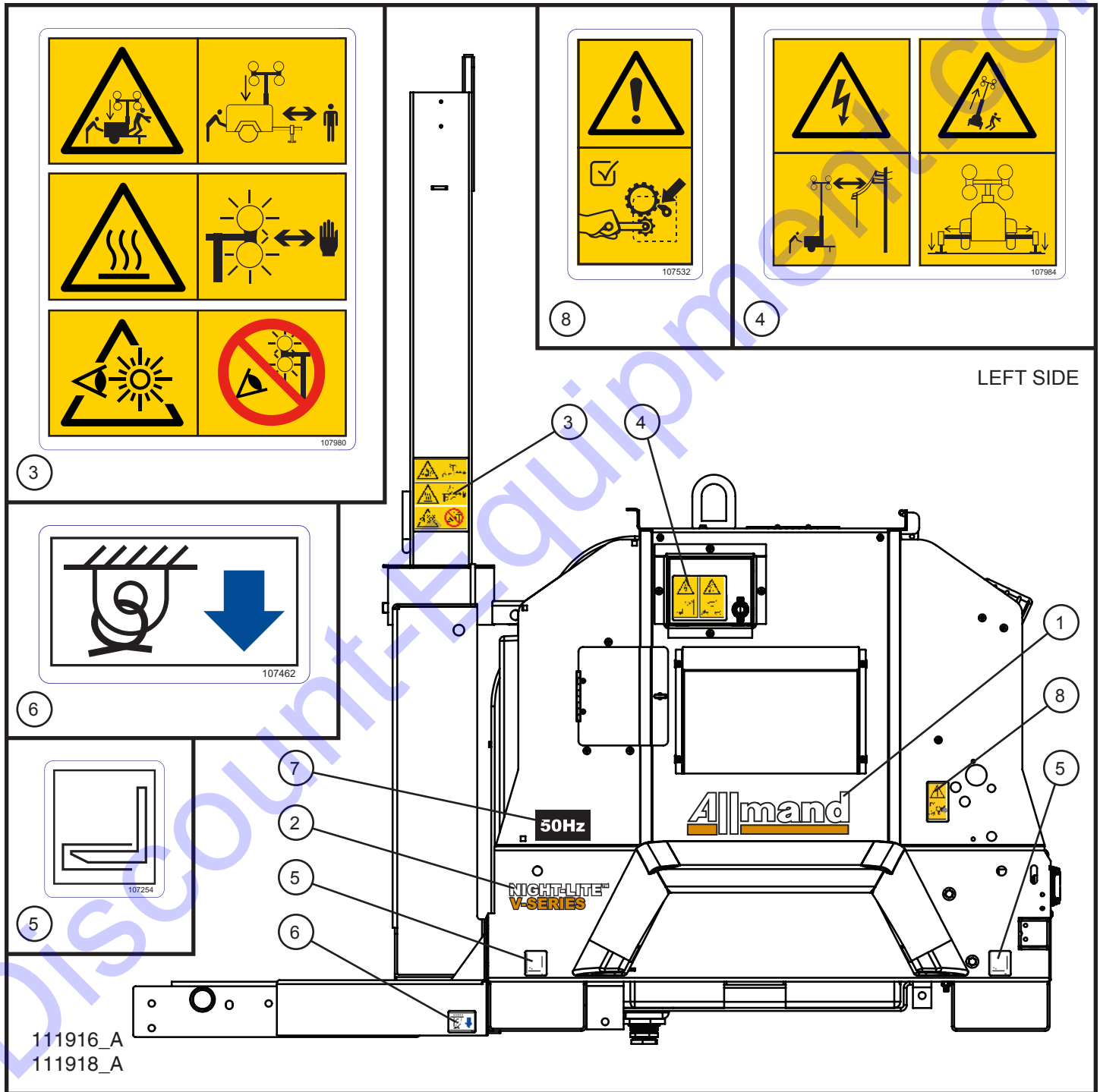
SN 39-000001 and UP

Item	Part No.	Part Description	Qty.
1	110295	ENGINE-RADIATOR-BATTERY WARNING DECAL	1
2	107251	HAZARDOUS VOLTAGE DANGER DECAL	3

Discount-Equipment.com

8.7 - Wordless Left Side Decals

SN 39-000001 and UP



Night-Lite V-Series

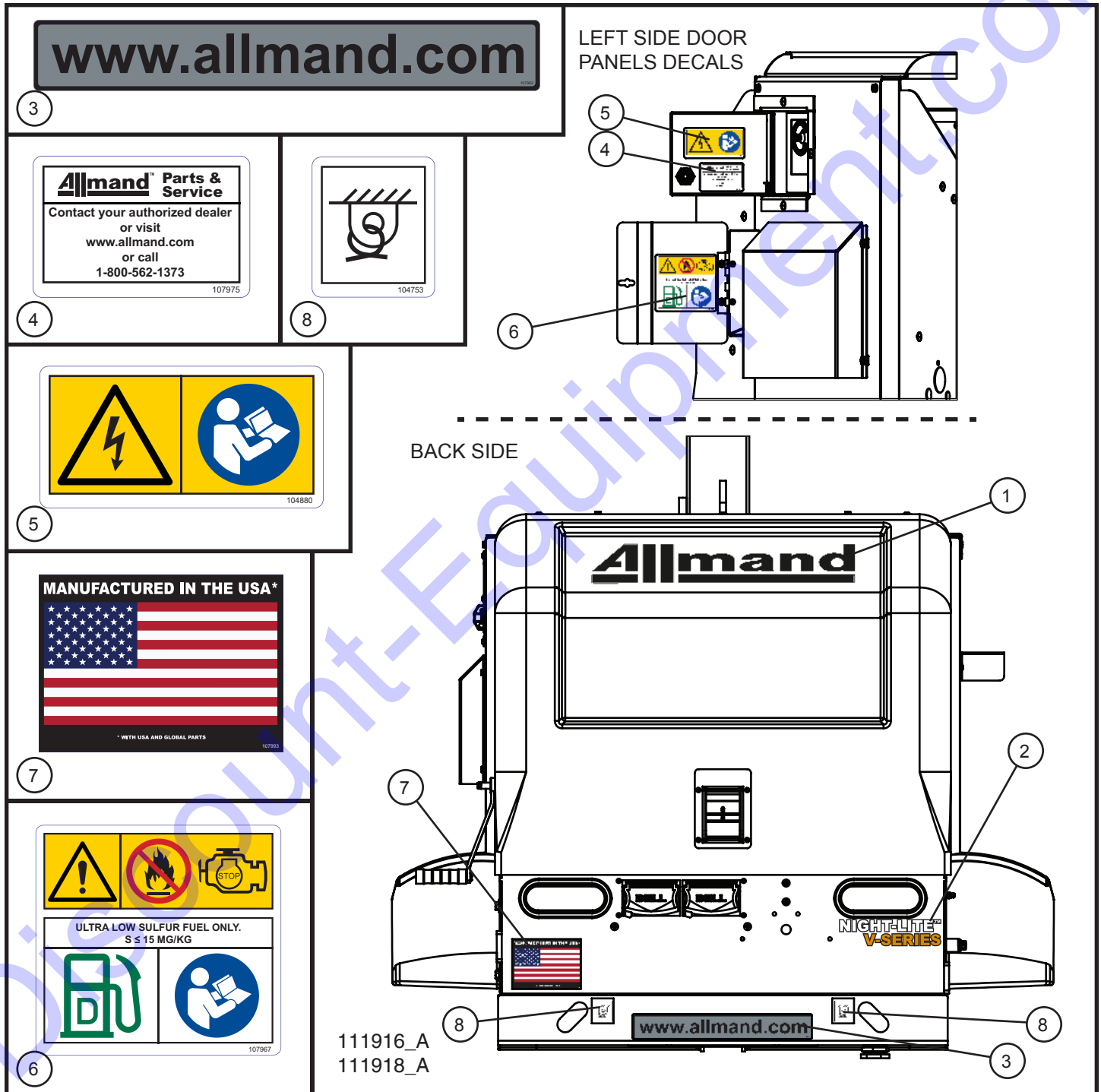
8.7 - Wordless Left Side Decals

SN 39-000001 and UP

Item	Part No.	Part Description	Qty.
1	112134	ALLMAND WHITE GOLD STRIPE DECAL	1
2	112233	NIGHT-LITE V-SERIES LEFT DECAL	1
3	107980	WORDLESS VERTICAL TOWER 3 PANEL WARNING DECAL	1
4	107984	WORDLESS POWER DANGER/OUTRIGGERS WARNING DECAL	1
5	107254	FORKLIFT DECAL	2
6	107462	TIE DOWN POSITION DECAL	1
7	108354	50Hz DECAL	1
8	107532	WORDLESS WINCH CAUTION DECAL	1

8.8 - Wordless Left Side Door Panels and Back Side Decals

SN 39-000001 and UP



Night-Lite V-Series

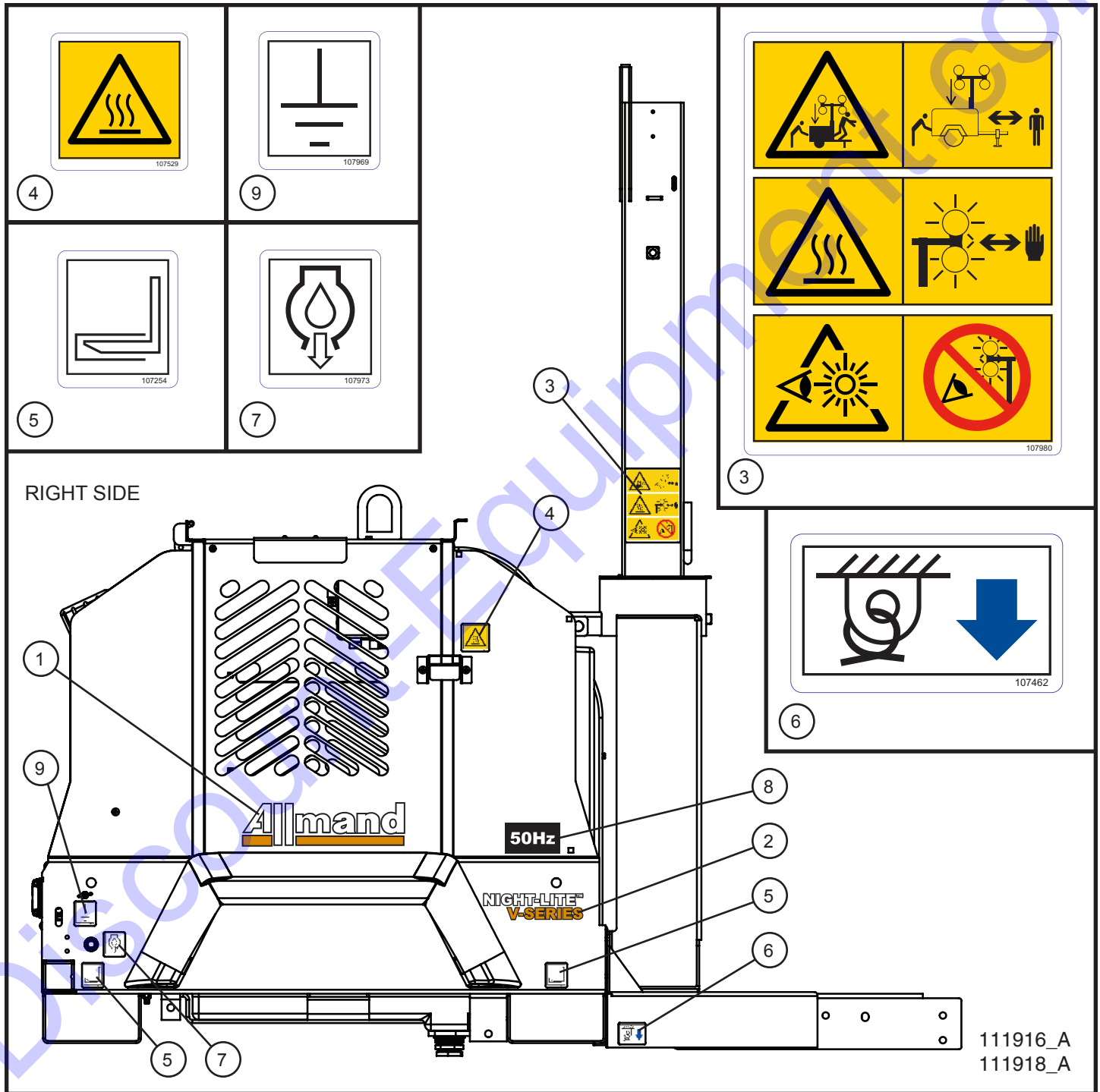
8.8 - Wordless Left Side Door Panels and Back Side Decals

SN 39-000001 and UP

Item	Part No.	Part Description	Qty.
1	112232	ALLMAND BLACK 21 INCH DECAL	1
2	112234	NIGHT-LITE V-SERIES RIGHT DECAL	1
3	107992	WWW.ALLMAND.COM DECAL	1
4	107975	PARTS & SERVICE DECAL	1
5	104880	WORDLESS HAZARDOUS VOLTAGE DANGER DECAL	1
6	107967	LOW SULFUR FUEL DECAL	1
7	107993	MANUFACTURED IN THE USA DECAL	1
8	104753	TIE DOWN POINT DECAL	2

8.9 - Wordless Right Side Decals

SN 39-00001 and UP



Night-Lite V-Series

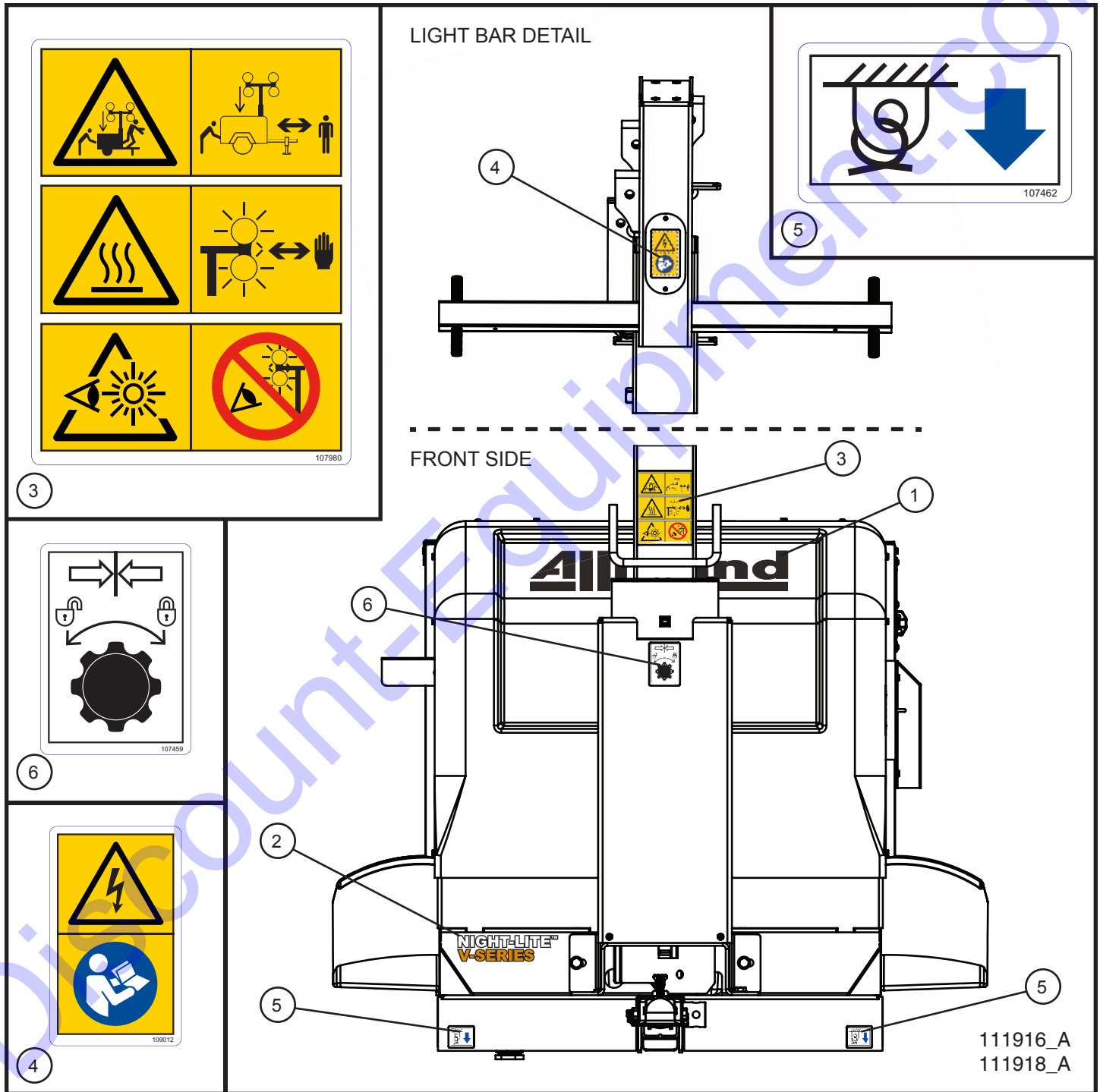
8.9 - Wordless Right Side Decals

SN 39-000001 and UP

Item	Part No.	Part Description	Qty.
1	112134	ALLMAND WHITE GOLD STRIPE DECAL	1
2	112234	NIGHT-LITE V-SERIES RIGHT DECAL	1
3	107980	WORDLESS VERTICAL TOWER 3 PANEL WARNING DECAL	1
4	107529	WORDLESS HOT SURFACE WARNING DECAL	1
5	107254	FORKLIFT DECAL	2
6	107462	TIE DOWN POSITION DECAL	1
7	107973	OIL DRAIN DECAL	1
8	108354	50Hz DECAL	1
9	107969	GROUND DECAL	1

8.10 - Wordless Front Side Decals

SN 39-000001 and UP



Night-Lite V-Series

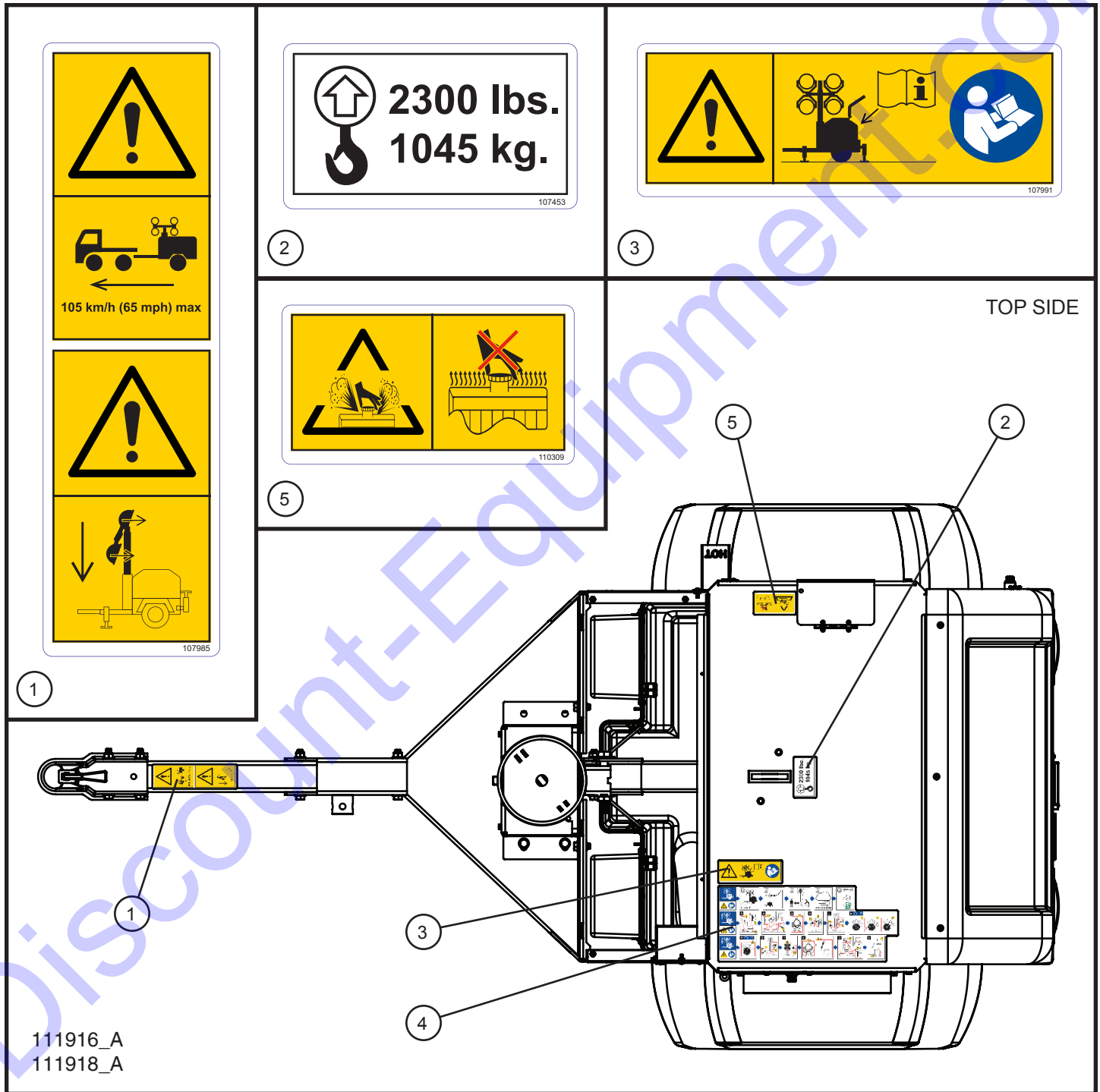
8.10 - Wordless Front Side Decals

SN 39-000001 and UP

Item	Part No.	Part Description	Qty.
1	112232	ALLMAND BLACK 21 INCH DECAL	1
2	112233	NIGHT-LITE V-SERIES LEFT DECAL	1
3	107980	WORDLESS VERTICAL TOWER 3 PANEL WARNING DECAL	1
4	109012	WORDLESS HAZARDOUS VOLTAGE VERTICAL DANGER DECAL	1
5	107462	TIE DOWN POSITION DECAL	2
6	107459	TOWER ALIGNMENT DECAL	1

8.11 - Wordless Top Side Decals

SN 39-000001 and UP



Night-Lite V-Series

8.11 - Wordless Top Side Decals

SN 39-000001 and UP

Item	Part No.	Part Description	Qty.
1	107985	WORDLESS EXCESSIVE TOWING DECAL	1
2	107453	LIFT HOOK WEIGHT DECAL	1
3	107991	WORDLESS OPERATOR WARNING DECAL	1
4	110303	MANUAL WINCH TOWER INSTRUCTIONS DECAL	1
	110304	ELECTRIC WINCH TOWER INSTRUCTIONS DECAL	1
	107256	LSC MANUAL WINCH TOWER INSTRUCTIONS DECAL	1
	107519	LSC ELECTRIC WINCH TOWER INSTRUCTIONS DECAL	1
5	110309	WORDLESS RADIATOR WARNING DECAL	1

8.12 - Wordless Interior Decals

SN 39-000001 and UP

1

BREAKER BOX DETAIL

2

REAR DOOR INTERIOR DETAIL

1

BALLAST BOXES DETAIL

2

2

111916_A
111918_A

Night-Lite V-Series


8.12 - Wordless Interior Decals

SN 39-000001 and UP

Item	Part No.	Part Description	Qty.
1	110310	WORDLESS ENGINE-RADIATOR-BATTERY WARNING DECAL	1
2	104880	WORDLESS HAZARDOUS VOLTAGE DANGER DECAL	3

8.13 - CSA Decals

SN 39-000001 and UP

<p>⚠ DANGER</p> <p>Using a generator indoors can kill you in minutes. Exhaust contains carbon monoxide, a poisonous gas you cannot see or smell.</p> <p>Never use in the home or in partly enclosed areas, such as garages. Use only outside and far from open windows, doors, and vents.</p>		<p>⚠ DANGER</p> <p>L'utilisation d'une génératrice à l'intérieur peut vous tuer en quelques minutes. L'échappement contient du monoxyde de carbone, un gaz toxique que vous ne pouvez pas voir ou sentir.</p> <p>Ne jamais utiliser à la maison ou dans des espaces partiellement clos, tels que les garages. Utiliser seulement à l'extérieur et loin des fenêtres, des portes et des bouches d'air.</p>
------------------------------------------------------------------------------------------------------------------------------------------------------------------------------------------------------------------------------------------------------------------------------------------------------	-----------------------------------------------------------------------------------	------------------------------------------------------------------------------------------------------------------------------------------------------------------------------------------------------------------------------------------------------------------------------------------------------------------------------------------------------------------------------------------------------------------

110363

NOTICE

Neutral bonded to frame.

Machine to be grounded in accordance with requirements as outlined by local inspection authorities.

AVIS

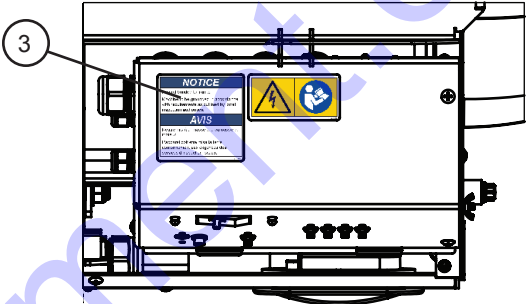
Neutre mis à la masse à la carcasse du moteur.

L'appareil doit être mis à la terre conformément aux exigences des services d'inspection locaux.

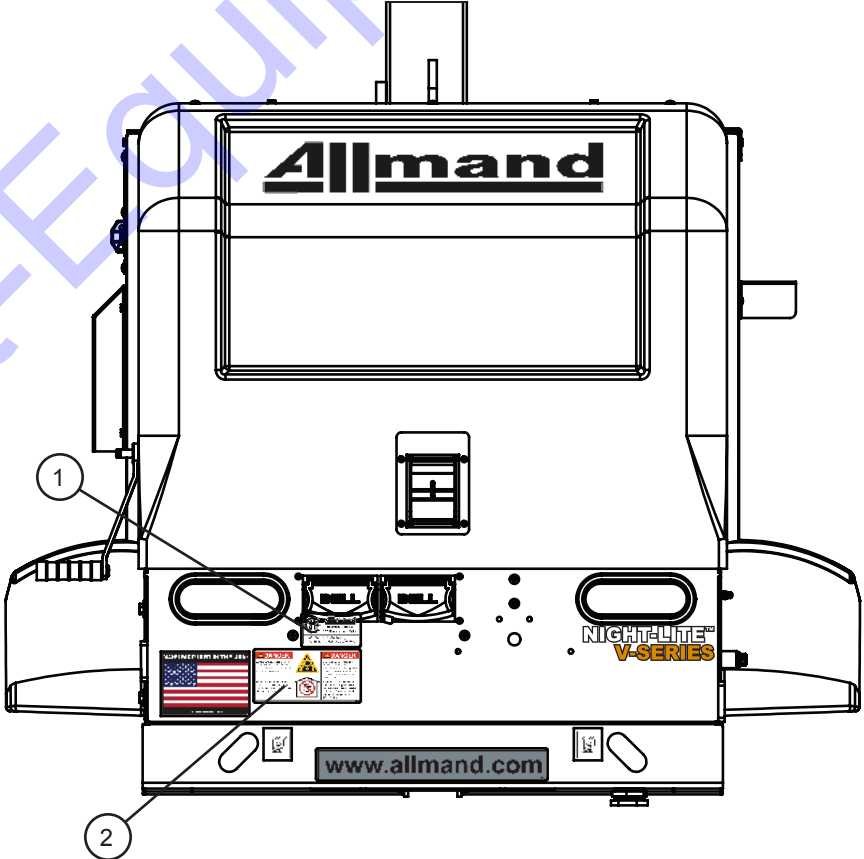
110362

<p>CSA Allmand™ Holdrege, Nebraska CSA File Number: 204930</p> <p>For electrical equipment only. Pour matériel électrique seulement.</p> <p style="text-align: right; font-size: small;">110361</p>

BREAKER BOX DETAIL



BACK SIDE



112398_A

Night-Lite V-Series

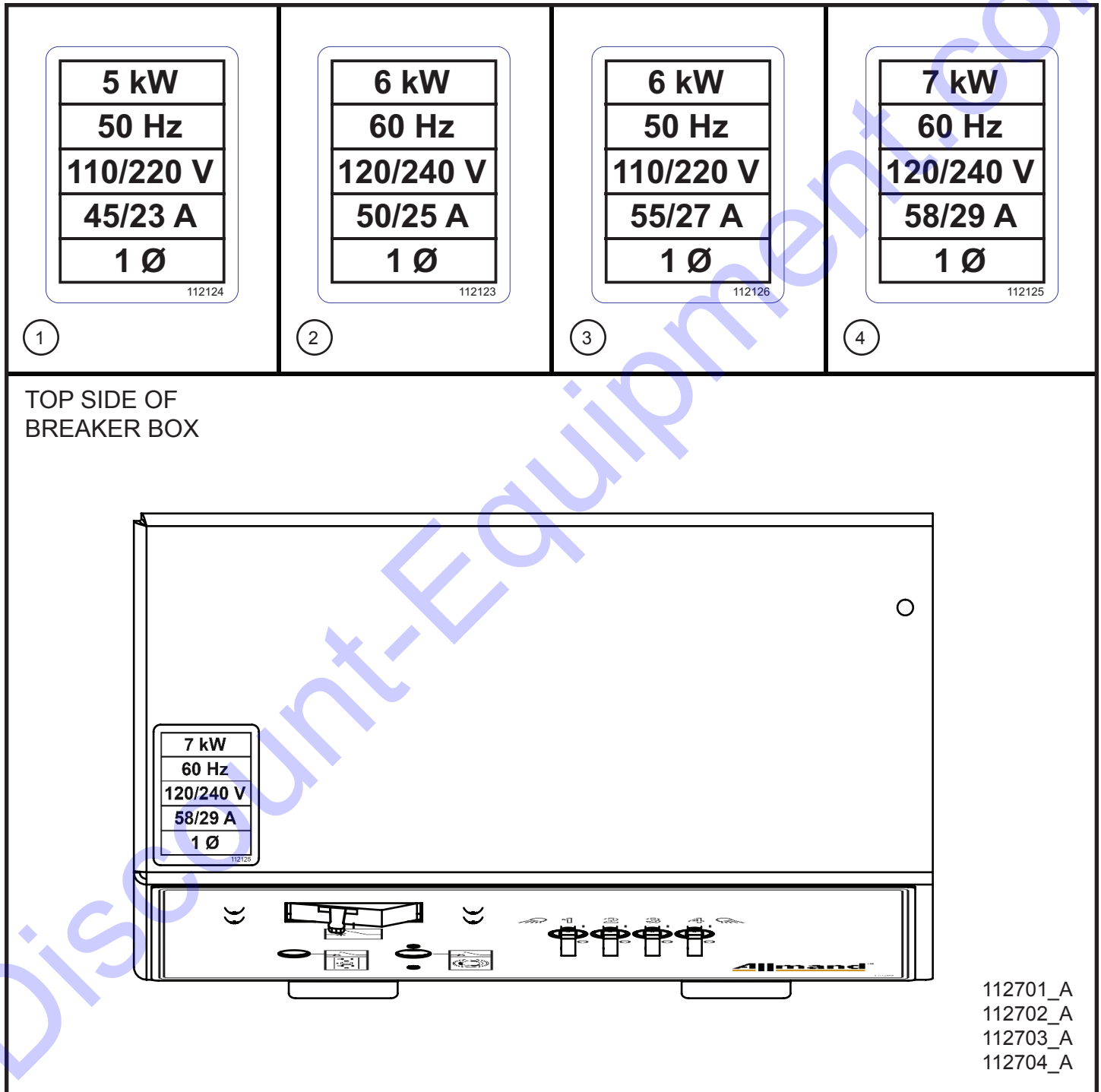
8.13 - CSA Decals

SN 39-000001 and UP

Item	Part No.	Part Description	Qty.
1	110361	DECAL CSA MARK	1
2	110363	DECAL EXHAUST DANGER	1
3	110362	DECAL NEUTRAL / GROUNDED NOTICE	1

8.14 - Electrical Information Decals

SN 39-000001 and UP



Night-Lite V-Series

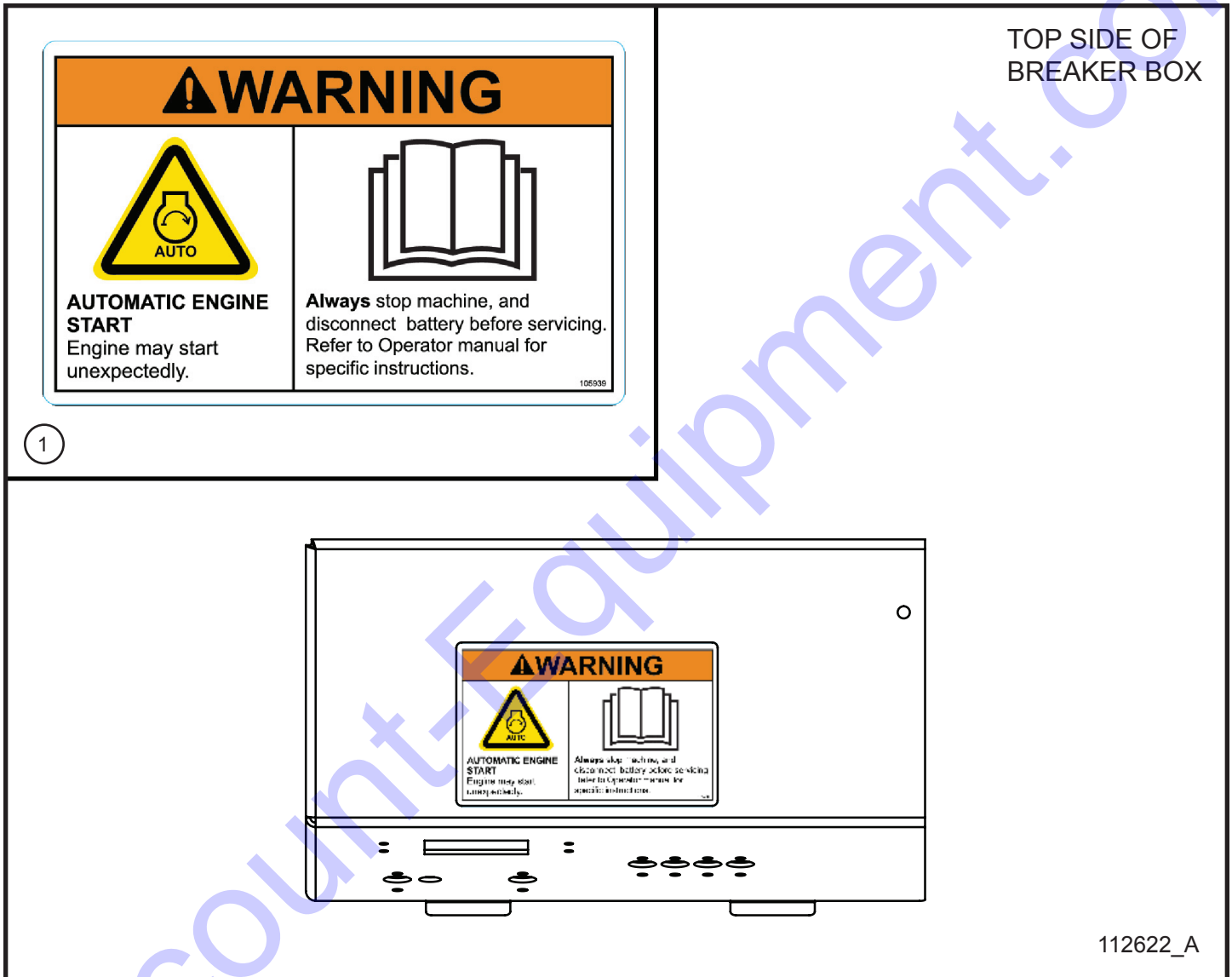
8.14 - Electrical Information Decals

SN 39-000001 and UP

Item	Part No.	Part Description	Qty.
1	112124	DECAL ELECTRICAL INFO 5kW 50Hz 1 PHASE	1
2	112123	DECAL ELECTRICAL INFO 6kW 60Hz 1 PHASE	1
3	112126	DECAL ELECTRICAL INFO 6kW 50Hz 1 PHASE	1
4	112125	DECAL ELECTRICAL INFO 7kW 60Hz 1 PHASE	1

8.15 - LSC Autostart Decal

SN 39-000001 and UP



Night-Lite V-Series

8.15 - LSC Autostart Decal

SN 39-000001 and UP

Item	Part No.	Part Description	Qty.
1	105939	LSC AUTOSTART WARNING DECAL	1

Discount-Equipment.com

Discount Equipment

Discount-Equipment.com is your online resource for commercial and industrial quality parts and equipment sales.

Locations:

Florida (West Palm Beach): [561-964-4949](tel:561-964-4949)

Outside Florida TOLL FREE: [877-690-3101](tel:877-690-3101)

Need parts? Check out our website at www.discount-equipment.com

Can't find what you need?

Click on this link: <http://www.discount-equipment.com/category/5443-parts/> and fill out the request form.

Please have the machine model and serial number available in order to help us get you the correct parts. One of our experienced staff members will get back to you with a quote for the right part that your machine needs.

We sell worldwide for the brands: Genie, Terex, JLG, MultiQuip, Mayco, Toro/Stone, Diamond Products, Magnum, Airman, Mustang, Power Blanket, Nifty Lift, Atlas Copco, Chicago Pneumatic, Allmand Brothers, Essick, Miller Spreader, Skyjack, Lull, Skytrak, Tsurumi, Husquvarna/Target, Whiteman-Concrete/Mortar, Stow-Concrete/Mortar, Baldor, Wacker, Sakai, Snorkel, Upright, Mi-T-M, Sullair, Neal, Basic, Dynapac, MBW, Weber, Bartell, Bennar Newman, Haulotte, Ditch Runner, Blaw-Knox, Himoina, Best, Buddy, Crown, Edco, Wyco, Bomag, Laymor, Terremite, Barreto, EZ Trench, Takeuchi, Basic, Bil-Jax, Curtis, Gehl, Heli, Honda, ICS/PowerGrit, Puckett, Waldon, ASV, IHI, Partner, Imer, Clipper, MMD, Koshin, Rice, Gorman Rupp, CH&E, Cat Pumps, Comet, General Pump, Giant, AMida, Coleman, NAC, Gradall, Square Shooter, Kent, Stanley, Tamco, Toku, Hatz, Kohler, Robin, Wisconsin, Northrock, Oztec, Toker TK, Rol-Air, Small Line, Wanco, Yanmar

New Equipment - Used Equipment - Rental Equipment - Parts and Accessories

Discount Equipment

www.discount-equipment.com

561-964-4949

Parts: wbparts@Discount-Equipment.com

Sales: info@Discount-Equipment.com

Allmand™

BRIGHTER. WARMER. SAFER.



www.discount-equipment.com



Reliability, performance, and integrity since 1938

13-0267