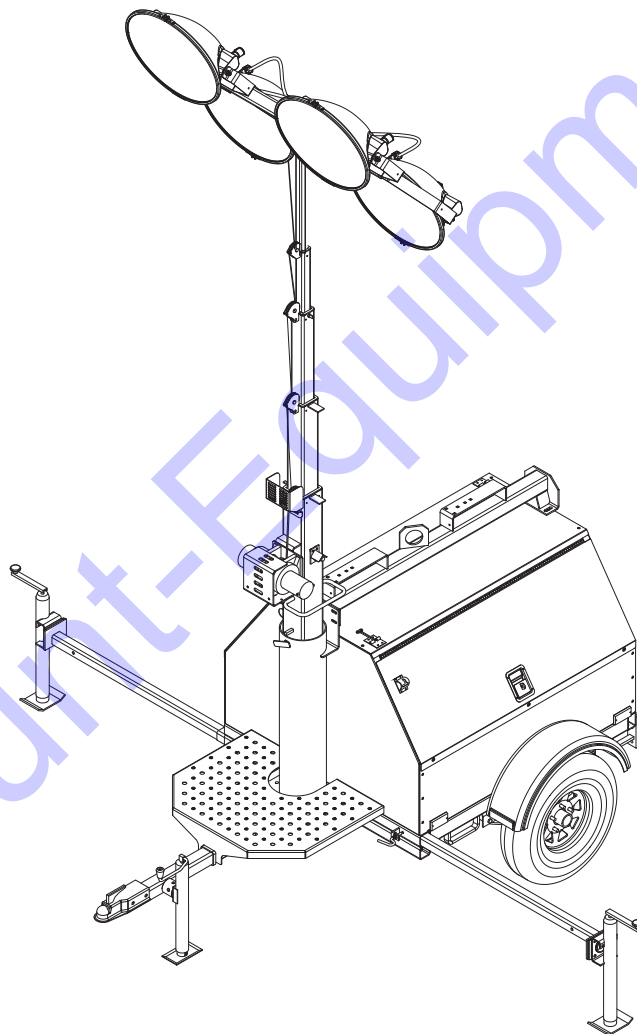


GENERAC[®] | **MOBILE PRODUCTS**

DIESEL LIGHT TOWER **MLT4060KV • MLT4060MV • MLT4080KV** **PARTS MANUAL**



00121



www.discount-equipment.com

Discount Equipment

Discount-Equipment.com is your online resource for commercial and industrial quality parts and equipment sales.

Locations:

Florida (West Palm Beach): [561-964-4949](tel:561-964-4949)

Outside Florida TOLL FREE: [877-690-3101](tel:877-690-3101)

Need parts? Check out our website at www.discount-equipment.com

Can't find what you need?

Click on this link: <http://www.discount-equipment.com/category/5443-parts/> and fill out the request form.

Please have the machine model and serial number available in order to help us get you the correct parts. One of our experienced staff members will get back to you with a quote for the right part that your machine needs.

We sell worldwide for the brands: Genie, Terex, JLG, MultiQuip, Mayco, Toro/Stone, Diamond Products, Magnum, Airman, Mustang, Power Blanket, Nifty Lift, Atlas Copco, Chicago Pneumatic, Allmand Brothers, Essick, Miller Spreader, Skyjack, Lull, Skytrak, Tsurumi, Husquvarna/Target, Whiteman-Concrete/Mortar, Stow-Concrete/Mortar, Baldor, Wacker, Sakai, Snorkel, Upright, Mi-T-M, Sullair, Neal, Basic, Dynapac, MBW, Weber, Bartell, Bennar Newman, Haulotte, Ditch Runner, Blaw-Knox, Himoinsa, Best, Buddy, Crown, Edco, Wyco, Bomag, Laymor, Terremite, Barreto, EZ Trench, Takeuchi, Basic, Bil-Jax, Curtis, Gehl, Heli, Honda, ICS/PowerGrit, Puckett, Waldon, ASV, IHI, Partner, Imer, Clipper, MMD, Koshin, Rice, Gorman Rupp, CH&E, Cat Pumps, Comet, General Pump, Giant, AMida, Coleman, NAC, Gradall, Square Shooter, Kent, Stanley, Tamco, Toku, Hatz, Kohler, Robin, Wisconsin, Northrock, Oztec, Toker TK, Rol-Air, Small Line, Wanco, Yanmar

New Equipment - Used Equipment - Rental Equipment - Parts and Accessories

Discount Equipment

www.discount-equipment.com

561-964-4949

Parts: wbparts@Discount-Equipment.com

Sales: info@Discount-Equipment.com

▲ WARNING
CALIFORNIA PROPOSITION 65 WARNING: Diesel engine exhaust and some of its constituents are known to the state of California to cause cancer, birth defects, and other reproductive harm.

▲ WARNING
CALIFORNIA PROPOSITION 65 WARNING: This product contains or emits chemicals known to the state of California to cause cancer, birth defects, and other reproductive harm.

Introduction

This parts manual was prepared based on the information available at the time of publication and is subject to change without notice. Generac Mobile Products reserves the right to change parts at any time.

DO NOT MODIFY or use this equipment for any application other than which it was designed for. To keep your equipment fully operational, it is suggested you maintain a stock of commonly used maintenance or service parts. A recommended spare parts list can be found in the back of this manual.

▲ WARNING

Before operating or servicing this equipment, read and understand the Generac Operating Manual which was included with the unit when shipped from the factory. Failure to do so increases the risk of injury to yourself or others.

Engine Make: _____
Engine Serial Number: _____
Engine Model Number: _____
Generator Make: _____
Generator Model Number: _____
Generator Serial Number: _____
Unit Model Number: _____
Unit Serial Number: _____

Table of Contents

Introduction	iii
Parts Manual Instructions	1
Unit Decals - Mast, Chassis, and Doors	2
Unit Decals - Left Side Interior	3
Unit Decals - Right Side Interior	4
Mast, Junction Box and Lights to Unit	6
Light Assembly	8
Mast Junction Box Assembly - Hard Wired Lights	10
Mast Junction Box Assembly - Quick Disconnect Lights Option	12
Mast Assembly	14
Mast Assembly - Bottom Post	16
Roof and Doors to Unit	18
Front, Rear, and Side Panels to Unit	20
Mast Switch Box Assembly	22
Control Box to Unit	24
Control Box Assembly	26
Control Panel Assembly - MLT4060KV, MLT4060MV	28
Control Panel Assembly - MLT4080KV	30
Cooling System Assembly	32
Engine and Generator to Unit	34
Engine Assembly - Mitsubishi Left Side	36
Engine Assembly - Mitsubishi Right Side	38
Engine Assembly - Kubota Left Side	40
Engine Assembly - Kubota Right Side	42
Generator Assembly	44
Fuel Tank and Ballast Boxes to Unit	46
Trailer Assembly	48
Trailer - Jack and Hitch Options	50
Axle Assembly	52
Recommended Spare Parts List (1 of 2)	54
Recommended Spare Parts List (2 of 2)	55

Parts Manual Instructions

Product illustrations are only representations. Products supplied may vary from the illustrations in this parts manual. Parts not shown in the illustration are indicated by a double dash (--) in the item column.

Please be prepared to provide the following information when ordering replacement parts: model number, serial number (on unit serial tag), part number, purchase order number (if applicable), shipping address, shipping method.

Refer to the illustration below to locate the unit ID tag and Vehicle Identification Number (VIN) tag on the unit. Important information, such as the unit serial number, model number, VIN and tire loading information are found on these tags. Record the information from these tags so it is available if the tags are lost or damaged. When ordering parts or requesting assistance, you may be asked to provide this information.

*Unit ID Tag
Located on inside
of front panel*

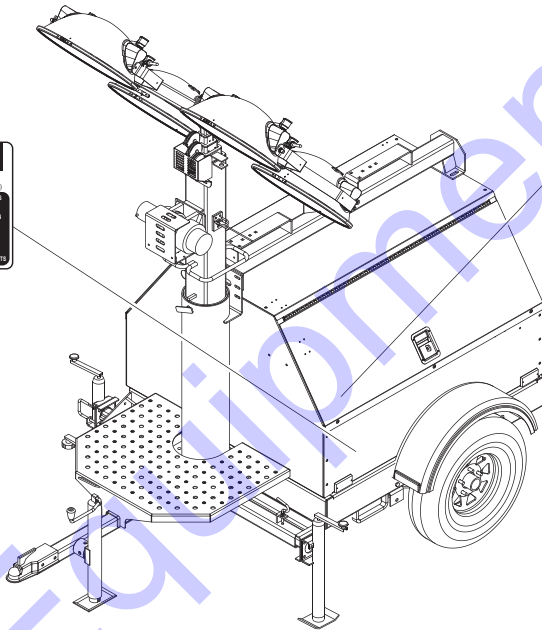
VIN Tag

MANUFACTURED BY/FABRIQUE PAR: Generac Mobile Products LLC GOVERNMENT: 0000 (0000.00)		DATE: 000000
COUNTRY / PAYS:	TIRE / PNEU:	PRESS / PNEU:
MAKE:	GENP / PNEU:	GENP / PNEU:
VIN: 0000000000000000		MODEL: XXX000 TYPE: TRAILER

TIRE AND LOADING INFORMATION
 RECOMMANDATIONS EN SUJET DES PNEUS ET LE CHARGEMENT

The weight of cargo should never exceed 5000KG (10000 LB)
 Le poids du chargement ne doit jamais dépasser 10000KG (22000 LB)

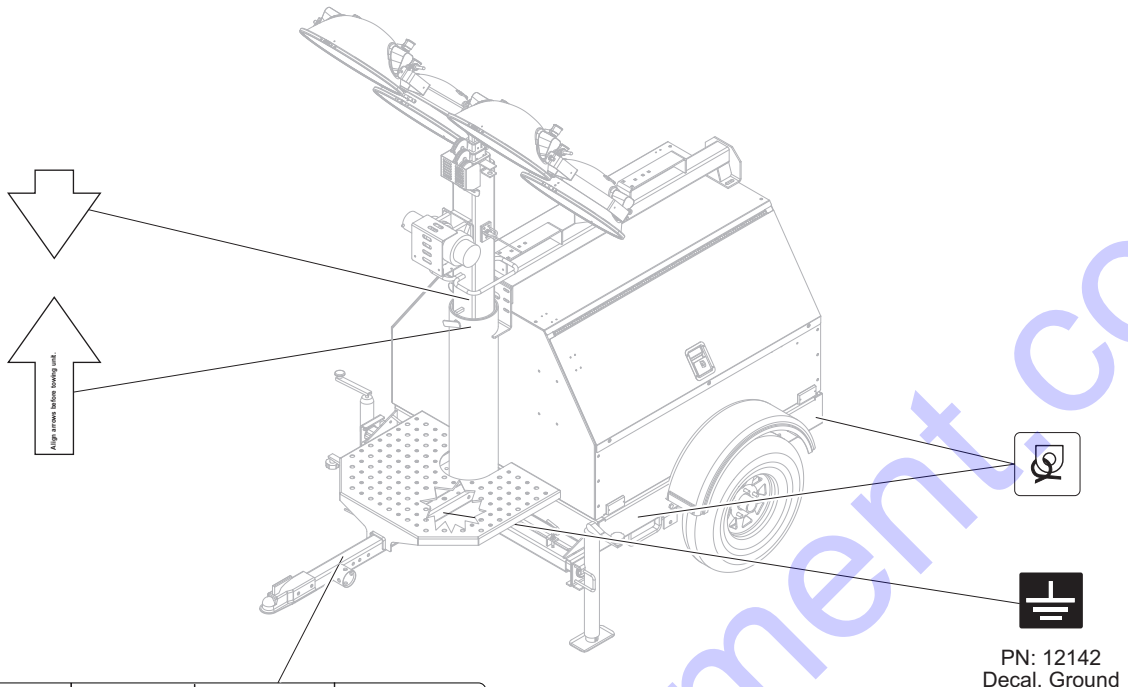
SEE OWNER'S MANUAL FOR ADDITIONAL INFORMATION.
 VOIR LE MANUEL DE L'USAGER POUR PLUS DE RENSEIGNEMENTS



Manufactured by Generac Mobile Products LLC (800) 391-4442		(800) 505-0768
Country of Origin:	Model:	Serial Number:
Manufacturing Code:	Weight (Weight):	RPM/Frequency:
KW:	1 ph. 1.0PF:	3 ph. 80PF:
KVA:	3 ph. 1.0PF:	Rating:
V:	Invt. Class:	Invt. Class:
A:	Invt. Class:	Invt. Class:

00224

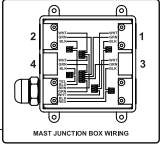
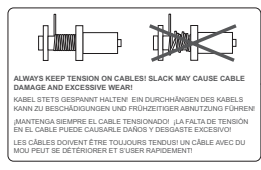
UNIT DECALS - MAST, CHASSIS, AND DOORS



TOWING INSTRUCTIONS	ABSCHLEPPANWEISUNGEN	INSTRUCCIONES PARA REMOLQUE	INSTRUCCIONES DE REMORQUEAJE
<ol style="list-style-type: none"> 1. Read operator's manual. 2. Do not exceed the trailer's gross vehicle weight rating. 3. Securely attach trailer to tow vehicle. 4. Always fully chock wheel on a level surface. 5. Attach load limiters when in vehicle. 6. Check trailer lights. 	<ol style="list-style-type: none"> 1. Bedienhandbuch lesen. 2. Anhängergesamtes Gewicht, das der Zuladungsberechnungsklasse des Fahrzeuges entspricht. 3. Anhängersicher anhängen. 4. Anhängerräder auf Blockieren. 5. Anhängerräder auf Niveaueinstellen. 6. Anhängerscheinwerfer prüfen. 	<ol style="list-style-type: none"> 1. Lea el manual del operador. 2. No exceda el peso autorizado para la capacidad de peso bruto del vehículo del remolque. 3. Conecte firmemente el remolque al vehículo de tracción. 4. Enganche las cadenas de seguridad en ambos ejes. 5. Enganche el sistema de bloqueo de emergencia para ambos. 6. Revise los faros del remolque. 	<ol style="list-style-type: none"> 1. Lire le manuel de l'utilisateur. 2. Vérifier en charge le respect de la limite nominale du poids brut du véhicule. 3. Arrêter soigneusement le remorque au véhicule tracteur. 4. Rester en sécurité en connectant au véhicule tracteur. 5. Poser le système de sécurité sur les deux axes. 6. Poser la chaîne de remorque au véhicule. 7. Vérifier les feux de remorque.



PN: 12142
Decal, Ground



PN: 13614
Decal, Mast Junction
Located inside box



01150

Note: All safety and operating decals are located on decal sheet 33953 unless otherwise noted.

UNIT DECALS - LEFT SIDE INTERIOR



⚠ WARNING
Do not set up unit in high wind or during electrical storms! Check for overhead obstructions before using!

⚠ WARNUNG
Die Einheit nicht bei hohem Wind oder bei Gewittern einrichten! Vor Gebrauch auf über Kopf befindliche Hindernisse achten!

⚠ ADVERTENCIA
¡No monte la unidad si hay viento fuerte ni durante tormentas eléctricas! ¡Revisé las obstrucciones elevadas antes de usar!

⚠ AVERTISSEMENT
Ne pas installer l'appareil par vents violents ou lorsqu'il y a un orage! Vérifier l'absence d'obstacles en hauteur avant l'utilisation!



⚠ DANGER
Contact with overhead electrical power lines will cause serious injury or death. Do not position light tower under electrical power lines.

⚠ GEFAHR
Der Kontakt mit elektrischen Hochspannungsleitungen kann zu schweren oder lebensgefährlichen Verletzungen führen. Das Beleuchtungsgewinn nie direkt unter Hochspannungsleitungen aufstellen.

⚠ PELIGRO
El contacto con las líneas eléctricas elevadas podría causar lesiones serias o la muerte. No posicione la torre de iluminación debajo de líneas eléctricas.

⚠ DANGER
Le contact avec des câbles électriques suspendus causera de blessures graves ou la mort. Ne pas positionner la tour lumineuse sous des câbles électriques.

ENGINE OPERATION / MOTORBETRIEB / FUNCIONAMIENTO DEL MOTOR / FONCTIONNEMENT DU MOTEUR:

- BEFORE STARTING THE ENGINE / VOR DEM STARTEN DES MOTORS / ANTES DE ENCIENDER EL MOTOR / AVANT DE FAIRE DEMARRER LE MOTEUR:**
 - CHECK FUEL LEVEL. / VERIFICE EL NIVEL DE COMBUSTIBLE. / VERIFICE LE NIVEL D'ESSENCE.
 - CHECK COOLANT LEVEL. / PRÜFE DEN NIVEL DES KÜHLMEDIUMS. / VERIFICE LE NIVEL DE LIQUIDE DE REFROIDISSEMENT.
 - CHECK ENGINE OIL LEVEL. / MOTORÖL NIVEL PRÜFEN. / VERIFICE EL NIVEL DE ACEITE DEL MOTOR. / NIVEAU DE LA HUILE DU MOTEUR.
 - MAINS SURE MAIN CIRCUIT BREAKERS IS OFF. / HAUPTSTROMSCHALTERN SIND AUSGESCHALTET. / VERIFIQUEZ QUE LES DISJONCTEURS PRINCIPAL ESTE APAGADO. / VÉRIFIEZ QUE LE DISJONCTEUR DU CIRCUIT PRINCIPAL EST ÉTEINDRE.
- ALL CIRCUIT BREAKERS OFF! / ALLE TRENNSCHALTER SIND AUSGESCHALTET! / TODOS LOS CORTACIRCUITOS ESTÁN APAGADOS! / TOUS LES DISJONCTEURS DU CIRCUIT SONT DÉSACTIVÉS!**
- START ENGINE / MOTOR STARTEN / ENCIENDA EL MOTOR / FAIRE DEMARRER LE MOTEUR:**
 - ACTIVATE GLOW PLUGS. / GLOWPLUGS ACTIVIEREN. / METEN DE GLOW-DE KANDELIERS. / ACTIVER LES BOUGIES DE PRÉCHAUFFAGE.
 - CRANK ENGINE TO START. / MOTOR DREHEN AUF FÜR DEN START. / MANUELVIS DREHEN DES MOTORS. / ACTIONNER À MANUEL LE MOTEUR.
 - RELEASE KEY. / SOHL LOSLAS. / PROBLEMAS. / FALTA DE LA LLAVE. / RELÂCHER LA CLÉ.
- TURN CIRCUIT BREAKERS ON / TRENNSCHALTER SIND AUSGESCHALTET! / ENCIENDA LOS CORTACIRCUITOS / ACTIVER LES DISJONCTEURS DU CIRCUIT**
- SHUT DOWN / AUSSCHALTEN / APAGUE / ÉTEINDRE**
- STOP ENGINE / MOTOR STOPPEN / DETENGA EL MOTOR / ÉTEINDRE LE MOTEUR:**
 - GLow PLUGS. / OFF. / START.



⚠ WARNING
Read and understand the supplied operator's manual before operating this machine. Failure to do so increases the risk of injury to yourself or others.

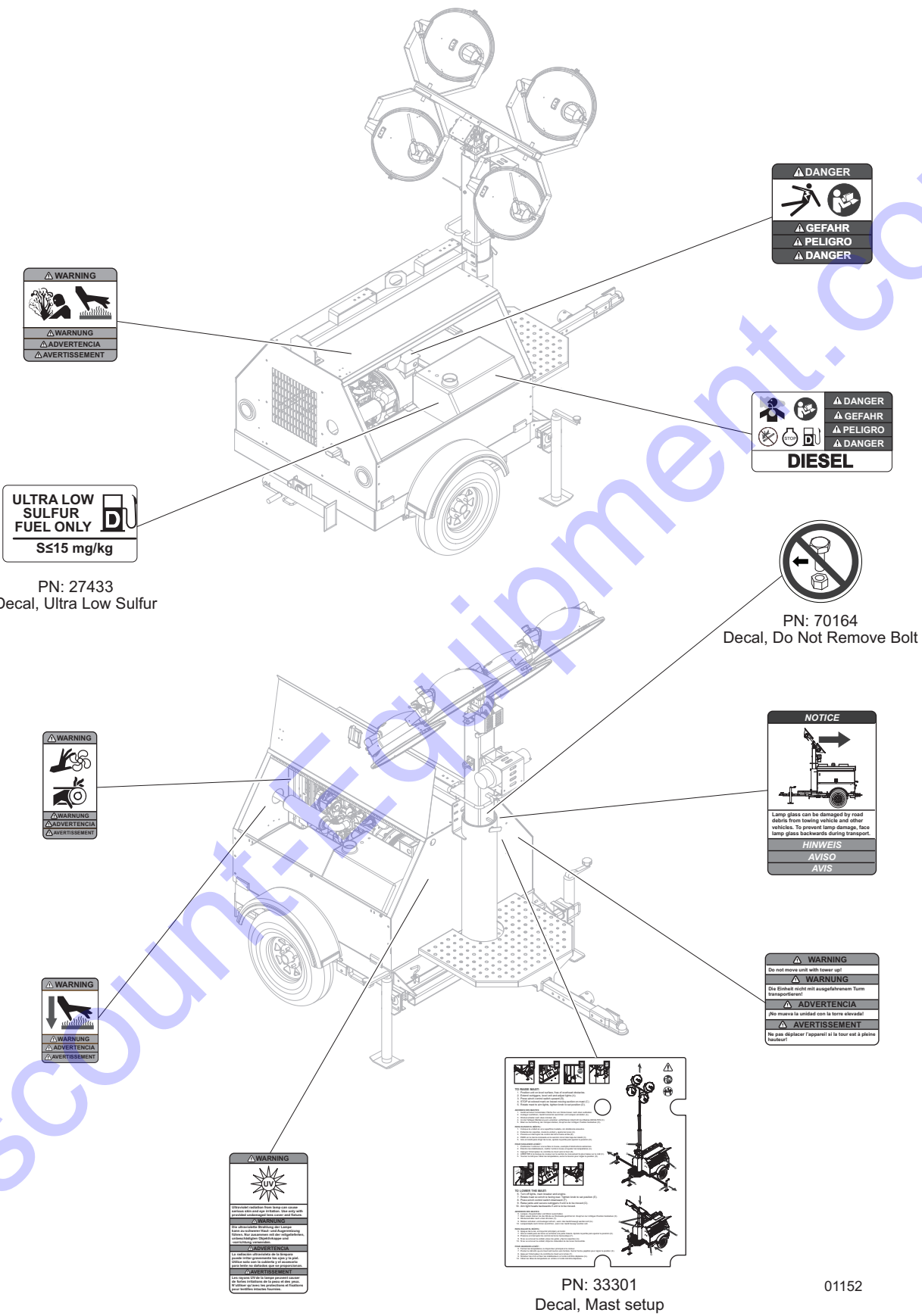
⚠ WARNUNG
Vor dem Betrieb dieser Maschine muss das Bedienhandbuch gelesen und verstanden werden sein. Ein Unverständnis erhöht das eigene Verletzungsrisiko.

⚠ ADVERTENCIA
Lee y asegure de comprender el manual del operador antes de operar esta máquina. De lo contrario, aumenta el riesgo de lesiones a usted y a otras personas.

⚠ AVERTISSEMENT
Lire et comprendre le manuel de l'utilisateur avant d'utiliser. L'omission de la lecture augmente le risque de blessures pour vous et pour les autres.

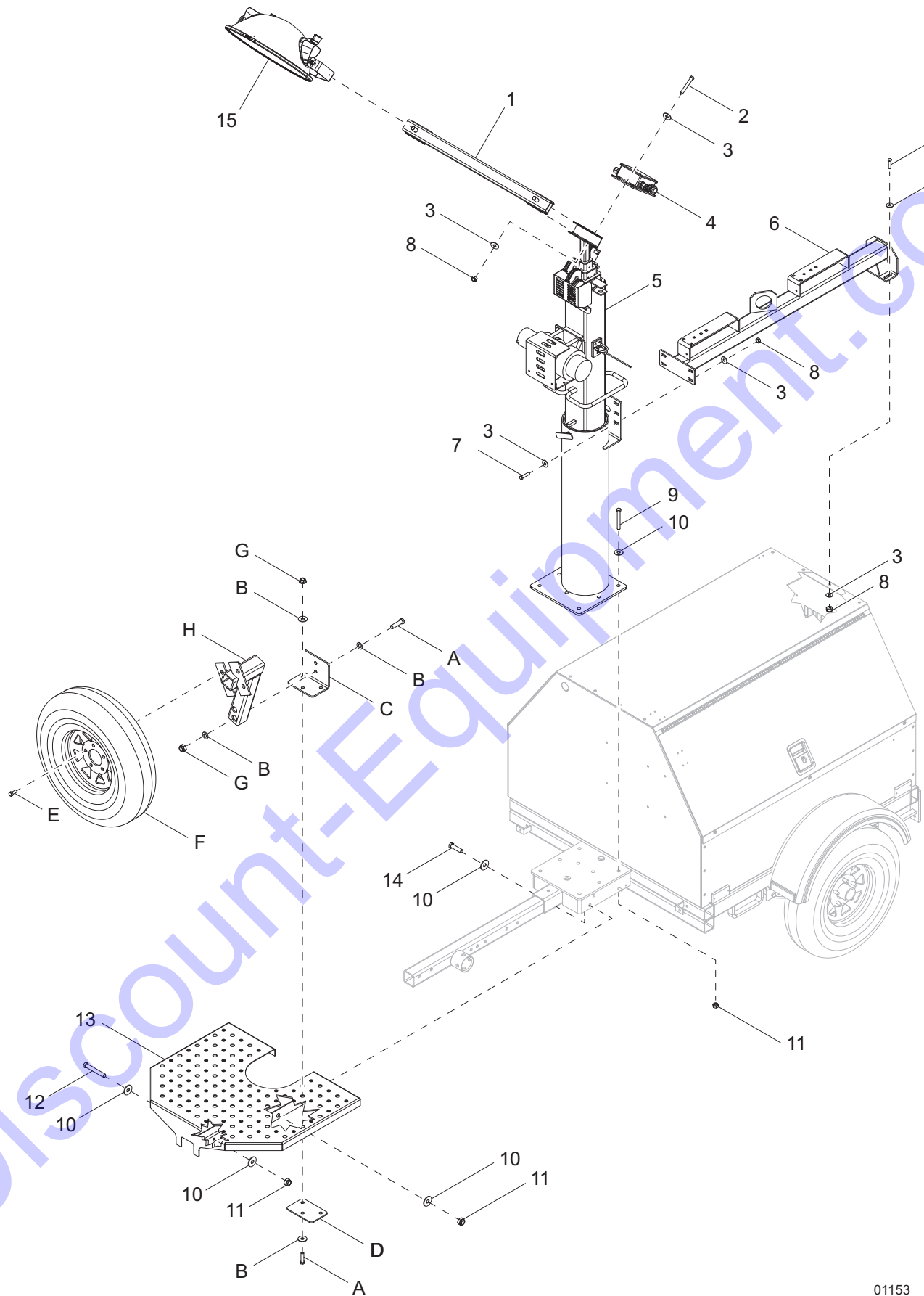
Note: All safety and operating decals are located on decal sheet 33953 unless otherwise noted.

UNIT DECALS - RIGHT SIDE INTERIOR



Note: All safety and operating decals are located on decal sheet 33953 unless otherwise noted.

MAST, JUNCTION BOX AND LIGHTS TO UNIT



01153

MAST, JUNCTION BOX AND LIGHTS TO UNIT

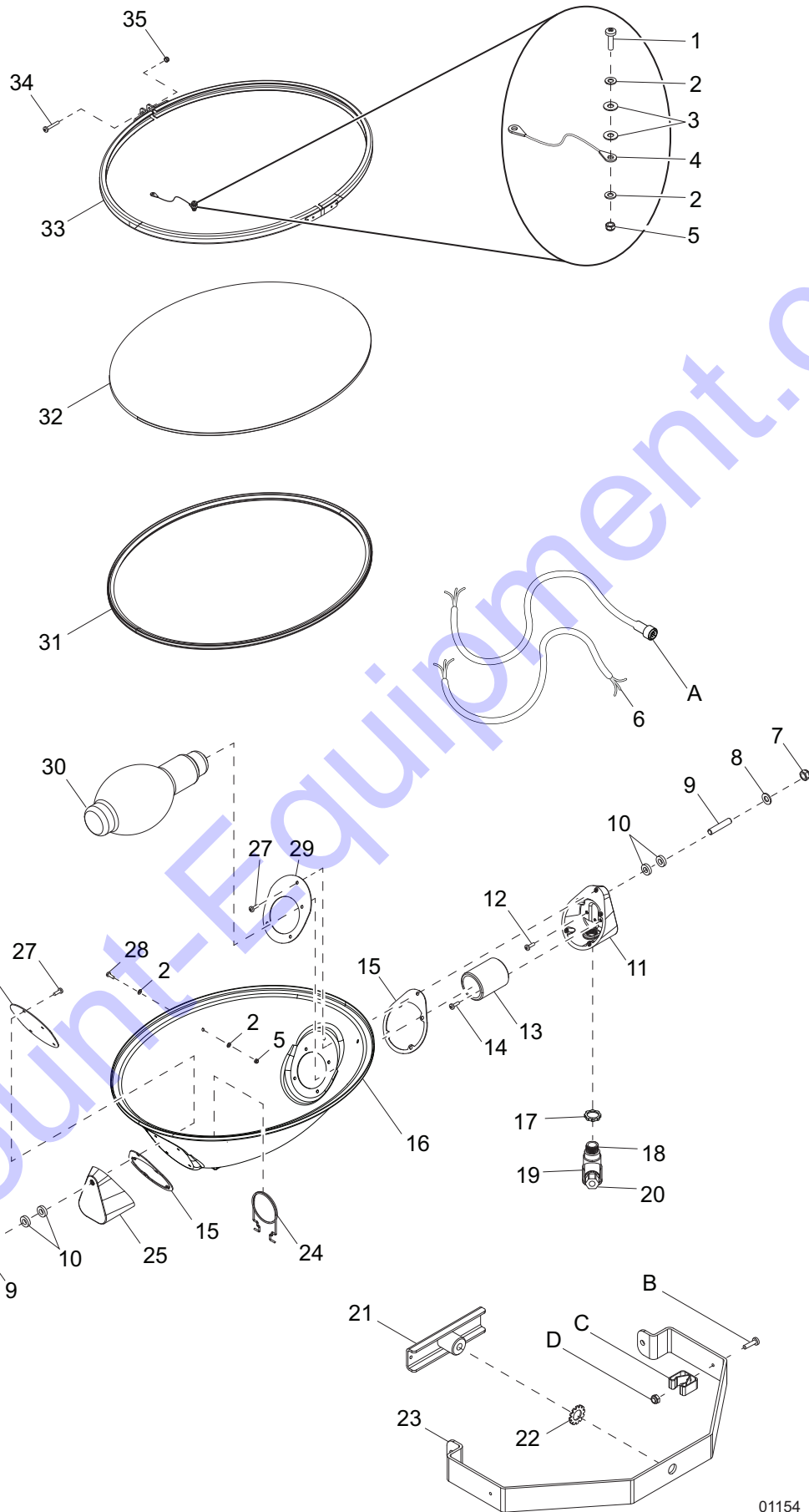
Item	Part No.	Qty	Description	Notes
1	13527B	1	Weldment, mast crossbar	
2	60753	2	Screw, .375-16 x 3.5 std hex, G5	
3	60698	12	Washer, .375 flat .875/.040, SS	
4	Page 10	1	Assembly, mast junction box	
5	Page 14	1	Assembly, mast	
6	33041B	1	Weldment, lift support	
7	61036	4	Screw, .375-16 x 1.25 std hex, SS	
8	60358	6	Nut, .375-16 nylock, G5	
9	60683	6	Screw, .500-13 x 1.50 std hex, SS	
10	60309	12	Washer, .500 flat 1.060/.090	
11	62221	9	Nut, .500-13 nylock, G5	
12	50215	1	Screw, .500-13 x 4.0 std hex, G5	
13	33234B	1	Weldment, step platform	
14	60388	2	Screw, .500-13 x 1.50 std hex, G5	
15	Page 8	4	Assembly, light	

OPTIONAL FEATURES

Spare Tire:

A	60388	5	Screw, .500-13 x 1.50 std hex, G5
B	60309	10	Washer, .500 flat 1.060/.090
C	35030B	1	Bracket, spare tire holder
D	35031B	1	Plate, spare tire holder
E	60096	5	Nut, .500-20 lug, G5
F	15976	1	Wheel, ST175/80D13, 1360 lb
G	62221	5	Nut, .500-13 nylock, G5
H	10734B	1	Weldment, spare tire holder

LIGHT ASSEMBLY



01154

LIGHT ASSEMBLY

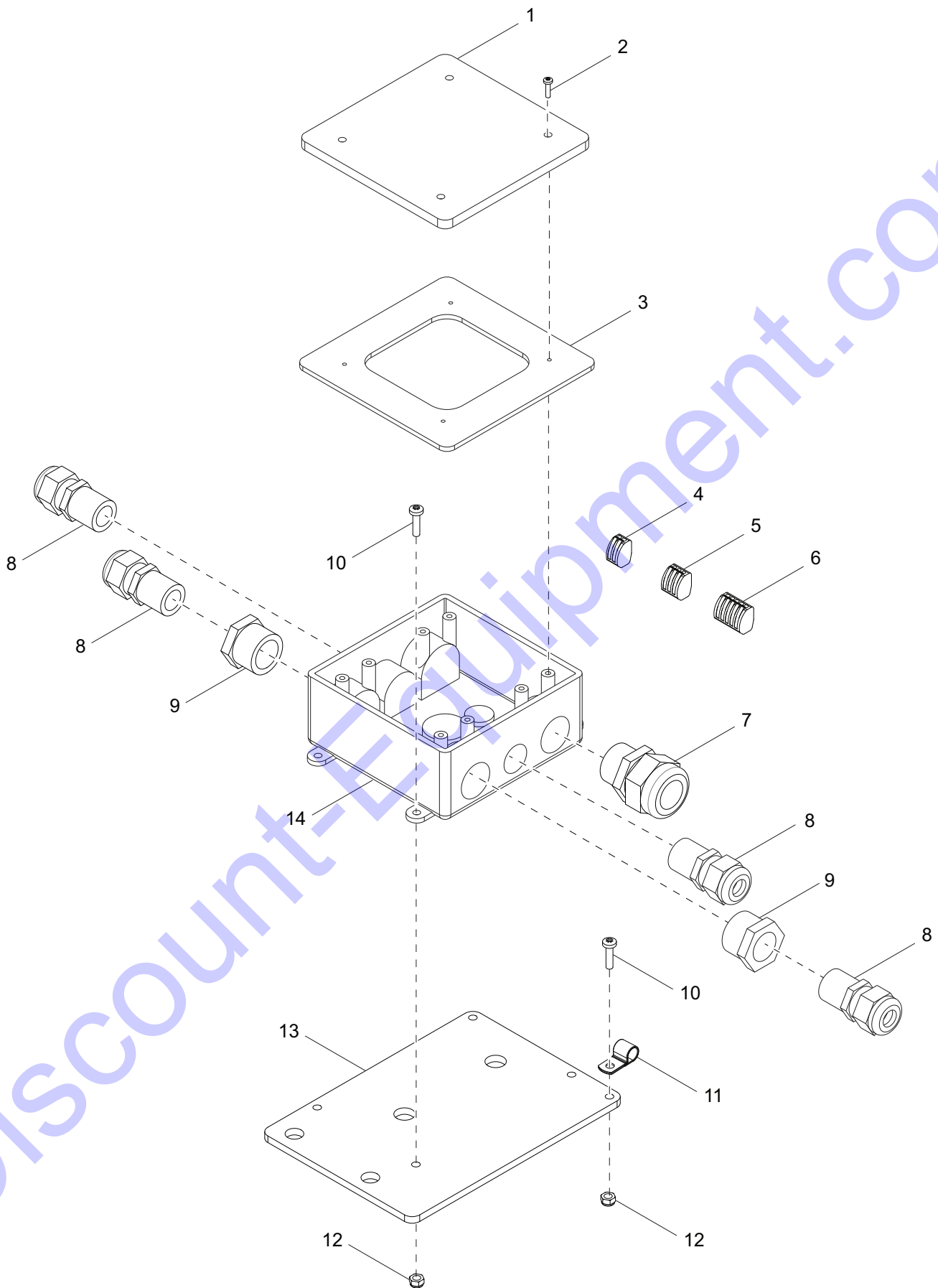
Item	Part No.	Qty	Description	Notes
1	13399	1	Screw, M4 x 18 pan phil	
2	13371	4	Washer, #4	
3	13372	2	Washer, #4 nylon	
4	13370	1	Assembly, tether	
5	13395	2	Nut, M4 nylock	
6	13438	1	Cord, power - hard wired	
7	62221	2	Nut, .500-13 nylock, G5	
8	60247	2	Washer, .750 flat 2.020/.090	
9	13392	2	Stud, trunnion mounting	
10	13390	4	Washer, .500 nylon	
11	13374	1	Support, housing/trunnion w/out cord	
12	13393	1	Screw, M5 x 12 phillips green	
13	13381	1	Socket, bulb w/out threaded insert	
14	13396	2	Screw, pan phillips	
15	13378	2	Gasket, silicone	
16	13366	1	Assembly, housing	
17	15861	1	Nut, special, .500NPT lock	
18	13386	1	Fitting, nipple - .500	
19	13387	1	Connector, weathertight - .500	
20	15864	1	Strain relief, .500NPT watertight, .270/.464 ID	
21	13403	1	Handle, T - wing nut	
22	61174	1	Washer, .750 external star	
23	13368	1	Trunnion	
24	13380	1	Bracket, bulb support	
25	13375	1	Support, housing/trunnion w/cord	
26	13377	1	Bracket, non socket end plate	
27	13388	10	Screw, M5 x 12 flg hex, slotted	
28	13394	1	Screw, M4 x 10 pan phil	
29	13376	1	Bracket, socket end plate	
30	11391	1	Bulb, 1000W MH short length	
31	13373	1	Gasket, lens	
32	13369	1	Lens, glass	
33	13367	1	Assembly, aluminum ring	
34	13398	1	Screw, ground	
35	13397	1	Nut, nylock	
--	13331	1	Assembly, light - hard wired	Items 1 - 35

OPTIONAL FEATURES

Quick Disconnect Light:

A	13383	1	Cord, power quick disconnect	Replaces item 6
B	60398	1	Screw, 10-32 x .500 pan phil, SS	
C	19041	1	Clip, spring holder	
D	60061	1	Nut, 10-32 nylock	
--	13601	1	Assembly, light - quick disconnect, cord clip	

MAST JUNCTION BOX ASSEMBLY - HARD WIRED LIGHTS

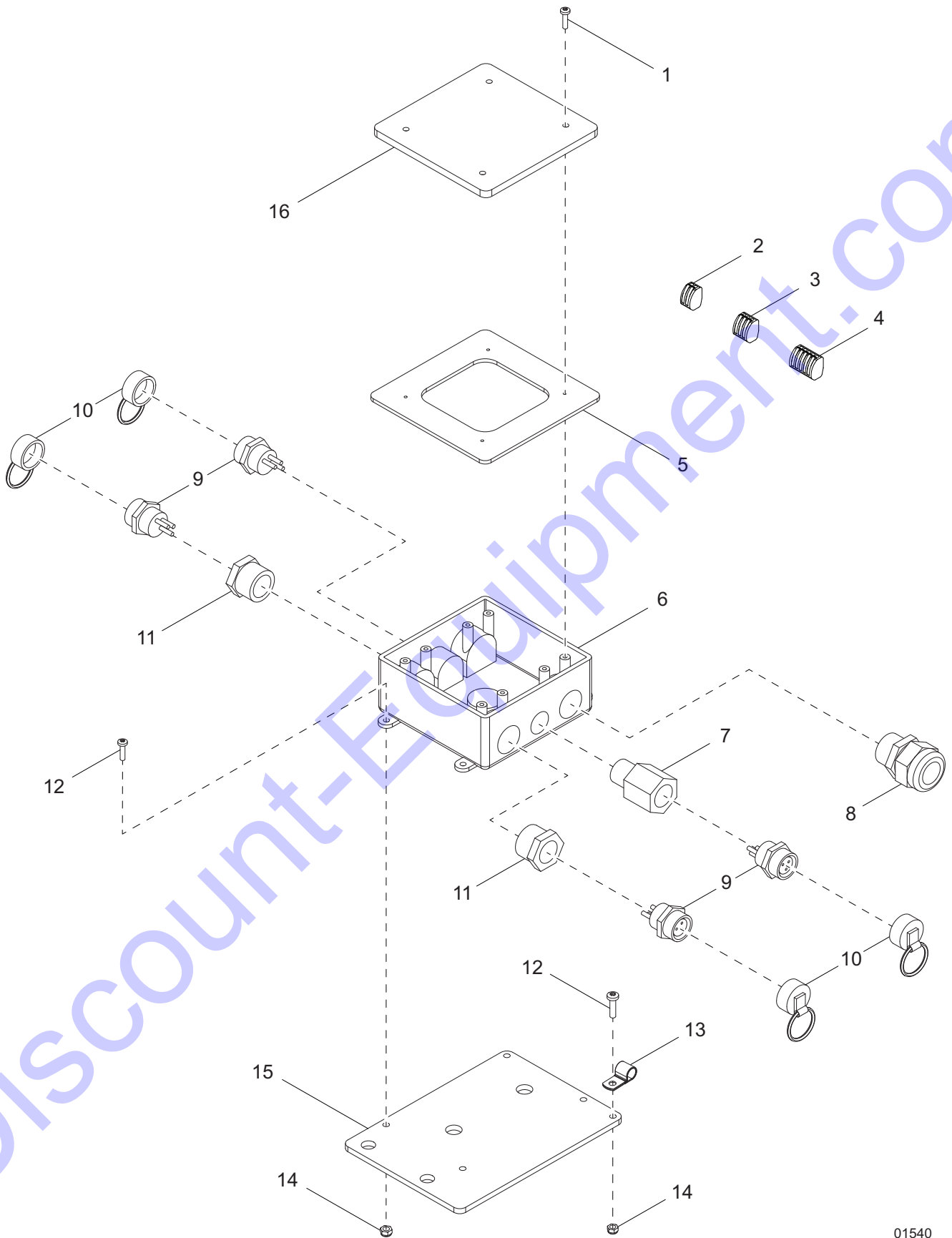


01155

MAST JUNCTION BOX ASSEMBLY - HARD WIRED LIGHTS

Item	Part No.	Qty	Description	Notes
1	12109	1	Cover, box, 2 gang plastic	
2	60424	4	Screw, 6-32 x .750 pan phil, G2, self thread	
3	13749	1	Gasket, junction box	
4	66100	4	Connector, 2 position	
5	66101	2	Connector, 3 position	
6	66102	1	Connector, 5 position	
7	15864	4	Strain relief - .500NPT watertight, .270/464 ID	
8	14656	1	Strain relief - .750NPT watertight, .545/709 ID	
9	60755	2	Fitting, strt - .750MNPT x .500FNPT, nylon	
10	60062	5	Screw, 10-32 x .750 pan phil, G2	
11	16143	1	Clamp, tubing - .500	
12	60415	5	Nut, 10-32 nylock, SS	
13	12095B	1	Bracket, junction box - black	
14	12094	1	Box, junction	
--	11789	1	Assembly, mast junction box - hard wired	Items 1 - 14

MAST JUNCTION BOX ASSEMBLY - QUICK DISCONNECT LIGHTS OPTION

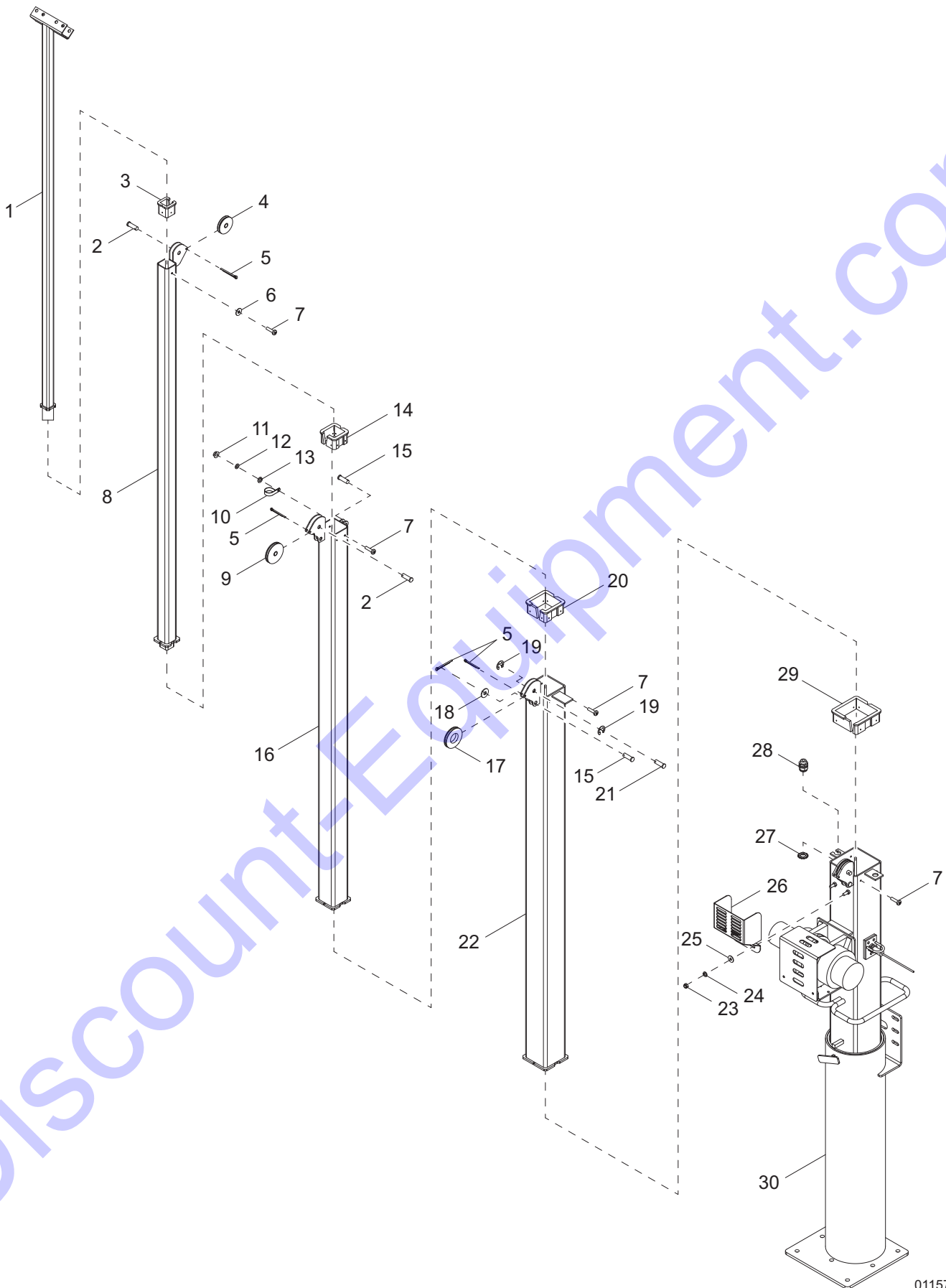


01540

MAST JUNCTION BOX ASSEMBLY - QUICK DISCONNECT LIGHTS OPTION

Item	Part No.	Qty	Description	Notes
1	60424	4	Screw, 6-32 x .750 pan phil, G2, self thread	
2	66100	4	Connector, 2 position	
3	66101	2	Connector, 3 position	
4	66102	1	Connector, 5 position	
5	13749	1	Gasket, junction box	
6	12094	1	Box, junction	
7	12713	1	Fitting, strt - .500MNPT x .500FNPT, steel	
8	14656	1	Strain relief, .750NPT, watertight	
9	15403	4	Connector, quick disconnect - female	
10	12410	4	Assembly, quick disconnect receptacle cap w/chain	
11	60755	2	Fitting, strt - .750MNPT x .500FNPT, nylon	
12	60062	5	Screw, 10-32 x .750 pan phil, G2	
13	16143	1	Clamp, tubing - .500	
14	60415	5	Nut, 10-32 nylock, SS	
15	12095B	1	Bracket, junction box - black	
16	12109	1	Cover, box, 2 gang plastic	
--	11957	1	Assembly, mast junction box - quick disconnect	Items 1 - 16

MAST ASSEMBLY

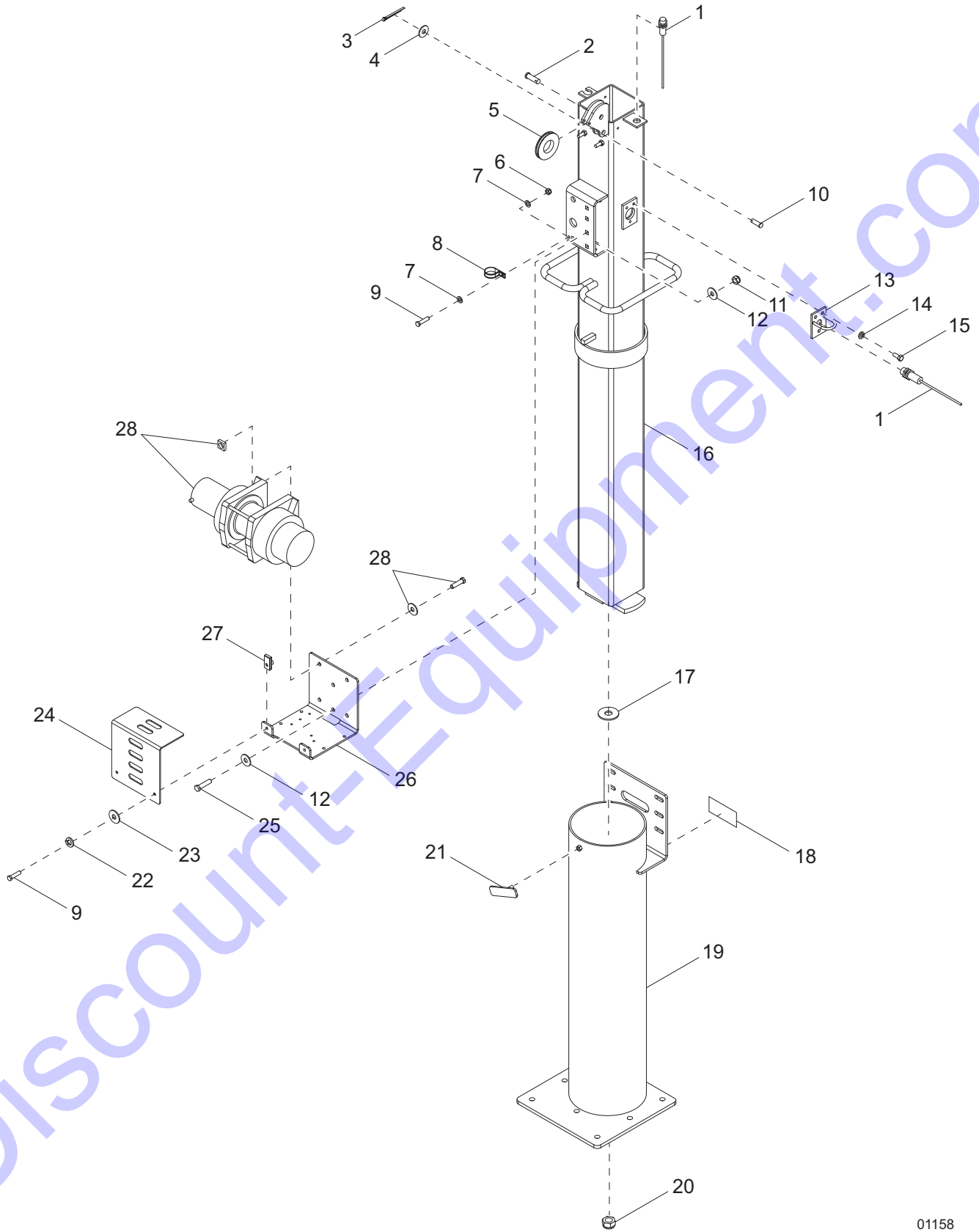


01157

MAST ASSEMBLY

Item	Part No.	Qty	Description	Notes
1	32015B	1	Weldment, mast section, 1.25 in	
2	63279	2	Pin, clevis - .500 dia x .780	
3	32409	1	Shim, 2 x 2 tube	
4	32524	1	Sheave, 2.50 in	
5	15380	4	Pin, cotter - .125 x 1.25	
6	60067	2	Washer, #10 flat .435/.060, SS	
7	32569	14	Screw, 8-16 x .375 pan phil, SS	
8	32010B	1	Weldment, mast section, 2 in	
9	14262	1	Sheave, 3 in	
10	15627	1	Clamp, tubing - .625 heavy duty	
11	60140	1	Nut, .375-16 hex, G5	
12	60206	1	Washer, .375 split lock	
13	60386	1	Washer, .375 flat .993/.064	
14	13789	1	Shim, 3 x 3 tube	
15	63325	2	Pin, clevis - .500 dia x 1.063	
16	32007B	1	Weldment, mast section - 3 in	
17	33736	1	Assembly, pulley	
18	60309	1	Washer, .500 flat 1.060/.090	
19	63281	1	Clip, E-ring	
20	13790	1	Shim, 4 x 4 tube	
21	63280	1	Pin, grooved clevis - .500 dia x .780	
22	32004B	1	Weldment, mast section, 4 in	
23	60285	2	Nut, .312-18 hex, G2	
24	60271	2	Washer, .312 split lock	
25	60119	1	Washer, .312 flat .875/.070	
26	33395B	1	Guard, pulley	
27	15861	1	Nut, .500NPT lock	
28	14871	1	Strain relief, .500NPT, .500 cord	
29	32408	1	Shim, 5 x 5 tube	
30	Page 16	1	Assembly, mast bottom	
--	34132	1	Cable, .188 in. x 116 in., SS	Attaches to item 30
--	34128	1	Cable, .188 in. x 69.25 in., SS	Attaches to item 22
--	34129	1	Cable, .188 in. x 69.75 in., SS	Attaches to item 16
--	34130	1	Cable, .188 in. x 67.875 in., SS	Attaches to item 8
--	33397	1	Coil cord	
--	33228	1	Assembly, vertical mast	Items 1 - 30
--	10770	1	Wire group - coil cord ground extension	

MAST ASSEMBLY - BOTTOM POST

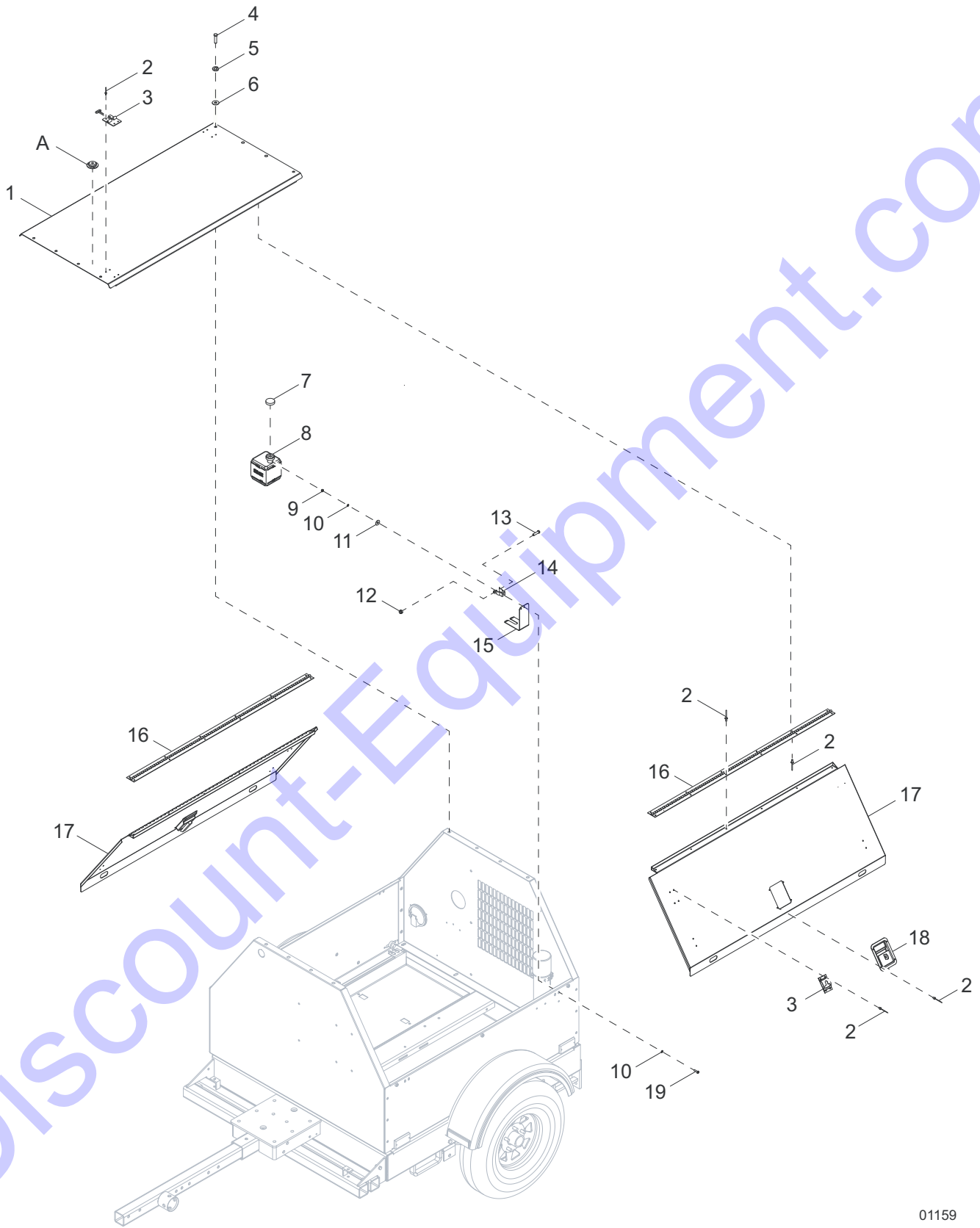


01158

MAST ASSEMBLY - BOTTOM POST

Item	Part No.	Qty	Description	Notes
1	31757	2	Sensor, proximity	
2	63325	1	Pin, clevis - .500 dia x 1.063	
3	15380	1	Pin, cotter - .125 x 1.25	
4	60309	1	Washer, .500 flat 1.060/.090	
5	33736	1	Assembly, pulley	
6	60144	1	Nut, .250-20 nylock, G5	
7	60696	2	Washer, .250 flat .625/.050, SS	
8	16143	1	Clamp, tubing - .500	
9	60393	3	Screw, .250-20 x 1.0 std hex, G5	
10	63272	1	Pin, clevis - .500 dia x 1.25	
11	60358	2	Nut, .375-16 nylock, G5	
12	60386	4	Washer, .375 flat .993/.064	
13	13796B	1	Weldment, proximity sensor bracket	
14	60271	3	Washer, .312 split lock	
15	60168	3	Screw, .312-18 x .750 std hex, G5	
16	33247B	1	Weldment, mast bottom - 5 in	
17	60247	1	Washer, .750 flat 2.020/.130	
18	50197	0.75 ft	Weatherstripping - .06 x 1.0	
19	33224B	1	Weldment, mast tube	
20	60584	1	Nut, .750-10 nylock, G5	
21	11649Z	1	Weldment, T-bolt	
22	60286	2	Washer, .250 split lock	
23	60243	2	Washer, .250 flat .735/.060	
24	33822B	1	Bracket, winch cover	
25	60352	2	Screw, .375-16 x 1.25 std hex, G5	
26	33858B	1	Bracket, winch mounting	
27	61143	2	Nut, .250-20 U-clip - short type	
28	34293	1	Winch, electric - 1200 lb hoist	
--	17936	1	Wire group - electric winch	
--	31759	1	Wire group - winch battery power cables	
--	31758	1	Wire group - winch power cables	
--	31757	1	Wire group - proximity sensor	

ROOF AND DOORS TO UNIT



01159

ROOF AND DOORS TO UNIT

Item	Part No.	Qty	Description	Notes
1	16538W	1	Panel, top	
2	60268	48	Rivet, .188 dia x .126 to .250 grip, SS	
3	12605	2	Latch, T-handle, SS	
4	60690	4	Screw, .375-16 x 1.0 std hex, SS	
5	60703	4	Washer, .375 split lock, SS	
6	60698	4	Washer, .375 flat .875/.040, SS	
7	19714	1	Cap, overflow jug	
8	20287	1	Jug, overflow	
9	60061	1	Nut, 10-32 nylock	
10	60067	2	Washer, #10 flat .435/.060, SS	
11	60696	1	Washer, .250 flat .625/.050, SS	
12	60144	1	Nut, .250-20 nylock, G5	
13	60414	1	Screw, .250-12 x 1.50 std hex, G5	
14	19726	1	Clamp, overflow jug	
15	22419B	1	Bracket, overflow jug	
16	16598	2	Hinge, door - .188 pin, 48.5 in. long	
17	16591W	2	Panel, door	
18	15123	2	Latch, paddle - 7 lb spring	
19	61180	1	Screw, 10-32 x .750 pan phil, SS	

OPTIONAL FEATURES

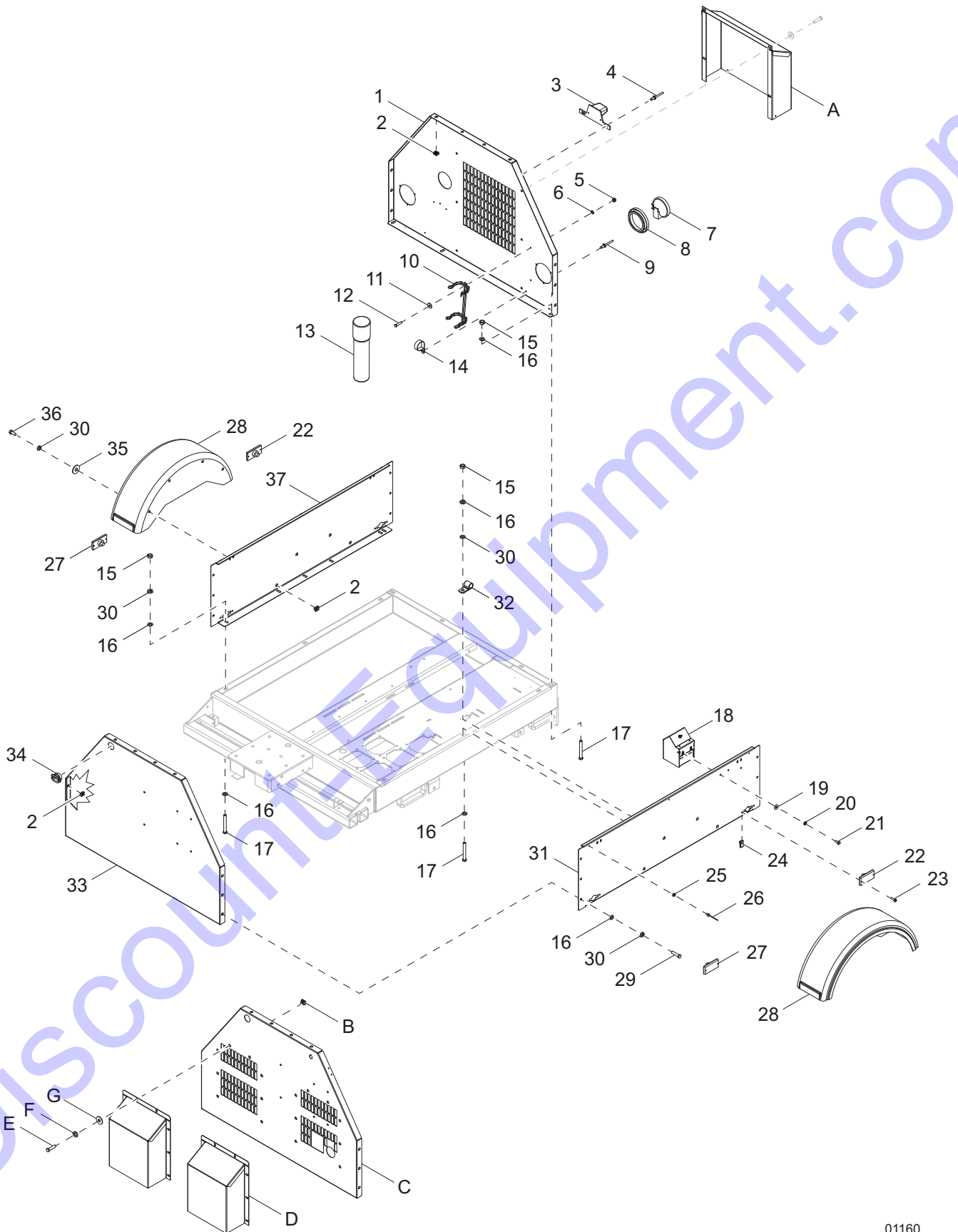
Level Indicator:

A 14433 1 Level, eye

Silent Pack:

-- 16739W 2 Panel, door

FRONT, REAR, AND SIDE PANELS TO UNIT



01160

FRONT, REAR, AND SIDE PANELS TO UNIT

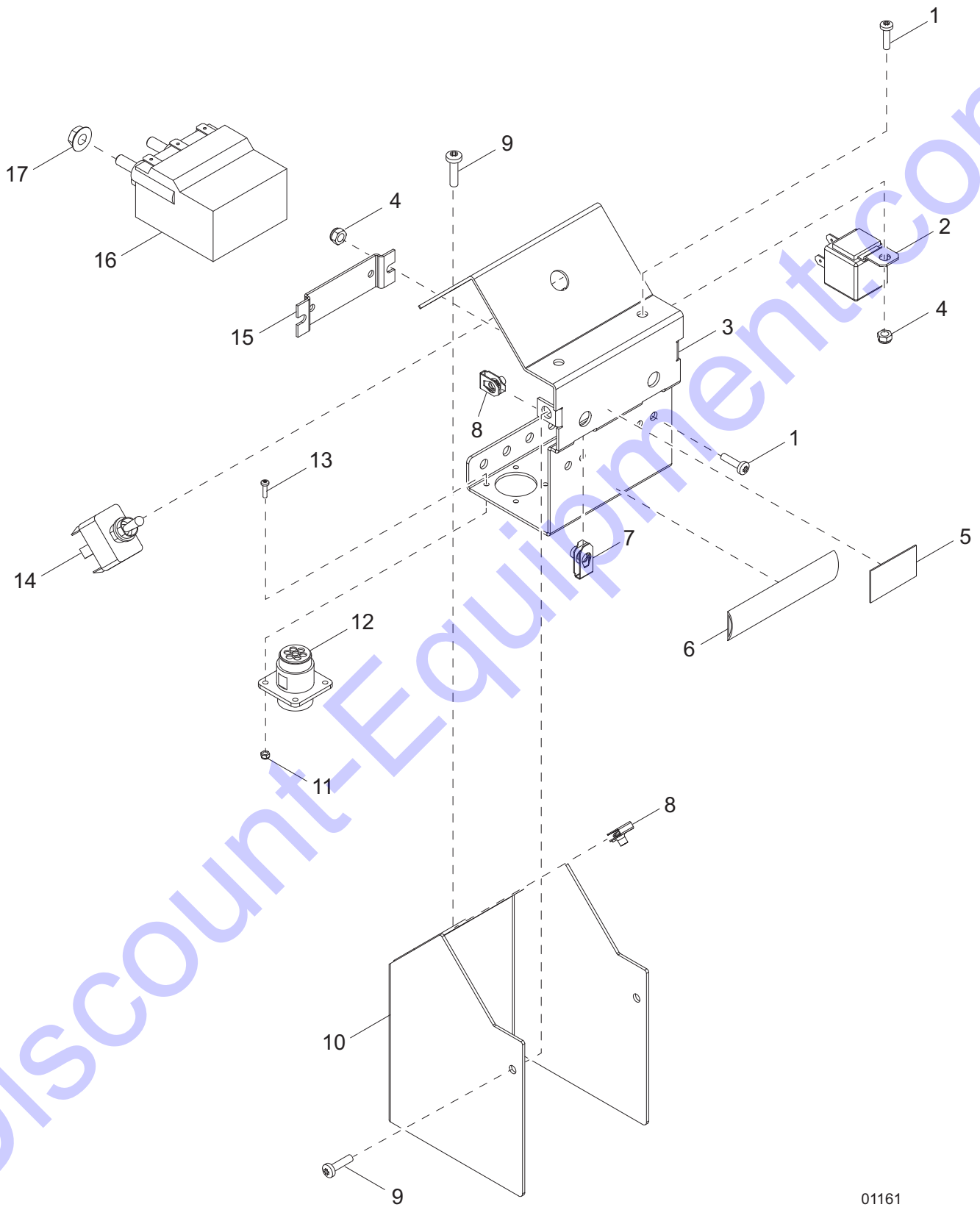
Item	Part No.	Qty	Description	Notes
1	35500W	1	Panel, rear	
2	60657	26	Nut, .375-16 cage, G5, for 12 GA	
3	10223	1	Assembly, license plate holder	
4	60423	2	Rivet, .188 dia x .250 to .375 grip	
5	60457	2	Nut, 10-24 nylock, G2	
6	60067	2	Washer, #10 flat .435/.060, SS	
7	10219	2	Assy, rear tail/turn light, 3-wire with plug	
8	10221	2	Grommet, rear light, rubber	
9	60268	2	Rivet, .188 dia x .126 to .250 grip, SS	
10	11222	1	Bracket, manual holder	
11	60089	2	Washer, .265 fender 1.25/.060	
12	60540	2	Screw, 10-24 x .750 pan phil, SS	
13	11121	1	Manual holder tube	
14	15628	2	Clamp, wire - .38 plastic	
15	60140	10	Nut, .375-16 hex, G5	
16	60698	38	Washer, .375 flat .875/.040, SS	
17	60689	10	Screw, .375-16 x 4.0 std hex SS	
18	<i>Page 22</i>	1	Assembly, mast toggle switch box	
19	60696	2	Washer, .250 flat .625/.050, SS	
20	60704	2	Washer, .250 split lock, SS	
21	60684	2	Screw, .250-20 x .875 std hex, SS	
22	66372	2	Light, clearance marker - red	
23	60694	8	Screw, 8-32 x .750 pan phil, SS	
24	60730	8	Nut, 8-32 U-clip	
25	15215	6	Rubber bumper	
26	60267	6	Rivet, .125 dia x .191 to .270 grip, alum	
27	66373	2	Light, clearance marker - amber	
28	16560	2	Fender, plastic - 13 in. tire	
29	60690	22	Screw, .375-16 x 1.0 std hex, SS	
30	60703	36	Washer, .375 split lock, SS	
31	35502W	1	Panel, left side	
32	60649	1	Clamp, tubing - .750 heavy duty	
33	33746W	1	Panel, front	
34	66425	1	Strain relief, 1.25 Romex, w/nut	
35	60729	8	Washer, .375 fender 1.50/.090	
36	60295	8	Screw, .375-16 x .750 std hex, SS	
37	33240W	1	Panel, right side	

OPTIONAL FEATURES

Silent Pack:

A	12189W	1	Duct, radiator guard
B	15425	16	Nut, .312-18 cage
C	34744W	1	Panel, front
D	34783W	2	Duct, front
E	60507	16	Screw, .312-18 x 1.0 std hex, SS
F	60701	16	Washer, .312 split lock, SS
G	60340	16	Washer, .312 flat .875/.040, SS

MAST SWITCH BOX ASSEMBLY

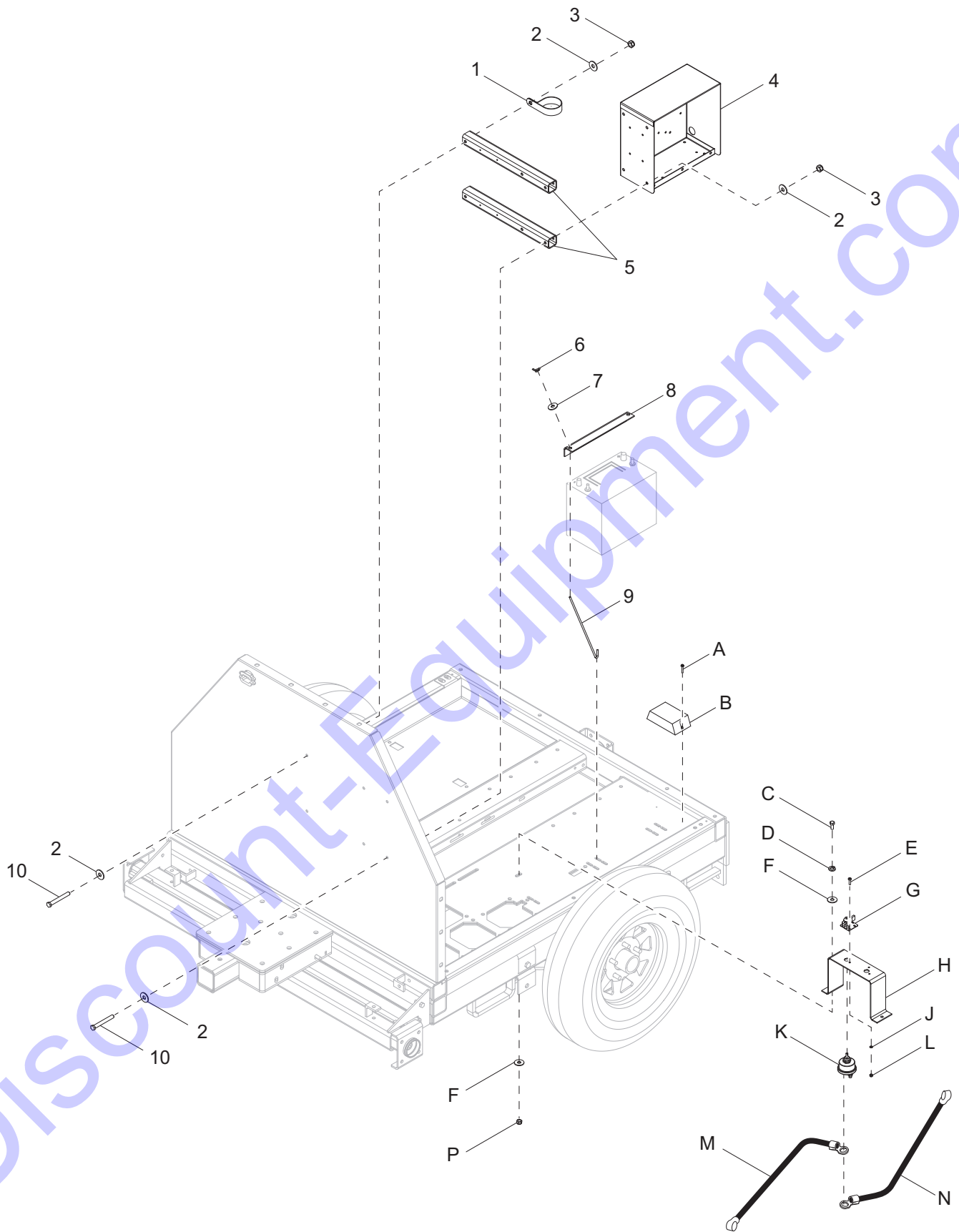


01161

MAST SWITCH BOX ASSEMBLY

Item	Part No.	Qty	Description	Notes
1	60277	4	Screw, 10-32 x .500 pan phil, G2	
2	65049	2	Relay, 12V 30/40A NO w/diode	
3	33750B	1	Panel, box - mast switch	
4	60061	4	Nut, 10-32 nylock	
5	50197	.125 ft	Weatherstripping, .06 x 1.0	
6	50187	.33 ft	Seal, door - D-shaped - .750	
7	61143	2	Nut, .250-20 U-clip - short type	
8	63105	4	Nut, 8-32 U-clip, G5	
9	60526	4	Screw, 8-32 x .500 pan phil, G2	
10	33751B	1	Panel, cover - mast switch	
11	60758	4	Nut, 4-40 nylock, G2	
12	61229	1	Connector, amp - 7 position receptacle, flange	
13	62187	4	Screw, 4-40 x .500 pan phil, SS	
14	65707	1	Switch, toggle - SPDT, spring, weatherproof	
15	33255B	1	Bracket, electric winch	
16	11293	1	Contactactor, 12V electric winch	
17	60036	4	Nut, M6-1.0 sflg, G8.8	
--	33471	1	Assembly, mast switch box	Items 1 - 17

CONTROL BOX TO UNIT



01162

CONTROL BOX TO UNIT

Item	Part No.	Qty	Description	Notes
1	60649	1	Clamp, tubing - .750 heavy duty	
2	60340	12	Washer, .312 flat .875/.040, SS	
3	60303	6	Nut, .312-18 nylock, G2	
4	Page 26	1	Control box	
5	11543B	2	Spacer, control box	
6	60090	2	Nut, .250-20 wing, G5	Included with item 9
7	60089	2	Washer, .265 fender 1.250/.060	Included with item 9
8	12924B	1	Angle, battery hold down	
9	14146	2	Bolt, J .250-20 x 10.0	
10	62043	6	Screw, .312-18 x 2.25 std hex, SS	

OPTIONAL FEATURES

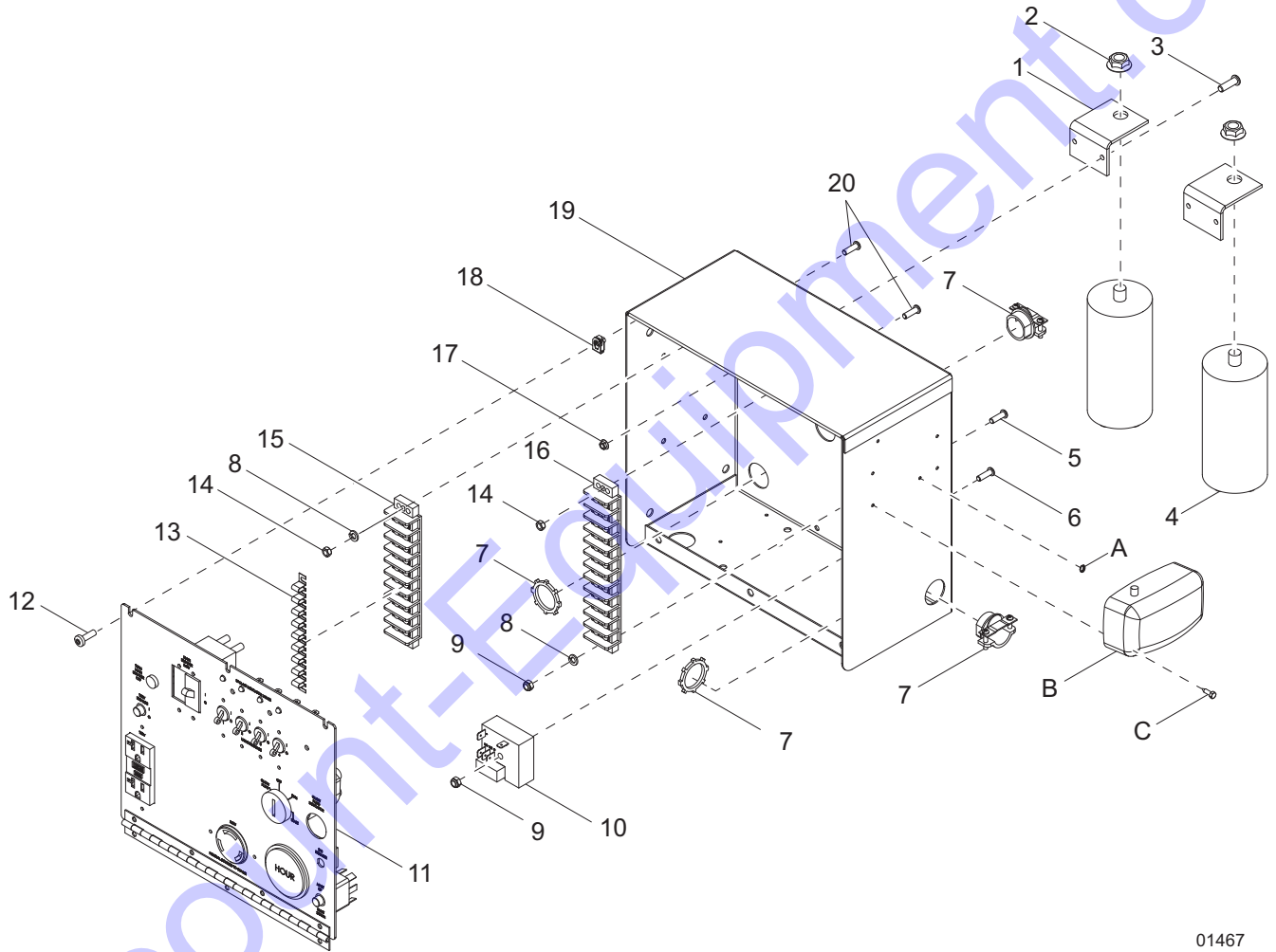
Battery Charger:

A	60419	2	Screw, 6-32 x .500 flg hex, G2, self-tapping
B	65326	1	Charger, battery 2A
--	21259	1	Decal, battery charger

Battery Disconnect:

C	60028	2	Screw, .312-18 x 1.0 std hex, G5
D	60271	2	Washer, .312 split lock
E	60277	2	Screw, 10-32 x .500 pan phil, G2
F	60119	2	Washer, .312 flat .875/.070
G	65499	1	Assembly, switch lockout lever
H	13654B	1	Bracket, battery disconnect
J	60067	2	Washer, #10 flat .435/.060, SS
K	65498	1	Switch, disconnect
L	60061	2	Nut, 10-32 nylock
M	15073	1	Cable, battery - 24 in. 4GA black, .438 lug
N	15074	1	Cable, battery - 38 in. 4GA red, .438 lug
P	60303	2	Nut, .312-18 nylock, G2

CONTROL BOX ASSEMBLY

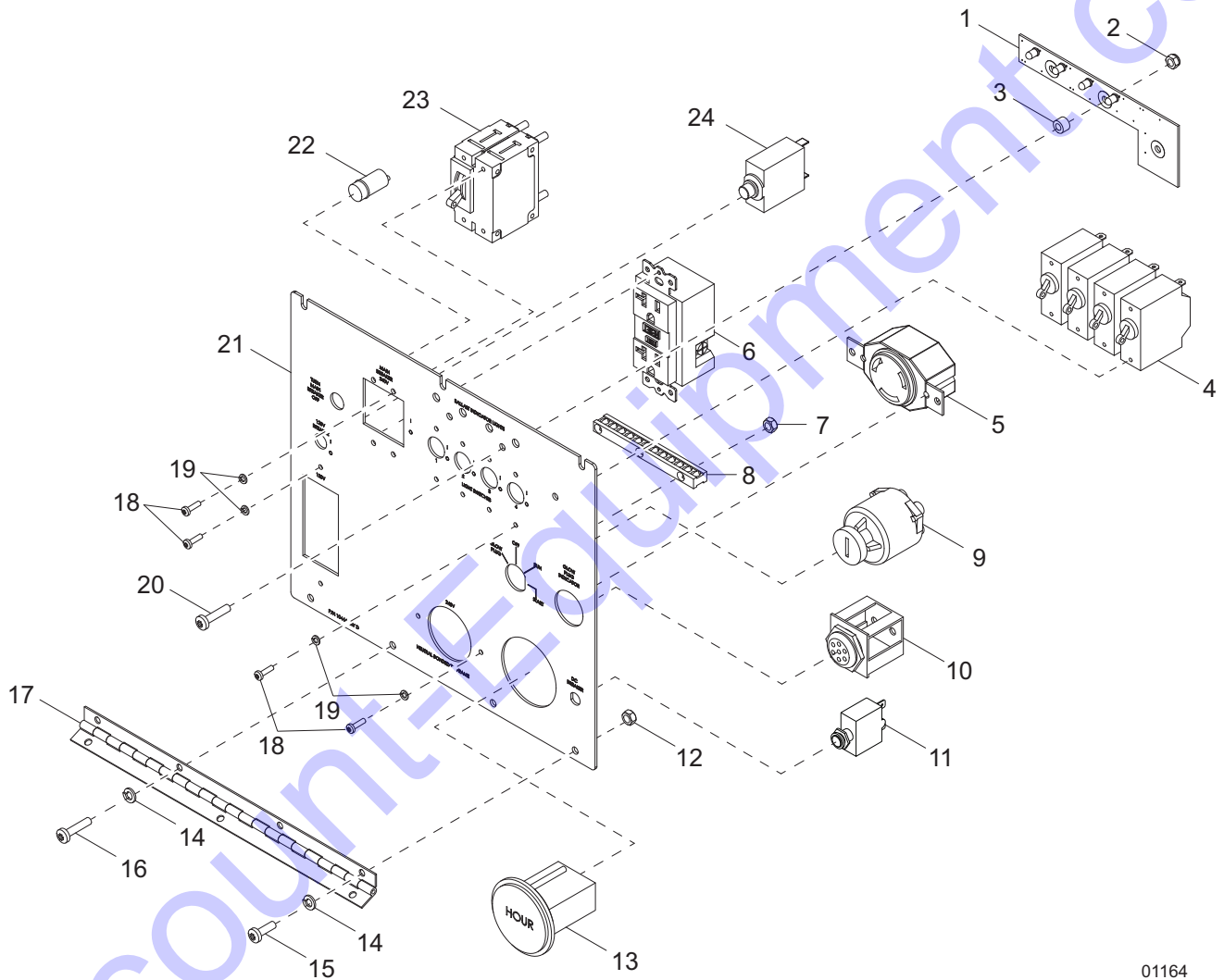


01467

CONTROL BOX ASSEMBLY

Item	Part No.	Qty	Description	Notes
1	13690B	2	Bracket, capacitor	
2	60148	2	Nut, M12-1.75 flange, G8.8	
3	60398	4	Screw, 10-32 x .500 pan phil, SS	
4	65959	2	Capacitor, 24 μ F, stud mounted	
5	60397	1	Screw, 10-32 x 1.0 pan phil, G2	
6	60396	1	Screw, 10-32 x 1.25 pan phil, G2	
7	14219	5	Strain relief, .75 Romex	
8	60252	3	Washer, #10 split lock	
9	60061	2	Nut, 10-32 nylock	
10	14201	1	Relay, 10A SPDT 12VDC time delay, 15 second fixed	
11	Page 28	1	Assembly, control panel	MLT4060KV/MV only
	Page 30	1	Assembly, control panel	MLT4080KV only
12	60526	6	Screw, 8-32 x .500 pan phil, G2	
13	15125	9	Jumper	
14	14231	2	Nut, 10-32 hex, G2	
15	14203	1	Block, terminal - 10 pos., 30A, 600V, #8 screw	
16	14139	1	Block, terminal - 12 pos., 30A, 600V, #8 screw	
17	61045	4	Nut, 10-32 flange	
18	63105	6	Nut, 8-32 U-clip, G5	
19	13666B	1	Control box	
20	60062	3	Screw, 10-32 x .750 pan phil, G2	
OPTIONAL FEATURES				
<i>Interior Light:</i>				
A	19163	1	Fitting, bushing - .500 x .375	
B	11947	1	Light, interior with switch	
C	60364	4	Screw, 10-16 x .500 std hex, G2, self-drilling	

CONTROL PANEL ASSEMBLY - MLT4060KV, MLT4060MV

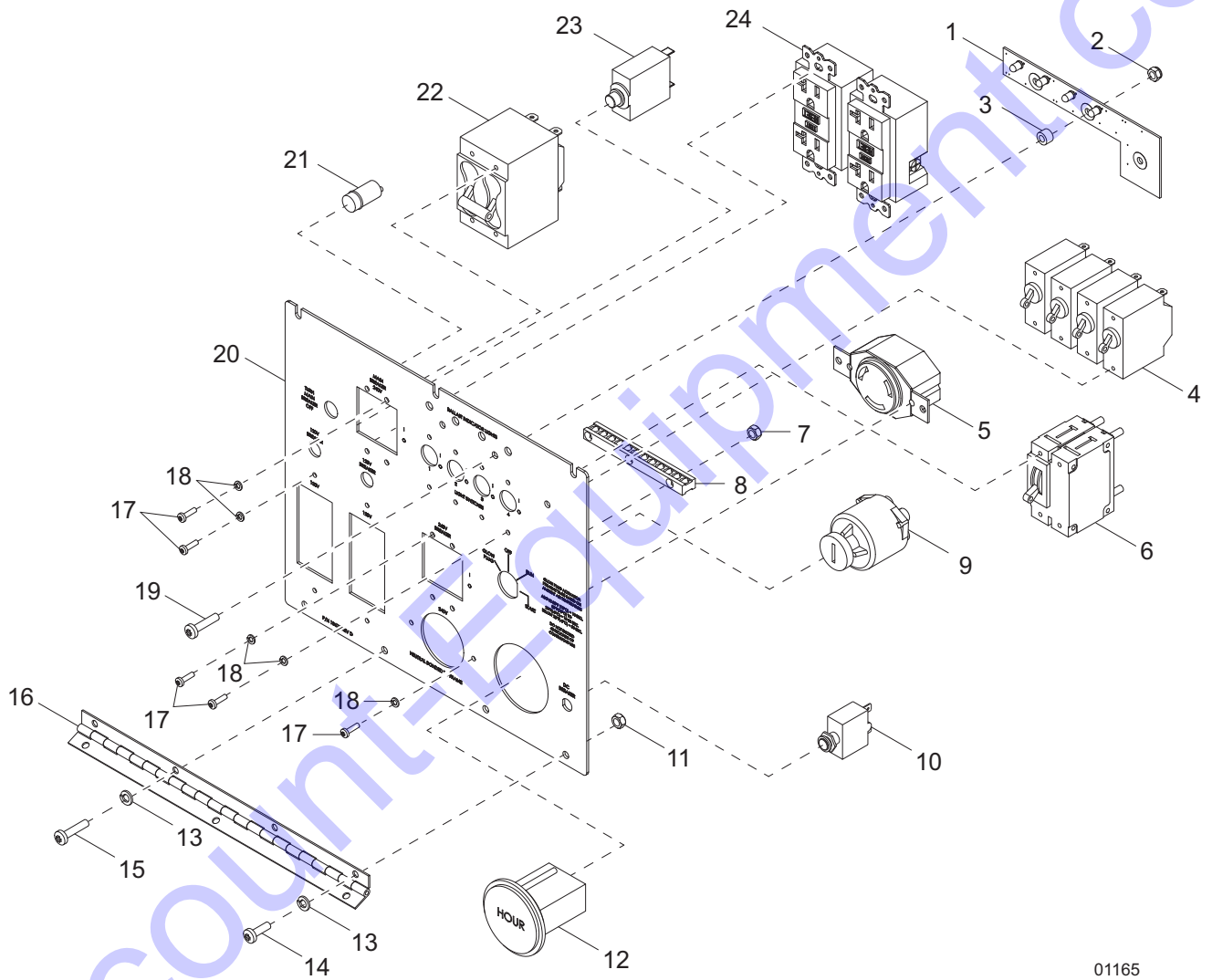


01164

CONTROL PANEL ASSEMBLY - MLT4060KV, MLT4060MV

Item	Part No.	Qty	Description	Notes
1	66423	1	PCB, LED lights w/connector	
2	60061	3	Nut, 10-32 nylock	
3	66257	3	Spacer, .2 ID x .375 OD x .25 long, plastic	
4	14249	4	Breaker, 15A, 120V, 1-pole	
5	14137	1	Receptacle, 240V/30A twist-lock	
6	14130	1	Receptacle, 120V/20A GFI	
7	60318	2	Nut, 8-32 hex, G5	
8	14204	1	Kit, ground bar	
9	15195	1	Switch, key	
10	16694	1	Glow plug indicator	MLT4060MV only
11	65850	1	Breaker, 10A, 240V, 1-pole, push button	
12	14231	2	Nut, 10-32 hex, G2	
13	15085	1	Gauge, hour meter	
14	60252	4	Washer, #10 split lock	
15	60277	2	Screw, 10-32 x .500 pan phil, G2	
16	60406	2	Screw, 8-32 x 1.0 pan phil, SS	
17	13677	1	Hinge, continuous - 11 in	
18	60405	16	Screw, 6-32 x .250 pan phil, G2	
19	60058	16	Washer, #6 split lock	
20	60062	3	Screw, 10-32 x .750 pan phil, G2	
21	10444	1	Panel, control - Mitsubishi, 6kW	MLT4060MV only
	10441	1	Panel, control - Kubota, 6kW	MLT4060KV only
22	65388	1	Light, indicator red, 12VDC	
23	65963	1	Breaker, 30A, 250V, 2-pole, stud terminal w/aux	
24	65849	1	Breaker, 10A, 120V, 1-pole, push button	
--	10443	1	Assembly, control panel - Mitsubishi	Items 1 - 34
--	10440	1	Assembly, control panel - Kubota	Items 1 - 34
--	35267	1	Wire group - 20A GFCI	
--	35268	1	Wire group - 30A twist-lock	
--	35269	1	Wire group - light switches	
--	35266	1	Wire group - LED light board	
--	35270	1	Wire group - 6kW control box	MLT4060KV only
--	35271	1	Wire group - 6kW control box	MLT4060MV only

CONTROL PANEL ASSEMBLY - MLT4080KV

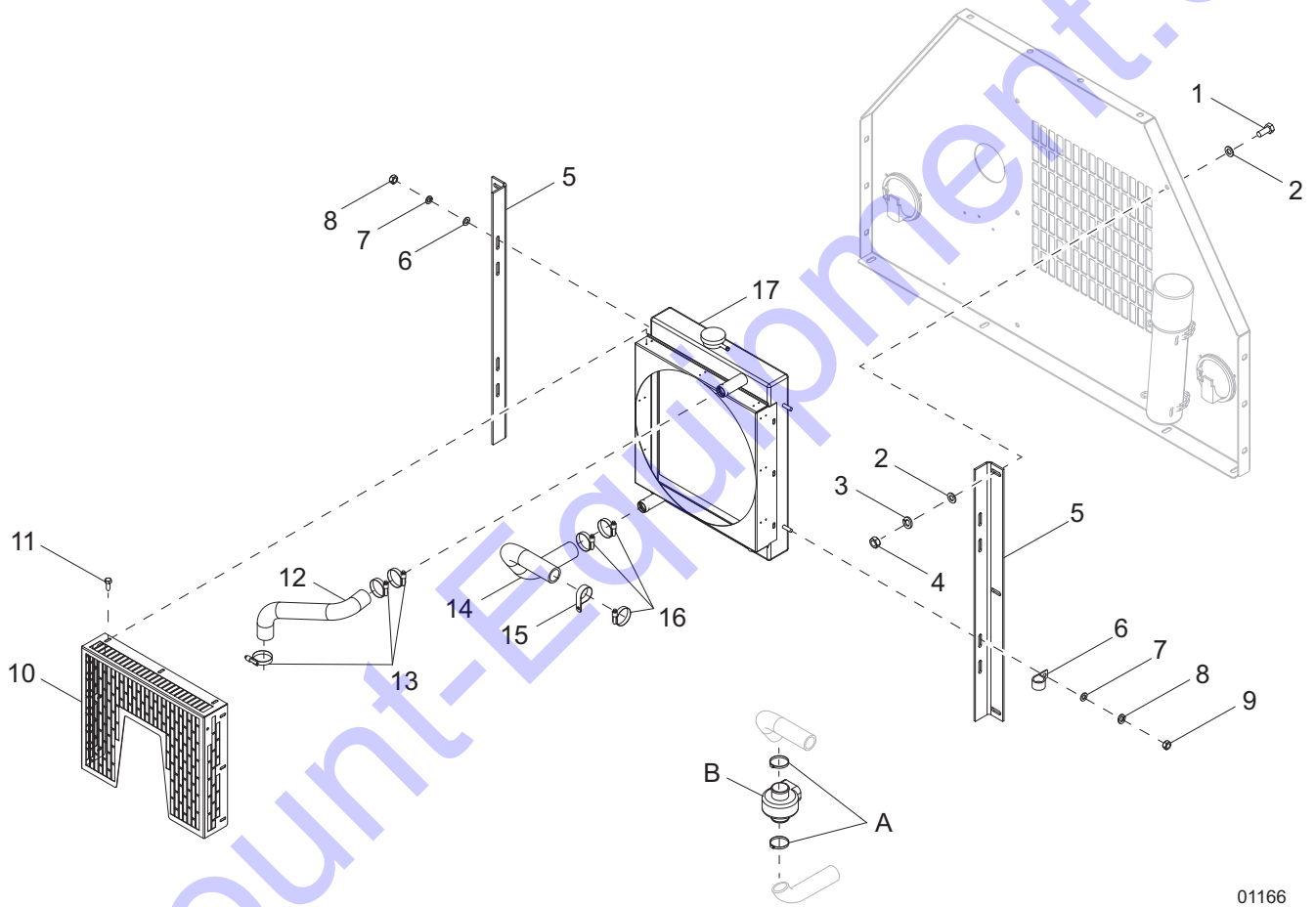


01165

CONTROL PANEL ASSEMBLY - MLT4080KV

Item	Part No.	Qty	Description	Notes
1	66423	1	PCB, LED lights w/connector	
2	60061	3	Nut, 10-32 nylock	
3	66257	3	Spacer, .2 ID x .375 OD x .25 long, plastic	
4	14249	4	Breaker, 15A, 120V, 1-pole	
5	14137	1	Receptacle, 240V/30A twist-lock	
6	65963	1	Breaker, 30A, 250V, 2-pole, stud terminal w/aux	
7	60318	2	Nut, 8-32 hex, G5	
8	14204	1	Kit, ground bar	
9	15195	1	Switch, key	
10	65850	1	Breaker, 10A, 240V, 1-pole, push button	
11	14231	2	Nut, 10-32 hex, G2	
12	15085	1	Gauge, hour meter	
13	60252	4	Washer, #10 split lock	
14	60277	2	Screw, 10-32 x .500 pan phil, G2	
15	60406	2	Screw, 8-32 x 1.0 pan phil, SS	
16	13677	1	Hinge, continuous - 11 in	
17	60405	22	Screw, 6-32 x .250 pan phil, G2	
18	60058	22	Washer, #6 split lock	
19	60062	3	Screw, 10-32 x .750 pan phil, G2	
20	13675	1	Panel, control - Kubota, 8kW	
21	65388	1	Light, indicator red, 12VDC	
22	65864	1	Breaker, 40A, 250V, 2-pole, screw terminal w/aux	
23	65849	1	Breaker, 10A, 120V, 1-pole, push button	
24	14130	2	Receptacle, 120V/20A GFI	
--	13884	1	Assembly, control panel - Kubota	
--	10458	1	Wire group - control panel wiring 8kW	
--	35309	1	Wire group - 20A GFCI, red	
--	35267	1	Wire group - 20A GFCI, black	
--	35269	1	Wire group - light switches	
--	35266	1	Wire group - LED light board	
--	68271	1	Wire group - 30A L6-30R	
--	35310	1	Wire group - 8kW LT control box	

COOLING SYSTEM ASSEMBLY



01166

COOLING SYSTEM ASSEMBLY

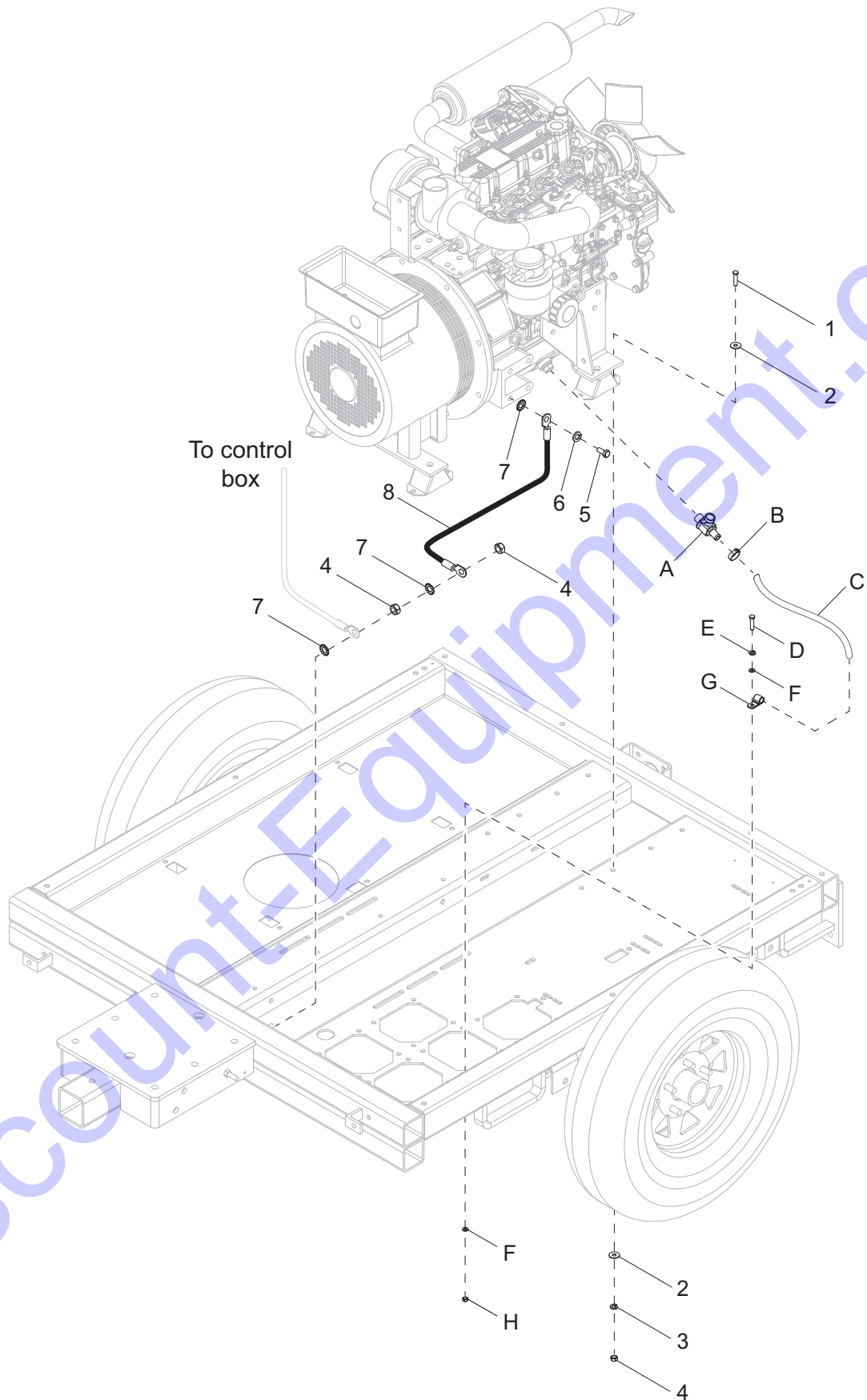
Item	Part No.	Qty	Description	Notes
1	60690	6	Screw, .375-16 x 1.0 std hex, SS	
2	60698	12	Washer, .375 flat .875/.040, SS	
3	60703	6	Washer, .375 split lock, SS	
4	60140	6	Nut, .375-16 hex, G5	
5	11683B	2	Bracket, radiator	
6	15627	2	Clamp, tubing - .625 heavy duty	
7	60119	4	Washer, .312 flat .875/.070	
8	60271	4	Washer, .312 split lock	
9	60032	4	Nut, M8-1.25 hex, G8.8	
10	11413B	1	Guard, fan	
11	60364	9	Screw, 10-16 x .500 std hex, G2, self-drilling	
12	16687	1	Hose, radiator - upper	MLT4060/80KV only
	32383	1	Hose, radiator - upper	MLT4060MV only
13	60316	2	Clamp, hose - SAE 032 (1.56-2.50)	MLT4060/80KV only
	15422	2	Clamp, hose - SAE 020 (.75-1.75)	MLT4060MV only
14	12350	1	Hose, radiator - lower	MLT4060/80KV only
	16688	1	Hose, radiator - lower	MLT4060MV only
15	60716	1	Clamp, tubing - 1.50 light duty	MLT4060/80KV only
16	15422	2	Clamp, hose - SAE 020 (.75-1.75)	
17	13924	1	Radiator, w/fan guard - welded	

OPTIONAL FEATURES

Engine Heater:

A	15422	2	Clamp, hose - SAE 020 (.75-1.75)
B	65649	1	Heater, engine - lower radiator hose

ENGINE AND GENERATOR TO UNIT



01167

ENGINE AND GENERATOR TO UNIT

Item	Part No.	Qty	Description	Notes
1	60205	8	Screw, .375-16 x 1.0 std hex, G5	
2	60698	16	Washer, .375 flat .875/.040, SS	
3	60206	8	Washer, .375 split lock	
4	60140	10	Nut, .375-16 hex, G5	
5	60495	1	Screw, M10-1.25 x 16 - std hex, G8.8	
6	60026	1	Washer, M10 - split lock	
7	60747	3	Washer, .375 internal star	
8	16155	1	Assembly, wire - engine/chassis ground	

OPTIONAL FEATURES

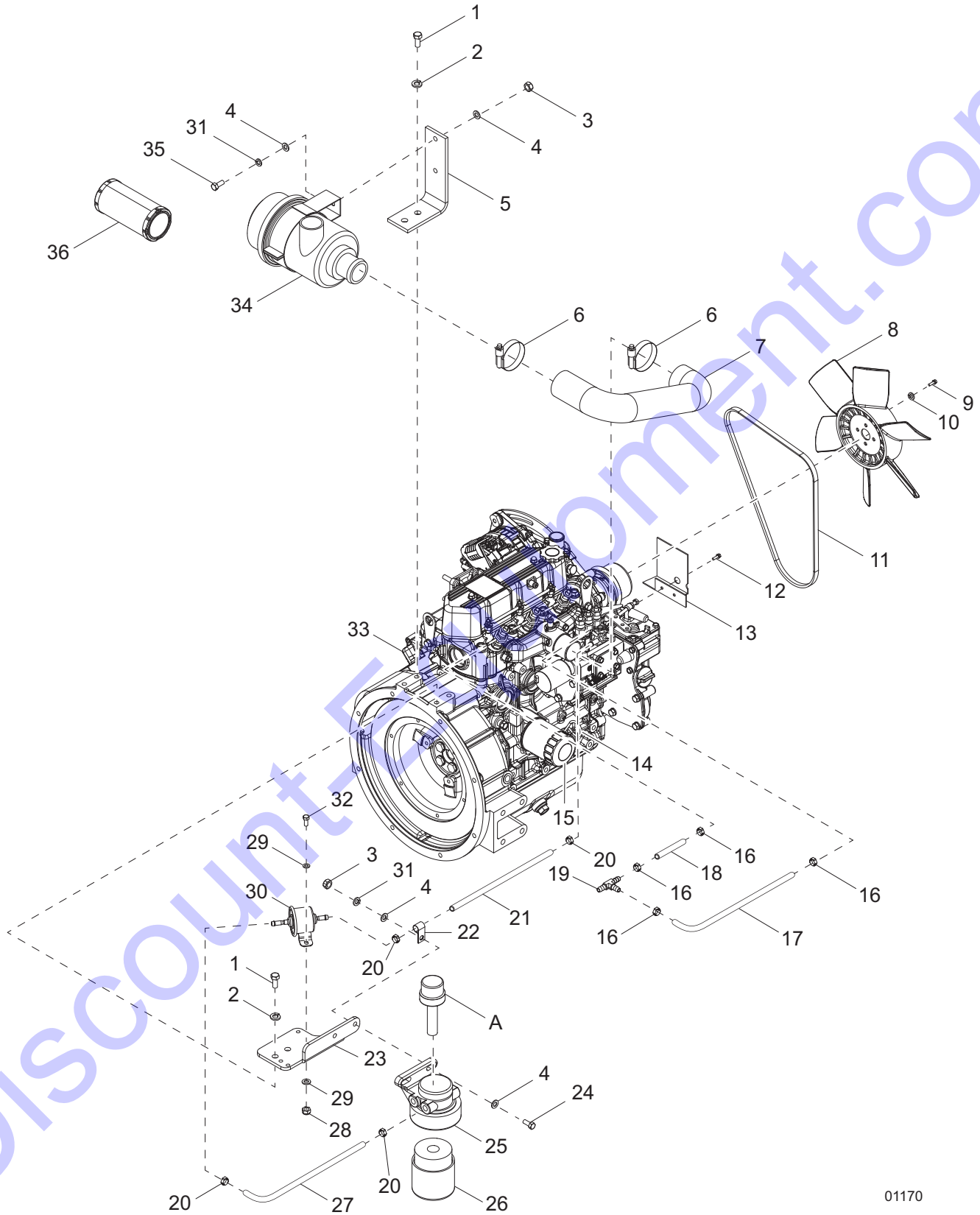
Drain Valve:

A	60774	1	Valve, drain 22mm - 1.5 with nipple	MLT4060/80KV only
	60766	1	Valve, drain 18mm - 1.5 with nipple	MLT4060MV only
B	60365	1	Clamp, hose - SAE 010 (.56-1.06)	
C	50201	3 ft	Hose, .625 in., 200 psi, class A	MLT4060/80KV only
	12227	1	Hose, oil drain, .375 x 20, SAE 30R7	MLT4060MV only
D	60205	1	Screw, .375-16 x 1.0 std hex, G5	MLT4060/80KV only
E	60206	1	Washer, .375 flat .875/.040, SS	MLT4060/80KV only
F	60698	2	Washer, .375 flat .875/.040, SS	MLT4060/80KV only
G	60716	1	Clamp, tubing - 1.50 light duty	MLT4060/80KV only
H	60144	1	Nut, .25-20 nylock, G5	MLT4060/80KV only

Silent Pack:

--	18496	1	Fitting, bushing - 2.50 OD x 2.0 ID
--	50709	3 ft	Hose, .625 in., 300 psi
--	60498	1	Fitting, plug - .750NPT square drive
--	60774	1	Valve, drain with nipple
--	60365	2	Clamp, hose - SAE 010 (.56-1.06)
--	28213	1	Fitting, .750NPT street elbow
--	62076	1	Fitting, strt - .750MNPT x .625 barb

ENGINE ASSEMBLY - MITSUBISHI LEFT SIDE



01170

ENGINE ASSEMBLY - MITSUBISHI LEFT SIDE

Item	Part No.	Qty	Description	Notes
1	60422	4	Screw, M10-1.25 x 25 std hex, G8.8	
2	60026	4	Washer, M10 split lock	
3	60285	6	Nut, .312-18 hex, G2	
4	60119	8	Washer, .312 flat .875/.070	
5	16551B	1	Bracket, air cleaner - black	
6	60316	2	Clamp, hose - SAE 032 (1.56-2.50)	
7	16589	1	Hose, air cleaner	
8	16742	1	Fan, Mitsubishi	
9	63288	4	Screw, M6-1.0 x 12 pan head, G8.8	
10	60286	4	Washer, .250 split lock	
11	16692	1	V-belt, Mitsubishi	
12	13513	2	Bolt w/washer	
13	11691	1	Bracket, lower radiator hose guard	
14	11148	1	Dipstick, oil	
15	16691	1	Filter, oil - Mitsubishi	
16	60778	4	Clamp, hose - .188, crimp style	
17	14211	1.04 ft	Hose, fuel - .188 ID, 50 psi, SAE 30R7	
18	14211	.16 ft	Hose, fuel - .188 ID, 50 psi, SAE 30R7	
19	17145	1	Fitting, T - .188 x .188 x .188 barb, nylon	
20	60777	4	Clamp, hose - .312, crimp style	
21	50018	1 ft	Hose, fuel - .312 ID, 50 psi, SAE 30R7	
22	60649	1	Clamp, tubing - .750 heavy duty	
23	12838B	1	Bracket, fuel filter/pump, black	
24	60256	2	Screw, .312-18 x 1.50 std hex, G5, fully threaded	
25	17641	1	Filter, fuel	
26	17647	1	Filter, fuel, element	
27	50018	1.04 ft	Hose, fuel - .312 ID, 50 psi, SAE 30R7	
28	60144	2	Nut, .250-20 nylock, G5	
29	60243	4	Washer, .250 flat .735/.060	
30	13278	1	Fuel pump, electric	
31	60271	4	Washer, .312 split lock	
32	60393	2	Screw, .250-20 x 1.0 std hex, G5	
33	32885	1	Engine - Mitsubishi LE3	
34	34066	1	Filter, air, w/bracket	
35	61061	2	Screw, .312-18 x .875 std hex, G5	
36	16444	1	Element, air filter	
--	16677	1	Switch, oil pressure	

OPTIONAL FEATURES

Heated Fuel Filter:

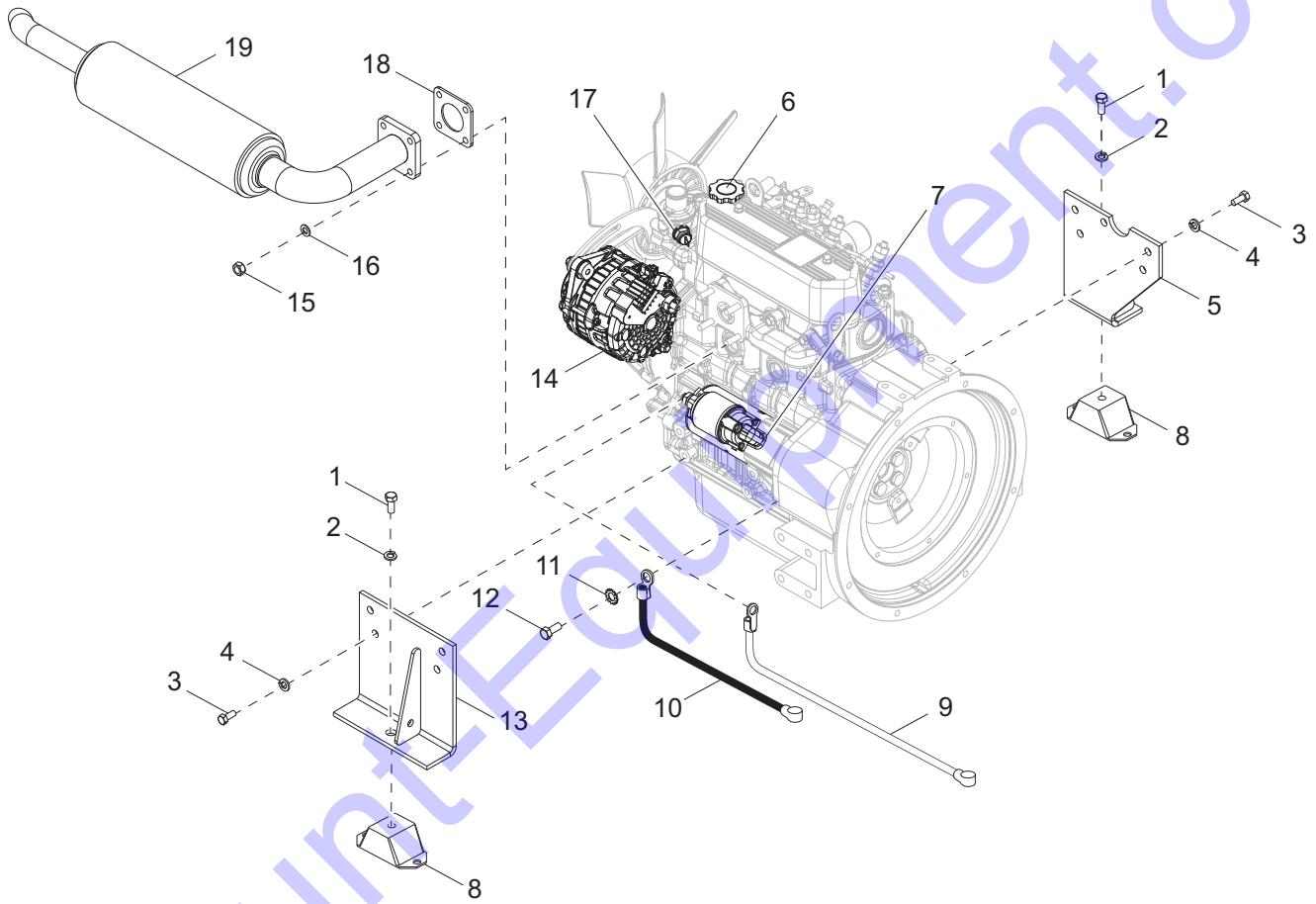
A 13876 1 Kit, heater - fuel filter, Mitsubishi

Cold Weather Belt:

-- 10386 1 Belt, cold weather - Mitsubishi, 6kW & 8kW

Note: Engine and generator parts used in all Generac Mobile Products equipment carry the Original Equipment Manufacturer (OEM) warranty unless otherwise stated. OEM warranty parts must be purchased through an OEM dealer.

ENGINE ASSEMBLY - MITSUBISHI RIGHT SIDE



01171

ENGINE ASSEMBLY - MITSUBISHI RIGHT SIDE

Item	Part No.	Qty	Description	Notes
1	60275	2	Screw, .500-13 x 1.0 std hex, G5	
2	60702	2	Washer, .500 split lock, SS	
3	60422	8	Screw, M10-1.25 x 25 std hex, G8.8	
4	60026	8	Washer, M10 split lock	
5	70130B	1	Weldment, engine mount - right, black	
6	11147	1	Cap, oil filler	
7	16833	1	Starter	
8	15241	2	Isolator, rubber - 80-200 lbs, 2 in. wide	
9	15074	1	Cable, battery - 38 in., 4GA red, .438 lug	
10	15073	1	Cable, battery - 24 in., 4GA black, .438 lug	
11	60747	1	Washer, .375 internal star	
12	60495	1	Screw, M10-1.25 x 16 std hex, G8.8	
13	16554B	1	Weldment, engine mount - LH, black	
14	16743	1	Alternator	
15	60032	4	Nut, M8-1.25 hex, G8.8	
16	60029	4	Washer, M8 split lock	
17	16678	1	Switch, temperature sensor	
18	11042	1	Gasket, muffler	
19	13710	1	Muffler, 30 degree flare	
--	10457	1	Harness, engine - Mitsubishi	

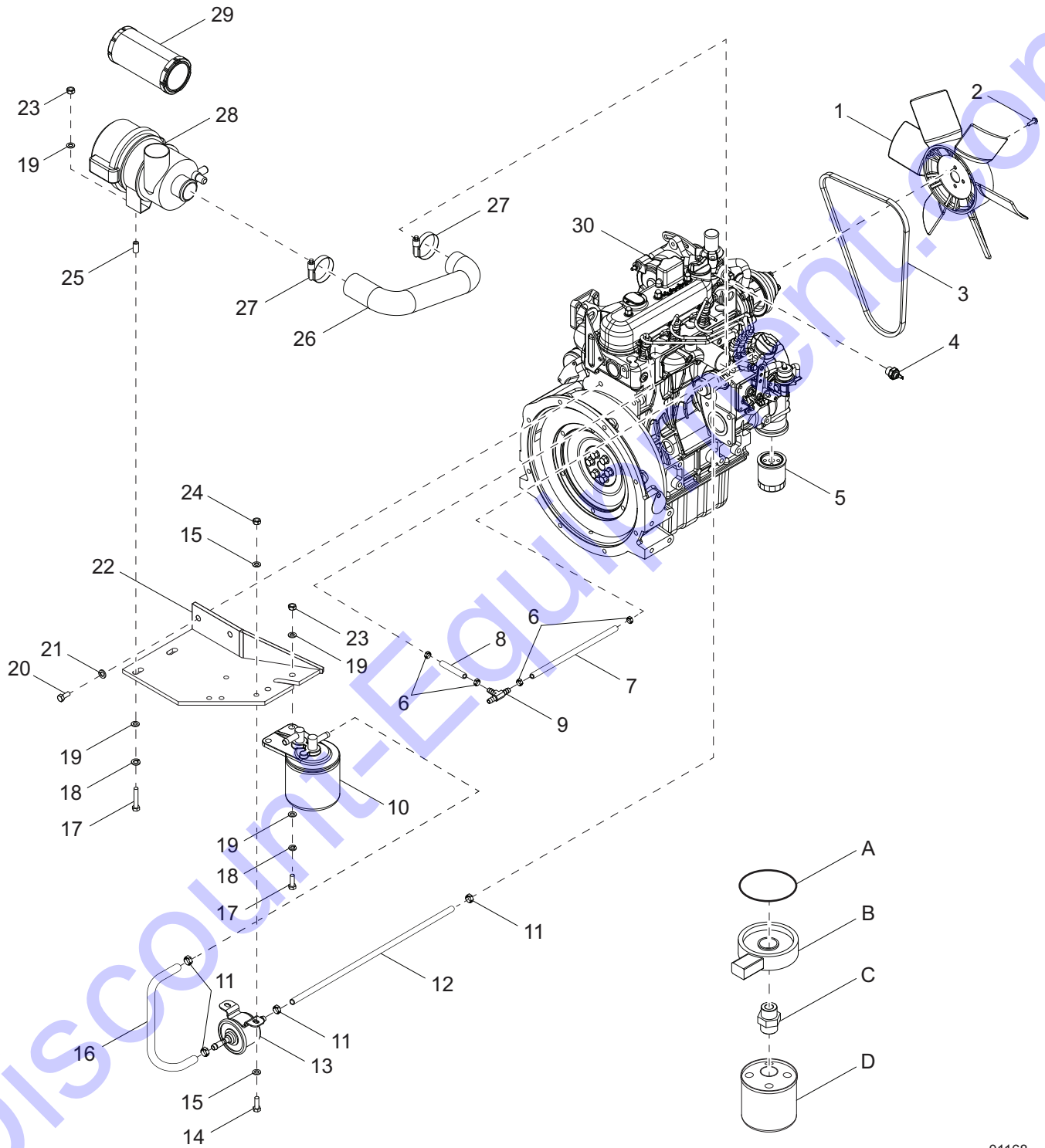
OPTIONAL FEATURES

Silent Pack:

--	34776	1	Muffler, Mitsubishi modified	
----	-------	---	------------------------------	--

Note: Engine and generator parts used in all Generac Mobile Products equipment carry the Original Equipment Manufacturer (OEM) warranty unless otherwise stated. OEM warranty parts must be purchased through an OEM dealer.

ENGINE ASSEMBLY - KUBOTA LEFT SIDE



01168

ENGINE ASSEMBLY - KUBOTA LEFT SIDE

Item	Part No.	Qty	Description	Notes
1	15495	1	Fan, engine	
2	60087	4	Screw, M6-1.0 x 16 sflg hex, G8.8	
3	11628	1	Belt, V	
4	14099	1	Switch, coolant temperature	
5	10775	1	Filter, oil	
6	60778	4	Clamp, hose - .188, crimp style	
7	14211	1.3 ft	Hose, fuel - .188 ID, 50 psi, SAE 30R7	
8	14211	.167 ft	Hose, fuel - .188 ID, 50 psi, SAE 30R7	
9	17145	1	Fitting, T - .188 x .188 x .188 barb, nylon	
10	13481	1	Filter, fuel	
--	13515	1	Element, fuel filter	
11	60777	4	Clamp, hose - .312, crimp style	
12	50018	1.67 ft	Hose, fuel - .312 ID, 50 psi, SAE 30R7	
13	13278	1	Pump, fuel	
14	60393	2	Screw, .250-20 x 1.0 std hex, G5	
15	60243	4	Washer, .250 flat .735/.060	
16	50018	1 ft	Hose, fuel - .312 ID, 50 psi, SAE 30R7	
17	62001	4	Screw, .312-18 x 1.25 std hex, G5	
18	60271	4	Washer, .312 split lock	
19	60119	8	Washer, .312 flat .875/.070	
20	61082	2	Screw, M8-1.25 x 20 std hex, G8	
21	60029	2	Washer, M8 split lock	
22	13483B	1	Weldment, filter bracket	
23	60285	4	Nut, .312-18 hex, G2	
24	60144	2	Nut, .250-20 nylock, G5	
25	41235ZY	2	Spacer, .75 OD x .44 ID x 1.0 long	
26	16589	1	Hose, air cleaner	
27	60316	2	Clamp, hose - SAE 032 (1.56-2.50)	
28	34066	1	Filter, air, with bracket	
29	16444	1	Element, air filter	
30	13310	1	Engine, Kubota - D1005-E3BG1-MGM-1	MLT4060KV only
	13281	1	Engine, Kubota - D1105BG	MLT4080KV only

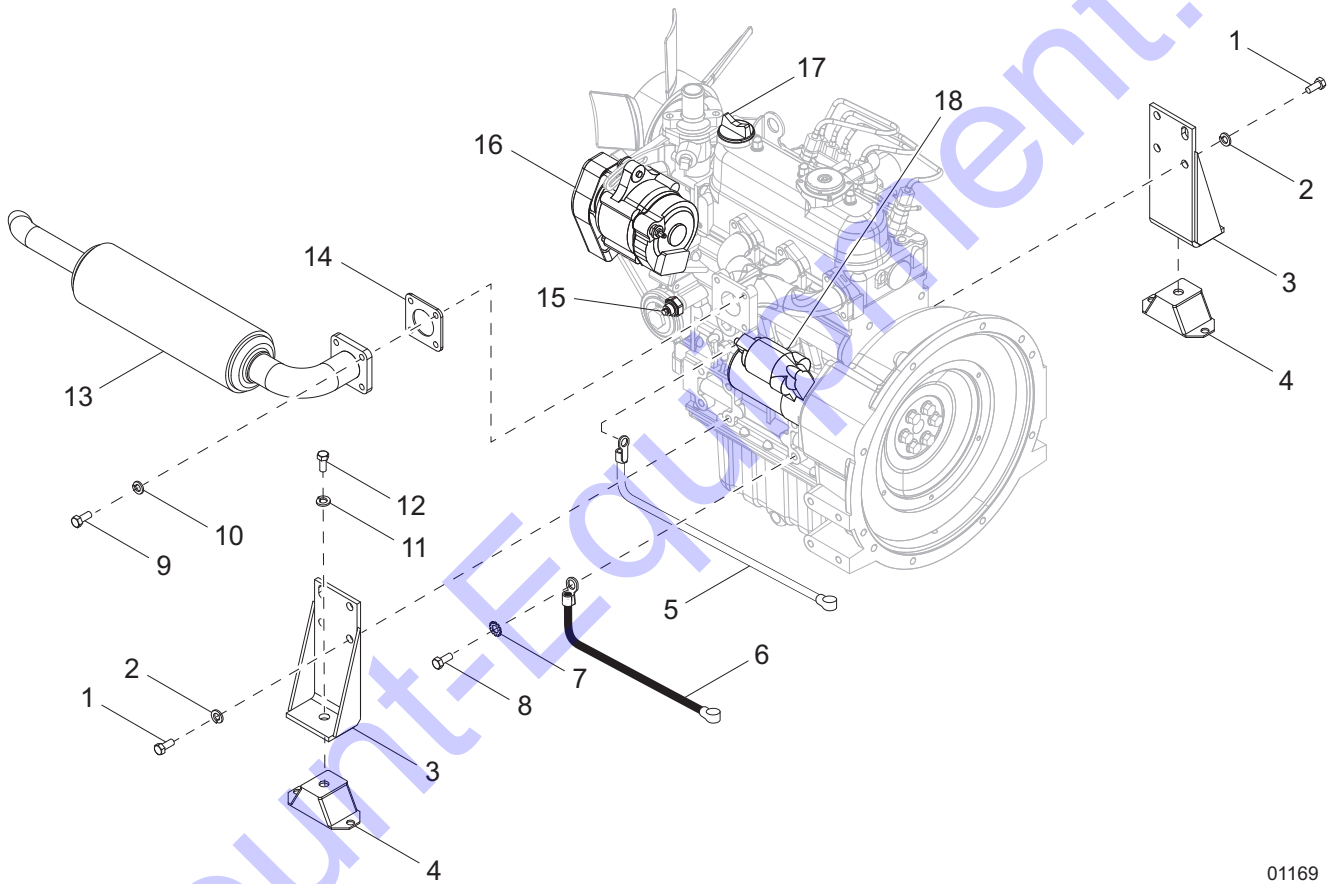
OPTIONAL FEATURES

Heated Fuel Filter:

A	13834	1	Gasket, heated fuel filter
B	13682	1	Heater, fuel filter
C	10407	1	Adapter, heated fuel filter
D	13515	1	Element, fuel filter
--	10662	1	Harness, fuel filter heater - outside
--	13684	1	Harness, fuel filter heater - inside

Note: Engine and generator parts used in all Generac Mobile Products equipment carry the Original Equipment Manufacturer (OEM) warranty unless otherwise stated. OEM warranty parts must be purchased through an OEM dealer. Some Kubota engine parts are serial number specific.

ENGINE ASSEMBLY - KUBOTA RIGHT SIDE



01169

ENGINE ASSEMBLY - KUBOTA RIGHT SIDE

Item	Part No.	Qty	Description	Notes
1	60422	8	Screw, M10-1.25 x 25 std hex, G8.8	
2	60026	8	Washer, M10 split lock	
3	12338B	2	Weldment, engine mount	
4	15241	2	Isolator, rubber - 80-200 lbs, 2 in. wide	
5	15074	1	Cable, battery - 38 in., 4GA red, .438 in. lug	
6	15073	1	Cable, battery - 24 in., 4GA black, .438 in. lug	
7	60747	1	Washer, .375 internal star	
8	60495	1	Screw, M10-1.25 x 16 std hex, G8.8	
9	63168	4	Screw, M8-1.25 x 30 std hex	
10	60029	4	Washer, M8 split lock	
11	60702	2	Washer, .500 split lock, SS	
12	60275	2	Screw, .500-13 x 1.0 std hex, G5	
13	13709	1	Muffler, 30 degree flare	
14	11042	1	Gasket, muffler	
15	14099	1	Switch, coolant temperature	
16	12486	1	Alternator	
17	12484	1	Cap, oil filler	
18	30582	1	Starter	MLT4060KV only
	13298	1	Starter	MLT4080KV only
--	10461	1	Harness, engine - Kubota	

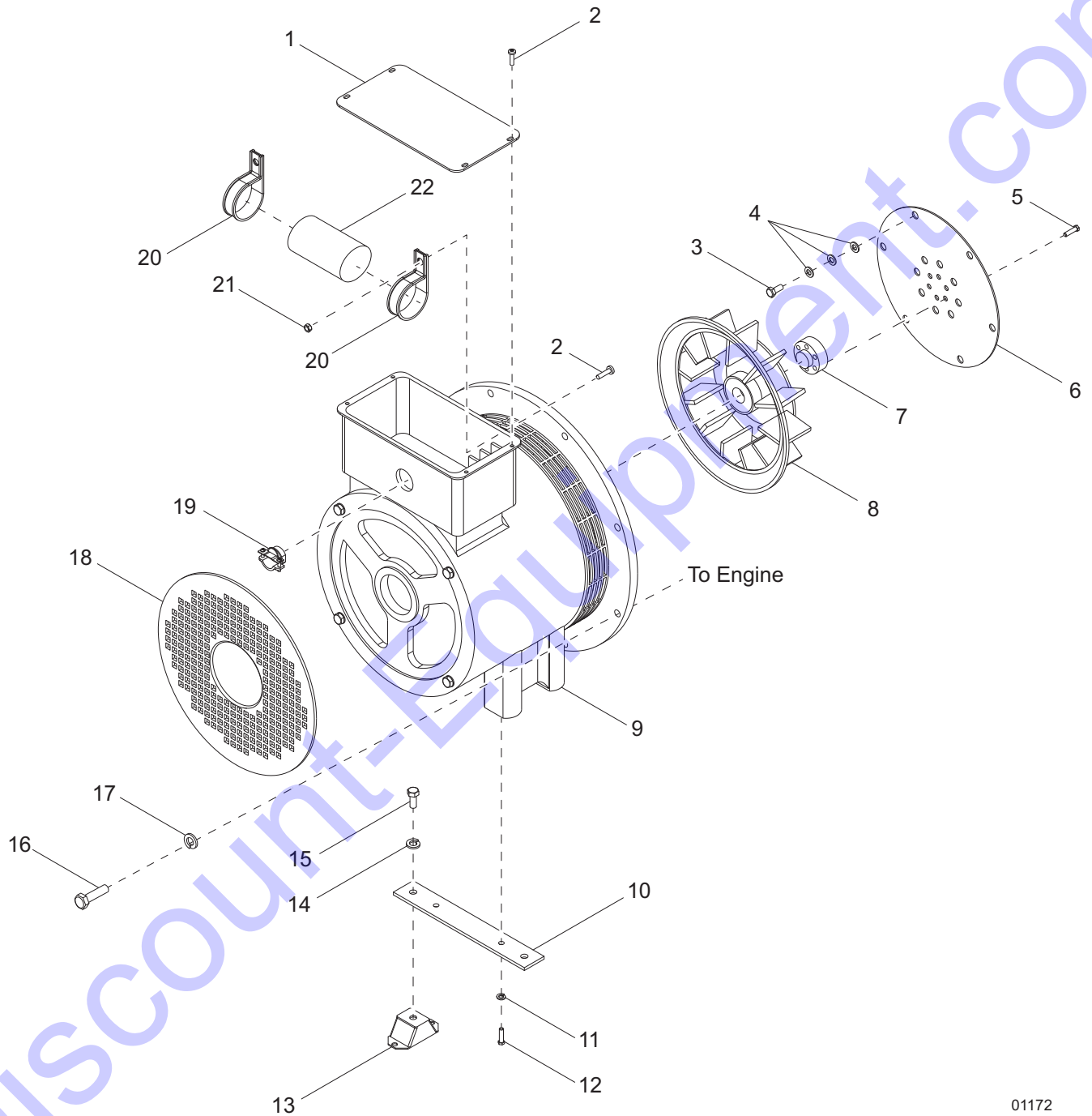
OPTIONAL FEATURES

Silent Pack:

--	36391	1	Muffler, Kubota modified	
----	-------	---	--------------------------	--

Note: Engine and generator parts used in all Generac Mobile Products equipment carry the Original Equipment Manufacturer (OEM) warranty unless otherwise stated. OEM warranty parts must be purchased through an OEM dealer. Some Kubota engine parts are serial number specific.

GENERATOR ASSEMBLY



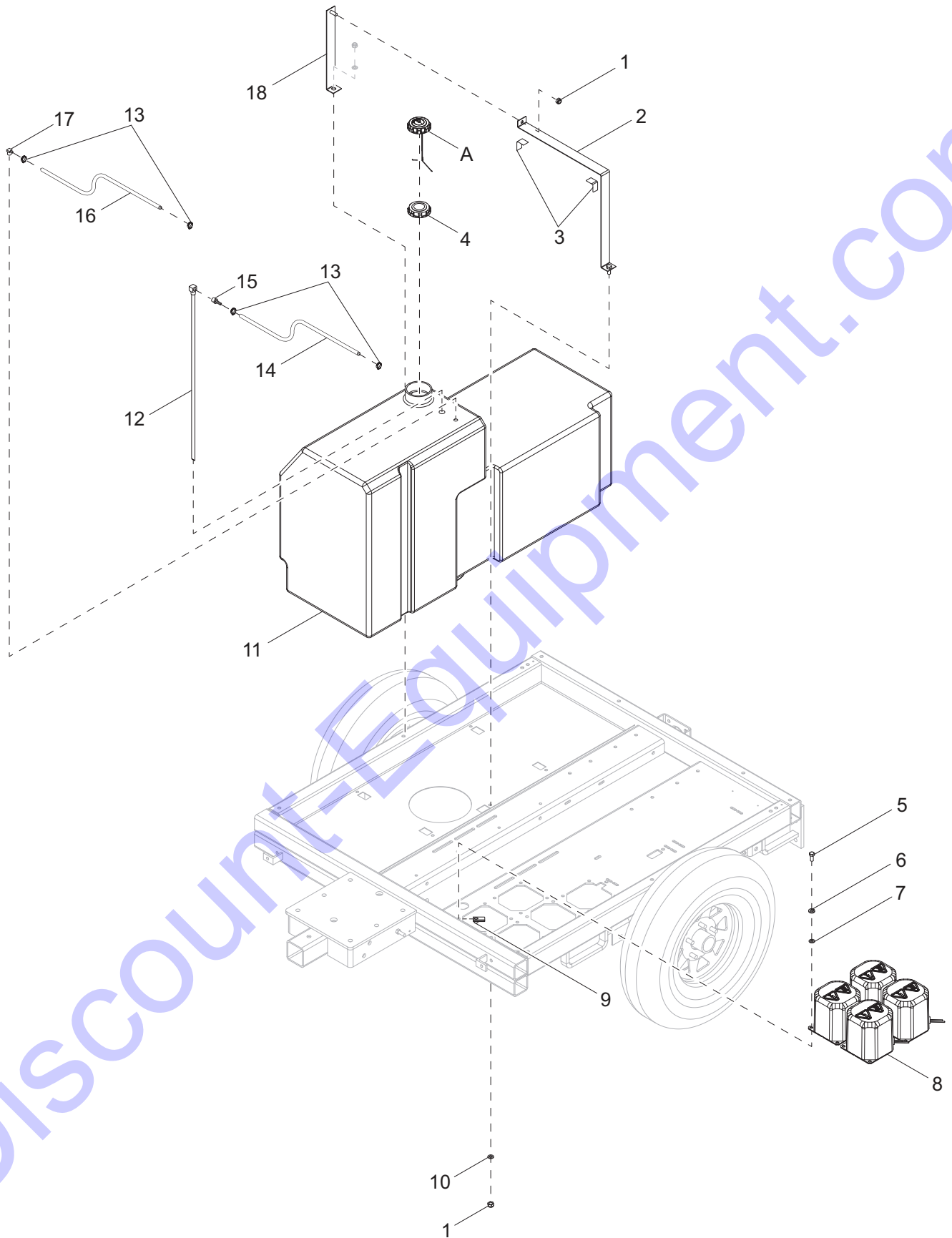
01172

GENERATOR ASSEMBLY

Item	Part No.	Qty	Description	Notes
1	12736	1	Cover, generator - 6kW	MLT4060MV/KV only
	11338	1	Cover, generator - 8kW	MLT4080MV/KV only
2	60398	6	Screw, 10-32 x 5.0 pan phil, SS	
3	60168	6	Screw, .312-18 x .750 std hex, G5	MLT4060/80KV only
--	60165	6	Screw, M8-1.25 x 16 std hex, G10	MLT4060MV only
4	60166	18	Washer, M8 flat	MLT4060MV only (qty 12 only)
5	11336	6	Screw, .375-24 x 1.75	
6	16123	1	Plate, drive - SAE 6.5	
7	11339	1	Spacer, generator drive plate	
8	12527	1	Fan, generator	
--	12329	1	Seal, pancake bearing - 6kW	Included w/item 9, MLT4060MV/KV only
	11337	1	O-ring, pancake bearing - 8kW	Included w/item 9, MLT4080KV only
--	12328	1	Bearing, pancake - 6kW	Included w/item 9, MLT4060MV/KV only
	16134	1	Bearing, pancake - 8kW	Included w/item 9, MLT4080KV only
9	16556	1	Generator, Marathon - 6kW	MLT4060MV/KV only
	10486	1	Generator, Marathon - 8kW	MLT4080KV only
10	15045	1	Bracket, generator	
11	60206	2	Washer, .375 split lock	
12	60205	2	Screw, .375-16 x 1.0 std hex, G5	
13	15241	2	Isolator, rubber - 80-200 lbs, 2 in. wide	
14	60702	2	Washer, .500 split lock, SS	
15	60275	2	Screw, .50-13 x 1.0 std hex, G5	
16	60352	8	Screw, .375-16 x 1.25 std hex, G5	MLT4060/80KV only
	60494	8	Screw, M10-1.25 x 30 std hex, G8.8	MLT4060MV only
17	60206	8	Washer, .375 split lock	MLT4060/80KV only
	60026	8	Washer, M10 split lock	MLT4060MV only
18	12327	1	Cover, pancake case	
19	14219	1	Strain relief - .75 Romex w/nut	
20	16395	2	Clamp, capacitor	
21	61045	2	Nut, 10-32 sflg	
22	35132	1	Capacitor, 25 μ F 440V - 6kW	MLT4060MV/KV only
	35406	1	Capacitor, 25 μ F 550V - 8kW	MLT4080KV only
--	16153	1	Harness, generator - 6kW	

Note: Engine and generator parts used in all Generac Mobile Products equipment carry the Original Equipment Manufacturer (OEM) warranty unless otherwise stated. OEM warranty parts must be purchased through an OEM dealer.

FUEL TANK AND BALLAST BOXES TO UNIT



01173

FUEL TANK AND BALLAST BOXES TO UNIT

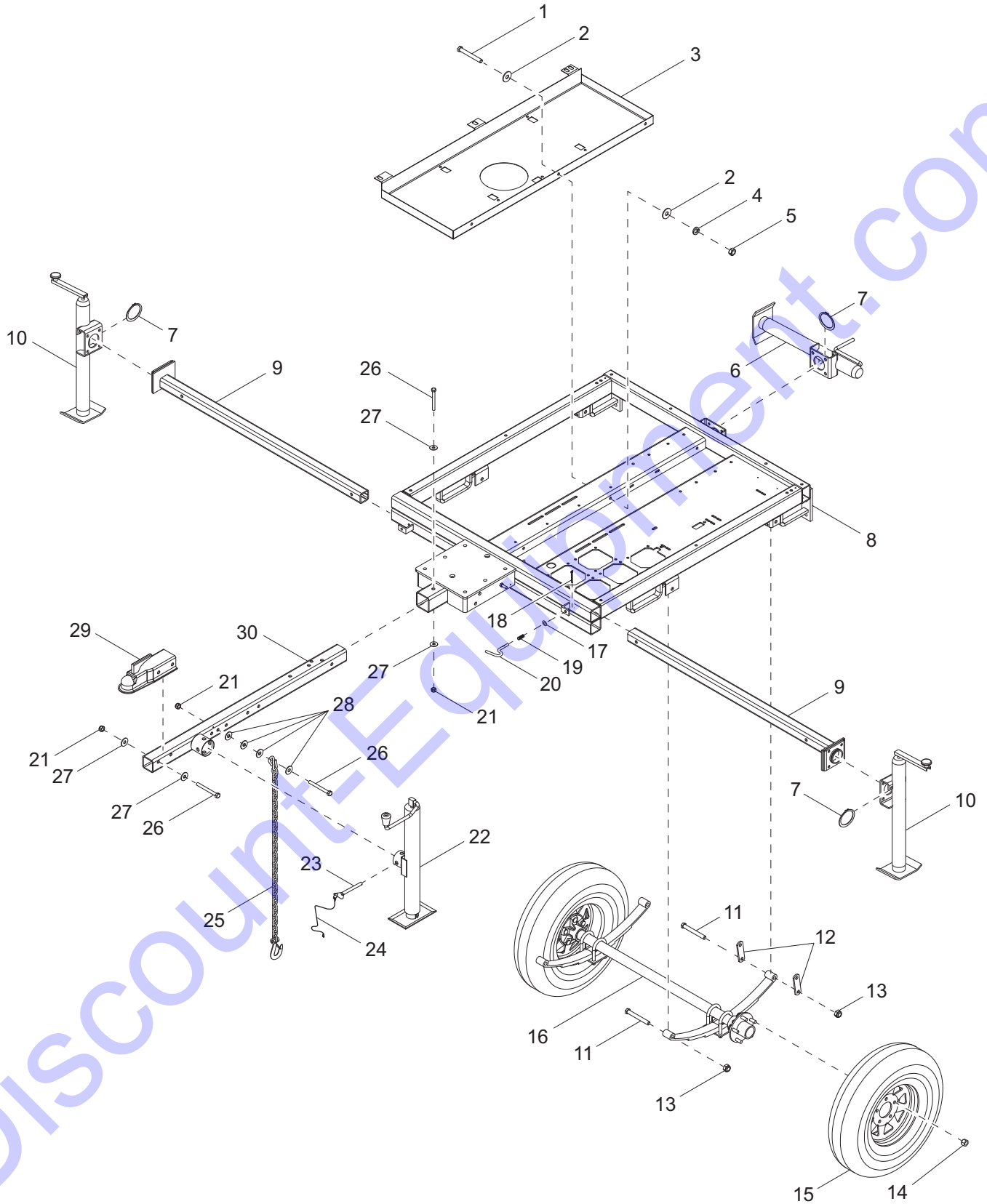
Item	Part No.	Qty	Description	Notes
1	60358	2	Nut, .375-16 nylock, G5	
2	12359B	1	Weldment, fuel tank strap, large	
3	50187	2	Seal, D-shaped	
4	12080	1	Cap, fuel tank	
5	60028	12	Screw, .312-18 x 1.0 std hex, G5	
6	60271	12	Washer, .312 split lock	
7	60119	12	Washer, .312 flat .875/.070	
8	10656	4	Assembly, transformer	
9	62086	12	Nut, .312-18 U-clip - short type	
10	60698	1	Washer, .375 flat .875/.040, SS	
11	39998	1	Tank, fuel, 56 gallon	
12	12259	1	Tube, fuel pickup, 24 in	
13	60777	4	Clamp, hose - .312, crimp style	
14	50018	2.42 ft	Hose, fuel - .312 ID, 50 psi, SAE 30R7	
15	15142	1	Fitting, strt - .250NPT x .312 barb	
16	14211	1.3 ft	Hose, fuel - .188 ID, 50 psi, SAE 30R7	
17	16271	1	Fitting, 90° - .250NPT x .188 barb	
18	12361B	1	Weldment, fuel tank strap	
--	69632	1	Tank assembly, fuel - 30 gallon poly	

OPTIONAL FEATURES

Lanyard Fuel Cap:

A	12137	1	Cap, fuel tank, with lanyard	
---	-------	---	------------------------------	--

TRAILER ASSEMBLY



01174

TRAILER ASSEMBLY

Item	Part No.	Qty	Description	Notes
1	60690	3	Screw, .375-16 x 1.0 std hex, SS	
2	60698	6	Washer, .375 flat .875/.040, SS	
3	12358B	1	Pan, fuel tank	
4	60703	3	Washer, .375 split lock, SS	
5	60140	3	Nut, .375-16 hex, G5	
6	11681	1	Jack, side wind - 2000 lb	
7	14326	3	Ring, retaining	
8	33237B	1	Weldment, chassis	
9	12408Z	2	Weldment, outrigger	
10	11682	2	Jack, top wind - 2000 lb	
11	60503	4	Screw, shackle, .562-18 x 3.0 std hex, G5	
12	19637	8	Plate, shackle bracket	
13	60504	4	Nut, .562-18 lock, G5	
14	60096	10	Nut, .500-20 lug, G5	
15	15976	2	Wheel, ST175/80D13, 1360 lb	
16	<i>Page 52</i>	1	Assembly, axle	
17	35275	2	Washer, .375 flat .416 x .820 x .057	
18	35274	2	Cotter pin, 5/64 x 1.0	
19	35273	2	Spring, compression, .562 x 1.50	
20	35272	2	Pin, plunger, .375	
21	62221	4	Nut, .500-13 nylock, G5	
22	23254	1	Jack, top wind - 2000 lb, tube-mounted	
23	23256	1	Pin, jack - 2000 lb, tube mount	
24	12647	1	Cable, tether - jack pin and ground rod cover	
25	23367	2	Chain, safety	
26	50215	4	Screw, .500-13 x 4.0 std hex, G5	
27	60309	3	Washer, .500 flat 1.060/.090	
28	60416	8	Washer, .500 flat 1.375/.090	
29	16830	1	Coupler, 2.0 ball/2.50 channel	
30	33724B	1	Weldment, removable tongue	
--	14129	1	Harness, main trailer	

OPTIONAL FEATURES

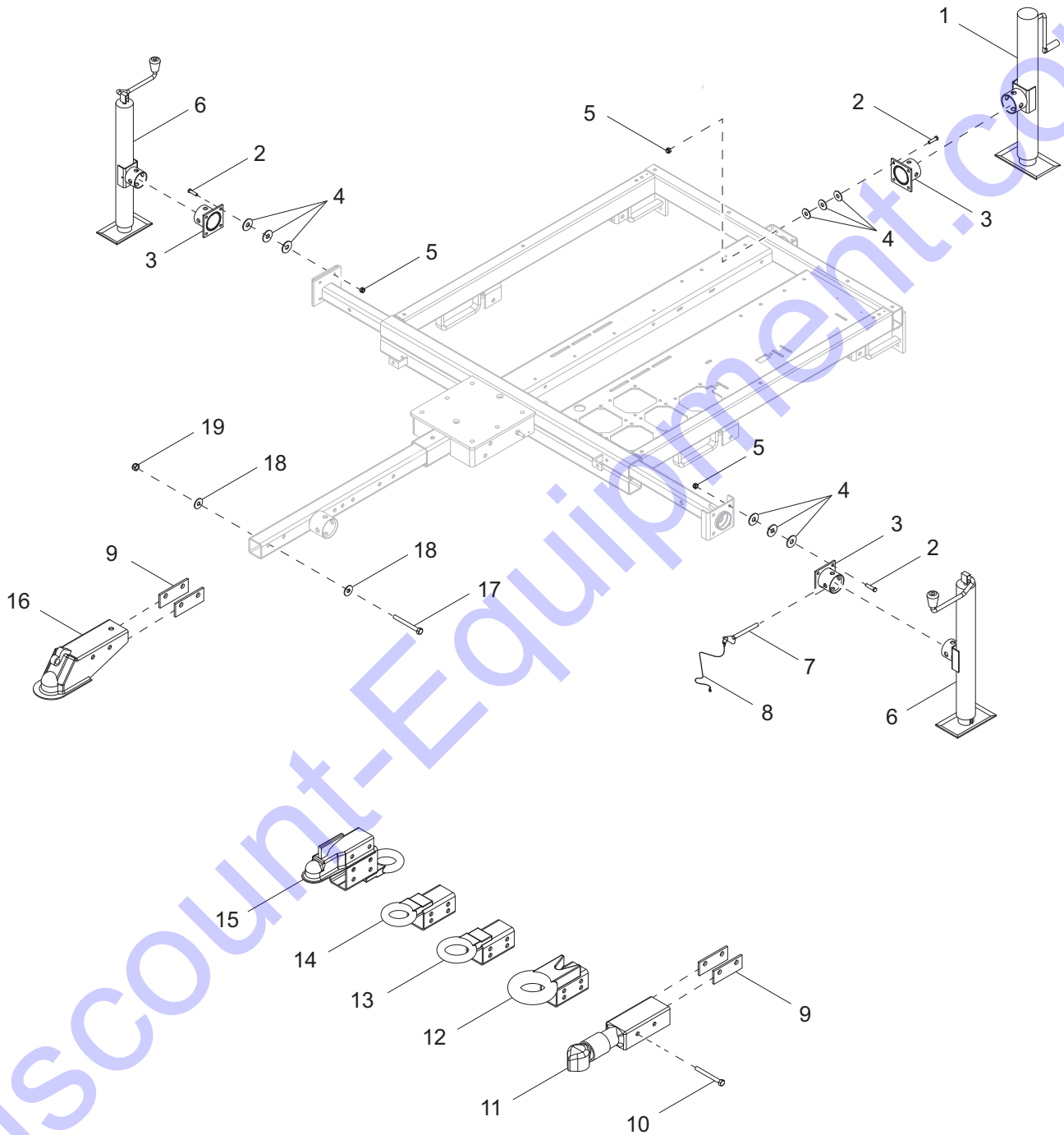
Silent Pack:

-- 33243B 1 Weldment, chassis, containment

Trailer Plug Adapters:

-- 65463 1 Adapter, trailer wiring - flat 4 to round 6 pin
-- 65464 1 Adapter, trailer wiring - flat 4 to round 7 pin
-- 65465 1 Adapter, trailer wiring - flat 4 to round 7 blade

TRAILER - JACK AND HITCH OPTIONS

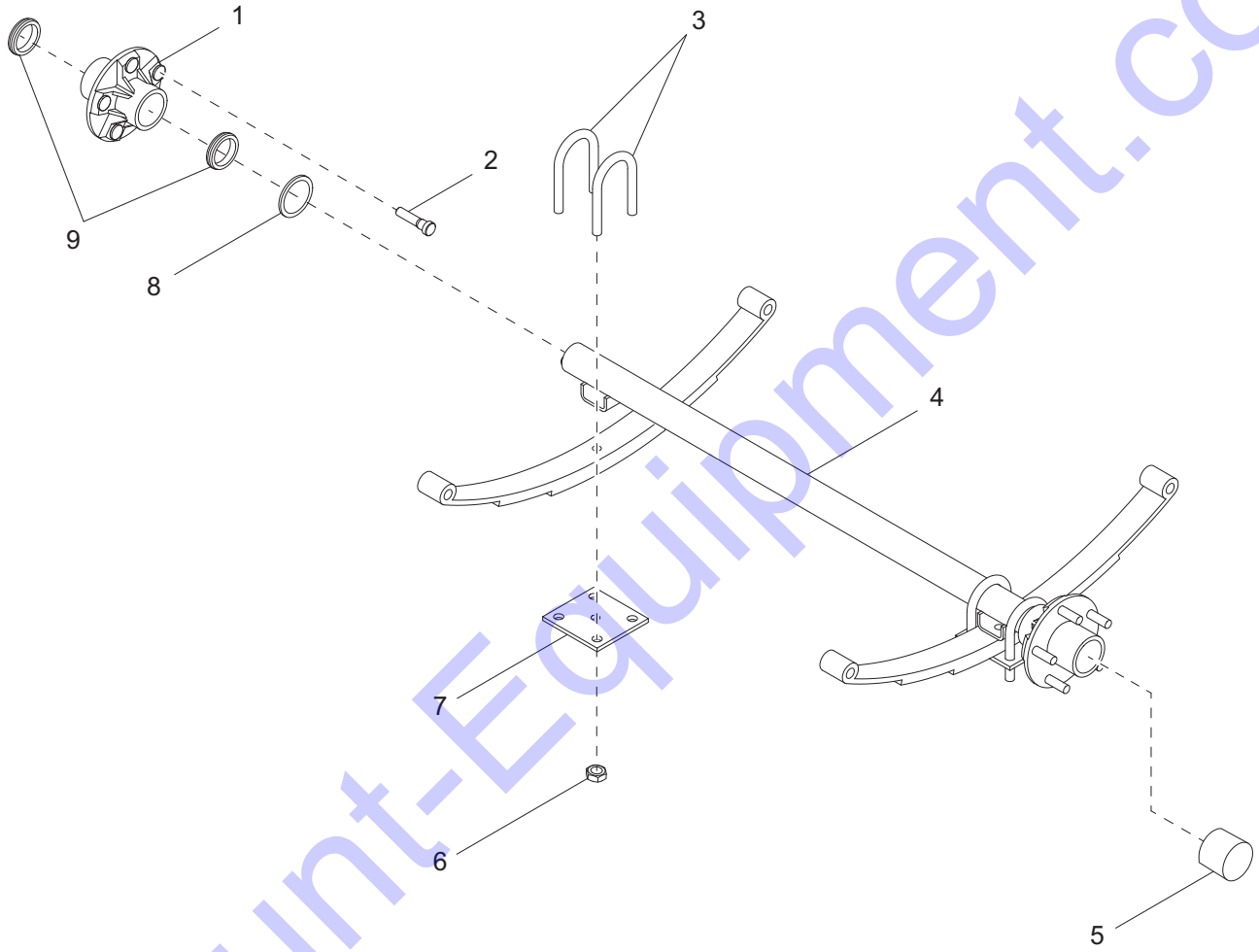


01883

TRAILER - JACK AND HITCH OPTIONS

Item	Part No.	Qty	Description	Notes
<i>Tube Mount Jack Options:</i>				
1	11978	1	Jack, side wind - 2000 lb, tube mount	
2	61036	12	Screw, .375-16 x 1.25 std hex, SS	
3	11965Z	3	Weldment, jack adapter	
4	60698	36	Washer, .375 flat .875/.040, SS	
5	60358	12	Nut, .375-16 nylock, G5	
6	23254	2	Jack, top wind - 2000 lb, tube mount	
7	23256	3	Pin, jack - 2000 lb, tube mount	
8	12647	3	Cable, tether - jack pin and ground rod cover	
<i>Hitch Options:</i>				
9	12155B	2	Spacer, coupler	
10	60376	2	Screw, .500-13 x 4.50 std hex, G5	Attaches item 10
11	13003B	1	Coupler, 2.0 ball/3.0 channel	
12	11672B	1	Weldment, hitch - 3.0 x 1.625 ring/2.50 tube	
13	16835B	1	Weldment, lunette ring - 3.0 x 1.0 ring/2.50 tongue	
14	16999B	1	Weldment, lunette ring - 2.5 x 1.0 ring/2.50 tongue	
15	16741ZC	1	Weldment, combo hitch - 2.50 tongue	
16	12229	1	Coupler, 2.31 ball/3.0 channel	
17	50215	2	Screw, .500-13 x 4.0 std hex, G5	Attaches items 11 - 15
18	60309	4	Washer, .500 flat 1.060/.090	Attaches items 11 - 15
19	62221	2	Nut, .500-13 nylock, G5	Attaches items 10 - 15

AXLE ASSEMBLY



01746

AXLE ASSEMBLY

Item	Part No.	Qty	Description	Notes
1	11206	2	Axle hub w/studs and outer races	
2	60674	10	Stud, wheel, .500-20 wheel, G8	
3	11201	4	Bolt, U - 2200 lb	
4	16593	1	Axle, 2200 lb 56TC 45SC	
5	12460	2	Cap, wheel bearing	
6	11203	8	Nut, U-bolt, 2200 lb	
7	11202	2	Tie-plate, 2200 lb	
8	13000	2	Seal - 2200 lb	
9	11511	4	Bearing, roller	

RECOMMENDED SPARE PARTS LIST (1 OF 2)

ENGINE - COMMON

Cap, radiator	19219
Element, air filter	16444
Fuel pump	13278

ENGINE - KUBOTA

Alternator	12486
Belt, fan	11628
Dipstick	12483
Element, fuel filter	13515
Element, oil filter	10775
Fan, engine	15495
Fuel shutdown solenoid	13018
Hose, radiator - lower	12350
Hose, radiator - upper	16687
Oil fill cap	12484
Starter - MLT4060KV	30582
Starter - MLT4080KV	13298
Switch, coolant temperature	14099
Switch, oil pressure	15375

ENGINE - MITSUBISHI

Alternator	16743
Belt, fan	16692
Dipstick	11148
Element, fuel filter	17647
Element, oil filter	16691
Fan, engine	16742
Fuel shutdown solenoid	16683
Hose, radiator - lower	16688
Hose, radiator - upper	32383
Oil fill cap	11147
Starter	16833
Switch, coolant temperature	16678
Switch, oil pressure	16677
Thermostat	16745

ELECTRICAL

Assembly, light fixture - hard wired	13311
Assembly, light fixture - quick disconnect, cord clip	13601
Breaker, main (4060 only)	65963
Breaker, main (4080 only)	65864
Breaker, lights	14249
Bulb, 1000W MH short length	11391
Capacitor, lights	65959
Capacitor, generator (4060 only)	35132
Capacitor, generator (4080 only)	35406
Coil cord	33397
Contactora - electric winch	11293

RECOMMENDED SPARE PARTS LIST (2 OF 2)

GFI.....	14130
Hour meter.....	15085
Key	15309
Key switch	15195
LED board w/wires	17647
Receptacle, 30A - twist lock	14137
Relay, electric winch	65049
Sensor, proximity	65511
Transformer (ballast)	10930

MAINTENANCE KITS

Kubota 250 hour service kit.....	SK151
Kubota 2000 hour service kit.....	SK152
Mitsubishi 250 hour service kit	SK170
Mitsubishi 2000 hour service kit	SK171

MAST

Cable, 116 in.....	34132
Cable, 67.88 in	34130
Cable, 69.25 in	34128
Cable, 69.75 in	34129

TRAILER

Jack, side wind (rear)	11681
Jack, top wind (outrigger)	11682
Ring, retaining	14326

Discount Equipment

Discount-Equipment.com is your online resource for commercial and industrial quality parts and equipment sales.

Locations:

Florida (West Palm Beach): [561-964-4949](tel:561-964-4949)

Outside Florida TOLL FREE: [877-690-3101](tel:877-690-3101)

Need parts? Check out our website at www.discount-equipment.com

Can't find what you need?

Click on this link: <http://www.discount-equipment.com/category/5443-parts/> and fill out the request form.

Please have the machine model and serial number available in order to help us get you the correct parts. One of our experienced staff members will get back to you with a quote for the right part that your machine needs.

We sell worldwide for the brands: Genie, Terex, JLG, MultiQuip, Mayco, Toro/Stone, Diamond Products, Magnum, Airman, Mustang, Power Blanket, Nifty Lift, Atlas Copco, Chicago Pneumatic, Allmand Brothers, Essick, Miller Spreader, Skyjack, Lull, Skytrak, Tsurumi, Husquvarna/Target, Whiteman-Concrete/Mortar, Stow-Concrete/Mortar, Baldor, Wacker, Sakai, Snorkel, Upright, Mi-T-M, Sullair, Neal, Basic, Dynapac, MBW, Weber, Bartell, Bennar Newman, Haulotte, Ditch Runner, Blaw-Knox, Himoina, Best, Buddy, Crown, Edco, Wyco, Bomag, Laymor, Terremite, Barreto, EZ Trench, Takeuchi, Basic, Bil-Jax, Curtis, Gehl, Heli, Honda, ICS/PowerGrit, Puckett, Waldon, ASV, IHI, Partner, Imer, Clipper, MMD, Koshin, Rice, Gorman Rupp, CH&E, Cat Pumps, Comet, General Pump, Giant, AMida, Coleman, NAC, Gradall, Square Shooter, Kent, Stanley, Tamco, Toku, Hatz, Kohler, Robin, Wisconsin, Northrock, Oztec, Toker TK, Rol-Air, Small Line, Wanco, Yanmar

New Equipment - Used Equipment - Rental Equipment - Parts and Accessories

Discount Equipment

www.discount-equipment.com

561-964-4949

Parts: wbparts@Discount-Equipment.com

Sales: info@Discount-Equipment.com