

GENERAC®

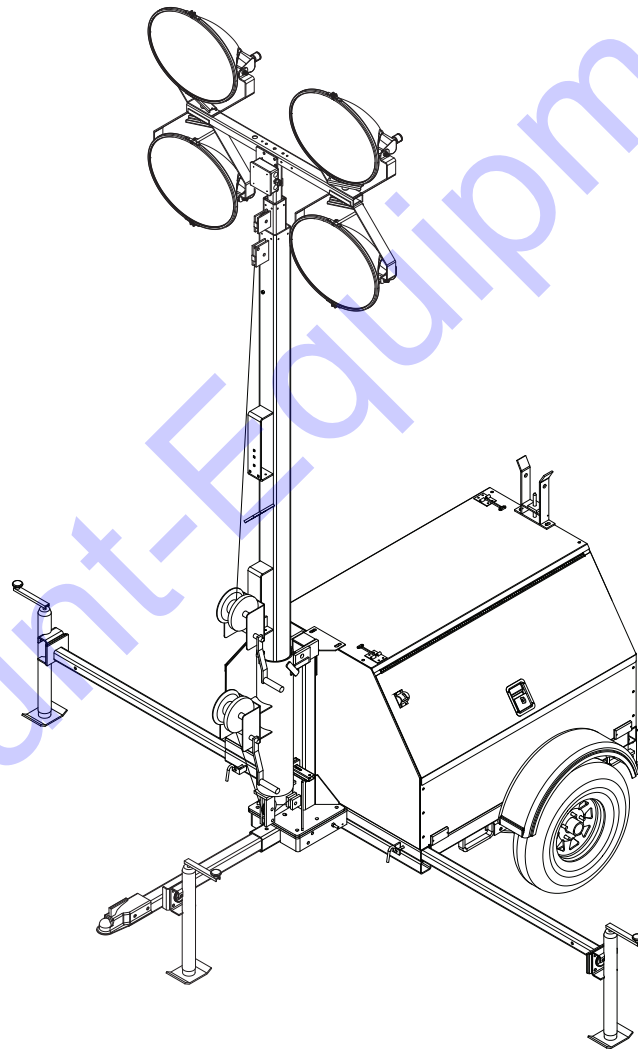
**MOBILE
PRODUCTS**

DIESEL LIGHT TOWER

MLT4060K • MLT4060M

MLT4080K • MLT4080M

PARTS MANUAL



01447

**Discount
Equipment**

www.discount-equipment.com

Discount Equipment

Discount-Equipment.com is your online resource for commercial and industrial quality parts and equipment sales.

Locations:

Florida (West Palm Beach): [561-964-4949](tel:561-964-4949)

Outside Florida TOLL FREE: [877-690-3101](tel:877-690-3101)

Need parts? Check out our website at www.discount-equipment.com

Can't find what you need?

Click on this link: <http://www.discount-equipment.com/category/5443-parts/> and fill out the request form.

Please have the machine model and serial number available in order to help us get you the correct parts. One of our experienced staff members will get back to you with a quote for the right part that your machine needs.

We sell worldwide for the brands: Genie, Terex, JLG, MultiQuip, Mayco, Toro/Stone, Diamond Products, Magnum, Airman, Mustang, Power Blanket, Nifty Lift, Atlas Copco, Chicago Pneumatic, Allmand Brothers, Essick, Miller Spreader, Skyjack, Lull, Skytrak, Tsurumi, Husquvarna/Target, Whiteman-Concrete/Mortar, Stow-Concrete/Mortar, Baldor, Wacker, Sakai, Snorkel, Upright, Mi-T-M, Sullair, Neal, Basic, Dynapac, MBW, Weber, Bartell, Bennar Newman, Haulotte, Ditch Runner, Blaw-Knox, Himoina, Best, Buddy, Crown, Edco, Wyco, Bomag, Laymor, Terremite, Barreto, EZ Trench, Takeuchi, Basic, Bil-Jax, Curtis, Gehl, Heli, Honda, ICS/PowerGrit, Puckett, Waldon, ASV, IHI, Partner, Imer, Clipper, MMD, Koshin, Rice, Gorman Rupp, CH&E, Cat Pumps, Comet, General Pump, Giant, AMida, Coleman, NAC, Gradall, Square Shooter, Kent, Stanley, Tamco, Toku, Hatz, Kohler, Robin, Wisconsin, Northrock, Oztec, Toker TK, Rol-Air, Small Line, Wanco, Yanmar

New Equipment - Used Equipment - Rental Equipment - Parts and Accessories

Discount Equipment

www.discount-equipment.com

561-964-4949

Parts: wbparts@Discount-Equipment.com

Sales: info@Discount-Equipment.com

CALIFORNIA PROPOSITION 65 WARNING: Diesel engine exhaust and some of its constituents are known to the state of California to cause cancer, birth defects, and other reproductive harm.

CALIFORNIA PROPOSITION 65 WARNING: This product contains or emits chemicals known to the state of California to cause cancer, birth defects, and other reproductive harm.

Introduction

This parts manual was prepared based on the information available at the time of publication and is subject to change without notice. Generac Mobile Products reserves the right to change parts at any time.

DO NOT MODIFY or use this equipment for any application other than which it was designed for. To keep your equipment fully operational, it is suggested you maintain a stock of commonly used maintenance or service parts. A recommended spare parts list can be found in the back of this manual.

▲ WARNING

Before operating or servicing this equipment, read and understand the Generac Mobile Products Operating Manual which was included with the unit when shipped from the factory. Failure to do so increases the risk of injury to yourself or others.

Engine Make: _____

Engine Serial Number: _____

Engine Model Number: _____

Generator Make: _____

Generator Model Number: _____

Generator Serial Number: _____

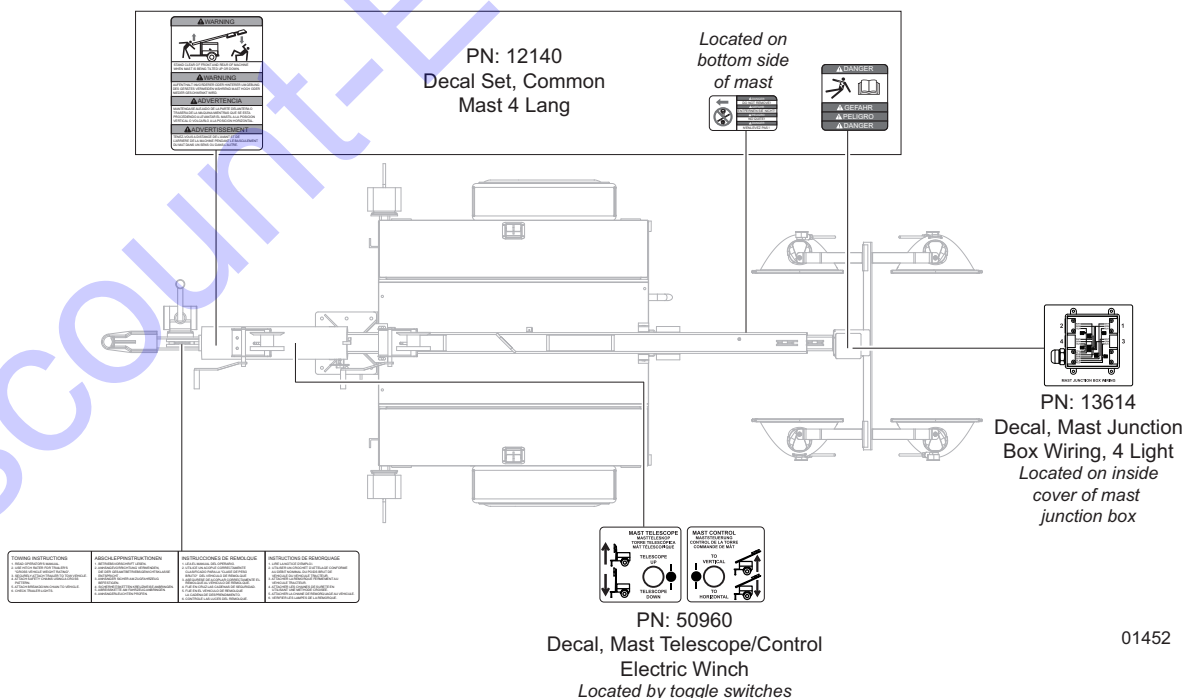
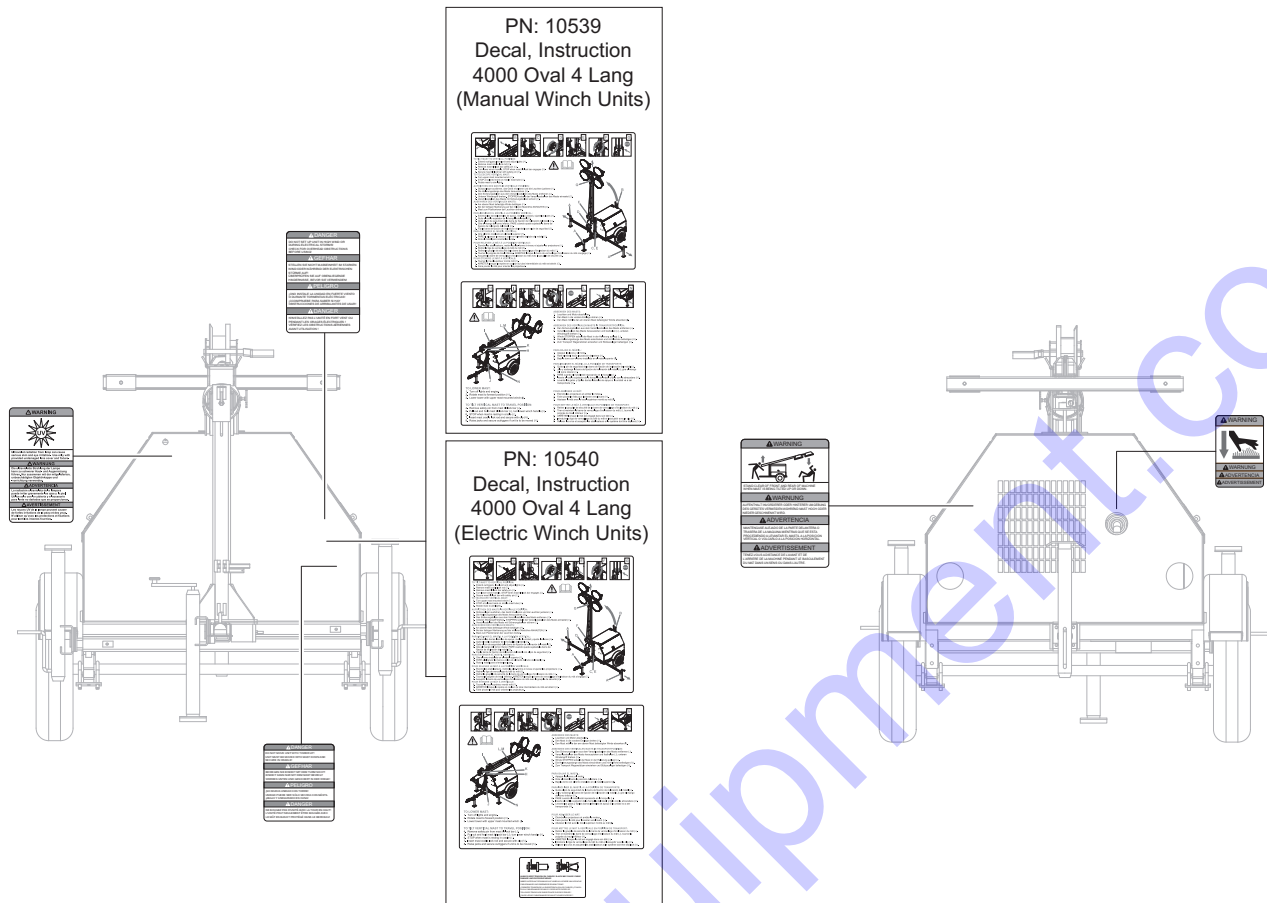
Unit Model Number: _____

Unit Serial Number: _____

Table of Contents

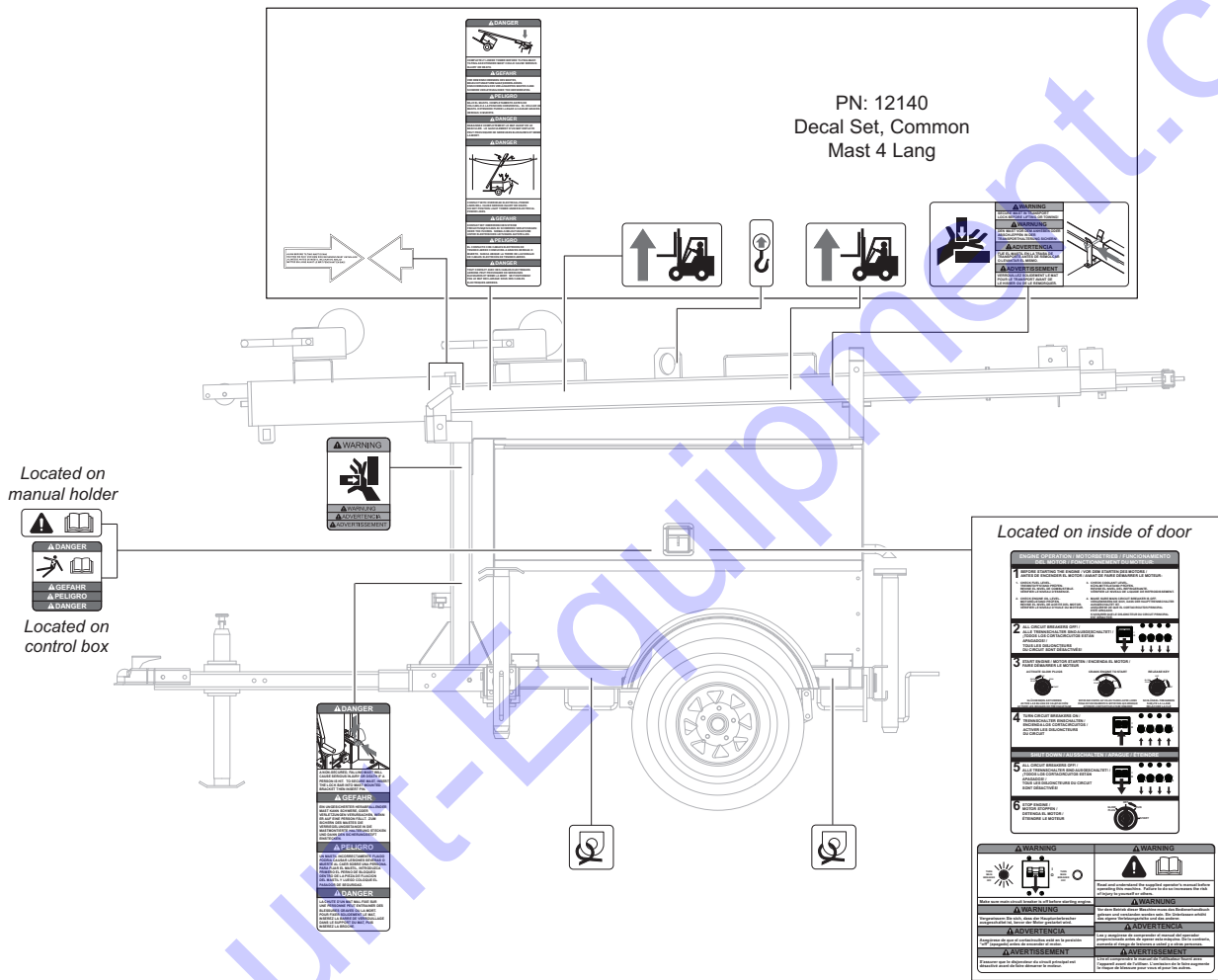
Introduction	iii
Parts Manual Instructions	1
Unit Decals - Front, Rear and Top	2
Unit Decals - Left Side	3
Unit Decals - Right Side	4
Unit Decals - Inside Unit	5
Mast, Junction Box and Lights to Unit	6
Light Assembly	8
Mast Junction Box Assembly - Hard Wired Lights	10
Mast Junction Box Assembly - Quick Disconnect Lights Option	12
Mast Assembly - Manual Winch	14
Mast Assembly - Electric Winch	16
Roof and Doors to Unit	18
Front, Rear and Side Panels to Unit	20
Control Box to Unit	22
Control Box Assembly	24
Control Panel Assembly - MLT4060K, MLT4060M	26
Control Panel Assembly - MLT4080K, MLT4080M	28
Cooling System Assembly	30
Engine and Generator to Unit	32
Engine Assembly - Mitsubishi Left Side	34
Engine Assembly - Mitsubishi Right Side	36
Engine Assembly - Kubota Left Side	38
Engine Assembly - Kubota Right Side	40
Generator Assembly	42
Fuel Tank and Ballast Boxes to Unit	44
Trailer Assembly	46
Trailer - Jack and Hitch Options	48
Axle Assembly	50
Recommended Spare Parts List (1 of 2)	52
Recommended Spare Parts List (2 of 2)	53

UNIT DECALS - FRONT, REAR AND TOP



Note: All safety and operating decals are located on decal sheet 12141, unless otherwise noted.

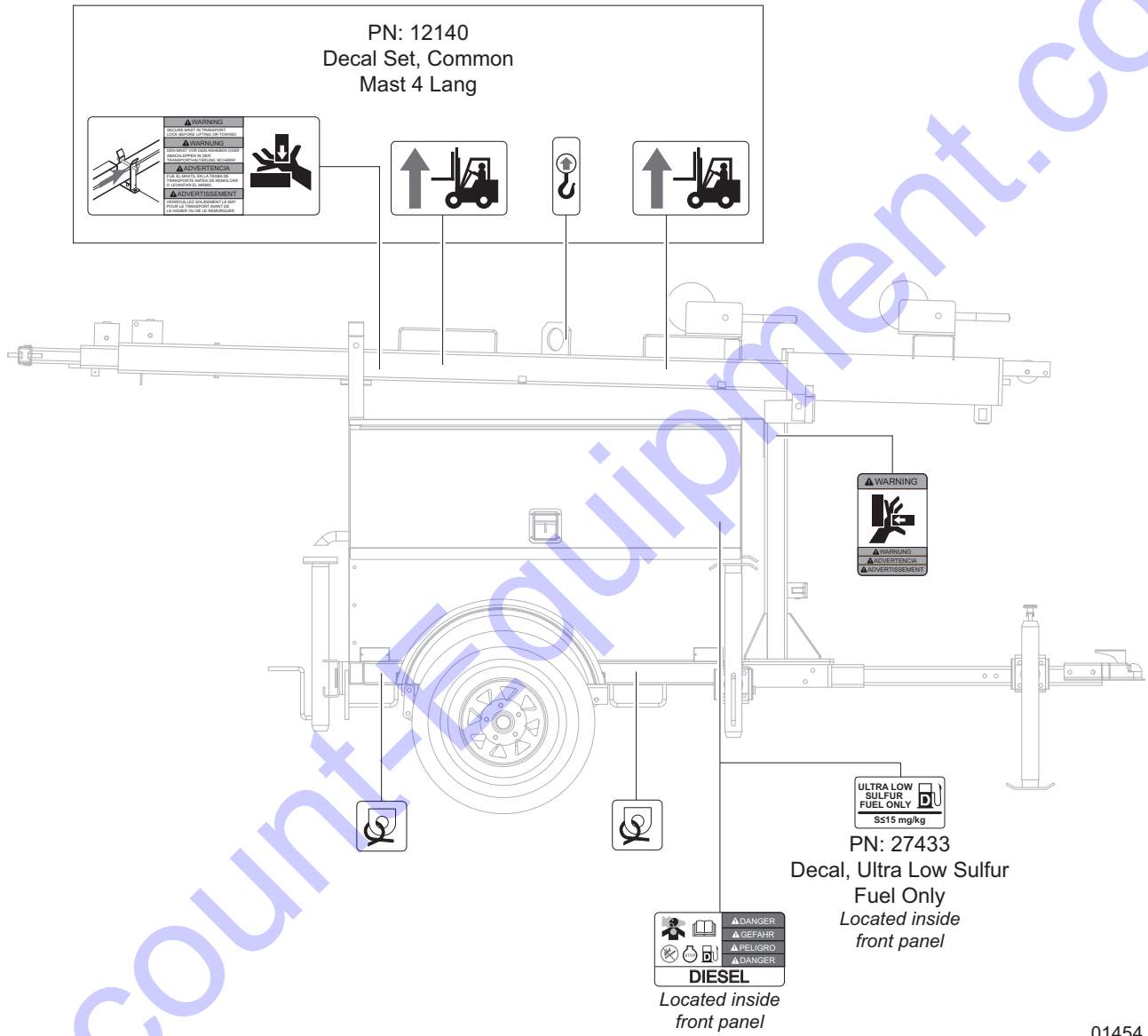
UNIT DECALS - LEFT SIDE



01453

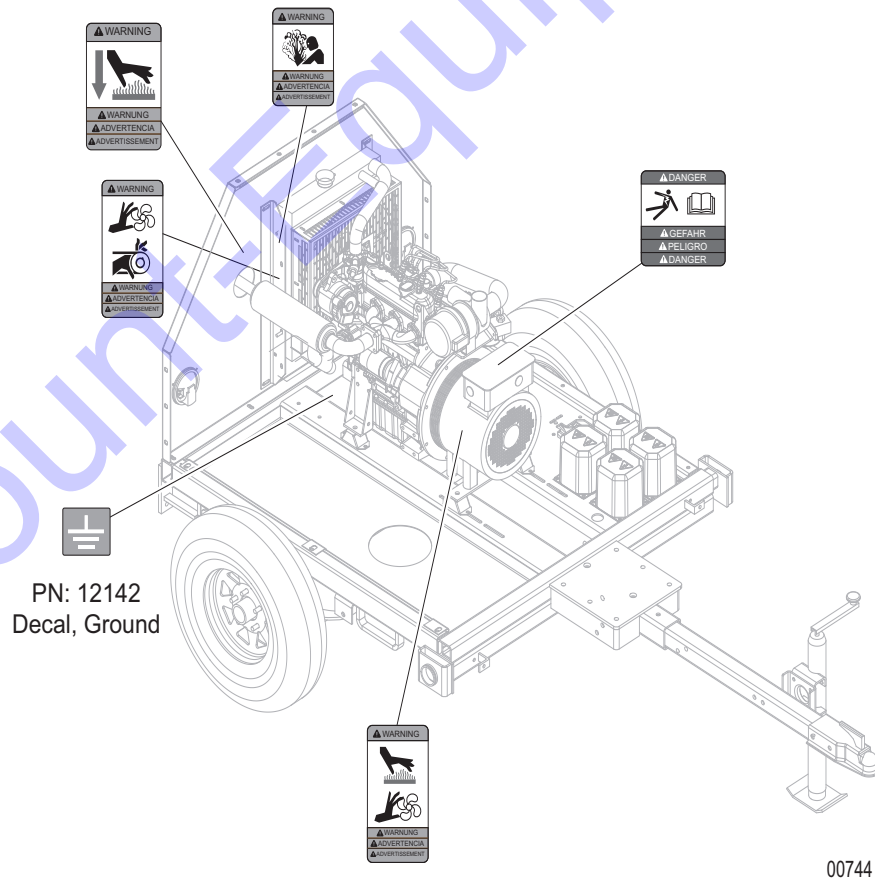
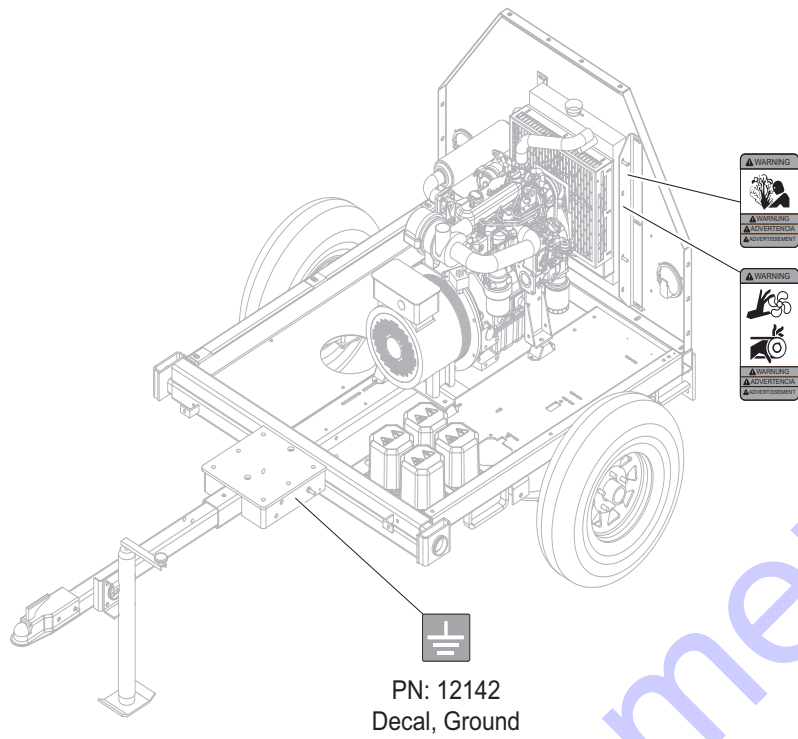
Note: All safety and operating decals are located on decal sheet 12141, unless otherwise noted.

UNIT DECALS - RIGHT SIDE



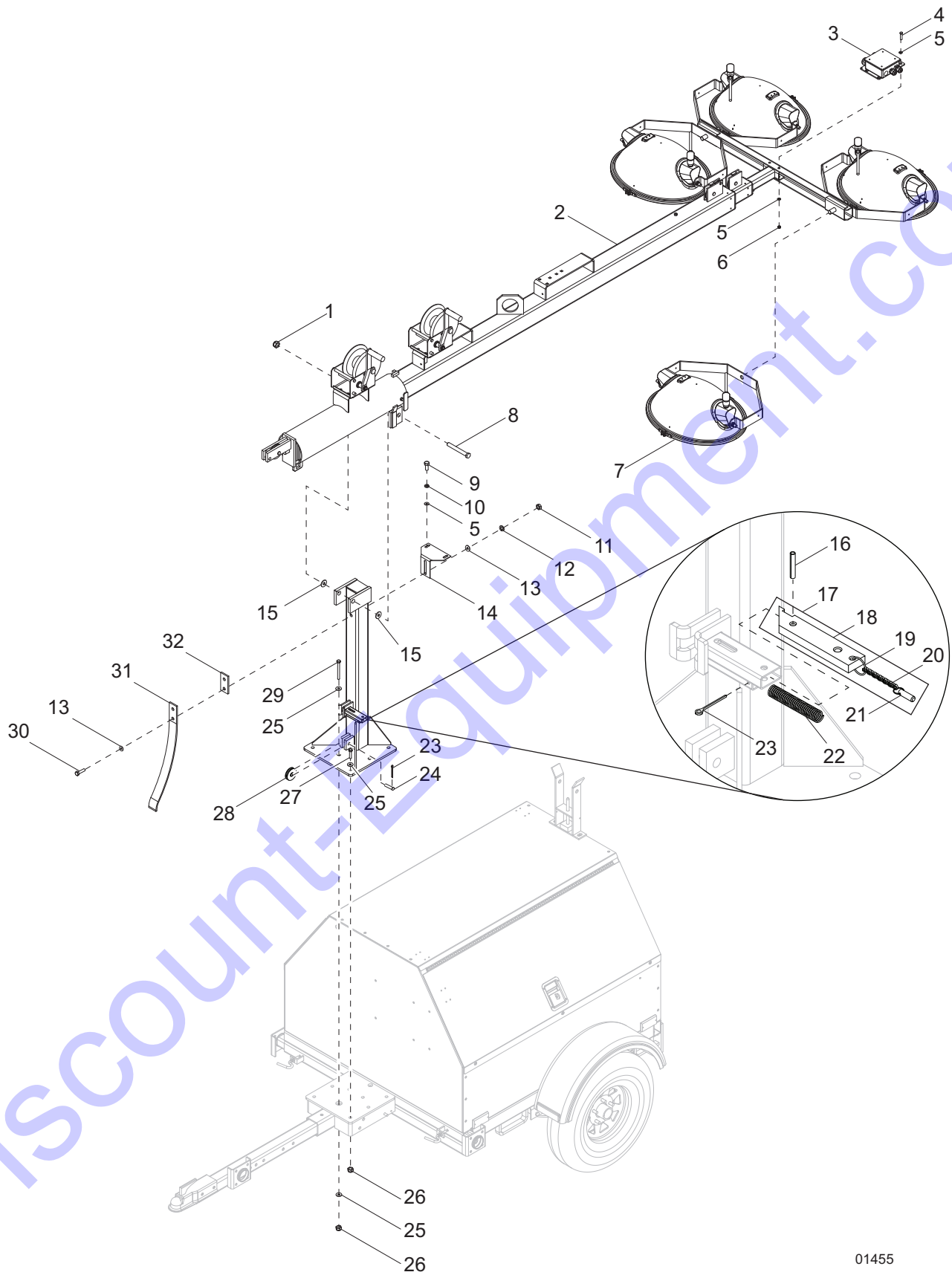
Note: All safety and operating decals are located on decal sheet 12141, unless otherwise noted.

UNIT DECALS - INSIDE UNIT



Note: All safety and operating decals are located on decal sheet 12141, unless otherwise noted.

MAST, JUNCTION BOX AND LIGHTS TO UNIT

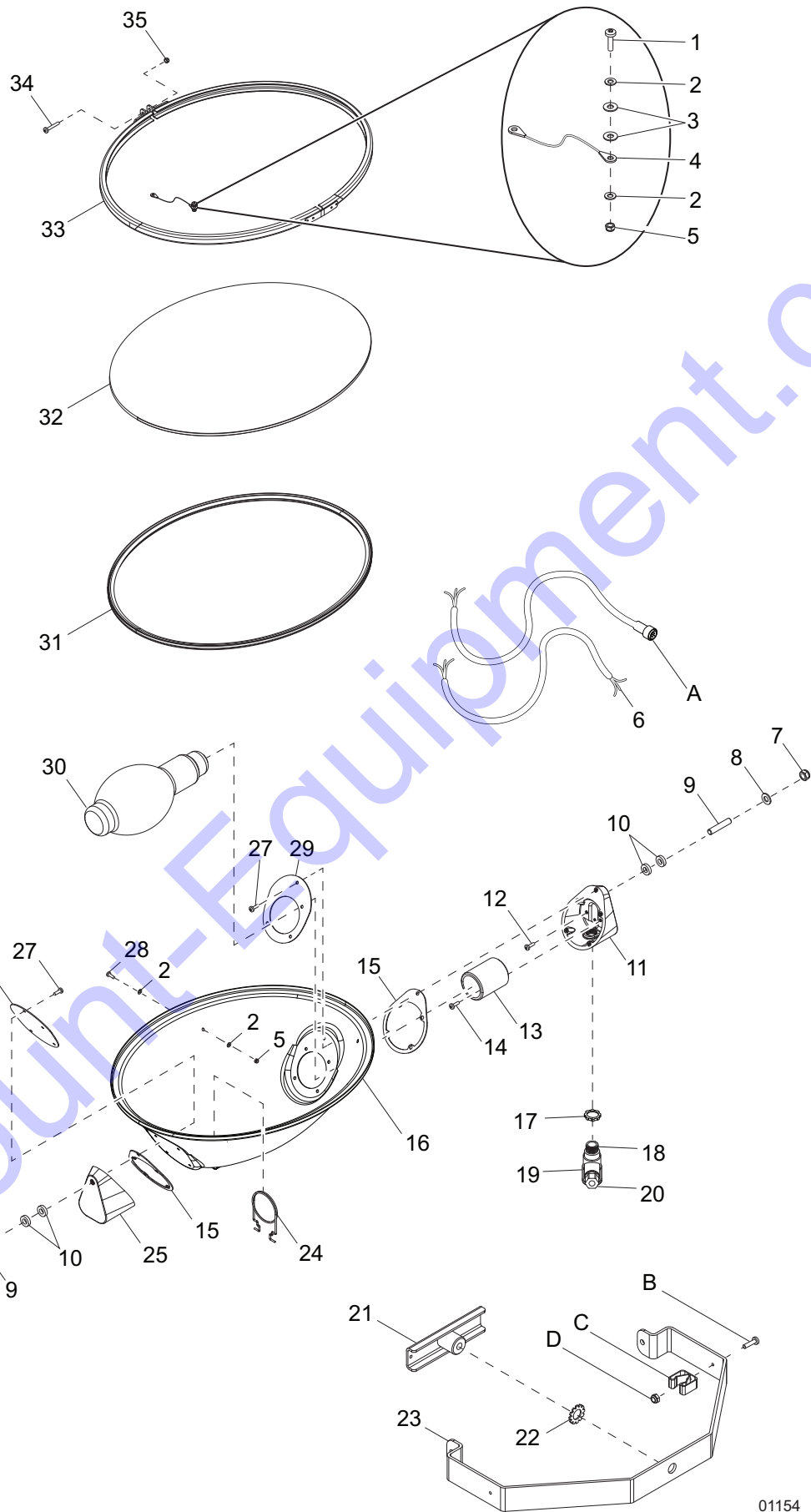


01455

MAST, JUNCTION BOX AND LIGHTS TO UNIT

Item	Part No.	Qty	Description	Notes
1	60584	1	Nut, .750-10 nylock, G5	
2	13536	1	Assembly, mast	
3	13020	1	Assembly, mast junction box	
4	60753	2	Screw, .375-16 x 3.50 std hex, G5	
5	60698	6	Washer, .375 flat .875/.040, SS	
6	60358	2	Nut, .375-16 nylock, G5	
7	Page 8	4	Assembly, light	
8	15292	1	Screw, .750-10 x 6.50 std hex, SS	
9	60690	2	Screw, .375-16 x 1.0 std hex, SS	
10	60703	2	Washer, .375 split lock, SS	
11	14229	2	Nut, .500-13 hex, G2	
12	60702	2	Washer, .500 split lock, SS	
13	60699	4	Washer, .500 flat 1.070/.080 SS	
14	14459B	1	Bracket, door adjustment	
15	60744	2	Washer, .750 flat 1.25/.060	
16	15165	1	Pin, roll - .250 x 1.25	
17	11215	1	Assembly, latch bar	
18	14663Z	1	Bar, latch	
19	60706	1	Ring, split - 1.0, SS	
20	60707	.58 ft	Chain, sash, SS	
21	14403	1	Pin, cotterless - .312 x 1.0	
22	14275	1	Spring, compression - .60 OD x 2.75 x .054	
23	15380	2	Pin, cotter - .125 x 1.250	
24	35655	1	Pin, clevis - .500 dia x 1.75	
25	60309	10	Washer, .500 flat .875/.063, SS	
26	62221	8	Nut, .500-13 nylock, G5	
27	60683	6	Screw, .500-13 x 1.50 std hex, SS	
28	14261	1	Sheave - 2 in	
29	60659	2	Screw, .500-13 x 5.0 std hex, G5	
30	60732	2	Screw, .500-13 x 5.50 std hex, SS	
31	14845B	1	Spring, kickback - 50 lb	
32	11554Z	1	Spacer plate - kick-back spring	

LIGHT ASSEMBLY



01154

LIGHT ASSEMBLY

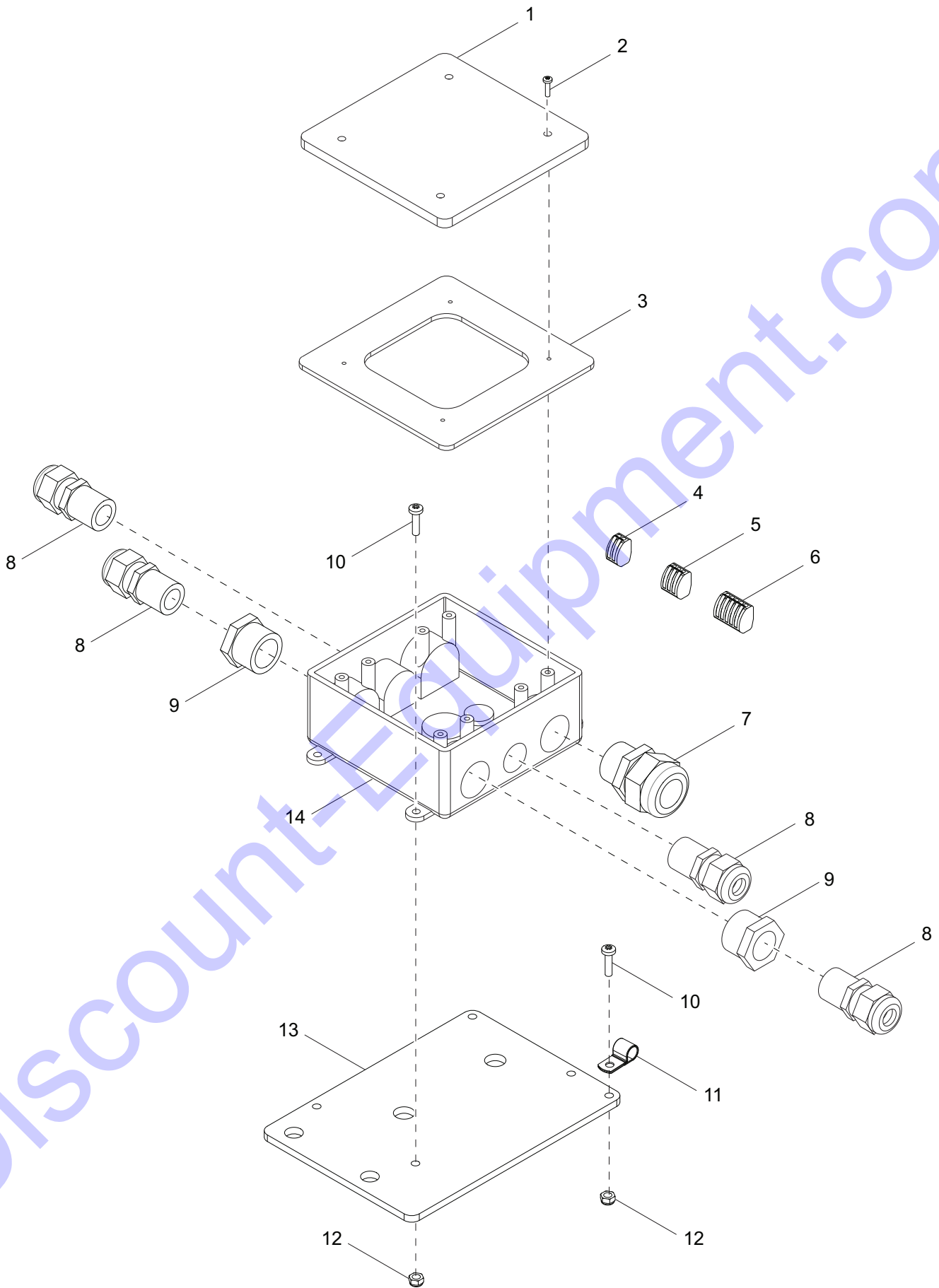
Item	Part No.	Qty	Description	Notes
1	13399	1	Screw, M4 x 18 pan phil	
2	13371	4	Washer, #4	
3	13372	2	Washer, #4 nylon	
4	13370	1	Assembly, tether	
5	13395	2	Nut, M4 nylock	
6	13438	1	Cord, power - hard wired	
7	62221	2	Nut, .500-13 nylock, G5	
8	60247	2	Washer, .750 flat 2.020/.090	
9	13392	2	Stud, trunnion mounting	
10	13390	4	Washer, .500 nylon	
11	13374	1	Support, housing/trunnion w/out cord	
12	13393	1	Screw, M5 x 12 phillips green	
13	13381	1	Socket, bulb w/out threaded insert	
14	13396	2	Screw, pan phillips	
15	13378	2	Gasket, silicone	
16	13366	1	Assembly, housing	
17	15861	1	Nut, special, .500NPT lock	
18	13386	1	Fitting, nipple - .500	
19	13387	1	Connector, weathertight - .500	
20	15864	1	Strain relief, .500NPT watertight, .270/.464 ID	
21	13403	1	Handle, T - wing nut	
22	61174	1	Washer, .750 external star	
23	13368	1	Trunnion	
24	13380	1	Bracket, bulb support	
25	13375	1	Support, housing/trunnion w/cord	
26	13377	1	Bracket, non socket end plate	
27	13388	10	Screw, M5 x 12 flg hex, slotted	
28	13394	1	Screw, M4 x 10 pan phil	
29	13376	1	Bracket, socket end plate	
30	11391	1	Bulb, 1000W MH short length	
31	13373	1	Gasket, lens	
32	13369	1	Lens, glass	
33	13367	1	Assembly, aluminum ring	
34	13398	1	Screw, ground	
35	13397	1	Nut, nylock	
--	13311	1	Assembly, light - hard wired	Items 1 - 35

OPTIONAL FEATURES

Quick Disconnect Light:

A	13383	1	Cord, power quick disconnect	Replaces item 6
B	60398	1	Screw, 10-32 x .500 pan phil, SS	
C	19041	1	Clip, spring holder	
D	60061	1	Nut, 10-32 nylock	
--	13601	1	Assembly, light - quick disconnect, cord clip	

MAST JUNCTION BOX ASSEMBLY - HARD WIRED LIGHTS

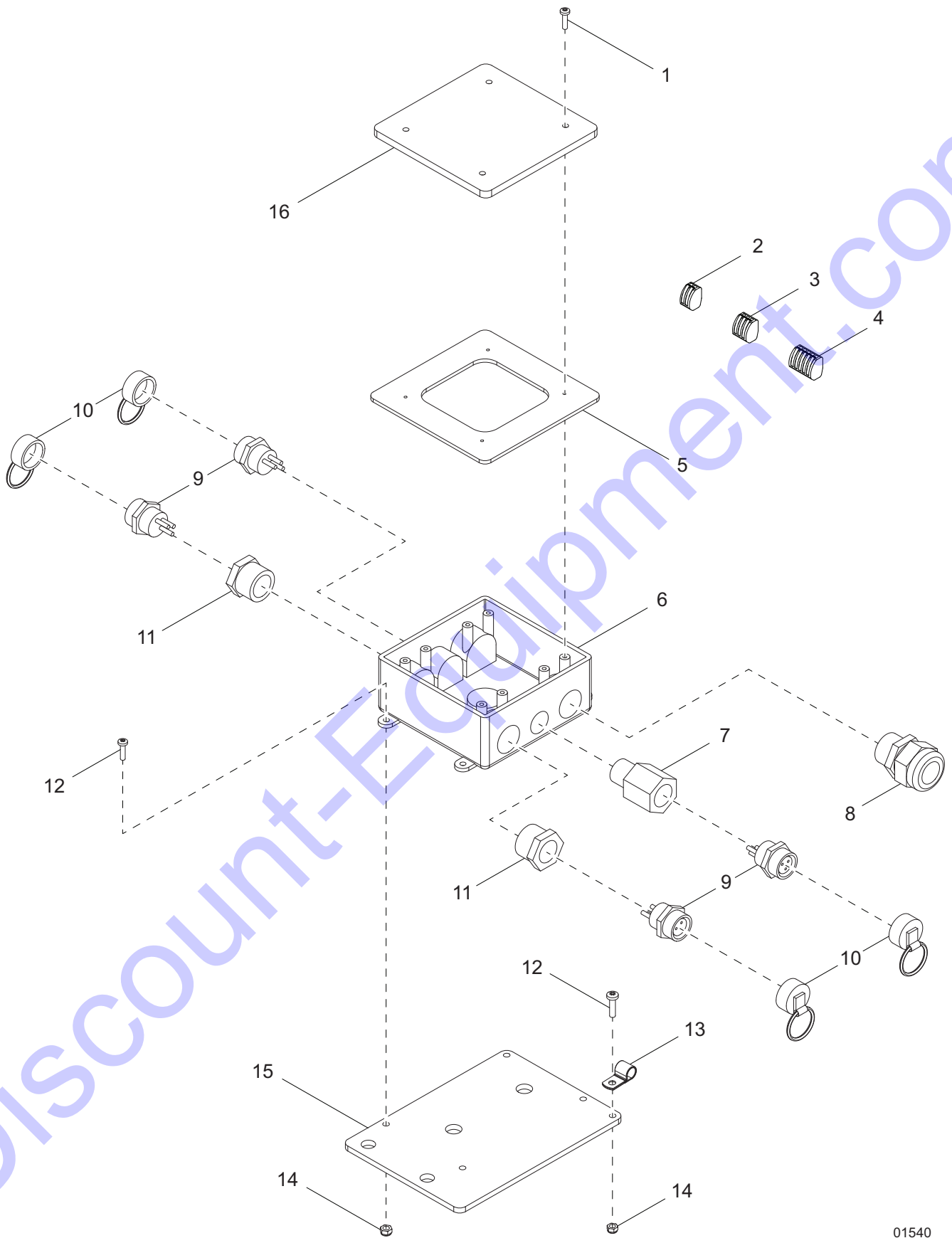


01155

MAST JUNCTION BOX ASSEMBLY - HARD WIRED LIGHTS

Item	Part No.	Qty	Description	Notes
1	12109	1	Cover, box, 2 gang plastic	
2	60424	4	Screw, 6-32 x .750 pan phil, G2	
3	13749	1	Gasket, junction box	
4	66100	4	Connector, 2 position	
5	66101	2	Connector, 3 position	
6	66102	1	Connector, 5 position	
7	15864	4	Strain relief - .500NPT watertight, .270/.464	
8	14656	1	Strain relief - .750NPT watertight, .545/.709	
9	60755	2	Fitting, strt - .750MNPT x .500FNPT, nylon	
10	60062	5	Screw, 10-32 x .750 pan phil, G2	
11	16143	1	Clamp, tubing - .500	
12	60415	5	Nut, 10-32 nylock, SS	
13	12095B	1	Bracket, junction box	
14	12094	1	Box, junction	
--	11789	1	Assembly, mast junction box - hard wired	Items 1 - 14

MAST JUNCTION BOX ASSEMBLY - QUICK DISCONNECT LIGHTS OPTION

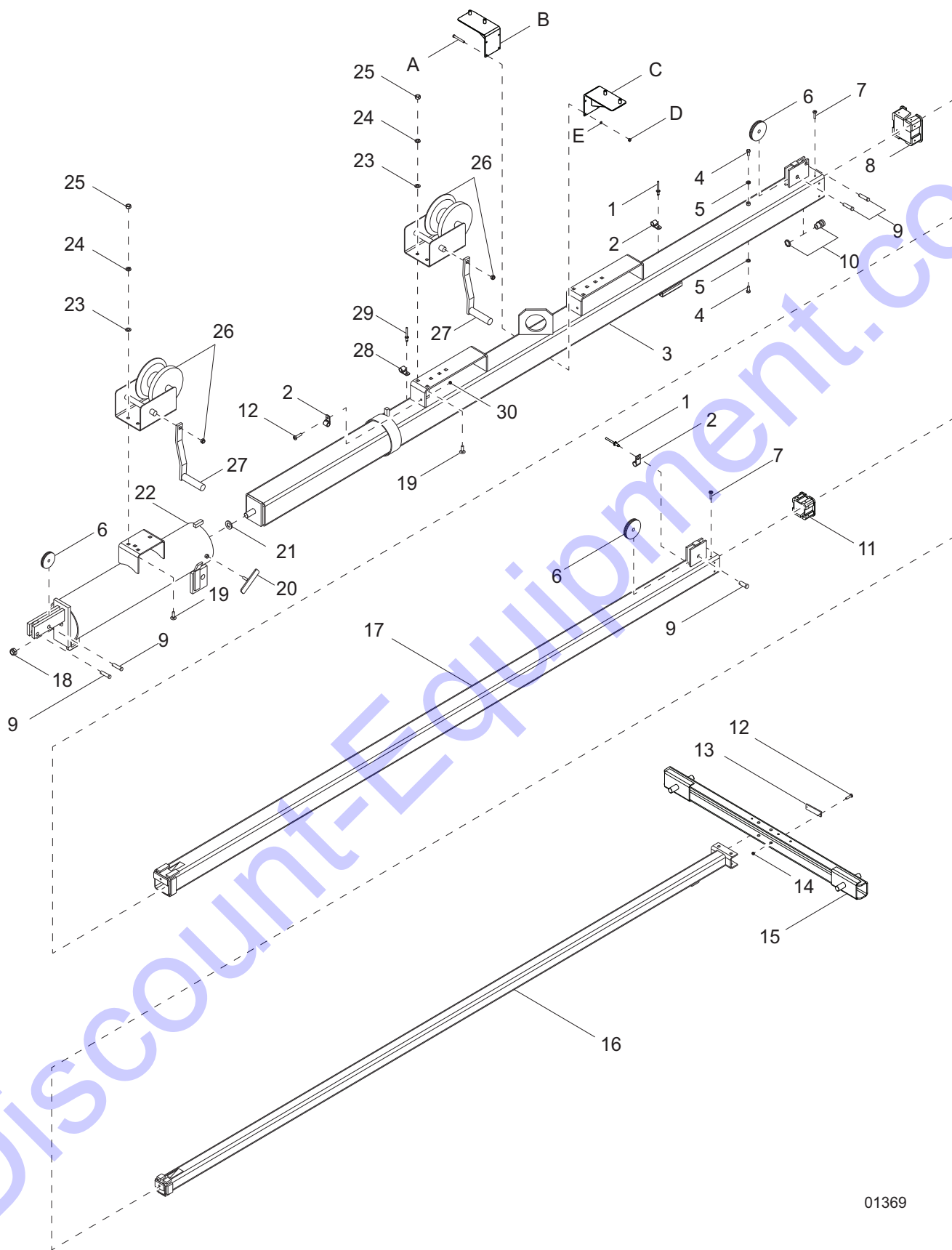


01540

MAST JUNCTION BOX ASSEMBLY - QUICK DISCONNECT LIGHTS OPTION

Item	Part No.	Qty	Description	Notes
1	60424	4	Screw, 6-32 x .750 pan phil, G2, self thread	
2	66100	4	Connector, 2 position	
3	66101	2	Connector, 3 position	
4	66102	1	Connector, 5 position	
5	13749	1	Gasket, junction box	
6	12094	1	Box, junction	
7	12713	1	Fitting, strt - .500MNPT x .500FNPT, steel	
8	14656	1	Strain relief, .750NPT, watertight	
9	15403	4	Connector, quick disconnect - female	
10	12410	4	Assembly, quick disconnect receptacle cap w/chain	
11	60755	2	Fitting, strt - .750MNPT x .500FNPT, nylon	
12	60062	5	Screw, 10-32 x .750 pan phil, G2	
13	16143	1	Clamp, tubing - .500	
14	60415	5	Nut, 10-32 nylock, SS	
15	12095B	1	Bracket, junction box - black	
16	12109	1	Cover, box, 2 gang plastic	
--	11957	1	Assembly, mast junction box - quick disconnect	Items 1 - 16

MAST ASSEMBLY - MANUAL WINCH

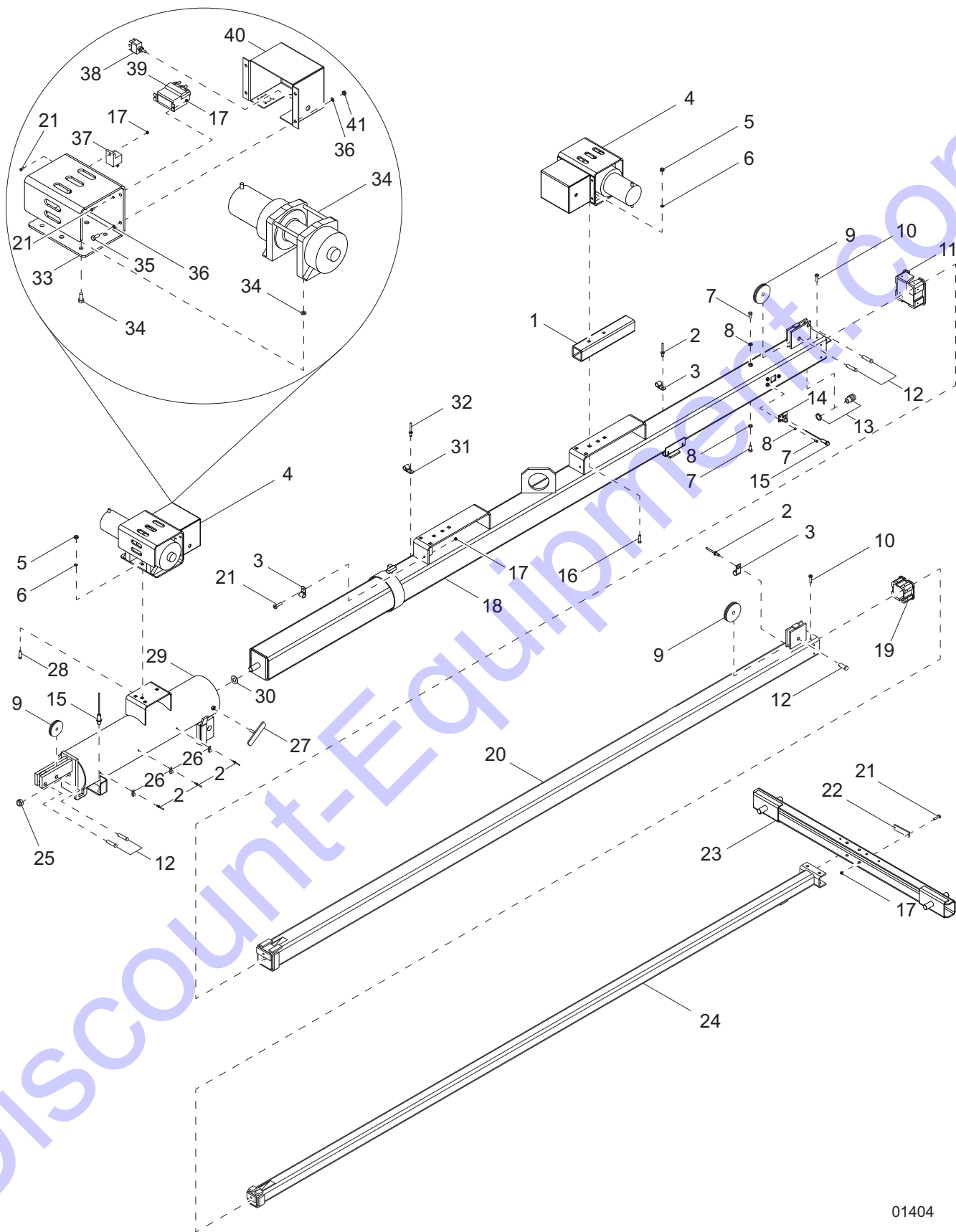


01369

MAST ASSEMBLY - MANUAL WINCH

Item	Part No.	Qty	Description	Notes
1	60268	2	Rivet, .188 dia x .126 to .250 grip	
2	16143	3	Clamp, tubing - .500	
3	11933B	1	Weldment, mast - 4.0	
4	60168	2	Screw, .312 x 18 x .750 std hex, G5	
5	60271	2	Washer, .312 split lock	
6	14262	3	Sheave - 3 in	
7	32569	15	Screw, 8-16 x .375 pan phil, SS	
8	13790	1	Shim - 4x4 tube	
9	63325	5	Pin, clevis - .500 dia x 1.063	
10	14871	1	Strain relief, .500NPT, .500 cord	
11	13789	1	Shim - 3x3 tube	
12	60062	3	Screw, 10-32 x .750 pan phil, G2	
13	15829	1	Reflector - red	
14	60061	2	Nut, 10-32 nylock	
15	13527B	1	Weldment, mast crossbar	
16	16257B	1	Weldment, mast - 2.0	
17	11934B	1	Weldment, mast - 3.0	
18	60584	1	Nut, .750-10 nylock, G5	
19	60658	6	Screw, .375-16 x 1.0 carr sqr, G5	
20	11649Z	1	Weldment, T-bolt	
21	60247	1	Washer, .750 flat 2.020/.130	
22	11902B	1	Weldment, mast tube	
23	60698	6	Washer, .375 flat .875/.040 18-8, SS	
24	60206	6	Washer, .375 split lock	
25	60140	6	Nut, .375-16 hex, G5	
26	16600	2	Winch, manual - 1500 lb	Nut included
27	15623	2	Winch handle - 9.0 in	
28	15627	1	Clamp, tubing - .625 heavy duty	
29	60195	1	Rivet, .188 dia x .375 to .500 grip large flange S	
30	60415	1	Nut, 10-32 nylock 18-8, SS	
--	15006	1	Cable - .188 in. x 27 ft. steel w/ball swedge	Attaches to item 3
--	14151	1	Cable - .188 in. x 11 ft. steel w/ball swedge	Attaches to item 17
--	14798	1	Cable - .188 in. x 16 ft. steel w/teardrop	Attaches to item 22
--	11954	1	Cord, coil	
--	15002	2	Clip, wire rope .188, single saddle	
--	15003	1	Thimble, cable - .188	
OPTIONAL FEATURES				
<i>Mast Light Storage:</i>				
A	60780	4	Screw, .375-16 x 5.5 std hex, G5	
B	13869B	1	Weldment, oval light storage - RH	
C	13870B	1	Weldment, oval light storage - LH	
D	60679	4	Nut, .375-16 hex, SS	
E	60703	4	Washer, .375 split lock, SS	
<i>Drape Cord:</i>				
--	14128	1	Cord, drape - 33 ft	Replaces coil cord

MAST ASSEMBLY - ELECTRIC WINCH

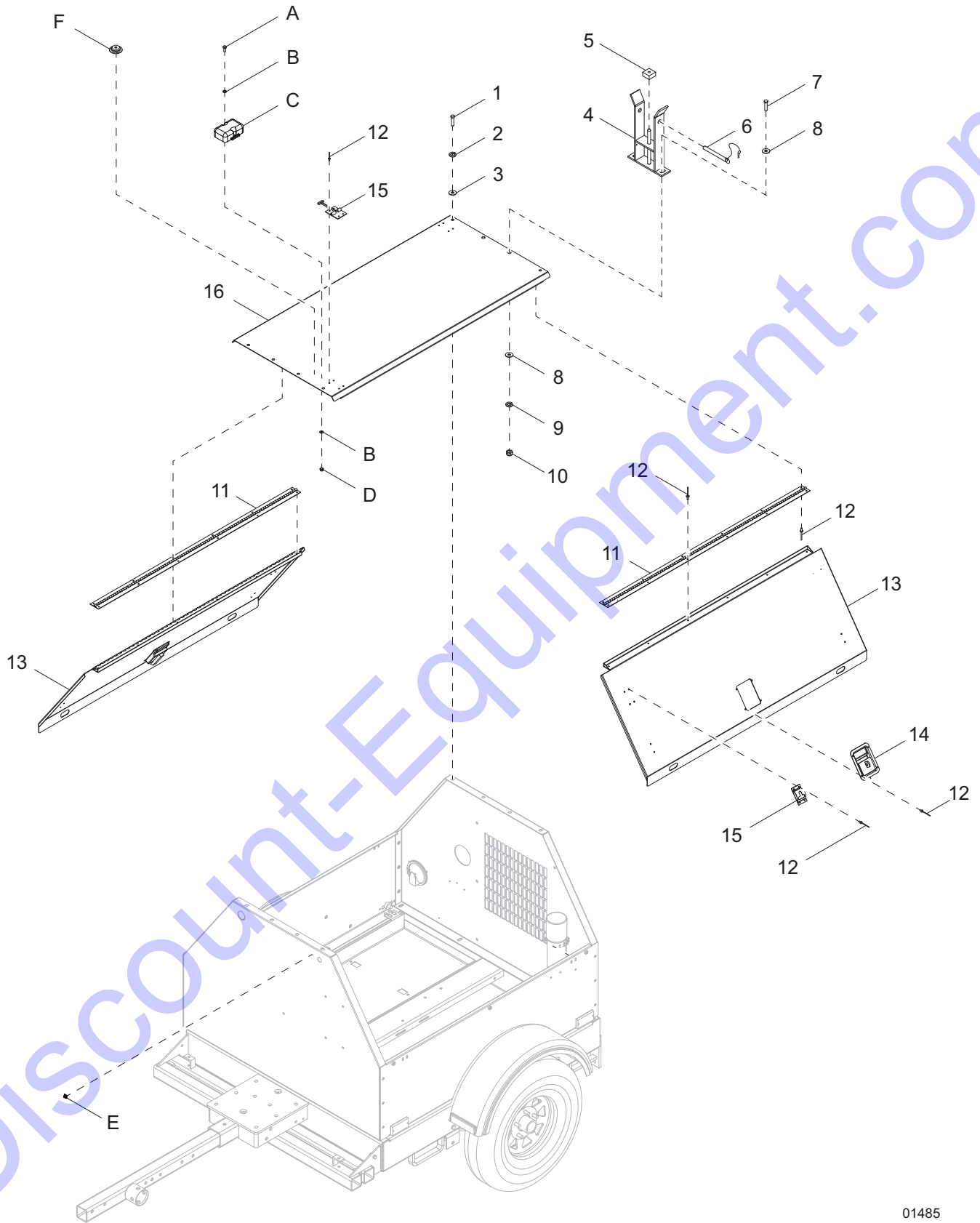


01404

MAST ASSEMBLY - ELECTRIC WINCH

Item	Part No.	Qty	Description	Notes
1	11967B	1	Tube, mount	
2	60268	5	Rivet, .188 dia x .126 to .250 grip, SS	
3	16143	3	Clamp, tubing - .500	
4	10649	2	Assy, electric winch	
5	60358	4	Nut, .375-16 nylock, G5	
6	60386	4	Washer, .375 flat .993/.064	
7	60168	5	Screw, .312-18 x 7.50 std hex, G5	
8	60271	5	Washer, .312 split lock	
9	14262	3	Sheave - 3 in	
10	32569	15	Screw, 8-16 x .375 pan phil, SS, rolled screw	
11	13790	1	Shim - 4x4 tube	
12	35655	5	Pin, clevis - .500 dia x 1.75	
13	14871	1	Strain relief - .50NPT, .50 cord	
14	13796B	1	Weldment, proximity sensor bracket	
15	65511	2	Sensor, proximity	
16	60991	2	Screw, .375-16 x 3.0 carr sqr, G5	
17	60061	5	Nut, 10-32 nylock	
18	12085B	1	Weldment, mast - 4.0	
19	13789	1	Shim - 3x3 tube	
20	12084B	1	Weldment, mast - 3.0	
21	60062	9	Screw, 10-32 x .750 pan phil, G2	
22	15829	1	Reflector, red	
23	13527B	1	Weldment, mast crossbar	
24	16257B	1	Weldment, mast - 2.0	
25	60584	1	Nut, .750-10 nylock, G5	
26	60375	3	Clamp, tubing - .312	
27	11649Z	1	Weldment, T-bolt	
28	60658	2	Screw, .375-16 x 1.0 carr sqr, G5	
29	12876B	1	Weldment, mast tube	
30	60247	1	Washer, .750 flat 2.020/.130	
31	15627	1	Clamp, tubing - .625	
32	60195	1	Rivet, .188 dia x .375 to .500 grip large flange	
33	12872B	2	Bracket, winch mounting	
34	12874	2	Winch, electric - 770 lb hoist	Hardware included
35	60281	8	Screw, .250-20 x .750 std hex, G5	
36	60243	16	Washer, .250 flat .735/.060	
37	65049	2	Relay, 12V 30/40A NO w/diode	
38	65707	2	Switch, toggle - SPDT, spring weatherproof	
39	11293	2	Contact, 12V	
40	12875B	2	Cover, winch contactor	
41	60144	8	Nut, .250-20 nylock, G5	
--	35845	1	Wire group, electric winch	
--	66819	1	Wire group, electric winch cables	
--	12922	4	Boot, battery cable	
--	15006	1	Cable - .188 in. x 27 ft steel w/ball swedge	Attaches to item 18
--	14798	1	Cable - .188 in. x 16 ft steel w/teardrop	Attaches to item 29
--	14151	1	Cable - .188 in. x 11 ft steel w/ball swedge	Attaches to item 20
--	15003	1	Thimble, cable - .188	
--	15002	1	Clip, wire rope - .188, single saddle	
--	11954	1	Cord, coil	

ROOF AND DOORS TO UNIT



01485

ROOF AND DOORS TO UNIT

Item	Part No.	Qty	Description	Notes
1	60690	4	Screw, .375-16 x 1.0 std hex, SS	
2	60703	4	Washer, .375 split lock, SS	
3	60698	4	Washer, .375 flat .875/.040, SS	
4	12344ZN	1	Weldment, cradle	
5	11935	1	Pad, rubber	
6	16099	1	Assembly, cradle pin	
7	60683	2	Screw, .500-13 x 1.50 std hex, SS	
8	60699	4	Washer, .500 flat 1.070/.080, SS	
9	60702	2	Washer, .500 split lock, SS	
10	14229	2	Nut, .500-13 hex, G2	
11	16598	2	Hinge, door - .188 pin, 48.5 in. long	
12	60268	48	Rivet, .188 dia. x .126 to .250 grip, SS	
13	16591W	2	Panel, door	
14	15123	2	Latch, paddle - 7 lb spring	
15	12605	2	Door latch SS - T-style	
16	16538W	1	Panel, top	

OPTIONAL FEATURES

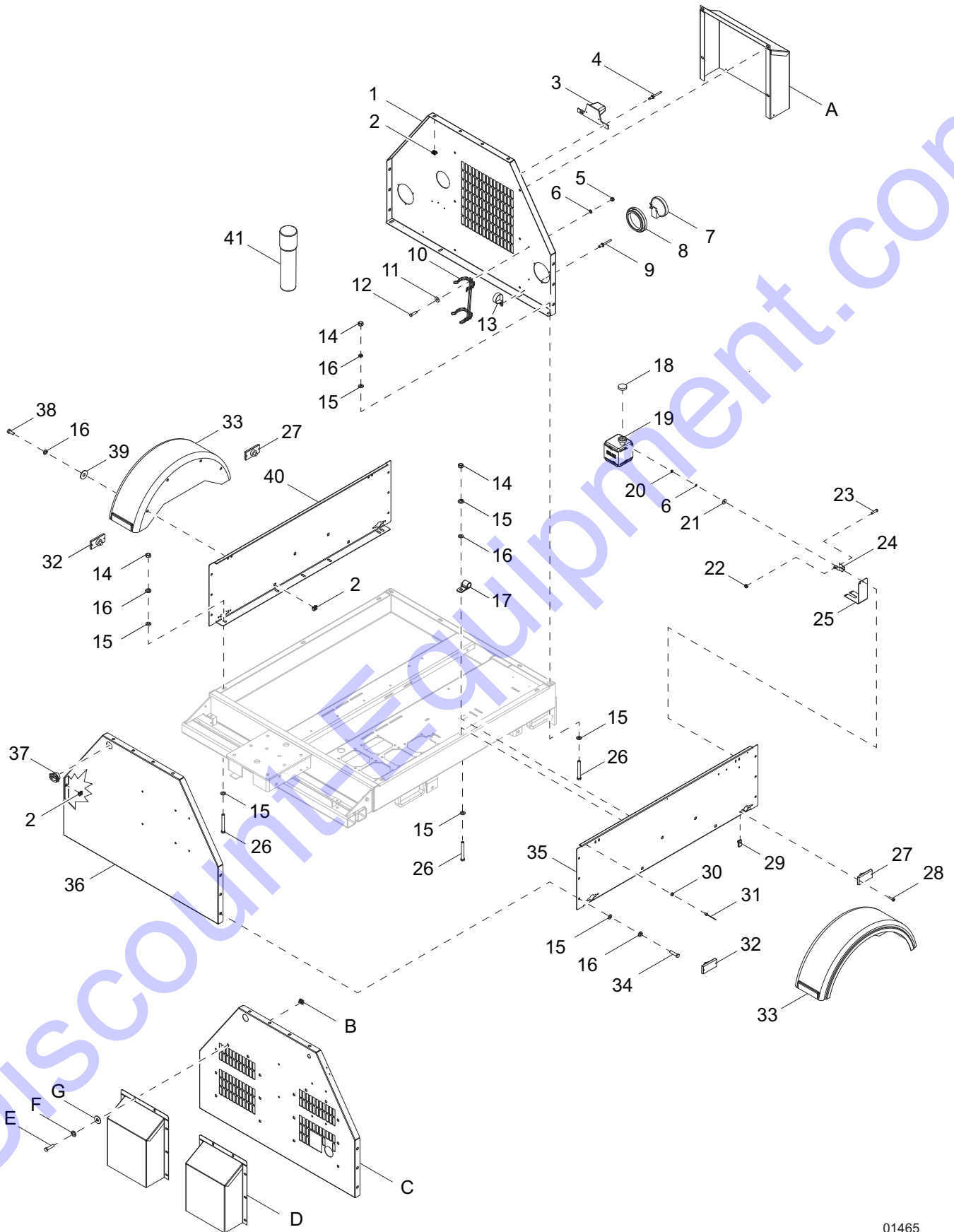
Telemetry:

A	61180	2	Screw, 10-32 x .750 pan phil
B	60067	4	Washer, flat .435/.060
C	37731	1	Telemetry, ZTR M6H
D	60061	2	Nut, 10-32 nylock
E	61055	1	Clip, rod hold
--	37785	1	Harness, ZTR M6H

Level Indicator:

F	14433	1	Level, eye
---	-------	---	------------

FRONT, REAR AND SIDE PANELS TO UNIT



01465

FRONT, REAR AND SIDE PANELS TO UNIT

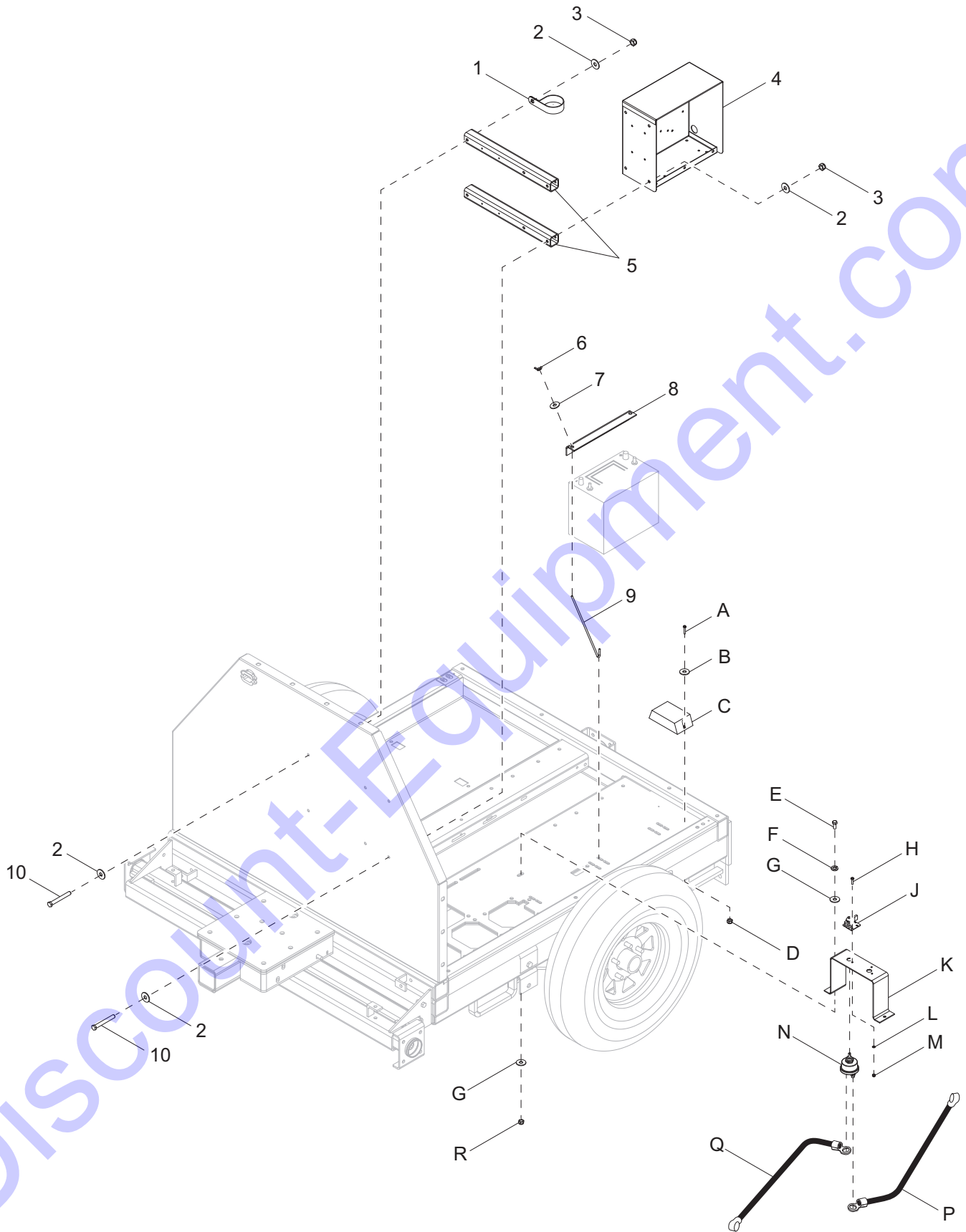
Item	Part No.	Qty	Description	Notes
1	35500W	1	Panel, rear	
2	60657	26	Nut, .375-16 cage, G5, 12 GA	
3	10223	1	Assembly, license plate holder	
4	60423	2	Rivet, .188 dia x .250 to .375 grip	
5	60457	2	Nut, 10-24 nylock, G2	
6	60067	2	Washer, #10 flat .435/.060, SS	
7	10219	2	Assembly, rear tail/turn light, 3-wire w/plug	
8	10221	2	Grommet, rear light, rubber	
9	60268	2	Rivet, .188 dia x .126 to .250 grip, SS	
10	11222	1	Bracket, manual holder	
11	60089	2	Washer, .265 fender 1.25/.060	
12	60540	2	Screw, 10-24 x .750 pan phil, SS	
13	15628	2	Clamp, wire - .38	
14	60140	10	Nut, .375-16 hex, G5	
15	60698	38	Washer, .375 flat .875/.040, SS	
16	60703	36	Washer, .375 split lock, SS	
17	60649	1	Clamp, tubing - .750 heavy duty	
18	19714	1	Cap, overflow jug	
19	20287	1	Jug, overflow	
20	60061	1	Nut, 10-32 nylock	
21	60696	1	Washer, .250 flat .625/.050, SS	
22	60144	1	Nut, .250-20 nylock, G5	
23	60414	1	Screw, .250-12 x 1.50 std hex, G5	
24	19726	1	Clamp, overflow jug	
25	22419B	1	Bracket, overflow jug	
26	60689	10	Screw, .375-16 x 4.0 std hex, SS	
27	66372	2	Light, clearance marker - red	
28	60694	8	Screw, 8-32 x .750 pan phil, SS	
29	60730	8	Nut, 8-32 U-clip	
30	15215	6	Rubber bumper	
31	60267	6	Rivet, .125 dia. x .191 to .271 grip, alum	
32	66373	2	Light, clearance marker - amber	
33	16560	2	Fender, plastic - 13 in. tire	
34	60690	22	Screw, .375-16 x 1.0 std hex, SS	
35	35501W	1	Panel, left side	
36	33746W	1	Panel, front	
37	66425	1	Strain relief, 1.25 Romex, w/nut	
38	60295	8	Screw, .375-16 x .750 std hex, SS	
39	60729	8	Washer, .375 fender 1.50/.090	
40	12025W	1	Panel, right side	
41	11121	1	Manual holder tube	

OPTIONAL FEATURES

Silent Pack:

A	12189W	1	Duct, radiator guard
B	15425	16	Nut, .312-18 cage
C	34744W	1	Panel, front
D	34783W	2	Duct, front
E	60507	16	Screw, .312-18 x 1.0 std hex, SS
F	60701	16	Washer, .312 split lock, SS
G	60340	16	Washer, .312 flat .875/.040, SS

CONTROL BOX TO UNIT



01466

CONTROL BOX TO UNIT

Item	Part No.	Qty	Description	Notes
1	60649	1	Clamp, tubing - .750 heavy duty	
2	60340	12	Washer, .312 flat .875/.040, SS	
3	60303	6	Nut, .312-18 nylock, G2	
4	Page 24	1	Control box	
5	11543B	2	Spacer, control box	
6	60090	2	Nut, wing - .250 x 20	Included w/item 9
7	60089	2	Washer, .250 flat	Included w/item 9
8	12924B	1	Angle, battery hold down	
9	14146	2	Bolt, J - .250-20 x 10.0	
10	62043	6	Screw, .312-18 x 2.25 std hex, SS	

OPTIONAL FEATURES

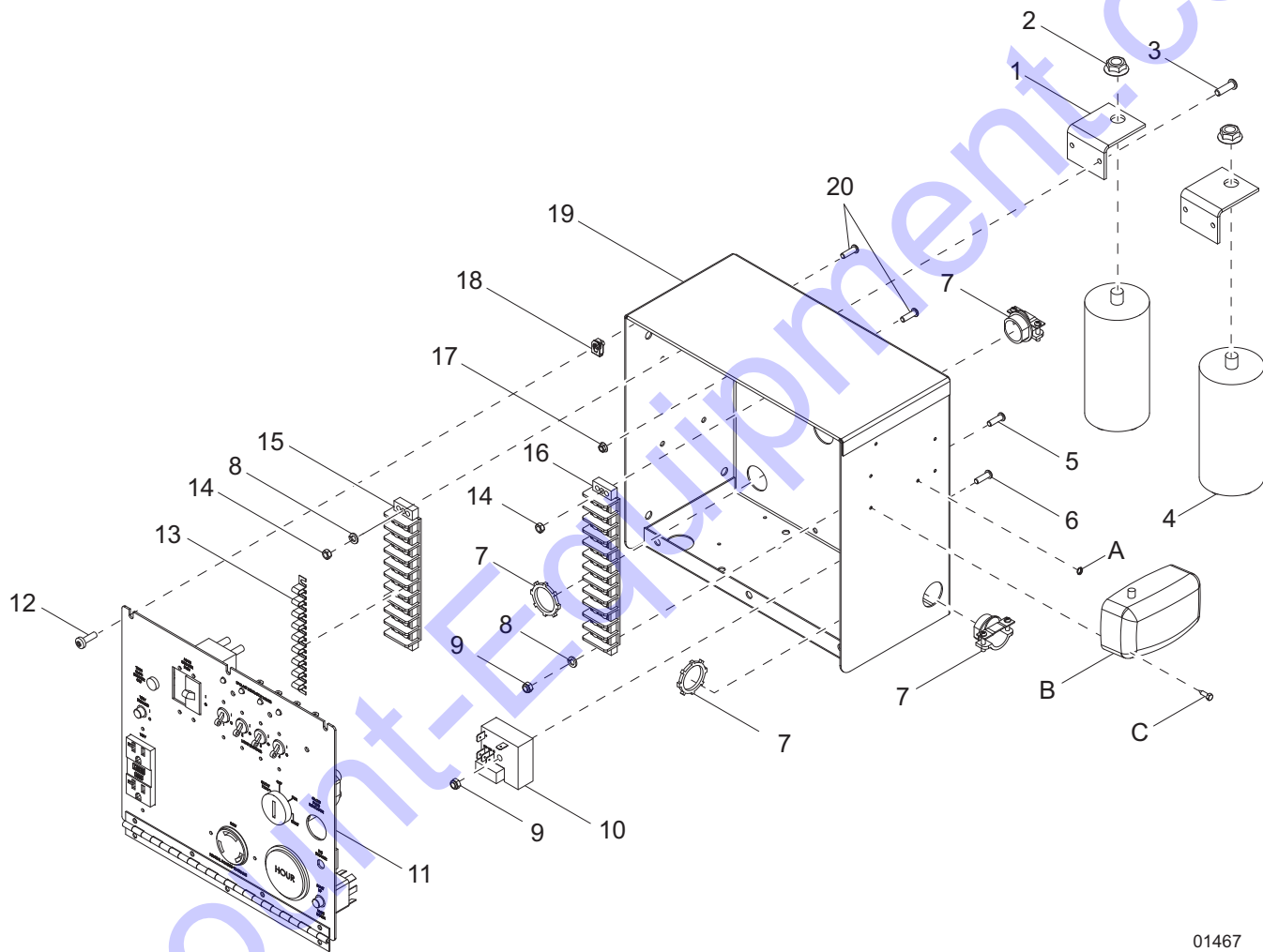
Battery Charger:

A	60694	2	Screw, 8-32 x .750 pan phil, SS
B	60067	2	Washer, #10 flat .435/.060, SS
C	65326	1	Charger, battery - 2A
D	60270	2	Nut, 8-32 nylock
--	21259	1	Decal, battery charger

Battery Disconnect:

E	60028	2	Screw, .312-18 x 1.0 std hex, G5
F	60271	2	Washer, .312 split lock
G	60119	2	Washer, .312 flat .875/.070
H	60277	2	Screw, 10-32 x .500 pan phil, G2
J	65499	1	Assembly, switch lockout lever
K	13654B	1	Bracket, battery disconnect
L	60067	2	Washer, #10 flat .435/.060, SS
M	60061	2	Nut, 10-32 nylock
N	65498	1	Switch, disconnect
P	10699	1	Cable, battery - 24 in. 4GA black, .375 lug
Q	10698	1	Cable, battery - 21 in. 4GA black, .375 lug
R	60303	2	Nut, .312-18 nylock, G2

CONTROL BOX ASSEMBLY



01467

CONTROL BOX ASSEMBLY

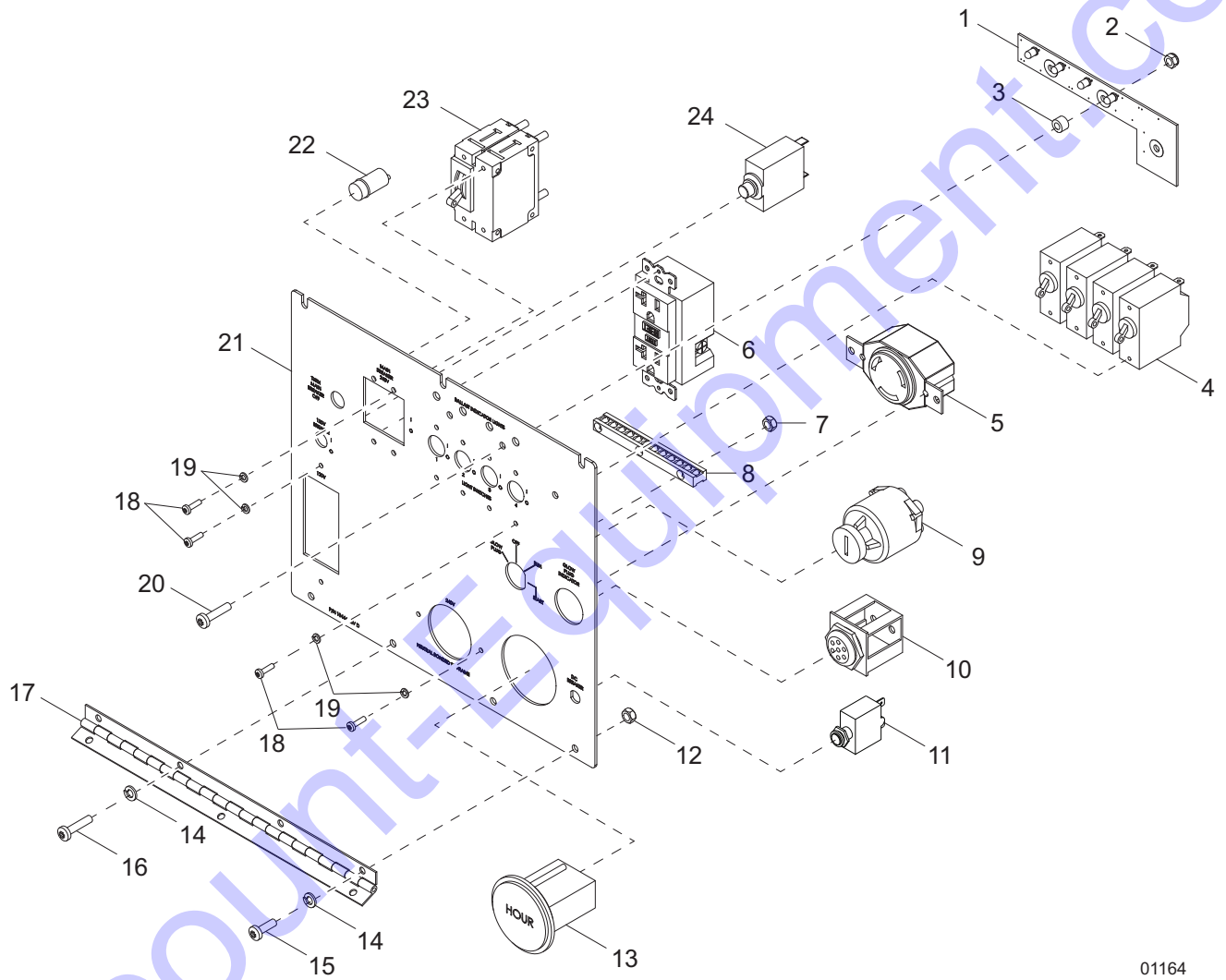
Item	Part No.	Qty	Description	Notes
1	13690B	2	Bracket, capacitor	
2	60148	2	Nut, M12-1.75 sflg, G8.8	
3	60398	4	Screw, 10-32 x .500 pan phil, SS	
4	65959	2	Capacitor, dual 24 μ F sealed, stud mount	
5	60397	1	Screw, 10-32 x 1.0 pan phil, G2	
6	60396	1	Screw, 10-32 x 1.25 pan phil, G2	
7	14219	5	Strain relief - .750 Romex w/nut	
8	60252	3	Washer, #10 split lock	
9	60061	2	Nut, 10-32 nylock	
10	14201	1	Relay, 10A SPDT 12VDC, time delay - 15 second	
11	Page 26	1	Assembly, control panel	MLT4060K/M only
	Page 28	1	Assembly, control panel	MLT4080K/M only
12	60526	6	Screw, 8-32 x .500 pan phil, G2	
13	15125	1	Jumper	
14	14231	3	Nut, 10-32 hex, G2	
15	14203	1	Block, terminal - 10 position, 30A, 600V	
16	14139	1	Block, terminal - 12 position, 30A, 600V	
17	61045	4	Nut, 10-32 sflg	
18	63105	6	Nut, 8-32 U-clip, G5	
19	13666B	1	Box, control	
20	60062	3	Screw, 10-32 x .750 pan phil, G2	
--	35270	1	Wire group - 6kW control box	MLT4060K only
--	35271	1	Wire group - 6kW control box	MLT4060M only
--	68441	1	Wire group - 6kW control box	MLT4060K/M only
--	35310	1	Wire group - 8kW control box	MLT4080K only
--	10438	1	Wire group - 8kW control box	MLT4080M only
--	17790	1	Assembly, control box - Kubota, 6kW	MLT4060K only
--	17789	1	Assembly, control box - Mitsubishi, 6kW	MLT4060M only
--	35089	1	Assembly, control box - Kubota, 8kW	MLT4080K only
--	32984	1	Assembly, control box - Mitsubishi, 8kW	MLT4080M only

OPTIONAL FEATURES

Interior Light:

A	19163	1	Fitting, bushing - .500 x .375
B	11947	1	Light, interior with switch
C	60364	4	Screw, 10-16 x .500 std hex, G2, self-drilling

CONTROL PANEL ASSEMBLY - MLT4060K, MLT4060M

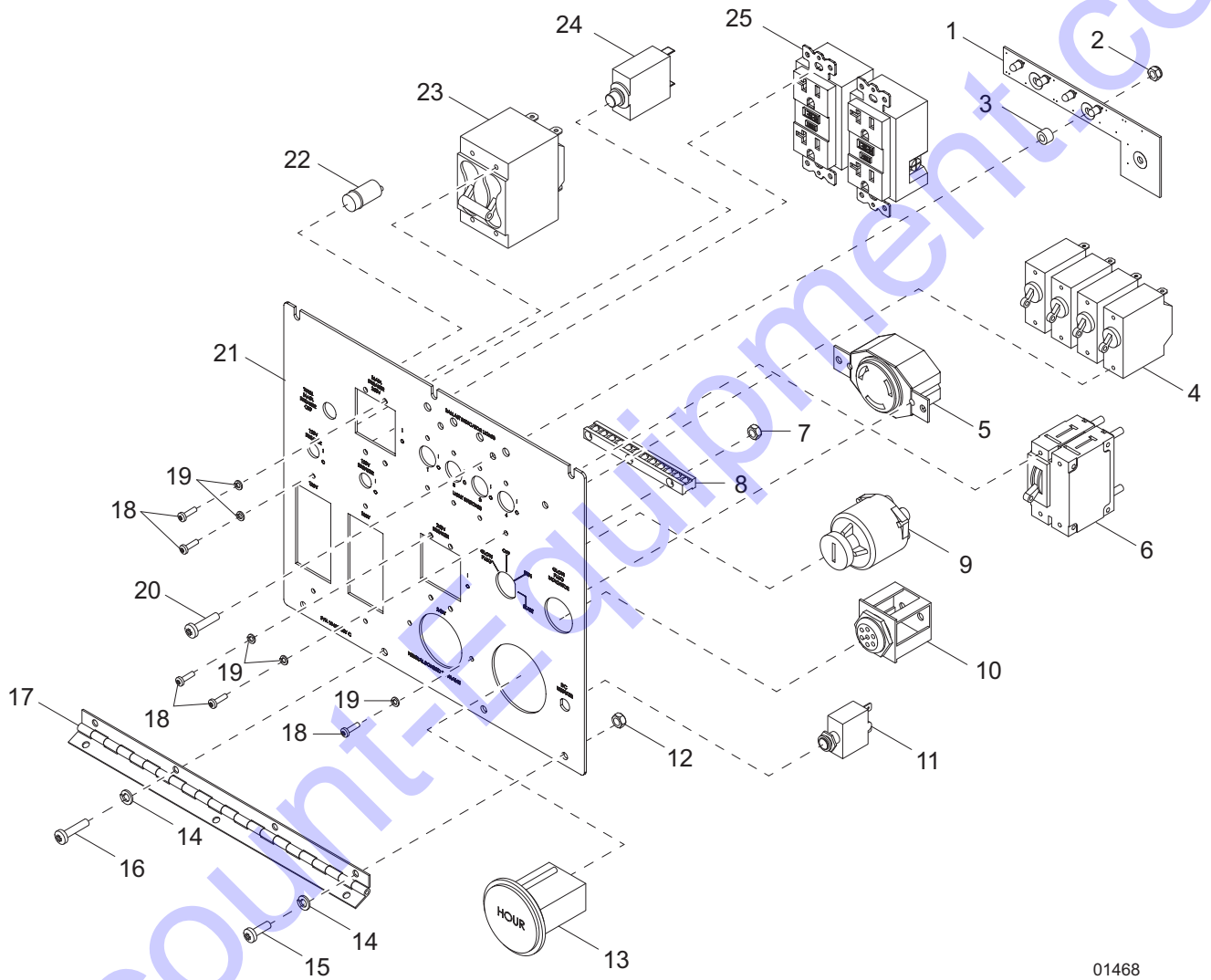


01164

CONTROL PANEL ASSEMBLY - MLT4060K, MLT4060M

Item	Part No.	Qty	Description	Notes
1	66423	1	PCB, LED lights w/connector	
2	60061	3	Nut, 10-32 nylock	
3	66257	3	Spacer, .2 ID x .375 OD x .25 long, plastic	
4	14249	4	Breaker, 15A, 120V, 1-pole	
5	14137	1	Receptacle, 240V/30A twist-lock	
6	14130	1	Receptacle, 120V/20A GFI	
7	60318	2	Nut, 8-32 hex, G5	
8	14204	1	Kit, ground bar	
9	15195	1	Switch, key	
10	16694	1	Glow plug indicator	MLT4060M only
11	65850	1	Breaker, 10A, 240V, 1-pole, push button	
12	14231	2	Nut, 10-32 hex, G2	
13	15085	1	Gauge, hour meter	
14	60252	4	Washer, #10 split lock	
15	60277	2	Screw, 10-32 x .500 pan phil, G2	
16	60406	2	Screw, 8-32 x 1.0 pan phil, SS	
17	13677	1	Hinge, continuous - 11 in	
18	60405	16	Screw, 6-32 x .250 pan phil, G2	
19	60058	16	Washer, #6 split lock	
20	60062	3	Screw, 10-32 x .750 pan phil, G2	
21	10441	1	Panel, control - Kubota, 6kW	MLT4060K only
	10444	1	Panel, control - Mitsubishi, 6kW	MLT4060M only
22	65388	1	Light, indicator red, 12VDC	
23	65963	1	Breaker, 30A, 250V, 2-pole, stud terminal w/aux	
24	65849	1	Breaker, 10A, 120V, 1-pole, push button	
--	10440	1	Assembly, control panel - Kubota	Items 1 - 9 & 11 - 24
--	10443	1	Assembly, control panel - Mitsubishi	Items 1 - 24
--	35267	1	Wire group - 20A GFCI	
--	35268	1	Wire group - 30A twist-lock	
--	35269	1	Wire group - light switches	
--	35266	1	Wire group - LED light board	

CONTROL PANEL ASSEMBLY - MLT4080K, MLT4080M

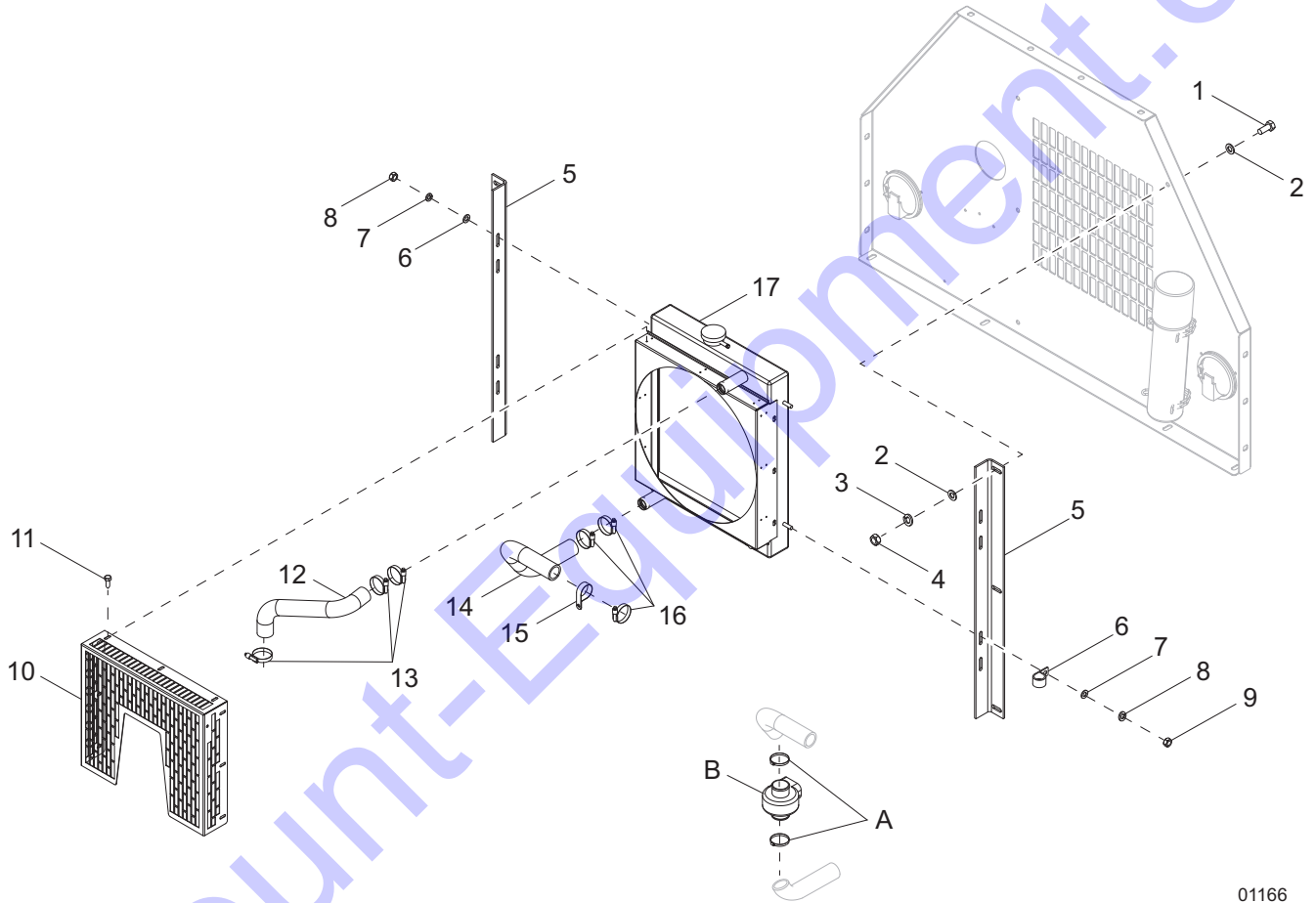


01468

CONTROL PANEL ASSEMBLY - MLT4080K, MLT4080M

Item	Part No.	Qty	Description	Notes
1	66423	1	PCB, LED lights w/connector	
2	60061	3	Nut, 10-32 nylock	
3	66257	3	Spacer, .2 ID x .375 OD x .25 long, plastic	
4	14249	4	Breaker, 15A, 120V, 1-pole	
5	14137	1	Receptacle, 240V/30A twist-lock	
6	65963	1	Breaker, 30A, 250V, 2-pole, stud terminal w/aux	
7	60318	2	Nut, 8-32 hex, G5	
8	14204	1	Kit, ground bar	
9	15195	1	Switch, key	
10	16694	1	Glow plug indicator	MLT4080M only
11	65850	1	Breaker, 10A, 240V, 1-pole, push button	
12	14231	2	Nut, 10-32 hex, G2	
13	15085	1	Gauge, hour meter	
14	60252	4	Washer, #10 split lock	
15	60277	2	Screw, 10-32 x .500 pan phil, G2	
16	60406	2	Screw, 8-32 x 1.0 pan phil, SS	
17	13677	1	Hinge, continuous - 11 in	
18	60405	22	Screw, 6-32 x .250 pan phil, G2	
19	60058	22	Washer, #6 split lock	
20	60062	3	Screw, 10-32 x .750 pan phil, G2	
21	13675	1	Panel, control - Kubota, 8kW	MLT4080K only
	10437	1	Panel, control - Mitsubishi, 8kW	MLT4080M only
22	65388	1	Light, indicator red, 12VDC	
23	65864	1	Breaker, 40A, 250V, 2-pole, screw terminal w/aux	
24	65849	1	Breaker, 10A, 120V, 1-pole, push button	
25	14130	2	Receptacle, 120V/20A GFI	
--	13884	1	Assembly, control panel - Kubota	MLT4080K only
--	10436	1	Assembly, control panel - Mitsubishi	MLT4080M only
--	10458	1	Wire group - control panel wiring 8kW	
--	35309	1	Wire group - 20A GFCI, red	
--	35267	1	Wire group - 20A GFCI, black	
--	35269	1	Wire group - light switches	
--	35266	1	Wire group - LED light board	
--	68271	1	Wire group - 30A L6-30R	

COOLING SYSTEM ASSEMBLY

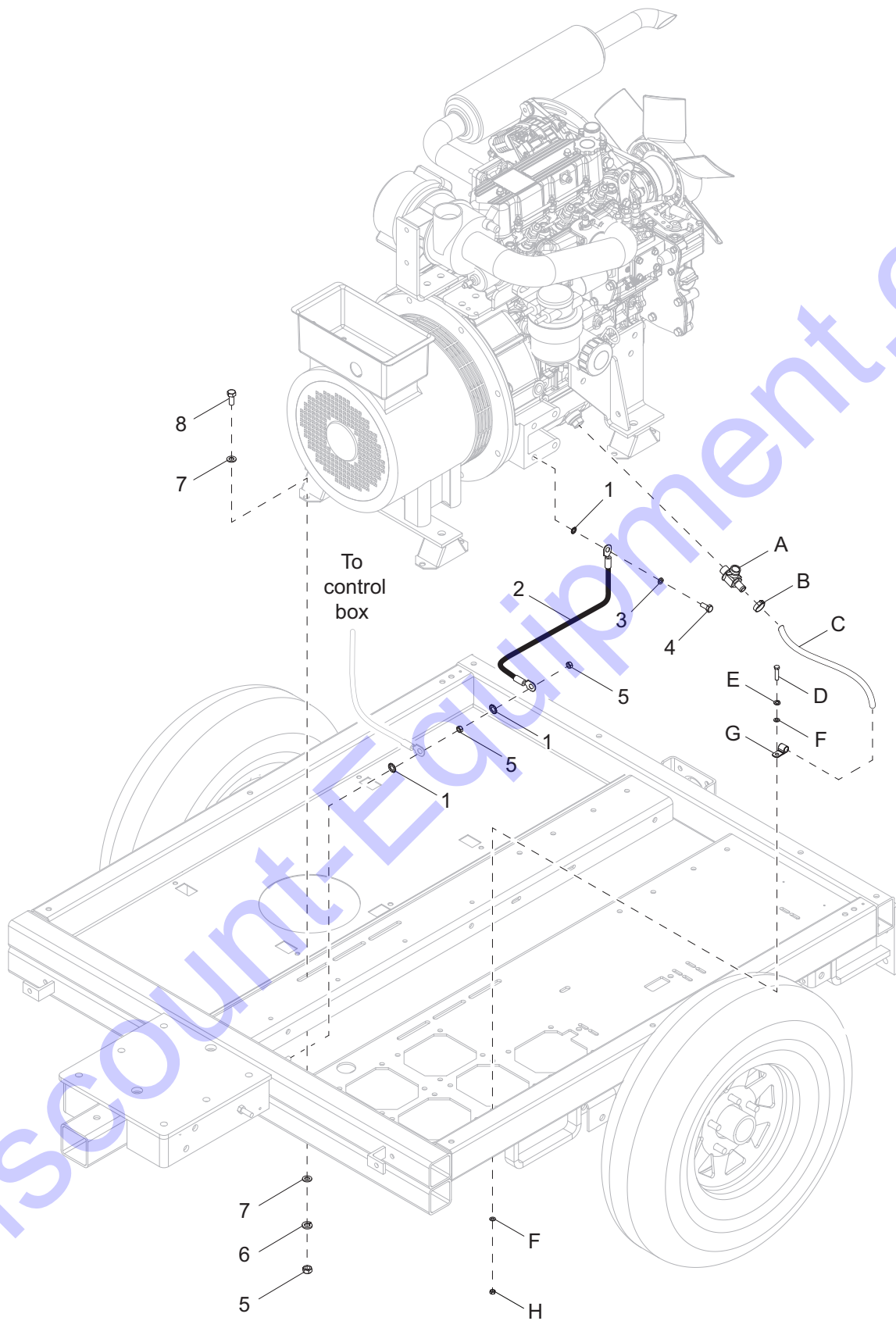


01166

COOLING SYSTEM ASSEMBLY

Item	Part No.	Qty	Description	Notes
1	60690	6	Screw, .375-16 x 1.0 std hex, SS	
2	60698	12	Washer, .375 flat .875/.040, SS	
3	60703	6	Washer, .375 split lock, SS	
4	60140	6	Nut, .375-16 hex, G5	
5	11683B	2	Bracket, radiator	
6	15627	2	Clamp, tubing - .625 heavy duty	
7	60119	4	Washer, .312 flat .875/.070	
8	60271	4	Washer, .312 split lock	
9	60032	4	Nut, M8-1.25 hex, G8.8	
10	11413B	1	Guard, fan	
11	60364	9	Screw, 10-16 x .500 std hex, G2, self-drilling	
12	16687	1	Hose, radiator - upper	MLT4060/80K only
	32383	1	Hose, radiator - upper	MLT4060/80M only
13	15422	3	Clamp, hose - SAE 020 (.75-1.75)	MLT4060/80K only
	15422	2	Clamp, hose - SAE 020 (.75-1.75)	MLT4060/80M only
14	12350	1	Hose, radiator - lower	MLT4060/80K only
	16688	1	Hose, radiator - lower	MLT4060/80M only
15	60716	1	Clamp, tubing - 1.50 light duty	MLT4060/80K only
16	15422	3	Clamp, hose - SAE 020 (.75-1.75)	MLT4060/80K only
	15422	2	Clamp, hose - SAE 020 (.75-1.75)	MLT4060/80M only
17	13924	1	Radiator, w/fan guard - welded	
OPTIONAL FEATURES				
<i>Engine Heater:</i>				
A	15422	2	Clamp, hose - SAE 020 (.75-1.75)	
B	65649	1	Heater, engine - lower radiator hose	

ENGINE AND GENERATOR TO UNIT



01470

ENGINE AND GENERATOR TO UNIT

Item	Part No.	Qty	Description	Notes
1	60747	3	Washer, .375 internal star	
2	16155	1	Assembly, wire - 4000 engine/chassis ground	
3	60026	1	Washer, M10 - split lock	
4	60495	1	Screw, M10 - 1.25 x 16, std hex, G8.8	
5	60140	10	Nut, .375-16 hex, G5	
6	60206	8	Washer, .375 split lock	
7	60698	16	Washer, .375 flat .875/.040, SS	
8	60205	8	Screw, .375-16 x 1.0 std hex, G5	

OPTIONAL FEATURES

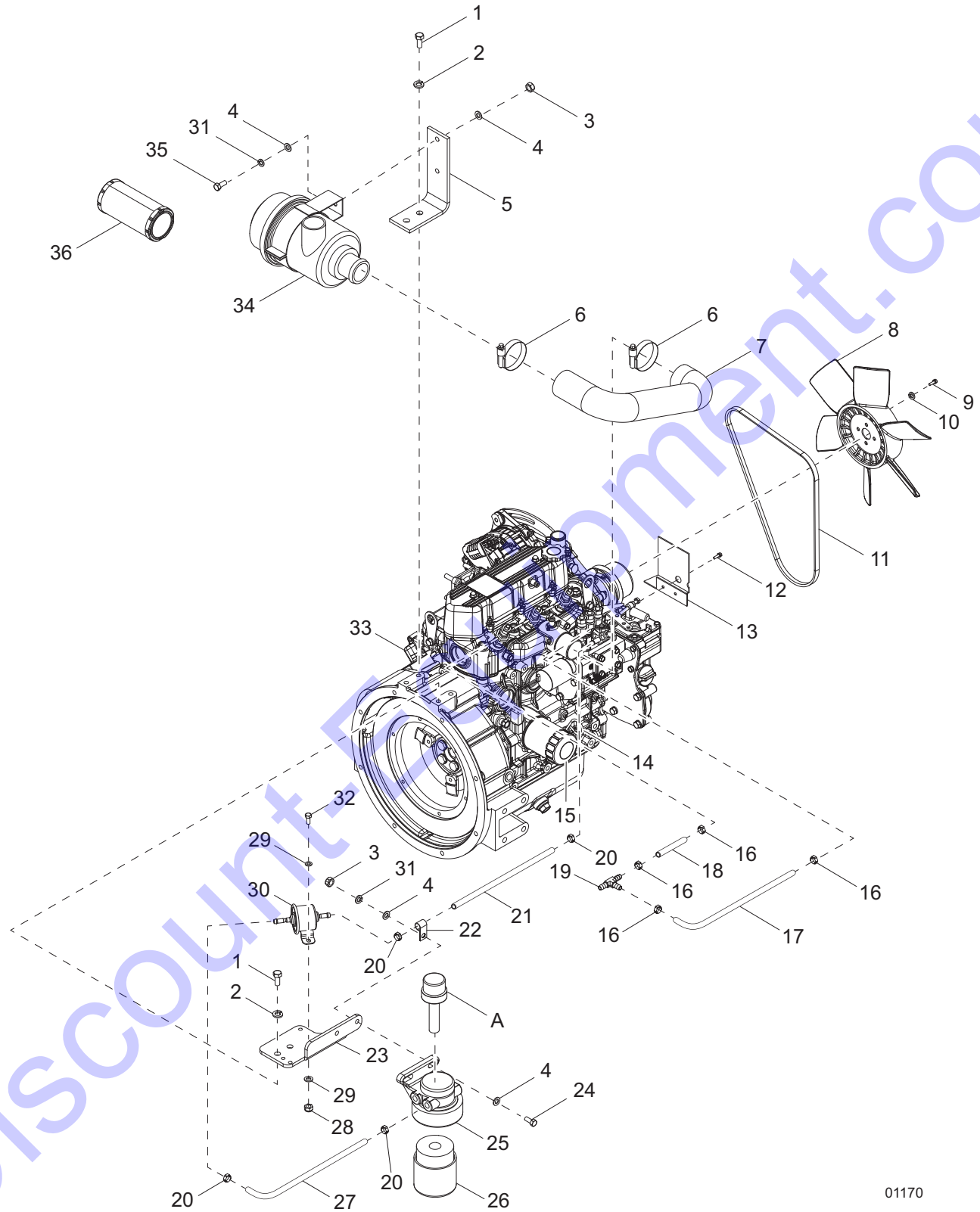
Drain Valve:

A	60774	1	Valve, drain 22mm - 1.5 with nipple	MLT4060/80K only
	60766	1	Valve, drain 18mm - 1.5 with nipple	MLT4060/80M only
B	60365	1	Clamp, hose - SAE 010 (.56-1.06)	MLT4060/80K only
	60777	1	Clamp, hose - .312, crimp style	MLT4060/80M only
C	68327	1	Hose, .625 horizon 200 psi (22 in)	MLT4060/80K only
	50051	1.67 ft	Hose, fuel - .375 ID, 50 psi	MLT4060/80M only
D	60205	1	Screw, .375-16 x 1.0 std hex, G5	MLT4060/80K only
E	60698	2	Washer, .375 flat .875/.040, SS	MLT4060/80K only
F	60206	1	Washer, .375 split lock	MLT4060/80K only
G	60716	1	Clamp, tubing - 1.50 light duty	MLT4060/80K only
H	60144	1	Nut, .25-20 nylock, G5	MLT4060/80K only

Silent Pack:

--	18496	1	Fitting, bushing - 2.5 OD x 2.0 ID	
--	50709	3 ft	Hose, .625 in., 300 psi	
--	60498	1	Fitting, plug - .750NPT square drive	
--	60774	1	Valve, drain 22mm - 1.5 with nipple	
--	60365	2	Clamp, hose - SAE 010 (.56-1.06)	
--	28213	1	Fitting, .750NPT street elbow	
--	62076	1	Fitting, strt - .750MNPT x .625 barb	

ENGINE ASSEMBLY - MITSUBISHI LEFT SIDE



01170

ENGINE ASSEMBLY - MITSUBISHI LEFT SIDE

Item	Part No.	Qty	Description	Notes
1	60422	4	Screw, M10-1.25 x 25 std hex, G8.8	
2	60026	4	Washer, M10 split lock	
3	60285	6	Nut, .312-18 hex, G2	
4	60119	8	Washer, .312 flat .875/.070	
5	16551B	1	Bracket, air cleaner - black	
6	60316	2	Clamp, hose - SAE 032 (1.56-2.50)	
7	16589	1	Hose, air cleaner	
8	16742	1	Fan, Mitsubishi	
9	63288	4	Screw, M6-1.0 x 12 pan head, G8.8	
10	60286	4	Washer, .250 split lock	
11	16692	1	V-belt, Mitsubishi	
12	13513	2	Bolt w/washer	
13	11691	1	Bracket, lower radiator hose guard	
14	11148	1	Dipstick, oil	
15	16691	1	Filter, oil - Mitsubishi	
16	60778	4	Clamp, hose - .188, crimp style	
17	14211	1.04 ft	Hose, fuel - .188 ID, 50 psi, SAE 30R7	
18	14211	.16 ft	Hose, fuel - .188 ID, 50 psi, SAE 30R7	
19	17145	1	Fitting, T - .188 x .188 x .188 barb, nylon	
20	60777	4	Clamp, hose - .312, crimp style	
21	50018	1 ft	Hose, fuel - .312 ID, 50 psi, SAE 30R7	
22	60649	1	Clamp, tubing - .750 heavy duty	
23	12838B	1	Bracket, fuel filter/pump, black	
24	60256	2	Screw, .312-18 x 1.50 std hex, G5, fully threaded	
25	17641	1	Filter, fuel	
26	17647	1	Filter, fuel, element	
27	50018	1.04 ft	Hose, fuel - .312 ID, 50 psi, SAE 30R7	
28	60144	2	Nut, .250-20 nylock, G5	
29	60243	4	Washer, .250 flat .735/.060	
30	13278	1	Fuel pump, electric	
31	60271	4	Washer, .312 split lock	
32	60393	2	Screw, .250-20 x 1.0 std hex, G5	
33	32885	1	Engine - Mitsubishi LE3	
34	34066	1	Filter, air, w/bracket	
35	61061	2	Screw, .312-18 x .875 std hex, G5	
36	16444	1	Element, air filter	
--	16677	1	Switch, oil pressure	

OPTIONAL FEATURES

Heated Fuel Filter:

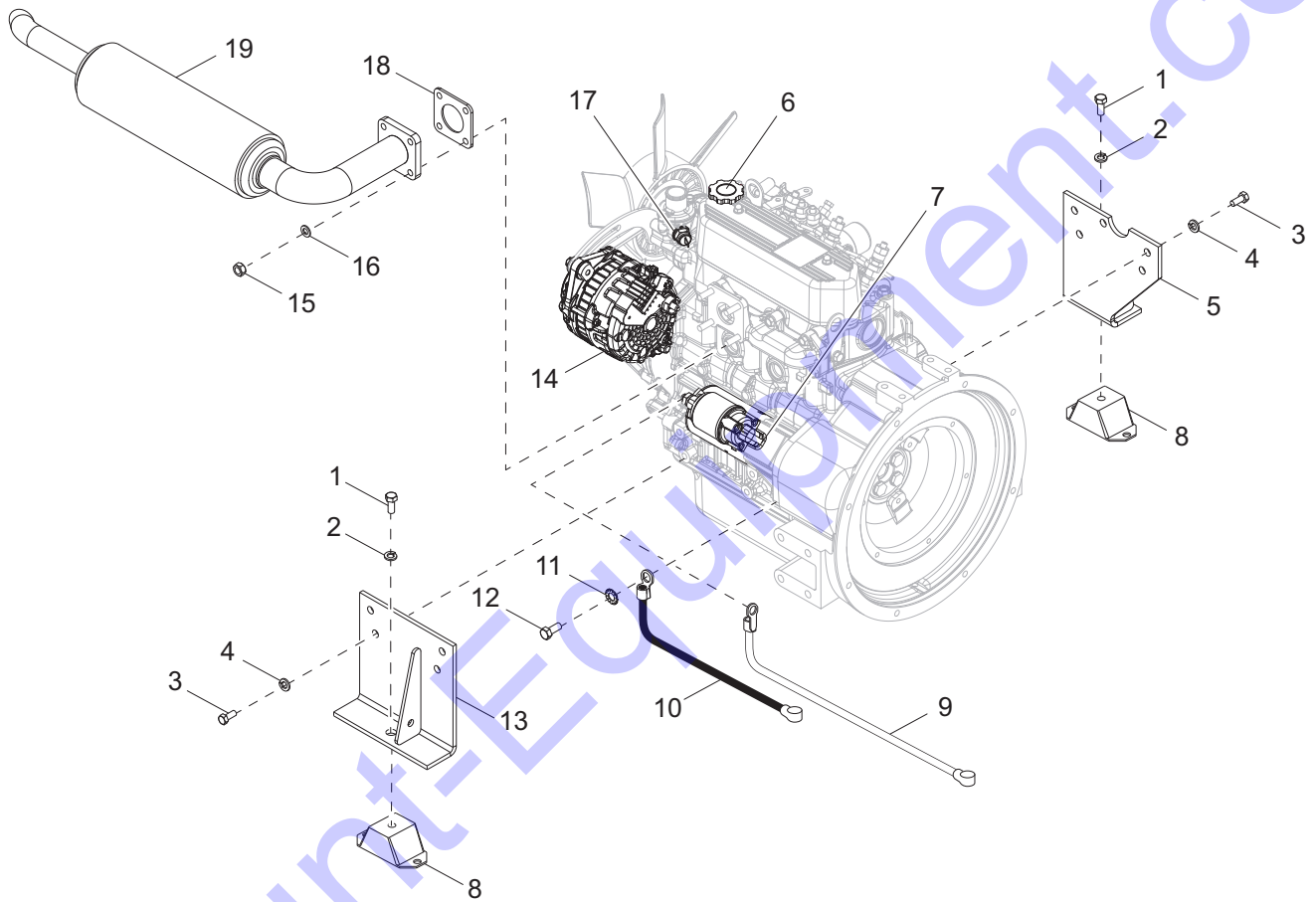
A	13876	1	Kit, heater - fuel filter, Mitsubishi
---	-------	---	---------------------------------------

Cold Weather Belt:

--	10386	1	Belt, cold weather - Mitsubishi, 6kW & 8kW
----	-------	---	--

Note: Engine and generator parts used in all Generac Mobile Products equipment carry the Original Equipment Manufacturer (OEM) warranty unless otherwise stated. OEM warranty parts must be purchased through an OEM dealer.

ENGINE ASSEMBLY - MITSUBISHI RIGHT SIDE



01171

ENGINE ASSEMBLY - MITSUBISHI RIGHT SIDE

Item	Part No.	Qty	Description	Notes
1	60275	2	Screw, .500-13 x 1.0 std hex, G5	
2	60702	2	Washer, .500 split lock, SS	
3	60422	8	Screw, M10-1.25 x 25 std hex, G8.8	
4	60026	8	Washer, M10 split lock	
5	70130B	1	Weldment, engine mount - right, black	
6	11147	1	Cap, oil filler	
7	16833	1	Starter	
8	15241	2	Isolator, rubber - 80-200 lbs, 2 in. wide	
9	15074	1	Cable, battery - 38 in., 4GA red, .438 lug	
10	15073	1	Cable, battery - 24 in., 4GA black, .438 lug	
11	60747	1	Washer, .375 internal star	
12	60495	1	Screw, M10-1.25 x 16 std hex, G8.8	
13	16554B	1	Weldment, engine mount - left, black	
14	16743	1	Alternator	
15	60032	4	Nut, M8-1.25 hex, G8.8	
16	60029	4	Washer, M8 split lock	
17	16678	1	Switch, temperature sensor	
18	11042	1	Gasket, muffler	
19	13710	1	Muffler, 30 degree flare	
--	10457	1	Harness, engine - Mitsubishi	

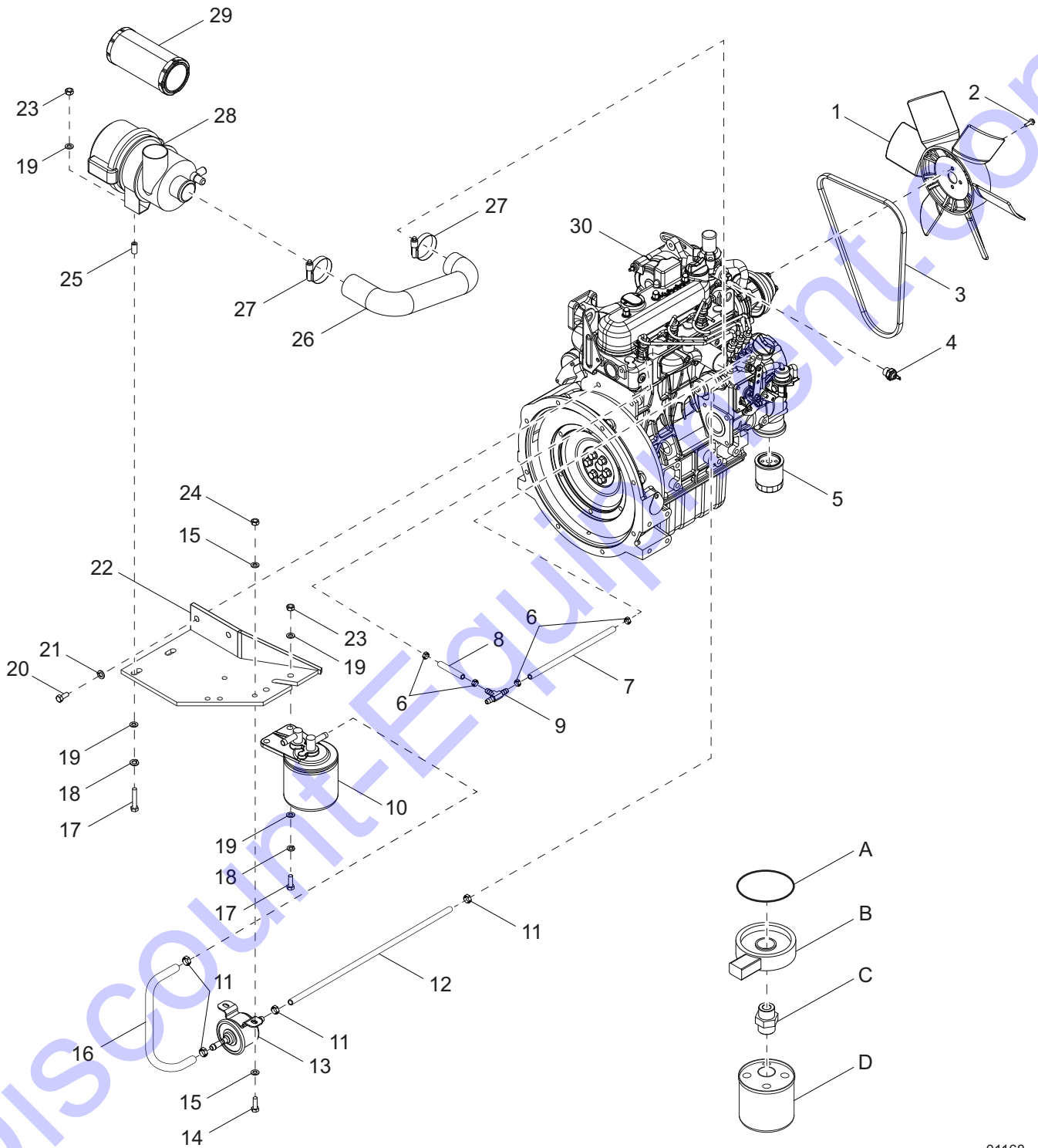
OPTIONAL FEATURES

Silent Pack:

--	34776	1	Muffler, Mitsubishi modified	
----	-------	---	------------------------------	--

Note: Engine and generator parts used in all Generac Mobile Products equipment carry the Original Equipment Manufacturer (OEM) warranty unless otherwise stated. OEM warranty parts must be purchased through an OEM dealer.

ENGINE ASSEMBLY - KUBOTA LEFT SIDE



01168

ENGINE ASSEMBLY - KUBOTA LEFT SIDE

Item	Part No.	Qty	Description	Notes
1	15495	1	Fan, engine	
2	60087	4	Screw, M6-1.0 x 16 sflg hex, G8.8	
3	11628	1	Belt, V	
4	14099	1	Switch, coolant temperature	
5	10775	1	Filter, oil	
6	60778	4	Clamp, hose - .188, crimp style	
7	14211	1.3 ft	Hose, fuel - .188 ID, 50 psi, SAE 30R7	
8	14211	.17 ft	Hose, fuel - .188 ID, 50 psi, SAE 30R7	
9	17145	1	Fitting, T - .188 x .188 x .188 barb, nylon	
10	13481	1	Filter, fuel	
--	13515	1	Element, fuel filter	
11	60777	4	Clamp, hose - .312, crimp style	
12	50018	1.5 ft	Hose, fuel - .312 ID, 50 psi, SAE 30R7	
13	13278	1	Pump, fuel	
14	60393	2	Screw, .250-20 x 1.0 std hex, G5	
15	60243	4	Washer, .250 flat .735/.060	
16	50018	1 ft	Hose, fuel - .312 ID, 50 psi, SAE 30R7	
17	62001	4	Screw, .312-18 x 1.25 std hex, G5	
18	60271	4	Washer, .312 split lock	
19	60119	8	Washer, .312 flat .875/.070	
20	61082	2	Screw, M8-1.25 x 20 std hex, G8	
21	60029	2	Washer, M8 split lock	
22	13483B	1	Weldment, filter bracket	
23	60285	4	Nut, .312-18 hex, G2	
24	60144	2	Nut, .250-20 nylock, G5	
25	41235ZY	2	Spacer, .75 OD x .44 ID x 1.0 long	
26	16589	1	Hose, air cleaner	
27	60316	2	Clamp, hose - SAE 032 (1.56-2.50)	
28	34066	1	Filter, air, assembly	
29	16444	1	Element, air filter	
30	13310	1	Engine, Kubota - D1005-E3BG1-MGM-1	
	13281	1	Engine, Kubota - D1105BG	

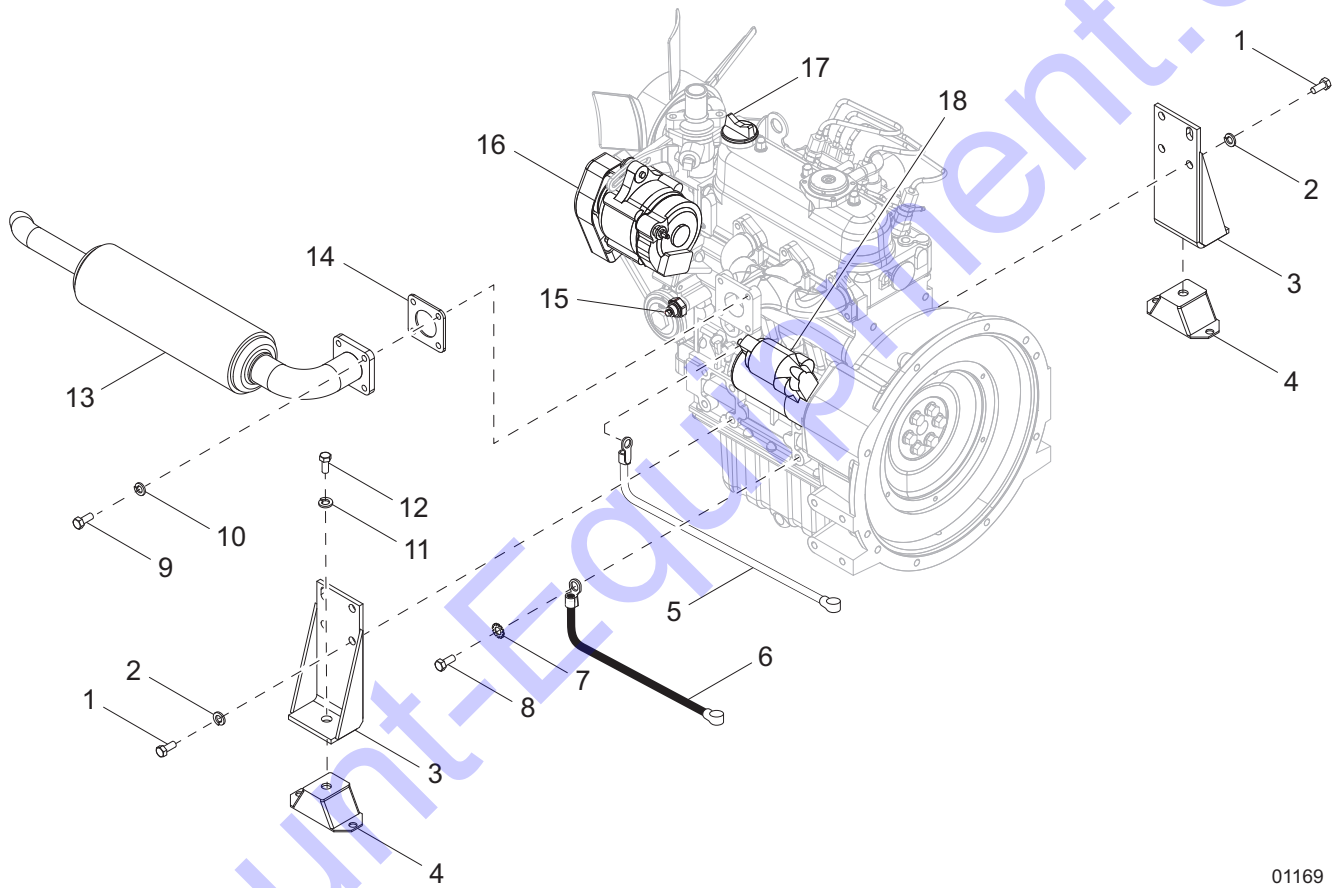
OPTIONAL FEATURES

Heated Fuel Filter:

A	13834	1	Gasket, heated fuel filter
B	13682	1	Heater, fuel filter
C	10407	1	Adapter, heated fuel filter
--	10662	1	Harness, fuel filter heater - outside
--	13684	1	Harness, fuel filter heater - inside

Note: Engine and generator parts used in all Generac Mobile Products equipment carry the Original Equipment Manufacturer (OEM) warranty unless otherwise stated. OEM warranty parts must be purchased through an OEM dealer. Some Kubota engine parts are serial number specific.

ENGINE ASSEMBLY - KUBOTA RIGHT SIDE



01169

ENGINE ASSEMBLY - KUBOTA RIGHT SIDE

Item	Part No.	Qty	Description	Notes
1	60422	8	Screw, M10-1.25 x 25 std hex, G8.8	
2	60026	8	Washer, M10 split lock	
3	12338B	2	Weldment, engine mount	
4	15241	2	Isolator, rubber - 80-200 lbs, 2 in. wide	
5	15074	1	Cable, battery - 38 in., 4GA red, .438 in. lug	
6	15073	1	Cable, battery - 24 in., 4GA black, .438 in. lug	
7	60747	1	Washer, .375 internal star	
8	60495	1	Screw, M10-1.25 x 16 std hex, G8.8	
9	63168	4	Screw, M8-1.25 x 30 std hex	
10	60029	4	Washer, M8 split lock	
11	60702	2	Washer, .500 split lock, SS	
12	60275	2	Screw, .500-13 x 1.0 std hex, G5	
13	13709	1	Muffler, 30 degree flare	
14	11042	1	Gasket, muffler	
15	14099	1	Switch, coolant temperature	
16	12486	1	Alternator	
17	12484	1	Cap, oil filler	
18	30582	1	Starter	MLT4060K only
	13298	1	Starter	MLT4080K only
--	10461	1	Harness, engine - Kubota	

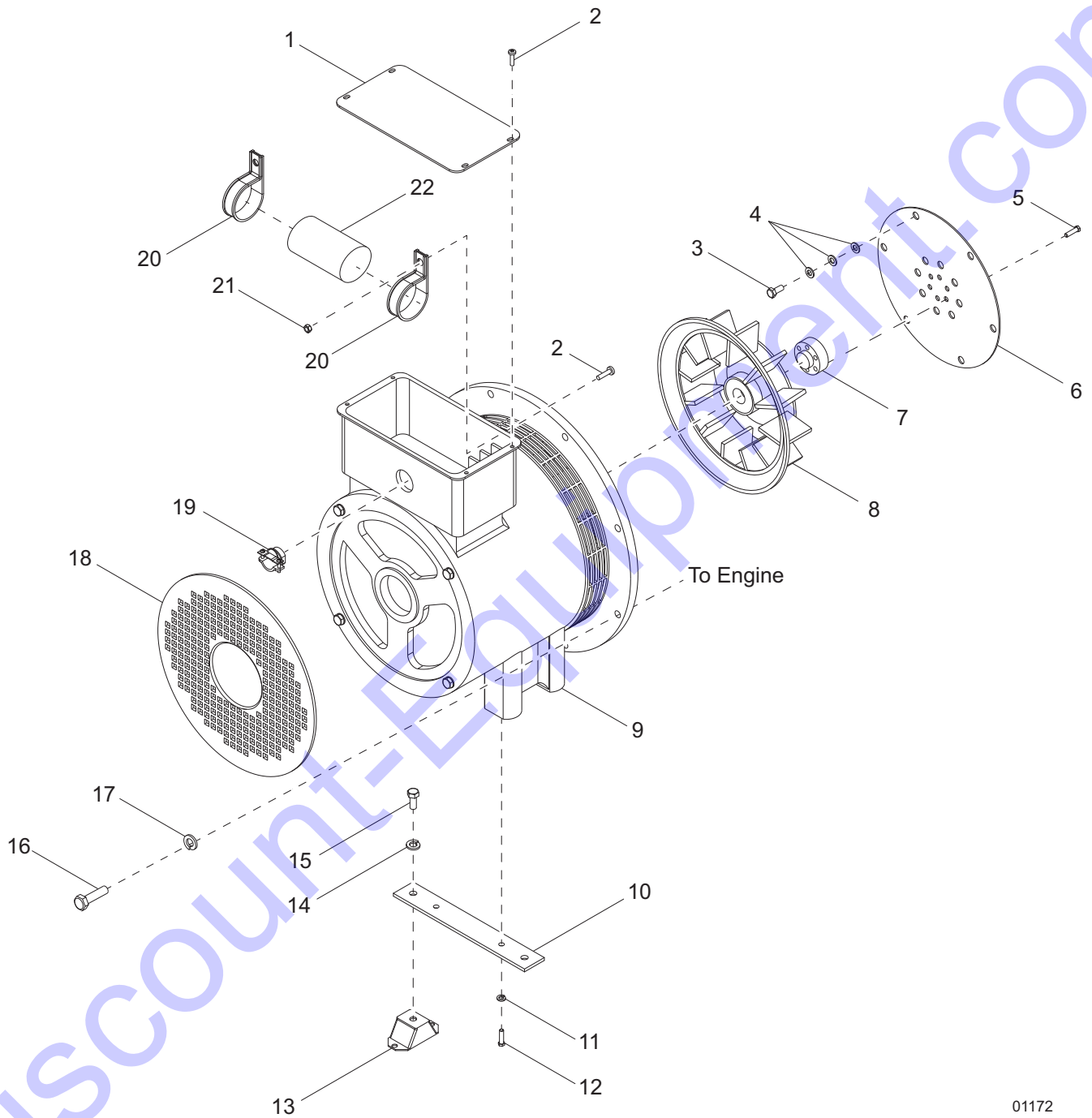
OPTIONAL FEATURES

Silent Pack:

--	36391	1	Muffler, Kubota modified	
----	-------	---	--------------------------	--

Note: Engine and generator parts used in all Generac Mobile Products equipment carry the Original Equipment Manufacturer (OEM) warranty unless otherwise stated. OEM warranty parts must be purchased through an OEM dealer. Some Kubota engine parts are serial number specific.

GENERATOR ASSEMBLY



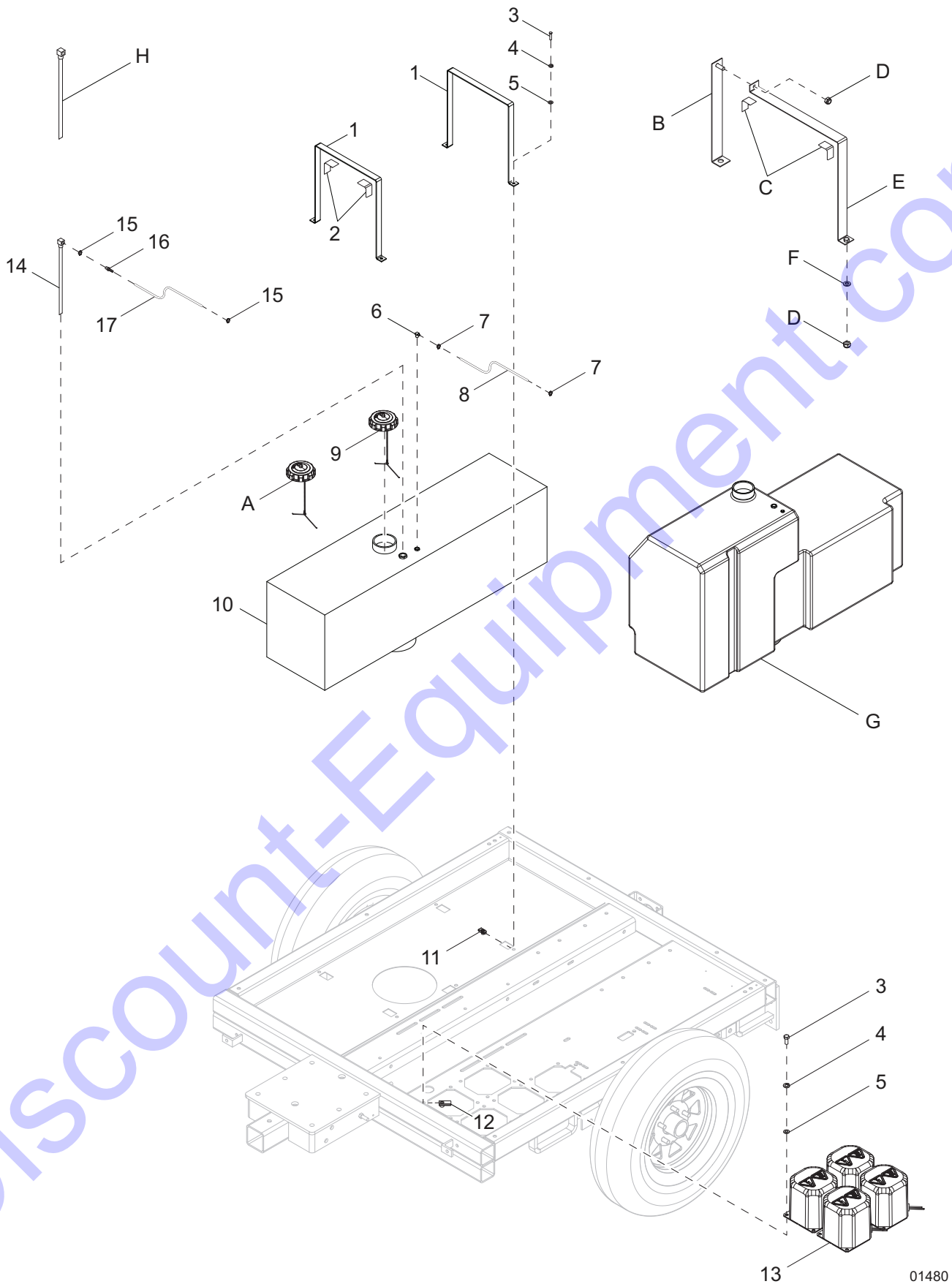
01172

GENERATOR ASSEMBLY

Item	Part No.	Qty	Description	Notes
1	12736	1	Cover, generator - 6kW	MLT4060K/M only
	11338	1	Cover, generator - 8kW	MLT4080K/M only
2	60398	6	Screw, 10-32 x 5.0 pan phil, SS	
3	60168	6	Screw, .312-18 x .750 std hex, G5	MLT4060/80K only
	60165	6	Screw, M8-1.25 x 16 std hex, G10	MLT4060/80M only
4	60166	18	Washer, M8 flat	MLT4060/80M only (qty 12 only)
5	11336	6	Screw, .375-24 x 1.75	
6	16123	1	Plate, drive - SAE 6.5	
7	11339	1	Spacer, generator drive plate	
8	12527	1	Fan, generator	
--	12329	1	Seal, pancake bearing - 6kW	Included w/item 9, MLT4060K/M only
--	11337	1	O-ring, pancake bearing - 8kW	Included w/item 9, MLT4080K/M only
--	12328	1	Bearing, pancake - 6kW	Included w/item 9, MLT4060K/M only
--	16134	1	Bearing, pancake - 8kW	Included w/item 9, MLT4080K/M only
9	16556	1	Generator, Marathon - 6kW	MLT4060K/M only
	10486	1	Generator, Marathon - 8kW	MLT4080K/M only
10	15045	1	Bracket, generator	
11	60206	2	Washer, .375 split lock	
12	60205	2	Screw, .375-16 x 1.0 std hex, G5	
13	15241	2	Isolator, rubber - 80-200 lbs, 2 in. wide	
14	60702	2	Washer, .500 split lock, SS	
15	60275	2	Screw, .50-13 x 1.0 std hex, G5	
16	60352	8	Screw, .375-16 x 1.25 std hex, G5	MLT4060/80K only
	60494	8	Screw, M10-1.25 x 30 std hex, G8.8	MLT4060/80M only
17	60206	8	Washer, .375 split lock	MLT4060/80K only
	60026	8	Washer, M10 split lock	MLT4060/80M only
18	12327	1	Cover, pancake case	
19	14219	1	Strain relief - .75 Romex w/nut	
20	16395	2	Clamp, capacitor	
21	61045	2	Nut, 10-32 sflg	
22	35132	1	Capacitor, 25 μ F 440V - 6kW	MLT4060K/M only
	35406	1	Capacitor, 25 μ F 550V - 8kW	MLT4080K/M only
--	16153	1	Harness, generator - 6kW	MLT4060K/M only
--	16216	1	Harness, generator - 8kW	MLT4080K/M only

Note: Engine and generator parts used in all Generac Mobile Products equipment carry the Original Equipment Manufacturer (OEM) warranty unless otherwise stated. OEM warranty parts must be purchased through an OEM dealer.

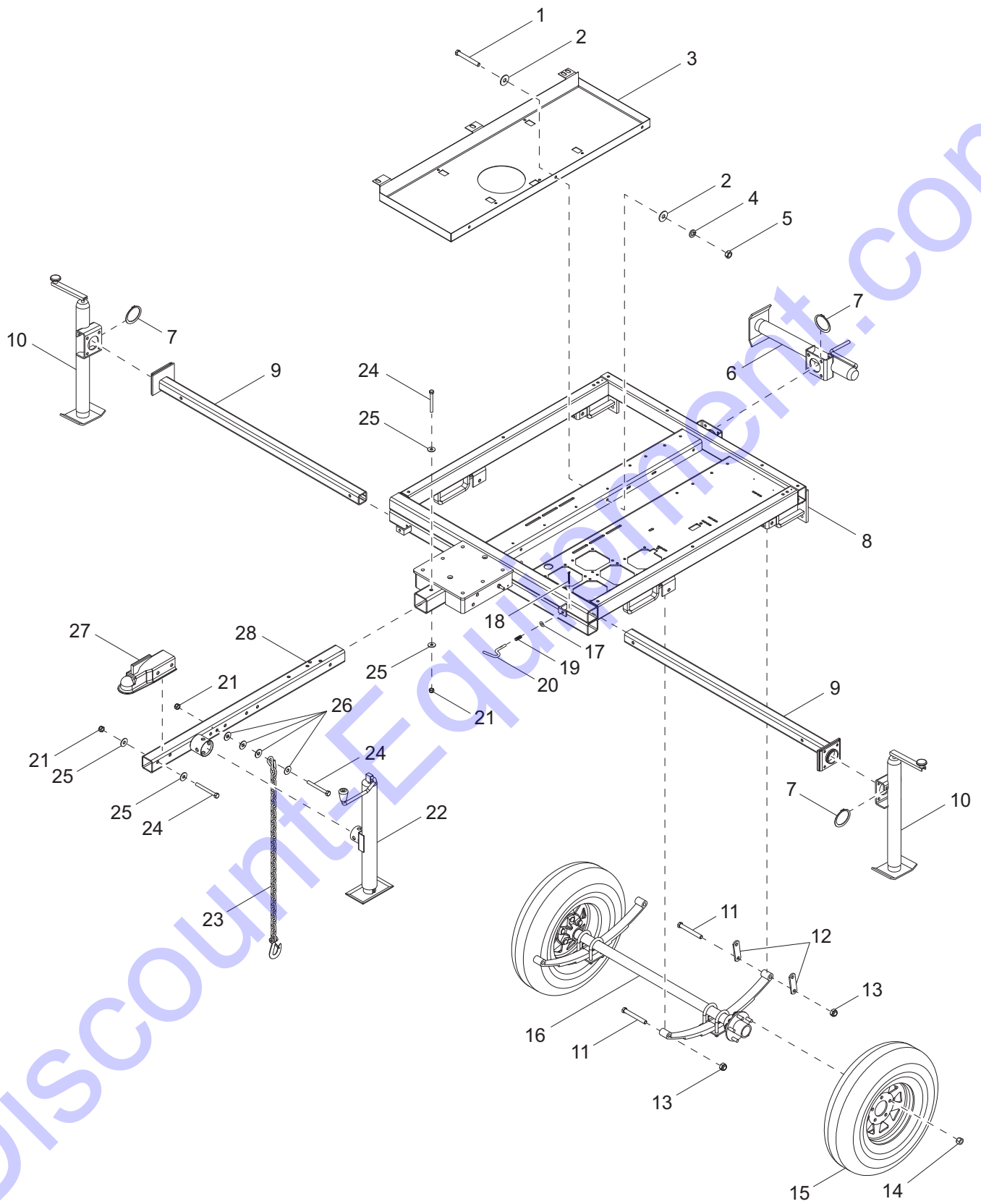
FUEL TANK AND BALLAST BOXES TO UNIT



FUEL TANK AND BALLAST BOXES TO UNIT

Item	Part No.	Qty	Description	Notes
1	13616B	2	Strap, fuel tank - 30 gallon tank w/sump	
2	50197	1 ft	Weatherstripping - .06 x 1.0	Four 3 in. strips
3	60028	16	Screw, .312-18 x 1.0 std hex, G5	
4	60271	16	Washer, .312 split lock	
5	60119	16	Washer, .312 flat .875/.070	
6	16271	1	Fitting, 90° - .250NPT x .188 barb	
7	60778	2	Clamp, hose - .188, crimp style	
8	14211	2.5 ft	Hose, fuel - .188 ID, 50 psi, SAE 30R7	
9	16326	1	Cap, fuel tank, vent, 3.5 dia, grain diesel w/tether	
10	12646	1	Tank, fuel - 30 gallon poly	
11	60505	4	Nut, .312-18 U-clip - long type	
12	62086	12	Nut, .312-18 U-clip - short type	
13	10656	4	Assembly, transformer	
14	13500	1	Fuel pick-up tube - 14.0 in	
15	60777	2	Clamp, hose - .312, crimp style	
16	15142	1	Fitting, strt - .250NPT x .312 barb	
17	50018	2.5 ft	Hose, fuel - .312 ID, 50 psi, SAE 30R7	
OPTIONAL FEATURES				
<i>Lanyard Fuel Cap:</i>				
A	12137	1	Cap, fuel tank, with lanyard	Replaces item 9
<i>56 Gallon Fuel Tank:</i>				
B	12361B	1	Weldment, fuel tank strap	Replaces item 1
C	50187	2	Seal, D-shaped	Replaces item 2
D	60358	2	Nut, .375-16 nylock, G5	Replaces item 11
E	12359B	1	Weldment, fuel tank strap, large	Replaces item 1
F	60698	1	Washer, .375 flat .875/.040, SS	Replaces item 11
G	39998	1	Tank, fuel - 56 gallon	Replaces item 10
H	12259	1	Fuel pick-up tube - 24 in	Replaces item 14

TRAILER ASSEMBLY



01174

TRAILER ASSEMBLY

Item	Part No.	Qty	Description	Notes
1	60690	3	Screw, .375-16 x 1.0 std hex, SS	
2	60698	6	Washer, .375 flat .875/.040, SS	
3	12358B	1	Pan, fuel tank	
4	60703	3	Washer, .375 split lock, SS	
5	60140	3	Nut, .375-16 hex, G5	
6	11681	1	Jack, side wind	
7	14326	3	Ring, retaining	
8	13335B	1	Weldment, chassis	
9	12408Z	2	Weldment, outrigger	
10	11682	3	Jack, top wind	
11	60503	6	Screw, shackle, .562-18 x 3.0 std hex, G5	
12	19637	4	Plate, shackle bracket	
13	60504	6	Nut, .562-18 lock, G5	
14	60096	10	Nut, .500-20 lug, G5	
15	15976	2	Wheel, ST175/80D13, 1360 lb	
16	<i>Page 50</i>	1	Assembly, axle	
17	35275	2	Washer, .375 flat .416 x .820 x .057	
18	35274	2	Cotter pin - .078 x 1.0	
19	35273	2	Spring, compression, .562 x 1.5	
20	35272	2	Pin, plunger - .375	
21	62221	4	Nut, .500-13 nylock, G5	
22	13051	1	Jack, top wind, tube mount	
23	23367	2	Chain, safety	
24	50215	4	Screw, .500-13 x 4.0 std hex, G5	
25	60309	3	Washer, flat 1.060/.090	
26	60416	8	Washer, .500 flat 1.375/.090	
27	16830	1	Coupler, 2.0 ball/2.5 channel	
28	12420B	1	Weldment, removable tongue	

OPTIONAL FEATURES

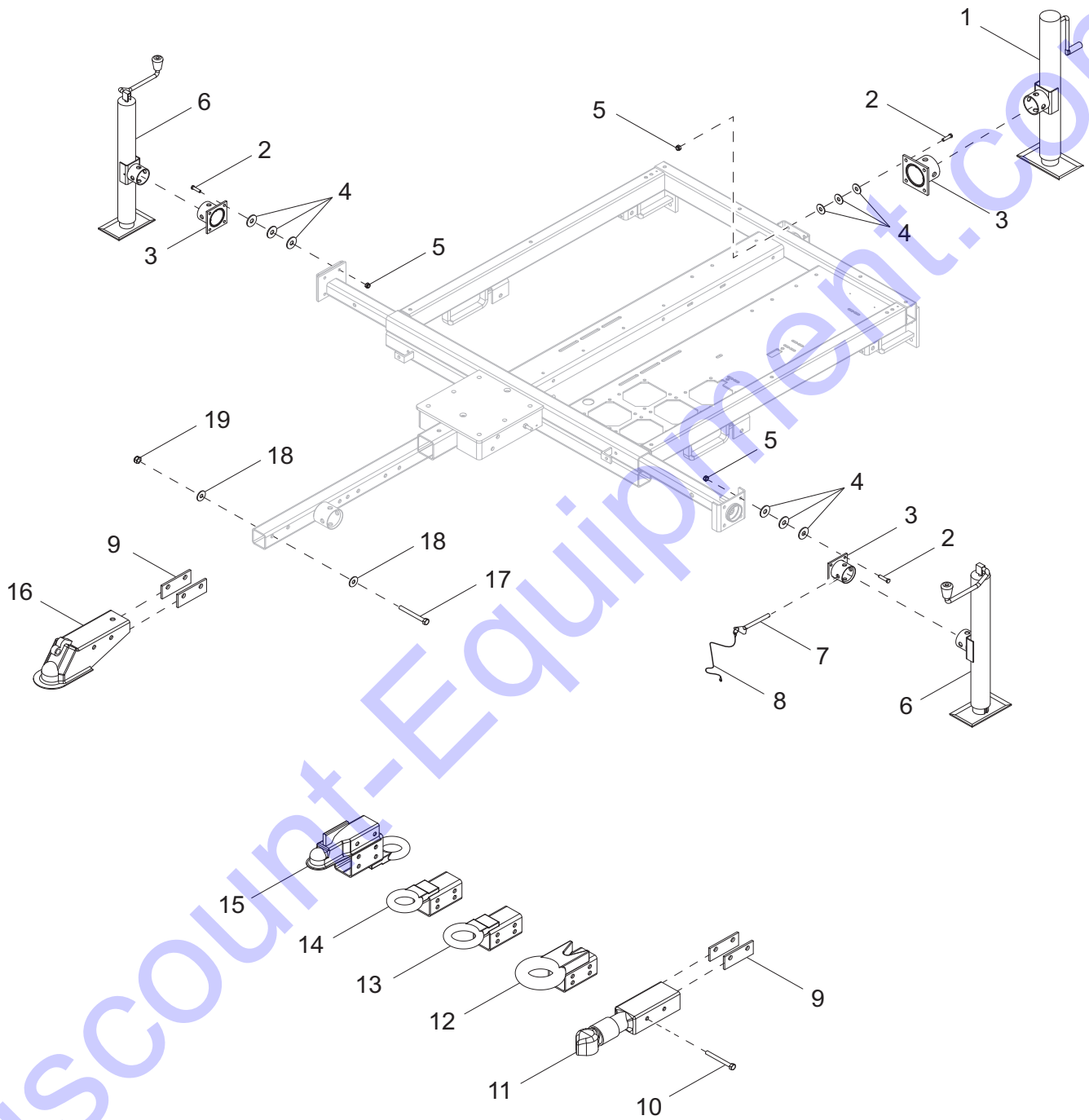
Silent Pack:

-- 10496B 1 Weldment, chassis, containment

Trailer Plug Adapters:

-- 65463 1 Adapter, trailer wiring - flat 4 to round 6 pin
-- 65464 1 Adapter, trailer wiring - flat 4 to round 7 pin
-- 65465 1 Adapter, trailer wiring - flat 4 to round 7 blade

TRAILER - JACK AND HITCH OPTIONS

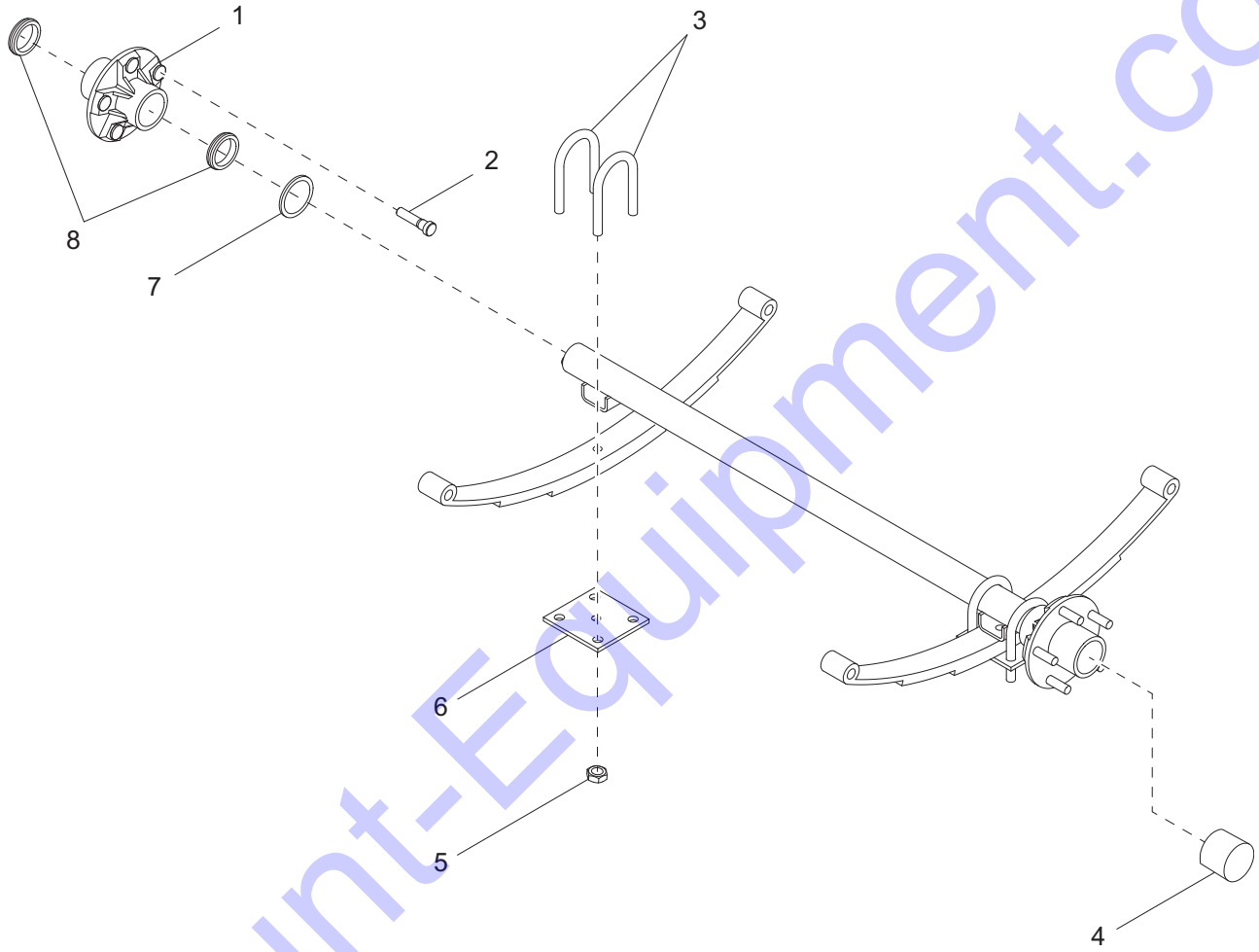


01175

TRAILER - JACK AND HITCH OPTIONS

Item	Part No.	Qty	Description	Notes
<i>Tube Mount Jacks:</i>				
1	11978	1	Jack, side wind - 2000 lb, tube mount	
2	61036	12	Screw, .375-16 x 1.25 std hex, SS	
3	11965Z	3	Weldment, jack adapter	
4	60698	36	Washer, .375 flat .875/.040, SS	
5	60358	12	Nut, .375-16 nylock, G5	
6	23254	2	Jack, top wind - 2000 lb, tube mount	
7	23256	4	Pin, jack - 2000 lb, tube mount	
8	12647	4	Cable, tether - jack pin and ground rod cover	
<i>Hitches:</i>				
9	12155B	4	Spacer, coupler	
10	60376	2	Screw, .500-13 x 4.50 std hex, G5	
11	13003B	1	Coupler, 2.0 ball/3.0 channel	
12	11672B	1	Weldment, hitch - 3.0 x 1.625 ring/2.50 tube	
13	16835B	1	Weldment, lunette ring - 3.0 x 1.0 ring/2.50 tongue	
14	16999B	1	Weldment, lunette ring - 2.5 x 1.0 ring/2.50 tongue	
15	16741ZC	1	Weldment, combo hitch - 2.50 tongue	
16	12229	1	Coupler, 2.31 ball/3.0 channel	
17	50215	2	Screw, .500-13 x 4.0 std hex, G5	Attaches items 11 - 15
18	60309	4	Washer, .500 flat 1.060/.090	Attaches items 11 - 15
19	62221	2	Nut, .500-13 nylock, G5	Attaches items 10 - 15

AXLE ASSEMBLY



01401

AXLE ASSEMBLY

Item	Part No.	Qty	Description	Notes
1	11206	2	Axle hub w/studs and outer races	
2	60674	10	Stud, wheel, .500-20 wheel, G8	
3	11201	4	Bolt, U - 2200 lb	
4	12460	2	Cap, wheel bearing	
5	11203	8	Nut, U-bolt, 2200 lb	
6	11202	2	Tie-plate, 2200 lb	
7	13000	2	Seal - 2200 lb	
8	11511	4	Bearing, roller	Includes bearing races
--	16593	1	Assembly, axle	Items 1 - 8

RECOMMENDED SPARE PARTS LIST (1 OF 2)

ENGINE - COMMON

Cap, radiator	19219
Element, air filter	16444
Fuel pump	13278

ENGINE - KUBOTA

Alternator	12486
Belt, fan	11628
Dipstick	12483
Element, fuel filter	13515
Element, oil filter	10775
Fan, engine	15495
Fuel shutdown solenoid	13018
Hose, radiator - lower	12350
Hose, radiator - upper	16687
Kubota, thermostat assy D905	12488
Kubota, thermostat gasket D905	12489
Oil fill cap	12484
Starter - MLT4060K	30582
Starter - MLT4080K	13298
Switch, coolant temperature	14099
Switch, oil pressure	15375

ENGINE - MITSUBISHI

Alternator	16743
Belt, fan	16692
Dipstick	11148
Element, fuel filter	17647
Element, oil filter	16691
Fan, engine	16742
Fuel shutdown solenoid	16683
Hose, radiator - lower	16688
Hose, radiator - upper	32383
Mitsubishi, thermostat assy L3E	16745
Mitsubishi, thermostat gasket L3E	12214
Oil fill cap	11147
Starter	16833
Switch, coolant temperature	16678
Switch, oil pressure	16677

ELECTRICAL

Assembly, light fixture - hard wired	13311
Assembly, light fixture - quick disconnect w/cord clip	13601
Breaker, main - MLT4060K/M	65963
Breaker, main - MLT4080K/M	65864
Breaker, lights	14249
Bulb - 1000W MH short length	11391
Capacitor	65959
Capacitor, generator 6kW	35132

RECOMMENDED SPARE PARTS LIST (2 OF 2)

Capacitor, generator 8kW	35406
Coil cord	13397
Contactora - electric winch	11293
GFI.....	14130
Hour meter.....	15085
Key	15309
Key switch	15195
LED board w/wires	17647
Light, indicator red - w/wire 12 volt DC.....	65388
Relay, electric winch	65049
Sensor, proximity	65511
Transformer and cover	10656

MAINTENANCE KITS

Kubota 250 hour service kit.....	SK151
Kubota 2000 hour service kit.....	SK152
Mitsubishi 250 hour service kit	SK170
Mitsubishi 2000 hour service kit	SK171

MAST

Cable, .188 in. x 27 ft. steel w/ball swedge	15009
Cable, .188 in. x 16 ft. steel w/ball swedge	14798
Cable, .188 in. x 11 ft. steel w/ball swedge.....	14151
Handle, winch	15623
Winch, manual - no handle.....	16600

TRAILER

Jack, side wind (rear)	11681
Jack, top wind (outrigger)	11682
Ring, retaining	14326

Discount Equipment

Discount-Equipment.com is your online resource for commercial and industrial quality parts and equipment sales.

Locations:

Florida (West Palm Beach): [561-964-4949](tel:561-964-4949)

Outside Florida TOLL FREE: [877-690-3101](tel:877-690-3101)

Need parts? Check out our website at www.discount-equipment.com

Can't find what you need?

Click on this link: <http://www.discount-equipment.com/category/5443-parts/> and fill out the request form.

Please have the machine model and serial number available in order to help us get you the correct parts. One of our experienced staff members will get back to you with a quote for the right part that your machine needs.

We sell worldwide for the brands: Genie, Terex, JLG, MultiQuip, Mayco, Toro/Stone, Diamond Products, Magnum, Airman, Mustang, Power Blanket, Nifty Lift, Atlas Copco, Chicago Pneumatic, Allmand Brothers, Essick, Miller Spreader, Skyjack, Lull, Skytrak, Tsurumi, Husquvarna/Target, Whiteman-Concrete/Mortar, Stow-Concrete/Mortar, Baldor, Wacker, Sakai, Snorkel, Upright, Mi-T-M, Sullair, Neal, Basic, Dynapac, MBW, Weber, Bartell, Bennar Newman, Haulotte, Ditch Runner, Blaw-Knox, Himoina, Best, Buddy, Crown, Edco, Wyco, Bomag, Laymor, Terremite, Barreto, EZ Trench, Takeuchi, Basic, Bil-Jax, Curtis, Gehl, Heli, Honda, ICS/PowerGrit, Puckett, Waldon, ASV, IHI, Partner, Imer, Clipper, MMD, Koshin, Rice, Gorman Rupp, CH&E, Cat Pumps, Comet, General Pump, Giant, AMida, Coleman, NAC, Gradall, Square Shooter, Kent, Stanley, Tamco, Toku, Hatz, Kohler, Robin, Wisconsin, Northrock, Oztec, Toker TK, Rol-Air, Small Line, Wanco, Yanmar

New Equipment - Used Equipment - Rental Equipment - Parts and Accessories

Discount Equipment

www.discount-equipment.com

561-964-4949

Sales: info@Discount-Equipment.com

Parts: wbparts@Discount-Equipment.com