

# Allmand™

## MAXI-LITE II PARTS CATALOG



New Equipment - Used Equipment - Rental Equipment - Parts and Accessories

**Discount  
Equipment**

[www.discount-equipment.com](http://www.discount-equipment.com)

561-964-4949

Sales: [info@Discount-Equipment.com](mailto:info@Discount-Equipment.com)

Parts: [wbpparts@Discount-Equipment.com](mailto:wbpparts@Discount-Equipment.com)

[Discount-Equipment.com](http://Discount-Equipment.com)



### TABLE OF CONTENTS

Lamps with Ballast – Metal Halide .....	2
Lamp Assembly w/Yoke SHO .....	4
Lampholder Assembly.....	6
Ballast Assembly .....	8
Solid Wired 4 Lamp Connector .....	10
Quick Disconnect 4 Lamp Connector.....	12
SAF-T Visor.....	14
Laydown Tower – Manual .....	16
Tower Pivot Laydown Tower.....	18
Light Bar.....	20
Tower Winch – Manual .....	22
Cord Reel Laydown Tower.....	23
Vertical Tower – Hydraulic (1 of 6) .....	24
Vertical Tower, 6" Section (2 of 6).....	26
Vertical Tower, 5" Section (3 of 6).....	28
Vertical Tower, 4" Section (4 of 6).....	30
Vertical Tower, 3" Section (5 of 6).....	32
Vertical Tower, 2" Section (6 of 6).....	34
4 Light Bar.....	36
Nycoil Cord Vertical Tower (1 of 2) .....	38
Nycoil Cord Vertical Tower (2 of 2) .....	40
Stringer Cord Grip .....	42
Basic Chassis (1 of 4) .....	44
Basic Chassis (2 of 4) .....	45
Basic Chassis (3 of 4) .....	46
Basic Chassis (4 of 4) .....	47
Laydown Tower Components .....	48
Laydown Tower Standard Tower Support.....	50
Laydown Tower Extended Tower Support .....	51
Vertical Tower Components (1 of 2) .....	52
Vertical Tower Components (2 of 2) .....	54
Outrigger and Jack.....	56
Axle .....	58
Axle Bearing Grease Fitting .....	59
Tire and Rim Assembly .....	60
Skid Mount .....	61
Tongue Removable .....	62
Tongue, Adjustable Drop Leg Jack .....	64
Pintle .....	66
Bulldog with Pintle .....	67
Ball Coupler.....	68
Step .....	69
Containment Drain .....	70
Doors and Quarter Panels (1 of 3) .....	72
Doors and Quarter Panels (2 of 3) .....	74
Doors and Quarter Panels (3 of 3) .....	76
Front Panel.....	78

Front Panel Air Outlet.....	79
Front Panel Air Outlet – Arctic.....	80
Chock Blocks.....	81
Vertical Tower Cover.....	82
Fire Extinguisher with Bracket.....	83
Rear Panel .....	84
Fenders .....	86
No Fenders.....	87
Rear Control Box (1 of 2) .....	88
Rear Control Box (2 of 2) .....	90
Secondary Outlet Cover Plate.....	92
Secondary Outlet Box Cover.....	93
Manual Canister .....	94
Double Throw Switch Installation .....	95
Taillights .....	96
VIN Package and License Plate Bracket.....	98
Kubota D1005/D1105 Engine Tier 4 Final (1 of 2) .....	100
Kubota D1005/D1105 Engine Tier 4 Final (2 of 2) .....	102
Assembly Kubota D1005/D1105 Engine Tier 4 Final .....	104
Exhaust Blankets Kubota D1005/D1105.....	106
Engine Control Panel Kubota D1005/D1105.....	107
Block Heater Kubota D1005/D1105 .....	108
Cat C1.1 Engine Tier 4 Final .....	110
Assembly Cat C1.1 Engine Tier 4 Final .....	111
Exhaust Blanket Cat C1.1 .....	112
Engine Control Panel Cat C1.1 .....	113
Cat C1.5 Engine Tier 4 Final .....	114
Cat C1.5 Engine Assembly Tier 4 Final .....	116
Air Intake Shutoff Cat C1.5 (1 of 2) .....	118
Air Intake Shutoff Cat C1.5 (2 of 2) .....	120
Cat C2.2 Engine Tier 4 Interim.....	122
Assembly Cat C2.2 Engine Tier 4 Interim (1 of 3).....	124
Assembly Cat C2.2 Engine Tier 4 Interim (2 of 3).....	126
Assembly Cat C2.2 Engine Tier 4 Interim (3 of 3).....	128
Air Intake Shutoff Cat C2.2 Tier 4 Interim (1 of 2) .....	130
Air Intake Shutoff Cat C2.2 Tier 4 Interim (2 of 2) .....	132
Exhaust Blanket Cat C2.2 Tier 4 Interim .....	134
Engine Control Panel Cat C1.5 & C2.2 Tier 4 Interim .....	135
LSC100 – Cat C1.5 & C2.2 Tier 4 Interim (1 of 4).....	136
LSC100 – Cat C1.5 & C2.2 Tier 4 Interim (2 of 4).....	138
LSC100 – Cat C1.5 & C2.2 Tier 4 Interim (3 of 4).....	140
LSC100 – Cat C1.5 & C2.2 Tier 4 Interim (4 of 4).....	141
Isuzu 4LE Engine Tier 4 Interim .....	142
Assembly Isuzu 4LE Engine Tier 4 Interim .....	144
Exhaust Blankets Isuzu 4LE Tier 4 Interim .....	146
Engine Panel Isuzu 4LE Tier 4 Interim.....	147
Engine Panel Isuzu 4LE w/Electronic Governor Tier 4 interim.....	148
Engine Isolator Mounts – CAT C1.1, Kubota D1005/D1105 .....	150

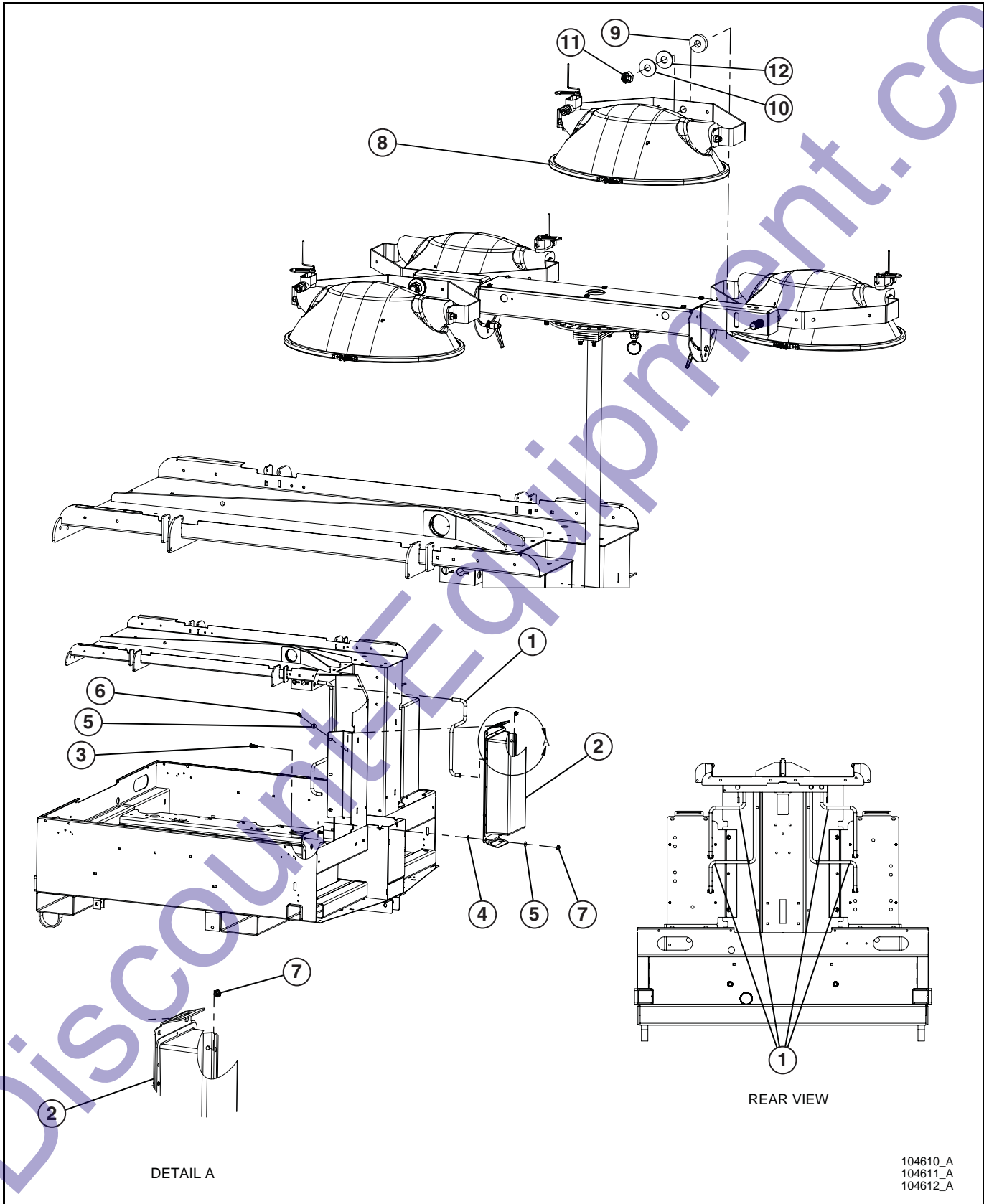
Engine Isolator Mounts – CAT C1.5 & C2.2, Isuzu 4LE.....	152
Engine Isolator Mounts – Isuzu 4LE Deep Pan .....	154
Fuel Tank (1 of 2).....	156
Fuel Tank (2 of 2).....	158
Fuel Water Separator.....	160
Oil Drain for Kubota D1005/D1105 & Cat C1.5, C2.2 Engines (1 of 3).....	162
Oil Drain for Isuzu 4LE Engines (2 of 3).....	163
Oil Drain for Cat C1.1 Engines (3 of 3) .....	164
Oil Pump Rear Oil Drain (1 of 3) .....	166
Oil Pump Rear Oil Drain (2 of 3) .....	168
Oil Pump Rear Oil Drain (3 of 3) .....	170
Coolant Drain	
for Kubota D1005/D1105 & Cat C2.2. Engines (1 of 2) .....	172
Coolant Drain for Isuzu 4LE Engines (2 of 2).....	174
Coolant Reservoir .....	176
Battery and Battery Box .....	178
Battery Cables.....	180
Battery Cables for Battery Disconnect .....	181
Battery Disconnect Switch .....	182
Interior Light .....	184
Exhaust Shield – Down – 1-3/8" Dia .....	186
Exhaust Shield – Down – 1-1/2" Dia .....	187
Exhaust Shield – Down – 2" Dia .....	188
Exhaust Shield – Up – 2" Dia .....	190
Generator 6kW 50Hz MECC ALTE.....	192
Generator 6kW 50Hz 110CTE MECC ALTE.....	194
Generator 6kW 50Hz Marathon .....	196
Generator 7.5kW 60Hz MECC ALTE.....	198
Generator 8kW 60Hz Athlon .....	200
Generator 8kW 60Hz Marathon .....	202
Generator 8kW 60Hz AVR Marathon.....	204
Generator 13kW 60Hz Marathon .....	206
Generator 20kW Single Phase Marathon – CAT C2.2.....	208
Generator 20kW Single Phase Marathon – Isuzu 4LE .....	210
Generator 20kW Three Phase Cummins .....	212
Switch Panel 4 Light Single Phase .....	214
Switch Panel 4 Light Three Phase .....	215
Switch Panel 4 Light AS/NZL3000 .....	216
Ballast Wire Connector Box .....	218
Outlet Panel 8 kW, 1 RV, 2 GFCI.....	220
Outlet Panel 8 kW, 2 RV, 1 GFCI.....	222
Outlet Panel 8 kW, 2 Twist Lock, 2 GFCI.....	224
Outlet Panel 8 kW, 2 Shucko .....	226
Outlet Panel 15 kW, 1 15A & 1 20A Twist Lock, 1 GFCI .....	228
Outlet Panel 15 kW, 2 RV, 2 GFCI.....	230
Outlet Panel 15 kW, 2 30A Twist Lock, 2 GFCI .....	232
Outlet Panel 15 kW 3 Shucko .....	234
Outlet Panel 20 kW, 1 15A & 1 20A Twist Lock, 1 GFCI .....	236

Outlet Panel 20 kW, 2 RV, 2 GFCI.....	238
Outlet Panel 20 kW, 4 30A Twist Lock, 2 GFCI .....	240
Outlet Panel 20 kW 3 Phase, 1 RV, 1 GFCI.....	242
Outlet Panel 20 kW, 3 Phase, 4 30A Twist Lock, 2 GFCI .....	244
240V 50A Outlet.....	246
208V 50A Three Phase Outlet .....	247
60A Disconnect Box.....	248
Secondary Outlet Box – Master/Slave Outlets.....	249
105026 Secondary Outlet Box Cord.....	250
Double Throw Switch to Generator Cord .....	251
105012 Double Throw Switch to Generator Cord .....	252
105013 Double Throw Switch to Outlet Panel Cord.....	253
105014 Secondary Outlet Box Cord.....	254
Ground Rod.....	255
Base Machine Decals (1 of 5).....	256
Base Machine Decals (2 of 5).....	257
Base Machine Decals (3 of 5).....	258
Base Machine Decals (4 of 5).....	259
Base Machine Decals (5 of 5).....	260
Door Stripe “Maxi-Lite II” .....	261
“V-Series” Decals .....	262
“7.5kW” Decals.....	263
“8 kW” Decals.....	264
“20kW” Decals.....	265
“SHO-HD” Decals.....	266
“SHO” Decals .....	267
“Arctic Special” Decals .....	268
Safety and Warning Decals – Base Machine – English (1 of 4).....	269
Safety and Warning Decals – Base Machine – English (2 of 4).....	270
Safety and Warning Decals – Base Machine – English (3 of 4).....	271
Safety and Warning Decals – Base Machine – English (4 of 4).....	272
Safety and Warning Decals – Laydown Tower – English (1 of 3) .....	273
Safety and Warning Decals – Laydown Tower – English (2 of 3) .....	274
Safety and Warning Decals – Laydown Tower – English (3 of 3) .....	275
Safety and Warning Decals – Vertical Tower – English .....	276
VIN Tag .....	278
Wiring Diagram.....	279
8kW Marathon/Athlon 50/60 Hz Generator.....	279
15kW 1P 60Hz Marathon 60 Hz Generator .....	280
13kW Marathon 50Hz Generator.....	281
20kW 3 Phase Cummins 208V 60Hz Generator .....	282
Outlet Panel 8kW, 1 RV, 2 GFCI .....	283
Outlet Panel 8kW, 2 RV, 1 GFCI .....	284
Outlet Panel 8kW, 2 Twist Lock, 2 GFCI .....	285
Outlet Panel 8kW, 2 Schuko .....	286
Outlet Panel 15kW, 1-15A & 1-20A Twist Lock, 1 GFCI.....	287
Outlet Panel 15kW, 2 RV, 2 GFCI .....	288
Outlet Panel 15kW, 4-30A Twist Lock, 2 GFCI.....	289

Outlet Panel 15kW, 3 Schuko .....	290
Outlet Panel 20kW, 1-15A & 1-20A Twist Lock, 1 GFCI.....	291
Outlet Panel 20kW, 2 RV, 2 GFCI .....	292
Outlet Panel 20kW, 4-30A Twist Lock, 2 GFCI.....	293
Outlet Panel 20kW 3 Phase, 4-30A Twist Lock, 2 GFCI .....	294
Aux Outlet 240V 50A .....	295
Aux Outlet 208V 50A 3 Phase .....	296
Aux Outlet 60A Disconnect Box.....	297
Secondary Outlet Box – Master/Slave Outlets, 3 CS636, 1 30A Inlet.....	298
Transfer Switch For Master/Slave Outlets On Secondary Outlet Box.....	299
Switch Panel 4 Light Single Phase .....	300
Switch Panel 4 Light Single Phase LSC .....	301
Switch Panel 4 Light 3 Phase .....	302
Switch Panel 4 Light 3 Phase LSC .....	303
Switch Panel 4 Light AS/NZL3000.....	304
1250W Ballast 120V 60Hz.....	305
1000W Ballast 120V 60Hz.....	306
1000W Ballast 120V 50Hz.....	307
1000W Ballast 220V 50Hz.....	308
Ballast Wire Connector Box – 4 Light – 14/7 Cord .....	309
Ballast Wire Connector Box – 4 Light – 16/8 Cord .....	310
4 Light Bar 14/7 Cord.....	311
4 Light Bar 16/8 Cord.....	312
Lamp, Solid Wired .....	313
Lamp, Quick Disconnect Wired .....	314
1000W Ballast 240V 50Hz.....	315
Kubota D1005/D1105 Engine Harness – Tier 4 Final.....	316
Kubota D1005/D1105 Engine Harness With Deep Sea – Tier 4 Final .....	317
CAT C1.1 Engine Harness .....	318
Tail Light Harness.....	319
Tail Light Harness With Electric Brakes.....	320
License Plate .....	321
Side Marker Lights.....	322
Interior Work Light .....	323
Battery Disconnect.....	324
Emergency Stop.....	325
Vertical Tower Hydraulic Pump .....	326
AUS/NZ 3 Light Switches 6 Light ML II.....	327
.....	328

**LAMPS WITH BALLAST - METAL HALIDE**

SN 0001ML2V13 and Up



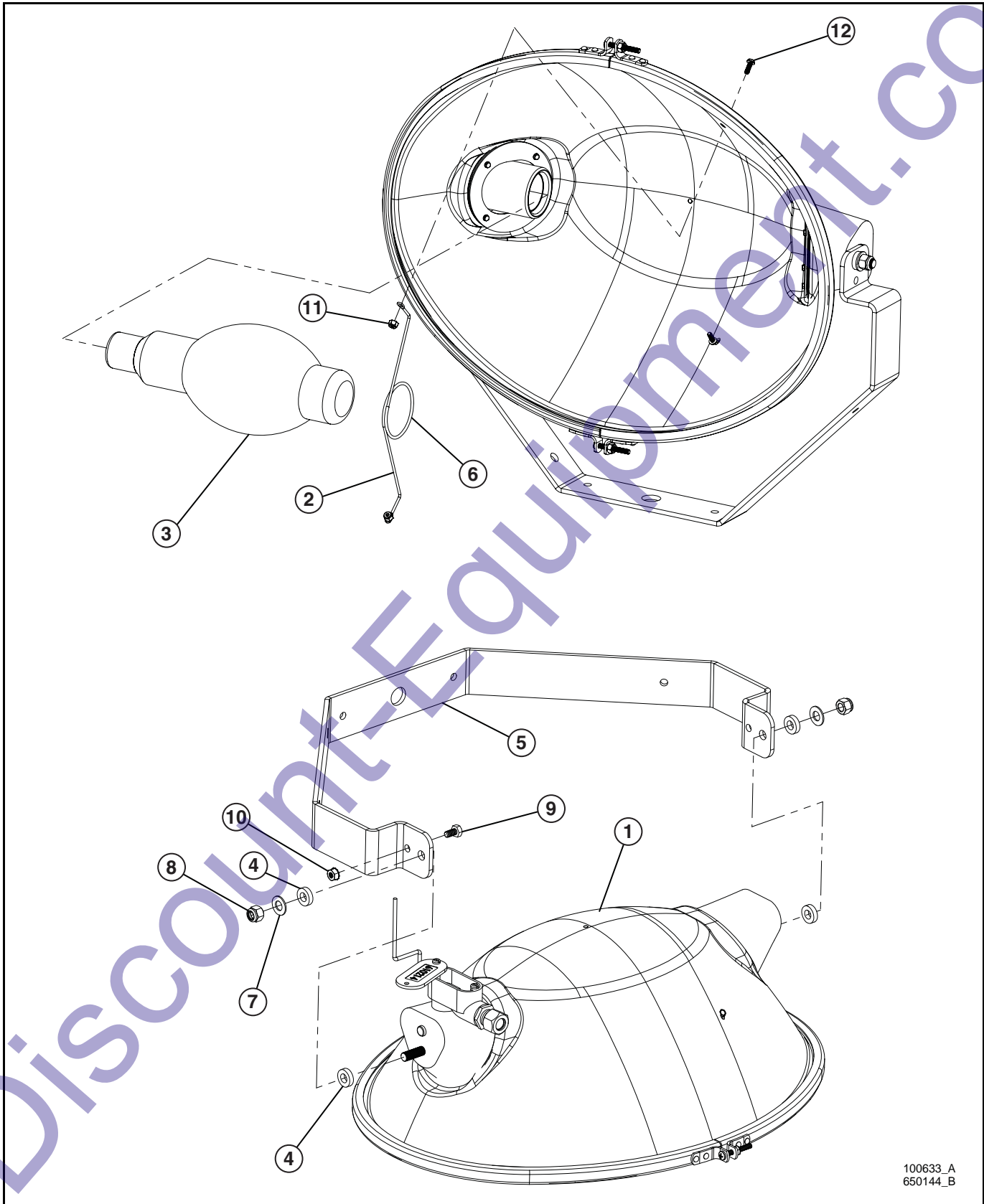
**LAMPS WITH BALLAST – METAL HALIDE**

SN 0001ML2V13 and Up

Item	Part No.	Part Description	Qty.
1	103624	PRO II BALLAST ASSEMBLY CORD	4
2	104481	1250W 60Hz BALLAST ASSEMBLY (See "Ballast Assembly" Page)	2
	102400	1000W 60Hz BALLAST ASSEMBLY (See "Ballast Assembly" Page)	2
	102402	1000W 50Hz BALLAST ASSEMBLY (See "Ballast Assembly" Page)	2
3	100670	3/8-16 X 1 1/4 CARRIAGE BOLT	4
4	045218	3/8 PUSH NUT	4
5	047010	5/16 FLAT WASHER PL	8
6	046110	3/8-16 X 1 HEX HEAD CS GR5 PL	4
7	044038	3/8-16 NYLOCK HEX NUT PL	8
8	100633	LAMP ASSEMBLY W/YOKE AND LAMP SHO - 1250W 60Hz (See "Lamp Assembly" Page)	4
	650144	LAMP ASSEMBLY W/YOKE AND LAMP SHO - 1000W 50Hz/60Hz (See "Lamp Assembly" Page)	4
9	101813	.781"ID x 2"OD x 1/2" HDPE WASHER	4
10	047035	3/4 FLAT WASHER	4
11	044121	3/4-10 NYLOCK HEX NUT	4
12	650550	.785"ID x 2"OD HDPE WASHER	4

**LAMP ASSEMBLY W/YOKE SHO**

SN 0001ML2V13 and Up



100633\_A  
650144\_B



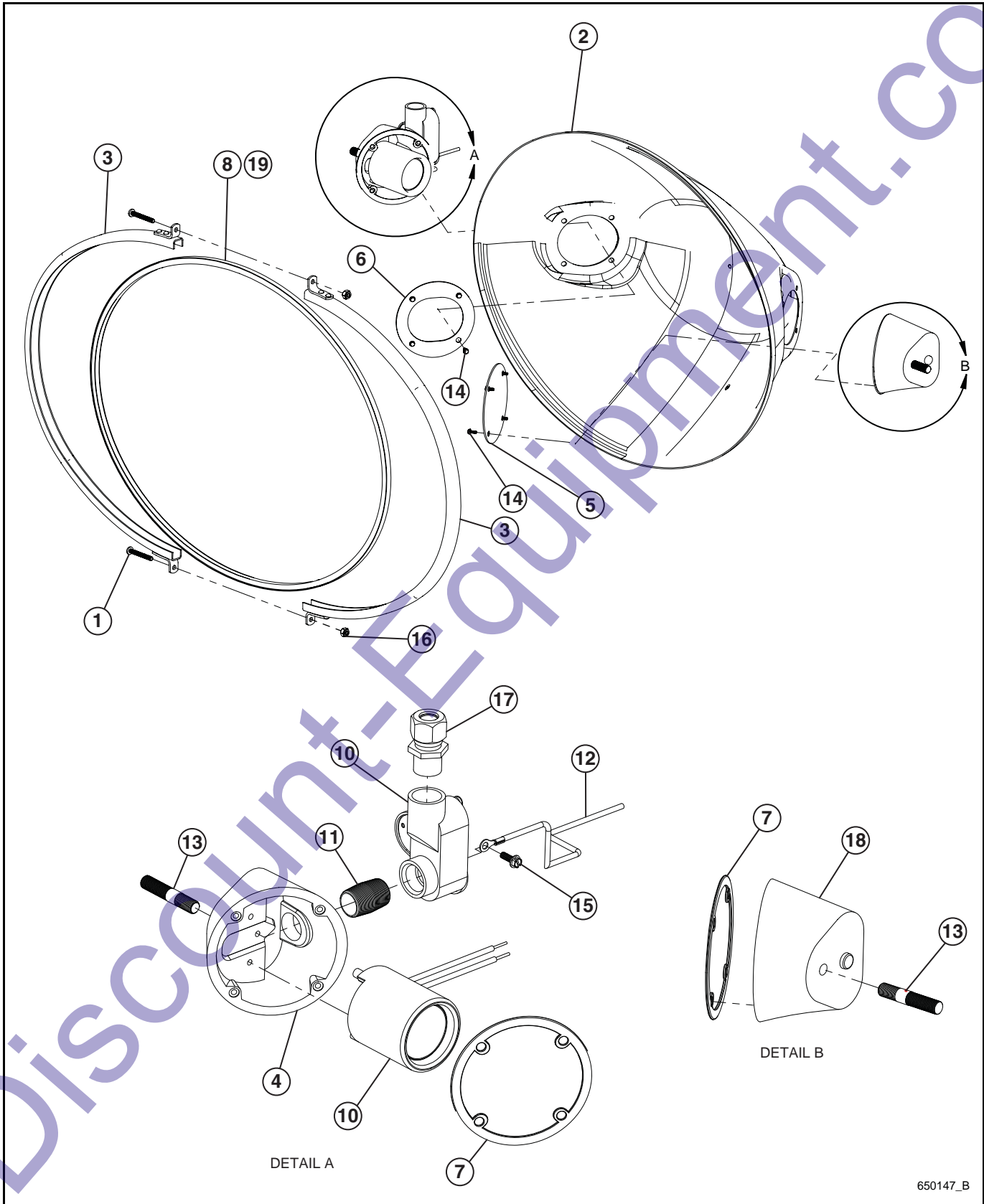
**LAMP ASSEMBLY W/YOKE SHO**

SN 0001ML2V13 and Up

Item	Part No.	Part Description	Qty.
1	650147	LAMPHOLDER ASSEMBLY CSA/UL	1
2	610209	LAMP TIP SUPPORT SHO LAMP	1
3	610221	LAMP 1250W BT37(MH)	1
	610211	LAMP 1000W BT37(HD)	1
4	047019	3/4 OD X .385 ID NYLON BUSHING	4
5	660130P	YOKE MOUNT SHO LAMP	1
6	030061	FIBERGLASS TUBE X 12" LAMP SUPPORT TIP	1
7	047016	3/8 FLAT WASHER SAE PL	2
8	044037	3/8-24 NYLOCK HEX NUT PL	2
9	046005	1/4-20 X 1/2 HEX HEAD CS GR5 PL	1
10	044021	1/4-20 KEPS HEX NUT PL	1
11	044013	#8-32 NYLOCK HEX NUT SS	2
12	041200	#8-32 X 1/2 HEX WASHER HEAD INDT	2

LAMPHOLDER ASSEMBLY

SN 0001ML2V13 and Up



650147\_B

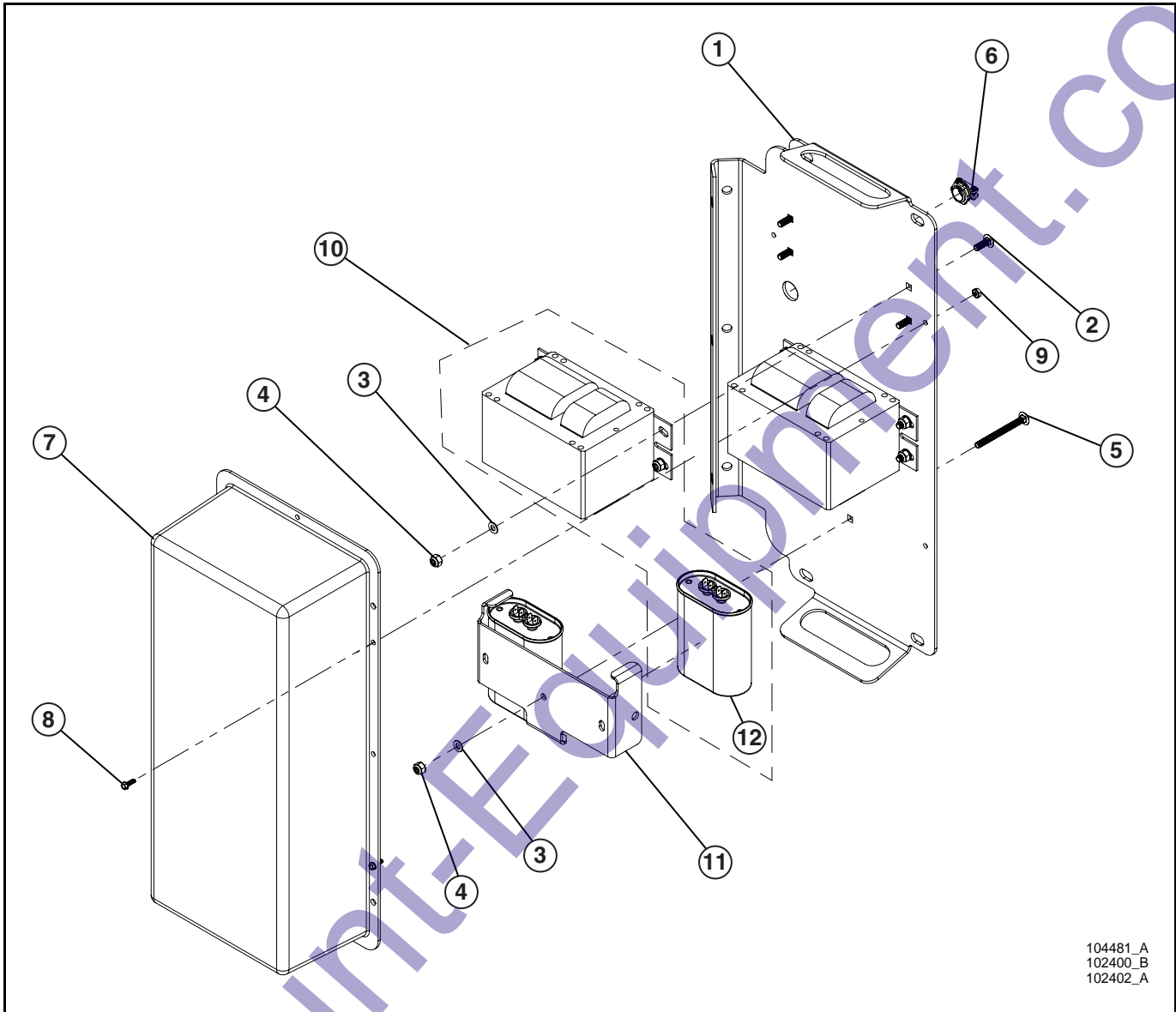
**LAMPHOLDER ASSEMBLY**

SN 0001ML2V13 and Up

Item	Part No.	Part Description	Qty.
1	041040	#10-24 X 1 1/2 PH-ROUND HEAD MS SS	2
2	610201	REFLECTOR	1
3	610202	LENS CHANNEL SET SHO LIGHTS	2
4	610205	SOCKET END CAP W/ 1/2-14 NPT HOLE CASTING	1
5	610207	INTERIOR COVER PLATE WITHOUT HOLE	1
6	610208	INTERIOR COVER PLATE WITH HOLE	1
7	610213	GASKET SOCKET END CAP	2
8	610217	SILICONE GASKET	1
9	610212	CERAMIC SOCKET	1
10	610214	ELBOW	1
11	610215	1/2 NPT NIPPLE	1
12	610219	14 AWG GREEN 6" 200 CSA	1
13	045142	3/8-24 X 3/8-16 X 2 STUD	2
14	041028	#10-24 X 1/2 HEX WASHER HEAD INDT	8
15	041257	#10-32 X 3/8 SL-HEX WASHER HEAD MS GRND	1
16	044019	#10-24 NYLOC HEX NUT SS	2
17	510007	1/2 CORD GRIP	1
18	610206	SOCKET END CAP CASTING	1
19	610203	GLASS LENS GLASS	1

**BALLAST ASSEMBLY**

SN 0001ML2V13 and Up



104481\_A  
102400\_B  
102402\_A

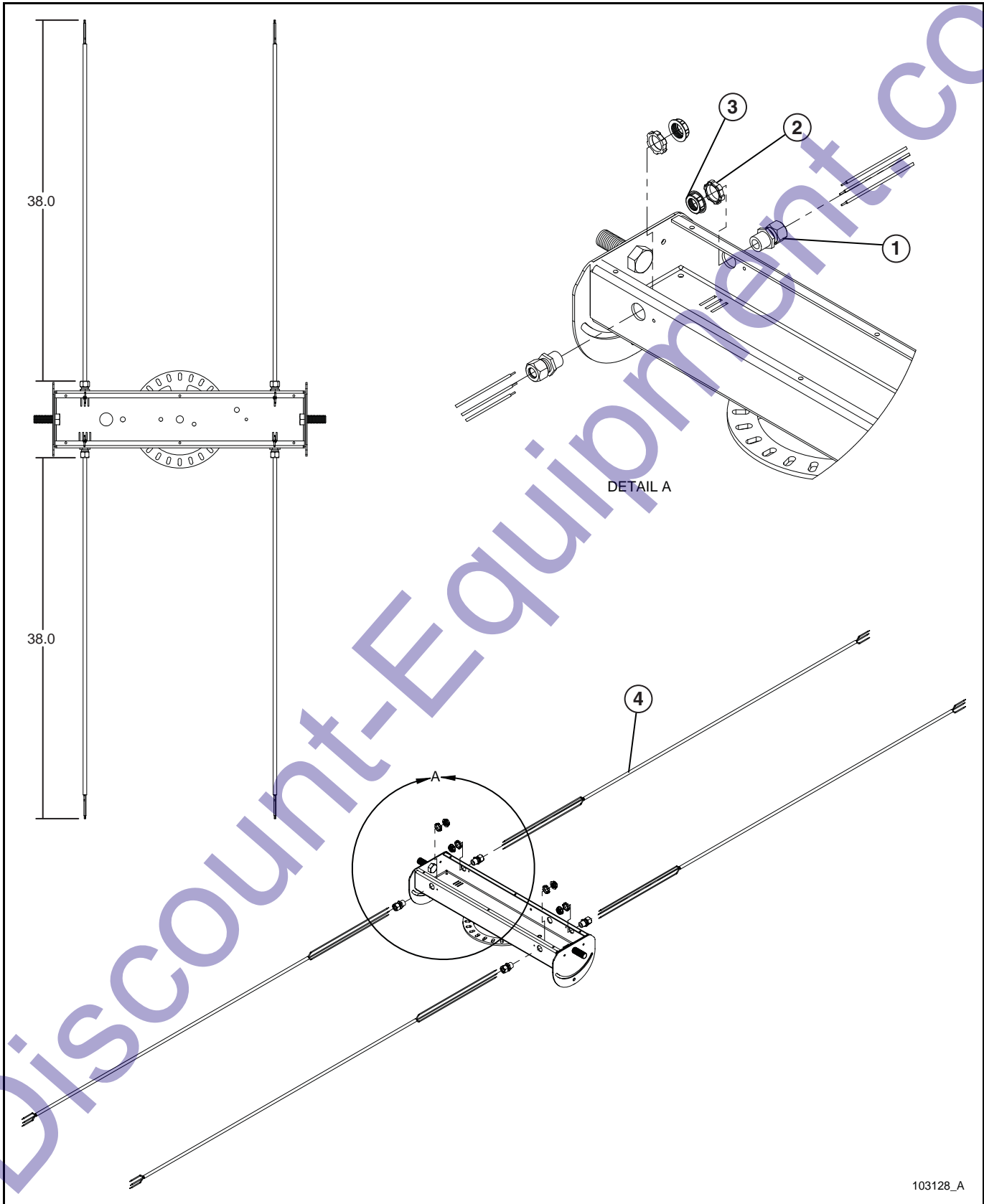
**BALLAST ASSEMBLY**

SN 0001ML2V13 and Up

Item	Part No.	Part Description	Qty.
1	103936P	MOUNT PLATE BALLAST BOX	1
2	053006	1/4-20 X 3/4 CARRIAGE BOLT	8
3	047009	1/4 FLAT WASHER SAE SS	9
4	044023	1/4-20 NYLOCK HEX NUT PL	9
5	100718	1/4-20 x 2 1/4 CARRIAGE BOLT	1
6	022020	3/8 2 SCREW CLAMP	2
7	102752	TOP, BOX, BALLAST, MODULAR	1
8	041029	#8-32 X 1/2 HEX WASHER HEAD TP F INDT	4
9	044003	#8-32 NC KEPS NUT	4
10	109606	1250W 60Hz BALLAST WITH CAPACITOR (INCLUDES ITEM 12)	2
	310124	1000W 60Hz BALLAST WITH CAPACITOR (INCLUDES ITEM 12)	2
	310116	1000W 50Hz BALLAST WITH CAPACITOR (INCLUDES ITEM 12)	2
11	100392P	CLAMP, CAPACITOR – 1250W	1
	680608P	CLAMP, CAPACITOR – 1000W	1
12	100329	CAPACITOR 28uf – 1250W 60Hz	2
	310119	CAPACITOR 26uf – 1000W 60Hz	2
	310115A	CAPACITOR 26uf – 1000W 50Hz	2

**SOLID WIRED 4 LAMP CONNECTOR**

SN 0001ML2V13 and Up



103128\_A

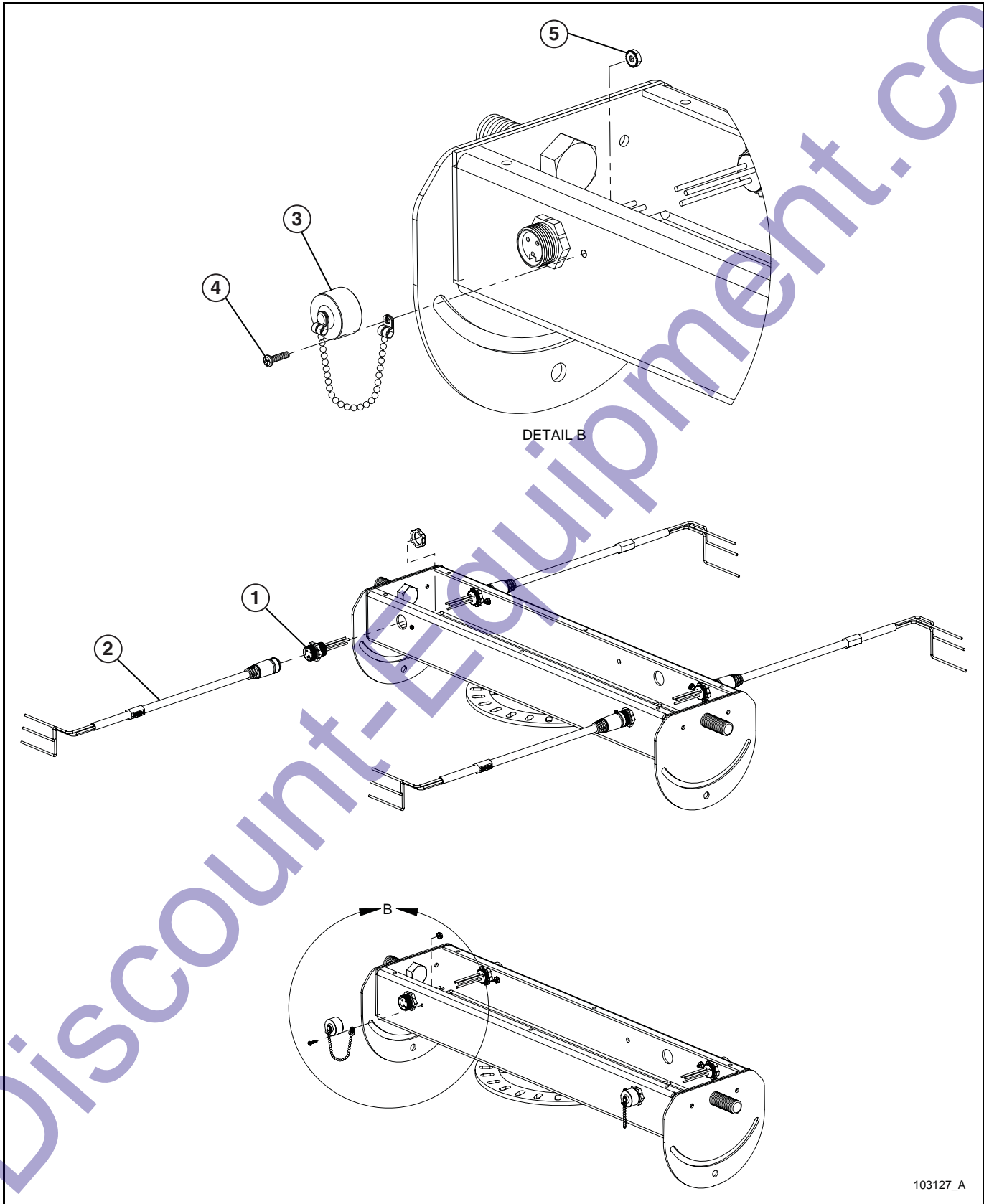
**SOLID WIRED 4 LAMP CONNECTOR**

SN 0001ML2V13 and Up

Item	Part No.	Part Description	Qty.
1	510007	1/2 CORD GRIP	4
2	022035	1/2 CORD GRIP NUT	4
3	022415	1/2 INSULATING BUSHING THREADED	4
4	650159	CORD ASSEMBLY 16/3 SOOW 68 INCHES	4

**QUICK DISCONNECT 4 LAMP CONNECTOR**

SN 0001ML2V13 and Up



103127\_A



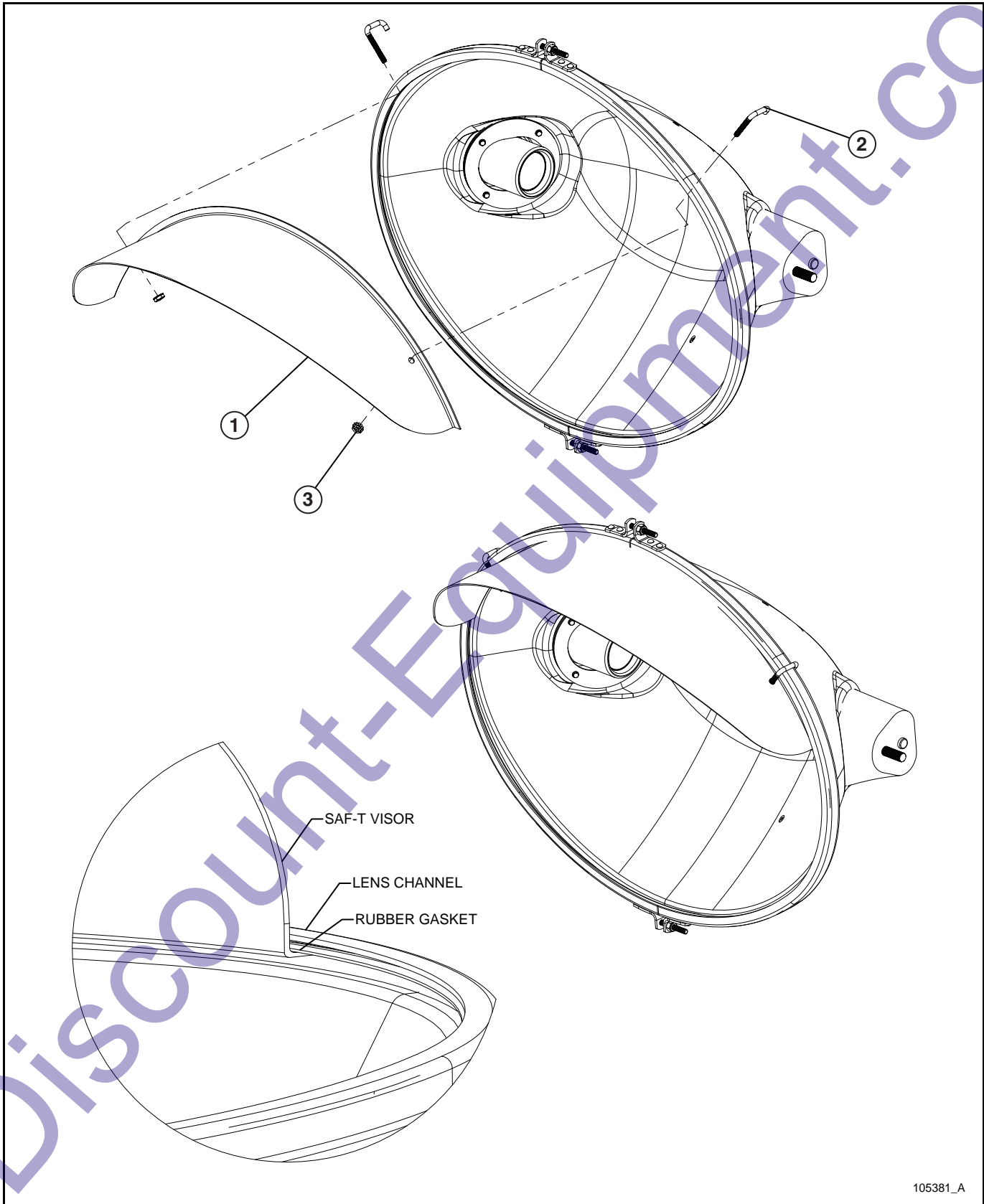
**QUICK DISCONNECT 4 LAMP CONNECTOR**

SN 0001ML2V13 and Up

Item	Part No.	Part Description	Qty.
1	310414	QD CONNECTOR FEMALE	4
2	310434	MALE CONNECTOR CABLE	4
3	310413	CAP QUICK DISCONNECT	4
4	100029	#6-32 X 1/2 PH-ROUND HEAD MS PL	4
5	044004	#6-32 KEPS HEX NUT PL	4

**SAF-T VISOR**

SN 0001ML2V13 and Up



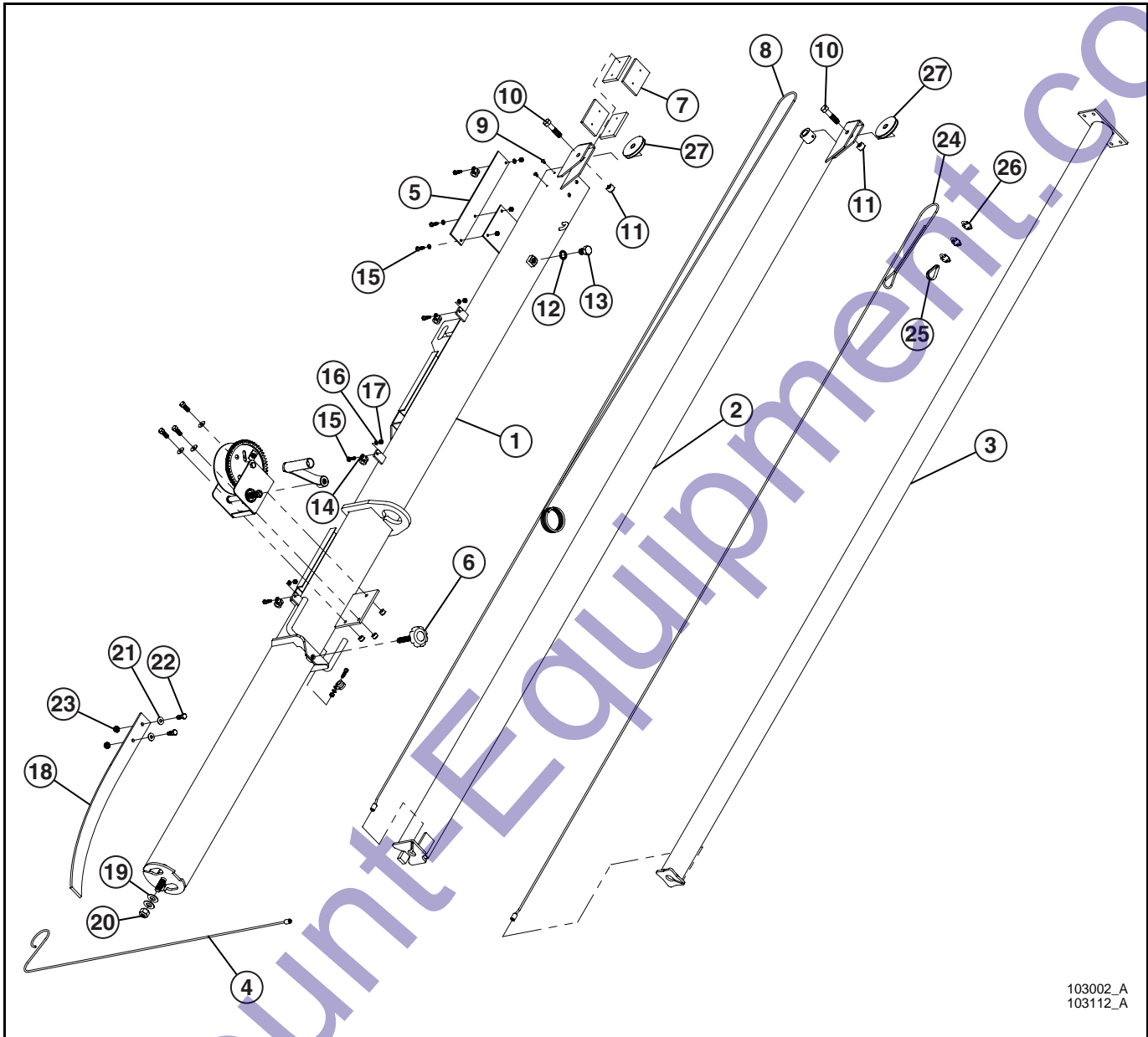
**SAF-T VISOR**

SN 0001ML2V13 and Up

Item	Part No.	Part Description	Qty.
1	610017	SAF-T VISOR SHO LAMP	1
2	045070	#10-24 HOOK SQ BEND BOLT	2
3	044016	#10-24 KEPS HEX NUT PL	2

**LAYDOWN TOWER – MANUAL**

SN 0001ML2V13 and Up



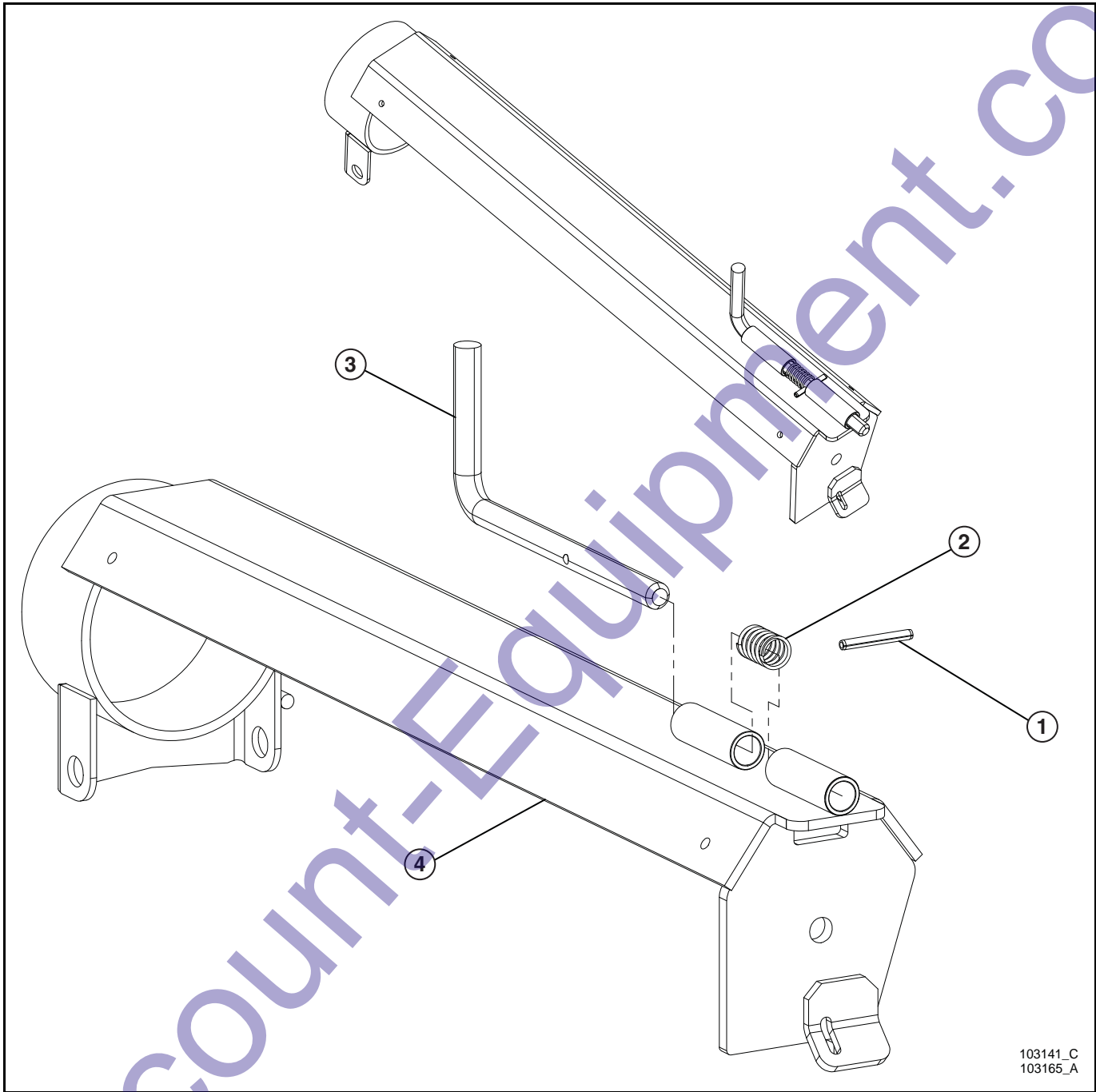
**LAYDOWN TOWER – MANUAL**

SN 0001ML2V13 and Up

Item	Part No.	Part Description	Qty.
1	102943P	4" SECTION MANUAL TOWER – PAINTED	1
	102943-20	4" SECTION MANUAL TOWER – GALVANIZED	1
2	680180P	3" SECTION MANUAL WINCH – PAINTED	1
	680180-20	3" SECTION MANUAL WINCH – GALVANIZED	1
3	352017P	2 5/8 ROUND SECTION MANUAL TOWER – PAINTED	1
	352017-20	2 5/8 ROUND SECTION MANUAL TOWER – GALVANIZED	1
4	32018	CABLE 3/16 STEEL 10'	1
5	102677P	4" TOWER CORD BRACKET	1
6	620550	1/2-13 X 2 1/8 LOCKING KNOB	1
7	650110	.312 TOWER PAD	4
8	650133	CABLE 3/16 STEEL 17 FT 9 IN	1
9	041023	#10 X 3/8 PH-ROUND HEAD MS PL	8
10	046200	1/2-13 X 2 1/4 HEX HEAD CS GR5 PL	2
11	044048	1/2-13 NYLOCK HEX NUT PL	2
12	043100	5/8 INTL TOOTH LOCK WASHER PL	1
13	046242	5/8-11 X 1 HEX HEAD CS GR5 PL	1
14	310212	#10 CUSH CLAMP 1/4 HOLE	
15	04601	1/4-20 X 1 HEX HEAD CS GR5 PL	7
16	047009	1/4 FLAT WASHER SAE SS	7
17	044023	1/4-20 NYLOCK HEX NUT PL	7
18	630555P	KICKOUT SPRING MANUAL	1
19	047030	5/8 FLAT WASHER PL	2
20	044053	5/8-11 NYLOCK HEX NUT PL	1
21	047010	5/16 FLAT WASHER PL	2
22	046110	3/8-16 X 1 HEX HEAD CS GR5 PL	2
23	044036	3/8-16 KEPS HEX NUT PL	2
24	620076	CABLE 3/16 STEEL 11'	1
25	045040	3/16 CABLE THIMBLE	1
26	620084	1/4 CABLE CLIP	3
27	320110	PULLEY 3 OD W/ BUSHING	2

**TOWER PIVOT LAYDOWN TOWER**

SN 0001ML2V13 and Up



103141\_C  
103165\_A

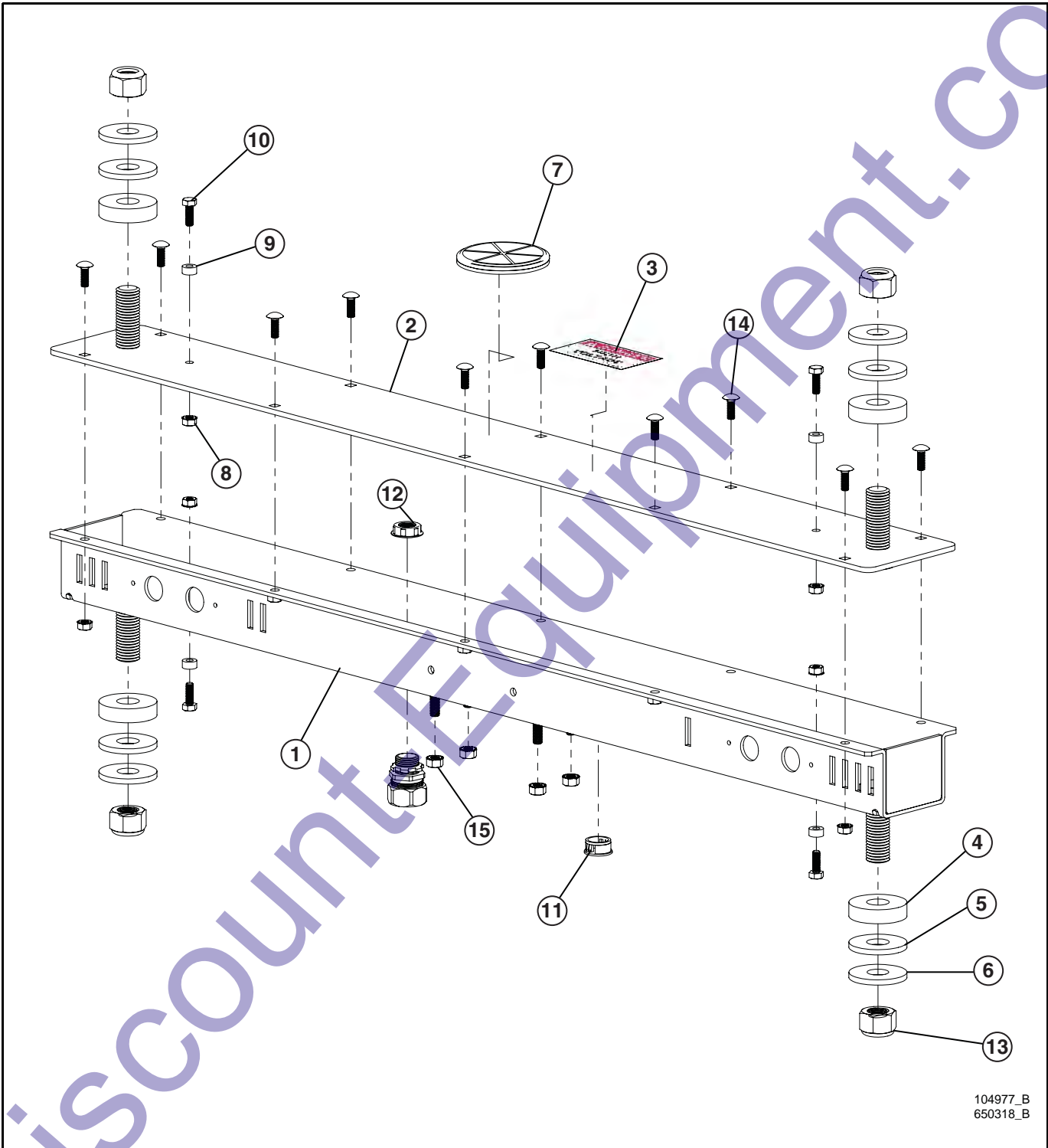
Item	Part No.	Part Description	Qty.
1	045156	1/4 X 2 SPRING ROLL PIN	1
2	102944	SPRING TOWER LATCH	1
3	330450	LOCKING PIN REAR TOWER	1
4	103030P	PIVOT SECTION MANUAL TOWER – PAINTED	1
	103030-20	PIVOT SECTION MANUAL TOWER – GALVANIZED	1

**This Page Intentionally Left Blank**

Discount-Equipment.com

LIGHT BAR

SN 0001ML2V13 and Up



104977\_B  
650318\_B



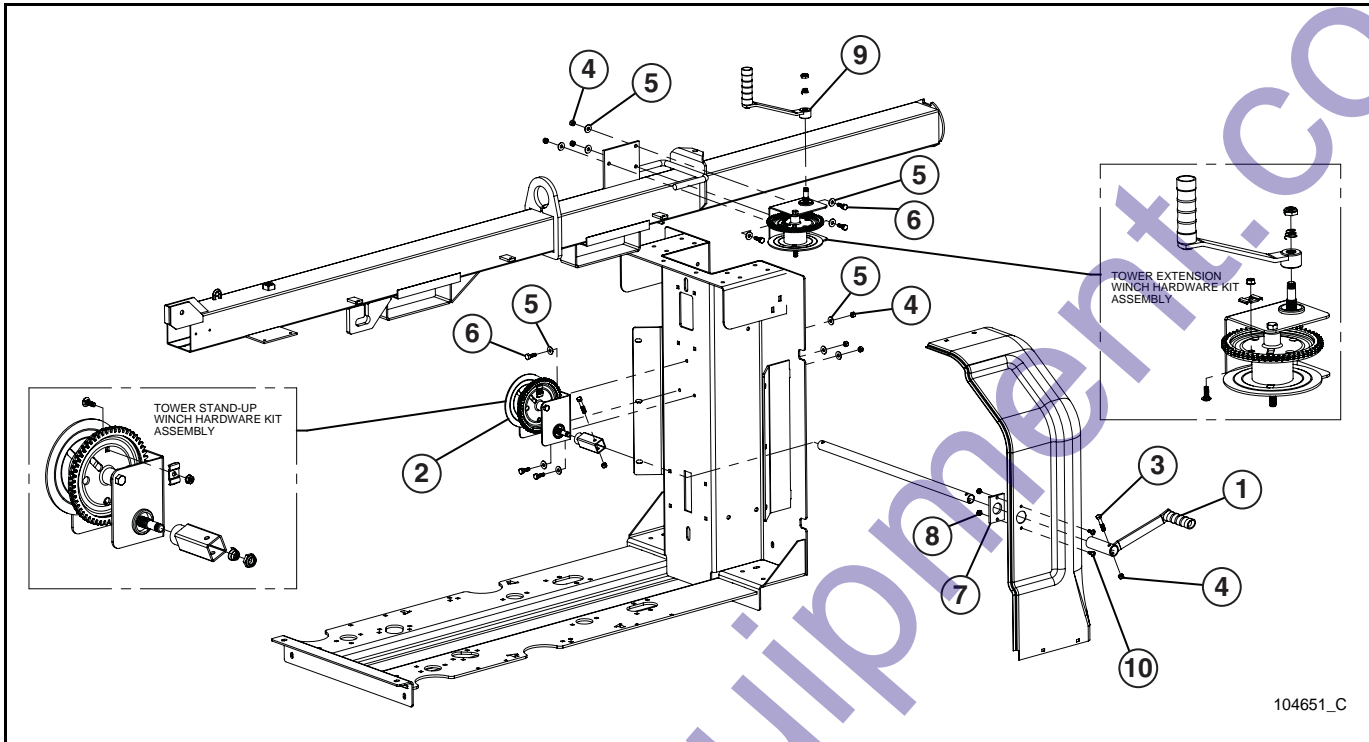
### LIGHT BAR

SN 0001ML2V13 and Up

Item	Part No.	Part Description	Qty.
1	650319P	WELDMENT, LIGHT BAR FRAME, REMOVEABLE	1
2	620537P	COVER LIGHT BAR	1
3	090002	HIGH VOLTAGE DANGER DECAL	1
4	101813	.781"ID x 2"OD x 1/2" HDPE WASHER	4
5	650550	.785" x 2" HDPE WASHER	4
6	047035	3/4" PLATED FLAT WASHER	4
7	330037	REFLECTOR RED 3"	1
8	044021	1/4-20 KEPS HEX NUT PL	14
9	104979	CLEARANCE SPACER NYLON UNTHREADED	4
10	046010	1/4-20 X 3/4 HEX HEAD CS GR5 SS	4
11	711029	7/8 LOCKING HOLE PLUG PLASTIC	1
12	022415	1/2 INSULATING BUSHING	1
13	044121	3/4-10 NYLON INSERT SS HEX NUT	4
14	053006	1/4-20 X 3/4 CARRIAGE BOLT	10
15	044031	5/16 -18 KEPS HEX NUT PL	4

**TOWER WINCH – MANUAL**

SN 0001ML2V13 and Up

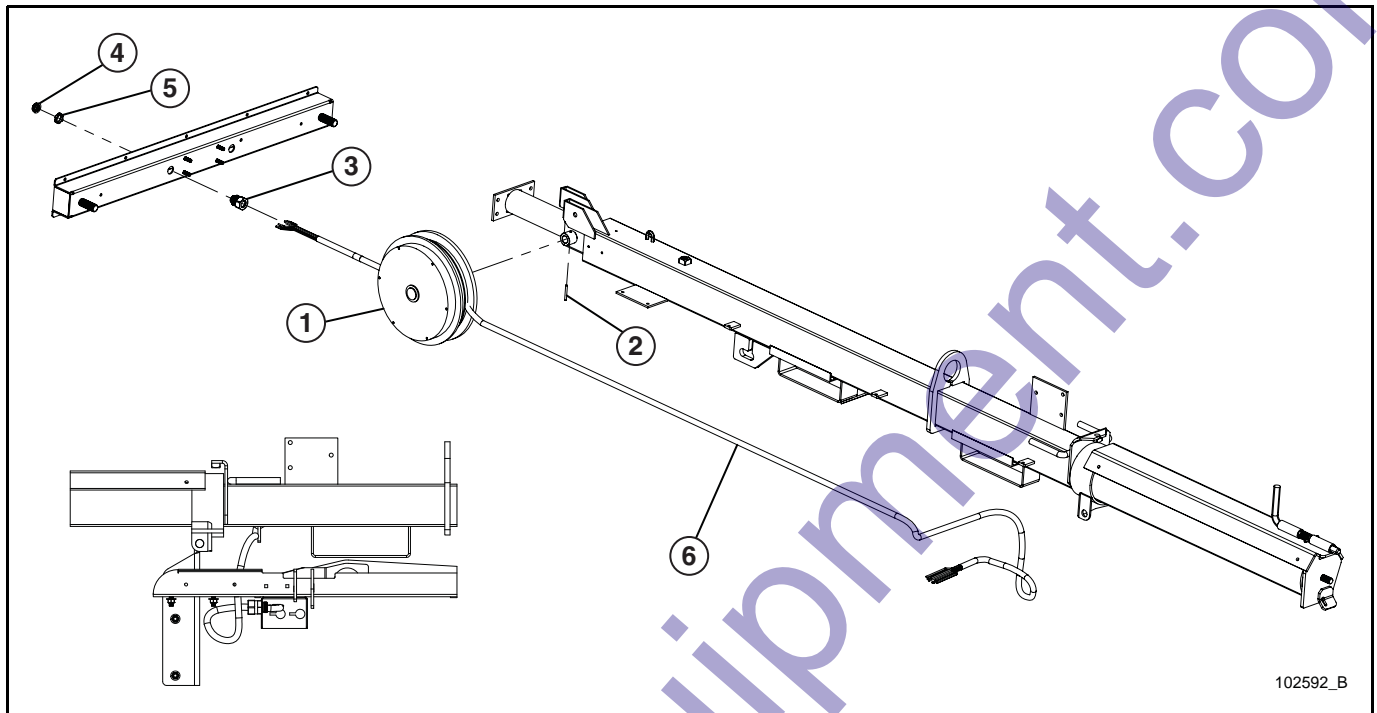


104651\_C

Item	Part No.	Part Description	Qty.
1	104620	WINCH HANDLE KIT MANUAL TOWER	1
2	610531	DL 1200 lb. WINCH	2
3	046065	5/16-18 X 1 3/4 HEX HEAD CS GR5 PL	2
4	044033	5/16-18 NYLOCK HEX NUT PL	8
5	047010	5/16 FLAT WASHER PL	12
6	046050	5/16-18 X 1 HEX HEAD CS GR5 PL	6
7	650106	GUIDE BLOCK	1
8	044021	1/4-20 KEPS HEX NUT PL	2
9	712032	WINCH HANDLE WINCH DBL 1200 7	1
10	041050	SCREW MS 1/4-20 X 3/4 TRUSS PHILLIPS HD SS	2

### CORD REEL LAYDOWN TOWER

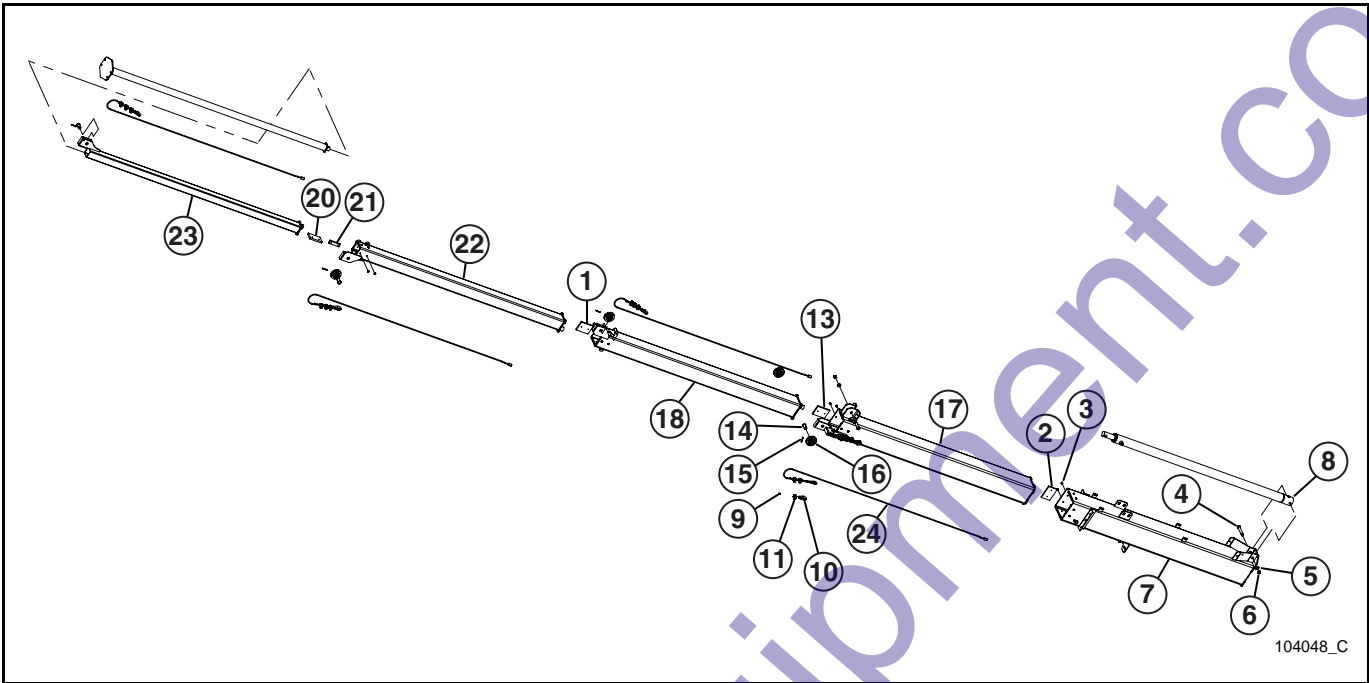
SN 0001ML2V13 and Up



Item	Part No.	Part Description	Qty.
1	320410P	CORD REEL	1
2	320453	3/16 X 1 3/4 SPRING ROLL PIN	1
3	310033	1/2 CORD GRIP	1
4	022415	1/2 INSULATING BUSHING	1
5	022035	1/2 CORD GRIP NUT	1
6	103080	16/8 SOOW CORD REEL MANUAL TOWER	1

**VERTICAL TOWER – HYDRAULIC (1 OF 6)**

SN 0001ML2V13 and Up



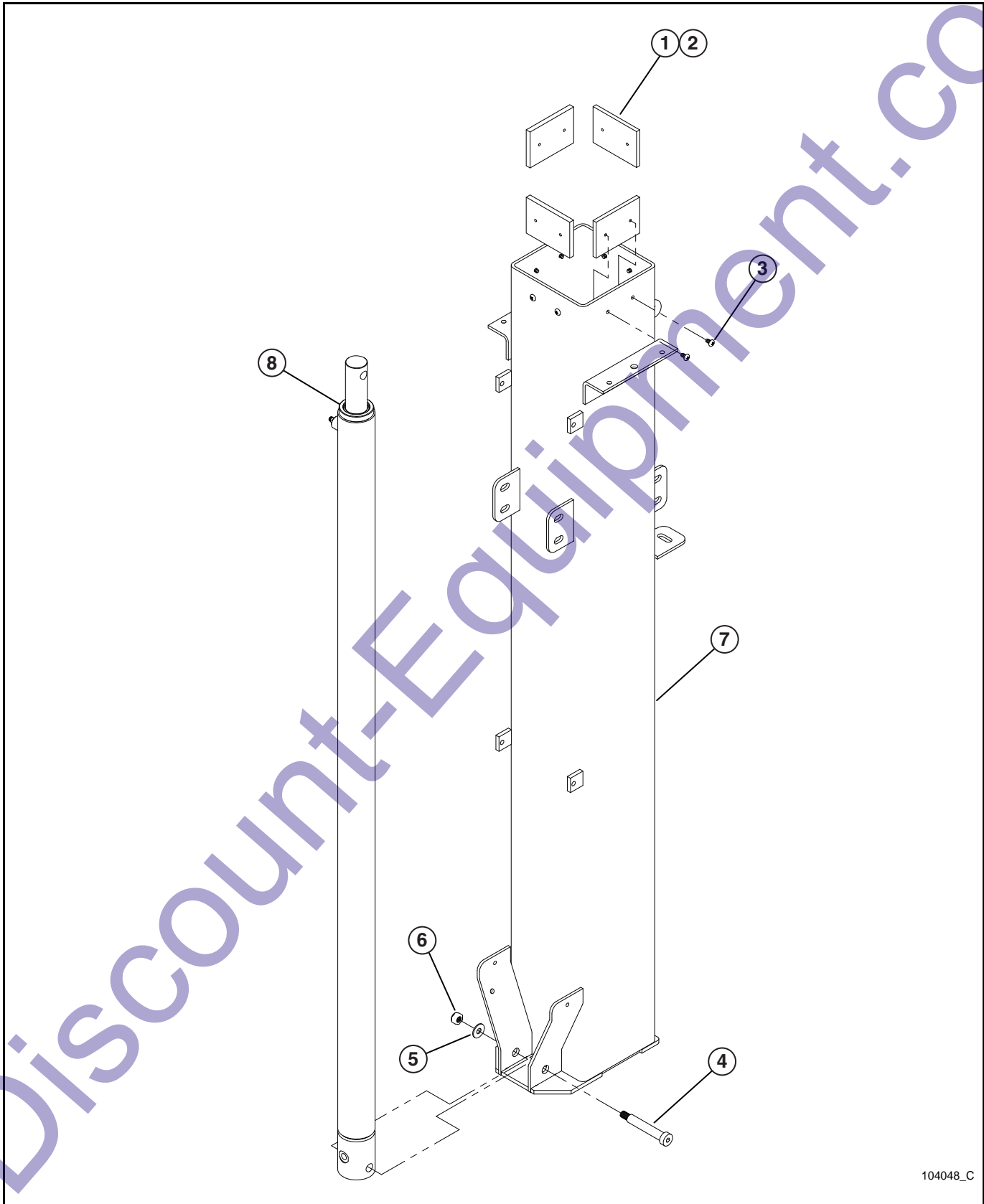
**VERTICAL TOWER – HYDRAULIC (1 OF 6)**

SN 0001ML2V13 and Up

Item	Part No.	Part Description	Qty.
1	650110	.312 TOWER PAD	6
2	102954	.250 TOWER PAD	2
3	041023	#10 X 3/8 PH-ROUND HEAD MS PL	32
4	101379	1/2 X 2 3/4 (3/8-16 X 5/8) HX-SOCKET HEAD SHOULDER BOLT	1
5	047010	5/16 FLAT WASHER PL	2
6	044038	3/8-16 NYLOCK HEX NUT PL	2
7	104036P	6" VT SECTION	1
8	109764P	VT2 HYDRAULIC CYLINDER	1
9	022150	FERRULE 10-12 AWG	5
10	045040	3/16 CABLE THIMBLE	5
11	620084	1/4 CABLE CLIP	15
12	101378	1/2 X 2 (3/8-16 X 5/8) HX-SOCKET HEAD SHOULDER BOLT	1
13	650109	.375 TOWER PAD	4
14	102906	5/8 X 1 1/4 CLEVIS PIN	5
15	045045	5/32 X 1 1/2 COTTER PIN	5
16	100160	2 1/2 PULLEY BALL BEARING W/ BALL BEARING	5
17	104037P	VT2 5" SECTION	1
18	102961P	VT2 4" SECTION	1
19	352280	PLASTIC TOWER PAD	2
20	100446	3/8 PAD SMALL	1
21	100062	3/8 UHMW SPACER	1
22	102965P	VT2 CORD REEL 3" SECTION	1
23	102968P	VT2 2" SECTION	1
24	320185	STEEL CABLE 3/16 X 10'	5

**VERTICAL TOWER, 6" SECTION (2 OF 6)**

SN 0001ML2V13 and Up



104048\_C

**VERTICAL TOWER, 6" SECTION (2 OF 6)**

SN 0001ML2V13 and Up

Item	Part No.	Part Description	Qty.
1	650110	.312 TOWER PAD	2
2	102954	.250 TOWER PAD	2
3	041023	#10 X 3/8 PH-ROUND HEAD MS PL	8
4	101379	1/2 X 2 3/4 (3/8-16 X 5/8) HX-SOCKET HEAD SHOULDER BOLT	1
5	047010	5/16 FLAT WASHER PL	1
6	044038	3/8-16 NYLOCK HEX NUT PL	1
7	104036P	6" VT SECTION	1
8	109764P	VT2 HYDRAULIC CYLINDER	1





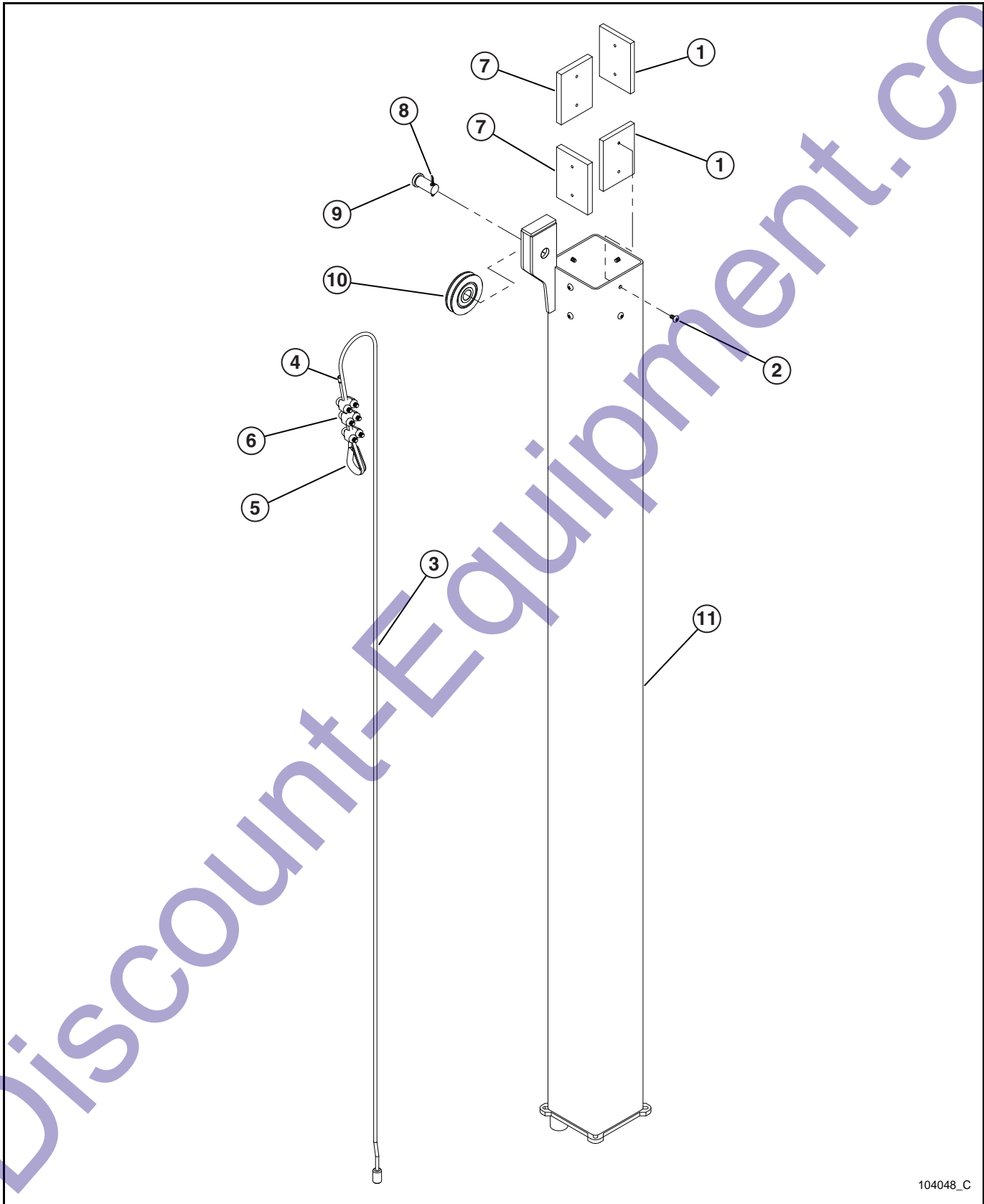
**VERTICAL TOWER, 5" SECTION (3 OF 6)**

SN 0001ML2V13 and Up

Item	Part No.	Part Description	Qty.
1	650110	.312 TOWER PAD	2
2	041023	#10 X 3/8 PH-ROUND HEAD MS PL	8
3	047010	5/16 FLAT WASHER PL	1
4	044038	3/8-16 NYLOCK HEX NUT PL	1
5	320185	STEEL CABLE 3/16 X 10'	2
6	022150	FERRULE 10-12 AWG	2
7	045040	3/16 CABLE THIMBLE	2
8	620084	1/4 CABLE CLIP	6
9	101378	1/2 X 2 (3/8-16 X 5/8) HX-SOCKET HEAD SHOULDER BOLT	1
10	650109	.375 TOWER PAD	2
11	102906	5/8 X 1 1/4 CLEVIS PIN	2
12	045045	5/32 X 1 1/2 COTTER PIN	2
13	100160	2 1/2 PULLEY BALL BEARING W/ BALL BEARING	2
14	104037P	VT2 5" SECTION	1

**VERTICAL TOWER, 4" SECTION (4 OF 6)**

SN 0001ML2V13 and Up



104048\_C

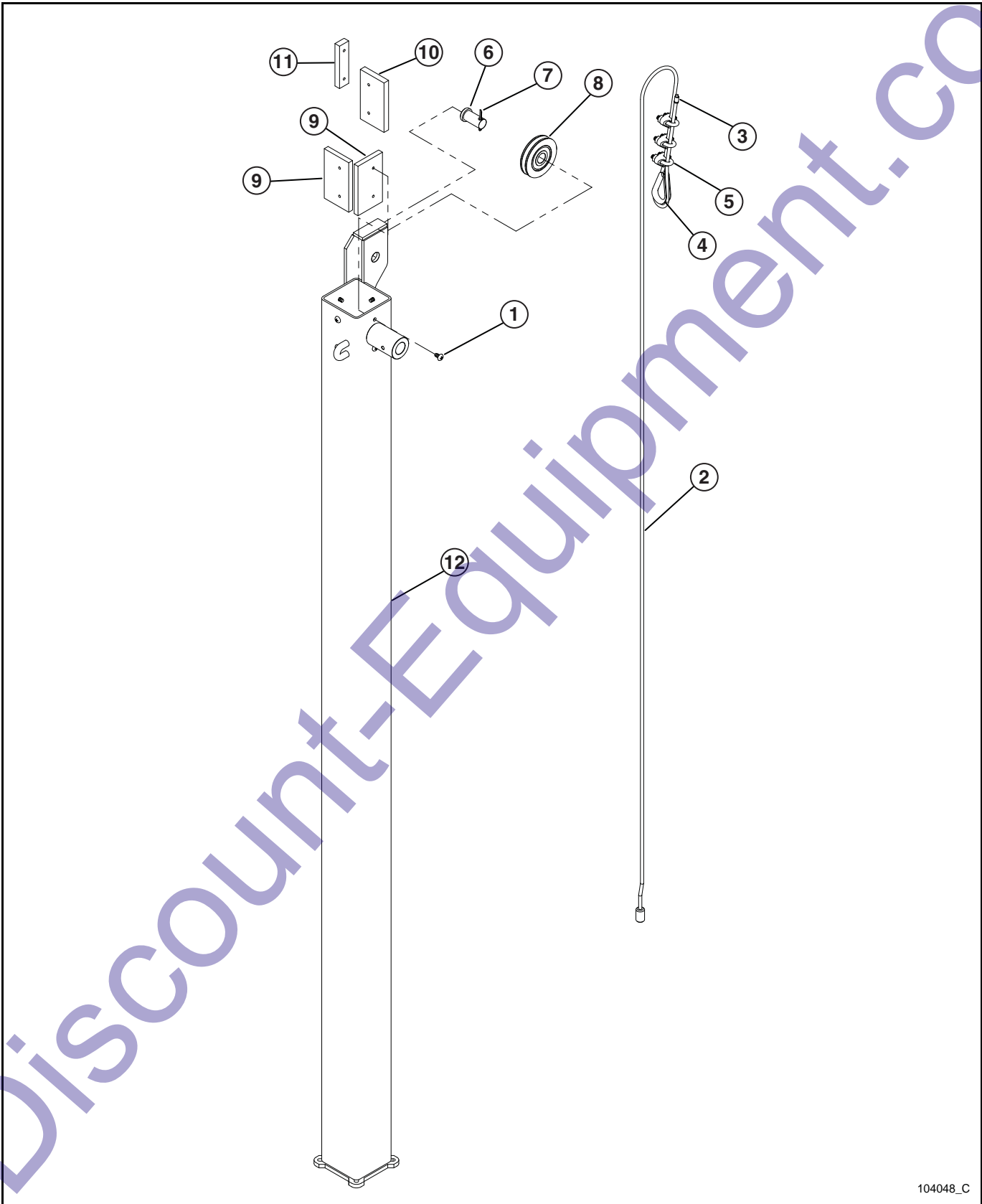
**VERTICAL TOWER, 4" SECTION (4 OF 6)**

SN 0001ML2V13 and Up

Item	Part No.	Part Description	Qty.
1	650110	.312 TOWER PAD	2
2	041023	#10 X 3/8 PH-ROUND HEAD MS PL	8
3	320185	STEEL CABLE 3/16 X 10'	1
4	022150	FERRULE 10-12 AWG	1
5	045040	3/16 CABLE THIMBLE	1
6	620084	1/4 CABLE CLIP	3
7	650109	.375 TOWER PAD	2
8	102906	5/8 X 1 1/4 CLEVIS PIN	1
9	045045	5/32 X 1 1/2 COTTER PIN	1
10	100160	2 1/2 PULLEY BALL BEARING W/ BALL BEARING	1
11	102961P	VT2 4" SECTION	1

**VERTICAL TOWER, 3" SECTION (5 OF 6)**

SN 0001ML2V13 and Up



104048\_C

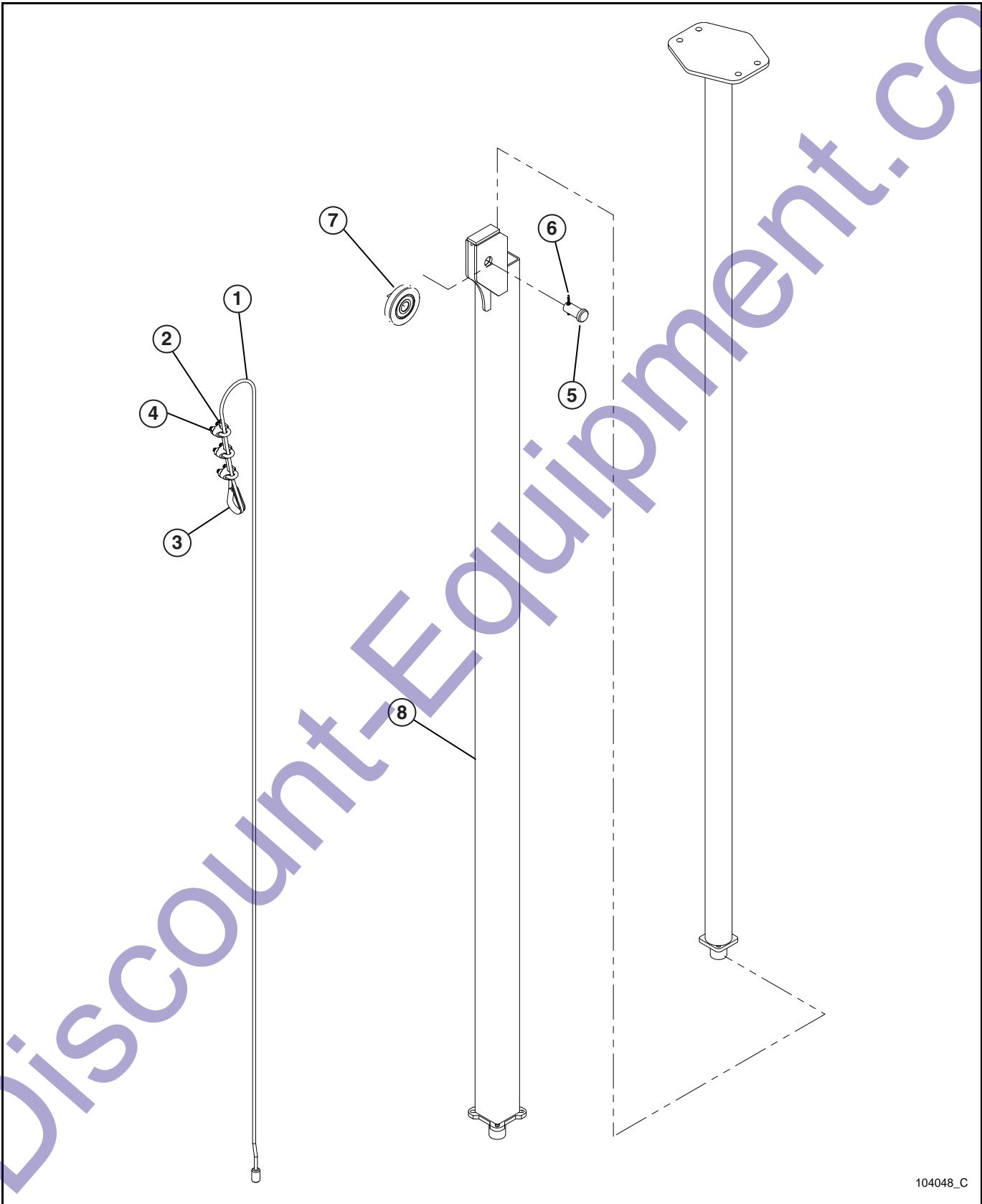
**VERTICAL TOWER, 3" SECTION (5 OF 6)**

SN 0001ML2V13 and Up

Item	Part No.	Part Description	Qty.
1	041023	#10 X 3/8 PH-ROUND HEAD MS PL	8
2	320185	STEEL CABLE 3/16 X 10'	1
3	022150	FERRULE 10-12 AWG	1
4	045040	3/16 CABLE THIMBLE	1
5	620084	1/4 CABLE CLIP	3
6	102906	5/8 X 1 1/4 CLEVIS PIN	1
7	045045	5/32 X 1 1/2 COTTER PIN	1
8	100160	2 1/2 PULLEY BALL BEARING W/ BALL BEARING	1
9	352280	PLASTIC TOWER PAD	2
10	100446	3/8 PAD SMALL	1
11	100062	3/8 UHMW SPACER	1
12	102965P	VT2 CORD REEL 3" SECTION	1

**VERTICAL TOWER, 2" SECTION (6 OF 6)**

SN 0001ML2V13 and Up



104048\_C

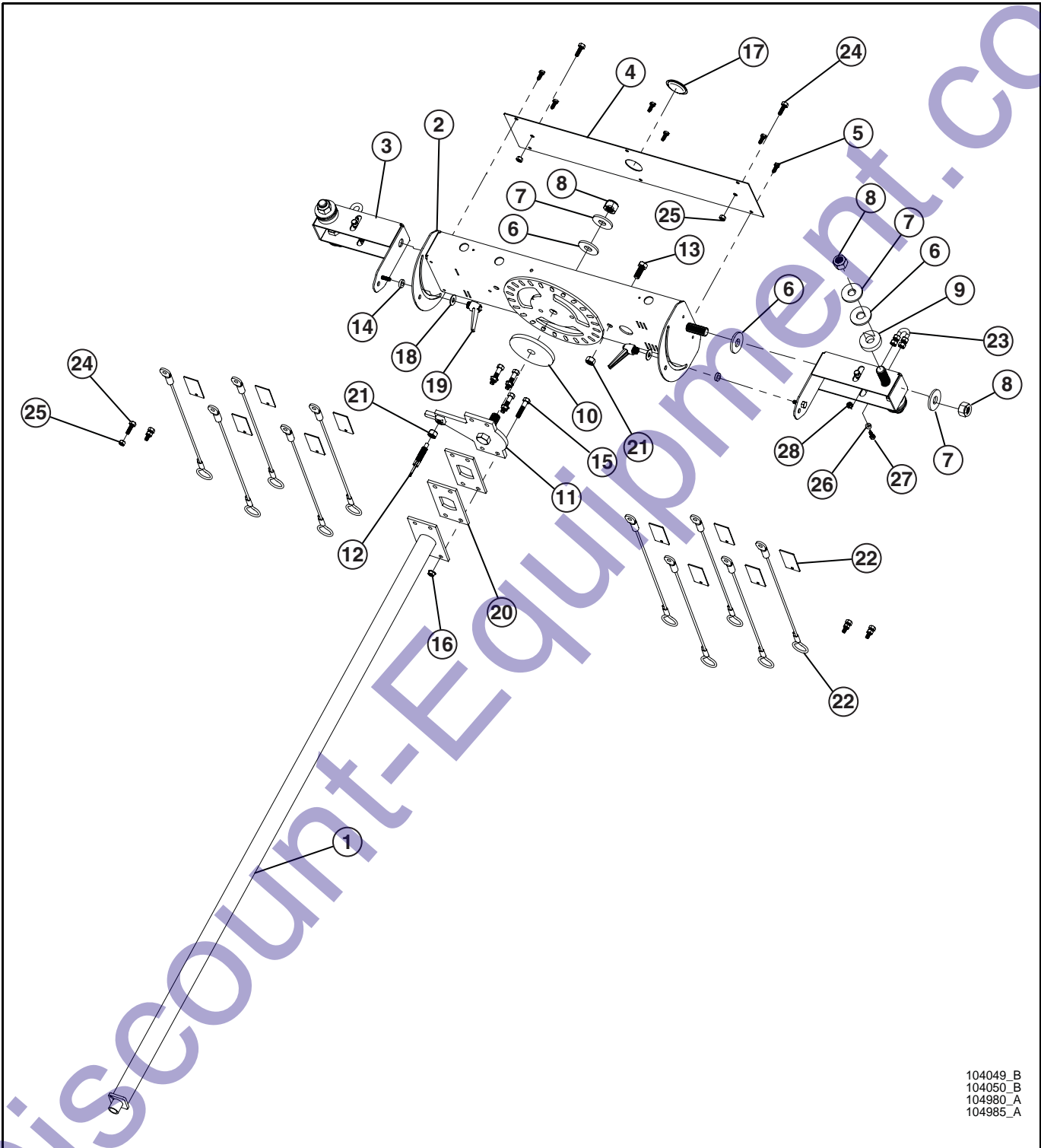
**VERTICAL TOWER, 2" SECTION (6 OF 6)**

SN 0001ML2V13 and Up

Item	Part No.	Part Description	Qty.
1	320185	STEEL CABLE 3/16 X 10'	1
2	022150	FERRULE 10-12 AWG	1
3	045040	3/16 CABLE THIMBLE	1
4	620084	1/4 CABLE CLIP	3
5	102906	5/8 X 1 1/4 CLEVIS PIN	1
6	045045	5/32 X 1 1/2 COTTER PIN	1
7	100160	2 1/2 PULLEY BALL BEARING W/ BALL BEARING	1
8	102968P	VT2 2" SECTION	1

**4 LIGHT BAR**

SN 0001ML2V13 and Up





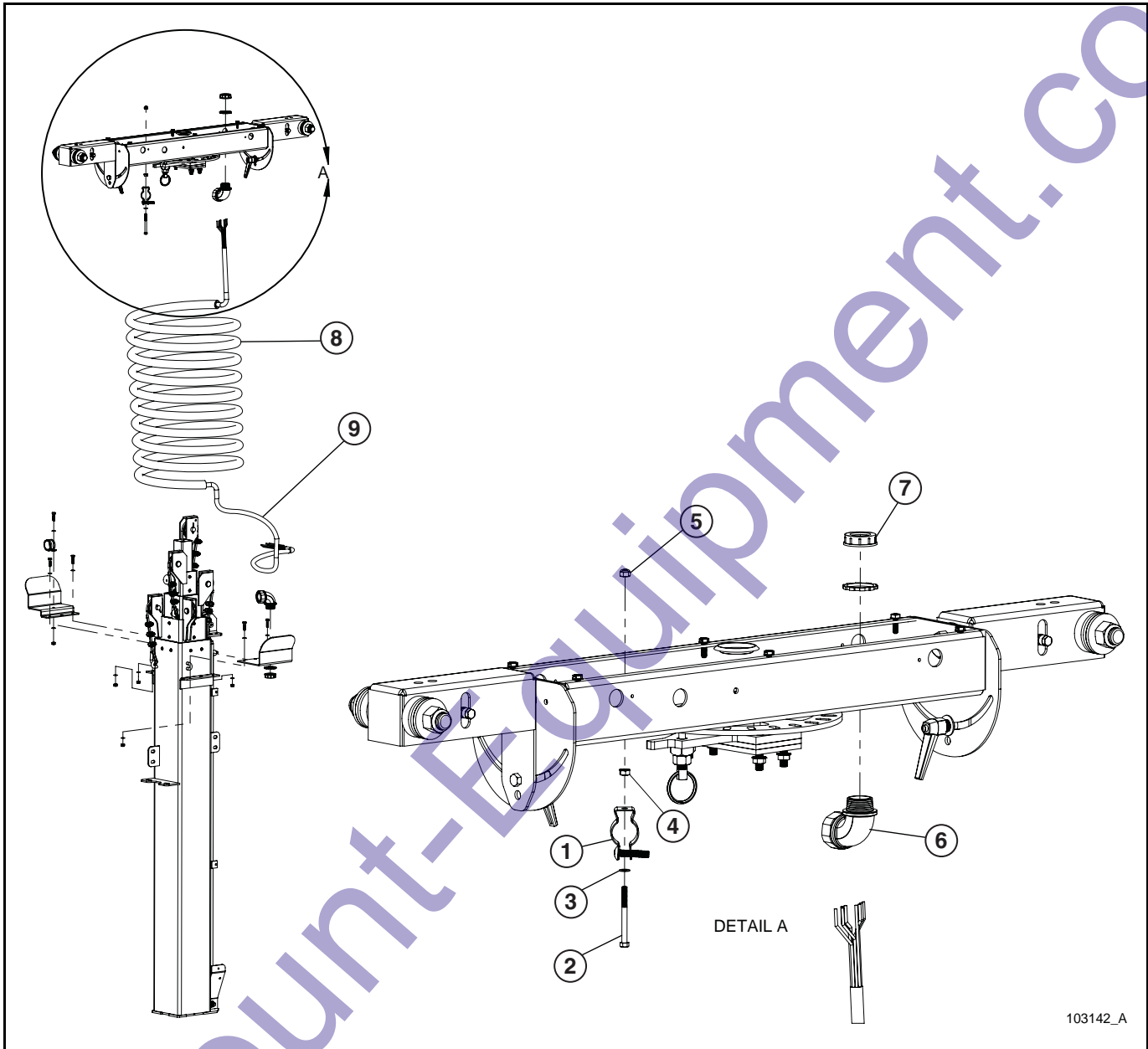
### 4 LIGHT BAR

SN 0001ML2V13 and Up

Item	Part No.	Part Description	Qty.
1	102972P	ROUND TOWER SECTION	1
2	101930P	LIGHT BAR NEW STYLE	1
3	101931P	LAMP ROTATION BRACKET	2
4	103859P	COVER LIGHT BAR	1
5	041070	1/4-20 x 3/4 SL-HEX WASHER HEAD MS TP F	6
6	650550	.785" x 2" HDPE WASHER	7
7	047035	3/4" PLATED FLAT WASHER	7
8	044058	3/4-10 NYLON INSERT PLATED HEX NUT	7
9	101813	.781"ID x 2"OD x 1/2" HDPE WASHER	4
10	100147	UHMW BEARING TWR ROTATION	1
11	100143P	ROTATION MOUNT	1
12	100148	SPRING LOCK 1/2-13 UNC X 1.4	1
13	046180	1/2-13 X 1 1/4 HEX HEAD CS GR5 PL	1
14	047019	3/4 OD X .385 ID NYLON BUSHING	2
15	046126	3/8-16 x 1 3/4 HEX HEAD CS GR5 PL	4
16	044036	3/8-16 KEPS HEX NUT PL	4
17	680878	1 3/4 CAPLUG	1
18	047015	3/8 FLAT WASHER PL	2
19	102361	ADJUSTABLE LEVER PUSH BUTTON	2
20	100104P	BRACKET LIGHT BAR SEC7	2
21	044045	1/2-13 HEX NUT PL	2
22	103907	LANYARD LOAD RATED (SRS MODELS ONLY)	10
23	045085	3/8-16 U BOLT (SRS MODELS ONLY)	2
24	046050	5/16-18 X 1 HEX HEAD CS GR5 PL	6
25	044033	5/16-18 NYLOCK HEX NUT PL	6
26	104979	CLEARANCE SPACER NYLON UNTHREADED	4
27	046010	1/4-20 X 3/4 HEX HEAD CS GR5 SS	4
28	044021	1/4-20 KEPS HEX NUT PL	4

**NYCOIL CORD VERTICAL TOWER (1 OF 2)**

SN 0001ML2V13 and Up



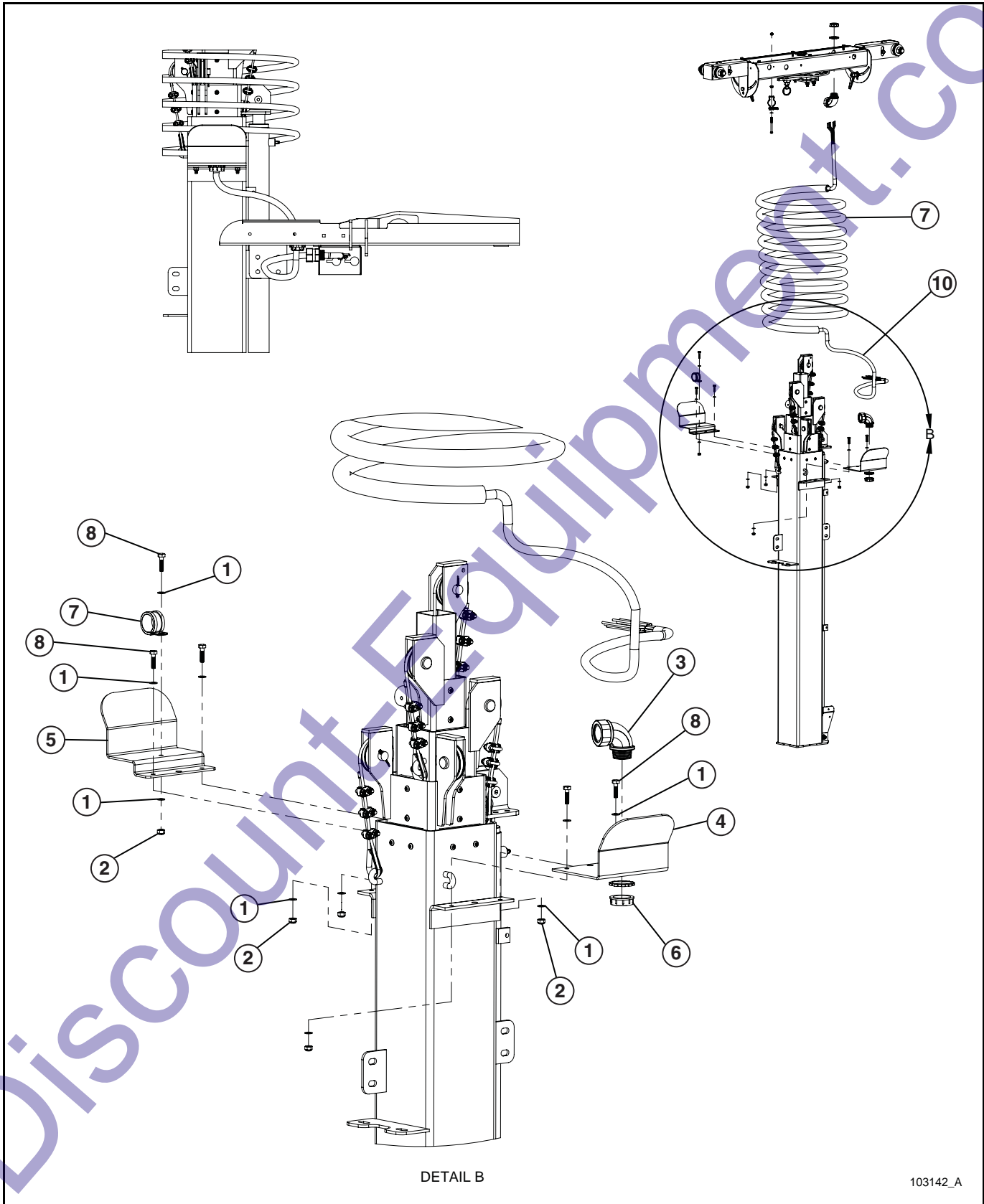
**NYCOIL CORD VERTICAL TOWER (1 OF 2)**

SN 0001ML2V13 and Up

Item	Part No.	Part Description	Qty.
1	100474	1" CONDUIT CLAMP	1
2	046037	1/4-20 x 2 3/4 HEX HEAD CS GR5 PL	1
3	047009	1/4 FLAT WASHER SAE SS	11
4	044021	1/4-20 KEPS HEX NUT PL	1
5	044023	1/4-20 NYLOCK HEX NUT PL	6
6	102979	90° ELBOW CORD GRIP	2
7	101672	1" INSULATING BUSHING	2
8	103390	HOSE SELF STORING	1
9	103289	16/8 S00W CORD VERTICAL TOWER	1

NYCOIL CORD VERTICAL TOWER (2 OF 2)

SN 0001ML2V13 and Up



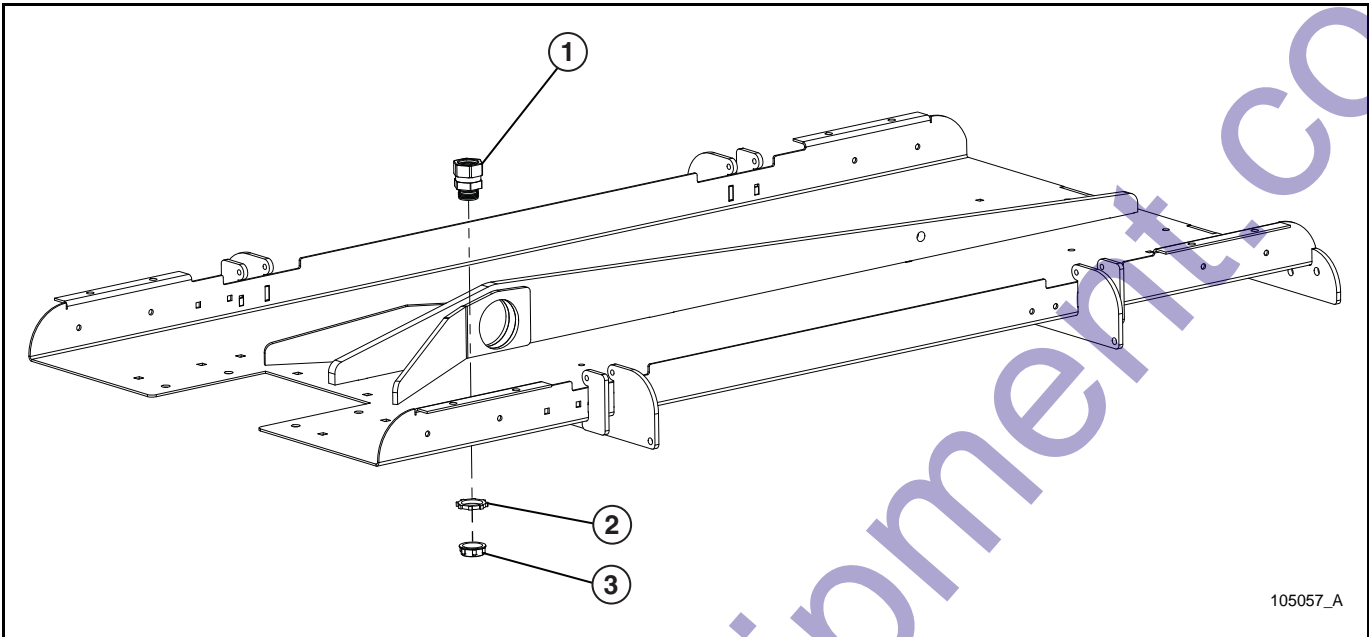
**NYCOIL CORD VERTICAL TOWER (2 OF 2)**

SN 0001ML2V13 and Up

Item	Part No.	Part Description	Qty.
1	047009	1/4 FLAT WASHER SAE SS	11
2	044023	1/4-20 NYLOCK HEX NUT PL	6
3	102979	90° elbow CORD GRIP	2
4	102977P	VT 2.0 CORD GRIP BRACKET	1
5	102978P	VT2 NYCOIL CLAMP PLATE	1
6	101672	1" INSULATING BUSHING	2
7	920366	#16 CUSH CLAMP W/ 3/8 HOLE	1
8	046015	1/4-20 X 1 HEX HEAD CS GR5 PL	5
9	103390	HOSE SELF STORING	1
10	103289	16/8 S00W CORD VERTICAL TOWER	1

**STRINGER CORD GRIP**

SN 0001ML2V13 and Up



105057\_A

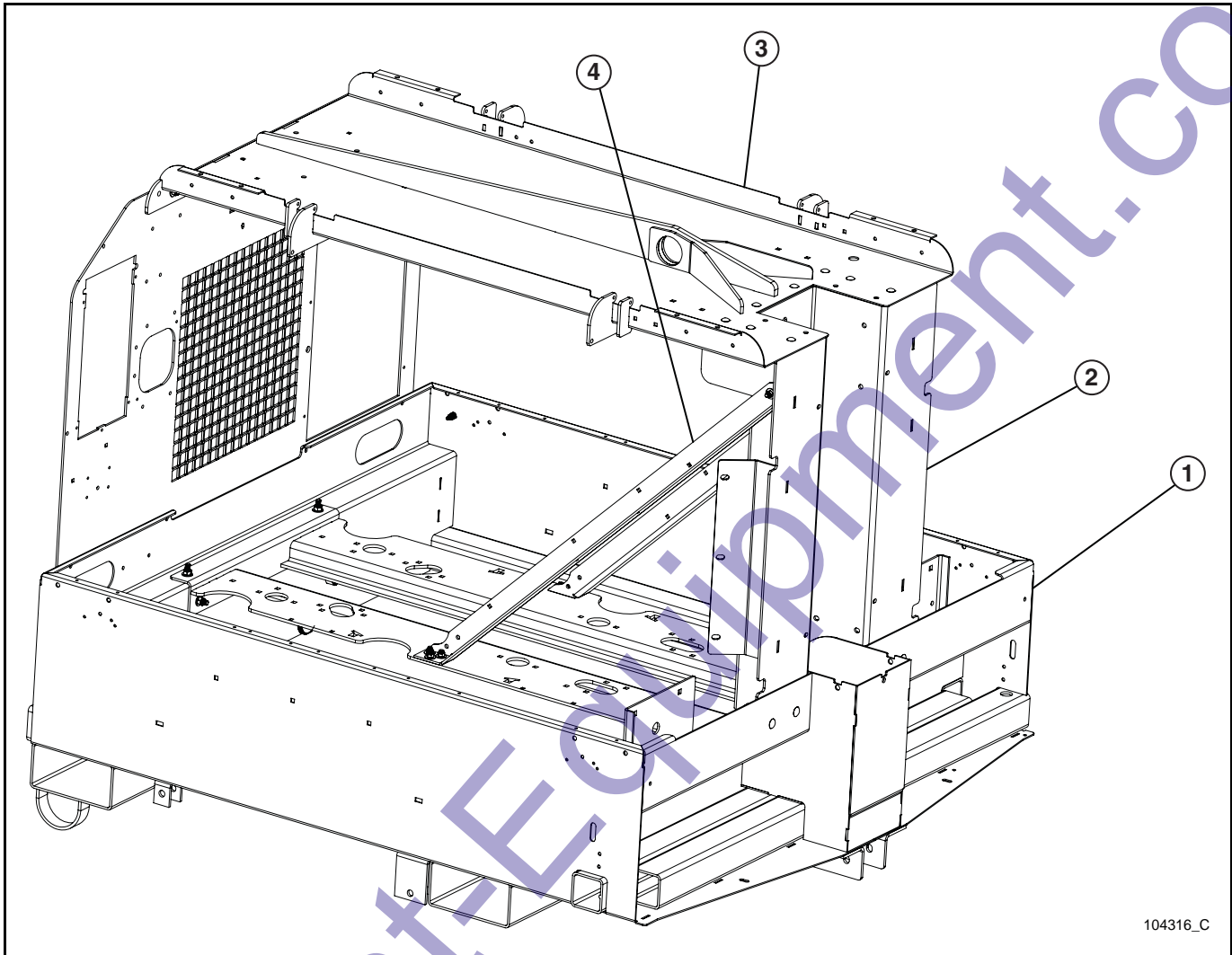
Item	Part No.	Part Description	Qty.
1	105048	3/4 CORD GRIP – 14/7-16/8 CORD	1
2	022036	3/4 CORD GRIP NUT	1
3	022175	3/4 INSULATING BUSHING	1

**This Page Intentionally Left Blank**

Discount-Equipment.com

**BASIC CHASSIS (1 OF 4)**

SN 0001ML2V13 and Up

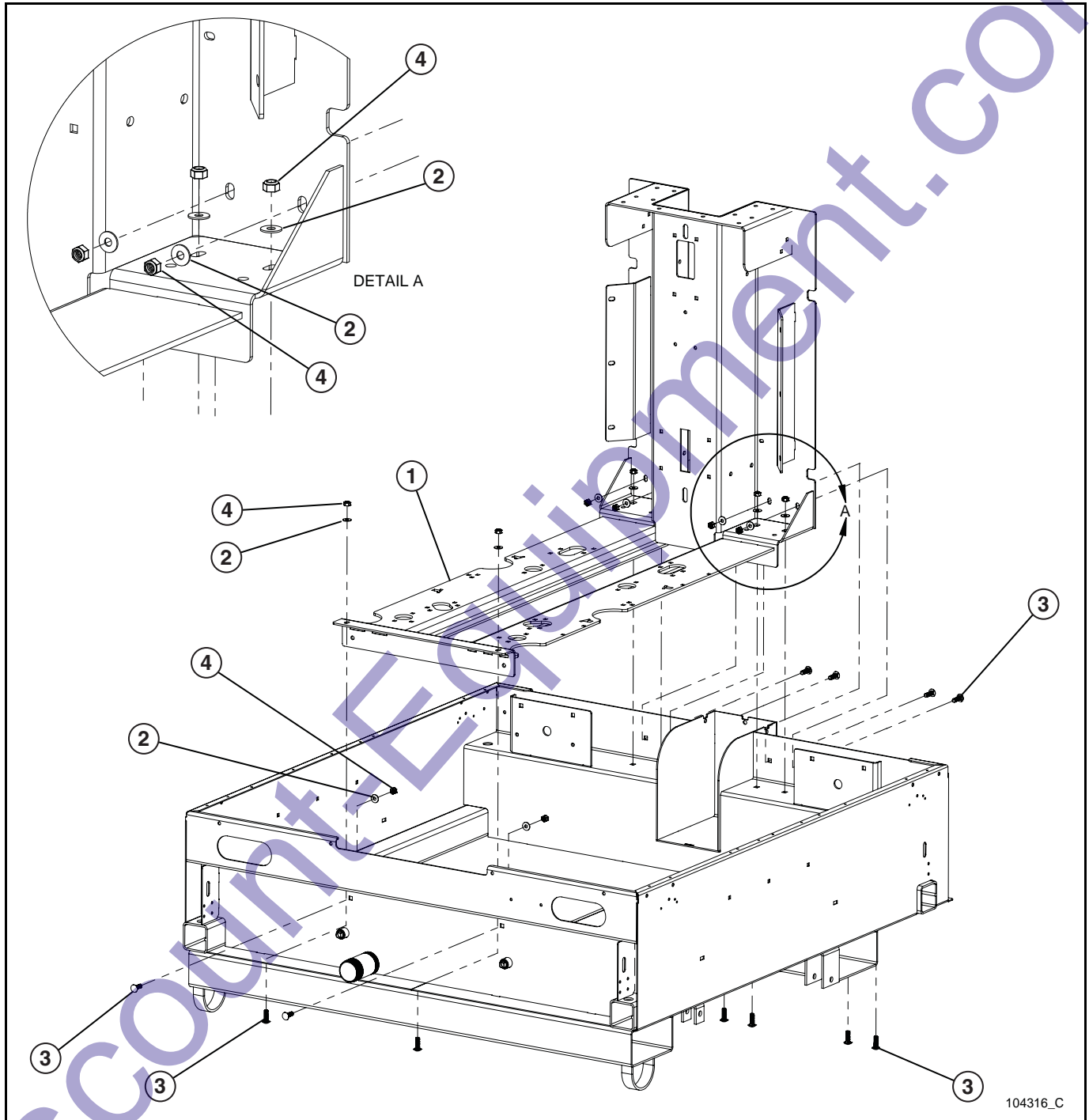


Item	Part No.	Part Description	Qty.
1	104272P	FRAME, MAXI 2011	1
2	104400P	ENGINE CRADLE MAXI II	1
3	104291P	STRINGER WELDMENT MAXI II	1
4	104391P	ANGLE BRACE ENGINE CRADLE	2



### BASIC CHASSIS (2 OF 4)

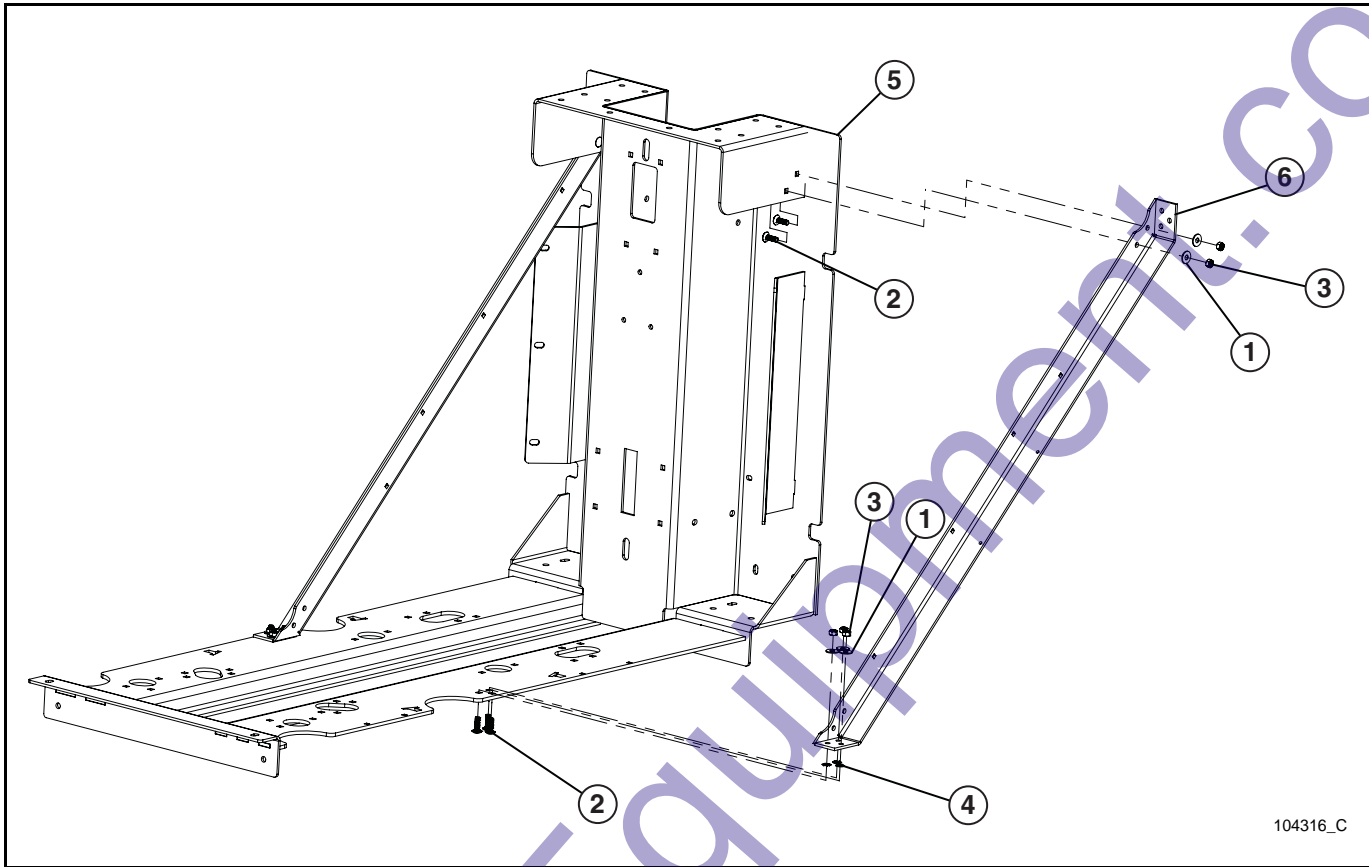
SN 0001ML2V13 and Up



Item	Part No.	Part Description	Qty.
1	104400P	ENGINE CRADLE MAXI II	1
2	047010	5/16 FLAT WASHER PL	12
3	100670	3/8-16 X 1 1/4 CARRIAGE BOLT	12
4	044038	3/8-16 NYLOCK HEX NUT PL	12

## BASIC CHASSIS (3 OF 4)

SN 0001ML2V13 and Up

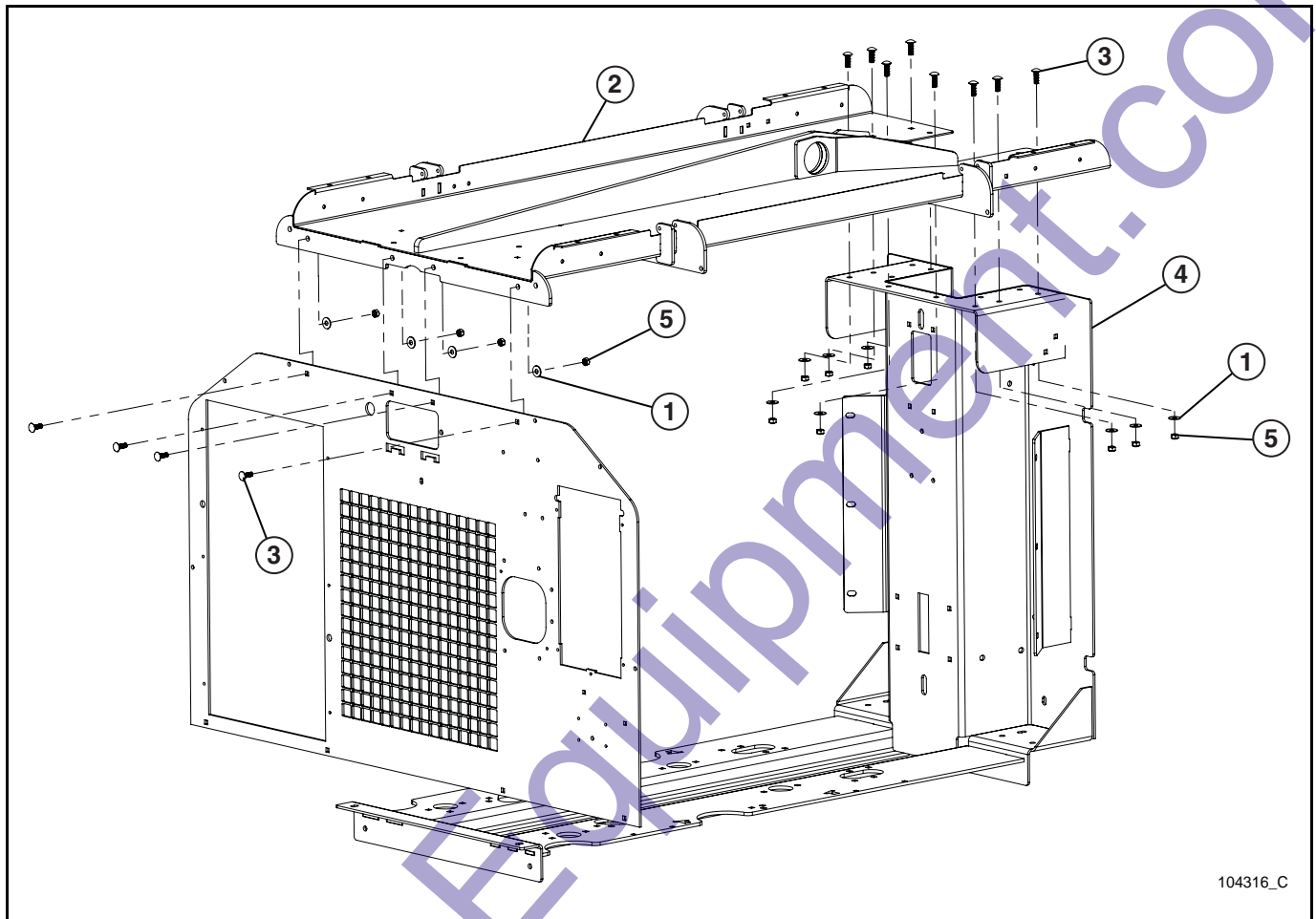


104316\_C

Item	Part No.	Part Description	Qty.
1	047010	5/16 FLAT WASHER PL	10
2	053020	5/16-18 X 1 CARRIAGE BOLT PL	10
3	044033	5/16-18 NYLOCK HEX NUT PL	10
4	045217	5/16 PUSH NUT	6
5	104400P	ENGINE CRADLE MAXI II	1
6	104391P	ANGLE BRACE ENGINE CRADLE	2

### BASIC CHASSIS (4 OF 4)

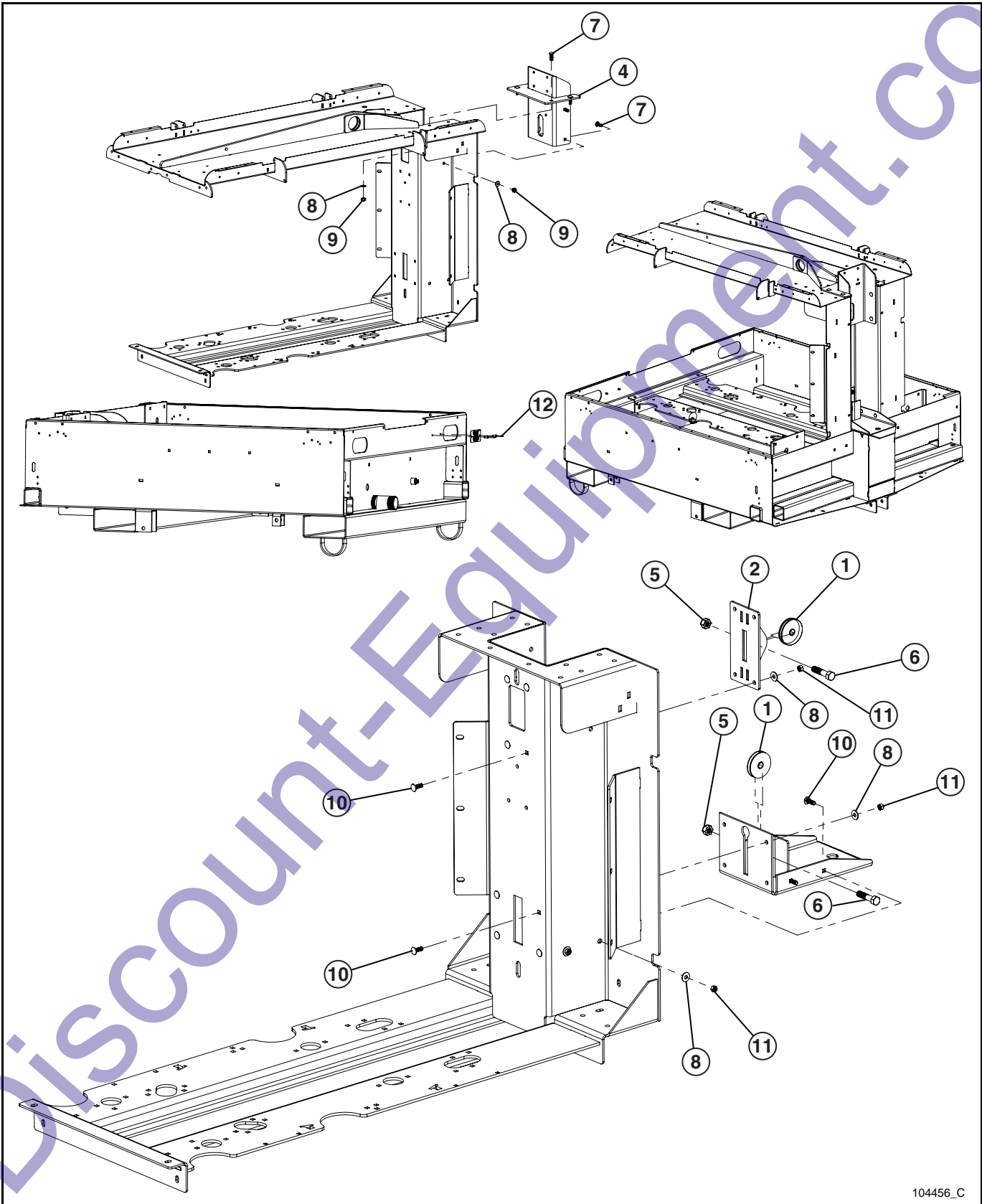
SN 0001ML2V13 and Up



Item	Part No.	Part Description	Qty.
1	047010	5/16 FLAT WASHER PL	12
2	104291P	STRINGER WELDMENT MAXI II	1
3	053020	5/16-18 X 1 CARRIAGE BOLT PL	12
4	104400P	ENGINE CRADLE MAXI II	1
5	044033	5/16-18 NYLOCK HEX NUT PL	12

LAYDOWN TOWER COMPONENTS

SN 0001ML2V13 and Up



104456\_C

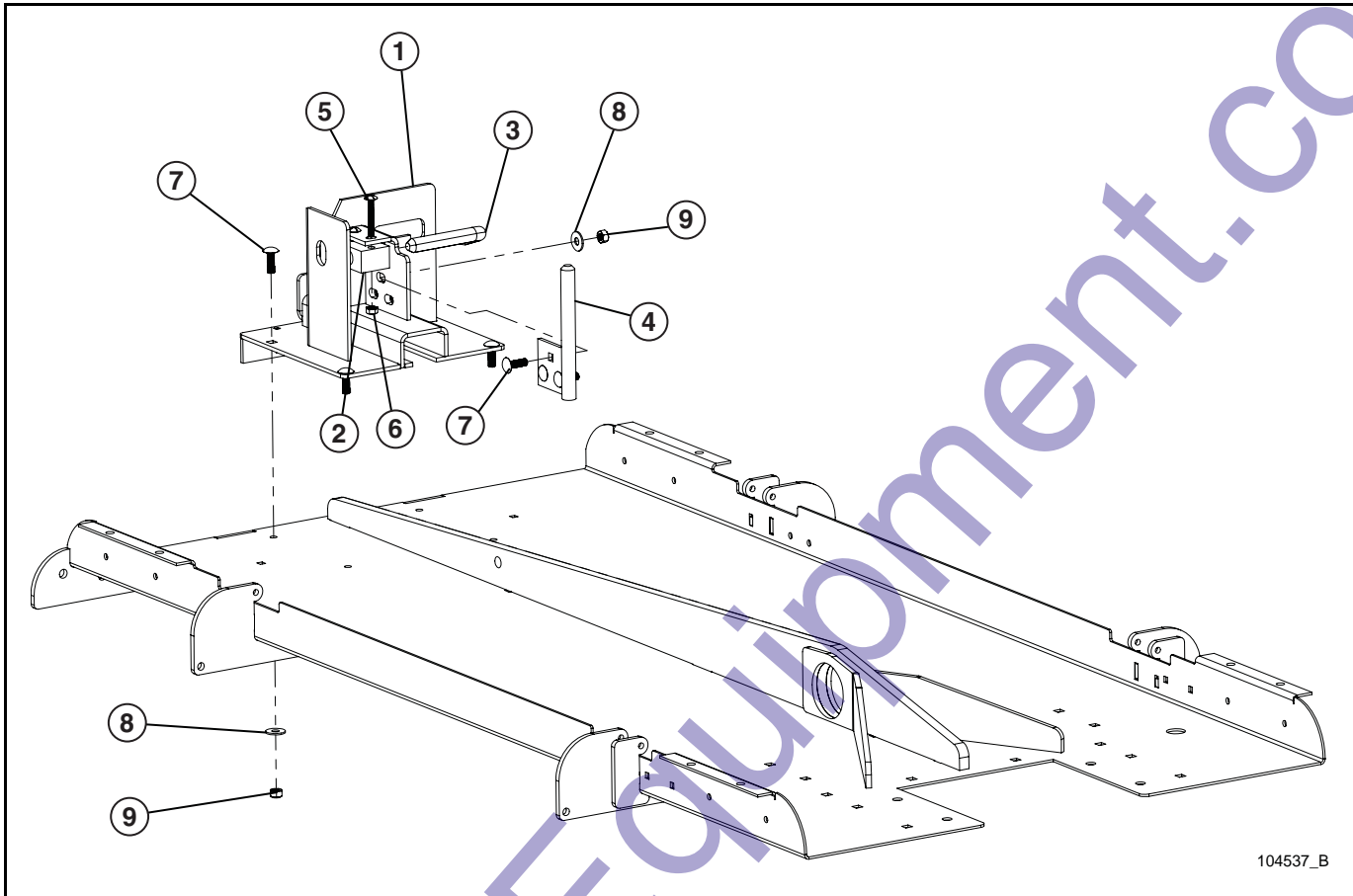
**LAYDOWN TOWER COMPONENTS**

SN 0001ML2V13 and Up

Item	Part No.	Part Description	Qty.
1	320112	2-1/2 PULLEY W/ BUSHING	2
2	104322P	PULLEY BRACKET TOP PULLEY MAXI II	1
3	104328	WELDMENT LOCK LAYDOWN TOWER	1
4	104325	PIVOT PLATE LAYDOWN TOWER MAXI II	1
5	044048	1/2-13 NYLOCK HEX NUT PL	2
6	046200	1/2-13 X 2 1/4 HEX HEAD CS GR5 PL	2
7	100670	3/8-16 X 1 1/4 CARRIAGE BOLT	8
8	047010	5/16 FLAT WASHER PL	20
9	044038	3/8-16 NYLOCK HEX NUT PL	8
10	053020	5/16-18 X 1 CARRIAGE BOLT PL	12
11	044033	5/16-18 NYLOCK HEX NUT PL	12
12	045118	1/4 X 1/2 RIVET	2

**LAYDOWN TOWER STANDARD TOWER SUPPORT**

SN 0001ML2V13 and Up

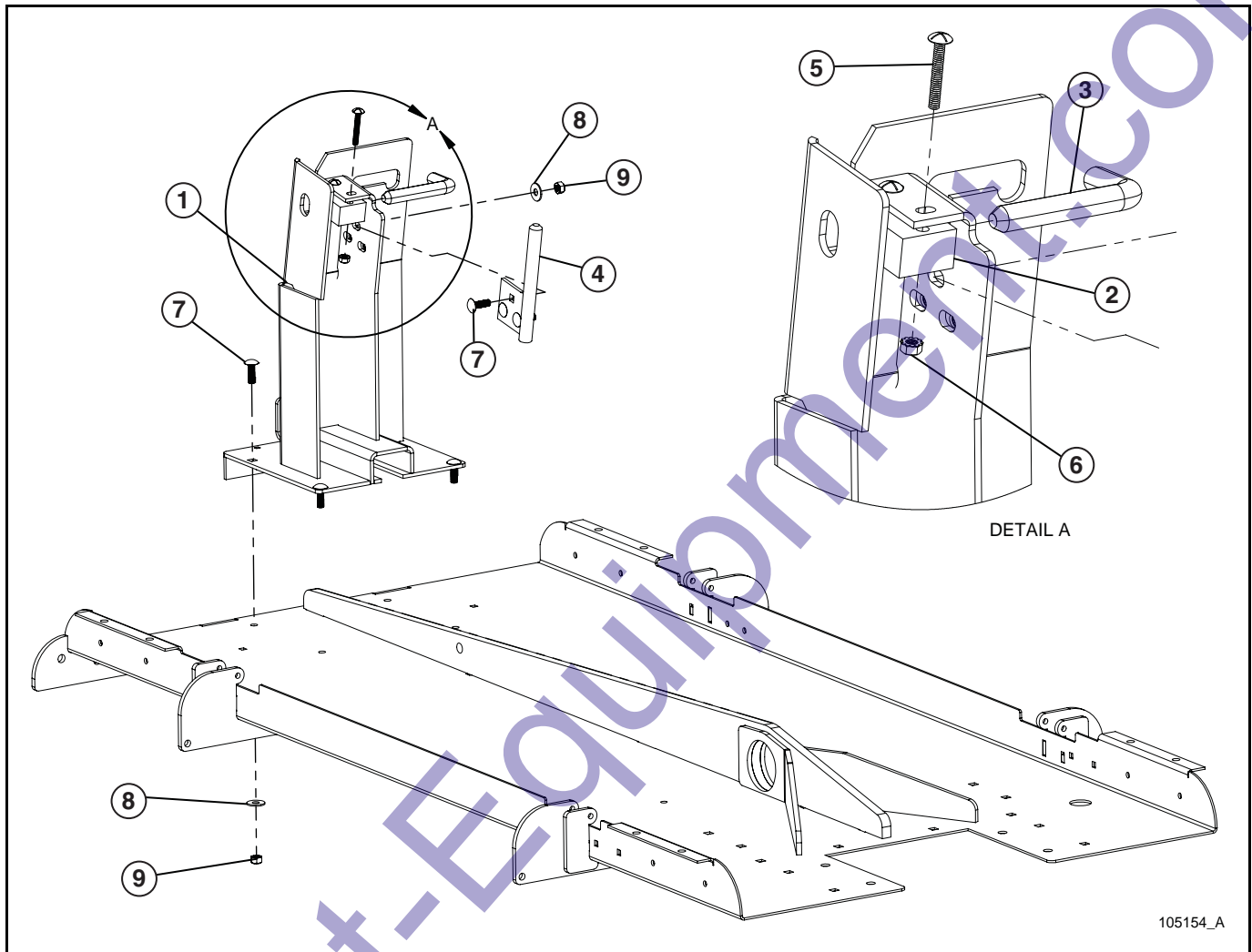


104537\_B

Item	Part No.	Part Description	Qty.
1	104343	REAR SUPPORT LAYDOWN TOWER	1
2	330430	GUIDE BLOCK OUTRIGGER	1
3	330455	OUTRIGGER PIN MANUFACTURED	1
4	104335	PIN TOWER SUPPORT	1
5	041053	1/4-20 x 1 3/4 PH-TRUSS HEAD MS SS	2
6	044021	1/4-20 KEPS HEX NUT PL	2
7	053020	5/16-18 X 1 CARRIAGE BOLT PL	7
8	047010	5/16 FLAT WASHER PL	7
9	044033	5/16-18 NYLOCK HEX NUT PL	7

### LAYDOWN TOWER EXTENDED TOWER SUPPORT

SN 0001ML2V13 and Up

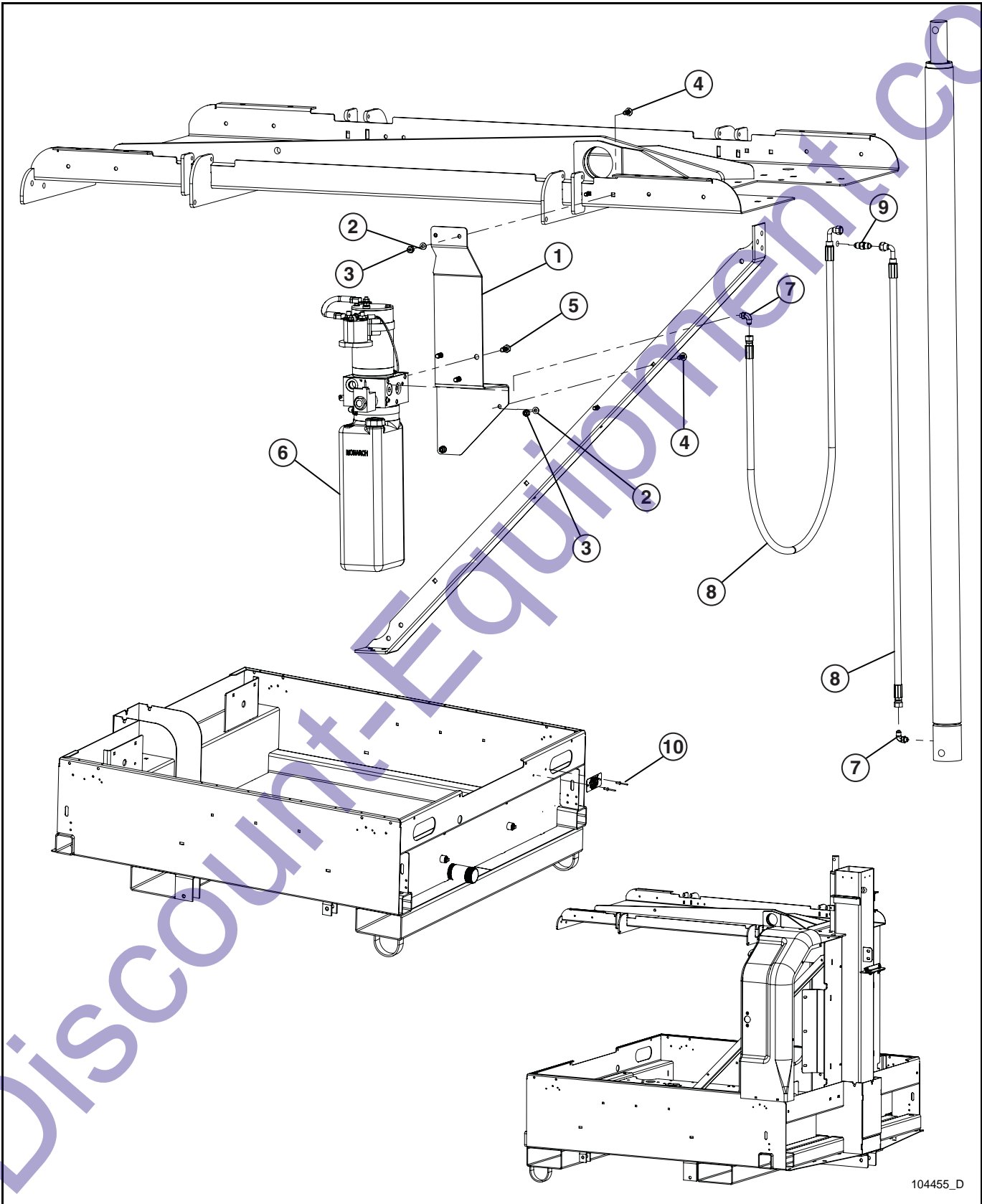


105154\_A

Item	Part No.	Part Description	Qty.
1	105151P	EXT. REAR SUPPORT LAYDOWN TOWER	1
2	330430	GUIDE BLOCK OUTRIGGER	1
3	330455	OUTRIGGER PIN MANUFACTURED	1
4	104335P	PIN TOWER SUPPORT	1
5	041053	1/4-20 x 1 3/4 PH-TRUSS HEAD MS SS	2
6	044021	1/4-20 KEPS HEX NUT PL	2
7	053020	5/16-18 X 1 CARRIAGE BOLT PL	7
8	047010	5/16 FLAT WASHER PL	7
9	044033	5/16-18 NYLOCK HEX NUT PL	7

VERTICAL TOWER COMPONENTS (1 OF 2)

SN 0001ML2V13 and Up



104455\_D



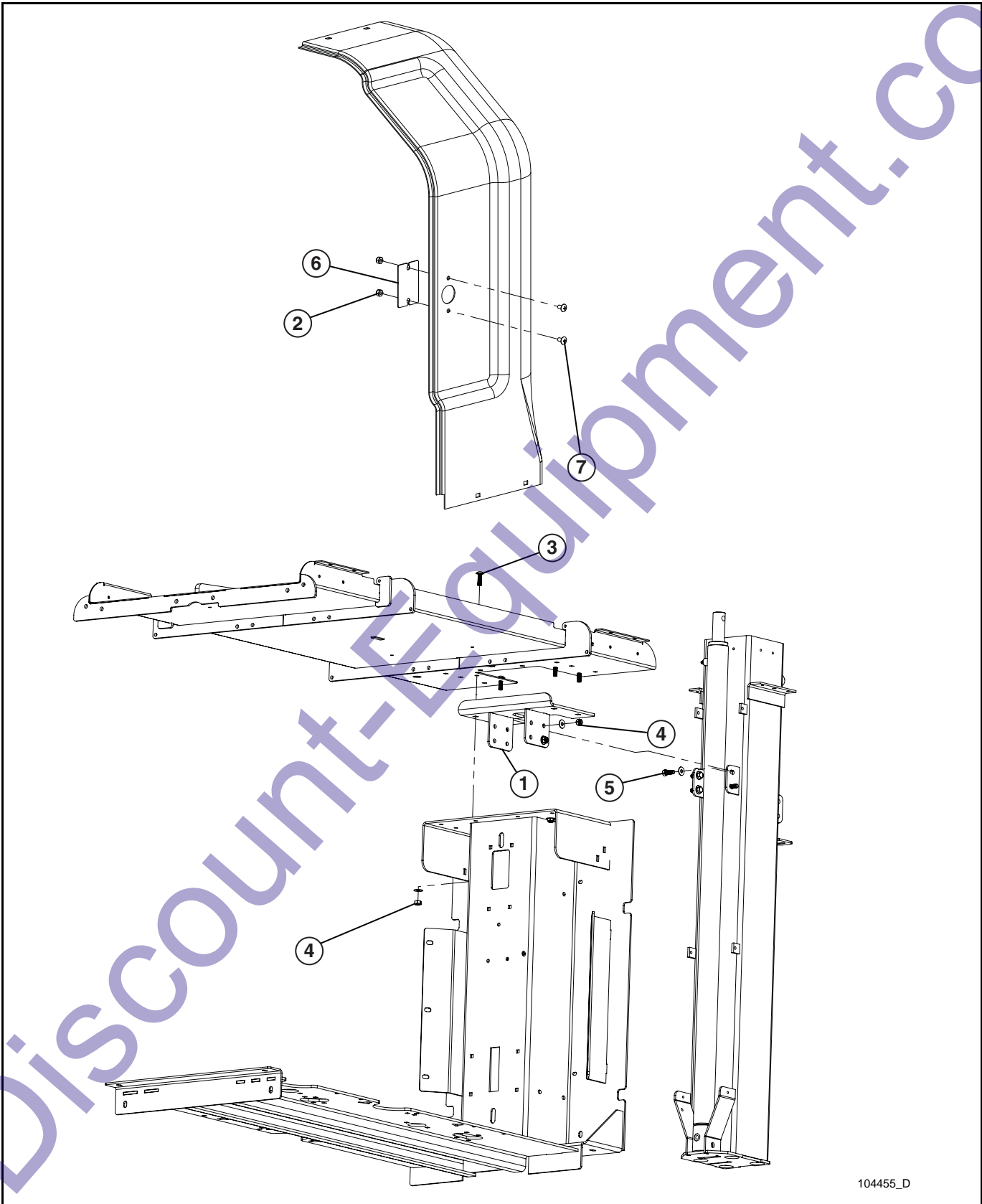
### VERTICAL TOWER COMPONENTS (1 OF 2)

SN 0001ML2V13 and Up

Item	Part No.	Part Description	Qty.
1	104308P	BRACKET MOUNT VERTICAL PUMP	1
2	047009	1/4 FLAT WASHER SAE SS	6
3	044023	1/4-20 NYLOCK HEX NUT PL	8
4	053006	1/4-20 X 3/4 CARRIAGE BOLT	4
5	046045	5/16-18 X 3/4 HEX HEAD CS GR5 PL	3
6	104358	POWER UNIT VERTICIAL TOWER	1
7	920676	4MBO-4FJX 90° HYDRAULIC FITTING	2
8	101356	HYDRAULIC HOSE 4FJX - 4FJX90S -	2
9	104461	FITTING HYD 4X4 JIC STRAIGHT	1
10	045118	1/4 X 1/2 RIVET	2

**VERTICAL TOWER COMPONENTS (2 OF 2)**

SN 0001ML2V13 and Up



104455\_D

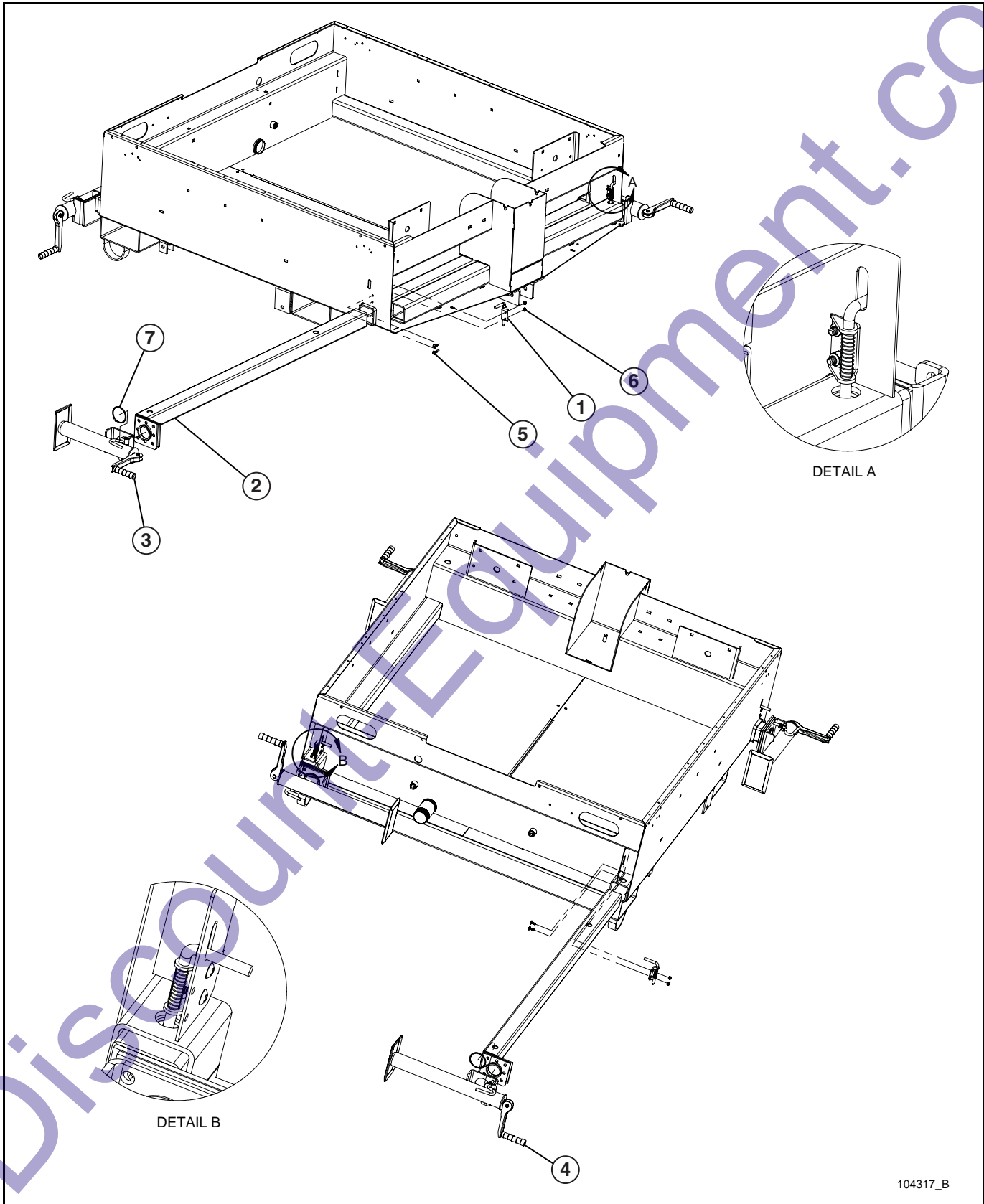
**VERTICAL TOWER COMPONENTS (2 OF 2)**

SN 0001ML2V13 and Up

Item	Part No.	Part Description	Qty.
1	104301P	MOUNT WELDMENT VERTICAL TOWER	1
2	044023	1/4-20 NYLOCK HEX NUT PL	8
3	100670	3/8-16 X 1 1/4 CARRIAGE BOLT	4
4	044038	3/8-16 NYLOCK HEX NUT PL	8
5	046110	3/8-16 X 1 HEX HEAD CS GR5 PL	4
6	680329P	COVER PLATE WINCH HANDLE	1
7	041078	1/4-20 X 1/2 PH-TRUSS HEAD MS SS	2

**OUTRIGGER AND JACK**

SN 0001ML2V13 and Up



104317\_B

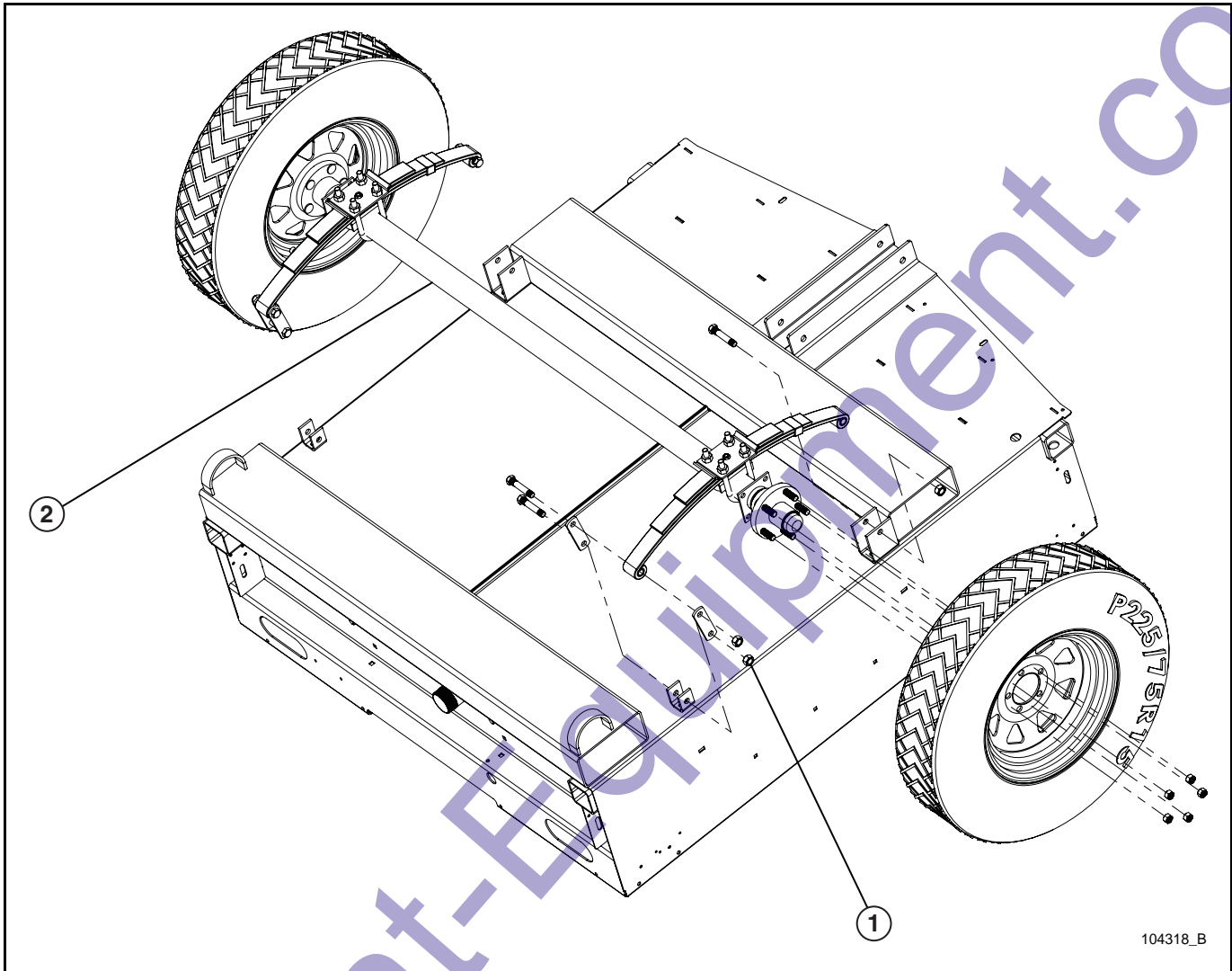
**OUTRIGGER AND JACK**

SN 0001ML2V13 and Up

Item	Part No.	Part Description	Qty.
1	650723	PIN OUTRIGGER RETENTION RIGHT	4
2	104273	OUTRIGGER WELDMENT MAXI II	4
3	330008	SHORT TOP CRANK JACK	2
4	330010	LONG JACK	2
5	041050	SCREW MS 1/4-20 X 3/4 TRUSS PHILLIPS HD SS	8
6	044023	1/4-20 NYLOCK HEX NUT PL	8
7	330014	2 5/6 XT JACK SNAP RING	4

**AXLE**

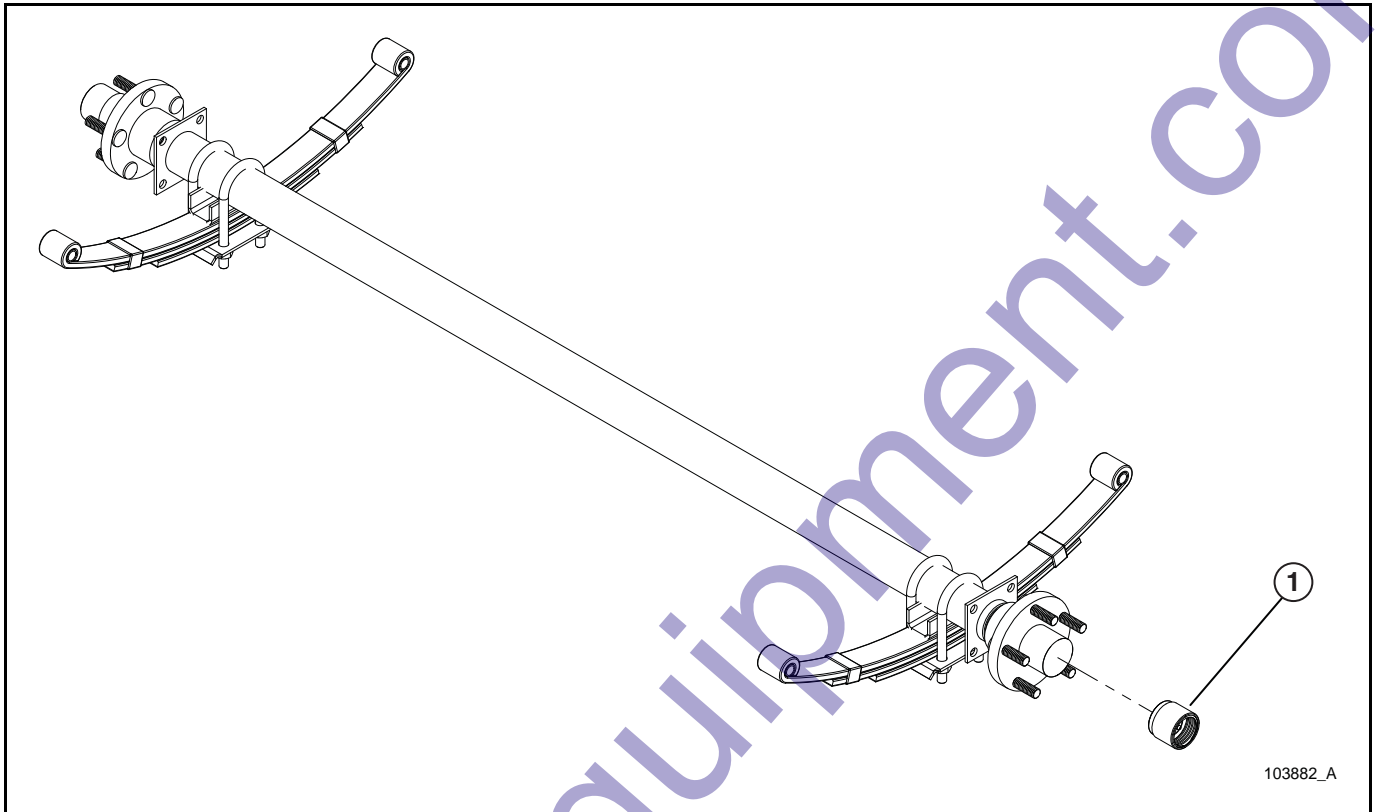
SN 0001ML2V13 and Up



Item	Part No.	Part Description	Qty.
1	102106	AXLE HARDWARE KIT LONG	1
2	103639	AXLE 3700 LBS 67 3/8" / 54"	1
	103640	AXLE 3700 LBS W/ELECTRIC BRAKE	1

### AXLE BEARING GREASE FITTING

SN 0001ML2V13 and Up



Item	Part No.	Part Description	Qty.
1	103952	BEARING BUDDY HUB COVER	2

**TIRE AND RIM ASSEMBLY**

SN 0001ML2V13 and Up

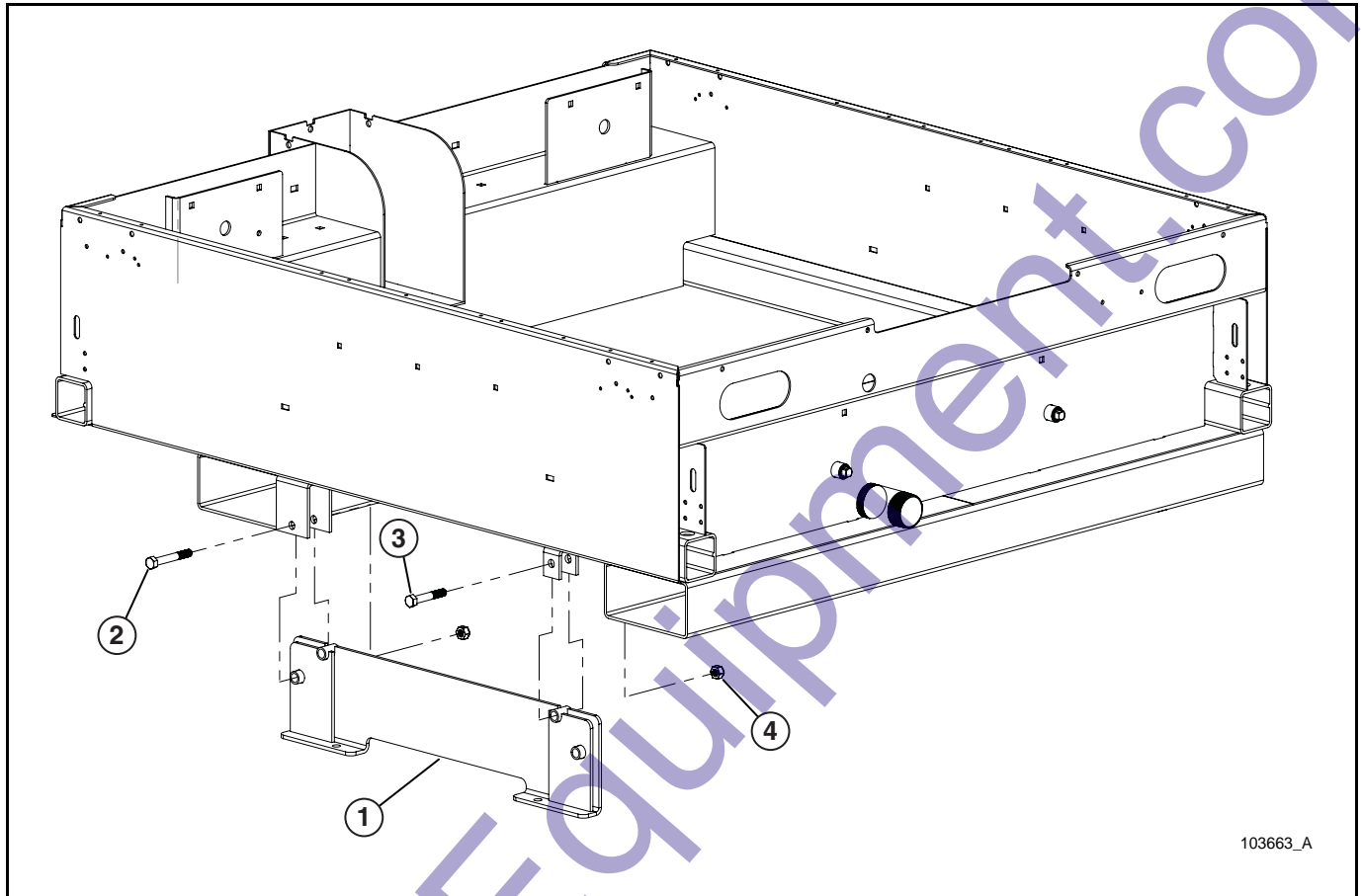


Item	Part No.	Part Description	Qty.



### SKID MOUNT

SN 0001ML2V13 and Up

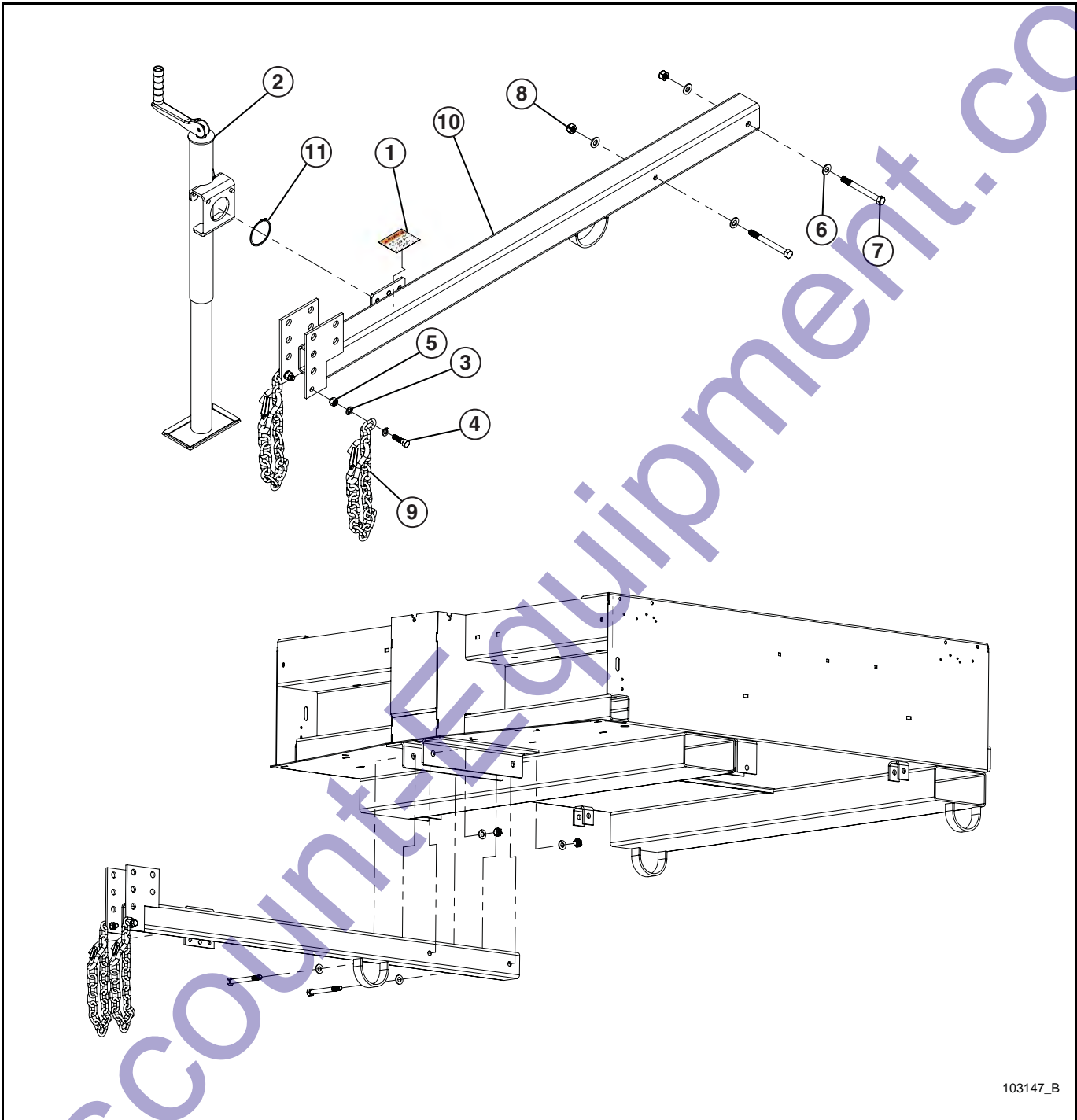


103663\_A

Item	Part No.	Part Description	Qty.
1	105223P	MOUNT SKID MOUNT MAXI II	2
2	046215	1/2-13 X 3 1/2 HEX HEAD CS	2
3	046210	1/2-13 X 3 HEX HEAD CS GR5 PL	2
4	044048	1/2-13 NYLOCK HEX NUT PL	4

**TONGUE REMOVABLE**

SN 0001ML2V13 and Up



103147\_B

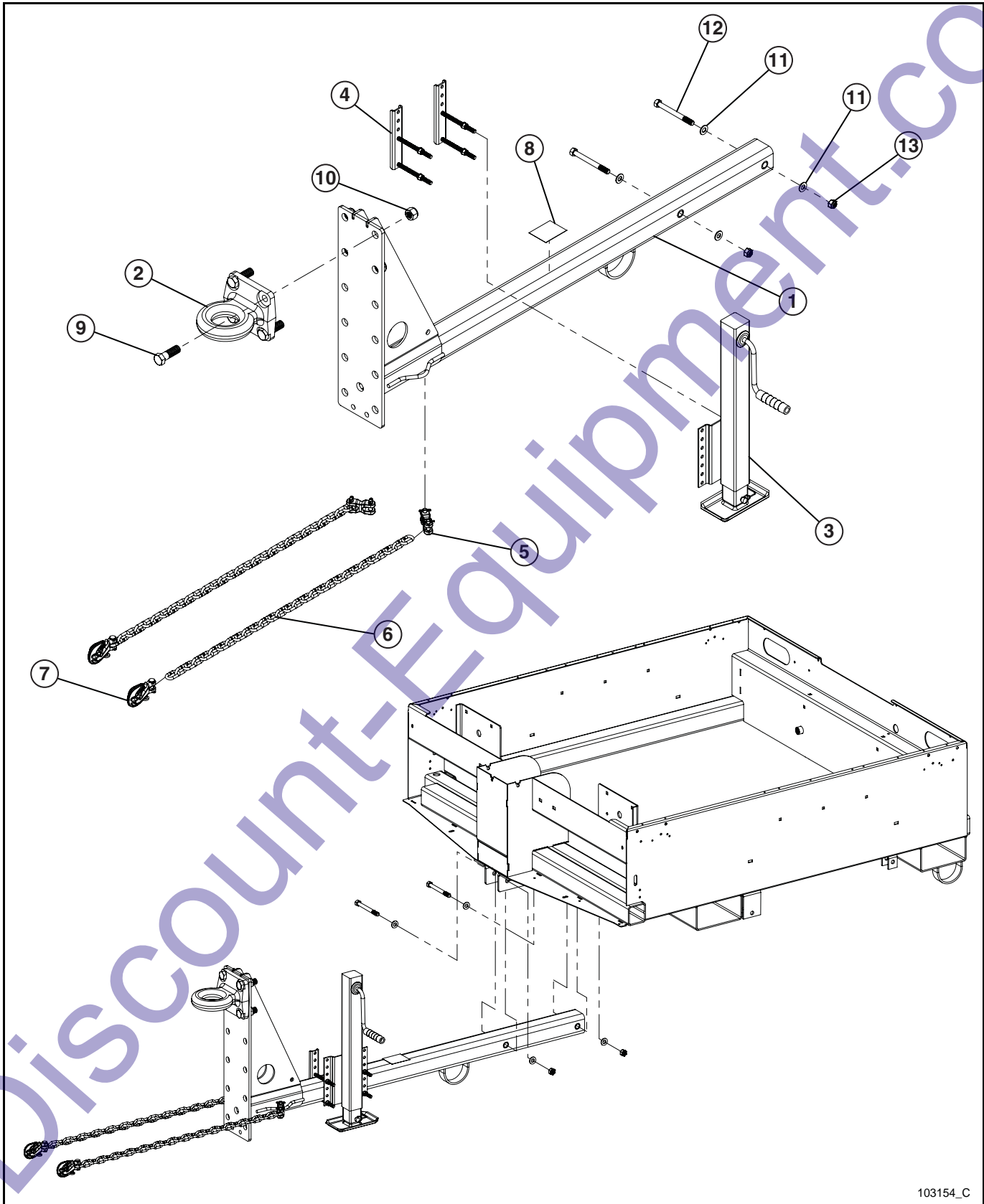
### TONGUE REMOVABLE

SN 0001ML2V13 and Up

Item	Part No.	Part Description	Qty.
1	090160	EXCESS TOWING WARNING DECAL	1
2	102089	TOP CRANK JACK SNAP RING	1
3	047075	7/16 FLAT WASHER SAE ZC	4
4	046160	7/16-14 X 1 1/2 HEX HEAD CS GR5 PL	2
5	044043	7/16-14 NYLOCK HEX NUT PL	2
6	047025	1/2 FLAT WASHER PL	4
7	046230	1/2-13 X 5 HEX HEAD CS GR5 PL	2
8	044048	1/2-13 NYLOCK HEX NUT PL	2
9	049040	SAFETY CHAIN	2
10	650398P	TONGUE W/ SNAP RING MOUNT	1
	102864P	TONGUE AS/NZL 3000	1
11	330014	2 5/6 XT JACK SNAP RING	1

**TONGUE, ADJUSTABLE DROP LEG JACK**

SN 0001ML2V13 and Up



103154\_C

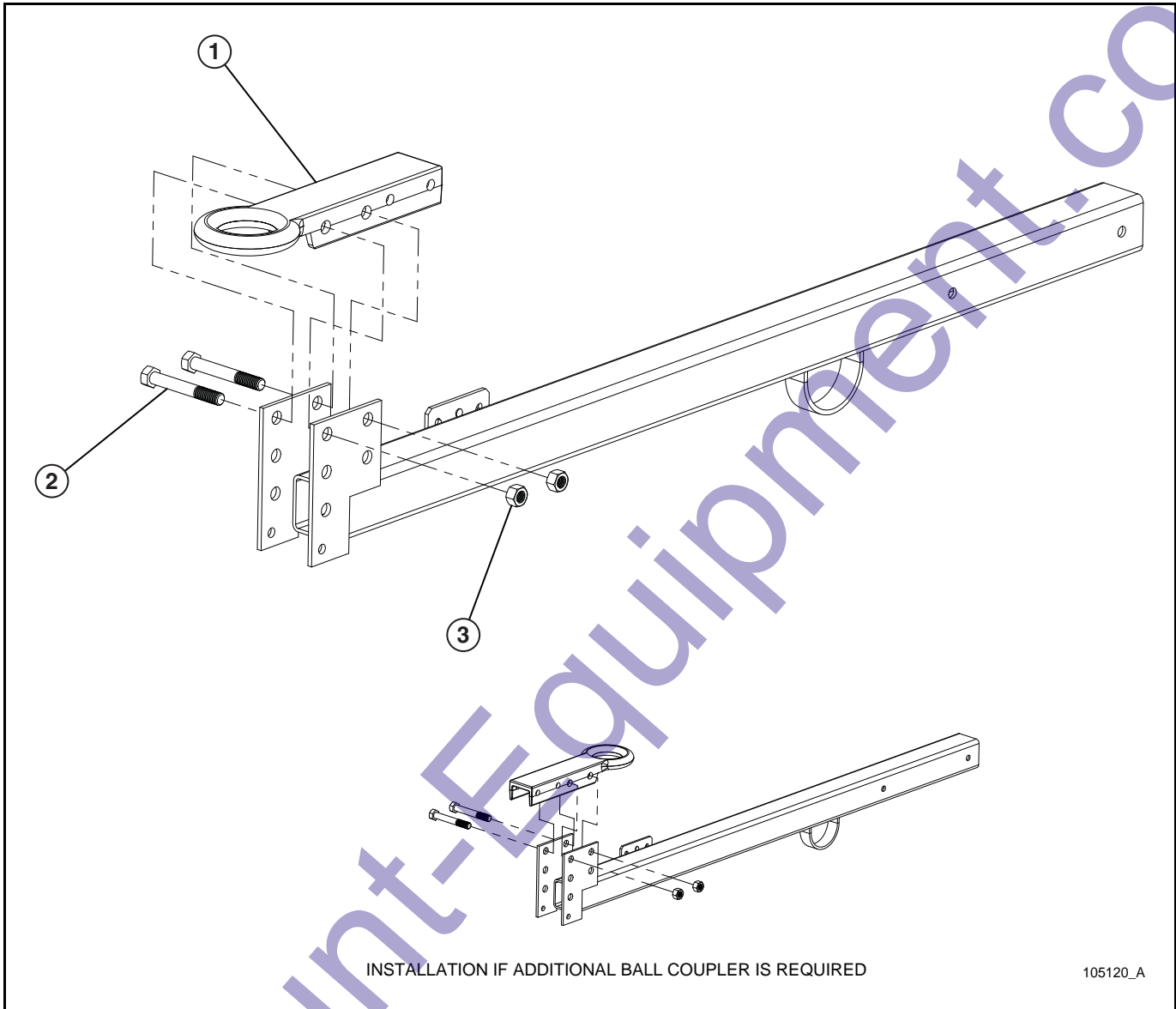
**TONGUE, ADJUSTABLE DROP LEG JACK**

SN 0001ML2V13 and Up

Item	Part No.	Part Description	Qty.
1	102669P	ADJUSTABLE TONGUE 5 POSITION	1
2	102661	3 INCH ID PINTLE DROP FORGED STEEL	1
3	103893	SIDE CRANK JACK TONGUE MOUNT	1
4	103894	HARDWARE KIT DROP LEG JACK	1
5	103891	DOUBLE CLEVIS 4,700 LB CHAIN ANCHOR	2
6	103912	36 INCH CHAIN 5/16 GRADE 70	2
7	103902	CLEVIS GRAB HOOK W/ SAFETY PIN	2
8	090160	EXCESS TOWING WARNING DECAL	1
9	046263	3/4-10 x 2 1/2 HEX HEAD CS GR 5 PL	4
10	044058	3/4-10 NYLON INSERT PLATED HEX NUT	4
11	047025	1/2 FLAT WASHER PL	4
12	046230	1/2-13 X 5 HEX HEAD CS GR5 PL	2
13	044048	1/2-13 NYLOCK HEX NUT PL	2

**PINTLE**

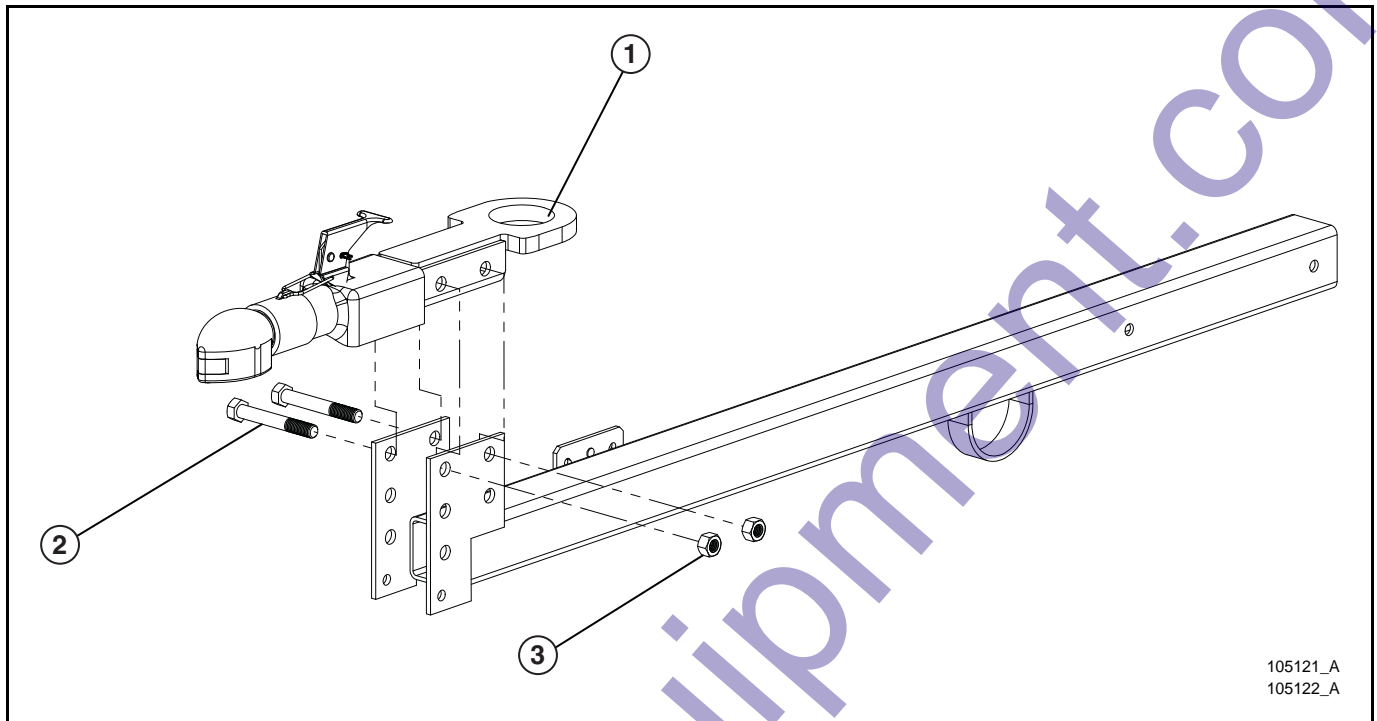
SN 0001ML2V13 and Up



Item	Part No.	Part Description	Qty.
1	712540-15	PINTLE HITCH DUCTILE IRON	1
2	046250	5/8-11 X 4 1/2 HEX HEAD CS GR5 PL	2
3	044061	5/8-11 TOPLOCK HEX NUT PL	2

### BULLDOG WITH PINTLE

SN 0001ML2V13 and Up

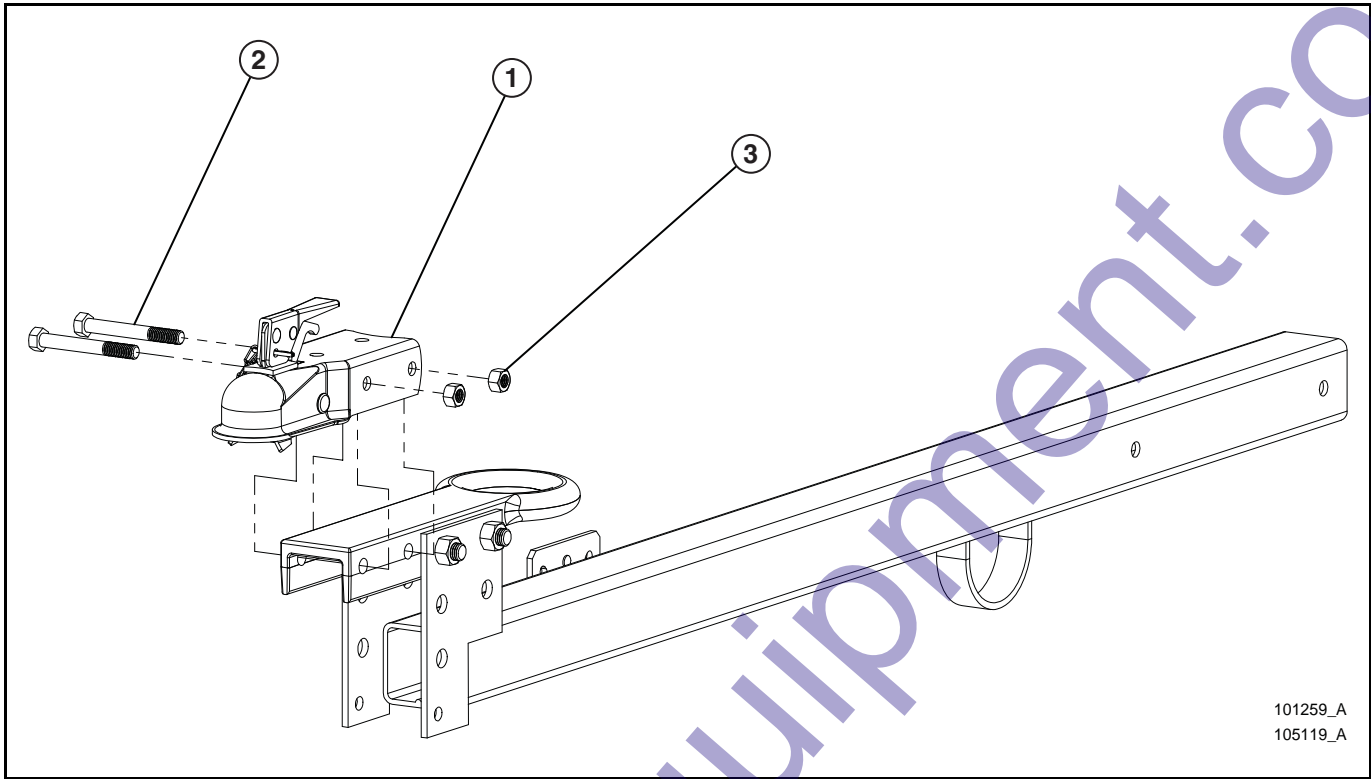


105121\_A  
105122\_A

Item	Part No.	Part Description	Qty.
1	300775P	2" HITCH PINTLE COMBO	1
	680489P	2 5/16 HITCH PINTLE COMBO MAXI LITE	1
2	046250	5/8-11 X 4 1/2 HEX HEAD CS GR5 PL	2
3	044061	5/8-11 TOPLOCK HEX NUT PL	2

**BALL COUPLER**

SN 0001ML2V13 and Up



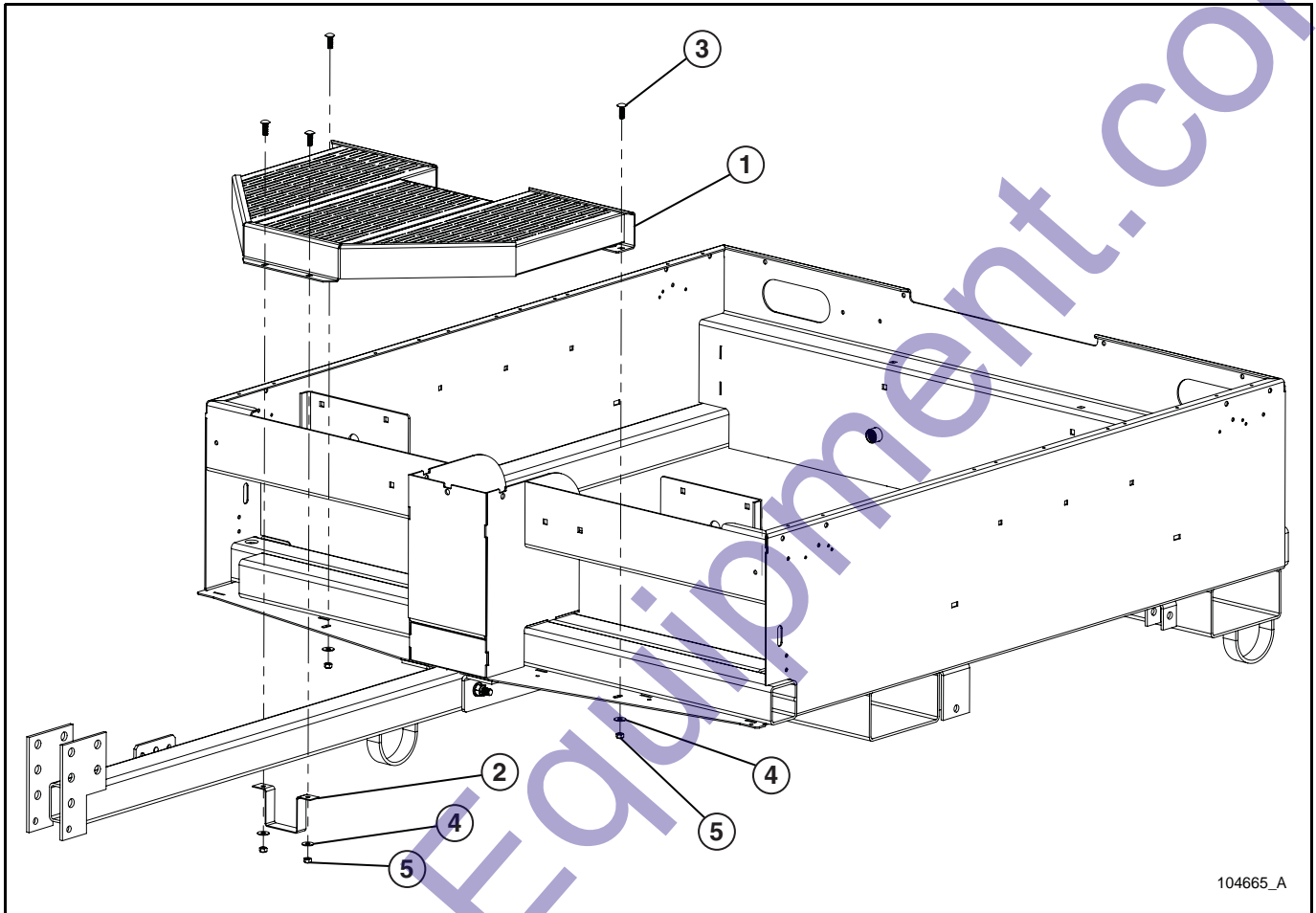
101259\_A  
105119\_A

Item	Part No.	Part Description	Qty.
1	712021	2" BALL SAE CLASS 2 3500 LBS	1
	100794	2" BALL SAE 5000 LB	1
2	046220	1/2-13 X 4 HEX HEAD CS GR5 PL	2
3	044062	1/2-13 TOPLOCK HEX NUT PL	2



### STEP

SN 0001ML2V13 and Up

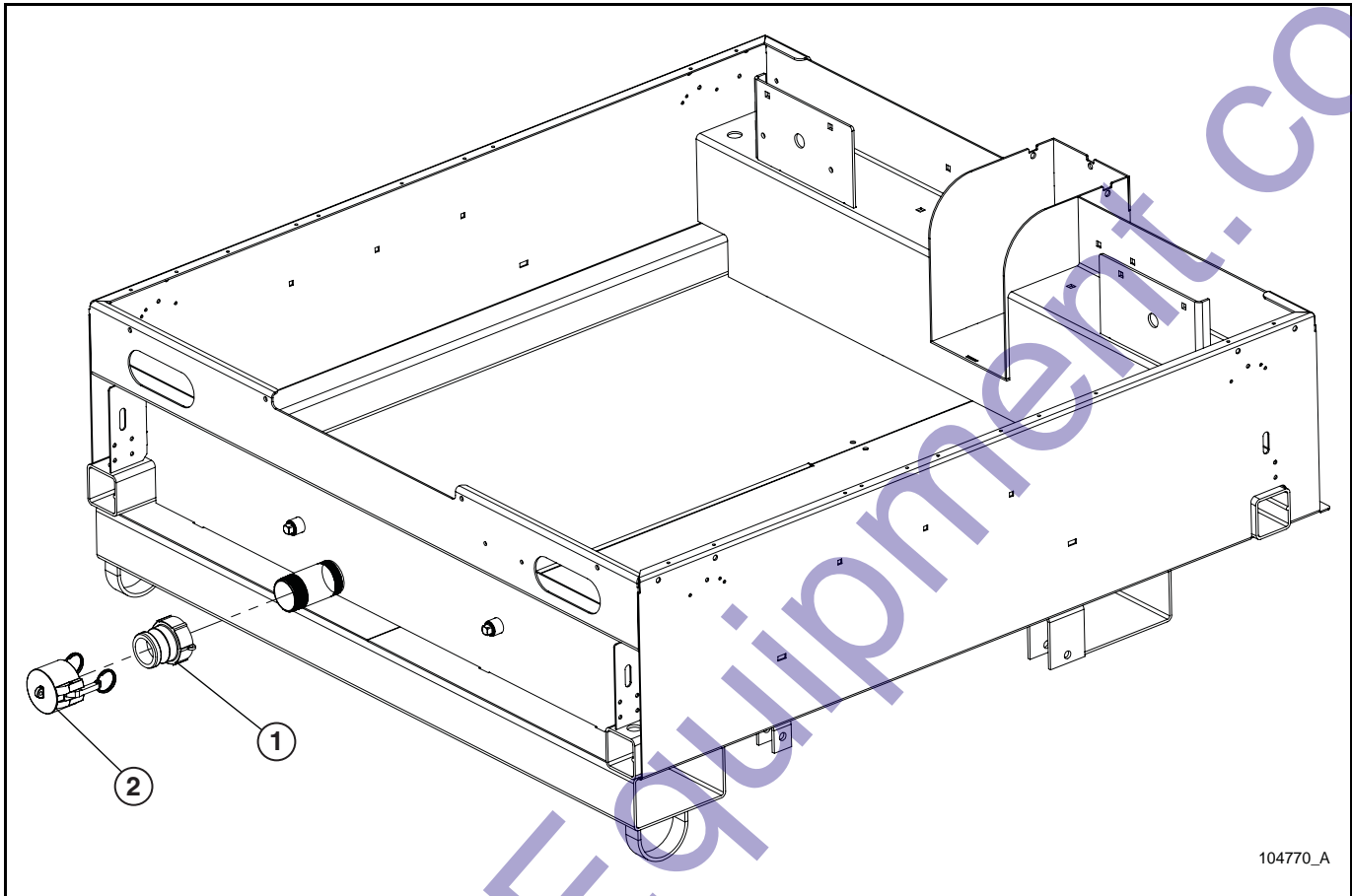


104665\_A

Item	Part No.	Part Description	Qty.
1	104529	PLATFORM GRIP STEP	1
2	104530	TONGUE STRAP GRIP STEP	1
3	053020	5/16-18 X 1 CARRIAGE BOLT PL	4
4	047010	5/16 FLAT WASHER PL	4
5	044033	5/16-18 NYLOCK HEX NUT PL	4

**CONTAINMENT DRAIN**

SN 0001ML2V13 and Up



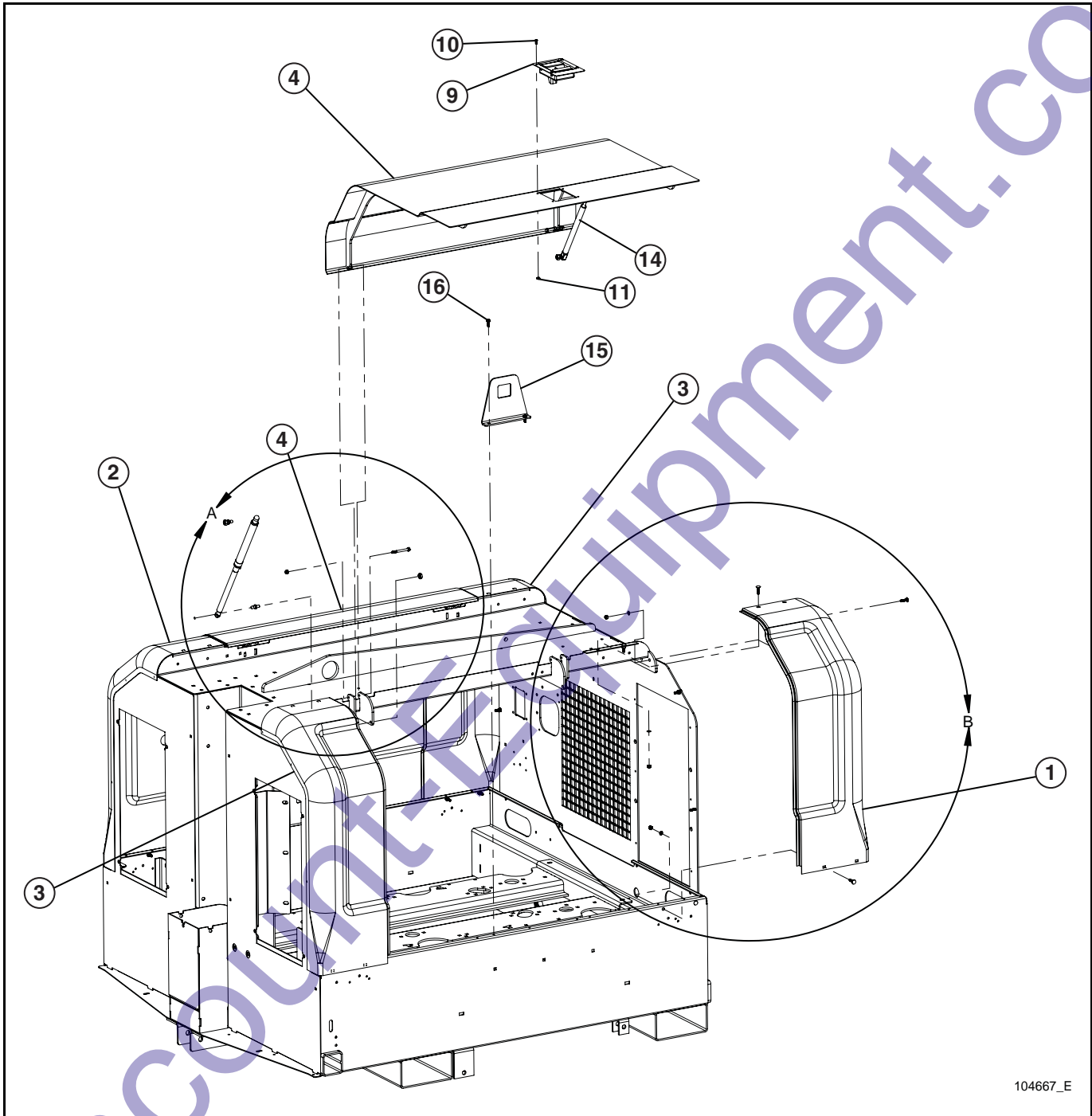
Item	Part No.	Part Description	Qty.
1	104464	PIPE CONNECTION 2 INCH COUPLING	1
2	104463	CAP 2 INCH COUPLING	1

**This Page Intentionally Left Blank**

Discount-Equipment.com

**DOORS AND QUARTER PANELS (1 OF 3)**

SN 0001ML2V13 and Up



104667\_E

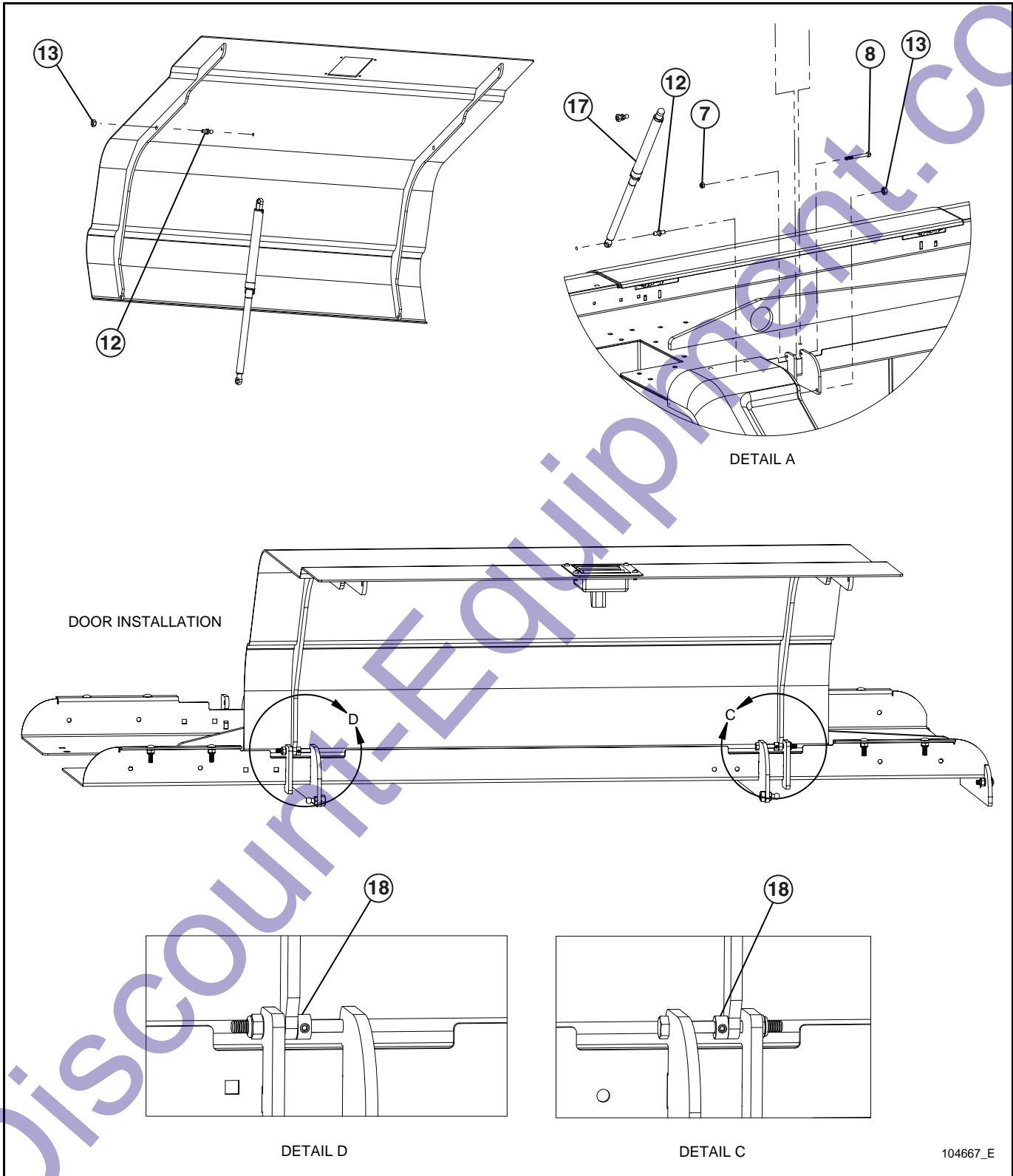
**DOORS AND QUARTER PANELS (1 OF 3)**

SN 0001ML2V13 and Up

Item	Part No.	Part Description	Qty.
1	103642P	PANEL QUARTER	1
2	103641P	PANEL QUARTER	1
3	103643P	PANEL QUARTER	2
4	104540	WELDMENT DOOR	2
5	100342	1/4-20 X 1 CARRIAGE BOLT PL	28
6	047009	1/4 FLAT WASHER SAE SS	28
7	044023	1/4-20 NYLOCK HEX NUT PL	32
8	046036	1/4-20 X 2 /12 HEX HEAD CS GR5 PL	4
9	680459	SLAM HATCH	2
10	041021	#10-24 X 1/2 PH-ROUND HEAD MS PL	8
11	044018	#10-24 NYLOCK HEX NUT PL	8
12	330437	BALL STUD M10	8
13	044090	5/16-18 TOP LOCK HEX NUT PL	8
14	680813	LIFT SUPPORT	2
15	104313	BRACKET DOOR	2
16	041070	1/4-20 X 3/4 SL-HEX WASHER HEAD MS TP F	4
17	105245	CYLINDER GAS	2
18	105362	COLLAR LOCKING	4

**DOORS AND QUARTER PANELS (2 OF 3)**

SN 0001ML2V13 and Up



104667\_E

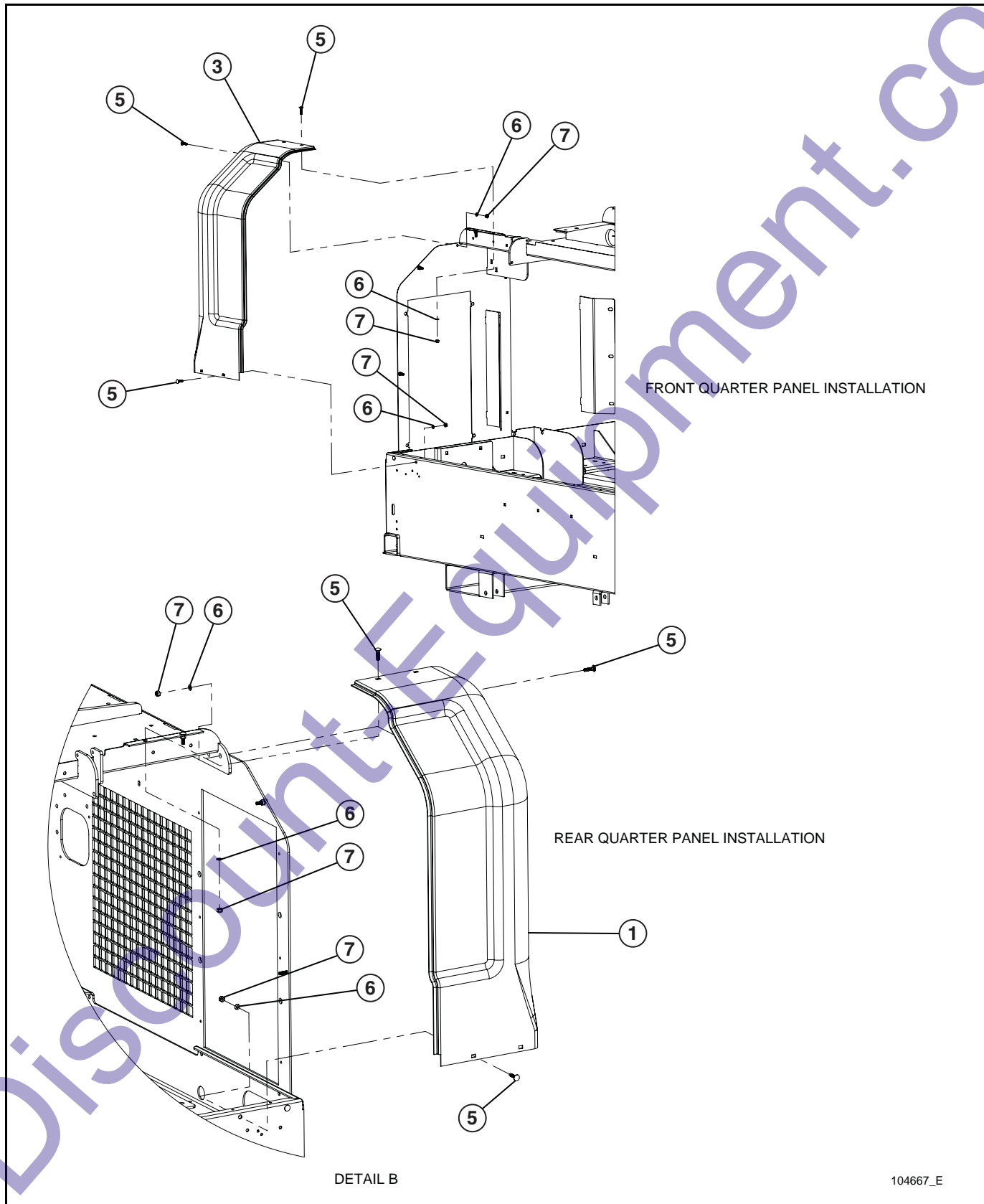
### DOORS AND QUARTER PANELS (2 OF 3)

SN 0001ML2V13 and Up

Item	Part No.	Part Description	Qty.
1	103642P	PANEL QUARTER	1
2	103641P	PANEL QUARTER	1
3	103643P	PANEL QUARTER	2
4	104540	WELDMENT DOOR	2
5	100342	1/4-20 X 1 CARRIAGE BOLT PL	28
6	047009	1/4 FLAT WASHER SAE SS	28
7	044023	1/4-20 NYLOCK HEX NUT PL	32
8	046036	1/4-20 X 2 /12 HEX HEAD CS GR5 PL	4
9	680459	SLAM HATCH	2
10	041021	#10-24 X 1/2 PH-ROUND HEAD MS PL	8
11	044018	#10-24 NYLOCK HEX NUT PL	8
12	330437	BALL STUD M10	8
13	044090	5/16-18 TOP LOCK HEX NUT PL	8
14	680813	LIFT SUPPORT	2
15	104313	BRACKET DOOR	2
16	041070	1/4-20 X 3/4 SL-HEX WASHER HEAD MS TP F	4
17	105245	CYLINDER GAS	2
18	105362	COLLAR LOCKING	4

DOORS AND QUARTER PANELS (3 OF 3)

SN 0001ML2V13 and Up





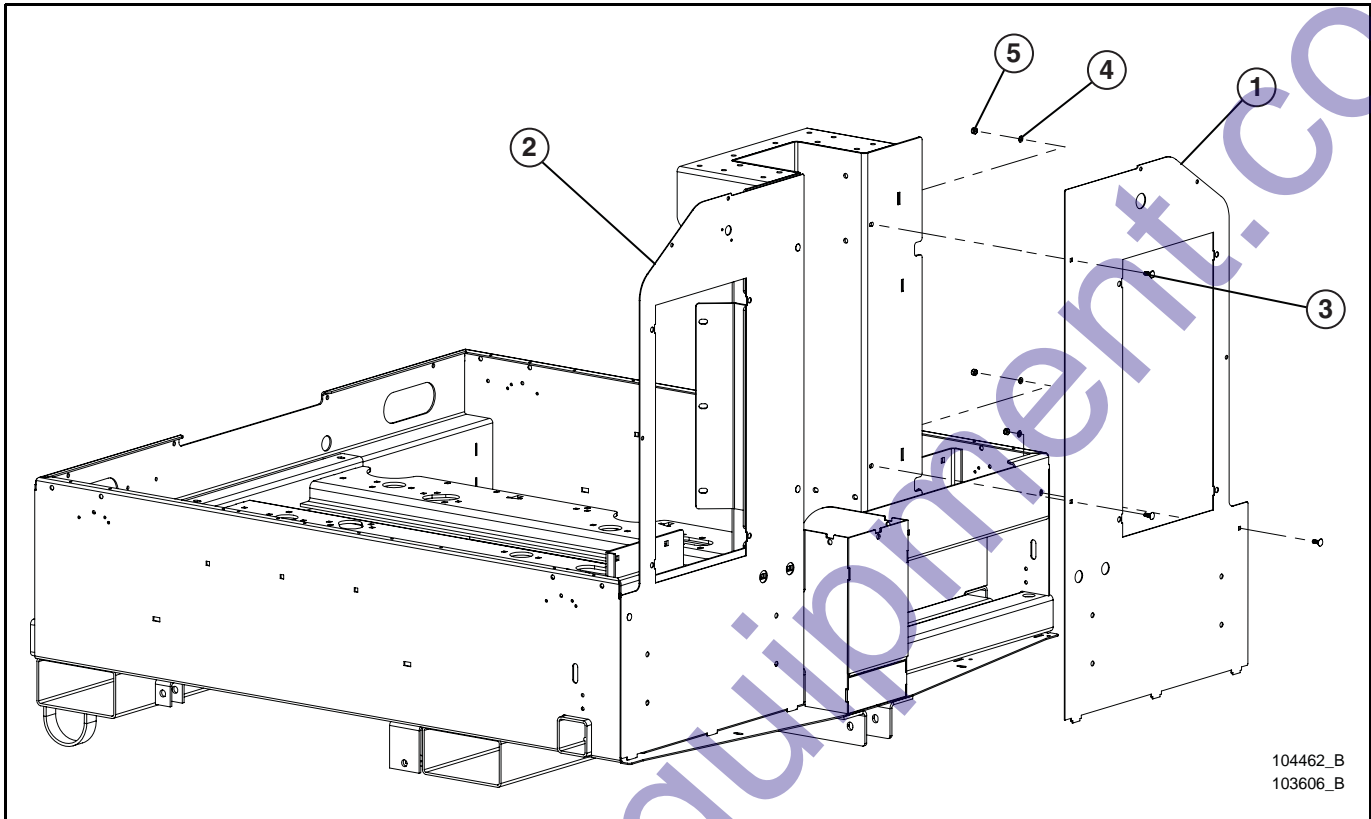
### DOORS AND QUARTER PANELS (2 OF 3)

SN 0001ML2V13 and Up

Item	Part No.	Part Description	Qty.
1	103642P	PANEL QUARTER	1
2	103641P	PANEL QUARTER	1
3	103643P	PANEL QUARTER	2
4	104540	WELDMENT DOOR	2
5	100342	1/4-20 X 1 CARRIAGE BOLT PL	28
6	047009	1/4 FLAT WASHER SAE SS	28
7	044023	1/4-20 NYLOCK HEX NUT PL	32
8	046036	1/4-20 X 2 /12 HEX HEAD CS GR5 PL	4
9	680459	SLAM HATCH	2
10	041021	#10-24 X 1/2 PH-ROUND HEAD MS PL	8
11	044018	#10-24 NYLOCK HEX NUT PL	8
12	330437	BALL STUD M10	8
13	044090	5/16-18 TOP LOCK HEX NUT PL	8
14	680813	LIFT SUPPORT	2
15	104313	BRACKET DOOR	2
16	041070	1/4-20 X 3/4 SL-HEX WASHER HEAD MS TP F	4
17	105245	CYLINDER GAS	2
18	105362	COLLAR LOCKING	4

**FRONT PANEL**

SN 0001ML2V13 and Up

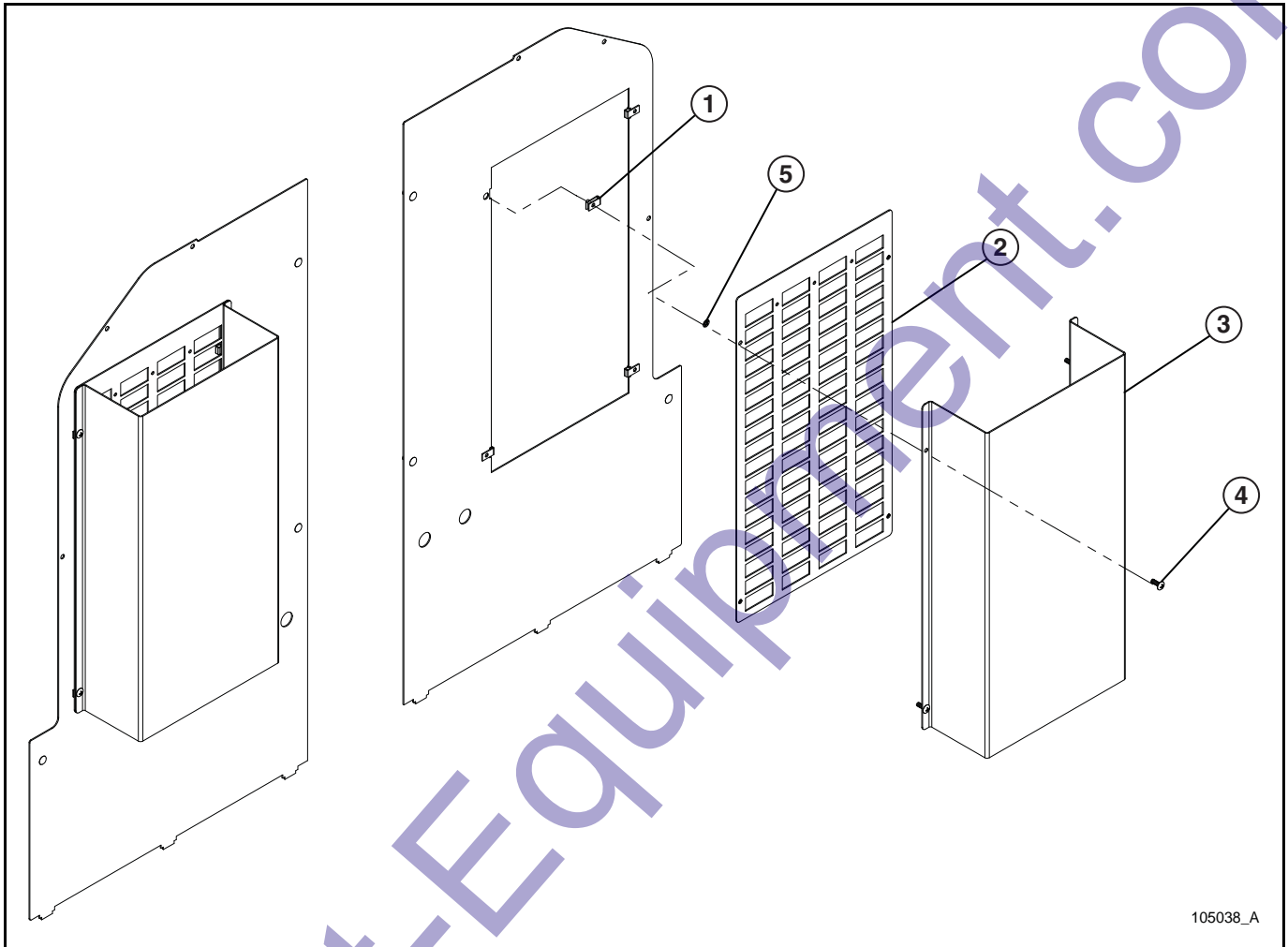


104462\_B  
103606\_B

Item	Part No.	Part Description	Qty.
1	104289P	FRONT PANEL MAXI II STANDARD	2
	103607P	PANEL FRONT LEFT MULT OPTION	1
2	104290P	PANEL FRONT RIGHT MULTI OPTION	1
3	053006	1/4-20 X 3/4 CARRIAGE BOLT	6
4	047009	1/4 FLAT WASHER SAE SS	6
5	044023	1/4-20 NYLOCK HEX NUT PL	6

### FRONT PANEL AIR OUTLET

SN 0001ML2V13 and Up

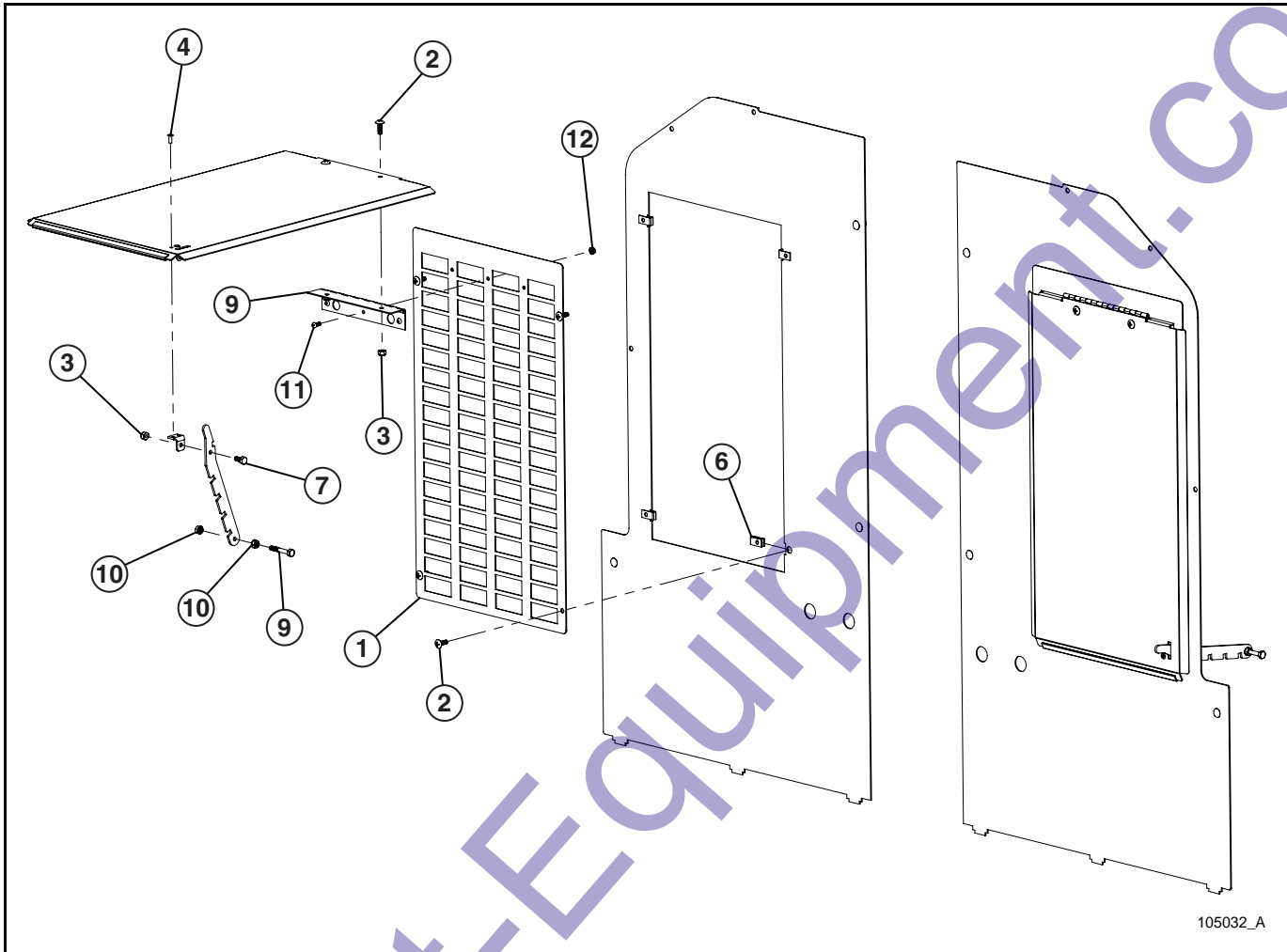


105038\_A

Item	Part No.	Part Description	Qty.
1	044106	1/4-20 TINNERMAN NUT	8
2	104800P	PLATE AIR VENT GRID MAXI II	2
3	104799	AIR VENT DEFLECTOR MAXI II	2
4	041050	1/4-20 X 3/4 PH-TRUSS HEAD MS SS	8
5	101701	1/4 PUSH NUT	8

**FRONT PANEL AIR OUTLET – ARCTIC**

SN 0001ML2V13 and Up

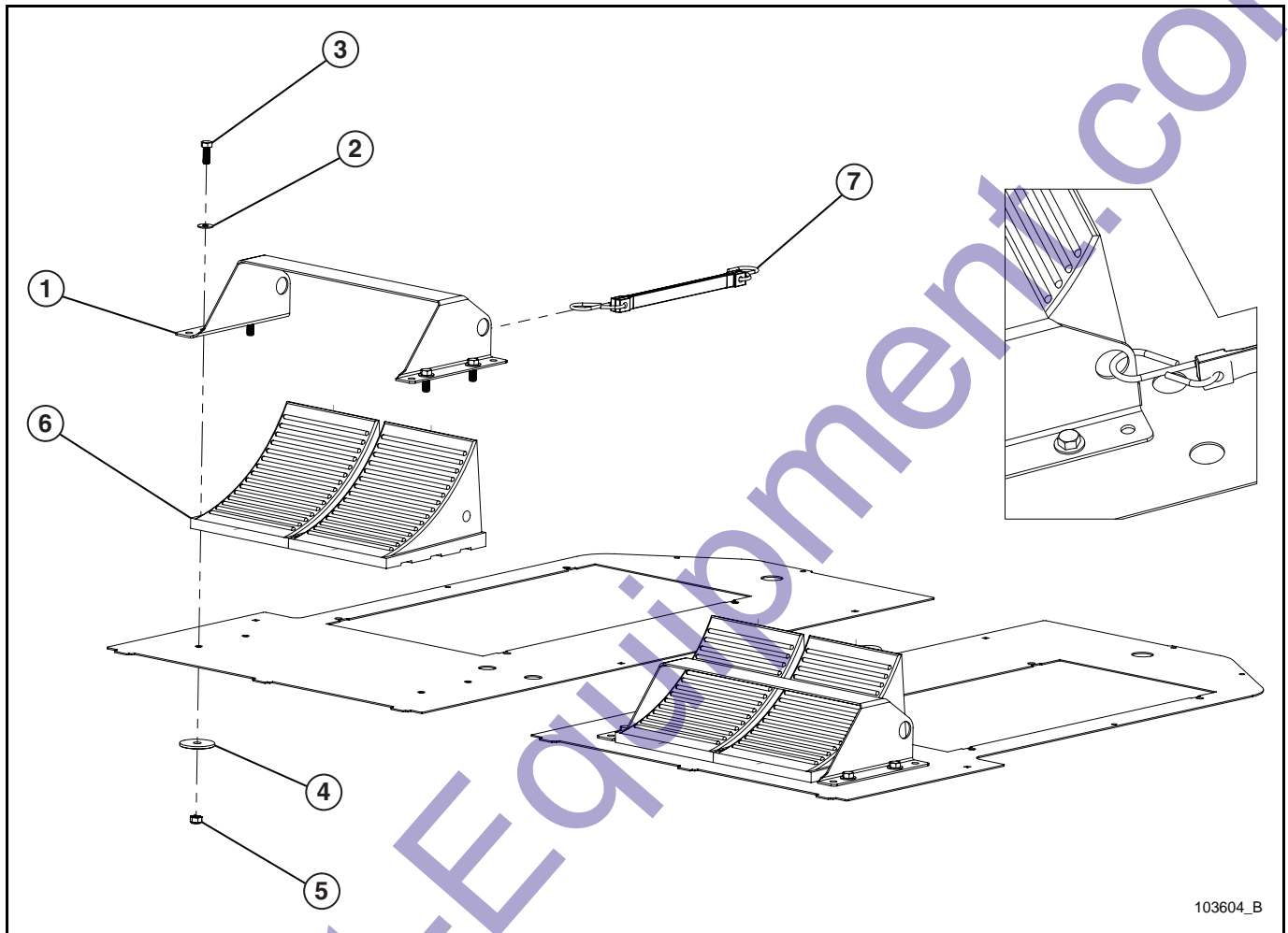


105032\_A

Item	Part No.	Part Description	Qty.
1	104800P	PLATE AIR VENT GRID MAXI II	2
2	041050	1/4-20 X 3/4 PH-TRUSS HEAD MS SS	12
3	044023	1/4-20 NYLOCK HEX NUT PL	6
4	045117	3/16 SMALL HEAD STEEL RIVET	4
5	030053	5/64 x 7/16 TRIM LOCK, 12 INCH	2
6	044106	1/4-20 TINNEMAN NUT	8
7	046006	1/4-20 X 5/8 HEX HEAD CS GR5 PL	2
8	047009	1/4 FLAT WASHER SAE SS	2
9	046030	1/4-20 X 1 3/4 HEX HEAD CS GR5 PL	2
10	044021	1/4-20 KEPS HEX NUT PL	4
11	041021	#10-24 X 1/2 PH-ROUND HEAD MS PL	6
12	044016	#10-24 KEPS HEX NUT PL	6

### CHOCK BLOCKS

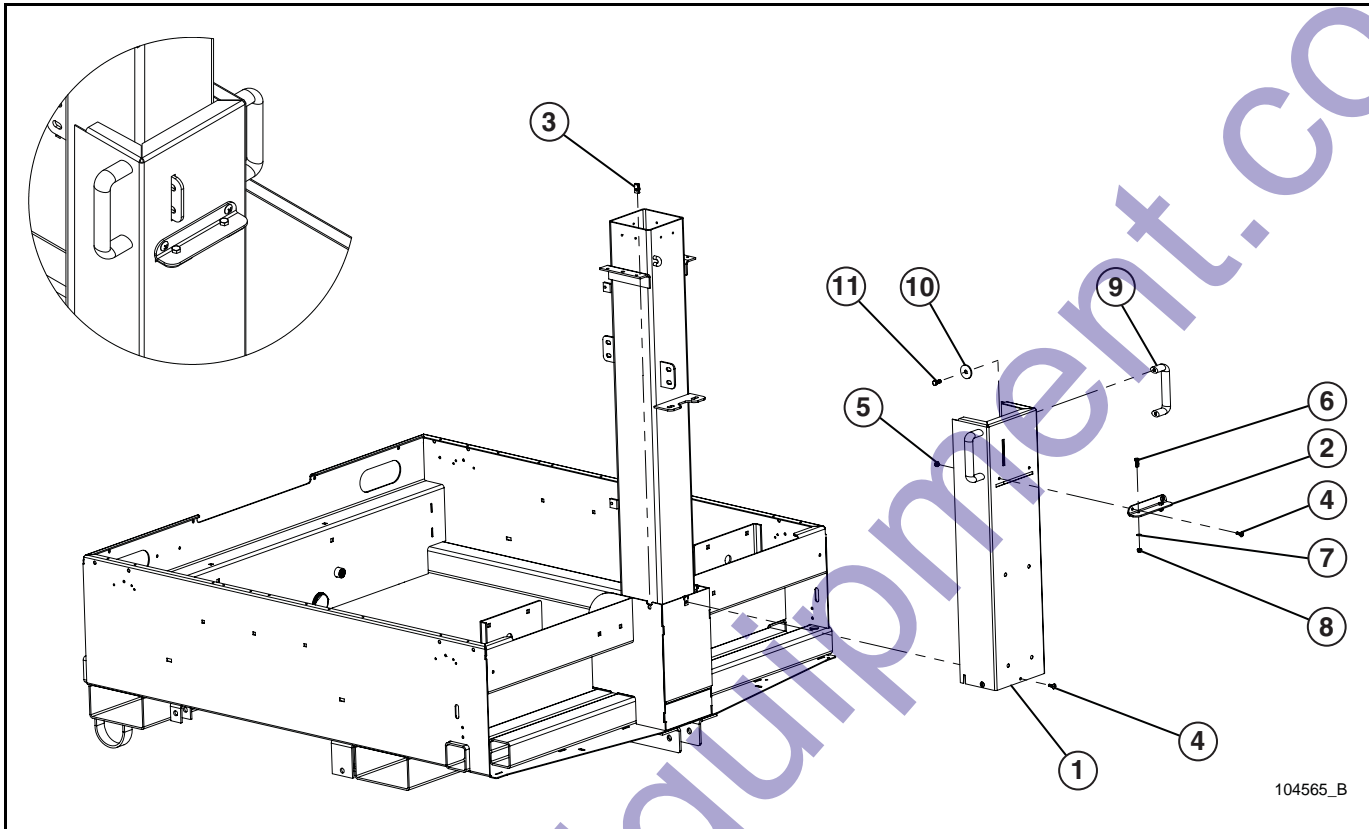
SN 0001ML2V13 and Up



Item	Part No.	Part Description	Qty.
1	103621P	BRACKET WHEEL CHOCK	2
2	047010	5/16 FLAT WASHER PL	8
3	046110	3/8-16 X 1 HEX HEAD CS GR5 PL	8
4	650260	WASHER 2 OD X .451 ID X .125 THK	8
5	044038	3/8-16 NYLOCK HEX NUT PL	8
6	104031	WHEEL CHOCK	4
7	103625	STRAP RUBBER 14"	2

**VERTICAL TOWER COVER**

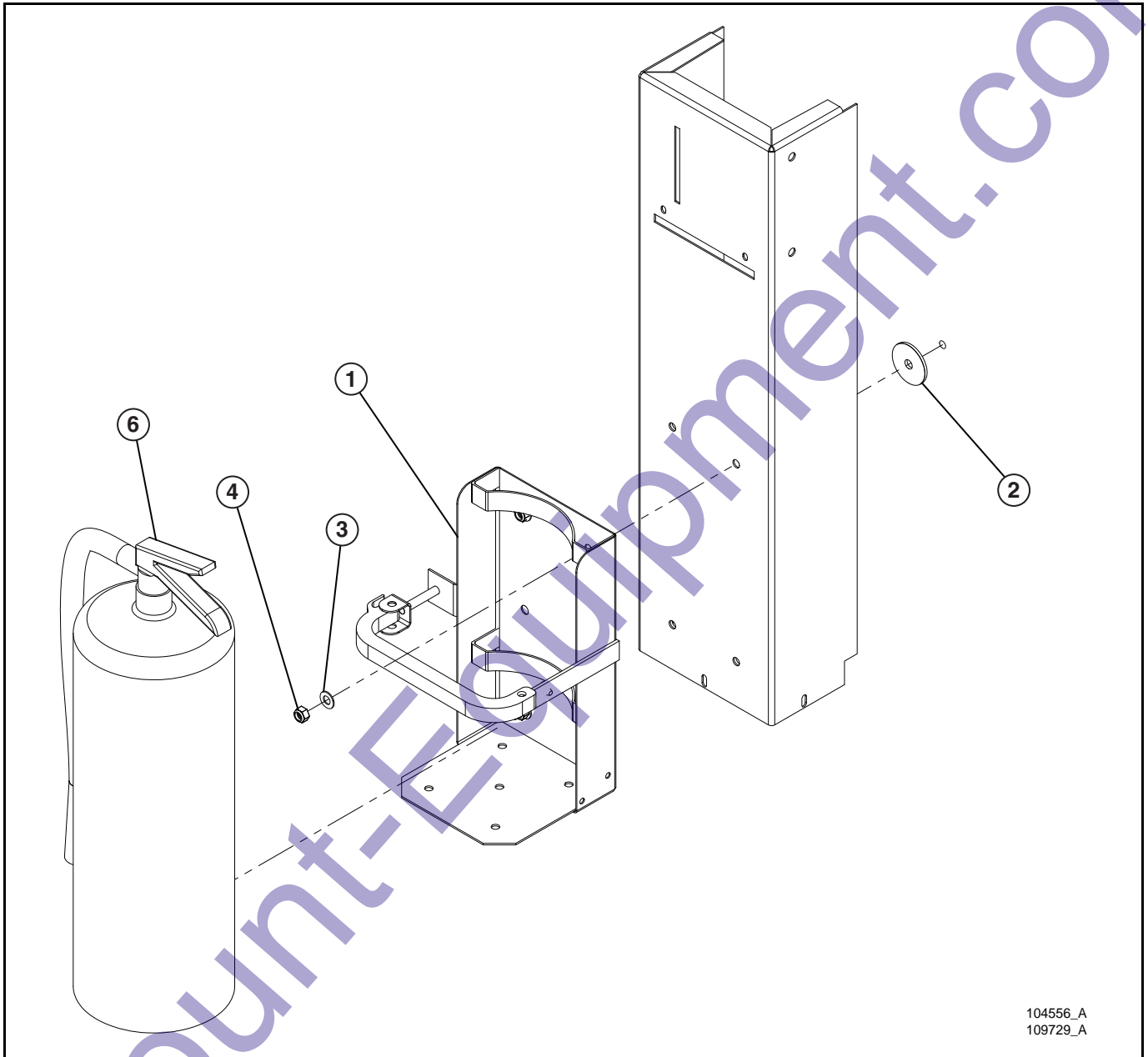
SN 0001ML2V13 and Up



Item	Part No.	Part Description	Qty.
1	104555	COVER PANEL TOWER 6 INCH VERT	1
2	104299P	HANDLE BRACKET VERTICAL TOWER	1
3	044106	1/4-20 TINNEMAN NUT	3
4	041050	1/4-20 X 3/4 PH-TRUSS HEAD MS SS	5
5	044021	1/4-20 KEPS HEX NUT PL	2
6	046010	1/4-20 X 3/4 HEX HEAD CS GR5 SS	2
7	047009	1/4 FLAT WASHER SAE SS	2
8	044023	1/4-20 NYLOCK HEX NUT PL	2
9	103887	HANDLE THREE POINT	2
10	640565	ENGINE MOUNT WASHER 1.55 OD X .41 ID X .135 THK	4
11	046045	5/16-18 X 3/4 HEX HEAD CS GR5 PL	4

### FIRE EXTINGUISHER WITH BRACKET

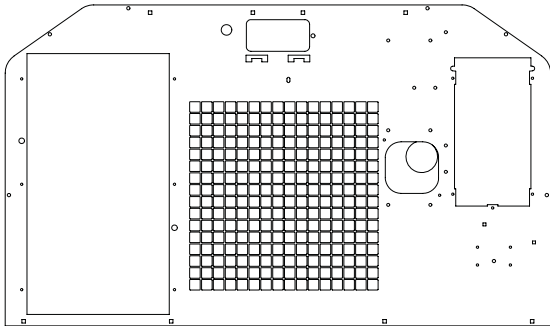
SN 0001ML2V13 and Up



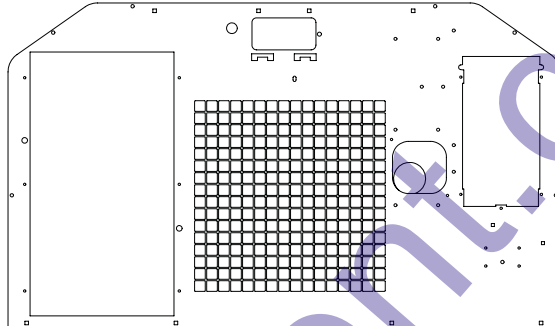
Item	Part No.	Part Description	Qty.
1	109725	BRACKET EXTINGUISHER FIRE HD	1
2	650260	WASHER 2 OD X .451 ID X .125 THK	4
3	047016	3/8 FLAT WASHER SAE PL	4
4	044038	3/8-16 NYLOCK HEX NUT PL	4
6	109724	EXTENGUISHER FIRE 20# ABC TYPE	1

**REAR PANEL**

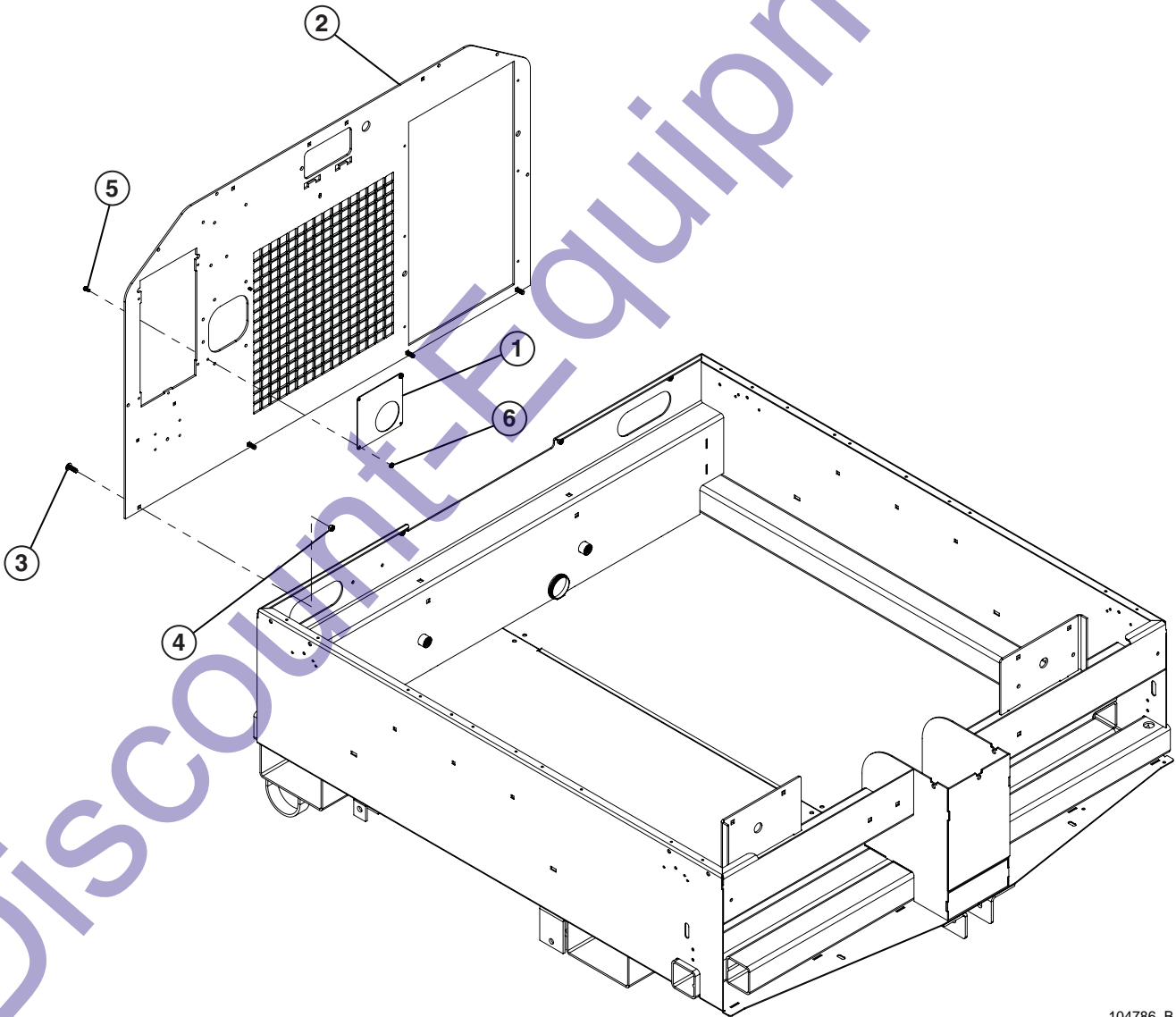
SN 0001ML2V13 and Up



EXHAUST OUTLET LOCATION  
FOR ISUZU 4LE & CAT C1.5



EXHAUST OUTLET LOCATION FOR  
CAT C1.1, KUBOTA D1005 & D1105



104786\_B



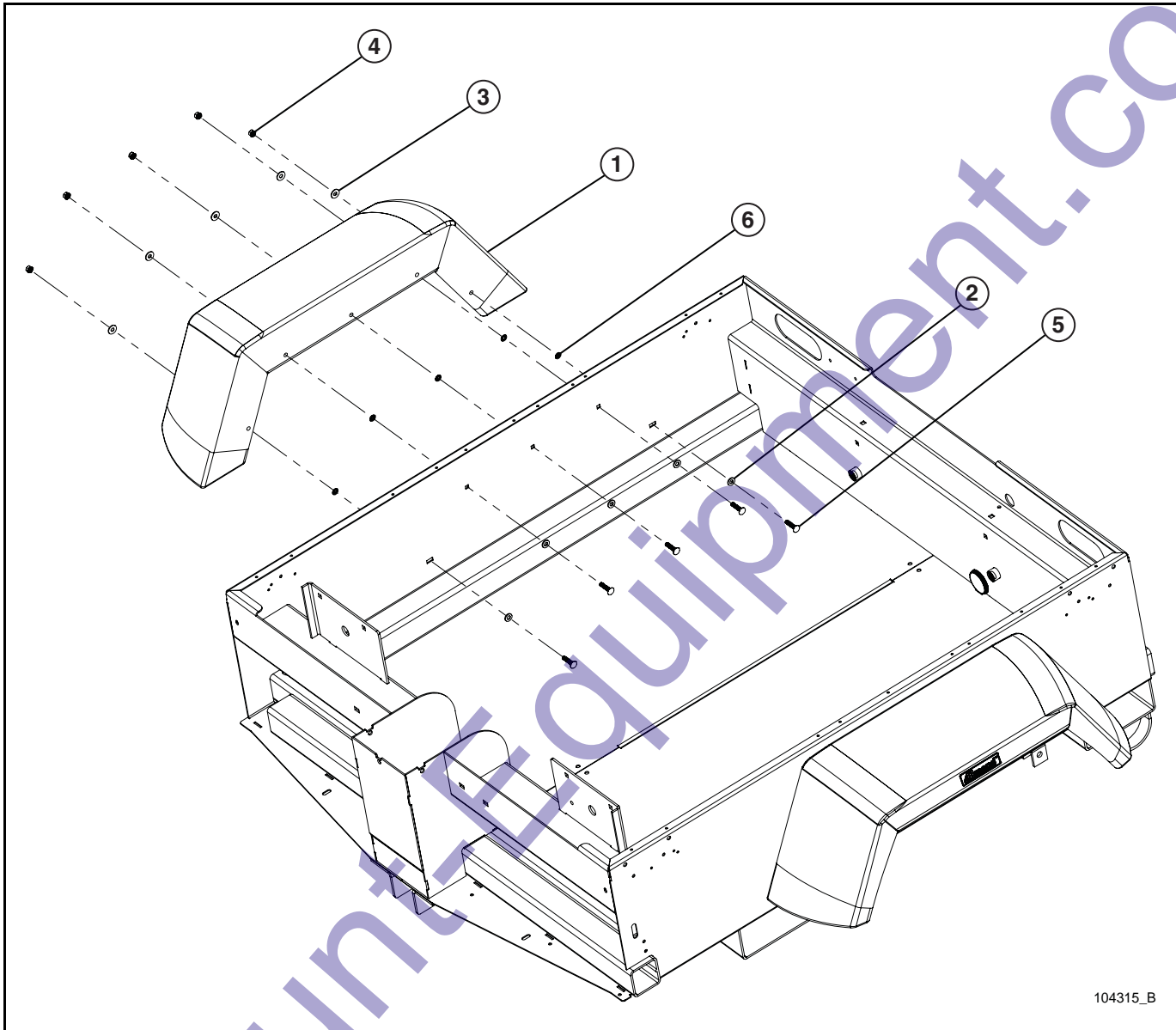
**REAR PANEL**

SN 0001ML2V13 and Up

Item	Part No.	Part Description	Qty.
1	104390P	PLATE REAR PANEL EXHAUST HOLE ADPTR (NOT NEEDED W/ CAT C2.2)	1
2	104789P	REAR PANEL UNIVERSAL	1
	104783P	REAR PANEL CAT C2.2	1
3	053020	5/16-18 X 1 CARRIAGE BOLT PL	4
4	044033	5/16-18 NYLOCK HEX NUT PL	4
5	041031	#10-24 X 1/2 HEX HEAD MS PL	2
6	044016	#10-24 KEPS HEX NUT PL	2

## FENDERS

SN 0001ML2V13 and Up

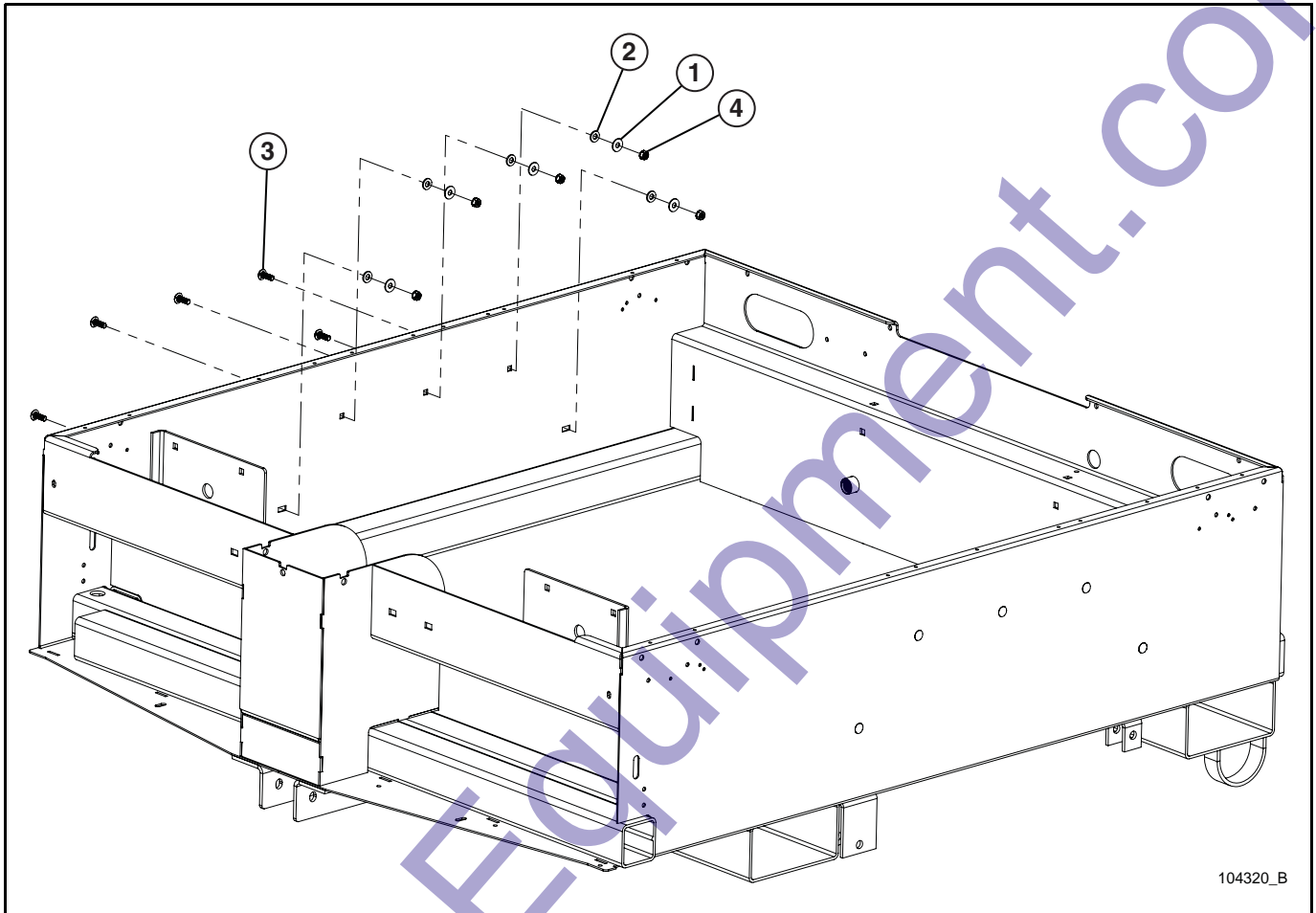


104315\_B

Item	Part No.	Part Description	Qty.
1	103066	FENDER ROTATION MOLDED 15 INCH	2
2	100644	RUBBER WASHER BLK NEOPRENE	10
3	047010	5/16 FLAT WASHER PL	10
4	044031	5/16 -18 KEPS HEX NUT PL	10
5	053023	5/16-18 X 1 1/2 CARRIAGE BOLT PL	10
6	045217	5/16 PUSH NUT	11

### NO FENDERS

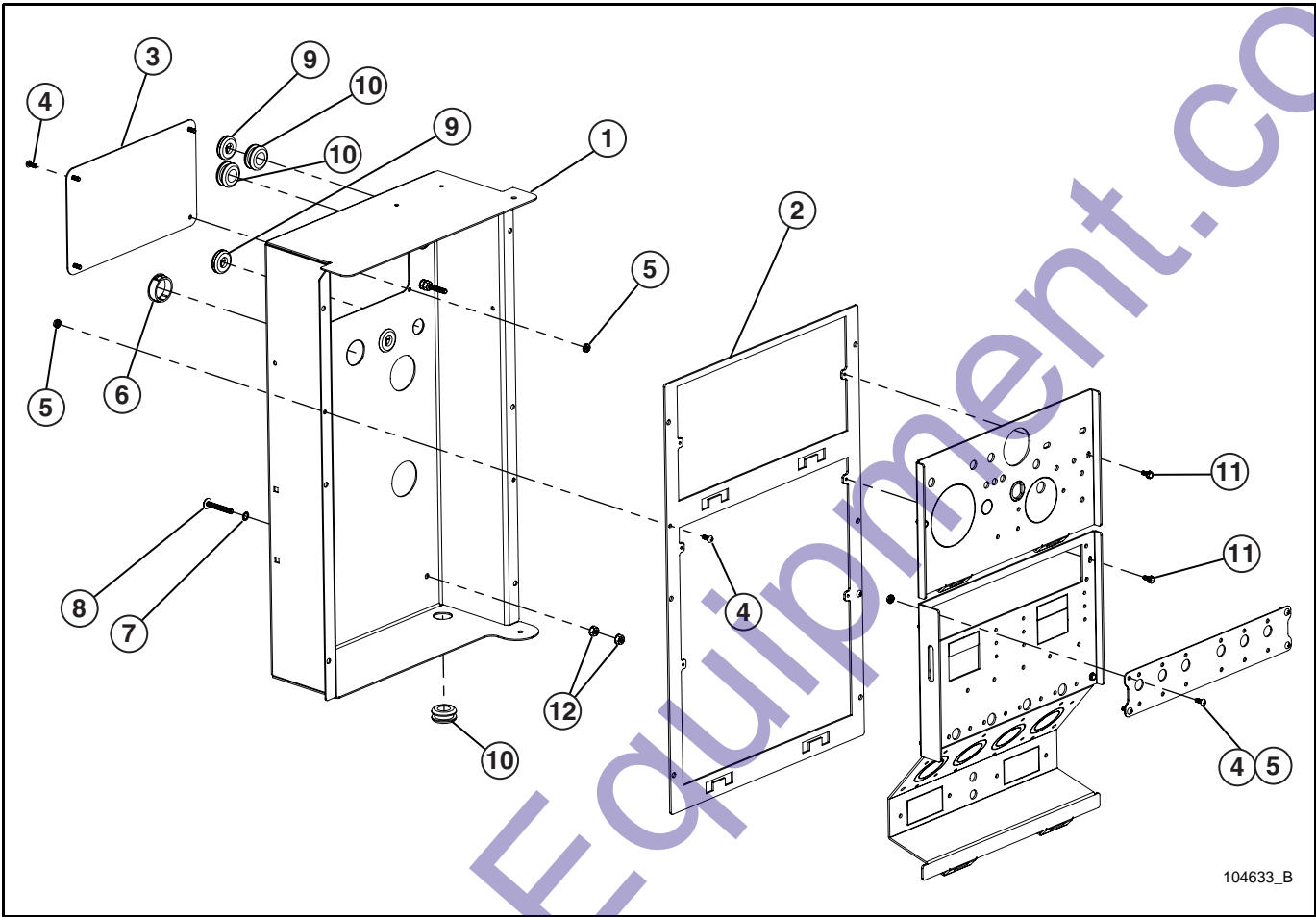
SN 0001ML2V13 and Up



Item	Part No.	Part Description	Qty.
1	047010	5/16 FLAT WASHER PL	10
2	100644	RUBBER WASHER BLK NEOPRENE	10
3	053020	5/16-18 X 1 CARRIAGE BOLT PL	10
4	044031	5/16 -18 KEPS HEX NUT PL	10

**REAR CONTROL BOX (1 OF 2)**

SN 0001ML2V13 and Up



104633\_B

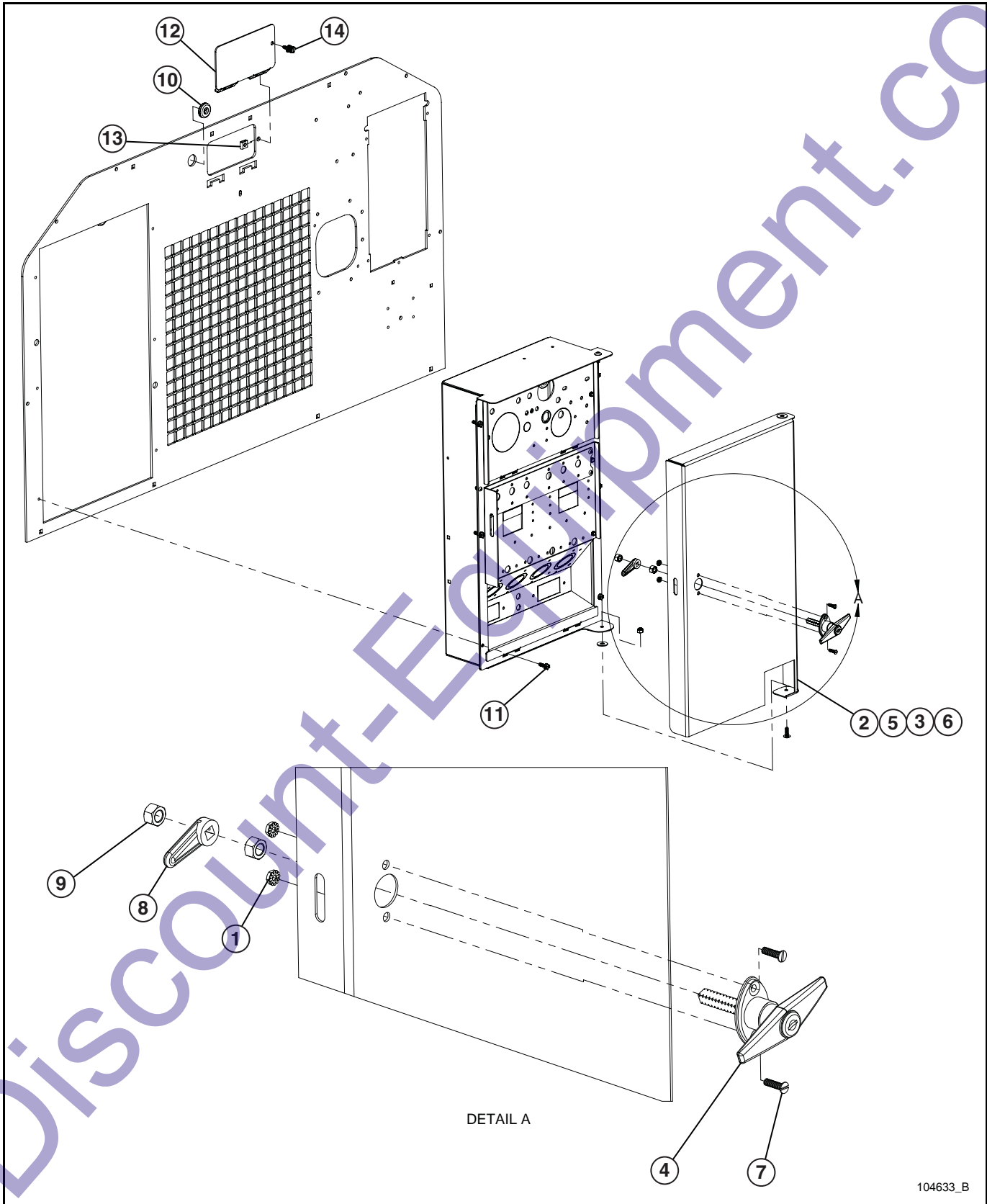
### REAR CONTROL BOX (1 OF 2)

SN 0001ML2V13 and Up

Item	Part No.	Part Description	Qty.
1	104309P	COVER PANEL REAR CONTROL	1
2	104305P	DOOR MOUNT PANEL REAR CONTROL	1
3	104307P	PLATE COVER REAR CONTROL BOX	1
4	041021	#10-24 X 1/2 PH-ROUND HEAD MS PL	10
5	044016	#10-24 KEPS HEX NUT PL	12
6	064040	1 3/8 CAP PLUG	1
7	043050	1/4 INTL TOOTH LOCK WASHER	2
8	041053	1/4-20 x 1 3/4 PH-TRUSS HEAD MS SS	2
9	100859	7/8" x 1.25" grommet	4
10	330463	11/16 RUBBER GROMMET	3
11	041031	#10-24 X 1/2 HEX HEAD MS PL	6
12	044021	1/4-20 KEPS HEX NUT PL	4

REAR CONTROL BOX (2 OF 2)

SN 0001ML2V13 and Up



DETAIL A

104633\_B

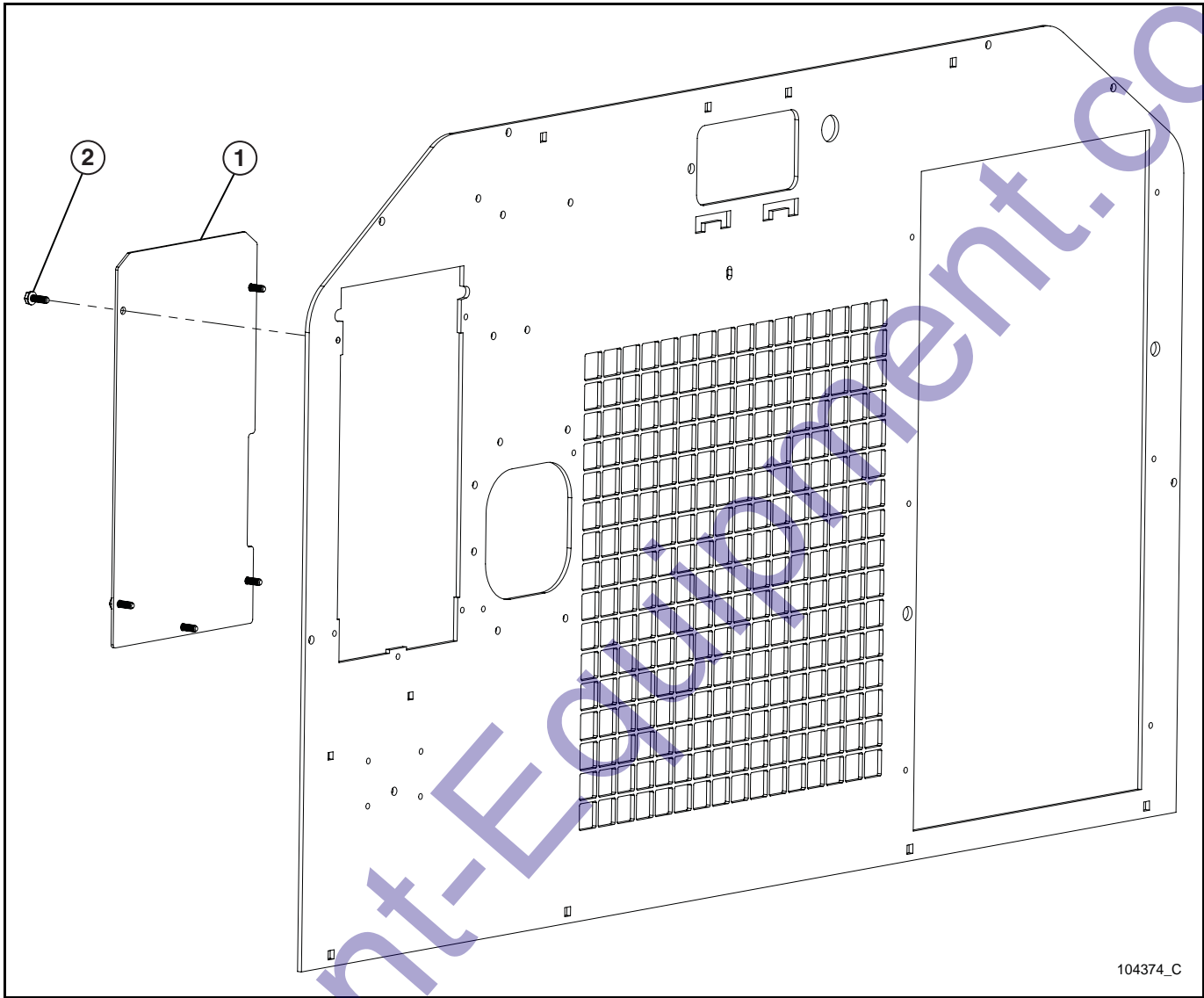
### REAR CONTROL BOX (2 OF 2)

SN 0001ML2V13 and Up

Item	Part No.	Part Description	Qty.
1	044016	#10-24 KEPS HEX NUT PL	12
2	104304P	DOOR PANEL REAR CONTROL MAXI II	1
3	711036	3/8 NYLON WASHER 7/8 OD X .344 ID	2
4	650131	HANDLE-T LOCKING	1
5	041050	1/4-20 X 3/4 PH-TRUSS HEAD MS SS	2
6	044023	1/4-20 NYLOCK HEX NUT PL	2
7	041026	#10-24 X 3/4 SL-FLAT HEAD MS PL	2
8	650132	CAM LOCK	1
9	044042	3/8-24 HEX NUT PL	2
10	100859	7/8" x 1.25" grommet	4
11	041070	1/4-20 x 3/4 SL-HEX WASHER HEAD MS TP F	6
12	104816P	ACCESS PANEL RADIATOR CAP	1
13	045216	1/4-20 TINNERMAN NUT	1
14	102435	KNURLED SHMS w/ RETAINER	1

**SECONDARY OUTLET COVER PLATE**

SN 0001ML2V13 and Up



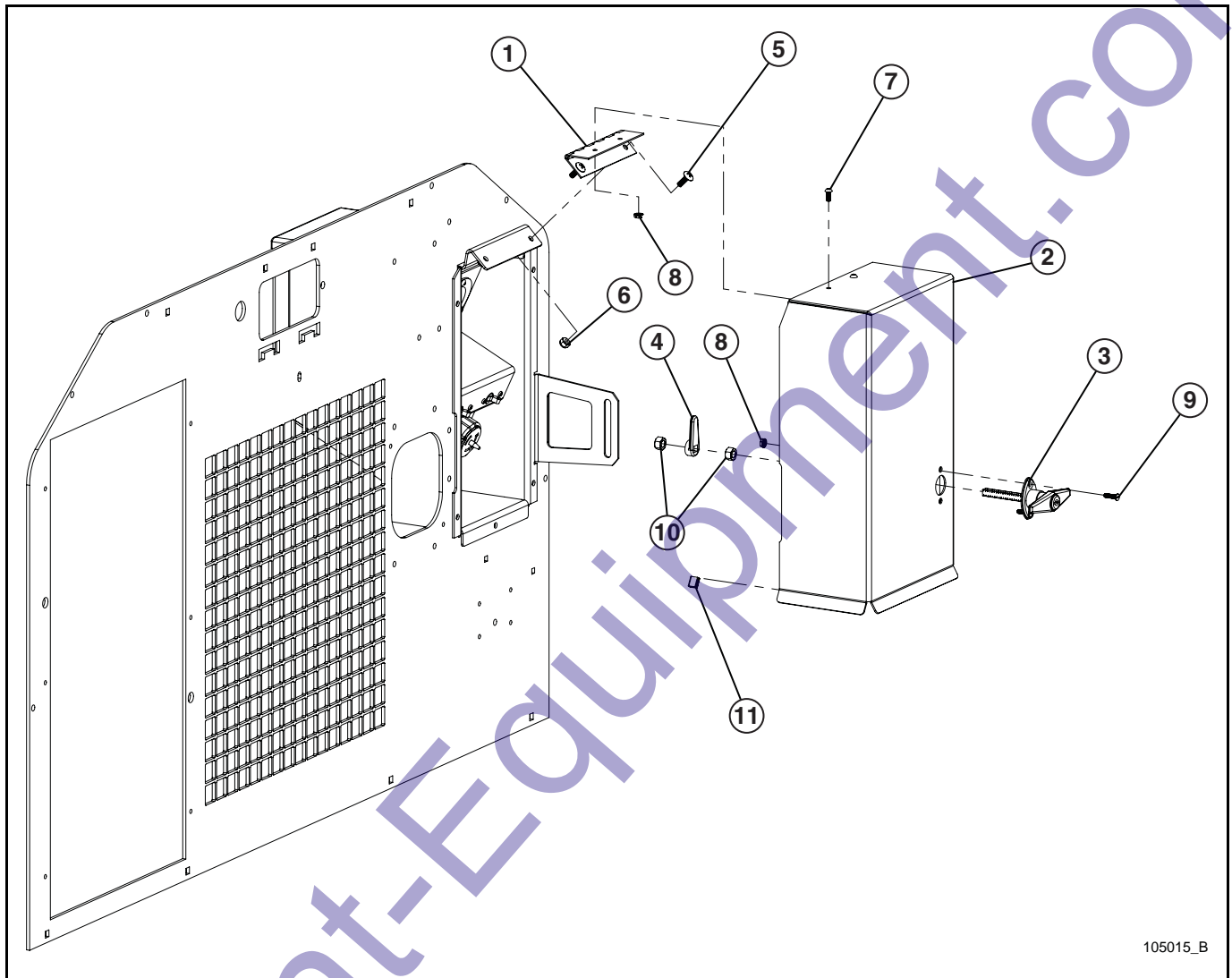
104374\_C

Item	Part No.	Part Description	Qty.
1	105018P	FILLER PLATE REAR PANEL CUTOUT	1
2	041070	1/4-20 x 3/4 SL-HEX WASHER HEAD MS TP F	5



### SECONDARY OUTLET BOX COVER

SN 0001ML2V13 and Up

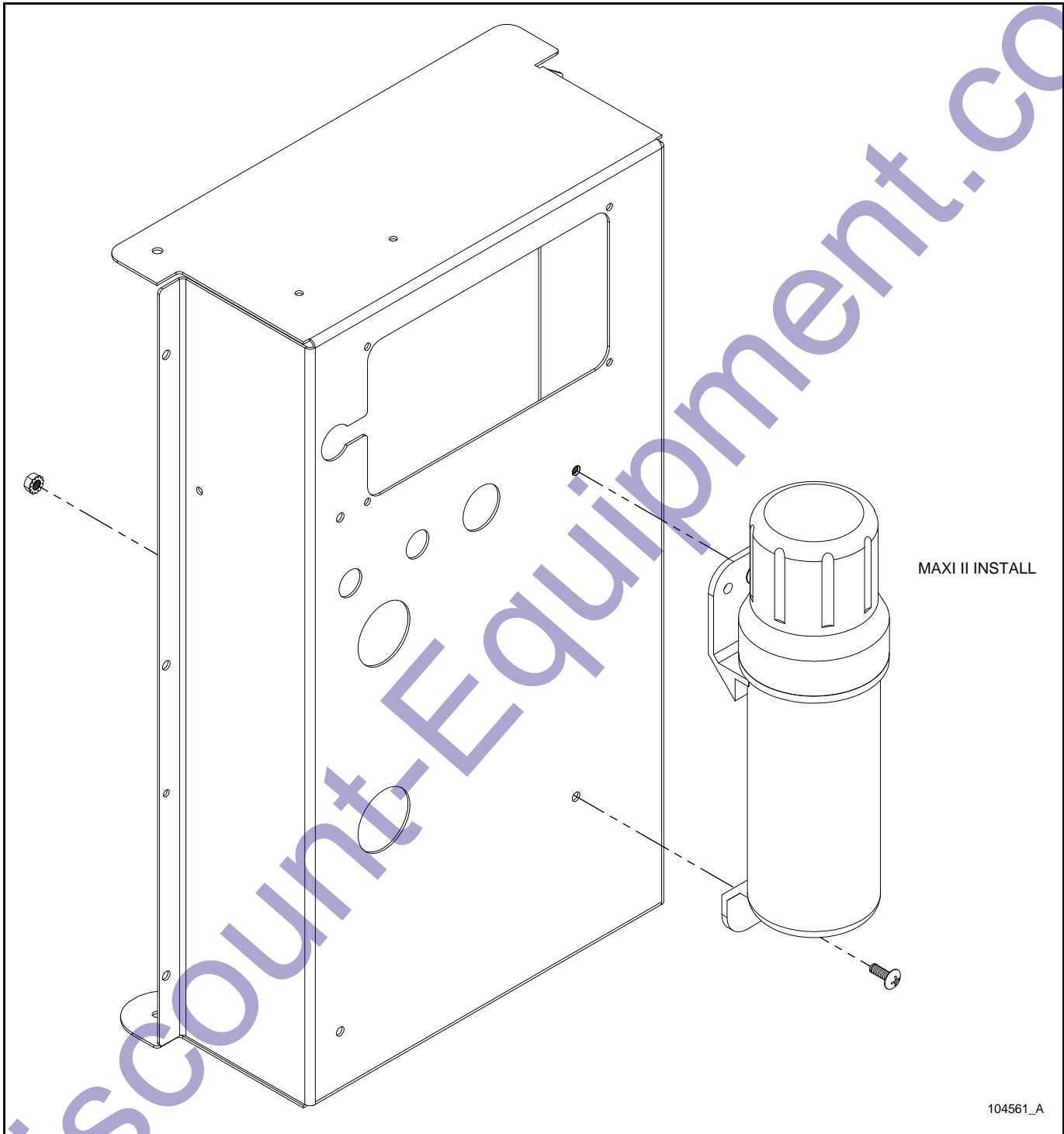


105015\_B

Item	Part No.	Part Description	Qty.
1	104814	COVER HINGE SECONDARY OUTLET	1
2	104815P	COVER OUTLET BOX	1
3	650131	HANLDE-T LOCKING	1
4	650132	CAM LOCK	1
5	041050	1/4-20 X 3/4 PH-TRUSS HEAD MS SS	2
6	044023	1/4-20 NYLOCK HEX NUT PL	2
7	041021	#10-24 X 1/2 PH-ROUND HEAD MS PL	2
8	044016	#10-24 KEPS HEX NUT PL	4
9	041026	#10-24 X 3/4 SL-FLAT HEAD MS PL	2
10	044042	3/8-24 HEX NUT PL	2
11	030053	5/64 X 7/16 TRIM LOCK, .500 INCH	2

**MANUAL CANISTER**

SN 0001ML2V13 and Up

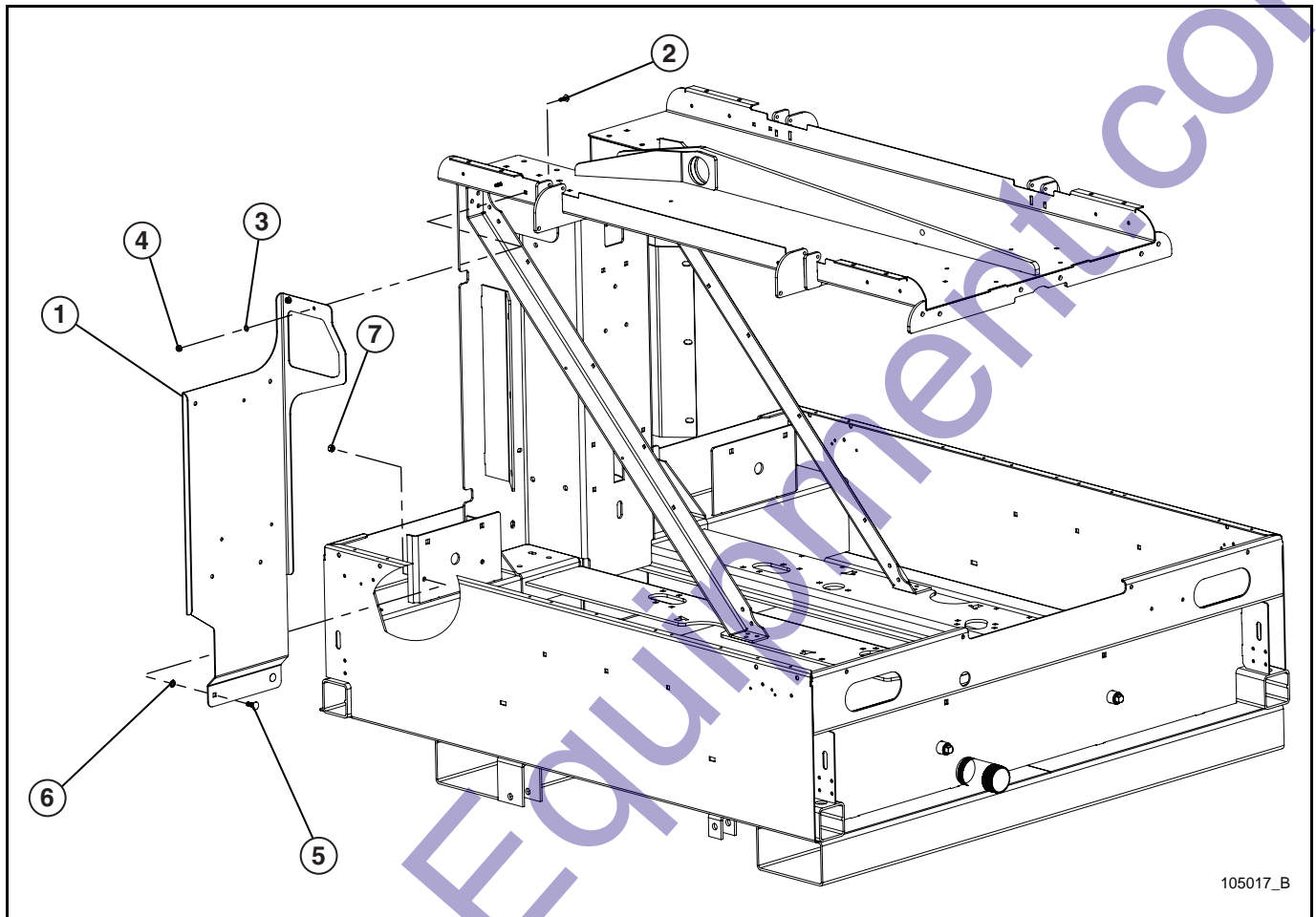


104561\_A

Item	Part No.	Part Description	Qty.
1	103651	CANISTER PRODUCT MANUAL	1
2	044021	1/4-20 KEPS HEX NUT PL	2
3	041050	1/4-20 X 3/4 PH-TRUSS HEAD MS SS	2

### DOUBLE THROW SWITCH INSTALLATION

SN 0001ML2V13 and Up

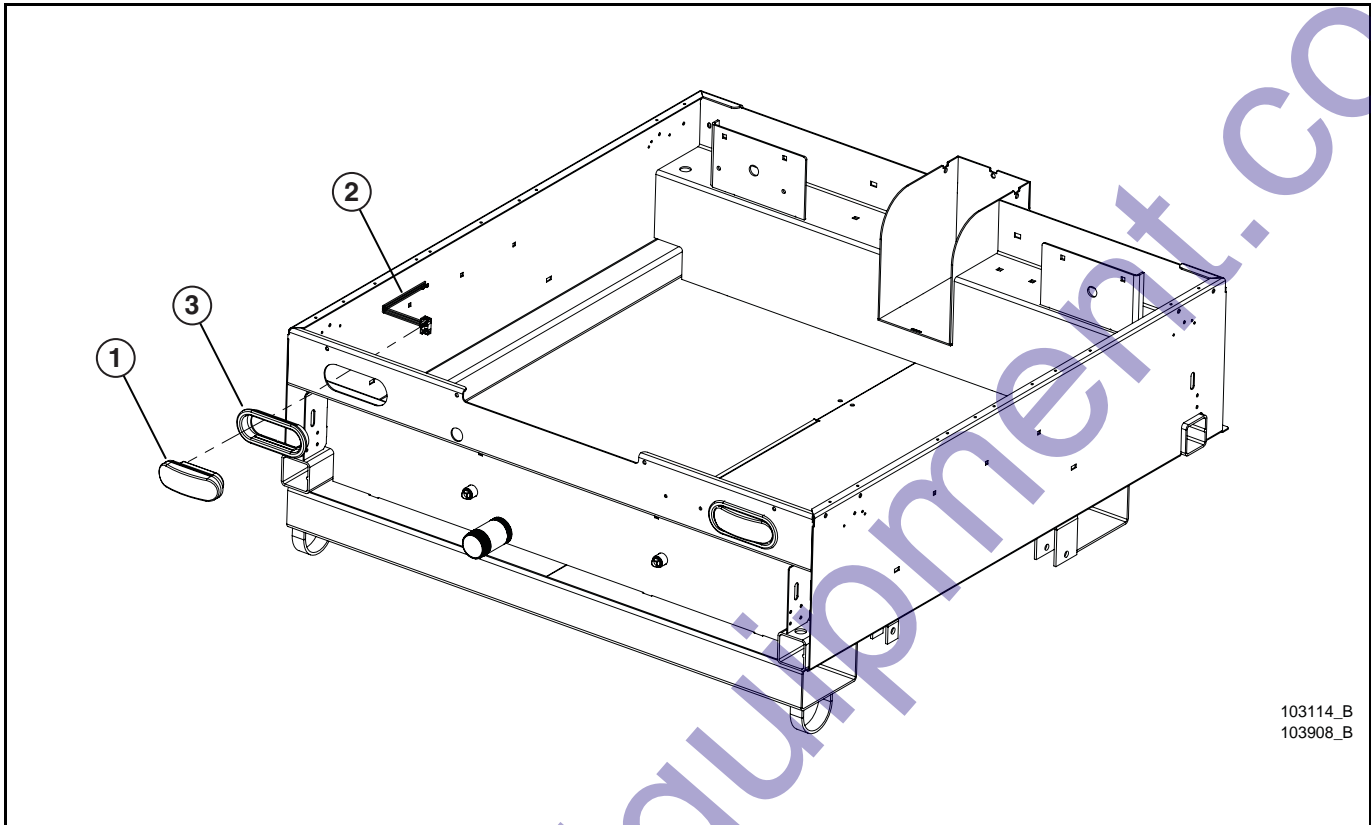


105017\_B

Item	Part No.	Part Description	Qty.
1	104803	MOUNT PLATE SWITCH BOX	1
2	041050	1/4-20 X 3/4 PH-TRUSS HEAD MS SS	2
3	047009	1/4 FLAT WASHER SAE SS	2
4	044023	1/4-20 NYLOCK HEX NUT PL	2
5	053020	5/16-18 X 1 CARRIAGE BOLT PL	2
6	045217	5/16 PUSH NUT	2
7	044033	5/16-18 NYLOCK HEX NUT PL	2

**TAILLIGHTS**

SN 0001ML2V13 and Up



103114\_B  
103908\_B

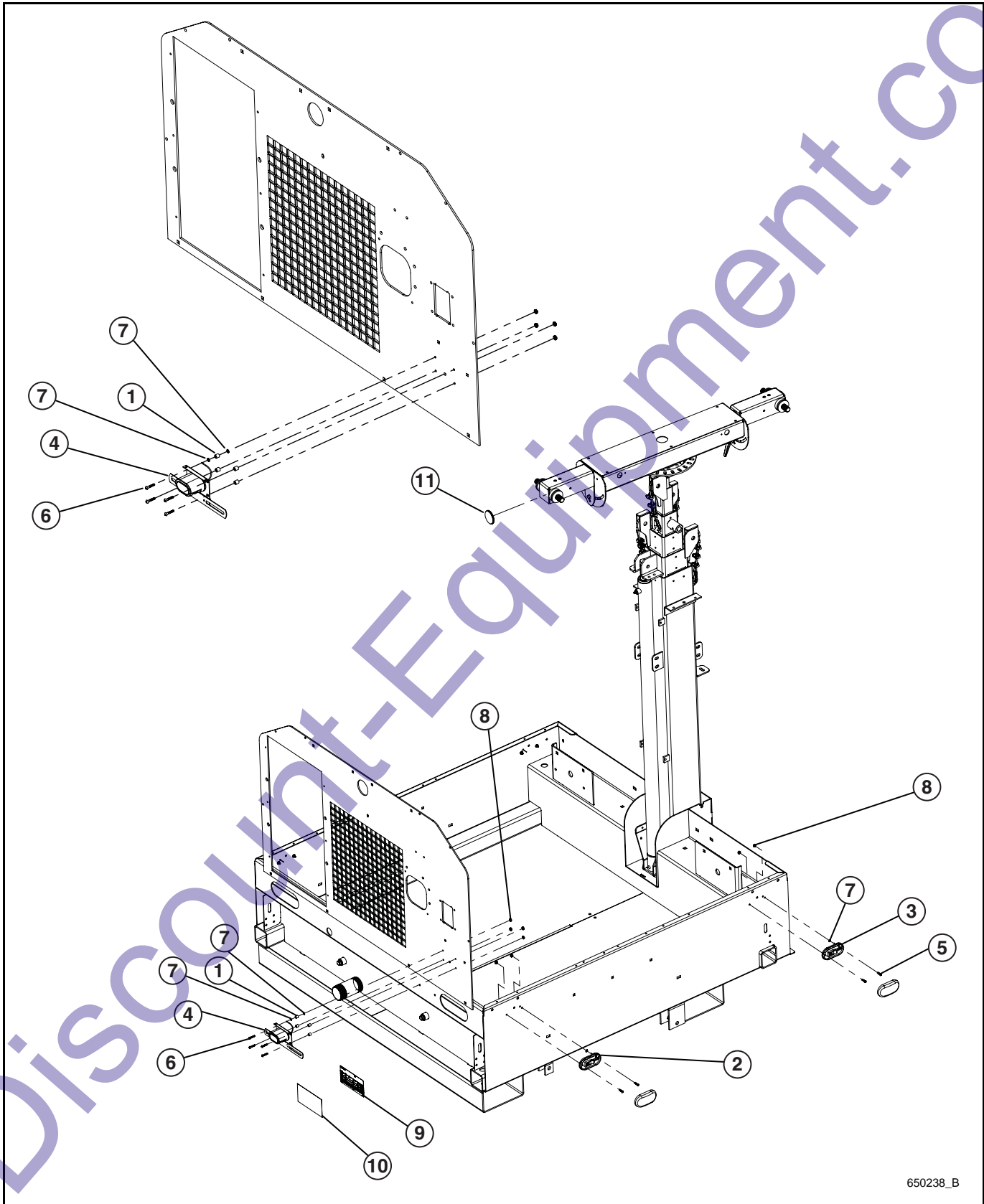
Item	Part No.	Part Description	Qty.
1	102826	STOP, TAIL, TURN LAMP	2
	102721	LED TAIL LAMP STOP TURN	2
2	102827	ECONO 90 DEG 3-PRONG PIGTAIL	2
3	102825	OVAL LAMP GROMMET	2

**This Page Intentionally Left Blank**

Discount-Equipment.com

**VIN PACKAGE AND LICENSE PLATE BRACKET**

SN 0001ML2V13 and Up



650238\_B

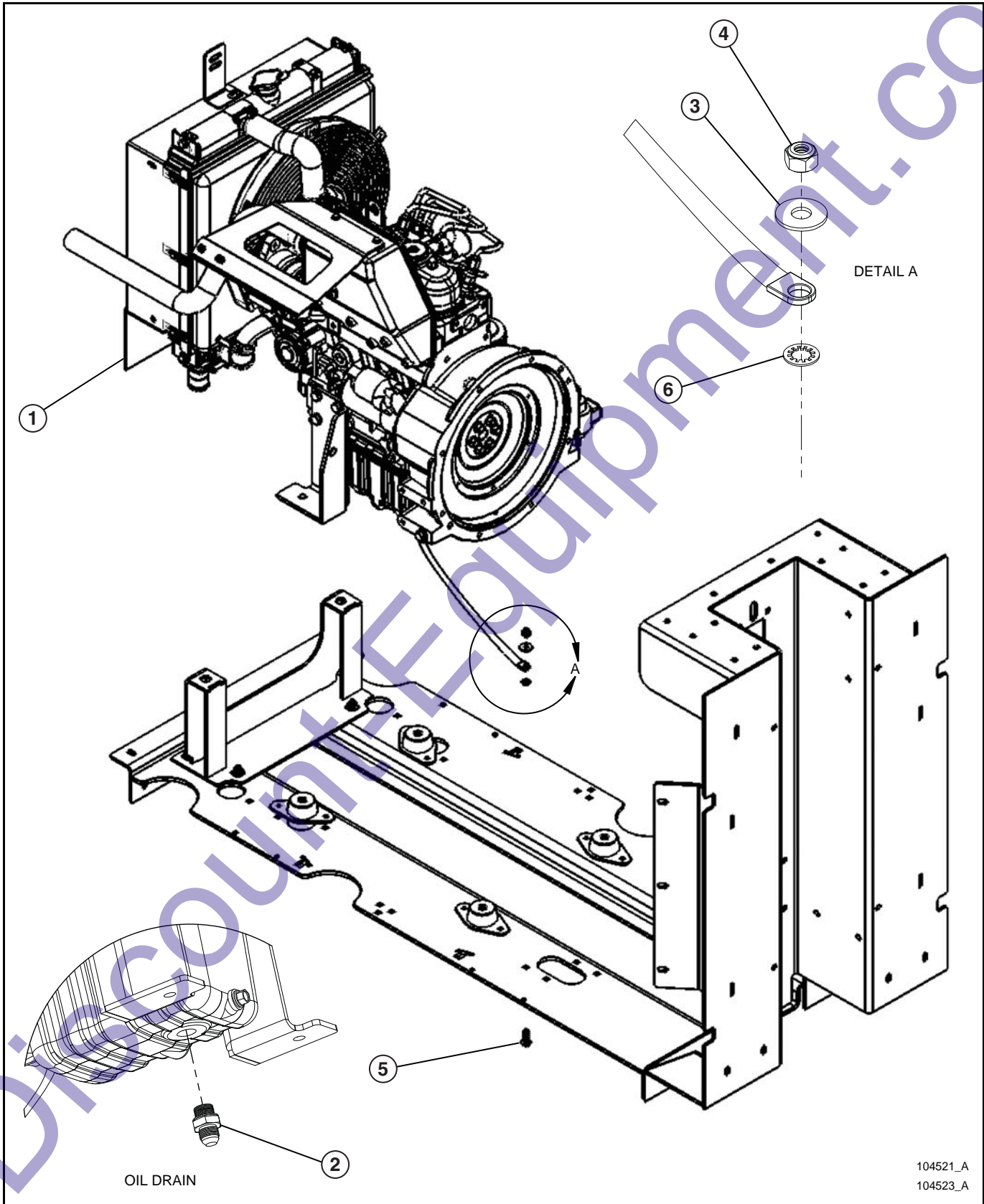
**VIN PACKAGE AND LICENSE PLATE BRACKET**

SN 0001ML2V13 and Up

Item	Part No.	Part Description	Qty.
1	022180	SPACER RICOHO	4
2	022300	RED MARKER LIGHT GLASS BULB	2
3	022301	AMBER MARKER LIGHT GLASS BULB	2
4	032035	LICENSE PLATE LAMP WITH BRACKET	1
5	041027	#10-24 X 3/4 PH-ROUND HEAD MS	8
6	041030	#10-24 X 1 PH-ROUND HEAD MS PL	4
7	043015	#10 INTL TOOTH LOCK WASHER PL	6
8	044016	#10-24 KEPS HEX NUT PL	12
9	102608	VIN TAG MATTE CHROME POLY	1
10	102609	CLEAR OVER-LAM	1
11	650237	2" RED REFLECTOR	2

**KUBOTA D1005/D1105 ENGINE TIER 4 FINAL (1 OF 2)**

SN 0001ML2V13 and Up



104521\_A  
104523\_A



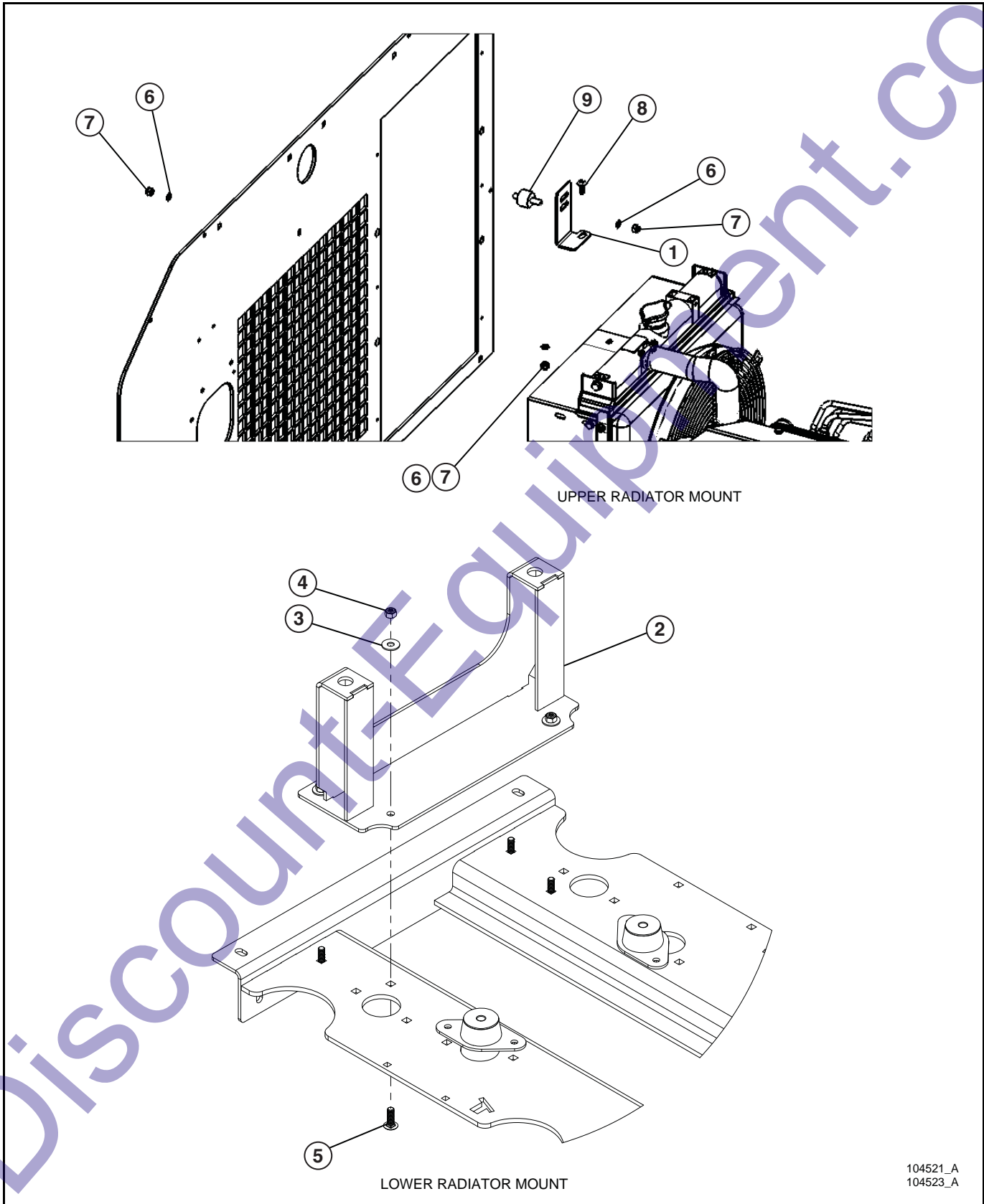
**KUBOTA D1005/D1105 ENGINE TIER 4 FINAL (1 OF 2)**

SN 0001ML2V13 and Up

Item	Part No.	Part Description	Qty.
1	103554	ASSY KUBOTA ENGINE D1005 NRTC/NTE	1
	104647	ASSY KUBOTA ENGINE D1105 NRTC/NTE	1
2	352148	#10 JIC - M22 X 1.5MM UNION	1
3	047010	5/16 FLAT WASHER PL	5
4	044033	5/16-18 NYLOCK HEX NUT PL	5
5	053020	5/16-18 X 1 CARRIAGE BOLT PL	5
6	043050	5/16 INTL TOOTH LOCK WASHER	1

**KUBOTA D1005/D1105 ENGINE TIER 4 FINAL (2 OF 2)**

SN 0001ML2V13 and Up



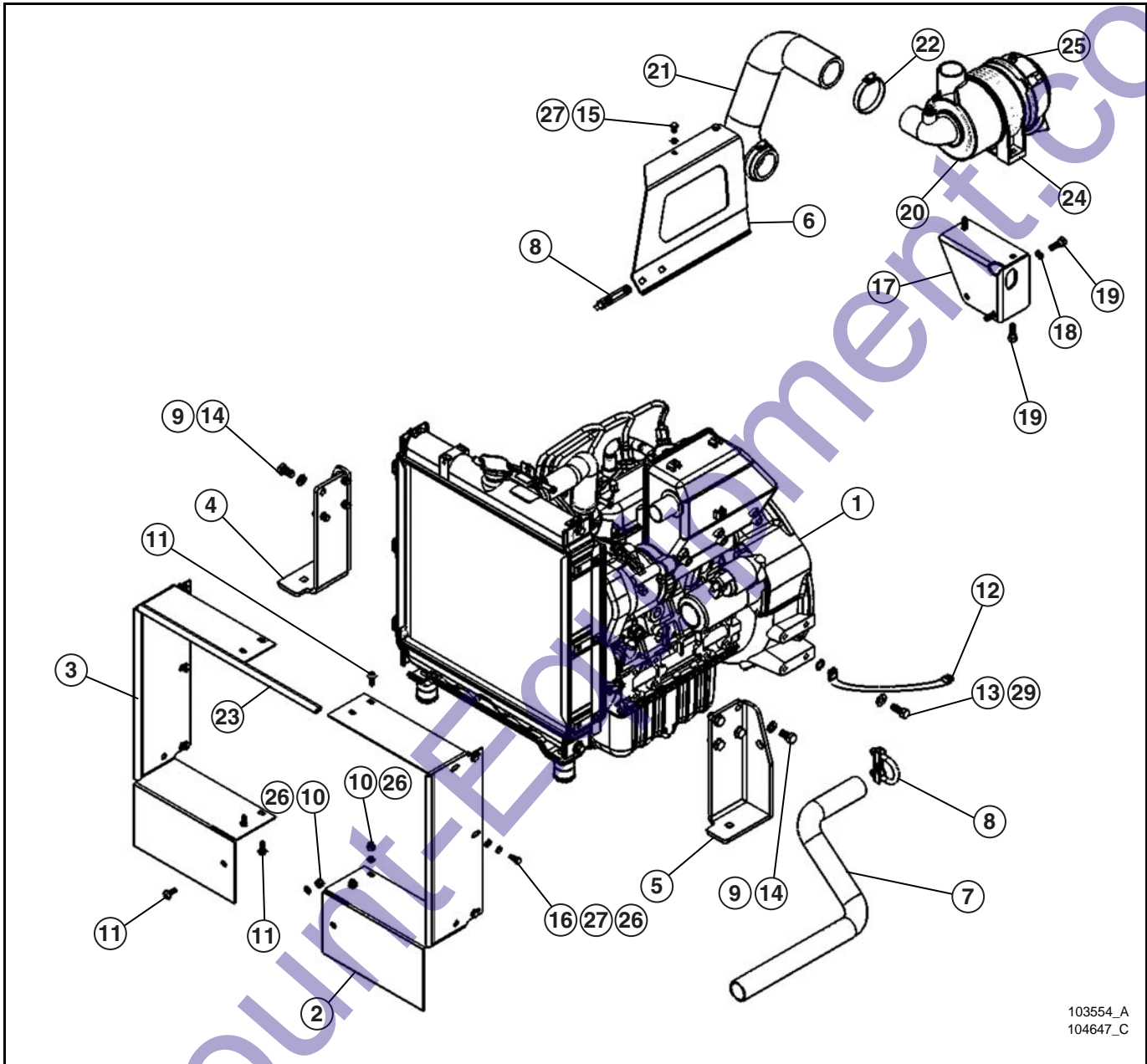
**KUBOTA D1005/D1105 ENGINE TIER 4 FINAL (2 OF 2)**

SN 0001ML2V13 and Up

Item	Part No.	Part Description	Qty.
1	103805P	BRACKET UPPER RAD MOUNT KUBOTA	1
2	104387P	MOUNT WELDMENT KUBOTA RADIATOR	1
3	047010	5/16 FLAT WASHER PL	5
4	044033	5/16-18 NYLOCK HEX NUT PL	5
5	053020	5/16-18 X 1 CARRIAGE BOLT PL	5
6	047009	1/4 FLAT WASHER SAE SS	3
7	044023	1/4-20 NYLOCK HEX NUT PL	3
8	041050	1/4-20 X 3/4 PH-TRUSS HEAD MS SS	1
9	102390	SHOCK MOUNT RUBBER	1

**ASSEMBLY KUBOTA D1005/D1105 ENGINE TIER 4 FINAL**

SN 0001ML2V13 and Up



103554\_A  
104647\_C

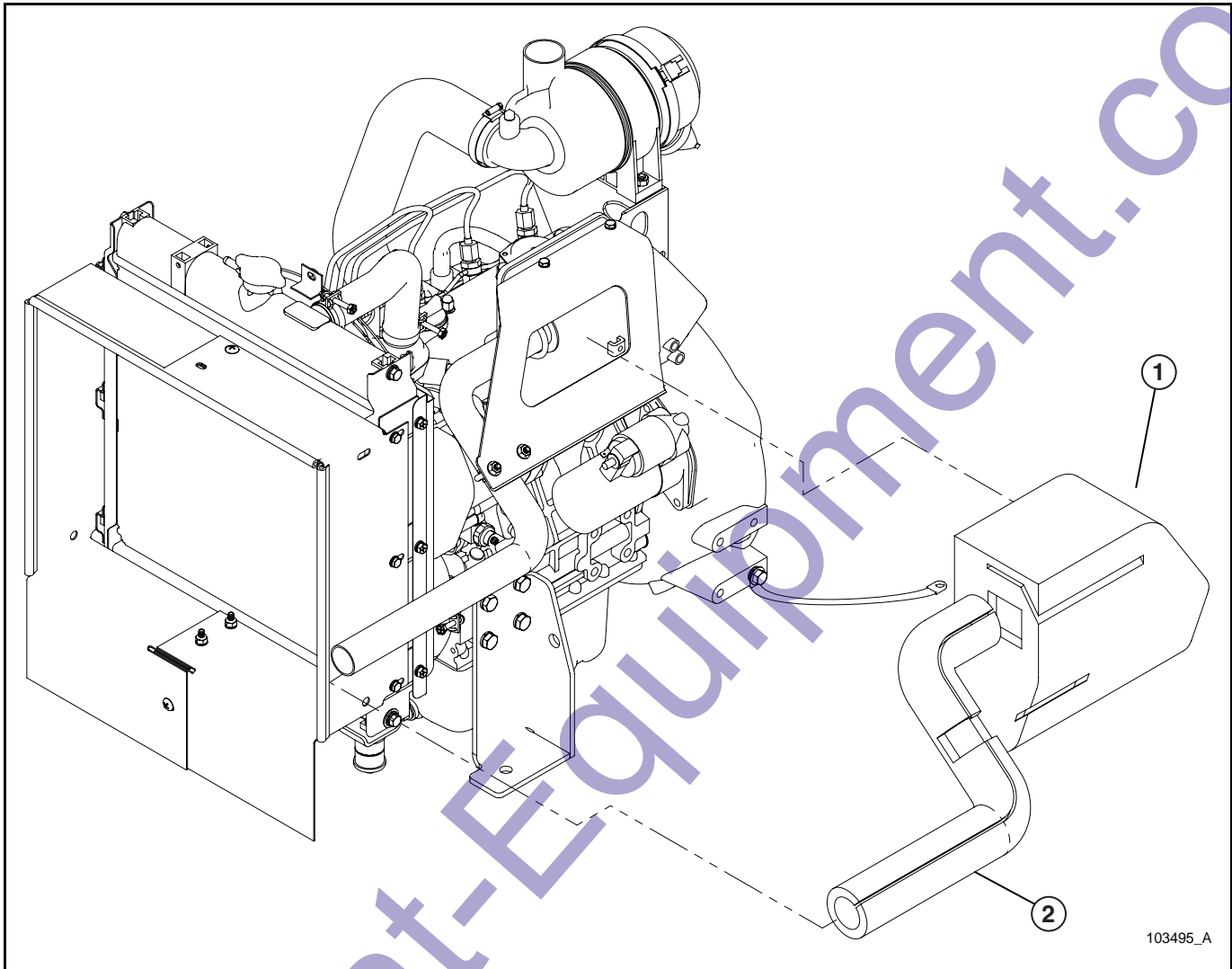
**ASSEMBLY KUBOTA D1005/D1105 ENGINE TIER 4 FINAL**

SN 0001ML2V13 and Up

Item	Part No.	Part Description	Qty.
1	104479	ENGINE D1005 NRTC/ NTE	1
	104480	ENGINE D1105 NRTC/ NTE	1
2	103055P	RIGHT SHROUD KUBOTA RADIATOR	1
3	103056P	LEFT SHROUD KUBOTA RADIATOR	1
4	103469P	BRACKET ENGINE FOOT LEFT KUBOTA	1
5	103470P	BRACKET ENGINE FOOT RIGHT KUBOTA	1
6	103579P	TAILPIPE MOUNT D1105 NL PRO II	1
7	109800	TAIL PIPE KUBOTA	1
8	713086	1 3/8 MUFFLER CLAMP	2
9	042151	M10 SPLIT LOCK WASHER PL	8
10	044023	1/4-20 NYLOCK HEX NUT PL	4
11	041050	1/4-20 X 3/4 PH-TRUSS HEAD MS SS	4
12	340105	GROUND STRAP	1
13	046110	3/8-16 X 1 HEX HEAD CS GR5 PL	1
14	042038	M10 X 20mm X 1.25mm HEX HEAD CS GR8.8 PL	8
15	042018	M6 X 1.0mm X 10mm HEX HEAD CS GR8.8 PL	2
16	042019	M6 X 1.0mm X 16mm HEX HEAD CS GR8.8 PL	6
17	103039P	MOUNT AIR FILTER	1
18	102131	M10 SPLIT LOCK WASHER PL	2
19	042031	M8 X 25mm X 1.25mm HEX HEAD CS GR8.8 PL	4
20	650262	AIR CLEANER RADIAL SEAL	1
21	650272	AIR CLEANER HOSE AIR INTAKE	1
22	045038	#32 HOSE CLAMP	2
23	030052	TRIMLOK END BEAD	3
24	650263	MOUNTING BAND AIR CLEANER	1
25	042082	M8 X 1.25MM HEX NUT	2
26	047009	1/4 FLAT WASHER SAE SS	10
27	043050	1/4 INTL TOOTH LOCK WASHER	8
28	043070	3/8 INTL TOOTH LOCK WASHER PL	1
29	047016	3/8 FLAT WASHER SAE PL	1
30	047005	1/4 FLAT WASHER PL	2

**EXHAUST BLANKETS KUBOTA D1005/D1105**

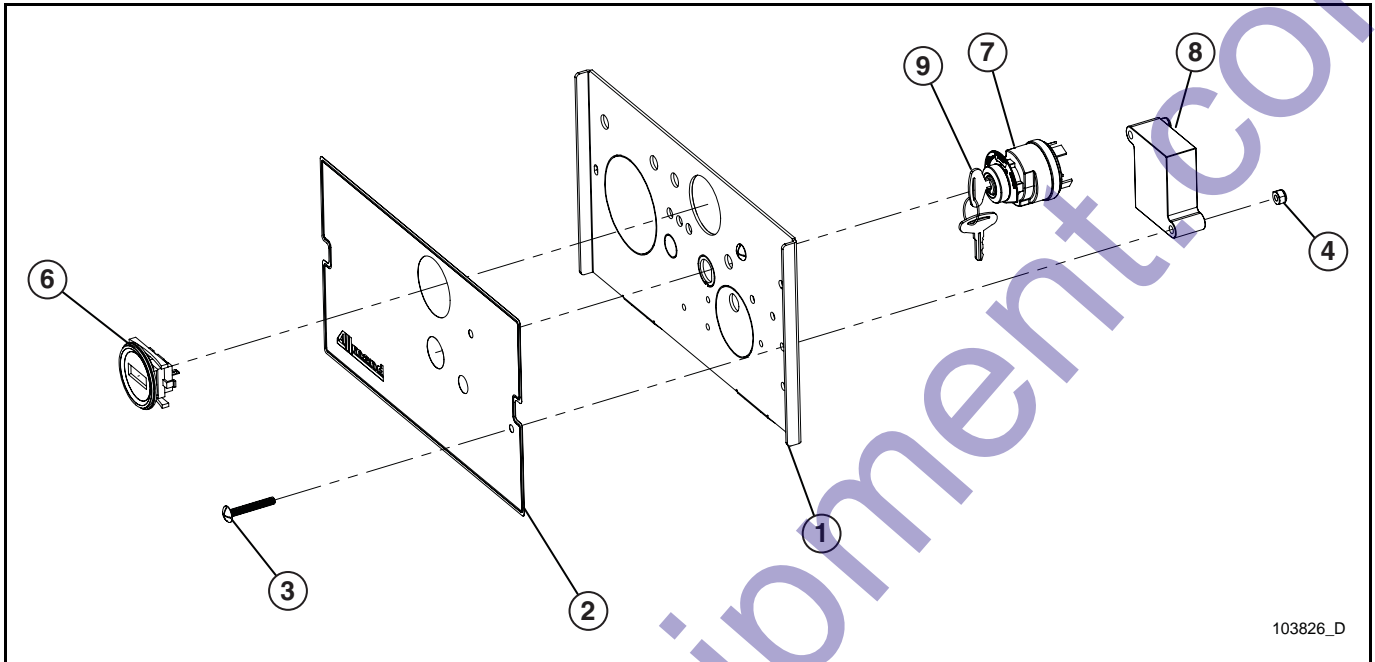
SN 0001ML2V13 and Up



Item	Part No.	Part Description	Qty.
1	103460	BLANKET INSULATING BOX MUFFLER 1005 1105 KUBOTA	1
2	103462	BLANKET INSULATING TAILPIPE 1005 1105 KUBOTA	1

### ENGINE CONTROL PANEL KUBOTA D1005/D1105

SN 0001ML2V13 and Up

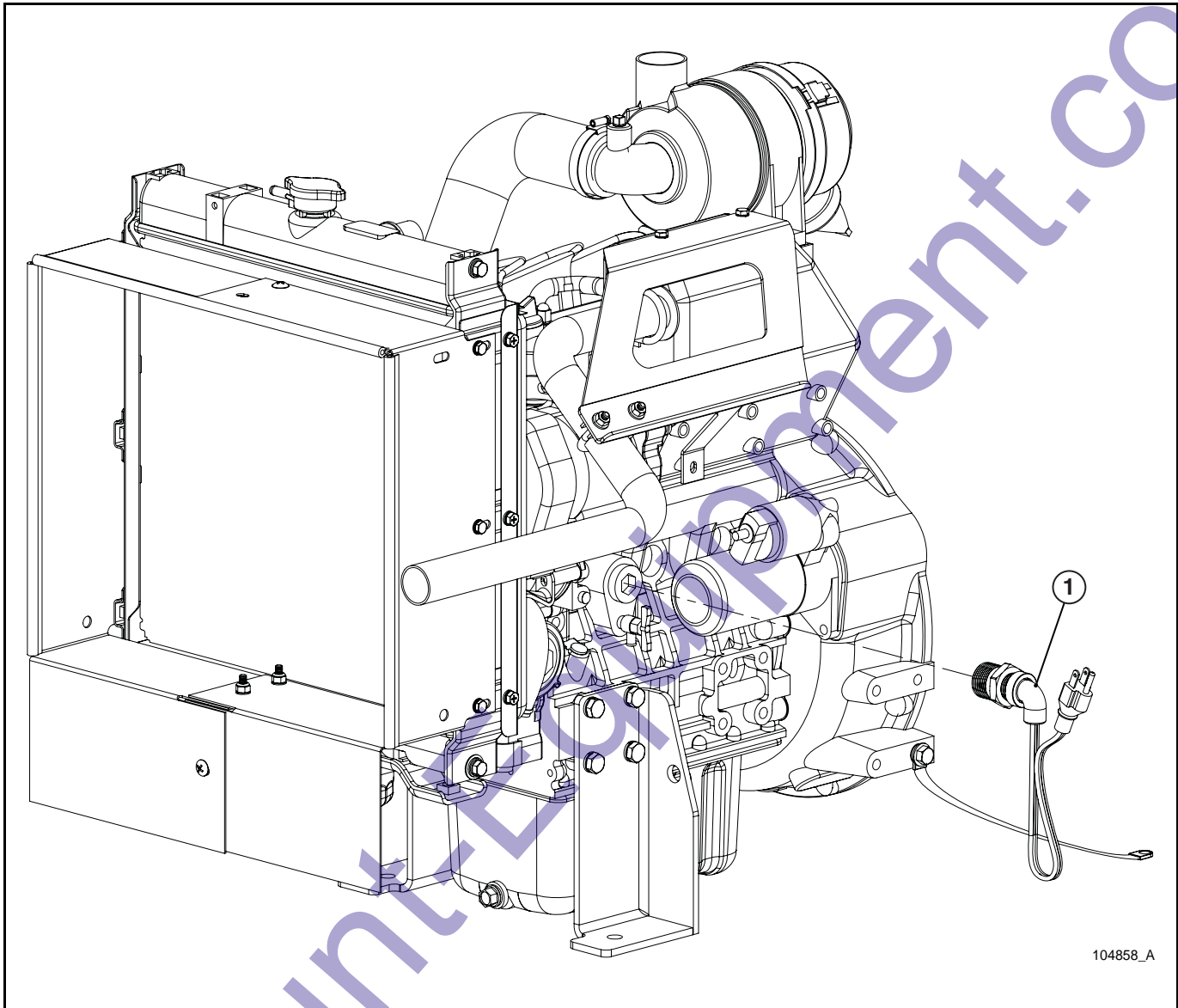


103826\_D

Item	Part No.	Part Description	Qty.
1	103516P	ENGINE CONTROL PANEL UNIVERSAL	1
2	104541	DECAL ENGINE CONTROL PANEL	1
3	041053	1/4-20 x 1 3/4 PH-TRUSS HEAD MS SS	2
4	044023	1/4-20 NYLOCK HEX NUT PL	2
5	105065	HARNESS KUBOTA ENGINE	1
6	340014	HOUR METER DIGITAL	1
7	920475	IGNITION SWITCH	1
8	102577	TIMER MODULE	1
9	920474	IGNITION KEYS	1

**BLOCK HEATER KUBOTA D1005/D1105**

SN 0001ML2V13 and Up



104858\_A

Item	Part No.	Part Description	Qty.
1	352373	BLOCK HEATER D1005/ D1105	1

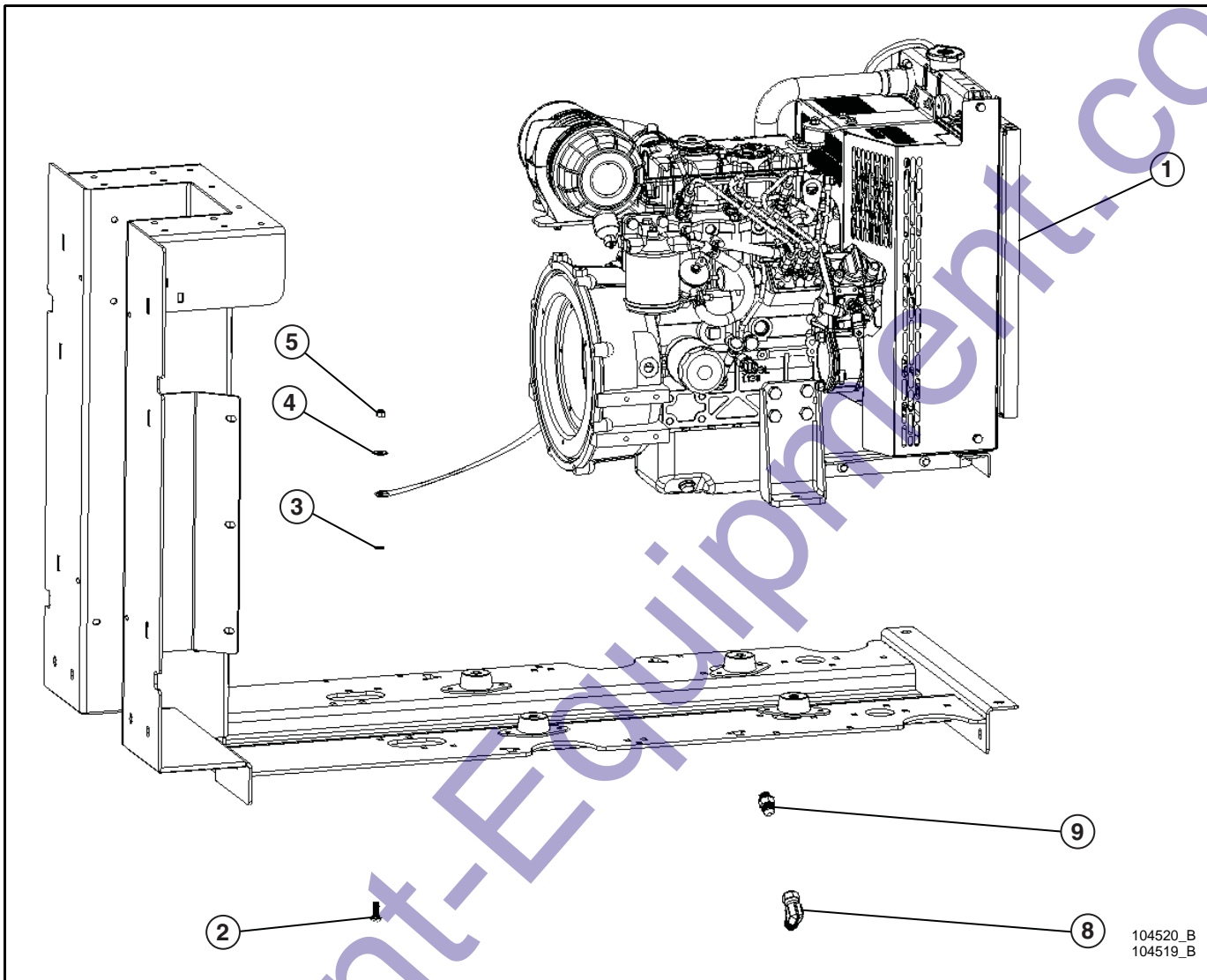


**This Page Intentionally Left Blank**

Discount-Equipment.com

## CAT C1.1 ENGINE TIER 4 FINAL

SN 0001ML2V13 and Up

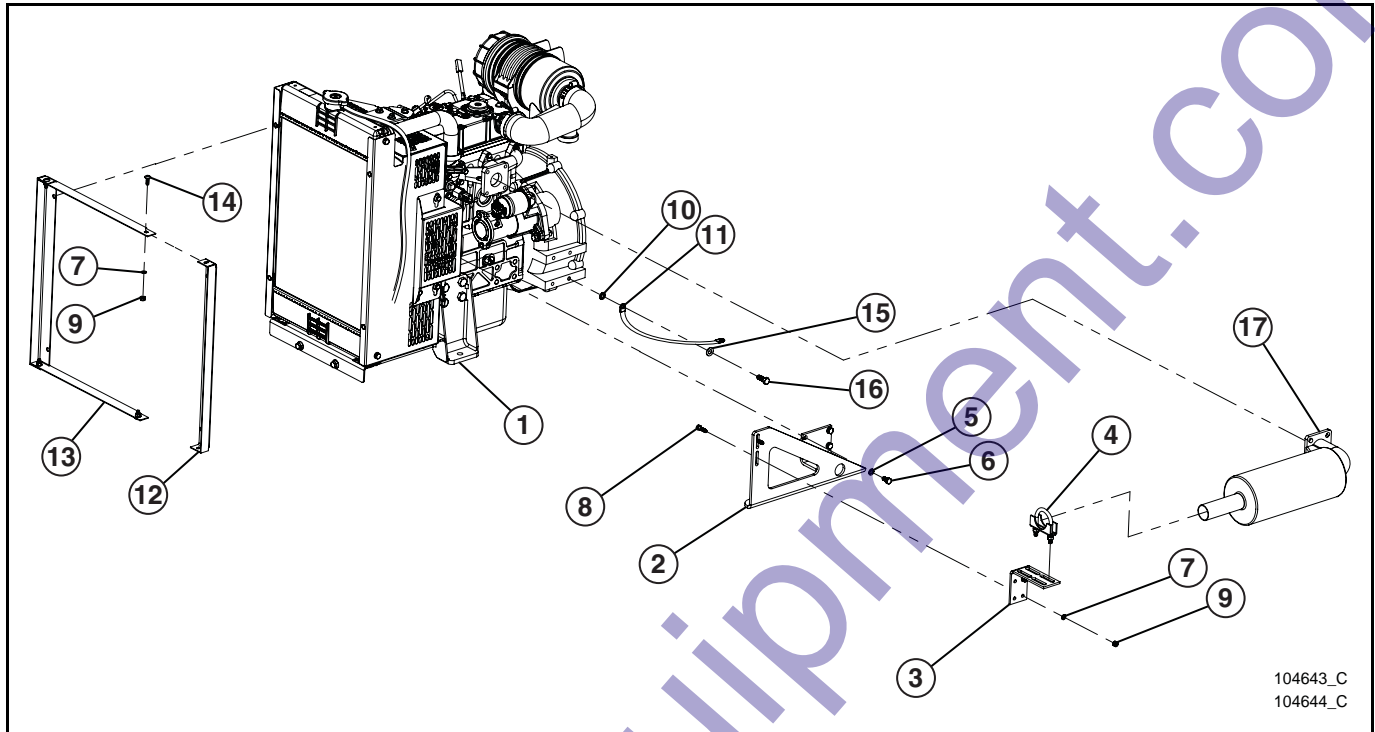


104520\_B  
104519\_B

Item	Part No.	Part Description	Qty.
1	104644	ASSY CAT ENGINE C1.1 50 HZ	1
	104643	ASSY CAT ENGINE C1.1 60HZ T4F	1
2	053020	5/16-18 X 1 CARRIAGE BOLT PL	1
3	043050	5/16 INTL TOOTH LOCK WASHER	1
4	047010	5/16 FLAT WASHER PL	1
5	044033	5/16-18 NYLOCK HEX NUT PL	1
6	067008	OIL 10W-30	128.8 FL OZ
7	067030	ANTIFREEZE	176 FL OZ
8	680874	HYDRAULIC FITTING 90° ELBOW #10 JIC - #8 JIC	1
9	680875	HYDRAULIC FITTING #8 JIC - M16 X 1.5	1

### ASSEMBLY CAT C1.1 ENGINE TIER 4 FINAL

SN 0001ML2V13 and Up

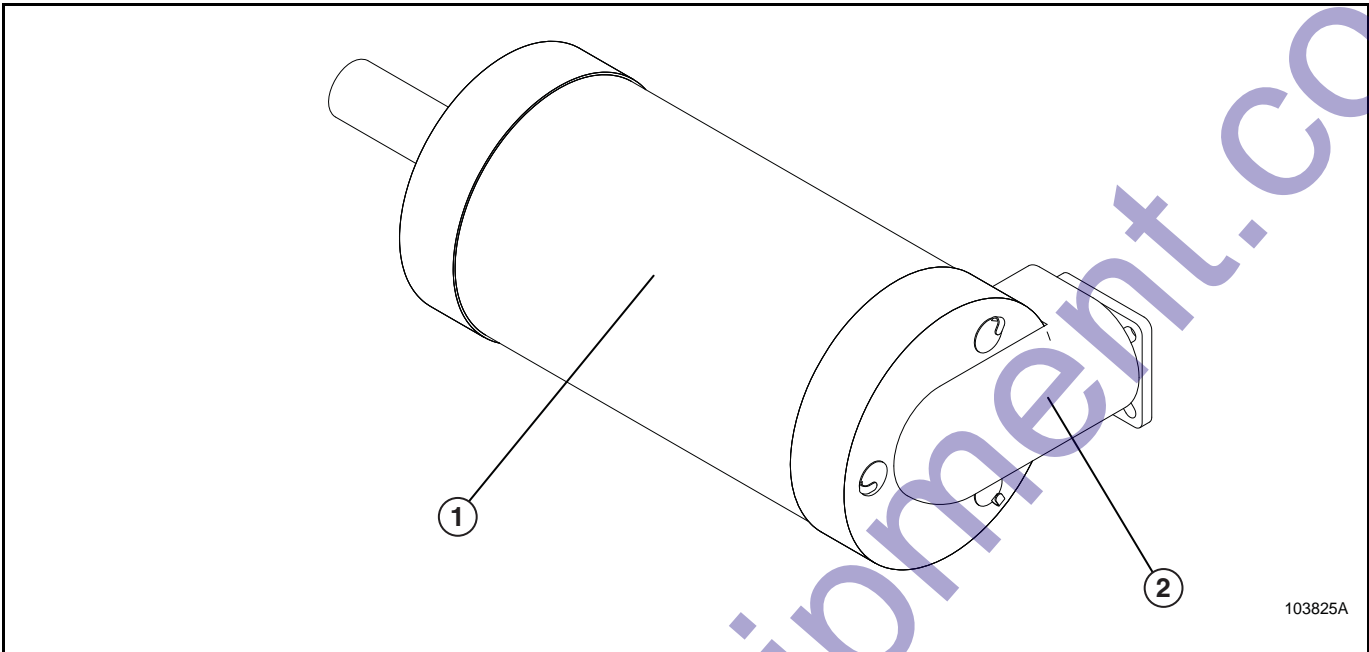


104643\_C  
104644\_C

Item	Part No.	Part Description	Qty.
1	100987	ENGINE CAT C1.1 50 HZ	1
	103558	ENGINE CAT C1.1 60 HZ	1
2	100705P	BRACKET CAT C1.1 MUFFLER	1
3	100706P	MUFFLER BRACKET ADJUSTABLE CAT	1
4	340111	1-1/2 MUFFLER CLAMP	1
5	043055	5/16 SPLITLOCK WASHER	4
6	042027	M8 X 16mm X 1.25mm HEX HEAD CS GR10.9 PL	4
7	047009	1/4 FLAT WASHER SAE SS	6
8	046015	1/4-20 X 1 HEX HEAD CS GR5 PL	2
9	044023	1/4-20 NYLOCK HEX NUT PL	6
10	043070	3/8 INTL TOOTH LOCK WASHER PL	1
11	340105	GROUND STRAP	1
12	102932P	RAD SHROUD SIDE	2
13	102933P	RAD SHROUD CROSS BAR	2
14	041050	1/4-20 X 3/4 PH-TRUSS HEAD MS SS	4
15	047016	3/8 FLAT WASHER SAE PL	1
16	046110	3/8-16 X 1 HEX HEAD CS GR5 PL	1
17	104787	MUFFLER CAT C1.1 4.500 SPOUT	1

**EXHAUST BLANKET CAT C1.1**

SN 0001ML2V13 and Up

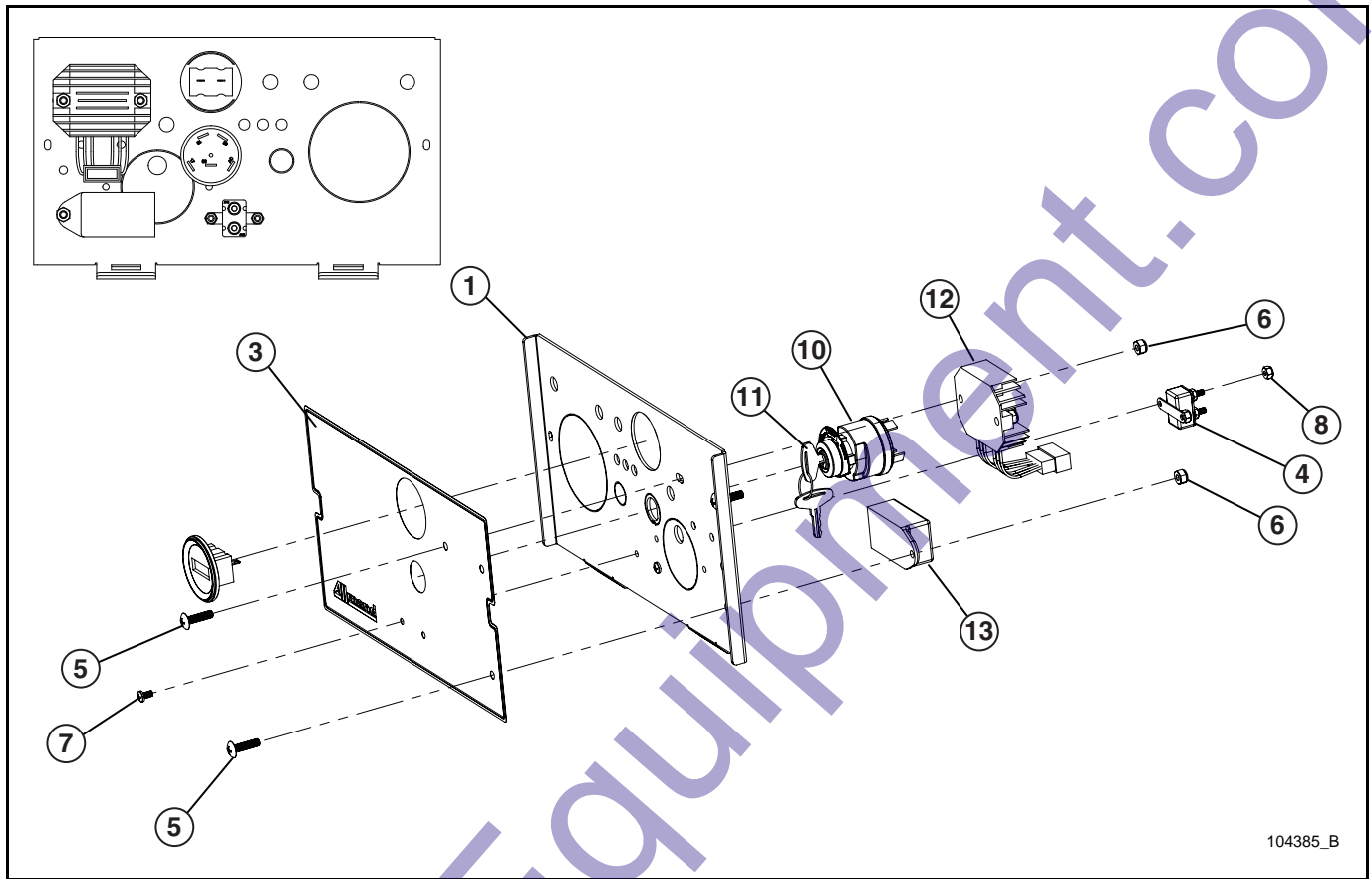


Item	Part No.	Part Description	Qty.
1	103785	BLANKET INSULATING	1
2	103786	BLANKET INSULATING	1

Discount-Equipment.com

### ENGINE CONTROL PANEL CAT C1.1

SN 0001ML2V13 and Up

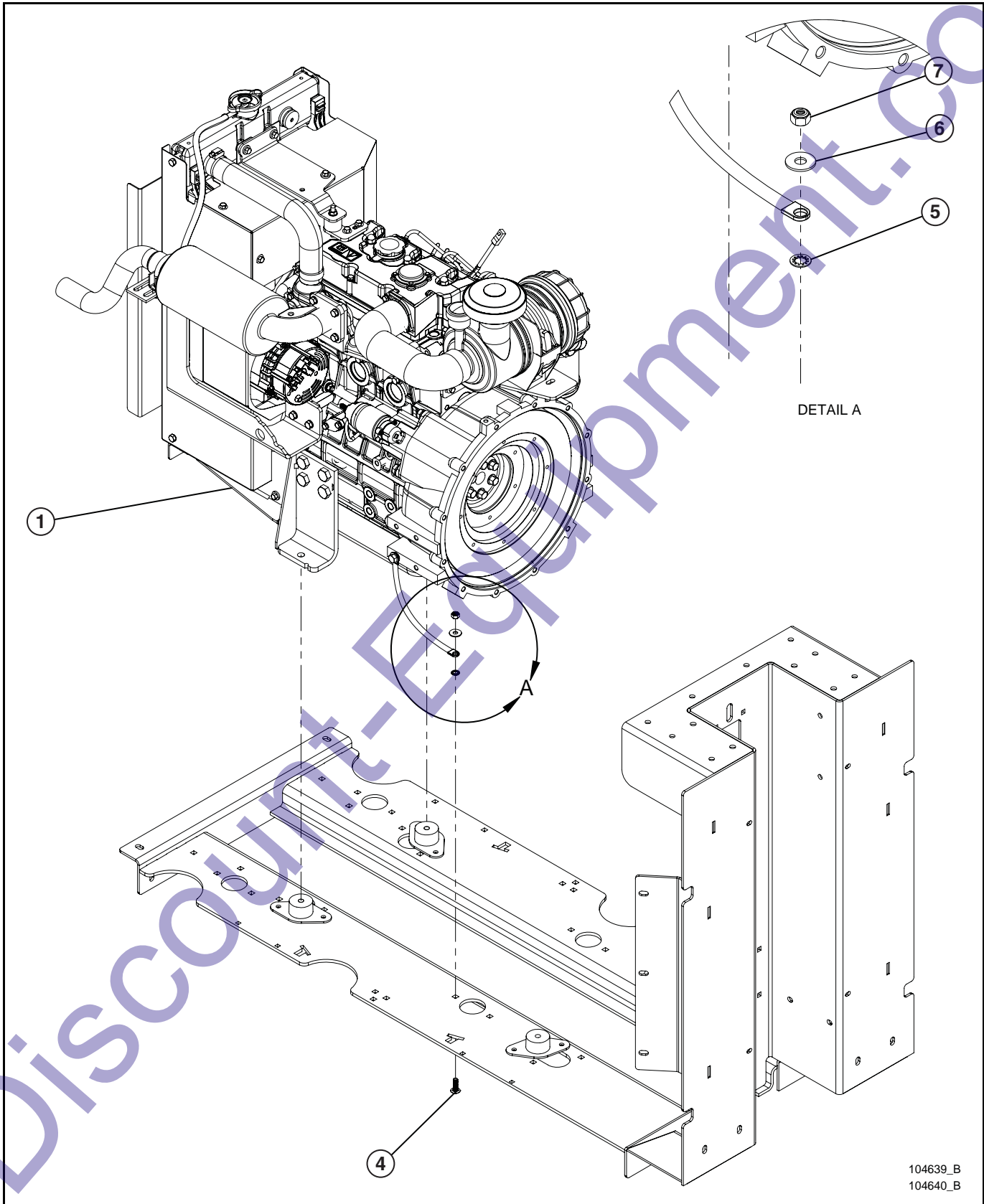


104385\_B

Item	Part No.	Part Description	Qty.
1	103516P	ENGINE CONTROL PANEL UNIVERSAL	1
2	340014	HOUR METER	1
3	104541	DECAL ENGINE CONTROL PANEL	1
4	650139	30A BREAKER	1
5	041080	1/4-20 X 1 PH-TRUSS HEAD MS SS	3
6	044023	1/4-20 NYLOCK HEX NUT PL	3
7	041019	#10-32 X 3/8 PH-ROUND HEAD MS PL	2
8	044019	#10-24 NYLOC HEX NUT SS	2
9	352169	HARNESS CAT C1.1 ENGINE MAXI	1
10	920475	IGNITION SWITCH	1
11	920474	IGNITION KEY	1
12	650446	REGULATOR	1
13	650302	TIMER	1

CAT C1.5 ENGINE TIER 4 FINAL

SN 0001ML2V13 and Up



104639\_B  
104640\_B

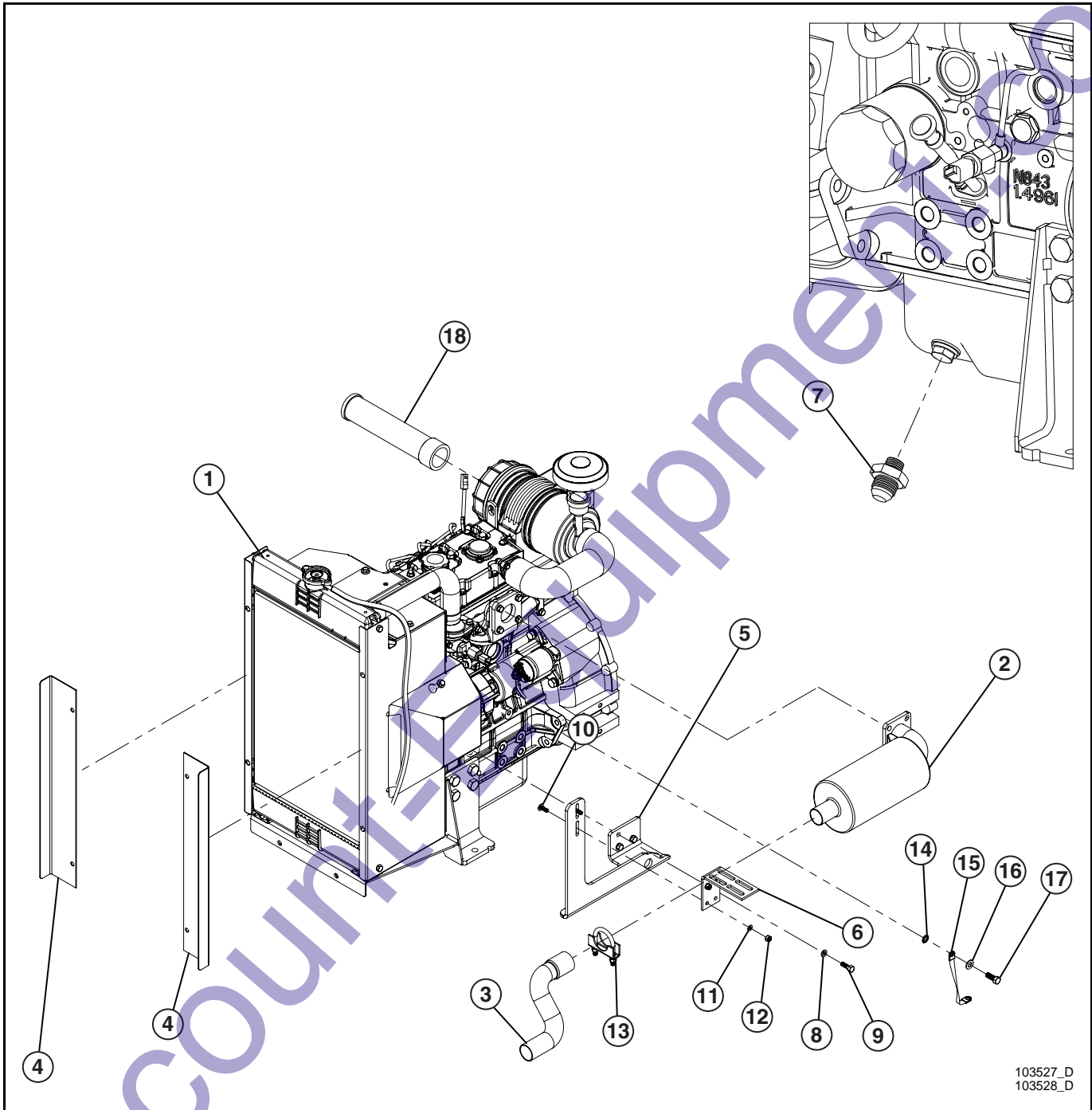
**CAT C1.5 ENGINE TIER 4 FINAL**

SN 0001ML2V13 and Up

Item	Part No.	Part Description	Qty.
1	103528	CAT C1.5 50HZ T4F ENGINE ASSEMBLY PUSH FAN	1
	103527	CAT C1.5 60HZ T4F ENGINE ASSEMBLY PUSH FAN	1
2	067008	10W-30 OIL	201.6 FL OZ
3	067030	ANTIFREEZE	201.6 FL OZ
4	053020	5/16-18 X 1 CARRIAGE BOLT PL	1
5	043050	5/16 INTL TOOTH LOCK WASHER	1
6	047010	5/16 FLAT WASHER PL	1
7	044033	5/16-18 NYLOCK HEX NUT PL	1

**CAT C1.5 ENGINE ASSEMBLY TIER 4 FINAL**

SN 0001ML2V13 and Up



103527\_D  
103528\_D



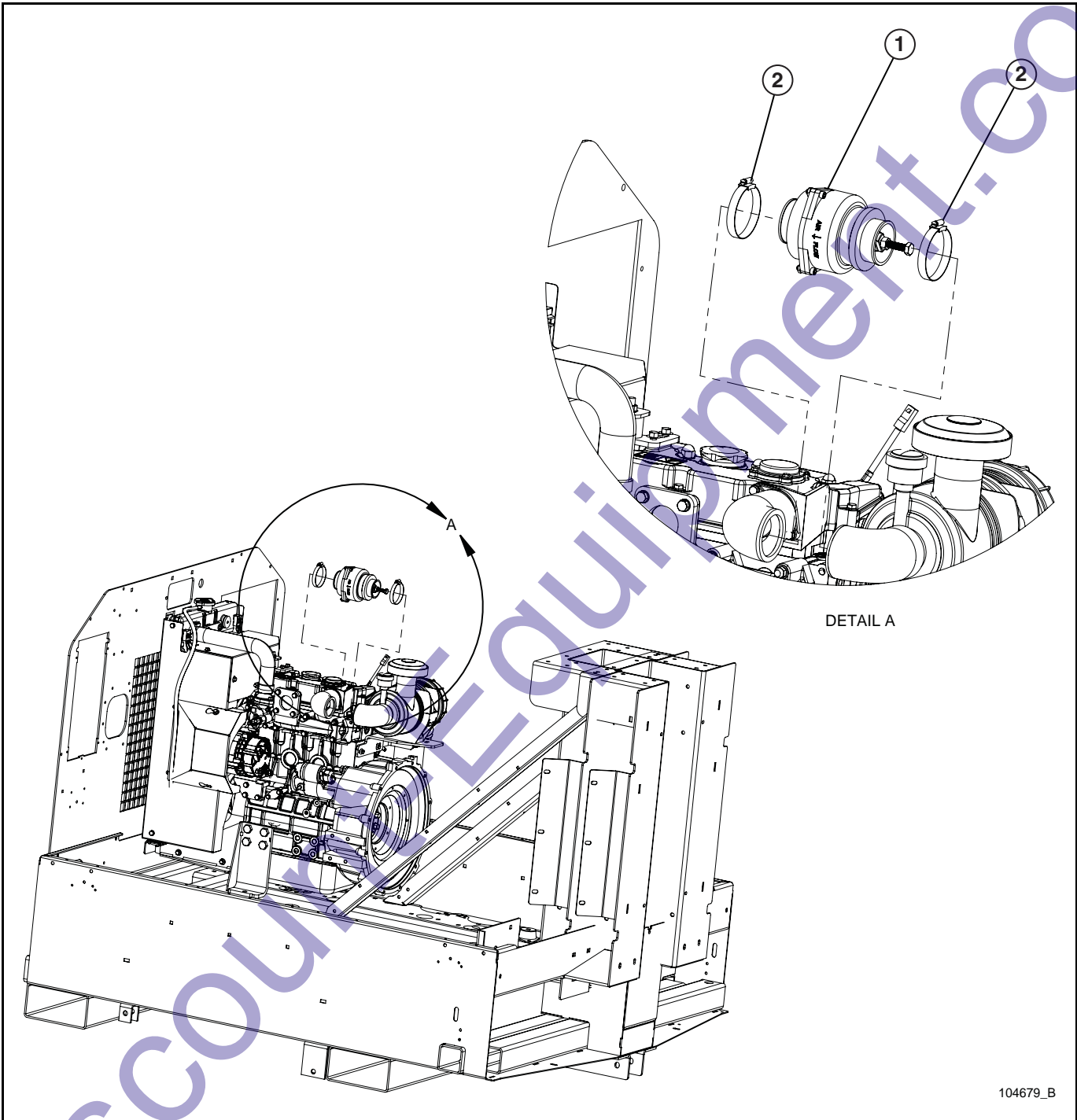
**CAT C1.5 ENGINE ASSEMBLY TIER 4 FINAL**

SN 0001ML2V13 and Up

Item	Part No.	Part Description	Qty.
1	104420	CAT ENGINE C1.5 50 HZ PUSH FAN EXPORT ONLY	1
	103596	CAT ENGINE C1.5 60HZ PUSH FAN EPA TIER 4 FINAL	1
2	104780	MUFFLER CAT C1.5 2.000 SPOUT	1
3	103496	TAILPIPE C1.5 MAXI II	1
4	103491P	RAD SHROUD C1.5 MAXI II	2
5	103517P	BRKT MUFFLER CAT C1.5	1
6	100706P	MUFFLER BRACKET ADJUSTABLE CAT	1
7	103843	#10 JIC - M16 X 1.5MM UNION	1
8	043055	5/16 SPLITLOCK WASHER	3
9	042031	M8 X 25mm X 1.25mm HEX HEAD CS GR8.8 PL	3
10	053006	1/4-20 X 3/4 CARRIAGE BOLT	2
11	047009	1/4 FLAT WASHER SAE SS	2
12	044023	1/4-20 NYLOCK HEX NUT PL	2
13	340111	1-1/2 MUFFLER CLAMP	1
14	043070	3/8 INTL TOOTH LOCK WASHER PL	1
15	340105	GROUND STRAP	1
16	047016	3/8 FLAT WASHER SAE PL	1
17	046110	3/8-16 X 1 HEX HEAD CS GR5 PL	1
18	104071	SAFETY FILTER	1

**AIR INTAKE SHUTOFF CAT C1.5 (1 OF 2)**

SN 0001ML2V13 and Up



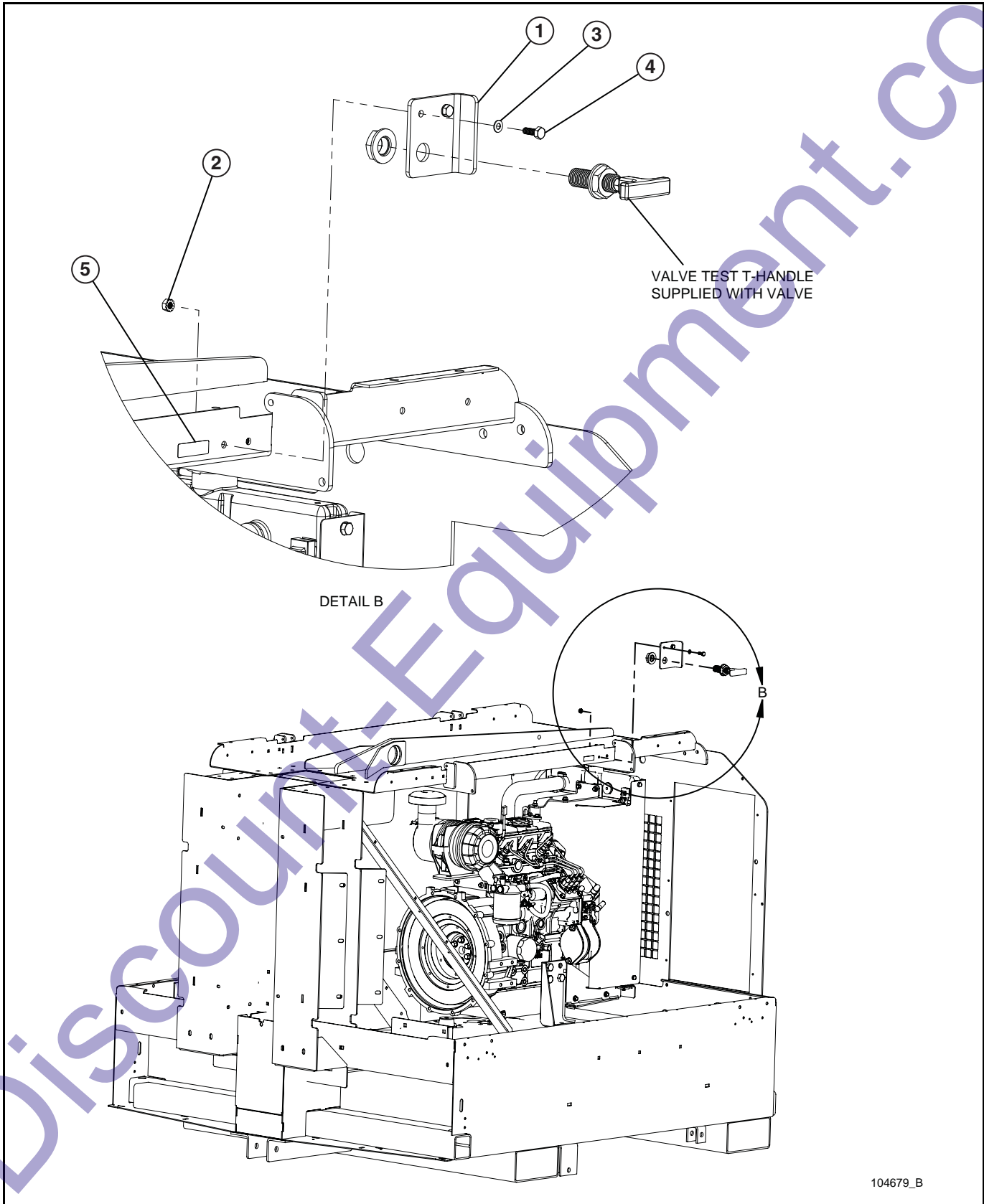
**AIR INTAKE SHUTOFF CAT C1.5 (1 OF 2)**

SN 0001ML2V13 and Up

Item	Part No.	Part Description	Qty.
1	103904	SHUTOFF VALVE ISUZU 4LE/ CAT C2.2, C1.5	1
2	045038	#32 HOSE CLAMP	2

**AIR INTAKE SHUTOFF CAT C1.5 (2 OF 2)**

SN 0001ML2V13 and Up



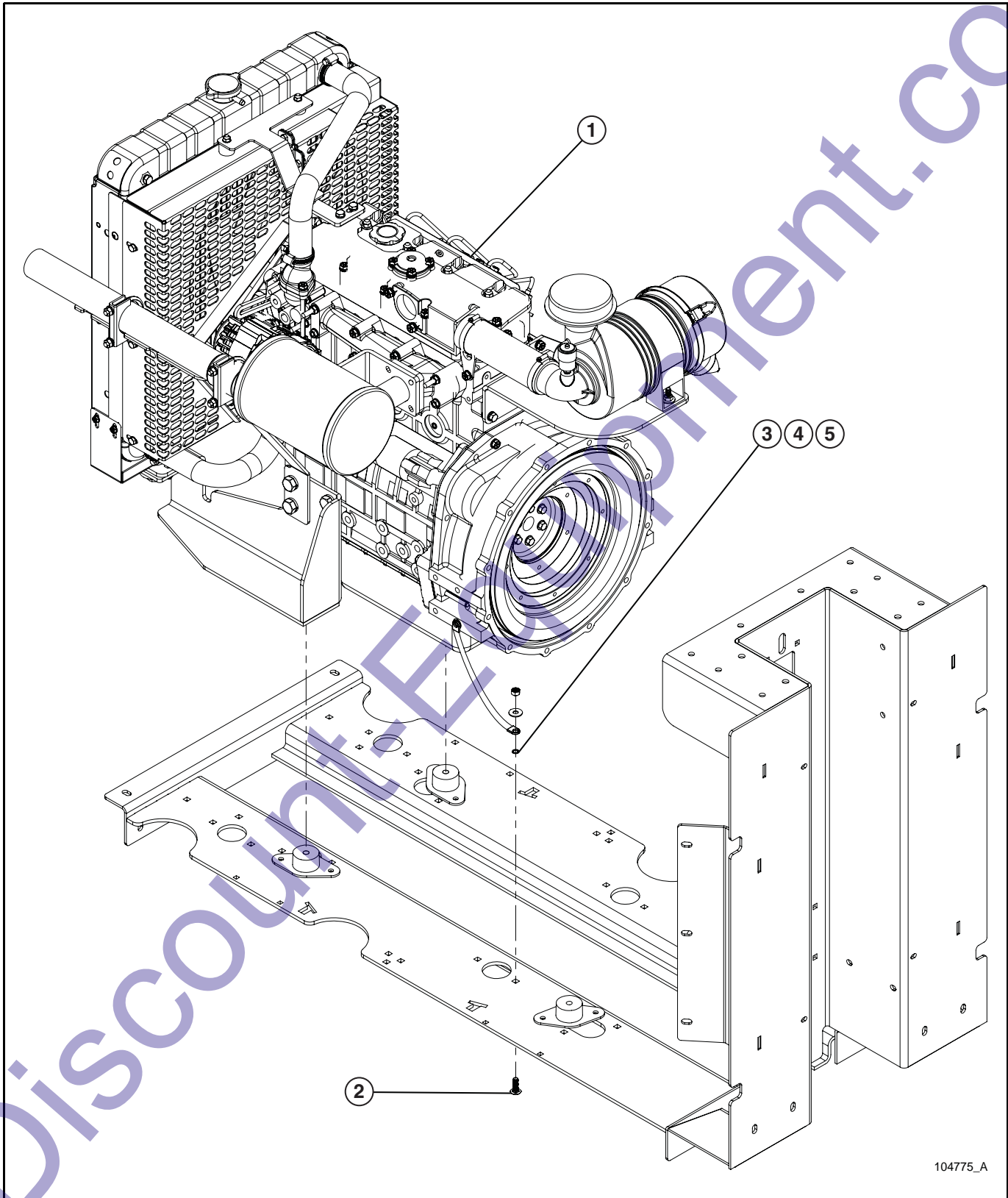
**AIR INTAKE SHUTOFF CAT C1.5 (2 OF 2)**

SN 0001ML2V13 and Up

Item	Part No.	Part Description	Qty.
1	104629P	BRACKET HANDLE CHALWYN VALVE	1
2	044021	1/4-20 KEPS HEX NUT PL	2
3	047009	1/4 FLAT WASHER SAE SS	2
4	046010	1/4-20 X 3/4 HEX HEAD CS GR5 SS	2
5	104227	DECAL ENGINE SHUTDOWN TEST	1

**CAT C2.2 ENGINE TIER 4 INTERIM**

SN 0001ML2V13 and Up



104775\_A

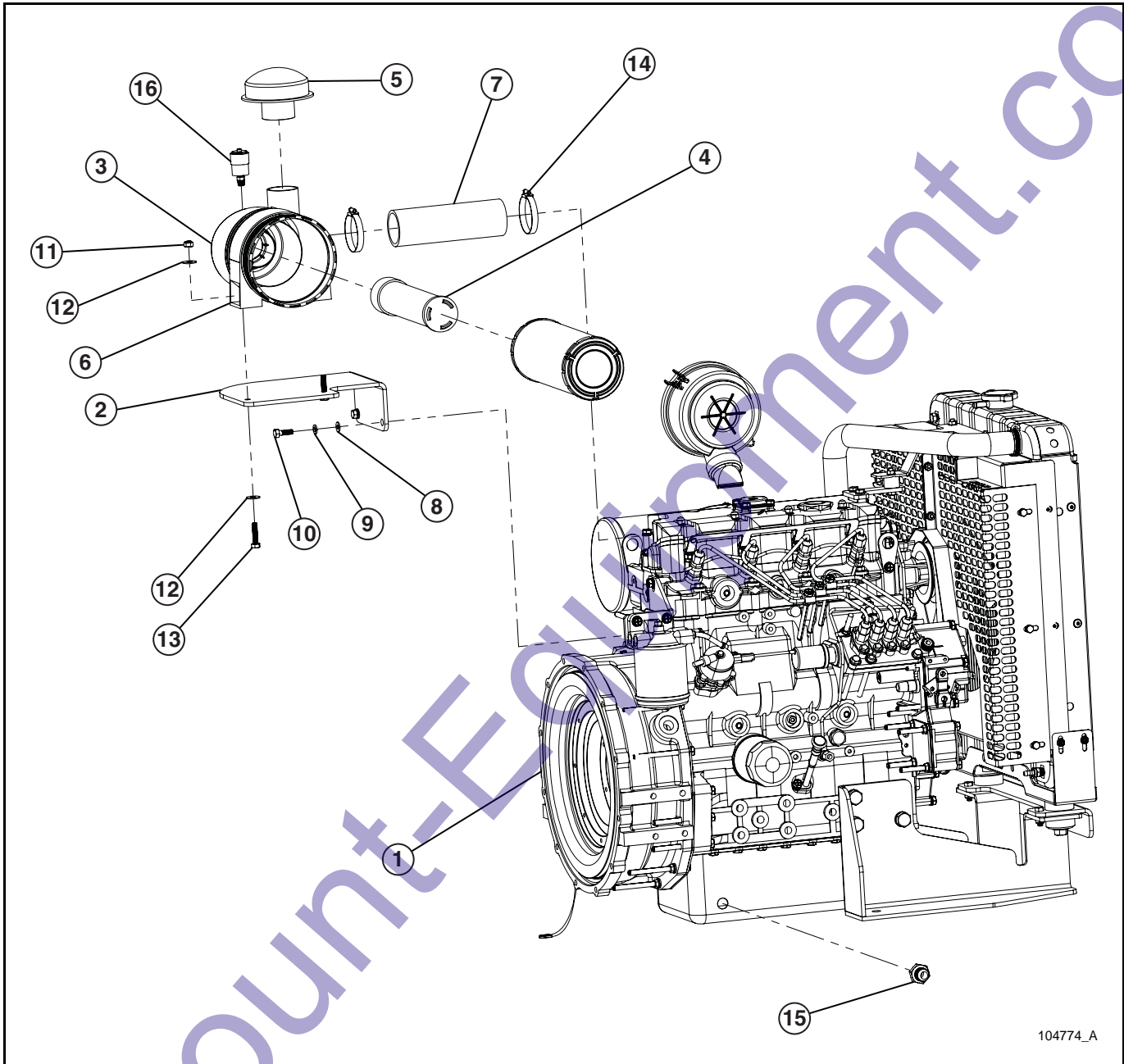
**CAT C2.2 ENGINE TIER 4 INTERIM**

SN 0001ML2V13 and Up

Item	Part No.	Part Description	Qty.
1	104774	ASSY ENGINE CAT C2.2 TIER 4 INTERIM	1
2	053020	5/16-18 X 1 CARRIAGE BOLT PL	1
3	043050	1/4 INTL TOOTH LOCK WASHER	1
4	047010	5/16 FLAT WASHER PL	1
5	044033	5/16-18 NYLOCK HEX NUT PL	1
6	067008	OIL 10W-30	297.6 FL OZ
7	067030	ANTIFREEZE COOLANT	278.4 FL OZ

**ASSEMBLY CAT C2.2 ENGINE TIER 4 INTERIM (1 OF 3)**

SN 0001ML2V13 and Up





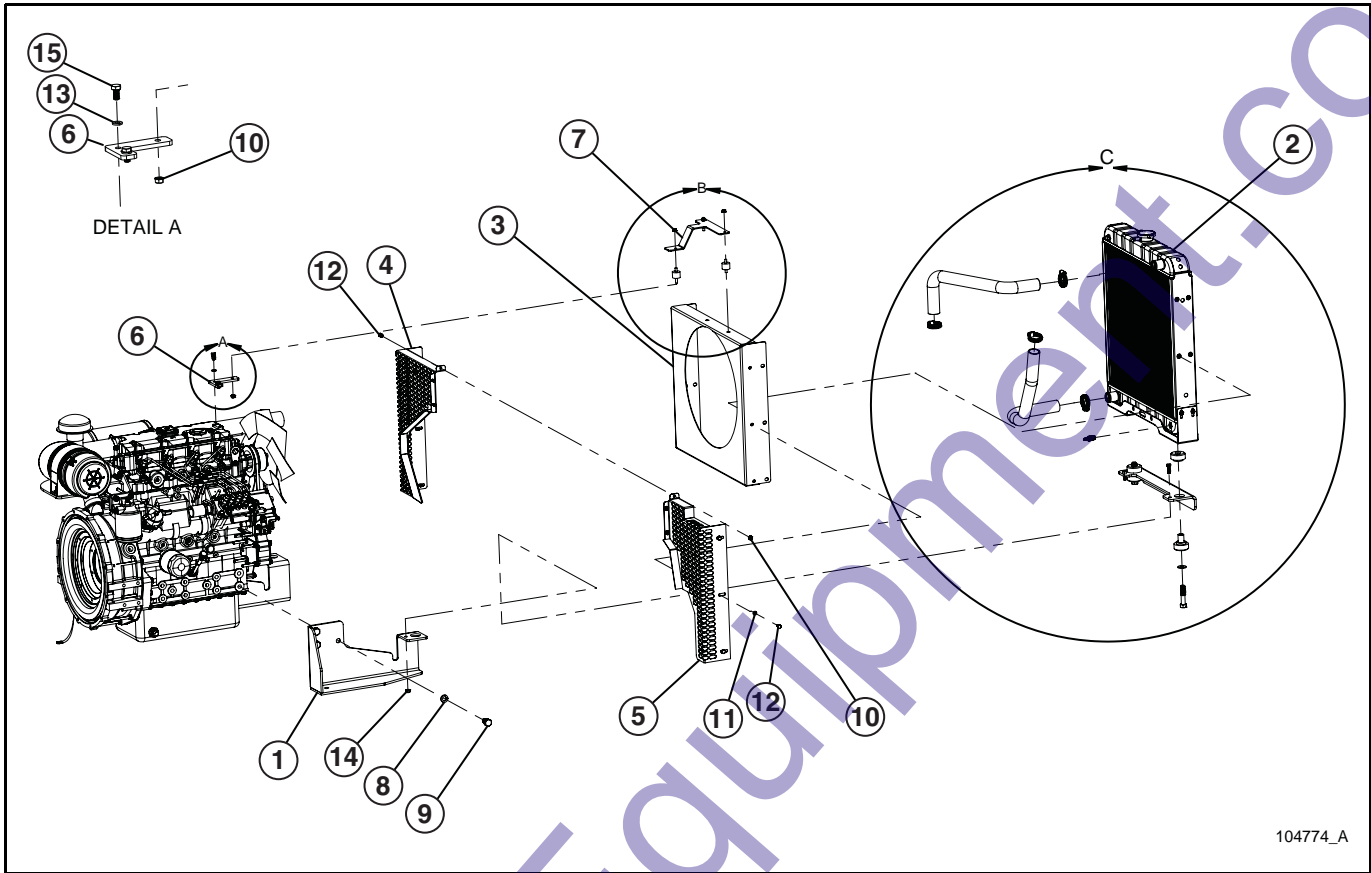
### ASSEMBLY CAT C2.2 ENGINE TIER 4 INTERIM (1 OF 3)

SN 0001ML2V13 and Up

Item	Part No.	Part Description	Qty.
1	102530	ENGINE CAT C2.2 60 Hz	1
2	102893P	BRACKET AIR CLEANER CAT C2.2	1
3	921142	AIR CLEANER ASSY DONALDSON	1
4	104071	SAFETY FILTER	1
5	104060	DUST COVER	1
6	921140	BAND MOUNT AIR CLEANER	1
7	101481	STRAIGHT HOSE 2" ID 3" LG X 3/16" WALL	1
8	047005	1/4 FLAT WASHER PL	6
9	043055	5/16 SPLITLOCK WASHER	4
10	042031	M8 X 25mm X 1.25mm HEX HEAD CS GR8.8 PL	4
11	042081	M8 X 1.25mm NYLOCK HEX NUT PL	4
12	047010	5/16 FLAT WASHER PL	4
13	102127	8MM X 35MM X 1.25 HEX GR 8.8 PLATED	2
14	045038	#32 HOSE CLAMP	2
15	103843	#10 JIC - M16 X 1.5MM UNION	1
16	104795	SERVICE INDICATOR KIT AIR FILTER 25" H2O/6.2 kPa	1

ASSEMBLY CAT C2.2 ENGINE TIER 4 INTERIM (2 OF 3)

SN 0001ML2V13 and Up



Discount-Equipment.com

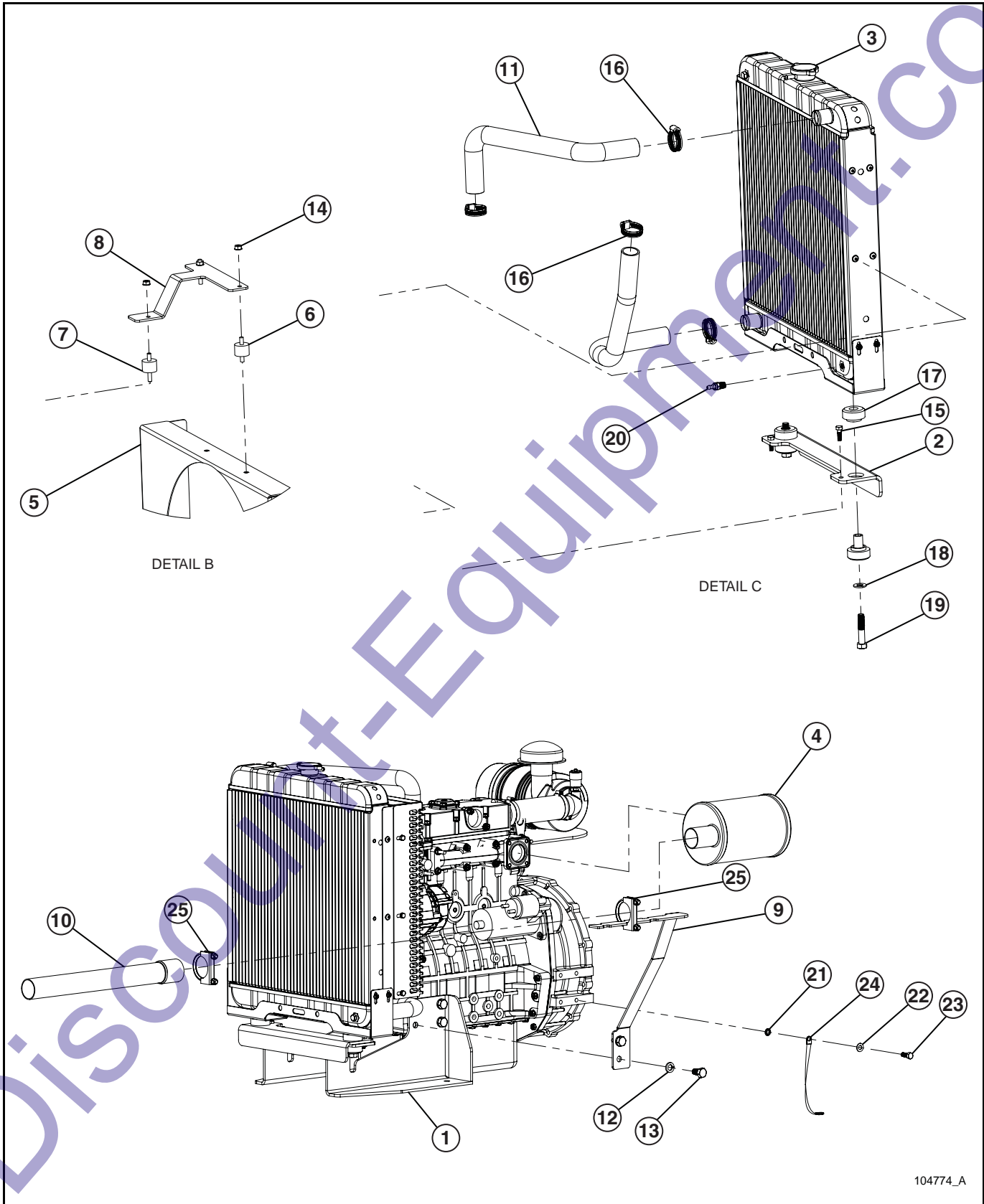
**ASSEMBLY CAT C2.2 ENGINE TIER 4 INTERIM (2 OF 3)**

SN 0001ML2V13 and Up

Item	Part No.	Part Description	Qty.
1	104791P	ENGINE FOOT LEFT CAT C2.2	1
2	102539	RADIATOR RCP 79000598	1
3	104793P	FAN SHROUD WELDMENT CAT C2.2	1
4	102889P	ML CAT C2.2 FAN GUARD, RIGHT SIDE	1
5	102892P	ML CAT C2.2 HAND GUARD, LEFT	1
6	102886P	BRACKET RAD STABILIZER CAT C2.2	1
7	104794P	BRACKET UPPER RAD CAT C2.2	1
8	043095	9/16 SPLITLOCK WASHER PL	7
9	046430	M14X1.5X25 HEX HEAD CS GR8.8 PL	7
10	044021	1/4-20 KEPS HEX NUT PL	7
11	047070	#10 FLAT WASHER USS PL	6
12	046005	1/4-20 X 1/2 HEX HEAD CS GR5 PL	9
13	043055	5/16 SPLITLOCK WASHER	4
14	042081	M8 X 1.25mm NYLOCK HEX NUT PL	4
15	042027	M8 X 16mm X 1.25mm HEX HEAD CS GR10.9 PL	2

ASSEMBLY CAT C2.2 ENGINE TIER 4 INTERIM (3 OF 3)

SN 0001ML2V13 and Up



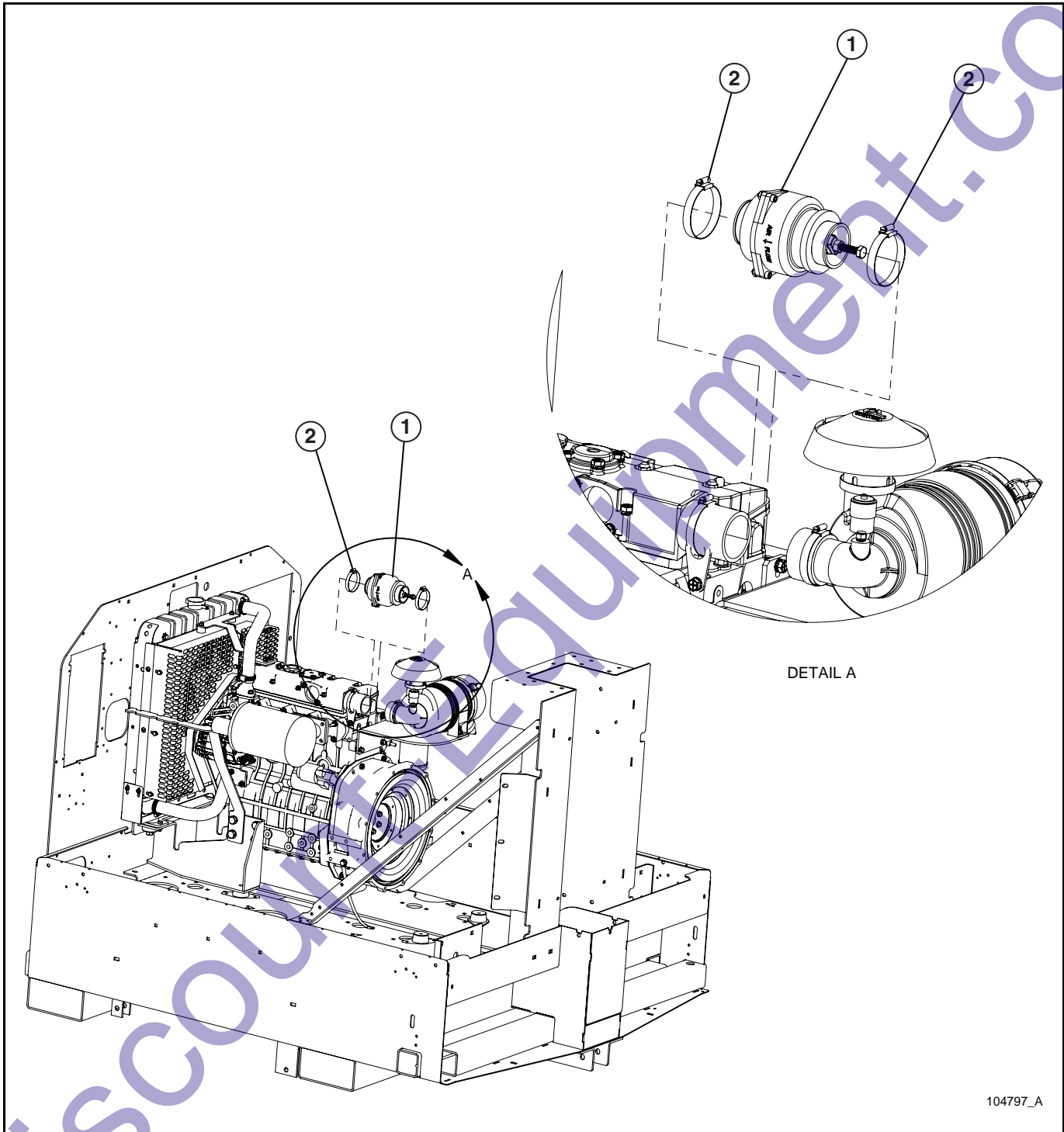
**ASSEMBLY CAT C2.2 ENGINE TIER 4 INTERIM (3 OF 3)**

SN 0001ML2V13 and Up

Item	Part No.	Part Description	Qty.
1	104790P	ENGINE FOOT RIGHT CAT C2.2	1
2	109695P	RAD CROSSMEMBER CAT C2.2	1
3	102539	RADIATOR RCP 79000598	1
4	109770	MUFFLER CAT C2.2	1
5	104793P	FAN SHROUD WELDMENT CAT C2.2	1
6	330057	BOX MOUNT RUBBER	2
7	102390	SHOCK MOUNT RUBBER	1
8	104794P	BRACKET UPPER RAD CAT C2.2	1
9	109808P	SUPPORT TAILPIPE CAT C2.2	1
10	109771	TAILPIPE CAT C2.2	1
11	109772	UPPER RADIATOR HOSE UPPER CAT C2.2	1
12	043095	9/16 SPLITLOCK WASHER PL	7
13	046430	M14X1.5X25 HEX HEAD CS GR8.8 PL	7
14	044021	1/4-20 KEPS HEX NUT PL	7
15	042031	M8 X 25mm X 1.25mm HEX HEAD CS GR8.8 PL	4
16	045035	#20 HOSE CLAMP	4
17	102216	ISOLATOR RUBBER	2
18	047025	1/2 FLAT WASHER PL	2
19	046205	1/2-13 X 2 1/2 HEX HEAD CS GR5 PL	2
20	713051	1/4 NPTM PUSH-LOK	1
21	043070	3/8 INTL TOOTH LOCK WASHER PL	1
22	047016	3/8 FLAT WASHER SAE PL	1
23	046110	3/8-16 X 1 HEX HEAD CS GR5 PL	1
24	340105	GROUND STRAP	1
25	930234	2" MUFFLER CLAMP	2

**AIR INTAKE SHUTOFF CAT C2.2 TIER 4 INTERIM (1 OF 2)**

SN 0001ML2V13 and Up



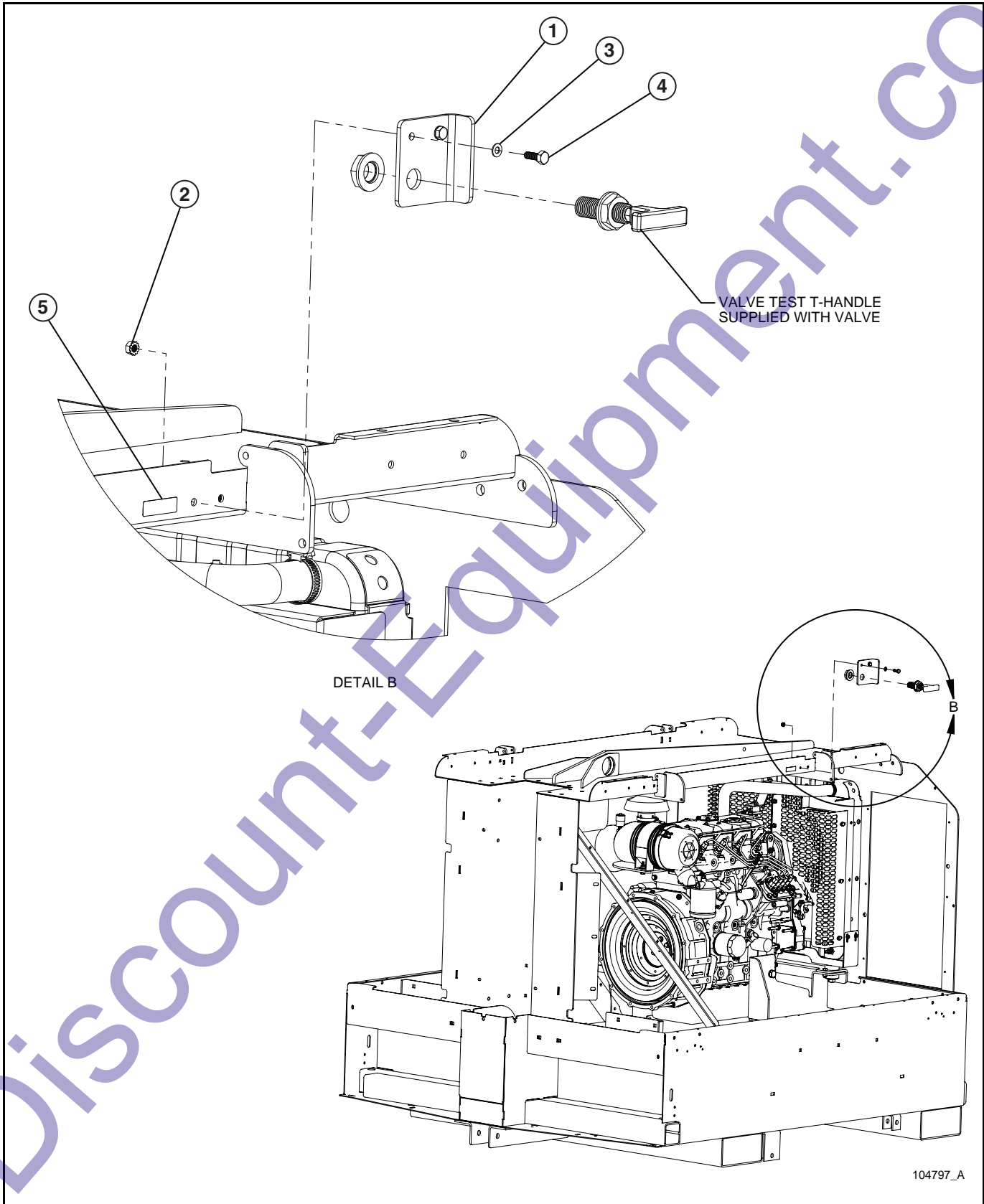
**AIR INTAKE SHUTOFF CAT C2.2 TIER 4 INTERIM (1 OF 2)**

SN 0001ML2V13 and Up

Item	Part No.	Part Description	Qty.
1	103904	SHUTOFF VALVE ISUZU 4LE/ CAT C2.2, C1.5	1
2	045038	#32 HOSE CLAMP	2

**AIR INTAKE SHUTOFF CAT C2.2 TIER 4 INTERIM (2 OF 2)**

SN 0001ML2V13 and Up





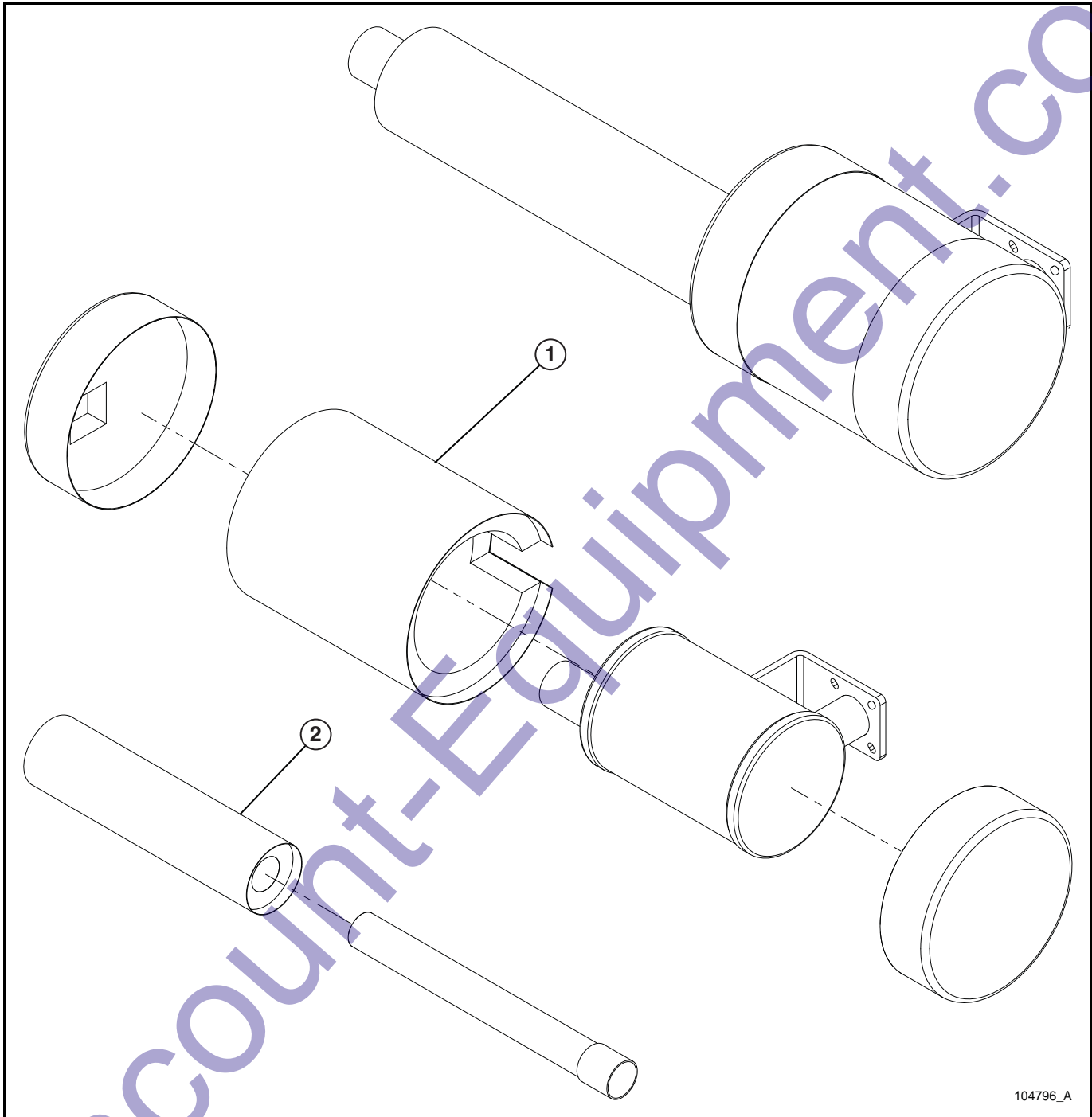
**AIR INTAKE SHUTOFF CAT C2.2 TIER 4 INTERIM (2 OF 2)**

SN 0001ML2V13 and Up

Item	Part No.	Part Description	Qty.
1	104629P	BRACKET HANDLE CHALWYN VALVE	1
2	044021	1/4-20 KEPS HEX NUT PL	2
3	047009	1/4 FLAT WASHER SAE SS	2
4	046010	1/4-20 X 3/4 HEX HEAD CS GR5 SS	2
5	104227	DECAL ENGINE SHUTDOWN TEST	1

**EXHAUST BLANKET CAT C2.2 TIER 4 INTERIM**

SN 0001ML2V13 and Up

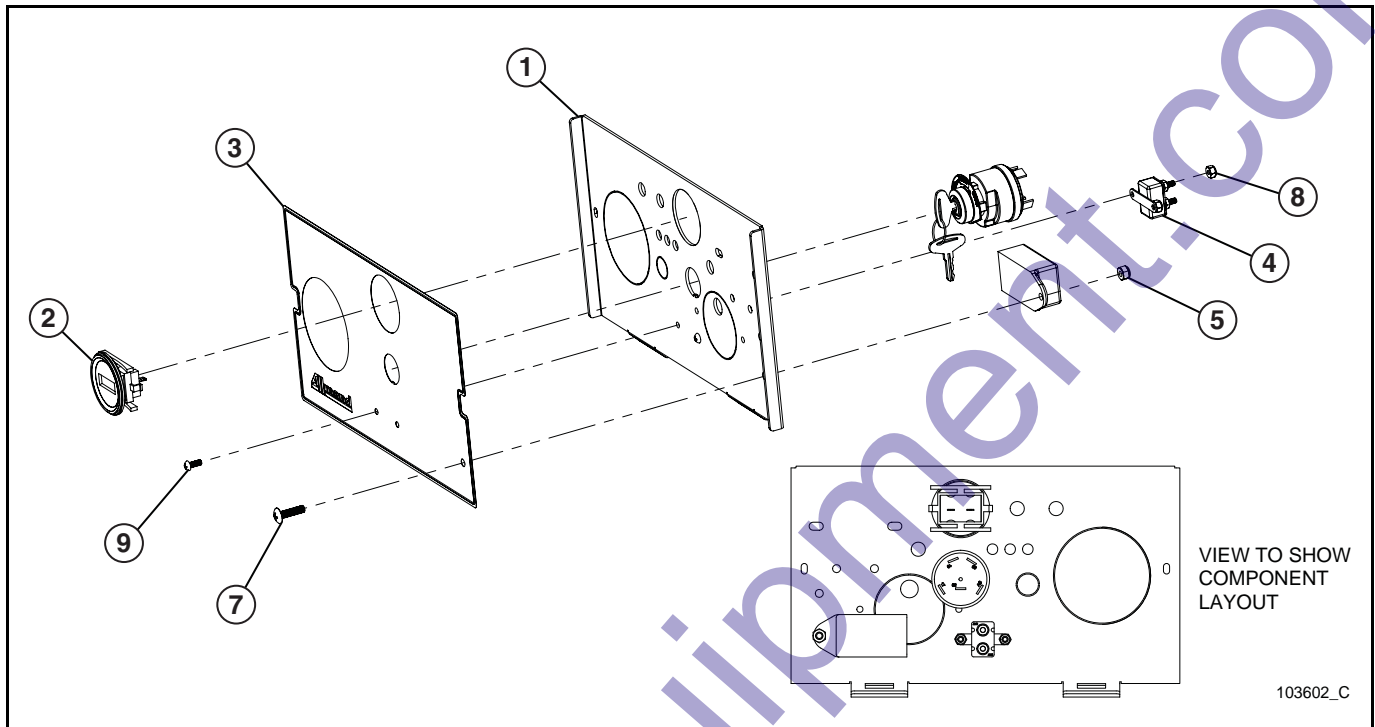


104796\_A

Item	Part No.	Part Description	Qty.
1	104241	MUFFLER BLANKET CAT C2.2	1
2	104242	TAILPIPE BLANKET CAT C2.2	1

### ENGINE CONTROL PANEL CAT C1.5 & C2.2 TIER 4 INTERIM

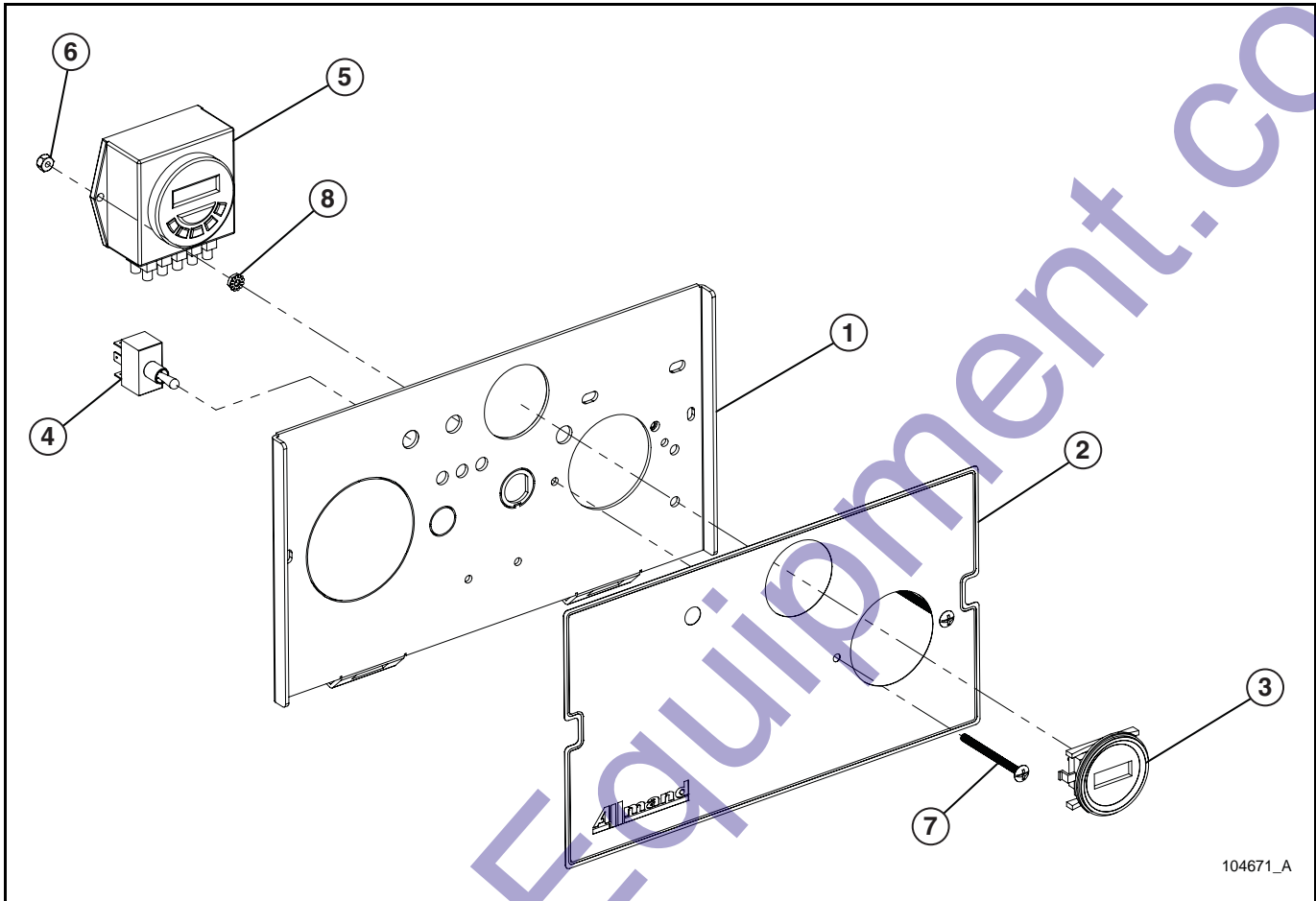
SN 0001ML2V13 and Up



Item	Part No.	Part Description	Qty.
1	103516P	ENGINE CONTROL PANEL UNIVERSAL	1
2	340014	HOUR METER DIGITAL	1
3	104541	DECAL ENGINE CONTROL PANEL	1
4	650139	30A BREAKER	1
5	044023	1/4-20 NYLOCK HEX NUT PL	1
6	101338	HARNESS WIRING ENGINE CAT C1.5 & C2.2	1
7	041080	1/4-20 X 1 PH-TRUSS HEAD MS SS	1
8	044019	#10-24 NYLOC HEX NUT SS	2
9	041021	#10-24 X 1/2 PH-ROUND HEAD MS PL	2

**LSC100 – CAT C1.5 & C2.2 TIER 4 INTERIM (1 OF 4)**

SN 0001ML2V13 and Up



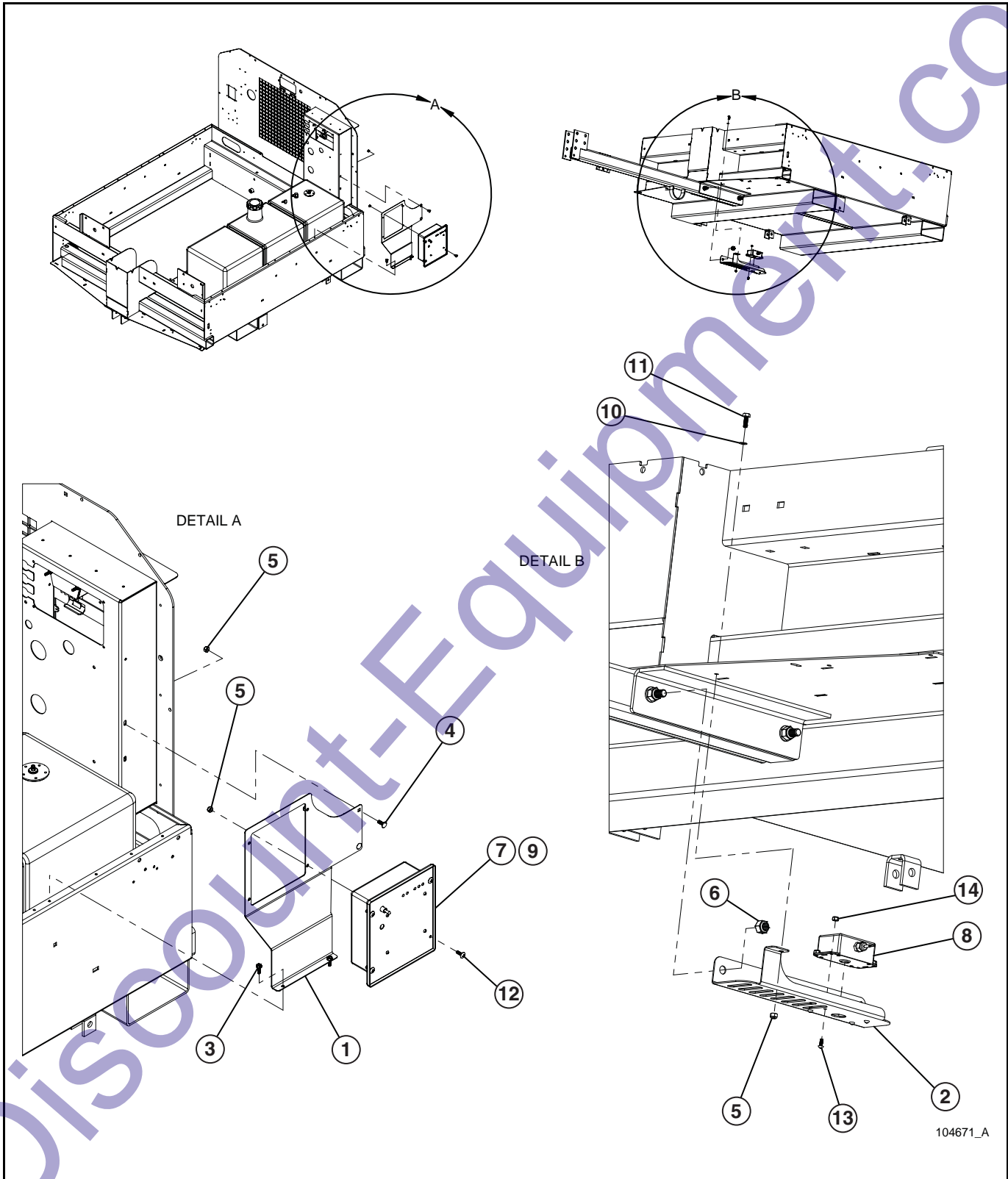
**LSC100 – CAT C1.5 & C2.2 TIER 4 INTERIM (1 OF 4)**

SN 0001ML2V13 and Up

Item	Part No.	Part Description	Qty.
1	103516P	ENGINE CONTROL PANEL UNIVERSAL	1
2	104541	DECAL ENGINE CONTROL PANEL	1
3	340014	HOUR METER DIGITAL	1
4	650754	15A DPDT SWITCH	1
5	352471	TIMER 24 HR DIGITAL	1
6	044019	#10-24 NYLOC HEX NUT SS	6
7	041045	#10-24 X 2 1/2 PH-ROUND HEAD MS PL	2
8	044016	#10-24 KEPS HEX NUT PL	2

LSC100 – CAT C1.5 & C2.2 TIER 4 INTERIM (2 OF 4)

SN 0001ML2V13 and Up



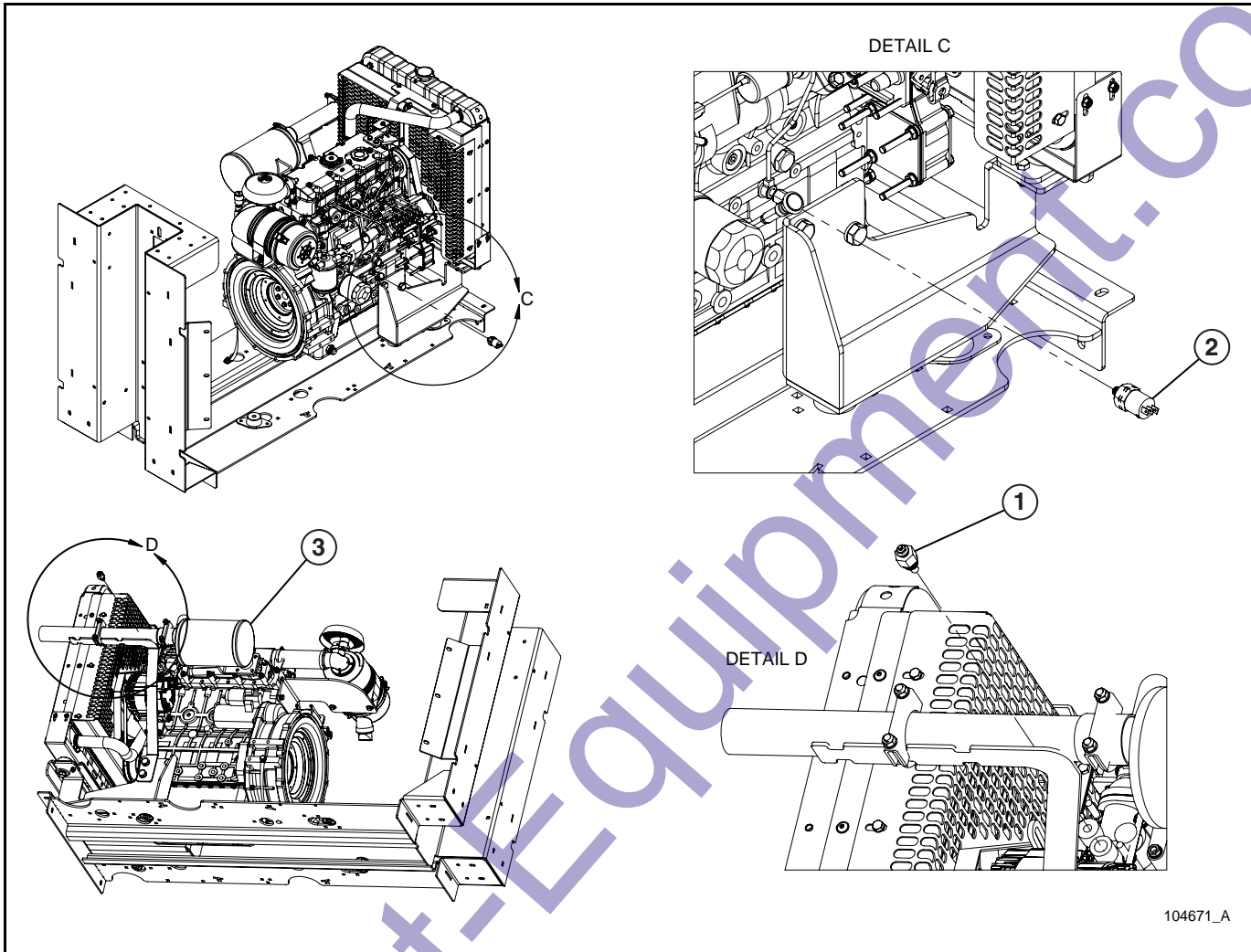
**LSC100 – CAT C1.5 & C2.2 TIER 4 INTERIM (2 OF 4)**

SN 0001ML2V13 and Up

Item	Part No.	Part Description	Qty.
1	104627P	MOUNT PLATE LSC CONTROLLER	1
2	104628P	MOUNT BRACKET PHOTO CELL	1
3	041070	1/4-20 x 3/4 SL-HEX WASHER HEAD MS TP F	2
4	053006	1/4-20 X 3/4 CARRIAGE BOLT	2
5	044023	1/4-20 NYLOCK HEX NUT PL	7
6	044048	1/2-13 NYLOCK HEX NUT PL	2
7	650716	CONTROLER LSC 100	1
8	650755	LSC PHOTOCELL	1
9	650718	SILKSCREEN LSC 100 COVER	1
10	047009	1/4 FLAT WASHER SAE SS	1
11	046010	1/4-20 X 3/4 HEX HEAD CS GR5 SS	1
12	041050	1/4-20 X 3/4 PH-TRUSS HEAD MS SS	4
13	041021	#10-24 X 1/2 PH-ROUND HEAD MS PL	4
14	044019	#10-24 NYLOC HEX NUT SS	6

**LSC100 – CAT C1.5 & C2.2 TIER 4 INTERIM (3 OF 4)**

SN 0001ML2V13 and Up



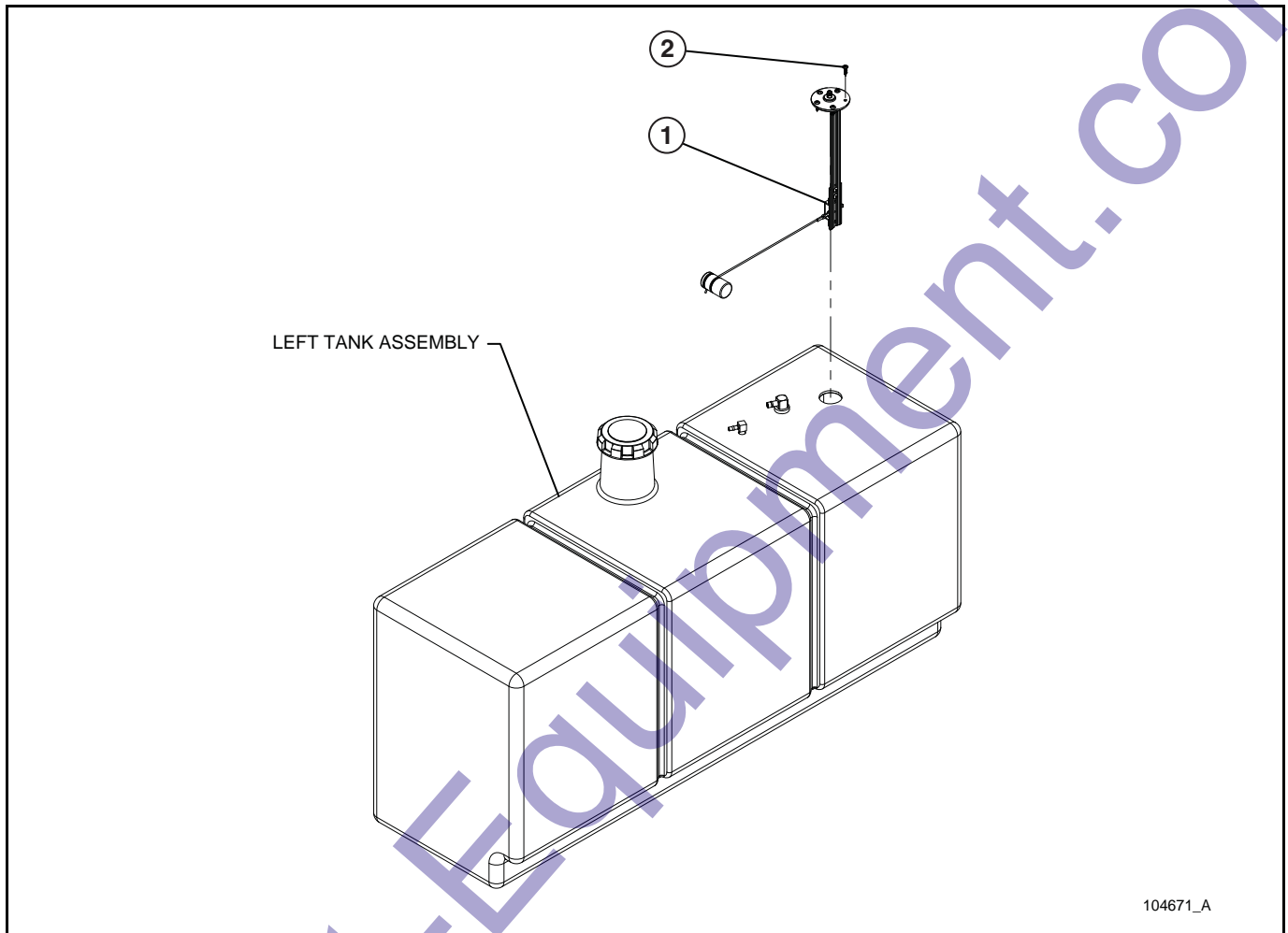
104671\_A

Item	Part No.	Part Description	Qty.
1	650769	SENDER TEMPERATURE 16MM CAT	1
2	340303	SWITCH LOW OIL PRESSURE	1
3	105042	LSC HARNESS CAT C1.5 & C2.2	1



### LSC100 – CAT C1.5 & C2.2 TIER 4 INTERIM (4 OF 4)

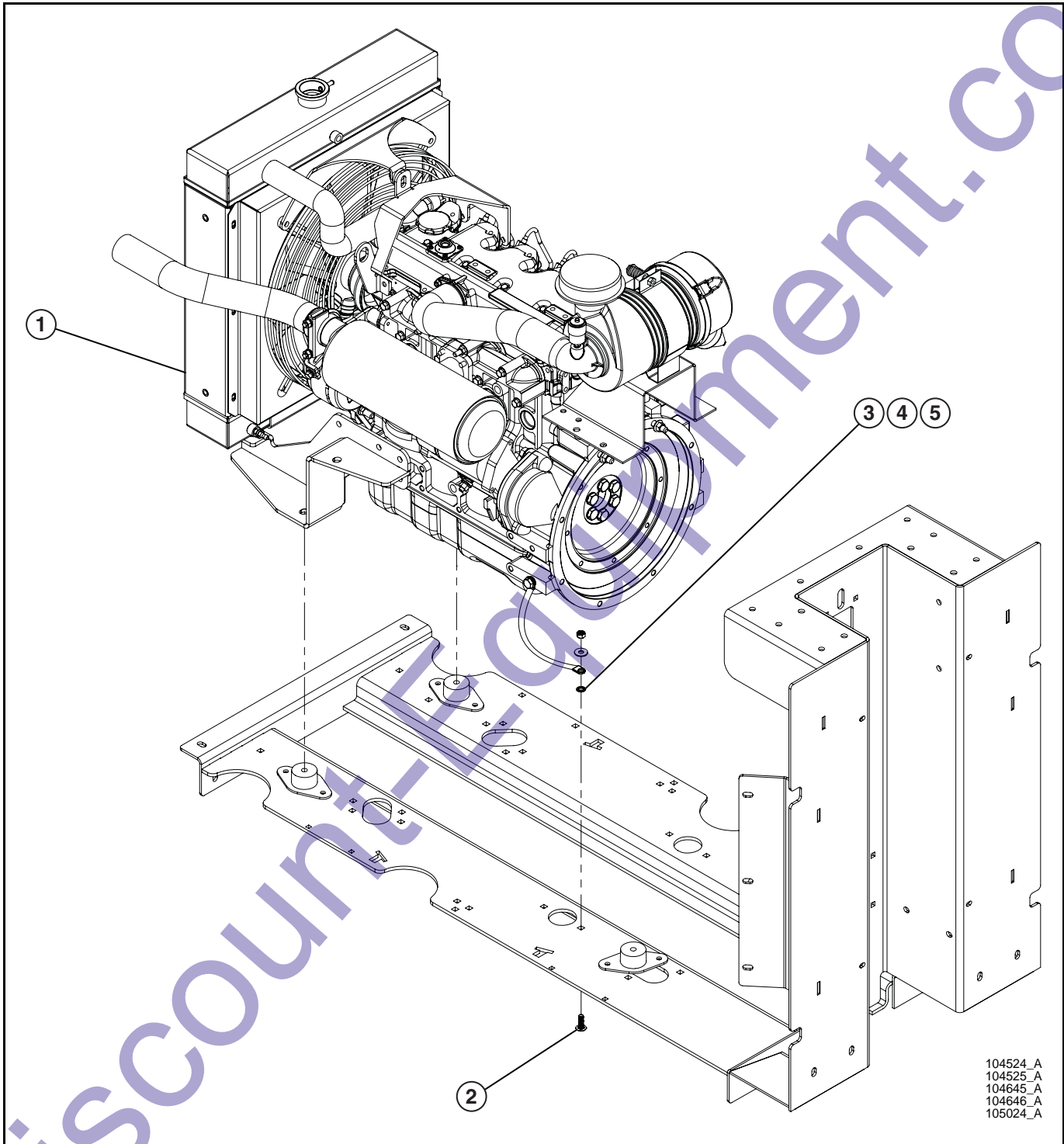
SN 0001ML2V13 and Up



Item	Part No.	Part Description	Qty.
1	352479	FUEL LEVEL SENDER ISS PRO	1
2	102556	SCREW #8 X 3/4	5

**ISUZU 4LE ENGINE TIER 4 INTERIM**

SN 0001ML2V13 and Up



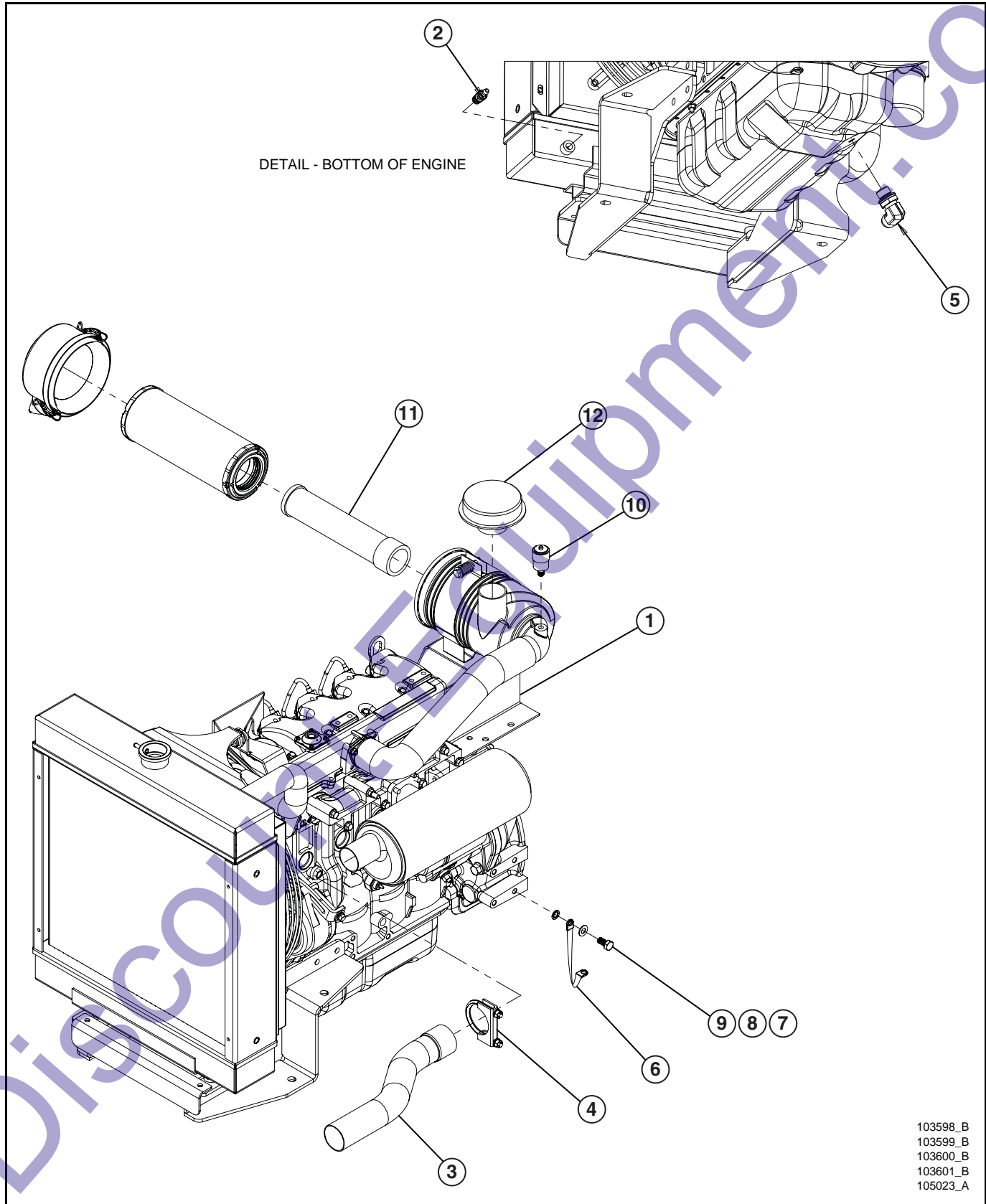
**ISUZU 4LE ENGINE TIER 4 INTERIM**

SN 0001ML2V13 and Up

Item	Part No.	Part Description	Qty.
1	103598	ASSY ENGINE 4LE1 STD PAN	1
	103599	ASSY ENGINE 4LE1 DEEP PAN	1
	103600	ASSY ENGINE 4LE1 ELEC GOV	1
	103601	ASSY ENGINE 4LE2 ELEC GOV	1
	105023	ASSY ENGINE ISUZU 4LE2 DEEP PAN ELEC GOV	1
2	053020	5/16-18 X 1 CARRIAGE BOLT PL	1
3	043050	5/16 INTL TOOTH LOCK WASHER	1
4	047010	5/16 FLAT WASHER PL	1
5	044033	5/16-18 NYLOCK HEX NUT PL	1

ASSEMBLY ISUZU 4LE ENGINE TIER 4 INTERIM

SN 0001ML2V13 and Up



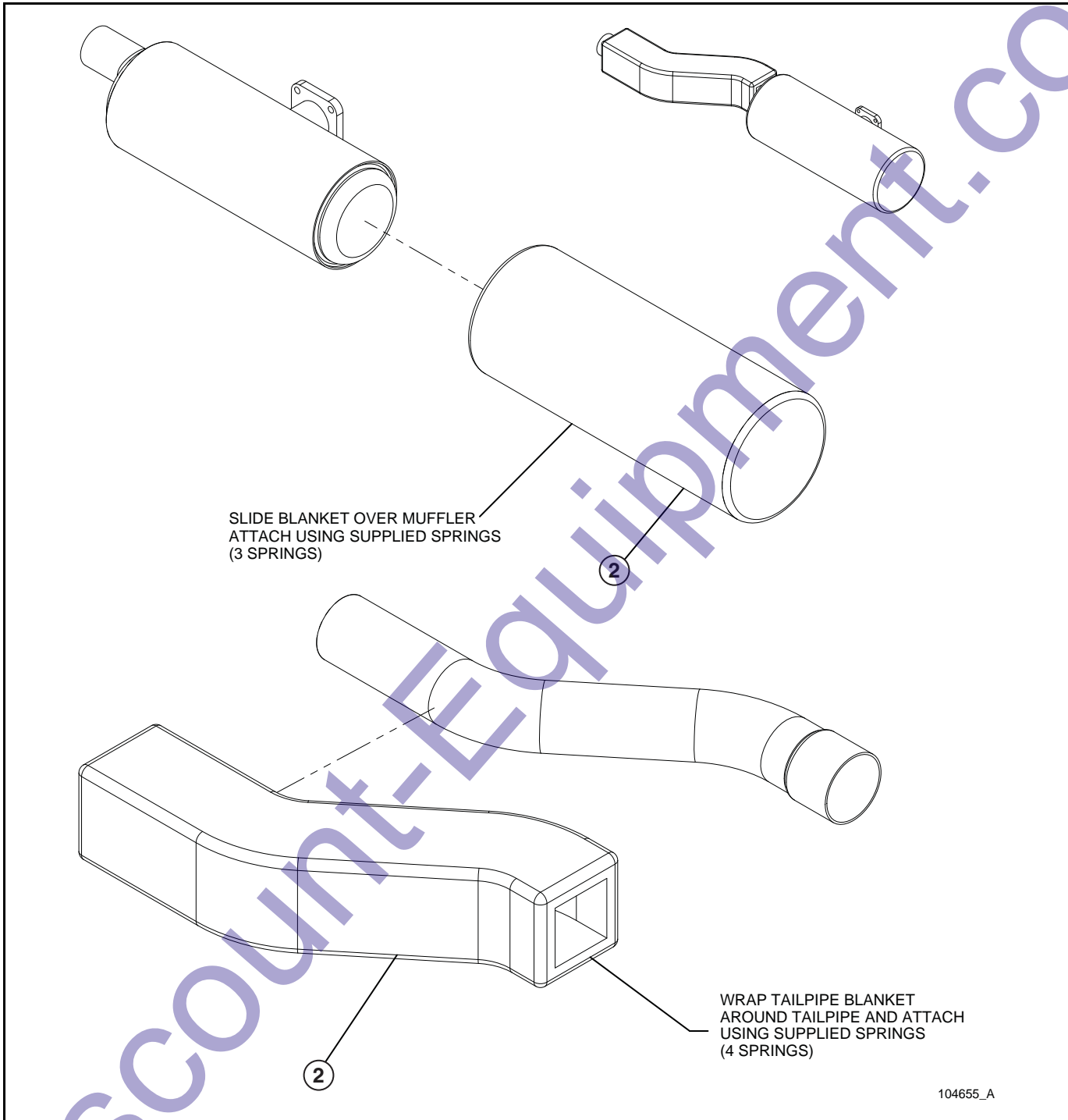
**ASSEMBLY ISUZU 4LE ENGINE TIER 4 INTERIM**

SN 0001ML2V13 and Up

Item	Part No.	Part Description	Qty.
1	101339	ENGINE ISUZU 4LE1 REG PAN	1
	101340	ENGINE ISUZU 4LE1 DEEP PAN	1
	103899	ENGINE ISUZU 4LE1 REG PAN ELEC GOV TIER 4 INTERIM	1
	102430	ENGINE ISUZU ELEC GOV	1
	105011	ENGINE ISUZU 4LE2 ELEC GOV DEEP PAN	1
2	713051	1/4 NPTM PUSH-LOK	1
3	104388	TAILPIPE ISUZU 4LE TIER 4 INTERIM	1
4	930234	2" MUFFLER CLAMP	1
5	104538	HYD FITTING 90 DEG 10JIC X 20MM	1
6	340105	GROUND STRAP	1
7	043070	3/8 INTL TOOTH LOCK WASHER PL	1
8	047016	3/8 FLAT WASHER SAE PL	1
9	042037	M10 X 20MM X 1.5MM HEX HEAD CS PL	1
10	104795	SERVICE INDICATOR KIT AIR FILTER 25" H2O/6.2 kPa	1
11	104071	SAFETY FILTER	1
12	104060	DUST COVER	1

**EXHAUST BLANKETS ISUZU 4LE TIER 4 INTERIM**

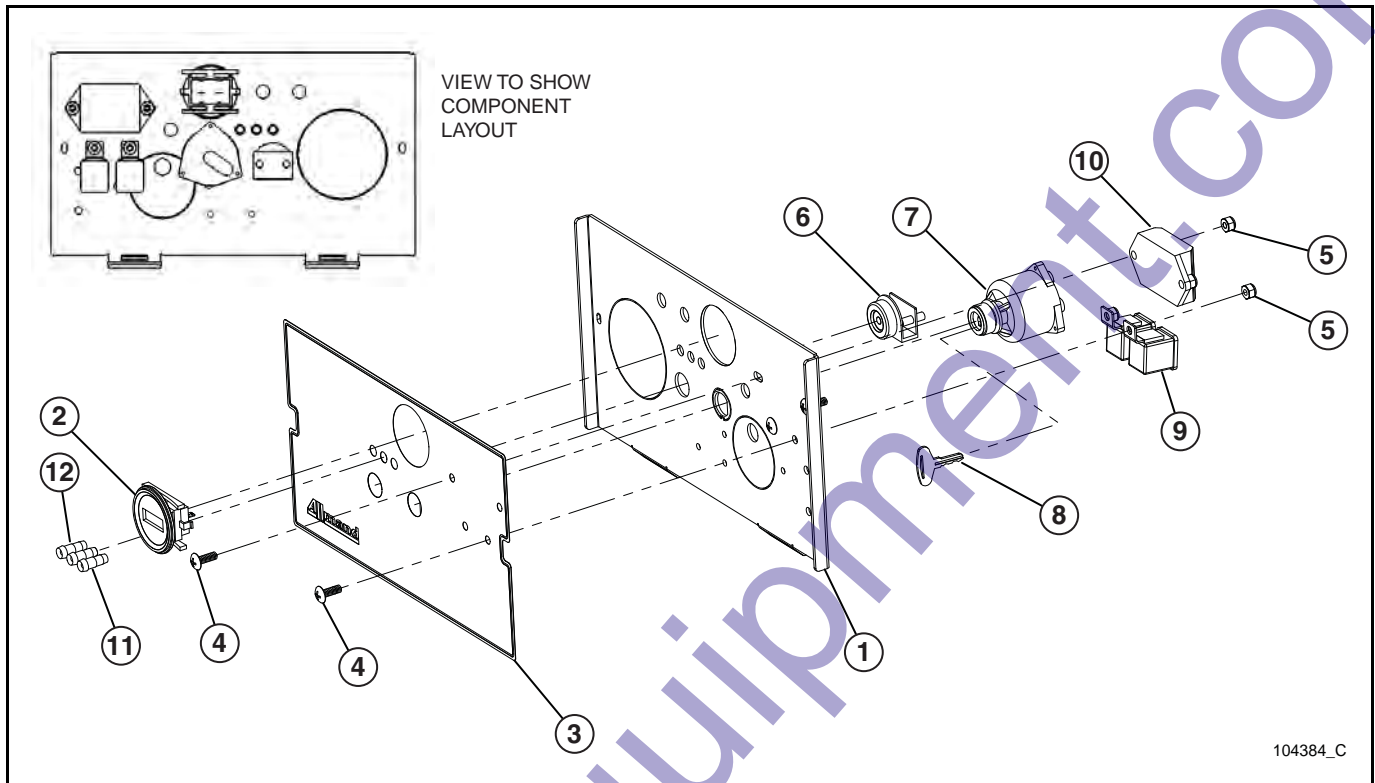
SN 0001ML2V13 and Up



Item	Part No.	Part Description	Qty.
1	104649	BLANKET TAILPIPE ISUZU 4LE	1
2	101365	BLANKET MUFFLER ISUZU 4LE	1

### ENGINE PANEL ISUZU 4LE TIER 4 INTERIM

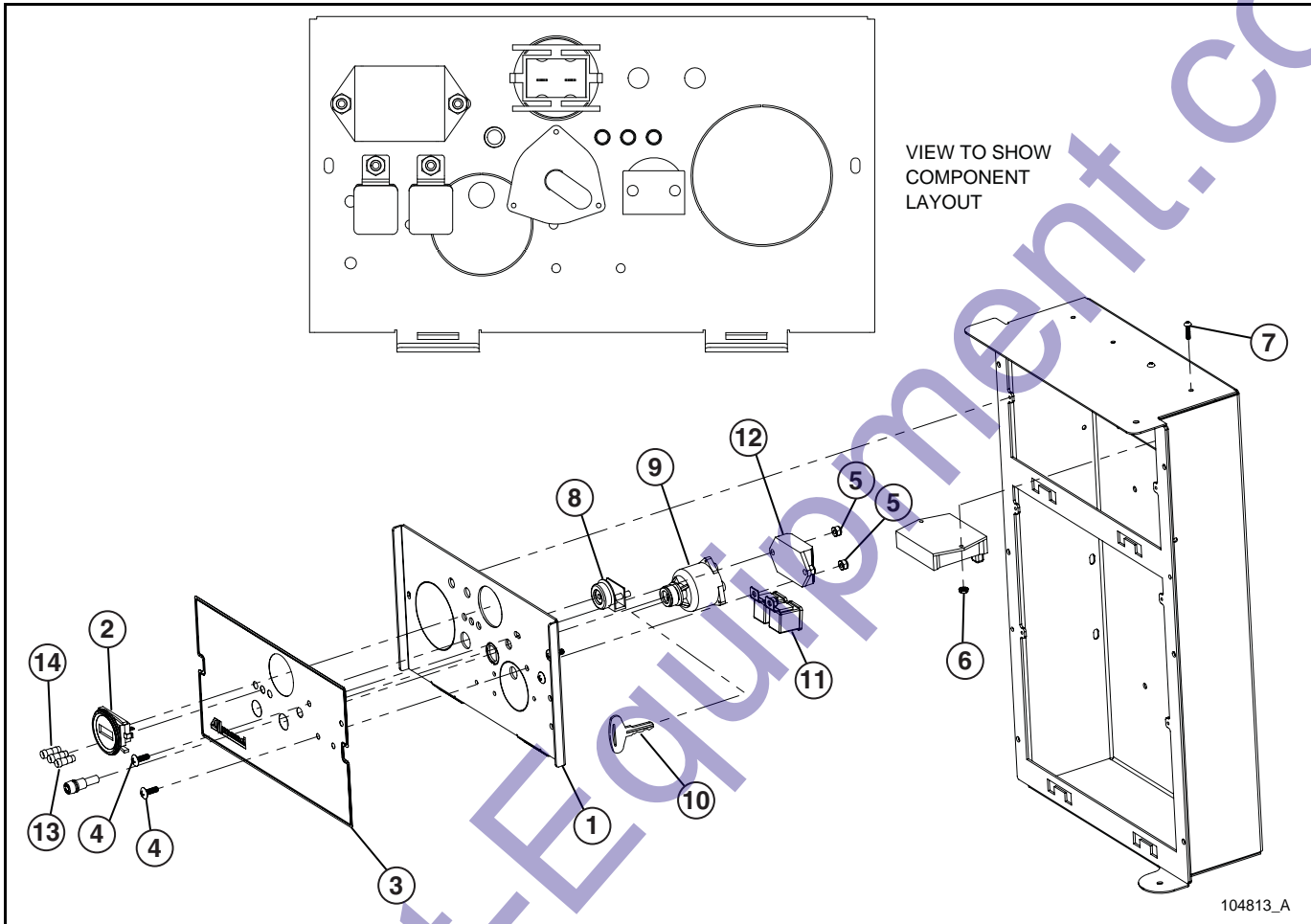
SN 0001ML2V13 and Up



Item	Part No.	Part Description	Qty.
1	103516P	ENGINE CONTROL PANEL UNIVERSAL	1
2	340014	HOUR METER DIGITAL	1
3	104541	DECAL ENGINE CONTROL PANEL	1
4	041050	1/4-20 X 3/4 PH-TRUSS HEAD MS SS	4
5	044023	1/4-20 NYLOCK HEX NUT PL	4
6	921433	GLOW PLUG LAMP	1
7	922004	IGNITION SWITCH	1
8	922005	IGNITION KEY	1
9	650423	RELAY	2
10	921432	TIMER ASSEMBLY	1
11	921435	PILOT LIGHT YELLOW	2
12	921434	PILOT LIGHT RED	1

## ENGINE PANEL ISUZU 4LE W/ELECTRONIC GOVERNOR TIER 4 INTERIM

SN 0001ML2V13 and Up



Item	Part No.	Part Description	Qty.
1	103516P	ENGINE CONTROL PANEL UNIVERSAL	1
2	340014	HOUR METER DIGITAL	1
3	104541	DECAL ENGINE CONTROL PANEL	1
4	041050	1/4-20 X 3/4 PH-TRUSS HEAD MS SS	4
5	044023	1/4-20 NYLOCK HEX NUT PL	4
6	044016	#10-24 KEPS HEX NUT PL	2
7	041027	#10-24 X 3/4 PH-ROUND HEAD MS	2
8	921433	GLOW PLUG LAMP	1
9	922004	IGNITION SWITCH	1
10	922005	IGNITION KEY	1
11	650423	RELAY	2
12	921432	TIMER ASSEMBLY	1
13	921435	PILOT LIGHT YELLOW	2
14	921434	PILOT LIGHT RED	1

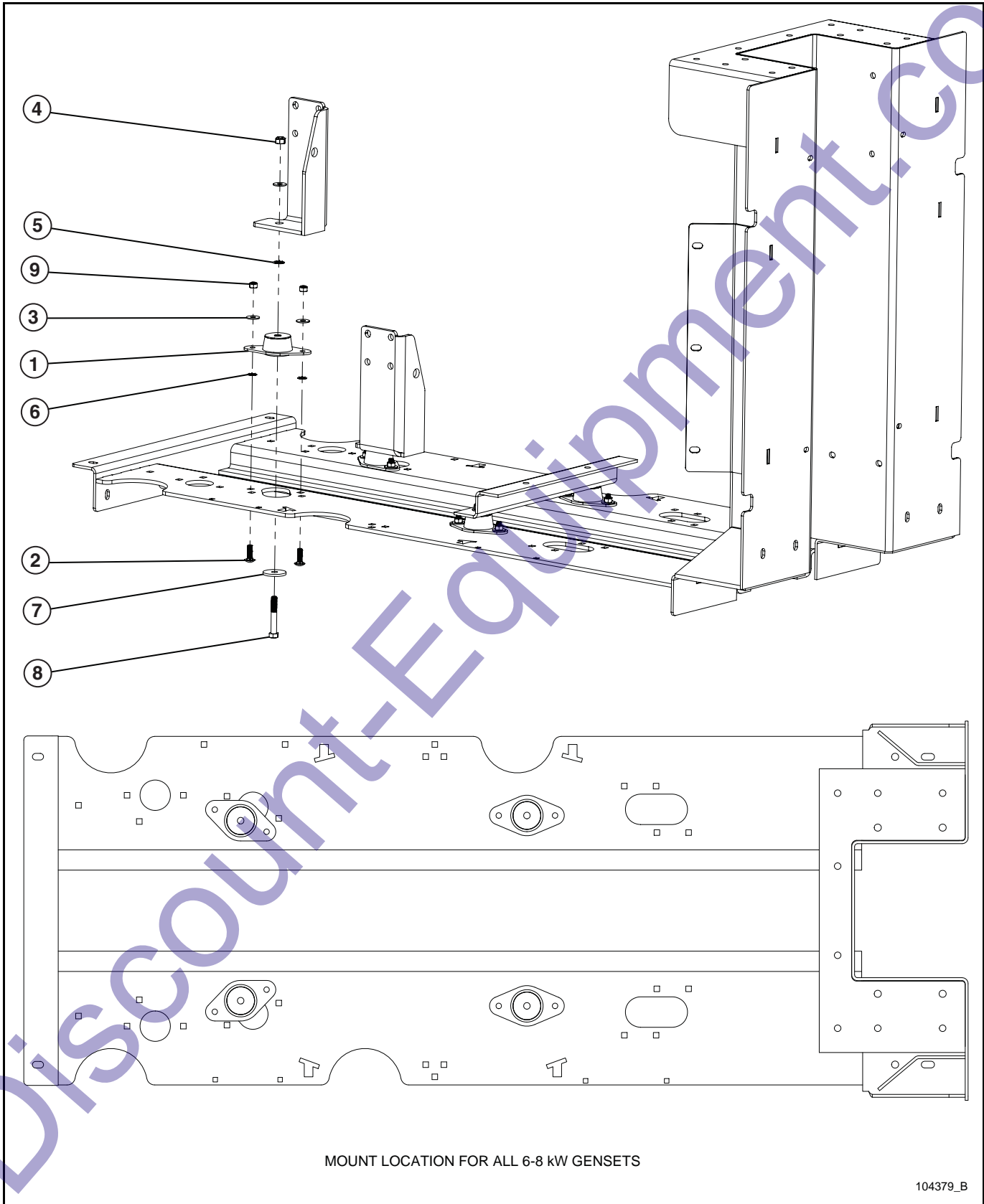


**This Page Intentionally Left Blank**

Discount-Equipment.com

**ENGINE ISOLATOR MOUNTS – CAT C1.1, KUBOTA D1005/D1105**

SN 0001ML2V13 and Up



MOUNT LOCATION FOR ALL 6-8 kW GENSETS

104379\_B

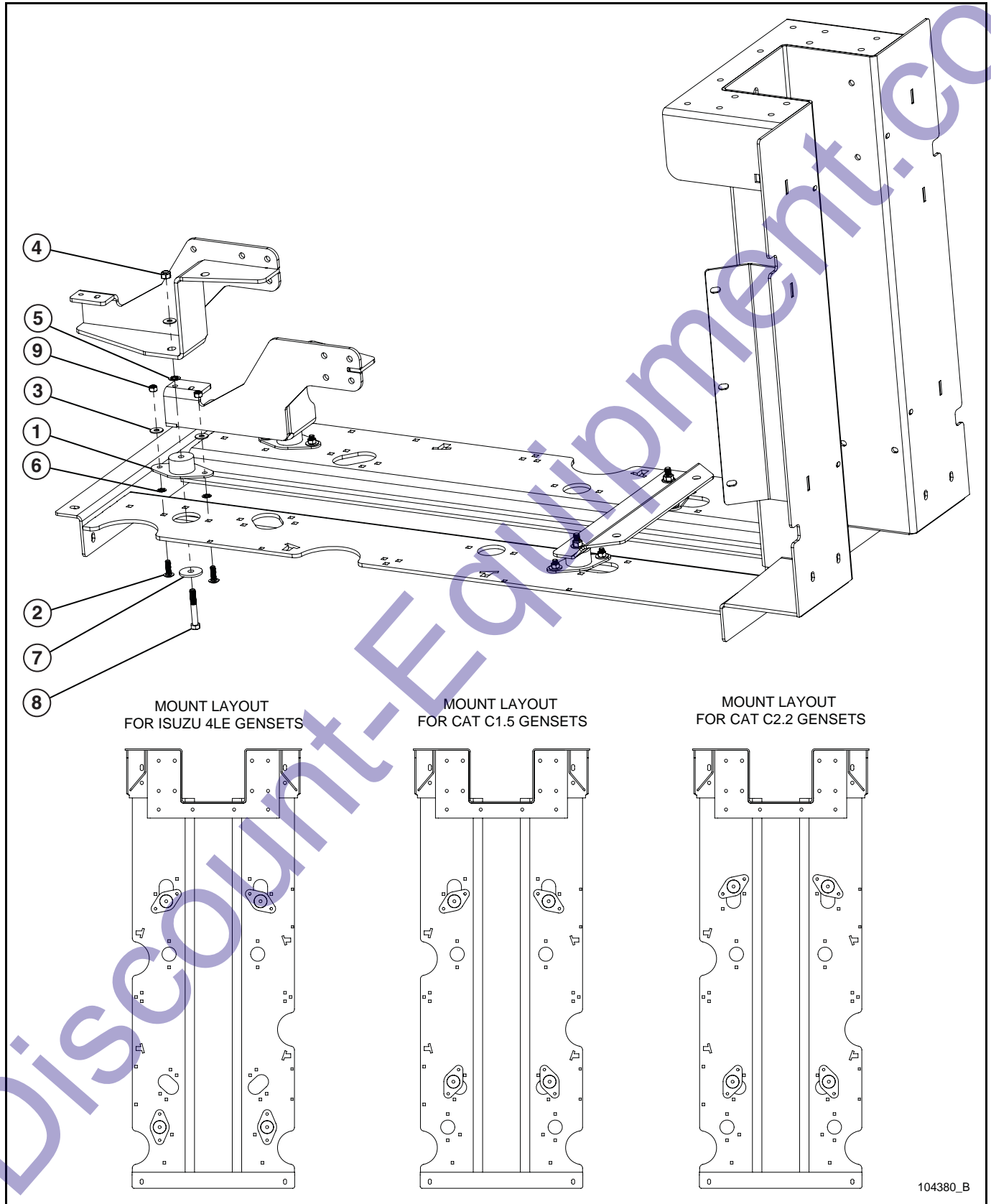
**ENGINE ISOLATOR MOUNTS – CAT C1.1, KUBOTA D1005/D1105**

SN 0001ML2V13 and Up

Item	Part No.	Part Description	Qty.
1	650259	ENGINE MOUNT LIGHT DUTY	4
2	053020	5/16-18 X 1 CARRIAGE BOLT PL	8
3	047010	5/16 FLAT WASHER PL	12
4	044038	3/8-16 NYLOCK HEX NUT PL	4
5	045218	3/8 PUSH NUT	4
6	045217	5/16 PUSH NUT	8
7	640565	ENGINE MOUNT WASHER 1.55 OD X .41 ID X .135 THK	4
8	046134	3/8-16 X 2 1/2 HEX HEAD CS GR8 PL	4
9	044033	5/16-18 NYLOCK HEX NUT PL	8

**ENGINE ISOLATOR MOUNTS – CAT C1.5 & C2.2, ISUZU 4LE**

SN 0001ML2V13 and Up



104380\_B

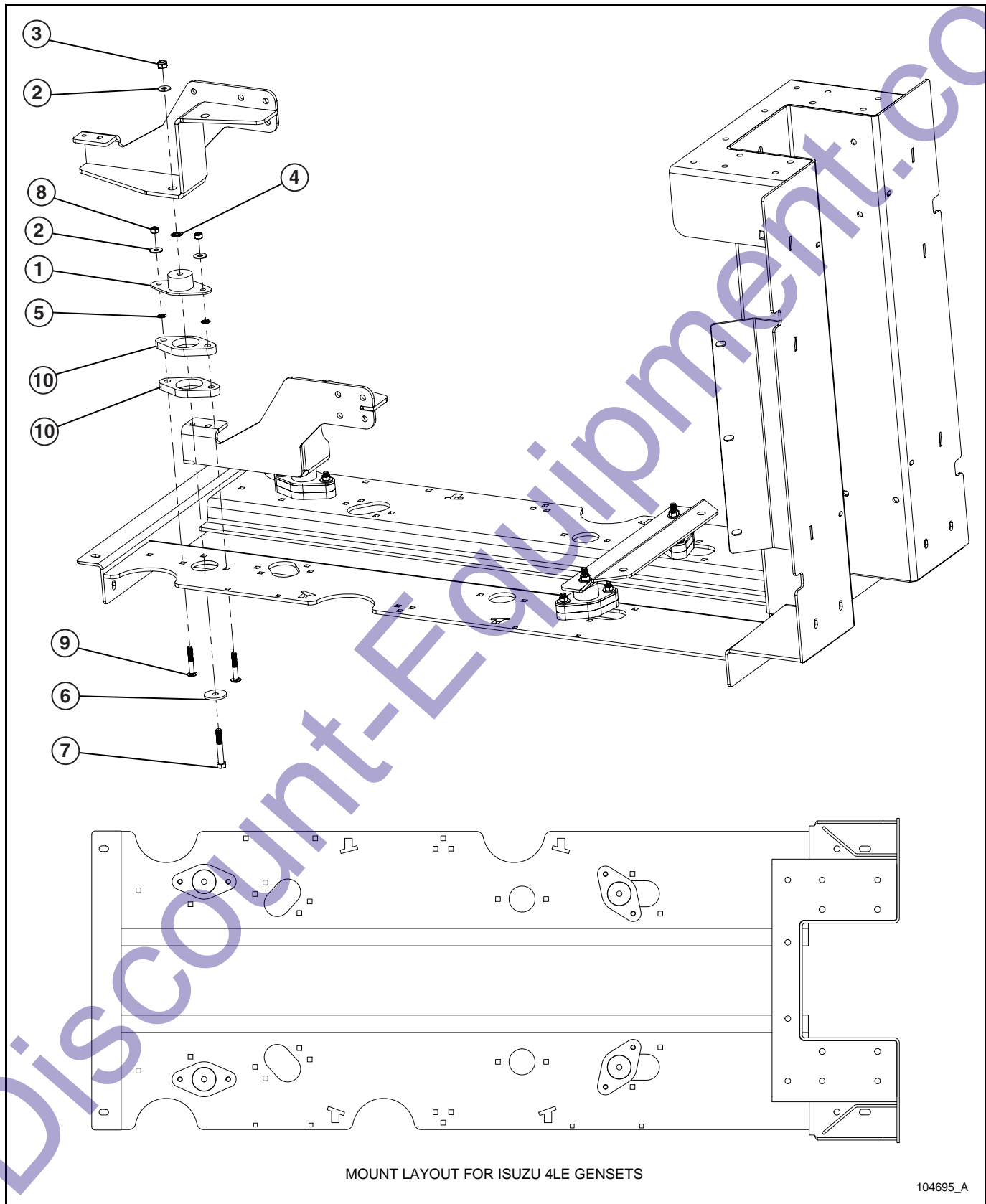
**ENGINE ISOLATOR MOUNTS – CAT C1.5 & C2.2, ISUZU 4LE**

SN 0001ML2V13 and Up

Item	Part No.	Part Description	Qty.
1	848997	ISOLATOR MOUNT HEAVY DUTY	4
2	053020	5/16-18 X 1 CARRIAGE BOLT PL	8
3	047010	5/16 FLAT WASHER PL	12
4	044038	3/8-16 NYLOCK HEX NUT PL	4
5	045218	3/8 PUSH NUT	4
6	045217	5/16 PUSH NUT	8
7	640565	ENGINE MOUNT WASHER 1.55 OD X .41 ID X .135 THK	4
8	046134	3/8-16 X 2 1/2 HEX HEAD CS GR8 PL	4
9	044033	5/16-18 NYLOCK HEX NUT PL	8

**ENGINE ISOLATOR MOUNTS – ISUZU 4LE DEEP PAN**

SN 0001ML2V13 and Up



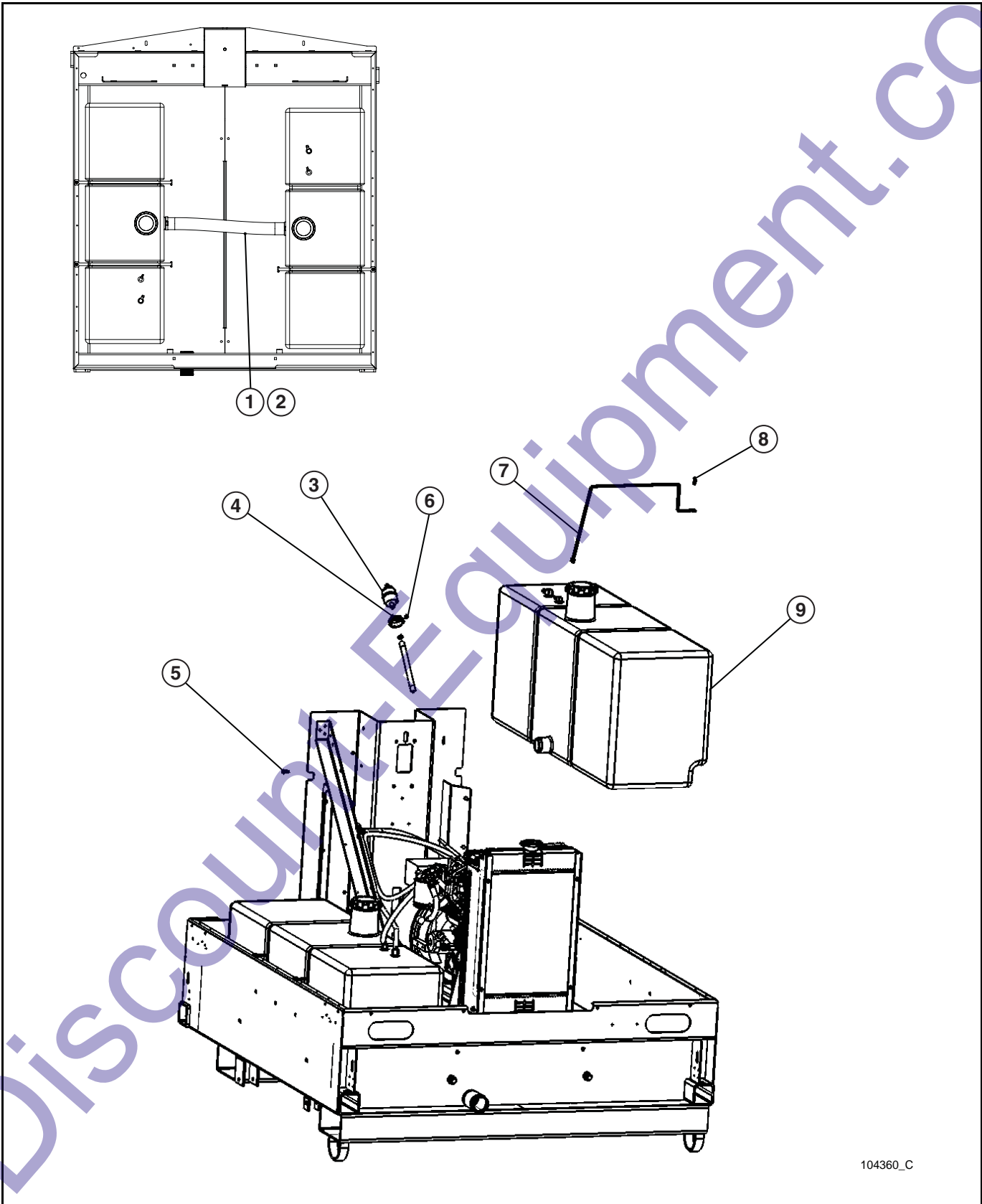
**ENGINE ISOLATOR MOUNTS – ISUZU 4LE DEEP PAN**

SN 0001ML2V13 and Up

Item	Part No.	Part Description	Qty.
1	848997	ISOLATOR MOUNT HEAVY DUTY	4
2	047010	5/16 FLAT WASHER PL	12
3	044038	3/8-16 NYLOCK HEX NUT PL	4
4	045218	3/8 PUSH NUT	4
5	045217	5/16 PUSH NUT	8
6	640565	ENGINE MOUNT WASHER 1.55 OD X .41 ID X .135 THK	4
7	046134	3/8-16 X 2 1/2 HEX HEAD CS GR8 PL	4
8	044033	5/16-18 NYLOCK HEX NUT PL	8
9	053025	5/16-18 X 2 CARRIAGE BOLT ZC	8
10	104696	PLATE SPACER 1/2" ENGINE ISOLATOR	8

**FUEL TANK (1 OF 2)**

SN 0001ML2V13 and Up



104360\_C



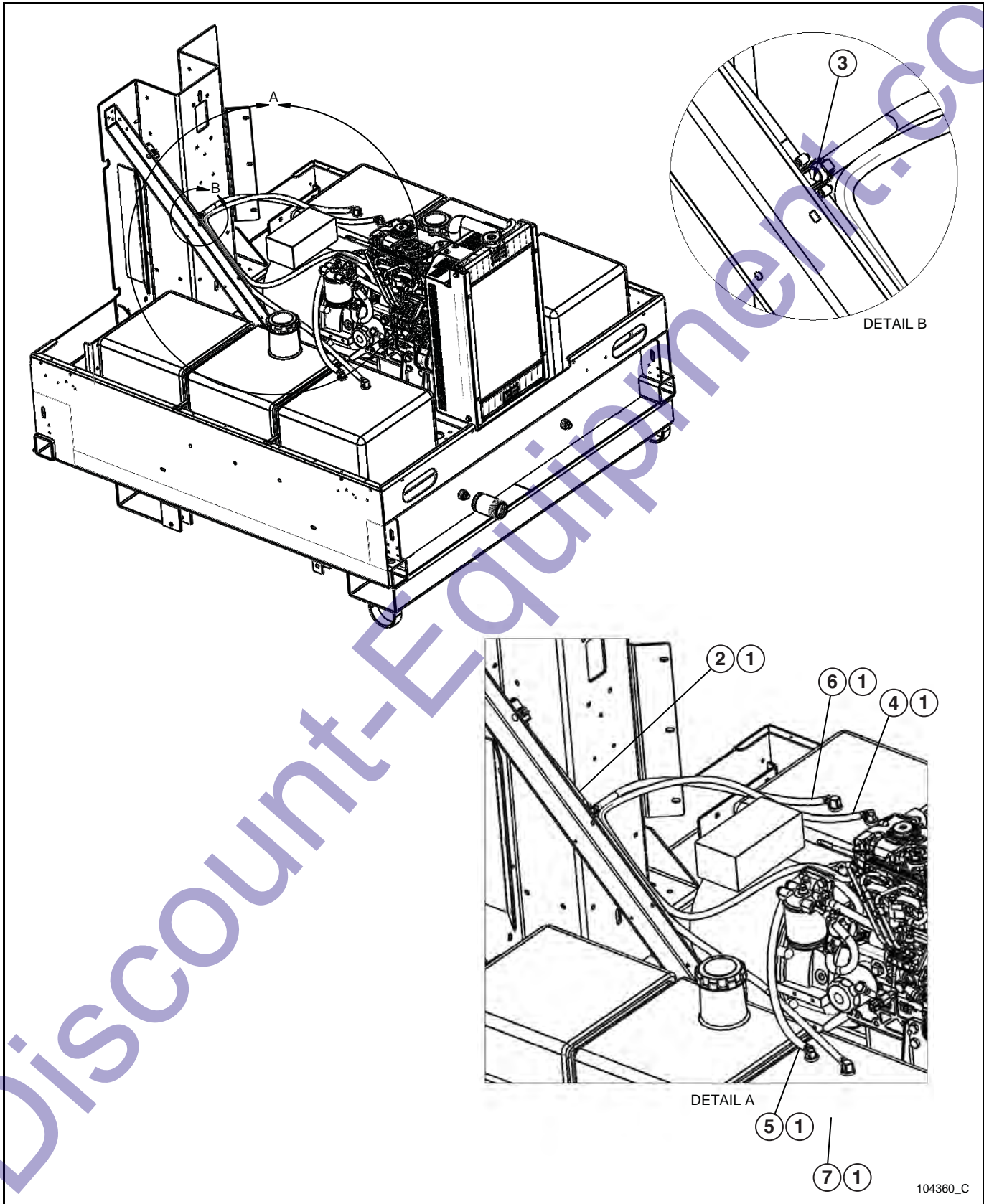
**FUEL TANK (1 OF 2)**

SN 0001ML2V13 and Up

Item	Part No.	Part Description	Qty.
1	104383	CROSSOVER HOSE FUEL TANKS	1
2	045038	#32 HOSE CLAMP	2
3	104692	FUEL FILTER 3/8	1
4	920365	#20 CUSHION CLAMP	1
5	053006	1/4-20 X 3/4 CARRIAGE BOLT	1
6	044021	1/4-20 KEPS HEX NUT PL	1
7	104698	STRAP TIEDOWN FUEL TANK	3
8	041070	1/4-20 x 3/4 SL-HEX WASHER HEAD MS TP F	3
9	104359	50 GAL ASSEMBLY FUEL TANK MAXI II	2

FUEL TANK (2 OF 2)

SN 0001ML2V13 and Up



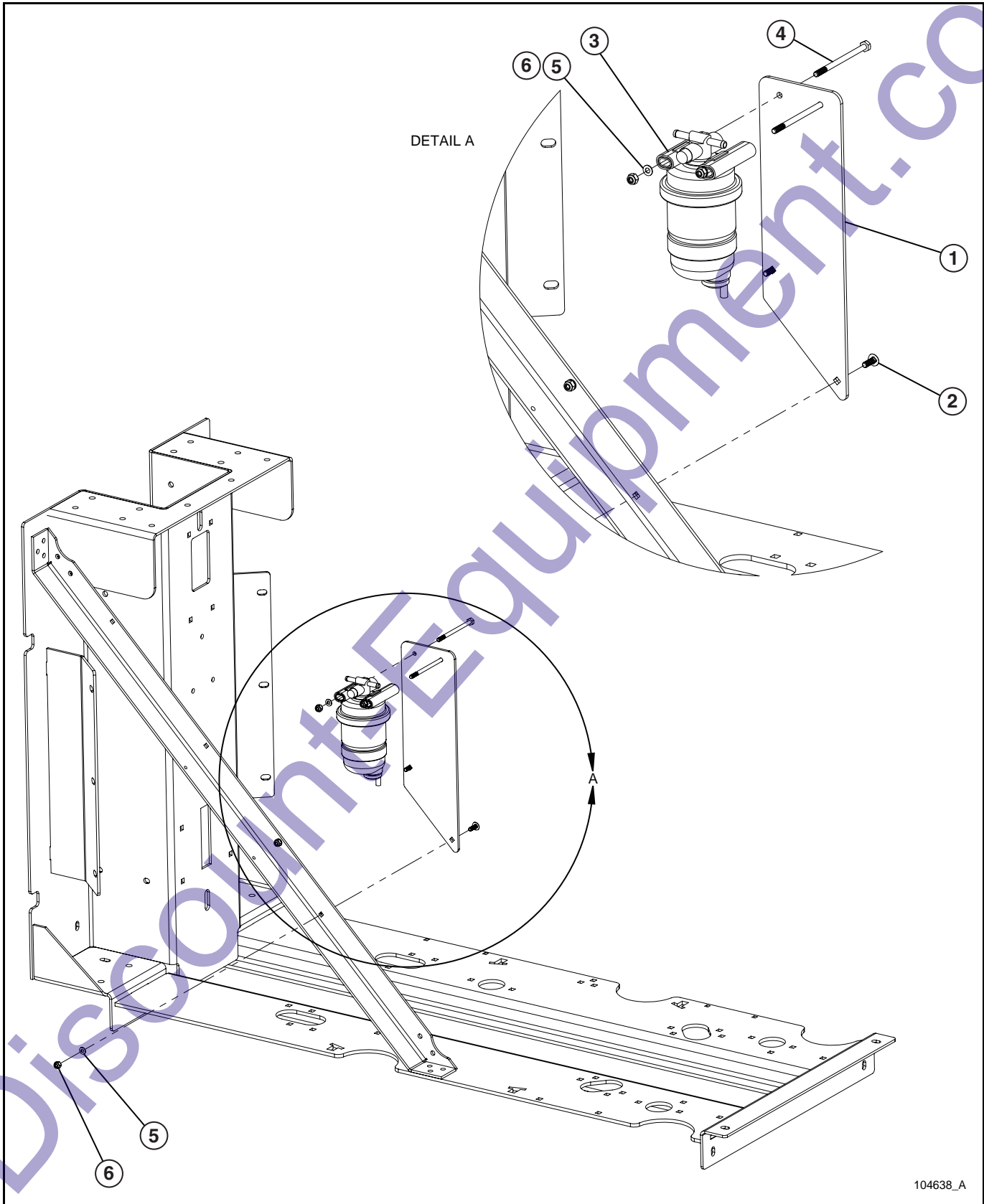
**FUEL TANK (2 OF 2)**

SN 0001ML2V13 and Up

Item	Part No.	Part Description	Qty.
1	433400	#4 HOSE CLAMP	10
2	101266	3/8" ID 30R7 FUEL HOSE 24 INCHES	1
3	104693	HOSE CONNECTION 3/8 TEE	1
4	081016	1/4" BLACK FUEL LINE 60 INCHES	1
5	081018	HOSE 5/16" FUEL LINE 24 INCHES	1
6	101266	3/8" ID 30R7 FUEL HOSE 40 INCHES	1
7	101266	3/8" ID 30R7 FUEL HOSE 32 INCHES	1

**FUEL WATER SEPARATOR**

SN 0001ML2V13 and Up



104638\_A

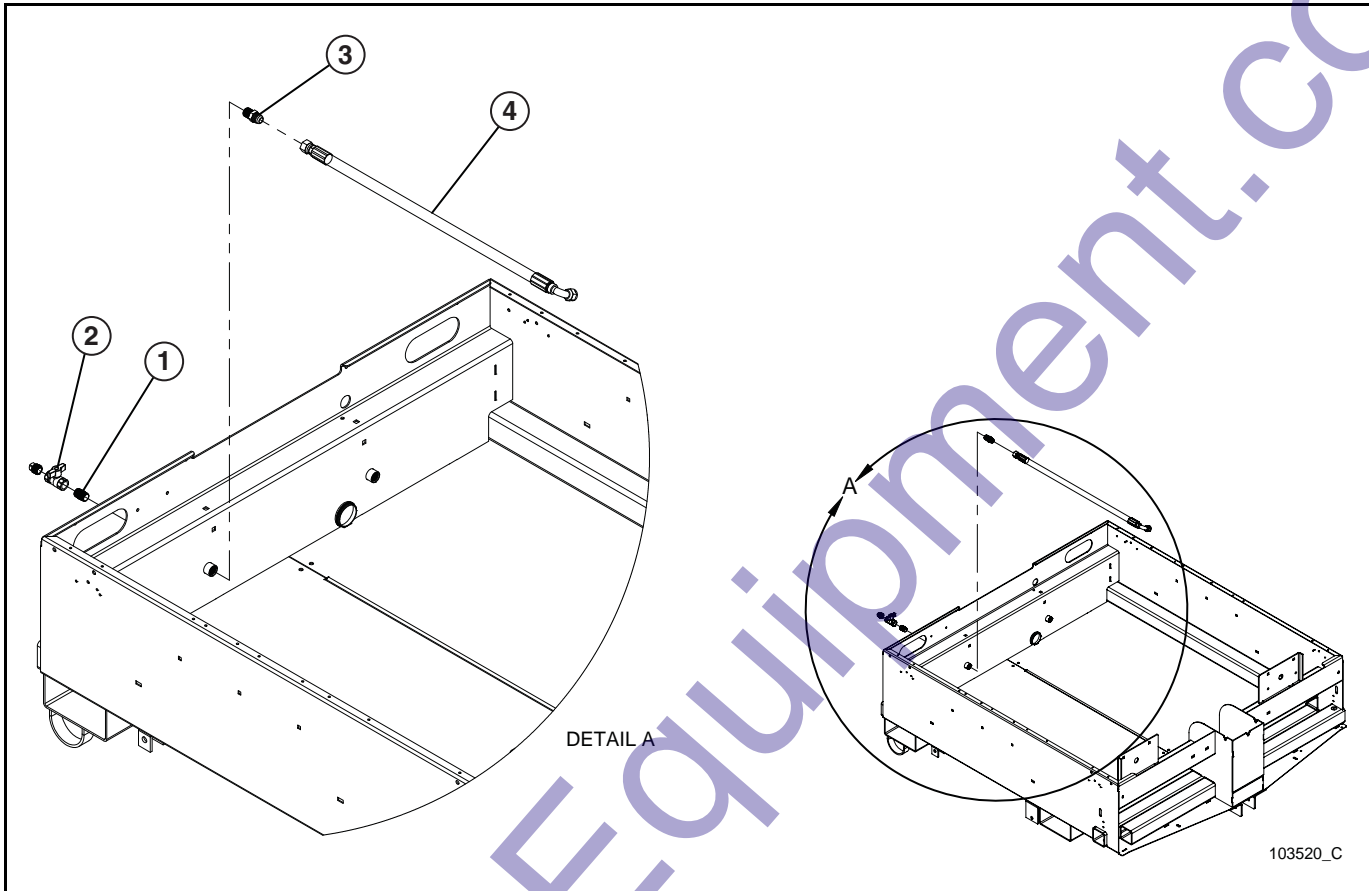
**FUEL WATER SEPARATOR**

SN 0001ML2V13 and Up

Item	Part No.	Part Description	Qty.
1	104630P	PLATE MOUNT WATER SEPARATOR	1
2	053102	1/4-20 X 3/4 CARRIAGE BOLT GR2	2
3	100898	SEPARATOR FUEL / WATER	1
4	046039	1/4-20 X 4 HEX HEAD CS Z5	2
5	047009	1/4 FLAT WASHER SAE SS	4
6	044023	1/4-20 NYLOCK HEX NUT PL	4

**OIL DRAIN FOR KUBOTA D1005/D1105 & CAT C1.5, C2.2 ENGINES  
(1 OF 3)**

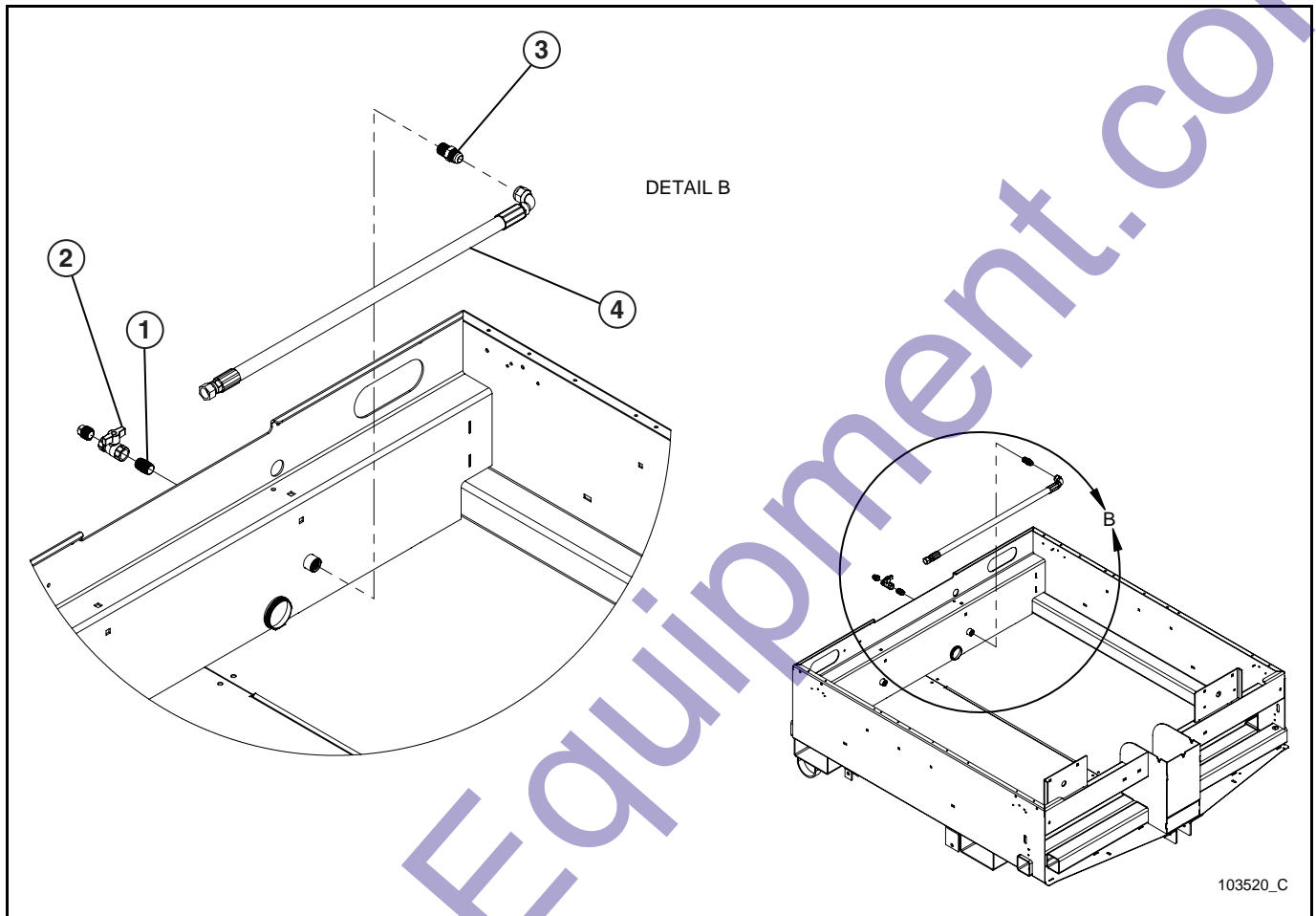
SN 0001ML2V13 and Up



Item	Part No.	Part Description	Qty.
1	610215	1/2 NPT NIPPLE	1
2	104133	1/2 BALL VALVE	1
3	104131	#10 JIC - #8 NPT UNION	1
4	103325	OIL DRAIN HOSE 10TOC-10FJX-BT-10FJX90-32.5	1

### OIL DRAIN FOR ISUZU 4LE ENGINES (2 OF 3)

SN 0001ML2V13 and Up

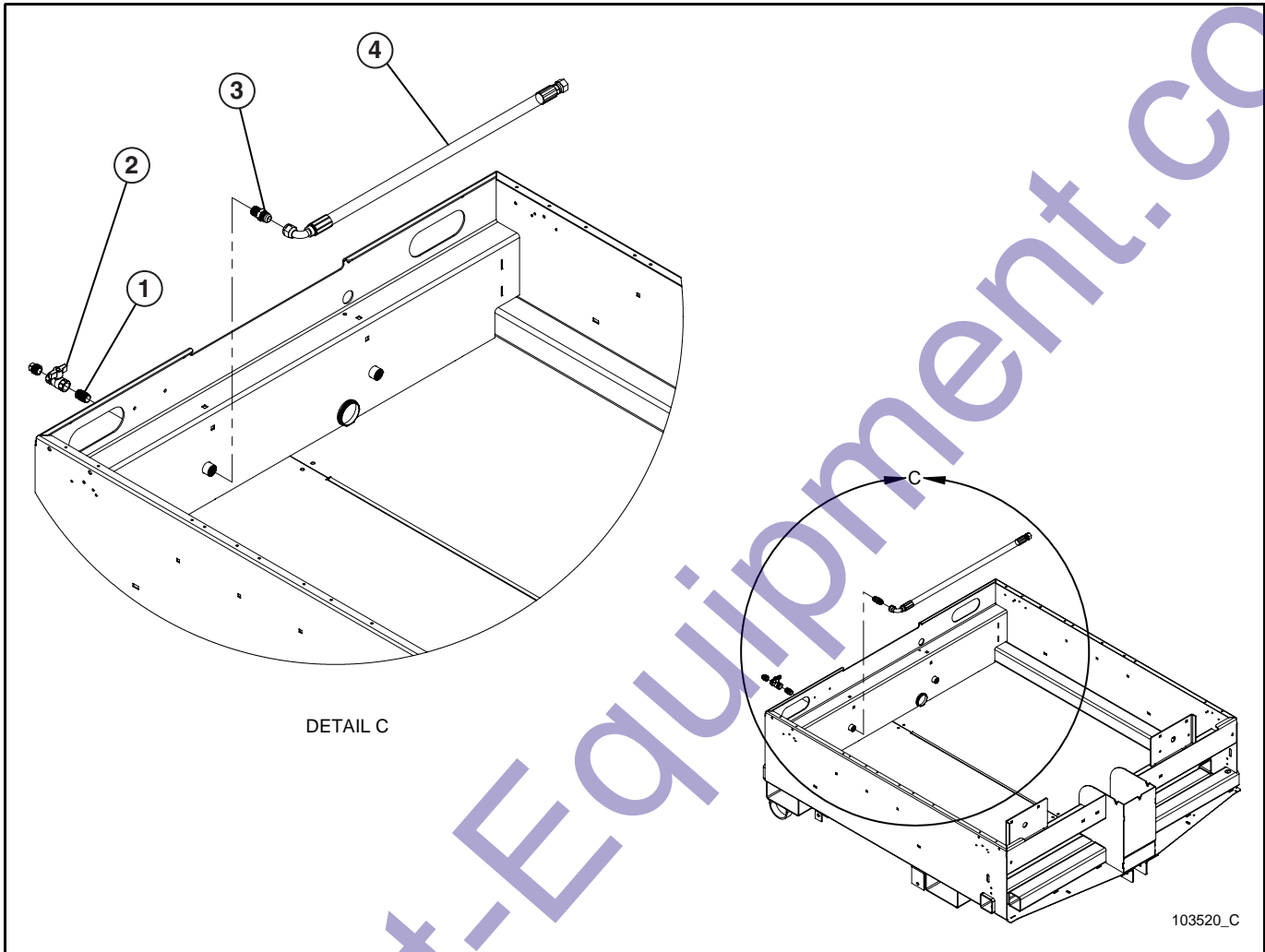


103520\_C

Item	Part No.	Part Description	Qty.
1	610215	1/2 NPT NIPPLE	1
2	104133	1/2 BALL VALVE	1
3	104131	#10 JIC - #8 NPT UNION	1
4	103325	OIL DRAIN HOSE 10TOC-10FJX-BT-10FJX90-32.5	1

**OIL DRAIN FOR CAT C1.1 ENGINES (3 OF 3)**

SN 0001ML2V13 and Up



Item	Part No.	Part Description	Qty.
1	610215	1/2 NPT NIPPLE	1
2	104133	1/2 BALL VALVE	1
3	104131	#10 JIC - #8 NPT UNION	1
4	103325	OIL DRAIN HOSE 10TOC-10FJX-BT-10FJX90-32.5	1

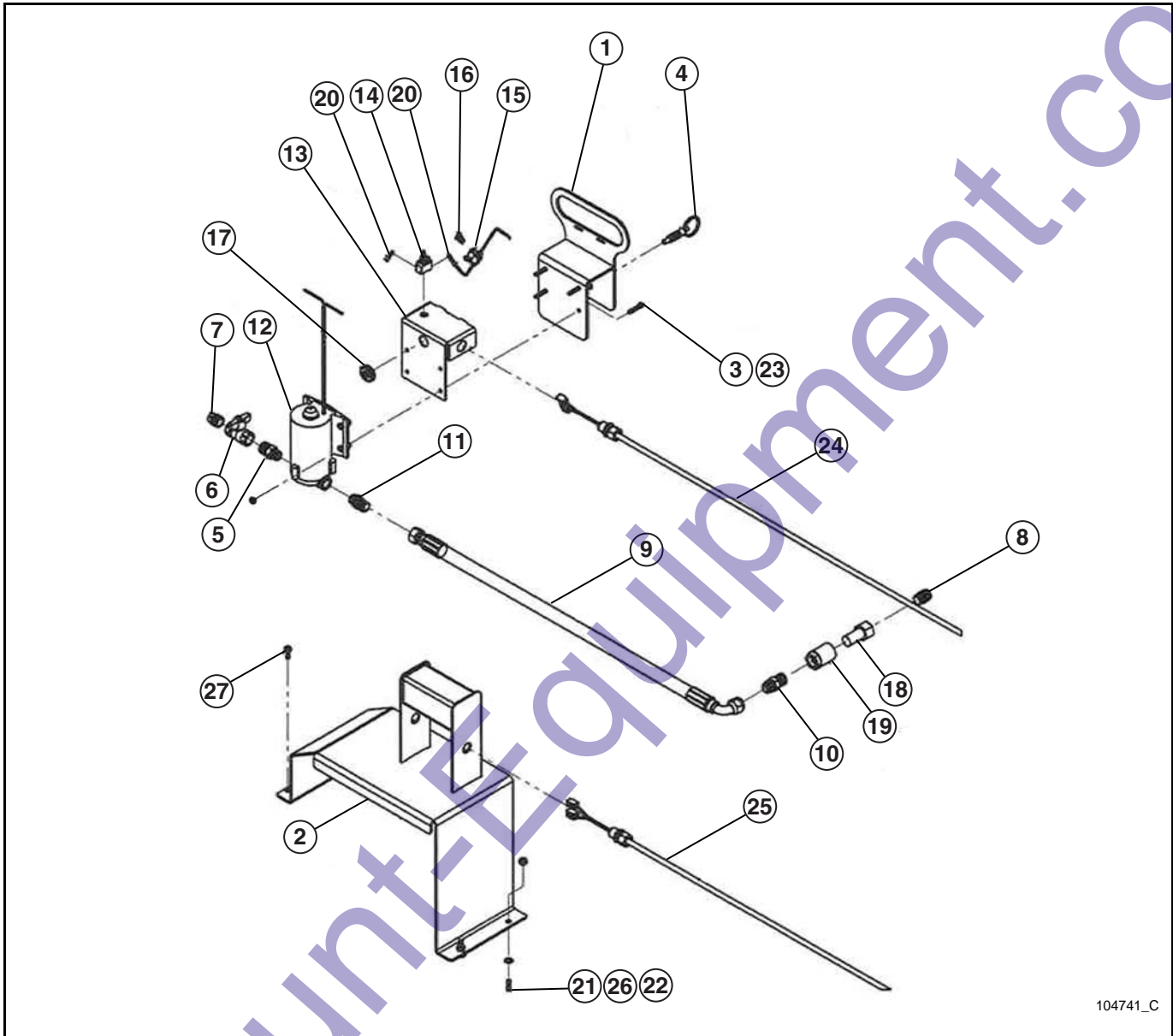


**This Page Intentionally Left Blank**

Discount-Equipment.com

**OIL PUMP REAR OIL DRAIN (1 OF 3)**

SN 0001ML2V13 and Up



104741\_C

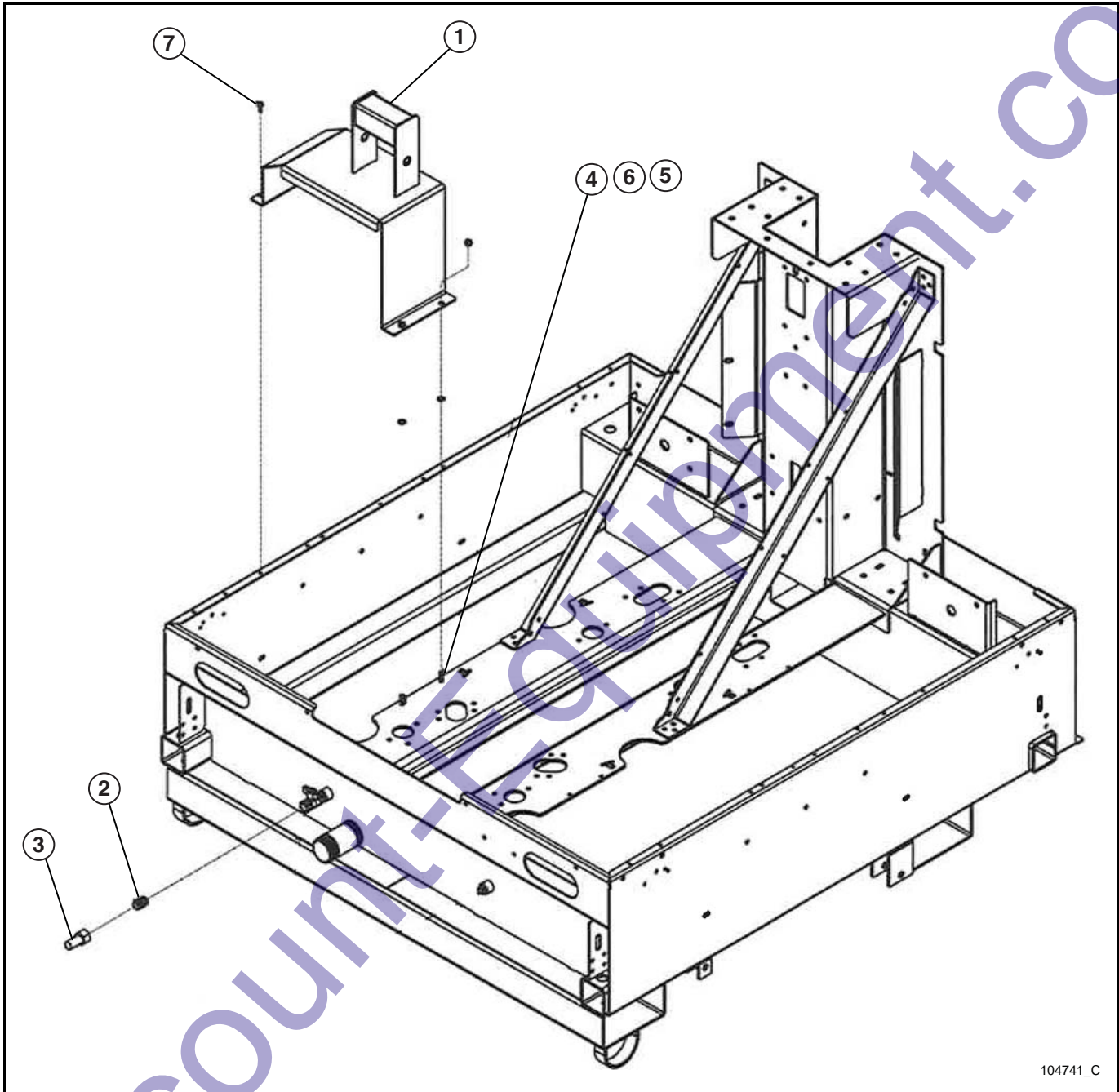
**OIL PUMP REAR OIL DRAIN (1 OF 3)**

SN 0001ML2V13 and Up

Item	Part No.	Part Description	Qty.
1	104740	MOUNT OIL PUMP	1
2	104737	STORAGE BRACKET OIL PUMP	1
3	041036	#10-24 X 1 1/4 PH?ROUND HEAD MS SS	4
4	100148	SPRING LOCK 1/2-13 UNC X 1.4	1
5	104745	REDUCER 1/2 NPT-3/8 NPT	1
6	104133	1/2 BALL VALVE	1
7	026106	PLUG 1/2 NPT SQUARE HEAD	1
8	610215	1/2 NPT NIPPLE	1
9	103325	OIL DRAIN HOSE 10TOC-10FJX-BT-10FJX90-32.5	1
10	104131	#10 JIC - #8 NPT UNION	1
11	104746	ADAPTOR 3/8 NPT-#10 JIC	1
12	104937	PUMP OIL	1
13	104938	SWITCH BRACKET OIL PUMP	1
14	340009	SWITCH 15A SPST	1
15	103864	FUSE HOLDER INLINE BLADE	1
16	104939	7.5 AMP BLADE FUSE	1
17	100859	7/8" x 1.25" grommet	1
18	104940	COUPLER MALE DRY BREAK	1
19	104941	COUPLER FEMALE DRY BREAK	1
20	022321	TERM RING 14-16 AWG #8	2
21	053022	5/16-18 X 1 1/4 CARRIAGE BOLT PL	2
22	044033	5/16-18 NYLOCK HEX NUT PL	2
23	044018	#10-24 NYLOCK HEX NUT PL	4
24	104943	OIL PUMP HARNESS PUMP SIDE	1
25	104942	OIL PUMP HARNESS BATTERY SIDE	1
26	045217	5/16 PUSH NUT	2
27	041070	1/4-20 x 3/4 SL-HEX WASHER HEAD MS TP F	2

**OIL PUMP REAR OIL DRAIN (2 OF 3)**

SN 0001ML2V13 and Up



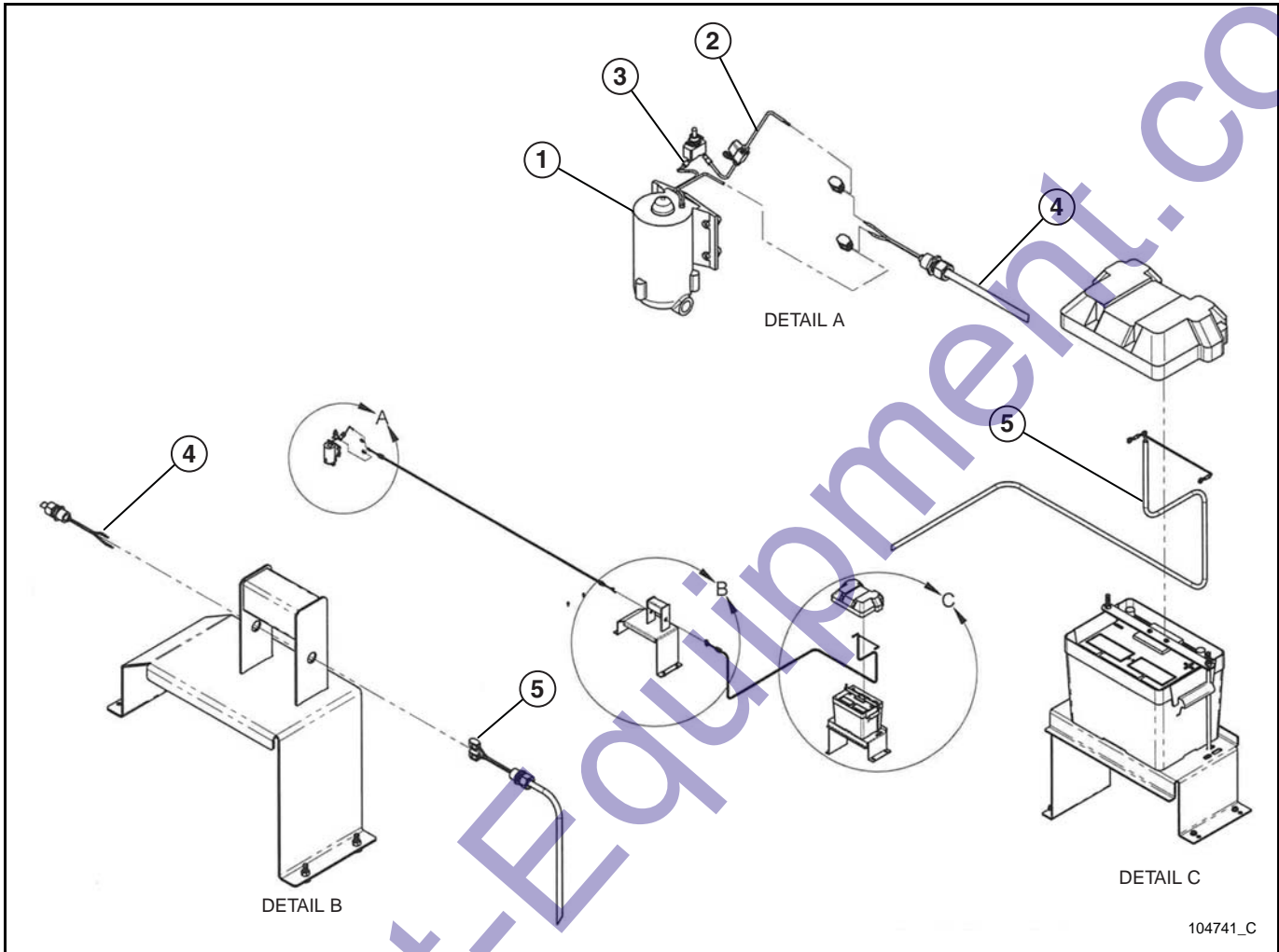
**OIL PUMP REAR OIL DRAIN (2 OF 3)**

SN 0001ML2V13 and Up

Item	Part No.	Part Description	Qty.
1	104737	STORAGE BRACKET OIL PUMP	1
2	610215	1/2 NPT NIPPLE	1
3	104940	COUPLER MALE DRY BREAK	1
4	053022	5/16-18 X 1 1/4 CARRIAGE BOLT PL	2
5	044033	5/16-18 NYLOCK HEX NUT PL	2
6	045217	5/16 PUSH NUT	2
7	041070	1/4-20 x 3/4 SL-HEX WASHER HEAD MS TP F	2

**OIL PUMP REAR OIL DRAIN (3 OF 3)**

SN 0001ML2V13 and Up



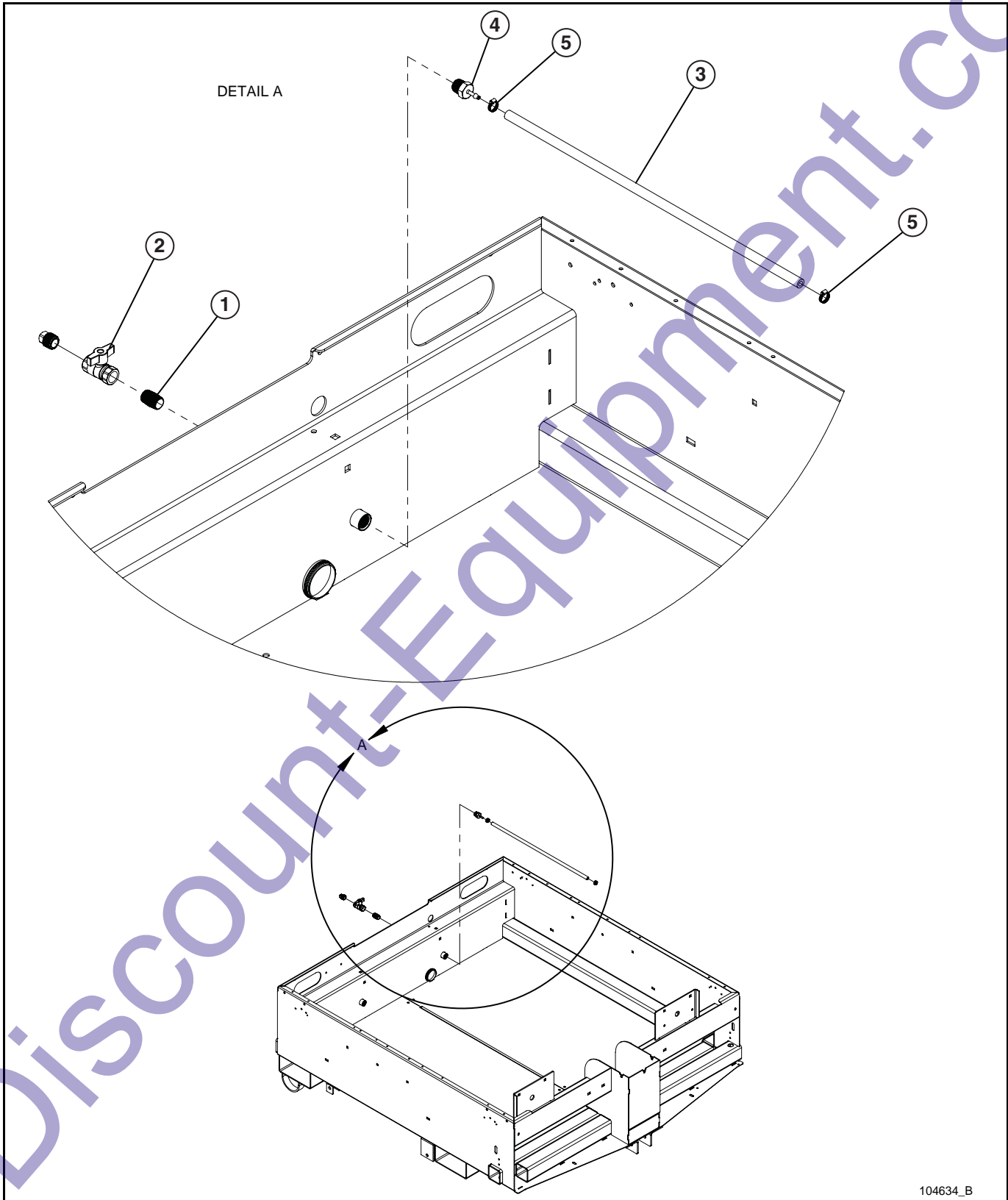
**OIL PUMP REAR OIL DRAIN (3 OF 3)**

SN 0001ML2V13 and Up

Item	Part No.	Part Description	Qty.
1	104937	PUMP OIL	1
2	103864	FUSE HOLDER INLINE BLADE	1
3	022321	TERM RING 14-16 AWG #8	2
4	104943	OIL PUMP HARNESS PUMP SIDE	1
5	104942	OIL PUMP HARNESS BATTERY SIDE	1

**COOLANT DRAIN  
FOR KUBOTA D1005/D1105 & CAT C2.2. ENGINES (1 OF 2)**

SN 0001ML2V13 and Up



104634\_B



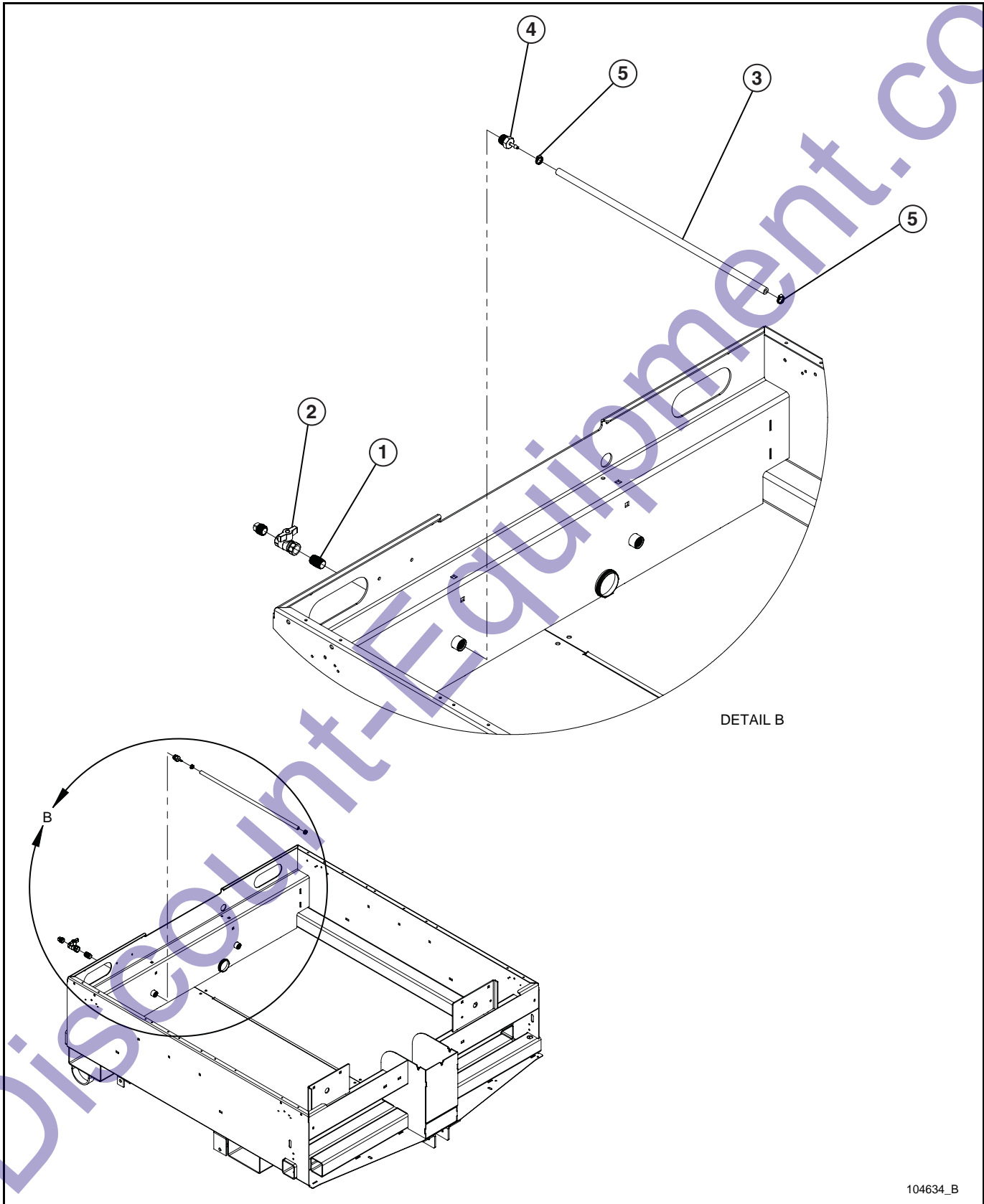
**COOLANT DRAIN  
FOR KUBOTA D1005/D1105 & CAT C2.2. ENGINES (1 OF 2)**

SN 0001ML2V13 and Up

Item	Part No.	Part Description	Qty.
1	610215	1/2 NPT NIPPLE	1
2	104133	1/2 BALL VALVE	1
3	081018	HOSE 5/16" FUEL LINE	20"
4	104321	FITTING HOSE BARB 1/2 NPT - 1/4 HOSE	1
5	433400	#4 HOSE CLAMP	2

**COOLANT DRAIN FOR ISUZU 4LE ENGINES (2 OF 2)**

SN 0001ML2V13 and Up



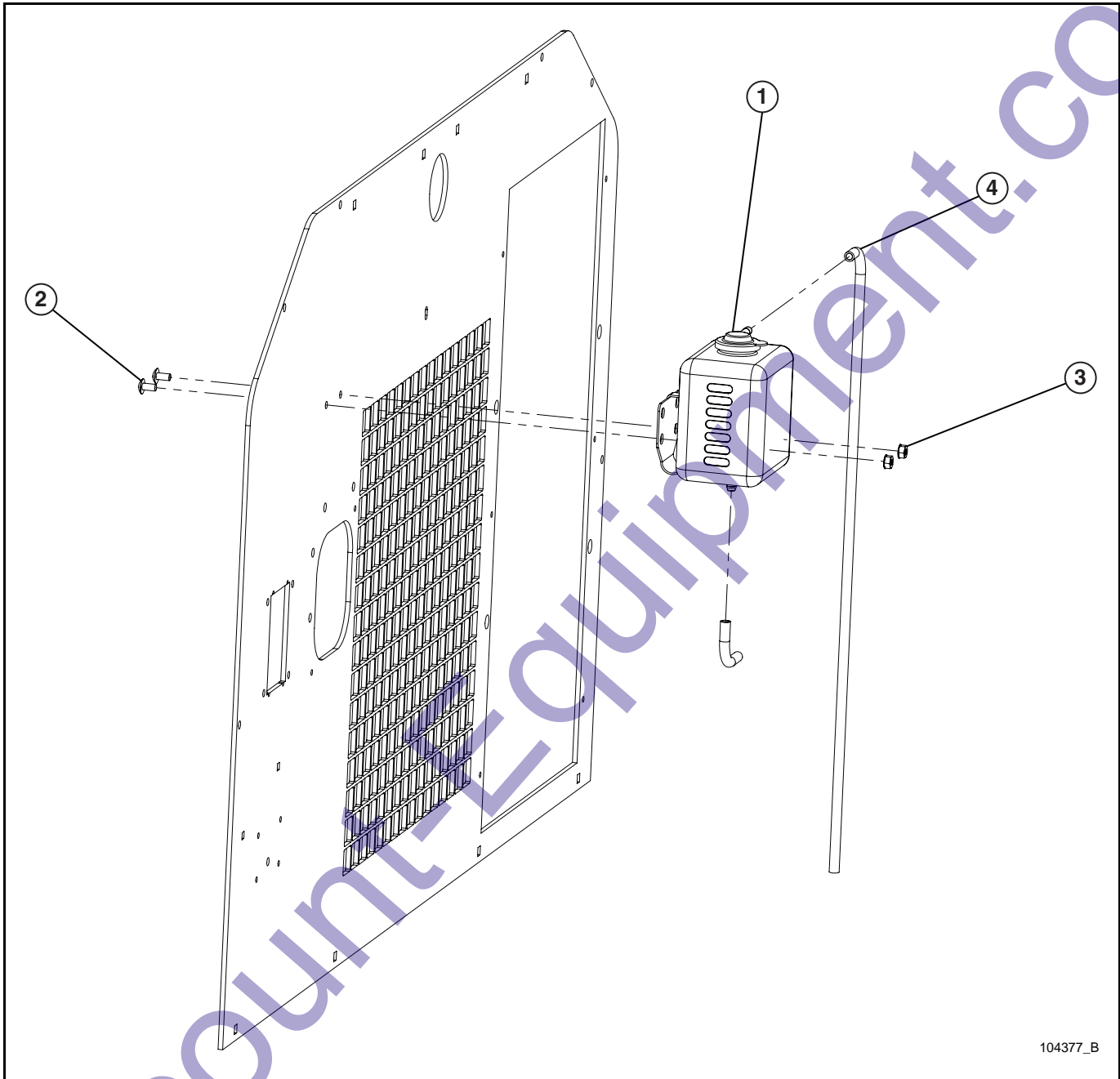
**COOLANT DRAIN FOR ISUZU 4LE ENGINES (2 OF 2)**

SN 0001ML2V13 and Up

Item	Part No.	Part Description	Qty.
1	610215	1/2 NPT NIPPLE	1
2	104133	1/2 BALL VALVE	1
3	081018	HOSE 5/16" FUEL LINE	20"
4	104321	FITTING HOSE BARB 1/2 NPT - 1/4 HOSE	1
5	433400	#4 HOSE CLAMP	2

**COOLANT RESERVOIR**

SN 0001ML2V13 and Up



104377\_B

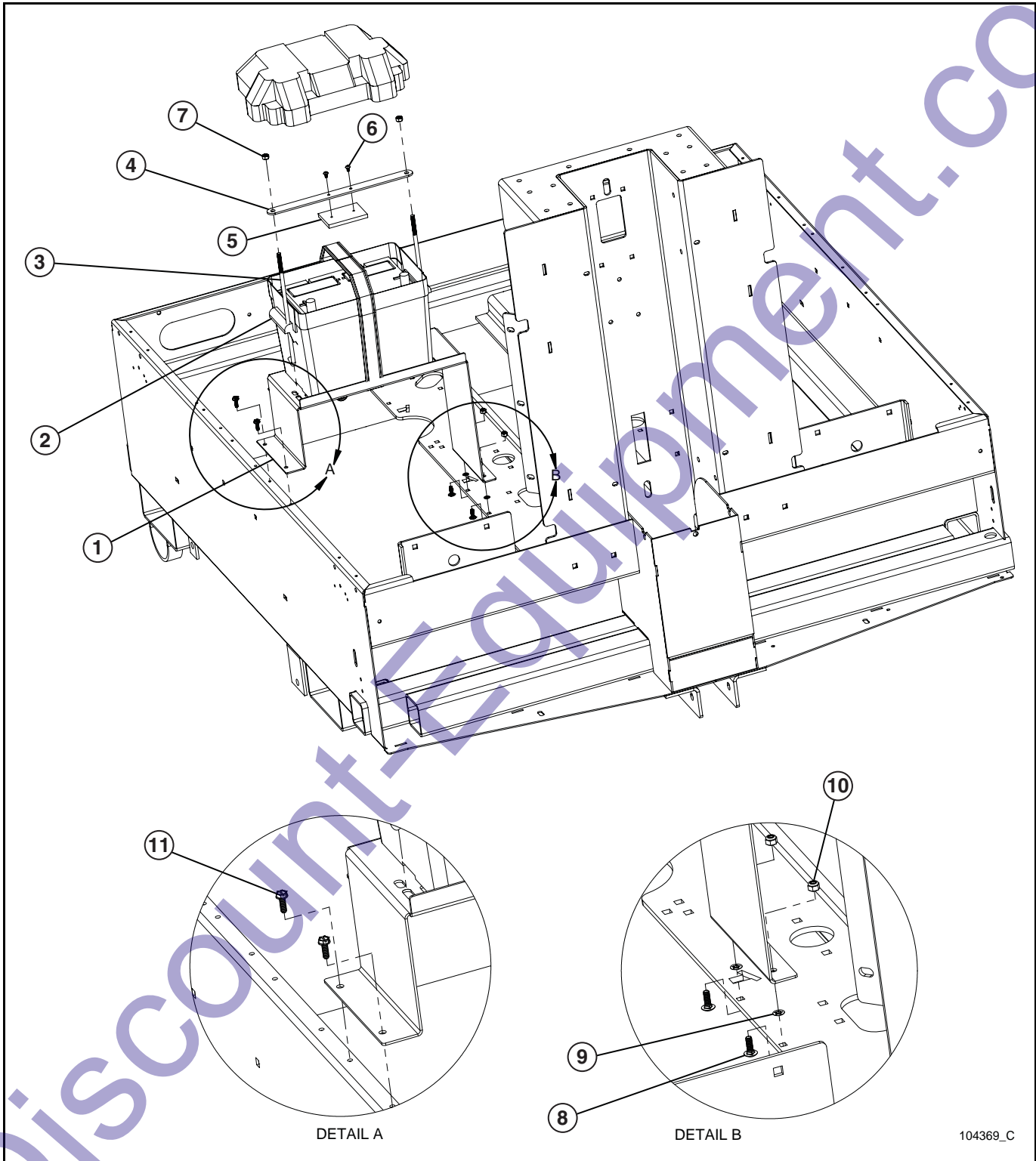
Item	Part No.	Part Description	Qty.
1	650027	RESERVOIR WITH BRACKET	1
2	041078	1/4-20 X 1/2 PH-TRUSS HEAD MS SS	2
3	044021	1/4-20 KEPS HEX NUT PL	2
4	102268	HOSE 1/4" ID COOLANT	72IN

**This Page Intentionally Left Blank**

Discount-Equipment.com

**BATTERY AND BATTERY BOX**

SN 0001ML2V13 and Up



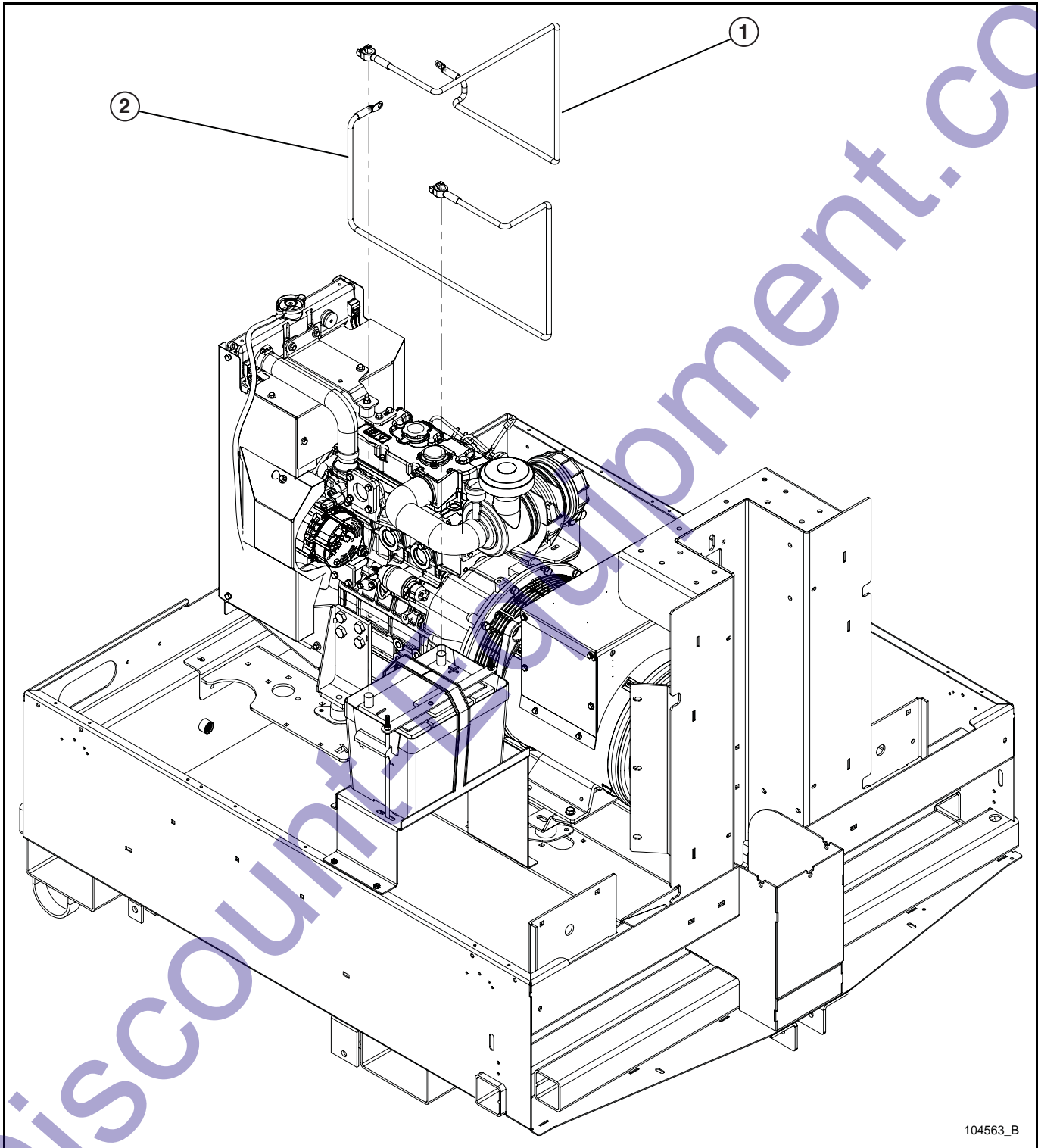
**BATTERY AND BATTERY BOX**

SN 0001ML2V13 and Up

Item	Part No.	Part Description	Qty.
1	104288P	MOUNT BRACKET BATTERY	1
2	103886	BATTERY BOX HERTZ	1
3	433507	5/16-18 J BOLT	2
4	103305P	HOLD DOWN STRAP BATTERY BOX	1
5	650110	.312 TOWER PAD	1
6	041023	#10 X 3/8 PH-ROUND HEAD MS PL	2
7	044033	5/16-18 NYLOCK HEX NUT PL	2
8	053006	1/4-20 X 3/4 CARRIAGE BOLT	2
9	101701	1/4 PUSH NUT	2
10	044023	1/4-20 NYLOCK HEX NUT PL	2
11	041070	1/4-20 x 3/4 SL-HEX WASHER HEAD MS TP F	2

**BATTERY CABLES**

SN 0001ML2V13 and Up



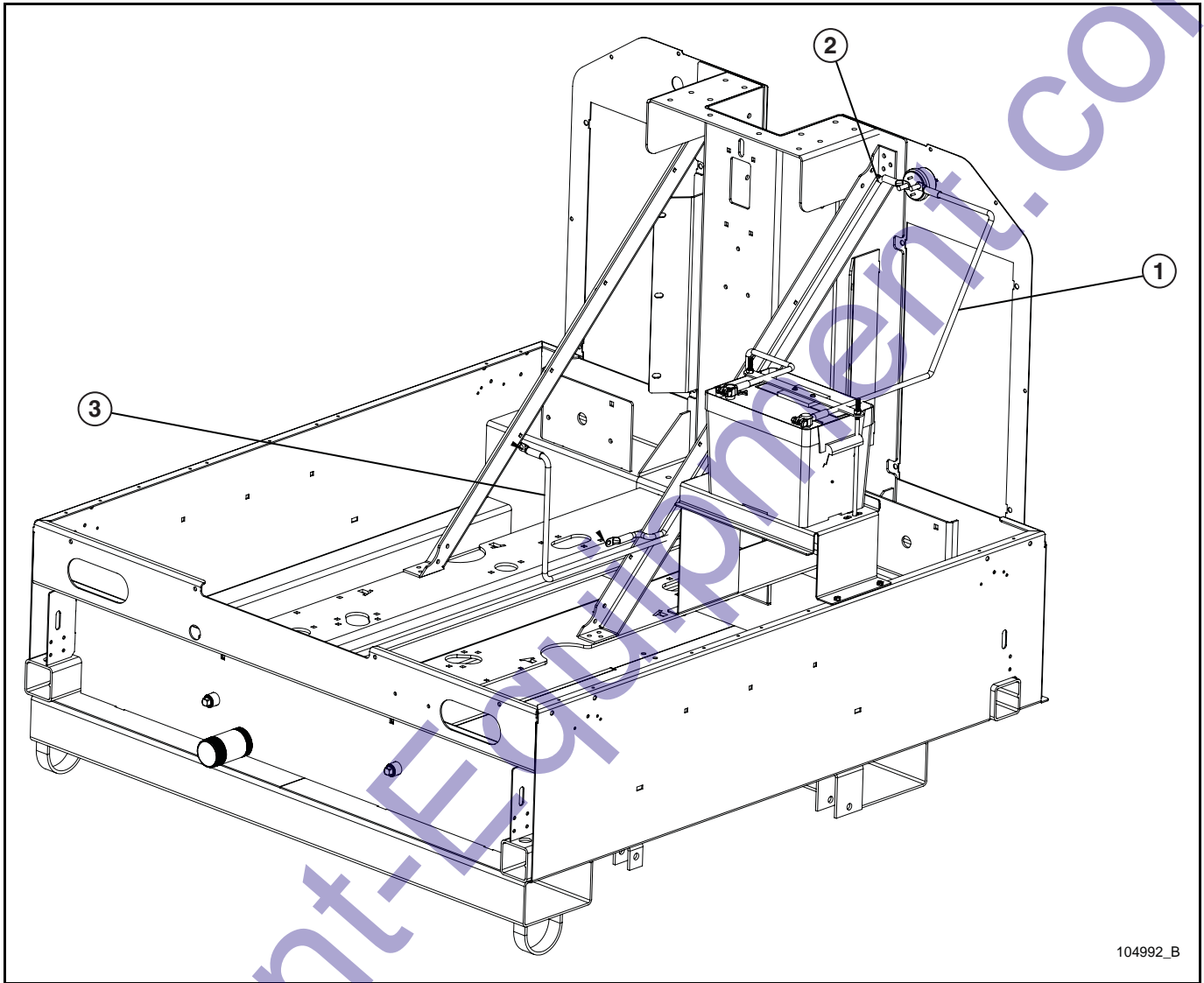
104563\_B

Item	Part No.	Part Description	Qty.
1	713098	BATTERY CABLE BLACK 2 GA 36"	1
2	027026	BATTERY CABLE RED 2GA 48"	1



### BATTERY CABLES FOR BATTERY DISCONNECT

SN 0001ML2V13 and Up

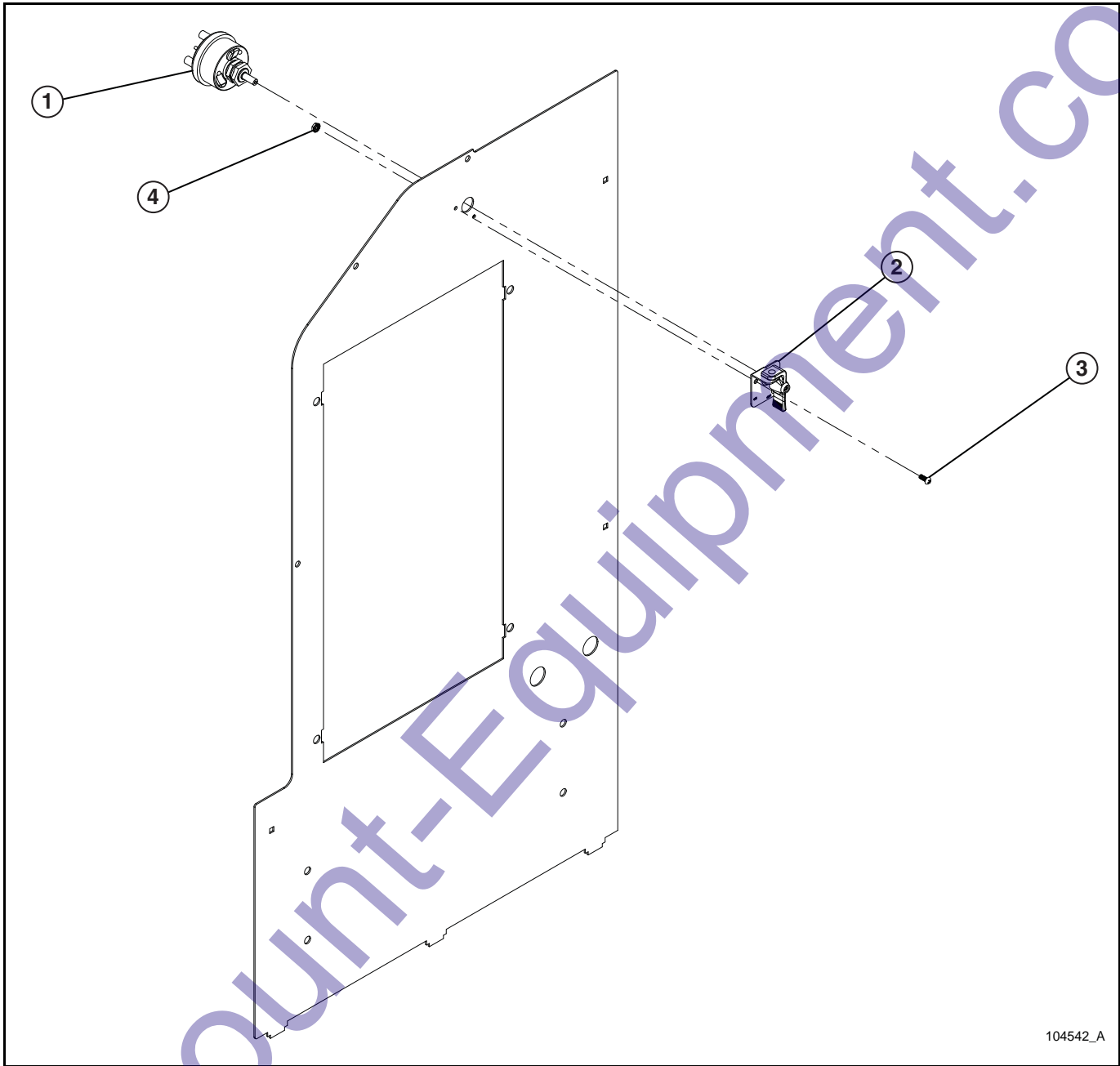


104992\_B

Item	Part No.	Part Description	Qty.
1	713098	BATTERY CABLE BLACK 2 GA 36"	1
2	104991	BATTERY CABLE BLACK 60" W/ 2 EYELETS	1
3	027026	BATTERY CABLE RED 2GA 48"	1

**BATTERY DISCONNECT SWITCH**

SN 0001ML2V13 and Up



104542\_A

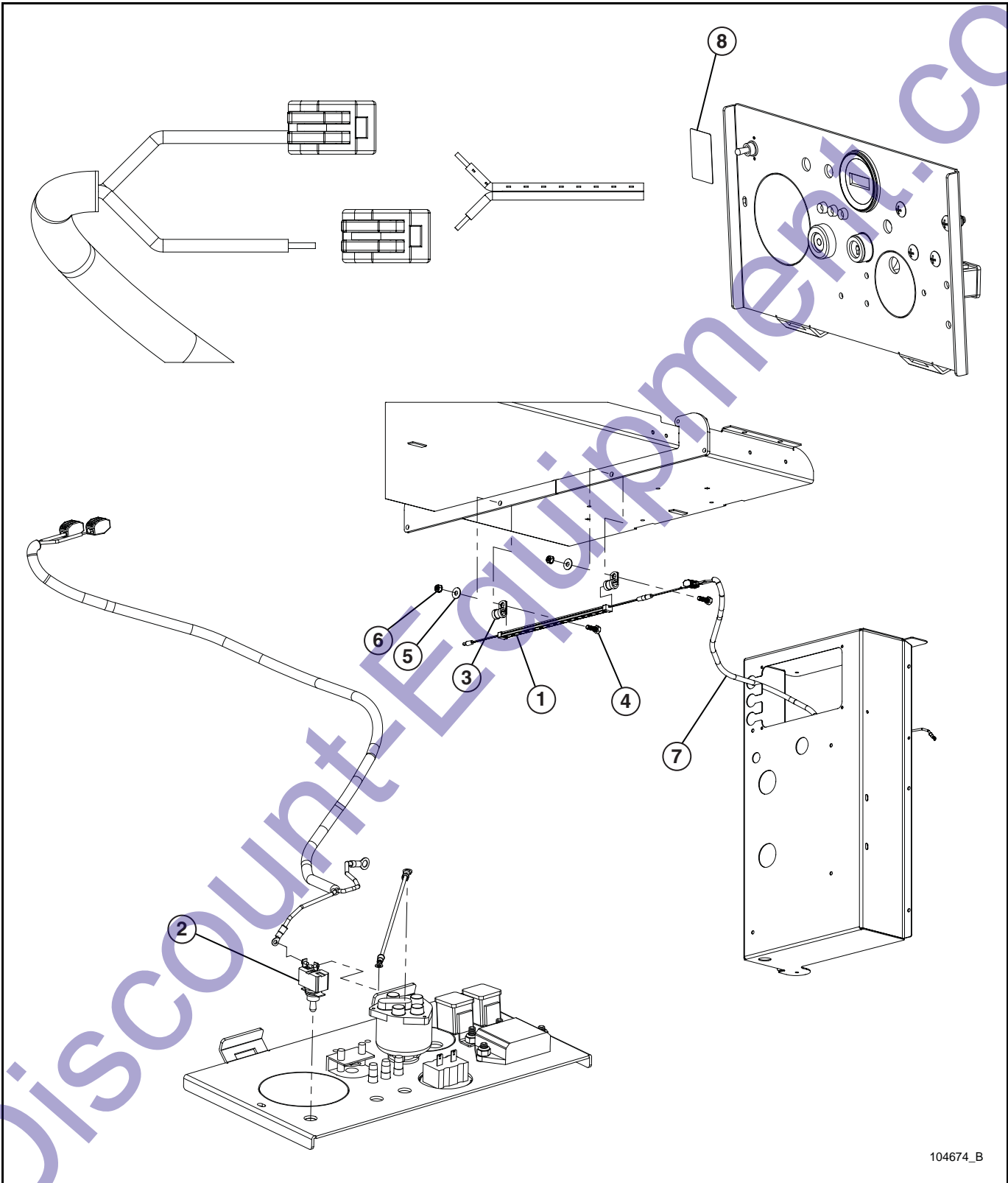
Item	Part No.	Part Description	Qty.
1	102534	SWITCH BATTERY DISCONNECT	1
2	103483	LOCK OUT BATTERY DISCONNECT	1
3	041024	#10-24 X 1/2 PH-ROUND HEAD MS SS	2
4	044016	#10-24 KEPS HEX NUT PL	2

**This Page Intentionally Left Blank**

Discount-Equipment.com

**INTERIOR LIGHT**

SN 0001ML2V13 and Up



104674\_B

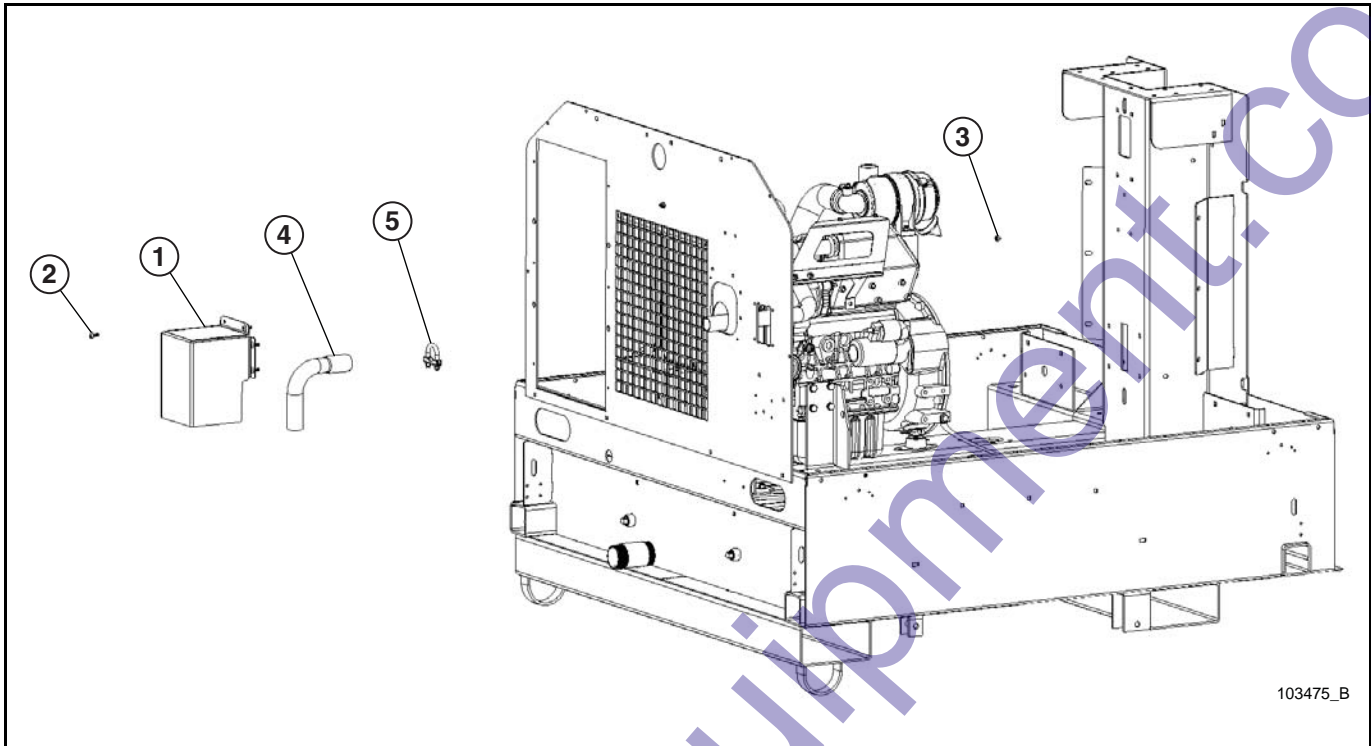
**INTERIOR LIGHT**

SN 0001ML2V13 and Up

Item	Part No.	Part Description	Qty.
1	104820	LED LIGHT 12 INCH	1
2	340009	SWITCH 15A SPST	1
3	022018	#8 CUSH CLAMP	2
4	046050	5/16-18 X 1 HEX HEAD CS GR5 PL	2
5	047010	5/16 FLAT WASHER PL	2
6	044031	5/16 -18 KEPS HEX NUT PL	2
7	105037	WIRE KIT INTERIOR LIGHT MAXI II	1
8	104776	DECAL INTERIOR WORK LIGHT	1

**EXHAUST SHIELD – DOWN – 1-3/8" DIA**

SN 0001ML2V13 and Up

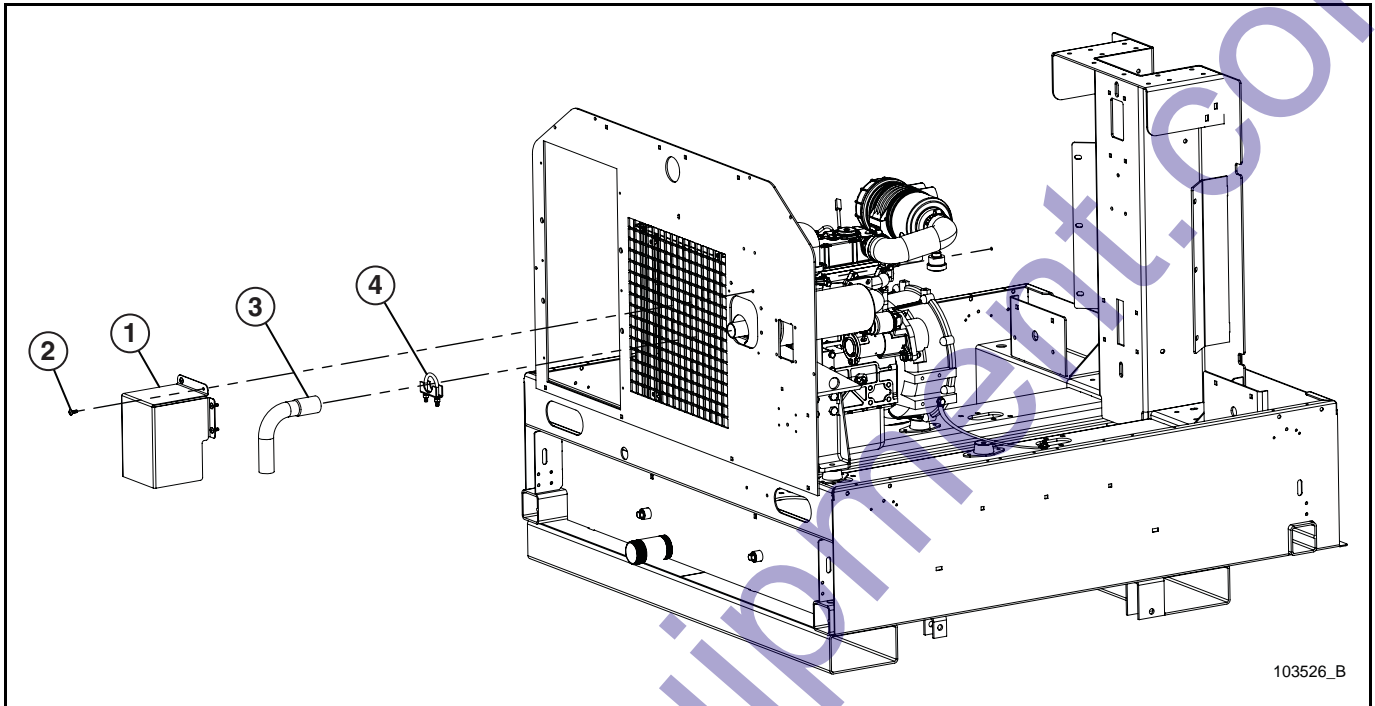


103475\_B

Item	Part No.	Part Description	Qty.
1	104389P	TAILPIPE SHEILD REAR EXIT	1
2	041050	1/4-20 X 3/4 PH-TRUSS HEAD MS SS	4
3	044021	1/4-20 KEPS HEX NUT PL	4
4	102718	90 DEGREE ELBOW 1.375 OD EXHAUST	1
5	713086	1 3/8 MUFFLER CLAMP	1

### EXHAUST SHIELD – DOWN – 1-1/2" DIA

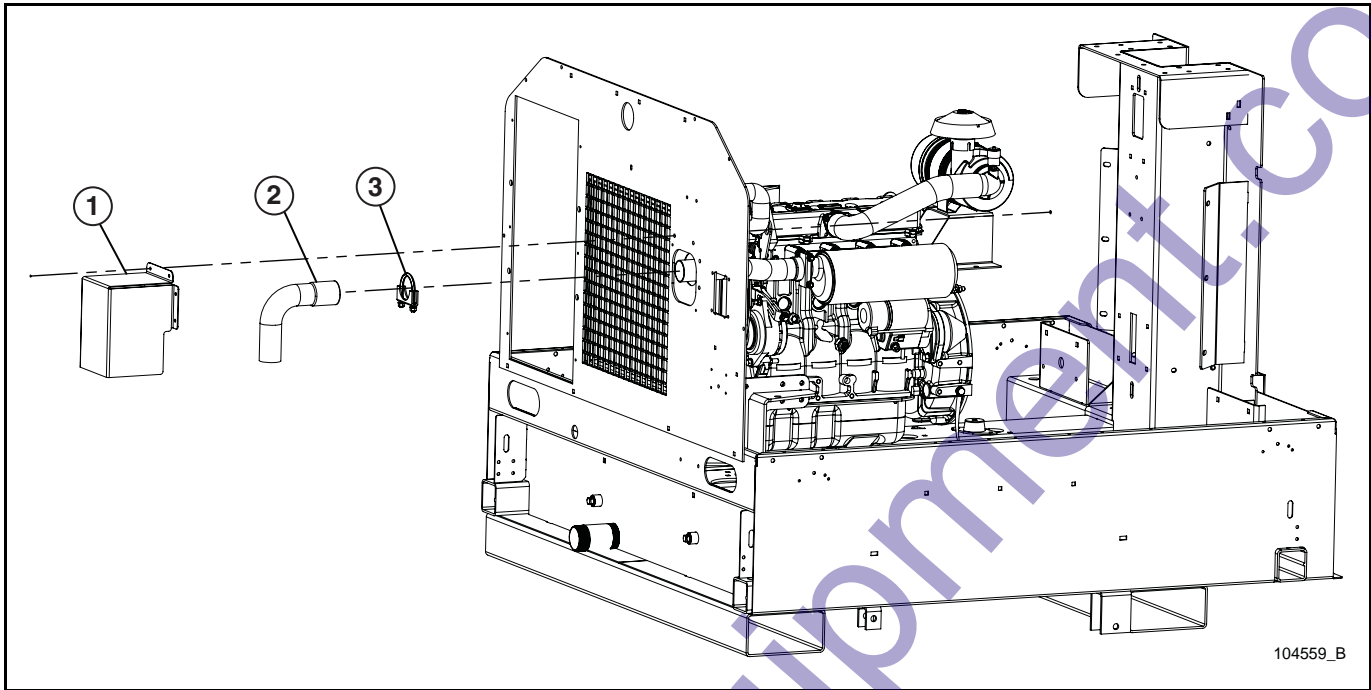
SN 0001ML2V13 and Up



Item	Part No.	Part Description	Qty.
1	104389P	TAILPIPE SHEILD REAR EXIT	1
2	041050	1/4-20 X 3/4 PH-TRUSS HEAD MS SS	4
3	103762	TAILPIPE EXHAUST ELBOW 1 1/2"	1
4	340111	1-1/2 MUFFLER CLAMP	1

**EXHAUST SHIELD - DOWN - 2" DIA**

SN 0001ML2V13 and Up



Item	Part No.	Part Description	Qty.
1	104389P	TAILPIPE SHEILD REAR EXIT	1
2	104562	TAILPIPE EXHAUST ELBOW 2"	1
3	930234	2" MUFFLER CLAMP	1

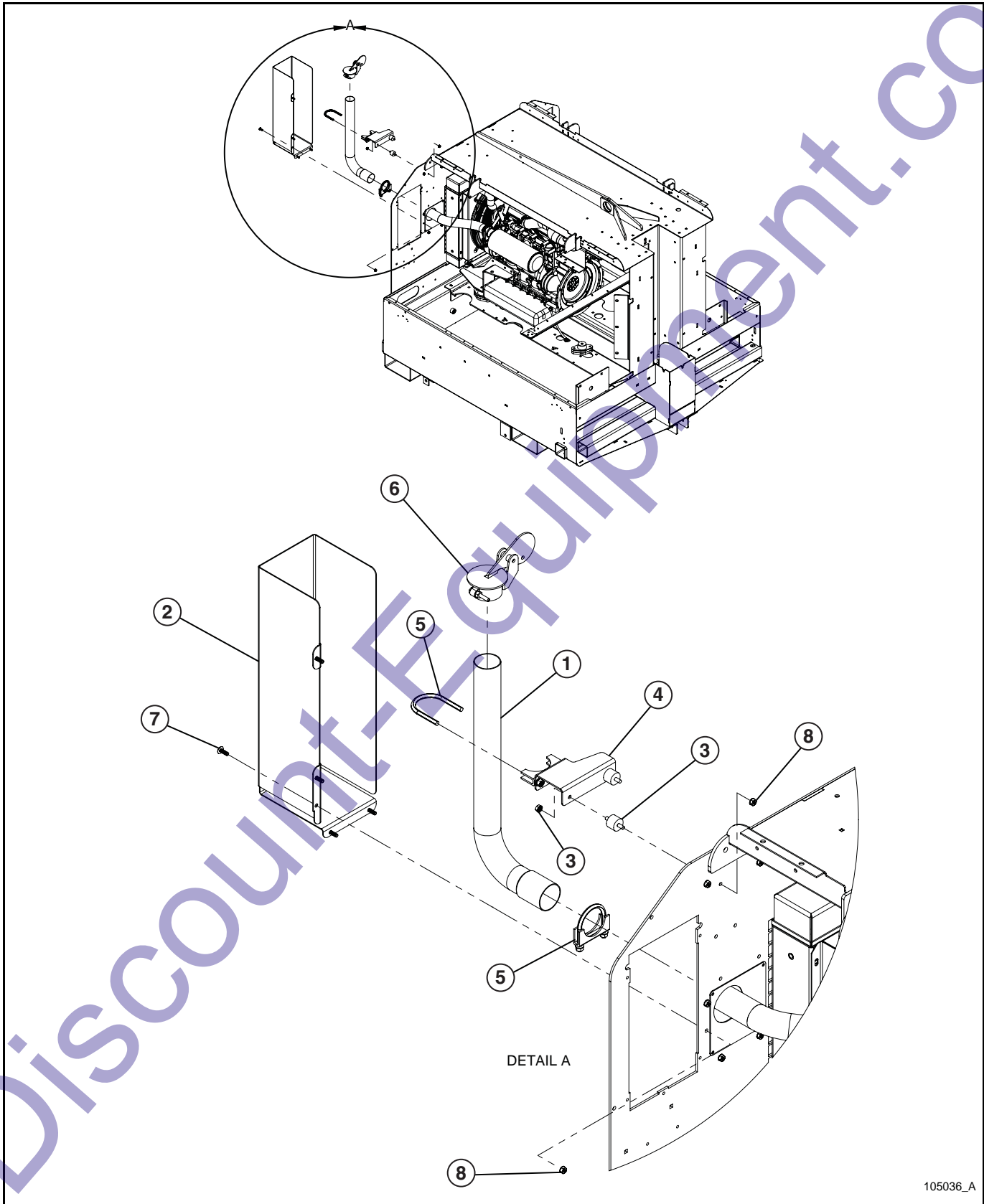


**This Page Intentionally Left Blank**

Discount-Equipment.com

**EXHAUST SHIELD - UP - 2" DIA**

SN 0001ML2V13 and Up



105036\_A

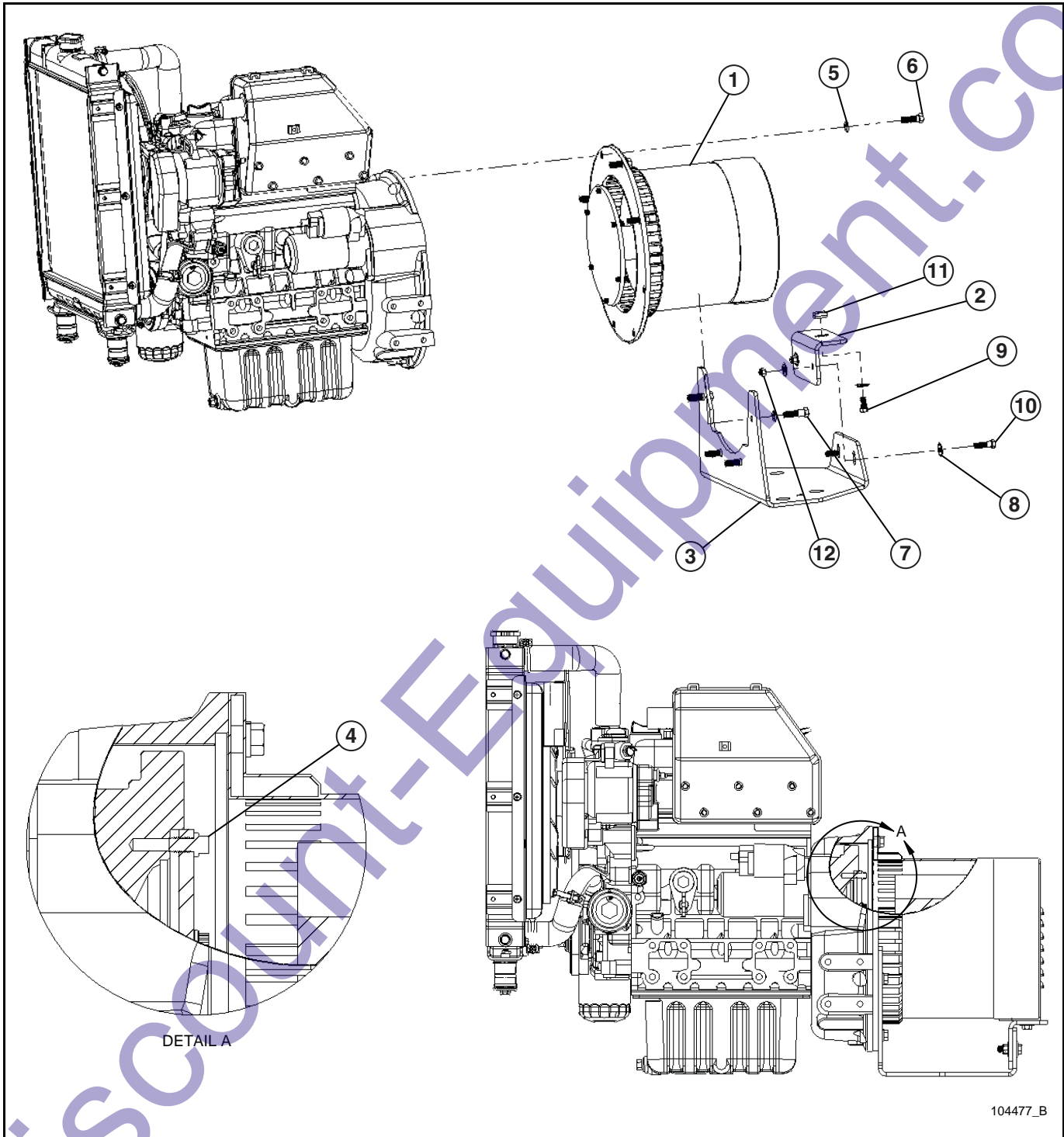
**EXHAUST SHIELD – UP – 2" DIA**

SN 0001ML2V13 and Up

Item	Part No.	Part Description	Qty.
1	104817	EXHAUST ELBOW VERTICAL 2" OD	1
2	105034P	TAILPIPE SHEILD REAR/VERTICAL EXIT	1
3	330057	BOX MOUNT RUBBER	2
4	105035P	BRACKET SUPPORT VERTICAL EXHAUST	1
5	930234	2" MUFFLER CLAMP	2
6	104801	EXHAUST RAIN CAP 2" OD TUBE	1
7	041050	1/4-20 X 3/4 PH-TRUSS HEAD MS SS	5
8	044021	1/4-20 KEPS HEX NUT PL	9

GENERATOR 6KW 50HZ MECC ALTE

SN 0001ML2V13 and Up



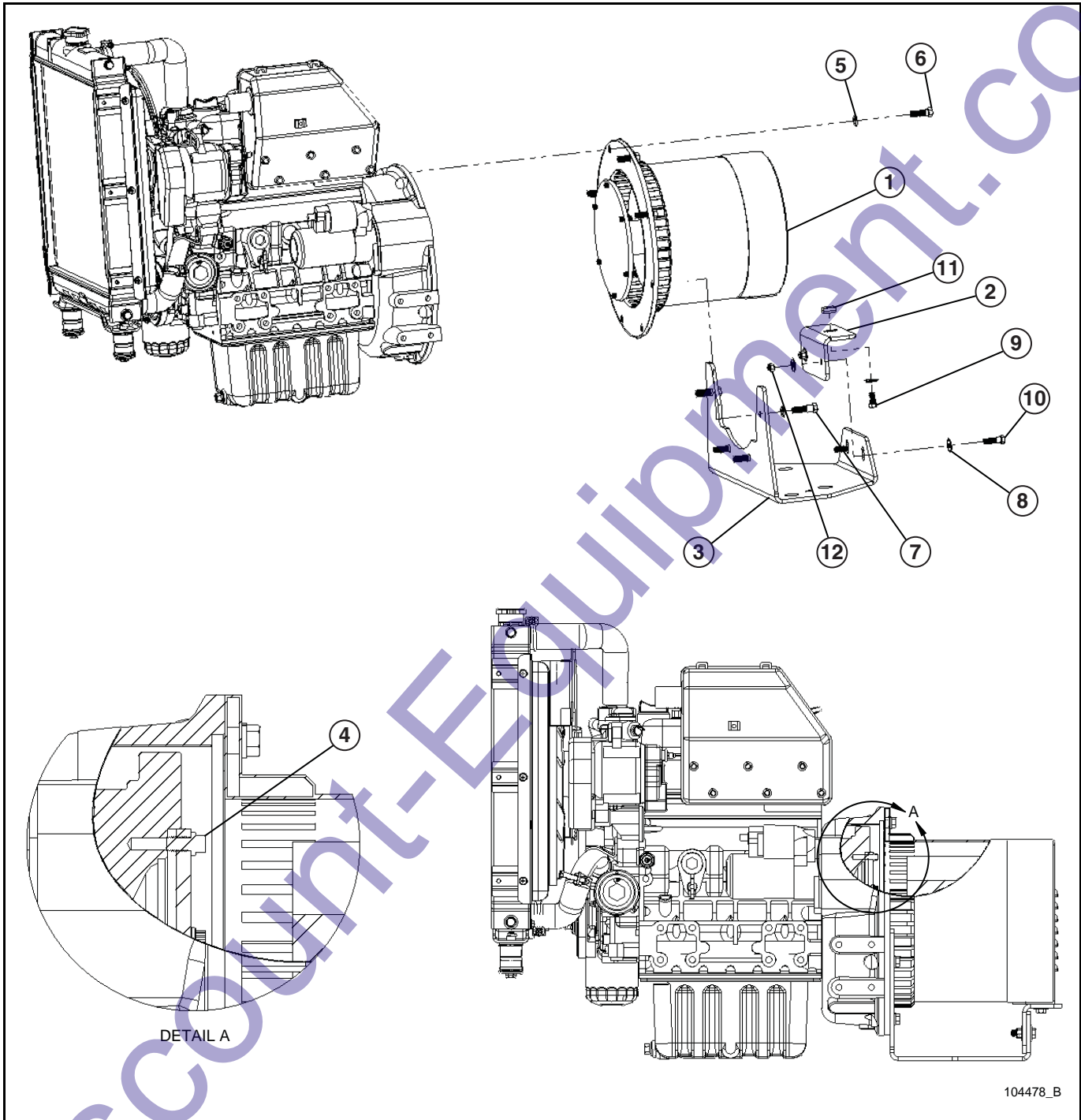
**GENERATOR 6KW 50HZ MECC ALTE**

SN 0001ML2V13 and Up

Item	Part No.	Part Description	Qty.
1	100349	GENERATOR MECCALTE 6 KW 50HZ	1
2	109713P	BRACKET ANGLE GEN MNT MECCALTE	1
3	109712P	BRACKET GEN MOUNT MECCALTE	1
4	046041	5/16-18x1/2" 12 PT FLANGE HEAD BOLT	6
5	043065	3/8 SPLITLOCK WASHER PL	8
6	046115	3/8-16 X 1 1/4 HEX HEAD CS GR5 PL	4
7	046120	3/8-16 X 1 1/2 HEX HEAD CS GR5 PL	4
8	047010	5/16 FLAT WASHER PL	5
9	046045	5/16-18 X 3/4 HEX HEAD CS GR5 PL	1
10	046055	5/16-18 X 1 1/4 HEX HEAD CS GR5 PL	2
11	100614	5/16-18 T-SLOT NUT	1
12	044033	5/16-18 NYLOCK HEX NUT PL	2

GENERATOR 6KW 50HZ 110CTE MECC ALTE

SN 0001ML2V13 and Up



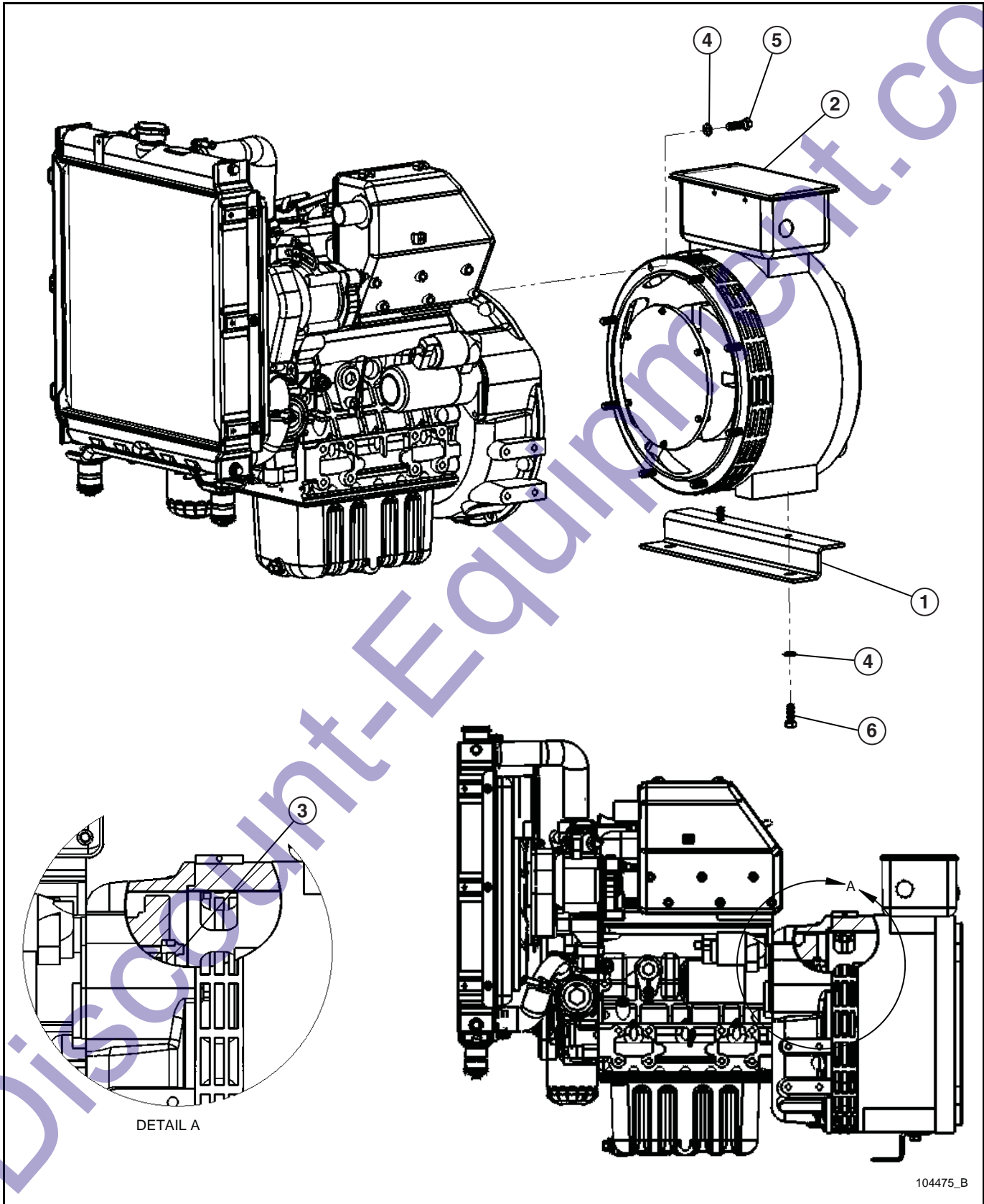
**GENERATOR 6KW 50HZ 110CTE MECC ALTE**

SN 0001ML2V13 and Up

Item	Part No.	Part Description	Qty.
1	102612	GENERATOR MECCALTE 6 KW 50 HZ 110CTE	1
2	109713P	BRACKET ANGLE GEN MNT MECCALTE	1
3	109712P	BRACKET GEN MOUNT MECCALTE	1
4	046041	5/16-18x1/2" 12 PT FLANGE HEAD BOLT	6
5	043065	3/8 SPLITLOCK WASHER PL	8
6	046115	3/8-16 X 1 1/4 HEX HEAD CS GR5 PL	4
7	046120	3/8-16 X 1 1/2 HEX HEAD CS GR5 PL	4
8	047010	5/16 FLAT WASHER PL	5
9	046045	5/16-18 X 3/4 HEX HEAD CS GR5 PL	1
10	046055	5/16-18 X 1 1/4 HEX HEAD CS GR5 PL	2
11	100614	5/16-18 T-SLOT NUT	1
12	044033	5/16-18 NYLOCK HEX NUT PL	2

**GENERATOR 6KW 50HZ MARATHON**

SN 0001ML2V13 and Up





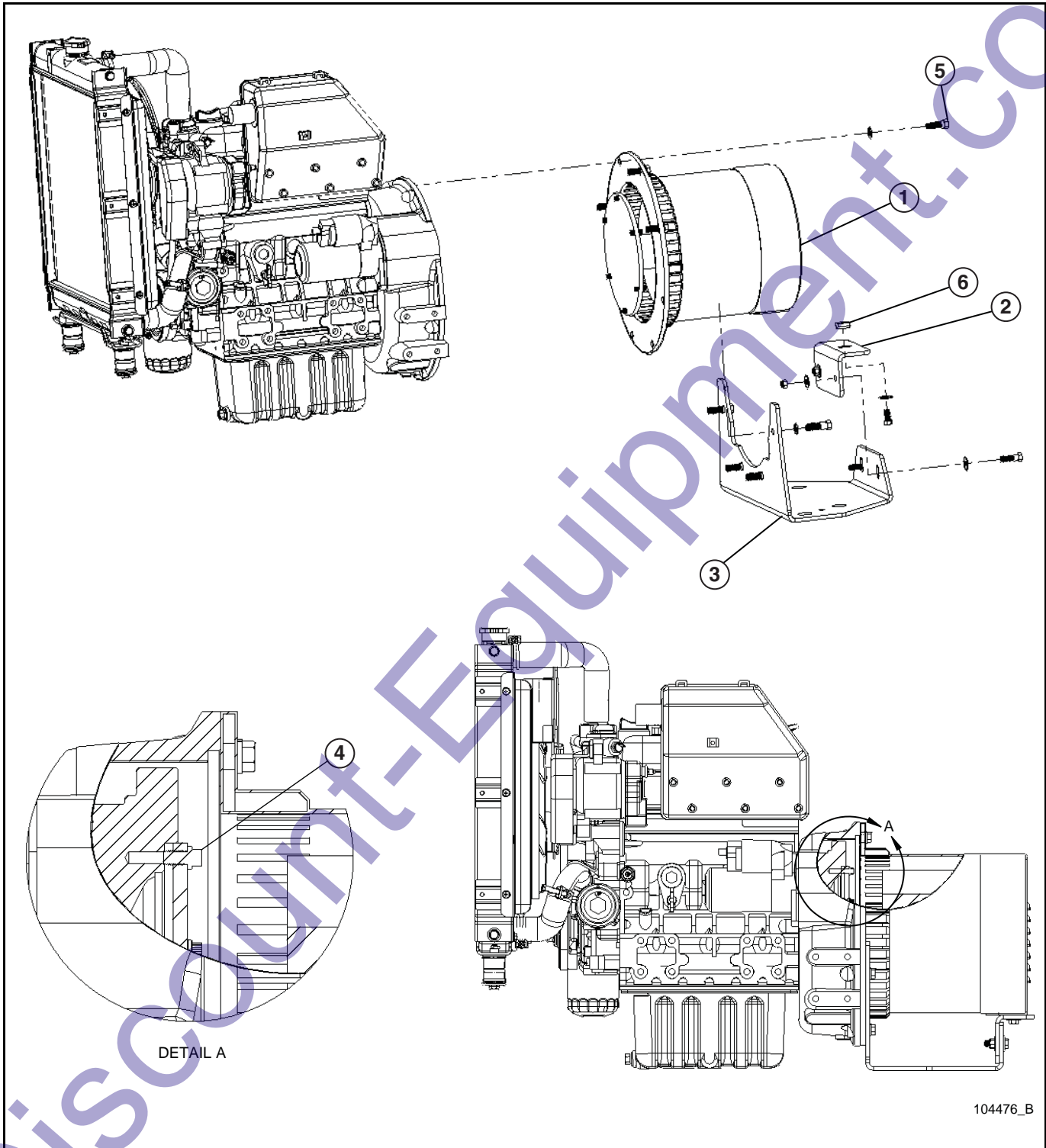
**GENERATOR 6KW 50HZ MARATHON**

SN 0001ML2V13 and Up

Item	Part No.	Part Description	Qty.
1	651012P	BRACKET GEN MOUNT MARATHON/ATHLON	1
2	650286	GENERATOR MARATHON 6 KW 50 HZ SAE 5 / 6.5"	1
3	046041	5/16-18x1/2" 12 PT FLANGE HEAD BOLT	6
4	043065	3/8 SPLITLOCK WASHER PL	10
5	046115	3/8-16 X 1 1/4 HEX HEAD CS GR5 PL	8
6	046110	3/8-16 X 1 HEX HEAD CS GR5 PL	2

GENERATOR 7.5KW 60HZ MECC ALTE

SN 0001ML2V13 and Up



104476\_B

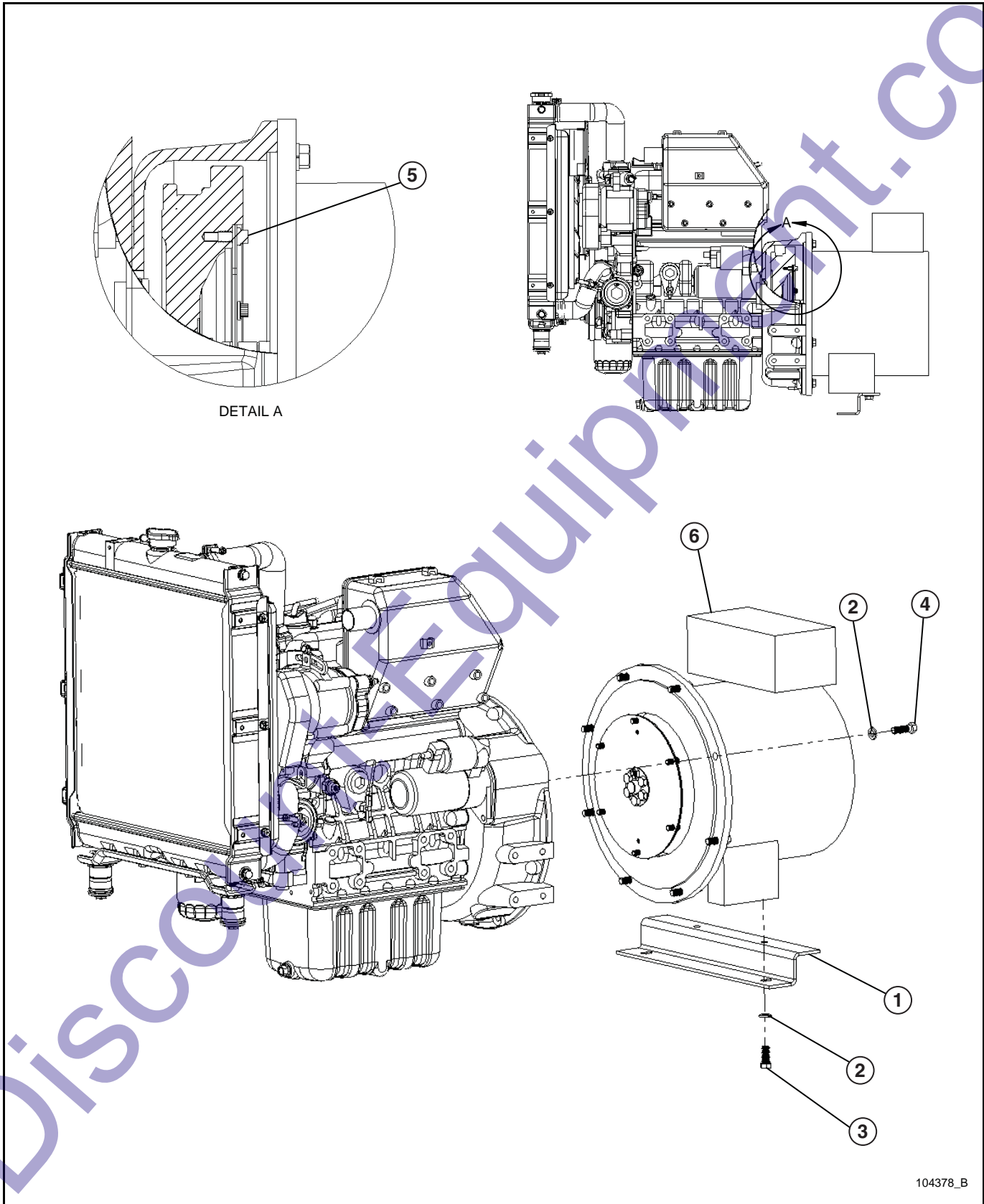
**GENERATOR 7.5KW 60HZ MECC ALTE**

SN 0001ML2V13 and Up

Item	Part No.	Part Description	Qty.
1	100350	GENERATOR MECCALTE 7.5 KW 60HZ	1
2	109713P	BRACKET ANGLE GEN MNT MECCALTE	1
3	109712P	BRACKET GEN MOUNT MECCALTE	1
4	046041	5/16-18x1/2" 12 PT FLANGE HEAD BOLT	6
5	046115	3/8-16 X 1 1/4 HEX HEAD CS GR5 PL	4
6	100614	5/16-18 T-SLOT NUT	1
7	043065	3/8 SPLITLOCK WASHER PL	8
8	046120	3/8-16 X 1 1/2 HEX HEAD CS GR5 PL	4
9	047010	5/16 FLAT WASHER PL	5
10	046045	5/16-18 X 3/4 HEX HEAD CS GR5 PL	1
11	046055	5/16-18 X 1 1/4 HEX HEAD CS GR5 PL	2
12	044033	5/16-18 NYLOCK HEX NUT PL	2

GENERATOR 8KW 60HZ ATHLON

SN 0001ML2V13 and Up



104378\_B

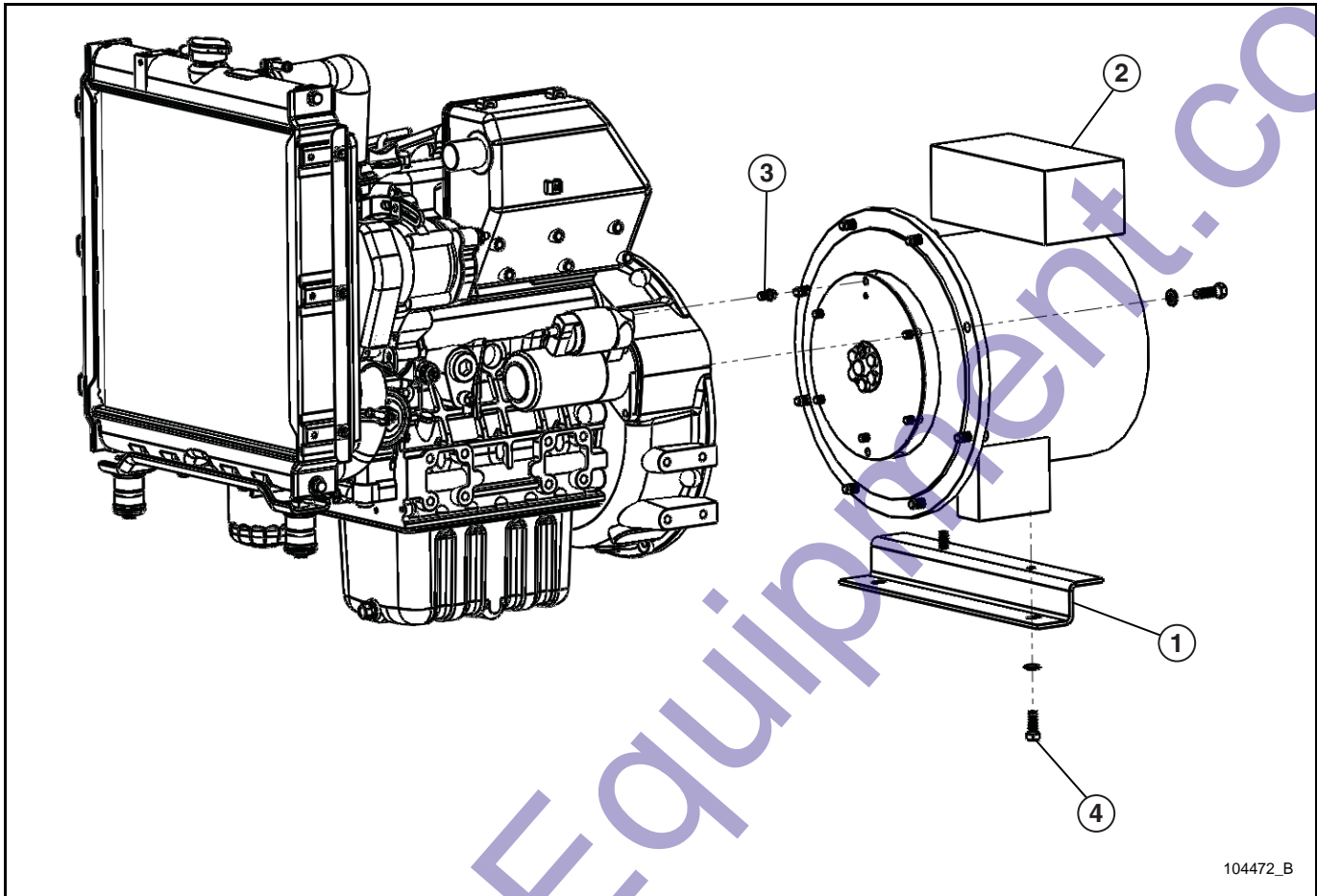
**GENERATOR 8KW 60HZ ATHLON**

SN 0001ML2V13 and Up

Item	Part No.	Part Description	Qty.
1	651012P	BRACKET GEN MOUNT MARATHON/ATHLON	1
2	043065	3/8 SPLITLOCK WASHER PL	10
3	046110	3/8-16 X 1 HEX HEAD CS GR5 PL	2
4	046115	3/8-16 X 1 1/4 HEX HEAD CS GR5 PL	8
5	046041	5/16-18x1/2" 12 PT FLANGE HEAD BOLT	6
6	102692	GENERATOR MARATHON 8 KW 60 HZ	1

**GENERATOR 8KW 60HZ MARATHON**

SN 0001ML2V13 and Up



104472\_B

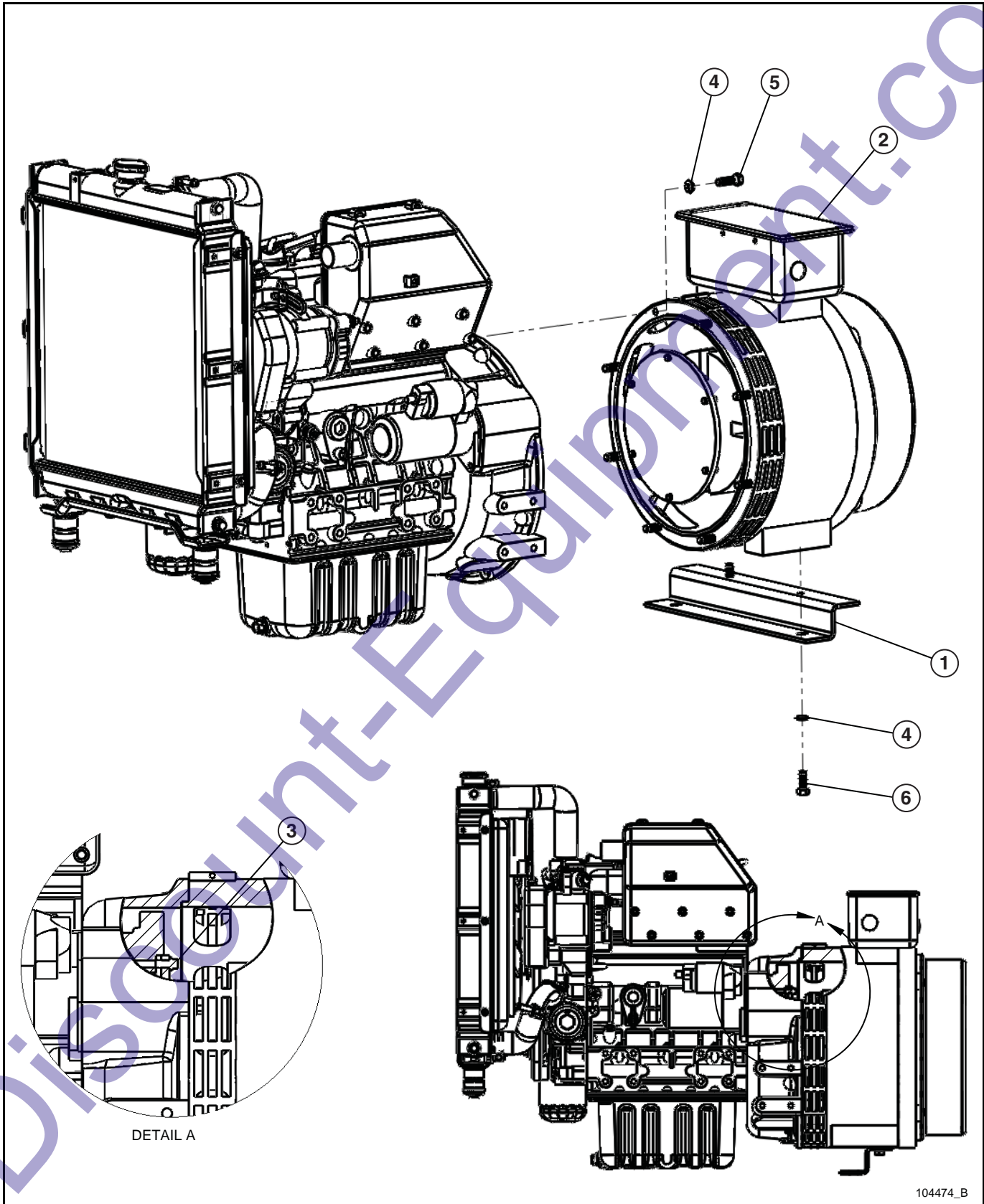
Item	Part No.	Part Description	Qty.
1	651012P	BRACKET GEN MOUNT MARATHON/ATHLON	1
2	101075	GENERATOR MARATHON 8 KW 60 HZ	1
3	046041	5/16-18x1/2" 12 PT FLANGE HEAD BOLT	6
4	046110	3/8-16 X 1 HEX HEAD CS GR5 PL	2
5	043065	3/8 SPLITLOCK WASHER PL	10
6	046115	3/8-16 X 1 1/4 HEX HEAD CS GR5 PL	8

**This Page Intentionally Left Blank**

Discount-Equipment.com

**GENERATOR 8KW 60HZ AVR MARATHON**

SN 0001ML2V13 and Up



104474\_B



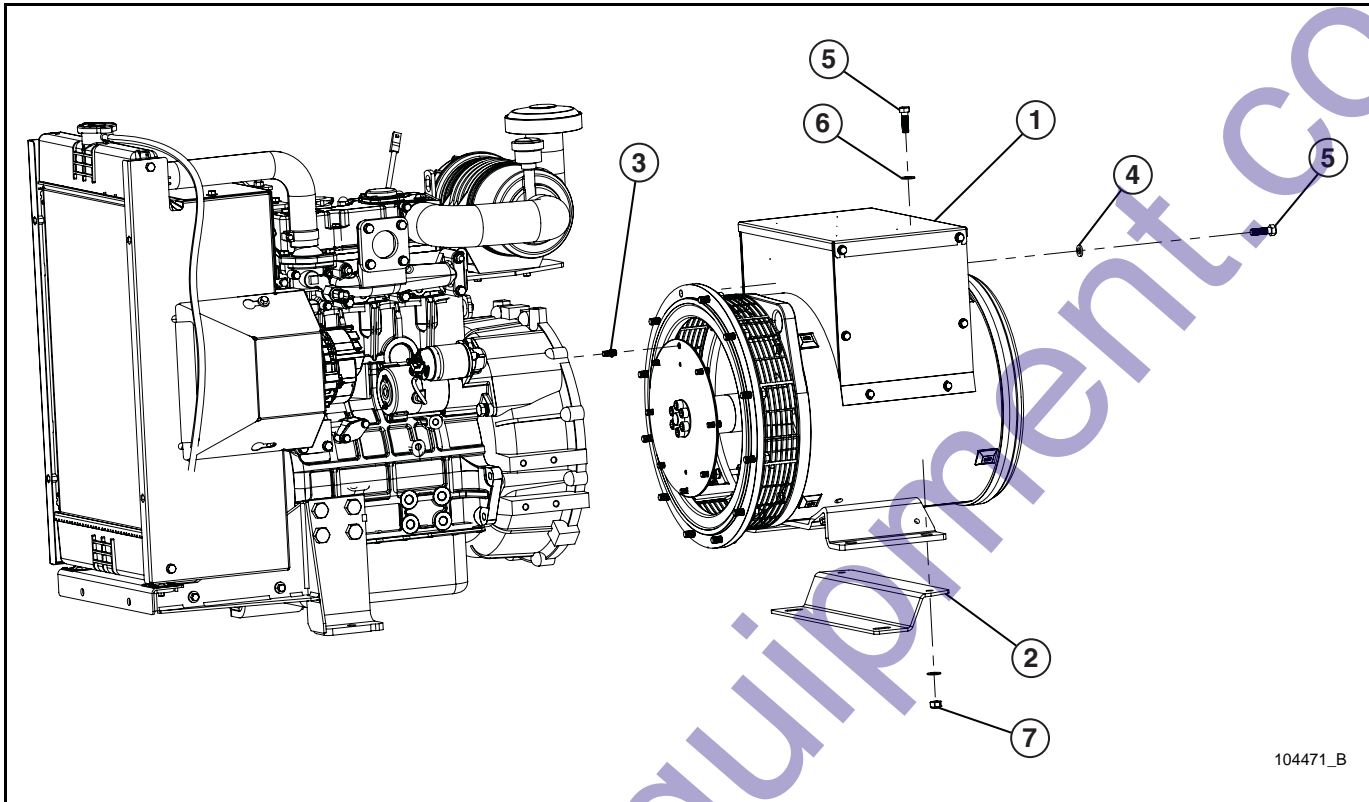
**GENERATOR 8KW 60HZ AVR MARATHON**

SN 0001ML2V13 and Up

Item	Part No.	Part Description	Qty.
1	651012P	BRACKET GEN MOUNT MARATHON/ATHLON	1
2	654000	GENERATOR MARATHON 8 kW 60 Hz AVR SAE 5 / 6.5"	1
3	046041	5/16-18x1/2" 12 PT FLANGE HEAD BOLT	6
4	043065	3/8 SPLITLOCK WASHER PL	10
5	046115	3/8-16 X 1 1/4 HEX HEAD CS GR5 PL	8
6	046110	3/8-16 X 1 HEX HEAD CS GR5 PL	2

**GENERATOR 13KW 60HZ MARATHON**

SN 0001ML2V13 and Up



104471\_B

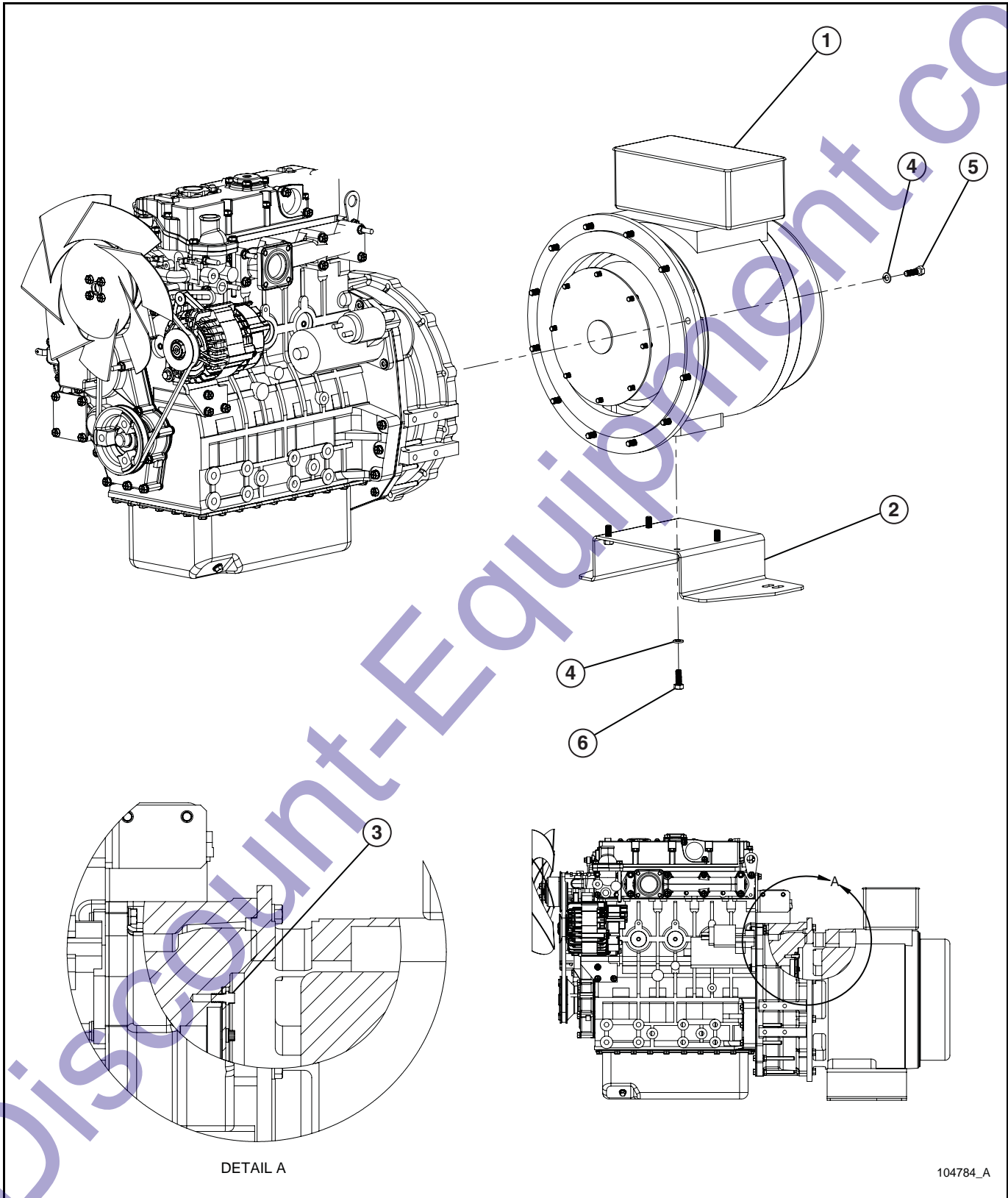
Item	Part No.	Part Description	Qty.
1	104022	GEN MARATHON 11/13 KW 50/60 HZ	1
2	103490P	BRACKET GENERATOR CAT C1.5 & C2.2	1
3	046041	5/16-18x1/2" 12 PT FLANGE HEAD BOLT	8
4	043065	3/8 SPLITLOCK WASHER PL	12
5	046115	3/8-16 X 1 1/4 HEX HEAD CS GR5 PL	14
6	047016	3/8 FLAT WASHER SAE PL	4
7	044038	3/8-16 NYLOCK HEX NUT PL	2

**This Page Intentionally Left Blank**

Discount-Equipment.com

**GENERATOR 20KW SINGLE PHASE MARATHON – CAT C2.2**

SN 0001ML2V13 and Up



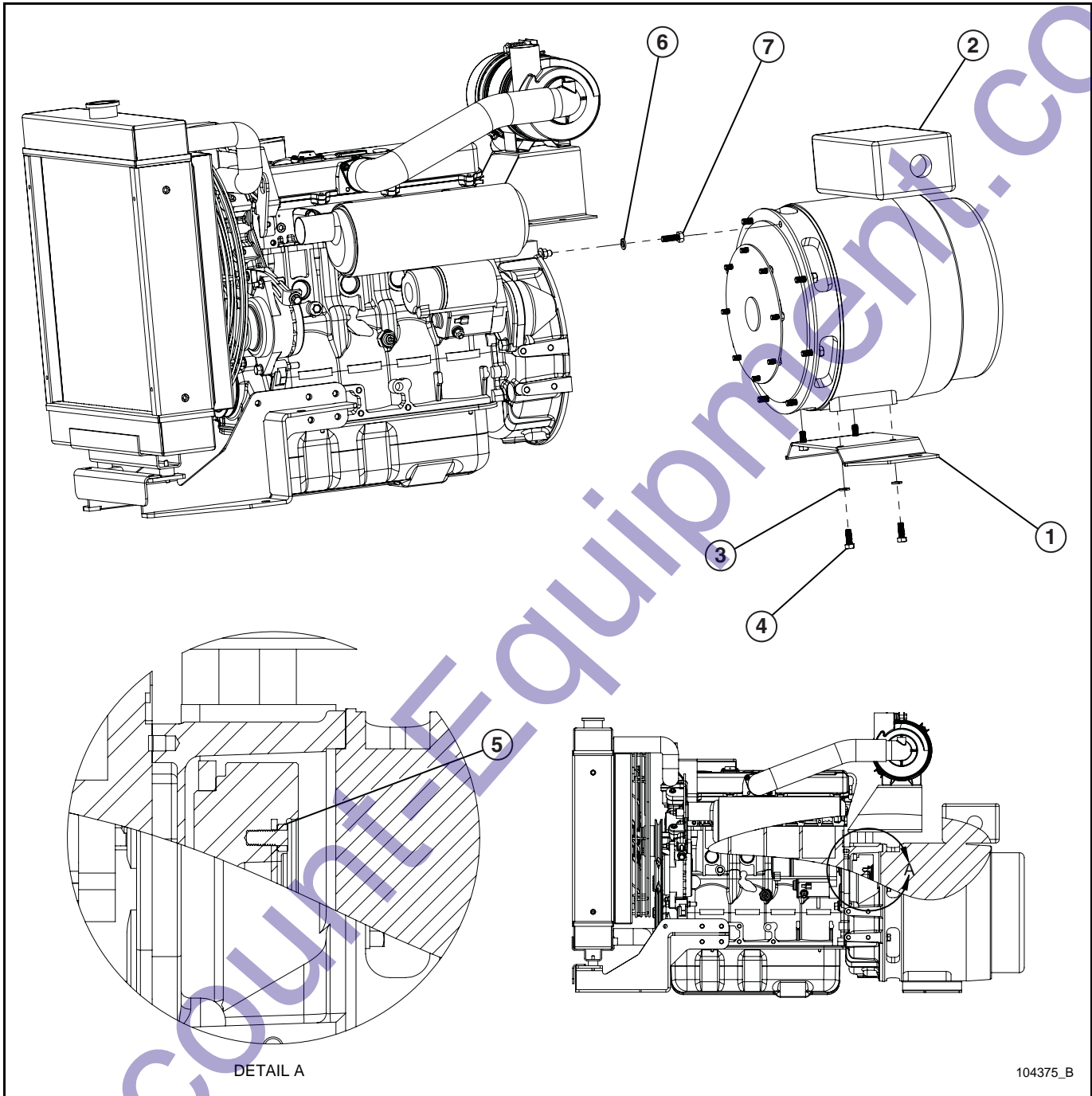
**GENERATOR 20KW SINGLE PHASE MARATHON – CAT C2.2**

SN 0001ML2V13 and Up

Item	Part No.	Part Description	Qty.
1	109670	GENERATOR MARATHON 20kW 1 PHASE	1
2	104256P	MOUNT GENERATOR CAT C1.5 & C2.2	1
3	046041	5/16-18x1/2" 12 PT FLANGE HEAD BOLT	8
4	043065	3/8 SPLITLOCK WASHER PL	16
5	046115	3/8-16 X 1 1/4 HEX HEAD CS GR5 PL	12
6	046110	3/8-16 X 1 HEX HEAD CS GR5 PL	4

**GENERATOR 20KW SINGLE PHASE MARATHON – ISUZU 4LE**

SN 0001ML2V13 and Up



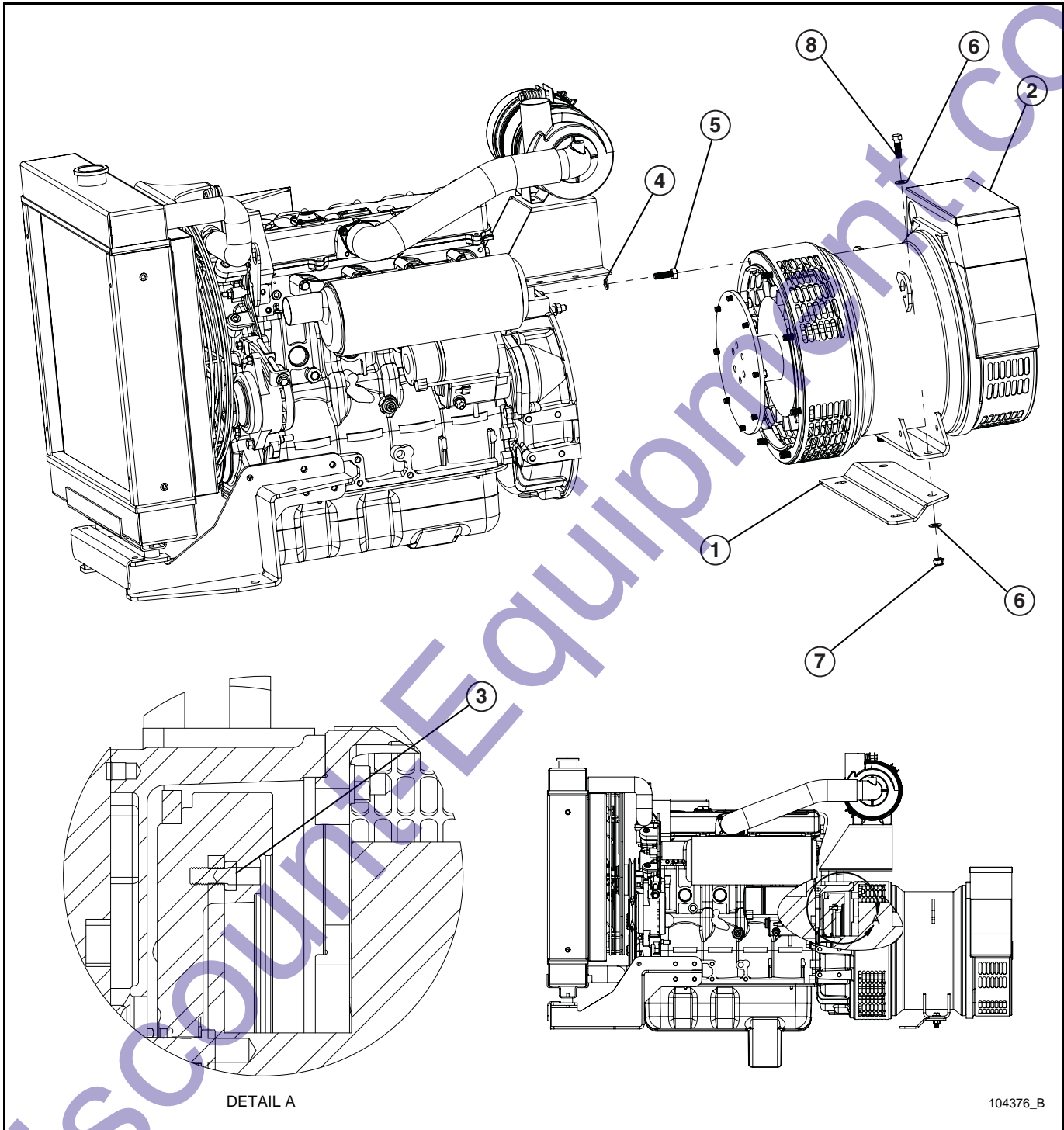
**GENERATOR 20KW SINGLE PHASE MARATHON – ISUZU 4LE**

SN 0001ML2V13 and Up

Item	Part No.	Part Description	Qty.
1	102509P	BRACKET GEN MOUNT MARATHON 334	1
2	350356	GENERATOR MARATHON 20kW 1 PHASE	1
3	043065	3/8 SPLITLOCK WASHER PL	4
4	046110	3/8-16 X 1 HEX HEAD CS GR5 PL	4
5	042027	M8 X 16mm X 1.25mm HEX HEAD CS GR10.9 PL	8
6	042151	M10 SPLIT LOCK WASHER PL	8
7	042040	M10X1.5 X 30mm HEX HEAD CS GR8.8 PL	8

**GENERATOR 20KW THREE PHASE CUMMINS**

SN 0001ML2V13 and Up





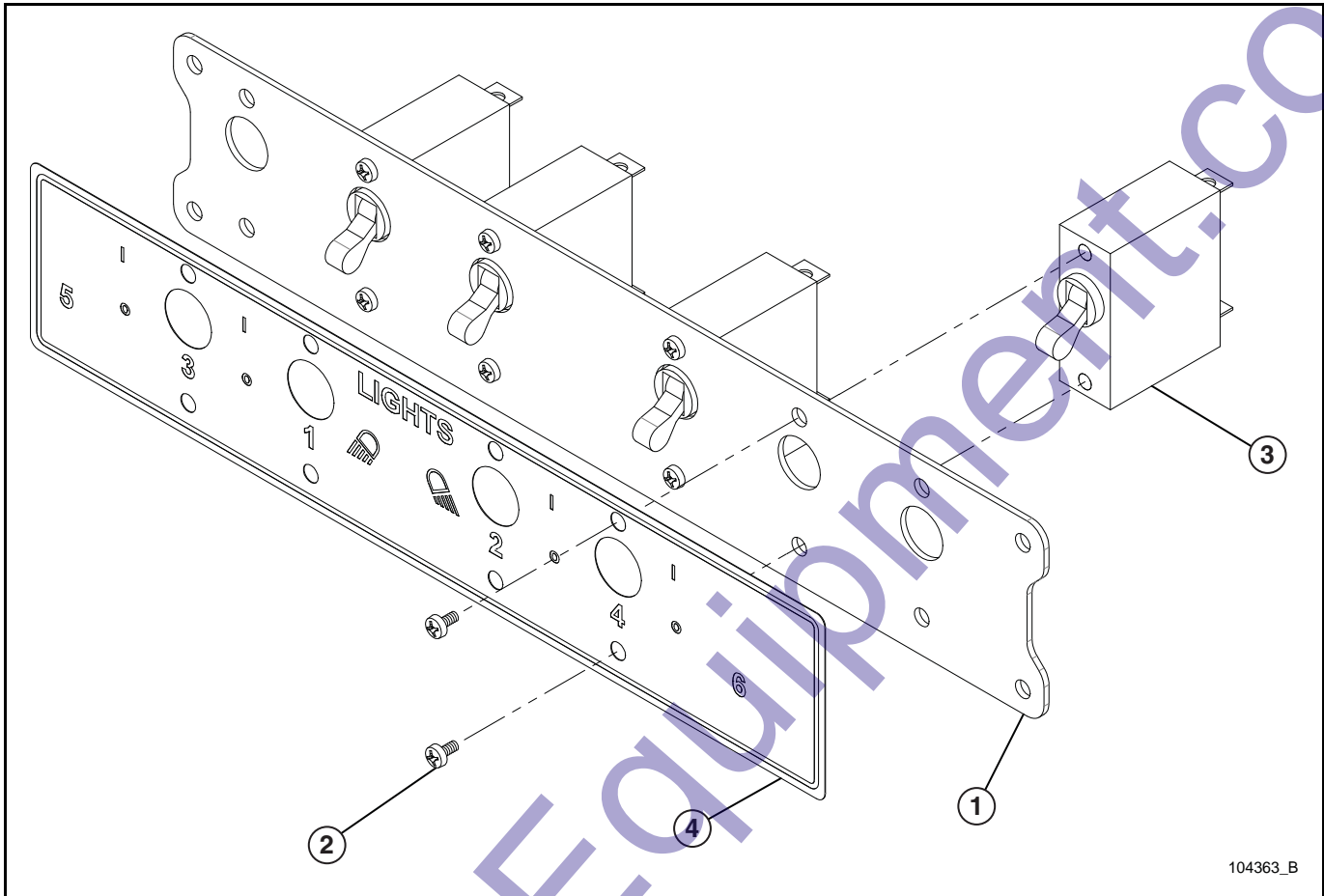
**GENERATOR 20KW THREE PHASE CUMMINS**

SN 0001ML2V13 and Up

Item	Part No.	Part Description	Qty.
1	109700P	BRACKET GEN MOUNT 20 kW 3 PHASE	1
2	102860	GENERATOR CUMMINS 20kW 3 PHASE	1
3	042027	M8 X 16mm X 1.25mm HEX HEAD CS GR10.9 PL	8
4	042151	M10 SPLIT LOCK WASHER PL	8
5	042040	M10X1.5 X 30mm HEX HEAD CS GR8.8 PL	8
6	047016	3/8 FLAT WASHER SAE PL	4
7	044038	3/8-16 NYLOCK HEX NUT PL	2
8	046115	3/8-16 X 1 1/4 HEX HEAD CS GR5 PL	2

**SWITCH PANEL 4 LIGHT SINGLE PHASE**

SN 0001ML2V13 and Up

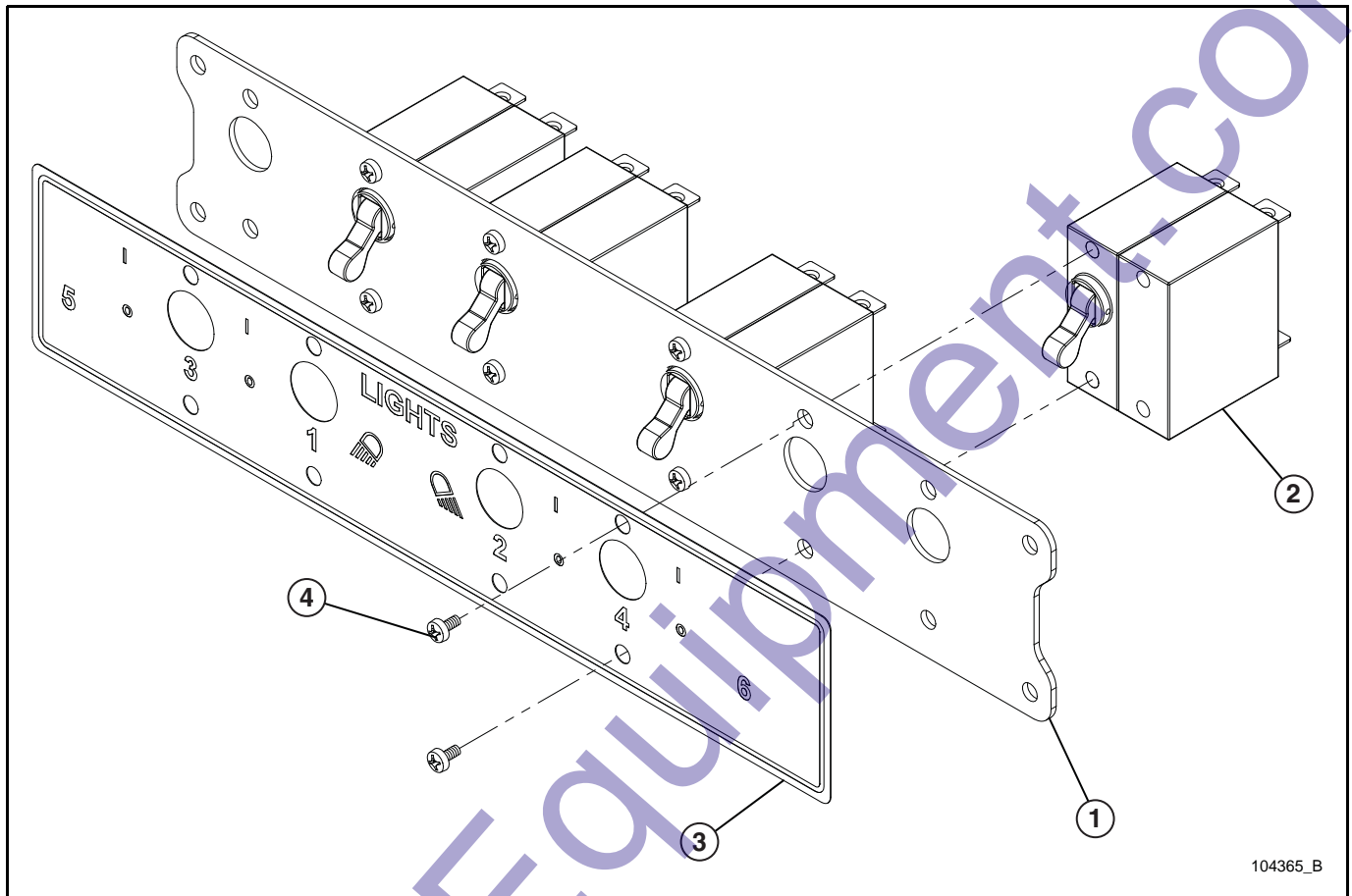


104363\_B

Item	Part No.	Part Description	Qty.
1	104314P	SWITCH PLATE LIGHT	1
2	041018	#6-32 X 1/4 PH-ROUND HEAD MS PL	8
3	330458	15A SPST BREAKER SWITCH	4
4	104546	DECAL LIGHT SWITCHES ONE LIGHT PER SWITCH	1

### SWITCH PANEL 4 LIGHT THREE PHASE

SN 0001ML2V13 and Up

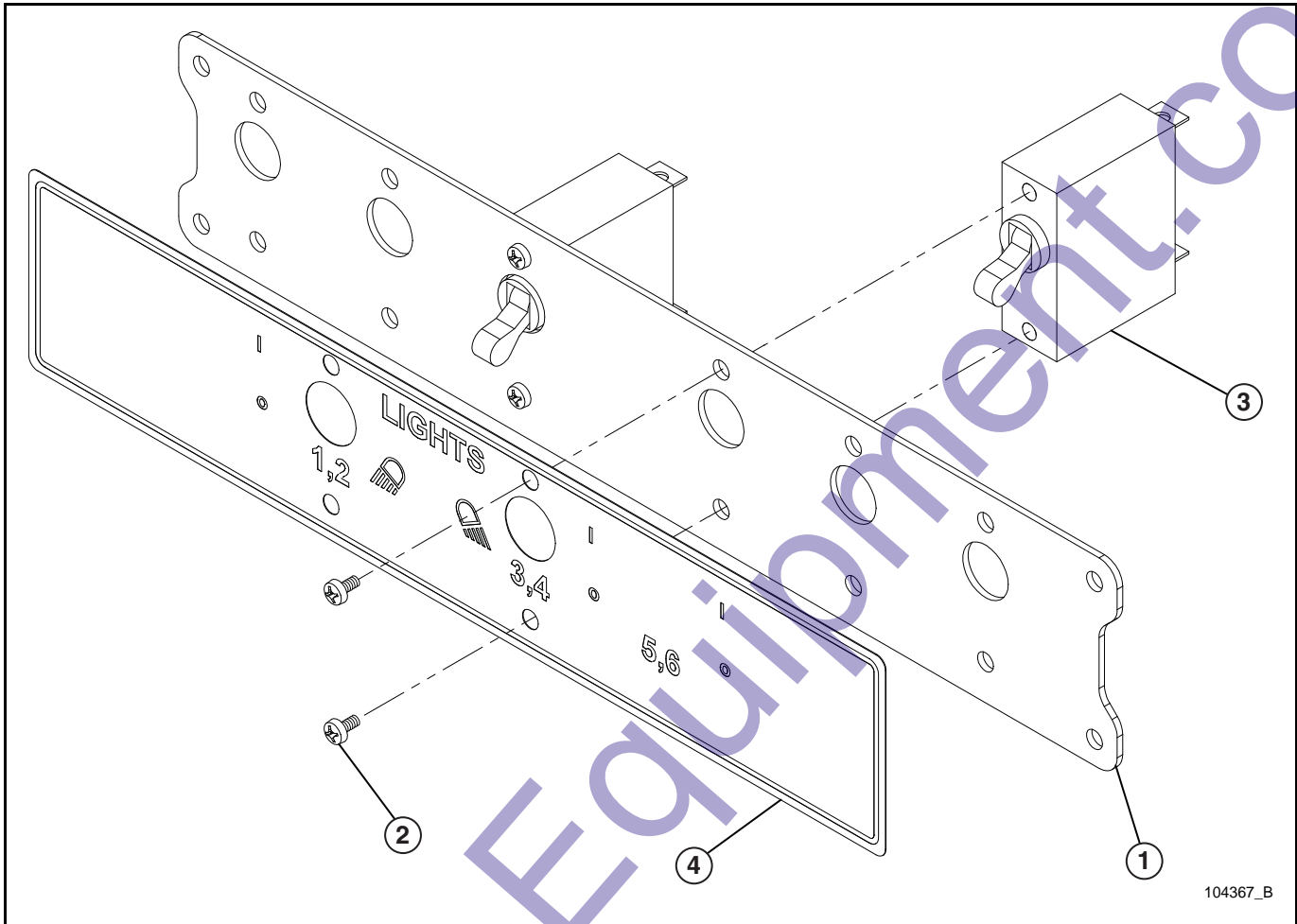


104365\_B

Item	Part No.	Part Description	Qty.
1	104314P	SWITCH PLATE LIGHT	1
2	330459	15A DPST, CARLING SWITCH	4
3	104546	DECAL LIGHT SWITCHES ONE LIGHT PER SWITCH	1
4	041018	#6-32 X 1/4 PH-ROUND HEAD MS PL	8

**SWITCH PANEL 4 LIGHT AS/NZL3000**

SN 0001ML2V13 and Up



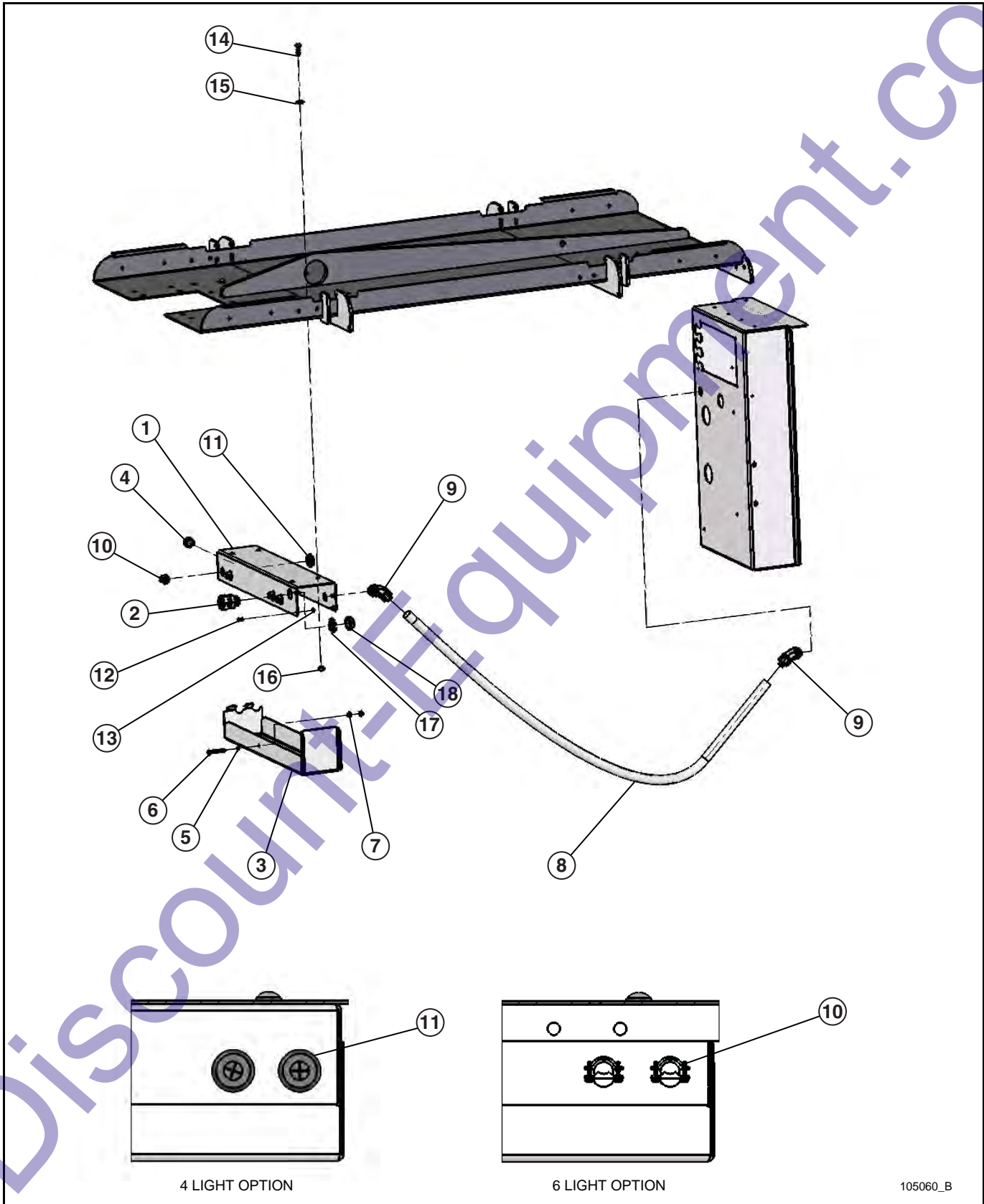
Item	Part No.	Part Description	Qty.
1	104314P	SWITCH PLATE LIGHT	1
2	041018	#6-32 X 1/4 PH-ROUND HEAD MS PL	4
3	650104	25A SPST BREAKER SWITCH	2
4	104547	DECAL LIGHT SWITCHES 2 LIGHTS PER SWITCH	1

**This Page Intentionally Left Blank**

Discount-Equipment.com

**BALLAST WIRE CONNECTOR BOX**

SN 0001ML2V13 and Up



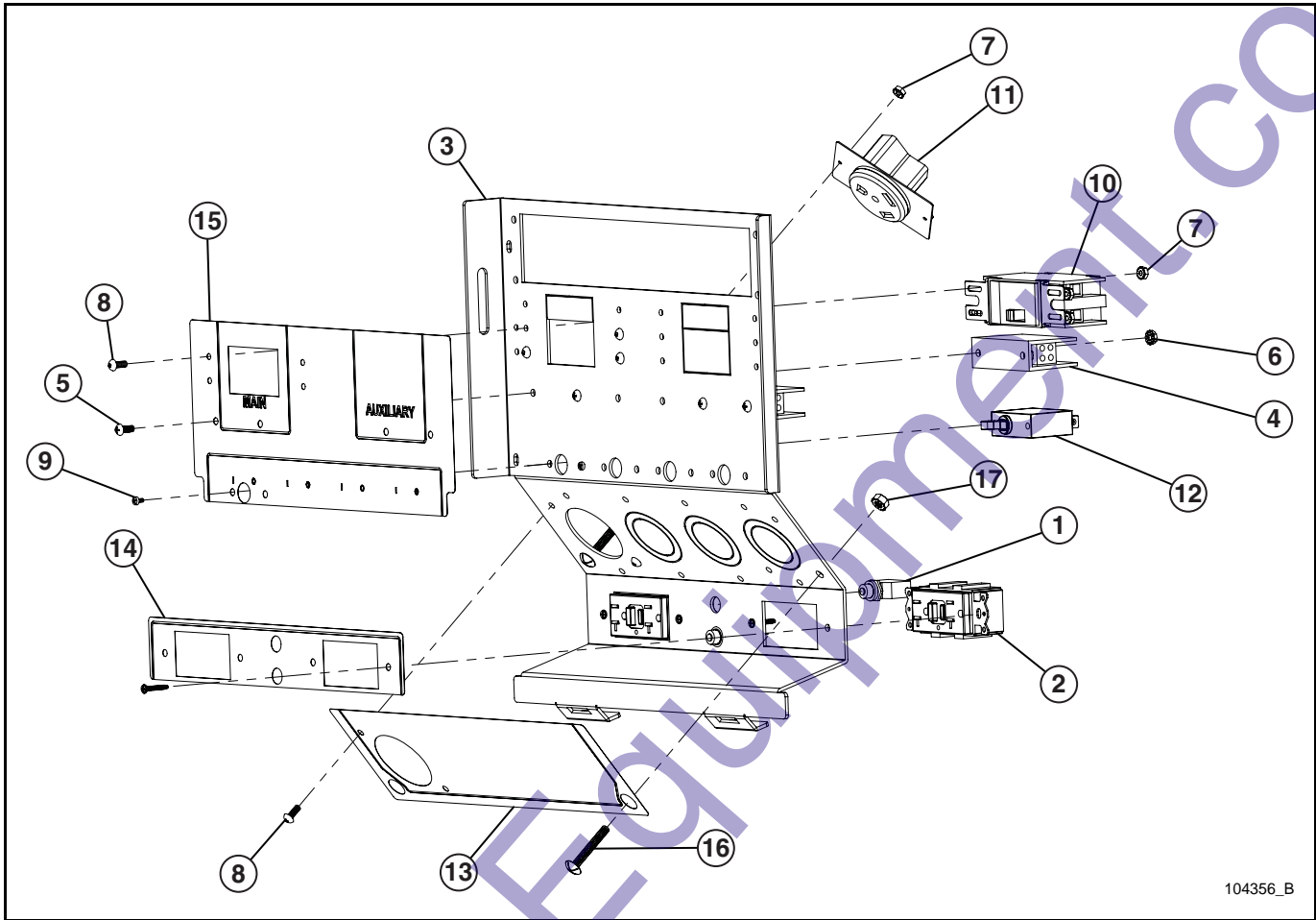
**BALLAST WIRE CONNECTOR BOX**

SN 0001ML2V13 and Up

Item	Part No.	Part Description	Qty.
1	105054P	BOTTOM BOX BALLAST WIRE JUCTION	1
2	105048	3/4 CORD GRIP – 14/7-16/8 CORD	1
	310122	3/4 CORD GRIP – 16/10-16/14 CORD	1
3	104566P	TOP BOX BALLAST WIRE JUCTION	1
4	711029	7/8 LOCKING HOLE PLUG PLASTIC	2
5	043050	1/4 INTL TOOTH LOCK WASHER	1
6	041053	1/4-20 x 1 3/4 PH-TRUSS HEAD MS SS	1
7	044021	1/4-20 KEPS HEX NUT PL	2
8	104768	CONDUIT WIRE HARNESS MAXI II	1
9	104451	1/2 INCH 45° CORD GRIP LIQUID TITE	2
10	022020	3/8 2 SCREW CLAMP	6
11	100859	7/8" x 1.25" grommet	2
12	041021	#10-24 X 1/2 PH-ROUND HEAD MS PL	4
13	044016	#10-24 KEPS HEX NUT PL	4
14	053020	5/16-18 X 1 CARRIAGE BOLT PL	4
15	100644	RUBBER WASHER BLK NEOPRENE	4
16	044033	5/16-18 NYLOCK HEX NUT PL	4
17	022036	3/4 CORD GRIP NUT	1
18	022175	3/4 INSULATING BUSHING	1

**OUTLET PANEL 8 KW, 1 RV, 2 GFCI**

SN 0001ML2V13 and Up



104356\_B



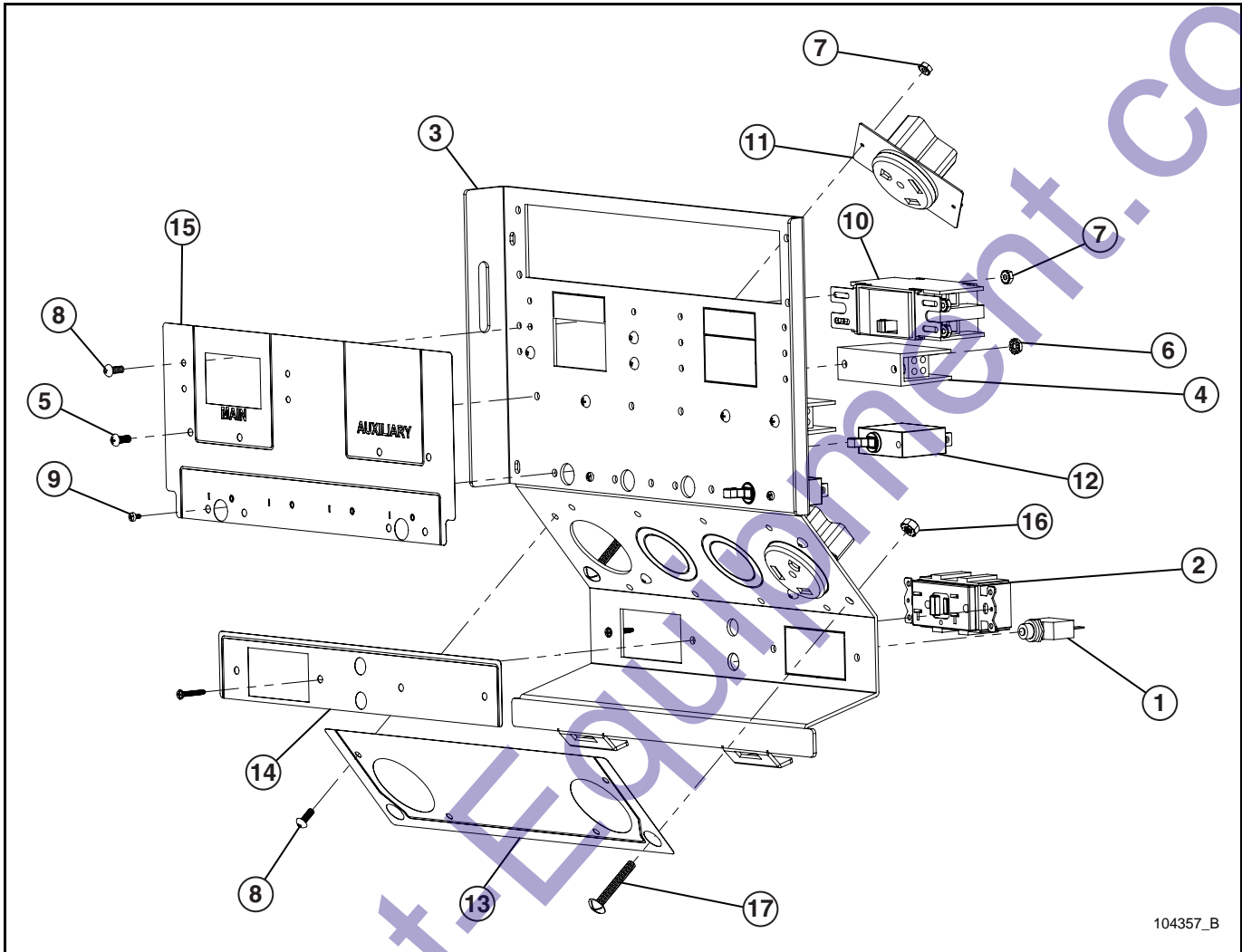
**OUTLET PANEL 8 KW, 1 RV, 2 GFCI**

SN 0001ML2V13 and Up

Item	Part No.	Part Description	Qty.
1	650138	CIRCUIT BREAKER 20A PUSH BUTTON	2
2	330499	20A GFCI RECEPTACLE	2
3	104306P	OUTLET PANEL STANDARD	1
4	352397	POWER DISTRIBUTION BLOCK	2
5	041021	#10-24 X 1/2 PH-ROUND HEAD MS PL	4
6	044016	#10-24 KEPS HEX NUT PL	4
7	044003	#8-32 NC KEPS NUT	6
8	041012	SCREW MS #8-32 X 1/2 PL	6
9	041018	#6-32 X 1/4 PH-ROUND HEAD MS PL	2
10	350354	35 AMP DOUBLE POLE BREAKER	1
11	680815	OUTLET 125V 30A	1
12	330472	30A SPST CIRCUIT BREAKER	1
13	104548	DECAL MAIN OUTLETS	1
14	104549	DECAL GFCI OUTLETS	1
15	104551	DECAL BREAKER DOMESTIC STANDARD	1
16	041053	1/4-20 x 1 3/4 PH-TRUSS HEAD MS SS	2
17	044021	1/4-20 KEPS HEX NUT PL	2

**OUTLET PANEL 8 KW, 2 RV, 1 GFCI**

SN 0001ML2V13 and Up



104357\_B

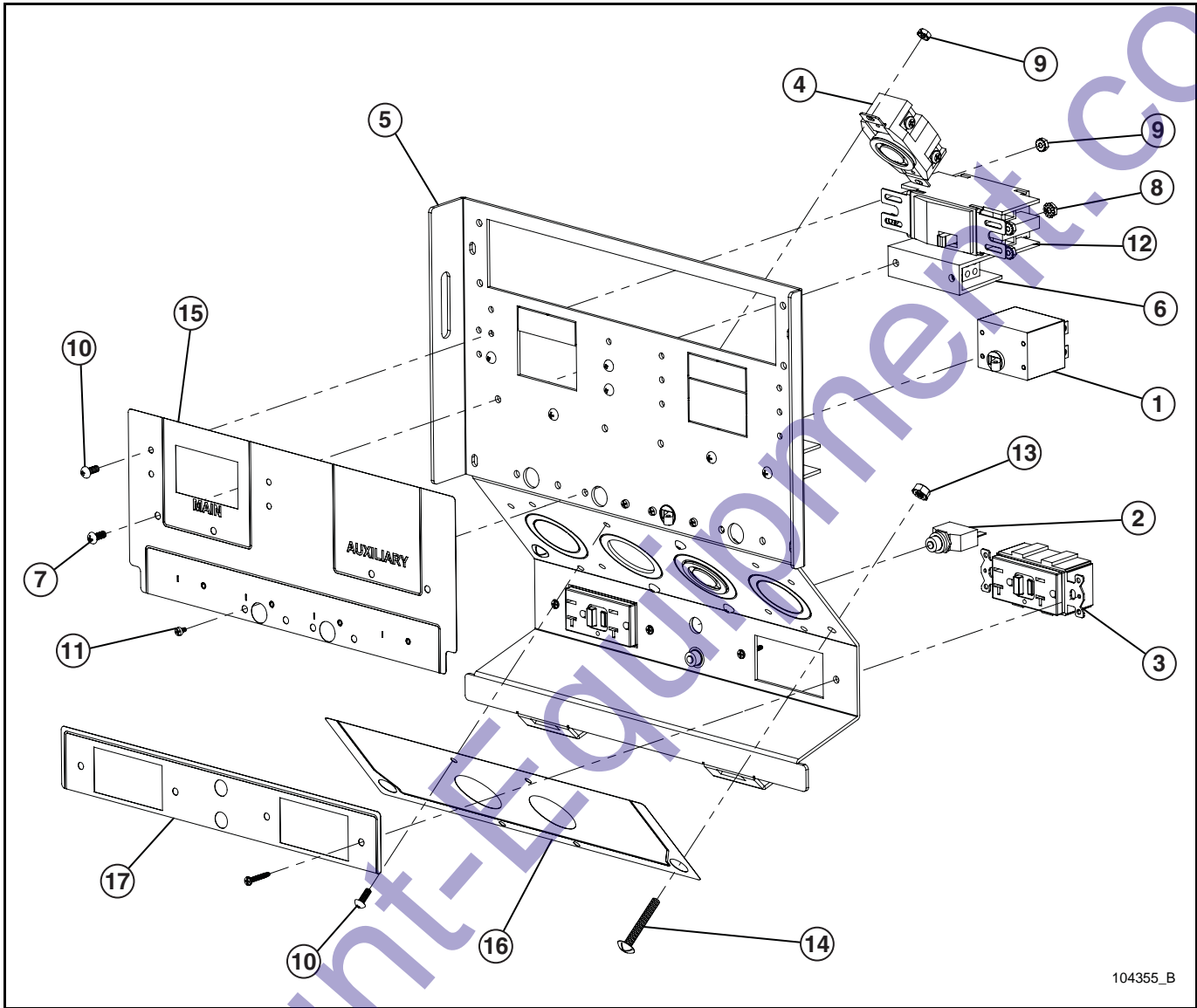
**OUTLET PANEL 8 KW, 2 RV, 1 GFCI**

SN 0001ML2V13 and Up

Item	Part No.	Part Description	Qty.
1	650138	CIRCUIT BREAKER 20A PUSH BUTTON	1
2	330499	20A GFCI RECEPTACLE	1
3	104306P	OUTLET PANEL STANDARD	1
4	352397	POWER DISTRIBUTION BLOCK	2
5	041021	#10-24 X 1/2 PH-ROUND HEAD MS PL	4
6	044016	#10-24 KEPS HEX NUT PL	4
7	044003	#8-32 NC KEPS NUT	8
8	041012	SCREW MS #8-32 X 1/2 PL	8
9	041018	#6-32 X 1/4 PH-ROUND HEAD MS PL	4
10	350354	35 AMP DOUBLE POLE BREAKER	1
11	680815	OUTLET 125V 30A	2
12	330472	30A SPST CIRCUIT BREAKER	2
13	104548	DECAL MAIN OUTLETS	1
14	104549	DECAL GFCI OUTLETS	1
15	104551	DECAL BREAKER DOMESTIC STANDARD	1
16	044021	1/4-20 KEPS HEX NUT PL	2
17	041053	1/4-20 x 1 3/4 PH-TRUSS HEAD MS SS	2

**OUTLET PANEL 8 KW, 2 TWIST LOCK, 2 GFCI**

SN 0001ML2V13 and Up



104355\_B

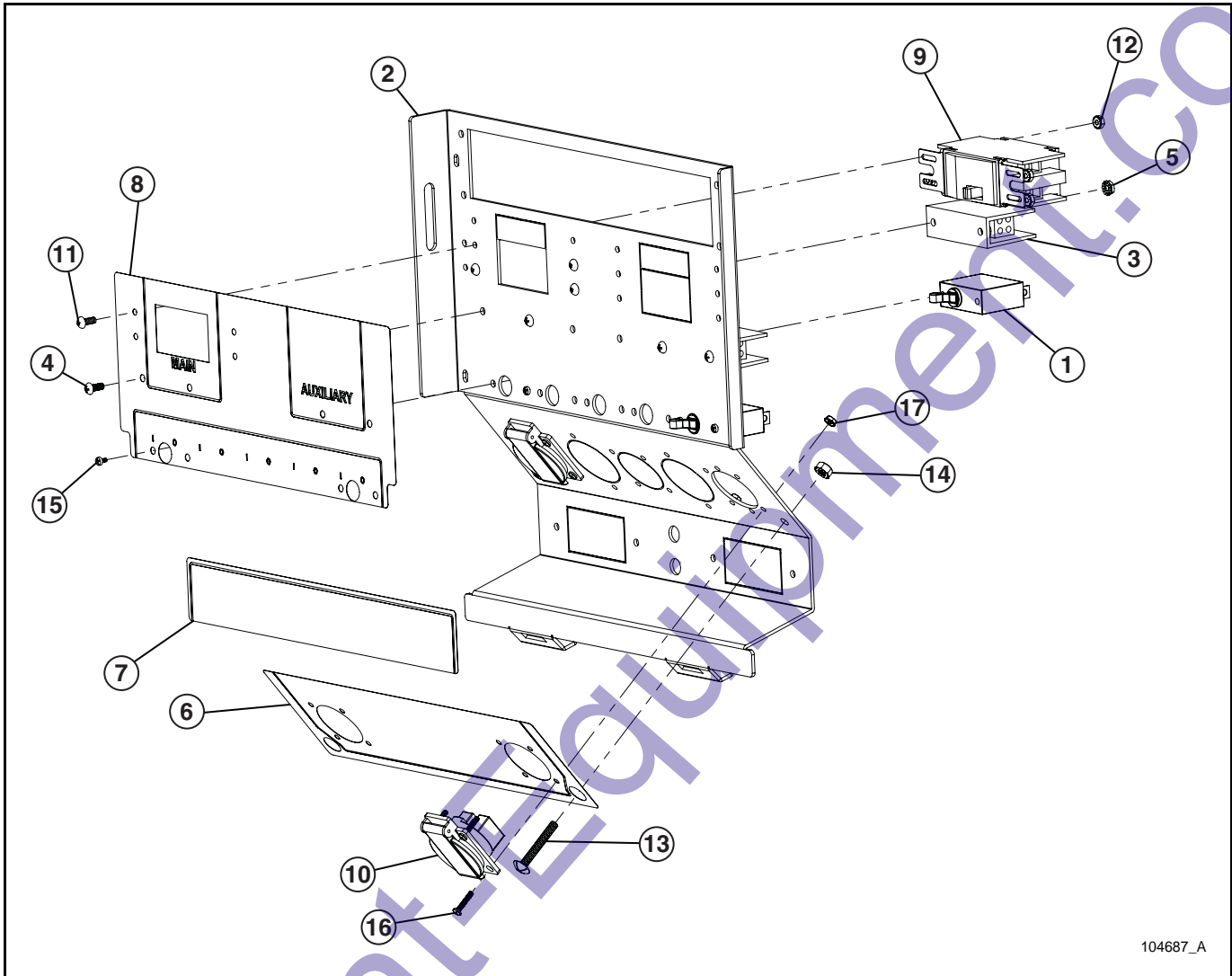
**OUTLET PANEL 8 KW, 2 TWIST LOCK, 2 GFCI**

SN 0001ML2V13 and Up

Item	Part No.	Part Description	Qty.
1	330456	30A DPST CIRCUIT BREAKER	2
2	650138	CIRCUIT BREAKER 20A PUSH BUTTON	2
3	330499	20A GFCI RECEPTACLE	2
4	653102	30A 125-250V TWISTLOCK RECEPTACLE	2
5	104306P	OUTLET PANEL STANDARD	1
6	352397	POWER DISTRIBUTION BLOCK	2
7	041021	#10-24 X 1/2 PH-ROUND HEAD MS PL	4
8	044016	#10-24 KEPS HEX NUT PL	4
9	044003	#8-32 NC KEPS NUT	8
10	041012	SCREW MS #8-32 X 1/2 PL	8
11	041018	#6-32 X 1/4 PH-ROUND HEAD MS PL	4
12	350354	35 AMP DOUBLE POLE BREAKER	1
13	044021	1/4-20 KEPS HEX NUT PL	2
14	041053	1/4-20 x 1 3/4 PH-TRUSS HEAD MS SS	2
15	104551	DECAL BREAKER DOMESTIC STANDARD	1
16	104548	DECAL MAIN OUTLETS	1
17	104549	DECAL GFCI OUTLETS	1

**OUTLET PANEL 8 KW, 2 SHUCKO**

SN 0001ML2V13 and Up



104687\_A

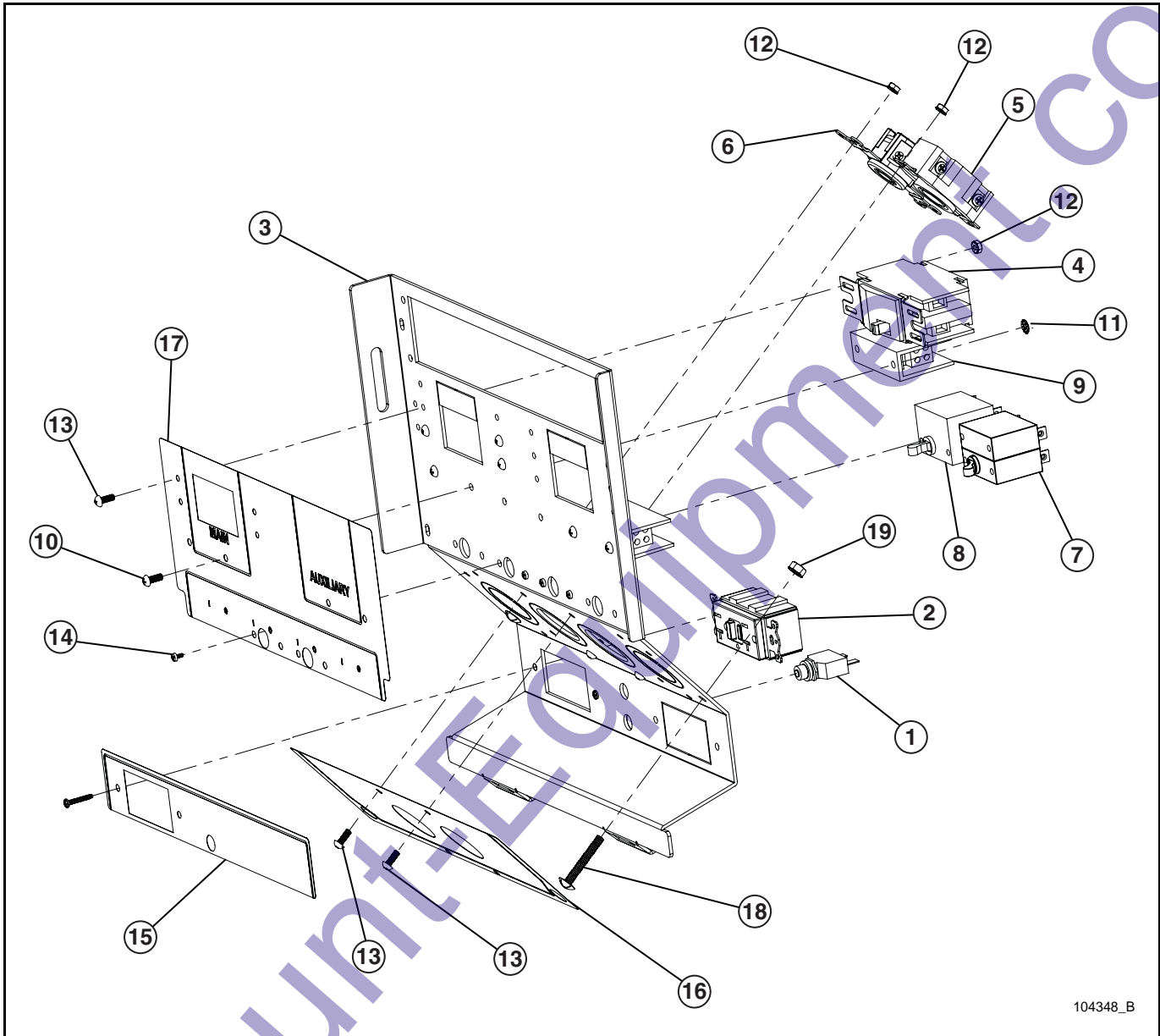
**OUTLET PANEL 8 KW, 2 SHUCKO**

SN 0001ML2V13 and Up

Item	Part No.	Part Description	Qty.
1	330459	15A DPST, CARLING SWITCH	2
2	104685	OUTLET PANEL MULTI OPTION	1
3	352397	POWER DISTRIBUTION BLOCK	2
4	041021	#10-24 X 1/2 PH-ROUND HEAD MS PL	4
5	044016	#10-24 KEPS HEX NUT PL	4
6	104548	DECAL MAIN OUTLETS	1
7	104549	DECAL GFCI OUTLETS	1
8	104552	DECAL BREAKER FOREIGN OPTIONS	1
9	650534	25 AMP 120/240V DPST MAIN BREAKER	1
10	650485	SCHUKO RECEPTACLE	2
11	041012	SCREW MS #8-32 X 1/2 PL	4
12	044003	#8-32 NC KEPS NUT	4
13	041053	1/4-20 x 1 3/4 PH-TRUSS HEAD MS SS	2
14	044021	1/4-20 KEPS HEX NUT PL	2
15	041018	#6-32 X 1/4 PH-ROUND HEAD MS PL	4
16	101291	#6-32 X 3/4 PH-PAN HEAD MS ZC	8
17	044004	#6-32 KEPS HEX NUT PL	8

**OUTLET PANEL 15 KW, 1 15A & 1 20A TWIST LOCK, 1 GFCI**

SN 0001ML2V13 and Up



104348\_B



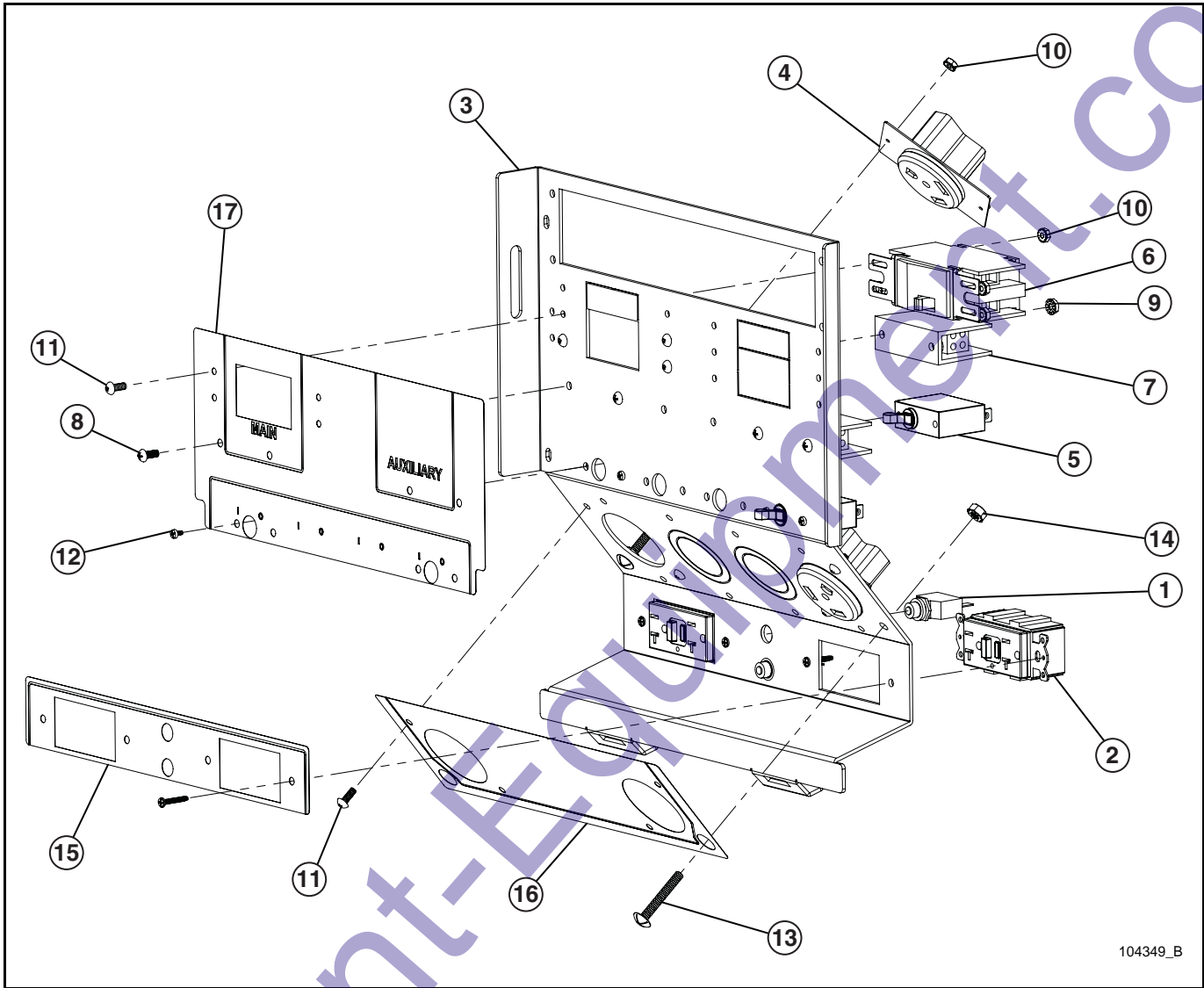
**OUTLET PANEL 15 KW, 1 15A & 1 20A TWIST LOCK, 1 GFCI**

SN 0001ML2V13 and Up

Item	Part No.	Part Description	Qty.
1	650138	CIRCUIT BREAKER 20A PUSH BUTTON	1
2	330499	20A GFCI RECEPTACLE	1
3	104306P	OUTLET PANEL STANDARD	1
4	353280	70 AMP DOUBLE POLE BREAKER	1
5	352172	20A 125-250V TWISTLOCK RECEPTACLE	1
6	330490	TWIST LOCK SINGLE RECEPTICAL 15A 250V, 2 POLE 3 WIRE	1
7	330459	15A DPST, CARLING SWITCH	1
8	352178	20 A DPST CIRCUIT BREAKER	1
9	352397	POWER DISTRIBUTION BLOCK	2
10	041021	#10-24 X 1/2 PH-ROUND HEAD MS PL	4
11	044016	#10-24 KEPS HEX NUT PL	4
12	044003	#8-32 NC KEPS NUT	8
13	041012	SCREW MS #8-32 X 1/2 PL	8
14	041018	#6-32 X 1/4 PH-ROUND HEAD MS PL	4
15	104549	DECAL GFCI OUTLETS	1
16	104548	DECAL MAIN OUTLETS	1
17	104551	DECAL BREAKER DOMESTIC STANDARD	1
18	041053	1/4-20 x 1 3/4 PH-TRUSS HEAD MS SS	2
19	044021	1/4-20 KEPS HEX NUT PL	2

OUTLET PANEL 15 KW, 2 RV, 2 GFCI

SN 0001ML2V13 and Up



104349\_B

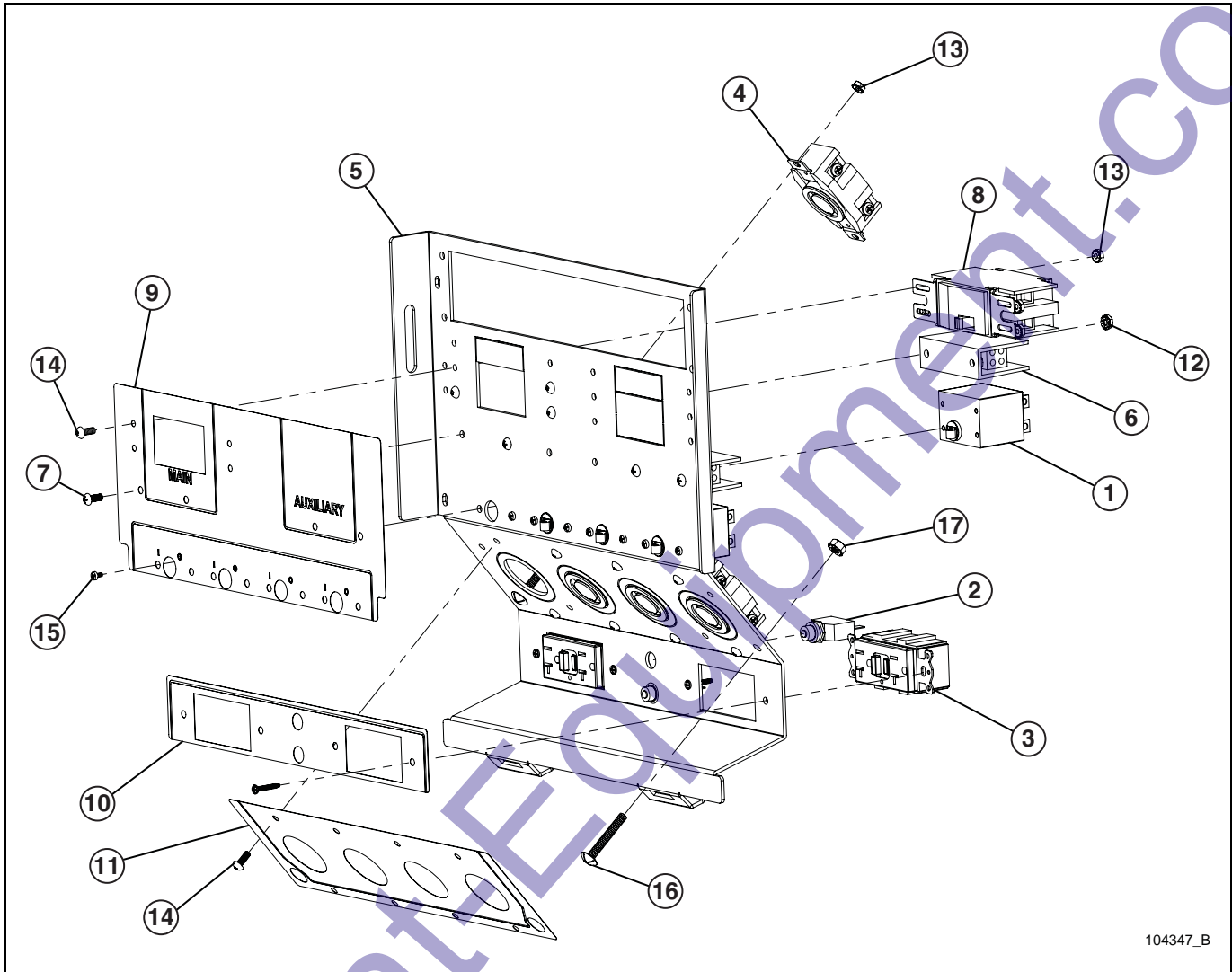
**OUTLET PANEL 15 KW, 2 RV, 2 GFCI**

SN 0001ML2V13 and Up

Item	Part No.	Part Description	Qty.
1	650138	CIRCUIT BREAKER 20A PUSH BUTTON	2
2	330499	20A GFCI RECEPTACLE	2
3	104306P	OUTLET PANEL STANDARD	1
4	680815	OUTLET 125V 30A	2
5	330472	30A SPST CIRCUIT BREAKER	2
6	353280	70 AMP DOUBLE POLE BREAKER	1
7	352397	POWER DISTRIBUTION BLOCK	2
8	041021	#10-24 X 1/2 PH-ROUND HEAD MS PL	4
9	044016	#10-24 KEPS HEX NUT PL	4
10	044003	#8-32 NC KEPS NUT	8
11	041012	SCREW MS #8-32 X 1/2 PL	8
12	041018	#6-32 X 1/4 PH-ROUND HEAD MS PL	4
13	041053	1/4-20 x 1 3/4 PH-TRUSS HEAD MS SS	2
14	044021	1/4-20 KEPS HEX NUT PL	2
15	104549	DECAL GFCI OUTLETS	1
16	104548	DECAL MAIN OUTLETS	1
17	104551	DECAL BREAKER DOMESTIC STANDARD	1

**OUTLET PANEL 15 KW, 2 30A TWIST LOCK, 2 GFCI**

SN 0001ML2V13 and Up



104347\_B

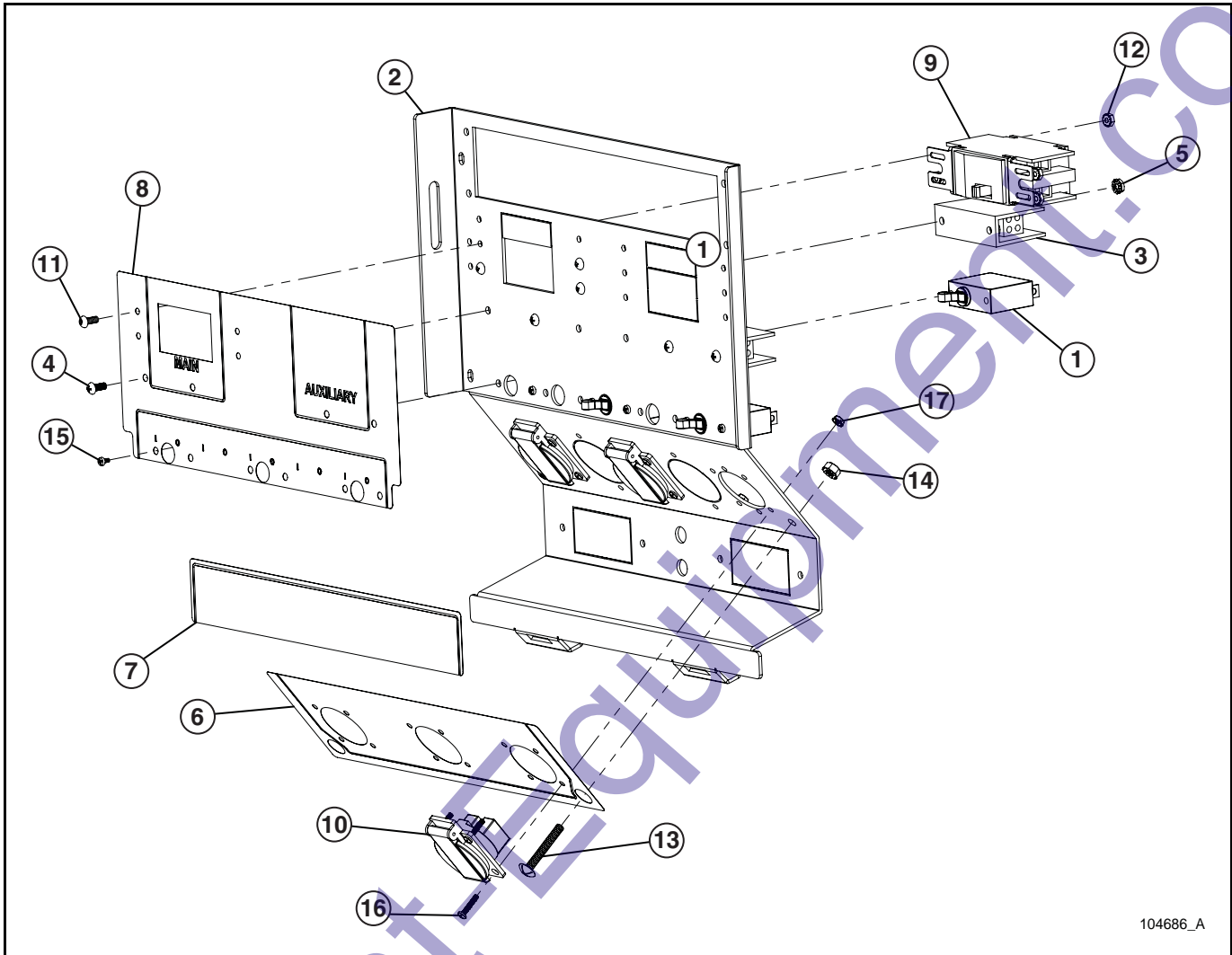
**OUTLET PANEL 15 KW, 2 30A TWIST LOCK, 2 GFCI**

SN 0001ML2V13 and Up

Item	Part No.	Part Description	Qty.
1	330456	30A DPST CIRCUIT BREAKER	4
2	650138	CIRCUIT BREAKER 20A PUSH BUTTON	2
3	330499	20A GFCI RECEPTACLE	2
4	653102	30A 125-250V TWISTLOCK RECEPTACLE	4
5	104306P	OUTLET PANEL STANDARD	1
6	352397	POWER DISTRIBUTION BLOCK	2
7	041021	#10-24 X 1/2 PH-ROUND HEAD MS PL	4
8	353280	70 AMP DOUBLE POLE BREAKER	1
9	104551	DECAL BREAKER DOMESTIC STANDARD	1
10	104549	DECAL GFCI OUTLETS	1
11	104548	DECAL MAIN OUTLETS	1
12	044016	#10-24 KEPS HEX NUT PL	4
13	044003	#8-32 NC KEPS NUT	12
14	041012	SCREW MS #8-32 X 1/2 PL	12
15	041018	#6-32 X 1/4 PH-ROUND HEAD MS PL	8
16	041053	1/4-20 x 1 3/4 PH-TRUSS HEAD MS SS	2
17	044021	1/4-20 KEPS HEX NUT PL	2

OUTLET PANEL 15 KW 3 SHUCKO

SN 0001ML2V13 and Up



104686\_A

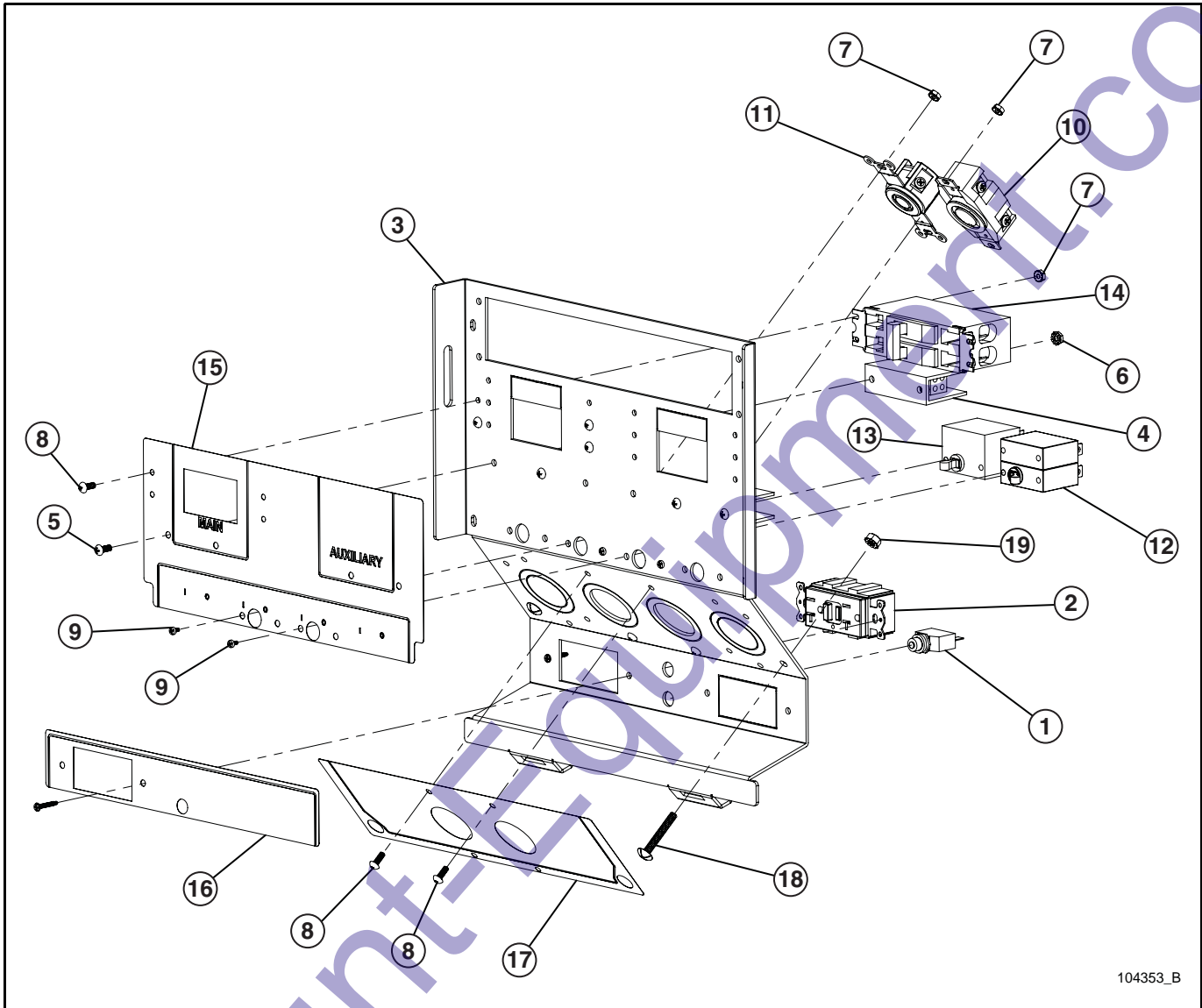
**OUTLET PANEL 15 KW 3 SHUCKO**

SN 0001ML2V13 and Up

Item	Part No.	Part Description	Qty.
1	330459	15A DPST, CARLING SWITCH	3
2	104685	OUTLET PANEL MULTI OPTION	1
3	352397	POWER DISTRIBUTION BLOCK	2
4	041021	#10-24 X 1/2 PH-ROUND HEAD MS PL	4
5	044016	#10-24 KEPS HEX NUT PL	4
6	104548	DECAL MAIN OUTLETS	1
7	104549	DECAL GFCI OUTLETS	1
8	104552	DECAL BREAKER FOREIGN OPTIONS	1
9	353280	70 AMP DOUBLE POLE BREAKER	1
10	650485	SCHUKO RECEPTACLE	3
11	041012	SCREW MS #8-32 X 1/2 PL	4
12	044003	#8-32 NC KEPS NUT	4
13	041053	1/4-20 x 1 3/4 PH-TRUSS HEAD MS SS	2
14	044021	1/4-20 KEPS HEX NUT PL	2
15	041018	#6-32 X 1/4 PH-ROUND HEAD MS PL	6
16	101291	#6-32 X 3/4 PH-PAN HEAD MS ZC	12
17	044004	#6-32 KEPS HEX NUT PL	12

**OUTLET PANEL 20 KW, 1 15A & 1 20A TWIST LOCK, 1 GFCI**

SN 0001ML2V13 and Up



104353\_B



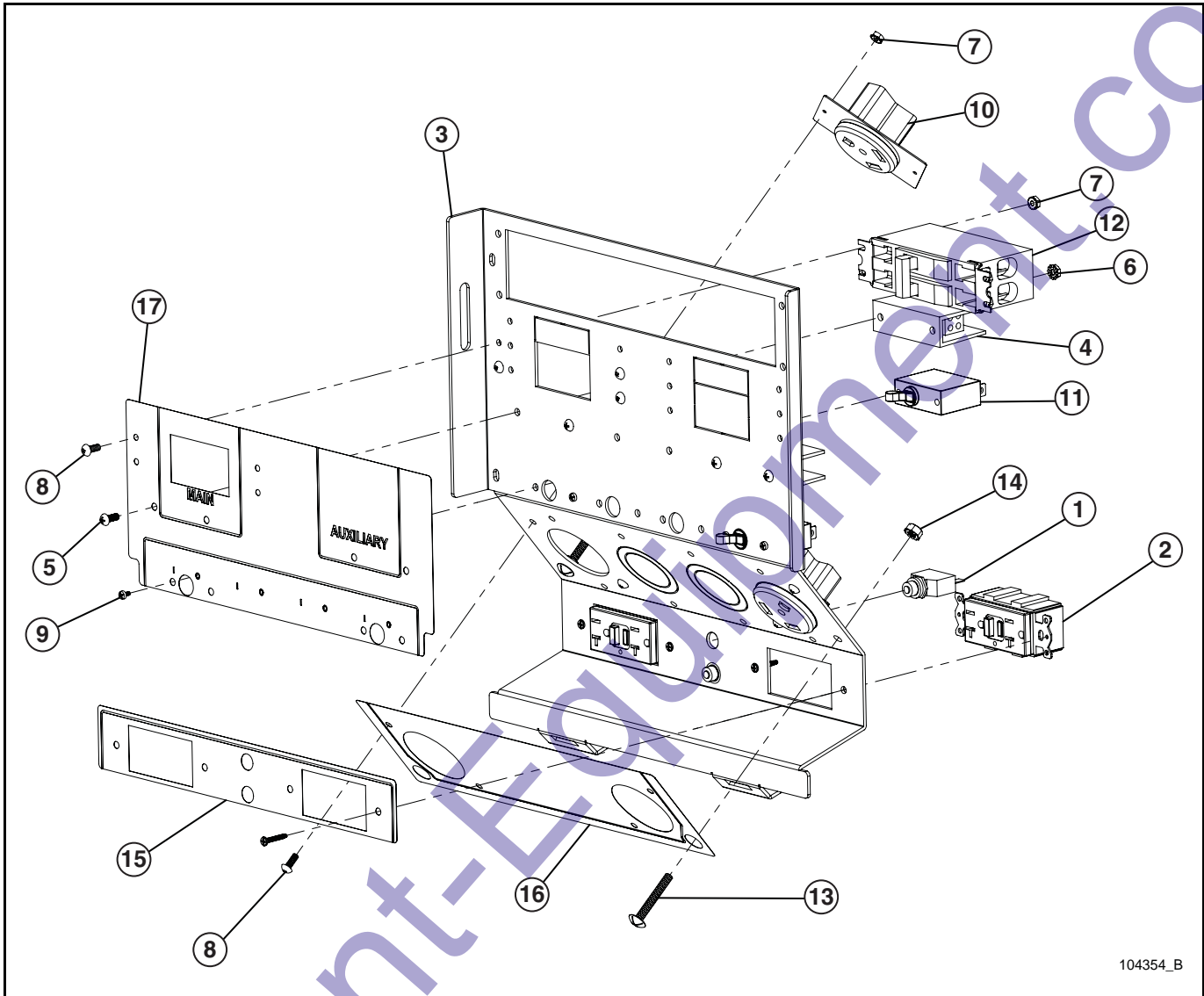
**OUTLET PANEL 20 KW, 1 15A & 1 20A TWIST LOCK, 1 GFCI**

SN 0001ML2V13 and Up

Item	Part No.	Part Description	Qty.
1	650138	CIRCUIT BREAKER 20A PUSH BUTTON	1
2	330499	20A GFCI RECEPTACLE	1
3	104306P	OUTLET PANEL STANDARD	1
4	352397	POWER DISTRIBUTION BLOCK	2
5	041021	#10-24 X 1/2 PH-ROUND HEAD MS PL	4
6	044016	#10-24 KEPS HEX NUT PL	4
7	044003	#8-32 NC KEPS NUT	8
8	041012	SCREW MS #8-32 X 1/2 PL	8
9	041018	#6-32 X 1/4 PH-ROUND HEAD MS PL	4
10	352172	20A 125-250V TWISTLOCK RECEPTACLE	1
11	330490	TWIST LOCK SINGLE RECEPTICAL 15A 250V, 2 POLE 3 WIRE	1
12	330459	15A DPST, CARLING SWITCH	1
13	352178	20 A DPST CIRCUIT BREAKER	1
14	353301	90 AMP 2 POLE BREAKER	1
15	104551	DECAL BREAKER DOMESTIC STANDARD	1
16	104549	DECAL GFCI OUTLETS	1
17	104548	DECAL MAIN OUTLETS	1
18	041053	1/4-20 x 1 3/4 PH-TRUSS HEAD MS SS	2
19	044021	1/4-20 KEPS HEX NUT PL	2

OUTLET PANEL 20 KW, 2 RV, 2 GFCI

SN 0001ML2V13 and Up



104354\_B

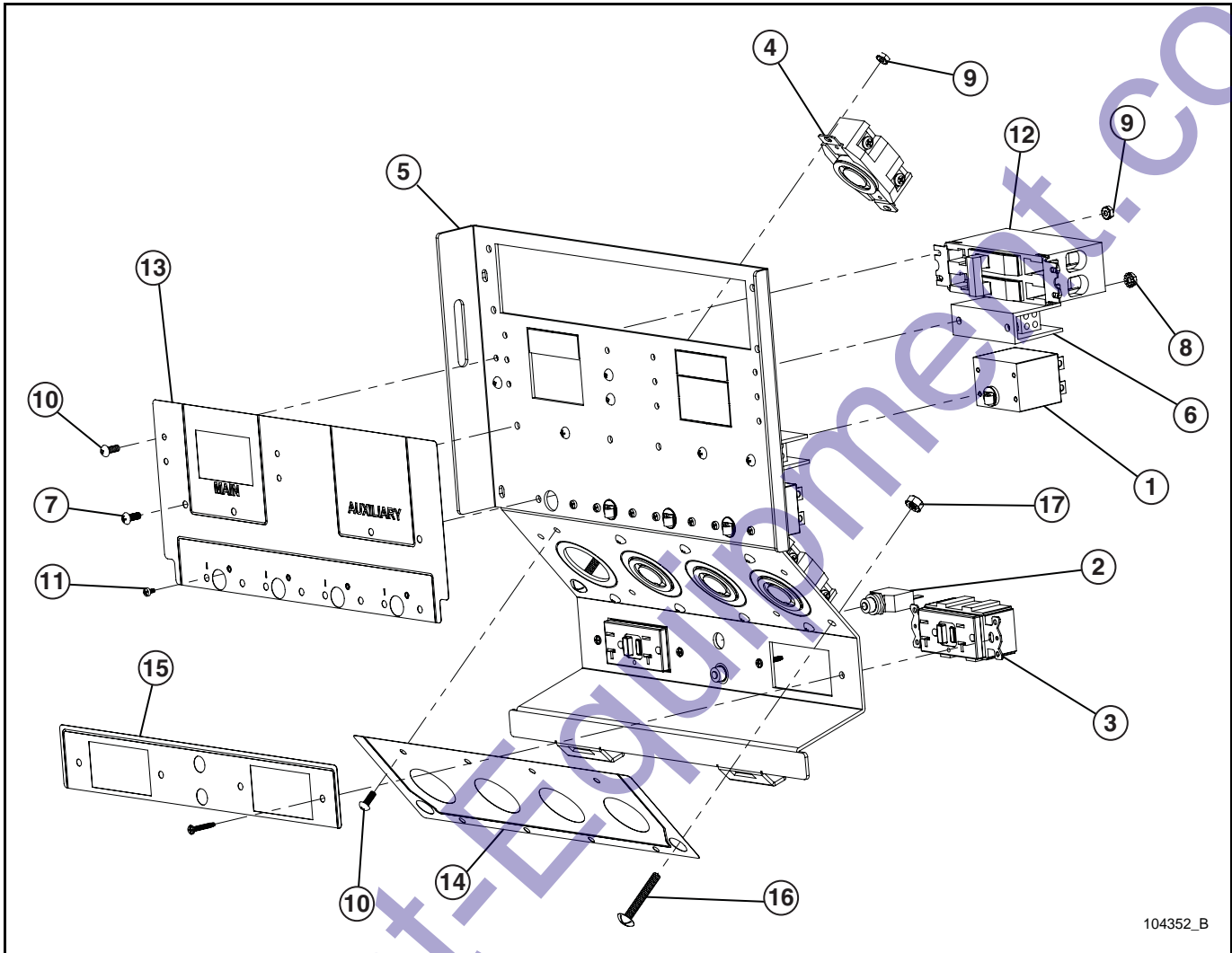
**OUTLET PANEL 20 KW, 2 RV, 2 GFCI**

SN 0001ML2V13 and Up

Item	Part No.	Part Description	Qty.
1	650138	CIRCUIT BREAKER 20A PUSH BUTTON	2
2	330499	20A GFCI RECEPTACLE	2
3	104306P	OUTLET PANEL STANDARD	1
4	352397	POWER DISTRIBUTION BLOCK	2
5	041021	#10-24 X 1/2 PH-ROUND HEAD MS PL	4
6	044016	#10-24 KEPS HEX NUT PL	4
7	044003	#8-32 NC KEPS NUT	8
8	041012	SCREW MS #8-32 X 1/2 PL	8
9	041018	#6-32 X 1/4 PH-ROUND HEAD MS PL	4
10	680815	OUTLET 125V 30A	2
11	330472	30A SPST CIRCUIT BREAKER	2
12	353301	90 AMP 2 POLE BREAKER	1
13	041053	1/4-20 x 1 3/4 PH-TRUSS HEAD MS SS	2
14	044021	1/4-20 KEPS HEX NUT PL	2
15	104549	DECAL GFCI OUTLETS	1
16	104548	DECAL MAIN OUTLETS	1
17	104551	DECAL BREAKER DOMESTIC STANDARD	1

**OUTLET PANEL 20 KW, 4 30A TWIST LOCK, 2 GFCI**

SN 0001ML2V13 and Up



104352\_B

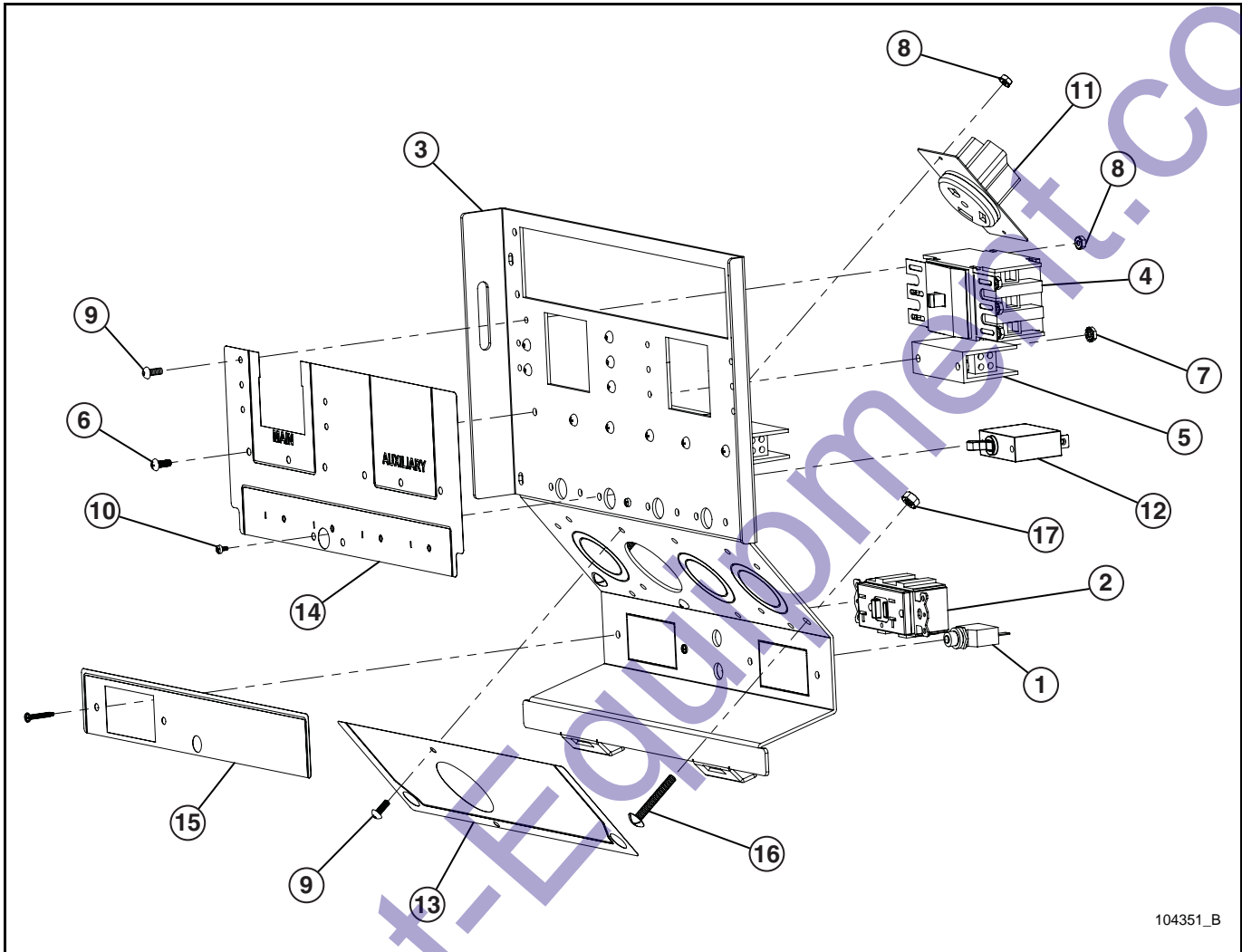
**OUTLET PANEL 20 KW, 4 30A TWIST LOCK, 2 GFCI**

SN 0001ML2V13 and Up

Item	Part No.	Part Description	Qty.
1	330456	30A DPST CIRCUIT BREAKER	4
2	650138	CIRCUIT BREAKER 20A PUSH BUTTON	2
3	330499	20A GFCI RECEPTACLE	2
4	653102	30A 125-250V TWISTLOCK RECEPTACLE	4
5	104306P	OUTLET PANEL STANDARD	1
6	352397	POWER DISTRIBUTION BLOCK	2
7	041021	#10-24 X 1/2 PH-ROUND HEAD MS PL	4
8	044016	#10-24 KEPS HEX NUT PL	4
9	044003	#8-32 NC KEPS NUT	12
10	041012	SCREW MS #8-32 X 1/2 PL	12
11	041018	#6-32 X 1/4 PH-ROUND HEAD MS PL	8
12	353301	90 AMP 2 POLE BREAKER	1
13	104551	DECAL BREAKER DOMESTIC STANDARD	1
14	104548	DECAL MAIN OUTLETS	1
15	104549	DECAL GFCI OUTLETS	1
16	041053	1/4-20 x 1 3/4 PH-TRUSS HEAD MS SS	2
17	044021	1/4-20 KEPS HEX NUT PL	2

**OUTLET PANEL 20 KW 3 PHASE, 1 RV, 1 GFCI**

SN 0001ML2V13 and Up



104351\_B

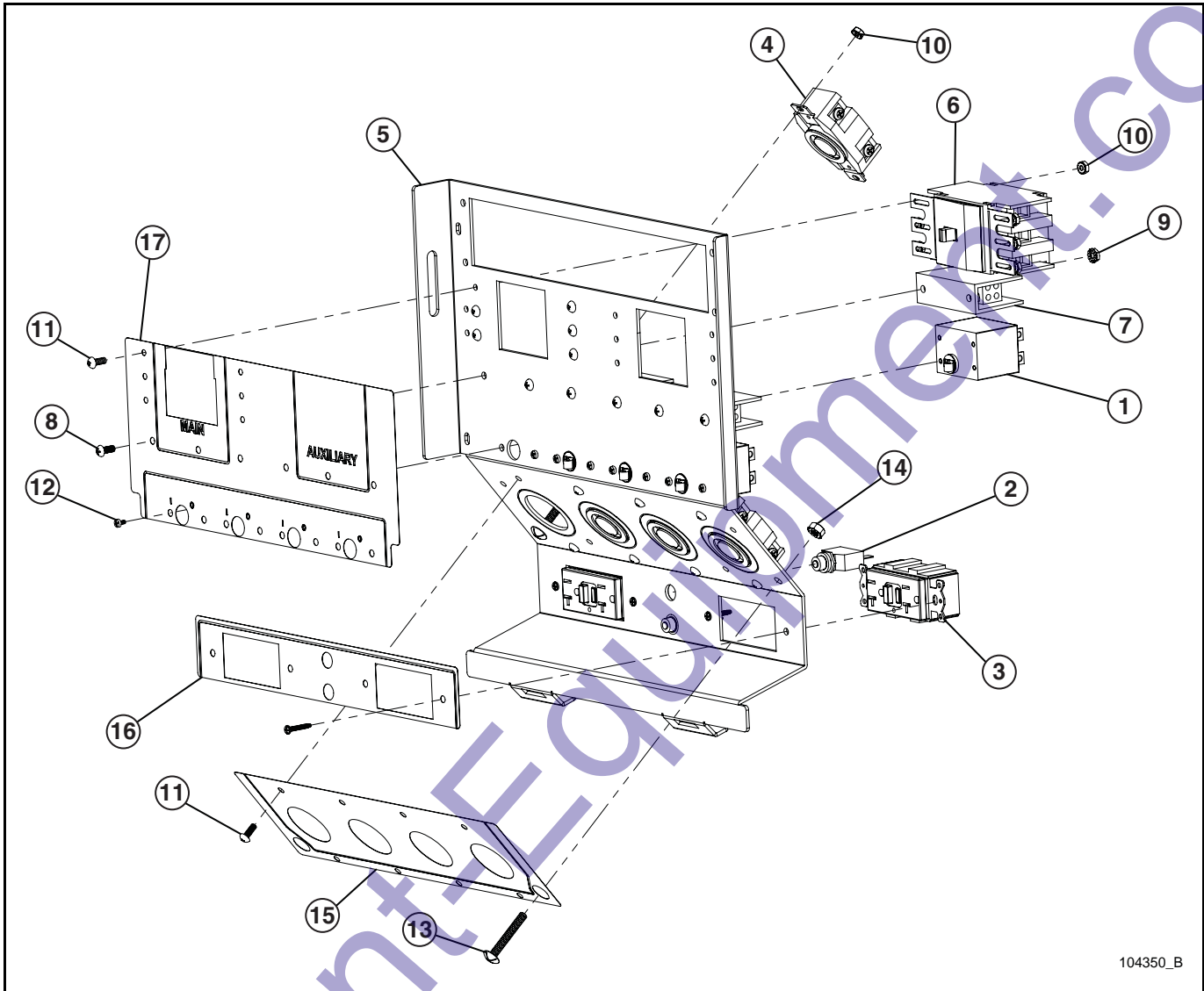
**OUTLET PANEL 20 KW 3 PHASE, 1 RV, 1 GFCI**

SN 0001ML2V13 and Up

Item	Part No.	Part Description	Qty.
1	650138	CIRCUIT BREAKER 20A PUSH BUTTON	1
2	330499	20A GFCI RECEPTACLE	1
3	104306P	OUTLET PANEL STANDARD	1
4	022235	60 A 3 POLE CIRCUIT BREAKER	1
5	352397	POWER DISTRIBUTION BLOCK	3
6	041021	#10-24 X 1/2 PH-ROUND HEAD MS PL	6
7	044016	#10-24 KEPS HEX NUT PL	6
8	044003	#8-32 NC KEPS NUT	8
9	041012	SCREW MS #8-32 X 1/2 PL	8
10	041018	#6-32 X 1/4 PH-ROUND HEAD MS PL	2
11	680815	OUTLET 125V 30A	1
12	330472	30A SPST CIRCUIT BREAKER	1
13	104548	DECAL MAIN OUTLETS	1
14	104551	DECAL BREAKER DOMESTIC STANDARD	1
15	104549	DECAL GFCI OUTLETS	1
16	041053	1/4-20 x 1 3/4 PH-TRUSS HEAD MS SS	2
17	044021	1/4-20 KEPS HEX NUT PL	2

**OUTLET PANEL 20 KW, 3 PHASE, 4 30A TWIST LOCK, 2 GFCI**

SN 0001ML2V13 and Up



104350\_B



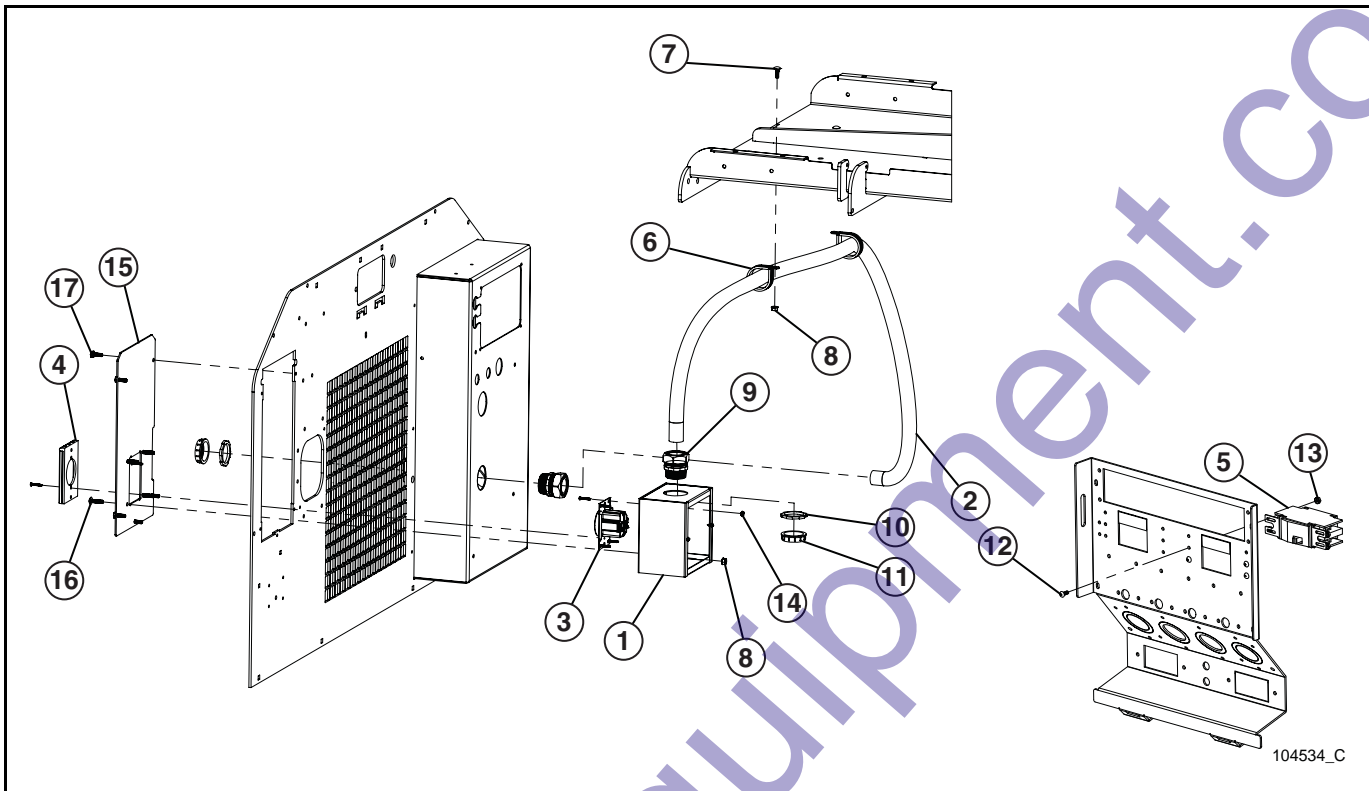
**OUTLET PANEL 20 KW, 3 PHASE, 4 30A TWIST LOCK, 2 GFCI**

SN 0001ML2V13 and Up

Item	Part No.	Part Description	Qty.
1	330456	30A DPST CIRCUIT BREAKER	4
2	650138	CIRCUIT BREAKER 20A PUSH BUTTON	2
3	330499	20A GFCI RECEPTACLE	2
4	653102	30A 125-250V TWISTLOCK RECEPTACLE	4
5	104306P	OUTLET PANEL STANDARD	1
6	022235	60 A 3 POLE CIRCUIT BREAKER	1
7	352397	POWER DISTRIBUTION BLOCK	3
8	041021	#10-24 X 1/2 PH-ROUND HEAD MS PL	6
9	044016	#10-24 KEPS HEX NUT PL	6
10	044003	#8-32 NC KEPS NUT	14
11	041012	SCREW MS #8-32 X 1/2 PL	14
12	041018	#6-32 X 1/4 PH-ROUND HEAD MS PL	8
13	041053	1/4-20 x 1 3/4 PH-TRUSS HEAD MS SS	2
14	044021	1/4-20 KEPS HEX NUT PL	2
15	104548	DECAL MAIN OUTLETS	1
16	104549	DECAL GFCI OUTLETS	1
17	104551	DECAL BREAKER DOMESTIC STANDARD	1

## 240V 50A OUTLET

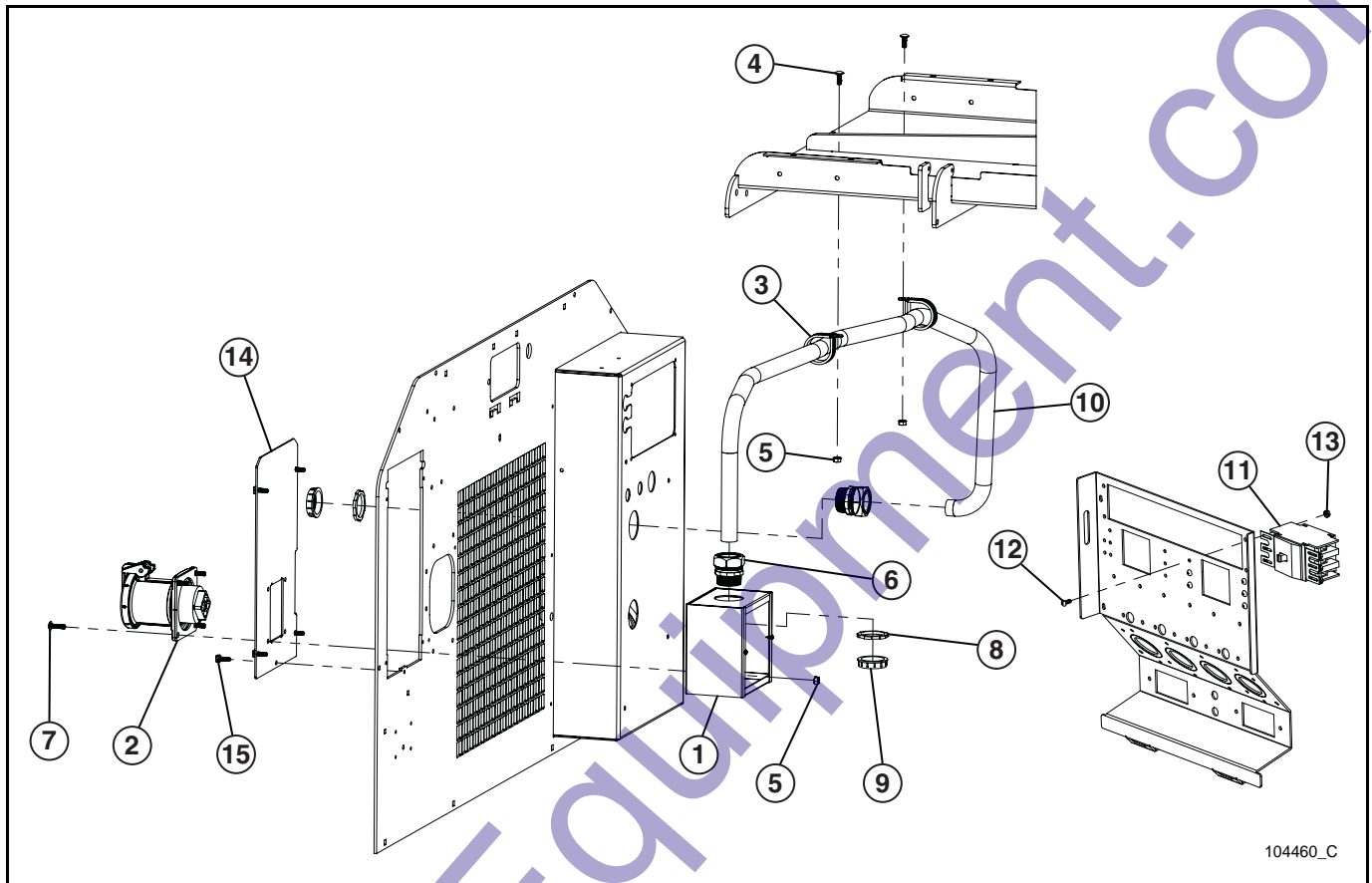
SN 0001ML2V13 and Up



Item	Part No.	Part Description	Qty.
1	022424	RECEPTICLE BOX	1
2	104533	REAR OUTLET CORD DOMESTIC 15KW & 20 KW	1
3	022351	14-50R 50A/250V NEMA RECEPTICAL	1
4	022352	RECEPTACLE COVER	1
5	352175	50 AMP DOUBLE POLE BREAKER	1
6	920365	#20 CUSHION CLAMP	2
7	053006	1/4-20 X 3/4 CARRIAGE BOLT	2
8	044021	1/4-20 KEPS HEX NUT PL	6
9	350361	1 1/4 CORD GRIP	2
10	350363	1 1/4 LOCK NUT	2
11	022072	1 1/4 INSULATING BUSHING	2
12	041012	SCREW MS #8-32 X 1/2 PL	4
13	044003	#8-32 NC KEPS NUT	4
14	044004	#6-32 KEPS HEX NUT PL	4
15	105025P	FILLER PLATE REAR PANEL CUTOUT	1
16	041080	1/4-20 X 1 PH-TRUSS HEAD MS SS	4
17	041070	1/4-20 x 3/4 SL-HEX WASHER HEAD MS TP F	5

### 208V 50A THREE PHASE OUTLET

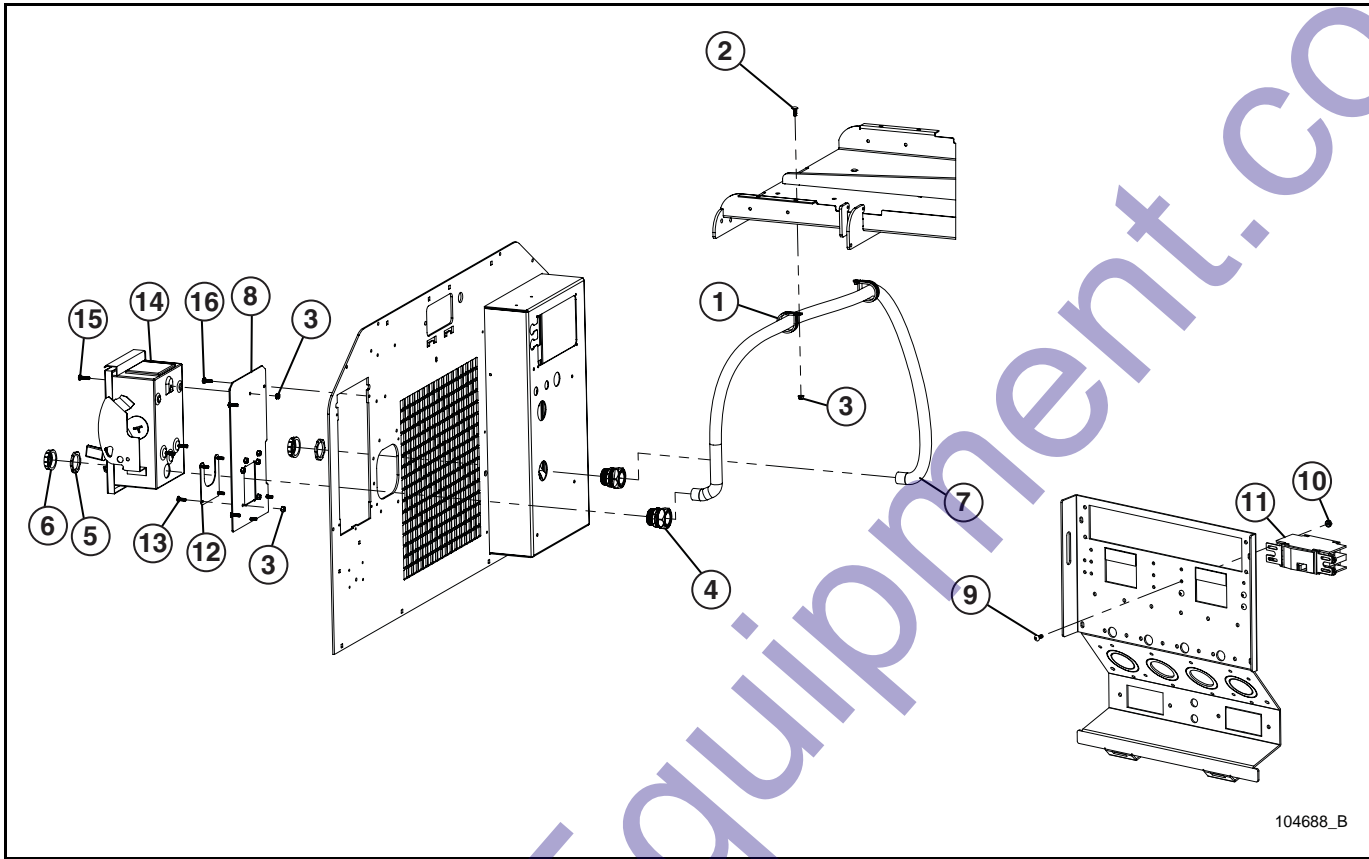
SN 0001ML2V13 and Up



Item	Part No.	Part Description	Qty.
1	022424	RECEPTICLE BOX	1
2	680870	RECEPTICLE 600V 4 POLE	1
3	920365	#20 CUSHION CLAMP	2
4	053006	1/4-20 X 3/4 CARRIAGE BOLT	2
5	044021	1/4-20 KEPS HEX NUT PL	6
6	350361	1 1/4 CORD GRIP	2
7	041080	1/4-20 X 1 PH-TRUSS HEAD MS SS	4
8	350363	1 1/4 LOCK NUT	2
9	022072	1 1/4 INSULATING BUSHING	2
10	104459	CORD 208V 3PH REAR OUTLET	1
11	022236	50A 3 POLE CIRCUIT BREAKER	1
12	041012	SCREW MS #8-32 X 1/2 PL	6
13	044003	#8-32 NC KEPS NUT	6
14	105025P	FILLER PLATE REAR PANEL CUTOUT	1
15	041070	1/4-20 x 3/4 SL-HEX WASHER HEAD MS TP F	5

## 60A DISCONNECT BOX

SN 0001ML2V13 and Up

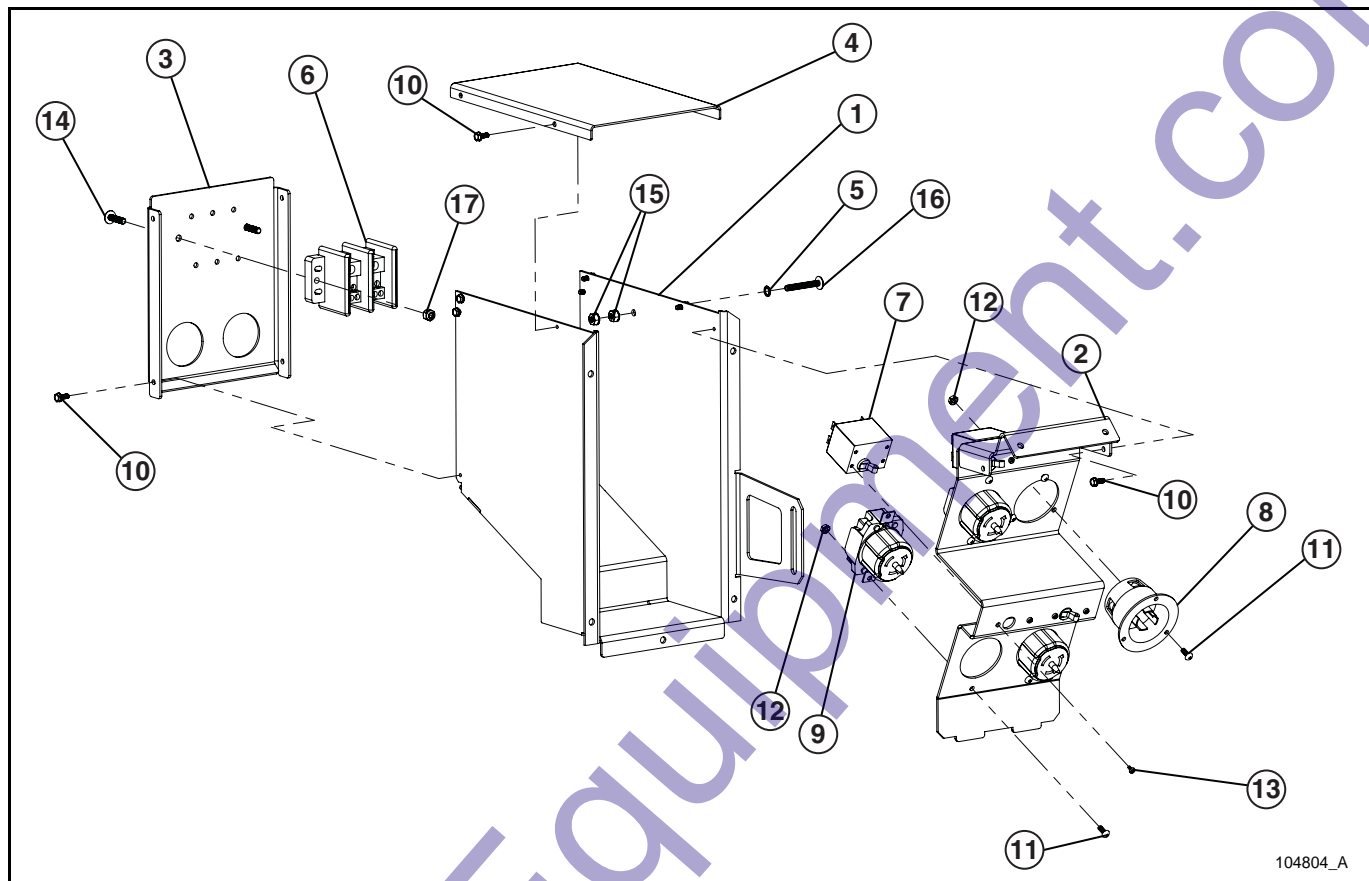


104688\_B

Item	Part No.	Part Description	Qty.
1	920365	#20 CUSHION CLAMP	2
2	053006	1/4-20 X 3/4 CARRIAGE BOLT	2
3	044021	1/4-20 KEPS HEX NUT PL	9
4	350361	1 1/4 CORD GRIP	2
5	350363	1 1/4 LOCK NUT	2
6	022072	1 1/4 INSULATING BUSHING	2
7	104690	REAR OUTLET CORD DOMESTIC 15KW & 20 KW	1
8	105025P	FILLER PLATE REAR PANEL CUTOUT	1
9	041012	SCREW MS #8-32 X 1/2 PL	4
10	044003	#8-32 NC KEPS NUT	4
11	353280	70 AMP DOUBLE POLE BREAKER	1
12	104689	PLATE COVER REAR OUTLET HOLE	1
13	041050	1/4-20 X 3/4 PH-TRUSS HEAD MS SS	4
14	352398	SWITCH BOX 60A 240 V 3 PHASE	1
15	041080	1/4-20 X 1 PH-TRUSS HEAD MS SS	3
16	041070	1/4-20 x 3/4 SL-HEX WASHER HEAD MS TP F	5

### SECONDARY OUTLET BOX – MASTER/SLAVE OUTLETS

SN 0001ML2V13 and Up

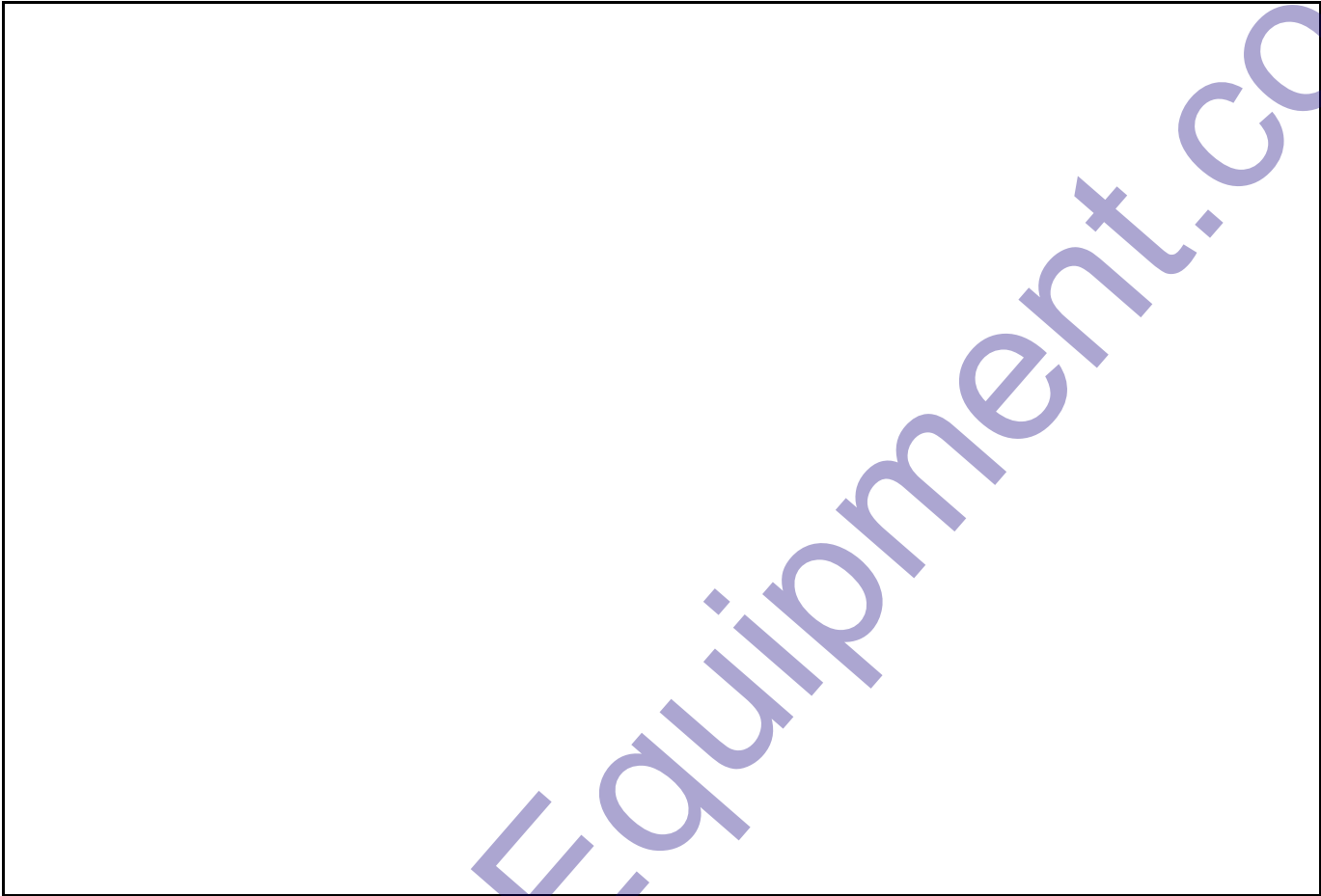


104804\_A

Item	Part No.	Part Description	Qty.
1	104805P	BOX FRAME SECONDARY OUTLET MAXI II	1
2	104811P	FACE PLATE THREE, 50 AMP	1
3	104809P	REAR PLATE OUTLET BOX	1
4	104810P	COVER PLATE OUTLET BOX	1
5	043050	1/4 INTL TOOTH LOCK WASHER	1
6	350360	POWER DISTRIBUTION BLOCK	1
7	353279	50A DPST CIRCUIT BREAKER	3
8	105010	FLANGED INLET NEMA 30 AMP	1
9	104267	CS6369 RECEPTACLE 50 AMP 125/250 VOLT	3
10	041031	#10-24 X 1/2 HEX HEAD MS PL	10
11	041012	SCREW MS #8-32 X 1/2 PL	9
12	044003	#8-32 NC KEPS NUT	9
13	041018	#6-32 X 1/4 PH-ROUND HEAD MS PL	6
14	041080	1/4-20 X 1 PH-TRUSS HEAD MS SS	2
15	044021	1/4-20 KEPS HEX NUT PL	2
16	041053	1/4-20 x 1 3/4 PH-TRUSS HEAD MS SS	1
17	044023	1/4-20 NYLOCK HEX NUT PL	2

**105026 SECONDARY OUTLET BOX CORD**

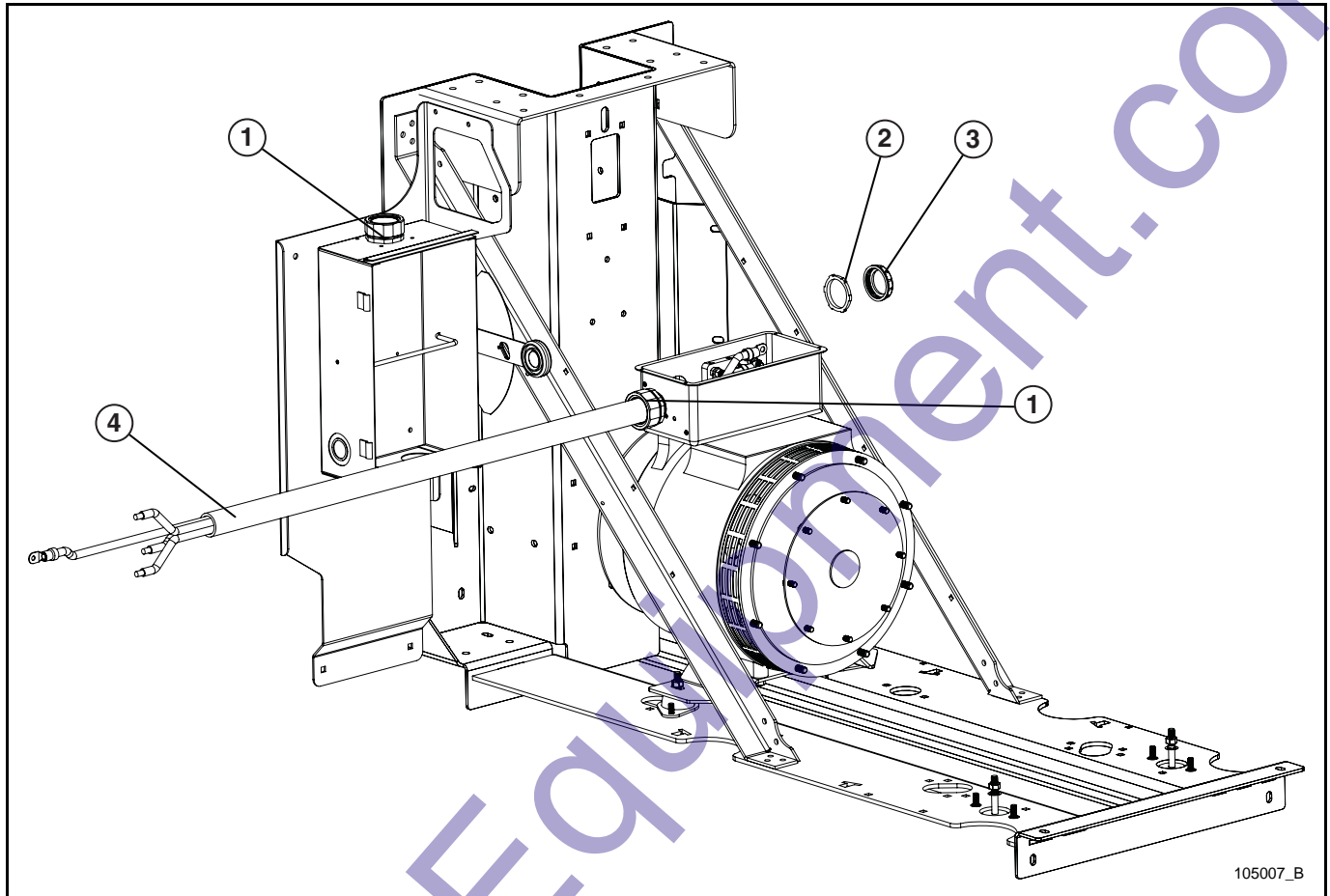
SN 0001ML2V13 and Up



Item	Part No.	Part Description	Qty.
1			
2			
3			
4			
5			
6			
7			
8			
9			
10			
11			
12			
13			
14			
15			

### DOUBLE THROW SWITCH TO GENERATOR CORD

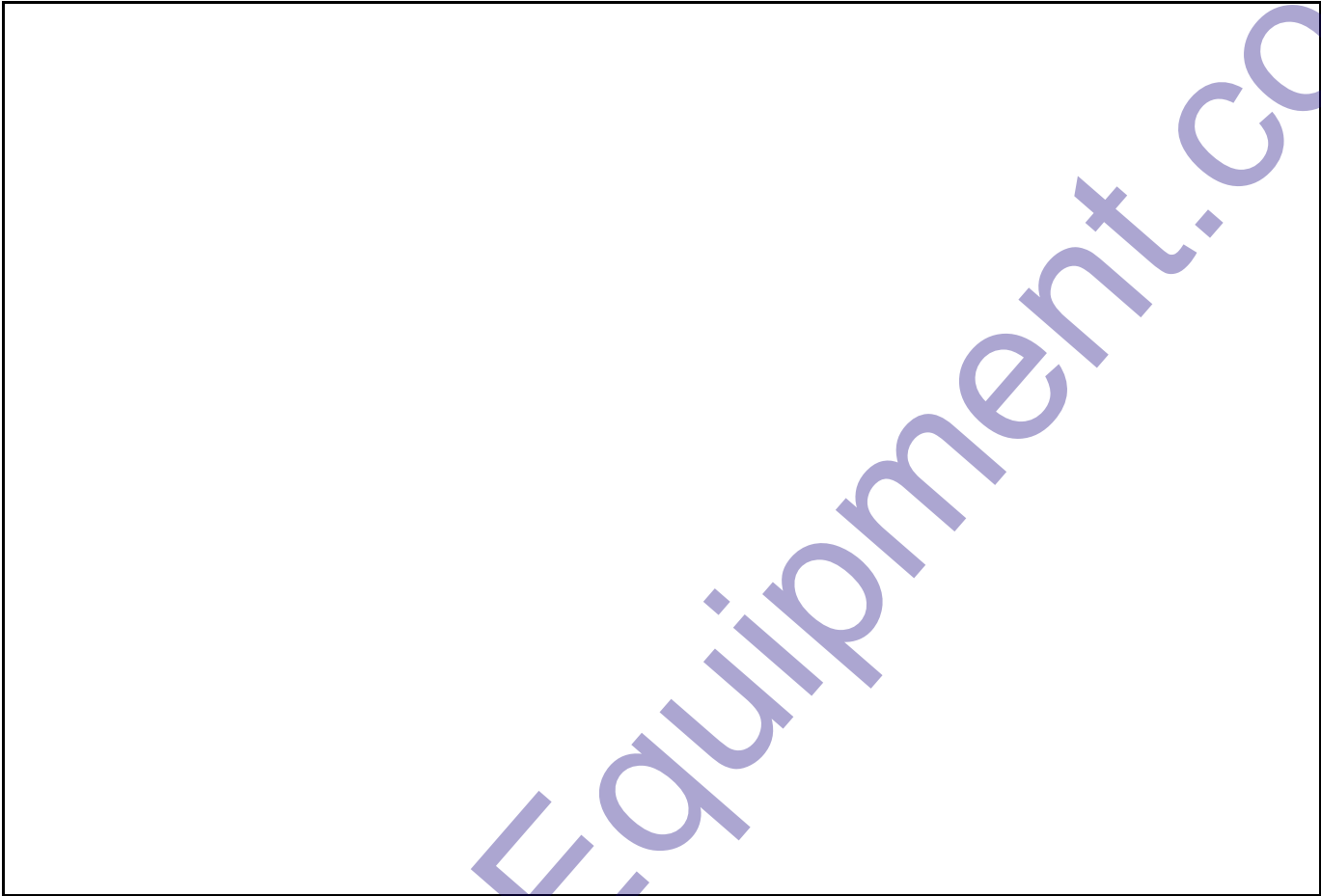
SN 0001ML2V13 and Up



Item	Part No.	Part Description	Qty.
1	101315	1/2 CORD GRIP, GREEN	2
2	022232	1 1/2 LOCK NUT	2
3	022233	1 1/2 INSULATING BUSHING	2
4	104861	2/4 CORD SWITCH BOX/ GENERATOR ISUZU	1

**105012 DOUBLE THROW SWITCH TO GENERATOR CORD**

SN 0001ML2V13 and Up

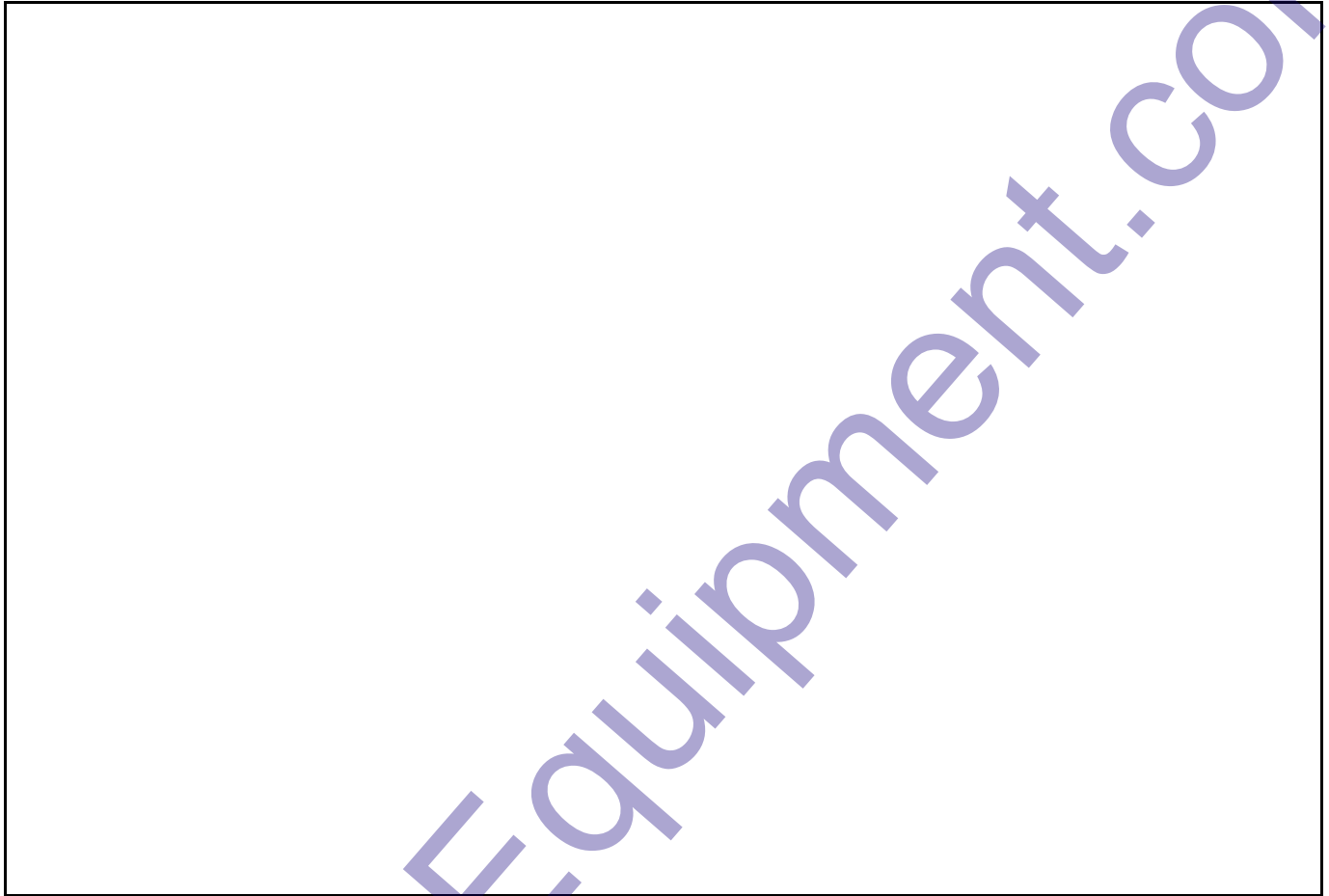


Item	Part No.	Part Description	Qty.
1			
2			
3			
4			
5			
6			
7			
8			
9			
10			
11			
12			
13			
14			
15			



### 105013 DOUBLE THROW SWITCH TO OUTLET PANEL CORD

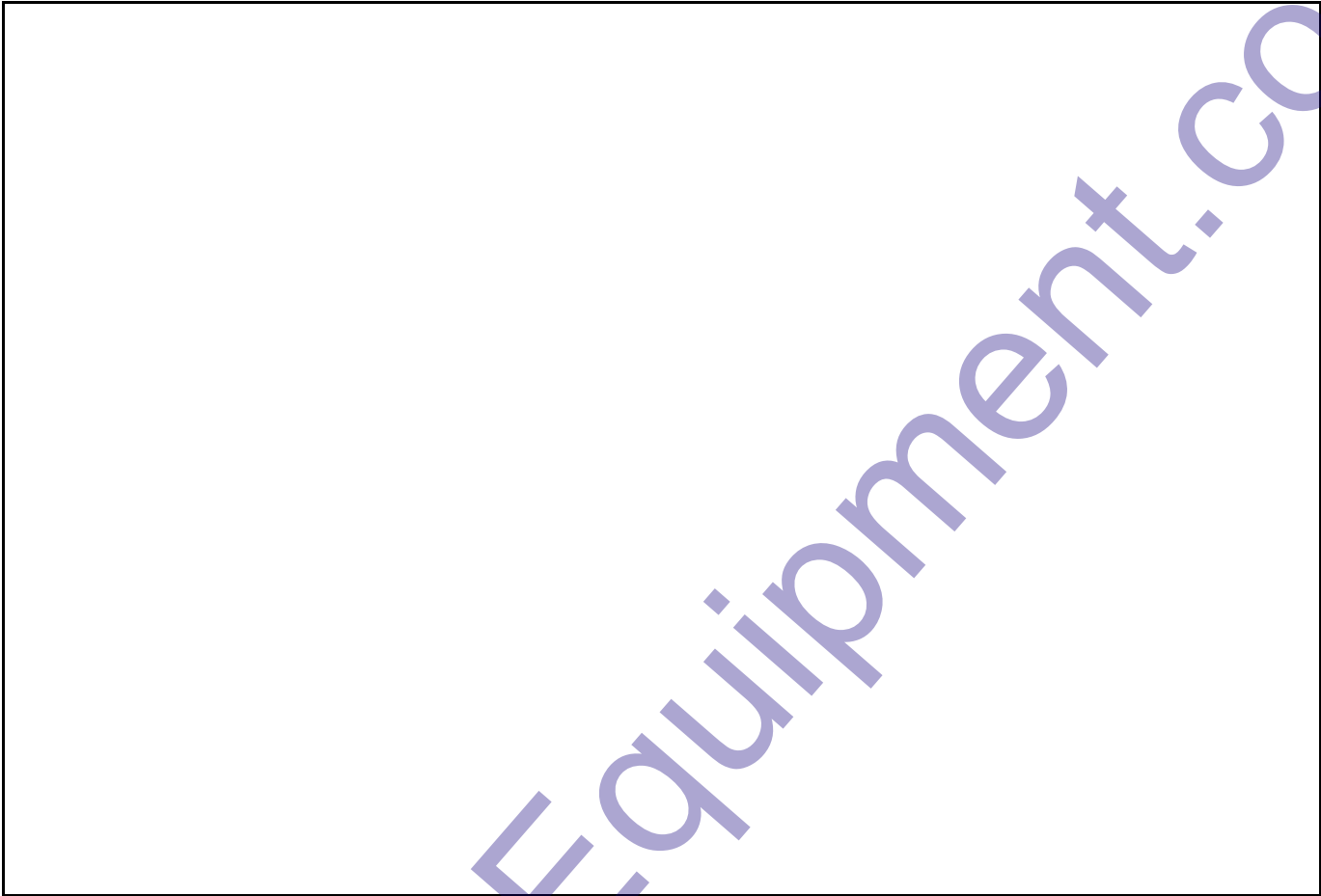
SN 0001ML2V13 and Up



Item	Part No.	Part Description	Qty.
1			
2			
3			
4			
5			
6			
7			
8			
9			
10			
11			
12			
13			
14			
15			

**105014 SECONDARY OUTLET BOX CORD**

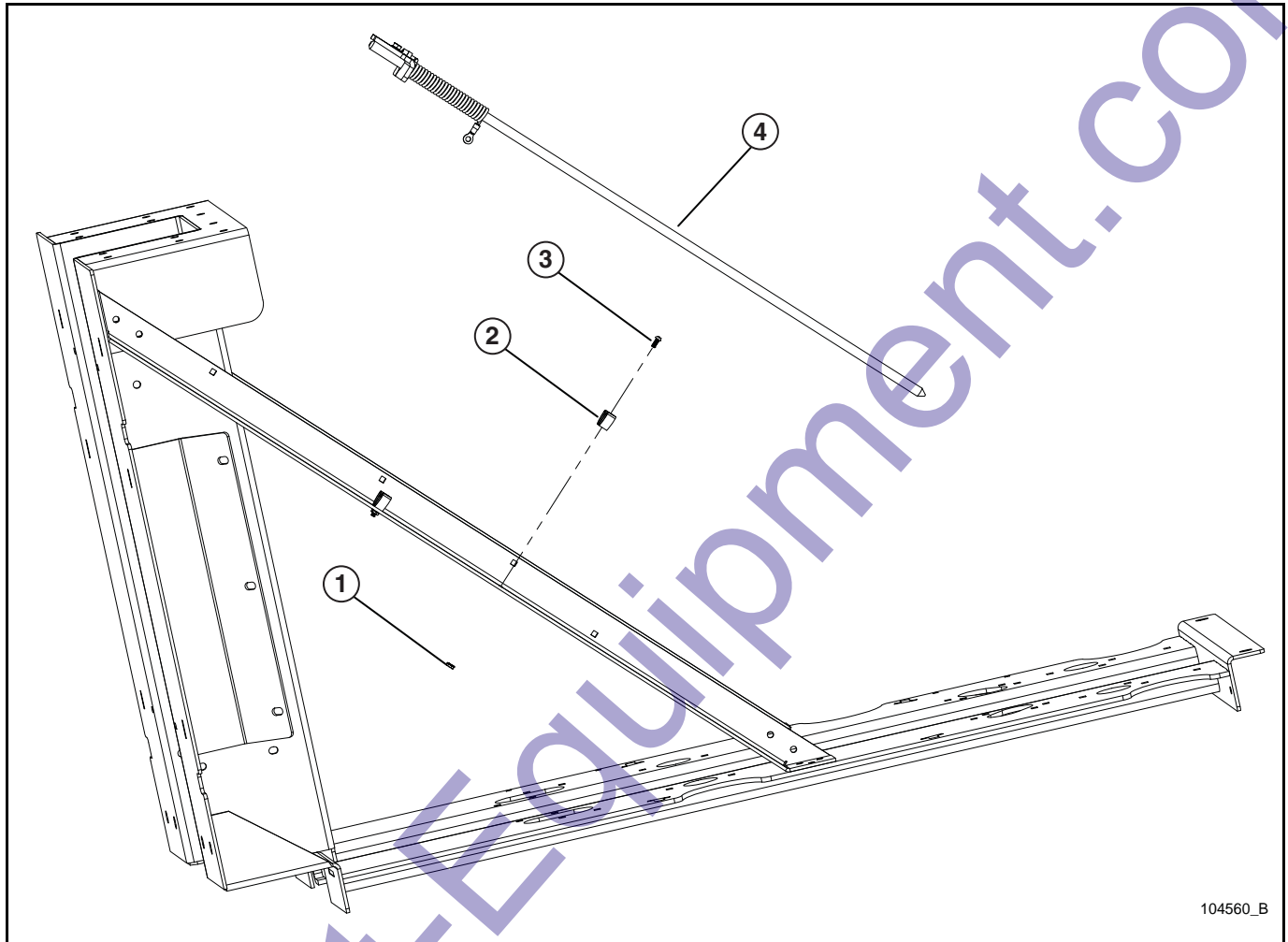
SN 0001ML2V13 and Up



Item	Part No.	Part Description	Qty.
1			
2			
3			
4			
5			
6			
7			
8			
9			
10			
11			
12			
13			
14			
15			

### GROUND ROD

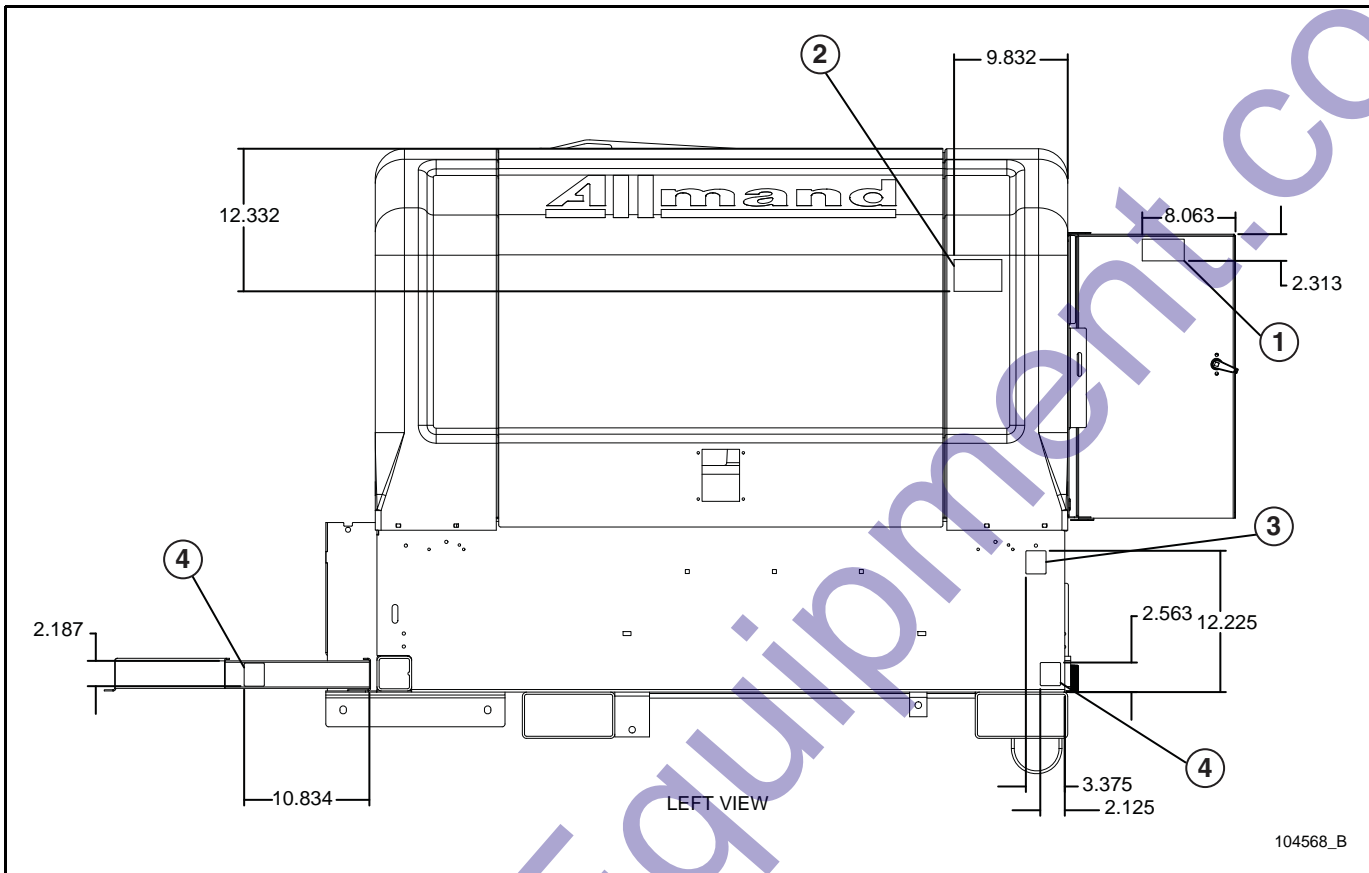
SN 0001ML2V13 and Up



Item	Part No.	Part Description	Qty.
1	044016	#10-24 KEPS HEX NUT PL	2
2	330481	GROUND ROD CLIP	2
3	041024	#10-24 X 1/2 PH-ROUND HEAD MS SS	2
4	340058	GROUND ROD ASSEMBLY	1

**BASE MACHINE DECALS (1 OF 5)**

SN 0001ML2V13 and Up

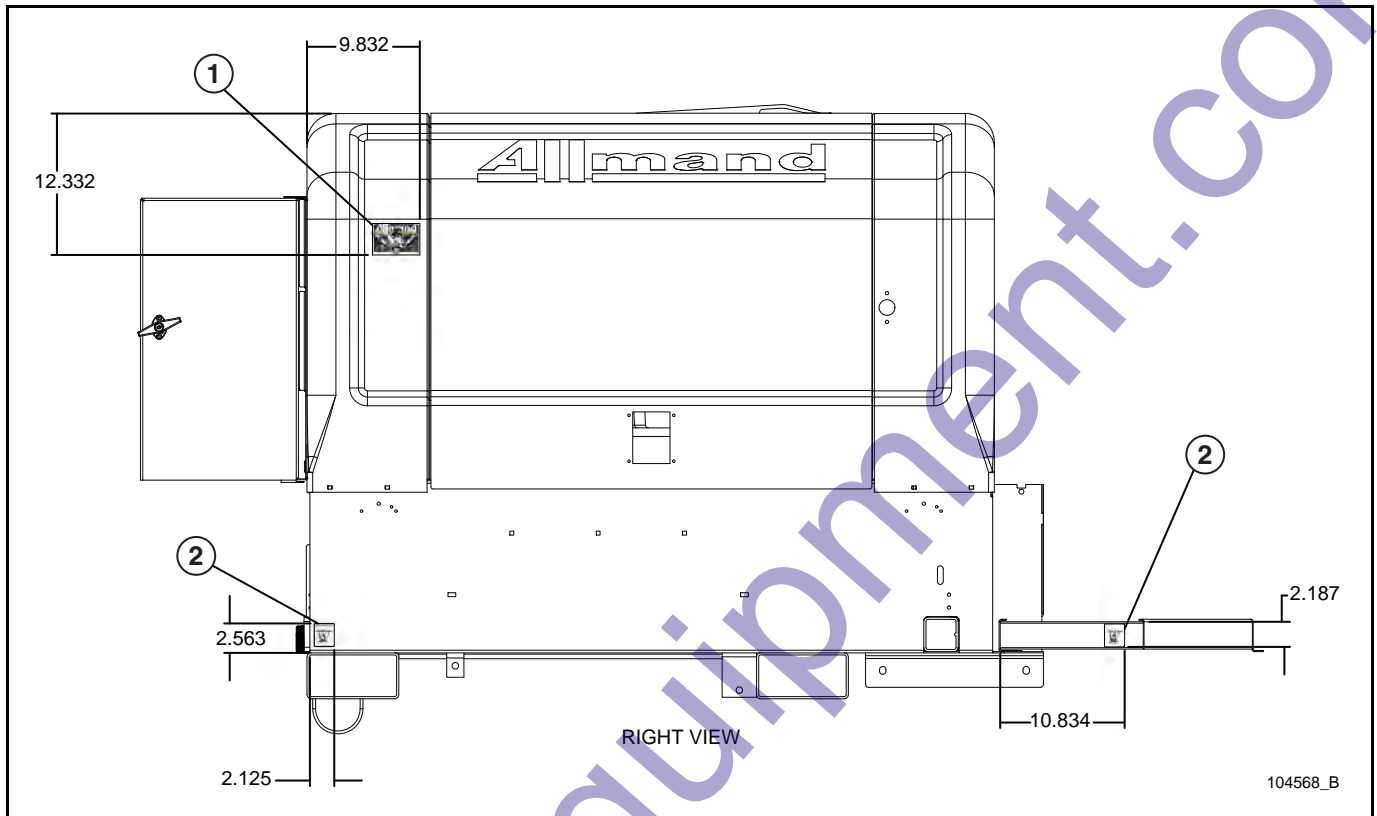


104568\_B

Item	Part No.	Part Description	Qty.
1	090179	PROPOSITION 65 DECAL CALIFORNIA DECAL	1
2	104140	75 th ANNIVERSARY ALLMAND	2
3	104761	DECAL GROUND	1
4	104753	DECAL TIE DOWN POINT	4

### BASE MACHINE DECALS (2 OF 5)

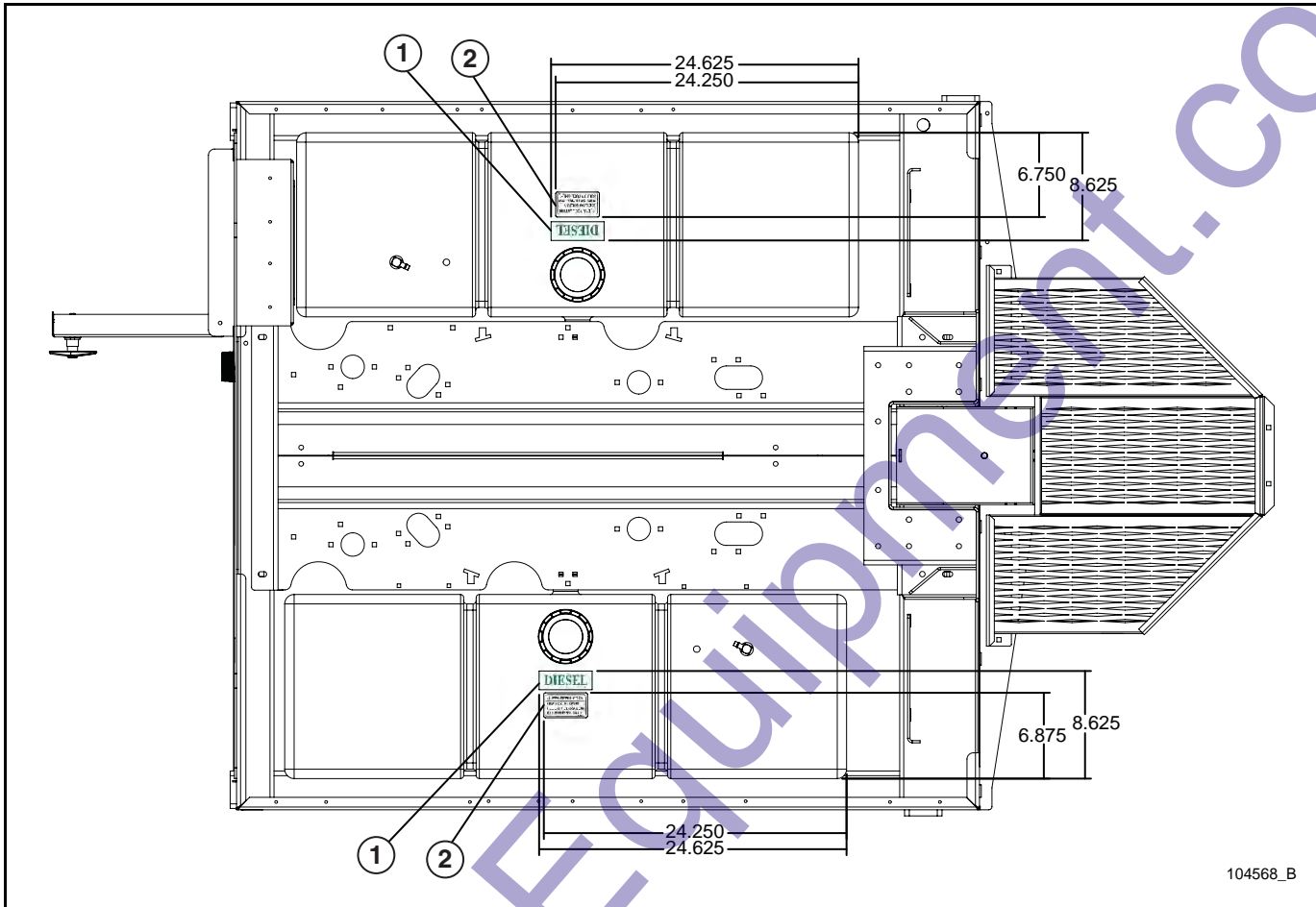
SN 0001ML2V13 and Up



Item	Part No.	Part Description	Qty.
1	104140	75 th ANNIVERSARY ALLMAND	2
2	104753	DECAL TIE DOWN POINT	4

**BASE MACHINE DECALS (3 OF 5)**

SN 0001ML2V13 and Up

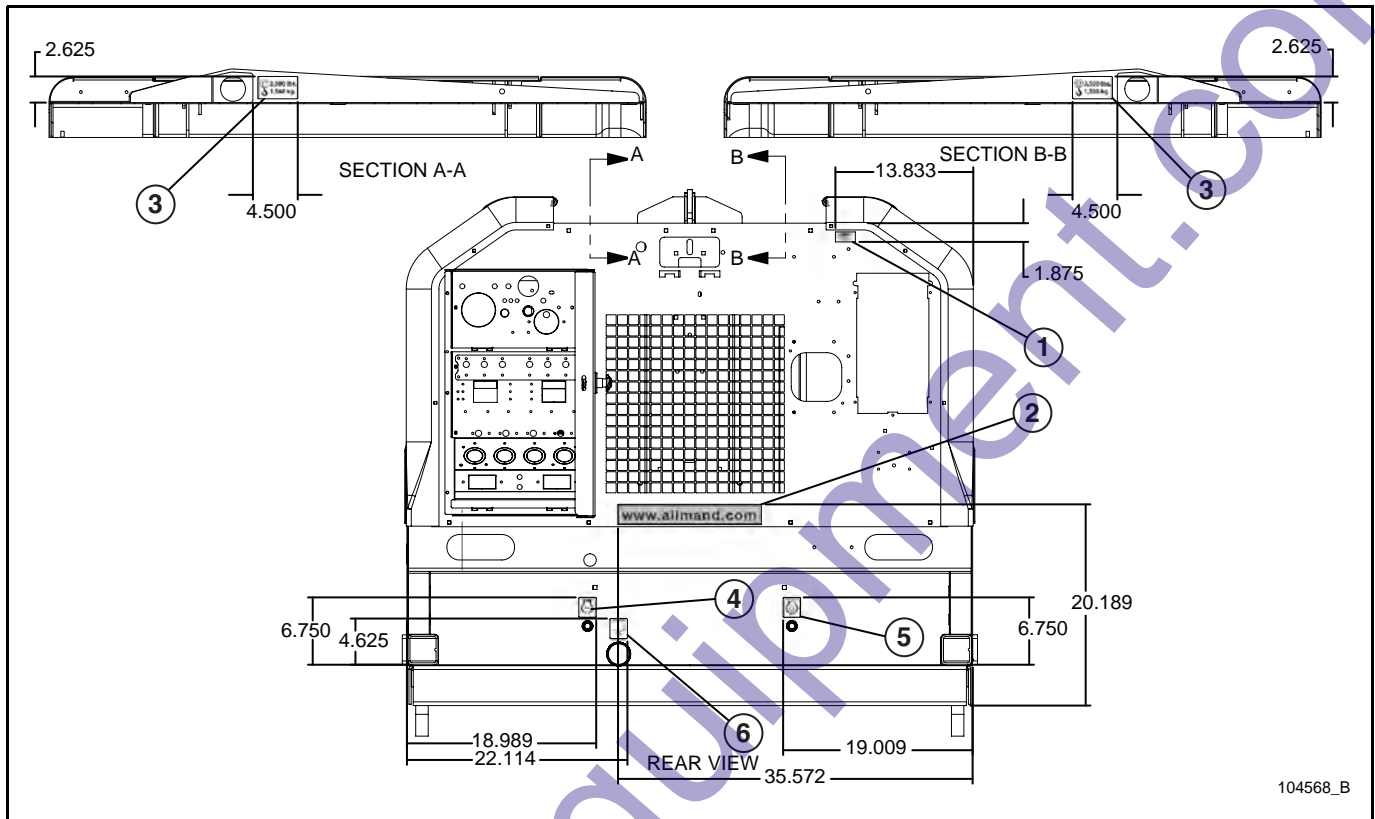


104568\_B

Item	Part No.	Part Description	Qty.
1	090034	DIESEL DECAL DECAL	2
2	101057	EPA REGULATION DECAL DECAL	2

## BASE MACHINE DECALS (4 OF 5)

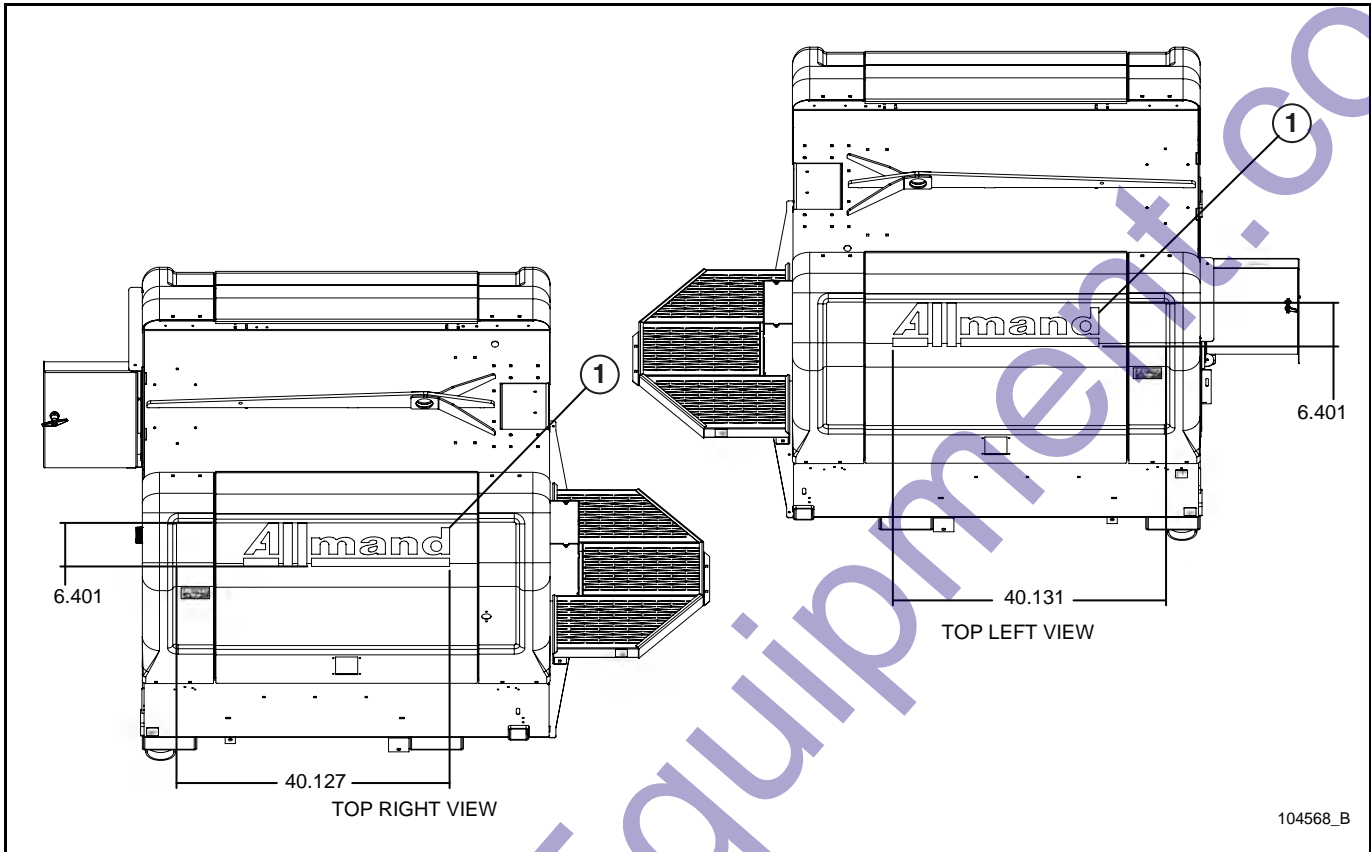
SN 0001ML2V13 and Up



Item	Part No.	Part Description	Qty.
1	090385	MADE IN USA DECAL DECAL	1
2	100919	WWW.ALMAND.COM DECAL DECAL	1
3	104754	DECAL LIFT POINT	2
4	104752	DRAIN DECAL ENGINE COOLANT	1
5	104751	DRAIN DECAL ENGINE OIL	1
6	104750	DRAIN DECAL FLUID CONTAINMENT	1

**BASE MACHINE DECALS (5 OF 5)**

SN 0001ML2V13 and Up

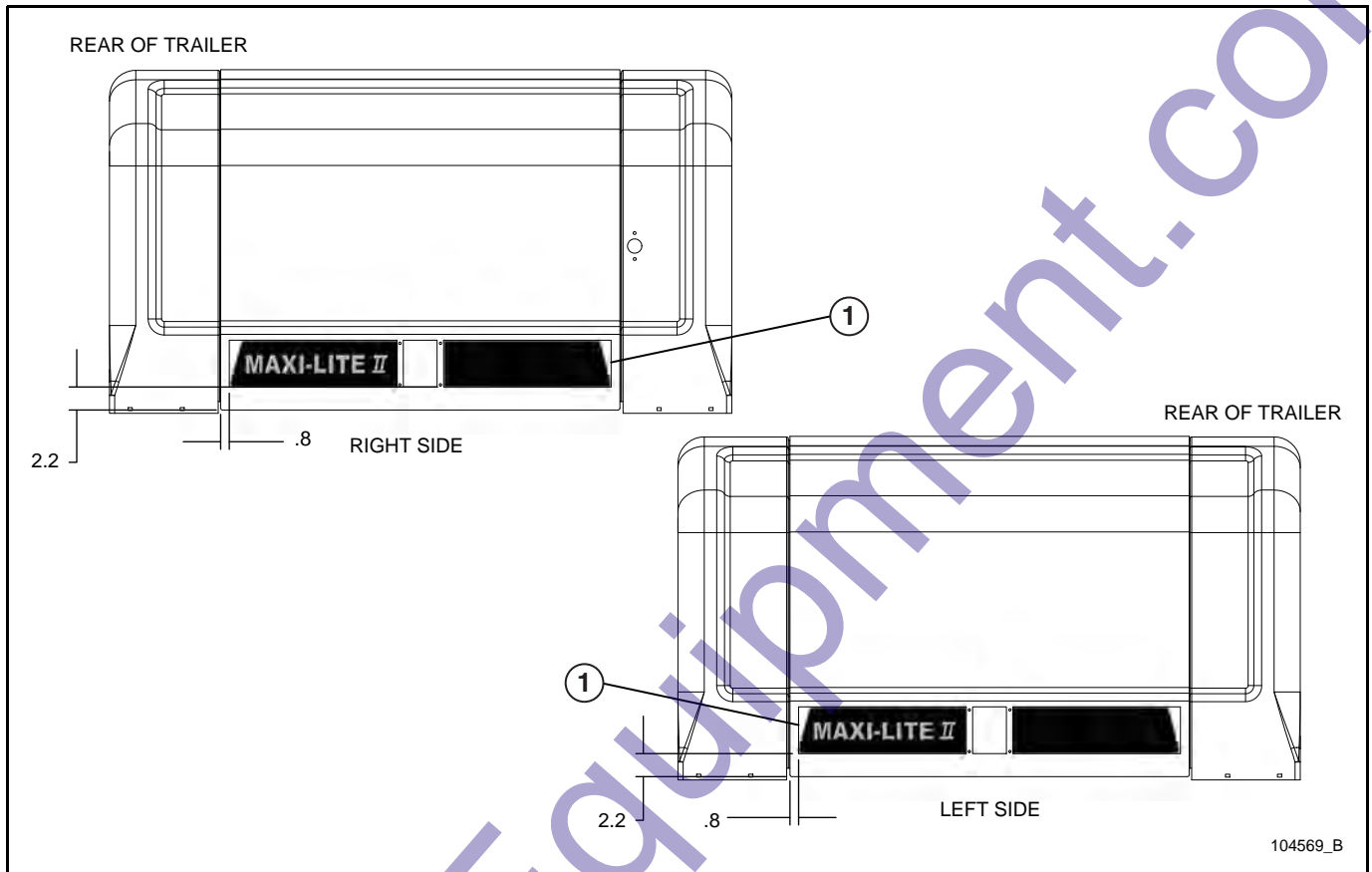


Item	Part No.	Part Description	Qty.
1	102939	DOOR DECAL RAISED LETTER	2



### DOOR STRIPE “MAXI-LITE II”

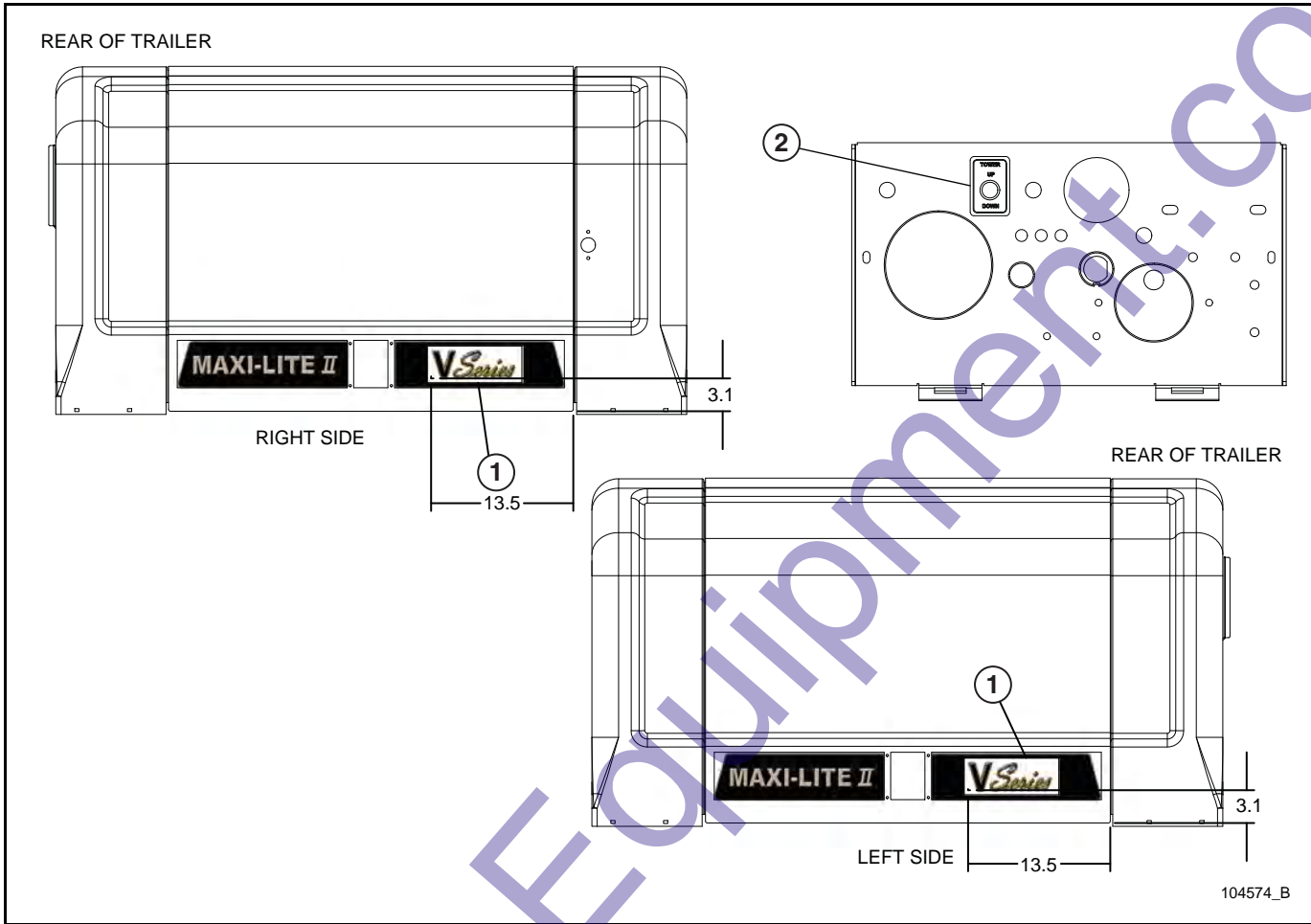
SN 0001ML2V13 and Up



Item	Part No.	Part Description	Qty.
1	104274	DECAL DOOR STRIPE RIGHT / LEFT	2

**“V-SERIES” DECALS**

SN 0001ML2V13 and Up

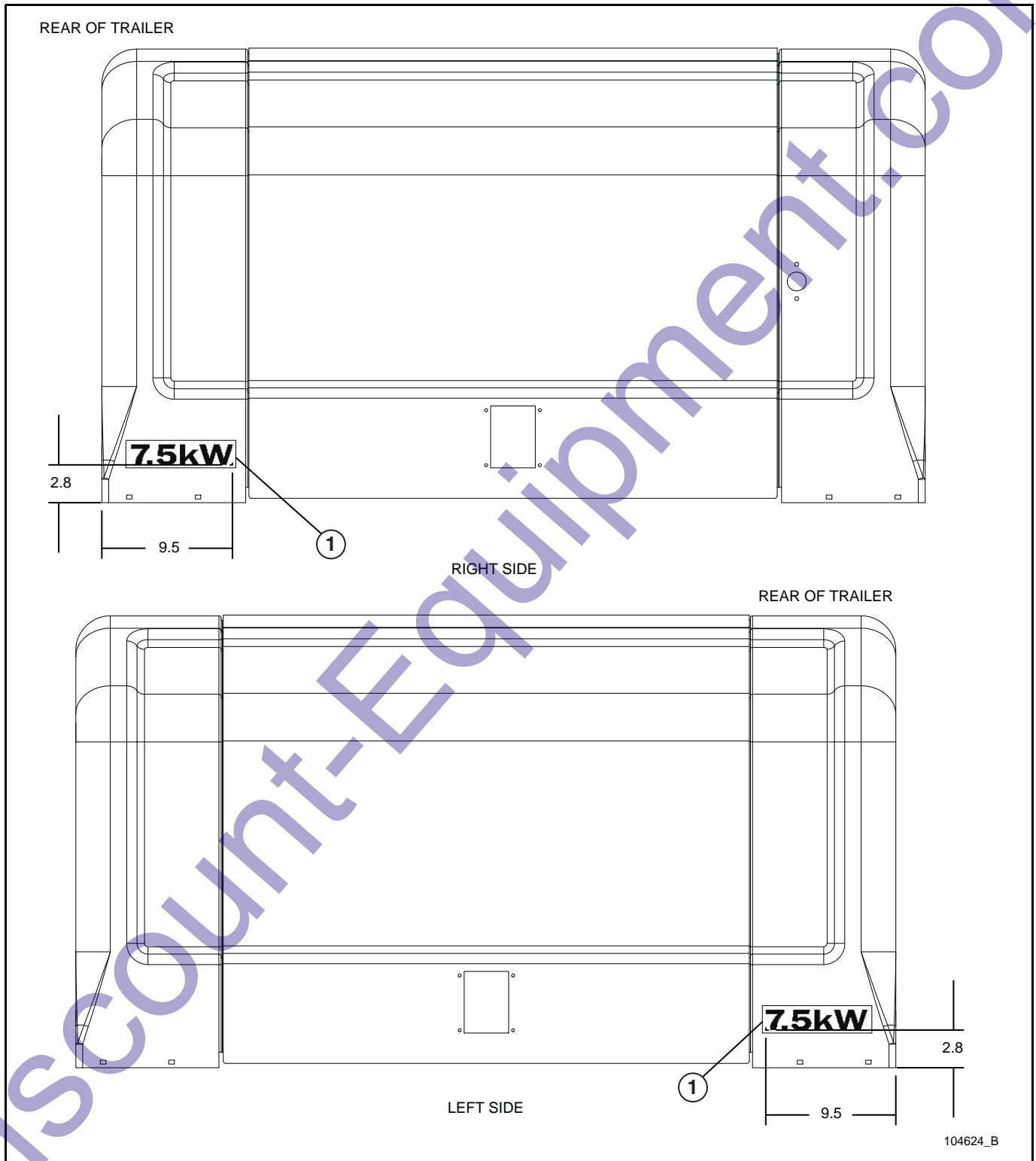


104574\_B

Item	Part No.	Part Description	Qty.
1	102836	V-SERIES DECAL DECAL	2
2	104545	DECAL VERTICAL TOWER	1

### “7.5KW” DECALS

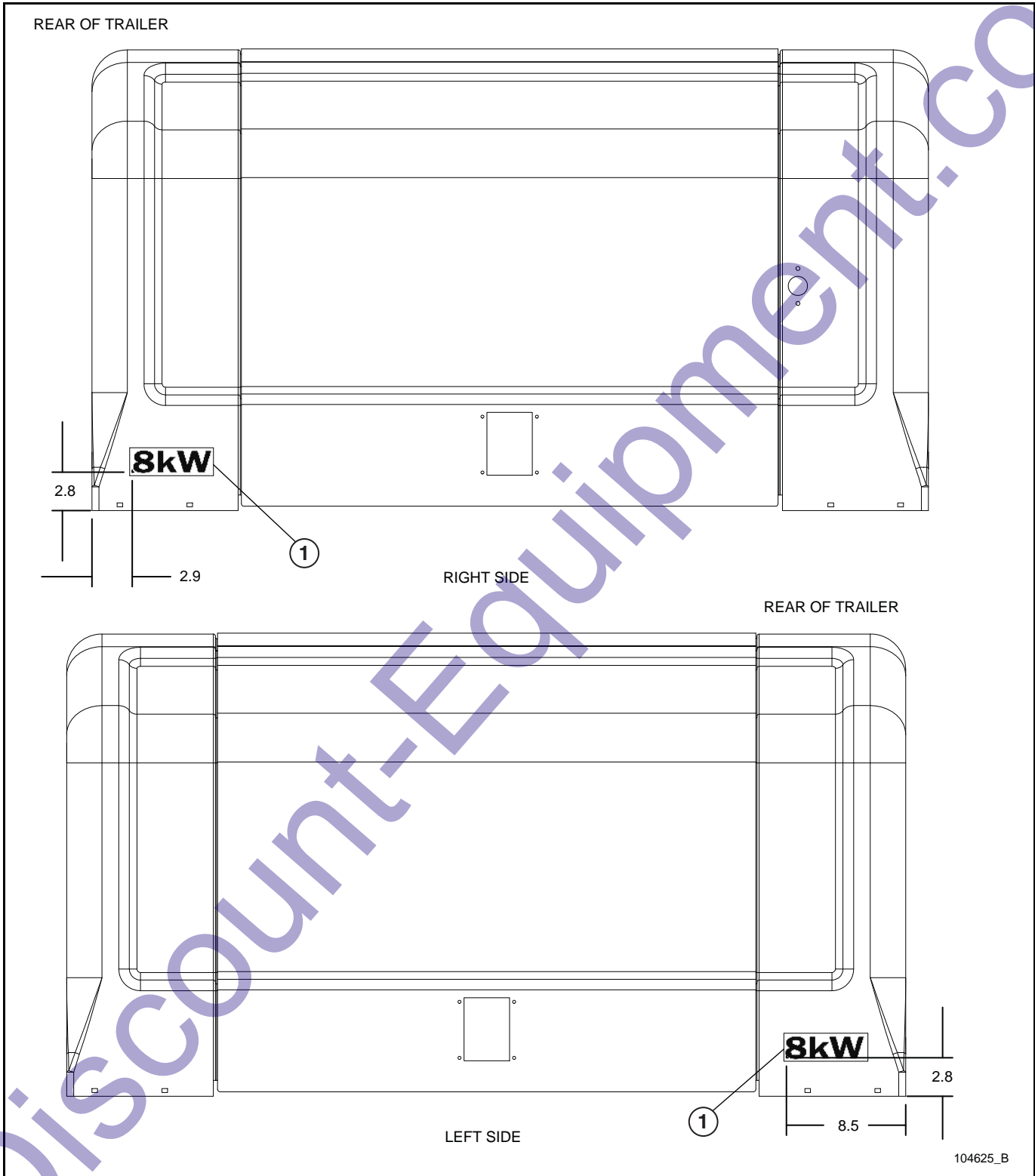
SN 0001ML2V13 and Up



Item	Part No.	Part Description	Qty.
1	102834	7.5kW DECAL	2

**“8 KW” DECALS**

SN 0001ML2V13 and Up

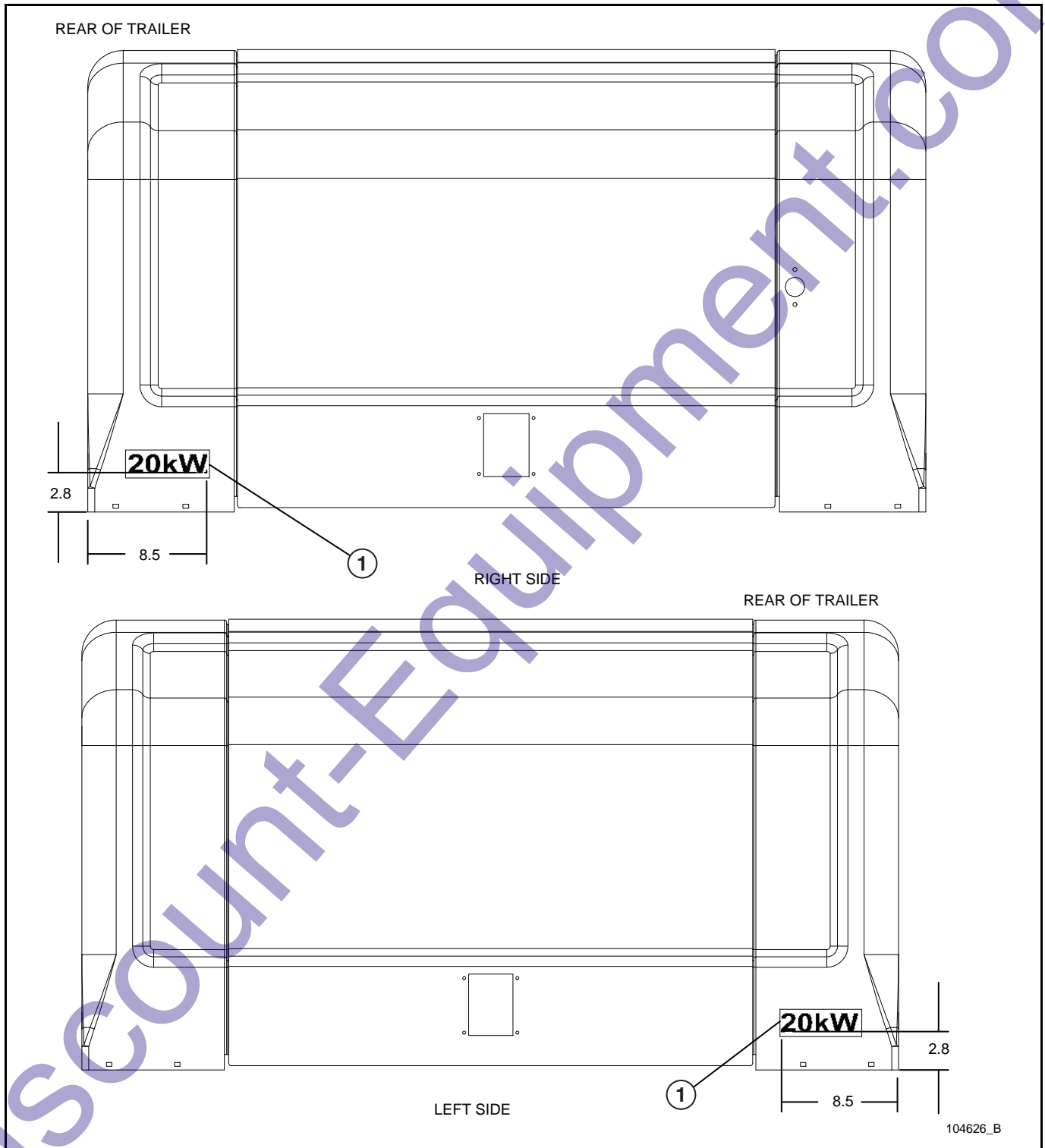


104625\_B

Item	Part No.	Part Description	Qty.
1	102833	8kW DECAL DECAL	2

### “20KW” DECALS

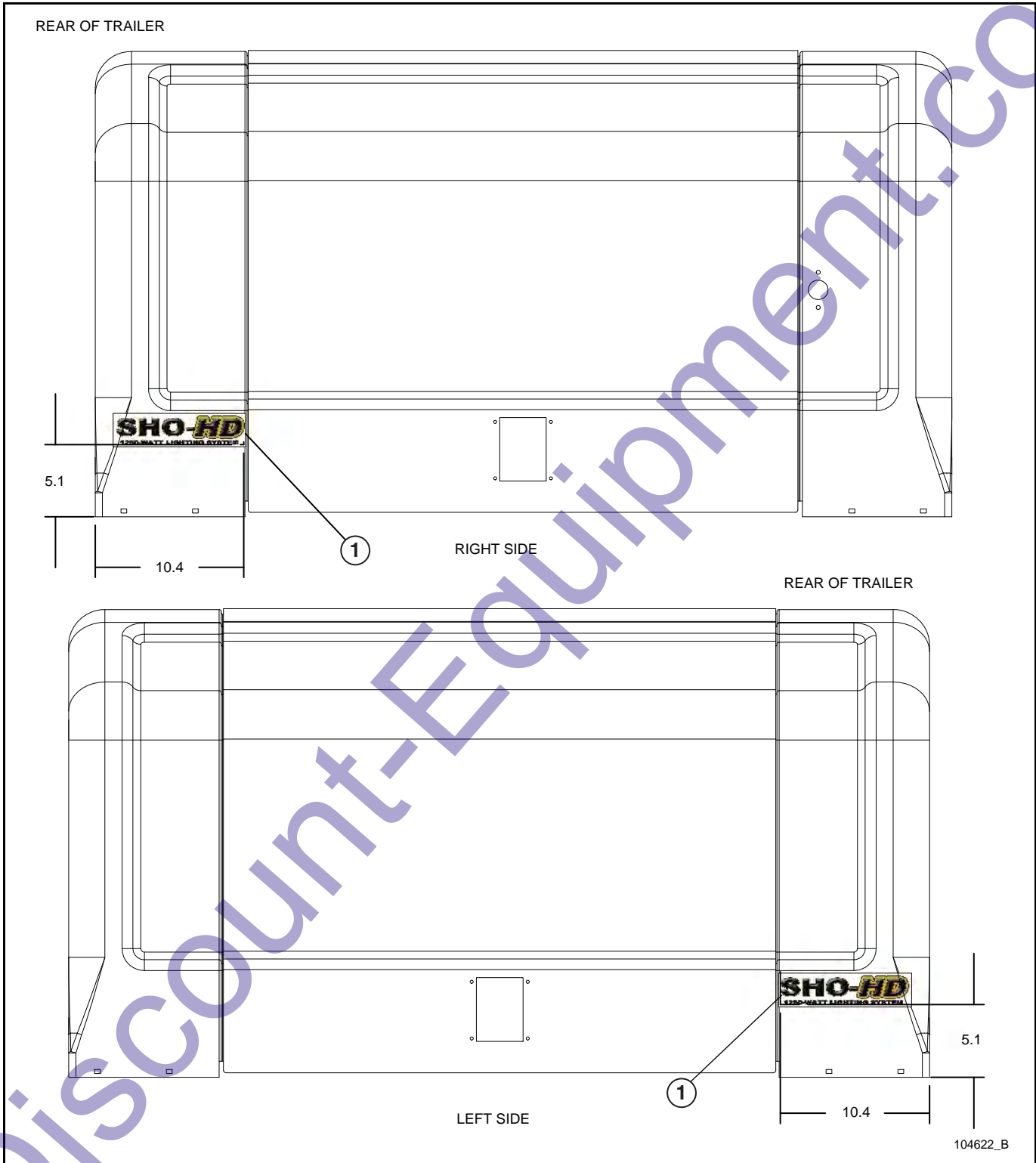
SN 0001ML2V13 and Up



Item	Part No.	Part Description	Qty.
1	103722	20kW DECAL	2

“SHO-HD” DECALS

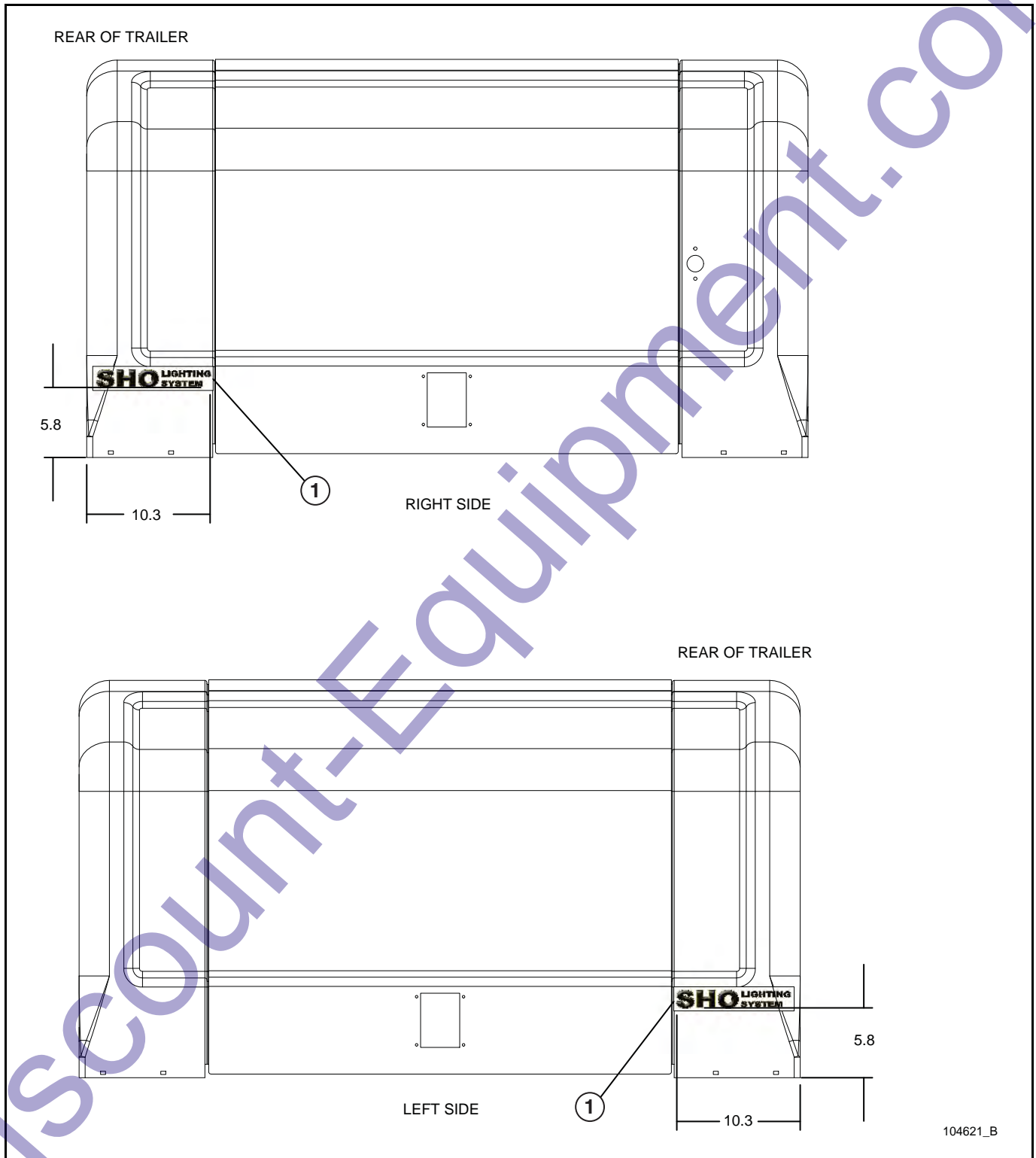
SN 0001ML2V13 and Up



Item	Part No.	Part Description	Qty.
1	102838	SHO-HD DECAL LOGO DECAL	2

### “SHO” DECALS

SN 0001ML2V13 and Up

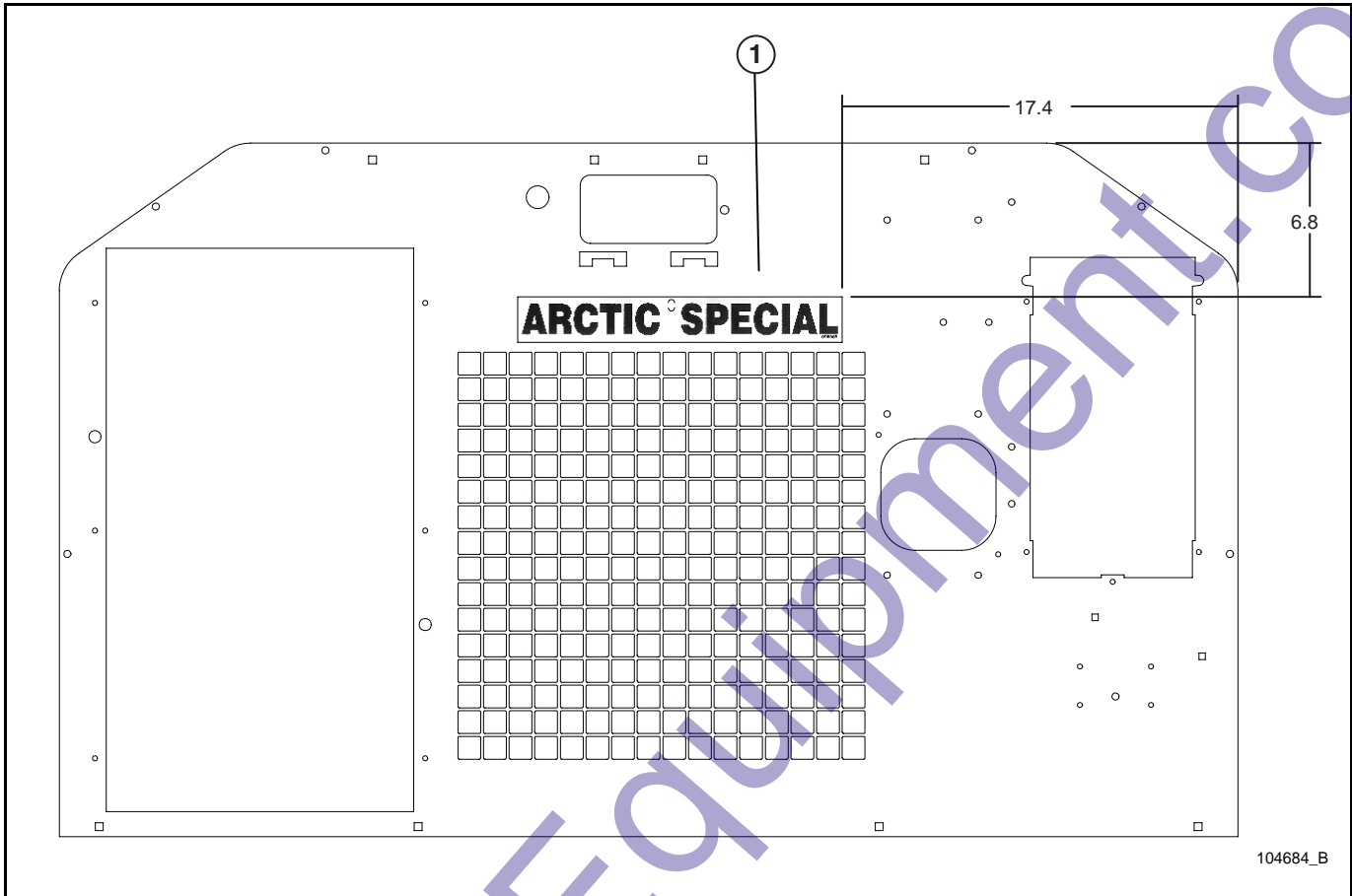


104621\_B

Item	Part No.	Part Description	Qty.
1	102837	SHO DECAL LIGHTING SYSTEM	2

**“ARCTIC SPECIAL” DECALS**

SN 0001ML2V13 and Up

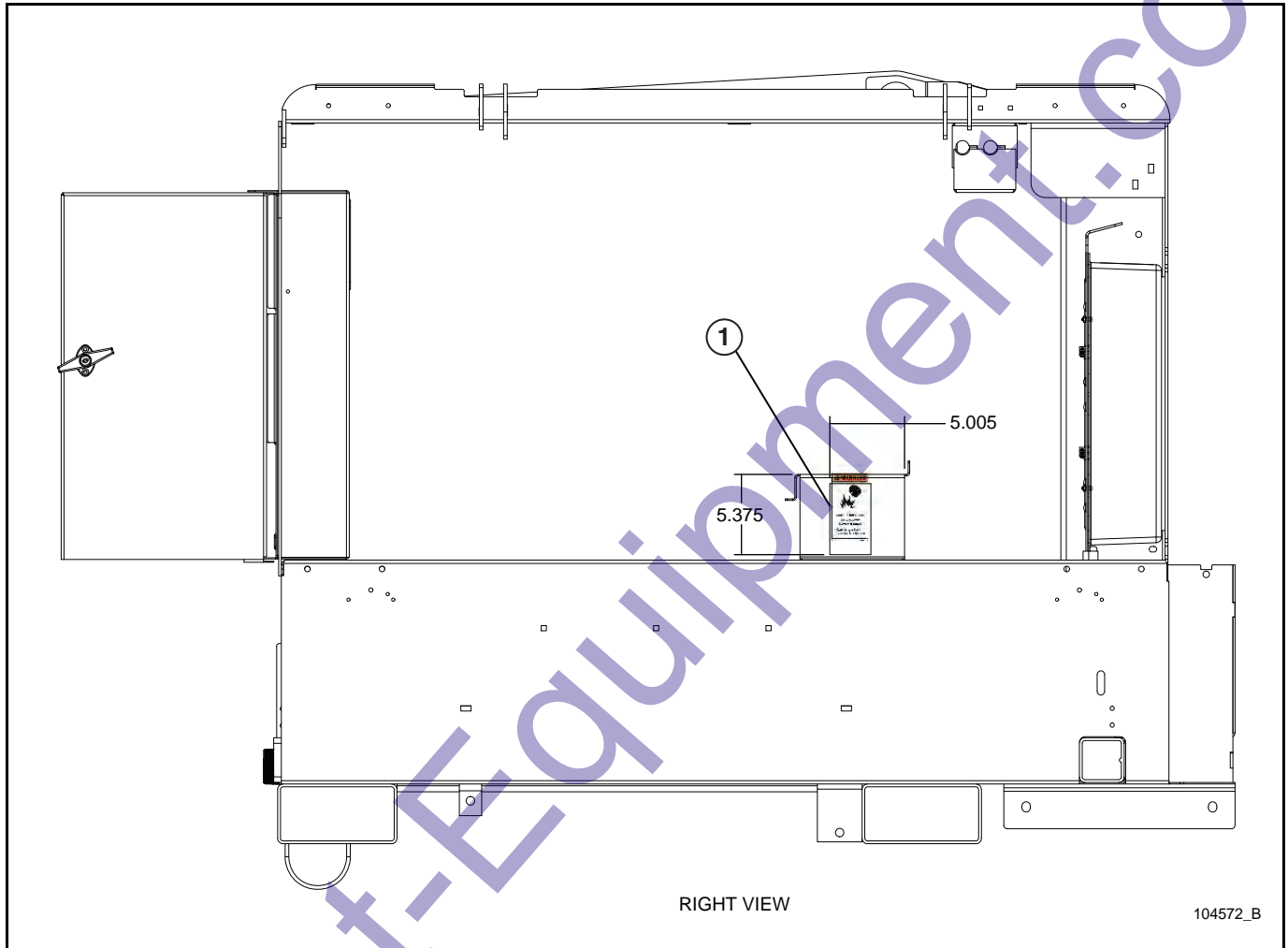


Item	Part No.	Part Description	Qty.
1	090065	ARTIC SPECIAL DECAL BANNER DECAL	1



## SAFETY AND WARNING DECALS – BASE MACHINE – ENGLISH (1 OF 4)

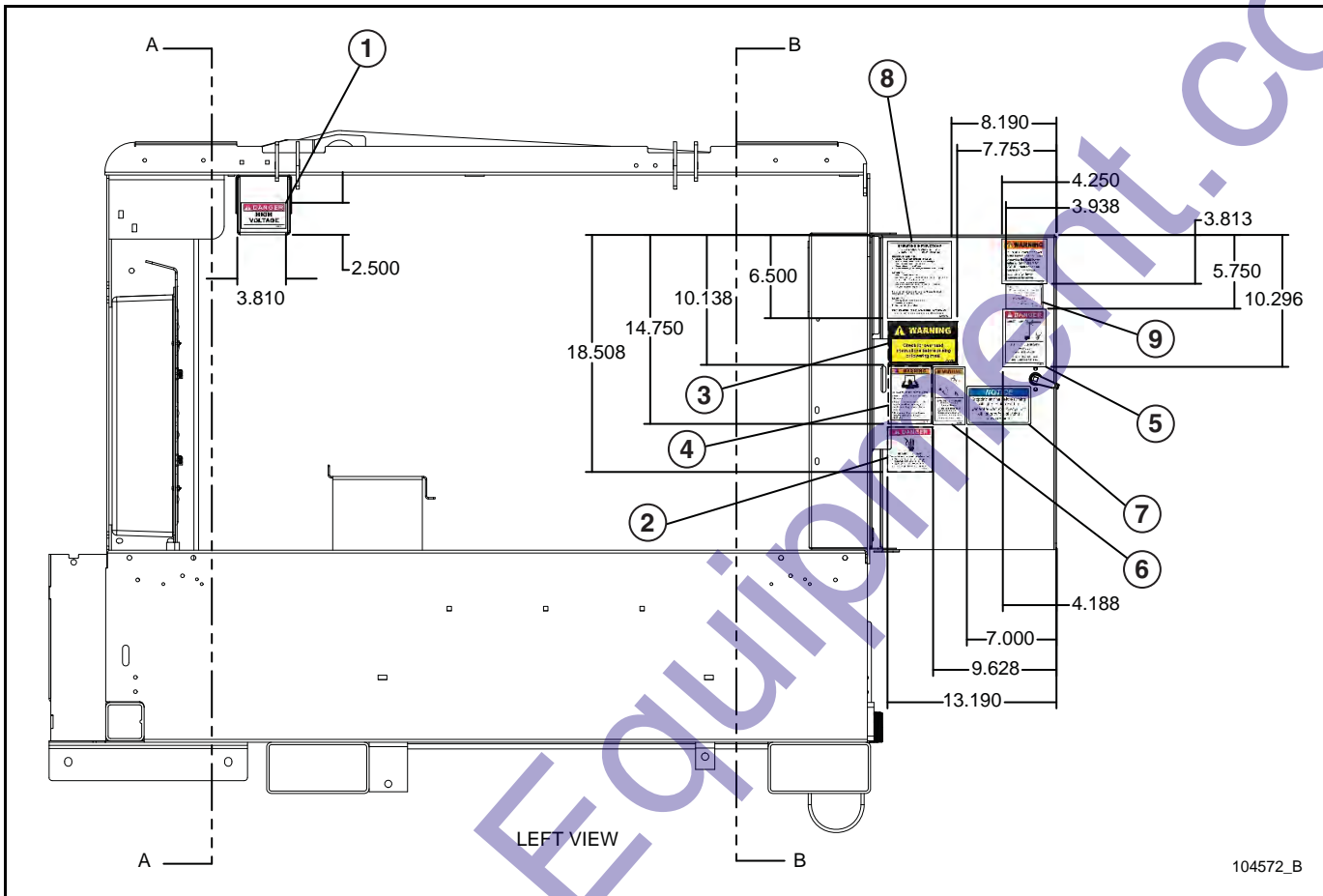
SN 0001ML2V13 and Up



Item	Part No.	Part Description	Qty.
1	090159	COMBUSTIBLE GAS WARNING DECAL	1

## SAFETY AND WARNING DECALS – BASE MACHINE – ENGLISH (2 OF 4)

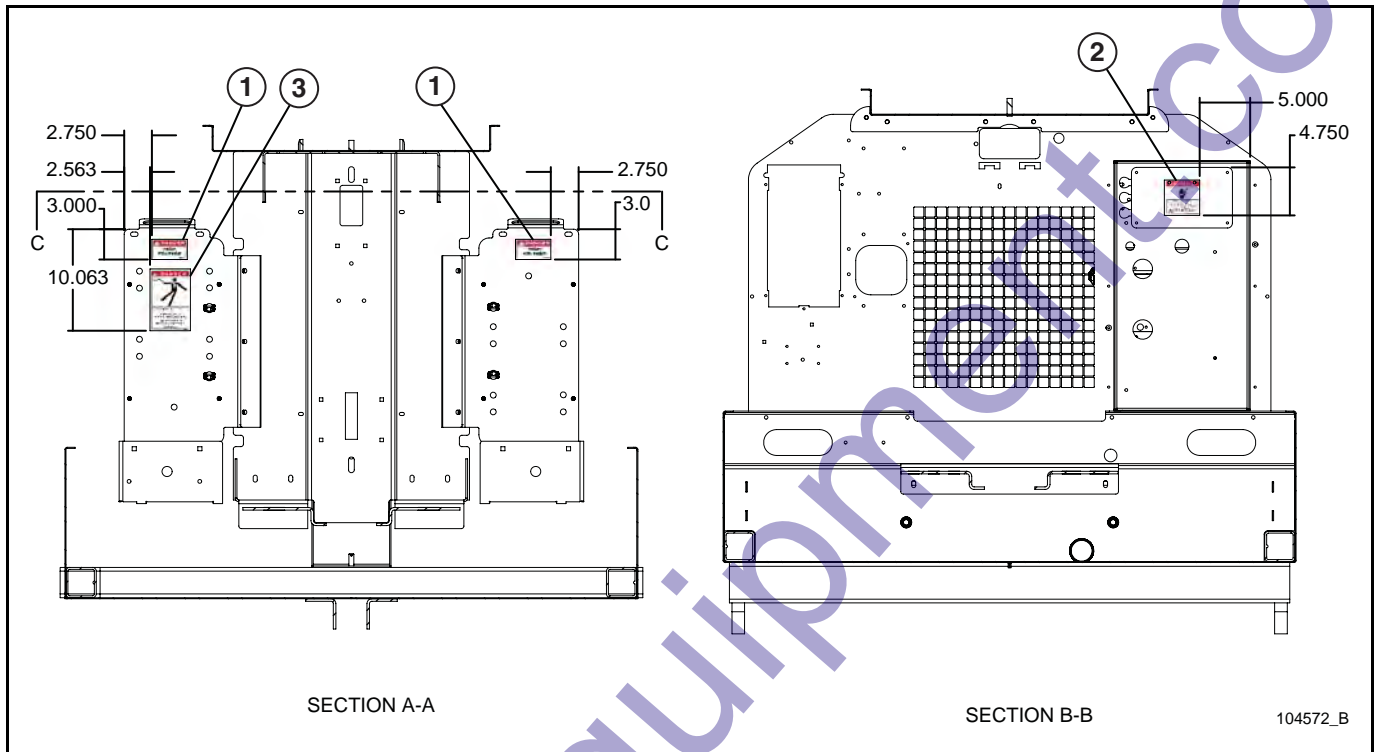
SN 0001ML2V13 and Up



Item	Part No.	Part Description	Qty.
1	090002	HIGH VOLTAGE DANGER DECAL	6
2	090162	HAZARDOUS VOLTAGE DECAL DANGER DECAL	4
3	090005	CHECK OVERHEAD DECAL WARNING DECAL	1
4	090158	OPERATORS MANUAL WARNING DECAL	1
5	090165	ELECTRICAL SHOCK DANGER DECAL	1
6	090166	OVERHEAD HAZARD WARNING DECAL	1
7	090084	TURN OFF LIGHTS WARNING DECAL	1
8	102909	INSTRUCTIONS DECAL OPERATING	1
9	090465	PARTS & SERVICE DECAL DECAL	1

### SAFETY AND WARNING DECALS – BASE MACHINE – ENGLISH (3 OF 4)

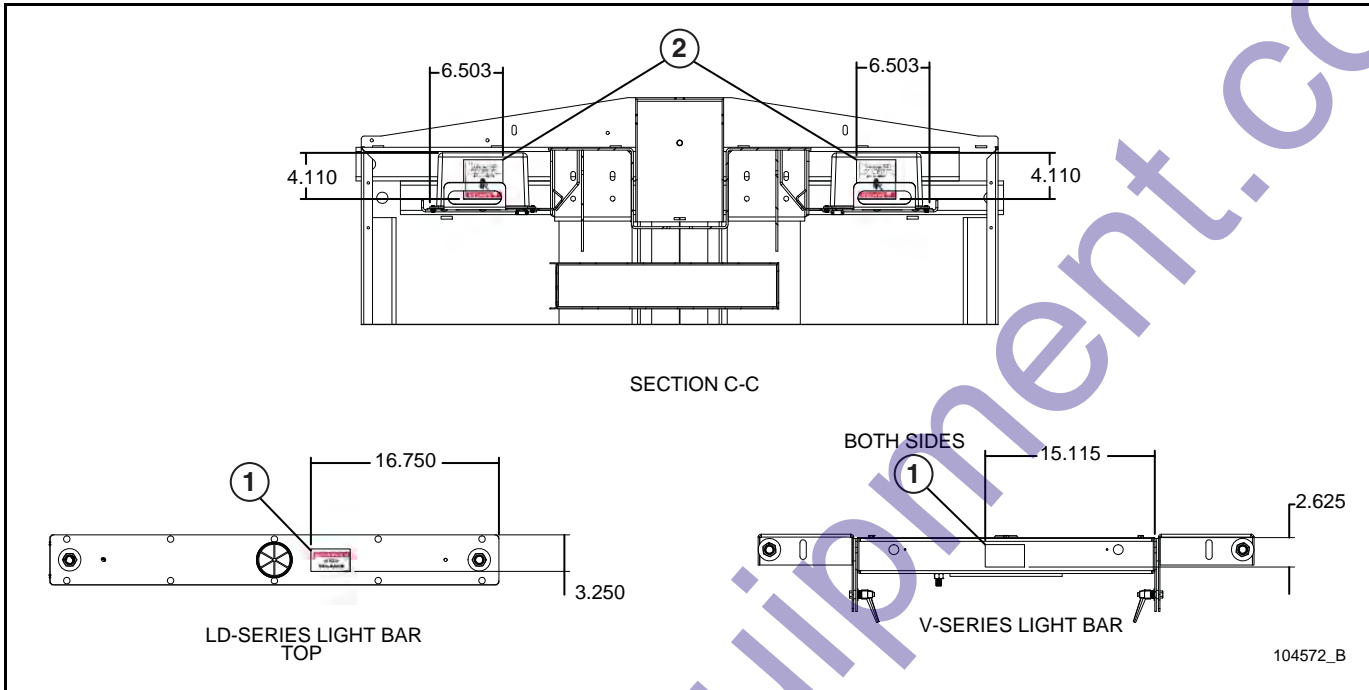
SN 0001ML2V13 and Up



Item	Part No.	Part Description	Qty.
1	090002	HIGH VOLTAGE DANGER DECAL	6
2	090162	HAZARDOUS VOLTAGE DECAL DANGER DECAL	4
3	090163	ELECTRICAL SHOCK DANGER DECAL	1

**SAFETY AND WARNING DECALS – BASE MACHINE – ENGLISH  
(4 OF 4)**

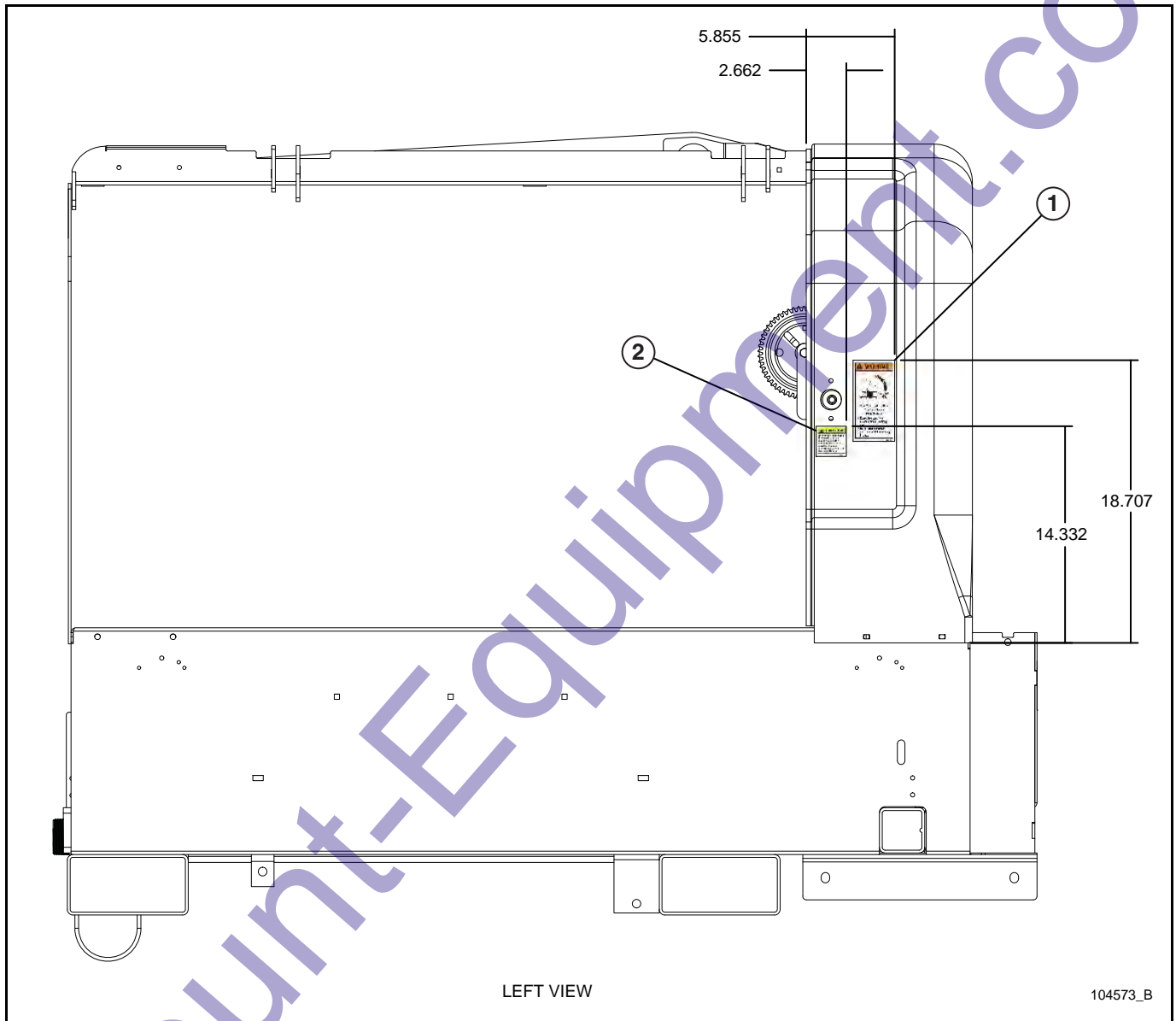
SN 0001ML2V13 and Up



Item	Part No.	Part Description	Qty.
1	090002	HIGH VOLTAGE DANGER DECAL	6
2	090162	HAZARDOUS VOLTAGE DECAL DANGER DECAL	4

### SAFETY AND WARNING DECALS – LAYDOWN TOWER – ENGLISH (1 OF 3)

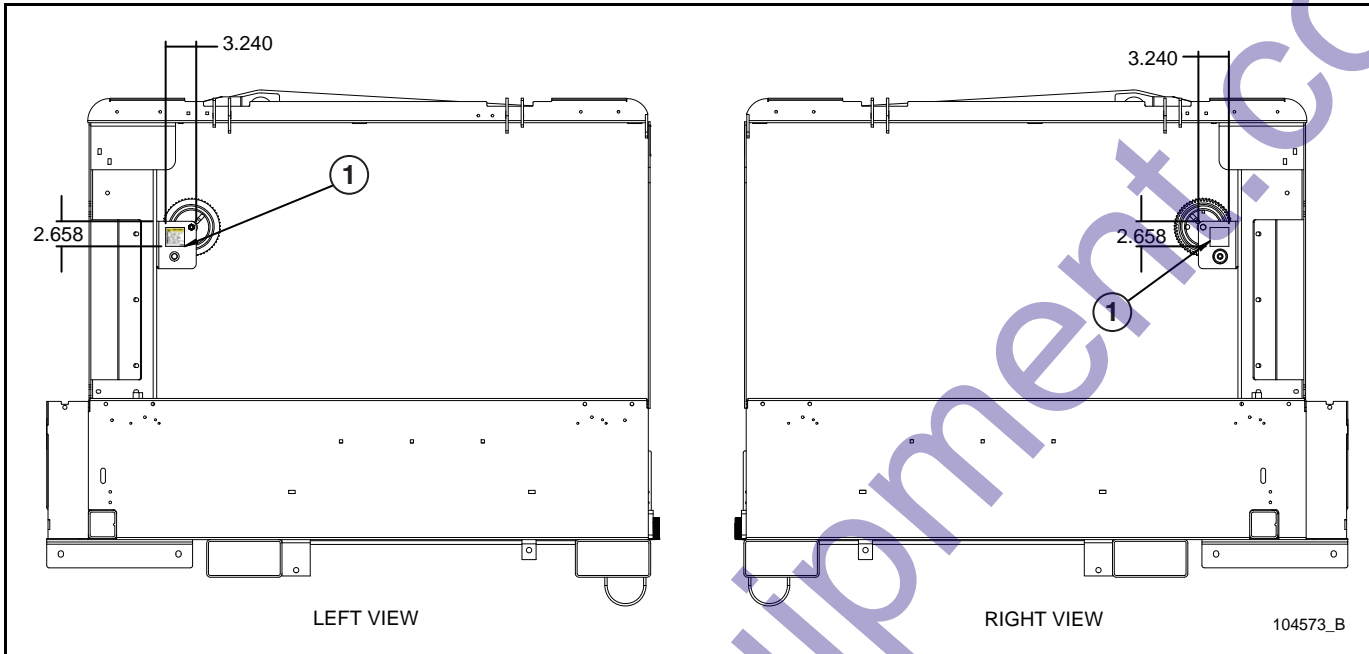
SN 0001ML2V13 and Up



Item	Part No.	Part Description	Qty.
1	090164	DEATH OR INJURY WARNING DECAL	1
2	090474	WINCH CAUTION CAUTION DECAL	3

**SAFETY AND WARNING DECALS – LAYDOWN TOWER – ENGLISH  
(2 OF 3)**

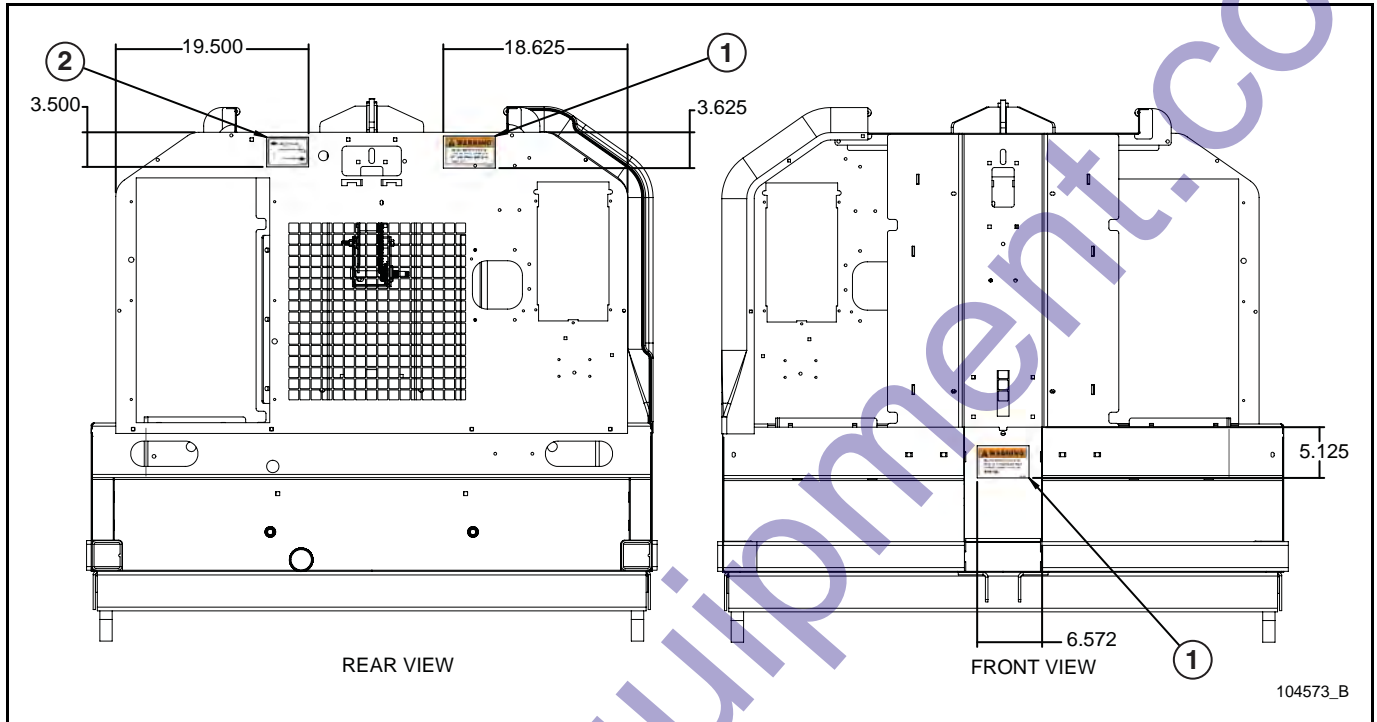
SN 0001ML2V13 and Up



Item	Part No.	Part Description	Qty.
1	090474	WINCH CAUTION CAUTION DECAL	3

### SAFETY AND WARNING DECALS – LAYDOWN TOWER – ENGLISH (3 OF 3)

SN 0001ML2V13 and Up

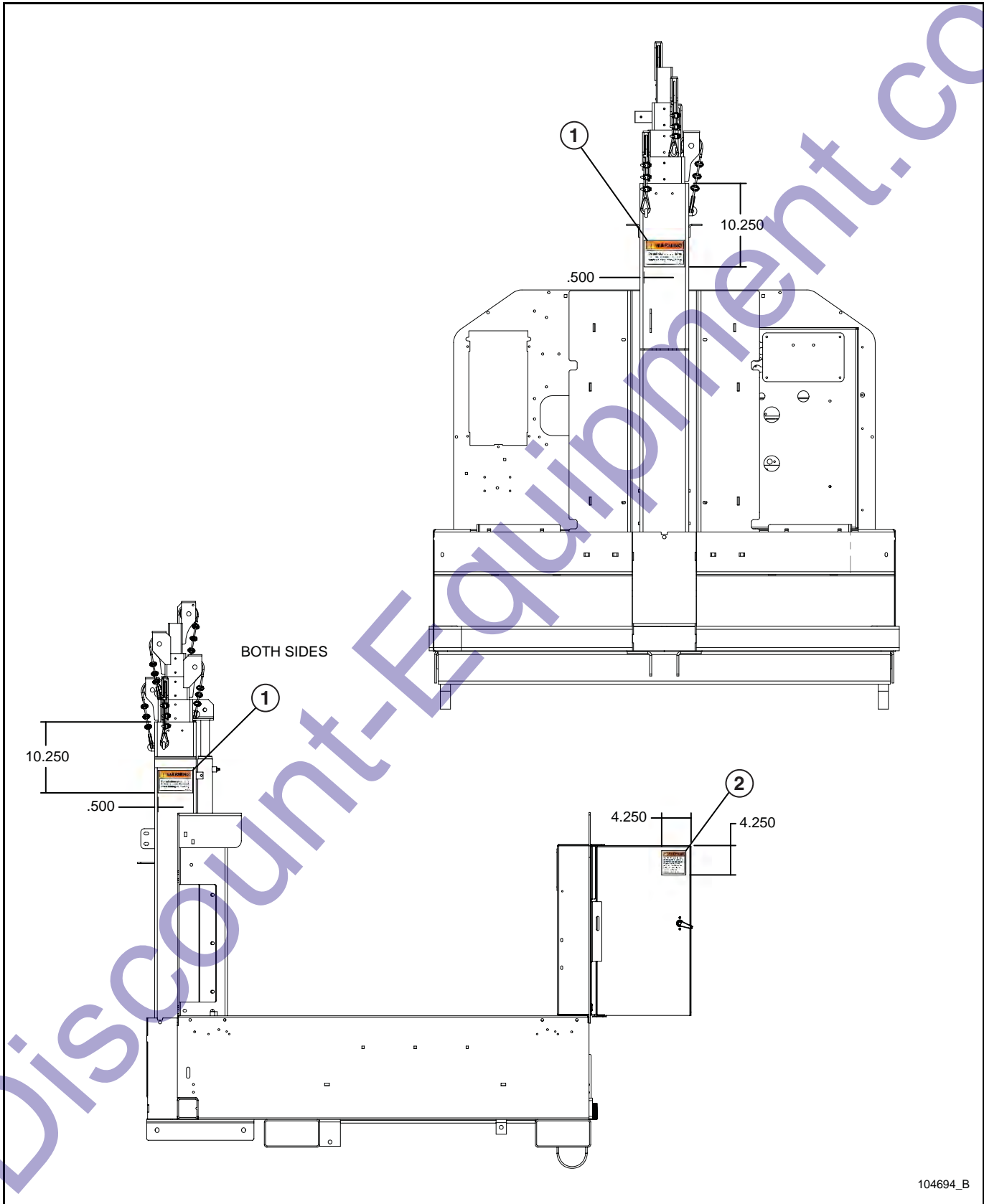


104573\_B

Item	Part No.	Part Description	Qty.
1	090003	DO NOT STAND WARNING DECAL	2
2	090139	TOWER LATCH DECAL	1

**SAFETY AND WARNING DECALS - VERTICAL TOWER - ENGLISH**

SN 0001ML2V13 and Up





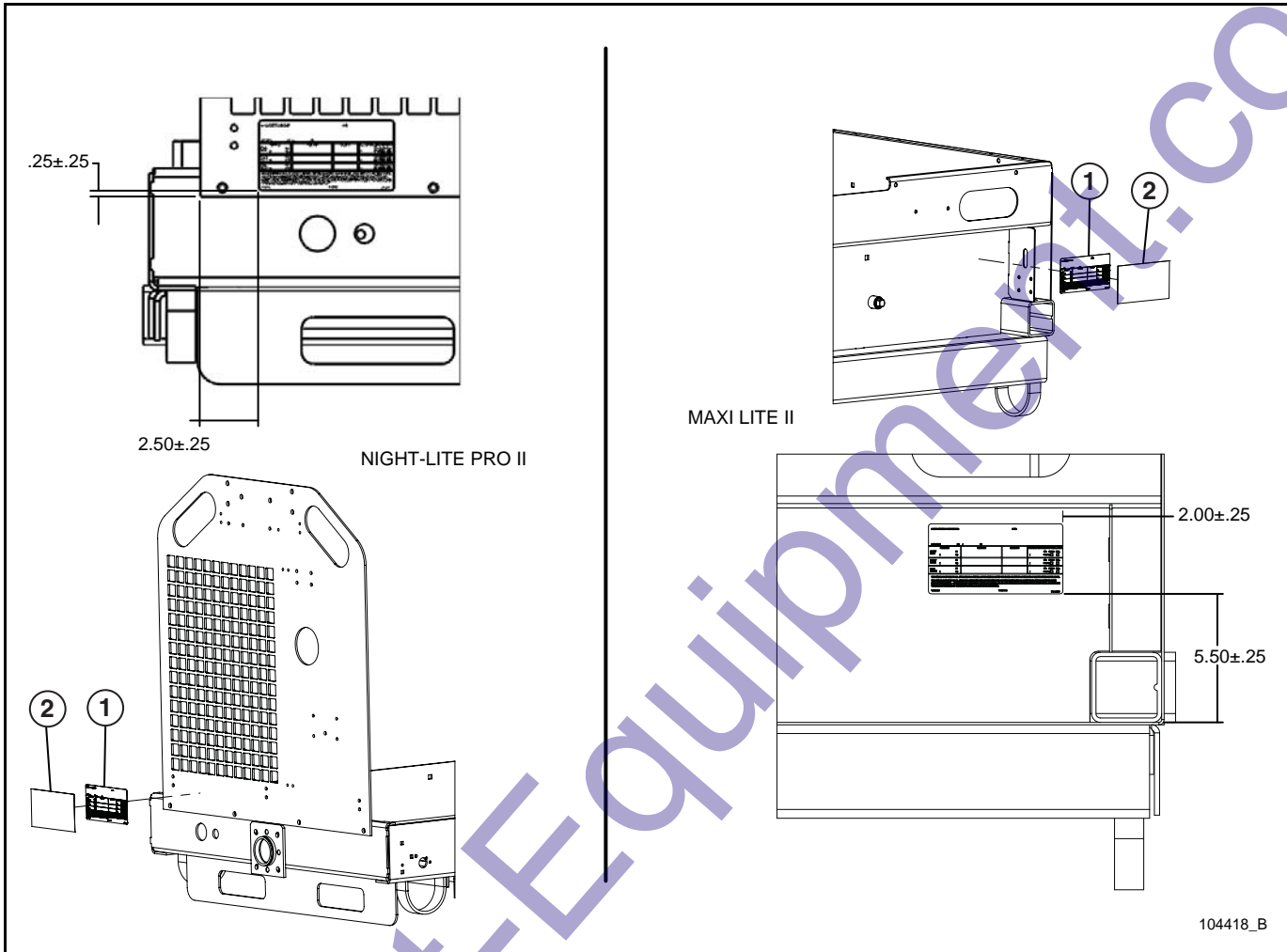
**SAFETY AND WARNING DECALS – VERTICAL TOWER – ENGLISH**

SN 0001ML2V13 and Up

Item	Part No.	Part Description	Qty.
1	101404	DO NOT STAND DECAL WARNING DECAL	3
2	100247	DAMAGE MAY OCCUR DECAL WARNING DECAL	1

## VIN TAG

SN 0001ML2V13 and Up

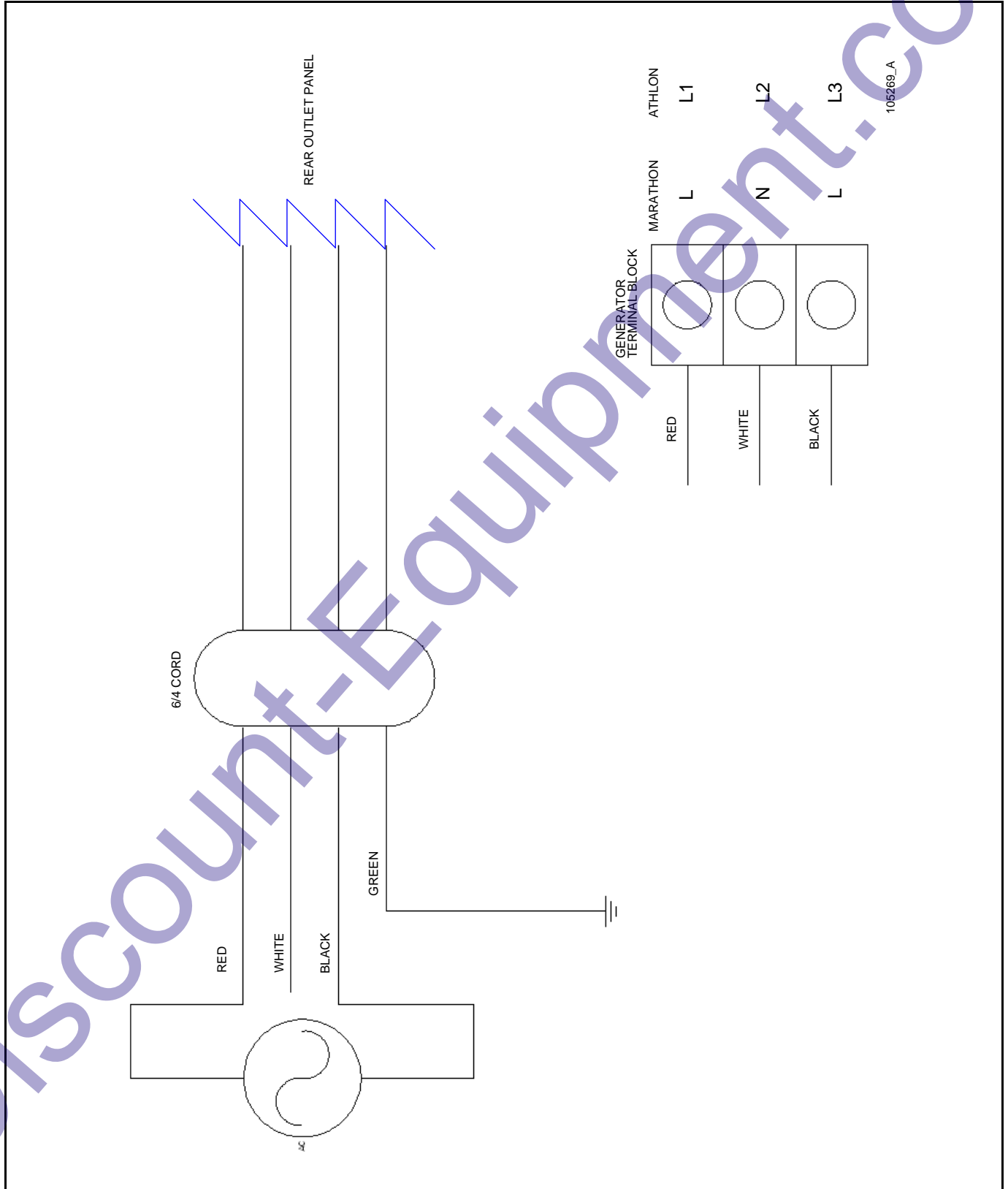


Item	Part No.	Part Description	Qty.
1	102608	VIN TAG MATTE CHROME POLY	1
2	102609	CLEAR OVER-LAM	1

## WIRING DIAGRAM

### 8kW Marathon/Athlon 50/60 Hz Generator

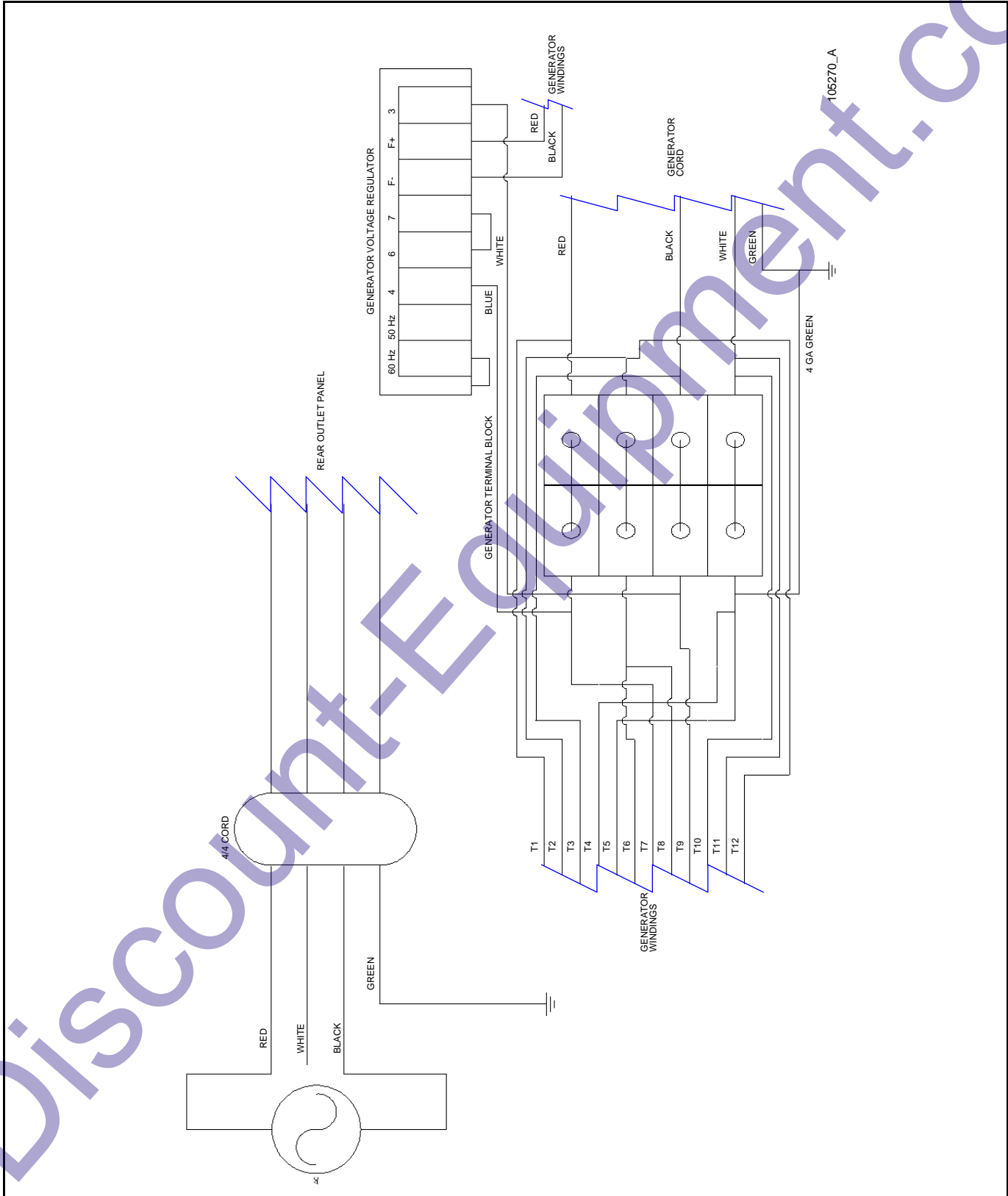
SN 0001ML2V13 and Up



**WIRING DIAGRAM**

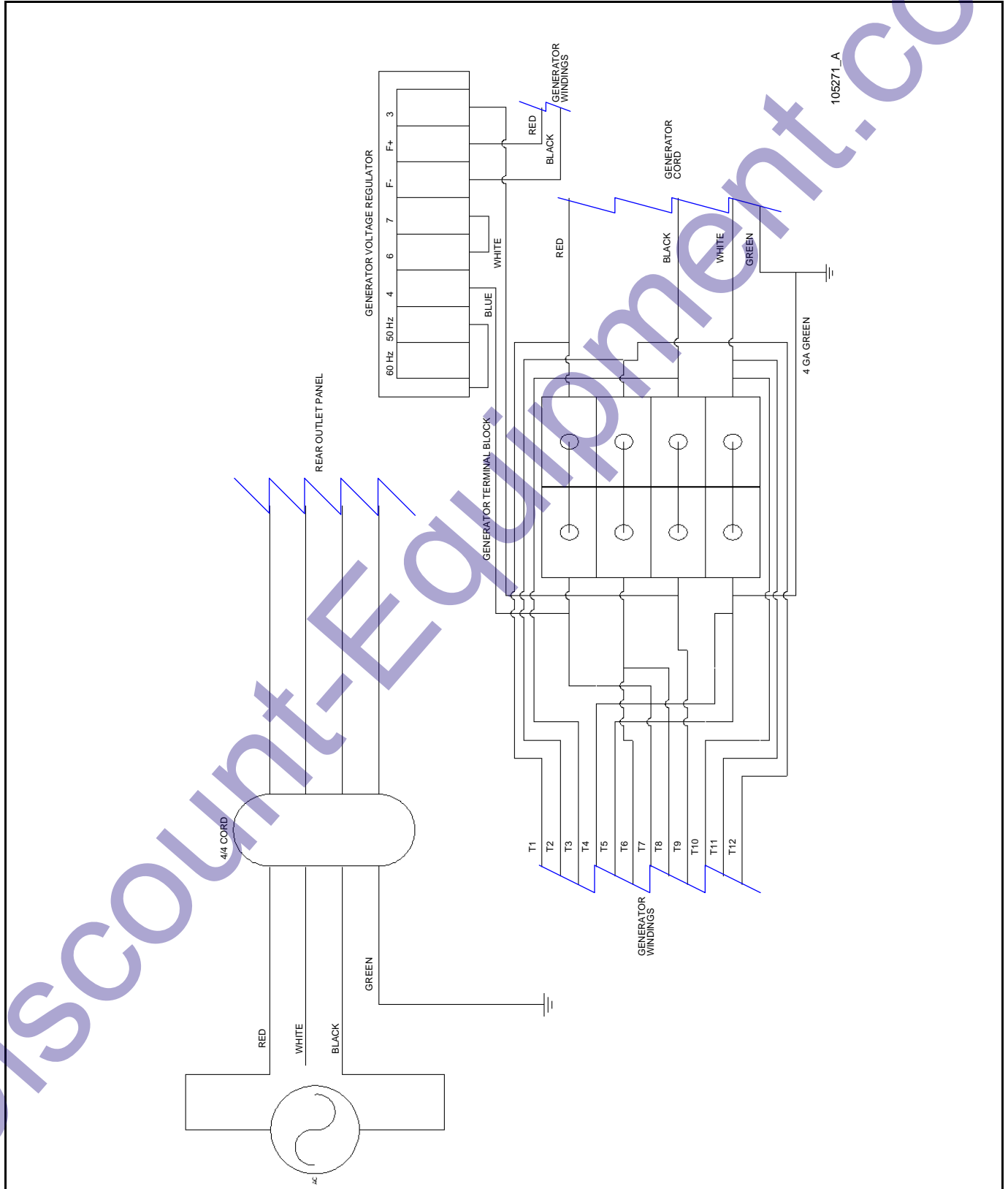
**15kW 1P 60Hz Marathon 60 Hz Generator**

SN 0001ML2V13 and Up



**WIRING DIAGRAM**  
**13kW Marathon 50Hz Generator**

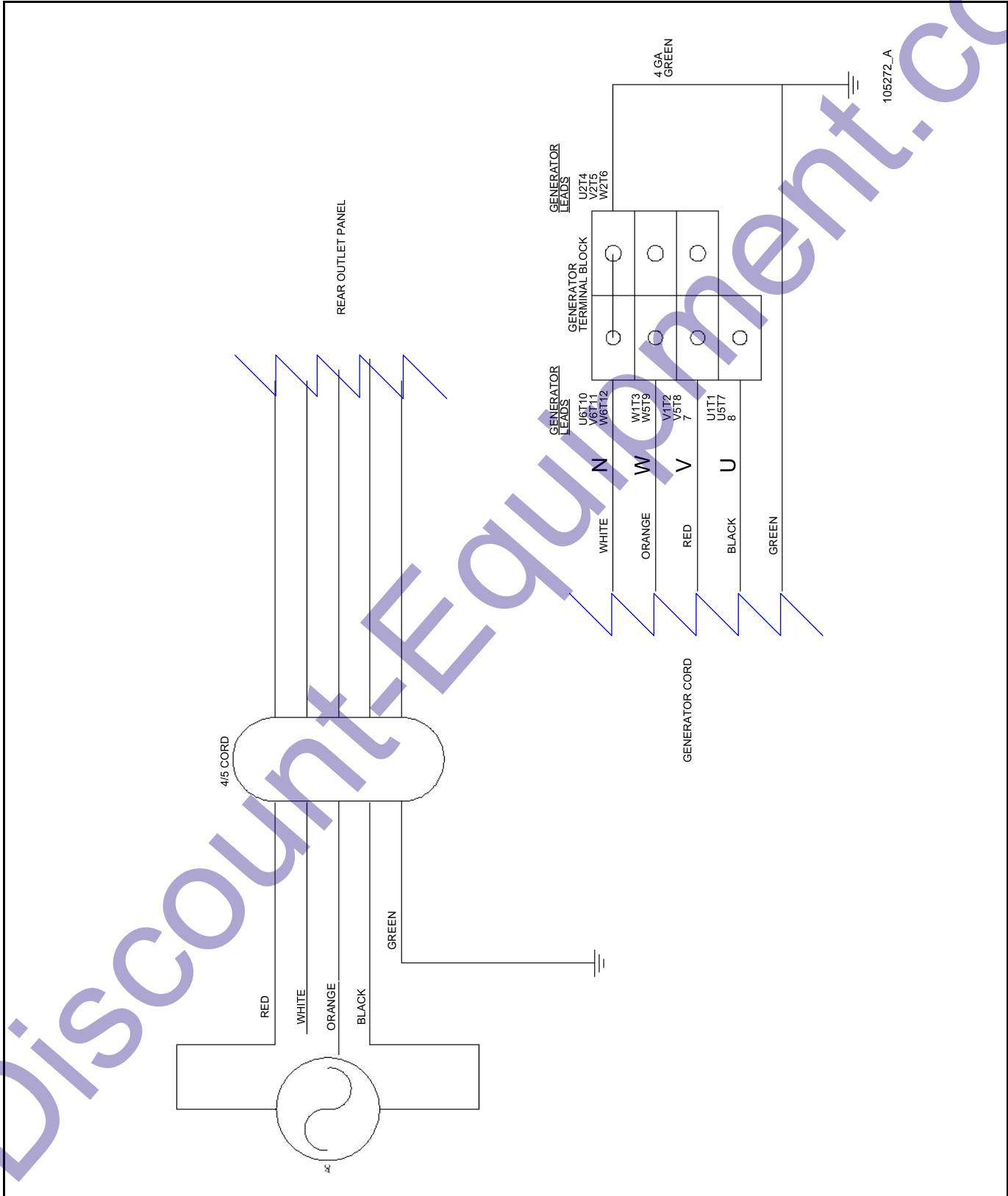
SN 0001ML2V13 and Up



**WIRING DIAGRAM**

**20kW 3 Phase Cummins 208V 60Hz Generator**

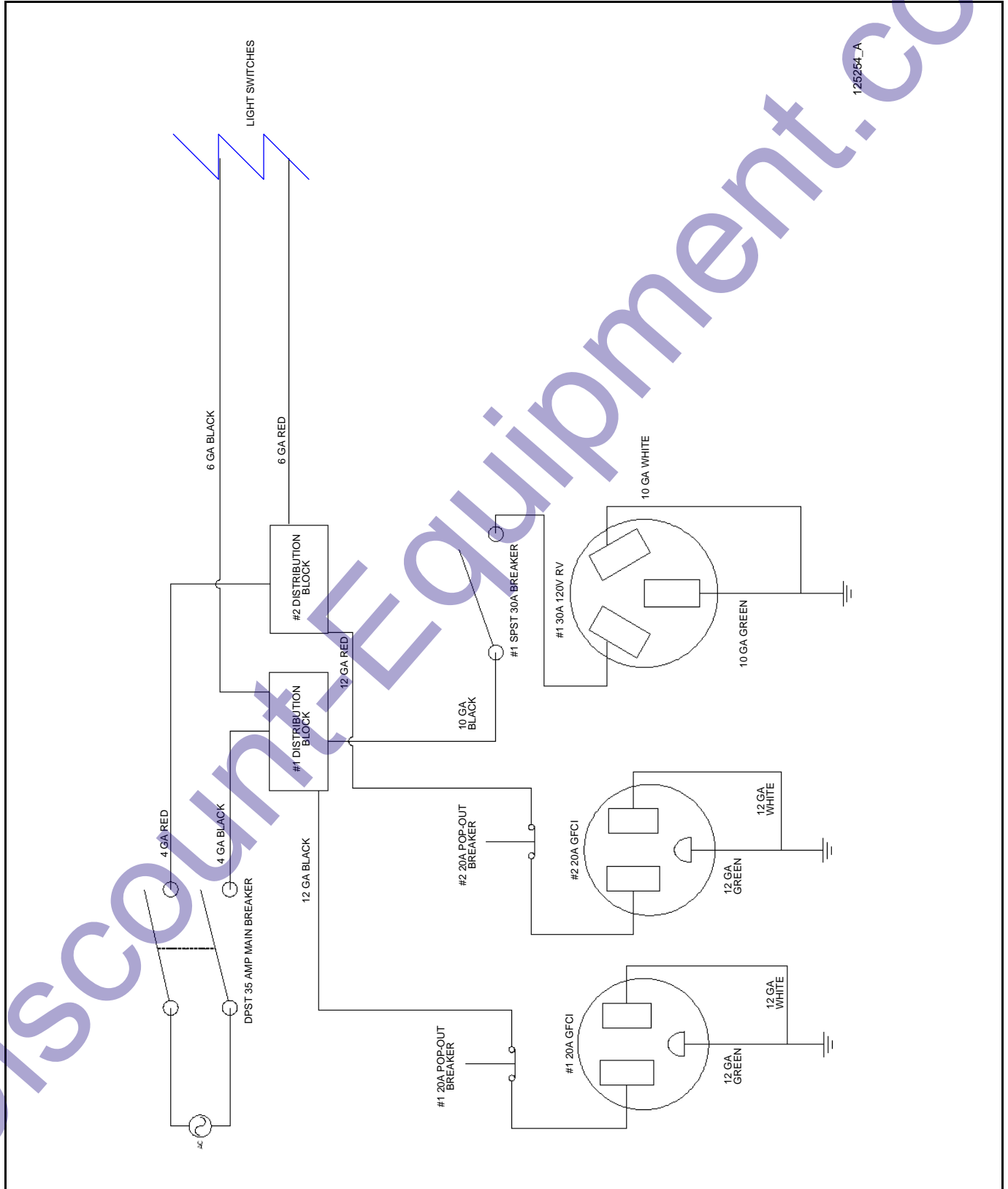
SN 0001ML2V13 and Up



## WIRING DIAGRAM

### Outlet Panel 8kW, 1 RV, 2 GFCI

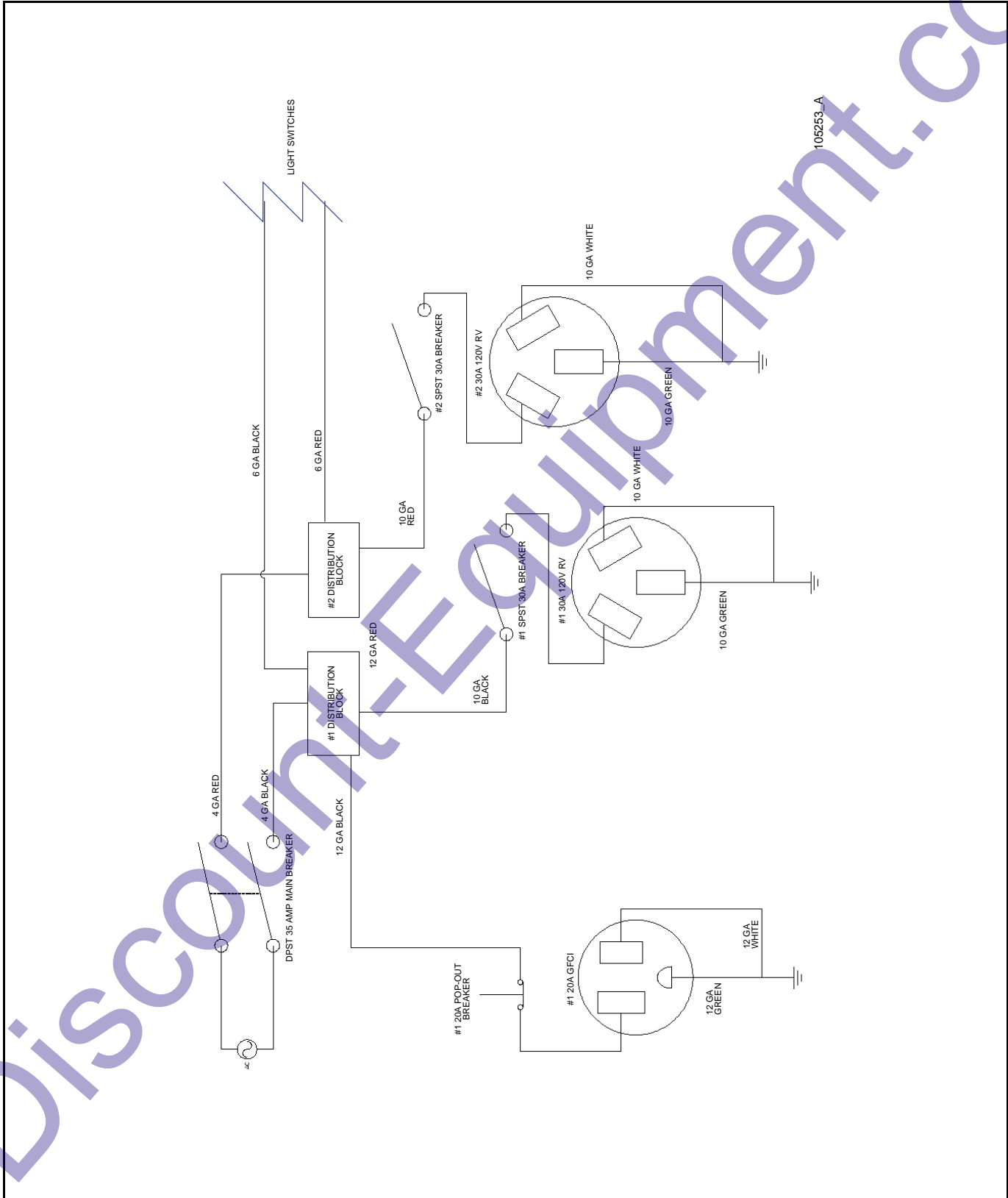
SN 0001ML2V13 and Up



WIRING DIAGRAM

Outlet Panel 8kW, 2 RV, 1 GFCI

SN 0001ML2V13 and Up



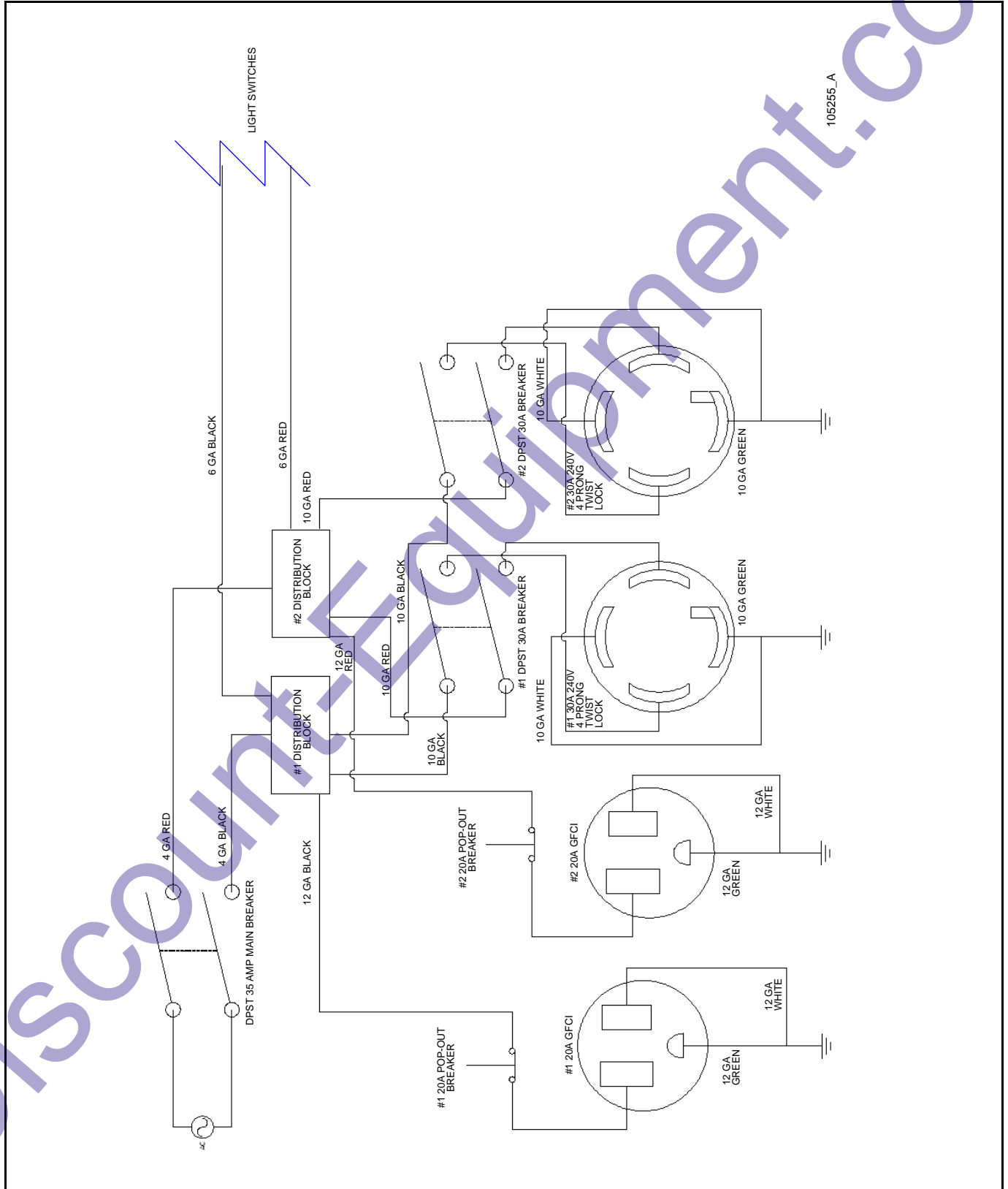
105253\_A



**WIRING DIAGRAM**

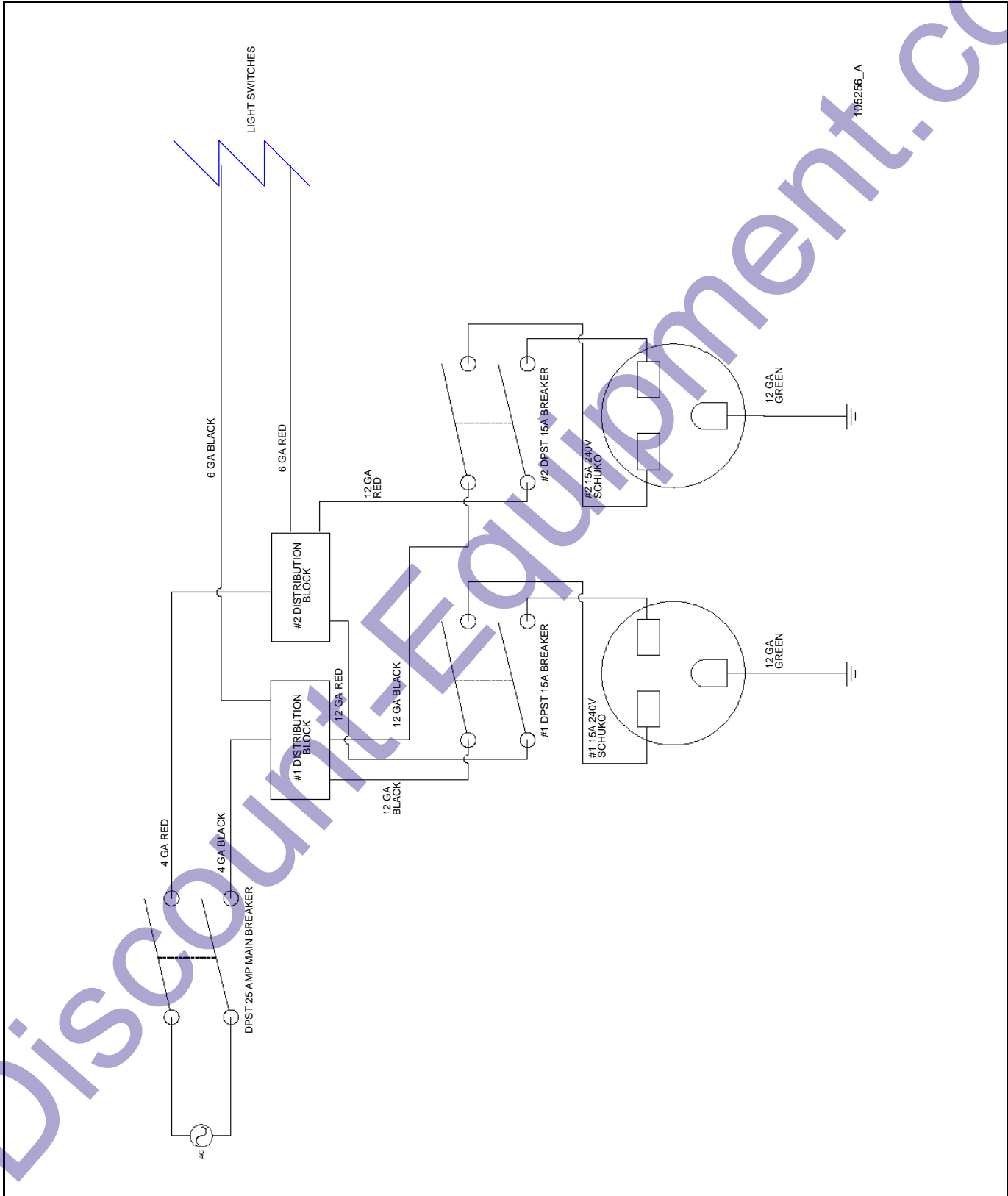
**Outlet Panel 8kW, 2 Twist Lock, 2 GFCI**

SN 0001ML2V13 and Up



**WIRING DIAGRAM**  
**Outlet Panel 8kW, 2 Schuko**

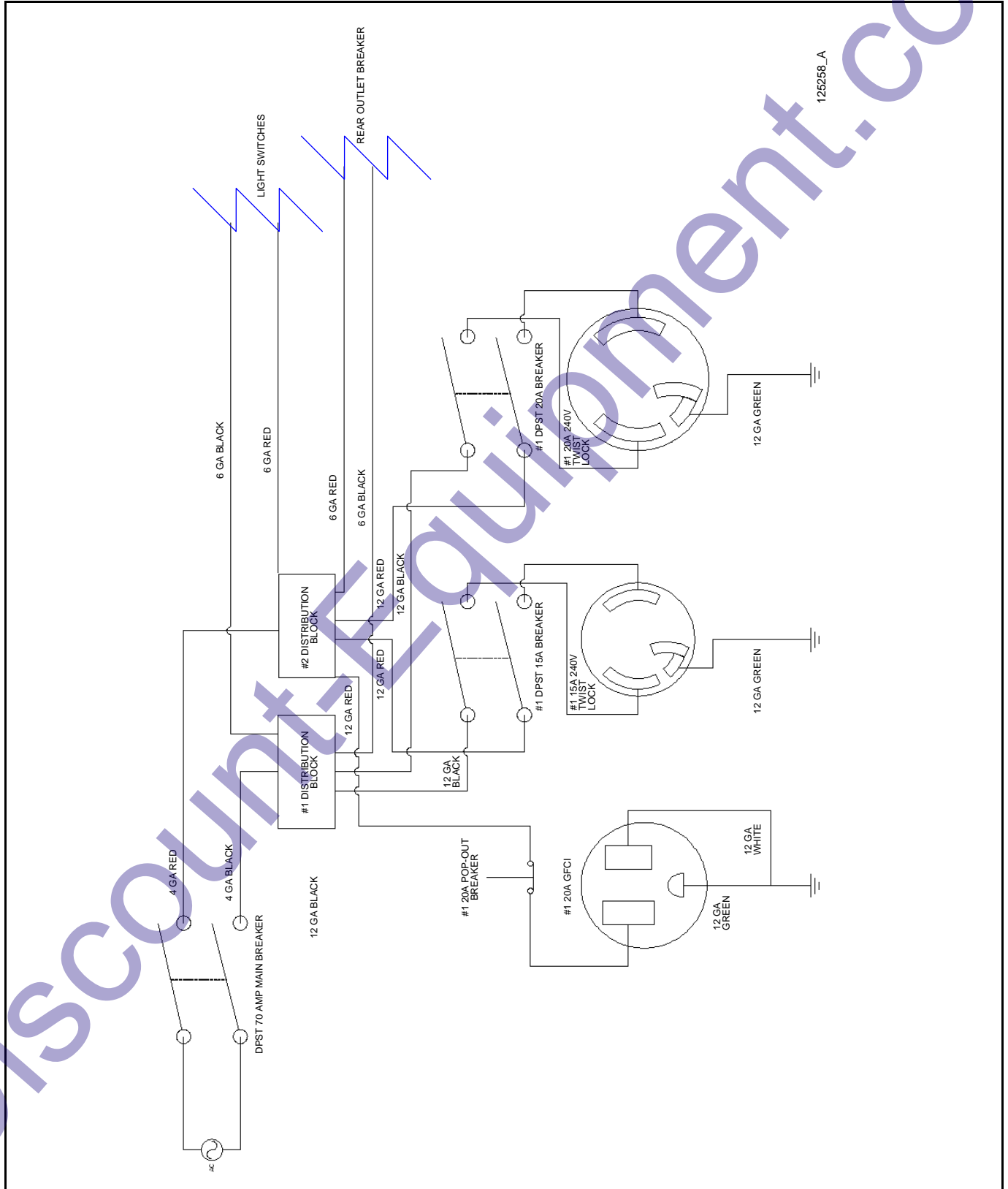
SN 0001ML2V13 and Up



**WIRING DIAGRAM**

**Outlet Panel 15kW, 1-15A & 1-20A Twist Lock, 1 GFCI**

SN 0001ML2V13 and Up

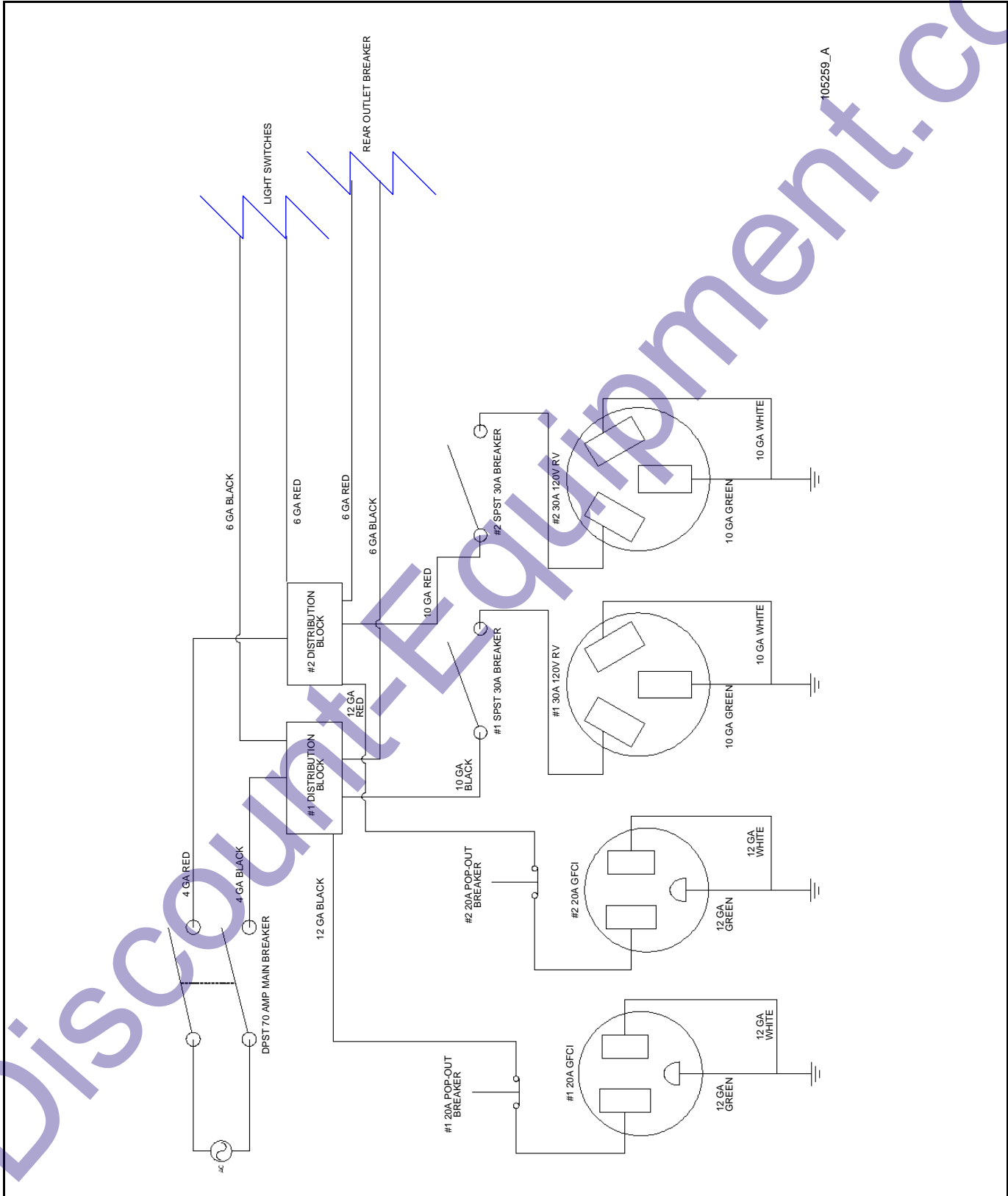


125258\_A

**WIRING DIAGRAM**

**Outlet Panel 15kW, 2 RV, 2 GFCI**

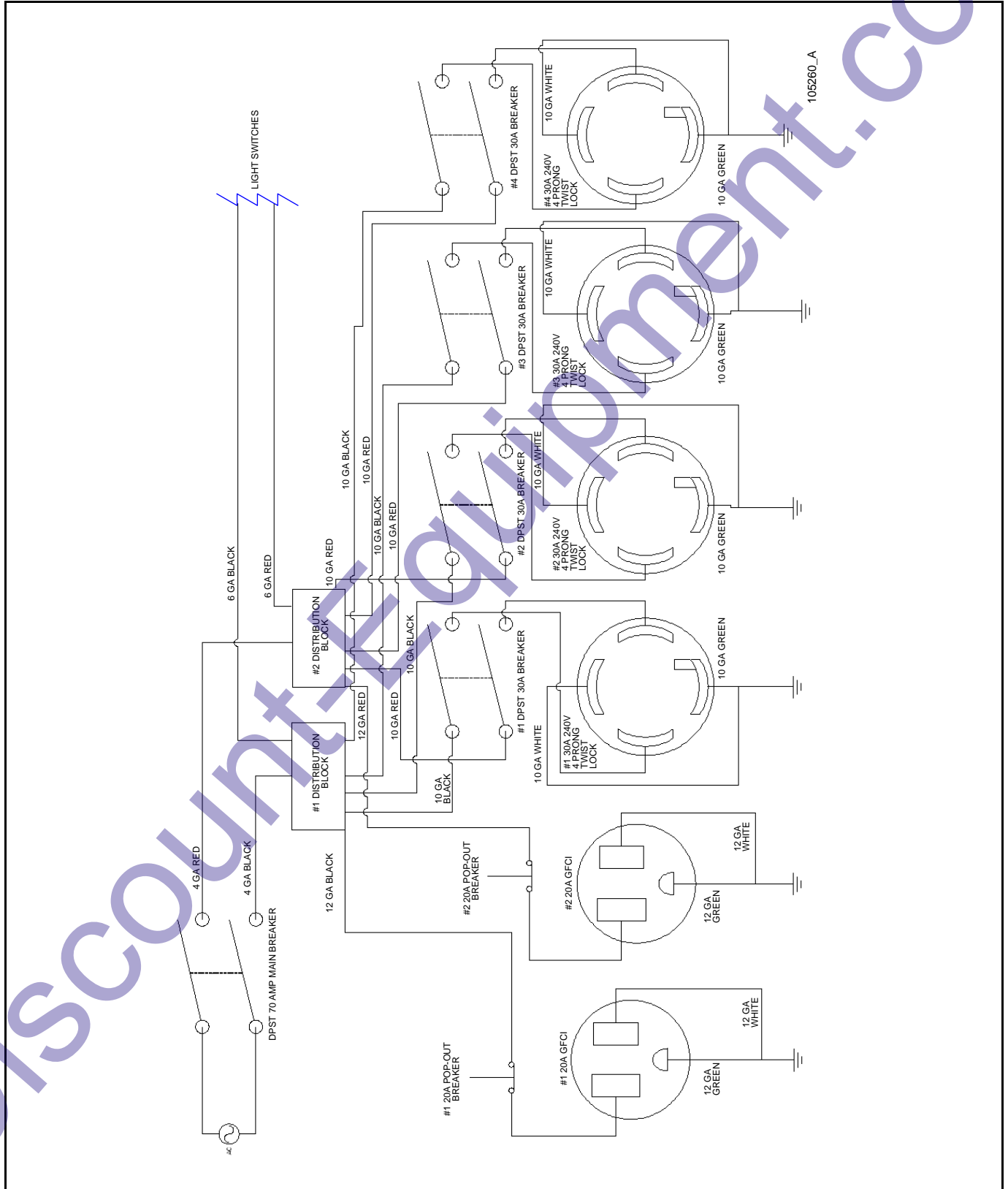
SN 0001ML2V13 and Up



## WIRING DIAGRAM

### Outlet Panel 15kW, 4-30A Twist Lock, 2 GFCI

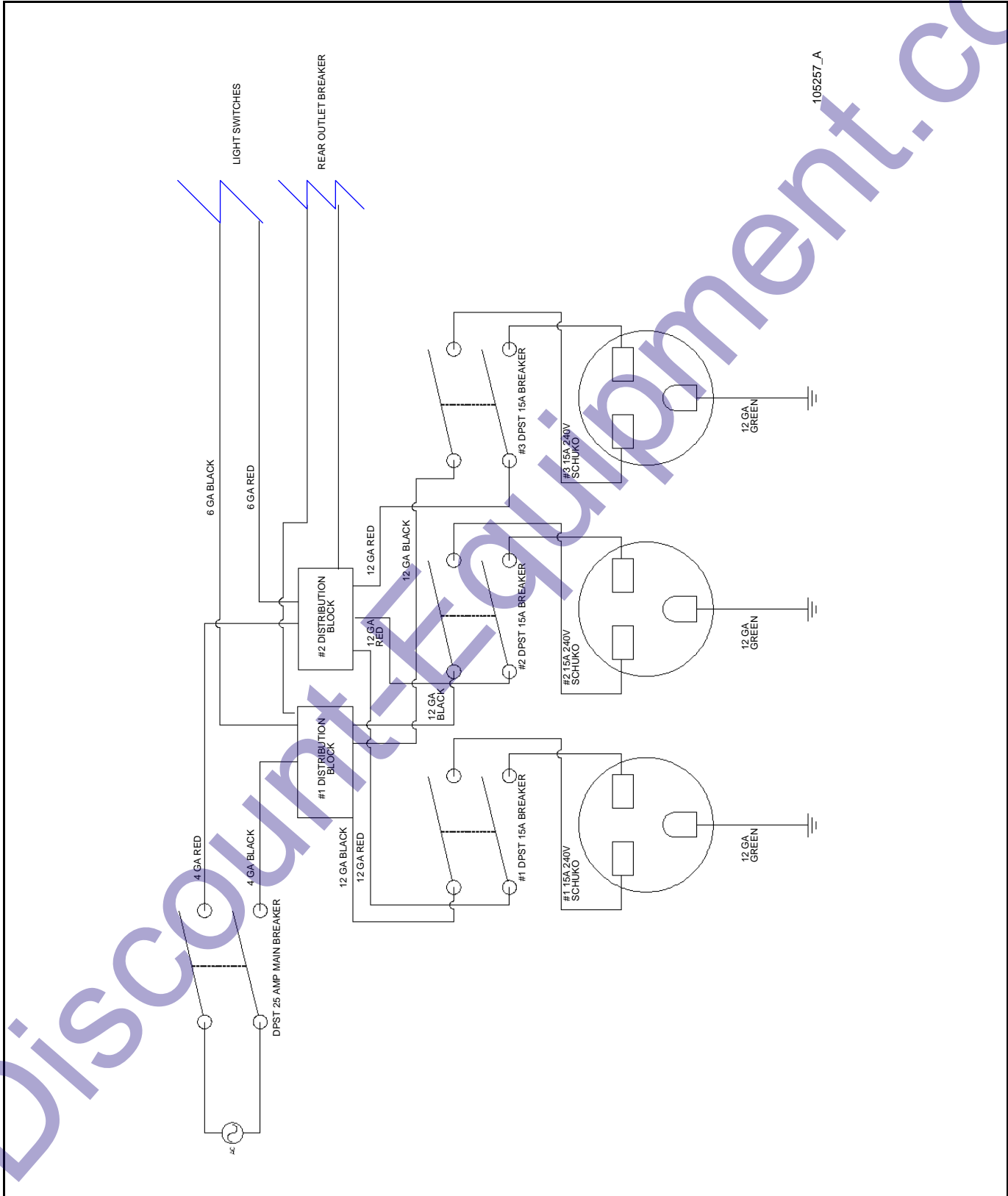
SN 0001ML2V13 and Up



**WIRING DIAGRAM**

**Outlet Panel 15kW, 3 Schuko**

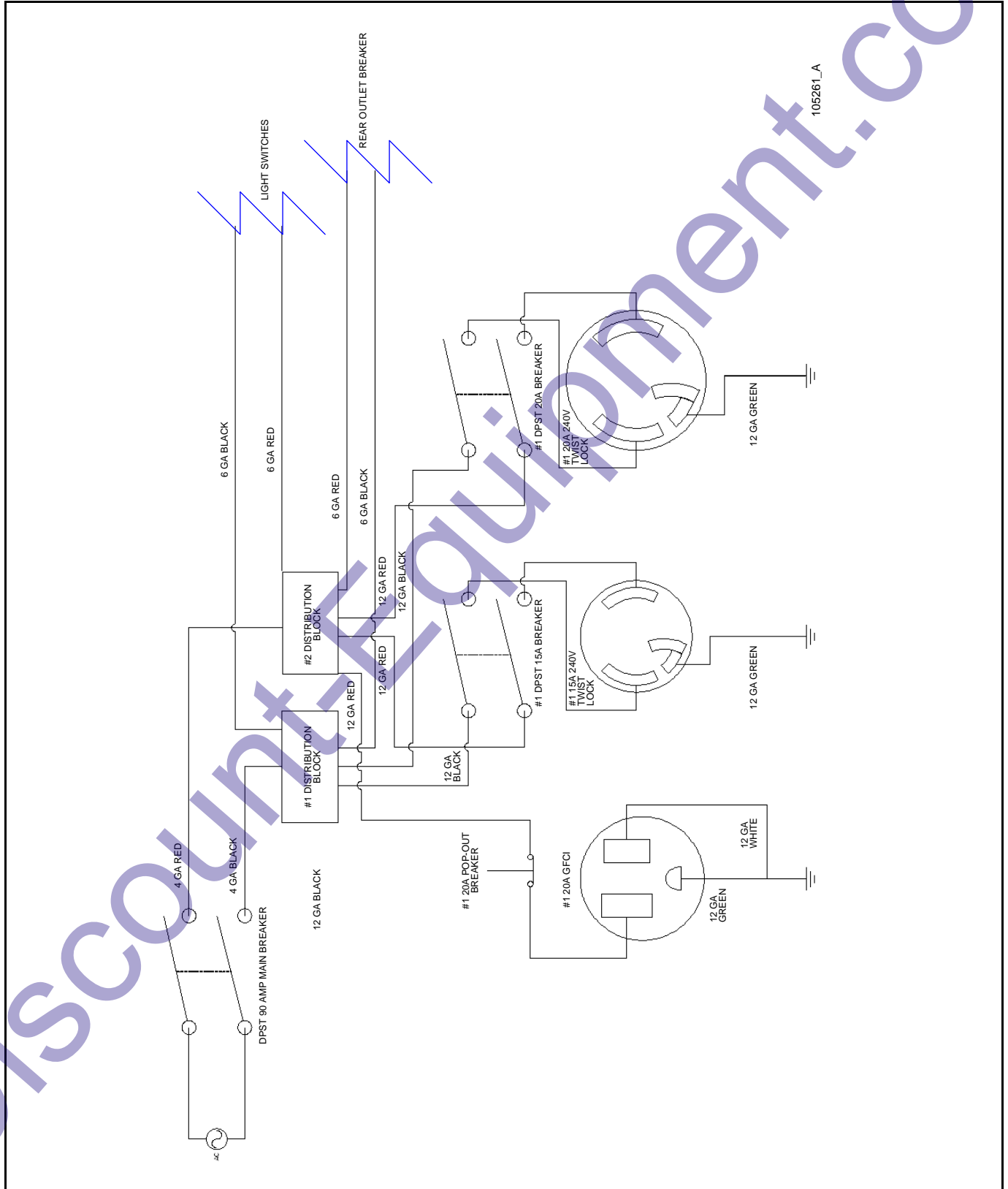
SN 0001ML2V13 and Up



### WIRING DIAGRAM

### Outlet Panel 20kW, 1-15A & 1-20A Twist Lock, 1 GFCI

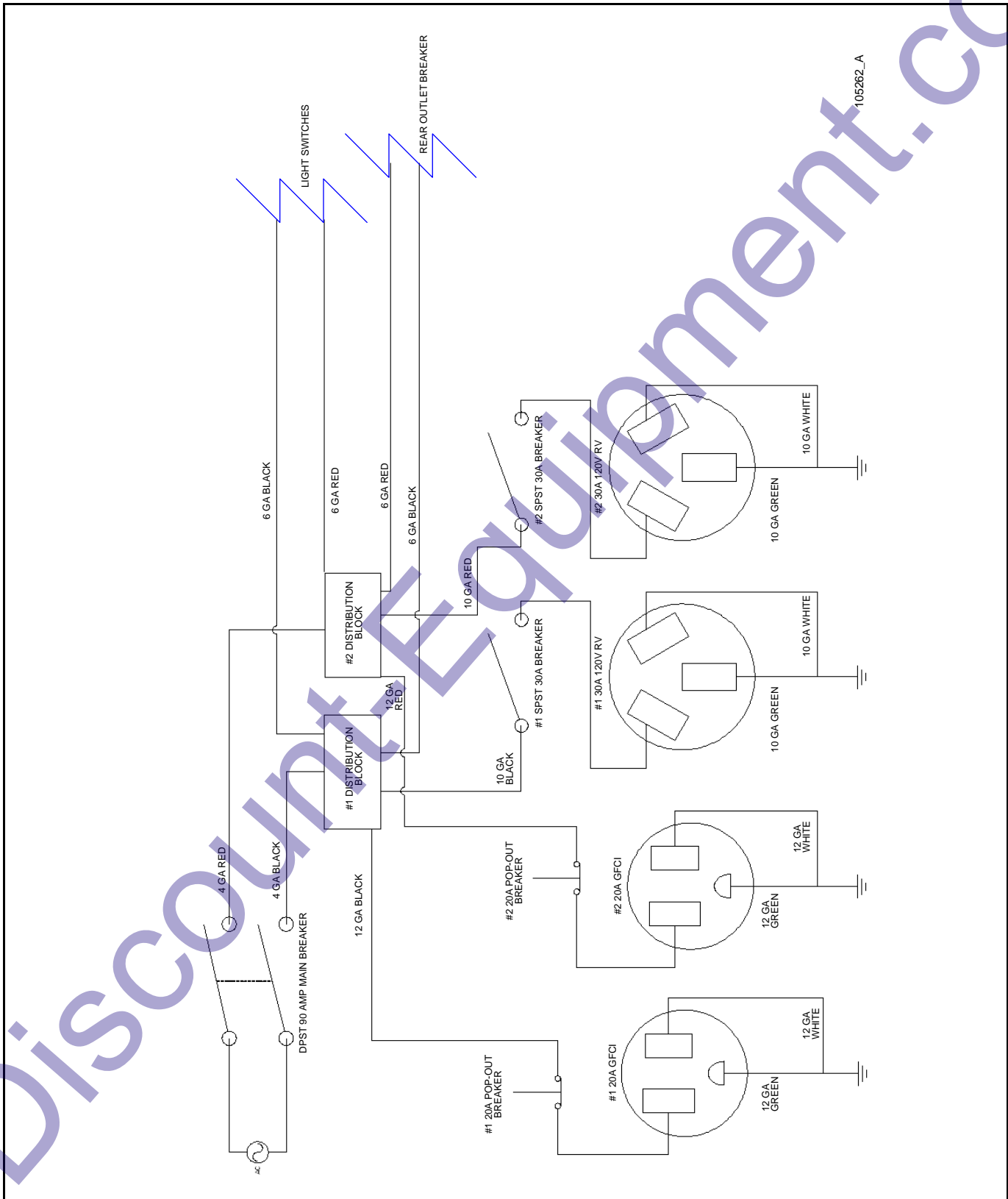
SN 0001ML2V13 and Up



**WIRING DIAGRAM**

**Outlet Panel 20kW, 2 RV, 2 GFCI**

SN 0001ML2V13 and Up

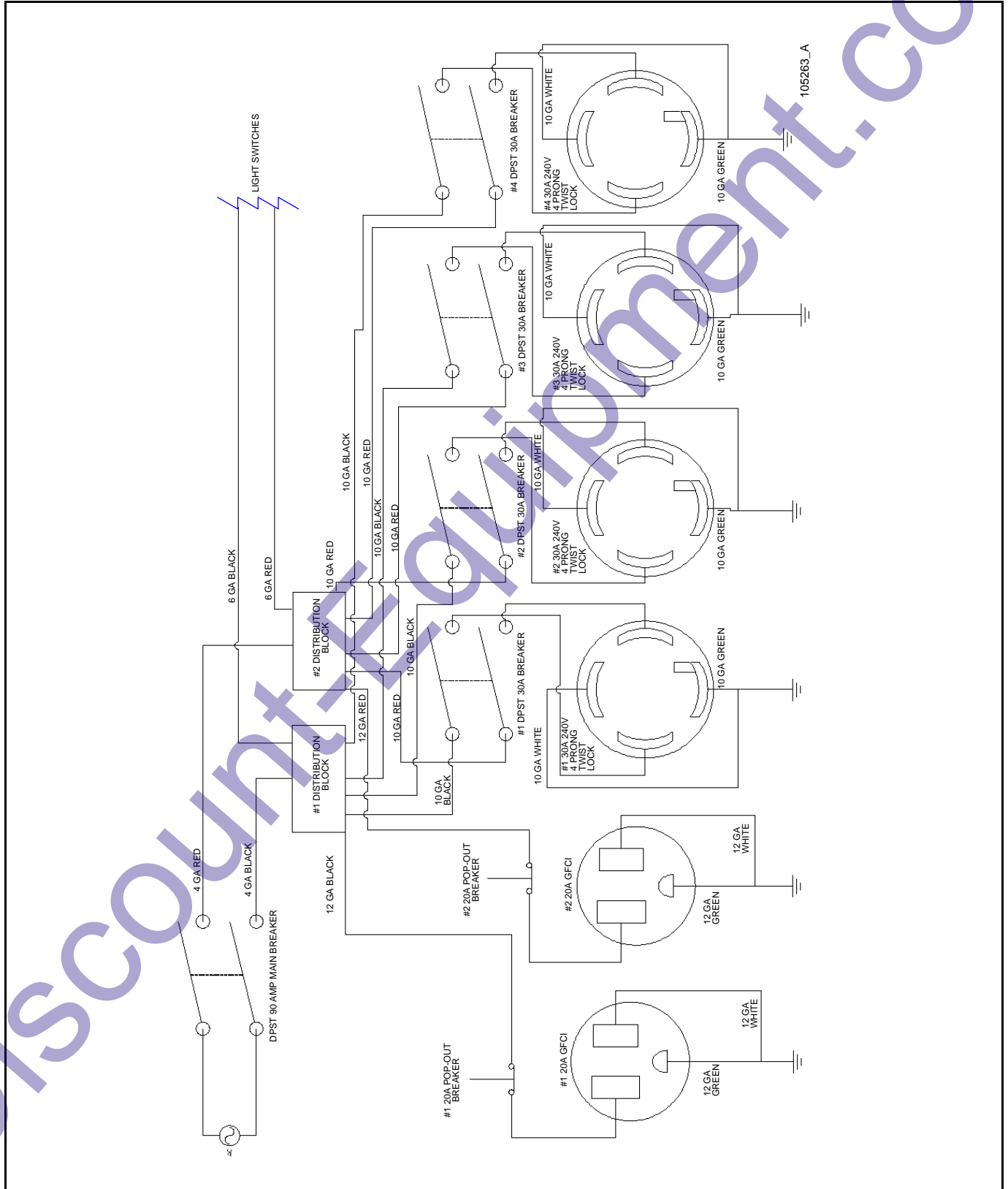




## WIRING DIAGRAM

### Outlet Panel 20kW, 4-30A Twist Lock, 2 GFCI

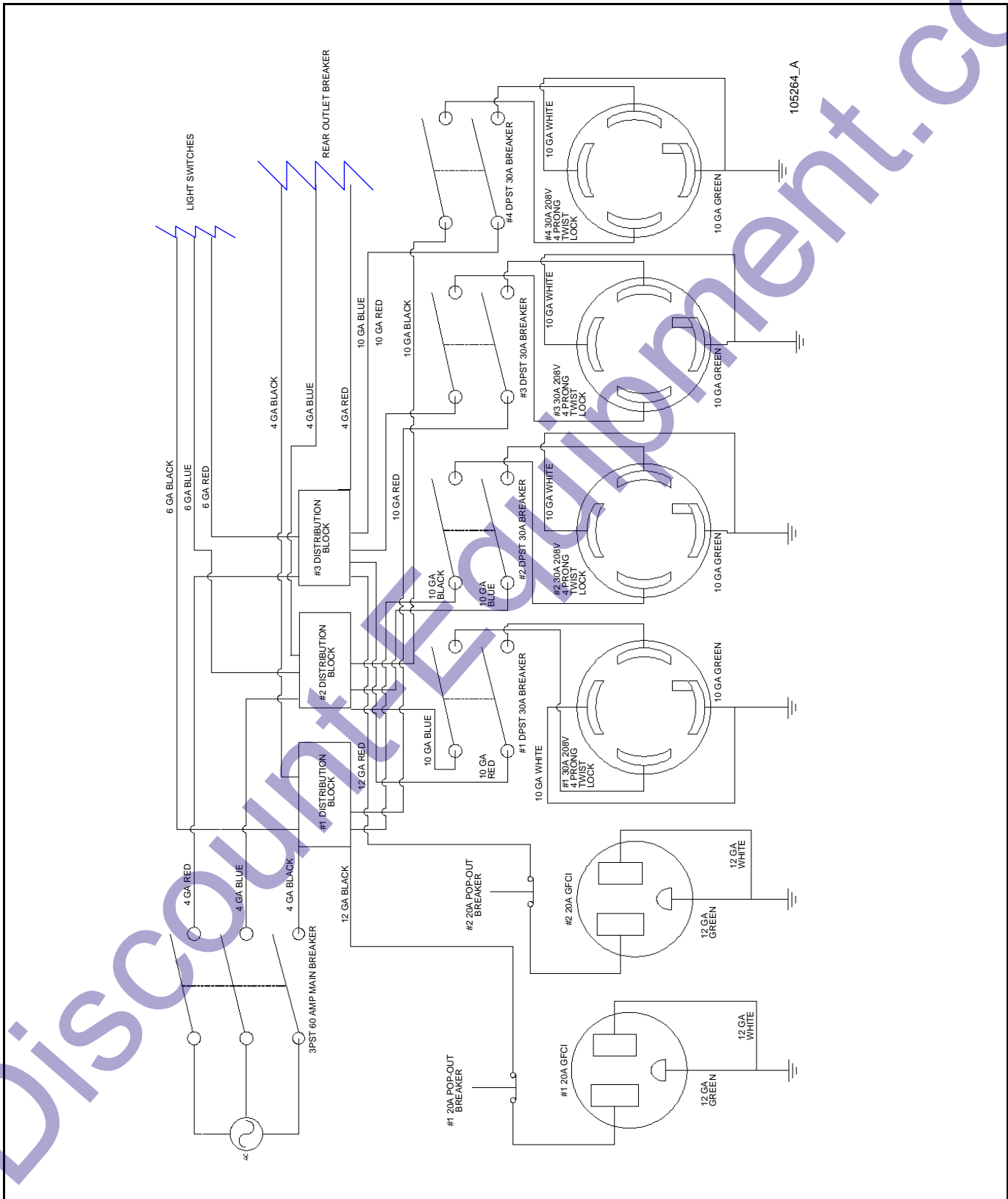
SN 0001ML2V13 and Up



**WIRING DIAGRAM**

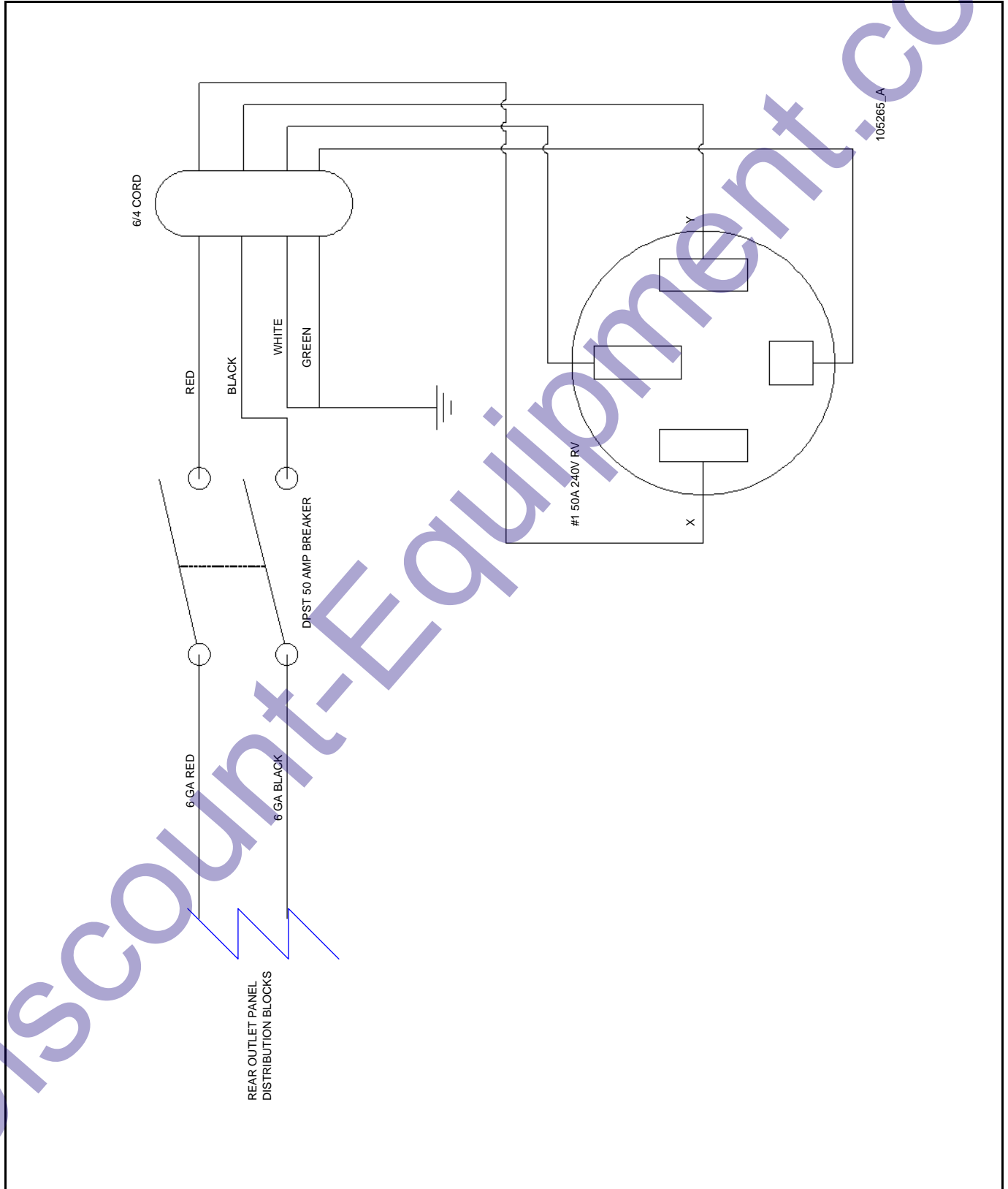
**Outlet Panel 20kW 3 Phase, 4-30A Twist Lock, 2 GFCI**

SN 0001ML2V13 and Up



## WIRING DIAGRAM Aux Outlet 240V 50A

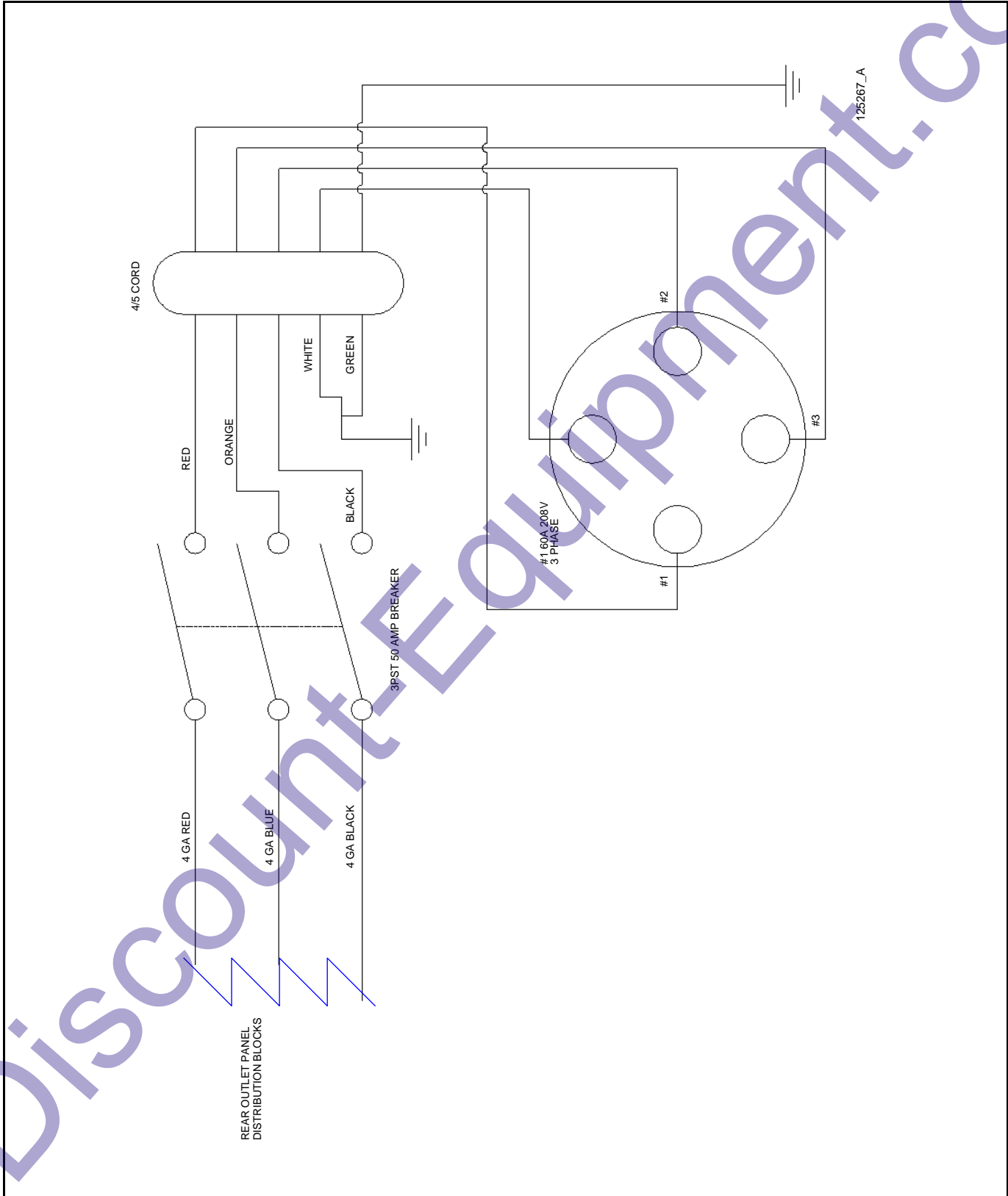
SN 0001ML2V13 and Up



**WIRING DIAGRAM**

**Aux Outlet 208V 50A 3 Phase**

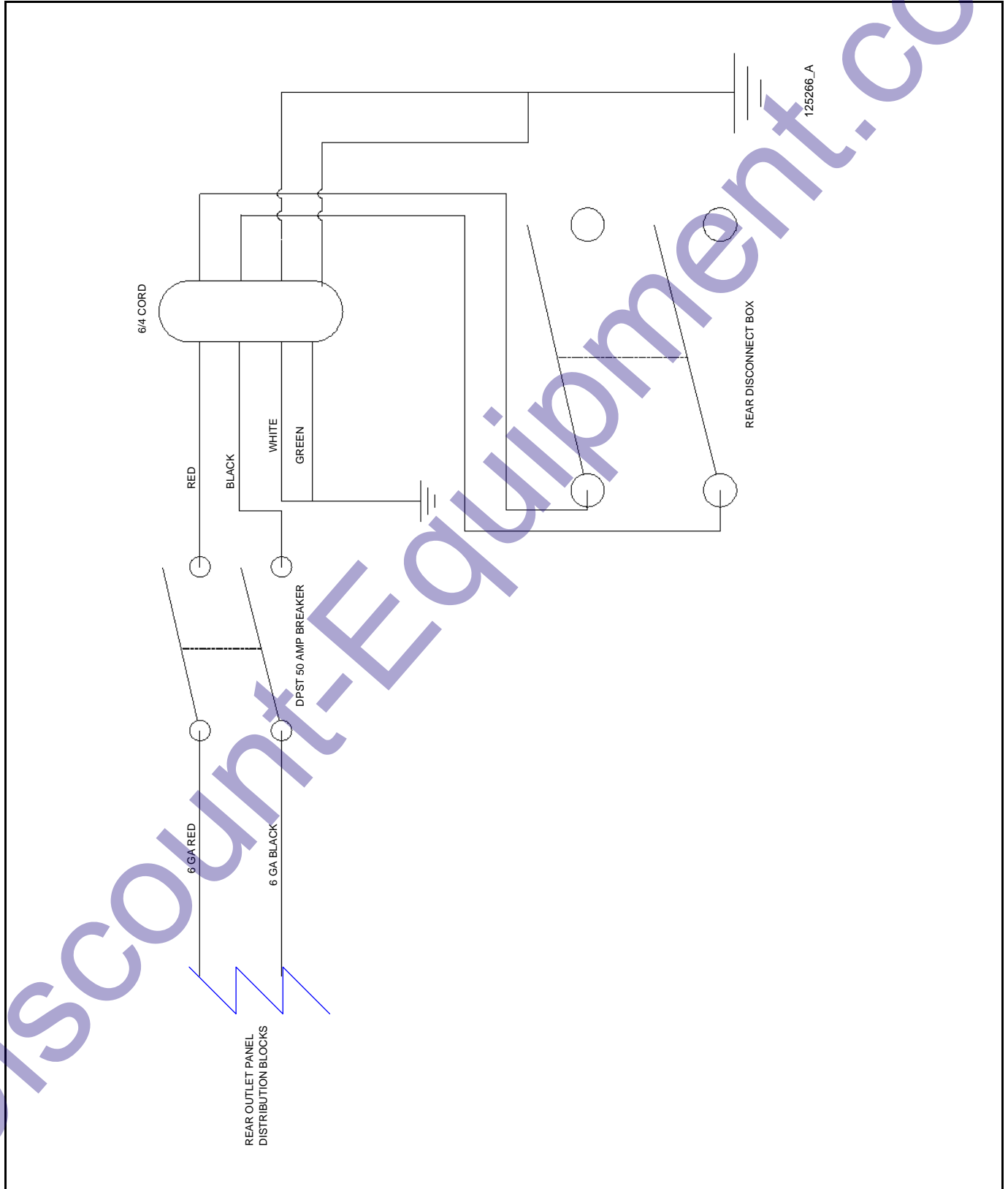
SN 0001ML2V13 and Up



## WIRING DIAGRAM

### Aux Outlet 60A Disconnect Box

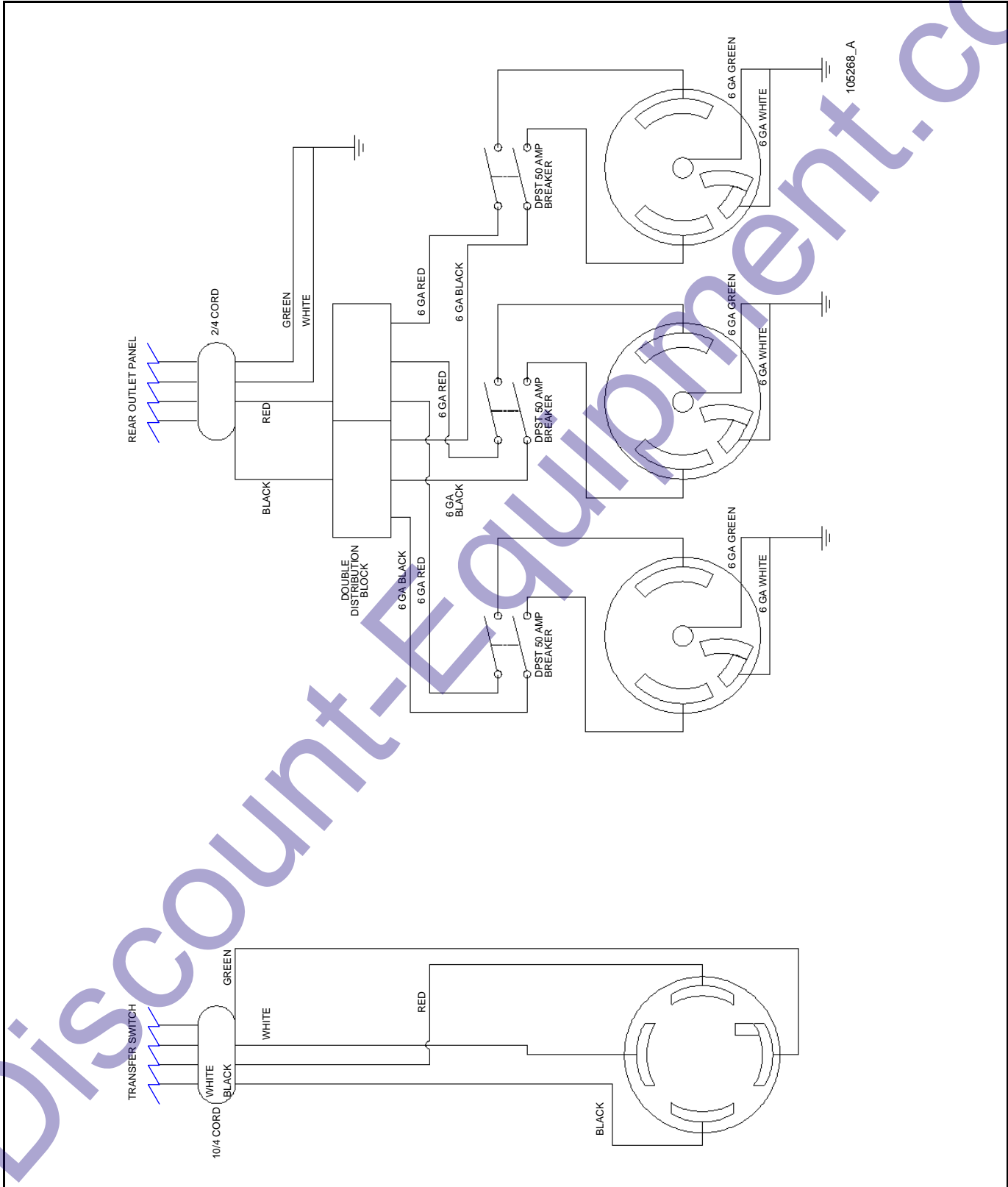
SN 0001ML2V13 and Up



WIRING DIAGRAM

Secondary Outlet Box – Master/Slave Outlets, 3 CS636, 1 30A Inlet

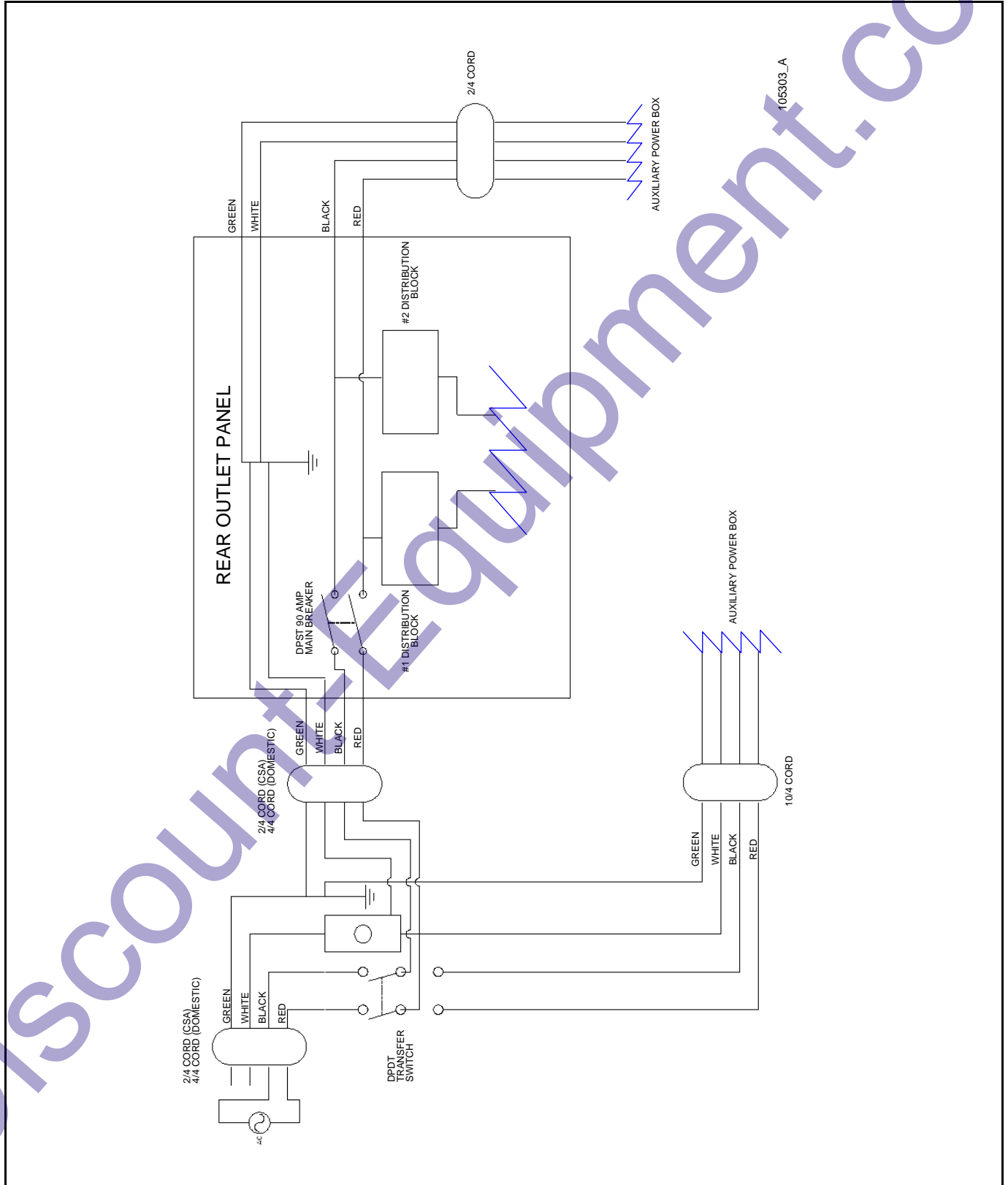
SN 0001ML2V13 and Up



## WIRING DIAGRAM

### Transfer Switch For Master/Slave Outlets On Secondary Outlet Box

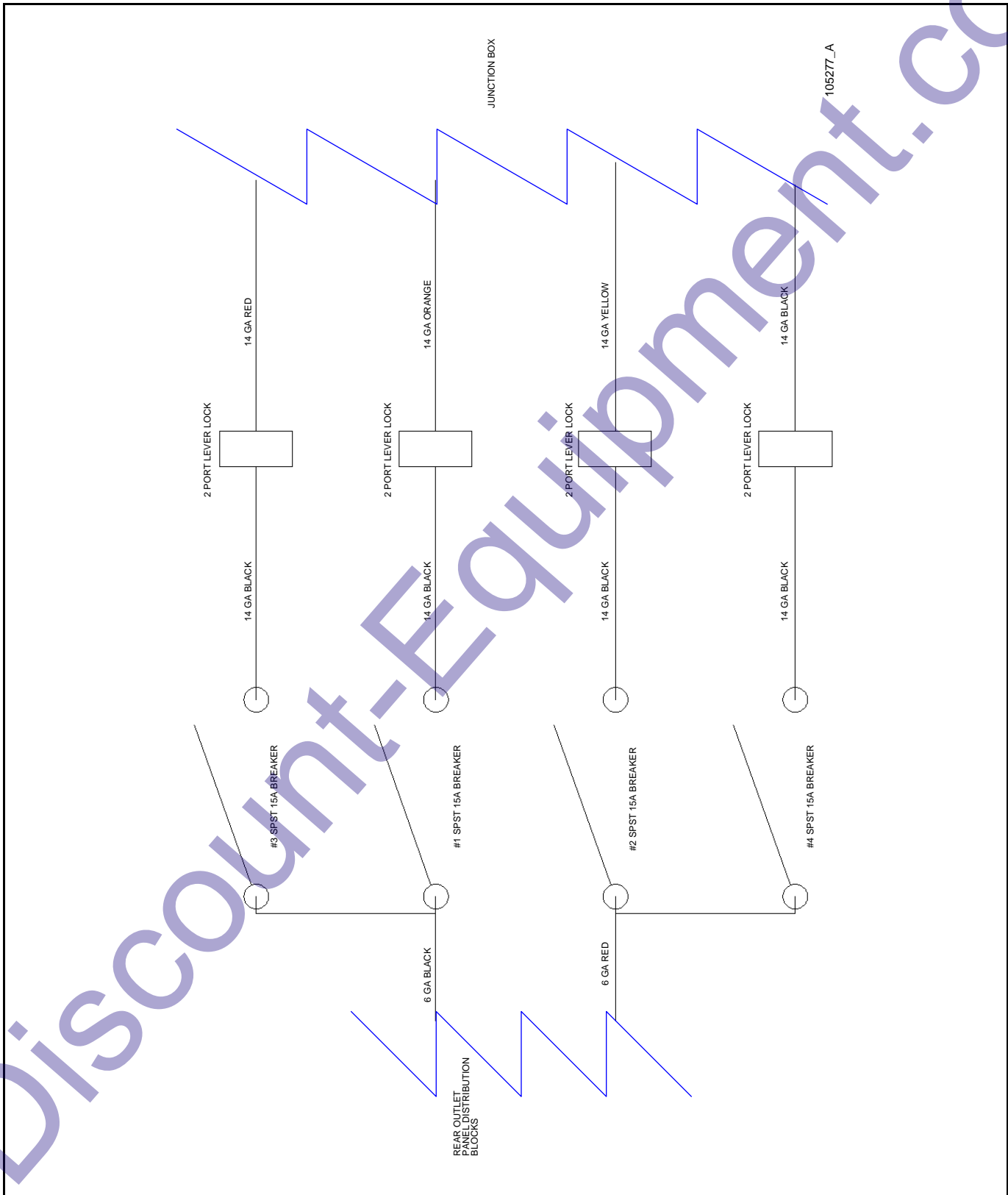
SN 0001ML2V13 and Up



**WIRING DIAGRAM**

**Switch Panel 4 Light Single Phase**

SN 0001ML2V13 and Up

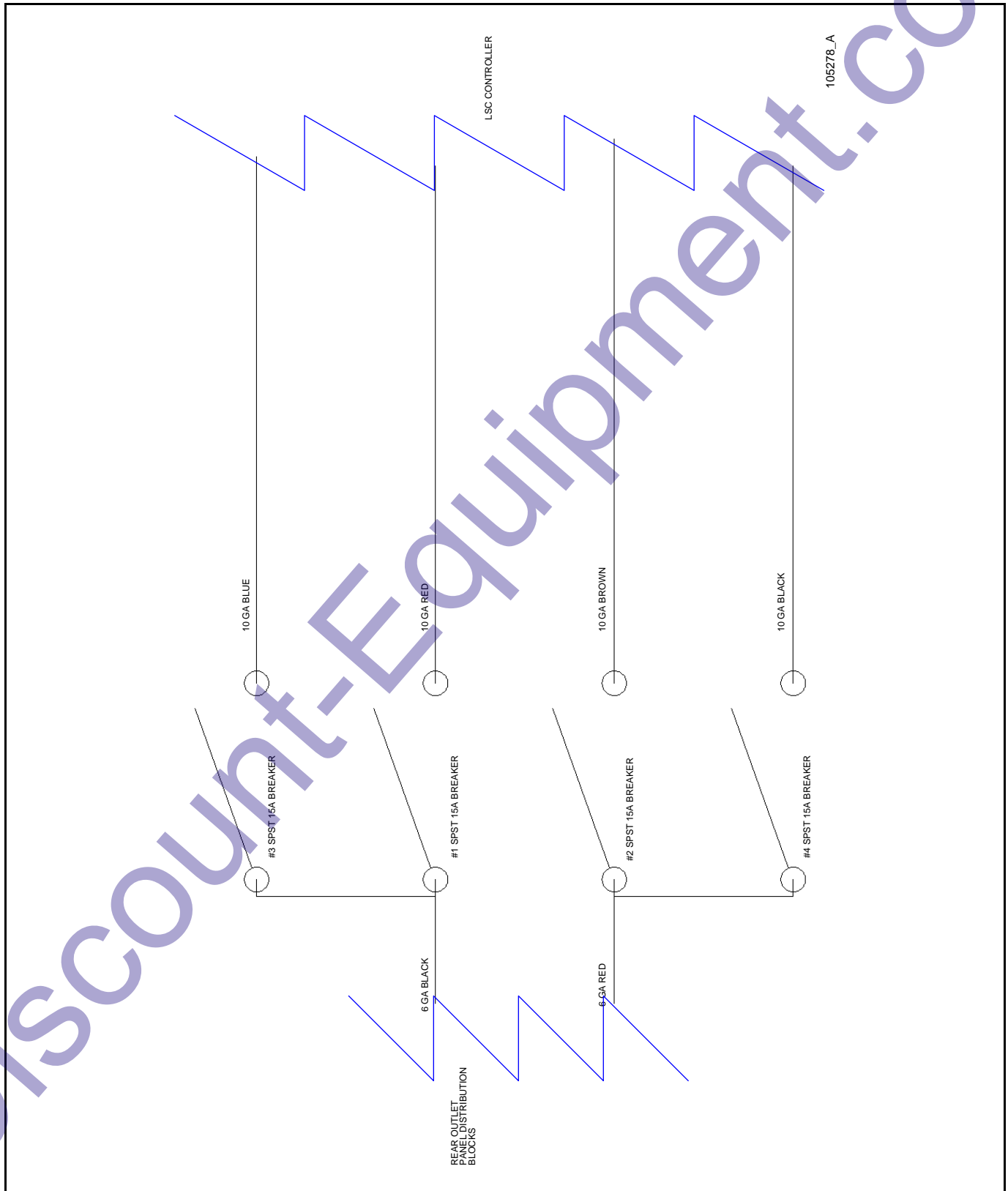




## WIRING DIAGRAM

### Switch Panel 4 Light Single Phase LSC

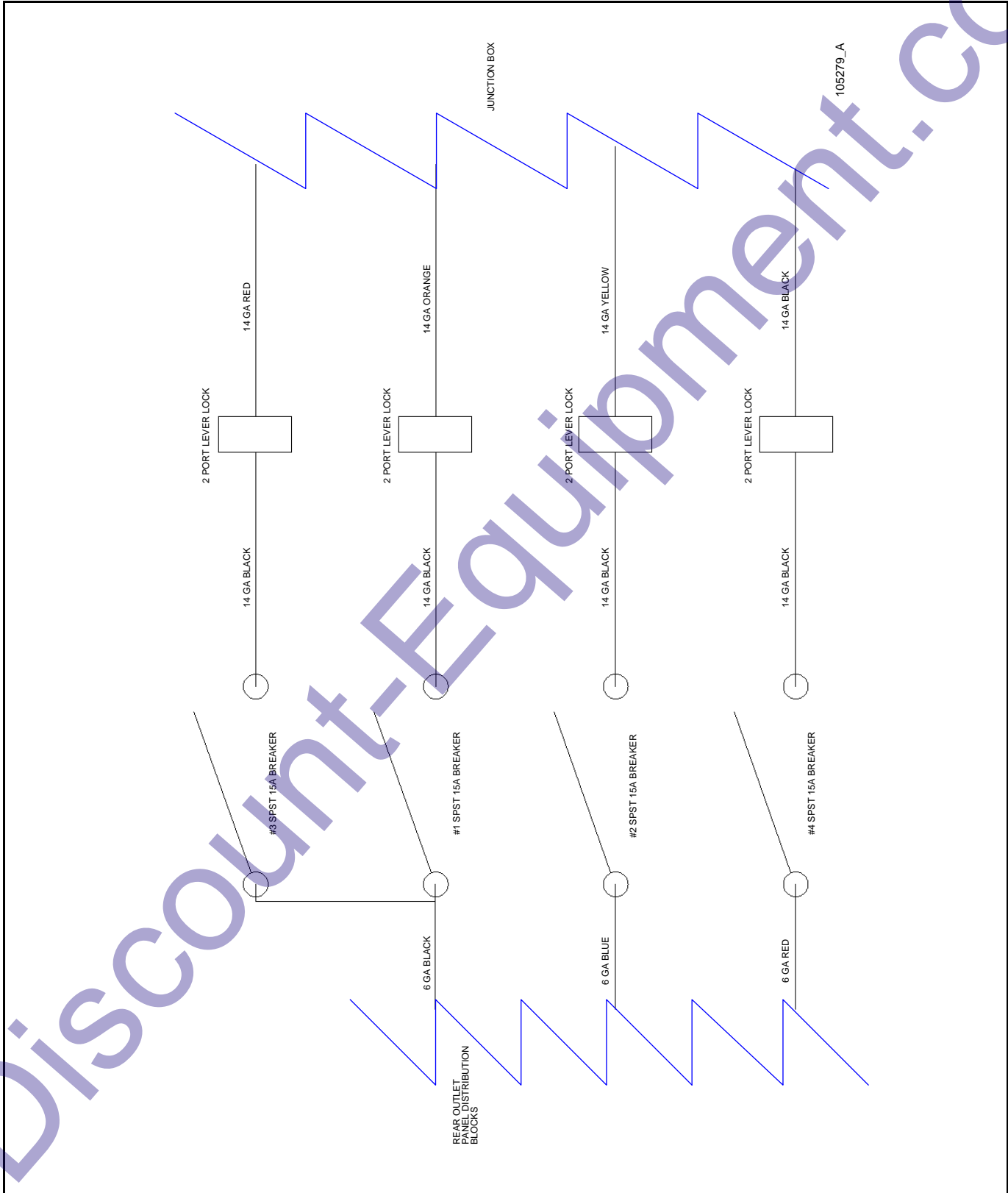
SN 0001ML2V13 and Up



**WIRING DIAGRAM**

**Switch Panel 4 Light 3 Phase**

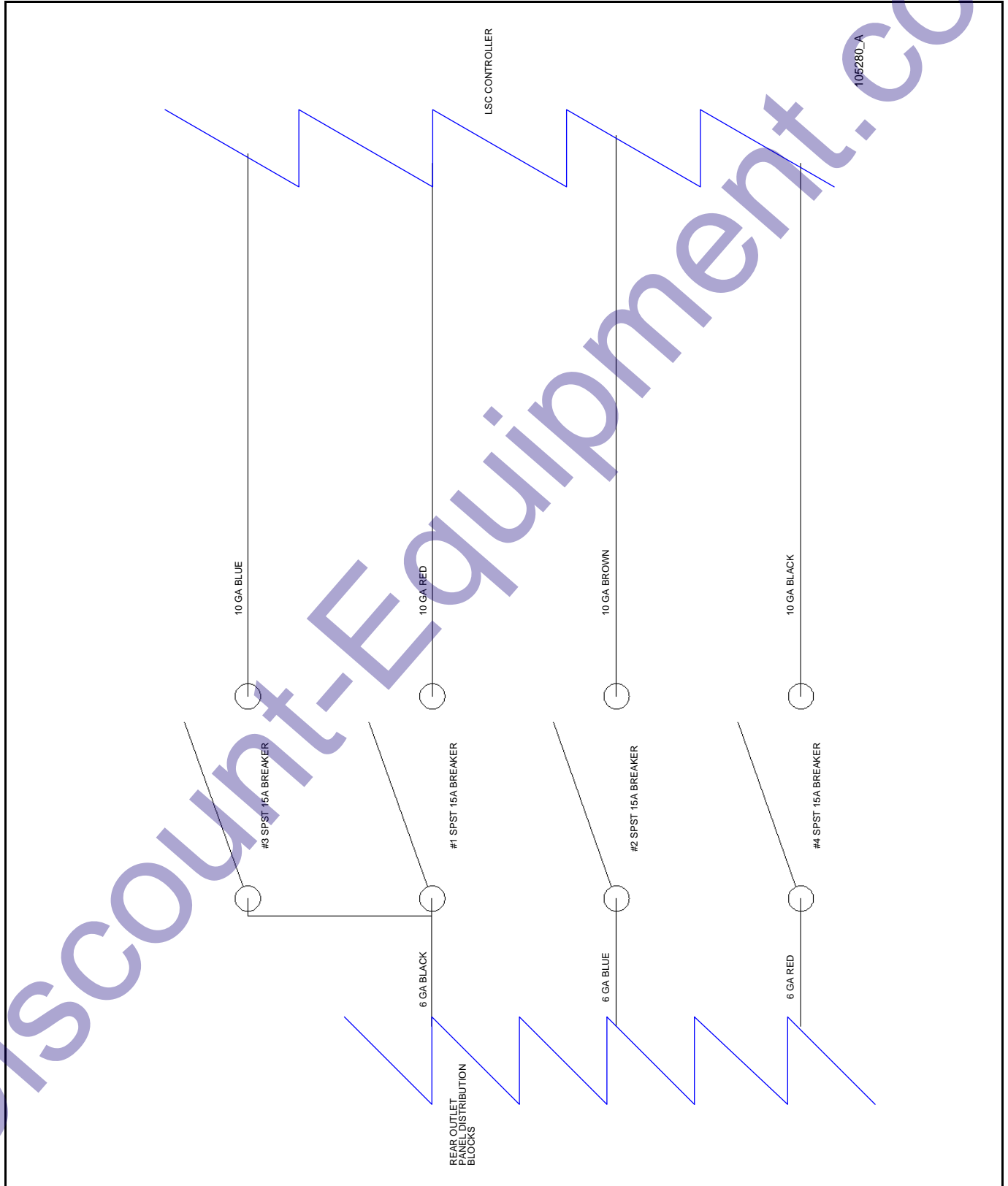
SN 0001ML2V13 and Up



## WIRING DIAGRAM

### Switch Panel 4 Light 3 Phase LSC

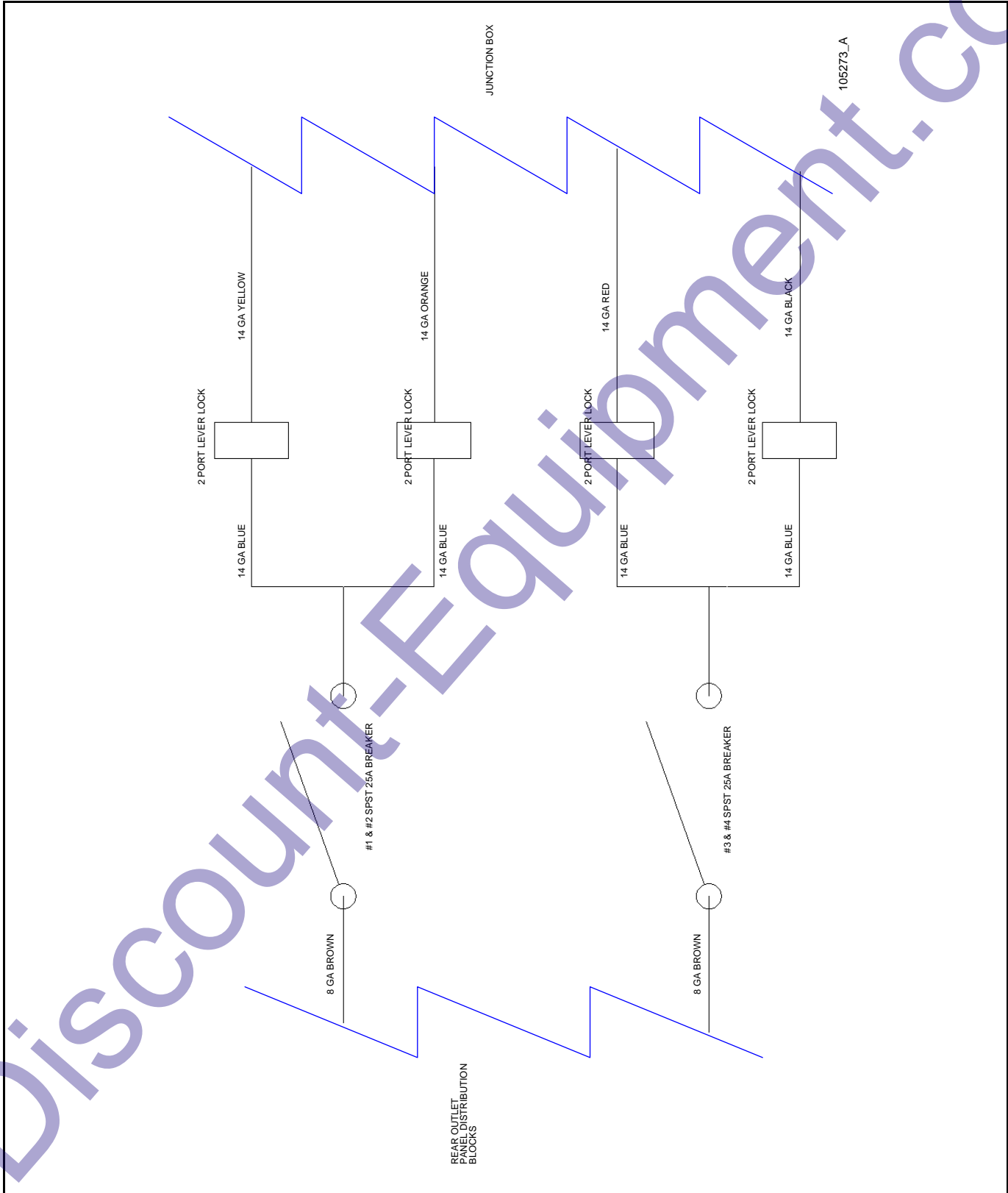
SN 0001ML2V13 and Up



**WIRING DIAGRAM**

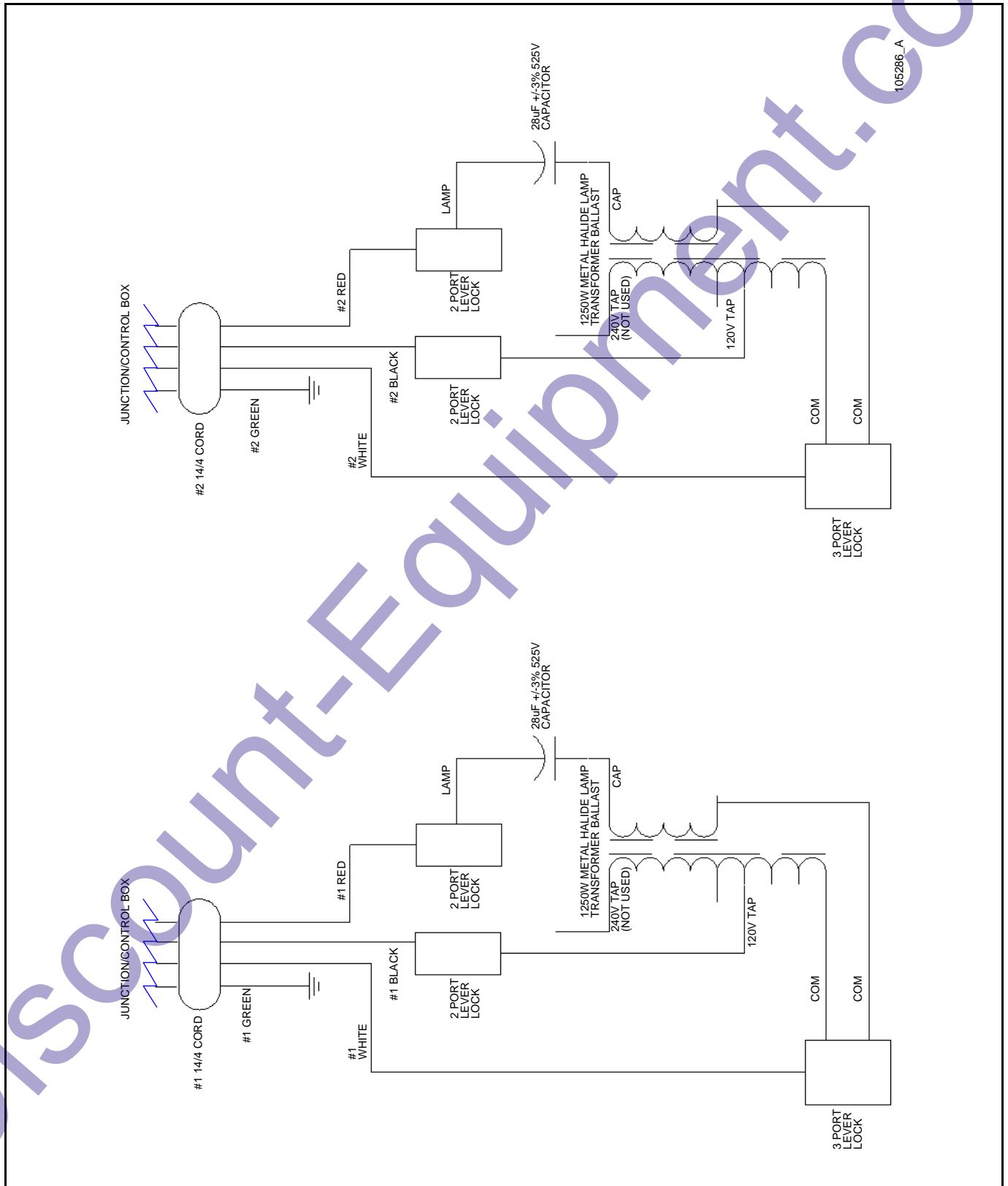
**Switch Panel 4 Light AS/NZL3000**

SN 0001ML2V13 and Up



### WIRING DIAGRAM 1250W Ballast 120V 60Hz

SN 0001ML2V13 and Up

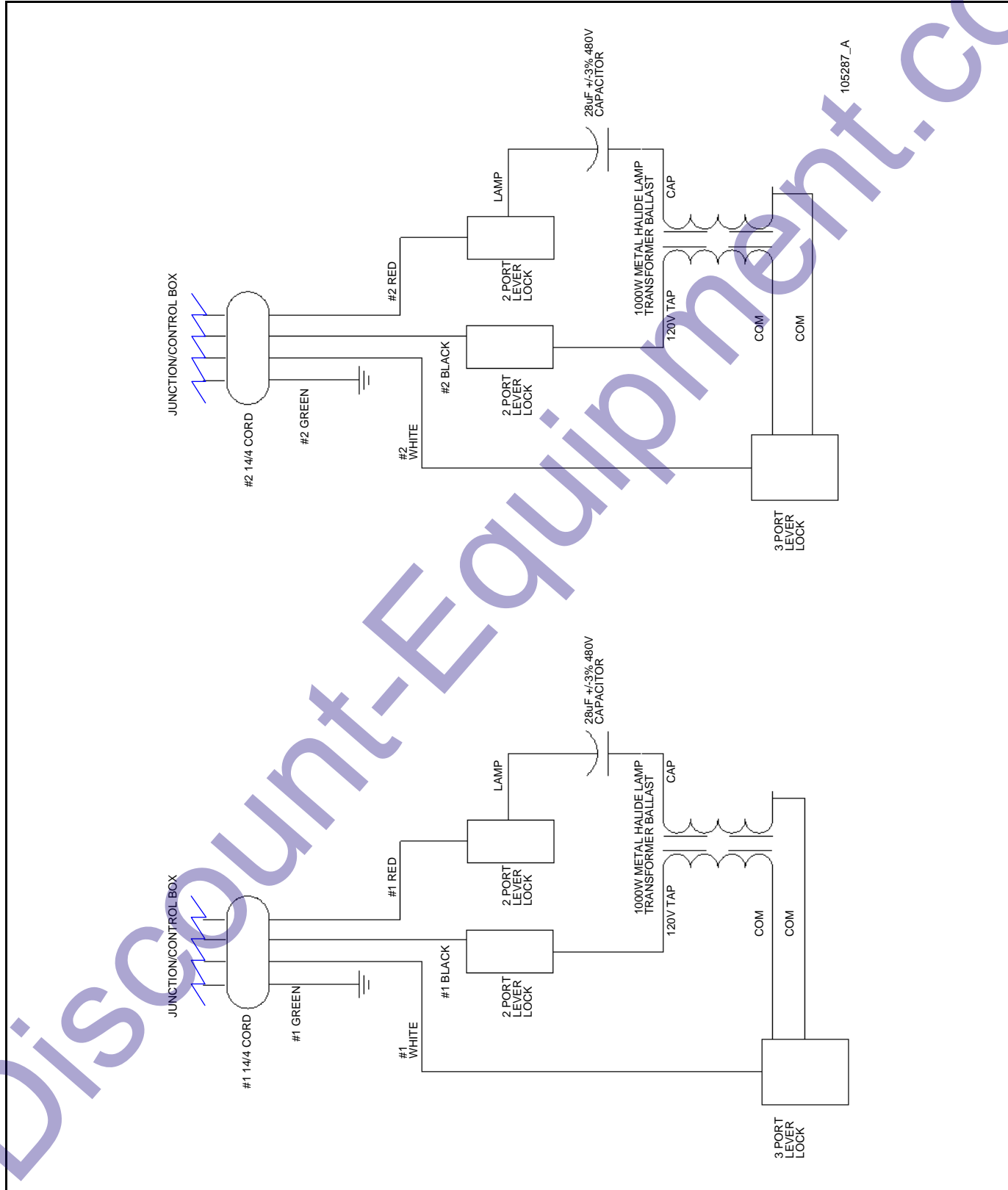


106286\_A

**WIRING DIAGRAM**

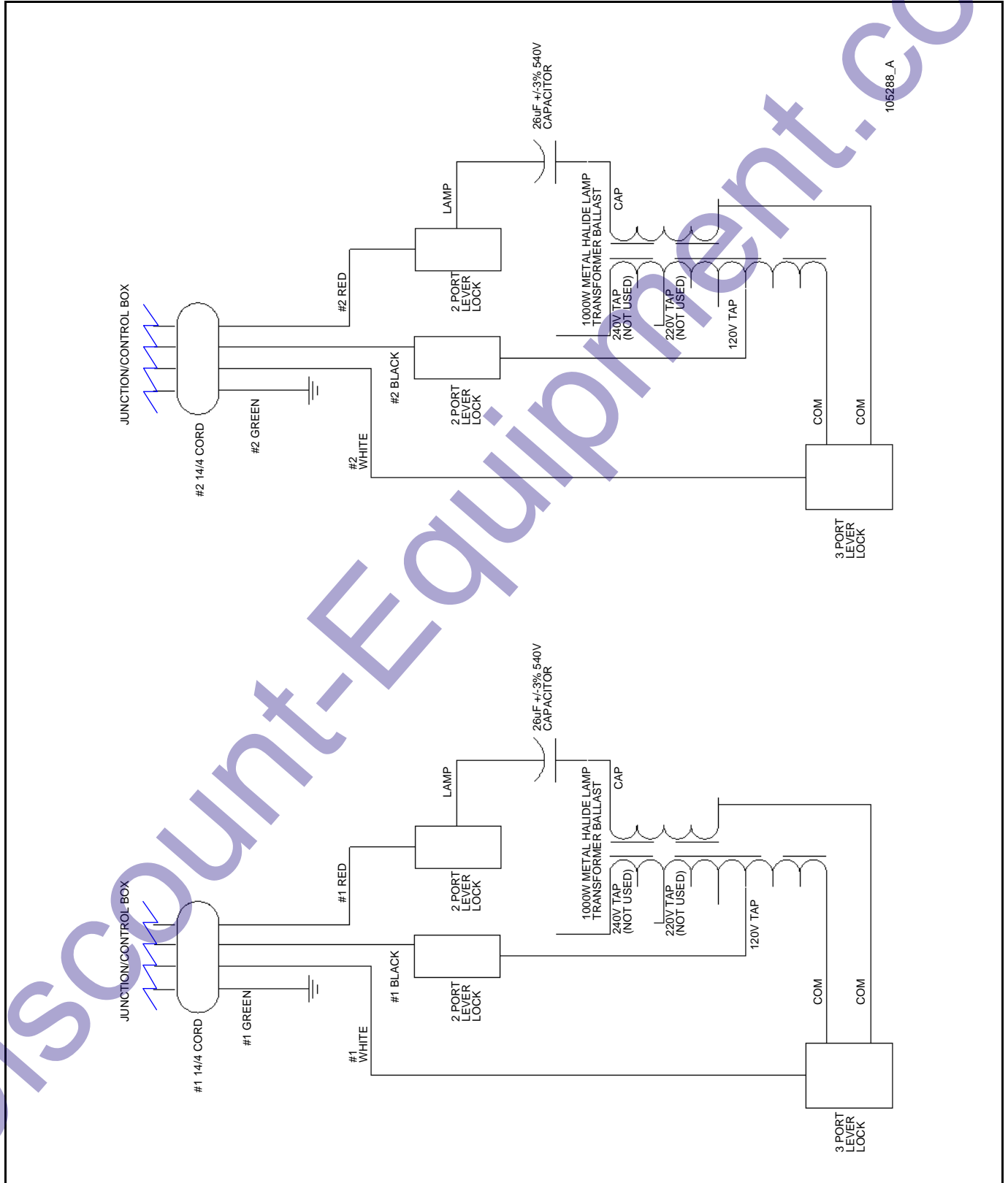
**1000W Ballast 120V 60Hz**

SN 0001ML2V13 and Up



## WIRING DIAGRAM 1000W Ballast 120V 50Hz

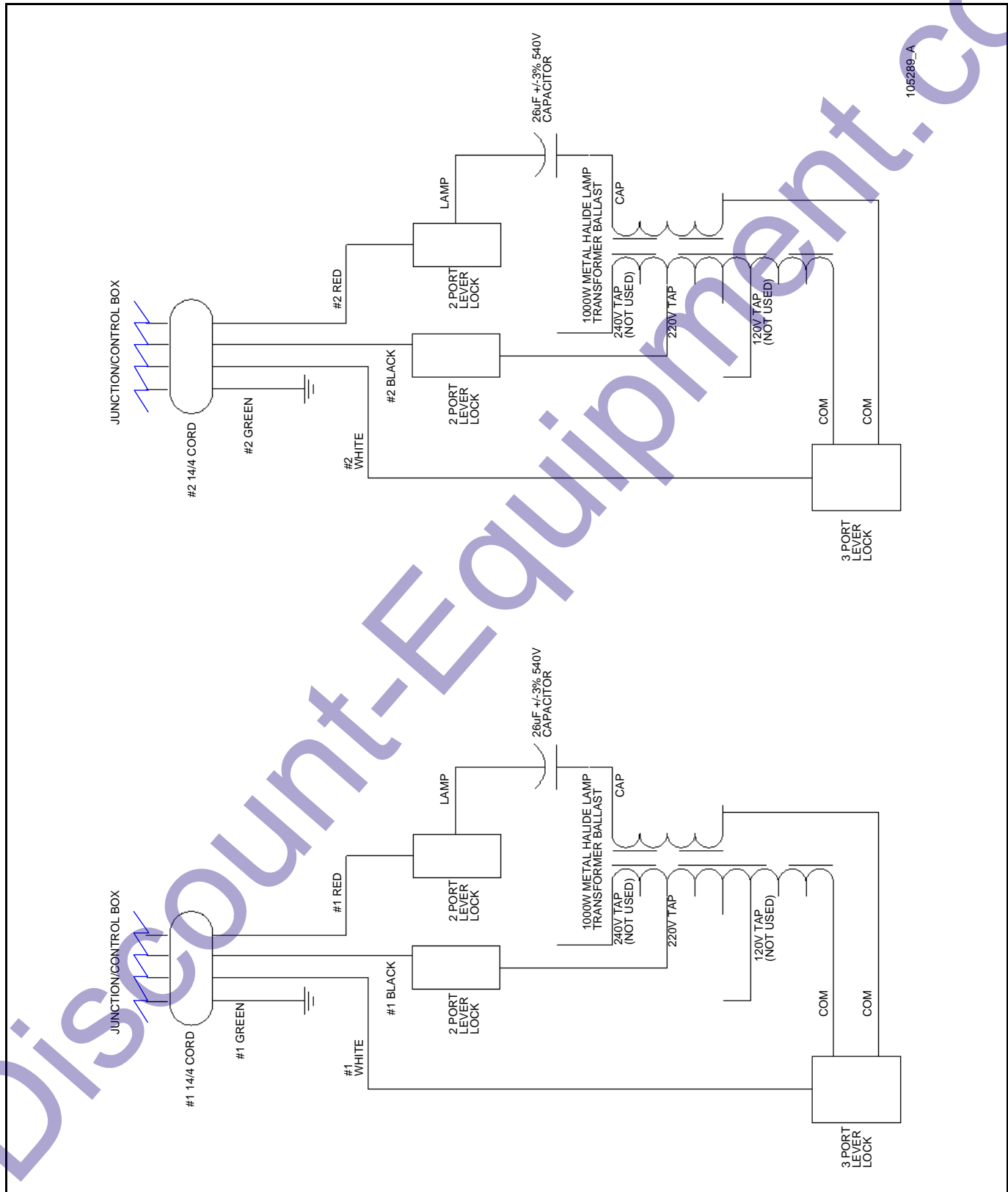
SN 0001ML2V13 and Up



**WIRING DIAGRAM**

**1000W Ballast 220V 50Hz**

SN 0001ML2V13 and Up

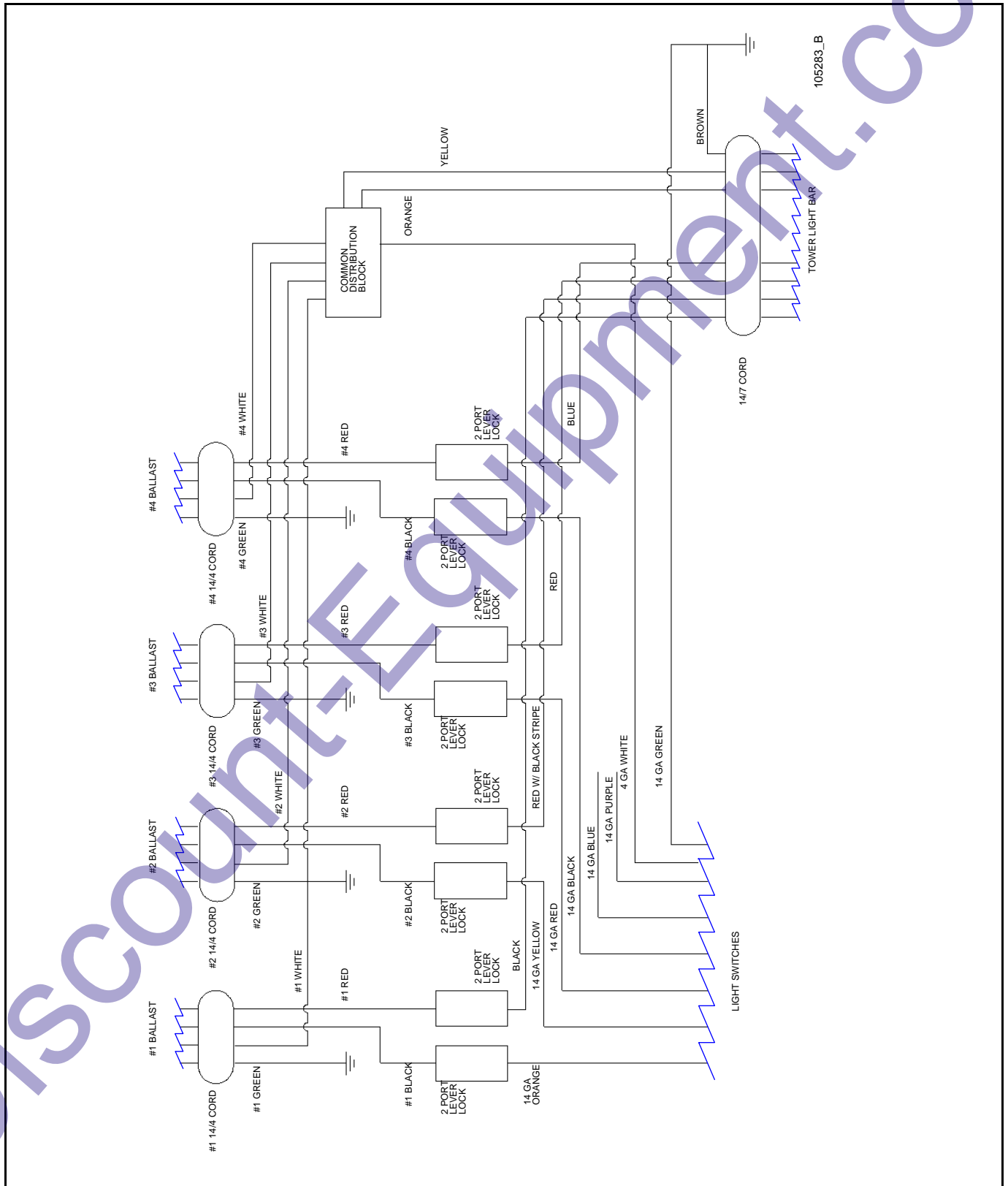




## WIRING DIAGRAM

### Ballast Wire Connector Box – 4 Light – 14/7 Cord

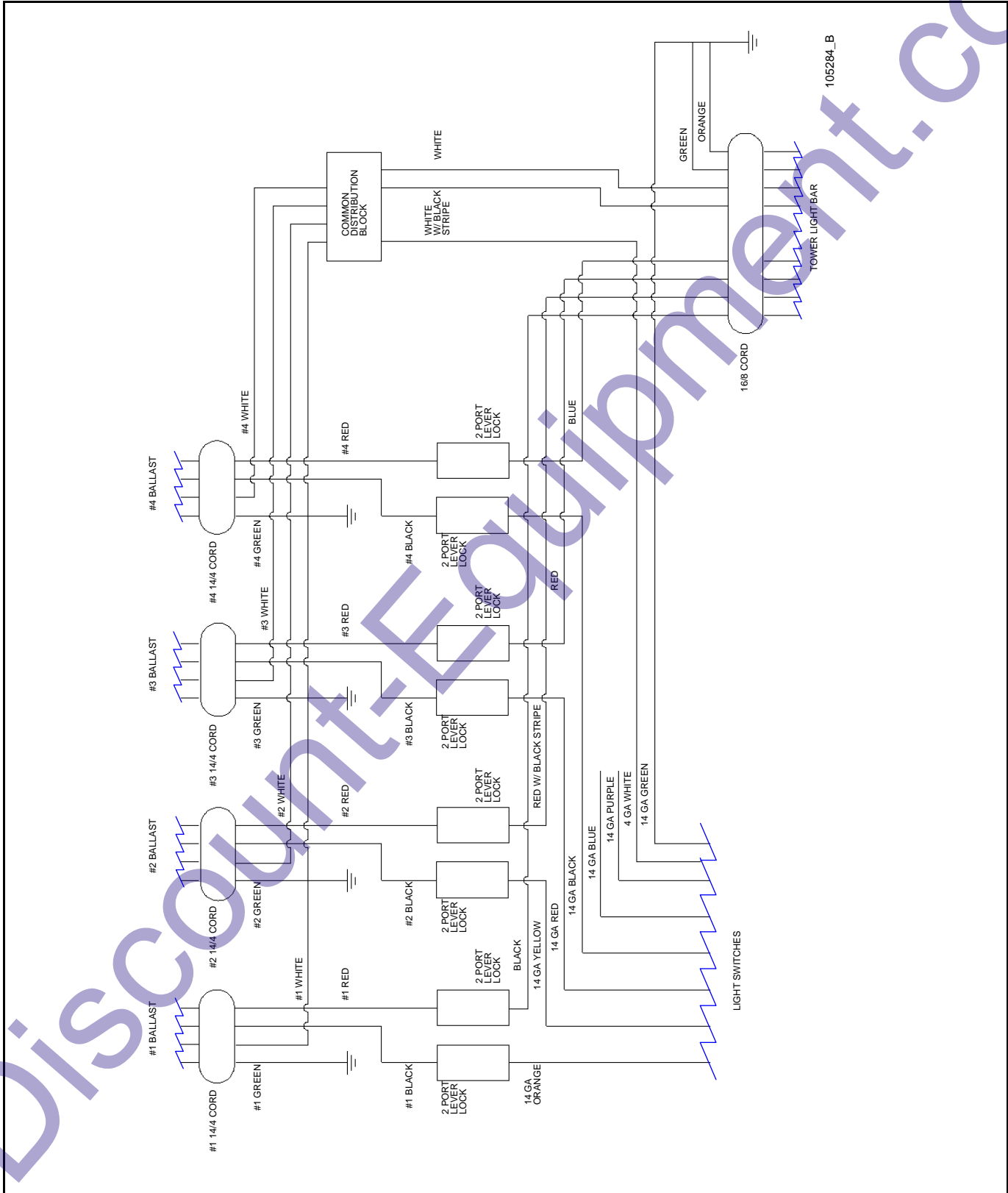
SN 0001ML2V13 and Up



**WIRING DIAGRAM**

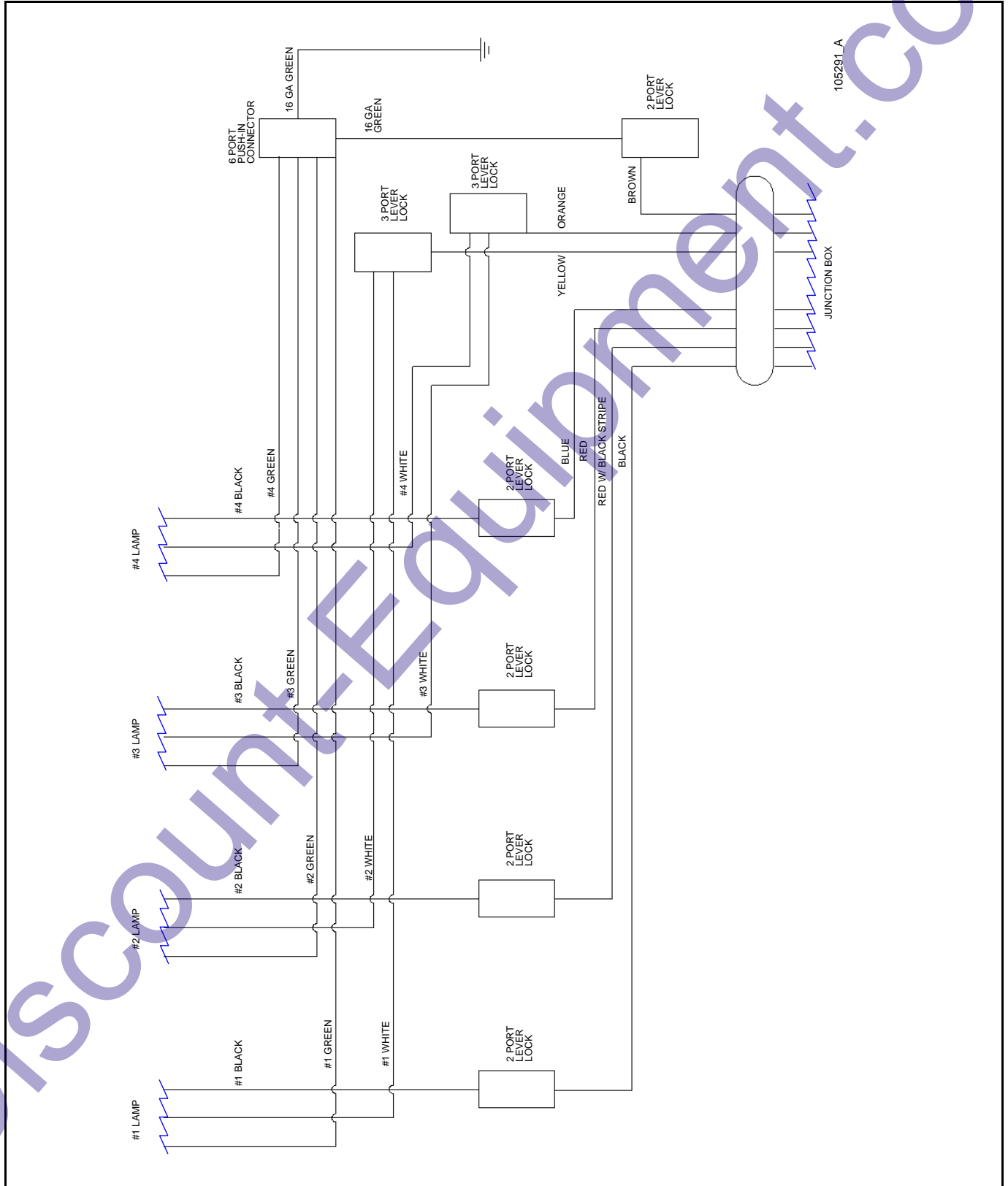
**Ballast Wire Connector Box – 4 Light – 16/8 Cord**

SN 0001ML2V13 and Up



### WIRING DIAGRAM 4 Light Bar 14/7 Cord

SN 0001ML2V13 and Up

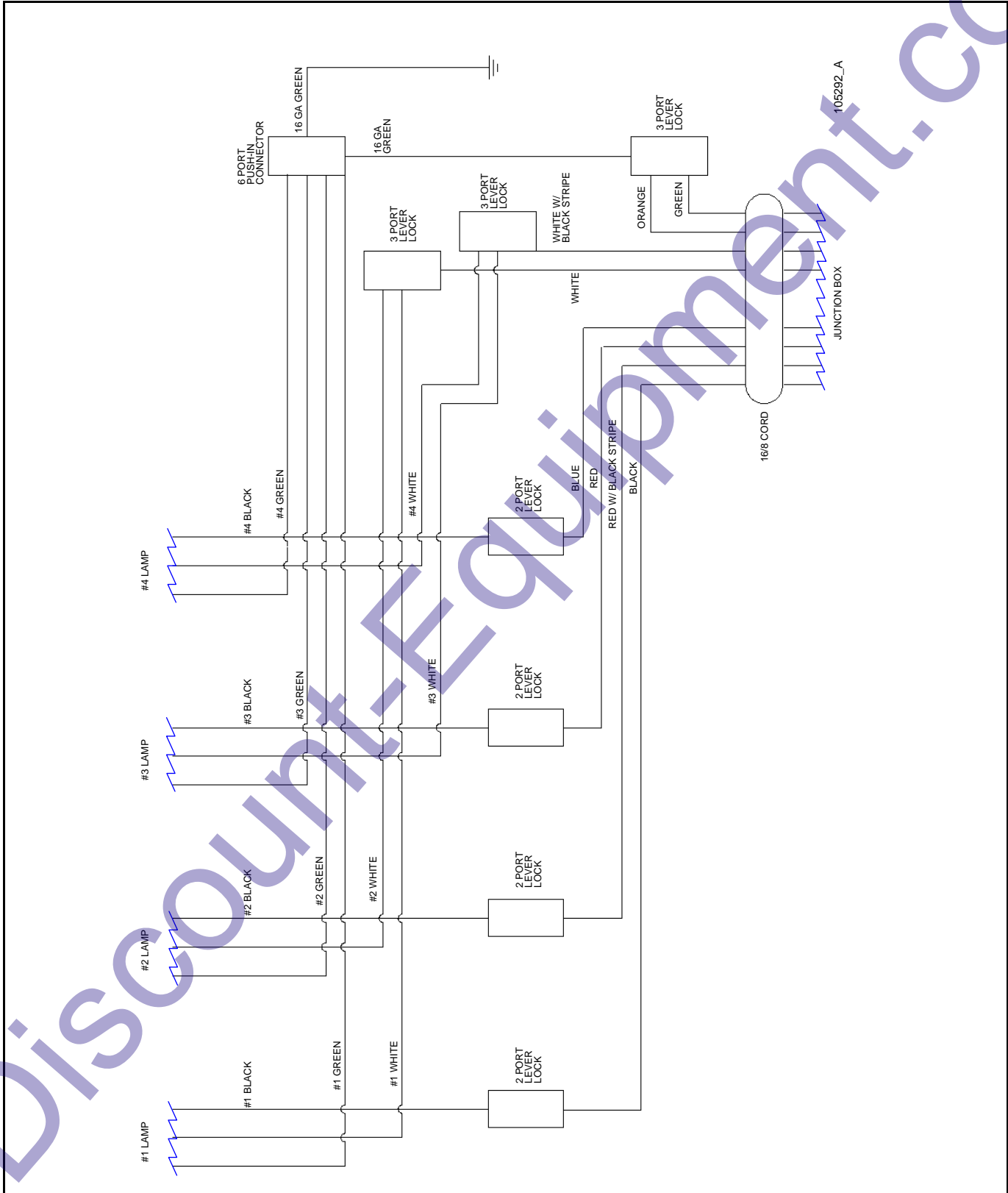


105291\_A

**WIRING DIAGRAM**

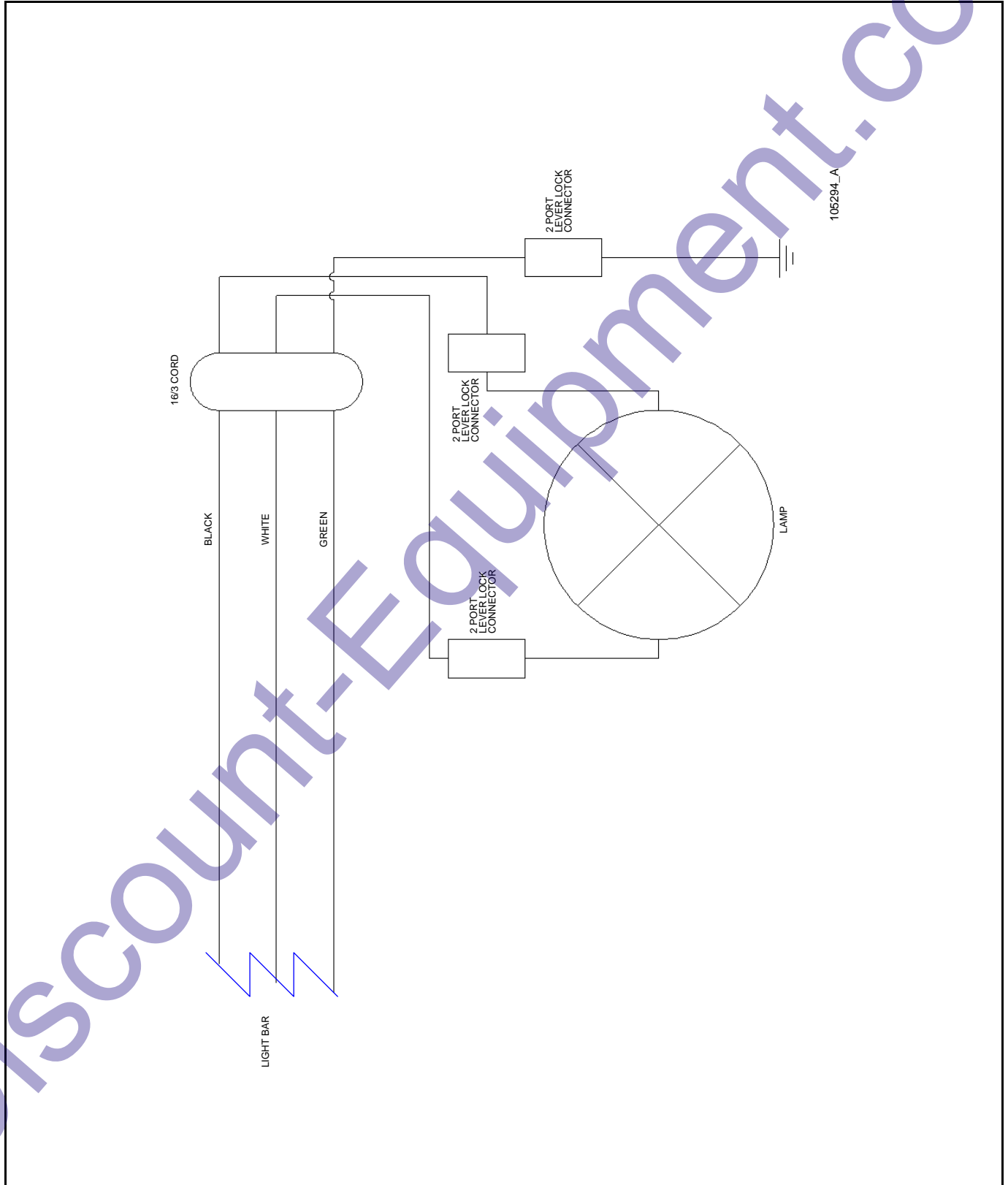
**4 Light Bar 16/8 Cord**

SN 0001ML2V13 and Up



## WIRING DIAGRAM Lamp, Solid Wired

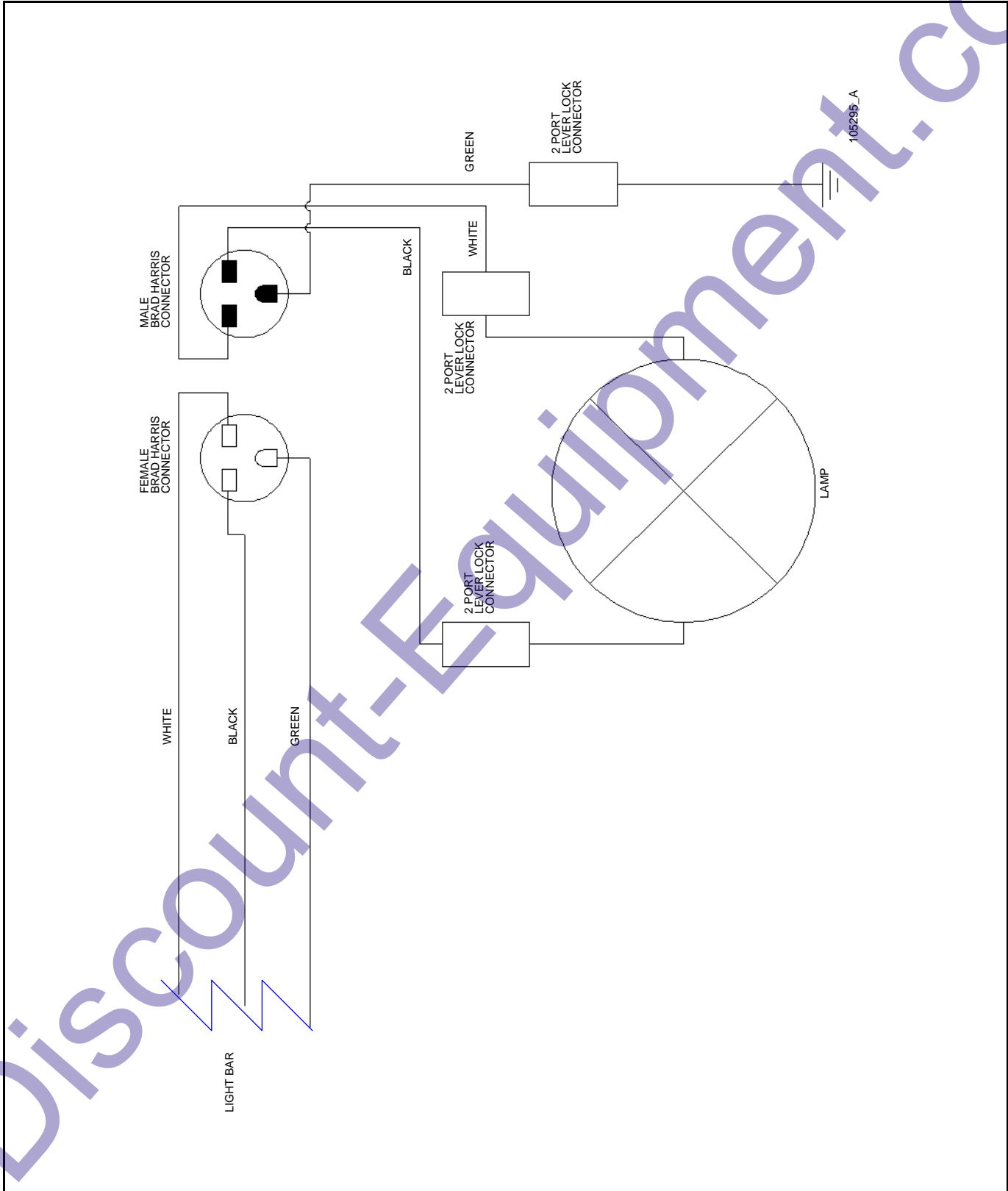
SN 0001ML2V13 and Up



**WIRING DIAGRAM**

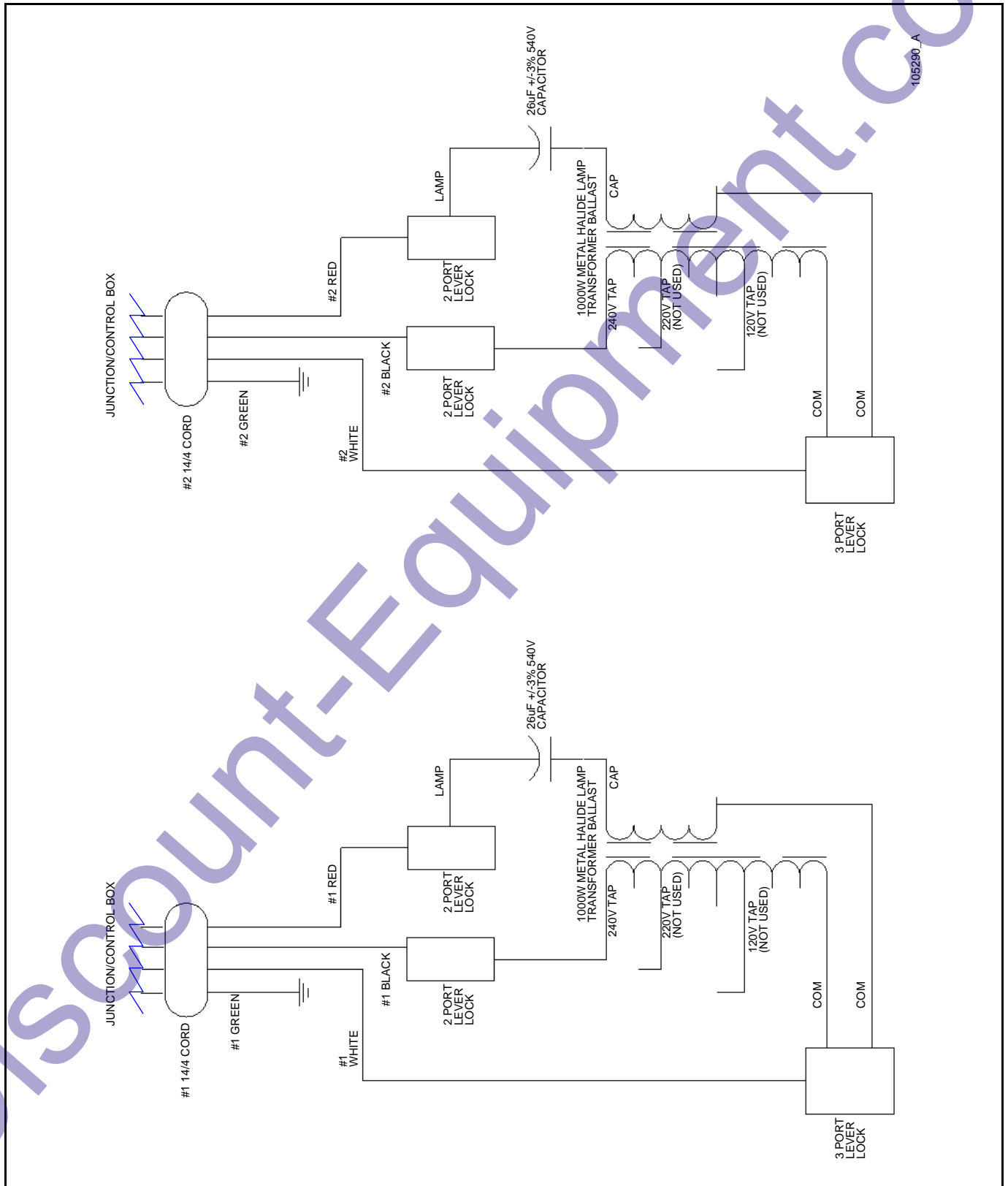
**Lamp, Quick Disconnect Wired**

SN 0001ML2V13 and Up



## WIRING DIAGRAM 1000W Ballast 240V 50Hz

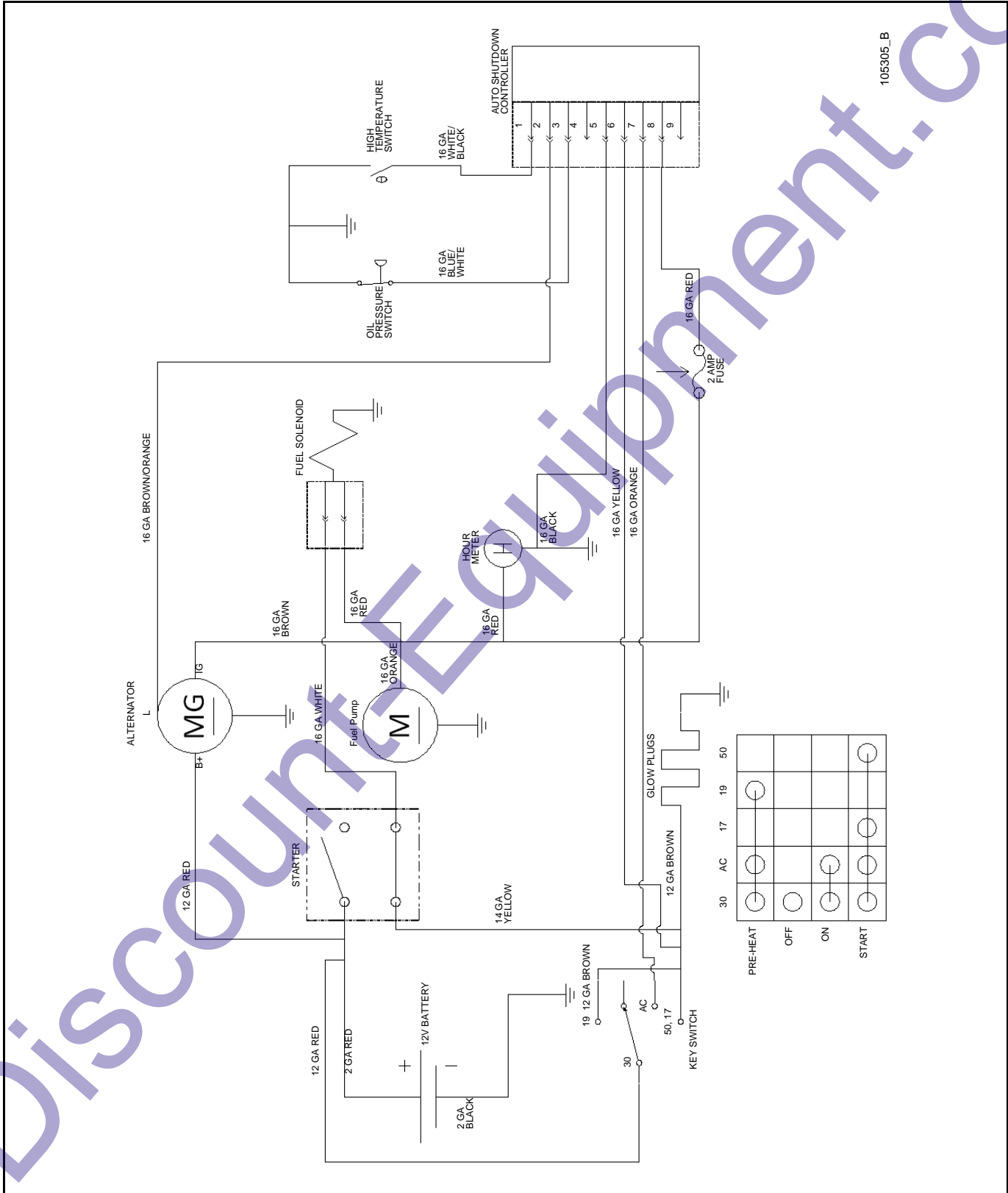
SN 0001ML2V13 and Up



**WIRING DIAGRAM**

**Kubota D1005/D1105 Engine Harness – Tier 4 Final**

SN 0001ML2V13 and Up

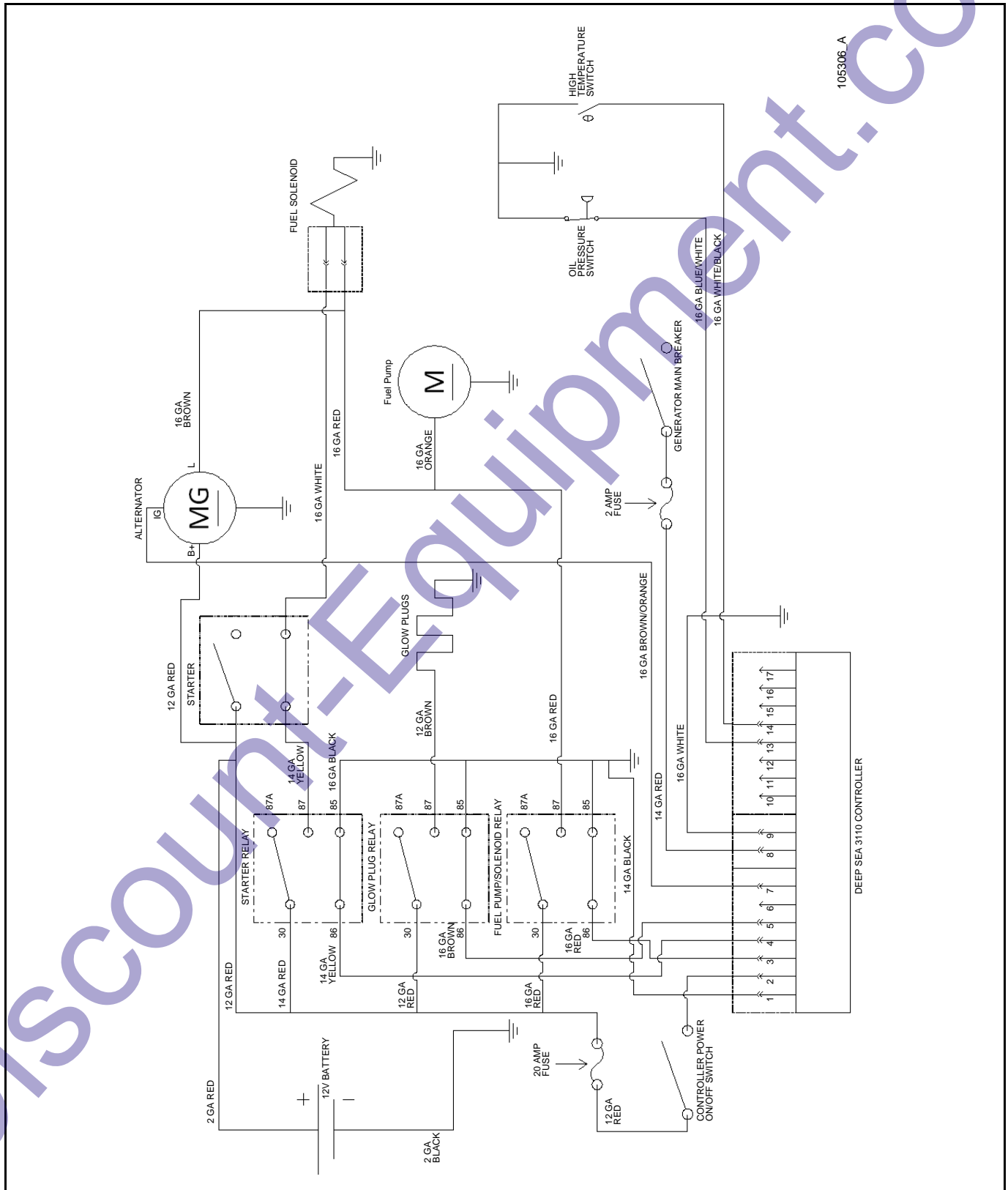




## WIRING DIAGRAM

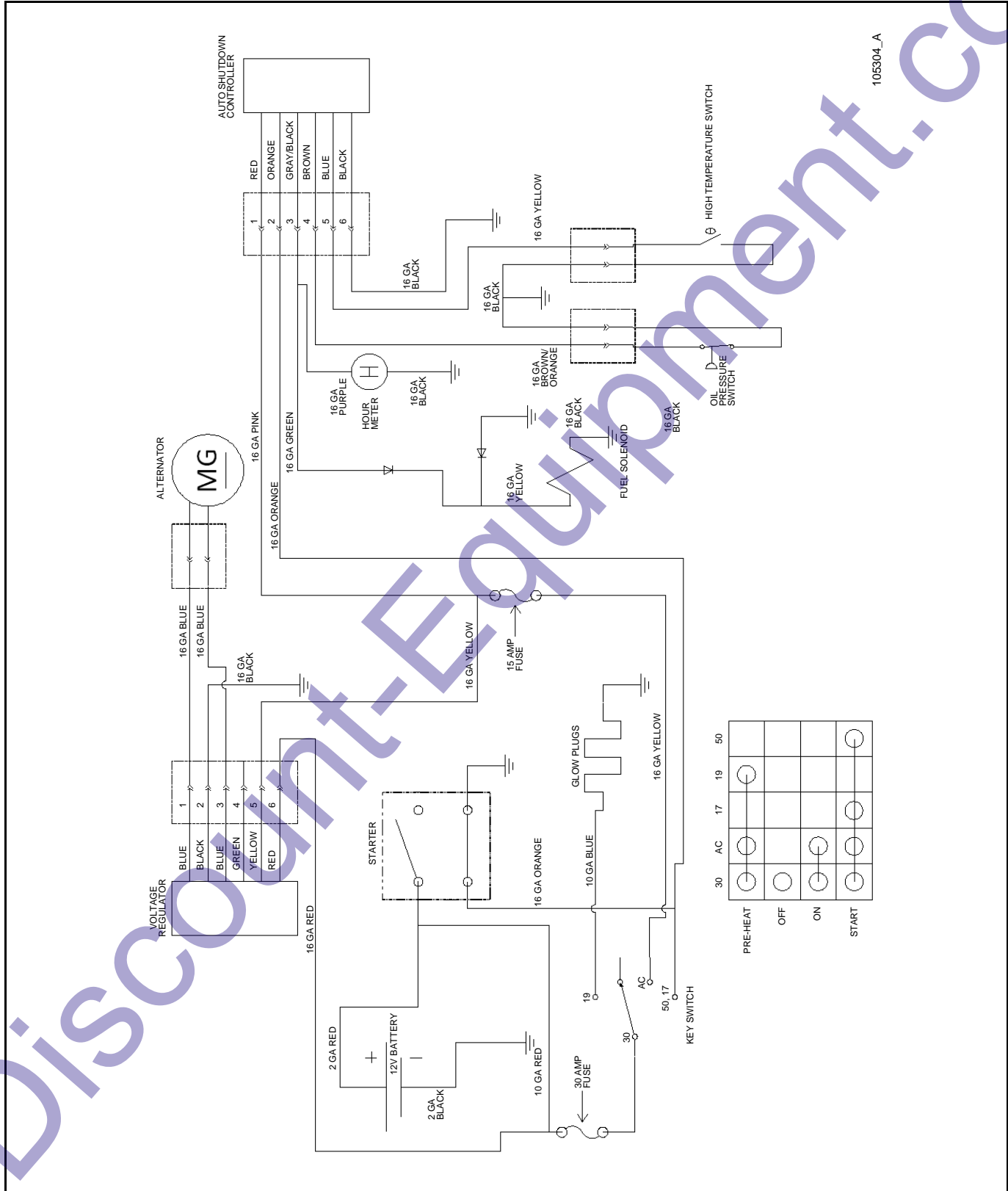
### Kubota D1005/D1105 Engine Harness With Deep Sea – Tier 4 Final

SN 0001ML2V13 and Up



**WIRING DIAGRAM**  
**CAT C1.1 Engine Harness**

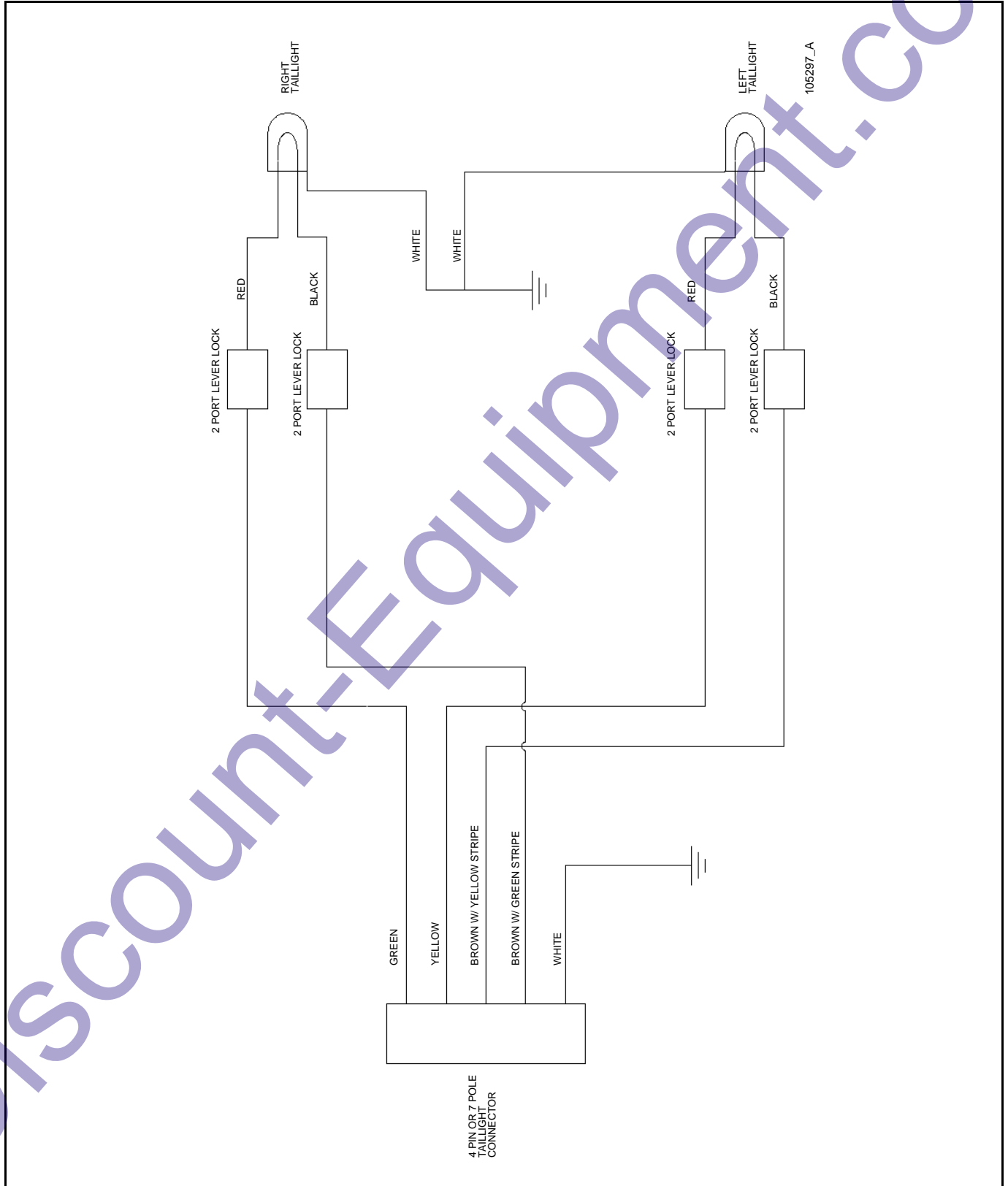
SN 0001ML2V13 and Up



105304\_A

## WIRING DIAGRAM Tail Light Harness

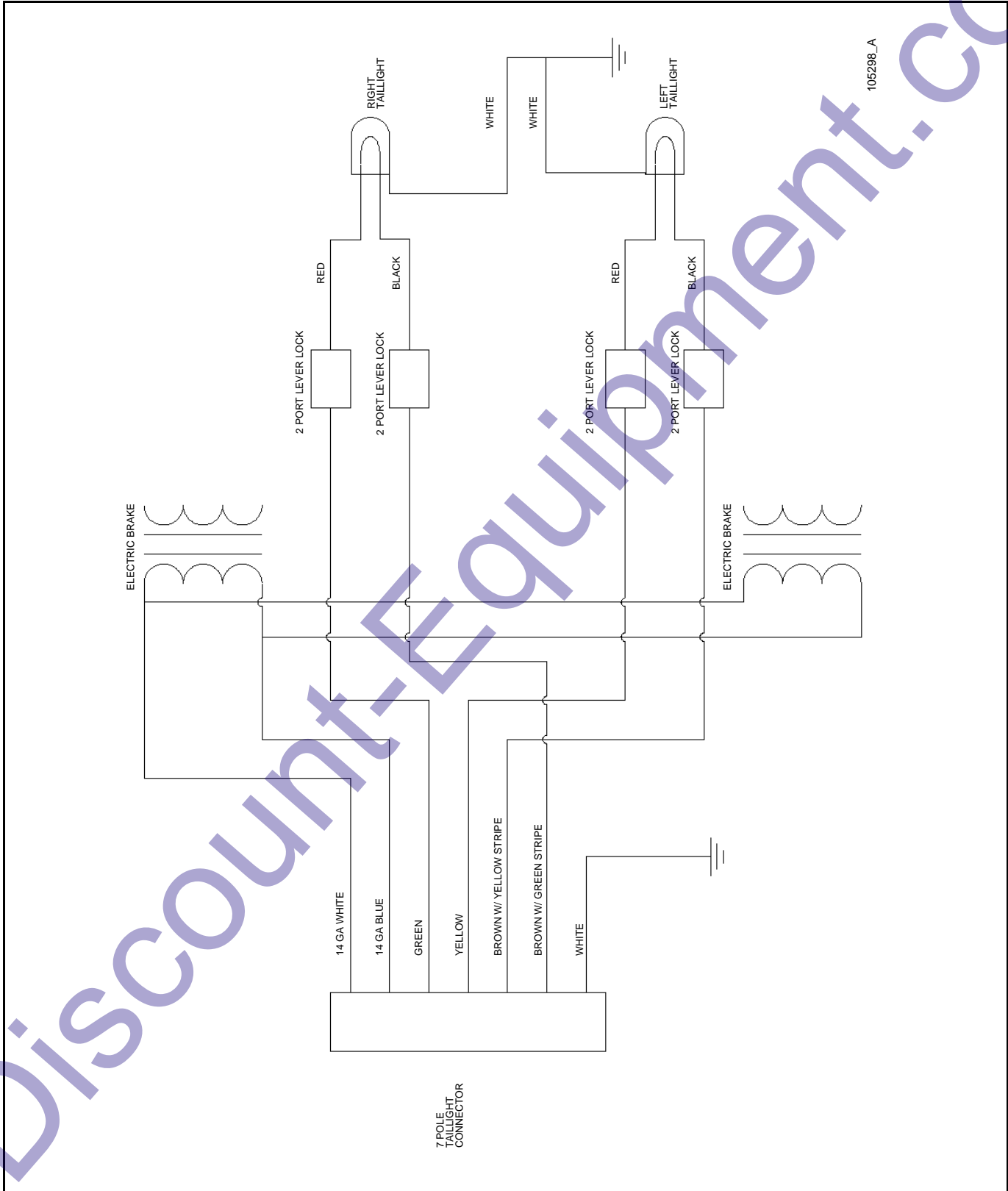
SN 0001ML2V13 and Up



**WIRING DIAGRAM**

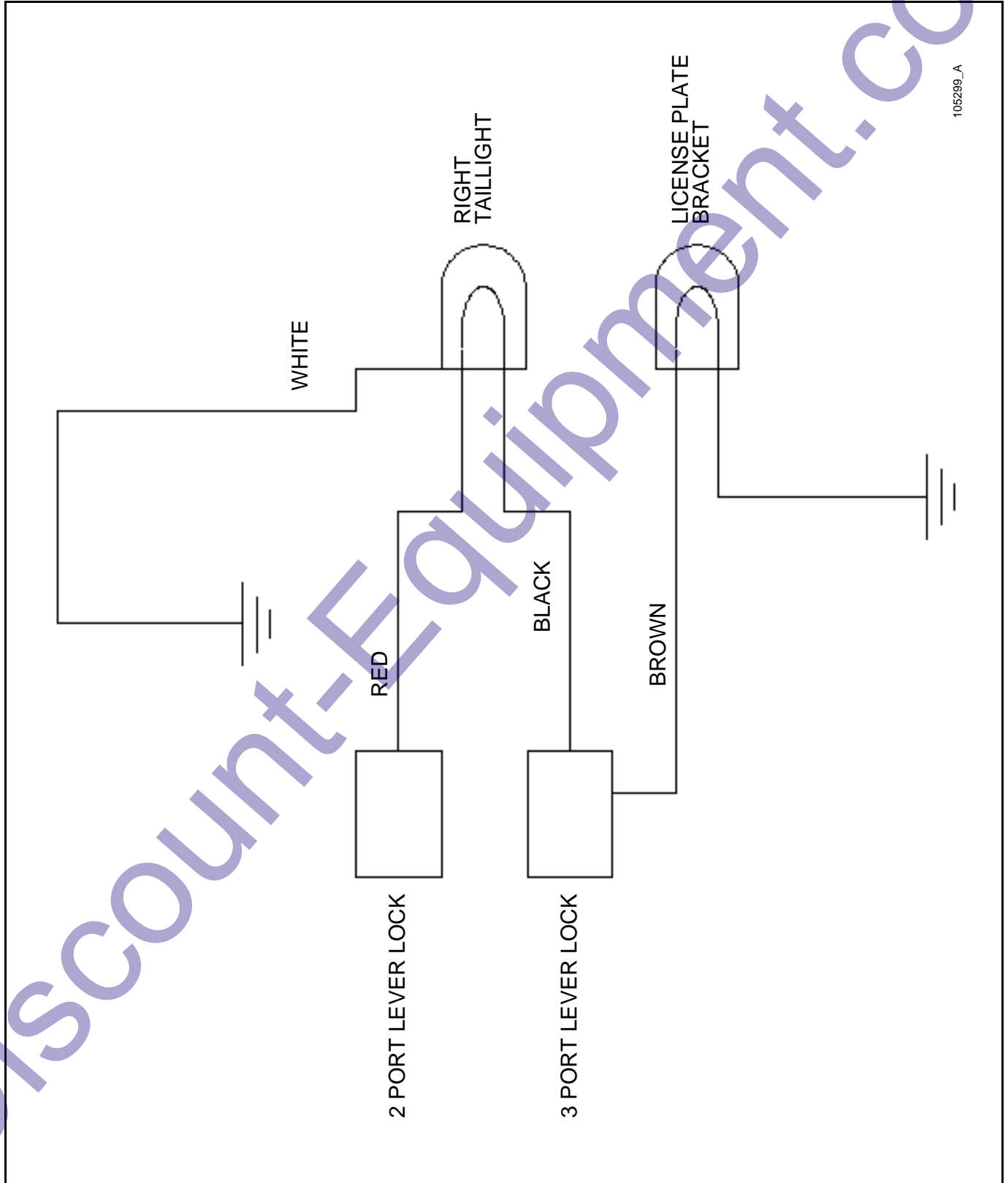
**Tail Light Harness With Electric Brakes**

SN 0001ML2V13 and Up



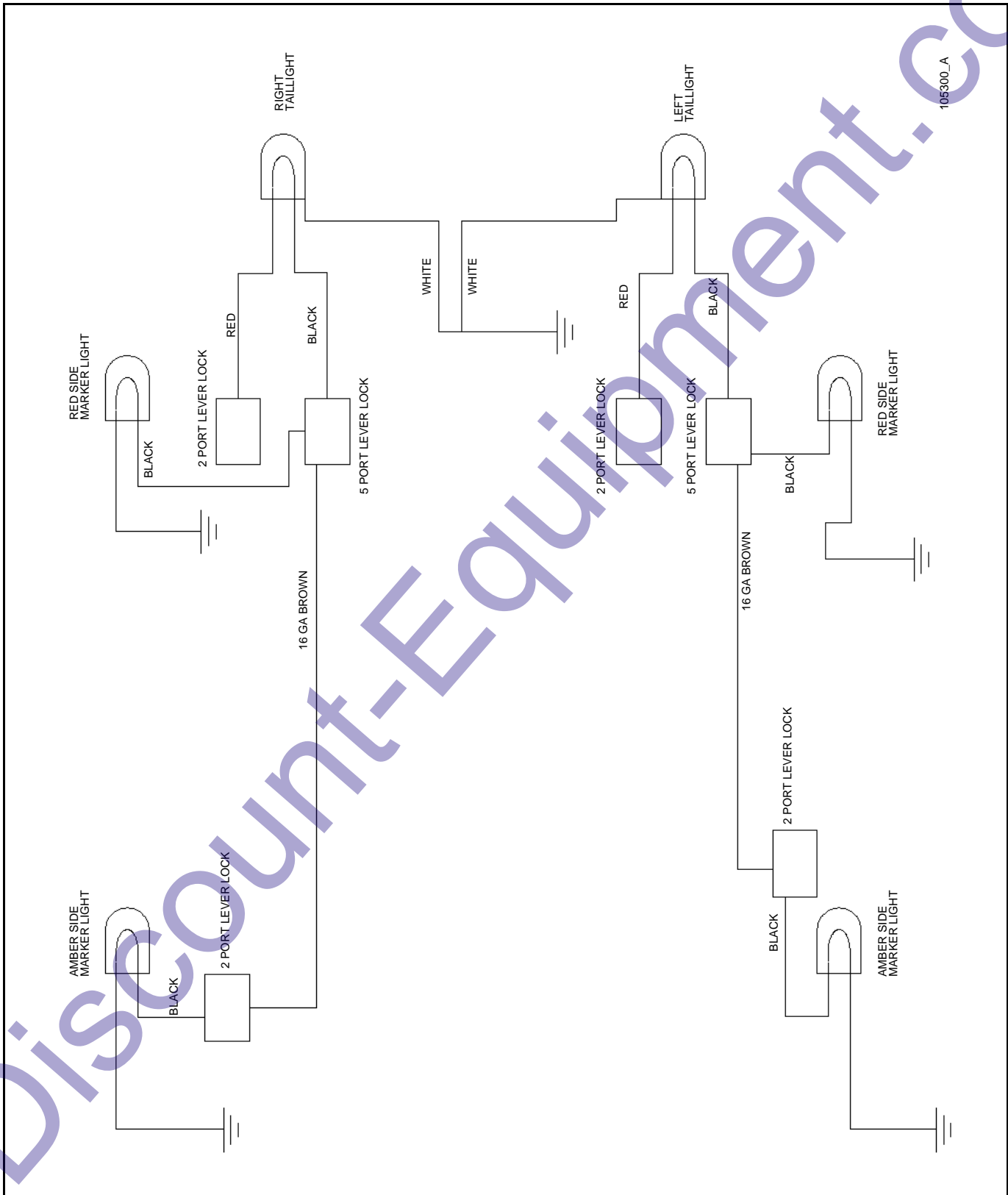
**WIRING DIAGRAM**  
**License Plate**

SN 0001ML2V13 and Up



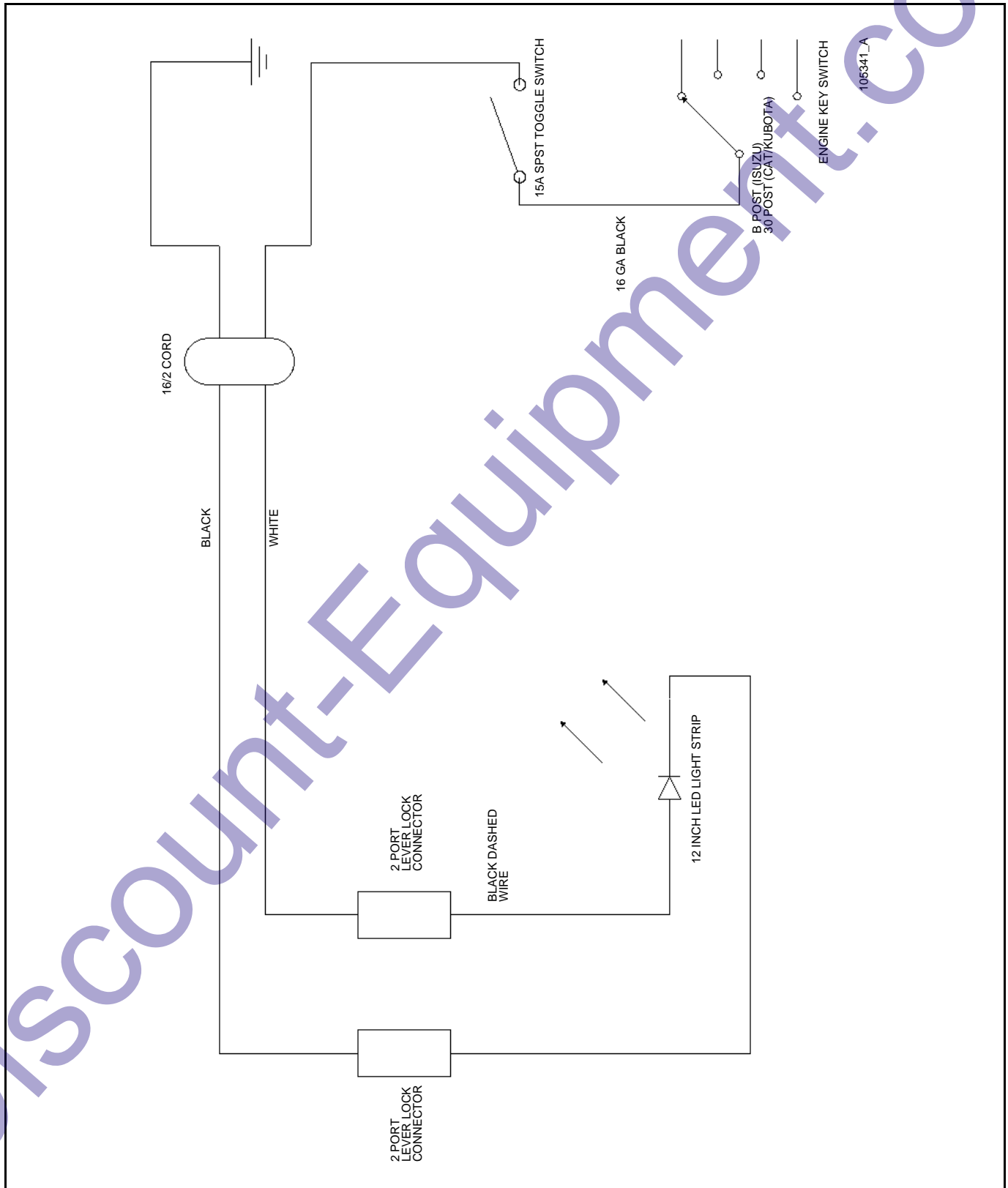
**WIRING DIAGRAM**  
**Side Marker Lights**

SN 0001ML2V13 and Up



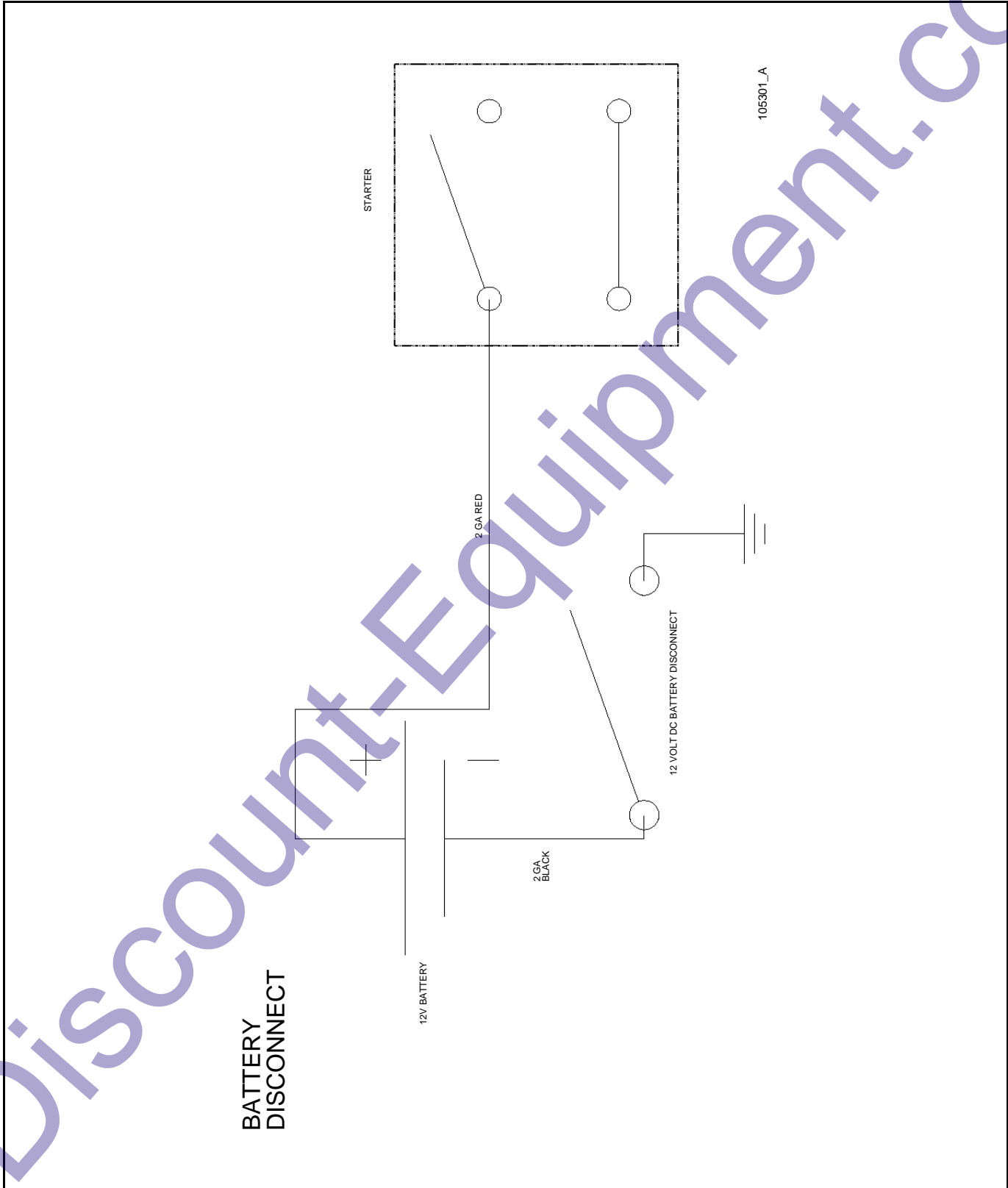
## WIRING DIAGRAM Interior Work Light

SN 0001ML2V13 and Up



**WIRING DIAGRAM**  
**Battery Disconnect**

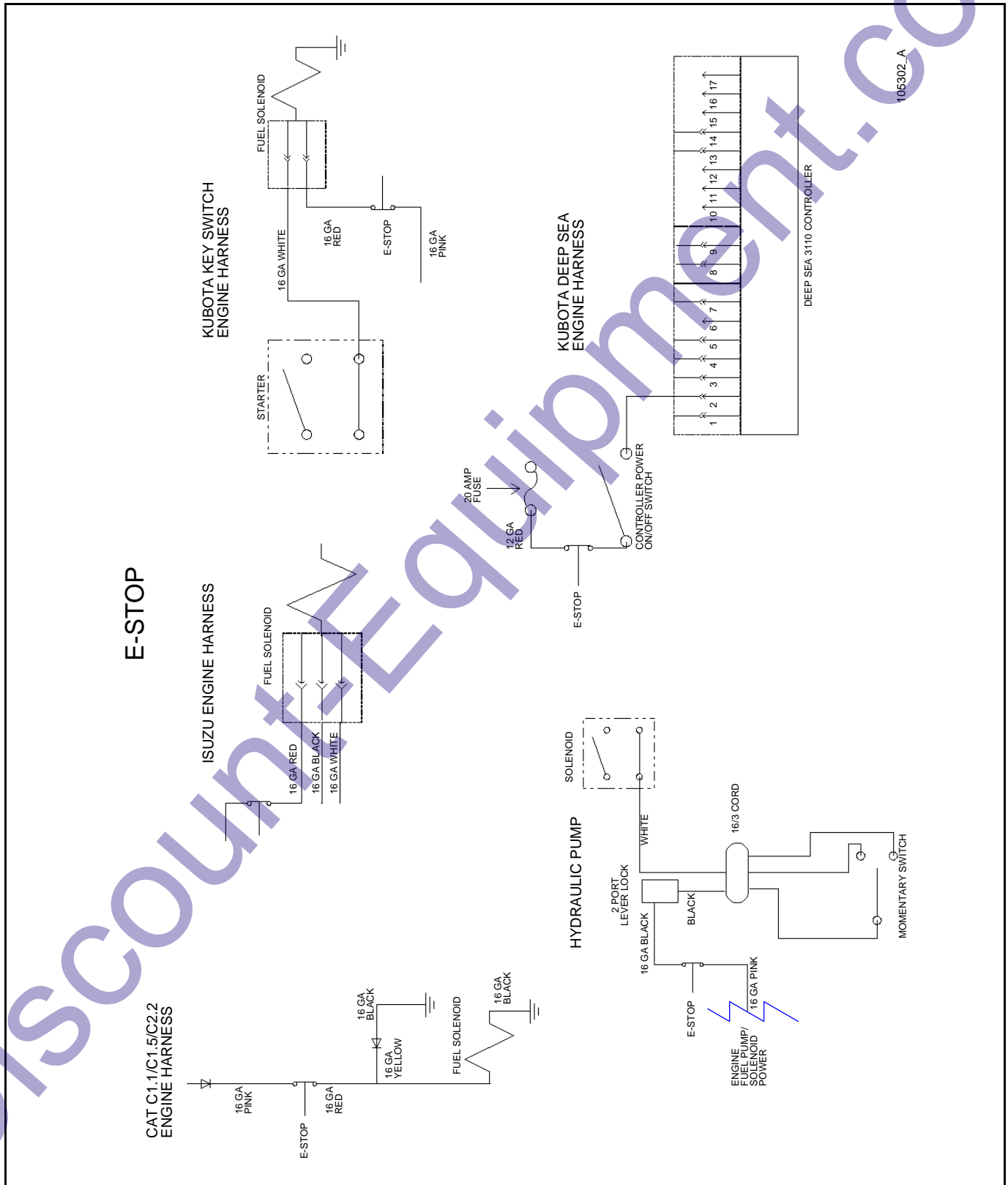
SN 0001ML2V13 and Up





## WIRING DIAGRAM Emergency Stop

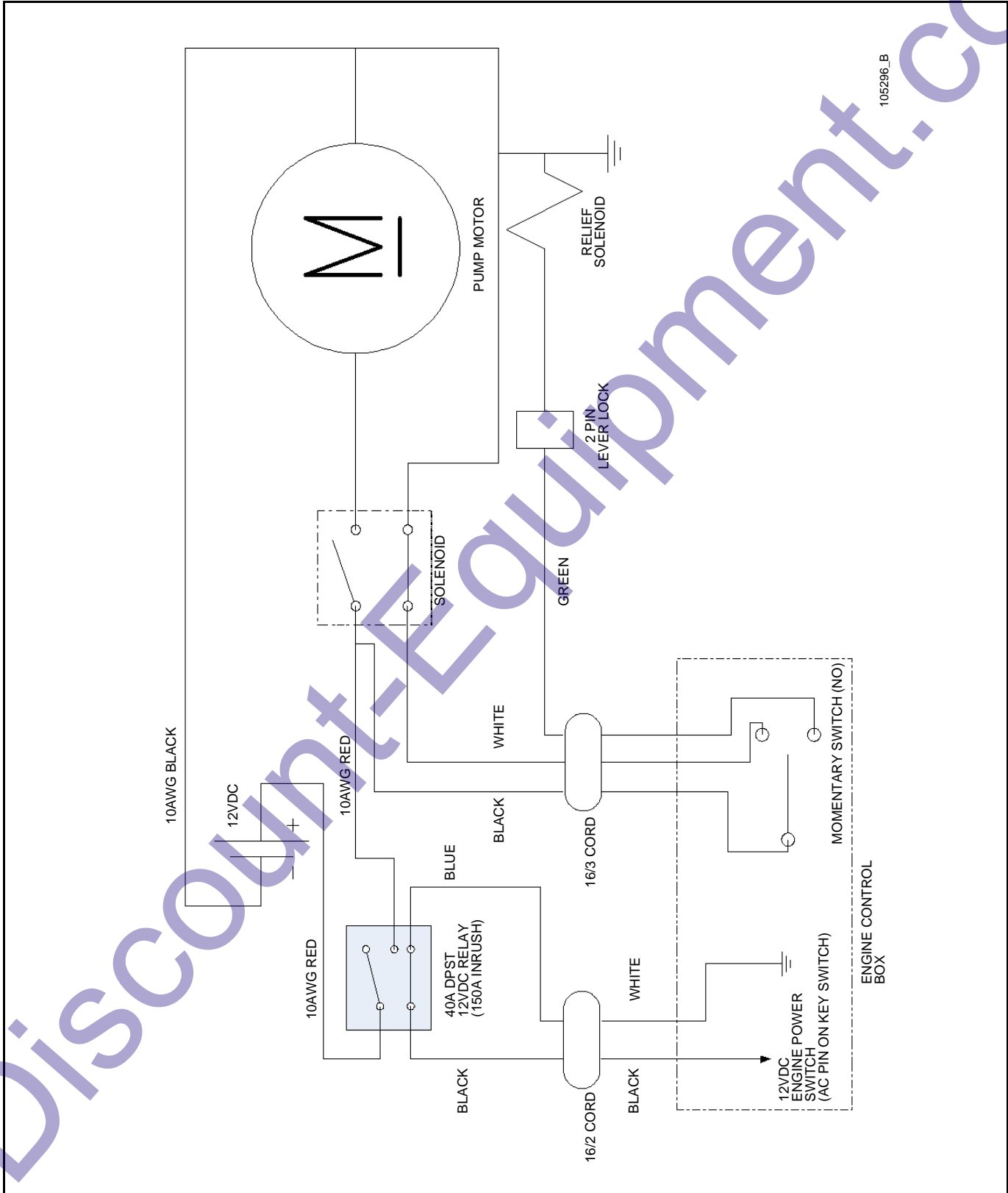
SN 0001ML2V13 and Up



**WIRING DIAGRAM**

**Vertical Tower Hydraulic Pump**

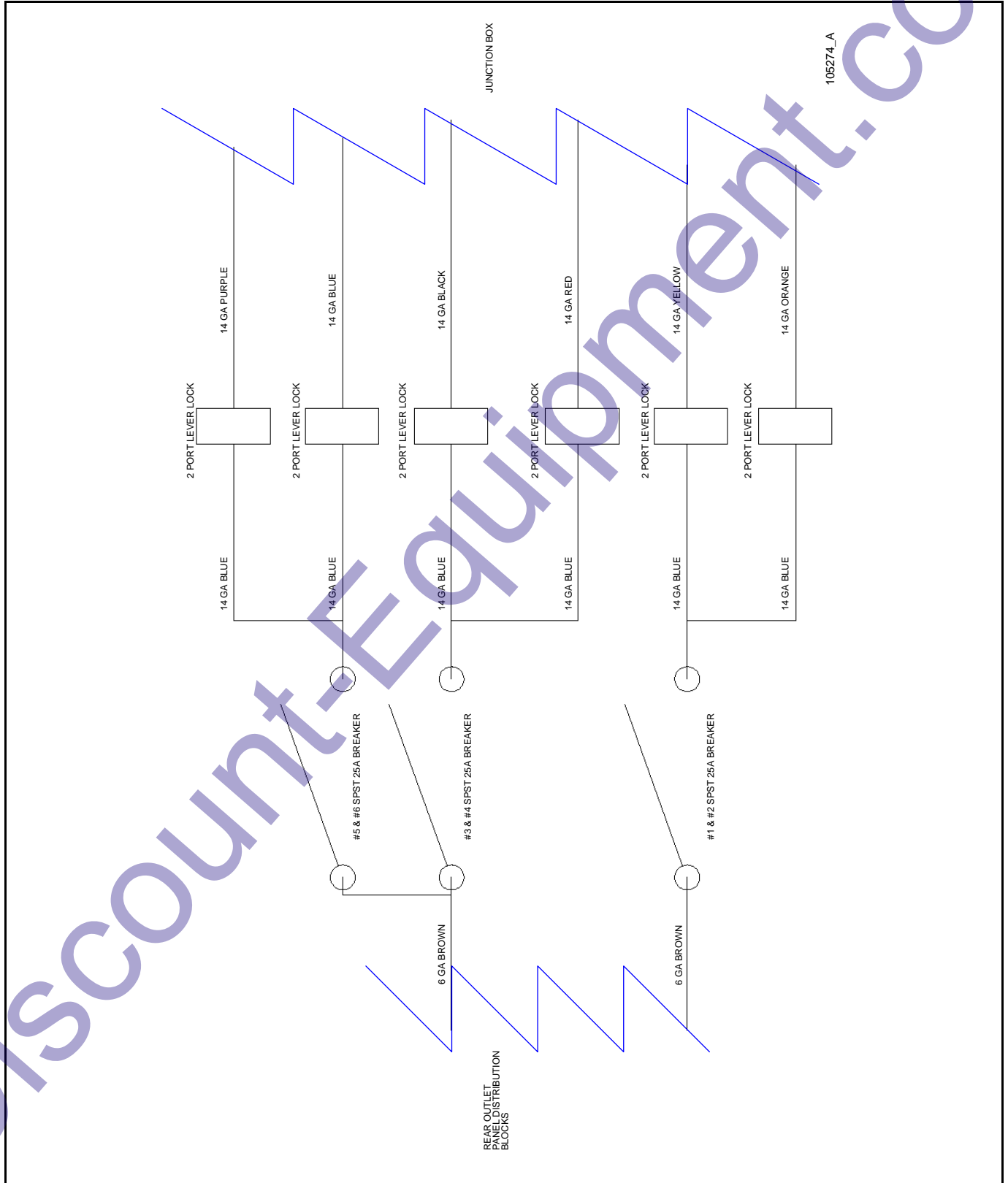
SN 0001ML2V13 and Up



## WIRING DIAGRAM

### AUS/NZ 3 Light Switches 6 Light ML II

SN 0001ML2V13 and Up



# **Discount Equipment**

Discount-Equipment.com is your online resource for commercial and industrial quality parts and equipment sales.

## **Locations:**

Florida (West Palm Beach): [561-964-4949](tel:561-964-4949)

Outside Florida TOLL FREE: [877-690-3101](tel:877-690-3101)

**Need parts?** Check out our website at [www.discount-equipment.com](http://www.discount-equipment.com)

## **Can't find what you need?**

Click on this link: <http://www.discount-equipment.com/category/5443-parts/> and fill out the request form.

Please have the machine model and serial number available in order to help us get you the correct parts. One of our experienced staff members will get back to you with a quote for the right part that your machine needs.

We sell worldwide for the brands: Genie, Terex, JLG, MultiQuip, Mayco, Toro/Stone, Diamond Products, Magnum, Airman, Mustang, Power Blanket, Nifty Lift, Atlas Copco, Chicago Pneumatic, Allmand Brothers, Essick, Miller Spreader, Skyjack, Lull, Skytrak, Tsurumi, Husquvarna/Target, Whiteman-Concrete/Mortar, Stow-Concrete/Mortar, Baldor, Wacker, Sakai, Snorkel, Upright, Mi-T-M, Sullair, Neal, Basic, Dynapac, MBW, Weber, Bartell, Bennar Newman, Haulotte, Ditch Runner, Blaw-Knox, Himoina, Best, Buddy, Crown, Edco, Wyco, Bomag, Laymor, Terremite, Barreto, EZ Trench, Takeuchi, Basic, Bil-Jax, Curtis, Gehl, Heli, Honda, ICS/PowerGrit, Puckett, Waldon, ASV, IHI, Partner, Imer, Clipper, MMD, Koshin, Rice, Gorman Rupp, CH&E, Cat Pumps, Comet, General Pump, Giant, AMida, Coleman, NAC, Gradall, Square Shooter, Kent, Stanley, Tamco, Toku, Hatz, Kohler, Robin, Wisconsin, Northrock, Oztec, Toker TK, Rol-Air, Small Line, Wanco, Yanmar

**New Equipment - Used Equipment - Rental Equipment - Parts and Accessories**

# **Discount Equipment**

[www.discount-equipment.com](http://www.discount-equipment.com)

**561-964-4949**

Parts: [wbparts@Discount-Equipment.com](mailto:wbparts@Discount-Equipment.com)

Sales: [info@Discount-Equipment.com](mailto:info@Discount-Equipment.com)

[Discount-Equipment.com](http://Discount-Equipment.com)

**Allmand™**

**BRIGHTER. WARMER. SAFER.**



*Reliability, performance, and integrity since 1938*

13-0267