

**GENERAC**<sup>®</sup>

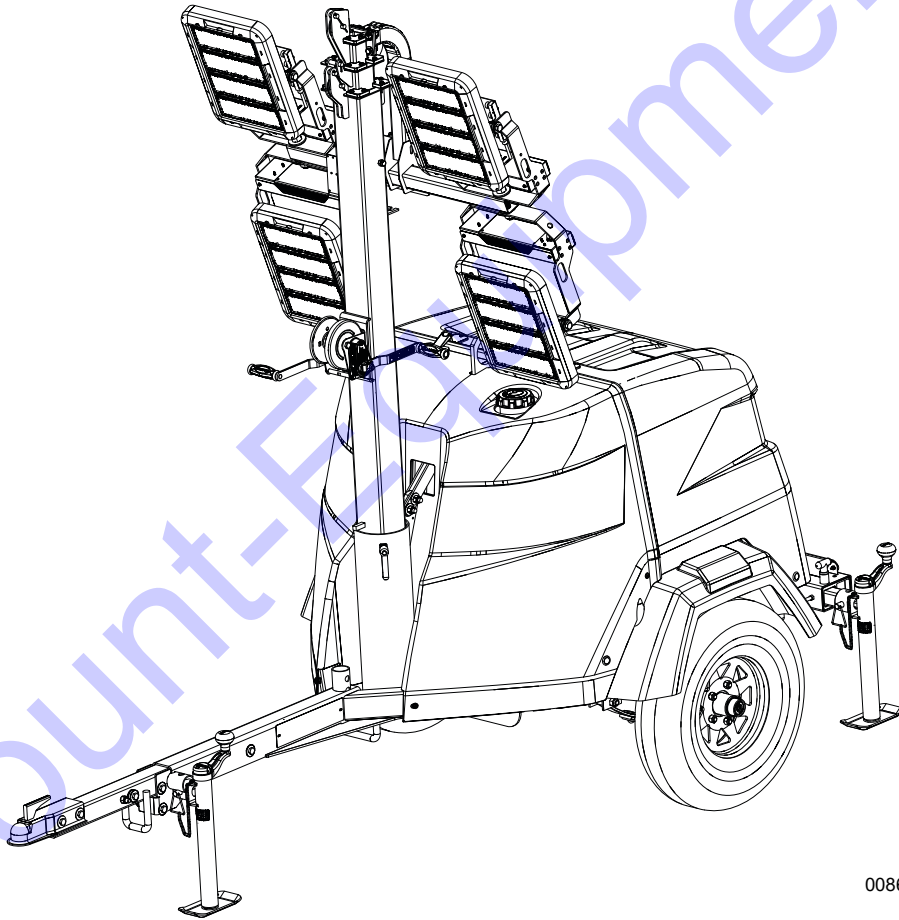
**MAGNUM**

*Owner's Manual*  
*Light Tower*

MLT6SMDS • MLT6SKDS

S/N 3002908801 and above

**PART 4**



008615

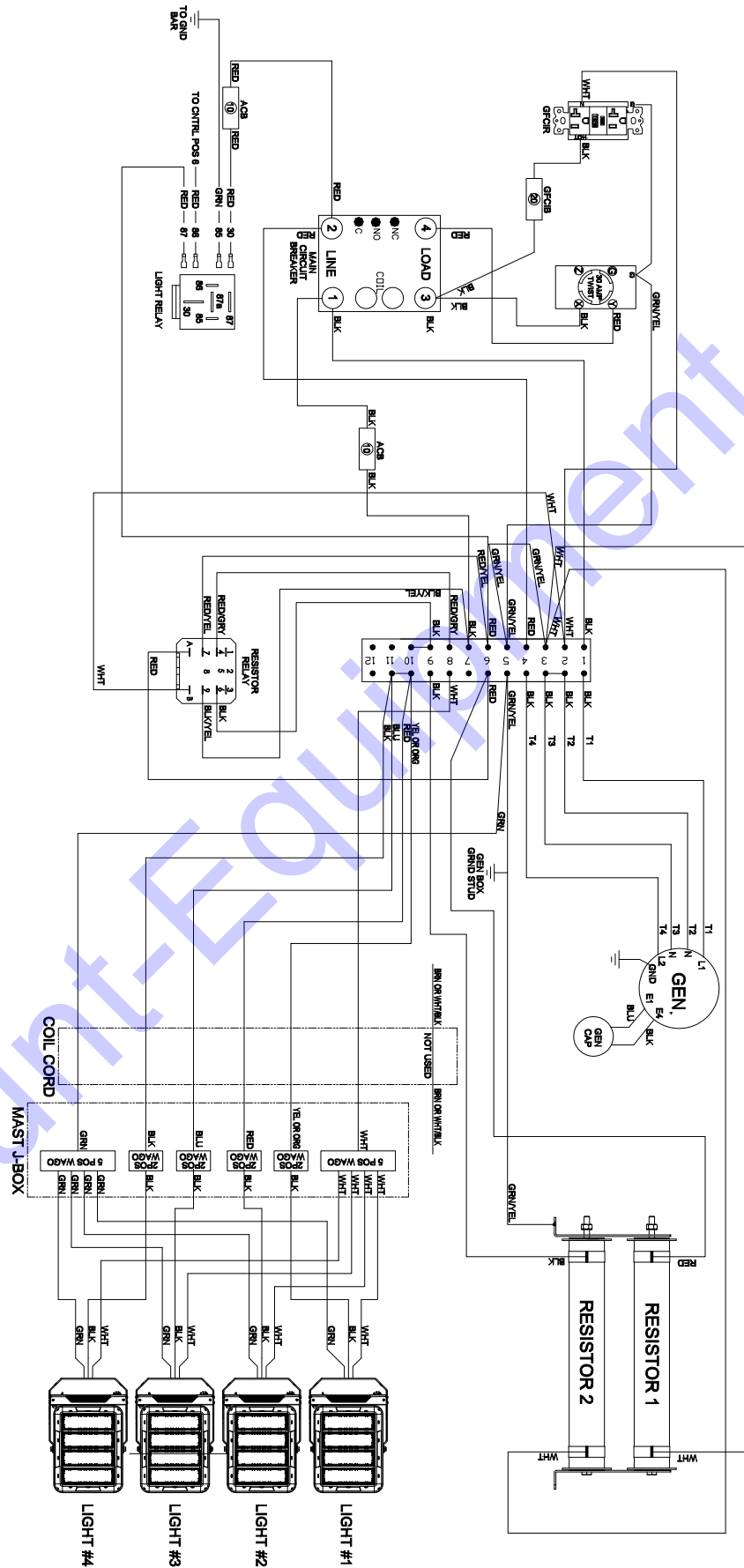


[www.discount-equipment.com](http://www.discount-equipment.com)

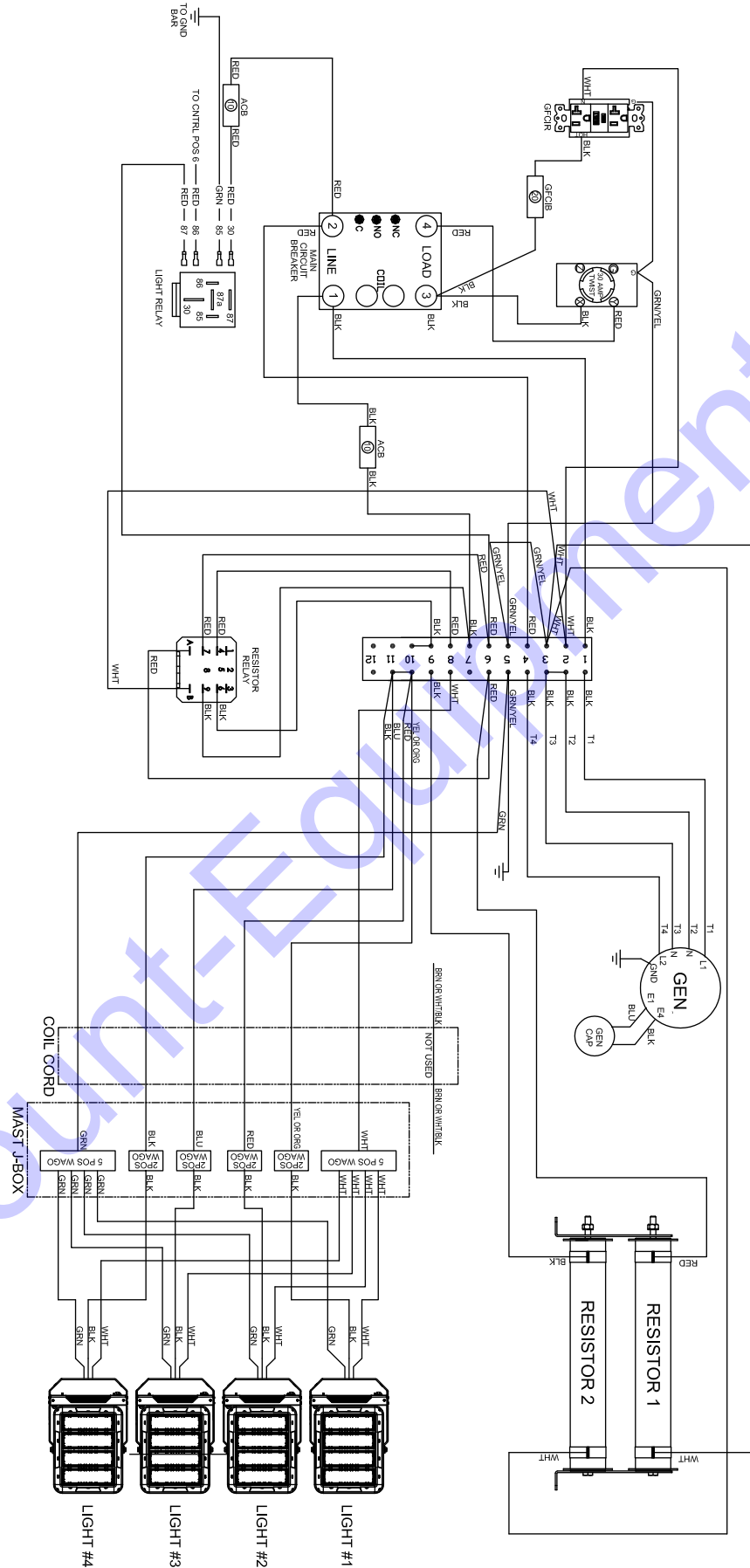
**SAVE THIS MANUAL FOR FUTURE REFERENCE**



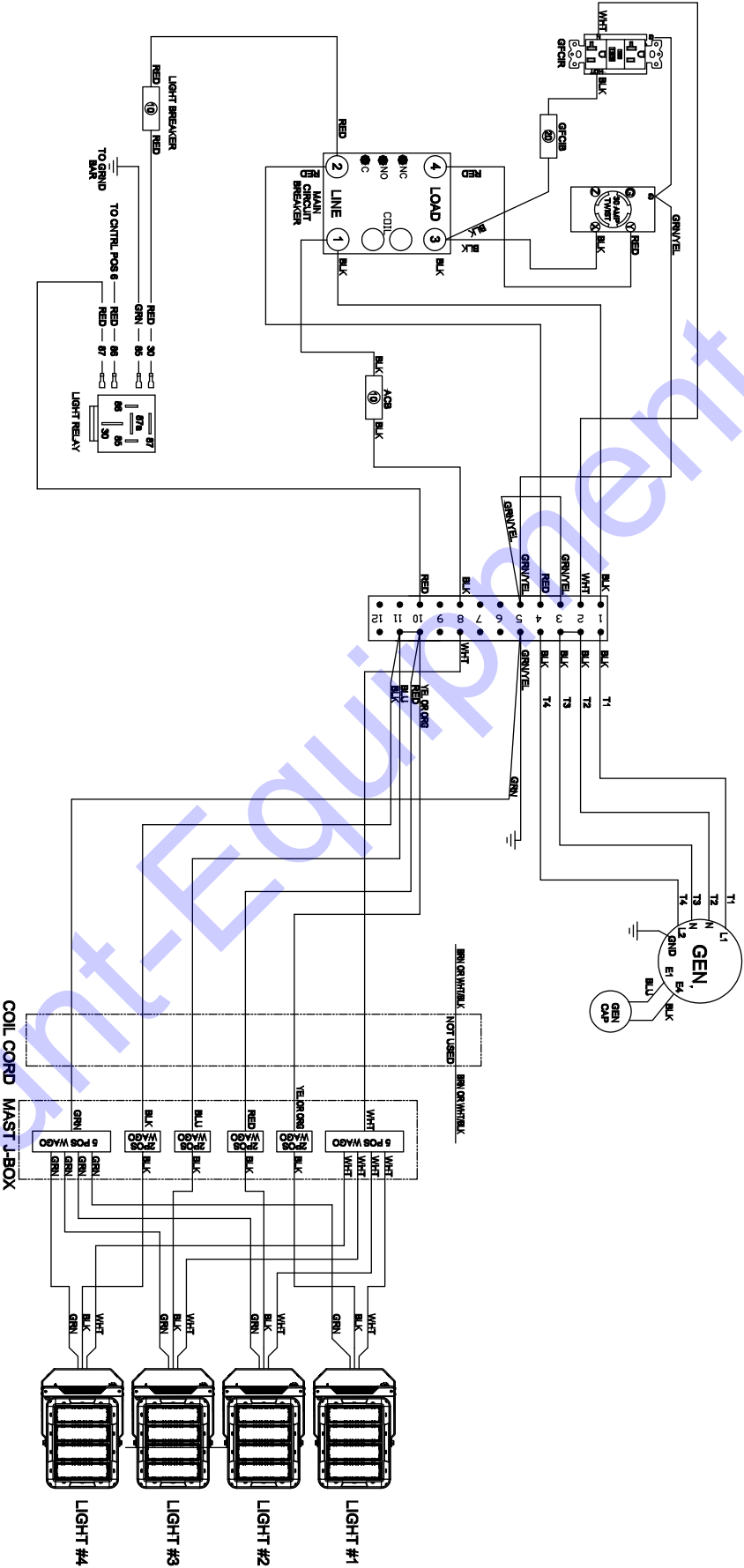
# AC Wiring Diagram MLT6SMDS - Non Power Zone/Key Equipped



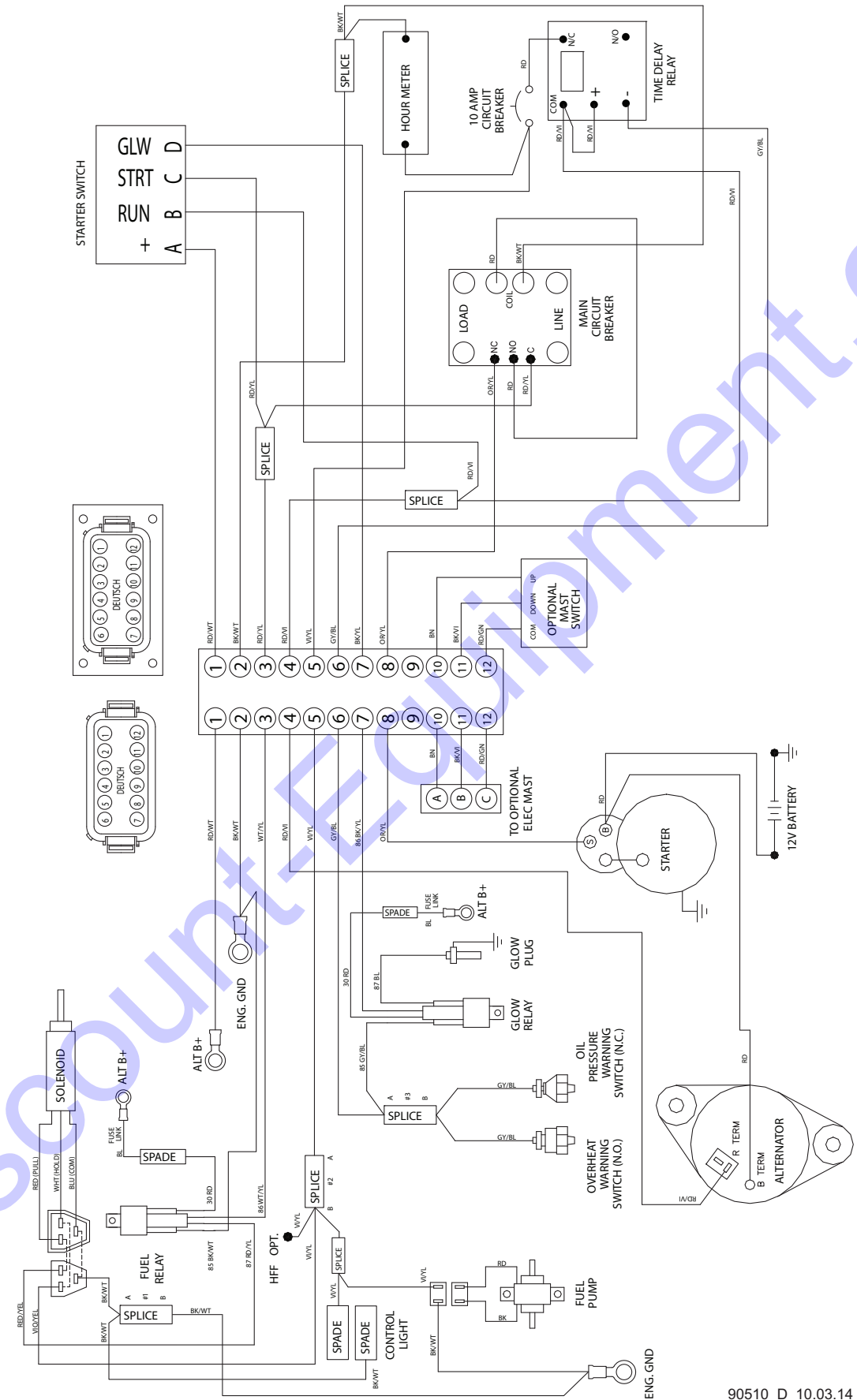
# AC Wiring Diagram—MLT6SKDS With Power Zone



# AC Wiring Diagram—MLT6SMDS Power Zone (If Equipped)

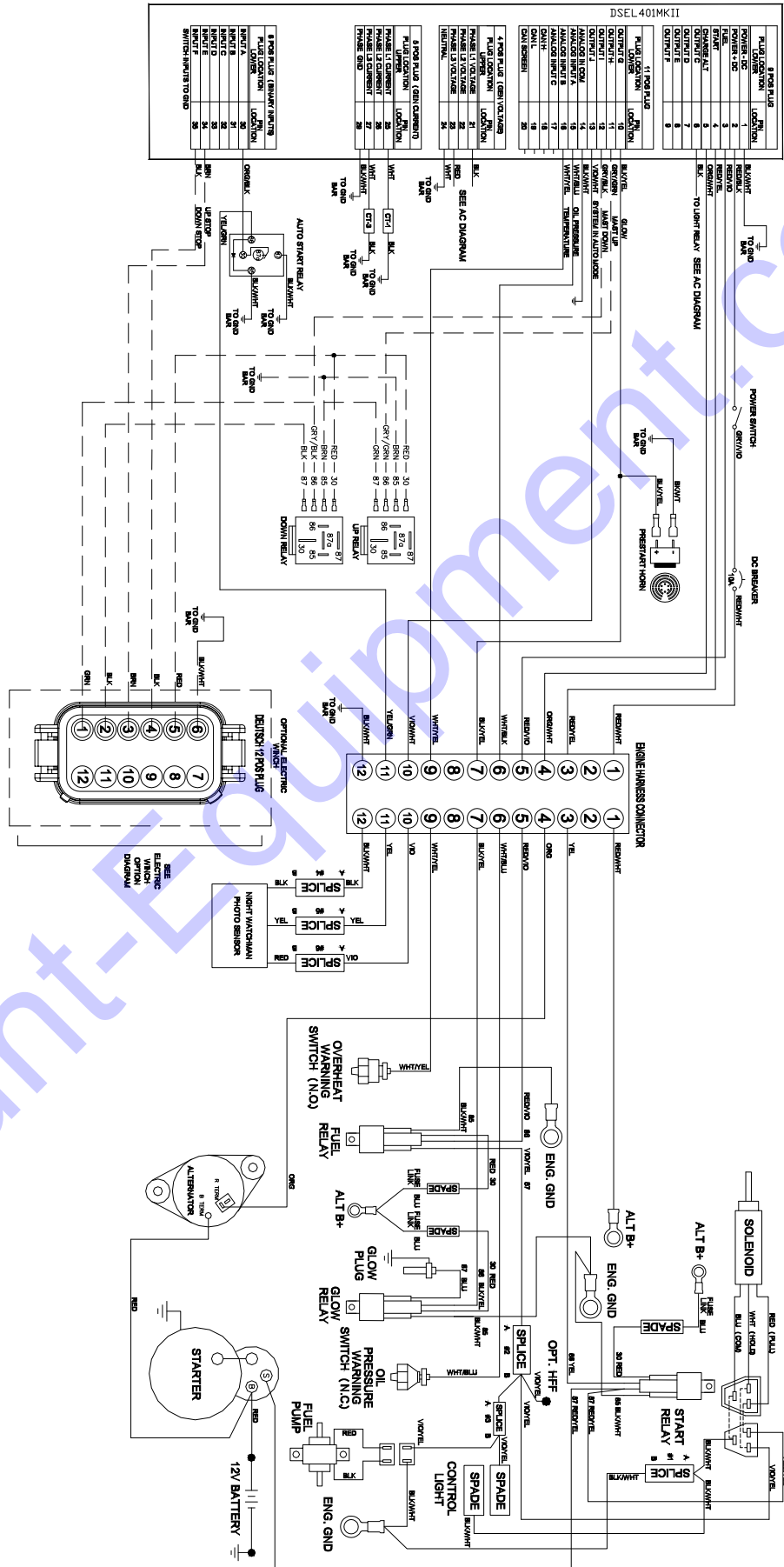


# DC Wiring Diagram—MLT6SMDS Non Power Zone/Key Equipped

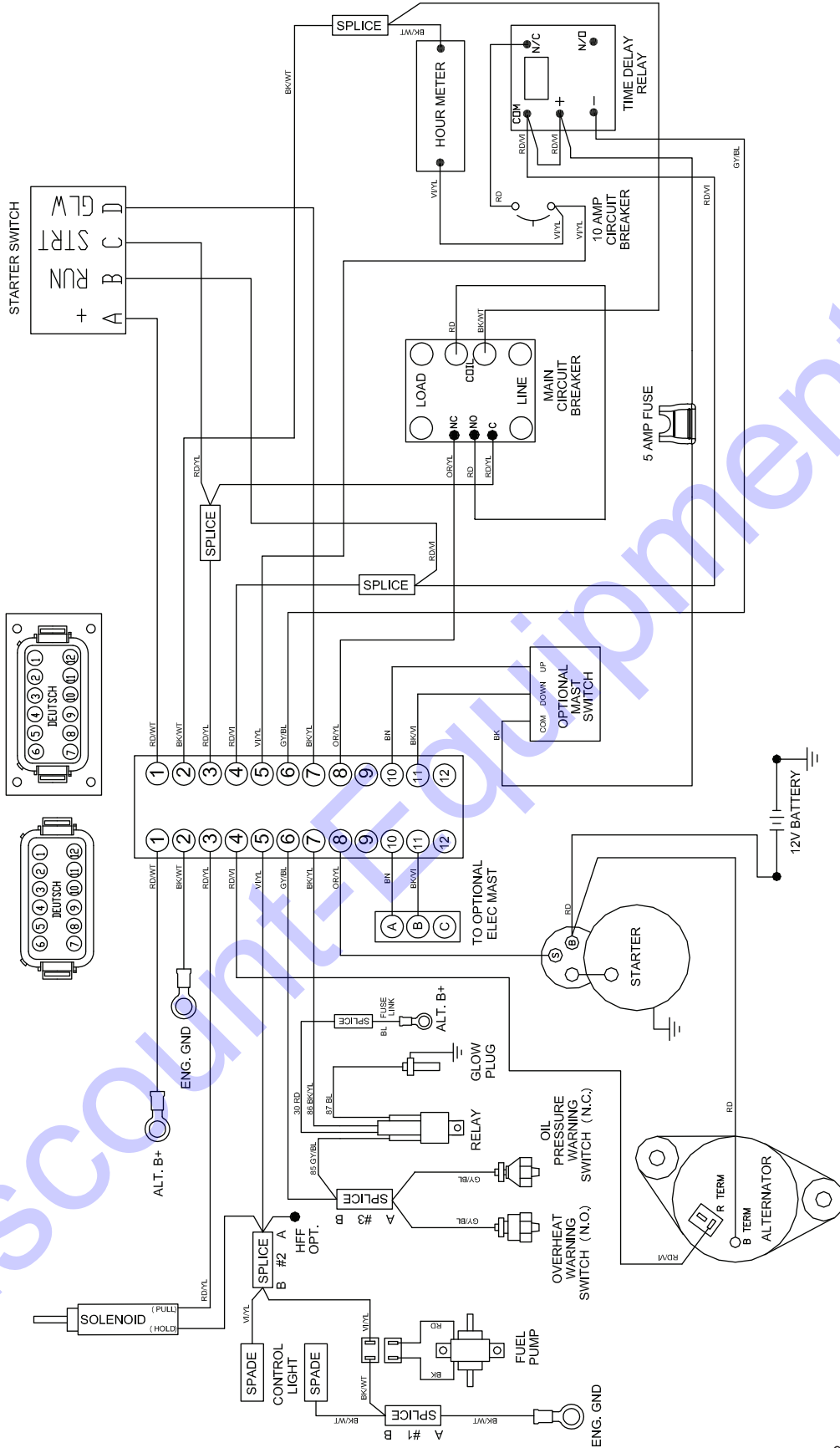


90510\_D\_10.03.14

# DC Wiring Diagram—MLT6SMD5 Power Zone (If Equipped)



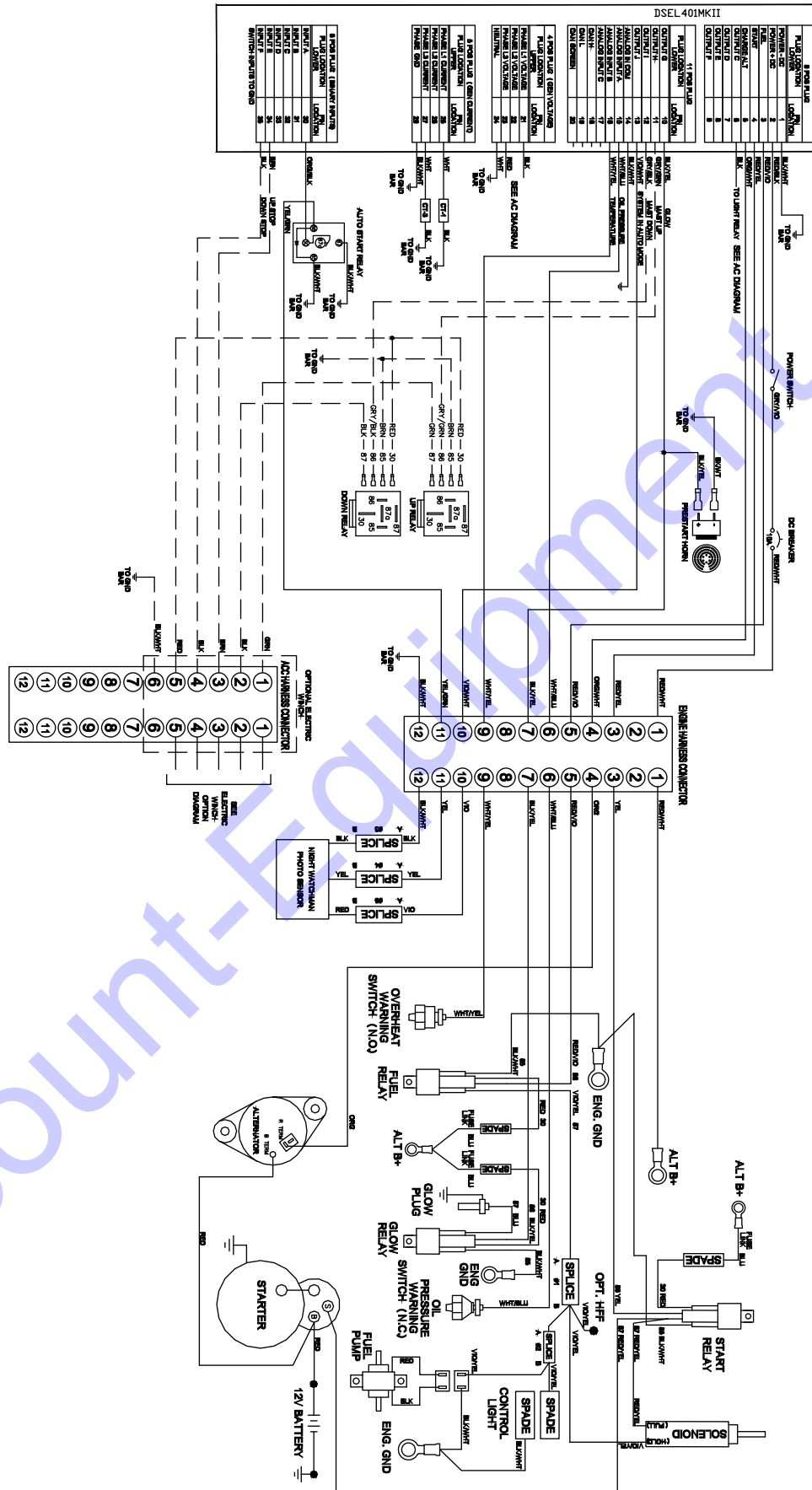
# DC Wiring Diagram MLT6SKDS - Without Power Zone



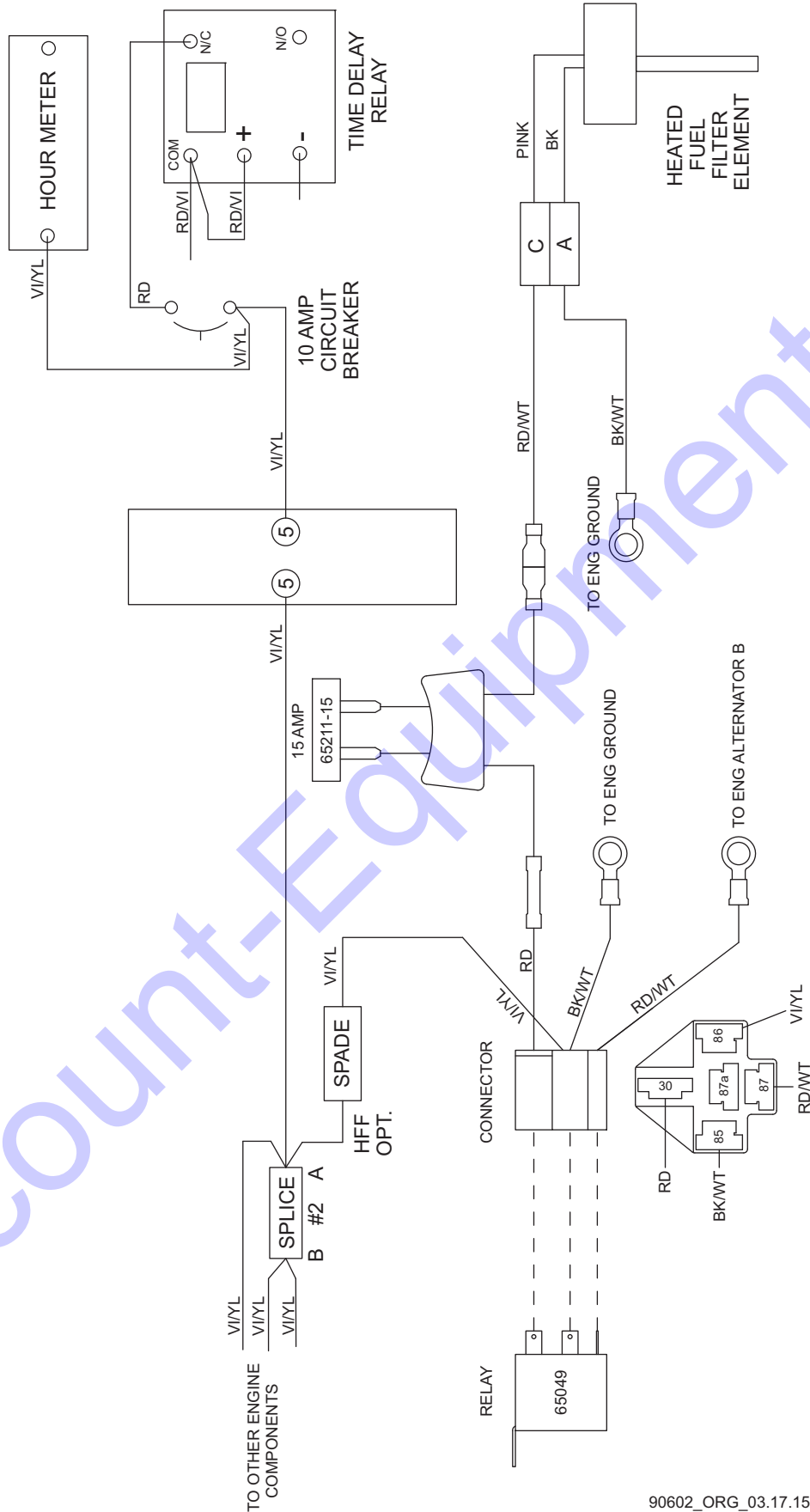
90509\_E\_6.27.16



# DC Wiring Diagram—MLT6SKDS Power Zone (If Equipped)

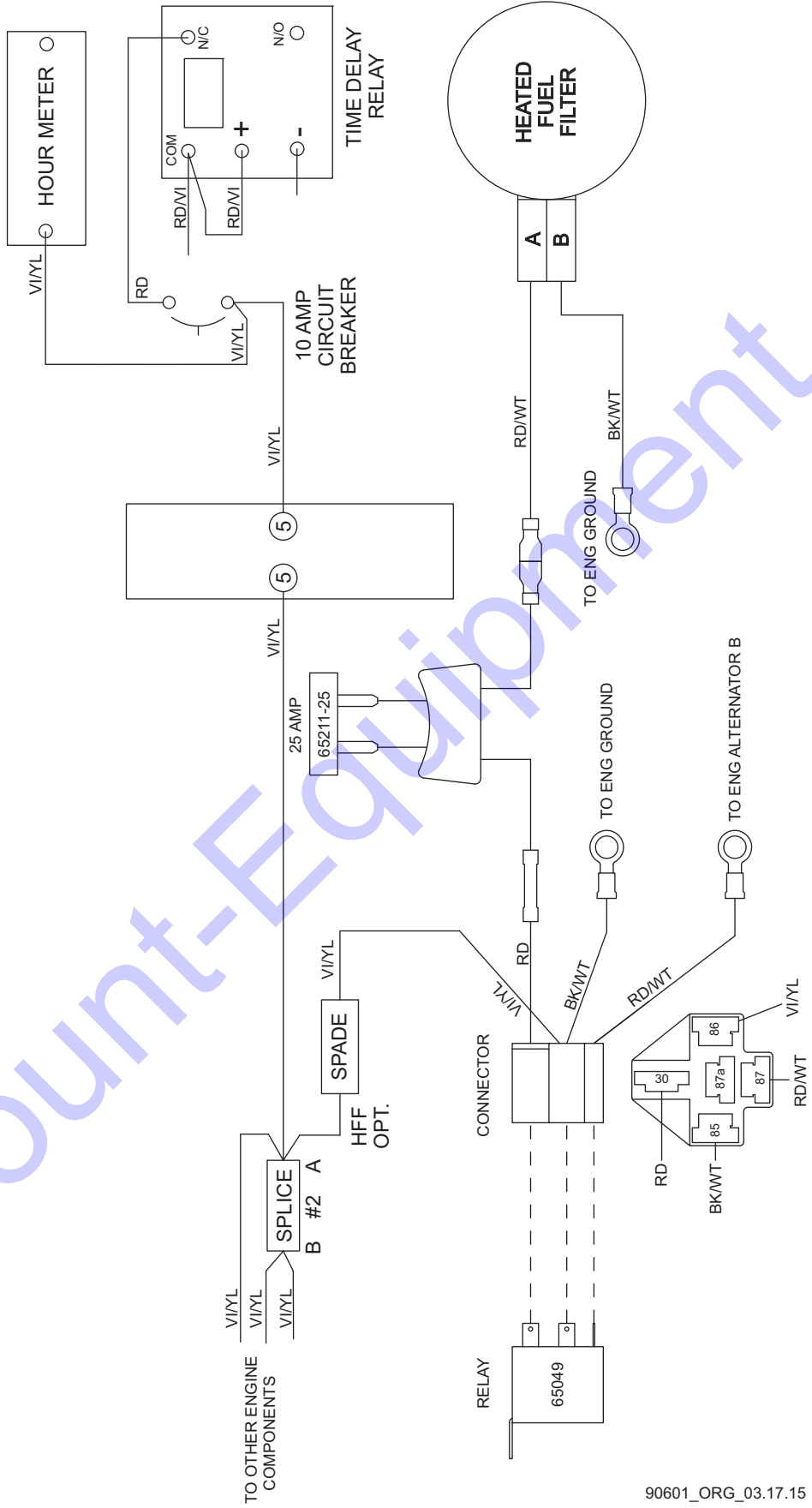


# DC Wiring Option—Heated Fuel Filter – MLT6SMDS



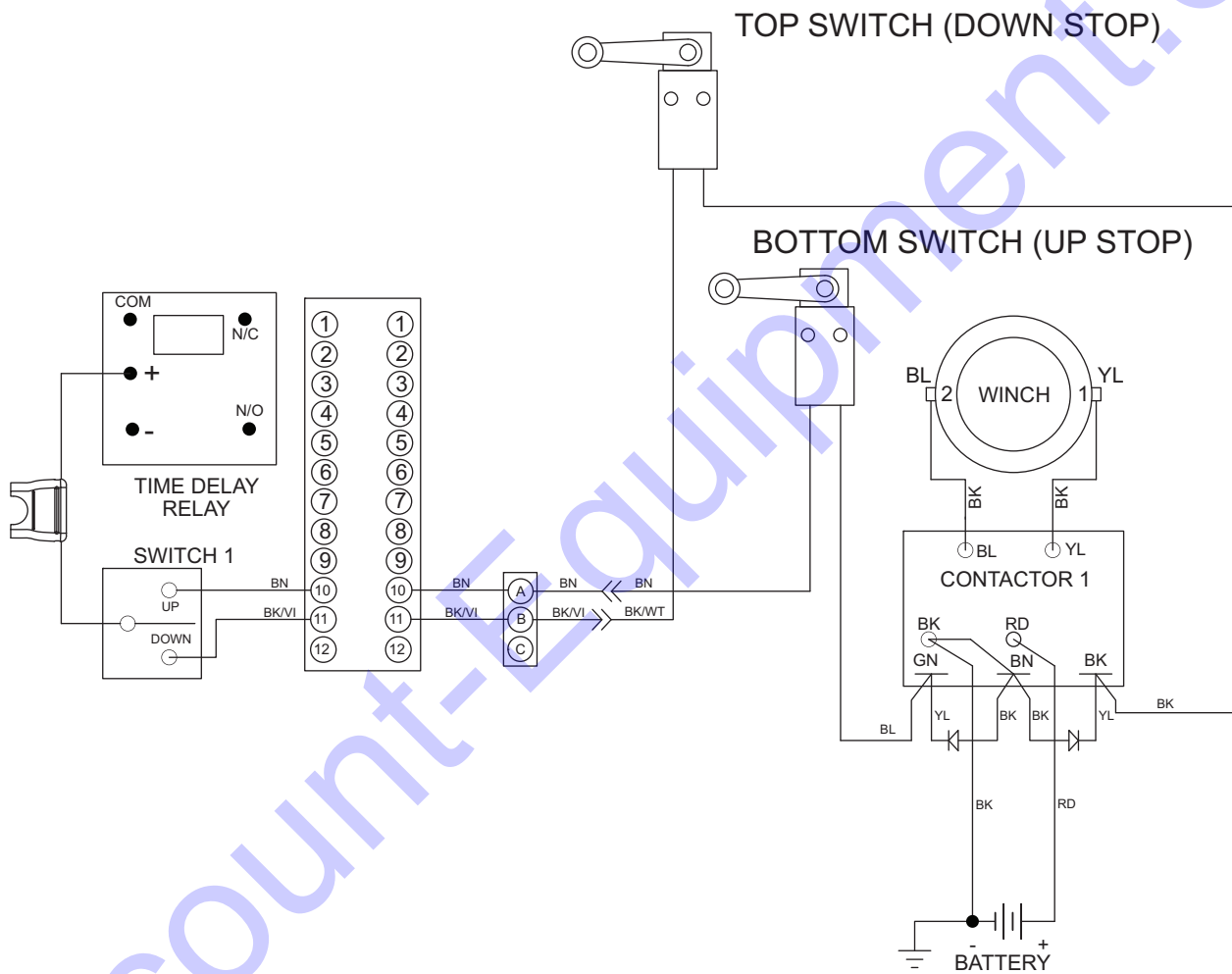
90602\_ORG\_03.17.15

# DC Wiring Option—Heated Fuel Filter – MLT6SKDS



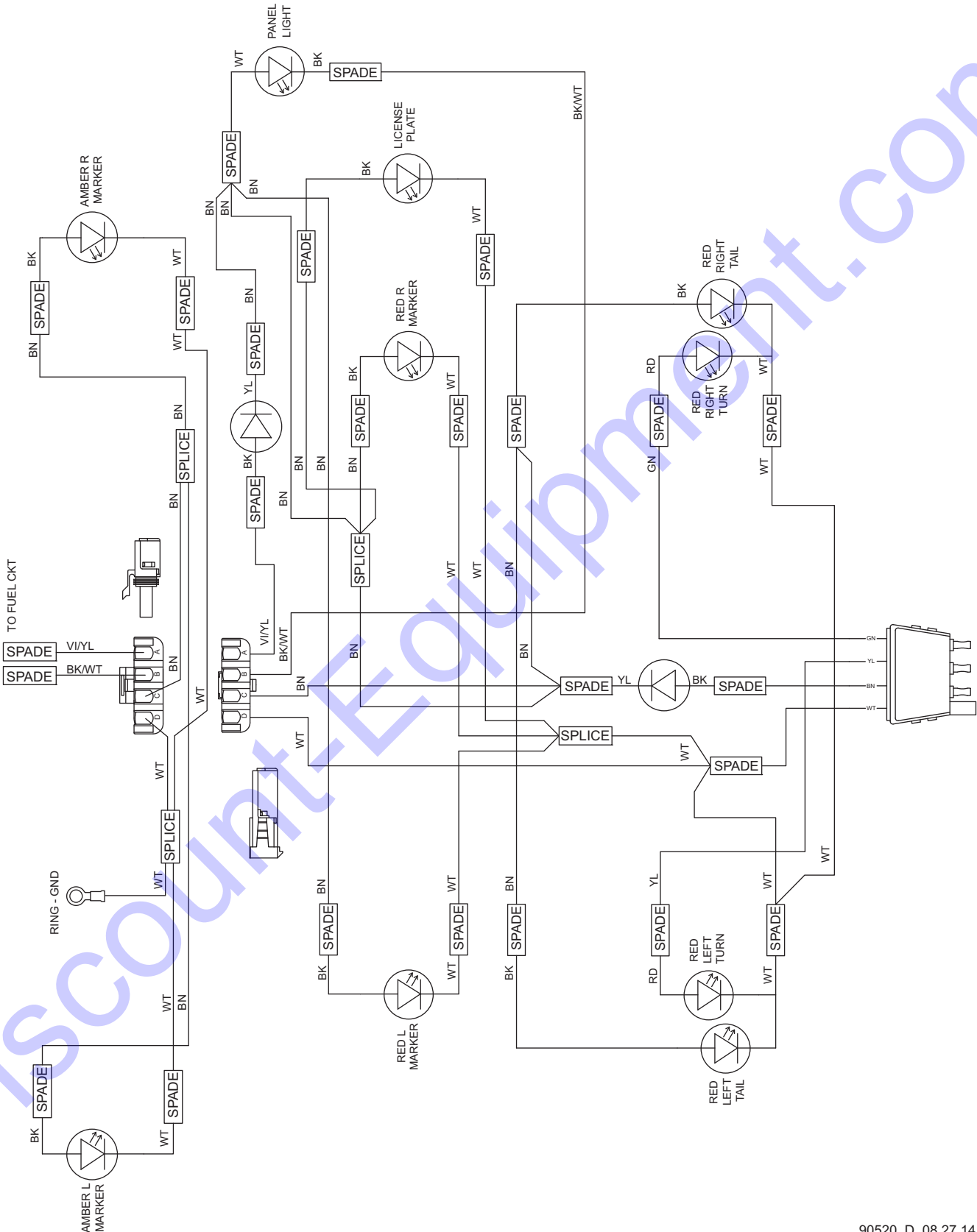
90601\_ORG\_03.17.15

## DC Wiring—Electric Winch Option



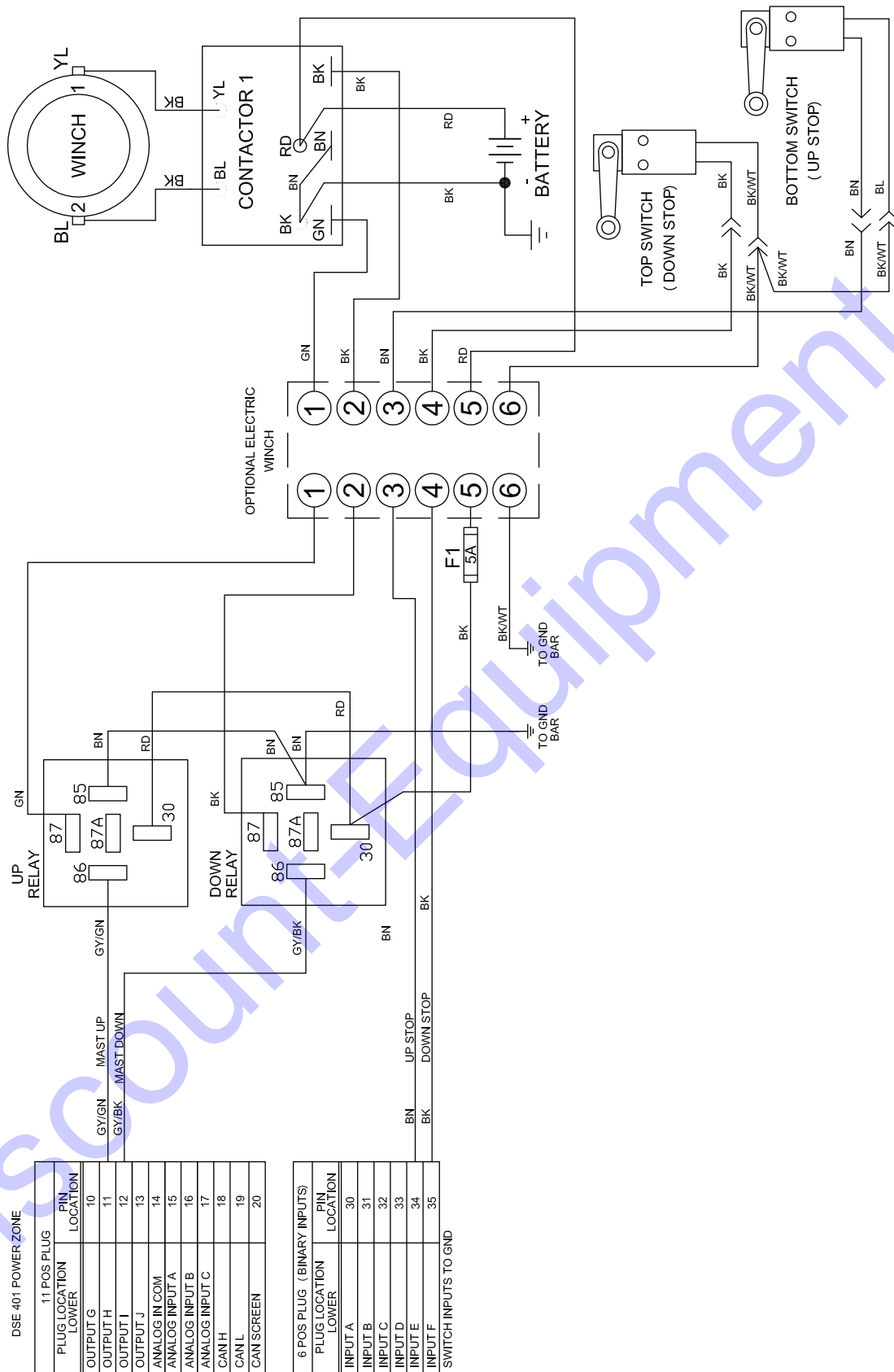
90596\_A\_07.19.16

# Trailer Lights Wiring



90520\_D\_08.27.14

# DC Wiring—Electric Winch Option—Power Zone (If Equipped)



90615\_A\_12.15.15



[www.discount-equipment.com](http://www.discount-equipment.com)

Discount-Equipment.com

Part No. 1000034714 Rev. A 08/06/18  
©2018 Generac Mobile Products, LLC  
All rights reserved.  
Specifications are subject to change without notice.  
No reproduction allowed in any form without prior written  
consent from Generac Mobile Products, LLC.

**GENERAC**  
**MOBILE  
PRODUCTS**