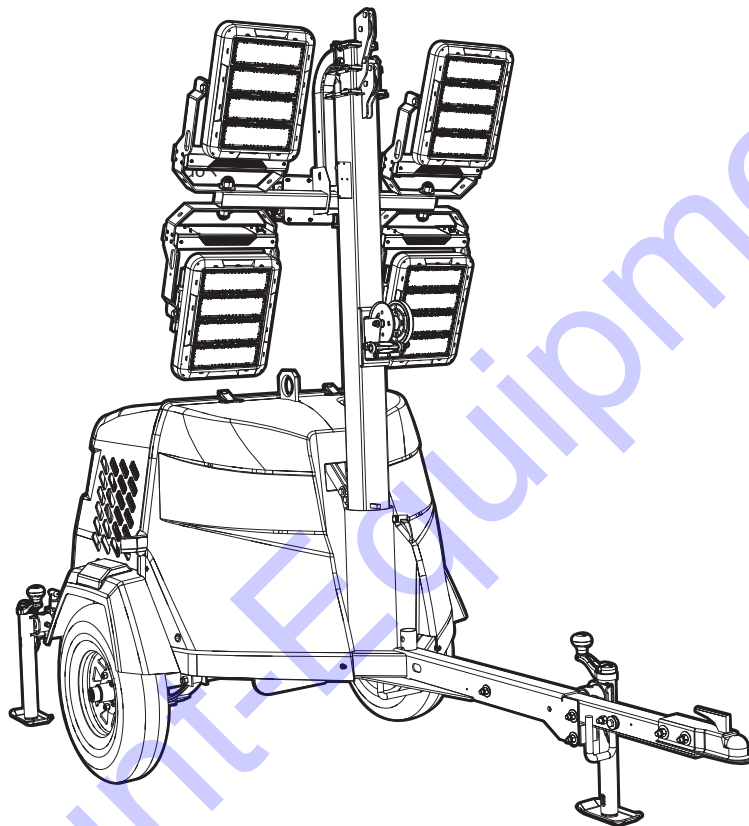


# MLT6SKDS

## Light Tower Parts Manual



02673

MODEL NUMBER: \_\_\_\_\_

SERIAL NUMBER: \_\_\_\_\_

DATE PURCHASED: \_\_\_\_\_



[www.discount-equipment.com](http://www.discount-equipment.com)

**SAVE THIS MANUAL FOR FUTURE REFERENCE**

# **Discount Equipment**

Discount-Equipment.com is your online resource for commercial and industrial quality parts and equipment sales.

## **Locations:**

Florida (West Palm Beach): [561-964-4949](tel:561-964-4949)

Outside Florida TOLL FREE: [877-690-3101](tel:877-690-3101)

**Need parts?** Check out our website at [www.discount-equipment.com](http://www.discount-equipment.com)

## **Can't find what you need?**

Click on this link: <http://www.discount-equipment.com/category/5443-parts/> and fill out the request form.

Please have the machine model and serial number available in order to help us get you the correct parts. One of our experienced staff members will get back to you with a quote for the right part that your machine needs.

We sell worldwide for the brands: Genie, Terex, JLG, MultiQuip, Mayco, Toro/Stone, Diamond Products, Magnum, Airman, Mustang, Power Blanket, Nifty Lift, Atlas Copco, Chicago Pneumatic, Allmand Brothers, Essick, Miller Spreader, Skyjack, Lull, Skytrak, Tsurumi, Husquvarna/Target, Whiteman-Concrete/Mortar, Stow-Concrete/Mortar, Baldor, Wacker, Sakai, Snorkel, Upright, Mi-T-M, Sullair, Neal, Basic, Dynapac, MBW, Weber, Bartell, Bennar Newman, Haulotte, Ditch Runner, Blaw-Knox, Himoina, Best, Buddy, Crown, Edco, Wyco, Bomag, Laymor, Terremite, Barreto, EZ Trench, Takeuchi, Basic, Bil-Jax, Curtis, Gehl, Heli, Honda, ICS/PowerGrit, Puckett, Waldon, ASV, IHI, Partner, Imer, Clipper, MMD, Koshin, Rice, Gorman Rupp, CH&E, Cat Pumps, Comet, General Pump, Giant, AMida, Coleman, NAC, Gradall, Square Shooter, Kent, Stanley, Tamco, Toku, Hatz, Kohler, Robin, Wisconsin, Northrock, Oztec, Toker TK, Rol-Air, Small Line, Wanco, Yanmar

**New Equipment - Used Equipment - Rental Equipment - Parts and Accessories**

# **Discount Equipment**

[www.discount-equipment.com](http://www.discount-equipment.com)

**561-964-4949**

Parts: [wbparts@Discount-Equipment.com](mailto:wbparts@Discount-Equipment.com)

Sales: [info@Discount-Equipment.com](mailto:info@Discount-Equipment.com)

**⚠ WARNING**

**CANCER AND REPRODUCTIVE HARM**

[www.P65Warnings.ca.gov](http://www.P65Warnings.ca.gov).

(000393a)

**⚠ WARNING**

Breathing diesel engine exhaust exposes you to chemicals known to the State of California to cause cancer and birth defects or other reproductive harm.

- Always start and operate the engine in a well-ventilated area.
- If in an enclosed area, vent the exhaust to the outside.
- Do not modify or tamper with the exhaust system.
- Do not idle the engine except as necessary.

For more information go to

[www.P65Warnings.ca.gov/diesel](http://www.P65Warnings.ca.gov/diesel).

(000394)

## Introduction

This parts manual was prepared based on the information available at the time of publication and is subject to change without notice. Generac Mobile Products reserves the right to change parts at any time.

DO NOT MODIFY or use this equipment for any application other than which it was designed for. To keep your equipment fully operational, it is suggested you maintain a stock of commonly used maintenance or service parts. A recommended spare parts list can be found in the back of this manual.



### **⚠ WARNING**

Consult Manual. Read and understand manual completely before using product. Failure to completely understand manual and product could result in death or serious injury. (000100a)

---

### **⚠ WARNING**

Environmental Hazard. Always recycle batteries at an official recycling center in accordance with all local laws and regulations. Failure to do so could result in environmental damage, death or serious injury. (000228)

---

Engine Make: \_\_\_\_\_

Engine Serial Number: \_\_\_\_\_

Engine Model Number: \_\_\_\_\_

## Table of Contents

Introduction .....	iii
Parts Manual Instructions .....	1
Unit Decals - Front, Rear and Top .....	2
Unit Decals - Left and Right Sides .....	4
Unit Decals - Inside Unit .....	6
Mast, Junction Box and Lights to Unit .....	8
Light Assembly .....	10
Mast Junction Box Assembly .....	12
Mast Assembly .....	14
Mast Assembly - Bottom Post - Manual Winch .....	16
Mast Assembly - Bottom Post - Electric Winch .....	18
Enclosure Assembly (1 of 2) .....	20
Enclosure Assembly (2 of 2) .....	22
Control Box Assembly .....	24
Control Box Assembly - Powerzone Option (1 of 2) .....	26
Control Box Assembly - Powerzone Option (2 of 2) .....	28
Cooling System Assembly .....	30
Engine Assembly (1 of 2) .....	32
Engine Assembly (2 of 2) .....	34
Generator Assembly .....	36
Components to Trailer Assembly .....	38
Trailer Assembly .....	40
Recommended Spare Parts - Engine and Service Kits .....	42
Recommended Spare Parts - Electrical .....	44
Recommended Spare Parts - Misc .....	46

# Parts Manual Instructions

Product illustrations are only representations. Products supplied may vary from the illustrations in this parts manual. Parts not shown in the illustration are indicated by a double dash (--) in the item column.

Please be prepared to provide the following information when ordering replacement parts: model number, serial number (on unit serial tag), part number, purchase order number (if applicable), shipping address, shipping method.

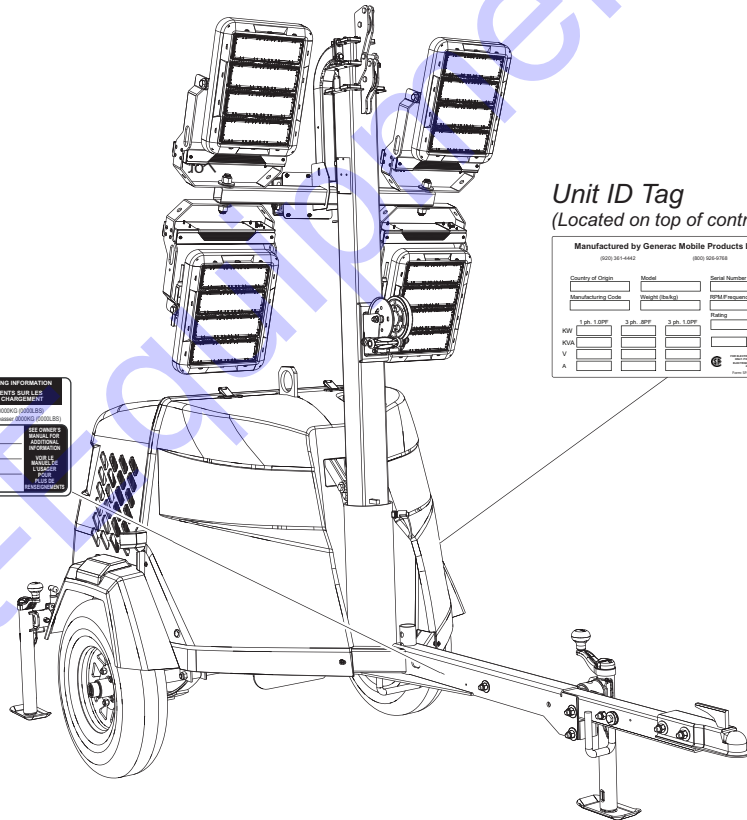
Refer to the illustration below to locate the unit ID tag and Vehicle Identification Number (VIN) tag on the unit. Important information, such as the unit serial number, model number, VIN and tire loading information are found on these tags. Record the information from these tags so it is available if the tags are lost or damaged. When ordering parts or requesting assistance, you may be asked to provide this information.

VIN Tag

MANUFACTURED BY/FABRIQUE PAR: Generac Mobile Products LLC		DATE: 06/00/00	<b>TIRE AND LOADING INFORMATION</b> PRESSIONS ENTYE SUELES PREVIS ET LE CHARGEMENT This weight is subject to change based on tire pressure (PSI/Bar) and axle load. Ce poids de chargement va être affecté par la pression des pneus (PSI/Bar) et la charge par essieu.
VIN: 00000000000000000000 MODEL: XXXX000 TYPE: TRAILER	COUNTRY OF ORIGIN: [ ] MANUFACTURING CODE: [ ] WEIGHT (DRY/SEC): [ ] TYPING: [ ] INCL. CLASS: [ ]	TIRE SIZE: [ ] TIRE TYPE: [ ] TIRE RATING: [ ] TIRE LOAD RANGE: [ ] TIRE INFLATION: [ ] TIRE TREAD: [ ] TIRE CONDITION: [ ]	

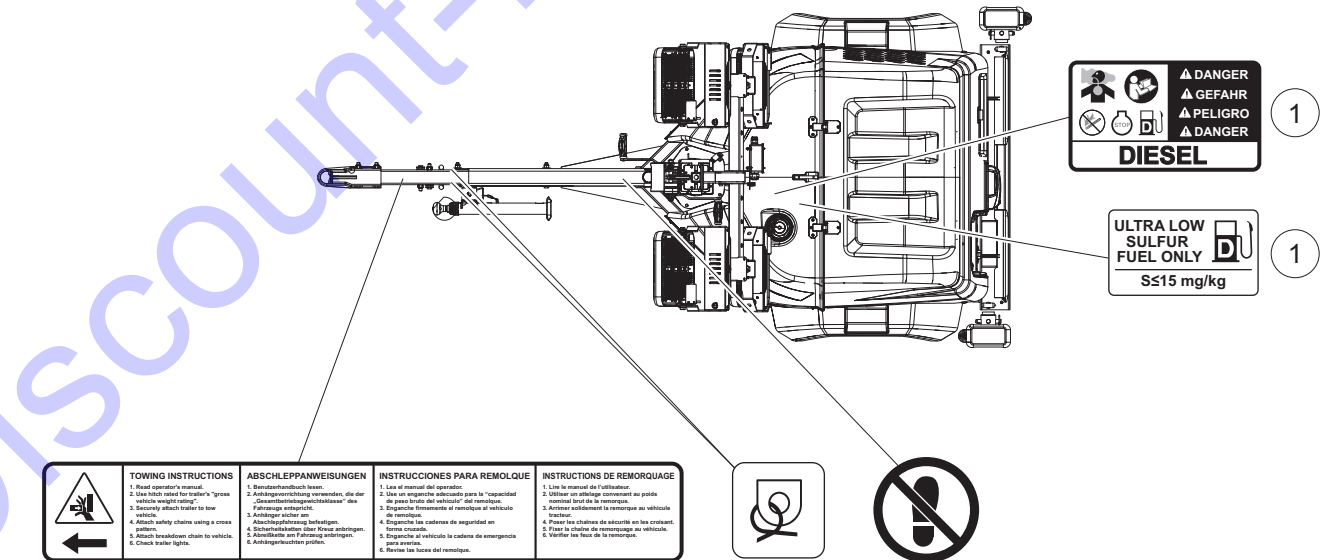
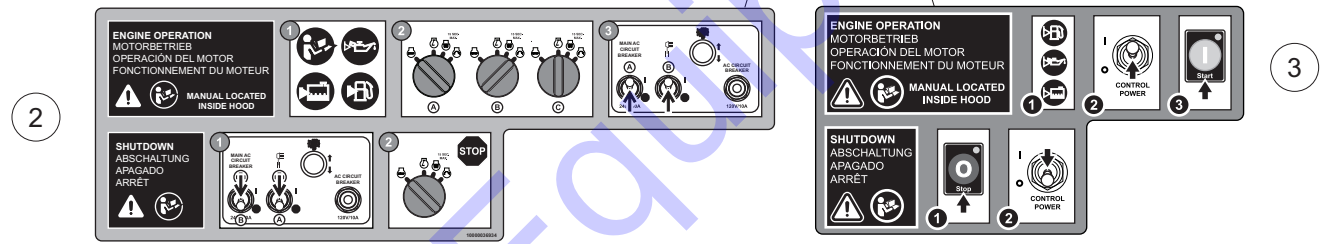
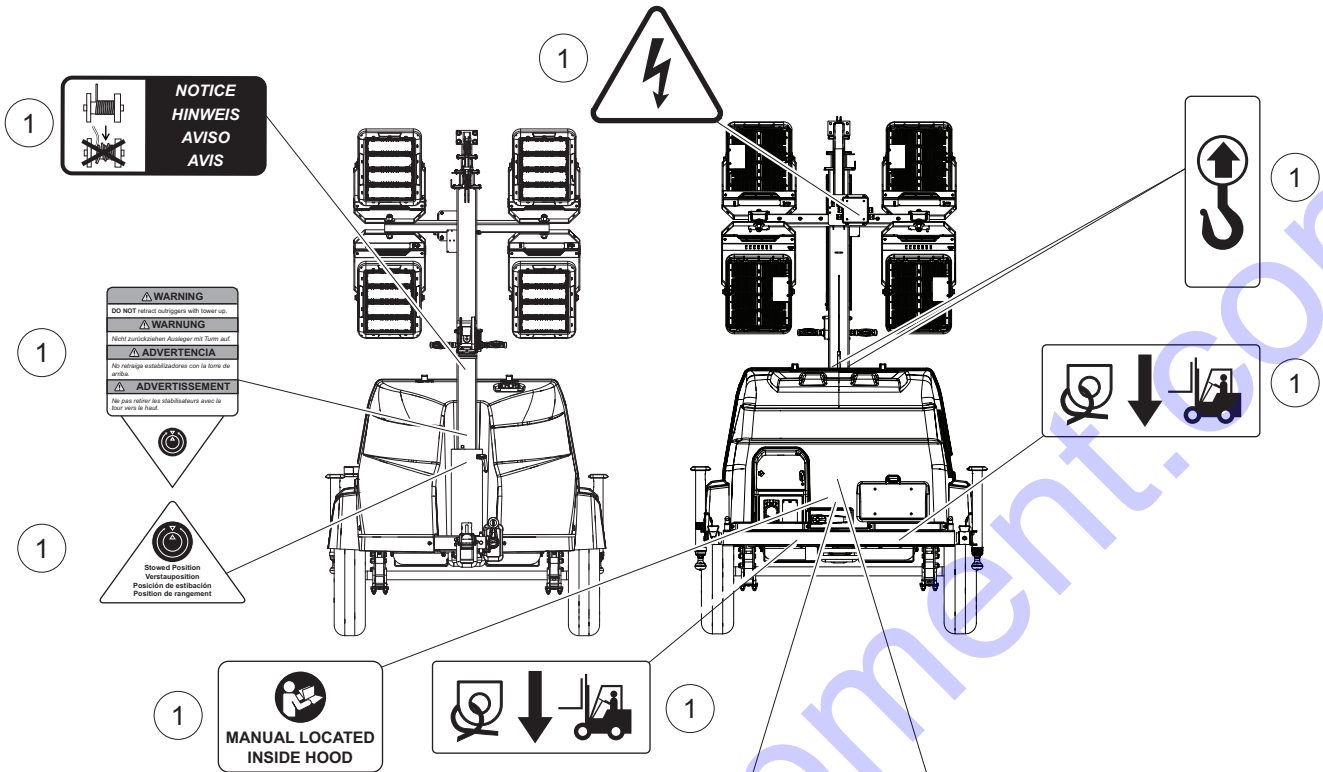
Unit ID Tag  
(Located on top of control box)

Manufactured by Generac Mobile Products LLC		
(000) 341-1442	(000) 304-6768	
Country of Origin: [ ]	Model: [ ]	Serial Number: [ ]
Manufacturing Code: [ ]	Weight (Dry/Sec): [ ]	PSI/Frequency: [ ]
TYPING: [ ]		
1 ph. 1.0PF	3 ph. 0PF	3 ph. 1.0PF
KVA: [ ]	[ ]	[ ]
V: [ ]	[ ]	[ ]
A: [ ]	[ ]	[ ]



02674

# UNIT DECALS - FRONT, REAR AND TOP



## UNIT DECALS - FRONT, REAR AND TOP

---

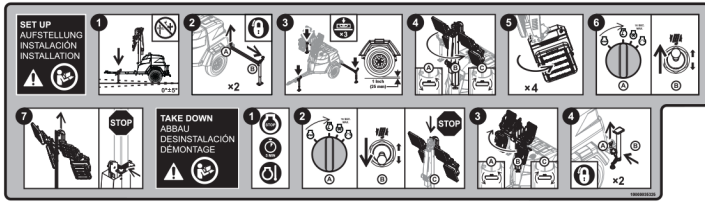
Item	Part No.	Qty	Description	Notes
1	55016	1	Decal, safety MLT6SMD	
2	10000036394	1	Decal, operation - manual	
3	10000039507	1	Decal, operation - PZ	

Discount-Equipment.com

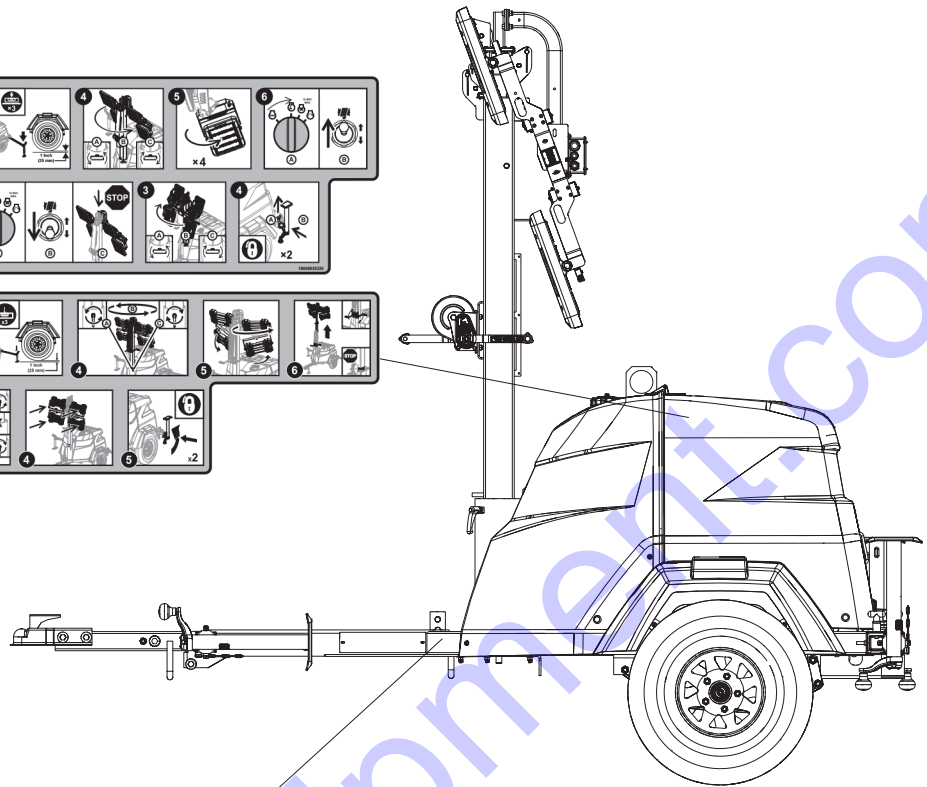
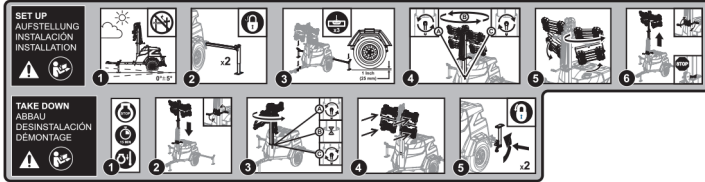


# UNIT DECALS - LEFT AND RIGHT SIDES

1



2



3



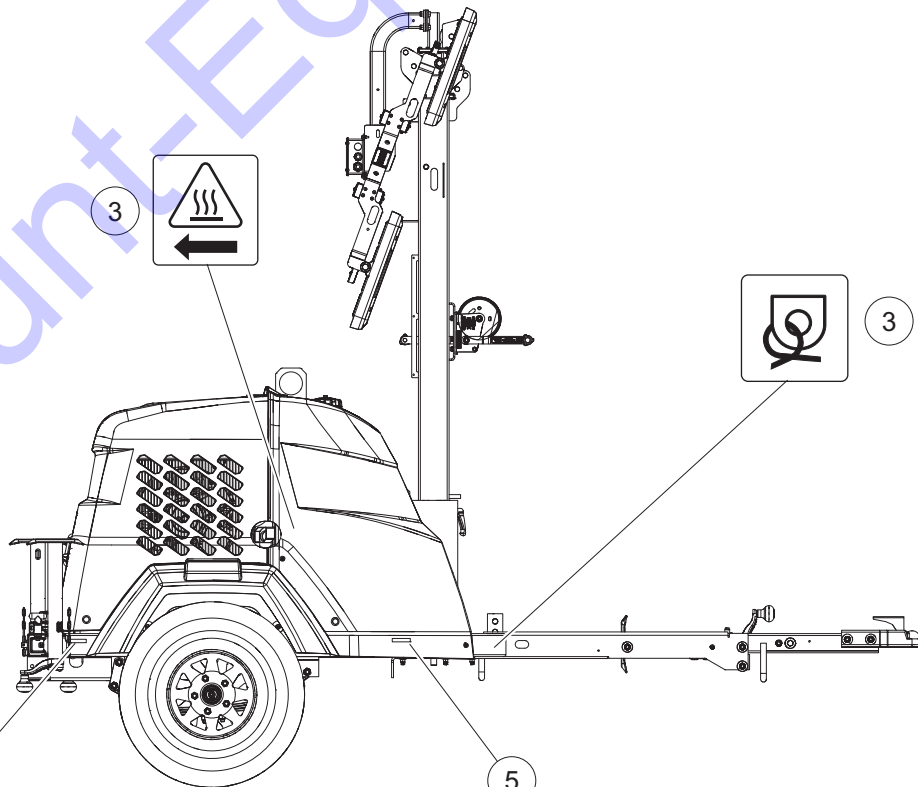
3



3



4



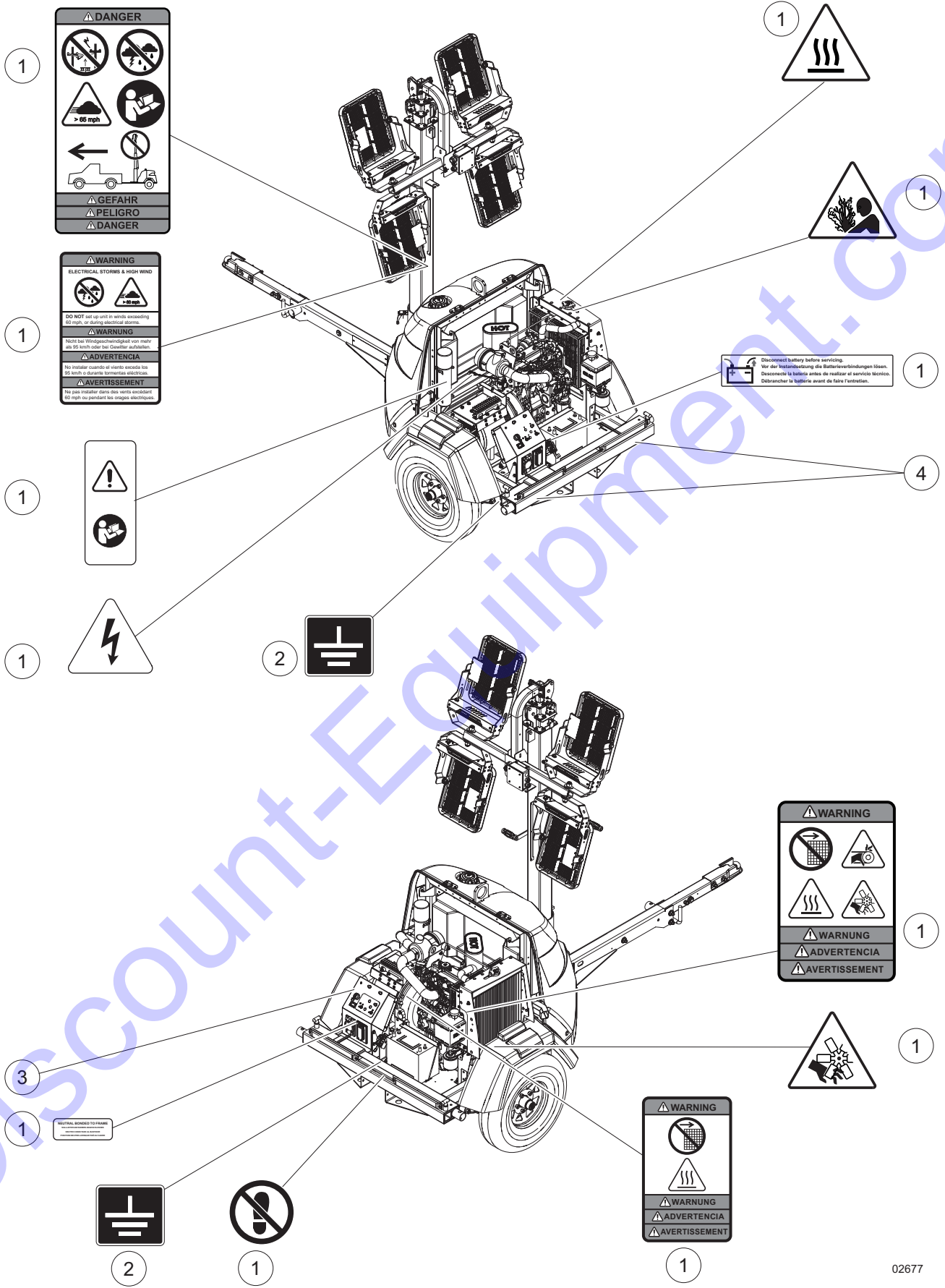
5

02676

## UNIT DECALS - LEFT AND RIGHT SIDES

Item	Part No.	Qty	Description	Notes
1	10000035325	1	Decal, operation MLT6SM - SKDS (electric)	
2	10000035402	1	Decal, operation MLT6SM - SKDS (manual)	shown
3	55016	1	Decal, safety MLT6SMD	
4	72149	1	Reflector, red (4.25 in x .75 in)	Set of two
5	72150	1	Reflector, yellow (4.25 in x .75 in)	Set of two

# UNIT DECALS - INSIDE UNIT



**⚠ DANGER**

**⚠ GEFAHR**  
**⚠ PELIGRO**  
**⚠ DANGER**

**⚠ WARNING**  
ELECTRICAL STORMS & HIGH WIND

DO NOT set up unit in winds exceeding 50 mph, or during electrical storms.

**⚠ WARNING**  
Nicht bei Windgeschwindigkeit von mehr als 50 km/h oder bei Gewitter aufstellen!

**⚠ ADVERTENCIA**  
No instalar unidades al viento exceeds los 55 km/h o durante tormentas eléctricas.

**⚠ AVERTISSEMENT**  
Ne pas installer dans des vents excédant 50 mph ou pendant les orages électriques.

Disconnect battery before servicing.  
Vor der Instandsetzung die Batterieverbindungen lösen.  
Desconecte la batería antes de realizar el servicio técnico.  
Débrancher la batterie avant de faire l'entretien.

**⚠**

**⚠**

**⚡**

**⏏**

NEUTRAL BONDED TO FRAME

**⏏**

**⊘**

**⚠ WARNING**

**⚠ WARNING**  
**⚠ ADVERTENCIA**  
**⚠ AVERTISSEMENT**

**⚠ WARNING**

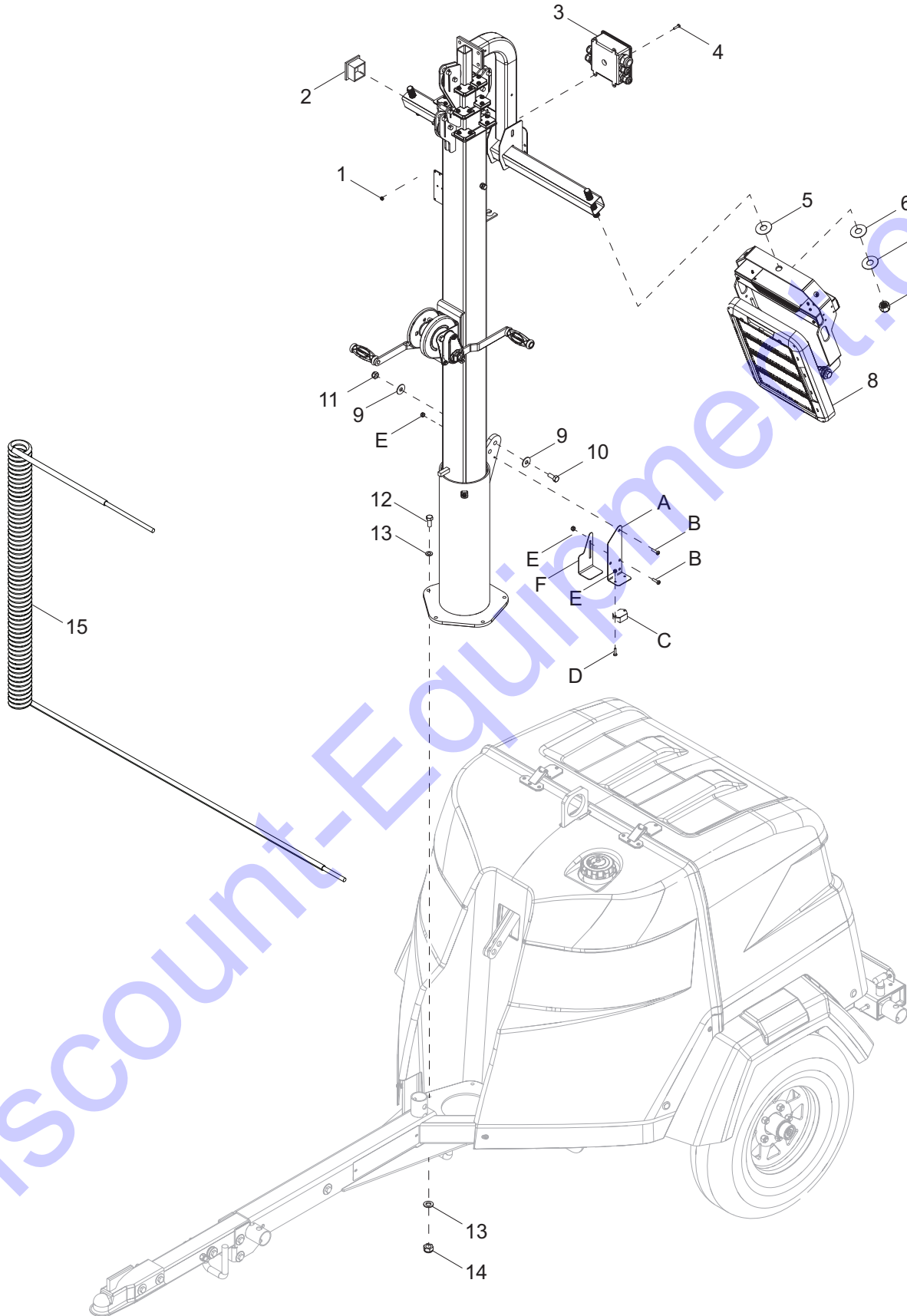
**⚠ WARNING**  
**⚠ ADVERTENCIA**  
**⚠ AVERTISSEMENT**

**⚠**

## UNIT DECALS - INSIDE UNIT

Item	Part No.	Qty	Description	Notes
1	55016	1	Decal, safety MLT6SM - SKDS	
2	12142	1	Decal, ground	
3	17986	1	Decal, control panel MLT 6SK-M	
--	70196	1	Decal, control panel - PZ	Powerzone only
4	72132	1	Reflector, rear 2.0 x 2.0 - red	Set of two

# MAST, JUNCTION BOX AND LIGHTS TO UNIT



02678

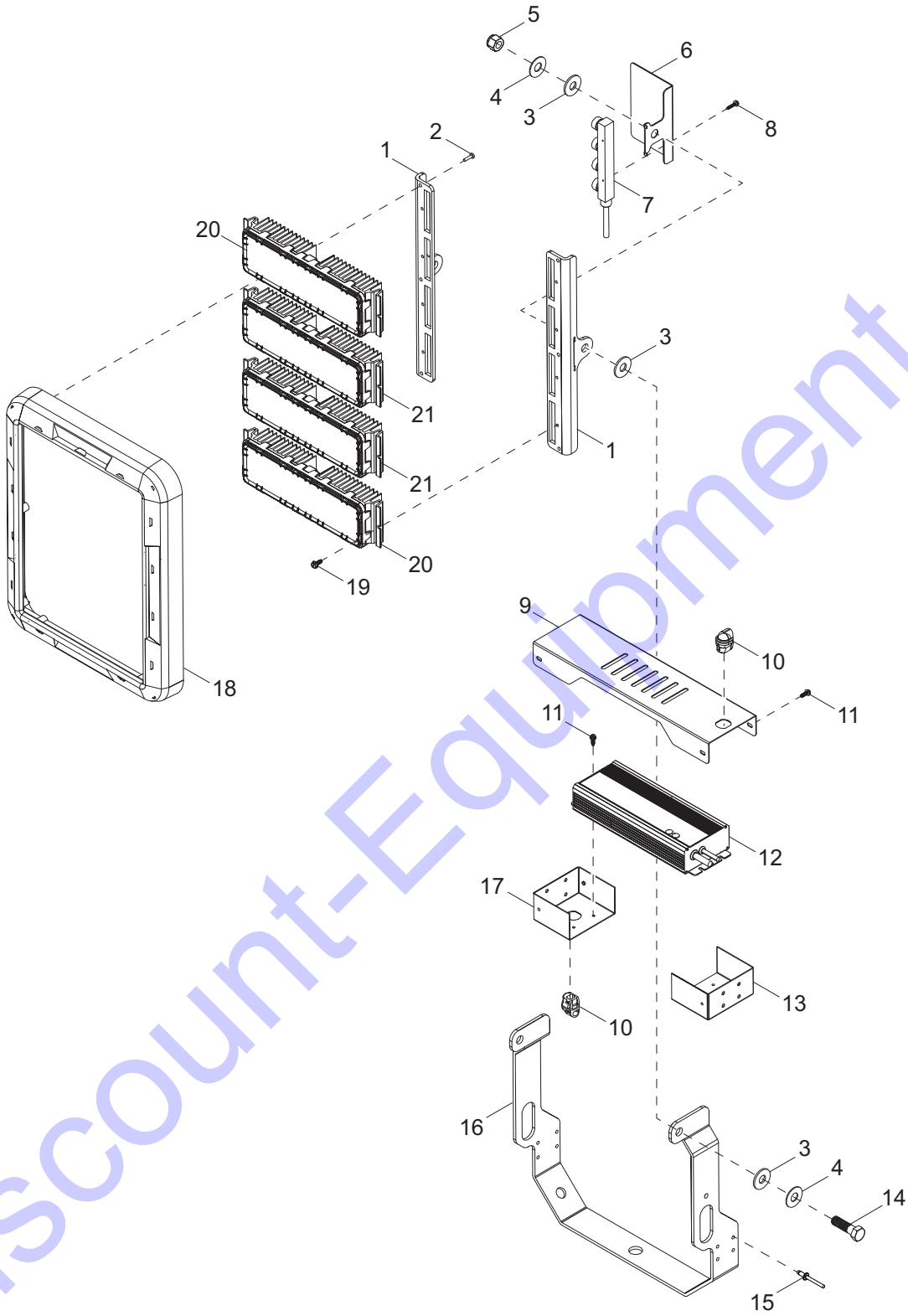
## MAST, JUNCTION BOX AND LIGHTS TO UNIT

Item	Part No.	Qty	Description	Notes
1	60415	4	Nut, 10-32 nylock, SS	
2	10000023259	2	Plug, 2.0 square x .14 ga wall tube, plastic	
3	10000039557	1	Assembly, mast junction box	
4	60062	4	Screw, 10-32 x .750 pan Phillips, G2	
5	63357	8	Washer, .750 flat 2.0/.062 - plastic	
6	60247	4	Washer, .750 flat 2.020/.130	
7	60308	4	Nut, .750-10 nylock - SS	
8	10000019145	4	Assembly, LED light - 4 module, horizontal	
9	60309	4	Washer, .500 flat 1.060/.090	
10	60484	2	Screw, .500-13 x 2.0 standard hex, G5	
11	60139	5	Screw, .375-16 x 1.50 hex, G5	
12	62221	2	Nut, .500-13 nylock, G5	
13	60386	10	Washer, .375 flat .993/.064	
14	60358	5	Nut, .375-16 nylock, G5	
15	39650	1	Coil cord w/120 inch tail	

### *Night Watchman: If equipped*

A	70208B	1	Bracket, night watchman
B	60488	4	Screw, 8-32 x .750 pan Phillips, G2
C	68763	1	Assembly, night watchman
D	62054	2	Screw, 8-32 x .500 pan Phillips 18-8, SS
E	60270	8	Nut, 8-32 nylock
F	56610B	1	Cover, dusk to dawn sensor

# LIGHT ASSEMBLY



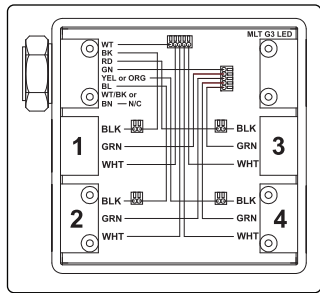
02462

**LIGHT ASSEMBLY - OVAL**

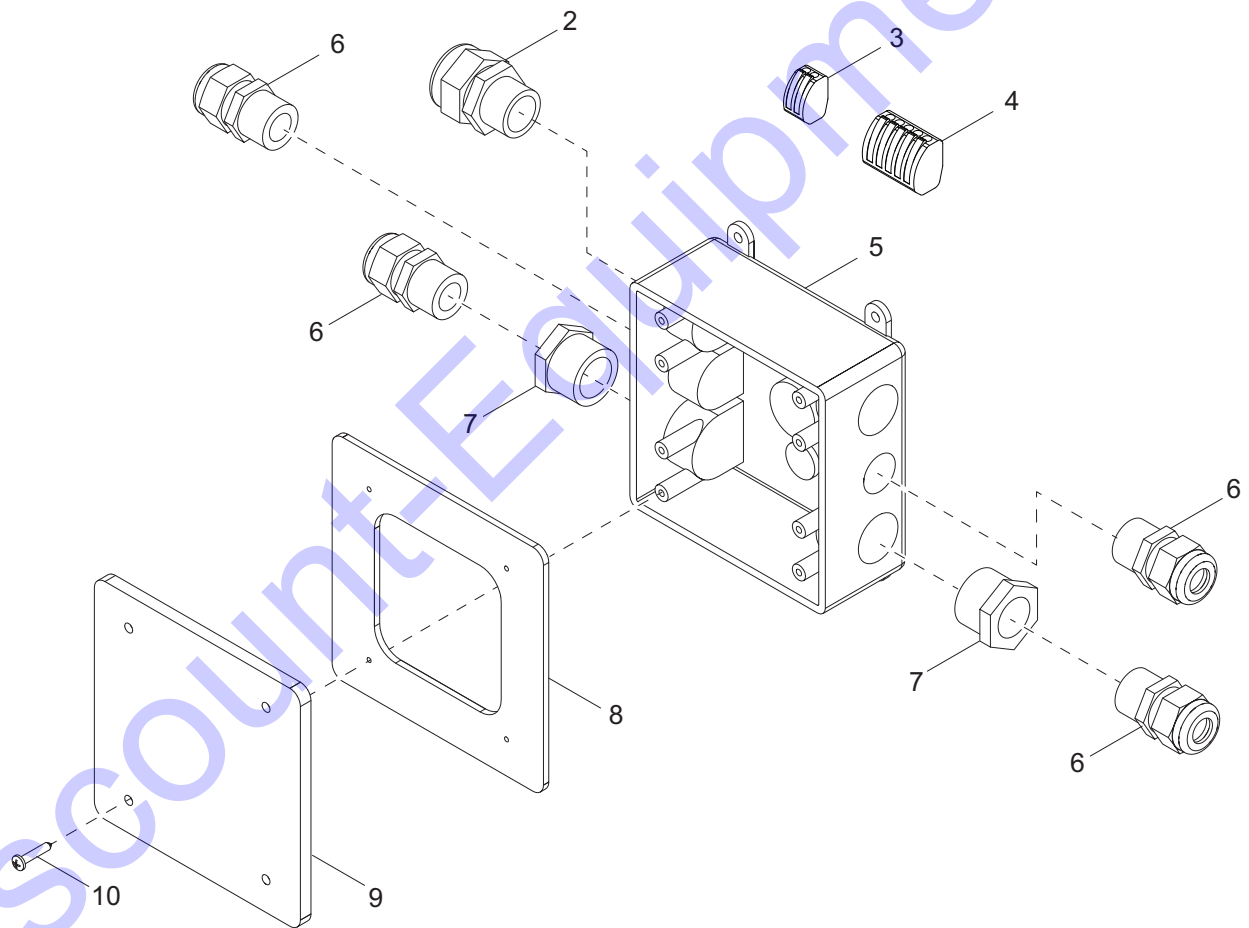
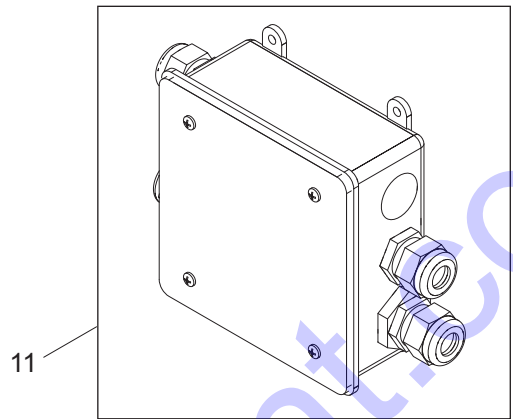
<b>Item</b>	<b>Part No.</b>	<b>Qty</b>	<b>Description</b>	<b>Notes</b>
1	10000019192	2	Frame support, LED module - horizontal	
2	10000019163	6	Screw, 8-16 x .625 PLST pan Phillips - black	
3	72134	6	Washer, .500 nylon 1.25/.100	
4	60700	4	Washer, .500 flat 1.250/.060 - SS	
5	62221	2	Nut, .500-13 nylock, G5	
6	10000019164	1	Bracket, connection block	
7	72120	1	Connector block, LED module	
8	73219	2	Screw, #6-20 x .75 sheet metal - SS	
9	10000019153	1	Enclosure, LED driver	
10	10000019152	2	Bushing, strain relief - right angle	
11	10000023706	4	Screw, 8-32 x .500 hex flanged - black	
12	10000019146	1	Driver, LED 30V 10.7A 321W	
13	10000023684	1	End cap 1, LED driver	
14	60830	2	Screw, .500-10 x 1.750 standard hex - SS	
15	60268	8	Rivet, .188 diameter x .126 to .250 grip	
16	10000023721	1	Trunnion, LED module - horizontal	
17	10000023663	1	End cap 2, LED driver	
18	10000019135	1	End cap, LED module	
19	10000019182	8	Screw, 10-24 x .500 hex flanged	
20	10000019170	2	Module, 60° LED 24-27VDC 60W	
21	10000019160	2	Module, 40° 28 LED 24-27VDC	



# MAST JUNCTION BOX ASSEMBLY



Inside cover

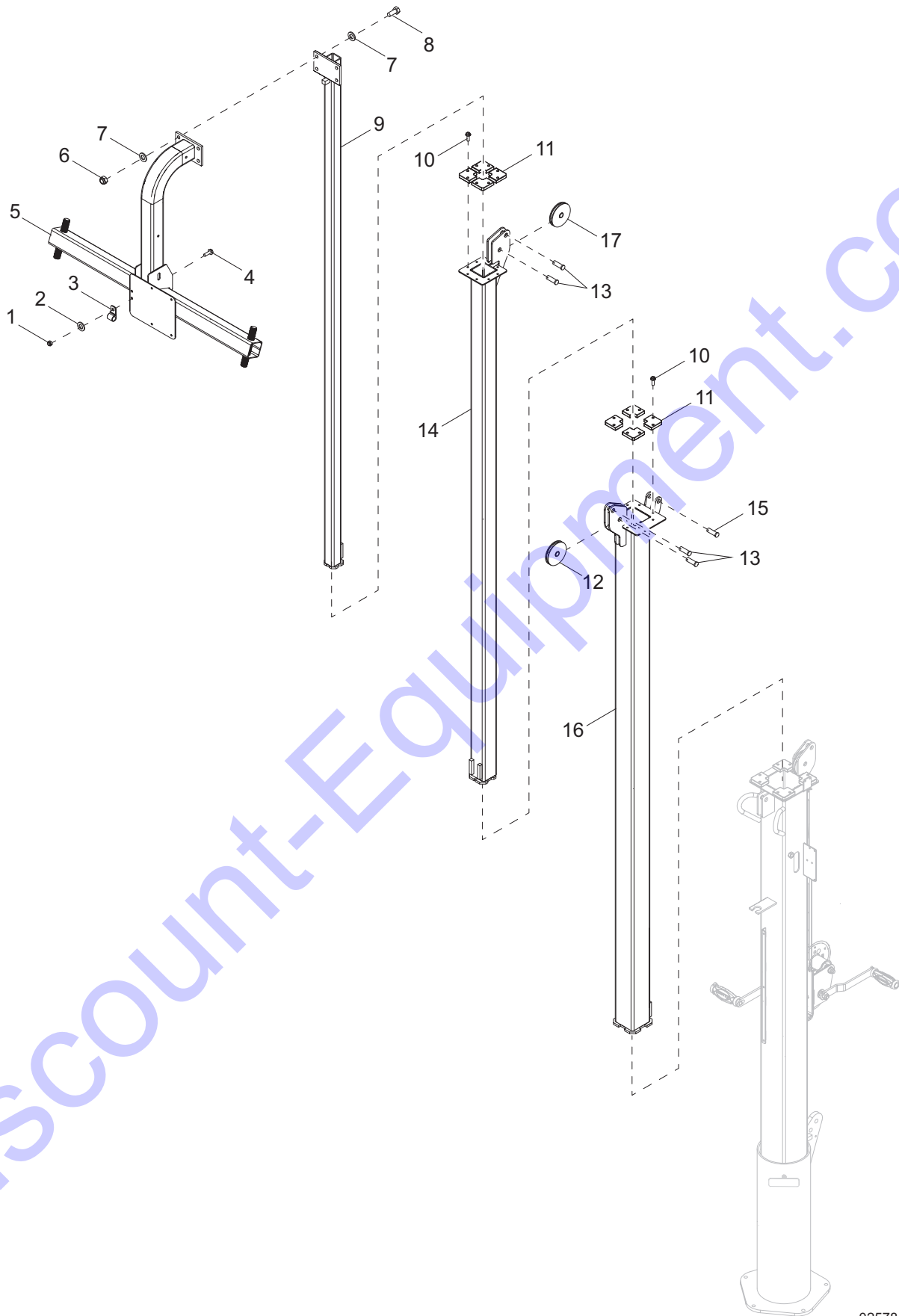


02679

## MAST JUNCTION BOX ASSEMBLY

Item	Part No.	Qty	Description	Notes
1	10000034314	1	Decal, mast junction box wiring	
2	14656	1	Strain relief, .750NPT water tight	
3	66100	4	Connector, 2 position.	
4	66102	2	Connector, 5 position.	
5	12094	1	Box, junction	
6	15864	4	Strain relief, .500NPT water tight	
7	60755	2	Fitting, strt .750MNPT x .500FNPT, nylon	
8	13749SRV	1	Gasket, junction box - HFI 281000	
9	12109	1	Cover, box, 2-gang plastic	
10	60424	4	Screw, 6-32 x .750 pan Phillips, G2	
11	10000039557	1	Assembly, mast junction box	

# MAST ASSEMBLY

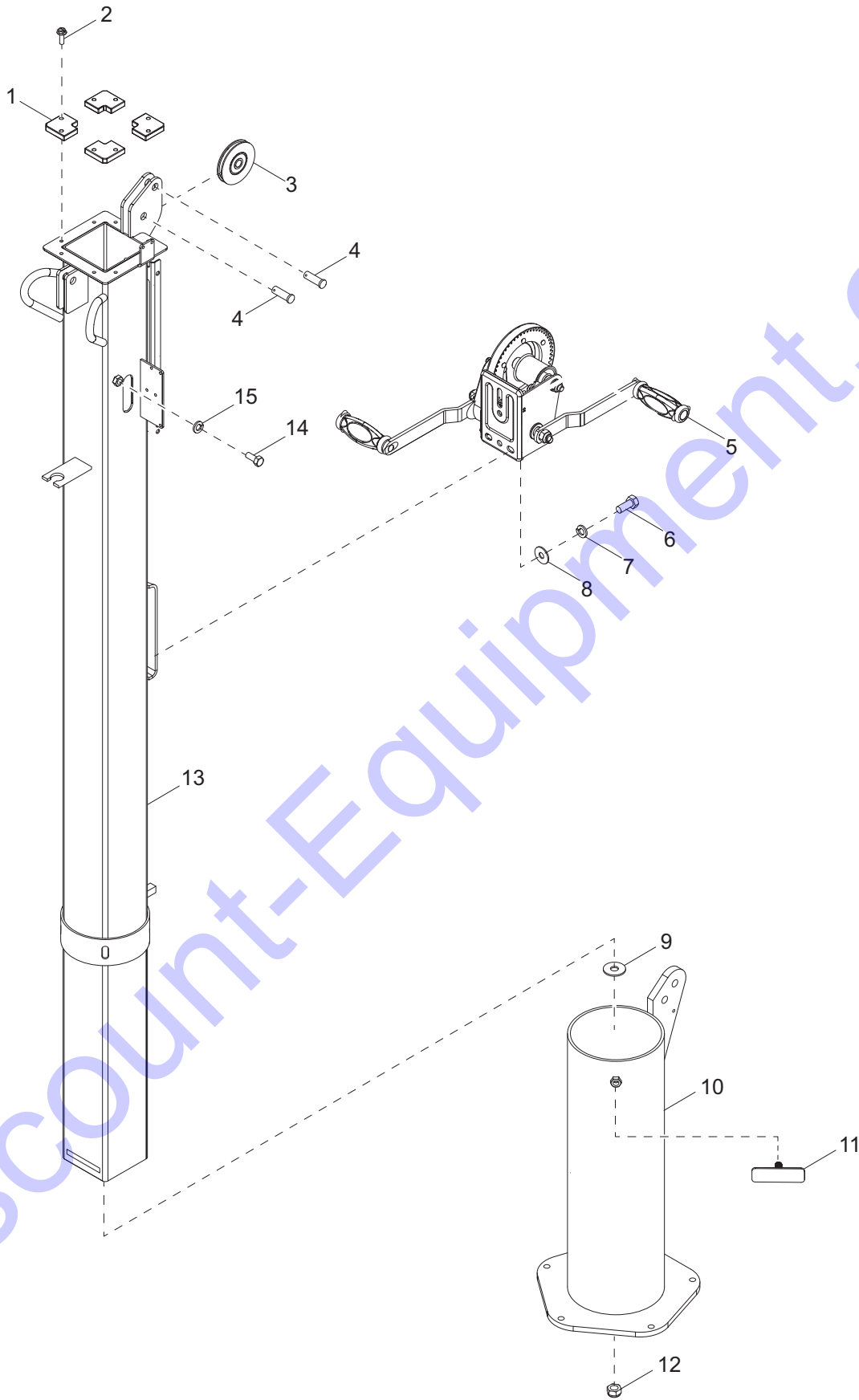


02578

**MAST ASSEMBLY**

<b>Item</b>	<b>Part No.</b>	<b>Qty</b>	<b>Description</b>	<b>Notes</b>
1	60144	1	Nut, .250-20 nylock, G5	
2	60243	1	Washer, .250 flat .735/.060	
3	16143	1	Clamp, tubing .500	
4	60107	1	Screw, .250-20 x .750 serrated flange hex, G5	
5	43201B	1	Weldment, mast, crossbar	
6	60358	4	Nut, .375-16 nylock, G5	
7	60386	8	Washer, .375 flat .993/.064	
8	60352	4	Screw, .375-16 x 1.250 hex, G5	
9	31264B	1	Weldment, mast - 1.50	
10	63358	16	Screw, .250-20 x .625 hex wash hd	
11	31225	8	Guide	
12	33736	1	Assembly, pulley - vertical mast	
13	63325	4	Pin, clevis .500 diameter x 1.063 UL	
14	31261B	1	Weldment, mast - 2.25	
15	35655	1	Pin, clevis .500 diameter x 1.750 ZP	
16	37465B	1	Weldment, mast - 3.0	
17	14262	1	Sheave, 3.00	
--	31247	1	Cable, .188 x 144 w/ ball swedge	winch cable
--	31248	2	Cable, .188 x 79.75 w/ball swedge	middle cable
--	31277	1	Cable, .188 x 78.0 w/ball swedge	top cable

# MAST ASSEMBLY - BOTTOM POST - MANUAL WINCH

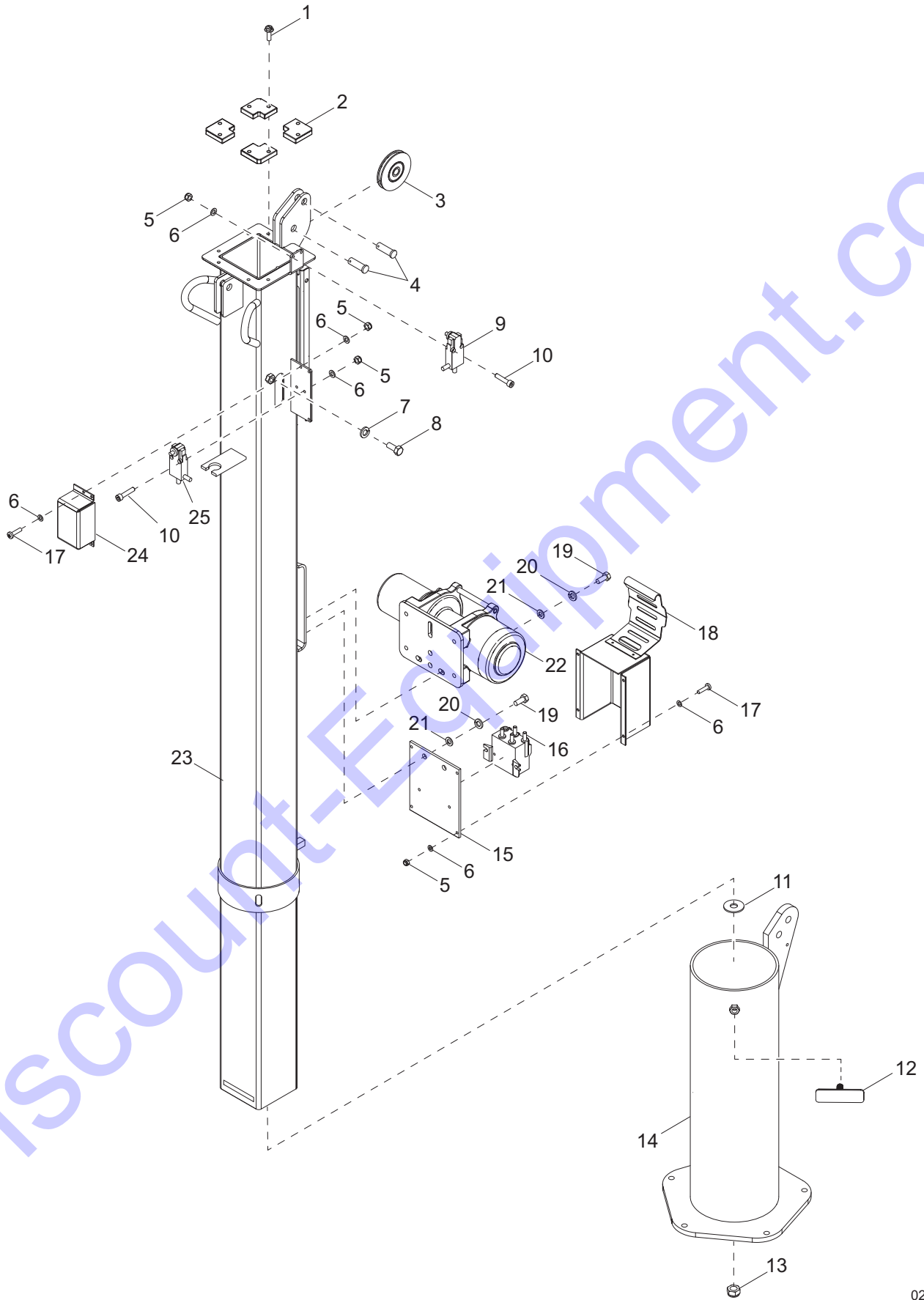


02579

## MAST ASSEMBLY - BOTTOM POST - MANUAL WINCH

Item	Part No.	Qty	Description	Notes
1	31225	4	Guide	
2	63358	8	Screw, .250-20 x .625 hex washer head	
3	33736	1	Assembly, pulley vertical mast	
4	63325	2	Pin, clevis .500 diameter x 1.063 UL	
5	72127	1	Winch, manual - 1500 lb, dual handle	
6	60205	3	Screw, .375-16 x 1.0 hex, G5	
7	60206	3	Washer, .375 split lock - hardened	
8	60386	3	Washer, .375 flat .993/.064	
9	60247	1	Washer, .750 flat 2.020/.130	
10	31218B	1	Weldment, mast rotation tube	
11	10000018317	1	Weldment, T-handle	
12	60584	1	Nut, .750-10 nylock, G5	
13	37462B	1	Weldment, mast 4.0 in	
14	62269	2	Screw, .375-16 x .75 hex, SS - red	
15	60703	2	Washer, .375 split lock, SS	

# MAST ASSEMBLY - BOTTOM POST - ELECTRIC WINCH



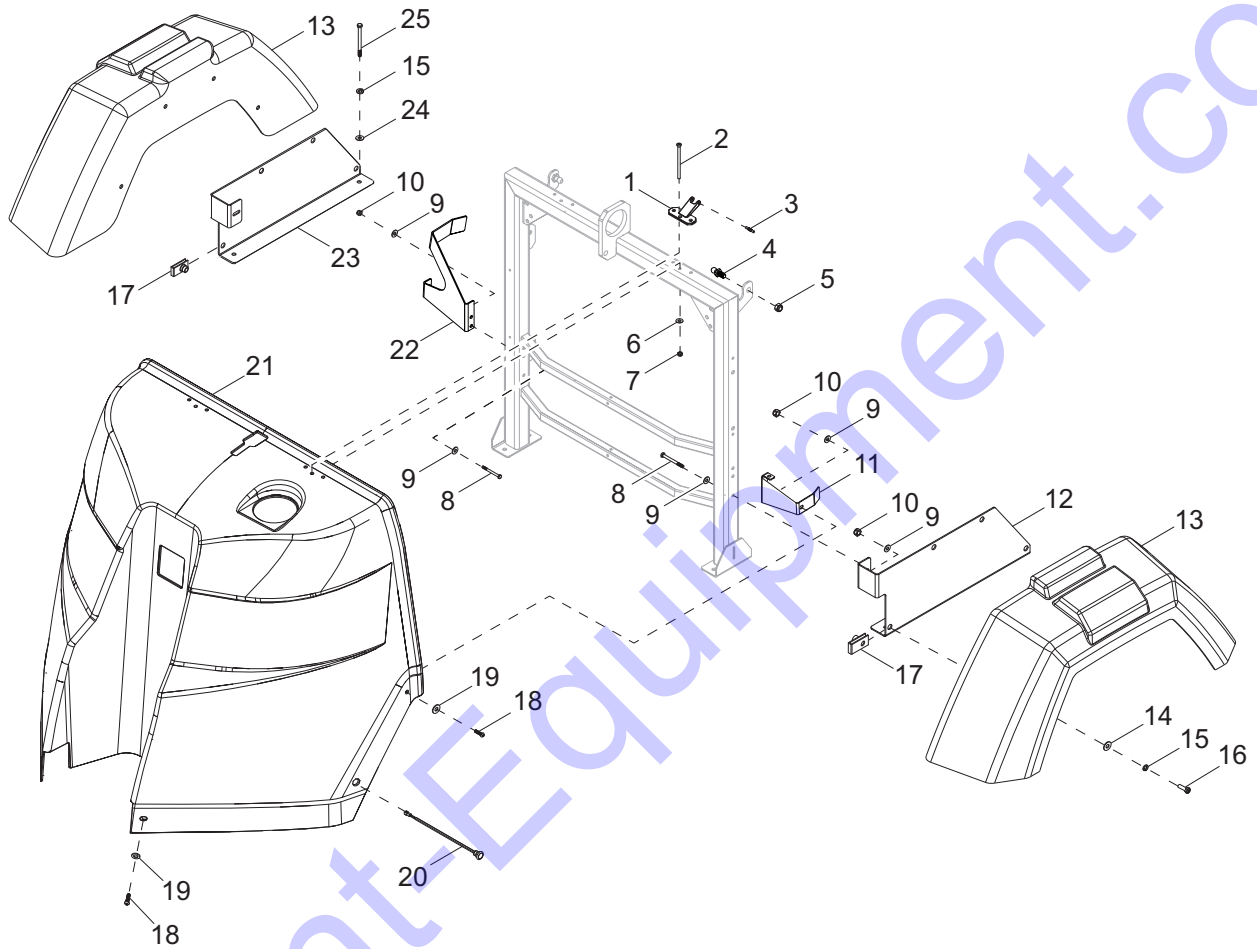
02580

## MAST ASSEMBLY - BOTTOM POST - ELECTRIC WINCH

Item	Part No.	Qty	Description	Notes
1	63358	8	Screw, .250-20 x .625 hex washer head	
2	31225	4	Guide	
3	33736	1	Assembly, pulley vertical mast	
4	63325	2	Pin, clevis .500 diameter x 1.063 UL	
5	60207	11	Nut, 8-32 nylock, G6	
6	60269	18	Washer, #8 flat .433/.036	
7	60703	2	Washer, .375 split lock, SS	
8	62269	2	Screw, .375-16 x .75 hex, SS - red	
9	31740	1	Assembly, down switch	
10	67190	4	Screw, 8-32 x 1.125 socket head, SS	
11	60247	1	Washer, .750 flat 2.020/.130	
12	10000018317	1	Weldment, T-handle	
13	60584	1	Nut, .750-10 nylock, G5	
14	31218B	1	Weldment, mast rotation tube	
15	37207B	1	Plate, contactor	
16	11293	1	Contactor	hardware included
17	60244	7	Screw, 8-32 x .750 pan Phillips, G2	
18	37468B	1	Weldment, winch cover	
19	60205	5	Screw, .375-16 x 1.0 standard hex, G5	
20	60206	5	Washer, .375 split lock	
21	60386	5	Washer, .375 flat .993/.064	
22	12874	1	Winch, electric - 770 lb hoist	
23	37462B	1	Weldment, mast 4.0 in	
24	37205B	1	Cover, up limit switch	
25	31739	1	Assembly, up stop switch	
--	12922	2	Boot, battery cable - red	
--	31742	1	Wire group, electric winch box	
--	31743	1	Harness, winch power cables	



# ENCLOSURE ASSEMBLY (1 OF 2)

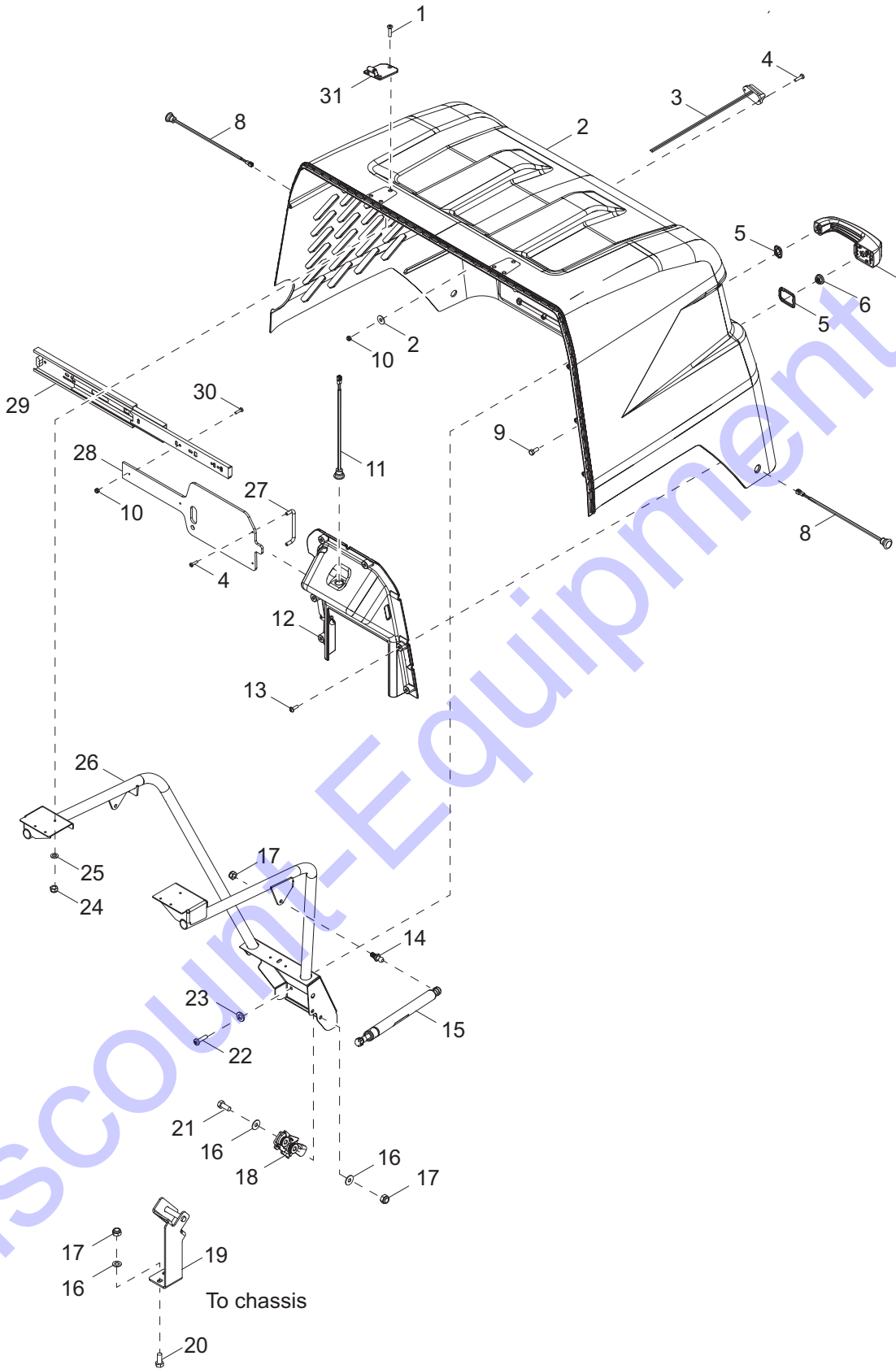


02435

**ENCLOSURE ASSEMBLY (1 OF 2)**

<b>Item</b>	<b>Part No.</b>	<b>Qty</b>	<b>Description</b>	<b>Notes</b>
1	10000022542	2	Hinge, offset housing leaf - front	
2	35282	6	Screw, 10-24 x 3.0 flat head Phillips, SS	
3	10000022543	2	Pin, offset housing hinge - knurled	
4	35293	2	Ball stud, 10mm, .313-18	
5	60303	2	Nut, .312-18 nylock, G2	
6	60237	12	Washer, #10 flat .495/.036	
7	60457	12	Nut, 10-24 nylock, G2	
8	61234	6	Screw, .250-20 x 2.750 standard hex, G5	
9	60243	12	Washer, .250 flat .735/.060	
10	60144	8	Nut, .250-20 nylock, G5	
11	10000017357	1	Guide bracket, enclosure meeting -LH	
12	35141B	1	Bracket, mounting fender - left	
13	10000017287	2	Fender, plastic, 13 in. wheel - textured black	
14	60386	8	Washer, .375 flat .993/.064	
15	60271	8	Washer, .312 split lock	
16	60028	8	Screw, .312-18 x 1.0 standard hex, G5	
17	62086	8	Nut, .312-18 U-clip - short type	
18	68070	4	Screw, .250-20 x 1.00 button hex, SS	
19	60696	6	Washer, .250 flat .625/.050, SS	
20	36961	2	Assembly, amber side marker light	
21	10000012597	1	Enclosure, front cover	
22	10000017378	1	Guide bracket, enclosure meeting -RH	
23	35216B	2	Bracket, mounting fender - right	
24	60119	6	Washer, .312 flat .875/.070	
25	60404	4	Screw, .312-18 x 1.250 standard hex, G5	

# ENCLOSURE ASSEMBLY (2 OF 2)

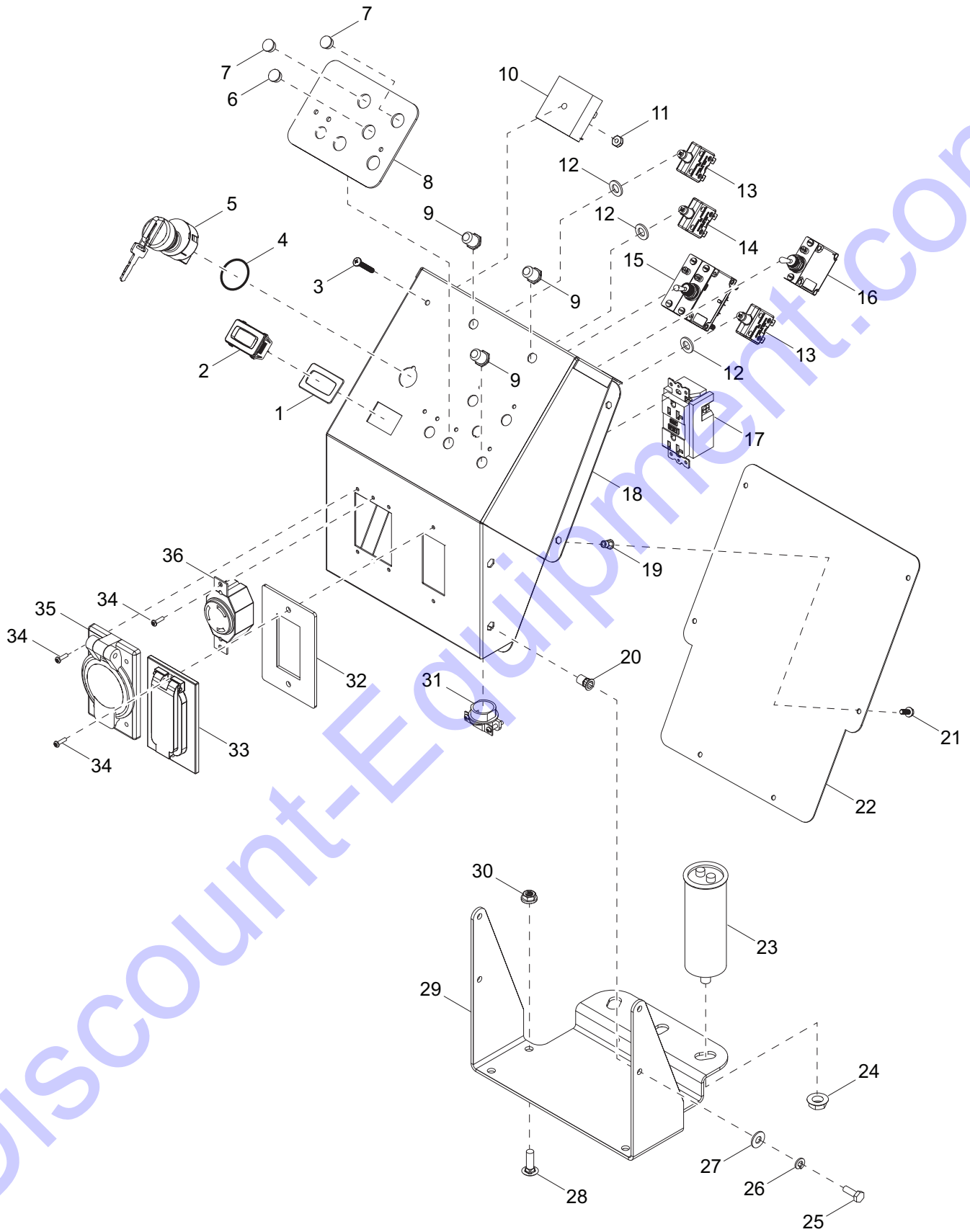


02436

## ENCLOSURE ASSEMBLY (2 OF 2)

Item	Part No.	Qty	Description	Notes
1	35290	6	Screw, 10-24 x 1.00 flat Phillips, SS	
2	10000012638	1	Housing, rear textured - orange	
3	36963	1	Assembly, license plate light	
4	60694	4	Screw, 8-32 x .750 pan Phillips, SS	
5	70216	1	Gasket, kit handle, push button	
6	60036	1	Nut, M6-1.00 serrated flange, G8.8	
7	35138	1	Handle, push-button padlock	
8	36962	2	Assembly, red side marker	
9	60335	1	Screw, M6-1.00 x 25 standard hex, SS	
10	60270	4	Nut, 8-32 nylock, class 6	
11	36964	1	Assembly, controls light	
12	10000012596	1	Bezel, control panel textured - black	
13	10000017348	6	Screw, D60-2.14 x 20TRWH	
14	35293	2	Ball stud, 10mm, .313-18	
15	35137	2	Gas shock, 120 lb	
16	60119	6	Washer, .312 flat .875/.070	
17	60303	6	Nut, .312-18 nylock, G2	
18	35139	1	Latch, rotary	
19	37178B	1	Mount, door latch striker	
20	61066	2	Screw, .312-18 x 1.00 carriage square - SS	
21	62001	2	Screw, .312-18 x 1.250 standard hex, G5	
22	60146	3	Screw,	
23	60243	3	Washer, .250 flat .735/.060	
24	60457	6	Nut, 10-24 nylock, G2 ZC	
25	60237	2	Washer, #10 flat .495/.036 ZC	
26	37012B	1	Weldment, enclosure structure	
27	37123	1	Handle, control box cover	
28	10000017623	1	Cover, sliding control panel	
29	36914	1	Slide, control box cover	
30	62054	2	Screw, 8-32 x .500 pan Phillips - SS	
31	10000022523	2	Hinge, leaf offset housing - rear	
--	10000028590	1	Assembly, rear enclosure	Items 1-31
--	60335	1	Screw, M6-1.00 x 25 standard hex, SS	
--	60375	1	Clamp, tubing - .312 lt duty	

# CONTROL BOX ASSEMBLY

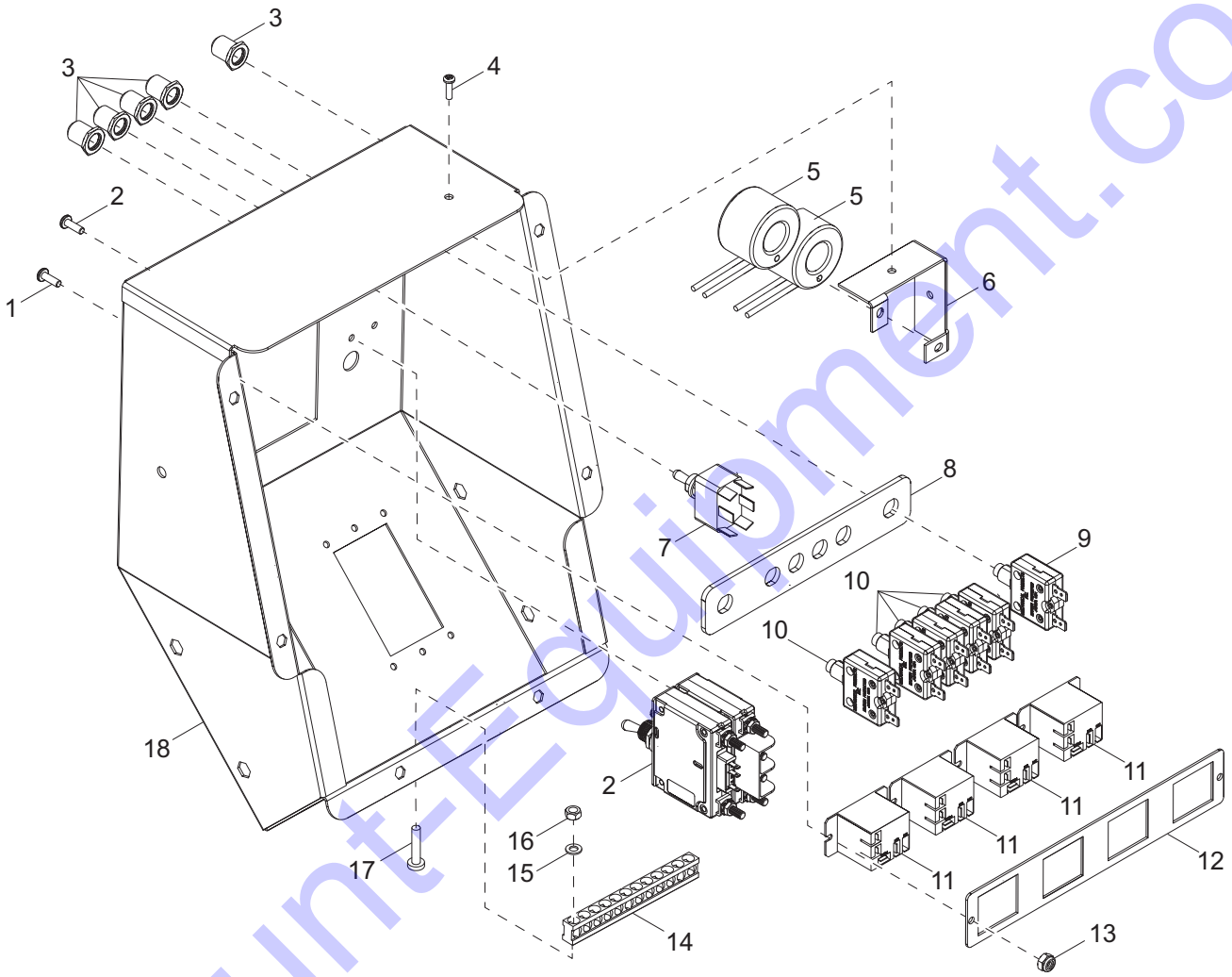


02680

## CONTROL BOX ASSEMBLY

Item	Part No.	Qty	Description	Notes
1	36944	1	Gasket, hour meter	
2	36886	1	Meter, hour	
3	63308	1	Screw, 10-32 x 1.250 pan Phillips, SS	
4	37042	1	O-ring, .75IDx15-16 in. x 3/32 in	
5	36882	1	Switch, sealed key, 4-position	
6	65798	1	Plug, hole .468 x .06	Manual mast only
7	65479	2	Plug, hole .500 x .125 - plastic	
8	10000034973	1	Decal, control panel	
9	36938	3	Boot, push button breaker	
10	14201	1	Relay, 10A SPDT, time delay - 15 sec fixed	
11	60061	1	Nut, 10-32 nylock	
12	60386	3	Washer, .375 flat .993/.064	
13	36937	2	Breaker, 10A DC	
14	36935	1	Breaker, 15A, 1 pole, 250V	
15	36975	1	Breaker, 30A main	
16	10000035999	1	Switch, 10 amp	
17	14130	1	Receptacle, 120V/20A GFI	
18	36884B	1	Control box	
19	62234	6	Insert, threaded #10-32 hex .020-.130 grip	
20	63231	4	Insert, threaded .250-20 hex .027-.165 grip	
21	62254	6	Screw, 10-32 x .500 serrated flange, SS	
22	36885B	1	Cover, control panel box	
23	36980	1	Capacitor, 25 $\mu$ F, 5% 440VAC, sealed stud mount	
24	60148	1	Nut, M12-1.75 serrated flange, G8.8	
25	60281	4	Screw, .250-20 x .750 standard hex, G5	
26	60286	4	Washer, .250 split lock	
27	60243	4	Washer, .250 flat .735/.060	
28	61066	4	Screw, .312-18 x 1.0 carriage, SS	
29	38409	1	Bracket, control box mounting	
30	60095	4	Nut, .312-18 serrated flange	
31	14219	1	Strain relief - .75 Romex w/nut	
32	10000027575	1	Gasket, receptacle cover	
33	36939	1	Cover, receptacle - weather proof 20/30A twist-lock	
34	62210	6	Screw, 6-32 x .50 pan Phillips, SS	
35	37017	1	Cover receptacle - weather proof, 20A GFCI single	
36	14137	1	Receptacle, 240V/30A twist	
--	60728	6	Nut, 6-32 nylock, G5	use with 62210
--	65707	1	Switch, toggle - SPDT spring	Electric mast only
--	68282	1	Wire group, control box - electric mast	
--	68283	1	Harness, generator to control box	
--	68284	1	Harness, control box to electric mast	

# CONTROL BOX ASSEMBLY - POWERZONE OPTION (1 OF 2)



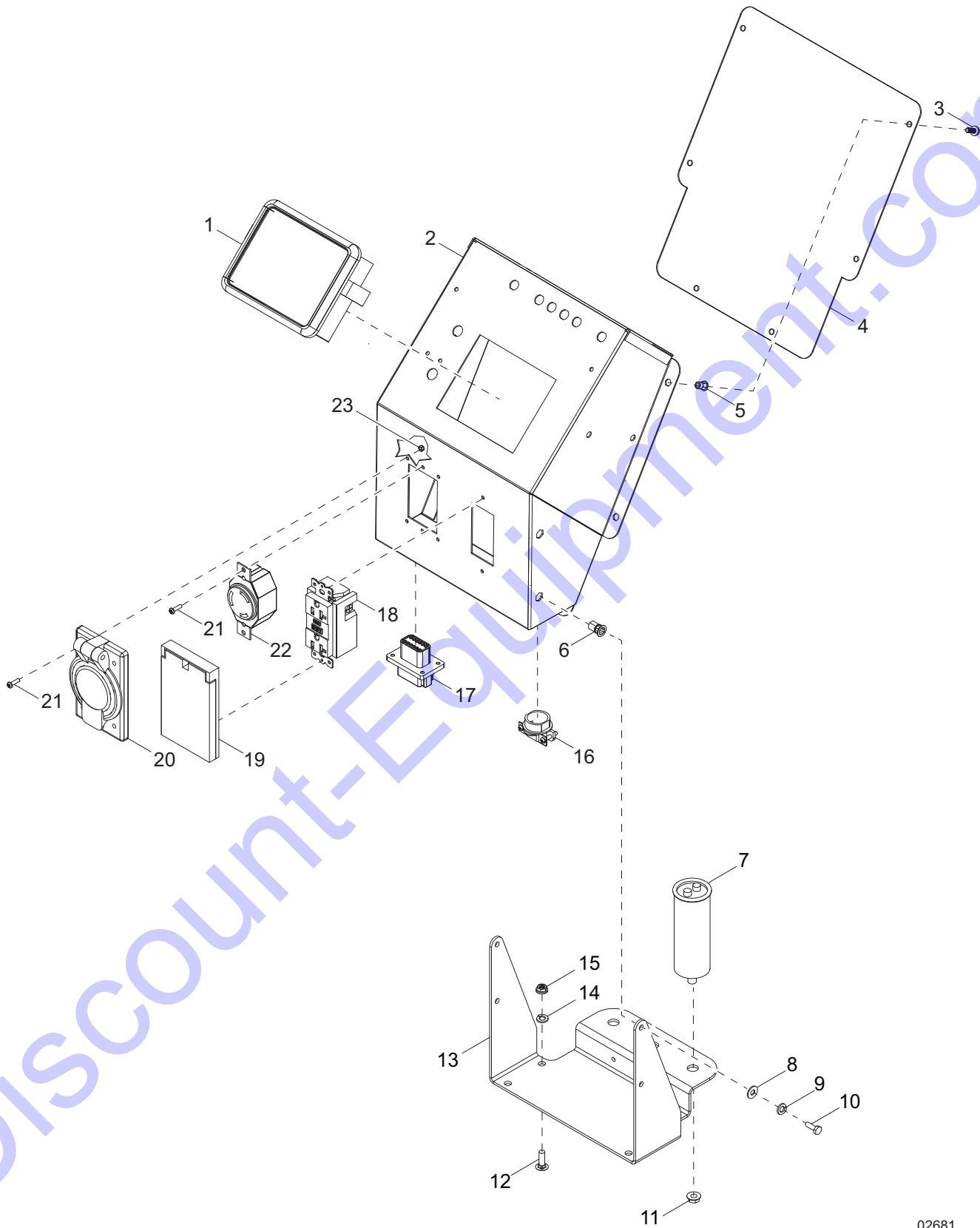
02345

## CONTROL BOX ASSEMBLY - POWERZONE OPTION (1 OF 2)

Item	Part No.	Qty	Description	Notes
1	62054	3	Screw, 8-32 x .500 pan Phillips,- SS	
2	36975	2	Breaker, 30A main	with hardware
3	36938	6	Boot, push button breaker	
4	62210	6	Screw, 6-32 x .50 pan Phillips - SS	
5	66255	2	Transformer, current	
6	38449B	1	Bracket, CT mount	
7	68508	1	Switch, toggle - SPST (on-off) 12A 125V	
8	38448B	1	Spacer, breaker control box	
9	36937	1	Breaker, 10A DC	
10	36935	5	Breaker, 15A, 250V, 1 pole	
11	29759	4	Relay, 12V coil 120-240 VAC rated	
12	38447B	1	Bracket, relay	
13	60270	3	Nut, 8-32 nylock, G6	
14	14204	1	Kit, ground bar	
15	60252	6	Washer, #10 split lock	
16	60318	2	Nut, 8-32 Hex, G5	
17	60406	2	Screw, 8-32 x 1.00 pan Phillips, G2	
18	37823B	1	Box, control - PZ	



# CONTROL BOX ASSEMBLY - POWERZONE OPTION (2 OF 2)

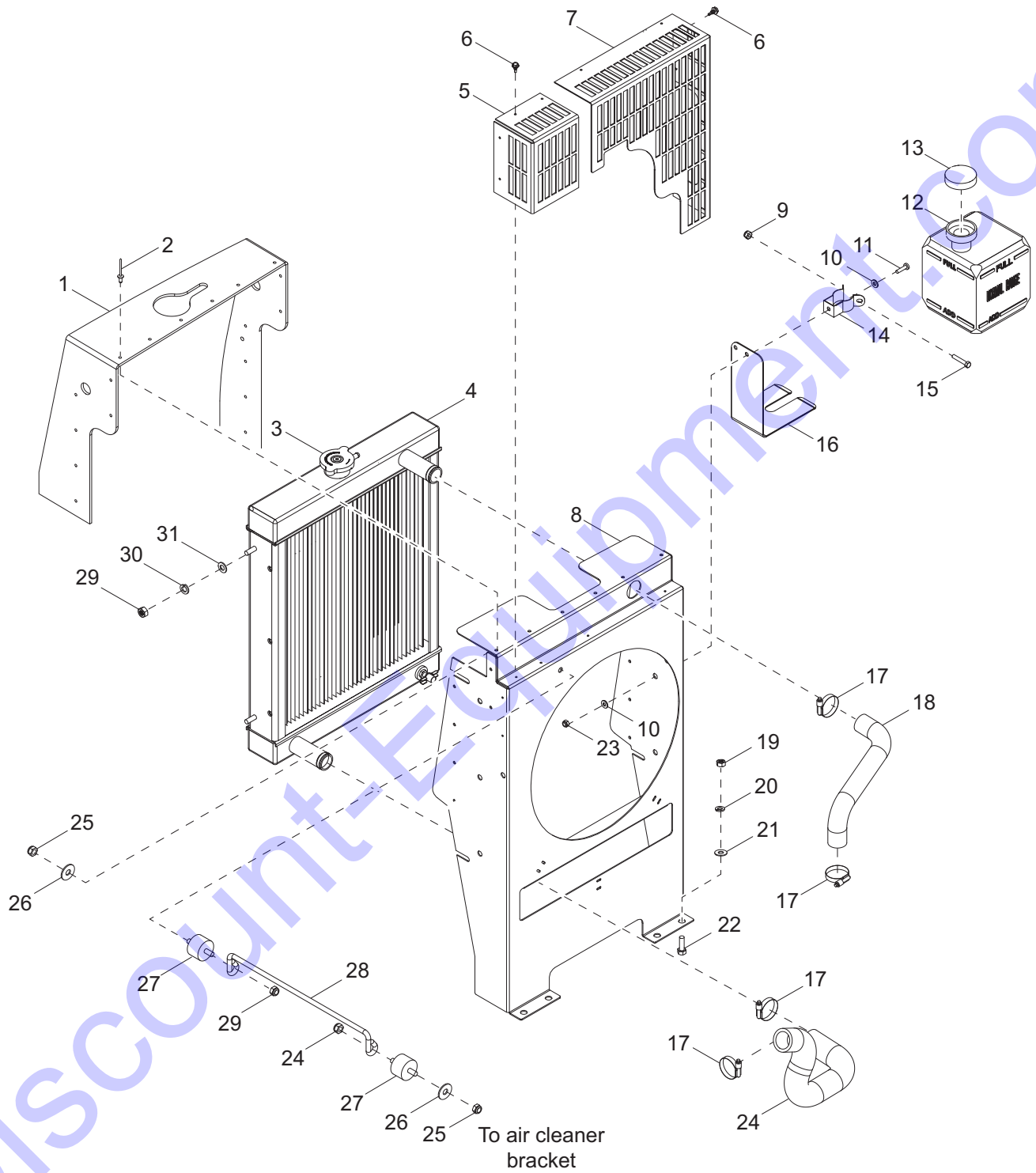


02681

## CONTROL BOX ASSEMBLY - POWERZONE OPTION (2 OF 2)

Item	Part No.	Qty	Description	Notes
1	70137	1	Controller, Deep Sea - programmed	
2	37823B	1	Box, PZ control panel	
3	60277	6	Screw, 10-32 x .500 pan Phillips, G2	
4	38413B	1	Cover, control panel box	
5	62234	6	Insert, 10-32 hex, .020-.130 grip, threaded	
6	63231	4	Insert, .250-20 hex, .027-.165 grip, threaded	
7	36980	1	Capacitor, 25 $\mu$ F 5% 440VAC, sealed stud mount	
8	60243	4	Washer, .250 flat .735/.060	
9	60286	4	Washer, .250 split lock	
10	60647	4	Screw, .250-20 x .500 hex, G5	
11	60148	3	Nut, M12-1.75 serrated flange, G8.8	
12	61066	4	Screw, .312-18 x 1.0 carriage - SS	
13	38409B	1	Bracket, control box mounting	
14	60119	4	Washer, .312 flat .875/.070	
15	60095	4	Nut, .312-18 serrated flange - case hardened	
16	14219	2	Strain relief, .75 Romex w/nut	
17	66695	1	Connector, Duetsch 12 position - flange DT	
18	14130	1	Receptacle, 120V/20A GFI	
19	37017	1	Cover, receptacle 20A GFCI single - weatherproof	
20	36939	1	Cover, receptacle 20/30A - weatherproof	
21	62210	6	Screw, 8-32 x .500 pan Phillips - SS	
22	14137	1	Receptacle, 250V/ 30A twist	
23	60728	6	Nut, 6-32 nylock, G5	
--	68534	1	Harness, control box PZ	replaces p/n 68284
--	68535	1	Harness, gen to control box PZ	replaces p/n 68283
--	69654	1	Harness, engine PZ	replaces p/n 37034

# COOLING SYSTEM ASSEMBLY

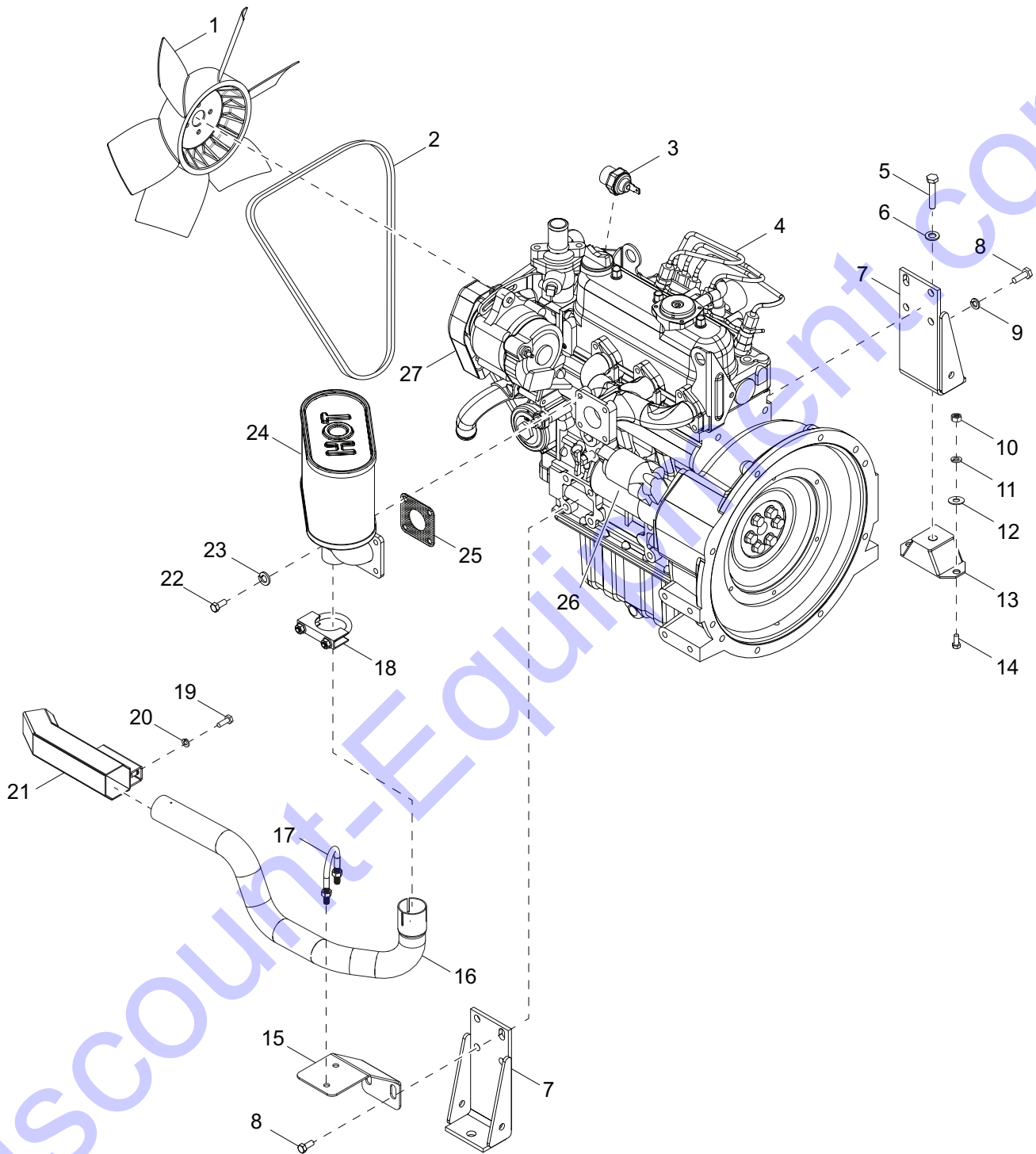


02682

## COOLING SYSTEM ASSEMBLY

Item	Part No.	Qty	Description	Notes
1	36979	1	Seal, rubber, cooling	
2	60195	18	Rivet, .188 dia. x .375 to .500 grip, large flange	
3	19219	1	Cap, radiator pressure small - 14.7 psi	
4	10000020162	1	Radiator	
5	36227B	1	Guard, fan, left	
6	60364	9	Screw, 10-16x5.0 std hex, G2	
7	36232B	1	Guard, fan, right	
8	36233B	1	Fan shroud	
9	60144	1	Nut, .250-20 nylock, G5	
10	60067	4	Washer, #10 flat .435/.060, SS	
11	61180	2	Screw, 10-32 x .750 pan phil, SS	
12	20287	1	Jug, overflow 2 qt. (.5 gal)	
13	19714	1	Cap, overflow jug	
14	19726	1	Clamp, overflow bottle	
15	60414	1	Screw, .250-20 x 1.50 standard hex, G5	
16	22419B	1	Bracket, support overflow jug .5 gallon	
17	15422	4	Clamp, hose - SAE 020 (.75-1.75)	
18	36977	1	Hose, radiator - upper	
19	60285	14	Nut .312-18 hex, G2	
20	60271	21	Washer, .312 split lock	
21	60119	24	Washer .312 flat .875/.070	
22	61066	4	Screw, .312-18 x 1.00 carriage square 18-8 SS	
23	60061	1	Nut, 10-32 nylock	
24	12350	1	Hose, radiator - lower	
25	62079	4	Nut, .312-18 nylock jam	
26	60119	2	Washer, .312 flat .875/.070	
27	34052	2	Isolator, rubber 1.50 x 1.0, 5/16-18 studs	
28	36989	1	Rod, radiator stay	
29	60032	4	Nut, M8-1.25 hex, G8.8	
30	60029	2	Washer, M8 split lock	
31	60166	2	Washer, M8 flat	

# ENGINE ASSEMBLY (1 OF 2)



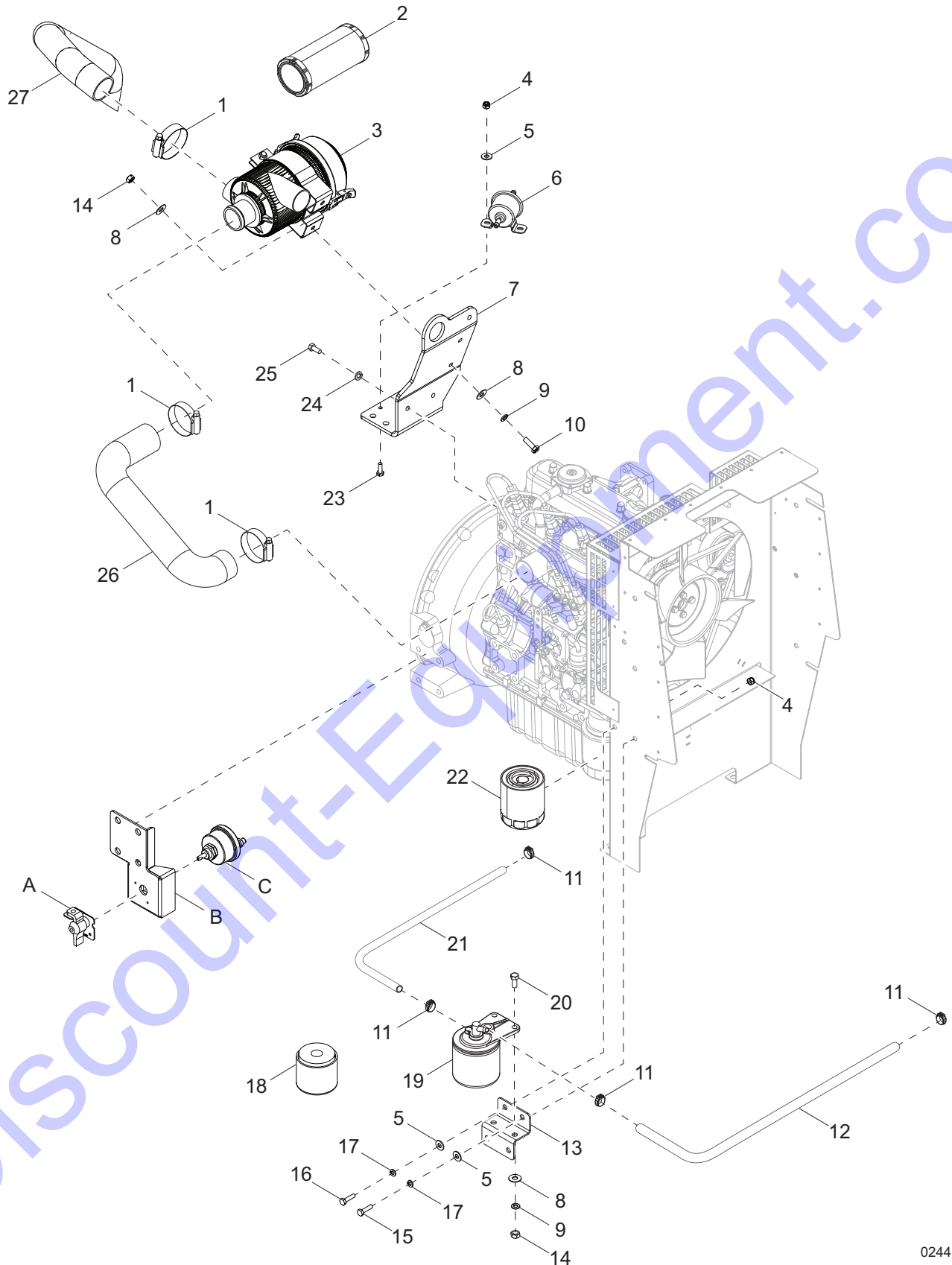
02440

## ENGINE ASSEMBLY (1 OF 2)

Item	Part No.	Qty	Description	Notes
1	15495	1	Fan, pusher	
2	11628	1	V-belt	
3	14099	1	Switch, coolant temperature	
4	13310	1	Engine, Kubota D1005-E3BG1-MGM-1	
5	60275	4	Screw, .500-13 x 1.00 standard hex, G5	
6	60702	4	Washer, .500 split lock, SS	
7	12338B	2	Weldment, engine mount	
8	60422	8	Screw, M10-1.25 x 25 standard hex, G8.8	
9	60026	8	Washer, M10 split lock	
10	60285	4	Nut, .312-18 hex, G2	
11	60271	4	Washer, .312 split lock	
12	60119	4	Washer, .312 flat .875/.070	
13	15241	2	Isolator, rubber 80-200 lbs., 2" wide	
14	61066	4	Screw, .312-18 x 1.00 carriage, SS	
15	10000022911	1	Bracket, side exhaust pipe	
16	10000022847	1	Pipe, side exhaust	
17	61235	1	U-bolt, .312-18 x 2.688 x 2.06	
18	68082	1	Clamp, muffler - 1.63	
19	60281	2	Screw, .250-20 x .750 standard hex	
20	60286	2	Washer, .250 split lock	
21	76924B	1	Shield, exhaust	
22	63168	4	Screw, M8-1.25 x 30 standard hex, 10.9	
23	60029	6	Washer, M8 split lock	
24	17949	1	Muffler	
25	11042SRV	1	Gasket, muffler	
26	30582	1	Starter, D1005	
27	12486	1	Alternator	

**Note:** Engine and generator parts used in all Generac Mobile Products, LLC equipment carry the Original Equipment Manufacturer (OEM) warranty unless otherwise stated. OEM warranty parts must be purchased through an OEM dealer. Please contact Generac Mobile Products, LLC with questions.

# ENGINE ASSEMBLY (2 OF 2)



02441

## ENGINE ASSEMBLY (2 OF 2)

Item	Part No.	Qty	Description	Notes
1	60316	3	Clamp, hose - SAE 032 (1.56-2.50)	
2	10000035428	1	Element, air filter	
3	10000021718	1	Filter, air, w bracket	incl. 10000035428
4	60144	3	Nut, .250-20 nylock, G5	
5	60243	6	Washer, .250 flat .735/.060	
6	13278SRV	1	Fuel pump, electric	
7	17977B	1	Bracket, air cleaner	
8	60119	6	Washer, .312 flat .875/.070	
9	60271	4	Washer, .312 split lock	
10	60028	2	Screw, .312-18 x 1.00 standard hex, G5	
11	60777	4	Clamp, hose - .312 fuel hose crimp style	
12	19117	1	Hose, fuel - .312 ID 50 psi SAE 30R7	
13	36234B	1	Bracket, fuel system	
14	60285	4	Nut, .312-18 hex, G2	
15	60393	1	Screw, .250-20 x 1.00 standard hex, G5	
16	60223	1	Screw, M6-1.00 x 20 standard hex, G4.8	
17	60286	4	Washer, .250 split lock	
18	13515	1	Element, fuel filter	
19	13481	1	Assembly, fuel filter	includes 13515
20	62001	2	Screw, .312-18 x 1.250 standard hex, G5	
21	16232	1	Hose, fuel - .312 ID 50 psi SAE 30R7	
22	10775	1	Filter, oil	
23	60281	2	Screw, .250-20 x .750 standard hex, G5	
24	60026	2	Washer, M10 split lock	
25	60422	2	Screw, M10-1.25 x 25 standard hex, G8.8	
26	16589	1	Hose, air cleaner	
27	10434	1	Hose, air intake	

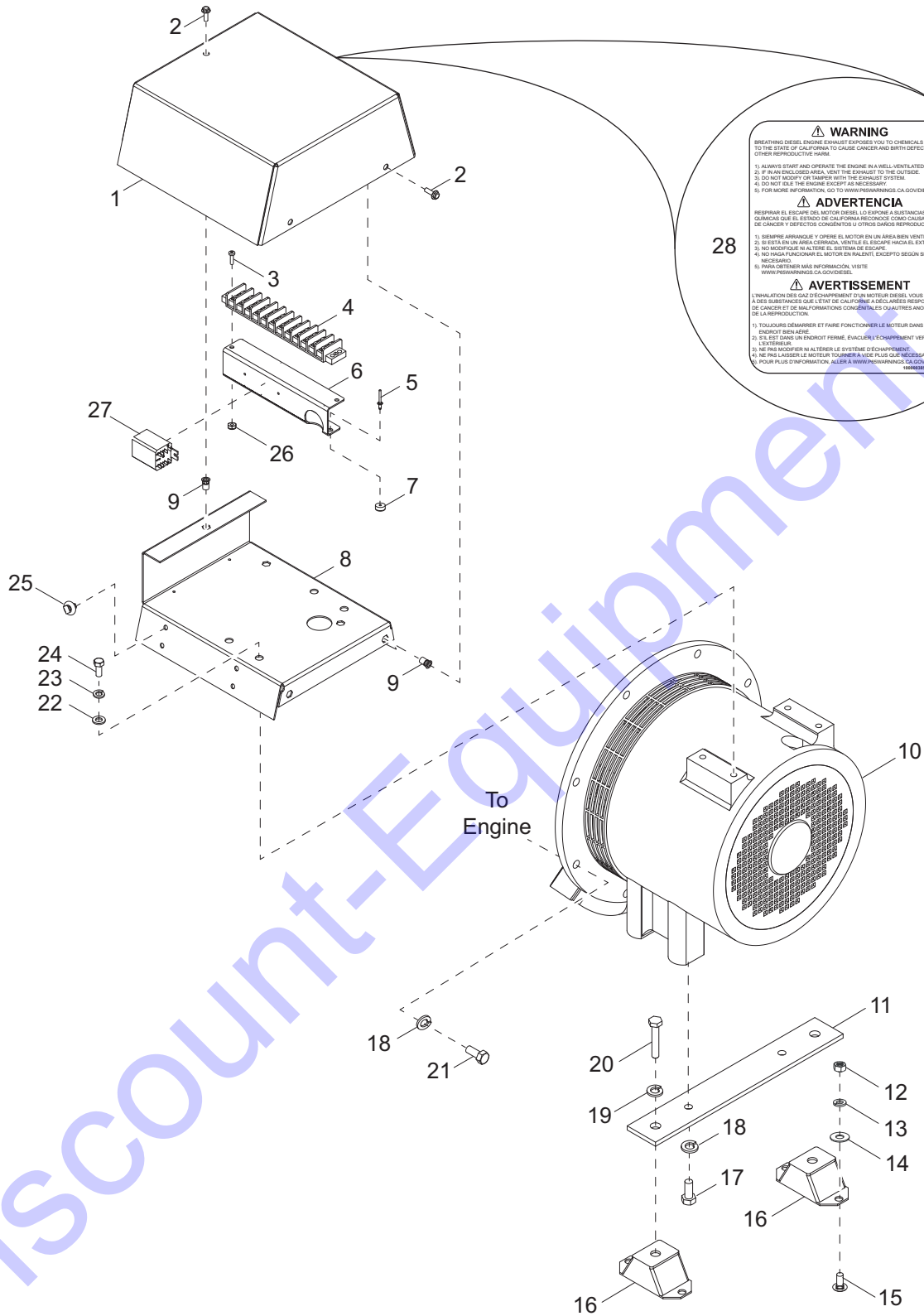
*Battery Disconnect: If equipped*

A	65499	1	Switch lockout lever kit
B	10000008538	1	Bracket, battery disconnect
C	65498	1	Switch, disconnect

**Note:** Engine and generator parts used in all Generac Mobile Products, LLC equipment carry the Original Equipment Manufacturer (OEM) warranty unless otherwise stated. OEM warranty parts must be purchased through an OEM dealer. Please contact Generac Mobile Products, LLC with questions.



# GENERATOR ASSEMBLY



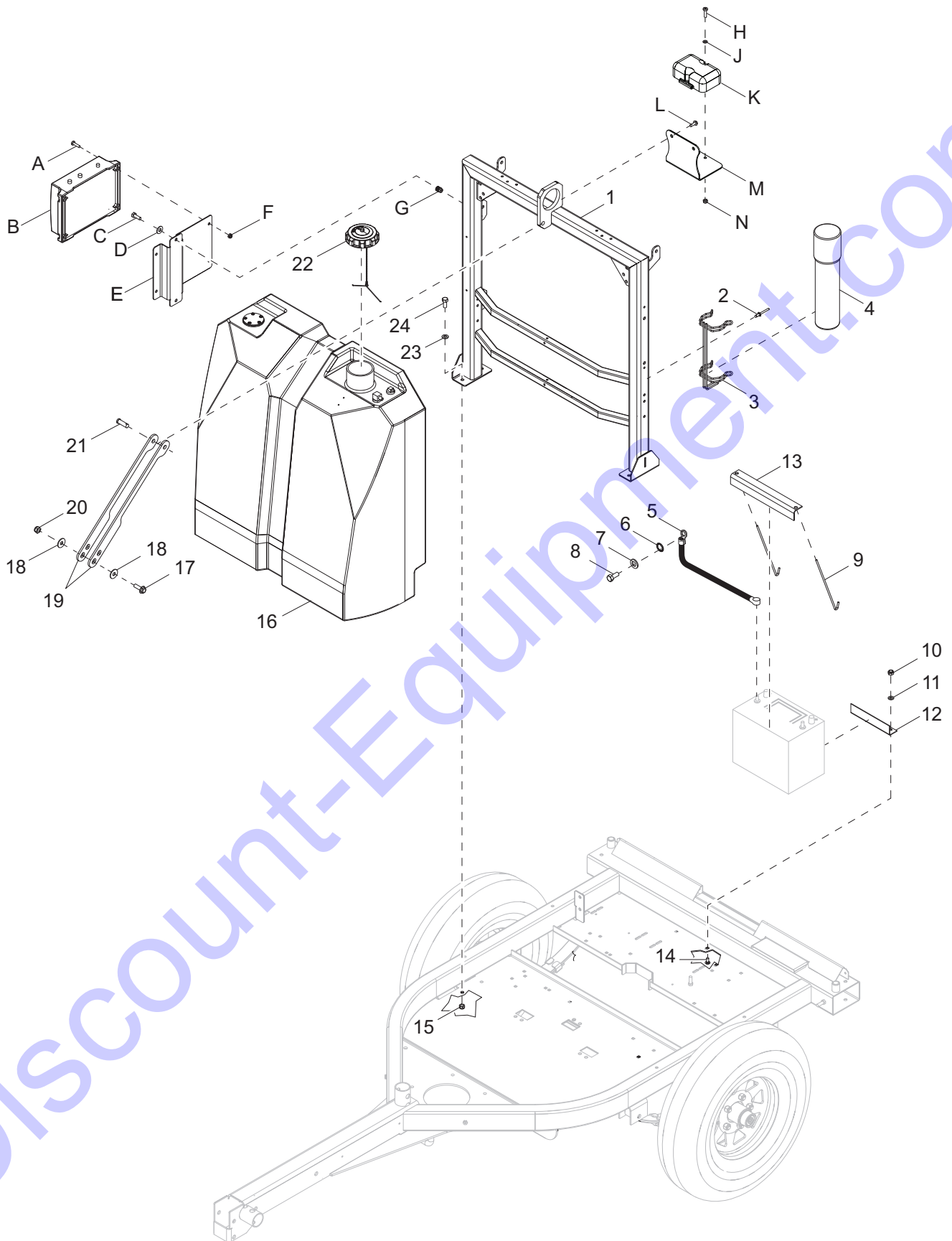
02683

## GENERATOR ASSEMBLY

Item	Part No.	Qty	Description	Notes
1	17994B	1	Cover, generator, Marathon	
2	60175	4	Screw, .250-20x.500 serrated flange hex, G5	
3	60062	2	Screw, 10-32 x .750 pan Phillips, G2	
4	14139	1	Block terminal - 12 position	
5	60267	2	Rivet, .125 diameter x .191 to .270 grip	
6	10000034474	1	Bracket, terminal strip	
7	15215	2	Rubber bumper	
8	54254B	1	Plate, electric junction	
9	63231	9	Insert, threaded .250-20 hex .027-.165 grip	
10	10000020581	1	Generator, Marathon, 6kW, 60Hz, cap	
11	15045B	1	Bracket, generator mounting	with 16556
12	60285	4	Nut, .312-18 hex, G2	
13	60271	4	Washer, .312 split lock	
14	60119	4	Washer, .312 flat .875/.070	
15	61066	4	Screw, .312-18 x 1.00 carriage, SS	
16	15241	2	Isolator, rubber - 80-200 lb	
17	60352	2	Screw, .375-16 x 1.250 standard hex, G5	
18	60206	10	Washer, .375 split lock	
19	60702	2	Washer, .500 split lock, SS	
20	60275	2	Screw, .500-13 x 1.00 standard hex, G5	
21	60352	8	Screw, .375-16x1.250 standard hex, G5	
22	60243	4	Washer, .250 flat .735/.060	
23	60271	4	Washer, .312 split lock	
24	61082	4	Screw, M8-1.25 x 20 serrated flange hex	
25	66685	8	Mount cable tie, .25-.28 diameter,.031-.276 grip	
26	60061	2	Nut, 10-32 nylock	
27	10000038540	1	Decal, CA-Prop 65	
--	60168	6	Screw, .312-18 x .750 standard hex, G5	For flex plate mount
--	60166	18	Washer, M8 flat DIN 125 hardened	3 each w/60168

**Note:** Engine and generator parts used in all Generac Mobile Products, LLC equipment carry the Original Equipment Manufacturer (OEM) warranty unless otherwise stated. OEM warranty parts must be purchased through an OEM dealer.

# COMPONENTS TO TRAILER ASSEMBLY



02684

## COMPONENTS TO TRAILER ASSEMBLY

Item	Part No.	Qty	Description	Notes
1	10000023283	1	Weldment, lift support	
2	60195	2	Rivet, .188 diameter. x .375 to .500 grip	
3	11222	1	Bracket, manual holder	
4	11121	1	Manual holder tube, black 14 in	
5	10699	1	Cable, battery - 24" 4GA , .375 lug, black	
6	60747	1	Washer, .375 internal star	
7	60026	1	Washer, M10 split lock	
8	60495	1	Screw, M10-1.25 x 16 hex, G8.8	
9	60820	2	Bolt, J - .250-20 x 9.0	
10	60303	1	Nut, .312-18 nylock, G2	
11	60119	2	Washer, .312 flat .875/.070	
12	17992B	1	Bracket, battery stop	
13	12924B	1	Angle, battery hold-down	
14	61066	2	Screw, .312-18 x 1.00 carriage, SS	
15	62086	6	Nut, .312-18 U-clip - short type	
16	69919	1	Tank, fuel - 42 gal w/sending unit	
17	60484	2	Screw, .500-13 x 2.00 standard hex, G5	
18	60309	4	Washer, .500 flat 1.060/.090	
19	39660B	2	Bar, chassis support	
20	62221	2	Nut, .500-13 nylock, G5	
21	63325	1	Pin, clevis - .500 diameter. x 1.063 UL, ZP	
22	16326	1	Cap, fuel, 3.5 diameter., diesel, vent w/tether	
23	60386	4	Washer, .375 flat .993-.064	
24	60352	4	Screw, .375-16 x 1.250 standard hex, G5	

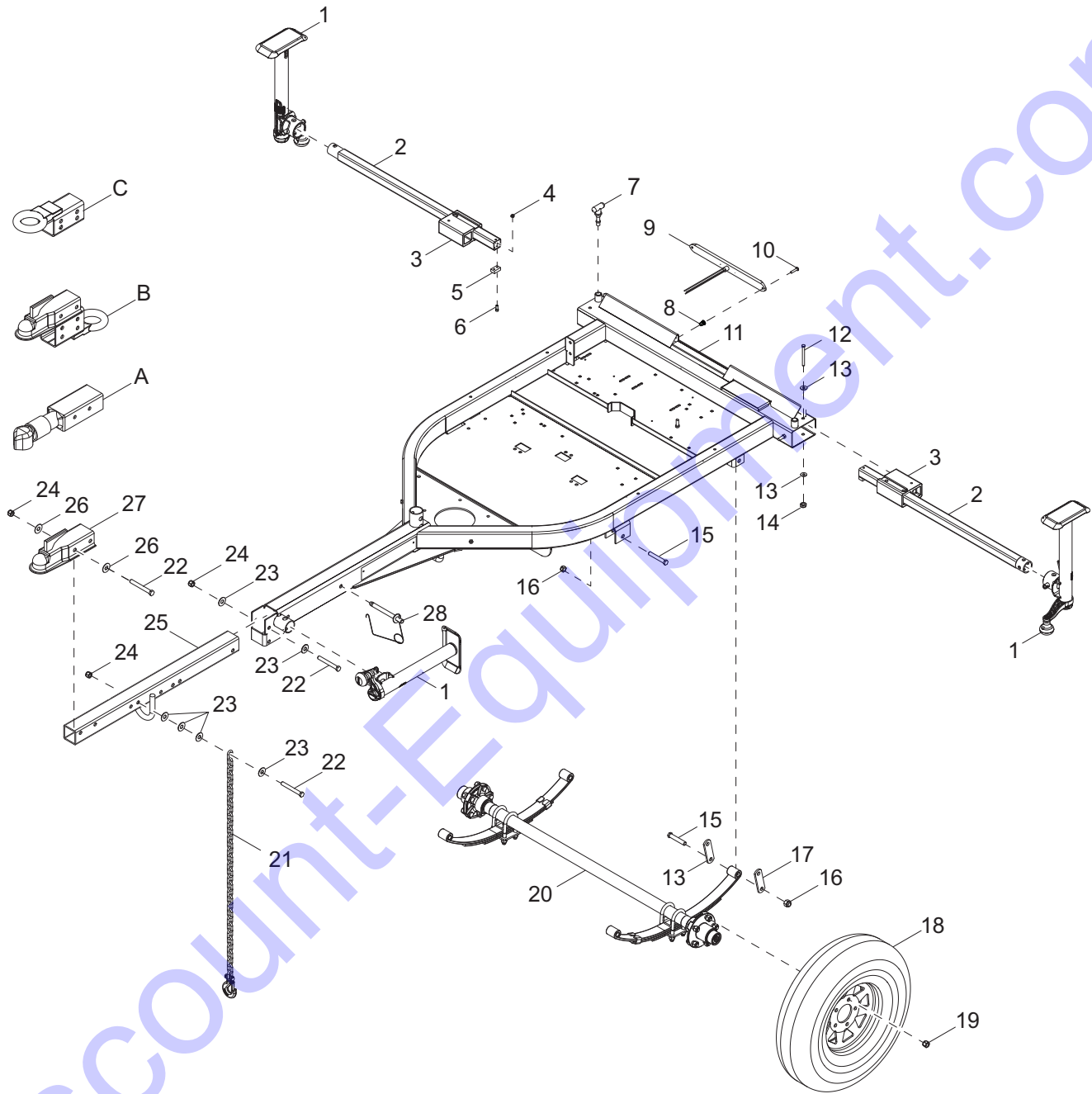
### *Battery Charger: If equipped*

A	60062	4	Screw, 10-32 x .750 pan Phillips, G2
B	66212	1	Charger, battery 2-5A/1-10A, 3 stage, 2 output
C	60281	2	Screw, .250-20 x .750 hex, G5
D	60243	2	Washer, .250 flat .735/.060
E	73218B	1	Bracket, battery charger
F	60415	4	Nut, 10-32 nylock
G	63132	2	Insert, .250-20 splined, .027-.165

### *ZTR Telemetry: If equipped*

H	60770	2	Screw, M4-0.70 x 20 pan Phillips, G4.8
J	60237	2	Washer, #10 flat .495/.036
K	37731	1	Telemetry, ZTR
L	68429	2	Screw, .312-18 x .750 flange hex, G2 self-tap
M	51002B	1	Bracket, ZTR mounting
N	60051	2	Nut, M4-0.70 nylock, G8.8
--	68431	1	Lift support (modified 28341B)

# TRAILER ASSEMBLY



02444

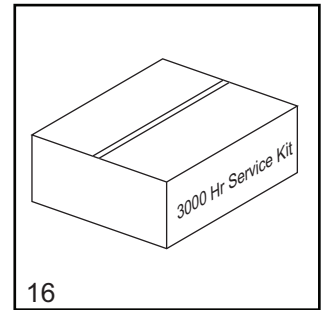
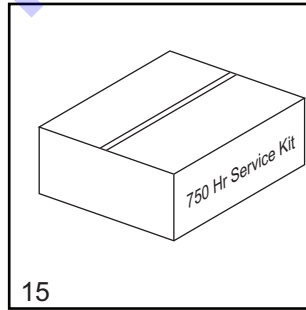
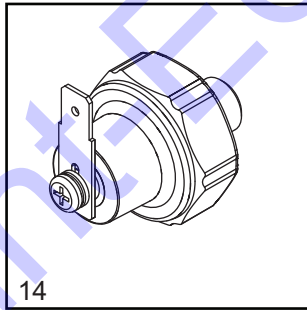
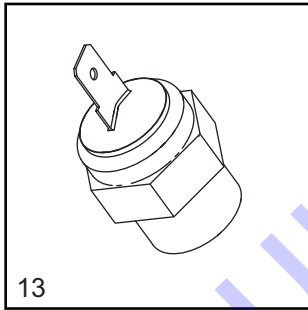
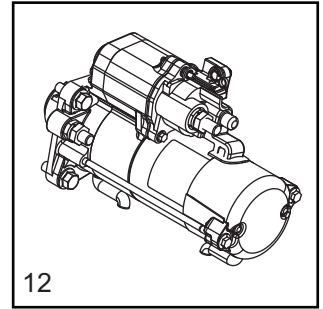
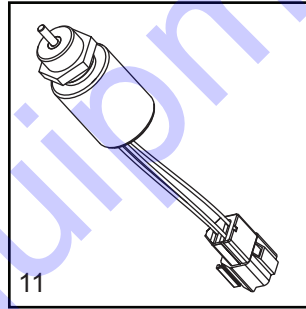
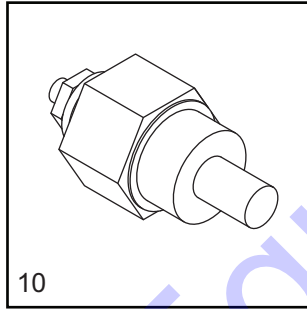
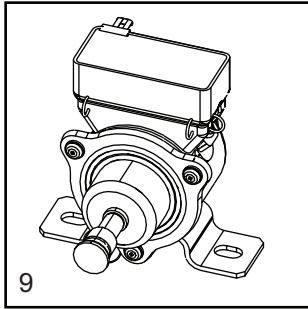
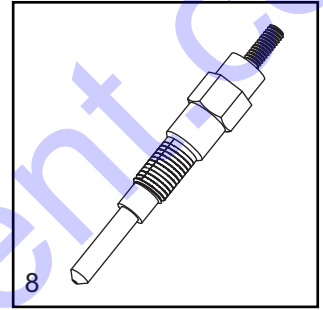
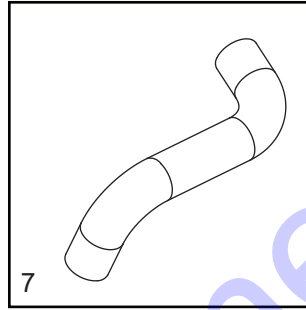
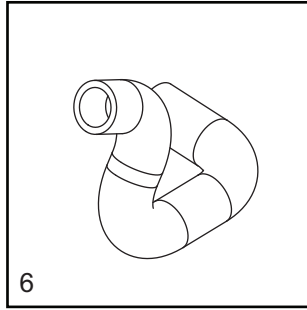
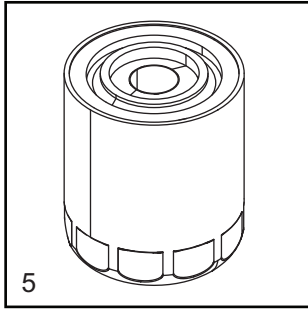
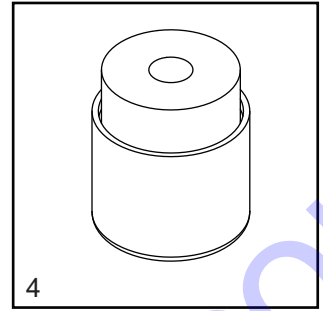
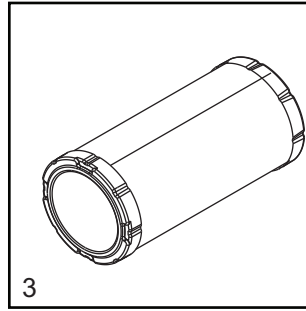
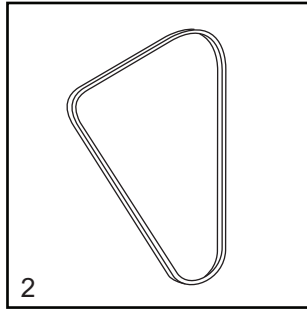
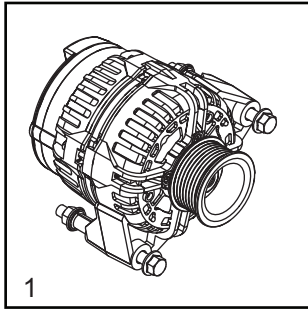
## TRAILER ASSEMBLY

Item	Part No.	Qty	Description	Notes
1	72126	3	Jack, top wind - 1200 lb, tube mounted	
2	70230ZY	2	Weldment, outrigger tube	
3	36869	2	Guide block (molded) - outrigger	
4	60144	4	Nut, .250-20 nylock, G5	
5	72128	2	Pad/stop, wear - outrigger	
6	73196	4	Screw, .250-20 x 2.25 socket head	
7	36890	3	Spring pin, handle	
8	73092	4	Insert, #8-32 .020-.080 grip - close sealed	
9	36960	2	Assembly, tail light	
10	60694	4	Screw, 8-32 x .750 pan Phillips	
11	10000021817	1	Weldment, lt chassis	
12	60404	2	Screw, .312-18 x 4.00 standard hex, G5	
13	60119	4	Washer, .312 flat .875/.070	
14	60303	2	Nut, .312-18, nylock, G2	
15	60503	6	Screw, shackle, .562-18 x 3.00 standard hex, G5	
16	60504	6	Nut, .562-18 lock hex, G5	
17	19637	4	Plate, shackle bracket - 3.125"	
18	15976B	2	Wheel, ST175/8013 - 1360 lb	
19	60096	10	Nut, .500-20 lug, G5	
20	34760	1	Axle, 2200lb 47TC 35SC	
21	23367	2	Chain, safety - 7800 lbs rated	
22	50215	5	Screw, .500-13 x 4.00 standard hex, G5	
23	60416	10	Washer, .500 flat 1.375/.090	
24	62221	5	Nut, .500-13 nylock, G5	
25	17969B	1	Weldment, tilt tongue	
26	60309	4	Washer, .500 flat 1.060/.090	
27	16830	1	Coupler, 2.00 ball/2.50 channel	
28	33943	2	Pin, locking .500 x 3.50	
--	68348	1	Harness, trailer wiring, tandem tow	
--	68324	1	Harness, trailer enclosure front	
--	10000020727	1	Assembly, harness extension loomed	

*Hitch Options: If equipped*

A	13003B	1	Coupler, 2.00 ball/3.00 channel, Bulldog
B	34792ZC	1	Weldment, combination hitch - 2.50 tongue
C	16835B	1	Weldment, lunette ring 3.00 ID - 2.50 tongue
--	65548	1	Adapter, 4 pin flat to 4 pin flat x 12.00

# RECOMMENDED SPARE PARTS - ENGINE AND SERVICE KITS



## RECOMMENDED SPARE PARTS - ENGINE AND SERVICE KITS

### ENGINE

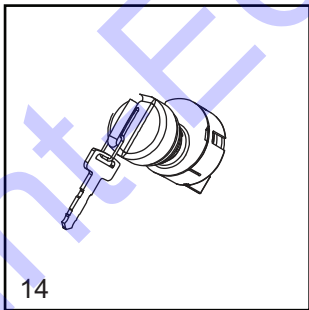
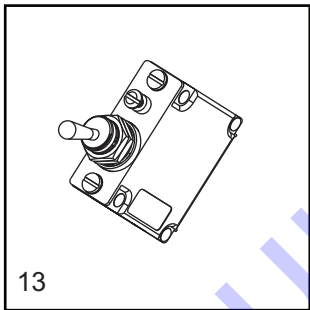
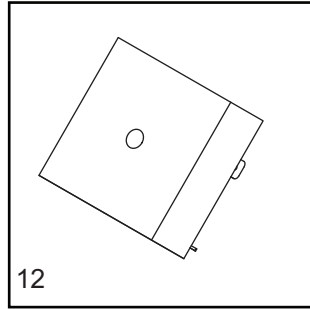
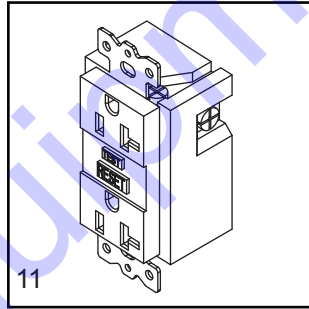
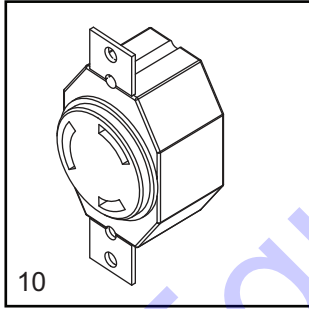
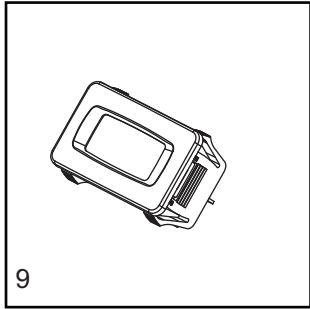
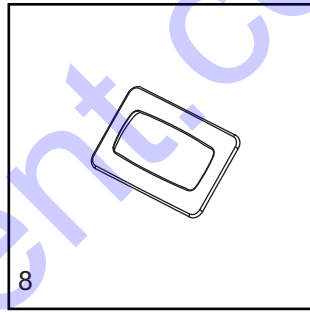
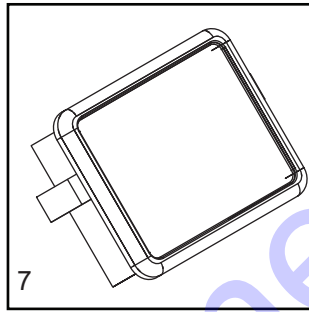
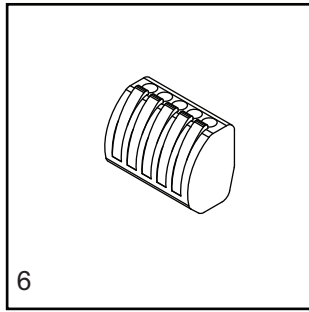
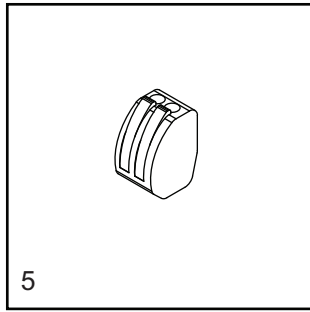
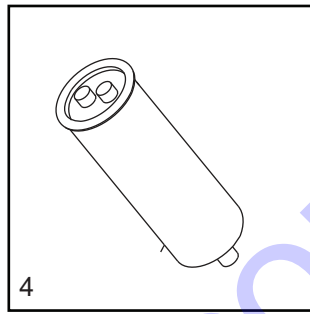
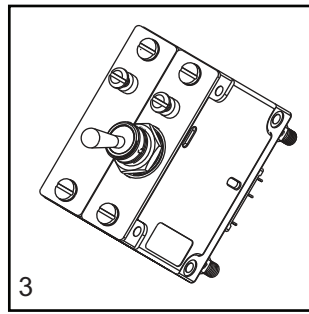
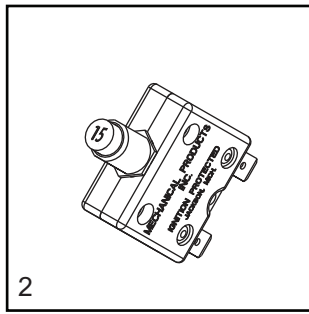
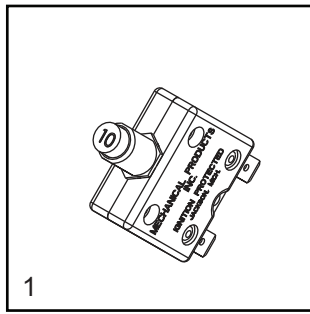
1. Alternator .....	12486
2. Belt, V .....	11628
3. Filter, air (element).....	10000035428
4. Filter, fuel element .....	13515
5. Filter, oil, Kubota D1005/D1105 .....	10775
6. Hose, lower radiator .....	12350
7. Hose, upper radiator.....	36977
8. Plug, glow (start SN 489916).....	13238
9. Pump, fuel .....	13278SRV
10. Sender, coolant temp.....	12873
11. Solenoid, fuel shutdown (2 wire).....	13018
12. Starter- D850 .....	30582
13. Switch, coolant temperature - D850 .....	14099
14. Switch, oil pressure, D905 .....	15375

### SERVICE KITS

15. 750 hour kit.....	SK151
Includes: Air Filter Element 10000035428, Fuel Filter Element 13515 and Oil Filter 10775	
16. 3000 hour kit.....	SK152
Includes: Engine Belt 11628 (4), Air Filter Element 10000035428 (4), Fuel Filter Element 13515 (4), and Oil Filter 10775 (4)	



# RECOMMENDED SPARE PARTS - ELECTRICAL



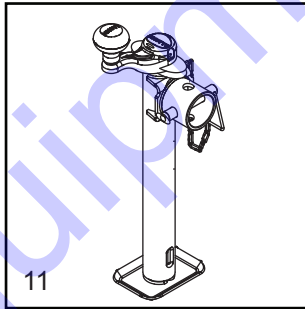
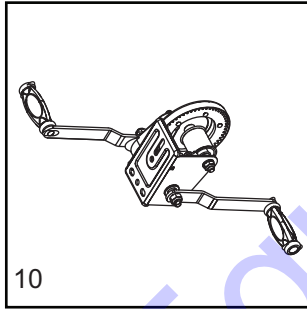
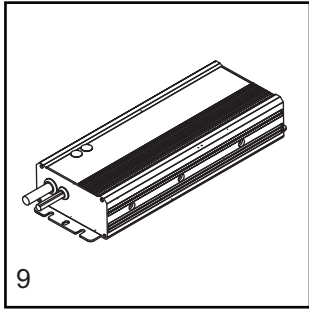
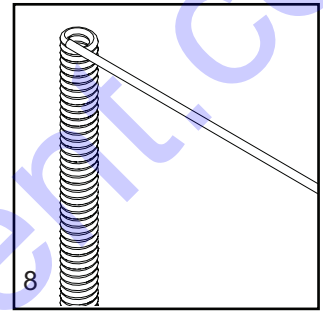
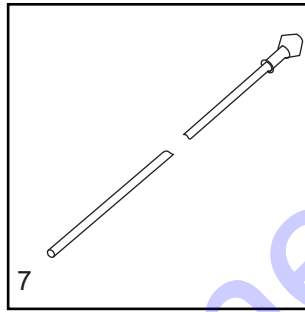
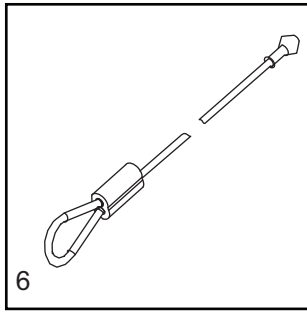
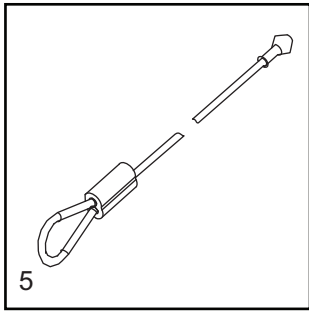
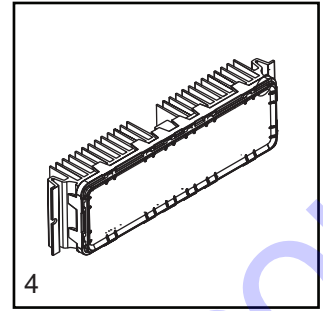
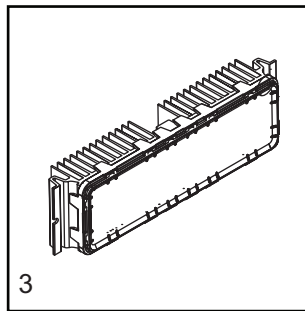
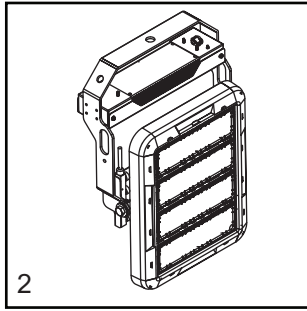
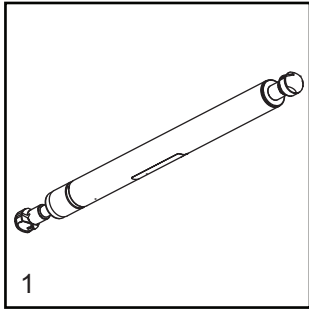
## RECOMMENDED SPARE PARTS - ELECTRICAL

---

### ELECTRICAL

1. Breaker, 10A, 240V, 1 pole, push button .....	36937
2. Breaker, 15A, 120V, 1 pole, push button, 8kW .....	36935
3. Breaker, 30A, 250A, 2 pole, 6kW .....	36975
4. Capacitor, 25 $\mu$ F 5% 440VAC .....	36980
5. Connector, 2 position (qty - 4) .....	66100
6. Connector, 5 position (qty - 2) .....	66102
7. Controller- LED programmed .....	70137
8. Gasket, hour meter .....	36944
9. Gauge, hour meter .....	36866
10. Receptacle, 240V/30A twist .....	14137
11. Receptacle, 120V/20A GFI .....	14130
12. Relay, 10A SPDT 15 second time delay .....	14201
13. Switch, 10 amp .....	1000035999
14. Switch, key .....	36882

# RECOMMENDED SPARE PARTS - MISC



**RECOMMENDED SPARE PARTS - MISC**

**ENCLOSURE**

1. Gas shock..... 35137

**MAST**

2. Assembly, LED light..... 10000019145  
3. Module 60 degree LED..... 10000019170  
4. Module 40 degree LED..... 10000019160  
5. Cable, 79.75 in ..... 31248  
6 Cable, 78 in ..... 31277  
7. Cable, 144 in ..... 31247  
8. Coil cord w/ 120 inch tail ..... 39650  
9. Driver, LED 30V, 10.7A, 320W ..... 10000019146  
10. Winch, manual, includes dual handle ..... 72127

**JACKS**

11. Jack, top wind, 1200 lb ..... 72126

Discount-Equipment.com

# **Discount Equipment**

Discount-Equipment.com is your online resource for commercial and industrial quality parts and equipment sales.

## **Locations:**

Florida (West Palm Beach): [561-964-4949](tel:561-964-4949)

Outside Florida TOLL FREE: [877-690-3101](tel:877-690-3101)

**Need parts?** Check out our website at [www.discount-equipment.com](http://www.discount-equipment.com)

## **Can't find what you need?**

Click on this link: <http://www.discount-equipment.com/category/5443-parts/> and fill out the request form.

Please have the machine model and serial number available in order to help us get you the correct parts. One of our experienced staff members will get back to you with a quote for the right part that your machine needs.

We sell worldwide for the brands: Genie, Terex, JLG, MultiQuip, Mayco, Toro/Stone, Diamond Products, Magnum, Airman, Mustang, Power Blanket, Nifty Lift, Atlas Copco, Chicago Pneumatic, Allmand Brothers, Essick, Miller Spreader, Skyjack, Lull, Skytrak, Tsurumi, Husquvarna/Target, Whiteman-Concrete/Mortar, Stow-Concrete/Mortar, Baldor, Wacker, Sakai, Snorkel, Upright, Mi-T-M, Sullair, Neal, Basic, Dynapac, MBW, Weber, Bartell, Bennar Newman, Haulotte, Ditch Runner, Blaw-Knox, Himoina, Best, Buddy, Crown, Edco, Wyco, Bomag, Laymor, Terremite, Barreto, EZ Trench, Takeuchi, Basic, Bil-Jax, Curtis, Gehl, Heli, Honda, ICS/PowerGrit, Puckett, Waldon, ASV, IHI, Partner, Imer, Clipper, MMD, Koshin, Rice, Gorman Rupp, CH&E, Cat Pumps, Comet, General Pump, Giant, AMida, Coleman, NAC, Gradall, Square Shooter, Kent, Stanley, Tamco, Toku, Hatz, Kohler, Robin, Wisconsin, Northrock, Oztec, Toker TK, Rol-Air, Small Line, Wanco, Yanmar

**New Equipment - Used Equipment - Rental Equipment - Parts and Accessories**

# **Discount Equipment**

[www.discount-equipment.com](http://www.discount-equipment.com)

**561-964-4949**

Parts: [wbparts@Discount-Equipment.com](mailto:wbparts@Discount-Equipment.com)

Sales: [info@Discount-Equipment.com](mailto:info@Discount-Equipment.com)



[www.discount-equipment.com](http://www.discount-equipment.com)

Part No. 10000034707 Rev. A 09/05/2018

©2018 Generac Mobile Products, LLC  
All rights reserved.

Specifications are subject to change without notice.  
No reproduction allowed in any form without prior written consent  
from Generac Mobile Products, LLC.

**GENERAC** | **MOBILE**