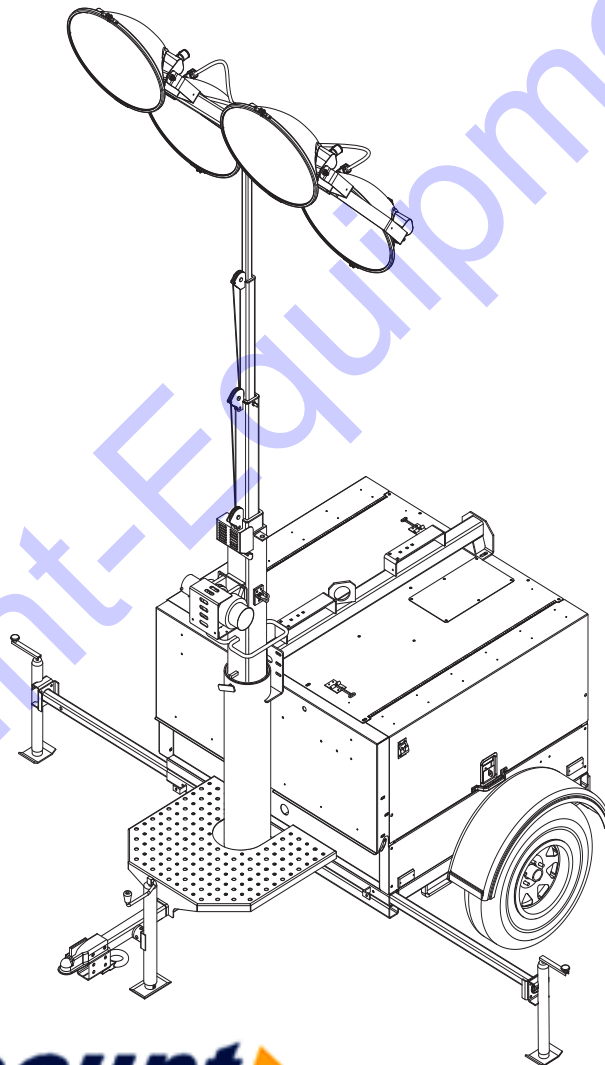


**GENERAC®**

**MOBILE  
PRODUCTS**

**DIESEL LIGHT TOWER  
MLT5060KV • MLT5060MV • MLT5080KV**



**Discount  
Equipment**

[www.discount-equipment.com](http://www.discount-equipment.com)

**PARTS MANUAL** 01711

# **Discount Equipment**

Discount-Equipment.com is your online resource for commercial and industrial quality parts and equipment sales.

## **Locations:**

Florida (West Palm Beach): [561-964-4949](tel:561-964-4949)

Outside Florida TOLL FREE: [877-690-3101](tel:877-690-3101)

**Need parts?** Check out our website at [www.discount-equipment.com](http://www.discount-equipment.com)

## **Can't find what you need?**

Click on this link: <http://www.discount-equipment.com/category/5443-parts/> and fill out the request form.

Please have the machine model and serial number available in order to help us get you the correct parts. One of our experienced staff members will get back to you with a quote for the right part that your machine needs.

We sell worldwide for the brands: Genie, Terex, JLG, MultiQuip, Mayco, Toro/Stone, Diamond Products, Magnum, Airman, Mustang, Power Blanket, Nifty Lift, Atlas Copco, Chicago Pneumatic, Allmand Brothers, Essick, Miller Spreader, Skyjack, Lull, Skytrak, Tsurumi, Husquvarna/Target, Whiteman-Concrete/Mortar, Stow-Concrete/Mortar, Baldor, Wacker, Sakai, Snorkel, Upright, Mi-T-M, Sullair, Neal, Basic, Dynapac, MBW, Weber, Bartell, Bennar Newman, Haulotte, Ditch Runner, Blaw-Knox, Himoinsa, Best, Buddy, Crown, Edco, Wyco, Bomag, Laymor, Terremite, Barreto, EZ Trench, Takeuchi, Basic, Bil-Jax, Curtis, Gehl, Heli, Honda, ICS/PowerGrit, Puckett, Waldon, ASV, IHI, Partner, Imer, Clipper, MMD, Koshin, Rice, Gorman Rupp, CH&E, Cat Pumps, Comet, General Pump, Giant, AMida, Coleman, NAC, Gradall, Square Shooter, Kent, Stanley, Tamco, Toku, Hatz, Kohler, Robin, Wisconsin, Northrock, Oztec, Toker TK, Rol-Air, Small Line, Wanco, Yanmar

**New Equipment - Used Equipment - Rental Equipment - Parts and Accessories**

# **Discount Equipment**

[www.discount-equipment.com](http://www.discount-equipment.com)

**561-964-4949**

Sales: [info@Discount-Equipment.com](mailto:info@Discount-Equipment.com)

Parts: [wbparts@Discount-Equipment.com](mailto:wbparts@Discount-Equipment.com)

**⚠ WARNING**  
**CALIFORNIA PROPOSITION 65 WARNING: Diesel engine exhaust and some of its constituents are known to the state of California to cause cancer, birth defects, and other reproductive harm.**

**⚠ WARNING**  
**CALIFORNIA PROPOSITION 65 WARNING: This product contains or emits chemicals known to the state of California to cause cancer, birth defects, and other reproductive harm.**

# Introduction

This parts manual was prepared based on the information available at the time of publication and is subject to change without notice. Generac Mobile Products reserves the right to change parts at any time.

DO NOT MODIFY or use this equipment for any application other than which it was designed for. To keep your equipment fully operational, it is suggested you maintain a stock of commonly used maintenance or service parts. A recommended spare parts list can be found in the back of this manual.

## **▲ WARNING**

**Before operating or servicing this equipment, read and understand the Generac Operating Manual which was included with the unit when shipped from the factory. Failure to do so increases the risk of injury to yourself or others.**

Engine Make: \_\_\_\_\_

Engine Serial Number: \_\_\_\_\_

Engine Model Number: \_\_\_\_\_

Generator Make: \_\_\_\_\_

Generator Model Number: \_\_\_\_\_

Generator Serial Number: \_\_\_\_\_

Unit Model Number: \_\_\_\_\_

Unit Serial Number: \_\_\_\_\_

## Table of Contents

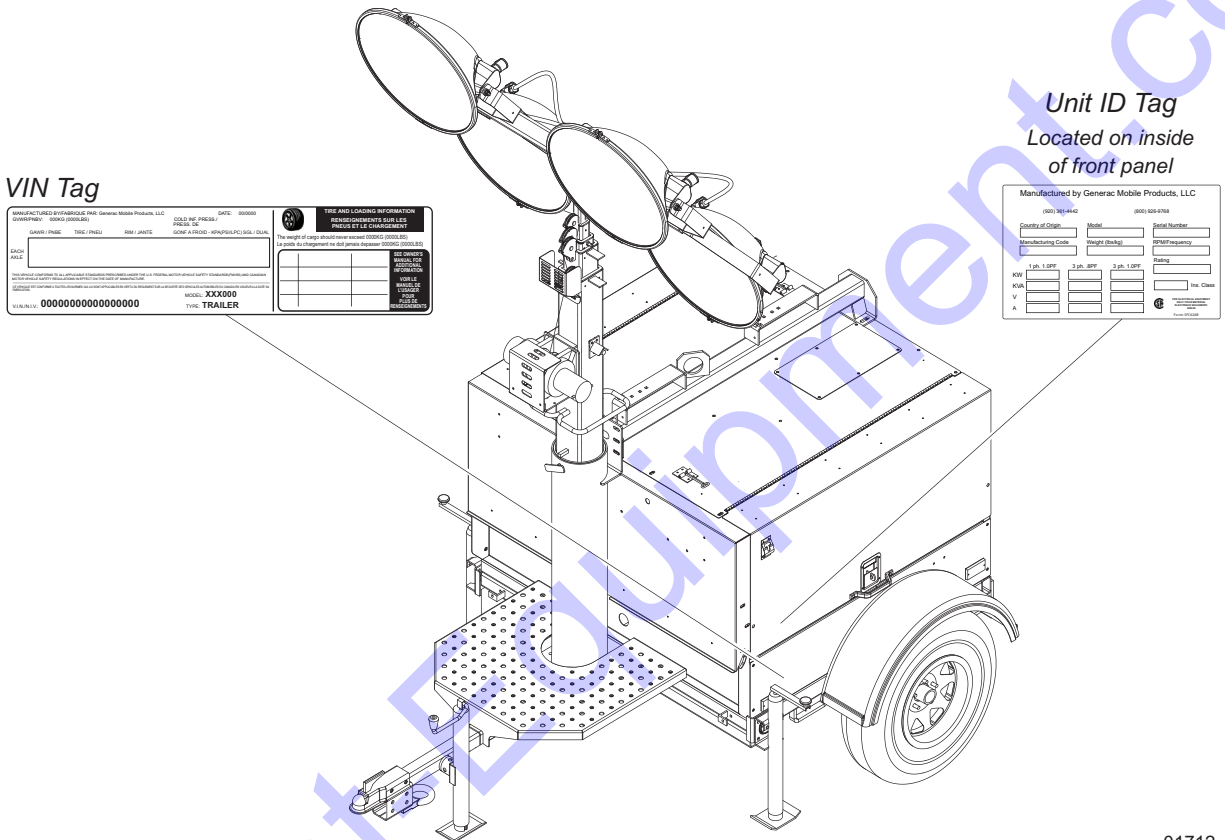
Introduction .....	iii
Parts Manual Instructions .....	1
Unit Decals - Exterior .....	2
Unit Decals - Left Side Interior .....	3
Unit Decals - Right Side Interior .....	4
Mast, Junction Box and Lights to Unit .....	6
Light Assembly .....	8
Mast Junction Box Assembly - Hard Wired Lights .....	10
Mast Junction Box Assembly - Quick Disconnect Lights Option .....	12
Mast Assembly .....	14
Mast Assembly - Bottom Post .....	16
Roof and Doors to Unit .....	18
Side Panels to Unit .....	20
Front and Rear Panels to Unit .....	22
Mast Switch Box Assembly .....	24
Control Box to Unit .....	26
Control Box Assembly .....	28
Control Panel Assembly - MLT5060KV, MLT5060MV .....	30
Control Panel Assembly - MLT5080KV .....	32
Cooling System Assembly .....	34
Engine and Generator to Unit .....	36
Engine Assembly - Mitsubishi Left Side .....	38
Engine Assembly - Mitsubishi Right Side .....	40
Engine Assembly - Kubota Left Side .....	42
Engine Assembly - Kubota Right Side .....	44
Generator Assembly .....	46
Fuel Tank and Ballast Boxes to Unit .....	48
Trailer Assembly .....	50
Trailer - Jack and Hitch Options .....	52
Axle Assembly .....	54
Recommended Spare Parts List (1 of 2) .....	56
Recommended Spare Parts List (2 of 2) .....	57

# Parts Manual Instructions

Product illustrations are only representations. Products supplied may vary from the illustrations in this parts manual. Parts not shown in the illustration are indicated by a double dash (--) in the item column.

Please be prepared to provide the following information when ordering replacement parts: model number, serial number (on unit serial tag), part number, purchase order number (if applicable), shipping address, shipping method.

Refer to the illustration below to locate the unit ID tag and Vehicle Identification Number (VIN) tag on the unit. Important information, such as the unit serial number, model number, VIN and tire loading information are found on these tags. Record the information from these tags so it is available if the tags are lost or damaged. When ordering parts or requesting assistance, you may be asked to provide this information.



**VIN Tag**

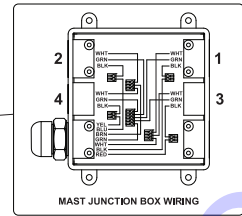
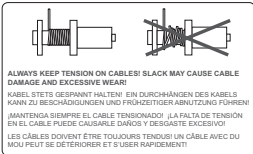
MANUFACTURED BY/FABRICÉ PAR: General Mobile Products, LLC		COLD NO. / NO. FROID: 000000	
DATE: 00/00/00		PAGE NO.:	
GMWV / PMSG	TREID / PMSG	RMW / JAWTE	GMWV A / TREID - HPNAPRILPC / SOL / QHVL
EQUIP. PARTS:		<b>TIRE AND LOADING INFORMATION</b> <b>RENSEIGNEMENTS SUR LES PNEUS ET LE CHARGEMENT</b> The weight of your equipment does not exceed (le poids de votre équipement ne dépasse pas) (000000)	
VIN: 1X1V <b>000000000000000000</b>		<b>BEFORE INITIAL USE</b> <b>AVANT PREMIER EMPLOI</b> MODEL: <b>XXX000</b> TYPE: <b>TRAILER</b>	

**Unit ID Tag**  
Located on inside of front panel

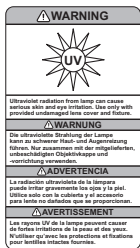
Manufactured by General Mobile Products, LLC		
(000) 341-4142	(000) 320-8100	
Quantity of Units	Weight	Serial Number
Manufacturing Code	Weight (Weight)	SPAR Frequency
		Rating
1 pt. 1.00T	3 pt. 3.00T	3 pt. 1.00T
HW		
W		
V		
A		

01712

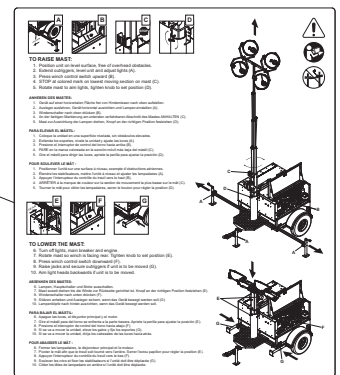
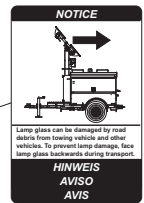
# UNIT DECALS - EXTERIOR



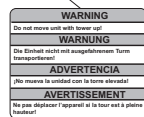
**PN: 13614**  
**Decal, Mast Junction Box**  
*Located inside box*



**PN: 70164**  
**Decal, Do Not Remove Bolt**



**PN: 33365**  
**Decal, Mast Setup, Vertical**



**PN: 12142**  
**Decal, Ground**  
*Next to ground stud*

TOWING INSTRUCTIONS	ABSCHLEPPANWEISUNGEN	INSTRUCCIONES PARA REMOLQUE	INSTRUCTIONS DE REMORQUAGE
1. Read operator manual. 2. Use only rated tow vehicle. 3. Use proper hitch and weight distribution. 4. Do not exceed tow vehicle capacity. 5. Do not tow on uneven terrain. 6. Do not tow on wet or icy roads.	1. Lesen Sie das Bedienhandbuch. 2. Verwenden Sie nur ein zugelassenes Schleppfahrzeug. 3. Verwenden Sie das richtige Schleppgerät und die richtige Gewichtsverteilung. 4. Übersteigen Sie nicht die Kapazität des Schleppfahrzeugs. 5. Ziehen Sie nicht auf unebenem Gelände. 6. Ziehen Sie nicht auf nassen oder eisigen Straßen.	1. Leer el manual de instrucciones. 2. Utilice solo el vehículo remolcador autorizado. 3. Utilice el enganche y la distribución de pesos correctos. 4. No exceda la capacidad del vehículo remolcador. 5. No remolque en terreno desigual. 6. No remolque en carreteras húmedas o heladas.	1. Lire le manuel de l'utilisateur. 2. Utiliser uniquement le véhicule remorqué autorisé. 3. Utiliser l'attelage et la répartition des poids corrects. 4. Ne pas dépasser la capacité du véhicule remorqué. 5. Ne pas remorquer sur terrain inégal. 6. Ne pas remorquer sur routes humides ou glacées.

01715

**Note: All safety and operating decals are located on decal sheet 33953 unless otherwise noted.**

# UNIT DECALS - LEFT SIDE INTERIOR

**WARNING**

Read and understand the supplied operator's manual before operating this machine. Failure to do so increases the risk of injury to yourself or others.

**WARUNG**

Vor dem Betrieb dieser Maschine muss das Bedienhandbuch gelesen und verstanden worden sein. Ein Unverstehen erhöht das eigene Verletzungsrisiko und das anderer.

**ADVERTENCIA**

Lea y comprenda el contenido del manual del operador proporcionado antes de operar esta máquina. De lo contrario, aumentará el riesgo de lesiones a usted o a otras personas.

**AVERTISSEMENT**

Lire et comprene le manuel de l'utilisateur fourni avec l'appareil avant de l'utiliser. L'ignorance de ce livre augmente le risque de blessure pour vous et pour les autres.

**DANGER**

**GEFAHR**  
**PELIGRO**  
**DANGER**

**ENGINE OPERATION**  
MOTORBETRIEB / FUNCIONAMIENTO DEL MOTOR / FONCTIONNEMENT DU MOTEUR:

- BEFORE STARTING THE ENGINE**  
VOR DEM STARTEN DES MOTORS / ANTES DE ENCENDER EL MOTOR / AVANT DE FAIRE DEMARRER LE MOTEUR:  
1. CHECK FUEL LEVEL. (FUEL CONTAINER MUST BE FULL AND SECURELY CLOSED.)  
2. CHECK OIL LEVEL. (OIL MUST BE AT THE CORRECT LEVEL.)  
3. CHECK COOLANT LEVEL. (WATER MUST BE AT THE CORRECT LEVEL.)  
4. CHECK AIR FILTER. (AIR FILTER MUST BE CLEAN.)  
5. CHECK BATTERY CHARGE. (BATTERY MUST BE FULLY CHARGED.)  
6. CHECK BRAKE PADS. (BRAKE PADS MUST BE IN GOOD CONDITION.)
- ALL CIRCUIT BREAKERS OFF!**  
ALLE TRENSCHALTER SIND AUSGESCHALTET! / TODOS LOS CORTACIRCUITOS ESTAN APAGADOS! / TOUS LES DISJONCTEURS DU CIRCUIT SONT DESACTIVES!
- START ENGINE**  
MOTOR STARTEN / ENCENDIA EL MOTOR / FAIRE DEMARRER LE MOTEUR  
ACTIVATE GLOW PLUGS (CRANK PEGS) TO START. RELEASE KEY.
- TURN CIRCUIT BREAKERS ON**  
TRENSCHALTER EINSCHALTEN / ENCENDIA LOS CORTACIRCUITOS / ACTIVEZ LES DISJONCTEURS DU CIRCUIT
- SHUT DOWN / AUSSCHALTEN / APAGUE / ETEINDRE**  
ALLE TRENSCHALTER SIND AUSGESCHALTET! / TODOS LOS CORTACIRCUITOS ESTAN APAGADOS! / TOUS LES DISJONCTEURS DU CIRCUIT SONT DESACTIVES!
- STOP ENGINE**  
MOTOR STOPPEN / DETENGA EL MOTOR / ETEINDRE LE MOTEUR

PN: 10655  
Decal, Engine Operating



PN: 12142  
Decal, Ground

**DANGER**

Contact with overhead electrical power lines will cause serious injury or death. Do not position light tower under electrical power lines.

**GEFAHR**

Der Kontakt mit elektrischen Hochspannungsleitungen kann zu schweren oder lebensgefährlichen Verletzungen führen. Den Beleuchtungswagen nie direkt unter Hochspannungsleitungen aufstellen.

**PELIGRO**

El contacto con las líneas eléctricas elevadas podría causar lesiones graves o la muerte. No posicione la torre de iluminación debajo de líneas eléctricas.

**DANGER**

Le contact avec des câbles électriques suspendus causera des blessures graves ou la mort. Ne pas positionner la tour lumineuse sous des câbles électriques.

**WARNING**

Do not set up with the light tower or during electrical storms. Check for overhead electrical power lines.

**WARUNG**

Die Erleuchtung sollte niemals mit oder bei Gewittern einrichten! Vor Gebrauch auf über Kopf verlaufende Hochspannungsleitungen achten!

**ADVERTENCIA**

Los montes la unidad de luz nunca debe en tormentas eléctricas! (Revisa las instrucciones de instalación.)

**AVERTISSEMENT**

Ne pas installer l'appareil par vents violents ou lors de la pluie. Vérifier l'absence d'obstacles en hauteur avant l'utilisation!

**WARNING**

**ADVERTENCIA**  
**AVERTISSEMENT**

**WARNING**

**ADVERTENCIA**  
**AVERTISSEMENT**

**WARNING**

**ADVERTENCIA**  
**AVERTISSEMENT**

**WARNING**



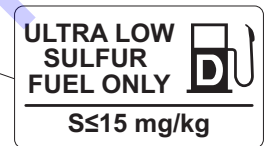
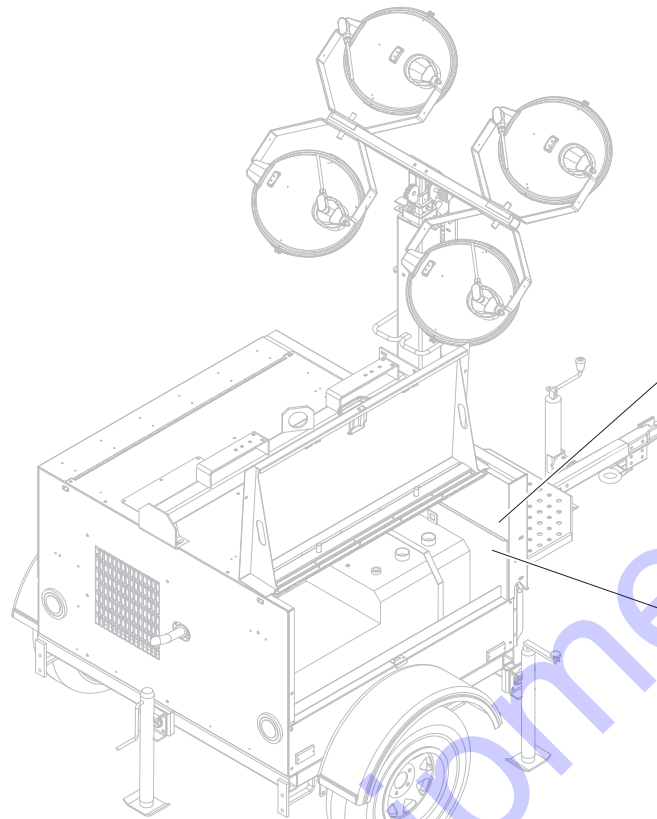
PN: 33552  
Decal, Mast Up/Down

01717

**Note:** All safety and operating decals are located on decal sheet 33953 unless otherwise noted.



# UNIT DECALS - RIGHT SIDE INTERIOR



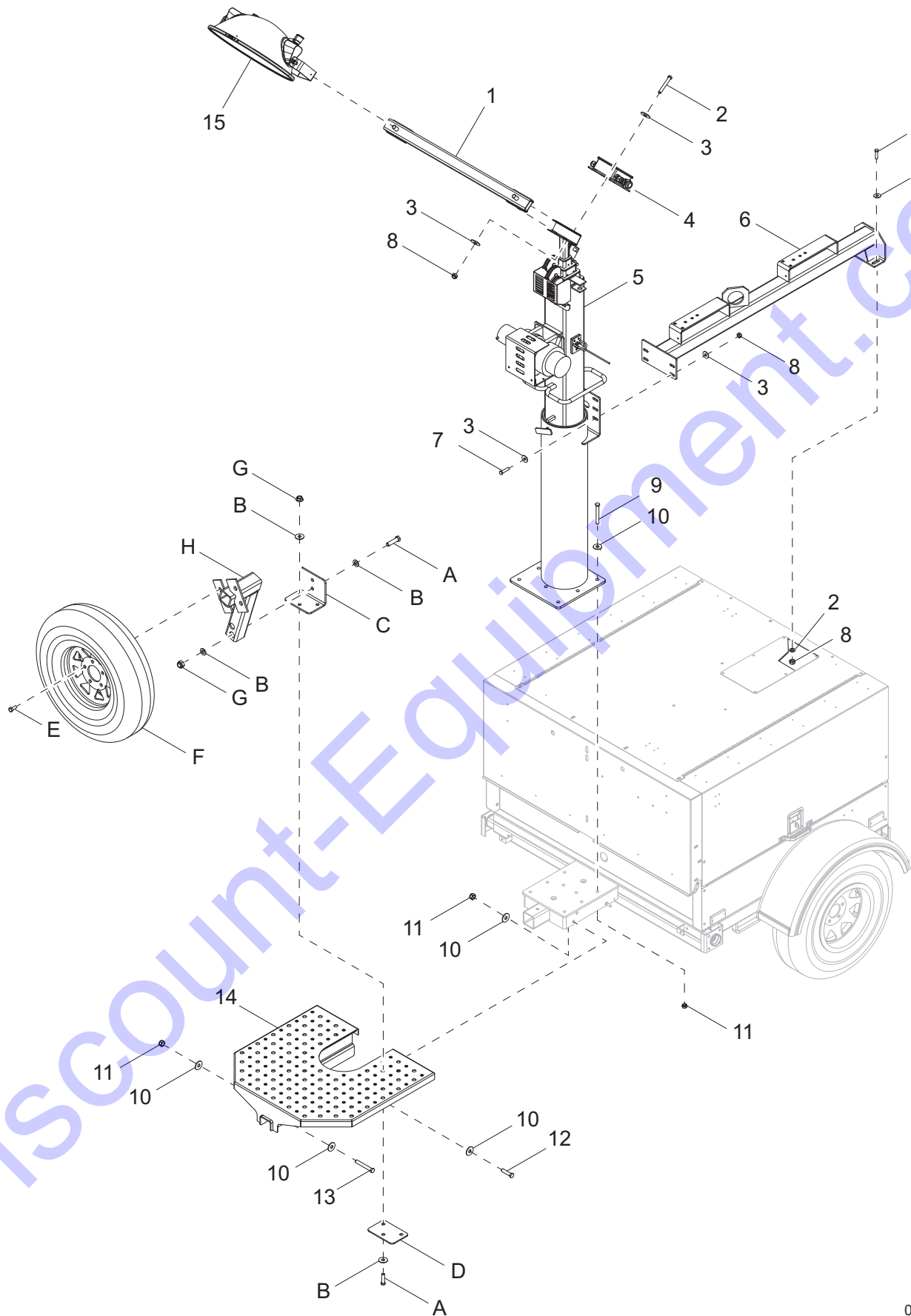
PN: 27433  
Decal, Low Sulfur



01716

**Note:** All safety and operating decals are located on decal sheet 33953 unless otherwise noted.

# MAST, JUNCTION BOX AND LIGHTS TO UNIT



01718

## MAST, JUNCTION BOX AND LIGHTS TO UNIT

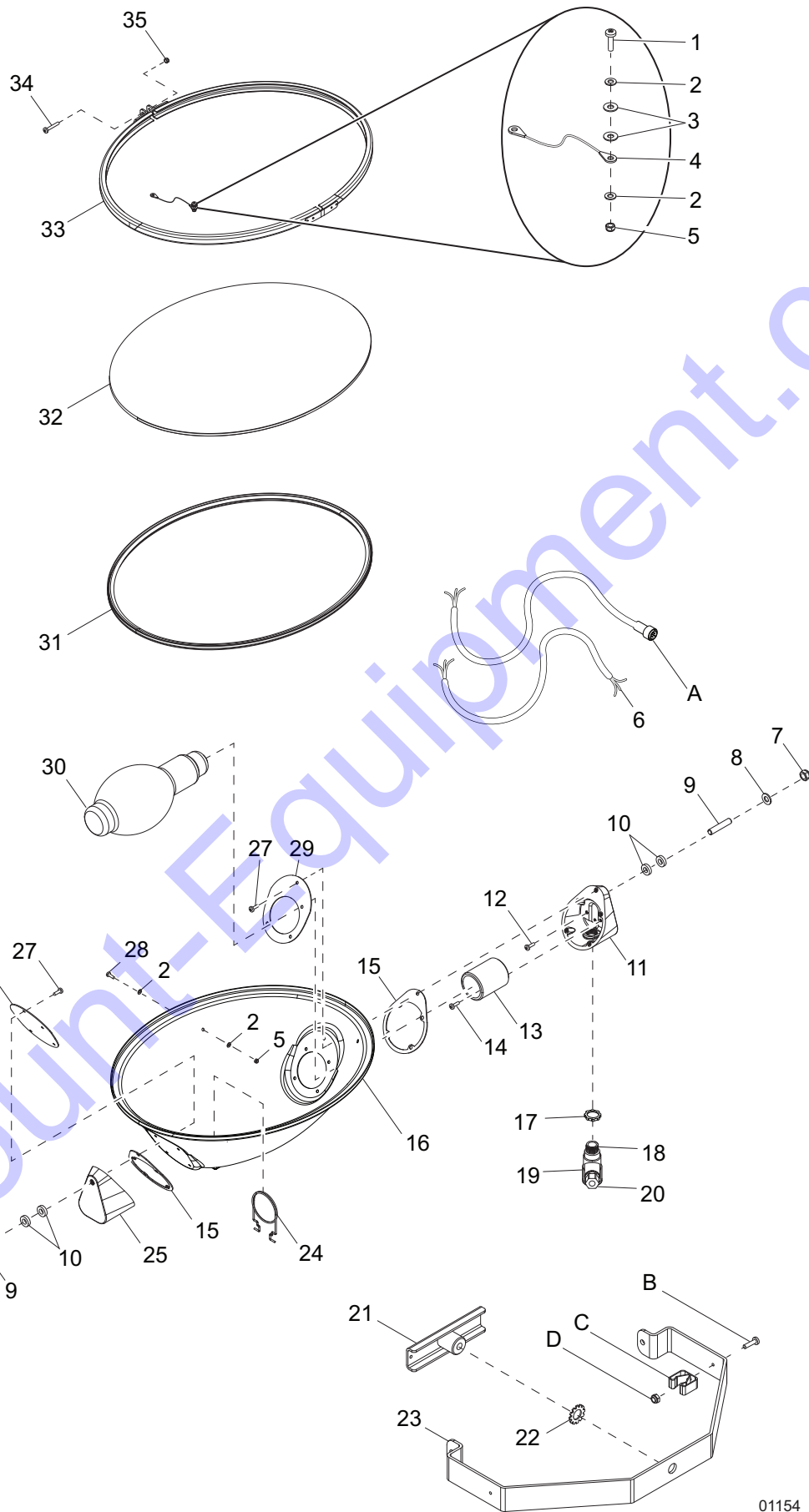
Item	Part No.	Qty	Description	Notes
1	13527B	1	Weldment, mast crossbar	
2	60753	2	Screw, .375-16 x 3.50 std hex, G5	
3	60698	12	Washer, .375 flat .875/.040, SS	
4	<a href="#">Page 10</a>	1	Assembly, mast junction box	
5	<a href="#">Page 14</a>	1	Assembly, mast	
6	33419B	1	Weldment, lift support	
7	61036	4	Screw, .375-16 x 1.25 std hex, SS	
8	60358	6	Nut, .375-16 nylock, G5	
9	60683	6	Screw, .500-13 x 1.50 std hex, SS	
10	60309	12	Washer, .500 flat 1.060/.090	
11	62221	9	Nut, .500-13 nylock, G5	
12	60388	2	Screw, .500-13 x 1.50 std hex, G5	
13	50215	2	Screw, .500-13 x 4.0 std hex, G5	
14	33578B	1	Weldment, step platform	
15	<a href="#">Page 8</a>	4	Assembly, light	

### OPTIONAL FEATURES

#### *Spare Tire:*

A	60388	5	Screw, .500-13 x 1.50 std hex, G5
B	60309	10	Washer, .500 flat 1.060/.090
C	35030B	1	Bracket, spare tire holder
D	35031B	1	Plate, spare tire holder
E	60096	5	Nut, .500-20 lug, G5
F	15540	1	Wheel, ST205/75R15, 1598 lb
G	62221	5	Nut, .500-13 nylock, G5
H	10734B	1	Weldment, spare tire holder

# LIGHT ASSEMBLY



01154

## LIGHT ASSEMBLY

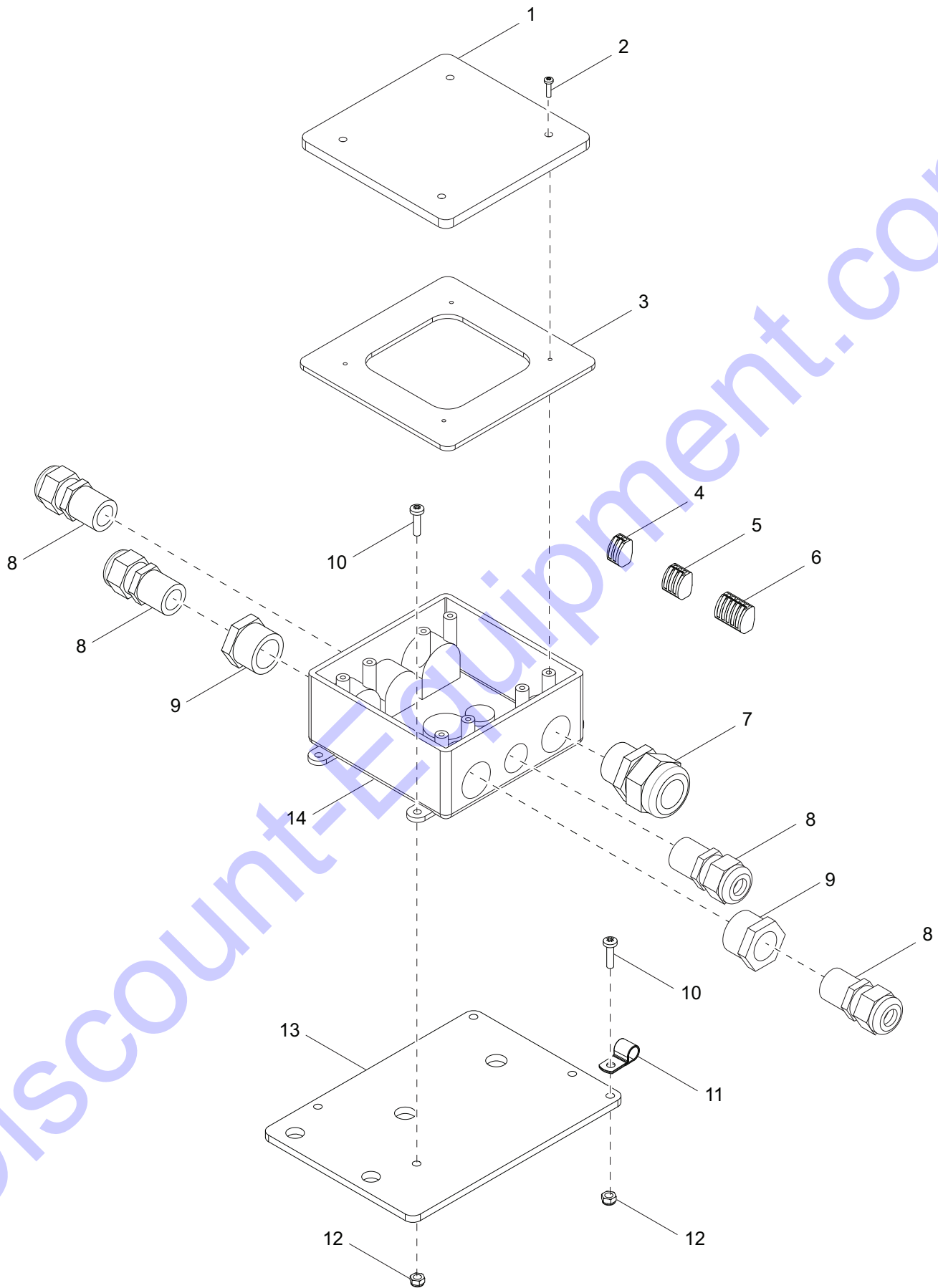
Item	Part No.	Qty	Description	Notes
1	13399	1	Screw, M4 x 18 pan phil	
2	13371	4	Washer, #4	
3	13372	2	Washer, #4 nylon	
4	13370	1	Assembly, tether	
5	13395	2	Nut, M4 nylock	
6	13438	1	Cord, power - hard wired	
7	62221	2	Nut, .500-13 nylock, G5	
8	60247	2	Washer, .750 flat 2.020/.090	
9	13392	2	Stud, trunnion mounting	
10	13390	4	Washer, .500 nylon	
11	13374	1	Support, housing/trunnion w/out cord	
12	13393	1	Screw, M5 x 12 phillips green	
13	13381	1	Socket, bulb w/out threaded insert	
14	13396	2	Screw, pan phillips	
15	13378	2	Gasket, silicone	
16	13366	1	Assembly, housing	
17	15861	1	Nut, special, .500NPT lock	
18	13386	1	Fitting, nipple - .500	
19	13387	1	Connector, weathertight - .500	
20	15864	1	Strain relief, .500NPT watertight, .270/.464 ID	
21	13403	1	Handle, T - wing nut	
22	61174	1	Washer, .750 external star	
23	13368	1	Trunnion	
24	13380	1	Bracket, bulb support	
25	13375	1	Support, housing/trunnion w/cord	
26	13377	1	Bracket, non socket end plate	
27	13388	10	Screw, M5 x 12 flg hex, slotted	
28	13394	1	Screw, M4 x 10 pan phil	
29	13376	1	Bracket, socket end plate	
30	11391	1	Bulb, 1000W MH short length	
31	13373	1	Gasket, lens	
32	13369	1	Lens, glass	
33	13367	1	Assembly, aluminum ring	
34	13398	1	Screw, ground	
35	13397	1	Nut, nylock	
--	13311	1	Assembly, light - hard wired	Items 1 - 35

### OPTIONAL FEATURES

#### Quick Disconnect Light:

A	13383	1	Cord, power quick disconnect	Replaces item 6
B	60398	1	Screw, 10-32 x .500 pan phil, SS	
C	19041	1	Clip, spring holder	
D	60061	1	Nut, 10-32 nylock	
--	13601	1	Assembly, light - quick disconnect, cord clip	

# MAST JUNCTION BOX ASSEMBLY - HARD WIRED LIGHTS



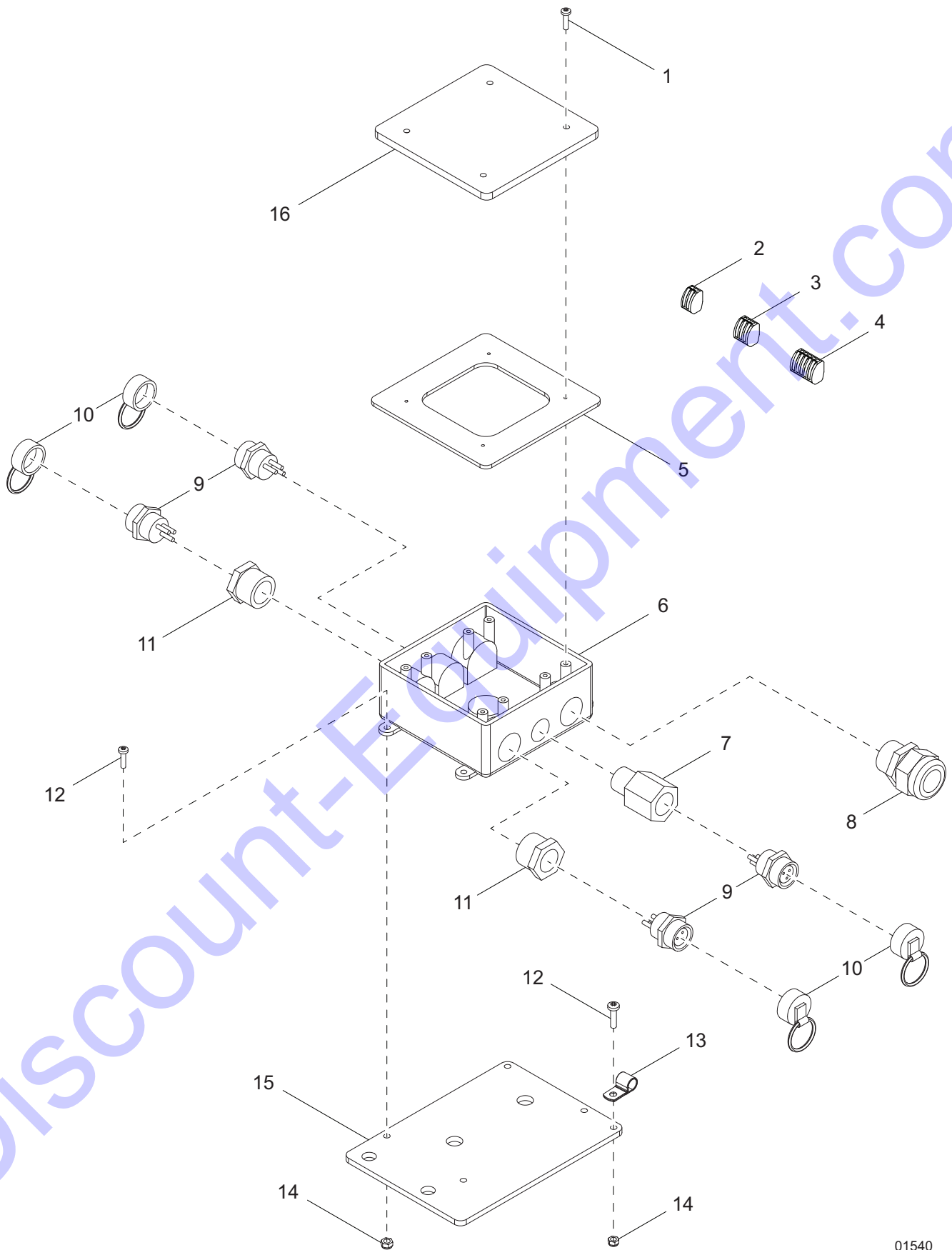
01155

## MAST JUNCTION BOX ASSEMBLY - HARD WIRED LIGHTS

---

Item	Part No.	Qty	Description	Notes
1	12109	1	Cover, box, 2 gang plastic	
2	60424	4	Screw, 6-32 x .750 pan phil, G2, self-thread	
3	13749	1	Gasket, junction box	
4	66100	4	Connector, 2 position	
5	66101	2	Connector, 3 position	
6	66102	1	Connector, 5 position	
7	15864	4	Strain relief - .500NPT watertight, .270/.464 ID	
8	14656	1	Strain relief - .750NPT watertight, .545/.709 ID	
9	60755	2	Fitting, strt - .750MNPT x .500FNPT, nylon	
10	60062	5	Screw, 10-32 x .750 pan phil, G2	
11	16143	1	Clamp, tubing - .500	
12	60415	5	Nut, 10-32 nylock, SS	
13	12095B	1	Bracket, junction box - black	
14	12094	1	Box, junction	
--	11789	1	Assembly, mast junction box - hard wired	Items 1 - 14

# MAST JUNCTION BOX ASSEMBLY - QUICK DISCONNECT LIGHTS OPTION



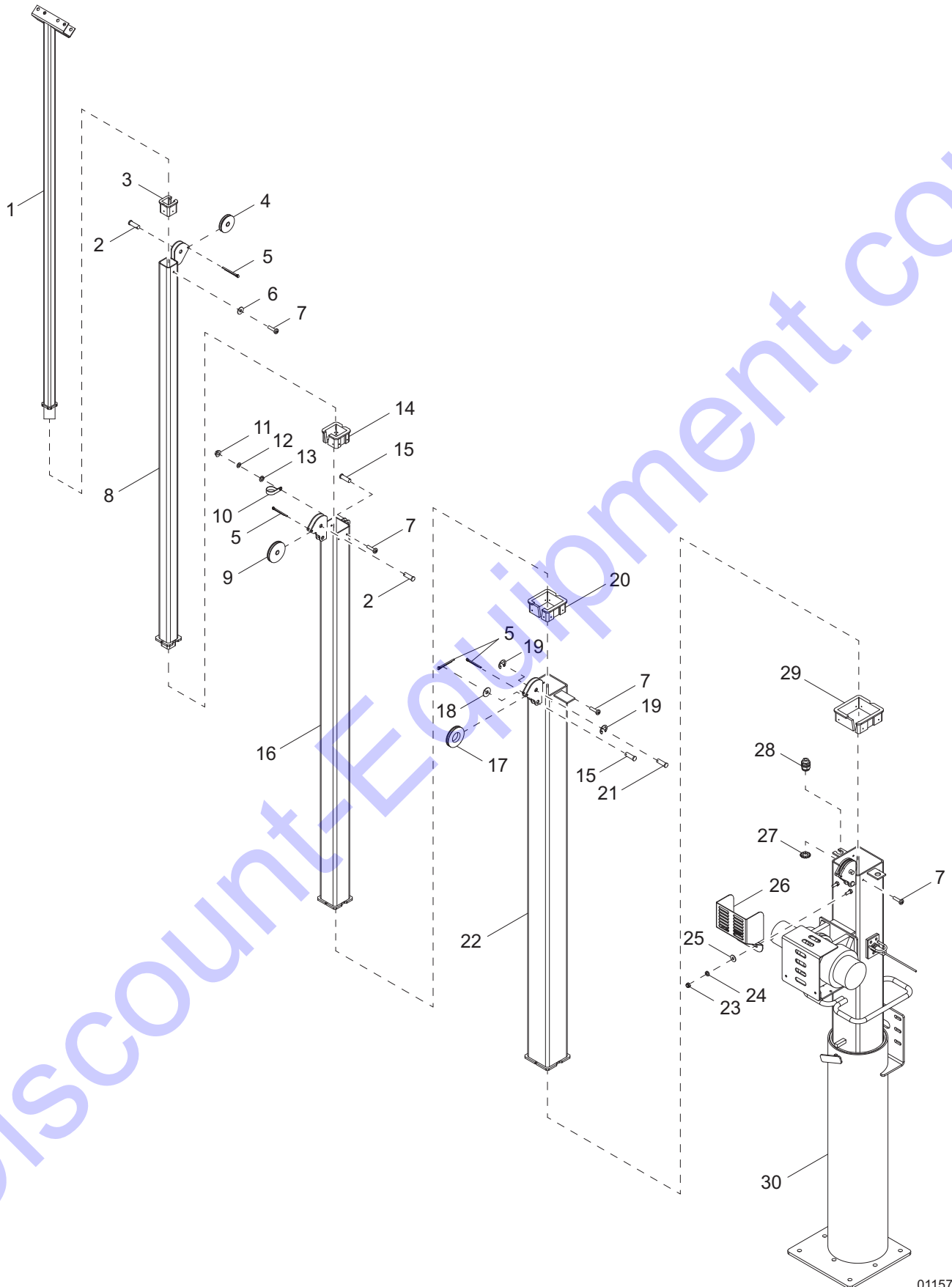
01540



## MAST JUNCTION BOX ASSEMBLY - QUICK DISCONNECT LIGHTS OPTION

Item	Part No.	Qty	Description	Notes
1	60424	4	Screw, 6-32 x .750 pan phil, G2, self thread	
2	66100	4	Connector, 2 position	
3	66101	2	Connector, 3 position	
4	66102	1	Connector, 5 position	
5	13749	1	Gasket, junction box	
6	12094	1	Box, junction	
7	12713	1	Fitting, strt - .500MNPT x .500FNPT, steel	
8	14656	1	Strain relief - .750NPT, watertight	
9	15403	4	Connector, quick disconnect - female	
10	12410	4	Assembly, quick disconnect receptacle cap w/chain	
11	60755	2	Fitting, strt - .750MNPT x .500FNPT, nylon	
12	60062	5	Screw, 10-32 x .750 pan phil, G2	
13	16143	1	Clamp, tubing - .500	
14	60415	5	Nut, 10-32 nylock, SS	
15	12095B	1	Bracket, junction box - black	
16	12109	1	Cover, box, 2 gang plastic	
--	11957	1	Assembly, mast junction box - quick disconnect	Items 1 - 16

# MAST ASSEMBLY

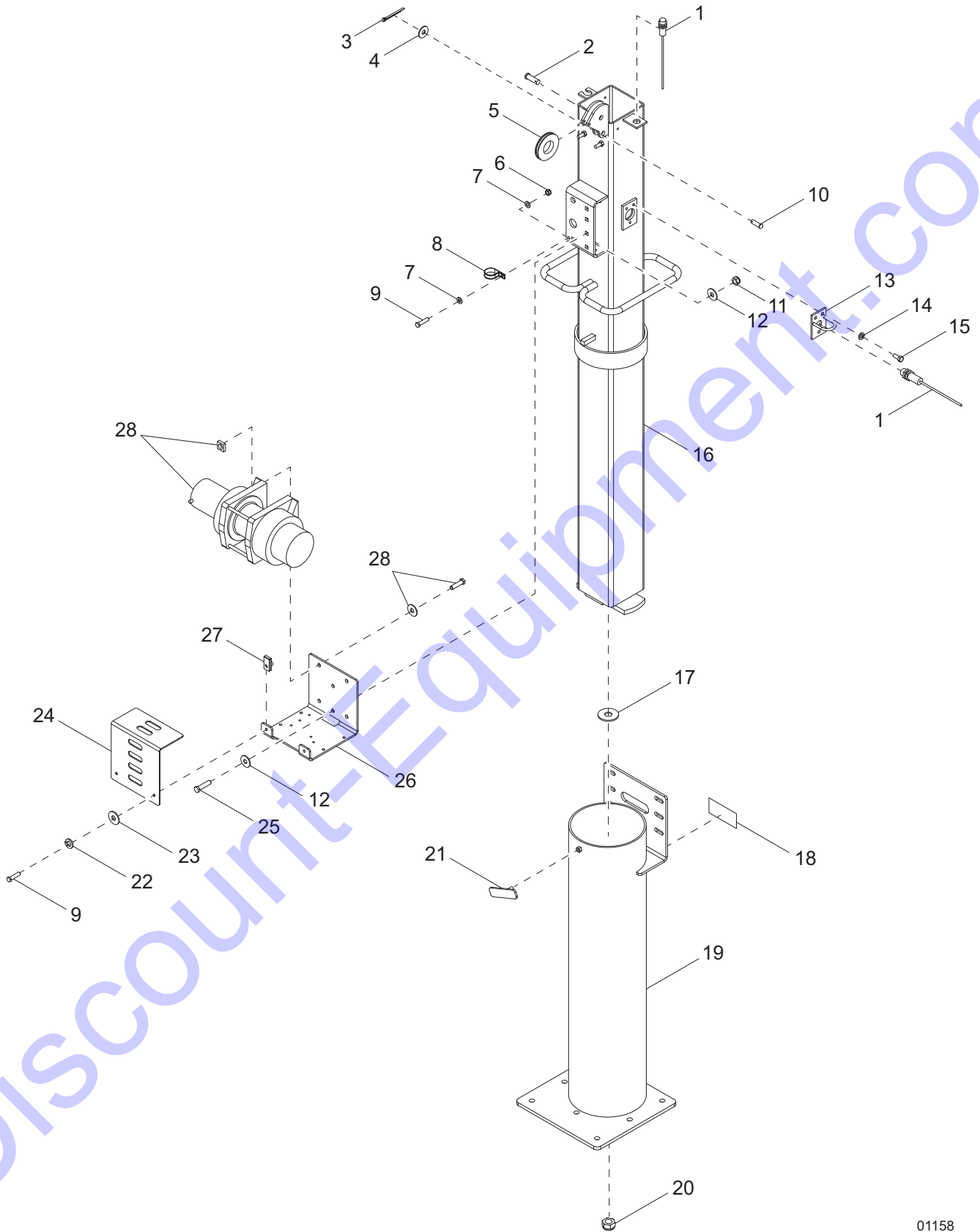


01157

## MAST ASSEMBLY

Item	Part No.	Qty	Description	Notes
1	32015B	1	Weldment, mast section, 1.25 in	
2	63279	2	Pin, clevis - .500 dia x .780	
3	32409	1	Shim - 2x2 tube	
4	32524	1	Sheave - 2.50 in	
5	15380	4	Pin, cotter - .125 x 1.25	
6	60067	2	Washer, #10 flat .435/.060, SS	
7	32569	14	Screw, 8-16 x .375 pan phil, SS	
8	32010B	1	Weldment, mast section, 2 in	
9	14262	1	Sheave - 3 in	
10	15627	1	Clamp, tubing - .625 heavy duty	
11	60140	1	Nut, .375-16 hex, G5	
12	60206	1	Washer, .375 split lock	
13	60386	1	Washer, .375 flat .993/.064	
14	13789	1	Shim - 3x3 tube	
15	63325	2	Pin, clevis - .500 dia x 1.063	
16	32007B	1	Weldment, mast section - 3 in	
17	33736	1	Assembly, pulley	
18	60309	1	Washer, .500 flat 1.060/.090	
19	63281	1	Clip, E-ring	
20	13790	1	Shim - 4x4 tube	
21	63280	1	Pin, grooved clevis - .500 dia x .780	
22	32004B	1	Weldment, mast section - 4 in	
23	60285	2	Nut, .312-18 hex, G2	
24	60271	2	Washer, .312 split lock	
25	60119	1	Washer, .312 flat .875/.070	
26	33395B	1	Guard, pulley	
27	15861	1	Nut, .500NPT, .500 cord	
28	14871	1	Strain relief - .500NPT, .500 cord	
29	32408	1	Shim - 5x5 tube	
30	Page 16	1	Assembly, mast bottom	
--	34132	1	Cable, .188 in. x 116 in., SS	Attaches to item 30
--	34128	1	Cable, .188 in. x 69.25 in., SS	Attaches to item 22
--	34129	1	Cable, .188 in. x 69.75 in., SS	Attaches to item 16
--	34130	1	Cable, .188 in. x 67.875 in., SS	Attaches to item 8
--	33397	1	Coil cord	
--	33228	1	Assembly, vertical mast	Items 1 - 30
--	10770	1	Wire group - coil cord ground extension	

# MAST ASSEMBLY - BOTTOM POST

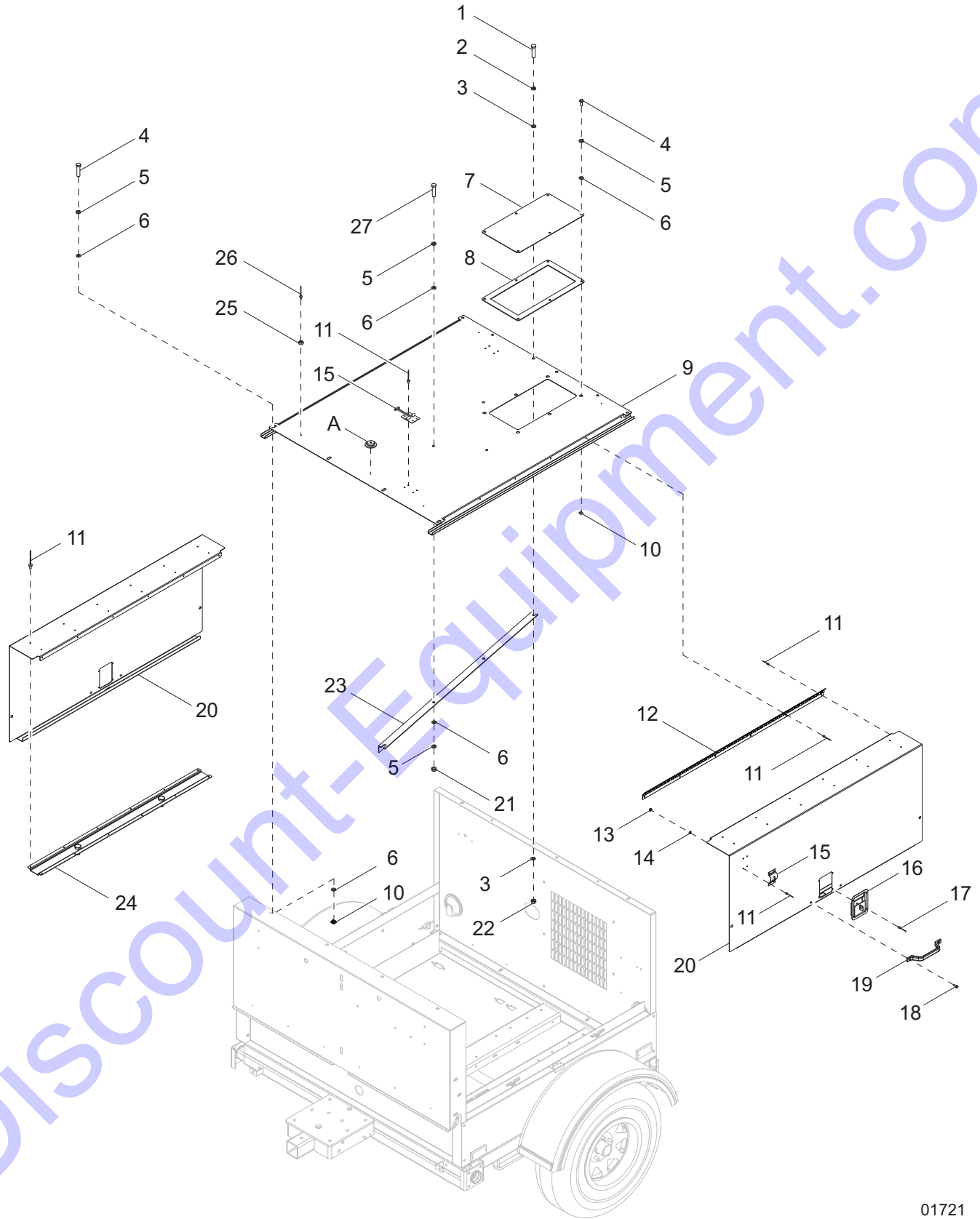


01158

## MAST ASSEMBLY - BOTTOM POST

Item	Part No.	Qty	Description	Notes
1	31757	2	Sensor, proximity	
2	63325	1	Pin, clevis - .500 dia x 1.063	
3	15380	1	Pin, cotter - .125 x 1.25	
4	60309	1	Washer, .500 flat 1.060/.090	
5	33736	1	Assembly, pulley	
6	60144	1	Nut, .250-20 nylock, G5	
7	60696	2	Washer, .250 flat .625/.050, SS	
8	16143	1	Clamp, tubing - .500	
9	60393	3	Screw, .250-20 x 1.0 std hex, G5	
10	63272	1	Pin, clevis - .500 dia x 1.25	
11	60358	2	Nut, .375-16 nylock, G5	
12	60386	4	Washer, .375 flat .993/.064	
13	13796B	1	Weldment, proximity sensor bracket	
14	60271	3	Washer, .312 split lock	
15	60168	3	Screw, .312-18 x .750 std hex, G5	
16	33247B	1	Weldment, mast bottom - 5 in	
17	60247	1	Washer, .750 flat 2.020/.130	
18	50197	.75 ft	Weatherstripping - .06 x 1.0	
19	33224B	1	Weldment, mast tube	
20	60584	1	Nut, .750-10 nylock, G5	
21	11649Z	1	Weldment, T-bolt	
22	60286	2	Washer, .250 split lock	
23	60243	2	Washer, .250 flat .735/.060	
24	33822B	1	Bracket, winch cover	
25	60352	2	Screw, .375-16 x 1.25 std hex, G5	
26	33858B	1	Bracket, winch mounting	
27	61143	2	Nut, .250-20 U-clip - short type	
28	34293	1	Winch, electric - 1200 lb hoist	
--	17936	1	Wire group - electric winch	
--	31759	1	Wire group - winch battery power cables	
--	31758	1	Wire group - winch power cables	
--	31757	1	Wire group - proximity sensor	

# ROOF AND DOORS TO UNIT



01721

## ROOF AND DOORS TO UNIT

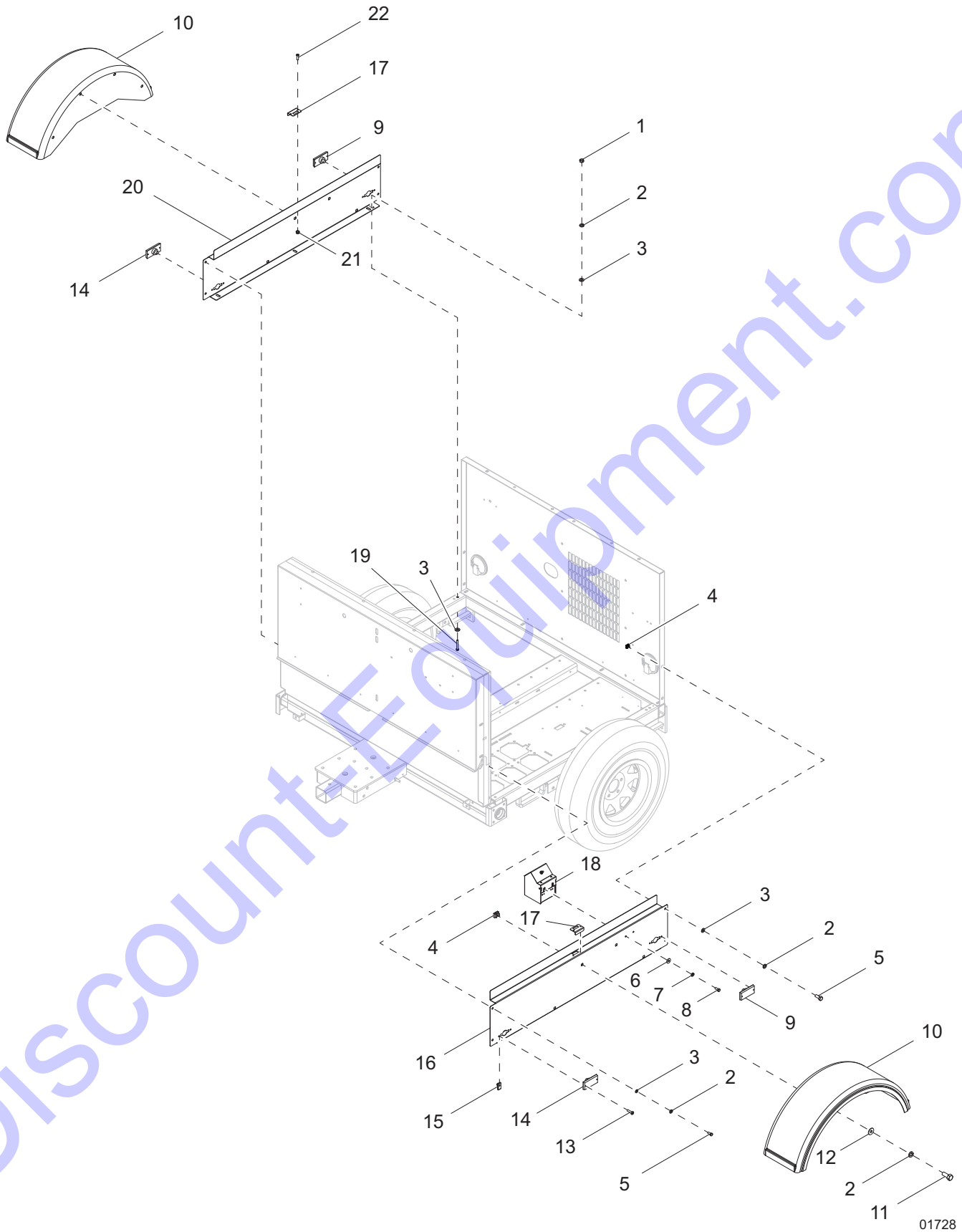
Item	Part No.	Qty	Description	Notes
1	60683	2	Screw, .500-13 x 1.50 std hex, SS	
2	60702	2	Washer, .500 split lock, SS	
3	60699	4	Washer, .500 flat 1.070/.080, SS	
4	60690	10	Screw, .375-16 x 1.0 std hex, SS	
5	60703	12	Washer, .375 split lock, SS	
6	60698	18	Washer, .375 flat .875/.040, SS	
7	25333W	1	Panel, back access	
8	12195	1	Gasket, radiator access plate	
9	13643W	1	Panel, top	
10	60657	6	Nut, .375-16 cage, G5	
11	60268	56	Rivet, .188 dia x .126 to .250 grip	
12	16598	2	Hinge, door - .188 pin, 48.5 in. long	
13	60303	4	Nut, .312-18 nylock	
14	60340	4	Washer, .312 flat .875/.040, SS	
15	12605	2	Door latch SS - T-style	
16	15123	2	Latch, paddle, with 7 lb spring	
17	60423	8	Rivet, .188 dia x .250 to .375 grip	
18	60507	2	Screw, .312-18 x 1.0 std hex, SS	
19	26288	2	Handle, front hood access	
20	13295W	2	Door weldment	
21	14229	2	Nut, .500-13 hex, G2	
22	60140	6	Nut, .375-16 hex, G5	
23	13704B	1	Angle, roof support	
24	13297B	2	Light storage channel weldment	
25	15215	4	Bumper, rubber	
26	60267	4	Rivet, .125 dia x .191 to .270 grip	
27	61036	3	Screw, .375-16 x 1.25 std hex, SS	

### OPTIONAL FEATURES

#### Level Indicator:

A	14433	1	Level, eye	
---	-------	---	------------	--

# SIDE PANELS TO UNIT



01728

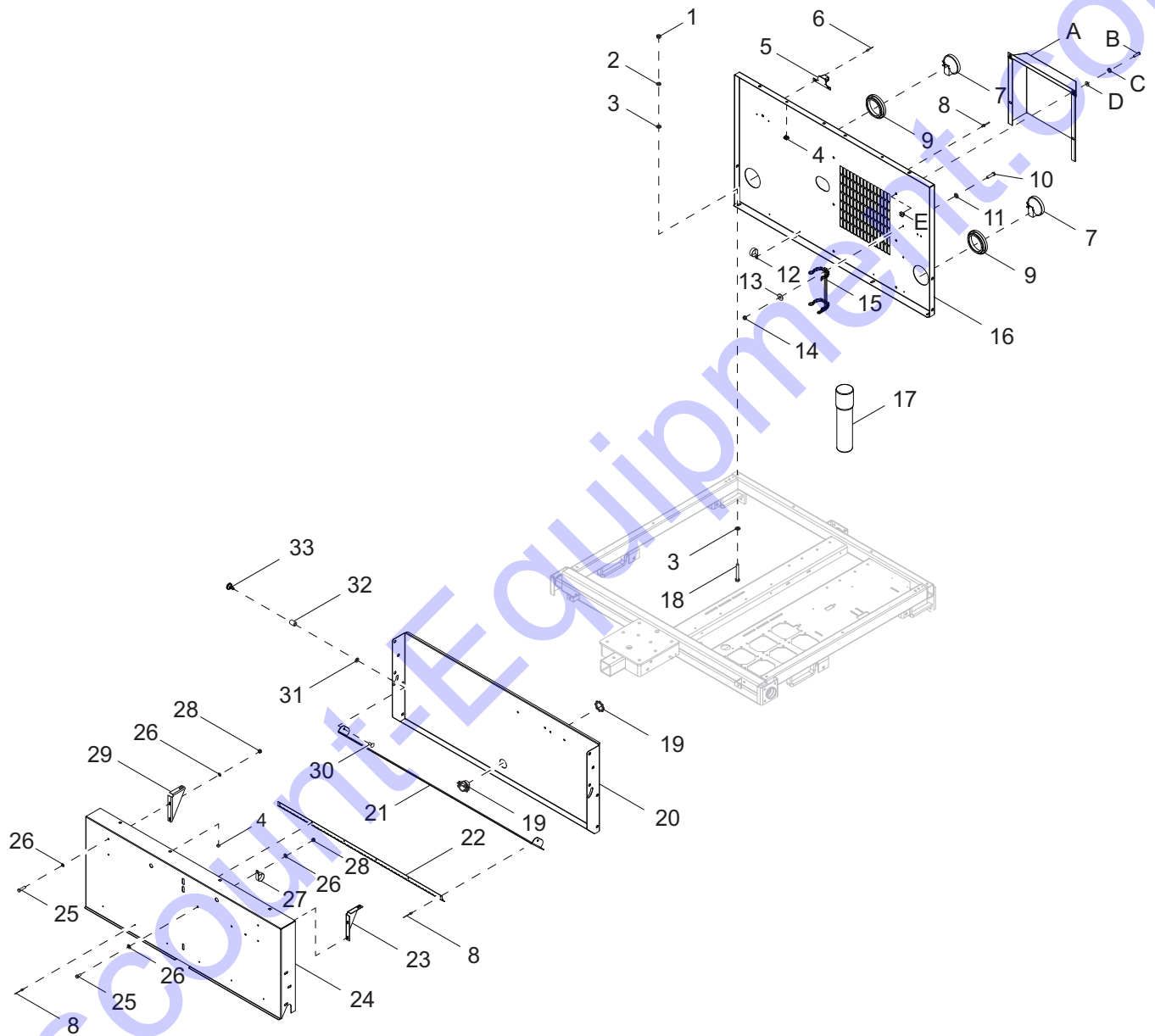


## SIDE PANELS TO UNIT

---

Item	Part No.	Qty	Description	Notes
1	60140	4	Nut, .375-16 hex, G5	
2	60703	20	Washer, .375 split lock, SS	
3	60698	16	Washer, .375 flat .875/.040 18-8, SS	
4	60657	8	Nut, .375-16 cage, G5	
5	60690	8	Screw, .375-16 x 1.0 std hex, SS	
6	60696	2	Washer, .250 flat .625/.050, SS	
7	60704	2	Washer, .250 split lock, SS	
8	60684	2	Screw, .250-20 x .875 std hex, SS	
9	66372	2	Light, clearance marker - red	
10	11381	2	Fender, plastic - single wall, 14 in. tire	
11	60295	8	Screw, .375-16 x .75 std hex, SS	
12	60729	8	Washer, .375 fndr 1.50/.090	
13	60694	4	Screw, 8-32 x .750 pan phil, SS	
14	66373	2	Light, clearance marker - amber	
15	60730	8	Nut, 8-32 U-clip	
16	33560W	1	Panel, left side	
17	13291	2	Plate, striker	
18	<i>Page 24</i>	1	Assembly, mast toggle switch box	
19	60689	6	Screw, .375-16 x 4.0 std hex, SS	
20	13637W	1	Panel, right side	
21	60061	4	Nut, 10-32 nylock	
22	60398	4	Screw, 10-32 x .500 pan phil, SS	

# FRONT AND REAR PANELS TO UNIT



01729

## FRONT AND REAR PANELS TO UNIT

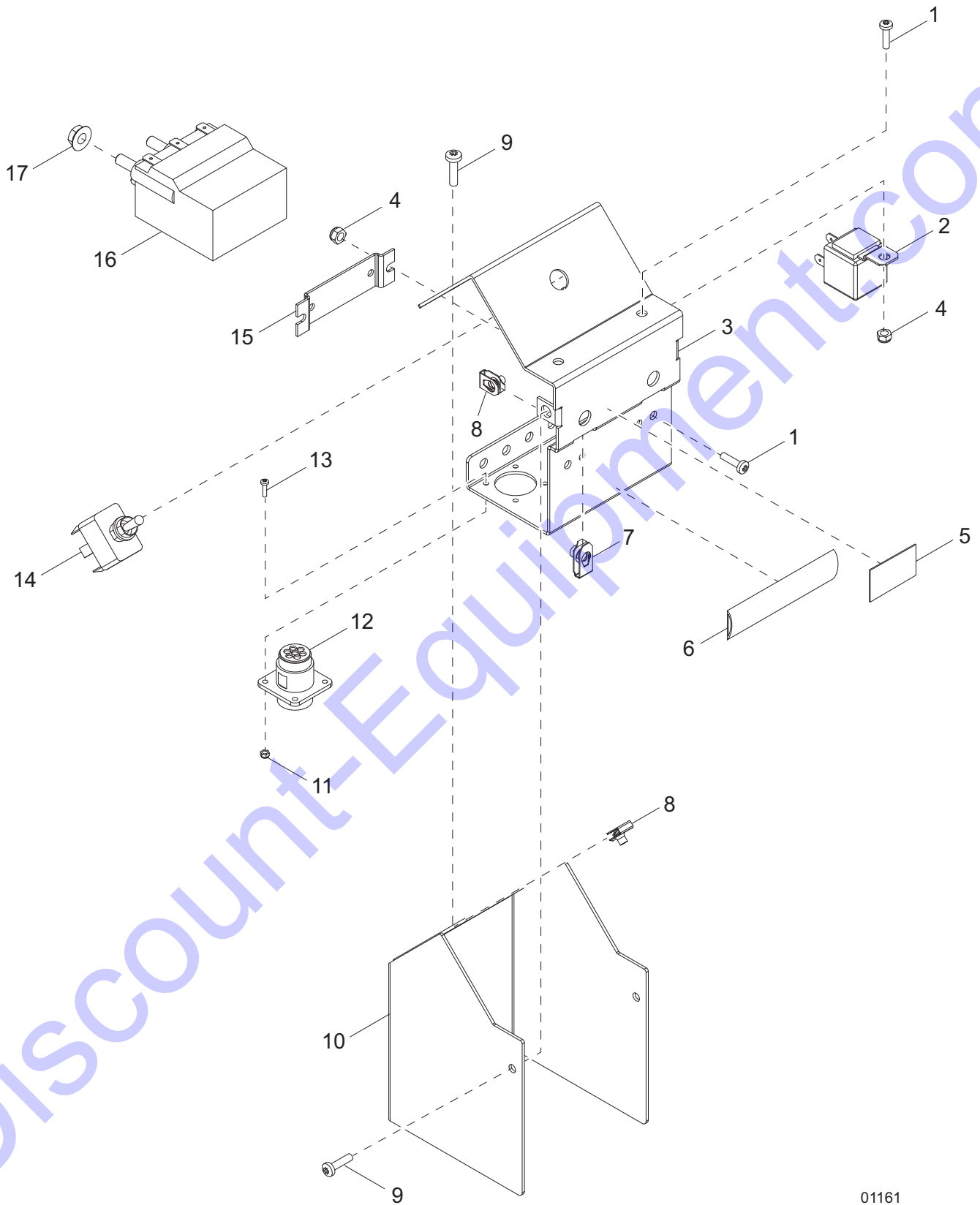
Item	Part No.	Qty	Description	Notes
1	60140	4	Nut, .375-16 hex, G5	
2	60703	4	Washer, .375 split lock, SS	
3	60698	8	Washer, .375 flat .875/.040, SS	
4	60657	10	Nut, .375-16 cage, G5	
5	10223	1	Assembly, license plate light/holder	
6	60423	2	Rivet, .188 dia x .250 to .375 grip	
7	10219	2	Assembly, rear tail/turn light, 3-wire w/plug	
8	60268	16	Rivet, .188 dia x .126 to .250 grip	
9	10221	2	Grommet, rear light, rubber 4.5 in	
10	61180	2	Screw, 10-32 x .750 pan phil, SS	
11	60067	2	Washer, #10 flat .435/.060, SS	
12	15628	4	Clamp, wire - .38 plastic	
13	60089	2	Washer, .265 fndr 1.25/.060	
14	60061	6	Nut, 10-32 nylock	
15	11222	1	Bracket, manual holder	
16	13692W	1	Panel, rear	
17	11121	1	Manual holder tube	
18	60689	4	Screw, .375-16 x 4.0 std hex, SS	
19	66425	1	Strain relief - 1.25 Romex w/nut	
20	13652W	1	Panel, front - lower	
21	13708W	1	Panel, air inlet	
22	16598	1	Hinge, door - .188 pin, 48.5 long	
23	13705B	1	Bracket, front support - RH	
24	33591W	1	Panel, front - upper	
25	60684	5	Screw, .250-20 x .875 std hex, SS	
26	60696	10	Washer, .250 flat .625/.050, SS	
27	60649	1	Clamp, tubing - .750 heavy duty	
28	60144	5	Nut, .250-20 nylock, G5	
29	13706B	1	Bracket, front support - LH	
30	62038	2	Screw, .312-18 x 2.0 carr sqr, G5	
31	60452	2	Washer, .313 flat 1.125/1.0, SS bonded rubber	
32	41235ZY	2	Spacer - .75 OD x .44 ID x 1.0 long	
33	63108	2	Knob, plastic - .312-18 fem thru	

### OPTIONAL FEATURES

#### *Silent Pack:*

A	12189W	1	Duct, radiator guard
B	60507	4	Screw, .312-18 x 1.0 std hex, SS
C	60701	4	Washer, .312 split lock, SS
D	60340	4	Washer, .312 flat .875/.040, SS
E	15425	4	Nut, .312-18 cage

# MAST SWITCH BOX ASSEMBLY



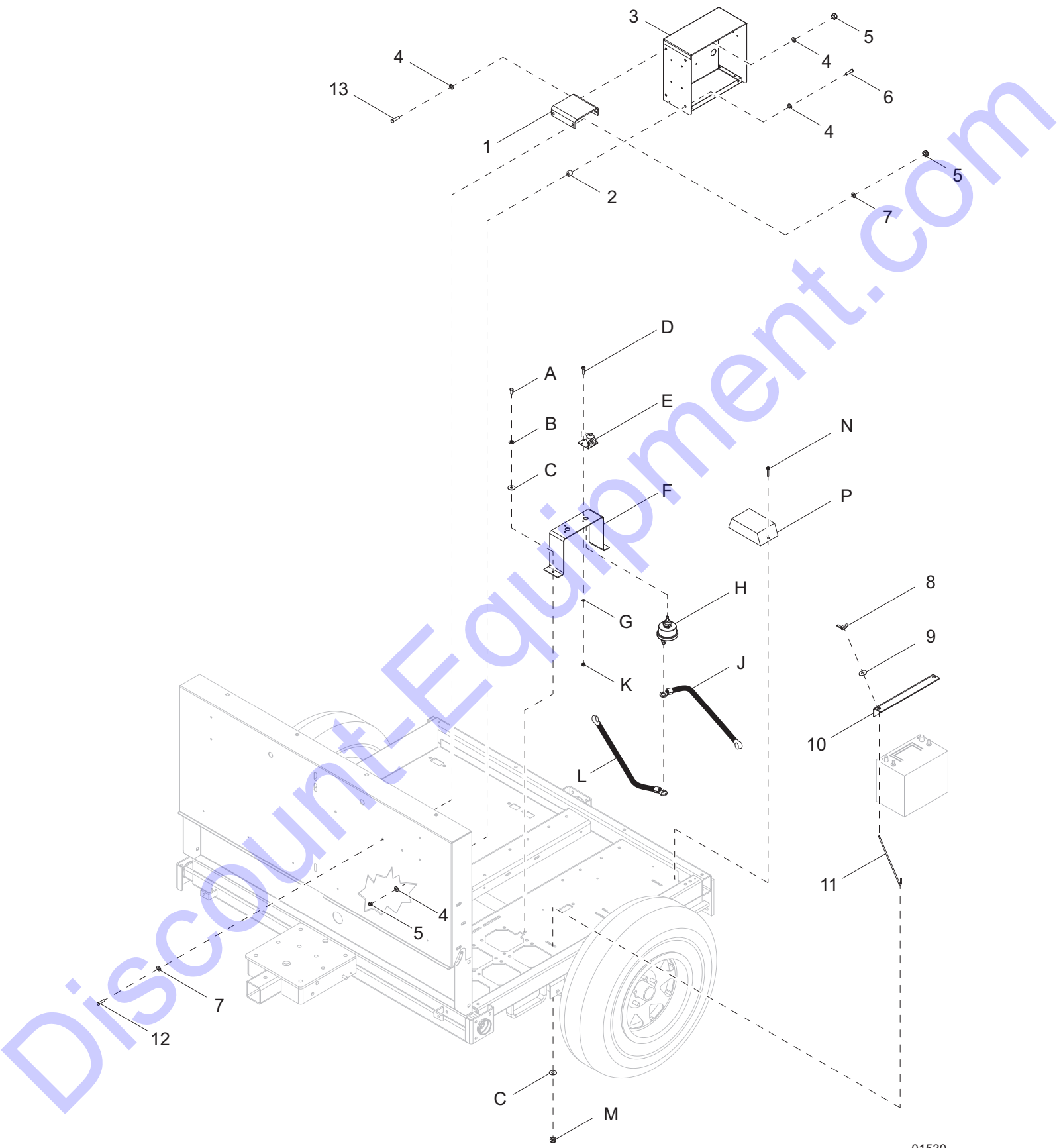
01161

## MAST SWITCH BOX ASSEMBLY

---

Item	Part No.	Qty	Description	Notes
1	60277	4	Screw, 10-32 x .500 pan phil, G2	
2	65049	2	Relay, 12V 30/40A NO w/diode	
3	33750B	1	Panel, box - mast switch	
4	60061	4	Nut, 10-32 nylock	
5	50197	.125 ft	Weatherstripping, .06 x 1.0	
6	50187	.33 ft	Seal, door - D-shaped - .750	
7	61143	2	Nut, .250-20 U-clip - short type	
8	63105	4	Nut, 8-32 U-clip, G5	
9	60526	4	Screw, 8-32 x .500 pan phil, G2	
10	33751B	1	Panel, cover - mast switch	
11	60758	4	Nut, 4-40 nylock, G2	
12	61229	1	Connector, amp - 7 position receptacle, flange	
13	62187	4	Screw, 4-40 x .500 pan phil, SS	
14	65707	1	Switch, toggle - SPDT, spring, weatherproof	
15	33255B	1	Bracket, electric winch	
16	11293	1	Contactactor, 12V electric winch	
17	60036	4	Nut, M6-1.0 sflg, G8.8	
--	33741	1	Assembly, mast switch box	Items 1 - 17

# CONTROL BOX TO UNIT



01530

## CONTROL BOX TO UNIT

Item	Part No.	Qty	Description	Notes
1	13689B	1	Bracket, control box	
2	41235ZY	2	Spacer - .75 OD x .44 ID x 1.0 long	
3	<a href="#">Page 28</a>	1	Control box	
4	60119	8	Washer, .312 flat .875/.070	
5	60303	6	Nut, .312-18 nylock, G2	
6	67018	2	Screw, .312-18 x 1.75 std hex, G5	
7	60340	4	Washer, .312 flat .875/.040, SS	
8	60090	2	Nut, wing .250 x 20	Included with item 11
9	60089	2	Washer, .250 flat	Included with item 11
10	12924B	1	Angle, battery hold down	
11	14146	2	Bolt, J - .250-20 x 10.0	
12	60507	2	Screw, .312-18 x 1.0 std hex, SS	
13	60028	2	Screw, .312-18 x 2.25 std hex, G5	

### OPTIONAL FEATURES

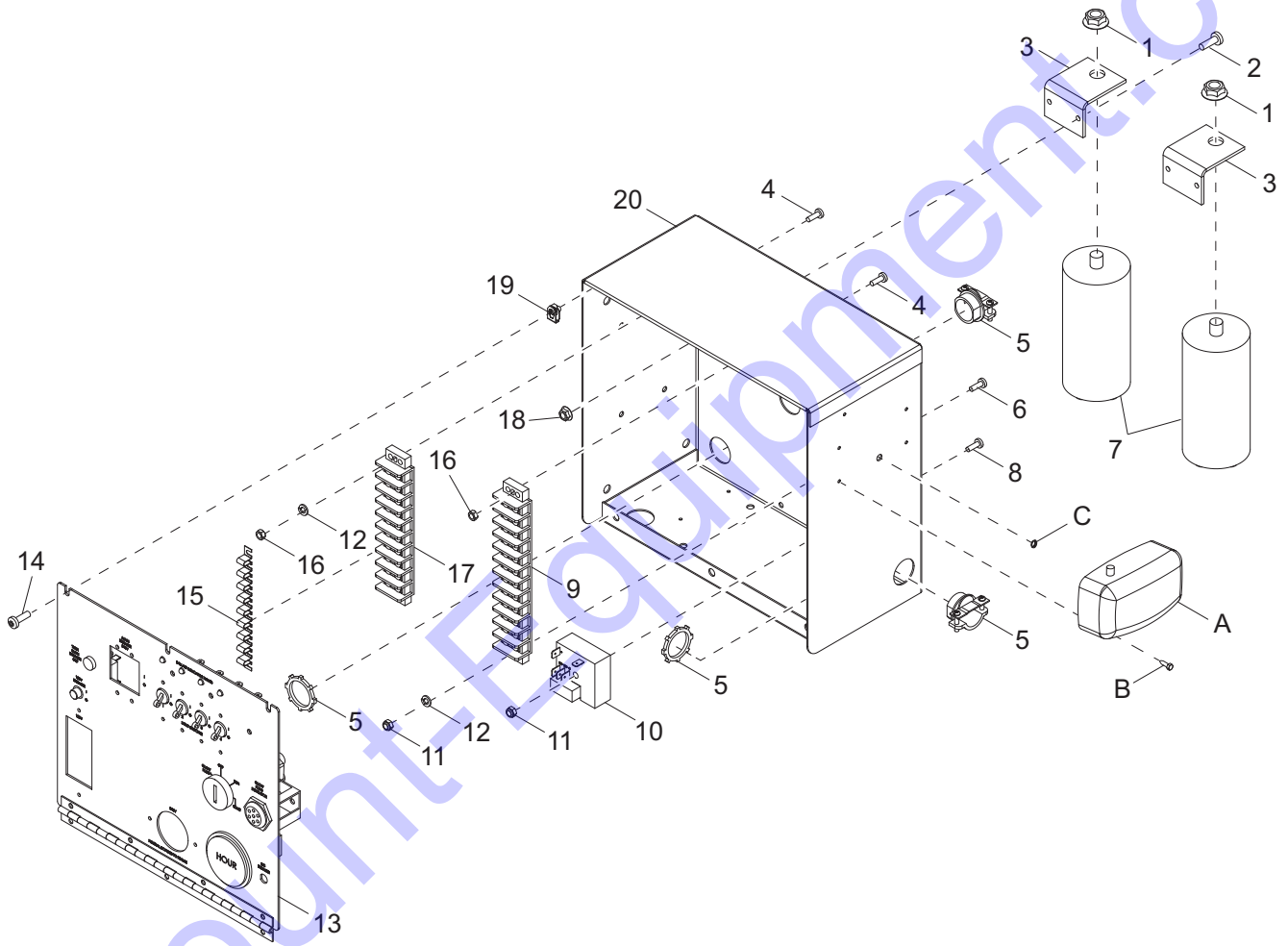
#### *Battery Disconnect:*

A	60028	2	Screw, .312-18 x 2.25 std hex, G5
B	60271	2	Washer, .312 split lock
C	60119	4	Washer, .312 flat .875/.070
D	60277	2	Screw, 10-32 x .500 pan phil, G2
E	65499	1	Assembly, switch lockout lever
F	13654B	1	Bracket, battery disconnect
G	60067	2	Washer, #10 flat .435/.060, SS
H	65498	1	Switch, disconnect
J	68544	1	Cable, battery - 18 in. 4GA red, .375 lug
K	60061	2	Nut, 10-32 nylock
L	25075	1	Cable, battery - 24 in. 4GA red w/boot, .375 lug
M	60303	2	Nut, .312-18 nylock, G2

#### *Battery Charger:*

N	60419	2	Screw, 6-32 x .500 fig hex, G2, self-tapping
P	65326	1	Charger, battery 2A
--	21259	1	Decal, battery charger

# CONTROL BOX ASSEMBLY



01393



## CONTROL BOX ASSEMBLY

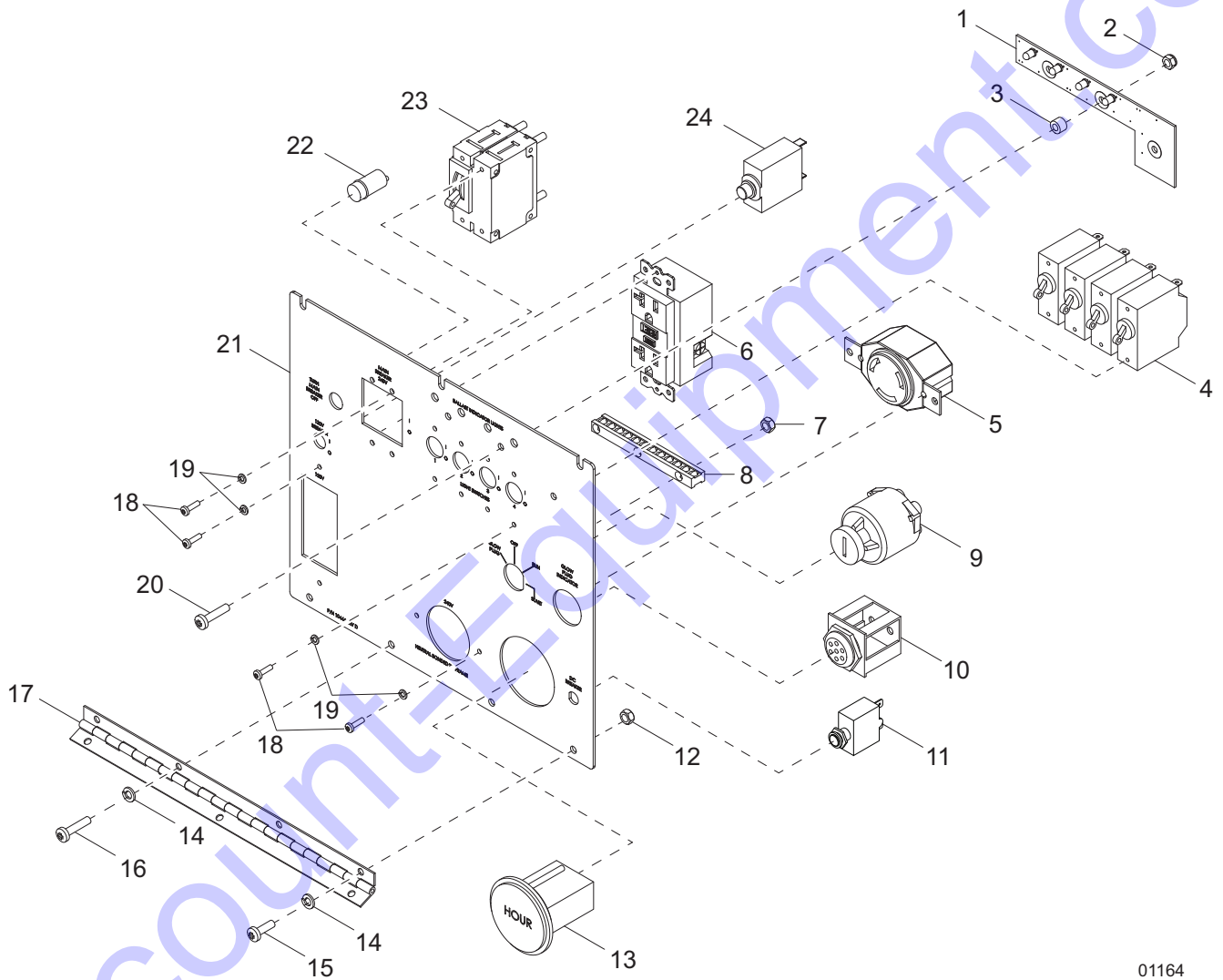
Item	Part No.	Qty	Description	Notes
1	60148	2	Nut, M12-1.75 sflg, G8.8	
2	60398	4	Screw, 10-32 x .500 pan phil, SS	
3	13690B	2	Bracket, capacitor	
4	60062	3	Screw, 10-32 x .750 pan phil, G2	
5	14219	5	Strain relief - .750 Romex w/nut	
6	60397	1	Screw, 10-32 x 1.0 pan phil, G2	
7	65959	2	Capacitor, dual 24 $\mu$ F sealed, stud mount	
8	60396	1	Screw, 10-32 x 1.25 pan phil, G2	
9	14139	1	Block, terminal - 12 position, 30A, 600V	
10	14201	1	Relay, 10A SPDT 12VDC, time delay - 15 second	
11	60061	1	Nut, 10-32 nylock	
12	60252	2	Washer, #10 split lock	
13	<i>Page 30</i>	1	Assembly, control panel	MLT5060KV/MV only
	<i>Page 32</i>	1	Assembly, control panel	MLT5080KV only
14	60526	6	Screw, 8-32 x .500 pan phil, G2	
15	15125	1	Jumper	
16	14231	2	Nut, 10-32 hex, G2	
17	14203	1	Block, terminal - 10 position, 30A, 600V	
18	61045	4	Nut, 10-32 hex, G2	
19	63105	6	Nut, 8-32 U-clip, G5	
20	13666B	1	Box, control	
--	17790	1	Assembly, control box - Kubota, 6kW	MLT5060KV only
--	17789	1	Assembly, control box - Mitsubishi, 6kW	MLT5060MV only
--	35089	1	Assembly, control box - Kubota, 8kW	MLT5080KV only
--	68441	1	Wire group - 6kW control box	MLT5060KV/MV only
--	35270	1	Wire group - 6kW control box	MLT5060KV only
--	35271	1	Wire group - 6kW control box	MLT5060MV only
--	35310	1	Wire group - 8kW control box	MLT5080KV only

### OPTIONAL FEATURES

#### *Battery Disconnect:*

A	11947	1	Light, interior w/switch
B	60364	4	Screw, 10-16 x .500 std hex, G2, self-drilling
C	19163	1	Fitting, bushing - .500 OD x .375 ID

# CONTROL PANEL ASSEMBLY - MLT5060KV, MLT5060MV

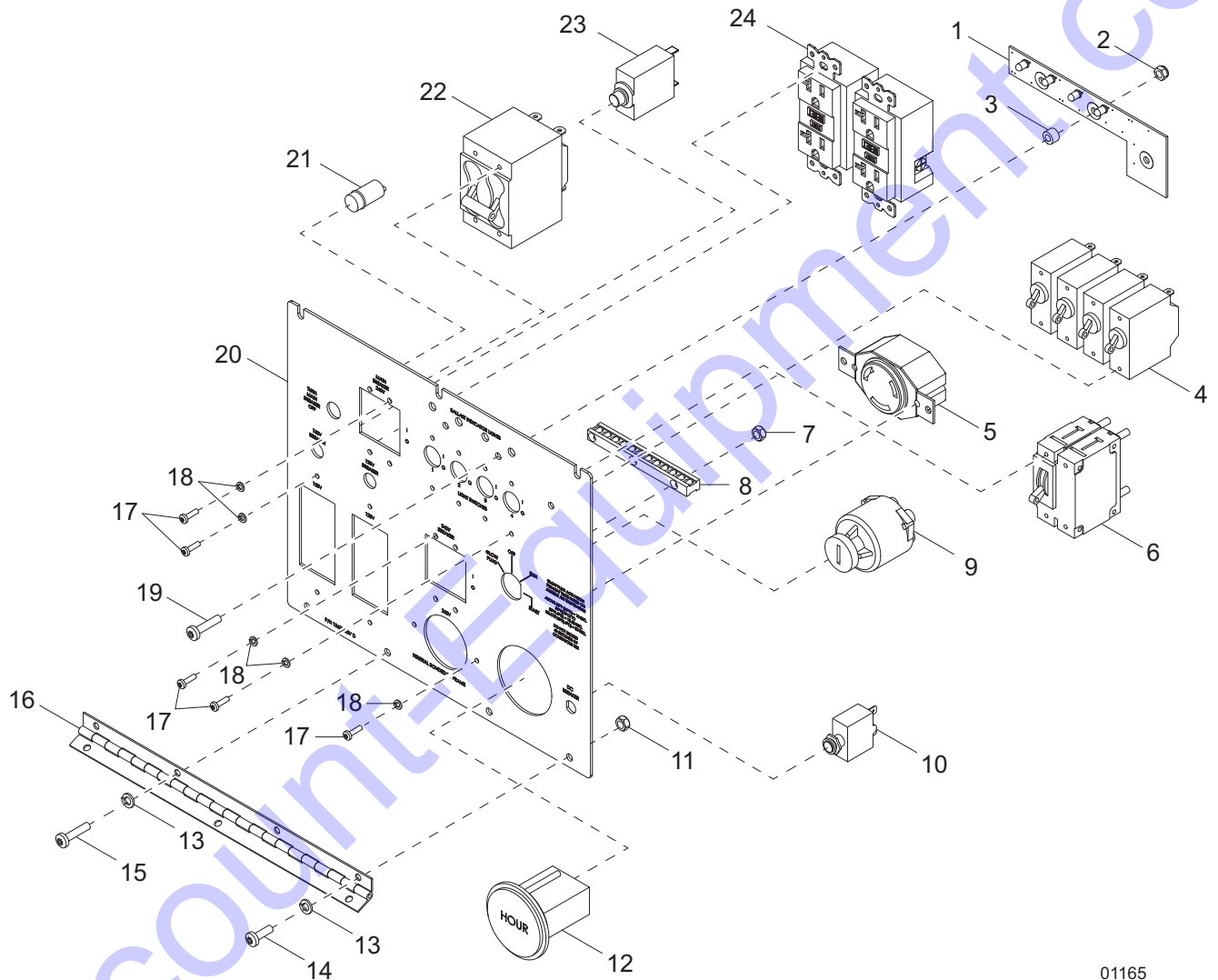


01164

## CONTROL PANEL ASSEMBLY - MLT5060KV, MLT5060MV

Item	Part No.	Qty	Description	Notes
1	66423	1	PCB, LED lights w/connector	
2	60061	3	Nut, 10-32 nylock	
3	66257	3	Spacer, .2 ID x .375 OD x .25 long, plastic	
4	14249	4	Breaker, 15A, 120V, 1-pole	
5	14137	1	Receptacle, 240V/30A twist-lock	
6	14130	1	Receptacle, 120V/20A GFI	
7	60318	2	Nut, 8-32 hex, G5	
8	14204	1	Kit, ground bar	
9	15195	1	Switch, key	
10	16694	1	Glow plug indicator	MLT5060MV only
11	65850	1	Breaker, 10A, 240V, 1-pole, push button	
12	14231	2	Nut, 10-32 hex, G2	
13	15085	1	Gauge, hour meter	
14	60252	4	Washer, #10 split lock	
15	60277	2	Screw, 10-32 x .500 pan phil, G2	
16	60406	2	Screw, 8-32 x 1.0 pan phil, G2	
17	13677	1	Hinge, continuous - 11 in	
18	60405	16	Screw, 6-32 x .250 pan phil, G2	
19	60058	16	Washer, #6 split lock	
20	60062	3	Screw, 10-32 x .750 pan phil, G2	
21	10444	1	Panel, control - Mitsubishi, 6kW	MLT5060MV only
	10441	1	Panel, control - Kubota, 6kW	MLT5060KV only
22	65388	1	Light, indicator red, 12VDC	
23	65963	1	Breaker, 30A, 250V, 2-pole, stud terminal w/aux	
24	65849	1	Breaker, 20A, 120V, 1-pole, push button	
--	10443	1	Assembly, control panel - Mltsubishi	Items 1 - 24
--	10440	1	Assembly, control panel - Kubota	Items 1 - 9 & 11 - 24
--	35267	1	Wire group - 20A GFCI	
--	35268	1	Wire group - 30A twist-lock	
--	35269	1	Wire group - light switches	
--	35266	1	Wire group - LED light board	

# CONTROL PANEL ASSEMBLY - MLT5080KV

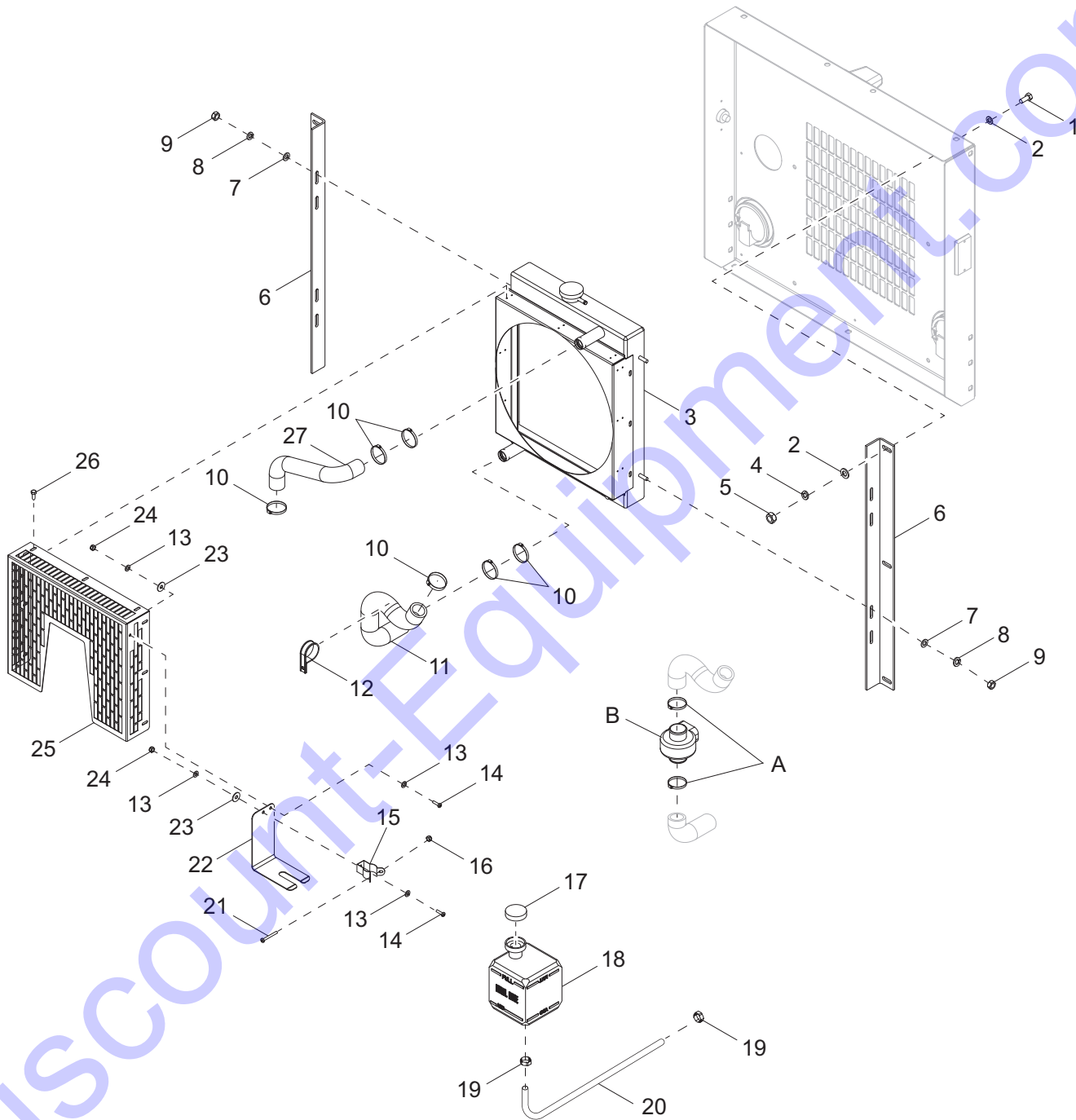


01165

## CONTROL PANEL ASSEMBLY - MLT5080KV

Item	Part No.	Qty	Description	Notes
1	66423	1	PCB, LED lights w/connector	
2	60061	3	Nut, 10-32 nylock	
3	66257	3	Spacer, .2 ID x .375 OD x .25 long, plastic	
4	14249	4	Breaker, 15A, 120V, 1-pole	
5	14137	1	Receptacle, 240V/30A twist-lock	
6	65963	1	Breaker, 30A, 250V, 2-pole, stud terminal w/aux	
7	60318	2	Nut, 8-32 hex, G5	
8	14204	1	Kit, ground bar	
9	15195	1	Switch, key	
10	65850	1	Breaker, 10A, 240V, 1-pole, push button	
11	14231	2	Nut, 10-32 hex, G2	
12	15085	1	Gauge, hour meter	
13	60252	4	Washer, #10 split lock	
14	60277	2	Screw, 10-32 x .500 pan phil, G2	
15	60406	2	Screw, 8-32 x 1.0 pan phil, SS	
16	13677	1	Hinge, continuous - 11 in	
17	60405	22	Screw, 6-32 x .250 pan phil, G2	
18	60058	22	Washer, #6 split lock	
19	60062	3	Screw, 10-32 x .750 pan phil, G2	
20	13675	1	Panel, control - Kubota, 8kW	
21	65388	1	Light, indicator red, 12VDC	
22	65864	1	Breaker, 40A, 250V, 2-pole, screw terminal w/aux	
23	65849	1	Breaker, 20A, 120V, 1-pole, push button	
24	14130	2	Receptacle, 120V/20A GFI	
--	13884	1	Assembly, control panel - Kubota	
--	10458	1	Wire group - control panel wiring 8kW	
--	35309	1	Wire group - 20A GFCI, red	
--	35267	1	Wire group - 20A GFCI, black	
--	35269	1	Wire group - light switches	
--	35266	1	Wire group - LED light board	
--	68271	1	Wire group - 30A L6-30R	
--	35310	1	Wire group - 8kW control box	

# COOLING SYSTEM ASSEMBLY

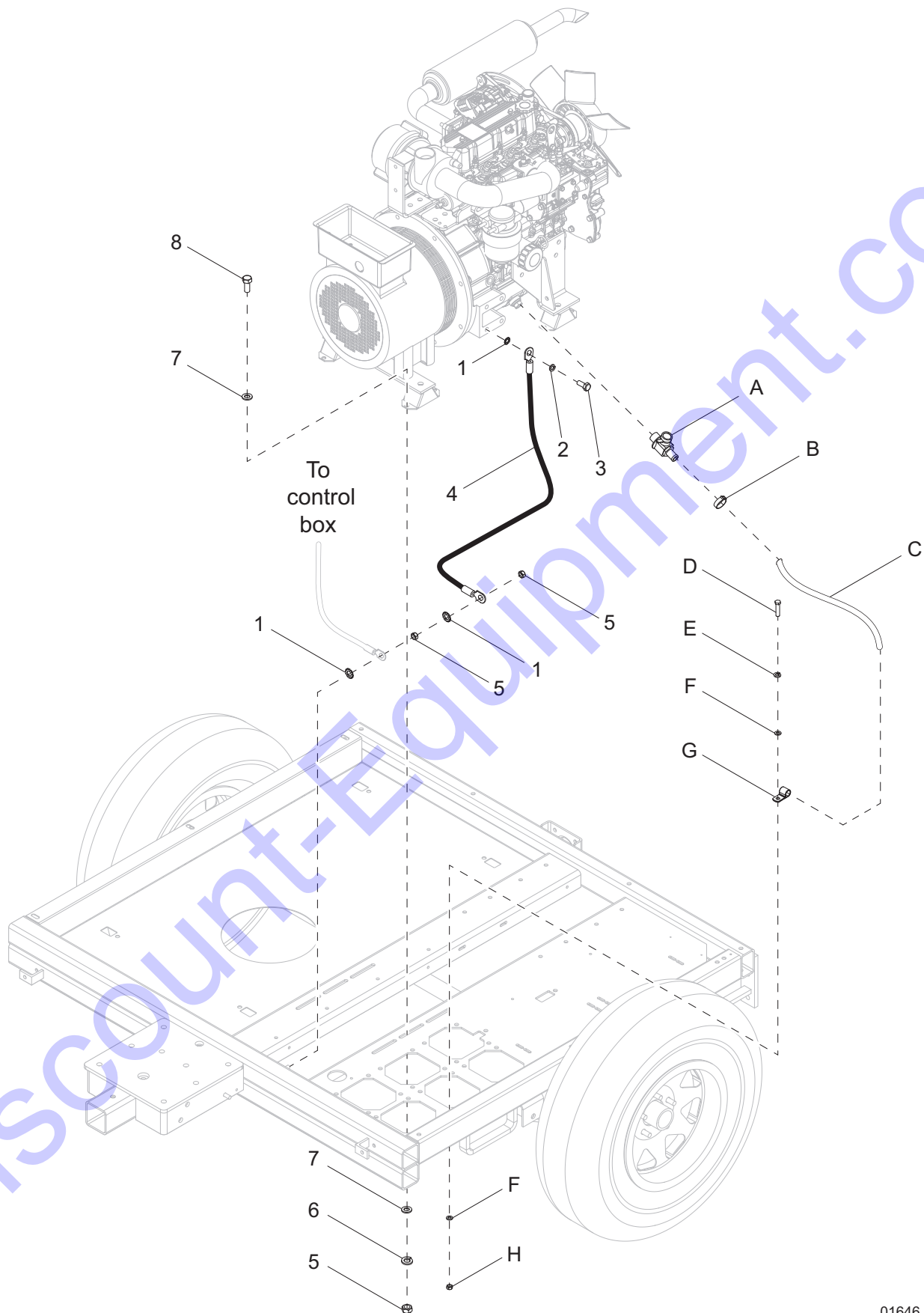


01230

## COOLING SYSTEM ASSEMBLY

Item	Part No.	Qty	Description	Notes
1	60690	6	Screw, .375-16 x 1.0 std hex, SS	
2	60698	12	Washer, .375 flat .875/.040, SS	
3	13924	1	Radiator, w/fan guard	
4	60703	6	Washer, .375 split lock, SS	
5	60140	6	Nut, .375-16 hex, G5	
6	11683B	2	Bracket, radiator	
7	60119	4	Washer, .312 flat .875/.070	
8	60271	4	Washer, .312 split lock	
9	60032	4	Nut, M8-1.25 hex, G8.8	
10	15422	6	Clamp, hose - SAE 020 (.75-1.75)	
11	12350	1	Hose, radiator - lower, Kubota	MLT5060/80KV only
	16688	1	Hose, radiator - lower, Mitsubishi	MLT5060MV only
12	60716	1	Clamp, tubing - 1.5 light duty	
13	60067	4	Washer, #10 flat .435/.060, SS	
14	61180	2	Screw, 10-32 x .750 pan phil, SS	
15	19726	1	Clamp, overflow jug	
16	60144	1	Nut, .250-20 nylock, G5	
17	19714	1	Cap, overflow jug	
18	20287	1	Jug, overflow - 2 qt	
19	60777	2	Clamp, hose - .312, crimp style	
20	50018	1.67 ft	Hose, fuel - .312 ID	
21	60414	1	Screw, .250-20 x 1.5 std hex, G5	
22	22419B	1	Bracket, support overflow jug - black	
23	60696	2	Washer, .250 flat .625/.050, SS	
24	60061	2	Nut, 10-32 nylock	
25	11413B	1	Fan guard	
26	60364	9	Screw, 10-16 x .500 std hex, G2, self-drilling	
27	16687	1	Hose, radiator - upper, Kubota	MLT5060/80KV only
	32383	1	Hose, radiator - upper, Mitsubishi	MLT5060MV only
OPTIONAL FEATURES				
<i>Engine Heater:</i>				
A	15422	2	Clamp, hose - SAE 020 (.75-1.75)	
B	65649	1	Heater, engine - lower radiator hose, 1 in. dia	

# ENGINE AND GENERATOR TO UNIT



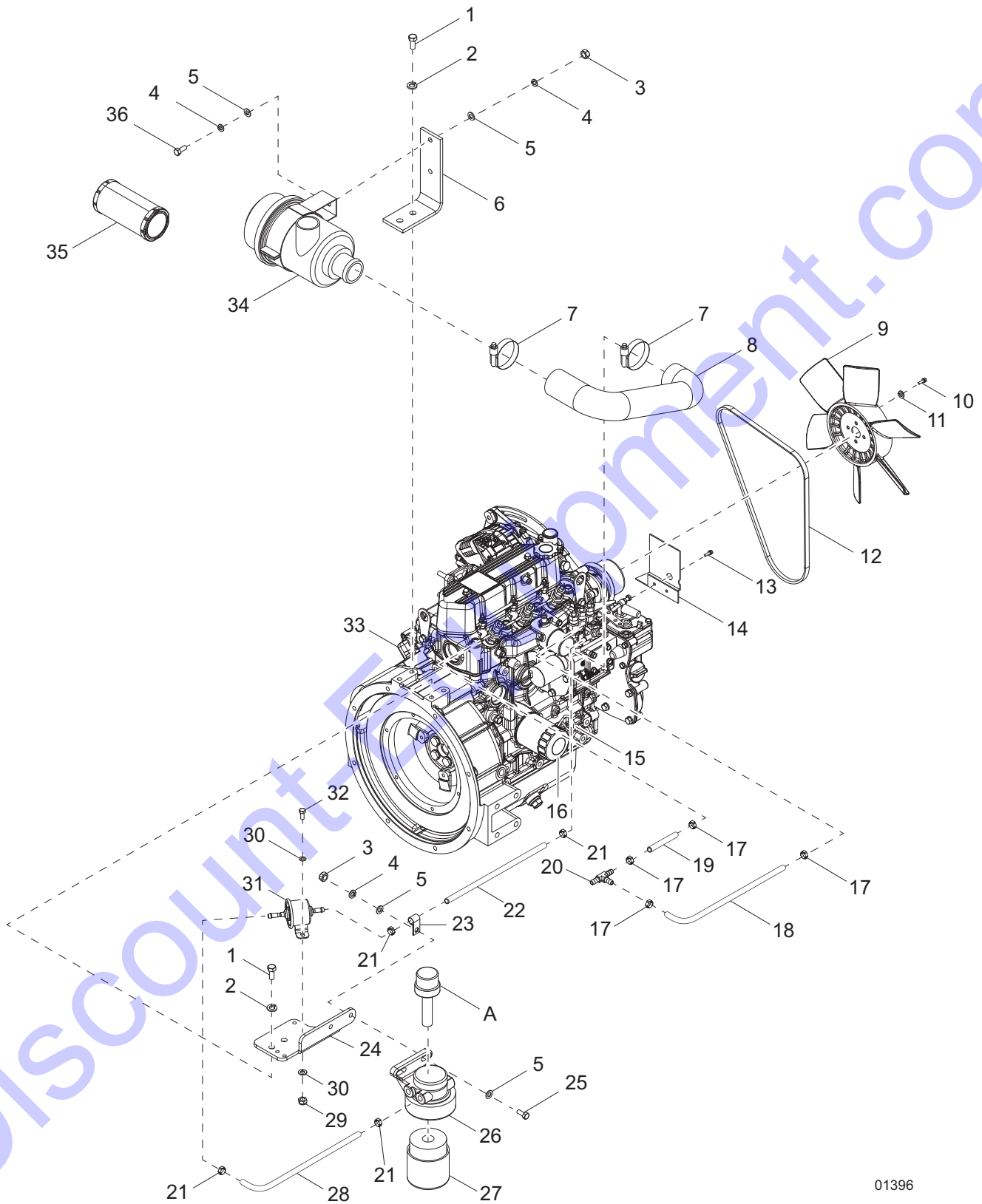
01646



## ENGINE AND GENERATOR TO UNIT

Item	Part No.	Qty	Description	Notes
1	60747	3	Washer, .375 internal star	
2	60026	1	Washer, M10 - split lock	
3	60495	1	Screw, M10 - 1.25 x 16, std hex, G8.8	
4	16155	1	Assembly, wire - engine/chassis ground	
5	60140	10	Nut, .375-16 hex, G5	
6	60206	8	Washer, .375 split lock	
7	60698	16	Washer, .375 flat .875/.040, SS	
8	60205	8	Screw, .375-16 x 1.0 std hex, G5	
<b>OPTIONAL FEATURES</b>				
<i>Drain Valve:</i>				
A	60774	1	Valve, drain 22mm - 1.5 with nipple	MLT5060/80KV only
	60766	1	Valve, drain 18mm - 1.5 with nipple	MLT5060MV only
B	60365	1	Clamp, hose - SAE 010 (.56-1.06)	MLT5060/80KV only
	60777	1	Clamp, hose - .312, crimp style	MLT5060MV only
C	68327	1	Hose, .625, 200 psi (22 in)	MLT5060/80KV only
	50051	1.67 ft	Hose, fuel - .375 ID, 50 psi	MLT5060MV only
D	60205	1	Screw, .375-16 x 1.0 std hex, G5	MLT5060/80KV only
E	60698	2	Washer, .375 flat .875/.040, SS	MLT5060/80KV only
F	60206	1	Washer, .375 split lock	MLT5060/80KV only
G	60716	1	Clamp, tubing - 1.50 light duty	MLT5060/80KV only
H	60144	1	Nut, .25-20 nylock, G5	MLT5060/80KV only
<i>Silent Pack:</i>				
--	50709	1.25 ft	Hose, .625 in., 300 psi	
--	60498	1	Fitting, plug - .750NPT square drive	
--	60774	1	Valve, drain 22mm - 1.5 with nipple	
--	60365	2	Clamp, hose - SAE 010 (.56-1.06)	
--	62076	1	Fitting, strt - .750MNPT x .625 barb	
--	18495	1	Fitting, bushing - 2.0 OD x 1.625 ID	

# ENGINE ASSEMBLY - MITSUBISHI LEFT SIDE



01396

## ENGINE ASSEMBLY - MITSUBISHI LEFT SIDE

Item	Part No.	Qty	Description	Notes
1	60422	4	Screw, M10-1.25 x 25 std hex, G8.8	
2	60026	4	Washer, M10 split lock	
3	60285	6	Nut, .312-18 hex, G2	
4	60271	6	Washer, .312 split lock	
5	60119	8	Washer, .312 flat .875/.070	
6	16551B	1	Bracket, air cleaner - black	
7	60316	2	Clamp, hose - SAE 032 (1.56-2.50)	
8	16589	1	Hose, air cleaner	
9	16742	1	Fan, Mitsubishi	
10	63288	4	Screw, M6-1.0 x 12 pan head, G8.8	
11	60286	4	Washer, .250 split lock	
12	16692	1	V-belt, Mitsubishi	
13	13513	2	Bolt w/washer	
14	11691	1	Bracket, lower radiator hose guard	
15	11148	1	Dipstick, oil	
16	16691	1	Filter, oil - Mitsubishi	
17	60778	4	Clamp, hose - .188, crimp style	
18	14211	1.04 ft	Hose, fuel - .188 ID, 50 psi, SAE 30R7	
19	14211	.16 ft	Hose, fuel - .188 ID, 50 psi, SAE 30R7	
20	17145	1	Fitting, T - .188 x .188 x .188 barb, nylon	
21	60777	4	Clamp, hose - .312, crimp style	
22	50018	1 ft	Hose, fuel - .312 ID, 50 psi, SAE 30R7	
23	60649	1	Clamp, tubing - .750 heavy duty	
24	12838B	1	Bracket, fuel filter/pump, black	
25	60256	2	Screw, .312-18 x 1.5 std hex, G5, fully threaded	
26	17641	1	Filter, fuel	
27	17647	1	Filter, fuel, element	
28	50018	1.1 ft	Hose, fuel - .312 ID, 50 psi, SAE 30R7	
29	60144	2	Nut, .250-20 nylock, G5	
30	60243	4	Washer, .250 flat .735/.060	
31	13278	1	Fuel pump, electric	
32	60393	2	Screw, .250-20 x 1.0 std hex, G5	
33	32885	1	Engine - Mitsubishi LE3	
34	34066	1	Filter, air, w/bracket	
35	16444	1	Element, air filter	
36	61061	2	Screw, .312-18 x .875 std hex, G5	
--	16677	1	Mitsubishi, switch, oil pressure - L3E S4L2	

### OPTIONAL FEATURES

#### Heated Fuel Filter:

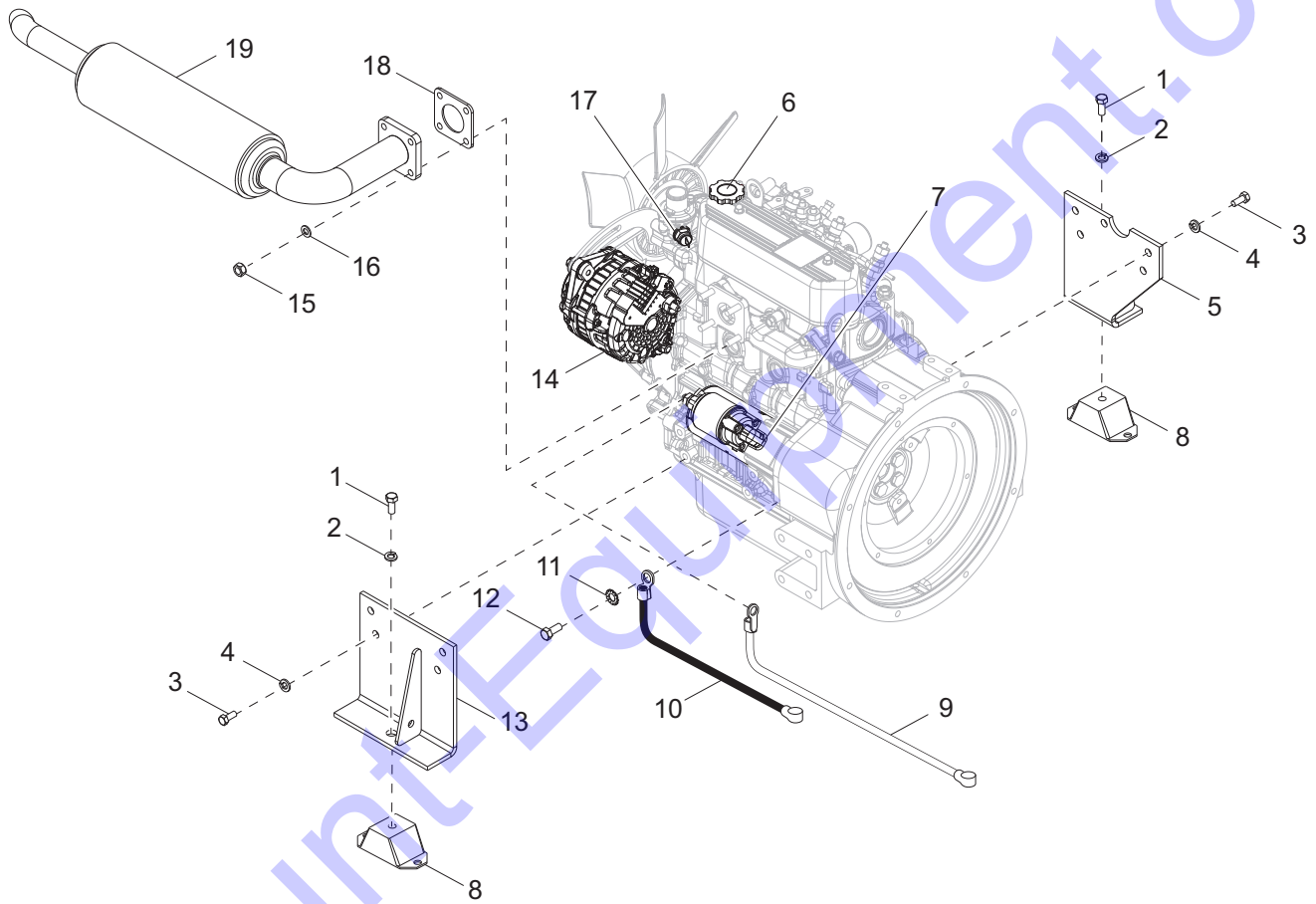
A	13876	1	Kit, heater - fuel filter, Mitsubishi
---	-------	---	---------------------------------------

#### Cold Weather Belt:

--	10386	1	Belt, cold weather - Mitsubishi, 6kW & 8kW
----	-------	---	--

**Note:** Engine and generator parts used in all Generac Mobile Products equipment carry the Original Equipment Manufacturer (OEM) warranty unless otherwise stated. OEM warranty parts must be purchased through an OEM dealer.

# ENGINE ASSEMBLY - MITSUBISHI RIGHT SIDE



01171

## ENGINE ASSEMBLY - MITSUBISHI RIGHT SIDE

Item	Part No.	Qty	Description	Notes
1	60275	2	Screw, .500-13 x 1.0 std hex, G5	
2	60702	2	Washer, .500 split lock, SS	
3	60422	8	Screw, M10-1.25 x 25 std hex, G8.8	
4	60026	8	Washer, M10 split lock	
5	70130B	1	Weldment, engine mount - right, black	
6	11147	1	Cap, oil filler	
7	16833	1	Starter	
8	15241	2	Isolator, rubber - 80-200 lbs, 2 in. wide	
9	15074	1	Cable, battery - 38 in., 4GA red, .438 lug	
10	15073	1	Cable, battery - 24 in., 4GA black, .438 lug	
11	60747	1	Washer, .375 internal star	
12	60495	1	Screw, M10-1.25 x 16 std hex, G8.8	
13	16554B	1	Weldment, engine mount - LH, black	
14	16743	1	Alternator	
15	60032	4	Nut, M8-1.25 hex, G8.8	
16	60029	4	Washer, M8 split lock	
17	16678	1	Switch, temperature sensor	
18	11042	1	Gasket, muffler	
19	13710	1	Muffler, 30 degree flare	
--	10457	1	Harness, engine - Mitsubishi	

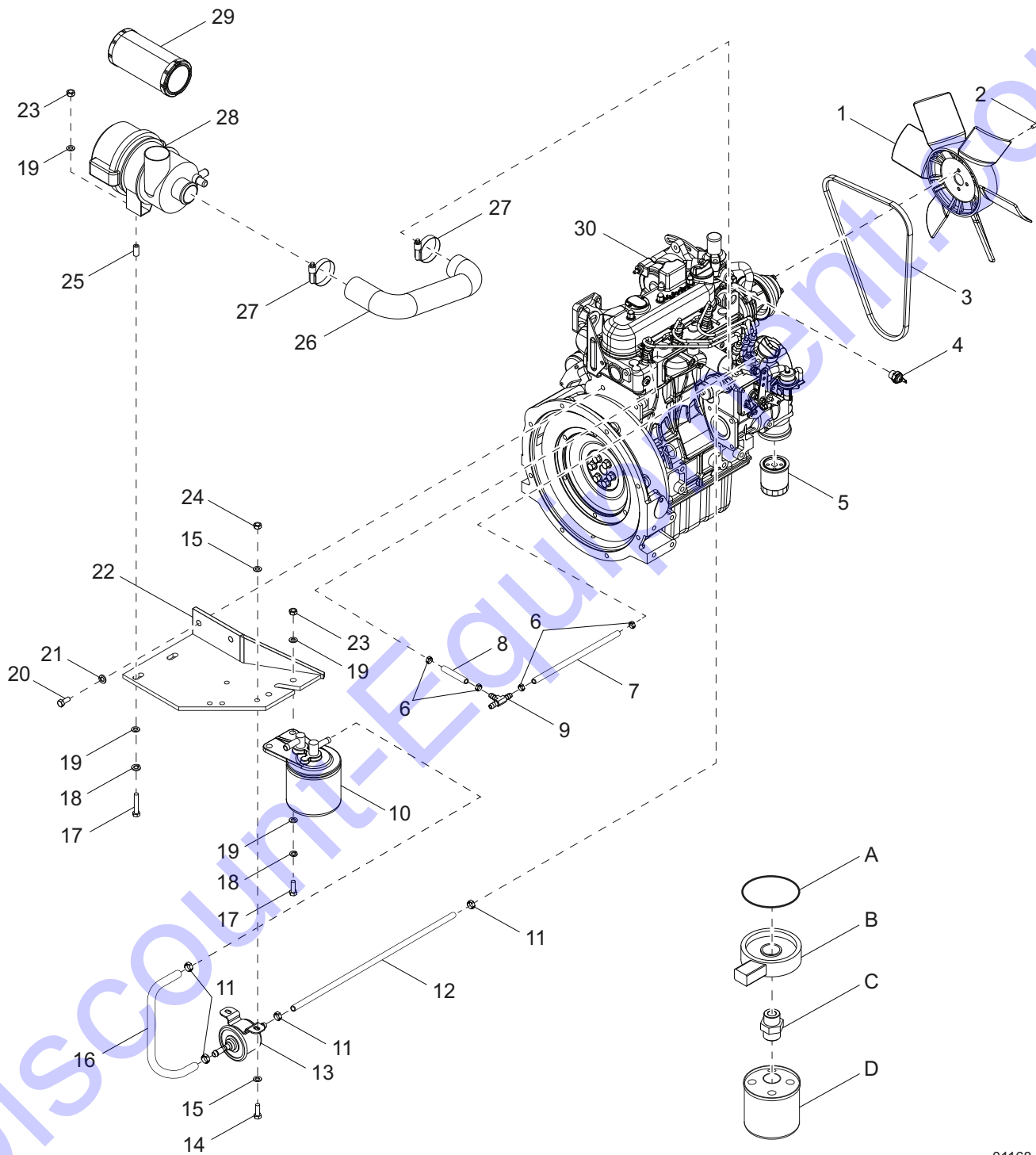
### OPTIONAL FEATURES

#### *Silent Pack:*

--	34776	1	Muffler, Mitsubishi modified	
----	-------	---	------------------------------	--

**Note:** Engine and generator parts used in all Generac Mobile Products equipment carry the Original Equipment Manufacturer (OEM) warranty unless otherwise stated. OEM warranty parts must be purchased through an OEM dealer.

# ENGINE ASSEMBLY - KUBOTA LEFT SIDE



01168

## ENGINE ASSEMBLY - KUBOTA LEFT SIDE

Item	Part No.	Qty	Description	Notes
1	15495	1	Fan, engine	
2	60087	4	Screw, M6-1.0 x 16 sflg hex, G8.8	
3	11628	1	Belt, V	
4	14099	1	Switch, coolant temperature	
5	10775	1	Filter, oil	
6	60778	4	Clamp, hose - .188, crimp style	
7	14211	1.3 ft	Hose, fuel - .188 ID, 50 psi, SAE 30R7	
8	14211	.167 ft	Hose, fuel - .188 ID, 50 psi, SAE 30R7	
9	17145	1	Fitting, T - .188 x .188 x .188 barb, nylon	
10	13481	1	Filter, fuel	
--	13515	1	Element, fuel filter	
11	60777	4	Clamp, hose - .312, crimp style	
12	50018	1.1 ft	Hose, fuel - .312 ID, 50 psi, SAE 30R7	
13	13278	1	Pump, fuel	
14	60393	2	Screw, .250-20 x 1.0 std hex, G5	
15	60243	4	Washer, .250 flat .735/.060	
16	50018	1 ft	Hose, fuel - .312 ID, 50 psi, SAE 30R7	
17	62001	4	Screw, .312-18 x 1.250 std hex, G5	
18	60271	4	Washer, .312 split lock	
19	60119	8	Washer, .312 flat .875/.070	
20	61082	2	Screw, M8-1.25 x 20 std hex, G8	
21	60029	2	Washer, M8 split lock	
22	13483B	1	Weldment, filter bracket	
23	60285	4	Nut, .312-18 hex, G2	
24	60144	2	Nut, .250-20 nylock, G5	
25	41235ZY	2	Spacer, .75 OD x .44 ID x 1.0 long	
26	16589	1	Hose, air cleaner	
27	60316	2	Clamp, hose - SAE 032 (1.56-2.50)	
28	34066	1	Filter, air, assembly	
29	16444	1	Element, air filter	
30	13310	1	Engine, Kubota - D1005-E3BG1-MGM-1	MLT5060KV only
	13281	1	Engine, Kubota - D1105BG	MLT5080KV only

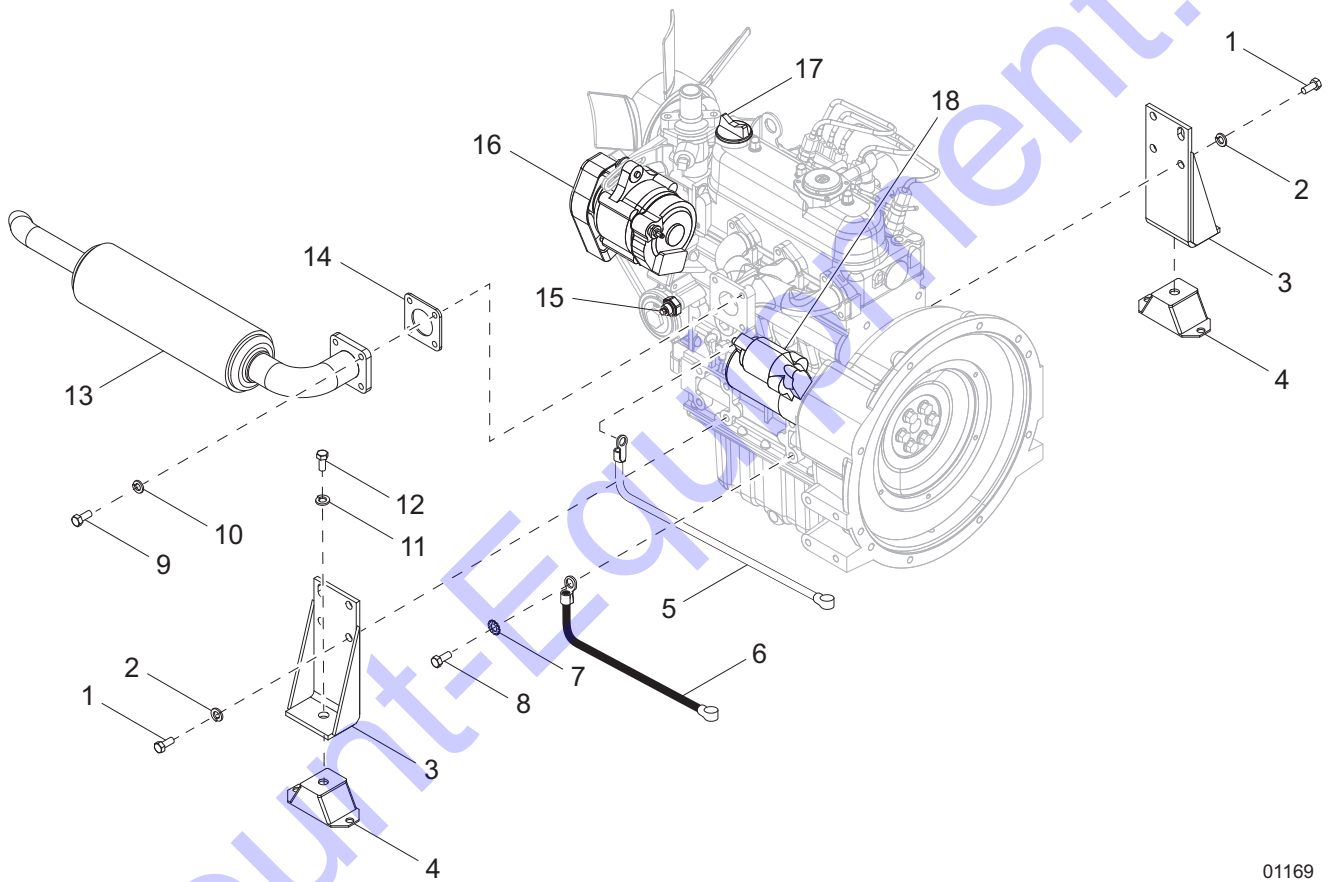
### OPTIONAL FEATURES

#### Heated Fuel Filter:

A	13834	1	Gasket, heated fuel filter
B	13682	1	Heater, fuel filter
C	10407	1	Adapter, heated fuel filter
D	13515	1	Element, heated fuel filter
--	10662	1	Harness, fuel filter heater - outside
--	13684	1	Harness, fuel filter heater - inside

**Note:** Engine and generator parts used in all Generac Mobile Products equipment carry the Original Equipment Manufacturer (OEM) warranty unless otherwise stated. OEM warranty parts must be purchased through an OEM dealer. Some Kubota engine parts are serial number specific.

# ENGINE ASSEMBLY - KUBOTA RIGHT SIDE



01169



## ENGINE ASSEMBLY - KUBOTA RIGHT SIDE

Item	Part No.	Qty	Description	Notes
1	60422	8	Screw, M10-1.25 x 25 std hex, G8.8	
2	60026	8	Washer, M10 split lock	
3	12338B	2	Weldment, engine mount	
4	15241	2	Isolator, rubber - 80-200 lbs, 2 in. wide	
5	15074	1	Cable, battery - 38 in., 4GA red, .438 in. lug	
6	15073	1	Cable, battery - 24 in., 4GA black, .438 in. lug	
7	60747	1	Washer, .375 internal star	
8	60495	1	Screw, M10-1.25 x 16 std hex, G8.8	
9	63168	4	Screw, M8-1.25 x 30 std hex	
10	60029	4	Washer, M8 split lock	
11	60702	2	Washer, .500 split lock, SS	
12	60275	2	Screw, .500-13 x 1.0 std hex, G5	
13	13709	1	Muffler, 30 degree flare	
14	11042	1	Gasket, muffler	
15	14099	1	Switch, coolant temperature	
16	12486	1	Alternator	
17	12484	1	Cap, oil filler	
18	30582	1	Starter	MLT5060KV only
	13298	1	Starter	MLT5080KV only
--	10461	1	Harness, engine - Kubota	

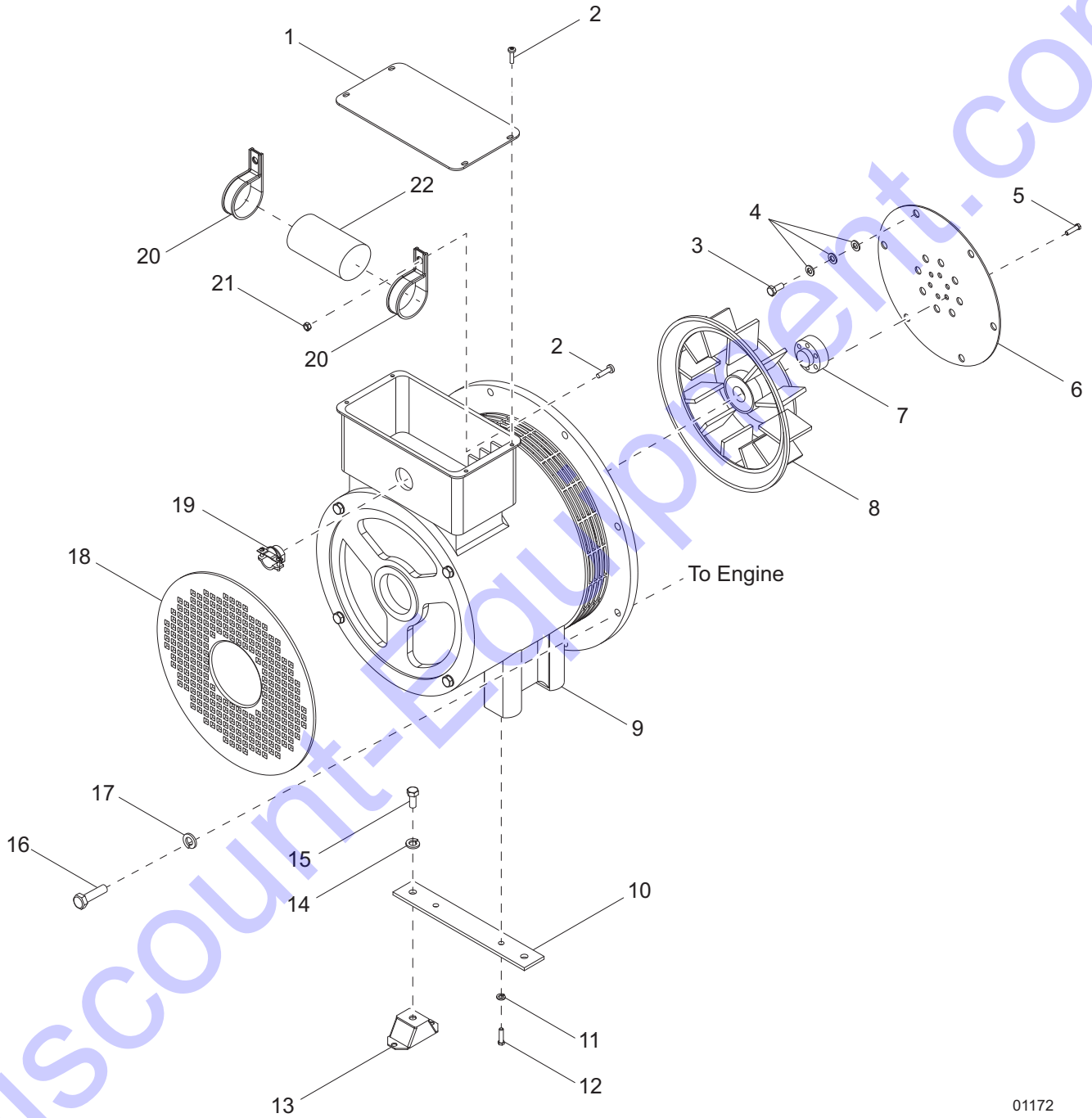
### OPTIONAL FEATURES

#### *Silent Pack:*

--	36391	1	Muffler, Kubota modified	
----	-------	---	--------------------------	--

**Note:** Engine and generator parts used in all Generac Mobile Products equipment carry the Original Equipment Manufacturer (OEM) warranty unless otherwise stated. OEM warranty parts must be purchased through an OEM dealer. Some Kubota engine parts are serial number specific.

# GENERATOR ASSEMBLY



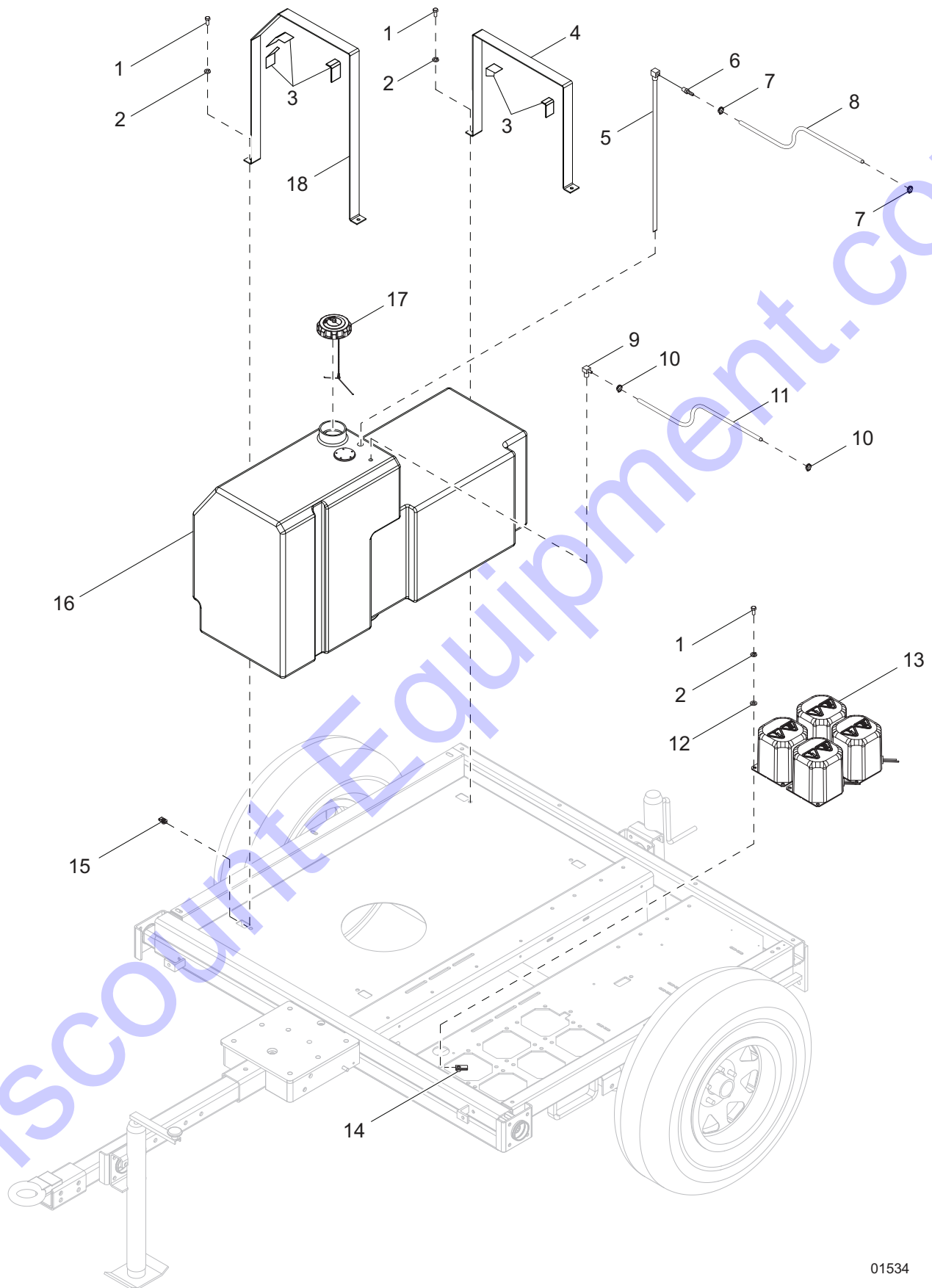
01172

## GENERATOR ASSEMBLY

Item	Part No.	Qty	Description	Notes
1	12736	1	Cover, generator - 6kW	MLT5060MV/KV only
	11338	1	Cover, generator - 8kW	MLT5080MV/KV only
2	60398	6	Screw, 10-32 x 5.0 pan phil, SS	
3	60168	6	Screw, .312-18 x .750 std hex, G5	MLT5060/80KV only
--	60165	6	Screw, M8-1.25 x 16 std hex, G10	MLT5060MV only
4	60166	18	Washer, M8 flat	MLT5060MV only (qty 12 only)
5	11336	6	Screw, .375-24 x 1.75	
6	16123	1	Plate, drive - SAE 6.5	
7	11339	1	Spacer, generator drive plate	
8	12527	1	Fan, generator	
--	12329	1	Seal, pancake bearing - 6kW	Included w/item 9, MLT5060MV/KV only
	11337	1	O-ring, pancake bearing - 8kW	Included w/item 9, MLT5080KV only
--	12328	1	Bearing, pancake - 6kW	Included w/item 9, MLT5060MV/KV only
	16134	1	Bearing, pancake - 8kW	Included w/item 9, MLT5080KV only
9	16556	1	Generator, Marathon - 6kW	MLT5060MV/KV only
	10486	1	Generator, Marathon - 8kW	MLT5080KV only
10	15045	1	Bracket, generator	
11	60206	2	Washer, .375 split lock	
12	60205	2	Screw, .375-16 x 1.0 std hex, G5	
13	15241	2	Isolator, rubber - 80-200 lbs, 2 in. wide	
14	60702	2	Washer, .500 split lock, SS	
15	60275	2	Screw, .50-13 x 1.0 std hex, G5	
16	60352	8	Screw, .375-16 x 1.25 std hex, G5	MLT5060/80KV only
	60494	8	Screw, M10-1.25 x 30 std hex, G8.8	MLT5060MV only
17	60206	8	Washer, .375 split lock	MLT5060/80KV only
	60026	8	Washer, M10 split lock	MLT5060MV only
18	12327	1	Cover, pancake case	
19	14219	1	Strain relief - .75 Romex w/nut	
20	16395	2	Clamp, capacitor	
21	61045	2	Nut, 10-32 sflg	
22	35132	1	Capacitor, 25 $\mu$ F 440V - 6kW	MLT5060MV/KV only
	35406	1	Capacitor, 25 $\mu$ F 550V - 8kW	MLT5080KV only
--	16153	1	Harness, generator - 6kW	

**Note:** Engine and generator parts used in all Generac Mobile Products equipment carry the Original Equipment Manufacturer (OEM) warranty unless otherwise stated. OEM warranty parts must be purchased through an OEM dealer.

# FUEL TANK AND BALLAST BOXES TO UNIT



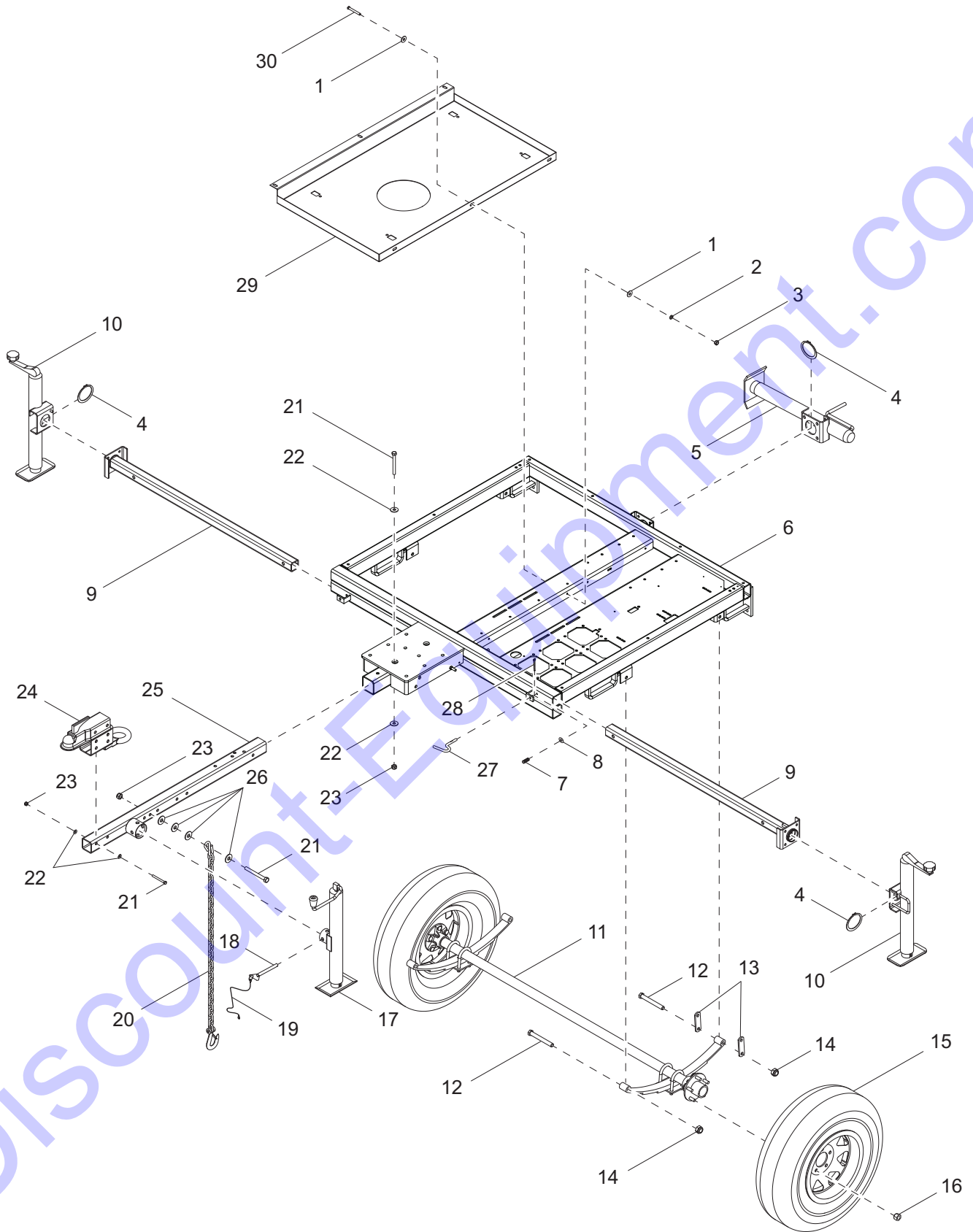
01534

## FUEL TANK AND BALLAST BOXES TO UNIT

---

Item	Part No.	Qty	Description	Notes
1	60028	16	Screw, .312-18 x 1.0 std hex, G5	
2	60271	16	Washer, .312 split lock	
3	50187	.5 ft	Seal, door d-shaped (.75)	
4	13698B	1	Strap, fuel tank	
5	12259	1	Fuel pick up tube - 24 in	
6	15142	1	Fitting, str - .250NPT x .312 barb	
7	60777	2	Clamp, hose - .312 fuel hose, crimp style	
8	50018	2.75 ft	Hose, fuel - .312 ID, 50 psi, SAE 30R7	
9	16271	1	Fitting, 90° - .250NPT x .188 barb	
10	60778	2	Clamp, hose - .188 fuel hose, crimp style	
11	14211	2 ft	Hose, fuel - .188 ID, 50 psi, SAE 30R7	
12	60243	12	Washer, .250 flat .735/.060	
13	10656	4	Assembly, transformer - can & base - 60Hz-MH-5.5 in	
14	62086	12	Nut, .312-18 U-clip - short type	
15	60505	4	Nut, .312-18 U-clip - short type	
16	10412	1	56 gallon fuel tank	
17	16326	1	Cap, fuel tank, vent, 3.5 dia, grain diesel w/tether	
18	13697B	1	Strap, fuel tank	
--	39998	1	Tank assembly, fuel, 56 gallon	

# TRAILER ASSEMBLY



01744

## TRAILER ASSEMBLY

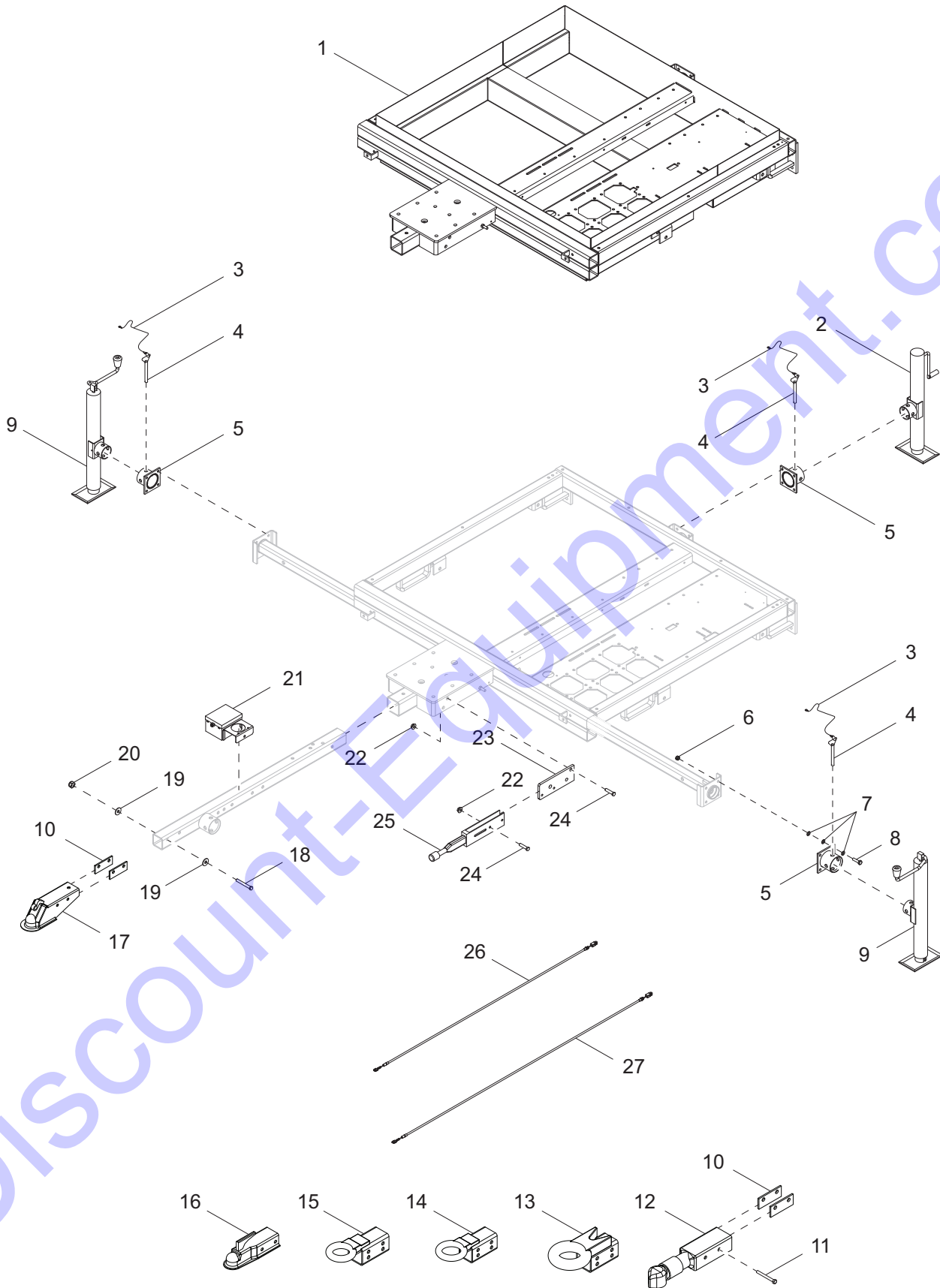
Item	Part No.	Qty	Description	Notes
1	60698	6	Washer, .375 flat .875/.040, SS	
2	60703	3	Washer, .375 split lock, SS	
3	60140	3	Nut, .375-16 hex, G5	
4	14326	3	Ring, retaining	
5	11681	1	Jack, side wind - 2000 lb	
6	33407B	1	Weldment, chassis	
7	35273	2	Spring, compression - .562 x 1.50	
8	35275	2	Washer, .375 flat .416 x .820 x .057	
9	12408Z	2	Weldment, outrigger	
10	11682	2	Jack, top wind - 2000 lb	
11	<i>Page 54</i>	1	Assembly, axle	
12	60503	6	Screw, shackle, .562-18 x 3.0 std hex, G5	
13	19637	4	Plate, shackle bracket - 3.125 in	
14	60504	6	Nut, .562-18 lock, G5	
15	15540	2	Wheel, ST205/75R15, 1598 lb - 6PR	
16	60096	10	Nut, .500-20 lug, G5	
17	23254	1	Jack, top wind - 2000 lb - tube mount	
18	23256	1	Pin, jack - 2000 lb, tube mount	
19	12647	1	Cable, tether - jack pin and ground rod cover	
20	23367	2	Chain, safety - 7800 lb rated	
21	50215	4	Screw, .500-13 x 4.0 std hex, G5	
22	60309	4	Washer, .500 flat 1.060/.090	
23	62221	5	Nut, .500-13 nylock, G5	
24	16741ZC	1	Weldment, combo hitch - 2.5 tongue	
25	33724B	1	Weldment, removable tongue	
26	60416	8	Washer, .500 flat 1.375/.090	
27	35272	2	Pin, plunger, .375	
28	35274	2	Pin, cotter .07 x 1.0	
29	10490B	1	Pan, fuel tank support	
30	60690	3	Screw, .375-16 x 1.0 std hex, SS	
--	10499	1	Assembly, trailer light harness - 174 in	
--	10265	1	Harness, right side trailer	
--	10264	1	Harness, left side trailer	

### OPTIONAL FEATURES

#### Trailer Plug Adapters:

--	65463	1	Adapter, trailer wiring - flat 4 pin to round 6 pin
--	65464	1	Adapter, trailer wiring - flat 4 pin to round 7 pin
--	65465	1	Adapter, trailer wiring - flat 4 pin to round 7 blade

# TRAILER - JACK AND HITCH OPTIONS



01745

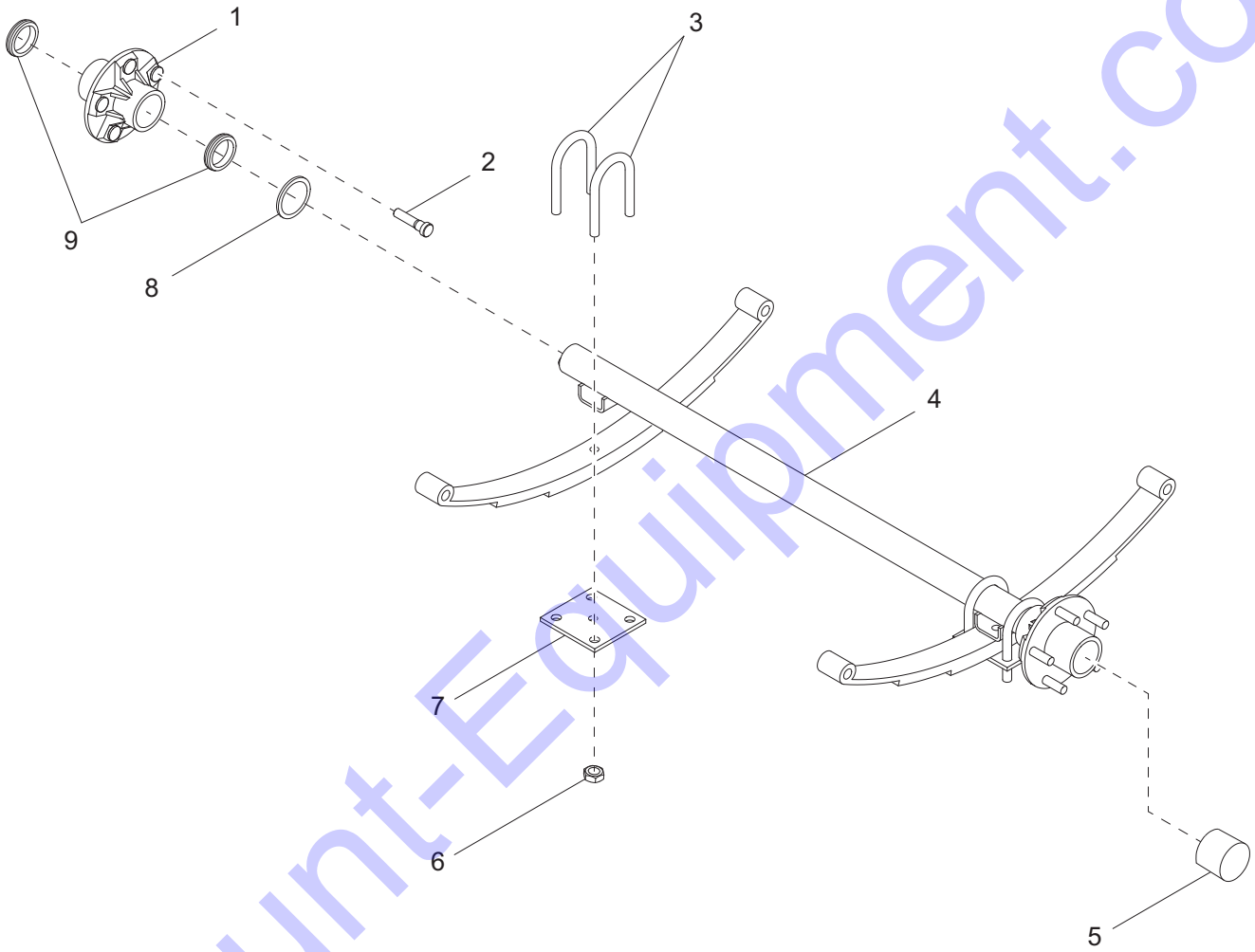


## TRAILER - JACK AND HITCH OPTIONS

---

Item	Part No.	Qty	Description	Notes
<i>Containment:</i>				
1	33555B	1	Weldment, chassis - containment	
<i>Tube Mount Jacks:</i>				
2	11978	1	Jack, side wind - 2000 lb, tube mount	
3	12647	3	Cable, tether - jack pin and ground rod cover	
4	23256	3	Pin, jack - 2000 lb, tube mount	
5	11965Z	3	Weldment, jack adapter	
6	60358	12	Nut, .375-16 nylock, G5	
7	60698	36	Washer, .375 flat .875/.040, SS	
8	61036	12	Screw, .375-16 x 1.25 std hex, SS	
9	23254	2	Jack, top wind - 2000 lb, tube mount	
<i>Hitches:</i>				
10	12155B	2	Spacer, coupler	
11	60376	2	Screw, .500-13 x 4.5 std hex, G5	
12	13003B	1	Coupler, 2.0 ball/3.0 channel	
13	11672B	1	Weldment, hitch - 3.0 x 1.625 ring/2.5 tube	
14	16835B	1	Weldment, lunette ring - 3.0 x 1.0 ring/2.5 tongue	
15	16999B	1	Weldment, lunette ring - 2.5 x 1.0 ring/2.5 tongue	
16	16830	1	Coupler, 2.0 ball/2.5 channel	
17	12229	1	Coupler, 2.31 ball/3.0 channel	
18	50215	2	Screw, .500-13 x 4.0 std hex, G5	
19	60309	4	Washer, .500 flat 1.060/.090	
20	62221	2	Nut, .500-13 nylock, G5	
<i>Electric Brake:</i>				
21	19417	1	Breakaway kit	
<i>Parking Brake:</i>				
22	60303	4	Nut, .312-18 x 1.0 std hex, SS	
23	12217B	1	Bracket, brake lever mounting	
24	60507	4	Screw, .312-18 x 1.0 std hex, SS	
25	12239	1	Brake handle	
26	12242	1	Brake cable - 72 in	
27	12241	1	Brake cable - 84 in	

# AXLE ASSEMBLY



01746

## AXLE ASSEMBLY

---

Item	Part No.	Qty	Description	Notes
1	11206	2	Axle hub w/studs and outer races	
2	60674	10	Stud, wheel, .500-20 wheel, G8	
3	11201	4	Bolt, U - 2200 lb	
4	12207	1	Axle, 3700 lb 56C 68.5TC	
5	12460	2	Cap, wheel bearing	
6	11203	8	Nut, U-bolt, 2200 lb	
7	11202	2	Tie-plate, 2200 lb	
8	13000	2	Seal - 2200 lb	
9	11511	4	Bearing, roller	Includes bearing races

### OPTIONAL FEATURES

#### *Electric Brakes:*

--	12122	1	Axle, 3700 lb 56C 68.5TC electric brake hubs	
----	-------	---	--	--

## RECOMMENDED SPARE PARTS LIST (1 OF 2)

---

### ENGINE - COMMON

Cap, radiator .....	19219
Filter, air .....	16444
Pump, fuel .....	13278

### ENGINE - KUBOTA

Alternator .....	12486
Belt, fan .....	11628
Dipstick .....	12483
Element, fuel filter .....	13515
Element, oil filter .....	10775
Fan, engine .....	15495
Fuel shutdown solenoid .....	13018
Hose, radiator - lower .....	12350
Hose, radiator - upper .....	16687
Oil fill cap .....	12484
Starter - MLT5060KV .....	30582
Starter - MLT5080KV .....	13298
Switch, coolant temperature .....	12873
Switch, oil pressure .....	15375

### ENGINE - MITSUBISHI

Alternator .....	16743
Belt, fan .....	10386
Dipstick .....	11148
Element, fuel filter .....	17647
Element, oil filter .....	16691
Fan, engine .....	16742
Fuel shutdown solenoid .....	16683
Hose, radiator - lower .....	16688
Hose, radiator - upper .....	32383
Oil fill cap .....	11147
Starter .....	16833
Switch, coolant temperature .....	16678
Switch, oil pressure .....	16677
Thermostat .....	16745

### ELECTRICAL

Assembly, light fixture - hard wired .....	13311
Assembly, light fixture - quick disconnect w/cord clip .....	13601
Breaker, main - MLT5060K/M .....	65963
Breaker, main - MLT5080K/M .....	65864
Breaker, lights .....	14249
Bulb -1000W MH short length .....	11391
Capacitor, lights .....	65959
Capacitor, generator 6kW .....	35132

## RECOMMENDED SPARE PARTS LIST (2 OF 2)

---

Capacitor, generator 8kW .....	10733
Coil cord .....	33397
Contactora - electric winch .....	11293
GFI.....	14130
Hour meter.....	15085
Key .....	15309
Key switch .....	15195
LED board w/wires .....	17649
Relay, electric winch .....	65049
Sensor, proximity .....	65511
Transformer (ballast) .....	10656

### MAINTENANCE KITS

Kubota 250 hour service kit .....	SK151
Kubota 2000 hour service kit .....	SK152
Mitsubishi 250 hour service kit .....	SK170
Mitsubishi 2000 hour service kit .....	SK171

### MAST

Cable, 116 in.....	34132
Cable, 67.88 in .....	34130
Cable, 69.25 in .....	34128
Cable, 69.75 in .....	34129

### TRAILER

Jack, side wind (rear) .....	11681
Jack, top wind (outrigger) .....	11682
Ring, retaining .....	14326

# **Discount Equipment**

Discount-Equipment.com is your online resource for commercial and industrial quality parts and equipment sales.

## **Locations:**

Florida (West Palm Beach): [561-964-4949](tel:561-964-4949)

Outside Florida TOLL FREE: [877-690-3101](tel:877-690-3101)

**Need parts?** Check out our website at [www.discount-equipment.com](http://www.discount-equipment.com)

## **Can't find what you need?**

Click on this link: <http://www.discount-equipment.com/category/5443-parts/> and fill out the request form.

Please have the machine model and serial number available in order to help us get you the correct parts. One of our experienced staff members will get back to you with a quote for the right part that your machine needs.

We sell worldwide for the brands: Genie, Terex, JLG, MultiQuip, Mayco, Toro/Stone, Diamond Products, Magnum, Airman, Mustang, Power Blanket, Nifty Lift, Atlas Copco, Chicago Pneumatic, Allmand Brothers, Essick, Miller Spreader, Skyjack, Lull, Skytrak, Tsurumi, Husquvarna/Target, Whiteman-Concrete/Mortar, Stow-Concrete/Mortar, Baldor, Wacker, Sakai, Snorkel, Upright, Mi-T-M, Sullair, Neal, Basic, Dynapac, MBW, Weber, Bartell, Bennar Newman, Haulotte, Ditch Runner, Blaw-Knox, Himoina, Best, Buddy, Crown, Edco, Wyco, Bomag, Laymor, Terremite, Barreto, EZ Trench, Takeuchi, Basic, Bil-Jax, Curtis, Gehl, Heli, Honda, ICS/PowerGrit, Puckett, Waldon, ASV, IHI, Partner, Imer, Clipper, MMD, Koshin, Rice, Gorman Rupp, CH&E, Cat Pumps, Comet, General Pump, Giant, AMida, Coleman, NAC, Gradall, Square Shooter, Kent, Stanley, Tamco, Toku, Hatz, Kohler, Robin, Wisconsin, Northrock, Oztec, Toker TK, Rol-Air, Small Line, Wanco, Yanmar

**New Equipment - Used Equipment - Rental Equipment - Parts and Accessories**

# **Discount Equipment**

**[www.discount-equipment.com](http://www.discount-equipment.com)**

**561-964-4949**

Sales: [info@Discount-Equipment.com](mailto:info@Discount-Equipment.com)

Parts: [wbparts@Discount-Equipment.com](mailto:wbparts@Discount-Equipment.com)