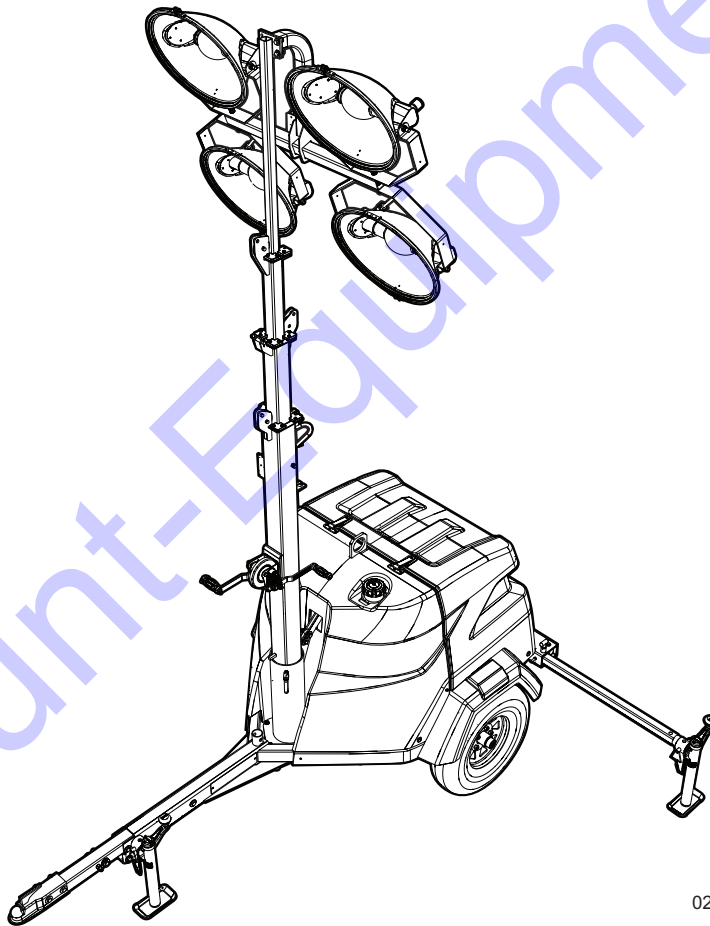


GENERAC® | MAGNUM

LIGHT TOWER MLT6SM • MLT6SK • MLT8SK



02113



www.discount-equipment.com

PARTS MANUAL

Discount Equipment

Discount-Equipment.com is your online resource for commercial and industrial quality parts and equipment sales.

Locations:

Florida (West Palm Beach): [561-964-4949](tel:561-964-4949)

Outside Florida TOLL FREE: [877-690-3101](tel:877-690-3101)

Need parts? Check out our website at www.discount-equipment.com

Can't find what you need?

Click on this link: <http://www.discount-equipment.com/category/5443-parts/> and fill out the request form.

Please have the machine model and serial number available in order to help us get you the correct parts. One of our experienced staff members will get back to you with a quote for the right part that your machine needs.

We sell worldwide for the brands: Genie, Terex, JLG, MultiQuip, Mayco, Toro/Stone, Diamond Products, Magnum, Airman, Mustang, Power Blanket, Nifty Lift, Atlas Copco, Chicago Pneumatic, Allmand Brothers, Essick, Miller Spreader, Skyjack, Lull, Skytrak, Tsurumi, Husquvarna/Target, Whiteman-Concrete/Mortar, Stow-Concrete/Mortar, Baldor, Wacker, Sakai, Snorkel, Upright, Mi-T-M, Sullair, Neal, Basic, Dynapac, MBW, Weber, Bartell, Bennar Newman, Haulotte, Ditch Runner, Blaw-Knox, Himoina, Best, Buddy, Crown, Edco, Wyco, Bomag, Laymor, Terremite, Barreto, EZ Trench, Takeuchi, Basic, Bil-Jax, Curtis, Gehl, Heli, Honda, ICS/PowerGrit, Puckett, Waldon, ASV, IHI, Partner, Imer, Clipper, MMD, Koshin, Rice, Gorman Rupp, CH&E, Cat Pumps, Comet, General Pump, Giant, AMida, Coleman, NAC, Gradall, Square Shooter, Kent, Stanley, Tamco, Toku, Hatz, Kohler, Robin, Wisconsin, Northrock, Oztec, Toker TK, Rol-Air, Small Line, Wanco, Yanmar

New Equipment - Used Equipment - Rental Equipment - Parts and Accessories

Discount Equipment

www.discount-equipment.com

561-964-4949

Sales: info@Discount-Equipment.com

Parts: wbparts@Discount-Equipment.com

▲ WARNING

CALIFORNIA PROPOSITION 65 WARNING: Engine exhaust and some of its constituents are known to the state of California to cause cancer, birth defects, and other reproductive harm.

▲ WARNING

CALIFORNIA PROPOSITION 65 WARNING: Diesel engine exhaust and some of its constituents are known to the state of California to cause cancer, birth defects, and other reproductive harm.

▲ WARNING

ENVIRONMENTAL HAZARD: Always recycle batteries at an official recycling center in accordance with all local laws and regulations. Failure to do so could result in environmental damage, death or serious injury.

Introduction

This parts manual was prepared based on the information available at the time of publication and is subject to change without notice. Generac Mobile Products reserves the right to change parts at any time.

DO NOT MODIFY or use this equipment for any application other than which it was designed for. To keep your equipment fully operational, it is suggested you maintain a stock of commonly used maintenance or service parts. A recommended spare parts list can be found in the back of this manual.

▲ WARNING

Before operating or servicing this equipment, read and understand the Generac Mobile Products Operating Manual which was included with the unit when shipped from the factory. Failure to do so increases the risk of injury to yourself or others.

Engine Make: _____

Engine Serial Number: _____

Engine Model Number: _____

Generator Make: _____

Generator Model Number: _____

Generator Serial Number: _____

Unit Model Number: _____

Unit Serial Number: _____

Table of Contents

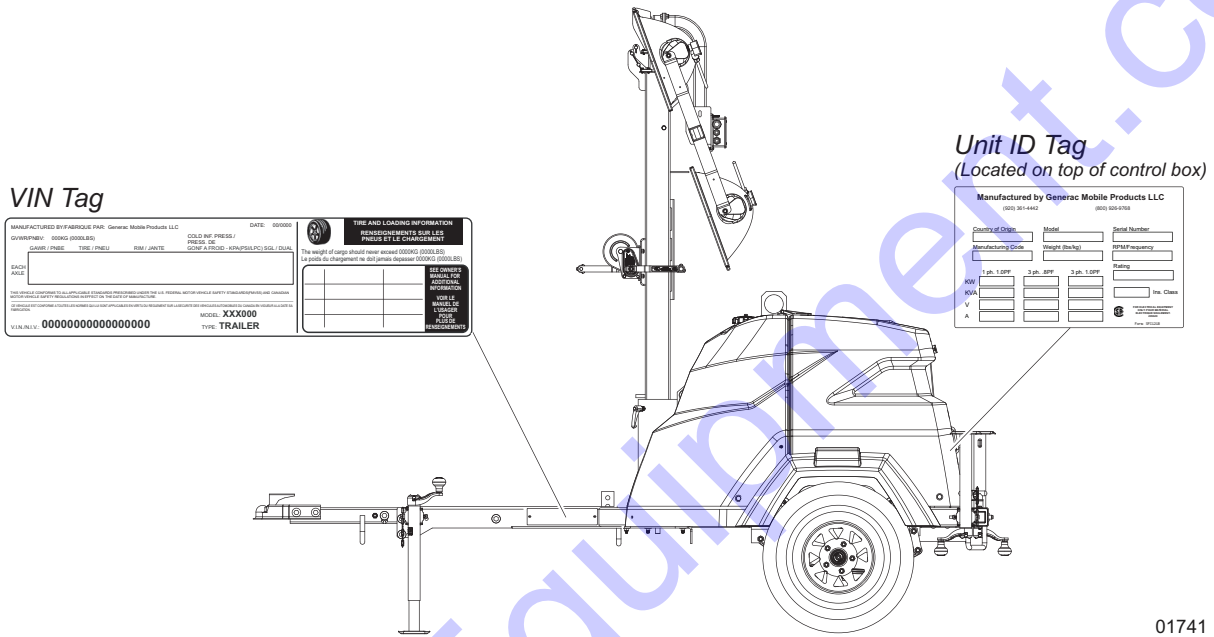
| | |
|--|-----|
| Introduction | iii |
| Parts Manual Instructions..... | 1 |
| Unit Decals - Front, Rear and Top..... | 2 |
| Unit Decals - Left and Right Sides..... | 4 |
| Unit Decals - Inside Unit..... | 6 |
| Light Assembly | 8 |
| Mast Junction Box Assembly - Hard wired Lights | 10 |
| Mast Assembly - Manual Winch | 12 |
| Mast Assembly - Electric Winch Option..... | 14 |
| Enclosure Assembly (1 of 2)..... | 16 |
| Enclosure Assembly (2 of 2)..... | 18 |
| Control Box assembly - MLT6SM, MLT6SK..... | 20 |
| Control Box Assembly - MLT8SK | 22 |
| Cooling System Assembly..... | 24 |
| Engine Assembly - Mitsubishi (1 of 2) | 26 |
| Engine Assembly - Mitsubishi (2 of 2) | 28 |
| Engine Assembly - Kubota (1 of 2)..... | 30 |
| Engine Assembly - Kubota (2 of 2)..... | 32 |
| Generator Assembly..... | 34 |
| Components To trailer assembly..... | 36 |
| Trailer Assembly..... | 38 |
| Axle Assembly | 40 |

Parts Manual Instructions

Product illustrations are only representations. Products supplied may vary from the illustrations in this parts manual. Parts not shown in the illustration are indicated by a double dash (--) in the item column.

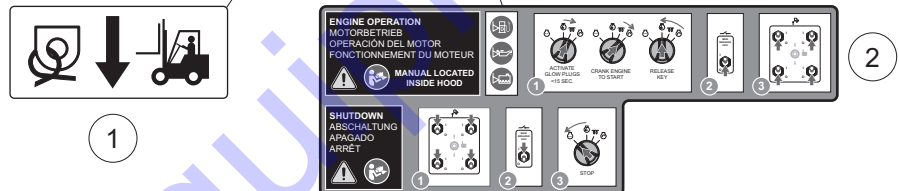
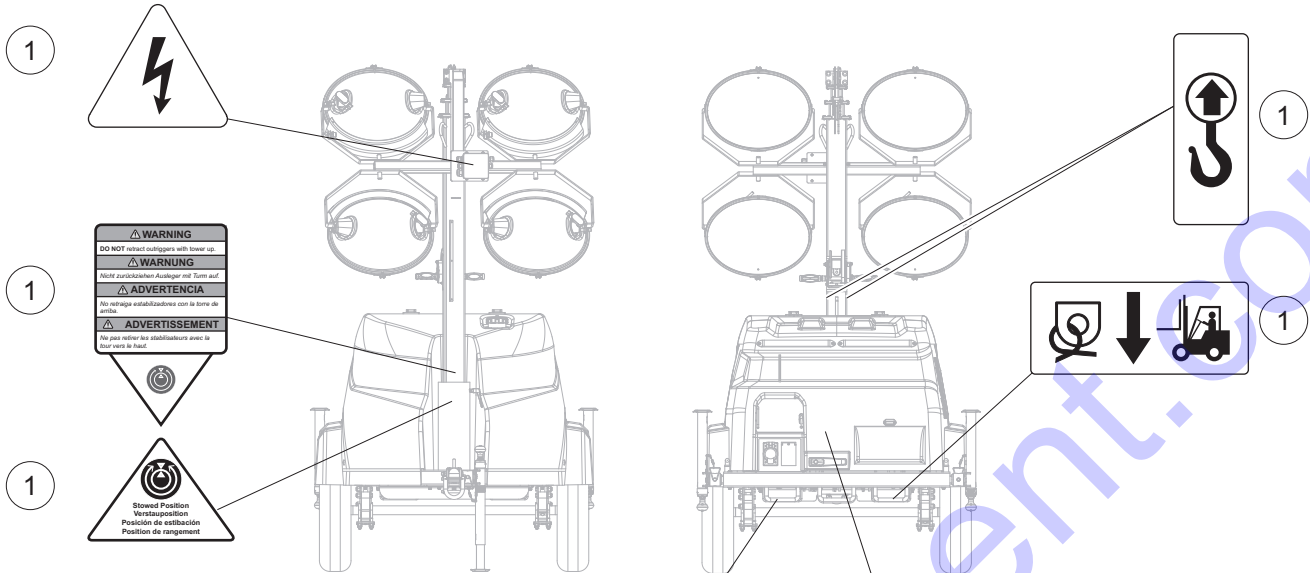
Please be prepared to provide the following information when ordering replacement parts: model number, serial number (on unit serial tag), part number, purchase order number (if applicable), shipping address, shipping method.

Refer to the illustration below to locate the unit ID tag and Vehicle Identification Number (VIN) tag on the unit. Important information, such as the unit serial number, model number, VIN and tire loading information are found on these tags. Record the information from these tags so it is available if the tags are lost or damaged. When ordering parts or requesting assistance, you may be asked to provide this information.

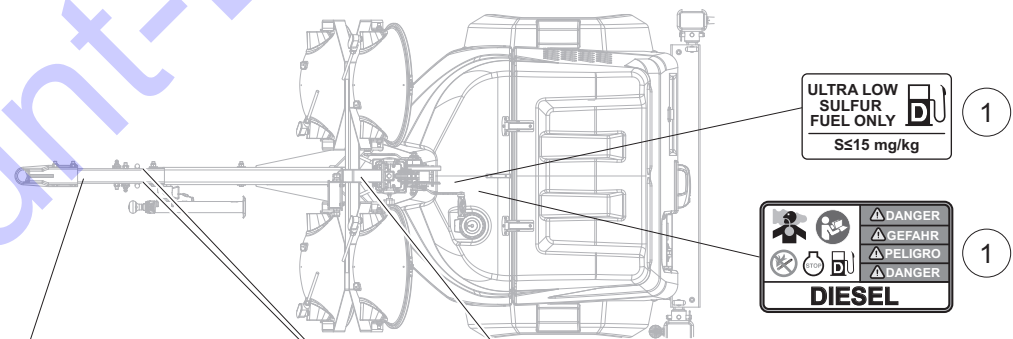


01741

UNIT DECALS - FRONT, REAR AND TOP



| | | | | |
|--|--|------------------------------------|--------------------------|----------------|
| ENGINE OPERATION MOTORBETRIEB OPERACION DEL MOTOR FONCTIONNEMENT DU MOTEUR | | 1. ACTIVATE GLOW PLUGS +15 SEC. | 2. CRANK ENGINE TO START | 3. RELEASE KEY |
| SHUTDOWN ABSCHALTUNG APAGADO ARRÊT | | 1. STOP | 2. STOP | 3. STOP |



| | | | |
|--|--|---|--|
| TOWING INSTRUCTIONS 1. Read operator's manual. 2. Use hitch rated for trailer's "gross vehicle weight rating". 3. Securely attach trailer to tow vehicle. 4. Attach safety chains using a cross pattern. 5. Attach breakaway cable to vehicle. 6. Check trailer lights. | ABSCHLEPPANWEISUNGEN 1. Lesen des Bedienhandbuchs. 2. Anhängervorrichtung verwenden, die der Gesamtzuladungsgrenze des Anhängers entspricht. 3. Anhängersicher mit Kreuzverriegelung anhängen. 4. Sicherheitskabel über Kreuz anbringen. 5. Abschleppkabel am Fahrzeug anbringen. 6. Anhängersicher prüfen. | INSTRUCCIONES PARA REMOLQUE 1. Leer el manual del operador. 2. Use un enganche adecuado para la "capacidad de peso bruto del vehículo" del remolque. 3. Segure el remolque al vehículo al vehículo de remolque. 4. Conecte los cables de seguridad en forma cruzada. 5. Conecte el cable de emergencia al vehículo. 6. Verifique los luces del remolque. | INSTRUCTIONS DE REMORQUAGE 1. Lire le manuel de l'opérateur. 2. Utiliser un étrépage convenant au poids nominal du poids bruto du véhicule" du remorque. 3. S'assurer d'attacher le remorque au véhicule tracteur. 4. Poser les chaînes de sécurité en les croisant. 5. Cléver le câble de remorquage au véhicule. 6. Vérifier les feux de la remorque. |
|--|--|---|--|



01403

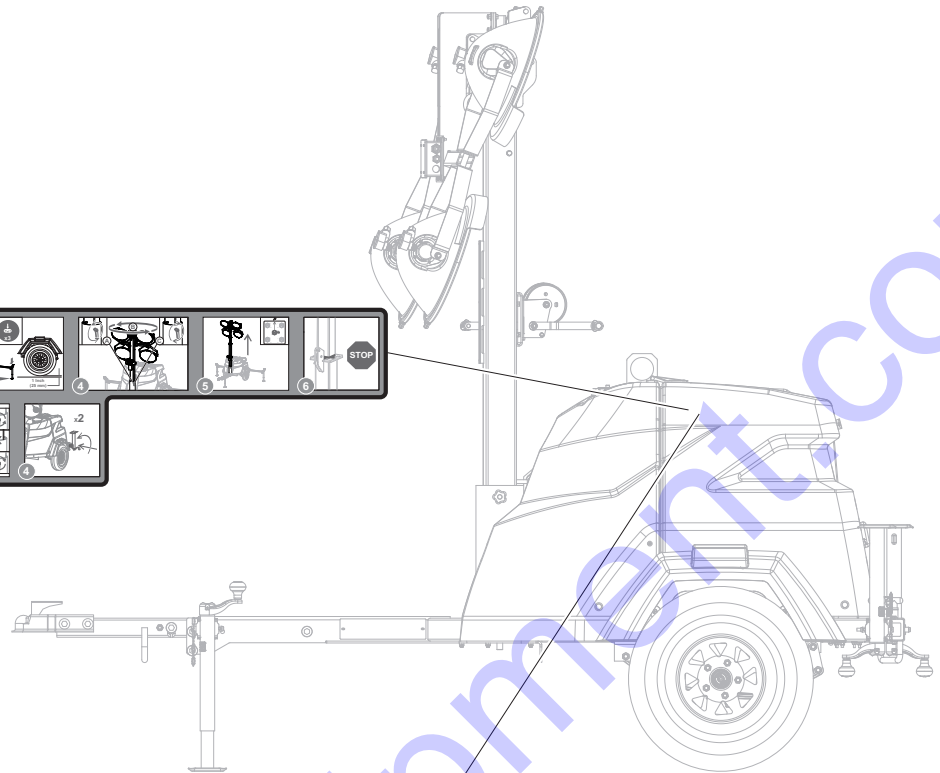
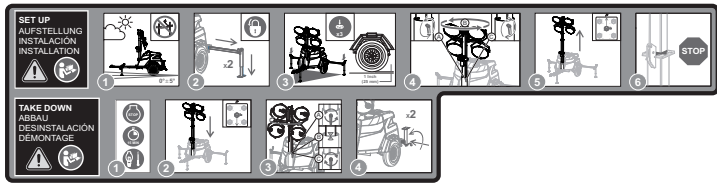
UNIT DECALS - FRONT, REAR AND TOP

| Item | Part No. | Qty | Description | Notes |
|------|----------|-----|-----------------------------------|-------|
| 1 | 17979 | 1 | Decal, safety MLT6/8S | |
| 2 | 17980 | 1 | Decal, operation MLT6/8S (manual) | |

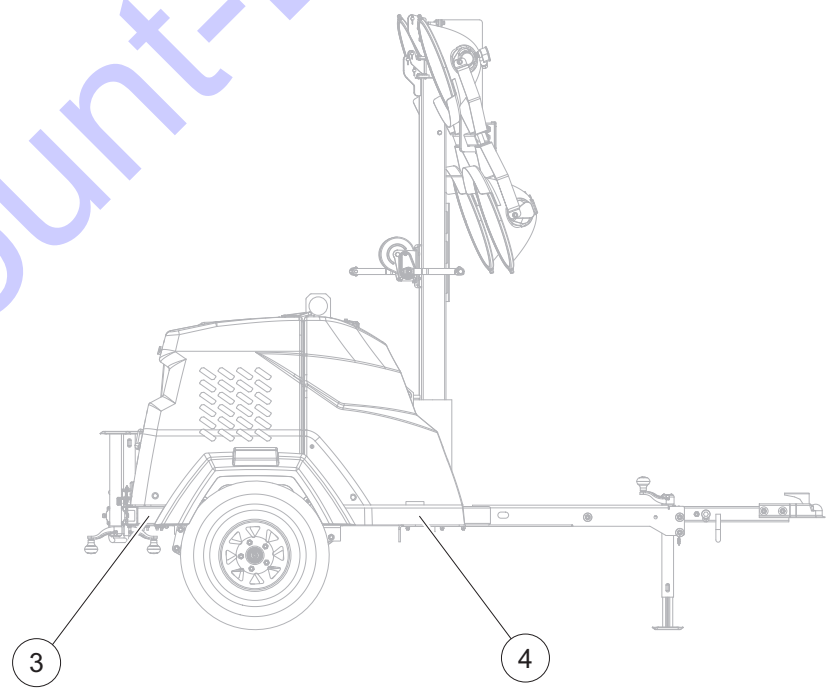
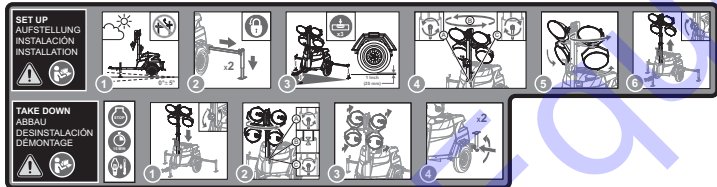
Discount-Equipment.com

UNIT DECALS - LEFT AND RIGHT SIDES

1



2



3

4

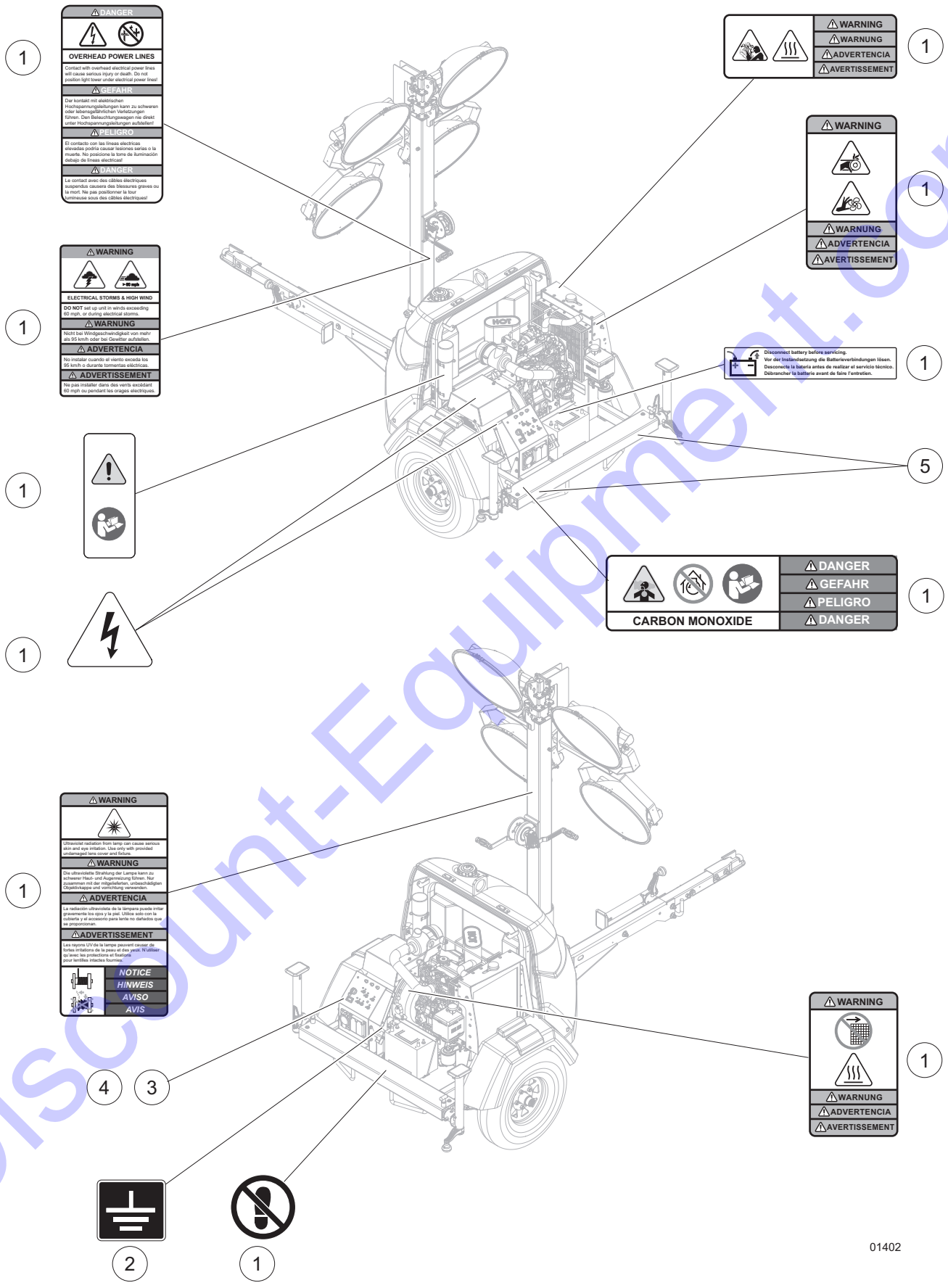
01389

UNIT DECALS - LEFT AND RIGHT SIDES

| Item | Part No. | Qty | Description | Notes |
|------|----------|-----|--------------------------------------|------------|
| 1 | 70096 | 1 | Decal, operation MLT6/8S (electric) | |
| 2 | 17980 | 1 | Decal, operation MLT6/8S (manual) | |
| 3 | 72149 | 1 | Reflector, red (4.25 in x .75 in) | Set of two |
| 4 | 72150 | 1 | Reflector, yellow (4.25 in x .75 in) | Set of two |

Discount-Equipment.com

UNIT DECALS - INSIDE UNIT



⚠ DANGER

OVERHEAD POWER LINES
Contact with overhead electrical power lines will cause serious injury or death. Do not position light tower under electrical power lines!

⚠ GEFAHR
Der Kontakt mit elektrischen Hochspannungslinien kann zu schweren oder lebensgefährlichen Verletzungen führen. Den Beleuchtungsmast nie direkt unter Hochspannungslinien positionieren!

⚠ PELIGRO
El contacto con las líneas eléctricas elevadas podría causar lesiones serias o la muerte. No posicione la torre de iluminación debajo de líneas eléctricas!

⚠ DANGER
En contact avec des câbles électriques suspendus causera des blessures graves ou la mort. Ne pas positionner la tour lumineuse sous des câbles électriques!

⚠ WARNING
⚠ WARNING
⚠ ADVERTENCIA
⚠ AVERTISSEMENT

⚠ WARNING

ELECTRICAL STORMS & HIGH WIND
DO NOT use unit in storms exceeding 60 mph, or during electrical storms.

⚠ WARNING
Nicht bei Windgeschwindigkeit von mehr als 95 km/h oder bei Gewittern aufstellen!

⚠ ADVERTENCIA
No instalar cuando el viento exceda los 95 km/h o durante tormentas eléctricas.

⚠ AVERTISSEMENT
Ne pas installer dans des vents excedant 95 mph ou pendant les orages électriques.

⚠ WARNING

⚠ WARNING
⚠ ADVERTENCIA
⚠ AVERTISSEMENT

⚠ WARNING
Disconnect battery before servicing.
Vor der Instandsetzung die Batterieverbindungen lösen.
Desconnecte la batería antes de realizar el servicio técnico.
Débrancher la batterie avant de faire l'entretien.

⚠

⚠

⚠ DANGER
⚠ GEFAHR
⚠ PELIGRO
⚠ DANGER

CARBON MONOXIDE

⚠ WARNING

⚠ WARNING
Ultraviolet radiation from lens can cause serious eye and eye irritation. Use only with protective eyewear.

⚠ WARNING
Die ultraviolette Bestrahlung der Lampe kann zu schweren Haut- und Augenreizungen führen. Nur zusammen mit der entsprechenden Schutzbrille verwenden!

⚠ ADVERTENCIA
La radiación ultravioleta de la lente puede irritar gravemente los ojos y la piel. Útilice solo con la cubierta y el accesorio para los ojos que se proporcionan.

⚠ AVERTISSEMENT
Les rayons UV de la lampe peuvent causer de fortes irritations de la peau et des yeux. N'utiliser qu'avec les protections et l'accessoire pour lunettes ultraviolet fournies.

NOTICE
HINWEIS
AVISO
AVIS

⚠ WARNING

⚠ WARNING
⚠ ADVERTENCIA
⚠ AVERTISSEMENT

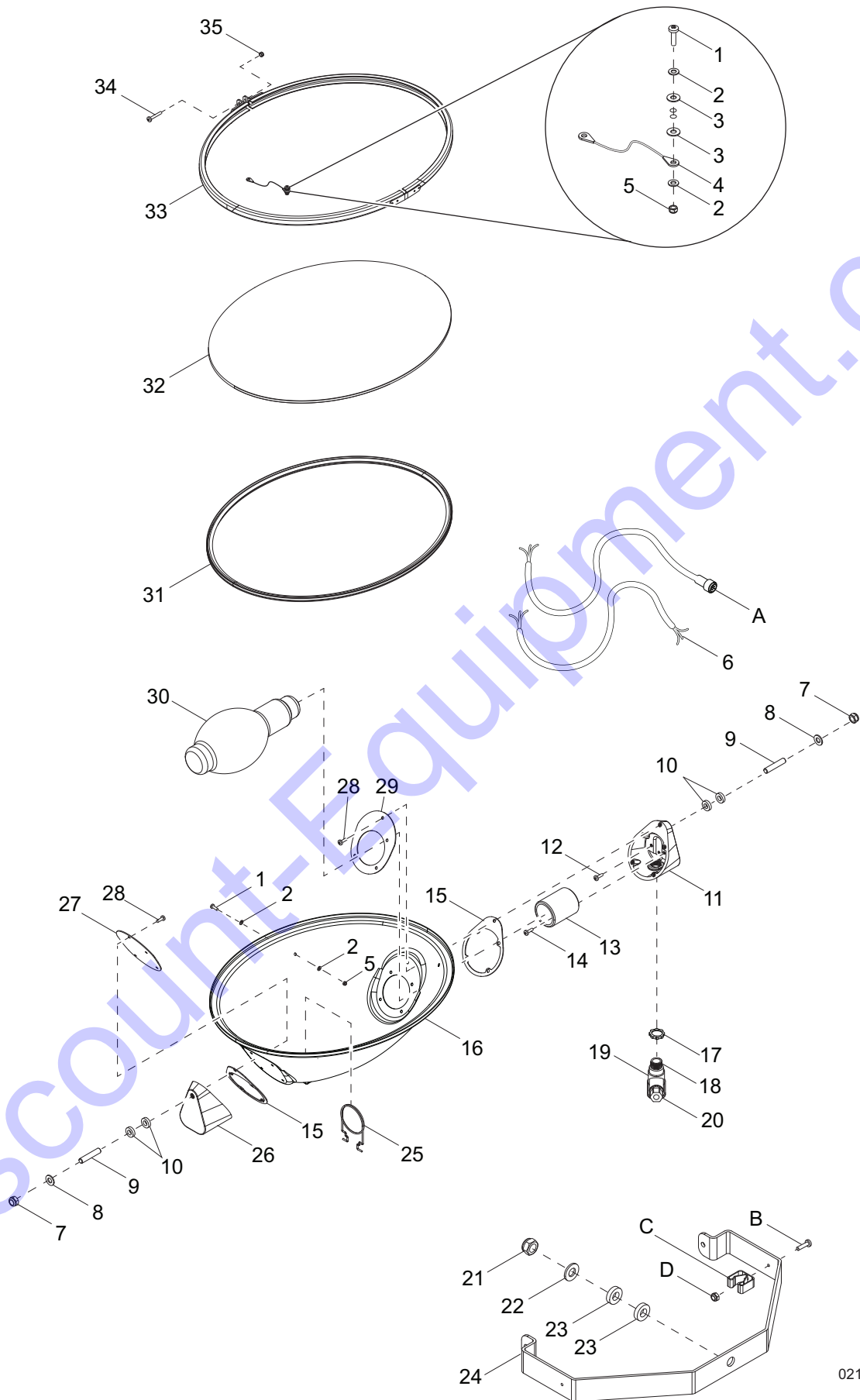
⚠

⚠

UNIT DECALS - INSIDE UNIT

| Item | Part No. | Qty | Description | Notes |
|------|----------|-----|---------------------------------|------------|
| 1 | 17979 | 1 | Decal, safety MLT6/8S | |
| 2 | 12142 | 1 | Decal, ground | |
| 3 | 17987 | 1 | Decal, control panel MLT 8SK | |
| 4 | 17986 | 1 | Decal, control panel MLT 6SK-M | |
| 5 | 72132 | 1 | Reflector, rear 2.0 x 2.0 - red | Set of two |

LIGHT ASSEMBLY



02114

LIGHT ASSEMBLY - OVAL

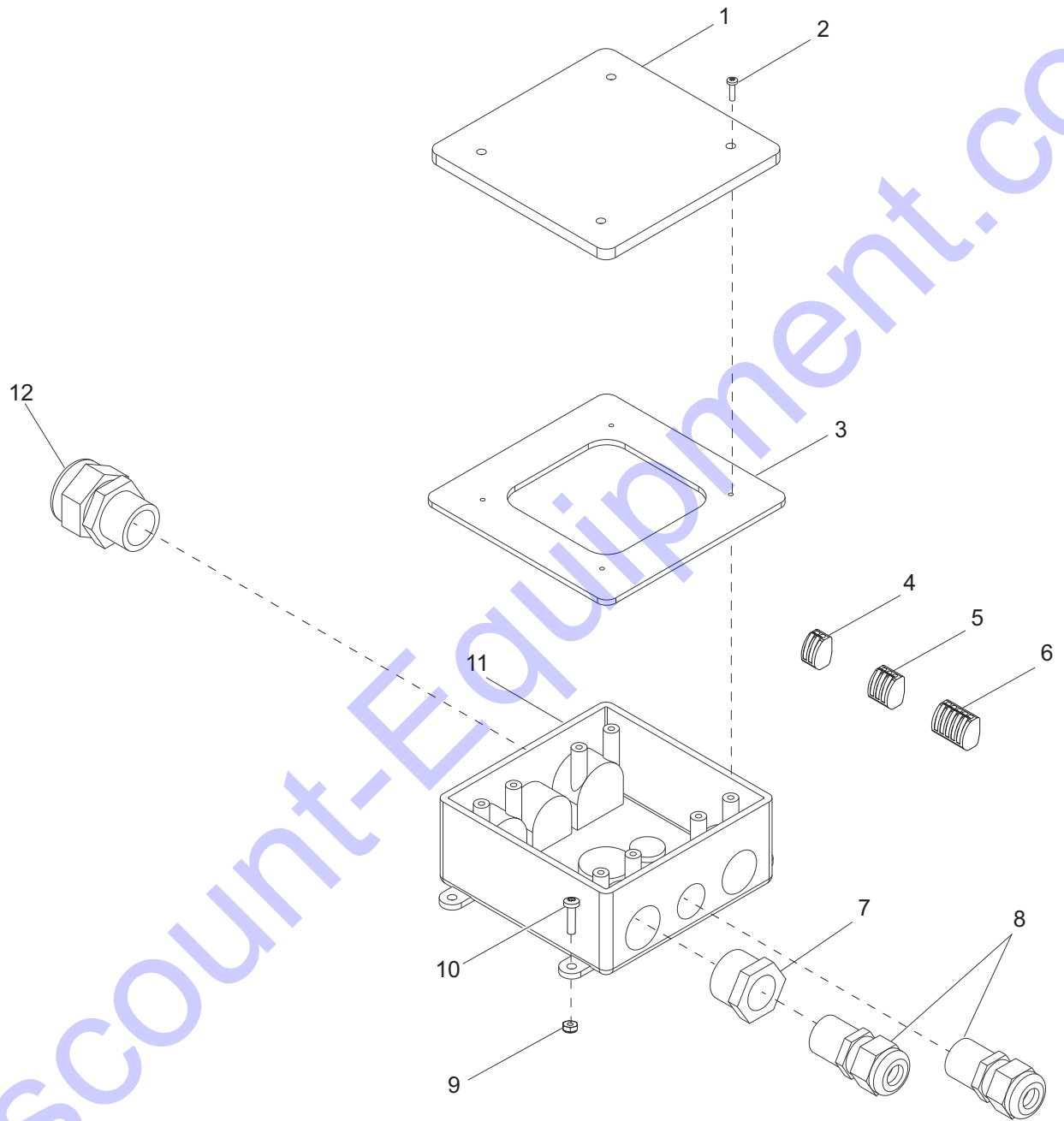
| Item | Part No. | Qty | Description | Notes |
|------|----------|-----|---|------------|
| 1 | 13399 | 2 | Screw, M4x18 pan phil | |
| 2 | 60067 | 4 | Washer, #10 flat .435/.060, SS | |
| 3 | 13372 | 2 | Washer, #4 nylon | |
| 4 | 13370 | 1 | Assembly, tether | |
| 5 | 60051 | 2 | Nut, M4-.70 nylock, G8.8 | |
| 6 | 13438 | 1 | Cord, power hard wired | |
| 7 | 62221 | 2 | Nut, .500-13 nylock, G5 | |
| 8 | 60309 | 2 | Washer, .500 flat 1.060/.090 | |
| 9 | 13392 | 2 | Stud, trunnion | |
| 10 | 13390 | 4 | Washer, .500 nylon | |
| 11 | 13375 | 1 | Support, housing/trunnion w/cord | |
| 12 | 13393 | 1 | Screw, M5x12 phillips green | |
| 13 | 13381 | 1 | Socket, bulb | |
| 14 | 60694 | 2 | Screw, 8-32x.750 pan phil, SS | |
| 15 | 13378 | 2 | Gasket, silicone | |
| 16 | 13366 | 1 | Housing | |
| 17 | 15861 | 1 | Nut, special, .500NPT lock | |
| 18 | 13386 | 1 | Fitting, nipple - .500 | |
| 19 | 13387 | 1 | Connector, weather tight | |
| 20 | 15864 | 1 | Strain relief, .500NPT watertight, .270/.464 ID | |
| 21 | 60584 | 1 | Nut, .750-10 nylock, G5 | |
| 22 | 60247 | 1 | Washer, .750 flat 2.020/.130 | |
| 23 | 63357 | 2 | Washer, .750 flat 2.0/.062, plastic | |
| 24 | 13368 | 1 | Trunnion | |
| 25 | 13892 | 1 | Support, bulb | |
| 26 | 13374 | 1 | Support, housing/trunnion w/out cord | |
| 27 | 13377 | 1 | Bracket, end plate | |
| 28 | 13388 | 10 | Screw, M5x12 slotted hex w/flange | |
| 29 | 13376 | 1 | Bracket, socket end plate | |
| 30 | 11391 | 1 | Bulb, 1000W MH short length | |
| 31 | 13373 | 1 | Gasket, lens oval | |
| 32 | 13369 | 1 | Lens, glass oval | |
| 33 | 13367 | 1 | Assembly, aluminum ring | |
| 34 | 60167 | 1 | Screw, M5-.80x35 pan phil, G4.8 | |
| 35 | 60038 | 1 | Nut, M5-.80 nylock | |
| -- | 13311 | 4 | Assembly, light fixture - 1000W hard wired | Items 1-35 |

OPTIONAL FEATURES

Quick Disconnect:

| | | | | |
|----|-------|---|--------------------------------------|-----------------|
| A | 13383 | 1 | Cord, power quick disconnect | Replaces item 6 |
| B | 60398 | 1 | Screw, 10-32x.500 pan phil, SS | |
| C | 19041 | 1 | Clip, spring holder | |
| D | 60061 | 1 | Nut, 10-32 nylock, G5 | |
| -- | 13601 | 4 | Assembly, light fixture/QD cord clip | |

MAST JUNCTION BOX ASSEMBLY - HARD WIRED LIGHTS

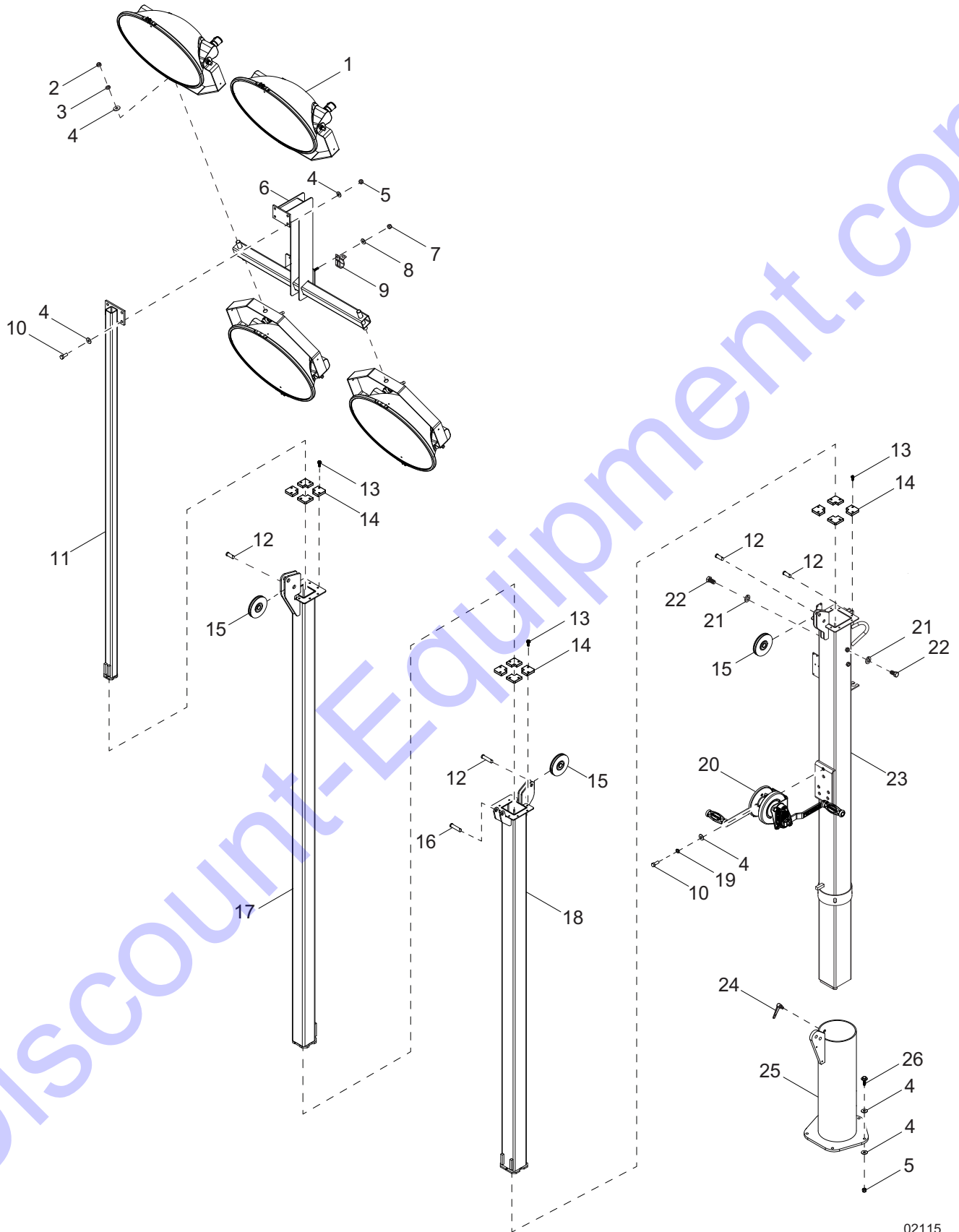


00866

MAST JUNCTION BOX ASSEMBLY - HARD WIRED LIGHTS

| Item | Part No. | Qty | Description | Notes |
|------|----------|-----|--|-------|
| 1 | 12109 | 1 | Cover, box, 2-gang plastic | |
| 2 | 60424 | 4 | Screw, 6-32x.750 pan phil, G2 | |
| 3 | 13749 | 1 | Gasket, junction box - HFI 281000 | |
| 4 | 66100 | 4 | Connector, 2 pos. | |
| 5 | 66101 | 2 | Connector, 3 pos. | |
| 6 | 66102 | 1 | Connector, 5 pos. | |
| 7 | 60755 | 2 | Fitting, strt .750MNPT x .500FNPT, nylon | |
| 8 | 15864 | 4 | Strain relief, .500NPT water tight | |
| 9 | 60415 | 4 | Nut, 10-32 nylock, SS | |
| 10 | 60062 | 4 | Screw, 10-32x.750 pan phil, G2 | |
| 11 | 12094 | 1 | Box, junction | |
| 12 | 14656 | 1 | Strain relief, .750NPT water tight | |

MAST ASSEMBLY - MANUAL WINCH

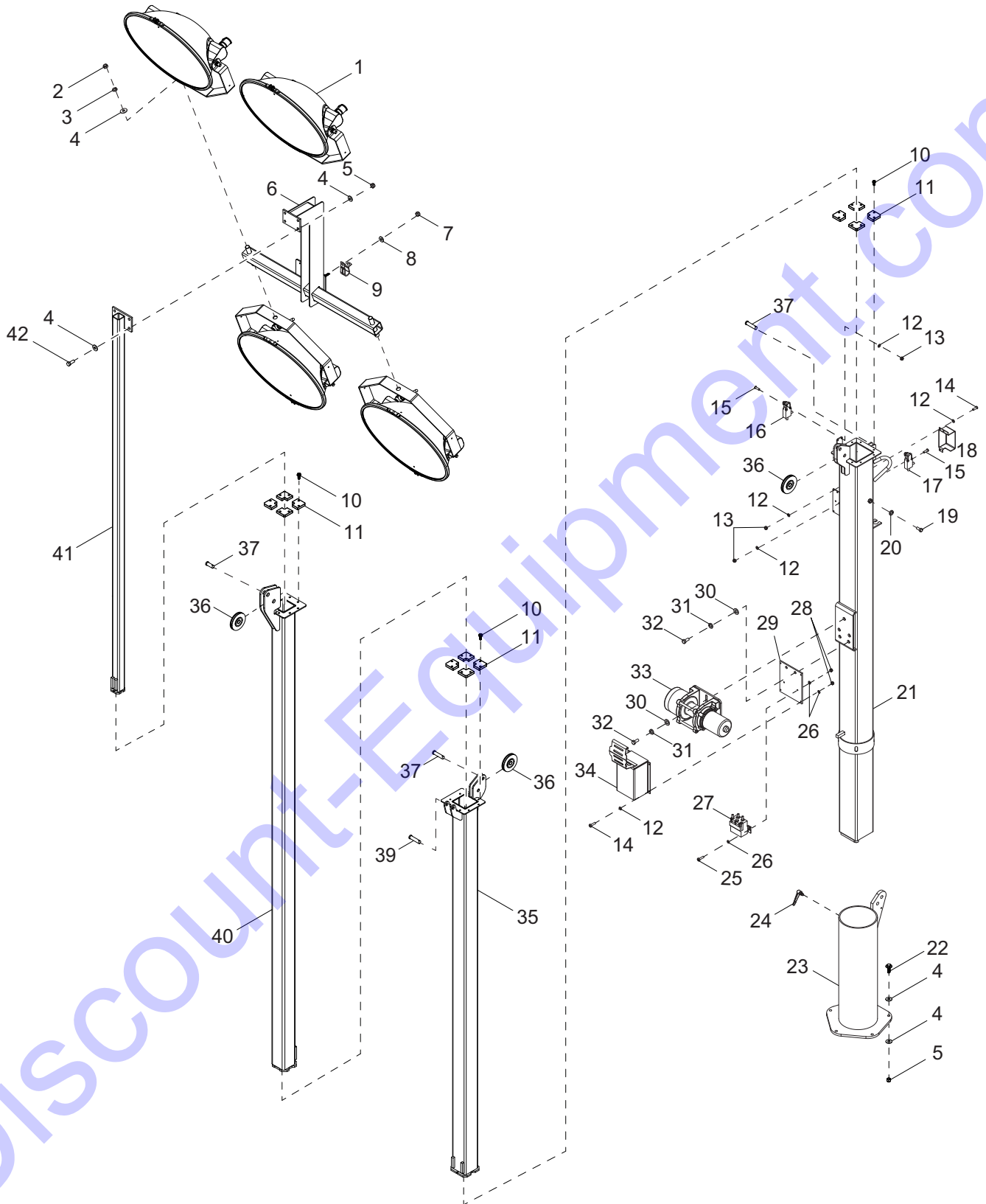


02115

MAST ASSEMBLY - MANUAL WINCH

| Item | Part No. | Qty | Description | Notes |
|------|------------------------|-----|--|-------|
| 1 | Page 8 | 4 | Assembly, light fixture | |
| 2 | 60584 | 4 | Nut, .750-10 nylock, G5 | |
| 3 | 60247 | 4 | Washer, .750 flat 2.020/.130 | |
| 4 | 60386 | 22 | Washer, .375 flat .993/.064 | |
| 5 | 60358 | 9 | Nut, .375-16 nylock, G5 | |
| 6 | 43201B | 1 | Weldment, mast crossbar | |
| 7 | 60144 | 1 | Nut, .250-20 nylock, G5 | |
| 8 | 60243 | 1 | Washer, .250 flat .735/.060 | |
| 9 | 16143 | 1 | Clamp, tubing .500 | |
| 10 | 60205 | 4 | Screw, .375-16x1.0 std hex, G5 | |
| 11 | 31264B | 1 | Weldment, mast - 1.50 | |
| 12 | 63325 | 6 | Pin, clevis - .500 dia. x 1.063 UL, ZP | |
| 13 | 63358 | 24 | Screw, .250-20x.625 hex wash thread rolling | |
| 14 | 31225 | 12 | Guide | |
| 15 | 33736 | 3 | Assy, pulley vertical mast | |
| 16 | 35655 | 1 | Pin, clevis-.500 dia. x 1.75 ZP | |
| 17 | 31261B | 1 | Weldment, mast 2.25 in | |
| 18 | 37465B | 1 | Weldment, mast 3 in | |
| 19 | 60206 | 3 | Washer, .375 split lock | |
| 20 | 72127 | 1 | Winch, manual - 1500 lb. dual handle | |
| 21 | 60703 | 2 | Washer, .375 split lock, SS | |
| 22 | 62269 | 2 | Screw .375-16X.75 std hex, SS | |
| 23 | 37462B | 1 | Weldment, mast - 4 in | |
| 24 | 36978 | 1 | Handle, adjustable, 5/16 in. - 18 x .75 in | |
| 25 | 31218B | 1 | Weldment, mast rotation tub | |
| 26 | 60139 | 5 | Screw, .375-16x1.500 std hex, G5 | |
| -- | 31247 | 1 | Cable, .188 in x 144 in w/ball swedge (bottom) | |
| -- | 31277 | 1 | Cable, .188 in x 78 in w/ball swedge (top) | |
| -- | 31248 | 1 | Cable, .188 in x 79.75 in w/ball swedge (middle) | |

MAST ASSEMBLY - ELECTRIC WINCH OPTION

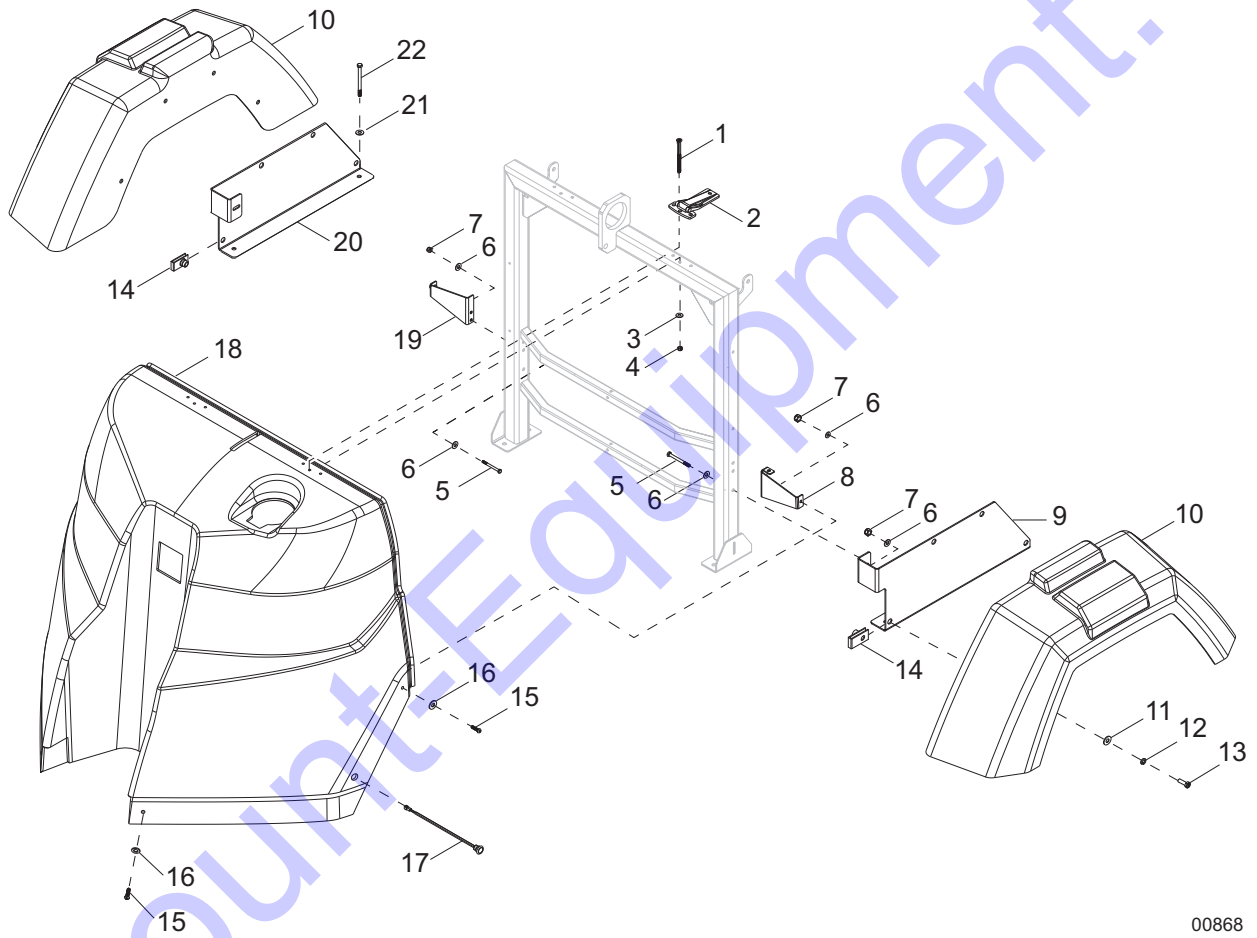


01368

MAST ASSEMBLY - ELECTRIC WINCH OPTION

| Item | Part No. | Qty | Description | Notes |
|------|------------------------|-----|--|-------|
| 1 | Page 8 | 4 | Assembly, light fixture | |
| 2 | 60584 | 4 | Nut, .750-10 nylock, G5 | |
| 3 | 60247 | 4 | Washer, .750 flat 2.020/.130 | |
| 4 | 60386 | 22 | Washer, .375 flat .993/.064 | |
| 5 | 60358 | 9 | Nut, .375-16 nylock, G5 | |
| 6 | 43201B | 1 | Weldment, mast crossbar | |
| 7 | 60144 | 1 | Nut, .250-20 nylock, G5 | |
| 8 | 60243 | 1 | Washer, .250 flat .735/.060 | |
| 9 | 16143 | 1 | Clamp, tubing .500 | |
| 10 | 63358 | 24 | Screw, .250-20x.625 hex wash thread rolling | |
| 11 | 31225 | 12 | Guide | |
| 12 | 60269 | 14 | Washer, #8 flat .433/.036 | |
| 13 | 60270 | 9 | Nut, nylock class 6 | |
| 14 | 60244 | 5 | Screw, 8-32x1.0 pan phil | |
| 15 | 67190 | 4 | Screw, 8-32x1.25 soc hex | |
| 16 | 31739 | 1 | Assembly, up stop switch, limit | |
| 17 | 31740 | 1 | Assembly, down stop switch, limit | |
| 18 | 37205B | 1 | Cover, up limit switch | |
| 19 | 62269 | 2 | Screw .375-16X.75 std hex, SS | |
| 20 | 60703 | 2 | Washer, .375 split lock, SS | |
| 21 | 37462B | 1 | Weldment, mast - 4 in | |
| 22 | 60352 | 5 | Screw, .375-16x1.250 std hex, G5 | |
| 23 | 31218B | 1 | Weldment, mast rotation tub | |
| 24 | 36978 | 1 | Handle, adjustable, 5/16 in. - 18 x .75 in | |
| 25 | 60850 | 4 | Screw, 10-24x.75 pan phil G2 | |
| 26 | 60237 | 8 | Washer, #10 flat .495/.036 SAE | |
| 27 | 11293 | 1 | Contactora, 12V electric winch | |
| 28 | 60457 | 4 | Nut, 10-24 nylock G2 | |
| 29 | 37207B | 1 | Plate, contactor bolt | |
| 30 | 60386 | 5 | Washer, .375 flat .993/.064 | |
| 31 | 60206 | 5 | Washer, .375 split lock hardened | |
| 32 | 60205 | 5 | Screw, .375-16x1.0 std hex G5 | |
| 33 | 12874 | 1 | Winch, electric-770lb hoist | |
| 34 | 37468B | 1 | Winch cover | |
| 35 | 37465B | 1 | Weldment, mast 3 in | |
| 36 | 33736 | 3 | Assy, pulley vertical mast | |
| 37 | 63325 | 5 | Pin, clevis - .500 dia. x 1.063 UL, ZP | |
| 38 | 35655 | 1 | Pin, clevis-.500 dia. x 1.75 ZP | |
| 39 | 31261B | 1 | Weldment, mast 2.25 in | |
| 40 | 31264B | 1 | Weldment, mast - 1.50 | |
| 41 | 60205 | 4 | Screw, .375-16x1.0 std hex, G5 | |
| -- | 31247 | 1 | Cable, .188 in x 144 in w/ball swedge (bottom) | |
| -- | 31277 | 1 | Cable, .188 in x 78 in w/ball swedge (top) | |
| -- | 31248 | 1 | Cable, .188 in x 79.75 in w/ball swedge (middle) | |

ENCLOSURE ASSEMBLY (1 OF 2)

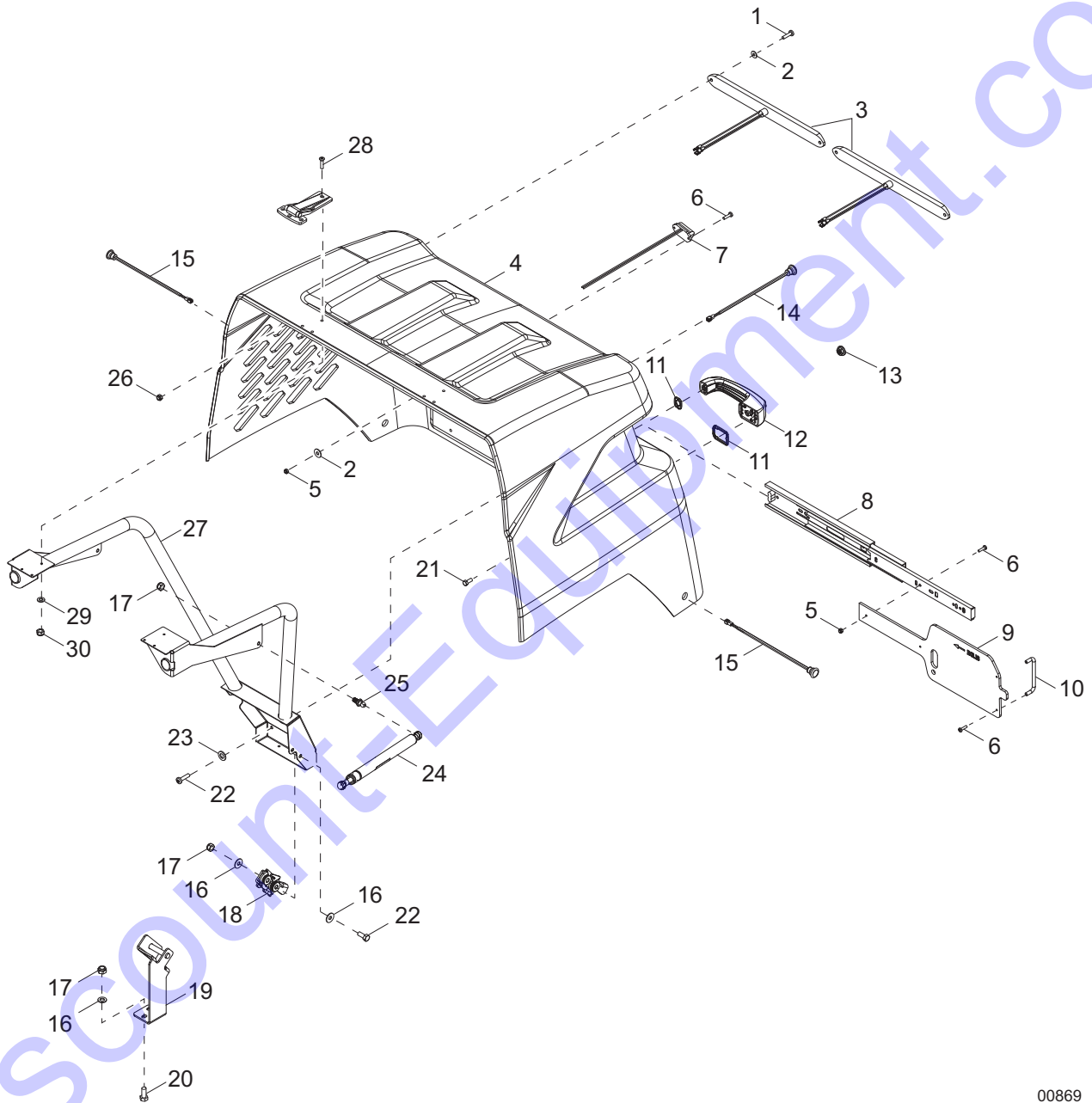


00868

ENCLOSURE ASSEMBLY (1 OF 2)

| Item | Part No. | Qty | Description | Notes |
|------|----------|-----|-------------------------------------|-------|
| 1 | 35282 | 6 | Screw, 10-24x3.0 flat head phil, SS | |
| 2 | 35136 | 2 | Hinge, flush mount | |
| 3 | 60237 | 12 | Washer, #10 flat .495/.036 | |
| 4 | 60457 | 12 | Nut, M6-1.0 weld, class 5 | |
| 5 | 61234 | 6 | Screw, .250-20X2.750 std hex, G5 | |
| 6 | 60243 | 12 | Washer, .250 flat .735/.060 | |
| 7 | 60144 | 8 | Nut, .250-20 nylock, G5 | |
| 8 | 31496 | 1 | Bracket, enclosure - LH | |
| 9 | 35141B | 1 | Bracket, mounting fender - left | |
| 10 | 17982 | 2 | Fender, plastic, 13 in. wheel | |
| 11 | 60386 | 8 | Washer, .375 flat .993/.064 | |
| 12 | 60271 | 8 | Washer, .312 split lock | |
| 13 | 60028 | 8 | Screw, .312-18x1.0 std hex, G5 | |
| 14 | 62086 | 8 | Nut, .312-18 U-clip - short type | |
| 15 | 68070 | 4 | Screw, .250-20x1.00 button hex, SS | |
| 16 | 60696 | 6 | Washer, .250 flat .625/.050, SS | |
| 17 | 36961 | 2 | Assembly, amber side marker light | |
| 18 | 52750W | 1 | Enclosure, front cover | |
| 19 | 37430B | 2 | Bracket, enclosure mounting | |
| 20 | 35216B | 2 | Bracket, mounting fender - right | |
| 21 | 60119 | 6 | Washer, .312 flat .875/.070 | |
| 22 | 60404 | 4 | Screw, .312-18x1.250 std hex, G5 | |

ENCLOSURE ASSEMBLY (2 OF 2)

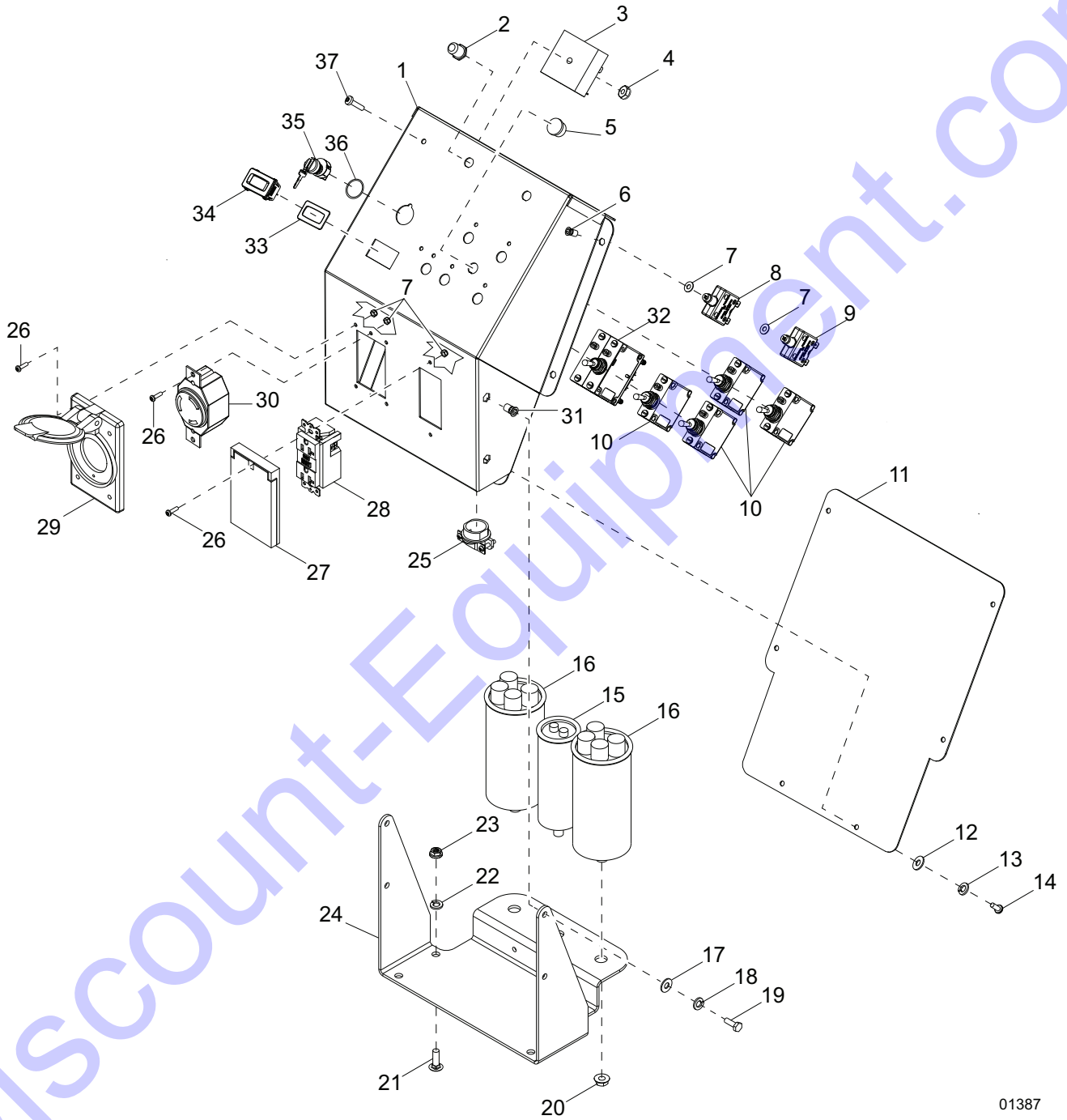


00869

ENCLOSURE ASSEMBLY (2 OF 2)

| Item | Part No. | Qty | Description | Notes |
|------|----------|-----|----------------------------------|-------|
| 1 | 60694 | 6 | Screw, 8-32x.750 pan phil, SS | |
| 2 | 60269 | 6 | Washer, #8 flat .433/.036 | |
| 3 | 36960 | 2 | Assembly, tail light | |
| 4 | 52751R | 1 | Enclosure, rear clamshell | |
| 5 | 60270 | 6 | Nut, 8-32 nylock, class 6 | |
| 6 | 60694 | 6 | Screw, 8-32x.750 pan phil, SS | |
| 7 | 36963 | 1 | Assembly, license plate light | |
| 8 | 36914 | 1 | Slide, control box cover | |
| 9 | 37104 | 1 | Cover, sliding control panel | |
| 10 | 37123 | 1 | Handle, control box cover | |
| 11 | 70216 | 1 | Gasket, kit handle, push button | |
| 12 | 35138 | 1 | Handle, push-button padlock | |
| 13 | 60036 | 1 | Nut, M6-1.00 sflg, G8.8 | |
| 14 | 36964 | 1 | Assembly, controls light | |
| 15 | 36962 | 2 | Assembly, red side marker | |
| 16 | 60119 | 6 | Washer, .312 flat .875/.070 | |
| 17 | 60303 | 6 | Nut, .312-18 nylock, G2 | |
| 18 | 35139 | 1 | Latch, rotary | |
| 19 | 37178B | 1 | Mount, door latch striker | |
| 20 | 62001 | 2 | Screw, .312-18x1.250 std hex, G5 | |
| 21 | 60335 | 1 | Screw, M6-1.00x25 std hex, SS | |
| 22 | 60146 | 3 | Screw, M6-1.00x20 pan phil, G4.8 | |
| 23 | 60243 | 3 | Washer, .250 flat .735/.060 | |
| 24 | 35137 | 2 | Gas shock, 120 lb | |
| 25 | 35293 | 2 | Ball stud, 10mm, .313-18 | |
| 26 | 60270 | 4 | Nut, 8-32 nylock class 6 | |
| 27 | 37012 | 1 | Weldment, enclosure structure | |
| 28 | 35290 | 6 | Screw, 10-24x1.0 flat phil, SS | |
| 29 | 60237 | 2 | Washer, #10 flat .495/.036 ZC | |
| 30 | 60457 | 2 | Nut, 10-24 nylk G2 ZC | |
| -- | 60335 | 1 | Screw, M6-1.00x25 std hex, SS | |
| -- | 60375 | 1 | Clamp, tubing - .312 lt duty | |

CONTROL BOX ASSEMBLY - MLT6SM, MLT6SK

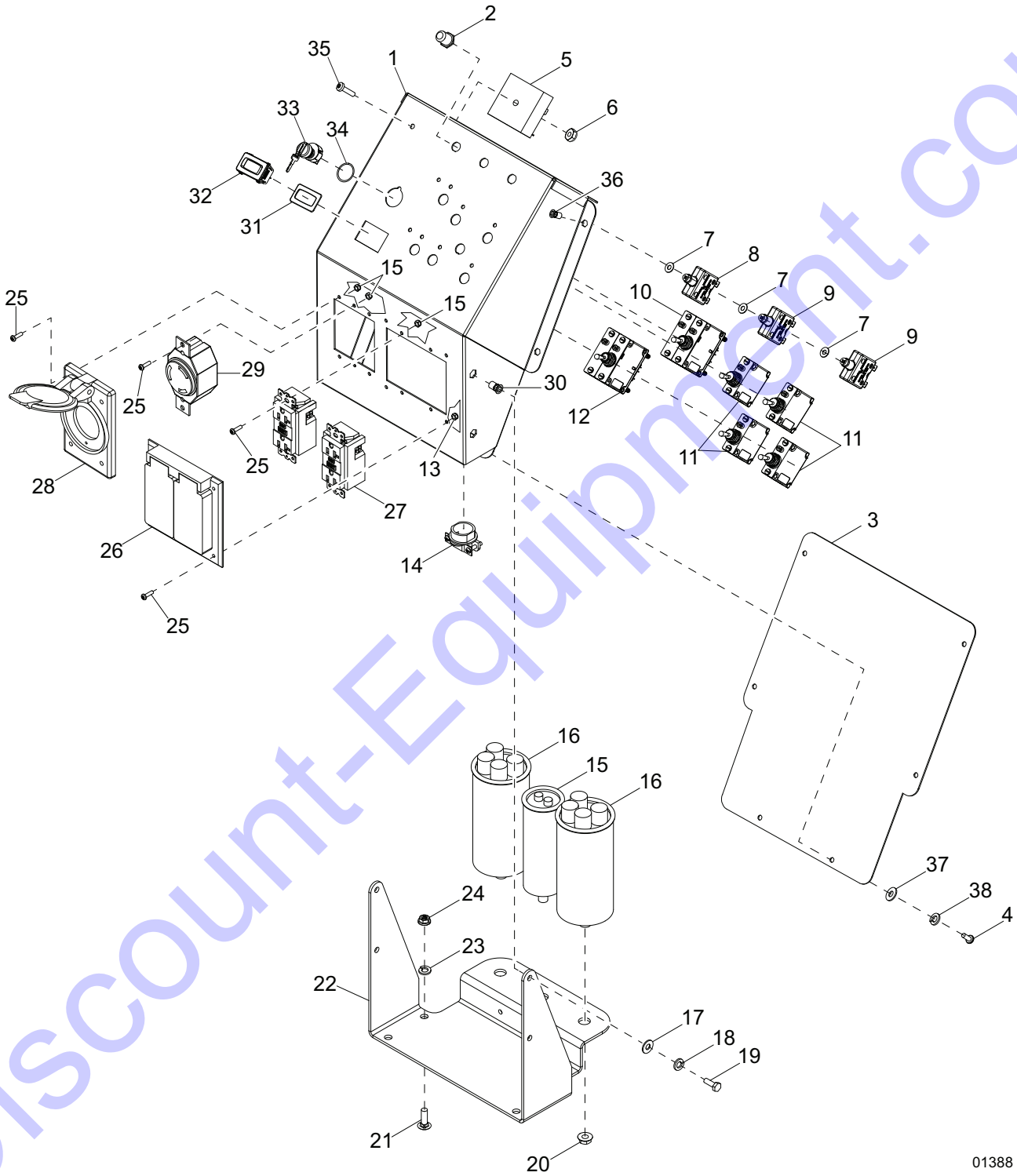


01387

CONTROL BOX ASSEMBLY - MLT6SM, MLT6SK

| Item | Part No. | Qty | Description | Notes |
|------|----------|-----|---|-------|
| 1 | 36884B | 1 | Control box | |
| 2 | 36938 | 2 | Boot, push button breaker | |
| 3 | 14201 | 1 | Relay, 10A SPDT, time delay - 15 sec fixed | |
| 4 | 60061 | 5 | Nut, 10-32 nylock | |
| 5 | 65798 | 1 | Plug | |
| 6 | 62234 | 6 | Insert, threaded #10-32 hex .020-.130 grip | |
| 7 | 60386 | 2 | Washer, .375 flat .993/.064 | |
| 8 | 36937 | 1 | Breaker, 10A DC | |
| 9 | 36935 | 1 | Breaker, 15A, 1 pole, 250V | |
| 10 | 36880 | 4 | Switch, light - 15A | |
| 11 | 36885B | 1 | Cover, control panel box | |
| 12 | 60237 | 6 | Washer, #10 flat .495/0.36 | |
| 13 | 60252 | 6 | Washer, #10 split lock | |
| 14 | 60277 | 6 | Screw, 10-32x.500 pan phil G2 | |
| 15 | 65959 | 2 | Capacitor, dual 24 μ F sealed stud mount | |
| 16 | 36980 | 1 | Capacitor, 25 μ F, 5% 440VAC, sealed stud mount | |
| 17 | 60243 | 4 | Washer, .250 flat .735/.060 | |
| 18 | 60286 | 4 | Washer, .250 split lock | |
| 19 | 60281 | 4 | Screw, .250-20x.750 std hex, G5 | |
| 20 | 60148 | 3 | Nut, M12-1.75 sflg, G8.8 | |
| 21 | 61066 | 4 | Screw, .312-18x1.0 carr sqr, SS | |
| 22 | 60119 | 4 | Washer, .312 flat .875/.070 | |
| 23 | 60095 | 4 | Nut, .312-18 sflg | |
| 24 | 36911B | 1 | Bracket, control box mounting | |
| 25 | 14219 | 1 | Strain relief - .75 romex w/nut | |
| 26 | 62210 | 6 | Screw, 6-32x.50 pan phil, SS | |
| 27 | 37017 | 1 | Cover receptacle - weather proof, 20A GFCI single | |
| 28 | 14130 | 1 | Receptacle, 120V/20A GFI | |
| 29 | 36939 | 1 | Cover, receptacle - weather proof 20/30A twist-lock | |
| 30 | 14137 | 1 | Receptacle, 240V/30A twist | |
| 31 | 63231 | 4 | Insert, threaded .250-20 hex .027-.165 grip | |
| 32 | 36975 | 1 | Breaker, 30A main | |
| 33 | 36944 | 1 | Gasket, hour meter | |
| 34 | 36886 | 1 | Meter, hour | |
| 35 | 36882 | 1 | Switch, sealed key, 4-position | |
| 36 | 37042 | 1 | O-ring, .75IDx15-16 in. x 3/32 in | |
| 37 | 63308 | 1 | Screw, 10-32x1.250 pan phil, SS | |
| -- | 36320 | 1 | Assy, control panel | |

CONTROL BOX ASSEMBLY - MLT8SK

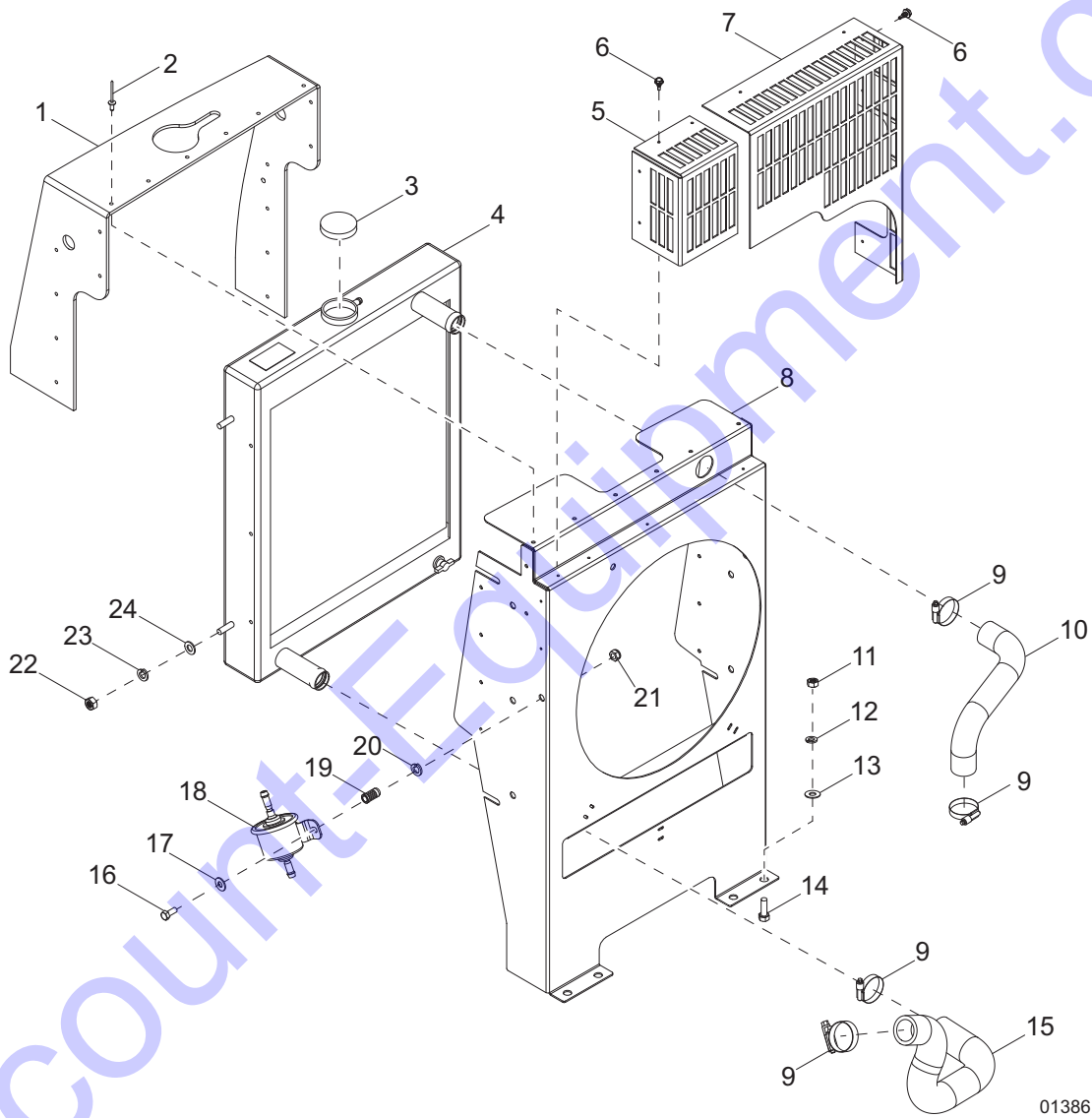


01388

CONTROL BOX ASSEMBLY - MLT8SK

| Item | Part No. | Qty | Description | Notes |
|------|----------|-----|--|-------|
| 1 | 37002B | 1 | Control box | |
| 2 | 36938 | 3 | Boot, push button breaker | |
| 3 | 36885B | 1 | Cover, control panel box | |
| 4 | 62254 | 6 | Screw, 10-32x.500 sflg hex 18-8 SS | |
| 5 | 14201 | 1 | Relay, 10A SPDT, time delay-15 second fixed | |
| 6 | 60061 | 2 | Nut, 10-32 nylock | |
| 7 | 60386 | 3 | Washer, .375 flat .993/.064 | |
| 8 | 36937 | 1 | Breaker, 10A DC mech prod | |
| 9 | 36935 | 2 | Breaker 15A, 1 pole, 250V | |
| 10 | 37131 | 1 | Breaker, 40A main | |
| 11 | 36880 | 4 | Switch, light | |
| 12 | 36975 | 1 | Breaker, 30A main | |
| 13 | 60728 | 14 | Nut, 6-32 nylock, G5 | |
| 14 | 14219 | 1 | Strain relief- .75 romex w/nut | |
| 15 | 37177 | 1 | Capacitor, 25 μ F, 6%, 600VAC, sealed stud mount | |
| 16 | 65959 | 2 | Capacitor, dual 24 μ F sealed stud mount | |
| 17 | 60243 | 4 | Washer, .250 flat .735/.060 | |
| 18 | 60286 | 4 | Washer, .250 split lock | |
| 19 | 60281 | 4 | Screw, .250-20x.750 std hex, G5 | |
| 20 | 60148 | 3 | Nut, M12-1.75 sflg, G8.8 | |
| 21 | 61066 | 4 | Screw, .312-18x1.0 carr sqr, SS | |
| 22 | 36911 | 1 | Bracket, control box mounting | |
| 23 | 60119 | 4 | Washer, .312 flat .875/.070 | |
| 24 | 60303 | 4 | Nut, .312-18 nylock, G2 | |
| 25 | 62210 | 14 | Screw, 6-32x.50 pan phil, SS | |
| 26 | 15849 | 1 | Cover receptacle - weather proof 20A GFCI dual | |
| 27 | 14130 | 2 | Receptacle, 120V/20A GFI | |
| 28 | 36939 | 1 | Cover, receptacle - weather proof 20/30A twist-lock | |
| 29 | 14137 | 1 | Receptacle, 240V/30A twist | |
| 30 | 63231 | 4 | Insert, threaded .250-20 hex .027-.165 grip | |
| 31 | 36944 | 1 | Gasket, hour meter | |
| 32 | 36886 | 1 | Meter, hour | |
| 33 | 36882 | 1 | Switch, sealed key, 4-position | |
| 34 | 37042 | 1 | O-ring, .75IDx15-16 in. x 3/32 in | |
| 35 | 63308 | 1 | Screw, 10-32x1.250 pan phil, SS | |
| 36 | 62234 | 6 | Insert, threaded #10-32 hex .020-.130 grip | |
| 37 | 60237 | 6 | Washer, #10 flat .495/0.36 | |
| 38 | 60252 | 6 | Washer, #10 split lock | |
| -- | 68370 | 1 | Harness, generator to control box | |
| -- | 68284 | 1 | Harness, control box DC | |

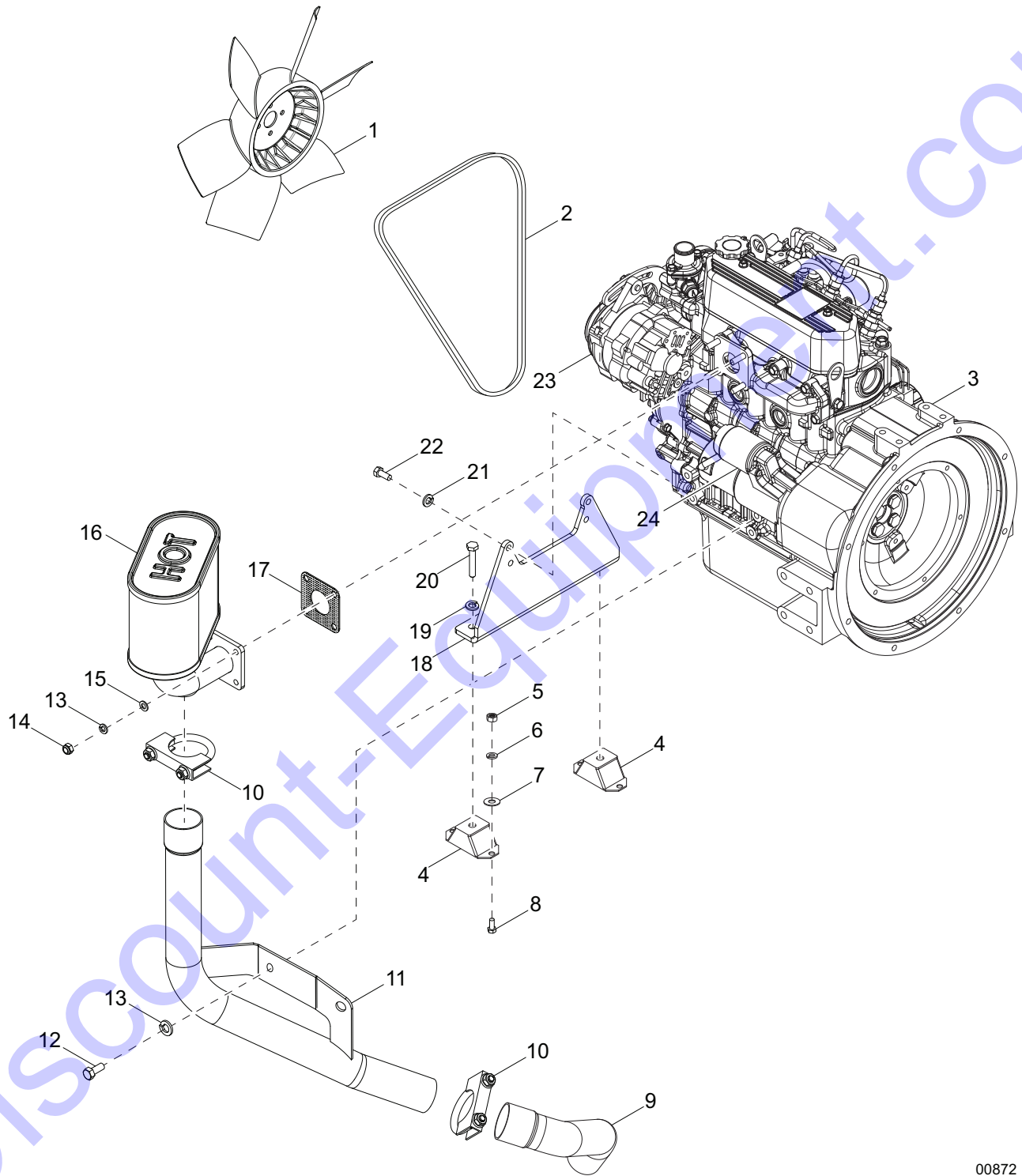
COOLING SYSTEM ASSEMBLY



COOLING SYSTEM ASSEMBLY

| Item | Part No. | Qty | Description | Notes |
|------|----------|-----|--|----------------|
| 1 | 36979 | 1 | Seal, rubber, cooling | |
| 2 | 60195 | 18 | Rivet, .188 dia. x .375 to .500 grip, large flange | |
| 3 | 19219 | 1 | Cap, radiator pressure small - 14.7 psi | |
| 4 | 13924 | 1 | Radiator with fan guard | |
| 5 | 36227B | 1 | Guard, fan, left | |
| 6 | 60364 | 9 | Screw, 10-16x5.0 std hex, G2 | |
| 7 | 72161B | 1 | Guard, fan, right | For Mitsubishi |
| | 36232B | 1 | Guard, fan, right | For Kubota |
| 8 | 36226B | 1 | Fan shroud | For Mitsubishi |
| | 36233B | 1 | Fan shroud | For Kubota |
| 9 | 15422 | 4 | Clamp, hose - SAE 020 (.75-1.75) | |
| 10 | 32383 | 1 | Hose, radiator - upper | For Mitsubishi |
| | 36977 | 1 | Hose, radiator - upper | For Kubota |
| 11 | 60285 | 14 | Nut .312-18 hex, G2 | |
| 12 | 60271 | 21 | Washer, .312 split lock | |
| 13 | 60119 | 24 | Washer .312 flat .875/.070 | |
| 14 | 61066 | 4 | Screw, .312-18X1.000 carr sqr 18-8 SS | For Mitsubishi |
| 15 | 16688 | 1 | Hose, radiator - lower | For Kubota |
| | 12350 | 1 | Hose, radiator - lower | |
| 16 | 60393 | 2 | Screw, .250-20x1.0 std hex, G5 | |
| 17 | 60243 | 4 | Washer, .250 flat .735/.060 | |
| 18 | 13278 | 1 | Fuel pump, electric | |
| 19 | 62132 | 1 | Insert, threaded .50-20 splined .027-.165 GRP | |
| 20 | 60286 | 2 | Washer, .25 split lock ZC | |
| 21 | 60144 | 2 | Nut 250-20 nylock, G5 | |
| 22 | 60032 | 4 | Nut, M8-1.25 hex, G8.8 | |
| 23 | 60029 | 4 | Washer, M8 split lock | |
| 24 | 60166 | 4 | Washer, M8 flat | |

ENGINE ASSEMBLY - MITSUBISHI (1 OF 2)



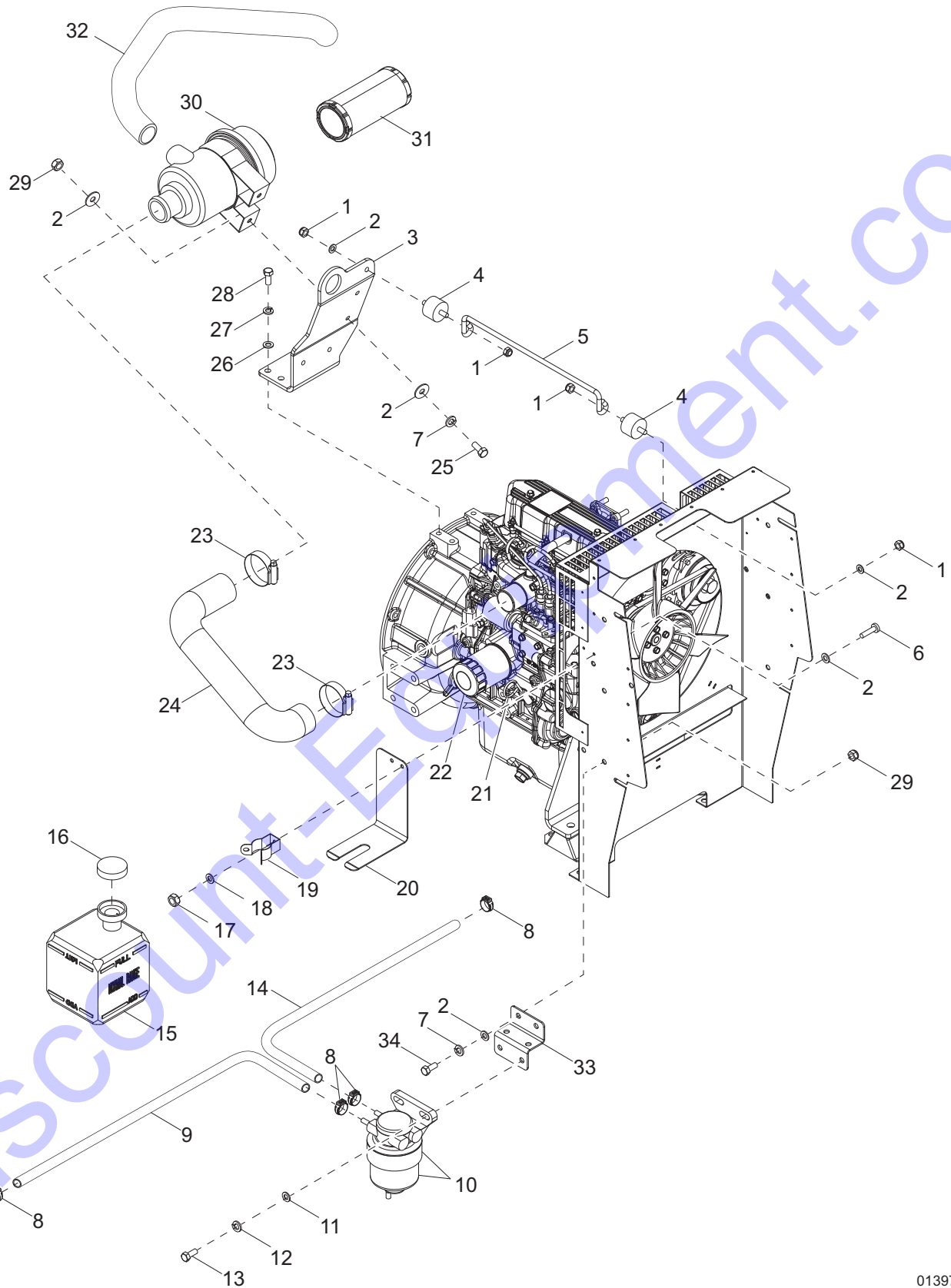
00872

ENGINE ASSEMBLY - MITSUBISHI (1 OF 2)

| Item | Part No. | Qty | Description | Notes |
|------|----------|-----|--|-------|
| 1 | 16742 | 1 | Fan, engine | |
| 2 | 16692 | 1 | V-belt, alternator | |
| 3 | 37164 | 1 | Engine, Mitsubishi - L3E Tier IV | |
| 4 | 34052 | 2 | Isolator, rubber - 1.50x1.0, 5/16-18 studs | |
| 5 | 60285 | 4 | Nut .312-18 hex, G2 | |
| 6 | 60271 | 4 | Washer, .312 split lock | |
| 7 | 60119 | 4 | Washer .312 flat .875/.070 | |
| 8 | 61066 | 4 | Screw, .312-18x1.0 carr sqr, SS | |
| 9 | 17121 | 1 | Exhaust, extension | |
| 10 | 68082 | 1 | Clamp, muffler - 1.63 | |
| 11 | 43200 | 1 | Weldment, exhaust | |
| 12 | 60495 | 2 | Screw, M10-1.25x16 std hex, G8.8 | |
| 13 | 60029 | 4 | Washer, M8 split lock | |
| 14 | 60032 | 4 | Nut, M8-1.25 hex, G8.8 | |
| 15 | 60166 | 4 | Washer, M8 flat | |
| 16 | 39675 | 1 | Muffler | |
| 17 | 11042 | 1 | Gasket, muffler | |
| 18 | 37030B | 1 | Bracket, engine mount | |
| 19 | 60702 | 2 | Washer, .500 split lock, SS | |
| 20 | 60275 | 2 | Screw, .500-13x1.0 std hex, G5 | |
| 21 | 60026 | 4 | Washer, M10 split lock | |
| 22 | 60422 | 4 | Screw, M10-1.25x25 std hex, G8.8 | |
| 23 | 16743 | 1 | Alternator | |
| 24 | 70232 | 1 | Starter | |

Note: Engine and generator parts used in all Generac Mobile Products, LLC equipment carry the Original Equipment Manufacturer (OEM) warranty unless otherwise stated. OEM warranty parts must be purchased through an OEM dealer.

ENGINE ASSEMBLY - MITSUBISHI (2 OF 2)



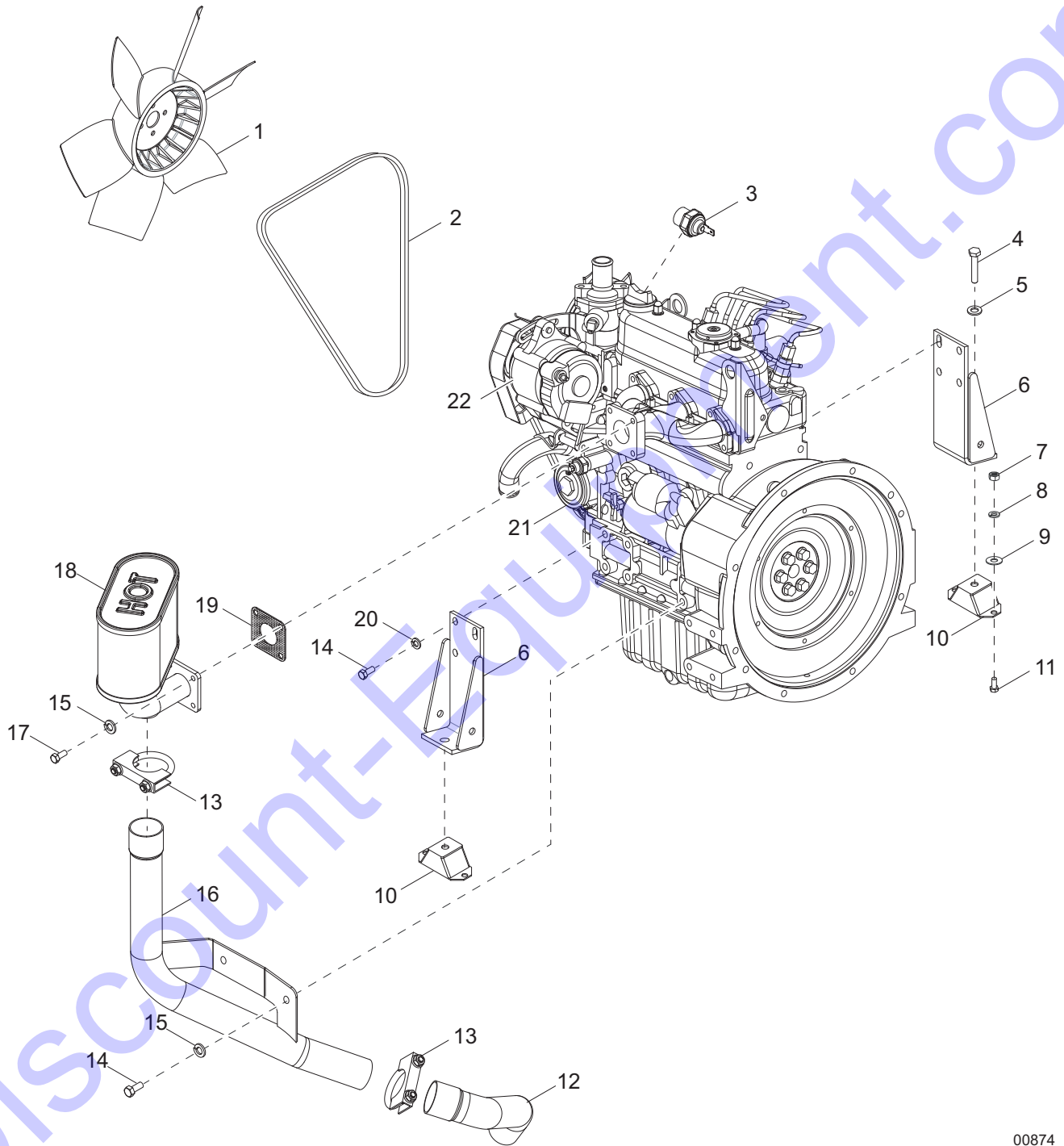
01397

ENGINE ASSEMBLY - MITSUBISHI (2 OF 2)

| Item | Part No. | Qty | Description | Notes |
|------|----------|--------|---|----------------|
| 1 | 62079 | 2 | Nut, .312-18 nylock jam | |
| 2 | 60119 | 26 | Washer, .312 flat .875/.07 | |
| 3 | 17977B | 1 | Bracket, air cleaner | |
| 4 | 34052 | 2 | Isolator, rubber - 1.50x1.00, 5/16-18 studs | |
| 5 | 36989 | 1 | Rod, radiator stay | |
| 6 | 60694 | 4 | Screw, 8-32x.750 pan phil, SS | |
| 7 | 60271 | 20 | Washer, .312 split lock | |
| 8 | 60777 | 4 | Clamp, hose - .312 fuel hose crimp style | |
| 9 | 50018 | 1.5 ft | Hose, fuel - .312 ID, 50 psi SAE 30R7 | |
| 10 | 17641 | 1 | Fuel filter head | Includes 17647 |
| | 17647 | 1 | Element, fuel filter | |
| 11 | 60243 | 5 | Washer, .250 flat .735/.060 | |
| 12 | 60286 | 5 | Washer, .250 split lock | |
| 13 | 60414 | 2 | Screw, .250-20X1.50 std hex, G5 | |
| 14 | 50018 | 2.8 ft | Hose, fuel - .312 ID, 50 psi SAE 30R7 | |
| 15 | 20287 | 1 | Jug, overflow 2 qt. (.5 gal) | |
| 16 | 19714 | 1 | Cap, overflow jug | |
| 17 | 60061 | 2 | Nut, 10-32 nylock | |
| 18 | 60696 | 2 | Washer, .250 flat .625/060, SS | |
| 19 | 19726 | 1 | Clamp, overflow jug | |
| 20 | 22419B | 1 | Bracket, support overflow jug .5 gallon | |
| 21 | 11148 | 1 | Dipstick, oil | |
| 22 | 70124 | 1 | Filter, oil | |
| 23 | 60316 | 2 | Clamp, hose - SAE 032 (1.56-2.50) | |
| 24 | 16589 | 1 | Hose, air cleaner | |
| 25 | 60028 | 2 | Screw, .312-18x1.0 std hex, G5 | |
| 26 | 60027 | 4 | Washer, M10 flat | |
| 27 | 60026 | 4 | Washer, M10 split lock | |
| 28 | 60422 | 4 | Screw, M10-1.25x25 std hex, G8.8 | |
| 29 | 60285 | 2 | Nut, .312-18 hex, G2 | |
| 30 | 34066 | 1 | Filter, air, w/bracket | |
| 31 | 16444 | 1 | Element, air filter | |
| 32 | 10434 | 1 | Hose, air intake | |
| 33 | 36234B | 1 | Bracket, fuel filter | |
| 34 | 62001 | 2 | Screw, .312-18X 1.25 std hex G5 | |
| -- | 65684 | 1 | Harness, lead - Mitsubishi | |
| -- | 37034 | 1 | Harness, engine | |
| -- | 11691 | 1 | Bracket, lower radiator hose guard - Mitsubishi | |
| -- | 11147 | 1 | Oil cap | |
| -- | 70232 | 1 | Starter | |
| -- | 16745 | 1 | Thermostat | |
| -- | 12214 | 1 | Thermostat gasket | |
| -- | 19177 | 1 | Hose, fuel pick-up, .312 x 18.00 | |
| -- | 52649 | 1 | Hose, Fuel .188 ID 50 psi SAE 30R7 - 3 | |
| -- | 52650 | 1 | Hose, Fuel .188 ID 50 psi SAE 30R7 -15.5 | |
| -- | 13298 | 1 | Hose, Fuel .312 ID 50 psi SAE 30R7 - 30 | |

Note: Engine and generator parts used in all Generac Mobile Products, LLC equipment carry the Original Equipment Manufacturer (OEM) warranty unless otherwise stated. OEM warranty parts must be purchased through an OEM dealer.

ENGINE ASSEMBLY - KUBOTA (1 OF 2)



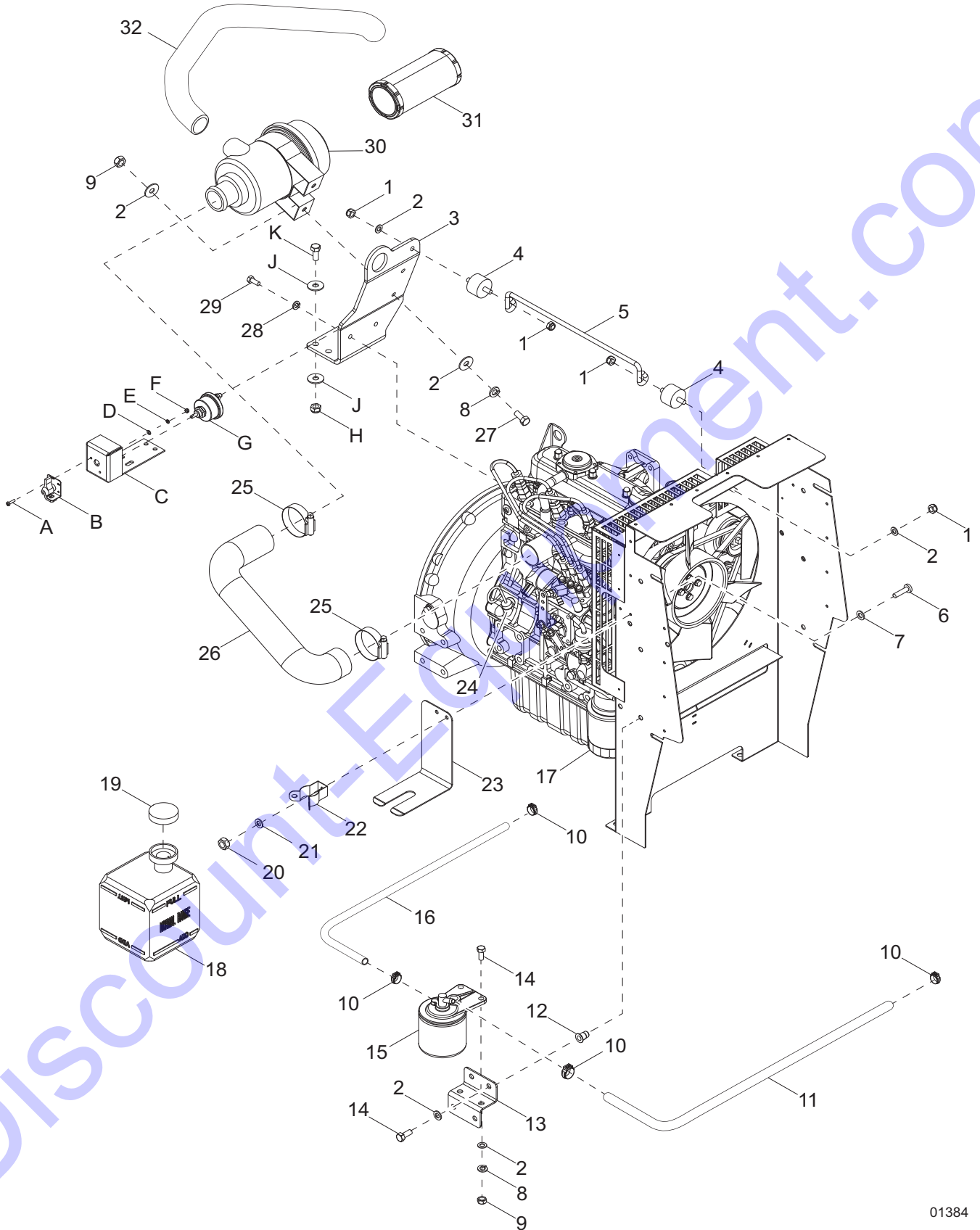
00874

ENGINE ASSEMBLY - KUBOTA (1 OF 2)

| Item | Part No. | Qty | Description | Notes |
|------|----------|-----|---------------------------------------|-------|
| 1 | 15495 | 1 | Fan, pusher | |
| 2 | 11628 | 1 | V-belt, Kubota | |
| 3 | 14099 | 1 | Switch, coolant temperature | |
| 4 | 60275 | 4 | Screw, .500-13x1.0 std hex, G5 | |
| 5 | 60702 | 4 | Washer, .500 split lock, SS | |
| 6 | 12338B | 2 | Weldment, engine mount - Kubota D905 | |
| 7 | 60285 | 4 | Nut, .312-18 hex, G2 | |
| 8 | 60271 | 4 | Washer, .312 split lock | |
| 9 | 60119 | 4 | Washer, .312 flat .875/.070 | |
| 10 | 15241 | 2 | Isolator, rubber 80-200 lbs., 2" wide | |
| 11 | 61066 | 4 | Screw, .312-18x1.0 carr sqr, SS | |
| 12 | 17121 | 1 | Exhaust, extension | |
| 13 | 68082 | 1 | Clamp, muffler - 1.63 | |
| 14 | 60422 | 10 | Screw, M10-1.25x25 std hex, G8.8 | |
| 15 | 60029 | 6 | Washer, M8 split lock | |
| 16 | 43200 | 1 | Weldment, exhaust | |
| 17 | 63168 | 4 | Screw, M8-1.25x30 std hex, 10.9 | |
| 18 | 17949 | 1 | Muffler | |
| 19 | 11042 | 1 | Gasket, muffler | |
| 20 | 60026 | 8 | Washer, M10 split lock | |
| 21 | 13310 | 1 | Engine, Kubota D1005-E3BG1-MGM-1 | MLT6K |
| | 13281 | 1 | Engine, Kubota D1105 BG | MLT8K |
| 22 | 12486 | 1 | Alternator | |
| -- | 60649 | 1 | Clamp, tubing - .750 heavy duty | |
| -- | 30582 | 1 | Starter, Kubota D1005 | MLT6K |
| -- | 15298 | 1 | Starter, Kubota D1105 | MLT8K |

Note: Engine and generator parts used in all Generac Mobile Products, LLC equipment carry the Original Equipment Manufacturer (OEM) warranty unless otherwise stated. OEM warranty parts must be purchased through an OEM dealer.

ENGINE ASSEMBLY - KUBOTA (2 OF 2)



01384

ENGINE ASSEMBLY - KUBOTA (2 OF 2)

| Item | Part No. | Qty | Description | Notes |
|------|----------|-----|--|----------------|
| 1 | 62079 | 9 | Nut, .312-18 nylock jam | |
| 2 | 60119 | 24 | Washer, .312 flat .875/.070 | |
| 3 | 17977B | 1 | Bracket, air cleaner | |
| 4 | 34052 | 2 | Isolator, rubber 1.50x1.0, 5/16-18 studs | |
| 5 | 36989 | 1 | Rod, radiator stay | |
| 6 | 61180 | 2 | Screw, 10-32x.750 pan phil, SS | |
| 7 | 60067 | 4 | Washer, #10 flat .435/.060, SS | |
| 8 | 60271 | 18 | Washer, .312 split lock | |
| 9 | 60285 | 16 | Nut, .312-18 hex, G2 | |
| 10 | 60777 | 4 | Clamp, hose - .312 fuel hose crimp style | |
| 11 | 19117 | 1 | Hose, fuel - .312 ID 50 psi SAE 30R7 | |
| 12 | 62132 | 2 | Inset, threaded .250-20 splined .027-.165 grip | |
| 13 | 36234 | 1 | Bracket, fuel system | |
| 14 | 62001 | 4 | Screw, .312-18x1.250 std hex, G5 | |
| 15 | 13481 | 1 | Assembly, fuel filter | includes 13515 |
| | 13515 | 1 | Element, fuel filter | |
| 16 | 16232 | 1 | Hose, fuel - .312 ID 50 psi SAE 30R7 | |
| 17 | 10775 | 1 | Filter, oil | |
| 18 | 20287 | 1 | Jug, overflow 2 qt. (.5 gal) | |
| 19 | 19714 | 1 | Cap, overflow jug | |
| 20 | 60061 | 9 | Nut, M8-1.25 hex, G8.8 | |
| 21 | 60067 | 17 | Washer, .312 flat .875/.070 | |
| 22 | 19726 | 1 | Clamp, overflow bottle | |
| 23 | 22419B | 1 | Bracket, support overflow jug .5 gallon | |
| 24 | 12484 | 1 | Cap, oil | |
| 25 | 60316 | 2 | Clamp, hose - SAE 032 (1.56-2.50) | |
| 26 | 16589 | 1 | Hose, air cleaner | |
| 27 | 60028 | 2 | Screw, .312-18x1.0 std hex, G5 | |
| 28 | 60026 | 2 | Washer, M10 split lock | |
| 29 | 60422 | 2 | Screw, M10-1.25x25 std hex, G8.8 | |
| 30 | 34066 | 1 | Filter, air, w bracket | |
| 31 | 16444 | 1 | Element, air filter | |
| 32 | 14034 | 1 | Hose, air intake | |
| -- | 19177 | 1 | Hose, fuel pick-up, .312 x 18.00 | |

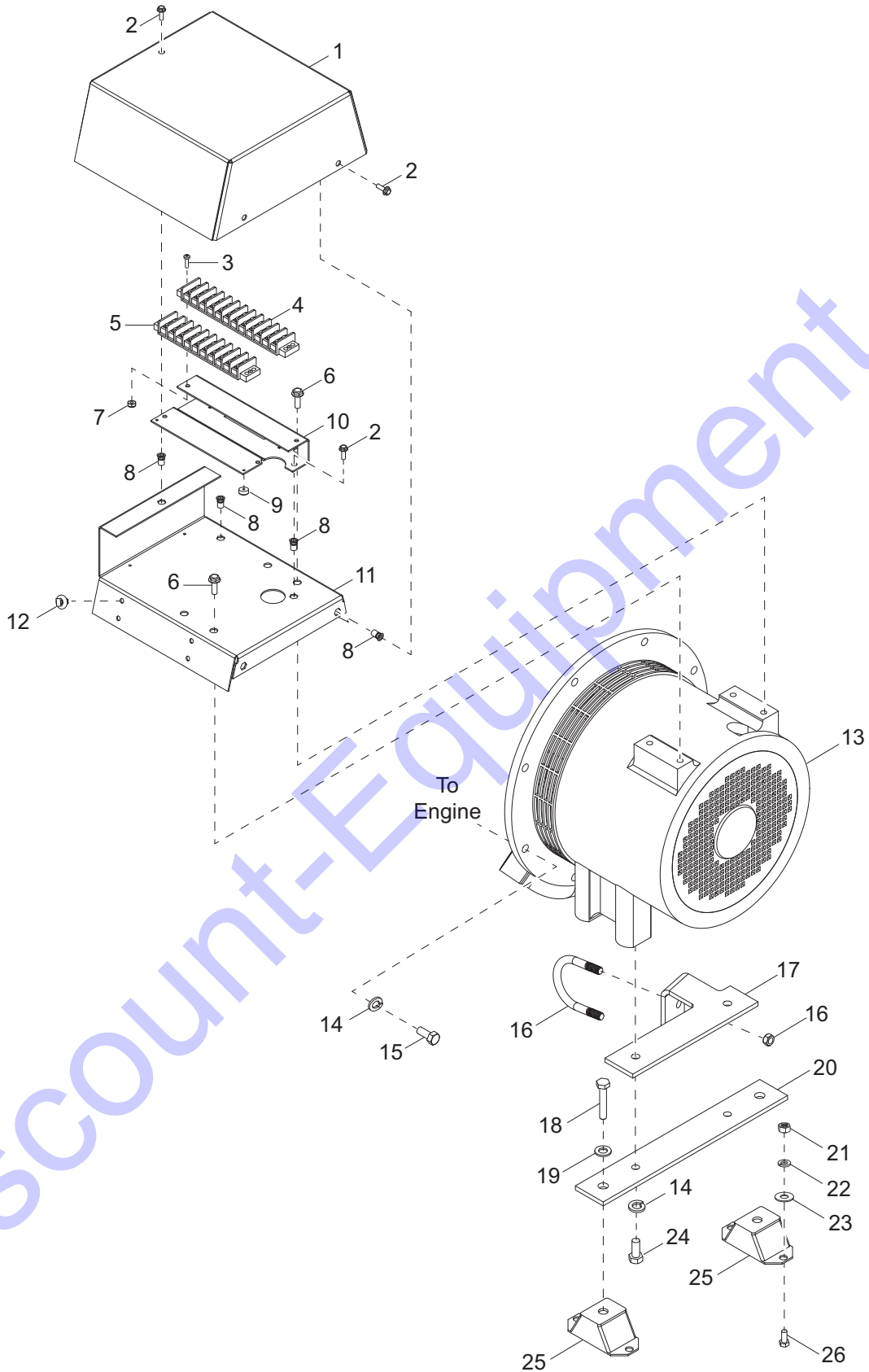
OPTIONAL FEATURES

Battery Disconnect:

| | | | |
|----|--------|---|--|
| A | 60277 | 2 | Screw, 10-32x .500 pan phil G2 |
| B | 65499 | 1 | Switch lockout lever kit |
| C | 35737B | 1 | Bracket, battery disconnect |
| D | 60237 | 2 | Washer, #10-32x .500 pan phil |
| E | 60252 | 2 | Washer, #10 split lock |
| F | 60061 | 2 | Nut, 10-32 nylok |
| G | 65498 | 1 | Switch, disconnect |
| H | 60342 | 4 | Nut, M8 1.25 hex 18.8SS |
| J | 60444 | 8 | Washer, M8 flat 18.8 SS |
| K | 63168 | 4 | Screw, M8 1.25x 30 std hex 10.9ZC |
| -- | 25075 | 1 | Cable, battery - 24 in 4 ga - red w/boot, .375 lug |

Note: Engine and generator parts used in all Generac Mobile Products, LLC equipment carry the Original Equipment Manufacturer (OEM) warranty unless otherwise stated. OEM warranty parts must be purchased through an OEM dealer.

GENERATOR ASSEMBLY



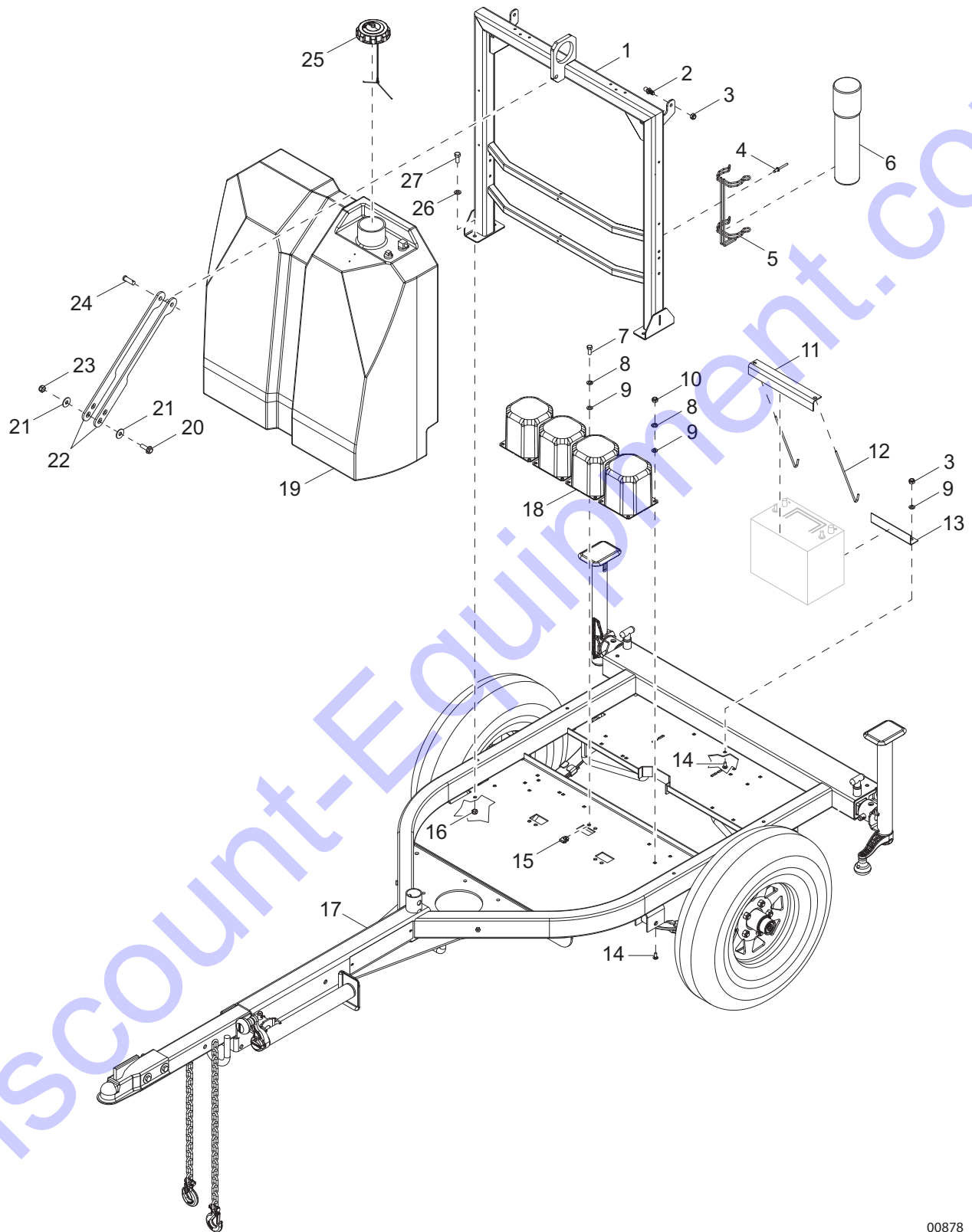
00876

GENERATOR ASSEMBLY

| Item | Part No. | Qty | Description | Notes |
|------|----------|-----|---|----------------------|
| 1 | 17994B | 1 | Cover, generator, Marathon | |
| 2 | 60175 | 5 | Screw, .250-20x.500 sflg hex, G5 | |
| 3 | 60062 | 4 | Screw, 10-32x.750 pan phil, G2 | |
| 4 | 14139 | 1 | Block terminal - 12 pos | |
| 5 | 14203 | 1 | Block terminal - 10 pos | |
| 6 | 60114 | 4 | Screw, M8-1.25x20 sflg hex | |
| 7 | 60061 | 4 | Nut, 10-32 nylock | |
| 8 | 63231 | 9 | Insert, threaded .250-20 hex .027-.165 grip | |
| 9 | 15215 | 2 | Rubber bumper | |
| 10 | 36942B | 1 | Bracket, terminal strip | |
| 11 | 36941B | 1 | Plate, electric junction | |
| 12 | 66685 | 8 | Mount cable tie, fir tree, .25-.28 dia,.031-.276 grip | |
| 13 | 16556 | 1 | Generator, Marathon, 6kW, 60Hz, cap | For MLT6SK-M |
| | 10486 | 1 | Generator, Marathon, 8kW, 60Hz, cap | For MLT8SK |
| 14 | 60206 | 8 | Washer, .375 split lock | |
| 15 | 60352 | 8 | Screw, .375-16x1.250 std hex, G5 | |
| 16 | 61235 | 1 | Bolt, U - .312-18x2.688x2.063 | |
| 17 | 68202B | 1 | Plate, gen spacer | |
| 18 | 60275 | 2 | Screw, .500-13x1.0 std hex, G5 | |
| 19 | 60702 | 2 | Washer, .500 split lock, SS | |
| 20 | -- | 1 | Bracket, generator mounting | Incl.with Item 13 |
| 21 | 60285 | 4 | Nut, .312-18 hex, G2 | |
| 22 | 60271 | 4 | Washer, .312 split lock | |
| 23 | 60119 | 4 | Washer, .312 flat .875/.070 | |
| 24 | 60352 | 2 | Screw, .375-16x1.250 std hex, G5 | |
| 25 | 15241 | 2 | Isolator, rubber - 80-200 lb | |
| 26 | 61066 | 4 | Screw, .312-18x1.0 carr sqr, SS | |
| -- | 60168 | 6 | Screw, .312-18 x .750 std hex, G5 | For flex plate mount |
| -- | 60166 | 18 | Washer, M8 flat DIN 125 hardened | 3 each w/60168 |

Note: Engine and generator parts used in all Generac Mobile Products, LLC equipment carry the Original Equipment Manufacturer (OEM) warranty unless otherwise stated. OEM warranty parts must be purchased through an OEM dealer.

COMPONENTS TO TRAILER ASSEMBLY

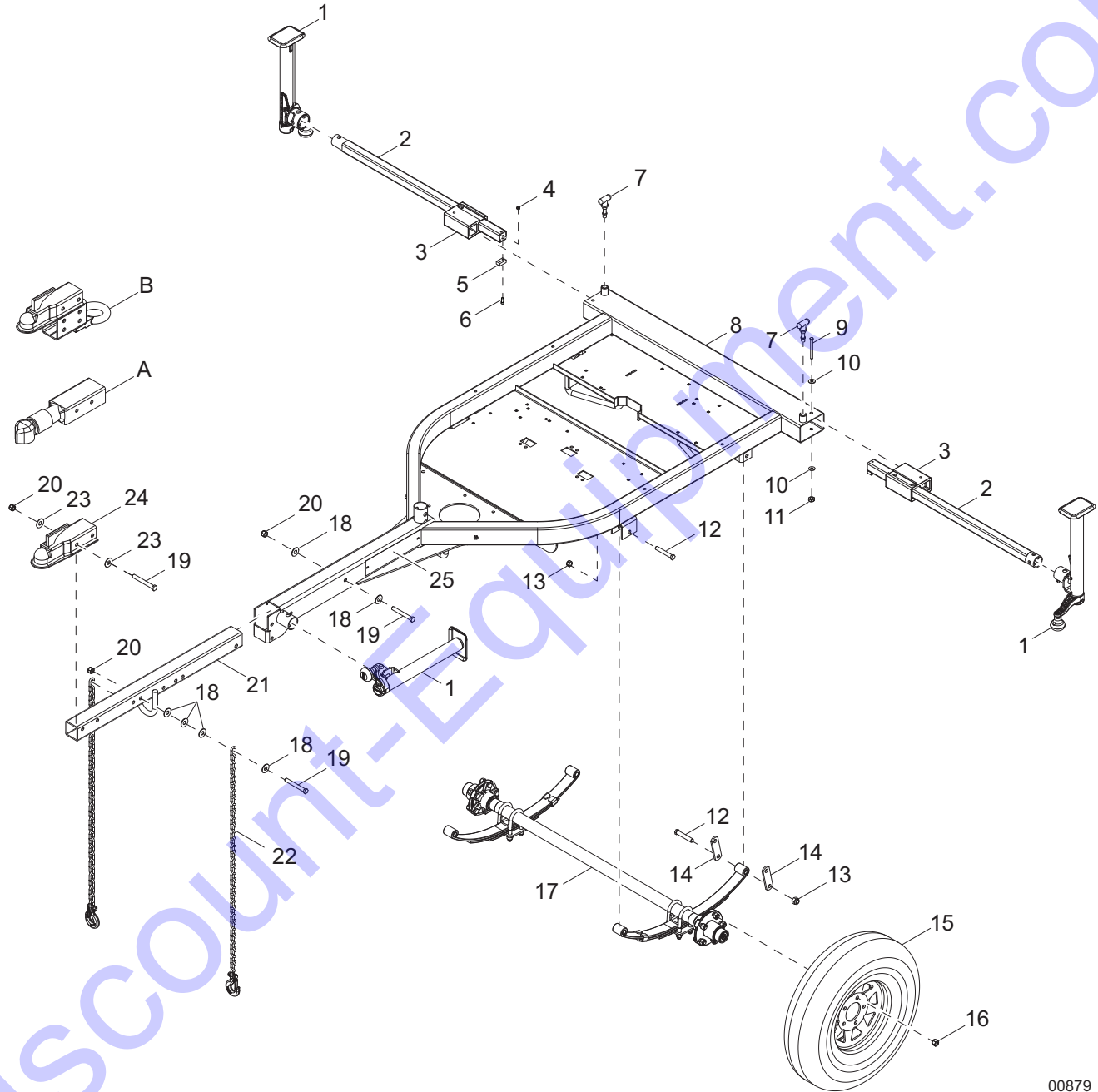


00878

COMPONENTS TO TRAILER ASSEMBLY

| Item | Part No. | Qty | Description | Notes |
|------|----------------|-----|--|-------|
| 1 | 28341B | 1 | Weldment, lift support | |
| 2 | 35293 | 2 | Ball stud, 10mm, .313-18 | |
| 3 | 60303 | 2 | Nut, .312-18 nylock, G2 | |
| 4 | 60268 | 2 | Rivet, .188 dia. x .375 to .500 grip | |
| 5 | 11222 | 1 | Bracket, manual holder | |
| 6 | 11121 | 1 | Manual holder tube, black 14 in | |
| 7 | 60028 | 6 | Screw, .312-18x1.0 std hex, G5 | |
| 8 | 60271 | 8 | Washer, .312 split lock | |
| 9 | 60119 | 8 | Washer, .312 flat .875/.07 | |
| 10 | 60285 | 2 | Nut, .312-18 hex, G2 | |
| 11 | 14682 | 1 | Angle, battery hold-down | |
| 12 | 60820 | 2 | Bolt, J - .250-20x9.0 | |
| 13 | 17992B | 1 | Bracket, battery stop | |
| 14 | 61066 | 2 | Screw, .312-18X1.0 carr sqr, SS | |
| 15 | 62086 | 6 | Nut, .312-18 U-clip - short type | |
| 16 | 60358 | 4 | Nut, .375-16 nylock, G5 | |
| 17 | <i>Page 38</i> | 1 | Assembly, trailer | |
| 18 | 10656 | 4 | Assembly, transformer - can and base - 60Hz-MH-5.5"-side | |
| 19 | 34758 | 1 | Tank, fuel - 42 gal | |
| 20 | 60388 | 2 | Screw, .500-13x1.50 std hex, G5 | |
| 21 | 60309 | 4 | Washer, .500 flat 1.060/.090 | |
| 22 | 39660B | 2 | Bar, chassis support | |
| 23 | 62221 | 2 | Nut, .500-13 nylock, G5 | |
| 24 | 63325 | 1 | Pin, clevis - .500 dia. x 1.063 UL, ZP | |
| 25 | 16326 | 1 | Cap, fuel, 3.5 dia., diesel, vent w/tether | |
| 26 | 60386 | 4 | Washer, .375 flat .993-.064 | |
| 27 | 60352 | 4 | Screw, .375-16x1.250 std hex, G5 | |
| -- | 70119 | 1 | Hose, fuel - .312 ID, 50 psi, SAE 30R7 | |
| -- | 60777 | 2 | Clamp, hose - .312 fuel hose, crimp style | |
| -- | 52651 | 1 | Hose, fuel - .188, 50 psi, SAE 30R7 | |
| -- | 60778 | 2 | Clamp, hose - .188 fuel hose, crimp style | |

TRAILER ASSEMBLY



00879

TRAILER ASSEMBLY

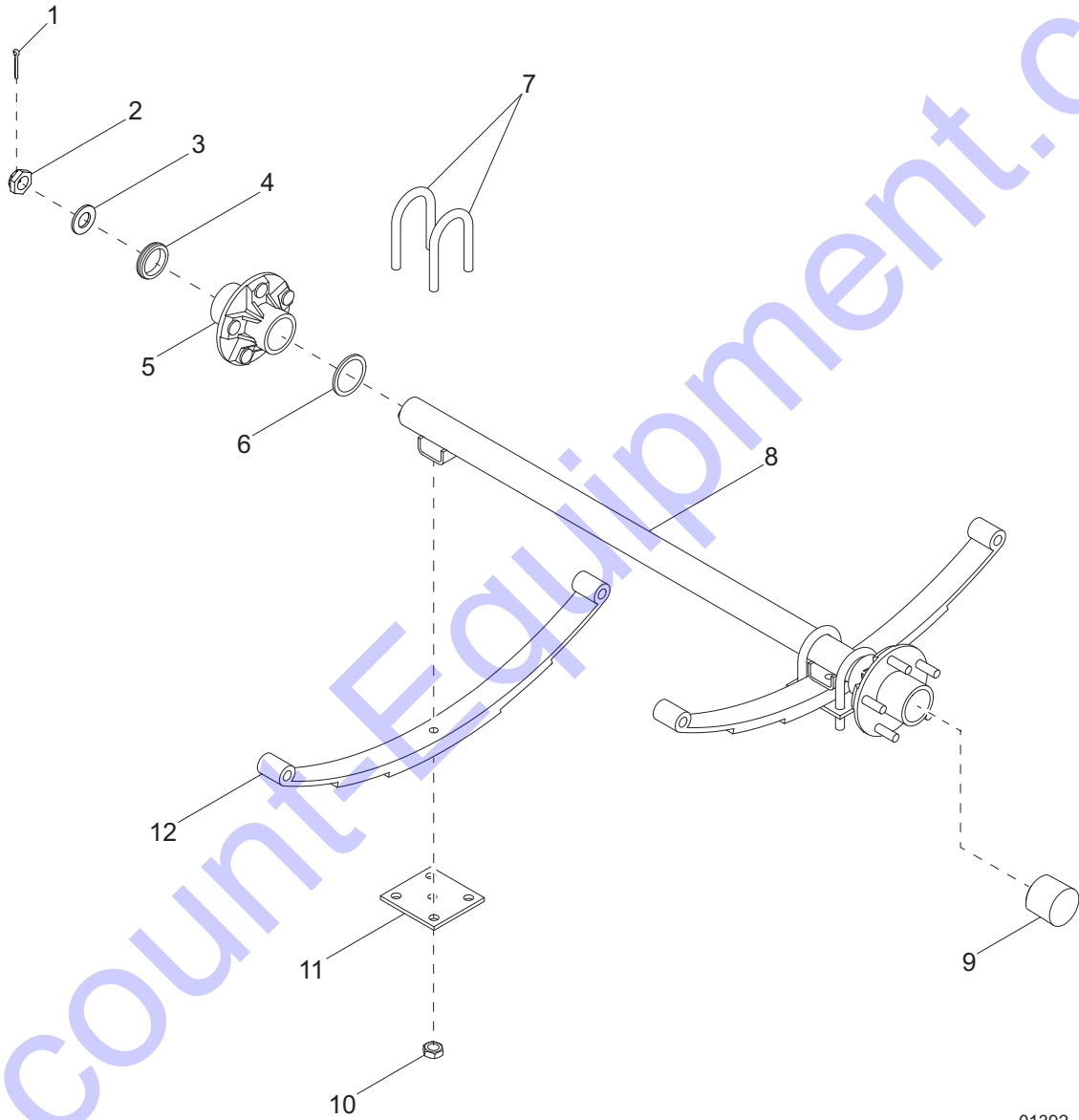
| Item | Part No. | Qty | Description | Notes |
|------|----------------|-----|---|----------|
| 1 | 36868 | 3 | Jack, top wind - 1200 lb, tube mounted | |
| 2 | 36888ZY | 2 | Weldment, outrigger tube | |
| 3 | 36869 | 2 | Guide block (molded) - outrigger | |
| 4 | 60144 | 4 | Nut, .250-20 nylock, G5 | |
| 5 | 72128 | 2 | Pad/stop, wear - outrigger | |
| 6 | 73196 | 4 | Screw, .250-20 x 2.25 socket head | |
| 7 | 36890 | 3 | Spring pin, handle | |
| 8 | 17017B | 1 | Weldment, lt chassis | |
| 9 | 60404 | 2 | Screw, .312-18x4.0 std hex, G5 | |
| 10 | 60119 | 4 | Washer, .312 flat .875/.070 | |
| 11 | 60095 | 4 | Nut, .312-18, sflg | |
| 12 | 60503 | 6 | Screw, shackle, .562-18x3.0 std hex, G5 | |
| 13 | 60504 | 6 | Nut, .562-18 lock hex, G5 | |
| 14 | 19637 | 4 | Plate, shackle bracket - 3.125" | |
| 15 | 15976 | 2 | Wheel, ST175/8013 - 1360 lb | |
| 16 | 60096 | 10 | Nut, .500-20 lug, G5 | |
| 17 | <i>Page 40</i> | 1 | Axle, 2200lb 47TC 35SC | |
| 18 | 60416 | 8 | Washer, .500 flat 1.375/.090 | |
| 19 | 50215 | 8 | Screw, .500-13x4.0 std hex, G5 | |
| 20 | 62221 | 8 | Nut, .500-13 nylock, G5 | |
| 21 | 17969B | 1 | Weldment, tilt tongue | |
| 22 | 23367 | 2 | Chain, safety - 7800 lbs rated | |
| 23 | 60309 | 2 | Washer, .50 flat 1.060/.090 | |
| 24 | 16830 | 1 | Coupler, 2.00 ball/2.50 channel | |
| 25 | 30138 | 1 | Plate, VIN/trailer tag | |
| -- | 68348 | 1 | Harness, trailer wiring, tandem tow | MLT6S/8S |
| -- | 68324 | 1 | Harness, trailer enclosure front | MLT6S |
| -- | 68325 | 1 | Harness, trailer enclosure rear | MLT6S |
| -- | 68326 | 1 | Assy, harness extension loomed | MLT6S |

OPTIONAL FEATURES

Hitch Options

| | | | |
|----|---------|---|---|
| A | 13003B | 1 | Coupler, 2.00 ball/3.00 channel |
| B | 34792ZC | 1 | Weldment, combo hitch - 2.50 tongue |
| -- | 65441 | 1 | Adapter, pig-tail trailer light 4 pin to 12 pin |
| -- | 65465 | 1 | Adapter, trailer wiring - flat 4 to round 7 blade |
| -- | 65464 | 1 | Adapter, trailer wiring - flat 4 to round 7 pin |
| -- | 65463 | 1 | Adapter, trailer wiring - flat 4 to round 6 pin |
| -- | 65548 | 1 | Adapter, 4 pin flat to 4 pin flat x 12.00 |

AXLE ASSEMBLY



01392

AXLE ASSEMBLY

| Item | Part No. | Qty | Description | Notes |
|------|----------|-----|-------------------------------|-------|
| -- | 34760 | 1 | Axle, 2200 lb 47TC 35SC | |
| 1 | 70157 | 2 | Pin, cotter | |
| 2 | 70156 | 2 | Washer, axle | |
| 3 | 70155 | 2 | Nut, castle | |
| 4 | 70151 | 2 | Grommet | |
| 5 | 70152 | 2 | Hub, 5 bolt w/studs | |
| 6 | 70154 | 2 | Seal, 1.5 in | |
| 7 | 70148 | 4 | U-bolt | |
| 8 | 70145 | 1 | Tube weldment, axle | |
| 9 | 70150 | 2 | Dust cap | |
| 10 | 70149 | 8 | Nut, lock | |
| 11 | 70147 | 2 | Pad, spring | |
| 12 | 70146 | 2 | Spring, axle, 3 leaf. dbl eye | |
| -- | 70153 | 2 | Grease zerk | |

RECOMMENDED SPARE PARTS LIST - COMMON

ENGINE

| | |
|-----------------------------------|-------|
| Cap, fuel tank with lanyard | 16326 |
| Filter, air (element)..... | 16444 |
| Pump, fuel | 13278 |

ELECTRICAL

| | |
|--|-------|
| Breaker, 10A, 240V, 1 pole, push button | 36937 |
| Breaker, 15A, 250V, 1 pole | 36880 |
| Breaker, 15A, 120V, 1 pole, push button, 8kW | 36935 |
| Breaker, 30A, 250A, 2 pole, 6kW | 36975 |
| Breaker, 40A, 250V, 2 pole, 8kW | 37131 |
| Capacitor, 24 μ F, dual | 65959 |
| Capacitor, 25 μ F, 440V, 6kW | 36980 |
| Capacitor, 25 μ F, 6% 600VAC | 37177 |
| Connector, 2 pos (qty - 4) | 66100 |
| Connector, 3 pos (qty - 2) | 66101 |
| Connector, 5 pos (qty - 1) | 66102 |
| Gasket, hour meter | 36944 |
| Gauge, hour meter | 36886 |
| Key (set of two)..... | 37182 |
| Receptacle, 120V/20A GFI..... | 14130 |
| Receptacle, 240V/30A twist..... | 14137 |
| Relay, 10A SPDT, 15 second time delay | 14201 |
| Switch, key | 36882 |

ENCLOSURE

| | |
|----------------|-------|
| Gas shock..... | 35137 |
|----------------|-------|

MAST

| | |
|---|-------|
| Assembly, light fixture, hard wired | 13311 |
| Bulb | 11391 |
| Cable, 79.75 in | 31248 |
| Cable, 78 in | 31277 |
| Cable, 144 in | 31247 |
| Coil cord | 39650 |
| Guide block..... | 36910 |
| Transformer (incl. cover)..... | 10656 |
| Winch, manual, includes dual handle | 72127 |

JACKS

| | |
|-------------------------------|-------|
| Jack, top wind, 2000 lb | 36868 |
|-------------------------------|-------|

RECOMMENDED SPARE PARTS LIST - KUBOTA ONLY

ENGINE

| | |
|---|-------|
| Belt, V, Kubota | 11628 |
| Filter, fuel element, Kubota | 13515 |
| Filter, oil, Kubota D1005/D1105 | 10775 |
| Hose, lower radiator, Kubota | 12350 |
| Hose, upper radiator Kubota | 36977 |
| Plug, glow, Kubota (start SN 489916) | 13238 |
| Sender, coolant temp | 12873 |
| Solenoid, fuel shutdown (2 wire) | 13018 |
| Switch, coolant temperature - Kubota D850 | 14099 |
| Switch, oil pressure, Kubota D905 | 15375 |

MAINTENANCE KITS

| | |
|--|-------|
| Filter, service kit - 250 hr, Kubota D1005/D1105 | SK151 |
| Service kit - 2000 hr, Kubota D1005/D1105..... | SK152 |

RECOMMENDED SPARE PARTS LIST - MITSUBISHI ONLY

ENGINE

| | |
|-----------------------------------|-------|
| Belt | 10386 |
| Filter, fuel, Mitsubishi | 17647 |
| Filter, oil, Mitsubishi | 70124 |
| Hose, radiator - lower | 16688 |
| Hose, radiator - upper | 32383 |
| Plug, glow | 16693 |
| Sender, coolant temp | 12873 |
| Solenoid, fuel shutdown | 16683 |
| Starter | 70232 |
| Switch, coolant temperature | 16678 |
| Switch, oil pressure | 16677 |

MAINTENANCE KITS

| | |
|--|-------|
| Filter, service kit, 750 hr, Mitsubishi MLT6SM, 8SM | SK334 |
| Filter, service kit, 3000 hr, Mitsubishi MLT6SM, 8SM | SK335 |

Discount Equipment

Discount-Equipment.com is your online resource for commercial and industrial quality parts and equipment sales.

Locations:

Florida (West Palm Beach): [561-964-4949](tel:561-964-4949)

Outside Florida TOLL FREE: [877-690-3101](tel:877-690-3101)

Need parts? Check out our website at www.discount-equipment.com

Can't find what you need?

Click on this link: <http://www.discount-equipment.com/category/5443-parts/> and fill out the request form.

Please have the machine model and serial number available in order to help us get you the correct parts. One of our experienced staff members will get back to you with a quote for the right part that your machine needs.

We sell worldwide for the brands: Genie, Terex, JLG, MultiQuip, Mayco, Toro/Stone, Diamond Products, Magnum, Airman, Mustang, Power Blanket, Nifty Lift, Atlas Copco, Chicago Pneumatic, Allmand Brothers, Essick, Miller Spreader, Skyjack, Lull, Skytrak, Tsurumi, Husquvarna/Target, Whiteman-Concrete/Mortar, Stow-Concrete/Mortar, Baldor, Wacker, Sakai, Snorkel, Upright, Mi-T-M, Sullair, Neal, Basic, Dynapac, MBW, Weber, Bartell, Bennar Newman, Haulotte, Ditch Runner, Blaw-Knox, Himoina, Best, Buddy, Crown, Edco, Wyco, Bomag, Laymor, Terremite, Barreto, EZ Trench, Takeuchi, Basic, Bil-Jax, Curtis, Gehl, Heli, Honda, ICS/PowerGrit, Puckett, Waldon, ASV, IHI, Partner, Imer, Clipper, MMD, Koshin, Rice, Gorman Rupp, CH&E, Cat Pumps, Comet, General Pump, Giant, AMida, Coleman, NAC, Gradall, Square Shooter, Kent, Stanley, Tamco, Toku, Hatz, Kohler, Robin, Wisconsin, Northrock, Oztec, Toker TK, Rol-Air, Small Line, Wanco, Yanmar

New Equipment - Used Equipment - Rental Equipment - Parts and Accessories

Discount Equipment

www.discount-equipment.com

561-964-4949

Sales: info@Discount-Equipment.com

Parts: wbparts@Discount-Equipment.com



www.discount-equipment.com

Discount-Equipment.com