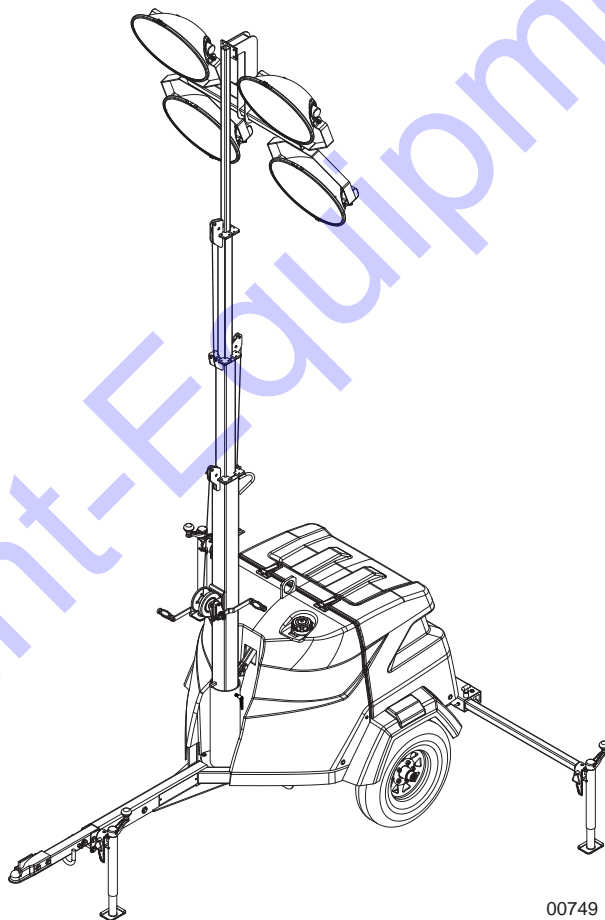


GENERAC[®]

**MOBILE
PRODUCTS**

LIGHT TOWER
MLT6SM • MLT6SK • MLT8SK



00749



www.discount-equipment.com

OPERATING MANUAL

Discount Equipment

Discount-Equipment.com is your online resource for commercial and industrial quality parts and equipment sales.

Locations:

Florida (West Palm Beach): [561-964-4949](tel:561-964-4949)

Outside Florida TOLL FREE: [877-690-3101](tel:877-690-3101)

Need parts? Check out our website at www.discount-equipment.com

Can't find what you need?

Click on this link: <http://www.discount-equipment.com/category/5443-parts/> and fill out the request form.

Please have the machine model and serial number available in order to help us get you the correct parts. One of our experienced staff members will get back to you with a quote for the right part that your machine needs.

We sell worldwide for the brands: Genie, Terex, JLG, MultiQuip, Mayco, Toro/Stone, Diamond Products, Magnum, Airman, Mustang, Power Blanket, Nifty Lift, Atlas Copco, Chicago Pneumatic, Allmand Brothers, Essick, Miller Spreader, Skyjack, Lull, Skytrak, Tsurumi, Husquvarna/Target, Whiteman-Concrete/Mortar, Stow-Concrete/Mortar, Baldor, Wacker, Sakai, Snorkel, Upright, Mi-T-M, Sullair, Neal, Basic, Dynapac, MBW, Weber, Bartell, Bennar Newman, Haulotte, Ditch Runner, Blaw-Knox, Himoina, Best, Buddy, Crown, Edco, Wyco, Bomag, Laymor, Terremite, Barreto, EZ Trench, Takeuchi, Basic, Bil-Jax, Curtis, Gehl, Heli, Honda, ICS/PowerGrit, Puckett, Waldon, ASV, IHI, Partner, Imer, Clipper, MMD, Koshin, Rice, Gorman Rupp, CH&E, Cat Pumps, Comet, General Pump, Giant, AMida, Coleman, NAC, Gradall, Square Shooter, Kent, Stanley, Tamco, Toku, Hatz, Kohler, Robin, Wisconsin, Northrock, Oztec, Toker TK, Rol-Air, Small Line, Wanco, Yanmar

New Equipment - Used Equipment - Rental Equipment - Parts and Accessories

Discount Equipment

www.discount-equipment.com

561-964-4949

Parts: wbparts@Discount-Equipment.com

Sales: info@Discount-Equipment.com

▲ WARNING
CALIFORNIA PROPOSITION 65 WARNING: Diesel engine exhaust and some of its constituents are known to the state of California to cause cancer, birth defects, and other reproductive harm.

▲ WARNING
CALIFORNIA PROPOSITION 65 WARNING: This product contains or emits chemicals known to the state of California to cause cancer, birth defects, and other reproductive harm.

Introduction

This manual provides information and procedures to safely operate and maintain the Generac Mobile Products unit. For your own safety and protection from physical injury, carefully read, understand, and observe the safety instructions described in this manual. Keep a copy of this manual with the unit at all times. *The information contained in this manual was based on machines in production at the time of publication. Generac Mobile Products reserves the right to change any portion of this information without notice.*

Read all of the manuals included with the unit. Each manual details specific information regarding items such as setup, use and service requirements. An engine operator's manual provides detailed operation and maintenance procedures for the engine. Additional copies of the engine operator's manual are available from the engine manufacturer.

DO NOT MODIFY or use this equipment for any application other than for which it was designed.

Generac Mobile Products recommends that a trained and licensed professional perform all electrical wiring and testing functions. Any wiring should be in compliance with the National Electrical Code (NEC), state and local regulations and Occupational Safety and Health Administration (OSHA) guidelines.

Engine Make: _____

Engine Serial Number: _____

Engine Model Number: _____

Generator Make: _____

Generator Model Number: _____

Generator Serial Number: _____

Unit Model Number: _____

Unit Serial Number: _____

Table of Contents

Introduction	iii
Section 1 - Safety	
Safety Notes	1
Operating Safety.....	1
Engine Safety	2
Service Safety	3
Towing Safety.....	3
Reporting Trailer Safety Defects	3
Safety Symbol Summary	5
Section 2 - General Information	
Specifications	7
Unit Dimensions	9
Unit Serial Number Locations	10
Component Locations.....	11
Control Panel.....	13
Prestart Checklist	15
Section 3 - Operation	
Light Tower Set Up.....	17
Raising the Mast.....	18
Raising the Mast with Electric Winch Option	19
Starting the Unit.....	20
Light Operation	20
Derating for Altitude	21
Wet Stacking	21
Control Panel Receptacles.....	22
Shutting Down the Unit.....	22
Automatic Shutdown.....	22
Lowering the Mast - Manual	23
Lowering the Mast - Electric Winch Option.....	23
Electronically Lowering the Mast.....	23
Manually Lowering the Mast.....	23
Towing the Unit.....	24
Lifting and Tie Down	25
Section 4 - Maintenance	
Daily Walk Around Inspection.....	27
General Maintenance	27
Basic Maintenance Schedule - Mitsubishi Engine.....	28
Basic Maintenance Schedule - Kubota Engine	29
Winch Use, Operation and Maintenance - Manual.....	29
Prior to Use	29
Operation	29
Maintenance	30
Winch Use, Operation and Maintenance - Electric.....	30
Winch Preventive Maintenance Schedule	30
Winch Mechanical Brake	30
Jack Maintenance.....	31
Trailer Wheel Bearings	31
Section 5 - Troubleshooting	
Troubleshooting the Lights	33
Mast Lights Off, Checking Outside the Control Box	33
Mast Lights Off, Checking Inside the Control Box	33
Mast Lights On But the Light Output is Low	33

Section 6 - Wiring Diagrams

Mast Light Connections 35
AC Wiring - MLT6SM, MLT6SK..... 36
AC Wiring - MLT8SK 37
DC Wiring - Mitsubishi 38
DC Wiring - Kubota..... 39
DC Wiring - Electric Winch 40
DC Wiring Option - Heated Fuel Filter - Mitsubishi..... 41
DC Wiring Option - Heated Fuel Filter - Kubota 42
Trailer Lights Wiring..... 43

Section 7 - Options & Accessories

Lower Radiator Hose Heater Option - Use and Maintenance 45

Service Log 47

Discount-Equipment.com

Section 1 - Safety

SAFETY NOTES



This is the safety alert symbol. It is used to alert you to potential personal injury hazards. Obey all safety messages that follow this symbol to avoid possible injury or death.

This manual contains DANGERS, WARNINGS, CAUTIONS, NOTICES and NOTES which must be followed to prevent the possibility of improper service, damage to the equipment, personal injury or death. The following formatting options will apply when calling the readers attention to the DANGERS, WARNINGS, CAUTIONS, NOTICES and NOTES.

▲ DANGER

INDICATES A HAZARDOUS SITUATION WHICH, IF NOT AVOIDED, WILL RESULT IN DEATH OR SERIOUS INJURY.

▲ WARNING

Indicates a hazardous situation which, if not avoided, could result in death or serious injury.

▲ CAUTION

Indicates a hazardous situation which, if not avoided, could result in minor or moderate injury.

NOTICE

Indicates a hazardous situation which, if not avoided, could result in property or equipment damage.

Note: Notes contain additional information important to a procedure and will be found within the regular text body of this manual.

OPERATING SAFETY



Before using the unit, be sure to read and understand all of the instructions. This equipment was designed for specific applications; **DO NOT** modify or use this equipment for any application other than which it was designed for. Equipment operated improperly or by untrained personnel can be dangerous. Read the operating instructions and familiarize yourself with the location and proper use of all instruments and controls. Inexperienced operators should receive instruction from someone familiar with the equipment before being allowed to operate or set up the unit. The following points should be practiced at all times:

- The area immediately surrounding the unit should be dry, clean, and free of debris.
- Position and operate the unit on a firm, level surface.
- **NEVER** start a unit in need of repair.
- If the unit is equipped with a frame grounding stud, follow any local, state, and National Electrical Code (NEC) guidelines when connecting.
- **NEVER** operate the unit on a combustible surface.
- **NEVER** operate a unit while tired, distracted, or under the influence of drugs or alcohol.
- Keep all body parts, clothing and other loose items away from moving parts.
- **ALWAYS** lower the mast when not in use, or if high winds or electrical storms are expected in the area.
- The mast extends up to 23 ft (7m). **ALWAYS** make sure the area above the unit is open and clear of overhead wires and obstructions.
- Keep area around the unit clear of people while raising and lowering the mast.

- Bulbs become extremely hot during use. Allow bulb and light fixture to cool 10-15 minutes before handling.
- **NEVER** raise, lower or turn the mast while the unit is operating.
- **ALWAYS** extend the outriggers and level the unit before raising the mast. **DO NOT** retract the outriggers while the mast is up.
- If for any reason any part of the mast hangs up or winch cable develops slack while raising or lowering the mast, **STOP** immediately and contact an authorized service representative.
- **NEVER** use the unit if insulation on electrical cord is cut or worn through.
- **NEVER** operate the lights without protective lens cover in place or with a lens cover that is cracked or damaged.
- Only use mild soap and water to clean the lens covers. Other chemicals may have an adverse effect on the glass.
- **DO NOT** fill fuel tank near an open flame, while smoking, or while engine is running. **DO NOT** fill tank in an enclosed area with poor ventilation.
- **DO NOT** operate with the fuel tank cap loose or missing.
- Shut the engine down if any of the following conditions exist during operation:
 1. Noticeable change in engine speed.
 2. Loss of electrical output.
 3. Equipment connected to the unit overheats.
 4. Sparking occurs.
 5. Engine misfires or there is excessive engine/generator vibration.
 6. Protective covers are loose or missing.
 7. If the ambient air temperature is above 120°F (49°C).

ENGINE SAFETY



Internal combustion engines present special hazards during operation and fueling. Failure to follow the safety guidelines described below could result in severe injury or death. Read and follow all safety warnings described in the engine operator's manual. A copy of this manual was supplied with the unit when it was shipped from the factory.

- **DO NOT** run engine indoors or in an area with poor ventilation unless exhaust hoses are used. Engine exhaust contains carbon monoxide, a deadly, odorless and colorless gas which, if inhaled, can cause nausea, fainting or death. Make sure engine exhaust cannot seep into closed rooms or ventilation equipment.
- **DO NOT** touch or lean against hot exhaust pipes or engine components.
- **DO NOT** clean air filter with gasoline or other types of low flash point solvents.
- **DO NOT** operate the unit without a functional exhaust system.
- Prolonged exposure to sound levels in excess of 85 dB(A) can cause permanent hearing loss. Wear hearing protection when working around a running engine.
- Batteries contain sulfuric acid which can cause severe injury or death. Sulfuric acid can cause eye damage, burn flesh or eat holes in clothing. Protective eye wear and clothing are necessary when working on or around the battery. Always disconnect the negative (-) battery cable from the corresponding terminal before performing any service on the engine or other components.
- **NEVER** open the radiator cap or oil drain plug while the engine is running or before the engine has cooled down. Pressurized coolant and hot engine oil can cause severe burns. Allow the unit to cool completely before attempting any service work.
- Keep area around exhaust pipes and air ducts free of debris to reduce the chance of an accidental fire.

SERVICE SAFETY



All service work must be performed by qualified personnel who are familiar with the equipment. Only a qualified electrician should troubleshoot or repair electrical problems occurring in this equipment. Follow the safety guidelines described below to prevent hazardous situations which could result in severe injury or death.

- **NEVER** wash the unit with high pressure hoses, power washers, or steam cleaners. Water may collect in the unit, causing damage to electrical parts.
- **ALWAYS** use extreme caution when servicing this unit in damp conditions. Do not service the unit if your skin or clothing is wet. Do not allow water to collect around the base of the unit.
- Replace all missing and hard to read decals. Decals provide important operating instructions and warn of dangers and hazards.
- Before servicing the unit, make sure the Key switch and circuit breakers are in the OFF (O) position, and the negative (-) terminal on the battery is disconnected. **NEVER** perform even routine service (oil/filter changes, cleaning, etc.) unless all electrical components are shut down.
- **NEVER** start the unit under load. The circuit breakers must be in the OFF (O) position when starting the unit.
- Wear heavy leather gloves when handling winch cables. Never let cables slip through bare hands.

TOWING SAFETY



Towing a trailer requires care. Both the trailer and vehicle must be in good condition and securely fastened to each other to reduce the possibility of an accident. Some states require that large trailers be registered and licensed. Contact your local Department of Transportation office to check on license requirements for your particular unit.

- Check that the hitch and coupling on the towing vehicle are rated equal to, or greater than, the trailer's Gross Vehicle Weight Rating (GVWR).
- Check tires on trailer for tread wear, inflation, and condition.
- **NEVER** tow trailer using defective parts. Inspect the hitch and coupling for wear or damage.
- Make sure the trailer hitch and the coupling are compatible. Make sure the coupling is securely fastened to the vehicle.
- Make sure directional and brake lights on the trailer are connected and working properly.
- Check that the lug nuts holding the wheels are tight and that none are missing.
- Maximum recommended speed for highway towing is 45 mph (72 km/h). Recommended off-road towing speed is not to exceed 10 mph (16 km/h) or less, depending on terrain.
- When towing, maintain extra space between vehicles and avoid soft shoulders, curbs and sudden lane changes. If you have not pulled a trailer before, practice turning, stopping and backing up in an area away from heavy traffic.
- A film of grease on the coupler will extend coupler life and eliminate squeaking. Wipe the coupler clean and apply fresh grease each time the trailer is towed.
- Connect safety chains in a crossing pattern under the tongue.
- Before towing the trailer, check that the weight of the trailer is equal across all tires. On trailers with adjustable height hitches, adjust the angle of the trailer tongue to keep the trailer as level as possible.

REPORTING TRAILER SAFETY DEFECTS

If you believe your trailer has a defect which could cause a crash or could cause injury or death, you should immediately inform the National Highway Traffic Safety Administration (NHTSA) in addition to notifying Generac Mobile Products

Safety

LLC.

If NHTSA receives similar complaints, it may open an investigation; and if it finds that a safety defect exists in a group of vehicles, it may order a recall and remedy campaign. However, NHTSA cannot become involved in an individual problem between you, your dealer, or Generac Mobile Products LLC.






























To contact NHTSA, you may either call the Auto Safety Hotline toll-free at 1-888-327-4236 (TTY:1-800-424-9153), go to <http://www.safercar.gov>; or write to:

Administrator
NHTSA
1200 New Jersey Avenue S.E.
Washington, DC 20590

You can also obtain other information about motor vehicle safety from <http://www.safercar.gov>.

SAFETY SYMBOL SUMMARY

This equipment has been supplied with numerous safety and operating decals. These decals provide important operating instructions and warn of dangers and hazards. Replace any missing or hard-to-read decals and use care when washing or cleaning the unit. Decal placement and part numbers can be found in the online parts manual at www.generacmobile.com. Below is a summary of the intended meanings for the symbols used on the decals.

 Safety alert symbol; used to alert you to potential hazards.	 Do not operate unit indoors or in an area with poor ventilation.	 Circuit breaker.
 Hot surface(s) nearby.	 Align marks for stowed position.	 Mast lights.
 Belt/entanglement hazard; keep body parts clear of this area.	 Check diesel fuel fill level.	 Glow plugs.
 Fan hazard; keep body parts clear of this area.	 Check engine oil fill level.	 Stop engine.
 Crush hazard; keep body parts clear of this area.	 Check coolant fill level.	 Run engine.
 Wind hazard; do not set up in wind speeds greater than 60 mph (95 km/h).	 Read and understand the operator's manual before operating.	 Engine start.
 Electrical storm hazard.	 Allow lamp to cool.	 Disconnect battery before servicing.
 Asphyxiation hazard; operate in well ventilated area.	 Wait 15 minutes.	 Unit electrical ground.
 Dangerous voltage may be present.	 Do not step on this surface.	 Anchor/tie down point.
 Burn/scald hazard; pressurized steam.	 Do not operate near powerlines. Contact with powerlines can cause electrocution.	 Forklift here only.
 Ultraviolet radiation hazard; operate only with lens intact.	 Do not remove guard.	 Lift here only.
	 Fire/explosion hazard; keep open flames away from unit.	

00750

Section 2 - General Information

SPECIFICATIONS

GENERAC MODEL	MLT6SM	MLT6SK
Engine		
Make/Brand.....	Mitsubishi	Kubota
Model	L3E-W461ML	D1005-E3BG1-MGM-1
EPA Tier	4f	4f
Horsepower - Prime hp (kW)	10.5 (7.8)	11.7 (8.7)
Horsepower - Standby hp (kW)	12.2 (9.1)	13.1 (9.8)
Operating Speed rpm	1800	1800
Displacement in³ (L)	57.97 (0.95)	61.08 (1.00)
Cylinders - qty	3	3
Fuel Consumption - 100% Prime gph (Lph)	0.47 (1.78)	0.50 (1.89)
Battery Type - Group Number	24	24
Battery Voltage (quantity per unit).....	12V (1)	12V (1)
Battery Rating	440 CCA	440 CCA
Generator		
Make/Brand.....	Marathon Electric	Marathon Electric
Model	201CSA5411	201CSA5411
Type, Insulation	Brushless, F	Brushless, F
Generator Set (Engine/Generator)		
Output - Standby kW (kVA)	6.0 (6.0)	6.0 (6.0)
Output Voltage V	120/240, single phase	120/240, single phase
Output Amperes 120V (240V) A	50 (25)	50 (25)
Frequency Hz	60	60
Power Factor.....	1 (1Ø)	1 (1Ø)
Weights		
Dry Weight lbs (kg)	1290 (585)	1330 (603)
Operating Weight lbs (kg)	1560 (708)	1600 (726)
Capacities		
Fuel Tank Volume gal (L)	43.5 (165)	43.5 (165)
Usable Fuel Volume gal (L)	43.5 (165)	43.5 (165)
Coolant (incl. engine) qt (L)	4.5 (4.3)	4.8 (4.5)
Oil (incl. filter) qt (L)	5.0 (4.7)	5.4 (5.1)
Maximum Run Time hrs	90	84
Lighting		
Lighting Type.....	Metal Halide	Metal Halide
Ballast Type.....	Coil & Core	Coil & Core
Lumens	440,000	440,000
Coverage acres (m²)	5-7 (20,234-28,328)	5-7 (20,234-28,328)
AC Distribution		
Circuit Breaker Size	30	30
Voltage Regulation.....	Capacitor +/- 6%	Capacitor +/- 6%
Voltages Available 1Ø	120, 240	120, 240
Trailer		
Number of Axles.....	1	1
Capacity - Axle Rating lbs (kg)	2200 (998)	2200 (998)
Tire Size in	13	13
Hitch - Standard	2" ball	2" ball
Maximum Tire Pressure psi	50	50

Specifications are subject to change without notice.

General Information

GENERAC MODEL	MLT8SK
Engine	
Make/Brand.....	Kubota
Model	D1105-E3BG
EPA Tier	4f
Horsepower - Prime hp (kW)	13.5 (10.1)
Horsepower - Standby hp (kW)	15.4 (11.5)
Operating Speed rpm	1800
Displacement in³ (L)	68.53 (1.12)
Cylinders - qty	3
Fuel Consumption - 100% Prime gph (Lph)	0.70 (2.65)
Battery Type - Group Number	24
Battery Voltage (quantity per unit).....	12V (1)
Battery Rating	440 CCA
Generator	
Make/Brand.....	Marathon Electric
Model	201CSA5412
Type, Insulation	Brushless, F
Generator Set (Engine/Generator)	
Output - Standby kW (kVA)	8.0 (8.0)
Output Voltage V	120/240, single phase
Output Amperes 120V (240V) A	66 (33)
Frequency Hz	60
Power Factor.....	1 (1Ø)
Weights	
Dry Weight lbs (kg)	1349 (612)
Operating Weight lbs (kg)	1619 (734)
Capacities	
Fuel Tank Volume gal (L)	43.5 (165)
Usable Fuel Volume gal (L)	43.5 (165)
Coolant (incl. engine) qt (L)	4.8 (4.5)
Oil (incl. filter) qt (L)	5.4 (5.1)
Maximum Run Time hrs	60
Lighting	
Lighting Type.....	Metal Halide
Ballast Type.....	Coil & Core
Lumens	440,000
Coverage acres (m²)	5-7 (20,234-28,328)
AC Distribution	
Circuit Breaker Size	40
Voltage Regulation	Capacitor +/- 6%
Voltages Available 1Ø.....	120, 240
Trailer	
Number of Axles.....	1
Capacity - Axle Rating lbs (kg)	2200 (998)
Tire Size in	13
Hitch - Standard	2" ball
Maximum Tire Pressure psi	50

Specifications are subject to change without notice.

Unit Dimensions

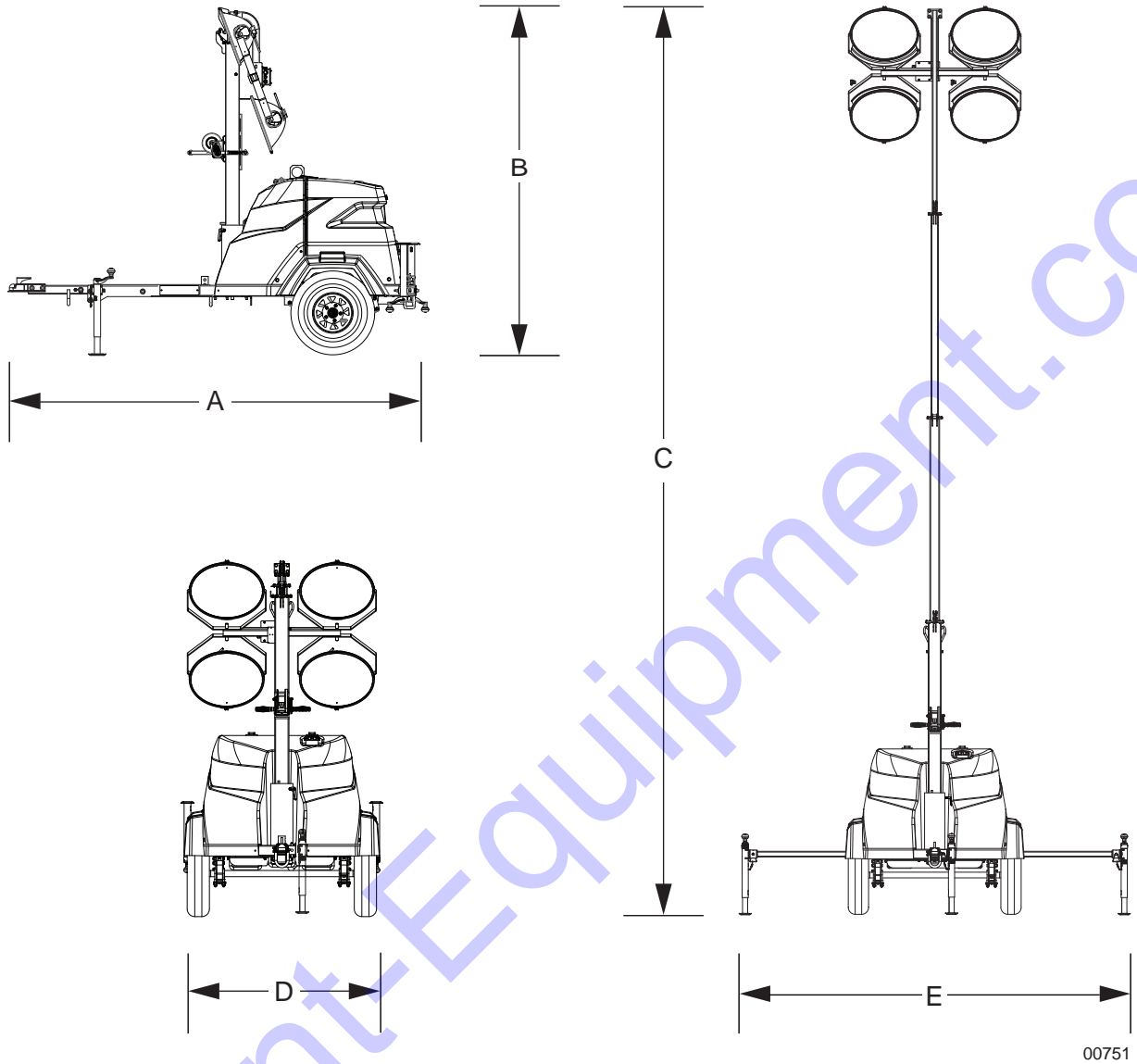


Figure 1 - Unit Dimensions

	A	B	C	D	E
MLT6SM, MLT6SK, MLT8SK	118 in. (3 m)	101 in. (2.6m)	23 ft (7 m)	57 in. (1.45 m)	120.5 in. (3.1 m)

Specifications are subject to change without notice.

UNIT SERIAL NUMBER LOCATIONS

Refer to the illustration to locate the unit ID tag and Vehicle Identification Number (VIN) tag on the unit. Important information, such as the unit serial number, model number, VIN and tire loading information are found on these tags. Record the information from these tags so it is available if the tags are lost or damaged. When ordering parts or requesting assistance, you may be asked to provide this information.

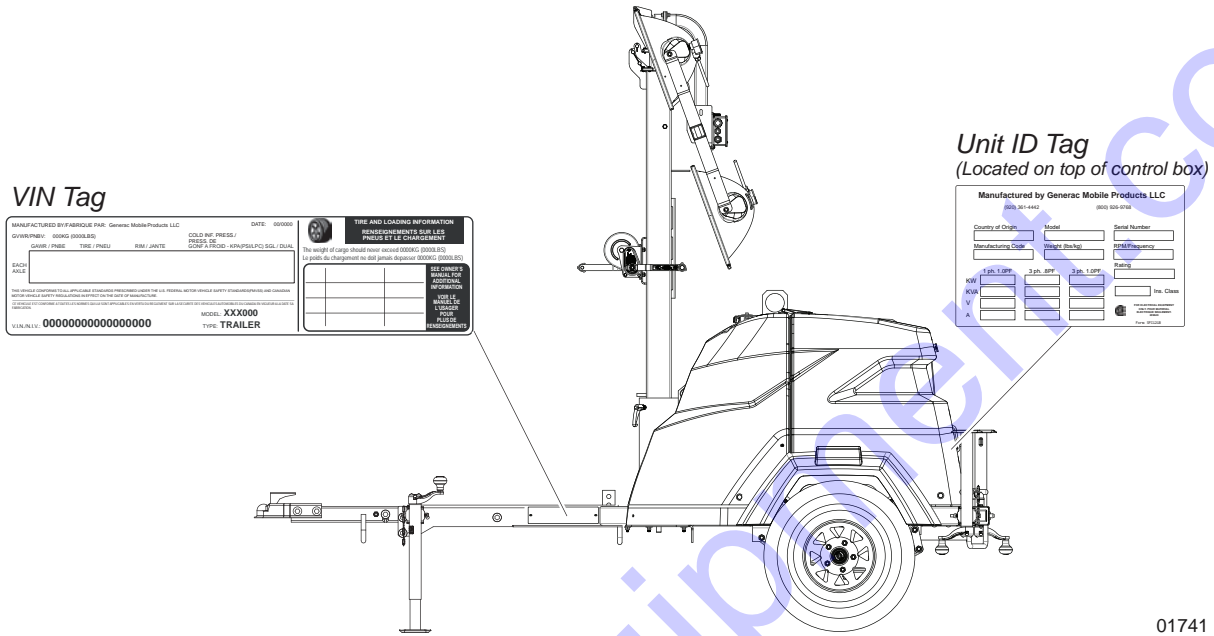
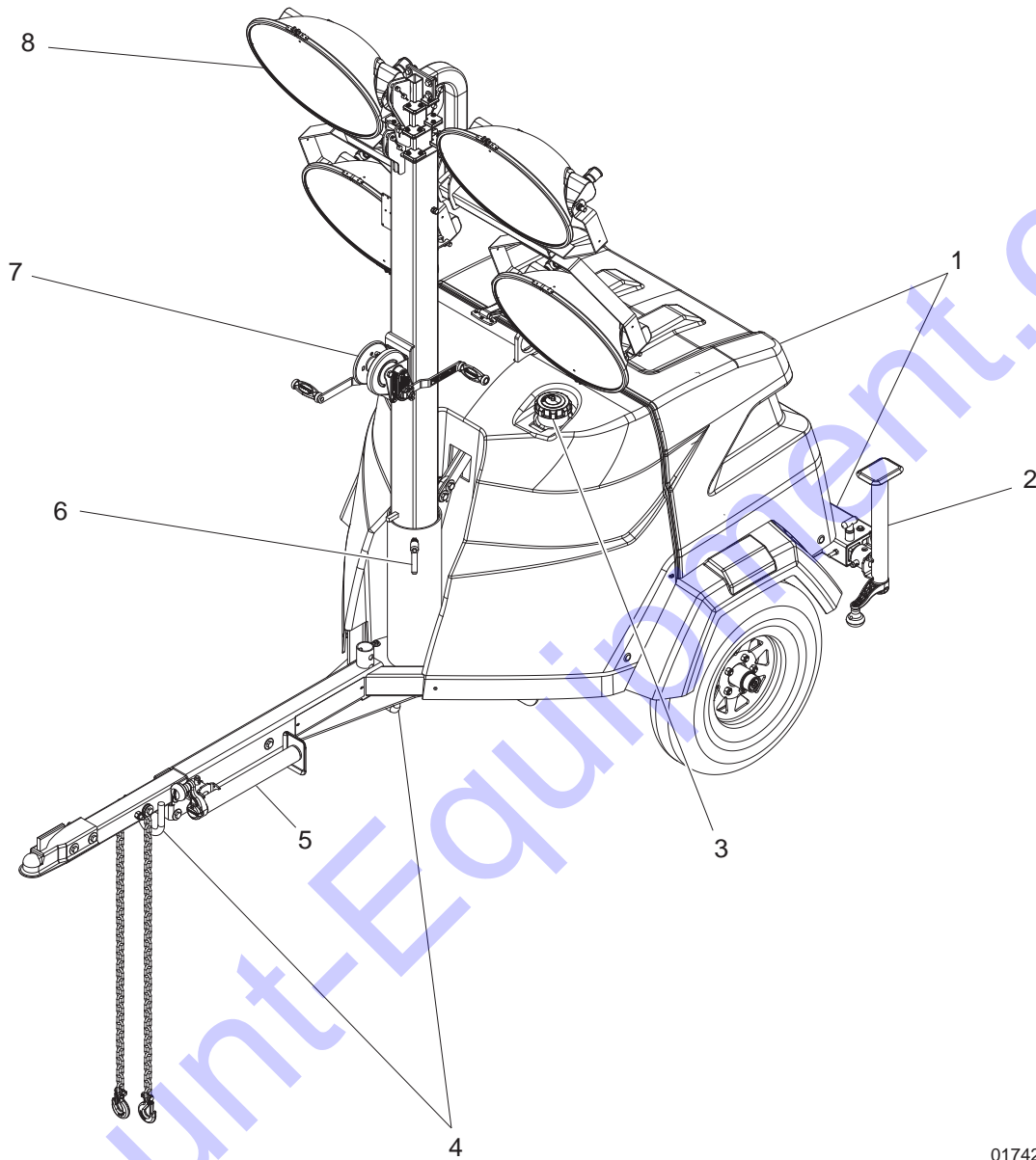


Figure 2 - Serial Number Locations

01741

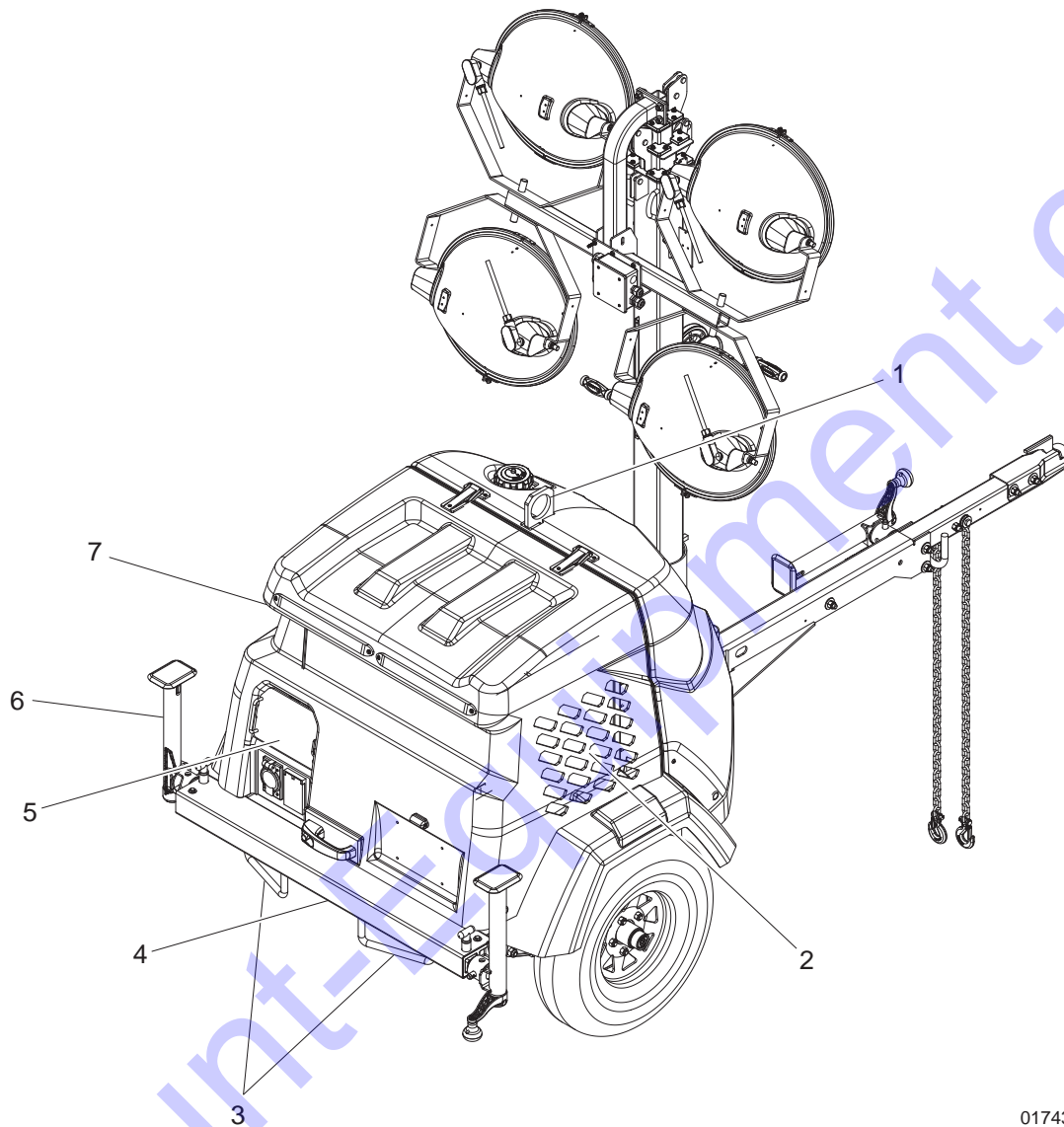
COMPONENT LOCATIONS



01742

Figure 3 - Component Locations - Front and Left Side

- | | |
|-----------------------|-----------------------|
| 1. Outriggers | 5. Tongue Jack |
| 2. Rear Jack | 6. Mast Rotation Knob |
| 3. Fuel Fill | 7. Winch |
| 4. Tie Down Locations | 8. Lights |



01743

Figure 4 - Component Locations - Rear and Right Side

- | | |
|-----------------------|------------------|
| 1. Central lift point | 5. Control box |
| 2. Radiator access | 6. Rear jack |
| 3. Forklift pockets | 7. Engine access |
| 4. Tie down location | |

CONTROL PANEL

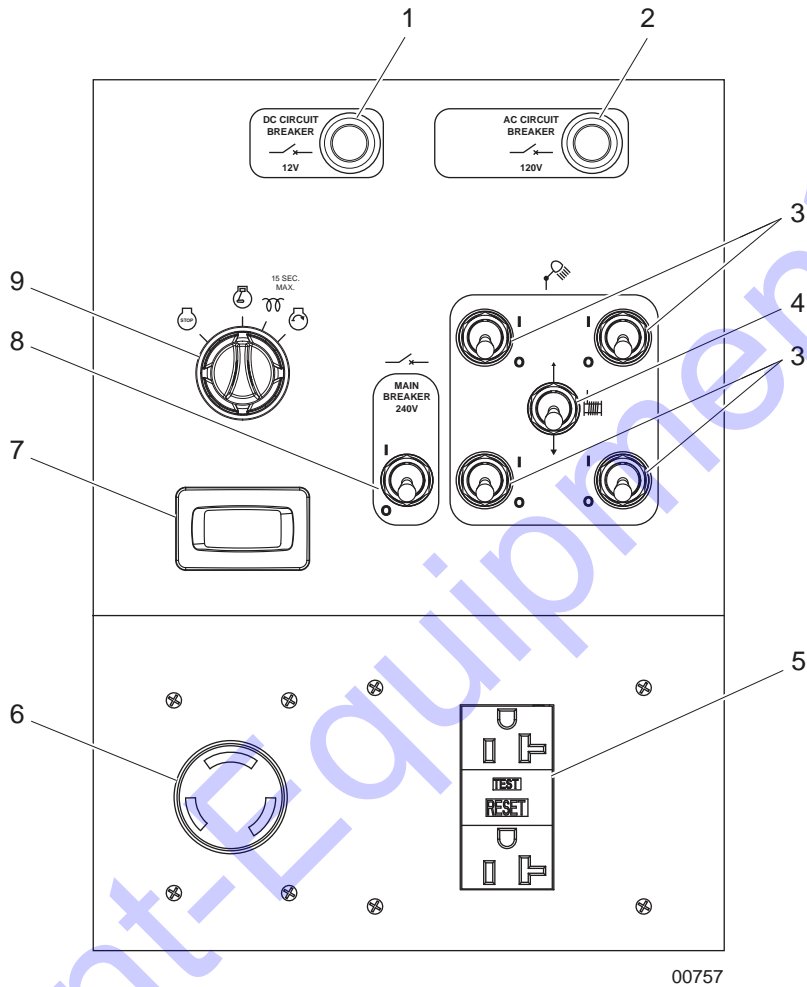


Figure 5 - Control Panel Component Locations - MLT6SM, MLT6SK

- | | |
|-------------------------------------|-------------------------------|
| 1. DC Breaker | 6. 240V Twist-Lock Receptacle |
| 2. AC Breaker | 7. Engine Hour Meter |
| 3. Light Switches | 8. Main Circuit Breaker |
| 4. Electric Winch Switch (Optional) | 9. Control Power Switch |
| 5. 120V GFCI Receptacle | |

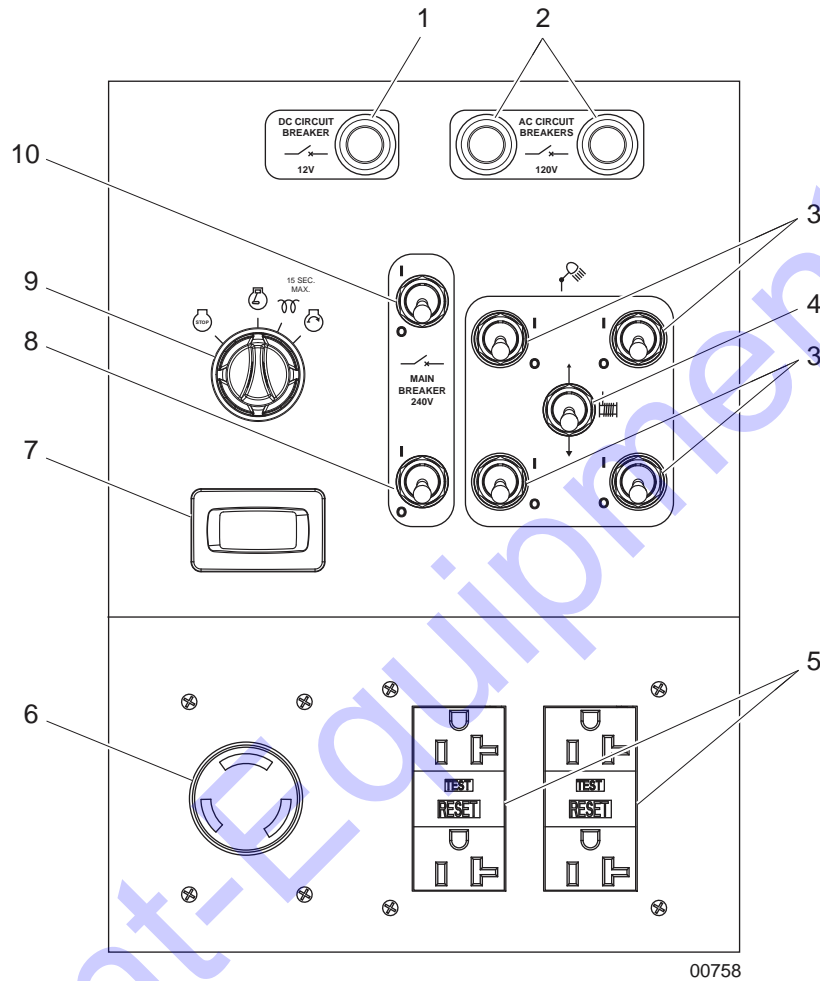


Figure 6 - Control Panel Component Locations - MLT8SK

- | | |
|--|---|
| <ol style="list-style-type: none"> 1. DC Breaker 2. AC Breakers 3. Light Switches 4. Electric Winch Switch (Optional) 5. 120V GFCI Receptacle | <ol style="list-style-type: none"> 6. 240V Twist-Lock Receptacle 7. Engine Hour Meter 8. Main Circuit Breaker (For Lights and GFCI Receptacles) 9. Control Power Switch 10. Main Circuit Breaker (for Twist-Lock Receptacle) |
|--|---|

PRESTART CHECKLIST

Before starting the unit, all items in the prestart checklist must be completed.

- Read and understand **ALL** safety sections at the beginning of this manual.
- Ensure all maintenance procedures are up to date. For more information, refer to *“General Maintenance” on page 27* and Basic Maintenance Schedules beginning on *page 28*.
- The unit must be level with jacks firmly in contact with the ground and wheels lifted approximately 1 inch (2.5 cm) off the ground.
- The unit must be dry. Check for any water inside, on, or near the unit; dry if needed.
- For grounding requirements, follow any local, state or National Electrical Code (NEC) guidelines.
- Switch the Control Power switch to the OFF (O) position.
- Switch all circuit breakers to the OFF (O) position.
- Inspect all electrical cords; repair or replace any that are cut, worn, or bare.
- Ensure all winch cables are in good condition and centered on each pulley. Do not use if cables are kinked or beginning to unravel.
- Check oil, coolant, and fuel levels. For more information, refer to *“Basic Maintenance Schedule - Mitsubishi Engine” on page 28*.
- Ensure battery connections are secure.
- Check the engine fan belt tension and condition.
- Check the engine fan belt guard.
- Check the engine exhaust system for loose or rusted components.
- Ensure the enclosure is secure.

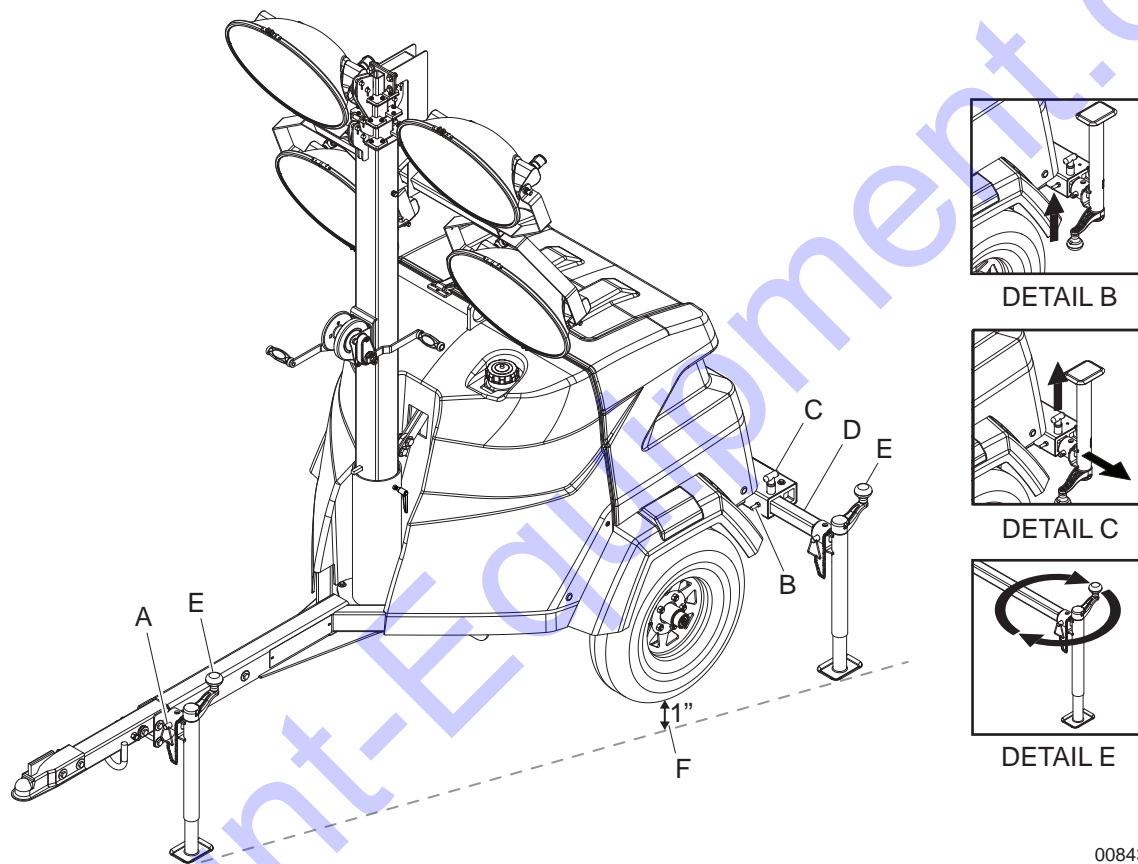
Section 3 - Operation

LIGHT TOWER SET UP

1. For maximum light coverage, locate the unit at ground level or in a spot higher than the area being illuminated by the lamps.

⚠ WARNING

The mast extends up to 23 ft (7 m). Make sure the area above the unit is open and clear of overhead wires and obstructions. Do not set up the unit if high winds or storms capable of producing lightning are expected in the area.



00843

Figure 7 - Set Up of Outriggers and Jacks

2. Place the unit on firm ground that is relatively flat, then block the wheels to keep it from moving (A). This will make it easier to level the unit.
3. Pull the locking pin on the tongue jack and rotate the jack 90°. Replace the locking pin (B). Turn the jack handle clockwise to raise the trailer tongue off of the towing vehicle.
4. A grounding stud is located on the rear frame of the trailer near the left side outrigger (B). For grounding requirements, follow and local, state or National Electrical Code (NEC) guidelines.
5. Pull the locking pin (D) on the outrigger (E) and pull each outrigger out until the spring loaded locking pin snaps back into place. Pull the locking pin on the outrigger jack and rotate each jack 180° so the jack pad is facing down. Replace the locking pin.

6. Turn the jack handles clockwise to start leveling the trailer (E). Adjust all three jacks by turning their handles clockwise until they are firmly in contact with the ground and continue until the wheels are approximately 1 inch (2.5 cm) off the ground (F).
7. Before raising the mast, it may be necessary to adjust the lamps. The lamps may be adjusted up, down, left or right by loosening the wing nuts on the trunnion (H) and aiming them in the desired direction. Tighten the hardware completely and make sure the lamps are connected to the junction box (J).

RAISING THE MAST

1. Set up and level the unit. Refer to *“Light Tower Set Up”* on page 17.

▲ WARNING

The unit must be leveled with the outriggers extended before raising the mast. The outriggers must remain extended while the mast is up. Failure to level the unit or extend the outriggers will severely reduce the stability and could allow the unit to tip and fall.

2. Check the mast cables for excessive wear or damage. Make sure the cables are properly centered in each pulley (A). Check the electrical cord for damage.

▲ WARNING

Do not start the unit if insulation on the electrical cord is cut or worn through. Bare wires in contact with the mast or frame may energize the unit and cause electrocution. Repair or replace a damaged cord.

3. Use the winch to extend the mast slowly, making sure that the coiled electrical cord is extending at the top sections of the mast. If, for any reason, the winch cable begins to develop slack or any of the mast sections get stuck, **STOP IMMEDIATELY** and contact an authorized service center.

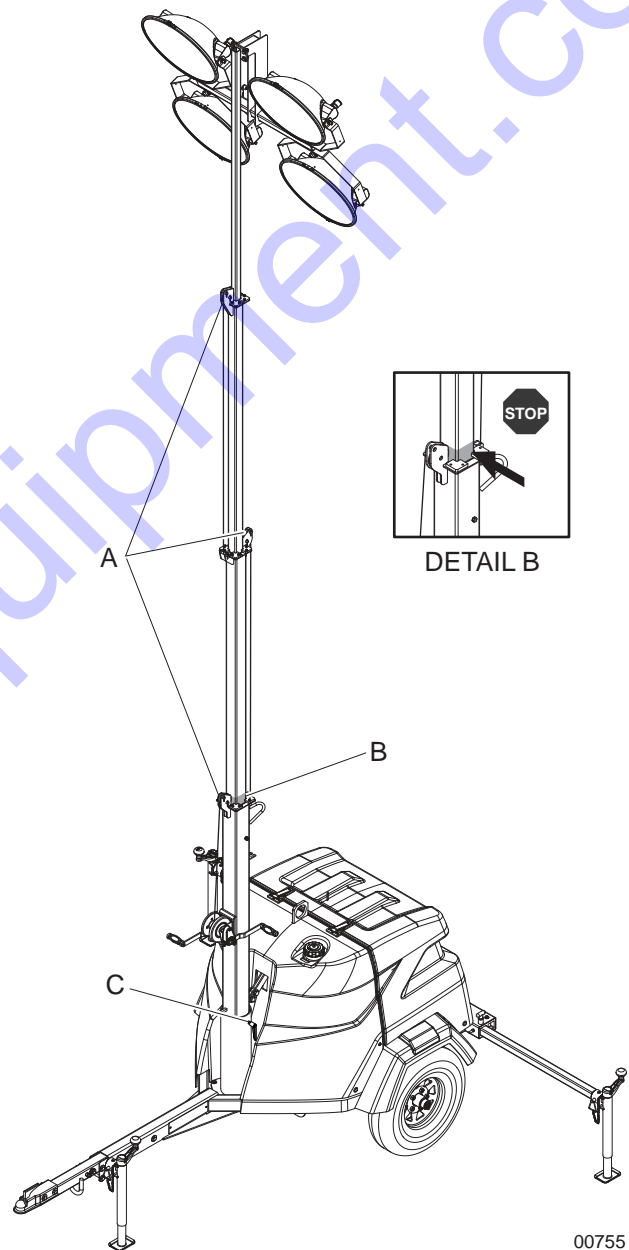


Figure 8 - Pulley Locations - Manual Winch

▲ CAUTION

Do not extend the mast beyond the colored mark on the lower mast section (B). A limit switch on the main mast section will disconnect power to the upper electric winch to prevent overextending the mast.

4. Rotate the mast by loosening the mast rotation knob at the bottom of the mast (C). Turn the mast until the lights face in the desired direction and then tighten the mast rotation knob to secure the mast in position.

▲ WARNING

Never raise or lower the mast while the unit is operating.

RAISING THE MAST WITH ELECTRIC WINCH OPTION

1. Set up and level the unit. Refer to “Light Tower Set Up” on page 17.

▲ WARNING

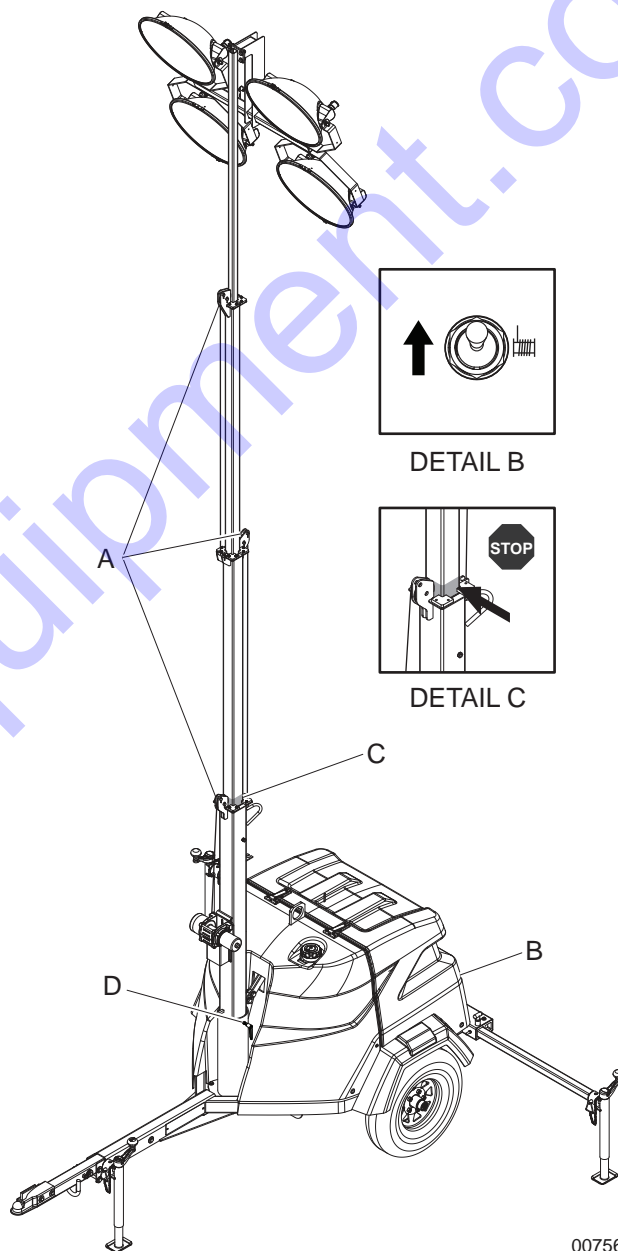
The unit must be leveled with the outriggers extended before raising the mast. The outriggers must remain extended while the mast is up. Failure to level the unit or extend the outriggers will severely reduce the stability and could allow the unit to tip and fall.

2. Check the mast cables for excessive wear or damage. Make sure the cables are properly centered in each pulley (A). Check the electrical cord for damage.

▲ WARNING

Do not start the unit if insulation on the electrical cord is cut or worn through. Bare wires in contact with the mast or frame may energize the unit and cause electrocution. Repair or replace a damaged cord.

3. Press and hold the winch control switch (B) upward to telescope the mast to the desired height. Extend the mast slowly, making sure that the coiled electrical cord is extending at the top sections of the mast. If, for any reason, the winch cable begins to develop slack or any of the mast sections get stuck, **STOP IMMEDIATELY** and contact an authorized service center.



00756

Figure 9 - Switch & Pulley Locations - Electric Winch

▲ CAUTION

Do not extend the mast beyond the colored mark on the lower mast section (C). A limit switch on the main mast section will disconnect power to the upper electric winch to prevent overextending the mast.

- Rotate the mast by loosening the mast rotation knob at the bottom of the mast (D). Turn the mast until the lights face in the desired direction and then tighten the mast rotation knob to secure the mast in position.

⚠ WARNING

Never raise or lower the mast while the unit is operating.

STARTING THE UNIT

Note: If the engine was run out of fuel or the fuel tank was drained, it may be necessary to bleed the fuel lines. Refer to the engine operator's manual supplied with the unit.

- Check that the main circuit breaker(s) are in the OFF (O) position.
- Turn the key on the Control Power switch to the right Glow Plug (☺) position and hold the key in place for five seconds, then turn the key to the right Start (☺) position and hold it until the engine cranks and starts running. Release the key, it will move to the Run (☺) position.

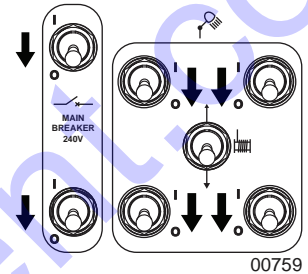


Figure 10 - Direction of Switches

Note: For cold weather conditions, refer to the engine operator's manual for appropriate glow plug interval.

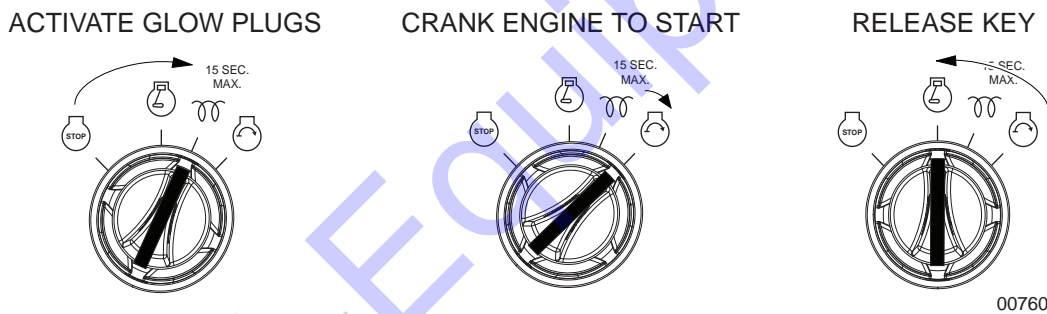


Figure 11 - Key Locations to Starting the Unit

NOTICE

Do not crank the engine longer than 10 seconds at a time. If the engine will not start, wait 30 seconds to allow the starter motor to cool and then repeat the starting procedure. Excessive cranking will cause damage to the starter.

Note: If oil pressure is not obtained within 15 seconds after the key is switched to the Run (☺) position, the low oil automatic shutdown will turn off the fuel supply, stopping the engine. Check the oil level and turn the key to the Stop (☺) position to reset the oil pressure timer before attempting to restart the engine.

- Once the engine is running, allow it to reach normal operating temperature before switching on any loads.

LIGHT OPERATION

⚠ WARNING

NEVER operate the lights without the protective lens cover, or with a lens cover that is cracked or damaged. The bulbs in the light fixtures produce high temperatures and operate under pressure. A broken or missing lens cover could cause the bulbs to shatter, causing injury.

1. Once the engine is up to temperature and running smoothly, switch the main circuit breaker (A) to the ON (I) position.
2. With the main circuit breaker on, switch each individual circuit breaker for the lights (B) to the ON (I) position, one at a time.
3. The ballast indicator lights (C) will come on and continue to get brighter as the lights warm up, and then remain on. This confirms that power is coming from the ballasts to the lights.
4. If an indicator light does not come on, the ballast may need to be serviced. If the indicator light comes on and stays lit, but the related light is not illuminated, check the bulb or the mast wiring. Refer to *"Troubleshooting the Lights"* on page 33.

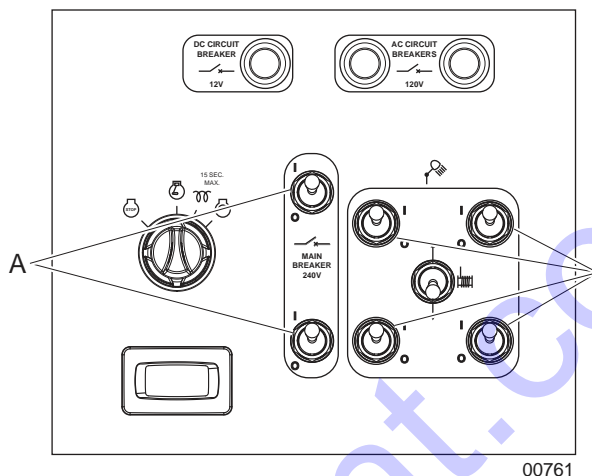


Figure 12 - Light Switches and Breakers

5. The lights require a warm up period of 5-15 minutes before they reach full output. If the lights are shut down, they require a cool down period of approximately 10 minutes before they can be switched on again.
6. The light tower uses four 1000W bulbs. When checking or replacing the bulbs, wipe them with a clean cloth to avoid leaving any grease, oil residue or fingerprints on the glass. Any residue can create a hot spot on the bulb, causing premature bulb failure.

⚠ CAUTION

Bulbs become extremely hot when in use. Allow bulb fixture to cool 10-15 minutes before handling or lowering the mast.

DERATING FOR ALTITUDE

All units are subject to derating for altitude and temperature; this will reduce the available power for operating tools and accessories connected to the receptacles. Typical reductions in performance are 2-4% for every 1000 ft (305 m) of elevation and 1% per 10°F (5.6°C) increase in ambient air temperature over 72°F (22°C).

WET STACKING

The unit is powered by a diesel engine. Diesel engines are susceptible to wet stacking if lightly loaded. Wet stacking occurs when an engine is run at less than 30% of its full load capacity, causing unburned fuel to accumulate in the exhaust system. Wet stacking can be detected by continuous black exhaust when the unit is under a constant load. It can also cause fouling of injectors and buildup on engine valves. Diesel engines operate properly when applied loads are between 30% and 100% capacity. Appropriate generator sizing is determined by the anticipated load. If the unit is in a wet stack condition, load the unit heavily for five hours or until the exhaust is clear.

CONTROL PANEL RECEPTACLES

The control panel is equipped with multiple receptacles for running accessories or tools from the generator. Power is supplied to the receptacles any time the engine is running and the main circuit breaker is switched to the ON (I) position.

Note: Do not pull more than 1000W from each receptacle when the lights are on. This will overload the generator and cause the main circuit breaker to trip. Should the breaker trip, switch off the lights, remove some of the load to the receptacles and wait 10 minutes for the bulbs to cool before turning them back on.

With all of the lights off, the full generator output may be used with the 240V twist-lock receptacle.

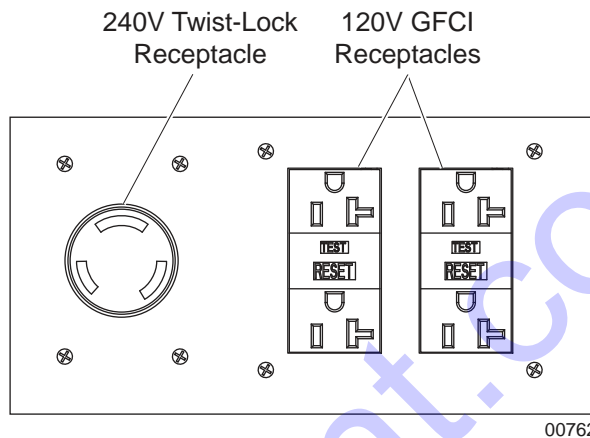


Figure 13 - Location of Receptacles

SHUTTING DOWN THE UNIT

Prior to shutting down the unit, check with personnel using power supplied by the unit and let them know the power is going to be turned off. Make sure the power shut down will not create any hazards by accidentally turning off equipment that needs to be kept on (pumps, compressors, lights, etc.).

When you have finished using the unit, proceed with shut down as follows:


1. Remove any loads from the receptacles.
2. Switch the individual circuit breakers for each light and **each** receptacle to the OFF (O) position.
3. Switch the main circuit breaker to the OFF (O) position.
4. Turn the Control Power switch to the OFF (O) position.



Figure 14 - Breakers and Control Power Switch

Note: For extended storage time, disconnect the battery. For extended storage requirements, refer to the engine operator's manual.

AUTOMATIC SHUTDOWN

This unit is equipped with a low oil pressure and high coolant temperature automatic shutdown system. This system will automatically shut off the fuel supply to stop the engine if oil pressure drops too low or the engine exceeds normal operating temperature. Return the Control Power switch to the  (stop) position to reset the unit after you have determined the cause of the shutdown.

LOWERING THE MAST - MANUAL

1. Shut down the lights and engine, refer to *“Shutting Down the Unit” on page 22*. Allow the lights to cool 10-15 minutes before lowering the mast.
2. If the unit is going to be moved, it is recommended that the mast is turned so the lights face the rear of the unit. To rotate the mast:
 - a. Loosen the mast rotation knob.
 - b. Rotate the mast until the white arrows are aligned and the metal stop tabs are touching.
 - c. Tighten the mast rotation knob.
3. Use the winch handles to collapse the mast to its lowest position. Ensure the electrical cord does not get caught in, or pinched by, the mast while it is being lowered.

▲ CAUTION

STOP IMMEDIATELY if the mast hangs up or the winch cable begins to develop slack. Excess slack in the cable could cause the mast to collapse, which could result in personal injury or equipment damage. Contact an authorized service center.

LOWERING THE MAST - ELECTRIC WINCH OPTION

Electronically Lowering the Mast

1. Shut down the lights and engine, refer to *“Shutting Down the Unit” on page 22*. Allow the lights to cool 10-15 minutes before lowering the mast.
2. If the unit is going to be moved, it is recommended that the mast is turned so the lights face the rear of the unit. To rotate the mast:
 - a. Loosen the mast rotation knob.
 - b. Rotate the mast until the white arrows are aligned and the metal stop tabs are touching.
 - c. Tighten the mast rotation knob.
3. Press and hold the upper winch control switch downward to collapse the mast to its lowest position. Ensure the electrical cord does not get caught in, or pinched by, the mast while it is being lowered.

Note: Some electric winch models are equipped with an anti-backlash safety limit switch. This switch will disconnect power to the winch if excess cable slack is detected, preventing accidental lowering of the mast.

▲ CAUTION

STOP IMMEDIATELY if the mast hangs up or the winch cable begins to develop slack. Excess slack in the cable could cause the mast to collapse, which could result in personal injury or equipment damage. Contact an authorized service center.

Note: If the generator is not operational, and the batteries do not have enough power to lower the mast, it may be necessary to lower the mast manually.

Manually Lowering the Mast

NOTICE

Do not use this procedure unless it is absolutely necessary. Continuous use of this procedure could damage the planetary gear brake of the winch. This procedure will not work if the planetary gear brake is damaged.

Operation

1. Remove the power cables from the two terminals on the winch motor assembly (A).
2. Remove the two flange head screws (B) securing the winch motor assembly to the winch. Retain the screws for reassembly.
3. Carefully remove the motor assembly (C), making sure the two pieces do not separate.
4. Insert a 3/8 in. hex key (D) into the sleeve bearing.
5. Rotate the wrench counter-clockwise to lower the mast. If any slack is observed in the cable, stop immediately and remove the slack.
6. When the mast is completely down, reinstall the winch motor assembly, securing it with the screws retained in step 2.

TOWING THE UNIT

Once the engine is shut down, the mast and lights are properly stowed, and the unit is lowered so the weight is on the wheels, follow these steps to prepare the unit.

1. Raise the outrigger jacks completely and remove the locking pins to rotate them up into the travel position. Replace the locking pins.
2. Release the outrigger locking pins and slide the outriggers into the trailer frame until the locking pins snap into place.
3. Use the tongue jack to raise or lower the trailer onto the hitch of the towing vehicle. Lock the hitch coupling and attach the safety chains or cables to the vehicle. Remove the tongue jack locking pin and rotate the jack into the travel position. Replace the locking pin.

Note: A film of grease on the coupler will extend coupler life and eliminate squeaking. Wipe the coupler clean and apply fresh grease each time the unit is towed.

4. To ensure proper operation of the jacks, lube the grease fittings located on the leveling jacks. Refer to “[Jack Maintenance](#)” on [page 31](#). For maintenance interval information, refer to Basic Maintenance Schedules beginning on [page 28](#).
5. Connect any trailer wiring to the tow vehicle. Check for proper operation of the directional and brake lights.
6. Make sure the enclosure is properly latched.
7. If the unit is going to be driven over rough ground, remove the bulbs from the light fixtures.
8. Check for proper inflation of the trailer tires. For maximum tire pressures, refer to Specifications beginning on [page 7](#).
9. Check the wheel lugs. Tighten or replace any lugs that are loose or missing. If a tire has been removed for axle service or replaced, tighten the lugs, in the order shown, to the following specifications:
 - a. Start all lug nuts by hand.
 - b. First pass tighten to 20-25 ft-lbs (27-33 Nm).
 - c. Second pass tighten to 50-60 ft-lbs (67-81 Nm).
 - d. Third pass tighten to 90-120 ft-lbs (122-162 Nm).

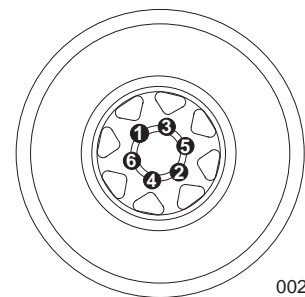


Figure 15 - Lug Sequence

Note: After the first road use, re-torque the lug nuts in sequence.

- Maximum recommended speed for highway towing is 45 mph (72 km/h). Recommended off-road towing speed is not to exceed 10 mph (16 km/h) or less, depending on the terrain.

LIFTING AND TIE DOWN

When lifting the unit, attach any slings, chains or hooks directly to the central lift point. The central lift point is located on top of the enclosure.

Note: When using the central lift point, the mast must be in the stowed position, as shown.

- Make sure the equipment being used to lift the unit has sufficient capacity. For approximate weights, refer to Specifications beginning on [page 7](#).
- Always remain aware of people and objects around the unit while moving.
- Use the forklift pockets with care. Lift only from rear of the unit

When securing the unit for transportation, use the tie down points, as shown.

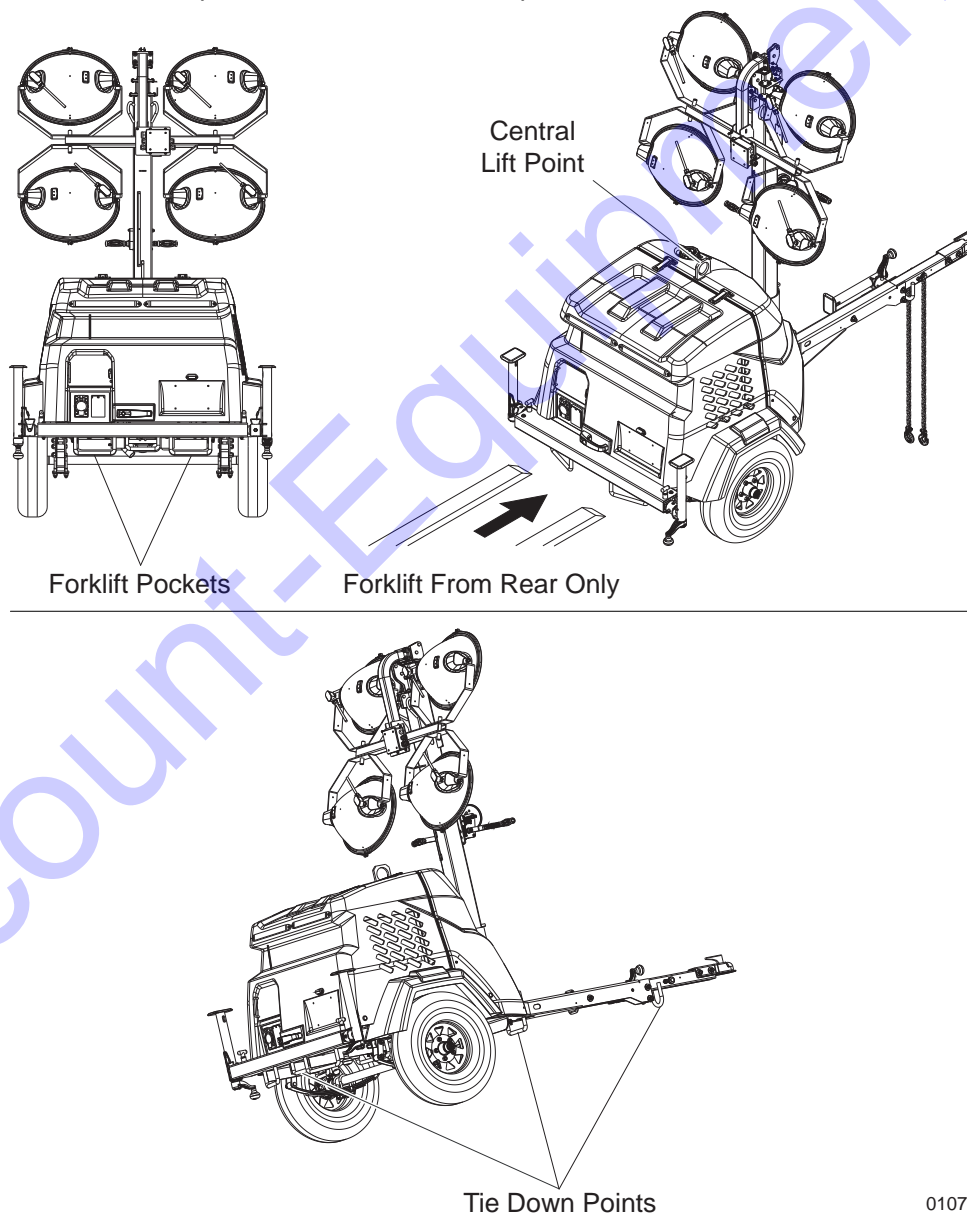


Figure 16 - Lifting and Tie Down Points

Section 4 - Maintenance

Normal maintenance service and replacement of parts are the responsibility of the owner/operator and, as such, are not considered defects in materials or workmanship within the terms of the warranty. It is strongly recommended that the equipment be periodically checked by a Generac Mobile Products Authorized Dealer.

DAILY WALK AROUND INSPECTION

Look for conditions that could hinder performance or safety, such as (but not limited to) oil/coolant/fuel leakage, blocked vents, loose/missing hardware, and electrical connections.

Visually inspect the fan belt for cracks, fraying, stretching, and verify the belt is properly seated in the pulley grooves. Replace the belt according to the manufacturer's recommendations.

Note: At the service interval stated in the Basic Maintenance Schedules starting on page 28, it is recommended that the belt be removed and checked for wear. While the belt is removed, inspect pulleys and bearings. Rotate and feel for hard turning or unusual sounds. If pulleys or bearings need replacement, contact the engine manufacturer.

NOTICE

Failure to perform a daily inspection may result in serious damage to the prime mover.

GENERAL MAINTENANCE

Poorly maintained equipment can become a safety hazard. In order for the equipment to operate safely and properly over a long period of time, periodic maintenance and occasional repairs are necessary. **NEVER** perform routine service (oil/filter changes, cleaning, etc.) unless all electrical components are shut off. Before servicing the unit, always follow the instructions listed below.

- Verify the Control Power switch is turned to the OFF (O) position.
- Verify the circuit breakers are turned to the OFF (O) position.
- Disconnect the negative (-) terminal on the battery.
- Attach a "Do Not Start" sign to the control panel. This will notify everyone that the unit is being serviced and will reduce the chance of someone inadvertently trying to start the unit.
- Never wash the unit with a high pressure hose or with any kind of power washer.
- Never wash the engine block or fuel tank with a power washer or steam cleaner. Water may enter the cabinet and collect in the generator windings or other electrical parts, causing damage.
- If the unit is stored outside, check for water inside the cabinet and generator before each use. If wet, dry the unit thoroughly before starting.
- Inspect condition of electrical cords. **DO NOT** use the unit if insulation is cut or worn through.
- Check that winch cables are in good condition and are centered on each pulley. **DO NOT** use a cable that is kinked or starting to unravel.
- Check that the safety pins for the mast lock rod and mast lock bar are present and secured with a chain. Check that the spring located in the mast lock bar is not broken or missing. Check the operation of the mast lock bar.
- Check the wheel lugs. Refer to "Towing the Unit" on page 24.
- Check the coolant level daily. Refer to the engine operator's manual for coolant recommendations and proper mixture.
 - Coolant is checked visually by inspecting the level in coolant overflow jug located near the radiator.
 - Normal operating level is between the full and add markings on the overflow jug known as normal range.
 - **WHEN ENGINE IS STOPPED AND COMPLETELY COOL**, coolant may be added directly to the coolant

overflow jug.

- Check the oil level daily. Refer to the engine operator's manual for the proper viscosity grade of oil, including special operating conditions such as a change in season or climate.
 - **DO NOT** start the unit if the engine oil level is below the add mark on the dipstick.
 - Normal operating level is in the cross-hatch pattern between the full and add markings on the dipstick.
 - Add oil only if the oil level is below the add mark on the bottom of the cross-hatch pattern on the dipstick.**DO NOT OVERFILL** the crankcase.
- Check the fuel level.

Note: If the engine was run out of fuel or the fuel tank was drained, it may be necessary to bleed the fuel lines. Refer to the engine operator's manual supplied with the unit.

BASIC MAINTENANCE SCHEDULE - MITSUBISHI ENGINE

NOTICE

Refer to the original equipment manufacturer's operating manual for a complete list of maintenance requirements. Failure to comply with the procedures as described in the engine operator's manual will nullify the warranty, decrease performance and cause equipment damage or premature equipment failure. Maintenance records may be required to complete a warranty request.

Use the schedule in the following table as a guide for regular maintenance intervals. For additional or replacement copies of the engine operator's manual, contact an authorized dealer in your area.

Item	Daily	750 Hours	As Required
Check Oil Level	◆		
Check Coolant Level	◆		
Check Fuel Level	◆		
Check Tire Pressure	◆		
Check All Electrical Connections	◆		
Inspect Radiator Fins For Debris, Clean As Required	◆		
Inspect Light Tower Winch For Proper Operation	◆		
Replace Engine Oil And Oil Filter		◆*†	
Belt And Belt Tension - Inspect And Adjust		◆*	
Replace Fuel Filter		◆	
Check Battery Condition		◆	
Replace Air Cleaner Element		◆	
Lubricate Leveling Jacks			◆
Fuel System - Bleed Air			◆
Drain Residual Water From Fuel Filter			◆

* Perform after the initial 50 hours of operation ONLY, then on the regularly scheduled interval as indicated in the table above.

† Generac Mobile Products recommends that oil change intervals on the MLT6SM equipped with the Mitsubishi L3E-W461ML Tier 4 engine be extended to 750 hours after initial break-in. The engine comes from the factory with a larger sump that holds 5.5 quarts (5.2 L) of engine oil. After the initial 50 hour break-in and oil change, the sump, coupled with the larger oil filter (P/N 70124), allows the engine to operate up to 750 hours between routine oil changes. Hot, humid or dusty conditions can shorten engine oil service life, regardless of suggested oil change intervals. Always follow the recommendations of the OEM engine manual that was shipped with the unit for specific operating instructions.

BASIC MAINTENANCE SCHEDULE - KUBOTA ENGINE

NOTICE

Refer to the original equipment manufacturer's operating manual for a complete list of maintenance requirements. Failure to comply with the procedures as described in the engine operator's manual will nullify the warranty, decrease performance and cause equipment damage or premature equipment failure. Maintenance records may be required to complete a warranty request.

Use the schedule in the following table as a guide for regular maintenance intervals. For additional or replacement copies of the engine operator's manual, contact an authorized dealer in your area.

Item	Daily	50 Hours	250 Hours	500 Hours	As Required
Check Oil Level	◆				
Check Coolant Level	◆				
Check Fuel Level	◆				
Check Tire Pressure	◆				
Check All Electrical Connections	◆				
Inspect Radiator Fins For Debris, Clean As Required	◆				
Inspect Light Tower Winch For Proper Operation	◆				
Check Fan Belt Tightness	◆				
Check Radiator Hoses And Clamp Bands		◆*	◆		
Change Engine Oil		◆*	◆		
Replace Oil Filter Cartridge		◆*	◆		
Replace Fuel Filter Cartridge			◆		
Replace Air Filter Element			◆**		
Replace Fan Belt				◆	
Lubricate Leveling Jacks					◆
Remove Sediment In Fuel Tank					◆
Clean Air Cleaner Element					◆

* Change the engine oil and oil filter after the initial 50 hours of operation, then at the appropriate interval thereafter.

** Replace the air cleaner element yearly, or after six cleanings, whichever occurs first.

WINCH USE, OPERATION AND MAINTENANCE - MANUAL

Prior to Use

- Inspect rope or cable and replace if damaged.
- Check mounting hardware for proper tightness and re-torque if necessary.
- Gears, ratchet pivot point and shaft bushings must be kept lubricated with a thin film of oil or grease.

Operation

Lifting the Lights:

1. The cable must be securely fastened to the object being lifted and to the winch drum.
2. Always be sure that the cable and cable attachments are not damaged and are strong enough for the load. Ensure there is an adequate safety factor of at least three times the maximum load for all components used.

Maintenance

- Referring to the “Cable In/Cable Out” decal on the winch, turn handle according to the specified direction to lift. The ratchet **MUST** make a loud clicking sound while pulling line in.

Lowering the Lights:

- Referring to the “Cable In/Cable Out” decal on the winch, turn handle according to the specified direction to lower. No clicking will be heard because the brake system is activated.

Maintenance

The following procedures should be performed at least annually:

- The gears and bushings of the winch must be kept lubricated. Apply a thin film of grease to the gear teeth, and oil the bushings as needed.
- The ratchet pawl pivot point must be kept lubricated with a thin oil.
- Do not get oil or grease on the brake mechanism.

WINCH USE, OPERATION AND MAINTENANCE - ELECTRIC

- Keep the winch free of dirt, oil, grease, water and other substances.
- Check all mounting bolts and make sure they are tightened to the recommended torque values. Replace any damaged fasteners.
- Periodically check all connections to be sure they are tight and free of corrosion.
- Check the cable for visible damage every time the winch is operated. Examples of damage are: cuts, knots, mashed or frayed portions, and broken strands. Replace cable immediately if damaged. Failure to replace a damaged cable could result in breakage.
- Regularly check the brake for slippage or drift. This is detected visually when winch is under load. If winch drum continues to turn after controls are released, the brake may need to be replaced.
- Periodically clean and grease the brake assembly. This will ensure proper performance and extend the life of the winch. If winch seems to labor or get excessively hot during the lowering of loads, the brake will need to be serviced or replaced.
- Check motor brushes periodically and replace when necessary.

Note: Only the motor brushes and brake assembly require periodic replacement.

Winch Preventive Maintenance Schedule

Maintenance Activity	After First Operation	Before Each Use	Semi-Annually Or After Each 25 Hours Of Operation
Check Fasteners	◆		◆
Check Electrical Connections	◆		◆
Clean And Grease Brake Assembly			◆
Check Motor Brushes			◆
Visually Check Winch And Control	◆	◆	◆

Winch Mechanical Brake

The mechanical brake generates heat when loads are lowered and the wire cable is powered out. Care must be

taken to avoid overheating the mechanical brake.

Whine or chatter associated with a new mechanical brake is normal and typically disappears with use.

Overheating the mechanical brake may result in permanent damage to, or failure of, the brake. Replace any damaged brake components before resuming use of the winch.

JACK MAINTENANCE

Apply a lightweight oil to the screw stem annually.

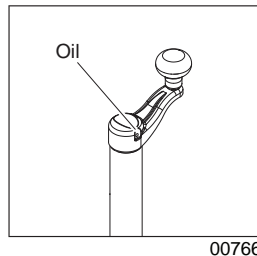


Figure 17 - Lubrication Point

TRAILER WHEEL BEARINGS

The trailer axles are equipped with a grease zerk fitting to allow lubrication of the wheel bearings without the need to disassemble the axle hub. To lubricate the axle bearings, remove the small rubber cap, attach a standard grease gun fitting to the grease zerk fitting and pump grease into the fitting until new grease is visible around the castle nut. Use only a high quality grease made specifically for lubrication of wheel bearings. Wipe any excess grease from the hub with a clean cloth and replace the rubber cap when finished.

Note: It is recommended to check bearing adjustment after the first 50 miles (80 km) to maximize bearing life.

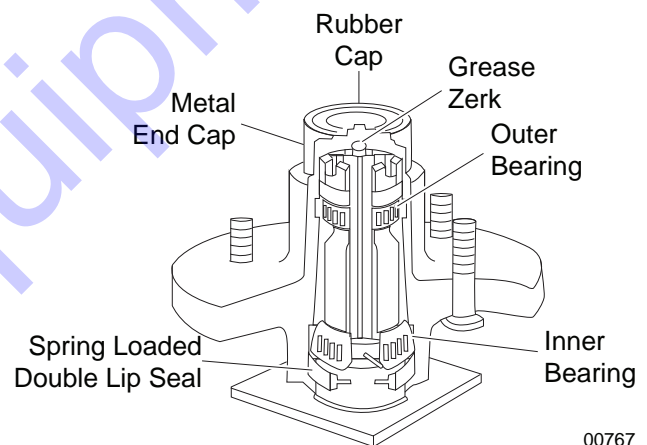


Figure 18 - Wheel Bearing Cross Section

The minimum recommended lubrication is every 12 months or 2,000 miles (3,219 km). More frequent lubrication may be required under extremely dusty or damp operating conditions. Every six months, or depending on usage, check for play in each bearing by jacking up the trailer, then trying to rock the wheel.

Section 5 - Troubleshooting

TROUBLESHOOTING THE LIGHTS

⚠ DANGER

THIS UNIT USES HIGH VOLTAGE CIRCUITS CAPABLE OF CAUSING SERIOUS INJURY OR DEATH. ONLY A QUALIFIED ELECTRICIAN SHOULD TROUBLESHOOT OR REPAIR ELECTRICAL PROBLEMS OCCURRING IN THIS EQUIPMENT.

Mast Lights Off, Checking Outside the Control Box

1. Mast light is too hot. Allow light to cool 10-15 minutes before restarting.
2. Faulty bulb connection. Check that the bulb is tight in the socket.
3. Bulb broken. Check for broken arc tube or outer bulb jacket, broken or loose components in bulb envelope or blackening/deposits inside tube.
4. Check the connections inside the mast junction box and each mast light housing/socket.
5. Check the mast electrical cord for damage and check the cord connections inside the control box.

Mast Lights Off, Checking Inside the Control Box

1. Check the connections inside the control box and inside each ballast box.
2. Generator output incorrect. Check the incoming voltage to the ballast by checking the available voltage on the GFCI receptacle. Incoming voltage should be 120V +/- 5V. If voltage is incorrect, the engine speed may need to be adjusted or generator may require service.
3. Low transformer output. The voltage from the transformer should read approximately 400VAC as the light "strikes" (induces an arc), then drop and slowly rise back up to stabilize at 240-260VAC. On quick disconnect models, measure across the junction box terminals when the light is unplugged. On hard wired models, remove the mast junction box cover and insert the wire probes into the connector blocks for the light and ground. If proper voltage is not achieved, perform capacitor check to determine if the capacitor or coil needs to be replaced.

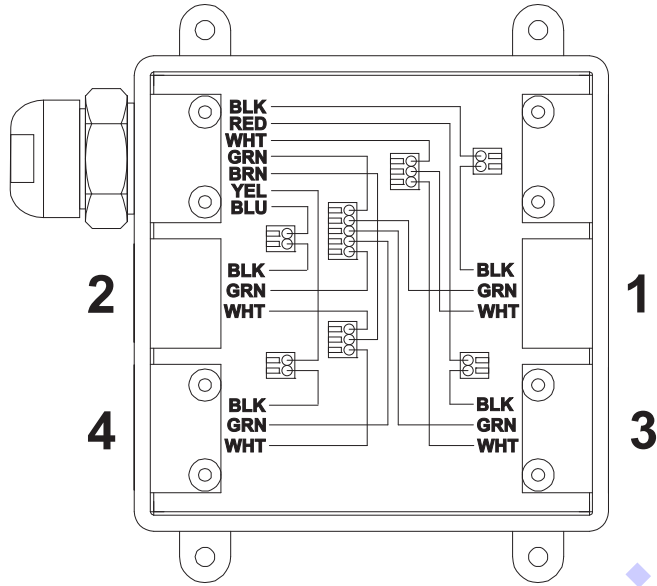
Mast Lights On But the Light Output is Low

1. Fixture and/or lens is dirty. Clean reflective surface inside fixture and both inside and outside surface of glass lens. Use mild soap and water to clean lens. Other chemicals may have an adverse effect on the glass.
2. Bulb worn due to normal use. Replace bulb.
3. Check the mast coil cord, mast junction box and mast light connections.
4. Generator output incorrect. Check the incoming voltage to the ballast. Incoming voltage should be 120V +/- 5V. If the voltage is incorrect, the engine speed may need to be adjusted or the generator may require service.
5. Low transformer output. The voltage from the transformer should read approximately 400VAC as the light "strikes" (induces an arc), then drop and slowly rise back up to stabilize at 240-260VAC. On quick disconnect models, measure across the junction box terminals when the light is unplugged. On hard wired models, remove the mast junction box cover and insert the wire probes into the connector blocks for the light and ground. If proper voltage is not achieved, perform capacitor check to determine if the capacitor or coil needs to be replaced.

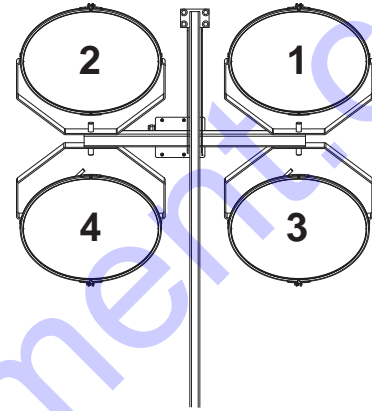
Section 6 - Wiring Diagrams

MAST LIGHT CONNECTIONS

MAST JUNCTION BOX WIRING
4-LIGHT

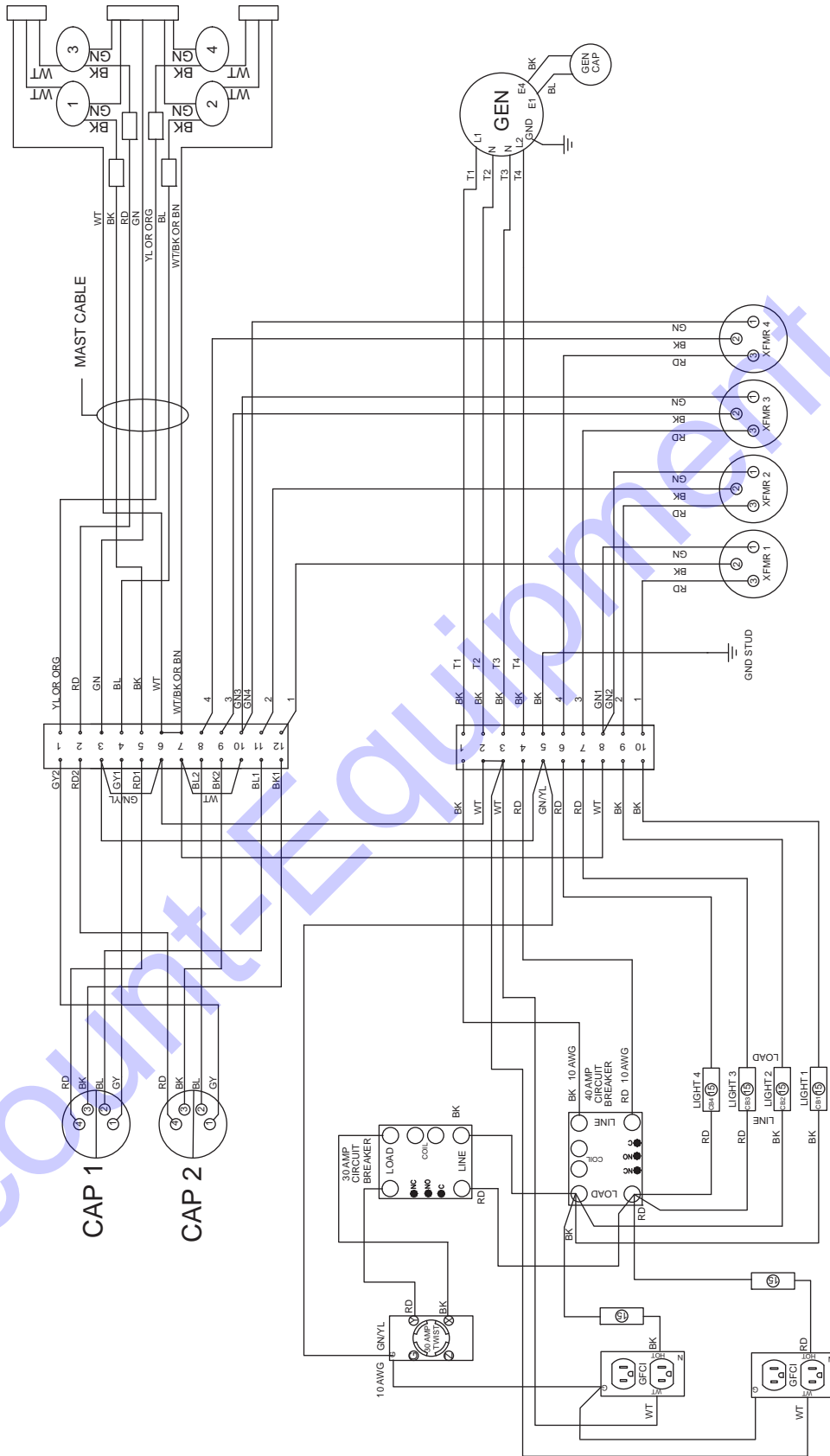


MAST LIGHT CONNECTIONS
4-LIGHT



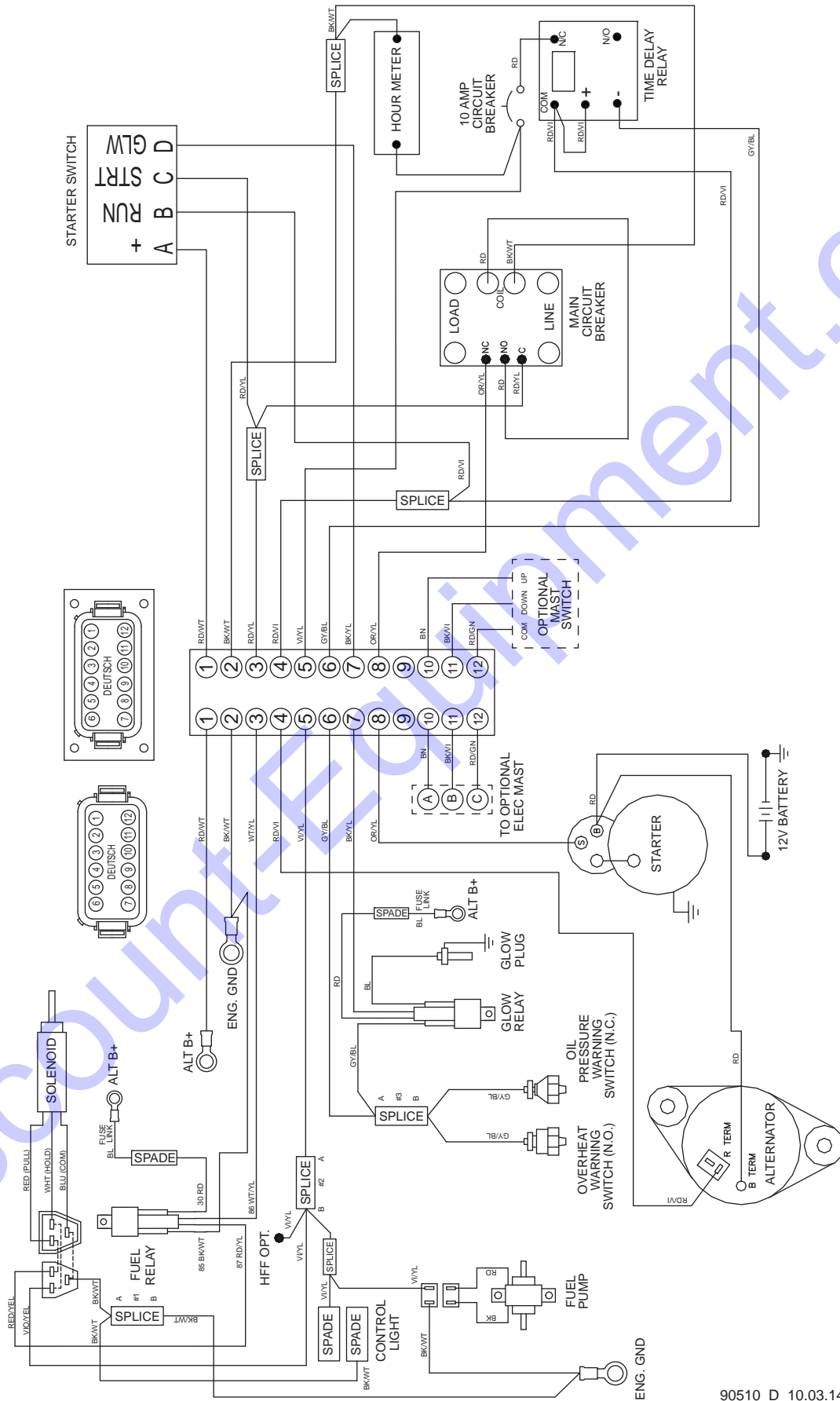
00768

AC WIRING - MLT8SK



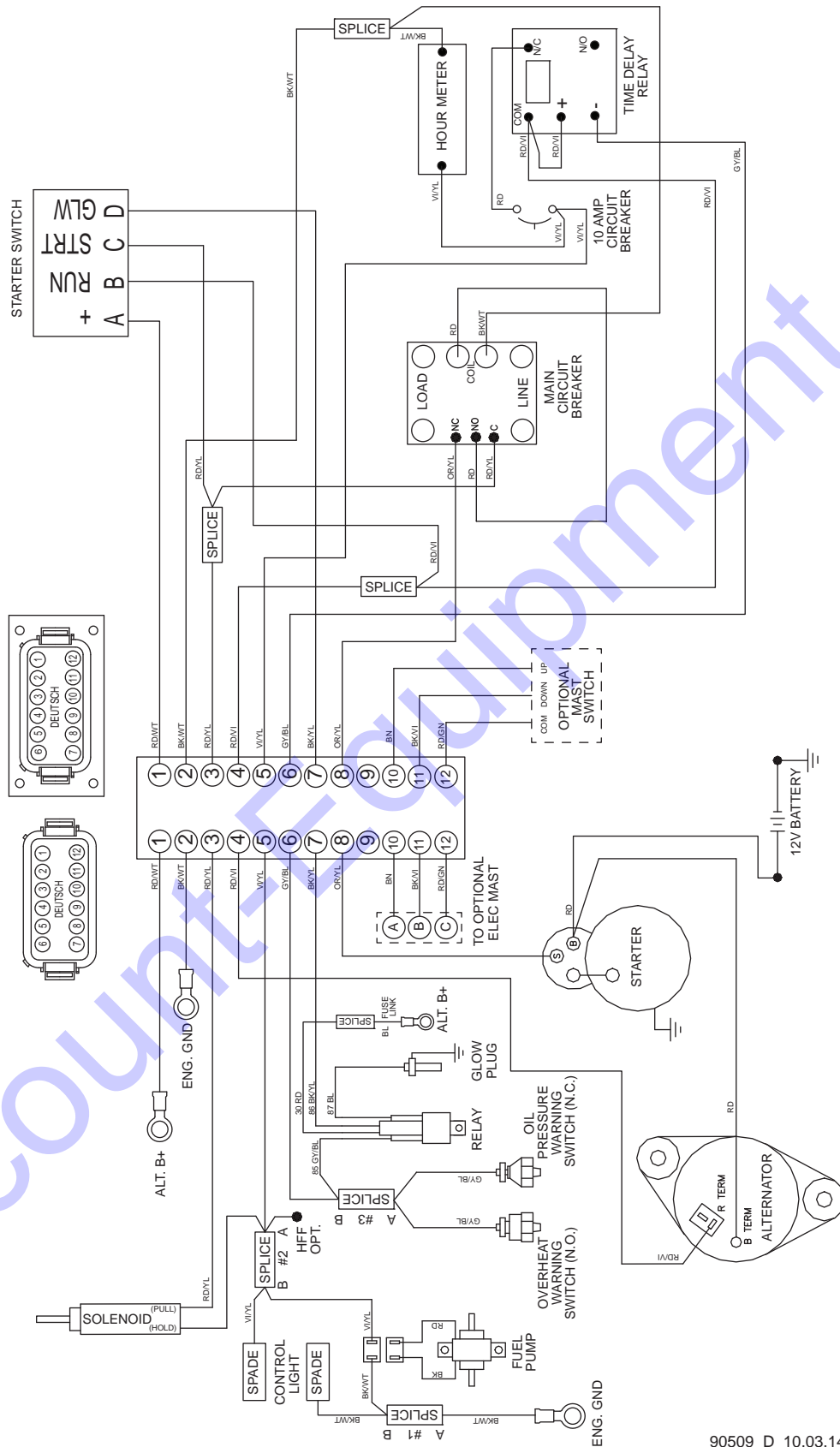
90557_ORG_08.08.14

DC WIRING - MITSUBISHI



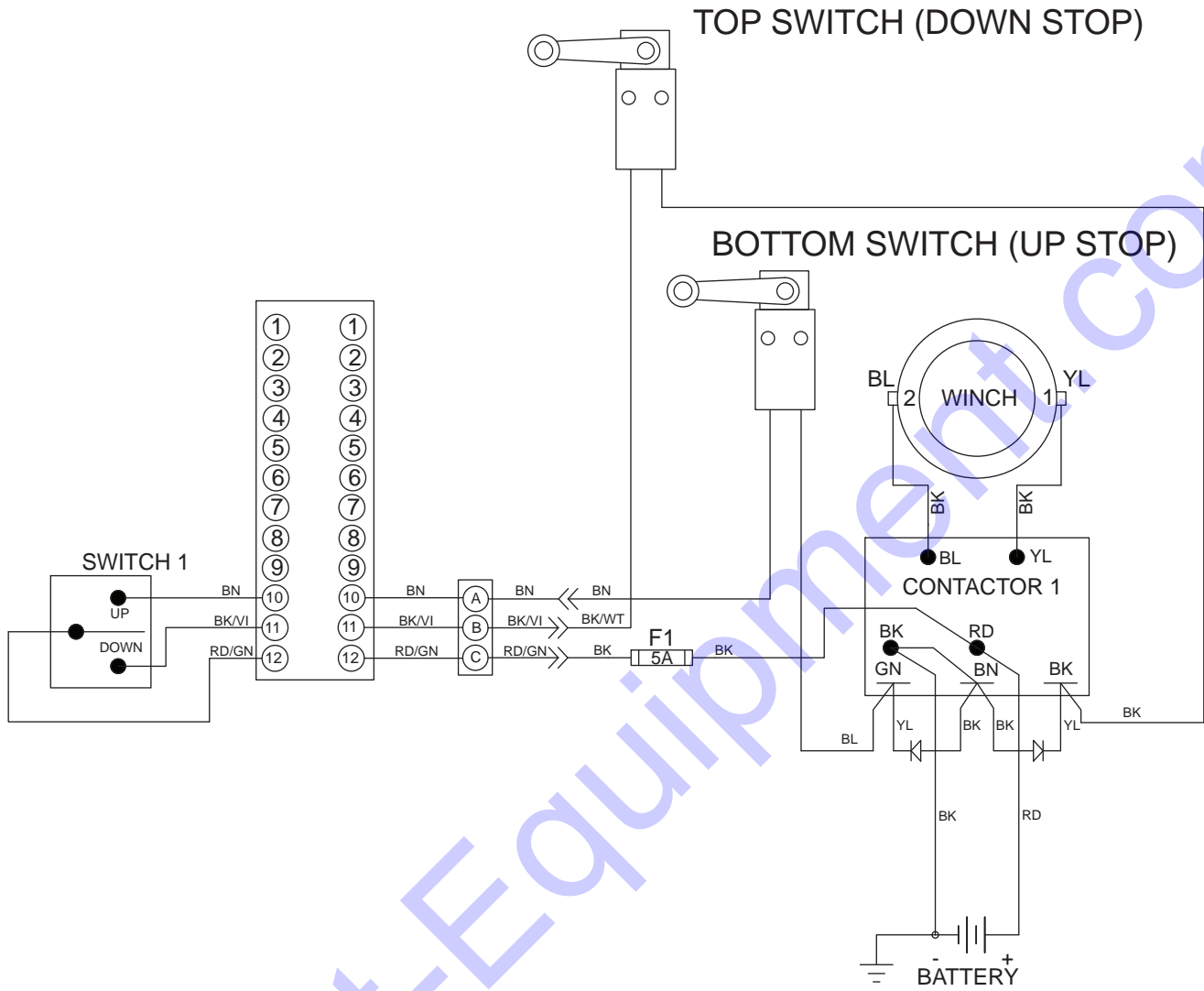
90510_D_10.03.14

DC WIRING - KUBOTA



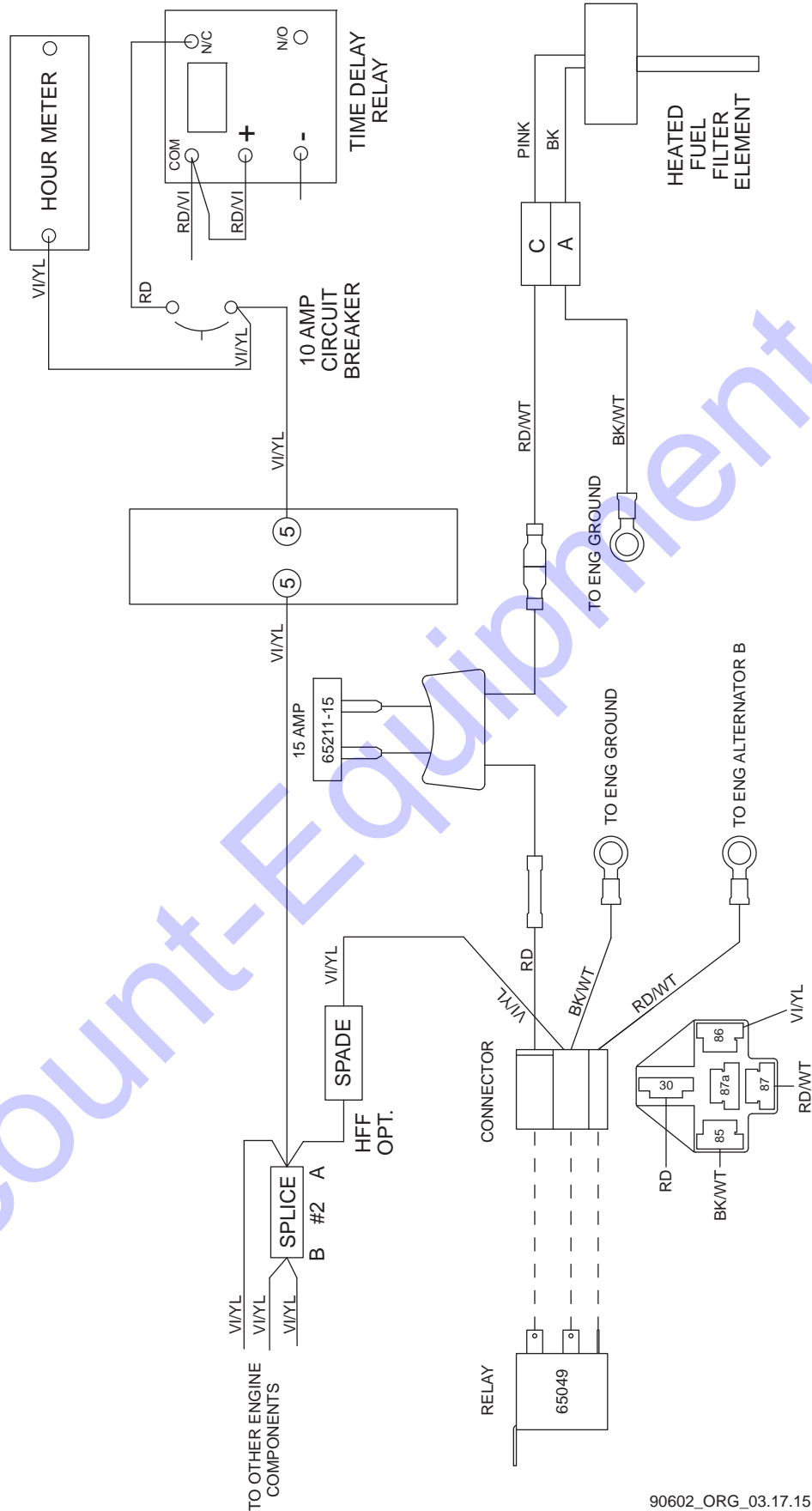
90509_D_10.03.14

DC WIRING - ELECTRIC WINCH



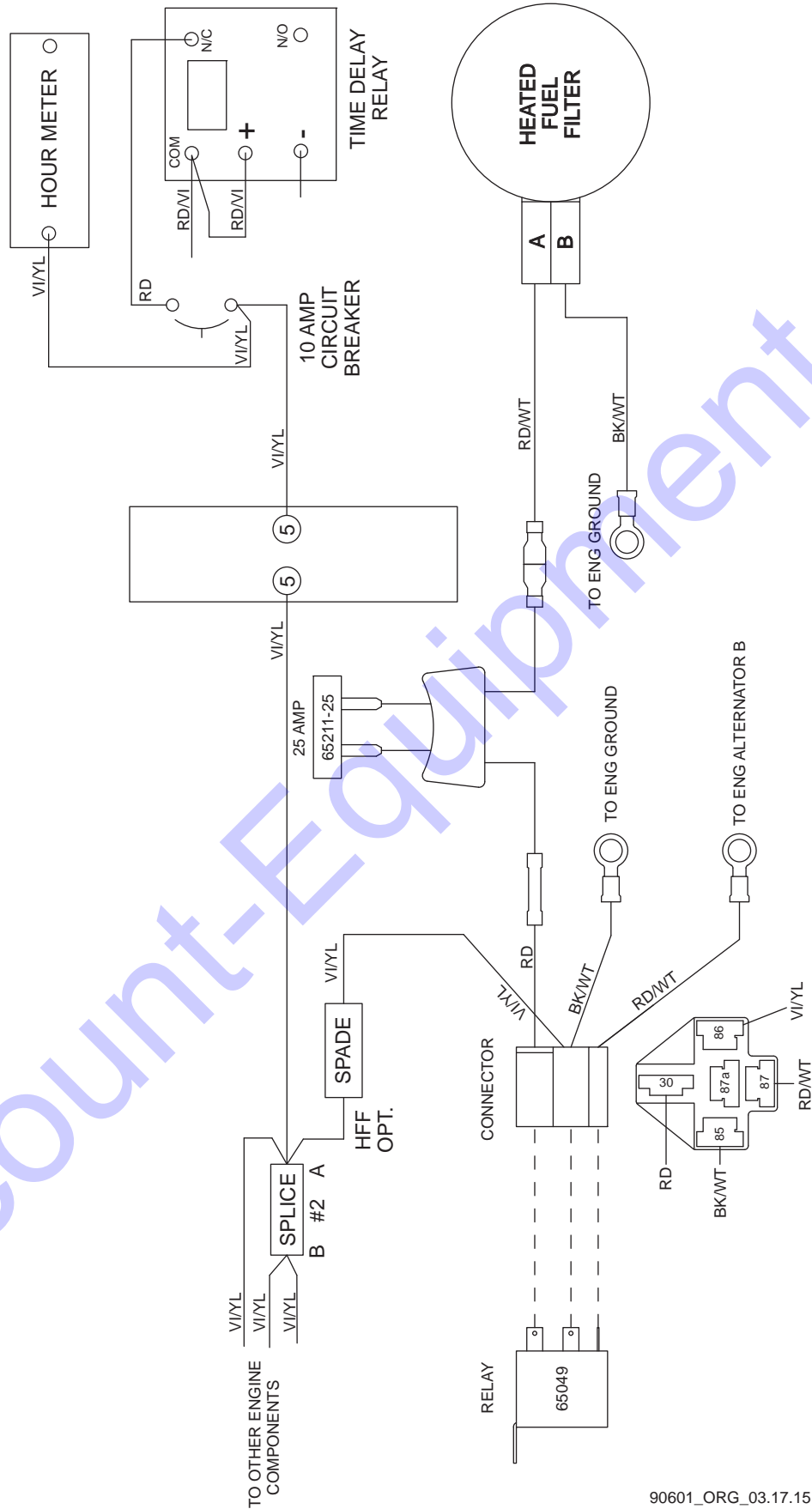
90596_ORG_10.31.14

DC WIRING OPTION - HEATED FUEL FILTER - MITSUBISHI



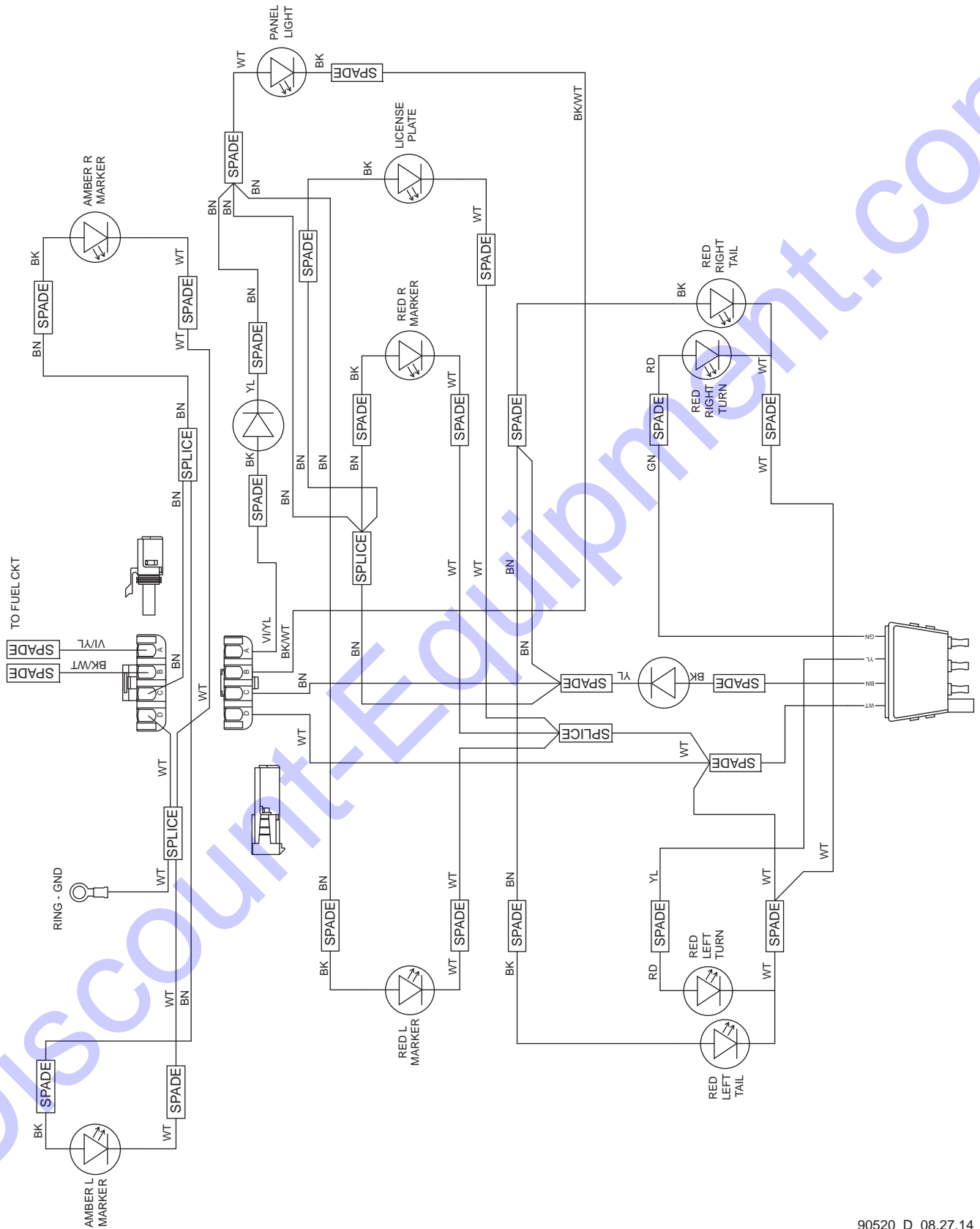
90602_ORG_03.17.15

DC WIRING OPTION - HEATED FUEL FILTER - KUBOTA



90601_ORG_03.17.15

TRAILER LIGHTS WIRING



90520_D_08.27.14

Section 7 - Options & Accessories

LOWER RADIATOR HOSE HEATER OPTION - USE AND MAINTENANCE

⚠ CAUTION

Improper use of the lower radiator hose heater could result in damage to the engine or personal injury. Do not modify the location of the lower radiator hose heater.

The following points should be followed when operating a unit equipped with a lower radiator hose heater.

- Ensure the cooling system is full of the proper mixture of water and engine coolant before each heater use.
- The heater is designed for all-night operation, however, 2-5 hours of heating just prior to starting is usually sufficient for proper engine starting.
- The unit must be level to maintain proper orientation of the heater while it is in operation.
- Use only an undamaged, outdoor rated, three-prong grounded 120VAC extension cord with a minimum amperage rating of 10A. Connect the cord to a properly grounded 120VAC, GFCI receptacle.
- Before starting the engine, unplug the extension cord from the power first, then unplug the heater cordset from the extension cord.

Discount Equipment

Discount-Equipment.com is your online resource for commercial and industrial quality parts and equipment sales.

Locations:

Florida (West Palm Beach): [561-964-4949](tel:561-964-4949)

Outside Florida TOLL FREE: [877-690-3101](tel:877-690-3101)

Need parts? Check out our website at www.discount-equipment.com

Can't find what you need?

Click on this link: <http://www.discount-equipment.com/category/5443-parts/> and fill out the request form.

Please have the machine model and serial number available in order to help us get you the correct parts. One of our experienced staff members will get back to you with a quote for the right part that your machine needs.

We sell worldwide for the brands: Genie, Terex, JLG, MultiQuip, Mayco, Toro/Stone, Diamond Products, Magnum, Airman, Mustang, Power Blanket, Nifty Lift, Atlas Copco, Chicago Pneumatic, Allmand Brothers, Essick, Miller Spreader, Skyjack, Lull, Skytrak, Tsurumi, Husquvarna/Target, Whiteman-Concrete/Mortar, Stow-Concrete/Mortar, Baldor, Wacker, Sakai, Snorkel, Upright, Mi-T-M, Sullair, Neal, Basic, Dynapac, MBW, Weber, Bartell, Bennar Newman, Haulotte, Ditch Runner, Blaw-Knox, Himoina, Best, Buddy, Crown, Edco, Wyco, Bomag, Laymor, Terremite, Barreto, EZ Trench, Takeuchi, Basic, Bil-Jax, Curtis, Gehl, Heli, Honda, ICS/PowerGrit, Puckett, Waldon, ASV, IHI, Partner, Imer, Clipper, MMD, Koshin, Rice, Gorman Rupp, CH&E, Cat Pumps, Comet, General Pump, Giant, AMida, Coleman, NAC, Gradall, Square Shooter, Kent, Stanley, Tamco, Toku, Hatz, Kohler, Robin, Wisconsin, Northrock, Oztec, Toker TK, Rol-Air, Small Line, Wanco, Yanmar

New Equipment - Used Equipment - Rental Equipment - Parts and Accessories

Discount Equipment

www.discount-equipment.com

561-964-4949

Sales: info@Discount-Equipment.com

Parts: wbparts@Discount-Equipment.com



www.discount-equipment.com

Discount-Equipment.com