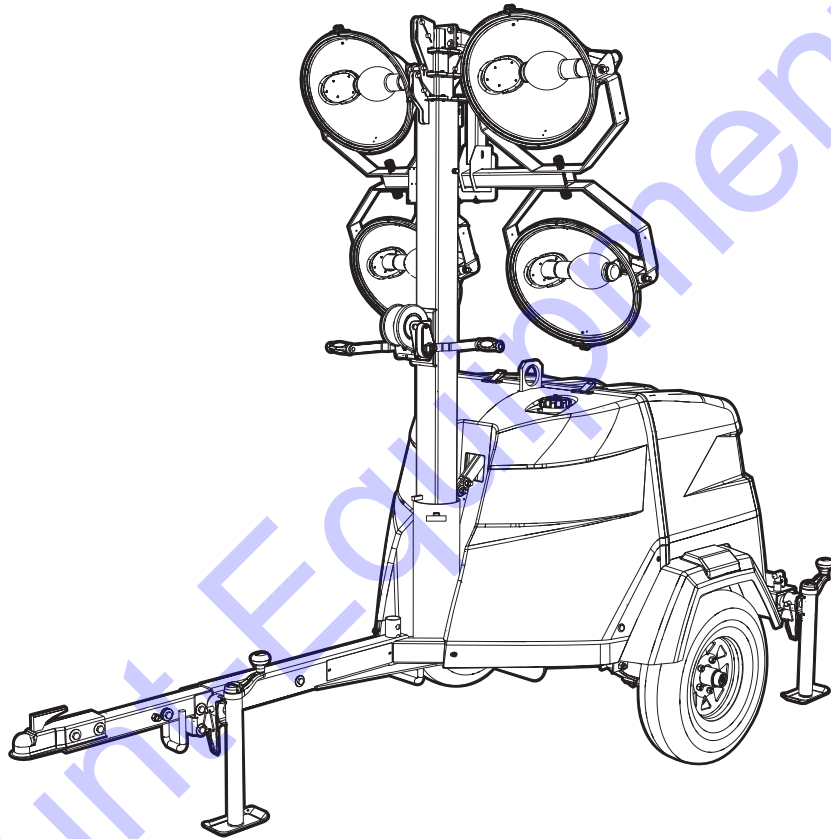


MLT6SM & MLT6SK

Light Tower Parts Manual

S/N 3002908801 and above



02449



www.discount-equipment.com

MODEL NUMBER: _____

SERIAL NUMBER: _____

DATE PURCHASED: _____

SAVE THIS MANUAL FOR FUTURE REFERENCE

Discount Equipment

Discount-Equipment.com is your online resource for commercial and industrial quality parts and equipment sales.

Locations:

Florida (West Palm Beach): [561-964-4949](tel:561-964-4949)

Outside Florida TOLL FREE: [877-690-3101](tel:877-690-3101)

Need parts? Check out our website at www.discount-equipment.com

Can't find what you need?

Click on this link: <http://www.discount-equipment.com/category/5443-parts/> and fill out the request form.

Please have the machine model and serial number available in order to help us get you the correct parts. One of our experienced staff members will get back to you with a quote for the right part that your machine needs.

We sell worldwide for the brands: Genie, Terex, JLG, MultiQuip, Mayco, Toro/Stone, Diamond Products, Magnum, Airman, Mustang, Power Blanket, Nifty Lift, Atlas Copco, Chicago Pneumatic, Allmand Brothers, Essick, Miller Spreader, Skyjack, Lull, Skytrak, Tsurumi, Husquvarna/Target, Whiteman-Concrete/Mortar, Stow-Concrete/Mortar, Baldor, Wacker, Sakai, Snorkel, Upright, Mi-T-M, Sullair, Neal, Basic, Dynapac, MBW, Weber, Bartell, Bennar Newman, Haulotte, Ditch Runner, Blaw-Knox, Himoina, Best, Buddy, Crown, Edco, Wyco, Bomag, Laymor, Terremite, Barreto, EZ Trench, Takeuchi, Basic, Bil-Jax, Curtis, Gehl, Heli, Honda, ICS/PowerGrit, Puckett, Waldon, ASV, IHI, Partner, Imer, Clipper, MMD, Koshin, Rice, Gorman Rupp, CH&E, Cat Pumps, Comet, General Pump, Giant, AMida, Coleman, NAC, Gradall, Square Shooter, Kent, Stanley, Tamco, Toku, Hatz, Kohler, Robin, Wisconsin, Northrock, Oztec, Toker TK, Rol-Air, Small Line, Wanco, Yanmar

New Equipment - Used Equipment - Rental Equipment - Parts and Accessories

Discount Equipment

www.discount-equipment.com

561-964-4949

Parts: wbparts@Discount-Equipment.com

Sales: info@Discount-Equipment.com

 **WARNING**

Breathing diesel engine exhaust exposes you to chemicals known to the State of California to cause cancer and birth defects or other reproductive harm.

- Always start and operate the engine in a well-ventilated area.
- If in an enclosed area, vent the exhaust to the outside.
- Do not modify or tamper with the exhaust system.
- Do not idle the engine except as necessary.

For more information go to

www.P65Warnings.ca.gov/diesel.

(000394)

Introduction

This parts manual was prepared based on the information available at the time of publication and is subject to change without notice. Generac Mobile Products reserves the right to change parts at any time.

DO NOT MODIFY or use this equipment for any application other than which it was designed for. To keep your equipment fully operational, it is suggested you maintain a stock of commonly used maintenance or service parts. A recommended spare parts list can be found in the back of this manual.



⚠️WARNING

Consult Manual. Read and understand manual completely before using product. Failure to completely understand manual and product could result in death or serious injury. (000100a)

⚠️WARNING

Environmental Hazard. Always recycle batteries at an official recycling center in accordance with all local laws and regulations. Failure to do so could result in environmental damage, death or serious injury. (000228)

Engine Make: _____

Engine Serial Number: _____

Engine Model Number: _____

Table of Contents

Introduction	iii
Parts Manual Instructions	1
Unit Decals - Front, Rear and Top	2
Unit Decals - Left and Right Sides	4
Unit Decals - Inside Unit	6
Mast, Junction Box and Lights to Unit	8
Light Assembly	10
Mast Junction Box Assembly	12
Mast Assembly	14
Mast Assembly - Bottom Post - Manual Winch	16
Mast Assembly - Bottom Post - Electric Winch	18
Enclosure Assembly (1 of 2)	20
Enclosure Assembly (2 of 2)	22
Control Box Assembly	24
Control Box Assembly - Powerzone Option (1 of 2)	26
Control Box Assembly - Powerzone Option (2 of 2)	28
Cooling System Assembly	30
Engine Assembly - Mitsubishi (1 of 2)	32
Engine Assembly - Mitsubishi (2 of 2)	34
Engine Assembly - Kubota (1 of 2)	36
Engine Assembly - Kubota (2 of 2)	38
Generator Assembly	40
Components to Trailer Assembly	42
Trailer Assembly	44
Recommended Spare Parts - Engine and Service Kits - Mitsubishi	46
Recommended Spare Parts - Engine and Service Kits - Kubota	48
Recommended Spare Parts - Electrical	50
Recommended Spare Parts - Misc	52

Parts Manual Instructions

Product illustrations are only representations. Products supplied may vary from the illustrations in this parts manual. Parts not shown in the illustration are indicated by a double dash (--) in the item column.

Please be prepared to provide the following information when ordering replacement parts: model number, serial number (on unit serial tag), part number, purchase order number (if applicable), shipping address, shipping method.

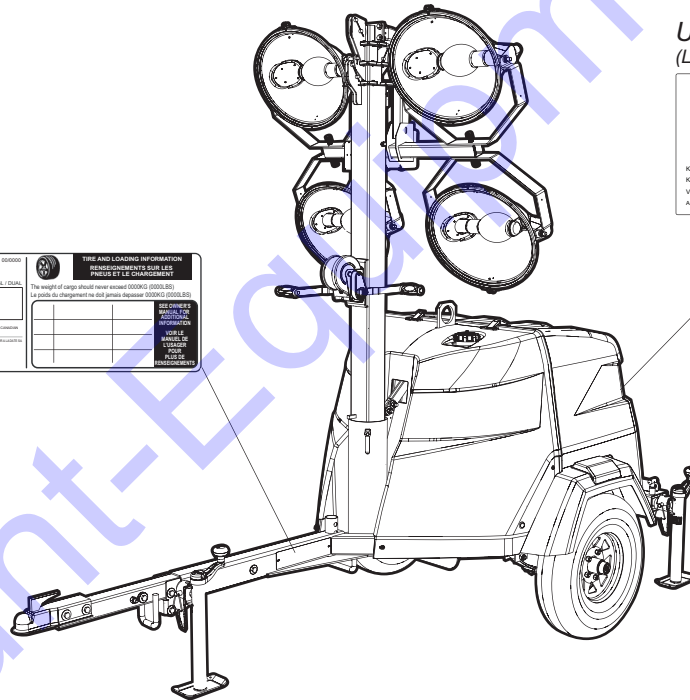
Refer to the illustration below to locate the unit ID tag and Vehicle Identification Number (VIN) tag on the unit. Important information, such as the unit serial number, model number, VIN and tire loading information are found on these tags. Record the information from these tags so it is available if the tags are lost or damaged. When ordering parts or requesting assistance, you may be asked to provide this information.

VIN Tag

MANUFACTURED BY/FABRIQUE PAR: Generac-MobileProducts LLC		DATE: 000000
OVERWEIGHT (000KG/2200LBS)	COLD W/ FRESH	
WEIGHT (PANEL)	FRIGES DE	
TIME (PANEL)	REM. PARTS	
TEMP. (PANEL)	COMP. AIR/FRIG. - HYPERSHIELD SOL. SOL.	
EACH TAG VIN: 00000000000000000000 MODEL: XXX000 TYPE: TRAILER		
TIRE AND LOADING INFORMATION RENDREMENT DES SOLLES PNEUS ET LE CHARGEMENT The weight of cargo should never exceed 0000KG (2200LBS) Le poids du chargement ne doit jamais dépasser 0000KG (2200LBS)		

Unit ID Tag
(Located on top of control box)

Manufactured by Generac Mobile Products LLC		(000) 341-4442	(000) 320-0708
Quantity of Origin	Model	Serial Number	
Manufacturing Code	Weight (Weight)	Serial Frequency	
1 pin, 1.00P	3 pin, 00P	3 pin, 1.00P	
KVA			
V			
A			



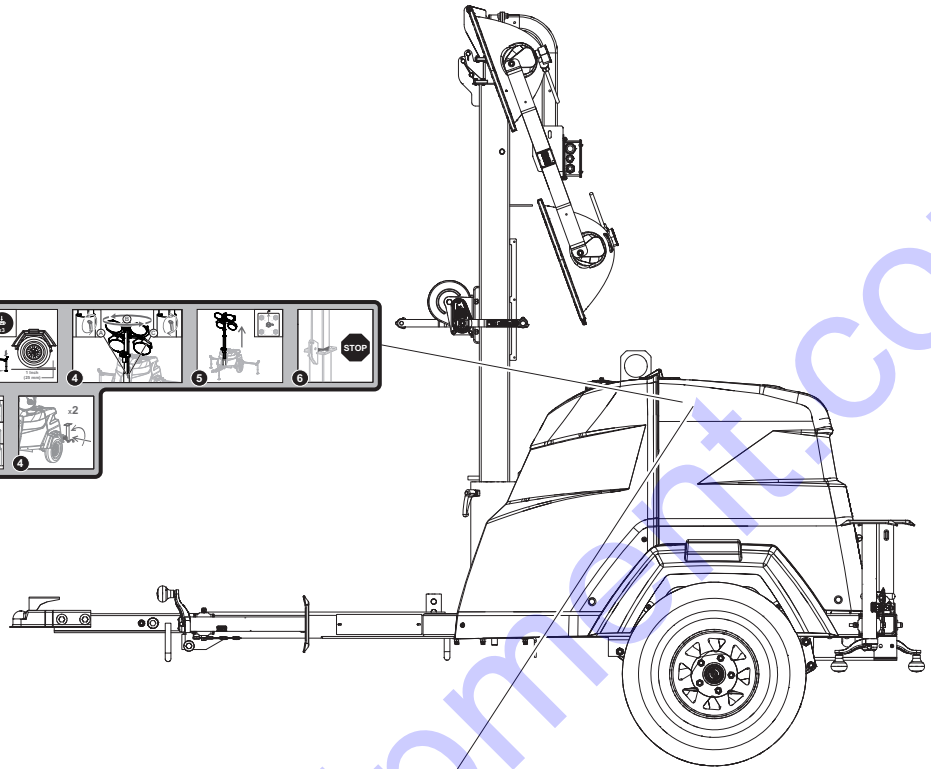
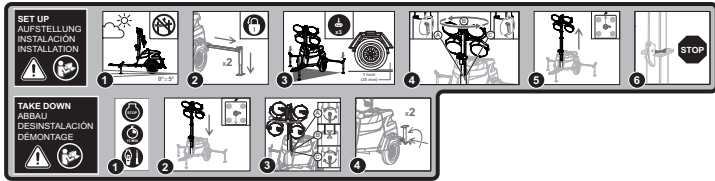
02430

UNIT DECALS - FRONT, REAR AND TOP

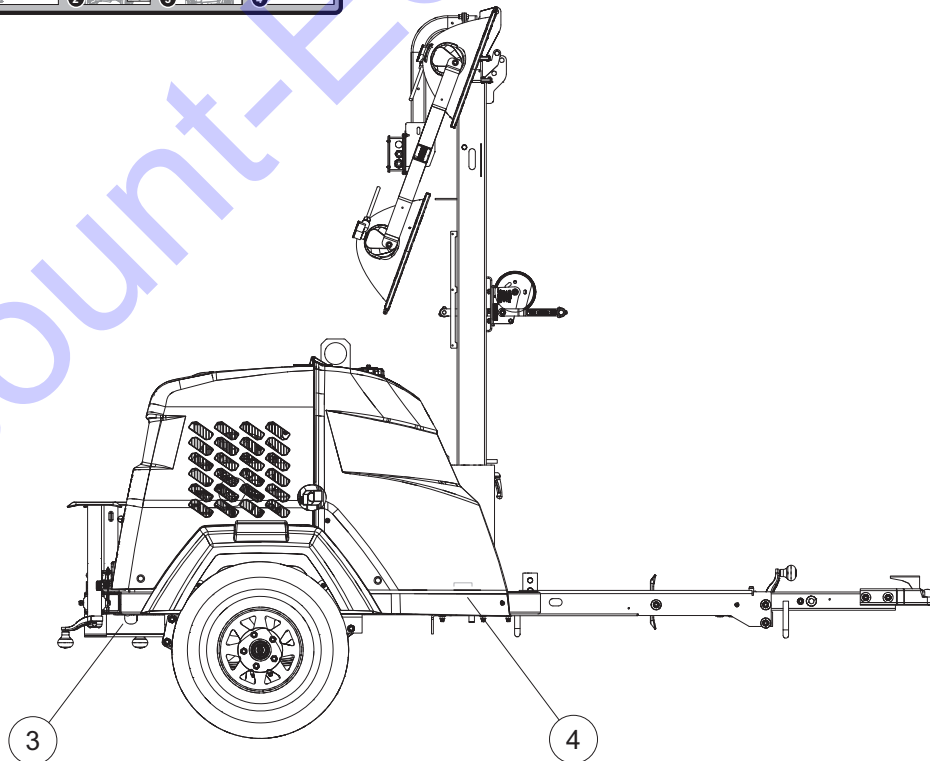
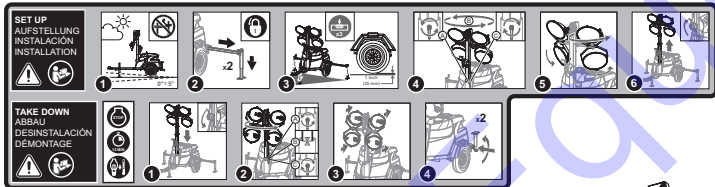
Item	Part No.	Qty	Description	Notes
1	17979	1	Decal, safety MLT6/8S	
2	17980	1	Decal, operation MLT6/8S (manual)	
3	76916	1	Decal, operation PZ	Powerzone only
4	10000030392	4	Decal, 1100W bulb system	one each lamp
--	10000031782	2	Cable tie, with decal 10000030392	one on main harness one on light harness

UNIT DECALS - LEFT AND RIGHT SIDES

1



2



02432

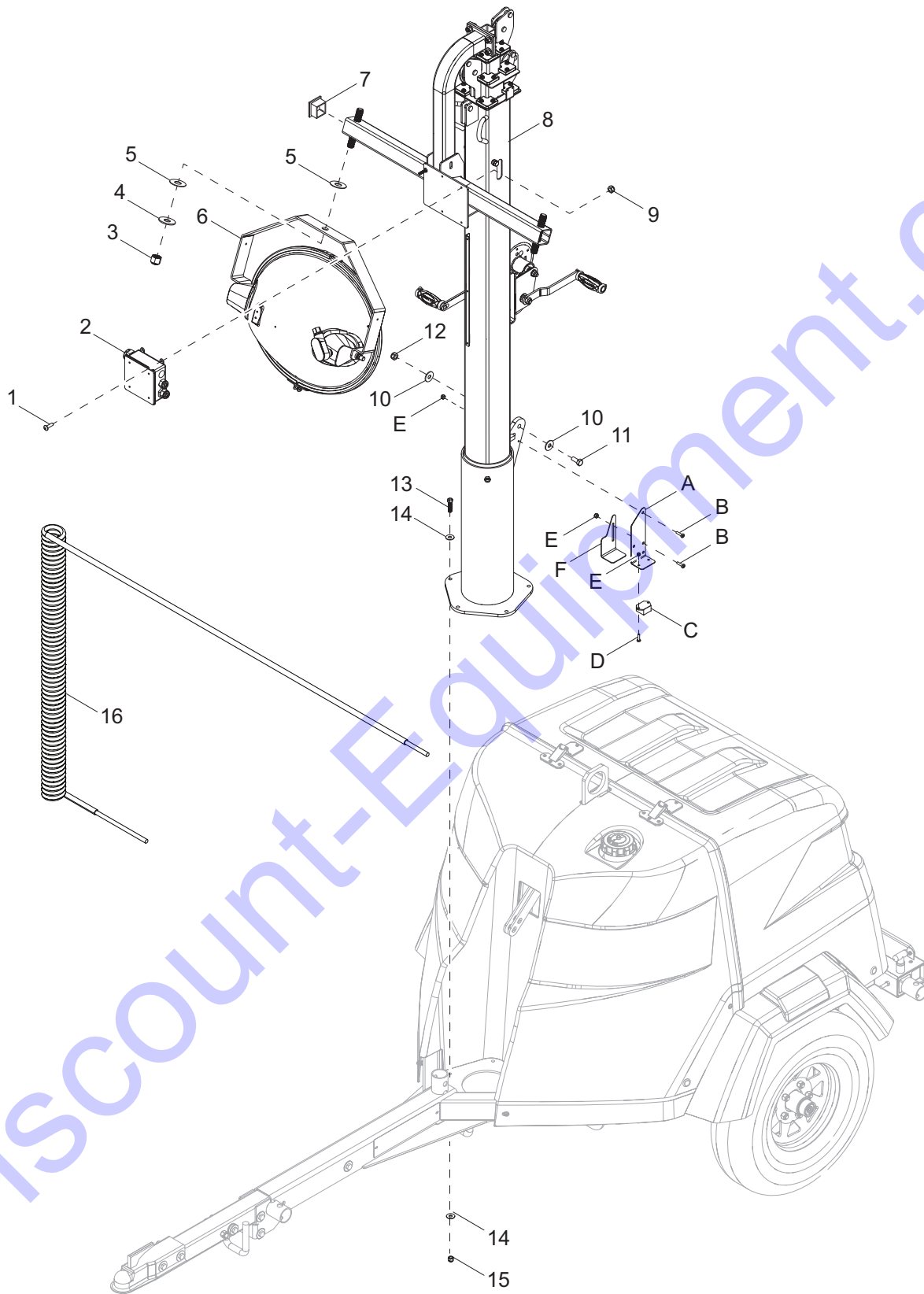
UNIT DECALS - LEFT AND RIGHT SIDES

Item	Part No.	Qty	Description	Notes
1	70096	1	Decal, operation MLT6/8S (electric)	
2	17980	1	Decal, operation MLT6/8S (manual)	
3	72149	1	Reflector, red (4.25 in x .75 in)	Set of two
4	72150	1	Reflector, yellow (4.25 in x .75 in)	Set of two

UNIT DECALS - INSIDE UNIT

Item	Part No.	Qty	Description	Notes
1	17979	1	Decal, safety MLT6/8S	
2	12142	1	Decal, ground	
3	17986	1	Decal, control panel MLT 6SK-M	
--	70196	1	Decal, control panel - PZ	Powerzone only
4	72132	1	Reflector, rear 2.0 x 2.0 - red	Set of two

MAST, JUNCTION BOX AND LIGHTS TO UNIT



02434

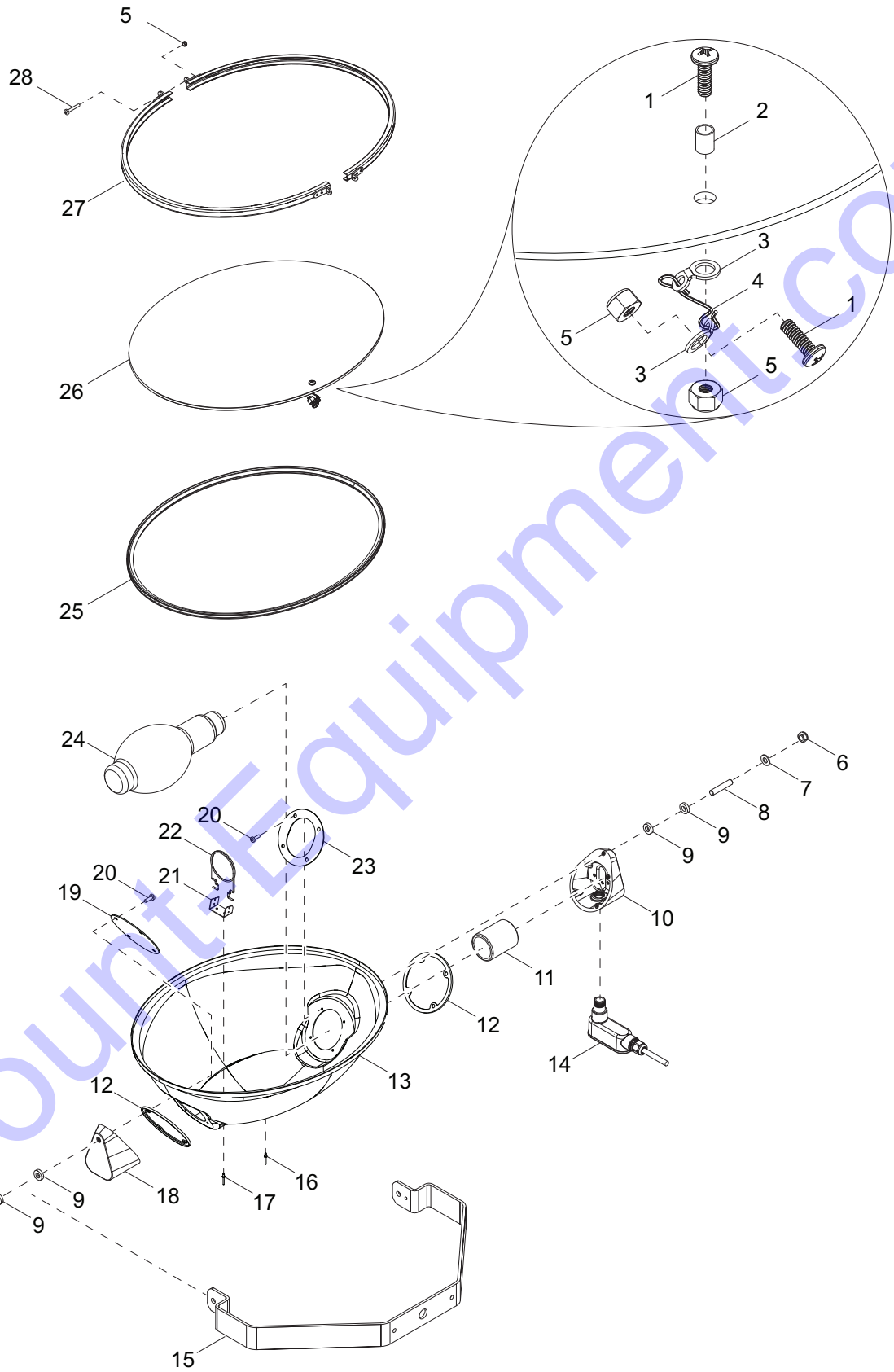
MAST, JUNCTION BOX AND LIGHTS TO UNIT

Item	Part No.	Qty	Description	Notes
1	60062	4	Screw, 10-32 x .750 pan Phillips, G2	
2	31250SRV	1	Assembly, mast box	
3	60584	4	Nut, .750-10 nylock, G5	
4	60247	4	Washer, .750 flat 2.020/.130	
5	63357	8	Washer, .750 flat 2.0/.062 - plastic	
6	10000022353	4	Assembly, oval light fixture 1100W MH	
7	10000023259	2	Plug, 2.0 square x 14 ga. wall tube, plastic - black	
8	10000018877	1	Assembly, mast - manual winch, NAP	
9	60415	4	Nut, 10-32 nylock, SS	
10	60309	4	Washer, .500 flat 1.060/.090	
11	60484	2	Screw, .500-13 x 2.0 standard hex, G5	
12	62221	2	Nut, .500-13 nylock, G5	
13	60139	5	Screw, .375-16 x 1.50 hex, G5	
14	60386	10	Washer, .375 flat .993/.064	
15	60358	5	Nut, .375-16 nylock, G5	
16	39650	1	Coil cord w/connector	

Night Watchman: If equipped

A	70208B	1	Bracket, night watchman
B	60488	4	Screw, 8-32 x .750 pan Phillips, G2
C	68763	1	Assembly, night watchman
D	62054	2	Screw, 8-32 x .500 Pan Phillips 18-8, SS
E	60270	8	Nut, 8-32 nylock
F	56610B	1	Cover, dusk to dawn sensor

LIGHT ASSEMBLY

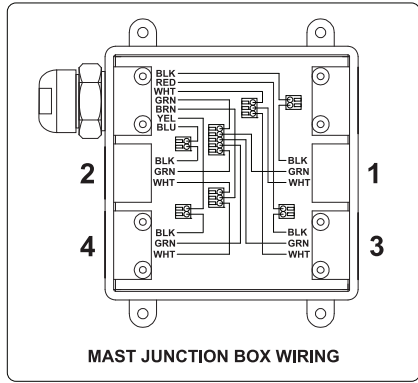


02583

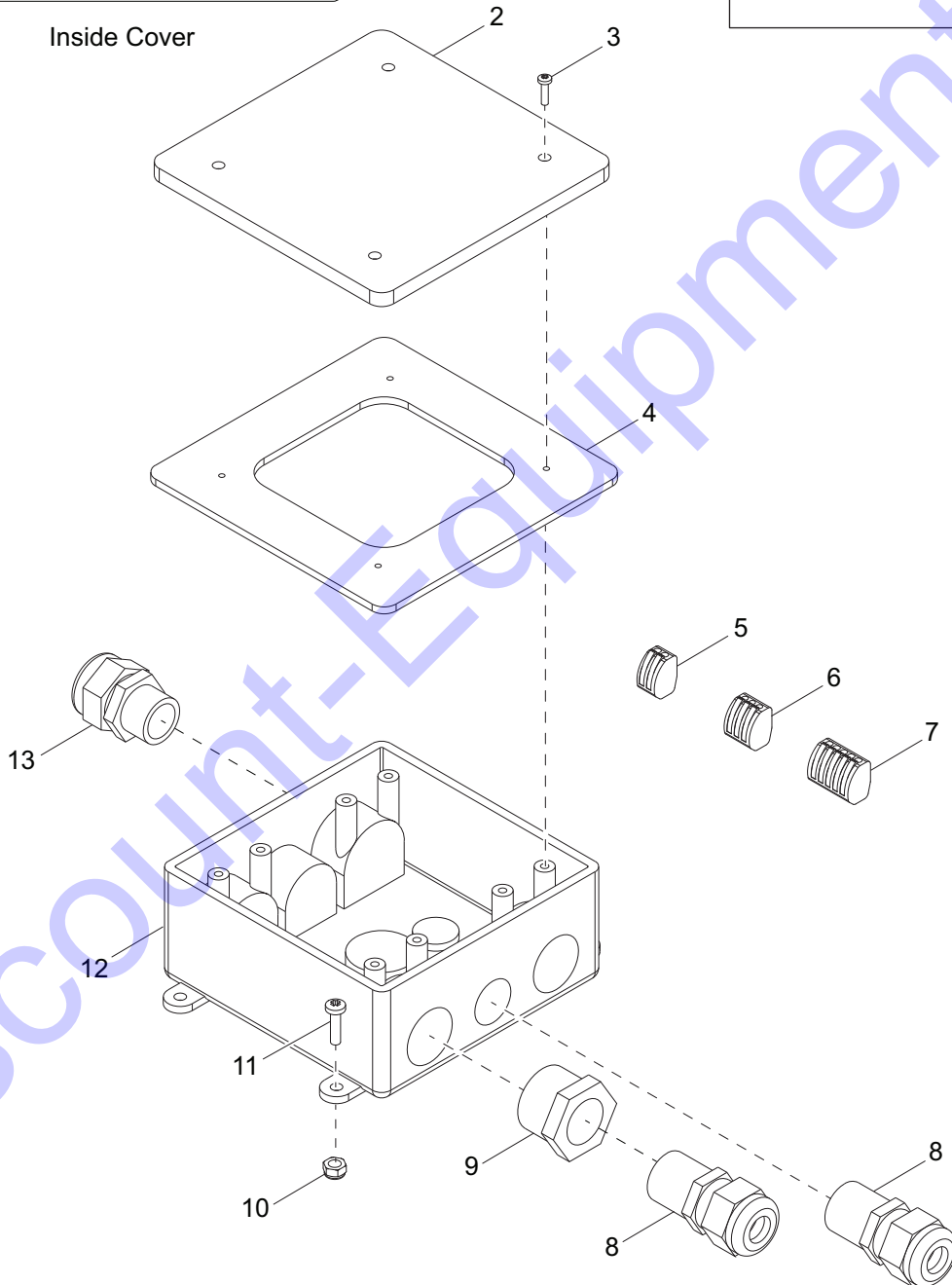
LIGHT ASSEMBLY - OVAL

Item	Part No.	Qty	Description	Notes
1	10000022372	2	Screw, 8-32 x .500 pan Phillips - SS	
2	10000022307	1	Spacer, .177 ID x .216 OD x .275 - nylon	
3	10000022348	2	Bracket, cable lock	
4	10000022306	1	Cable, lens lock	
5	10000022289	4	Nut, 8-32 hex nylock - SS	
6	10000022349	2	Nut, .375-24 hex nylock - SS	
7	10000022373	2	Washer, .375 flat .413/.787 - SS	
8	10000022401	2	Stud, .375-24 x 2.00	
9	10000022374	4	Washer, .375 nylon .775/.197	
10	10000022356	1	Support, with cord	
11	10000022288	1	Socket, HID light	
12	10000022355	2	Gasket, silicone	
13	10000022370	1	Housing	
14	10000022392	1	Connector, weather tight	
15	10000022410	1	Bracket, trunnion HID light	
16	10000022383	2	Rivet, .134 diameter x .09 to .125 grip - SS	
17	10000022420	2	Rivet, .094 diameter x .09 to .240 grip - SS	
18	10000022354	1	Support, without cord	
19	10000022329	1	Bracket, non socket end	
20	10000022380	8	Screw, 10-24 x .375 hex flanged slotted - SS	
21	10000022390	1	Bracket, light holder	
22	10000022358	1	Support, bulb	
23	10000022357	1	Bracket, socket end	
24	10000022381	1	Bulb, metal halide 1100W	
25	10000022305	1	Gasket, lens	
26	10000022371	1	Lens, glass	
27	10000022400	2	Bracket, lens HSG secure	
28	10000022359	2	Screw, 8-32 x 1.500 pan Phillips - SS	
--	10000022353	4	Assembly, oval light fixture 1100W MH	

MAST JUNCTION BOX ASSEMBLY



Inside Cover

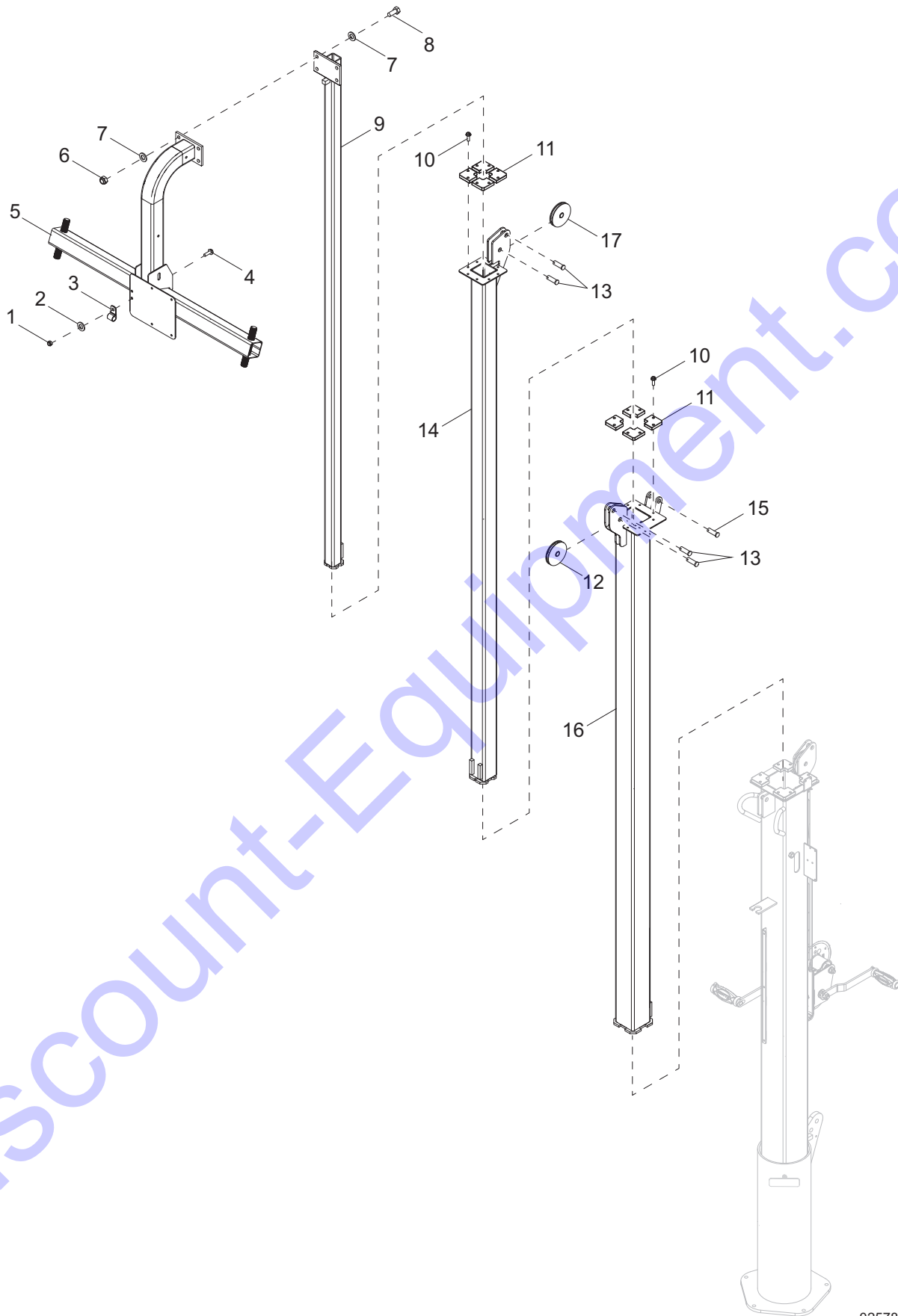


02132

MAST JUNCTION BOX ASSEMBLY

Item	Part No.	Qty	Description	Notes
1	37215	1	Decal, mast junction box wiring	
2	12109	1	Cover, box, 2-gang plastic	
3	60424	4	Screw, 6-32 x .750 pan Phillips, G2	
4	13749SRV	1	Gasket, junction box - HFI 281000	
5	66100	4	Connector, 2 position.	
6	66101	2	Connector, 3 position.	
7	66102	1	Connector, 5 position.	
8	60755	2	Fitting, str. .750MNPT x .500FNPT, nylon	
9	15864	4	Strain relief, .500NPT water tight	
10	60415	4	Nut, 10-32 nylock, SS	
11	60062	4	Screw, 10-32 x .750 pan Phillips, G2	
12	12094	1	Box, junction	
13	14656	1	Strain relief, .750NPT water tight	
14	31250SRV	1	Assembly, mast junction box	

MAST ASSEMBLY

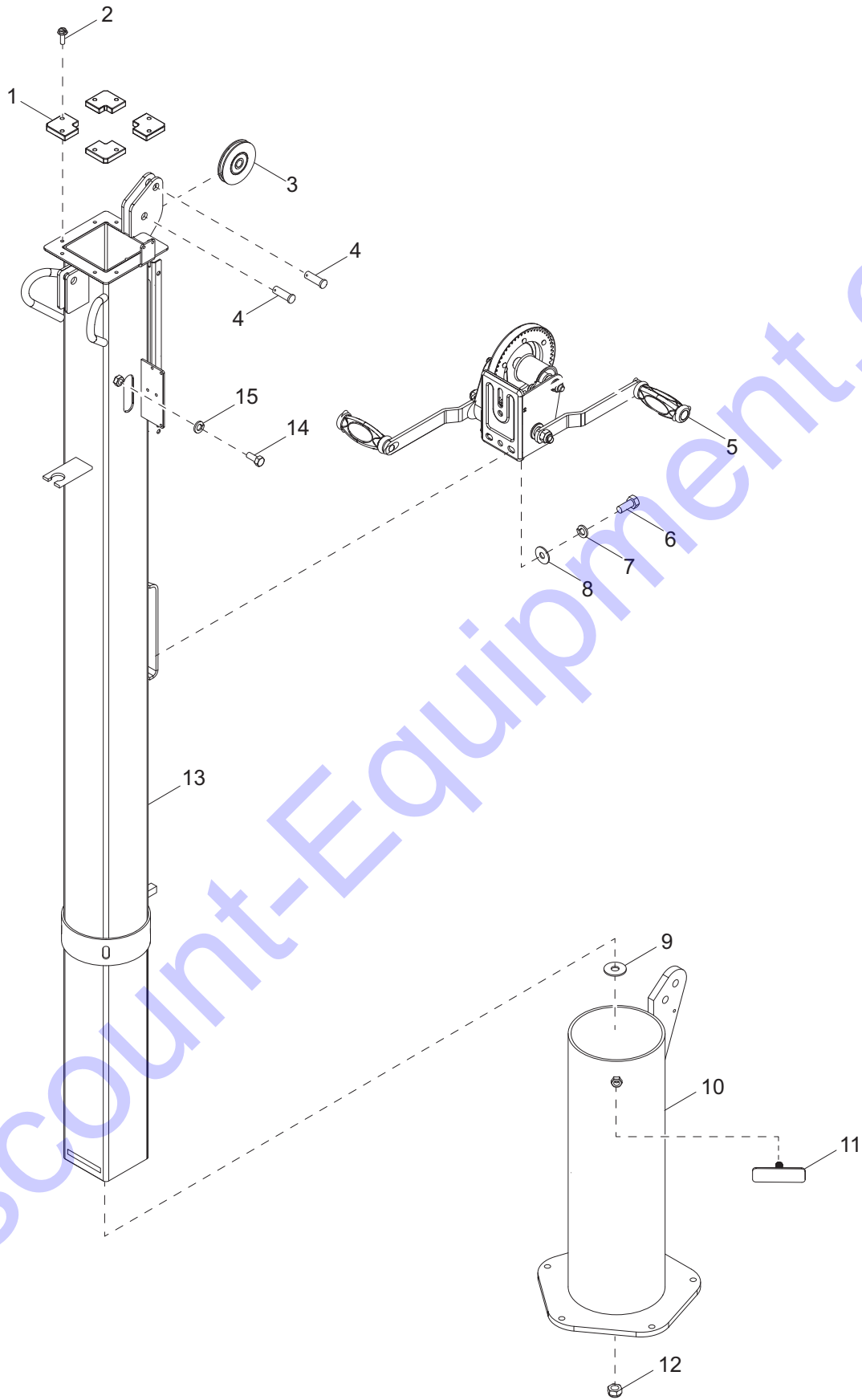


02578

MAST ASSEMBLY

Item	Part No.	Qty	Description	Notes
1	60144	1	Nut, .250-20 nylock, G5	
2	60243	1	Washer, .250 flat .735/.060	
3	16143	1	Clamp, tubing .500	
4	60107	1	Screw, .250-20 x .750 serrated flange hex, G5	
5	43201B	1	Weldment, mast, crossbar	
6	60358	4	Nut, .375-16 nylock, G5	
7	60386	8	Washer, .375 flat .993/.064	
8	60352	4	Screw, .375-16 x 1.250 hex, G5	
9	31264B	1	Weldment, mast - 1.50	
10	63358	16	Screw, .250-20 x .625 hex wash hd	
11	31225	8	Guide	
12	33736	1	Assembly, pulley - vertical mast	
13	63325	4	Pin, clevis .500 diameter x 1.063 UL	
14	31261B	1	Weldment, mast - 2.25	
15	35655	1	Pin, clevis .500 diameter x 1.750 ZP	
16	37465B	1	Weldment, mast - 3.0	
17	14262	1	Sheave, 3.00	
--	31247	1	Cable, .188 x 144 w/ ball swedge	winch cable
--	31248	2	Cable, .188 x 79.75 w/ball swedge	middle cable
--	31277	1	Cable, .188 x 78.0 w/ball swedge	top cable

MAST ASSEMBLY - BOTTOM POST - MANUAL WINCH

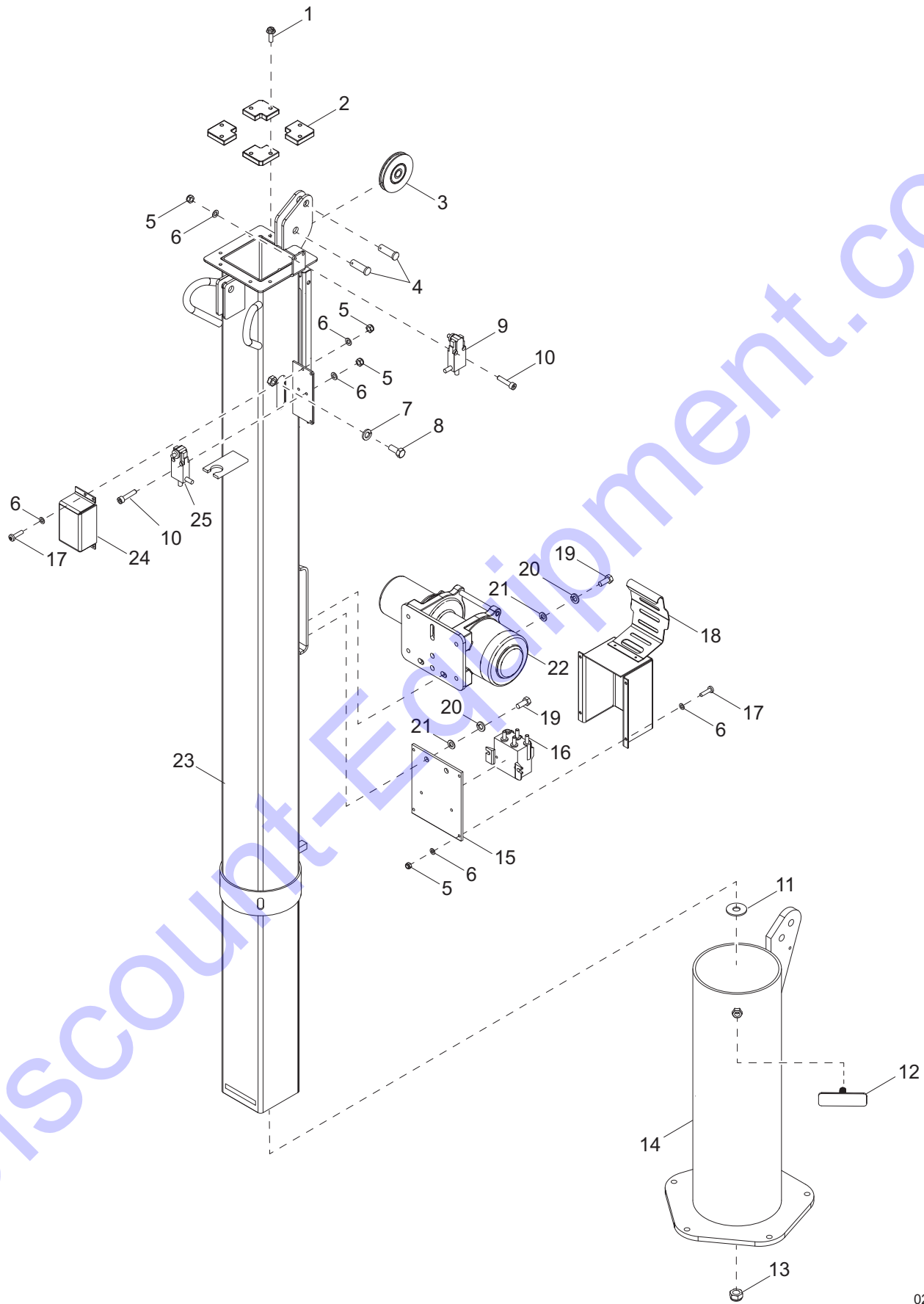


02579

MAST ASSEMBLY - BOTTOM POST - MANUAL WINCH

Item	Part No.	Qty	Description	Notes
1	31225	4	Guide	
2	63358	8	Screw, .250-20 x .625 hex washer head	
3	33736	1	Assembly, pulley vertical mast	
4	63325	2	Pin, clevis .500 diameter x 1.063 UL	
5	72127	1	Winch, manual - 1500 lb, dual handle	
6	60205	3	Screw, .375-16 x 1.0 hex, G5	
7	60206	3	Washer, .375 split lock - hardened	
8	60386	3	Washer, .375 flat .993/.064	
9	60247	1	Washer, .750 flat 2.020/.130	
10	31218B	1	Weldment, mast rotation tube	
11	10000018317	1	Weldment, T-handle	
12	60584	1	Nut, .750-10 nylock, G5	
13	37462B	1	Weldment, mast 4.0 in	
14	62269	2	Screw, .375-16 x .75 hex, SS - red	
15	60703	2	Washer, .375 split lock, SS	

MAST ASSEMBLY - BOTTOM POST - ELECTRIC WINCH

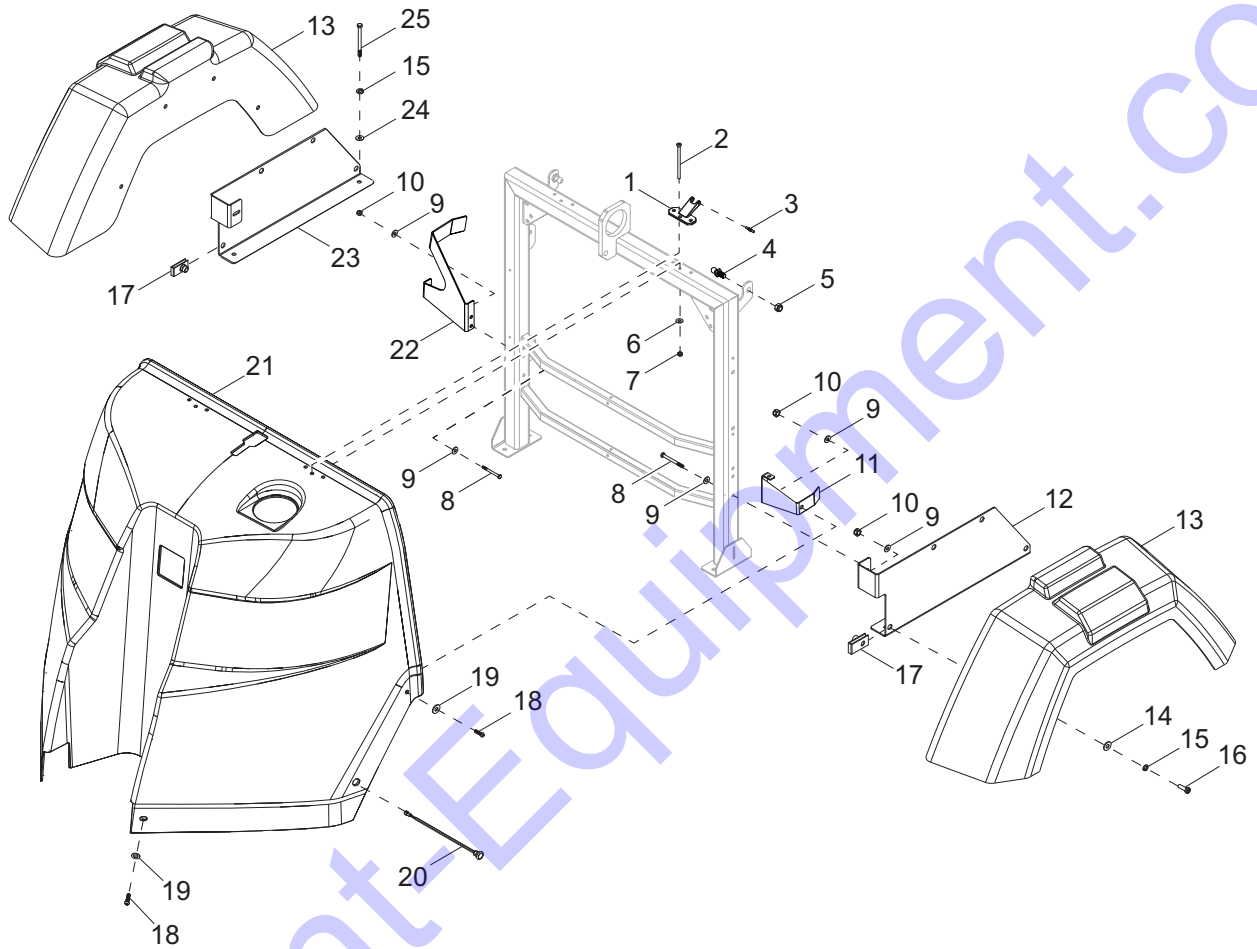


02580

MAST ASSEMBLY - BOTTOM POST - ELECTRIC WINCH

Item	Part No.	Qty	Description	Notes
1	63358	8	Screw, .250-20 x .625 hex washer head	
2	31225	4	Guide	
3	33736	1	Assembly, pulley vertical mast	
4	63325	2	Pin, clevis .500 diameter x 1.063 UL	
5	60207	11	Nut, 8-32 nylock, G6	
6	60269	18	Washer, #8 flat .433/.036	
7	60703	2	Washer, .375 split lock, SS	
8	62269	2	Screw, .375-16 x .75 hex, SS - red	
9	31740	1	Assembly, down switch	
10	67190	4	Screw, 8-32 x 1.125 socket head, SS	
11	60247	1	Washer, .750 flat 2.020/.130	
12	10000018317	1	Weldment, T-handle	
13	60584	1	Nut, .750-10 nylock, G5	
14	31218B	1	Weldment, mast rotation tube	
15	37207B	1	Plate, contactor	
16	11293	1	Contactor	hardware included
17	60244	7	Screw, 8-32 x .750 pan Phillips, G2	
18	37468B	1	Weldment, winch cover	
19	60205	5	Screw, .375-16 x 1.0 standard hex, G5	
20	60206	5	Washer, .375 split lock	
21	60386	5	Washer, .375 flat .993/.064	
22	12874	1	Winch, electric - 770 lb hoist	
23	37462B	1	Weldment, mast 4.0 in	
24	37205B	1	Cover, up limit switch	
25	31739	1	Assembly, up stop switch	
--	12922	2	Boot, battery cable - red	
--	31742	1	Wire group, electric winch box	
--	31743	1	Harness, winch power cables	

ENCLOSURE ASSEMBLY (1 OF 2)

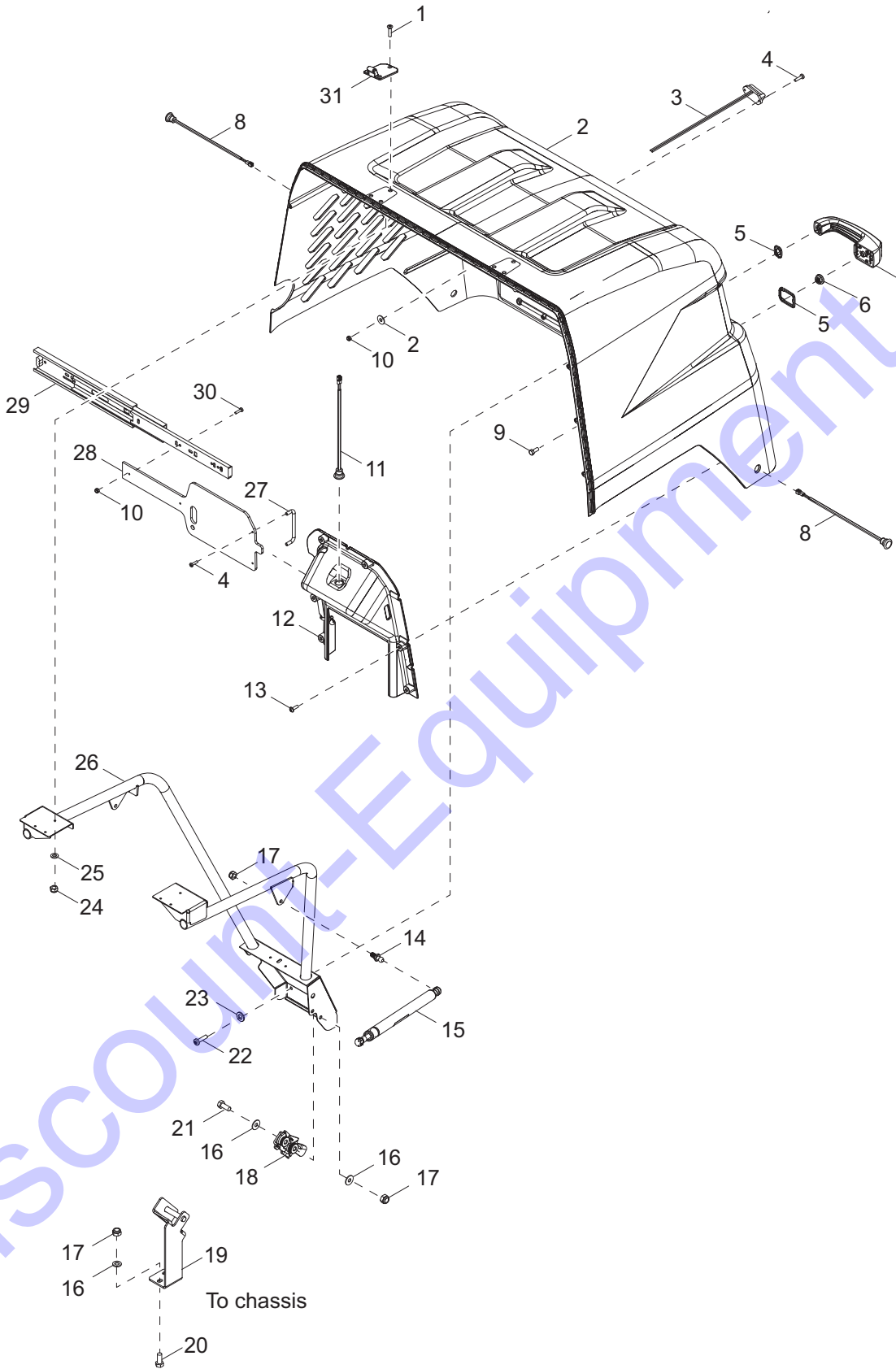


02435

ENCLOSURE ASSEMBLY (1 OF 2)

Item	Part No.	Qty	Description	Notes
1	10000022542	2	Hinge, offset housing leaf - front	
2	35282	6	Screw, 10-24 x 3.0 flat head Phillips, SS	
3	10000022543	2	Pin, offset housing hinge - knurled	
4	35293	2	Ball stud, 10mm, .313-18	
5	60303	2	Nut, .312-18 nylock, G2	
6	60237	12	Washer, #10 flat .495/.036	
7	60457	12	Nut, 10-24 nylock, G2	
8	61234	6	Screw, .250-20 x 2.750 standard hex, G5	
9	60243	12	Washer, .250 flat .735/.060	
10	60144	8	Nut, .250-20 nylock, G5	
11	10000017357	1	Guide bracket, enclosure meeting -LH	
12	35141B	1	Bracket, mounting fender - left	
13	10000017287	2	Fender, plastic, 13 in. wheel - textured black	
14	60386	8	Washer, .375 flat .993/.064	
15	60271	8	Washer, .312 split lock	
16	60028	8	Screw, .312-18 x 1.0 standard hex, G5	
17	62086	8	Nut, .312-18 U-clip - short type	
18	68070	4	Screw, .250-20 x 1.00 button hex, SS	
19	60696	6	Washer, .250 flat .625/.050, SS	
20	36961	2	Assembly, amber side marker light	
21	10000012597	1	Enclosure, front cover	
22	10000017378	1	Guide bracket, enclosure meeting -RH	
23	35216B	2	Bracket, mounting fender - right	
24	60119	6	Washer, .312 flat .875/.070	
25	60404	4	Screw, .312-18 x 1.250 standard hex, G5	

ENCLOSURE ASSEMBLY (2 OF 2)

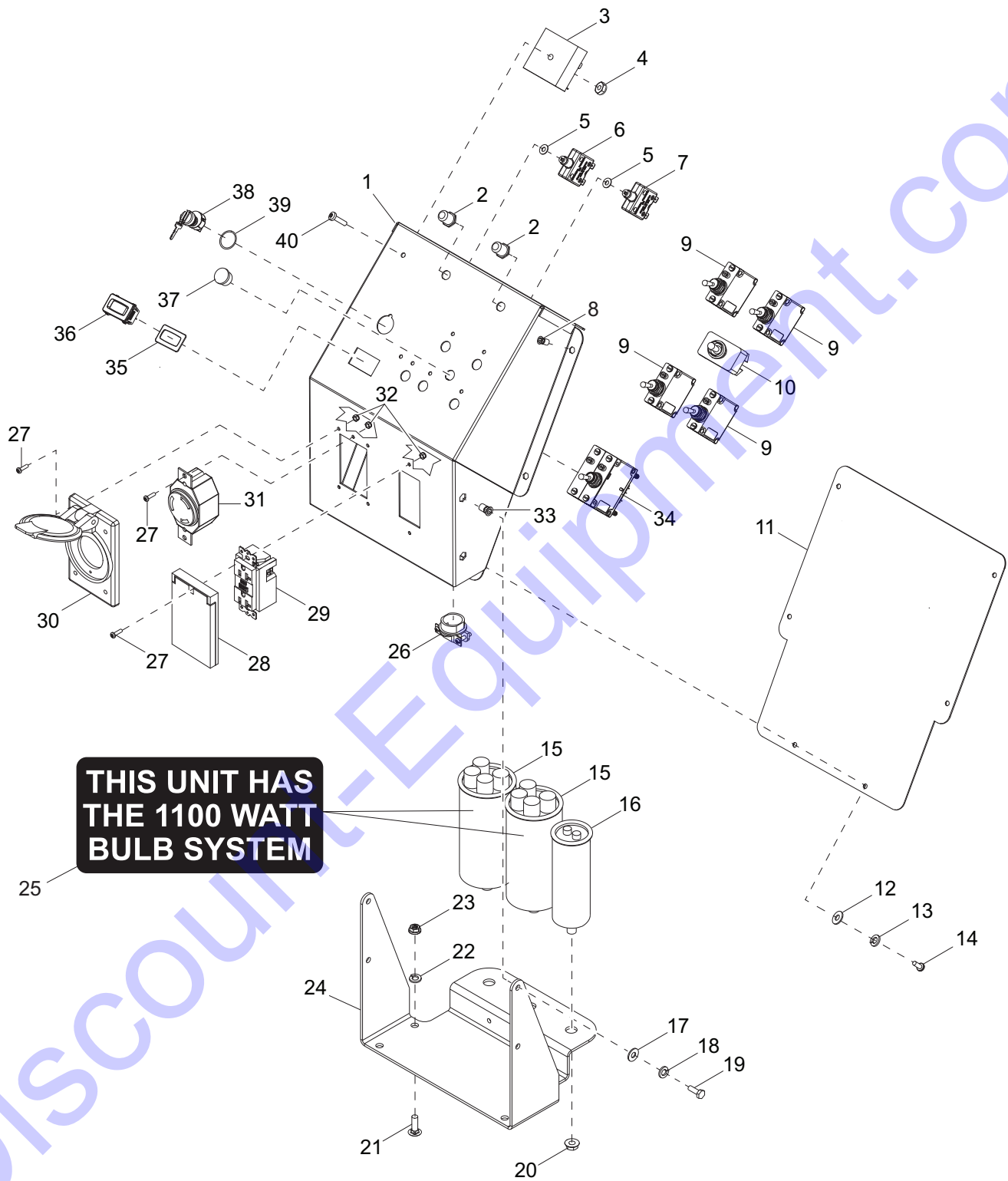


02436

ENCLOSURE ASSEMBLY (2 OF 2)

Item	Part No.	Qty	Description	Notes
1	35290	6	Screw, 10-24 x 1.00 flat Phillips, SS	
2	10000012638	1	Housing, rear textured - orange	
3	36963	1	Assembly, license plate light	
4	60694	4	Screw, 8-32 x .750 pan Phillips, SS	
5	70216	1	Gasket, kit handle, push button	
6	60036	1	Nut, M6-1.00 serrated flange, G8.8	
7	35138	1	Handle, push-button padlock	
8	36962	2	Assembly, red side marker	
9	60335	1	Screw, M6-1.00 x 25 standard hex, SS	
10	60270	4	Nut, 8-32 nylock, class 6	
11	36964	1	Assembly, controls light	
12	10000012596	1	Bezel, control panel textured - black	
13	10000017348	6	Screw, D60-2.14 x 20TRWH	
14	35293	2	Ball stud, 10mm, .313-18	
15	35137	2	Gas shock, 120 lb	
16	60119	6	Washer, .312 flat .875/.070	
17	60303	6	Nut, .312-18 nylock, G2	
18	35139	1	Latch, rotary	
19	37178B	1	Mount, door latch striker	
20	61066	2	Screw, .312-18 x 1.00 carriage square - SS	
21	62001	2	Screw, .312-18 x 1.250 standard hex, G5	
22	60146	3	Screw,	
23	60243	3	Washer, .250 flat .735/.060	
24	60457	6	Nut, 10-24 nylock, G2 ZC	
25	60237	2	Washer, #10 flat .495/.036 ZC	
26	37012B	1	Weldment, enclosure structure	
27	37123	1	Handle, control box cover	
28	10000017623	1	Cover, sliding control panel	
29	36914	1	Slide, control box cover	
30	62054	2	Screw, 8-32 x .500 pan Phillips - SS	
31	10000022523	2	Hinge, leaf offset housing - rear	
--	10000028590	1	Assembly, rear enclosure	Items 1-31
--	60335	1	Screw, M6-1.00 x 25 standard hex, SS	
--	60375	1	Clamp, tubing - .312 lt duty	

CONTROL BOX ASSEMBLY

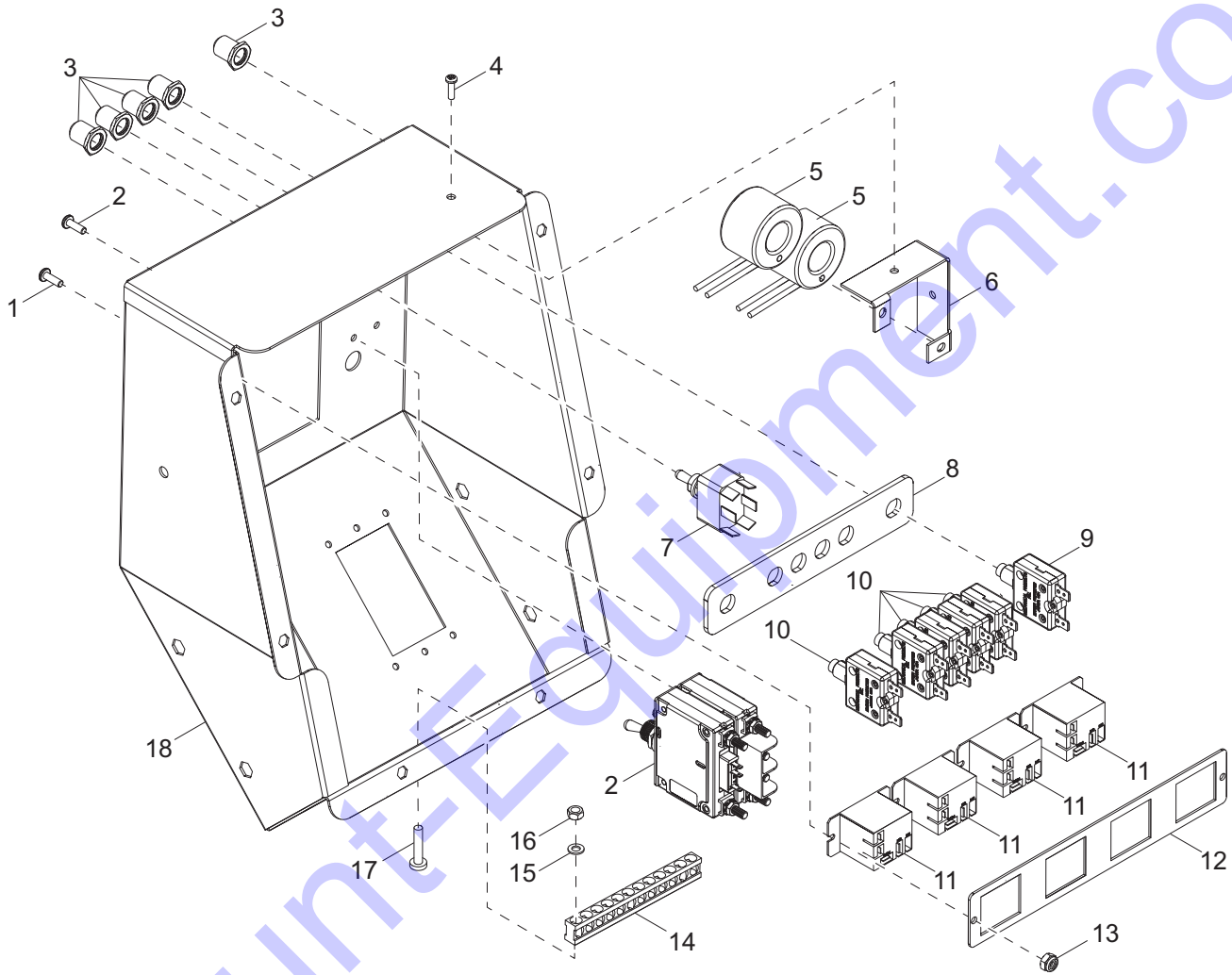


02584

CONTROL BOX ASSEMBLY

Item	Part No.	Qty	Description	Notes
1	36884B	1	Control box	
2	36938	2	Boot, push button breaker	
3	14201	1	Relay, 10A SPDT, time delay - 15 sec fixed	
4	60061	5	Nut, 10-32 nylock	
5	60386	2	Washer, .375 flat .993/.064	
6	36937	1	Breaker, 10A DC	
7	36935	1	Breaker, 15A, 1 pole, 250V	
8	62234	6	Insert, threaded #10-32 hex .020-.130 grip	
9	36880	4	Switch, light - 15A	
10	65707	1	Switch, toggle - SPDT spring	Electric mast only
11	36885B	1	Cover, control panel box	
12	60237	6	Washer, #10 flat .495/0.36	
13	60252	6	Washer, #10 split lock	
14	62254	6	Screw, 10-32 x .500 serrated flange, SS	
15	10000024477	2	Capacitor, dual 24 μ F/24 μ F 5% 540VAC stud mount	
16	36980	1	Capacitor, 25 μ F, 5% 440VAC, sealed stud mount	
17	60243	4	Washer, .250 flat .735/.060	
18	60286	4	Washer, .250 split lock	
19	60281	4	Screw, .250-20 x .750 standard hex, G5	
20	60148	3	Nut, M12-1.75 serrated flange, G8.8	
21	61066	4	Screw, .312-18 x 1.0 carriage, SS	
22	60119	4	Washer, .312 flat .875/.070	
23	60095	4	Nut, .312-18 serrated flange	
24	36911B	1	Bracket, control box mounting	
25	10000030392	2	Decal, 1100W bulb system	
26	14219	1	Strain relief - .75 Romex w/nut	
27	62210	6	Screw, 6-32 x .50 pan Phillips, SS	
28	37017	1	Cover receptacle - weather proof, 20A GFCI single	
29	14130	1	Receptacle, 120V/20A GFI	
30	36939	1	Cover, receptacle - weather proof 20/30A twist-lock	
31	14137	1	Receptacle, 240V/30A twist	
32	60728	6	Nut, 6-32 nylock	
33	63231	4	Insert, threaded .250-20 hex .027-.165 grip	
34	36975	1	Breaker, 30A main	
35	36944	1	Gasket, hour meter	
36	36886	1	Meter, hour	
37	65798	1	Plug	Manual mast only
38	36882	1	Switch, sealed key, 4-position	
39	37042	1	O-ring, .75IDx15-16 in. x 3/32 in	
40	63308	1	Screw, 10-32 x 1.250 pan Phillips, SS	
--	68282	1	Wire group, control box - electric mast	
--	68283	1	Harness, generator to control box	
--	68284	1	Harness, control box to electric mast	

CONTROL BOX ASSEMBLY - POWERZONE OPTION (1 OF 2)

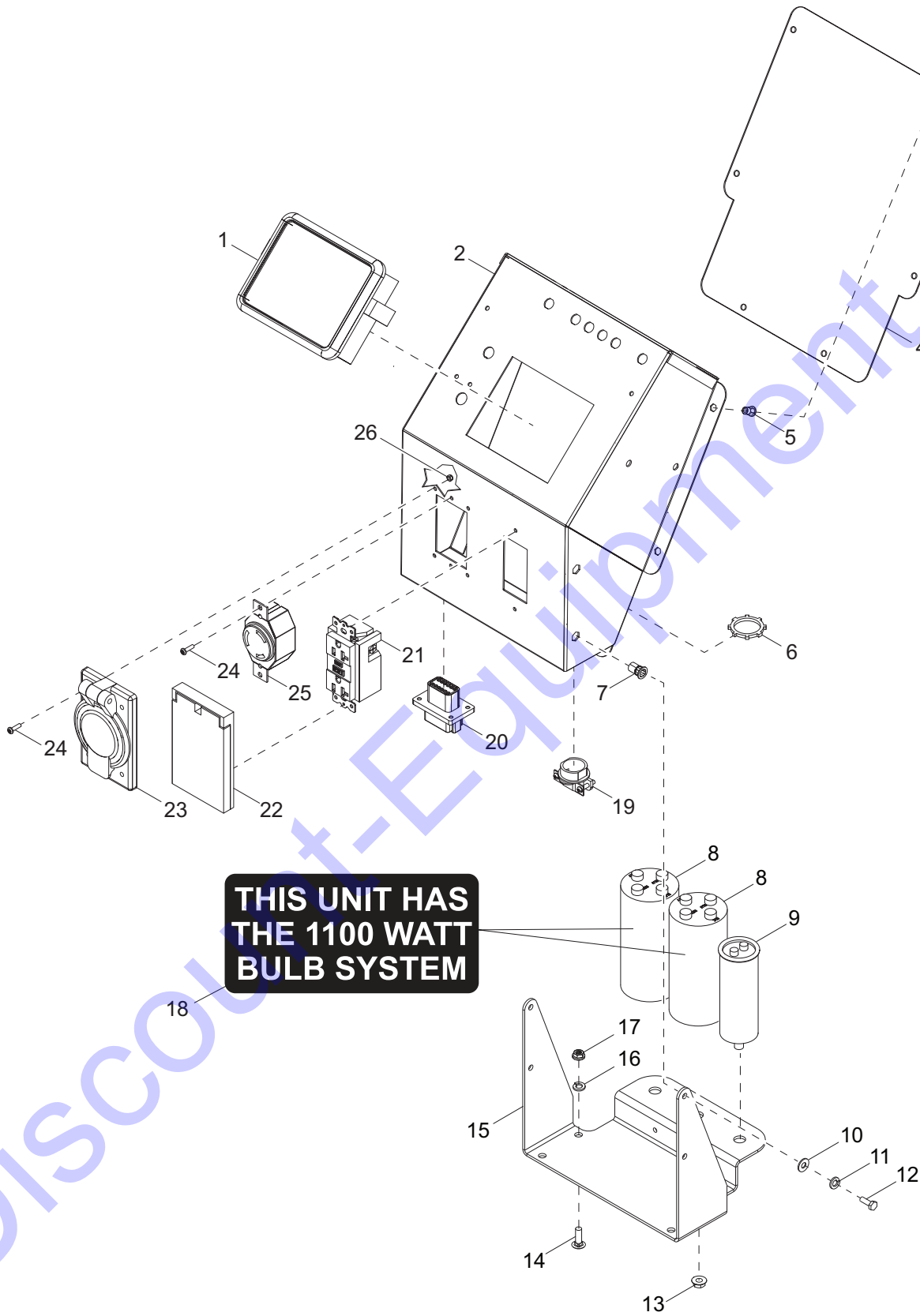


02345

CONTROL BOX ASSEMBLY - POWERZONE OPTION (1 OF 2)

Item	Part No.	Qty	Description	Notes
1	62054	3	Screw, 8-32 x .500 pan Phillips,- SS	
2	36975	2	Breaker, 30A main	with hardware
3	36938	6	Boot, push button breaker	
4	62210	6	Screw, 6-32 x .50 pan Phillips - SS	
5	66255	2	Transformer, current	
6	38449B	1	Bracket, CT mount	
7	68508	1	Switch, toggle - SPST (on-off) 12A 125V	
8	38448B	1	Spacer, breaker control box	
9	36937	1	Breaker, 10A DC	
10	36935	5	Breaker, 15A, 250V, 1 pole	
11	29759	4	Relay, 12V coil 120-240 VAC rated	
12	38447B	1	Bracket, relay	
13	60270	3	Nut, 8-32 nylock, G6	
14	14204	1	Kit, ground bar	
15	60252	6	Washer, #10 split lock	
16	60318	2	Nut, 8-32 Hex, G5	
17	60406	2	Screw, 8-32 x 1.00 pan Phillips, G2	
18	37823B	1	Box, control - PZ	

CONTROL BOX ASSEMBLY - POWERZONE OPTION (2 OF 2)

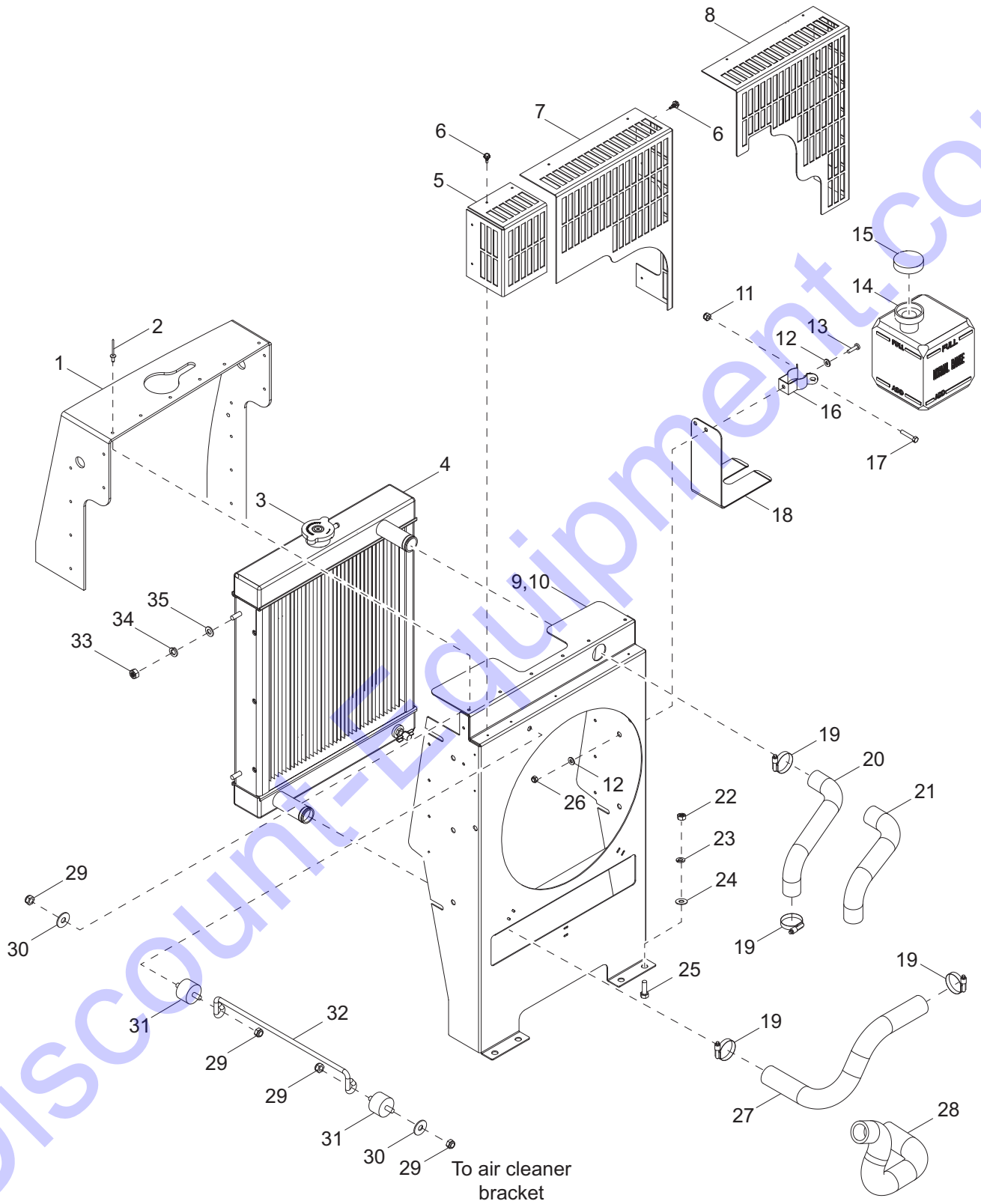


02585

CONTROL BOX ASSEMBLY - POWERZONE OPTION (2 OF 2)

Item	Part No.	Qty	Description	Notes
1	70137	1	Controller, Deep Sea - programmed	
2	37823B	1	Box, PZ control panel	
3	60277	6	Screw, 10-32 x .500 pan Phillips, G2	
4	38413B	1	Cover, control panel box	
5	62234	6	Insert, 10-32 hex, .020-.130 grip, threaded	
6	16300	2	Nut, .750 Romex strain relief	
7	63231	4	Insert, .250-20 hex, .027-.165 grip, threaded	
8	10000024477	2	Capacitor, dual 24 μ F/24 μ F 5% 540VAC stud mount	
9	36980	1	Capacitor, 25 μ F 5% 440VAC, sealed stud mount	
10	60243	4	Washer, .250 flat .735/.060	
11	60286	4	Washer, .250 split lock	
12	60647	4	Screw, .250-20 x .500 hex, G5	
13	60148	3	Nut, M12-1.75 serrated flange, G8.8	
14	61066	4	Screw, .312-18 x 1.0 carriage - SS	
15	38409B	1	Bracket, control box mounting	
16	60119	4	Washer, .312 flat .875/.070	
17	60095	4	Nut, .312-18 serrated flange - case hardened	
18	10000030392	2	Decal, 1100W bulb system	
19	14219	2	Strain relief, .75 Romex w/nut	
20	66695	1	Connector, Duetsch 12 position - flange DT	
21	14130	1	Receptacle, 120V/20A GFI	
22	37017	1	Cover, receptacle 20A GFCI single - weatherproof	
23	36939	1	Cover, receptacle 20/30A - weatherproof	
24	62210	6	Screw, 8-32 x .500 pan Phillips - SS	
25	14137	1	Receptacle, 250V/ 30A twist	
26	60728	6	Nut, 6-32 nylock, G5	
--	68534	1	Harness, control box PZ	replaces p/n 68284
--	68535	1	Harness, gen to control box PZ	replaces p/n 68283
--	69654	1	Harness, engine PZ	replaces p/n 37034

COOLING SYSTEM ASSEMBLY

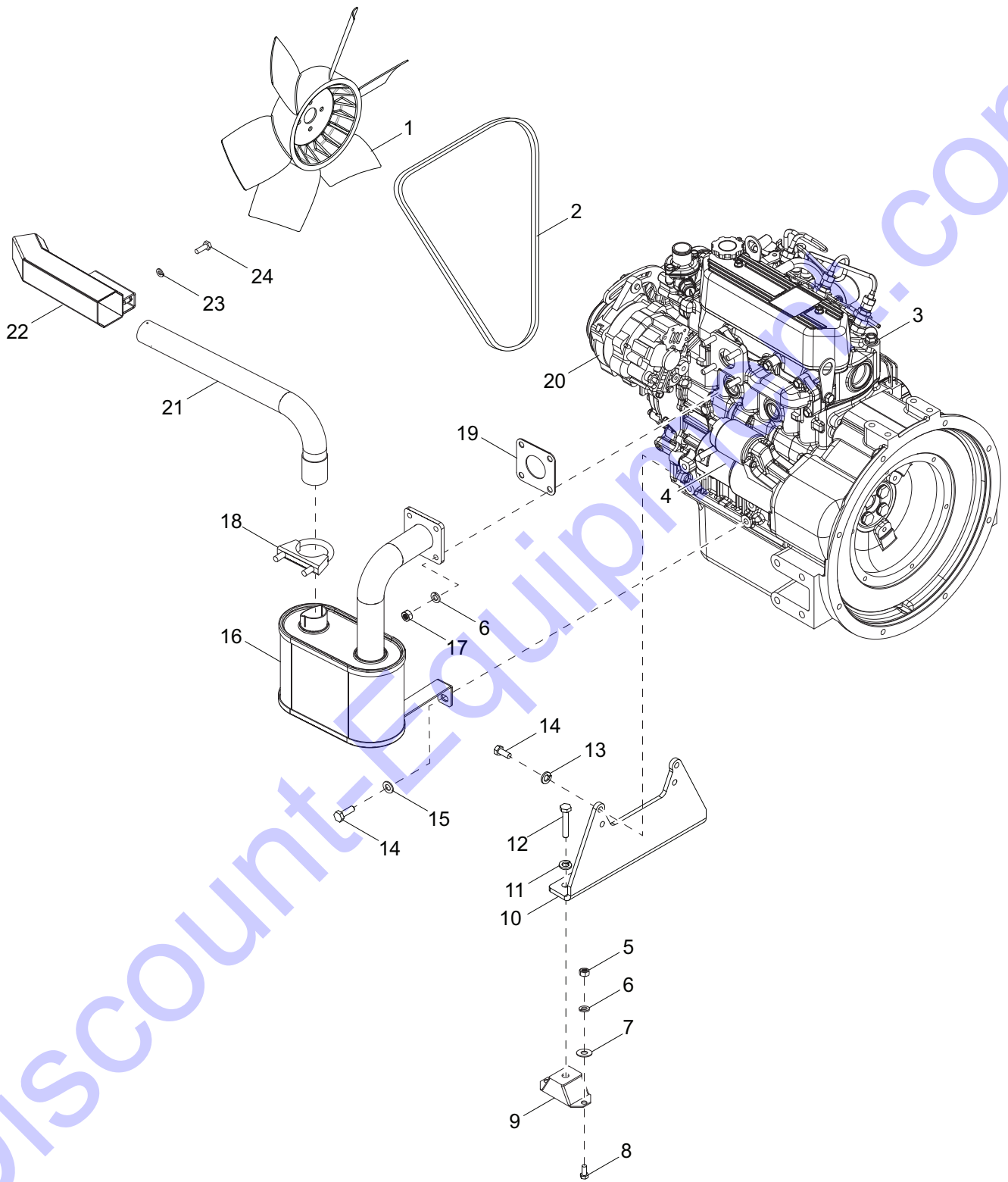


02437

COOLING SYSTEM ASSEMBLY

Item	Part No.	Qty	Description	Notes
1	36979	1	Seal, rubber, cooling	
2	60195	18	Rivet, .188 dia. x .375 to .500 grip, large flange	
3	19219	1	Cap, radiator pressure small - 14.7 psi	
4	10000020162	1	Radiator	
5	36227B	1	Guard, fan, left	
6	60364	9	Screw, 10-16x5.0 std hex, G2	
7	72161B	1	Guard, fan, right	For Mitsubishi
8	36232B	1	Guard, fan, right	For Kubota
9	36226B	1	Fan shroud	For Mitsubishi
10	36233B	1	Fan shroud	For Kubota
11	60144	1	Nut, .250-20 nylock, G5	
12	60067	4	Washer, #10 flat .435/.060, SS	
13	61180	2	Screw, 10-32 x .750 pan phil, SS	
14	20287	1	Jug, overflow 2 qt. (.5 gal)	
15	19714	1	Cap, overflow jug	
16	19726	1	Clamp, overflow bottle	
17	60414	1	Screw, .250-20 x 1.50 standard hex, G5	
18	22419B	1	Bracket, support overflow jug .5 gallon	
19	15422	4	Clamp, hose - SAE 020 (.75-1.75)	
20	32383SRV	1	Hose, radiator - upper	For Mitsubishi
21	36977	1	Hose, radiator - upper	For Kubota
22	60285	14	Nut .312-18 hex, G2	
23	60271	21	Washer, .312 split lock	
24	60119	24	Washer .312 flat .875/.070	
25	61066	4	Screw, .312-18 x 1.00 carriage square 18-8 SS	
26	60061	1	Nut, 10-32 nylock	
27	16688SRV	1	Hose, radiator - lower	For Mitsubishi
28	12350	1	Hose, radiator - lower	For Kubota
29	62079	4	Nut, .312-18 nylock jam	
30	60119	2	Washer, .312 flat .875/.070	
31	34052	2	Isolator, rubber 1.50 x 1.0, 5/16-18 studs	
32	36989	1	Rod, radiator stay	
33	60032	4	Nut, M8-1.25 hex, G8.8	
34	60029	2	Washer, M8 split lock	
35	60166	2	Washer, M8 flat	

ENGINE ASSEMBLY - MITSUBISHI (1 OF 2)



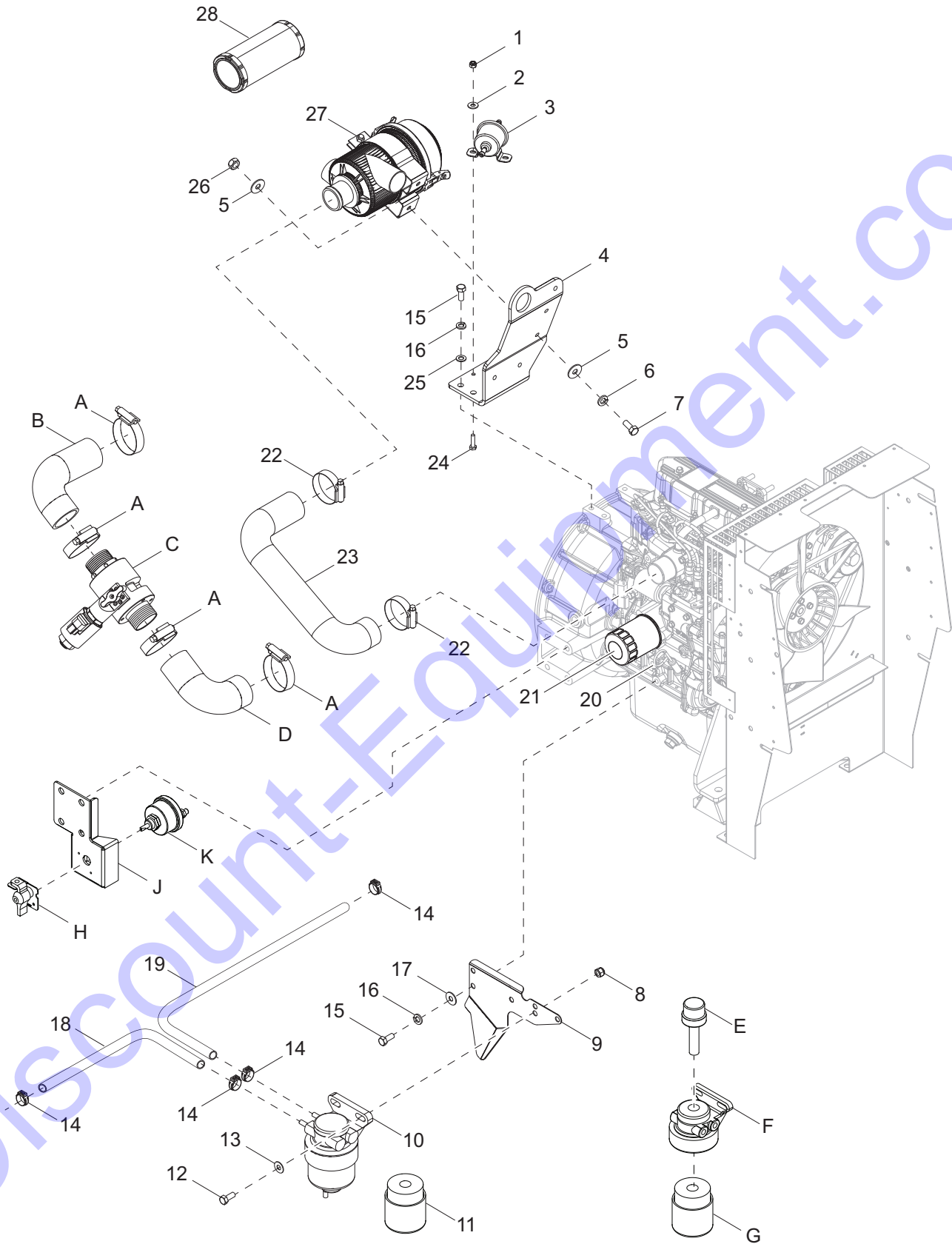
02438

ENGINE ASSEMBLY - MITSUBISHI (1 OF 2)

Item	Part No.	Qty	Description	Notes
1	16742	1	Fan, engine	
2	16692	1	V-belt, alternator	
3	72154	1	Engine, L3E T4	
4	70232	1	Starter	
5	60285	4	Nut .312-18 hex, G2	
6	60271	8	Washer, .312 split lock	
7	60119	4	Washer .312 flat .875/.070	
8	61066	4	Screw, .312-18 x 1.00 carriage, SS	
9	34052	2	Isolator, rubber - 1.50 x 1.00, 5/16-18 studs	
10	37030B	1	Bracket, engine mount	
11	60702	2	Washer, .500 split lock, SS	
12	60275	2	Screw, .500-13 x 1.00 standard hex, G5	
13	60026	4	Washer, M10 split lock	
14	60422	5	Screw, M10-1.25 x 25 standard hex, G8.8	
15	60027	1	Washer, M10 flat	
16	76191	1	Muffler, side exhaust	
17	60032	4	Nut, M8-1.25 hex, G8	
18	25455	1	Clamp, muffler 1.50	
19	11042SRV	1	Gasket, muffler	
20	16743	1	Alternator	
21	69951BH	1	Tube, exhaust	
22	76924B	1	Shield, exhaust	
23	60286	2	Washer, .250 split lock	
24	60281	2	Screw, .250-20 x .750 standard hex, G5	
--	65684	1	Harness, lead - Mitsubishi	
--	37034	1	Harness, engine	
--	11691	1	Bracket, lower radiator hose guard - Mitsubishi	
--	11147	1	Oil cap	

Note: Engine and generator parts used in all Generac Mobile Products, LLC equipment carry the Original Equipment Manufacturer (OEM) warranty unless otherwise stated. OEM warranty parts must be purchased through an OEM dealer.

ENGINE ASSEMBLY - MITSUBISHI (2 OF 2)



02439

ENGINE ASSEMBLY - MITSUBISHI (2 OF 2)

Item	Part No.	Qty	Description	Notes
1	60144	2	Nut, .250-20 nylock, G5	
2	60243	4	Washer, .250 flat .735/.060	
3	13278SRV	1	Fuel pump, electric	
4	17977B	1	Bracket, air cleaner	
5	60119	26	Washer, .312 flat .875/.07	
6	60271	20	Washer, .312 split lock	
7	60694	4	Screw, 8-32 x .750 pan Phillips, SS	
8	60358	2	Nut, .375-16 nylock, G5	
9	72060B	1	Plate, oil deflector	
10	17641	1	Fuel filter head and element	incl. 17647
11	17647	1	Element, fuel filter	
12	60352	2	Screw, .375-16 x 1.250 standard hex, G5	
13	60119	2	Washer, .312 flat .875/.070	
14	60777	4	Clamp, hose - .312 fuel hose crimp style	
15	60422	7	Screw, M10-1.25 x 25 standard hex, G8.8	
16	60026	7	Washer, M10 split lock	
17	60386	3	Washer, .375 flat .993/.064	
18	50018	1.5 ft	Hose, fuel - .312 ID, 50 psi SAE 30R7	
19	50018	2.8 ft	Hose, fuel - .312 ID, 50 psi SAE 30R7	
20	11148	1	Dipstick, oil	
21	10000014392	1	Filter, oil 750 hr.	750 hr interval
22	60316	2	Clamp, hose - SAE 032 (1.56-2.50)	
23	16589	1	Hose, air cleaner	
24	60393	2	Screw, .250-20 x 1.00 standard hex, G5	
25	60027	4	Washer, M10 flat	
26	60285	2	Nut, .312-18 hex, G2	
27	34066	1	Filter, air with bracket	incl. 16444
28	16444	1	Element, air filter	

Positive Air Shutdown: If equipped

A	60316	4	Clamp, hose - SAE 032 (1.56-2.50)
B	70100	1	Hose, intake to PAS
C	72137	1	Valve, PAS 1.75 ESD 12V heater
D	70101	1	Hose, engine to PAS
--	52003	1	Box, 12V PAS control box

Heated Fuel Filter: If equipped

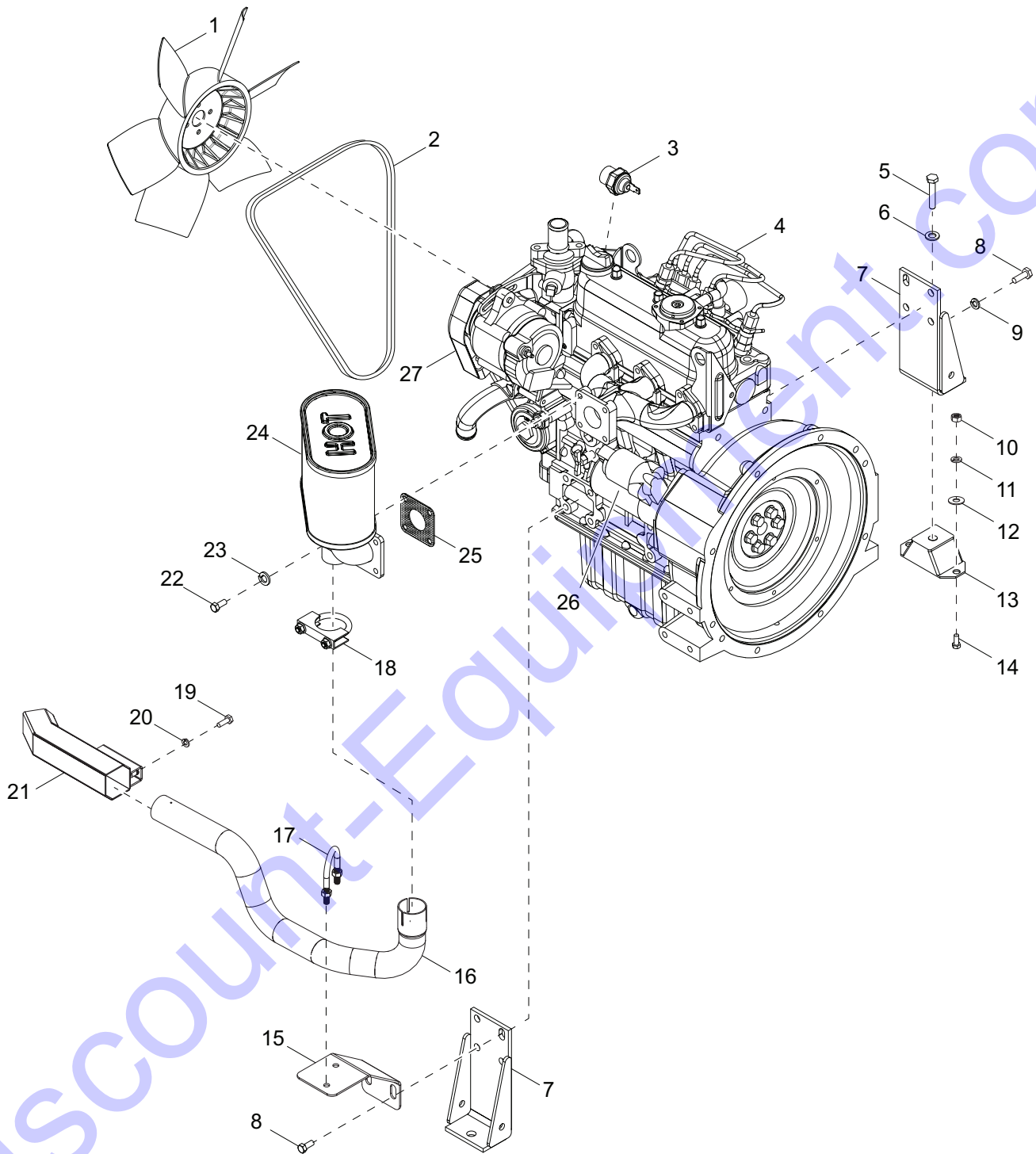
E	13876	1	Heater, fuel filter
F	17641	1	Filter, fuel - head
G	17647	1	Filter, fuel - element

Battery Disconnect: If equipped

H	65499	1	Switch lockout lever kit
J	10000008538	1	Bracket, battery disconnect
K	65498	1	Switch, disconnect

Note: Engine and generator parts used in all Generac Mobile Products, LLC equipment carry the Original Equipment Manufacturer (OEM) warranty unless otherwise stated. OEM warranty parts must be purchased through an OEM dealer.

ENGINE ASSEMBLY - KUBOTA (1 OF 2)



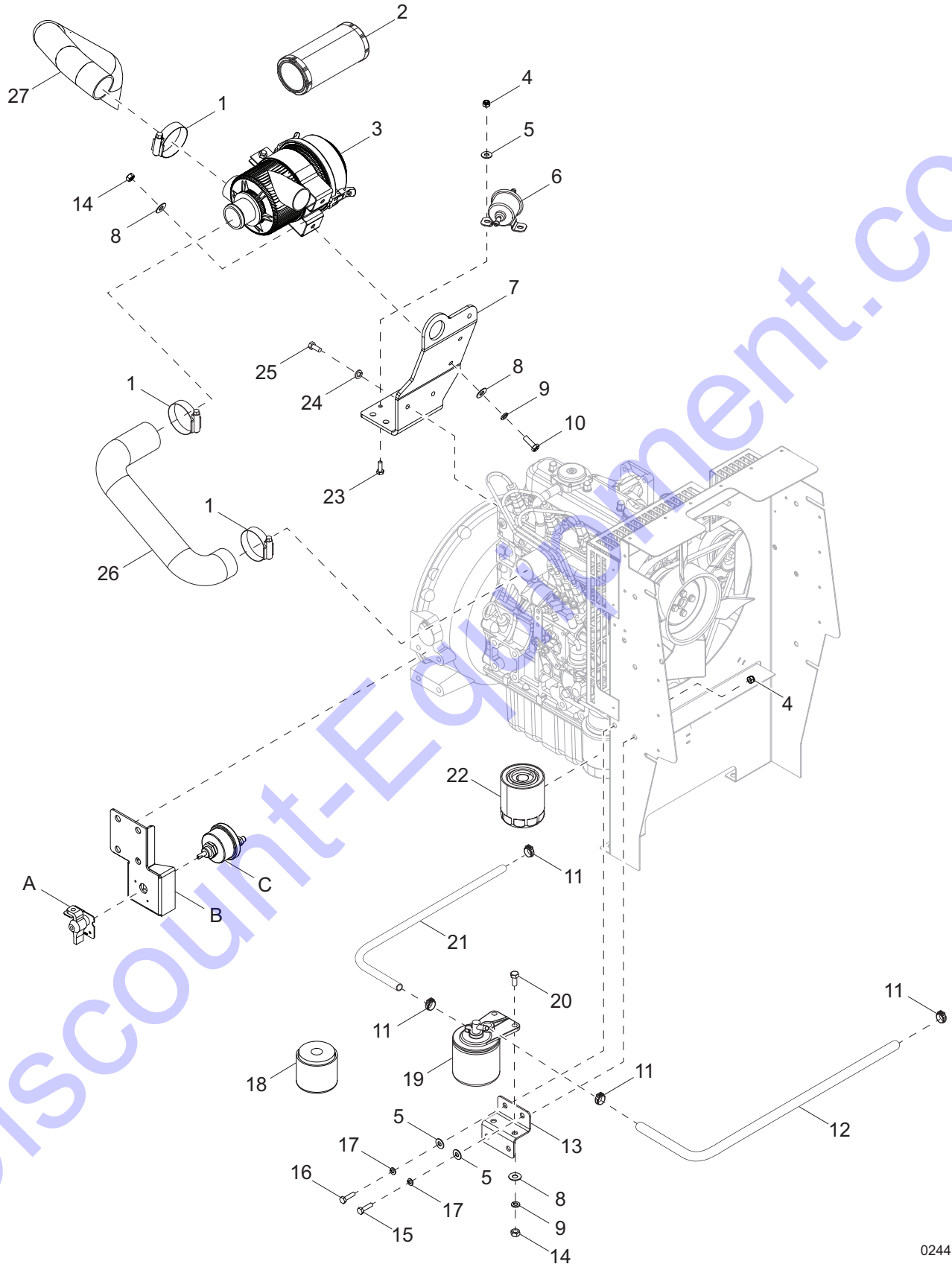
02440

ENGINE ASSEMBLY - KUBOTA (1 OF 2)

Item	Part No.	Qty	Description	Notes
1	15495	1	Fan, pusher	
2	11628	1	V-belt, Kubota	
3	14099	1	Switch, coolant temperature	
4	13310	1	Engine, Kubota D1005-E3BG1-MGM-1	
5	60275	4	Screw, .500-13 x 1.00 standard hex, G5	
6	60702	4	Washer, .500 split lock, SS	
7	12338B	2	Weldment, engine mount - Kubota D905	
8	60422	8	Screw, M10-1.25 x 25 standard hex, G8.8	
9	60026	8	Washer, M10 split lock	
10	60285	4	Nut, .312-18 hex, G2	
11	60271	4	Washer, .312 split lock	
12	60119	4	Washer, .312 flat .875/.070	
13	15241	2	Isolator, rubber 80-200 lbs., 2" wide	
14	61066	4	Screw, .312-18 x 1.00 carriage, SS	
15	10000022911	1	Bracket, side exhaust pipe	
16	10000022847	1	Pipe, side exhaust	
17	61235	1	U-bolt, .312-18 x 2.688 x 2.06	
18	68082	1	Clamp, muffler - 1.63	
19	60281	2	Screw, .250-20 x .750 standard hex	
20	60286	2	Washer, .250 split lock	
21	76924B	1	Shield, exhaust	
22	63168	4	Screw, M8-1.25 x 30 standard hex, 10.9	
23	60029	6	Washer, M8 split lock	
24	17949	1	Muffler	
25	11042SRV	1	Gasket, muffler	
26	30582	1	Starter, Kubota D1005	
27	12486	1	Alternator	

Note: Engine and generator parts used in all Generac Mobile Products, LLC equipment carry the Original Equipment Manufacturer (OEM) warranty unless otherwise stated. OEM warranty parts must be purchased through an OEM dealer.

ENGINE ASSEMBLY - KUBOTA (2 OF 2)



02441

ENGINE ASSEMBLY - KUBOTA (2 OF 2)

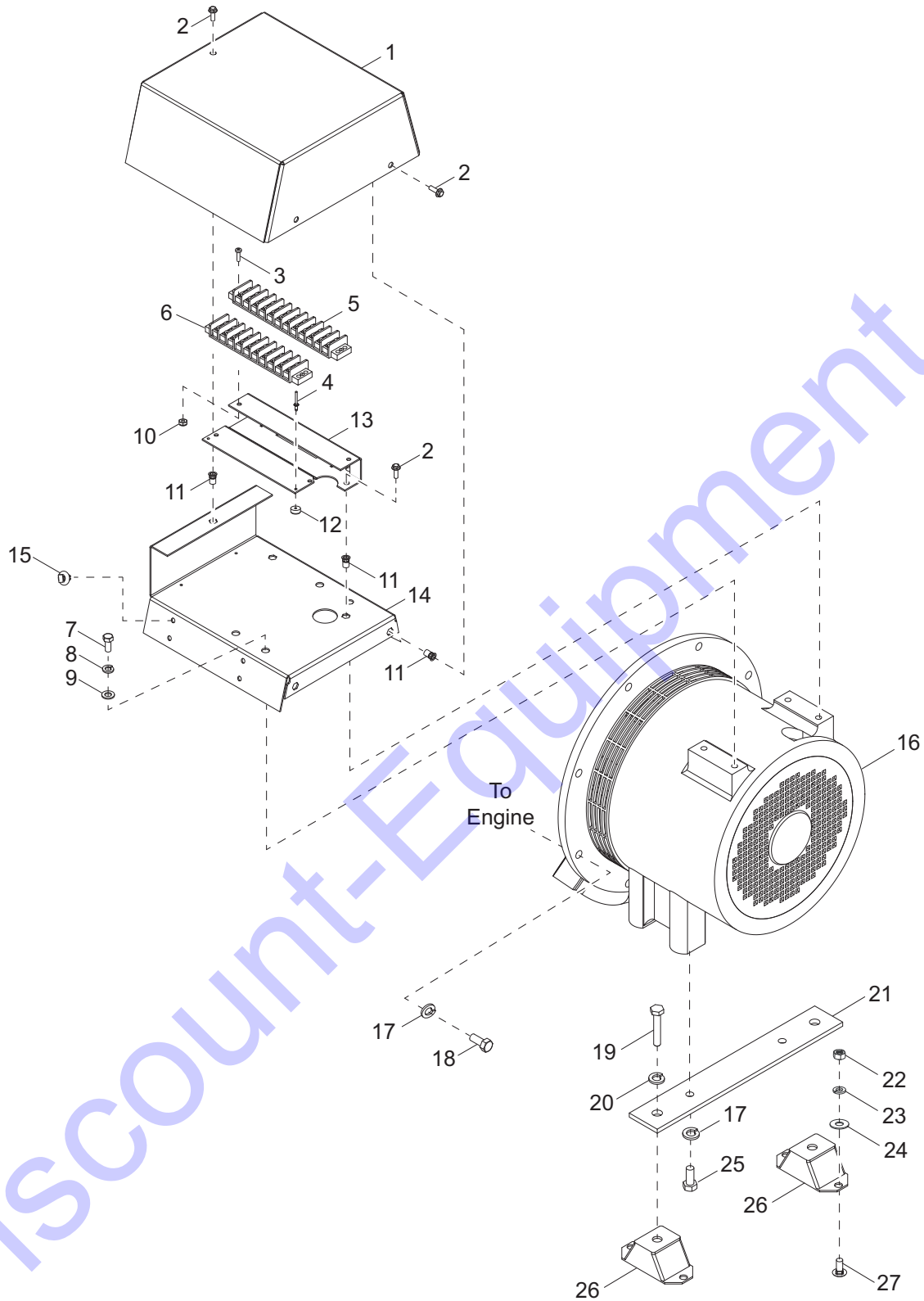
Item	Part No.	Qty	Description	Notes
1	60316	3	Clamp, hose - SAE 032 (1.56-2.50)	
2	16444	1	Element, air filter	
3	34066	1	Filter, air, w bracket	incl. 16444
4	60144	3	Nut, .250-20 nylock, G5	
5	60243	6	Washer, .250 flat .735/.060	
6	13278SRV	1	Fuel pump, electric	
7	17977B	1	Bracket, air cleaner	
8	60119	6	Washer, .312 flat .875/.070	
9	60271	4	Washer, .312 split lock	
10	60028	2	Screw, .312-18 x 1.00 standard hex, G5	
11	60777	4	Clamp, hose - .312 fuel hose crimp style	
12	19117	1	Hose, fuel - .312 ID 50 psi SAE 30R7	
13	36234B	1	Bracket, fuel system	
14	60285	4	Nut, .312-18 hex, G2	
15	60393	1	Screw, .250-20 x 1.00 standard hex, G5	
16	60223	1	Screw, M6-1.00 x 20 standard hex, G4.8	
17	60286	4	Washer, .250 split lock	
18	13515	1	Element, fuel filter	
19	13481	1	Assembly, fuel filter	includes 13515
20	62001	2	Screw, .312-18 x 1.250 standard hex, G5	
21	16232	1	Hose, fuel - .312 ID 50 psi SAE 30R7	
22	10775	1	Filter, oil	
23	60281	2	Screw, .250-20 x .750 standard hex, G5	
24	60026	2	Washer, M10 split lock	
25	60422	2	Screw, M10-1.25 x 25 standard hex, G8.8	
26	16589	1	Hose, air cleaner	
27	10434	1	Hose, air intake	

Battery Disconnect: If equipped

A	65499	1	Switch lockout lever kit
B	10000008538	1	Bracket, battery disconnect
C	65498	1	Switch, disconnect

Note: Engine and generator parts used in all Generac Mobile Products, LLC equipment carry the Original Equipment Manufacturer (OEM) warranty unless otherwise stated. OEM warranty parts must be purchased through an OEM dealer.

GENERATOR ASSEMBLY



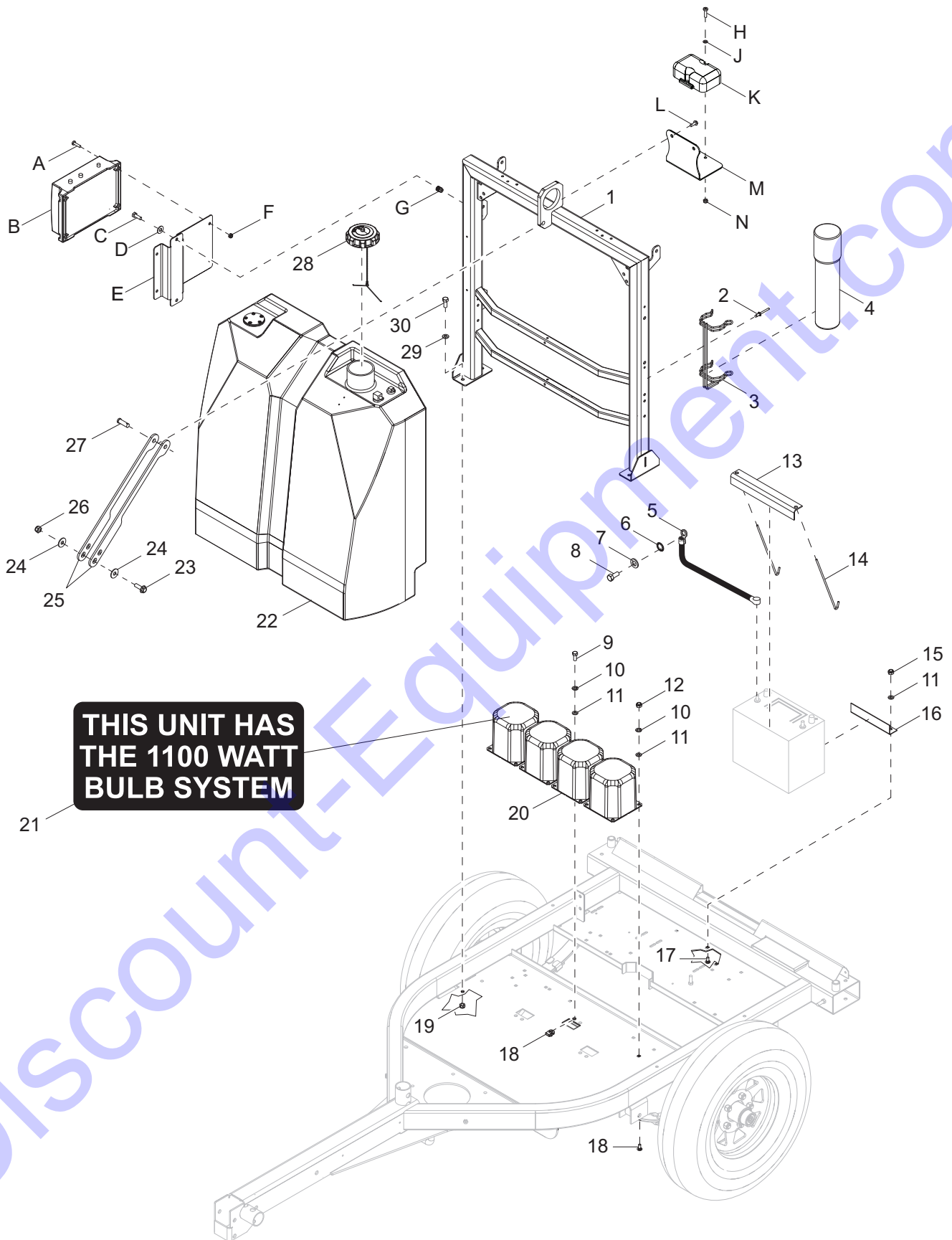
02442

GENERATOR ASSEMBLY

Item	Part No.	Qty	Description	Notes
1	17994B	1	Cover, generator, Marathon	
2	60175	5	Screw, .250-20x.500 serrated flange hex, G5	
3	60062	4	Screw, 10-32 x .750 pan Phillips, G2	
4	60267	2	Rivet, .125 diameter x .191 to .270 grip	
5	14139	1	Block terminal - 12 position	
6	14203	1	Block terminal - 10 position	
7	61082	4	Screw, M8-1.25 x 20 serrated flange hex	
8	60271	4	Washer, .312 split lock	
9	60243	4	Washer, .250 flat .735/.060	
10	60061	4	Nut, 10-32 nylock	
11	63231	9	Insert, threaded .250-20 hex .027-.165 grip	
12	15215	2	Rubber bumper	
13	36942B	1	Bracket, terminal strip	
14	54254B	1	Plate, electric junction	
15	66685	8	Mount cable tie, .25-.28 diameter,.031-.276 grip	
16	10000020581	1	Generator, Marathon, 6kW, 60Hz, cap	
17	60206	8	Washer, .375 split lock	
18	60352	8	Screw, .375-16x1.250 standard hex, G5	
19	60275	2	Screw, .500-13 x 1.00 standard hex, G5	
20	60702	2	Washer, .500 split lock, SS	
21	15045B	1	Bracket, generator mounting	with 16556
22	60285	4	Nut, .312-18 hex, G2	
23	60271	4	Washer, .312 split lock	
24	60119	4	Washer, .312 flat .875/.070	
25	60352	2	Screw, .375-16 x 1.250 standard hex, G5	
26	15241	2	Isolator, rubber - 80-200 lb	
27	61066	4	Screw, .312-18 x 1.00 carriage, SS	
--	60168	6	Screw, .312-18 x .750 standard hex, G5	For flex plate mount
--	60166	18	Washer, M8 flat DIN 125 hardened	3 each w/60168

Note: Engine and generator parts used in all Generac Mobile Products, LLC equipment carry the Original Equipment Manufacturer (OEM) warranty unless otherwise stated. OEM warranty parts must be purchased through an OEM dealer.

COMPONENTS TO TRAILER ASSEMBLY



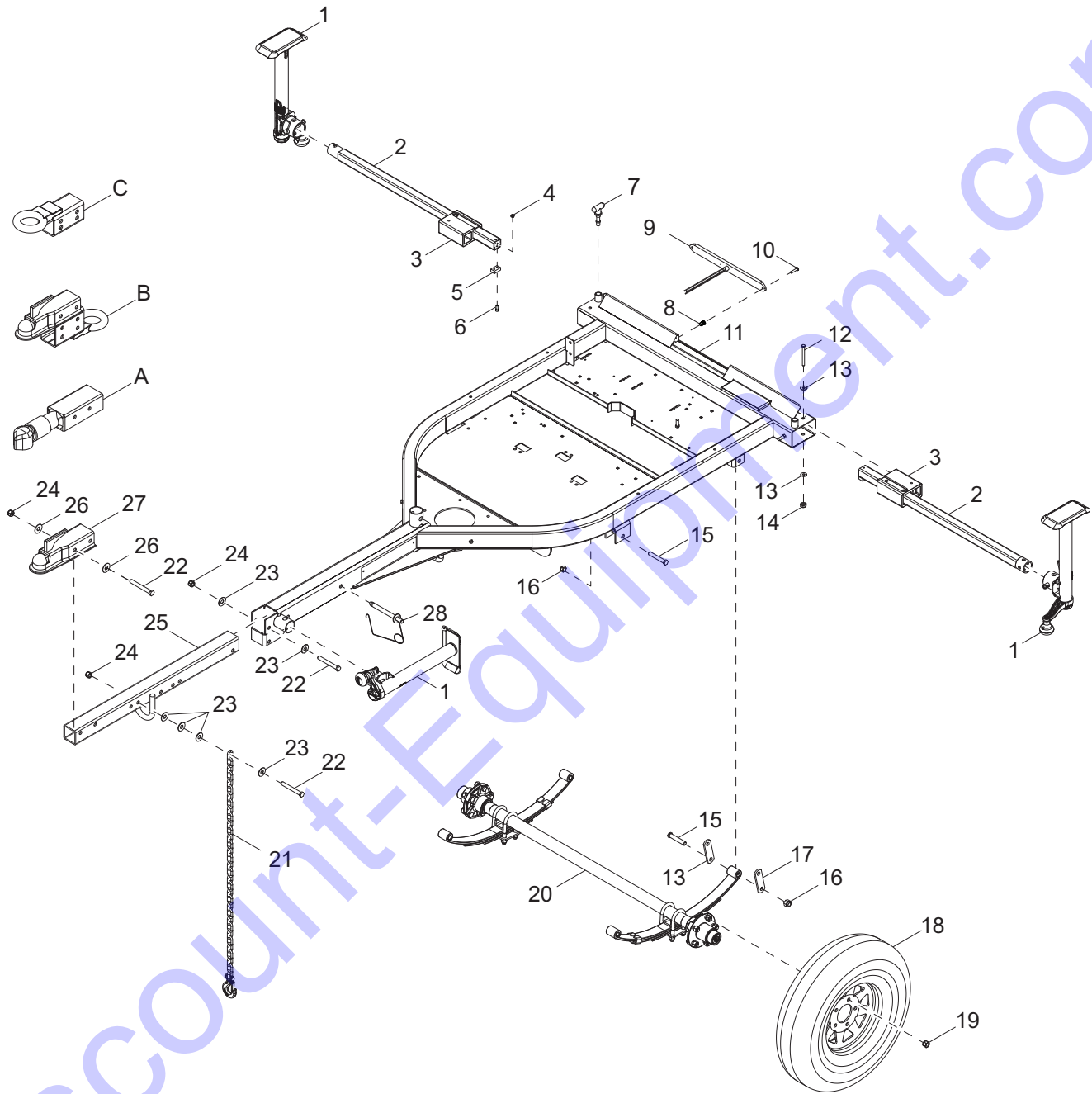
THIS UNIT HAS THE 1100 WATT BULB SYSTEM

02582

COMPONENTS TO TRAILER ASSEMBLY

Item	Part No.	Qty	Description	Notes
1	10000023283	1	Weldment, lift support	
2	60195	2	Rivet, .188 diameter. x .375 to .500 grip	
3	11222	1	Bracket, manual holder	
4	11121	1	Manual holder tube, black 14 in	
5	10699	1	Cable, battery - 24" 4GA , .375 lug, black	
6	60747	1	Washer, .375 internal star	
7	60026	1	Washer, M10 split lock	
8	60495	1	Screw, M10-1.25 x 16 hex, G8.8	
9	60028	6	Screw, .312-18 x 1.00 standard hex, G5	
10	60271	8	Washer, .312 split lock	
11	60119	8	Washer, .312 flat .875/.07	
12	60285	2	Nut, .312-18 hex, G2	
13	12924B	1	Angle, battery hold-down	
14	60820	2	Bolt, J - .250-20 x 9.0	
15	60303	1	Nut, .312-18 nylock, G2	
16	17992B	1	Bracket, battery stop	
17	61066	2	Screw, .312-18 x 1.00 carriage, SS	
18	62086	6	Nut, .312-18 U-clip - short type	
19	60358	4	Nut, .375-16 nylock, G5	
20	10000029380	4	Assembly, transformer - can and base - 60Hz-MH	
21	10000030392	4	Decal, 1100W bulb system	1 each transformer
22	69919	1	Tank, fuel - 42 gal w/sending unit	
23	60484	2	Screw, .500-13 x 2.00 standard hex, G5	
24	60309	4	Washer, .500 flat 1.060/.090	
25	39660B	2	Bar, chassis support	
26	62221	2	Nut, .500-13 nylock, G5	
27	63325	1	Pin, clevis - .500 diameter. x 1.063 UL, ZP	
28	16326	1	Cap, fuel, 3.5 diameter., diesel, vent w/tether	
29	60386	4	Washer, .375 flat .993-.064	
30	60352	4	Screw, .375-16 x 1.250 standard hex, G5	
<i>Battery Charger: If equipped</i>				
A	60062	4	Screw, 10-32 x .750 pan Phillips, G2	
B	66212	1	Charger, battery 2-5A/1-10A, 3 stage, 2 output	
C	60281	2	Screw, .250-20 x .750 hex, G5	
D	60243	2	Washer, .250 flat .735/.060	
E	73218B	1	Bracket, battery charger	
F	60415	4	Nut, 10-32 nylock	
G	63132	2	Insert, .250-20 splined, .027-.165	
<i>ZTR Telemetry: If equipped</i>				
H	60770	2	Screw, M4-0.70 x 20 pan Phillips, G4.8	
J	60237	2	Washer, #10 flat .495/.036	
K	37731	1	Telemetry, ZTR	
L	68429	2	Screw, .312-18 x .750 flg hex, G2 self-tap	
M	51002B	1	Bracket, ZTR mounting	
N	60051	2	Nut, M4-0.70 nylock, G8.8	
--	68431	1	Lift support (modified 28341B)	

TRAILER ASSEMBLY



02444

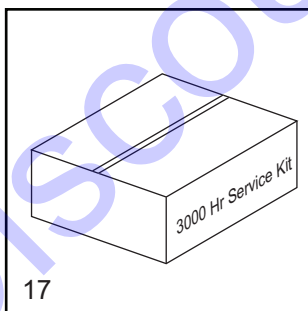
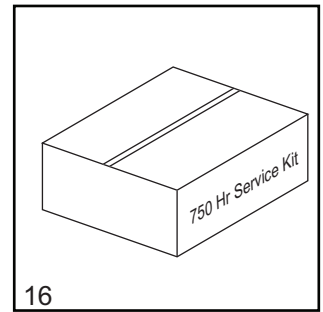
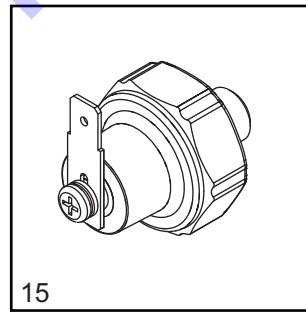
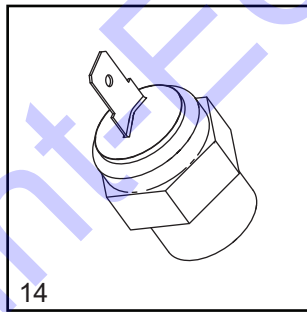
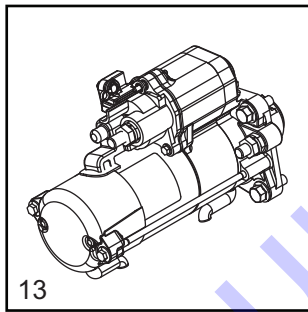
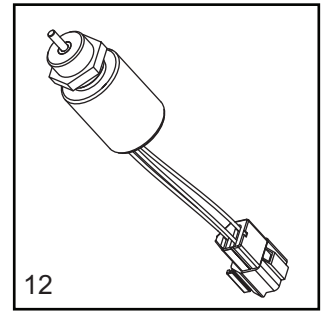
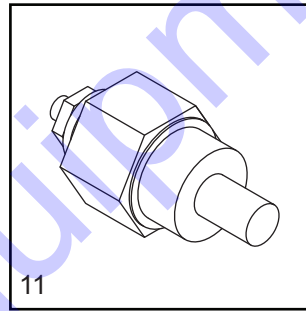
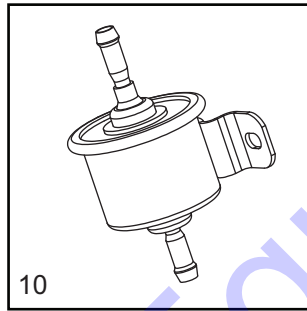
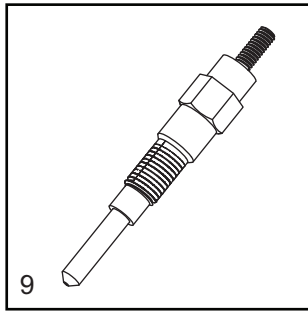
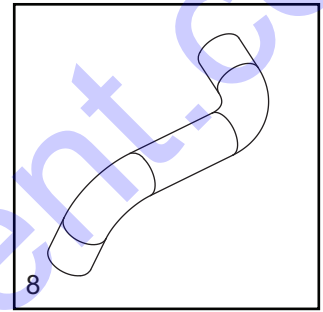
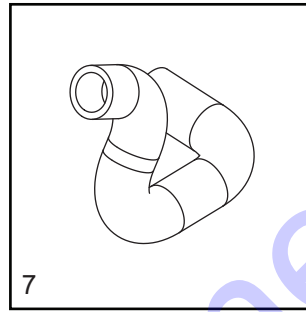
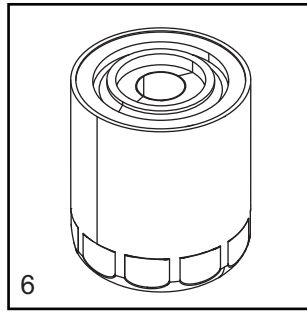
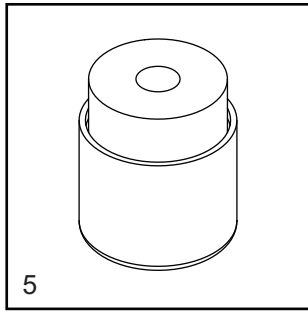
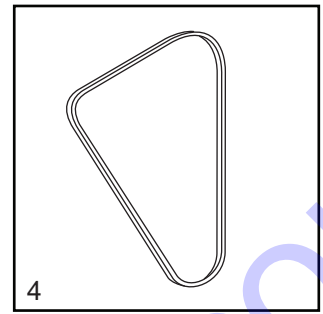
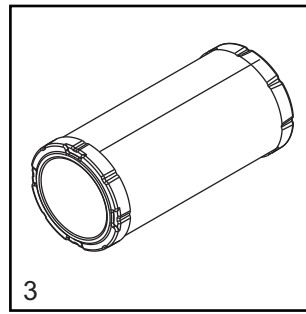
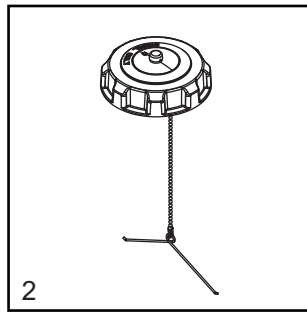
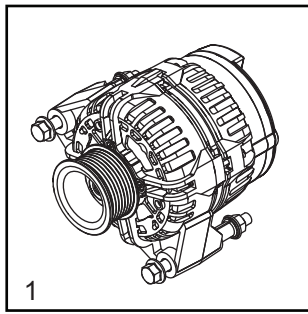
TRAILER ASSEMBLY

Item	Part No.	Qty	Description	Notes
1	72126	3	Jack, top wind - 1200 lb, tube mounted	
2	70230ZY	2	Weldment, outrigger tube	
3	36869	2	Guide block (molded) - outrigger	
4	60144	4	Nut, .250-20 nylock, G5	
5	72128	2	Pad/stop, wear - outrigger	
6	73196	4	Screw, .250-20 x 2.25 socket head	
7	36890	3	Spring pin, handle	
8	73092	4	Insert, #8-32 .020-.080 grip - close sealed	
9	36960	2	Assembly, tail light	
10	60694	4	Screw, 8-32 x .750 pan Phillips	
11	10000021817	1	Weldment, lt chassis	
12	60404	2	Screw, .312-18 x 4.00 standard hex, G5	
13	60119	4	Washer, .312 flat .875/.070	
14	60303	2	Nut, .312-18, nylock, G2	
15	60503	6	Screw, shackle, .562-18 x 3.00 standard hex, G5	
16	60504	6	Nut, .562-18 lock hex, G5	
17	19637	4	Plate, shackle bracket - 3.125"	
18	15976B	2	Wheel, ST175/8013 - 1360 lb	
19	60096	10	Nut, .500-20 lug, G5	
20	34760	1	Axle, 2200lb 47TC 35SC	
21	23367	2	Chain, safety - 7800 lbs rated	
22	50215	5	Screw, .500-13 x 4.00 standard hex, G5	
23	60416	10	Washer, .500 flat 1.375/.090	
24	62221	5	Nut, .500-13 nylock, G5	
25	17969B	1	Weldment, tilt tongue	
26	60309	4	Washer, .500 flat 1.060/.090	
27	16830	1	Coupler, 2.00 ball/2.50 channel	
28	33943	2	Pin, locking .500 x 3.50	
--	68348	1	Harness, trailer wiring, tandem tow	
--	68324	1	Harness, trailer enclosure front	
--	10000020727	1	Assembly, harness extension loomed	

Hitch Options: If equipped

A	13003B	1	Coupler, 2.00 ball/3.00 channel, Bulldog
B	34792ZC	1	Weldment, combination hitch - 2.50 tongue
C	16835B	1	Weldment, lunette ring 3.00 ID - 2.50 tongue
--	65548	1	Adapter, 4 pin flat to 4 pin flat x 12.00

RECOMMENDED SPARE PARTS - ENGINE AND SERVICE KITS - MITSUBISHI



RECOMMENDED SPARE PARTS - ENGINE AND SERVICE KITS - MITSUBISHI

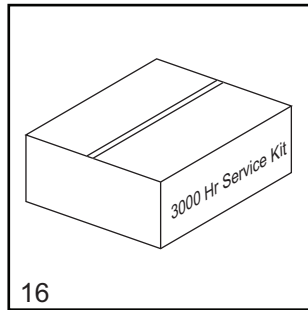
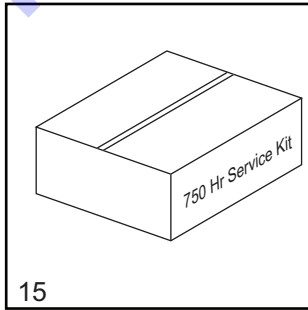
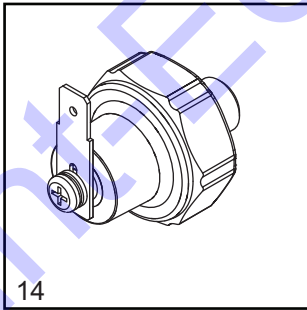
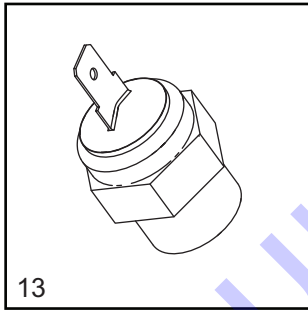
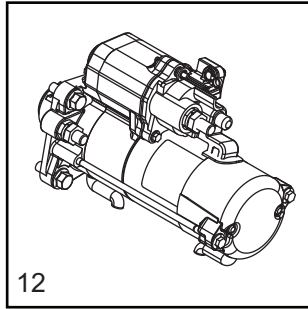
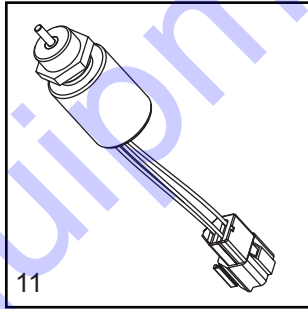
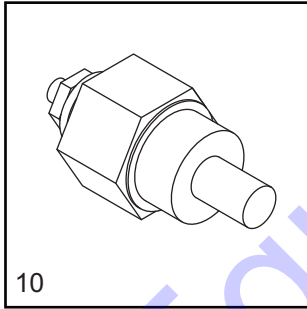
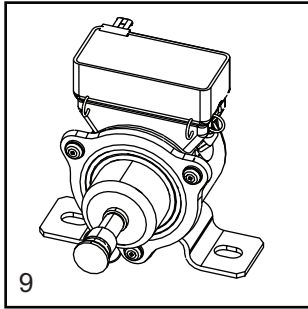
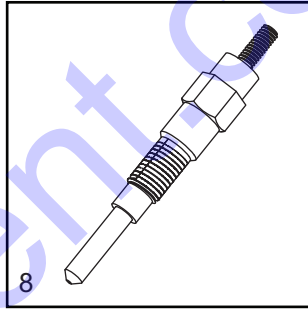
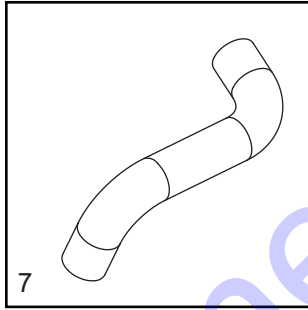
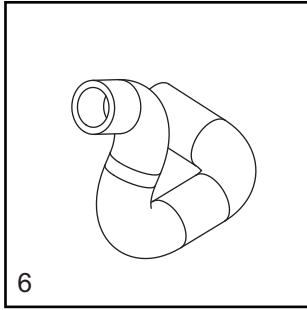
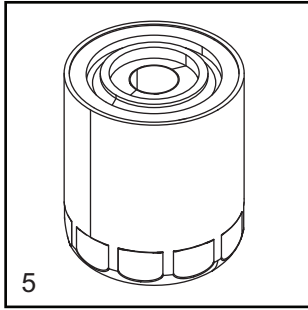
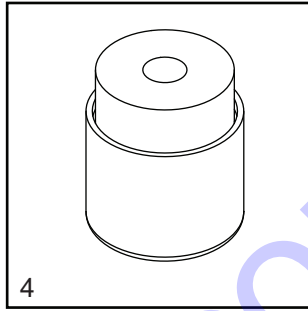
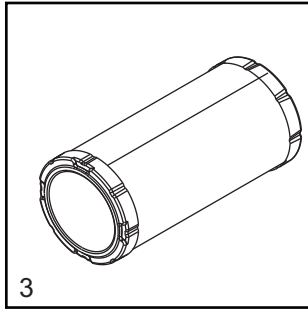
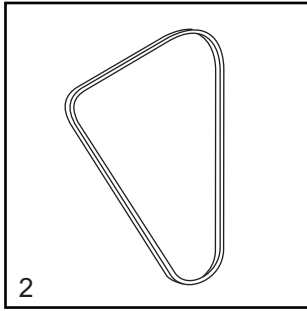
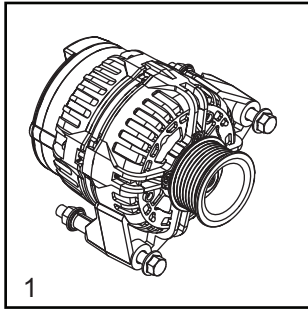
ENGINE

1. Alternator	16743
2. Cap, fuel tank with lanyard	16326
3. Filter, air (element).....	16444
4. Belt	10388
5. Filter, fuel, Mitsubishi	17647
6. Filter, oil, Mitsubishi (after break-in).....	10000014392
7. Hose, radiator - lower	16688SRV
8. Hose, radiator - upper.....	32383SRV
9. Plug, glow	16693
10. Pump, fuel	13278SRV
11. Sender, coolant temp	11590
12. Solenoid, fuel shutdown	16683
13. Starter	70232
14. Switch, coolant temperature	16678
15. Switch, oil pressure	16677

SERVICE KITS

16. 750 hour kit.....	SK334
Includes: Primary Air Filter 16444, Fuel Filter Element 17647 and Oil Filter 10000014392	
17. 3000 hour kit.....	SK335
Includes: Engine Belt 10388 (2), Air Filter 16444 (4), Fuel Filter Element 17647(4), and Oil Filter 10000014392 (4)	

RECOMMENDED SPARE PARTS - ENGINE AND SERVICE KITS - KUBOTA



RECOMMENDED SPARE PARTS - ENGINE AND SERVICE KITS - KUBOTA

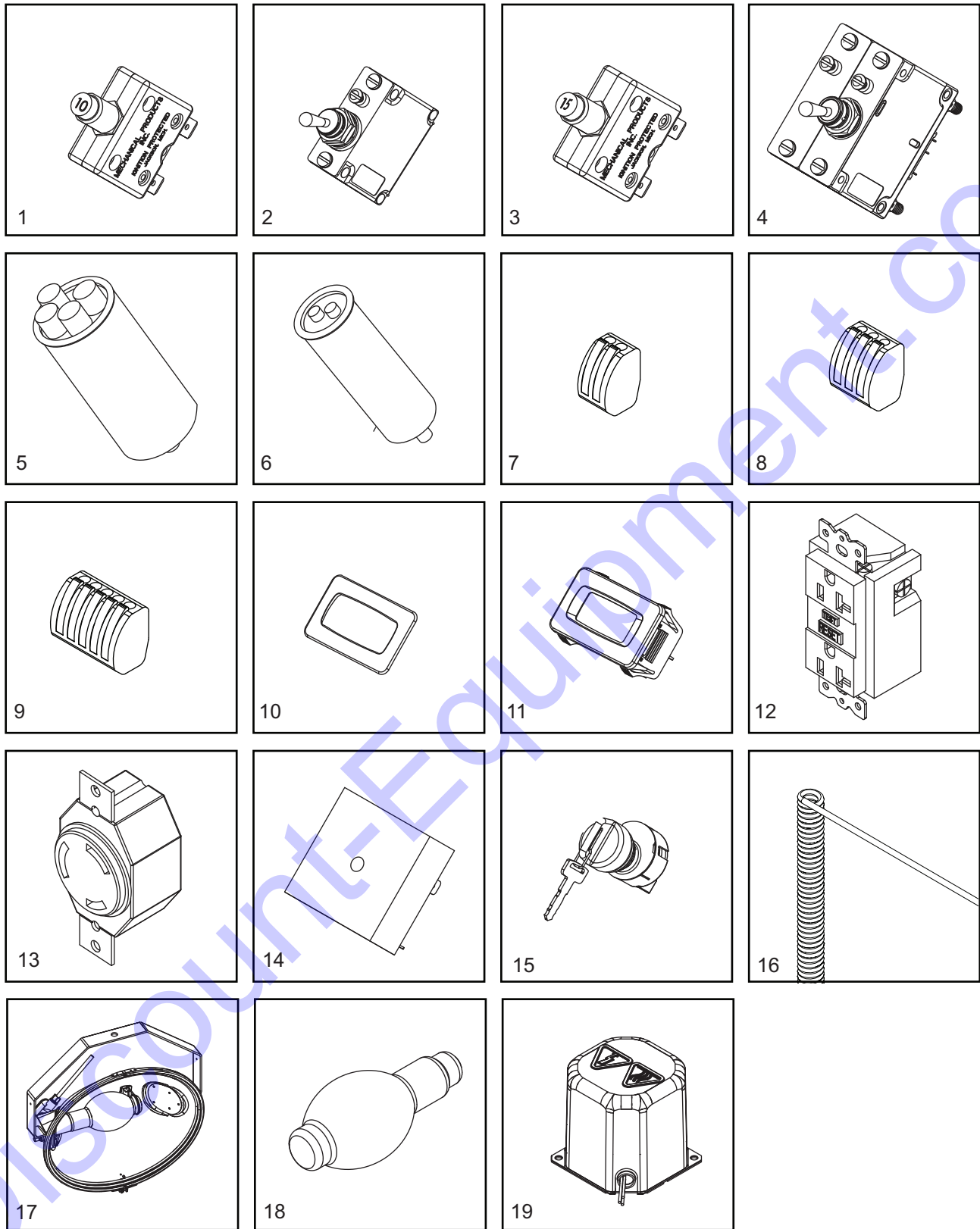
ENGINE

1. Alternator	12486
2. Belt, V, Kubota	11628
3. Filter, air (element).....	16444
4. Filter, fuel element, Kubota.....	13515
5. Filter, oil, Kubota D1005/D1105.....	10775
6. Hose, lower radiator, Kubota	12350
7. Hose, upper radiator Kubota	36977
8. Plug, glow, Kubota (start SN 489916)	13238
9. Pump, fuel	13278SRV
10. Sender, coolant temp.....	12873
11. Solenoid, fuel shutdown (2 wire).....	13018
12. Starter- Kubota D850.....	30582
13. Switch, coolant temperature - Kubota D850.....	14099
14. Switch, oil pressure, Kubota D905	15375

SERVICE KITS

15. 750 hour kit.....	SK151
Includes: Air Filter Element 16444, Fuel Filter Element 13515 and Oil Filter 10775	
16. 3000 hour kit.....	SK152
Includes: Engine Belt 11628 (4), Air Filter Element 16444 (4), Fuel Filter Element 13515 (4), and Oil Filter 10775 (4)	

RECOMMENDED SPARE PARTS - ELECTRICAL



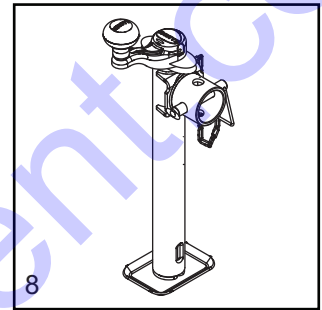
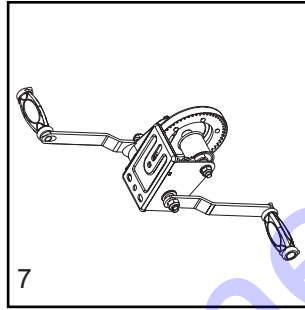
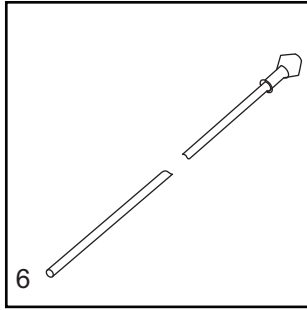
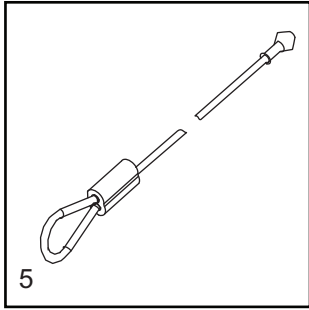
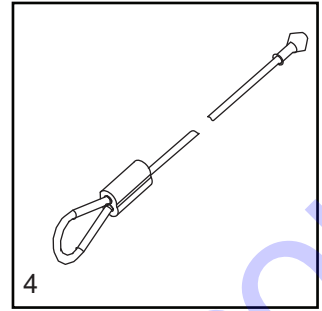
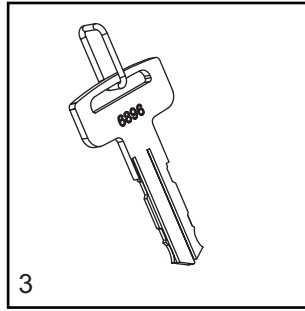
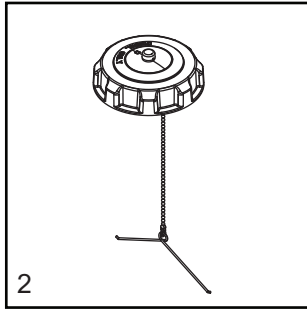
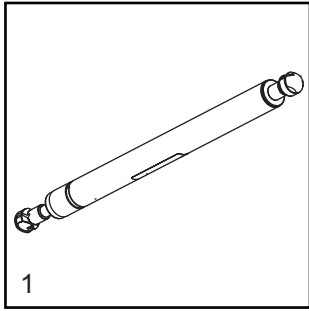
02590

RECOMMENDED SPARE PARTS - ELECTRICAL

ELECTRICAL

1. Breaker, 10A, 240V, 1 pole, push button	36937
2. Switch, light 15A	36880
3. Breaker, 15A, 120V, 1 pole, push button, 8kW	36935
4. Breaker, 30A, 250A, 2 pole, 6kW	36975
5. Capacitor, 24 μ F/24 μ F, 5% 540VAC dual	10000024477
6. Capacitor, 25 μ F, 440V, 6kW	36980
7. Connector, 2 position (qty - 4)	66100
8. Connector, 3 position (qty - 2)	66101
9. Connector, 5 position (qty - 1)	66102
10. Gasket, hour meter	36944
11. Gauge, hour meter	36886
13. Receptacle, 120V/20A GFI	14130
14. Receptacle, 240V/30A twist	14137
15. Relay, 10A SPDT, 15 second time delay	14201
16. Switch, key	36882
17. Coil cord	39650
18. Assembly, light fixture, 1100W MH	10000022353
19. Bulb, 1100W MH	10000022381
20. Assembly, transformer can/base 60Hz MH 5.5	10000029380

RECOMMENDED SPARE PARTS - MISC



RECOMMENDED SPARE PARTS - MISC

ENCLOSURE

1. Gas shock.....	35137
2. Cap, fuel tank with lanyard	16326
3. Key (set of two).....	37182

MAST

4. Cable, 79.75 in	31248
5. Cable, 78 in	31277
6. Cable, 144 in	31247
7. Winch, manual, includes dual handle	72127

JACKS

8. Jack, top wind, 1200 lb	72126
----------------------------------	-------

Discount Equipment

Discount-Equipment.com is your online resource for commercial and industrial quality parts and equipment sales.

Locations:

Florida (West Palm Beach): [561-964-4949](tel:561-964-4949)

Outside Florida TOLL FREE: [877-690-3101](tel:877-690-3101)

Need parts? Check out our website at www.discount-equipment.com

Can't find what you need?

Click on this link: <http://www.discount-equipment.com/category/5443-parts/> and fill out the request form.

Please have the machine model and serial number available in order to help us get you the correct parts. One of our experienced staff members will get back to you with a quote for the right part that your machine needs.

We sell worldwide for the brands: Genie, Terex, JLG, MultiQuip, Mayco, Toro/Stone, Diamond Products, Magnum, Airman, Mustang, Power Blanket, Nifty Lift, Atlas Copco, Chicago Pneumatic, Allmand Brothers, Essick, Miller Spreader, Skyjack, Lull, Skytrak, Tsurumi, Husquvarna/Target, Whiteman-Concrete/Mortar, Stow-Concrete/Mortar, Baldor, Wacker, Sakai, Snorkel, Upright, Mi-T-M, Sullair, Neal, Basic, Dynapac, MBW, Weber, Bartell, Bennar Newman, Haulotte, Ditch Runner, Blaw-Knox, Himoina, Best, Buddy, Crown, Edco, Wyco, Bomag, Laymor, Terremite, Barreto, EZ Trench, Takeuchi, Basic, Bil-Jax, Curtis, Gehl, Heli, Honda, ICS/PowerGrit, Puckett, Waldon, ASV, IHI, Partner, Imer, Clipper, MMD, Koshin, Rice, Gorman Rupp, CH&E, Cat Pumps, Comet, General Pump, Giant, AMida, Coleman, NAC, Gradall, Square Shooter, Kent, Stanley, Tamco, Toku, Hatz, Kohler, Robin, Wisconsin, Northrock, Oztec, Toker TK, Rol-Air, Small Line, Wanco, Yanmar

New Equipment - Used Equipment - Rental Equipment - Parts and Accessories

Discount Equipment

www.discount-equipment.com

561-964-4949

Parts: wbparts@Discount-Equipment.com

Sales: info@Discount-Equipment.com



www.discount-equipment.com

Part No. 17974 Rev. D 04/03/2018

©2018 Generac Mobile Products, LLC
All rights reserved.

Specifications are subject to change without notice.
No reproduction allowed in any form without prior written consent
from Generac Mobile Products, LLC.

GENERAC
**MOBILE
PRODUCTS**