

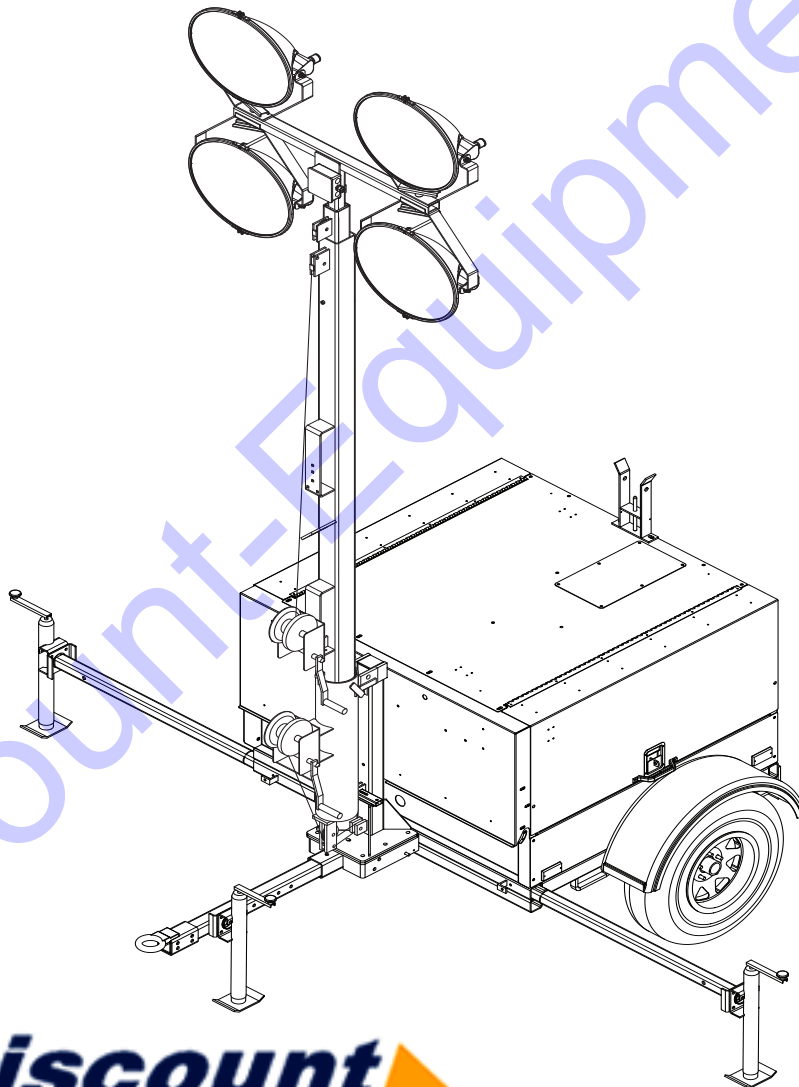
**GENERAC®**

**MOBILE  
PRODUCTS**

**DIESEL LIGHT TOWER**

**MLT5060K • MLT5060M**

**MLT5080K • MLT5080M**



**Discount  
Equipment**

[www.discount-equipment.com](http://www.discount-equipment.com)

**PARTS MANUAL**

# **Discount Equipment**

Discount-Equipment.com is your online resource for commercial and industrial quality parts and equipment sales.

## **Locations:**

Florida (West Palm Beach): [561-964-4949](tel:561-964-4949)

Outside Florida TOLL FREE: [877-690-3101](tel:877-690-3101)

**Need parts?** Check out our website at [www.discount-equipment.com](http://www.discount-equipment.com)

## **Can't find what you need?**

Click on this link: <http://www.discount-equipment.com/category/5443-parts/> and fill out the request form.

Please have the machine model and serial number available in order to help us get you the correct parts. One of our experienced staff members will get back to you with a quote for the right part that your machine needs.

We sell worldwide for the brands: Genie, Terex, JLG, MultiQuip, Mayco, Toro/Stone, Diamond Products, Magnum, Airman, Mustang, Power Blanket, Nifty Lift, Atlas Copco, Chicago Pneumatic, Allmand Brothers, Essick, Miller Spreader, Skyjack, Lull, Skytrak, Tsurumi, Husquvarna/Target, Whiteman-Concrete/Mortar, Stow-Concrete/Mortar, Baldor, Wacker, Sakai, Snorkel, Upright, Mi-T-M, Sullair, Neal, Basic, Dynapac, MBW, Weber, Bartell, Bennar Newman, Haulotte, Ditch Runner, Blaw-Knox, Himoina, Best, Buddy, Crown, Edco, Wyco, Bomag, Laymor, Terremite, Barreto, EZ Trench, Takeuchi, Basic, Bil-Jax, Curtis, Gehl, Heli, Honda, ICS/PowerGrit, Puckett, Waldon, ASV, IHI, Partner, Imer, Clipper, MMD, Koshin, Rice, Gorman Rupp, CH&E, Cat Pumps, Comet, General Pump, Giant, AMida, Coleman, NAC, Gradall, Square Shooter, Kent, Stanley, Tamco, Toku, Hatz, Kohler, Robin, Wisconsin, Northrock, Oztec, Toker TK, Rol-Air, Small Line, Wanco, Yanmar

**New Equipment - Used Equipment - Rental Equipment - Parts and Accessories**

# **Discount Equipment**

**[www.discount-equipment.com](http://www.discount-equipment.com)**

**561-964-4949**

Sales: [info@Discount-Equipment.com](mailto:info@Discount-Equipment.com)

Parts: [wbparts@Discount-Equipment.com](mailto:wbparts@Discount-Equipment.com)

**⚠ WARNING**  
**CALIFORNIA PROPOSITION 65 WARNING: Diesel engine exhaust and some of its constituents are known to the state of California to cause cancer, birth defects, and other reproductive harm.**

**⚠ WARNING**  
**CALIFORNIA PROPOSITION 65 WARNING: This product contains or emits chemicals known to the state of California to cause cancer, birth defects, and other reproductive harm.**

# Introduction

This parts manual was prepared based on the information available at the time of publication and is subject to change without notice. Generac Mobile Products reserves the right to change parts at any time.

DO NOT MODIFY or use this equipment for any application other than which it was designed for. To keep your equipment fully operational, it is suggested you maintain a stock of commonly used maintenance or service parts. A recommended spare parts list can be found in the back of this manual. T

## ▲ WARNING

**Before operating or servicing this equipment, read and understand the Generac Mobile Products Operating Manual which was included with the unit when shipped from the factory. Failure to do so increases the risk of injury to yourself or others.**

Engine Make: \_\_\_\_\_

Engine Serial Number: \_\_\_\_\_

Engine Model Number: \_\_\_\_\_

Generator Make: \_\_\_\_\_

Generator Model Number: \_\_\_\_\_

Generator Serial Number: \_\_\_\_\_

Unit Model Number: \_\_\_\_\_

Unit Serial Number: \_\_\_\_\_



## Table of Contents

Introduction .....	iii
Parts Manual Instructions .....	1
Unit Decals - Exterior .....	2
Unit Decals - Right Side Interior .....	3
Unit Decals - Left Side Interior .....	4
Mast, Junction Box and Lights to Unit .....	6
Light Assembly .....	8
Mast Junction Box Assembly - Hard Wired Lights .....	10
Mast Junction Box Assembly - Quick Disconnect Lights Option .....	12
Mast Assembly - Manual Winch .....	14
Mast Assembly - Electric Winch .....	16
Roof and Doors to Unit .....	18
Front, Rear and Side Panels to Unit .....	20
Control Box to Unit .....	22
Control Box Assembly .....	24
Control Panel Assembly - MLT5060K, MLT5060M .....	26
Control Panel Assembly - MLT5080K, MLT5080M .....	28
Cooling System Assembly .....	30
Engine and Generator to Unit .....	32
Engine Assembly - Mitsubishi Left Side .....	34
Engine Assembly - Mitsubishi Right Side .....	36
Engine Assembly - Kubota Left Side .....	38
Engine Assembly - Kubota Right Side .....	40
Generator Assembly .....	42
Fuel Tank and Ballast Boxes to Unit .....	44
Trailer Assembly .....	46
Trailer Options .....	48
Axle Assembly .....	50
Recommended Spare Parts List (1 of 2) .....	52
Recommended Spare Parts List (2 of 2) .....	53

# Parts Manual Instructions

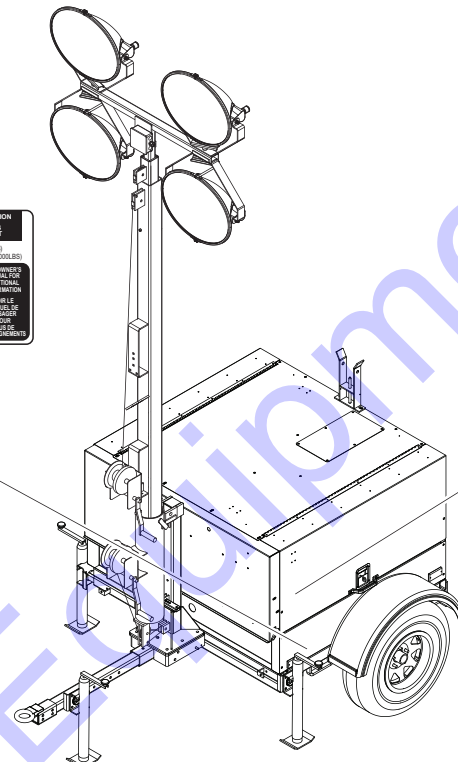
Product illustrations are only representations. Products supplied may vary from the illustrations in this parts manual. Parts not shown in the illustration are indicated by a double dash (--) in the item column.

Please be prepared to provide the following information when ordering replacement parts: model number, serial number (on unit serial tag), part number, purchase order number (if applicable), shipping address, shipping method.

Refer to the illustration below to locate the unit ID tag and Vehicle Identification Number (VIN) tag on the unit. Important information, such as the unit serial number, model number, VIN and tire loading information are found on these tags. Record the information from these tags so it is available if the tags are lost or damaged. When ordering parts or requesting assistance, you may be asked to provide this information.

## VIN Tag

MANUFACTURED BY/FABRIQUE PAR: Generac Mobile Products LLC		COLD INF. PRESS./ DATE: 00/0000	
COUNTRY/PAIS: 00000 (0000,000)		PRESS. DE /	
GAWR / PNEU	TIRE / PNEU	RRM / JANTE	CONF. A / PNEU - X/PAS/SEL/CL/ SGL / DUAL
EACH			
AXLE			
<p>THE WEIGHT OF CARGO SHALL NEVER EXCEED THE WEIGHT OF CARGO CAPACITY INDICATED ON THE TIRE LABEL. ALWAYS SAFETY REGULATIONS IN FORCE AT THE DATE OF MANUFACTURE.</p> <p>LE POIDS DU CHARGEMENT NE DOIT JAMAIS DÉPASSER (00000) (0000,000) LBS.</p>			
<p>SEE OWNER'S MANUAL FOR ADDITIONAL INFORMATION</p> <p>VINLE N°/VLE N°: 000000000000000000</p> <p>MODEL: XXX000</p> <p>TYPE: TRAILER</p>		<p>SEE OWNER'S MANUAL FOR ADDITIONAL INFORMATION</p> <p>VINLE N°/VLE N°: 000000000000000000</p> <p>MODEL: XXX000</p> <p>TYPE: TRAILER</p>	



## Unit ID Tag Located on inside of front panel

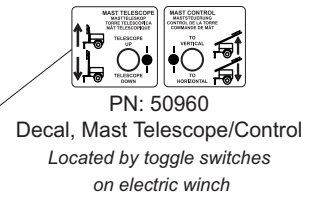
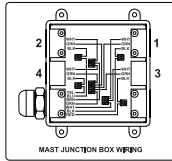
Manufactured by Generac Mobile Products LLC			
(800) 361-4442		(800) 926-9788	
Country of Origin	Model	Serial Number	
Manufacturing Code	Weight (lb/kg)	RPM/Frequency	
		Rating	
KW	1 ph. 1.0PF	3 ph. BPF	3 ph. 1.0PF
KVA			
V			
A			
<p>INFORMATIONAL ASSISTANCE: 1-800-361-4442</p> <p>© 2010 GENERAC</p>			

01502

# UNIT DECALS - EXTERIOR



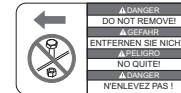
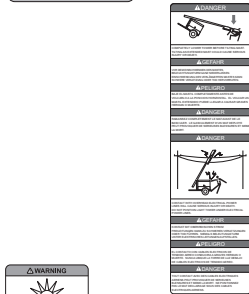
PN: 13614  
Decal, Mast Junction Box  
Located inside box



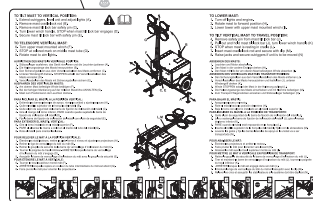
PN: 50960  
Decal, Mast Telescope/Control  
Located by toggle switches  
on electric winch



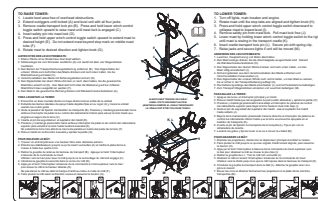
PN: 10584  
Decal, MLT set-up 5000  
Electric Winch



PN: 12142  
Decal, Ground  
Next to ground stud



PN: 10514  
Decal, MLT set-up 5000

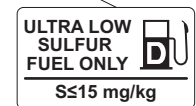


PN: 10584  
Decal, MLT set-up 5000  
Electric Winch

<p><b>TOWING INSTRUCTIONS</b></p> <ol style="list-style-type: none"> <li>1. READ OPERATING MANUAL.</li> <li>2. SECURELY ATTACH TOWING POINTS.</li> <li>3. ATTACH TOWING POINTS TO TRUCKS.</li> <li>4. CHECK TOWING CAPACITY.</li> </ol>	<p><b>ANSCHLEPPINSTRUKTIONEN</b></p> <ol style="list-style-type: none"> <li>1. LESEN SIE DIE BETRIEBSANLEITUNG.</li> <li>2. SICHER ANSCHLIEßEN DER ANSCHLÜßPUNKTE.</li> <li>3. ANSCHLIEßEN DER ANSCHLÜßPUNKTE AN DIE WAGEN.</li> <li>4. ÜBERPRÜFEN SIE DIE ANSCHLIEßKAPAZITÄT.</li> </ol>	<p><b>INSTRUCCIONES DE REMOLQUE</b></p> <ol style="list-style-type: none"> <li>1. LEA EL MANUAL DEL OPERARIO.</li> <li>2. CONECTE CORRECTAMENTE LOS PUNTO DE ANCLAJE.</li> <li>3. CONECTE LOS PUNTO DE ANCLAJE A LOS TRACTORES.</li> <li>4. VERIFIQUE LA CAPACIDAD DE REMOLQUE.</li> </ol>	<p><b>INSTRUCTIONS DE REMORQUAGE</b></p> <ol style="list-style-type: none"> <li>1. LIRE LE NOTICE OPERAIRE.</li> <li>2. BRANCHER CORRECTEMENT LES POINTS DE RACCORDEMENT.</li> <li>3. BRANCHER LES POINTS DE RACCORDEMENT AUX TRACTEURS.</li> <li>4. VÉRIFIER LA CAPACITÉ DE REMORQUAGE.</li> </ol>
---	---	--	---

**Note:** All safety and operating decals are located on decal sheets 12140 and 12141, unless otherwise noted.

# UNIT DECALS - RIGHT SIDE INTERIOR

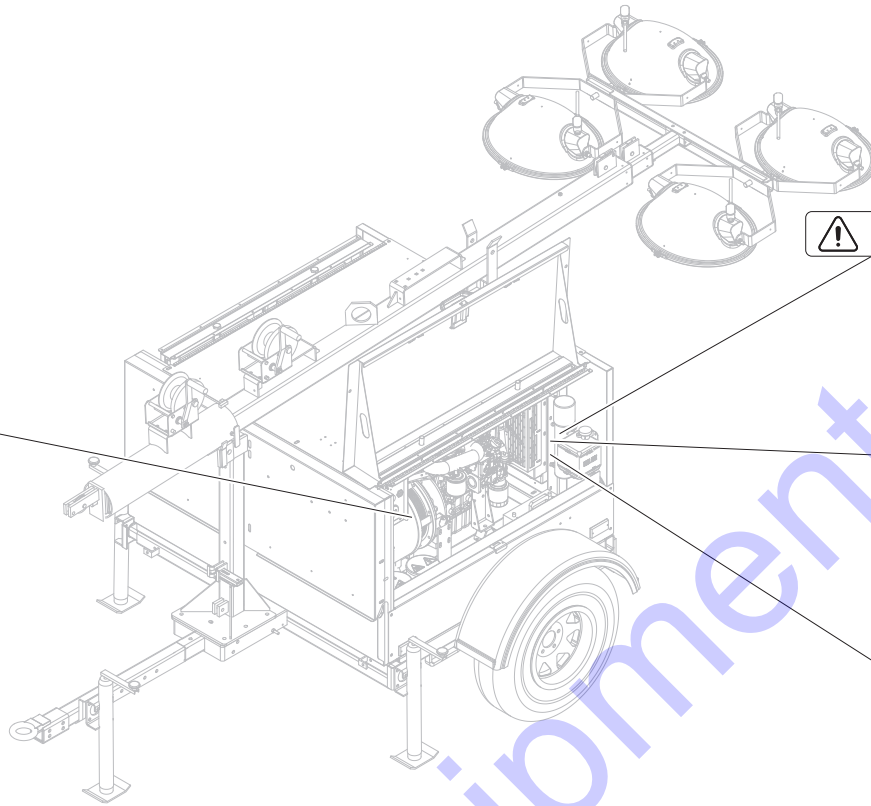


PN: 27433  
Decal, Low Sulfur

01515

**Note:** All safety and operating decals are located on decal sheets 12140 and 12141, unless otherwise noted.

# UNIT DECALS - LEFT SIDE INTERIOR

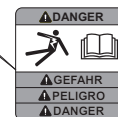


ENGINE OPERATION / MOTORBETRIEB / FUNCIONAMIENTO DEL MOTOR / FONCTIONNEMENT DU MOTEUR	
<p><b>1 BEFORE STARTING THE ENGINE / ANTES DE ENCENDER EL MOTOR / AVANT DE DEMARRER LE MOTEUR:</b></p> <p>1. CHECK FUEL LEVEL.                      1. VERIFIQUE EL NIVEL DE COMBUSTIBLE.                      2. CHECK OIL LEVEL.                      2. VERIFIQUE EL NIVEL DE ACEITE.                      3. CHECK AIR FILTER.                      3. VERIFIQUE EL FILTRO DE AEROS.                      4. CHECK BATTERY CHARGE.                      4. VERIFIQUE EL ESTADO DE LA BATERIA.                      5. CHECK SAFETY DEVICES.                      5. VERIFIQUE LOS DISPOSITIVOS DE SEGURIDAD.                      6. CHECK THE OPERATION OF CIRCUIT BREAKERS.                      6. VERIFIQUE EL FUNCIONAMIENTO DE LOS INTERRUPTORES DE CIRCUITO.</p>	<p>1. VERIFIQUE EL NIVEL DE COMBUSTIBLE.                      2. VERIFIQUE EL NIVEL DE ACEITE.                      3. VERIFIQUE EL FILTRO DE AEROS.                      4. VERIFIQUE EL ESTADO DE LA BATERIA.                      5. VERIFIQUE LOS DISPOSITIVOS DE SEGURIDAD.                      6. VERIFIQUE EL FUNCIONAMIENTO DE LOS INTERRUPTORES DE CIRCUITO.</p>
<p><b>2 ALL CIRCUIT BREAKERS OFF! / TODOS LOS CONTACTOS DEBEN ESTAR APAGADOS! / TOUS LES DISJONCTEURS DU CIRCUIT SONT DESACTIVES!</b></p>	
<p><b>3 START ENGINE / MOTOR STARTEN / ENCENDERA EL MOTOR! / FAIRE DEMARRER LE MOTEUR:</b></p> <p>ACTIVATE BLOWER FAN / ACTIVAR EL VENTILADOR DE AEROS / ACTIVER LE VENTILATEUR D'AIR                      CHARGE HANDLE TO START / MANEJA DE CARGA PARA ARRANCAR / MANEJA DE CARGA POUR DEMARRER                      RELEASE KEY / SOLTAR LA CLAVE / LIBERER LA CLAVIERE</p>	
<p><b>4 TURN CIRCUIT BREAKERS ON! / ENCENDERA LOS CONTACTOS / ACTIVER LES DISJONCTEURS DU CIRCUIT</b></p>	
<p><b>SHUT DOWN / AUSSCHALTEN / APAGUE / ETENDRE</b></p>	
<p><b>5 ALL CIRCUIT BREAKERS OFF! / TODOS LOS CONTACTOS DEBEN ESTAR APAGADOS! / TOUS LES DISJONCTEURS DU CIRCUIT SONT DESACTIVES!</b></p>	
<p><b>6 STOP ENGINE / MOTOR STOPEN / DETENER EL MOTOR / ETENDRE LE MOTEUR</b></p>	

<p><b>WARNING</b></p> <p>Make sure main circuit breaker is off before starting engine.</p>	<p><b>WARNING</b></p> <p>Read and understand the supplier operator's manual before operating this machine. Failure to do so increases the risk of injury to yourself or others.</p>
<p><b>WARNING</b></p> <p>Impugnacion: Sin estar, antes del funcionamiento, asegurándose de que el interruptor principal está apagado antes de encender el motor.</p>	<p><b>WARNING</b></p> <p>Se debe leer y comprender el manual del operador proporcionado antes de operar esta máquina. De lo contrario, aumenta el riesgo de lesiones a usted y a otras personas.</p>
<p><b>ADVERTENCIA</b></p> <p>Assurance de que le disjoncteur de circuit principal est désactivé avant de faire démarrer le moteur.</p>	<p><b>ADVERTENCIA</b></p> <p>Lire e leggere de comprende el manual del operador proporcionado antes de operar esta máquina. De lo contrario, aumenta el riesgo de lesiones a usted y a otras personas.</p>
<p><b>AVERTISSEMENT</b></p> <p>S'assurer que le disjoncteur de circuit principal est désactivé avant de faire démarrer le moteur.</p>	<p><b>AVERTISSEMENT</b></p> <p>Lire et comprendre le manuel de l'utilisateur fourni avec l'appareil avant de l'utiliser. L'omission de le faire augmente le risque de blessures pour vous et pour les autres.</p>



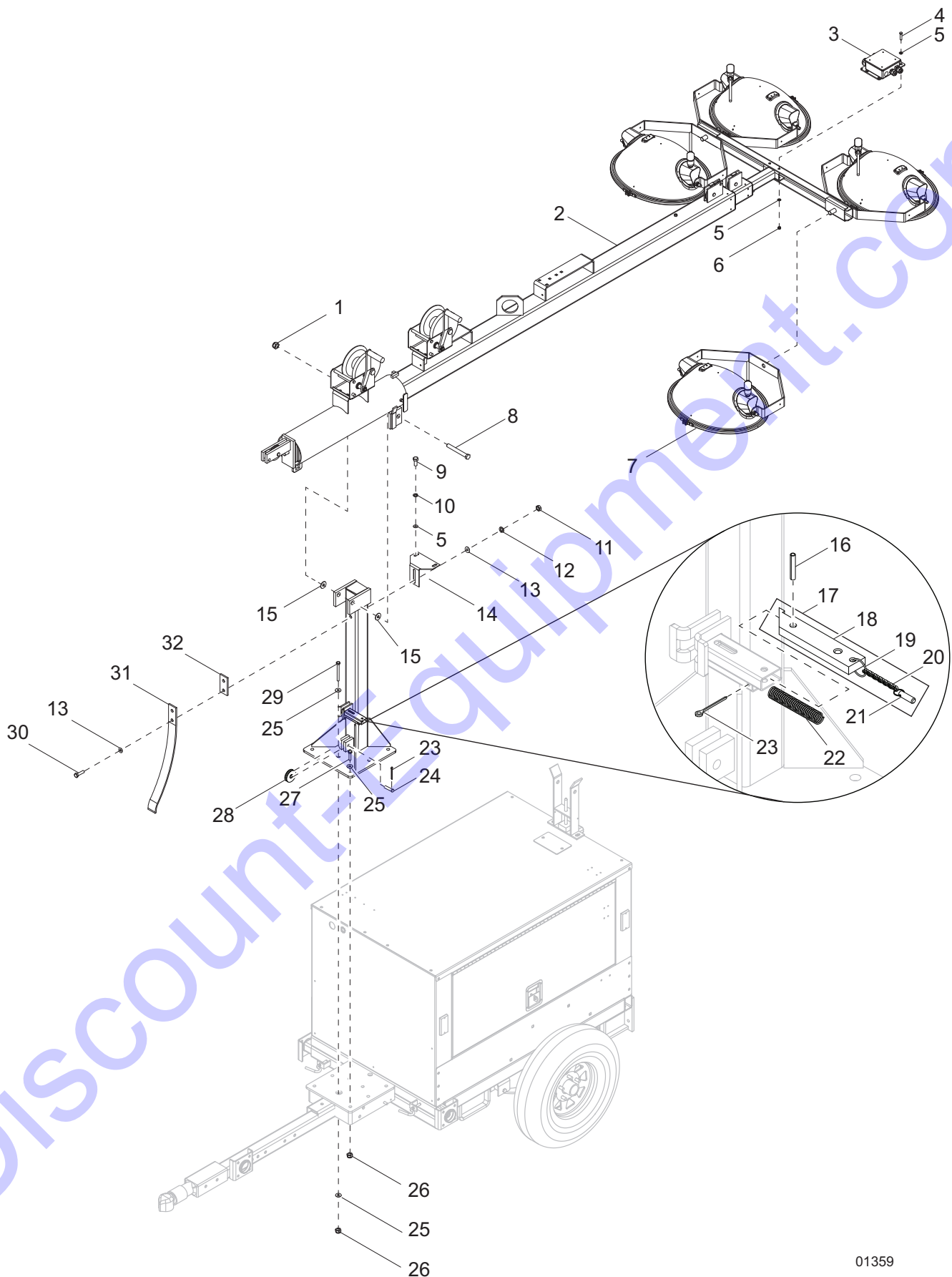
PN: 12142  
 Decal, ground  
 Next to ground stud



01514

**Note:** All safety and operating decals are located on decal sheets 12140 and 12141, unless otherwise noted.

# MAST, JUNCTION BOX AND LIGHTS TO UNIT



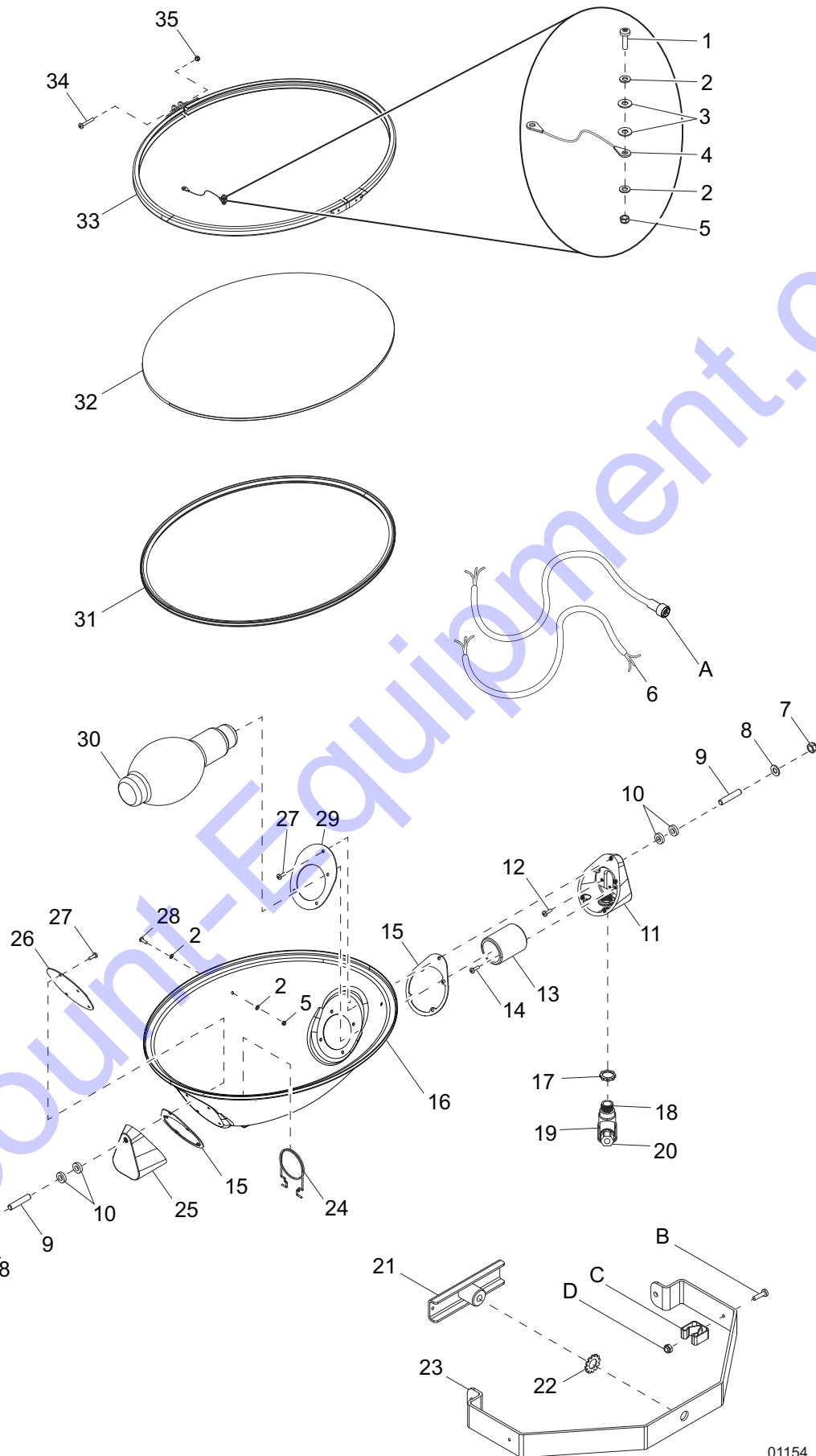
01359

## MAST, JUNCTION BOX AND LIGHTS TO UNIT

Item	Part No.	Qty	Description	Notes
1	60584	1	Nut, .750-10 nylock, G5	
2	13536	1	Assembly, mast	
3	<i>Page 10</i>	1	Assembly, mast junction box	
4	60753	2	Screw, .375-16 x 3.5 std hex, G5	
5	60698	6	Washer, .375 flat .875/.040, SS	
6	60358	2	Nut, .375-16 nylock, G5	
7	<i>Page 8</i>	4	Assembly, light	
8	15292	1	Screw, .750-10 x 6.5 std hex, SS	
9	60690	2	Screw, .375-16 x 1.0 std hex, SS	
10	60703	2	Washer, .375 split lock, SS	
11	14229	2	Nut, .500-13 hex, G2	
12	60702	2	Washer, .500 split lock, SS	
13	60699	4	Washer, .500 flat 1.070/.080, SS	
14	14459B	1	Bracket, door adjustment	
15	60744	2	Washer, .750 flat 1.25/.060	
16	15165	1	Pin, roll - .250 x 1.25 plain	
17	11215	1	Assembly, latch bar	
18	14663Z	1	Bar, latch	
19	60706	1	Ring, split - 1.0, SS	
20	60707	.58 ft	Chain, sash, SS	
21	14403	1	Pin, cotterless - .312 x 1.0	
22	14275	1	Spring, compression - .60 OD x 2.75 x .054	
23	15380	2	Pin, cotter - .125 x 1.25	
24	35655	1	Pin, clevis - .500 dia x 1.75	
25	60309	10	Washer, .500 flat 1.060/.090	
26	62221	8	Nut, .500-13 nylock, G5	
27	60683	6	Screw, .500-13 x 1.5 std hex, SS	
28	14261	1	Sheave - 2 in	
29	60659	2	Screw, .500 - 13 x 5.0 std hex, G5	
30	60732	2	Screw, .500 - 13 x 5.5 std hex, SS	
31	14845B	1	Spring, kickback - 50 lb	
32	11554Z	1	Spacer plate - kick-back spring	



# LIGHT ASSEMBLY



01154



## LIGHT ASSEMBLY

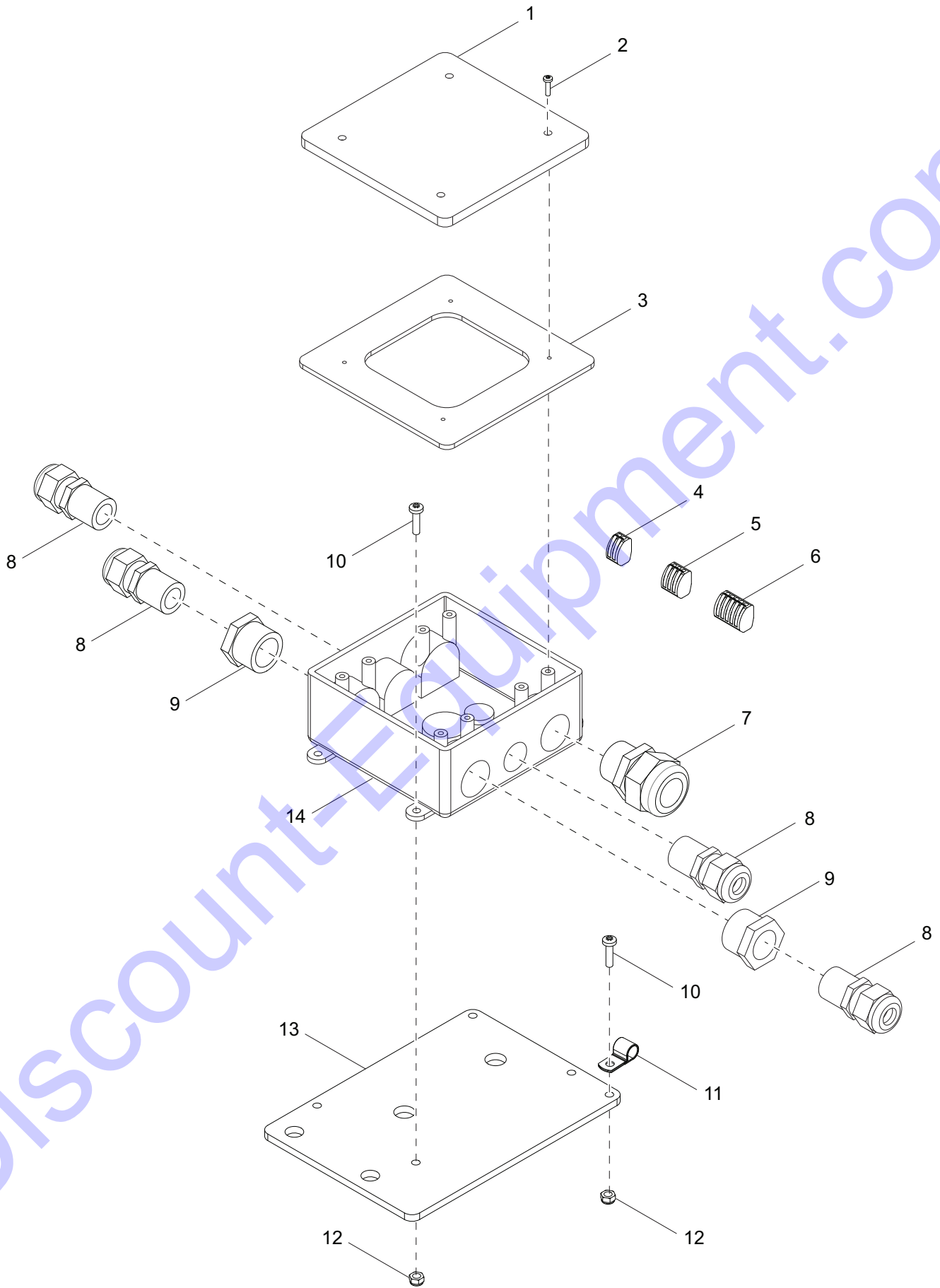
Item	Part No.	Qty	Description	Notes
1	13399	1	Screw, M4 x 18 pan phil	
2	13371	4	Washer, #4	
3	13372	2	Washer, #4 nylon	
4	13370	1	Assembly, tether	
5	13395	2	Nut, M4 nylock	
6	13438	1	Cord, power - hard wired	
7	62221	2	Nut, .500-13 nylock, G5	
8	60247	2	Washer, .750 flat 2.020/.090	
9	13392	2	Stud, trunnion mounting	
10	13390	4	Washer, .500 nylon	
11	13374	1	Support, housing/trunnion w/out cord	
12	13393	1	Screw, M5 x 12 phillips green	
13	13381	1	Socket, bulb w/out threaded insert	
14	13396	2	Screw, pan phillips	
15	13378	2	Gasket, silicone	
16	13366	1	Assembly, housing	
17	15861	1	Nut, special, .500 NPT lock	
18	13386	1	Fitting, nipple - .500	
19	13387	1	Connector, weathertight - .500	
20	15864	1	Strain relief, .500NPT watertight, .270/.464 ID	
21	13403	1	Handle, T - wing nut	
22	61174	1	Washer, .750 external star	
23	13368	1	Trunnion	
24	13380	1	Bracket, bulb support	
25	13375	1	Support, housing/trunnion w/cord	
26	13377	1	Bracket, non socket end plate	
27	13388	10	Screw, M5 x 12 flg hex, slotted	
28	13394	1	Screw, M4 x 10 pan phil	
29	13376	1	Bracket, socket end plate	
30	11391	1	Bulb, 1000W MH short length	
31	13373	1	Gasket, lens	
32	13369	1	Lens, glass	
33	13367	1	Assembly, aluminum ring	
34	13398	1	Screw, ground	
35	13397	1	Nut, nylock	
--	13311	1	Assembly, light - hard wired	Items 1 - 35

### OPTIONAL FEATURES

#### Quick Disconnect Light:

A	13383	1	Cord, power quick disconnect	Replaces item 6
B	60398	1	Screw, 10-32 x .500 pan phil, SS	
C	19041	1	Clip, spring holder	
D	60061	1	Nut, 10-32 nylock	
--	13601	1	Assembly, light - quick disconnect, cord clip	

# MAST JUNCTION BOX ASSEMBLY - HARD WIRED LIGHTS



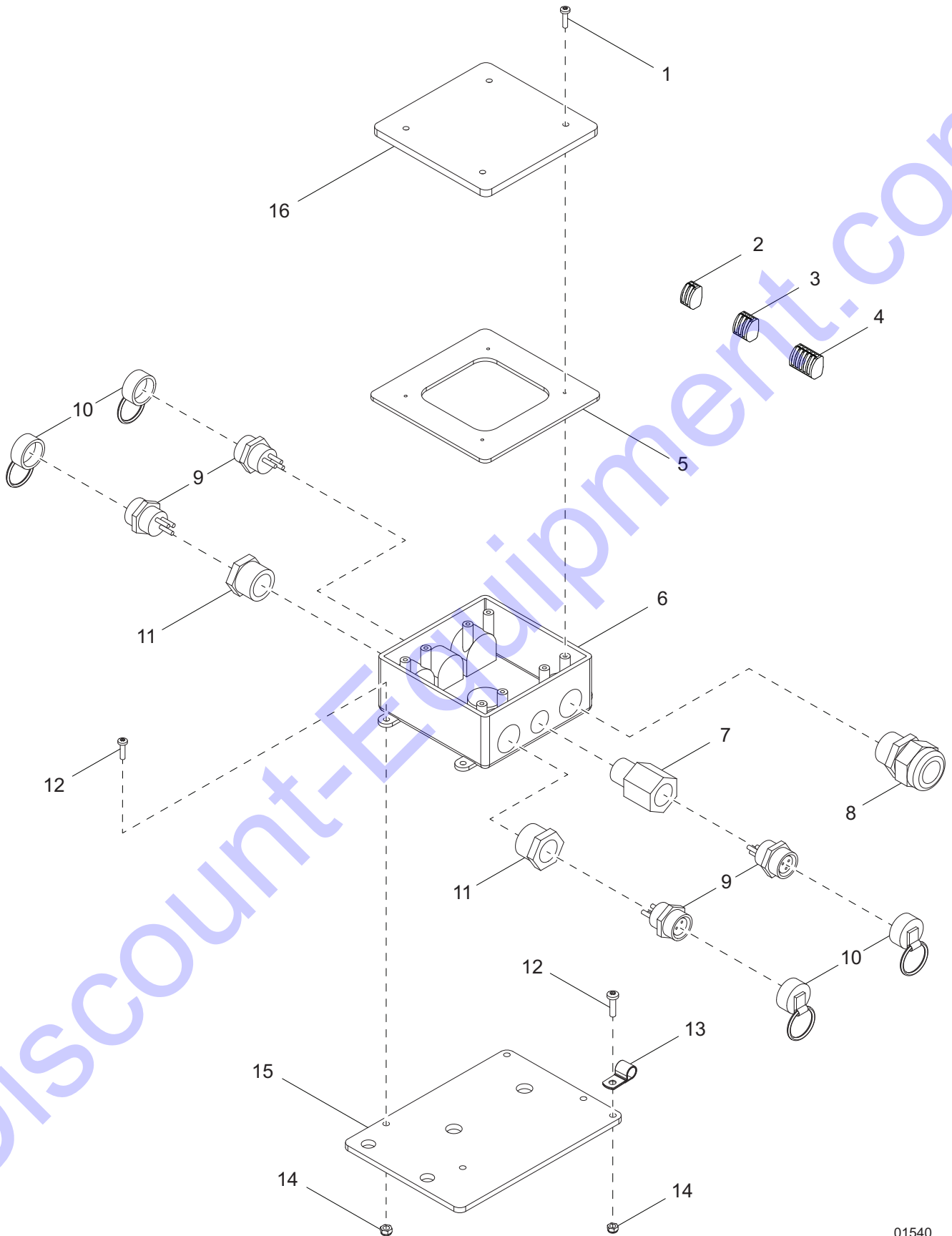
01155

## MAST JUNCTION BOX ASSEMBLY - HARD WIRED LIGHTS

---

Item	Part No.	Qty	Description	Notes
1	12109	1	Cover, box, 2 gang plastic	
2	60424	4	Screw, 6-32 x .750 pan phil, G2, self thread	
3	13749	1	Gasket, junction box	
4	66100	4	Connector, 2 position	
5	66101	2	Connector, 3 position	
6	66102	1	Connector, 5 position	
7	15864	4	Strain relief - .500NPT watertight, .270/.464	
8	14656	1	Strain relief - .750NPT watertight, .545/.709	
9	60755	2	Fitting, strt - .750MNPT x .500FNPT, nylon	
10	60062	5	Screw, 10-32 x .750 pan phil, G2	
11	16143	1	Clamp, tubing - .500	
12	60415	5	Nut, 10-32 nylock, SS	
13	12095B	1	Bracket, junction box - black	
14	12094	1	Box, junction	
--	11789	1	Assembly, mast junction box - hard wired	Items 1 - 14

# MAST JUNCTION BOX ASSEMBLY - QUICK DISCONNECT LIGHTS OPTION

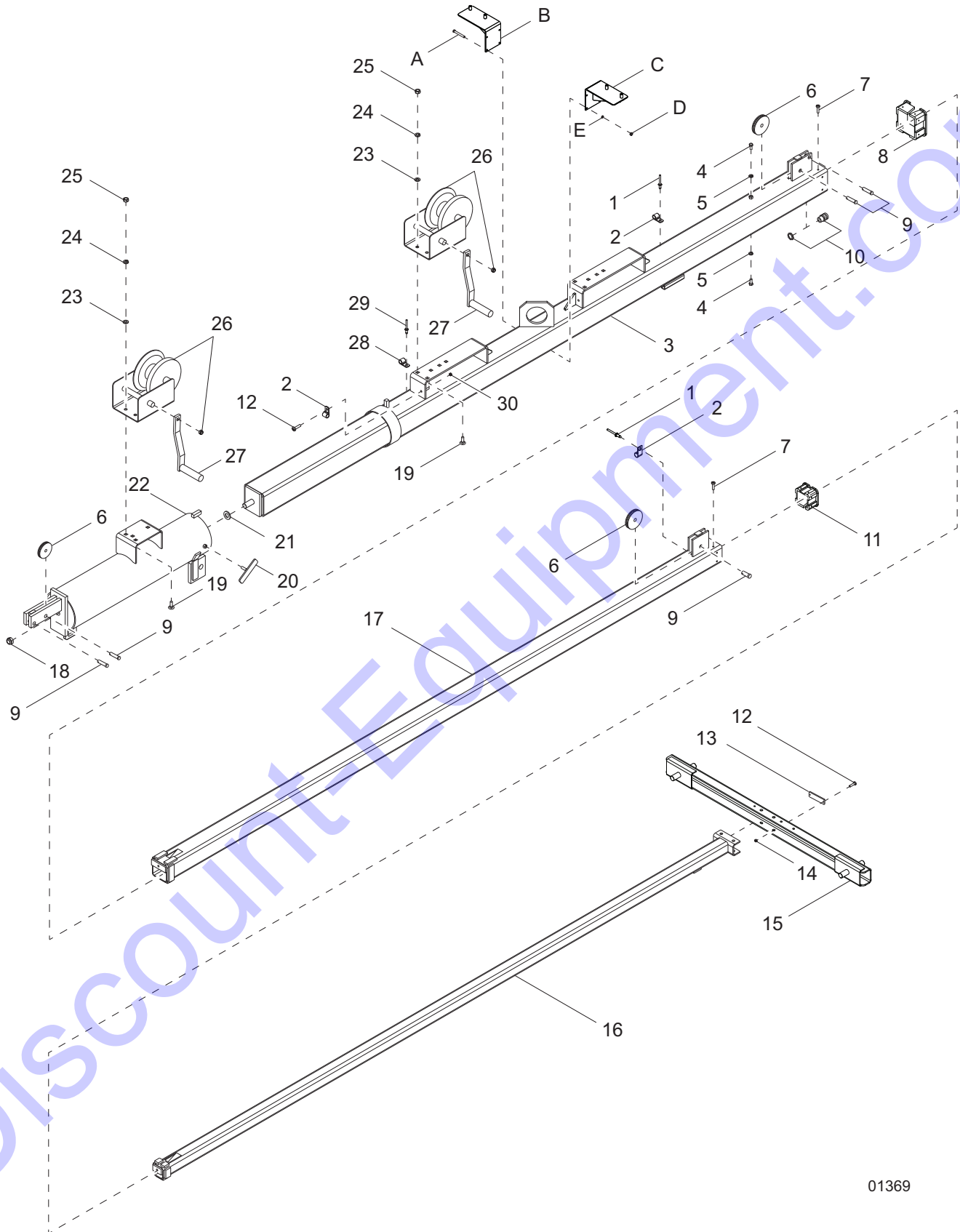


01540

## MAST JUNCTION BOX ASSEMBLY - QUICK DISCONNECT LIGHTS OPTION

Item	Part No.	Qty	Description	Notes
1	60424	4	Screw, 6-32 x .750 pan phil, G2, self thread	
2	66100	4	Connector, 2 position	
3	66101	2	Connector, 3 position	
4	66102	1	Connector, 5 position	
5	13749	1	Gasket, junction box	
6	12094	1	Box, junction	
7	12713	1	Fitting, strt - .500MNPT x .500FNPT, steel	
8	14656	1	Strain relief, .750NPT, watertight	
9	15403	4	Connector, quick disconnect - female	
10	12410	4	Assembly, quick disconnect receptacle cap w/chain	
11	60755	2	Fitting, strt - .750MNPT x .500FNPT, nylon	
12	60062	5	Screw, 10-32 x .750 pan phil, G2	
13	16143	1	Clamp, tubing - .500	
14	60415	5	Nut, 10-32 nylock, SS	
15	12095B	1	Bracket, junction box - black	
16	12109	1	Cover, box, 2 gang plastic	
--	11957	1	Assembly, mast junction box - quick disconnect	Items 1 - 16

# MAST ASSEMBLY - MANUAL WINCH

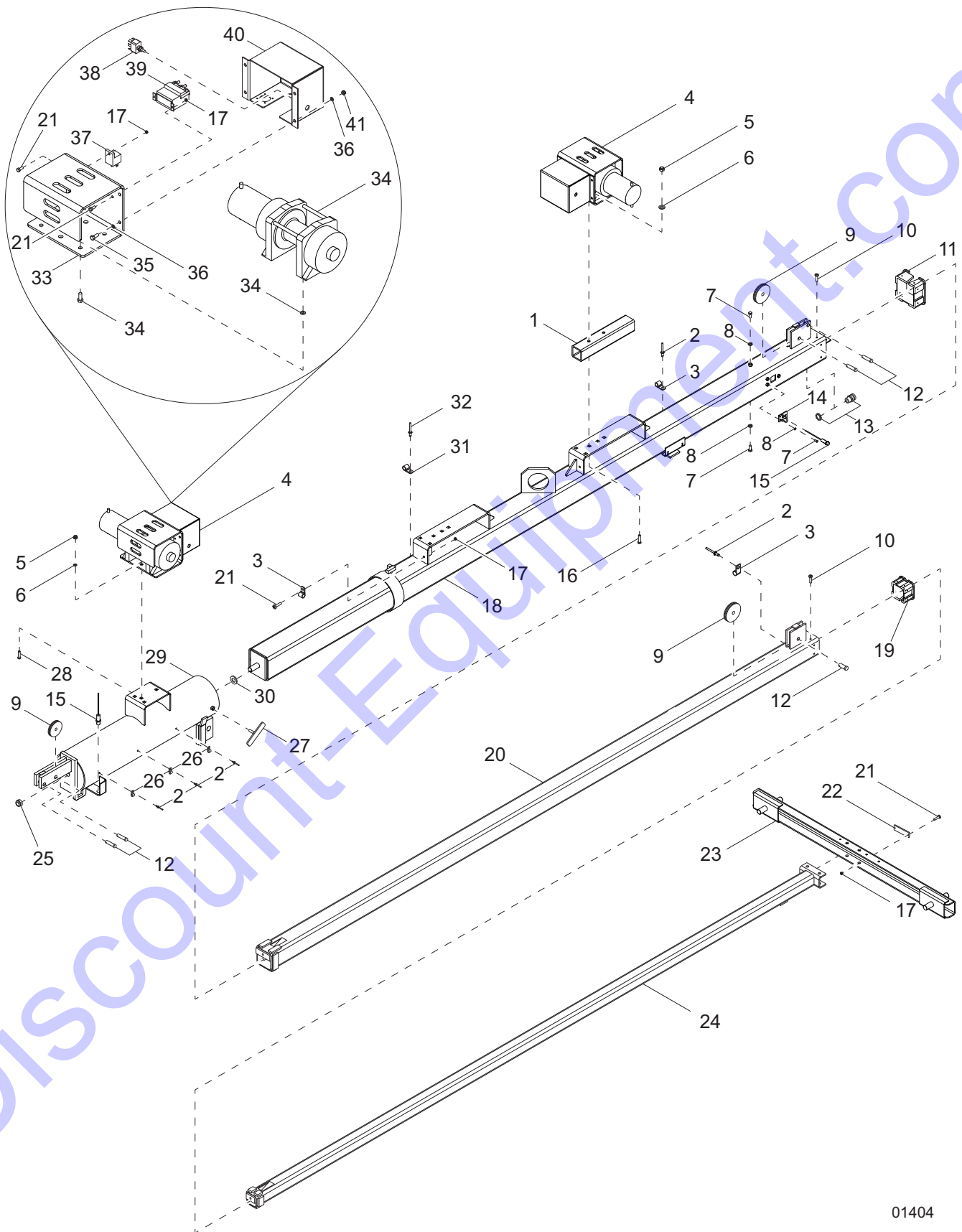


01369

## MAST ASSEMBLY - MANUAL WINCH

Item	Part No.	Qty	Description	Notes
1	60268	2	Rivet, .188 dia x .126 to .250 grip	
2	16143	3	Clamp, tubing - .500	
3	11933B	1	Weldment, mast - 4.0	
4	60168	2	Screw, .312 x 18 x .750 std hex, G5	
5	60271	2	Washer, .312 split lock	
6	14262	3	Sheave, 3 in	
7	32569	15	Screw, 8-16 x .375 pan phil, SS	
8	13790	1	Shim - 4x4 tube	
9	63325	5	Pin, clevis - .500 dia x 1.063	
10	14871	1	Strain relief, .500NPT, .500 cord	
11	13789	1	Shim - 3x3 tube	
12	60062	3	Screw, 10-32 x .750 pan phil, G2	
13	15829	1	Reflector - red	
14	60061	2	Nut, 10-32 nylock	
15	13527B	1	Weldment, mast crossbar	
16	16257B	1	Weldment, mast - 2.0	
17	11934B	1	Weldment, mast - 3.0	
18	60584	1	Nut, .750-10 nylock, G5	
19	60658	6	Screw, .375-16 x 1.0 carr sqr, G5	
20	11649Z	1	Weldment, T-bolt	
21	60247	1	Washer, .750 flat 2.020/.130	
22	11902B	1	Weldment, mast tube	
23	60698	6	Washer, .375 flat .875/.040 18-8, SS	
24	60206	6	Washer, .375 split lock	
25	60140	6	Nut, .375-16 hex, G5	
26	16600	2	Winch, manual - 1500 lb	Nut included
27	15623	2	Winch handle - 9.0 in	
28	15627	1	Clamp, tubing - .625 heavy duty	
29	60195	1	Rivet, .188 dia x .375 to .500 grip large flange S	
30	60415	1	Nut, 10-32 nylock 18-8, SS	
--	15006	1	Cable - .188 in. x 27 ft. steel w/ball swedge	Attaches to item 3
--	14151	1	Cable - .188 in. x 11 ft. steel w/ball swedge	Attaches to item 17
--	14798	1	Cable - .188 in. x 16 ft. steel w/teardrop	Attaches to item 22
--	11954	1	Cord, coil	
--	15002	2	Clip, wire rope - .188, single saddle	
--	15003	1	Thimble, cable - .188	
<b>OPTIONAL FEATURES</b>				
<i>Mast Light Storage:</i>				
A	60780	4	Screw, .375-16 x 5.5 std hex, G5	
B	13869B	1	Weldment, oval light storage - RH	
C	13870B	1	Weldment, oval light storage - LH	
D	60679	4	Nut, .375-16 hex, SS	
E	60703	4	Washer, .375 split lock, SS	
<i>Quick Disconnect Light:</i>				
--	14128	1	Cord, drape - 33 ft	Replaces coil cord

# MAST ASSEMBLY - ELECTRIC WINCH



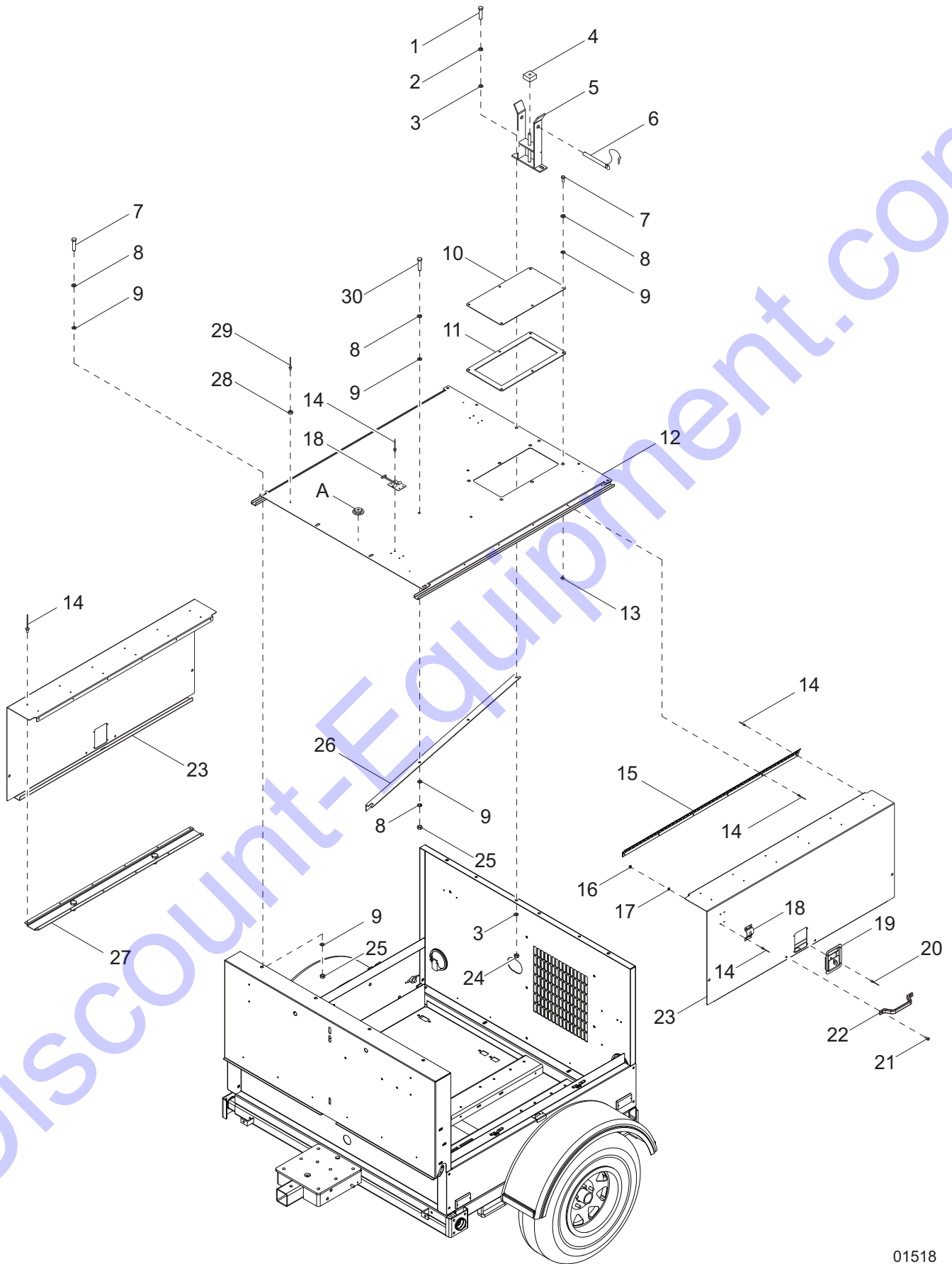
01404



## MAST ASSEMBLY - ELECTRIC WINCH

Item	Part No.	Qty	Description	Notes
1	11967B	1	Tube, mount	
2	60268	5	Rivet, .188 dia x .126 to .250 grip, SS	
3	16143	3	Clamp, tubing, .500	
4	10649	2	Assy, electric winch	
5	60358	4	Nut, .375-16 nylock, G5	
6	60386	4	Washer, .375 flat .993/.064	
7	60168	5	Screw, .312-18 x 7.5 std hex, G5	
8	60271	5	Washer, .312 split lock	
9	14262	3	Sheave - 3 in	
10	32569	15	Screw, 8-16 x .375 pan phil, SS, rolled screw	
11	13790	1	Shim - 4x4 tube	
12	35655	5	Pin, clevis - .500 dia x 1.75	
13	14871	1	Strain relief - .50NPT, .50 cord	
14	13796B	1	Weldment, proximity sensor bracket	
15	65511	2	Sensor, proximity	
16	60991	2	Screw, .375-16 x 3.0 carr sqr, G5	
17	60061	5	Nut, 10-32 nylock	
18	12085B	1	Weldment, mast - 4.0	
19	13789	1	Shim - 3x3 tube	
20	12084B	1	Weldment, mast - 3.0	
21	60062	9	Screw, 10-32 x .750 pan phil, G2	
22	15829	1	Reflector, red	
23	13527B	1	Weldment, mast crossbar	
24	16257B	1	Weldment, mast - 2.0	
25	60584	1	Nut, .750-10 nylock, G5	
26	60375	3	Clamp, tubing - .312	
27	11649Z	1	Weldment, T-bolt	
28	60658	2	Screw, .375-16 x 1.0 carr sqr, G5	
29	12876B	1	Weldment, mast tube	
30	60247	1	Washer, .750 flat 2.020/.130	
31	15627	1	Clamp, tubing - .625	
32	60195	1	Rivet, .188 dia x .375 to .500 grip, large flange	
33	12872B	2	Bracket, winch mounting	
34	12874	2	Winch, electric - 770 lb. hoist	Hardware included
35	60281	8	Screw, .250-20 x .750 std hex, G5	
36	60243	16	Washer, .250 flat .735/.060	
37	65049	2	Relay, 12V 30/40A NO w/diode	
38	65707	2	Switch, toggle - SPDT, spring weatherproof	
39	11293	2	Contact, 12V	
40	12875B	2	Cover, winch contactor	
41	60144	8	Nut, .250-20 nylock, G5	
--	35845	1	Wire group, electric winch	
--	66819	1	Wire group, electric winch cables	
--	12922	4	Boot, battery cable	
--	15006	1	Cable - .188 in. x 27 ft. steel w/ball swedge	Attaches to item 18
--	14798	1	Cable - .188 in. x 16 ft. steel w/teardrop	Attaches to item 29
--	14151	1	Cable - .188 in. x 11 ft. steel w/ball swedge	Attaches to item 20
--	15003	1	Thimble, cable - .188	
--	15002	1	Clip, wire rope .188, single saddle	
--	11954	1	Cord, coil	

# ROOF AND DOORS TO UNIT



01518

## ROOF AND DOORS TO UNIT

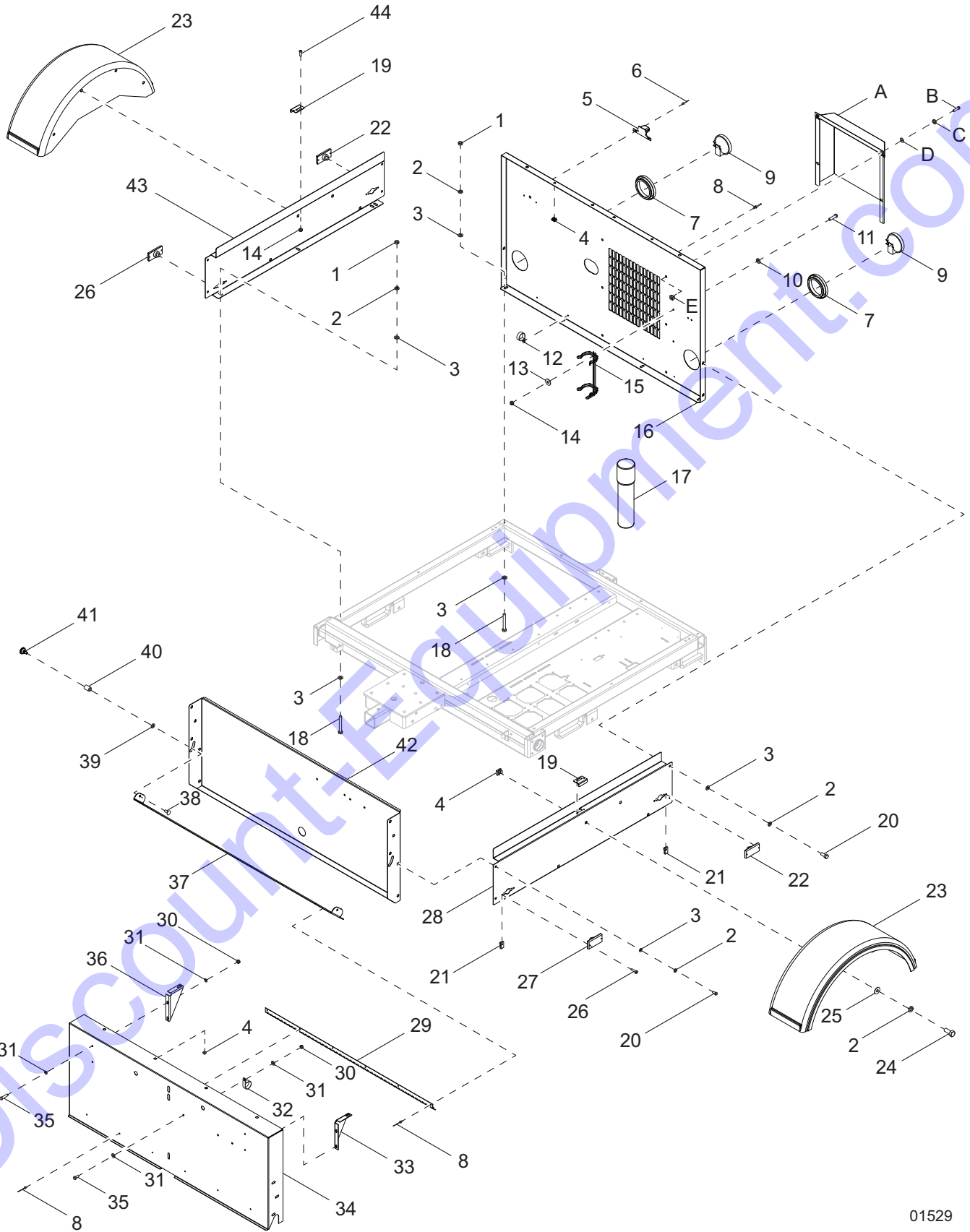
Item	Part No.	Qty	Description	Notes
1	60683	2	Screw, .500-13 x 1.50 std hex, SS	
2	60702	2	Washer, .500 split lock, SS	
3	60699	4	Washer, .500 flat 1.070/.080, SS	
4	11935	1	Pad, rubber	
5	12344ZN	1	Weldment, cradle	
6	16099	1	Assembly, cradle pin	
7	60690	10	Screw, .375-16 x 1.0 std hex, SS	
8	60703	12	Washer, .375 split lock, SS	
9	60698	18	Washer, .375 flat .875/.040, SS	
10	25333W	1	Panel, back access	
11	12195	1	Gasket, radiator access plate	
12	13643W	1	Panel, top	
13	60657	6	Nut, .375-16 cage, G5	
14	60268	56	Rivet, .188 dia x .126 to .250 grip	
15	16598	2	Hinge, door - .188 pin, 48.5 in. long	
16	60303	4	Nut, .312-18 nylock	
17	60340	4	Washer, .312 flat .875/.040, SS	
18	12605	2	Door latch SS - T style	
19	15123	2	Latch, paddle, with 7 lb spring	
20	60423	8	Rivet, .188 dia x .250 to .375 grip	
21	60507	2	Screw, .312-18 x 1.0 std hex, SS	
22	26288	2	Handle, front hood access	
23	13295W	2	Door weldment	
24	14229	2	Nut, .500-13 hex, G2	
25	60140	6	Nut, .375-16 hex, G5	
26	13704B	1	Angle, roof support	
27	13297B	2	Light storage channel weldment	
28	15215	4	Bumper, rubber	
29	60267	4	Rivet, .125 dia x .191 to .270 grip	
30	61036	3	Screw, .375-16 x 1.25 std hex, SS	

### OPTIONAL FEATURES

#### Level Indicator:

A	14433	1	Level, eye
---	-------	---	------------

# FRONT, REAR AND SIDE PANELS TO UNIT



01529

## FRONT, REAR AND SIDE PANELS TO UNIT

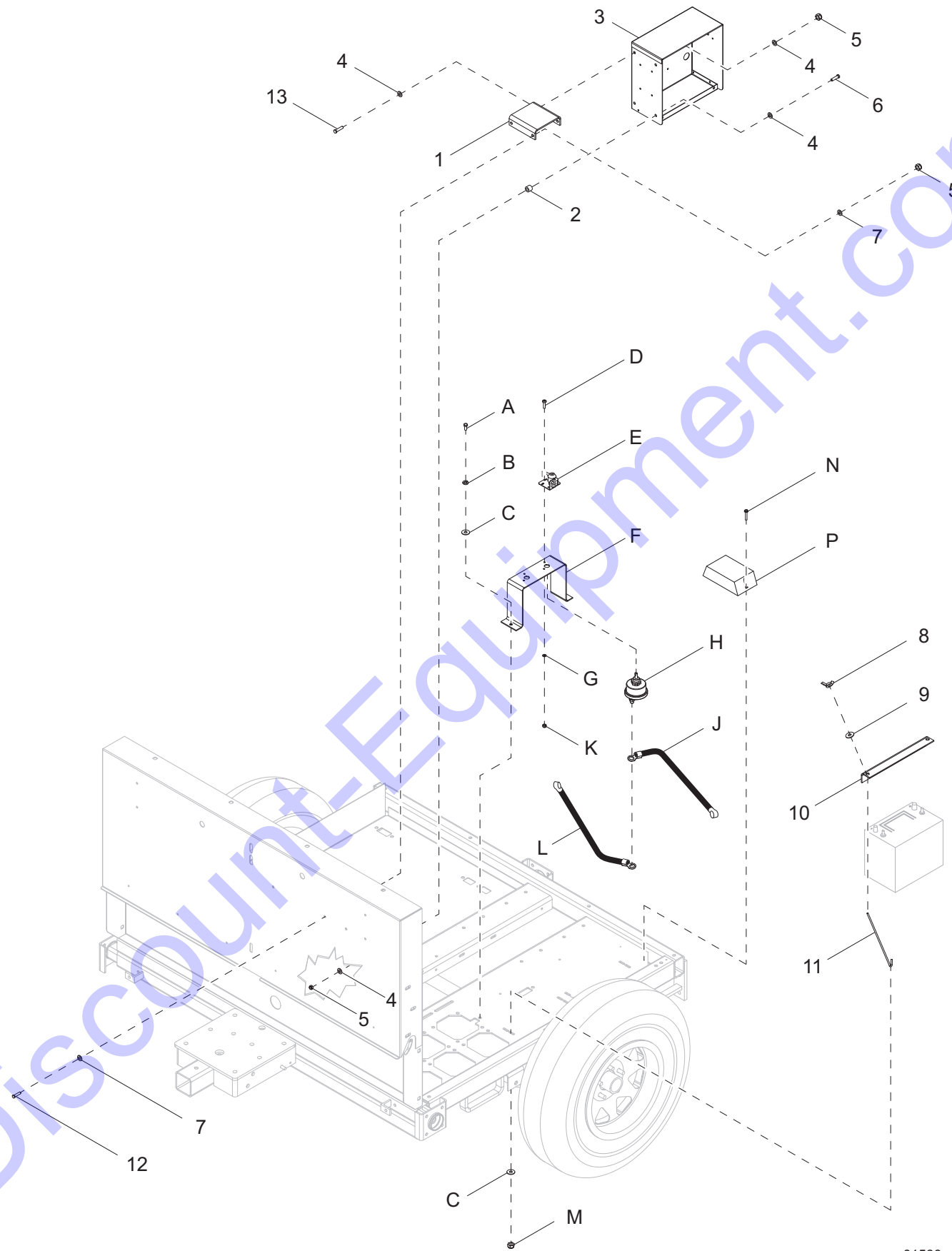
Item	Part No.	Qty	Description	Notes
1	60140	4	Nut, .375-16 hex, G5	
2	60703	20	Washer, .375 split lock, SS	
3	60698	16	Washer, .375 flat .875/.040	
4	60657	25	Nut, .375-16 cage, G5	
5	10223	1	Assy, license plate light/holder	
6	60423	2	Rivet, .188 dia x .250 to .375 grip	
7	10221	2	Grommet, rear light, rubber 4.5 in	
8	60268	16	Rivet, .188 dia x .126 to .250 grip	
9	10219	2	Assembly, rear tail/turn light, 3-wire w/plug	
10	60067	2	Washer, #10 flat .435/.060, SS	
11	61180	2	Screw, 10-32 x .750 pan phil, SS	
12	15628	4	Clamp, wire - .38 plastic	
13	60089	2	Washer, .265 fender 1.25/.060	
14	60061	6	Nut, 10-32 nylock	
15	11222	1	Bracket, manual holder	
16	13692W	1	Panel, rear	
17	11121	1	Manual holder tube	
18	60689	4	Screw, .375-16 x 4.0 std hex, SS	
19	13291	2	Plate, striker	
20	60690	8	Screw, .375-16 x 1.0 std hex, SS	
21	60730	8	Nut, 8-32 U-clip	
22	66372	2	Light, clearance marker - red	
23	11381	2	Fender, plastic - single wall, 14 in. tire	
24	60295	8	Screw, .375-16 x .75 std hex, SS	
25	60729	8	Washer, .375 fender 1.5/.090	
26	60694	4	Screw, 8-32 x .750 pan phil, SS	
27	66373	2	Light, clearance marker - amber	
28	13653W	1	Panel, side - LH	
29	16598	1	Hinge, door - .188 pin, 48.5 in. long	
30	60144	5	Nut, .250-20 nylock, G5	
31	60696	10	Washer, .250 flat .625/.050, SS	
32	60649	1	Clamp, tubing - .750 heavy duty	
33	13705B	1	Bracket, front support - LH	
34	50767W	1	Panel, front	
35	60684	5	Screw, .250-20 x .875 std hex, SS	
36	13706B	1	Bracket, front support - RH	
37	13708W	1	Panel, air inlet	
38	62038	2	Screw, .312-18 x 2.0 carr sqr, G5	
39	60452	2	Washer, .313 flat 1.125/1.0, SS bonded rubber	
40	41235ZY	2	Spacer - .75 OD x .44 ID x 1.0 long	
41	63108	2	Knob, plastic - .312-18 fem thru	
42	13652W	1	Panel, front - lower	
43	13637W	1	Panel, side - RH	
44	60398	4	Screw, 10-32 x .500 pan phil, SS	

### OPTIONAL FEATURES

#### *Silent Pack:*

A	12189W	1	Duct, radiator guard
B	60507	4	Screw, .312-18 x 1.0 std hex, SS
C	60701	4	Washer, .312 split lock, SS
D	60340	4	Washer, .312 flat .875/.040, SS
E	15425	4	Nut, .312-18 cage

# CONTROL BOX TO UNIT



01530

## CONTROL BOX TO UNIT

Item	Part No.	Qty	Description	Notes
1	13689B	1	Bracket, control box	
2	41235ZY	2	Spacer - .75 OD x .44 ID x 1.0 long	
3	<a href="#">Page 24</a>	1	Control box	
4	60119	8	Washer, .312 flat .875/.070	
5	60303	6	Nut, .312-18 nylock, G2	
6	67018	2	Screw, .312-18 x 1.75 std hex, G5	
7	60340	4	Washer, .312 flat .875/.040, SS	
8	60090	2	Nut, wing .250 x 20	Included w/item 11
9	60089	2	Washer, .250 flat	Included w/item 11
10	12924B	1	Angle, battery hold down	
11	14146	2	Bolt, J .250-20 x 10.0	
12	60507	2	Screw, .312-18 x 1.0 std hex, SS	
13	60028	2	Screw, .312-18 x 2.25 std hex, G5	

### OPTIONAL FEATURES

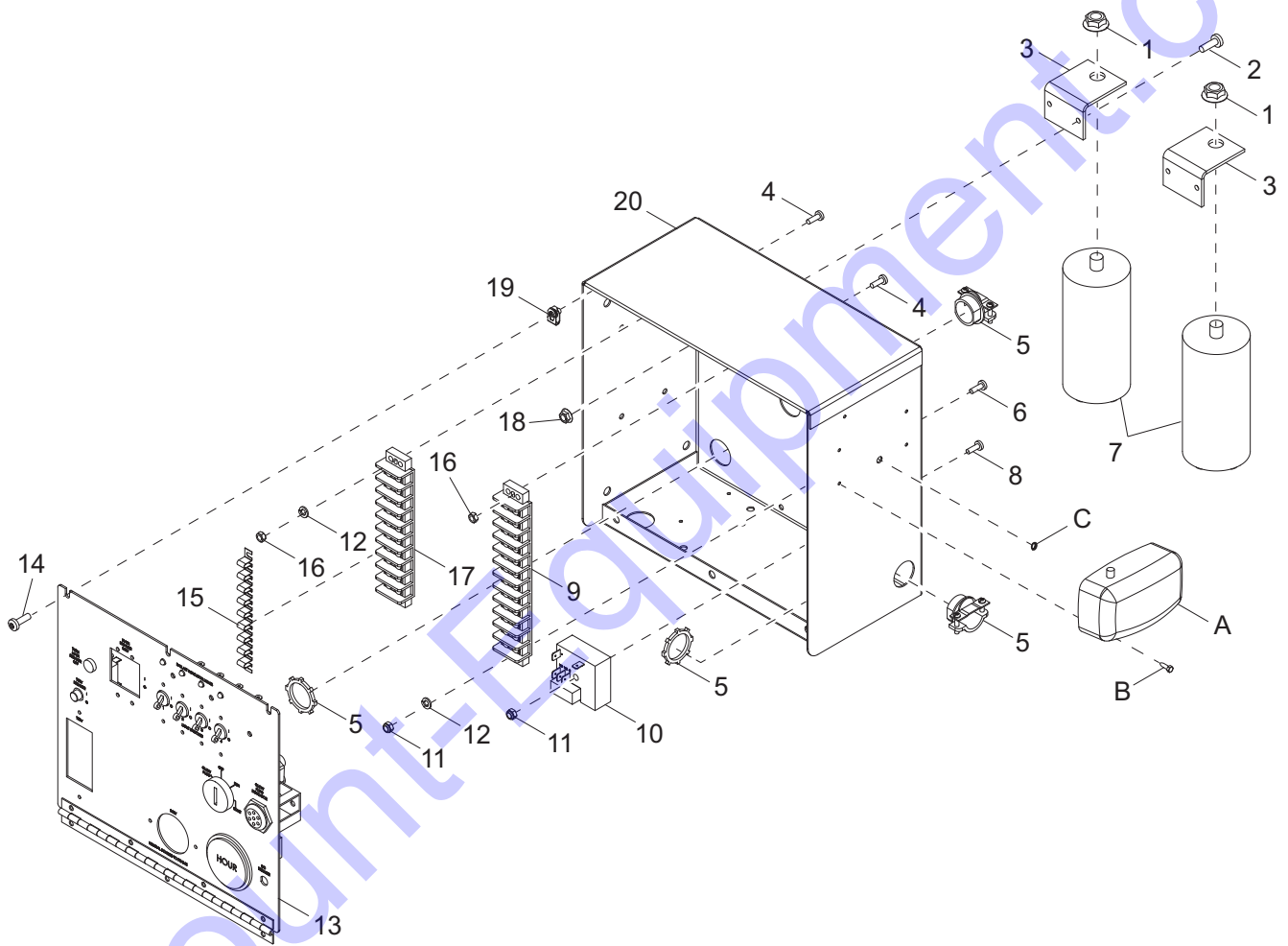
#### *Battery Disconnect:*

A	60028	2	Screw, .312-18 x 2.25 std hex, G5
B	60271	2	Washer, .312 split lock
C	60119	4	Washer, .312 flat .875/.070
D	60277	2	Screw, 10-32 x .500 pan phil, G2
E	65499	1	Assembly, switch lockout lever
F	13654B	1	Bracket, battery disconnect
G	60067	2	Washer, #10 flat .435/.060, SS
H	65498	1	Switch, disconnect
J	68544	1	Cable, battery - 18 in., 4GA red, .375 lug
K	60061	2	Nut, 10-32 nylock
L	25075	1	Cable, battery - 24 in., 4GA red w/boot, .375 lug
M	60303	2	Nut, .312-18 nylock, G2

#### *Battery Charger:*

N	60419	2	Screw, 6-32 x .500 flg hex, G2, self-tapping
P	65326	1	Charger, battery 2A
--	21259	1	Decal, battery charger

# CONTROL BOX ASSEMBLY



01393



## CONTROL BOX ASSEMBLY

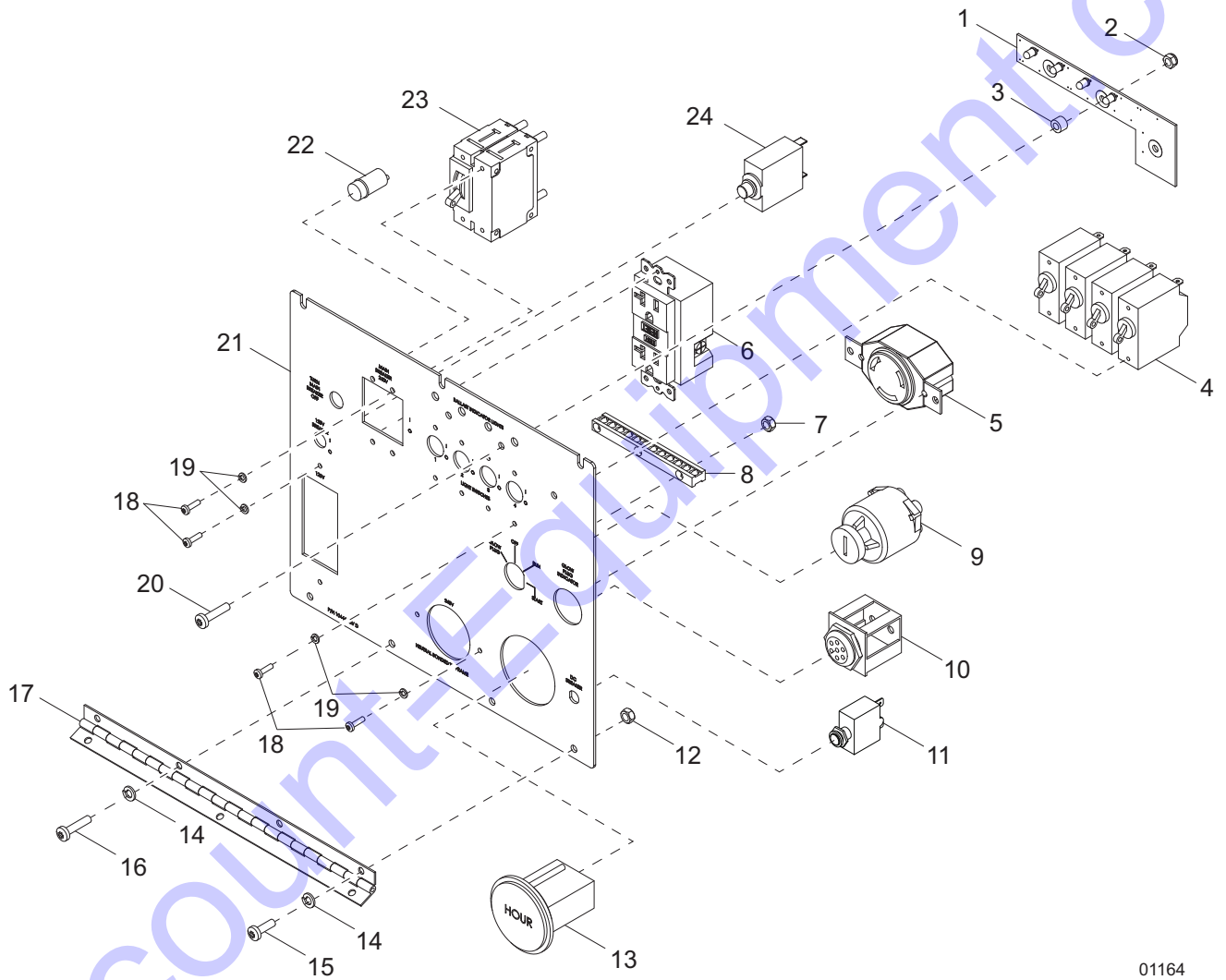
Item	Part No.	Qty	Description	Notes
1	60148	2	Nut, M12-1.75 sflg, G8.8	
2	60398	4	Screw, 10-32 x .500 pan phil, SS	
3	13690B	2	Bracket, capacitor	
4	60062	3	Screw, 10-32 x .750 pan phil, G2	
5	14219	5	Strain, relief - .750 Romex w/nut	
6	60397	1	Screw, 10-32 x 1.0 pan phil, G2	
7	65959	2	Capacitor, dual 24 $\mu$ F sealed, stud mount	
8	60396	1	Screw, 10-32 x 1.25 pan phil, G2	
9	14139	1	Block, terminal - 12 position, 30A, 600V	
10	14201	1	Relay, 10A SPDT 12VDC, time delay - 15 second	
11	60061	1	Nut, 10-32 nylock	
12	60252	2	Washer, #10 split lock	
13	Page 26	1	Assembly, control panel	MLT5060K/M only
	Page 28	1	Assembly, control panel	MLT5080K/M only
14	60526	6	Screw, 8-32 x .500 pan phil, G2	
15	15125	1	Jumper	
16	14231	2	Nut, 10-32 hex, G2	
17	14203	1	Block, terminal - 10 position, 30A, 600V	
18	61045	4	Nut, 10-32 sflg	
19	63105	6	Nut, 8-32 U-clip, G5	
20	13666B	1	Box, control	
--	17790	1	Assembly, control box - Kubota, 6kW	MLT5060K only
--	17789	1	Assembly, control box - Mitsubishi, 6kW	MLT5060M only
--	35089	1	Assembly, control box - Kubota, 8kW	MLT5080K only
--	32984	1	Assembly, control box - Mitsubishi, 8kW	MLT5080M only
--	68441	1	Wire group - 6kW control box	MLT5060K/M only
--	35270	1	Wire group - 6kW control box	MLT5060K only
--	35271	1	Wire group - 6kW control box	MLT5060M only
--	35310	1	Wire group - 8kW control box	MLT5080K only
--	10438	1	Wire group - 8kW control box	MLT5080M only

### OPTIONAL FEATURES

#### Interior Light:

A	11947	1	Light, interior w/switch
B	60364	4	Screw, 10-16 x .500 std hex, G2, self-drilling
C	19163	1	Fitting, bushing - .500 OD x .375 ID

# CONTROL PANEL ASSEMBLY - MLT5060K, MLT5060M

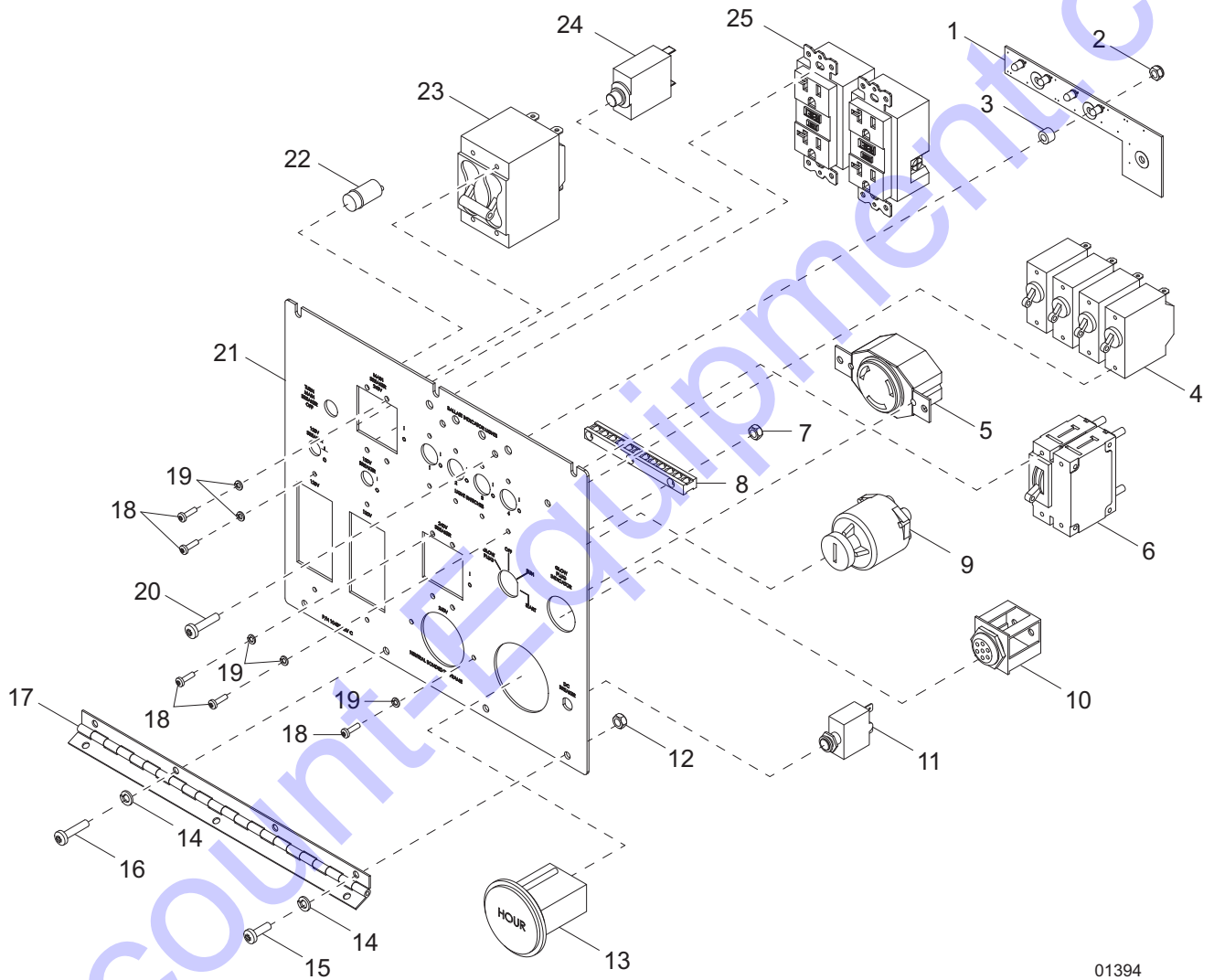


01164

## CONTROL PANEL ASSEMBLY - MLT5060K, MLT5060M

Item	Part No.	Qty	Description	Notes
1	66423	1	PCB, LED lights w/connector	
2	60061	3	Nut, 10-32 nylock	
3	66257	3	Spacer, .2 ID x .375 OD x .25 long, plastic	
4	14249	4	Breaker, 15A, 120V, 1-pole	
5	14137	1	Receptacle, 240V/30A twist-lock	
6	14130	1	Receptacle, 120V/20A GFI	
7	60318	2	Nut, 8-32 hex, G5	
8	14204	1	Kit, ground bar	
9	15195	1	Switch, key	
10	16694	1	Glow plug indicator	MLT5060M only
11	65850	1	Breaker, 10A, 240V, 1-pole, push button	
12	14231	2	Nut, 10-32 hex, G2	
13	15085	1	Gauge, hour meter	
14	60252	4	Washer, #10 split lock	
15	60277	2	Screw, 10-32 x .500 pan phil, G2	
16	60406	2	Screw, 8-32 x 1.0 pan phil, G2	
17	13677	1	Hinge, continuous - 11 in	
18	60405	16	Screw, 6-32 x .250 pan phil, G2	
19	60058	16	Washer, #6 split lock	
20	60062	3	Screw, 10-32 x .750 pan phil, G2	
21	10444	1	Panel, control - Mitsubishi, 6kW	MLT5060M only
	10441	1	Panel, control - Kubota, 6kW	MLT5060K only
22	65388	1	Light, indicator red, 12VDC	
23	65963	1	Breaker, 30A, 250V, 2-pole, stud terminal w/aux	
24	65849	1	Breaker, 10A, 120V, 1-pole, push button	
--	10443	1	Assembly, control panel - Mitsubishi	Items 1 - 24
--	10440	1	Assembly, control panel - Kubota	Items 1 - 9 & 11 - 24
--	35267	1	Wire group - 20A GFCI	
--	35268	1	Wire group - 30A twist-lock	
--	35269	1	Wire group - light switches	
--	35266	1	Wire group - LED light board	
--	15309	1	Key (Set of 2)	

# CONTROL PANEL ASSEMBLY - MLT5080K, MLT5080M

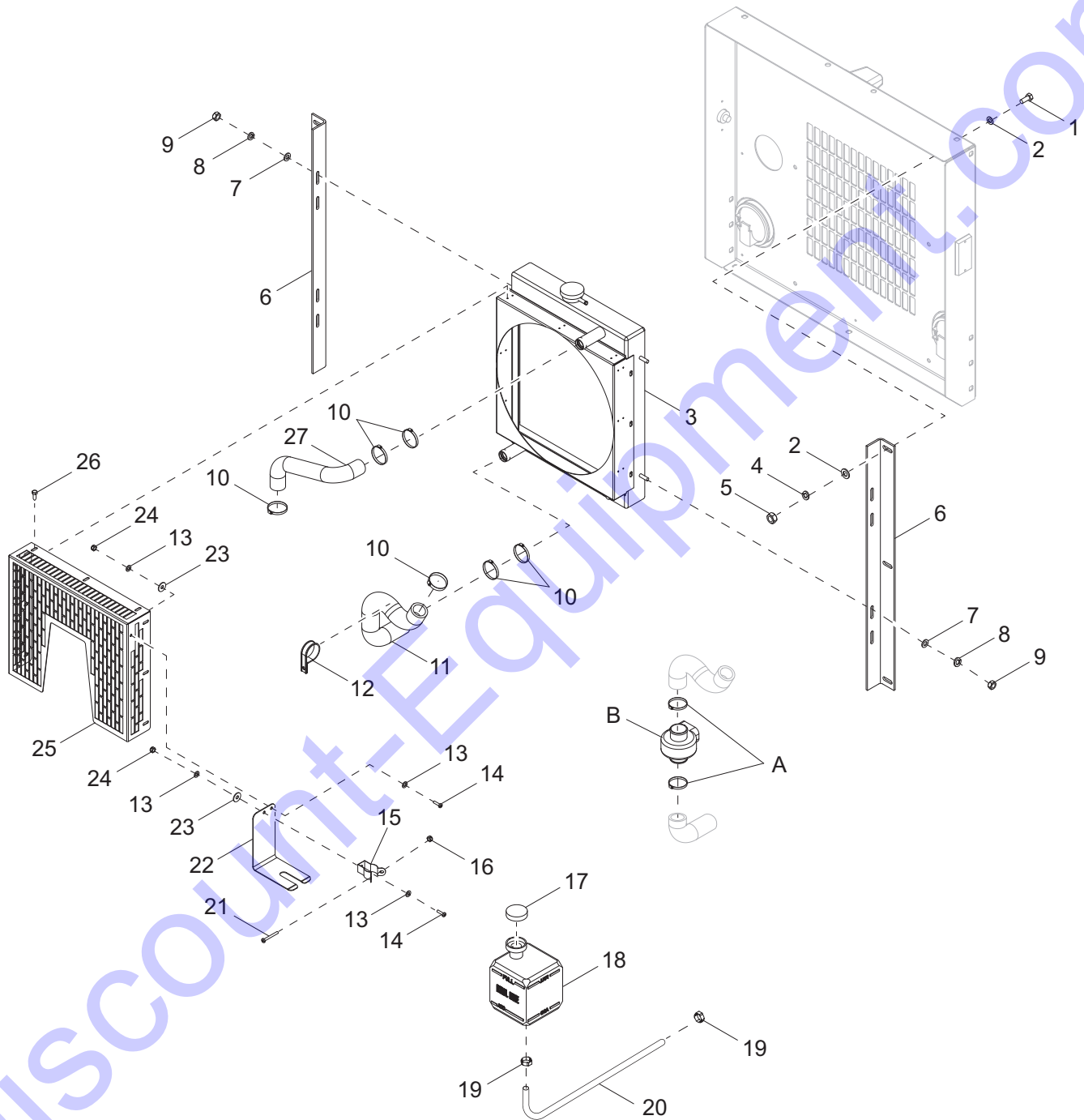


01394

## CONTROL PANEL ASSEMBLY - MLT5080K, MLT5080M

Item	Part No.	Qty	Description	Notes
1	66423	1	PCB, LED lights w/connector	
2	60061	3	Nut, 10-32 nylock	
3	66257	3	Spacer, .2 ID x .375 OD x .25 long, plastic	
4	14249	4	Breaker, 15A, 120V, 1-pole	
5	14137	1	Receptacle, 240V/30A, twist-lock	
6	65963	1	Breaker, 30A, 250V, 2-pole, stud terminal w/aux	
7	60318	2	Nut, 8-32 hex, G5	
8	14204	1	Kit, ground bar	
9	15195	1	Switch, key	
10	16694	1	Mitsubishi, glow plug indicator	MLT5080M only
11	65850	1	Breaker, 10A, 240V, 1-pole, push button	
12	14231	4	Nut, 10-32 hex, G2	
13	15085	1	Gauge, hour meter	
14	60252	4	Washer, #10 split lock	
15	60277	2	Screw, 10-32 x .500 pan phil, G2	
16	60406	2	Screw, 8-32 x 1.0 pan phil, G2	
17	13677	1	Hinge, continuous - 11 in	
18	60405	22	Screw, 6-32 x .250 pan phil, G2	
19	60058	22	Washer, #6 split lock	
20	60062	3	Screw, 10-32 x .750 pan phil, G2	
21	13675	1	Panel, control - Kubota, 8kW	MLT5080K only
	10437	1	Panel, control - Mitsubishi, 8kW	MLT5080M only
22	65388	1	Light, indicator red, 12VDC	
23	65864	1	Breaker, 40A, 250V, 2-pole, screw terminal w/aux	
24	65849	1	Breaker, 20A, 120V, 1-pole, push button	
25	14130	2	Receptacle, 120V/20A GFI	
--	13884	1	Assembly, control panel - Kubota	Items 1 - 9 & 11 - 25
--	10436	1	Assembly, control panel - Mitsubishi	Items 1 - 25
--	35309	1	Wire group - 20A GFCI red	
--	35267	1	Wire group - 20A GFCI black	
--	68271	1	Wire group - 30A twist-lock	
--	35269	1	Wire group - light switches	
--	35266	1	Wire group - LED light board	
--	35310	1	Wire group - 8kW control box	
--	15309	1	Key (Set of 2)	

# COOLING SYSTEM ASSEMBLY



01230

## COOLING SYSTEM ASSEMBLY

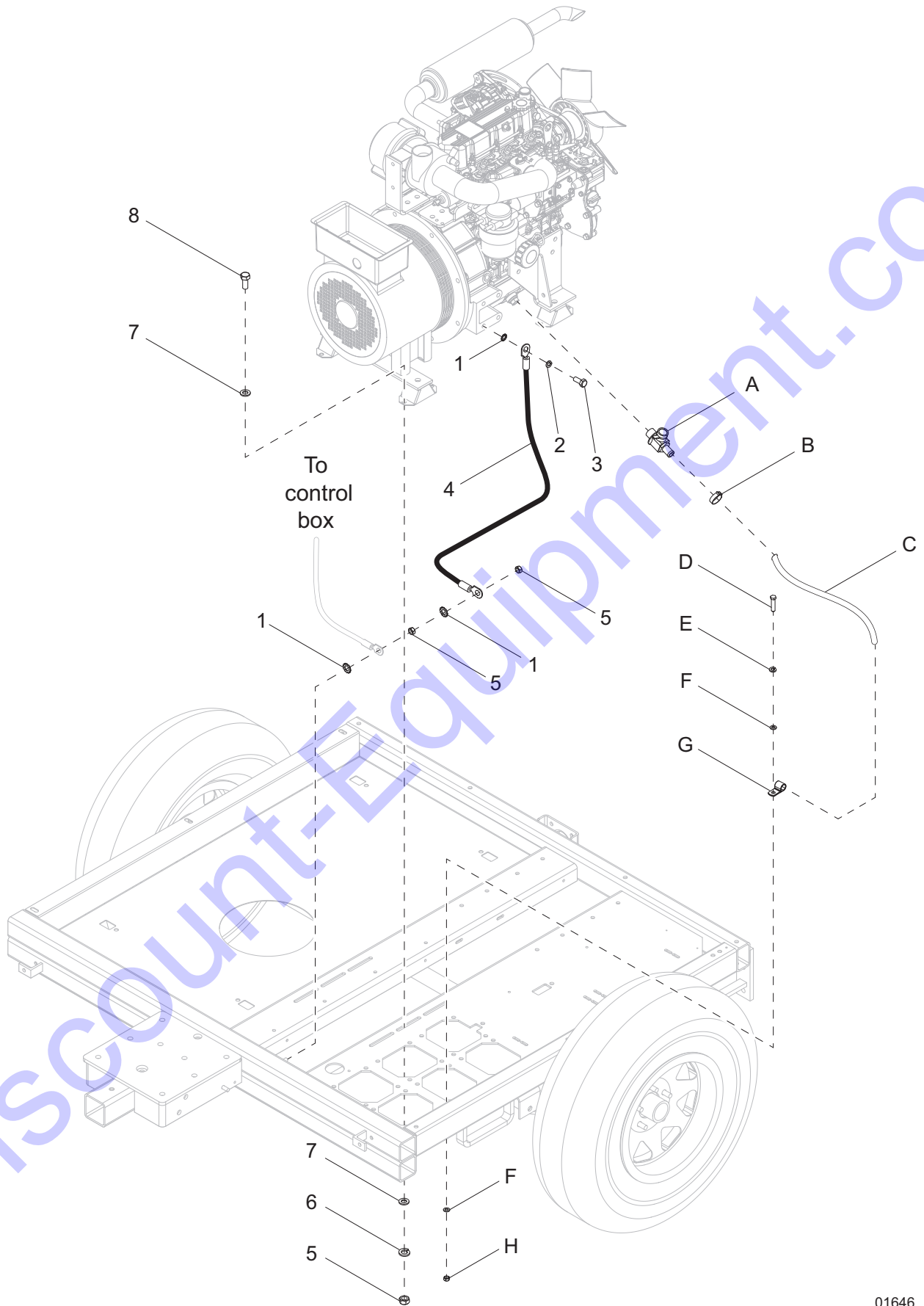
Item	Part No.	Qty	Description	Notes
1	60690	6	Screw, .375-16 x 1.0 std hex, SS	
2	60698	12	Washer, .375 flat .875/.040, SS	
3	13924	1	Radiator, w/fan guard	
4	60703	6	Washer, .375 split lock, SS	
5	60140	6	Nut, .375-16 hex, G5	
6	11683B	2	Bracket, radiator	
7	60119	4	Washer, .312 flat .875/.070	
8	60271	4	Washer, .312 split lock	
9	60032	4	Nut, M8-1.25 hex, G8.8	
10	15422	6	Clamp, hose - SAE 020 (.75-1.75)	
11	12350	1	Hose, radiator - lower, Kubota	MLT5060/80K only
	16688	1	Hose, radiator - lower, Mitsubishi	MLT5060/80M only
12	60716	1	Clamp, tubing - 1.5 light duty	
13	60067	4	Washer, #10 flat .435/.060, SS	
14	61180	2	Screw, 10-32 x .750 pan phil, SS	
15	19726	1	Clamp, overflow jug	
16	60144	1	Nut, .250-20 nylock, G5	
17	19714	1	Cap, overflow jug	
18	20287	1	Jug, overflow - 2 qt	
19	60777	2	Clamp, hose - .312, crimp style	
20	50018	1.67 ft	Hose, fuel - .312 ID	
21	60414	1	Screw, .250-20 x 1.5 std hex, G5	
22	22419B	1	Bracket, support overflow jug - black	
23	60696	2	Washer, .250 flat .625/.050, SS	
24	60061	2	Nut, 10-32 nylock	
25	11413B	1	Fan guard	
26	60364	9	Screw, 10-16 x .500 std hex, G2, self-drilling	
27	16687	1	Hose, radiator - upper, Kubota	MLT5060/80K only
	32383	1	Hose, radiator - upper, Mitsubishi	MLT5060/80M only

### OPTIONAL FEATURES

#### Engine Heater:

A	15422	2	Clamp, hose - SAE 020 (.75-1.75)
B	65649	1	Heater, engine - lower radiator hose, 1 in. dia

# ENGINE AND GENERATOR TO UNIT



01646



## ENGINE AND GENERATOR TO UNIT

Item	Part No.	Qty	Description	Notes
1	60747	3	Washer, .375 internal star	
2	60026	1	Washer, M10 - split lock	
3	60495	1	Screw, M10 - 1.25 x 16, std hex, G8.8	
4	16155	1	Assembly, wire - 5000 engine/chassis ground	
5	60140	10	Nut, .375-16 hex, G5	
6	60206	8	Washer, .375 split lock	
7	60698	16	Washer, .375 flat .875/.040, SS	
8	60205	8	Screw, .375-16 x 1.0 std hex, G5	

### OPTIONAL FEATURES

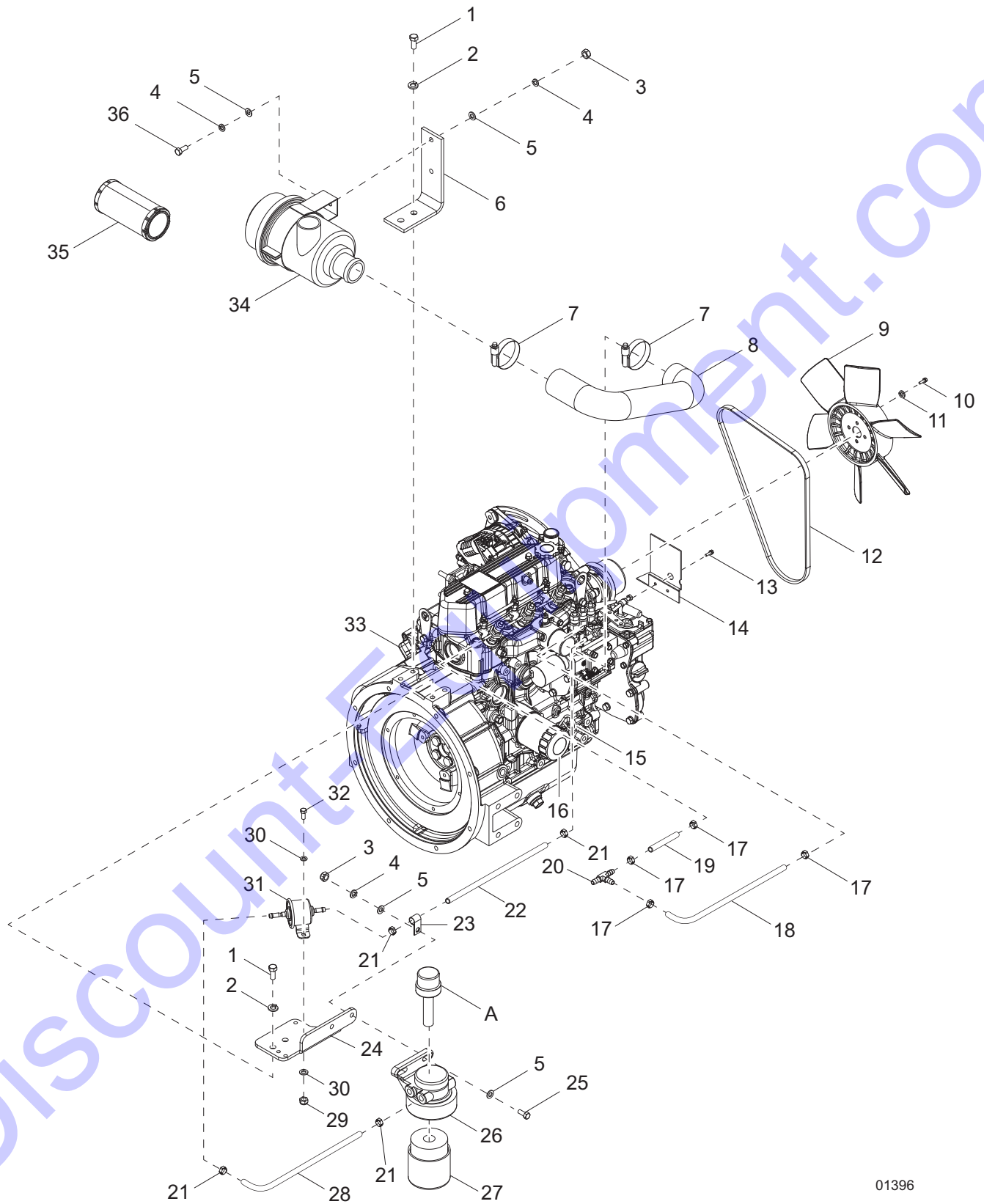
#### Drain Valve:

A	60774	1	Valve, drain 22mm - 1.5 with nipple	MLT5060/80K only
	60766	1	Valve, drain 18mm - 1.5 with nipple	MLT5060/80M only
B	60365	1	Clamp, hose - SAE 010 (.56-1.06)	MLT5060/80K only
	60777	1	Clamp, hose - .312, crimp style	MLT5060/80M only
C	68327	1	Hose, .625 horizon 200 psi (22 in)	MLT5060/80K only
	50051	1.67 ft	Hose, fuel - .375 ID, 50 psi	MLT5060/80M only
D	60205	1	Screw, .375-16 x 1.0 std hex, G5	MLT5060/80K only
E	60698	2	Washer, .375 flat .875/.040, SS	MLT5060/80K only
F	60206	1	Washer, .375 split lock	MLT5060/80K only
G	60716	1	Clamp, tubing - 1.5 light duty	MLT5060/80K only
H	60144	1	Nut, .25-20 nylock, G5	MLT5060/80K only

#### Silent Pack:

--	50709	1.25 ft	Hose, .625 in., 300 psi	
--	60498	1	Fitting, plug - .750NPT square drive	
--	60774	1	Valve, drain 22mm - 1.5 with nipple	
--	60365	2	Clamp, hose - SAE 010 (.56-1.06)	
--	62076	1	Fitting, strt - .750MNPT x .625 barb	
--	18496	1	Fitting, bushing - 2.50 OD x 2.0 ID	

# ENGINE ASSEMBLY - MITSUBISHI LEFT SIDE



01396

## ENGINE ASSEMBLY - MITSUBISHI LEFT SIDE

Item	Part No.	Qty	Description	Notes
1	60422	4	Screw, M10-1.25 x 25 std hex, G8.8	
2	60026	4	Washer, M10 split lock	
3	60285	6	Nut, .312-18 hex, G2	
4	60271	6	Washer, .312 split lock	
5	60119	8	Washer, .312 flat .875/.070	
6	16551B	1	Bracket, air cleaner - black	
7	60316	2	Clamp, hose - SAE 032 (1.56-2.50)	
8	16589	1	Hose, air cleaner	
9	16742	1	Fan, Mitsubishi	
10	63288	4	Screw, M6-1.0 x 12 pan head, G8.8	
11	60286	4	Washer, .250 split lock	
12	16692	1	V-belt, Mitsubishi	
13	13513	2	Bolt w/washer	
14	11691	1	Bracket, lower radiator hose guard	
15	11148	1	Dipstick, oil	
16	16691	1	Filter, oil - Mitsubishi	
17	60778	4	Clamp, hose - .188, crimp style	
18	14211	1.04 ft	Hose, fuel - .188 ID, 50 psi, SAE 30R7	
19	14211	.16 ft	Hose, fuel - .188 ID, 50 psi, SAE 30R7	
20	17145	1	Fitting, T - .188 x .188 x .188 barb, nylon	
21	60777	4	Clamp, hose - .312, crimp style	
22	50018	1 ft	Hose, fuel - .312 ID, 50 psi, SAE 30R7	
23	60649	1	Clamp, tubing - .750 heavy duty	
24	12838B	1	Bracket, fuel filter/pump, black	
25	60256	2	Screw, .312-18 x 1.5 std hex, G5, fully threaded	
26	17641	1	Filter, fuel	
27	17647	1	Filter, fuel, element	
28	50018	1.04 ft	Hose, fuel - .312 ID, 50 psi, 30R7	
29	60144	2	Nut, .250-20 nylock, G5	
30	60243	4	Washer, .250 flat .735/.060	
31	13278	1	Fuel pump, electric	
32	60393	2	Screw, .250-20 x 1.0 std hex, G5	
33	32885	1	Engine - Mitsubishi LE3	
34	34066	1	Filter, air, w/bracket	
35	61061	2	Screw, .312-18 x .875 std hex, G5	
36	16444	1	Element, air filter	
--	16677	1	Mitsubishi, switch, oil pressure - L3E S4L2	

### OPTIONAL FEATURES

#### Heated Fuel Filter:

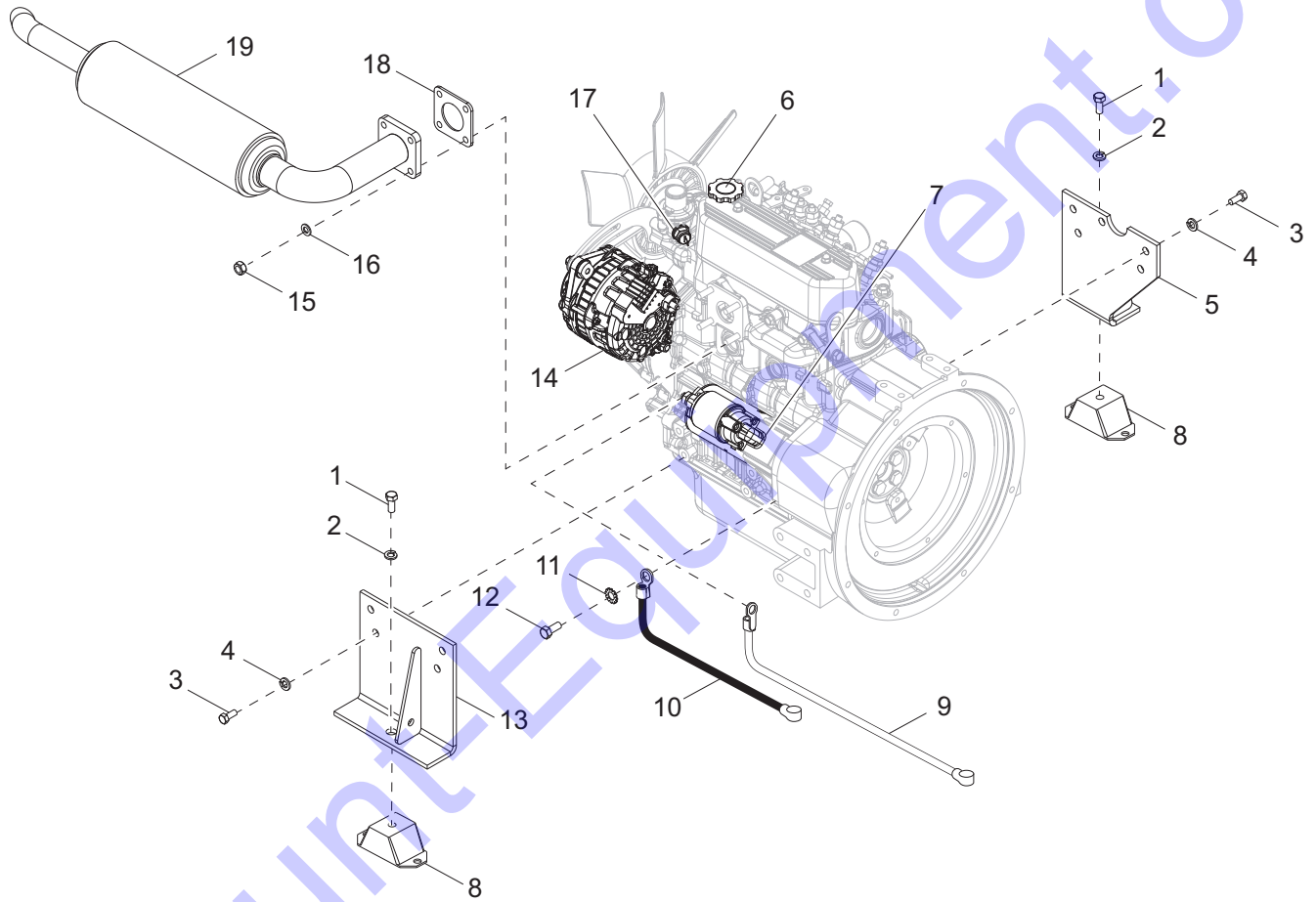
A	13876	1	Kit, heater - fuel filter, Mitsubishi
---	-------	---	---------------------------------------

#### Cold Weather Belt:

--	10386	1	Belt, cold weather - Mitsubishi, 6kW & 8kW
----	-------	---	--

**Note:** Engine and generator parts used in all Generac Mobile Products equipment carry the Original Equipment Manufacturer (OEM) warranty unless otherwise stated. OEM warranty parts must be purchased through an OEM dealer.

# ENGINE ASSEMBLY - MITSUBISHI RIGHT SIDE



01171

## ENGINE ASSEMBLY - MITSUBISHI RIGHT SIDE

Item	Part No.	Qty	Description	Notes
1	60275	2	Screw, .500-13 x 1.0 std hex, G5	
2	60702	2	Washer, .500 split lock, SS	
3	60422	8	Screw, M10-1.25 x 25 std hex, G8.8	
4	60026	8	Washer, M10 split lock	
5	70130B	1	Weldment, engine mount - right, black	
6	11147	1	Cap, oil filler	
7	16833	1	Starter	
8	15241	2	Isolator, rubber - 80-200 lbs, 2 in. wide	
9	15074	1	Cable, battery - 38 in., 4GA red, .438 lug	
10	15073	1	Cable, battery - 24 in., 4GA black, .438 lug	
11	60747	1	Washer, .375 internal star	
12	60495	1	Screw, M10-1.25 x 16 std hex, G8.8	
13	16554B	1	Weldment, engine mount - LH, black	
14	16743	1	Alternator	
15	60032	4	Nut, M8 - 1.25 hex, G8.8	
16	60029	4	Washer, M8 split lock	
17	16678	1	Switch, temperature sensor	
18	11042	1	Gasket, muffler	
19	13710	1	Muffler, 30 degree flare	
--	10457	1	Harness, engine - Mitsubishi	

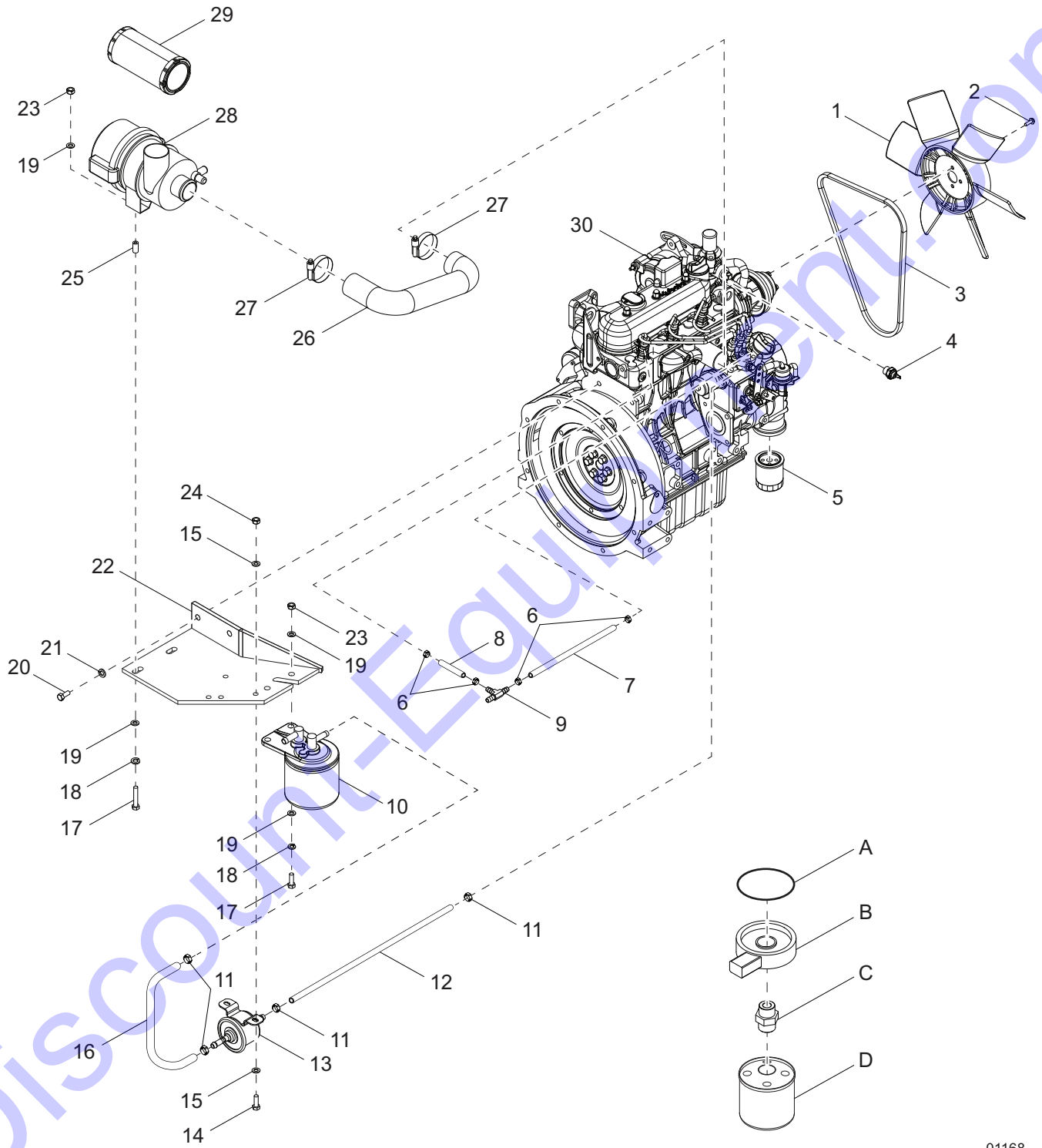
### OPTIONAL FEATURES

#### *Silent Pack:*

--	34776	1	Muffler, Mitsubishi modified	
----	-------	---	------------------------------	--

**Note:** Engine and generator parts used in all Generac Mobile Products equipment carry the Original Equipment Manufacturer (OEM) warranty unless otherwise stated. OEM warranty parts must be purchased through an OEM dealer.

# ENGINE ASSEMBLY - KUBOTA LEFT SIDE



01168

## ENGINE ASSEMBLY - KUBOTA LEFT SIDE

Item	Part No.	Qty	Description	Notes
1	15495	1	Fan, engine	
2	60087	4	Screw, M6-1.0 x 16 sflg hex, G8.8	
3	11628	1	Belt, V	
4	14099	1	Switch, coolant temperature	
5	10775	1	Filter, oil	
6	60778	4	Clamp, hose - .188, crimp style	
7	14211	1.3 ft	Hose, fuel - .188 ID, 50 psi, SAE 30R7	
8	14211	.167 ft	Hose, fuel - .188 ID, 50 psi, SAE 30R7	
9	17145	1	Fitting, T - .188 x .188 x .188 barb, nylon	
10	13481	1	Filter, fuel	
--	13515	1	Element, fuel filter	
11	60777	4	Clamp, hose - .312, crimp style	
12	50018	1.1 ft	Hose, fuel - .312 ID, 50 psi, SAE 30R7	
13	13278	1	Pump, fuel	
14	60393	2	Screw, .250-20 x 1.0 std hex, G5	
15	60243	4	Washer, .250 flat .735/.060	
16	50018	.968 ft	Hose, fuel - .312 ID, 50 psi, SAE 30R7	
17	62001	4	Screw, .312-18 x 1.25 std hex, G5	
18	60271	4	Washer, .312 split lock	
19	60119	8	Washer, .312 flat .875/.070	
20	61082	2	Screw, M8-1.25 x 20 std hex, G8	
21	60029	2	Washer, M8 split lock	
22	13483B	1	Weldment, filter bracket	
23	60285	4	Nut, .312-18 hex, G2	
24	60144	2	Nut, .250-20 nylock, G5	
25	41235ZY	2	Spacer, .75 OD x .44 ID x 1.0 long	
26	16589	1	Hose, air cleaner	
27	60316	2	Clamp, hose - SAE 032 (1.56-2.50)	
28	34066	1	Filter, air, assembly	
29	16444	1	Element, air filter	
30	13310	1	Engine, Kubota - D1005-E3BG1-MGM-1	MLT5060K only
	13281	1	Engine, Kubota - D1105BG	MLT5080K only

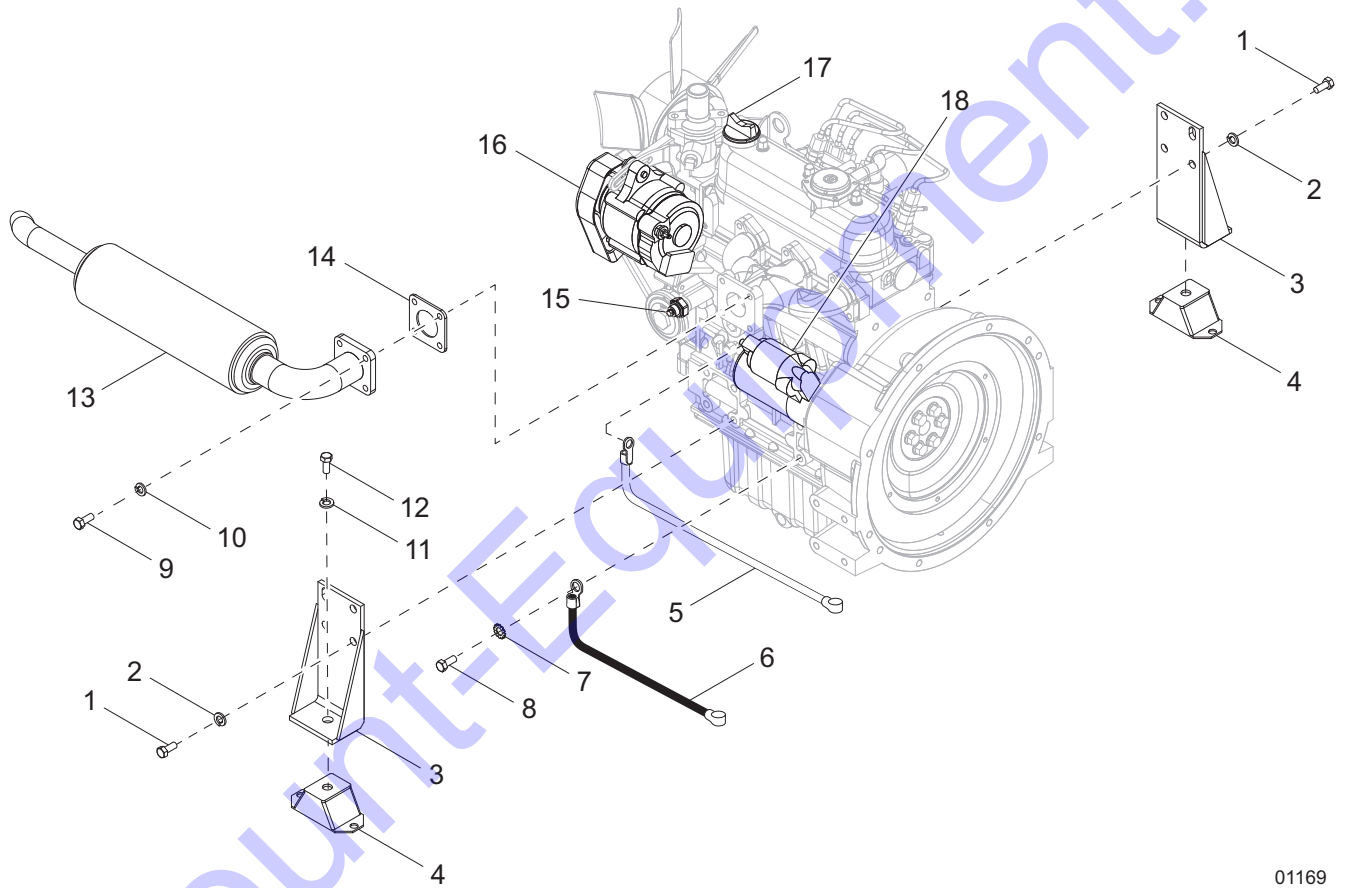
### OPTIONAL FEATURES

#### Heated Fuel Filter:

A	13834	1	Gasket, heated fuel filter
B	13682	1	Heater, fuel filter
C	10407	1	Adapter, heated fuel filter
D	13515	1	Element, heated fuel filter
--	10662	1	Harness, fuel filter heater - outside
--	13684	1	Harness, fuel filter heater - inside

**Note:** Engine and generator parts used in all Generac Mobile Products equipment carry the Original Equipment Manufacturer (OEM) warranty unless otherwise stated. OEM warranty parts must be purchased through an OEM dealer. Some Kubota engine parts are serial number specific.

# ENGINE ASSEMBLY - KUBOTA RIGHT SIDE



01169



## ENGINE ASSEMBLY - KUBOTA RIGHT SIDE

Item	Part No.	Qty	Description	Notes
1	60422	8	Screw, M10-1.25 x 25 std hex, G8.8	
2	60026	8	Washer, M10 split lock	
3	12338B	2	Weldment, engine mount	
4	15241	2	Isolator, rubber - 80-200 lbs, 2 in. wide	
5	15074	1	Cable, battery - 38 in., 4GA red, .438 in. lug	
6	15073	1	Cable, battery - 24 in., 4GA black, .438 in. lug	
7	60747	1	Washer, .375 internal star	
8	60495	1	Screw, M10-1.25 x 16 std hex, G8.8	
9	63168	4	Screw, M8-1.25 x 30 std hex	
10	60029	4	Washer, M8 split lock	
11	60702	2	Washer, .500 split lock, SS	
12	60275	2	Screw, .500-13 x 1.0 std hex, G5	
13	13709	1	Muffler, 30 degree flare	
14	11042	1	Gasket, muffler	
15	14099	1	Switch, coolant temperature	
16	12486	1	Alternator	
17	12484	1	Cap, oil filler	
18	30582	1	Starter	MLT5060K only
	13298	1	Starter	MLT5080K only
--	10461	1	Harness, engine - Kubota	

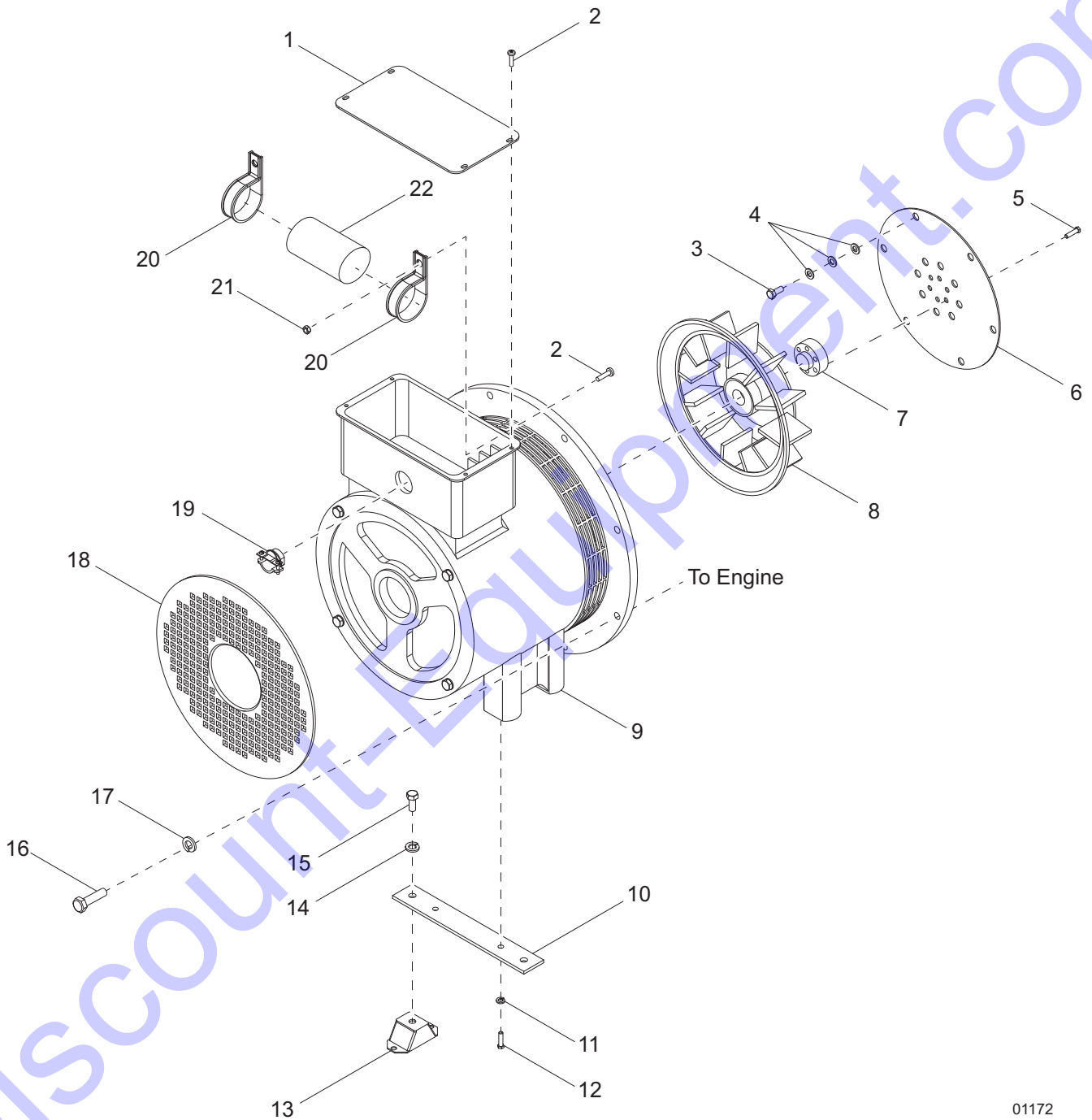
### OPTIONAL FEATURES

#### Silent Pack:

--	36391	1	Muffler, Kubota modified	
----	-------	---	--------------------------	--

**Note:** Engine and generator parts used in all Generac Mobile Products equipment carry the Original Equipment Manufacturer (OEM) warranty unless otherwise stated. OEM warranty parts must be purchased through an OEM dealer. Some Kubota engine parts are serial number specific.

# GENERATOR ASSEMBLY



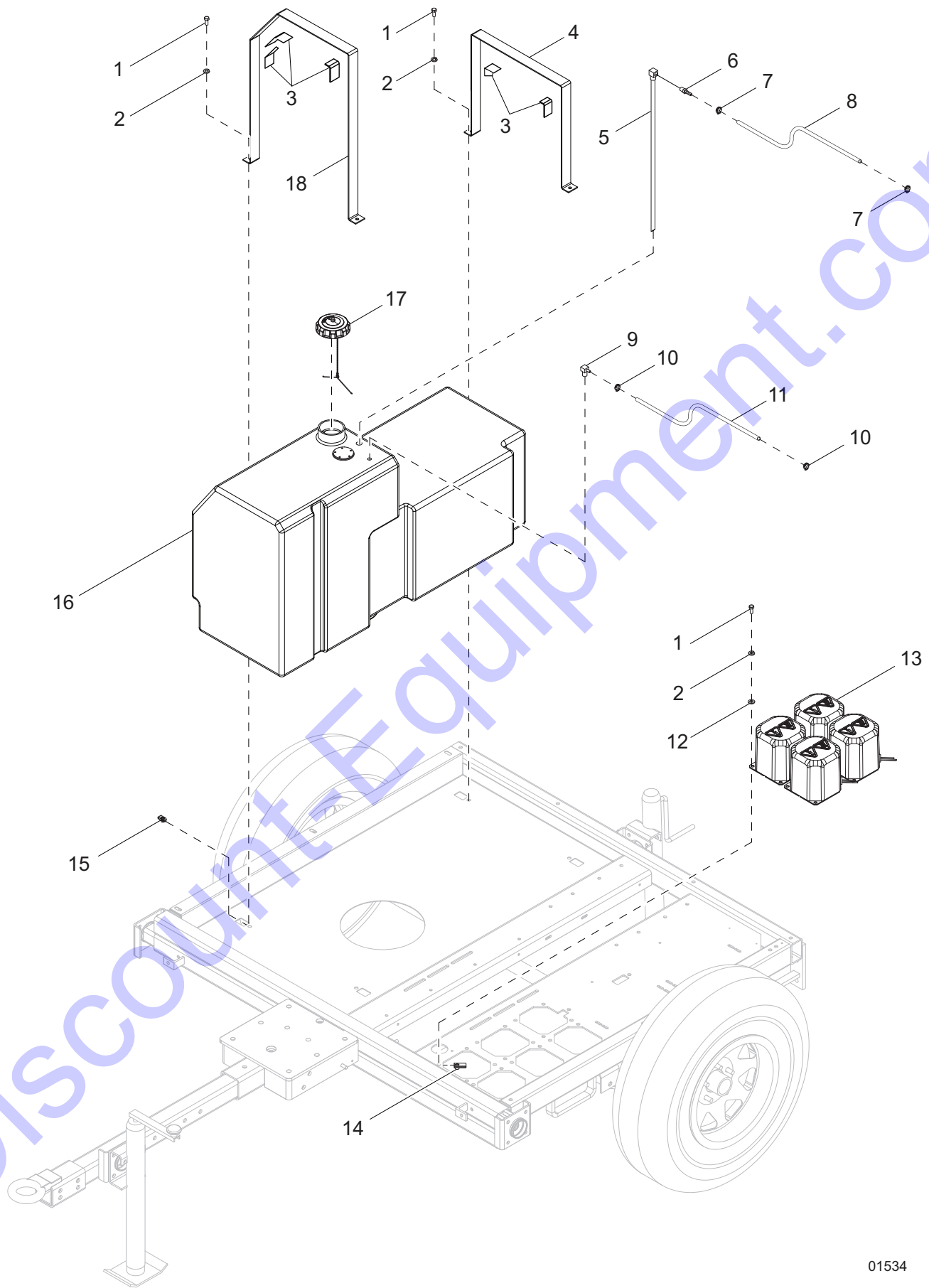
01172

## GENERATOR ASSEMBLY

Item	Part No.	Qty	Description	Notes
1	12736	1	Cover, generator - 6kW	MLT5060K/M only
	11338	1	Cover, generator - 8kW	MLT5080K/M only
2	60398	6	Screw, 10-32 x 5.0 pan phil, SS	
3	60168	6	Screw, .312-18 x .750 std hex, G5	MLT5060/80K only
	60165	6	Screw, M8-1.25 x 16 std hex, G10	MLT5060/80M only
4	60166	18	Washer, M8 flat	MLT5060/80M only (qty 12 only)
5	11336	6	Screw, .375-24 x 1.75	
6	16123	1	Plate, drive - SAE 6.5	
7	11339	1	Spacer, generator drive plate	
8	12527	1	Fan, generator	
--	12329	1	Seal, pancake bearing - 6kW	Included w/item 9, MLT5060K/M only
	11337	1	O-ring, pancake bearing - 8kW	Included w/item 9, MLT5080K/M only
--	12328	1	Bearing, pancake - 6kW	Included w/item 9, MLT5060K/M only
	16134	1	Bearing, pancake - 8kW	Included w/item 9, MLT5080K/M only
9	16556	1	Generator, Marathon - 6kW	MLT5060K/M only
	10486	1	Generator, Marathon - 8kW	MLT5080K/M only
10	15045	1	Bracket, generator	
11	60206	2	Washer, .375 split lock	
12	60205	2	Screw, .375-16 x 1.0 std hex, G5	
13	15241	2	Isolator, rubber - 80-200 lbs, 2 in. wide	
14	60702	2	Washer, .500 split lock, SS	
15	60275	2	Screw, .50-13 x 1.0 std hex, G5	
16	60352	8	Screw, .375-16 x 1.25 std hex, G5	MLT5060/80K only
	60494	8	Screw, M10-1.25 x 30 std hex, G8.8	MLT5060/80M only
17	60206	8	Washer, .375 split lock	MLT5060/80K only
	60026	8	Washer, M10 split lock	MLT5060/80M only
18	12327	1	Cover, pancake case	
19	14219	1	Strain relief - .75 Romex w/nut	
20	16395	2	Clamp, capacitor	
21	61045	2	Nut, 10-32 sflg	
22	35132	1	Capacitor, 25 $\mu$ F 440V - 6kW	MLT5060K/M only
	35406	1	Capacitor, 25 $\mu$ F 550V - 8kW	MLT5080K/M only
--	16153	1	Harness, generator - 6kW	

**Note:** Engine and generator parts used in all Generac Mobile Products equipment carry the Original Equipment Manufacturer (OEM) warranty unless otherwise stated. OEM warranty parts must be purchased through an OEM dealer.

# FUEL TANK AND BALLAST BOXES TO UNIT



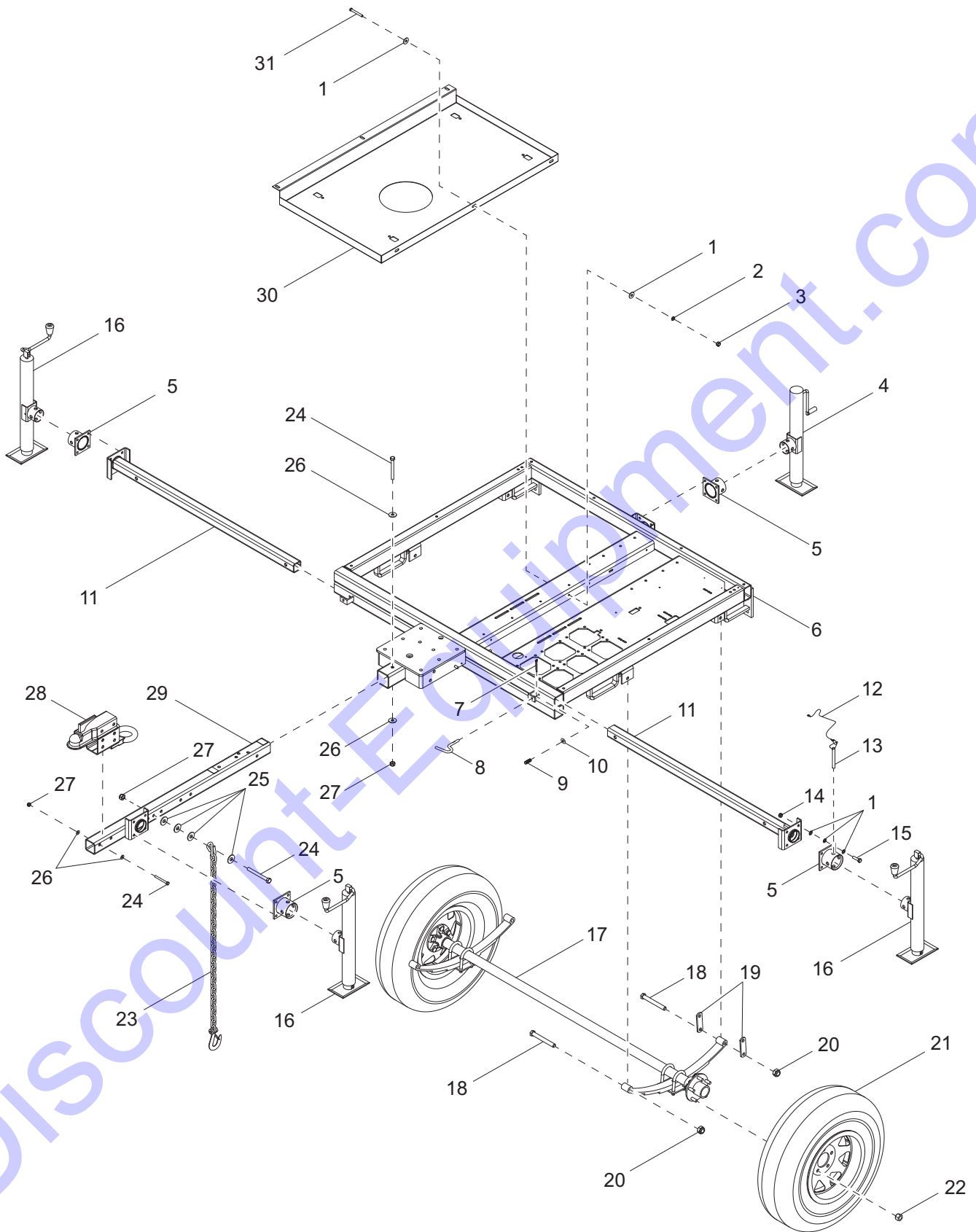
01534

## FUEL TANK AND BALLAST BOXES TO UNIT

---

Item	Part No.	Qty	Description	Notes
1	60028	16	Screw, .312-18 x 1.0 std hex, G5	
2	60271	16	Washer, .312 split lock	
3	50187	.5 ft	Seal, door d-shaped (.750)	
4	13698B	1	Strap, fuel tank	
5	12259	1	Fuel pick up tube - 24 in	
6	15142	1	Fitting, strt - .250NPT x .312 barb	
7	60777	2	Clamp, hose - .312 fuel hose, crimp style	
8	50018	2.75 ft	Hose, fuel - .312 ID 50 psi, SAE 30R7	
9	16271	1	Fitting, 90 -.250NPT x .188 barb	
10	60778	2	Clamp, hose - .188 fuel hose, crimp style	
11	14211	2 ft	Hose, fuel - .188 ID 50 psi, SAE 30R7	
12	60243	12	Washer, .250 flat .735/.060	
13	10656	4	Assembly, transformer - can & base - 60Hz-MH-5.5 in	
14	62086	12	Nut, .312-18 U-clip - short type	
15	60505	4	Nut, .312-18 U-clip - long type	
16	10412	1	Tank, fuel - 56 gallon	
17	16326	1	Cap, fuel tank, vent, 3.5 dia, grain diesel w/tether	
18	13697B	1	Strap, fuel tank	
--	39998	1	Tank assembly, fuel - 56 gallon	

# TRAILER ASSEMBLY



01535

## TRAILER ASSEMBLY

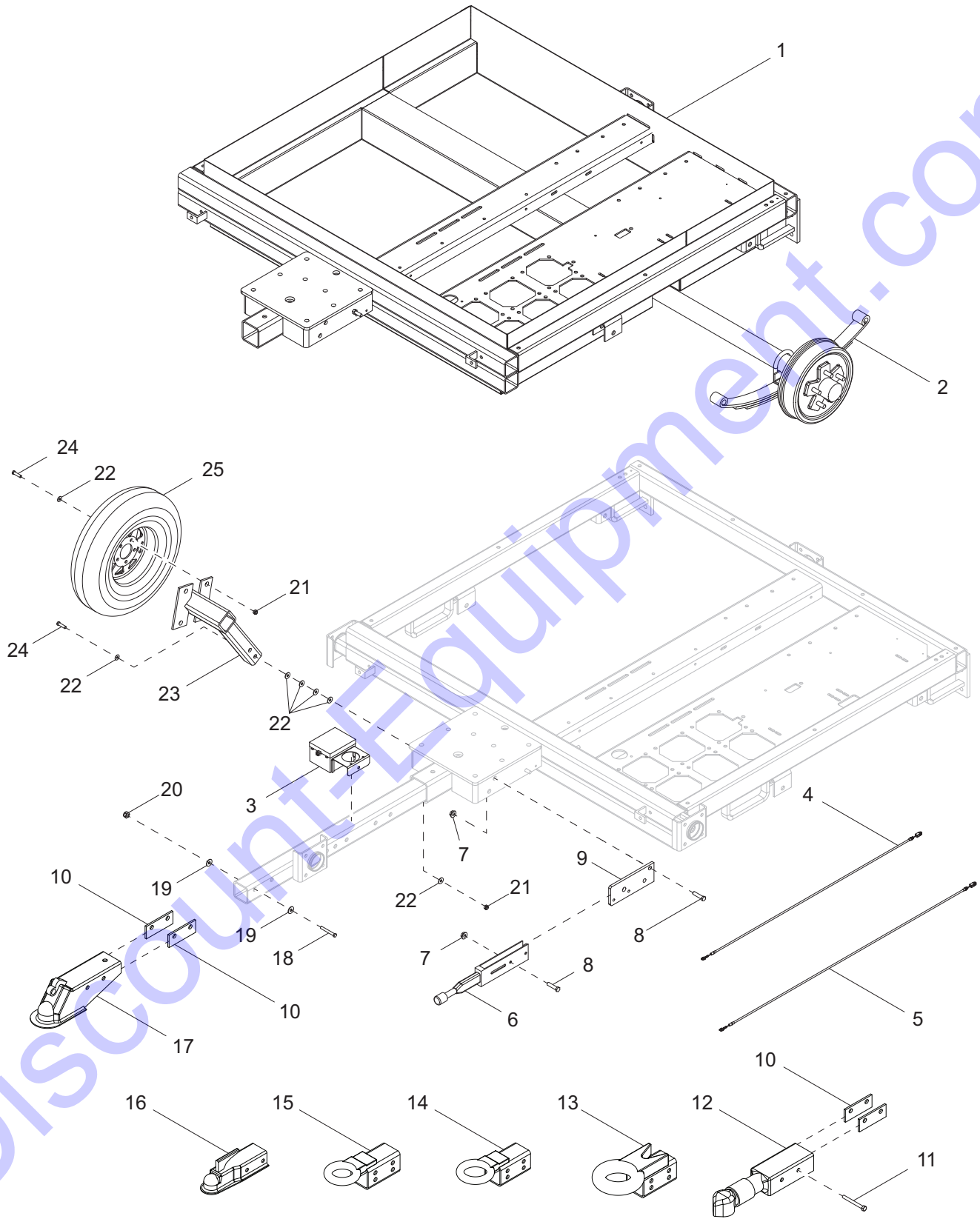
Item	Part No.	Qty	Description	Notes
1	60698	54	Washer, .375 flat .875/.040, SS	
2	60703	3	Washer, .375 split lock, SS	
3	60140	3	Nut, .375-16 hex, G5	
4	11978	1	Jack, side wind - 2000 lb, tube mount	
5	11965Z	4	Weldment, jack adapter	
6	13688B	1	Weldment, chassis	
7	35274	2	Pin, cotter - .07 x 1.0	
8	35272	2	Pin, plunger - .375	
9	35273	2	Spring, compression - .562 x 1.5	
10	35275	2	Washer, .375 flat .416 x .820 x .057	
11	12408Z	2	Weldment, outrigger	
12	12647	4	Cable, tether - jack pin and ground rod cover	
13	23256	4	Pin, jack - 2000 lb., tube mount	
14	60358	16	Nut, .375-16 nylock, G5	
15	61036	16	Screw, .375-16 x 1.25 std hex, SS	
16	23254	3	Jack, top wind - 2000 lb., tube mount	
17	<i>Page 50</i>	1	Assembly, axle	
18	60503	6	Screw, shackle, .562-18 x 3.0 std hex, G5	
19	19637	4	Plate, shackle bracket - 3.125 in	
20	60504	6	Nut, .562-18 lock, G5	
21	15540	2	Wheel, ST205/75R15, 1598 lb - 6PR	
22	60096	10	Nut, .500-20 lug, G5	
23	23367	2	Chain, safety - 7800 lb rated	
24	50215	4	Screw, .500-13 x 4.0 std hex, G5	
25	60416	8	Washer, .500 flat 1.375/.090	
26	60309	2	Washer, .500 flat 1.060/.090	
27	62221	5	Nut, .500-13 nylock, G5	
28	16741ZC	1	Weldment, combo hitch - 2.5 tongue	
29	12420B	1	Weldment, removable tongue	
30	10490B	1	Pan, fuel tank support	
31	60690	3	Screw, .375-16 x 1.0 std hex, SS	
--	10499	1	Assembly, trailer light harness - 174 in	
--	10265	1	Harness, right side trailer	
--	10264	1	Harness, left side trailer	

### OPTIONAL FEATURES

#### Trailer Plug Adapters:

--	65463	1	Adapter, trailer wiring - flat 4 pin to round 6 pin
--	65464	1	Adapter, trailer wiring - flat 4 pin to round 7 pin
--	65465	1	Adapter, trailer wiring - flat 4 pin to round 7 blade

# TRAILER OPTIONS



01690

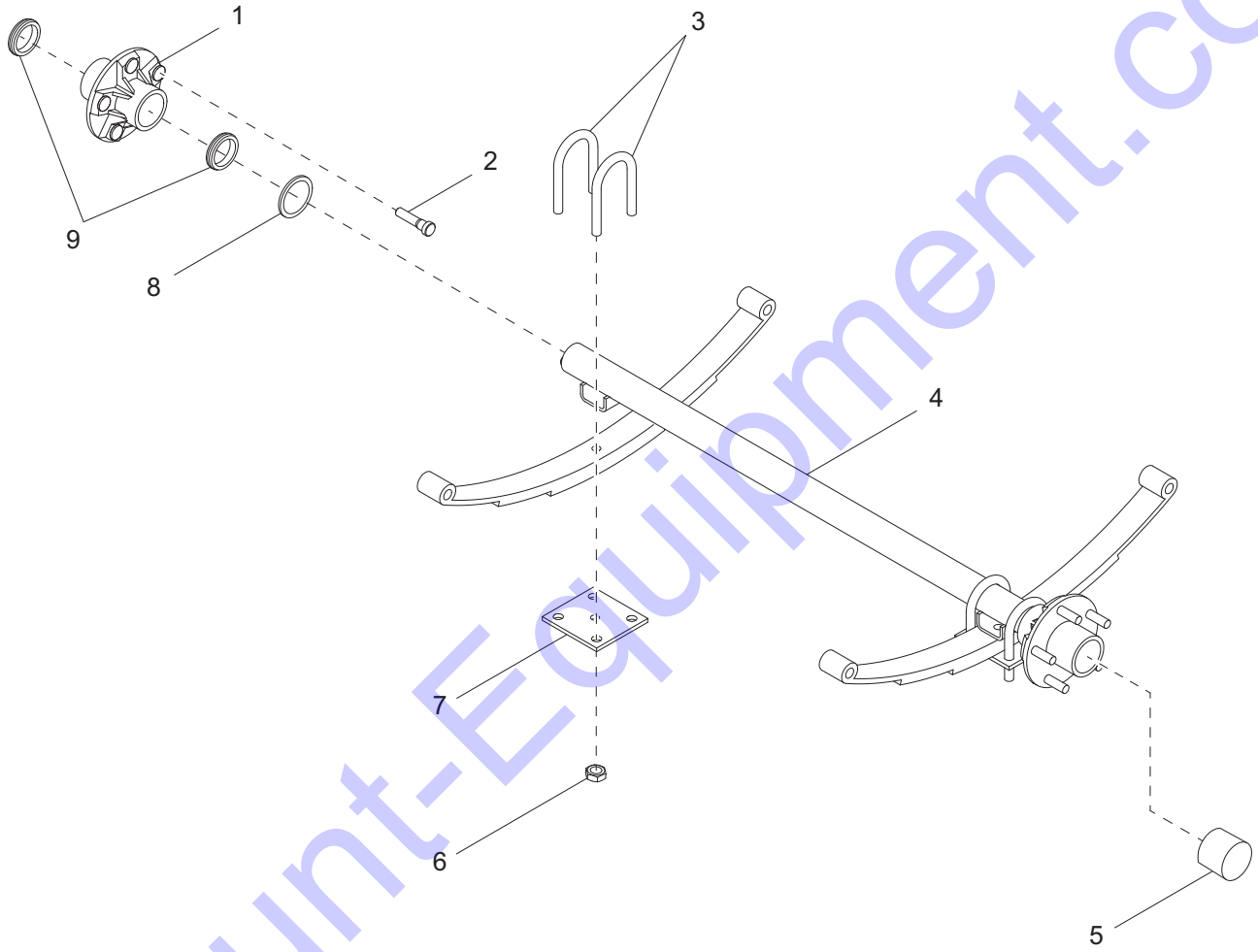


## TRAILER OPTIONS

Item	Part No.	Qty	Description	Notes
<i>Containment:</i>				
1	13667B	1	Weldment, chassis w/containment	
<i>Electric Brakes:</i>				
2	12122	1	Axle - 3700 lb 56C 68.5 TC electric brake hubs	
3	19417	1	Breakaway kit	
<i>Parking Brake:</i>				
4	12242	1	Brake cable - 72 in	
5	12241	1	Brake cable - 84 in	
6	12239	1	Brake handle	
7	60303	4	Nut, .312-18 x 1.0 std hex, SS	
8	60507	4	Screw, .312-18 x 1.0 std hex, SS	
9	12217B	1	Bracket, brake lever mounting	
--	12313	1	Decal, park brake	
<i>Hitches:</i>				
10	12155B	2	Spacer, coupler	
11	60376	2	Screw, .500-13 x 4.50 std hex, G5	Attaches item 12
12	13003B	1	Coupler, 2.0 ball/3.0 channel	
13	11672B	1	Weldment, hitch - 3.0 x 1.625 ring/2.5 tube	
14	16835B	1	Weldment, lunette ring - 3.0 x 1.0 ring/2.5 tongue	
15	16999B	1	Weldment, lunette ring - 2.5 x 1.0 ring/2.5 tongue	
16	16830	1	Coupler, 2.0 ball/2.50 channel	
17	12229	1	Coupler, 2.31 ball/3.0 channel	
18	50215	2	Screw, .500-13 x 4.0 std hex, G5	Attaches items 13 - 17
19	60309	4	Washer, .500 flat 1.060/.090	Attaches items 13 - 17
20	62221	2	Nut, .500-13 nylock, G5	Attaches items 12 - 17
<i>Spare Tire Carrier:</i>				
21	62221	6	Nut, .500-13 nylock, G5	
22	60700	16	Washer, .500 flat 1.250/.060 18-8, SS	
23	10734B	1	Weldment, spare tire holder	
24	60118	6	Screw, .500-13 x 2.0 flg hex, G8	
25	15540	1	Wheel - ST205/75R15, 1598 lb - 6 PR	

# AXLE ASSEMBLY

---



01746

## AXLE ASSEMBLY

---

Item	Part No.	Qty	Description	Notes
1	11206	2	Axle hub w/studs and outer races	
2	60674	10	Stud, wheel, .500-20 wheel, G8	
3	11201	4	Bolt, U - 2200 lb	
4	12207	1	Axle, 3700 lb 56SC 68.5TC	
5	12460	2	Cap, wheel bearing	
6	11203	8	Nut, U-bolt, 2200 lb	
7	11202	2	Tie-plate, 2200 lb	
8	13000	2	Seal - 2200 lb	
9	11511	4	Bearing, roller	Includes bearing races

Discount-Equipment.com

## RECOMMENDED SPARE PARTS LIST (1 OF 2)

---

### ENGINE - COMMON

Cap, radiator .....	19219
Filter, air .....	16444
Pump, fuel .....	13278

### ENGINE - KUBOTA

Alternator .....	12486
Belt, fan .....	11628
Dipstick .....	12483
Element, fuel filter .....	13515
Element, oil filter .....	10775
Fan, engine .....	15495
Fuel shutdown solenoid .....	13018
Hose, radiator - lower .....	12350
Hose, radiator - upper .....	16687
Oil fill cap .....	12484
Starter - MLT5060K .....	30582
Starter - MLT5080K .....	13298
Switch, coolant temperature .....	12873
Switch, oil pressure .....	15375

### ENGINE - MITSUBISHI

Alternator .....	16743
Belt, fan .....	10386
Dipstick .....	11148
Element, fuel filter .....	17647
Element, oil filter .....	16691
Fan, engine .....	16742
Fuel shutdown solenoid .....	16683
Hose, radiator - lower .....	16688
Hose, radiator - upper .....	16687
Oil fill cap .....	11147
Starter .....	16833
Switch, coolant temperature .....	16678
Switch, oil pressure .....	16677

### ELECTRICAL

Assembly, light fixture - hard wired .....	13311
Assembly, light fixture - quick disconnect w/cord clip .....	13601
Breaker, main - MLT5060K/M .....	65963
Breaker, main - MLT5080K/M .....	65864
Breaker, lights .....	14249
Bulb-1000W MH short length .....	11391
Capacitor .....	65959
Capacitor, generator 6kW .....	35132

## RECOMMENDED SPARE PARTS LIST (2 OF 2)

---

Capacitor, generator 8kW .....	10733
Coil cord .....	11954
Contactactor - electric winch .....	11293
GFI.....	14130
Glow plug indicator - MLT5060M .....	16694
Glow plug indicator - MLT5080M .....	65513
Hour meter.....	15085
Key (Set of 2).....	15309
Key switch .....	15195
LED board w/wires .....	17649
Light, indicator red - w/wire 12 volt dc .....	65388
Relay, electric winch .....	65049
Sensor, proximity .....	65511
Transformer (ballast) .....	10656
Wago connector - 2 position .....	66100
Wago connector - 3 position .....	66101
Wago connector - 5 position .....	66102

### MAINTENANCE KITS

Kubota 250 hour service kit .....	SK151
Kubota 2000 hour service kit .....	SK152
Mitsubishi 250 hour service kit .....	SK170
Mitsubishi 2000 hour service kit .....	SK171

### MAST

Cable, .188 in. x 27 ft. steel w/ball swedge .....	15006
Cable, .188 in. x 16 ft. steel w/ball swedge .....	14798
Cable, .188 in. x 11 ft. steel w/ball swedge .....	14151
Handle, winch .....	15623
Winch, manual - no handle .....	16600

### TRAILER

Jack, side wind .....	13050
Jack, top wind .....	13051
Cable, tether - jack pin and ground rod cover .....	12647
Pin, jack - 2000 lb., tube mount .....	23256

# **Discount Equipment**

Discount-Equipment.com is your online resource for commercial and industrial quality parts and equipment sales.

## **Locations:**

Florida (West Palm Beach): [561-964-4949](tel:561-964-4949)

Outside Florida TOLL FREE: [877-690-3101](tel:877-690-3101)

**Need parts?** Check out our website at [www.discount-equipment.com](http://www.discount-equipment.com)

## **Can't find what you need?**

Click on this link: <http://www.discount-equipment.com/category/5443-parts/> and fill out the request form.

Please have the machine model and serial number available in order to help us get you the correct parts. One of our experienced staff members will get back to you with a quote for the right part that your machine needs.

We sell worldwide for the brands: Genie, Terex, JLG, MultiQuip, Mayco, Toro/Stone, Diamond Products, Magnum, Airman, Mustang, Power Blanket, Nifty Lift, Atlas Copco, Chicago Pneumatic, Allmand Brothers, Essick, Miller Spreader, Skyjack, Lull, Skytrak, Tsurumi, Husquvarna/Target, Whiteman-Concrete/Mortar, Stow-Concrete/Mortar, Baldor, Wacker, Sakai, Snorkel, Upright, Mi-T-M, Sullair, Neal, Basic, Dynapac, MBW, Weber, Bartell, Bennar Newman, Haulotte, Ditch Runner, Blaw-Knox, Himoina, Best, Buddy, Crown, Edco, Wyco, Bomag, Laymor, Terremite, Barreto, EZ Trench, Takeuchi, Basic, Bil-Jax, Curtis, Gehl, Heli, Honda, ICS/PowerGrit, Puckett, Waldon, ASV, IHI, Partner, Imer, Clipper, MMD, Koshin, Rice, Gorman Rupp, CH&E, Cat Pumps, Comet, General Pump, Giant, AMida, Coleman, NAC, Gradall, Square Shooter, Kent, Stanley, Tamco, Toku, Hatz, Kohler, Robin, Wisconsin, Northrock, Oztec, Toker TK, Rol-Air, Small Line, Wanco, Yanmar

**New Equipment - Used Equipment - Rental Equipment - Parts and Accessories**

# **Discount Equipment**

**[www.discount-equipment.com](http://www.discount-equipment.com)**

**561-964-4949**

Sales: [info@Discount-Equipment.com](mailto:info@Discount-Equipment.com)

Parts: [wbparts@Discount-Equipment.com](mailto:wbparts@Discount-Equipment.com)



[www.discount-equipment.com](http://www.discount-equipment.com)

Discount-Equipment.com