

YANMAR

CONSTRUCTION / ULTRA-TIGHT TURNING EXCAVATOR



www.discount-equipment.com

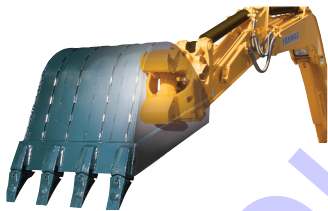
QUICK SPECS

Weight	21,554 lbs
Horsepower	73.3 hp
Digging Depth	15'9"

Raw power in a surprisingly numble package.

Don't be misled by the powerful 73.3-hp diesel engine on the SV100. Sure it's got the digging force and lifting capacity you need for tough jobs, but it's also built to navigate tight, confined jobsites from which those bigger excavators have to back down. In fact, the ultra-tight turning radius in both the front and rear is so small that the boom bracket stays entirely within the tracks. You get the versatility to take on any job, while leaving the limitations for those other excavators.

INNOVATIVE FEATURES



Hydraulic Quick Coupler Comes Standard

The standard hydraulic Quick Coupler makes changing buckets fast and easy. With the exception of fitting and removing the safety lock pin, the entire operation is performed electronically while you're seated in the comfort of the cab. Less hassle. Less downtime. More productivity.



Won't Sacrifice Stability For Versatility

The SV100 comes standard with ViO Crawler Technology for Advanced Stability (VICTAS). This innovative offset track technology provides increased stability without increasing the undercarriage width. You get the balance and stability of a conventional, standard-sized machine in a mini-excavator.



A Cab Almost As Comfortable As Your Living Room

The spacious SV100 cab is designed for more elbow and leg room. The powerful standard equipment heating and air conditioning system means you can work comfortably year round. And the innovative ROPS/FOPS/OPG systems mean you never have to sacrifice comfort for safety.



SV100-1

POWERFUL, EFFICIENT ELECTRONICALLY CONTROLLED 73.3-HP INTERIM TIER 4 DIESEL ENGINE

ULTRA-TIGHT TURNING FOR CONFINED SPACES

VIPPS (VIO PROGRESSIVE 3-PUMP HYDRAULIC SYSTEM)

JOYSTICK PILOT CONTROLS WITH CONTROL PATTERN CHANGE STANDARD

SPRING STEEL CYLINDER ROD GUARDS AND HOSE PROTECTION

INTEGRATED BOOM LIGHT PROTECTED FROM DAMAGE

ANGLED CRAWLER FRAME REDUCES FOREIGN MATTER BUILD-UP

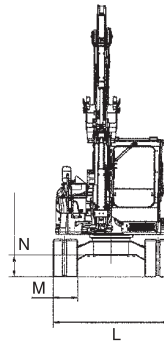
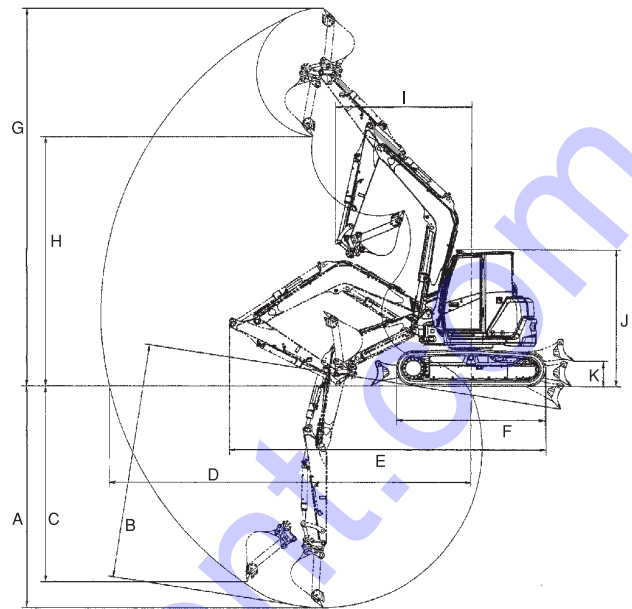
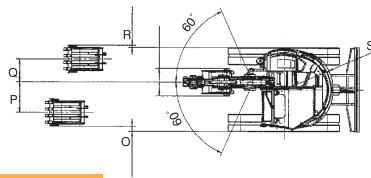
TRAVELING ALARM SIGNALS WHEN MACHINE IS MOVED

ECO & AUTO-DECELERATION MODES STANDARD

AUTOMATIC SHIFTING 2-SPEED TRAVEL



SV100-1



Dimensions - SV100-1

A 14 ft. 10 in. (4530 mm)	K 1 ft. 8 in. (520 mm)
B 15 ft. 9 in. (4810 mm)	L 7 ft. 7 in. (2320 mm)
C 13 ft. 2 in. (4010 mm)	M 1 ft. 7 in. (485 mm)
D 24 ft. 3 in. (7400 mm)	N 1 ft. 6 in. (450 mm)
E 21 ft. 4 in. (6490 mm)	O 5 ft. (120 mm)
F 10 ft. 1 in. (3070 mm)	P 2 ft. 9 in. (835 mm)
G 25 ft. 4 in. (7730 mm)	Q 2 ft. 1 in. (635 mm)
H 16 ft. 10 in. (5120 mm)	R 3 ft. (80 mm)
I 9 ft. 2 in. (2790 mm)	S 4 ft. 4 in. (1330 mm)
J 9 ft. 2 in. (2800 mm)	

Specifications

Model		SV100-1	
Type		Cab. Rubber Track	Cab. Steel Track
Operating Weight		lbs (kg)	21554 (9775) / 21664 (9825)
Engine	Type	Water-cooled 4-cycle diesel	
	Model	4TNV98T-Z5BV1	
	Output	HP (kW)/rpm	73.3 (54.7) / 2200
Performance	Max Digging Force, Bucket/Arm	lbs (kN)	without Quick Coupler 17087 (76.0) / 9658 (43.0)
			with Quick Coupler 13562 (60.0) / 9658 (43.0)
	Traveling Speed, High / Low	MPH (km / h)	2.7 (4.4) / 1.6 (2.5) / 2.5 (4.0) / 1.4 (2.2)
	Swing Speed	RPM	9
	Boom Swing Angle, (L / R)	degrees	60° / 60°
Gradability	degrees	30°	
Ground Contact Pressure		PSI (kPa)	5.5 (37.9) / 5.6 (38.8)
Hydraulic System	Pump Capacity	GPM (L / min)	20.5 + 20.5 + 15.5 + 6.1 (77.7 + 77.7 + 58.6 + 23.1)
	Main Relief Set Pressure	PSI (MPa)	3988 + 3988 + 3481 + 421 (27.5 + 27.5 + 24.0 + 2.9)
Blade Dimensions	Width x Height	ft-in (mm)	77" (2320)
	Stroke, Raise / Lower from G.L.	ft-in (mm)	1'8" (520) / 1'6" (460)
Fuel tank capacity		Gals (L)	30.4 (115)

Standard Equipment

- Hydraulic Quick Coupler
- Blade
- Boom Swing Function
- Rubber Swing Function
- Rubber Track / Steel Track
- Auxiliary Valve and Plumbing
- Radio Antenna and Connection
- Harness
- Back Mirror / Side Mirror
- 2-way Control Pattern Change
- ROPS / OPG Cabin
- Windshield Washer
- Air Conditioner
- Defroster
- Joystick Pilot Controls
- Arm Rests (Adjustable)
- Suspension and Reclining Seat
- Seat Belt
- PTO Switch
- Travel Automatic Dual Speed Switch
- Auto Deceleration Switch
- Eco Mode Switch
- Traveling Alarm
- Floor Mats
- Evacuation Hammer

Hydraulic PTO

Model	SV100-1		
	Output	PSI (kPa)	GPM (L / min)
			2400RPM
Combined Flow, Double Actions		3555 (24518)	35.9 (136) / 18.0 (68)

Lifting Capacity

LIFT POINT HEIGHT h:in (mm)	r:REACH in (mm)											
	RATED LIFT CAPACITY OVER END BLADE DOWN				RATED LIFT CAPACITY OVER END BLADE UP				RATED LIFT CAPACITY OVER SIDE BLADE DOWN			
	lbs (kg)				lbs (kg)				lbs (kg)			
	MAX	6'7" (2000)	4'11" (1500)	MIN	MAX	6'7" (2000)	4'11" (1500)	MIN	MAX	6'7" (2000)	4'11" (1500)	MIN
196.9 (5000)	*3925 (1780)				*3925 (1780)				*3153 (1430)			
157.5 (4000)	*3947 (1790)	*3771 (1710)	*3837 (1740)		*3087 (1400)	*3771 (1710)	*3837 (1740)		2558 (1160)	*3771 (1710)	*3925 (1780)	
118.1 (3000)	*3925 (1780)	*3925 (1780)	*4520 (2050)		2646 (1200)	3925 (1780)	*4520 (2050)		2183 (990)	3153 (1430)	*4520 (2050)	
78.7 (2000)	*3947 (1790)	*4586 (2080)	*5468 (2480)		2492 (1130)	3616 (1640)	*5468 (2480)		2029 (920)	2911 (1320)	4256 (1930)	
39.4 (1000)	*4145 (1880)	*5005 (2270)	*6813 (3090)	*9989 (4530)	2602 (1180)	3462 (1570)	5005 (2270)	7387 (3350)	1985 (900)	2822 (1280)	4079 (1850)	5821 (2640)
Ground (0)	*4079 (1850)	*5490 (2490)	*7078 (3210)	*10033 (4550)	2690 (1220)	3418 (1550)	4741 (2150)	7254 (3290)	2183 (990)	2756 (1250)	3881 (1760)	5799 (2630)
-39.4 (-1000)	*4145 (1880)	*5226 (2370)	*6858 (3110)	*9415 (4270)	2889 (1310)	3352 (1520)	4653 (2110)	7321 (3320)	2293 (1040)	2734 (1240)	3726 (1690)	5733 (2600)
-78.7 (-2000)	*4057 (1840)		*5865 (2660)	*8203 (3720)	*3418 (1550)		4719 (2140)	7078 (3210)	2911 (1320)		3793 (1720)	5887 (2670)

* Rated Hydraulic lift capacity

Please note that the standard equipment may vary from this list. Consult your Yanmar dealer for confirmation.