

YANMAR

PARTS CATALOG



www.discount-equipment.com

0CS10-G54500

Last update Jun., 2013

Discount Equipment

Discount-Equipment.com is your online resource for commercial and industrial quality parts and equipment sales.

Locations:

Florida (West Palm Beach): [561-964-4949](tel:561-964-4949)

Outside Florida TOLL FREE: [877-690-3101](tel:877-690-3101)

Need parts? Check out our website at www.discount-equipment.com

Can't find what you need?

Click on this link: <http://www.discount-equipment.com/category/5443-parts/> and fill out the request form.

Please have the machine model and serial number available in order to help us get you the correct parts. One of our experienced staff members will get back to you with a quote for the right part that your machine needs.

We sell worldwide for the brands: Genie, Terex, JLG, MultiQuip, Mayco, Toro/Stone, Diamond Products, Magnum, Airman, Mustang, Power Blanket, Nifty Lift, Atlas Copco, Chicago Pneumatic, Allmand Brothers, Essick, Miller Spreader, Skyjack, Lull, Skytrak, Tsurumi, Husquvarna/Target, Whiteman-Concrete/Mortar, Stow-Concrete/Mortar, Baldor, Wacker, Sakai, Snorkel, Upright, Mi-T-M, Sullair, Neal, Basic, Dynapac, MBW, Weber, Bartell, Bennar Newman, Haulotte, Ditch Runner, Blaw-Knox, Himoina, Best, Buddy, Crown, Edco, Wyco, Bomag, Laymor, Terremite, Barreto, EZ Trench, Takeuchi, Basic, Bil-Jax, Curtis, Gehl, Heli, Honda, ICS/PowerGrit, Puckett, Waldon, ASV, IHI, Partner, Imer, Clipper, MMD, Koshin, Rice, Gorman Rupp, CH&E, Cat Pumps, Comet, General Pump, Giant, AMida, Coleman, NAC, Gradall, Square Shooter, Kent, Stanley, Tamco, Toku, Hatz, Kohler, Robin, Wisconsin, Northrock, Oztec, Toker TK, Rol-Air, Small Line, Wanco, Yanmar

New Equipment - Used Equipment - Rental Equipment - Parts and Accessories

Discount Equipment

www.discount-equipment.com

561-964-4949

Parts: wbparts@Discount-Equipment.com

Sales: info@Discount-Equipment.com

P R E F A C E

1. This Parts Catalog carries Yanmar excavator (crawler back-hoe) SV100-1 for U. S. A. , Australia, New Zealand.

2. Parts catalog history

\		Parts catalog NO.	Published	Remarks
1st edition	Vehicle	OCS10-G54500	Nov. , 2008	
	Engine	OCS10-G77200		

3. Model name

SECTION	Column	Model name	M/#	Manufactured
I (Vehicle)	(A)	SV100-1 (US)		
	(B)	SV100-1 (AS)		
	(C)	SV100-1 (NZ)		
II (Engine)	(A)	4TNV98T-ZSBV1		

(Note) US:U. S. A. , AS:Australia, NZ:New Zealand.

4. Your understanding is asking that this parts catalog is not a technical data manual setting forth as servicing procedures, This parts catalog is using simplified illustration.

Be sure to use Yanmar Genuine Parts in your maintenance servicing of Yanmar products. Be careful not to use the simple parts available in the market, otherwise their use in repairing causes such as an early breakage, for instance.

Directions for the Parts Catalog.

- The parts stipulated in this Parts Catalog are not necessarily standard equipped parts.
- Parts may change without prior notice.
- The following is an example of the Parts Catalog format.

REF.	LEV.	PARTS NO.	DESCRIPTION	Q'TY						I	R
				(A)	(B)	(C)	(D)	(E)	(F)		
1	1	729595-51390	FUEL INJECTION PUMP	1	1	1	1	1			1
1-1	1	729595-51391	FUEL INJECTION PUMP	1	1	1	1	1		N	1
		(A=E00185) (B=E00200)									
3	2	26022-060162	SCREW M 6X 16	9	9	9	9	9			
3-1	2	26022-060162	SCREW M 6X 16	4	4	4	4	4		K	
		(A=E00156) (B=E00156) (C=E00156) (D=E00156) (E=E00156)									
4	2	129470-51040	CAMSHAFT	1	1	1	1	1			
5	2	122710-51050	BEARING, ROLLER	2	2	2	2	2			
6	2	129470-51060	RETAINER	1	1	1	1	1			

Remarks
(1) BOOST COMPEMSATOR TYPE. OPTIONAL PART, TO E00155,(4JH-DT, 4JH-DTZ

① Ref. No.

The Ref. No. listed may not be in accordance with the illustration Ref. No.

(Ex.) Illustration No.

List Ref No.

1

1

(Before change)

1-1

(After change)

For interchangeable symbols N, R and K, illustrations for new parts may be abbreviated.

② Lev. (Level)

Level indication

The numbers below indicate the level of relativity towards the main part.

1 ---- Main parts (Assembly parts)

2 ---- Sub component included in " 1 ".

3 ---- Sub component included in " 2 ".

Note) Parts that are not for sale are partially illustrated but not listed.

③ Interchangeability Mark

When a part change takes place, one of the following interchangeability symbols is indicated beside the part.

Symbol	Interchangeability	Contents note
N	Old $\begin{matrix} \leftarrow \text{Yes} \\ \text{No} \rightarrow \end{matrix}$ New	New Part is interchangeable for Old Part but Old Part is not interchangeable for New Part.
Q	Old $\begin{matrix} \text{No} \leftarrow \\ \text{Yes} \rightarrow \end{matrix}$ New	New Part is not interchangeable for Old Part but Old Part is interchangeable for New Part.
R	Old $\begin{matrix} \leftarrow \text{Yes} \\ \text{Yes} \rightarrow \end{matrix}$ New	New/ Old Parts are both interchangeable.
S	Old $\begin{matrix} \text{No} \leftarrow \\ \text{No} \rightarrow \end{matrix}$ New	New/ Old Parts are both not interchangeable.
W		Part newly added.
Z		Part discontinued.
F		Not interchangeable by a single part but interchangeable together with related parts.
K		Changes only for used parts quantities.

④ Effective Machine No.

When a part changes, the effective Machine No. will be indicated in the (A)-(F) column.

Product Symbol	Product No.	Product Symbol	Product No.
C	Clutch No. Compressor No.	F	Machine No. (Agricultural Equip.)
D	Drive No.	M	Machine No.
E	Engine No.		

Note 1) A date may follow the symbol. (Ex.) 1996.01

Note 2) "XXXXX" and "ZZZZZ" are for parts that could not be predicted or for engine models that could not be identified.

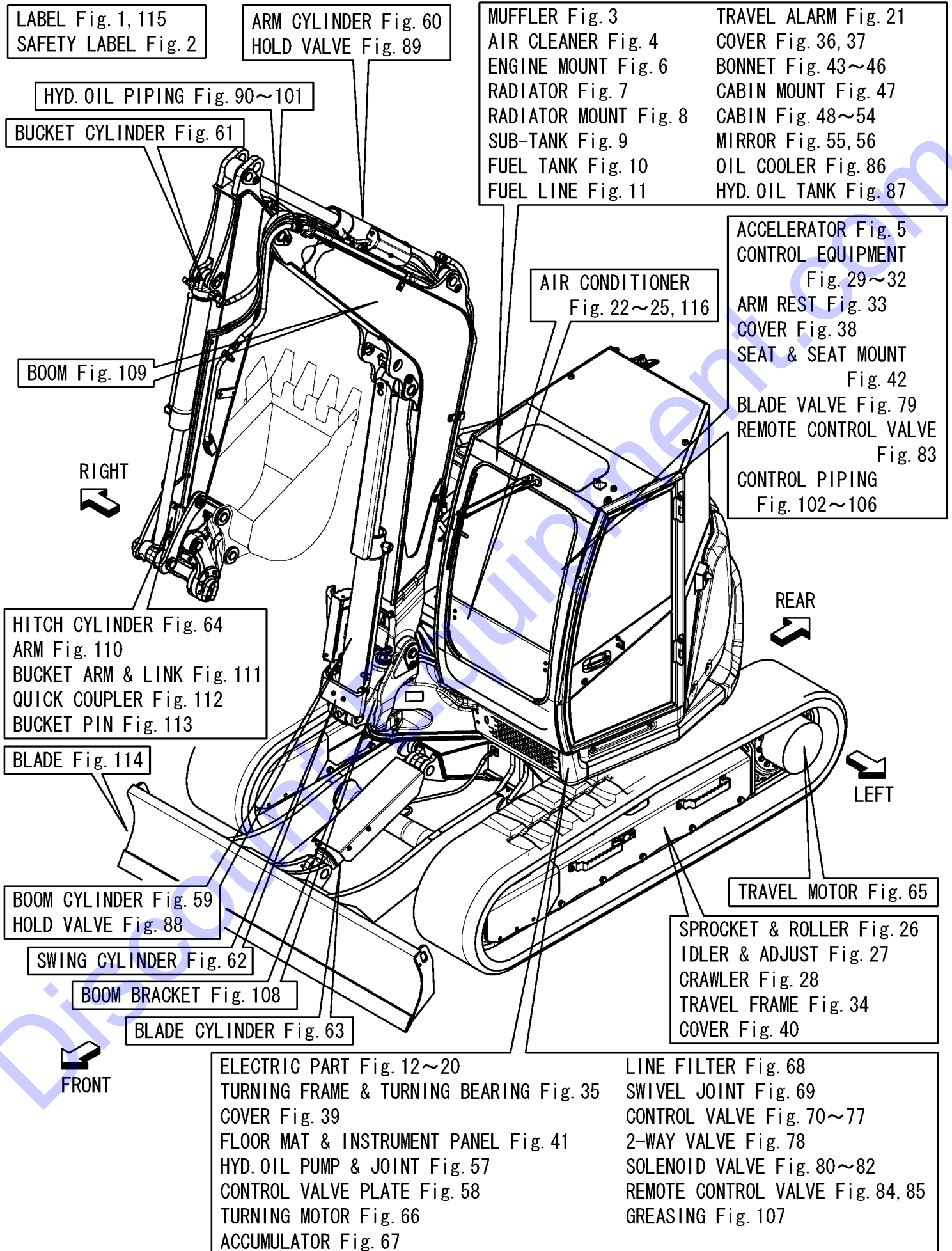
Note 3) (A=E00185) is the E (Engine Serial Number) for the column (A) model (in this case 4JH-DT) after the parts design change.

⑤ Remarks Mark

Figures or alphabets (symbols) are entered in the remarks column.

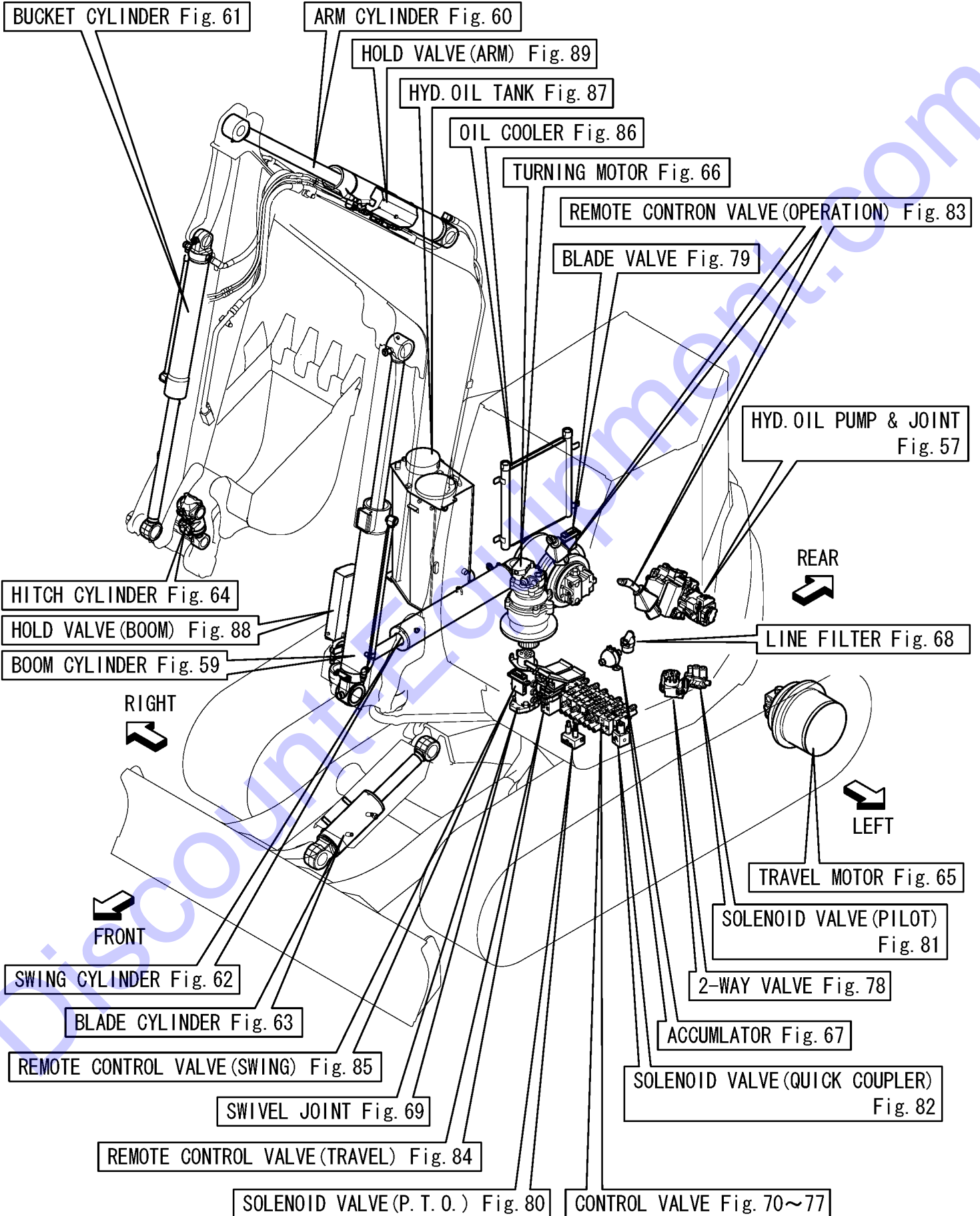
The comments (remarks) on parts that are indicated at the bottom of the illustration are the same symbols as those stated above.

PICTURESQUE INDEX (1) . . . MAIN PARTS



PICTURESQUE INDEX (2) · · · HYDRAULIC SECTION

HYD. OIL PIPING Fig. 90~101
CONTROL PIPING Fig. 102~106



CONTENTS

MODEL : SV100-1(US,AS,NZ)

PC NO : 0CS10-G54500

Fig.No. GROUP NAME
VEHICLE SV100-1(US,AS,NZ)

1. LABEL
2. SAFETY LABEL
3. MUFFLER
4. AIR CLEANER
5. ACCELERATOR
6. ENGINE MOUNT
7. RADIATOR
8. RADIATOR MOUNT
9. SUB-TANK
10. FUEL TANK
11. FUEL LINE
12. ELECTRIC PART(ENGINE)
13. ELECTRIC PART(CONTROL VALVE PLATE)
14. ELECTRIC PART(BATTERY)
15. ELECTRIC PART(STARTING SWITCH)
16. ELECTRIC PART(AIR CONDITIONER)
17. ELECTRIC PART(SWITCH BOX : QUICK COUPLER)
18. ELECTRIC PART(SEAT MOUNT)
19. ELECTRIC PART(WORK LAMP)
20. ELECTRIC PART(INDICATOR BOX)
118. (20A)ELECTRIC PART(COVER)
21. TRAVEL ALARM
22. AIR CONDITIONER(CABIN RELATED)
23. AIR CONDITIONER(PIPING)
24. AIR CONDITIONER(ENGINE RELATED)
25. AIR CONDITIONER(CONDENSER RELATED)
26. SPROCKET & ROLLER
27. IDLER & ADJUST
28. CRAWLER

Fig.No. GROUP NAME

29. CONTROL EQUIPMENT(LOCK LEVER & LEVER STAND)
30. CONTROL EQUIPMENT(TRAVEL)
31. CONTROL EQUIPMENT(BLADE)
32. CONTROL EQUIPMENT(SWING)
33. ARM REST
34. TRAVEL FRAME
35. TURNING FRAME & TURNING BEARING
36. COVER(FUEL TANK SIDE)
37. COVER(CENTER)
38. COVER(SEAT MOUNT)(A)
119. (38A)COVER(SEAT MOUNT)(B)
39. COVER(TURNING FRAME)
40. COVER(TRAVEL FRAME)
41. FLOOR MAT & INSTRUMENT PANEL
42. SEAT & SEAT MOUNT
43. BONNET(BODY)
44. BONNET(REAR)
45. BONNET(SIDE : LEFT)
46. BONNET(SIDE : RIGHT)
47. CABIN MOUNT
48. CABIN(BODY)
49. CABIN(DOOR)
50. CABIN(FRONT WINDOW : 1)
51. CABIN(FRONT WINDOW : 2)
52. CABIN(WINDOW SASH & LOWER GLASS)
53. CABIN(ELECTRIC)
54. CABIN(WASHER TANK)
55. REARVIEW MIRROR & CABIN ACCESSORY
56. SIDE MIRROR
57. HYD.OIL PUMP & JOINT

CONTENTS

MODEL : SV100-1(US,AS,NZ)

PC NO : 0CS10-G54500

Fig.No. GROUP NAME

- 122. (57A)HYD.OIL PUMP & JOINT(FROM M11514)
- 58. CONTROL VALVE PLATE
- 59. BOOM CYLINDER
- 60. ARM CYLINDER
- 61. BUCKET CYLINDER
- 62. SWING CYLINDER
- 63. BLADE CYLINDER
- 64. HITCH CYLINDER
- 65. TRAVEL MOTOR
- 66. TURNING MOTOR(KY)
- 120. (66A)TURNING MOTOR(NA)
- 67. ACCUMULATOR
- 68. LINE FILTER
- 69. SWIVEL JOINT(Y SPEC.)(TO M12062)
- 123. (69A)SWIVEL JOINT(N SPEC.)(FROM M12063)
- 124. (86B)SWIVEL JOINT KIT(N SPEC.)(FROM M12063)
- 70. CONTROL VALVE(1/8)
- 71. CONTROL VALVE(2/8)
- 72. CONTROL VALVE(3/8)
- 73. CONTROL VALVE(4/8)
- 74. CONTROL VALVE(5/8)
- 75. CONTROL VALVE(6/8)
- 76. CONTROL VALVE(7/8)
- 77. CONTROL VALVE(8/8)
- 78. 2-WAY VALVE
- 79. BLADE VALVE
- 80. SOLENOID VALVE(P.T.O.)
- 81. SOLENOID VALVE(PILOT)
- 82. SOLENOID VALVE(QUICK COUPLER)
- 83. REMOTE CONTROL VALVE(OPERATION)

Fig.No. GROUP NAME

- 84. REMOTE CONTROL VALVE(TRAVEL)
- 85. REMOTE CONTROL VALVE(SWING)
- 86. OIL COOLER
- 87. HYD.OIL TANK
- 88. HOLD VALVE(BOOM)
- 89. HOLD VALVE(ARM)
- 90. HYD.OIL PIPING(PUMP - CONTROL VALVE - OIL COOLER)
- 91. HYD.OIL PIPING(TANK - PUMP, SWING CYLINDER)
- 92. HYD.OIL PIPING(CONTROL VALVE - TURNING MOTOR)
- 93. HYD.OIL PIPING(CONTROL VALVE : FITTING)
- 94. HYD.OIL PIPING(CONTROL VALVE - BOOM, TURNING MOTOR, TANK)
- 95. HYD.OIL PIPING(CONTROL VALVE - SWIVEL JOINT)
- 96. HYD.OIL PIPING(TRACK FRAME)
- 97. HYD.OIL PIPING(BOOM)
- 98. HYD.OIL.PIPING(P.T.O. : FRAME END)
- 99. HYD.OIL PIPING(P.T.O. : ARM END)
- 100. HYD.OIL PIPING(QUICK COUPLER)
- 101. HYD.OIL PIPING(HOLD VALVE)
- 102. CONTROL PIPING(CONTROL VALVE - SOLENOID VALVE)
- 103. CONTROL PIPING(CONTROL VALVE - 2WAY VALVE)
- 104. CONTROL PIPING(2-WAY VALVE - REMOTE CONTROL VALVE)
- 105. CONTROL PIPING(TRAVEL, SWING PEDAL)
- 106. CONTROL PIPING(P.T.O.)
- 107. GREASING
- 108. BOOM BRACKET
- 109. BOOM
- 110. ARM
- 111. BUCKET ARM & LINK
- 112. QUICK CUPLER
- 113. BUCKET PIN

CONTENTS

MODEL : SV100-1(US,AS,NZ)

PC NO : 0CS10-G54500

Fig.No. GROUP NAME

114. BLADE

115. CA LABEL KIT(OPTIONAL)

116. AIR CONDITIONER(UNIT, CONDENSER : INNER PARTS)

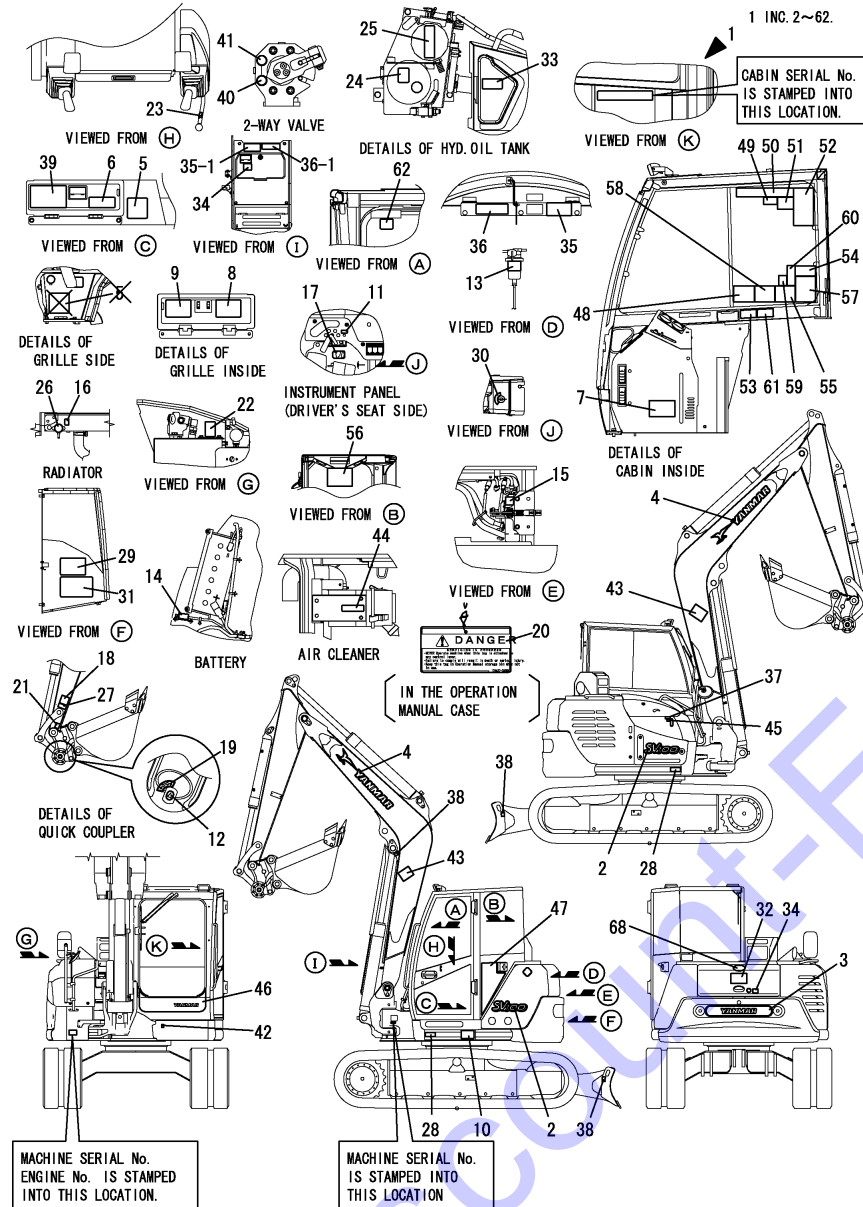
117. ADDITIONAL WEIGHT(OPTIONAL)

121. HOLD VALVE(OPTIONAL)

Fig.No. GROUP NAME

Discount-Equipment.com

Fig.1. LABEL



Remarks

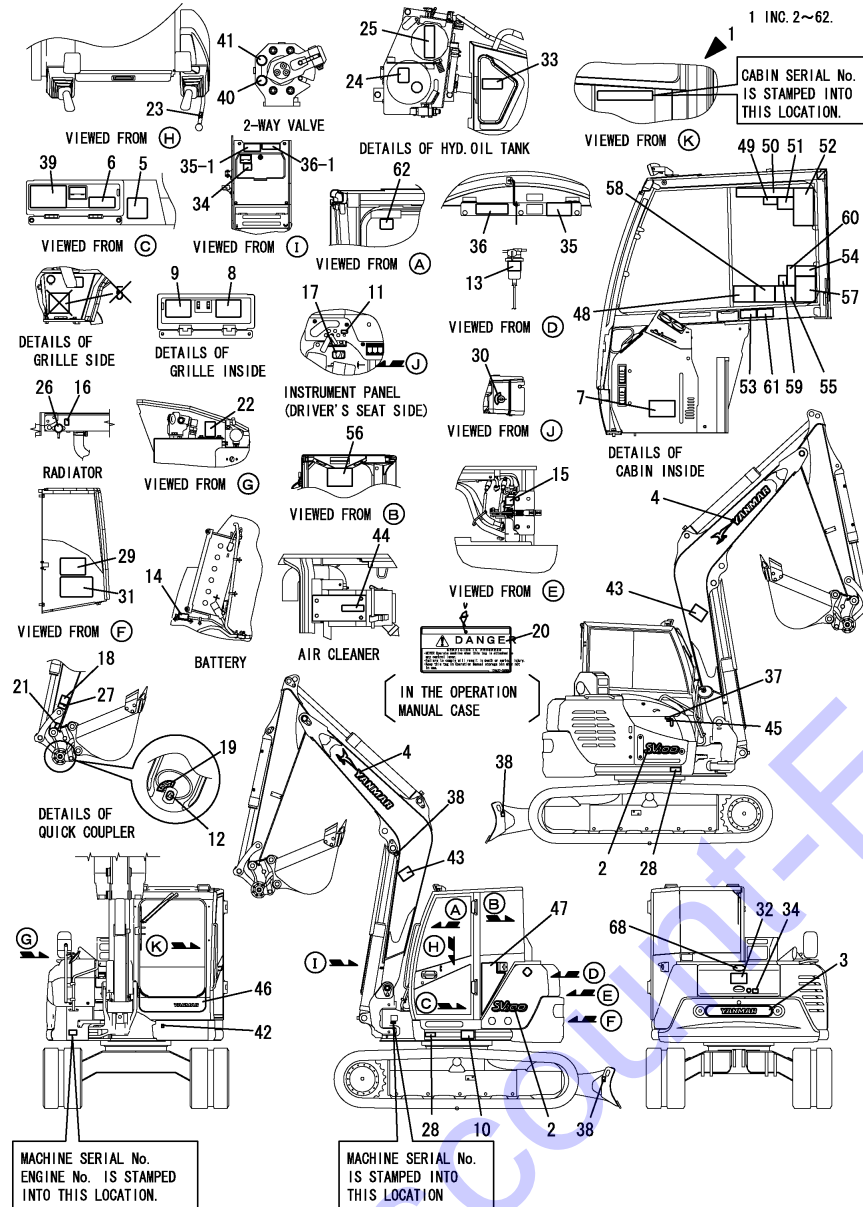
(1) RUBBER CRAWLER SPEC.
Installation position change.
* PLEASE REFER TO FIG.NO.115 FOR THE
FRENCH LABEL KIT FOR CANADA.

(A)=SV100-1(US)
(B)=SV100-1(AS)
(C)=SV100-1(NZ)

(D)=
(E)=
(F)=

REF.	LEV.	PARTS NO.	DESCRIPTION	Q'TY						I	R
				(A)	(B)	(C)	(D)	(E)	(F)		
1	1	172A69-03010	LABEL KIT,SV100-1	1	1	1					
1-1	1	172A69-03011	LABEL KIT,SV100-1	1	1	1					S
		(A=M11501) (B=M11501) (C=M11501)									
2	2	172A69-03140	LABEL, MODEL NAME	2	2	2					
3	2	172A69-03160	LABEL, REAR EMBLEM	1	1	1					
4	2	172A21-03220	LABEL, BRAND	2	2	2					
4-1	2	172A65-03230	LABEL, YANMAR 627	2	2	2					S
		(A=M11501) (B=M11501) (C=M11501)									
5	2	172499-03280	LABEL, ADJUST CRAWLER	1	1	1					1
6	2	172A69-03100	LABEL, SPEC US	1	1	1					
7	2	172A69-03110	LABEL, OIL & WATER US	1	1	1					
8	2	172A69-03120	LABEL, FUSE US	1	1	1					
9	2	172A69-03130	LABEL, GREASING US	1	1	1					
10	2	172472-03141	LABEL, SUPPORT	1	1	1					
11	2	172A65-03150	LABEL, WARNING	1	1	1					
12	2	172958-03160	LABEL	1	1	1					
13	2	172A07-03160	LABEL	1	1	1					
14	2	172A69-03170	LABEL, FL, US	1	1	1					
15	2	172A38-03201	LABEL, SUB TANK	1	1	1					
16	2	172A38-03211	LABEL, ANTI-FREEZING	1	1	1					
17	2	172A69-03220	LABEL, ACCELERATOR	1	1	1					
18	2	172472-03230	LABEL, OPERATION	1	1	1					
19	2	172458-03240	LABEL, LOCK	1	1	1					
20	2	172437-03252	TAG ASSY, CAUTION	1	1	1					
21	2	172472-03261	LABEL, FINGER	1	1	1					
22	2	172A69-03270	LABEL, PTO SELECT	1	1	1					
23	2	172183-03280	LABEL, LOCK	1	1	1					
24	2	172463-03290	LABEL, HYD.OIL	1	1	1					
25	2	172437-03322	LABEL, RESEVOIR	1	1	1					
26	2	172462-03320	LABEL, RADIATOR	1	1	1					
27	2	172472-03330	LABEL, LOCK PIN	1	1	1					
28	2	172437-03352	LABEL, CYLINDER	2	2	2					
29	2	172A69-03350	LABEL, BATTERY COVER	1	1	1					
30	2	172A64-03700	LABEL, START SWITCH	1	1	1					
31	2	172437-03361	LABEL, BATTERY	1	1	1					
32	2	172437-03381	LABEL, SWING AREA	1	1	1					
33	2	172437-03391	LABEL, RADIATOR	1	1	1					
34	2	172437-03402	LABEL, ENGINE COVER	2	2	2					
35	2	172A36-03411	LABEL, ENGINE ROOM	1	1	1					
35-1	2	172A36-03411	LABEL, ENGINE ROOM	2	2	2					K
		(A=M10547) (B=M10547) (C=M10547)									
36	2	172437-03422	LABEL, MUFFLER	1	1	1					
36-1	2	172437-03422	LABEL, MUFFLER	2	2	2					K
		(A=M10547) (B=M10547) (C=M10547)									
37	2	172437-03501	LABEL, FUEL	1	1	1					
38	2	172437-03511	LABEL, HOOK	3	3	3					
39	2	172437-03601	LABEL, 2-WAY US	1	1	1					
40	2	172437-03610	LABEL	1	1	1					
41	2	172437-03620	LABEL	1	1	1					
42	2	172156-03740	LABEL, GREASE	1	1	1					
43	2	172187-03941	LABEL, BOOM US	2	2	2					

Fig.1. LABEL



Remarks

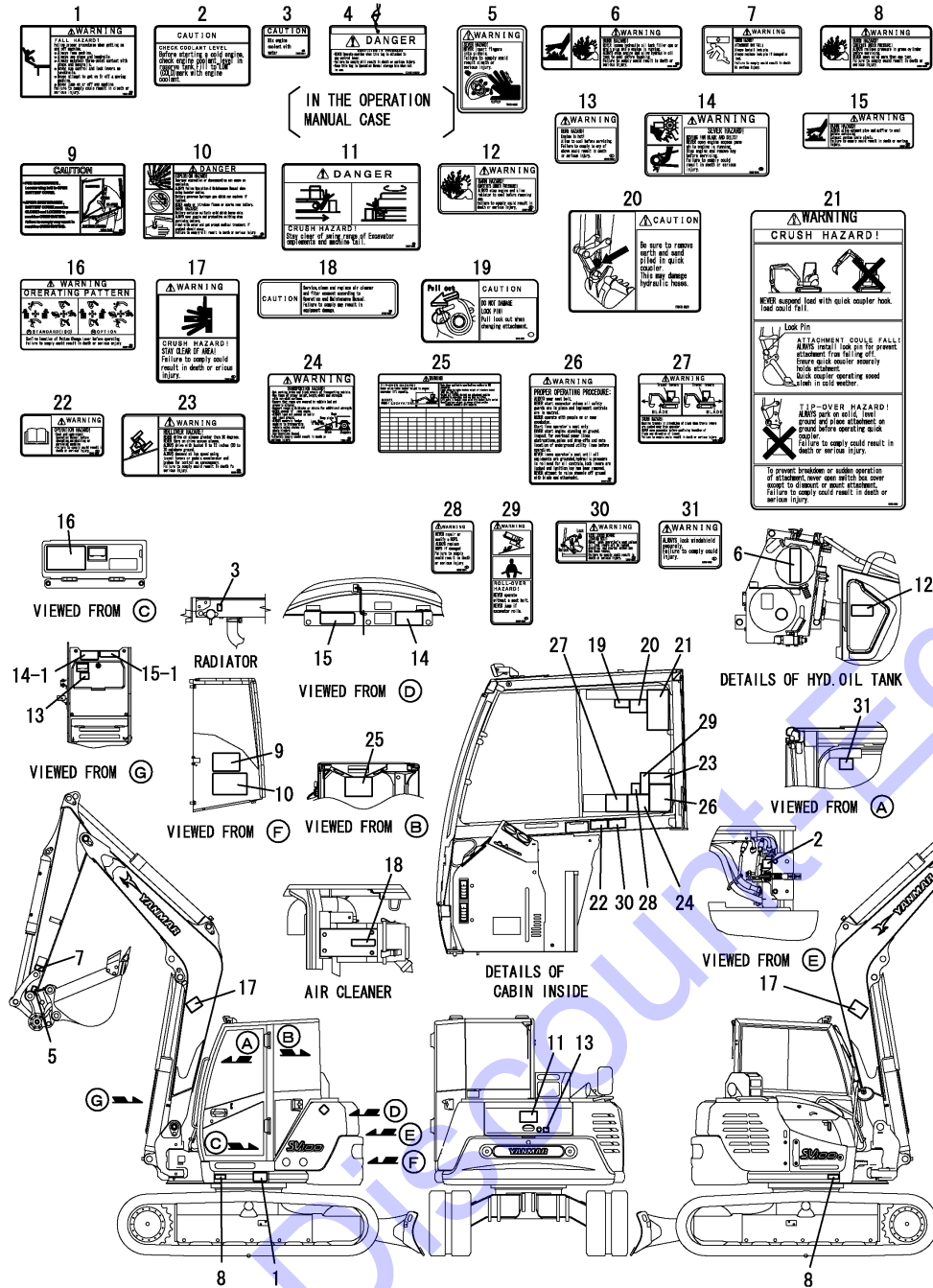
(1) RUBBER CRAWLER SPEC.
 Installation position change.
 * PLEASE REFER TO FIG.NO.115 FOR THE FRENCH LABEL KIT FOR CANADA.

(A)=SV100-1(US)
 (B)=SV100-1(AS)
 (C)=SV100-1(NZ)

(D)=
 (E)=
 (F)=

REF.	LEV.	PARTS NO.	DESCRIPTION	Q'TY						I	R
				(A)	(B)	(C)	(D)	(E)	(F)		
44	2	172125-03951	LABEL, AIR CLEANER	1	1	1					
45	2	114110-07760	LABEL, FUEL CAUTION	1	1	1					
46	2	172A69-03300	LABEL, CABIN FRONT	1	1	1					
47	2	172A69-03310	LABEL, CABIN SIDE	1	1	1					
48	2	172A69-03200	LABEL, OPERATION	1	1	1					
49	2	172472-03241	LABEL, PINUS	1	1	1					
50	2	172472-03250	LABEL, OPERATION	1	1	1					
51	2	172472-03271	LABEL, SANDUS	1	1	1					
52	2	172472-03281	LABEL, WARNING HITCH	1	1	1					
53	2	172437-03302	LABEL, MANUAL	1	1	1					
54	2	172437-03312	LABEL, SLOPE	1	1	1					
55	2	172437-03343	LABEL, TRANSPORT	1	1	1					
56	2	172A69-03360	LABEL, LIFT Q	1	1	1					
57	2	172437-03372	LABEL, NEUTRAL	1	1	1					
58	2	172437-03432	LABEL, STEERING	1	1	1					
59	2	172437-03441	LABEL, ROPS	1	1	1					
60	2	172437-03451	LABEL, SEAT BELT	1	1	1					
61	2	172437-03471	LABEL, LEVER LOCK	1	1	1					
62	2	172437-03551	LABEL, WINDOW US	1	1	1					
68	1	172A89-03500	EMBLEM ASSY,L3 Y	1	1	1					W
		(A=M11501) (B=M11501) (C=M11501)									

Fig.2. SAFETY LABEL

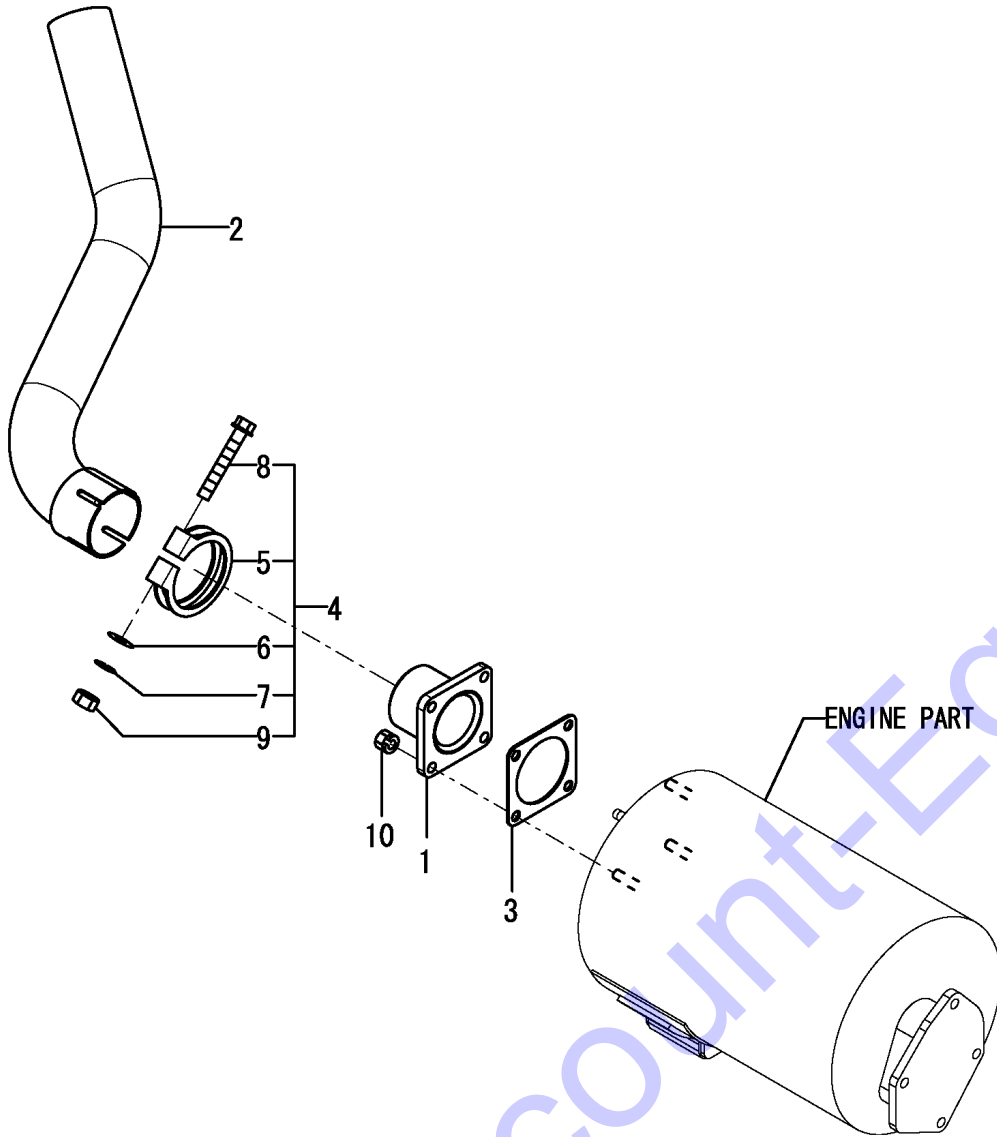


(A)=SV100-1(US)
 (B)=SV100-1(AS)
 (C)=SV100-1(NZ)

(D)=
 (E)=
 (F)=

REF.	LEV.	PARTS NO.	DESCRIPTION	QTY						I	R
				(A)	(B)	(C)	(D)	(E)	(F)		
1	1	172472-03141	LABEL, SUPPORT US	1	1	1					
2	1	172A38-03201	LABEL, SUB-TANK US	1	1	1					
3	1	172A38-03211	LABEL,ANTI-FREEZING	1	1	1					
4	1	172437-03252	TAG ASSY, CAUTION	1	1	1					
5	1	172472-03261	LABEL, FINGER US	1	1	1					
6	1	172437-03322	LABEL, HYD.OIL TANK	1	1	1					
7	1	172472-03330	LABEL, LOCK PIN(US)	1	1	1					
8	1	172437-03352	LABEL, GREASE CYL.	2	2	2					
9	1	172A69-03350	LABEL,BATTERY COVER	1	1	1					
10	1	172437-03361	LABEL, BATTERY US	1	1	1					
11	1	172437-03381	LABEL, SWING AREA US	1	1	1					
12	1	172437-03391	LABEL, RADIATOR US	1	1	1					
13	1	172437-03402	LABEL, ENG,COVER US	2	2	2					
14	1	172A36-03411	LABEL, ENG ROOM	1	1	1					
14-1	2	172A36-03411	LABEL, ENG ROOM	2	2	2					K
15	1	172437-03422	LABEL, MUFFLER US	1	1	1					
15-1	2	172437-03422	LABEL, MUFFLER US	2	2	2					K
16	1	172437-03601	LABEL, 2-WAY US	1	1	1					
17	1	172187-03941	LABEL, BOOM US	2	2	2					
18	1	172125-03951	LABEL, AIR CLEANER	1	1	1					
19	1	172472-03241	LABEL, PIN US	1	1	1					
20	1	172472-03271	LABEL, SAND US	1	1	1					
21	1	172472-03281	LABEL, WARNING HITCH	1	1	1					
22	1	172437-03302	LABEL, MANUAL US	1	1	1					
23	1	172437-03312	LABEL,SLOPE US	1	1	1					
24	1	172437-03343	LABEL, TRANSPORT US	1	1	1					
25	1	172A69-03360	LABEL,LIFT Q	1	1	1					
26	1	172437-03372	LABEL, NEUTRAL US	1	1	1					
27	1	172437-03432	LABEL, STEERING US	1	1	1					
28	1	172437-03441	LABEL, ROPS US	1	1	1					
29	1	172437-03451	LABEL, SEAT BELT US	1	1	1					
30	1	172437-03471	LABEL, LEVER LOCK US	1	1	1					
31	1	172437-03551	LABEL, WINDOW US	1	1	1					

Fig.3. MUFFLER



OCS10-G54500 3. MUFFLER

(A)=SV100-1(US)
 (B)=SV100-1(AS)
 (C)=SV100-1(NZ)

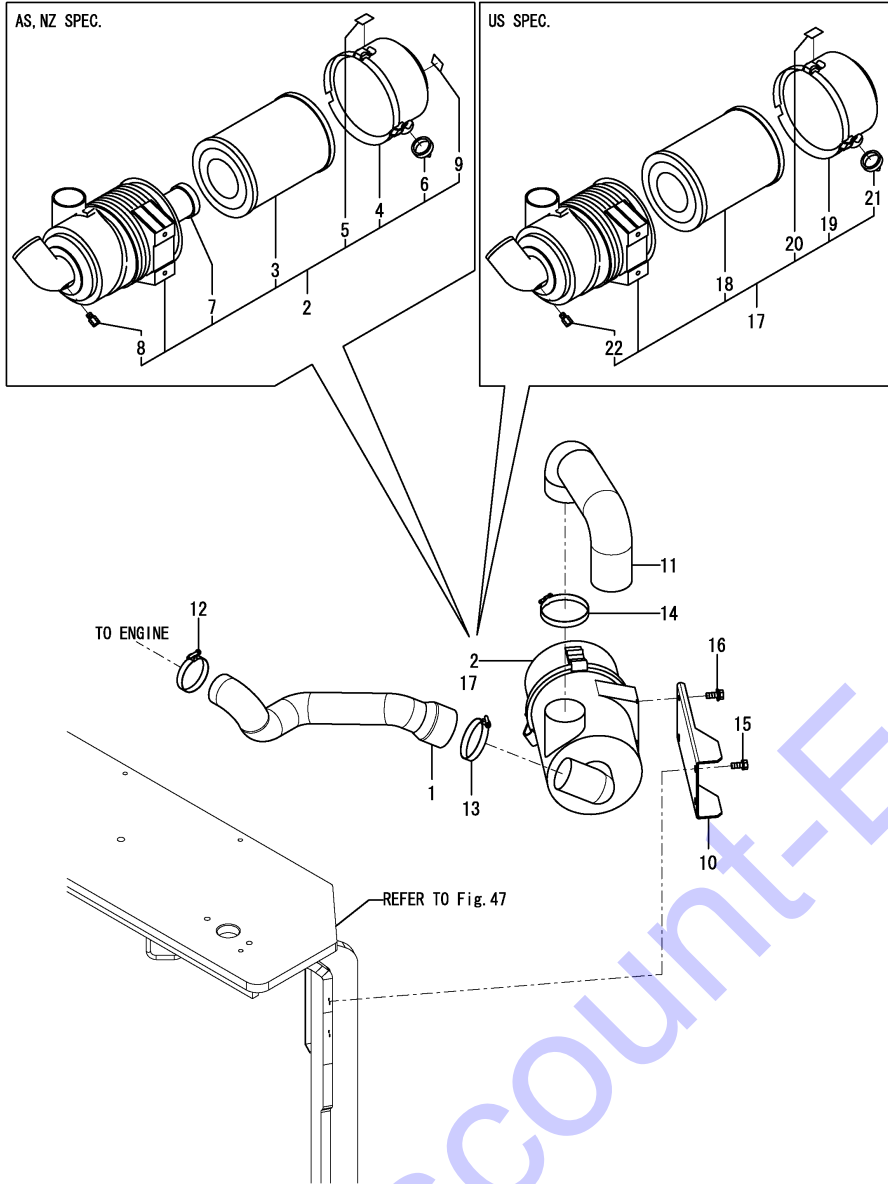
(D)=
 (E)=
 (F)=

REF.	LEV.	PARTS NO.	DESCRIPTION	Q'TY						I	R
				(A)	(B)	(C)	(D)	(E)	(F)		
1	1	172A69-11310	FLANGE ASSY,MUFFLER	1	1	1					
2	1	172A69-11350	PIPE CMP,EXHAUST	1	1	1					
3	1	129400-13201	GASKET, SILENCER	1	1	1					
4	1	129640-13590	CLAMP ASSY, SILENCER	1	1	1					
5	2	129640-13580	CLAMP	1	1	1					
6	2	22117-100000	WASHER 10	1	1	1					
7	2	22217-100000	SPRING WASHER 10	1	1	1					
8	2	26106-100652	BOLT M10X 65 PLATED	1	1	1					
9	2	26706-100002	NUT M10	1	1	1					
10	1	26051-080002	NUT M 8	4	4	4					

Fig.4. AIR CLEANER

(A)=SV100-1(US)
 (B)=SV100-1(AS)
 (C)=SV100-1(NZ)

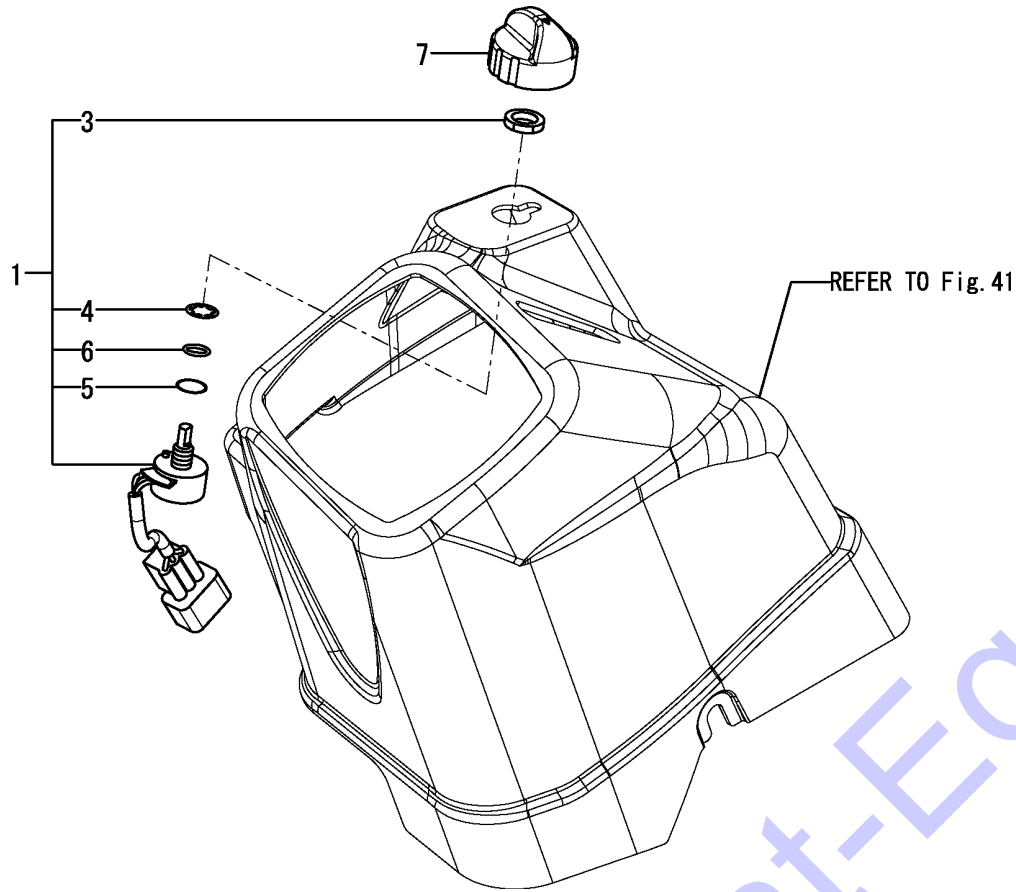
(D)=
 (E)=
 (F)=



REF.	LEV.	PARTS NO.	DESCRIPTION	Q'TY						I	R
				(A)	(B)	(C)	(D)	(E)	(F)		
1	1	172A69-11500	HOSE, AIR INTAKE	1	1	1					
2	1	172499-11510	CLEANER ASSY, AIR			1	1				
3	2	129935-12520	ELEMENT, OUTER			1	1				
3-1	2	119160-12560 (B=MXXXXX) (C=MXXXXX)	ELEMENT, OUTER			1	1				N
4	2	119160-12530	COVER ASSY			1	1				
5	2	129418-12530	LABEL, MARK			1	1				
6	2	119160-12540	VALVE			1	1				
7	2	119160-12570	ELEMENT, INNER			1	1				
8	2	121820-12590	NIPPLE			1	1				
9	2	129612-12650	LABEL, MARKING			1	1				
10	1	172A69-11530	BRACKET, CLEANER	1	1	1					1
11	1	172499-11560	HOSE, AIR INTAKE	1	1	1					
12	1	23000-070000	CLAMP, HOSE	1	1	1					
13	1	23000-080000	CLAMP, HOSE	1	1	1					
14	1	23000-090000	CLAMP, HOSE	1	1	1					
15	1	26013-100202	BOLT	2	2	2					
16	1	26014-080202	BOLT	2	2	2					
17	1	172499-11500	CLEANER ASSY, AIR	1							
18	2	129935-12520	ELEMENT, OUTER	1							
18-1	2	119160-12560 (A=MXXXXX)	ELEMENT, OUTER	1							N
19	2	119160-12530	COVER ASSY	1							
20	2	129418-12530	LABEL, MARK	1							
21	2	119160-12540	VALVE	1							
22	2	121820-12590	NIPPLE	1							
23A	1	172125-03951	LABEL, AIR CLEANER	1	1	1					2

Remarks
 (1)PLEASE USE THIS PART WITH FOLLOWING LABEL AT THE SAME TIME. REF NO.23A.
 (2)LABEL IS NOT ILLUSTRATED.

Fig.5. ACCELERATOR



(A)=SV100-1(US)
 (B)=SV100-1(AS)
 (C)=SV100-1(NZ)

(D)=
 (E)=
 (F)=

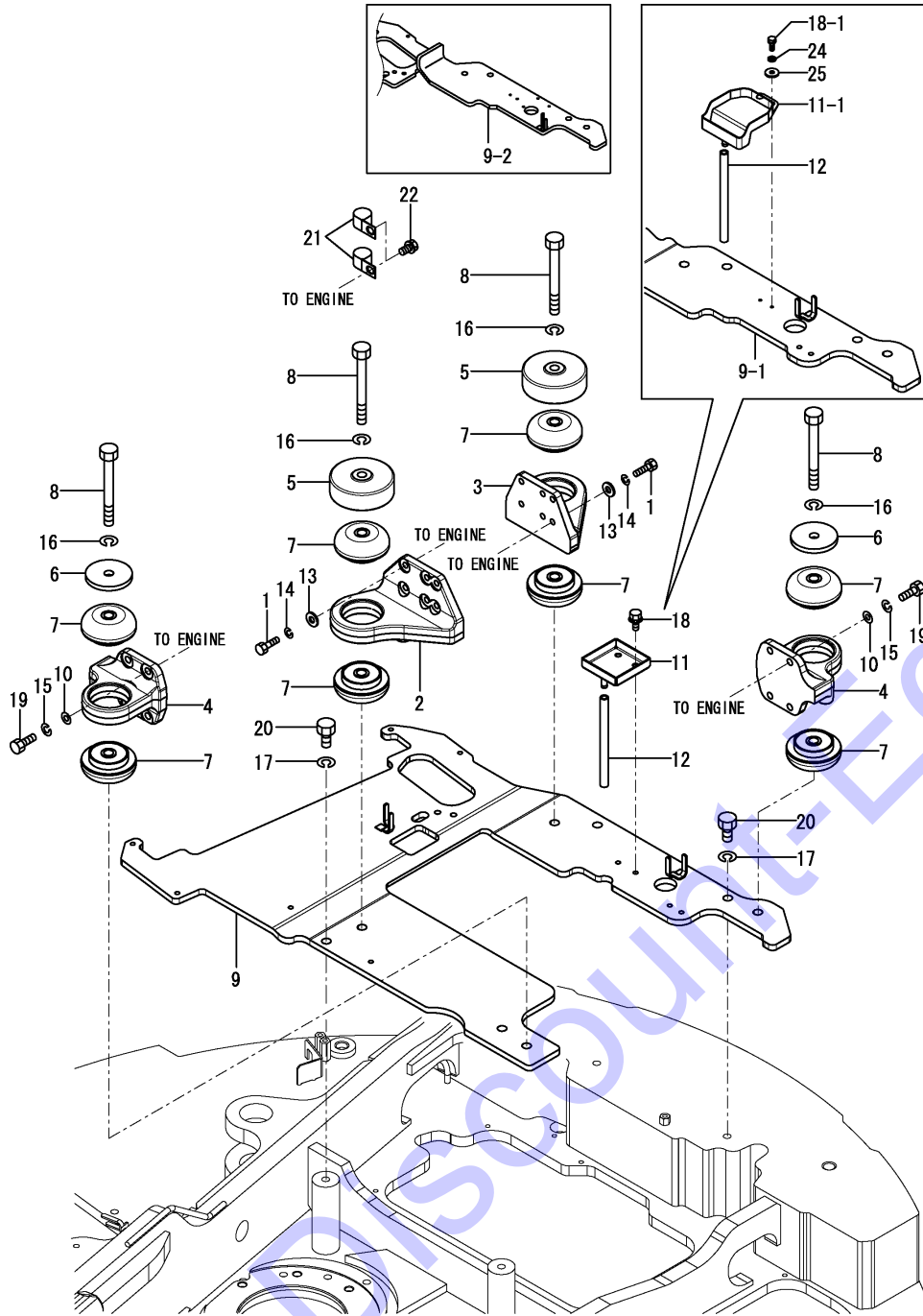
REF.	LEV.	PARTS NO.	DESCRIPTION	Q'TY						I	R
				(A)	(B)	(C)	(D)	(E)	(F)		
1	1	172A69-12100	VOLUME, ACCEL ASSY	1	1	1					
3	2	172A69-12160	NUT M9P0.75	1	1	1					
4	2	172A69-12170	WASHER	1	1	1					
5	2	172A69-12180	WATER PROOF RING	1	1	1					
6	2	172A69-12190	O RING	1	1	1					
7	1	172A69-12120	KNOB ASSY,ACCEL	1	1	1					

Discount-Equipment.com

Fig.6. ENGINE MOUNT

(A)=SV100-1(US)
 (B)=SV100-1(AS)
 (C)=SV100-1(NZ)

(D)=
 (E)=
 (F)=

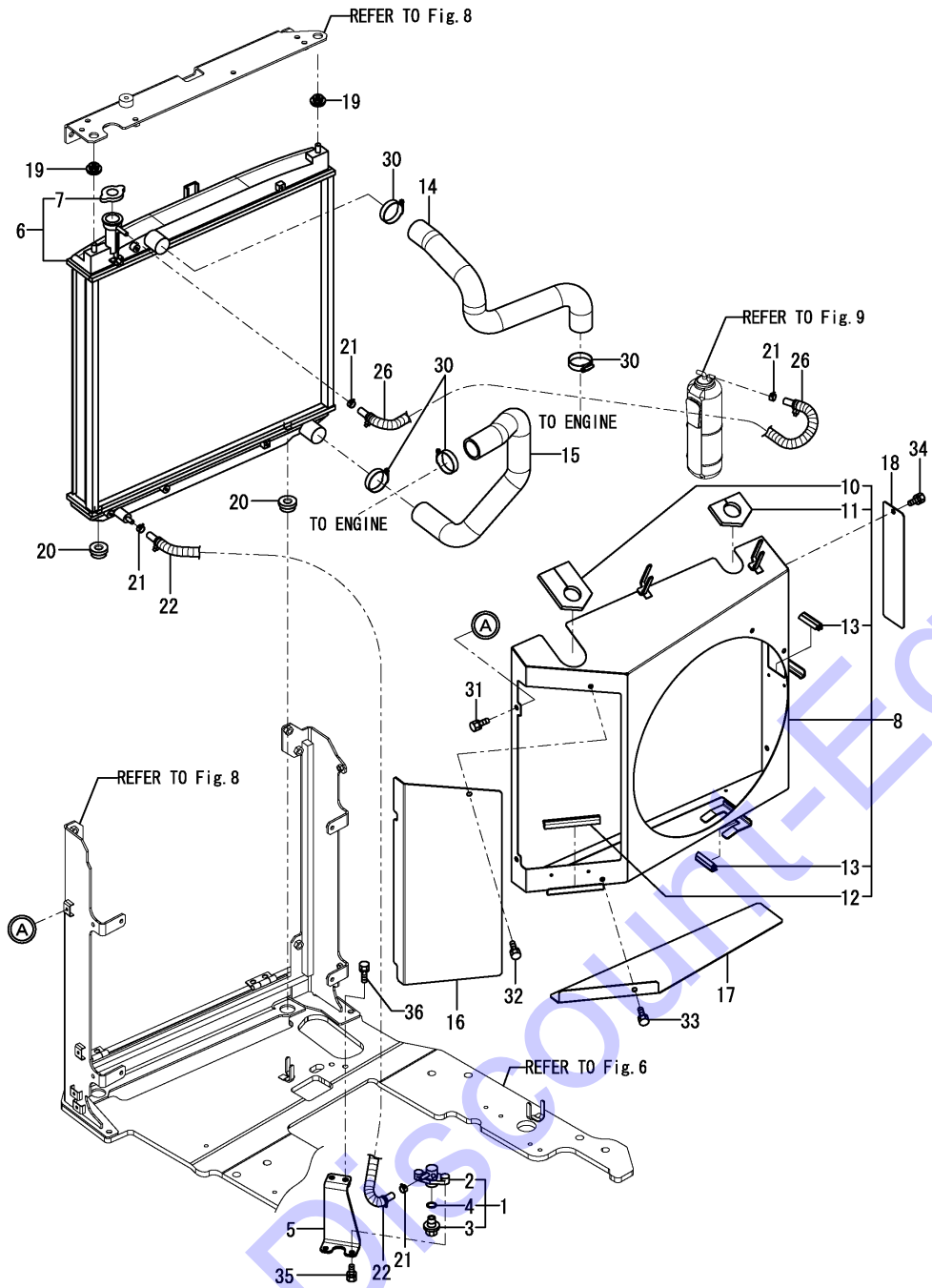


REF.	LEV.	PARTS NO.	DESCRIPTION	QTY						I	R
				(A)	(B)	(C)	(D)	(E)	(F)		
1	1	172A21-13100	BOLT 10X35,11T	12	12	12					
2	1	172A69-13100	BRACKET RR	1	1	1					
3	1	172A69-13110	BRACKET RL	1	1	1					
4	1	172A69-13120	BRACKET F	2	2	2					
5	1	172A69-13150	STOPPER	2	2	2					
6	1	172162-13170	WASHER	2	2	2					
7	1	172162-13180	MOUNT,ENGINE	8	8	8					
8	1	172162-13190	BOLT M16X150	4	4	4					
9	1	172A69-13200	PLATE ASSY,BASE	1	1	1					
9-1	1	172A69-13201	PLATE ASSY,BASE	1	1	1					S
		(A=MZZZZZ) (B=MZZZZZ) (C=MZZZZZ)									
9-2	1	172A69-13202	PLATE ASSY,BASE	1	1	1					S
		(A=MZZZZZ) (B=MZZZZZ) (C=MZZZZZ)									
10	1	172165-13220	WASHER	8	8	8					
11	1	172A69-13250	TRAY CMP	1	1	1					
11-1	1	172A89-13150	OIL SAUCER	1	1	1					S
		(A=MZZZZZ) (B=MZZZZZ) (C=MZZZZZ)									
12	1	172137-14282	HOSE, FUEL GAUGE	1	1	1					
13	1	172137-46042	SEAT, SPRING	12	12	12					
14	1	22217-100000	SPRING WASHER 10	12	12	12					
15	1	22217-120000	SPRING WASHER 12	8	8	8					
16	1	22217-160000	SPRING WASHER 16	4	4	4					
17	1	22217-160000	SPRING WASHER 16	4	4	4					
18	1	26014-100162	BOLT M10X16	2	2	2					
18-1	1	26013-060162	BOLT M 6X 16	2	2	2					S
		(A=MZZZZZ) (B=MZZZZZ) (C=MZZZZZ)									
19	1	26076-120352	BOLT M12X 35	8	8	8					
20	1	26116-160352	BOLT M16X 35 PLATED	4	4	4					
21	1	172183-14650	CRAMP 26	2	2	2					
22	1	26013-100162	BOLT M10X 16	2	2	2					
24	1	22117-060000	WASHER 6	2	2	2					W
		(A=MZZZZZ) (B=MZZZZZ) (C=MZZZZZ)									
25	1	22157-060000	WASHER 6	2	2	2					W
		(A=MZZZZZ) (B=MZZZZZ) (C=MZZZZZ)									

Fig.7. RADIATOR

(A)=SV100-1(US)
 (B)=SV100-1(AS)
 (C)=SV100-1(NZ)

(D)=
 (E)=
 (F)=

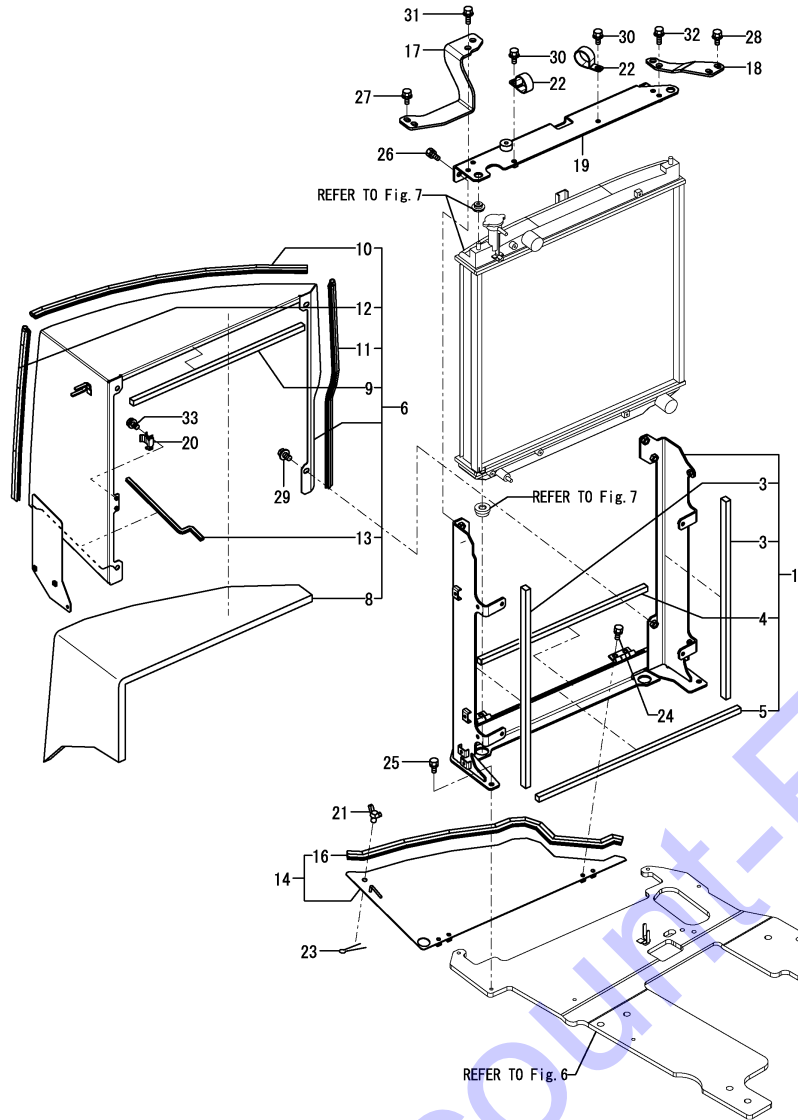


REF.	LEV.	PARTS NO.	DESCRIPTION	Q'TY						I	R
				(A)	(B)	(C)	(D)	(E)	(F)		
1	1	172444-13210	COCK ASSY, 2-WAY	1	1	1					
2	2	172444-13220	BODY	1	1	1					
3	2	121250-49121	PLUG	1	1	1					
4	2	24311-000160	O-RING	1	1	1					
5	1	172A69-13230	PLATE ASSY, COCK	1	1	1					
6	1	172A69-13300	RADIATOR ASSY	1	1	1					
7	2	129107-44590	CAP	1	1	1					
8	1	172A69-13450	SHROUD ASSY	1	1	1					
10	2	172A69-13510	SPONGE	1	1	1					
11	2	172A69-13520	SPONGE	1	1	1					
12	2	172458-61500	RUBBER, SEAL	1	1	1					
13	2	172458-61510	RUBBER, SEAL	2	2	2					
14	1	172A69-13550	PIPE, WATER	1	1	1					
15	1	172A69-13560	PIPE, WATER	1	1	1					
16	1	172A69-13760	COVER, SHROUD	1	1	1					
17	1	172A69-13770	COVER, SHROUD	1	1	1					
18	1	172A69-13780	COVER, SHROUD	1	1	1					
19	1	184016-44700	ABSORBER, SHOCK	2	2	2					
20	1	184016-44710	ABSORBER, SHOCK	2	2	2					
21	1	124766-59050	CLIP	4	4	4					
22	1	184015-59130	HOSE	1	1	1					
26	1	184015-59190	HOSE ASSY, FUEL	1	1	1					
30	1	23001-048000	CLAMP, HOSE	4	4	4					
31	1	26013-080162	BOLT	4	4	4					
32	1	26013-080162	BOLT	1	1	1					
33	1	26013-080162	BOLT	1	1	1					
34	1	26013-080162	BOLT	1	1	1					
34-1	1	26014-080162	BOLT	1	1	1					N
		(A=MXXXXX) (B=MXXXXX) (C=MXXXXX)									
35	1	26013-080162	BOLT	2	2	2					
36	1	26013-100302	BOLT	2	2	2					

Fig.8. RADIATOR MOUNT

(A)=SV100-1(US)
 (B)=SV100-1(AS)
 (C)=SV100-1(NZ)

(D)=
 (E)=
 (F)=



REF.	LEV.	PARTS NO.	DESCRIPTION	Q'TY						I	R
				(A)	(B)	(C)	(D)	(E)	(F)		
1	1	172A69-13350	BRACKET ASSY,RAD	1	1	1					
3	2	172A69-13440	SEAL A	2	2	2					
4	2	172499-13750	SEAL A,DUCT	1	1	1					
5	2	172499-13760	SEAL B,DUCT	1	1	1					
6	1	172A69-13600	DUCT ASSY,RADIATOR	1	1	1					1
8	2	172A69-13650	EV A,DUCT	1	1	1					
9	2	172A69-13660	SEAL,DUCT	1	1	1					
10	2	172A69-13670	SEAL 710	1	1	1					
11	2	172A69-13680	SEAL 600	1	1	1					
12	2	172A69-13690	SEAL 540	1	1	1					
13	2	172487-68450	RUBBER 290	1	1	1					
14	1	172A69-13700	COVER ASSY,DUCT	1	1	1					
16	2	172A69-13750	SEAL 750	1	1	1					
17	1	172A69-13800	STAY A,RAD	1	1	1					
17-1	1	172A69-13801	STAY A,RAD	1	1	1					N
		(A=MZZZZZ)	(B=MZZZZZ)	(C=MZZZZZ)							
18	1	172A69-13810	STAY B,RAD	1	1	1					
19	1	172A69-13850	BRACKET ASSY,RAD U	1	1	1					2
20	1	198220-61480	HOLDER	1	1	1					
21	1	172142-62301	WING BOLT,M10X20	1	1	1					
22	1	172146-78150	PLATE, CLAMP	2	2	2					
23	1	22417-320200	COTTER PIN 3.2X20	1	1	1					
24	1	26013-080162	BOLT W/WASHER M8X16	4	4	4					
25	1	26013-100202	BOLT W/WASHER M10X20	4	4	4					
26	1	26013-100202	BOLT W/WASHER M10X20	2	2	2					
27	1	26014-100202	BOLT M10X 20	2	2	2					
28	1	26014-100202	BOLT M10X 20	2	2	2					
29	1	26014-100202	BOLT M10X 20	4	4	4					
30	1	26014-100202	BOLT M10X 20	2	2	2					
31	1	26014-100252	BOLT 10X25 W/PLW+SPW	2	2	2					
32	1	26014-100252	BOLT 10X25 W/PLW+SPW	2	2	2					
33	1	26023-050102	SCREW M 5X 10	2	2	2					
34A	1	172A69-03350	LABEL,BATTERY COVER	1	1	1					3
34B	1	172437-03361	LABEL, BATTERY US	1	1	1					3
35A	1	172A38-03211	LABEL,ANTI-FREEZING	1	1	1					3

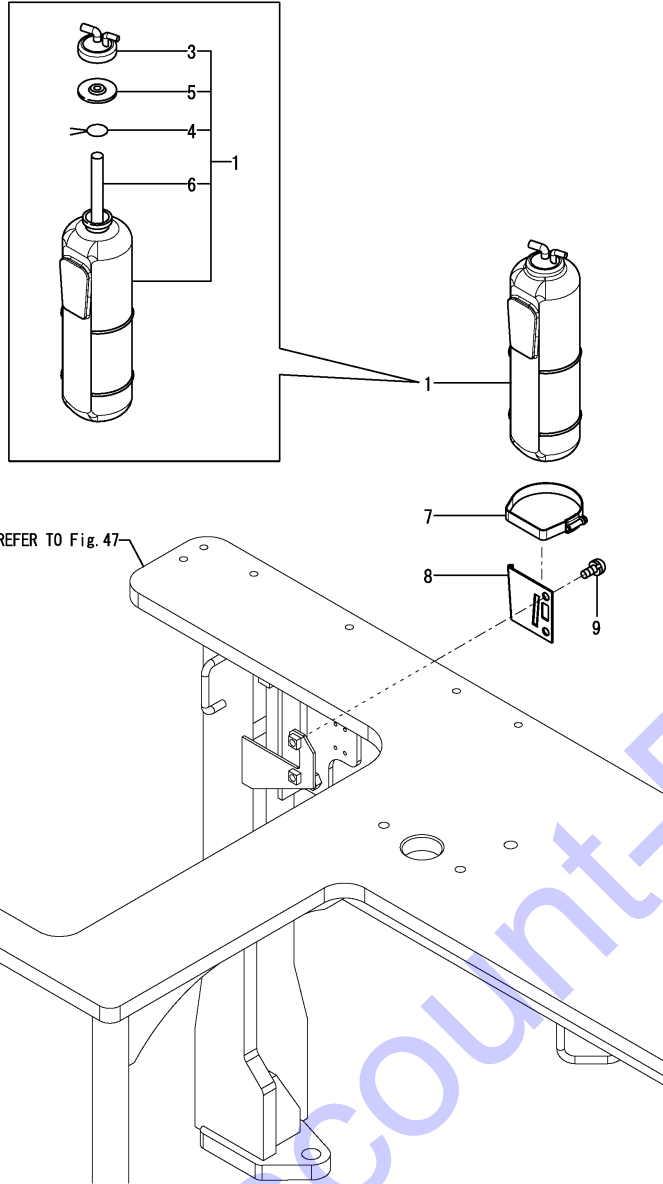
Remarks

- (1)PLEASE USE THIS PART WITH FOLLOWING LABEL AT THE SAME TIME.
REF NO.34A,34B.
- (2)PLEASE USE THIS PART WITH FOLLOWING LABEL AT THE SAME TIME.
REF NO.35A.
- (3)LABEL IS NOT ILLUSTRATED.

Fig.9. SUB-TANK

(A)=SV100-1(US)
 (B)=SV100-1(AS)
 (C)=SV100-1(NZ)

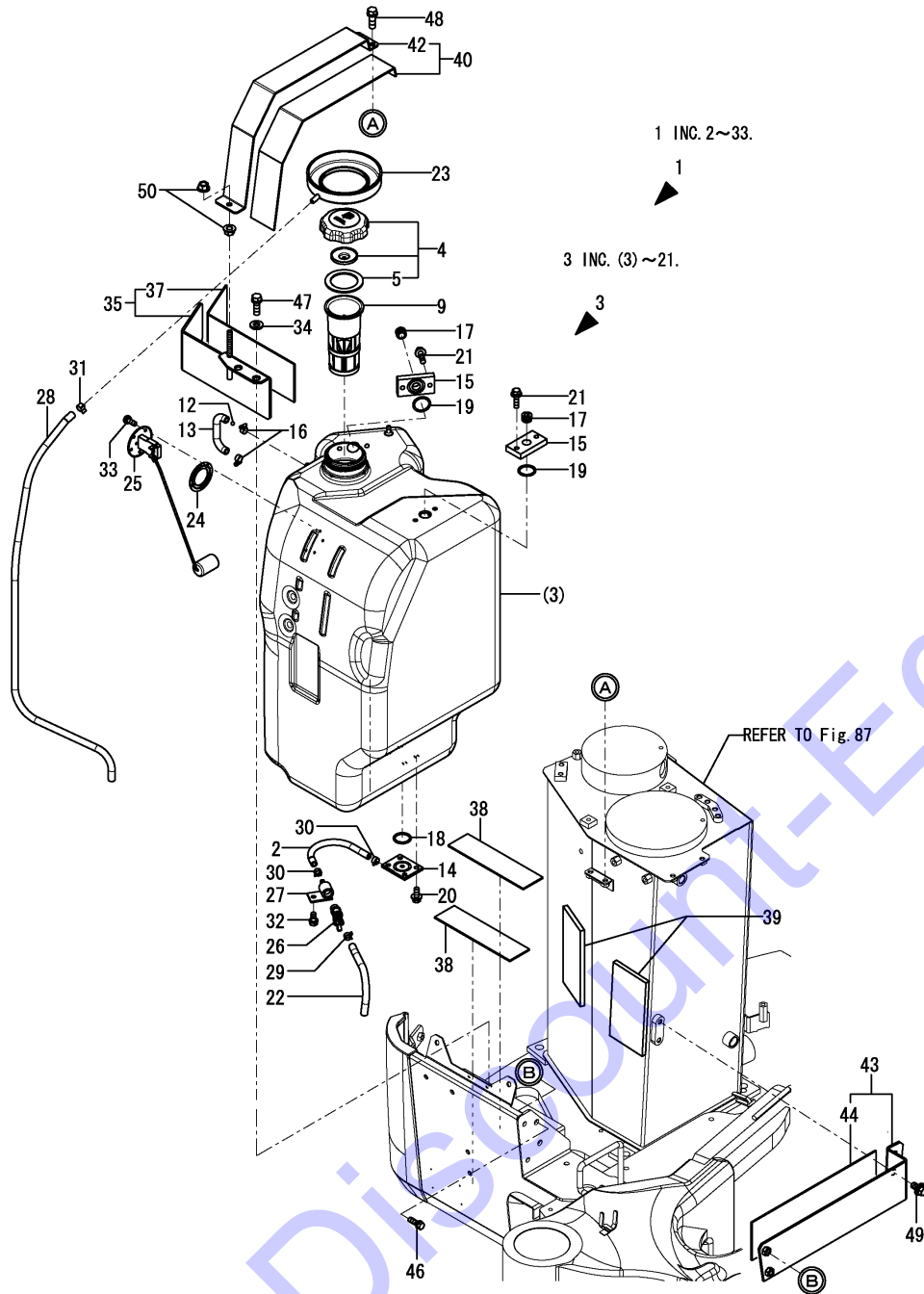
(D)=
 (E)=
 (F)=



REF.	LEV.	PARTS NO.	DESCRIPTION	Q'TY						I	R
				(A)	(B)	(C)	(D)	(E)	(F)		
1	1	171064-44510	SUB-TANK ASSY	1	1	1					1
3	2	121450-44531	CAP	1	1	1					
4	2	124450-44560	CLAMP	1	1	1					
5	2	121470-44581	GASKET	1	1	1					
6	2	23065-070225	HOSE 7X 225	1	1	1					
7	1	124450-44550	CLAMP, SUB-TANK	1	1	1					
8	1	121256-44600	BRACKET, SUB TANK	1	1	1					
9	1	26022-080162	SCREW M 8X 16	2	2	2					
10A	1	172A38-03201	LABEL, SUB-TANK US	1	1	1					2

Remarks
 (1)PLEASE USE THIS PART WITH FOLLOWING LABEL AT THE SAME TIME. REF NO.10A.
 (2)LABEL IS NOT ILLUSTRATED.

Fig.10. FUEL TANK

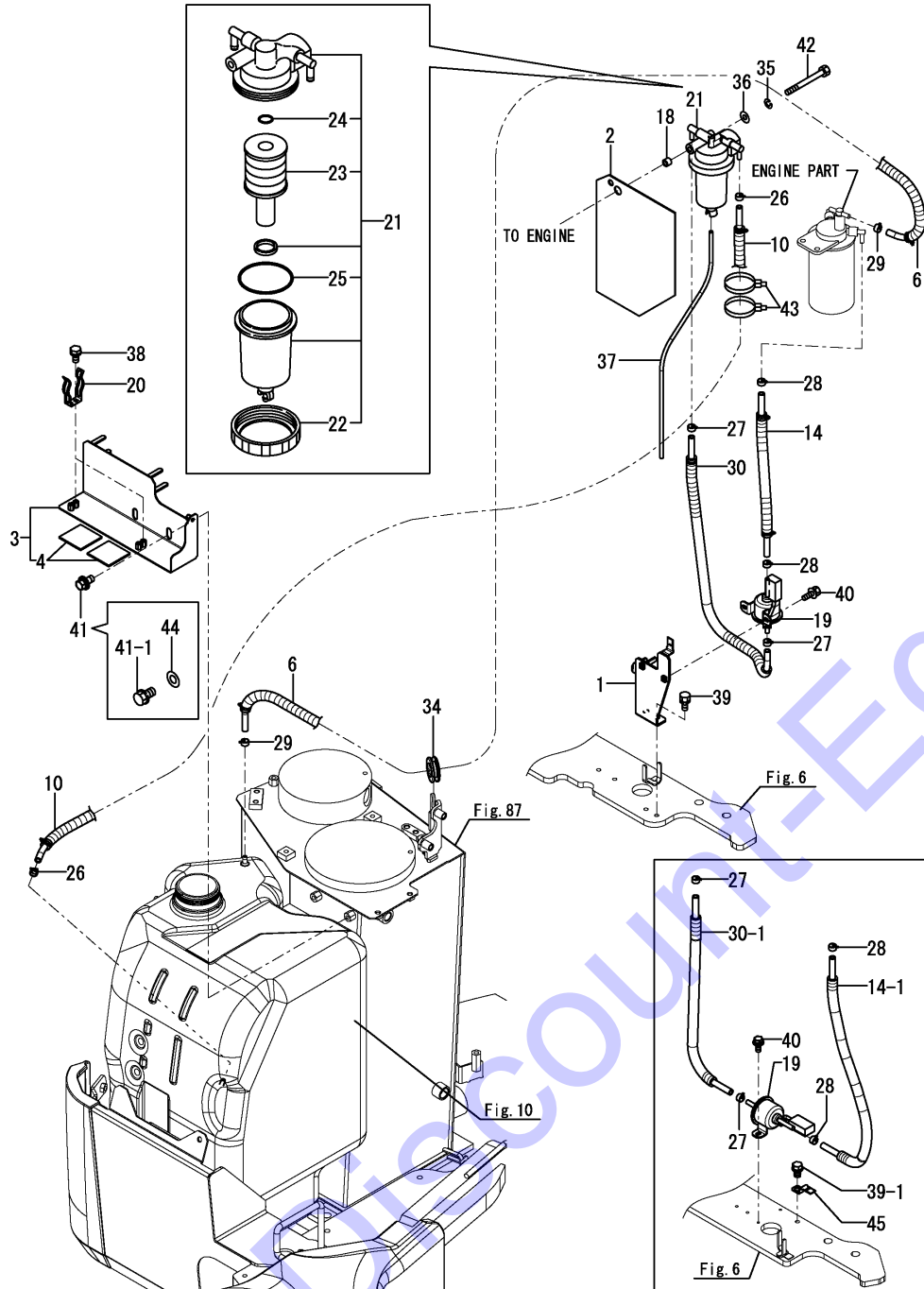


(A)=SV100-1(US)
 (B)=SV100-1(AS)
 (C)=SV100-1(NZ)

(D)=
 (E)=
 (F)=

REF.	LEV.	PARTS NO.	DESCRIPTION	Q'TY						I	R
				(A)	(B)	(C)	(D)	(E)	(F)		
1	1	772A69-14100	FUEL OIL TANK ASSY	1	1	1					
2	2	172137-13400	PIPE, WATER DRAIN	1	1	1					
3	2	172A69-14110	FO TANK ASSY	1	1	1					
4	3	198200-04030	CAP ASSY,FILLER	1	1	1					
5	4	198200-04040	GASKET,FILLER CAP	1	1	1					
9	3	172A69-14130	NET ASSY,FUEL INLET	1	1	1					
12	3	172447-14160	FLOAT	1	1	1					
13	3	172458-14203	HOSE, FUEL GAUGE	1	1	1					
14	3	172A69-14211	BLOCK ASSY, DRAIN	1	1	1					
15	3	172A69-14240	PLATE, R1/2	2	2	2					
16	3	23000-013000	CLAMP 13	2	2	2					
17	3	23876-040000	PLUG PT 1/2	2	2	2					
18	3	24311-000320	O-RING 1A P-32.0	1	1	1					
19	3	24311-000320	O-RING 1A P-32.0	2	2	2					
20	3	26013-080202	BOLT W/WASHER M8X20	4	4	4					
21	3	26013-080302	BOLT M 8X 30	4	4	4					
22	2	172186-14150	HOSE, FUEL GAUGE	1	1	1					
23	2	172A69-14170	SUPPORT,RIB FO	1	1	1					
24	2	172162-14200	GASKET	1	1	1					
25	2	172A78-14220	GAUGE UNIT, FUEL	1	1	1					
26	2	172A69-14230	VALVE,FUEL DRAIN	1	1	1					
27	2	172444-14270	JOINT	1	1	1					
28	2	172187-14510	HOSE	1	1	1					
29	2	106990-44660	CLIP,HOSE	1	1	1					
30	2	124766-59050	CLAMP 12	2	2	2					
31	2	23080-013000	CLAMP 13,HOSE	1	1	1					
32	2	26013-080162	BOLT W/WASHER M8X16	1	1	1					
33	2	26022-050122	SCREW M 5X 12	5	5	5					
34	1	194145-04810	WASHER 10	2	2	2					
35	1	172A69-14310	BRACKET ASSY, F	1	1	1					
37	2	172A69-14350	RUBBER, PLATE A	1	1	1					
38	1	172A69-14370	RUBBER PLATE,D	2	2	2					
39	1	172A69-14380	RUBBER PLATE,E	2	2	2					
40	1	172A69-14410	BRACKET ASSY, UP	1	1	1					
42	2	172A69-14430	RUBBER, PLATE B	1	1	1					
43	1	172A69-14450	BRACKET ASSY, L	1	1	1					
44	2	172A69-14350	RUBBER, PLATE A	1	1	1					
46	1	26013-100302	BOLT M10X 30	2	2	2					
47	1	26013-100302	BOLT M10X 30	2	2	2					
48	1	26013-100302	BOLT M10X 30	2	2	2					
49	1	26014-100202	BOLT M10X 20	2	2	2					
50	1	26367-100002	U-NUT M10	2	2	2					

Fig.11. FUEL LINE

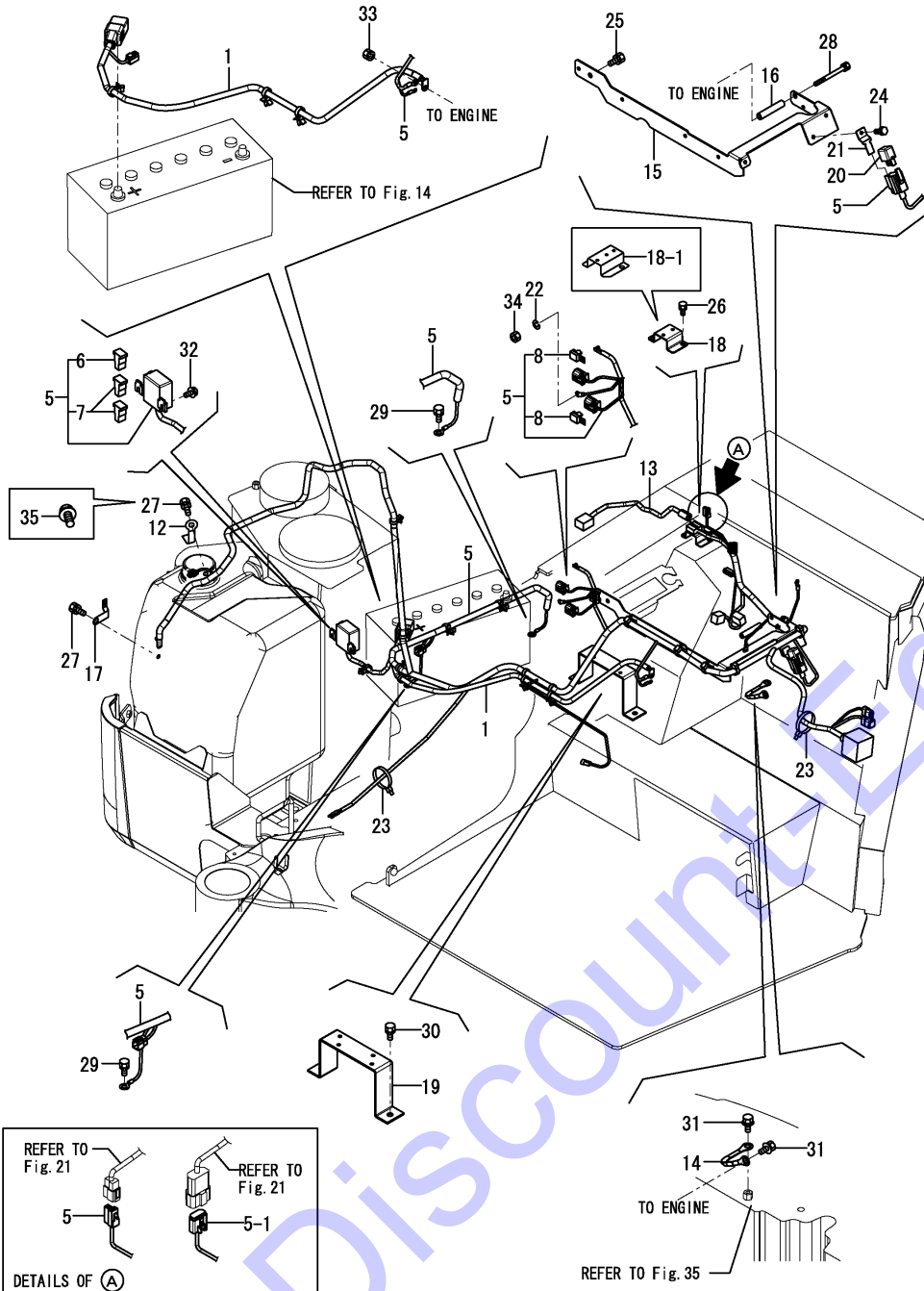


(A)=SV100-1(US)
 (B)=SV100-1(AS)
 (C)=SV100-1(NZ)

(D)=
 (E)=
 (F)=

REF.	LEV.	PARTS NO.	DESCRIPTION	Q'TY						I	R
				(A)	(B)	(C)	(D)	(E)	(F)		
1	1	172A69-14260 (A=MZZZZZ) (B=MZZZZZ) (C=MZZZZZ)	BRACKET ASSY,FP	1	1	1					Z
2	1	172A69-14290	RUBBER PLATE	1	1	1					
3	1	172A69-14510	BK ASSY,GREASE CAN	1	1	1					
4	2	172446-14250	RUBBER PLATE	2	2	2					
6	1	172A69-14610	HOSE ASSY(2200	1	1	1					
10	1	172A69-14640	HOSE ASSY(2400	1	1	1					
14	1	172A69-14670	HOSE ASSY(360	1	1	1					
14-1	1	172A89-14630	HOSE ASSY,550	1	1	1					S
18	1	194630-15520 (A=MZZZZZ) (B=MZZZZZ) (C=MZZZZZ)	COLLAR 9,2X13,8X11	1	1	1					
19	1	129612-52100	PUMP ASSY	1	1	1					
20	1	172122-55061	BRACKET, GREASE PUMP	2	2	2					
21	1	184016-55700	SEPARATOR ASSY	1	1	1					
21-1	1	184016-55701	SEPARATOR ASSY,WATER	1	1	1					N
22	2	129100-55690 (A=M10632) (B=M10632) (C=M10632)	RING	1	1	1					
23	2	119802-55710	ELEMENT	1	1	1					
24	2	24311-000160	O-RING 1A P-16.0	1	1	1					
25	2	24321-000650	O-RING 1A G-65.0	1	1	1					
26	1	124766-59050	CLIP	2	2	2					
27	1	124766-59050	CLIP	2	2	2					
28	1	124766-59050	CLIP	2	2	2					
29	1	124766-59050	CLIP	2	2	2					
30	1	184015-59250	HOSE	1	1	1					
30-1	1	172186-13810 (A=MZZZZZ) (B=MZZZZZ) (C=MZZZZZ)	HOSE ASSY	1	1	1					S
34	1	172422-78760	GROMMET	1	1	1					
35	1	22137-080000	WASHER 8, POLISHED	1	1	1					
36	1	22217-080000	WASHER, 8	1	1	1					
37	1	23061-050500	PIPE 5X500,VINYL	1	1	1					
38	1	26013-060122	BOLT M 6X 12	4	4	4					
39	1	26013-100162	BOLT M10X 16	2	2	2					
39-1	1	26013-100162 (A=MZZZZZ) (B=MZZZZZ) (C=MZZZZZ)	BOLT M10X 16	1	1	1					K
40	1	26014-060162 (A=M10654) (B=M10654) (C=M10654)	BOLT M 6X 16	2	2	2					
41	1	26014-100162	BOLT M10X16	2	2	2					
41-1	1	26013-100162 (A=M10654) (B=M10654) (C=M10654)	BOLT M10X 16	2	2	2					N
42	1	26116-080802	BOLT M 8X 80 PLATED	1	1	1					
43	1	194202-56460	BAND	2	2	2					
44	1	22137-100000	WASHER 10,POLISHED	2	2	2					W
45	1	172460-16700 (A=MZZZZZ) (B=MZZZZZ) (C=MZZZZZ)	STAY A	1	1	1					W

Fig.12. ELECTRIC PART(ENGINE)

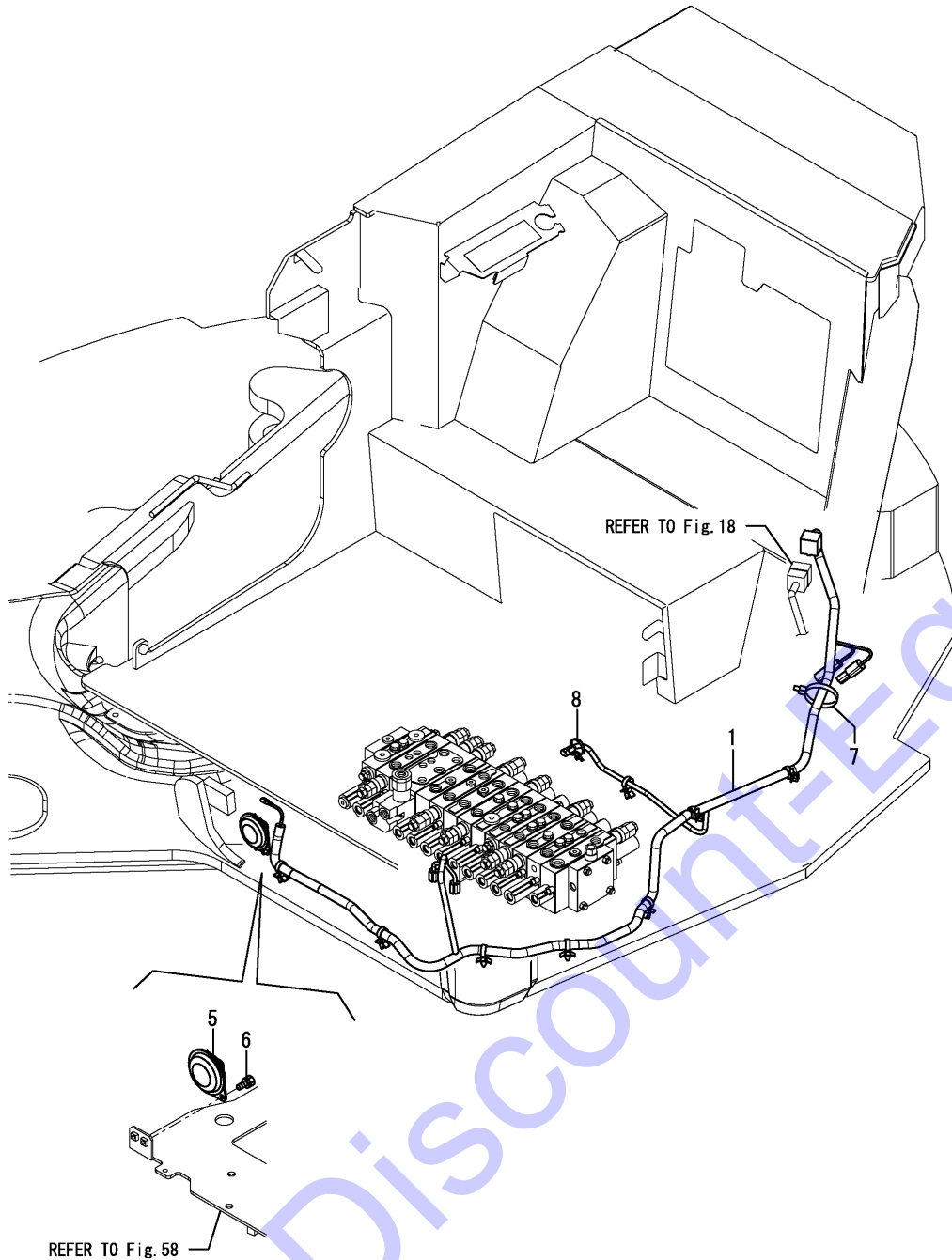


(A)=SV100-1(US)
 (B)=SV100-1(AS)
 (C)=SV100-1(NZ)

(D)=
 (E)=
 (F)=

REF.	LEV.	PARTS NO.	DESCRIPTION	Q'TY						I	R
				(A)	(B)	(C)	(D)	(E)	(F)		
1	1	172A69-16100	CORD ASSY BATTERY	1	1	1					
5	1	172A69-16500	HARNESS,A ASSY	1	1	1					
5-1	1	172A69-16501	HARNESS,A ASSY	1	1	1					S
5-2	1	172A69-16502	HARNESS,A ASSY	1	1	1					N
		(A=M10772) (B=M10772) (C=M10772)									
		(A=MZZZZZ) (B=MZZZZZ) (C=MZZZZZ)									
6	2	172A65-16550	FUSE,SLOW BLOW 60A	1	1	1					
7	2	172A69-16710	FUSE,SLOW BLOW 60A	2	2	2					
8	2	172648-16600	DIODE	2	2	2					
12	1	172126-16540	CLAMP 10X70	1	1	1					
13	1	172A65-16540	HARNESS C	1	1	1					
14	1	172187-16600	CODE, ENGINE EARTH	1	1	1					
15	1	172A69-16660	SUPPORT ASSY,A	1	1	1					
16	1	172A69-16680	COLLAR	1	1	1					
17	1	172A69-16700	BRACKET,SWP 2P-M	1	1	1					
18	1	172A65-16750	CLAMP,HARNESSY	1	1	1					
18-1	1	172A89-16770	CLAMP,HARNESS	1	1	1					S
		(A=M10772) (B=M10772) (C=M10772)									
19	1	172A69-16800	SUPPORT,HARNESS B	1	1	1					
19-1	1	172A69-16801	SUPPORT,HARNESS B	1	1	1					N
		(A=MZZZZZ) (B=MZZZZZ) (C=MZZZZZ)									
20	1	129927-77900	RELAY	1	1	1					
21	1	129927-77910	BRACKET	1	1	1					
22	1	22217-060000	SPRING WASHER 6	1	1	1					
23	1	194202-56460	BAND	2	2	2					
24	1	26013-060162	BOLT M 6X 16	1	1	1					
25	1	26013-080162	BOLT W/WASHER M8X16	1	1	1					
26	1	26013-080162	BOLT W/WASHER M8X16	2	2	2					
27	1	26013-080162	BOLT W/WASHER M8X16	2	2	2					
27-1	1	26013-080162	BOLT W/WASHER M8X16	1	1	1					K
		(A=FROM 1ST) (B=FROM 1ST) (C=FROM 1ST)									
28	1	26013-080852	BOLT M 8X 85	1	1	1					
29	1	26013-100162	BOLT M10X 16	2	2	2					
30	1	26013-100202	BOLT W/WASHER M10X20	2	2	2					
31	1	26014-100162	BOLT M10X16	2	2	2					
32	1	26023-060162	SCREW M 6X 16	2	2	2					
33	1	26051-080002	NUT M 8	1	1	1					
34	1	26716-060002	NUT 6	1	1	1					
35	1	26014-080162	BOLT M 8X 16	1	1	1					W
		(A=FROM 1ST) (B=FROM 1ST) (C=FROM 1ST)									

Fig.13. ELECTRIC PART(CONTROL VALVE PLATE)



OCS10-G54500 13. ELECTRIC PART(CONTROL VALVE PLATE)

(A)=SV100-1(US)
 (B)=SV100-1(AS)
 (C)=SV100-1(NZ)

(D)=
 (E)=
 (F)=

REF.	LEV.	PARTS NO.	DESCRIPTION	Q'TY						I	R
				(A)	(B)	(C)	(D)	(E)	(F)		
1	1	172A69-16550	HARNESS,D ASSY	1	1	1					
1-1	1	172A69-16551	HARNESS,D ASSY	1	1	1					N
		(A=M10557) (B=M10557) (C=M10557)									
5	1	194151-57100	HORN	1	1	1					
6	1	26013-060122	BOLT M 6X 12	2	2	2					
7	1	194202-56460	BAND	1	1	1					
8	1	1E8775-84120	BAND CLAMP	1	1	1					W
		(A=M10557) (B=M10557) (C=M10557)									

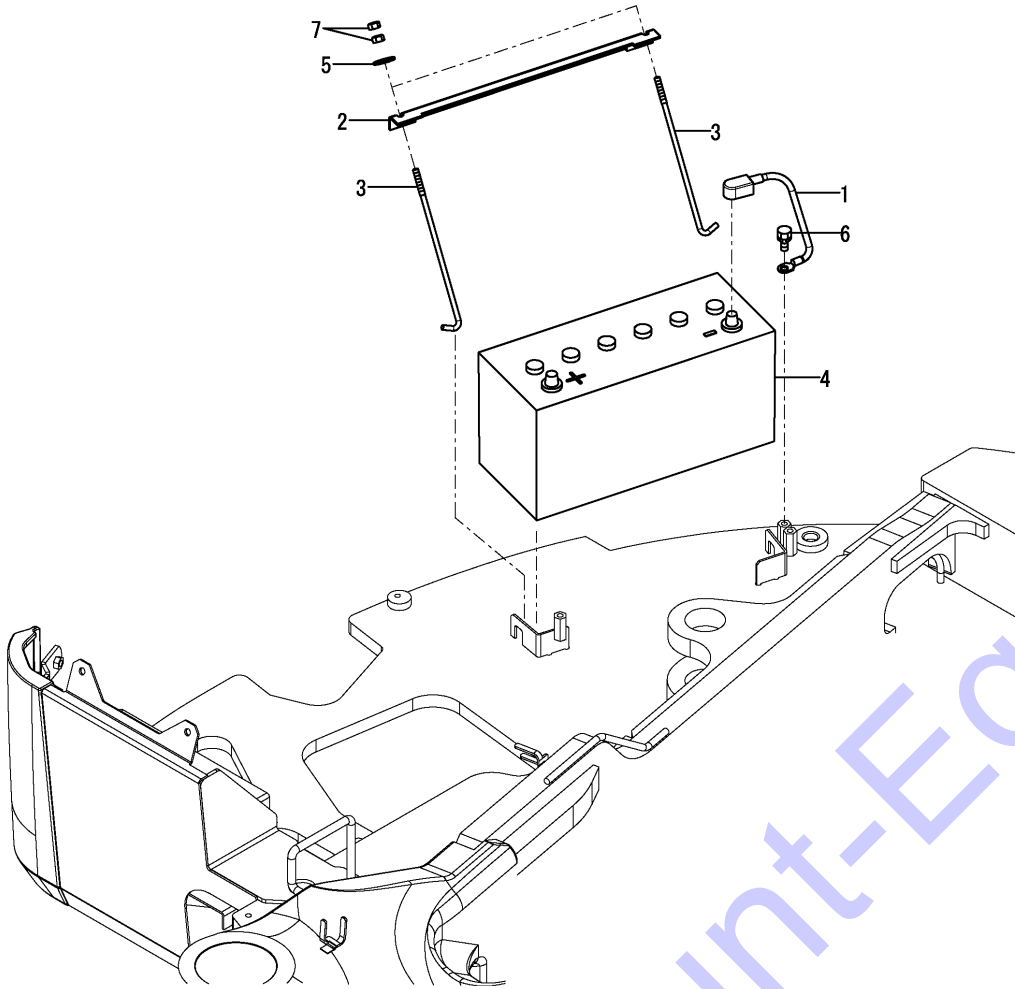
REFER TO Fig. 58

Fig.14. ELECTRIC PART(BATTERY)

OCS10-G54500 14. ELECTRIC PART(BATTERY)

(A)=SV100-1(US)
 (B)=SV100-1(AS)
 (C)=SV100-1(NZ)

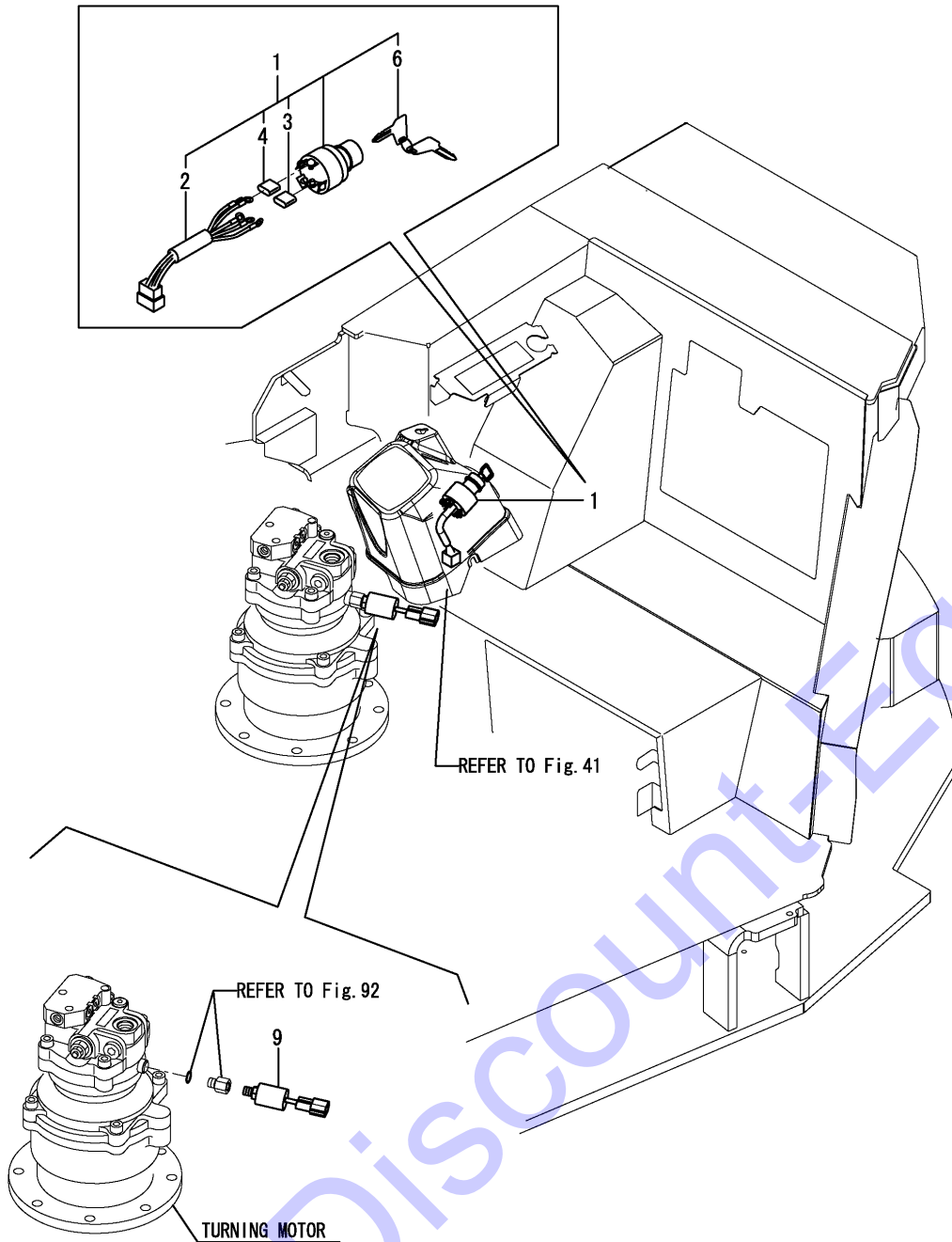
(D)=
 (E)=
 (F)=



REF.	LEV.	PARTS NO.	DESCRIPTION	Q'TY						I	R
				(A)	(B)	(C)	(D)	(E)	(F)		
1	1	172187-16110	CODE, BATTERY -	1	1	1					
2	1	172112-16201	RETAINER, BATTERY	1	1	1					
3	1	172164-16370	ROD	2	2	2					
4	1	1E8080-83320	BATTERY 130E41R-MF	1	1	1					
5	1	22157-080000	WASHER 8	2	2	2					
6	1	26013-100162	BOLT M10X 16	1	1	1					
7	1	26716-080002	NUT M 8	4	4	4					

Discount-Equipment.com

Fig.15. ELECTRIC PART(STARTING SWITCH)



OCS10-G54500 15. ELECTRIC PART(STARTING SWITCH)

(A)=SV100-1(US)
 (B)=SV100-1(AS)
 (C)=SV100-1(NZ)

(D)=
 (E)=
 (F)=

REF.	LEV.	PARTS NO.	DESCRIPTION	Q'TY						I	R
				(A)	(B)	(C)	(D)	(E)	(F)		
1	1	172187-17100	SWITCH, START	1	1	1					
2	2	172187-17070	CODE	1	1	1					
3	2	172187-17080	COVER M5	3	3	3					
4	2	172187-17090	COVER M4	2	2	2					
6	2	933110-00301	KEY ASSY	1	1	1					
9	1	172478-17200	SWITCH,PRESSURE	1	1	1					

Fig.16. ELECTRIC PART(AIR CONDITIONER)

16. ELECTRIC PART(AIR CONDITIONER)

(A)=SV100-1(US)
 (B)=SV100-1(AS)
 (C)=SV100-1(NZ)

(D)=
 (E)=
 (F)=

REF.	LEV.	PARTS NO.	DESCRIPTION	Q'TY						I	R
				(A)	(B)	(C)	(D)	(E)	(F)		
1	1	198461-52950	RELAY CA,TYPE C	2	2	2					
2	1	26014-060162	BOLT M 6X 16	2	2	2					

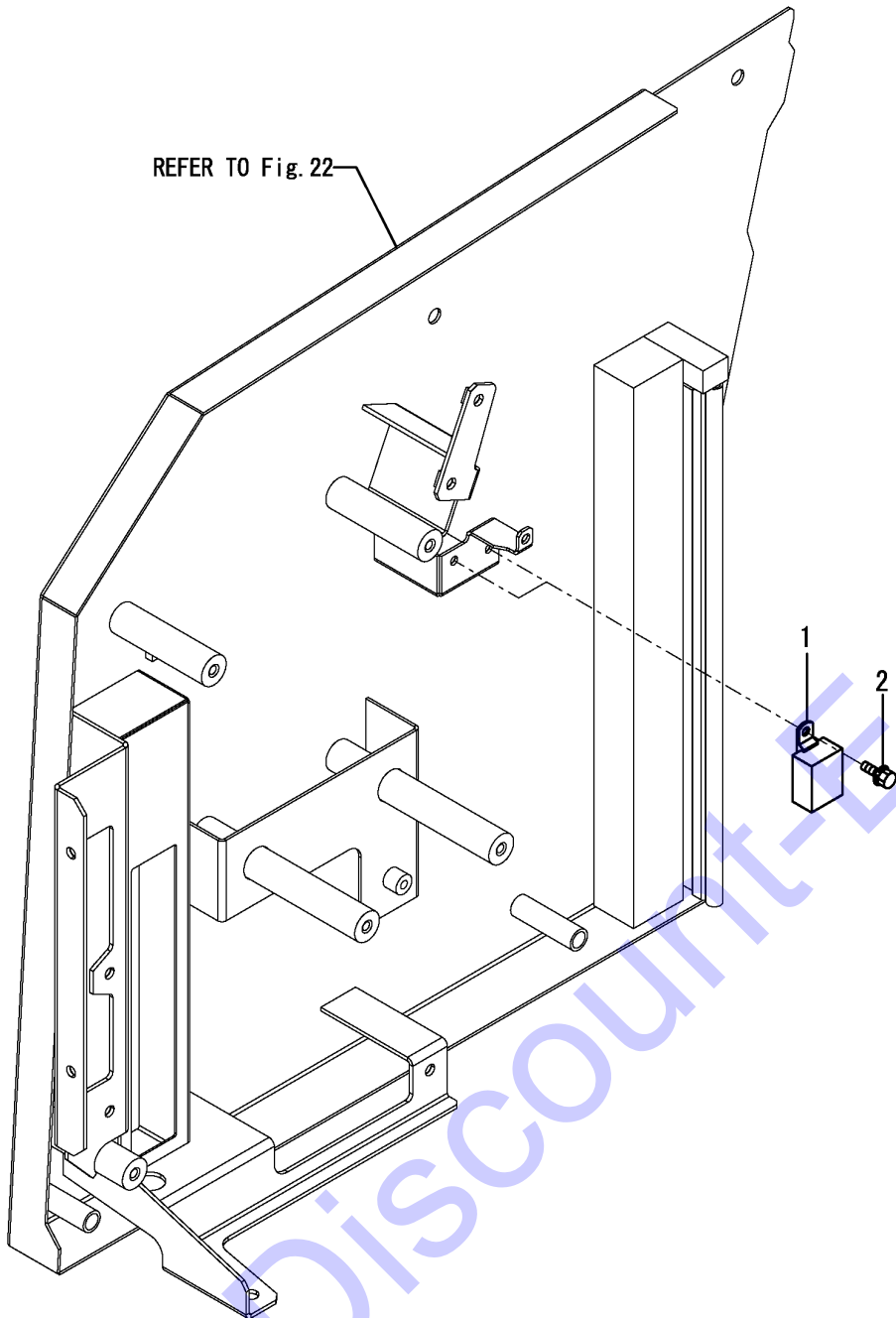


Fig.17. ELECTRIC PART(SWITCH BOX : QUICK COUPLER)

(A)=SV100-1(US)

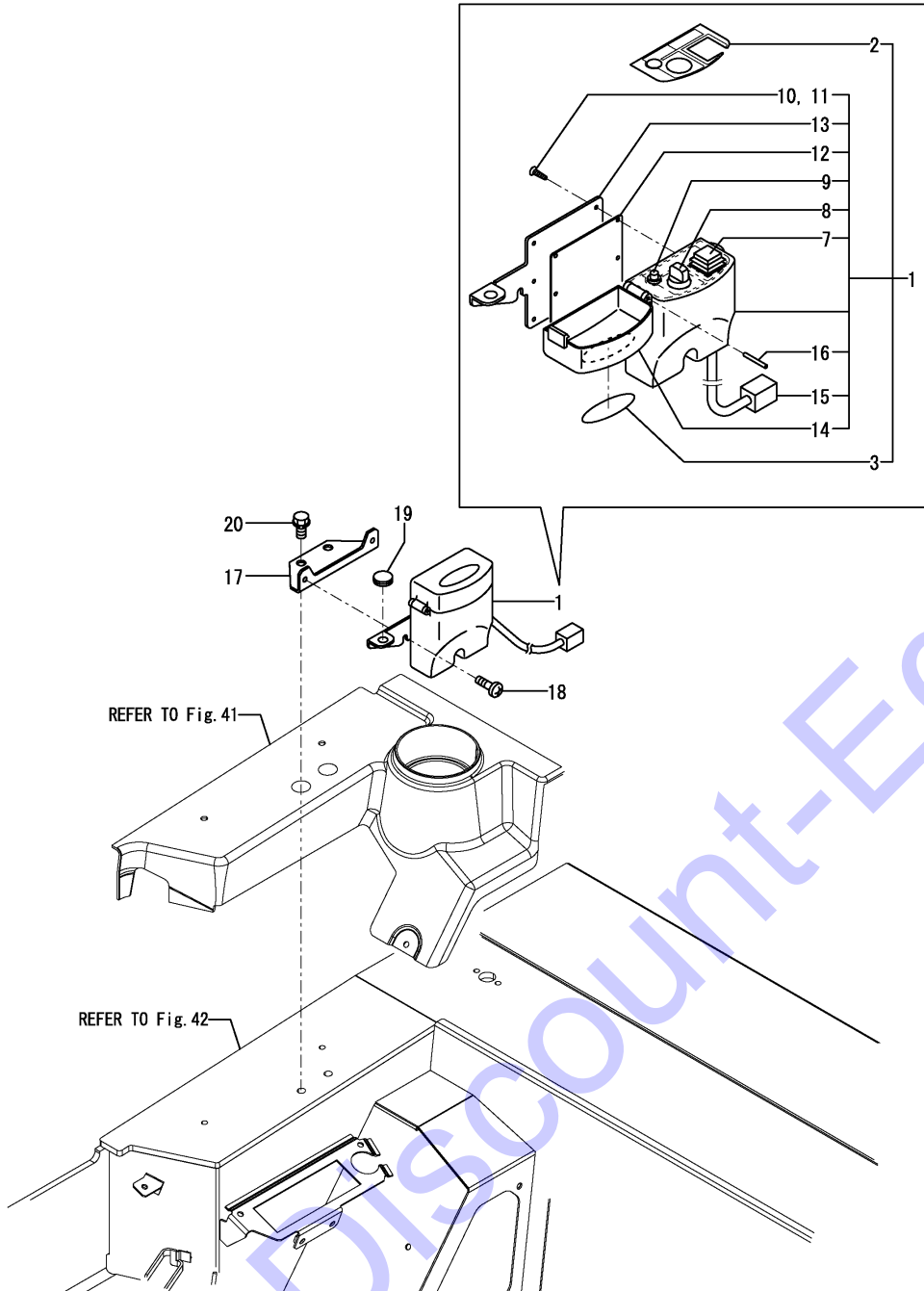
(B)=SV100-1(AS)

(C)=SV100-1(NZ)

(D)=

(E)=

(F)=

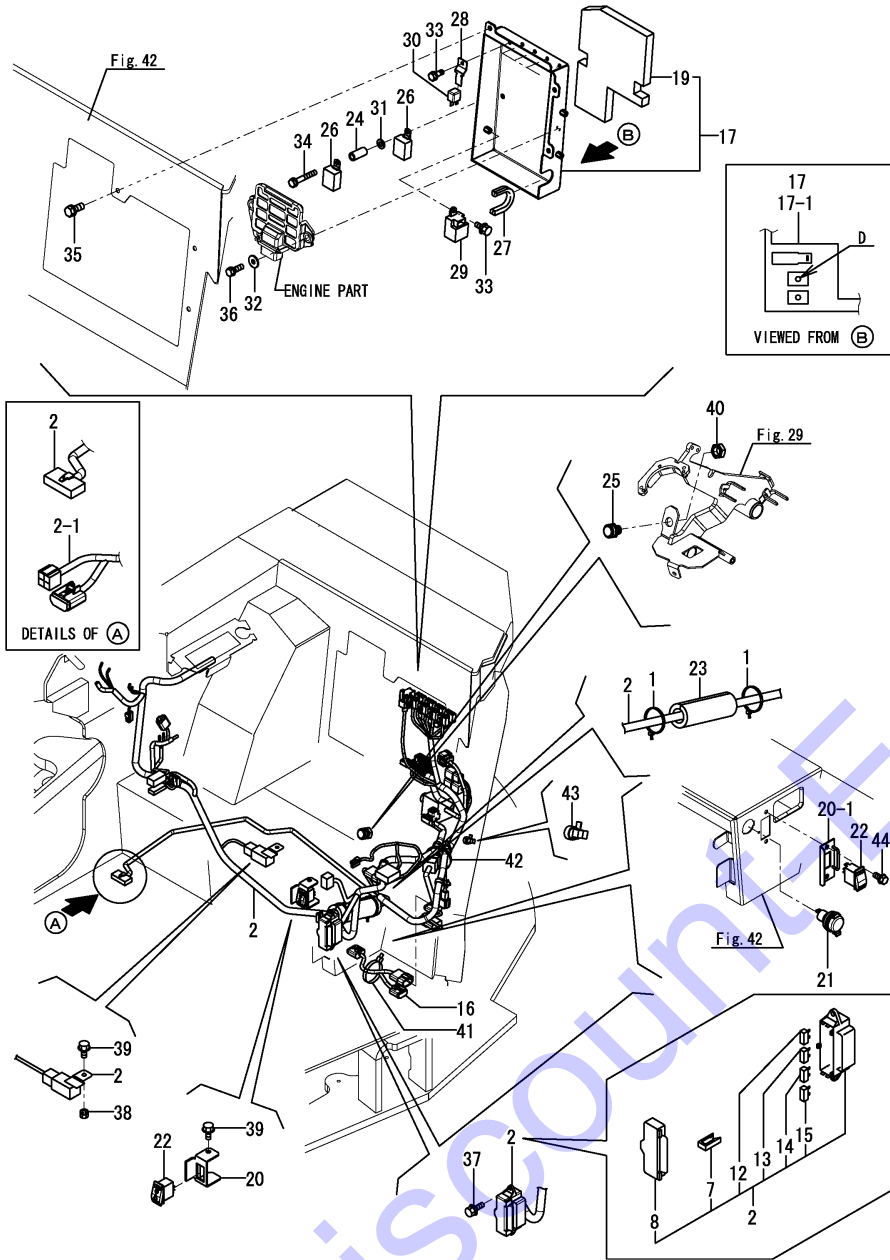


REF.	LEV.	PARTS NO.	DESCRIPTION	QTY						I	R
				(A)	(B)	(C)	(D)	(E)	(F)		
1	1	172958-17110	SWITCH BOX(EX	1	1	1					
2	2	172472-03290	LABEL,SWITCH	1	1	1					
3	2	172472-03300	LABEL,COVER	1	1	1					
7	3	172958-17140	SWITCH ASSY(GENERA	1	1	1					
8	3	172958-17150	SWITCH ASSY(COTROLER	1	1	1					
9	3	172958-17160	INDICATER LAMP(CP	1	1	1					
10	3	172958-17170	TAPPING SCREWS	6	6	6					
11	3	172958-17180	TAPPING SCREWS	2	2	2					
12	3	172958-17190	PACKING	1	1	1					
13	3	172958-17200	BRACKET	1	1	1					
14	3	172958-17210	CASE, UPPER	1	1	1					
15	3	172958-17220	CODE CP 4P	1	1	1					
16	3	22351-030028	SPRING PIN 3X28	1	1	1					
17	1	172A69-17150	QH BRACKET ASSY (49)	1	1	1					
18	1	172137-46210	SCREW	2	2	2					
19	1	172187-64900	PLUG	1	1	1					
20	1	26013-100202	BOLT W/WASHER M10X20	2	2	2					

Fig.18. ELECTRIC PART(SEAT MOUNT)

(A)=SV100-1(US)
(B)=SV100-1(AS)
(C)=SV100-1(NZ)

(D)=
(E)=
(F)=



REF.	LEV.	PARTS NO.	DESCRIPTION	Q'TY						I	R
				(A)	(B)	(C)	(D)	(E)	(F)		
1	1	172126-11510	BAND 300	2	2	2					
2	1	172A69-16520	HARNESS,B ASSY	1	1	1					
2-1	1	172A69-16521	HARNESS,B ASSY	1	1	1					S
7	2	172175-17120	PULLER	1	1	1					
8	2	172187-17220	COVER	1	1	1					
12	2	29420-050000	FUSE, 5A	1	1	1					
13	2	29420-100000	FUSE, 10A	1	1	1					
14	2	29420-150000	FUSE, 15A	6	6	6					
15	2	29420-300000	FUSE B30	2	2	2					
16	1	172A69-16540	HARNESS,C	1	1	1					
17	1	172A69-17090	BOX A ASSY,CONTROLLER	1	1	1					
17-1	1	172A89-17090	BOX A ASSY,CONTROLLER	1	1	1					S 1
19	2	172A69-17140	EV,CONTROLLER BOX A	1	1	1					
19A	2	172487-61460	SEAL,MULTI COVER	1	1	1					W
20	1	172A69-17180	BRACKET ASSY.SWITCH	1	1	1					
20-1	1	172A89-17180	PLATE ASSY,SWITCH	1	1	1					S
21	1	172A64-17250	SOCKET ASSY	1	1	1					
22	1	172A69-17260	SWITCH, ENGINE STOP	1	1	1					
23	1	172A69-17350	SPONGE HOSE,150X30	1	1	1					
23-1	1	172445-68650	SPONGE	1	1	1					N
24	1	172A65-17480	COLLER	4	4	4					
25	1	194464-52190	SWITCH, SAFETY START	1	1	1					
26	1	198461-52950	RELAY CA, TYPE C	8	8	8					
27	1	172456-13470	RUBBER 100	1	1	1					
28	1	129927-77910	BRACKET	1	1	1					
29	1	124970-77920	TIMER	1	1	1					
30	1	129927-77920	RELAY	1	1	1					
31	1	22137-060000	WASHER 6, POLISHED	4	4	4					
32	1	22157-080000	WASHER 8	2	2	2					
33	1	26014-060162	BOLT M 6X 16	2	2	2					
34	1	26013-060402	BOLT M 6X 40	4	4	4					
35	1	26013-080162	BOLT W/WASHER M8X16	3	3	3					
36	1	26013-080252	BOLT M 8X 25	2	2	2					
37	1	26014-060202	BOLT M 6X 20	2	2	2					
37-1	1	26014-060162	BOLT M 6X 16	2	2	2					N
38	1	26051-080002	NUT M 8	1	1	1					
39	1	26106-080162	BOLT M 8X 16 PLATED	2	2	2					
39-1	1	26106-080162	BOLT M 8X 16 PLATED	1	1	1					K
40	1	26776-180002	NUT M18,LOCK	1	1	1					
41	1	194202-56460	BAND	1	1	1					
42	1	172126-11510	BAND 300	1	1	1					W
43	1	1E8775-84120	BAND CLAMP	1	1	1					W

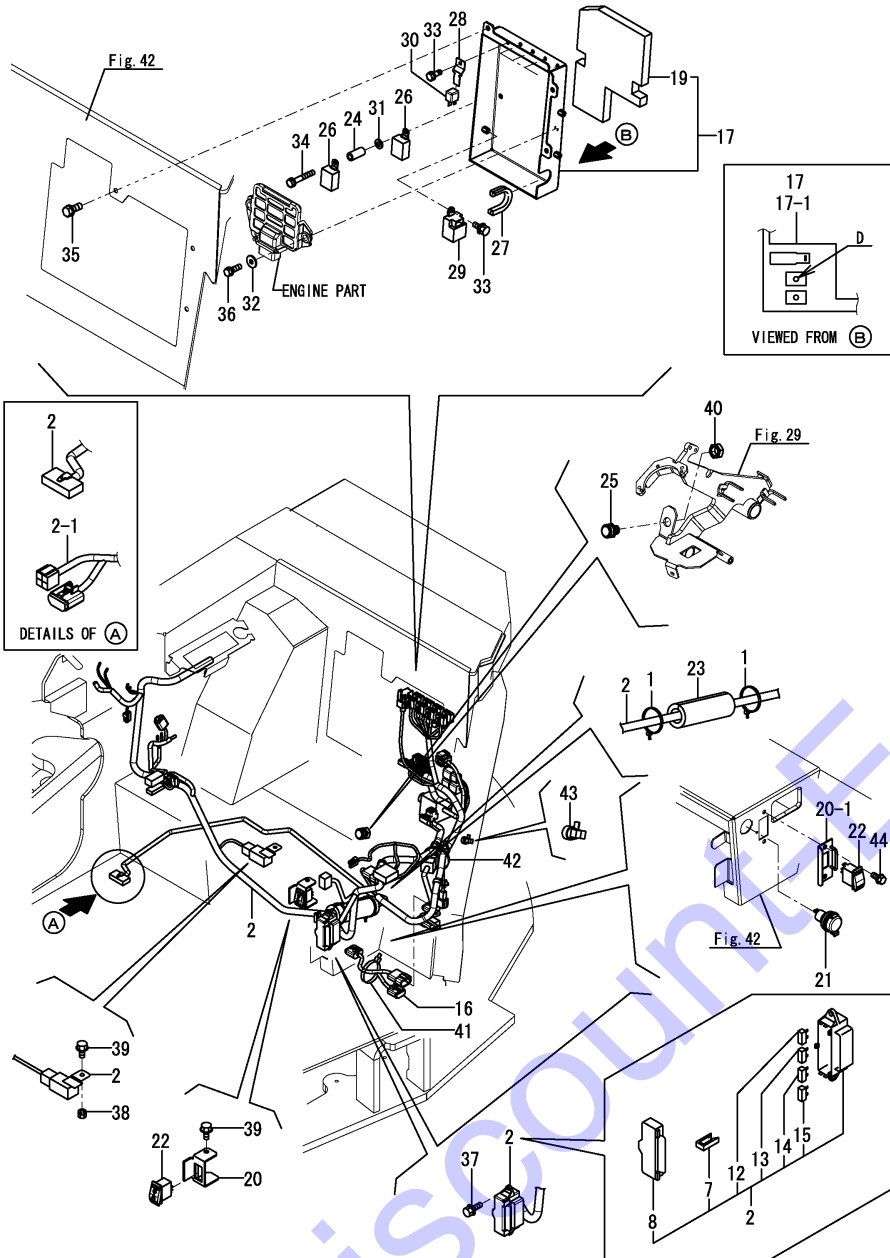
Remarks
(1)D=REF.NO.17 5.5MM,
REF.NO.17-1 7MM.

Fig.18. ELECTRIC PART(SEAT MOUNT)

(A)=SV100-1(US)
 (B)=SV100-1(AS)
 (C)=SV100-1(NZ)

(D)=
 (E)=
 (F)=

REF.	LEV.	PARTS NO.	DESCRIPTION	Q'TY						I	R
				(A)	(B)	(C)	(D)	(E)	(F)		
44	1	26106-080162 (A=MZZZZZ) (B=MZZZZZ) (C=MZZZZZ)	BOLT M 8X 16 PLATED (C=MZZZZZ)	2	2	2					W

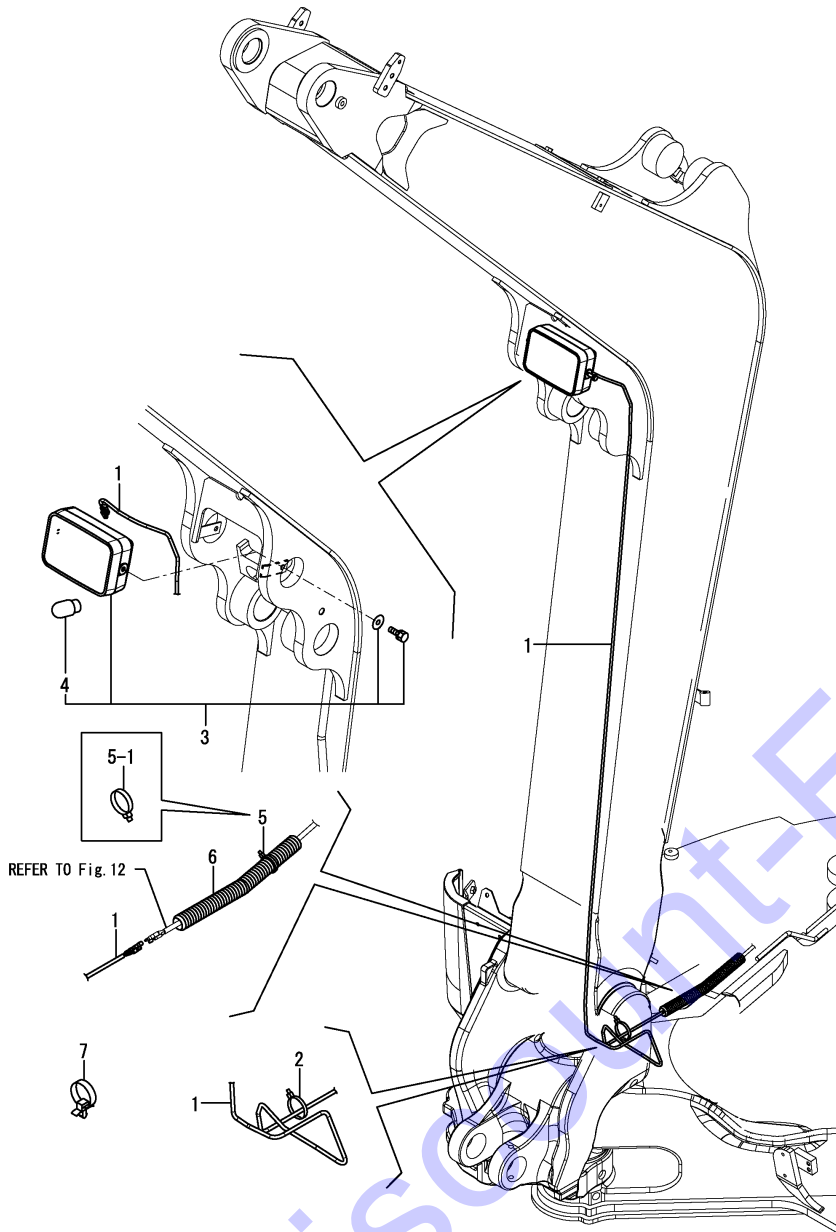


Remarks
 (1)D=REF.NO.17 5.5MM,
 REF.NO.17-1 7MM.

Fig.19. ELECTRIC PART(WORK LAMP)

(A)=SV100-1(US)
 (B)=SV100-1(AS)
 (C)=SV100-1(NZ)

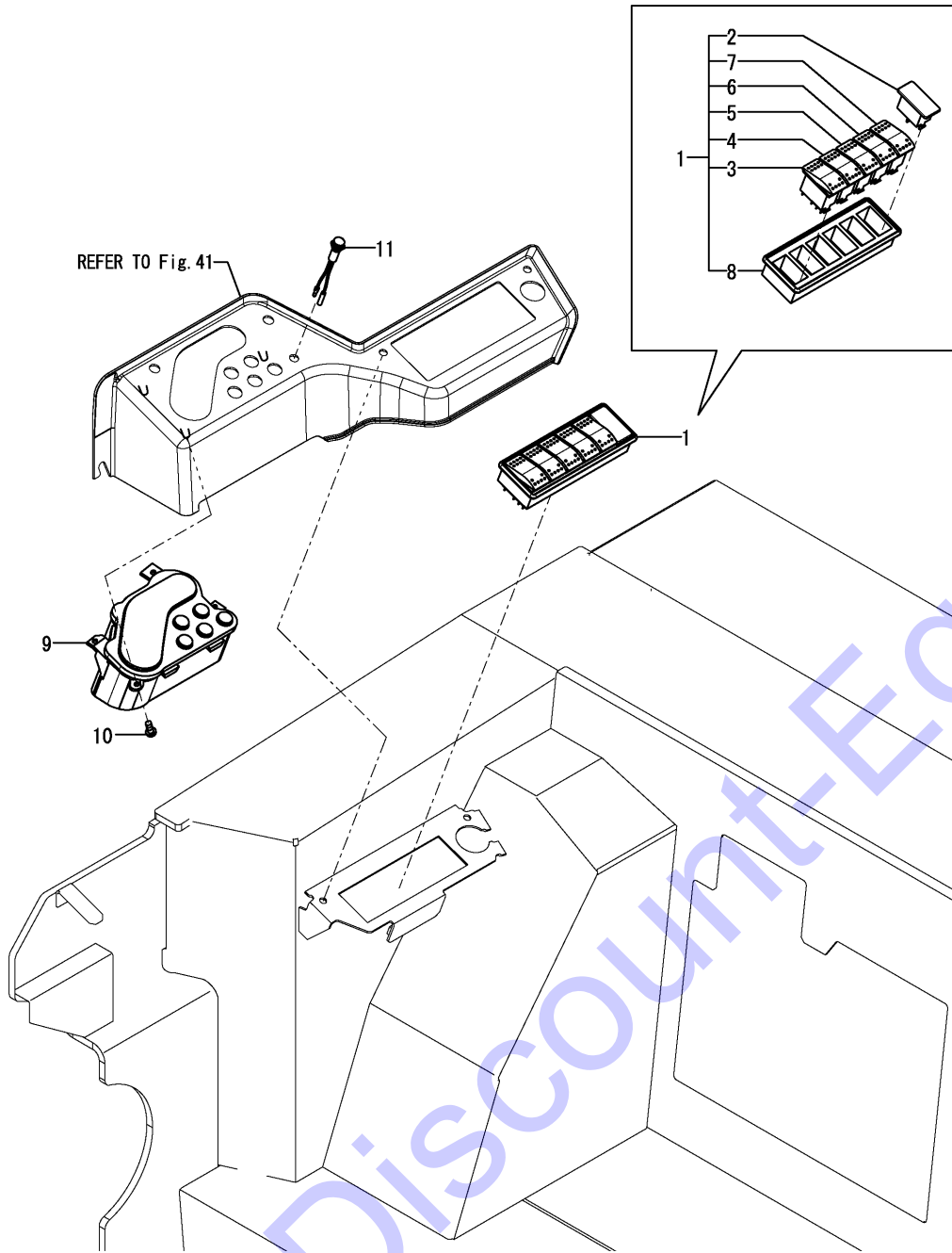
(D)=
 (E)=
 (F)=



REF.	LEV.	PARTS NO.	DESCRIPTION	Q'TY						I	R
				(A)	(B)	(C)	(D)	(E)	(F)		
1	1	172187-16530	HARNES D	1	1	1					
1-1	1	172A89-16440	HARNES,BOOM	1	1	1					S 1
		(A=M10772) (B=M10772) (C=M10772)									
2	1	172137-16560	BAND	1	1	1					
3	1	172162-17400	LAMP COMP.,WORKING	1	1	1					
4	2	172141-17211	BULB 12V55W	1	1	1					
5	1	172126-11510	BAND 300	1	1	1					Z
		(A=MXXXXX) (B=MXXXXX) (C=MXXXXX)									
5-1	1	194202-56460	BAND	1	1	1					W
		(A=MXXXXX) (B=MXXXXX) (C=MXXXXX)									
6	1	172A69-16720	TUBE,CORRUGATE 300	1	1	1					Z
		(A=M10772) (B=M10772) (C=M10772)									
7	1	1E8490-84130	BAND CLAMP	1	1	1					W
		(A=M10772) (B=M10772) (C=M10772)									

Remarks
 (1)FULL LENGTH = REF.NO.1 2940MM,
 REF.NO.1-1 3240MM.

Fig.20. ELECTRIC PART(INDICATOR BOX)



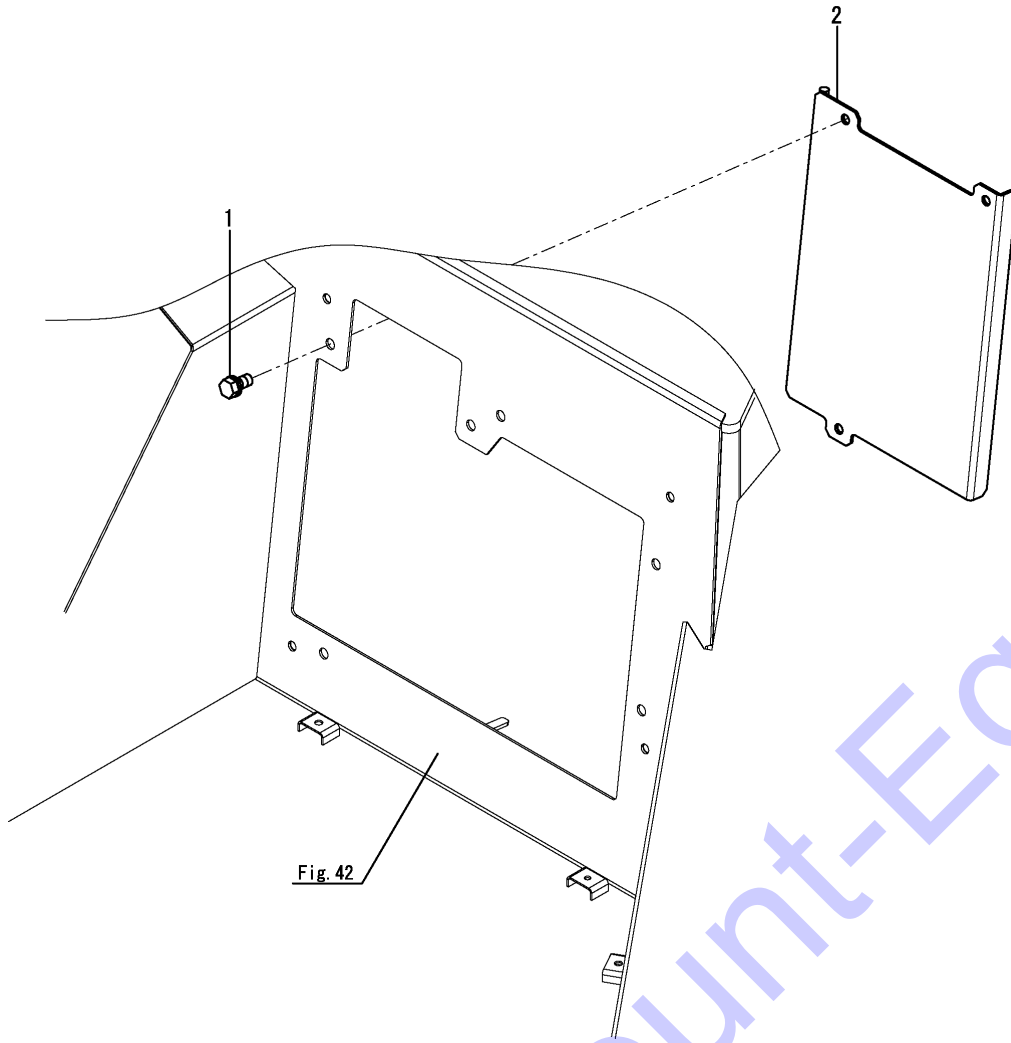
OCS10-G54500 20. ELECTRIC PART(INDICATOR BOX)

(A)=SV100-1(US)
(B)=SV100-1(AS)
(C)=SV100-1(NZ)

(D)=
(E)=
(F)=

REF.	LEV.	PARTS NO.	DESCRIPTION	Q'TY						I	R
				(A)	(B)	(C)	(D)	(E)	(F)		
1	1	172A69-17200	SWITCH ASSY	1	1	1					
1-1	1	172A69-17201	SWITCH ASSY	1	1	1					N
		(A=MZZZZZ) (B=MZZZZZ) (C=MZZZZZ) (D=MZZZZZ)									
2	2	172538-17100	PANEL PLUG	1	1	1					
3	2	172A69-17210	SWITCH, TRAVLE	1	1	1					
3-1	2	172A69-17211	SWITCH, TRAVLE	1	1	1					N
		(A=MZZZZZ) (B=MZZZZZ) (C=MZZZZZ) (D=MZZZZZ)									
4	2	172A69-17220	SWITCH, WIPER	1	1	1					
4-1	2	172A69-17221	SWITCH, WIPER	1	1	1					N
		(A=MZZZZZ) (B=MZZZZZ) (C=MZZZZZ) (D=MZZZZZ)									
5	2	172A69-17230	SWITCH, LIGHT	1	1	1					
5-1	2	172A69-17231	SWITCH, LIGHT	1	1	1					N
		(A=MZZZZZ) (B=MZZZZZ) (C=MZZZZZ) (D=MZZZZZ)									
6	2	172A69-17240	SWITCH, AUTO DECEL	1	1	1					
7	2	172A69-17250	SWITCH, ECO	1	1	1					
8	2	172A69-17270	PANEL	1	1	1					
9	1	172A77-17250	MONITOR ASSY	1	1	1					
10	1	22857-500121	SCREW 5X12	4	4	4					
10-1	1	22857-500121	SCREW 5X12	3	3	3					K
		(A=MZZZZZ) (B=MZZZZZ) (C=MZZZZZ)									
11	1	172A65-17150	LAMP ASSY ASSY	1	1	1					

Fig.118. (20A)ELECTRIC PART(COVER)



OCS10-G54500 118. (20A)ELECTRIC PART(COVER)

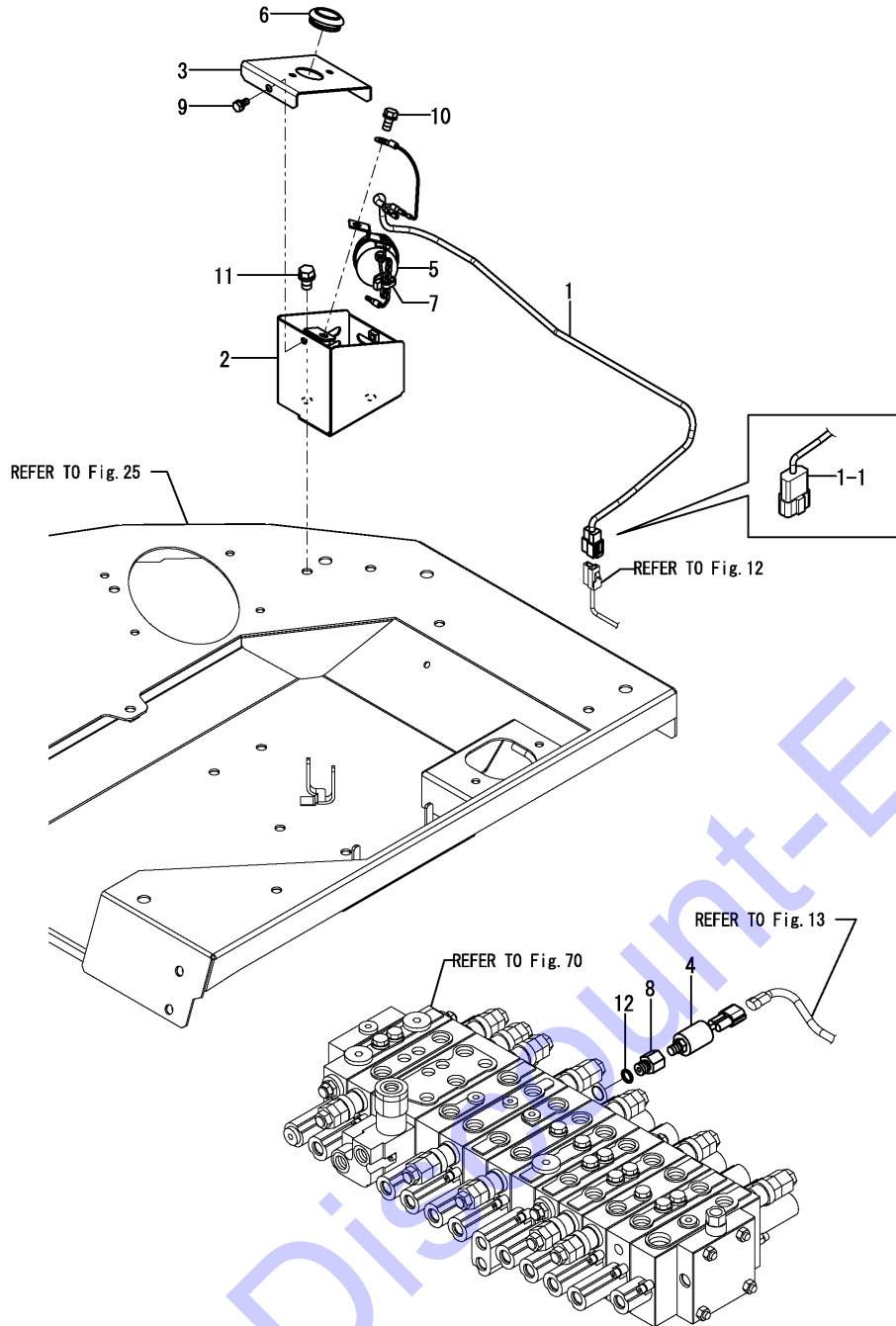
(A)=SV100-1(US)
 (B)=SV100-1(AS)
 (C)=SV100-1(NZ)

(D)=
 (E)=
 (F)=

REF.	LEV.	PARTS NO.	DESCRIPTION	Q'TY						I	R
				(A)	(B)	(C)	(D)	(E)	(F)		
1	1	172A89-17510	COVER ASSY,BOX B	1	1	1					
2	1	26013-080162	BOLT W/WASHER M8X16	3	3	3					

Discount-Equipment.com

Fig.21. TRAVEL ALARM

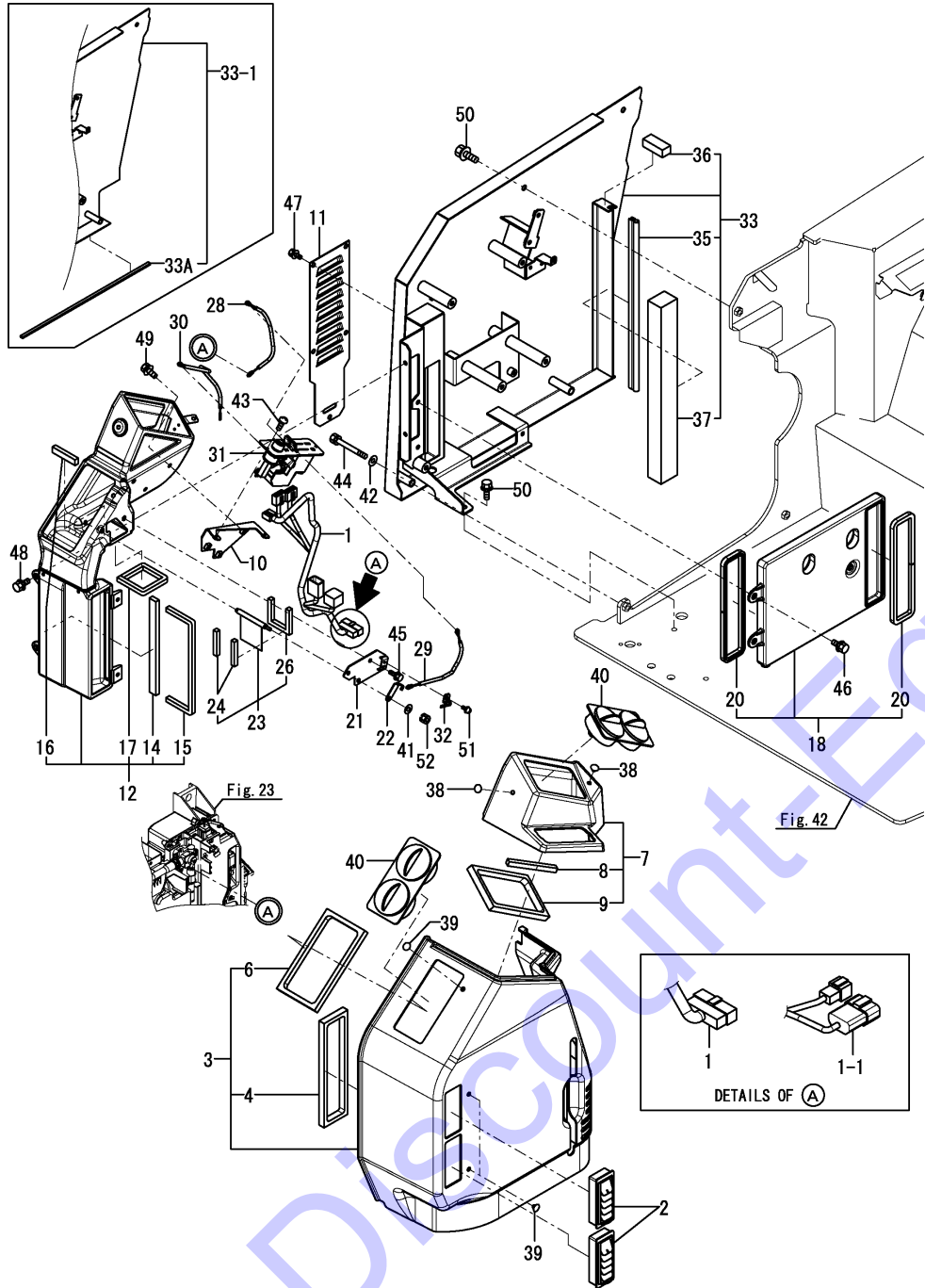


(A)=SV100-1(US)
 (B)=SV100-1(AS)
 (C)=SV100-1(NZ)

(D)=
 (E)=
 (F)=

REF.	LEV.	PARTS NO.	DESCRIPTION	Q'TY						I	R
				(A)	(B)	(C)	(D)	(E)	(F)		
1	1	172A47-16650	HARNES,TRAVEL	1	1	1					
1-1	1	172A89-16420	HARNES,TRAVEL	1	1	1					S
		(A=M10772) (B=M10772) (C=M10772)									
2	1	172A69-16810	COVERCMP,BUZZER (49)	1	1	1					
3	1	172A47-16860-1	COVER,FLASHER (49)	1	1	1					
4	1	172478-17200	SWITCH,PRESSURE	1	1	1					
5	1	172511-17351	BUZZER, BACK	1	1	1					
6	1	172456-53700	GROMMET 30	1	1	1					
7	1	194202-56460	BAND	1	1	1					
8	1	172156-76110	CONNECTOR	1	1	1					
9	1	26013-060122	BOLT M 6X 12	2	2	2					
10	1	26013-080162	BOLT W/WASHER M8X16	1	1	1					
11	1	26013-100162	BOLT M10X 16	2	2	2					
12	1	41851-000110	PACKING, 11.0	1	1	1					

Fig.22. AIR CONDITIONER(CABIN RELATED)



OCS10-G54500 22. AIR CONDITIONER(CABIN RELATED)

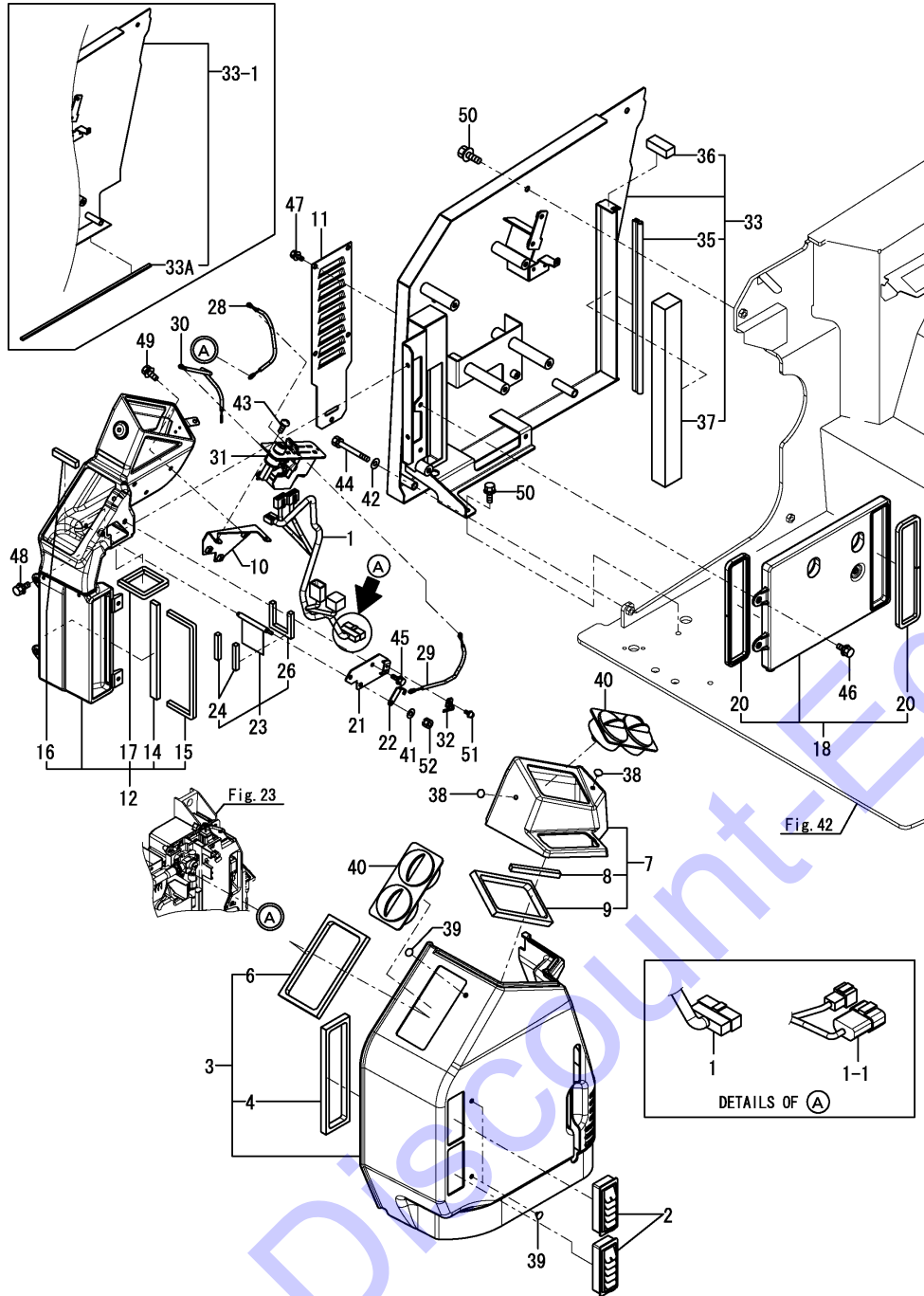
(A)=SV100-1(US)
 (B)=SV100-1(AS)
 (C)=SV100-1(NZ)

(D)=
 (E)=
 (F)=

REF.	LEV.	PARTS NO.	DESCRIPTION	Q'TY						I	R
				(A)	(B)	(C)	(D)	(E)	(F)		
1	1	172A69-16600	HARNES B,AIR	1	1	1					
1-1	1	172A89-16600	HARNES B,AIR	1	1	1					S
		(A=M10772) (B=M10772) (C=M10772)									
2	1	172458-17700	GRILLE	2	2	2					
3	1	172A69-18200	COVER ASSY,AC A	1	1	1					
4	2	172A69-18210	SEAL,DUCT	1	1	1					
6	2	1A7470-87320	SEAL, DUCT SIDE	1	1	1					
7	1	172A69-18230	COVER ASSY,AC B	1	1	1					
8	2	172446-49280	SEAL	1	1	1					
9	2	1A7470-87320	SEAL, DUCT SIDE	1	1	1					
10	1	172A69-18650	BRACKET ASSY,AC	1	1	1					
11	1	172A69-18680	INTAKE PLATE (49)	1	1	1					
12	1	172A69-18700	DUCT ASSY,AC	1	1	1					
14	2	172A69-18760	SEAL A,DUCT	1	1	1					
15	2	172A69-18770	SEAL B,DUCT	1	1	1					
16	2	172A69-18780	EV,DUCT	1	1	1					
17	2	172A69-18790	SEAL C,DUCT	1	1	1					
18	1	172A69-18730	DUCT C ASSY,AC	1	1	1					
20	2	172A69-18750	SEAL,DUCT C	2	2	2					
21	1	172A69-18820	COVER ASSY,DUCT	1	1	1					
22	1	172A69-18860	LEVER,DUMPER	1	1	1					
23	1	172A69-18940	DUMPER ASSY	1	1	1					
24	2	172A69-18800	SEAL 65	2	2	2					
26	2	172A69-18990	EV B,DUMPER	1	1	1					
28	1	172A69-19700	CABLE,HEATER V	1	1	1					
29	1	172A69-19710	CABLE,AC DAMPER	1	1	1					
30	1	172A69-19720	CABLE,AC DOOR	1	1	1					
31	1	172A69-19730	CONTROL ASSY	1	1	1					
32	1	172A69-19890	CLAMP,CABLE	1	1	1					
33	1	172A69-19100	BRACKET ASSY,ACU(49)	1	1	1					
33-1	1	172A89-19100	BRACKET ASSY,ACU(49)	1	1	1					S
		(A=MZZZZZ) (B=MZZZZZ) (C=MZZZZZ)									
33A	2	172458-64140	SEAL 560	1	1	1					W
		(A=MZZZZZ) (B=MZZZZZ) (C=MZZZZZ)									
35	2	172A69-19270	RUBBER,SEAL 450	1	1	1					
36	2	172A69-19280	SEAL	1	1	1					
37	2	172A69-19290	EV,AC U	1	1	1					
38	1	172187-63160	CLIP	2	2	2					
39	1	1A6260-64200	CLIP	4	4	4					
40	1	1A7030-87411	AIR-CON GRILL CMP	2	2	2					
41	1	22137-060000	WASHER 6, POLISHED	1	1	1					
42	1	22137-100000	WASHER 10,POLISHED	2	2	2					
43	1	26587-040122	SCREW, M4X12	2	2	2					
44	1	26013-100852	BOLT W/WASHER 10X 85	2	2	2					
45	1	26014-060162	BOLT M 6X 16	2	2	2					
45-1	1	26013-060102	BOLT M 6X 10	2	2	2					N
		(A=MZZZZZ) (B=MZZZZZ) (C=MZZZZZ)									
46	1	26014-080162	BOLT M 8X 16	3	3	3					
47	1	26014-080162	BOLT M 8X 16	5	5	5					
48	1	26014-080162	BOLT M 8X 16	4	4	4					
49	1	26014-080162	BOLT M 8X 16	3	3	3					

N:Old $\begin{matrix} \leftarrow \text{Yes} \\ \text{No} \end{matrix}$ New, Q:Old $\begin{matrix} \leftarrow \text{No} \\ \text{Yes} \end{matrix}$ New, R:Old $\begin{matrix} \leftarrow \text{Yes} \\ \text{Yes} \end{matrix}$ New, S:Old $\begin{matrix} \leftarrow \text{No} \\ \text{No} \end{matrix}$ New, W:Add, Z:Discontinued, F:Interchangeable by set, K:Q'ty Change
 ++ CONTINUE ++
 (C)Copyrights YANMAR CO.,LTD.

Fig.22. AIR CONDITIONER(CABIN RELATED)



OCS10-G54500 22. AIR CONDITIONER(CABIN RELATED)

(A)=SV100-1(US)
 (B)=SV100-1(AS)
 (C)=SV100-1(NZ)

(D)=
 (E)=
 (F)=

REF.	LEV.	PARTS NO.	DESCRIPTION	Q'TY						I	R
				(A)	(B)	(C)	(D)	(E)	(F)		
50	1	26014-100252	BOLT 10X25 W/PLW+SPW	3	3	3					
51	1	26023-040102	SCREW, M4X10	1	1	1					
52	1	26051-060002	NUT M 6	1	1	1					

Fig.23. AIR CONDITIONER(PIPING)

(A)=SV100-1(US)

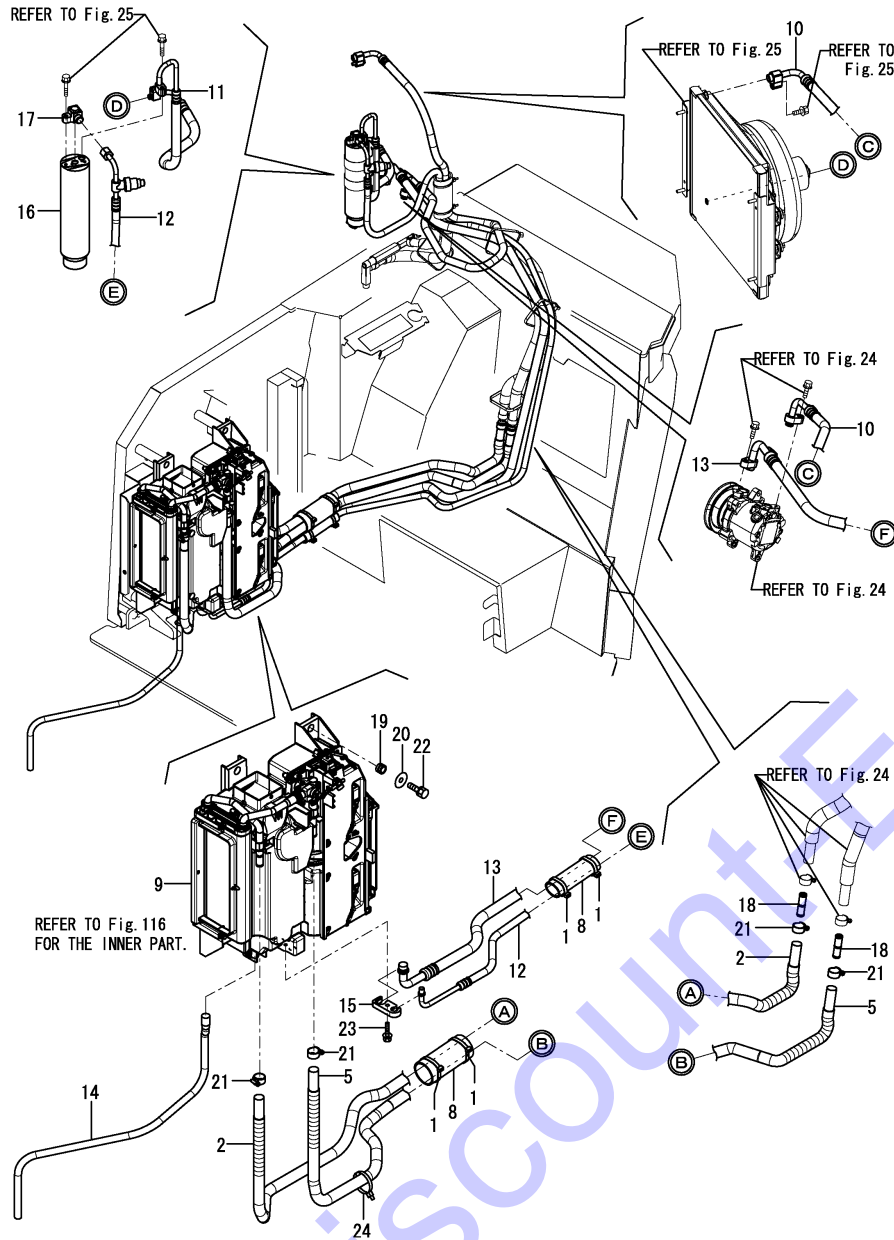
(B)=SV100-1(AS)

(C)=SV100-1(NZ)

(D)=

(E)=

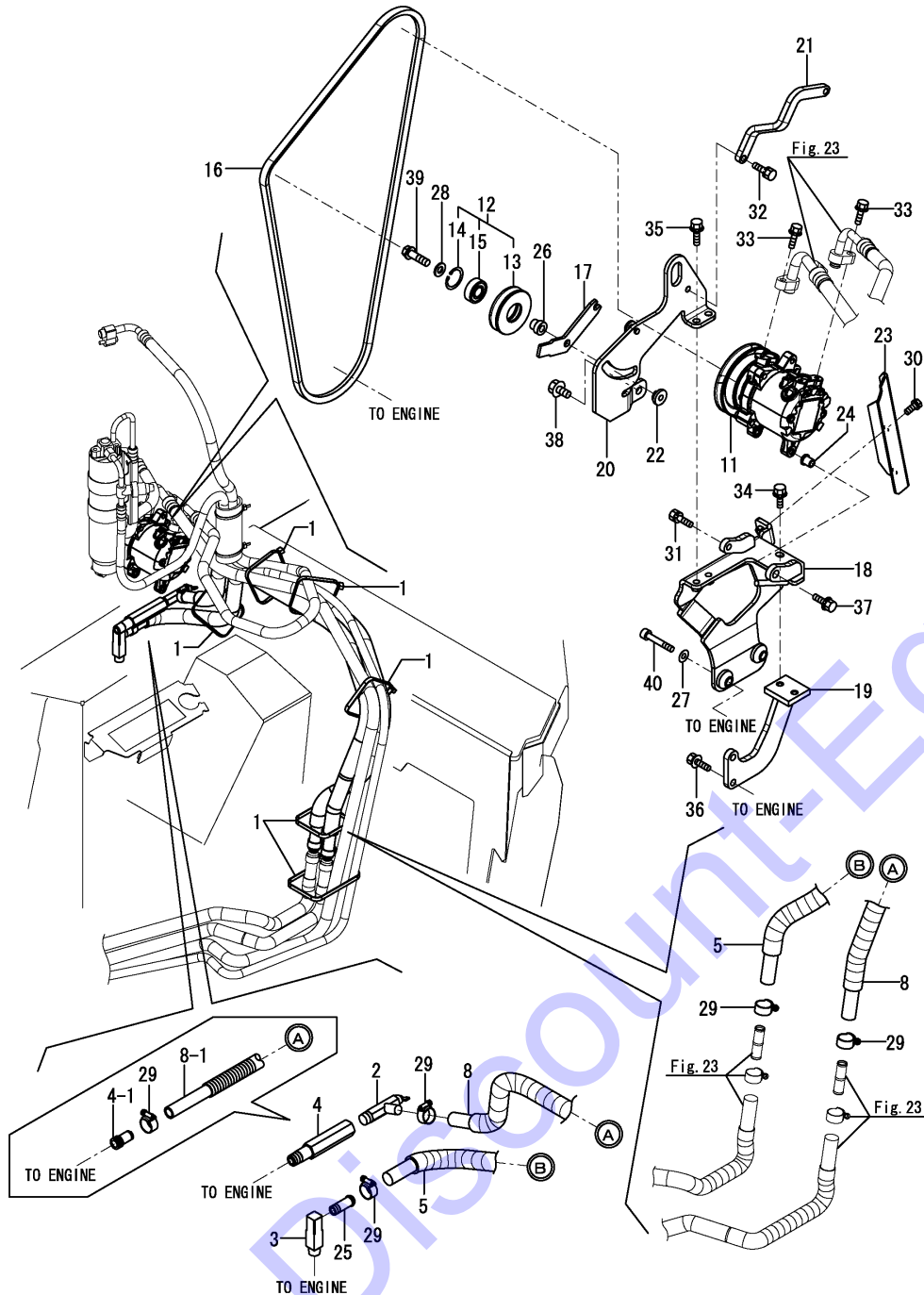
(F)=



REF.	LEV.	PARTS NO.	DESCRIPTION	Q'TY						I	R
				(A)	(B)	(C)	(D)	(E)	(F)		
1	1	172126-11510	BAND 300	4	4	4					
2	1	172A69-17870	HOSE ASY,HEATER 1650	1	1	1					
5	1	172A69-17890	HOSE ASY,HEATER 1550	1	1	1					
8	1	172A69-18900	SPONGE HOSE, 120X53	2	2	2					
9	1	172A69-19010	UNIT ASSY,AC	1	1	1					1
10	1	172A69-19800	HOSE,COMP-COND	1	1	1					
11	1	172A69-19810	HOSE,COND-R/D	1	1	1					
12	1	172A69-19820	HOSE,UNIT-R/D	1	1	1					
13	1	172A69-19830	HOSE,UNIT-COMP	1	1	1					
14	1	172A69-19860	HOSE,DRAIN	1	1	1					
15	1	172A69-19880	CONNECTOR,TUBE	1	1	1					
16	1	1E8545-80210	RECEIVER DRYER	1	1	1					
17	1	1E8545-80250	JOINT (RECEIVER)	1	1	1					
18	1	1A7030-88660	PIPE, JOINT	2	2	2					
19	1	172491-61490	SPACER 10.4X9.5	6	6	6					
20	1	22157-080000	WASHER 8	6	6	6					
21	1	23001-022000	HOSE CLAMP 22	4	4	4					
22	1	26013-080252	BOLT M 8X 25	6	6	6					
23	1	26014-060252	BOLT M 6X 25	1	1	1					
24	1	172126-11510	BAND 300	1	1	1					

Remarks
 (1)PLEASE REFER TO FIG.116
 FOR THE INNER PART.

Fig.24. AIR CONDITIONER(ENGINE RELATED)



OCS10-G54500 24. AIR CONDITIONER(ENGINE RELATED)

(A)=SV100-1(US)
(B)=SV100-1(AS)
(C)=SV100-1(NZ)

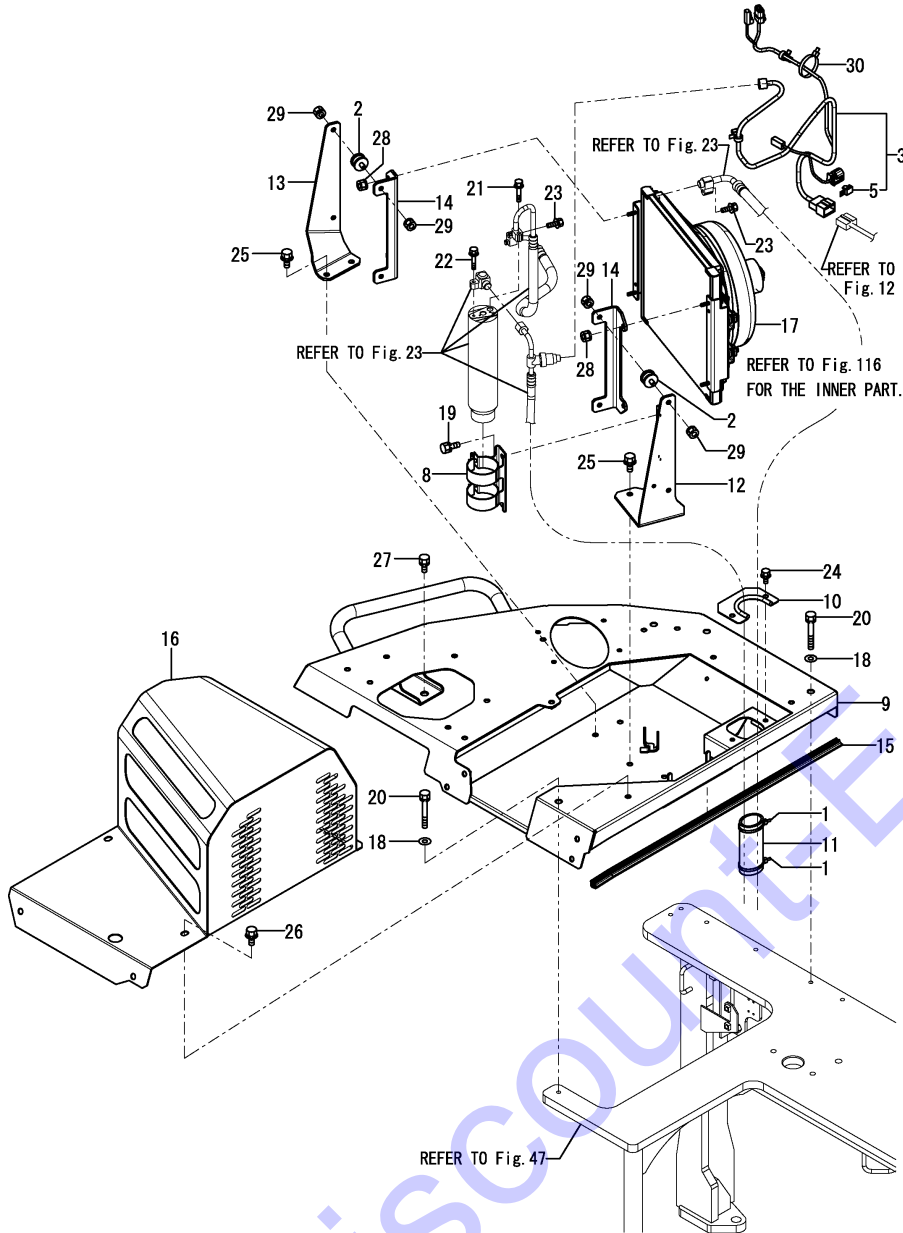
(D)=
(E)=
(F)=

REF.	LEV.	PARTS NO.	DESCRIPTION	Q'TY						I	R
				(A)	(B)	(C)	(D)	(E)	(F)		
1	1	172126-11510	BAND 300	6	6	6					
2	1	172425-17630	VALVE ASSY, HEATER	1	1	1					Z
(A=MZZZZZ)											
3	1	172499-17650	ELBOW,R3/8-56	1	1	1					
4	1	172A65-17650	CONNECTOR	1	1	1					
4-1	1	172124-17640	JOINT 3/8	1	1	1					S
(A=MZZZZZ)											
5	1	172A69-17810	HOSE ASY,HEATER 1300	1	1	1					
8	1	172A69-17840	HOSE ASY,HEATER 1050	1	1	1					
8-1	1	172A69-17940	HOSE ASY,HEATER1200	1	1	1					S
(A=MZZZZZ)											
11	1	172A69-18100	COMPRESSOR ASSY	1	1	1					
12	1	172A69-18150	PULLEY ASSY,TENSION	1	1	1					
13	2	172A69-18160	PULLEY,TENSION	1	1	1					
14	2	22252-000350	CIRCLIP 35	1	1	1					
15	2	24104-062020	BALL BEARING	1	1	1					
16	1	172A69-18190	V BELT HM60	1	1	1					
17	1	172A69-18290	ADJUST BAR	1	1	1					
18	1	172A69-18300	BRACKET A ASSY	1	1	1					
19	1	172A69-18350	BRACKET B ASSY	1	1	1					
20	1	172A69-18370	BRACKET(PULLY ASSY	1	1	1					
21	1	172A69-18400	PLATE	1	1	1					
22	1	172187-18410	NUT	1	1	1					
23	1	172A69-18410	GUARD,BELT	1	1	1					
24	1	172A69-18430	COLLAR,COMPRESSOR	1	1	1					
25	1	129122-44480	JOINT	1	1	1					
26	1	129466-96240	SPACER	1	1	1					
27	1	22137-080000	WASHER 8, POLISHED	2	2	2					
28	1	22137-100000	WASHER 10,POLISHED	1	1	1					
29	1	23001-022000	HOSE CLAMP 22	4	4	4					
30	1	26013-080202	BOLT W/WASHER M8X20	2	2	2					
31	1	26013-080252	BOLT M 8X 25	1	1	1					
32	1	26013-080252	BOLT M 8X 25	2	2	2					
33	1	26014-060252	BOLT M 6X 25	2	2	2					
34	1	26014-080202	BOLT M 8X 20	2	2	2					
35	1	26014-080252	BOLT M 8X 25	2	2	2					
36	1	26014-080252	BOLT M 8X 25	2	2	2					
37	1	26014-080352	BOLT M 8X 35	1	1	1					
38	1	26106-100202	BOLT M10X 20 PLATED	1	1	1					
39	1	26106-100352	BOLT M10X 35 PLATED	1	1	1					
40	1	26450-080502	BOLT 8X50	2	2	2					

Fig.25. AIR CONDITIONER(CONDENSER RELATED)

(A)=SV100-1(US)
 (B)=SV100-1(AS)
 (C)=SV100-1(NZ)

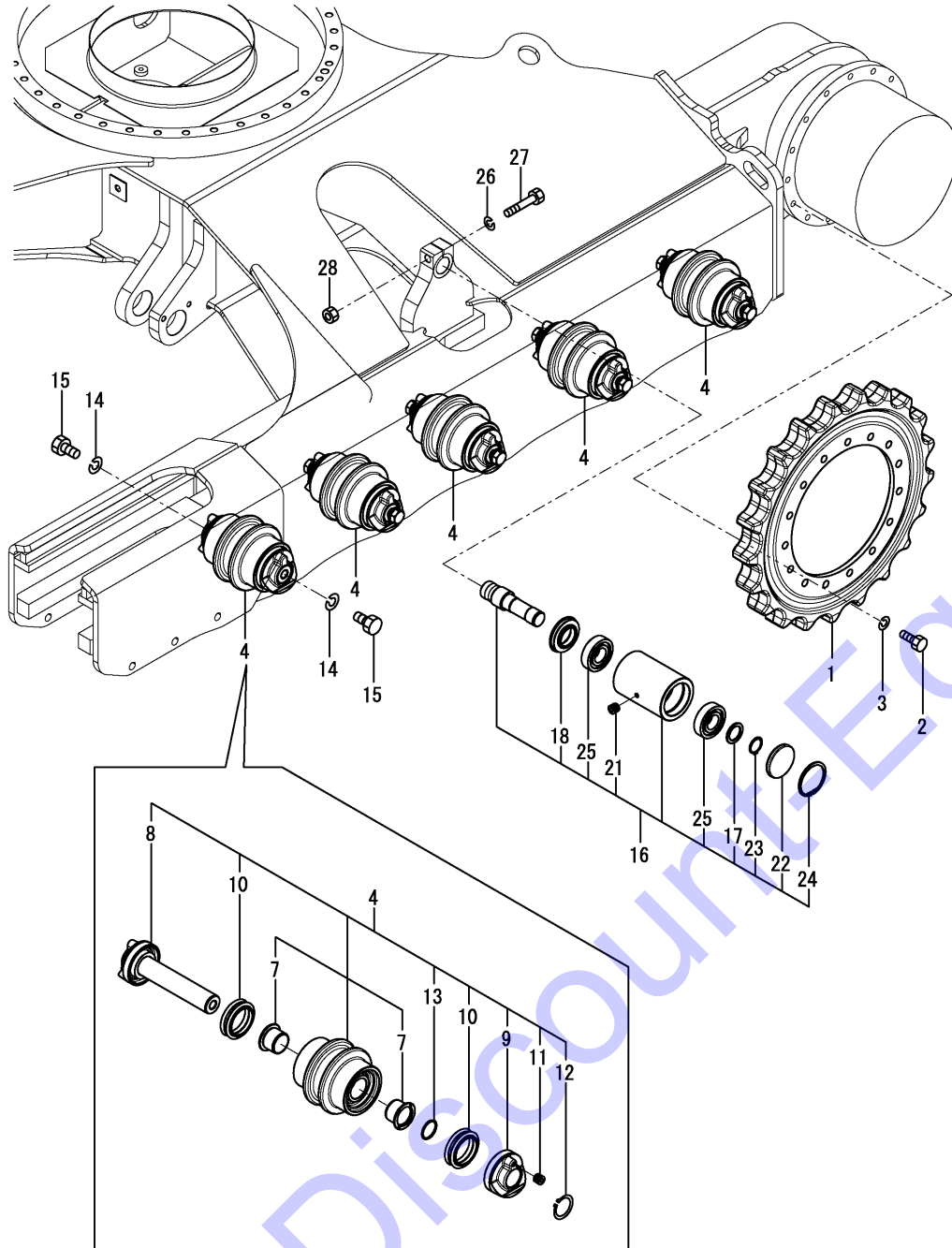
(D)=
 (E)=
 (F)=



REF.	LEV.	PARTS NO.	DESCRIPTION	Q'TY						I	R
				(A)	(B)	(C)	(D)	(E)	(F)		
1	1	172126-11510	BAND 300	2	2	2					
2	1	172447-13550	MOUNT	4	4	4					
3	1	172A69-16570	HARNES A ASSY,AC	1	1	1					
5	2	172648-16600	DIODE	1	1	1					
8	1	172162-18040	BRACKET	1	1	1					
9	1	172A69-18450	COVER A,AC COND (49)	1	1	1					
10	1	172A69-18580	COVER ,AC HOSE (49)	1	1	1					
11	1	172A69-18900	SPONGE HOSE,120X53	1	1	1					
12	1	172A69-19540	STAY L,AC COND (49)	1	1	1					
13	1	172A69-19580	STAY R,AC COND (49)	1	1	1					
14	1	172A69-19590	BRACKET,AC COND (49)	2	2	2					
15	1	172A69-19600	RUBBER,SEAL 710	1	1	1					
16	1	172A69-19610	COVER B,AC COND (49)	1	1	1					
17	1	172A69-19680	CONDENSER ASSY	1	1	1					1
18	1	22137-100000	WASHER 10,POLISHED	3	3	3					
19	1	26013-080162	BOLT W/WASHER M8X16	2	2	2					
20	1	26013-100702	BOLT 10X70 W/SP.WSHR	3	3	3					
21	1	26014-060252	BOLT M 6X 25	1	1	1					
22	1	26014-060252	BOLT M 6X 25	1	1	1					
23	1	26014-060302	BOLT W/WASHER 6X 30	2	2	2					
24	1	26014-080162	BOLT M 8X 16	2	2	2					
25	1	26014-100202	BOLT M10X 20	4	4	4					
26	1	26014-100202	BOLT M10X 20	6	6	6					
27	1	26014-100202	BOLT M10X 20	1	1	1					
28	1	26051-060002	NUT M 6	4	4	4					
29	1	26051-080002	NUT M 8	8	8	8					
30	1	172126-11510	BAND 300	1	1	1					

Remarks
 (1)PLEASE REFER TO FIG.116
 FOR THE INNER PART.

Fig.26. SPROCKET & ROLLER



(A)=SV100-1(US)
 (B)=SV100-1(AS)
 (C)=SV100-1(NZ)

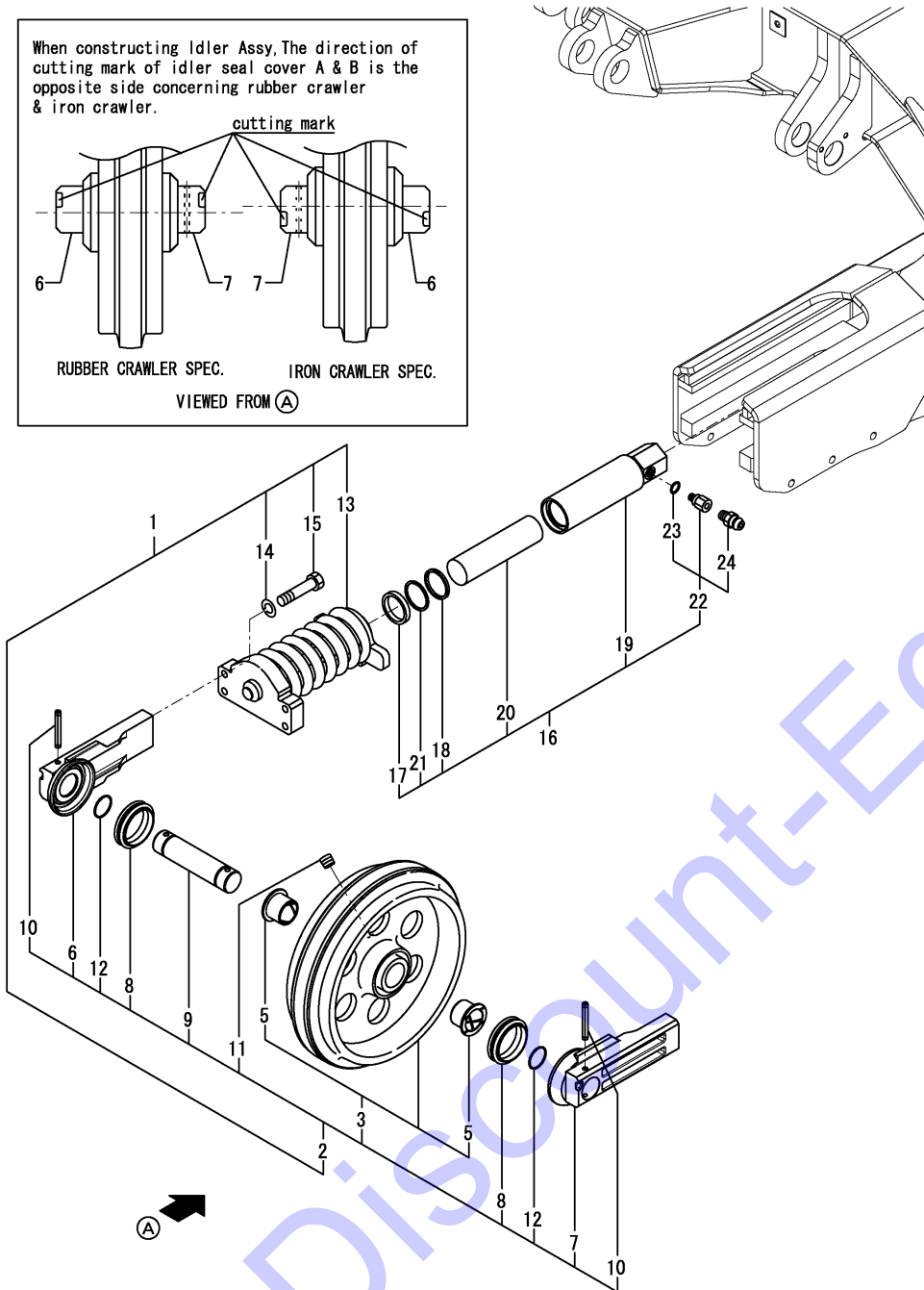
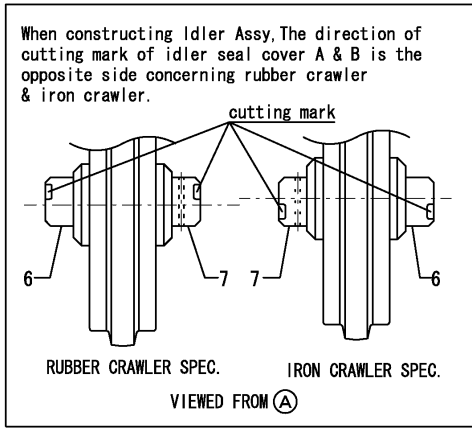
(D)=
 (E)=
 (F)=

REF.	LEV.	PARTS NO.	DESCRIPTION	Q'TY						I	R
				(A)	(B)	(C)	(D)	(E)	(F)		
1	1	172499-29100-1	SPROCKET 21(GRAY:49)	2	2	2					
2	1	172460-73320	BOLT	30	30	30					
3	1	22217-160000	SPRING WASHER 16	30	30	30					
4	1	172499-37301	ROLLER ASSY,LOWER(49)	10	10	10					
7	3	172499-37360	BUSHING	20	20	20					
8	2	172499-37331-1	ROLLER,LOWER (49)	10	10	10					
9	2	172499-37371	ROLLER,B(SEAL COVER	10	10	10					
10	2	172499-37380	FLOATING SEAL	20	20	20					
11	2	194630-42120	PLUG PT1/8	10	10	10					
12	2	22242-000450	CIRCLIP 45	10	10	10					
13	2	24321-000400	O-RING 1A G-40.0	10	10	10					
14	1	22217-200000	WASHER, SPRING 20	20	20	20					
15	1	26076-200409	BOLT, 20 X 40	20	20	20					
16	1	172499-37500-1	ROLLER,CARRIER (49)	2	2	2					
17	2	172730-31630	COLLAR 35X50X3	2	2	2					
18	2	172164-37120	SEAL 45 85 8.5 19	2	2	2					
21	2	194630-42120	PLUG PT1/8	2	2	2					
22	2	1T3681-86450	PLUG 80	2	2	2					
23	2	22242-000350	CIRCLIP 35	2	2	2					
24	2	22252-000800	CIRCLIP 80	2	2	2					
25	2	24101-063074	BALL BEARING	4	4	4					
26	1	22217-160000	SPRING WASHER 16	2	2	2					
27	1	26116-160852	BOLT M16X 85 PLATED	2	2	2					
28	1	26716-160002	NUT M16	2	2	2					

Fig.27. IDLER & ADJUST

(A)=SV100-1(US)
 (B)=SV100-1(AS)
 (C)=SV100-1(NZ)

(D)=
 (E)=
 (F)=



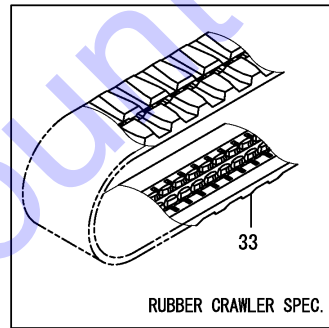
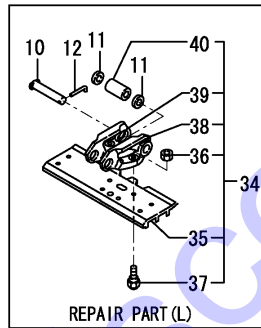
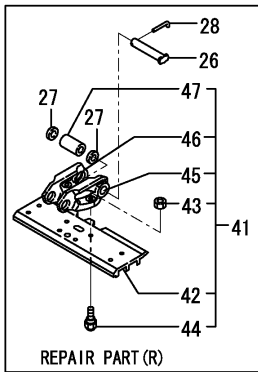
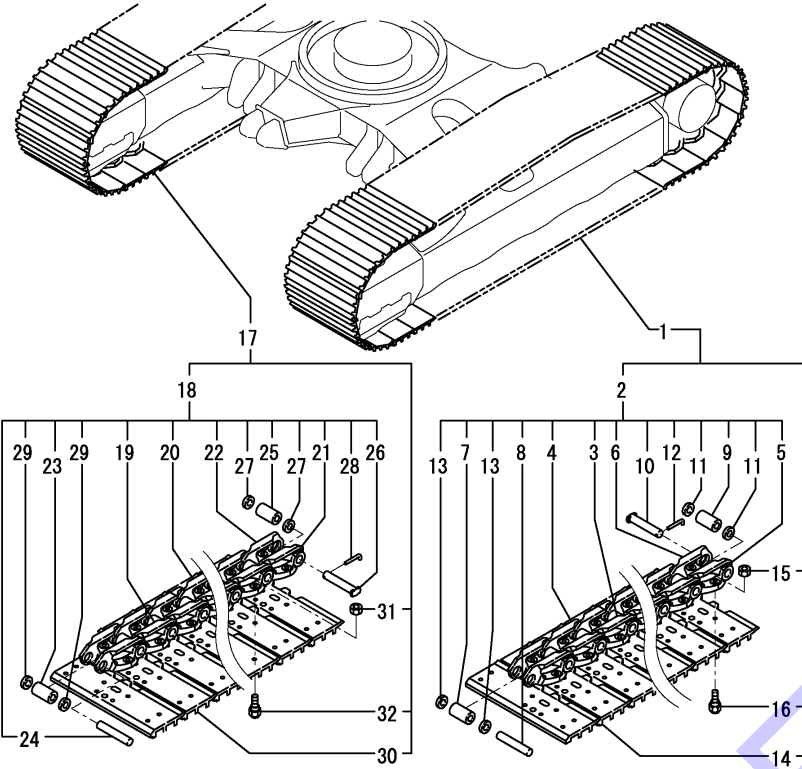
REF.	LEV.	PARTS NO.	DESCRIPTION	Q'TY						I	R
				(A)	(B)	(C)	(D)	(E)	(F)		
1	1	772499-37100	IDLER&ADJUST (49)	2	2	2					
2	2	172499-37101-1	IDLER ASSY (GRAY:49)	2	2	2					
3	3	172499-37111	IDLER 450 CMP	2	2	2					
5	4	172499-37131	BUSHING	4	4	4					
6	3	172499-37142	COVER,A(IDLER SEAL	2	2	2					
7	3	172499-37152	COVER,B(IDLER SEAL	2	2	2					
8	3	172499-37161	FLOATING SEAL	4	4	4					
9	3	172499-37172	SHAFT,IDLER	2	2	2					
10	3	172499-37180	PINS,SPRIRNG	4	4	4					
11	3	23876-020000	PLUG PT1/4,SCREW	2	2	2					
12	3	24311-000490	O-RING 1A P-49.0	4	4	4					
13	2	172499-37700-1	ADJUST ASSY(GRAY:49)	2	2	2					
14	2	22217-160000	SPRING WASHER 16	8	8	8					
15	2	26116-160702	BOLT M16X 70 PLATED	8	8	8					
16	1	172499-37750-1	CYLINDER ,ADJUST(49)	2	2	2					
17	2	172020-10390	DUST SEAL DKB65	2	2	2					
18	2	172020-10401	SEAL ISI 65 75 6	2	2	2					
19	2	172499-37760	TUBE ASSY, ADJUSTING	2	2	2					
20	2	172499-37790	PISTON	2	2	2					
21	2	172499-37800	RING,BACK UP 65	2	2	2					
22	2	172122-37844	VALVE ASSY, NIPPLE	2	2	2					
23	3	24315-000140	O-RING 1B P-14.0	2	2	2					
24	3	24761-020000	NIPPLE PT1/8,GREASE	2	2	2					

Fig.28. CRAWLER

(A)=SV100-1(US)
 (B)=SV100-1(AS)
 (C)=SV100-1(NZ)

(D)=
 (E)=
 (F)=

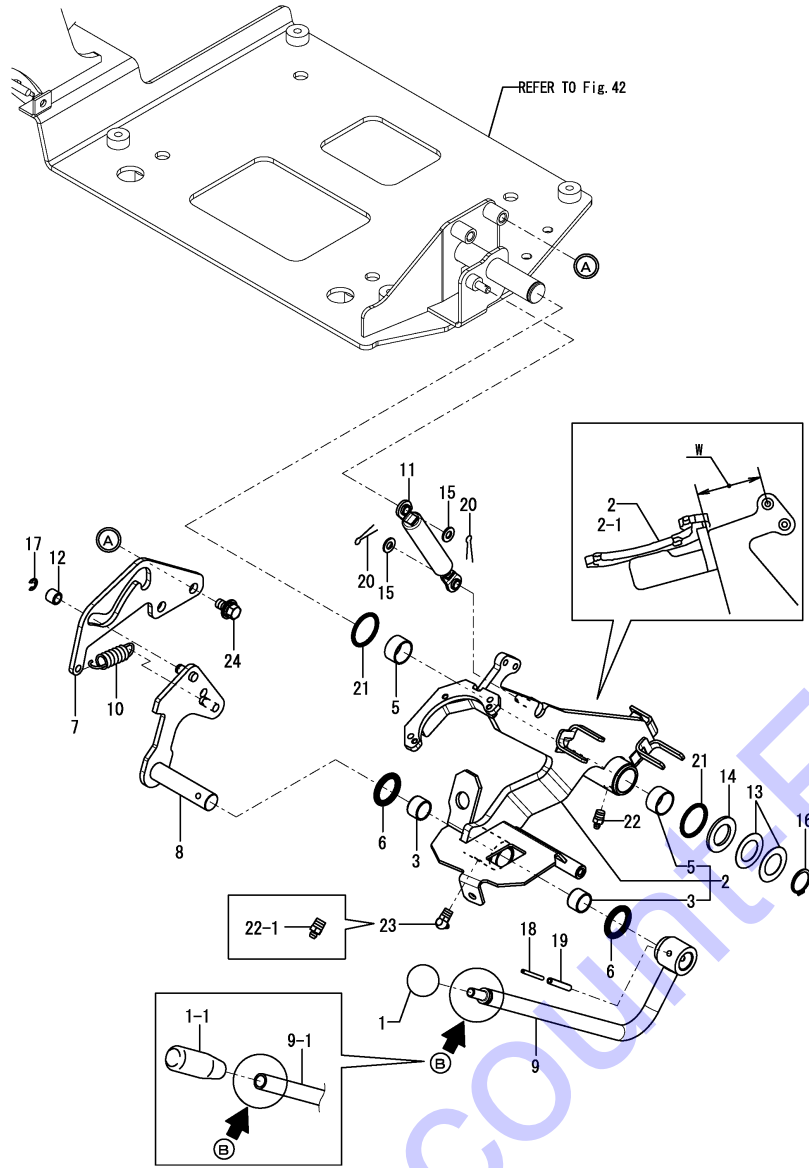
REF.	LEV.	PARTS NO.	DESCRIPTION	Q'TY						I	R
				(A)	(B)	(C)	(D)	(E)	(F)		
1	1	172499-38100-1	SHOE,TRACK 475L (49)	1	1	1					1
2	2	172499-38120	LINK ASSY	1	1	1					
3	3	172499-38180	LINK, TRACK L	37	37	37					
4	3	172499-38190	LINK, TRACK R	37	37	37					
5	3	172499-38200	LINK, MASTER L	1	1	1					
6	3	172499-38210	LINK, MASTER R	1	1	1					
7	3	172499-38220	BUSH, TRUCK	37	37	37					
8	3	172499-38230	PIN, TRUCK	37	37	37					
9	3	172499-38240	BUSH, MASTER	1	1	1					
10	3	172499-38250	PIN,MASTER	1	1	1					
11	3	172499-38260	COLLAR	2	2	2					
12	3	172499-38270	PIN	1	1	1					
13	3	172499-38280	SEAL	74	74	74					
14	2	172499-38130-1	SHOE,TRUCK 475 L(49)	38	38	38					
15	2	172499-38160	NUT,SHOE	152	152	152					
16	2	172499-38170	BOLT,SHOE	152	152	152					
17	1	172499-38110-1	SHOE,TRACK 475R (49)	1	1	1					1
18	2	172499-38120	LINK ASSY	1	1	1					
19	3	172499-38180	LINK, TRACK L	37	37	37					
20	3	172499-38190	LINK, TRACK R	37	37	37					
21	3	172499-38200	LINK, MASTER L	1	1	1					
22	3	172499-38210	LINK, MASTER R	1	1	1					
23	3	172499-38220	BUSH, TRUCK	37	37	37					
24	3	172499-38230	PIN, TRUCK	37	37	37					
25	3	172499-38240	BUSH, MASTER	1	1	1					
26	3	172499-38250	PIN,MASTER	1	1	1					
27	3	172499-38260	COLLAR	2	2	2					
28	3	172499-38270	PIN	1	1	1					
29	3	172499-38280	SEAL	74	74	74					
30	2	172499-38140-1	SHOE ,TRUCK 475R(49)	38	38	38					
31	2	172499-38160	NUT,SHOE	152	152	152					
32	2	172499-38170	BOLT,SHOE	152	152	152					
33	1	172499-38600	RUBBER CRAWLER 485	2	2	2					2
34	1	172499-38300-1	MASTER TRACK475L(49)	1	1	1					3
35	2	172499-38130-1	SHOE,TRUCK 475 L(49)	1	1	1					
36	2	172499-38160	NUT,SHOE	4	4	4					
37	2	172499-38170	BOLT,SHOE	4	4	4					
38	2	172499-38200	LINK, MASTER L	1	1	1					
39	2	172499-38210	LINK, MASTER R	1	1	1					
40	2	172499-38240	BUSH, MASTER	1	1	1					
41	1	172499-38310-1	MASTER TRACK475R(49)	1	1	1					3
42	2	172499-38140-1	SHOE ,TRUCK 475R(49)	1	1	1					
43	2	172499-38160	NUT,SHOE	4	4	4					
44	2	172499-38170	BOLT,SHOE	4	4	4					
45	2	172499-38200	LINK, MASTER L	1	1	1					
46	2	172499-38210	LINK, MASTER R	1	1	1					
47	2	172499-38240	BUSH, MASTER	1	1	1					



Remarks

- (1)IRON CRAWLER SPEC.
- (2)RUBBER CRAWLER SPEC.
- (3)REPAIR PARTS.

Fig.29. CONTROL EQUIPMENT(LOCK LEVER & LEVER STAND)



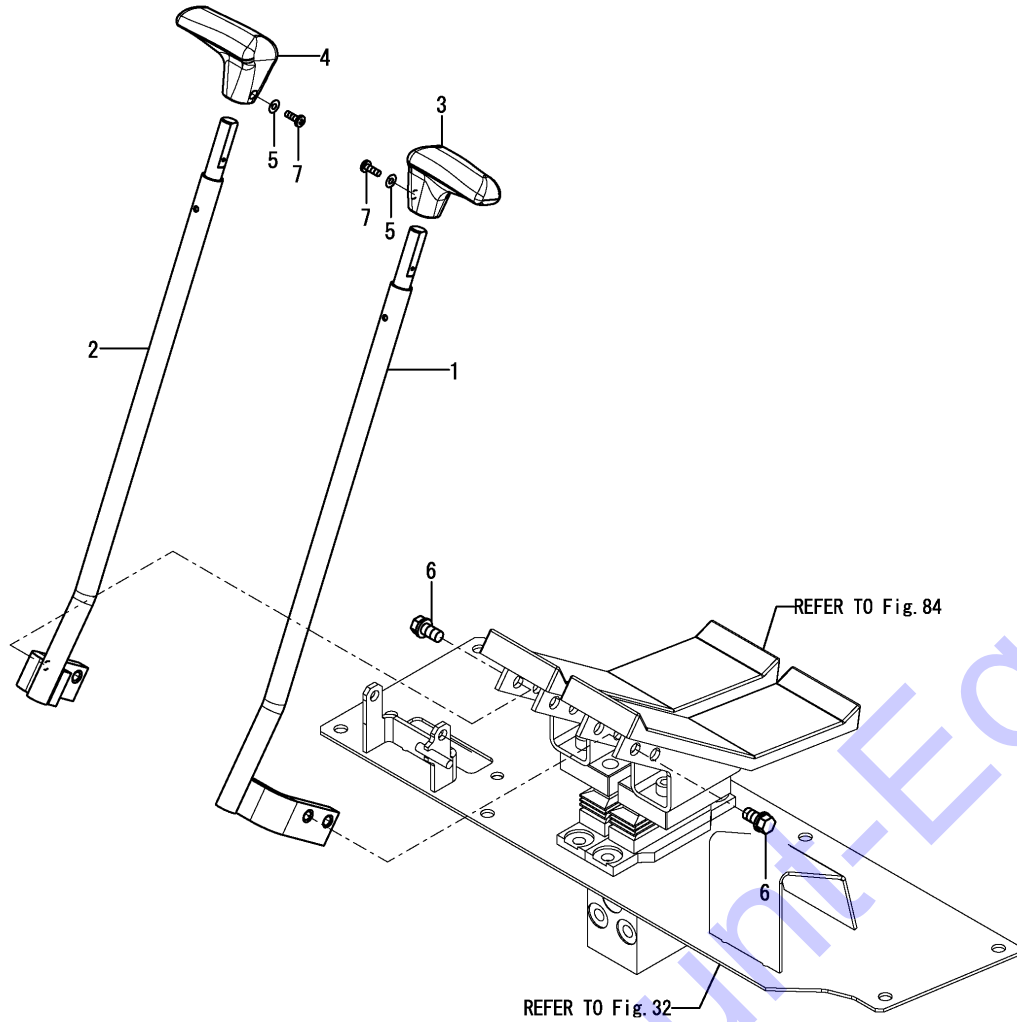
OCS10-G54500 29. CONTROL EQUIPMENT(LOCK LEVER & LEVER STAND)

(A)=SV100-1(US) (D)=
 (B)=SV100-1(AS) (E)=
 (C)=SV100-1(NZ) (F)=

REF.	LEV.	PARTS NO.	DESCRIPTION	Q'TY						I	R
				(A)	(B)	(C)	(D)	(E)	(F)		
1	1	1D4070-23580	GRIP,RED ROUND	1	1	1					
1-1	1	172A77-46050	GRIP,RED	1	1	1					S
		(A=MZZZZZ) (B=MZZZZZ) (C=MZZZZZ)									
2	1	172A69-46100	LEVER STAND ,L (49)	1	1	1					
2-1	1	172A69-46101	LEVER STAND ASSY,L	1	1	1					S 2
		(A=M10540) (B=M10540) (C=M10540)									
3	2	172141-41370	BUSH 2015	2	2	2					
5	2	24550-025150	BUSH 25X15	2	2	2					
6	1	172124-46200	O-RING 27X5.7	2	2	2					
7	1	172A69-46210	ROCK GUIDE (49)	1	1	1					
8	1	172A69-46220	ROD,ASSY SPRING (49)	1	1	1					
9	1	172A69-46250	LEVER ASSY,LOCK (49)	1	1	1					
9-1	1	172A69-46251	LEVER ASSY,LOCK (49)	1	1	1					F 1
		(A=MZZZZZ) (B=MZZZZZ) (C=MZZZZZ)									
10	1	172A69-46270	SPRING 2.3X15X60	1	1	1					
11	1	172455-46890	SPRING,GAS	1	1	1					
12	1	172165-47550	BUSH	1	1	1					
13	1	172165-47980	SHIM 42X25.5X0.5	2	2	2					
14	1	172165-47990	WASHER 25.5X42	1	1	1					
15	1	22137-080000	WASHER 8, POLISHED	2	2	2					
16	1	22242-000250	CIRCLIP 25S	1	1	1					
17	1	22272-000070	CIRCLIP E- 7	1	1	1					
18	1	22351-035040	SPRING PIN 3.5X40	1	1	1					
19	1	22351-060040	SPRING PIN 6X40	1	1	1					
20	1	22417-200200	COTTER PIN 2.0X20	2	2	2					
21	1	24311-000340	O-RING 1A P-34.0	2	2	2					
22	1	24761-020000	NIPPLE PT1/8,GREASE	1	1	1					
22-1	1	24761-020000	NIPPLE PT1/8,GREASE	2	2	2					K
		(A=FROM 1ST) (B=FROM 1ST) (C=FROM 1ST)									
23	1	24761-050000	NIPPLE C,GREASE	1	1	1					Z
		(A=FROM 1ST) (B=FROM 1ST) (C=FROM 1ST)									
24	1	26014-100202	BOLT M10X 20	2	2	2					

Remarks
 (1)B=REF.NO.9 M10 SCREW,
 NO.9-1 NO SCREW.
 INTERCHANGEABLE BY SIMULTANEOUS
 REPLACEMENT WITH RE.NO.1-1.
 (2)REF.NO.2 W=48MM,REF.NO.2-1 W=45MM.

Fig.30. CONTROL EQUIPMENT(TRAVEL)



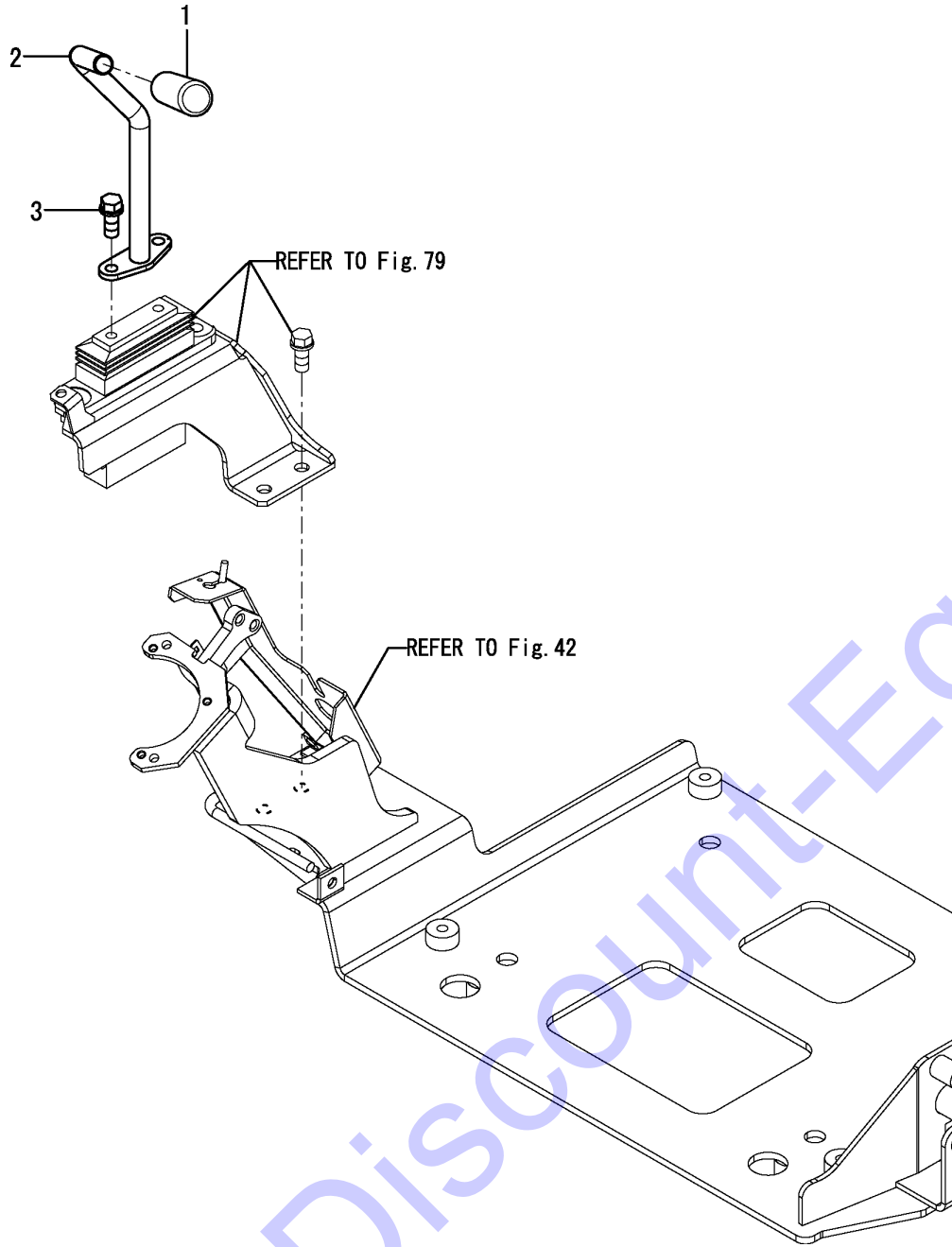
OCS10-G54500 30. CONTROL EQUIPMENT(TRAVEL)

(A)=SV100-1(US)
 (B)=SV100-1(AS)
 (C)=SV100-1(NZ)

(D)=
 (E)=
 (F)=

REF.	LEV.	PARTS NO.	DESCRIPTION	Q'TY						I	R
				(A)	(B)	(C)	(D)	(E)	(F)		
1	1	172A69-45210	LEVER L,TRACK (49)	1	1	1					
2	1	172A69-45250	LEVER R,TRACK (49)	1	1	1					
3	1	172187-45870	GRIP L, DRIVE	1	1	1					
4	1	172187-45880	GRIP R, DRIVE	1	1	1					
5	1	22117-040000	WASHER 4	2	2	2					
6	1	26013-100202	BOLT W/WASHER M10X20	4	4	4					
7	1	26587-040122	SCREW, M4X12	2	2	2					

Fig.31. CONTROL EQUIPMENT(BLADE)



OCS10-G54500 31. CONTROL EQUIPMENT(BLADE)

(A)=SV100-1(US)
 (B)=SV100-1(AS)
 (C)=SV100-1(NZ)

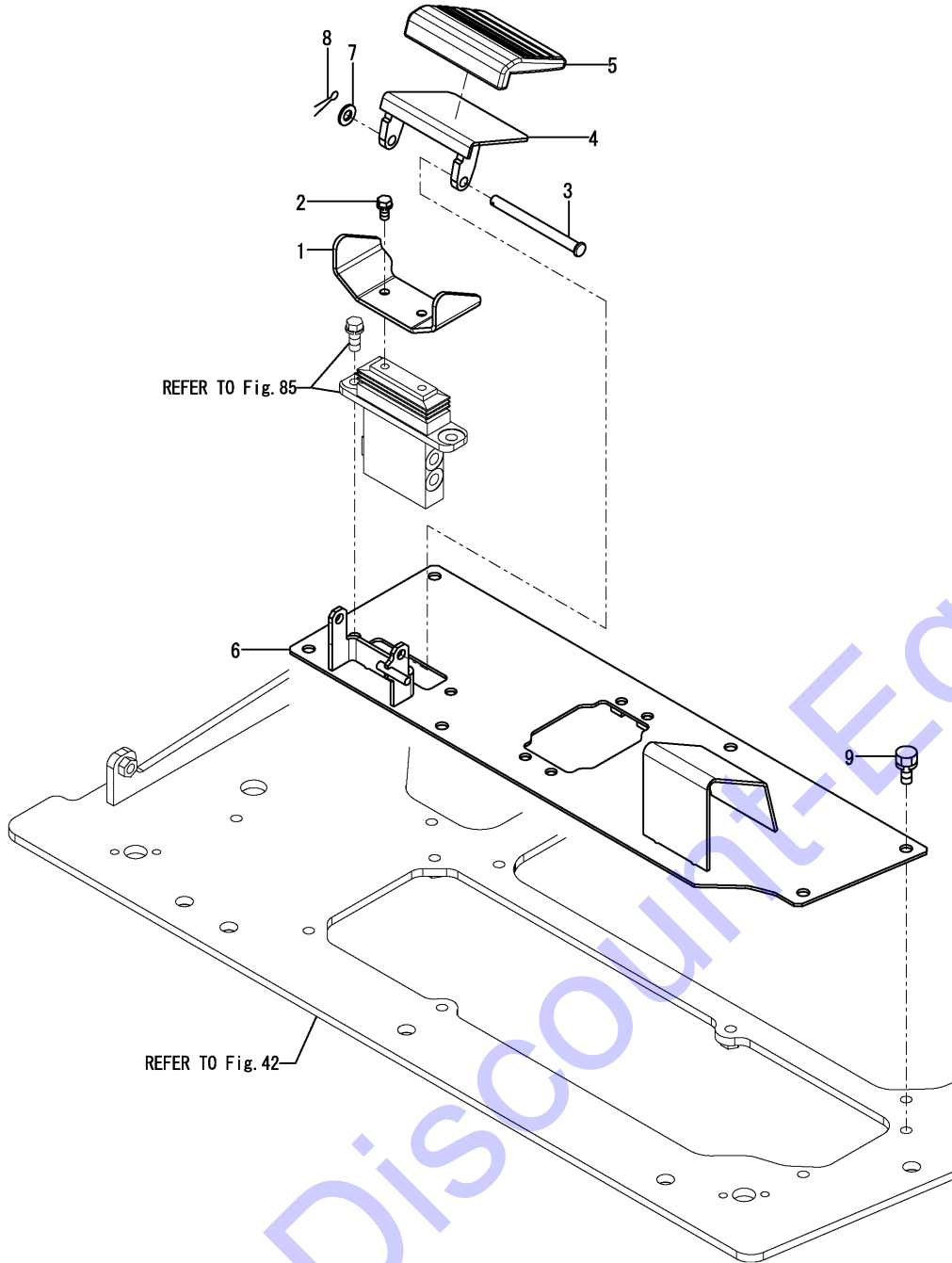
(D)=
 (E)=
 (F)=

REF.	LEV.	PARTS NO.	DESCRIPTION	Q'TY						I	R
				(A)	(B)	(C)	(D)	(E)	(F)		
1	1	172964-12140	GRIP(BLACK	1	1	1					
2	1	172A69-45850	LEVER ASSY,BLADE(49)	1	1	1					
3	1	26013-080162	BOLT W/WASHER M8X16	2	2	2					

Fig.32. CONTROL EQUIPMENT(SWING)

(A)=SV100-1(US)
 (B)=SV100-1(AS)
 (C)=SV100-1(NZ)

(D)=
 (E)=
 (F)=

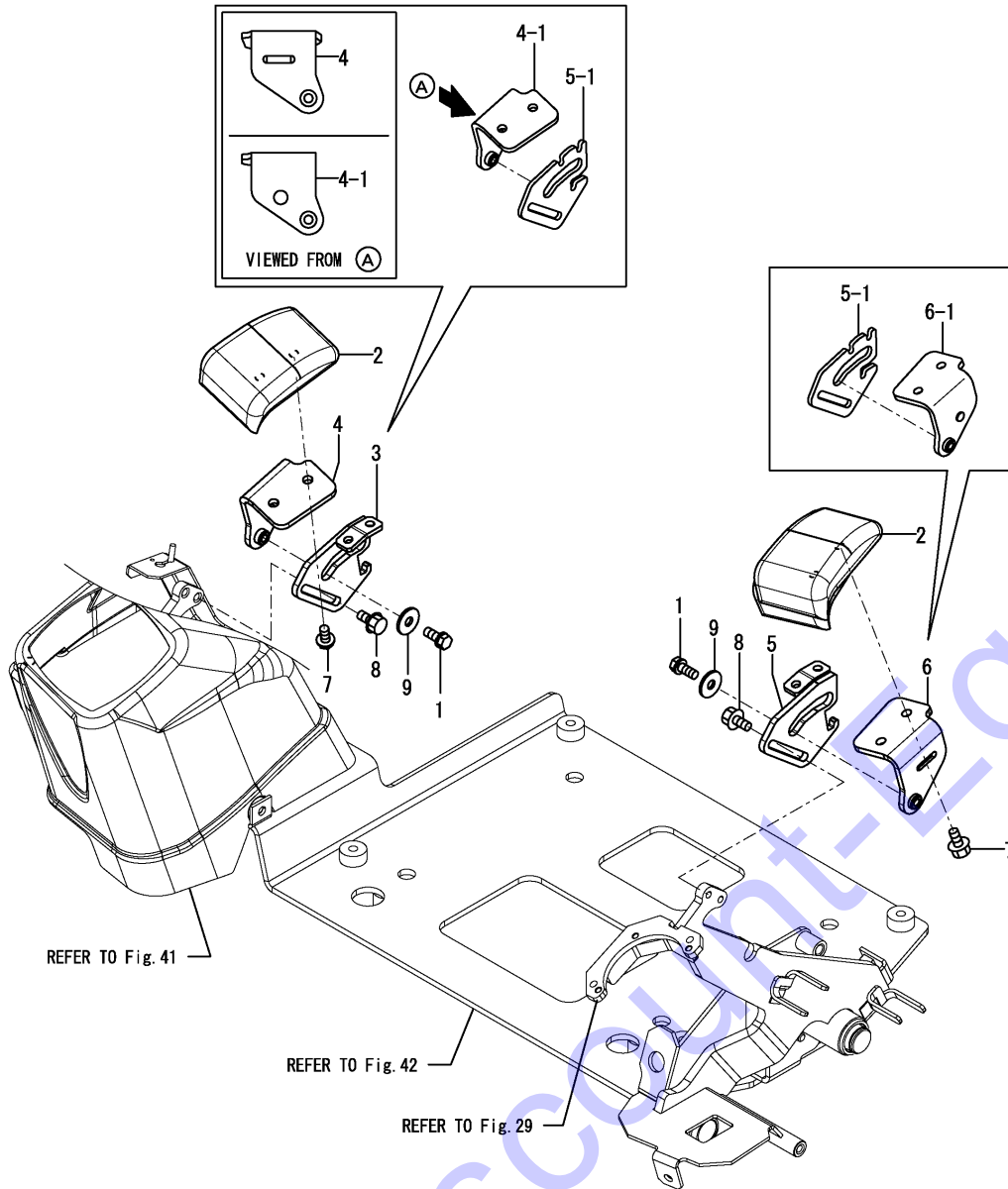


REF.	LEV.	PARTS NO.	DESCRIPTION	Q'TY						I	R
				(A)	(B)	(C)	(D)	(E)	(F)		
1	1	172A69-45350	PEDAL, SWING (49)	1	1	1					
2	1	26013-080162	BOLT W/WASHER M8X16	2	2	2					
3	1	172187-45651	SHAFT, PEDAL COVER	1	1	1					
4	1	172187-45720-2	COVER, PEDAL (GRAY:49)	1	1	1					
5	1	172187-45760	COVER PAD	1	1	1					
6	1	172A69-45800	PLATE, PEDAL EX (49)	1	1	1					
7	1	22137-100000	WASHER 10, POLISHED	1	1	1					
8	1	22417-250200	COTTER PIN 2.5X20	1	1	1					
9	1	26013-100252	BOLT W/WASHER M10X25	6	6	6					

Fig.33. ARM REST

(A)=SV100-1(US)
 (B)=SV100-1(AS)
 (C)=SV100-1(NZ)

(D)=
 (E)=
 (F)=

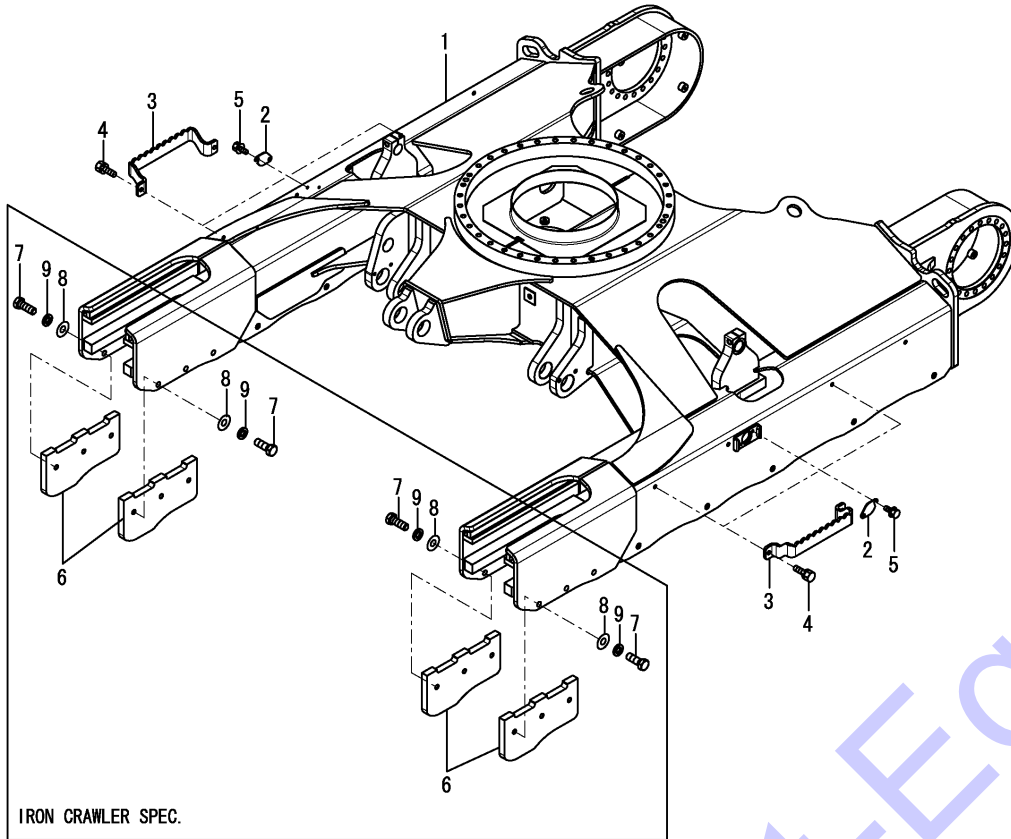


REF.	LEV.	PARTS NO.	DESCRIPTION	Q'TY						I	R
				(A)	(B)	(C)	(D)	(E)	(F)		
1	1	26013-080202	BOLT W/WASHER M8X20	2	2	2					
2	1	172441-44320	ARM REST	2	2	2					
3	1	172A46-46602	PLATE,ARMREST R ASSY	1	1	1					Z
4	1	172A46-46631	PLATE,GUIDE R ASSY	1	1	1					
4-1	1	172A46-46632	PLATE,GUIDE R ASSY	1	1	1					S
5	1	172A46-46702	PLATE,ARMREST L ASSY	1	1	1					
5-1	1	172A46-46703	PLATE,ARMREST L/R	2	2	2					S
6	1	172A46-46731	PLATE,GUIDE L ASSY	1	1	1					
6-1	1	172A46-46732	PLATE,GUIDE L ASSY	1	1	1					S
7	1	172519-63240	BOLT 8X 16	4	4	4					
7-1	1	26014-080162	BOLT M 8X 16	4	4	4					S
8	1	172519-63240	BOLT 8X 16	4	4	4					
9	1	22157-080000	WASHER 8	2	2	2					

Fig.34. TRAVEL FRAME

(A)=SV100-1(US)
 (B)=SV100-1(AS)
 (C)=SV100-1(NZ)

(D)=
 (E)=
 (F)=



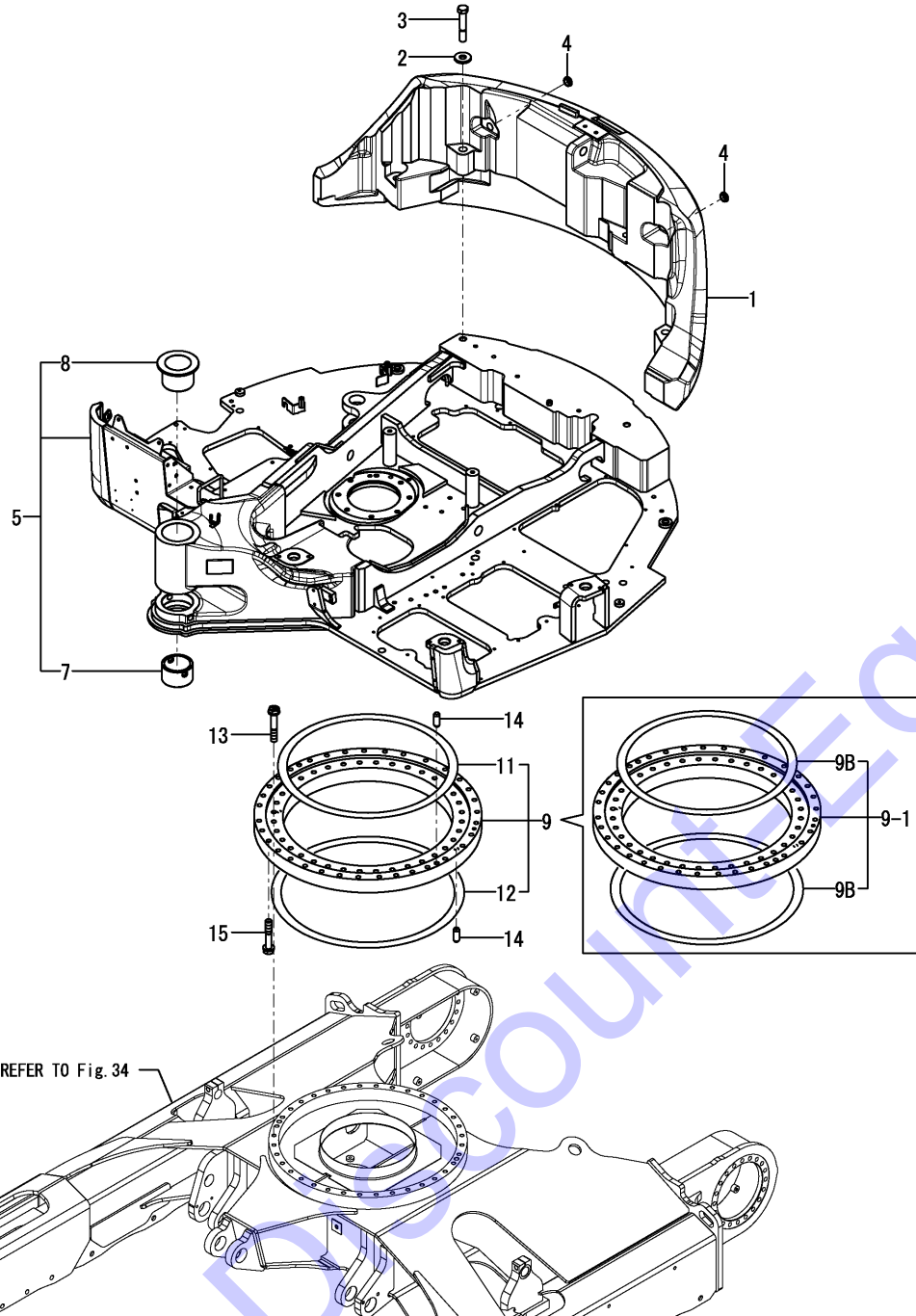
REF.	LEV.	PARTS NO.	DESCRIPTION	Q'TY						I	R	
				(A)	(B)	(C)	(D)	(E)	(F)			
1	1	172A69-50100	FRAME ASSY,LOWER(49)	1	1	1						
1-1	1	172A69-50101	FRAME ASSY,LOWER(49)	1	1	1						N
		(A=M10546) (B=M10546) (C=M10546)										
2	1	172458-50480-2	COVER,FRAME(GRAY:49)	2	2	2						
3	1	172A69-50670	STEP (49)	4	4	4						
4	1	26013-120352	BOLT M12X 35	8	8	8						
5	1	26106-100122	BOLT M10X 12 PLATED	4	4	4						
6	1	172499-50800-1	GUARD,CRAWLER (49)	4	4	4						1
7	1	172460-73320	BOLT	12	12	12						1
8	1	22137-160000	WASHER 16,POLISHED	12	12	12						1
9	1	22217-160000	SPRING WASHER 16	12	12	12						1

IRON CRAWLER SPEC.

Remarks
 (1)IRON CRAWLER SPEC.

Fig.35. TURNING FRAME & TURNING BEARING

(A)=SV100-1(US) (D)=
 (B)=SV100-1(AS) (E)=
 (C)=SV100-1(NZ) (F)=

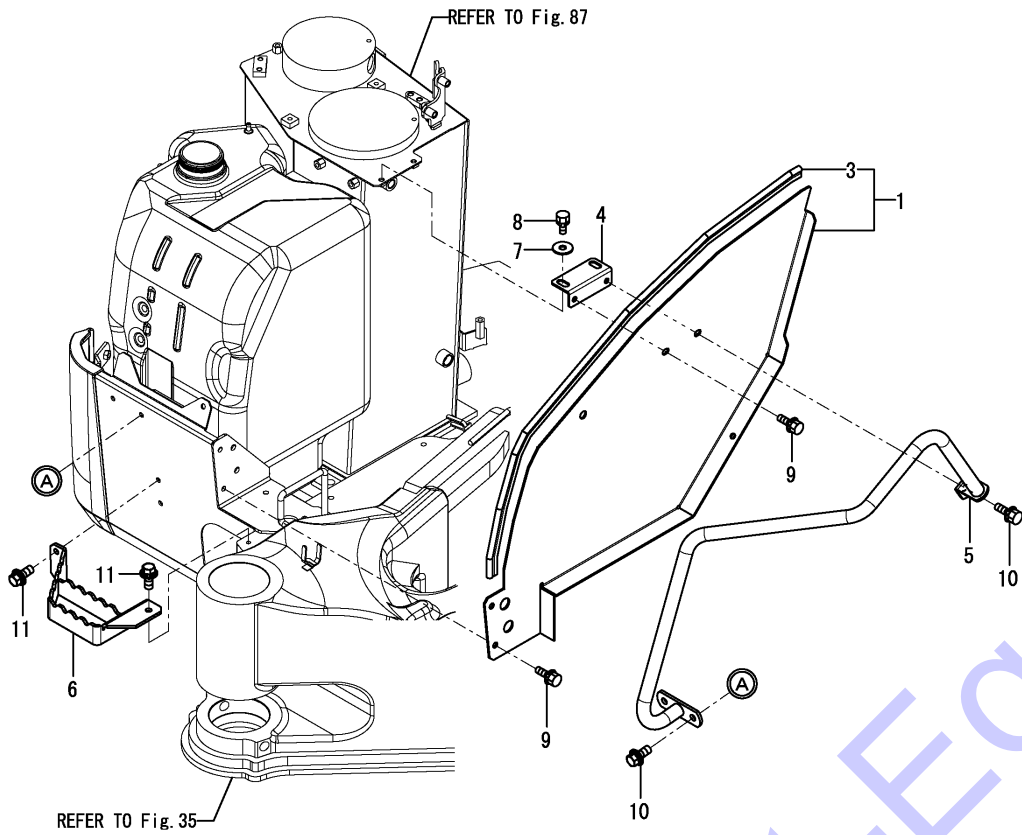


REF.	LEV.	PARTS NO.	DESCRIPTION	Q'TY						I	R
				(A)	(B)	(C)	(D)	(E)	(F)		
1	1	172A69-53310	WEIGHT,COUNTER (49)	1	1	1					
2	1	172187-53321	WASHER 24.5X65X8	4	4	4					
3	1	172455-53331	BOLT 24X140	4	4	4					
4	1	172456-53700	GROMMET 30	2	2	2					
5	1	172A69-54100	FRAME ,TURNING (49)	1	1	1					
7	2	172A69-54700	BUSH 100X76	1	1	1					
8	2	172A69-54710	BUSH 100X95	1	1	1					
9	1	172499-57600	BEARING ASSY,SWING	1	1	1					
9-1	1	172A69-57600	BEARING ASSY,SWING	1	1	1					R
9B	1	172A69-57620	SEAL	2	2	2					W
11	2	172499-57620	SEAL A	1	1	1					Z
12	2	172499-57630	SEAL B	1	1	1					Z
13	1	172A69-57650	BOLT 10.9 16X90	36	36	36					
14	1	172162-57660	PIN 16X40,STRAIGHT	4	4	4					
15	1	172A69-57660	BOLT 10.9 16X85	34	34	34					

Fig.36. COVER(FUEL TANK SIDE)

(A)=SV100-1(US)
 (B)=SV100-1(AS)
 (C)=SV100-1(NZ)

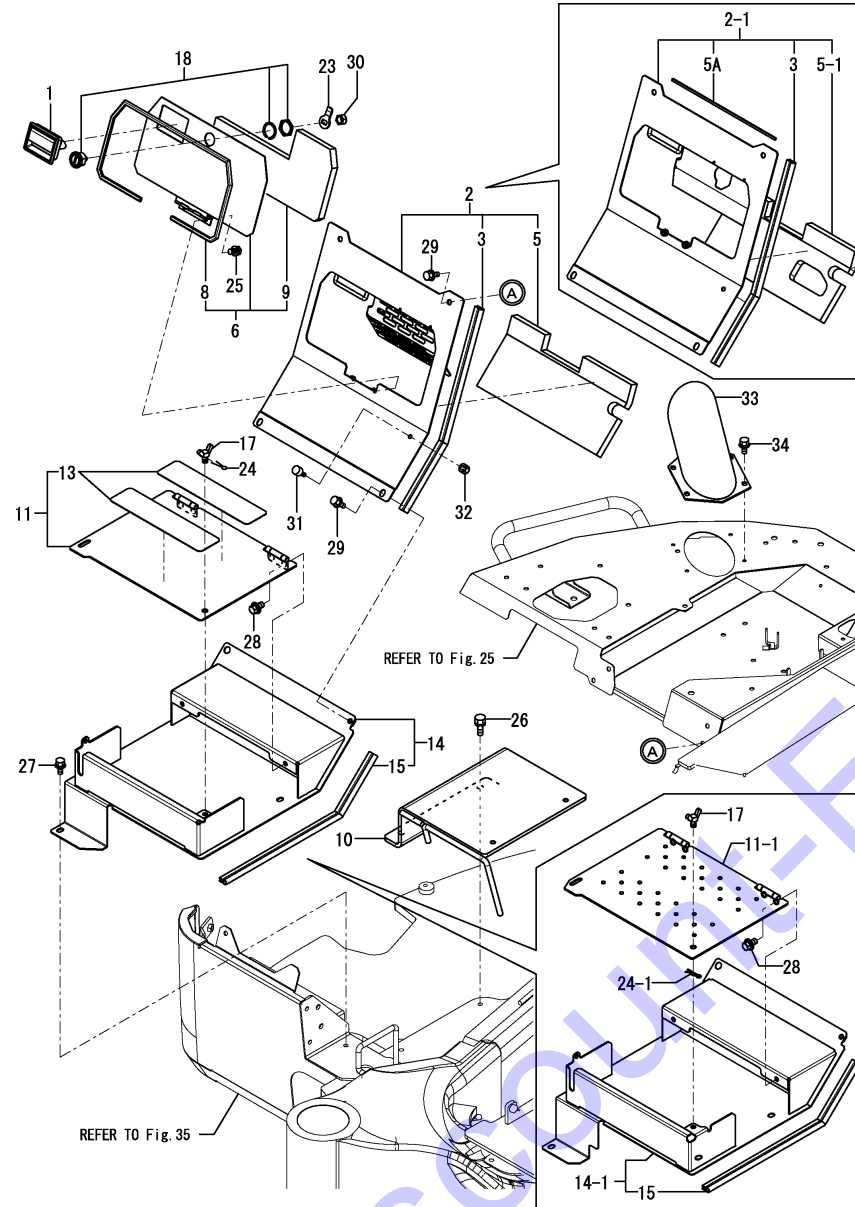
(D)=
 (E)=
 (F)=



REF.	LEV.	PARTS NO.	DESCRIPTION	QTY						I	R
				(A)	(B)	(C)	(D)	(E)	(F)		
1	1	172A69-61600	COVER ASSY, FUEL	1	1	1					
1-1	1	172A69-61600-Y	COVER ASSY, FUEL	1	1	1					S
		(A=M11501) (B=M11501) (C=M11501)									
3	2	172A69-61650	SEAL	1	1	1					
4	1	172A69-61660	STAY ASSY	1	1	1					
5	1	172A69-61830	GRIP ASSY	1	1	1					
5-1	1	172A69-61830-Y	GRIP ASSY	1	1	1					S
		(A=M11051) (B=M11501) (C=M11501)									
6	1	172A69-62050	STEP ASSY	1	1	1					
7	1	22157-100000	WASHER	2	2	2					
8	1	26013-100252	BOLT	2	2	2					
9	1	26014-100252	BOLT	3	3	3					
10	1	26014-100252	BOLT	3	3	3					
11	1	26014-100252	BOLT	3	3	3					

Discount-Equipment.com

Fig.37. COVER(CENTER)



Remarks

- (1)PLEASE USE THIS PART WITH FOLLOWING LABEL AT THE SAME TIME. REF NO.35A.
- (2)LABEL IS NOT ILLUSTRATED.

OCS10-G54500 37. COVER(CENTER)

(A)=SV100-1(US)
 (B)=SV100-1(AS)
 (C)=SV100-1(NZ)

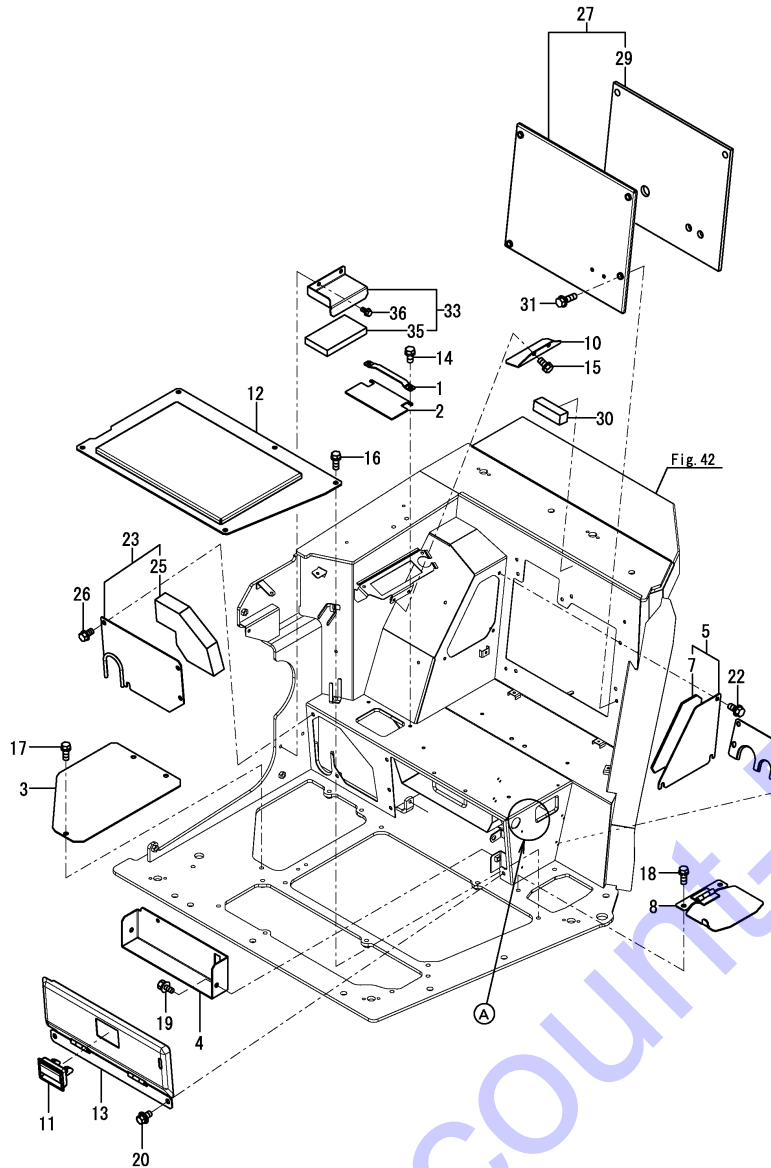
(D)=
 (E)=
 (F)=

REF.	LEV.	PARTS NO.	DESCRIPTION	Q'TY						I	R
				(A)	(B)	(C)	(D)	(E)	(F)		
1	1	172187-61421	HANDLE, LOCK	1	1	1					
2	1	172A69-61680	COVER ASSY	1	1	1					
2-1	1	172A89-61680	COVER ASSY,CENTER	1	1	1					S
2-2	1	172A89-61680-Y	COVER ASSY,CENTER	1	1	1					S
		(A=M11501) (B=M11501) (C=M11501)									
3	2	172A69-13690	SEAL	1	1	1					
5	2	172A69-61720	SPONGE	1	1	1					
5-1	2	172A89-61720	EV A,COVER	1	1	1					S
5A	2	172A89-61730	SEAL 340	1	1	1					W
		(A=MZZZZZ) (B=MZZZZZ) (C=MZZZZZ)									
6	1	172A69-61740	COVER ASSY, ENGINE	1	1	1					1
6-1	1	172A89-61740	COVER ASSY,ENG	1	1	1					S 1
		(A=MZZZZZ) (B=MZZZZZ) (C=MZZZZZ)									
6-2	1	172A89-61740-Y	COVER ASSY,ENG	1	1	1					S 1
		(A=M11501) (B=M11501) (C=M11501)									
8	2	172A69-61780	SEAL	1	1	1					
9	2	172A69-61790	SPONGE	1	1	1					
9-1	2	172A89-61791	EV A,COVER	1	1	1					N
		(A=MZZZZZ) (B=MZZZZZ) (C=MZZZZZ)									
10	1	172A69-61800	BRACKET ASSY	1	1	1					
11	1	172A69-61870	COVER ASSY, TOOL BOX	1	1	1					
11-1	1	172A89-61880	COVER ASSY,TOOL BOX	1	1	1					S
		(A=MZZZZZ) (B=MZZZZZ) (C=MZZZZZ)									
13	2	172433-62200	SHEET, NON SLIP	2	2	2					Z
		(A=MZZZZZ) (B=MZZZZZ) (C=MZZZZZ)									
14	1	172A69-61900	BASE ASSY, TOOL BOX	1	1	1					
14-1	1	172A69-61901	BASE ASSY,TOOL BOX	1	1	1					S
		(A=MZZZZZ) (B=MZZZZZ) (C=MZZZZZ)									
15	2	172A69-13690	SEAL	1	1	1					
17	1	172142-62301	BOLT, WING	1	1	1					
18	1	172164-66170	KEY ASSY, CYLINDER	1	1	1					
23	1	172162-69470	PLATE, LOCK	1	1	1					
24	1	22417-320200	PIN, COTTER	1	1	1					
24-1	1	22372-100000	PIN, SNAP	1	1	1					N
		(A=MZZZZZ) (B=MZZZZZ) (C=MZZZZZ)									
25	1	26013-080122	BOLT	2	2	2					
26	1	26013-120302	BOLT	2	2	2					
27	1	26014-100202	BOLT	3	3	3					
28	1	26014-100202	BOLT	2	2	2					
29	1	26014-100202	BOLT	4	4	4					
30	1	26347-100002	NUT	1	1	1					
31	1	172176-67150	RUBBER, STOPPER	1	1	1					
32	1	26051-080002	NUT	1	1	1					
33	1	172455-65700	COVER ASSY	1	1	1					
33-1	1	172455-65701	COVER ASSY	1	1	1					N
		(A=M10546) (B=M10546) (C=M10546)									
34	1	26014-080162	BOLT	4	4	4					
35A	1	172437-03402	LABEL, ENGINE COVER	1	1	1					2

Fig.38. COVER(SEAT MOUNT)(A)

(A)=SV100-1(US)
 (B)=SV100-1(AS)
 (C)=SV100-1(NZ)

(D)=
 (E)=
 (F)=



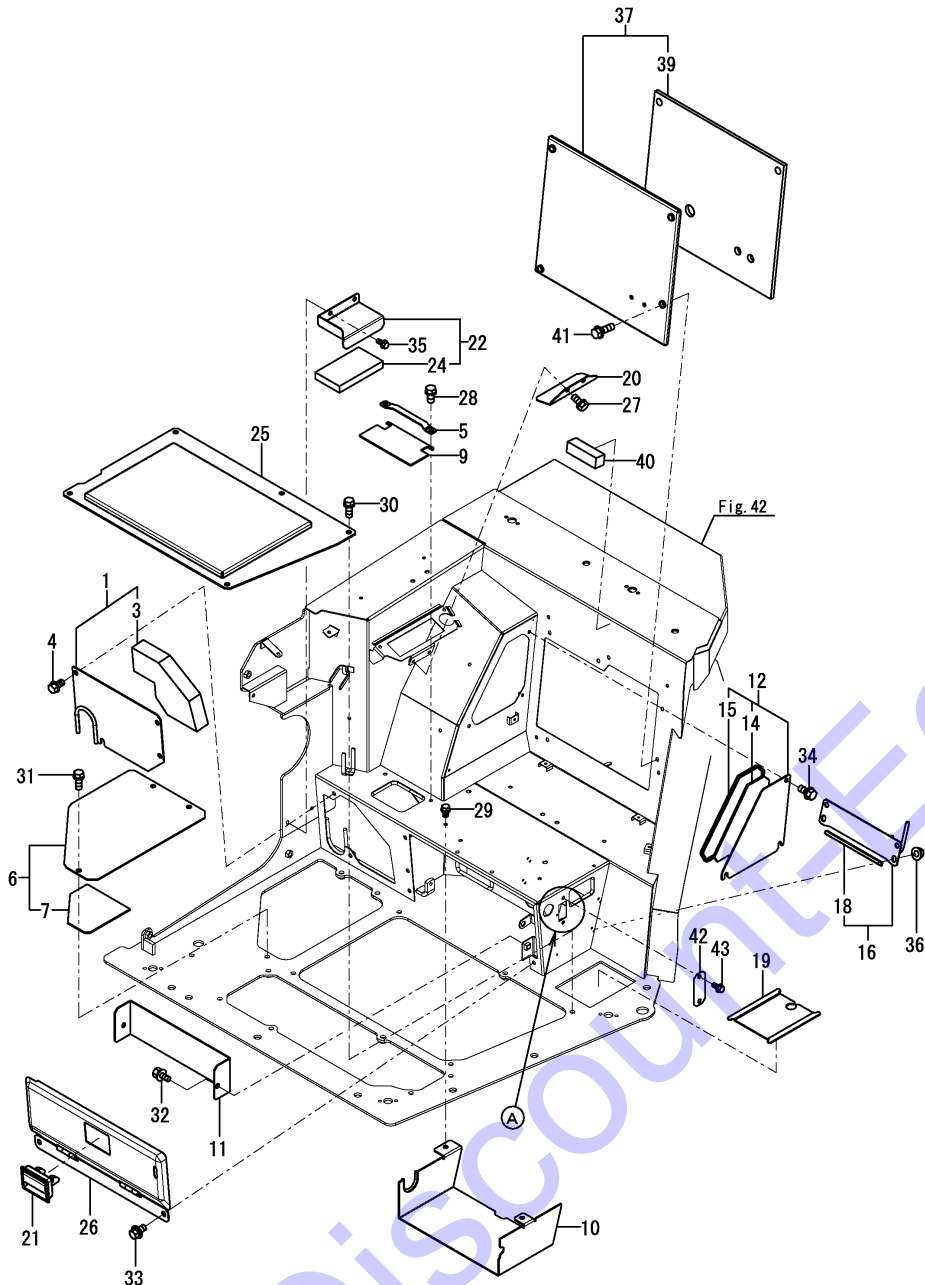
REF.	LEV.	PARTS NO.	DESCRIPTION	Q'TY						I	R
				(A)	(B)	(C)	(D)	(E)	(F)		
1	1	172A69-61010	BRACKET,RUBBER PLATE	1	1	1					
2	1	172A69-61020	RUBBER PLATE	1	1	1					
3	1	172A69-61030	PLATE A (49)	1	1	1					
4	1	172A69-61060	COVER,TRAY	1	1	1					
5	1	172A69-61130	COVER ,SEAT MT (49)	1	1	1					
7	2	172A69-61150	GLASSWOOL,COVER	1	1	1					
8	1	172A69-61160	COVER CMP,MULTI (49)	1	1	1					
9	1	172A69-61190	COVER ASSY,P HOSE	1	1	1					
10	1	172A69-61330	COVER,HARNES	1	1	1					
11	1	172187-61421	HANDLE, LOCK	1	1	1					
12	1	172A69-62210	STEP ASSY (49)	1	1	1					
13	1	172A69-64760	COVER ASSY,FL P (49)	1	1	1					1
14	1	26013-080162	BOLT W/WASHER M8X16	2	2	2					
15	1	26013-080162	BOLT W/WASHER M8X16	2	2	2					
16	1	26013-100252	BOLT W/WASHER M10X25	5	5	5					
17	1	26013-100252	BOLT W/WASHER M10X25	3	3	3					
18	1	26013-100252	BOLT W/WASHER M10X25	2	2	2					
19	1	26014-100202	BOLT M10X 20	2	2	2					
20	1	26014-100202	BOLT M10X 20	2	2	2					
21	1	26366-100002	NUT M10	4	4	4					
22	1	26106-080162	BOLT M 8X 16 PLATED	3	3	3					
23	1	172A69-61240	COVER ,A/C HOSE (49)	1	1	1					
25	2	172A69-61280	EV,HOSE COVER	1	1	1					
26	1	26106-100162	BOLT M10X 16 PLATED	4	4	4					
27	1	172A69-61080	COVER ASSY,SEAT (49)	1	1	1					
29	2	172A69-61120	EV,COVER SEAT MT	1	1	1					
30	1	172A69-64990	CUSHION,SEAT	1	1	1					
31	1	26106-080252	BOLT M 8X 25 PLATED	4	4	4					
32A	1	172437-03601	LABEL, 2-WAY US	1	1	1					2
33	1	172A89-61420	COVER ASSY,FLOOR MAT	1	1	1					W
		(A=MZZZZZ) (B=MZZZZZ) (C=MZZZZZ)									
35	2	172A89-61440	EV,COVER	1	1	1					
36	1	26106-080162	BOLT M 8X 16 PLATED	2	2	2					W
		(A=MZZZZZ) (B=MZZZZZ) (C=MZZZZZ)									

Remarks
 * An part is different from Fig.119(38A).
 (1)PLEASE USE THIS PART WITH FOLLOWING LABEL AT THE SAME TIME.
 REF NO.32A
 (2)LABEL IS NOT ILLUSTRATED.

Fig.119. (38A)COVER(SEAT MOUNT)(B)

(A)=SV100-1(US)
 (B)=SV100-1(AS)
 (C)=SV100-1(NZ)

(D)=
 (E)=
 (F)=



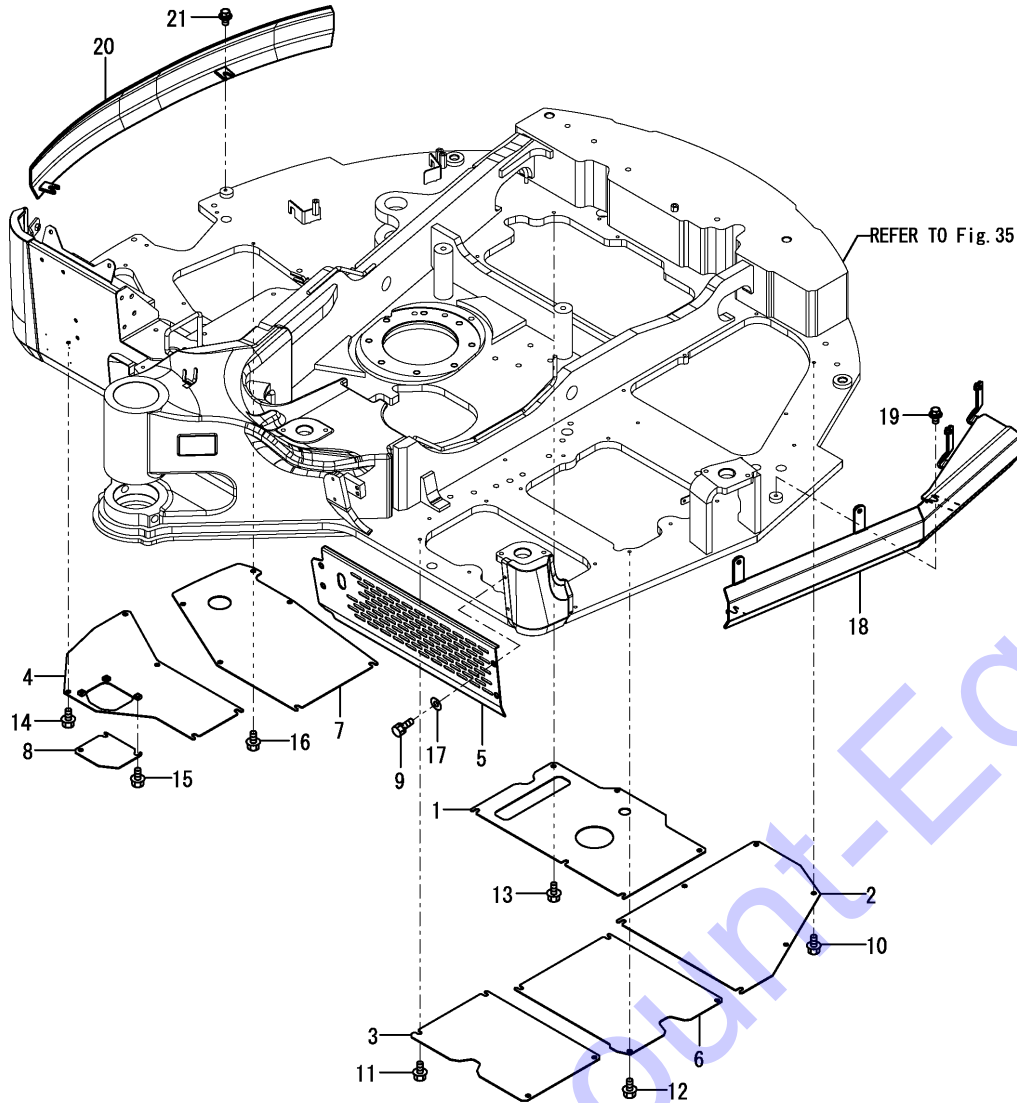
REF.	LEV.	PARTS NO.	DESCRIPTION	Q'TY						I	R
				(A)	(B)	(C)	(D)	(E)	(F)		
1	1	172A69-61240	COVER ,A/C HOSE (49)	1							
3	2	172A69-61280	EV,HOSE COVER	1							
4	1	26106-100162	BOLT M10X 16 PLATED	4							
5	1	172A69-61010	BRACKET,RUBBER PLATE	1							
6	1	172A89-61010	PLATE AASSY	1							
7	2	172A89-61020	RUBBER, PLATE A	1							
9	1	172A69-61020	RUBBER PLATE	1							
10	1	172A89-61030	PLATE ASSY,MANUAL	1							
11	1	172A89-61060	COVER,TRAY	1							
12	1	172A89-61130	COVER ASSY,SEAT MT	1							
14	2	172A69-61150	GLASSWOOL,COVER	1							
15	2	172A89-61220	SEAL,COVER SEAT MT	1							
16	1	172A89-61150	COVER ASSY,P HOSE	1							
18	2	172434-61180	TRIM 195	1							
19	1	172A89-61180	COVER,MULTI (49)	1							
20	1	172A69-61330	COVER,HARNES	1							
21	1	172187-61421	HANDLE, LOCK	1							
22	1	172A89-61420	COVER ,FLOOR MAT(49)	1							
24	2	172A89-61440	EV,COVER	1							
25	1	172A69-62210	STEP ASSY (49)	1							
26	1	172A69-64760	COVER ASSY,FL P (49)	1							
27	1	26013-080162	BOLT W/WASHER M8X16	2							
28	1	26013-080162	BOLT W/WASHER M8X16	2							
29	1	26013-100162	BOLT M10X 16	2							
30	1	26013-100252	BOLT W/WASHER M10X25	5							
31	1	26013-100252	BOLT W/WASHER M10X25	3							
32	1	26014-100202	BOLT M10X 20	2							
33	1	26014-100202	BOLT M10X 20	2							
34	1	26106-080162	BOLT M 8X 16 PLATED	3							
35	1	26106-080162	BOLT M 8X 16 PLATED	2							
36	1	26366-100002	NUT M10	4							
37	1	172A89-61080	COVER ASSY,SEAT (49)	1							
39	2	172A69-61120	EV,COVER SEAT MT	1							
40	1	172A69-64980	CUSHION,SEAT	2							
41	1	26106-080252	BOLT M 8X 25 PLATED	4							
42	1	172A69-61980	COVER,SIDE	1							
43	1	26106-080162	BOLT M 8X 16 PLATED	2							

Remarks
 * An part is different from Fig.38.

Fig.39. COVER(TURNING FRAME)

(A)=SV100-1(US)
 (B)=SV100-1(AS)
 (C)=SV100-1(NZ)

(D)=
 (E)=
 (F)=

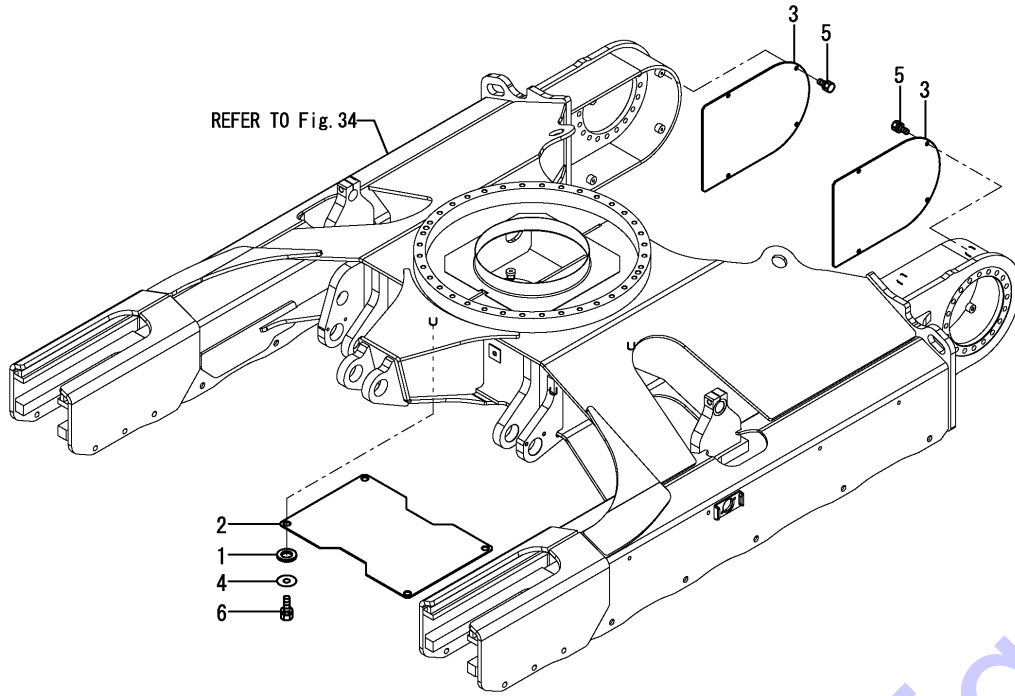


REF.	LEV.	PARTS NO.	DESCRIPTION	Q'TY						I	R
				(A)	(B)	(C)	(D)	(E)	(F)		
1	1	172A69-61500	COVER,OILPAN (49)	1	1	1					
2	1	172A69-61510	COVER,PUMP (49)	1	1	1					
3	1	172A69-61520	COVER A,C/V (49)	1	1	1					
4	1	172A69-61530	COVER ASSY,FO (49)	1	1	1					
5	1	172A69-61550	COVER,FRAME FL (49)	1	1	1					
6	1	172A69-61560	COVER B,C/V (49)	1	1	1					
7	1	172A69-61570	COVER,RESERVER (49)	1	1	1					
8	1	172A69-61580	COVER,FO DRAIN (49)	1	1	1					
9	1	26013-100162	BOLT M10X 16	4	4	4					
10	1	26106-100162	BOLT M10X 16 PLATED	6	6	6					
11	1	26106-100162	BOLT M10X 16 PLATED	4	4	4					
12	1	26106-100162	BOLT M10X 16 PLATED	4	4	4					
13	1	26106-100162	BOLT M10X 16 PLATED	6	6	6					
14	1	26106-100162	BOLT M10X 16 PLATED	5	5	5					
15	1	26106-100162	BOLT M10X 16 PLATED	3	3	3					
16	1	26106-100162	BOLT M10X 16 PLATED	6	6	6					
17	1	22137-100000	WASHER 10,POLISHED	4	4	4					
18	1	172A69-61350	FRAME,GUARD L (49)	1	1	1					1
19	1	26014-100252	BOLT 10X25 W/PLW+SPW	2	2	2					
20	1	172A69-61450	FRAME,GUARD R (49)	1	1	1					2
21	1	26014-100252	BOLT 10X25 W/PLW+SPW	2	2	2					
22A	1	172472-03141	LABEL, SUPPORT US	1	1	1					3
22B	1	172437-03352	LABEL, GREASE CYL.	1	1	1					3
23A	1	172437-03352	LABEL, GREASE CYL.	1	1	1					3

Remarks

- (1)PLEASE USE THIS PART WITH FOLLOWING LABEL AT THE SAME TIME.
REF NO.22A,22B.
- (2)PLEASE USE THIS PART WITH FOLLOWING LABEL AT THE SAME TIME.
REF NO.23A.
- (3)LABEL IS NOT ILLUSTRATED.

Fig.40. COVER(TRAVEL FRAME)



OCS10-G54500 40. COVER(TRAVEL FRAME)

(A)=SV100-1(US)
 (B)=SV100-1(AS)
 (C)=SV100-1(NZ)

(D)=
 (E)=
 (F)=

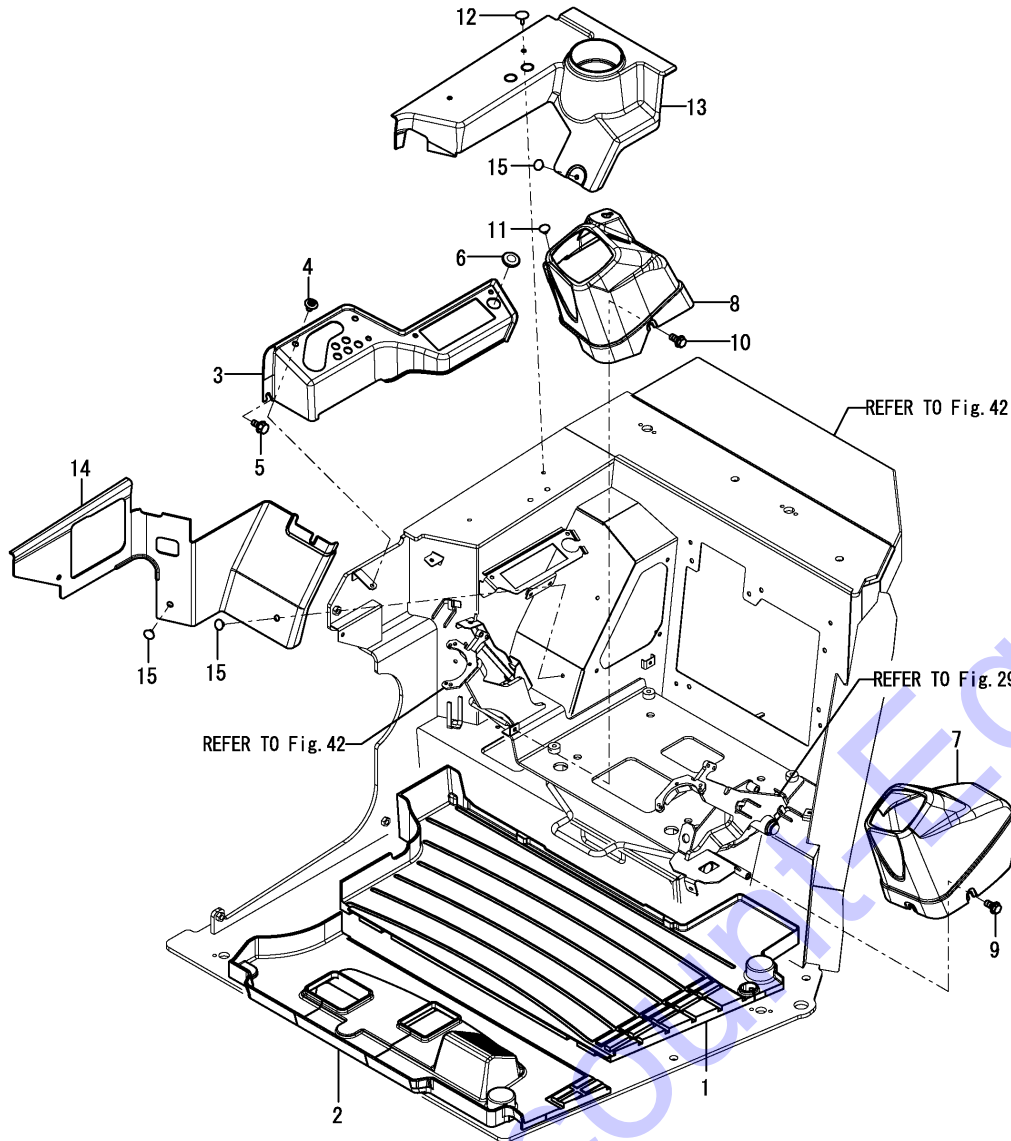
REF.	LEV.	PARTS NO.	DESCRIPTION	Q'TY						I	R
				(A)	(B)	(C)	(D)	(E)	(F)		
1	1	172162-61500	RUBBER	4	4	4					
2	1	172187-61500-3	COVER,UNDER(GRAY:49)	1	1	1					
3	1	172A69-61590	COVER,TRAVEL (49)	2	2	2					
4	1	22157-120000	WASHER 12	4	4	4					
5	1	26013-100202	BOLT W/WASHER M10X20	8	8	8					
6	1	26013-120302	BOLT W/WASHER M12X30	4	4	4					

Discount-Equipment.com

Fig.41. FLOOR MAT & INSTRUMENT PANEL

(A)=SV100-1(US)
 (B)=SV100-1(AS)
 (C)=SV100-1(NZ)

(D)=
 (E)=
 (F)=

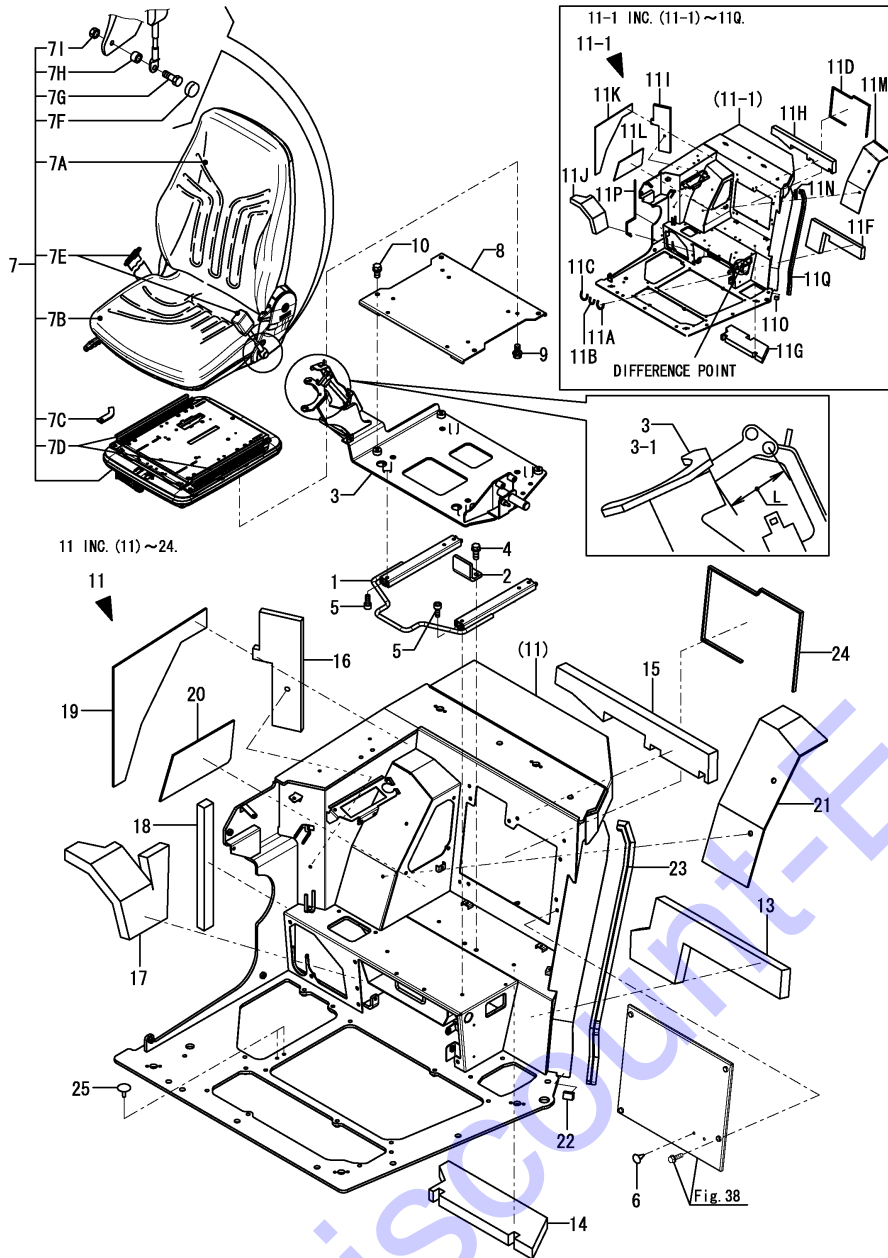


REF.	LEV.	PARTS NO.	DESCRIPTION	QTY						I	R
				(A)	(B)	(C)	(D)	(E)	(F)		
1	1	172A69-62150	FLOOR MAT A	1	1	1					
2	1	172A69-62160	FLOOR MAT B	1	1	1					
3	1	172A67-63140	INPANE	1	1	1					
4	1	172187-63160	CLIP	4	4	4					
5	1	172519-63240	BOLT 8X 16	1	1	1					
6	1	172958-64500	PLUGE 28X302 Q	1	1	1					
7	1	172A67-63110	LEVER,BOX L	1	1	1					
8	1	172A67-63120	LEVER,BOX R	1	1	1					
9	1	172519-63240	BOLT 8X 16	3	3	3					
10	1	172519-63240	BOLT 8X 16	2	2	2					
11	1	172187-63160	CLIP	1	1	1					
12	1	172122-17190	CLIP	2	2	2					
13	1	172A67-63160	SIDE COVER A	1	1	1					
14	1	172A67-63170	SIDE COVER B	1	1	1					
15	1	1A6260-64200	CLIP	3	3	3					

Fig.42. SEAT & SEAT MOUNT

(A)=SV100-1(US)
 (B)=SV100-1(AS)
 (C)=SV100-1(NZ)

(D)=
 (E)=
 (F)=



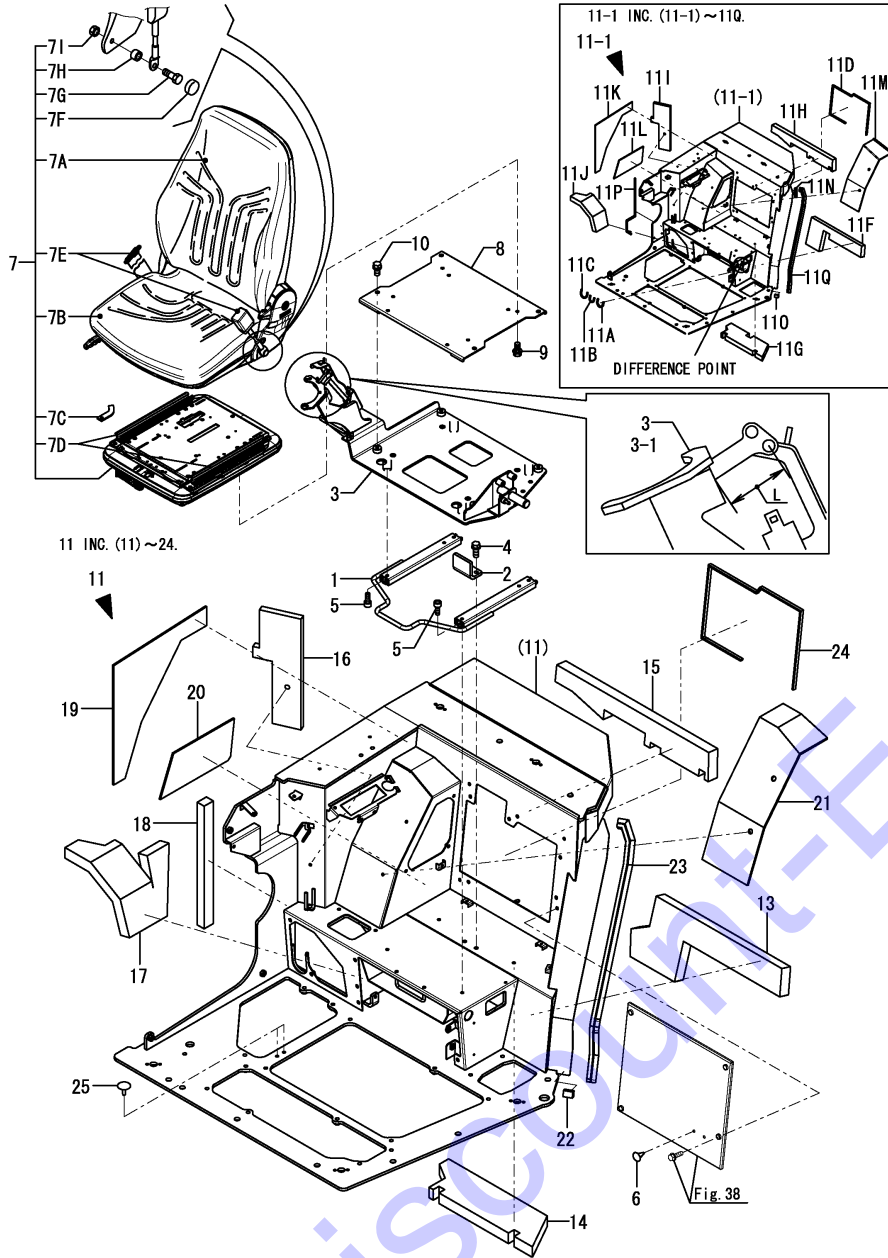
REF.	LEV.	PARTS NO.	DESCRIPTION	Q'TY						I	R
				(A)	(B)	(C)	(D)	(E)	(F)		
1	1	172A69-64100	SLIDE ASSY,SEAT	1	1	1					
2	1	172A69-64740	PLATE,STOPPER	1	1	1					
3	1	172A69-64810	FRAME ASSY,SLIDE(49)	1	1	1					
3-1	1	172A69-64811 (A=M10540) (B=M10540) (C=M10540)	FRAME ASSY,SLIDE	1	1	1					S 1
4	1	26013-100252	BOLT W/WASHER M10X25	2	2	2					
5	1	26450-080162	BOLT, M8X16	8	8	8					
6	1	172444-17660	CLIP	2	2	2					
7	1	172467-64101	SEAT ASSY	1	1	1					
7A	2	172467-64110 (A=M#XXXXX) (B=M#XXXXX) (C=M#XXXXX)	CUSHION, BACK REST	1	1	1					W
7B	2	172467-64120 (A=M#XXXXX) (B=M#XXXXX) (C=M#XXXXX)	CUSHION	1	1	1					W
7C	2	172467-64130 (A=M#XXXXX) (B=M#XXXXX) (C=M#XXXXX)	STOPPER	1	1	1					W
7D	2	172467-64140 (A=M#XXXXX) (B=M#XXXXX) (C=M#XXXXX)	RAIL SET	1	1	1					W
7E	2	172467-64150 (A=M#XXXXX) (B=M#XXXXX) (C=M#XXXXX)	SEAT BELT	1	1	1					W
7F	2	172467-64160 (A=M#XXXXX) (B=M#XXXXX) (C=M#XXXXX)	COVER CAP	2	2	2					W
7G	2	172467-64170 (A=M#XXXXX) (B=M#XXXXX) (C=M#XXXXX)	BOLT	2	2	2					W
7H	2	172467-64180 (A=M#XXXXX) (B=M#XXXXX) (C=M#XXXXX)	TUBE	2	2	2					W
7I	2	172467-64190 (A=M#XXXXX) (B=M#XXXXX) (C=M#XXXXX)	NUT	2	2	2					W
8	1	172A69-64130	PLATE,SEAT EX (49)	1	1	1					
9	1	26013-080162	BOLT W/WASHER M8X16	4	4	4					
10	1	26013-100162	BOLT M10X 16	4	4	4					
11	1	172A69-64200	MOUNT ASSY,SEAT (49)	1	1	1					
11-1	1	172A69-64201 (A=MZZZZZ) (B=MZZZZZ) (C=MZZZZZ)	MOUNT ASSY,SEAT	1	1	1					S
11A	2	172444-17620	SEAL 125	1	1	1					
11B	2	172458-18850	MOLDING	1	1	1					
11C	2	172538-19700	SEAL,135	1	1	1					
11D	2	172458-46790	SEAL,LEVER STAND	1	1	1					
11F	2	172A89-64610	EV A,SEAT MT	1	1	1					
11G	2	172A89-64620	EV B,SEAT MT	1	1	1					
11H	2	172A69-64630	EV C,SEAT MT	1	1	1					
11I	2	172A69-64640	EV D,SEAT MT	1	1	1					
11J	2	172A89-64650	EV E,SEAT MT	1	1	1					
11K	2	172A69-64680	GLASSWOOL A,SEAT MT	1	1	1					
11L	2	172A69-64690	GLASSWOOL B,SEAT MT	1	1	1					
11M	2	172A89-64700	GLASSWOOL C,SEAT MT	1	1	1					
11N	2	172A69-64710	SEAL,SEAT MOUNT	1	1	1					
11O	2	172A69-64720	SEAL,SEAT MT	1	1	1					
11P	2	172187-66140	RUBBER 580	1	1	1					
11Q	2	172165-66210	RUBBER,SEAL A	1	1	1					
13	2	172A69-64610	EV A,SEAT MT	1	1	1					
14	2	172A69-64620	EV B,SEAT MT	1	1	1					

Remarks
 (1)REF.NO.3 L=52MM,
 REF.NO.3-1 L=55MM.

Fig.42. SEAT & SEAT MOUNT

(A)=SV100-1(US)
 (B)=SV100-1(AS)
 (C)=SV100-1(NZ)

(D)=
 (E)=
 (F)=



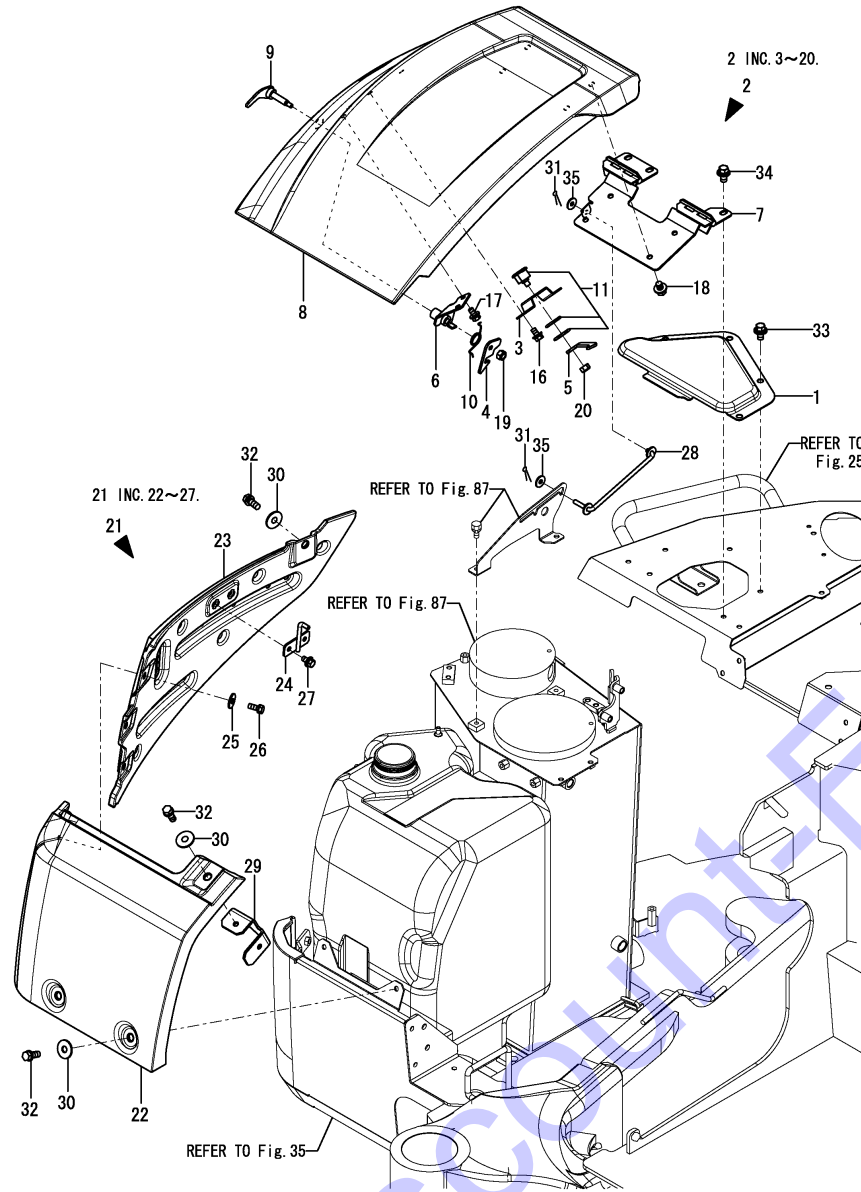
REF.	LEV.	PARTS NO.	DESCRIPTION	Q'TY						I	R
				(A)	(B)	(C)	(D)	(E)	(F)		
15	2	172A69-64630	EV C,SEAT MT	1	1	1					
16	2	172A69-64640	EV D,SEAT MT	1	1	1					
17	2	172A69-64650	EV E,SEAT MT	1	1	1					
18	2	172A69-64660	EV F,SEAT MT	1	1	1					
19	2	172A69-64680	GLASSWOOL A,SEAT MT	1	1	1					
20	2	172A69-64690	GLASSWOOL B,SEAT MT	1	1	1					
21	2	172A69-64700	GLASSWOOL C,SEAT MT	1	1	1					
22	2	172A69-64720	SEAL,SEAT MT	1	1	1					
23	2	172165-66210	RUBBER,SEAL A	1	1	1					
24	2	172458-46790	SEAL,LEVER STAND	1	1	1					W
		(A=MZZZZZ) (B=MZZZZZ) (C=MZZZZZ)									
25	1	172183-81160	TREE CLIP	2	2	2					W
		(A=M10653) (B=M10653) (C=M10653)									

Remarks
 (1)REF.NO.3 L=52MM,
 REF.NO.3-1 L=55MM.

Fig.43. BONNET(BODY)

(A)=SV100-1(US)
 (B)=SV100-1(AS)
 (C)=SV100-1(NZ)

(D)=
 (E)=
 (F)=



REF.	LEV.	PARTS NO.	DESCRIPTION	Q'TY						I	R
				(A)	(B)	(C)	(D)	(E)	(F)		
1	1	172A69-62130	COVER,UPPER (49)	1	1	1					1
2	1	172A69-62410	BON B UPPER ASSY,BLK	1	1	1					
3	2	172A46-61960	ROCK PLATE	1	1	1					
4	2	172A69-62280	PLATE,LOCK	1	1	1					
5	2	172A69-62290	STAY,KEY	1	1	1					
6	2	172A69-62310	HOOK ASSY	1	1	1					
7	2	172A69-62340	PLATE ASSY,HINGE	1	1	1					
8	2	172A69-62420	BON B UPPER,BLACK	1	1	1					
9	2	172A69-62510	LEVER ASSY	1	1	1					
10	2	172156-65690	TORSION SPRING,STOPR	1	1	1					
11	2	172164-66170	KEY ASSY, CYLINDER	1	1	1					
16	2	26014-080162	BOLT M 8X 16	2	2	2					
17	2	26014-080162	BOLT M 8X 16	2	2	2					
18	2	26014-100162	BOLT M10X16	4	4	4					
19	2	26347-080002	U-NUT M 8	1	1	1					
20	2	26347-100002	U-NUT M10	1	1	1					
21	1	172A69-62430	BON B LOWER ASSY,BLK	1	1	1					
22	2	172A69-62440	BON B FRONT,BLACK	1	1	1					
23	2	172A69-62450	BON B REAR,BLACK	1	1	1					
24	2	172A69-62470	ROD ASSY,CATCH	1	1	1					
25	2	22157-080000	WASHER 8	3	3	3					
26	2	26013-080202	BOLT W/WASHER M8X20	3	3	3					
27	2	26014-080162	BOLT M 8X 16	2	2	2					
28	1	172A69-62650	ROD ASSY,STOPPER	1	1	1					
29	1	172A69-65530	STAY ASSY,BON B	1	1	1					
30	1	22157-100000	WASHER 10	4	4	4					
31	1	22417-200200	COTTER PIN 2.0X20	2	2	2					
32	1	26013-100252	BOLT W/WASHER M10X25	4	4	4					
33	1	26014-100202	BOLT M10X 20	4	4	4					
34	1	26014-100202	BOLT M10X 20	3	3	3					
35	1	22157-080000	WASHER 8	2	2	2					
36A	1	172437-03391	LABEL, RADIATOR US	1	1	1					2

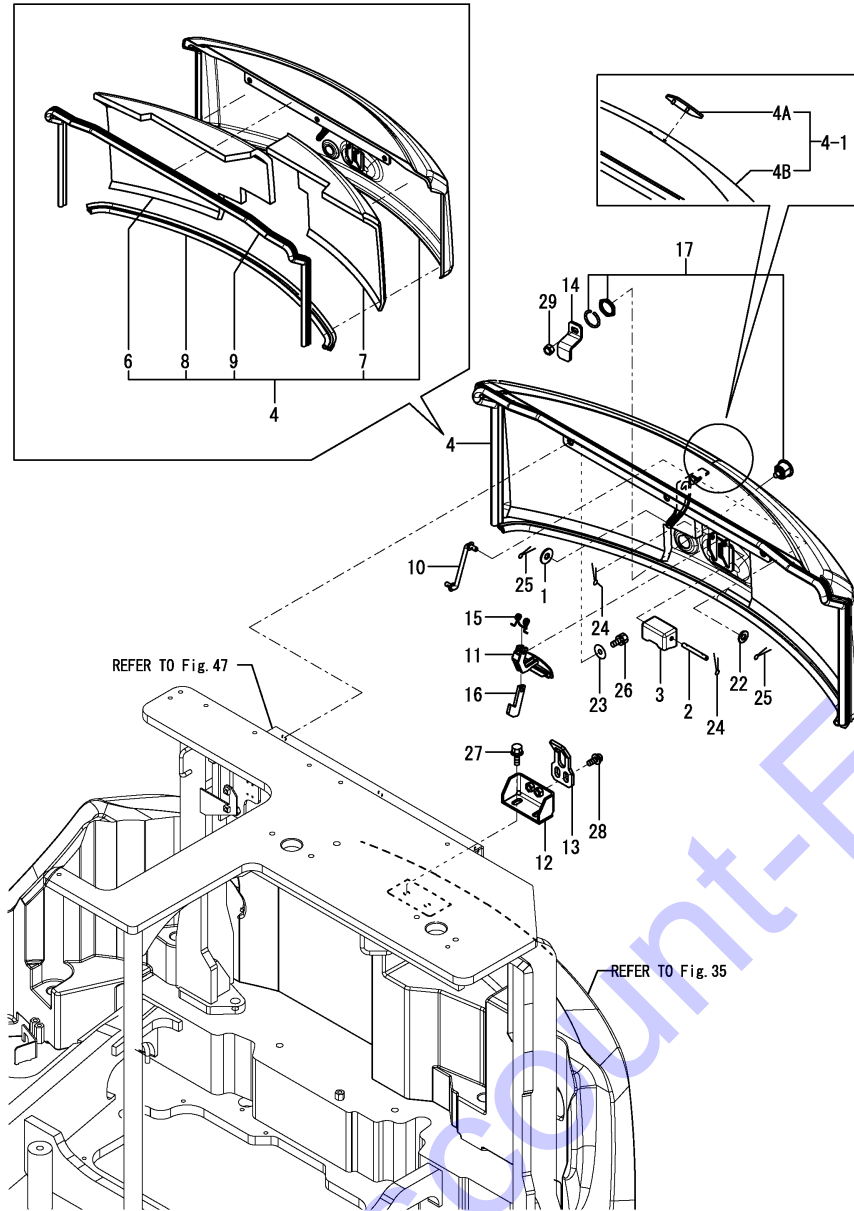
Remarks

(1)PLEASE USE THIS PART WITH FOLLOW-
 ING LABEL AT THE SAME TIME.
 REF NO.36A.
 (2)LABEL IS NOT ILLUSTRATED.

Fig.44. BONNET(REAR)

(A)=SV100-1(US)
 (B)=SV100-1(AS)
 (C)=SV100-1(NZ)

(D)=
 (E)=
 (F)=



REF.	LEV.	PARTS NO.	DESCRIPTION	Q'TY						I	R
				(A)	(B)	(C)	(D)	(E)	(F)		
1	1	1A1380-62160	WASHER	1	1	1					
2	1	172458-65050	SHAFT	1	1	1					
3	1	172458-65060	COVER, LOCK	1	1	1					
4	1	172A69-65100	BONNET ASSY	1	1	1					1
4-1	1	172A69-08400	BONNET KIT, Y	1	1	1					S 1
		(A=M11501) (B=M11501) (C=M11501)									
4A	2	172A89-03500	EMBLEM ASSY,L3 Y	1	1	1					W
		(A=M11501) (B=M11501) (C=M11501)									
4B	2	172A69-65400	BONNET ASSY	1	1	1					W
		(A=M11501) (B=M11501) (C=M11501)									
6	3	172A89-65160	EV R,BONNET A	1	1	1					
7	3	172A89-65170	EV L,BONNET A	1	1	1					
8	3	172A69-65180	RUBBER, SEAL	1	1	1					
9	3	172A69-65190	RUBBER, SEAL	1	1	1					
10	1	172444-65190	ROD ASSY, STOPPER	1	1	1					
11	1	172187-65210	LEVER ASSY, LOCK	1	1	1					
12	1	172A69-65230	BRACKET ASSY, LOCK	1	1	1					
13	1	172187-65270	PLATE, CATCH	1	1	1					
14	1	172458-65271	PLATE, LOCK	1	1	1					
15	1	172734-65270	SPRING, CATCH	1	1	1					
16	1	172124-65480	CATCHER	1	1	1					
17	1	172164-66170	KEY ASSY, CYLINDER	1	1	1					
22	1	22137-080000	WASHER	1	1	1					
23	1	22157-100000	WASHER	3	3	3					
24	1	22417-200200	PIN, COTTER	2	2	2					
25	1	22417-200200	PIN, COTTER	2	2	2					
26	1	26013-100252	BOLT	3	3	3					
27	1	26014-100252	BOLT	2	2	2					
28	1	26014-100252	BOLT	2	2	2					
29	1	26347-100002	NUT	1	1	1					
30A	1	172437-03381	LABEL, SWING AREA	1	1	1					2
30B	1	172437-03402	LABEL, ENGINE COVER	1	1	1					2
30C	1	172A36-03411	LABEL, ENGINE ROOM	1	1	1					2
30D	1	172437-03422	LABEL, MUFFLER	1	1	1					2

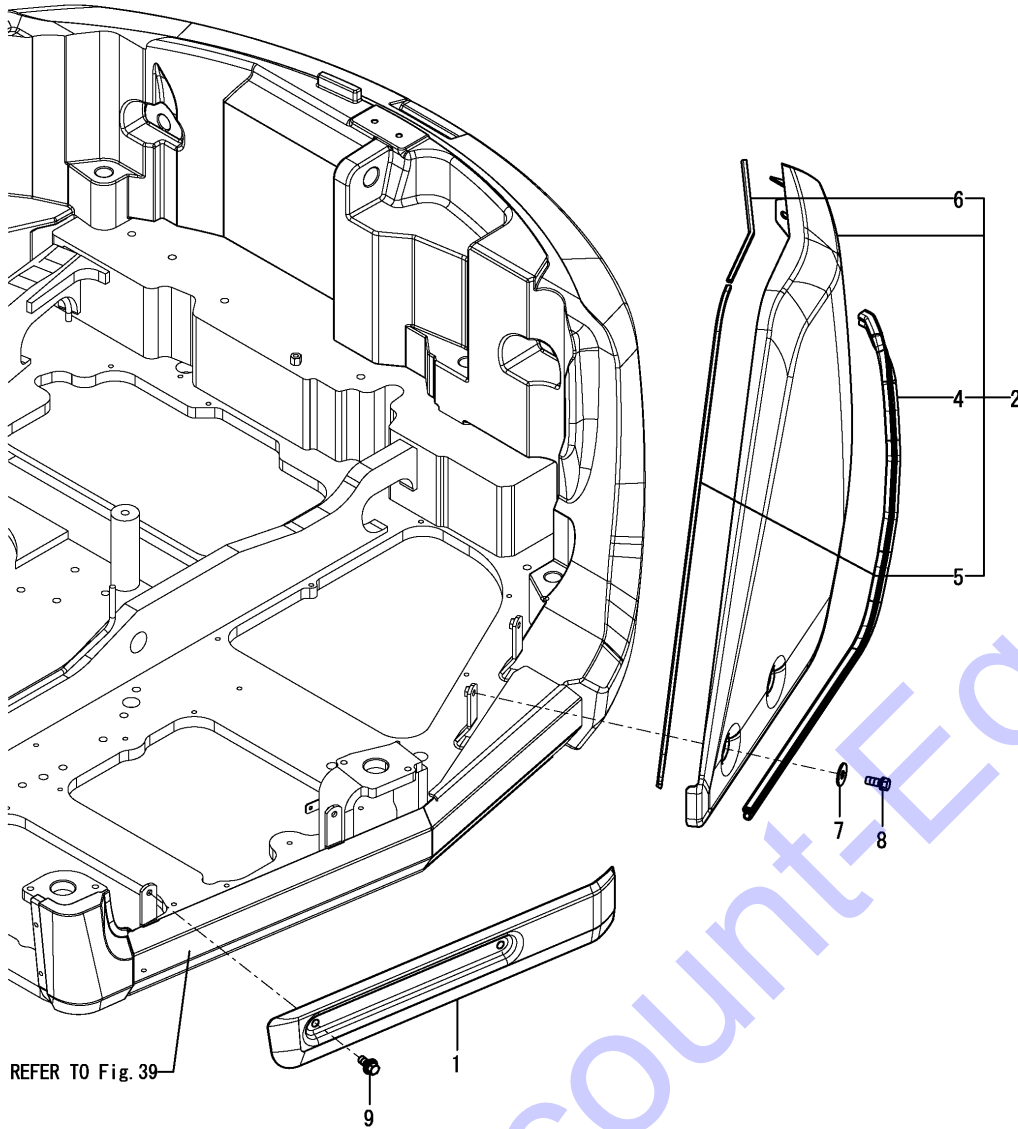
Remarks

- (1)PLEASE USE THIS PART WITH FOLLOWING LABEL AT THE SAME TIME. REF NO.30A,30B,30C,30D.
- (2)LABEL IS NOT ILLUSTRATED.

Fig.45. BONNET(SIDE : LEFT)

(A)=SV100-1(US)
 (B)=SV100-1(AS)
 (C)=SV100-1(NZ)

(D)=
 (E)=
 (F)=



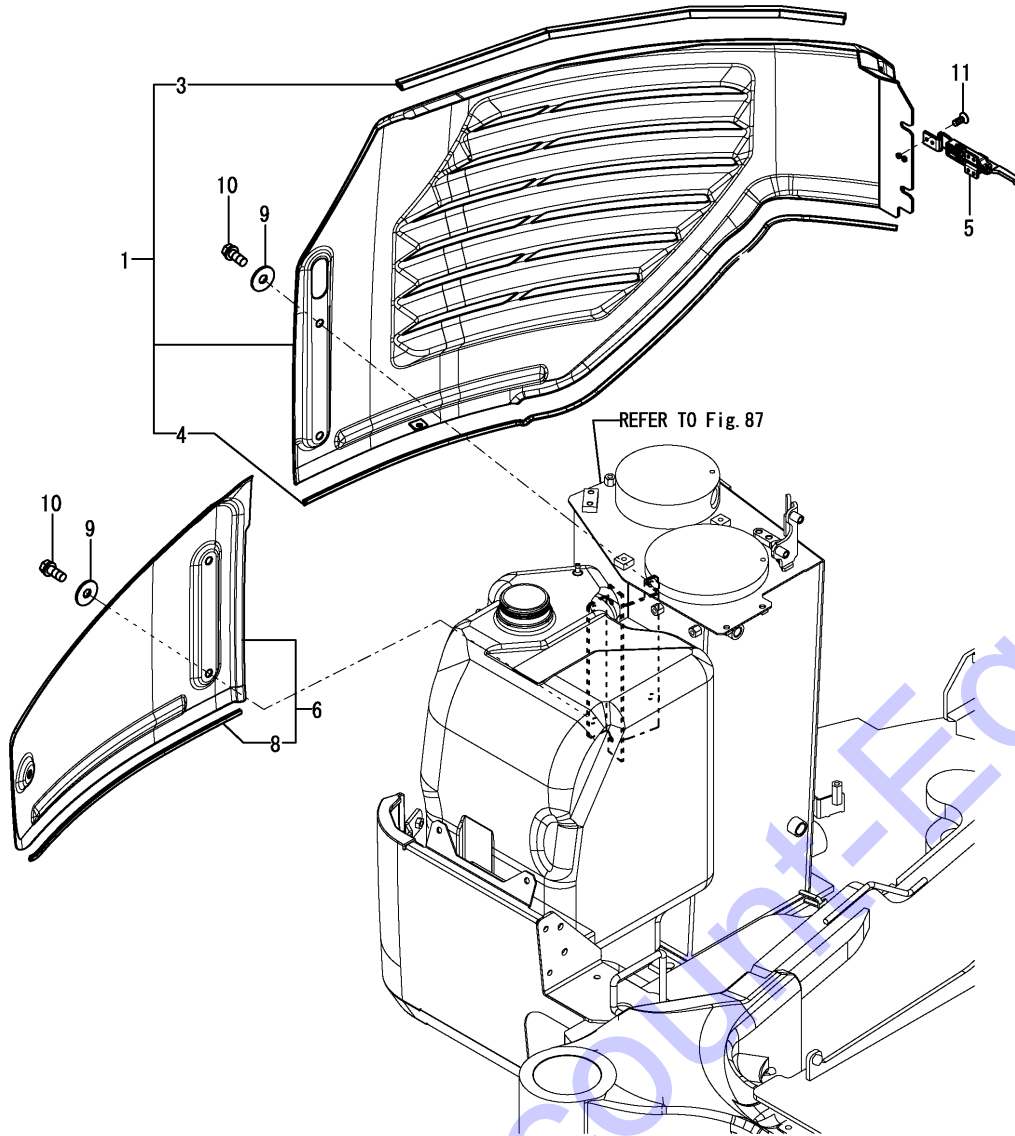
REFER TO Fig. 39

REF.	LEV.	PARTS NO.	DESCRIPTION	QTY						I	R
				(A)	(B)	(C)	(D)	(E)	(F)		
1	1	172A69-61490	COVER, FRAME	1	1	1					
1-1	1	172A69-61490-Y	COVER, FRAME	1	1	1					S
		(A=M11501) (B=M11501) (C=M11501)									
2	1	172A69-65600	BONNET ASSY	1	1	1					
2-1	1	172A69-65600-Y	BONNET ASSY	1	1	1					S
		(A=M11501) (B=M11501) (C=M11501)									
4	2	172A69-65640	RUBBER, SEAL	1	1	1					
5	2	172A69-65670	TRIM	1	1	1					
6	2	172164-66640	RUBBER, SEAL	1	1	1					
7	1	22157-100000	WASHER	3	3	3					
8	1	26013-100252	BOLT	3	3	3					
9	1	26014-100252	BOLT	2	2	2					

Fig.46. BONNET(SIDE : RIGHT)

(A)=SV100-1(US)
 (B)=SV100-1(AS)
 (C)=SV100-1(NZ)

(D)=
 (E)=
 (F)=

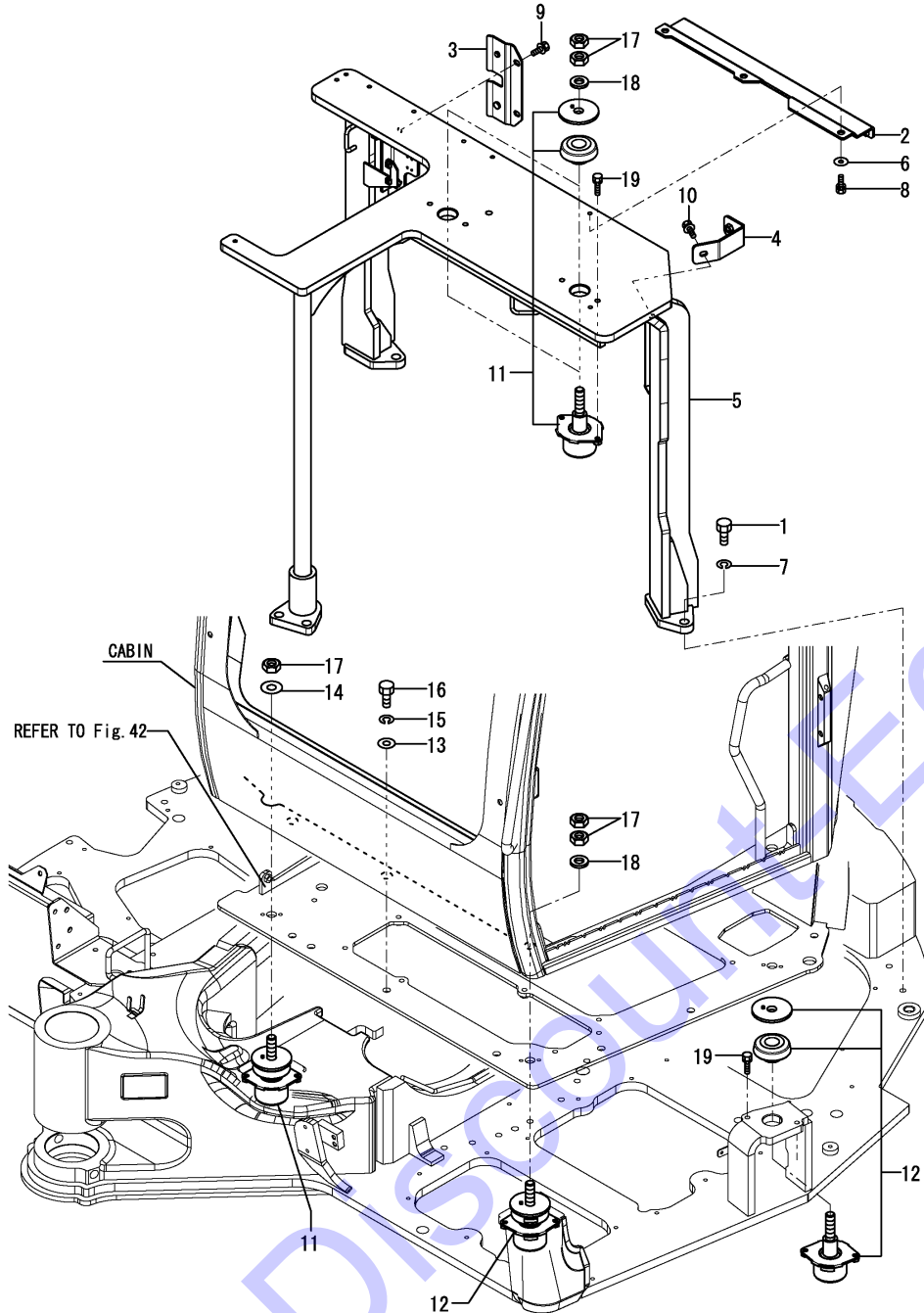


REF.	LEV.	PARTS NO.	DESCRIPTION	Q'TY						I	R
				(A)	(B)	(C)	(D)	(E)	(F)		
1	1	172A69-65800	BONNET ASSY	1	1	1					
1-1	1	172A69-65800-Y	BONNET ASSY	1	1	1					S
		(A=M11501) (B=M11501) (C=M11501)									
3	2	172A69-65850	RUBBER, SEAL	1	1	1					
4	2	172A69-65860	TRIM	1	1	1					
5	1	172A69-65870	GRIP, BONNET LOCK	1	1	1					
6	1	172A69-65900	BONNET ASSY	1	1	1					
6-1	1	172A69-65900-Y	BONNET ASSY	1	1	1					S
		(A=M11501) (B=M11501) (C=M11501)									
8	2	172A69-65920	TRIM	1	1	1					
9	1	22157-100000	WASHER	5	5	5					
10	1	26013-100252	BOLT	5	5	5					
11	1	26577-050122	SCREW	6	6	6					

Fig.47. CABIN MOUNT

(A)=SV100-1(US)
 (B)=SV100-1(AS)
 (C)=SV100-1(NZ)

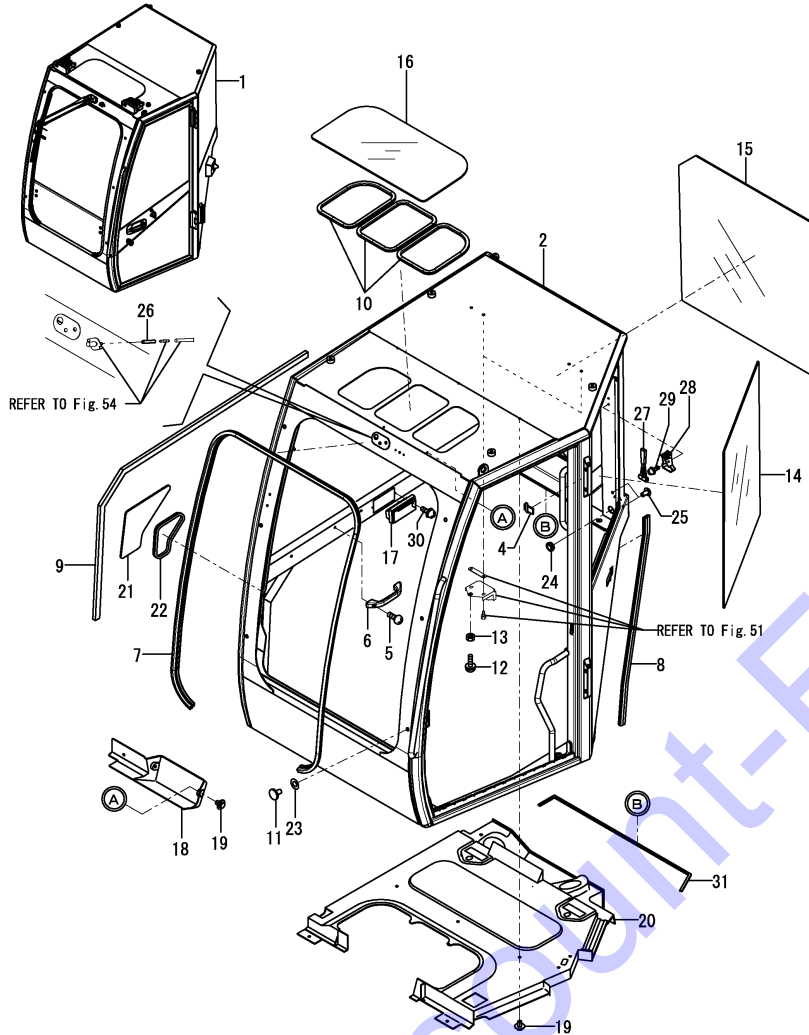
(D)=
 (E)=
 (F)=



REF.	LEV.	PARTS NO.	DESCRIPTION	Q'TY						I	R
				(A)	(B)	(C)	(D)	(E)	(F)		
1	1	172165-53490	BOLT M16X 40	6	6	6					
2	1	172A69-65210	BRACKET ASSY,BON A	1	1	1					
3	1	172A69-65950	BRACKET ASSY,BR	1	1	1					
4	1	172A69-65970	STAY ASSY,BONNET L	1	1	1					
5	1	172A69-66510	BRACKET ASSY,CAB M	1	1	1					
6	1	22157-100000	WASHER 10	3	3	3					
7	1	22217-160000	SPRING WASHER 16	6	6	6					
8	1	26013-100252	BOLT W/WASHER M10X25	3	3	3					
9	1	26014-100252	BOLT 10X25 W/PLW+SPW	2	2	2					
10	1	26014-100252	BOLT 10X25 W/PLW+SPW	1	1	1					
11	1	172A69-64160	MOUNT ASSY,60HS	3	3	3					
12	1	172A69-64170	MOUNT ASSY,70HS	2	2	2					
13	1	22137-160000	WASHER 16,POLISHED	6	6	6					
14	1	22137-200000	WASHER, 20	1	1	1					
15	1	22217-160000	SPRING WASHER 16	6	6	6					
16	1	26076-160402	BOLT 10.9 16X40	6	6	6					
17	1	26716-200002	NUT M20	9	9	9					
18	1	933172-14120	WASHER 21X40X6	4	4	4					
19	1	26013-100352	BOLT M10X 35	10	10	10					

Fig.48. CABIN(BODY)

CABIN ASSY
172A69-68000
Fig. 48 Ref. No. 1
INC. Fig. 48 Ref. No. 2~31.
Fig. 49~54.



(A)=SV100-1(US)
(B)=SV100-1(AS)
(C)=SV100-1(NZ)

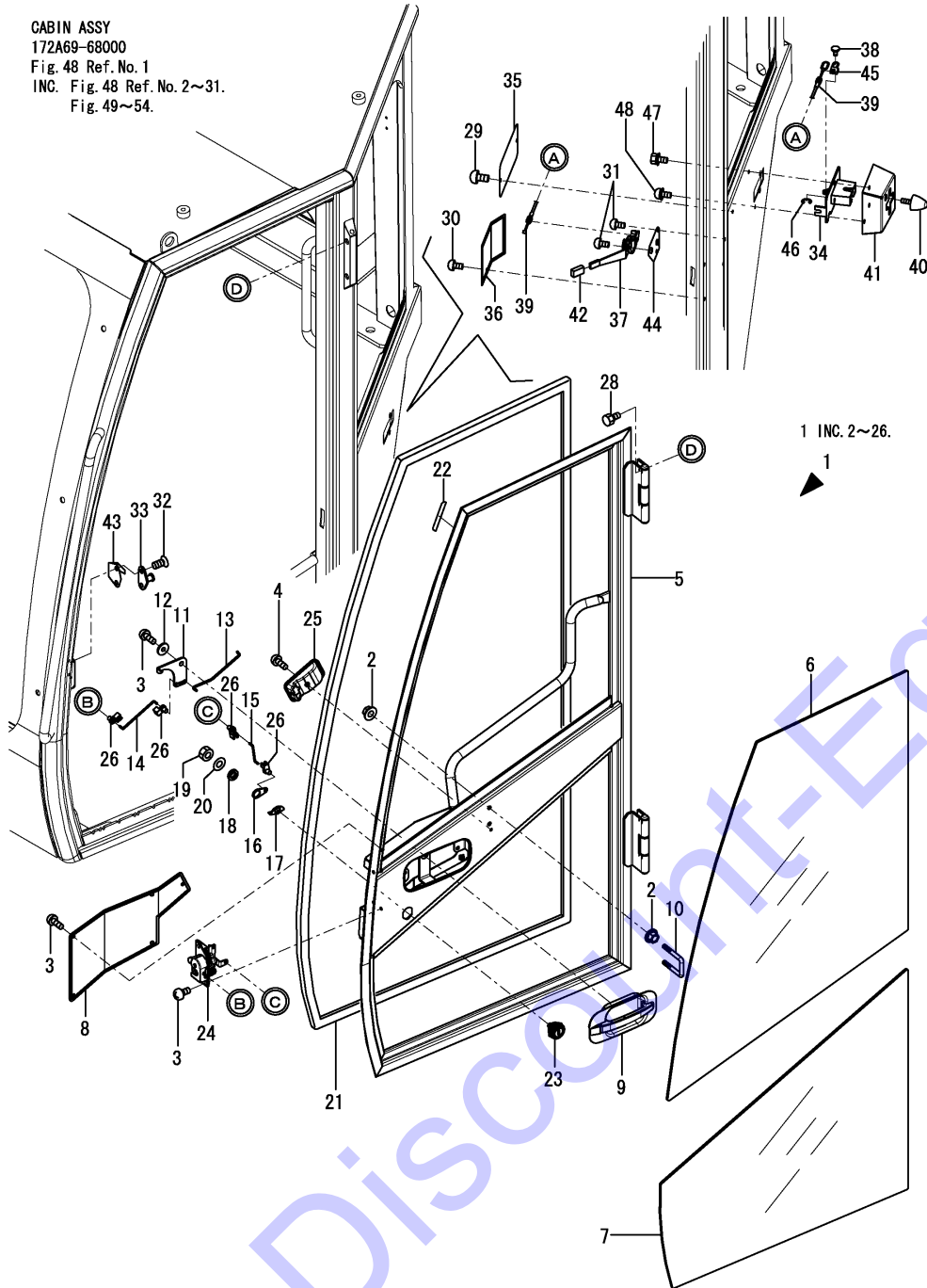
(D)=
(E)=
(F)=

REF.	LEV.	PARTS NO.	DESCRIPTION	Q'TY						I	R
				(A)	(B)	(C)	(D)	(E)	(F)		
1	1	172A69-68000	CAB ASSY	1	1	1					
2	2	172A69-68010	FRAME,CAB CMP	1	1	1					1
4	2	172538-67250	CLIP	1	1	1					
5	2	172538-67720	SCREW,M6X16 BK	2	2	2					
6	2	172538-68910	GRIP	1	1	1					
7	2	172A69-69560	RUBBER,TRIM	1	1	1					
8	2	172A69-69570	RUBBUR,P	1	1	1					
9	2	172A69-69580	SEAL PACKIN	1	1	1					
10	2	172A69-69590	RUBBER,TRIM	1	1	1					
11	2	172A69-69600	CLIP	10	10	10					
12	2	172A69-69610	STOPPER RUBBER	2	2	2					
13	2	172A69-69620	NUT,M8 BK	2	2	2					
14	2	172A69-69630	GLASS,DOOR REAR	1	1	1					
15	2	172A69-69640	GLASS,REAR	1	1	1					2
16	2	172A69-69650	POLYCARBONATE	1	1	1					
17	2	172A69-69660	ASHTRAY	1	1	1					
18	2	172A69-69680	INTERIOR,WIPER MOTOR	1	1	1					
19	2	172A69-69690	FASTENER	11	11	11					
20	2	172A69-69720	INTERIOR,ROOF	1	1	1					
20-1	2	172A69-69721	INTERIOR,ROOF	1	1	1					N
		(A=MZZZZZ) (B=MZZZZZ) (C=MZZZZZ)									
21	2	172A69-69730	GLASS	1	1	1					
22	2	172A69-69740	GERNISYU	1	1	1					
23	2	172A69-69750	RUBBER,PACKIN	10	10	10					
24	2	172A69-69760	GROMMET	1	1	1					
25	2	172A69-69770	BOLT,CAP	2	2	2					
26	2	172A69-69780	HOSE,WASHER	1	1	1					
27	2	172A69-69790	HAMMER	1	1	1					
28	2	172A69-69800	BRACKET,HAMMER	1	1	1					
29	2	26023-050162	SCREW, M5X16	2	2	2					
30	2	26023-050162	SCREW, M5X16	2	2	2					
31	2	172A69-69670	SEAL PACKIN	1	1	1					W
		(A=MXXXXX) (B=MXXXXX) (C=MXXXXX)									
32A	1	172437-03302	LABEL, MANUAL US	1	1	1					3
32B	1	172437-03471	LABEL, LEVER LOCK US	1	1	1					3
33A	1	172A69-03360	LABEL,LIFT Q	1	1	1					3

Remarks
(1)PLEASE USE THIS PART WITH FOLLOWING LABEL AT THE SAME TIME.
REF NO.32A,32B.
(2)PLEASE USE THIS PART WITH FOLLOWING LABEL AT THE SAME TIME.
REF NO.33A.
(3)LABEL IS NOT ILLUSTRATED.

Fig.49. CABIN(DOOR)

CABIN ASSY
172A69-68000
Fig. 48 Ref. No. 1
INC. Fig. 48 Ref. No. 2~31.
Fig. 49~54.

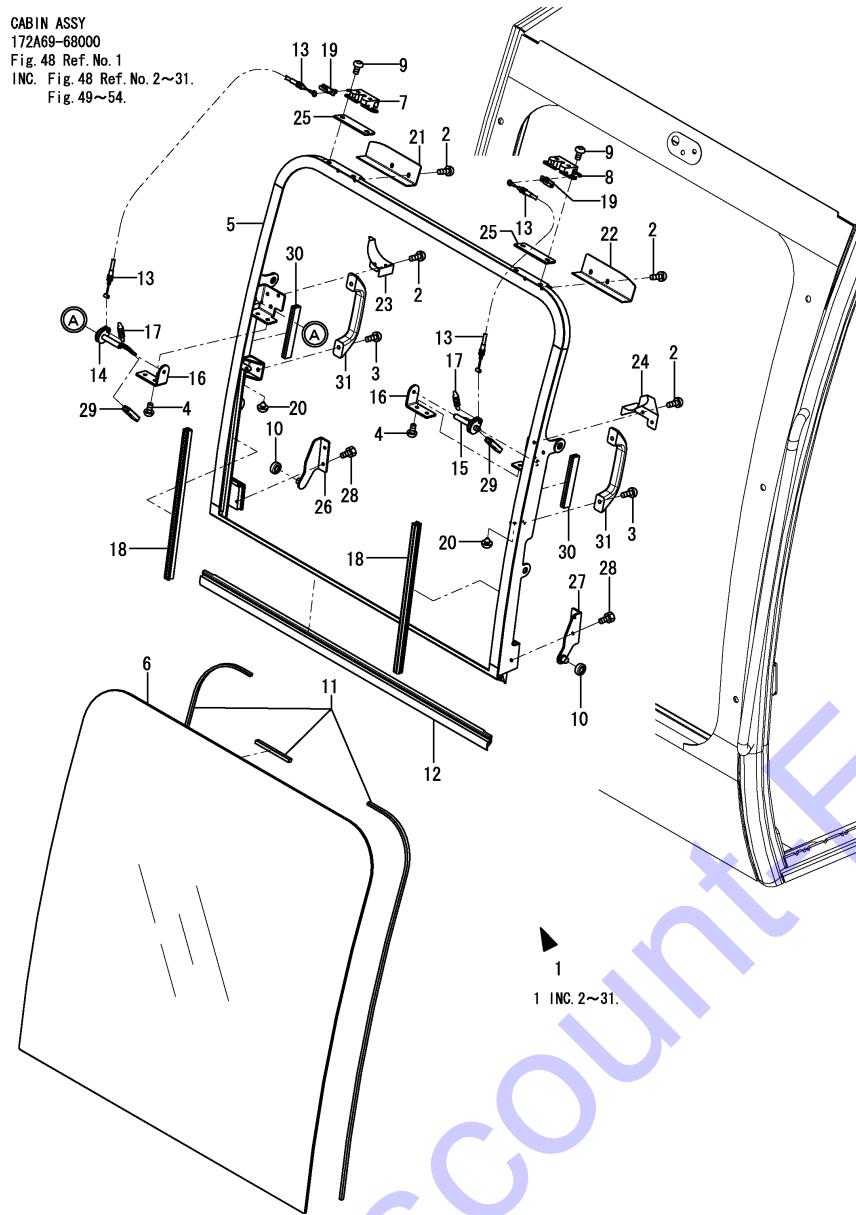


(A)=SV100-1(US)
(B)=SV100-1(AS)
(C)=SV100-1(NZ)

(D)=
(E)=
(F)=

REF.	LEV.	PARTS NO.	DESCRIPTION	Q'TY						I	R
				(A)	(B)	(C)	(D)	(E)	(F)		
1	2	172A69-68050	DOOR ASSY	1	1	1					
2	3	172538-67680	NUT,FLANGE M10 BK	4	4	4					
3	3	172538-67720	SCREW,M6X16 BK	11	11	11					
4	3	172538-67780	SCREW,M5X12 BK	1	1	1					
5	3	172A69-68060	FRAME,DOOR	1	1	1					
6	3	172A69-68070	GLASS,DOOR TOP	1	1	1					
7	3	172A69-68080	GLASS,DOOR BOTTOM	1	1	1					
8	3	172A69-68090	COVER	1	1	1					
9	3	172A69-68100	STEERING,ASSY	1	1	1					
10	3	172A69-68110	BOLT,U	1	1	1					
11	3	172A69-68120	PLATE	1	1	1					
12	3	172A69-68130	WASHER	1	1	1					
13	3	172A69-68140	LINK,A	1	1	1					
14	3	172A69-68150	LINK,B	1	1	1					
15	3	172A69-68160	LINK,C	1	1	1					
16	3	172A69-68170	PLATE	1	1	1					
17	3	172A69-68180	PLATE	1	1	1					
18	3	172A69-68190	SPACER	1	1	1					
19	3	172A69-68200	NAT,M10 BK	1	1	1					
20	3	172A69-68210	WASHER,PLATE	1	1	1					
21	3	172A69-68220	RUBBER	1	1	1					
22	3	172A69-68230	RUBBER	2	2	2					
23	3	172538-68730	KEY CYLINDER ASSY	1	1	1					
24	3	172538-68780	LOCK ASSY LH	1	1	1					
25	3	172538-68890	INNER HANDLE	1	1	1					
26	3	172538-68960	HOLDER,LINK	4	4	4					
28	2	172538-67630	BOLT,M10X25	4	4	4					
29	2	172538-67660	SCREW,M6X16 BK	2	2	2					
30	2	172538-67660	SCREW,M6X16 BK	2	2	2					
31	2	172538-67660	SCREW,M6X16 BK	4	4	4					
32	2	172A69-69060	SCREW,M8 TWOSDLOCK	2	2	2					
33	2	172A69-69260	STRIKER	1	1	1					
34	2	172A69-69270	CATCH ASSY	1	1	1					
35	2	172A69-69290	COVER,R	1	1	1					
36	2	172A69-69300	COVER,F	1	1	1					
37	2	172A69-69310	LEVER,ASSY	1	1	1					
38	2	172A69-69330	PIN	1	1	1					
39	2	172A69-69340	WIRE	1	1	1					
40	2	172A69-69350	STOPPER RUBBER	1	1	1					
41	2	172A69-69360	COVER	1	1	1					
42	2	172A69-69370	COVER,LEVER	1	1	1					
43	2	172A69-69380	COVER	1	1	1					
44	2	172A69-69390	BRACKET	1	1	1					
45	2	172A69-69400	PLATE	1	1	1					
46	2	22272-000040	CIRCLIP E- 4	1	1	1					
47	2	26014-080202	BOLT M 8X 20	2	2	2					
48	2	26023-060162	SCREW M 6X 16	1	1	1					

Fig.50. CABIN(FRONT WINDOW : 1)



CABIN ASSY
172A69-68000
Fig. 48 Ref. No. 1
INC. Fig. 48 Ref. No. 2~31.
Fig. 49~54.

1
1 INC. 2~31.

Remarks

- (1)PLEASE USE THIS PART WITH FOLLOWING LABEL AT THE SAME TIME. REF NO.32A.
- (2)LABEL IS NOT ILLUSTRATED.

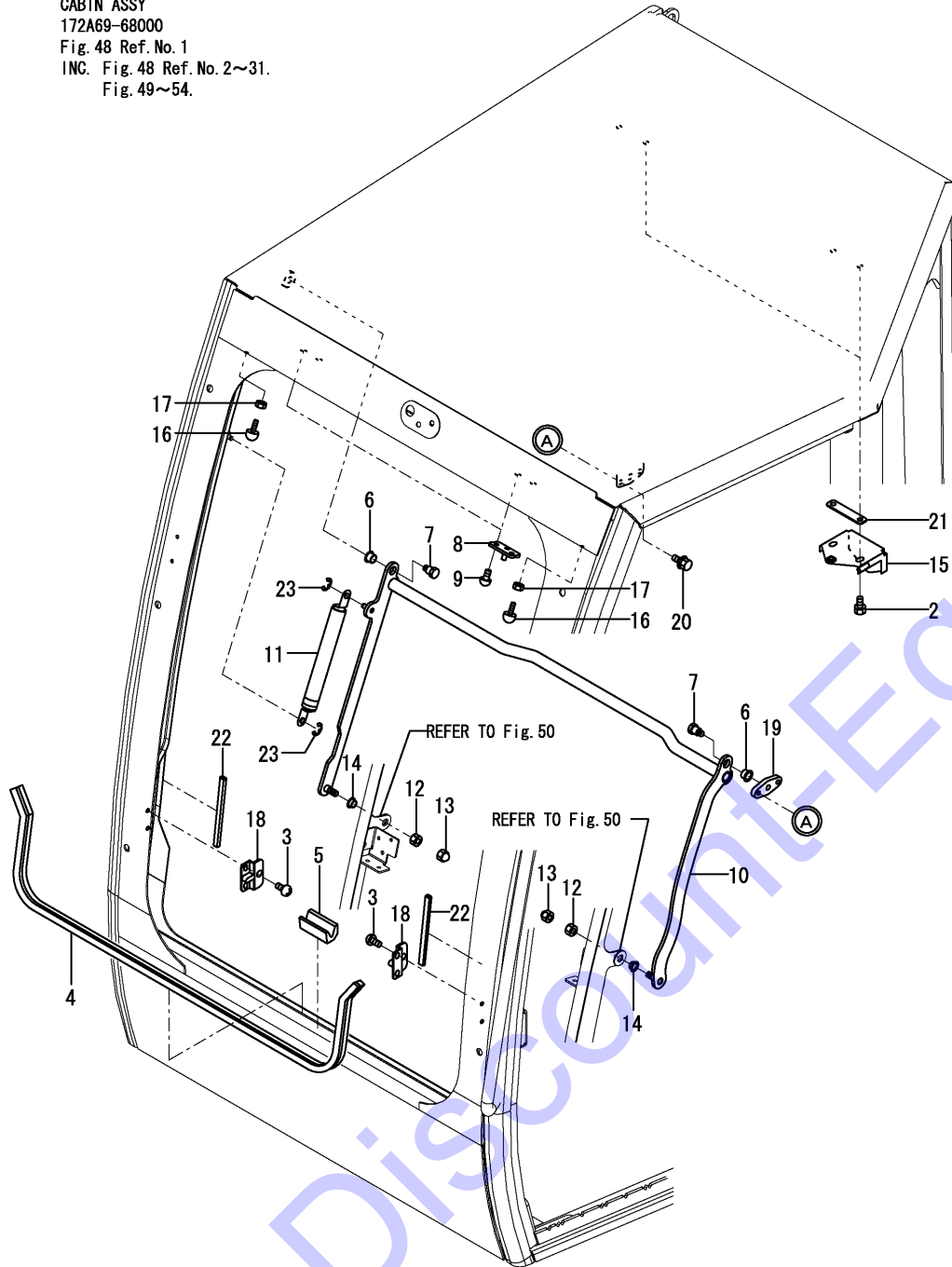
(A)=SV100-1(US)
(B)=SV100-1(AS)
(C)=SV100-1(NZ)

(D)=
(E)=
(F)=

REF.	LEV.	PARTS NO.	DESCRIPTION	QTY						I	R
				(A)	(B)	(C)	(D)	(E)	(F)		
1	2	172A69-68250	FRONT,WINDOW ASSY	1	1	1					
2	3	172538-67650	SCREW,M5X14 BK	8	8	8					
3	3	172538-67720	SCREW,M6X16 BK	2	2	2					
4	3	172538-67720	SCREW,M6X16 BK	4	4	4					
5	3	172A69-68260	SLIDE FRONT,FRAME	1	1	1					
6	3	172A69-68270	GLASS,FRONT TOP	1	1	1					1
7	3	172A69-68280	SNATCH LOCK,R	1	1	1					
8	3	172A69-68290	SNATCH LOCK,L	1	1	1					
9	3	172A69-68300	HEXAGON HOLE BLTM8	4	4	4					
10	3	172A69-68310	ROLLER	2	2	2					
11	3	172A69-68320	DAM RUBBER	1	1	1					
12	3	172A69-68330	RUBBER SEAL	1	1	1					
13	3	172A69-68340	WIRE	2	2	2					
14	3	172A69-68350	LEVER,R	1	1	1					
15	3	172A69-68360	LEVER,L	1	1	1					
16	3	172A69-68370	BRACKET LEVER	2	2	2					
17	3	172A69-68380	COIL SPRING	2	2	2					
18	3	172A69-68390	LANCHANNEL	2	2	2					
19	3	172A69-68400	HOLDER LINK	2	2	2					
20	3	172A69-68410	STOPPER,RUBBER	2	2	2					
21	3	172A69-68420	COVER,LATCH R	1	1	1					
22	3	172A69-68430	COVER,LATCH L	1	1	1					
23	3	172A69-68440	COVER,R	1	1	1					
24	3	172A69-68450	COVER,L	1	1	1					
25	3	172A69-68460	PLATE,LATCH	2	2	2					
26	3	172A69-68470	BRACKET,ROLLER R	1	1	1					
27	3	172A69-68480	BRACKET,ROLLER L	1	1	1					
28	3	172A69-68490	BOLT,M8X18 BK	4	4	4					
29	3	172A69-68500	COVER,LEVER	2	2	2					
30	3	172A69-68510	GRNISHOO	2	2	2					
31	3	172538-68910	GRIP	2	2	2					
32A	1	172437-03551	LABEL, WINDOW US	1	1	1					2

Fig.51. CABIN(FRONT WINDOW : 2)

CABIN ASSY
 172A69-68000
 Fig. 48 Ref. No. 1
 INC. Fig. 48 Ref. No. 2~31.
 Fig. 49~54.



(A)=SV100-1(US)
 (B)=SV100-1(AS)
 (C)=SV100-1(NZ)

(D)=
 (E)=
 (F)=

REF.	LEV.	PARTS NO.	DESCRIPTION	Q'TY						I	R
				(A)	(B)	(C)	(D)	(E)	(F)		
2	2	172538-66380	BOLT,M8X20 BK	4	4	4					
3	2	172538-67720	SCREW,M6X16 BK	4	4	4					
4	2	172A69-69010	RUBBER,TRIM	1	1	1					
5	2	172A69-69020	RUBBER,STOP	2	2	2					
6	2	172A69-69030	BEARING	2	2	2					
7	2	172A69-69040	BOLT,LINK	2	2	2					
8	2	172A69-69050	STRIKER,FRONT	2	2	2					
9	2	172A69-69060	SCREW,M8 TWOSDLOCK	4	4	4					
10	2	172A69-69070	LINK ASSY	1	1	1					
11	2	172A69-69080	GAS SPRING	1	1	1					
12	2	172A69-69090	NUT,M10 BK	2	2	2					
13	2	172A69-69100	BAG NUT,M10 BK	2	2	2					
14	2	172A69-69110	BEARING	2	2	2					
15	2	172A69-69130	STRIKER,REAR	2	2	2					
16	2	172A69-69140	STOPPER,RUBBER	2	2	2					
17	2	172A69-69150	NUT,M5 BK	2	2	2					
18	2	172A69-69160	PLATE,LATCH	2	2	2					
19	2	172A69-69170	SEAT,SCREW	1	1	1					
20	2	172A69-69180	BOLT,M8X16 BK	2	2	2					
21	2	172A69-69190	SPACER	2	2	2					
22	2	172A69-69200	GURNISYU	2	2	2					
23	2	22272-000070	CIRCLIP E- 7	2	2	2					

Fig.52. CABIN(WINDOW SASH & LOWER GLASS)

(A)=SV100-1(US)

(B)=SV100-1(AS)

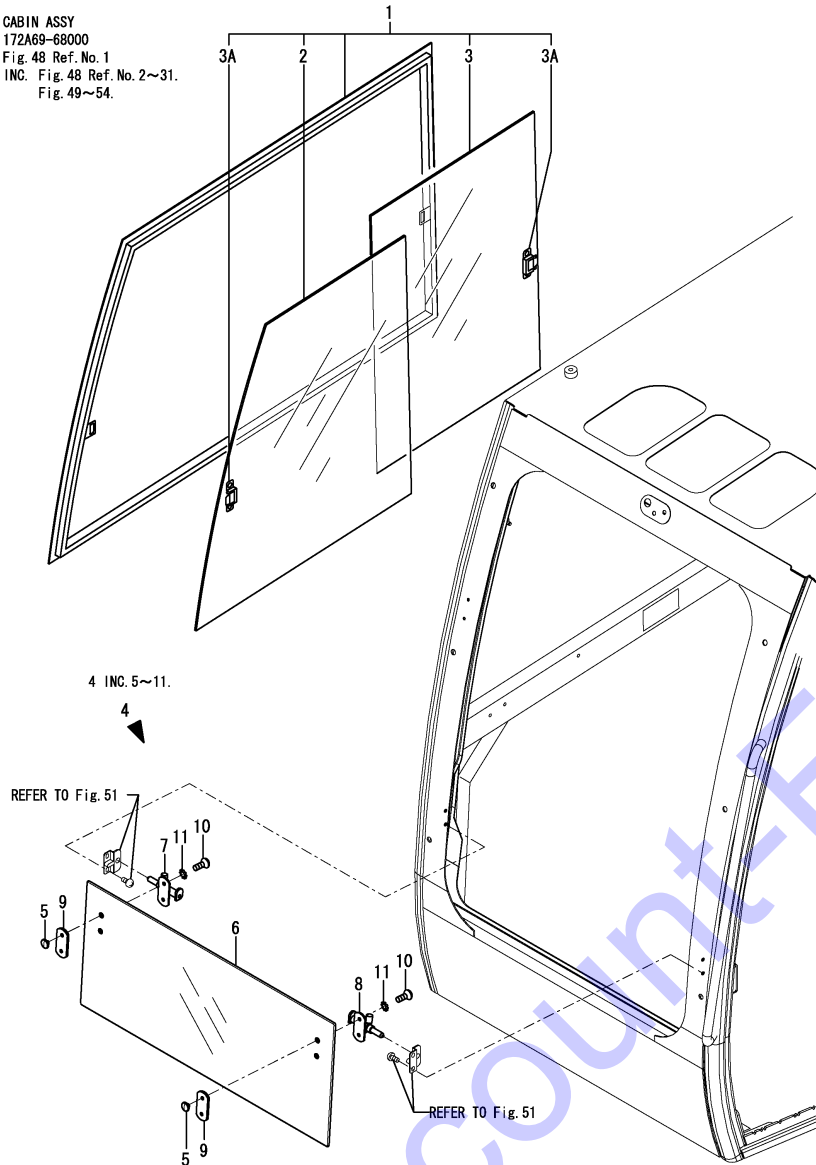
(C)=SV100-1(NZ)

(D)=

(E)=

(F)=

CABIN ASSY
172A69-68000
Fig. 48 Ref. No. 1
INC. Fig. 48 Ref. No. 2~31.
Fig. 49~54.



REF.	LEV.	PARTS NO.	DESCRIPTION	Q'TY						I	R
				(A)	(B)	(C)	(D)	(E)	(F)		
1	2	172A69-68550	SASH ASSY	1	1	1					
2	3	172A69-68560	GLASS, SASH	1	1	1					
3	3	172A69-68570	GLASS, SASH	1	1	1					1
3A	3	172A69-68580	LOCK,ASSY	2	2	2					W
		(A=FROM 1ST) (B=FROM 1ST) (C=FROM 1ST)									
4	2	172A69-68600	GLASS ASSY	1	1	1					
5	3	172538-67550	RETAINER	4	4	4					
6	3	172A69-68610	GLASS	1	1	1					
7	3	172A69-68620	LATCH	1	1	1					
8	3	172A69-68630	LATCH	1	1	1					
9	3	172A69-68640	PACKING	2	2	2					
10	3	172A69-68650	SCREW	4	4	4					
11	3	172A69-68660	WASHER, LOCK	4	4	4					
12A	1	172472-03241	LABEL, PINUS	1	1	1					2
12B	1	172472-03271	LABEL, SANDUS	1	1	1					2
12C	1	172472-03281	LABEL, WARNING HITCH	1	1	1					2
12D	1	172437-03312	LABEL, SLOPE	1	1	1					2
12E	1	172437-03343	LABEL, TRANSPORT	1	1	1					2
12F	1	172437-03372	LABEL, NEUTRAL	1	1	1					2
12G	1	172437-03432	LABEL, STEERING	1	1	1					2
12H	1	172437-03441	LABEL, ROPS	1	1	1					2
12I	1	172437-03451	LABEL, SEAT BELT	1	1	1					2

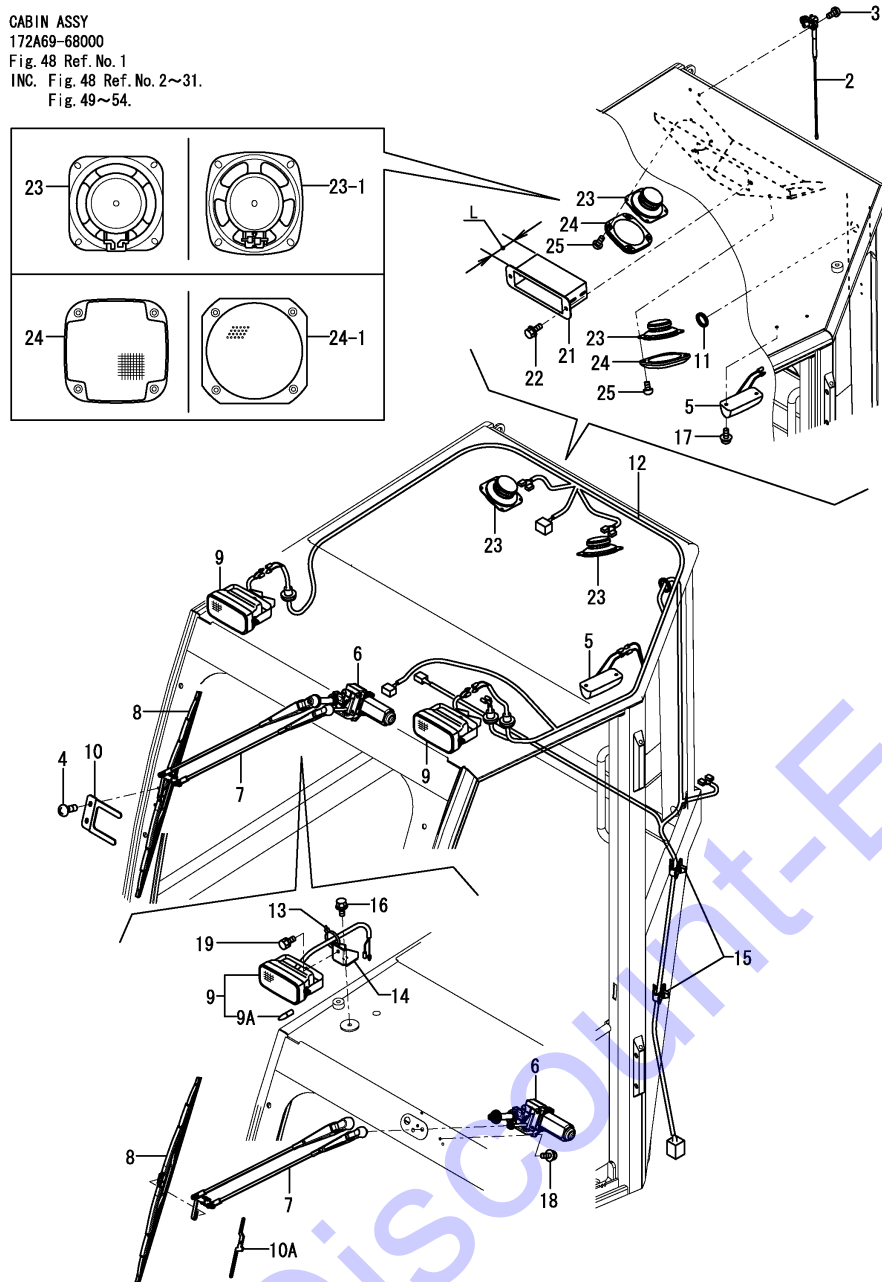
Remarks
(1)PLEASE USE THIS PART WITH FOLLOW-
ING LABEL AT THE SAME TIME.
REF NO.12A,12B,12C,12D,12E,12F,12G
,12H,12I.
(2)LABEL IS NOT ILLUSTRATED.

Fig.53. CABIN(ELECTRIC)

(A)=SV100-1(US)
(B)=SV100-1(AS)
(C)=SV100-1(NZ)

(D)=
(E)=
(F)=

CABIN ASSY
172A69-68000
Fig. 48 Ref. No. 1
INC. Fig. 48 Ref. No. 2~31.
Fig. 49~54.



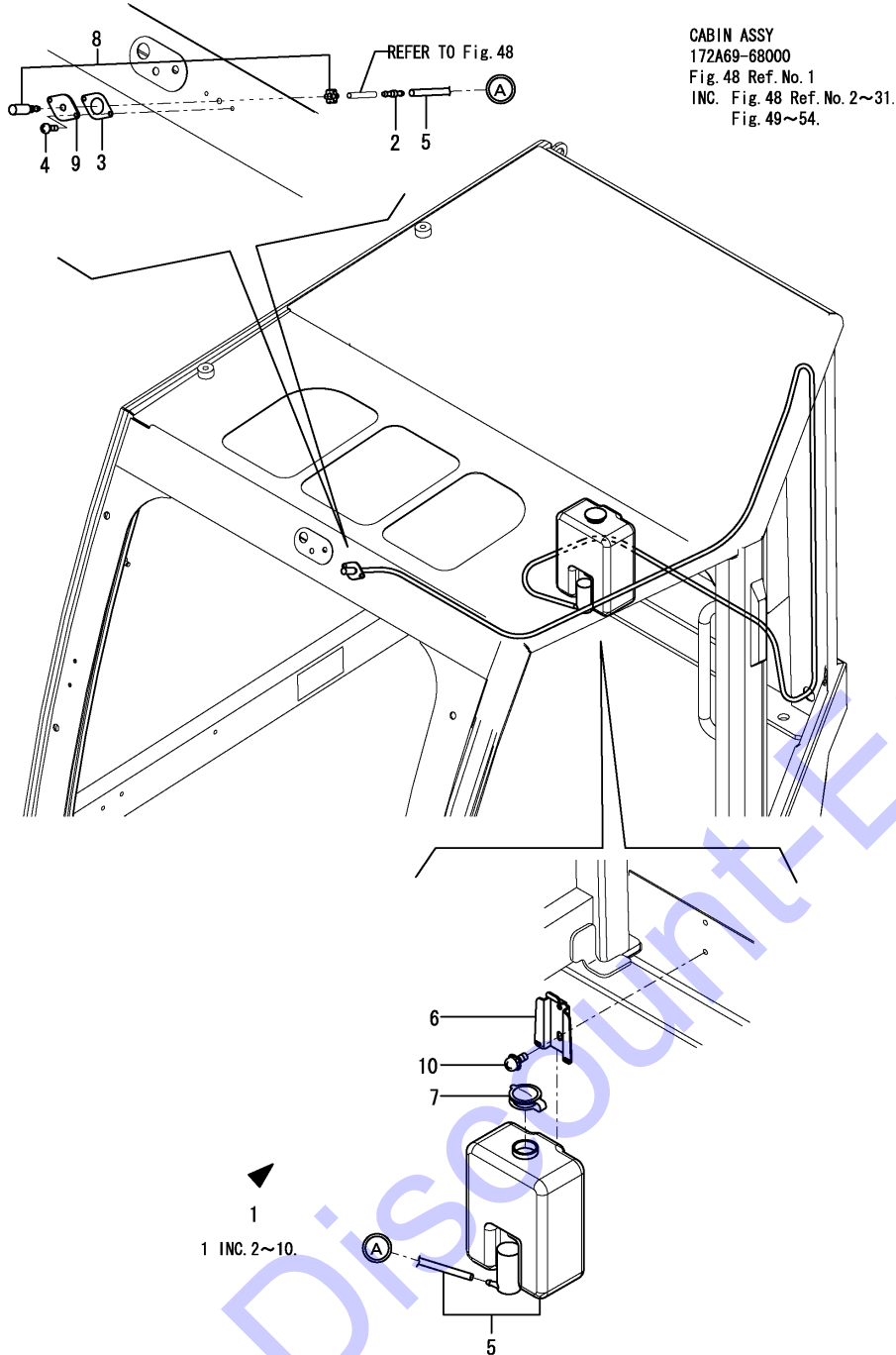
REF.	LEV.	PARTS NO.	DESCRIPTION	QTY						I	R
				(A)	(B)	(C)	(D)	(E)	(F)		
2	2	172538-66640	ROD ASSY, ANTENNA	1	1	1					
3	2	172538-67660	SCREW	2	2	2					
4	2	172538-67720	SCREW	2	2	2					
5	2	172538-68540	LAMP ASSY, ROOM	1	1	1					
6	2	172A69-68710	MOTOR, WIPER	1	1	1					
7	2	172A69-68720	ARM, WIPER	1	1	1					
8	2	172A69-68730	BLADE, WIPER	1	1	1					
9	2	172A69-68740	LAMP, WORK	2	2	2					
9A	3	172458-17420	BULB	2	2	2					
10	2	172A69-68750	BRACKET, WIPER	1	1	1					
10A	2	172A69-68760	PLATE, WIPER ARM	1	1	1					W
(A=MXXXXX) (B=MXXXXX) (C=MXXXXX)											
11	2	172A69-68770	GROMMET	1	1	1					
12	2	172A69-68780	HARNESS, MAIN	1	1	1					
12-1	2	172A89-68780	HARNESS, MAIN	1	1	1					N
(A=MZZZZZ) (B=MZZZZZ) (C=MZZZZZ)											
13	2	172A69-68790	PLATE, LOCK	2	2	2					
14	2	172A69-68800	BRACKET	2	2	2					
15	2	172A69-68820	CLIP	2	2	2					
16	2	26014-100202	BOLT	2	2	2					
17	2	26023-050162	SCREW	2	2	2					
18	2	26023-060162	SCREW	3	3	3					
19	2	172A69-69470	BOLT	2	2	2					
21	2	172A69-69460	BRACKET, RADIO	1	1	1					1
21-1	2	172A69-69461	BRACKET, RADIO	1	1	1					S 1
(A=MZZZZZ) (B=MZZZZZ) (C=MZZZZZ)											
22	2	172A69-69470	BOLT	2	2	2					
23	2	172A69-69480	SPEAKER	2	2	2					
23-1	2	172A69-69481	SPEAKER	2	2	2					S
(A=MZZZZZ) (B=MZZZZZ) (C=MZZZZZ)											
24	2	172A69-69490	SPEAKER	2	2	2					
24-1	2	172A69-69491	GRILLE, SPEAKER	2	2	2					S
(A=MZZZZZ) (B=MZZZZZ) (C=MZZZZZ)											
25	2	172A69-69500	SCREW	8	8	8					

Remarks
(1)Ref.No.21 L=91mm, No.21-1 L=96mm.

Fig.54. CABIN(WASHER TANK)

(A)=SV100-1(US)
 (B)=SV100-1(AS)
 (C)=SV100-1(NZ)

(D)=
 (E)=
 (F)=

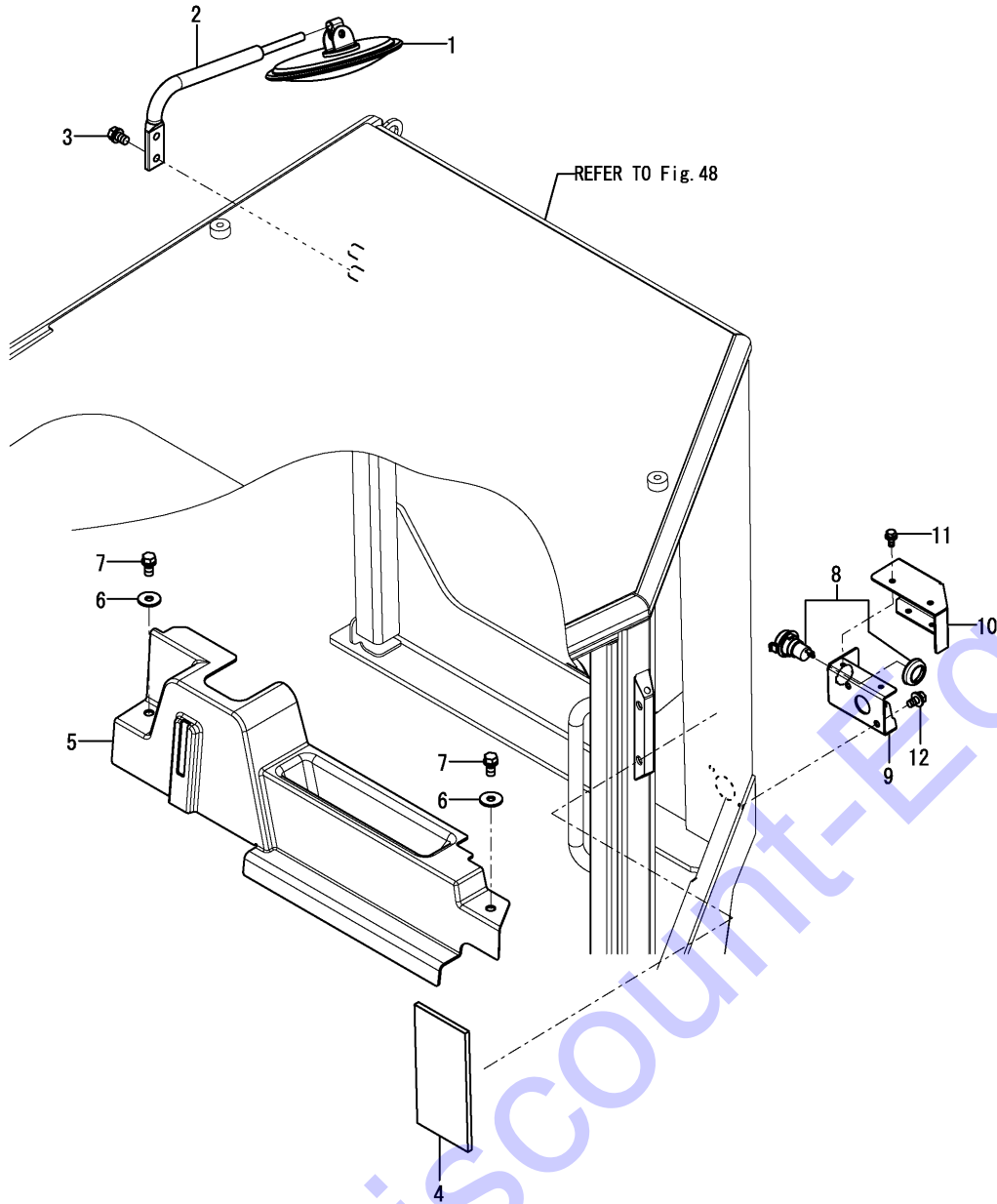


REF.	LEV.	PARTS NO.	DESCRIPTION	Q'TY						I	R
				(A)	(B)	(C)	(D)	(E)	(F)		
1	2	172A69-68900	WASHER TANK,ASSY	1	1	1					
2	3	172538-66480	CHECK VALVE	1	1	1					
3	3	172538-66530	PACKING	1	1	1					
4	3	172538-67640	SCREW,M4X16 BK	2	2	2					
5	3	172A69-68910	WASHER TANK	1	1	1					
6	3	172A69-68920	BRACKET,WIND WASHER	1	1	1					
7	3	172A69-68930	CAP,PACKING	1	1	1					
8	3	172A69-68940	WASHER,NOZZLE	1	1	1					
9	3	172A69-68960	PLATE	1	1	1					
10	3	26023-060162	SCREW M 6X 16	2	2	2					

Fig.55. REAVIEW MIRROR & CABIN ACCESSORY

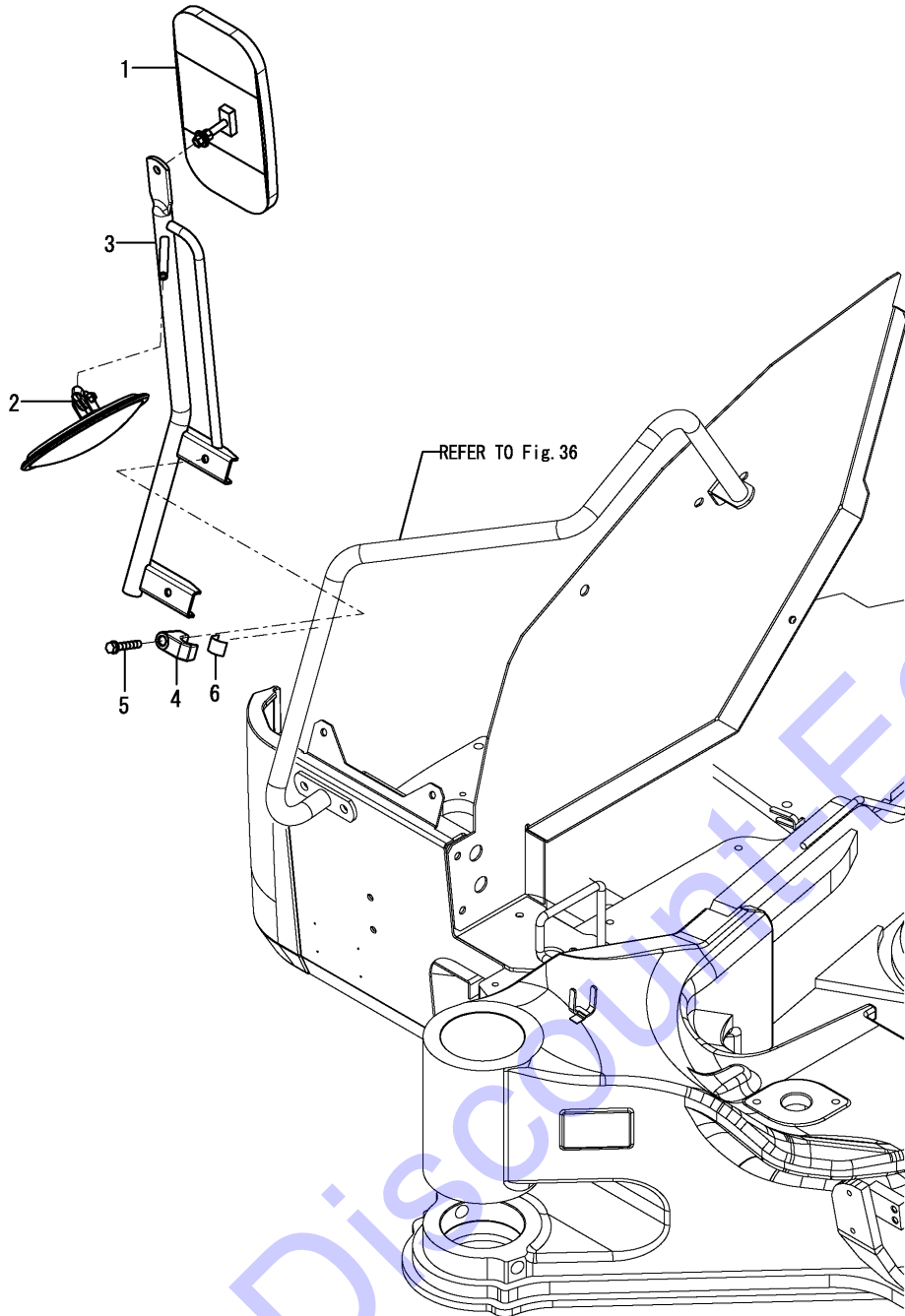
(A)=SV100-1(US)
 (B)=SV100-1(AS)
 (C)=SV100-1(NZ)

(D)=
 (E)=
 (F)=



REF.	LEV.	PARTS NO.	DESCRIPTION	Q'TY						I	R
				(A)	(B)	(C)	(D)	(E)	(F)		
1	1	172A25-68500	REARVIEW MIRROR	1	1	1					
2	1	172A69-68850	BRACKET ,MIRROR (49)	1	1	1					
3	1	26013-100162	BOLT M10X 16	2	2	2					
3-1	1	26013-100252	BOLT W/WASHER M10X25	2	2	2					N
		(A=MZZZZZ) (B=MZZZZZ) (C=MZZZZZ)									
4	1	172446-62910	RUBBER PLATE	1	1	1					
5	1	172A69-68950	COVER,WASHER TANK	1	1	1					
6	1	22157-080000	WASHER 8	2	2	2					
7	1	26013-080162	BOLT W/WASHER M8X16	2	2	2					
8	1	172A64-17250	SOCKET ASSY			1	1				
9	1	172A69-69910	CIGA BOX ASSY (49)			1	1				
10	1	172A69-69930	COVER,CIGA BOX (49)			1	1				
11	1	26014-060122	BOLT M 6X 12			4	4				
12	1	26014-080162	BOLT M 8X 16			2	2				

Fig.56. SIDE MIRROR



(A)=SV100-1(US)
 (B)=SV100-1(AS)
 (C)=SV100-1(NZ)

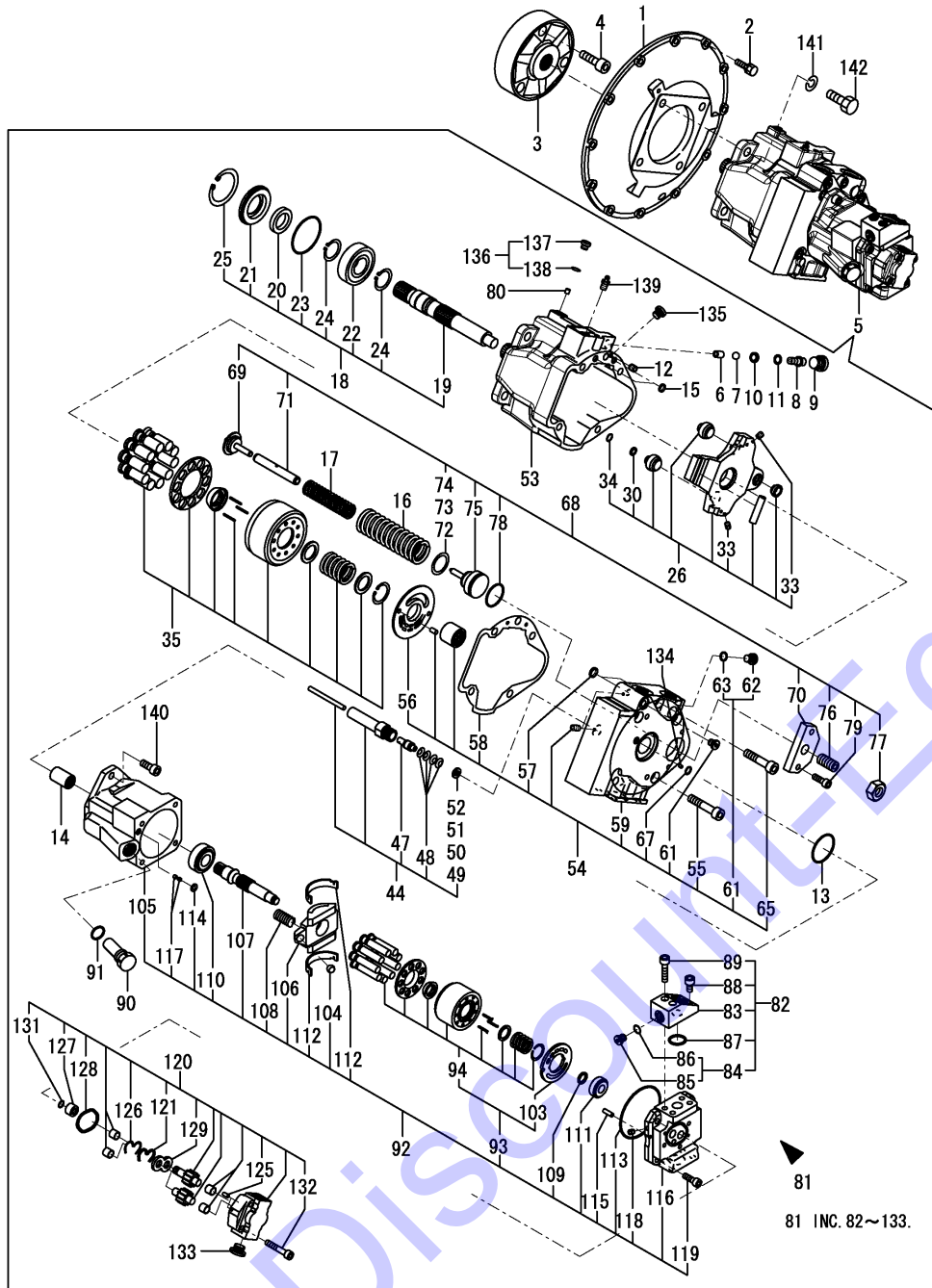
(D)=
 (E)=
 (F)=

REF.	LEV.	PARTS NO.	DESCRIPTION	Q'TY						I	R
				(A)	(B)	(C)	(D)	(E)	(F)		
1	1	1W3855-50160	MIRROR ASSY	1	1	1					
2	1	172A25-68500	MIRROR, REARVIEW	1	1	1					
3	1	172A69-69810	MIRROR ASSY, SIDE	1	1	1					
3-1	1	172A69-69810-Y (A=M11501) (B=M11501) (C=M11501)	MIRROR ASSY, SIDE	1	1	1					S
4	1	172142-76940-2	CLAMP	2	2	2					
4-1	1	172142-76940-Y (A=M11501) (B=M11501) (C=M11501)	CLAMP	2	2	2					S
5	1	26013-100552	BOLT	2	2	2					
6	1	172A69-69880 (A=M10545) (B=M10545) (C=M10545)	RUBBER, CLAMP	2	2	2					W
6-1	1	172A69-69881 (A=M10509) (B=M10509) (C=M10509)	SHEET, NON SLIP	2	2	2					N

Fig.57. HYD.OIL PUMP & JOINT

(A)=SV100-1(US)
 (B)=SV100-1(AS)
 (C)=SV100-1(NZ)

(D)=
 (E)=
 (F)=



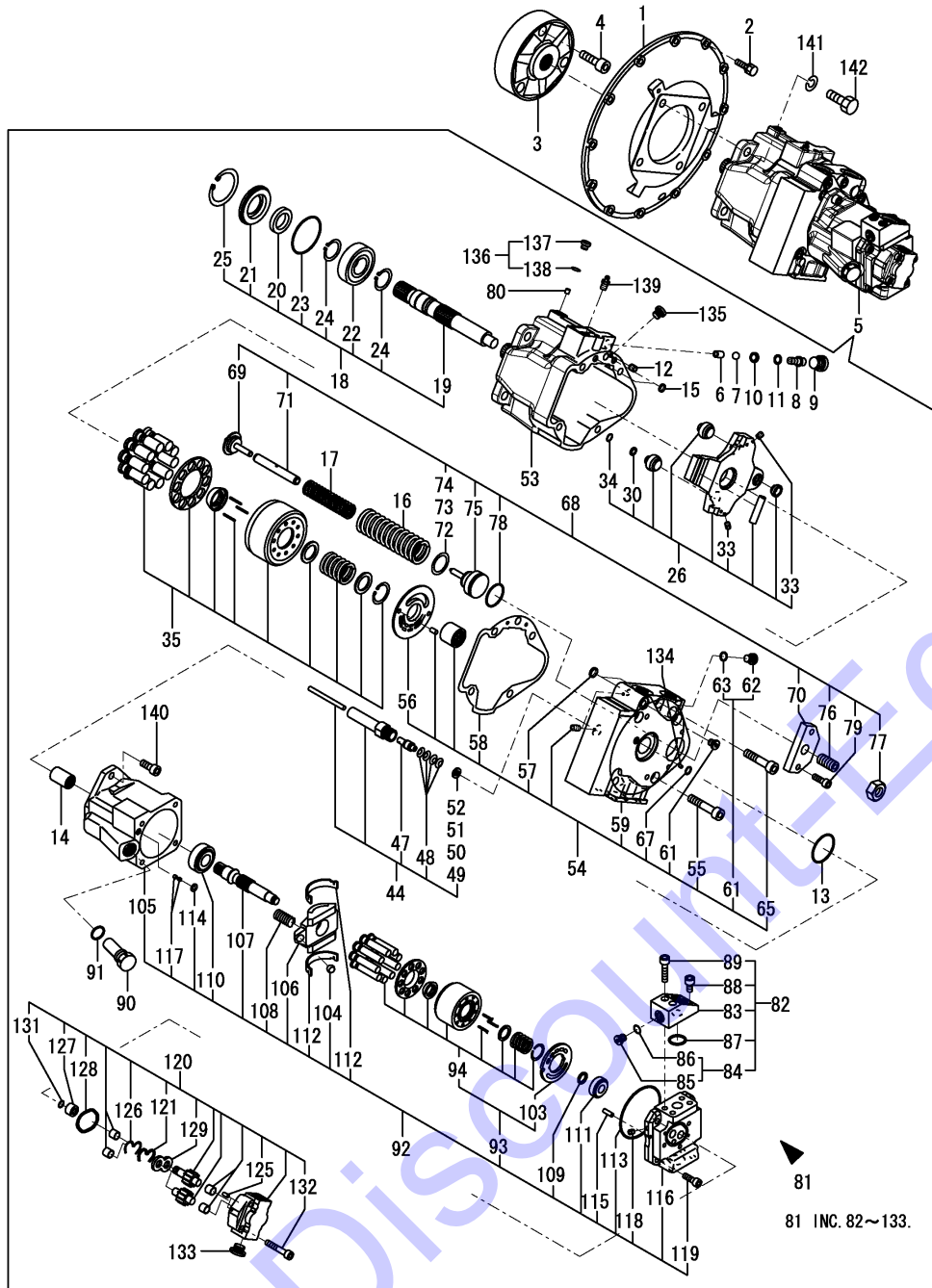
REF.	LEV.	PARTS NO.	DESCRIPTION	Q'TY						I	R
				(A)	(B)	(C)	(D)	(E)	(F)		
1	1	172187-71100	COVER, FLYWHEEL	1	1	1					
2	1	26013-100302	BOLT M10X 30	12	12	12					
3	1	172499-71200	JOINT	1	1	1					
4	1	172187-71210	BOLT 14X 50	3	3	3					
5	1	172A69-73100	PUMP ASSY	1	1	1					
6	2	172499-70600	BUSH	1	1	1					
7	2	172499-70610	BALL	1	1	1					
8	2	172499-70620	PLUG	1	1	1					
9	2	172499-70630	PLUG	1	1	1					
10	2	172499-70640	PACKING	1	1	1					
11	2	172499-70650	SHIM	1	1	1					
12	2	172499-70660	PLUG	1	1	1					
13	2	172499-70670	O-RING	1	1	1					
14	2	172499-70680	COUPLING	1	1	1					
15	2	172499-70690	RING	2	2	2					
16	2	172499-70701	SPRING	1	1	1					
17	2	172499-70711	SPRING	1	1	1					
18	2	172499-71300	SHAFT ASSY	1	1	1					
19	3	172499-71450	SHAFT	1	1	1					
20	3	172187-73240	SEAL	1	1	1					
21	3	172187-73220	SEAL CASE	1	1	1					
22	3	172187-73230	BEARING,	1	1	1					
23	3	172187-73250	O-RING 151	1	1	1					
24	3	22242-000350	CIRCLIP 35	2	2	2					
25	3	22252-000800	CIRCLIP 80	1	1	1					
26	2	172499-71310	SWASH PLATE ASSY	1	1	1					
30	3	172499-71500	RING	1	1	1					
33	3	172141-74720	PLUG	2	2	2					
34	3	24315-000110	O-RING 1B P-11.0	1	1	1					
35	2	172499-71320	ROTARY GROUP	1	1	1					
44	2	172499-71350	CONTROL PISTON ASSY	1	1	1					
47	3	172499-71690	PISTON	1	1	1					
48	3	172499-71700	SPRING	4	4	4					
49	3	172499-71710	PIECE	1	1	1					
50	3	172499-71720	PIECE	1	1	1					
51	3	172499-71730	PIECE	1	1	1					
52	3	172499-71740	PIECE	1	1	1					
53	2	172499-71370	HOUSING	1	1	1					
54	2	172A69-73110	COVER ASY	1	1	1					
55	3	172499-71490	BOLT,14X70HEX SOCKET	4	4	4					
56	3	172499-71570	PLATE	1	1	1					
57	3	172499-71580	RING	2	2	2					
58	3	172499-71590	PACKING	1	1	1					
59	3	172A69-73120	COVER	1	1	1					
61	3	172142-74600	PLUG	2	2	2					
62	4	172142-74660	PLUG 1/4	2	2	2					
63	4	24315-000110	O-RING 1B P-11.0	2	2	2					
65	3	172187-75630	BOLT 14X 65	1	1	1					
67	3	24315-000100	O-RING 1B P-10.0	2	2	2					
68	2	172A69-73130	SPRING SEAT ASSY	1	1	1					
69	3	172499-71600	STAY,SPRING	1	1	1					

N:Old $\frac{Yes}{No}$ New, Q:Old $\frac{No}{Yes}$ New, R:Old $\frac{Yes}{No}$ New, S:Old $\frac{No}{Yes}$ New, W:Add, Z:Discontinued, F:Interchangeable by set, K:Q'ty Change
 ++ CONTINUE ++
 (C)Copyrights YANMAR CO.,LTD.

Fig.57. HYD.OIL PUMP & JOINT

(A)=SV100-1(US)
 (B)=SV100-1(AS)
 (C)=SV100-1(NZ)

(D)=
 (E)=
 (F)=



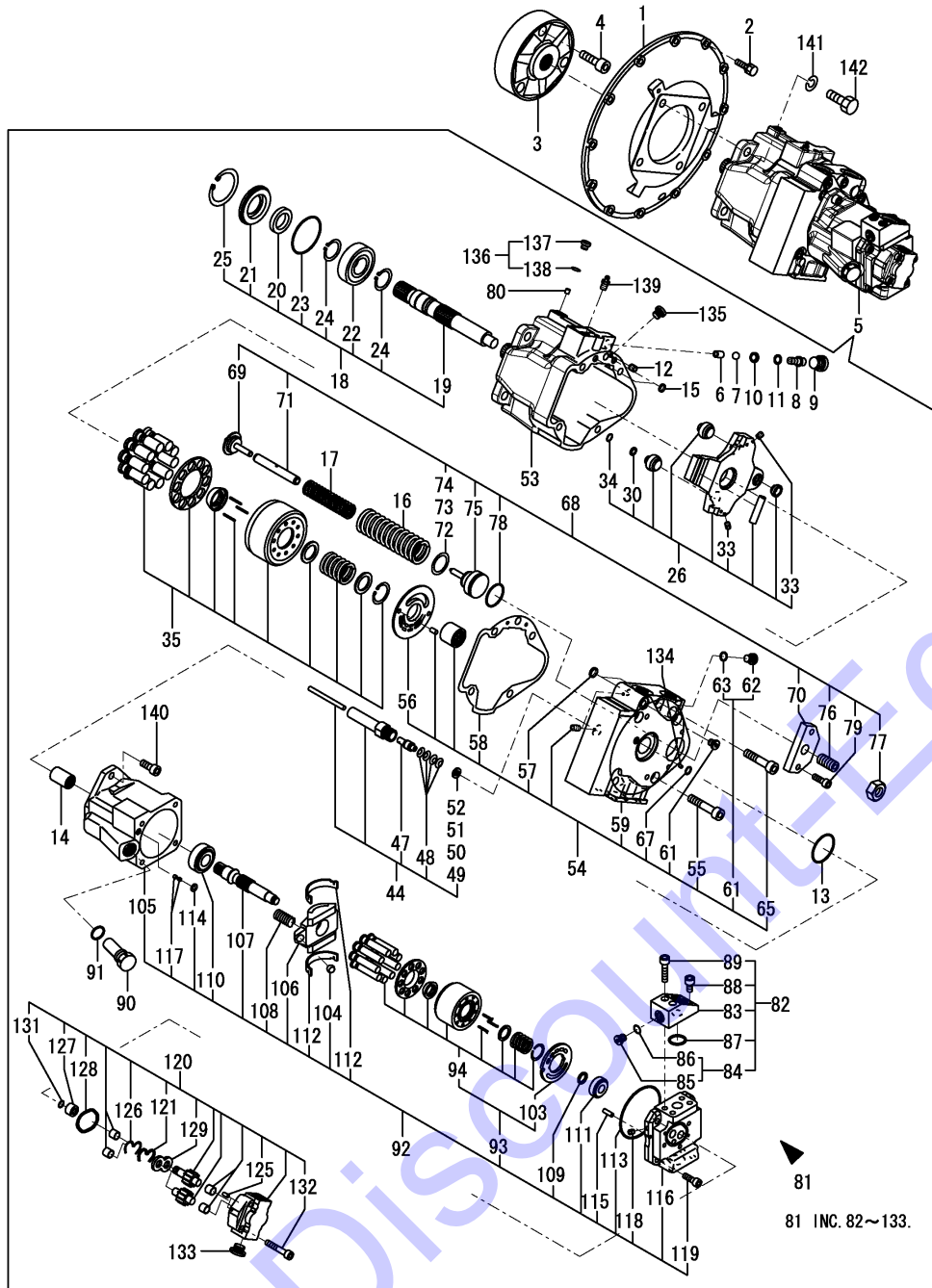
REF.	LEV.	PARTS NO.	DESCRIPTION	Q'TY						I	R
				(A)	(B)	(C)	(D)	(E)	(F)		
70	3	172499-71620	COVER	1	1	1					
71	3	172499-71630	GUIDE	1	1	1					
72	3	172499-71640	SHIM	1	1	1					
73	3	172499-71650	SHIM	1	1	1					
74	3	172499-71660	SHIM	1	1	1					
75	3	172A69-73140	STAY,SPRING	1	1	1					
76	3	172187-75720	ADJUST SCREW	1	1	1					
77	3	172187-75750	NUT	1	1	1					
78	3	24311-000440	O-RING 1A P-44.0	1	1	1					
79	3	26450-100302	BOLT M10X 30	2	2	2					
80	2	172147-73150	ORIFICE	1	1	1					
81	2	172A69-73150	P3 PISTON PUMP	1	1	1					
82	3	172499-71430	FLANGE ASSY	1	1	1					
83	4	172499-70550	FLANGE	1	1	1					
84	4	172142-74600	PLUG	1	1	1					
85	5	172142-74660	PLUG 1/4	1	1	1					
86	5	24315-000110	O-RING 1B P-11.0	1	1	1					
87	4	24325-000300	O-RING, 1B G 30.0	1	1	1					
88	4	26450-100202	BOLT M10X 20	2	2	2					
89	4	26450-100452	BOLT M10X 45	2	2	2					
90	3	172499-71750	PLUG	1	1	1					
91	3	172499-71760	O-RING	1	1	1					
92	3	172A69-73160	P3 PISTON PUMP	1	1	1					
93	4	172499-71390	ROTARY GROUP	1	1	1					
94	5	172499-71400	ROTARY GROUP	1	1	1					
103	5	172499-71910	PLATE	1	1	1					
104	4	172499-71770	BALL	1	1	1					
105	4	172499-71781	HOUSING	1	1	1					
106	4	172499-71800	WASH PLATE	1	1	1					
107	4	172499-71810	SHAFT	1	1	1					
108	4	172499-71820	SPRING	1	1	1					
109	4	172499-71830	SHIM	1	1	1					
110	4	172499-71840	BEARING	1	1	1					
111	4	172499-71850	BEARING	1	1	1					
112	4	172499-71860	SHELL	2	2	2					
113	4	172499-71870	O-RING	1	1	1					
114	4	172499-71880	RING	1	1	1					
115	4	172499-71900	PIN	1	1	1					
116	4	172A69-73170	PLATE	1	1	1					
117	4	172147-73530	ORIFICE	2	2	2					
118	4	172164-73650	PLUG, M6	2	2	2					
119	4	26450-100302	BOLT M10X 30	4	4	4					
120	3	172A69-73180	GEAR PUMP,10	1	1	1					
121	4	172649-72750	SQUARE RING	1	1	1					
125	4	172141-73240	PIN, PARALLEL	2	2	2					
126	4	172165-73850	RING, BACK UP	1	1	1					
127	4	172164-73870	COUPLING	1	1	1					
128	4	172165-73870	O-RING	1	1	1					
129	4	172164-73950	SIDE PLATE	1	1	1					
131	4	22252-000120	CIRCLIP 12	1	1	1					
132	4	26450-080552	BOLT M 8X 55	4	4	4					

N:Old $\frac{Yes}{No}$ New, Q:Old $\frac{No}{Yes}$ New, R:Old $\frac{Yes}{Yes}$ New, S:Old $\frac{No}{No}$ New, W:Add, Z:Discontinued, F:Interchangeable by set, K:Q'ty Change
 ++ CONTINUE ++
 (C)Copyrights YANMAR CO.,LTD.

Fig.57. HYD.OIL PUMP & JOINT

(A)=SV100-1(US)
 (B)=SV100-1(AS)
 (C)=SV100-1(NZ)

(D)=
 (E)=
 (F)=



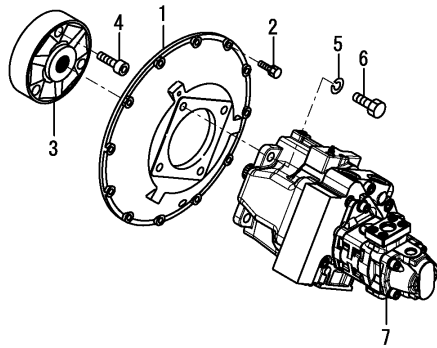
REF.	LEV.	PARTS NO.	DESCRIPTION	Q'TY						I	R
				(A)	(B)	(C)	(D)	(E)	(F)		
133	3	172A69-73190	PLUG	1	1	1					
134	2	172147-73530	ORIFICE	1	1	1					
135	2	172649-73680	PLUG	1	1	1					
136	2	172142-74590	PLUG	1	1	1					
137	3	172142-74650	PLUG 1/8	1	1	1					
138	3	24315-000080	O-RING 1B P-8.0	1	1	1					
139	2	172456-75430	PLUG	1	1	1					
140	2	26450-120302	BOLT M12X30	2	2	2					
141	1	22217-160000	SPRING WASHER 16	4	4	4					
142	1	26116-160452	BOLT M16X 45 PLATED	4	4	4					

Fig.122. (57A)HYD.OIL PUMP & JOINT(FROM M11514)

(A)=SV100-1(US)
 (B)=SV100-1(AS)
 (C)=SV100-1(NZ)

(D)=
 (E)=
 (F)=

REF.	LEV.	PARTS NO.	DESCRIPTION	Q'TY						I	R
				(A)	(B)	(C)	(D)	(E)	(F)		
1	1	172187-71100	COVER, FLYWHEEL	1	1	1					
2	1	26013-100302	BOLT	12	12	12					
3	1	172499-71200	COUPLING	1	1	1					
4	1	172187-71210	BOLT	3	3	3					
5	1	22217-160000	WASHER, SPRING	4	4	4					
6	1	26116-160452	BOLT	4	4	4					
7	1	172A69-73101	PUMP ASSY	1	1	1					W
		(A=M11514) (B=M11514) (C=M11514)									

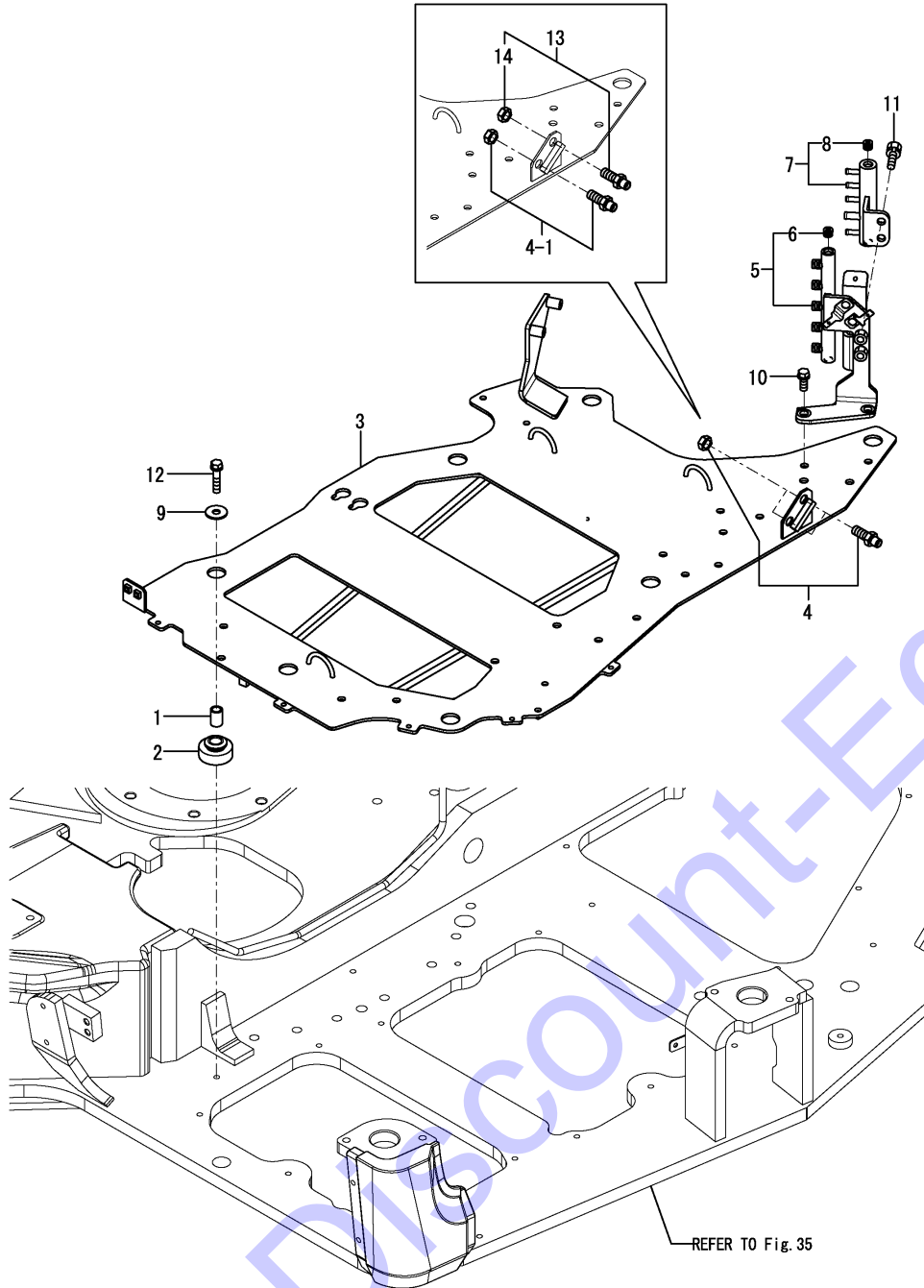


Discount-Equipment.com

Fig.58. CONTROL VALVE PLATE

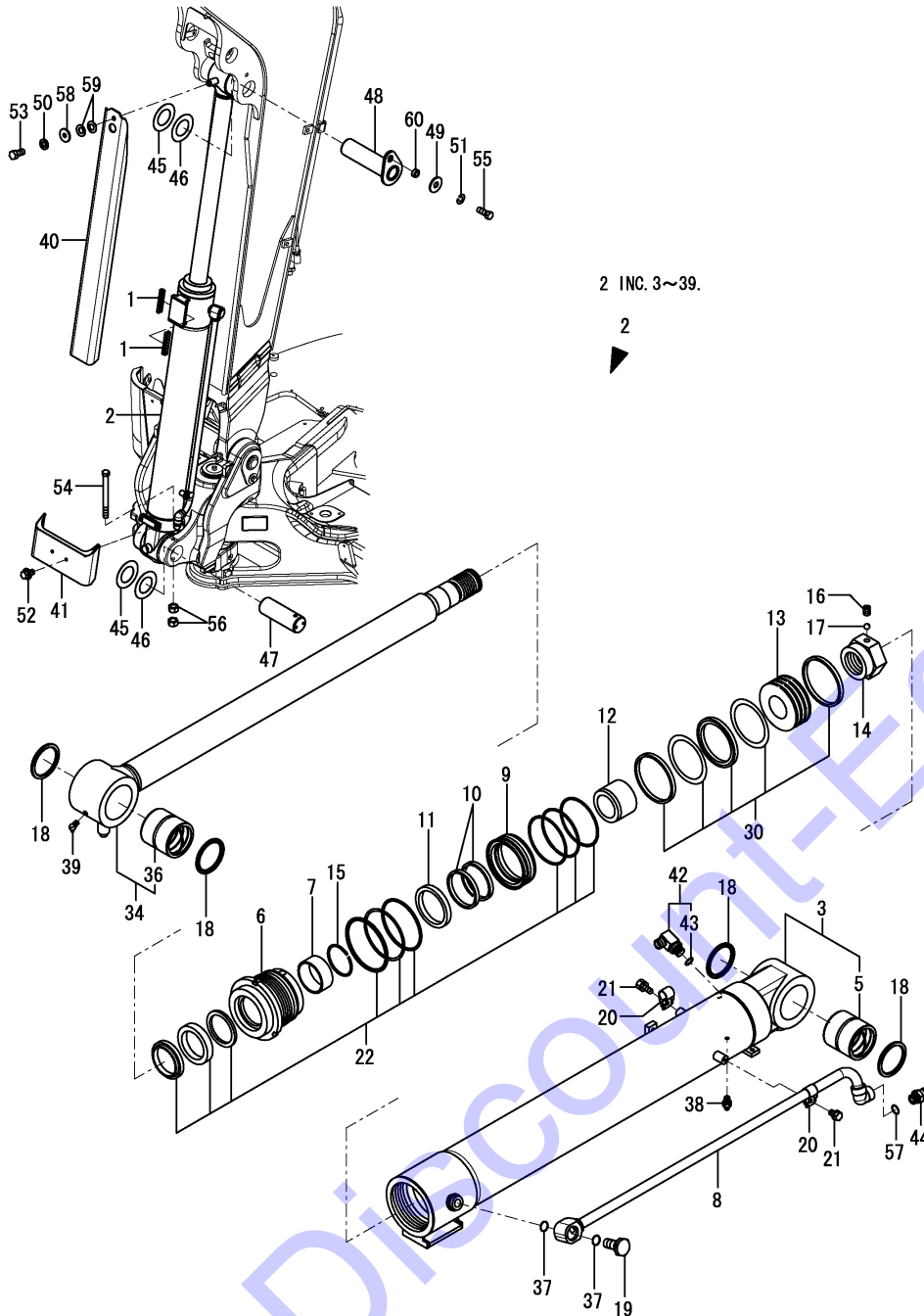
(A)=SV100-1(US)
 (B)=SV100-1(AS)
 (C)=SV100-1(NZ)

(D)=
 (E)=
 (F)=



REF.	LEV.	PARTS NO.	DESCRIPTION	Q'TY						I	R
				(A)	(B)	(C)	(D)	(E)	(F)		
1	1	172A69-71550	COLLAR	7	7	7					
2	1	172A69-71560	GROMMET17X50	7	7	7					
3	1	172A69-71600	PLATE ASSY,VALVE	1	1	1					
4	1	172151-76050	JOINT	2	2	2					
4-1	1	172151-76050	JOINT	1	1	1					R
		(A=MZZZZZ) (B=MZZZZZ) (C=MZZZZZ)									
5	1	172A69-76680	BLOCK MOUNT ASSY	1	1	1					
6	2	23871-020000	PLUG PT1/4,SCREW	1	1	1					
7	1	172A69-76720	BLOCK MOUNT ASSY,DR	1	1	1					
8	2	23871-020000	PLUG PT1/4,SCREW	1	1	1					
9	1	22157-100000	WASHER 10	7	7	7					
10	1	26013-100252	BOLT W/WASHER M10X25	2	2	2					
11	1	26013-100252	BOLT W/WASHER M10X25	2	2	2					
12	1	26013-100452	BOLT M10X 45	7	7	7					
13	1	172A89-76150	JOINT	1	1	1					W
		(A=MZZZZZ) (B=MZZZZZ) (C=MZZZZZ)									
14	2	172A89-76160	NUT,LOCK	1	1	1					W
		(A=MZZZZZ) (B=MZZZZZ) (C=MZZZZZ)									

Fig.59. BOOM CYLINDER



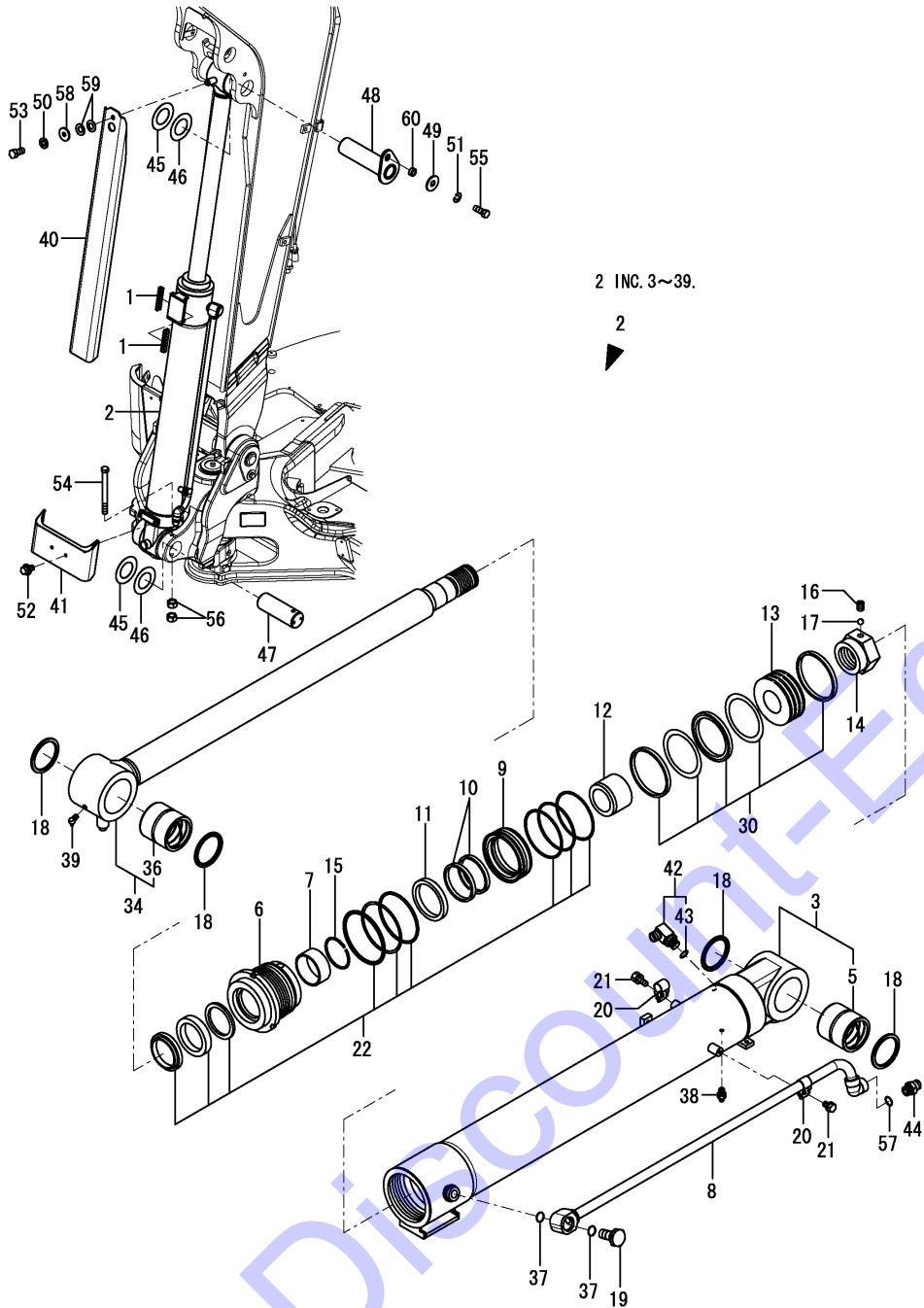
(A)=SV100-1(US)
 (B)=SV100-1(AS)
 (C)=SV100-1(NZ)

(D)=
 (E)=
 (F)=

REF.	LEV.	PARTS NO.	DESCRIPTION	Q'TY						I	R
				(A)	(B)	(C)	(D)	(E)	(F)		
1	1	172162-61770	GUIDE, SLIDE	2	2	2					
2	1	172A69-72100	CYLINDER ASSY, BOOM	1	1	1					
2-1	1	172A69-72100-N	CYLINDER ASSY, BOOM	1	1	1					S
3	2	(A=M11501) 172A69-72110 (B=M11501) (C=M11501)	TUBE KIT, CYLINDER	1	1	1					
3-1	2	172A69-72110-N	TUBE KIT, CYLINDER	1	1	1					S
5	3	(A=M11501) 172A69-72130 (B=M11501) (C=M11501)	BUSH, PIN	1	1	1					
6	2	172499-72130	HEAD, CYLINDER	1	1	1					
7	2	172499-72140	BUSH	1	1	1					
8	2	172A69-72140	PIPE ASSY	1	1	1					
8-1	2	172A69-72140-N	PIPE ASSY	1	1	1					S
9	2	(A=M11501) 172499-72180 (B=M11501) (C=M11501)	HOLDER	1	1	1					
10	2	172499-72190	SEAL, CUSHION	1	1	1					
11	2	172499-72200	COLLAR	1	1	1					
12	2	172499-72220	BEARING, CUSHION	1	1	1					
13	2	172499-72230	PISTON	1	1	1					
14	2	172499-72260	NUT	1	1	1					
15	2	172162-72620	RING, SNAP	1	1	1					
16	2	172162-72680	SCREW, SETTING	1	1	1					
17	2	172162-72690	BALL, STEEL	1	1	1					
18	2	172162-72700	SEAL, DUST	4	4	4					
19	2	172499-72860	PLUG	1	1	1					
20	2	172499-72870	HOLDER, PIPE	2	2	2					
21	2	172499-72880	BOLT	2	2	2					
22	2	172499-72900	SEAL SET, HEAD	1	1	1					
30	2	172499-72910	SEAL SET, PISTON	1	1	1					
34	2	172499-72930	ROD ASSY, BOOM	1	1	1					
36	3	172499-72280	BUSH, PIN	1	1	1					
37	2	24315-000260	O-RING	2	2	2					
38	2	24761-020000	NIPPLE, GREASE	1	1	1					
39	2	24761-040000	NIPPLE, GREASE	1	1	1					
40	1	172187-72910-2	COVER, SLIDE	1	1	1					
40-1	1	172187-72910-N	COVER, SLIDE	1	1	1					S
41	1	(A=M11501) 172A69-72950 (B=M11501) (C=M11501)	COVER ASSY, BOOM	1	1	1					
41-1	1	172A69-72950-N	COVER ASSY, BOOM	1	1	1					S
42	1	(A=M11501) 172645-76560 (B=M11501) (C=M11501)	CONNECTOR ASSY	1	1	1					
43	2	24315-000180	O-RING	1	1	1					
44	1	172112-77361	CONNECTOR	1	1	1					
45	1	172176-81700	SHIM	2	2	2					
46	1	172176-81710	SHIM	2	2	2					
47	1	172187-81800	PIN	1	1	1					
48	1	172187-81810	PIN ASSY	1	1	1					
49	1	22157-140000	WASHER	1	1	1					
50	1	22217-100000	WASHER, SPRING	1	1	1					
51	1	22217-140000	WASHER, SPRING	1	1	1					
52	1	26014-100202	BOLT	2	2	2					
53	1	26116-100202	BOLT	1	1	1					

N:Old $\begin{matrix} \text{Yes} \\ \text{No} \end{matrix}$ New, Q:Old $\begin{matrix} \text{No} \\ \text{Yes} \end{matrix}$ New, R:Old $\begin{matrix} \text{Yes} \\ \text{No} \end{matrix}$ New, S:Old $\begin{matrix} \text{No} \\ \text{Yes} \end{matrix}$ New, W:Add, Z:Discontinued, F:Interchangeable by set, K:Q'ty Change
 ++ CONTINUE ++
 (C)Copyrights YANMAR CO.,LTD.

Fig.59. BOOM CYLINDER



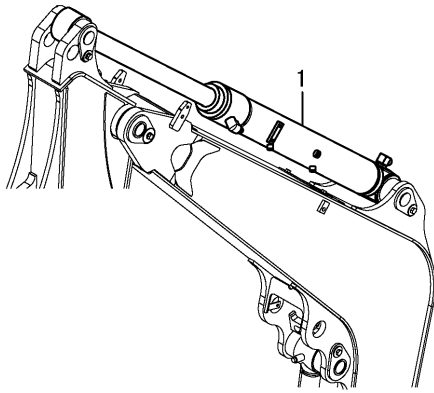
(A)=SV100-1(US)
 (B)=SV100-1(AS)
 (C)=SV100-1(NZ)
 (D)=
 (E)=
 (F)=

REF.	LEV.	PARTS NO.	DESCRIPTION	Q'TY						I	R
				(A)	(B)	(C)	(D)	(E)	(F)		
54	1	26116-121402	BOLT	1	1	1					
55	1	26116-140352	BOLT	1	1	1					
56	1	26716-120002	NUT	2	2	2					
57	1	41851-000180	O-RING	1	1	1					
58	1	933147-03400	WASHER, BRAKE ARM	1	1	1					
59	1	933168-14170	SPRING	2	2	2					
60	1	172155-45790	SPACER	1	1	1					

Fig.60. ARM CYLINDER

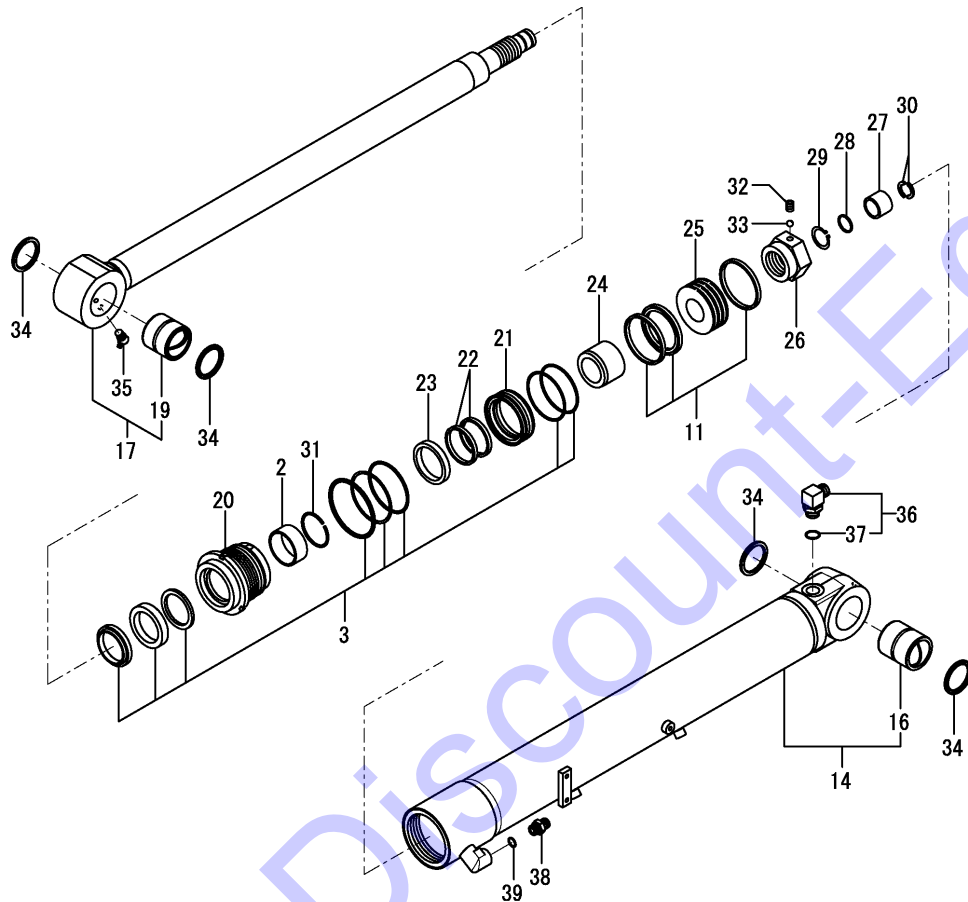
(A)=SV100-1(US)
 (B)=SV100-1(AS)
 (C)=SV100-1(NZ)

(D)=
 (E)=
 (F)=



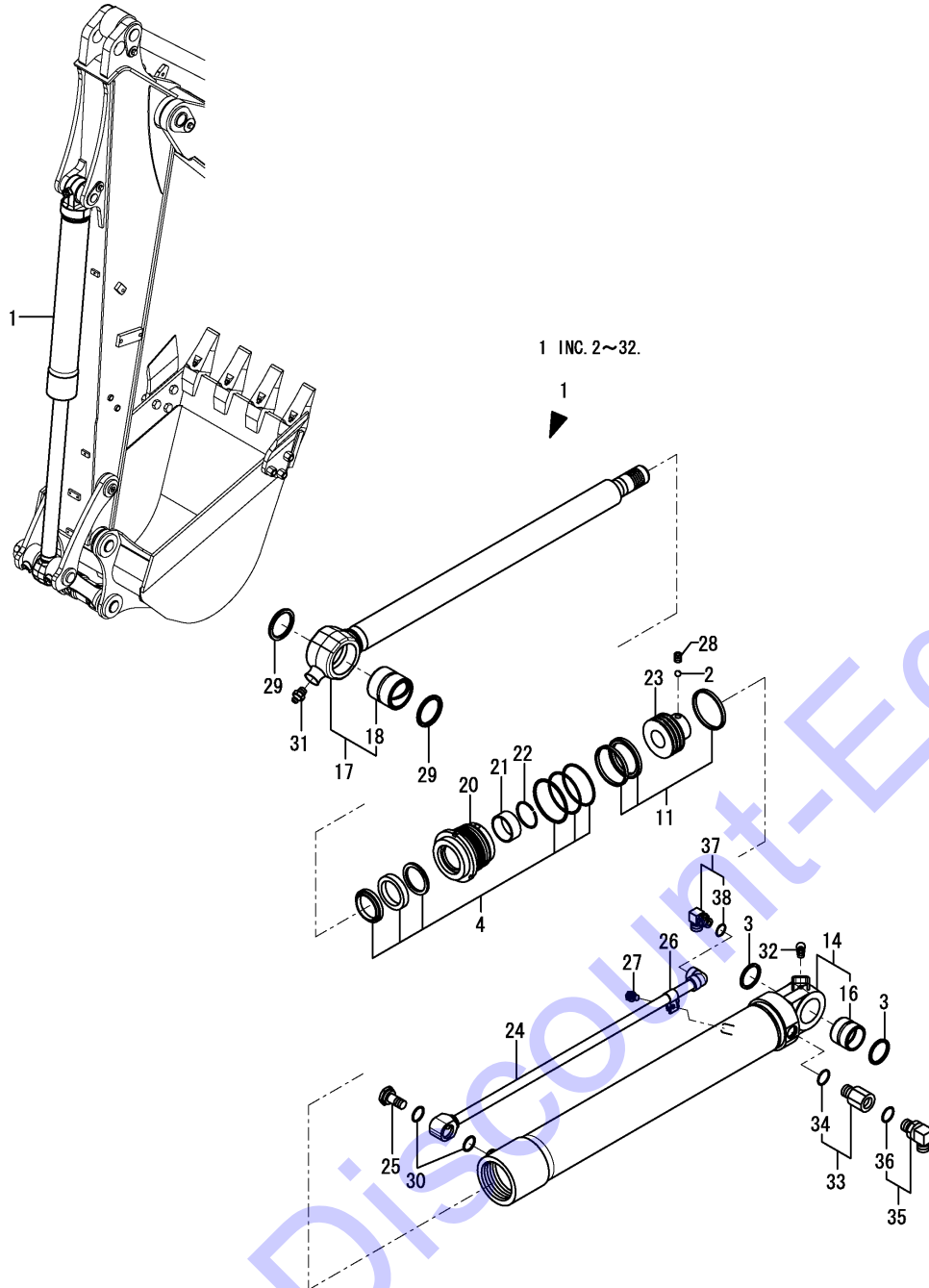
1 INC. 2~35.

1



REF.	LEV.	PARTS NO.	DESCRIPTION	Q'TY						I	R
				(A)	(B)	(C)	(D)	(E)	(F)		
1	1	172A69-72300	CYLINDER ASSY, ARM	1	1	1					
1-1	1	172A69-72300-N	CYLINDER ASSY, ARM	1	1	1					S
		(A=M11501) (B=M11501) (C=M11501)									
2	2	172499-72140	BUSH	1	1	1					
3	2	172A69-72280	REPAIR KIT, CYLINDER	1	1	1					
11	2	172A69-72290	REPAIR KIT, CYLINDER	1	1	1					
14	2	172A69-72310	TUBE KIT, CYLINDER	1	1	1					
14-1	2	172A69-72310-N	TUBE KIT, CYLINDER	1	1	1					S
		(A=M11501) (B=M11501) (C=M11501)									
16	3	172A69-72480	BUSH, PIN	1	1	1					
17	2	172A69-72330	ROD KIT, PISTON	1	1	1					
19	3	172A69-72490	BUSH, PIN	1	1	1					
20	2	172A69-72350	HEAD, CYLINDER	1	1	1					
21	2	172A69-72370	HOLDER	1	1	1					
22	2	172A69-72380	SEAL, CUSHION	2	2	2					
23	2	172A69-72390	COLLAR	1	1	1					
24	2	172A69-72400	BEARING, CUSHION	1	1	1					
25	2	172A69-72410	PISTON	1	1	1					
26	2	172A69-72430	NUT	1	1	1					
27	2	172A69-72440	BEARING, CUSHION	1	1	1					
28	2	172A69-72450	SEAL, CUSHION	1	1	1					
29	2	172A69-72460	RING, SNAP	1	1	1					
30	2	172A69-72470	STOPPER	2	2	2					
31	2	172162-72620	RING, SNAP	1	1	1					
32	2	172162-72680	SCREW, SETTING	1	1	1					
33	2	172162-72690	BALL, STEEL	1	1	1					
34	2	172162-72950	SEAL, DUST	4	4	4					
35	2	24761-050000	NIPPLE, GREASE	1	1	1					
36	1	172165-76380	CONNECTOR ASSY	1	1	1					
37	2	24315-000240	O-RING	1	1	1					
38	1	172112-77361	CONNECTOR	1	1	1					
39	1	41851-000180	O-RING	1	1	1					

Fig.61. BUCKET CYLINDER



(A)=SV100-1(US)
 (B)=SV100-1(AS)
 (C)=SV100-1(NZ)

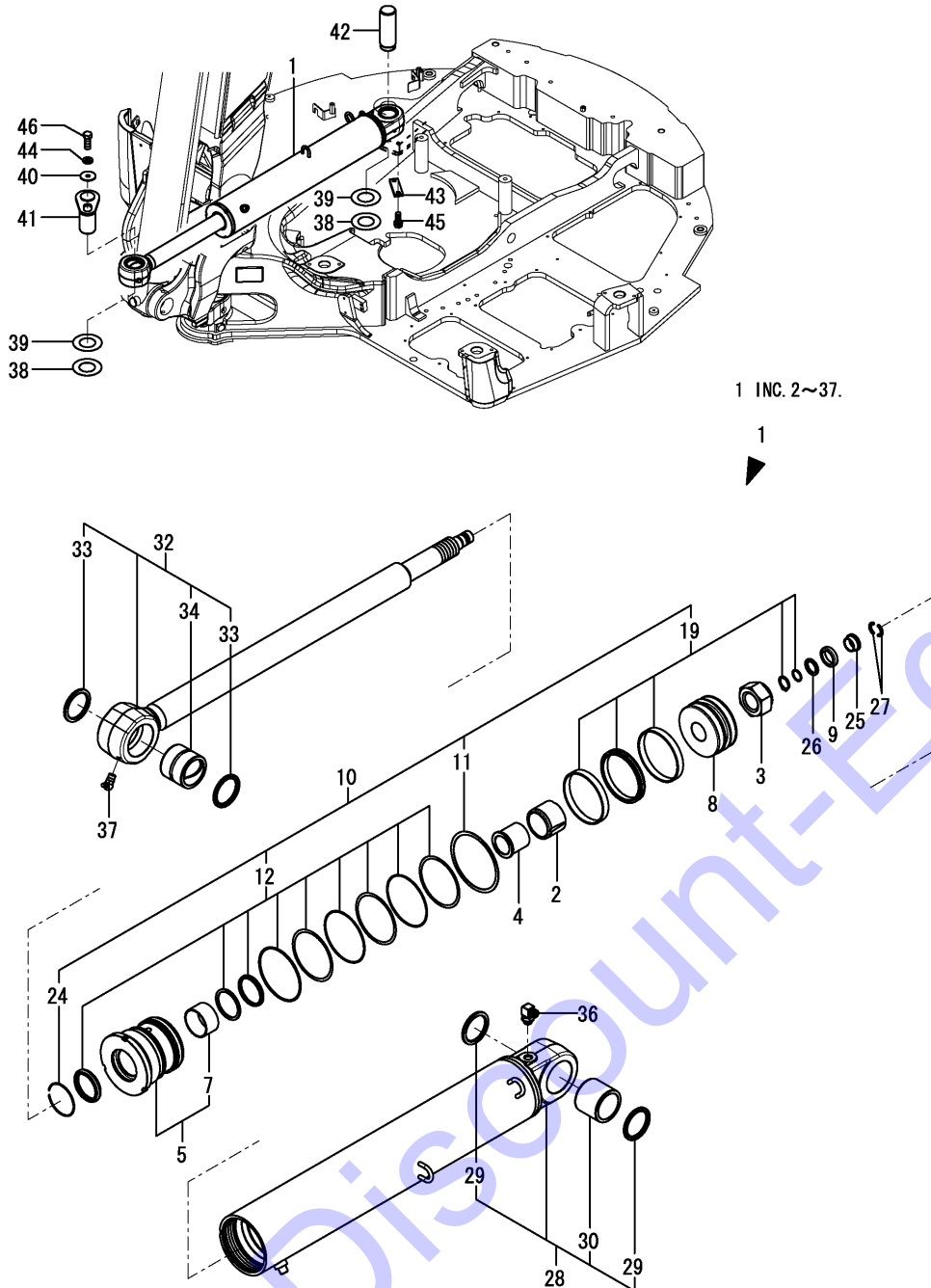
(D)=
 (E)=
 (F)=

REF.	LEV.	PARTS NO.	DESCRIPTION	Q'TY						I	R
				(A)	(B)	(C)	(D)	(E)	(F)		
1	1	172A69-72500	CYLINDER ASSY	1	1	1					
1-1	1	172A69-72500-N	CYLINDER ASSY	1	1	1					S
		(A=M11501) (B=M11501) (C=M11501)									
2	2	172124-70030	BALL, STEEL	1	1	1					
3	2	172162-72040	SEAL, DUST	2	2	2					
4	2	172A69-72260	REPAIR KIT, CYLINDER	1	1	1					
11	2	172A69-72270	REPAIR KIT, CYLINDER	1	1	1					
14	2	172A69-72510	TUBE KIT, CYLINDER	1	1	1					
14-1	2	172A69-72510-N	TUBE KIT, CYLINDER	1	1	1					S
		(A=M11501) (B=M11501) (C=M11501)									
16	3	172162-72450	BUSH, PIN	1	1	1					
17	2	172A69-72530	ROD KIT, PISTON	1	1	1					
18	3	172A69-72650	BUSH, PIN	1	1	1					
20	2	172A69-72550	HEAD, CYLINDER	1	1	1					
21	2	172A69-72560	BUSH	1	1	1					
22	2	172A69-72570	RING, SNAP	1	1	1					
23	2	172A69-72620	PISTON	1	1	1					
24	2	172A69-72670	PIPE ASSY	1	1	1					
24-1	2	172A69-72670-N	PIPE ASSY	1	1	1					S
		(A=M11501) (B=M11501) (C=M11501)									
25	2	172499-72860	PLUG	1	1	1					
26	2	172499-72870	HOLDER, PIPE	1	1	1					
27	2	172499-72880	BOLT	1	1	1					
28	2	172162-72930	SCREW, SETTING	1	1	1					
29	2	172162-72950	SEAL, DUST	2	2	2					
30	2	24315-000260	O-RING	2	2	2					
31	2	24761-020000	NIPPLE, GREASE	1	1	1					
32	2	24761-050000	NIPPLE, GREASE	1	1	1					
33	1	172A69-72660	CONNECTOR	1	1	1					
34	2	41851-000240	O-RING	1	1	1					
35	1	172165-76380	CONNECTOR ASSY	1	1	1					
36	2	24315-000240	O-RING	1	1	1					
37	1	172141-76900	CONNECTOR ASSY	1	1	1					
38	2	24315-000180	O-RING	1	1	1					

Fig.62. SWING CYLINDER

(A)=SV100-1(US)
 (B)=SV100-1(AS)
 (C)=SV100-1(NZ)

(D)=
 (E)=
 (F)=



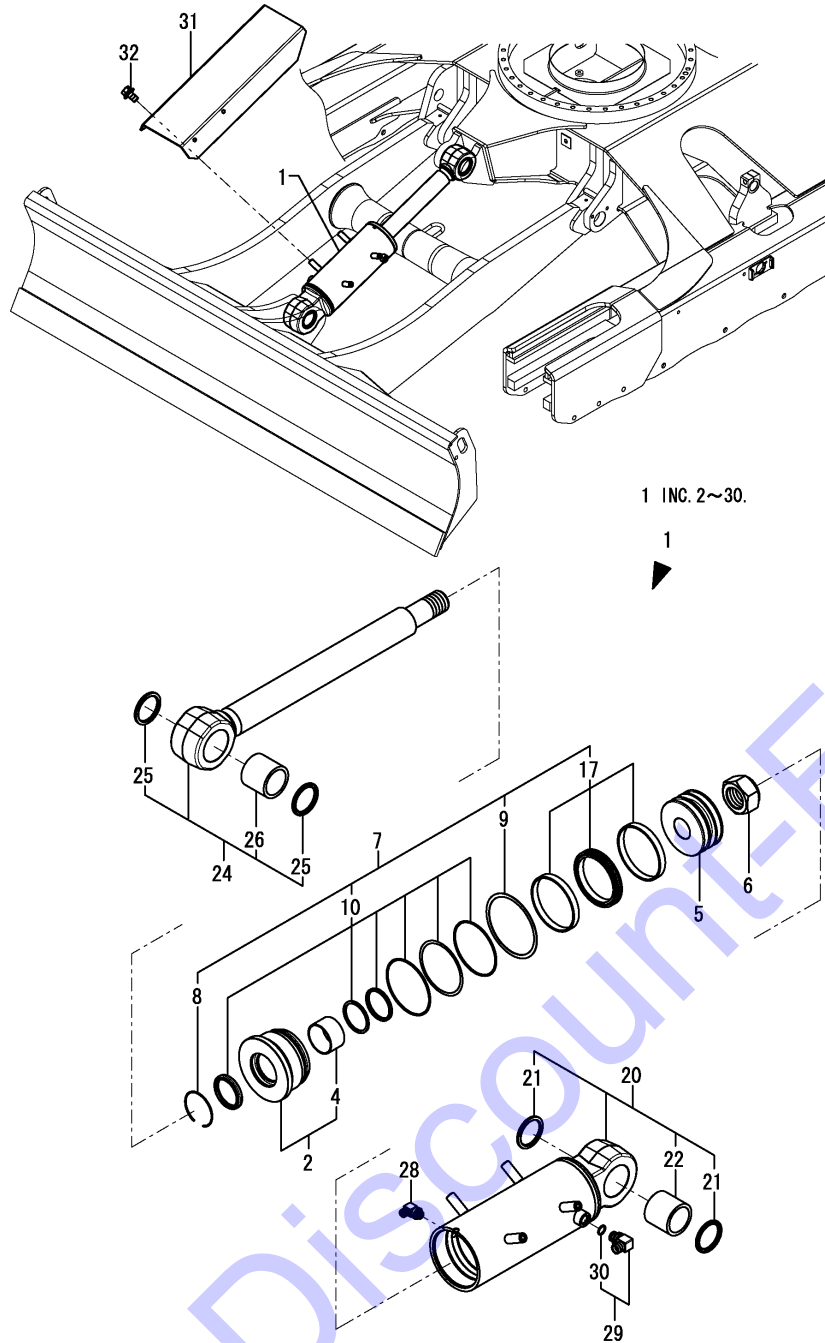
1 INC. 2~37.

REF.	LEV.	PARTS NO.	DESCRIPTION	Q'TY						I	R
				(A)	(B)	(C)	(D)	(E)	(F)		
1	1	172A69-72700	CYLINDER ,SWING (49)	1	1	1					
2	2	172020-10730	PLUNGER 64A,CUSHION	1	1	1					
3	2	172020-10810	U-NUT M42 X 3	1	1	1					
4	2	172020-10860	COLLAR, CUSHION	1	1	1					
5	2	172020-11300	HEAD CMP 120 60	1	1	1					
7	3	172445-72480	ROD BUSH 60 35	1	1	1					
8	2	172020-11320	PISTON 120	1	1	1					
9	2	172020-11340	RING 44-1.6	1	1	1					
10	2	172020-11690	KIT,CYL SEAL120X60	1	1	1					
11	3	172020-11350	ROCK WASHER 120	1	1	1					
12	3	172020-11700	SET,HEAD SEAL 120X60	1	1	1					
19	3	172020-11710	SET,PISTON SEAL 120	1	1	1					
24	3	172445-72450	RING 77	1	1	1					
25	2	172423-72520	COLLAR	1	1	1					
26	2	172423-72530	SPACER	1	1	1					
27	2	172423-72540	STOPPER	2	2	2					
28	2	172A69-72710	TUBE ASSY,SWING (49)	1	1	1					
29	3	172020-10620	SEAL 60 X 75 X 5	2	2	2					
30	3	172020-11230	BUSH 60 63 A	1	1	1					
32	2	172A69-72750	ROD ASSY,SWING	1	1	1					
33	3	172020-10620	SEAL 60 X 75 X 5	2	2	2					
34	3	172020-11280	BUSH 60 60 B	1	1	1					
36	2	172142-76181	JOINT 90-3/8 ASSY	1	1	1					
37	2	24761-050000	NIPPLE C,GREASE	1	1	1					
38	1	172175-81700	SHIM 60X110X0.8	4	4	4					
39	1	172175-81710	SHIM	4	4	4					
40	1	172187-81970	WASHER	1	1	1					
41	1	172187-82370	PIN 60X144	1	1	1					
42	1	172A69-82370	PIN 60X155	1	1	1					
43	1	172162-94280-3	PLATE,LOCK (GRAY:49)	1	1	1					
44	1	22217-140000	SPRING WASHER 14	1	1	1					
45	1	26013-120302	BOLT W/WASHER M12X30	2	2	2					
46	1	26116-140352	BOLT M14X 35 PLATED	1	1	1					

Fig.63. BLADE CYLINDER

(A)=SV100-1(US)
 (B)=SV100-1(AS)
 (C)=SV100-1(NZ)

(D)=
 (E)=
 (F)=

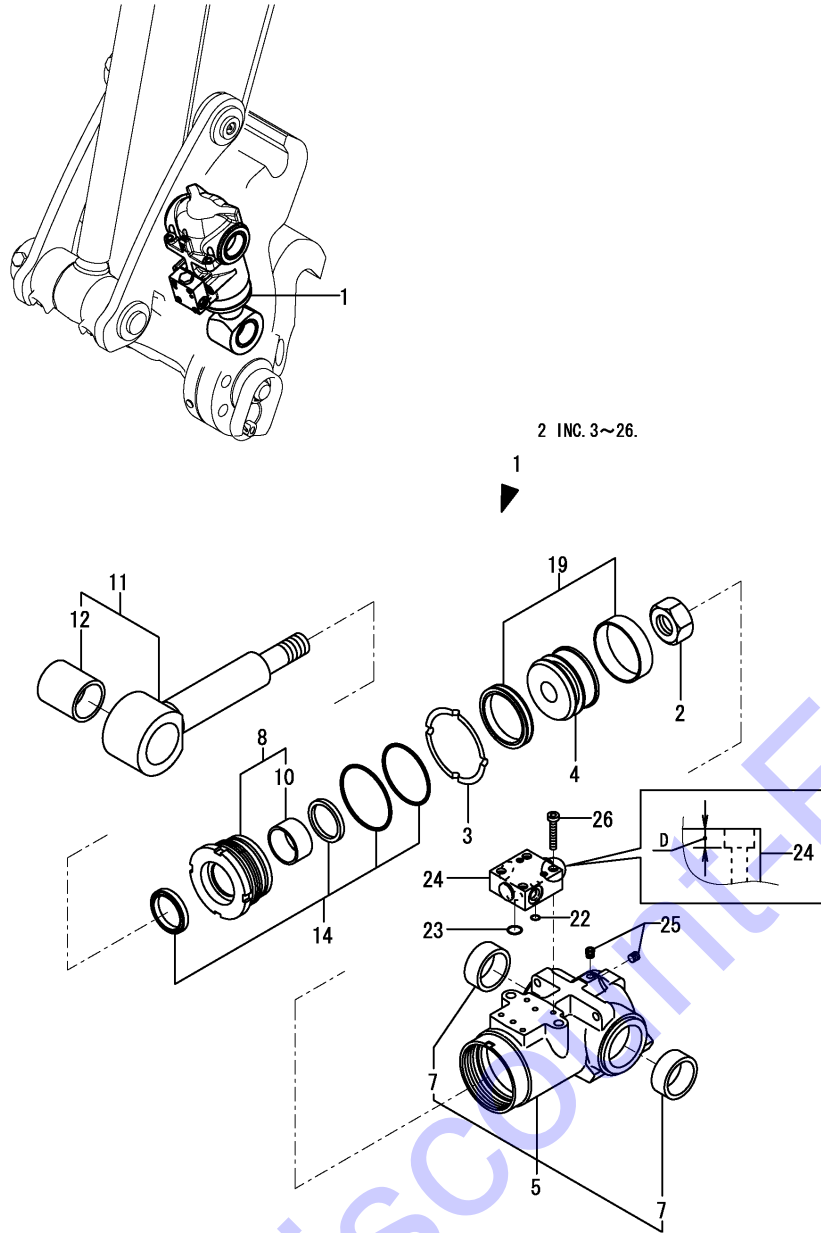


REF.	LEV.	PARTS NO.	DESCRIPTION	Q'TY						I	R
				(A)	(B)	(C)	(D)	(E)	(F)		
1	1	172A69-72800	CYLINDER, BLADE (49)	1	1	1					
2	2	172020-11500	HEAD 130 65	1	1	1					
4	3	24550-065400	BUSH 65X40, DRIVE	1	1	1					
5	2	172020-11520	PISTON 130	1	1	1					
6	2	172020-11540	U-NUT M48X3	1	1	1					
7	2	172020-11720	SEAL SET 130X65, CYL.	1	1	1					
8	3	172020-10380	RING 82, SPRING	1	1	1					
9	3	172020-11530	WASHER 130, LOCK	1	1	1					
10	3	172020-11730	SEAL SET 130X65, HEAD	1	1	1					
17	3	172020-11740	SEAL SET 130, PISTON	1	1	1					
20	2	172A69-72810	TUBE ASSY, BLADE (49)	1	1	1					
21	3	172020-10620	SEAL 60 X 75 X 5	2	2	2					
22	3	172020-11450	BUSH 60 68	1	1	1					
24	2	172A69-72850	ROD ASSY, BLADE	1	1	1					
25	3	172020-10620	SEAL 60 X 75 X 5	2	2	2					
26	3	172020-11450	BUSH 60 68	1	1	1					
28	2	172142-76181	JOINT 90-3/8 ASSY	1	1	1					
29	2	172141-76900	CONNECTOR 1/2L	1	1	1					
30	3	24315-000180	O-RING 1B P-18.0	1	1	1					
31	1	172A69-72900	COVER ASSY, BLADE(49)	1	1	1					
32	1	26014-100202	BOLT M10X 20	4	4	4					

Fig.64. HITCH CYLINDER

(A)=SV100-1(US)
 (B)=SV100-1(AS)
 (C)=SV100-1(NZ)

(D)=
 (E)=
 (F)=



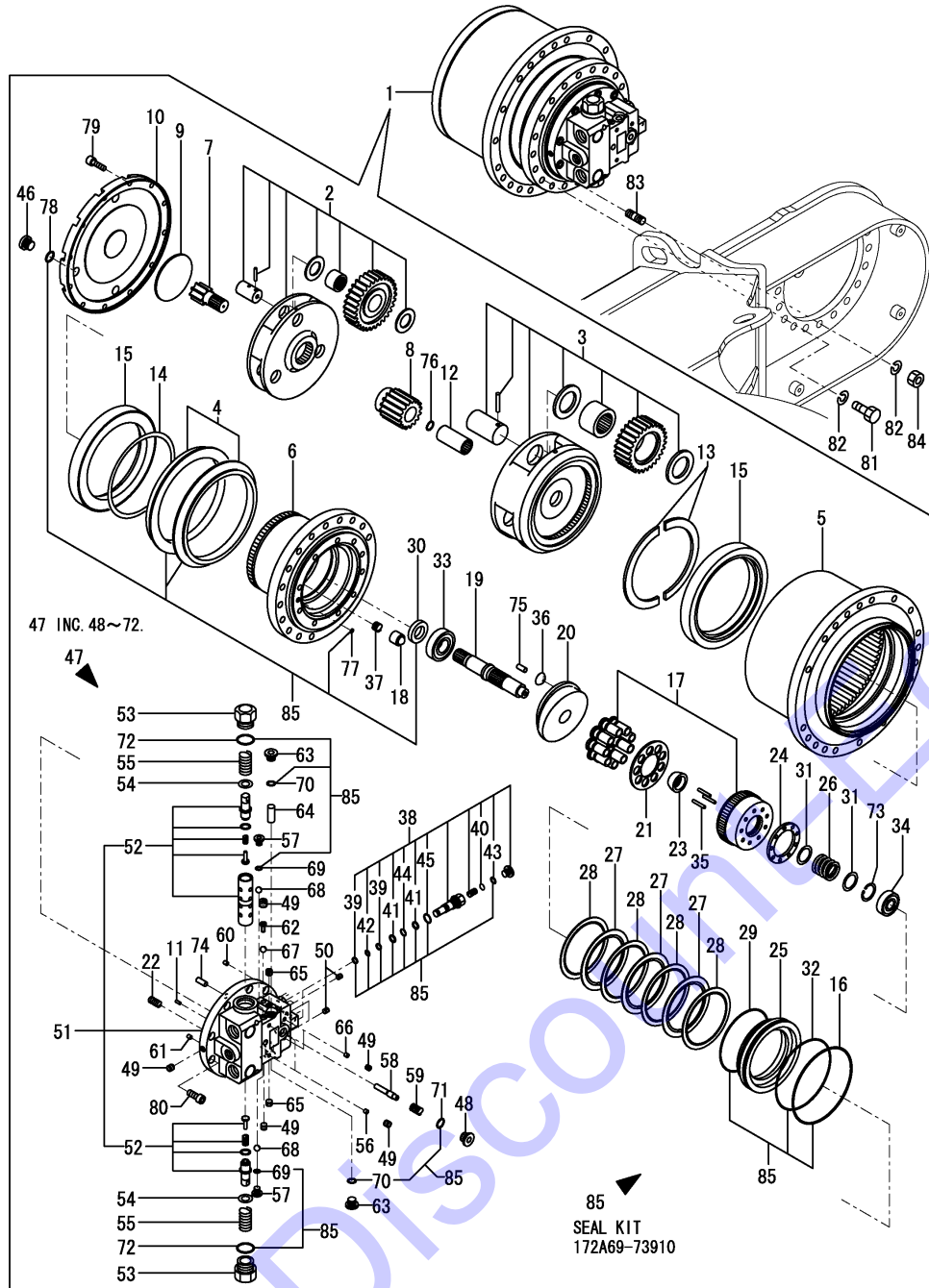
REF.	LEV.	PARTS NO.	DESCRIPTION	Q'TY						I	R
				(A)	(B)	(C)	(D)	(E)	(F)		
1	1	172978-72800-2	CYLINDER,HITCH (2J)	1	1	1					
1-1	1	172978-72800-N	CYLINDER,HITCH	1	1	1					S
		(A=M11501) (B=M11501) (C=M11501)									
2	2	172141-72250	NUT	1	1	1					
3	2	172142-72260	WASHER, LOCK	1	1	1					
4	2	172175-72480	PISTON 80	1	1	1					
5	2	172978-72810-2	TUBE, HITCH	1	1	1					
5-1	2	172978-72810-N	TUBE,HITCH	1	1	1					S
		(A=M11501) (B=M11501) (C=M11501)									
7	3	172978-72890	BUSH 45-55-22	2	2	2					
8	2	172978-72860	HEAD 80 45	1	1	1					
10	3	24550-045250	BUSH	1	1	1					
11	2	172978-72880	ROD ASSY,HITCH	1	1	1					
12	3	172151-71630	BUSH 45 60	1	1	1					
14	2	172978-72920	HEAD SEAL SET 80X45	1	1	1					
19	2	172142-72951	SEAL SET, PISTON	1	1	1					
22	2	172958-72950	O-RING	1	1	1					
23	2	172958-72960	O-RING	1	1	1					
24	2	172958-72982-2	VALVE, CHECK	1	1	1					
24-1	2	172958-72983	VALVE ASSY,OPERATE	1	1	1					F 1
		(A=MZZZZZ) (B=MZZZZZ) (C=MZZZZZ)									
24-2	2	172958-72983-N	VALVE ASSY,OPERATE	1	1	1					S
		(A=M11501) (B=M11501) (C=M11501)									
25	2	23871-005000	PLUG	2	2	2					
26	2	26450-060352	BOLT	4	4	4					
26-1	2	26450-060302	BOLT	4	4	4					S
		(A=MZZZZZ) (B=MZZZZZ) (C=MZZZZZ)									

Remarks
 (1)D=Ref.No.24 : 4mm, No.24-1 : 8mm.
 Interchangeable by simultaneous
 replacement with Ref.No.26-1.

Fig.65. TRAVEL MOTOR

(A)=SV100-1(US)
 (B)=SV100-1(AS)
 (C)=SV100-1(NZ)

(D)=
 (E)=
 (F)=



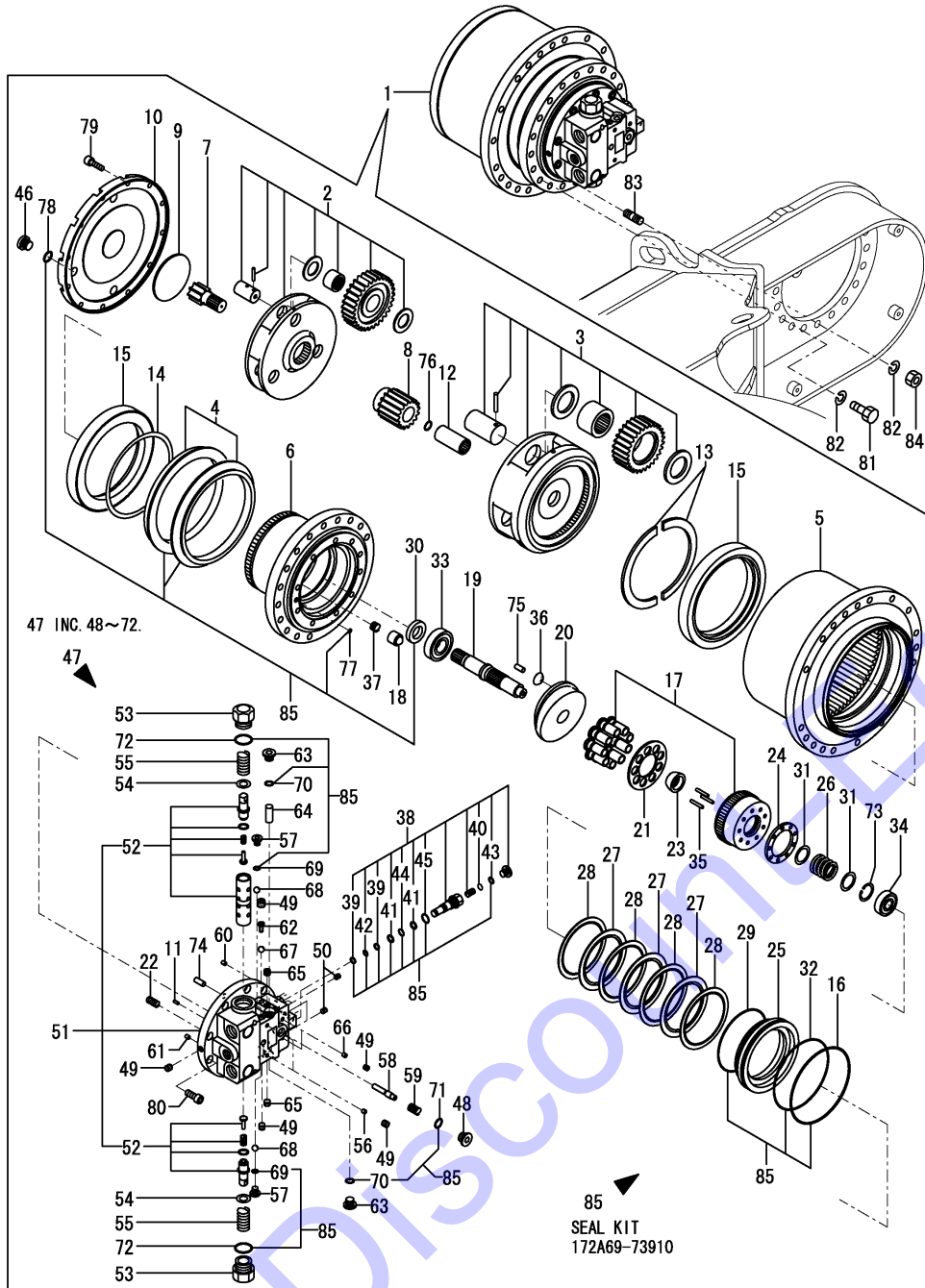
REF.	LEV.	PARTS NO.	DESCRIPTION	Q'TY						I	R
				(A)	(B)	(C)	(D)	(E)	(F)		
1	1	172A69-73300	MOTOR ASSY, DRIVE	2	2	2					
2	2	172A69-73400	CARRIER 1	2	2	2					
3	2	172A69-73410	CARRIER 2	2	2	2					
4	2	172A69-73420	SEAL KIT, FLOATING	2	2	2					
5	2	172A69-73430	HUB	2	2	2					
6	2	172A69-73440	SPINDLE	2	2	2					
7	2	172A69-73450	SUN GEAR 1	2	2	2					
8	2	172A69-73460	SUN GEAR 2	2	2	2					
9	2	172A69-73470	PLATE, THRUST	2	2	2					
10	2	172A69-73480	COVER	2	2	2					
11	2	172499-73490	PIN	2	2	2					
12	2	172A69-73490	COUPLING	2	2	2					
13	2	172A69-73500	LOCK WASHER	4	4	4					
14	2	172A69-73510	SHIM	2	2	2					
15	2	172A69-73520	B.BEARING	4	4	4					
16	2	172A69-73530	O-RING	2	2	2					
17	2	172A69-73540	CYLINDER&PISTON KIT	2	2	2					
18	2	172A69-73550	PISTON ASSY	2	2	2					
19	2	172A69-73560	SHAFT	2	2	2					
20	2	172A69-73570	SWASH PLATE	2	2	2					
21	2	172A69-73580	RETAINER PLATE	2	2	2					
22	2	172479-73590	SPRING	20	20	20					
23	2	172A69-73590	THRUST BALL	2	2	2					
24	2	172A69-73600	PLATE, TIMMING	2	2	2					
25	2	172A69-73610	PISTON, HYDRAULIC	2	2	2					
26	2	172A69-73620	SPRING	2	2	2					
27	2	172A69-73630	PLATE, FRICTION	6	6	6					
28	2	172A69-73640	PLATE	8	8	8					
29	2	172479-73650	O-RING	2	2	2					
30	2	172A69-73650	SEAL, OIL	2	2	2					
31	2	172499-73660	WASHER	4	4	4					
32	2	172A69-73660	O-RING	2	2	2					
33	2	172A69-73670	BEARING	2	2	2					
34	2	172A69-73680	BEARING	2	2	2					
35	2	172A69-73690	ROLLER	6	6	6					
36	2	172A69-73700	PIVOT	4	4	4					
37	2	172A69-73710	SPRING	2	2	2					
38	2	172A69-73720	VALVE ASSY, RELIEF	4	4	4					
39	3	172A69-73730	RING, BACK-UP	8	8	8					
40	3	172A69-73740	SHIM	4	4	4					
41	3	172479-73930	BACK UP RING	8	8	8					
42	3	24315-000100	O-RING 1B P-10.0	4	4	4					
43	3	24315-000110	O-RING 1B P-11.0	4	4	4					
44	3	24315-000140	O-RING 1B P-14.0	4	4	4					
45	3	24315-000180	O-RING 1B P-18.0	4	4	4					
46	2	172499-73740	PLUG	6	6	6					
47	2	172A69-73750	FLANGE, REAR	2	2	2					
48	3	172499-73740	PLUG	2	2	2					
49	3	172479-73750	PLUG	14	14	14					
50	3	172479-73760	PLUG	10	10	10					
51	3	172A69-73760	FLANGE, REAR	2	2	2					

N:Old $\frac{Yes}{No}$ New, Q:Old $\frac{No}{Yes}$ New, R:Old $\frac{Yes}{Yes}$ New, S:Old $\frac{No}{No}$ New, W:Add, Z:Discontinued, F:Interchangeable by set, K:Q'ty Change
 ++ CONTINUE ++
 (C)Copyrights YANMAR CO.,LTD.

Fig.65. TRAVEL MOTOR

(A)=SV100-1(US)
 (B)=SV100-1(AS)
 (C)=SV100-1(NZ)

(D)=
 (E)=
 (F)=

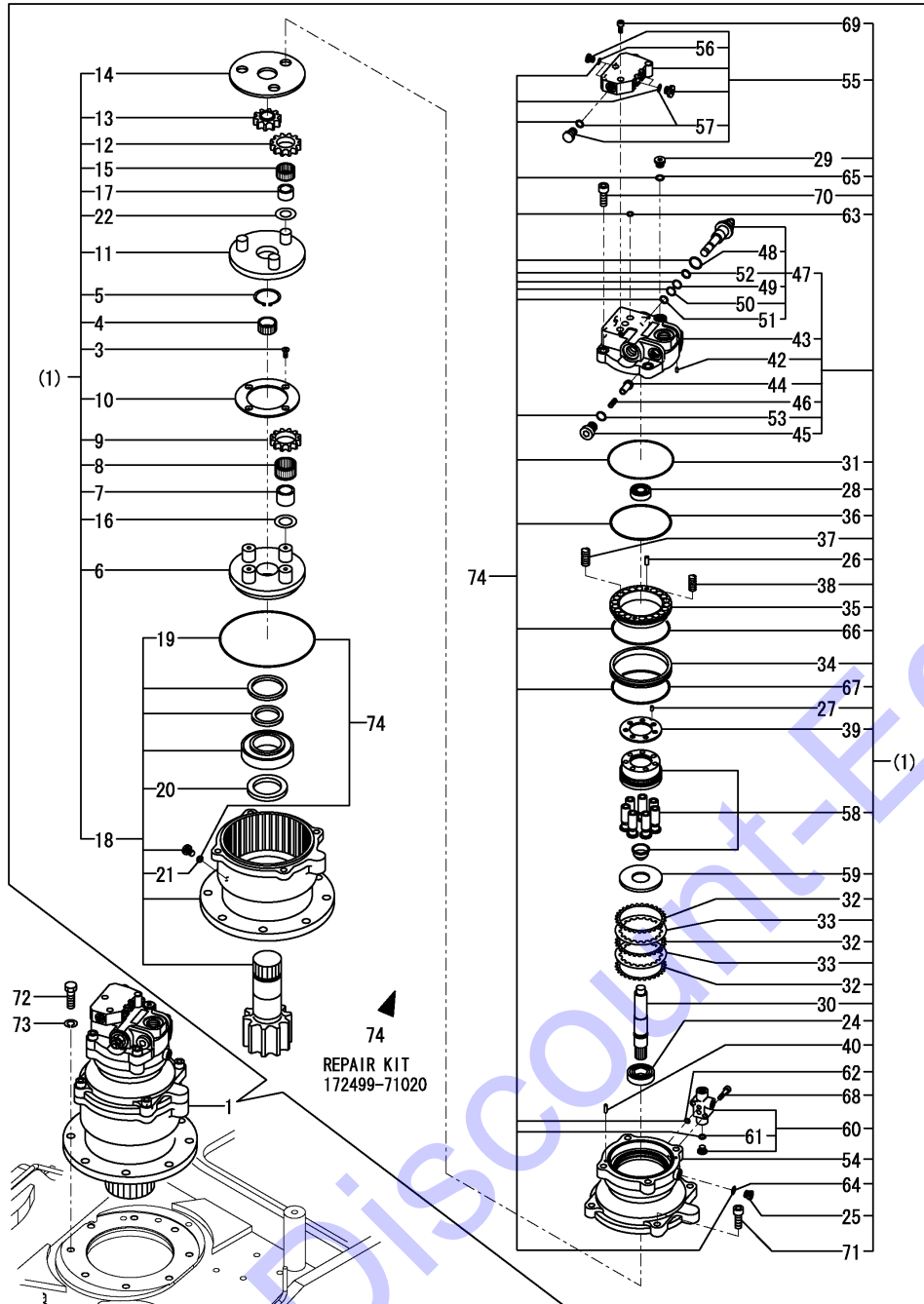


REF.	LEV.	PARTS NO.	DESCRIPTION	Q'TY						I	R
				(A)	(B)	(C)	(D)	(E)	(F)		
52	4	172A69-73770	SPOOL KIT	2	2	2					
53	3	172A69-73780	PLUG	4	4	4					
54	3	172A69-73790	WASHER	4	4	4					
55	3	172A69-73800	SPRING	4	4	4					
56	3	172A69-73810	ORIFICE	4	4	4					
57	3	172A69-73820	PLUG	4	4	4					
58	3	172A69-73830	SPOOL	2	2	2					
59	3	172A69-73840	SPRING	2	2	2					
60	3	172A69-73850	ORIFICE	2	2	2					
61	3	172A69-73860	STRAINER	2	2	2					
62	3	172A69-73870	PLUG	2	2	2					
63	3	172A69-73880	PLUG	4	4	4					
64	3	172A69-73890	PISTON	2	2	2					
65	3	172A69-73900	PLUG	4	4	4					
66	3	172499-73950	ORIFICE	4	4	4					
67	3	24190-060001	BALL 3/16	2	2	2					
68	3	24190-100001	BALL 5/16, STEEL	4	4	4					
69	3	24315-000080	O-RING 1B P-8.0	4	4	4					
70	3	24315-000140	O-RING 1B P-14.0	4	4	4					
71	3	24315-000180	O-RING 1B P-18.0	2	2	2					
72	3	24315-000320	O-RING 1B P-32.0	4	4	4					
73	2	172499-73780	RING	2	2	2					
74	2	172499-73850	PIN	4	4	4					
75	2	172499-73850	PIN	4	4	4					
76	2	22252-000220	CIRCLIP 22	2	2	2					
77	2	24315-000070	O-RING 1B P-7.0	4	4	4					
78	2	24315-000180	O-RING 1B P-18.0	6	6	6					
79	2	26450-100352	BOLT, M10X35	24	24	24					
80	2	26450-120302	BOLT M12X30	20	20	20					
81	1	172460-73320	BOLT	38	38	38					
82	1	22217-160000	SPRING WASHER 16	40	40	40					
83	1	26216-160452	STUD M16X45	2	2	2					
84	1	26716-160002	NUT M16	2	2	2					
85	1	172A69-73910	KIT,SEAL	2	2	2					

Fig.66. TURNING MOTOR(KY)

(A)=SV100-1(US)
 (B)=SV100-1(AS)
 (C)=SV100-1(NZ)

(D)=
 (E)=
 (F)=



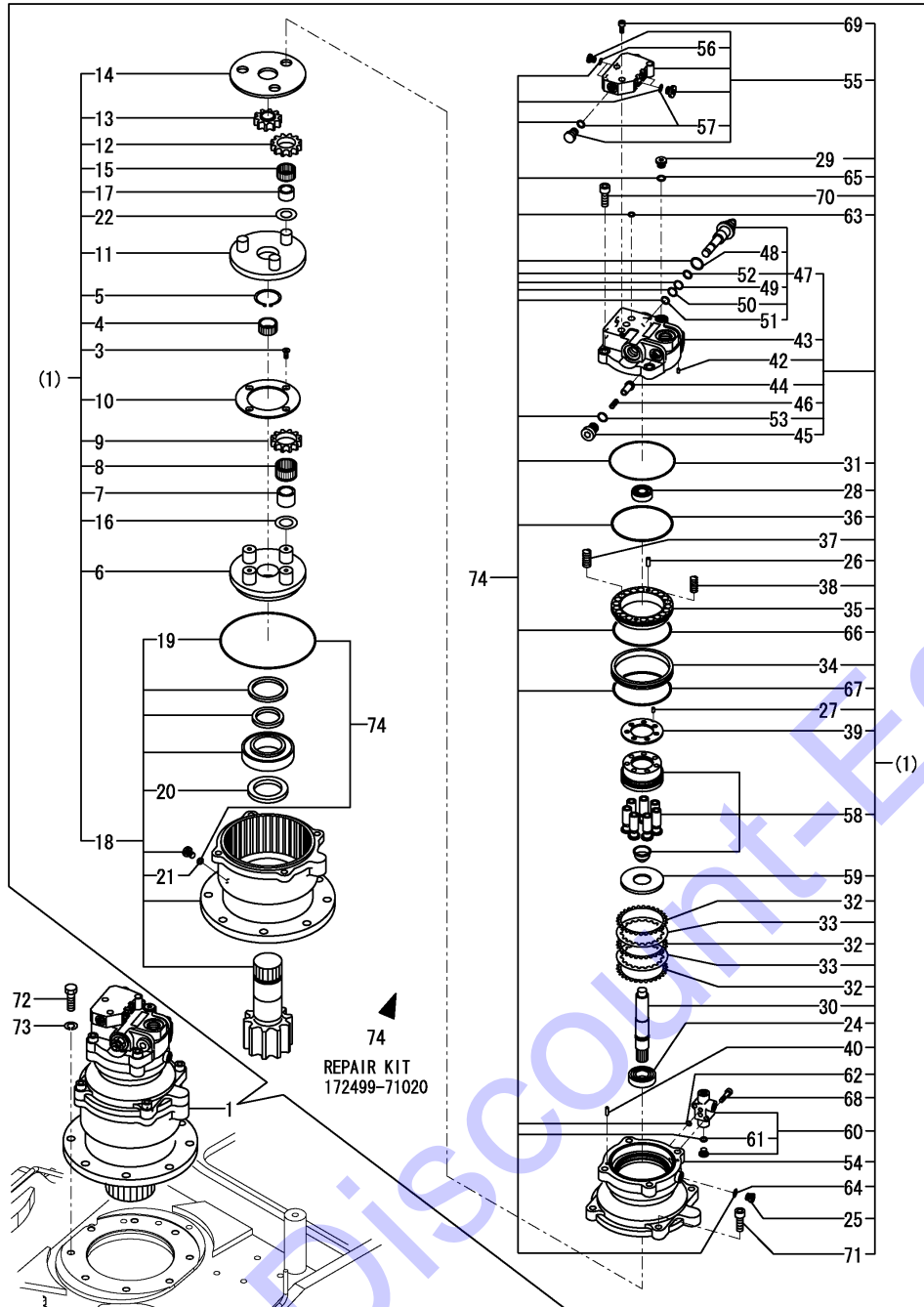
REF.	LEV.	PARTS NO.	DESCRIPTION	Q'TY						I	R
				(A)	(B)	(C)	(D)	(E)	(F)		
1	1	172A69-73310 (A=MZZZZZ) (B=MZZZZZ) (C=MZZZZZ)	MOTOR ASSY, SWING	1	1	1					Z
3	3	172162-70290	SCREW	4	4	4					
4	3	172162-70310	GEAR,SUN	1	1	1					
5	3	172162-70320	RING,SNAP	1	1	1					
6	3	172499-70720	HOLDER	1	1	1					
7	3	172499-70730	RACE,INNER	4	4	4					
8	3	172499-70740	BEARING,NEEDLE	4	4	4					
9	3	172499-70750	GEAR,PLANETARY	4	4	4					
10	3	172499-70760	PLATE,THRUST	1	1	1					
11	3	172499-70770	HOLDER	1	1	1					
12	3	172499-70780	GEAR,PLANETARY	3	3	3					
13	3	172499-70790	GEAR,DRIVE	1	1	1					
14	3	172499-71040	PLATE THRUST KIT	1	1	1					
15	3	172450-73360	NEEDLE BEARING	3	3	3					
16	3	172423-73370	WASHER	4	4	4					
17	3	172450-73370	INNER RACE	3	3	3					
18	3	172A69-73370	HOUSING ASSY	1	1	1					
19	4	172162-70150	O-RING	1	1	1					
20	4	172A69-73320	SEAL, OIL	1	1	1					
21	4	24315-00080	O-RING 1B P-8.0	1	1	1					
22	3	172450-73380	WASHER,THRUST	3	3	3					
24	3	172122-70260	BEARING	1	1	1					
25	3	172148-70301	PLUG	1	1	1					
26	3	172122-70410	PIN	2	2	2					
27	3	172122-70530	PIN	1	1	1					
28	3	172162-70590	BEARING,BALL	1	1	1					
29	3	172147-70500	PLUG	1	1	1					
30	3	172499-70810	SHAFT	1	1	1					
31	3	172162-70820	O-RING	1	1	1					
32	3	172499-70830	DISK	3	3	3					
33	3	172499-70840	PLATE,FRICTION	2	2	2					
34	3	172499-70850	COLLAR	1	1	1					
35	3	172499-70860	PISTON,BRAKE	1	1	1					
36	3	172499-70870	O-RING AS568-257	1	1	1					
37	3	172499-70880	SPRING	12	12	12					
38	3	172499-70890	SPRING	8	8	8					
39	3	172499-70970	PLATE,VALVE	1	1	1					
40	3	172499-70980	PIN	2	2	2					
42	4	172124-70380	ORIFICE	1	1	1					
43	4	172499-70900	COVER	1	1	1					
44	4	172499-70910	POPPET	2	2	2					
45	4	172499-70920	PLUG	2	2	2					
46	4	172499-70930	SPRING	2	2	2					
47	4	172A69-73340	VALVE ASSY,RELIEF	2	2	2					
48	5	172499-70950	O-RING AS568-916	2	2	2					
49	5	172499-70960	RING,BACK-UP	2	2	2					
50	5	172312-74780	RING, BUCK UP	2	2	2					
51	5	24315-000150	O-RING 1B P-15.0	2	2	2					
52	5	24315-000160	O-RING 1B P-16.0	2	2	2					
53	4	24315-000210	O-RING 1B P 21	2	2	2					

N:Old $\begin{matrix} \text{Yes} \\ \text{No} \end{matrix}$ New, Q:Old $\begin{matrix} \text{No} \\ \text{Yes} \end{matrix}$ New, R:Old $\begin{matrix} \text{Yes} \\ \text{No} \end{matrix}$ New, S:Old $\begin{matrix} \text{No} \\ \text{Yes} \end{matrix}$ New, W:Add, Z:Discontinued, F:Interchangeable by set, K:Q'ty Change
 ++ CONTINUE ++
 (C)Copyrights YANMAR CO.,LTD.

Fig.66. TURNING MOTOR(KY)

(A)=SV100-1(US)
 (B)=SV100-1(AS)
 (C)=SV100-1(NZ)

(D)=
 (E)=
 (F)=

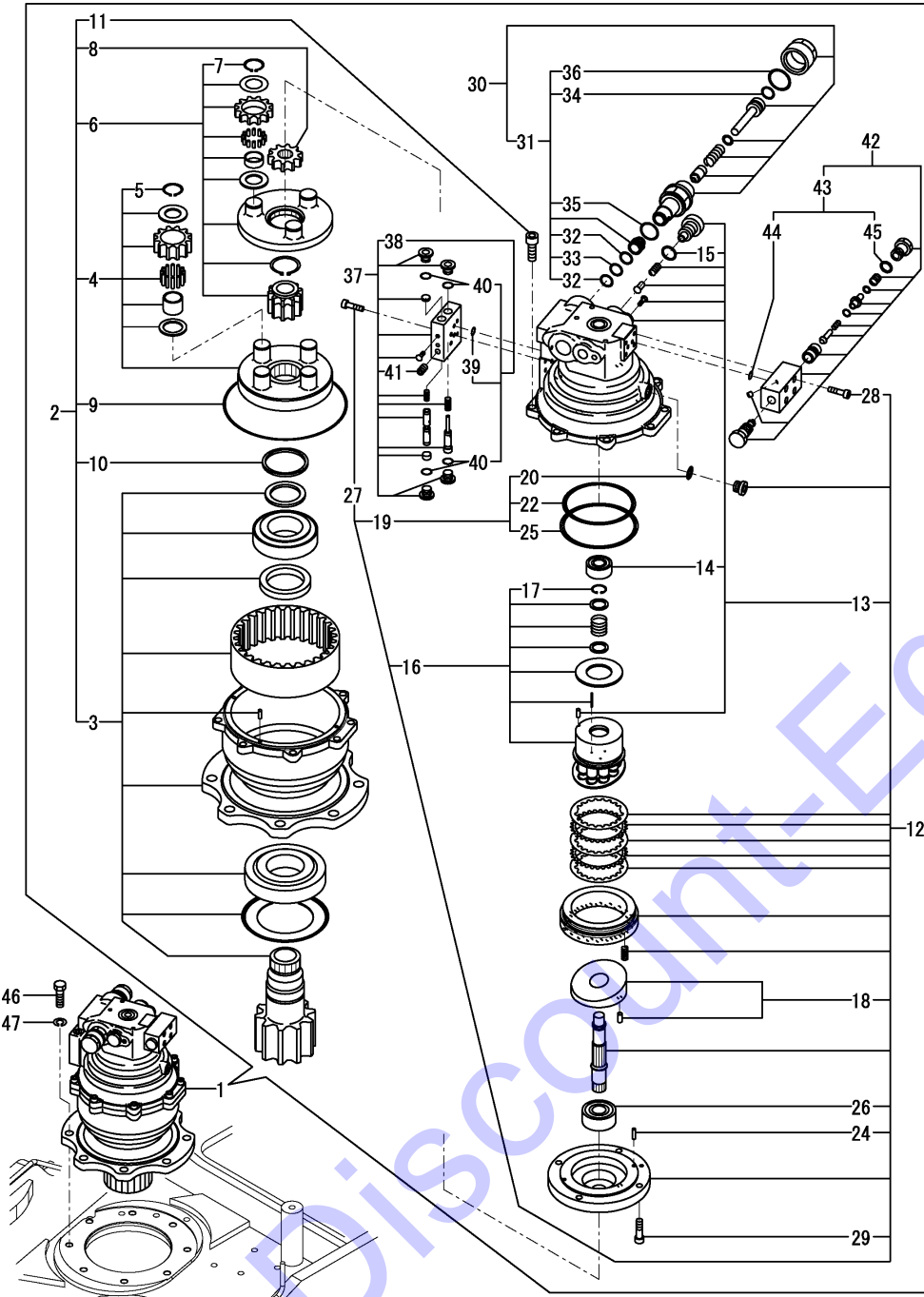


REF.	LEV.	PARTS NO.	DESCRIPTION	QTY						I	R
				(A)	(B)	(C)	(D)	(E)	(F)		
54	3	172A69-73330	CASE	1	1	1					
55	3	172A69-73350	VALVE ASSY	1	1	1					
56	4	24315-000110	O-RING 1B P-11.0	2	2	2					
57	4	24315-000140	O-RING 1B P-14.0	4	4	4					
58	3	172A69-73360	CYLINDER BLOCK ASSY	1	1	1					
59	3	172A69-73380	PLATE,THRUST	1	1	1					
60	3	172A69-73390	VALVE ASSY	1	1	1					
61	4	24315-000110	O-RING 1B P-11.0	1	1	1					
62	3	24315-000070	O-RING 1B P-7.0	2	2	2					
63	3	24315-000100	O-RING 1B P-10.0	3	3	3					
64	3	24315-000110	O-RING 1B P-11.0	1	1	1					
65	3	24315-000140	O-RING 1B P-14.0	1	1	1					
66	3	24325-001300	O-RING, 1B G130.0	1	1	1					
67	3	24325-001450	PACKING, G145.0	1	1	1					
68	3	26450-060302	BOLT M 6X 30	2	2	2					
69	3	26450-080202	BOLT M 8X 20	3	3	3					
70	3	26450-140402	BOLT, 14 X 40	4	4	4					
71	2	26450-140402	BOLT, 14 X 40	4	4	4					
72	1	172162-82930	BOLT M16X 50 PLATED	8	8	8					
72-1	1	26076-160502	BOLT, 16 X 50	8	8	8					N
		(A=M10554) (B=M10554) (C=M10554)									
73	1	22217-160000	SPRING WASHER 16	8	8	8					
74	1	172499-71020	REPAIR KIT	1	1	1					

Fig.120. (66A)TURNING MOTOR(NA)

(A)=SV100-1(US)
 (B)=SV100-1(AS)
 (C)=SV100-1(NZ)

(D)=
 (E)=
 (F)=



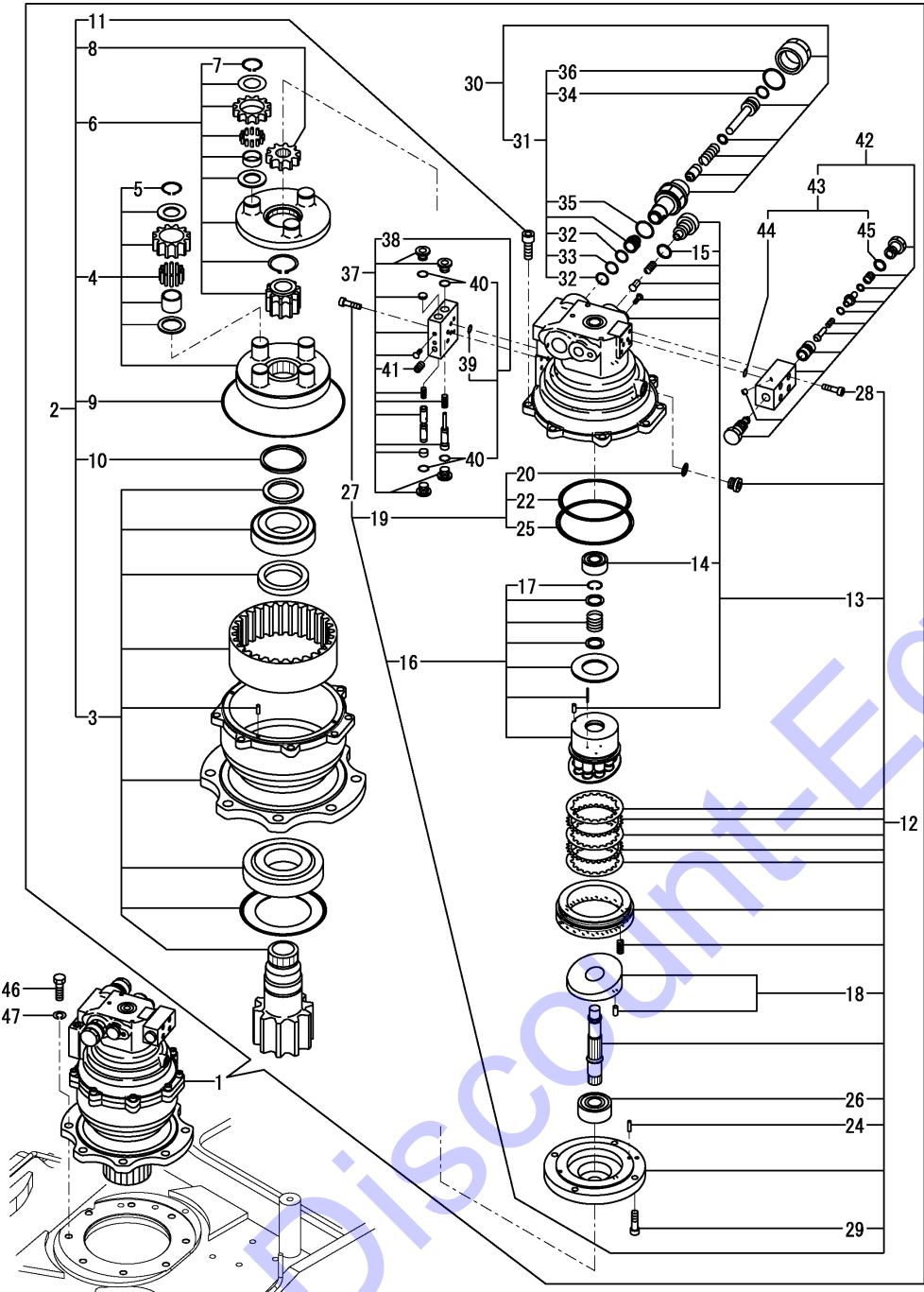
REF.	LEV.	PARTS NO.	DESCRIPTION	Q'TY						I	R
				(A)	(B)	(C)	(D)	(E)	(F)		
1	1	172A69-73030	MOTOR ASSY, SWING	1	1	1					
1-1	1	172A69-73031	MOTOR ASSY, SWING	1	1	1					N
		(A=MZZZZZ) (B=MZZZZZ) (C=MZZZZZ)									
2	2	172A69-73040	GEAR ASSY, REDUCTION	1	1	1					
3	3	172A69-70100	PINION KIT	1	1	1					
4	3	172A69-70110	CARRIER KIT,1	1	1	1					
5	4	172A69-71830	RING, SNAP	4	4	4					
6	3	172A69-70120	CARRIER KIT,2	1	1	1					
7	4	172A69-71830	RING, SNAP	3	3	3					
8	3	172A69-71800	GEAR, S2	1	1	1					
9	3	172A69-71810	O-RING, 270-90	1	1	1					
10	3	172A69-71820	RING	1	1	1					
11	3	26450-080252	BOLT	8	8	8					
12	2	172A69-73050	MOTOR ASSY	1	1	1					
12-1	2	172A69-73950	MOTOR ASSY	1	1	1					N
		(A=MZZZZZ) (B=MZZZZZ) (C=MZZZZZ)									
13	3	172A69-70130	BODY KIT,H	1	1	1					
14	4	172A69-71850	BEARING, 5204C3	1	1	1					
15	4	24315-000180	O-RING	2	2	2					
16	3	172A69-70140	BARREL KIT,CYLINDER	1	1	1					
16-1	3	172A69-73960	BARREL KIT,CYLINDER	1	1	1					S
		(A=MZZZZZ) (B=MZZZZZ) (C=MZZZZZ)									
17	4	22252-000350	RING	1	1	1					
18	3	172A69-70150	PLATE, SWASH	1	1	1					
18-1	3	172A69-73970	PLATE, SWASH	1	1	1					S
		(A=MZZZZZ) (B=MZZZZZ) (C=MZZZZZ)									
19	3	172A69-70160	SEAL KIT, MOTOR	1	1	1					
20	4	24315-000110	O-RING	1	1	1					
22	4	24325-001300	O-RING	1	1	1					
23	4	24325-001400	O-RING	1	1	1					
24	3	172A69-71860	PIN, PARALLEL	3	3	3					
25	3	172A69-71870	PLUG, PF1/4	1	1	1					
26	3	24512-053054	BEARING, BALL	1	1	1					
27	3	26450-060162	BOLT	4	4	4					
28	3	26450-060202	BOLT	4	4	4					
29	3	26450-100352	BOLT	14	14	14					
30	2	172A69-73060	VALVE ASSY, RELIEF	2	2	2					
30-1	2	172A69-73980	VALVE ASSY, RELIEF	2	2	2					N
		(A=MZZZZZ) (B=MZZZZZ) (C=MZZZZZ)									
31	3	172A69-70170	SEAL KIT, RELIEF	1	1	1					
32	4	172A69-71880	RING, BACK UP	2	2	2					
33	4	24315-000160	O-RING	1	1	1					
34	4	24315-000180	O-RING	1	1	1					
35	4	24315-000250	O-RING	1	1	1					
36	4	24315-000300	O-RING	1	1	1					
37	2	172A69-73070	VALVE ASSY, P/BTIMER	1	1	1					
38	3	172A69-70180	SEAL KIT, TIMER	1	1	1					
39	4	24315-000070	O-RING	2	2	2					
40	4	24315-000110	O-RING	4	4	4					
41	3	23871-010000	PLUG	1	1	1					
42	2	172A69-73080	VALVE ASSY,	1	1	1					

N:Old $\frac{Yes}{No}$ New, Q:Old $\frac{No}{Yes}$ New, R:Old $\frac{Yes}{Yes}$ New, S:Old $\frac{No}{No}$ New, W:Add, Z:Discontinued, F:Interchangeable by set, K:Q'ty Change
 ++ CONTINUE ++
 (C)Copyrights YANMAR CO.,LTD.

Fig.120. (66A)TURNING MOTOR(NA)

(A)=SV100-1(US)
 (B)=SV100-1(AS)
 (C)=SV100-1(NZ)

(D)=
 (E)=
 (F)=



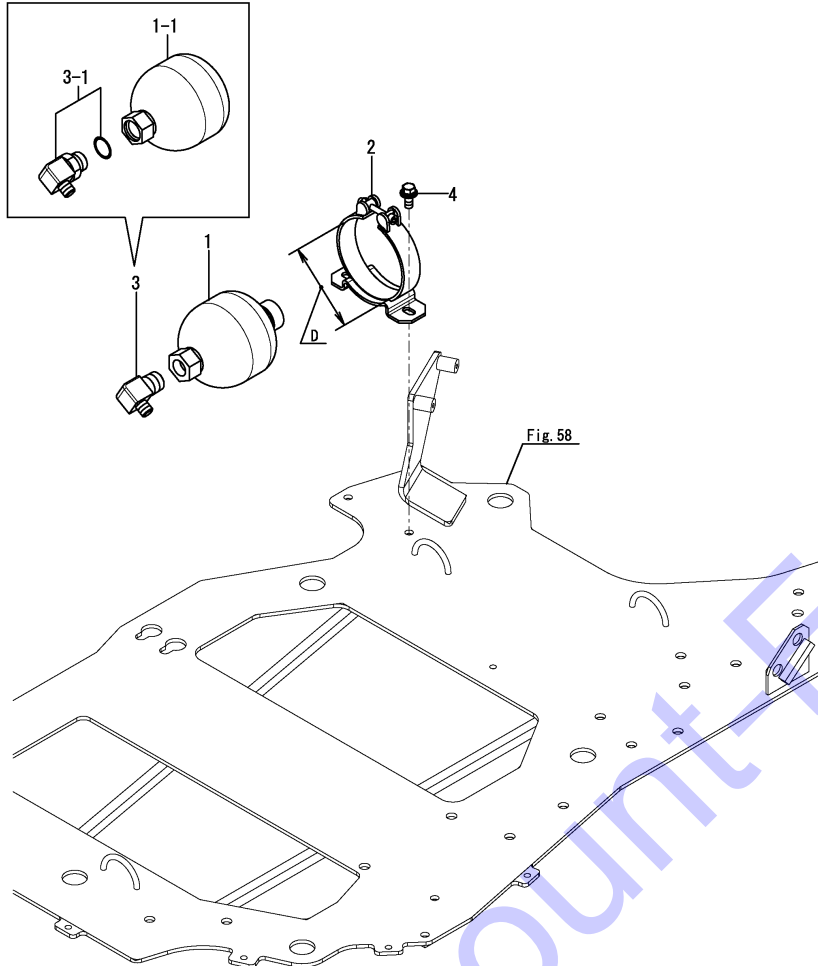
REF.	LEV.	PARTS NO.	DESCRIPTION	Q'TY						I	R
				(A)	(B)	(C)	(D)	(E)	(F)		
43	3	172A69-70190	SEAL KIT, VALVE	1	1	1					
44	4	24315-000090	O-RING	2	2	2					
45	4	24315-000180	O-RING	2	2	2					
46	1	22217-160000	WASHER, SPRING	8	8	8					
47	1	26076-160502	BOLT	8	8	8					

N:Old $\begin{matrix} \leftarrow \text{Yes} \\ \text{No} \end{matrix}$ New, Q:Old $\begin{matrix} \leftarrow \text{No} \\ \text{Yes} \end{matrix}$ New, R:Old $\begin{matrix} \leftarrow \text{Yes} \\ \text{Yes} \end{matrix}$ New, S:Old $\begin{matrix} \leftarrow \text{No} \\ \text{No} \end{matrix}$ New, W:Add, Z:Discontinued, F:Interchangeable by set, K:Q'ty Change
 (C)Copyrights YANMAR CO.,LTD.

Fig.67. ACCUMULATOR

(A)=SV100-1(US)
 (B)=SV100-1(AS)
 (C)=SV100-1(NZ)

(D)=
 (E)=
 (F)=



REF.	LEV.	PARTS NO.	DESCRIPTION	Q'TY						I	R
				(A)	(B)	(C)	(D)	(E)	(F)		
1	1	172478-73600	ACCUMULATOR	1	1	1					
1-1	1	172B11-73600	ACCUMULATOR	1	1	1					S
		(A=MZZZZZ) (B=MZZZZZ) (C=MZZZZZ)									
2	1	172478-73630	CLAMP	1	1	1					
2-1	1	172B11-73630	CLAMP	1	1	1					S 1
		(A=MZZZZZ) (B=MZZZZZ) (C=MZZZZZ)									
3	1	172478-76200	CONNECTOR	1	1	1					
3-1	1	172531-73550	ELBOW 90 G1/2-G1/4	1	1	1					S
		(A=MZZZZZ) (B=MZZZZZ) (C=MZZZZZ)									
4	1	26014-080202	BOLT	2	2	2					

Remarks
 (1)D:Ref.No.2=92~95mm,
 No.2-1=89~92mm.

Fig.68. LINE FILTER

(A)=SV100-1(US)
 (B)=SV100-1(AS)
 (C)=SV100-1(NZ)

(D)=
 (E)=
 (F)=

REF.	LEV.	PARTS NO.	DESCRIPTION	Q'TY						I	R
				(A)	(B)	(C)	(D)	(E)	(F)		
1	1	172837-73700	LINE FILTER	1	1	1					
2	2	172837-73730	FILTER ELEMENT	1	1	1					
3	2	172837-73740	O RING	1	1	1					
4	1	172423-76100	CONNECTOR	1	1	1					
5	1	172157-76300	ELBOW 3/8-1/2	1	1	1					
6	2	24315-000180	O-RING 1B P-18.0	1	1	1					
7	1	22137-060000	WASHER 6, POLISHED	2	2	2					
8	1	26013-060552	BOLT, 6 X 55	2	2	2					
9	1	41851-000180	O RING	1	1	1					

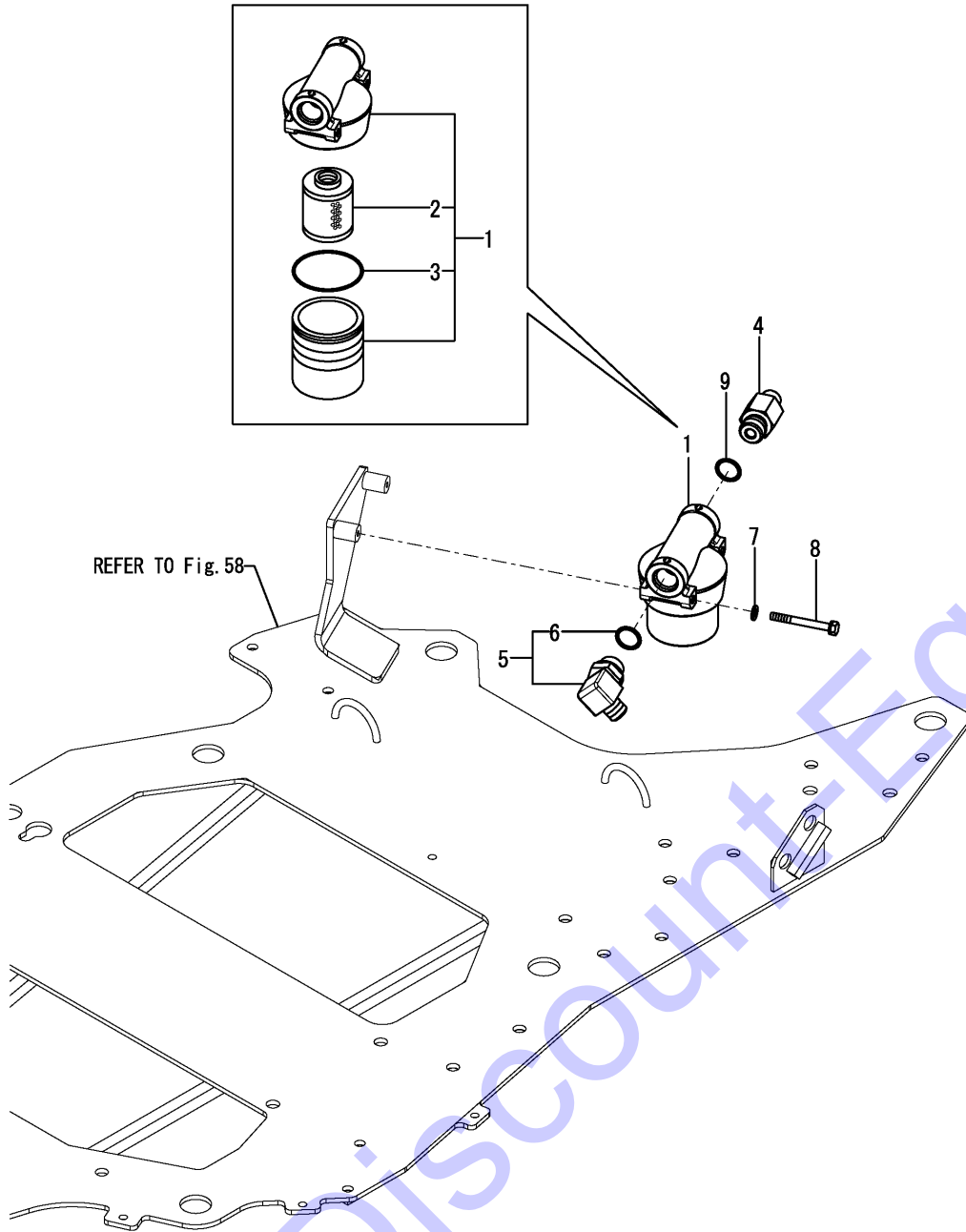
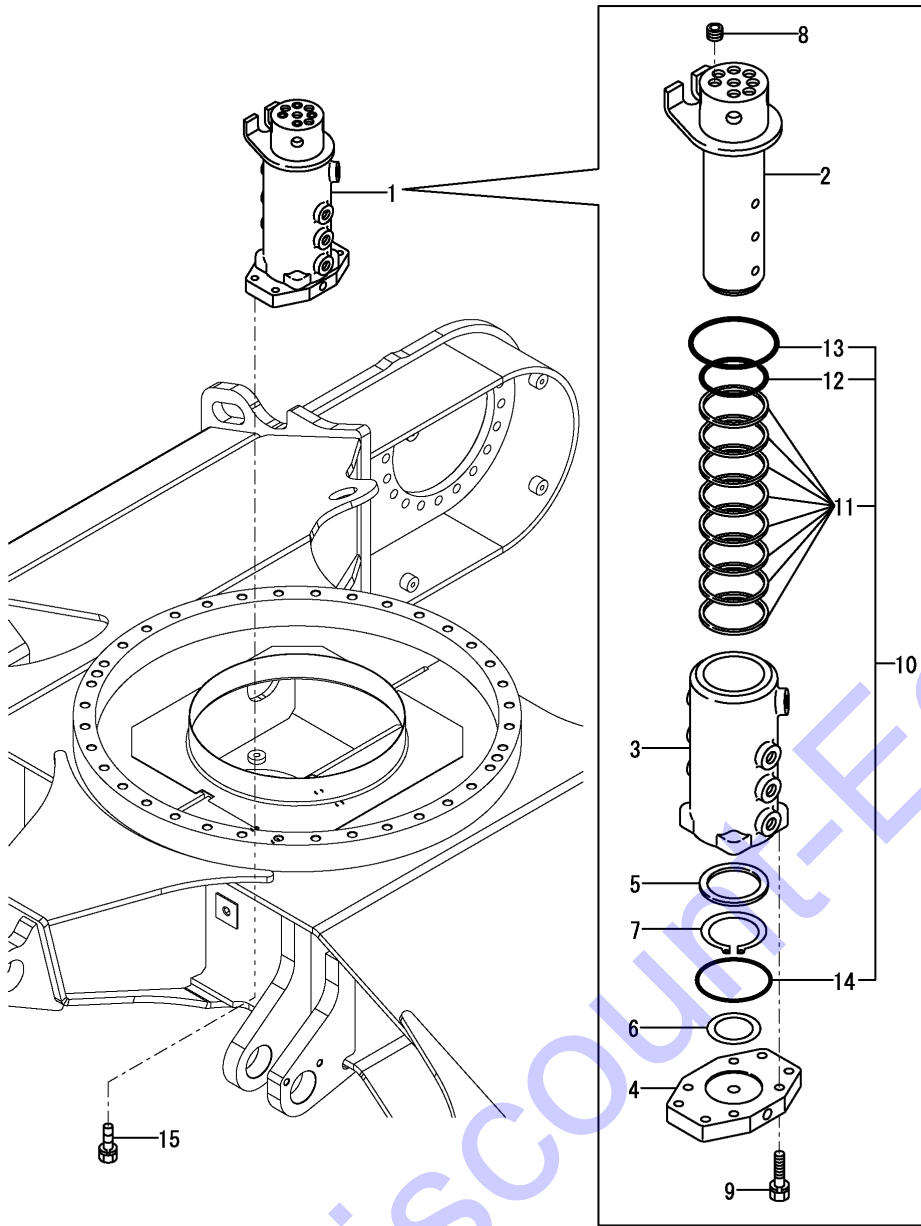


Fig.69. SWIVEL JOINT(Y SPEC.)(TO M12062)

(A)=SV100-1(US)
 (B)=SV100-1(AS)
 (C)=SV100-1(NZ)

(D)=
 (E)=
 (F)=

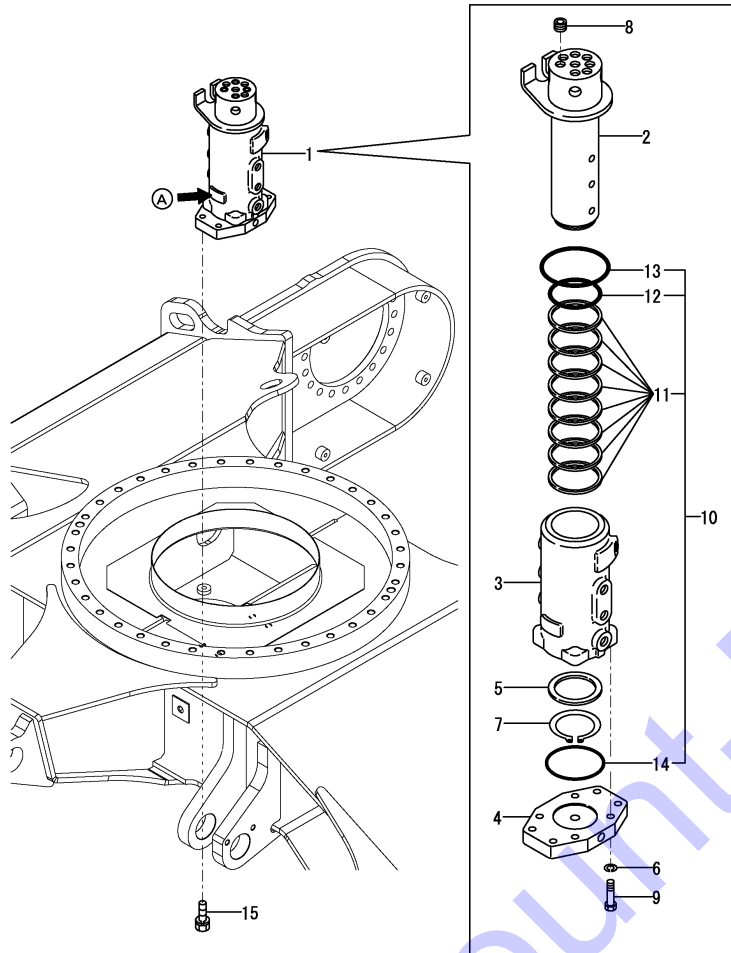


REF.	LEV.	PARTS NO.	DESCRIPTION	Q'TY						I	R	
				(A)	(B)	(C)	(D)	(E)	(F)			
1	1	172187-73801 (A=M12063) (B=M12063) (C=M12063)	JOINT ASSY, SWIVEL	1	1	1					Z	1
2	2	172147-73810	SHAFT, SWIVEL	1	1	1						
3	2	172147-73830	HUB, SWIVEL	1	1	1						
4	2	172147-73850	PLATE, SWIVEL	1	1	1						
5	2	172122-73860	SPACER, SWIVEL	1	1	1						
6	2	172122-73870	WASHER, THRUST	1	1	1						
7	2	22242-000700	RING	1	1	1						
8	2	23871-030000	PLUG	4	4	4						
9	2	26013-100402	BOLT	4	4	4						
10	2	172423-73810	SEAL ASSY	1	1	1						
10-1	2	172147-73880	SEAL ASSY	1	1	1						N
(A=M/#####) (B=M/#####) (C=M/#####)												
11	3	172423-73820	SEAL, SWIVEL	8	8	8						
11-1	3	172122-73890	SEAL, SWIVEL	8	8	8						N
(A=M/#####) (B=M/#####) (C=M/#####)												
12	3	24311-000800	O-RING	1	1	1						
13	3	24311-001000	O-RING	1	1	1						
14	3	24321-000950	O-RING	1	1	1						
15	1	26013-120402	BOLT	4	4	4						

Remarks
 (1)Replacement with
 Fig.124(86B),Ref.No1.

Fig.123. (69A)SWIVEL JOINT(N SPEC.)(FROM M12063)

(A)=SV100-1(US) (D)=
 (B)=SV100-1(AS) (E)=
 (C)=SV100-1(NZ) (F)=



REF.	LEV.	PARTS NO.	DESCRIPTION	Q'TY						I	R
				(A)	(B)	(C)	(D)	(E)	(F)		
1	1	172A65-73800 (A=M12063) (B=M12063) (C=M12063)	JOINT ASSY, SWIVEL	1	1	1					W
2	2	172A65-73810	SHAFT ASSY	1	1	1					
3	2	172A65-73840	ROTOR	1	1	1					
4	2	172A65-73850	FLANGE	1	1	1					
5	2	172A65-73860	SPACER	1	1	1					
6	2	22217-100000	WASHER, SPRING	4	4	4					
7	2	22242-000720	RING	1	1	1					
8	2	23871-030000	PLUG	4	4	4					
9	2	26076-100402	BOLT	4	4	4					
10	2	172A65-73880	SEAL KIT	1	1	1					
11	3	172A65-73870	SEAL	8	8	8					
12	3	24315-000800	O-RING	1	1	1					
13	3	24315-001000	O-RING	1	1	1					
14	3	24325-000950	O-RING	1	1	1					
15	1	26013-120402	BOLT	4	4	4					

Remarks
 * A:"NACHI"LABEL
 * Interchangeable by simultaneous replacement with Fig.124(69B)
 Ref. No.1 from Y spec.

Fig.124. (86B)SWIVEL JOINT KIT(N SPEC.)(FROM M12063)

(A)=SV100-1(US)

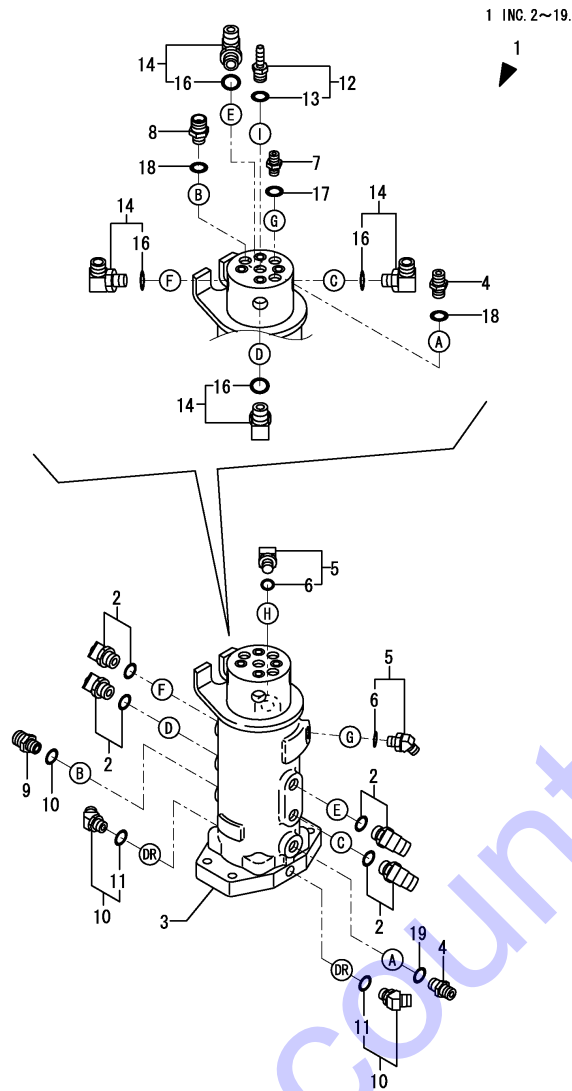
(B)=SV100-1(AS)

(C)=SV100-1(NZ)

(D)=

(E)=

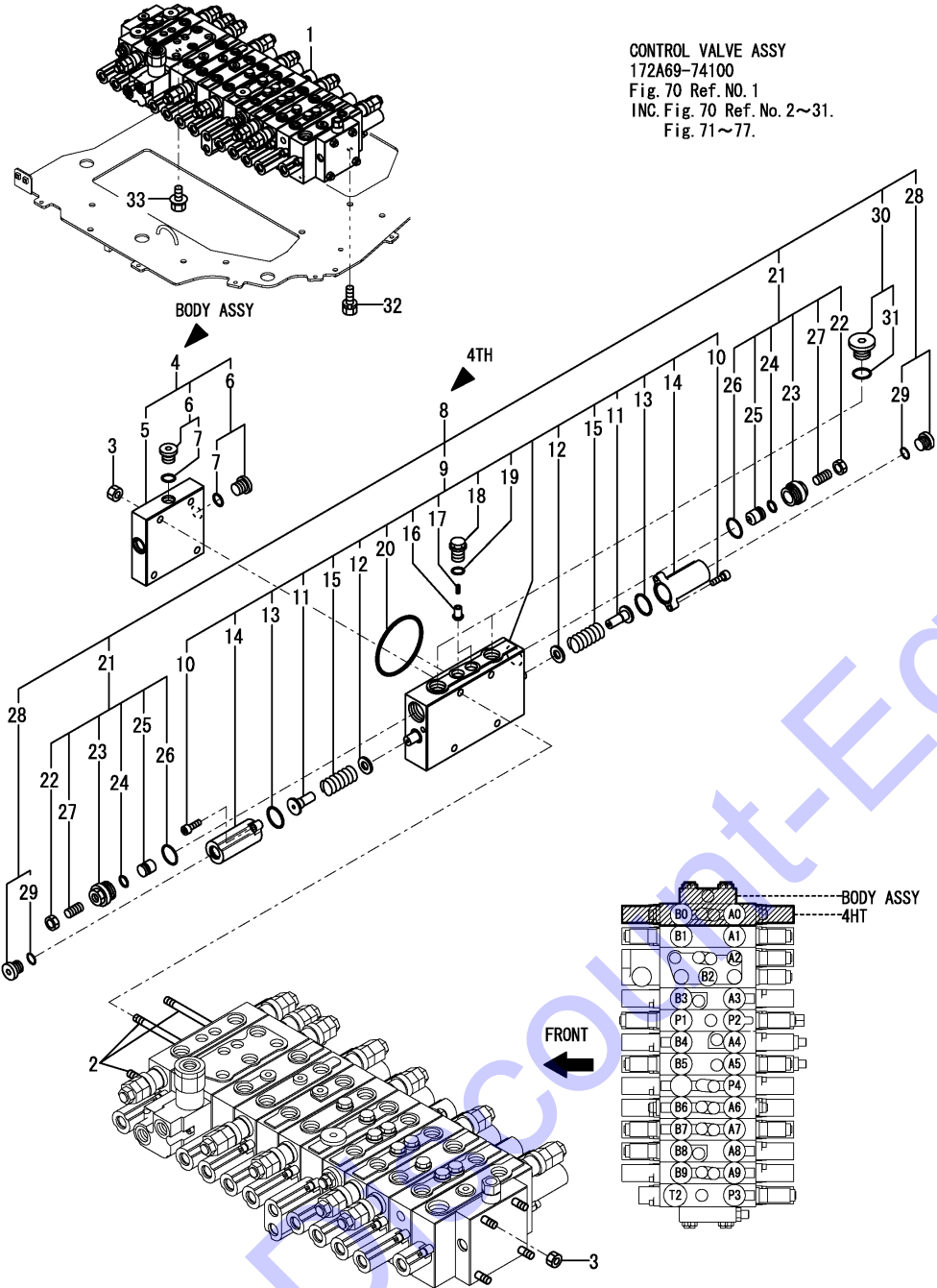
(F)=



REF.	LEV.	PARTS NO.	DESCRIPTION	Q'TY						I	R
				(A)	(B)	(C)	(D)	(E)	(F)		
1	1	172A89-73900 (A=M12063) (B=M12063) (C=M12063)	JOINT KIT, SWIVEL	1	1	1					W
2	2	1D4180-22850	ELBOW PF1/2,45	4	4	4					
3	2	172A65-73800	JOINT ASSY, SWIVEL	1	1	1					1
4	2	172730-75141	ADAPTER	2	2	2					
5	2	172173-76102	CONNECTOR ASSY	2	2	2					
6	3	41851-000110	O-RING	1	1	1					
7	2	172123-76121	ADAPTER	1	1	1					
8	2	172168-76162	CONNECTOR	1	1	1					
9	2	172168-76162	CONNECTOR	1	1	1					
10	2	172644-76161	ELBOW, ADJUST	2	2	2					
11	3	24315-000140	O-RING	1	1	1					
12	2	172A65-76700	CONNECTOR, G3/8	1	1	1					
13	3	41851-000140	O-RING	1	1	1					
14	2	172141-76900	CONNECTOR ASSY	4	4	4					
16	3	24315-000180	O-RING	1	1	1					
17	2	41851-000110	O-RING	1	1	1					
18	2	41851-000140	O-RING	2	2	2					
19	2	41851-000140	O-RING	2	2	2					

Remarks
(1) Inner parts are shown in Fig.123(69A).

Fig.70. CONTROL VALVE(1/8)



OCS10-G54500 70. CONTROL VALVE(1/8)

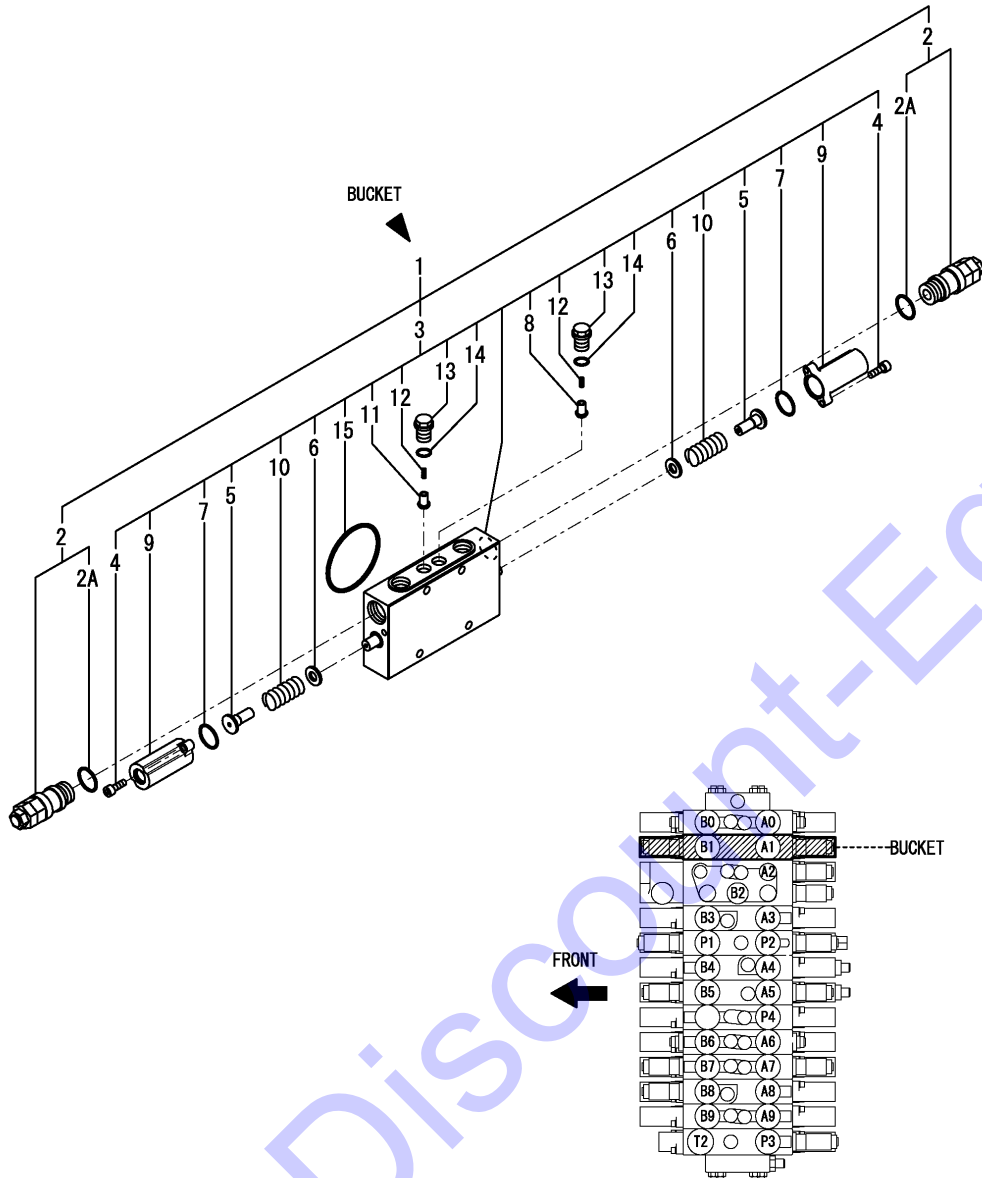
(A)=SV100-1(US)
(B)=SV100-1(AS)
(C)=SV100-1(NZ)

(D)=
(E)=
(F)=

REF.	LEV.	PARTS NO.	DESCRIPTION	Q'TY						I	R
				(A)	(B)	(C)	(D)	(E)	(F)		
1	1	172A69-74100	VALVE ASSY, CONTROL	1	1	1					
1-1	1	172A69-74101	VALVE ASSY, CONTROL	1	1	1					N
		(A=MZZZZZ) (B=MZZZZZ) (C=MZZZZZ)									
1-2	1	172A69-74102	VALVE ASSY, CONTROL	1	1	1					N
		(A=M11514) (B=M11514) (C=M11514)									
2	2	172A69-71260	TIE-ROD	4	4	4					
3	2	172422-74110	NUT	8	8	8					
4	2	172A69-74110	BODY ASSY	1	1	1					
5	3	172478-74360	BODY	1	1	1					
6	3	172187-74530	PLUG ASSY	2	2	2					
7	4	24315-000110	O-RING	2	2	2					
8	2	172A69-74170	SECTION ASSY, 4TH	1	1	1					
9	3	172A69-74180	SECTION, 4TH	1	1	1					
10	4	172151-74060	BOLT, SOCKET HEAD	4	4	4					
11	4	172478-74180	SEAT, SPRING	2	2	2					
12	4	172175-74220	SEAT, SPRING	2	2	2					
13	4	172151-74320	O-RING	2	2	2					
14	4	172455-74390	CAP	2	2	2					
15	4	172455-74410	SPRING	2	2	2					
16	4	172455-74420	POPPET	2	2	2					
17	4	172455-74440	SPRING	2	2	2					
18	4	172455-74450	PLUG	2	2	2					
19	4	172455-74460	O-RING	2	2	2					
20	4	24321-000700	O-RING	1	1	1					
21	3	172455-74320	VALVE ASSY, SHUT-OFF	2	2	2					
22	4	172455-74010	NUT, SHOE	2	2	2					
23	4	172455-74020	PLUG	2	2	2					
24	4	172455-74030	O-RING	2	2	2					
25	4	172455-74040	POPPET	2	2	2					
26	4	172116-74150	O-RING	2	2	2					
27	4	172455-74990	SCREW, SETTING	2	2	2					
28	3	172187-74530	PLUG ASSY	2	2	2					
29	4	24315-000110	O-RING	2	2	2					
30	3	172187-74550	PLUG ASSY	2	2	2					
31	4	24315-000180	O-RING	2	2	2					
32	1	26013-100162	BOLT	2	2	2					
33	1	26106-100122	BOLT	1	1	1					

Fig.71. CONTROL VALVE(2/8)

CONTROL VALVE ASSY
172A69-74100
Fig. 70 Ref. NO. 1
INC. Fig. 70 Ref. No. 2~31.
Fig. 71~77.



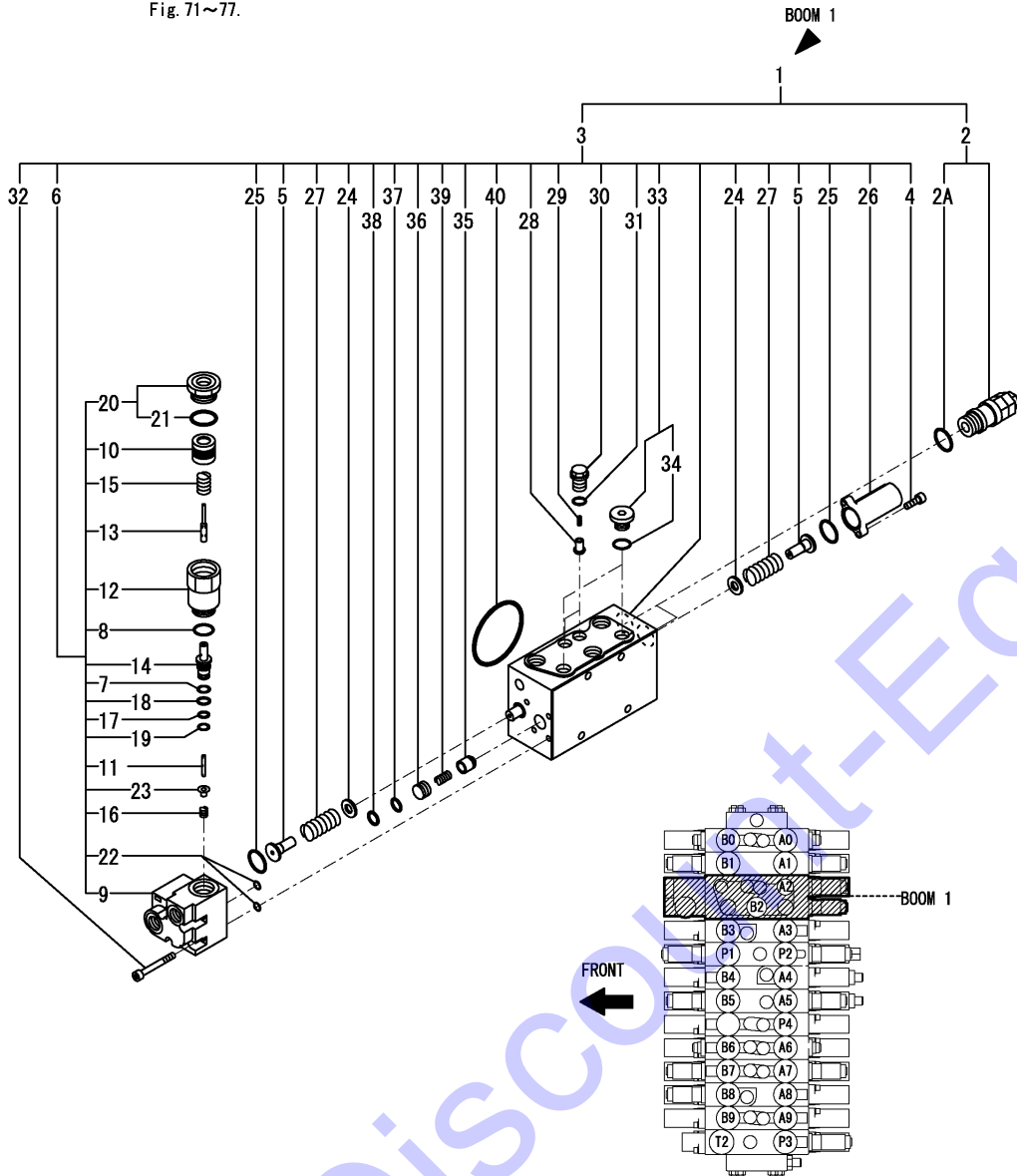
(A)=SV100-1(US)
(B)=SV100-1(AS)
(C)=SV100-1(NZ)

(D)=
(E)=
(F)=

REF.	LEV.	PARTS NO.	DESCRIPTION	Q'TY						I	R
				(A)	(B)	(C)	(D)	(E)	(F)		
1	2	172A69-74190	SECTION ASSY, BUCKET	1	1	1					
1-1	2	172A69-74191	SECTION ASSY, BUCKET	1	1	1					N
		(A=MZZZZZ) (B=MZZZZZ) (C=MZZZZZ)									
2	3	172A69-74200	VALVE,RELIEF 31/50	2	2	2					
2A	4	172116-74150	O-RING	2	2	2					W
		(A=MXXXXX) (B=MXXXXX) (C=MXXXXX)									
3	3	172A69-74210	SECTION, BUCKET	1	1	1					
3-1	3	172A89-74161	SECTION, BUCKET	1	1	1					N
		(A=MZZZZZ) (B=MZZZZZ) (C=MZZZZZ)									
4	4	172151-74060	BOLT, SOCKET HEAD	4	4	4					
5	4	172478-74180	SEAT,SPRING	2	2	2					
6	4	172175-74220	SEAT, SPRING	2	2	2					
7	4	172151-74320	O-RING	2	2	2					
8	4	172478-74320	POPPET	1	1	1					
8-1	4	172478-74170	POPPET	1	1	1					N
		(A=MZZZZZ) (B=MZZZZZ) (C=MZZZZZ)									
9	4	172455-74390	CAP	2	2	2					
10	4	172455-74410	SPRING	2	2	2					
11	4	172455-74420	POPPET	1	1	1					
12	4	172455-74440	SPRING	2	2	2					
13	4	172455-74450	PLUG	2	2	2					
14	4	172455-74460	PACKING	2	2	2					
15	4	24321-000700	O-RING 1A G70.0,NBR	1	1	1					

Fig.72. CONTROL VALVE(3/8)

CONTROL VALVE ASSY
172A69-74100
Fig. 70 Ref. NO. 1
INC. Fig. 70 Ref. No. 2~31.
Fig. 71~77.



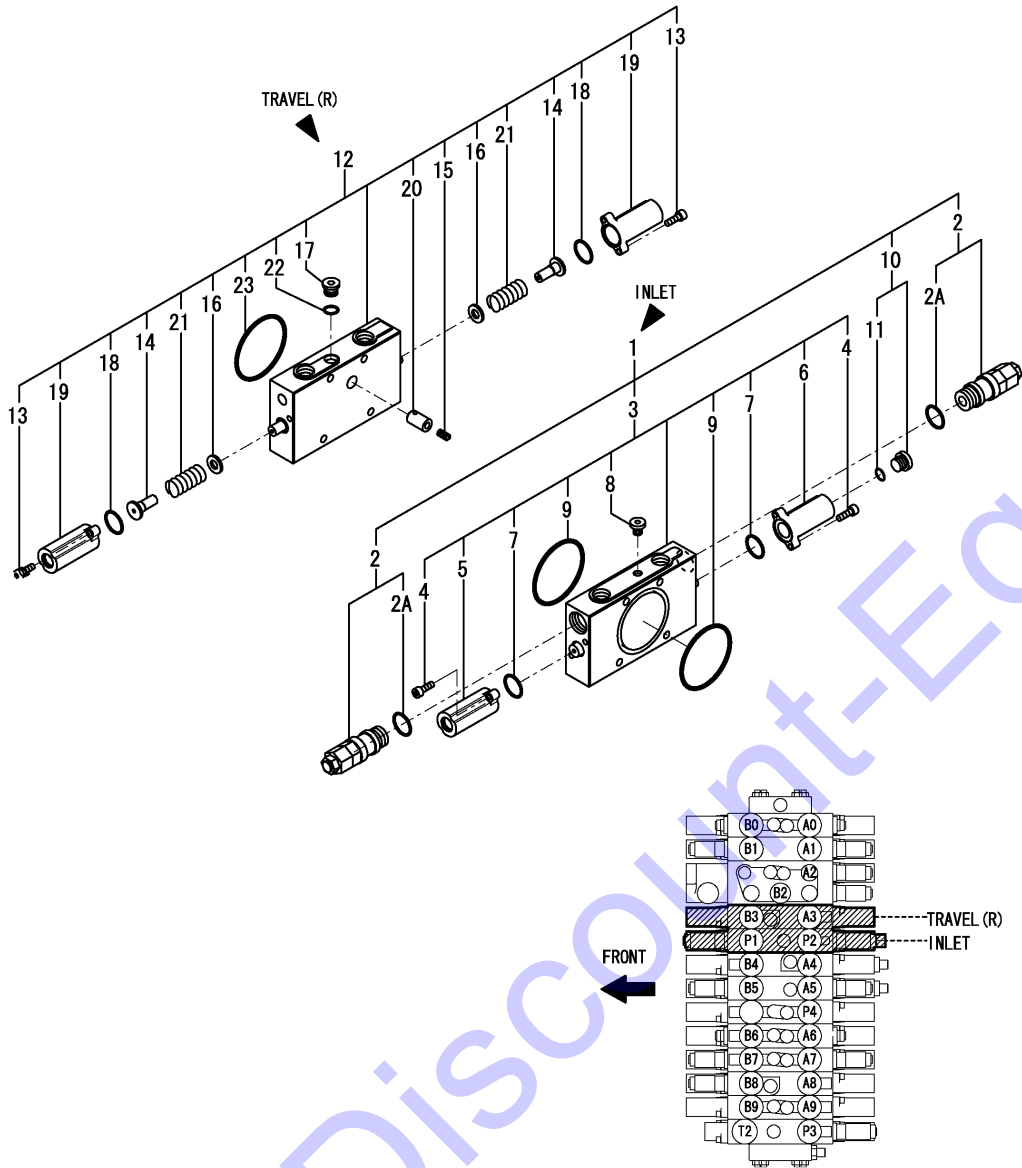
(A)=SV100-1(US)
(B)=SV100-1(AS)
(C)=SV100-1(NZ)

(D)=
(E)=
(F)=

REF.	LEV.	PARTS NO.	DESCRIPTION	Q'TY						I	R
				(A)	(B)	(C)	(D)	(E)	(F)		
1	2	172A69-74220	SECTION ASSY, BOOM 1	1	1	1					
2	3	172A69-74200	VALVE,RELIEF 31/50	2	2	2					
2A	4	172116-74150	O-RING	2	2	2					W
		(A=MXXXXX) (B=MXXXXX) (C=MXXXXX)									
3	3	172A69-74230	SECTION, BOOM 1	1	1	1					
4	4	172151-74060	BOLT, SOCKET HEAD	2	2	2					
5	4	172478-74180	SEAT,SPRING	2	2	2					
6	4	172488-74200	ANTI-DRIFT VALVE	1	1	1					
7	5	172638-73650	RING	1	1	1					
8	5	172116-74150	O-RING	1	1	1					
9	5	172488-74210	BODY	1	1	1					
10	5	172488-74220	PISTON	1	1	1					
11	5	172455-74590	POPPET	1	1	1					
12	5	172455-74600	PLUG	1	1	1					
13	5	172455-74620	SPOOL	1	1	1					
14	5	172455-74630	SLEEVE	1	1	1					
15	5	172455-74640	SPRING	1	1	1					
16	5	172455-74650	SPRING	1	1	1					
17	5	172455-74660	PACKING	1	1	1					
18	5	172455-74670	PACKING	1	1	1					
19	5	172455-74680	BACK UP RING	1	1	1					
20	5	172187-74690	PLUG	1	1	1					
21	6	172312-74770	O-RING	1	1	1					
22	5	172455-74690	PACKING	2	2	2					
23	5	172455-74720	SEAT, SPRING	1	1	1					
24	4	172175-74220	SEAT, SPRING	2	2	2					
25	4	172151-74320	O-RING	2	2	2					
26	4	172455-74390	CAP	1	1	1					
27	4	172455-74410	SPRING	2	2	2					
28	4	172455-74420	POPPET	2	2	2					
29	4	172455-74440	SPRING	2	2	2					
30	4	172455-74450	PLUG	2	2	2					
31	4	172455-74460	PACKING	2	2	2					
32	4	172455-74530	BOLT,SOCKET HEAD	5	5	5					
33	4	172187-74540	PLUG	2	2	2					
34	5	24315-000140	O-RING 1B P-14.0	2	2	2					
35	4	172455-74550	POPPET	1	1	1					
36	4	172455-74560	SPACER	1	1	1					
37	4	172455-74570	O-RING	1	1	1					
38	4	172455-74580	RING,BACK-UP	1	1	1					
39	4	172187-74630	SPRING	1	1	1					
40	4	24321-000700	O-RING 1A G70.0,NBR	1	1	1					

Fig.73. CONTROL VALVE(4/8)

CONTROL VALVE ASSY
172A69-74100
Fig. 70 Ref. NO. 1
INC. Fig. 70 Ref. No. 2~31.
Fig. 71~77.



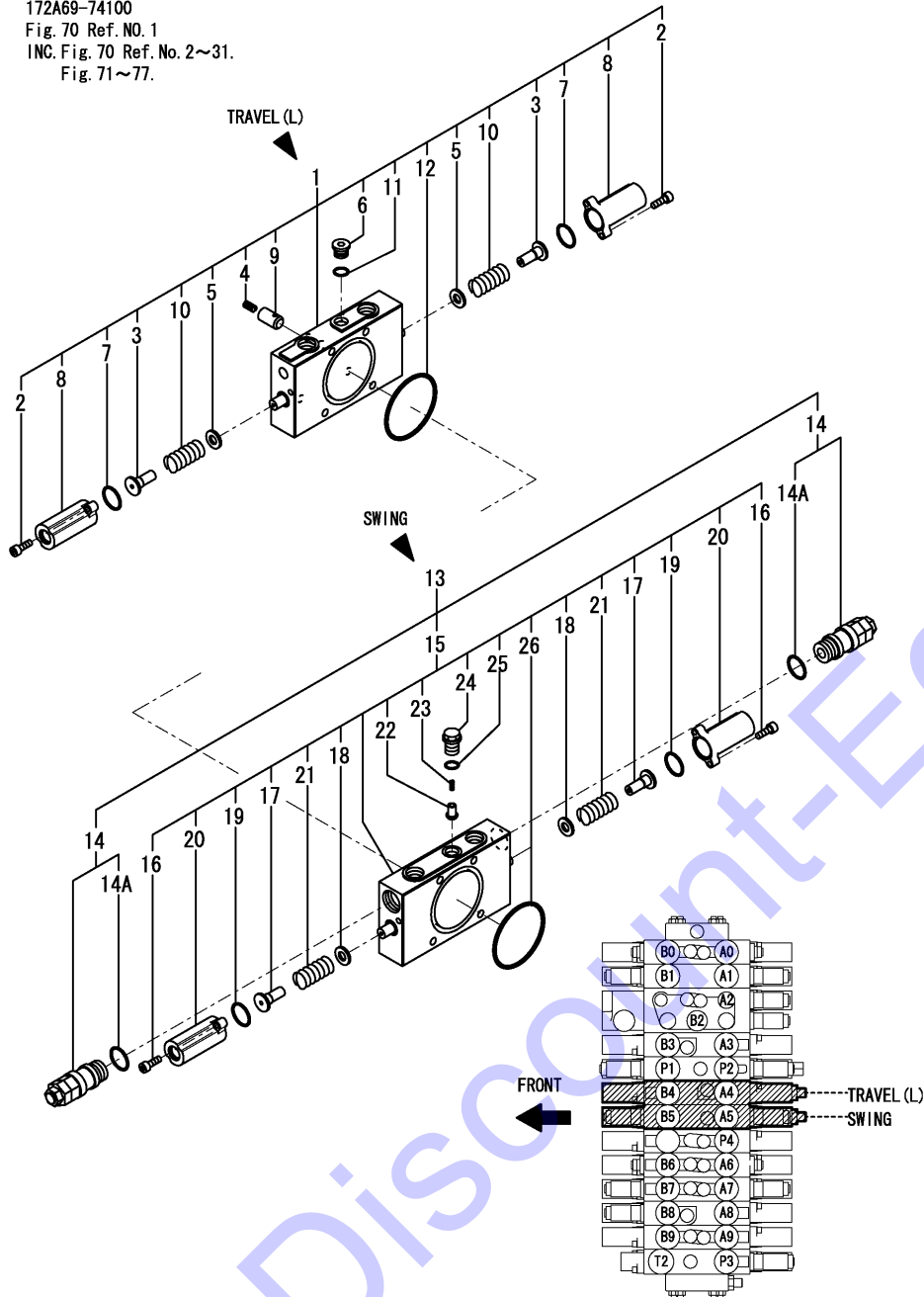
(A)=SV100-1(US)
(B)=SV100-1(AS)
(C)=SV100-1(NZ)

(D)=
(E)=
(F)=

REF.	LEV.	PARTS NO.	DESCRIPTION	Q'TY						I	R
				(A)	(B)	(C)	(D)	(E)	(F)		
1	2	172A69-74120	INLET SECTION ASSY	1	1	1					
2	3	172A69-74130	VALVE,RELIEF 27.5/30	2	2	2					
2A	4	172116-74150	O-RING	2	2	2					W
		(A=MXXXXX) (B=MXXXXX) (C=MXXXXX)									
3	3	172A69-74140	INLET SECTION	1	1	1					
4	4	172151-74060	BOLT, SOCKET HEAD	4	4	4					
5	4	172A69-74150	CAP ASSY	1	1	1					
6	4	172A69-74160	CAP	1	1	1					
7	4	172151-74320	O-RING	2	2	2					
8	4	172422-74330	PLUG	1	1	1					
9	4	24321-000700	O-RING 1A G70.0,NBR	2	2	2					
10	3	172187-74530	PLUG ASSY	1	1	1					
11	4	24315-000110	O-RING 1B P-11.0	1	1	1					
12	2	172A69-74240	SECTION,TRAVEL R	1	1	1					
13	3	172151-74060	BOLT, SOCKET HEAD	4	4	4					
14	3	172478-74180	SEAT,SPRING	2	2	2					
15	3	172113-74190	SPRING	1	1	1					
16	3	172175-74220	SEAT, SPRING	2	2	2					
17	3	172A69-74250	PLUG	1	1	1					
18	3	172151-74320	O-RING	2	2	2					
19	3	172455-74390	CAP	2	2	2					
20	3	172187-74410	POPPET, VALVE	1	1	1					
21	3	172455-74410	SPRING	2	2	2					
22	3	172455-74460	PACKING	1	1	1					
23	3	24321-000700	O-RING 1A G70.0,NBR	1	1	1					

Fig.74. CONTROL VALVE(5/8)

CONTROL VALVE ASSY
172A69-74100
Fig. 70 Ref. NO. 1
INC. Fig. 70 Ref. No. 2~31.
Fig. 71~77.



(A)=SV100-1(US)
(B)=SV100-1(AS)
(C)=SV100-1(NZ)

(D)=
(E)=
(F)=

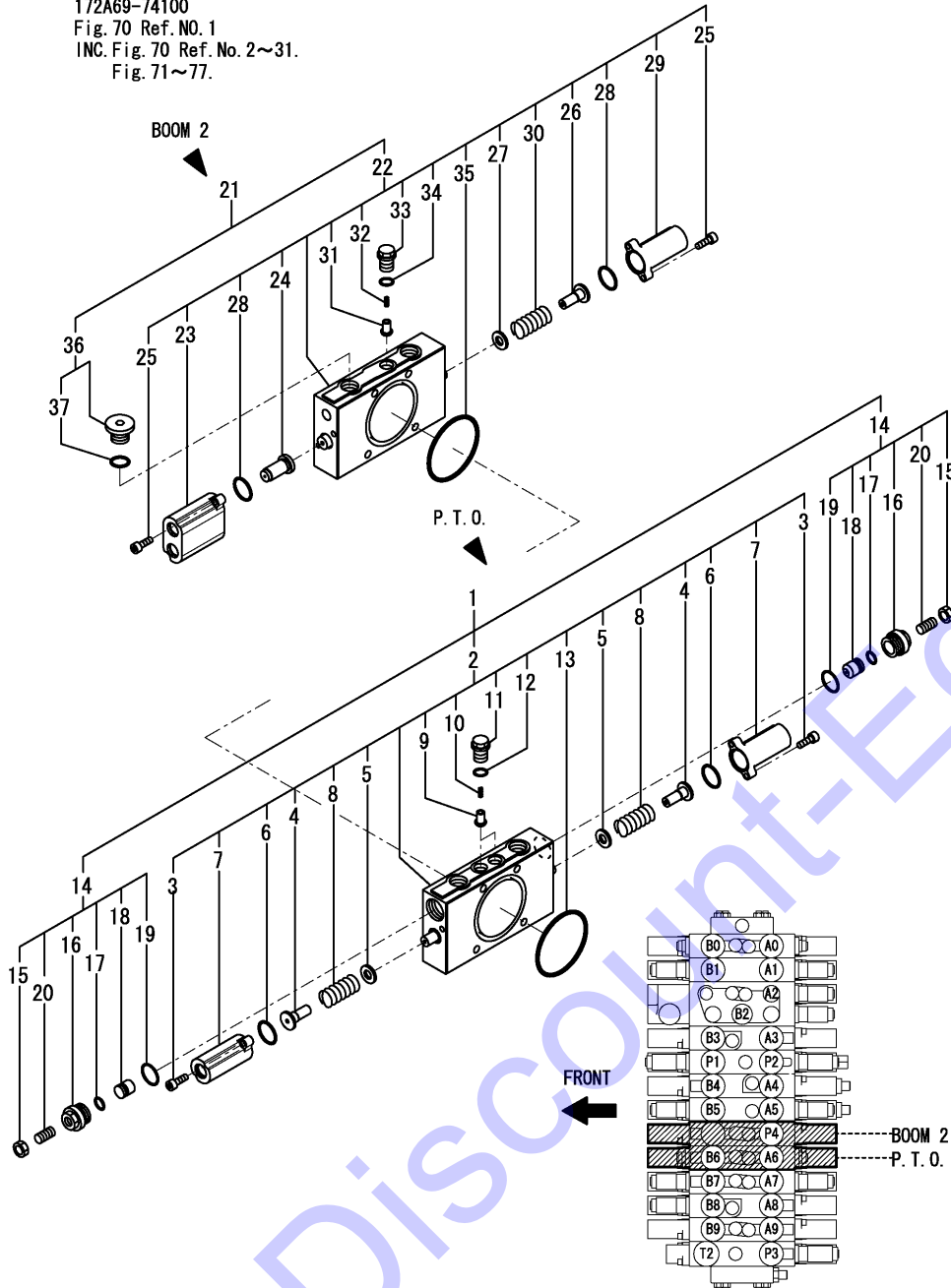
REF.	LEV.	PARTS NO.	DESCRIPTION	Q'TY						I	R
				(A)	(B)	(C)	(D)	(E)	(F)		
1	2	172A69-74260	SECTION,TRAVEL L	1	1	1					
2	3	172151-74060	BOLT, SOCKET HEAD	4	4	4					
3	3	172478-74180	SEAT,SPRING	2	2	2					
4	3	172113-74190	SPRING	1	1	1					
5	3	172175-74220	SEAT, SPRING	2	2	2					
6	3	172A69-74250	PLUG	1	1	1					
7	3	172151-74320	O-RING	2	2	2					
8	3	172455-74390	CAP	2	2	2					
9	3	172187-74410	POPPET, VALVE	1	1	1					
10	3	172455-74410	SPRING	2	2	2					
11	3	172455-74460	PACKING	1	1	1					
12	3	24321-000700	O-RING 1A G70.0,NBR	1	1	1					
13	2	172A69-74270	SECTION,SWING ASSY	1	1	1					
14	3	172A69-74200	VALVE,RELIEF 31/50	2	2	2					
14A	4	172116-74150	O-RING	2	2	2					W
		(A=MXXXXX) (B=MXXXXX) (C=MXXXXX)									
15	3	172A69-74280	SECTION,SWING	1	1	1					
16	4	172151-74060	BOLT, SOCKET HEAD	4	4	4					
17	4	172478-74180	SEAT,SPRING	2	2	2					
18	4	172175-74220	SEAT, SPRING	2	2	2					
19	4	172151-74320	O-RING	2	2	2					
20	4	172455-74390	CAP	2	2	2					
21	4	172455-74410	SPRING	2	2	2					
22	4	172455-74420	POPPET	1	1	1					
23	4	172455-74440	SPRING	1	1	1					
24	4	172455-74450	PLUG	1	1	1					
25	4	172455-74460	PACKING	1	1	1					
26	4	24321-000700	O-RING 1A G70.0,NBR	1	1	1					

Fig.75. CONTROL VALVE(6/8)

(A)=SV100-1(US)
(B)=SV100-1(AS)
(C)=SV100-1(NZ)

(D)=
(E)=
(F)=

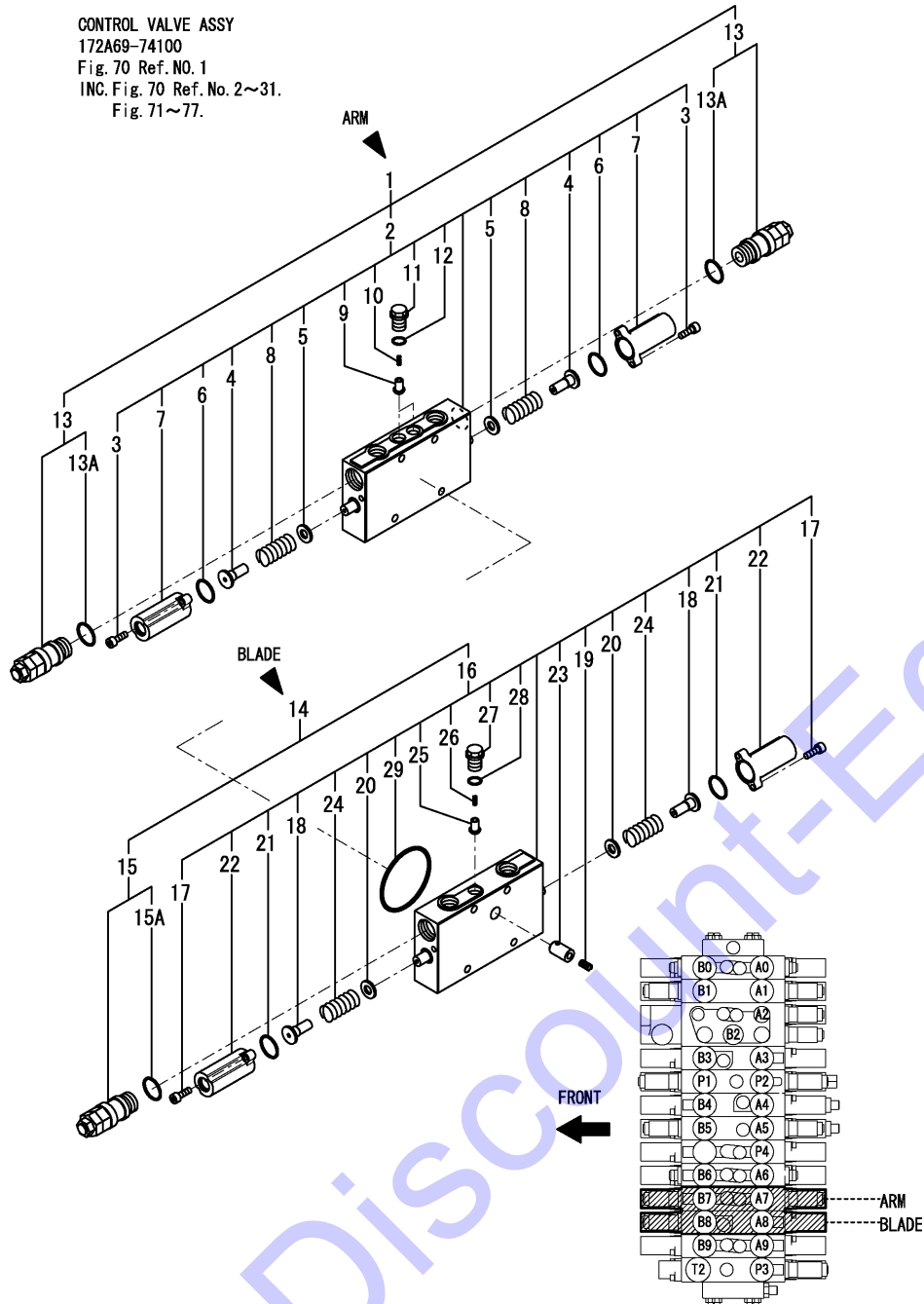
CONTROL VALVE ASSY
172A69-74100
Fig. 70 Ref. NO. 1
INC. Fig. 70 Ref. No. 2~31.
Fig. 71~77.



REF.	LEV.	PARTS NO.	DESCRIPTION	Q'TY						I	R
				(A)	(B)	(C)	(D)	(E)	(F)		
1	2	172A69-71130	PTO SECTION ASSY	1	1	1					
2	3	172A69-71140	PTO SECTION	1	1	1					
3	4	172151-74060	BOLT, SOCKET HEAD	4	4	4					
4	4	172478-74180	SEAT, SPRING	2	2	2					
5	4	172175-74220	SEAT, SPRING	2	2	2					
6	4	172151-74320	O-RING	2	2	2					
7	4	172455-74390	CAP	2	2	2					
8	4	172455-74410	SPRING	2	2	2					
9	4	172455-74420	POPPET	2	2	2					
10	4	172455-74440	SPRING	2	2	2					
11	4	172455-74450	PLUG	2	2	2					
12	4	172455-74460	PACKING	2	2	2					
13	4	24321-000700	O-RING 1A G70.0,NBR	1	1	1					
14	3	172455-74320	SHUTOFF VALVE	2	2	2					
15	4	172455-74010	NUT, SHOE	2	2	2					
16	4	172455-74020	PLUG	2	2	2					
17	4	172455-74030	O-RING	2	2	2					
18	4	172455-74040	POPPET, VALVE	2	2	2					
19	4	172116-74150	O-RING	2	2	2					
20	4	172455-74990	SCREW SET	2	2	2					
21	2	172A69-74290	SECTION ASSY, BOOM 2	1	1	1					
21-1	2	172A69-74291	SECTION ASSY, BOOM 2	1	1	1					N
		(A=MZZZZZ) (B=MZZZZZ) (C=MZZZZZ)									
22	3	172A69-74300	SECTION, BOOM 2	1	1	1					
22-1	3	172A69-74301	SECTION, BOOM 2	1	1	1					N
		(A=MZZZZZ) (B=MZZZZZ) (C=MZZZZZ)									
23	4	172A69-71110	CAP	1	1	1					
24	4	172A69-71120	PISTON	1	1	1					
25	4	172151-74060	BOLT, SOCKET HEAD	4	4	4					
26	4	172478-74180	SEAT, SPRING	1	1	1					
27	4	172175-74220	SEAT, SPRING	1	1	1					
28	4	172151-74320	O-RING	2	2	2					
29	4	172455-74390	CAP	1	1	1					
30	4	172455-74410	SPRING	1	1	1					
31	4	172455-74420	POPPET	1	1	1					
32	4	172455-74440	SPRING	1	1	1					
33	4	172455-74450	PLUG	1	1	1					
34	4	172455-74460	PACKING	1	1	1					
35	4	24321-000700	O-RING 1A G70.0,NBR	1	1	1					
36	3	172187-74550	PLUG	1	1	1					
37	4	24315-000180	O-RING 1B P-18.0	1	1	1					

Fig.76. CONTROL VALVE(7/8)

CONTROL VALVE ASSY
172A69-74100
Fig. 70 Ref. NO. 1
INC. Fig. 70 Ref. No. 2~31.
Fig. 71~77.



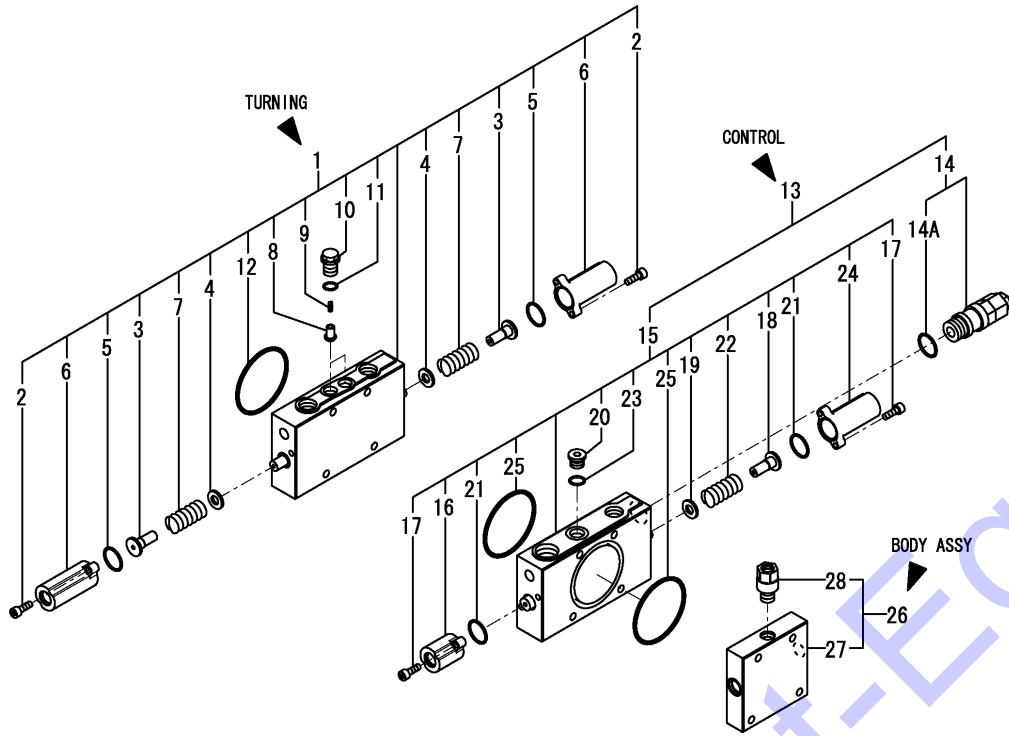
(A)=SV100-1(US)
(B)=SV100-1(AS)
(C)=SV100-1(NZ)

(D)=
(E)=
(F)=

REF.	LEV.	PARTS NO.	DESCRIPTION	Q'TY						I	R
				(A)	(B)	(C)	(D)	(E)	(F)		
1	2	172A69-71150	VALVE ASY,SECTION	1	1	1					
2	3	172A69-71160	VALVE ASY,SECTION	1	1	1					
3	4	172151-74060	BOLT, SOCKET HEAD	4	4	4					
4	4	172478-74180	SEAT,SPRING	2	2	2					
5	4	172175-74220	SEAT, SPRING	2	2	2					
6	4	172151-74320	O-RING	2	2	2					
7	4	172455-74390	CAP	2	2	2					
8	4	172455-74410	SPRING	2	2	2					
9	4	172455-74420	POPPET	2	2	2					
10	4	172455-74440	SPRING	2	2	2					
11	4	172455-74450	PLUG	2	2	2					
12	4	172455-74460	PACKING	2	2	2					
13	3	172A69-74200	VALVE,RELIEF 31/50	2	2	2					
13A	4	172116-74150	O-RING	2	2	2					W
(A=MXXXXX) (B=MXXXXX) (C=MXXXXX)											
14	2	172A69-71170	SECTION ASSY, BLADE	1	1	1					
15	3	172A69-71180	VALVE,RELIEF 15/50	1	1	1					
15A	4	172116-74150	O-RING	1	1	1					W
(A=MXXXXX) (B=MXXXXX) (C=MXXXXX)											
16	3	172A69-71190	SECTION, BLADE	1	1	1					
17	4	172151-74060	BOLT, SOCKET HEAD	4	4	4					
18	4	172478-74180	SEAT,SPRING	2	2	2					
19	4	172113-74190	SPRING	1	1	1					
20	4	172175-74220	SEAT, SPRING	2	2	2					
21	4	172151-74320	O-RING	2	2	2					
22	4	172455-74390	CAP	2	2	2					
23	4	172187-74410	POPPET, VALVE	1	1	1					
24	4	172455-74410	SPRING	2	2	2					
25	4	172455-74420	POPPET	1	1	1					
26	4	172455-74440	SPRING	1	1	1					
27	4	172455-74450	PLUG	1	1	1					
28	4	172455-74460	PACKING	1	1	1					
29	4	24321-000700	O-RING 1A G70.0,NBR	1	1	1					

Fig.77. CONTROL VALVE(8/8)

CONTROL VALVE ASSY
172A69-74100
Fig. 70 Ref. NO. 1
INC. Fig. 70 Ref. No. 2~31.
Fig. 71~77.



(A)=SV100-1(US)
(B)=SV100-1(AS)
(C)=SV100-1(NZ)

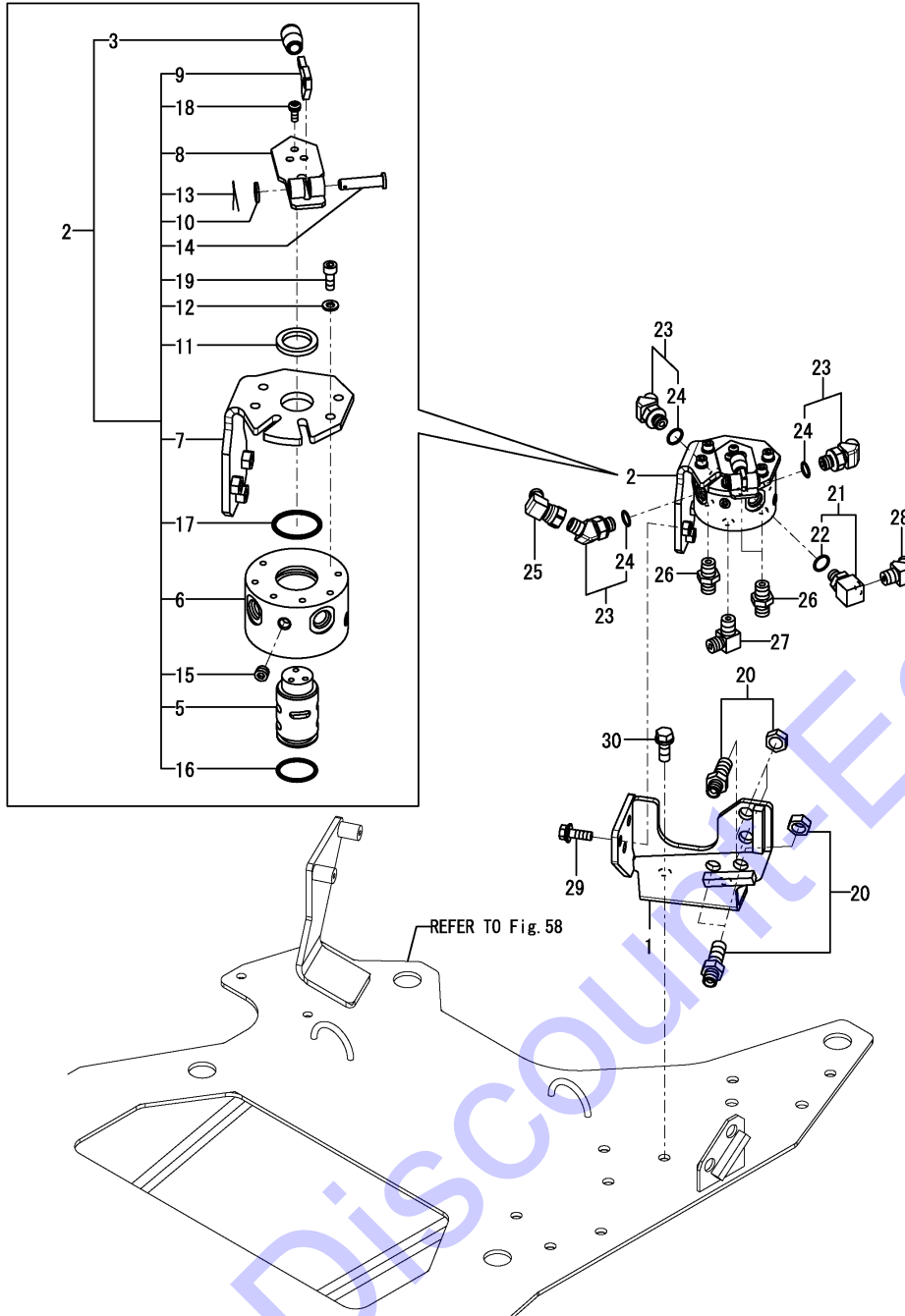
(D)=
(E)=
(F)=

REF.	LEV.	PARTS NO.	DESCRIPTION	Q'TY						I	R
				(A)	(B)	(C)	(D)	(E)	(F)		
1	2	172A69-71200	SECTION, SWING	1	1	1					
2	3	172151-74060	BOLT, SOCKET HEAD	4	4	4					
3	3	172478-74180	SEAT, SPRING	2	2	2					
4	3	172175-74220	SEAT, SPRING	2	2	2					
5	3	172151-74320	O-RING	2	2	2					
6	3	172455-74390	CAP	2	2	2					
7	3	172455-74410	SPRING	2	2	2					
8	3	172455-74420	POPPET	2	2	2					
9	3	172455-74440	SPRING	2	2	2					
10	3	172455-74450	PLUG	2	2	2					
11	3	172455-74460	O-RING	2	2	2					
12	3	24321-000700	O-RING	1	1	1					
13	2	172A69-71210	SECTION ASSY	1	1	1					
13-1	2	172A69-71211	SECTION ASSY,CONTROL	1	1	1					N
		(A=M11514) (B=M11514) (C=M11514)									
14	3	172A69-71220	VALVE, RELIEF	1	1	1					
14-1	3	172A69-71221	VALVE, RELIEF 24/55	1	1	1					N
		(A=M11514) (B=M11514) (C=M11514)									
14A	4	172116-74150	O-RING	1	1	1					W
		(A=MXXXXX) (B=MXXXXX) (C=MXXXXX)									
15	3	172A69-71230	SECTION, CONTROL	1	1	1					
16	4	172A69-71240	CAP ASSY	1	1	1					
17	4	172151-74060	BOLT, SOCKET HEAD	4	4	4					
18	4	172478-74180	SEAT, SPRING	1	1	1					
19	4	172175-74220	SEAT, SPRING	1	1	1					
20	4	172A69-74250	PLUG	1	1	1					
21	4	172151-74320	O-RING	2	2	2					
22	4	172455-74410	SPRING	1	1	1					
23	4	172455-74460	O-RING	1	1	1					
24	4	172455-74480	CAP	1	1	1					
25	4	24321-000700	O-RING	2	2	2					
26	2	172A69-71250	BODY ASSY	1	1	1					
27	3	172478-74360	BODY	1	1	1					
28	3	172478-74370	PLUG ASSY	1	1	1					

Fig.78. 2-WAY VALVE

(A)=SV100-1(US)
 (B)=SV100-1(AS)
 (C)=SV100-1(NZ)

(D)=
 (E)=
 (F)=

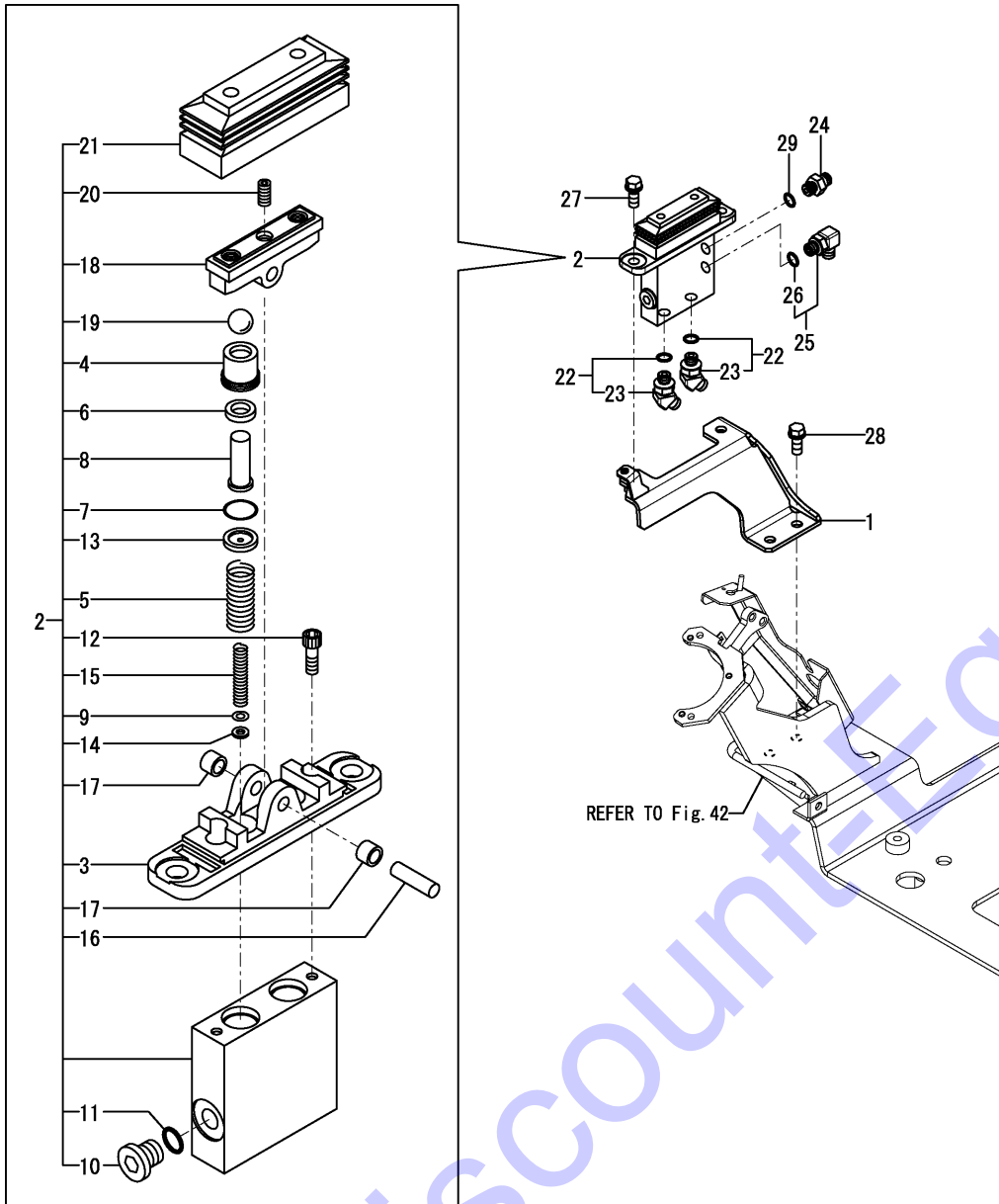


REF.	LEV.	PARTS NO.	DESCRIPTION	Q'TY						I	R
				(A)	(B)	(C)	(D)	(E)	(F)		
1	1	172A69-71750	BRACKET ASSY,2WAY	1	1	1					
2	1	172A36-74690	VALVE ASSY,2WAY	1	1	1					
3	2	172157-58830	KNOB 6.5X18X35	1	1	1					
5	3	172437-74711	SHAFT	1	1	1					
6	3	172437-74720	BLOCK,VALVE	1	1	1					
7	3	172437-74732	STAY ASSY	1	1	1					
8	3	172A36-74750	LEVER	1	1	1					
9	3	172A36-74780	PLATE,LOCK	1	1	1					
10	3	22117-080000	WASHER 8	1	1	1					
11	3	22137-240000	WASHER 24,POLISHED	1	1	1					
12	3	22217-060000	SPRING WASHER 6	4	4	4					
13	3	22417-200160	COTTER PIN 2.0X16	1	1	1					
14	3	22487-080300	PIN 8X 30	1	1	1					
15	3	23871-010000	PLUG PT1/8,SCREW	4	4	4					
16	3	24311-000250	O-RING 1A P-25.0	1	1	1					
17	3	24311-000320	O-RING 1A P-32.0	1	1	1					
18	3	26022-050122	SCREW M 5X 12	3	3	3					
19	3	26450-060162	BOLT M 6X 16	4	4	4					
20	1	172151-76050	JOINT	4	4	4					
21	1	172137-76100	ELBOW PF1/4	1	1	1					
22	2	24315-000110	O-RING 1B P-11.0	1	1	1					
23	1	172173-76102	CONNECTOR PF1/4-45	3	3	3					
24	2	41851-000110	PACKING, 11.0	3	3	3					
25	1	172828-76330	CONNECTOR 1/4X1/4	1	1	1					
26	1	23391-020000	JOINT RGI1/4	3	3	3					
27	1	23393-020000	JOINT 90RGI1/4	1	1	1					
28	1	23394-020000	JOINT 45RGI1/4	1	1	1					
29	1	26013-080252	BOLT M 8X 25	3	3	3					
30	1	26013-100252	BOLT W/WASHER M10X25	2	2	2					

Fig.79. BLADE VALVE

(A)=SV100-1(US)
 (B)=SV100-1(AS)
 (C)=SV100-1(NZ)

(D)=
 (E)=
 (F)=

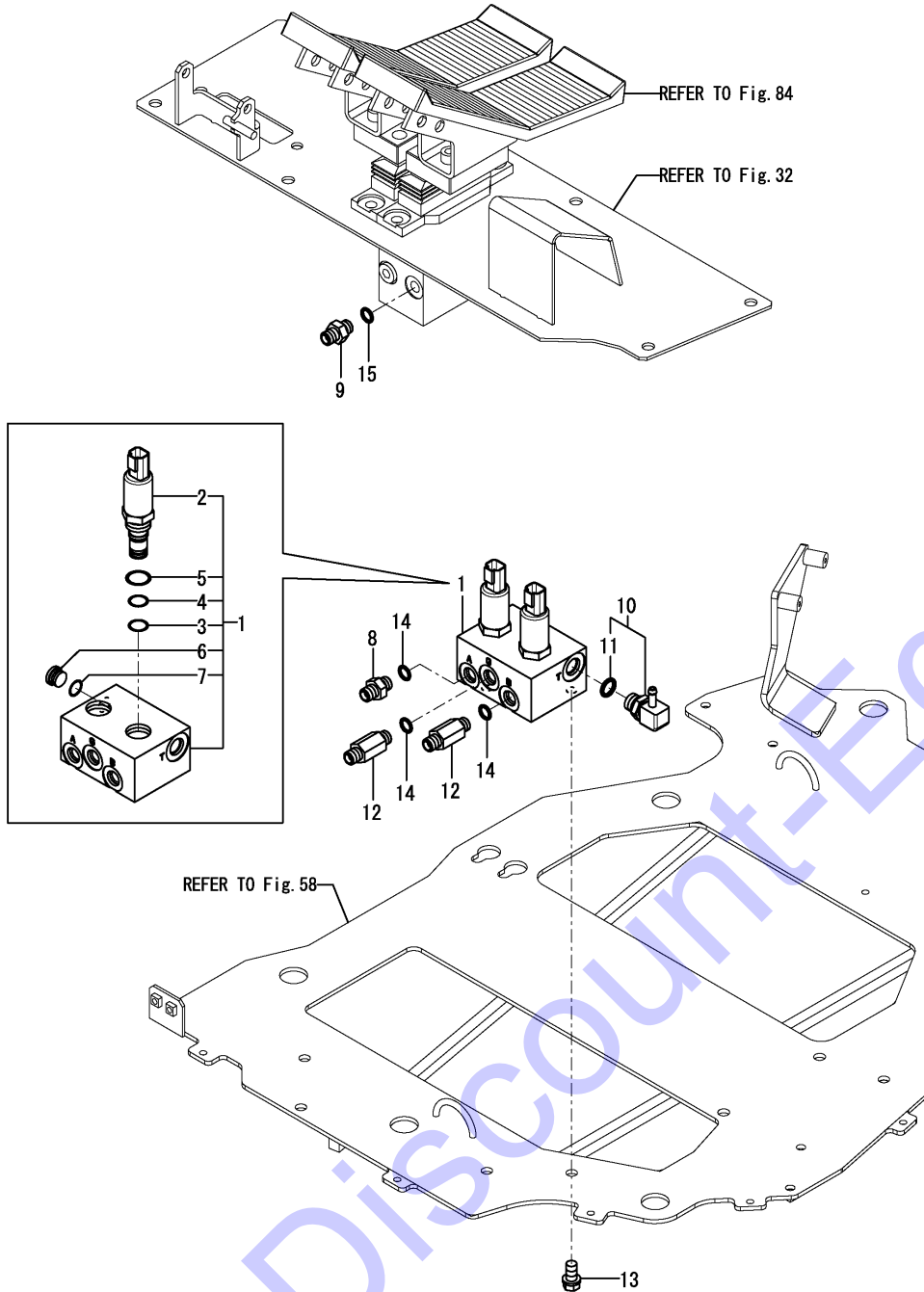


REF.	LEV.	PARTS NO.	DESCRIPTION	Q'TY						I	R
				(A)	(B)	(C)	(D)	(E)	(F)		
1	1	172A69-74310	STAY ASSY,BLD VALVE	1	1	1					
2	1	172A69-74710	VALVE ASSY	1	1	1					
3	2	172A47-74710	COVER	1	1	1					
4	2	172A47-74720	PLUG	2	2	2					
5	2	172A69-74720	SPRING	1	1	1					
6	2	172A47-74730	PACKING	2	2	2					
7	2	172A47-74740	O-RING	2	2	2					
8	2	172A47-74750	ROD,PUSH	2	2	2					
9	2	172A47-74760	SHIM	2	2	2					
10	2	172A47-74770	RO PLUG	1	1	1					
11	2	172A47-74780	O-RING	1	1	1					
12	2	172A47-74790	SCREW,HEX.S.H.C	2	2	2					
13	2	172A47-74800	SEAT,SPRING	2	2	2					
14	2	172A47-74810	WASHER	2	2	2					
15	2	172A47-74820	SPRING	2	2	2					
16	2	172A47-74840	CAM SHAFT	1	1	1					
17	2	172A47-74850	BUSH	2	2	2					
18	2	172A47-74860	CAM	1	1	1					
19	2	172A47-74870	BALL,STEEL	2	2	2					
20	2	172A47-74880	SET SCREW	1	1	1					
21	2	172A47-74890	BELLOWS	1	1	1					
22	1	172173-76102	CONNECTOR PF1/4-45	2	2	2					
23	2	41851-000110	PACKING, 11.0	2	2	2					
24	1	172123-76121	JOINT PF1/4	1	1	1					
25	1	172141-76181	CONNECTOR ASSY, 02FF	1	1	1					
26	2	41851-000110	PACKING, 11.0	1	1	1					
27	1	26013-100252	BOLT W/WASHER M10X25	2	2	2					
28	1	26013-100252	BOLT W/WASHER M10X25	2	2	2					
29	1	41851-000110	PACKING, 11.0	1	1	1					

Fig.80. SOLENOID VALVE(P.T.O.)

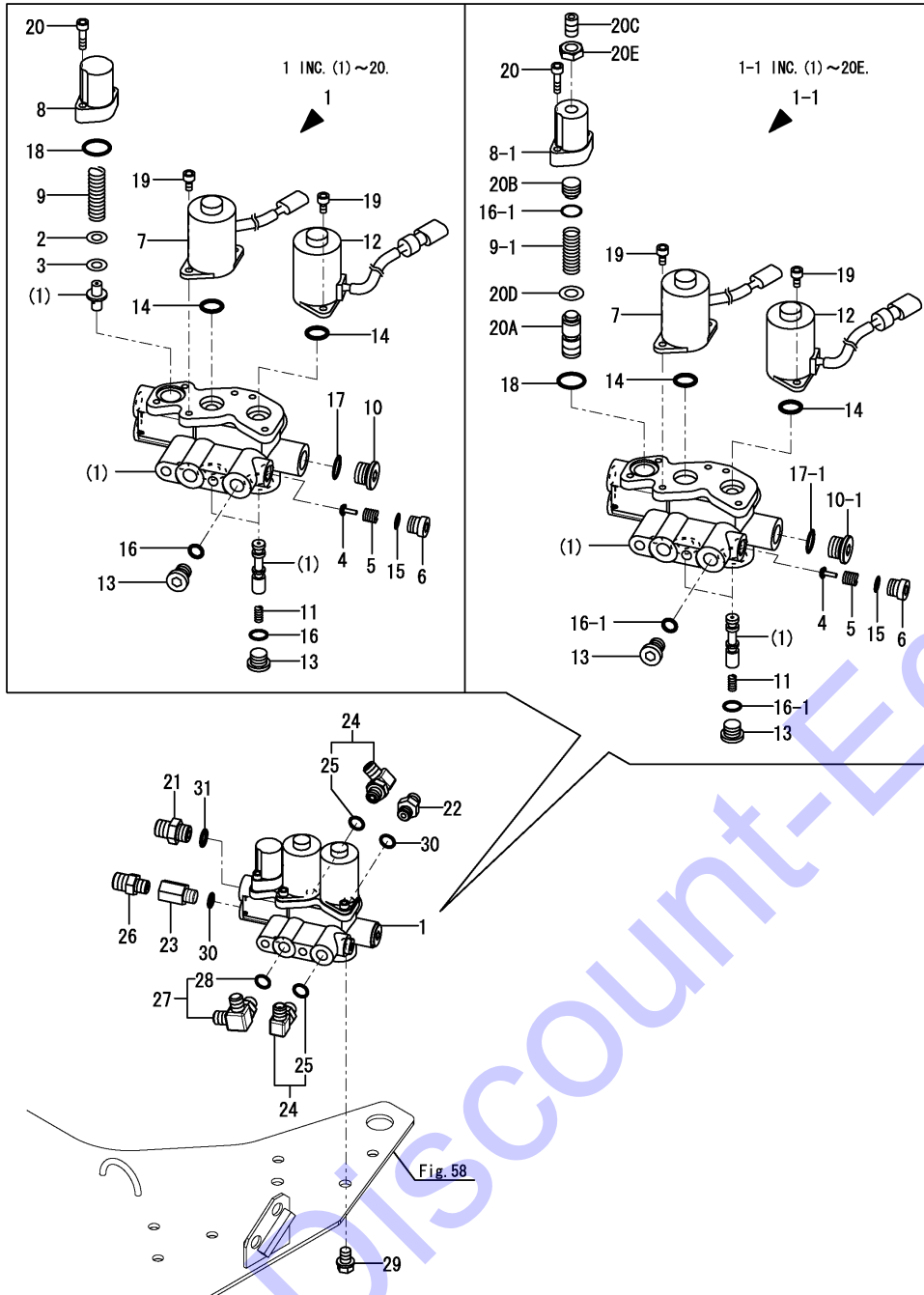
(A)=SV100-1(US)
 (B)=SV100-1(AS)
 (C)=SV100-1(NZ)

(D)=
 (E)=
 (F)=



REF.	LEV.	PARTS NO.	DESCRIPTION	Q'TY						I	R
				(A)	(B)	(C)	(D)	(E)	(F)		
1	1	172837-74130	VALVE ASSY,G	1	1	1					
2	2	172837-74140	VALVE ASSY	2	2	2					
3	2	172837-74150	O-RING	2	2	2					
4	2	172837-74160	O-RING	2	2	2					
5	2	172837-74170	O-RING	2	2	2					
6	2	172142-74670	PLUG, 3/8	1	1	1					
7	2	24315-000140	O-RING 1B P-14.0	1	1	1					
8	1	172123-76121	JOINT PF1/4	1	1	1					
9	1	172123-76121	JOINT PF1/4	1	1	1					
10	1	172A47-76120	ELBOW NIPPLE 90G3/8	1	1	1					
11	2	24315-000140	O-RING 1B P-14.0	1	1	1					
12	1	172183-76200	CONNECTOR 1/4-1/4	2	2	2					
13	1	26013-100202	BOLT W/WASHER M10X20	2	2	2					
14	1	41851-000110	PACKING, 11.0	3	3	3					
15	1	41851-000110	PACKING, 11.0	1	1	1					

Fig.81. SOLENOID VALVE(PILOT)



(A)=SV100-1(US)
(B)=SV100-1(AS)
(C)=SV100-1(NZ)

(D)=
(E)=
(F)=

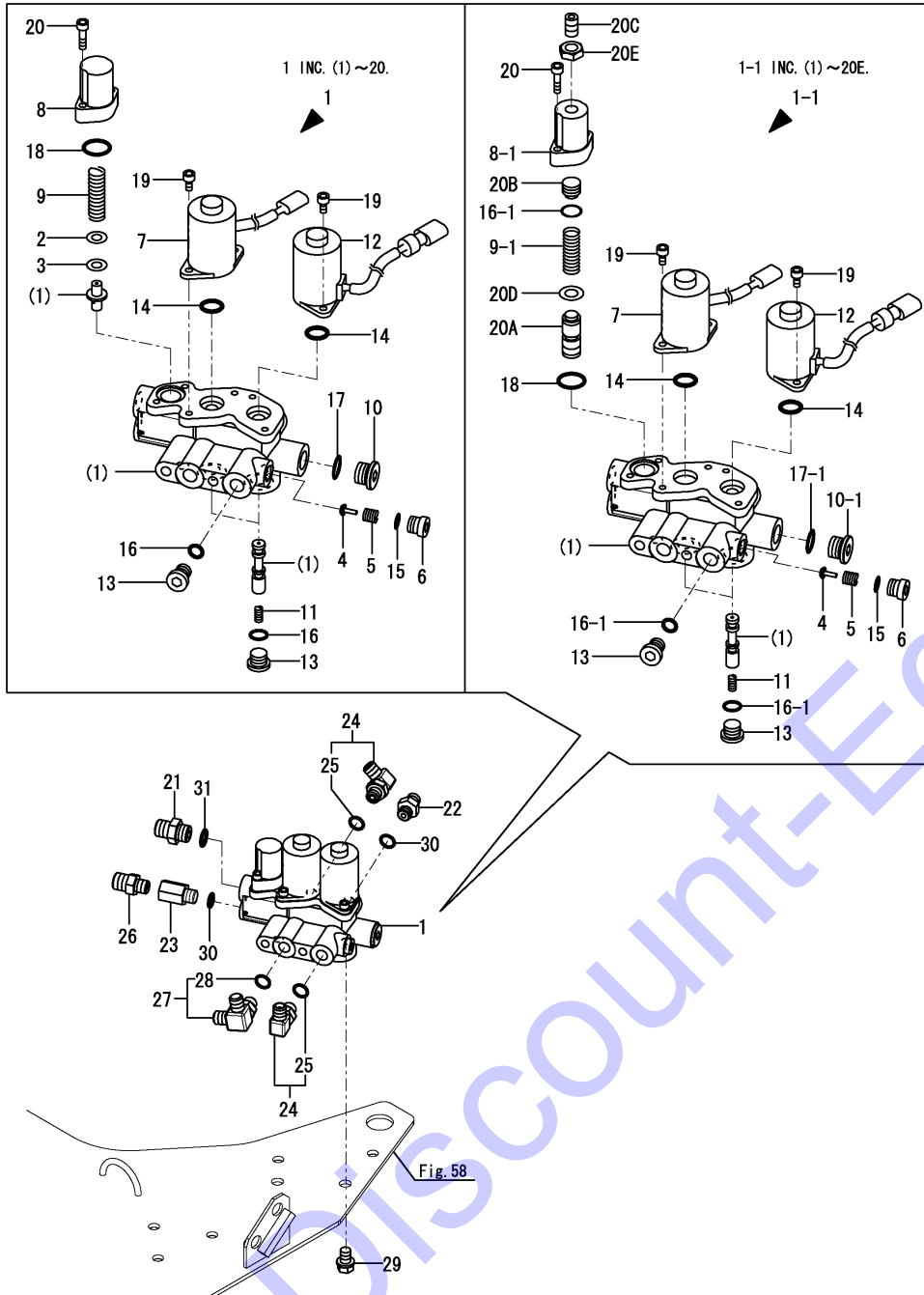
REF.	LEV.	PARTS NO.	DESCRIPTION	Q'TY						I	R
				(A)	(B)	(C)	(D)	(E)	(F)		
1	1	172A69-74410	VALVE ASSY	1	1	1					
1-1	1	172A69-74411	VALVE ASSY,SOL	1	1	1					N
		(A=MZZZZZ) (B=MZZZZZ) (C=MZZZZZ)									
2	2	172A69-74420	SHIM	1	1	1					Z
		(A=MZZZZZ) (B=MZZZZZ) (C=MZZZZZ)									
3	2	172A69-74430	SHIM	1	1	1					Z
		(A=MZZZZZ) (B=MZZZZZ) (C=MZZZZZ)									
4	2	172A69-74440	PLUNGER	1	1	1					
5	2	172A69-74450	SPRING	1	1	1					
6	2	172A69-74460	PLUG	1	1	1					
7	2	172A69-74470	VALVE, SOLENOID	1	1	1					
8	2	172A69-74490	COVER	1	1	1					
8-1	2	172A69-74980	COVER	1	1	1					S
		(A=MZZZZZ) (B=MZZZZZ) (C=MZZZZZ)									
9	2	172A69-74500	SPRING	1	1	1					
9-1	2	172A69-74540	SPRING	1	1	1					S
		(A=MZZZZZ) (B=MZZZZZ) (C=MZZZZZ)									
10	2	172A69-74510	PLUG	1	1	1					
10-1	2	172A69-74520	PLUG, PF1/2	1	1	1					S
		(A=MZZZZZ) (B=MZZZZZ) (C=MZZZZZ)									
11	2	172A46-74710	SPRING	2	2	2					
12	2	172A46-74720	VALVE, SOLENOID	1	1	1					
13	2	172A46-74730	PLUG	3	3	3					
14	2	24311-000160	O-RING	2	2	2					
15	2	24315-000100	O-RING	1	1	1					
16	2	24315-000110	O-RING	3	3	3					
16-1	2	24315-000110	O-RING	4	4	4					K
		(A=MZZZZZ) (B=MZZZZZ) (C=MZZZZZ)									
17	2	24315-000140	O-RING	1	1	1					
17-1	2	24315-000180	O-RING	1	1	1					S
		(A=MZZZZZ) (B=MZZZZZ) (C=MZZZZZ)									
18	2	24315-000200	O-RING	1	1	1					
19	2	26450-050122	BOLT	4	4	4					
20	2	26450-050202	BOLT	2	2	2					
20A	2	172A69-74960	PLUNGER	1	1	1					W
		(A=MZZZZZ) (B=MZZZZZ) (C=MZZZZZ)									
20B	2	172A69-74970	PLUG	1	1	1					W
		(A=MZZZZZ) (B=MZZZZZ) (C=MZZZZZ)									
20C	2	172A69-74990	SCREW, ADJUSTING	1	1	1					W
		(A=MZZZZZ) (B=MZZZZZ) (C=MZZZZZ)									
20D	2	22117-080000	WASHER	1	1	1					W
		(A=MZZZZZ) (B=MZZZZZ) (C=MZZZZZ)									
20E	2	26736-100002	NUT	1	1	1					W
		(A=MZZZZZ) (B=MZZZZZ) (C=MZZZZZ)									
21	1	172730-75141	ADAPTER	1	1	1					
22	1	172123-76121	ADAPTER	1	1	1					
23	1	172422-76140	CONNECTOR	1	1	1					
24	1	172141-76181	CONNECTOR ASSY	2	2	2					
25	2	41851-000110	O-RING	2	2	2					
26	1	172638-76190	CONNECTOR	1	1	1					
27	1	172491-76330	ELBOW, ADJUSTABLE	1	1	1					

N:Old $\begin{matrix} \leftarrow \text{Yes} \\ \text{No} \end{matrix}$ New, Q:Old $\begin{matrix} \leftarrow \text{No} \\ \text{Yes} \end{matrix}$ New, R:Old $\begin{matrix} \leftarrow \text{Yes} \\ \text{Yes} \end{matrix}$ New, S:Old $\begin{matrix} \leftarrow \text{No} \\ \text{No} \end{matrix}$ New, W:Add, Z:Discontinued, F:Interchangeable by set, K:Q'ty Change
++ CONTINUE ++
(C)Copyrights YANMAR CO.,LTD.

Fig.81. SOLENOID VALVE(PILOT)

(A)=SV100-1(US)
 (B)=SV100-1(AS)
 (C)=SV100-1(NZ)

(D)=
 (E)=
 (F)=

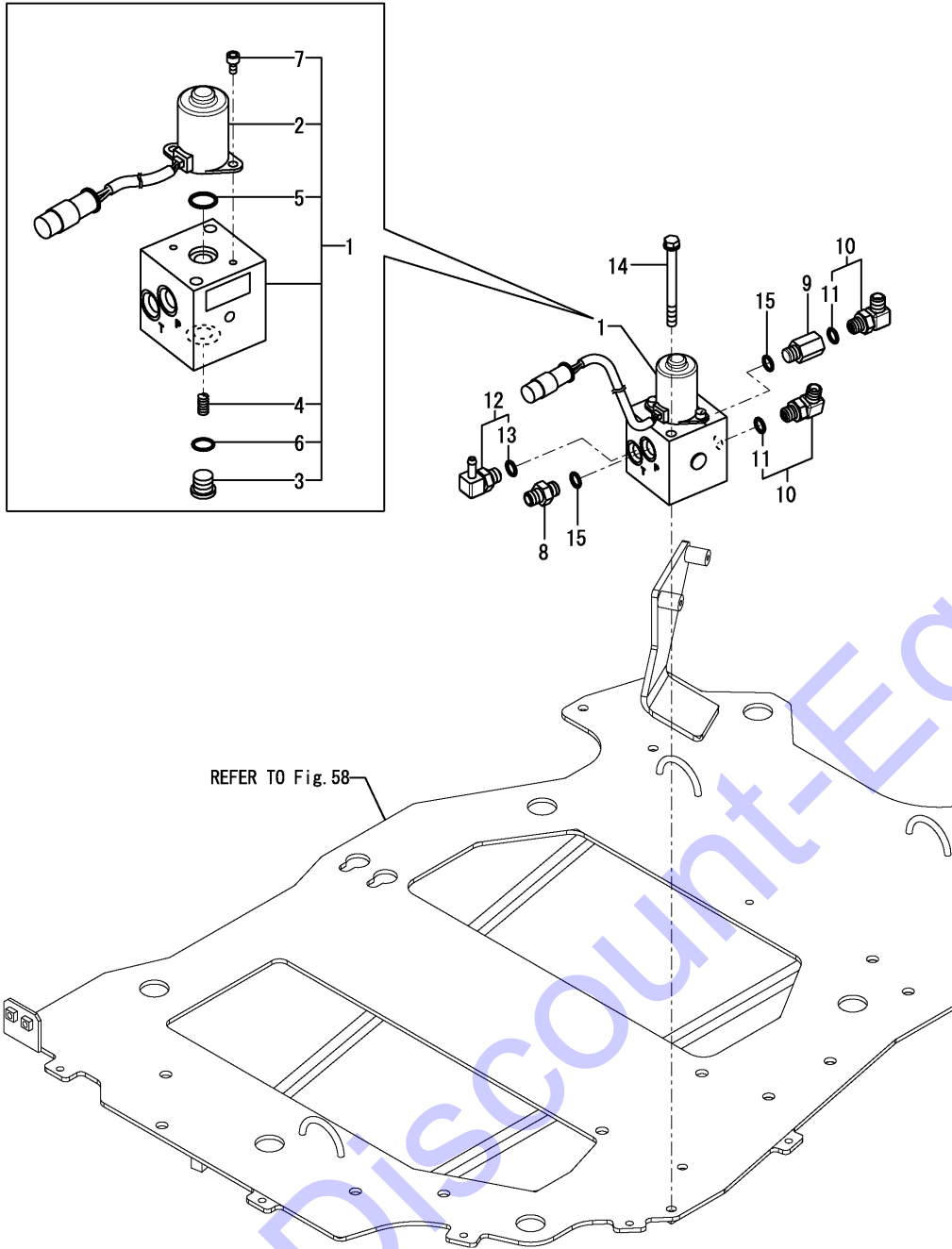


REF.	LEV.	PARTS NO.	DESCRIPTION	Q'TY						I	R
				(A)	(B)	(C)	(D)	(E)	(F)		
28	2	24315-000110	O-RING	1	1	1					
29	1	26013-100162	BOLT	2	2	2					
30	1	41851-000110	O-RING	2	2	2					
31	1	41851-000140	O-RING	1	1	1					

Fig.82. SOLENOID VALVE(QUICK COUPLER)

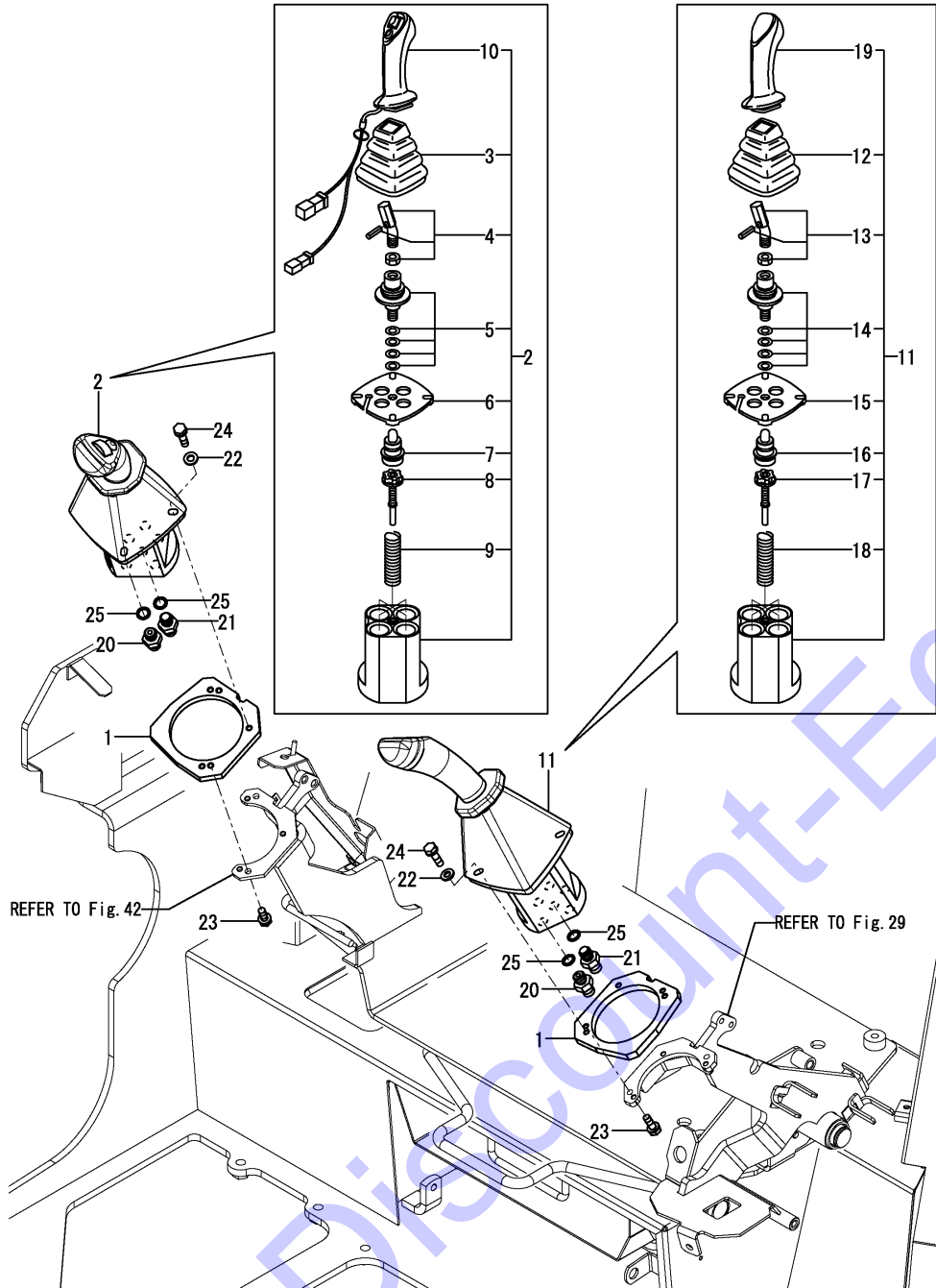
(A)=SV100-1(US)
 (B)=SV100-1(AS)
 (C)=SV100-1(NZ)

(D)=
 (E)=
 (F)=



REF.	LEV.	PARTS NO.	DESCRIPTION	Q'TY						I	R
				(A)	(B)	(C)	(D)	(E)	(F)		
1	1	172A69-74550	VALVE ASSY,Q	1	1	1					
2	2	172A69-74560	SOLENOID	1	1	1					
3	2	172A69-74590	PLUG G1/4	1	1	1					
4	2	172A46-74710	SPRING,COMPLESSI	1	1	1					
5	2	24311-000160	O-RING 1A P-16.0	1	1	1					
6	2	24315-000110	O-RING 1B P-11.0	1	1	1					
7	2	26450-050102	BOLT, M5X10	2	2	2					
8	1	172123-76121	JOINT PF1/4	1	1	1					
9	1	172422-76140	CONNECTOR	1	1	1					
10	1	172173-76102	CONNECTOR PF1/4-45	2	2	2					
11	2	41851-000110	PACKING, 11.0	2	2	2					
12	1	172186-76430	NIPPLE	1	1	1					
13	2	24315-000110	O-RING 1B P-11.0	1	1	1					
14	1	26013-080902	BOLT	2	2	2					
15	1	41851-000110	PACKING, 11.0	2	2	2					

Fig.83. REMOTE CONTROL VALVE(OPERATION)



(A)=SV100-1(US)
(B)=SV100-1(AS)
(C)=SV100-1(NZ)

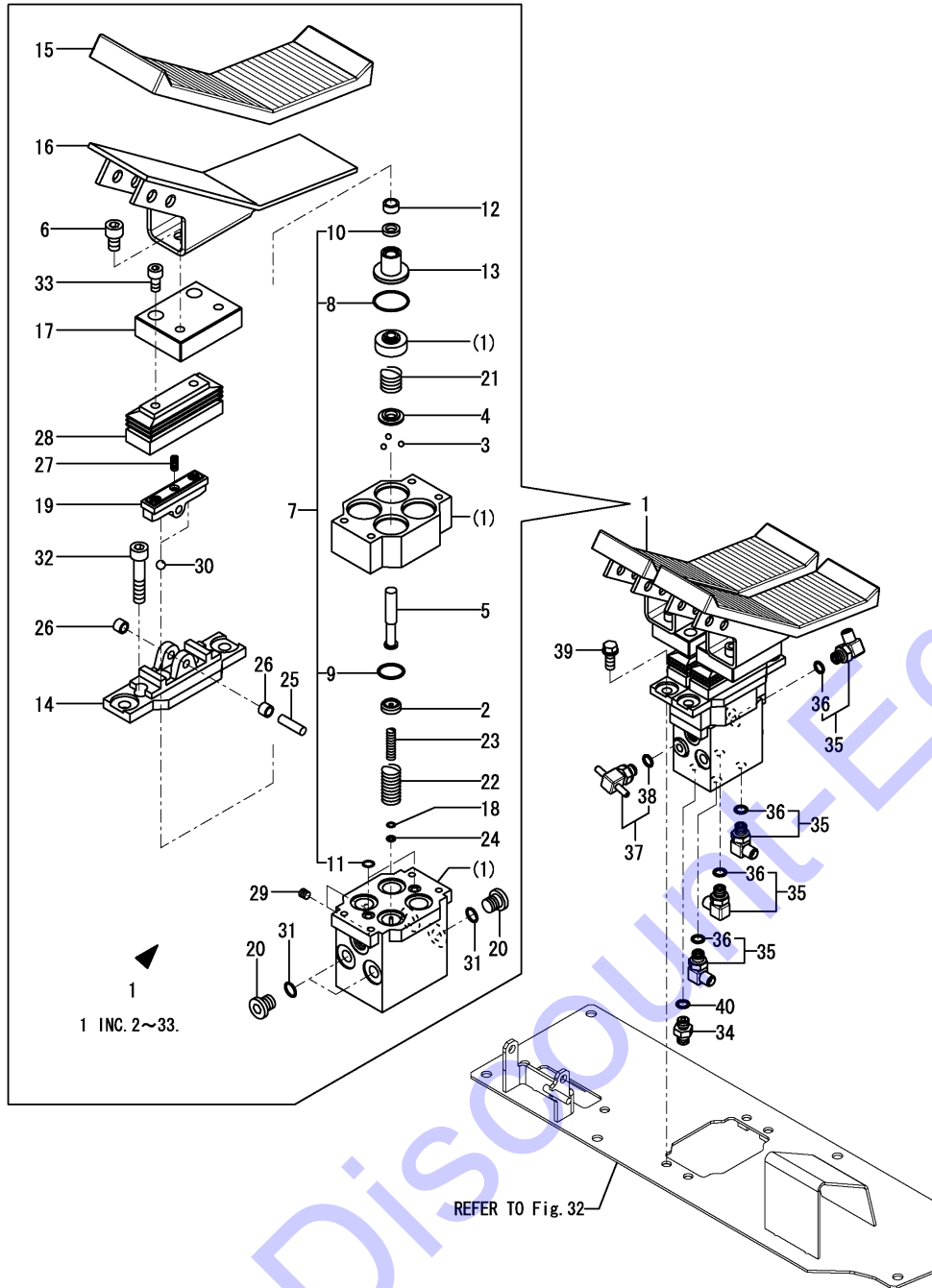
(D)=
(E)=
(F)=

REF.	LEV.	PARTS NO.	DESCRIPTION	Q'TY						I	R
				(A)	(B)	(C)	(D)	(E)	(F)		
1	1	172A78-64510	SPACER, VALVE	2	2	2					
2	1	172A69-74850	VALVE ASSY,R	1	1	1					
3	2	172441-74030	BELLOWS	1	1	1					
4	2	172441-74040	COMMAND KIT	1	1	1					
5	2	172463-74530	CARDAN KIT	1	1	1					
6	2	172463-74540	RETAINING PLATE	1	1	1					
7	2	172463-74551	PLUNGER KIT	1	1	1					
8	2	172463-74561	REGULATION KIT	4	4	4					
9	2	172463-74570	SPRING KIT	1	1	1					
10	2	172A69-74860	HANDLE ASSY	1	1	1					
11	1	172A69-74900	VALVE ASSY,L	1	1	1					
12	2	172441-74030	BELLOWS	1	1	1					
13	2	172441-74040	COMMAND KIT	1	1	1					
14	2	172463-74530	CARDAN KIT	1	1	1					
15	2	172463-74540	RETAINING PLATE	1	1	1					
16	2	172463-74551	PLUNGER KIT	1	1	1					
17	2	172463-74561	REGULATION KIT	4	4	4					
18	2	172463-74570	SPRING KIT	1	1	1					
19	2	172A69-74910	HANDLE	1	1	1					
20	1	172123-76121	JOINT PF1/4	10	10	10					
21	1	172455-76220	CONNECTOR PF1/4	2	2	2					
22	1	22137-060000	WASHER 6, POLISHED	6	6	6					
23	1	26013-060162	BOLT M 6X 16	4	4	4					
23-1	1	26014-060162	BOLT M 6X 16	4	4	4					N
		(A=FROM 1ST) (B=FROM 1ST) (C=FROM 1ST)									
24	1	26013-060162	BOLT M 6X 16	6	6	6					
24-1	1	26014-060162	BOLT M 6X 16	6	6	6					N
		(A=FROM 1ST) (B=FROM 1ST) (C=FROM 1ST)									
25	1	41851-000110	PACKING, 11.0	12	12	12					

Fig.84. REMOTE CONTROL VALVE(TRAVEL)

(A)=SV100-1(US)
 (B)=SV100-1(AS)
 (C)=SV100-1(NZ)

(D)=
 (E)=
 (F)=



REF.	LEV.	PARTS NO.	DESCRIPTION	Q'TY						I	R
				(A)	(B)	(C)	(D)	(E)	(F)		
1	1	172A69-74700	VALVE ASSY,TRAVEL	1	1	1					
2	2	172A69-71300	SEAT,SPRING	4	4	4					
3	2	172A69-71310	BALL,STEEL	12	12	12					
4	2	172A69-71320	SEAT,SPRING	4	4	4					
5	2	172A69-71330	ROD,PUSH	4	4	4					
6	2	172A69-71340	BOLT 10X16	4	4	4					
7	2	172A69-71350	SEAL KIT SUB	1	1	1					
8	3	172A69-71360	O-RING	4	4	4					
9	3	172A69-71370	O-RING	4	4	4					
10	3	172A47-74730	PACKING	4	4	4					
11	3	24315-000080	O-RING 1B P-8.0	2	2	2					
12	2	172A69-71380	GREASE CAP	4	4	4					
13	2	172A69-71390	PLUG	4	4	4					
14	2	172A69-71400	COVER	2	2	2					
15	2	172A69-74730	COVER,PEDAL	2	2	2					
16	2	172A69-74740	PEDAL	2	2	2					
17	2	172A69-74750	BLOCK	2	2	2					
18	2	172A47-74760	SHIM	4	4	4					
19	2	172A69-74760	CAM	2	2	2					
20	2	172A47-74770	RO PLUG	3	3	3					
21	2	172A69-74770	SPRING	4	4	4					
22	2	172A69-74780	SPRING	4	4	4					
23	2	172A69-74790	SPRING	4	4	4					
24	2	172A47-74810	WASHER	4	4	4					
25	2	172A47-74840	CAM SHAFT	2	2	2					
26	2	172A47-74850	BUSH	4	4	4					
27	2	172A47-74880	SET SCREW	2	2	2					
28	2	172A47-74890	BELLOWS	2	2	2					
29	2	172455-77150	PLUG	2	2	2					
30	2	24190-100001	BALL 5/16, STEEL	4	4	4					
31	2	24315-000110	O-RING 1B P-11.0	3	3	3					
32	2	26450-060502	BOLT M 6X 50	4	4	4					
33	2	26450-080162	BOLT, M8X16	4	4	4					
34	1	172123-76121	JOINT PF1/4	1	1	1					
35	1	172141-76181	CONNECTOR ASSY, 02FF	4	4	4					
36	2	41851-000110	PACKING, 11.0	4	4	4					
37	1	172A47-76230	NIPPLE G1/4	1	1	1					
38	2	41851-000110	PACKING, 11.0	1	1	1					
39	1	26013-100252	BOLT W/WASHER M10X25	4	4	4					
40	1	41851-000110	PACKING, 11.0	1	1	1					

Fig.85. REMOTE CONTROL VALVE(SWING)

(A)=SV100-1(US)

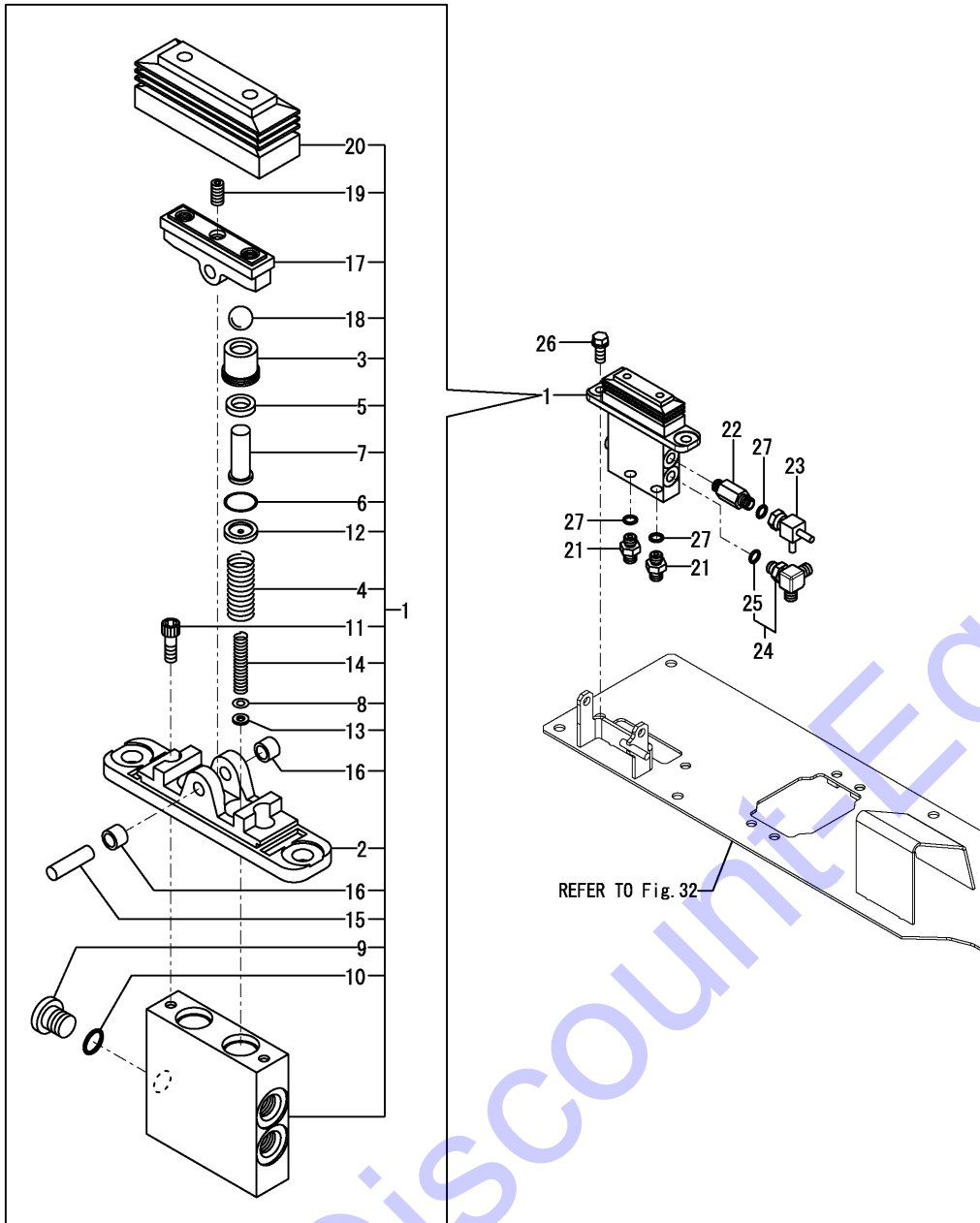
(B)=SV100-1(AS)

(C)=SV100-1(NZ)

(D)=

(E)=

(F)=

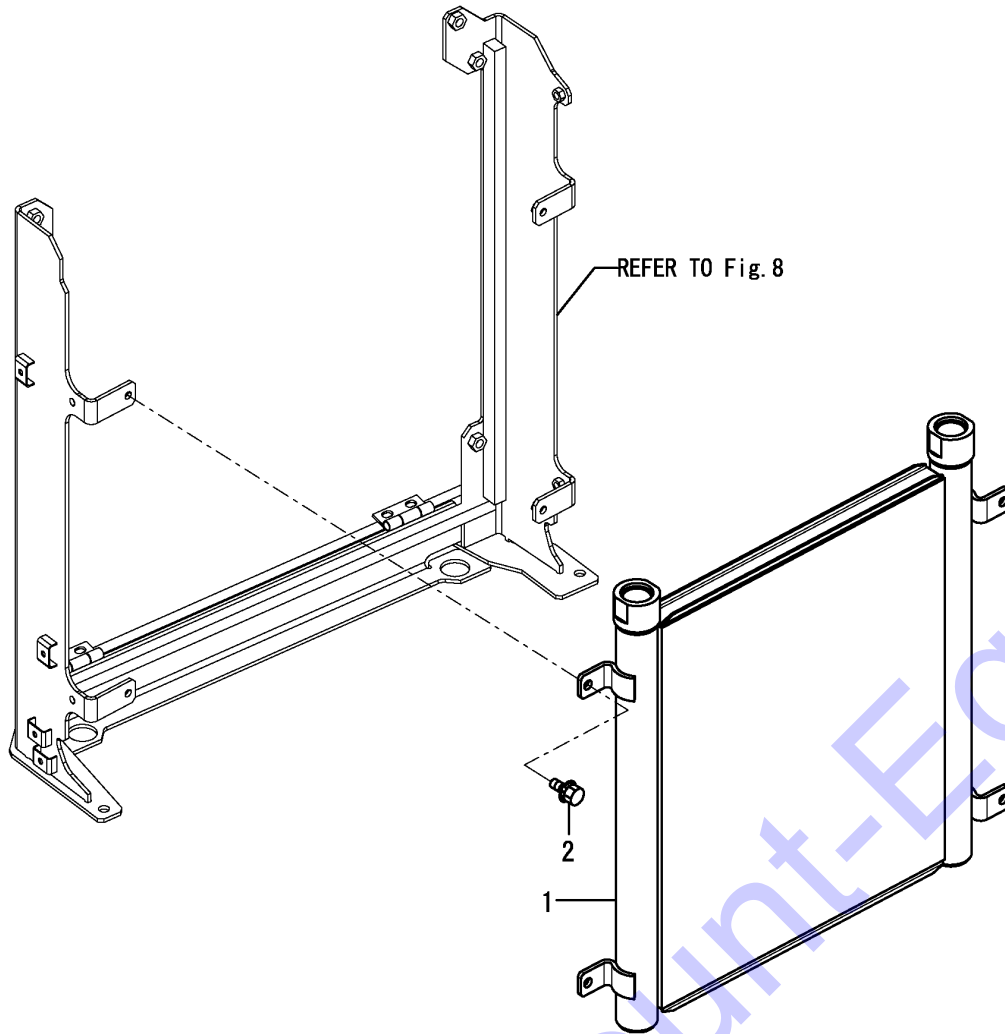


REF.	LEV.	PARTS NO.	DESCRIPTION	Q'TY						I	R
				(A)	(B)	(C)	(D)	(E)	(F)		
1	1	172A69-74710	VALVE ASSY	1	1	1					
2	2	172A47-74710	COVER	1	1	1					
3	2	172A47-74720	PLUG	2	2	2					
4	2	172A69-74720	SPRING	2	2	2					
5	2	172A47-74730	PACKING	2	2	2					
6	2	172A47-74740	O-RING	2	2	2					
7	2	172A47-74750	ROD,PUSH	2	2	2					
8	2	172A47-74760	SHIM	2	2	2					
9	2	172A47-74770	RO PLUG	1	1	1					
10	2	172A47-74780	O-RING	1	1	1					
11	2	172A47-74790	SCREW,HEX,S.H.C	2	2	2					
12	2	172A47-74800	SEAT,SPRING	2	2	2					
13	2	172A47-74810	WASHER	2	2	2					
14	2	172A47-74820	SPRING	2	2	2					
15	2	172A47-74840	CAM SHAFT	1	1	1					
16	2	172A47-74850	BUSH	2	2	2					
17	2	172A47-74860	CAM	1	1	1					
18	2	172A47-74870	BALL,STEEL	2	2	2					
19	2	172A47-74880	SET SCREW	1	1	1					
20	2	172A47-74890	BELLOWS	1	1	1					
21	1	172123-76121	JOINT PF1/4	2	2	2					
22	1	172183-76200	CONNECTOR 1/4-1/4	1	1	1					
23	1	172A47-76320	NIPPLE FEMALE G1/4	1	1	1					
24	1	172491-76330	ADJUSTABLE ELBOW 1/4	1	1	1					
25	2	24315-000110	O-RING 1B P-11.0	1	1	1					
26	1	26013-100252	BOLT W/WASHER M10X25	2	2	2					
27	1	41851-000110	PACKING, 11.0	3	3	3					

Fig.86. OIL COOLER

(A)=SV100-1(US)
 (B)=SV100-1(AS)
 (C)=SV100-1(NZ)

(D)=
 (E)=
 (F)=



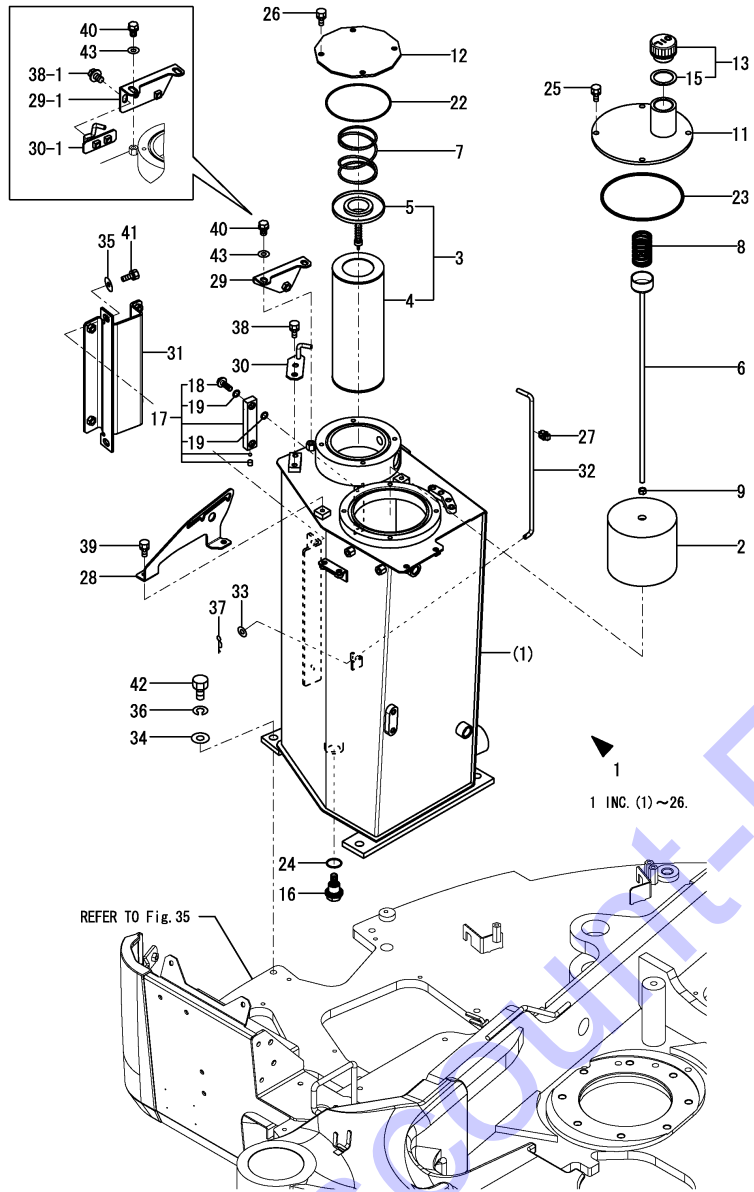
REF.	LEV.	PARTS NO.	DESCRIPTION	Q'TY						I	R
				(A)	(B)	(C)	(D)	(E)	(F)		
1	1	172A69-74800	OIL COOLER ASSY	1	1	1					
2	1	26014-080202	BOLT M 8X 20	4	4	4					

Discount-Equipment.com

Fig.87. HYD.OIL TANK

(A)=SV100-1(US)
 (B)=SV100-1(AS)
 (C)=SV100-1(NZ)

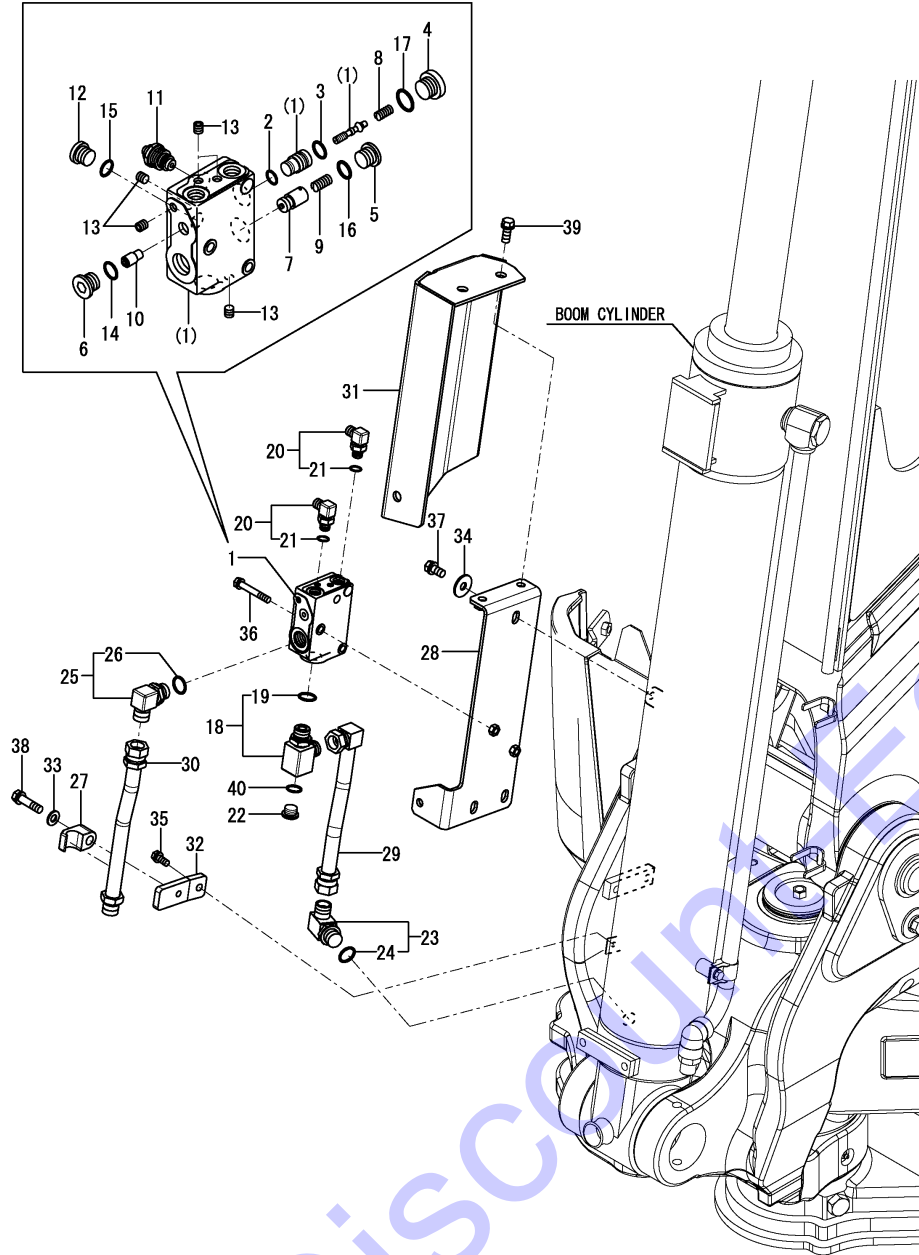
(D)=
 (E)=
 (F)=



REF.	LEV.	PARTS NO.	DESCRIPTION	Q'TY						I	R
				(A)	(B)	(C)	(D)	(E)	(F)		
1	1	772A69-75100	RESERVOIR ASSY	1	1	1					
2	2	172162-73700	STRAINER,SUCTION	1	1	1					
3	2	172187-73700	FILTER ASSY, RETURN	1	1	1					
4	3	172187-73730	ELEMENT	1	1	1					
5	3	172112-74971	VALVE, BY-PASS	1	1	1					
6	2	172A69-75710	ROD ASSY,FILTER	1	1	1					
7	2	172112-75770	SPRING, STRAINER	1	1	1					
8	2	172112-75780	SPRING, STRAINER	1	1	1					
9	2	26716-100002	NUT 10	1	1	1					
11	2	172A69-75240	COVER ASSY	1	1	1					
12	2	172187-75340-2	COVER (GRAY:49)	1	1	1					1
13	2	172A69-75450	CAP, RESERVER	1	1	1					
15	3	172A69-75470	PACKING	1	1	1					
16	2	172187-75500	PLUG 24	1	1	1					
17	2	172A69-75600	GAUGE, OIL LEVEL	1	1	1					
18	3	172455-75290	BOLT M10	2	2	2					
19	3	172455-75300	O-RING	4	4	4					
22	2	24321-001350	O-RING 1A G-135.0	1	1	1					
23	2	24321-001700	O-RING 1A G-170.0	1	1	1					
24	2	24341-000300	O-RING 1A S-30.0	1	1	1					
25	2	26013-100202	BOLT W/WASHER M10X20	4	4	4					
26	2	26013-100202	BOLT W/WASHER M10X20	4	4	4					
27	1	1A7400-61250	HOLDER, ROD 8	1	1	1					
28	1	172A69-62550	GUIDE,STOPPER	1	1	1					
28-1	1	172A89-62550	GUIDE,STOPPER	1	1	1					N
		(A=M10547) (B=M10547) (C=M10547)									
29	1	172A69-62570	STAY ASSY	1	1	1					
29-1	1	172A89-62570	STAY ASSY	1	1	1					N
		(A=M10547) (B=M10547) (C=M10547)									
30	1	172A69-62611	CATCH ASSY,LOCK	1	1	1					
30-1	1	172A89-62610	CATCH ASSY,LOCK	1	1	1					S
		(A=M10547) (B=M10547) (C=M10547)									
31	1	172A69-65720	HINGE ASSY	1	1	1					
32	1	172A69-65780	HOOK,BONNET R	1	1	1					
33	1	22137-080000	WASHER 8, POLISHED	1	1	1					
34	1	22137-160000	WASHER 16,POLISHED	4	4	4					
35	1	22157-100000	WASHER 10	2	2	2					
36	1	22217-160000	SPRING WASHER 16	4	4	4					
37	1	22372-080000	SNAP PIN (JASO 8)	1	1	1					
38	1	26013-100162	BOLT M10X 16	2	2	2					
38-1	1	26014-100202	BOLT M10X 20	2	2	2					S
		(A=M10547) (B=M10547) (C=M10547)									
39	1	26013-100162	BOLT M10X 16	2	2	2					
40	1	26013-100162	BOLT M10X 16	2	2	2					
41	1	26013-100252	BOLT W/WASHER M10X25	2	2	2					
42	1	26116-160352	BOLT M16X 35 PLATED	4	4	4					
43	1	22137-100000	WASHER 10,POLISHED	2	2	2					
44A	1	172437-03322	LABEL, HYD.OIL TANK	1	1	1					2

Remarks
 (1)PLEASE USE THIS PART WITH FOLLOWING LABEL AT THE SAME TIME. REF NO.44A.
 (2)LABEL IS NOT ILLUSTRATED.

Fig.88. HOLD VALVE(BOOM)



(A)=SV100-1(US)
 (B)=SV100-1(AS)
 (C)=SV100-1(NZ)

(D)=
 (E)=
 (F)=

REF.	LEV.	PARTS NO.	DESCRIPTION	Q'TY						I	R
				(A)	(B)	(C)	(D)	(E)	(F)		
1	1	172A69-74650	VALVE ASSY,HOLD	1	1	1					
2	2	172A25-74420	O-RING	1	1	1					
3	2	172A25-74430	O-RING	1	1	1					
4	2	172A25-74440	PLUG	1	1	1					
5	2	172A25-74450	PLUG	1	1	1					
6	2	172A25-74460	PLUG	1	1	1					
7	2	172A25-74470	POPPET	1	1	1					
8	2	172A25-74480	SPRING	1	1	1					
9	2	172A25-74490	SPRING	1	1	1					
10	2	172A25-74501	PISTON	1	1	1					
11	2	172A69-74660	VALVE,RELIEF 33	1	1	1					
12	2	172455-77140	PLUG	1	1	1					
13	2	172455-77150	PLUG	5	5	5					
14	2	24315-000100	O-RING	1	1	1					
15	2	24315-000110	O-RING	1	1	1					
16	2	24315-000140	O-RING	1	1	1					
17	2	24315-000160	O-RING	1	1	1					
18	1	172A25-76100	CONNECTOR	1	1	1					
19	2	24315-000180	O-RING	1	1	1					
20	1	172141-76181	CONNECTOR ASSY	2	2	2					
21	2	41851-000110	O-RING	2	2	2					
22	1	172183-76180	PLUG	1	1	1					
23	1	172645-76560	CONNECTOR ASSY	1	1	1					
24	2	24315-000180	O-RING	1	1	1					
25	1	172141-76900	CONNECTOR ASSY	1	1	1					
26	2	24315-000180	O-RING	1	1	1					
27	1	172142-76950-6	CLAMP	1	1	1					
27-1	1	172142-76950-N	CLAMP	1	1	1					S
		(A=M11501) (B=M11501) (C=M11501)									
28	1	172A69-77100	BRACKET ,BOOM H (2J)	1	1	1					
28-1	1	172A69-77100-N	BRACKET ,BOOM H	1	1	1					S
		(A=M11501) (B=M11501) (C=M11501)									
29	1	172A69-77150	TUBE A ,BOOM H (2J)	1	1	1					
29-1	1	172A69-77150-N	TUBE A ,BOOM H	1	1	1					S
		(A=M11501) (B=M11501) (C=M11501)									
30	1	172A69-77180	TUBE B ,BOOM H (2J)	1	1	1					
30-1	1	172A69-77180-N	TUBE B ,BOOM H	1	1	1					S
		(A=M11501) (B=M11501) (C=M11501)									
31	1	172A69-77200	COVER,BOOM H (2J)	1	1	1					
31-1	1	172A69-77200-N	COVER,BOOM H	1	1	1					S
		(A=M11501) (B=M11501) (C=M11501)									
32	1	172A69-77240	PLATE,CLAMP H	1	1	1					
33	1	22137-100000	WASHER	1	1	1					
34	1	22157-100000	WASHER	3	3	3					
35	1	26013-080202	BOLT	1	1	1					
36	1	26013-080552	BOLT	2	2	2					
37	1	26013-100202	BOLT	3	3	3					
38	1	26013-100402	BOLT	1	1	1					
39	1	26014-100252	BOLT	3	3	3					
40	1	41851-000140	O-RING	1	1	1					

Remarks

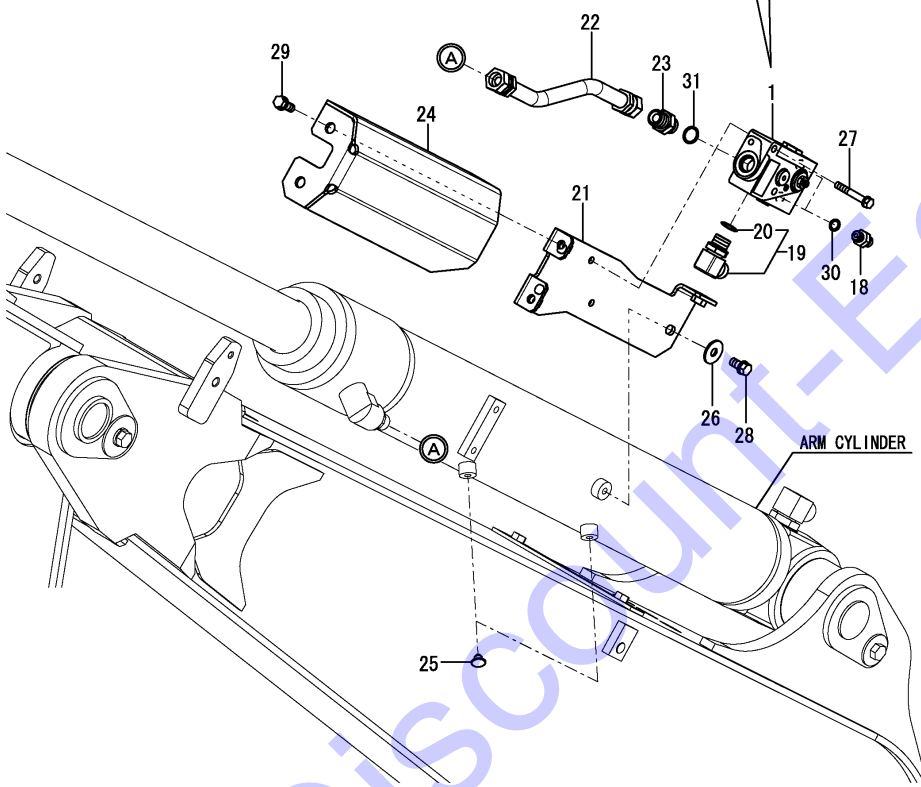
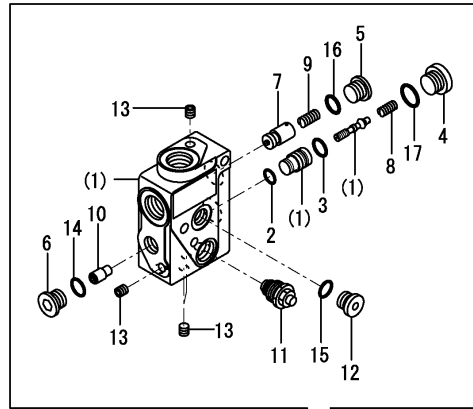
* Hold valve kit is shown in Fig.121.

N:Old $\begin{matrix} \leftarrow \text{Yes} \\ \text{No} \end{matrix}$ New, Q:Old $\begin{matrix} \leftarrow \text{No} \\ \text{Yes} \end{matrix}$ New, R:Old $\begin{matrix} \leftarrow \text{Yes} \\ \text{Yes} \end{matrix}$ New, S:Old $\begin{matrix} \leftarrow \text{No} \\ \text{No} \end{matrix}$ New, W:Add, Z:Discontinued, F:Interchangeable by set, K:Q'ty Change

Fig.89. HOLD VALVE(ARM)

(A)=SV100-1(US)
 (B)=SV100-1(AS)
 (C)=SV100-1(NZ)

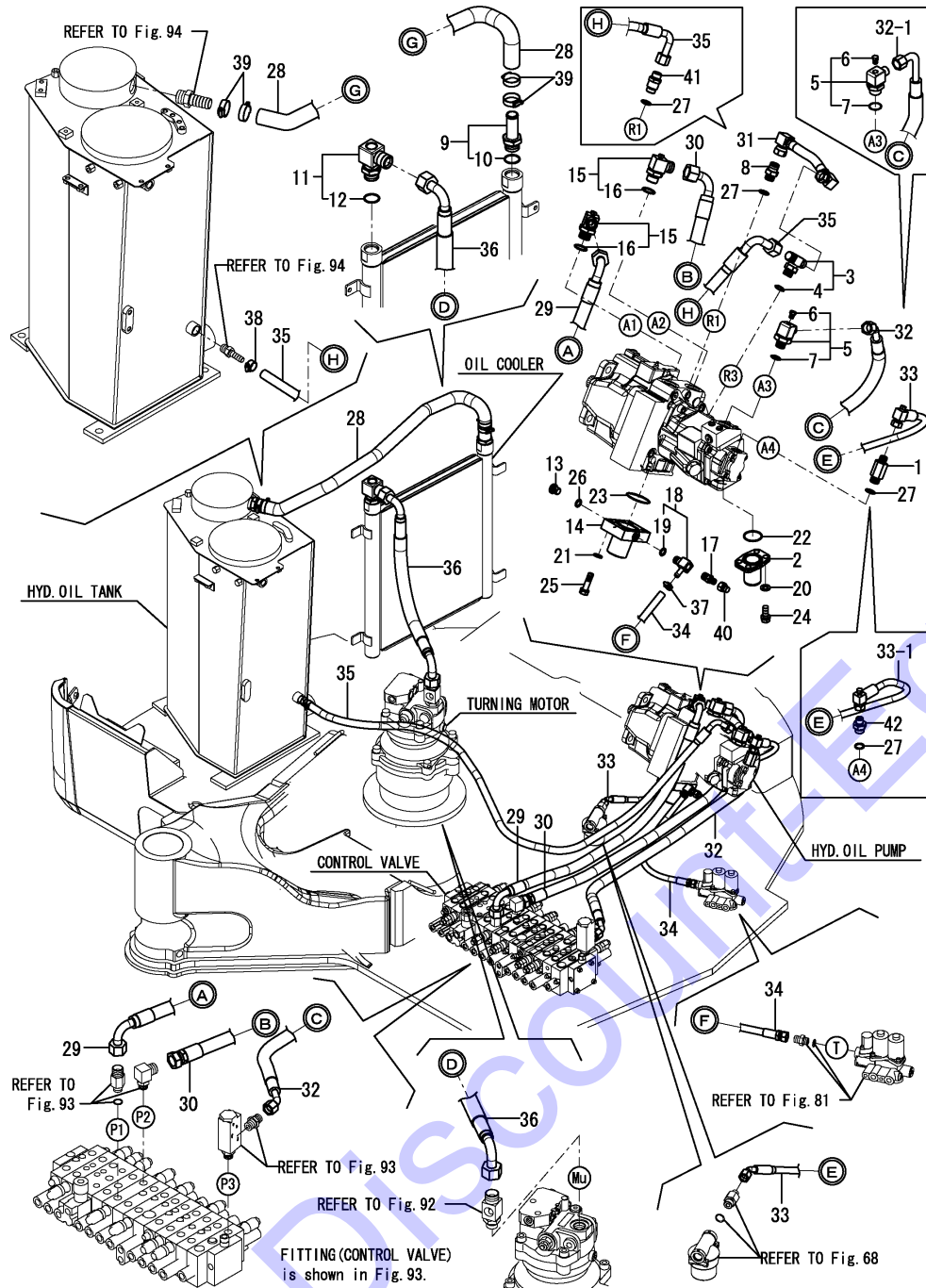
(D)=
 (E)=
 (F)=



REF.	LEV.	PARTS NO.	DESCRIPTION	Q'TY						I	R
				(A)	(B)	(C)	(D)	(E)	(F)		
1	1	172A69-74650	VALVE ASSY,HOLD	1	1	1					
2	2	172A25-74420	O-RING	1	1	1					
3	2	172A25-74430	O-RING	1	1	1					
4	2	172A25-74440	PLUG	1	1	1					
5	2	172A25-74450	PLUG	1	1	1					
6	2	172A25-74460	PLUG	1	1	1					
7	2	172A25-74470	POPPET	1	1	1					
8	2	172A25-74480	SPRING	1	1	1					
9	2	172A25-74490	SPRING	1	1	1					
10	2	172A25-74501	PISTON	1	1	1					
11	2	172A69-74660	VALVE,RELIEF 33	1	1	1					
12	2	172455-77140	PLUG	1	1	1					
13	2	172455-77150	PLUG	5	5	5					
14	2	24315-000100	O-RING	1	1	1					
15	2	24315-000110	O-RING	1	1	1					
16	2	24315-000140	O-RING	1	1	1					
17	2	24315-000160	O-RING	1	1	1					
18	1	172123-76121	ADAPTER	2	2	2					
19	1	172141-76900	CONNECTOR ASSY	1	1	1					
20	2	24315-000180	O-RING	1	1	1					
21	1	172A69-77300	BRACKET ,ARM H (2J)	1	1	1					
21-1	1	172A69-77300-N	BRACKET ,ARM H	1	1	1					S
		(A=M11501) (B=M11501) (C=M11501)									
22	1	172A69-77350	TUBE ASSY,ARM H	1	1	1					
22-1	1	172A69-77350-N	TUBE ASSY,ARM H	1	1	1					S
		(A=M11501) (B=M11501) (C=M11501)									
23	1	172112-77361	CONNECTOR	1	1	1					
24	1	172A69-77400	COVER,ARM H (2J)	1	1	1					
24-1	1	172A69-77400-N	COVER,ARM H	1	1	1					S
		(A=M11501) (B=M11501) (C=M11501)									
25	1	172183-81160	CLIP, TREE	1	1	1					
26	1	22157-100000	WASHER	3	3	3					
27	1	26013-080552	BOLT	2	2	2					
28	1	26013-100202	BOLT	3	3	3					
29	1	26014-100252	BOLT	3	3	3					
30	1	41851-000110	O-RING	2	2	2					
31	1	41851-000180	O-RING	1	1	1					

Remarks
 * Hold valve kit is shown in Fig.121.

Fig.90. HYD.OIL PIPING(PUMP - CONTROL VALVE - OIL COOLER)



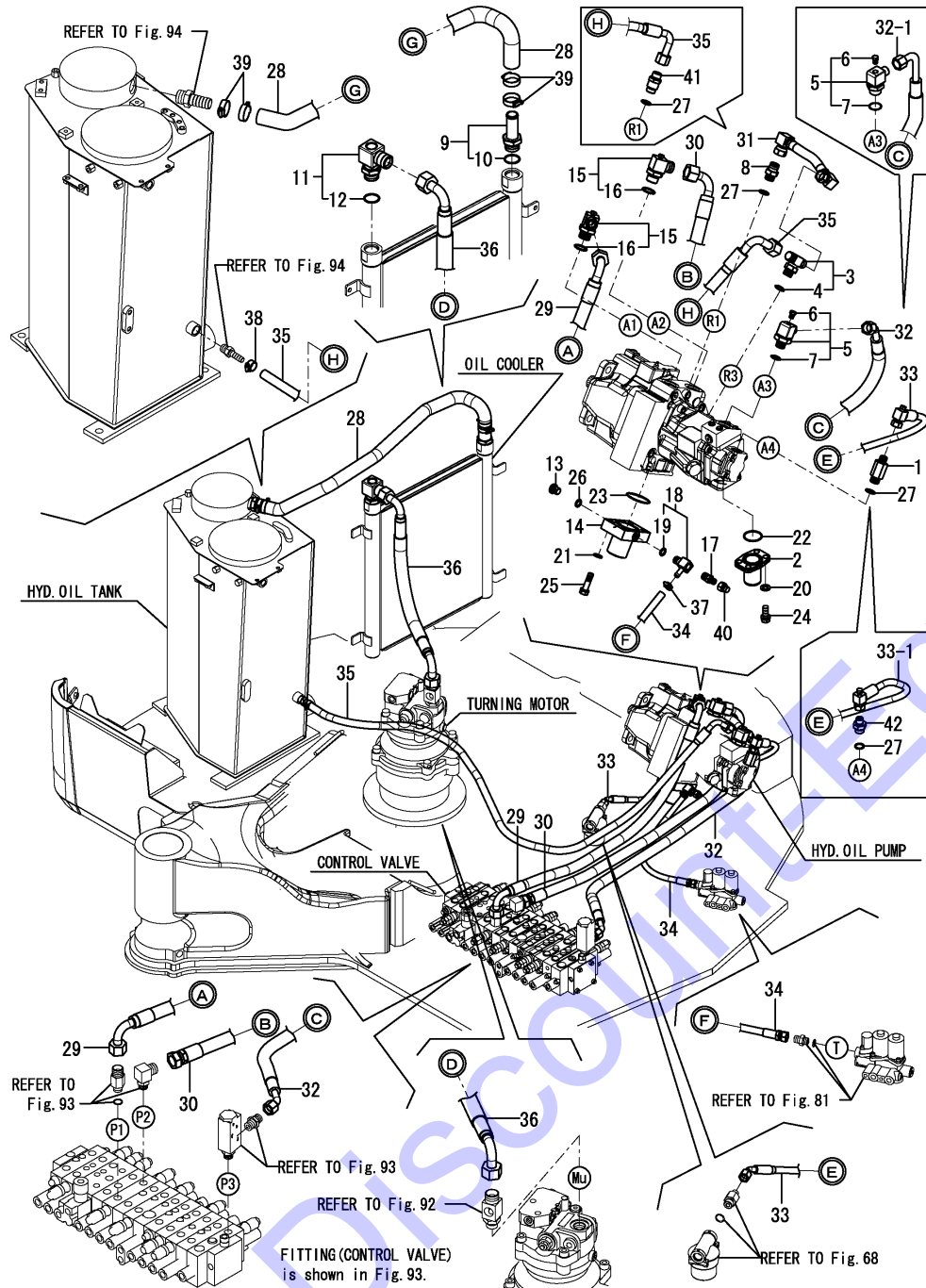
OCS10-G54500 90. HYD.OIL PIPING(PUMP - CONTROL VALVE - OIL COOLER)

(A)=SV100-1(US) (D)=
 (B)=SV100-1(AS) (E)=
 (C)=SV100-1(NZ) (F)=

REF.	LEV.	PARTS NO.	DESCRIPTION	Q'TY						I	R
				(A)	(B)	(C)	(D)	(E)	(F)		
1	1	172110-76020 (A=M11514) (B=M11514) (C=M11514)	CONNECTOR	1	1	1					Z
2	1	172422-76100	FLANGE	1	1	1					
3	1	172422-76110 (A=M11514) (B=M11514) (C=M11514)	JOINT ASSY	1	1	1					Z
4	2	24315-000180	O-RING	1	1	1					
5	1	172A69-76110	ELBOW	1	1	1					
5-1	1	172A89-76110 (A=MZZZZZ) (B=MZZZZZ) (C=MZZZZZ)	ELBOW	1	1	1					N
6	2	172460-76570	PLUG, SCREW	1	1	1					
6-1	2	172A89-76120 (A=MZZZZZ) (B=MZZZZZ) (C=MZZZZZ)	PLUG, SCREW	1	1	1					N
7	2	41851-000240	O-RING	1	1	1					
8	1	172112-77361 (A=M11514) (B=M11514) (C=M11514)	CONNECTOR	1	1	1					Z
9	1	172A69-76120	NIPPLE	1	1	1					
10	2	172A65-76790	O-RING	1	1	1					
11	1	172A69-76130	ELBOW	1	1	1					
12	2	172A65-76790	O-RING	1	1	1					
13	1	172499-76160	PLUG	1	1	1					
14	1	172A69-76160	FLANGE ASSY	1	1	1					
15	1	172187-76191	ELBOW, ADJUST	2	2	2					
16	2	41851-000240	O-RING	2	2	2					
17	1	172312-76190	NIPPLE	1	1	1					
18	1	172A69-76190	ELBOW	1	1	1					
19	2	41851-000140	O-RING	1	1	1					
20	1	22117-100000	WASHER	4	4	4					
21	1	22117-120000	WASHER	4	4	4					
22	1	24325-000400	O-RING	1	1	1					
23	1	24325-000550	O-RING	1	1	1					
24	1	26013-100252	BOLT	4	4	4					
24-1	1	26013-100302 (A=MZZZZZ) (B=MZZZZZ) (C=MZZZZZ)	BOLT	4	4	4					N
25	1	26013-120302	BOLT	4	4	4					
26	1	41851-000110	O-RING	1	1	1					
27	1	41851-000180	O-RING	2	2	2					
28	1	172A69-78130	HOSE	1	1	1					
29	1	172A69-78150	HOSE	1	1	1					
30	1	172A69-78160	HOSE	1	1	1					
31	1	172499-78170 (A=M11514) (B=M11514) (C=M11514)	HOSE	1	1	1					Z
32	1	172A69-78170	HOSE	1	1	1					
32-1	1	172A69-78171 (A=M11514) (B=M11514) (C=M11514)	HOSE, H108CE110S	1	1	1					S
33	1	172A69-78180	HOSE	1	1	1					
33-1	1	172A69-78181 (A=M11514) (B=M11514) (C=M11514)	HOSE, H604EZ082	1	1	1					S
34	1	172A69-78200	HOSE	1	1	1					
35	1	172A69-78210	HOSE	1	1	1					
36	1	172A69-78240	HOSE	1	1	1					
36-1	1	172A89-78250	HOSE G616CC060	1	1	1					S

N:Old $\frac{Yes}{No}$ New, Q:Old $\frac{No}{Yes}$ New, R:Old $\frac{Yes}{Yes}$ New, S:Old $\frac{No}{No}$ New, W:Add, Z:Discontinued, F:Interchangeable by set, K:Q'ty Change
 ++ CONTINUE ++
 (C)Copyrights YANMAR CO.,LTD.

Fig.90. HYD.OIL PIPING(PUMP - CONTROL VALVE - OIL COOLER)



(A)=SV100-1(US)

(B)=SV100-1(AS)

(C)=SV100-1(NZ)

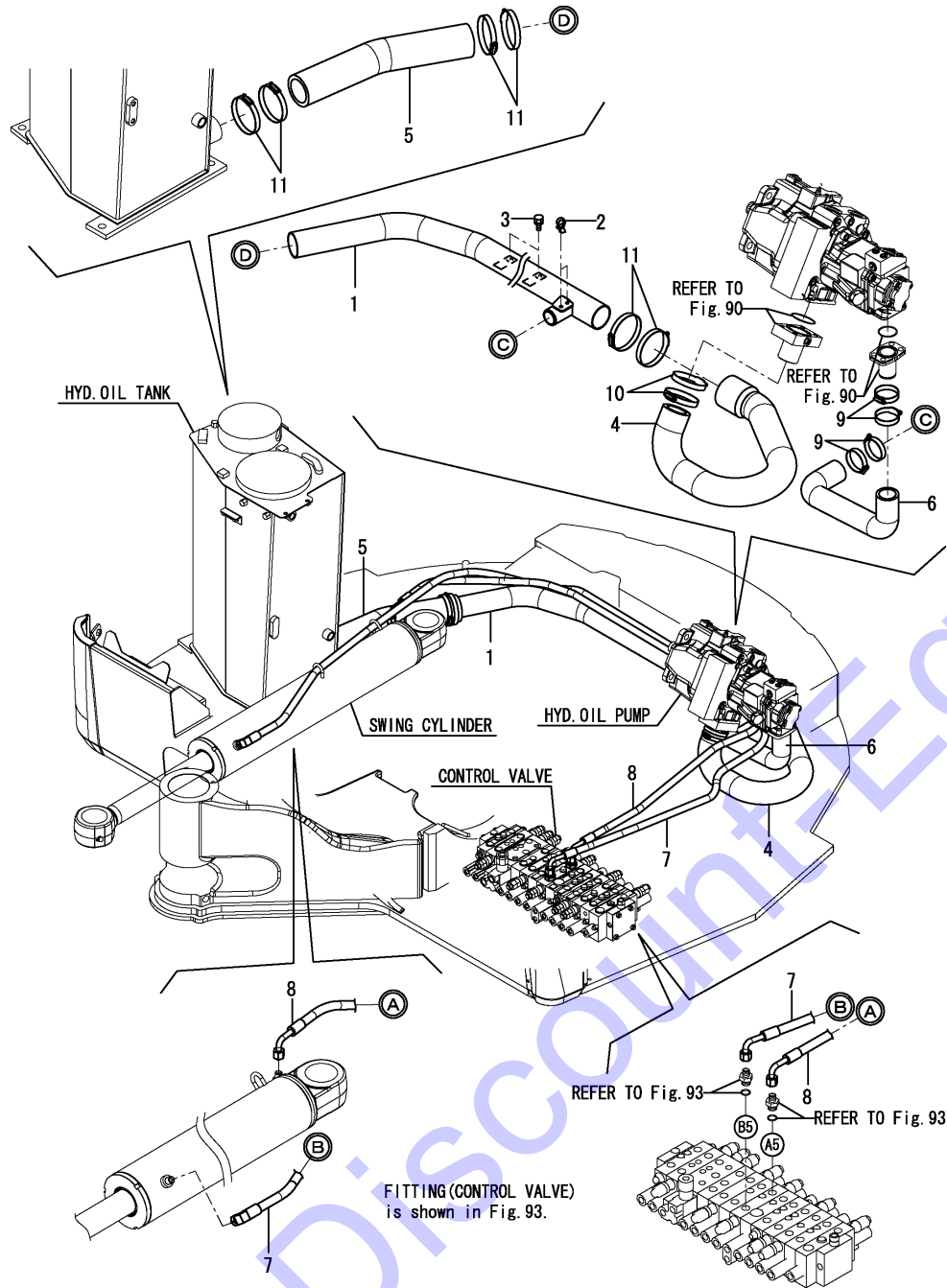
(D)=

(E)=

(F)=

REF.	LEV.	PARTS NO.	DESCRIPTION	QTY						I	R	
				(A)	(B)	(C)	(D)	(E)	(F)			
		(A=MZZZZZ)	(B=MZZZZZ)	(C=MZZZZZ)								
37	1	23001-016000	CLAMP, HOSE		1	1	1					
38	1	23001-022000	CLAMP, HOSE		1	1	1					
39	1	23001-041000	CLAMP, HOSE		4	4	4					
40	1	1E3030-78370	CAP		1							
41	1	172147-76271	CONNECTOR		1	1	1					W
		(A=M11514)	(B=M11514)	(C=M11514)								
42	1	933160-01370	CONNECTOR		1	1	1					W
		(A=M11514)	(B=M11514)	(C=M11514)								

Fig.91. HYD.OIL PIPING(TANK - PUMP, SWING CYLINDER)



OCS10-G54500 91. HYD.OIL PIPING(TANK - PUMP, SWING CYLINDER)

(A)=SV100-1(US)

(B)=SV100-1(AS)

(C)=SV100-1(NZ)

(D)=

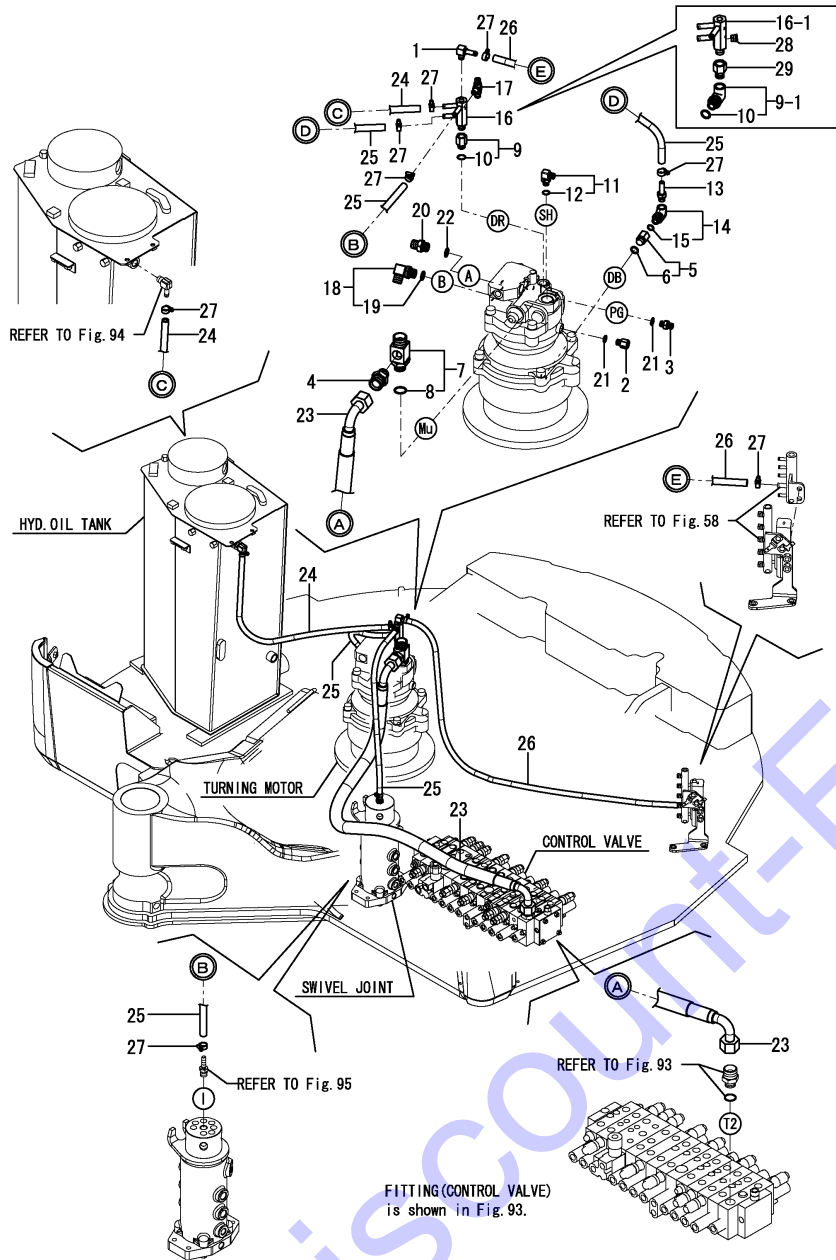
(E)=

(F)=

REF.	LEV.	PARTS NO.	DESCRIPTION	Q'TY						I	R
				(A)	(B)	(C)	(D)	(E)	(F)		
1	1	172A69-76470	TUBU ASSY,SUCTION	1	1	1					
2	1	1E8775-84120	BAND CLAMP	2	2	2					
3	1	26013-100202	BOLT W/WASHER M10X20	2	2	2					
4	1	172A69-78080	HOSE ASSY,59 A	1	1	1					
5	1	172A69-78110	HOSE,59 B	1	1	1					
6	1	172A69-78120	HOSE 39.5	1	1	1					
7	1	172A69-78380	HOSE H106BV340S	1	1	1					
8	1	172A69-78390	HOSE H106CC250S	1	1	1					
9	1	23001-054000	CLAMP, HOSE 54	4	4	4					
10	1	23001-080000	HOSE CLIP	2	2	2					
11	1	23001-090000	HOSE CLAMP 90	6	6	6					

Fig.92. HYD.OIL PIPING(CONTROL VALVE - TURNING MOTOR)

(A)=SV100-1(US) (D)=
 (B)=SV100-1(AS) (E)=
 (C)=SV100-1(NZ) (F)=



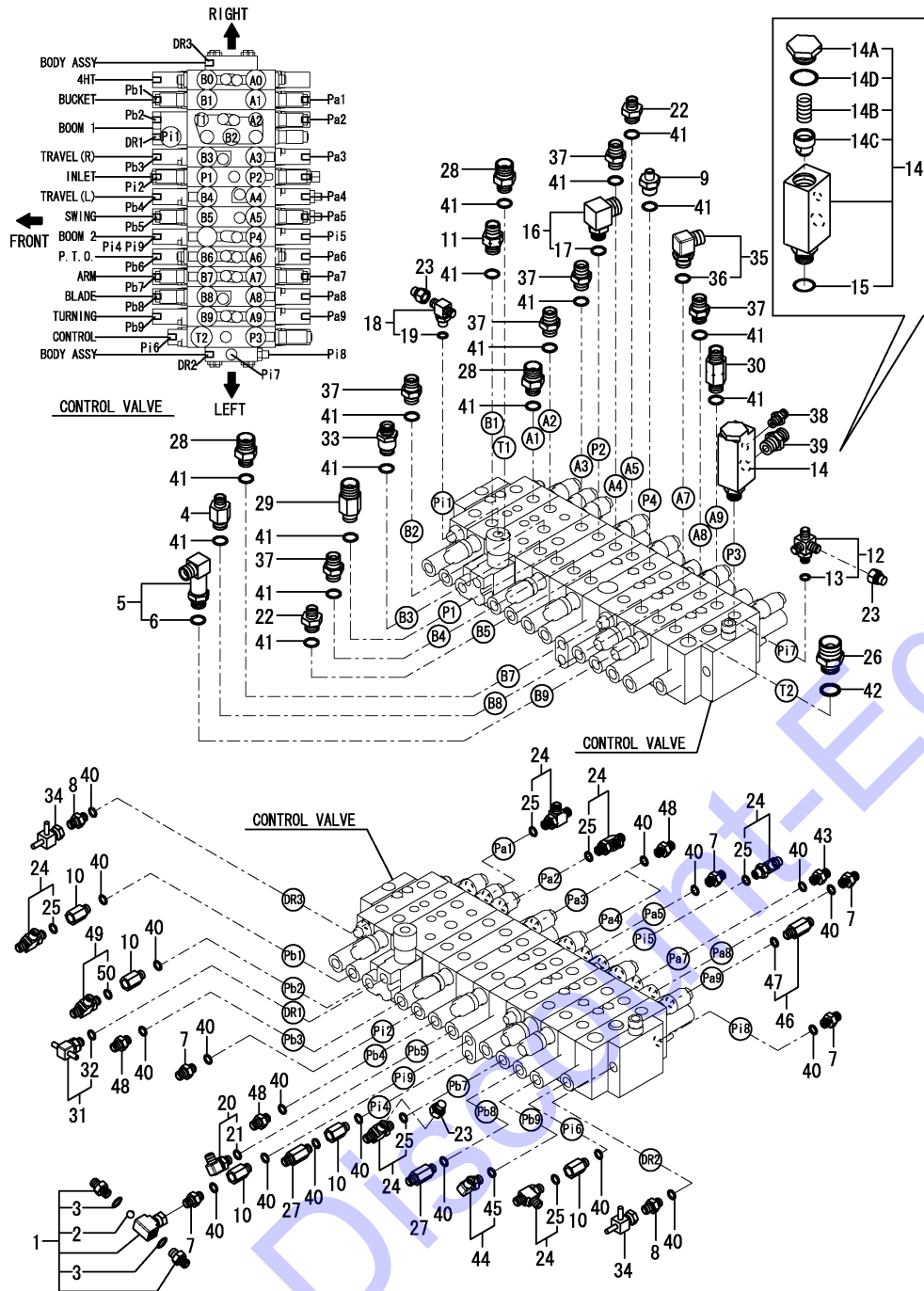
REF.	LEV.	PARTS NO.	DESCRIPTION	Q'TY						I	R
				(A)	(B)	(C)	(D)	(E)	(F)		
1	1	172155-11120	ELBOW	1	1	1					
2	1	172156-76110	CONNECTOR	1	1	1					
3	1	172123-76121	JOINT PF1/4	1	1	1					
4	1	172187-76131	CONNECTER(PF3/4-PT3/	1	1	1					
5	1	172A52-76130	JOINT G3/8	1	1	1					
6	2	24315-000140	O-RING 1B P-14.0	1	1	1					
7	1	172187-76141	CONNECTOR(PF1-PF3/4	1	1	1					
8	2	24315-000240	O-RING 1B P-24.0	1	1	1					
9	1	172A69-76140	ADAPTER M/F 3/8	1	1	1					
9-1	1	172644-76180	ELBOW,90 ADJUSTING	1	1	1					S
		(A=MZZZZZ) (B=MZZZZZ) (C=MZZZZZ)									
10	2	41851-000140	O RING P 14.0 HNBR	1	1	1					
11	1	172141-76920	CONNECTOR 3/8-1/4L	1	1	1					
12	2	24315-000140	O-RING 1B P-14.0	1	1	1					
13	1	172165-76270	NIPPLE	1	1	1					
14	1	172499-76300	ELBOE3/8	1	1	1					
15	2	24315-000140	O-RING 1B P-14.0	1	1	1					
16	1	172499-76310	JOINT 3/8	1	1	1					
16-1	1	172499-76311	JOINT 3/8	1	1	1					F 1
		(A=MZZZZZ) (B=MZZZZZ) (C=MZZZZZ)									
17	1	172162-76320	CONNECTOR 3-1/4	1	1	1					
18	1	172141-76900	CONNECTOR 1/2L	1	1	1					
19	2	24315-000180	O-RING 1B P-18.0	1	1	1					
20	1	172112-77361	CONNECTOR	1	1	1					
21	1	41851-000110	PACKING, 11.0	2	2	2					
22	1	41851-000180	O RING	1	1	1					
23	1	172A69-78230	HOSE G616CC159S	1	1	1					
24	1	172A69-78250	HOSE G806YY075	1	1	1					
25	1	172A69-78260	HOSE G806YY060	2	2	2					
25-1	1	172A50-78860	HOSE	1	1	1					S
		(A=MZZZZZ) (B=MZZZZZ) (C=MZZZZZ)									
26	1	172A69-78270	HOSE G806YY140	1	1	1					
27	1	23001-016000	HOSE CLAMP 16	8	8	8					
28	1	23871-020000	PLUG PT1/4,SCREW	1	1	1					W
		(A=MZZZZZ) (B=MZZZZZ) (C=MZZZZZ)									
29	1	172633-76200	ADAPTER PT3/8	1	1	1					W
		(A=MZZZZZ) (B=MZZZZZ) (C=MZZZZZ)									

Remarks
 (1)Interchangeable by simultaneous replacement with Ref.No.28.

Fig.93. HYD.OIL PIPING(CONTROL VALVE : FITTING)

(A)=SV100-1(US)
 (B)=SV100-1(AS)
 (C)=SV100-1(NZ)

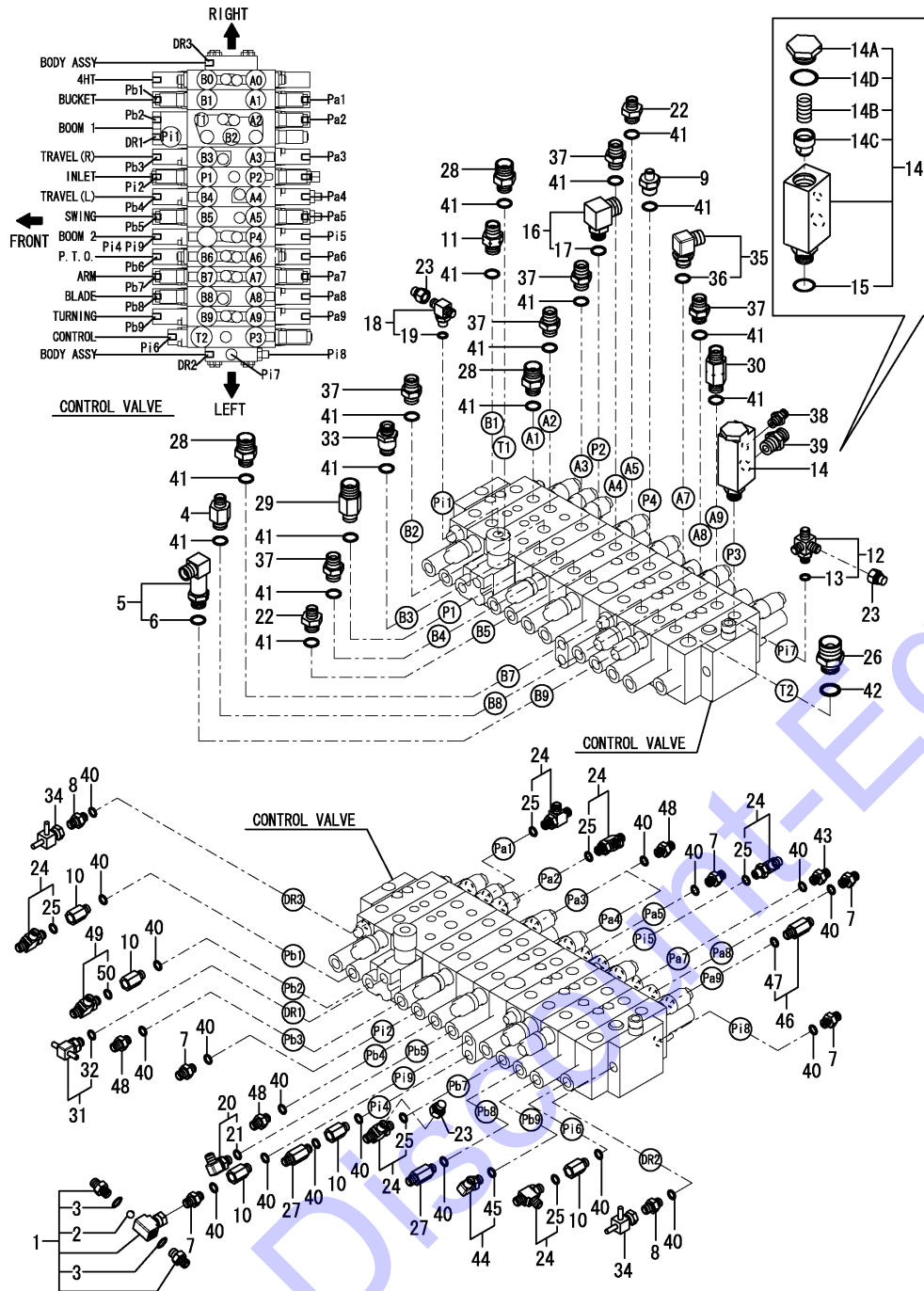
(D)=
 (E)=
 (F)=



REF.	LEV.	PARTS NO.	DESCRIPTION	Q'TY						I	R
				(A)	(B)	(C)	(D)	(E)	(F)		
1	1	172A86-74500	VALVE,SHUTTLE	1	1	1					
2	2	24190-140001	BALL 7/16, STEEL	1	1	1					
3	2	41851-000110	PACKING, 11.0	2	2	2					
4	1	172423-76100	CONNECTOR	1	1	1					
5	1	172524-76110	ELBOW 1/2 L	1	1	1					
6	2	24315-000180	O-RING 1B P-18.0	1	1	1					
7	1	172123-76121	JOINT PF1/4	5	5	5					
8	1	172123-76121	JOINT PF1/4	2	2	2					
9	1	172423-76120	CONNECTOR	1	1	1					
10	1	172422-76140	CONNECTOR	5	5	5					
11	1	172423-76140	CONNECTOR 1/2X 1/2	1	1	1					
12	1	172491-76140	CONNECTOR 1/4	1	1	1					
13	2	24315-000110	O-RING 1B P-11.0	1	1	1					
14	1	172A69-76150	ELBOW,901/2	1	1	1					
14A	2	172A69-76050	PLUG	1	1	1					
14B	2	172A69-76060	SPRING	1	1	1					
14C	2	172A69-76070	VALVE, POPPET	1	1	1					
14D	2	24315-000240	O-RING 1B P-24.0	1	1	1					
15	2	41851-000180	O RING	1	1	1					
16	1	172151-76161	ELBOW	1	1	1					
17	2	24315-000180	O-RING 1B P-18.0	1	1	1					
18	1	172187-76170	THEETH	1	1	1					
19	2	24315-000110	O-RING 1B P-11.0	1	1	1					
20	1	172141-76181	CONNECTOR ASSY, 02FF	1	1	1					
21	2	41851-000110	PACKING, 11.0	1	1	1					
22	1	933160-01370	CONNECTOR PF1/2-3/8	2	2	2					
23	1	1E3030-78370	CAP G 1/4	3							
24	1	172162-76181	JOINT 3-1/4 ASSY	6	6	6					
25	2	41851-000110	PACKING, 11.0	6	6	6					
26	1	172151-76200	JOINT PF3/4- 1	1	1	1					
27	1	172183-76200	CONNECTOR 1/4-1/4	2	2	2					
28	1	172187-76200	ADAPTER	3	3	3					
29	1	172455-76200	CONNECTOR 1/2-3/4	1	1	1					
30	1	172176-76210	JOINT PF1/2	1	1	1					
31	1	172A47-76230	NIPPLE G1/4	1	1	1					
32	2	41851-000110	PACKING, 11.0	1	1	1					
33	1	172147-76271	CONNECTOR	1	1	1					
34	1	172A47-76320	NIPPLE FEMALE G1/4	2	2	2					
35	1	172141-76900	CONNECTOR 1/2L	1	1	1					
36	2	24315-000180	O-RING 1B P-18.0	1	1	1					
37	1	172112-77361	CONNECTOR	6	6	6					
38	1	23391-020000	JOINT RGI1/4	1	1	1					
39	1	23391-040000	JOINT RGI 1/2	1	1	1					
40	1	41851-000110	PACKING, 11.0	19	19	19					
41	1	41851-000180	O RING	17	17	17					
42	1	41851-000240	PACKING, 24.0	1	1	1					
43	1	172A47-76171	CONNECTOR G1/4-1.0	1	1	1					
44	1	172A47-76180	ELBOE,90G1/4-0.6	1	1	1					
45	2	41851-000110	PACKING, 11.0	1	1	1					
46	1	172A47-76290	CONNECTOR G1/4L-0.6	1	1	1					
47	2	41851-000110	PACKING, 11.0	1	1	1					

N:Old $\begin{matrix} \leftarrow \text{Yes} \\ \text{No} \end{matrix}$ New, Q:Old $\begin{matrix} \leftarrow \text{No} \\ \text{Yes} \end{matrix}$ New, R:Old $\begin{matrix} \leftarrow \text{Yes} \\ \text{Yes} \end{matrix}$ New, S:Old $\begin{matrix} \leftarrow \text{No} \\ \text{No} \end{matrix}$ New, W:Add, Z:Discontinued, F:Interchangeable by set, K:Q'ty Change
 ++ CONTINUE ++
 (C)Copyrights YANMAR CO.,LTD.

Fig.93. HYD.OIL PIPING(CONTROL VALVE : FITTING)



(A)=SV100-1(US)

(B)=SV100-1(AS)

(C)=SV100-1(NZ)

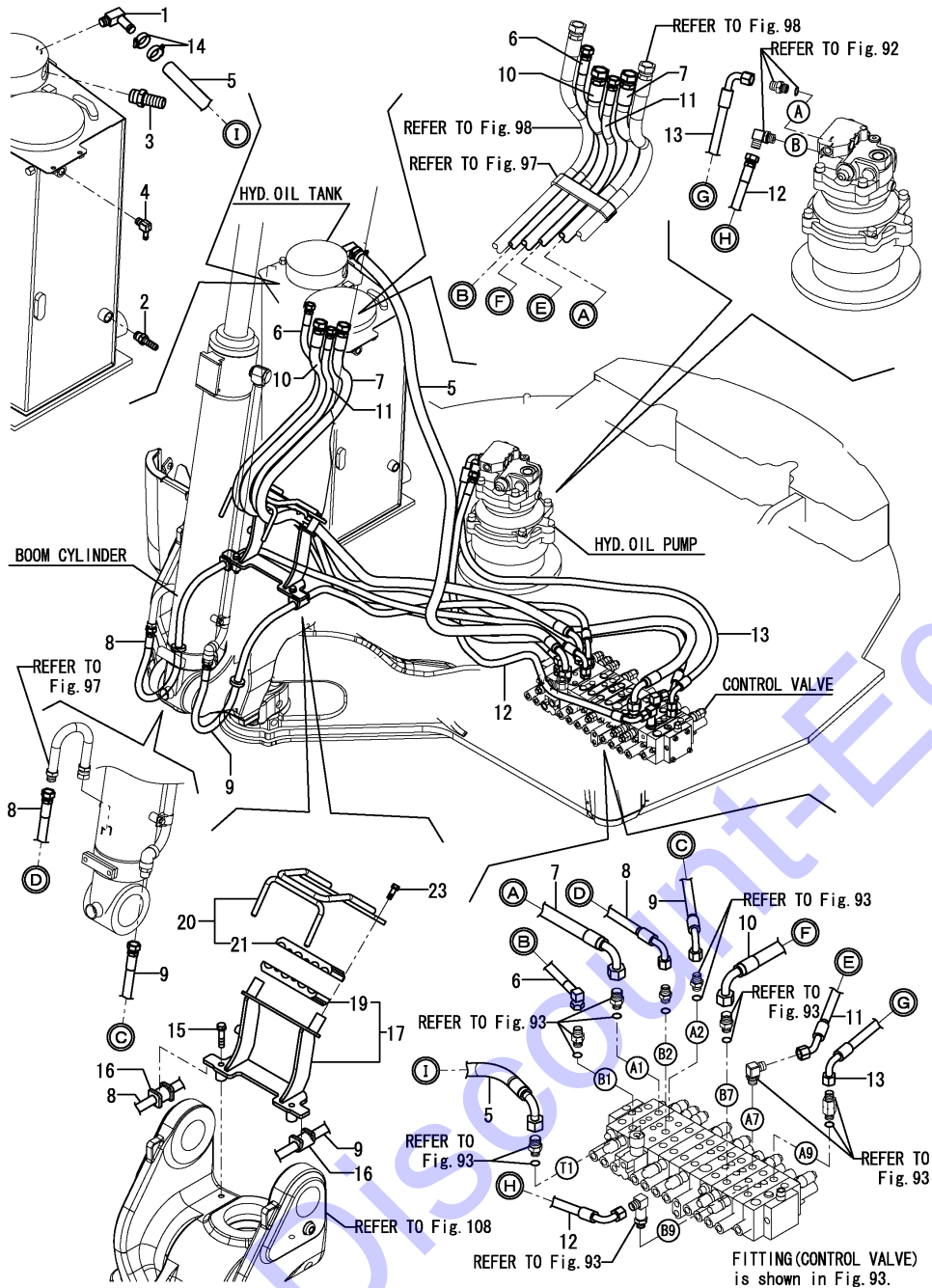
(D)=

(E)=

(F)=

REF.	LEV.	PARTS NO.	DESCRIPTION	Q'TY						I	R
				(A)	(B)	(C)	(D)	(E)	(F)		
48	1	172164-76330	JOINT PF1/4-0.7	4	4	4					
49	1	172164-76700	T-JOINT 1/4	1	1	1					
50	2	24315-000110	O-RING 1B P-11.0	1	1	1					

Fig.94. HYD.OIL PIPING(CONTROL VALVE - BOOM, TURNING MOTOR, TANK)



OCS10-G54500 94. HYD.OIL PIPING(CONTROL VALVE - BOOM, TURNING MOTOR, TANK)

(A)=SV100-1(US) (D)=
 (B)=SV100-1(AS) (E)=
 (C)=SV100-1(NZ) (F)=

REF.	LEV.	PARTS NO.	DESCRIPTION	Q'TY						I	R
				(A)	(B)	(C)	(D)	(E)	(F)		
1	1	172455-76160	ELBOW	1	1	1					
2	1	172168-76170	CONNECTOR	1	1	1					
3	1	172187-76180	NIPPLE, HOSE	1	1	1					
4	1	172168-76370	ELBOW	1	1	1					
5	1	172A69-78220	HOSE	1	1	1					
6	1	172A69-78300	HOSE	1	1	1					
7	1	172A69-78310	HOSE	1	1	1					
8	1	172A69-78320	HOSE	1	1	1					
9	1	172A69-78330	HOSE	1	1	1					
10	1	172A69-78430	HOSE	1	1	1					
11	1	172A69-78440	HOSE	1	1	1					
12	1	172A69-78470	HOSE	1	1	1					
13	1	172A69-78480	HOSE	1	1	1					
14	1	23001-035000	CLAMP, HOSE	2	2	2					
15	1	26013-120602	BOLT	2	2	2					
16	1	172187-78100	RUBBER	2	2	2					
17	1	172A69-79100	CLAMP ASSY, HOSE	1	1	1					
17-1	1	172A69-79100-Y	CLAMP ASSY, HOSE	1	1	1					S
		(A=M11501) (B=M11501) (C=M11501)									
19	2	172A69-79140	SUPPORT, RUBBER	1	1	1					
20	1	172A69-79150	PLATE ASSY, CLAMP	1	1	1					
20-1	1	172A69-79150-Y	PLATE ASSY, CLAMP	1	1	1					S
		(A=M11501) (B=M11501) (C=M11501)									
21	2	172A69-79140	SUPPORT, RUBBER	1	1	1					
23	1	26013-100302	BOLT	2	2	2					

Fig.95. HYD.OIL PIPING(CONTROL VALVE - SWIVEL JOINT)

(A)=SV100-1(US)

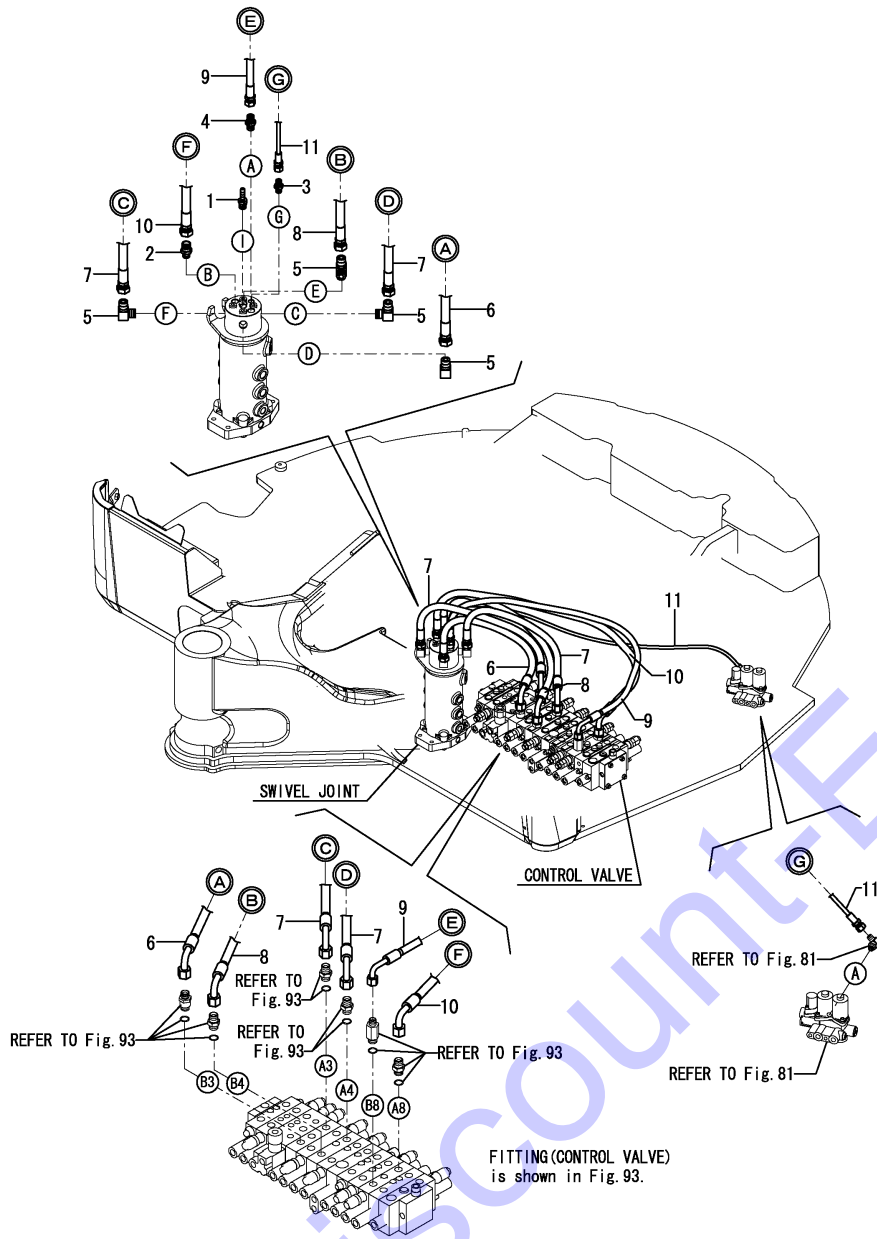
(B)=SV100-1(AS)

(C)=SV100-1(NZ)

(D)=

(E)=

(F)=



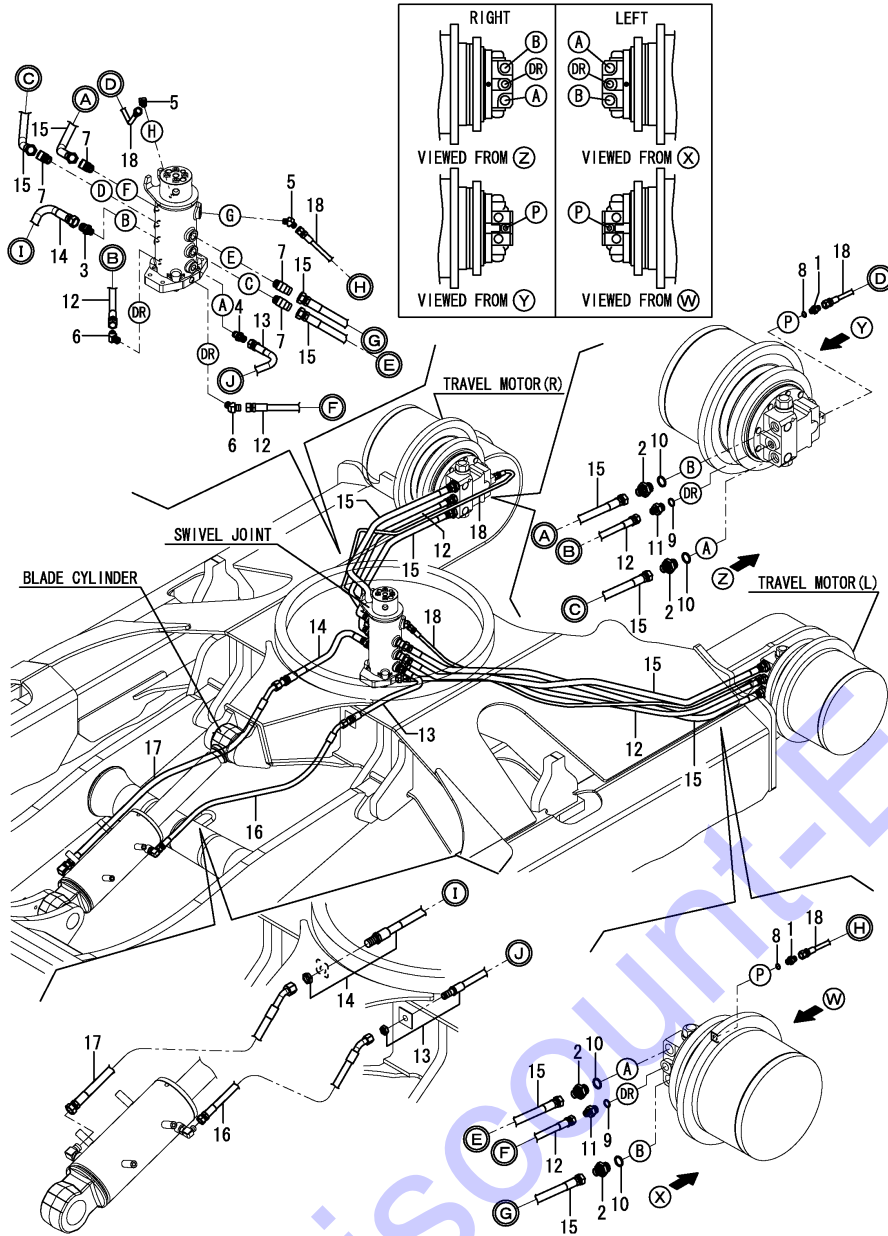
REF.	LEV.	PARTS NO.	DESCRIPTION	Q'TY						I	R
				(A)	(B)	(C)	(D)	(E)	(F)		
1	1	172137-76110	NIPPLE (A=M12063) (B=M12063) (C=M12063)	1	1	1				Z	1
2	1	172141-76940	ADAPTER (A=M12063) (B=M12063) (C=M12063)	1	1	1				Z	1
3	1	23391-020000	JOINT (A=M12063) (B=M12063) (C=M12063)	1	1	1				Z	1
4	1	23391-030000	JOINT (A=M12063) (B=M12063) (C=M12063)	1	1	1				Z	1
5	1	23393-040000	JOINT (A=M12063) (B=M12063) (C=M12063)	4	4	4				Z	1
6	1	172A69-78340	HOSE	1	1	1					
7	1	172A69-78350	HOSE	2	2	2					
8	1	172A69-78360	HOSE	1	1	1					
9	1	172A69-78450	HOSE	1	1	1					
10	1	172A69-78460	HOSE	1	1	1					
11	1	172A69-78900	HOSE	1	1	1					

Remarks
 (1)New parts(:N-spec. Swivel joint)
 are shown in Fig.124(69B).

Fig.96. HYD.OIL PIPING(TRACK FRAME)

(A)=SV100-1(US)
 (B)=SV100-1(AS)
 (C)=SV100-1(NZ)

(D)=
 (E)=
 (F)=



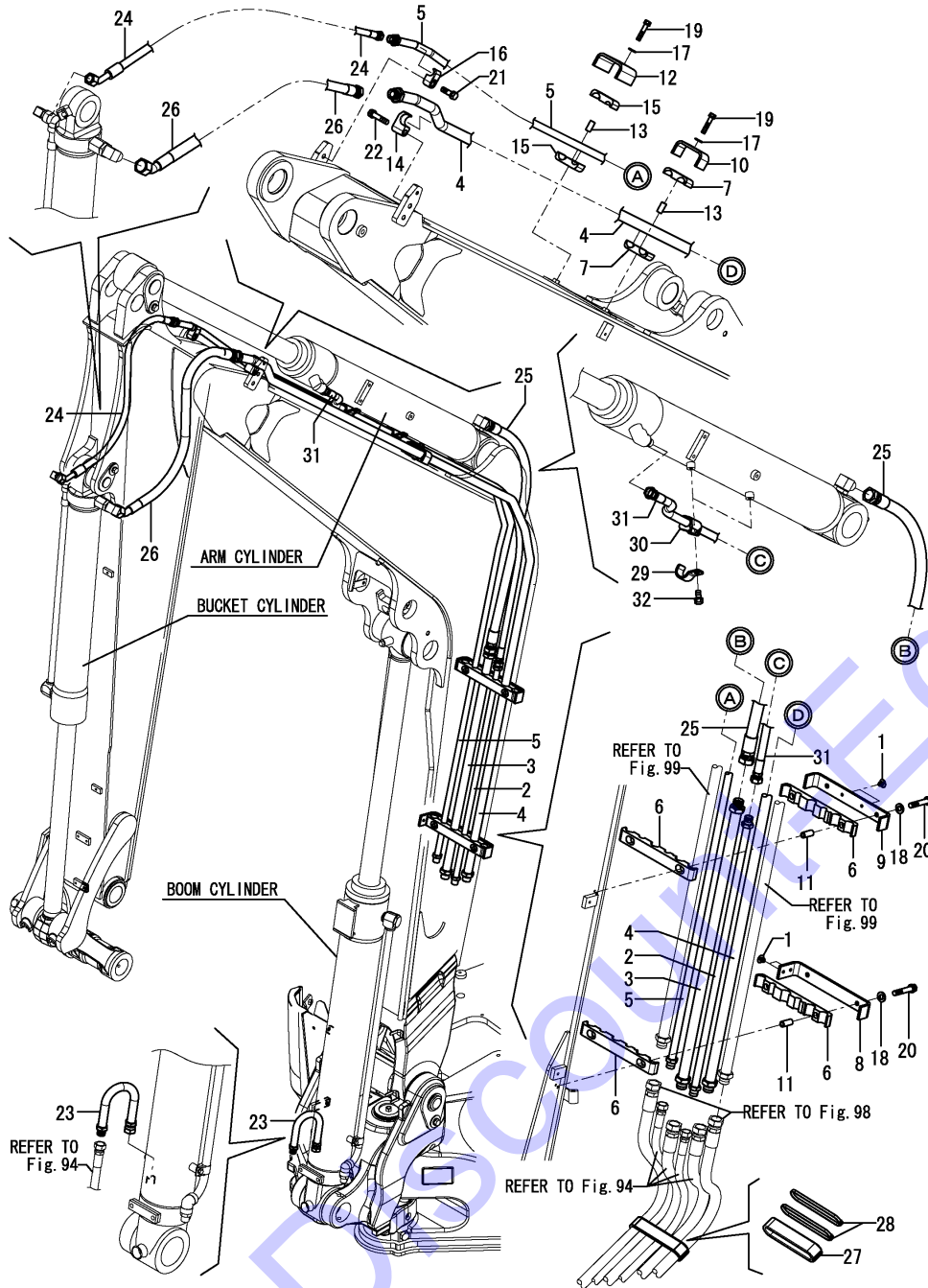
REF.	LEV.	PARTS NO.	DESCRIPTION	Q'TY						I	R
				(A)	(B)	(C)	(D)	(E)	(F)		
1	1	172123-76121	ADAPTER	2	2	2					
2	1	172499-76200	JOINT	4	4	4					
3	1	172141-76940	ADAPTER	1	1	1					Z 1
4	1	23391-030000	JOINT	1	1	1					Z 1
5	1	23394-020000	JOINT	2	2	2					Z 1
6	1	23394-030000	JOINT	2	2	2					Z 1
7	1	23394-040000	JOINT	4	4	4					Z 1
8	1	41851-000110	O-RING	2	2	2					
9	1	41851-000180	O-RING	2	2	2					
10	1	41851-000240	O-RING	4	4	4					
11	1	933160-01370	CONNECTOR	2	2	2					
12	1	172187-78211	HOSE	2	2	2					
13	1	172A69-78510	HOSE	1	1	1					
14	1	172A69-78520	HOSE	1	1	1					
15	1	172499-78530	HOSE	4	4	4					
16	1	172A69-78530	HOSE	1	1	1					
17	1	172A69-78540	HOSE	1	1	1					
18	1	172A69-78560	HOSE	2	2	2					

Remarks
 (1)New parts(:N-spec. Swivel joint)
 are shown in Fig.124(69B).

Fig.97. HYD.OIL PIPING(BOOM)

(A)=SV100-1(US)
 (B)=SV100-1(AS)
 (C)=SV100-1(NZ)

(D)=
 (E)=
 (F)=



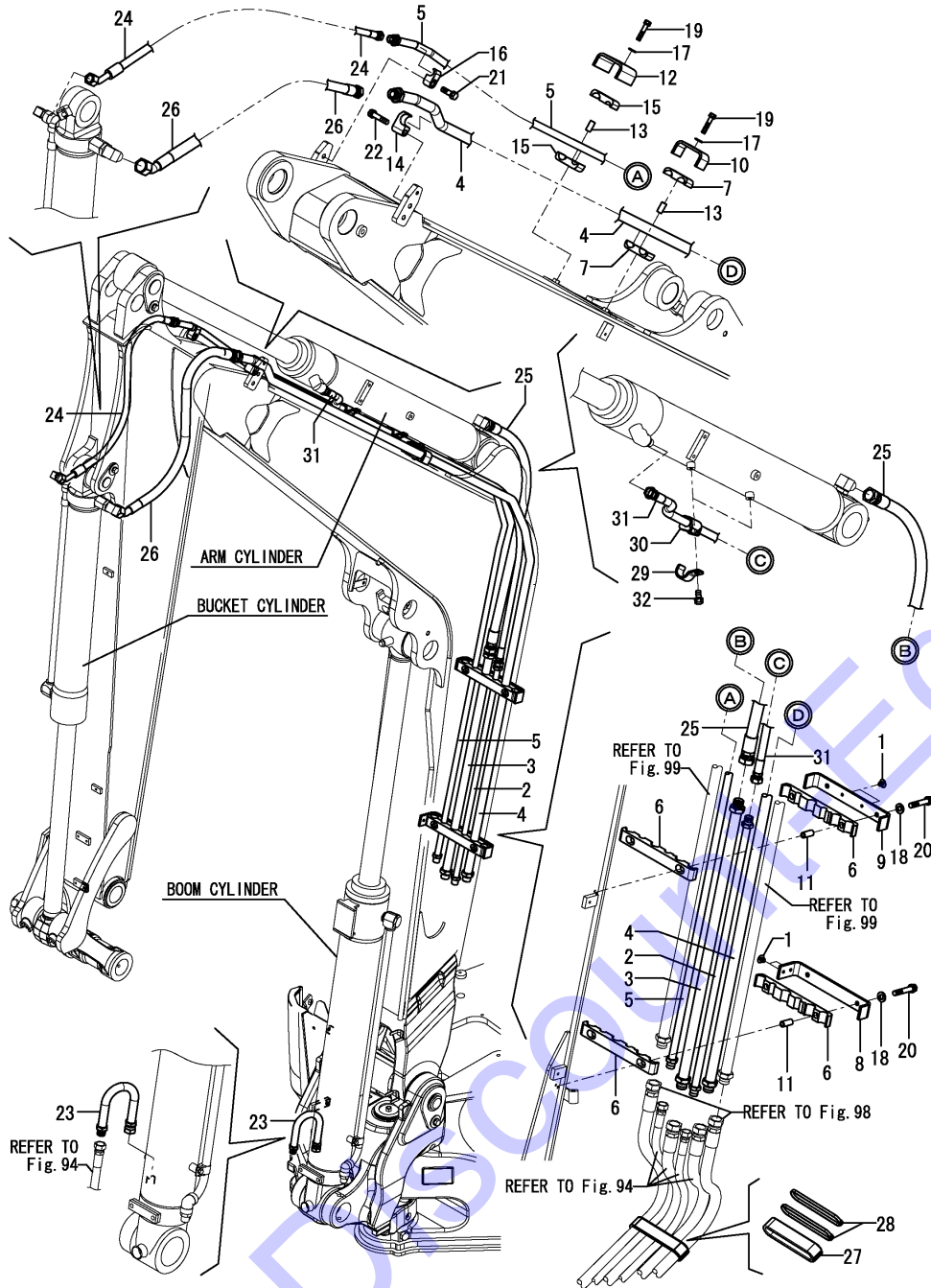
REF.	LEV.	PARTS NO.	DESCRIPTION	Q'TY						I	R
				(A)	(B)	(C)	(D)	(E)	(F)		
1	1	172444-17660	CLIP, TREE	6	6	6					
2	1	172A69-76200	TUBE ASSY, ARM	1	1	1					
2-1	1	172A69-76200-Y	TUBE ASSY, ARM	1	1	1					S
3	1	(A=M11501) 172A69-76220 (B=M11501) (C=M11501)	TUBE ASSY, ARM	1	1	1					
3-1	1	172A69-76220-Y	TUBE ASSY, ARM	1	1	1					S
4	1	(A=M11501) 172A69-76250 (B=M11501) (C=M11501)	TUBE, BUCKET	1	1	1					
4-1	1	172A69-76250-Y	TUBE, BUCKET	1	1	1					S
5	1	(A=M11501) 172A69-76270 (B=M11501) (C=M11501)	TUBE ASSY, BUCKET	1	1	1					
5-1	1	172A69-76270-Y	TUBE ASSY, BUCKET	1	1	1					S
6	1	(A=M11501) 172A69-76400 (B=M11501) (C=M11501)	CLAMP, RUBBER	4	4	4					
7	1	172A69-76410	CLAMP, RUBBER	2	2	2					
8	1	172A69-76420	CLAMP, TUBE	1	1	1					
8-1	1	172A69-76420-Y	CLAMP, TUBE	1	1	1					S
9	1	(A=M11501) 172A69-76430 (B=M11501) (C=M11501)	CLAMP, TUBE	1	1	1					
9-1	1	172A69-76430-Y	CLAMP, TUBE	1	1	1					S
10	1	(A=M11501) 172A69-76440 (B=M11501) (C=M11501)	CLAMP, TUBE	1	1	1					
10-1	1	172A69-76440-Y	CLAMP, TUBE	1	1	1					S
11	1	(A=M11501) 172A69-76450 (B=M11501) (C=M11501)	COLLAR, CLAMP	4	4	4					
12	1	172A69-76460	CLAMP, TUBE	1	1	1					
12-1	1	172A69-76460-Y	CLAMP, TUBE	1	1	1					S
13	1	(A=M11501) 172187-76520 (B=M11501) (C=M11501)	COLLAR, CLAMP	2	2	2					
14	1	172142-76940-2	CLAMP	1	1	1					
14-1	1	172142-76940-Y	CLAMP	1	1	1					S
15	1	(A=M11501) 172187-76940 (B=M11501) (C=M11501)	RUBBER	2	2	2					
16	1	172142-76950-6	CLAMP	1	1	1					
16-1	1	172142-76950-Y	CLAMP	1	1	1					S
17	1	(A=M11501) 22137-100000 (B=M11501) (C=M11501)	WASHER	2	2	2					
18	1	22137-100000	WASHER	4	4	4					
19	1	26013-100502	BOLT	2	2	2					
20	1	26013-100552	BOLT	4	4	4					
21	1	26013-120402	BOLT	1	1	1					
22	1	26013-120552	BOLT	1	1	1					
23	1	172A69-72070	TUBE ASSY, BOOM	1							
23-1	1	(A=M11501) 172A69-72070-N (B=M11501) (C=M11501)	TUBE ASSY, BOOM	1							S
24	1	172499-78210	HOSE	1	1	1					
25	1	172A69-78550	HOSE	1	1	1					
26	1	172A69-78570	HOSE	1	1	1					
27	1	172A69-78680	COVER, HOSE	1	1	1					
28	1	172A69-79890	CLIP, HOSE	2	2	2					
29	1	172A69-72680	CLAMP ASSY, HOSE	2							

N:Old $\frac{Yes}{No}$ New, Q:Old $\frac{No}{Yes}$ New, R:Old $\frac{Yes}{No}$ New, S:Old $\frac{No}{Yes}$ New, W:Add, Z:Discontinued, F:Interchangeable by set, K:Q'ty Change
 ++ CONTINUE ++
 (C)Copyrights YANMAR CO.,LTD.

Fig.97. HYD.OIL PIPING(BOOM)

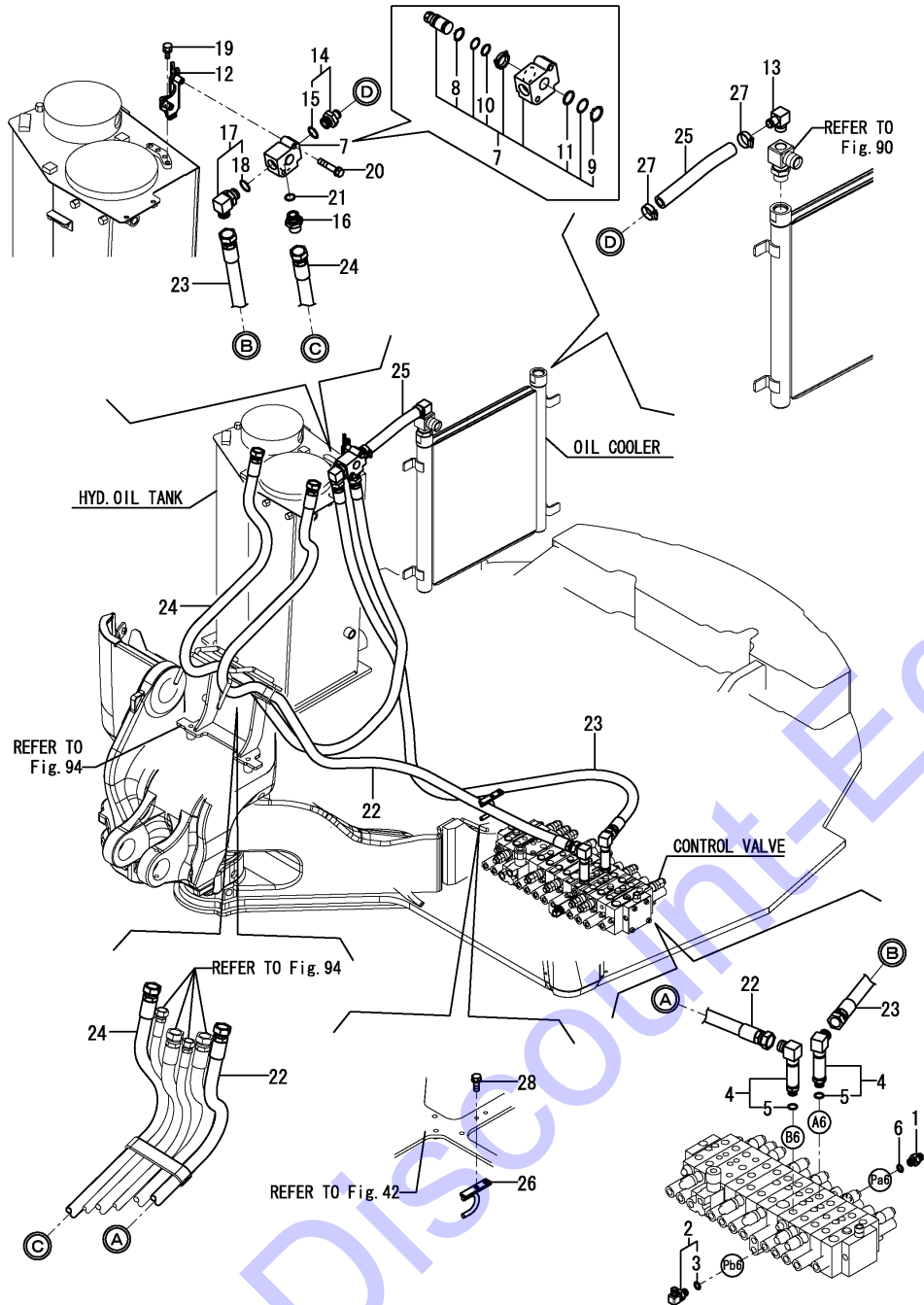
(A)=SV100-1(US)
 (B)=SV100-1(AS)
 (C)=SV100-1(NZ)

(D)=
 (E)=
 (F)=



REF.	LEV.	PARTS NO.	DESCRIPTION	Q'TY						I	R
				(A)	(B)	(C)	(D)	(E)	(F)		
30	1	172187-78100	RUBBER	2							
31	1	172A69-78280	HOSE	1							
32	1	26013-100202	BOLT	2							

Fig.98. HYD.OIL.PIPING(P.T.O. : FRAME END)

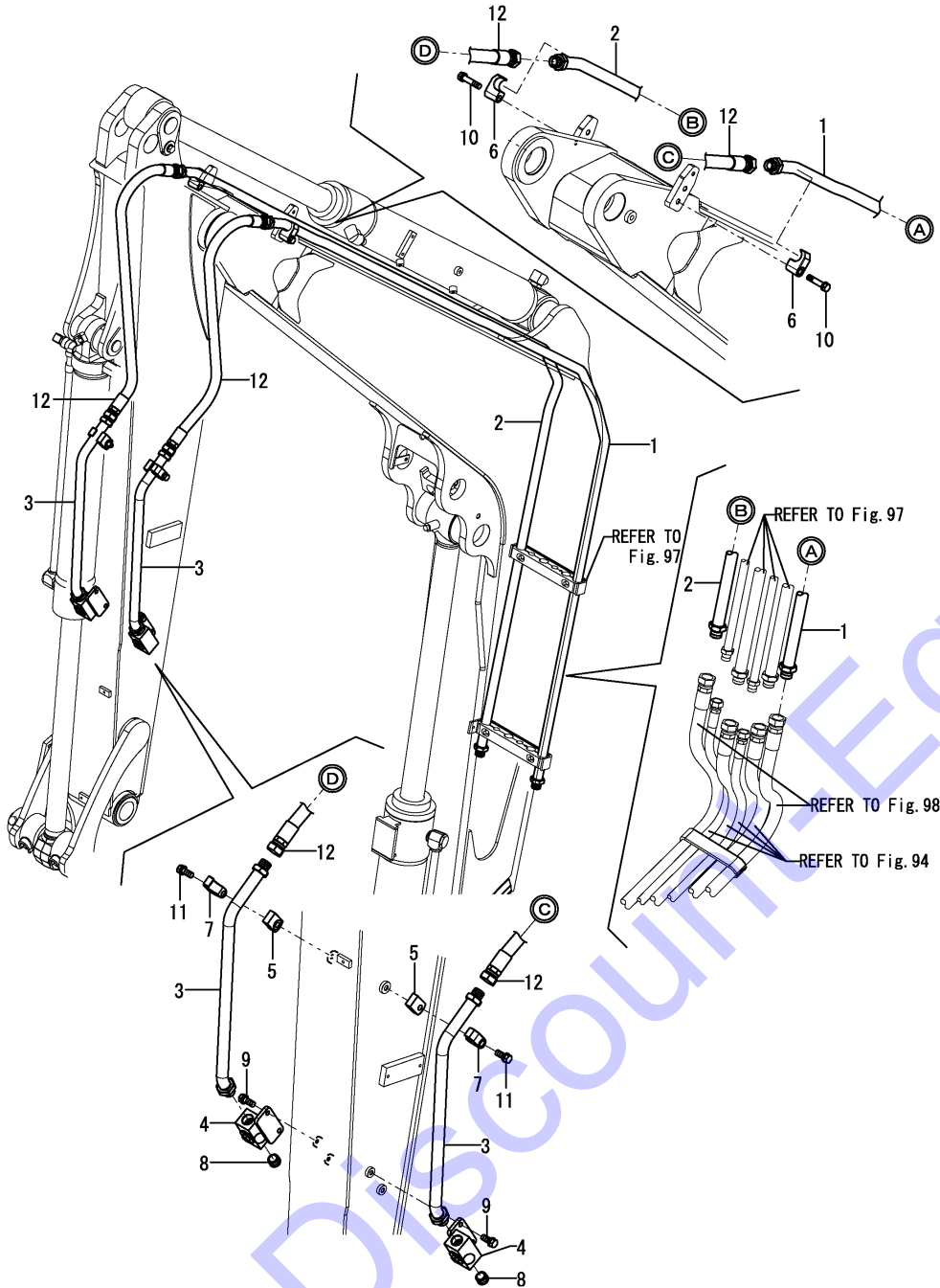


(A)=SV100-1(US)
 (B)=SV100-1(AS)
 (C)=SV100-1(NZ)

(D)=
 (E)=
 (F)=

REF.	LEV.	PARTS NO.	DESCRIPTION	QTY						I	R
				(A)	(B)	(C)	(D)	(E)	(F)		
1	1	172123-76121	JOINT PF1/4	1	1	1					
2	1	172141-76181	CONNECTOR ASSY, 02FF	1	1	1					
3	2	41851-000110	PACKING, 11.0	1	1	1					
4	1	172455-76580	ELBOW G1/2-3/4	2	2	2					
5	2	24315-000180	O-RING 1B P-18.0	2	2	2					
6	1	41851-000110	PACKING, 11.0	1	1	1					
7	1	172A69-74050	VALVE ASSY,SELECOR	1	1	1					
8	2	22242-000210	CIRCLIP 21	1	1	1					
9	2	22242-000250	CIRCLIP 25S	1	1	1					
10	2	24315-000210	O-RING 1B P 21	1	1	1					
11	2	24315-000250	O-RING 1B P-25.0	1	1	1					
12	1	172A69-74070	STAY ASSY,VALVE	1	1	1					
13	1	172467-76120	ELBOW	1	1	1					
14	1	172524-76210	NIPPLE PF3/4,HOSE	1	1	1					
15	2	24315-000240	O-RING 1B P-24.0	1	1	1					
16	1	172142-76240	JOINT PF3/4	1	1	1					
17	1	172165-76380	CONNECTOR PF3/4M CMP	1	1	1					
18	2	24315-000240	O-RING 1B P-24.0	1	1	1					
19	1	26013-100162	BOLT M10X 16	2	2	2					
20	1	26013-100502	BOLT M10X 50	2	2	2					
21	1	41851-000240	PACKING, 24.0	1	1	1					
22	1	172A69-78400	HOSE G112BB265K	1	1	1					
22-1	1	172A69-78401	HOSE G112BB265K	1	1	1					N
		(A=M10653) (B=M10653) (C=M10653)									
23	1	172A69-78410	HOSE G112BB195K	1	1	1					
24	1	172A69-78420	HOSE G112BB296K	1	1	1					
25	1	172A69-78490	HOSE G812YY024	1	1	1					
26	1	172A69-79900	GUIDE ASSY,HOSE	1	1	1					Z
		(A=M10653) (B=M10653) (C=M10653)									
27	1	23001-025000	HOSE CLAMP 25	2	2	2					
28	1	26013-080202	BOLT W/WASHER M8X20	2	2	2					Z
		(A=M10653) (B=M10653)									

Fig.99. HYD.OIL PIPING(P.T.O. : ARM END)



(A)=SV100-1(US)
 (B)=SV100-1(AS)
 (C)=SV100-1(NZ)

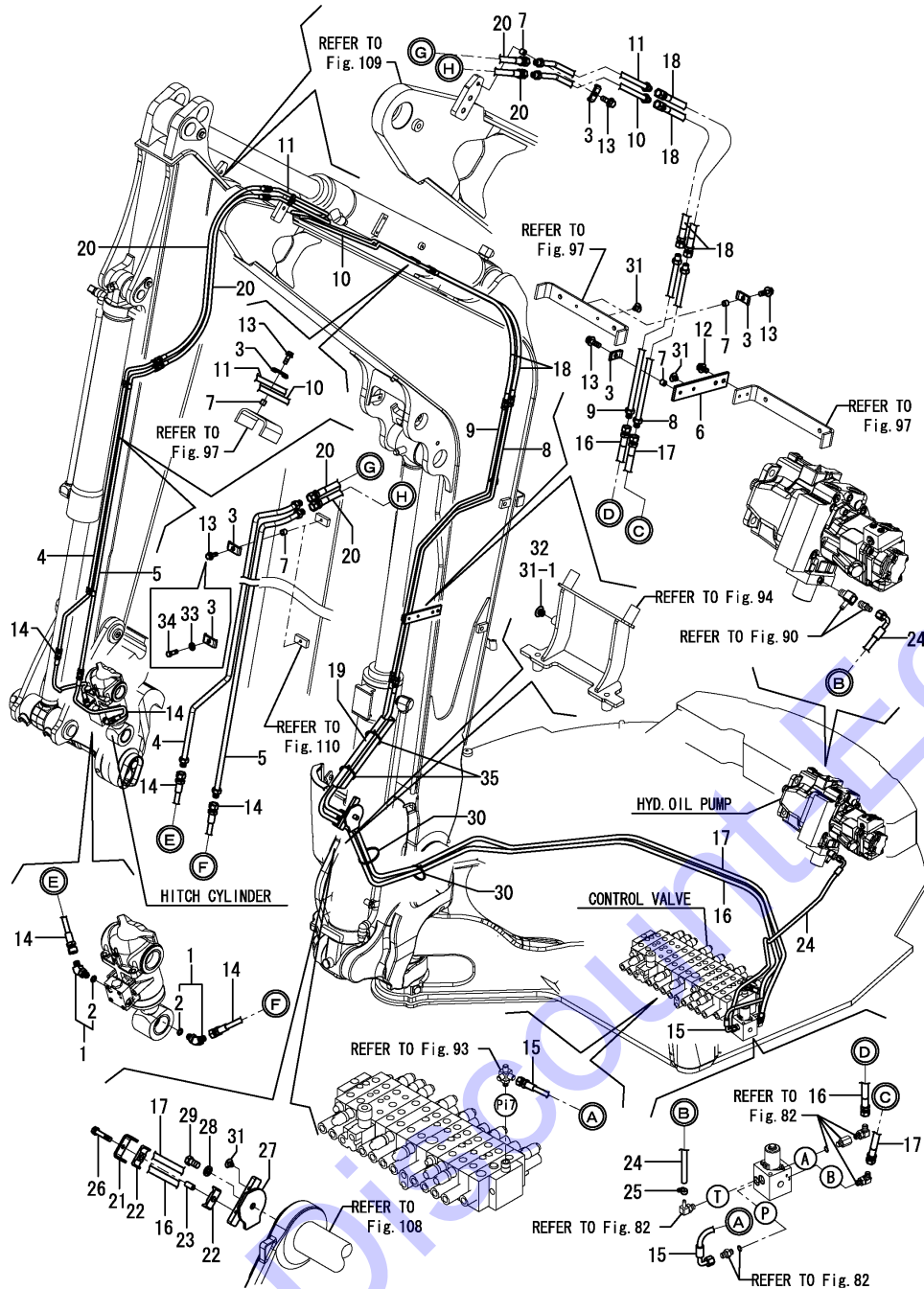
(D)=
 (E)=
 (F)=

REF.	LEV.	PARTS NO.	DESCRIPTION	Q'TY						I	R
				(A)	(B)	(C)	(D)	(E)	(F)		
1	1	172A69-76300	TUBE L ASSY,PTO (2J)	1	1	1					
1-1	1	172A69-76300-Y	TUBE L ASSY,PTO	1	1	1					S
		(A=M11501) (B=M11501) (C=M11501)									
2	1	172A69-76320	TUBE R ASSY,PTO (2J)	1	1	1					
2-1	1	172A69-76320-Y	TUBE R ASSY,PTO	1	1	1					S
		(A=M11501) (B=M11501) (C=M11501) (D=M11501)									
3	1	172499-76500-1	TUBE ASSY,ARM (2J)	2	2	2					
3-1	1	172499-76500-Y	TUBE ASSY,ARM	2	2	2					S
		(A=M11501) (B=M11501) (C=M11501)									
4	1	172176-76581-5	VALVE ASSY, STOP	2	2	2					
4-1	1	172176-76582-2	VALVE ASSY, STOP	2	2	2					N
		(A=MXXXXX) (B=MXXXXX) (C=MXXXXX) (D=MXXXXX)									
4-2	1	172176-76582-Y	VALVE ASSY, STOP	2	2	2					S
		(A=M11501) (B=M11501) (C=M11501)									
5	1	172187-76690-2	PLATE	2	2	2					
5-1	1	172187-76690-Y	PLATE	2	2	2					S
		(A=M11501) (B=M11501) (C=M11501)									
6	1	172142-76940-2	CLAMP	2	2	2					
6-1	1	172142-76940-Y	CLAMP	2	2	2					S
		(A=M11501) (B=M11501) (C=M11501)									
7	1	172142-76940-2	CLAMP	2	2	2					
7-1	1	172142-76940-Y	CLAMP	2	2	2					S
		(A=M11501) (B=M11501) (C=M11501)									
8	1	23871-060000	PLUG	2	2	2					
9	1	26013-100252	BOLT	4	4	4					
10	1	26013-120552	BOLT	2	2	2					
11	1	26013-120702	BOLT	2	2	2					
12	1	172187-79300	HOSE	2	2	2					

Fig.100. HYD.OIL PIPING(QUIK COUPLER)

(A)=SV100-1(US)
(B)=SV100-1(AS)
(C)=SV100-1(NZ)

(D)=
(E)=
(F)=



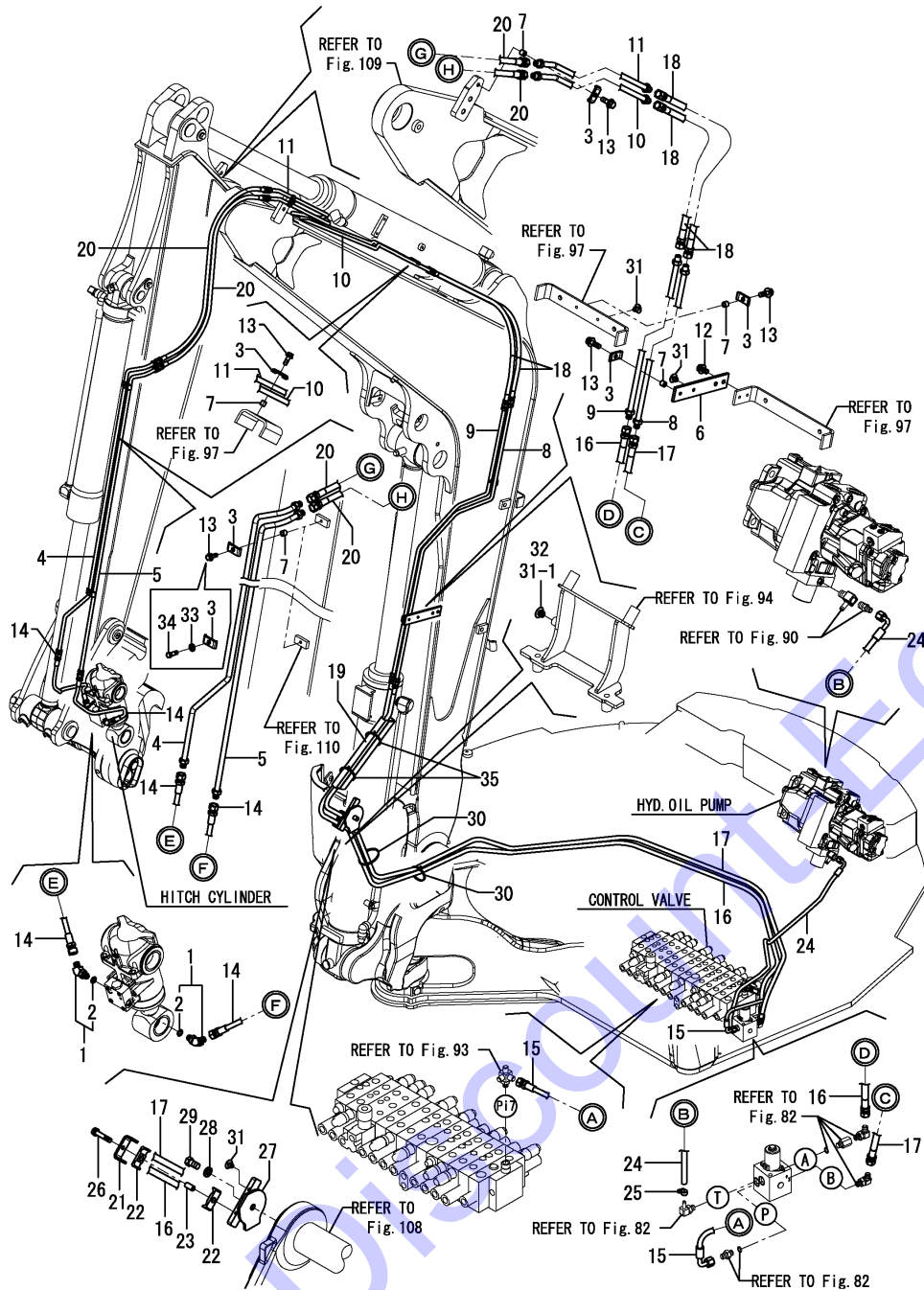
REF.	LEV.	PARTS NO.	DESCRIPTION	QTY						I	R
				(A)	(B)	(C)	(D)	(E)	(F)		
1	1	172978-76100	ELBOW PF1/4-PF1/4	2	2	2					
2	2	24315-000110	O-RING	2	2	2					
3	1	172110-76170-3	PLATE	6	6	6					
3-1	1	172110-76170	PLATE	6	6	6					R
		(A=MZZZZZ) (B=MZZZZZ) (C=MZZZZZ)									
4	1	172978-76480-2	TUBE ARM A(YELLOW2J)	1	1	1					
4-1	1	172978-76480-Y	TUBE ARM A	1	1	1					S
		(A=M11501) (B=M11501) (C=M11501)									
5	1	172978-76500-2	TUBE ARM B(YELLOW2J)	1	1	1					
5-1	1	172978-76500-Y	TUBE ARM B	1	1	1					S
		(A=M11501) (B=M11501) (C=M11501)									
6	1	172A69-76510	PLATE,CLAMP Q HV(2J)	1	1	1					
6-1	1	172A69-76510-Y	PLATE,CLAMP Q HV	1	1	1					S
		(A=M11501) (B=M11501) (C=M11501)									
7	1	172137-76580	COLLAR	6	6	6					
8	1	172A69-76600	TUBE A ASSY,Q L (2J)	1	1	1					
8-1	1	172A69-76600-Y	TUBE A ASSY,Q L	1	1	1					S
		(A=M11501) (B=M11501) (C=M11501)									
9	1	172A69-76620	TUBE B ASSY,Q R (2J)	1	1	1					
9-1	1	172A69-76620-Y	TUBE B ASSY,Q R	1	1	1					S
		(A=M11501) (B=M11501) (C=M11501)									
10	1	172A69-76640	TUBE C ASSY,Q (2J)	1	1	1					
10-1	1	172A69-76640-Y	TUBE C ASSY,Q	1	1	1					S
		(A=M11501) (B=M11501) (C=M11501)									
11	1	172A69-76660	TUBE D ASSY,Q (2J)	1	1	1					
11-1	1	172A69-76660-Y	TUBE D ASSY,Q	1	1	1					S
		(A=M11501) (B=M11501) (C=M11501)									
12	1	26014-080162	BOLT	2	2	2					
13	1	26014-080252	BOLT	6	6	6					
13-1	1	26014-080252	BOLT	4	4	4					K
		(A=M10674) (B=M10674) (C=M10674)									
14	1	172958-78120	HOSE	2	2	2					
15	1	172A69-78590	HOSE H604BC032	1	1	1					
16	1	172A69-78600	HOSE H604BB334K	1	1	1					
16-1	1	172A89-78600	HOSE H604BB339K	1	1	1					N
		(A=M10674) (B=M10674) (C=M10674)									
17	1	172A69-78610	HOSE H604BB334K	1	1	1					
17-1	1	172A89-78610	HOSE H604BB339K	1	1	1					N
		(A=M10674) (B=M10674) (C=M10674)									
18	1	172A69-78620	HOSE H604BB093K	2	2	2					
19	1	172A69-78670	COVER,HOSE	1	1	1					
20	1	172499-79120	HOSE	2	2	2					
21	1	172A69-79200	CLAMP 54X25	1	1	1					
22	1	172A69-79210	RUBBER SUPPORT,HOSE	2	2	2					
23	1	172A69-79220	COLLAR 9X24	1	1	1					
24	1	172A69-79620	HOSE G804CY125	1	1	1					
25	1	23000-013000	CLAMP, HOSE	1	1	1					
26	1	26013-080402	BOLT	1	1	1					
27	1	172A69-79250	CLAMP ASSY (2J)	1	1	1					
27-1	1	172A69-79250-Y	CLAMP ASSY	1	1	1					S
		(A=M11501) (B=M11501) (C=M11501)									

N:Old $\begin{matrix} \text{Yes} \\ \text{No} \end{matrix}$ New, Q:Old $\begin{matrix} \text{No} \\ \text{Yes} \end{matrix}$ New, R:Old $\begin{matrix} \text{Yes} \\ \text{No} \end{matrix}$ New, S:Old $\begin{matrix} \text{No} \\ \text{Yes} \end{matrix}$ New, W:Add, Z:Discontinued, F:Interchangeable by set, K:Q'ty Change
++ CONTINUE ++
(C)Copyrights YANMAR CO.,LTD.

Fig.100. HYD.OIL PIPING(QUICK COUPLER)

(A)=SV100-1(US)
 (B)=SV100-1(AS)
 (C)=SV100-1(NZ)

(D)=
 (E)=
 (F)=

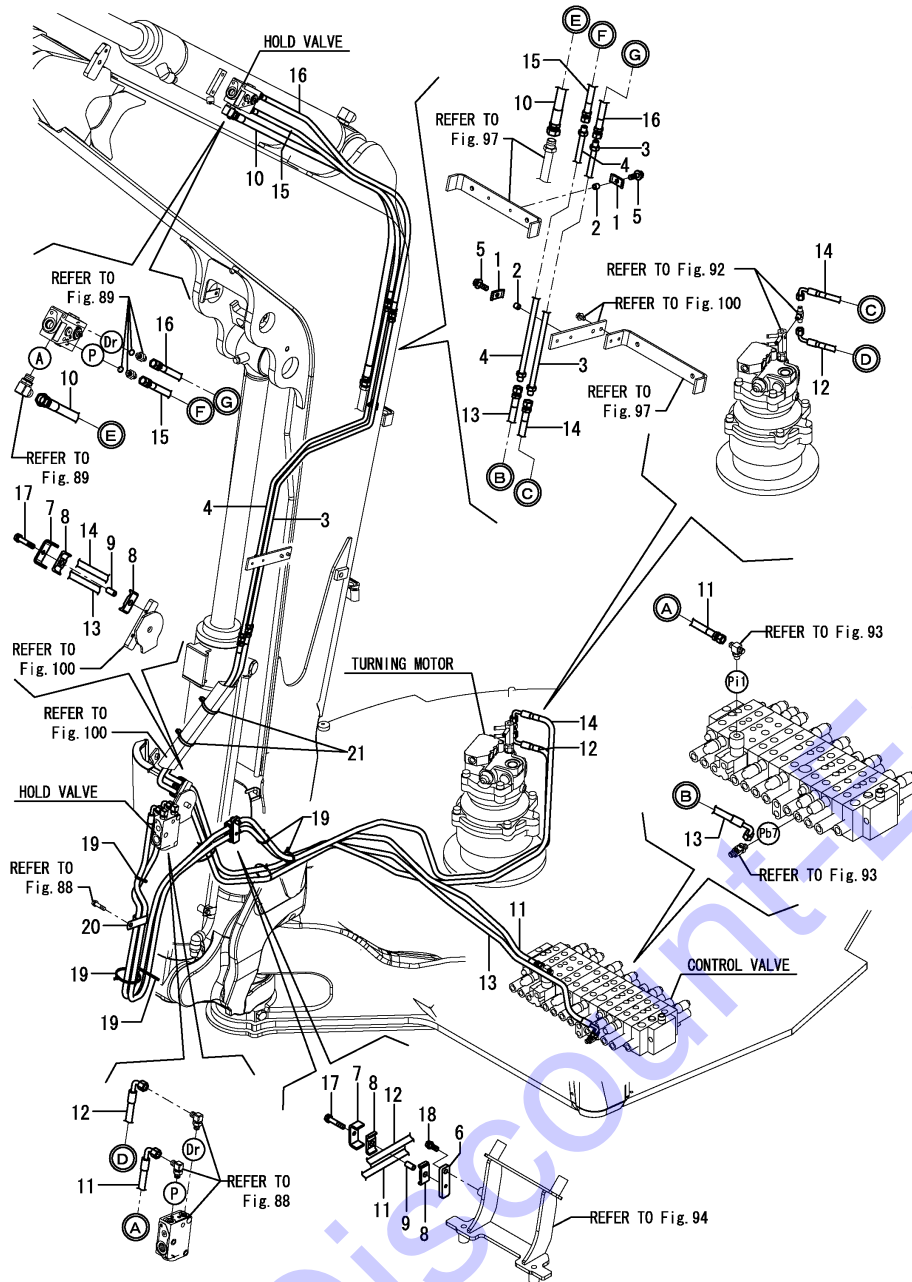


REF.	LEV.	PARTS NO.	DESCRIPTION	Q'TY						I	R
				(A)	(B)	(C)	(D)	(E)	(F)		
28	1	22217-140000	WASHER, SPRING	1	1	1					
29	1	26116-140252	BOLT	1	1	1					
30	1	194202-56460	BAND	2	2	2					
31	1	172444-17660	CLIP, TREE	3							
31-1	1	172444-17660	CLIP, TREE	4							K
(A=MZZZZZ)											
32	1	172183-81160	CLIP, TREE	1							Z
(A=MZZZZZ)											
33	1	22217-080000	WASHER, SPRING	2	2	2					W
(A=M10674) (B=M10674) (C=M10674)											
34	1	26076-080252	BOLT	2	2	2					W
(A=M10674) (B=M10674) (C=M10674)											
35	1	172126-11510	BAND	2	2	2					W
(A=M10674) (B=M10674) (C=M10674)											

Fig.101. HYD.OIL PIPING(HOLD VALVE)

(A)=SV100-1(US)
 (B)=SV100-1(AS)
 (C)=SV100-1(NZ)

(D)=
 (E)=
 (F)=

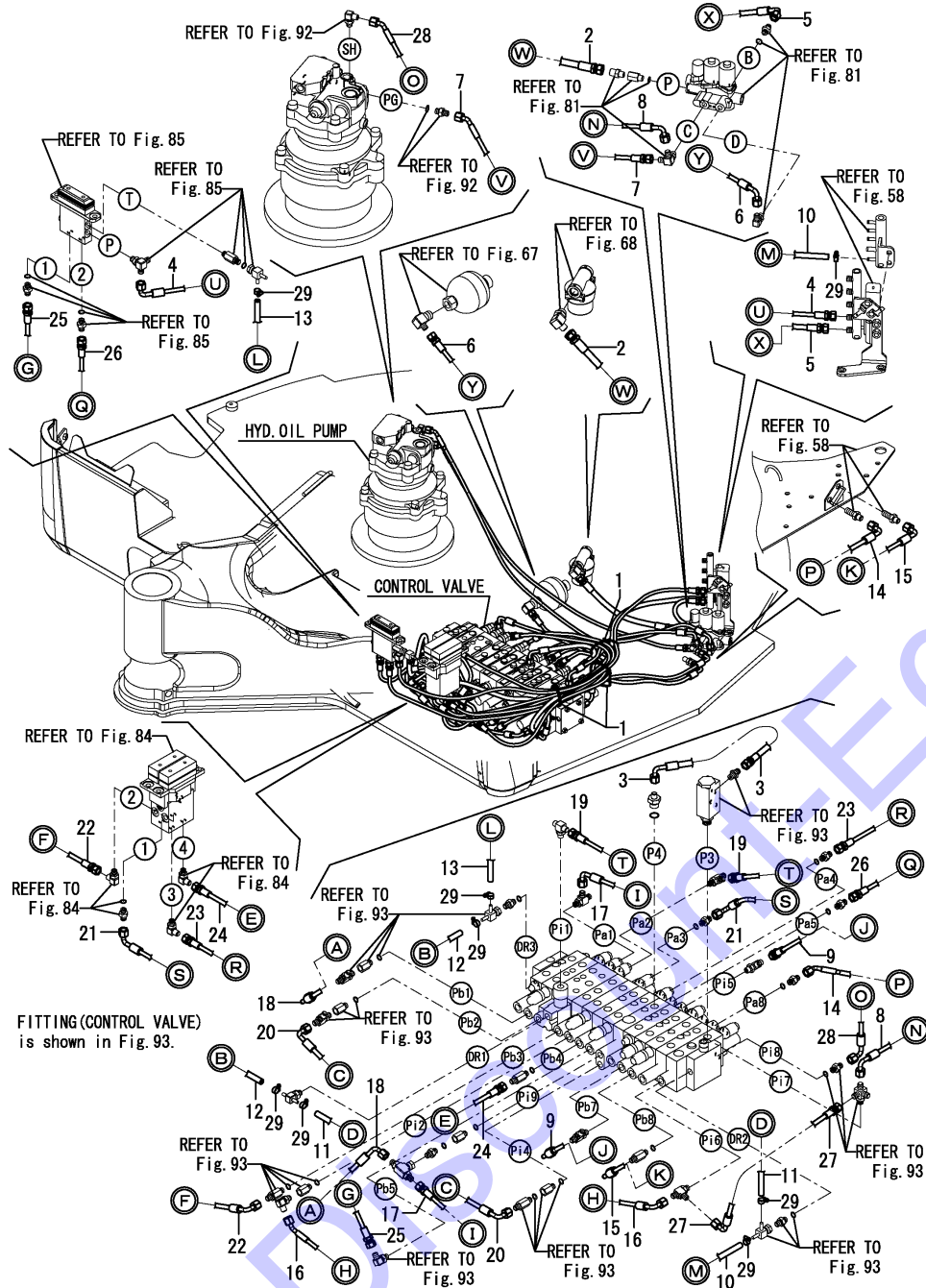


REF.	LEV.	PARTS NO.	DESCRIPTION	Q'TY						I	R
				(A)	(B)	(C)	(D)	(E)	(F)		
1	1	172110-76170-3	PLATE	2	2	2					
1-1	1	172110-76170	PLATE	2	2	2					R
		(A=MZZZZZ) (B=MZZZZZ) (C=MZZZZZ)									
2	1	172137-76580	COLLAR	2	2	2					
3	1	172A69-77480	TUBE ASSY,HDV L (2J)	1	1	1					
3-1	1	172A69-77480-Y	TUBE ASSY,HDV L	1	1	1					S
		(A=M11501) (B=M11501) (C=M11501)									
4	1	172A69-77500	TUBE ASSY,HDV R (2J)	1	1	1					
4-1	1	172A69-77500-Y	TUBE ASSY,HDV R	1	1	1					S
		(A=M11501) (B=M11501) (C=M11501)									
5	1	26014-080252	BOLT	2	2	2					
6	1	172A69-79050	PLATE,CLAMP H	1	1	1					
7	1	172A69-79200	CLAMP 54X25	2	2	2					
8	1	172A69-79210	RUBBER SUPPORT,HOSE	4	4	4					
9	1	172A69-79220	COLLAR 9X24	2	2	2					
10	1	172A69-79690	HOSE H108BB168K	1	1	1					
11	1	172A69-79700	HOSE H604BC268K	1	1	1					
12	1	172A69-79711	HOSE H604CC285K	1	1	1					
13	1	172A69-79720	HOSE H604BC260K	1	1	1					
14	1	172A69-79730	HOSE H604BC264K	1	1	1					
15	1	172A69-79740	HOSE H604BB131K	1	1	1					
16	1	172A69-79750	HOSE H604BB133K	1	1	1					
17	1	26013-080402	BOLT	2	2	2					
18	1	26013-100252	BOLT	1	1	1					
19	1	194202-56460	BAND	9	9	9					
20	1	1E6212-82820	CLIP	1	1	1					W
		(B=M10674) (C=M10674)									
21	1	172126-11510	BAND	2	2	2					

Remarks

* Hold valve kit is shown in Fig.121.

Fig.102. CONTROL PIPING(CONTROL VALVE - SOLENOID VALVE)



(A)=SV100-1(US)

(B)=SV100-1(AS)

(C)=SV100-1(NZ)

(D)=

(E)=

(F)=

REF.	LEV.	PARTS NO.	DESCRIPTION	Q'TY						I	R
				(A)	(B)	(C)	(D)	(E)	(F)		
1	1	194202-56460	BAND	4	4	4					
2	1	172A69-78190	HOSE H604BB036S	1	1	1					
3	1	172A69-78370	HOSE H104BC034	1	1	1					
4	1	172A69-78860	HOSE F403BC148	1	1	1					
5	1	172A69-78870	HOSE H604BC026	1	1	1					
6	1	172A69-78880	HOSE F403BC059S	1	1	1					
7	1	172A69-78890	HOSE F403BE120S	1	1	1					
7-1	1	172A69-79950	HOSE, F403BE145S	1	1	1					S
		(A=MZZZZZ) (B=MZZZZZ) (C=MZZZZZ)									
8	1	172A69-78910	HOSE F403CC067	1	1	1					
9	1	172A69-78920	HOSE F403BC083	1	1	1					
10	1	172A69-78930	HOSE G804YY115S	1	1	1					
11	1	172A69-78940	HOSE G804YY045S	1	1	1					
12	1	172A69-78950	HOSE G804YY017S	1	1	1					
13	1	172A69-78960	HOSE G804YY034	1	1	1					
14	1	172A69-78980	HOSE H603CE042	1	1	1					
15	1	172A69-78990	HOSE F403CC090	1	1	1					
16	1	172A69-79400	HOSE F403CE027	1	1	1					
17	1	172A69-79410	HOSE F403BE113	1	1	1					
18	1	172A69-79420	HOSE H603CC035	1	1	1					
19	1	172A69-79430	HOSE F403BB117	1	1	1					
20	1	172A69-79440	HOSE H603CC022	1	1	1					
21	1	172A69-79450	HOSE F403CC115	1	1	1					
22	1	172A69-79460	HOSE H603BC026	1	1	1					
23	1	172A69-79470	HOSE F403BB115	1	1	1					
24	1	172A69-79480	HOSE H603BB032	1	1	1					
25	1	172A69-79500	HOSE F403BB048	1	1	1					
26	1	172A69-79510	HOSE F403BB139	1	1	1					
27	1	172A69-79520	HOSE H603BC023	1	1	1					
28	1	172A69-79530	HOSE F403CE135S	1	1	1					
28-1	1	172A69-79960	HOSE, F403CE160S	1	1	1					S
		(A=MZZZZZ) (B=MZZZZZ) (C=MZZZZZ)									
29	1	23000-013000	CLAMP 13	8	8	8					

Fig.103. CONTROL PIPING(CONTROL VALVE - 2WAY VALVE)

(A)=SV100-1(US)

(B)=SV100-1(AS)

(C)=SV100-1(NZ)

(D)=

(E)=

(F)=

REF.	LEV.	PARTS NO.	DESCRIPTION	Q'TY						I	R
				(A)	(B)	(C)	(D)	(E)	(F)		
1	1	172A69-79800	HOSE H603BE030	1	1	1					
2	1	172A69-79810	HOSE F403BE075	1	1	1					
3	1	172A69-79820	HOSE F403BE079	1	1	1					
4	1	172A69-79830	HOSE F403BE112	1	1	1					
5	1	172A69-79840	HOSE F403BC040	1	1	1					
6	1	172A69-79850	HOSE F403BC082	1	1	1					
7	1	172A69-79860	HOSE F403BB081	1	1	1					
8	1	172A69-79870	HOSE F403BB071	1	1	1					
9	1	194202-56460	BAND	1	1	1					

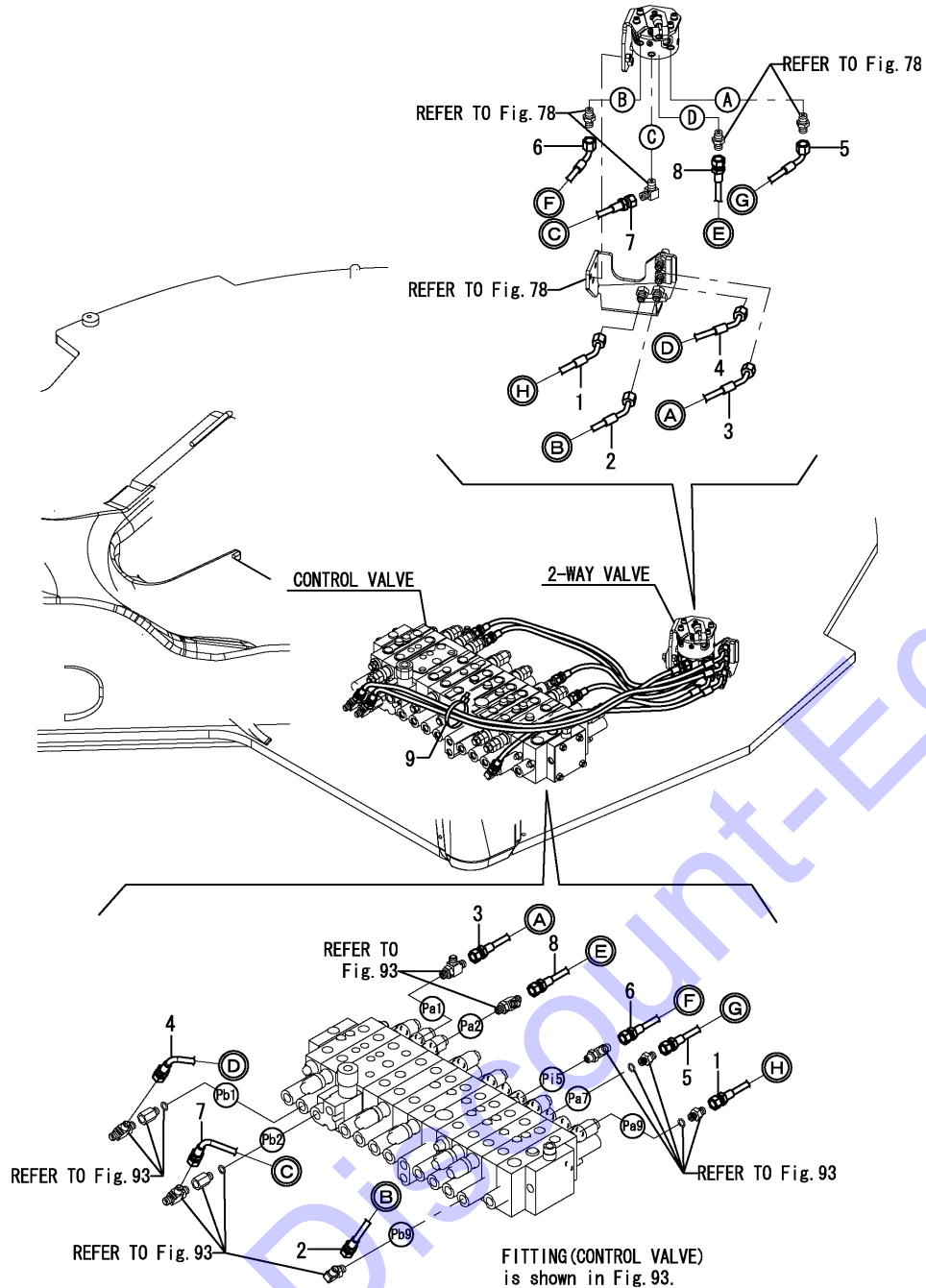
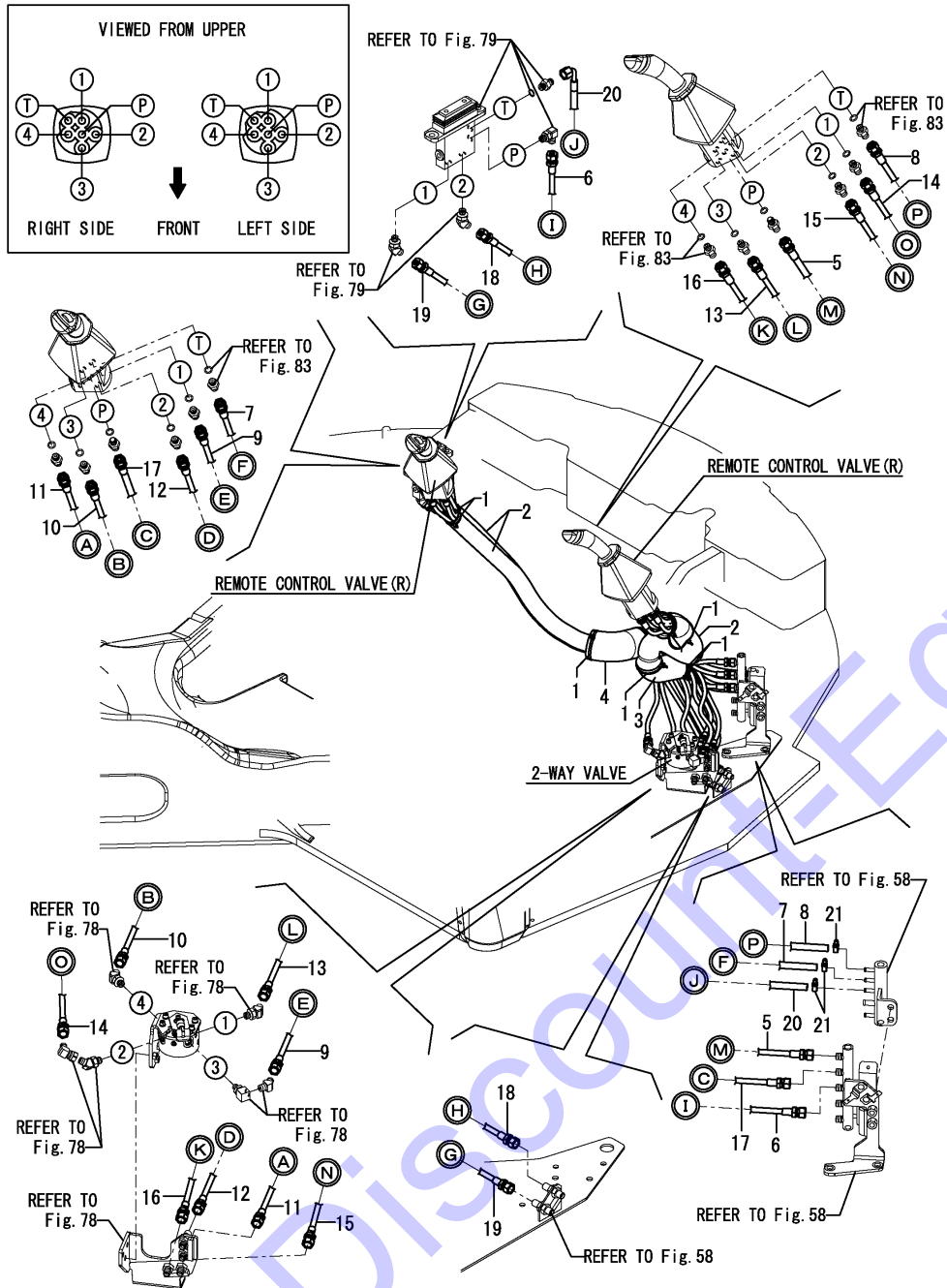


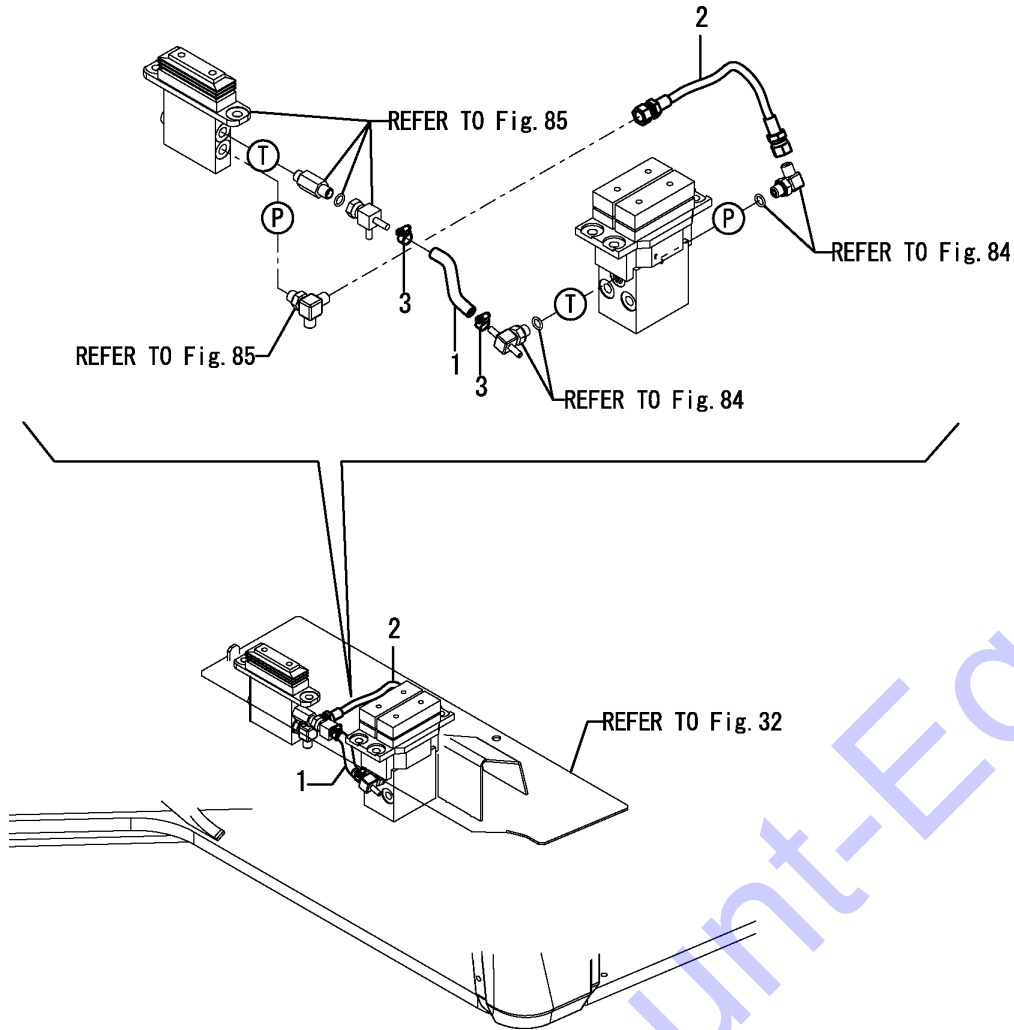
Fig.104. CONTROL PIPING(2-WAY VALVE - REMOTE CONTROL VALVE)



(A)=SV100-1(US) (D)=
 (B)=SV100-1(AS) (E)=
 (C)=SV100-1(NZ) (F)=

REF.	LEV.	PARTS NO.	DESCRIPTION	Q'TY						I	R
				(A)	(B)	(C)	(D)	(E)	(F)		
1	1	172126-11510	BAND 300	10	10	10					
2	1	172A69-78630	HOSE COVER,650	3	3	3					
3	1	172A69-78650	SPONGE HOSE,150X44	1	1	1					
4	1	172A69-78660	SPONGE HOSE,150X53	1	1	1					
5	1	172A69-78700	HOSEH603BB106	1	1	1					
6	1	172A69-78710	HOSE H603BB092	1	1	1					
7	1	172A69-78720	HOSE G804BY120	1	1	1					
8	1	172A69-78730	HOSE G804BY095	1	1	1					
9	1	172A69-78740	HOSE H603BB134	1	1	1					
10	1	172A69-78750	HOSE H603BB123	1	1	1					
11	1	172A69-78760	HOSE H603BB130	1	1	1					
12	1	172A69-78770	HOSE H603BB126	1	1	1					
13	1	172A69-78780	HOSE H603BB104	1	1	1					
14	1	172A69-78790	HOSE H603BB103	1	1	1					
15	1	172A69-78800	HOSE H603BB106	1	1	1					
16	1	172A69-78810	HOSE H603BB105	1	1	1					
17	1	172A69-78820	HOSE F403BB103	1	1	1					
18	1	172A69-78830	HOSE H603BB116	1	1	1					
19	1	172A69-78840	HOSE H603BB114	1	1	1					
20	1	172A69-78850	HOSE G804CY110	1	1	1					
21	1	23000-013000	CLAMP 13	3	3	3					

Fig.105. CONTROL PIPING(TRAVEL, SWING PEDAL)



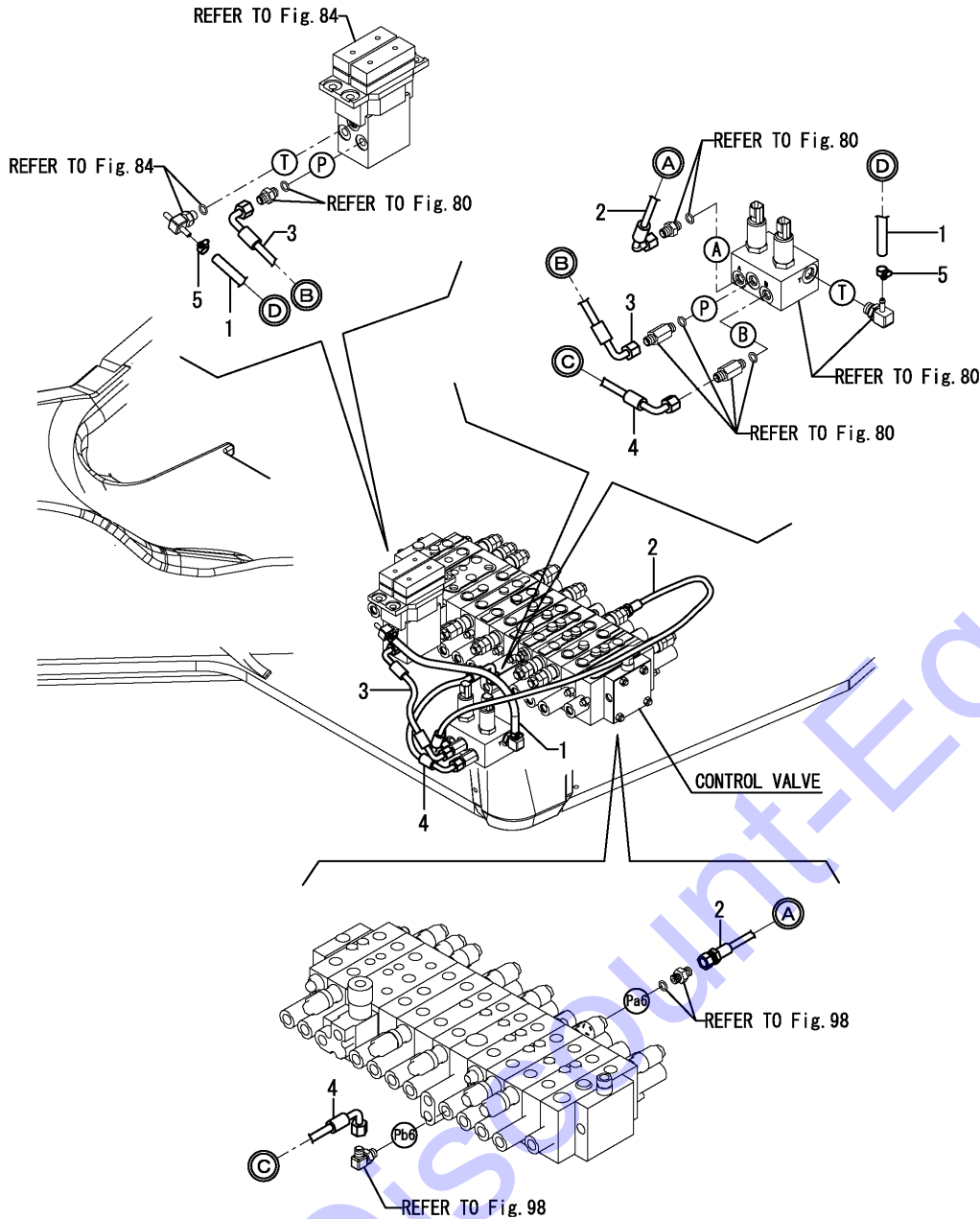
OCS10-G54500 105. CONTROL PIPING(TRAVEL, SWING PEDAL)

(A)=SV100-1(US)
 (B)=SV100-1(AS)
 (C)=SV100-1(NZ)

(D)=
 (E)=
 (F)=

REF.	LEV.	PARTS NO.	DESCRIPTION	Q'TY						I	R
				(A)	(B)	(C)	(D)	(E)	(F)		
1	1	172A69-78970	HOSE G804YY010	1	1	1					
2	1	172A69-79490	HOSE H603BB020	1	1	1					
3	1	23000-013000	CLAMP 13	2	2	2					

Fig.106. CONTROL PIPING(P.T.O.)



(A)=SV100-1(US)
 (B)=SV100-1(AS)
 (C)=SV100-1(NZ)

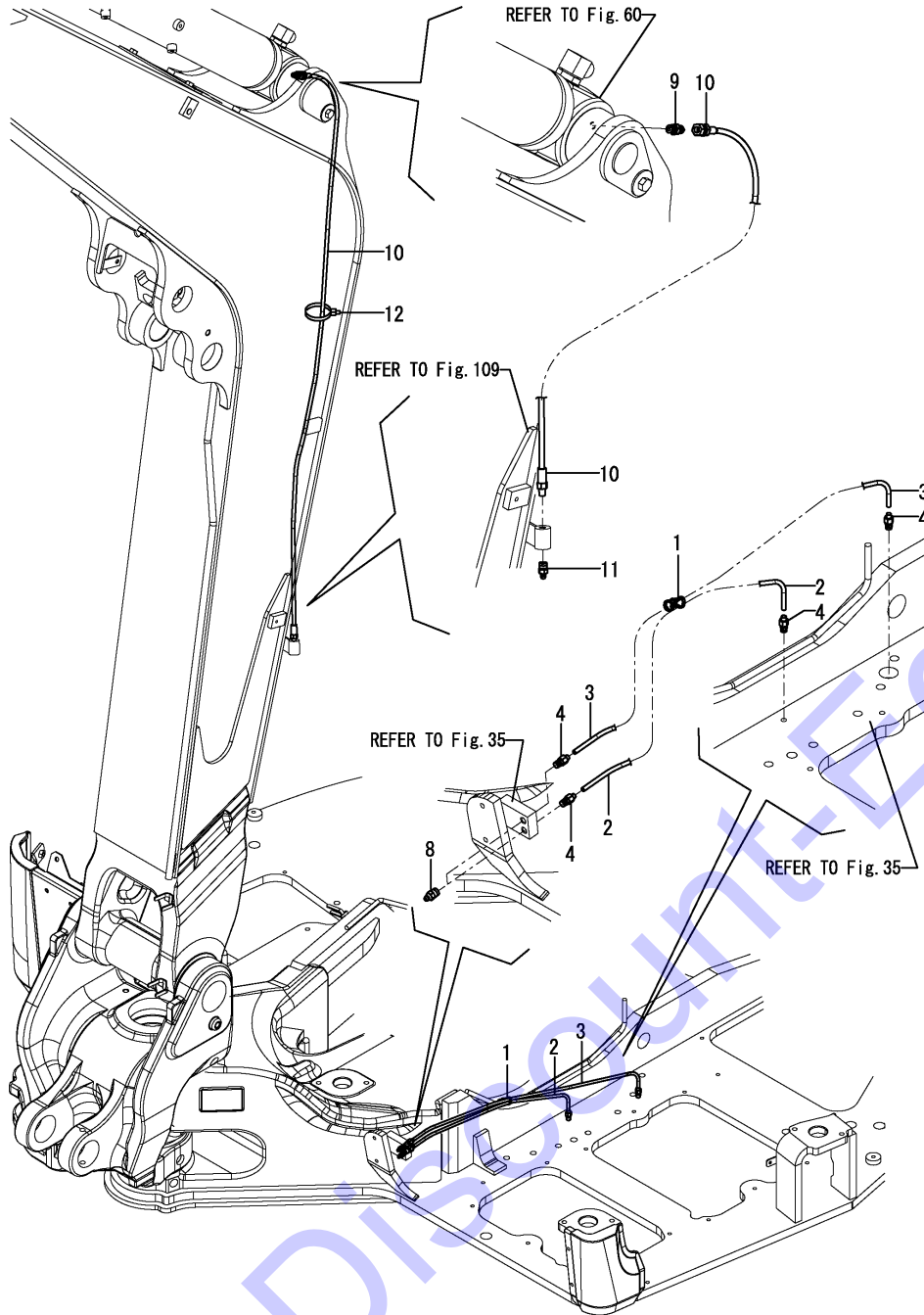
(D)=
 (E)=
 (F)=

REF.	LEV.	PARTS NO.	DESCRIPTION	Q'TY						I	R
				(A)	(B)	(C)	(D)	(E)	(F)		
1	1	172A69-79540	HOSE G804YY036	1	1	1					
2	1	172A69-79550	HOSE F403BC105	1	1	1					
3	1	172A69-79560	HOSE H603CC023	1	1	1					
4	1	172A69-79570	HOSE H603CC030	1	1	1					
5	1	23000-013000	CLAMP 13	2	2	2					

Fig.107. GREASING

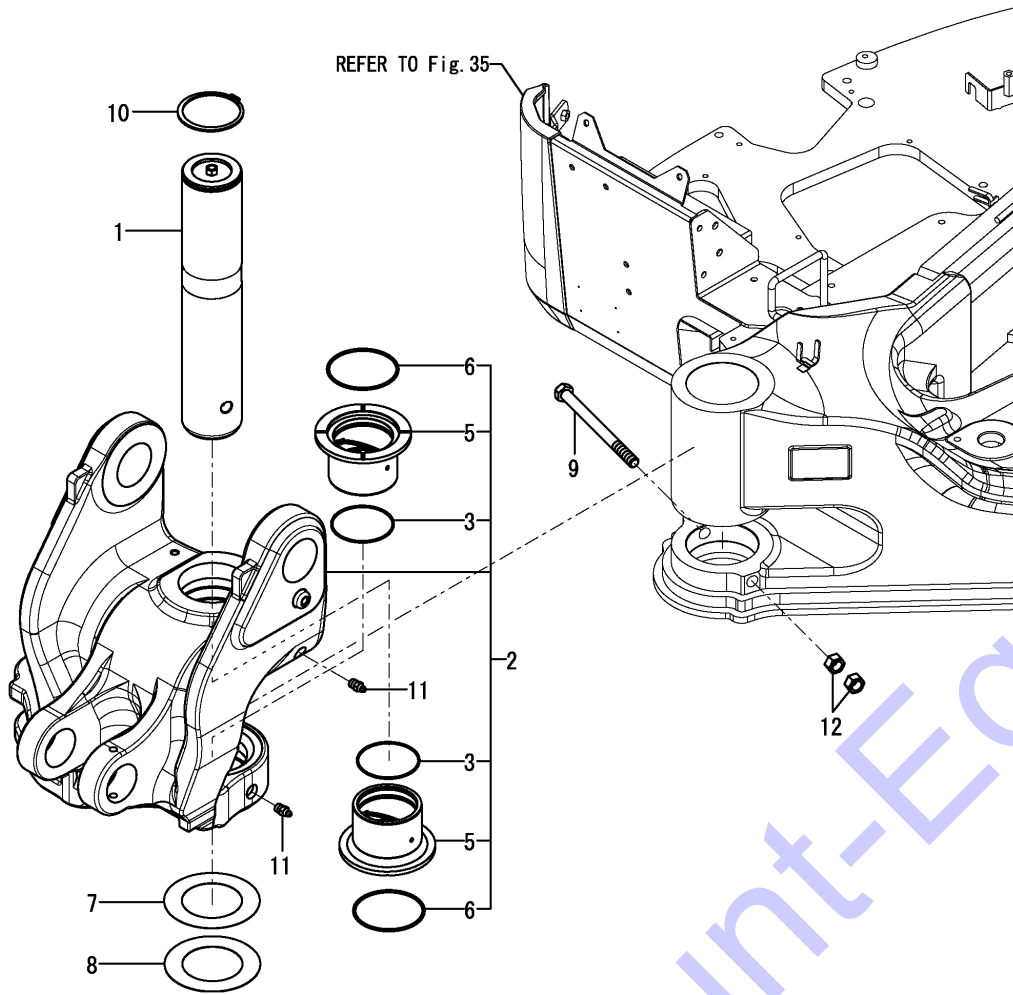
(A)=SV100-1(US)
 (B)=SV100-1(AS)
 (C)=SV100-1(NZ)

(D)=
 (E)=
 (F)=



REF.	LEV.	PARTS NO.	DESCRIPTION	Q'TY						I	R
				(A)	(B)	(C)	(D)	(E)	(F)		
1	1	172137-16560	BAND	1	1	1					
2	1	172A69-77800	HOSE P602YY055	1	1	1					
3	1	172A69-77810	HOSE P602YY080	1	1	1					
4	1	172A47-77820	JOINT,GREASE	4	4	4					
8	1	24761-020000	NIPPLE PT1/8,GREASE	2	2	2					
9	1	172112-77580	JOINT 1/8	1	1	1					
10	1	172A69-77820	HOSE P202AF159	1	1	1					
10-1	1	172A89-77820	HOSE P202AF145	1	1	1					S
		(A=MZZZZZ) (B=MZZZZZ) (C=MZZZZZ)									
11	1	24761-020000	NIPPLE PT1/8,GREASE	1	1	1					
12	1	194202-56460	BAND	1	1	1					

Fig.108. BOOM BRACKET



(A)=SV100-1(US)
 (B)=SV100-1(AS)
 (C)=SV100-1(NZ)

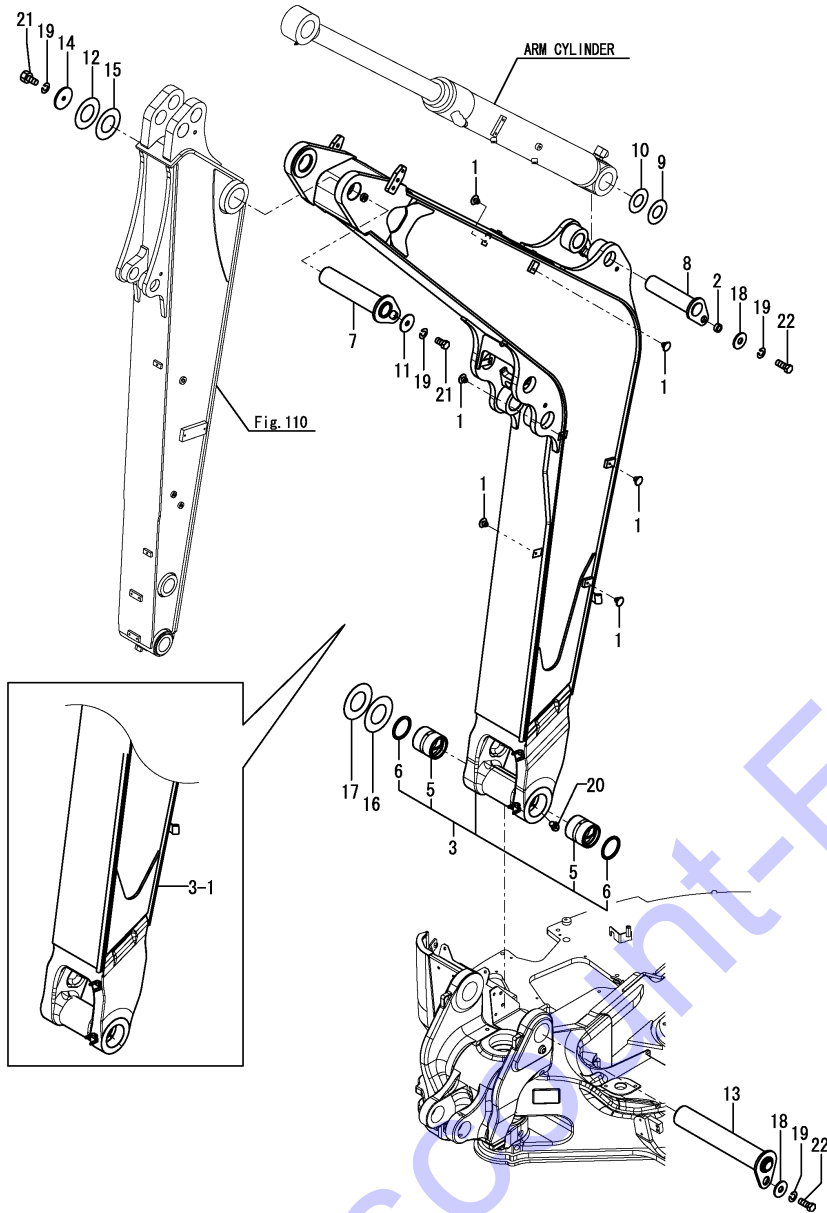
(D)=
 (E)=
 (F)=

REF.	LEV.	PARTS NO.	DESCRIPTION	Q'TY						I	R
				(A)	(B)	(C)	(D)	(E)	(F)		
1	1	172A69-82100	PIN ASSY	1	1	1					
2	1	172A69-82300	BRACKET ASSY, BOOM	1	1	1					
2-1	1	172A69-82300-Y	BRACKET ASSY, BOOM	1	1	1					S
		(A=M11501) (B=M11501) (C=M11501)									
3	2	172162-81680	SEAL, DUST	2	2	2					
5	2	172187-82320	BUSH	2	2	2					
6	2	24321-001000	O-RING	2	2	2					
7	1	172187-82400	SHIM	1	1	1					
8	1	172187-82410	SHIM	1	1	1					
9	1	172187-82420	BOLT	1	1	1					
10	1	22242-001000	RING	1	1	1					
11	1	24761-020000	NIPPLE, GREASE	2	2	2					
12	1	26716-180002	NUT	2	2	2					

Fig.109. BOOM

(A)=SV100-1(US)
 (B)=SV100-1(AS)
 (C)=SV100-1(NZ)

(D)=
 (E)=
 (F)=



REF.	LEV.	PARTS NO.	DESCRIPTION	Q'TY						I	R
				(A)	(B)	(C)	(D)	(E)	(F)		
1	1	172444-17660 (A=MZZZZZ) (B=MZZZZZ) (C=MZZZZZ)	CLIP, TREE	6	6	6					Z
2	1	172155-45790	SPACER	1	1	1					
3	1	172A69-81100	BOOM ASSY	1	1	1					1
3-1	1	172A69-81101 (A=MZZZZZ) (B=MZZZZZ) (C=MZZZZZ)	BOOM ASSY	1	1	1					S 1
3-2	1	172A69-81101-Y (A=M11501) (B=M11501) (C=M11501)	BOOM ASSY	1	1	1					S 1
5	2	172A52-81352	BUSH	2	2	2					
6	2	172162-81430	SEAL, DUST	2	2	2					
7	1	172499-81750	PIN ASSY	1	1	1					
8	1	172187-81840	PIN ASSY	1	1	1					
9	1	172499-81850	SHIM	1	1	1					
10	1	172499-81860	SHIM	1	1	1					
11	1	172187-81970	WASHER	1	1	1					
12	1	172445-81990	SHIM	1	1	1					
13	1	172A69-82120	PIN ASSY	1	1	1					
14	1	172187-82430	WASHER	1	1	1					
15	1	172162-83580	SHIM	1	1	1					
16	1	172162-83600	SHIM	1	1	1					
17	1	172162-83610	SHIM	1	1	1					
18	1	22157-140000	WASHER	2	2	2					
19	1	22217-140000	WASHER, SPRING	4	4	4					
20	1	24761-040000	NIPPLE, GREASE	2	2	2					
21	1	26116-140252	BOLT	2	2	2					
22	1	26116-140352	BOLT	2	2	2					
23A	1	172187-03941	LABEL, BOOM US	2	2	2					2

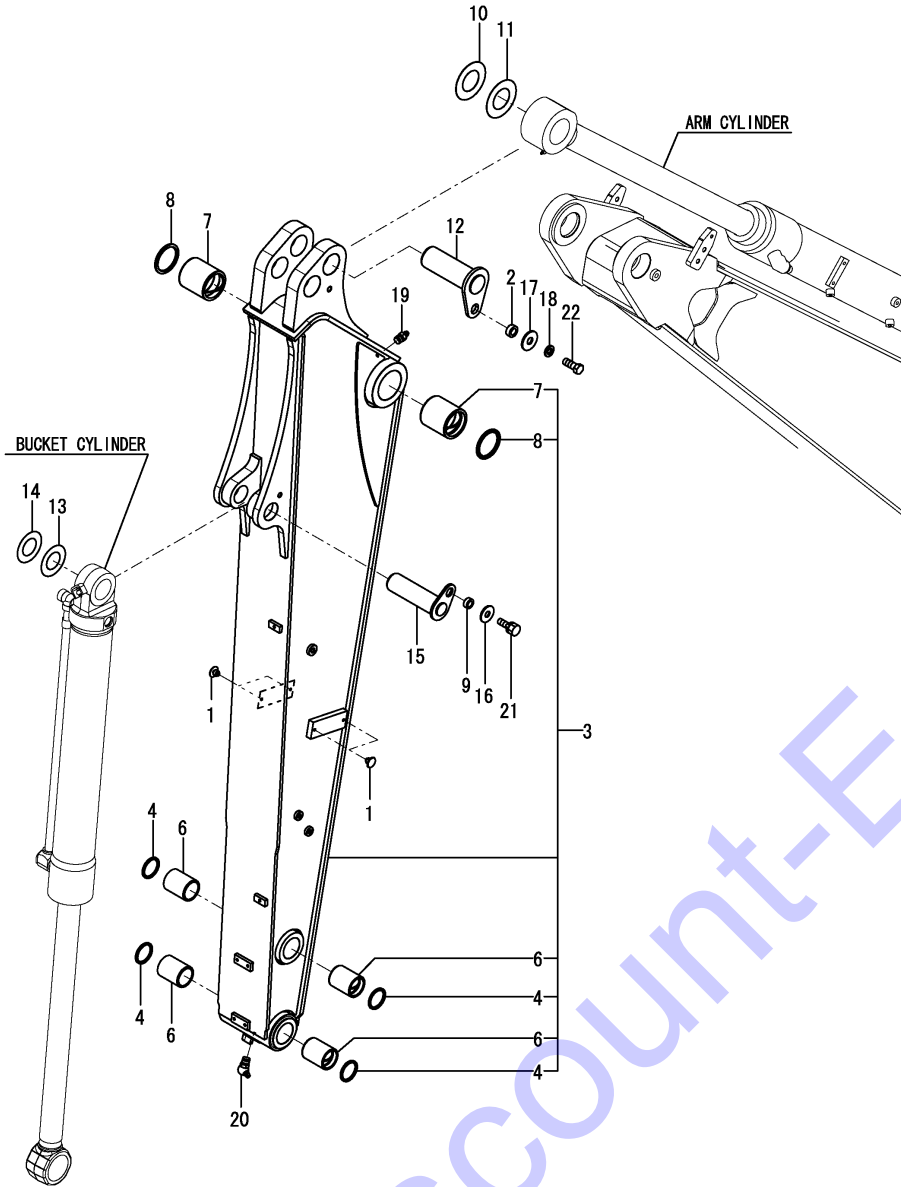
Remarks

(1)PLEASE USE THIS PART WITH FOLLOWING LABEL AT THE SAME TIME. REF NO.23A.
 (2)LABEL IS NOT ILLUSTRATED.

Fig.110. ARM

(A)=SV100-1(US)
 (B)=SV100-1(AS)
 (C)=SV100-1(NZ)

(D)=
 (E)=
 (F)=



REF.	LEV.	PARTS NO.	DESCRIPTION	Q'TY						I	R
				(A)	(B)	(C)	(D)	(E)	(F)		
1	1	172444-17660	CLIP, TREE	4	4	4					
2	1	172155-45790	SPACER	1	1	1					
3	1	172A69-81500	ARM ASSY	1	1	1					1
3-1	1	172A69-81500-Y (A=M11501) (B=M11501) (C=M11501)	ARM ASSY	1	1	1					S 1
4	2	172448-54120	SEAL, DUST	4	4	4					
6	2	172187-81710	BUSH	4	4	4					
7	2	172162-82280	BUSH	2	2	2					
8	2	172162-82350	SEAL, DUST	2	2	2					
9	1	172164-81670	SPACER	1	1	1					
10	1	172175-81700	SHIM	1	1	1					
11	1	172175-81710	SHIM	1	1	1					
12	1	172499-81800	PIN	1	1	1					
13	1	172165-82520	SHIM	1	1	1					
14	1	172165-82530	SHIM	1	1	1					
15	1	172455-83300	PIN ASSY	1	1	1					
16	1	22157-120000	WASHER	1	1	1					
17	1	22157-140000	WASHER	1	1	1					
18	1	22217-140000	WASHER, SPRING	1	1	1					
19	1	24761-020000	NIPPLE, GREASE	1	1	1					
20	1	24761-040000	NIPPLE, GREASE	1	1	1					
21	1	26013-120302	BOLT	1	1	1					
22	1	26116-140352	BOLT	1	1	1					
23A	1	172472-03261	LABEL, FINGER	1	1	1					2
23B	1	172472-03330	LABEL, LOCK PIN	1	1	1					2

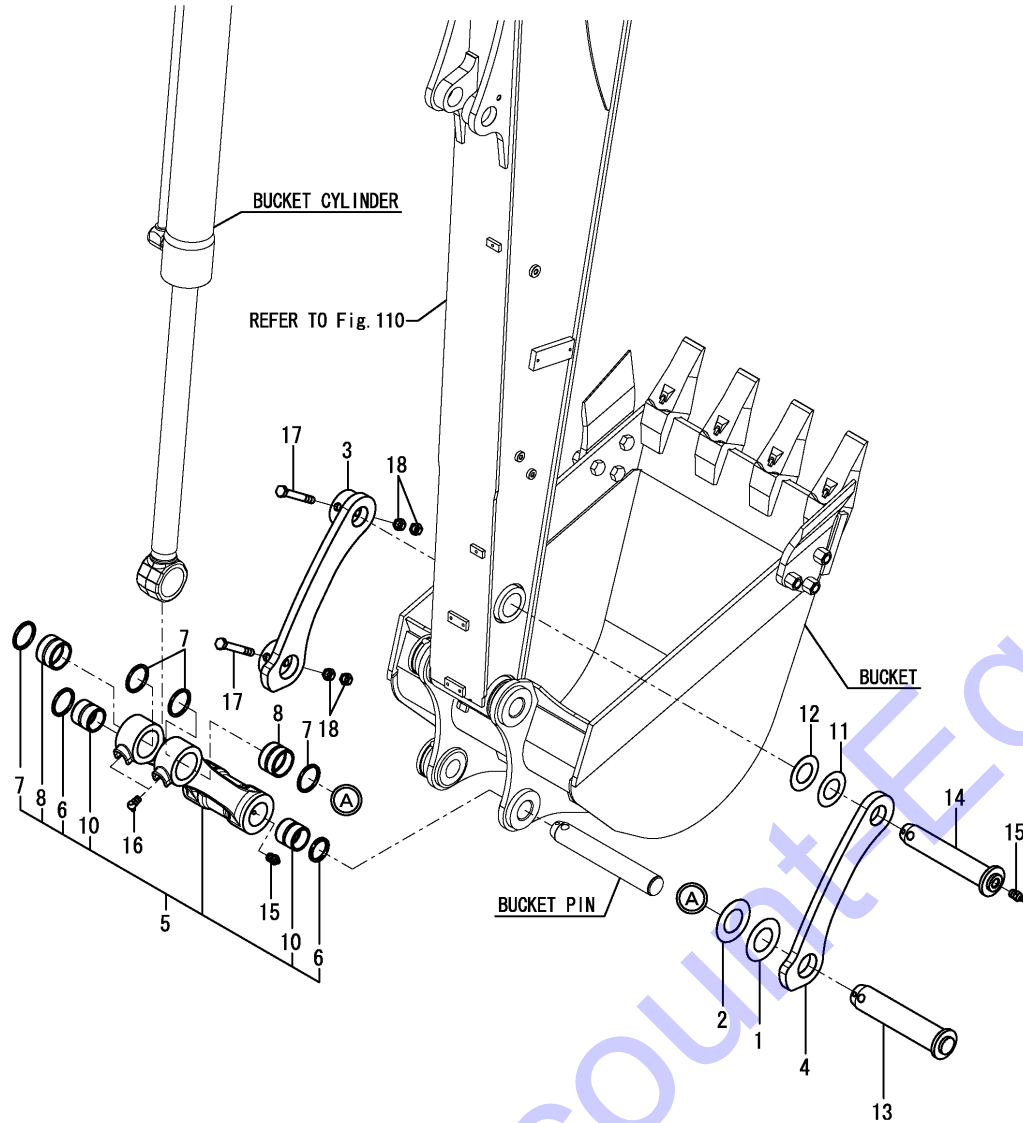
Remarks

(1)PLEASE USE THIS PART WITH FOLLOW-
 ING LABEL AT THE SAME TIME.
 REF NO.23A,23B
 (2)LABEL IS NOT ILLUSTRATED.

Fig.111. BUCKET ARM & LINK

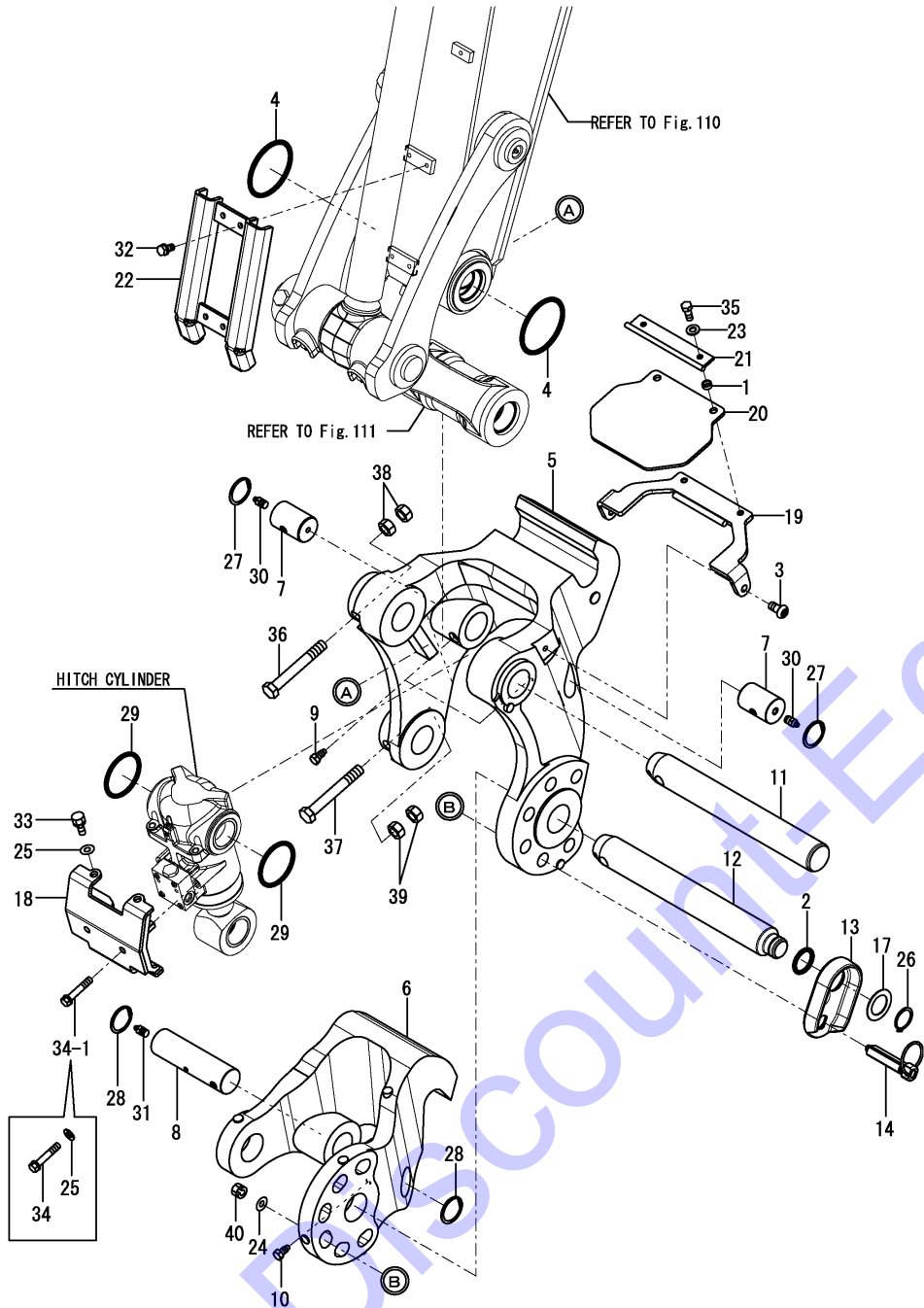
(A)=SV100-1(US)
 (B)=SV100-1(AS)
 (C)=SV100-1(NZ)

(D)=
 (E)=
 (F)=



REF.	LEV.	PARTS NO.	DESCRIPTION	Q'TY						I	R
				(A)	(B)	(C)	(D)	(E)	(F)		
1	1	172175-81700	SHIM	1	1	1					
2	1	172175-81710	SHIM	1	1	1					
3	1	172455-82380-2	ARM, BUCKET	1	1	1					
3-1	1	172455-82380-Y (A=M11501) (B=M11501) (C=M11501)	ARM, BUCKET	1	1	1					S
4	1	172455-82391-2	ARM, BUCKET	1	1	1					
4-1	1	172455-82391-Y (A=M11501) (B=M11501) (C=M11501)	ARM, BUCKET	1	1	1					S
5	1	172499-82400-1	LINK, BUCKET	1	1	1					
5-1	1	172499-82400-Y (A=M11501) (B=M11501) (C=M11501)	LINK, BUCKET	1	1	1					S
6	2	172448-54120	SEAL, DUST	2	2	2					
7	2	172168-54760	SEAL, DUST	4	4	4					
8	2	172455-82360	BUSH	2	2	2					
10	2	172187-83040	BUSH	2	2	2					
11	1	172165-82520	SHIM	1	1	1					
12	1	172165-82530	SHIM	1	1	1					
13	1	172455-83350	PIN ASSY	1	1	1					
14	1	172455-83360	PIN ASSY	1	1	1					
15	1	24761-020000	NIPPLE, GREASE	3	3	3					
16	1	24761-050000	NIPPLE, GREASE	2	2	2					
17	1	26116-161202	BOLT	2	2	2					
18	1	26716-160002	NUT	4	4	4					

Fig.112. QUICK CUPLER



(A)=SV100-1(US)
 (B)=SV100-1(AS)
 (C)=SV100-1(NZ)

(D)=
 (E)=
 (F)=

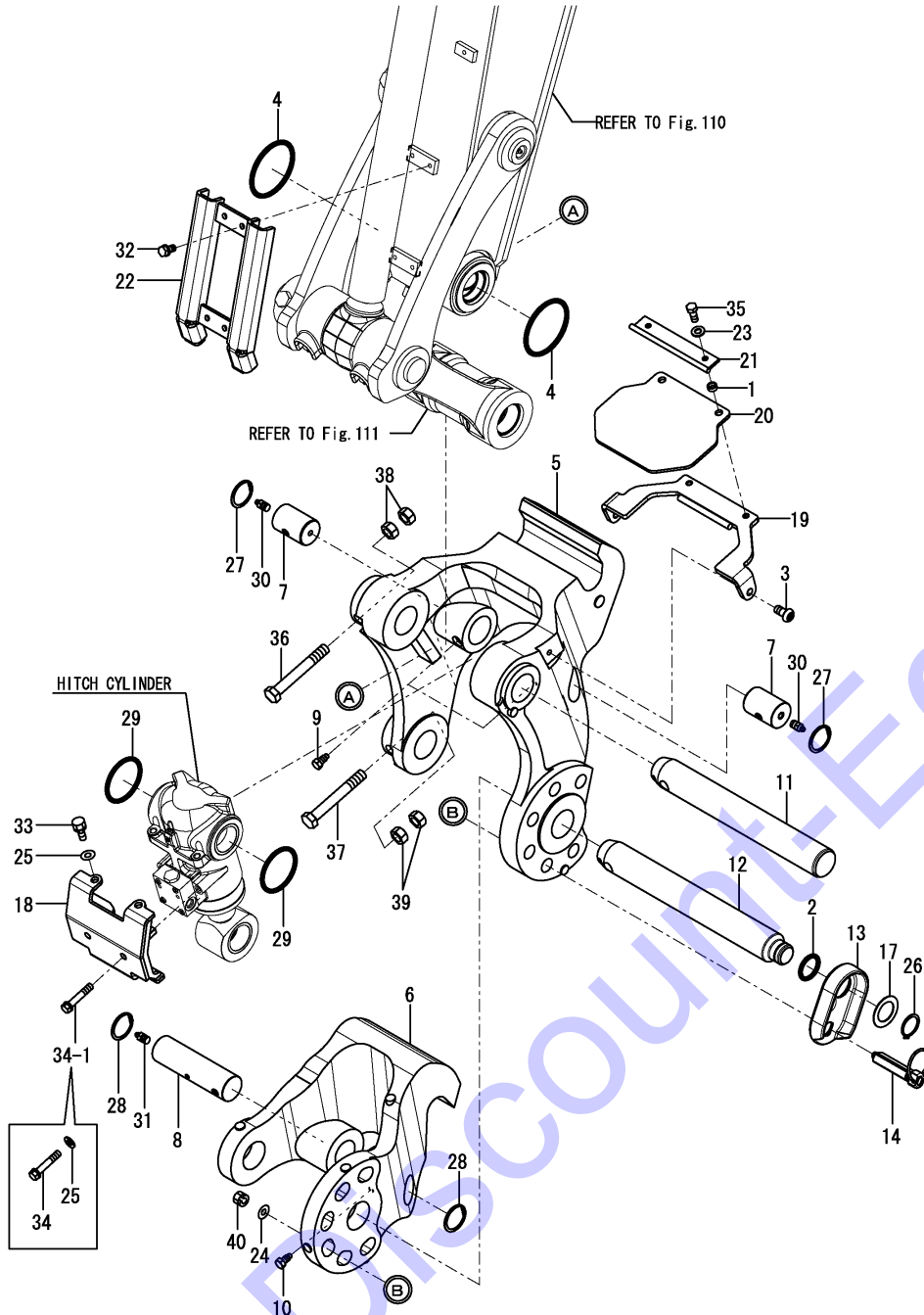
REF.	LEV.	PARTS NO.	DESCRIPTION	Q'TY						I	R
				(A)	(B)	(C)	(D)	(E)	(F)		
1	1	172958-17121	COLLER 9X4	2	2	2					
2	1	172124-46200	O-RING	1	1	1					
3	1	172455-61720	BOLT	2	2	2					
4	1	172162-82360	O-RING	2	2	2					
5	1	172978-83101-2	BRACKET A(YELLOW:2J)	1	1	1					
5-1	1	172978-83101-Y	BRACKET A	1	1	1					S
		(A=M11501) (B=M11501) (C=M11501)									
6	1	172978-83111-2	BRACKET B(YELLOW:2J)	1	1	1					
6-1	1	172978-83111-Y	BRACKET B	1	1	1					S
		(A=M11501) (B=M11501) (C=M11501)									
7	1	172978-83120	PIN 45X65	2	2	2					
8	1	172978-83130	PIN 45X161	1	1	1					
9	1	172978-83140	BOLT	2	2	2					
10	1	172978-83140	BOLT	1	1	1					
11	1	172978-83150	PIN 50X345	1	1	1					
12	1	172978-83161	PIN 50X373	1	1	1					
13	1	172978-83170-2	PLATE,LOCK(YELLOW:2J)	1	1	1					
13-1	1	172978-83170-Y	PLATE,LOCK	1	1	1					S
		(A=M11501) (B=M11501) (C=M11501)									
14	1	172978-83191	PIN,LOCK	1	1	1					
17	1	172960-83210	COLLAR	1	1	1					
18	1	172978-83221-2	COVER,HITCH(YELLOW:2J)	1	1	1					
18-1	1	172978-83221-Y	COVER,HITCH	1	1	1					S
		(A=M11501) (B=M11501) (C=M11501)									
19	1	172978-83270-2	GUARD (YELLOW:2J)	1	1	1					
19-1	1	172978-83270-Y	GUARD	1	1	1					S
		(A=M11501) (B=M11501) (C=M11501)									
20	1	172978-83292	PLATE,RUBBER	1	1	1					
21	1	172978-83300-2	PLATE (YELLOW:2J)	1	1	1					
21-1	1	172978-83300-Y	PLATE	1	1	1					S
		(A=M11501) (B=M11501) (C=M11501)									
22	1	172978-83320-2	COVER,ARM(YELLOW:2J)	1	1	1					
22-1	1	172978-83320-Y	COVER,ARM	1	1	1					S
		(A=M11501) (B=M11501) (C=M11501)									
23	1	22137-080000	WASHER	2	2	2					
24	1	22137-100000	WASHER	1	1	1					
25	1	22137-100000	WASHER	4	4	4					
25-1	1	22137-100000	WASHER	2	2	2					K
		(A=M10547) (B=M10547) (C=M10547)									
26	1	22242-000350	RING	1	1	1					
27	1	22252-000450	RING	2	2	2					
28	1	22252-000450	RING	2	2	2					
29	1	24311-000700	O-RING	2	2	2					
30	1	24761-020000	NIPPLE, GREASE	2	2	2					
31	1	24761-020000	NIPPLE, GREASE	1	1	1					
32	1	26013-080162	BOLT	4	4	4					
33	1	26013-100252	BOLT	2	2	2					
34	1	26013-100552	BOLT	2	2	2					
34-1	1	26013-100502	BOLT	2	2	2					N
		(A=M10547) (B=M10547) (C=M10547)									
35	1	26116-080202	BOLT	2	2	2					

N:Old $\begin{matrix} \leftarrow \text{Yes} \\ \text{No} \end{matrix}$ New, Q:Old $\begin{matrix} \leftarrow \text{No} \\ \text{Yes} \end{matrix}$ New, R:Old $\begin{matrix} \leftarrow \text{Yes} \\ \text{Yes} \end{matrix}$ New, S:Old $\begin{matrix} \leftarrow \text{No} \\ \text{No} \end{matrix}$ New, W:Add, Z:Discontinued, F:Interchangeable by set, K:Q'ty Change
 ++ CONTINUE ++
 (C)Copyrights YANMAR CO.,LTD.

Fig.112. QUICK CUPLER

(A)=SV100-1(US)
 (B)=SV100-1(AS)
 (C)=SV100-1(NZ)

(D)=
 (E)=
 (F)=

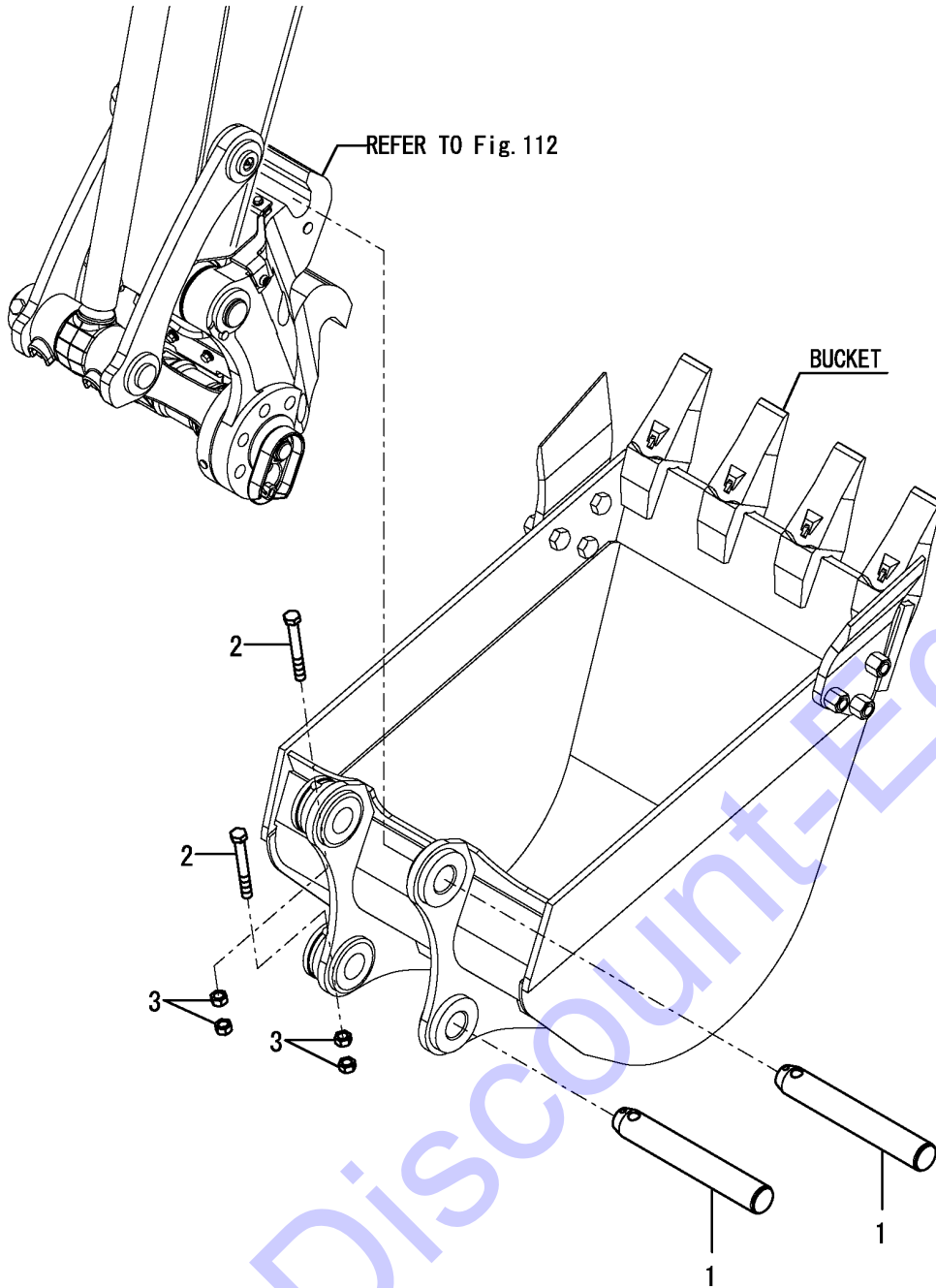


REF.	LEV.	PARTS NO.	DESCRIPTION	Q'TY						I	R
				(A)	(B)	(C)	(D)	(E)	(F)		
36	1	26116-161202	BOLT	1	1	1					
37	1	26116-161202	BOLT	1	1	1					
38	1	26716-160002	NUT	2	2	2					
39	1	26716-160002	NUT	2	2	2					
40	1	26756-100002	NUT	1	1	1					

Fig.113. BUCKET PIN

(A)=SV100-1(US)
 (B)=SV100-1(AS)
 (C)=SV100-1(NZ)

(D)=
 (E)=
 (F)=

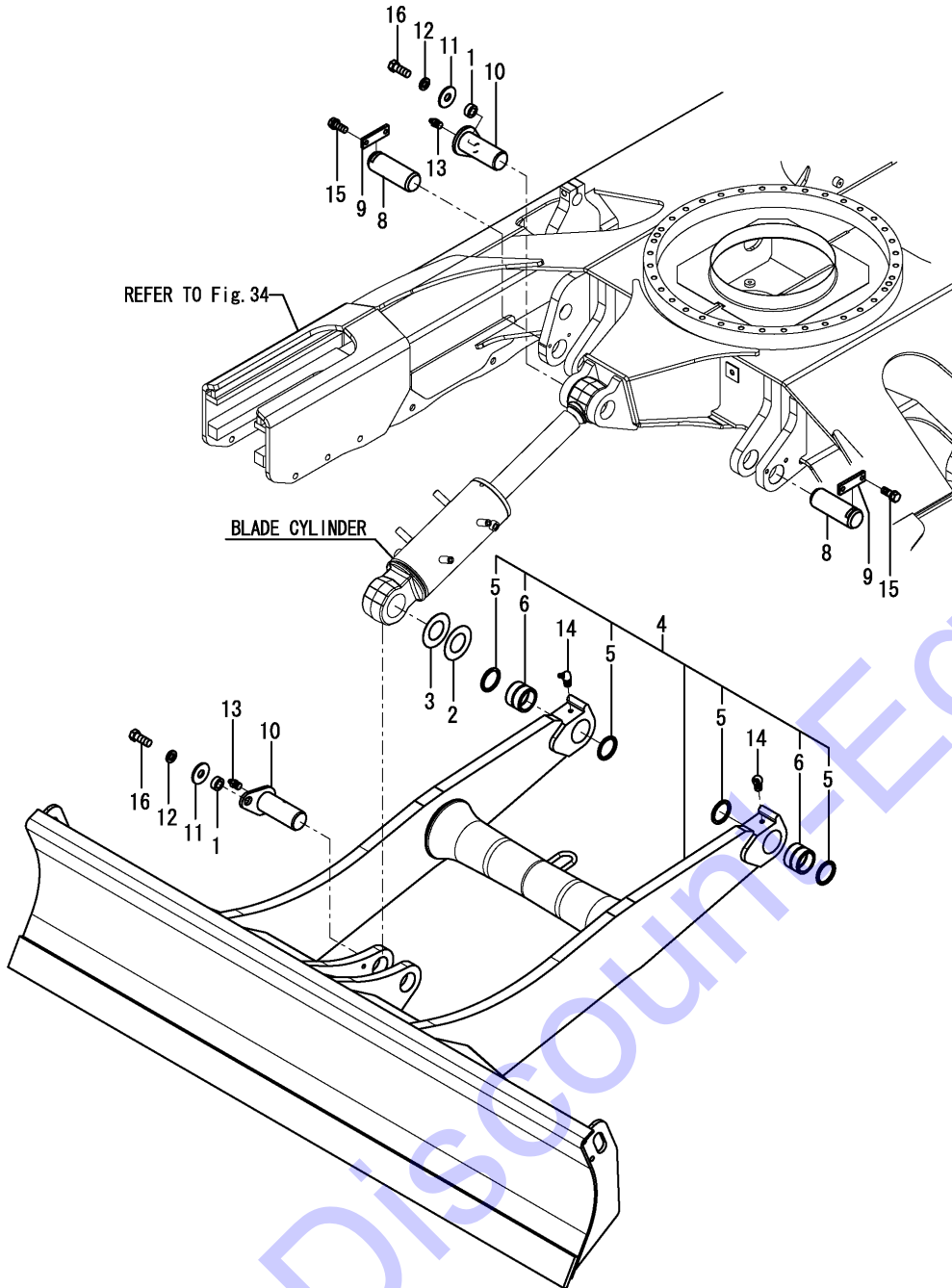


REF.	LEV.	PARTS NO.	DESCRIPTION	Q'TY						I	R	
				(A)	(B)	(C)	(D)	(E)	(F)			
1	1	172978-81400	PIN 50X301		2	2						
2	1	26076-161302	BOLT 16*130		2	2						
3	1	26716-160002	NUT M16		4	4						

Fig.114. BLADE

(A)=SV100-1(US)
 (B)=SV100-1(AS)
 (C)=SV100-1(NZ)

(D)=
 (E)=
 (F)=

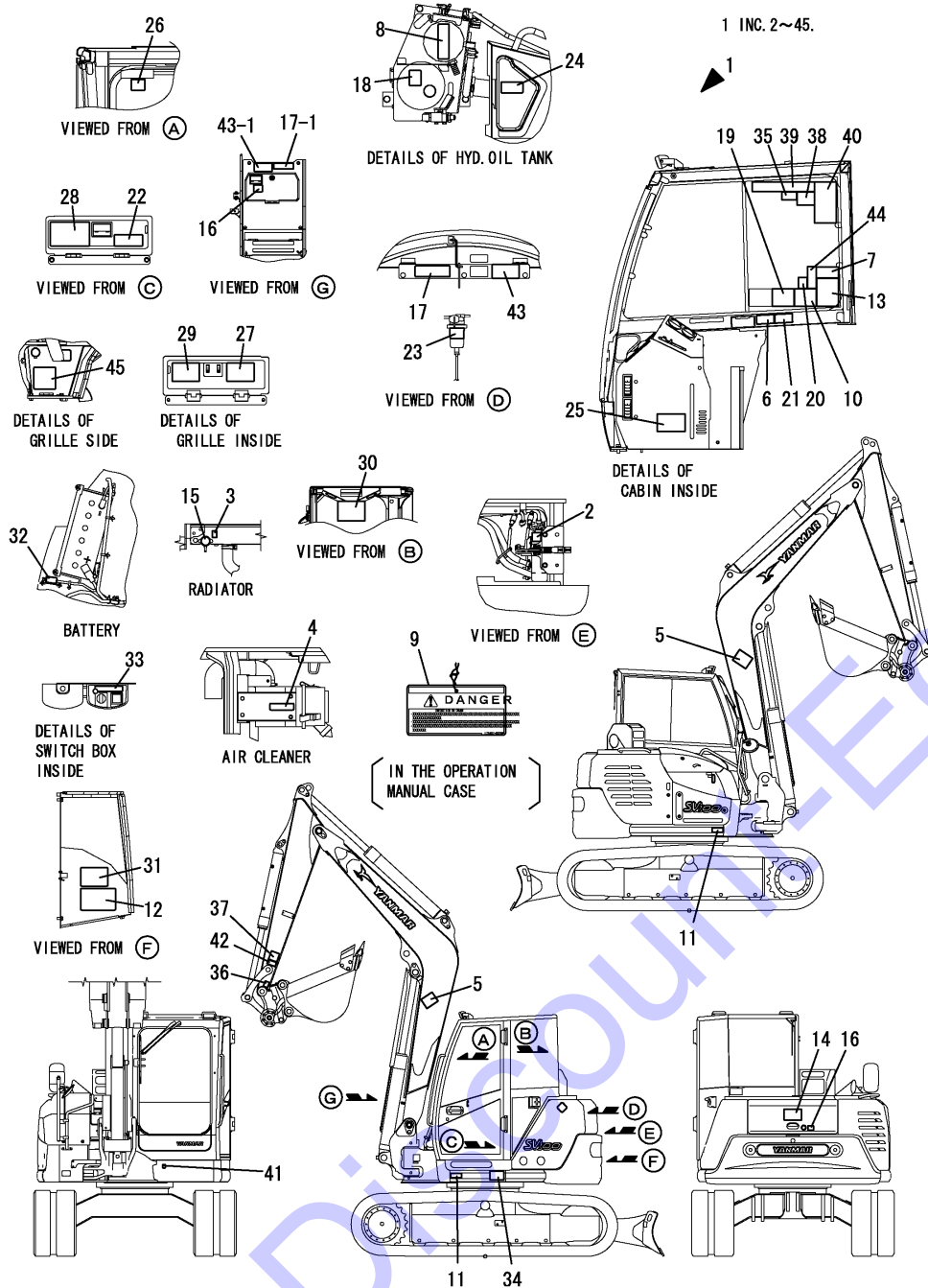


REF.	LEV.	PARTS NO.	DESCRIPTION	Q'TY						I	R
				(A)	(B)	(C)	(D)	(E)	(F)		
1	1	172155-45790	SPACER	2	2	2					
2	1	172175-81700	SHIM 60X110X0.8	1	1	1					
3	1	172175-81710	SHIM	1	1	1					
4	1	172A69-94100	BLADE ASSY (49)	1	1	1					
5	2	172020-10620	SEAL 60 X 75 X 5	4	4	4					
6	2	172162-81060	BUSH 60X55	2	2	2					
8	1	172162-94270	PIN	2	2	2					
9	1	172162-94280-3	PLATE,LOCK (GRAY:49)	2	2	2					
10	1	172187-94300	PIN 60X147	2	2	2					
11	1	22157-140000	WASHER, 14	2	2	2					
12	1	22217-140000	SPRING WASHER 14	2	2	2					
13	1	24761-020000	NIPPLE PT1/8,GREASE	2	2	2					
14	1	24761-040000	NIPPLE B,GREASE	2	2	2					
15	1	26013-120302	BOLT W/WASHER M12X30	4	4	4					
16	1	26116-140352	BOLT M14X 35 PLATED	2	2	2					

Fig.115. CA LABEL KIT(OPTIONAL)

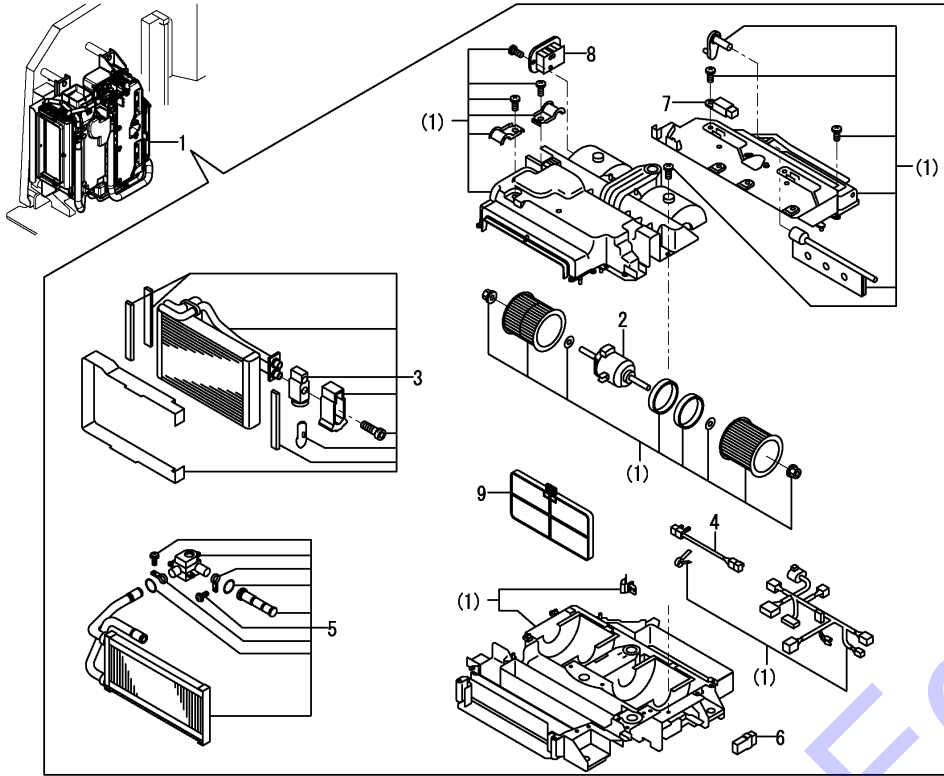
(A)=SV100-1(US)
 (B)=SV100-1(AS)
 (C)=SV100-1(NZ)

(D)=
 (E)=
 (F)=



REF.	LEV.	PARTS NO.	DESCRIPTION	Q'TY						I	R
				(A)	(B)	(C)	(D)	(E)	(F)		
1	1	172A69-03050	LABEL KIT,SV100-1 CA	1							
2	2	172A37-03150	LABEL,SUB-TANK CA	1							
3	2	172A37-03160	LABEL,ANTI-FREEZE CA	1							
4	2	172A37-03180	LABEL J, AIR CLEANER	1							
5	2	172A37-03200	LABEL,BOOM CA	2							
6	2	172A37-03231	LABEL,MANUAL CA.	1							
7	2	172A37-03241	LABEL,SLOPE CA.	1							
8	2	172A37-03250	LABEL,RESERVOIR CA	1							
9	2	172469-03261	TAG,SERVICING ASSY	1							
10	2	172A37-03271	LABEL,TRANSPORT CA.	1							
11	2	172A37-03280	LABEL,GREASE CYL CA	2							
12	2	172A37-03290	LABEL,BATTERY CA	1							
13	2	172A37-03300	LABEL,NEWTRAL CA	1							
14	2	172A37-03310	LABEL,SWING AREA CA	1							
15	2	172469-03320	LABEL,RADIATOR CAP	1							
16	2	172A37-03330	LABEL,ENGINE COVER	1							
16-1	2	172A37-03330	LABEL,ENGINE COVER	2							K
(A=M10547)											
17	2	172A37-03350	LABEL,SILENCER CA	1							
17-1	2	172A37-03350	LABEL,SILENCER CA	2							K
(A=M10547)											
18	2	172469-03360	LABEL,OIL	1							
19	2	172A37-03360	LABEL,STERRING CA	1							
20	2	172A37-03370	LABEL,ROPS CA	1							
21	2	172A37-03400	LABEL,LEVER LOCK CA	1							
22	2	172A69-03400	LABEL,SPEC CA	1							
23	2	172A07-03410	LABEL,WATER DRAIN	1							
24	2	172A37-03410	LABEL,RADIATOR CA	1							
25	2	172A69-03410	LABEL,OIL & WATER CA	1							
26	2	172A37-03420	LABEL,WINDOW CA	1							
27	2	172A69-03420	LABEL,FUSE CA	1							
28	2	172A37-03430	LABEL,2 WAY CA	1							
29	2	172A69-03430	LABEL,GREASING CA	1							
30	2	172A69-03440	LABEL,LIFT Q CA	1							
31	2	172A69-03450	LABEL,BATTERY COVER	1							
32	2	172A69-03470	LABAEL FL CA	1							
33	2	172469-03480	LABEL,SWITCH	1							
34	2	172A37-03500	LABEL,SUPPORT CA	1							
35	2	172A37-03520	LABEL,PIN CA	1							
36	2	172A37-03530	LABEL,FINGER CA	1							
37	2	172469-03540	LABEL,OPERATION PIN	1							
38	2	172A37-03540	LABEL,SAND CA	1							
39	2	172469-03550	LABEL,OP HITCH	1							
40	2	172A37-03550	LABEL,WARNING HITCH	1							
41	2	172A47-03610	LABEL, GREASE CA	1							
42	2	172A37-03680	LABEL,LOCK PIN CA	1							
43	2	172A37-03710	LABEL,ENGROOM CA	1							
43-1	2	172A37-03710	LABEL,ENGROOM CA	2							K
(A=M10547)											
44	2	172A37-03720	LABEL,SEAT BELT CA	1							
45	2	172A37-03760	LAVEL,ADJUST CRAWLER	1							

Fig.116. AIR CONDITIONER(UNIT, CONDENSER : INNER PARTS)



(A)=SV100-1(US) (D)=
 (B)=SV100-1(AS) (E)=
 (C)=SV100-1(NZ) (F)=

REF.	LEV.	PARTS NO.	DESCRIPTION	Q'TY						I	R
				(A)	(B)	(C)	(D)	(E)	(F)		
1	1	172A69-19010	UNIT ASSY,AC	1	1	1					
2	2	172A69-19310	MOTOR,BLOWER ASSY	1	1	1					
3	2	172A69-19320	EVAPORATOR ASSY	1	1	1					
4	2	172A69-19330	THERMISTOR ASSY	1	1	1					
5	2	172A69-19340	CORE,HEATER ASSY	1	1	1					
6	2	172A69-19350	AMPLIFIER	1	1	1					
7	2	172A69-19360	RELAY	1	1	1					
8	2	172A69-19370	RESISTOR	1	1	1					
9	2	172A69-19380	FILTER ASSY	1	1	1					
10	1	172A69-19680	CONDENSER ASSY	1	1	1					
11	2	172A69-19410	CORE,CONDENSER	1	1	1					
12	2	172A69-19420	BUSH	1	1	1					
13	2	172A69-19430	GROMMET	1	1	1					
14	2	172A69-19440	FAN ASSY	1	1	1					
15	2	172A69-19450	MOTOR,FAN ASSY	1	1	1					
16	2	172A69-19460	RESISTER,BLOWER	1	1	1					

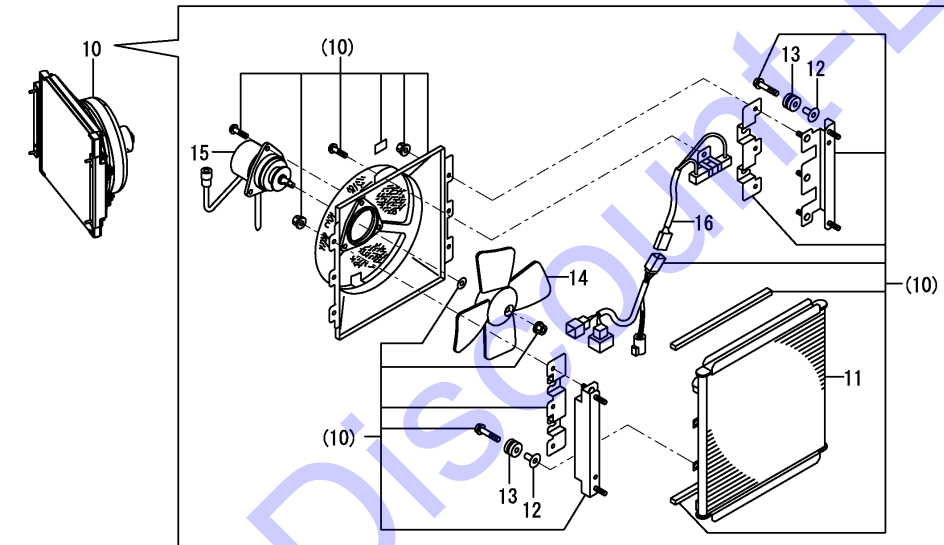
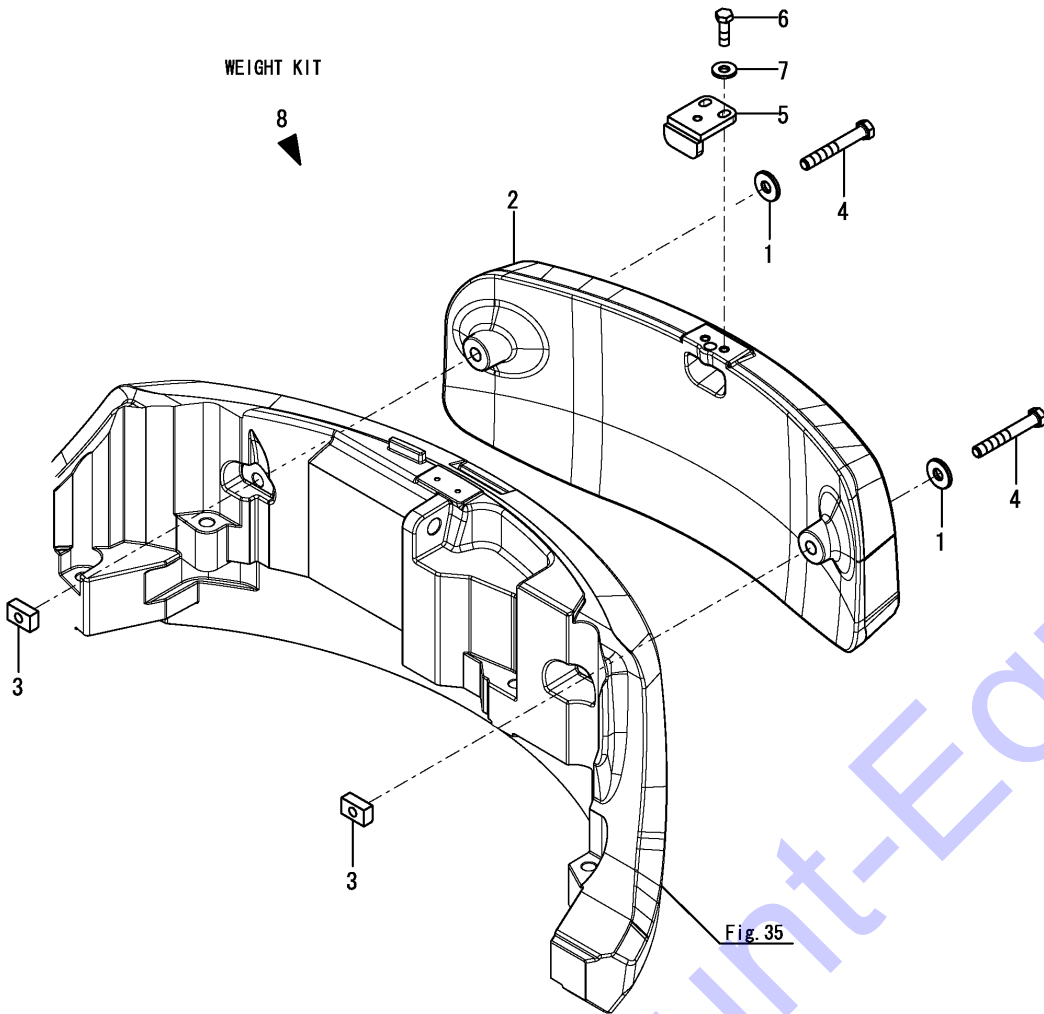


Fig.117. ADDITIONAL WEIGHT(OPTIONAL)



OCS10-G54500 117. ADDITIONAL WEIGHT(OPTIONAL)

(A)=SV100-1(US)
 (B)=SV100-1(AS)
 (C)=SV100-1(NZ)

(D)=
 (E)=
 (F)=

REF.	LEV.	PARTS NO.	DESCRIPTION	Q'TY						I	R	
				(A)	(B)	(C)	(D)	(E)	(F)			
1	1	172187-53321	WASHER	2	2	2						
2	1	172A89-53320	WEIGHT, ADD	1	1	1						
3	1	172A46-53360	NUT	2	2	2						
4	1	172A48-53371	BOLT	2	2	2						
5	1	172A48-53380	BRACKET ASSY, WEIGHT	1	1	1						
6	1	26116-160502	BOLT	2	2	2						
7	1	933147-08501	WASHER	2	2	2						
8	1	172A89-08900	WEIGHT SET	1	1	1					W 1	
				(A=MXXXXXX)	(B=MXXXXXX)	(C=MXXXXXX)						

Remarks

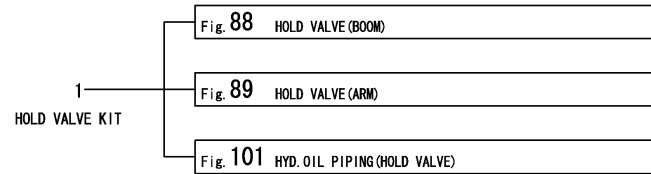
(1)Refer No.8 includes No.7 from 1.

Fig.121. HOLD VALVE(OPTIONAL)

OCS10-G54500 121. HOLD VALVE(OPTIONAL)

(A)=SV100-1(US)
 (B)=SV100-1(AS)
 (C)=SV100-1(NZ)
 (D)=
 (E)=
 (F)=

REF.	LEV.	PARTS NO.	DESCRIPTION	Q'TY						I	R	
				(A)	(B)	(C)	(D)	(E)	(F)			
1	1	172A69-08520	VALVE KIT, HOLD	1	1	1					W	1
		(A=MXXXXX) (B=MXXXXX) (C=MXXXXX)										
1-1	1	172A69-08520-Y	VALVE KIT, HOLD	1	1	1						S
		(A=M11501) (B=M11501) (C=M11501)										



Remarks
 (1) Inner parts are shown in Fig.88,
 89 & 101.

Part Number Index

All parts are stipulated in the order of part numbers.

(Depending on the area in which the part is used.)

This index will display the location of the part according to each part number.

PARTS No. INDEX

PARTS No.	Fig.	Ref.No.
106990-44660	10	29
114110-07760	1	45
119160-12530	4	4
		19
119160-12540	4	6
		21
119160-12560	4	3 -1
		18 -1
119160-12570	4	7
119802-55710	11	23
121250-49121	7	3
121256-44600	9	8
121450-44531	9	3
121470-44581	9	5
121820-12590	4	8
		22
124450-44550	9	7
124450-44560	9	4
124766-59050	7	21
	10	30
	11	26
		27
		28
		29
124970-77920	18	29
129100-55690	11	22
129107-44590	7	7
129122-44480	24	25
129400-13201	3	3
129418-12530	4	5
		20
129466-96240	24	26
129612-12650	4	9
129612-52100	11	19
129640-13580	3	5
129640-13590	3	4
129927-77900	12	20
129927-77910	12	21
	18	28
129927-77920	18	30
129935-12520	4	3
		18
171064-44510	9	1
172020-10380	63	8
172020-10390	27	17
172020-10401	27	18
172020-10620	62	29
		33
	63	21
		25

PARTS No.	Fig.	Ref.No.
172020-10620	114	5
172020-10730	62	2
172020-10810	62	3
172020-10860	62	4
172020-11230	62	30
172020-11280	62	34
172020-11300	62	5
172020-11320	62	8
172020-11340	62	9
172020-11350	62	11
172020-11450	63	22
		26
172020-11500	63	2
172020-11520	63	5
172020-11530	63	9
172020-11540	63	6
172020-11690	62	10
172020-11700	62	12
172020-11710	62	19
172020-11720	63	7
172020-11730	63	10
172020-11740	63	17
172110-76020	90	1
172110-76170	100	3 -1
	101	1 -1
172110-76170-3	100	3
	101	1
172112-16201	14	2
172112-74971	87	5
172112-75770	87	7
172112-75780	87	8
172112-77361	59	44
	60	38
	89	23
	90	8
	92	20
	93	37
172112-77580	107	9
172113-74190	73	15
	74	4
	76	19
172116-74150	70	26
	71	2 A
	72	2 A
		8
	73	2 A
	74	14 A
	75	19
	76	13 A
		15 A

PARTS No.	Fig.	Ref.No.
172116-74150	77	14 A
172122-17190	41	12
172122-37844	27	22
172122-55061	11	20
172122-70260	66	24
172122-70410	66	26
172122-70530	66	27
172122-73860	69	5
172122-73870	69	6
172122-73890	69	11 -1
172123-76121	79	24
	80	8
		9
	81	22
	82	8
	83	20
	84	34
	85	21
	89	18
	92	3
	93	7
		8
	96	1
	98	1
	124	7
172124-17640	24	4 -1
172124-46200	29	6
	112	2
172124-65480	44	16
172124-70030	61	2
172124-70380	66	42
172125-03951	1	44
	2	18
	4	23 A
172126-11510	18	1
		42
	19	5
	23	1
		24
	24	1
	25	1
		30
	100	35
	101	21
	104	1
172126-16540	12	12
172137-13400	10	2
172137-14282	6	12
172137-16560	19	2
	107	1

PARTS No.	Fig.	Ref.No.
172137-46042	6	13
172137-46210	17	18
172137-76100	78	21
172137-76110	95	1
172137-76580	100	7
	101	2
172141-17211	19	4
172141-41370	29	3
172141-72250	64	2
172141-73240	57	125
172141-74720	57	33
172141-76181	79	25
	81	24
	84	35
	88	20
	93	20
	98	2
172141-76900	61	37
	63	29
	88	25
	89	19
	92	18
	93	35
	124	14
172141-76920	92	11
172141-76940	95	2
	96	3
172142-62301	8	21
	37	17
172142-72260	64	3
172142-72951	64	19
172142-74590	57	136
172142-74600	57	61
		84
172142-74650	57	137
172142-74660	57	62
		85
172142-74670	80	6
172142-76181	62	36
	63	28
172142-76240	98	16
172142-76940-2	56	4
	97	14
	99	6
		7
172142-76940-Y	56	4 -1
	97	14 -1
	99	6 -1
		7 -1
172142-76950-6	88	27

PARTS No. INDEX

PARTS No.	Fig.	Ref.No.
172142-76950-6	97	16
172142-76950-N	88	27 -1
172142-76950-Y	97	16 -1
172146-78150	8	22
172147-70500	66	29
172147-73150	57	80
172147-73530	57	117
		134
172147-73810	69	2
172147-73830	69	3
172147-73850	69	4
172147-73880	69	10 -1
172147-76271	90	41
	93	33
172148-70301	66	25
172151-71630	64	12
172151-74060	70	10
	71	4
	72	4
	73	4
		13
	74	2
		16
	75	3
		25
	76	3
		17
	77	2
		17
172151-74320	70	13
	71	7
	72	25
	73	7
		18
	74	7
		19
	75	6
		28
	76	6
		21
	77	5
		21
172151-76050	58	4
		4 -1
	78	20
172151-76161	93	16
172151-76200	93	26
172155-11120	92	1
172155-45790	59	60
	109	2

PARTS No.	Fig.	Ref.No.
172155-45790	110	2
	114	1
172156-03740	1	42
172156-65690	43	10
172156-76110	21	8
	92	2
172157-58830	78	3
172157-76300	68	5
172162-13170	6	6
172162-13180	6	7
172162-13190	6	8
172162-14200	10	24
172162-17400	19	3
172162-18040	25	8
172162-57660	35	14
172162-61500	40	1
172162-61770	59	1
172162-69470	37	23
172162-70150	66	19
172162-70290	66	3
172162-70310	66	4
172162-70320	66	5
172162-70590	66	28
172162-70820	66	31
172162-72040	61	3
172162-72450	61	16
172162-72620	59	15
	60	31
172162-72680	59	16
	60	32
172162-72690	59	17
	60	33
172162-72700	59	18
172162-72930	61	28
172162-72950	60	34
	61	29
172162-73700	87	2
172162-76181	93	24
172162-76320	92	17
172162-81060	114	6
172162-81430	109	6
172162-81680	108	3
172162-82280	110	7
172162-82350	110	8
172162-82360	112	4
172162-82930	66	72
172162-83580	109	15
172162-83600	109	16
172162-83610	109	17
172162-94270	114	8

PARTS No.	Fig.	Ref.No.
172162-94280-3	62	43
	114	9
172164-16370	14	3
172164-37120	26	18
172164-66170	37	18
	43	11
	44	17
172164-66640	45	6
172164-73650	57	118
172164-73870	57	127
172164-73950	57	129
172164-76330	93	48
172164-76700	93	49
172164-81670	110	9
172165-13220	6	10
172165-47550	29	12
172165-47980	29	13
172165-47990	29	14
172165-53490	47	1
172165-66210	42	11 Q
		23
172165-73850	57	126
172165-73870	57	128
172165-76270	92	13
172165-76380	60	36
	61	35
	98	17
172165-82520	110	13
	111	11
172165-82530	110	14
	111	12
172168-54760	111	7
172168-76162	124	8
		9
172168-76170	94	2
172168-76370	94	4
172173-76102	78	23
	79	22
	82	10
	124	5
172175-17120	18	7
172175-72480	64	4
172175-74220	70	12
	71	6
	72	24
	73	16
	74	5
		18
	75	5
		27

PARTS No.	Fig.	Ref.No.
172175-74220	76	5
		20
	77	4
		19
172175-81700	62	38
	110	10
	111	1
	114	2
172175-81710	62	39
	110	11
	111	2
	114	3
172176-67150	37	31
172176-76210	93	30
172176-76581-5	99	4
172176-76582-2	99	4 -1
172176-76582-Y	99	4 -2
172176-81700	59	45
172176-81710	59	46
172183-03280	1	23
172183-14650	6	21
172183-76180	88	22
172183-76200	80	12
	85	22
	93	27
172183-81160	42	25
	89	25
	100	32
172186-13810	11	30 -1
172186-14150	10	22
172186-76430	82	12
172187-03941	1	43
	2	17
	109	23 A
172187-14510	10	28
172187-16110	14	1
172187-16530	19	1
172187-16600	12	14
172187-17070	15	2
172187-17080	15	3
172187-17090	15	4
172187-17100	15	1
172187-17220	18	8
172187-18410	24	22
172187-45651	32	3
172187-45720-2	32	4
172187-45760	32	5
172187-45870	30	3
172187-45880	30	4
172187-53321	35	2

PARTS No. INDEX

PARTS No.	Fig.	Ref.No.
172187-53321	117	1
172187-61421	37	1
	38	11
	119	21
172187-61500-3	40	2
172187-63160	22	38
	41	4
		11
172187-64900	17	19
172187-65210	44	11
172187-65270	44	13
172187-66140	42	11 P
172187-71100	57	1
	122	1
172187-71210	57	4
	122	4
172187-72910-2	59	40
172187-72910-N	59	40 -1
172187-73220	57	21
172187-73230	57	22
172187-73240	57	20
172187-73250	57	23
172187-73700	87	3
172187-73730	87	4
172187-73801	69	1
172187-74410	73	20
	74	9
	76	23
172187-74530	70	6
		28
	73	10
172187-74540	72	33
172187-74550	70	30
	75	36
172187-74630	72	39
172187-74690	72	20
172187-75340-2	87	12
172187-75500	87	16
172187-75630	57	65
172187-75720	57	76
172187-75750	57	77
172187-76131	92	4
172187-76141	92	7
172187-76170	93	18
172187-76180	94	3
172187-76191	90	15
172187-76200	93	28
172187-76520	97	13
172187-76690-2	99	5
172187-76690-Y	99	5 -1

PARTS No.	Fig.	Ref.No.
172187-76940	97	15
172187-78100	94	16
	97	30
172187-78211	96	12
172187-79300	99	12
172187-81710	110	6
172187-81800	59	47
172187-81810	59	48
172187-81840	109	8
172187-81970	62	40
	109	11
172187-82320	108	5
172187-82370	62	41
172187-82400	108	7
172187-82410	108	8
172187-82420	108	9
172187-82430	109	14
172187-83040	111	10
172187-94300	114	10
172312-74770	72	21
172312-74780	66	50
172312-76190	90	17
172422-74110	70	3
172422-74330	73	8
172422-76100	90	2
172422-76110	90	3
172422-76140	81	23
	82	9
	93	10
172422-78760	11	34
172423-72520	62	25
172423-72530	62	26
172423-72540	62	27
172423-73370	66	16
172423-73810	69	10
172423-73820	69	11
172423-76100	68	4
	93	4
172423-76120	93	9
172423-76140	93	11
172425-17630	24	2
172433-62200	37	13
172434-61180	119	18
172437-03252	1	20
	2	4
172437-03302	1	53
	2	22
	48	32 A
172437-03312	1	54
	2	23

PARTS No.	Fig.	Ref.No.
172437-03312	52	12 D
172437-03322	1	25
	2	6
	87	44 A
172437-03343	1	55
	2	24
	52	12 E
172437-03352	1	28
	2	8
	39	22 B
		23 A
172437-03361	1	31
	2	10
	8	34 B
172437-03372	1	57
	2	26
	52	12 F
172437-03381	1	32
	2	11
	44	30 A
172437-03391	1	33
	2	12
	43	36 A
172437-03402	1	34
	2	13
	37	35 A
	44	30 B
172437-03422	1	36
		36 -1
	2	15
		15 -1
	44	30 D
172437-03432	1	58
	2	27
	52	12 G
172437-03441	1	59
	2	28
	52	12 H
172437-03451	1	60
	2	29
	52	12 I
172437-03471	1	61
	2	30
	48	32 B
172437-03501	1	37
172437-03511	1	38
172437-03551	1	62
	2	31
	50	32 A
172437-03601	1	39

PARTS No.	Fig.	Ref.No.
172437-03601	2	16
	38	32 A
172437-03610	1	40
172437-03620	1	41
172437-74711	78	5
172437-74720	78	6
172437-74732	78	7
172441-44320	33	2
172441-74030	83	3
		12
172441-74040	83	4
		13
172444-13210	7	1
172444-13220	7	2
172444-14270	10	27
172444-17620	42	11 A
172444-17660	42	6
	97	1
	100	31
		31 -1
	109	1
	110	1
172444-65190	44	10
172445-68650	18	23 -1
172445-72450	62	24
172445-72480	62	7
172445-81990	109	12
172446-14250	11	4
172446-49280	22	8
172446-62910	55	4
172447-13550	25	2
172447-14160	10	12
172448-54120	110	4
	111	6
172450-73360	66	15
172450-73370	66	17
172450-73380	66	22
172455-46890	29	11
172455-53331	35	3
172455-61720	112	3
172455-65700	37	33
172455-65701	37	33 -1
172455-74010	70	22
	75	15
172455-74020	70	23
	75	16
172455-74030	70	24
	75	17
172455-74040	70	25
	75	18

PARTS No. INDEX

PARTS No.	Fig.	Ref.No.	PARTS No.	Fig.	Ref.No.	PARTS No.	Fig.	Ref.No.	PARTS No.	Fig.	Ref.No.
172455-74320	70	21	172455-74450	76	27	172455-83350	111	13	172469-03360	115	18
	75	14		77	10	172455-83360	111	14	172469-03480	115	33
172455-74390	70	14	172455-74460	70	19	172456-13470	18	27	172469-03540	115	37
	71	9		71	14	172456-53700	21	6	172469-03550	115	39
	72	26		72	31		35	4	172472-03141	1	10
	73	19		73	22	172456-75430	57	139		2	1
	74	8		74	11	172458-03240	1	19		39	22 A
		20			25	172458-14203	10	13	172472-03230	1	18
	75	7		75	12	172458-17420	53	9 A	172472-03241	1	49
		29			34	172458-17700	22	2		2	19
	76	7		76	12	172458-18850	42	11 B		52	12 A
		22			28	172458-46790	42	11 D	172472-03250	1	50
	77	6		77	11			24	172472-03261	1	21
172455-74410	70	15			23	172458-50480-2	34	2		2	5
	71	10	172455-74480	77	24	172458-61500	7	12		110	23 A
	72	27	172455-74530	72	32	172458-61510	7	13	172472-03271	1	51
	73	21	172455-74550	72	35	172458-64140	22	33 A		2	20
	74	10	172455-74560	72	36	172458-65050	44	2		52	12 B
		21	172455-74570	72	37	172458-65060	44	3	172472-03281	1	52
	75	8	172455-74580	72	38	172458-65271	44	14		2	21
		30	172455-74590	72	11	172460-16700	11	45		52	12 C
	76	8	172455-74600	72	12	172460-73320	26	2	172472-03290	17	2
		24	172455-74620	72	13		34	7	172472-03300	17	3
	77	7	172455-74630	72	14		65	81	172472-03330	1	27
		22	172455-74640	72	15	172460-76570	90	6		2	7
172455-74420	70	16	172455-74650	72	16	172462-03320	1	26		110	23 B
	71	11	172455-74660	72	17	172463-03290	1	24	172478-17200	15	9
	72	28	172455-74670	72	18	172463-74530	83	5		21	4
	74	22	172455-74680	72	19			14	172478-73600	67	1
	75	9	172455-74690	72	22	172463-74540	83	6	172478-73630	67	2
		31	172455-74720	72	23			15	172478-74170	71	8 -1
	76	9	172455-74990	70	27	172463-74551	83	7	172478-74180	70	11
		25		75	20			16		71	5
	77	8	172455-75290	87	18	172463-74561	83	8		72	5
172455-74440	70	17	172455-75300	87	19			17		73	14
	71	12	172455-76160	94	1	172463-74570	83	9		74	3
	72	29	172455-76200	93	29			18			17
	74	23	172455-76220	83	21	172467-64101	42	7		75	4
	75	10	172455-76580	98	4	172467-64110	42	7 A			26
		32	172455-77140	88	12	172467-64120	42	7 B		76	4
	76	10		89	12	172467-64130	42	7 C			18
		26	172455-77150	84	29	172467-64140	42	7 D		77	3
	77	9		88	13	172467-64150	42	7 E			18
172455-74450	70	18		89	13	172467-64160	42	7 F	172478-74320	71	8
	71	13	172455-82360	111	8	172467-64170	42	7 G	172478-74360	70	5
	72	30	172455-82380-2	111	3	172467-64180	42	7 H		77	27
	74	24	172455-82380-Y	111	3 -1	172467-64190	42	7 I	172478-74370	77	28
	75	11	172455-82391-2	111	4	172467-76120	98	13	172478-76200	67	3
		33	172455-82391-Y	111	4 -1	172469-03261	115	9	172479-73590	65	22
	76	11	172455-83300	110	15	172469-03320	115	15	172479-73650	65	29

PARTS No. INDEX

PARTS No.	Fig.	Ref.No.
172479-73750	65	49
172479-73760	65	50
172479-73930	65	41
172487-61460	18	19 A
172487-68450	8	13
172488-74200	72	6
172488-74210	72	9
172488-74220	72	10
172491-61490	23	19
172491-76140	93	12
172491-76330	81	27
	85	24
172499-03280	1	5
172499-11500	4	17
172499-11510	4	2
172499-11560	4	11
172499-13750	8	4
172499-13760	8	5
172499-17650	24	3
172499-29100-1	26	1
172499-37101-1	27	2
172499-37111	27	3
172499-37131	27	5
172499-37142	27	6
172499-37152	27	7
172499-37161	27	8
172499-37172	27	9
172499-37180	27	10
172499-37301	26	4
172499-37331-1	26	8
172499-37360	26	7
172499-37371	26	9
172499-37380	26	10
172499-37500-1	26	16
172499-37700-1	27	13
172499-37750-1	27	16
172499-37760	27	19
172499-37790	27	20
172499-37800	27	21
172499-38100-1	28	1
172499-38110-1	28	17
172499-38120	28	2
		18
172499-38130-1	28	14
		35
172499-38140-1	28	30
		42
172499-38160	28	15
		31
		36

PARTS No.	Fig.	Ref.No.
172499-38160	28	43
172499-38170	28	16
		32
		37
		44
172499-38180	28	3
		19
172499-38190	28	4
		20
172499-38200	28	5
		21
		38
		45
172499-38210	28	6
		22
		39
		46
172499-38220	28	7
		23
172499-38230	28	8
		24
172499-38240	28	9
		25
		40
		47
172499-38250	28	10
		26
172499-38260	28	11
		27
172499-38270	28	12
		28
172499-38280	28	13
		29
172499-38300-1	28	34
172499-38310-1	28	41
172499-38600	28	33
172499-50800-1	34	6
172499-57600	35	9
172499-57620	35	11
172499-57630	35	12
172499-70550	57	83
172499-70600	57	6
172499-70610	57	7
172499-70620	57	8
172499-70630	57	9
172499-70640	57	10
172499-70650	57	11
172499-70660	57	12
172499-70670	57	13
172499-70680	57	14

PARTS No.	Fig.	Ref.No.
172499-70690	57	15
172499-70701	57	16
172499-70711	57	17
172499-70720	66	6
172499-70730	66	7
172499-70740	66	8
172499-70750	66	9
172499-70760	66	10
172499-70770	66	11
172499-70780	66	12
172499-70790	66	13
172499-70810	66	30
172499-70830	66	32
172499-70840	66	33
172499-70850	66	34
172499-70860	66	35
172499-70870	66	36
172499-70880	66	37
172499-70890	66	38
172499-70900	66	43
172499-70910	66	44
172499-70920	66	45
172499-70930	66	46
172499-70950	66	48
172499-70960	66	49
172499-70970	66	39
172499-70980	66	40
172499-71020	66	74
172499-71040	66	14
172499-71200	57	3
	122	3
172499-71300	57	18
172499-71310	57	26
172499-71320	57	35
172499-71350	57	44
172499-71370	57	53
172499-71390	57	93
172499-71400	57	94
172499-71430	57	82
172499-71450	57	19
172499-71490	57	55
172499-71500	57	30
172499-71570	57	56
172499-71580	57	57
172499-71590	57	58
172499-71600	57	69
172499-71620	57	70
172499-71630	57	71
172499-71640	57	72
172499-71650	57	73

PARTS No.	Fig.	Ref.No.
172499-71660	57	74
172499-71690	57	47
172499-71700	57	48
172499-71710	57	49
172499-71720	57	50
172499-71730	57	51
172499-71740	57	52
172499-71750	57	90
172499-71760	57	91
172499-71770	57	104
172499-71781	57	105
172499-71800	57	106
172499-71810	57	107
172499-71820	57	108
172499-71830	57	109
172499-71840	57	110
172499-71850	57	111
172499-71860	57	112
172499-71870	57	113
172499-71880	57	114
172499-71900	57	115
172499-71910	57	103
172499-72130	59	6
172499-72140	59	7
	60	2
172499-72180	59	9
172499-72190	59	10
172499-72200	59	11
172499-72220	59	12
172499-72230	59	13
172499-72260	59	14
172499-72280	59	36
172499-72860	59	19
	61	25
172499-72870	59	20
	61	26
172499-72880	59	21
	61	27
172499-72900	59	22
172499-72910	59	30
172499-72930	59	34
172499-73490	65	11
172499-73660	65	31
172499-73740	65	46
		48
172499-73780	65	73
172499-73850	65	74
		75
172499-73950	65	66
172499-76160	90	13

PARTS No. INDEX

PARTS No.	Fig.	Ref.No.
172499-76200	96	2
172499-76300	92	14
172499-76310	92	16
172499-76311	92	16 -1
172499-76500-1	99	3
172499-76500-Y	99	3 -1
172499-78170	90	31
172499-78210	97	24
172499-78530	96	15
172499-79120	100	20
172499-81750	109	7
172499-81800	110	12
172499-81850	109	9
172499-81860	109	10
172499-82400-1	111	5
172499-82400-Y	111	5 -1
172511-17351	21	5
172519-63240	33	7
		8
	41	5
		9
		10
172524-76110	93	5
172524-76210	98	14
172531-73550	67	3 -1
172538-17100	20	2
172538-19700	42	11 C
172538-66380	51	2
172538-66480	54	2
172538-66530	54	3
172538-66640	53	2
172538-67250	48	4
172538-67550	52	5
172538-67630	49	28
172538-67640	54	4
172538-67650	50	2
172538-67660	49	29
		30
		31
	53	3
172538-67680	49	2
172538-67720	48	5
	49	3
	50	3
		4
	51	3
	53	4
172538-67780	49	4
172538-68540	53	5
172538-68730	49	23

PARTS No.	Fig.	Ref.No.
172538-68780	49	24
172538-68890	49	25
172538-68910	48	6
	50	31
172538-68960	49	26
172633-76200	92	29
172638-73650	72	7
172638-76190	81	26
172644-76161	124	10
172644-76180	92	9 -1
172645-76560	59	42
	88	23
172648-16600	12	8
	25	5
172649-72750	57	121
172649-73680	57	135
172730-31630	26	17
172730-75141	81	21
	124	4
172734-65270	44	15
172828-76330	78	25
172837-73700	68	1
172837-73730	68	2
172837-73740	68	3
172837-74130	80	1
172837-74140	80	2
172837-74150	80	3
172837-74160	80	4
172837-74170	80	5
172958-03160	1	12
172958-17110	17	1
172958-17121	112	1
172958-17140	17	7
172958-17150	17	8
172958-17160	17	9
172958-17170	17	10
172958-17180	17	11
172958-17190	17	12
172958-17200	17	13
172958-17210	17	14
172958-17220	17	15
172958-64500	41	6
172958-72950	64	22
172958-72960	64	23
172958-72982-2	64	24
172958-72983	64	24 -1
172958-72983-N	64	24 -2
172958-78120	100	14
172960-83210	112	17
172964-12140	31	1

PARTS No.	Fig.	Ref.No.
172978-72800-2	64	1
172978-72800-N	64	1 -1
172978-72810-2	64	5
172978-72810-N	64	5 -1
172978-72860	64	8
172978-72880	64	11
172978-72890	64	7
172978-72920	64	14
172978-76100	100	1
172978-76480-2	100	4
172978-76480-Y	100	4 -1
172978-76500-2	100	5
172978-76500-Y	100	5 -1
172978-81400	113	1
172978-83101-2	112	5
172978-83101-Y	112	5 -1
172978-83111-2	112	6
172978-83111-Y	112	6 -1
172978-83120	112	7
172978-83130	112	8
172978-83140	112	9
		10
172978-83150	112	11
172978-83161	112	12
172978-83170-2	112	13
172978-83170-Y	112	13 -1
172978-83191	112	14
172978-83221-2	112	18
172978-83221-Y	112	18 -1
172978-83270-2	112	19
172978-83270-Y	112	19 -1
172978-83292	112	20
172978-83300-2	112	21
172978-83300-Y	112	21 -1
172978-83320-2	112	22
172978-83320-Y	112	22 -1
172A07-03160	1	13
172A07-03410	115	23
172A21-03220	1	4
172A21-13100	6	1
172A25-68500	55	1
	56	2
172A25-74420	88	2
	89	2
172A25-74430	88	3
	89	3
172A25-74440	88	4
	89	4
172A25-74450	88	5
	89	5

PARTS No.	Fig.	Ref.No.
172A25-74460	88	6
	89	6
172A25-74470	88	7
	89	7
172A25-74480	88	8
	89	8
172A25-74490	88	9
	89	9
172A25-74501	88	10
	89	10
172A25-76100	88	18
172A36-03411	1	35
		35 -1
	2	14
		14 -1
	44	30 C
172A36-74690	78	2
172A36-74750	78	8
172A36-74780	78	9
172A37-03150	115	2
172A37-03160	115	3
172A37-03180	115	4
172A37-03200	115	5
172A37-03231	115	6
172A37-03241	115	7
172A37-03250	115	8
172A37-03271	115	10
172A37-03280	115	11
172A37-03290	115	12
172A37-03300	115	13
172A37-03310	115	14
172A37-03330	115	16
		16 -1
172A37-03350	115	17
		17 -1
172A37-03360	115	19
172A37-03370	115	20
172A37-03400	115	21
172A37-03410	115	24
172A37-03420	115	26
172A37-03430	115	28
172A37-03500	115	34
172A37-03520	115	35
172A37-03530	115	36
172A37-03540	115	38
172A37-03550	115	40
172A37-03680	115	42
172A37-03710	115	43
		43 -1
172A37-03720	115	44

PARTS No. INDEX

PARTS No.	Fig.	Ref.No.
172A37-03760	115	45
172A38-03201	1	15
	2	2
	9	10 A
172A38-03211	1	16
	2	3
	8	35 A
172A46-46602	33	3
172A46-46631	33	4
172A46-46632	33	4 -1
172A46-46702	33	5
172A46-46703	33	5 -1
172A46-46731	33	6
172A46-46732	33	6 -1
172A46-53360	117	3
172A46-61960	43	3
172A46-74710	81	11
	82	4
172A46-74720	81	12
172A46-74730	81	13
172A47-03610	115	41
172A47-16650	21	1
172A47-16860-1	21	3
172A47-74710	79	3
	85	2
172A47-74720	79	4
	85	3
172A47-74730	79	6
	84	10
	85	5
172A47-74740	79	7
	85	6
172A47-74750	79	8
	85	7
172A47-74760	79	9
	84	18
	85	8
172A47-74770	79	10
	84	20
	85	9
172A47-74780	79	11
	85	10
172A47-74790	79	12
	85	11
172A47-74800	79	13
	85	12
172A47-74810	79	14
	84	24
	85	13
172A47-74820	79	15

PARTS No.	Fig.	Ref.No.
172A47-74820	85	14
172A47-74840	79	16
	84	25
	85	15
172A47-74850	79	17
	84	26
	85	16
172A47-74860	79	18
	85	17
172A47-74870	79	19
	85	18
172A47-74880	79	20
	84	27
	85	19
172A47-74890	79	21
	84	28
	85	20
172A47-76120	80	10
172A47-76171	93	43
172A47-76180	93	44
172A47-76230	84	37
	93	31
172A47-76290	93	46
172A47-76320	85	23
	93	34
172A47-77820	107	4
172A48-53371	117	4
172A48-53380	117	5
172A50-78860	92	25 -1
172A52-76130	92	5
172A52-81352	109	5
172A64-03700	1	30
172A64-17250	18	21
	55	8
172A65-03150	1	11
172A65-03230	1	4 -1
172A65-16540	12	13
172A65-16550	12	6
172A65-16750	12	18
172A65-17150	20	11
172A65-17480	18	24
172A65-17650	24	4
172A65-73800	123	1
	124	3
172A65-73810	123	2
172A65-73840	123	3
172A65-73850	123	4
172A65-73860	123	5
172A65-73870	123	11
172A65-73880	123	10

PARTS No.	Fig.	Ref.No.
172A65-76700	124	12
172A65-76790	90	10
		12
172A67-63110	41	7
172A67-63120	41	8
172A67-63140	41	3
172A67-63160	41	13
172A67-63170	41	14
172A69-03010	1	1
172A69-03011	1	1 -1
172A69-03050	115	1
172A69-03100	1	6
172A69-03110	1	7
172A69-03120	1	8
172A69-03130	1	9
172A69-03140	1	2
172A69-03160	1	3
172A69-03170	1	14
172A69-03200	1	48
172A69-03220	1	17
172A69-03270	1	22
172A69-03300	1	46
172A69-03310	1	47
172A69-03350	1	29
	2	9
	8	34 A
172A69-03360	1	56
	2	25
	48	33 A
172A69-03400	115	22
172A69-03410	115	25
172A69-03420	115	27
172A69-03430	115	29
172A69-03440	115	30
172A69-03450	115	31
172A69-03470	115	32
172A69-08400	44	4 -1
172A69-08520	121	1
172A69-08520-Y	121	1 -1
172A69-11310	3	1
172A69-11350	3	2
172A69-11500	4	1
172A69-11530	4	10
172A69-12100	5	1
172A69-12120	5	7
172A69-12160	5	3
172A69-12170	5	4
172A69-12180	5	5
172A69-12190	5	6
172A69-13100	6	2

PARTS No.	Fig.	Ref.No.
172A69-13110	6	3
172A69-13120	6	4
172A69-13150	6	5
172A69-13200	6	9
172A69-13201	6	9 -1
172A69-13202	6	9 -2
172A69-13230	7	5
172A69-13250	6	11
172A69-13300	7	6
172A69-13350	8	1
172A69-13440	8	3
172A69-13450	7	8
172A69-13510	7	10
172A69-13520	7	11
172A69-13550	7	14
172A69-13560	7	15
172A69-13600	8	6
172A69-13650	8	8
172A69-13660	8	9
172A69-13670	8	10
172A69-13680	8	11
172A69-13690	8	12
	37	3
		15
172A69-13700	8	14
172A69-13750	8	16
172A69-13760	7	16
172A69-13770	7	17
172A69-13780	7	18
172A69-13800	8	17
172A69-13801	8	17 -1
172A69-13810	8	18
172A69-13850	8	19
172A69-14110	10	3
172A69-14130	10	9
172A69-14170	10	23
172A69-14211	10	14
172A69-14230	10	26
172A69-14240	10	15
172A69-14260	11	1
172A69-14290	11	2
172A69-14310	10	35
172A69-14350	10	37
		44
172A69-14370	10	38
172A69-14380	10	39
172A69-14410	10	40
172A69-14430	10	42
172A69-14450	10	43
172A69-14510	11	3

PARTS No. INDEX

PARTS No.	Fig.	Ref.No.
172A69-14610	11	6
172A69-14640	11	10
172A69-14670	11	14
172A69-16100	12	1
172A69-16500	12	5
172A69-16501	12	5 -1
172A69-16502	12	5 -2
172A69-16520	18	2
172A69-16521	18	2 -1
172A69-16540	18	16
172A69-16550	13	1
172A69-16551	13	1 -1
172A69-16570	25	3
172A69-16600	22	1
172A69-16660	12	15
172A69-16680	12	16
172A69-16700	12	17
172A69-16710	12	7
172A69-16720	19	6
172A69-16800	12	19
172A69-16801	12	19 -1
172A69-16810	21	2
172A69-17090	18	17
172A69-17140	18	19
172A69-17150	17	17
172A69-17180	18	20
172A69-17200	20	1
172A69-17201	20	1 -1
172A69-17210	20	3
172A69-17211	20	3 -1
172A69-17220	20	4
172A69-17221	20	4 -1
172A69-17230	20	5
172A69-17231	20	5 -1
172A69-17240	20	6
172A69-17250	20	7
172A69-17260	18	22
172A69-17270	20	8
172A69-17350	18	23
172A69-17810	24	5
172A69-17840	24	8
172A69-17870	23	2
172A69-17890	23	5
172A69-17940	24	8 -1
172A69-18100	24	11
172A69-18150	24	12
172A69-18160	24	13
172A69-18190	24	16
172A69-18200	22	3
172A69-18210	22	4

PARTS No.	Fig.	Ref.No.
172A69-18230	22	7
172A69-18290	24	17
172A69-18300	24	18
172A69-18350	24	19
172A69-18370	24	20
172A69-18400	24	21
172A69-18410	24	23
172A69-18430	24	24
172A69-18450	25	9
172A69-18580	25	10
172A69-18650	22	10
172A69-18680	22	11
172A69-18700	22	12
172A69-18730	22	18
172A69-18750	22	20
172A69-18760	22	14
172A69-18770	22	15
172A69-18780	22	16
172A69-18790	22	17
172A69-18800	22	24
172A69-18820	22	21
172A69-18860	22	22
172A69-18900	23	8
	25	11
172A69-18940	22	23
172A69-18990	22	26
172A69-19010	23	9
	116	1
172A69-19100	22	33
172A69-19270	22	35
172A69-19280	22	36
172A69-19290	22	37
172A69-19310	116	2
172A69-19320	116	3
172A69-19330	116	4
172A69-19340	116	5
172A69-19350	116	6
172A69-19360	116	7
172A69-19370	116	8
172A69-19380	116	9
172A69-19410	116	11
172A69-19420	116	12
172A69-19430	116	13
172A69-19440	116	14
172A69-19450	116	15
172A69-19460	116	16
172A69-19540	25	12
172A69-19580	25	13
172A69-19590	25	14
172A69-19600	25	15

PARTS No.	Fig.	Ref.No.
172A69-19610	25	16
172A69-19680	25	17
	116	10
172A69-19700	22	28
172A69-19710	22	29
172A69-19720	22	30
172A69-19730	22	31
172A69-19800	23	10
172A69-19810	23	11
172A69-19820	23	12
172A69-19830	23	13
172A69-19860	23	14
172A69-19880	23	15
172A69-19890	22	32
172A69-45210	30	1
172A69-45250	30	2
172A69-45350	32	1
172A69-45800	32	6
172A69-45850	31	2
172A69-46100	29	2
172A69-46101	29	2 -1
172A69-46210	29	7
172A69-46220	29	8
172A69-46250	29	9
172A69-46251	29	9 -1
172A69-46270	29	10
172A69-50100	34	1
172A69-50101	34	1 -1
172A69-50670	34	3
172A69-53310	35	1
172A69-54100	35	5
172A69-54700	35	7
172A69-54710	35	8
172A69-57600	35	9 -1
172A69-57620	35	9 B
172A69-57650	35	13
172A69-57660	35	15
172A69-61010	38	1
	119	5
172A69-61020	38	2
	119	9
172A69-61030	38	3
172A69-61060	38	4
172A69-61080	38	27
172A69-61120	38	29
	119	39
172A69-61130	38	5
172A69-61150	38	7
	119	14
172A69-61160	38	8

PARTS No.	Fig.	Ref.No.
172A69-61190	38	9
172A69-61240	38	23
	119	1
172A69-61280	38	25
	119	3
172A69-61330	38	10
	119	20
172A69-61350	39	18
172A69-61450	39	20
172A69-61490	45	1
172A69-61490-Y	45	1 -1
172A69-61500	39	1
172A69-61510	39	2
172A69-61520	39	3
172A69-61530	39	4
172A69-61550	39	5
172A69-61560	39	6
172A69-61570	39	7
172A69-61580	39	8
172A69-61590	40	3
172A69-61600	36	1
172A69-61600-Y	36	1 -1
172A69-61650	36	3
172A69-61660	36	4
172A69-61680	37	2
172A69-61720	37	5
172A69-61740	37	6
172A69-61780	37	8
172A69-61790	37	9
172A69-61800	37	10
172A69-61830	36	5
172A69-61830-Y	36	5 -1
172A69-61870	37	11
172A69-61900	37	14
172A69-61901	37	14 -1
172A69-61980	119	42
172A69-62050	36	6
172A69-62130	43	1
172A69-62150	41	1
172A69-62160	41	2
172A69-62210	38	12
	119	25
172A69-62280	43	4
172A69-62290	43	5
172A69-62310	43	6
172A69-62340	43	7
172A69-62410	43	2
172A69-62420	43	8
172A69-62430	43	21
172A69-62440	43	22

PARTS No. INDEX

PARTS No.	Fig.	Ref.No.
172A69-62450	43	23
172A69-62470	43	24
172A69-62510	43	9
172A69-62550	87	28
172A69-62570	87	29
172A69-62611	87	30
172A69-62650	43	28
172A69-64100	42	1
172A69-64130	42	8
172A69-64160	47	11
172A69-64170	47	12
172A69-64200	42	11
172A69-64201	42	11 -1
172A69-64610	42	13
172A69-64620	42	14
172A69-64630	42	11 H
		15
172A69-64640	42	11 I
		16
172A69-64650	42	17
172A69-64660	42	18
172A69-64680	42	11 K
		19
172A69-64690	42	11 L
		20
172A69-64700	42	21
172A69-64710	42	11 N
172A69-64720	42	11 O
		22
172A69-64740	42	2
172A69-64760	38	13
	119	26
172A69-64810	42	3
172A69-64811	42	3 -1
172A69-64980	119	40
172A69-64990	38	30
172A69-65100	44	4
172A69-65180	44	8
172A69-65190	44	9
172A69-65210	47	2
172A69-65230	44	12
172A69-65400	44	4 B
172A69-65530	43	29
172A69-65600	45	2
172A69-65600-Y	45	2 -1
172A69-65640	45	4
172A69-65670	45	5
172A69-65720	87	31
172A69-65780	87	32
172A69-65800	46	1

PARTS No.	Fig.	Ref.No.
172A69-65800-Y	46	1 -1
172A69-65850	46	3
172A69-65860	46	4
172A69-65870	46	5
172A69-65900	46	6
172A69-65900-Y	46	6 -1
172A69-65920	46	8
172A69-65950	47	3
172A69-65970	47	4
172A69-66510	47	5
172A69-68000	48	1
172A69-68010	48	2
172A69-68050	49	1
172A69-68060	49	5
172A69-68070	49	6
172A69-68080	49	7
172A69-68090	49	8
172A69-68100	49	9
172A69-68110	49	10
172A69-68120	49	11
172A69-68130	49	12
172A69-68140	49	13
172A69-68150	49	14
172A69-68160	49	15
172A69-68170	49	16
172A69-68180	49	17
172A69-68190	49	18
172A69-68200	49	19
172A69-68210	49	20
172A69-68220	49	21
172A69-68230	49	22
172A69-68250	50	1
172A69-68260	50	5
172A69-68270	50	6
172A69-68280	50	7
172A69-68290	50	8
172A69-68300	50	9
172A69-68310	50	10
172A69-68320	50	11
172A69-68330	50	12
172A69-68340	50	13
172A69-68350	50	14
172A69-68360	50	15
172A69-68370	50	16
172A69-68380	50	17
172A69-68390	50	18
172A69-68400	50	19
172A69-68410	50	20
172A69-68420	50	21
172A69-68430	50	22

PARTS No.	Fig.	Ref.No.
172A69-68440	50	23
172A69-68450	50	24
172A69-68460	50	25
172A69-68470	50	26
172A69-68480	50	27
172A69-68490	50	28
172A69-68500	50	29
172A69-68510	50	30
172A69-68550	52	1
172A69-68560	52	2
172A69-68570	52	3
172A69-68580	52	3 A
172A69-68600	52	4
172A69-68610	52	6
172A69-68620	52	7
172A69-68630	52	8
172A69-68640	52	9
172A69-68650	52	10
172A69-68660	52	11
172A69-68710	53	6
172A69-68720	53	7
172A69-68730	53	8
172A69-68740	53	9
172A69-68750	53	10
172A69-68760	53	10 A
172A69-68770	53	11
172A69-68780	53	12
172A69-68790	53	13
172A69-68800	53	14
172A69-68820	53	15
172A69-68850	55	2
172A69-68900	54	1
172A69-68910	54	5
172A69-68920	54	6
172A69-68930	54	7
172A69-68940	54	8
172A69-68950	55	5
172A69-68960	54	9
172A69-69010	51	4
172A69-69020	51	5
172A69-69030	51	6
172A69-69040	51	7
172A69-69050	51	8
172A69-69060	49	32
	51	9
172A69-69070	51	10
172A69-69080	51	11
172A69-69090	51	12
172A69-69100	51	13
172A69-69110	51	14

PARTS No.	Fig.	Ref.No.
172A69-69130	51	15
172A69-69140	51	16
172A69-69150	51	17
172A69-69160	51	18
172A69-69170	51	19
172A69-69180	51	20
172A69-69190	51	21
172A69-69200	51	22
172A69-69260	49	33
172A69-69270	49	34
172A69-69290	49	35
172A69-69300	49	36
172A69-69310	49	37
172A69-69330	49	38
172A69-69340	49	39
172A69-69350	49	40
172A69-69360	49	41
172A69-69370	49	42
172A69-69380	49	43
172A69-69390	49	44
172A69-69400	49	45
172A69-69460	53	21
172A69-69461	53	21 -1
172A69-69470	53	19
		22
172A69-69480	53	23
172A69-69481	53	23 -1
172A69-69490	53	24
172A69-69491	53	24 -1
172A69-69500	53	25
172A69-69560	48	7
172A69-69570	48	8
172A69-69580	48	9
172A69-69590	48	10
172A69-69600	48	11
172A69-69610	48	12
172A69-69620	48	13
172A69-69630	48	14
172A69-69640	48	15
172A69-69650	48	16
172A69-69660	48	17
172A69-69670	48	31
172A69-69680	48	18
172A69-69690	48	19
172A69-69720	48	20
172A69-69721	48	20 -1
172A69-69730	48	21
172A69-69740	48	22
172A69-69750	48	23
172A69-69760	48	24

PARTS No. INDEX

PARTS No.	Fig.	Ref.No.
172A69-69770	48	25
172A69-69780	48	26
172A69-69790	48	27
172A69-69800	48	28
172A69-69810	56	3
172A69-69810-Y	56	3 -1
172A69-69880	56	6
172A69-69881	56	6 -1
172A69-69910	55	9
172A69-69930	55	10
172A69-70100	120	3
172A69-70110	120	4
172A69-70120	120	6
172A69-70130	120	13
172A69-70140	120	16
172A69-70150	120	18
172A69-70160	120	19
172A69-70170	120	31
172A69-70180	120	38
172A69-70190	120	43
172A69-71110	75	23
172A69-71120	75	24
172A69-71130	75	1
172A69-71140	75	2
172A69-71150	76	1
172A69-71160	76	2
172A69-71170	76	14
172A69-71180	76	15
172A69-71190	76	16
172A69-71200	77	1
172A69-71210	77	13
172A69-71211	77	13 -1
172A69-71220	77	14
172A69-71221	77	14 -1
172A69-71230	77	15
172A69-71240	77	16
172A69-71250	77	26
172A69-71260	70	2
172A69-71300	84	2
172A69-71310	84	3
172A69-71320	84	4
172A69-71330	84	5
172A69-71340	84	6
172A69-71350	84	7
172A69-71360	84	8
172A69-71370	84	9
172A69-71380	84	12
172A69-71390	84	13
172A69-71400	84	14
172A69-71550	58	1

PARTS No.	Fig.	Ref.No.
172A69-71560	58	2
172A69-71600	58	3
172A69-71750	78	1
172A69-71800	120	8
172A69-71810	120	9
172A69-71820	120	10
172A69-71830	120	5
		7
172A69-71850	120	14
172A69-71860	120	24
172A69-71870	120	25
172A69-71880	120	32
172A69-72070	97	23
172A69-72070-N	97	23 -1
172A69-72100	59	2
172A69-72100-N	59	2 -1
172A69-72110	59	3
172A69-72110-N	59	3 -1
172A69-72130	59	5
172A69-72140	59	8
172A69-72140-N	59	8 -1
172A69-72260	61	4
172A69-72270	61	11
172A69-72280	60	3
172A69-72290	60	11
172A69-72300	60	1
172A69-72300-N	60	1 -1
172A69-72310	60	14
172A69-72310-N	60	14 -1
172A69-72330	60	17
172A69-72350	60	20
172A69-72370	60	21
172A69-72380	60	22
172A69-72390	60	23
172A69-72400	60	24
172A69-72410	60	25
172A69-72430	60	26
172A69-72440	60	27
172A69-72450	60	28
172A69-72460	60	29
172A69-72470	60	30
172A69-72480	60	16
172A69-72490	60	19
172A69-72500	61	1
172A69-72500-N	61	1 -1
172A69-72510	61	14
172A69-72510-N	61	14 -1
172A69-72530	61	17
172A69-72550	61	20
172A69-72560	61	21

PARTS No.	Fig.	Ref.No.
172A69-72570	61	22
172A69-72620	61	23
172A69-72650	61	18
172A69-72660	61	33
172A69-72670	61	24
172A69-72670-N	61	24 -1
172A69-72680	97	29
172A69-72700	62	1
172A69-72710	62	28
172A69-72750	62	32
172A69-72800	63	1
172A69-72810	63	20
172A69-72850	63	24
172A69-72900	63	31
172A69-72950	59	41
172A69-72950-N	59	41 -1
172A69-73030	120	1
172A69-73031	120	1 -1
172A69-73040	120	2
172A69-73050	120	12
172A69-73060	120	30
172A69-73070	120	37
172A69-73080	120	42
172A69-73100	57	5
172A69-73101	122	7
172A69-73110	57	54
172A69-73120	57	59
172A69-73130	57	68
172A69-73140	57	75
172A69-73150	57	81
172A69-73160	57	92
172A69-73170	57	116
172A69-73180	57	120
172A69-73190	57	133
172A69-73300	65	1
172A69-73310	66	1
172A69-73320	66	20
172A69-73330	66	54
172A69-73340	66	47
172A69-73350	66	55
172A69-73360	66	58
172A69-73370	66	18
172A69-73380	66	59
172A69-73390	66	60
172A69-73400	65	2
172A69-73410	65	3
172A69-73420	65	4
172A69-73430	65	5
172A69-73440	65	6
172A69-73450	65	7

PARTS No.	Fig.	Ref.No.
172A69-73460	65	8
172A69-73470	65	9
172A69-73480	65	10
172A69-73490	65	12
172A69-73500	65	13
172A69-73510	65	14
172A69-73520	65	15
172A69-73530	65	16
172A69-73540	65	17
172A69-73550	65	18
172A69-73560	65	19
172A69-73570	65	20
172A69-73580	65	21
172A69-73590	65	23
172A69-73600	65	24
172A69-73610	65	25
172A69-73620	65	26
172A69-73630	65	27
172A69-73640	65	28
172A69-73650	65	30
172A69-73660	65	32
172A69-73670	65	33
172A69-73680	65	34
172A69-73690	65	35
172A69-73700	65	36
172A69-73710	65	37
172A69-73720	65	38
172A69-73730	65	39
172A69-73740	65	40
172A69-73750	65	47
172A69-73760	65	51
172A69-73770	65	52
172A69-73780	65	53
172A69-73790	65	54
172A69-73800	65	55
172A69-73810	65	56
172A69-73820	65	57
172A69-73830	65	58
172A69-73840	65	59
172A69-73850	65	60
172A69-73860	65	61
172A69-73870	65	62
172A69-73880	65	63
172A69-73890	65	64
172A69-73900	65	65
172A69-73910	65	85
172A69-73950	120	12 -1
172A69-73960	120	16 -1
172A69-73970	120	18 -1
172A69-73980	120	30 -1

PARTS No. INDEX

PARTS No.	Fig.	Ref.No.
172A69-74050	98	7
172A69-74070	98	12
172A69-74100	70	1
172A69-74101	70	1 -1
172A69-74102	70	1 -2
172A69-74110	70	4
172A69-74120	73	1
172A69-74130	73	2
172A69-74140	73	3
172A69-74150	73	5
172A69-74160	73	6
172A69-74170	70	8
172A69-74180	70	9
172A69-74190	71	1
172A69-74191	71	1 -1
172A69-74200	71	2
	72	2
	74	14
	76	13
172A69-74210	71	3
172A69-74220	72	1
172A69-74230	72	3
172A69-74240	73	12
172A69-74250	73	17
	74	6
	77	20
172A69-74260	74	1
172A69-74270	74	13
172A69-74280	74	15
172A69-74290	75	21
172A69-74291	75	21 -1
172A69-74300	75	22
172A69-74301	75	22 -1
172A69-74310	79	1
172A69-74410	81	1
172A69-74411	81	1 -1
172A69-74420	81	2
172A69-74430	81	3
172A69-74440	81	4
172A69-74450	81	5
172A69-74460	81	6
172A69-74470	81	7
172A69-74490	81	8
172A69-74500	81	9
172A69-74510	81	10
172A69-74520	81	10 -1
172A69-74540	81	9 -1
172A69-74550	82	1
172A69-74560	82	2
172A69-74590	82	3

PARTS No.	Fig.	Ref.No.
172A69-74650	88	1
	89	1
172A69-74660	88	11
	89	11
172A69-74700	84	1
172A69-74710	79	2
	85	1
172A69-74720	79	5
	85	4
172A69-74730	84	15
172A69-74740	84	16
172A69-74750	84	17
172A69-74760	84	19
172A69-74770	84	21
172A69-74780	84	22
172A69-74790	84	23
172A69-74800	86	1
172A69-74850	83	2
172A69-74860	83	10
172A69-74900	83	11
172A69-74910	83	19
172A69-74960	81	20 A
172A69-74970	81	20 B
172A69-74980	81	8 -1
172A69-74990	81	20 C
172A69-75240	87	11
172A69-75450	87	13
172A69-75470	87	15
172A69-75600	87	17
172A69-75710	87	6
172A69-76050	93	14 A
172A69-76060	93	14 B
172A69-76070	93	14 C
172A69-76110	90	5
172A69-76120	90	9
172A69-76130	90	11
172A69-76140	92	9
172A69-76150	93	14
172A69-76160	90	14
172A69-76190	90	18
172A69-76200	97	2
172A69-76200-Y	97	2 -1
172A69-76220	97	3
172A69-76220-Y	97	3 -1
172A69-76250	97	4
172A69-76250-Y	97	4 -1
172A69-76270	97	5
172A69-76270-Y	97	5 -1
172A69-76300	99	1
172A69-76300-Y	99	1 -1

PARTS No.	Fig.	Ref.No.
172A69-76320	99	2
172A69-76320-Y	99	2 -1
172A69-76400	97	6
172A69-76410	97	7
172A69-76420	97	8
172A69-76420-Y	97	8 -1
172A69-76430	97	9
172A69-76430-Y	97	9 -1
172A69-76440	97	10
172A69-76440-Y	97	10 -1
172A69-76450	97	11
172A69-76460	97	12
172A69-76460-Y	97	12 -1
172A69-76470	91	1
172A69-76510	100	6
172A69-76510-Y	100	6 -1
172A69-76600	100	8
172A69-76600-Y	100	8 -1
172A69-76620	100	9
172A69-76620-Y	100	9 -1
172A69-76640	100	10
172A69-76640-Y	100	10 -1
172A69-76660	100	11
172A69-76660-Y	100	11 -1
172A69-76680	58	5
172A69-76720	58	7
172A69-77100	88	28
172A69-77100-N	88	28 -1
172A69-77150	88	29
172A69-77150-N	88	29 -1
172A69-77180	88	30
172A69-77180-N	88	30 -1
172A69-77200	88	31
172A69-77200-N	88	31 -1
172A69-77240	88	32
172A69-77300	89	21
172A69-77300-N	89	21 -1
172A69-77350	89	22
172A69-77350-N	89	22 -1
172A69-77400	89	24
172A69-77400-N	89	24 -1
172A69-77480	101	3
172A69-77480-Y	101	3 -1
172A69-77500	101	4
172A69-77500-Y	101	4 -1
172A69-77800	107	2
172A69-77810	107	3
172A69-77820	107	10
172A69-78080	91	4
172A69-78110	91	5

PARTS No.	Fig.	Ref.No.
172A69-78120	91	6
172A69-78130	90	28
172A69-78150	90	29
172A69-78160	90	30
172A69-78170	90	32
172A69-78171	90	32 -1
172A69-78180	90	33
172A69-78181	90	33 -1
172A69-78190	102	2
172A69-78200	90	34
172A69-78210	90	35
172A69-78220	94	5
172A69-78230	92	23
172A69-78240	90	36
172A69-78250	92	24
172A69-78260	92	25
172A69-78270	92	26
172A69-78280	97	31
172A69-78300	94	6
172A69-78310	94	7
172A69-78320	94	8
172A69-78330	94	9
172A69-78340	95	6
172A69-78350	95	7
172A69-78360	95	8
172A69-78370	102	3
172A69-78380	91	7
172A69-78390	91	8
172A69-78400	98	22
172A69-78401	98	22 -1
172A69-78410	98	23
172A69-78420	98	24
172A69-78430	94	10
172A69-78440	94	11
172A69-78450	95	9
172A69-78460	95	10
172A69-78470	94	12
172A69-78480	94	13
172A69-78490	98	25
172A69-78510	96	13
172A69-78520	96	14
172A69-78530	96	16
172A69-78540	96	17
172A69-78550	97	25
172A69-78560	96	18
172A69-78570	97	26
172A69-78590	100	15
172A69-78600	100	16
172A69-78610	100	17
172A69-78620	100	18

PARTS No. INDEX

PARTS No.	Fig.	Ref.No.
172A69-78630	104	2
172A69-78650	104	3
172A69-78660	104	4
172A69-78670	100	19
172A69-78680	97	27
172A69-78700	104	5
172A69-78710	104	6
172A69-78720	104	7
172A69-78730	104	8
172A69-78740	104	9
172A69-78750	104	10
172A69-78760	104	11
172A69-78770	104	12
172A69-78780	104	13
172A69-78790	104	14
172A69-78800	104	15
172A69-78810	104	16
172A69-78820	104	17
172A69-78830	104	18
172A69-78840	104	19
172A69-78850	104	20
172A69-78860	102	4
172A69-78870	102	5
172A69-78880	102	6
172A69-78890	102	7
172A69-78900	95	11
172A69-78910	102	8
172A69-78920	102	9
172A69-78930	102	10
172A69-78940	102	11
172A69-78950	102	12
172A69-78960	102	13
172A69-78970	105	1
172A69-78980	102	14
172A69-78990	102	15
172A69-79050	101	6
172A69-79100	94	17
172A69-79100-Y	94	17 -1
172A69-79140	94	19
		21
172A69-79150	94	20
172A69-79150-Y	94	20 -1
172A69-79200	100	21
		101
		7
172A69-79210	100	22
		101
		8
172A69-79220	100	23
		101
		9
172A69-79250	100	27
172A69-79250-Y	100	27 -1

PARTS No.	Fig.	Ref.No.
172A69-79400	102	16
172A69-79410	102	17
172A69-79420	102	18
172A69-79430	102	19
172A69-79440	102	20
172A69-79450	102	21
172A69-79460	102	22
172A69-79470	102	23
172A69-79480	102	24
172A69-79490	105	2
172A69-79500	102	25
172A69-79510	102	26
172A69-79520	102	27
172A69-79530	102	28
172A69-79540	106	1
172A69-79550	106	2
172A69-79560	106	3
172A69-79570	106	4
172A69-79620	100	24
172A69-79690	101	10
172A69-79700	101	11
172A69-79711	101	12
172A69-79720	101	13
172A69-79730	101	14
172A69-79740	101	15
172A69-79750	101	16
172A69-79800	103	1
172A69-79810	103	2
172A69-79820	103	3
172A69-79830	103	4
172A69-79840	103	5
172A69-79850	103	6
172A69-79860	103	7
172A69-79870	103	8
172A69-79890	97	28
172A69-79900	98	26
172A69-79950	102	7 -1
172A69-79960	102	28 -1
172A69-81100	109	3
172A69-81101	109	3 -1
172A69-81101-Y	109	3 -2
172A69-81500	110	3
172A69-81500-Y	110	3 -1
172A69-82100	108	1
172A69-82120	109	13
172A69-82300	108	2
172A69-82300-Y	108	2 -1
172A69-82370	62	42
172A69-94100	114	4
172A77-17250	20	9

PARTS No.	Fig.	Ref.No.
172A77-46050	29	1 -1
172A78-14220	10	25
172A78-64510	83	1
172A86-74500	93	1
172A89-03500	1	68
	44	4 A
172A89-08900	117	8
172A89-13150	6	11 -1
172A89-14630	11	14 -1
172A89-16420	21	1 -1
172A89-16440	19	1 -1
172A89-16600	22	1 -1
172A89-16770	12	18 -1
172A89-17090	18	17 -1
172A89-17180	18	20 -1
172A89-17510	118	1
172A89-19100	22	33 -1
172A89-53320	117	2
172A89-61010	119	6
172A89-61020	119	7
172A89-61030	119	10
172A89-61060	119	11
172A89-61080	119	37
172A89-61130	119	12
172A89-61150	119	16
172A89-61180	119	19
172A89-61220	119	15
172A89-61420	38	33
	119	22
172A89-61440	38	35
	119	24
172A89-61680	37	2 -1
172A89-61680-Y	37	2 -2
172A89-61720	37	5 -1
172A89-61730	37	5 A
172A89-61740	37	6 -1
172A89-61740-Y	37	6 -2
172A89-61791	37	9 -1
172A89-61880	37	11 -1
172A89-62550	87	28 -1
172A89-62570	87	29 -1
172A89-62610	87	30 -1
172A89-64610	42	11 F
172A89-64620	42	11 G
172A89-64650	42	11 J
172A89-64700	42	11 M
172A89-65160	44	6
172A89-65170	44	7
172A89-68780	53	12 -1
172A89-73900	124	1

PARTS No.	Fig.	Ref.No.
172A89-74161	71	3 -1
172A89-76110	90	5 -1
172A89-76120	90	6 -1
172A89-76150	58	13
172A89-76160	58	14
172A89-77820	107	10 -1
172A89-78250	90	36 -1
172A89-78600	100	16 -1
172A89-78610	100	17 -1
172B11-73600	67	1 -1
172B11-73630	67	2 -1
184015-59130	7	22
184015-59190	7	26
184015-59250	11	30
184016-44700	7	19
184016-44710	7	20
184016-55700	11	21
184016-55701	11	21 -1
194145-04810	10	34
194151-57100	13	5
194202-56460	11	43
	12	23
	13	7
	18	41
	19	5 -1
	21	7
	100	30
	101	19
	102	1
	103	9
	107	12
194464-52190	18	25
194630-15520	11	18
194630-42120	26	11
		21
198200-04030	10	4
198200-04040	10	5
198220-61480	8	20
198461-52950	16	1
	18	26
1A1380-62160	44	1
1A6260-64200	22	39
	41	15
1A7030-87411	22	40
1A7030-88660	23	18
1A7400-61250	87	27
1A7470-87320	22	6
		9
1D4070-23580	29	1
1D4180-22850	124	2

PARTS No. INDEX

PARTS No.	Fig.	Ref.No.
1E3030-78370	90	40
	93	23
1E6212-82820	101	20
1E8080-83320	14	4
1E8490-84130	19	7
1E8545-80210	23	16
1E8545-80250	23	17
1E8775-84120	13	8
	18	43
	91	2
1T3681-86450	26	22
1W3855-50160	56	1
41851-000110	21	12
	78	24
	79	23
		26
		29
	80	14
		15
	81	25
		30
	82	11
		15
	83	25
	84	36
		38
		40
	85	27
	88	21
	89	30
	90	26
	92	21
	93	3
		21
		25
		32
		40
		45
		47
	96	8
	98	3
		6
	124	6
		17
41851-000140	81	31
	88	40
	90	19
	92	10
	124	13
		18

PARTS No.	Fig.	Ref.No.
41851-000140	124	19
41851-000180	59	57
	60	39
	68	9
	89	31
	90	27
	92	22
	93	15
		41
	96	9
41851-000240	61	34
	90	7
		16
	93	42
	96	10
	98	21
772499-37100	27	1
772A69-14100	10	1
772A69-75100	87	1
933110-00301	15	6
933147-03400	59	58
933147-08501	117	7
933160-01370	90	42
	93	22
	96	11
933168-14170	59	59
933172-14120	47	18

PARTS No.	Fig.	Ref.No.
-----------	------	---------

PARTS No.	Fig.	Ref.No.
-----------	------	---------

Discount Equipment

Discount-Equipment.com is your online resource for commercial and industrial quality parts and equipment sales.

Locations:

Florida (West Palm Beach): [561-964-4949](tel:561-964-4949)

Outside Florida TOLL FREE: [877-690-3101](tel:877-690-3101)

Need parts? Check out our website at www.discount-equipment.com

Can't find what you need?

Click on this link: <http://www.discount-equipment.com/category/5443-parts/> and fill out the request form.

Please have the machine model and serial number available in order to help us get you the correct parts. One of our experienced staff members will get back to you with a quote for the right part that your machine needs.

We sell worldwide for the brands: Genie, Terex, JLG, MultiQuip, Mayco, Toro/Stone, Diamond Products, Magnum, Airman, Mustang, Power Blanket, Nifty Lift, Atlas Copco, Chicago Pneumatic, Allmand Brothers, Essick, Miller Spreader, Skyjack, Lull, Skytrak, Tsurumi, Husquvarna/Target, Whiteman-Concrete/Mortar, Stow-Concrete/Mortar, Baldor, Wacker, Sakai, Snorkel, Upright, Mi-T-M, Sullair, Neal, Basic, Dynapac, MBW, Weber, Bartell, Bennar Newman, Haulotte, Ditch Runner, Blaw-Knox, Himoina, Best, Buddy, Crown, Edco, Wyco, Bomag, Laymor, Terremite, Barreto, EZ Trench, Takeuchi, Basic, Bil-Jax, Curtis, Gehl, Heli, Honda, ICS/PowerGrit, Puckett, Waldon, ASV, IHI, Partner, Imer, Clipper, MMD, Koshin, Rice, Gorman Rupp, CH&E, Cat Pumps, Comet, General Pump, Giant, AMida, Coleman, NAC, Gradall, Square Shooter, Kent, Stanley, Tamco, Toku, Hatz, Kohler, Robin, Wisconsin, Northrock, Oztec, Toker TK, Rol-Air, Small Line, Wanco, Yanmar

New Equipment - Used Equipment - Rental Equipment - Parts and Accessories

Discount Equipment

www.discount-equipment.com

561-964-4949

Parts: wbparts@Discount-Equipment.com

Sales: info@Discount-Equipment.com