



40 kVA Towable Generator Operator's Manual



www.discount-equipment.com

Discount Equipment

Discount-Equipment.com is your online resource for commercial and industrial quality parts and equipment sales.

Locations:

Florida (West Palm Beach): [561-964-4949](tel:561-964-4949)

Outside Florida TOLL FREE: [877-690-3101](tel:877-690-3101)

Need parts? Check out our website at www.discount-equipment.com

Can't find what you need?

Click on this link: <http://www.discount-equipment.com/category/5443-parts/> and fill out the request form.

Please have the machine model and serial number available in order to help us get you the correct parts. One of our experienced staff members will get back to you with a quote for the right part that your machine needs.

We sell worldwide for the brands: Genie, Terex, JLG, MultiQuip, Mayco, Toro/Stone, Diamond Products, Magnum, Airman, Mustang, Power Blanket, Nifty Lift, Atlas Copco, Chicago Pneumatic, Allmand Brothers, Essick, Miller Spreader, Skyjack, Lull, Skytrak, Tsurumi, Husquvarna/Target, Whiteman-Concrete/Mortar, Stow-Concrete/Mortar, Baldor, Wacker, Sakai, Snorkel, Upright, Mi-T-M, Sullair, Neal, Basic, Dynapac, MBW, Weber, Bartell, Bennar Newman, Haulotte, Ditch Runner, Blaw-Knox, Himoina, Best, Buddy, Crown, Edco, Wyco, Bomag, Laymor, Terremite, Barreto, EZ Trench, Takeuchi, Basic, Bil-Jax, Curtis, Gehl, Heli, Honda, ICS/PowerGrit, Puckett, Waldon, ASV, IHI, Partner, Imer, Clipper, MMD, Koshin, Rice, Gorman Rupp, CH&E, Cat Pumps, Comet, General Pump, Giant, AMida, Coleman, NAC, Gradall, Square Shooter, Kent, Stanley, Tamco, Toku, Hatz, Kohler, Robin, Wisconsin, Northrock, Oztec, Toker TK, Rol-Air, Small Line, Wanco, Yanmar

New Equipment - Used Equipment - Rental Equipment - Parts and Accessories

Discount Equipment

www.discount-equipment.com

561-964-4949

Parts: wbparts@Discount-Equipment.com

Sales: info@Discount-Equipment.com

Thank you for purchasing this quality-built Allmand towable generator. We are pleased that you've placed your confidence in the Allmand brand. When operated and maintained according to the instructions in this manual, your Allmand generator will provide many years of dependable service.

This manual contains safety information to make you aware of the hazards and risks associated with towable generators and how to avoid them. Because Allmand does not necessarily know all the applications this towable generator could be used for, it is important that you read and understand these instructions thoroughly before attempting to start or operate this equipment. **Save these original instructions for future reference.**

Where to Find Us

If you have any questions about the machine, contact your authorized dealer. You can contact Discount-Equipment.com at **www.discount-equipment.com**.

Knowing the model number of your Allmand Generator will make it easy to order maintenance or repair parts either online or from your local dealer. The model number is generally a number stamped into metal or on a sticker directly on your product.

Towable Generator

Model Number _____

Revision _____

Serial Number _____

Date Purchased _____

Engine

Model Number _____

Serial Number _____

Table of Contents

Operator Safety	4
Features and Controls	8
Transporting and Set-Up	10
Operation	13
Maintenance	26
Storage	34
Troubleshooting	35
Specifications	37
Wiring Diagram	38
Fuel Piping Diagram	40
Operation Log	41

Discount-Equipment.com

Operator Safety

Equipment Description



Read this manual carefully and become familiar with your towable compressor. Know its applications, its limitations, and any hazards involved.

Every effort has been made to ensure that information in this manual is accurate and current. Figures and drawings in this manual may differ slightly from your model. However, we reserve the right to change, alter, or otherwise improve the product and this document at any time without prior notice.

Safety and Control Symbols

The safety alert symbol indicates a potential personal injury hazard. A safety symbol may be used to represent the type of hazard. **DANGER** indicates a hazard which, if not avoided, will result in death or serious injury. **WARNING** indicates a hazard which, if not avoided, could result in death or serious injury. **CAUTION** indicates a hazard which, if not avoided, could result in minor or moderate injury. **NOTICE** indicates information considered important, but not hazard-related.



Operator's Manual



Alert



Organic Waste



Toxic Fumes



Explosion



Clothing



Prohibited



Fire



Hot Surface



Entanglement



Battery



Protective Gear



Lighting Apparatus



Explosive Pressure



Safety Equipment



Electrocution Hazard



Rotating Parts



Moving Parts



Remove Key Before Maintenance



WARNING Read and follow safety directions:

- Be sure safety decals are present and legible. Replace if damaged or missing.
- Do not modify machine without prior approval. Machine safety may be compromised, functions may be altered, or machine life may be shortened.
- Never use machine for purposes other than power supply. Death or serious injury could result.



WARNING **VENTILATION!**

- Exhaust gas from the engine is poisonous, and could cause death when inhaled.
- Avoid using the machine in an insufficiently ventilated building or tunnel.



WARNING **WARNING**

- Keep flames away from battery.
- Battery may generate hydrogen gas, which is explosive.
- Battery electrolyte is dilute sulfuric acid. Mishandling could result in severe burns.
- When handling battery, be sure to wear appropriate safety protection such as safety goggles and gloves.
- Dispose of battery according to local, state and/or federal regulations.



WARNING When operating machine, do not wear:

- Loose clothes
- Clothes with unbuttoned sleeves
- Hanging tie or scarf
- Accessories such as dangling jewelry
- Such items could be caught in rotating parts of machine, and could result in death or serious injury.



WARNING Do not operate machine when tired or under influence of drugs or alcohol. Careless operation could result in death or serious injury.



WARNING Wear appropriate personal protective equipment (PPE), such as a helmet, safety glasses, earplugs, safety shoes, gloves, and a dust mask.





WARNING Have first-aid boxes and fire extinguishers near machine in case of emergency such as injury and fires. It is also advisable to have a list of phone numbers of doctors, ambulance and fire department available in case of emergency.



WARNING To prevent injury, tools, cables, hoods, covers and other unnecessary items should be cleaned and removed from machine before operation.

 **WARNING** 

- Contact with the output terminals and control board could cause electric shock, resulting in death or serious injury. Do not open the cover of the output terminal board during machine operation.
- When removing or connecting a connecting cable for changing load, be sure to switch OFF the circuit breaker, remove the starter key from the starter switch, then perform work.

 **WARNING**  Contact with rotating parts or belts could cause death or serious injury. Keep hands from rotating parts and belts while machine is in operation.


 **WARNING**  Do not open radiator cap during or immediately after operation. Explosive pressure of hot liquid could cause severe burns, resulting in death or serious injury.

 **WARNING**  Do not touch hot parts.

- Never work nearby hot portions of the machine while it is running.
- Parts such as engine, exhaust manifold, exhaust pipe, muffler and radiator are especially hot. Never touch these parts, as it could result in serious burns.
- Coolant water and engine oil are also very hot and dangerous to touch. Do not check or add while machine is running.

 **WARNING**   Fire prevention.

- Fuel and oils are extremely flammable. Do not bring ignition sources near machine when checking or adding fuel and oils.
- Adding fuel and oils should be done outdoors or in a well-ventilated location.
- Refuel after stopping engine, and never leave fuel near machine. Do not spill. If spilled, wipe up completely.
- Do not fill fuel oil up to cap level. Fuel oil will overflow due to volume expansion caused by rise of ambient temperature. Fuel can also spill during machine movement or transporting.
- Parts such as muffler and exhaust pipe can be extremely hot. Remove twigs, dried leaves, dried grass, waste paper, etc. from around muffler and exhaust pipe.
- Keep a fire extinguisher available by machine in case of fire.

 **WARNING** Hang a “Now Checking and under Maintenance” tag:

- Remove starter key from starter switch before starting inspection, and hang up a “Now Checking and under Maintenance” tag where it can be easily

seen. Inspector must keep key during checking and maintenance.



- Remove black negative (-) cable from battery.
- Neglecting above procedure could result in death or serious injury.

 **WARNING**  **Adjusting belt tension:**

- Attempting to adjust belt tension with machine running could result in death or serious injury.
- Stop engine, remove starter key, and remove black negative (-) cable from battery before adjusting belt tension.



 **WARNING**  **Hands off cooling fan:**

- Contact with cooling fan while machine is running could result in death or serious injury.
- Stop engine and remove starter key whenever maintenance is to be performed near cooling fan.

 **WARNING**  Wear safety glasses when cleaning dust accumulated in such devices as air-filter by blowing compressed air.

 **WARNING**  **Lighting apparatus:**

- If work site is dark, use lighting to illuminate work area. Working without illumination could result in death or serious injury.
- Work lighting should be fitted with safety guard to protect against breakage.
- Do not allow work light to contact fuel or oils, as they could ignite, causing death or serious injury.

 **WARNING**  Opening coolant water drain valve cap:

- Stop engine and let coolant water sufficiently cool down before draining.
- If drain valve is opened before coolant water is cooled enough, hot water could jet out, resulting in death or serious injury.

 **CAUTION**  **Refilling or draining engine oil:**

- Engine oil is extremely hot during and just after operation.
- Stop engine and wait 10 to 20 minutes before checking, adding or draining engine oil.

 **CAUTION**  Treatment of organic wastes.

- Waste liquid from machine contains harmful material. Do not discharge onto ground or into rivers, lakes or sea. Such material will contaminate the environment.
- Be sure to use an approved container to hold waste liquid from machine.
- Be sure to follow local, state or federal regulations when disposing of oil, fuel, coolant (antifreeze), filter, battery or other harmful materials.

⚠ WARNING

- The engine exhaust from this product contains chemicals known to the State of California to cause cancer, birth defects, or other reproductive harm.

⚠ WARNING

- Battery posts, terminals, and related accessories contain lead and lead compounds, chemicals known to the State of California to cause cancer, birth defects, or other reproductive harm. Wash hands after handling.

NOTICE

- Parts of this machine contain sensitive electronic components. If welding work is required, disconnect any electronic equipment on the machine to prevent damage due to excessive current.

NOTICE

- When washing the machine, cover the control panel, generator and its electric parts to prevent them from being exposed to splashing water and avoid possible malfunction.
- Dust, sand and dirt accumulated inside control panel could cause instrument malfunction. Clean with compressed air.

Safety Decals and Locations

The following safety decals are attached to the machine. Keep them clean at all times. If they are damaged or missing, contact your authorized dealer for replacements. Part numbers are indicated on the lower right corner of the label. Adhere a new one to the original location.



A



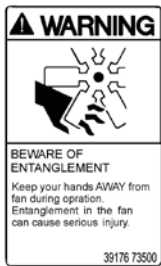
B



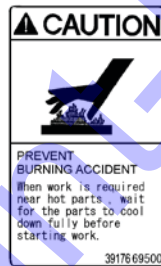
C



D



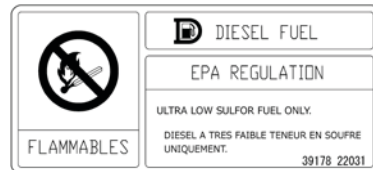
E



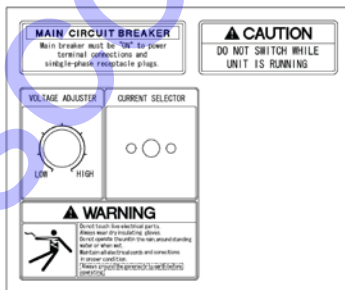
F



G



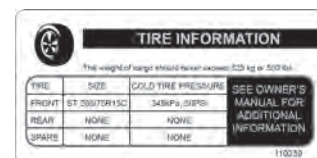
H



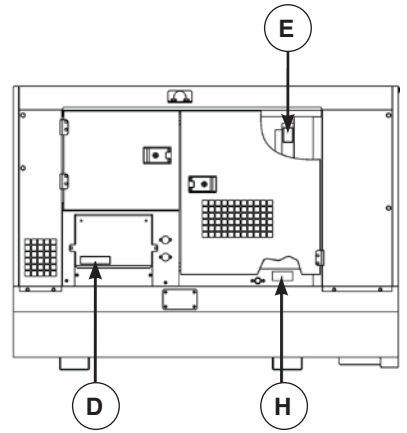
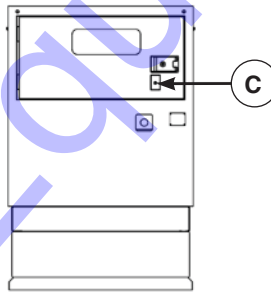
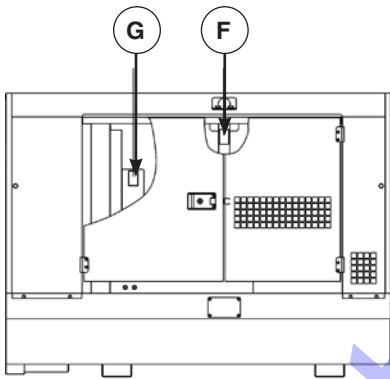
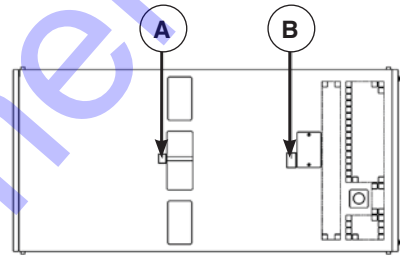
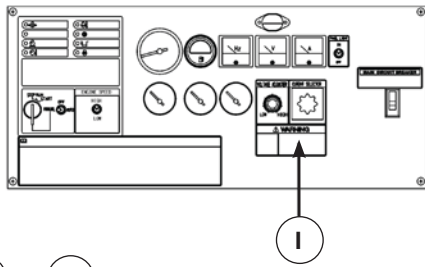
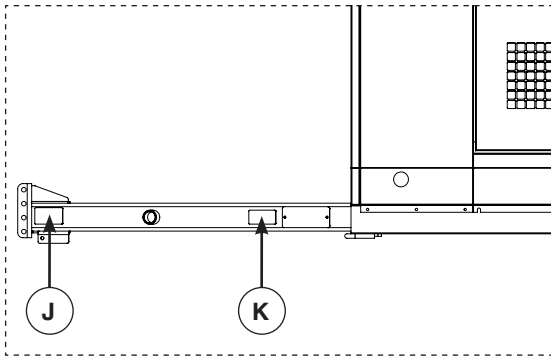
I



J



K



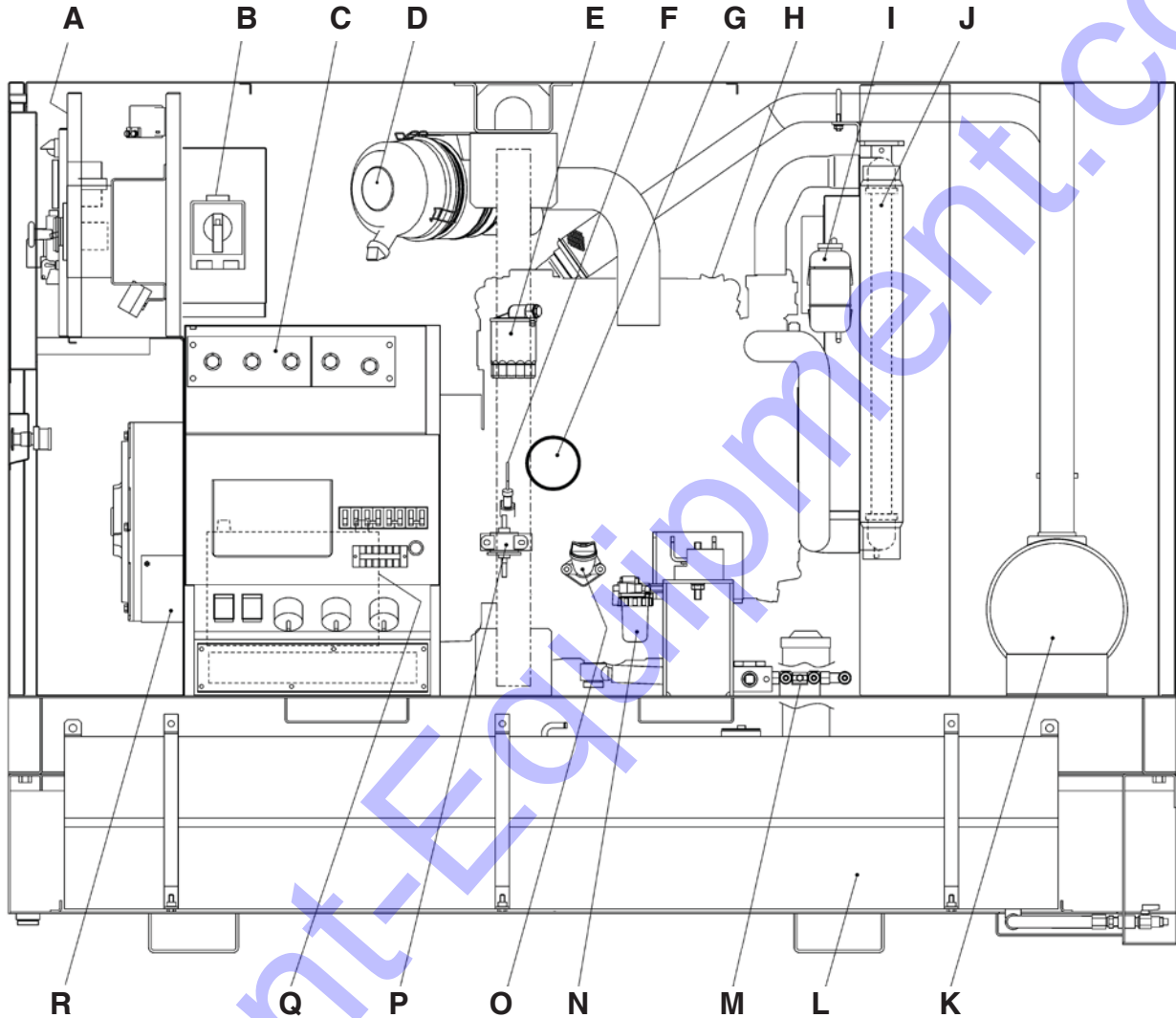
Discount-Equipment.com

Features and Controls



Read this Operator's Manual and safety rules before operating your towable generator. Compare the illustrations with your towable generator, to familiarize yourself with the locations of various controls and adjustments. Save this manual for future reference.

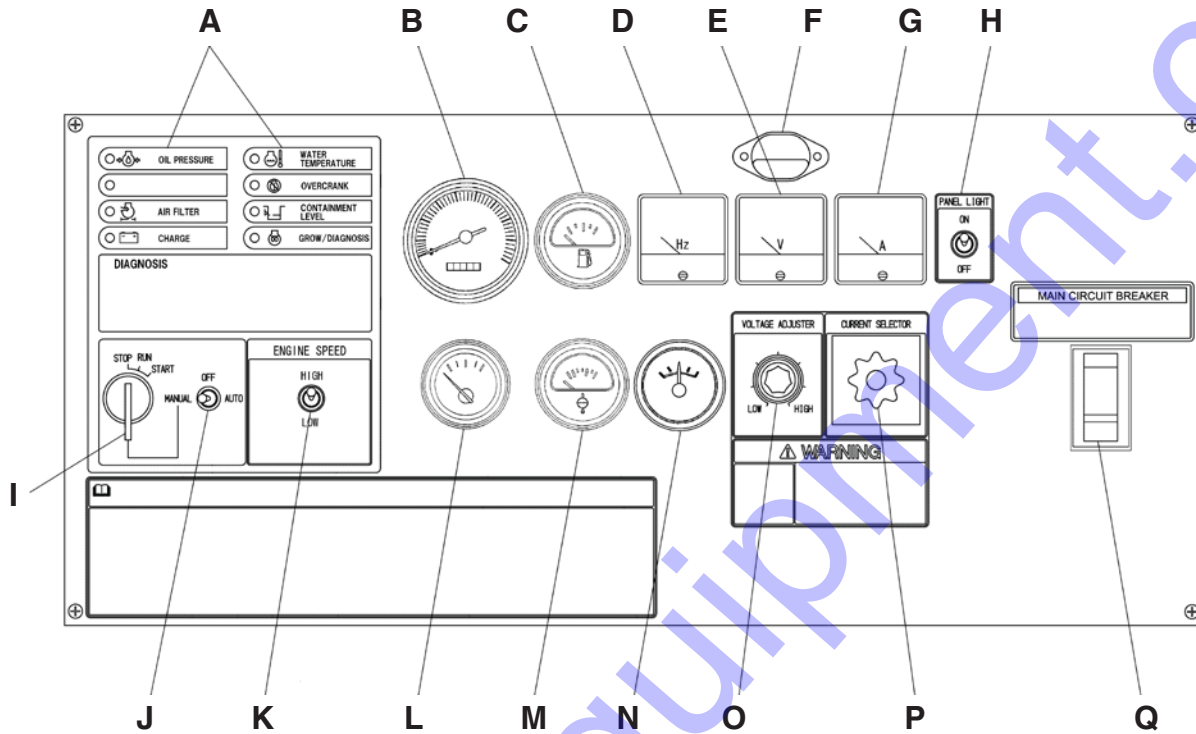
Internal Components



- A - Control Panel** - Controls and monitors various machine functions
- B - Voltage Selector Switch** - Selects output voltage
- C - Output Terminals** - Equipped with three phase and single-phase terminal and receptacle for single phase
- D - Air Filter** - Filters impurities from intake air
- E - Fuel Filter** - Filters impurities from fuel
- F - Engine Oil Level Gauge** - Location for checking engine oil level
- G - Engine Oil Filter** - Filters impurities from engine oil
- H - Engine** - Drives generator
- I - Reserve Coolant Tank** - Reserve coolant storage

- J - Radiator** - Cools engine
- K - Exhaust Muffler** - Muffles engine exhaust
- L - Fuel Tank** - Stores fuel
- M - Fuel Pipe Selector Valve** - Selects fuel source
- N - Sedimenter** - Filters impurities / separates water from fuel
- O - Engine Oil Filler Port** - Location for adding engine oil
- P - Fuel Air-Bleeding Electromagnetic Pump** - Automatically bleeds air from fuel pipes
- Q - Battery** - Power for starting engine (accessed from opposite side)
- R - Generator Main Unit** - Generates AC power

Instrument Panel



A - Monitor Lamp

B - Tachometer with Hourmeter

C - Fuel Gauge

D - Frequency Meter

E - Voltmeter

F - Panel Light

G - Ammeter

H - Panel Light Switch

I - Starter Switch

J - Manual-Automatic Change-Over Switch

K - Engine Speed Switch

L - Engine Oil Pressure Gauge

M - Coolant Temperature Gauge

N - Ammeter for Battery Charge

O - Voltage Adjuster Switch

P - Ammeter Change-Over Switch

Q - Main Circuit Breaker

Transporting and Set-Up



Read entire Operator's Manual before you attempt to setup, transport, or operate your new towable generator.

Your towable generator is ready for use after it has been properly setup with the recommended oil and fuel. If you have any problems with the setup of your towable generator, contact your authorized dealer

Transporting



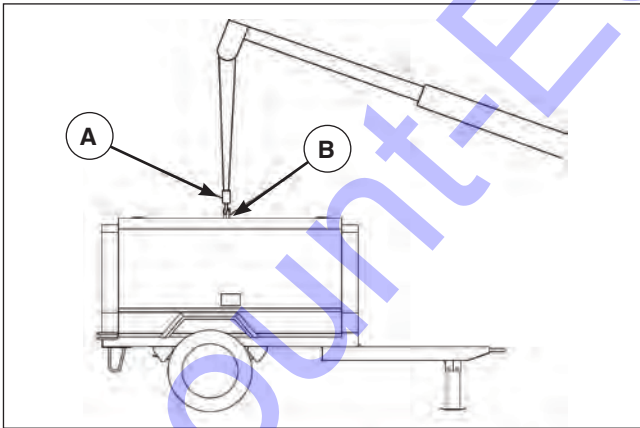
WARNING When loading and unloading the unit, be sure to use the lifting bail (B) located at the top center of the unit.

- Never get under the unit when lifted.
- Never lift the unit while in operation.
- If the unit is transferred by truck, fasten it by ropes at the front eye and rear stand. Also be sure to place a set of chocks against the front and rear of each wheel.

Lifting the Generator

Before lifting the unit, make sure to check the lifting bail for any cracks, loose bolts, etc.

1. Connect the hook (A) of the crane or shackle with the lifting bail (B) eye fitted at the top center of the unit. Ensure there is no person standing around the unit. Then perform hoisting operation.
2. Select a truck or crane with capacity sufficient for the weight and size of the unit. See **Specifications**.
3. Never hang anything from generator while lifting. Bail is designed to carry only weight of generator.



Towing the Generator



WARNING Before towing the machine, make sure to check and confirm the following points. Failure to follow the instructions below, could result in serious injury or death.

- Proper tire air pressure.
- Tire lug nuts are not loose.
- Tires are not worn or damaged.
- Ensure that the end of the drawbar is securely

connected to the coupler of the towing vehicle.

- Ensure there is no damage to the towing vehicle and the drawbar of the machine.
- Be sure to keep hands and fingers away from any part of the coupling device when coupling or uncoupling a drawing device to a draw bar.
- Make sure to drive the towing vehicle safely.

Set-Up



WARNING 

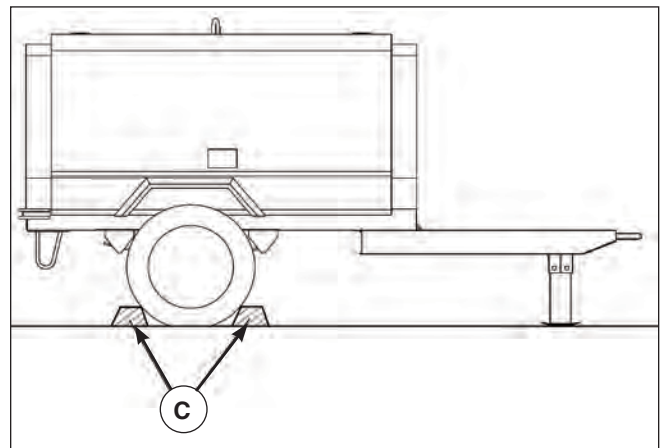
- Exhaust gas from the engine is poisonous, and could cause death when inhaled.
- Avoid using the machine in an insufficiently ventilated building or tunnel.
- Do not position the exhaust gas outlet in the direction of a person or building.

The machine should be operated in the following conditions:

- Ambient temperature 5°F to 104°F (-5°C to 40°C).
- Humidity less than 85%.
- At altitudes lower than 3,281 ft (1000 meters) above sea level.
- Set up the machine in a place with good ventilation, lower temperature, and with surroundings as dry as possible.
- If more than two machines are placed parallel in operation, keep enough distance so that exhaust air from one machine does not affect the other.
- Set up the unit in an area where fresh air is always available.
- Keep enough space around the unit for inspection and maintenance access.



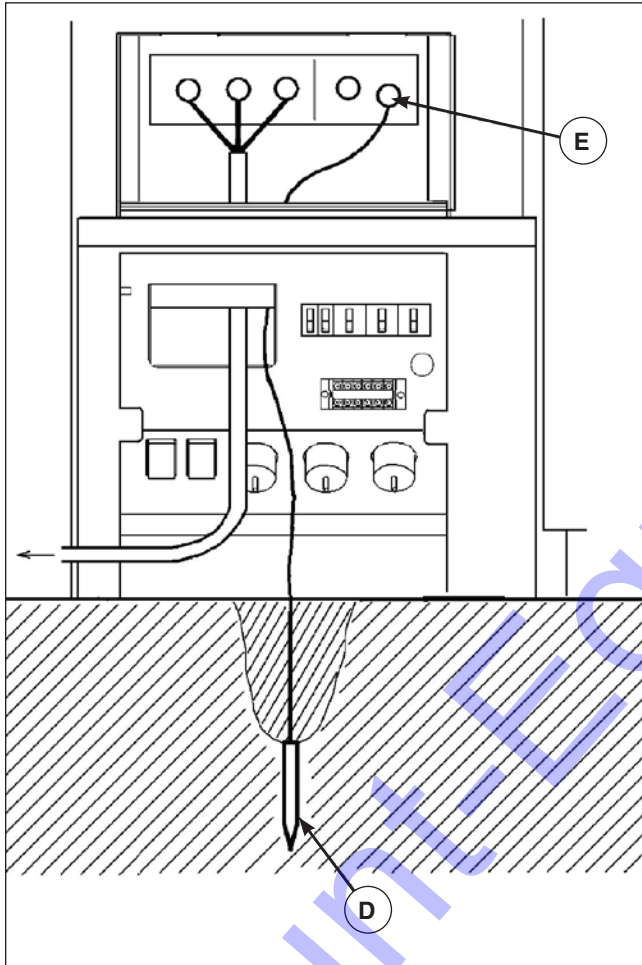
WARNING The machine must be parked horizontally on a level surface. If the machine must be parked on a slope, place it across the grade to prevent rolling. Do not park on a slope exceeding 15°. Be sure to place wheel chocks (C) against the front and back of each wheel.



Grounding

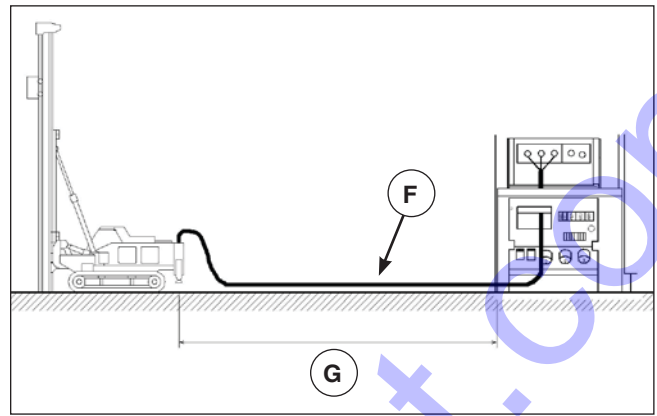


- Failure to properly ground the unit could result in death or serious injury. Be sure to properly ground the unit before operation.
 - Using a mallet, install a grounding rod (D) firmly into the ground, less than 5 feet (1.5 m) from the unit's grounding terminal (E).
 - Connect the grounding rod cable to the grounding terminal.



Selecting Cable

- Select a cable (F) with sufficient diameter by considering the permissible current on the cable and the distance from the generator to the load (G).
- If the current flowing to the load exceeds the permissible current of the cable, resultant overheating may burn the cable. Similarly, if the cable is too small in thickness to the length, the input voltage to the load will fall to cause the load input power to drop, as a result, the performance of the machine cannot be displayed.



- Below is a simplified three-phase three-wire formula to seek voltage drop or cross-sectional area of the cable from cable length and working current. Select such a cable length and thickness so that the voltage drop will remain less than 5%.

Output system	Voltage drop	Cross-Sectional Area of Cable	e: Voltage drop (V) e ¹ : Voltage drop between outside line or one line of each phase and neutral line
Three-phase 3-wire Type	$e = 30.8 \times L \times I / 1000 \times A$	$A = 30.8 \times L \times I / 1000 \times e$	A: Cable thickness (mm ²)
Three-phase 4-wire Type	$e = 17.8 \times L \times I / 1000 \times A$	$A = 30.8 \times L \times I / 1000 \times e^1$	L: Cable length (m) I: Working current (A)

- The following tables show the relations between the cable length and the cable thickness (nominal cross-sectional area) suited to the working current. (Based on the condition that working voltage is 200 V, with voltage drop of 10V.)

Single-Conductor Cable (Unit: in² (mm²))

Length (ft (m)) / Current	164 (50)	246 (75)	328 (100)	410 (125)	492 (150)	656 (200)
50A	0.01 (8)	0.02 (14)	0.03 (22)	0.03 (22)	0.05 (30)	0.06 (38)
100A	0.02 (22)	0.05 (30)	0.06 (38)	0.08 (50)	0.08 (50)	0.09 (60)
150A	0.06 (38)	0.06 (38)	0.08 (50)	0.09 (60)	0.12 (80)	0.16 (100)

Three-Conductor Cable (Unit: in² (mm²))

Length (ft (m)) / Current	164 (50)	246 (75)	328 (100)	410 (125)	492 (150)	656 (200)
50A	0.02 (14)	0.02 (14)	0.03 (22)	0.03 (22)	0.05 (30)	0.06 (38)
100A	0.06 (38)	0.06 (38)	0.06 (38)	0.08 (50)	0.08 (50)	0.09 (60)
150A	0.03x2 (22x2)	0.03x2 (22x2)	0.06x2 (38x2)	0.06x2 (38x2)	0.06x2 (38x2)	0.08x2 (50x2)

Fuel Pipe Selector Valve



WARNING

- Monitor the fuel feeding conditions while feeding fuel from a separate fuel storage tank.
- Do not switch the selector valve to the external tank position unless an external tank is being used. Fuel pipe damage and fuel leakage may result.
- Do not use excessive force operating the selector valve handle. Valve damage and fuel leakage may result.

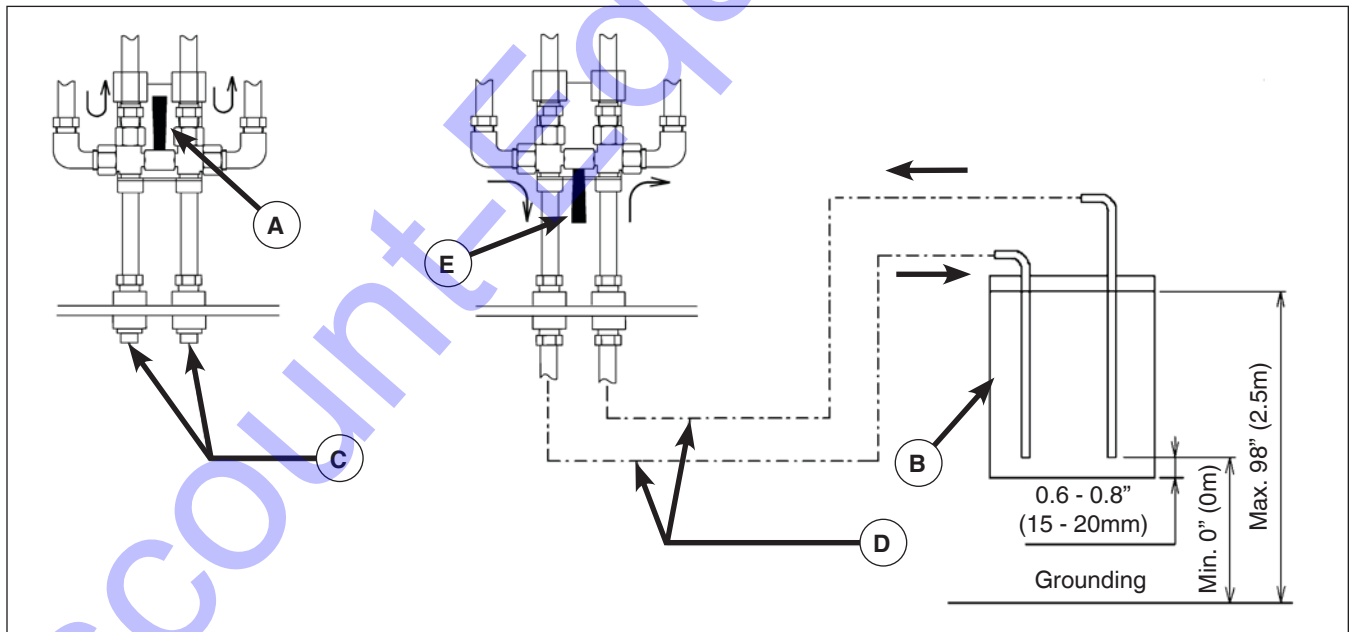
This valve is designed to feed fuel to the engine from an external fuel storage tank.

Operation

1. Unit is delivered from factory with fuel line piping and selector valves set as shown (A). When operating the unit using installed fuel tank, run the machine with the fuel line piping and selector valves with the factory-arranged settings.
2. When using a separate storage tank (B), remove the plugs (C) fitted at the connections to the separator tank and make piping connections as shown in D. Then switch the selector valve handle as shown (E).
3. When removing the external tank, be sure to return the selector valve handle to the original position (A), remove the external tank piping connections, and reinstall the plugs.

Installation of Separate Storage Fuel Tank and Piping

1. Use oil resistant fuel hose with inside diameter of 8mm to 10mm.
2. Install the fuel tank so that the fuel level of the tank may be kept at a level 0 - 98" (0 - 2.5m) higher than the machine.
3. In order to avoid suction of water and sediment, install the suction and return pipe so that the inlet ports are 0.6 - 0.8" (15 - 20mm) higher than the bottom of the tank (B).
4. When refilling fuel in the tank, be careful to not mix water and sediment.



Operation

If you have any problems operating your towable generator, please contact your authorized dealer.

WARNING **POISONOUS GAS**

HAZARD. Engine exhaust contains carbon monoxide, a poisonous gas that could kill you in minutes. You CANNOT smell it, see it, or taste it. Even if you do not smell exhaust fumes, you could still be exposed to carbon monoxide gas.

- Operate this product ONLY outside far away from windows, doors and vents to reduce the risk of carbon monoxide gas from accumulating and potentially being drawn towards occupied spaces.
- Install battery-operated carbon monoxide alarms or plug-in carbon monoxide alarms with battery back-up according to the manufacturer's instructions. Smoke alarms cannot detect carbon monoxide gas.
- DO NOT run this product inside buildings, garages, tunnels, or other partially-enclosed spaces, even if using fans for ventilation. Carbon monoxide can quickly build up in these spaces and can linger for hours, even after this product has shut off.
- ALWAYS place this product downwind and point the engine exhaust away from occupied spaces.

If you start to feel sick, dizzy, or weak while using this product, get to fresh air RIGHT AWAY. See a doctor. You may have carbon monoxide poisoning.

Oil Recommendations

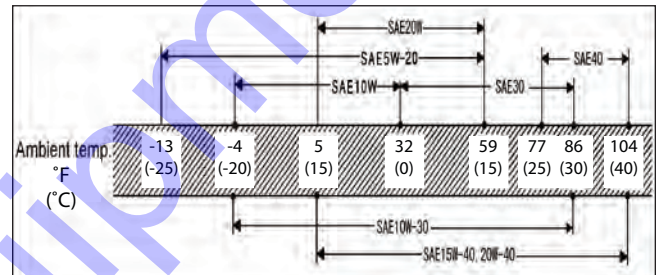
Engine Oil

We recommend the use of CJ-4 class engine oil or superior class for best performance. Using poor quality engine oil may shorten the life of the engine.

Outdoor temperatures determine the proper oil viscosity for the engine.

Use the chart to select the best viscosity for the outdoor temperature range expected.

NOTICE When two or more different brands of oil are mixed, its performance can be deteriorated. When it is expected to be used for a long period at light load (less than 20% load), it's better to replace the oil with suitable oil.



USE OUTDOORS - AVOID CARBON MONOXIDE POISONING





point away
from home

CARBON MONOXIDE ALARM(S)

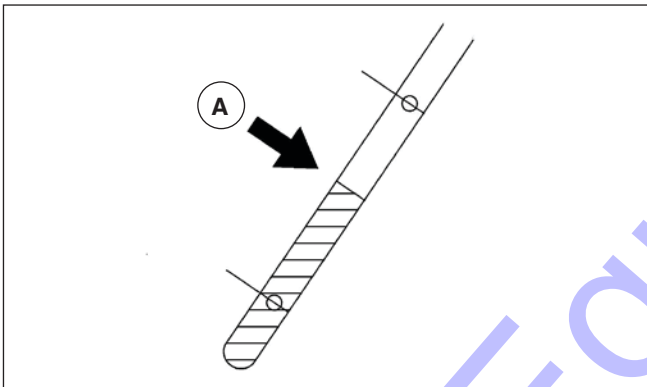
Install carbon monoxide alarms inside your home. Without working carbon monoxide alarms, you will not realize you are getting sick and dying from carbon monoxide poisoning.

Checking / Adding Engine Oil

 **WARNING**  Be sure to check the unit before operation. If any issue is found, be sure to repair it before restarting the unit. Be sure to make daily checks before operation. Operating the unit without prior inspection could result in death or serious injury.

NOTICE Unit should be on level before checking oil level. When you check oil level after initial operation, wait 10 to 20 minutes after stopping engine before checking the oil level.

1. Place unit on a flat, level surface.
2. Clean area around oil fill, remove oil level gauge, and wipe it with a clean cloth.
3. Re-insert the oil level gauge fully and pull it out again. The oil level should be between LOW and HIGH (A).
4. If the oil level is below LOW, add engine oil to oil filler port.



- While checking oil level, check also for contamination. If the oil is found dirty, contaminated or should it be changed according to the periodic inspection list, change the oil. See **Maintenance**.
- Excessive engine oil supply could cause engine output degradation. Therefore, never fill more than the HIGH level.

Checking Coolant Level

 **WARNING**   **Taking off the radiator cap.**

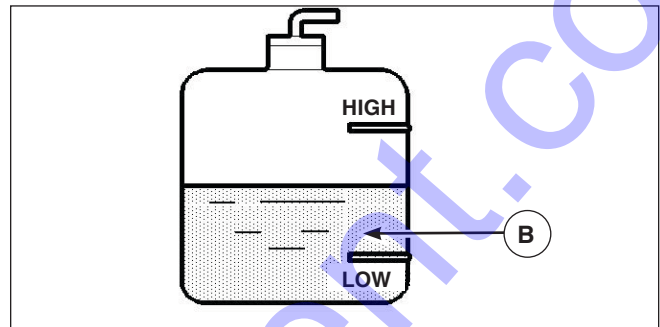
- Be sure to stop the machine and allow time to cool. Then loosen the radiator cap one notch. After the coolant water is sufficiently cooled and the inner pressure is released, take the cap off. If this procedure is neglected, the inner pressure can blow off the cap. Steam jetting out of the radiator could result in serious burns.

NOTICE Continuing operation at low coolant levels could result in damage to the radiator.

1. Check the coolant level in the reserve tank. If it is lower than the limit, open the cap and replenish

the coolant. Level must be kept above MIN mark (B).

2. If there is a little or no coolant in the reserve tank, remove the radiator cap and check the coolant level. Supply coolant to the radiator and also the reserve tank, if necessary. See **Maintenance**.



Checking / Adding Fuel

Fuel must meet these requirements:

- Do not use such diesel fuel having higher sulfur content above 0.0015%(15 ppm).
- Use ultra-low sulfur diesel fuel only for diesel engine.
- Use such diesel fuel which conforms to either standard EN590 or ASTM D975.
- Do not use kerosene. And never use fuel mixed with kerosene.
- Carbon residue content in fuel must be a low.
- Follow the designated regulations to dispose of fuel.

NOTICE Fuel for **DIESEL** engines must have the following specific characteristics:

- It must be free from even minute dust particles in it. (Do not use such diesel fuel which has been long stored in a oil drum.)
- It must have optimum viscosity.
- It must have high cetane number.
- It must have high fluidity even at low temperature.
- Carbon residue content in fuel must be a low.
- It must not contain zinc and NA (sodium).

NOTICE Before starting operation, make sure to check the level of residual fuel so that fuel shortage during operation can be avoided. Drain condensate accumulated at the bottom of the fuel tank whenever necessary.

 **WARNING**  Fire Prevention.

- Do not allow ignition sources near fuel.
- Fuel is extremely flammable and dangerous. Handle with extreme care.
- Refuel only after stopping engine, and never leave open fuel can near machine. Do not spill. If fuel is spilled, wipe up completely.
- Refilling fuel tank should be done outdoors or in a well-ventilated location.

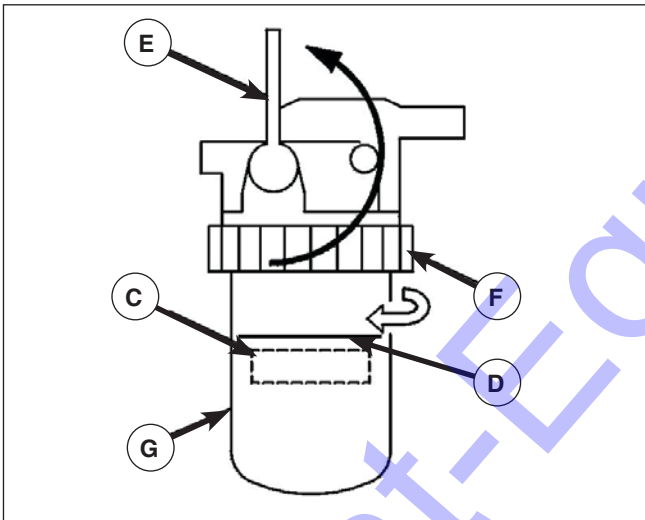
- Do not fill fuel oil up to the cap level. When fuel tank is filled to cap level, fuel oil will overflow due to volume expansion caused by rise of ambient temperature. Fuel may also spill due to machine movement or transporting.

Checks Before Starting

Check Sedimenter for Condensate

If the red float (C) in the water sedimenter rises up to the water drain level (D), drain the water.

- Turn the lever (E) to the CLOSED position.
- Loosen the ring nut (F) and remove the cup (G). Be careful to not spill the contents.
- Drain the condensate (water) accumulated in the cup into an approved container, wash the cup in diesel oil, then reinstall it.
- Turn the lever to the OPEN position, then bleed any air from the system. See **Air Bleeding**.
- Dispose of condensate according to local, state and/or federal regulations.



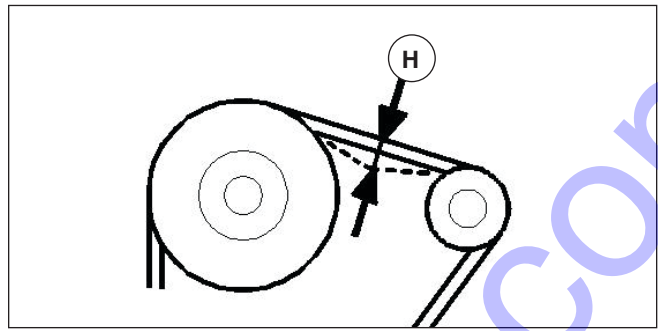
Check Belt Tension

NOTICE If belt tension too tight, it can cause shaft breakage or shorten the life of a bearing. If too loose, the belt may slip and will cause early breakage or damage to the belt.

- Visually check the belt for any cracks, wear, and other defect. **Replace** if needed.
- Depress the middle of the belt with a finger. Belt deflection should be between 0.31 - 0.47" (8 - 12mm) (H).

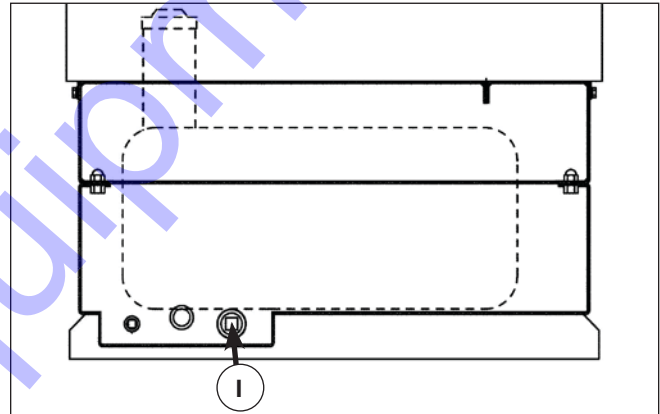
If adjustment is needed:

- Loosen the alternator mounting bolt. Adjust until belt deflection is 0.31 - 0.47" (8 - 12mm) when pressing with a finger. Tighten securely.
- Wipe any grease, oil, coolant, etc. from belt.



Check Oil Fence for Condensate

- Remove the drain plug (I) and drain any condensate accumulated inside the oil fence into an approved container.
- After making sure all condensate is drained, reinstall the drain plug.
- Dispose of condensate according to local, state and/or federal regulations.

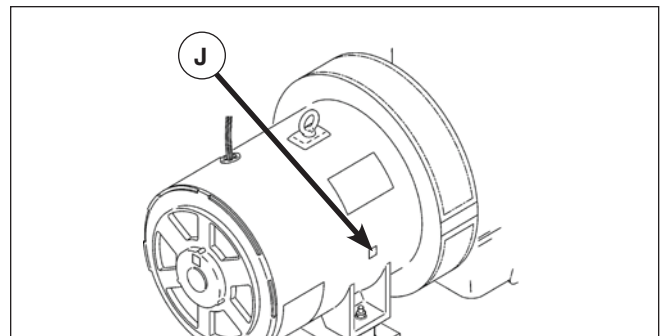


Check Thermo-Label on Stator

The thermo-label on the stator (J) irreversibly changes color from white to brown if reaching or exceeding 212°F (100°C), which indicates generator overload during operation.

If thermo-label has changed color:

- Replace thermo-label. Contact your authorized dealer.
- Reduce load to avoid overloading generator.
- Check components for dust and dirt. Clean as necessary.



Clean Control Panel

Open control panel and check each breaker, terminal plate and controller for any dust, sand and dirt accumulated. Clean with compressed air.

Unit Operation



WARNING

- Keep the door shut and locked when machine is in operation.
- If opening the door is necessary, be careful not to touch rotating or hot parts. Burns or serious injury could result.

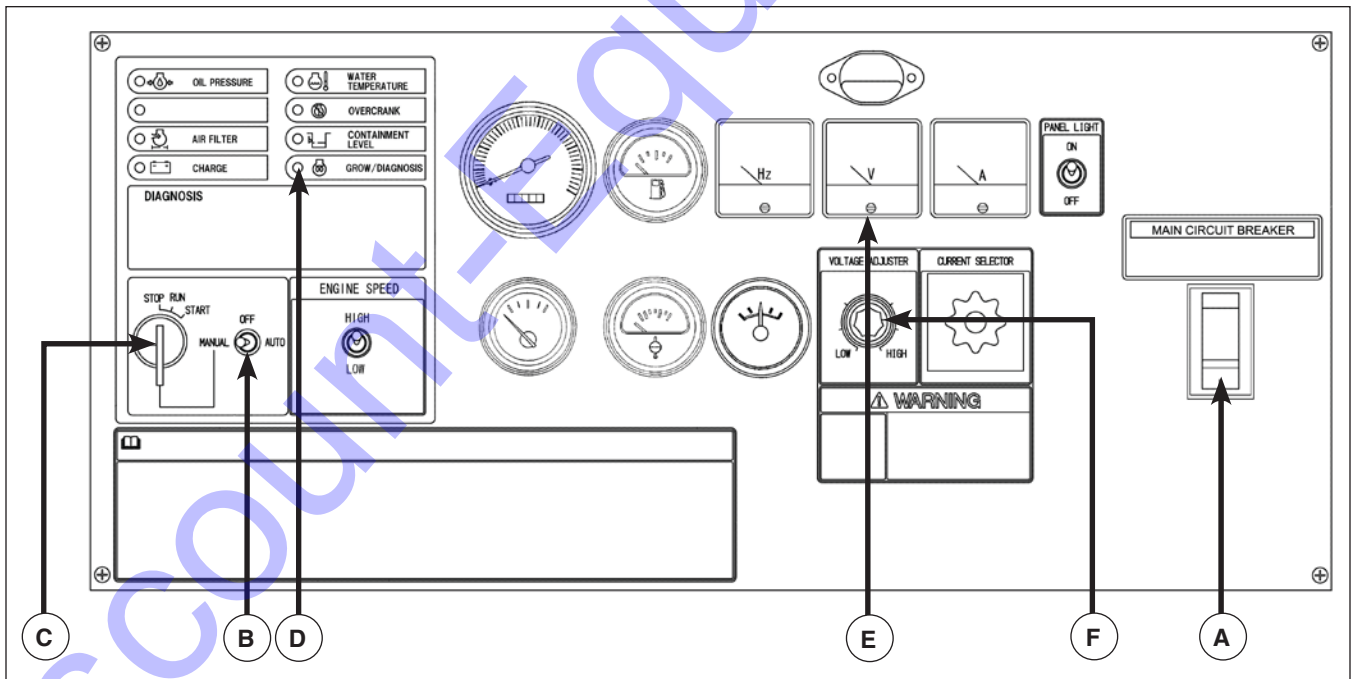
NOTICE Be sure to let unit warm up after starting for smooth operation of the engine and the generator. Do not operate the engine at full load immediately after starting. This will shorten the equipment life.

- During machine warm-up, inspect the equipment for any loose parts, fluid leakage, and other issues.
- Make sure that monitor lamps are off.
- Be sure to operate the generator at a rated frequency, irrespective of the load capacity.
- Operating the unit at a frequency lower than the rated frequency could result in generator damage.
- Avoid operating the unit for long periods without loads or with light loads.

To Start Unit

Manual Operation

1. Check and confirm that both the main circuit breaker (A) on the operation panel and the circuit breakers for the auxiliary receptacles at the output terminal panel are in the OFF position.
2. Set the selector switch (B) to MANUAL operation.
3. Turn the starter switch (C) to the RUN position. The engine starts preheating automatically.
4. When the preheating lamp (D) turns off, turn the starter switch (C) to the START position to start the engine.
5. Once engine has started, let it warm up about 5 minutes at no-load condition.
6. Adjust to the rated voltage by turning the voltage adjuster knob (F) while monitoring the voltmeter (E).
8. Supply power to the load(s) by switching both the main circuit breaker (A) and the circuit breaker(s) for the auxiliary receptacle(s) to the ON position.



Automatic Operation

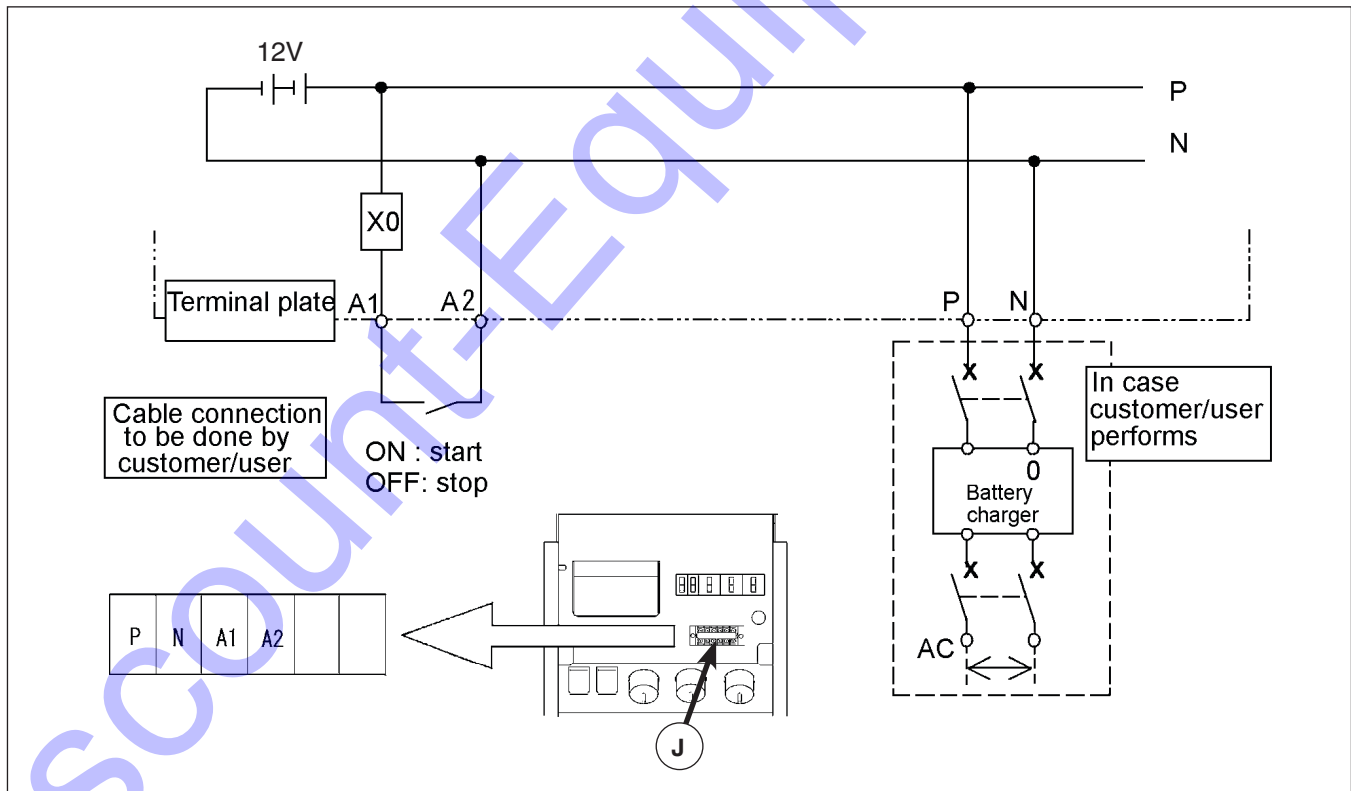


- Never put hands close to the interior of the machine, as the generator can start unexpectedly.
- Before starting inspection and maintenance, make sure to place the selector switch to MANUAL operation, and hang a tag stating "Under inspection and maintenance".
- Remove the black negative (-) cable from the battery.
- Remove the starter key from the unit.
- Failure to heed the above-noted items could result in death or serious injury.

Connection of Remote Control Switch

- The remote control terminal (J) is provided inside the output terminal. Perform cable connection as shown below for remote control operation of the machine. Be sure to remove the black negative (-) cable from the battery before making connections.

NOTE: When the unit is in AUTOMATIC mode, battery discharge occurs. Be sure to charge battery.



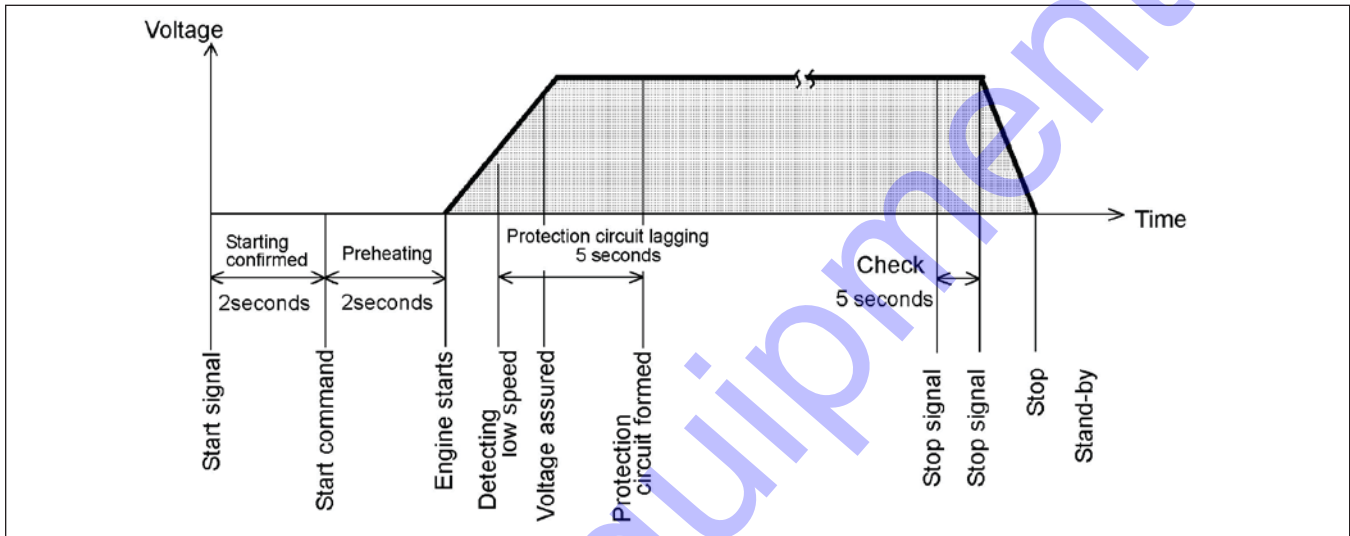
Operating Procedure

1. Start the generator unit and adjust the frequency and voltage as outlined in **Manual Operation**.
2. Turn the starter switch to the STOP position to stop the engine.
3. Turn the main circuit breaker, as well as the circuit breaker of any receptacle connected to a load, to the ON position.
4. Turn the operating selector switch on the control panel to the AUTO position, and turn the engine speed switch to the HIGH position.

5. The unit is now in stand-by mode, and will start once the start signal is sensed. See **Function**.

Function

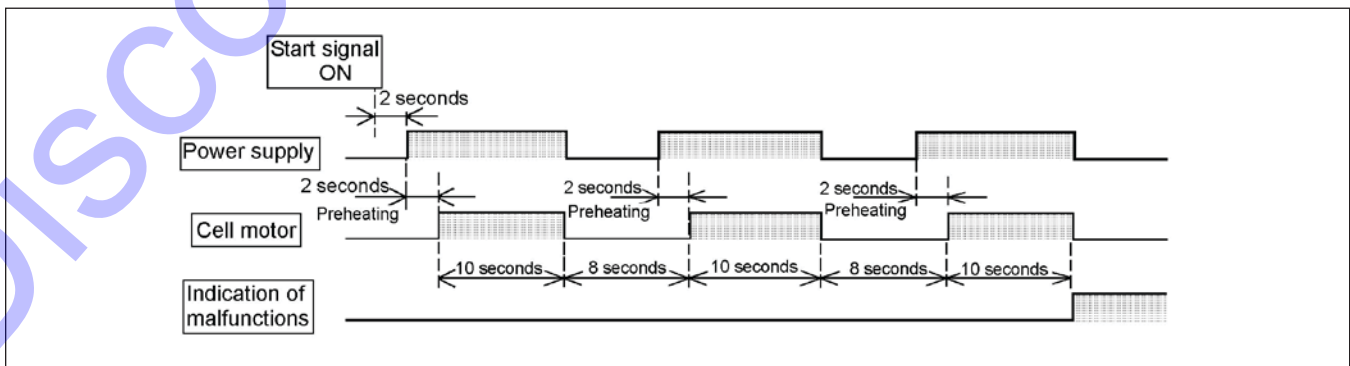
- When the start signal activates in stand-by mode, it starts the unit. (This includes preheating.)
- When the stop signal activates, the unit continues to operate for a cool-down phase, then the unit stops and is placed again in stand-by mode.



Starting Action

- The unit will attempt to start over three 10-second intervals, with an 8-second break (including preheating) between attempts. If after the third attempt the unit will not start, an indicator light will light, indicating the problem. See **Meters and Indicator Lights during Operation**; see also **Troubleshooting**.
- If the OVERCRANK indicator light turns on, immediately press the emergency stop button. See **Emergency Stop**.

NOTICE Failure to press the emergency stop button when the OVERCRANK indicator light turns on may result in engine damage.



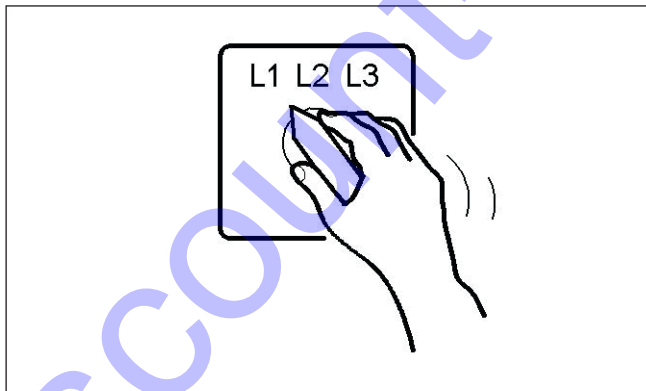
Meters and Indicator Lights during Operation

During normal operation, each indication of instruments is shown in the table below. Refer to the table for daily checks.

NOTE: The values marked * vary with location of the voltage selector switch.

	Voltmeter (V)	Frequency Meter (Hz)	Ammeter (A)	Monitor Lamp							
				Oil Press	Water Temp	Over Crank	Air Filter	Containment Level	Charge	Glow	Diagnostic Lamp
Before Starting (RUN)	0	0	0	● Off	● Off	● Off	● Off	● Off	On	On	● Off
During Operation	* 240 480	60	Less than rated current	● Off							

- Be sure to frequently check meters and indicators for proper operation, or any machine water, oil, fuel leaks, etc.
- The above table gives standard values. They may vary slightly depending on operating conditions and other factors.
- In single-phase load operation, check the current of L1, L2, and L3 phase with the ammeter, by turning the ammeter change-over switch. Each current should be balanced if unbalanced. Change load connections so the current of L1, L2, and L3 is equally balanced. Make sure that the current of each phase does not exceed the rated one.
- When the voltage selector switch is in the single-phase 240/120V position, place the ammeter change-over switch to the L1 or L3 position to read the output.



Panel Light

- The instruments are provided with illumination. Switch the panel light to ON.
- When illumination is not necessary, turn the light OFF to conserve lamp life.

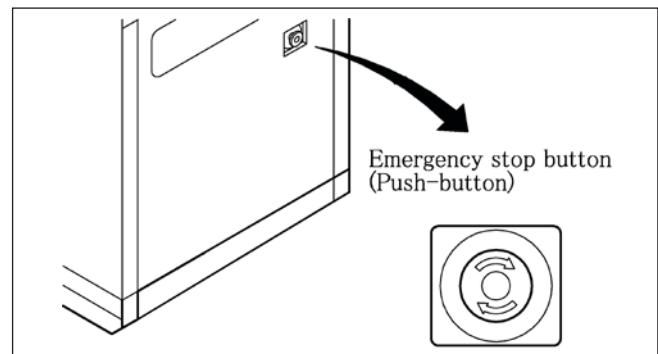
Stopping the Unit

1. Switch the circuit breakers for the auxiliary receptacles, as well as the main circuit breaker on the operation panel, to the OFF position.
2. Allow the unit to cool down, 30-60 seconds for normal to light load conditions, 2-5 minutes for heavy load conditions, then turn the starter switch to the STOP position to stop the engine.
NOTICE Failure to allow unit to cool down could result in engine damage.
3. While the machine is unused, keep the operation selector switch in the OFF position.

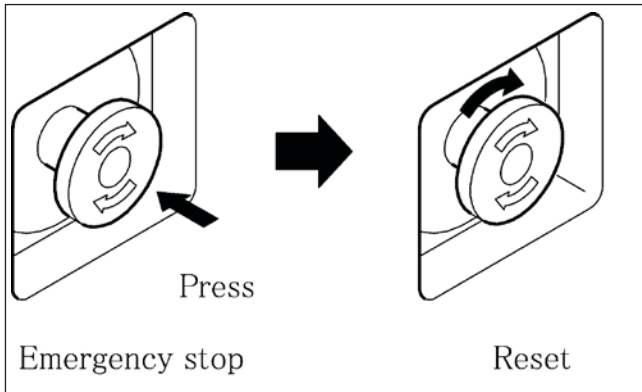
Emergency Stop

NOTICE

- The Emergency Stop button should be used only for emergencies.
 - Regularly check the operating performance.
1. If it is necessary to stop the generator in the event of an emergency, press the Emergency Stop button.



2. To reset the button, turn the button head in the direction of the arrow. If it is not reset, the machine will not restart.



Air Bleeding

If the unit runs out of fuel, the air must be bled from the fuel system once the unit is refueled.

1. Turn the manual-auto selector switch on the control panel to the MANUAL position.
2. Turn the starter switch to the RUN position to operate the electromagnet pump.
3. Air bleeding will be completed within 20 to 30 seconds.
4. Place the operation mode selection switch to "LOW" position and start engine.
5. Perform warm-up operation for 3 minutes after the engine starts.
6. Place the operation mode selection switch to the HIGH position and raise engine speed up to the rated speed (RPM). Thereafter, repeat mode selection operation from LOW to HIGH several times.





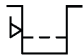



Protection Devices

To prevent possible unit damage during operation, this machine is provided with various protection devices.

If the engine stops due to the function of any of these protection devices, correct the problem before attempting to restart operation.

List of Protection Devices

This machine is equipped with the following protection devices (○) in the table. Make necessary repairs in accordance with the noted item.

Item	Engine stops	Three-phase circuit breaker trips	Lamp display	Monitor	Functions
Engine oil pressure drop	○	—	○		When engine oil pressure drops, it functions. Operating pressure: lower than 7.3psi (0.05MPa)
Engine water temperature rises.	○	—	○		In case of abnormal rise of engine water temperature, it functions. temperature reaches: more than 230°F (110°C)
Over crank	○	—	○		This lamp goes on when operator fails to start engine, during automatic operation mode.
Clogging of air filter	—	—	○		When air filter is clogged and it becomes necessary to clean it, it functions.
* Oil Fence	—	—	○		When more condensate (fuel, engine oil and coolant) than 1/3 of capacity in the oil fence is accumulated, monitor lamp lights.
Discharged battery	—	—	○		It functions in case of faulty battery.
Glow/diagnosis	—	—	○		When starter switch is "ON", the Monitor lamp glows and goes off after preheating is performed.
Glow/diagnosis	—	—	○		When the engine fails, the diagnosis lamp glows. Diagnosis lamp glowing pattern indicates states of engine failure.
Overcurrent or short circuit	—	○	—	—	In case of overload or short circuit accident, it functions.
Engine troubles	—	—	○	—	Refer to Troubleshooting

* When the monitor lamp lights in the oil fence, immediately drain it.
To protect environment, do not drain directly into rivers.

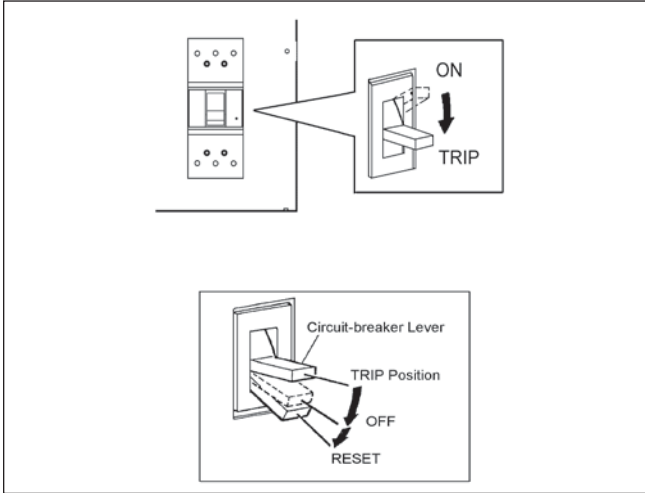
Circuit Breaker

In case overload or short-circuited wire connection should occur, the circuit-breaker trips.

If tripped, stop the unit, disconnect the load, reset the circuit breaker, and identify and correct the problem.

To reset the breaker:

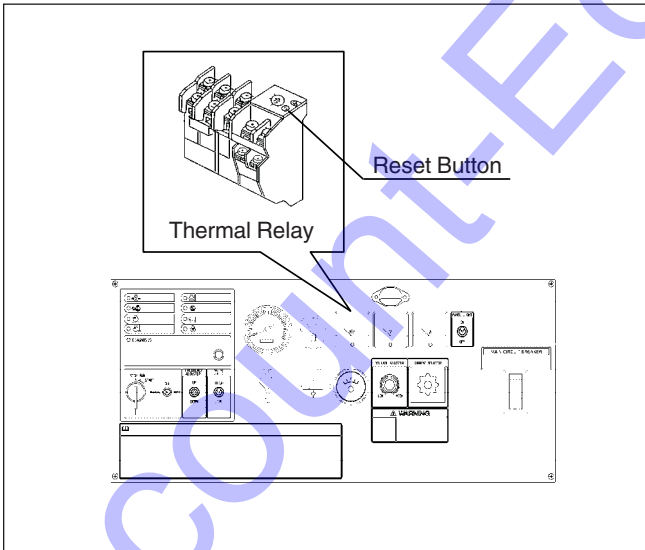
Press down on the breaker lever until it clicks.



Thermal Relay

In case an overload or short-circuit should occur to the load or load connection cable, this relay functions to trip the circuit-breaker.

It is not necessary to push the reset button even after the three-phase main breaker is tripped since the thermal relay is set to automatic return at the factory.



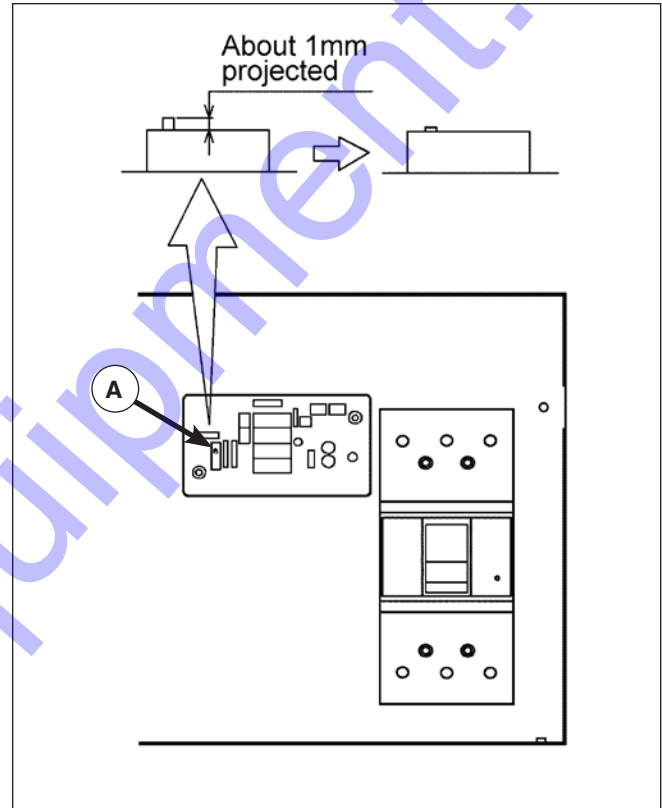
Circuit Protector (CP) for AVR Protection

AVR is equipped with circuit-protector (CP) for protection against overcurrent. It functions in the following cases:

- The machine gets overloaded while engine speed is still lower.
- The output voltage of generator is increased higher than the specified voltage.

When CP functions, voltage drops.

To reset, press the white AVR button (A) inside the control panel.



Connecting Loads



WARNING

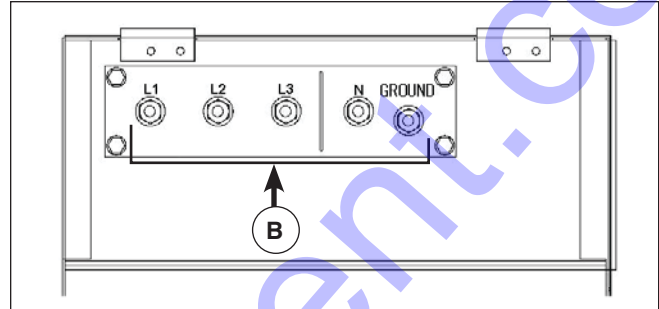
- Make sure not to connect the output terminal of the machine with a commercial power source. It could result in electric shock or fire.
- Make sure to ground the machine and the load. It could cause an electric shock when the machine is installed at a damp place or on a steel frame or a steel plate.
- Never touch the output terminals during operation.
- Notice that the voltage of several hundred volts is applied to the output terminal.
- When removing or connecting a connecting cable for changing load, be sure to switch OFF the circuit breaker, remove the starter key from the starter switch, then carry out the work. The operator must keep the key during operation.
- For a connecting cable to load, do not use a cable with damaged sheath nor an inappropriate insulation cable to the voltage.
Be sure connections between each cable terminal and input/output terminal are secure. Otherwise, it may be slacked during operation and may cause a fire or an electric shock.

NOTICE

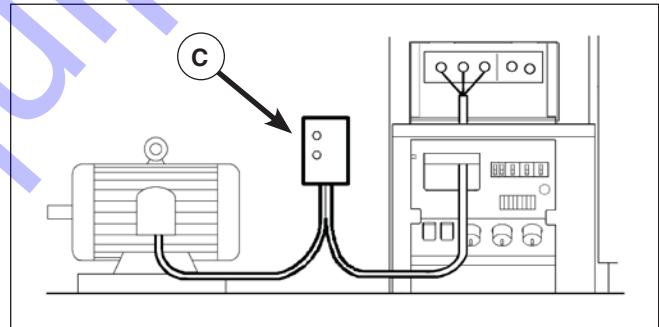
- When using a single-phase load [277V or 139V], see to it that the loads on the different phases will be evenly balanced. Unbalanced loads may cause the generator to overload.
1. Select a cable with sufficient diameter by considering the load capacity and the distance from the generator to the load. Use terminals for connection and securely fasten them.
 2. After checking phase number and voltage of the load, make sure to connect them correctly.

Terminal size (B)

Three-phase output (L1,L2,L3,N)	M14
Leakage relay ground Terminal(G)	M14

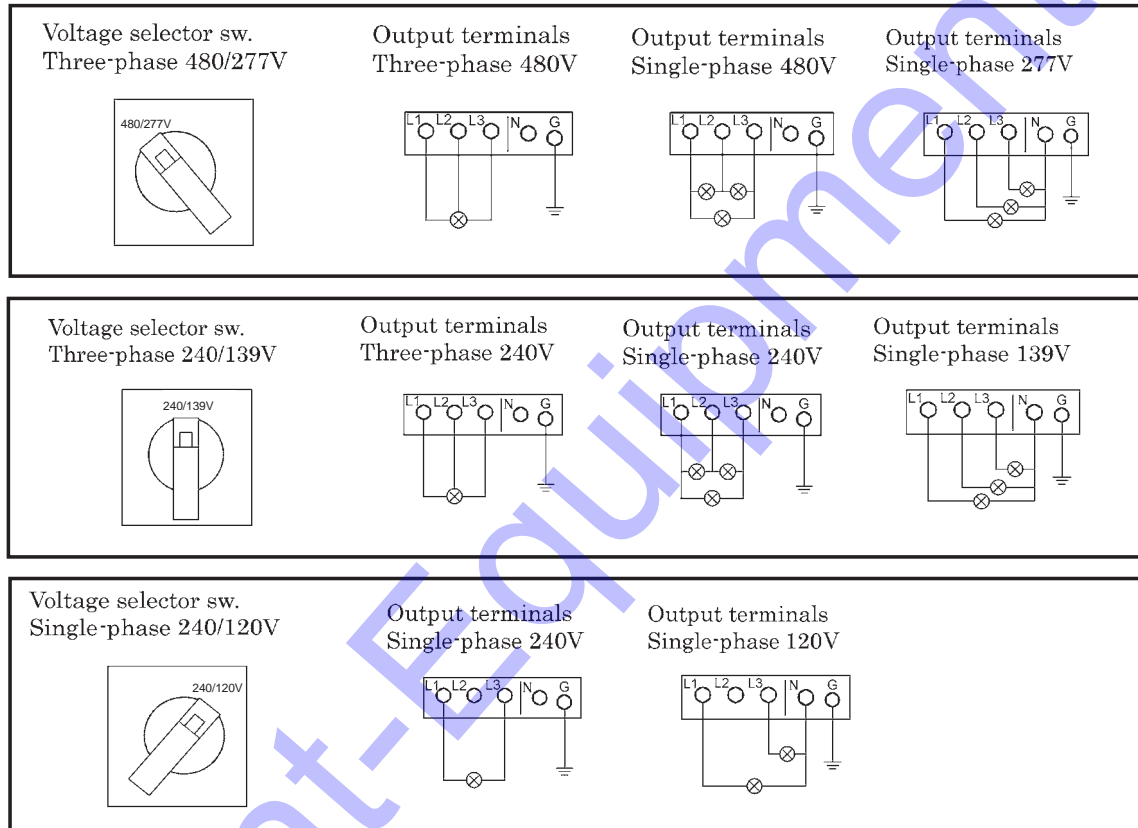
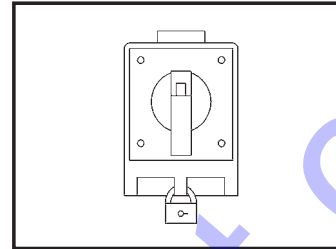


3. Install a switch panel (C) between the output terminal and the load to switch on/off the load. Do not switch the load on/off directly by the circuit-breaker of the generator. It could cause damage to the circuit-breaker.
4. Connect the connecting cable to the load so that the output terminals do not touch each other.



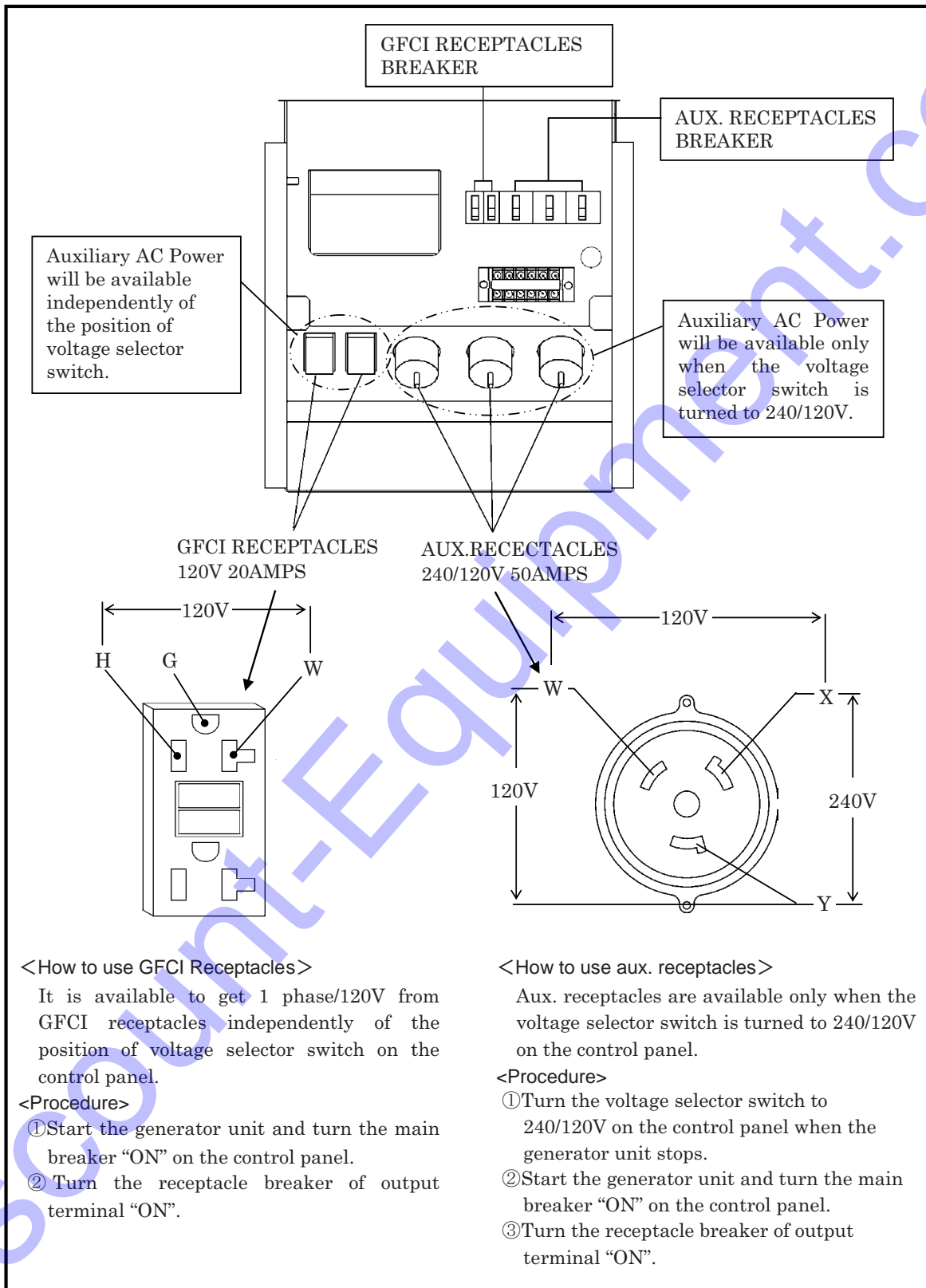
Proper Connection of Three-Phase Four-Wire Type Terminals

- During operation, do not operate voltage selector switch. Voltage selection during operation may cause abnormal voltage on the load side to damage the load and may cause a fire.
- In addition it could cause damage to generator and automatic voltage regulator (AVR).
- Be sure to shut off generator before using voltage selector switch.
- When voltage selection is completed, lock the voltage selector switch in position to prevent anyone from operating it.



NOTE: When the voltage selector switch is in the single-phase 240/120V position, place the ammeter change-over switch to the L1 or L3 position to read the output.

Auxiliary AC Power



Maximum Combined Simultaneous Power Consumption

NOTICE

- Never exceed the maximum combined simultaneous power consumption.

The following chart shows the maximum power available from the 120V-20A GFCI receptacles during simultaneous consumption (main terminals and receptacles) for both single or three phase settings. Values shown in the left column give the maximum current available at the 120V-20A GFCI receptacles compared to the value of the simultaneous current consumption from the main terminals.

Single Phase 120V-20A GFCI Rcept.	Three Phase 240/480V	Single Phase 240/120V
kW	kVA	kVA
0.0	38.0	22.0
1.2	33.8	20.8
2.4	29.7	19.6
3.6	25.5	18.4
4.8	21.4	17.2

Maintenance

Regular maintenance will improve the performance and extend the life of the generator. See your authorized dealer for service.

Generator Maintenance Schedule

Follow the hourly or calendar intervals, whichever occurs first. More frequent service is required when operating in adverse conditions noted below.

Daily
• Check stator thermo-label
• Clean instruments in control panel ¹
• Check looseness in pipe connecting part, and wear and tear of pipe
• Check each instrument and warning lamp
• Check functions of all instruments and devices
Every 250 Hours
• Check GFCI receptacles ²
• Check insulation resistance ³
• Check thermal relay ⁴
• Check rotor bearing thermo-label ⁴

¹ Or whenever needed

² Or monthly

³ Or every 4 months

⁴ Or every 2 months

Engine Maintenance Schedule

Refer to engine operation manual for inspection and maintenance of engine.

Miscellaneous Maintenance Schedule

Daily
• Check condensate in oil fence
Every 500 Hours
• Check electrical terminals and cable connections ¹
Every 1000 Hours
• Check vibration isolators ²
• Check each rubber hose ²

¹ Or every 4 months

² Or yearly

Undercarriage Maintenance Schedule

Every 300 Hours or 3 Months
• Supply grease to trailer hub bearing
• Check drawbar hardware for proper tightness
Every 1,000 Hours
• Check undercarriage bracket hardware for proper tightness
• Check wheel lug nuts for proper tightness

Replacement Parts

Note: Part numbers may change without notice.

Contact your authorized dealer.

Part Name		Part Number	Qty
Air Filter Element		32143 11700	1
Engine Oil Filter		37438 08800	1
Fuel Filter Element		43534 04900 (Kubota 16631-43562)	1
Belt		Kubota 1G517-9701-1	1
Engine fuel hose	Suction	Kubota 09661-70360	1
	Return	Kubota 09661-40170	1

Maintenance Items

Change Engine Oil



WARNING

Engine oil is very hot and highly pressurized during or just after operation. Hot oil could blow out of the tank and can cause serious injury.

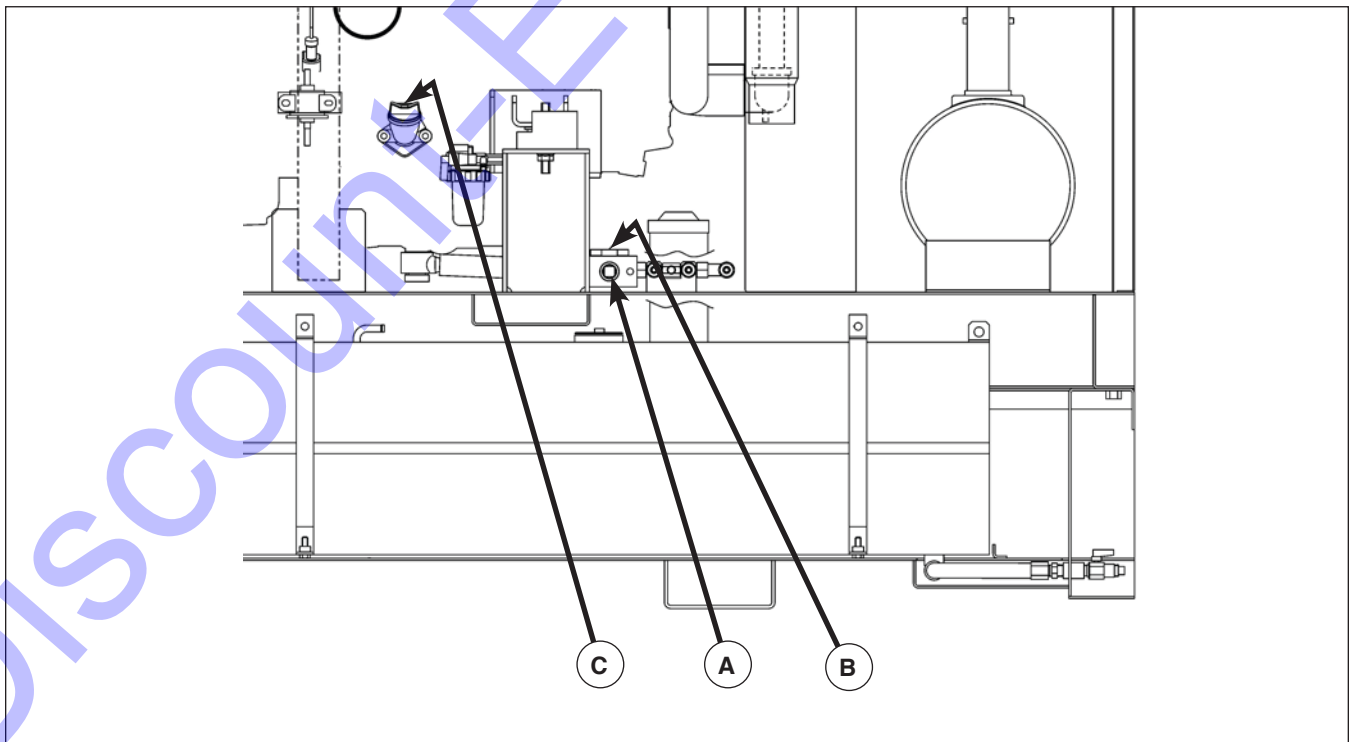
NOTICE

Never supply more engine oil than specified level. Excessive engine oil could cause engine damage.

1. After stopping engine, wait 10 to 20 minutes until engine oil cools off.
2. Remove drain plug (A), open drain valve (B), and discharge engine oil drain. Dispose of used oil according to local, state and/or federal regulations.

3. When oil is completely drained, close drain valve and replace drain plug.

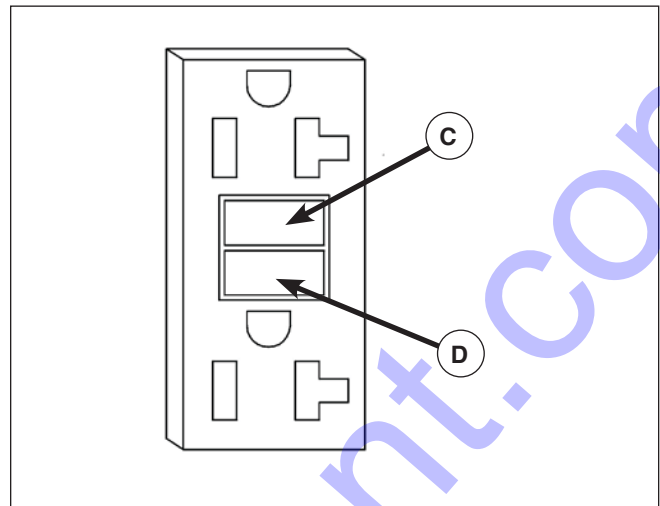
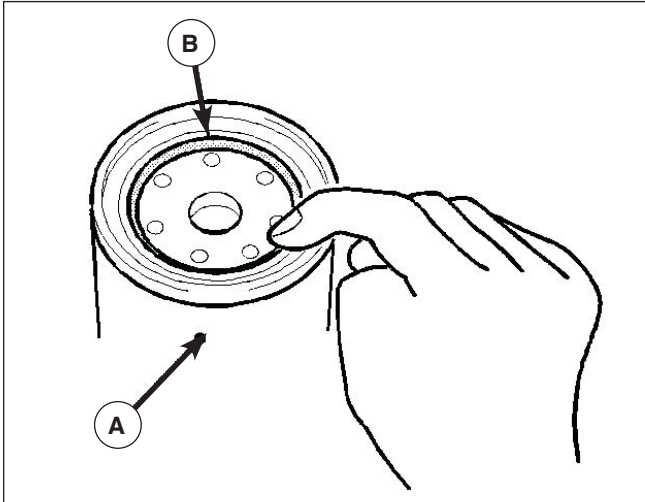
4. Remove engine oil filler cap (C), and fill engine with oil. See **Checking / Adding Engine Oil** in **Operation**. (Oil capacity: see **Specifications**.)



Change Engine Oil Filter

(For part number, see *Replacement Parts*)

1. Remove old oil filter (A) using a filter wrench.
2. Apply a light coating of oil on oil filter seal (B).
3. Install new oil filter until seal contacts oil pump, then tighten 1 additional turn by hand.
4. After installing oil filter, check for leaks. Tighten as necessary.



Check GFCI Receptacles



WARNING

- Test the GFCI receptacle before each use.
- In case the GFCI has tripped due to the hazard of ground fault currents, investigate the cause and correct it.

Regularly check GFCI operation for safety.

1. Unplug all appliances from the generator.
2. Start the engine.
3. Turn each single-phase and three-phase breaker ON.
4. Press the TEST BUTTON (C):
 - The RESET BUTTON (D) should extend with a click.
 - If the RESET BUTTON does not extend, contact your authorized dealer.
5. Press the RESET BUTTON.
6. If the RESET BUTTON extends during operation:
 - Unplug all appliances from the GFCI protected receptacle.
 - Press the RESET BUTTON:

IF THE GFCI CANNOT BE RESET:

- The GFCI is faulty. Contact your nearest dealer.

IF THE GFCI RESETS PROPERLY:

- Check the appliance or the power cord.

Check Insulation Resistance



WARNING



- Insulation resistance should be regularly checked or measured with a 500V insulation resistance meter. If it is reduced to lower than 1M Ω , it could cause an electrical leakage or a fire.
1. Remove the load side cable from the output terminal board.
 2. Remove “N” and “GROUND” grounding wires on the back of the output terminal plate from the engine side.
 3. Loosen the ground wire mounting bolt of the frame (E), and remove the ground terminals (F).
 3. Remove the AVR connector (G) inside the generator control panel.
 4. Switch ON the three-phase breaker, measure each insulation resistance between the terminals L1, L2, L3 terminal and bonnet (H).
 5. If insulation resistance value measured is found more than 1M Ω , it is good. If lower, contact your authorized dealer.

NOTE: For improvement of insulation resistance, wipe and clean dust and dirt from around output terminals, circuit breaker, generator body outlet port and receptacles.

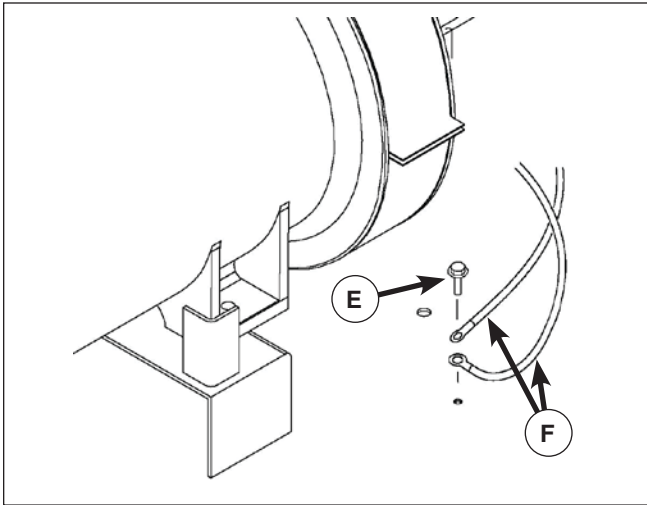
6. After checking and confirming that insulation resistance is proper, reestablish all connections.



WARNING

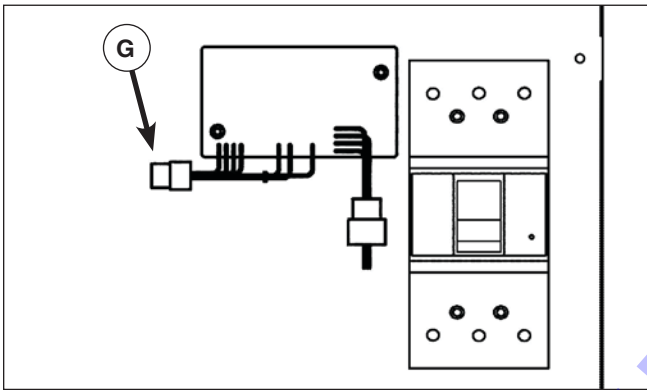
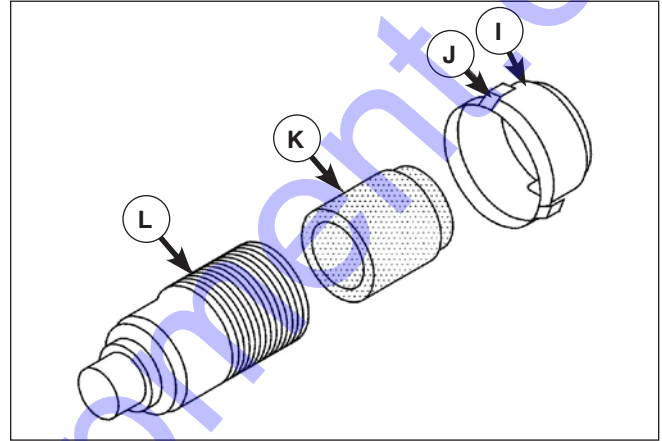


- Be sure to reconnect the cable between the terminal “N” and terminal “Ground” just as it was originally connected. If left disconnected, the lack of grounding could result in electric shock.



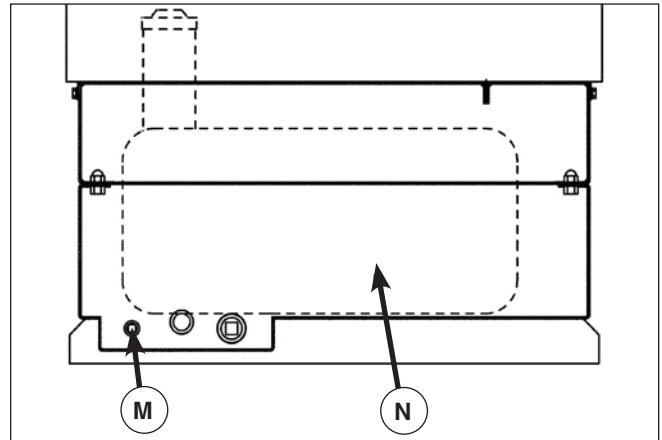
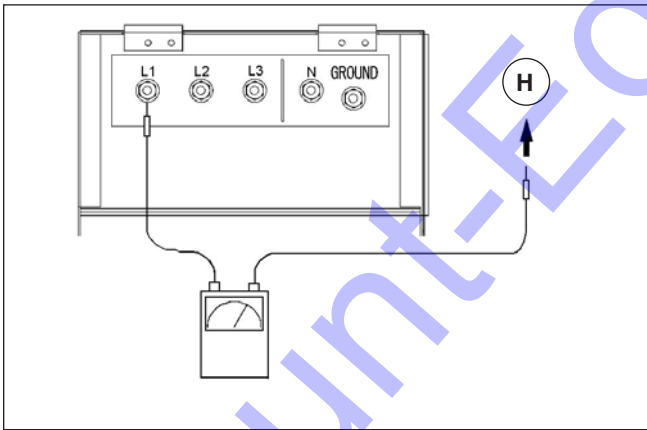
Check / Clean Air Filter Element

1. Loosen latch (J), and remove cap (I). Clean interior of cap.
2. Remove and clean filter element (K). If damaged or heavily soiled, replace. (For part numbers, see **Replacement Parts.**)
3. Clean interior of case (L).
4. Install filter element into case, then install cap, securing with latch.



Drain Fuel Tank

1. Remove the drain plug (M) and drain any condensate accumulated inside the fuel tank (N) into an approved container.
2. After making sure all condensate is drained, reinstall the drain plug.
3. Dispose of condensate according to local, state and/or federal regulations.

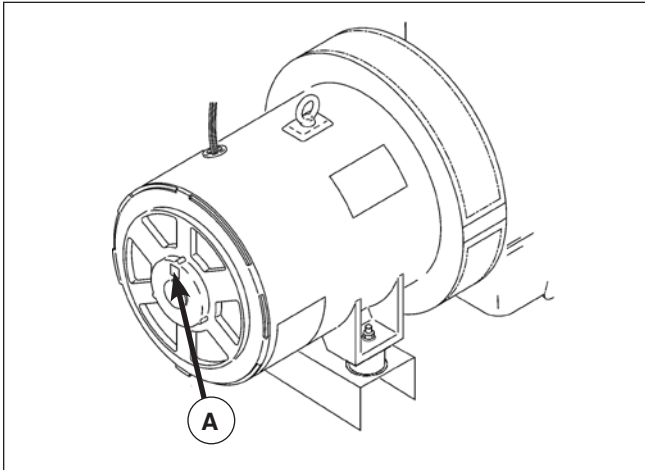


Check Thermo-Label on Stator

The thermo-label on the rotor bearing (A) irreversibly changes color from white to blue if reaching or exceeding 176°F (80°C).

If thermo-label has changed color:

- Replace thermo-label. Contact your authorized dealer.
- Check bearing for noise.
- Check components for dust and dirt. Clean as necessary.



Battery Maintenance



- Keep ignition sources away from battery.
- Battery generates hydrogen gas and may explode if ignited.
- Charging should be done at a well-ventilated place.
- Do not spark near the battery nor light a match, nor bring lit cigarette and match close to the battery.
- Do not check the battery by short-circuiting the positive and negative terminals.
- Do not operate machine or charge battery with low electrolyte level. Doing so may damage battery, or may cause explosion.
- Add distilled water so that electrolyte level reads between "UPPER" and "LOWER" level.
- Do not charge frozen battery. Otherwise it may explode. If battery is frozen, warm it up until the battery temperature becomes 16°C to 30°C.
- Battery electrolyte is dilute sulfuric acid.
- Mishandling battery could cause severe burns.
- Wear protective gloves and safety goggles when handling battery.
- If battery electrolyte contacts clothes or skin, wash immediately with large amount of water.
- If battery electrolyte gets into eyes, flush with plenty of water and seek immediate medical attention.

- Dispose of battery according to local, state and/or federal regulations.

Check Battery Electrolyte

Standard battery:

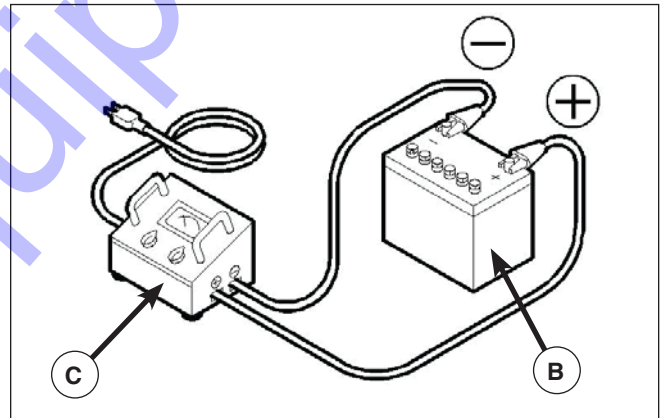
1. Check battery electrolyte level. If low, add distilled water.
2. Measure specific gravity of battery electrolyte. If below 1.24, recharge battery. See **Charge Battery**.

Maintenance-free battery:

1. Check indicator on top surface of battery.
2. If indicator shows that charge is needed, recharge battery.

Charge Battery

1. Disconnect cables between battery and unit, black negative (-) cable first, and charge battery (B) with a 12-volt battery charger (C). Do not charge two batteries at the same time.
2. Be sure not to connect (+) and (-) terminals backwards.
3. Read operation manual of battery charger before use.



Booster Cables

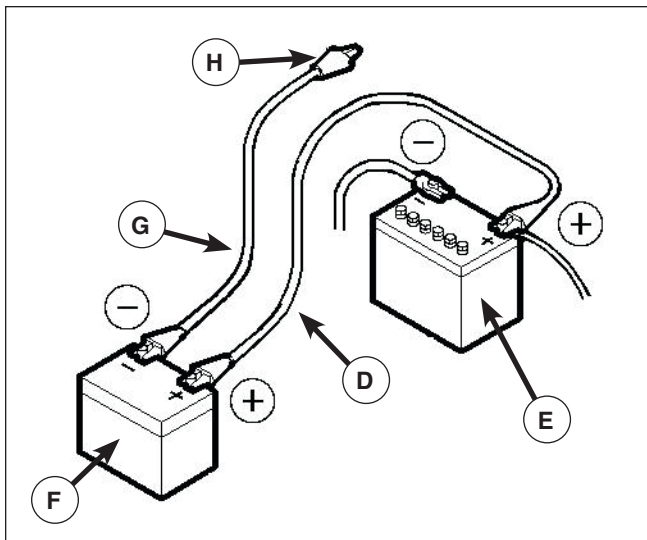
To use booster cables:

1. Connect one end of red positive (+) cable (D) to positive (+) terminal of machine battery (E).
2. Connect other end of red positive (+) cable to positive (+) terminal of external battery (F).
3. Connect one end of black negative (-) cable (G) to negative (-) terminal of external battery.
4. Connect other end of black negative (-) cable to engine block of machine (H, not shown).



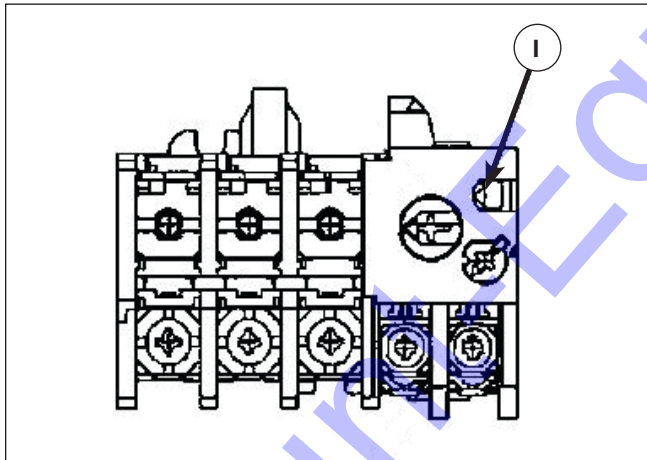
CAUTION

- Be careful not to connect positive (+) and negative (-) terminals backwards.
5. Start engine.
 6. Disconnect booster cables by following above procedure in reverse order.



Check Thermal Relay

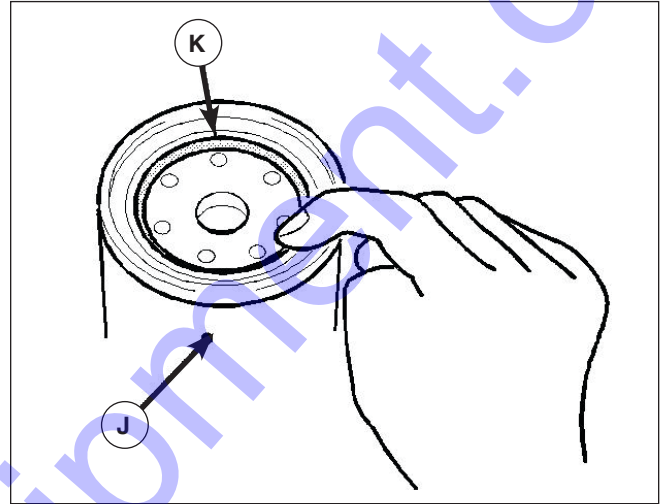
1. Turn the starter switch to the ON position.
2. Set the main circuit breaker to the ON position.
3. The three phase main breaker will trip if you push the test lever (I) of the thermal relay.
4. Note that once the three phase main breaker trips to the off position, the single phase breaker that supplies power to the GFCI outlets can still be ON.



Change Fuel Filter

(For part number, see *Replacement Parts*)

1. Remove old filter (J) using a filter wrench.
2. Apply a light coating of fuel on filter seal (K).
3. Install new filter until seal contacts fuel pump, then tighten an additional 2/3 turn with a filter wrench.
4. After installing filter, check for leaks. Tighten as necessary.

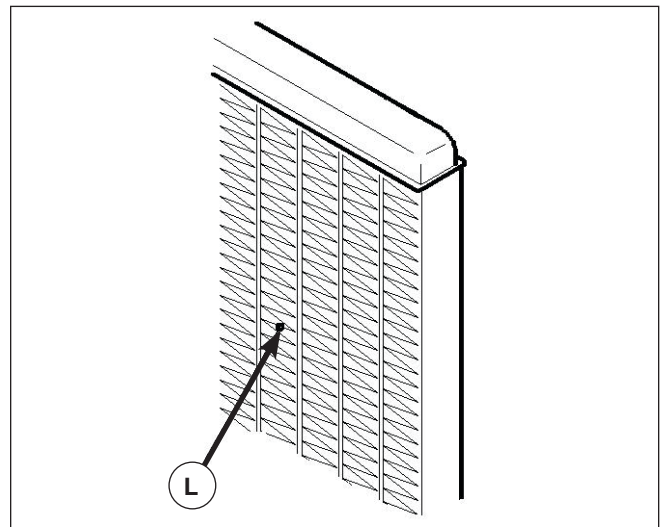


Clean Outside Of Radiator

- Clean the fin tubes (L) of the radiator of dust or other foreign materials.

NOTICE

Do not use high pressure cleaning equipment, as it may damage fin tubes.



Check Electrical Terminals and Cable Connections



- Be sure to stop engine and remove black negative (-) battery cable before inspection.
- Be sure to wear appropriate personal protective equipment (PPE).

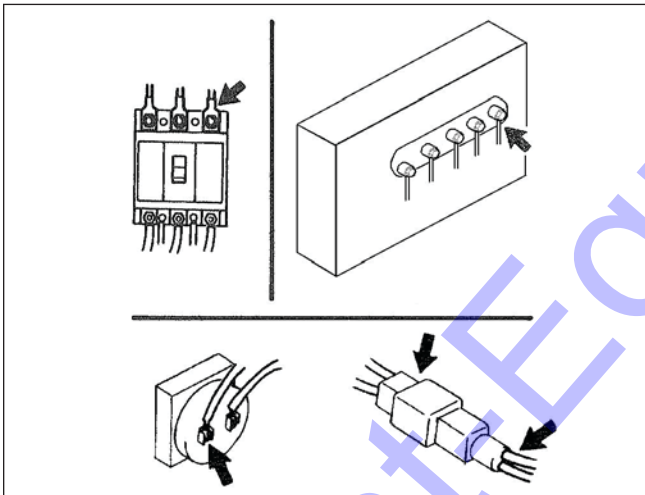
Check for any loose cables, damage on insulated covers, disconnected cables, short-circuits, etc., on the following items:

Generator

- Terminal connections of output terminal plate
- Main circuit of circuit breaker
- Terminal connection on control box
- Each terminal connection of each instrument
- Connectors

Engine

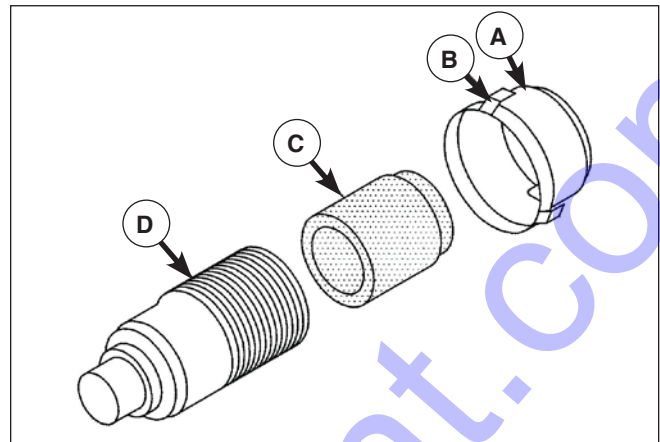
- Engine connectors
- Terminal connections



Change Air Filter Element

For filter element part number, see **Replacement Parts**.

1. Loosen latch (B) and remove cap (A). Clean interior of cap.
2. Dispose of old filter element (C), replacing with new.
3. Clean interior of case (D).
4. Install filter element into case, then install cap, securing with latch.

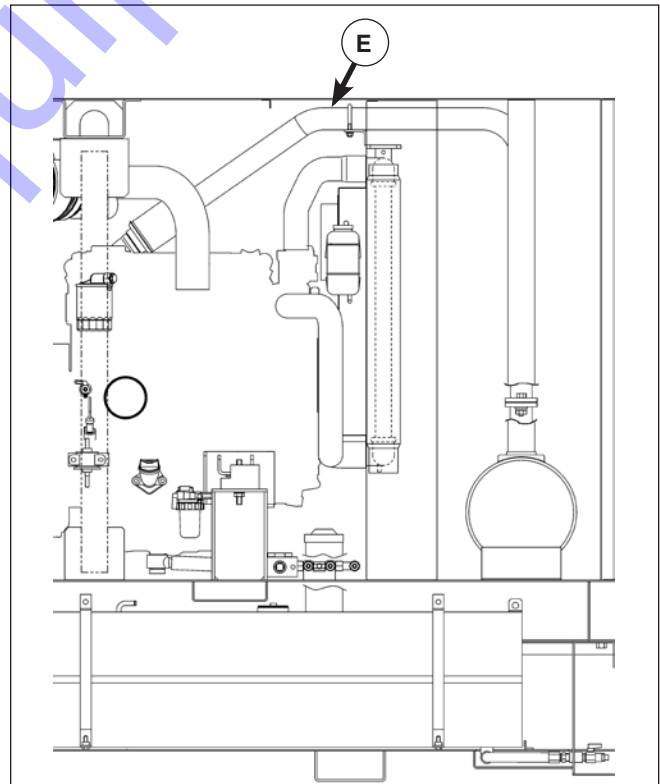


Check Rubber Hoses

- Check each rubber hose for damage or wear.
- If damage or wear is found, contact your authorized dealer for repair or replacement.

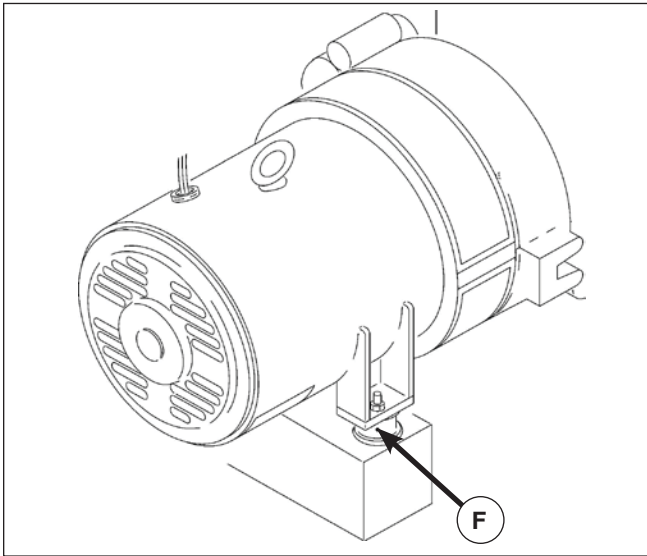
Check Exhaust Flexible Pipe

- Check for any crack or leak on the exhaust flexible pipe (E).
- If any leak is found, contact your authorized dealer for repair or replacement.



Check Vibration Isolators

The vibration isolators (F) are used for the support of generator and engine. Check for any damage or deterioration due to oil sticking. If any is found, contact your authorized dealer.



Change Coolant

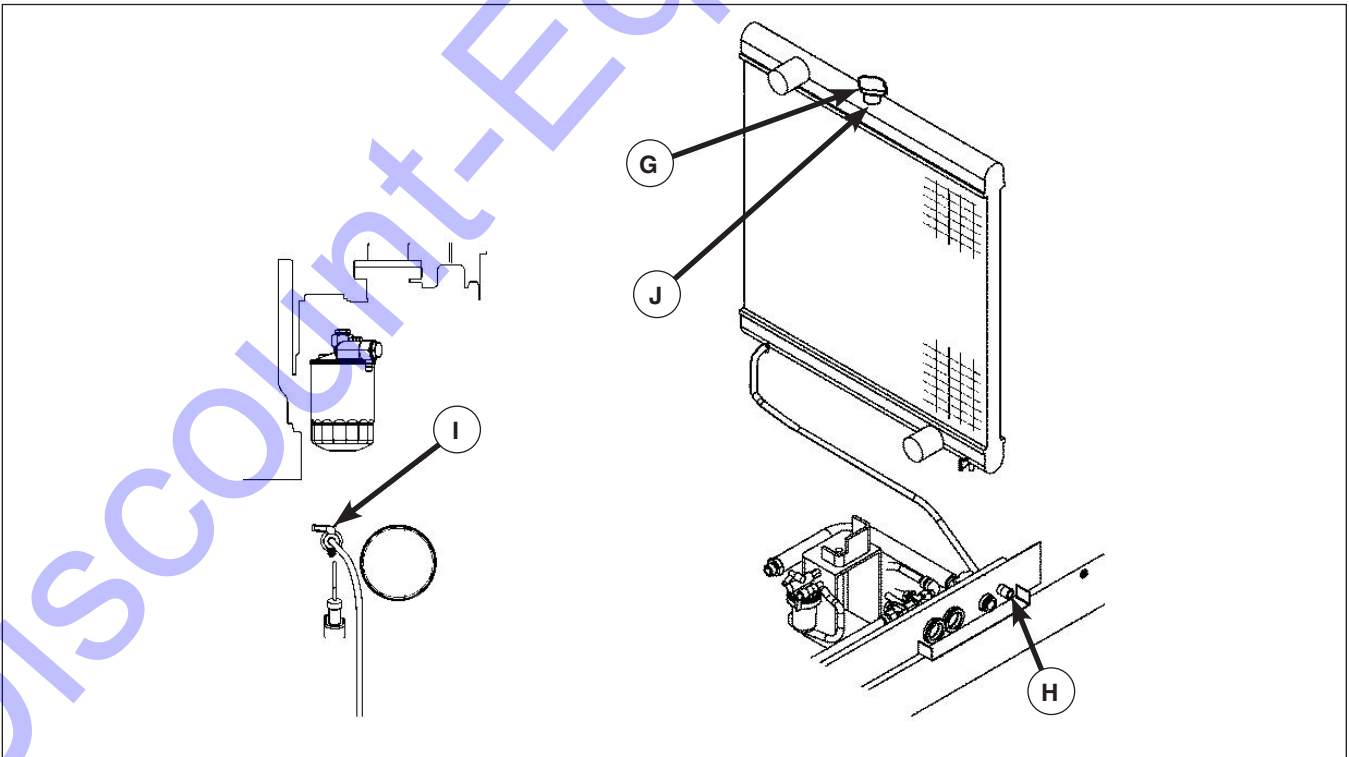


- Be sure to stop the machine and allow time to cool. Then loosen the radiator cap one notch. After the

coolant water is sufficiently cooled and the inner pressure is released, take the cap off.

If this procedure is neglected, the inner pressure can blow off the cap. Steam jetting out of the radiator could result in causing scalding. Follow this procedure under all circumstances.

- LLC (Antifreeze) is a toxic material. If swallowed, seek immediate medical attention. Do not induce vomiting. If in eyes, wash eyes with clean running water and seek immediate medical attention. When storing, store in an approved container, clearly labeled 'LLC (Antifreeze) inside', away from children.
 - Keep away from fire and flame.
1. To drain coolant, remove radiator cap (G), and loosen radiator drain valve (H). Also open drain valve on engine cylinder block (I). Be sure to drain coolant into an approved container.
 2. After draining, close drain valves, then supply coolant through filler port (J). (Coolant capacity: see **Specifications**.)
 3. After filling with coolant, run machine in unloaded condition for approximately 2 to 3 minutes. Stop machine and check coolant level. Add as needed.
 4. Dispose of used coolant according to local, state and/or federal regulations.

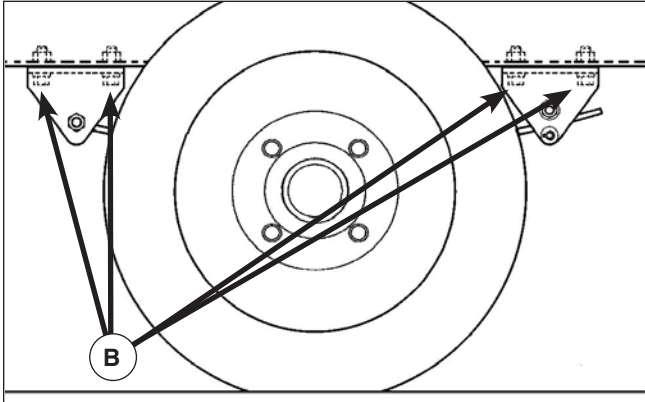


Grease Trailer Hub Bearing

Contact your authorized dealer.

Check Undercarriage Bracket Hardware for Correct Tightness

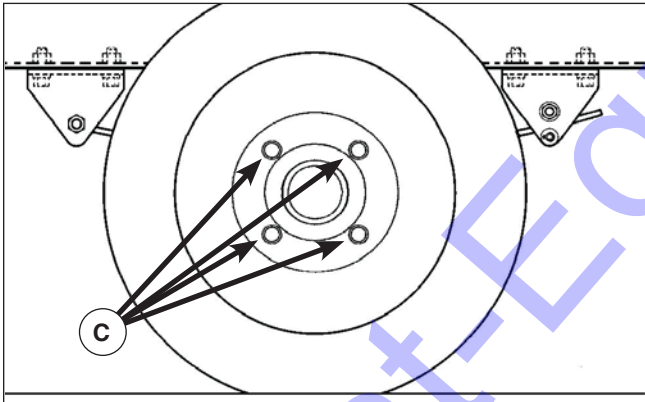
Check tightness of undercarriage bracket hardware (B). Tighten to 130 lb-ft (176 Nm).



Check Wheel Lug Nuts / Tire Pressure

Check tightness of wheel lug nuts (C). Tighten to 100 lb-ft (136 Nm).

Also check tire pressure. Adjust to 30 psi (2.1 bar).



Periodic Load Operation

When a diesel engine driven generator is continuously operated with less light load than 30% or at no load for a long time, carbon will be stuck inside the exhaust pipe, exhaust muffler and engine. Unburned fuel will also leak sometimes from the turbo wastegate, connected portion of exhaust pipe, and the outlet port of muffler. If it is continuously operated under the conditions, the unburned fuel could ignite.

Moreover, carbon accumulation could cause engine power drop or overheating, resulting in engine damage.

Eliminate carbon accumulation by periodically burning it during operation with a load until the exhaust gas becomes almost clear.

(For load current, refer to the following table as a standard value.)

⚠ WARNING

Increase the load factor, step by step, paying attention to the exhaust conditions. Also watch for sparks from the exhaust pipe that could result in a fire.

Type			
Frequency	Hz	60	
Rated Voltage	V	240	480
Load Current	A	74	37

Storage

Preparation for Long-term Storage

If the machine is left unused or not operated longer than six months:

- Store in a clean, dry place. Avoid leaving machine outside.
- Remove battery from machine, if possible, and store in a dry place.
- Charge battery (at least once every month).
- Drain engine oil from machine.
- Drain coolant and fuel from machine.*
- Seal engine, air-intake port and other openings with vinyl sheet, packing tape, etc., to protect from moisture and dust.
- Perform any necessary repairs or maintenance items.

Disposal of Products

In case of disposal of this unit, at first drain and dispose of all fluids according to local, state and/or federal regulations.

For further information, please contact your authorized dealer.

Troubleshooting

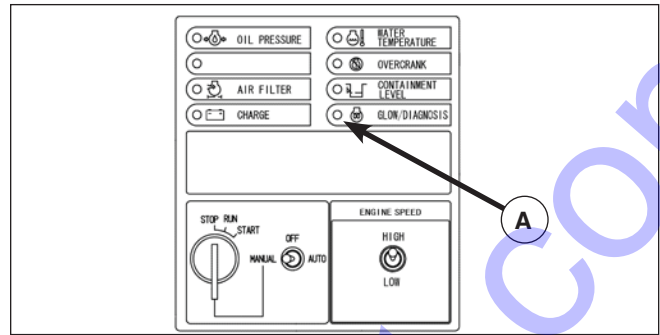
Troubleshooting Chart

Problem	Cause	Correction
Low starter revolution speed	1. Battery low or dead	1. Check battery; charge or replace as needed
Starter rotates but engine does not start	1. Fuel filter clogging 2. Controller malfunction 3. No diesel fuel 4. Air mixing in fuel pipings	1. Clean / replace 2. Contact authorized dealer 3. Add diesel fuel 4. Bleed air
Low engine oil pressure, engine stops	1. Engine oil level low 2. Engine oil filter clogged 3. Faulty oil pressure switch 4. Loose or broken wire	1. Add engine oil 2. Replace 3. Contact authorized dealer 4. Connect; contact authorized dealer
Coolant temperature high, engine stops	1. Radiator clogged 2. Faulty thermostat 3. Faulty coolant temp switch 4. Belt slipping 5. Low coolant level 6. Loose or broken wire	1. Change coolant 2. Contact authorized dealer 3. Contact authorized dealer 4. Contact authorized dealer 5. Add coolant 6. Connect; contact authorized dealer
Air Filter Clogging monitor lamp flickers	1. Air filter clogging	1. Clean or replace
Oil Fence monitor lamp glows	1. Condensate (fuel, engine oil and coolant) accumulated in oil fence 2. Oil fence level switch not functioning	1. Drain condensate 2. Contact authorized dealer
Circuit breaker trips	1. Overloaded 2. Short circuit at load side	1. Reduce load 2. Remove and repair load
Even when operated at rated speed, no voltage or low voltage generated	1. Voltage regulator knob set too low 2. Circuit protector (CP) for AVR protection tripped 3. Internal problem	1. Adjust voltage regulator knob 2. Reset 3. Contact authorized dealer
Voltage generated too high when set at the rated frequency (50Hz/60Hz)	1. Voltage regulator knob set too high 2. Loose or disconnected wiring 3. Internal problem	1. Adjust voltage regulator knob 2. Check / connect wiring 3. Contact authorized dealer
Unstable voltage generation	1. Circuit protector (CP) for AVR protection tripped 2. Internal problem	1. Reset 2. Contact authorized dealer
Contact your authorized dealer for all other issues.		

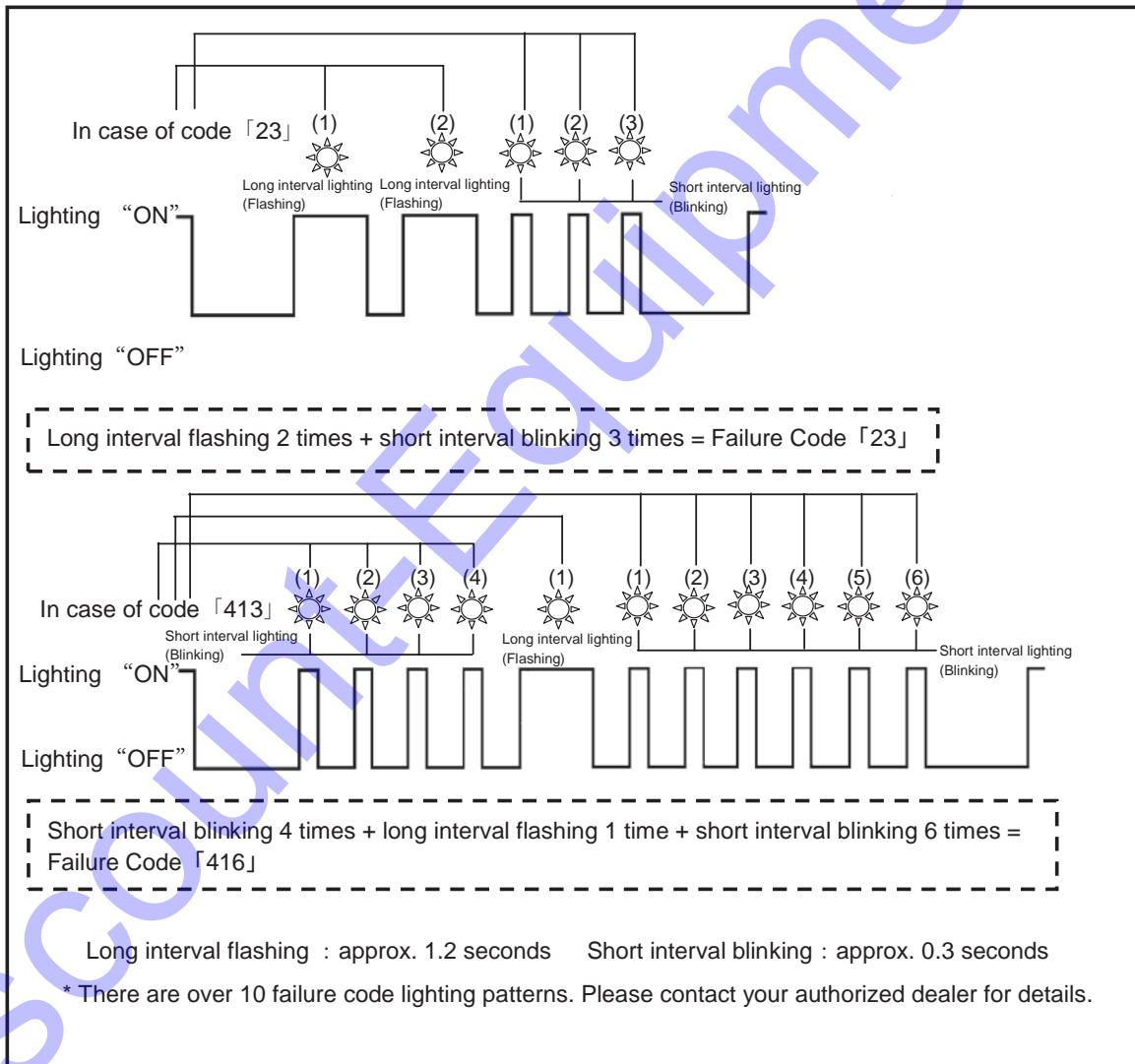
Engine Trouble

This unit is equipped with a controller which diagnoses engine troubles. If engine trouble is detected:

1. Turn the starter switch to the RUN position.
2. If there is engine trouble, the diagnosis lamp (A) will commence with a blinking pattern, indicating the trouble code. See **Diagnosis Lamp Lighting**.
3. Contact your authorized dealer with the trouble code for information on the issue and its correction.



Diagnosis Lamp Lighting

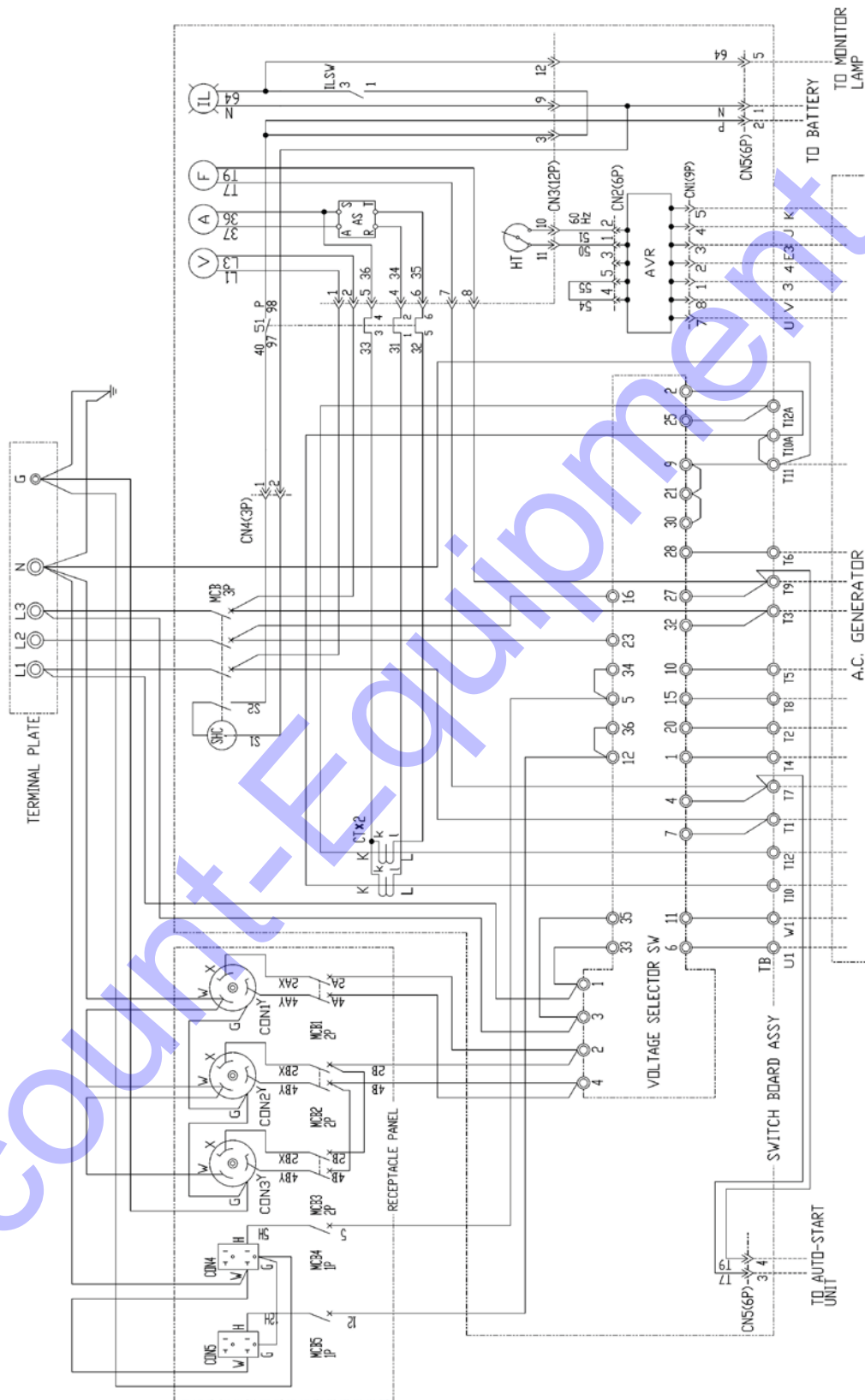


Specifications

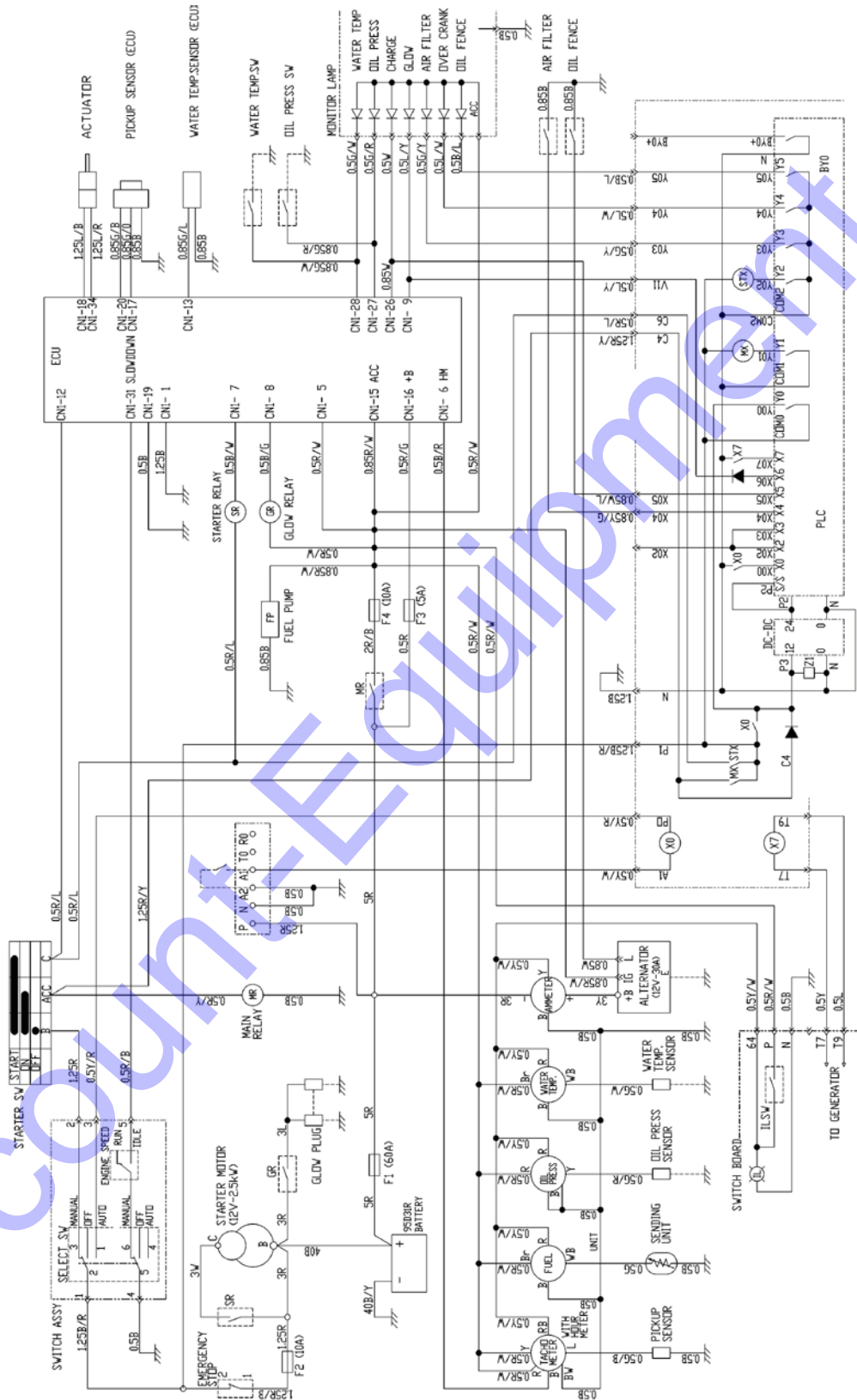
Model		40 kVA			
Generator	Exciting system		Brushless		
	Armature connection		Star with neutral	ZigZag	
	Phase number		Three	Single	
	Power factor	%	80	100	
	Frequency	Hz	60		
	Rated output	kVA	38	22	
	Rated output	kW	30.4	22	
	Voltage	V	240	480	240 / 120
	Current	A	91.4	45.7	91.4
Engine	Model		Kubota V3300-BG		
	Type		4-cycle, water-cooled, swirl chamber type		
	No Cylinders		4		
	Total Displacement	cu in (L)	203 (3.318)		
	Rated Output	hp (kW)	46.8 (34.9)		
	Revolutions per minute	rpm (min ¹)	1800 (1800)		
	Lubricating Oil Capacity	gal (L)	3.4 (13.2)		
	Coolant Capacity (including Radiator)	gal (L)	2.9 (11.0)		
	Battery		95R31R (12V)		
	Fuel Tank Capacity	gal (L)	106 (401)		
General Specifications	Overall Length	in (mm)	141 (3566)		
	Overall Length (Bonnet Only)	in (mm)	82 (2080)		
	Overall Width	in (mm)	68 (1715)		
	Overall Height	in (mm)	73 (1852)		
	Net Dry Mass	lb (kg)	3575 (1622)		
	Operating Mass	lb (kg)	4345 (1971)		

Wiring Diagram

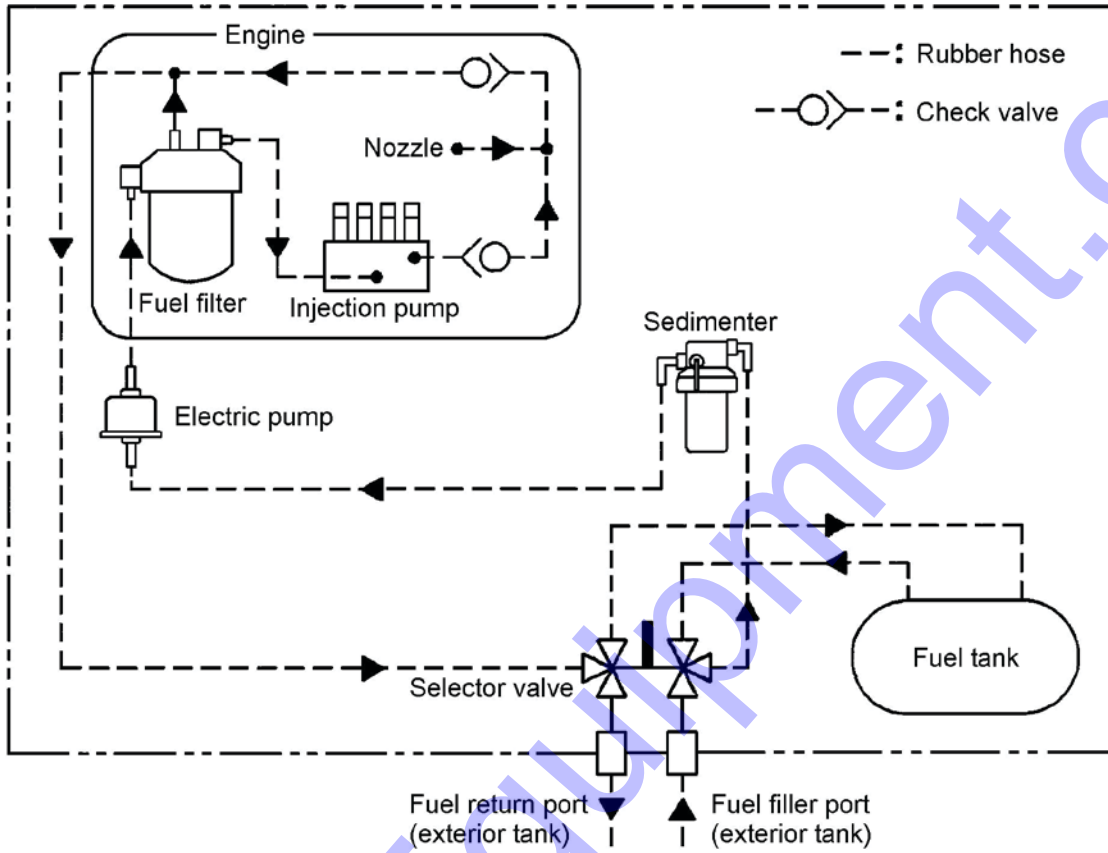
Generator



Engine



Fuel Piping



Discount Equipment

Discount-Equipment.com is your online resource for commercial and industrial quality parts and equipment sales.

Locations:

Florida (West Palm Beach): [561-964-4949](tel:561-964-4949)

Outside Florida TOLL FREE: [877-690-3101](tel:877-690-3101)

Need parts? Check out our website at www.discount-equipment.com

Can't find what you need?

Click on this link: <http://www.discount-equipment.com/category/5443-parts/> and fill out the request form.

Please have the machine model and serial number available in order to help us get you the correct parts. One of our experienced staff members will get back to you with a quote for the right part that your machine needs.

We sell worldwide for the brands: Genie, Terex, JLG, MultiQuip, Mayco, Toro/Stone, Diamond Products, Magnum, Airman, Mustang, Power Blanket, Nifty Lift, Atlas Copco, Chicago Pneumatic, Allmand Brothers, Essick, Miller Spreader, Skyjack, Lull, Skytrak, Tsurumi, Husquvarna/Target, Whiteman-Concrete/Mortar, Stow-Concrete/Mortar, Baldor, Wacker, Sakai, Snorkel, Upright, Mi-T-M, Sullair, Neal, Basic, Dynapac, MBW, Weber, Bartell, Bennar Newman, Haulotte, Ditch Runner, Blaw-Knox, Himoina, Best, Buddy, Crown, Edco, Wyco, Bomag, Laymor, Terremite, Barreto, EZ Trench, Takeuchi, Basic, Bil-Jax, Curtis, Gehl, Heli, Honda, ICS/PowerGrit, Puckett, Waldon, ASV, IHI, Partner, Imer, Clipper, MMD, Koshin, Rice, Gorman Rupp, CH&E, Cat Pumps, Comet, General Pump, Giant, AMida, Coleman, NAC, Gradall, Square Shooter, Kent, Stanley, Tamco, Toku, Hatz, Kohler, Robin, Wisconsin, Northrock, Oztec, Toker TK, Rol-Air, Small Line, Wanco, Yanmar

New Equipment - Used Equipment - Rental Equipment - Parts and Accessories

Discount Equipment

www.discount-equipment.com

561-964-4949

Parts: wbparts@Discount-Equipment.com

Sales: info@Discount-Equipment.com