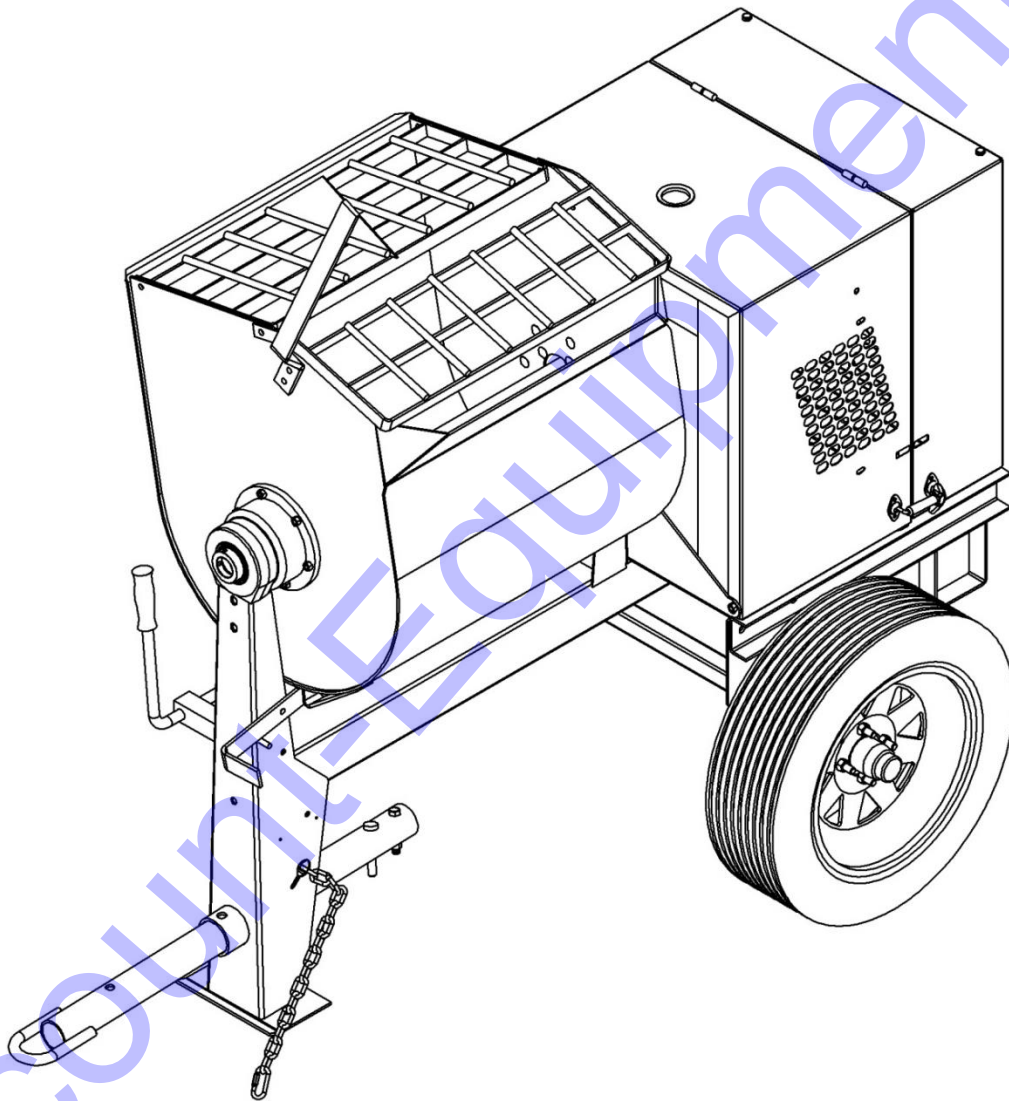


REPAIR PARTS MANUAL

SERIES	MM-Mech
BULLETIN No.	200089R6
SUPERSEDES	200089R5
DATE	Oct 2007
Last Rev: MAR 2018	

MORTAR MIXERS

6-SR, S6-SR, 8S, S8-S, 9S, 10-S, S10-S



*When ordering parts please always specify the model and serial number of the mixers as a reference.



www.discount-equipment.com

Discount Equipment

Discount-Equipment.com is your online resource for commercial and industrial quality parts and equipment sales.

Locations:

Florida (West Palm Beach): [561-964-4949](tel:561-964-4949)

Outside Florida TOLL FREE: [877-690-3101](tel:877-690-3101)

Need parts? Check out our website at www.discount-equipment.com

Can't find what you need?

Click on this link: <http://www.discount-equipment.com/category/5443-parts/> and fill out the request form.

Please have the machine model and serial number available in order to help us get you the correct parts. One of our experienced staff members will get back to you with a quote for the right part that your machine needs.

We sell worldwide for the brands: Genie, Terex, JLG, MultiQuip, Mayco, Toro/Stone, Diamond Products, Magnum, Airman, Mustang, Power Blanket, Nifty Lift, Atlas Copco, Chicago Pneumatic, Allmand Brothers, Essick, Miller Spreader, Skyjack, Lull, Skytrak, Tsurumi, Husquvarna/Target, Whiteman-Concrete/Mortar, Stow-Concrete/Mortar, Baldor, Wacker, Sakai, Snorkel, Upright, Mi-T-M, Sullair, Neal, Basic, Dynapac, MBW, Weber, Bartell, Bennar Newman, Haulotte, Ditch Runner, Blaw-Knox, Himoina, Best, Buddy, Crown, Edco, Wyco, Bomag, Laymor, Terremite, Barreto, EZ Trench, Takeuchi, Basic, Bil-Jax, Curtis, Gehl, Heli, Honda, ICS/PowerGrit, Puckett, Waldon, ASV, IHI, Partner, Imer, Clipper, MMD, Koshin, Rice, Gorman Rupp, CH&E, Cat Pumps, Comet, General Pump, Giant, AMida, Coleman, NAC, Gradall, Square Shooter, Kent, Stanley, Tamco, Toku, Hatz, Kohler, Robin, Wisconsin, Northrock, Oztec, Toker TK, Rol-Air, Small Line, Wanco, Yanmar

New Equipment - Used Equipment - Rental Equipment - Parts and Accessories

Discount Equipment

www.discount-equipment.com

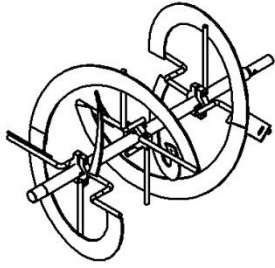
561-964-4949

Parts: wbparts@Discount-Equipment.com

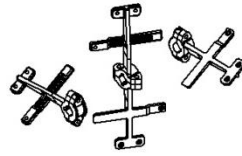
Sales: info@Discount-Equipment.com

MORTAR MIXERS

6-SR, S6-SR, 8S, S8-S, 9S, 10-S, S10-S

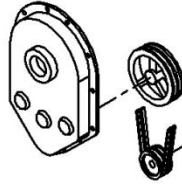


SPIRAL
Page 6

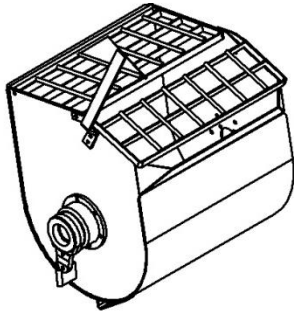
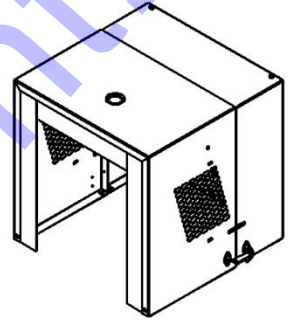


PADDLE
Page 7

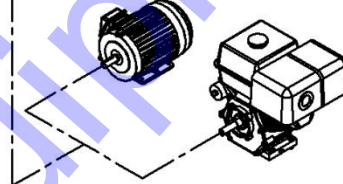
GEARBOX
Page 8



HOOD
Page 9

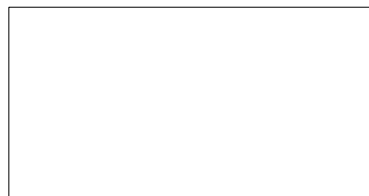
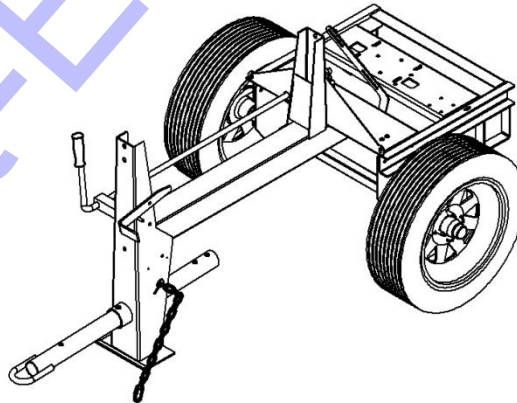


DRUM
Page 3



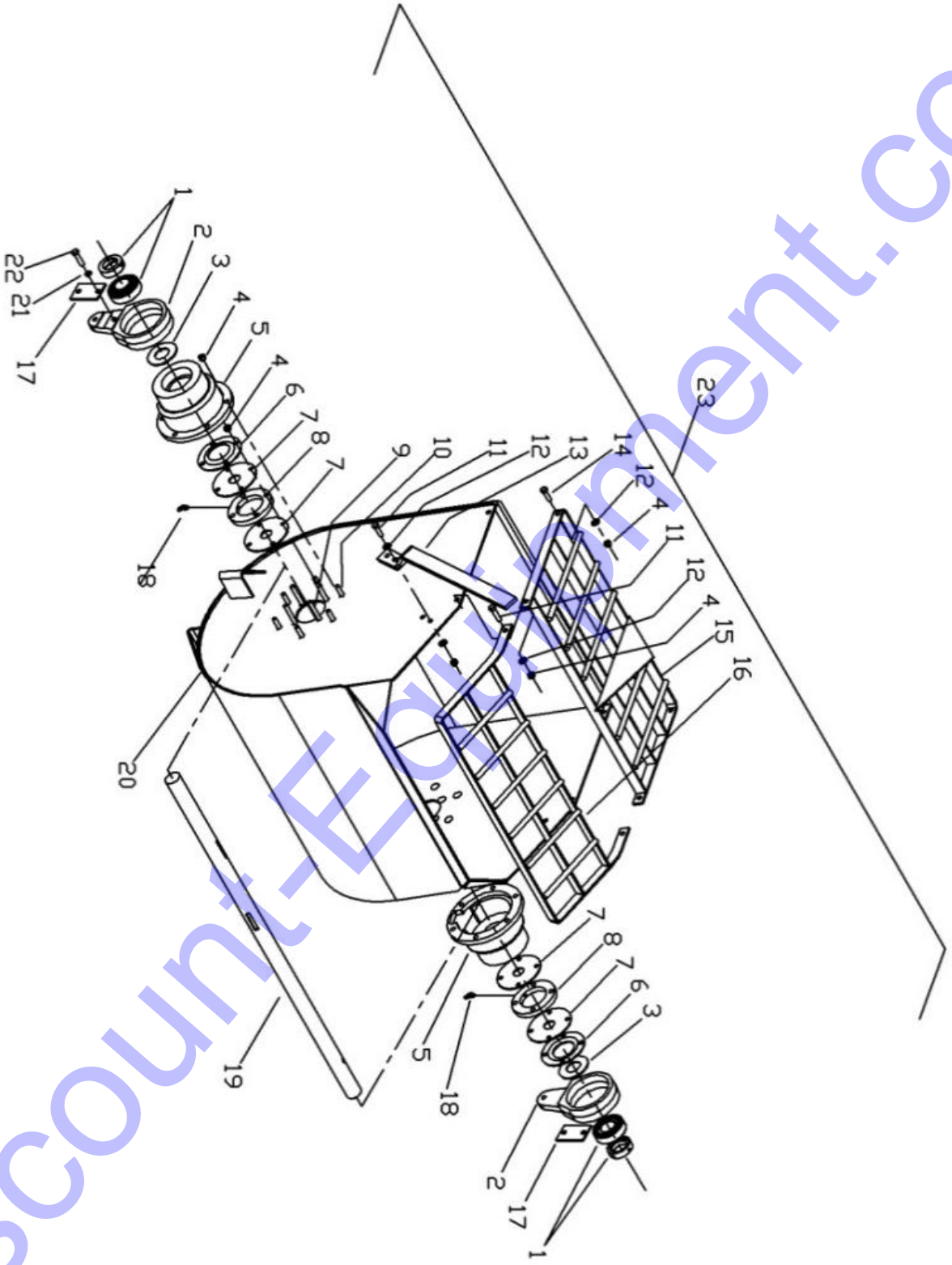
DRIVE
Page 10

FRAME
Page 4



*When ordering parts please always specify the model and serial number of the mixers as a reference.

DRUM



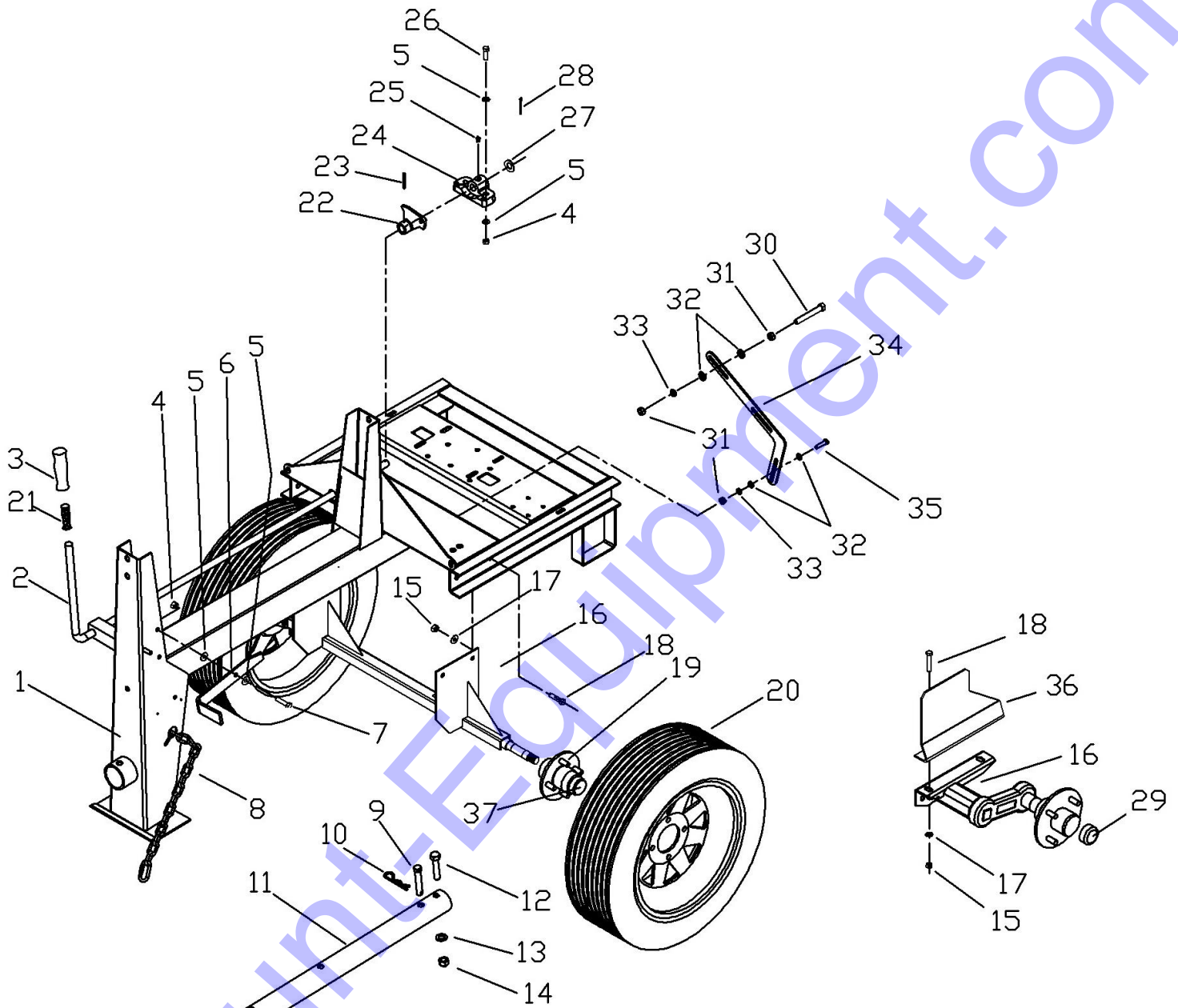
*When ordering parts please always specify the model and serial number of the mixers as a reference.

DRUM

Item	Part #	Description	6S	8S	9S	10S
1	110450	Ball Bearing, 208-24 (0000BA20824)	2	2	2	2
2	496070	Pivot	2	2	2	2
3	190854	Flinger, 3.00 x 1.47 x .13	2	2	2	2
4	227830	Nut, Hex; Lock 3/8" (TCCS038GAL)	26	26	26	28
5	496080	Trunnion (4S-10S)	2	2	2	2
6	496042	Seal Ring	2	2	2	2
7	192923	Drum Seal	4	4	4	4
8	496177	Seal Plate	2	2	2	2
9	701011	Bolt, Carriage 3/8" x 2" (TOCL038200)	8	8	8	8
10	117771	Bolt, Carriage 3/8" x 1-1/2" (TOCL038112)	12	12	12	12
11	226230	Bolt, HexHd, 3/8" x 1-1/2" (TOCD038112)	4	4	4	4
12	174986	Washer, Plain 3/8" (RNPX038GAL)	6	6	6	8
13	496224	Dump Lever	1	1	1	1
14	226220	Bolt, HexHd, 3/8" x 1-1/4" (TOCD038114)	2	2	2	4
15	496214	Grill, Fixed 4S-6SR	1	*	*	*
	496370	Grill, Fixed 8S	*	1	*	*
	496370-9S	Grill, Fixed 9S	*	*	1	*
	496380	Grill, Fixed 10S	*	*	*	1
16	496218	Grill, Hinged 4S-6SR	1	*	*	*
	496375	Grill, Hinged 8S	*	1	*	*
	496375-9S	Grill, Hinged 9S	*	*	1	*
	496385	Grill, Hinged 10S	*	*	*	1
17	496000	Shim - Drum Locator (a/r) (optional)	2	2	2	2
18	110689	Grease Fitting 45° 1/8 NPT (0000GRH045)	2	2	2	2
19	496657	Old Main Shaft S6SR-S4SR (Includes Keys)	1	*	*	*
	496656	Main Shaft 6S Since January 30, 2012 and the series 3A9A09M14B1168083 (includes Keys) 42-1/2"	1	*	*	*
	496659	Old Main Shaft 8S (Includes Keys)	*	1	*	*
	496658	Main Shaft 8S Since February 04, 2012 and the series 3A9S12M12B1168005A (includes Keys) 40-11/16"	*	1	*	*
	496658-9S	Main Shaf 8S and 9S Since February 01, 2018 and the series 3A9S61M10J11680001 (includes Keys) 44-1/2"	*	1	1	*
	496661	Old Main Shaft 10S (includes Keys)	*	*	*	1
20	496660	Main Shaft 10S since January 30, 2012 and the series 3A9S15M13B1168016 (Includes Keys) 45-11/16"	*	*	*	1
	496207	Drum, 6SR W.A.	1	*	*	*
	496191	Drum, 8S W.A.	*	1	*	*
	496191-9S	Drum, 9S W.A. since February 01, 2018 and the series 3A9S61M10J11680001	*	*	1	*
496292	Drum, 10S W.A.	*	*	*	1	
21	176250	Washer, Spring 1/2" (RNRX012GAL)	4	4	4	4
22	226650	Bolt, HexHd, 1/2" x 1-1/2" (TOCD012112)	4	4	4	4
23	609980	Kit, 6SR Drum (Includes Paddles)	1	*	*	*
	609981	Kit, S6SR Drum (Includes Spiral)	1	*	*	*
	609982	Kit, 8S Drum (Includes Paddles)	*	1	*	*
	609983	Kit, S8S Drum (Includes Spiral)	*	1	*	*
	609982-9S	Kit, 9S Drum (Includes Paddles)	*	*	1	*
	609983-9S	Kit, S9S Drum (Includes Spiral)	*	*	1	*
	609984	Kit, 10S Drum (Includes Paddles)	*	*	*	1
	609985	Kit, S10S Drum (Includes Spiral)	*	*	*	1

*When ordering parts please always specify the model and serial number of the mixers as a reference.

FRAME



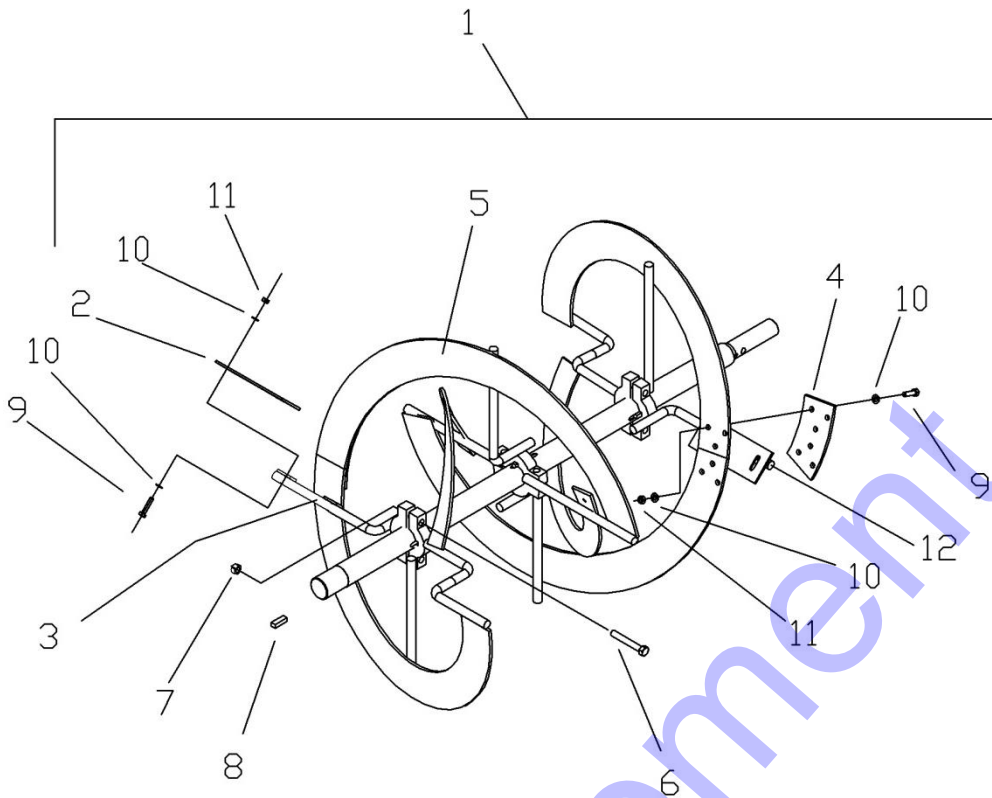
*When ordering parts please always specify the model and serial number of the mixers as a reference.

FRAME

Item	Part #	Description	6S	8S	9S	10S
1	464925	Frame, 10S - S10S	*	*	*	1
	465128	Frame, 8S - S8S	*	1	*	*
	465128-9S	Frame, 9S since February 01, 2018	*	*	1	*
	496127	Frame, 6S - S6SR	1	*	*	*
2	496206	Lever, 6SR, 8P	1	*	*	*
	496209	Lever, 8S - S8S	*	1	*	*
	496209-9S	Lever, 9S since February 01, 2018	*	*	1	*
	496319	Lever, 10S, 6PR	*	*	*	1
3	139350	Hand Grip (0000RF01RJ)	1	1	1	1
4	227830	Nut, Hex Lock 3/8 (TCCS038GAL)	3	3	3	3
5	174986	Washer, Plain 3/8 (RNPX038GAL)	6	6	6	6
6	496244	Latch Plate	1	1	1	1
7	226230	Bolt, HexHd, 3/8 x 1-1/2 (TOCD038112)	1	1	1	1
8	701012	Safety Chain 5/16" (CA03516GAL) Includes Oval Snap Hook	1	1	1	1
9	701001	Bolt, HexHd, 3/4 x 3-1/2 NF (TOFD034312-A)	1	1	1	1
10	134955	Hitch Pin Clip (SR00036EXT) since November 15, 2013	1	1	1	1
11	702069	Drawbar, Pintel (0000CO03LZ) Vertical Hole	1	1	1	1
	702070	Drawbar, 2" Ball Hitch (optional) (0000CO04LZ) Vertical Hole	1	1	1	1
12	226272	Bolt, HexHd, 3/4 x 3-1/2 NF (TOFD034312)	1	1	1	1
13	174510	Washer, Spring 3/4 (RNRX034GAL)	1	1	1	1
14	701028	Nut, Hex 3/4 NF (TCFN034GAL)	1	1	1	1
15	227854	Nut, Hex Lock 1/2 (TCCS012GAL)	4	4	4	4
16	464961	Axle Assembly (0200CO06RD) Includes #19	1	1	1	1
	464945	Axle before the June 09, 2014 (without Hubs)	1	1	1	1
	702096	Axle since June 09, 2014 (without Hubs)	1	1	1	1
	607916	Torsion Axle (optional)	1	1	1	1
17	174470	Washer, Plain 1/2 (RNPX012GAL)	4	4	4	4
18	226660	Bolt, HexHd, 1/2 x 1-3/4 (TOCD012134)	4	4	4	4
19	702071	Hub Assembly 4 Bolt, since June 09, 2014 (0200KI03RD)	2	2	2	2
20	431081	Wheel & Tire 13 (0000CO01RD)	2	2	2	2
	431063	Wheel & Tire 12 (0000CO02RD)	2	2	2	2
21	701023	Child hand Grip (0000RF02TQ)	1	1	1	1
22	496049	Lever Arm 6SR - 12S	1	1	1	1
23	135282	Pin, Spr SI 5/16 x 1-1/2 NC (00PE056112)	1	1	1	1
24	496048	Lever Bracket, 6SR - 12S	1	1	1	1
25	110680	Grase Fitting 1/8 NPT (0000GRH200)	1	1	1	1
26	226250	Bolt, HexHd, 3/8 x 2 (TOCD038200)	2	2	2	2
27	174996	Washer, Plain 3/4 (RNPX034GAL)	1	1	1	1
28	135810	Cotter Pin, 1/8 x 1-1/2 (SC18112NOR)	1	1	1	1
29	702087	Dust Cap (0000RF10RD)	2	2	2	2
30	701009	Bolt, HexHd 5/16 x 3 (TOCD056300)	2	2	2	2
31	227820	Nut, Hex 5/16 (TCCN056GAL)	6	6	6	6
32	174990	Washer, Plain 5/16 (RNPX056GAL)	8	8	8	8
33	176220	Washer, Spring 5/16 (RNRX056GAL)	4	4	4	4
34	464933	Belt Guide	1	1	1	1
35	225980	Bolt, HexHd 5/16 x 1 (TOCD056100)	2	2	2	2
36	496204	Axle Bracket-Torsion Axle only Lft & Rght.	2	2	2	2

*When ordering parts please always specify the model and serial number of the mixers as a reference.

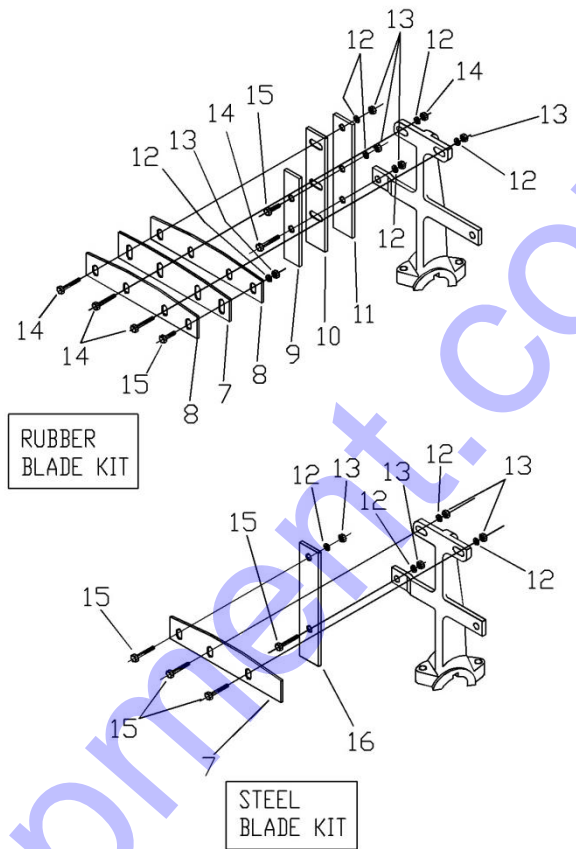
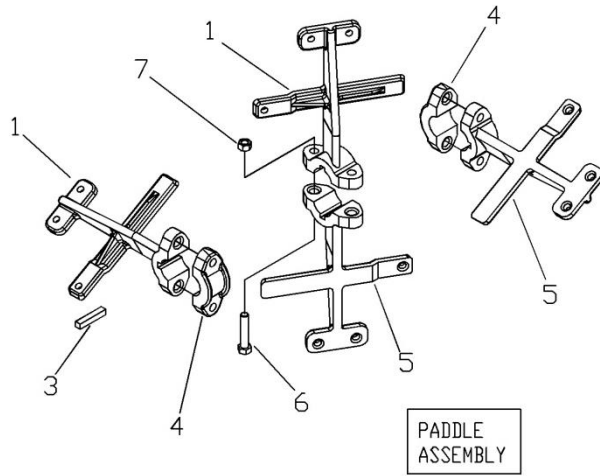
SPIRAL



Item	Part #	Description	6S	8S	9S	10S
1	702015	Kit Assembly Spiral 6S with Main Shaft (if your machine is before February 12, 2013)	1	*	*	*
	702016	Kit Assembly Spiral 8S with Main Shaft (if your machine is before February 12, 2013)	*	1	*	*
	702016-9S	Kit Assembly Spiral 9S with Main Shaft since February 01, 2018	*	*	1	*
	702017	Kit Assembly Spiral 10S with Main Shaft (if your machine is before February 12, 2013)	*	*	*	1
2	465680	Scraper 6S	2	*	*	*
	496242	Scraper 8S - S16SH	*	2	2	2
3	702019	Arm Bracket, Right 4S - 6S	1	*	*	*
	702021	Arm Bracket, Right 8S - 10S	*	1	1	1
4	702022	Spiral Link 4S - 6S	2	*	*	*
	702023	Spiral Link 8S - 10S	*	2	2	2
5	465001	Spiral Assembly 6S (without Main Shaft) (if your machine is after February 12, 2013)	1	*	*	*
	465002	Spiral Assembly 8S (without Main Shaft) (if your machine is after February 12, 2013)	*	1	*	*
	465002 -9S	Spiral Assembly 9S (without Main Shaft) since February 01, 2018	*	*	1	*
	465003	Spiral Assembly 10S (without Main Shaft) (if your machine is after February 12, 2013)	*	*	*	1
6	226711	Bolt, HexHd, 1/2 x 3 (TOCD012300)	6	6	6	6
7	227854	Nut, Hex, Lock 1/2 (TCCS012GAL)	6	6	6	6
8	701013	Key, 3/8 x 1-3/4 (1000CC01ED)	4	4	4	4
9	226220	Bolt, HexHd, 3/8 x 1-1/4 (TOCD038114)	14	18	18	18
10	174986	Washer, Plain 3/8 (RNPX038GAL)	28	36	36	36
11	227830	Nut, Hex, Lock 3/8 (TCCS038GAL)	14	18	18	18
12	702018	Arm Bracket, Left 4S - 6S	1	*	*	*
	702020	Arm Bracket, Left 8S - 10S	*	1	2	1

*When ordering parts please always specify the model and serial number of the mixers as a reference.

PADDLE 4S – 6SR ~ 610550



PADDLE ASSEMBLY

Ref	Part #	Description	Qty
1	96019	Paddle 4S - 6PR Left	2
3	701013	Key, 3/8 x 1-3/4 (1000CC01ED)	4
4	96010	Paddle Cap	2
5	96018	Paddle 4S - 6PR Right	2
6	226711	Bolt, HexHd, 1/2 x 3 (TOCD012300)	6
7	227854	Nut, Hex, Lock 1/2 (TCCS012GAL)	6

RUBBER BLADE KIT - STANDARD- 609802

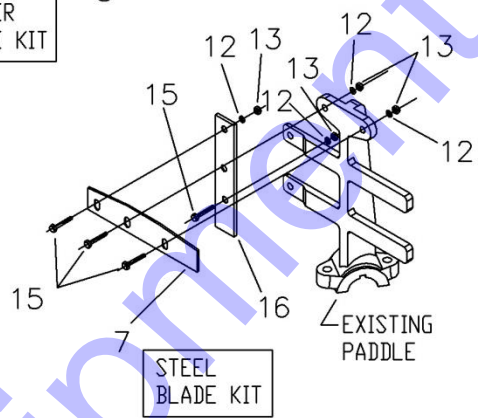
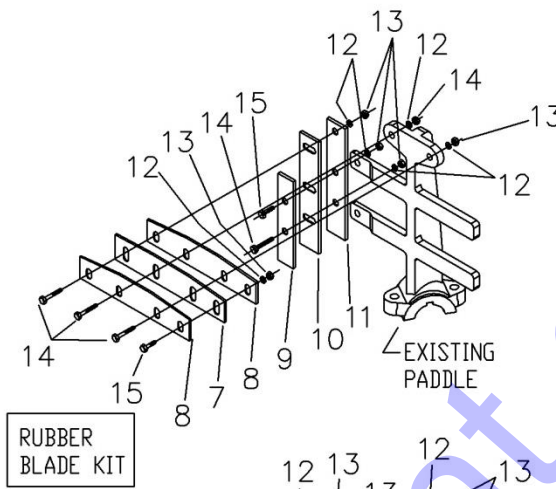
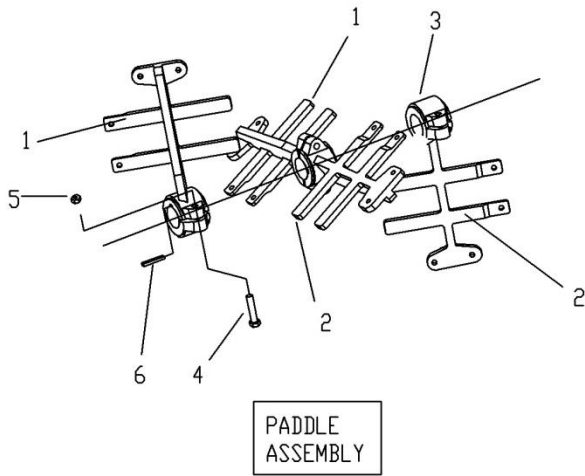
Ref	Part #	Description	Qty
7	190970	Top Wiper	4
8	436290	Blade, Top	8
9	436320	Blade 4S - 6SR, Side	2
10	192680	Wiper 4S - 6SR Side	2
11	436310	Blade 4S - 6SR, Side	2
12	174986	Washer, Plain 3/8 (RNPX038GAL)	44
13	227830	Nut, Hex, Lock 3/8 (TCCS038GAL)	22
14	226250	Bolt, HexHd, 3/8 x 2 (TOCD038200)	12
15	226230	Bolt, HexHd, 3/8 x 1-1/2 (TOCD038112)	10

STEEL BLADE KIT - OPTIONAL- 609803

Ref	Part #	Description	Qty
7	436280	Blade Top 4s-6s	4
16	436300	Blade Side 4s-6s	2
12	174986	Washer, Plain 3/8 (RNPX038GAL)	24
13	227830	Nut, Hex, Lock 3/8 (TCCS038GAL)	12
15	226230	Bolt, HexHd, 3/8 x 1-1/2 (TOCD038112)	12

*When ordering parts please always specify the model and serial number of the mixers as a reference.

PADDLE 8S – 10SR ~ 610555



PADDLE ASSEMBLY

Ref	Part #	Description	Qty
1	96305	Paddle 8S - 10S Left	2
2	96304	Paddle 8S - 10S Right	2
3	96010	Paddle Cap	2
4	226711	Bolt, HexHd, 1/2 x 3 (TOCD012300)	6
5	227854	Nut, Hex, Lock 1/2 (TCCS012GAL)	6
6	701013	Key, 3/8 x 1-3/4	4

STEEL BLADE KIT - OPTIONAL -609909

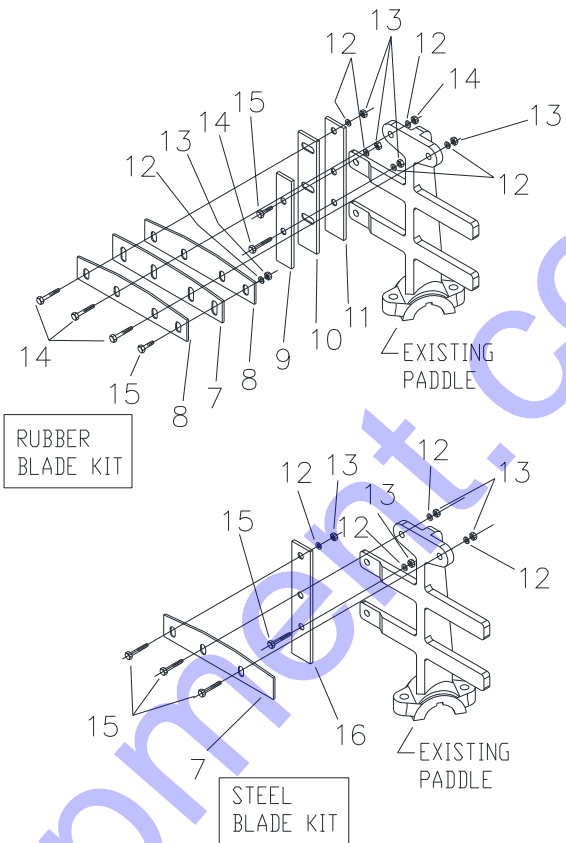
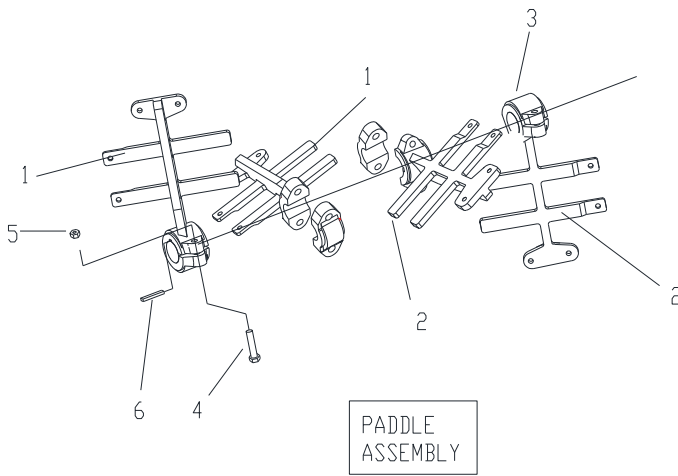
Ref	Part #	Description	Qty
7	436280	Blade, Top 4s-10s	4
	496075	Blade, Top 12s	4
16	496076	Blade Side 8S - 12S	2
12	174986	Washer, Plain 3/8 (RNPX038GAL)	28
13	227830	Nut, Hex, Lock 3/8 (TCCS038GAL)	14
15	226230	Bolt, HexHd, 3/8 x 1-1/2 (TOCD038112)	14

RUBBER BLADE KIT - STANDARD- 609910

Ref	Part #	Description	Qty
7	190970	Top Wiper	4
8	436290	Blade, Top	8
9	496099	Blade 8S - 12S, Side	2
10	190974	Wiper 8S - 12S, Side	2
11	496098	Blade 8S - 12S, Side	2
12	174986	Washer, Plain 3/8 (RNPX038GAL)	40
13	227830	Nut, Hex, Lock 3/8 (TCCS038GAL)	20
14	226250	Bolt, HexHd, 3/8 x 2 (TOCD038200)	14
15	226230	Bolt, HexHd, 3/8 x 1-1/2 (TOCD038112)	6

*When ordering parts please always specify the model and serial number of the mixers as a reference.

PADDLE 9S 610555 -9S



PADDLE ASSEMBLY

Ref	Part #	Description	Qty
1	96305	Paddle 8S - 10S Left	2
2	96304	Paddle 8S - 10S Right	2
3	96010	Paddle Cap	4
4	226711	Bolt, HexHd, 1/2 x3 (TOCD012300)	6
5	227854	Nut, Hex, Lock 1/2 (TCCS012GAL)	6
6	701013	Key, 3/8 x 1-3/4	4

STEEL BLADE KIT - OPTIONAL -609909

Ref	Part #	Description	Qty
7	436280	Blade, Top 4s-10s	4
	496075	Blade, Top 12s	4
16	496076	Blade Side 8S - 12S	2
12	174986	Washer, Plain 3/8 (RNPX038GAL)	28
13	227830	Nut, Hex, Lock 3/8 (TCCS038GAL)	14
15	226230	Bolt, HexHd, 3/8 x 1-1/2 (TOCD038112)	14

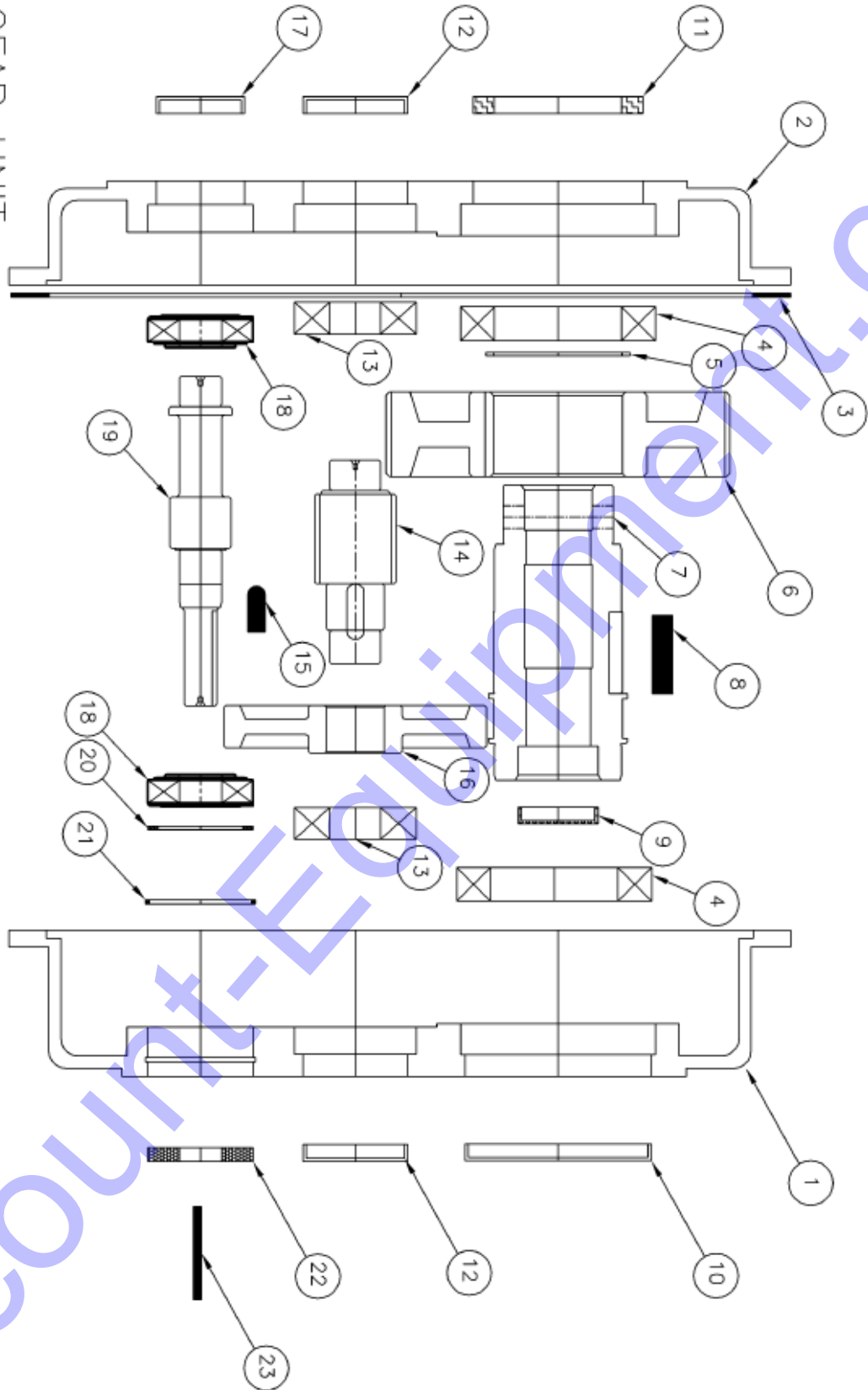
RUBBER BLADE KIT - STANDARD- 609910

Ref	Part #	Description	Qty
7	190970	Top Wiper	4
8	436290	Blade, Top	8
9	496099	Blade 8S - 12S, Side	2
10	190974	Wiper 8S - 12S, Side	2
11	496098	Blade 8S - 12S, Side	2
12	174986	Washer, Plain 3/8 (RNPX038GAL)	40
13	227830	Nut, Hex, Lock 3/8 (TCCS038GAL)	20
14	226250	Bolt, HexHd, 3/8 x 2 (TOCD038200)	14
15	226230	Bolt, HexHd, 3/8 x 1-1/2 (TOCD038112)	6

*When ordering parts please always specify the model and serial number of the mixers as a reference.

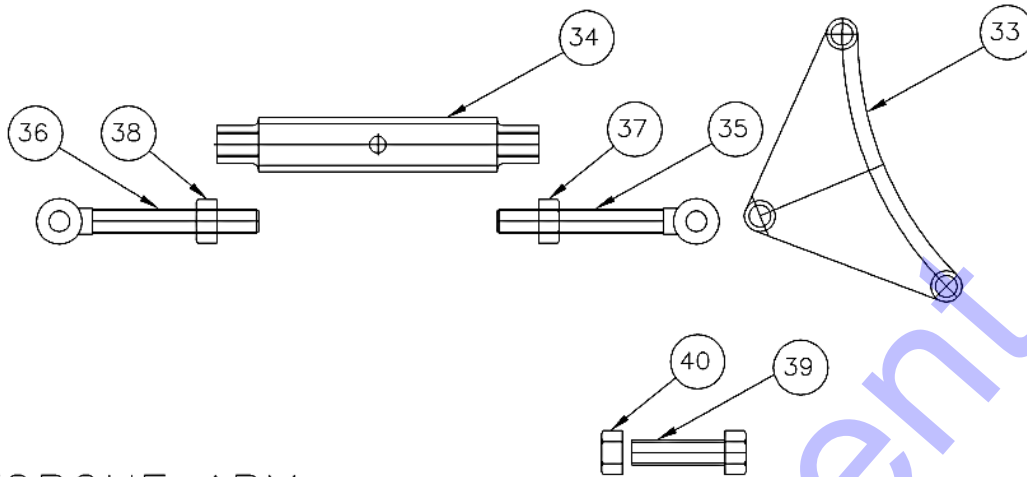
GEARBOX

GEAR UNIT



*When ordering parts please always specify the model and serial number of the mixers as a reference.

GEARBOX

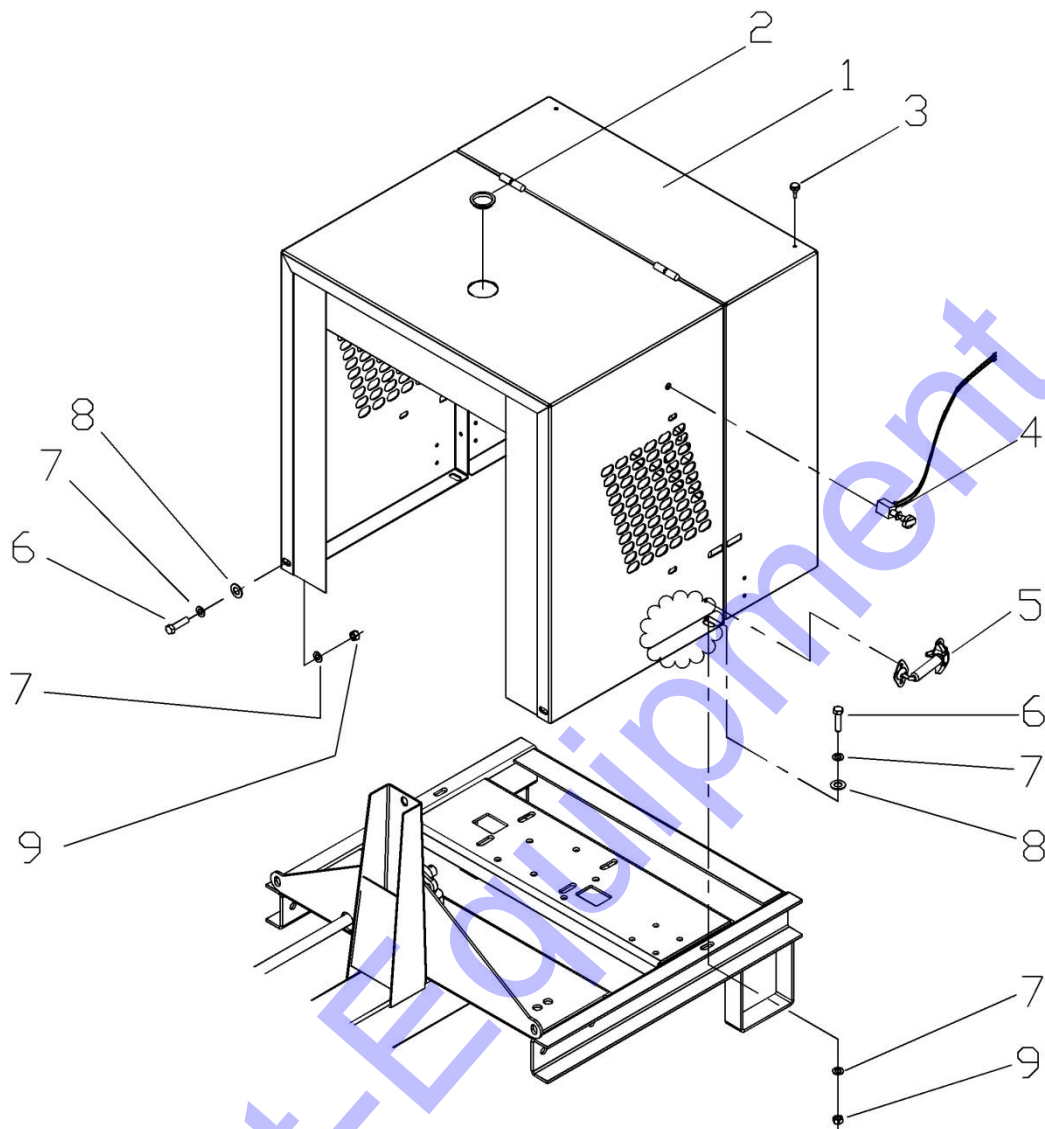


TORQUE ARM

Item	Part #	Description	Qty.	Item	Part #	Description	Qty.
1	702128	Casing - Front	1	21	702148	Circlip B62 Heavy	1
2	702129	Casing - Back	1	22	702149	Input Oilseal - 25 x 62 x 10	1
3	702130	Gasket	1	23	702150	Input Pinion Key - 3/16 x 3/16 x L55	1
4	702131	Output Bearing	2	24	702151	Hex Bolts - M8x35	6
5	702132	Output Spacer	1	25	702152	Studs - M8 x 57	2
6	702133	Output Gear - Z65	1	26	702153	Hex Nuts - M8 x 35	10
7	702134	OutPut Hub	1	27	702154	Spring Washers - M8	8
8	702135	OutPut Key	1	28	702155	Allen Head Drain Plug 3/8 BSP	1
9	702136	OutPut Hub end Cover DAI. 47	1	29	702156	Hex Head Plug Plug 3/8 BSP	1
10	702137	Front Casing end Cover DAI. 110	1	30	702157	Sight Glass 3/8 BSP	1
11	702138	Output Oilseal 75X100X10	1	31	702158	Breather Plug 3/8 BSP	1
12	702139	Intermediate end Cover DAI. 62	2	32	702159	Sticker - Fill oil	1
13	702140	Intermediate Bearing - 6306	2	33	702160	Bracket Plates for Torque Arm	2
14	702141	Intermediate Pinion - Z13	1	34	702161	TurnBuckle	1
15	702142	Intermediate Key - W 10 X L 27	1	35	702162	Torque Arm - Right Hand - M12	1
16	702143	Intermediate Gear - Z70	1	36	702163	Torque Arm - Left Hand - M13	1
17	702144	Input end Cover DAI. 52	1	37	702164	Hex Nut- Right Hand - M12	1
18	702145	Input Bearings - 30305	2	38	702165	Hex Nut- Left Hand - M12	1
19	702146	Input Pinion - Z14	1	39	702166	Hex Bolt - M10 x 45	1
20	702147	Input Bearings Loading Spacer	1	40	702167	Hex Nyloc Nut - M10	1

*When ordering parts please always specify the model and serial number of the mixers as a reference.

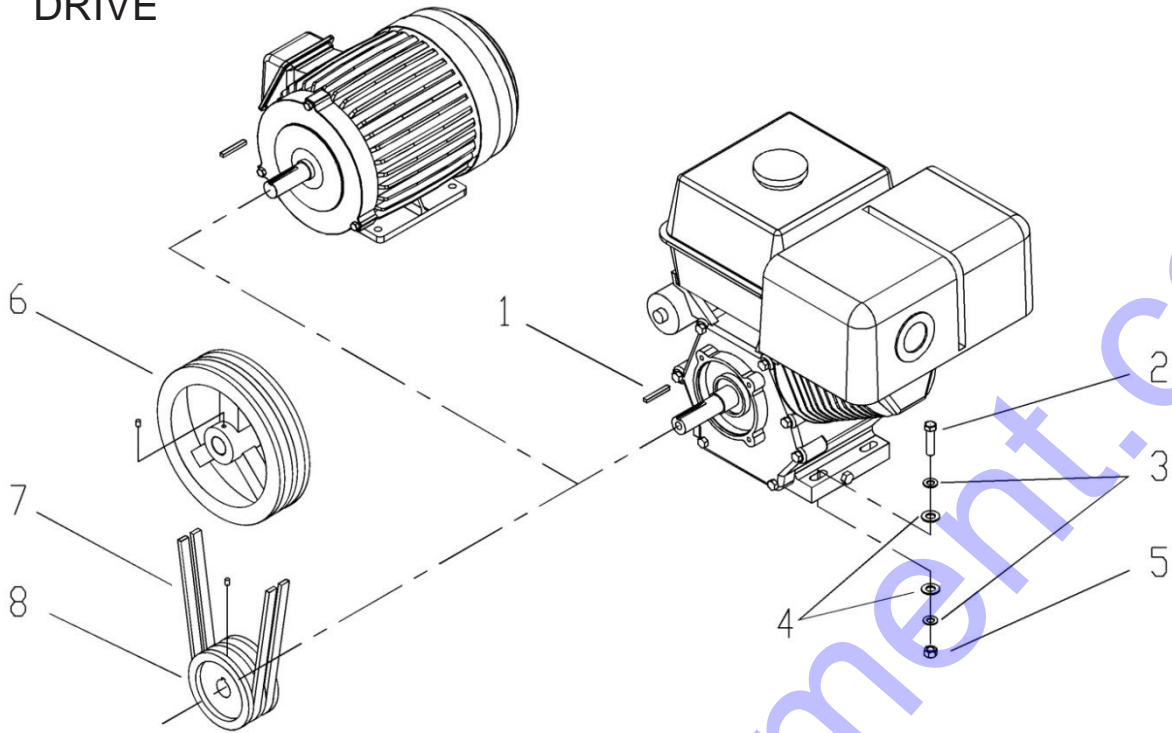
HOOD



Item	Part #	Description	Qty
1	702118	* Hood, 6S-10S * (3A9S23M12F1168001) Since 27-11-14	1
	464978	Old Hood, 6S-10S	1
2	701008	Snap (317333)	1
3	201544	Rubber Bumper (0000RF01GA)	4
4	701007	Complete, Push Stop (1000KI04GA)	1
5	701004	Hook (0000RF02GA)	2
6	226230	Bolt, HexHd, 3/8" x 1-1/2" (TOCD038112)	4
7	174986	Washer Plain, 3/8" (RNPX038GAL)	8
8	174470	Washer plain, 1/2" (RNPX012GAL)	4
9	227830	Lock Nut, 3/8" (TCCS038GAL)	4

*When ordering parts please always specify the model and serial number of the mixers as a reference.

DRIVE



HORSE POWER							
Ref	Part #	Description	GAS DRIVE		ELECTRIC DRIVE		
			5.5 HP	8 HP	0.5 - 1.5 HP	1 - 2 HP	3 HP
1	432050	Key, 3/16 x 1-5/8	1	*	1	1	
	432340	Key, 1/4 x 1-7/8	*	1	*	*	1
2	701022	Bolt, HexHd, 5/16 x 2" (TOCD056200)	4	*	*	*	*
	226250	Bolt, HexHd, 3/8 x 2" (TOCD038200)	*	4	*	*	*
	225980	Bolt, HexHd, 5/16 x 1 (TOCD056100)	*	*	4	*	*
	226210	Bolt, HexHd, 3/8 x 1 (TOCD038100)	*	*	*	4	4
3	174990	Washer, Plain 5/16 (RNPX056GAL)	8	*	8	8	8
	174986	Washer, Plain 3/8 (RNPX038GAL)	*	8	*	*	*
4	174470	Washer, Plain 1/2 (RNPX012GAL)	8	8	8	8	8
5	227821	Nut, Hex, Lock 5/16 (TCCS056GAL)	4	*	4	4	4
	227830	Nut, Hex, Lock 3/8 (TCCS038GAL)	*	4	*	*	*
6	496160	Pulley, 10 x 3/4	1	1	1	1	1
7	702024-A	Belt, A37 (0000BNA37C) Since February 2018, and the series 3A9S12M19J1168017	2	2	*	*	*
	702024	Belt, A40 (0000BNA40) Before February 2018 for Gas Drive and Since February 2018 for Electric Drive	2	2	2	2	2
	702013	Belt, A44 (0000BNA44) Before February 2018	*	*	2	2	2
8*	702025	Calibrated Pulley, Engine, 3-3/4 x 3/4 (POFG3340342R) (Replace of 407790)	1	*	*	*	*
	702010	Calibrated Pulley, Engine, 3-3/4 x 1 (POFG3341002R) (Replace of 430990)	*	1	*	*	*
	702026	Calibrated Pulley, Elec Motor, 4-1/4 x 5/8 (POFG4140582R) includes Allen Screw 3/8" x 1/2" (Replace of 408010 & 459911 w/176820)	*	*	1	*	*
	702095	Calibrated Pulley, Elec Motor, 4-1/4 x 7/8 (POFG4140782R) includes Allen Screw 3/8" x 1/2" (Replace of 408010 & 459911 w/176822)	*	*	*	1	*
	702011	Calibrated Pulley, Elec Motor, 4-1/4 x 1-1/8 (POFG4141182R) (Replace of 459907 & 459919 w/176825)	*	*	*	*	1

*Does not need Bushing.

*When ordering parts please always specify the model and serial number of the mixers as a reference.

Discount Equipment

Discount-Equipment.com is your online resource for commercial and industrial quality parts and equipment sales.

Locations:

Florida (West Palm Beach): [561-964-4949](tel:561-964-4949)

Outside Florida TOLL FREE: [877-690-3101](tel:877-690-3101)

Need parts? Check out our website at www.discount-equipment.com

Can't find what you need?

Click on this link: <http://www.discount-equipment.com/category/5443-parts/> and fill out the request form.

Please have the machine model and serial number available in order to help us get you the correct parts. One of our experienced staff members will get back to you with a quote for the right part that your machine needs.

We sell worldwide for the brands: Genie, Terex, JLG, MultiQuip, Mayco, Toro/Stone, Diamond Products, Magnum, Airman, Mustang, Power Blanket, Nifty Lift, Atlas Copco, Chicago Pneumatic, Allmand Brothers, Essick, Miller Spreader, Skyjack, Lull, Skytrak, Tsurumi, Husquvarna/Target, Whiteman-Concrete/Mortar, Stow-Concrete/Mortar, Baldor, Wacker, Sakai, Snorkel, Upright, Mi-T-M, Sullair, Neal, Basic, Dynapac, MBW, Weber, Bartell, Bennar Newman, Haulotte, Ditch Runner, Blaw-Knox, Himoina, Best, Buddy, Crown, Edco, Wyco, Bomag, Laymor, Terremite, Barreto, EZ Trench, Takeuchi, Basic, Bil-Jax, Curtis, Gehl, Heli, Honda, ICS/PowerGrit, Puckett, Waldon, ASV, IHI, Partner, Imer, Clipper, MMD, Koshin, Rice, Gorman Rupp, CH&E, Cat Pumps, Comet, General Pump, Giant, AMida, Coleman, NAC, Gradall, Square Shooter, Kent, Stanley, Tamco, Toku, Hatz, Kohler, Robin, Wisconsin, Northrock, Oztec, Toker TK, Rol-Air, Small Line, Wanco, Yanmar

New Equipment - Used Equipment - Rental Equipment - Parts and Accessories

Discount Equipment

www.discount-equipment.com

561-964-4949

Parts: wbparts@Discount-Equipment.com

Sales: info@Discount-Equipment.com