

AIRMAN

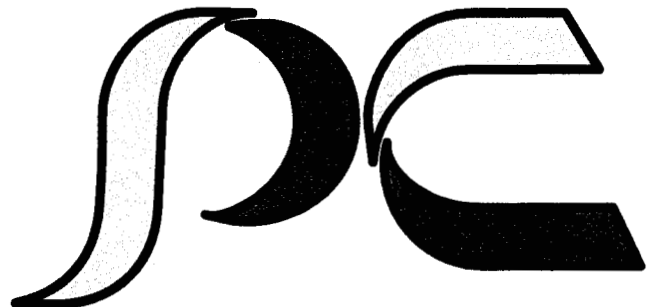
PARTS CATALOG

SCREW COMPRESSOR

PDS100S-6B1
PDS100S-6B4
PDS130S-6B1
PDS130S-6B2
PDS130S-6B4
PDS185S-6B1
PDS185S-6B2
PDS185S-6B4

**Discount
Equipment**

www.discount-equipment.com



HOKUETSU INDUSTRIES CO., LTD.

Discount Equipment

Discount-Equipment.com is your online resource for commercial and industrial quality parts and equipment sales.

Locations:

Florida (West Palm Beach): [561-964-4949](tel:561-964-4949)

Outside Florida TOLL FREE: [877-690-3101](tel:877-690-3101)

Need parts? Check out our website at www.discount-equipment.com

Can't find what you need?

Click on this link: <http://www.discount-equipment.com/category/5443-parts/> and fill out the request form.

Please have the machine model and serial number available in order to help us get you the correct parts. One of our experienced staff members will get back to you with a quote for the right part that your machine needs.

We sell worldwide for the brands: Genie, Terex, JLG, MultiQuip, Mayco, Toro/Stone, Diamond Products, Magnum, Airman, Mustang, Power Blanket, Nifty Lift, Atlas Copco, Chicago Pneumatic, Allmand Brothers, Essick, Miller Spreader, Skyjack, Lull, Skytrak, Tsurumi, Husquvarna/Target, Whiteman-Concrete/Mortar, Stow-Concrete/Mortar, Baldor, Wacker, Sakai, Snorkel, Upright, Mi-T-M, Sullair, Neal, Basic, Dynapac, MBW, Weber, Bartell, Bennar Newman, Haulotte, Ditch Runner, Blaw-Knox, Himoina, Best, Buddy, Crown, Edco, Wyco, Bomag, Laymor, Terremite, Barreto, EZ Trench, Takeuchi, Basic, Bil-Jax, Curtis, Gehl, Heli, Honda, ICS/PowerGrit, Puckett, Waldon, ASV, IHI, Partner, Imer, Clipper, MMD, Koshin, Rice, Gorman Rupp, CH&E, Cat Pumps, Comet, General Pump, Giant, AMida, Coleman, NAC, Gradall, Square Shooter, Kent, Stanley, Tamco, Toku, Hatz, Kohler, Robin, Wisconsin, Northrock, Oztec, Toker TK, Rol-Air, Small Line, Wanco, Yanmar

New Equipment - Used Equipment - Rental Equipment - Parts and Accessories

Discount Equipment

www.discount-equipment.com

561-964-4949

Parts: wbparts@Discount-Equipment.com

Sales: info@Discount-Equipment.com

適用型式
FOR MODEL

型式 MODEL	適用号機 SER. NO.
PDS100S-6B1 [US(NORTH AMERICA)MODEL]	B6-6B10051~
PDS100S-6B4 [US(NORTH AMERICA)MODEL]	B6-6B40051~
PDS130S-6B1 [US(NORTH AMERICA)MODEL]	B3-6B10051~
PDS130S-6B2 [EU(EUROPEAN UNION)MODEL]	B3-6B20052~
PDS130S-6B4 [US(NORTH AMERICA)MODEL] [CE(CE MARKING)MODEL]	B3-6B40051~
PDS185S-6B1 [US(NORTH AMERICA)MODEL]	B4-6B10051~
PDS185S-6B2 [EU(EUROPEAN UNION)MODEL]	B4-6B20052~
PDS185S-6B4 [US(NORTH AMERICA)MODEL]	B4-6B40051~



NOTICE

1. This parts catalog contains all the parts and assemblies of "AIRMAN" brand products. The complete unit is divided into several parts groups, the details of which are clearly illustrated, and completely listed.

So desired part number, name and quantity can be easily determined referring to Ref.No.

2. When you place order for service parts, please be sure to advise us of the following information.

- (1) Part number.
- (2) Quantity required.
- (3) Part name.
- (4) Model name and Serial number.

3. How to read parts catalog.

(1) Ref.No.

Reference number(Ref.No.) is to be used for locating the part number and name from the illustrations. (However some parts such as bolts and nuts etc., are not illustrated but their reference numbers only listed.)

Ref.No.1,1-1,1-2,.....shows history of part modifications; namely ref.No.1 changed to No.1-1 and then 1-2.

Example: Ref.No.	Part No.
1.	21101 00101
1-1.	21101 00103

(2) Part No.

Every part has its own proper number.

Even if a part has the same shape as an other part and if its number different, it is not interchangeable at all in many cases.

(3) Interchangeability

A.B.C.D.Q.X.Y. and Z. in column "Interchangeability" show the following.

A: A new part is replaceable with an old part, but the old part is not replaceable with the new one.

B: Not interchangeable.

C: Disused.

D: Newly added.

Q: Quantity per unit changed.

X: Included in this set of parts, this part is not used for this model.

Y: Part to be selected.

Z: This part can not be supplied as an individual part.

(4) Part name

Every part has its own proper name.

(5) Q'ty

The number shown in the column of Q'TY indicates the quantity of parts used per one unit machine.

(6) Change column

M1,M2,M3,.....Mn mentioned in the column indicate the change of part number. and the serial number of the unit,the part of which was modified.

To check the serial number, refer to "LIST OF MACHINE SERIAL NUMBERS & CHANGED PART NUMBERS" mentioned in the front part of this book.

4. Abbreviations and marks used in this catalog.

ass'y	assembly	L	Length
C/H	Change column	o & p	overrun & parking brake
Comp.	Compressor	OPT.	Option
Const.	Consisting of	Press.	Pressure
Cont.	Control	SPC/S.	Special specifications
Cyl.	Cylinder	STD.	Standards
Eng.	Engine	T or t	Thickness
EXP.	Export	w.	with
Incl.	Including	w/o	without

5. HOW TO READ MODELS

Example: P D S 1 2 5 S - 5 B 1

- | | |
|---|--|
| P D : PORTABLE DIESEL ENGINE | S : SILENT TYPE and PROPANE GAS ENGINE SILENT TYPE |
| S D : STATIONARY DIESEL ENGINE | T : CITY-GAS ENGINE SILENT TYPE |
| S G : STATIONARY GAS ENGINE | w/o : UNSILENCED TYPE |
| S M : STATIONARY SNOW MACHINE | C : AFTERCOOLER TYPE |
| R : SLIDING VANE | D : DRY AIR TYPE |
| S : SCREW(OIL-INJECTION) | R : IN LINE PUMP TYPE |
| D : SCREW(OIL-FREE) | W : WATER-COOLED TYPE |
| w/o : 0.69MPa(7.0kgf/cm ²) or
0.70MPa(7.1kgf/cm ²) | w/o : STANDARD TYPE |
| E : 0.86MPa(8.8kgf/cm ²) | 3 : SKID-MOUNTED TYPE |
| F : 1.03MPa(10.5kgf/cm ²) | 4 : TRAILER-MOUNTED TYPE |
| G : 1.18 to 1.37MPa(12.0 to 14.0kgf/cm ²) | 5 : BOX |
| H : 1.72MPa(17.5kgf/cm ²) | 6 : WIDE BODY |
| J : 2.07MPa(21.1kgf/cm ²) | w/o : OTHERS |
| K : 2.41MPa(24.6kgf/cm ²) | MODEL CHANGE MARK |
| 75 : ENGINE OUTPUT(kW)<SDD,SDSG ONLY> | VARIATION MARK |
| 125 : Free air delivery(cfm) | |

NOTE :

We are always engaged in improving our products. So there may be some changes of the product which are not yet mentioned in this parts catalog.

Therefore, in necessary case, we issue a revision in which such changes are added.

When you have any question on the parts catalog, please ask your nearest dealer or directly us.

For engine parts, please refer to separate engine parts catalog.

部品番号変更時期一覧表

LIST OF MACHINE SERIAL NUMBERS & CHANGED PART NUMBERS

型式と実施号機							
MODEL NAME & SER.NO. OF THE UNIT, THE PART OF WHICH WAS CHANGED							
変更 C/H	PDS100S-6B1	PDS100S-6B4		変更 C/H	PDS100S-6B1	PDS100S-6B4	
M 1	UNCONVERTED	6B40050 ~		M66	UNCONVERTED	6B40134 ~	
M 1-1	UNCONVERTED	6B40051 ~		M71	UNCONVERTED	6B40102 ~	
M 1-2	UNCONVERTED	6B40068 ~		M72	UNCONVERTED	6B40102 ~	
M 2	6B10051 ~	6B40049 ~		M79	UNCONVERTED	6B40118 ~	
M 2-1	UNCONVERTED	6B40051 ~		M82	UNCONVERTED	6B40153 ~	
M 2-2	UNCONVERTED	6B40084 ~		M97	UNCONVERTED	6B40151 ~	
M 3	6B10051 ~	6B40050 ~		M108	UNCONVERTED	6B40181 ~	
M 3-1	6B10067 ~	6B40049 ~		M118	UNCONVERTED	6B40179 ~	
M 3-4	UNCONVERTED	6B40068 ~		M139	UNCONVERTED	6B40181 ~	
M 4	6B10051 ~	6B40050 ~		M142	UNCONVERTED	6B40183 ~	
M 6	6B10051 ~	6B40050 ~		M149	UNCONVERTED	6B40201 ~	
M 6-1	UNCONVERTED	6B40100 ~		M165	UNCONVERTED	6B40201 ~	
M 7	6B10051 ~	6B40051 ~		M166	UNCONVERTED	6B40203 ~	
M 7-3	UNCONVERTED	6B40118 ~		M168	UNCONVERTED	6B40201 ~	
M 8	6B10051 ~	6B40051 ~		M176	UNCONVERTED	6B40203 ~	
M 9-1	6B10051 ~	UNCONVERTED					
M10	6B10050 ~	6B40050 ~					
M10-2	UNCONVERTED	6B40118 ~					
M11-2	UNCONVERTED	6B40151 ~					
M12	6B10051 ~	6B40050 ~					
M13	6B10067 ~	6B40051 ~					
M15	6B10067 ~	6B40049 ~					
M15-1	UNCONVERTED	6B40183 ~					
M17-1	6B10115 ~	6B40051 ~					
M18	6B10051 ~	6B40050 ~					
M18-2	UNCONVERTED	6B40199 ~					
M19	UNCONVERTED	6B40051 ~					
M19-1	6B10099 ~	6B40051 ~					
M19-2	UNCONVERTED	6B40151 ~					
M19-3	UNCONVERTED	6B40051 ~					
M20	6B10067 ~	6B40051 ~					
M20-1	UNCONVERTED	6B40201 ~					
M21	6B10051 ~	6B40051 ~					
M22-1	6B10099 ~	6B40051 ~					
M23	6B10051 ~	6B40049 ~					
M25	6B10051 ~	6B40051 ~					
M27	UNCONVERTED	6B40051 ~					
M30	6B10083 ~	6B40050 ~					
M31	6B10131 ~	6B40051 ~					
M32	6B10139 ~	6B40050 ~					
M33	6B10131 ~	6B40051 ~					
M41	6B10167 ~	6B40051 ~					
M49	UNCONVERTED	6B40084 ~					
M49-1	UNCONVERTED	6B40104 ~					
M50	6B10199 ~	6B40051 ~					

部品番号変更時期一覽表

LIST OF MACHINE SERIAL NUMBERS & CHANGED PART NUMBERS

型 式 と 実 施 号 機							
MODEL NAME & SER.NO. OF THE UNIT, THE PART OF WHICH WAS CHANGED							
変 更 C/H	PDS130S-6B1	PDS130S-6B2	PDS130S-6B4	変 更 C/H	PDS130S-6B1	PDS130S-6B2	PDS130S-6B4
M 1	UNCONVERTED	UNCONVERTED	6B40051 ~	M28	6B10099 ~	6B20062 ~	6B40050 ~
M 1-1	UNCONVERTED	UNCONVERTED	6B40107, 124 ~	M29	6B10131 ~	6B20062 ~	6B40051 ~
M 2	6B10051 ~	6B20052 ~	6B40050 ~	M30	6B10099 ~	6B20062 ~	6B40050 ~
M 2-1	UNCONVERTED	UNCONVERTED	6B40053 ~	M31	6B10131 ~	UNCONVERTED	6B40051 ~
M 3	6B10052 ~	6B20052 ~	6B40050 ~	M32	6B10131 ~	6B20062 ~	UNCONVERTED
M 3-1	6B10084 ~	6B20062 ~	6B40051 ~	M33	6B10131 ~	6B20062 ~	6B40051 ~
M 3-3	UNCONVERTED	UNCONVERTED	6B40093 ~	M41	UNCONVERTED	6B20062 ~	6B40078 ~
M 3-5	UNCONVERTED	UNCONVERTED	6B40093 ~	M49	UNCONVERTED	6B20062 ~	6B40124 ~
M 4	6B10052 ~	6B20052 ~	6B40050 ~	M49-1	UNCONVERTED	6B20062 ~	6B40124 ~
M 4-1	UNCONVERTED	UNCONVERTED	6B40077 ~	M49-2	6B10150 ~	UNCONVERTED	UNCONVERTED
M 5-2	UNCONVERTED	UNCONVERTED	6B40107, 124 ~	M52	UNCONVERTED	6B20062 ~	6B40185 ~
M 6	6B10052 ~	6B20052 ~	UNCONVERTED	M63	UNCONVERTED	6B20062 ~	6B40124 ~
M 6-2	UNCONVERTED	UNCONVERTED	6B40124 ~	M71	UNCONVERTED	UNCONVERTED	6B40131 ~
M 7	6B10052 ~	6B20052 ~	6B40051 ~	M79	UNCONVERTED	UNCONVERTED	6B40132 ~
M 8	6B10052 ~	6B20052 ~	6B40050 ~	M80	UNCONVERTED	UNCONVERTED	6B40152 ~
M 8-1	UNCONVERTED	UNCONVERTED	6B40126 ~	M82	UNCONVERTED	UNCONVERTED	6B40201 ~
M 9-1	6B10051 ~	UNCONVERTED	UNCONVERTED	M118	UNCONVERTED	UNCONVERTED	6B40251 ~
M10	6B10052 ~	6B20052 ~	6B40050 ~	M139	UNCONVERTED	UNCONVERTED	6B40281 ~
M11	UNCONVERTED	6B20052 ~	UNCONVERTED	M142	UNCONVERTED	UNCONVERTED	6B40295 ~
M11-1	UNCONVERTED	UNCONVERTED	6B40051 ~	M149	UNCONVERTED	UNCONVERTED	6B40371 ~
M12	6B10068 ~	6B20062 ~	6B40050 ~	M165	UNCONVERTED	UNCONVERTED	6B40358 ~
M13	6B10099 ~	6B20062 ~	6B40051 ~	M166	UNCONVERTED	UNCONVERTED	6B40377 ~
M13-1	UNCONVERTED	UNCONVERTED	6B40281 ~	M168	UNCONVERTED	UNCONVERTED	6B40371 ~
M14	UNCONVERTED	6B20054 ~	UNCONVERTED	M176	UNCONVERTED	UNCONVERTED	6B40377 ~
M15	6B10099 ~	6B20062 ~	6B40050 ~	M177	UNCONVERTED	UNCONVERTED	6B40375 ~
M15-1	UNCONVERTED	UNCONVERTED	6B40300 ~	M192	UNCONVERTED	UNCONVERTED	6B40388 ~
M16	6B10068 ~	6B20062 ~	UNCONVERTED				
M17-1	6B10131 ~	6B20062 ~	6B40051 ~				
M18	6B10068 ~	6B20062 ~	6B40050 ~				
M18-2	UNCONVERTED	UNCONVERTED	6B40323 ~				
M19	UNCONVERTED	UNCONVERTED	6B40051 ~				
M19-1	6B10115 ~	6B20062 ~	6B40051 ~				
M19-2	UNCONVERTED	UNCONVERTED	6B40185 ~				
M19-3	UNCONVERTED	UNCONVERTED	6B40051 ~				
M20	6B10099 ~	6B20062 ~	6B40051 ~				
M20-1	UNCONVERTED	UNCONVERTED	6B40376 ~				
M21	6B10068 ~	UNCONVERTED	6B40051 ~				
M22	6B10084 ~	6B20062 ~	6B40050 ~				
M22-1	6B10115 ~	UNCONVERTED	6B40051 ~				
M23	6B10068 ~	6B20062 ~	6B40051 ~				
M24	6B10084 ~	6B20062 ~	6B40051 ~				
M24-1	6B10084 ~	UNCONVERTED	UNCONVERTED				
M25	6B10084 ~	6B20062 ~	6B40051 ~				
M26	6B10084 ~	UNCONVERTED	UNCONVERTED				
M27	UNCONVERTED	UNCONVERTED	6B40051 ~				

部品番号変更時期一覽表

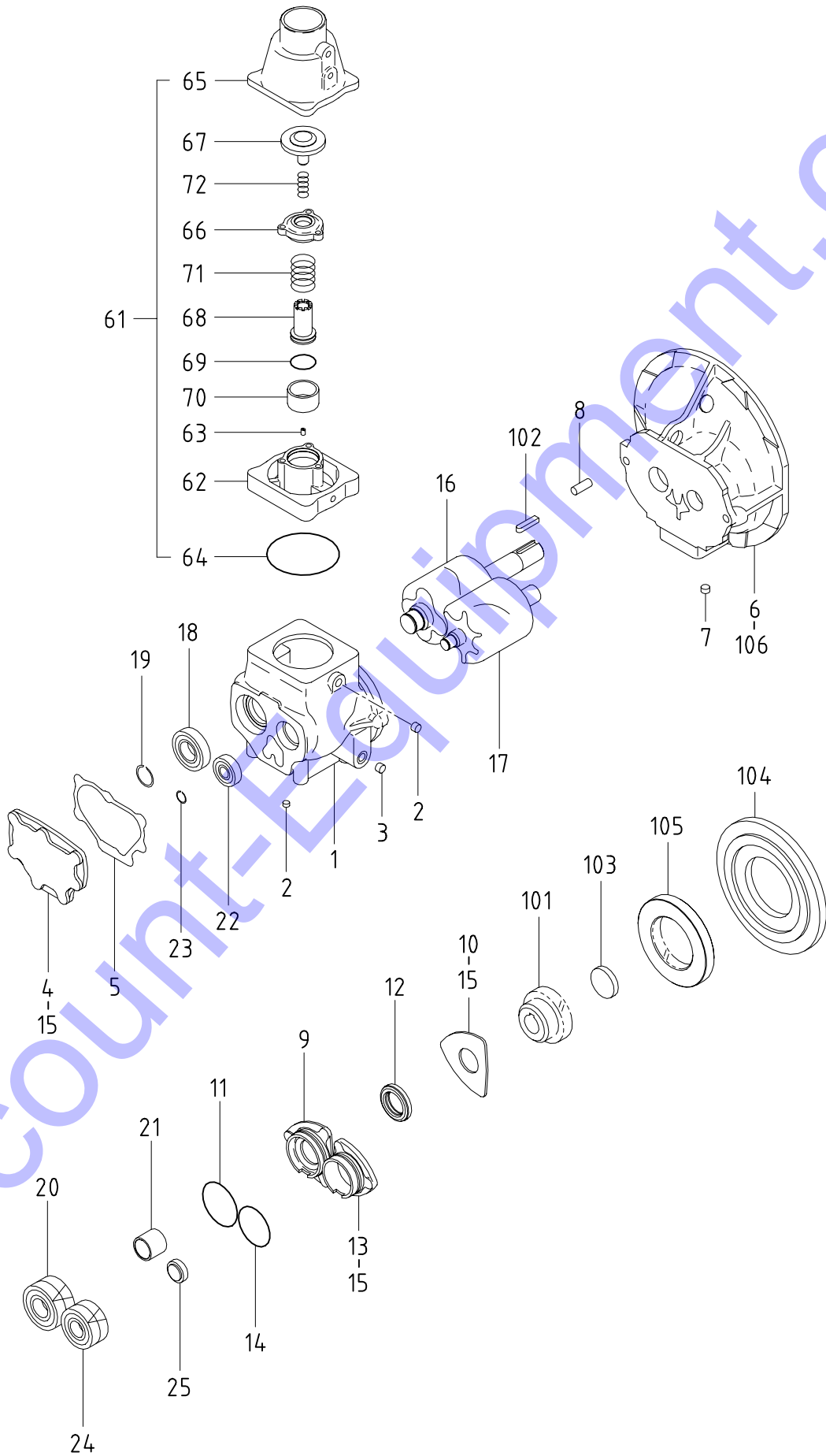
LIST OF MACHINE SERIAL NUMBERS & CHANGED PART NUMBERS

型式と実施号機							
MODEL NAME & SER.NO. OF THE UNIT, THE PART OF WHICH WAS CHANGED							
変更 C/H	PDS185S-6B1	PDS185S-6B2	PDS185S-6B4	変更 C/H	PDS185S-6B1	PDS185S-6B2	PDS185S-6B4
M 1	6B10054 ~	6B20052 ~	UNCONVERTED	M24-1	6B10820 ~	6B20058 ~	UNCONVERTED
M 2	6B10051 ~	6B20052 ~	6B40050 ~	M27	UNCONVERTED	UNCONVERTED	6B40051 ~
M 2-1	UNCONVERTED	UNCONVERTED	6B40053 ~	M29	6B11267 ~	6B20058 ~	UNCONVERTED
M 3	6B10092 ~	6B20052 ~	6B40051 ~	M30	6B10991 ~	6B20058 ~	6B40051 ~
M 3-2	UNCONVERTED	UNCONVERTED	6B40084 ~	M31	6B11203 ~	UNCONVERTED	6B40228 ~
M 3-5	UNCONVERTED	UNCONVERTED	6B42172 ~	M33	UNCONVERTED	6B20058 ~	6B40708 ~
M 4	6B10052 ~	6B20052 ~	UNCONVERTED	M41	UNCONVERTED	6B20058 ~	6B41115 ~
M 5	6B10132 ~	6B20052 ~	UNCONVERTED	M49	UNCONVERTED	6B20058 ~	6B42171 ~
M 5-1	UNCONVERTED	UNCONVERTED	6B40157 ~	M49-1	UNCONVERTED	6B20058 ~	6B42431 ~
M 6-2	UNCONVERTED	6B20058 ~	6B42108 ~	M49-2	6B11268 ~	UNCONVERTED	UNCONVERTED
M 7	6B10198 ~	6B20052 ~	6B40051 ~	M52	UNCONVERTED	6B20058 ~	6B43322 ~
M 7-1	UNCONVERTED	UNCONVERTED	6B40276 ~	M63	UNCONVERTED	6B20058 ~	6B42272 ~
M 7-2	UNCONVERTED	UNCONVERTED	6B40292 ~	M71	UNCONVERTED	UNCONVERTED	6B42592 ~
M 8	6B10268 ~	6B20052 ~	6B40050 ~	M80	UNCONVERTED	6B20058 ~	6B42883 ~
M 9	6B10204 ~	6B20052 ~	6B40050 ~	M82	UNCONVERTED	UNCONVERTED	6B43690 ~
M 9-1	6B10333 ~	UNCONVERTED	UNCONVERTED	M139	UNCONVERTED	UNCONVERTED	6B44944 ~
M 9-2	UNCONVERTED	UNCONVERTED	6B40469 ~				
M10	6B10252 ~	6B20052 ~	6B40050 ~				
M10-1	UNCONVERTED	UNCONVERTED	6B40418 ~				
M11	6B10820 ~	6B20058 ~	UNCONVERTED				
M11-1	UNCONVERTED	UNCONVERTED	6B40404 ~				
M12	6B10606 ~	6B20058 ~	6B40050 ~				
M13	6B10835 ~	6B20058 ~	6B40051 ~				
M14	UNCONVERTED	6B20052 ~	UNCONVERTED				
M14-1	UNCONVERTED	UNCONVERTED	6B41382 ~				
M15	6B10851 ~	6B20058 ~	6B40050 ~				
M16-1	UNCONVERTED	UNCONVERTED	6B41675 ~				
M17	6B10676 ~	6B20058 ~	UNCONVERTED				
M17-1	6B11157 ~	6B20058 ~	6B40051 ~				
M17-2	UNCONVERTED	UNCONVERTED	6B41675 ~				
M18	6B10676 ~	6B20058 ~	6B40050 ~				
M18-1	UNCONVERTED	UNCONVERTED	6B42172 ~				
M19	UNCONVERTED	UNCONVERTED	6B40051 ~				
M19-1	6B11123 ~	6B20058 ~	6B40051 ~				
M19-2	UNCONVERTED	UNCONVERTED	6B43078 ~				
M19-3	UNCONVERTED	UNCONVERTED	6B43078 ~				
M20	6B10835 ~	6B20058 ~	6B40051 ~				
M20-1	UNCONVERTED	UNCONVERTED	6B44883 ~				
M21	6B10676 ~	UNCONVERTED	UNCONVERTED				
M21-1	6B10569 ~	6B20058 ~	6B40050 ~				
M22	6B10788 ~	6B20058 ~	6B40050 ~				
M22-1	6B11123 ~	UNCONVERTED	6B40132 ~				
M22-2	UNCONVERTED	UNCONVERTED	6B44943 ~				
M23	6B10331 ~	6B20058 ~	6B40051 ~				
M24	6B10788 ~	6B20058 ~	6B40051 ~				

目 次

CONTENTS

図 番 号 FIG. NO.	図 名 称 FIG. NAME	頁 PAGE
21 - 00	AIR END (PDS100S)	エア イント [®] (PDS100S) 21- 1~3
21 - 01	AIR END (PDS130/185S)	エア イント [®] (PDS130/185S) 21- 4~8
31 - 00	MOUNTING, INTAKE, ENGINE & EXHAUST	マウンティング, インテーク, エンジン, エキゾースト 31- 1~6
33 - 00	RECEIVER, SEPARATOR & SERVICE HEADER	レシーバ [®] , セパレータ, サービスヘッド 33- 1~6
33 - 01	OILER (EU MODEL)	オイル (欧州向仕様) 33- 7
36 - 00	AIR LINE	エアライン 36- 1~5
36 - 01	REGULATOR	レギュレータ 36- 6
37 - 00	OIL LINE & COOLING	オイルライン, クーリング 37- 1~7
39 - 00	NAME PLATE (US MODEL)	ネームプレート(北米向仕様) 39- 1~3
39 - 01	NAME PLATE (EU MODEL)	ネームプレート(欧州向仕様) 39- 4~6
39 - 02	NAME PLATE (CE MARKING MODEL)	ネームプレート(CEマーキング仕様) 39- 7~9
43 - 00	FUEL LINE & ELECTRIC	フュエルライン, エレクトリック 43- 1~10
51 - 00	FRAME & BONNET	フレーム, ボンネット 51- 1~7
51 - 01	TAIL LAMP & TRAILER (EU MODEL)	テールランプ, トレーラ(欧州向仕様) 51- 8~9
52 - 00	LINING (PDS100/130S)	ライニング (PDS100/130S) 52- 1~3
52 - 01	LINING (PDS185S)	ライニング (PDS185S) 52- 4~6
SPECIAL SPECIFICATIONS		
SS1- 00	49h.p. ENGINE (US MODEL)	49h.p. エンジン(北米向仕様) SS1- 1
SS2- 00	EXP. TYPE (JIS TANK) (~M19)	輸出仕様 SS2- 1~2 (国内標準タンク[JIS])(~M19)
SS2- 01	EXP. TYPE (JIS TANK) (M19~)	輸出仕様 SS2- 3~8 (国内標準タンク[JIS])(M19~)

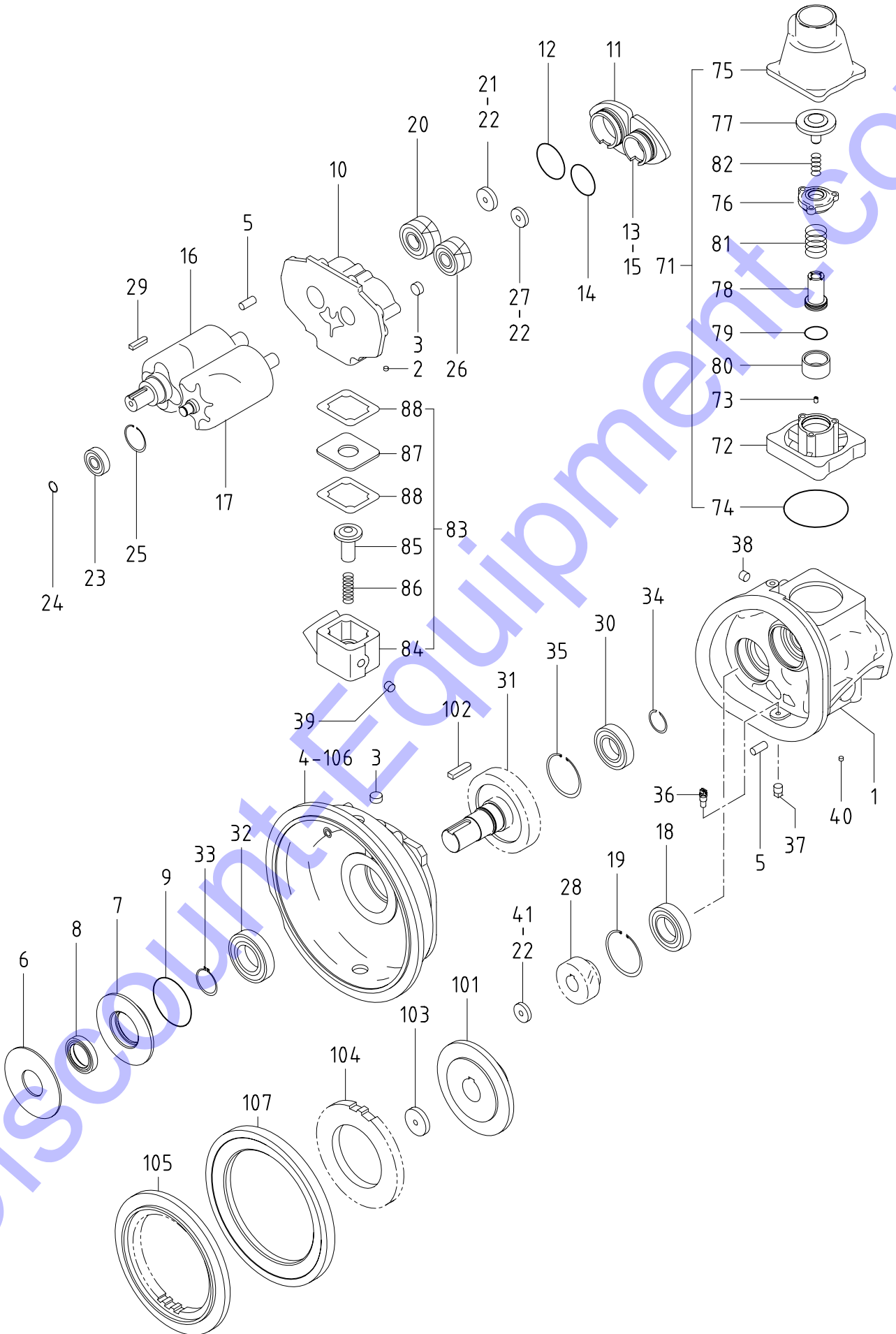


21 - 00 AIR END (PDS100S)

見出番号 Ref.NO.	部品番号 Part NO.	互換性 Inter- change ability	部 品 名 称 Part Name	数量 Q'ty	変 更 C/H	備 考 Remarks
	21000 01114		COMPRESSION GROUP コンプレッショングループ			
1	21201 34201		Cylinder シリンダ	1		
2	03620 60002		Plug プラグ	1		
3	03620 60003		Plug プラグ	1		
4	21218 31400		End cover エンドカバー	1		
5	21219 10900		Gasket ガasket	1		
5 -1	21219 14301	A	Gasket ガasket	1	M72	
6	21214 13400		Casing ケーシング	1		
6 -1	21214 16300	B	Casing ケーシング	1	M50	
	02280 08025		Socket bolt ソケットボルト	6		(for cylinder)
	02280 08095		Socket bolt ソケットボルト	2		(for cylinder)
7	03620 60001		Plug プラグ	3		
8	03316 14032		Pin ピン	2		
8 -1	03316 14028	A	Pin ピン	2	M108	
9	21212 16200		Cover カバー	1		
10	21212 15500		Cover カバー	1		
11	03402 10075		O-ring O-リング	1		
12	21211 10700		Oil seal オイルシール	1		
13	21218 31300		End cover エンドカバー	1		
14	22314 02500		O-ring O-リング	1		
15	02270 08030		Socket bolt,w/w ワッシャ付ソケットボルト	13		
16	21461 28000		Rotor,male オスロータ	1		
16 -1	21461 32500	B	Rotor,male オスロータ	1	M50	
17	21462 22200		Rotor,female メスロータ	1		
17 -1	21462 24000	B	Rotor,female メスロータ	1	M50	
ロータは、オス・メス一対でご注文下さい。 A pair of rotor (male & female) should be ordered.						
18	21406 28800		Bearing ベアリング	1		
19	03413 40035		Snap ring スナップリング	1		
20	21471 28100		Bearing ベアリング	1		
21	21465 05000		Coller カラー	1		
22	21406 30600		Bearing ベアリング	1		
23	03413 40020		Snap ring スナップリング	1		
24	21471 28000		Bearing ベアリング	1		
25	21468 12100		Plate プレート	1		
	02280 10030		Socket bolt ソケットボルト	1		
	03115 30010		Lock washer ロックワッシャ	1		
	22 - 00		VALVE GROUP バルブグループ			
61	22100 36000		Unloader ass'y アンローダ	1		Const.No.62~72
61 -1	22100 37303	A	Unloader ass'y アンローダ	1	M12	Const.No.62~72
62	22111 23900		Body ボディ	1		
62 -1	22111 25500	B	Body ボディ	1	M12	
62 -2	22111 27202	B	Body ボディ	1	M49	
	02280 10030	C	Socket bolt ソケットボルト	4	M12	
	02280 10055	D	Socket bolt ソケットボルト	4	M12	
	03115 30010		Lock washer ロックワッシャ	4		
63	22123 02400		Orifice オリフィス	1		
64	03402 10115		O-ring O-リング	1		

21 - 00 AIR END (PDS100S)

見出番号 Ref.NO.	部品番号 Part NO.	互換性 Inter- change ability	部 品 名 称 Part Name	数量 Q'ty	変 更 C/H	備 考 Remarks
65	22115 07500		Cover	1		
65 -1	22115 08500	B	Cover	1	M12	
65 -2	22115 10600	B	Cover	1	M49	
	02280 08030		Socket bolt	4		
	03115 30008		Lock washer	4		
66	22115 07200		Cover	1		
	02282 08030		Socket bolt	3		
66 -1	22115 08600	B	Cover	1	M12	
66 -2	22115 07200	B	Cover	1	M13	
66 -3	22115 11000	B	Cover	1	M82	
	02282 08025	B	Socket bolt	3	M12	
67	22150 11500		Valve	1		
68	22130 08101		Piston	1		
68 -1	22130 09600	B	Piston	1	M82	
69	21441 03000		O-ring	1		
70	23124 14400		Bushing	1		
71	22144 12900		Spring	1		
72	22144 10900		Spring	1		
72 -1	22144 15000	A	Spring	1	M20	
	61 - 00		COUPLING GROUP			
			カップリング グループ			
101	21412 07100		Gear,driven	1		
102	03307 10045		Key	1		
103	21468 04400		Plate	1		
103 -1	21468 02700	A	Plate	1	M66	
	02282 10030		Socket bolt	1		
	03115 30010		Lock washer	1		
104	21437 01600		Spacer	1		
104 -1	21437 02600	A	Spacer	1	M 1-2	
	02280 08030		Socket bolt	8		
	03115 40008		Spring washer	8		
105	61111 08001		Gear,drive	1		
	02135 10040		Bolt	4		
	03115 02010		Spring washer	4		
	21414 06000		Washer	4		
106	02238 10030		Bolt,w/w	6		
	02912 08010		Nut	2		
	03115 02010		Spring washer	2		



21 - 01 AIR END (PDS130/185S)

見出番号 Ref.NO.	部品番号 Part NO.	互換性 Inter- change ability	部 品 名 称 Part Name		数量 Q'ty	変 更 C/H	備 考 Remarks	
							130S	185S
	21000 00413		COMPRESSION GROUP	コンプレッション グループ				
	21000 10811	B	COMPRESSION GROUP	コンプレッション グループ		M 1	US	
	21000 14713	B	COMPRESSION GROUP	コンプレッション グループ		M 6-2	US	
	21000 12810	B	COMPRESSION GROUP	コンプレッション グループ		M 5-2	US	
	21000 14713	B	COMPRESSION GROUP	コンプレッション グループ		M49-1	US/CE	
	21000 14613	B	COMPRESSION GROUP	コンプレッション グループ		M49-1	EU	
	21000 00312		COMPRESSION GROUP	コンプレッション グループ				
	21000 00212	B	COMPRESSION GROUP	コンプレッション グループ		M19		US
	21000 14913	B	COMPRESSION GROUP	コンプレッション グループ		M49-1		US
	21000 14813	B	COMPRESSION GROUP	コンプレッション グループ		M49-1		EU

1	21201 34600		Cylinder	シリンダ	1			
1 -1	21201 36002	A	Cylinder	シリンダ	1	M 2		
1 -2	21201 38900	B	Cylinder	シリンダ	1	M49-1		
1 -3	21201 39100	B	Cylinder	シリンダ	1	M52		
	02280 10030		Socket bolt	ソケット ボルト	6			

2	03620 60001		Plug	プラグ	2			
2 -1	03620 60002	B	Plug	プラグ	2	M49-1		
3	03620 60003		Plug	プラグ	2			
3 -1	03620 60003	Q	Plug	プラグ	1	M19	US	US
3 -2	03620 60003	C	Plug	プラグ	1	M49-1	US/CE	US
3 -1	03620 60003	Q	Plug	プラグ	1	M49-1	EU	EU
4	21214 12901		Casing	ケーシング	1			
4 -1	21214 16100	B	Casing	ケーシング	1	M49-1		
4 -2	21214 16400	B	Casing	ケーシング	1	M52		
	02280 10030		Socket bolt	ソケット ボルト	8			

	02280 10060		Socket bolt	ソケット ボルト	5			
5	03316 14036		Pin	ピン	4			
5 -1	03316 14028	B	Pin	ピン	4	M49-1		
6	21212 07501		Cover	カバー	1			
	02270 08025		Socket bolt, w/w	ワッシャ付ソケット ボルト	4			
6 -1	21212 18000	B	Cover	カバー	1	M49-1		
	02280 10030	B	Socket bolt	ソケット ボルト	5	M49-1		
	03115 40010	D	Spring washer	スプリング ワッシャ	5	M49-1		
7	21212 14600		Cover	カバー	1			
7 -1	21212 17900	B	Cover	カバー	1	M49-1		

8	21211 10800		Oil seal	オイル シール	1			
9	03402 10095		O-ring	O-リング	1			
10	21217 26601		Casing	ケーシング	1			
10 -1	21217 30100	B	Casing	ケーシング	1	M49-1		
10 -2	21217 30600	B	Casing	ケーシング	1	M52		
	02280 10030		Socket bolt	ソケット ボルト	6			
	02280 10100		Socket bolt	ソケット ボルト	2			
11	21218 30400		End cover	エンド カバー	1			
11 -1	21218 33500	B	End cover	エンド カバー	1	M49-1		
	02270 08030		Socket bolt, w/w	ワッシャ付ソケット ボルト	3			

12	22314 02500		O-ring	O-リング	1			
13	21218 30500		End cover	エンド カバー	1			
13 -1	21218 33400	B	End cover	エンド カバー	1	M49-1		
14	22314 02201		O-ring	O-リング	1			
14 -1	22314 06200	B	O-ring	O-リング	1	M63		

15	02280 08030		Socket bolt	ソケット ボルト	3			
	03115 40008		Spring washer	スプリング ワッシャ	3			

21 - 01 AIR END (PDS130/185S)

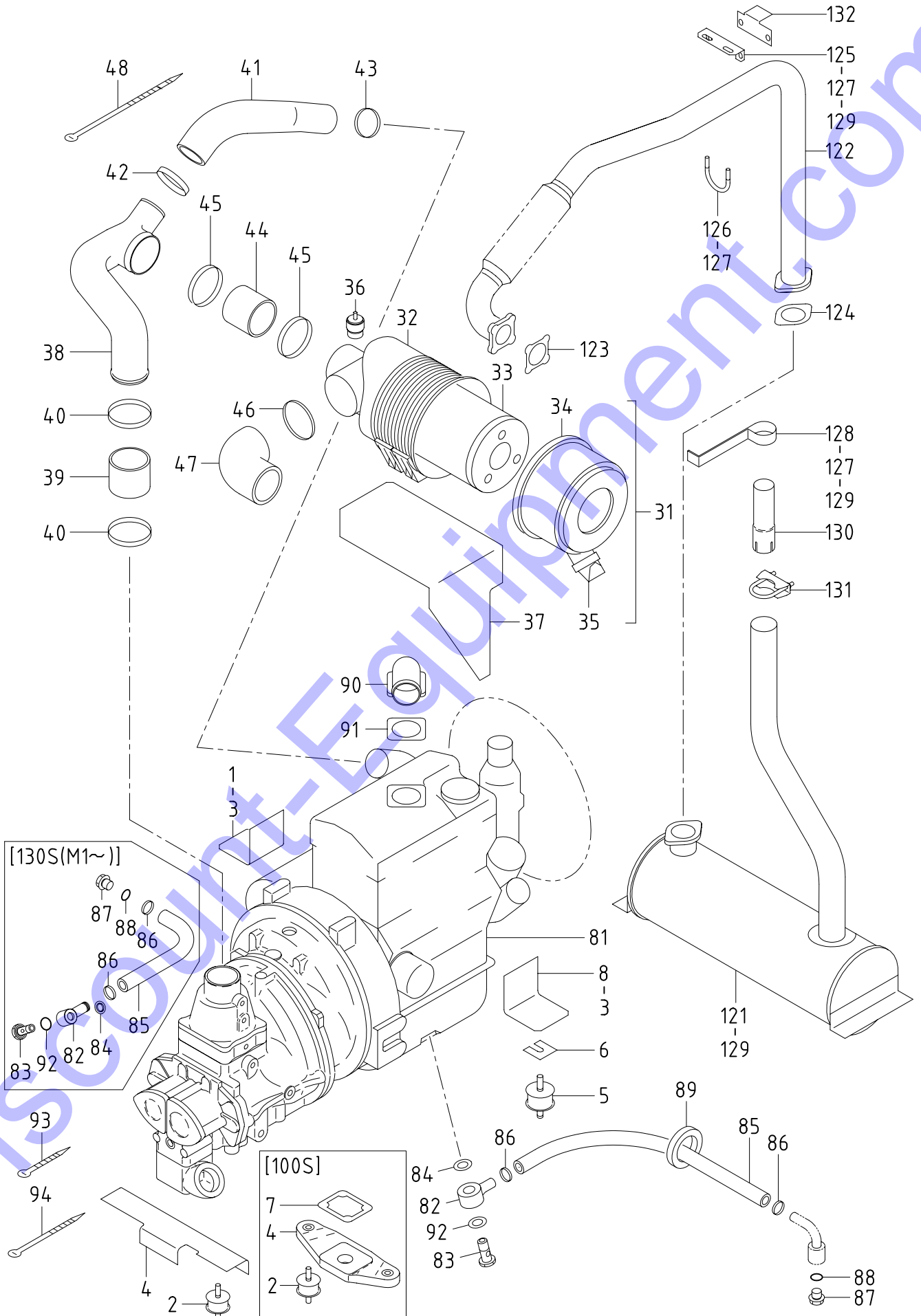
見出番号 Ref.NO.	部品番号 Part NO.	互換性 Inter- change ability	部 品 名 称 Part Name		数量 Q'ty	変 更 C/H	備 考 Remarks	
							130S 185S	
16	21461 28200		Rotor,male	オス ロータ	1			
16 -1	21461 31600	B	Rotor,male	オス ロータ	1	M 6-2		
17	21462 22300		Rotor,female	メス ロータ	1			
			ロータは、オス・メス一対でご注文下さい。 A pair of rotor (male & female) should be ordered.					
18	21406 29900		Bearing	ベアリング	1			
19	03413 20090		Snap ring	スナップ リング	1			
20	21470 14300		Bearing,complete	ベアリング コンプリート	1			
21	21468 02700		Plate	プレート	1			
22	02280 10030		Socket bolt	ソケット ボルト	3			
	03115 30010		Lock washer	ロック ワッシャ	3			
23	21406 28700		Bearing	ベアリング	1			
24	03413 40020		Snap ring	スナップ リング	1			
25	03413 20052		Snap ring	スナップ リング	1			
26	21470 14400		Bearing,complete	ベアリング コンプリート	1			
27	21468 09200		Plate	プレート	1			
28	21467 18200		Gear,driven	ドライブギヤ	1			
28 -1	21467 25600	B	Gear,driven	ドライブギヤ	1	M 1	US	
28 -2	21467 28900	B	Gear,driven	ドライブギヤ	1	M 6-2	US	
28 -3	21467 27000	B	Gear,driven	ドライブギヤ	1	M 5-2	US	
28 -4	21467 28900	B	Gear,driven	ドライブギヤ	1	M 6-2	US/CE	
28 -1	21467 26000	B	Gear,driven	ドライブギヤ	1	M 6-2	EU	
28	21467 17700		Gear,driven	ドライブギヤ	1			
28 -1	21467 17600	B	Gear,driven	ドライブギヤ	1	M19	US	
28 -2	21467 26200	B	Gear,driven	ドライブギヤ	1	M 6-2	US	
28 -1	21467 26100	B	Gear,driven	ドライブギヤ	1	M 6-2	EU	
29	03307 10040		Key	キー	1			
30	21406 28500		Bearing	ベアリング	1			
31	21469 18300		Gear,drive	ドライブギヤ	1			
31 -1	21469 25400	B	Gear,drive	ドライブギヤ	1	M 1	US	
31 -2	21469 26000	B	Gear,drive	ドライブギヤ	1	M 5-2	US/CE	
31	21469 18200		Gear,drive	ドライブギヤ	1			
31 -1	21469 18100	B	Gear,drive	ドライブギヤ	1	M19	US	
32	03410 06211		Bearing	ベアリング	1			
33	03413 10055		Snap ring	スナップ リング	1			
34	03413 40045		Snap ring	スナップ リング	1			
35	03413 20085		Snap ring	スナップ リング	1			
36	21207 03800		Nozzle	ノズル	1			
36 -1	22123 01100	B	Orifice	オリフィス	1	M52		
37	03620 41003	C	Plug	プラグ	1	M52		
38	03620 60002	C	Plug	プラグ	1	M 2		
39	03620 60003	C	Plug	プラグ	1	M 5-2		
40	03620 60001		Plug	プラグ	3			
40 -1	03620 60002	B	Plug	プラグ	3	M 5-2	US	
40 -2	03620 60002	Q	Plug	プラグ	2	M52		
40 -1	03620 60001	C	Plug	プラグ	3	M19	US	
40 -2	03620 60002	D	Plug	プラグ	2	M52		
41	21468 09200		Plate	プレート	1			
41 -1	21468 02700	B	Plate	プレート	1	M 6-2		

21 - 01 AIR END (PDS130/185S)

見出番号 Ref.NO.	部品番号 Part NO.	互換性 Inter- change ability	部 品 名 称 Part Name	数量 Q'ty	変 更 C/H	備 考 Remarks
	22 - 00		VALVE GROUP			130S 185S バルブグループ
71	22100 36000		Unloader ass'y	アンローダ	1	
71 -1	22100 37303	A	Unloader ass'y	アンローダ	1 M12	
71 -2	22100 38500	B	Unloader ass'y	アンローダ	1 M 1	US
71 -3	22100 37303	B	Unloader ass'y	アンローダ	1 M 5-2	US/CE
(Const. No. 72 ~ 82)						
72	22111 23900		Body	ボディ	1	
72 -1	22111 25500	B	Body	ボディ	1 M12	
72 -2	22111 26700	B	Body	ボディ	1 M 1	US
72 -3	22111 25500	B	Body	ボディ	1 M 5-2	US
72 -4	22111 27202	B	Body	ボディ	1 M49	
	02280 10030	C	Socket bolt	ソケットボルト	4 M12	
	02280 10060	D	Socket bolt	ソケットボルト	4 M12	
	03115 40010		Spring washer	スプリングワッシャ	4	
73	22123 02400		Orifice	オリフィス	1	
74	03402 10115		O-ring	O-リング	1	
75	22115 07500		Cover	カバー	1	
	02280 08030	C	Socket bolt	ソケットボルト	4 M12	
	03115 30008	C	Lock washer	ロックワッシャ	4 M12	
75 -1	22115 08500	B	Cover	カバー	1 M12	
75 -2	22115 10600	B	Cover	カバー	1 M49	
76	22115 07200		Cover	カバー	1	
	02282 08030		Socket bolt	ソケットボルト	3	
76 -1	22115 08600	B	Cover	カバー	1 M12	
76 -2	22115 07200	B	Cover	カバー	1 M13	
76 -3	22115 11000	B	Cover	カバー	1 M82	
	02282 08025	B	Socket bolt	ソケットボルト	3 M12	
77	22150 11500		Valve	バルブ	1	
78	22130 08101		Piston	ピストン	1	
78 -1	22130 09600	B	Piston	ピストン	1 M82	
79	21441 03000		O-ring	O-リング	1	
80	23124 14400		Bushing	ブッシング	1	
81	22144 12900		Spring	スプリング	1	
82	22144 10900		Spring	スプリング	1	
82 -1	22144 15000	A	Spring	スプリング	1 M20	
83	22200 15400		Check valve ass'y	チェックバルブ	1	Const. No. 84 ~ 88
83 -1	22200 16700	B	Check valve ass'y	チェックバルブ	1 M49-1	Const. No. 84 ~ 88
84	22211 13000		Body	ボディ	1	
84 -1	22211 13700	B	Body	ボディ	1 M49-1	
	02280 10100		Socket bolt	ソケットボルト	4	
	03115 40010		Spring washer	スプリングワッシャ	4	
85	22230 01700		Valve	バルブ	1	
86	22144 02300		Spring	スプリング	1	
87	22240 01700	C	Spacer	スペーサ	1 M49-1	
88	21219 11200		Gasket	ガスケット	2	
88 -1	21219 11200	Q	Gasket	ガスケット	1 M49-1	
88 -2	21219 14401	A	Gasket	ガスケット	1 M71	

21 - 01 AIR END (PDS130/185S)

見出番号 Ref.NO.	部品番号 Part NO.	互換性 Inter- change ability	部 品 名 称 Part Name		数量 Q'ty	変 更 C/H	備 考 Remarks
	61 - 00		COUPLING GROUP	カップリング グループ			130S 185S
101	21420 14000		Coupling driven	カップリング ドライブ	1		
102	03307 14050		Key	キー	1		
103	21468 04400		Plate	プレート	1		
	02282 10030		Socket bolt	ソケット ボルト	1		
	03115 30010		Lock washer	ロック ワッシャ	1		
104	21412 05002		Gear, driven	ドライブギヤ	1		
	02135 10035		Bolt	ボルト	6		
	03115 02010		Spring washer	スプリング ワッシャ	6		
	21414 06000		Washer	ワッシャ	6		
105	61111 11700		Gear, drive	ドライブギヤ	1		
105 -1	61111 12500	B	Gear, drive	ドライブギヤ	1	M 5-2	US/CE
	02280 10030	C	Socket bolt	ソケット ボルト	6	M 1	US/CE
	02280 10045	D	Socket bolt	ソケット ボルト	6	M 1	US/CE
	03115 40010		Spring washer	スプリング ワッシャ	6		
105 -1	61111 12100	B	Gear, drive	ドライブギヤ	1	M19	US
	02270 08030	B	Socket bolt, w/w	ワッシャ付ソケット ボルト	6	M19	US
105 -2	61111 12600	B	Gear, drive	ドライブギヤ	1	M20-1	US
	02135 08025	B	Bolt	ボルト	6	M20-1	US
	03115 02008	D	Spring washer	スプリング ワッシャ	6	M20-1	US
106	02238 10030		Bolt, w/w	ワッシャ付ボルト	12		
107	21437 02400	D	Spacer	スペーサ	1	M 1	US
107 -1	21437 02400	C	Spacer	スペーサ	1	M 5-2	US



31 - 00 MOUNTING, INTAKE, ENGINE & EXHAUST

見出番号 Ref.NO.	部品番号 Part NO.	互換性 Inter- change ability	部 品 名 称 Part Name	数量 Q'ty	変 更 C/H	備 考 Remarks
31 - 00			MOUNTING GROUP	マウンチング グループ		100S 130S 185S
1	31110 80200		Bracket	ブ ラケッ ト	1	
1 -1	31110 93600	B	Bracket	ブ ラケッ ト	1 M 1	
1	31110 78701		Bracket	ブ ラケッ ト	1	
1 -1	31110 91801	B	Bracket	ブ ラケッ ト	1 M 1	US/CE
1	31110 81100		Bracket	ブ ラケッ ト	1	
1 -1	31110 81400	B	Bracket	ブ ラケッ ト	1 M19	US
1 -2	31110 89800	B	Bracket	ブ ラケッ ト	1 M 9-2	US
2	31130 10800		Vibration isolator ass'y	防振コ ム	2	
	02915 00010		Hexagon flange nut	フランジ 付ナッ ト	2	
	02915 20010	C	Nut, w/w	ワッシャ付ナッ ト	2 M 1	
2 -1	31130 14200	B	Vibration isolator ass'y	防振コ ム	2 M 1	
	02915 00008	B	Hexagon flange nut	フランジ 付ナッ ト	4 M 1	
2	31130 10800		Vibration isolator ass'y	防振コ ム	2	
2 -1	31130 11200	B	Vibration isolator ass'y	防振コ ム	2 M 5-2	US/CE
	02915 00010		Hexagon flange nut	フランジ 付ナッ ト	4	
2 -1	31130 14200	B	Vibration isolator ass'y	防振コ ム	2 M19	US
	02915 00008	B	Hexagon flange nut	フランジ 付ナッ ト	4 M19	US
2 -2	31130 02800	B	Vibration isolator ass'y	防振コ ム	2 M 9-2	US
	02915 00010	B	Hexagon flange nut	フランジ 付ナッ ト	4 M 9-2	US
3	02201 10020		Flange bolt	フランジ 付ボ ルト	8	
3 -1	02108 12025	B	Bolt	ボ ルト	8 M 1	
	03115 02012	D	Spring washer	スプリング ワッシャ	8 M 1	
3	02238 10025		Bolt, w/w	ワッシャ付ボ ルト	8	
3 -1	02108 14025	B	Bolt, w/w	ワッシャ付ボ ルト	8 M 1	US/CE
	03115 02014	D	Spring washer	スプリング ワッシャ	8 M 1	US/CE
3 -1	02238 10035	B	Bolt, w/w	ワッシャ付ボ ルト	6 M19	US
3 -2	02135 10035	B	Bolt	ボ ルト	6 M 7-2	US
	03115 02010	D	Spring washer	スプリング ワッシャ	6 M 7-2	US
3 -3	02135 10035	Q	Bolt	ボ ルト	8 M 9-2	US
	03115 02010	Q	Spring washer	スプリング ワッシャ	8 M 9-2	US
4	31110 79800		Bracket	ブ ラケッ ト	1	
4 -1	31110 95300	B	Bracket	ブ ラケッ ト	1 M 1	
	02280 10030		Socket bolt	ソケット ボルト	4	
	03115 30010		Lock washer	ロ ック ワッシャ	4	
4	31110 78800		Bracket	ブ ラケッ ト	1	
4 -1	31110 91900	B	Bracket	ブ ラケッ ト	1 M 1	US
4 -2	31110 96100	B	Bracket	ブ ラケッ ト	1 M 5-2	US/CE
4	31110 82700		Bracket	ブ ラケッ ト	1	
4 -1	31110 87300	B	Bracket	ブ ラケッ ト	1 M19	US
4 -2	31110 90300	B	Bracket	ブ ラケッ ト	1 M 9-2	US
	02138 12025		Bolt	ボ ルト	2	
	03115 02012		Spring washer	スプリング ワッシャ	2	
5	31130 10800		Vibration isolator ass'y	防振コ ム	2	
5 -1	31130 04400	B	Vibration isolator ass'y	防振コ ム	2 M 1	
5 -1	31130 11200	B	Vibration isolator ass'y	防振コ ム	2 M 5-2	US/CE
	02915 00010		Hexagon flange nut	フランジ 付ナッ ト	4	
5	31130 20500		Vibration isolator ass'y	防振コ ム	2	
5 -1	GG160 00100	B	Vibration isolator ass'y	防振コ ム	2 M 9-2	US
	02915 00012		Hexagon flange nut	フランジ 付ナッ ト	4	
6	31120 03500		Shim	シ ム	2	
7	21219 11000		Gasket	ガ スケッ ト	1	
7 -1	21219 14200	A	Gasket	ガ スケッ ト	1 M72	

31 - 00 MOUNTING, INTAKE, ENGINE & EXHAUST

見出番号 Ref.NO.	部品番号 Part NO.	互換性 Inter- change ability	部 品 名 称 Part Name	数量 Q'ty	変 更 C/H	備 考 Remarks
						100S 130S 185S
8	31110 80200		Bracket	1		
8 -1	31110 93600	B	Bracket	1	M 1	
8	31110 78701		Bracket	1		
8 -1	31110 91801	B	Bracket	1	M 1	US
8 -2	31110 96000	B	Bracket	1	M 5-2	US/CE
8	31110 81100		Bracket	1		
8 -1	31110 81500	B	Bracket	1	M19	US
8 -2	31110 89700	B	Bracket	1	M 9-2	US
	32 - 00		INTAKE GROUP			インテークグループ
31	32100 38701		Air filter ass'y (Const.No.32~35)	1		エアフィルタ
31	32100 38300		Air filter ass'y (Const.No.32~36)	1		エアフィルタ
31 -1	32100 40900	B	Air filter ass'y (Const.No.32~35)	1	M29	エアフィルタ
	02201 08012		Flange bolt	2		フランジ付ボルト
31	32100 38500		Air filter ass'y (Const.No.32~36)	1		エアフィルタ
31 -1	32100 41100	B	Air filter ass'y (Const.No.32~35)	1	M29	エアフィルタ
	02201 08012		Flange bolt	4		フランジ付ボルト
32	* * *		Case	1		ケース
33	32143 11700		Element	1		エレメント
33	32143 11800		Element	1		エレメント
33	32143 12700	Y	Element(single)	1		エレメント
33	32143 12600	Y	Element(double)	1		エレメント
34	32142 08602		Cup	1		カップ
34	32142 08900		Cup	1		カップ
34	32142 10200		Cup	1		カップ
35	32151 01400		Vacuator valve	1		バキュームバルブ
35	32151 01600		Vacuator valve	1		バキュームバルブ
36	32152 00100		Cap	1		キャップ
36	32148 00100		Filter service indicator	1		インジケータ
37	32240 29601		Bracket	1		ブラケット
	02201 10020		Flange bolt	4		フランジ付ボルト
37 -1	32240 34601	B	Bracket	1	M 1	
37 -2	32240 35800	A	Bracket	1	M 7-3	
	02201 08012	B	Flange bolt	1	M 1	
	02248 10020	D	Bolt,w/w	2	M 1	
37	32240 25603		Bracket	1		ブラケット
	02201 10020		Flange bolt	3		フランジ付ボルト
37 -1	32240 33700	B	Bracket	1	M 1	US/CE
	02201 10020	Q	Flange bolt	2	M 1	US/CE
	02201 08020	D	Flange bolt	2	M 1	US
	02201 08020	C	Flange bolt	2	M 2-1	US
	02248 08025	D	Bolt,w/w	2	M 2-1	US/CE
	03116 12010	D	Plain washer	2	M 2-1	US/CE
37 -1	32240 29701	B	Bracket	1	M19	US
	02201 10020	Q	Flange bolt	2	M19	US
	02248 10035	D	Bolt,w/w	1	M19	US

31 - 00 MOUNTING, INTAKE, ENGINE & EXHAUST

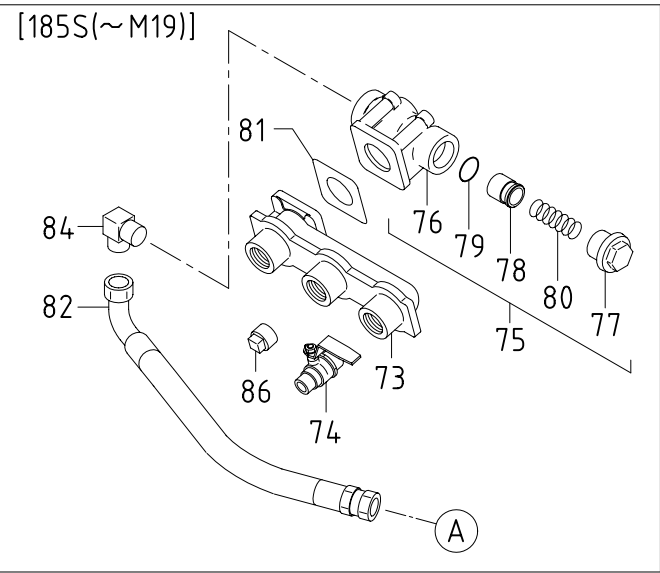
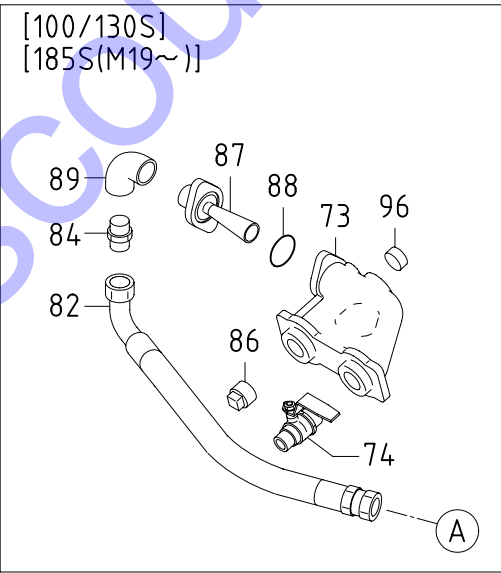
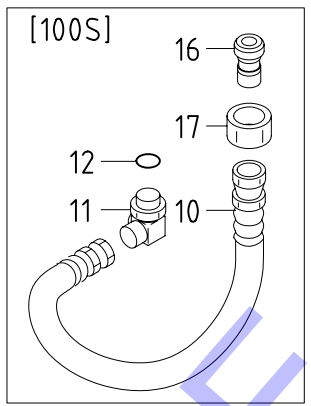
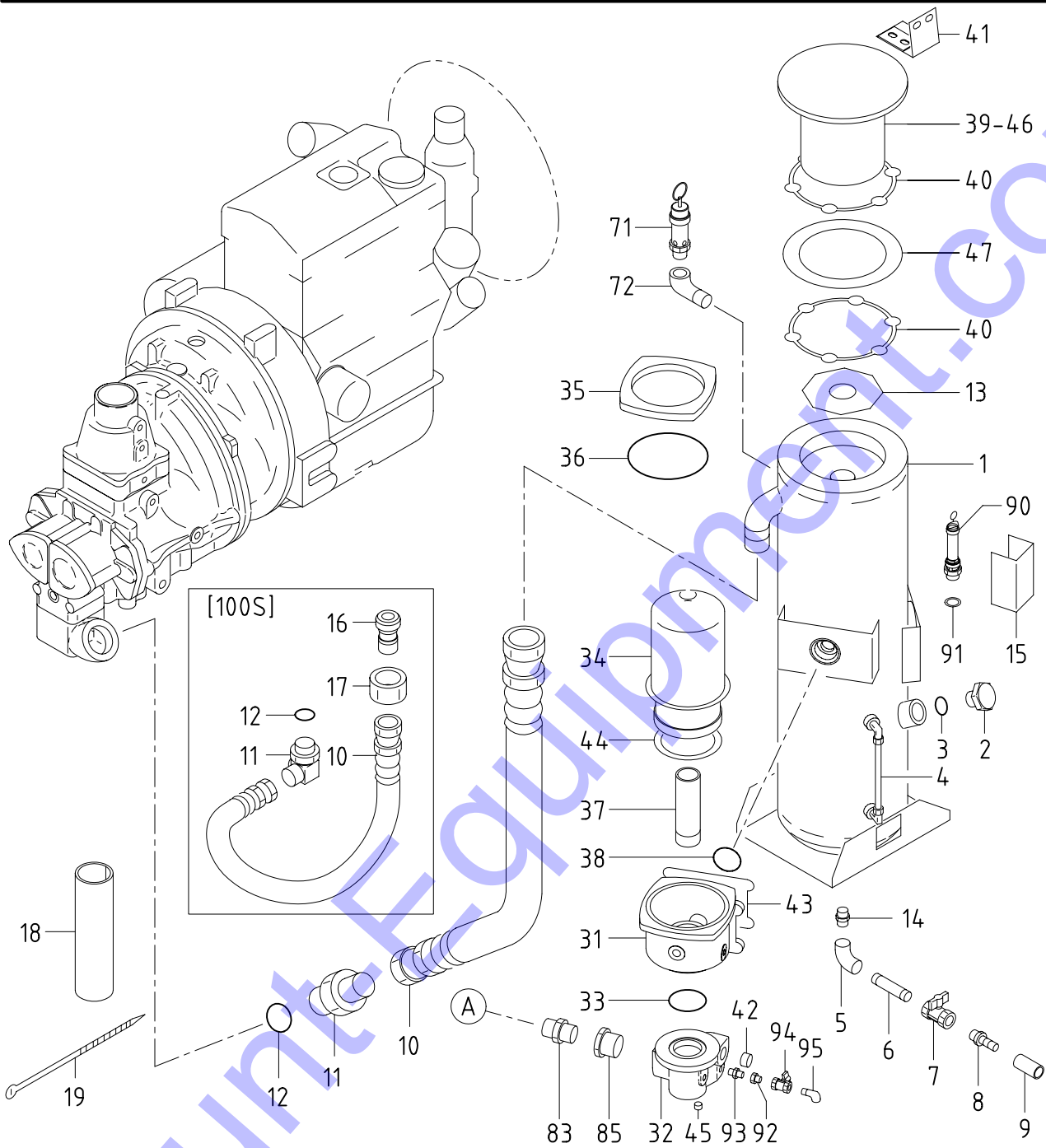
見出番号 Ref.NO.	部品番号 Part NO.	互換性 Inter- change ability	部 品 名 称 Part Name	数量 Q'ty	変 更 C/H	備 考 Remarks
						100S 130S 185S
38	32320 62400		Pipe	1		
38	32320 61100		Pipe	1		
38	32320 61200		Pipe	1		
39	32331 45000		Hose	1		
40	03511 20100		Hose clip	2		
41	32331 57200		Hose	1		
41 -1	32331 67200	B	Hose	1	M 1	
41	32331 56600		Hose	1		
41 -1	32331 66700	B	Hose	1	M 1	US/CE
41	32331 56000		Hose	1		
41 -1	32331 63100	B	Hose	1	M19	US
42	03511 20090		Hose clip	1		
42	03511 20080		Hose clip	1		
43	03511 20070		Hose clip	1		
43 -1	03511 20080	B	Hose clip	1	M19	US
44	32331 34600		Hose	1		
44 -1	32331 68300	A	Hose	1	M 7-3	
44	32331 45000		Hose	1		
44	03550 89007		Hose	1		
45	03511 20080		Hose clip	2		
45	03511 20100		Hose clip	2		
46	03511 20100		Hose clip	1		
47	32331 06000		Hose	1		
48	03425 00003	D	Vinyl clip	1	M 1	US/CE
48	03425 00003	D	Vinyl clip	2	M19	US
	41 - 00		ENGINE GROUP			エンジングループ
81	* * *		Engine	1		
			(ISUZU 3LB1DA-06)			
			(oil filter cartridge : ISUZU 894456-7412)			
			(fan belt : ISUZU 897230-9390)			
81 -1	* * *	B	Engine	1	M 1	
81 -2	* * *	A	Engine	1	M15-1	
81 -3	* * *	B	Engine	1	M18-2	
81 -4	* * *	B	Engine	1	M166	
			(SHIBAURA S773L-C)			
			(oil filter : SHIBAURA 140517020)			
			(fan belt : SHIBAURA 080109049)			
81	* * *		Engine	1		
			(ISUZU 3LD2CA-01S1)			
81 -1	* * *	A	Engine	1	M11	
			(ISUZU 3LD2CA-02)			
			(oil filter cartridge : ISUZU 894456-7412)			
			(fan belt : ISUZU 897224-9990)			
81 -2	* * *	B	Engine	1	M 1	US
81 -3	* * *	B	Engine	1	M 4-1	US/CE
81 -4	* * *	A	Engine	1	M15-1	US
81 -5	* * *	B	Engine	1	M18-2	US
81 -6	* * *	B	Engine	1	M166	US
			(SHIBAURA N843L-C)			
			(oil filter complete : SHIBAURA 140517020)			
			(fan belt : SHIBAURA 080109061)			

31 - 00 MOUNTING, INTAKE, ENGINE & EXHAUST

見出番号 Ref.NO.	部品番号 Part NO.	互換性 Inter- change ability	部 品 名 称 Part Name	数量 Q'ty	変 更 C/H	備 考 Remarks
						100S 130S 185S
81	* * *		Engine エンジン (ISUZU 4LE2CA-01S)	1		
81 -1	* * *	A	Engine エンジン (ISUZU 4LE2CA-02) (oil filter cartridge : ISUZU 894456-7412) (fan belt : ISUZU 897230-9400)	1	M11	
81 -2	* * *	B	Engine エンジン	1	M19	US
81 -3	* * *	A	Engine エンジン	1	M10-1	US
81 -4	* * *	B	Engine エンジン (NISSAN DIESEL TD2714) (oil filter element : NISSAN DIESEL 15208 43G00) (fan belt : NISSAN DIESEL 11720 43G01)	1	M14-1	US
82	43534 04000		Ring connector(Nipple) リンク コネクタ(ニップル)	1		
82 -1	43534 03900	B	Ring connector(Nipple) リンク コネクタ(ニップル)	1	M 1	US/CE
82 -1	43534 01702	B	Ring connector(Nipple) リンク コネクタ(ニップル)	1	M19	US
83	43532 07001		Nipple(Bolt) ニップル(ボルト)	1		
83 -1	43532 08401	B	Nipple(Bolt) ニップル(ボルト)	1	M 1	US/CE
83 -1	43532 05201	B	Nipple(Bolt) ニップル(ボルト)	1	M19	US
84	03407 16020		Gasket ガasket	1		
84 -1	36153 02400	B	Gasket ガasket	1	M 1	US/CE
84 -1	03407 16022	B	Gasket ガasket	1	M19	US
85	03580 19080		Hose ホース	1		
85 -1	03580 19070	B	Hose ホース	1	M 1	
85	03580 19075		Hose ホース	1		
85 -1	03580 19037	B	Hose ホース	1	M 1	US/CE
85	03580 19095		Hose ホース	1		
85 -1	03580 19083	B	Hose ホース	1	M19	US
86	03511 20035		Hose clip ホースクリップ	2		
87	41111 00900		Plug プラグ	1		
87 -1	37430 01100	B	Plug プラグ	1	M 1	
87 -1	03620 20020	B	Plug プラグ	1	M19	US/CE US
87 -2	41111 00900	B	Plug プラグ	1	M20-1	US/CE -
88	37187 01000		O-ring O-リング	1		
88 -1	03407 14020	B	Gasket ガasket	1	M 1	
88 -1	03407 14020	B	Gasket ガasket	1	M19	US/CE US
88 -2	37187 01000	B	O-ring O-リング	1	M20-1	US/CE -
89	03402 00603		Eyelet ring アイレット リング	1		
89 -1	03402 00603	C	Eyelet ring アイレット リング	1	M 1	US/CE
90	32310 18700	D	Pipe パイプ	1	M19	US
	02135 08025	D	Bolt ボルト	2	M19	US
	02135 00080	D	Bolt ボルト	2	M19	US
	03115 02008	D	Spring washer スプリング ワッシャ	4	M19	US
91	32334 02700	D	Gasket ガasket (NISSAN DIESEL 14327 09W00)	1	M19	US
92	03407 16020		Gasket ガasket	1		
92 -1	03402 20022	B	O-ring O-リング	1	M 1	US/CE
92 -1	03407 16022	B	Gasket ガasket	1	M19	US
93	03425 00002	D	Vinyl clip ビニールクリップ	1	M 2-1	US/CE
94	03425 00005	D	Vinyl clip ビニールクリップ	1	M 2-1	US/CE

31 - 00 MOUNTING, INTAKE, ENGINE & EXHAUST

見出番号 Ref.NO.	部品番号 Part NO.	互換性 Inter- change ability	部 品 名 称 Part Name	数量 Q'ty	変 更 C/H	備 考 Remarks
						100S 130S 185S
42 - 00		EXHAUST GROUP		エキゾーストグループ		
121	42100 72800		Exhaust muffler	1		
121	42100 71201		Exhaust muffler	1		
121 -1	42100 71100	B	Exhaust muffler	1	M19	US
122	42310 79500		Pipe,exhaust	1		
122 -1	42310 85600	B	Pipe,exhaust	1	M 1	
122	42310 75400		Pipe,exhaust	1		
122 -1	42310 83800	B	Pipe,exhaust	1	M 1	US/CE
	02915 01008	C	Hexagon flange nut	4	M 1	US/CE
			(Eng. side)			
	02135 08025	D	Bolt	4	M 1	US/CE
	03115 02008	D	Spring washer	4	M 1	US/CE
122	42310 75500		Pipe,exhaust	1		
122 -1	42310 81100	B	Pipe	1	M19	US
	02915 01008	C	Hexagon flange nut	4	M19	US
			(Eng. side)			
	02135 10025	D	Bolt	4	M19	US
	03115 02010	D	Spring washer	4	M19	US
	02136 10030		Bolt	2		(muffler side)
	02912 06010		Nut	2		(muffler side)
	03115 06010		Spring washer	2		(muffler side)
	03116 15010		Plain washer	2		(muffler side)
123	42324 11200		Gasket	1		
123 -1	42324 10800	B	Gasket	1	M 1	US/CE
123 -1	42324 07100	B	Gasket	1	M19	US
124	42324 13200		Gasket	1		
124	42324 13600		Gasket	1		
125	42240 22300		Bracket	1		
125 -1	42240 21600	B	Bracket	1	M 1	
125 -1	42240 26600	B	Bracket	1	M 5-2	US/CE
125 -1	42240 24100	B	Bracket	1	M19	US
126	03830 08004		U-bolt	1		
126 -1	03830 08030	B	U-bolt	1	M 1	
127	02915 00008		Hexagon flange nut	5		
127 -1	02915 00008	Q	Hexagon flange nut	4	M19	- - US
128	03424 80197		Clip	1		
128	03424 80230		Clip	1		
128 -1	03424 80230	C	Clip	1	M19	US
129	02201 08020		Flange bolt	6		
129 -1	02201 08020	Q	Flange bolt	4	M19	- - US
130	42310 80200		Pipe	1		
130 -1	42310 85700	B	Pipe	1	M 1	
131	42230 14200		Belt	1		
131 -1	42230 17800	A	Belt	1	M10-2	
	42323 03600	D	Gasket	1	M10-2	
	02135 10030	D	Bolt	2	M10-2	
	02912 06010	D	Nut	2	M10-2	
	03115 02010	D	Spring washer	2	M10-2	
132	42260 20200	D	Cover	1	M 1	
132	42240 25500	D	Bracket	1	M 1	US
132 -1	42240 26500	B	Bracket	1	M 5-2	US/CE



33 - 00 RECEIVER,SEPARATOR & SERVICE HEADER

見出番号 Ref.NO.	部品番号 Part NO.	互換性 Inter- change ability	部 品 名 称 Part Name	数量 Q'ty	変 更 C/H	備 考 Remarks
	33 - 00		RECEIVER GROUP レシーバ グループ			100S 130S 185S
1	33100 24210		Receiver tank [SILVAN] (Incl.No.2,3 & 39)	1		US US US
1 -1	33100 30310	A	Receiver tank [SILVAN] (Incl.No.2,3 & 39)	1	M31	US US US
1 -2	33100 37310	B	Receiver tank [SILVAN] (Incl.No.2,3 & 39)	1	M19-3	US US US
1 -2	33100 35210	B	Receiver tank [HOKUETSU] (Incl.No.2,39 & 40)	1	M 3-3	US
1	33100 35210		Receiver tank [HOKUETSU] (Incl.No.2,39 & 40)	1		US US
1 -1	33238 02400	C	Plug プラグ	1	M16-1	US US US
1 -1	33100 37210	B	Receiver tank [HOKUETSU] (Incl.No.2,3,39 & 40)	1	M19-2	US US US
1	33100 36410		Receiver tank [HOKUETSU] (Incl.No.2,39 & 40)	1		CE
1	33100 38510		Receiver tank [HOKUETSU] (Incl.No.2,3,39 & 40)	1		EXP. EXP. EXP.
1	33100 27011		Receiver tank (Incl.No.13,15,39,40 & 46)	1		EU EU
	33238 01300		Plug プラグ	1		EU EU
	35424 05600		Gasket ガスケット	1		EU EU
	02201 10030		Flange bolt フランジ 付ボルト	4		
2	* * *		Cap[SILVAN] キャップ	1		US US
2 -1	33231 03600	B	Cap[HOKUETSU] キャップ	1	M 3-3	US
2	33231 03600		Cap[HOKUETSU] キャップ	1		US
2	33231 02500		Cap キャップ	1		EU/CE EU
3	* * *		O-ring[SILVAN] O-リング	1		US US
3 -1	03402 20030	B	O-ring[HOKUETSU] O-リング	1	M 3-3	US
3	03402 20030		O-ring[HOKUETSU] O-リング	1		US
3	03402 20030		O-ring O-リング	1		EU/CE EU
4	03841 30015		Nylon tube,w/n ナット付ナイロンチューブ	1		
4 -1	03841 30018	B	Nylon tube,w/n ナット付ナイロンチューブ	1	M19-2	
	03734 21030		Nipple elbow ニップル エルボ	2		
5	03731 20004		Elbow エルボ	1		
6	03730 04080		Gas pipe ガスパイプ	1		US/CE US
6	03730 04080		Gas pipe ガスパイプ	1		EU EU
6 -1	03730 04100	A	Gas pipe ガスパイプ	1	M14	EU EU
	03425 00001	D	Vinyl clip ビニール クリップ	1	M14	EU EU
7	03735 13004		Valve バルブ	1		
8	03734 60144		Nipple ニップル	1		
9	03570 15008		Hose ホース	1		
10	37160 12110		Pipe パイプ	1		
10	37160 87300		Pipe パイプ	1		
10 -1	37160 19320	B	Pipe パイプ	1	M 1	US/CE
10 -1	37160 86510	B	Pipe[SILVAN] パイプ	1	M19	US
10 -2	37160 00610	B	Pipe[SILVAN] パイプ	1	M19-2	US
10 -1	37160 00610	B	Pipe[HOKUETSU] パイプ	1	M17-2	US
11	37185 24700		Nipple(Incl.No.12) ニップル	1		
11	GD920 12800		Nipple(Incl.No.12) ニップル	1		
12	03402 25029		O-ring O-リング	1		
12	03402 25044		O-ring O-リング	1		

33 - 00 RECEIVER,SEPARATOR & SERVICE HEADER

見出番号 Ref.NO.	部品番号 Part NO.	互換性 Inter- change ability	部 品 名 称 Part Name	数量 Q'ty	変 更 C/H	備 考 Remarks
						100S 130S 185S
13	33115 16800	C	Plate プレート	1	M19-2	US/CE US
	02201 08020	C	Flange bolt フランジ付ボルト	2	M19-2	US/CE US
13	33115 17500		Plate プレート	1		EU EU
	02138 08020		Bolt ボルト	2		EU EU
	03115 02008		Spring washer スプリングワッシャ	2		EU EU
	03116 12008		Plain washer プレーンワッシャ	2		EU EU
14	03731 42004		Nipple ニップル	1		
15	33136 05900		Plate プレート	1		EU EU
	02248 06012		Bolt,w/w ワッシャ付ボルト	2		EU EU
16	33310 54700		Pipe パイプ	1		
17	33512 01400		Nut ナット	1		
18	43322 04500		Cushoin クッション	1		EU
19	03425 00003		Vinyl clip ビニールクリップ	2		EU
	34 - 00		SEPARATOR GROUP セパレータグループ			
31	34210 26400		Casing ケーシング	1		
31 -1	34210 27100	B	Casing ケーシング	1	M30	
	03620 41002		Plug プラグ	3		US
	03620 41002	Q	Plug プラグ	1	M 1	
	03620 41002	Q	Plug プラグ	2	M 1	US
	03620 41002	Q	Plug プラグ	1	M19	US/CE
	03620 41002		Plug プラグ	2		EU EU
	03620 41002	C	Plug プラグ	2	M19	US
	02238 08030		Bolt,w/w ワッシャ付ボルト	4		
	03116 12008		Plain washer プレーンワッシャ	4		
32	34280 00101		Cover カバー	1		
	02283 08035		Socket bolt ソケットボルト	3		
	02283 08030		Socket bolt ソケットボルト	3		
	03115 30008		Lock washer ロックワッシャ	3		
33	03402 15060		O-ring O-リング	1		
34	34220 12802		Separator セパレータ	1		Incl.Plate
	39176 74400		Plate(caution) プレート	1		
35	34250 18301		Cover カバー	1		
	02283 10030		Socket bolt ソケットボルト	4		
	02283 10035	B	Socket bolt ソケットボルト	4	M41	
	03115 30010		Lock washer ロックワッシャ	4		
36	03402 15140		O-ring O-リング	1		
37	03729 12140		Gas pipe ガスパイプ	1		
38	03402 25040		O-ring O-リング	1		
39	34250 21900		Cover[SILVAN] カバー	1		US US
39 -1	34250 27400	B	Cover[SILVAN] カバー	1	M19-3	US US
39 -1	34250 25802	B	Cover[HOKUETSU] カバー	1	M 3-3	US
39	34250 25802		Cover[HOKUETSU] カバー	1		US
39	34250 26400		Cover[HOKUETSU] カバー	1		CE
39	34250 22200		Cover カバー	1		EU EU
40	34215 04700		Gasket[SILVAN] ガスケット	1		US US
40 -1	34215 04700	Q	Gasket[SILVAN] ガスケット	2	M18-1	- - US
40 -2	34215 05100	A	Gasket[SILVAN] ガスケット	2	M71	- - US
40 -3	03737 16802	B	Gasket[SILVAN] ガスケット	1	M19-3	US US
40 -1	03737 17008	B	Gasket[HOKUETSU] ガスケット	1	M 3-3	US
40 -2	03737 16802	A	Gasket[HOKUETSU] ガスケット	1	M71	US/CE

33 - 00 RECEIVER,SEPARATOR & SERVICE HEADER

見出番号 Ref.NO.	部品番号 Part NO.	互換性 Inter- change ability	部 品 名 称 Part Name	数量 Q'ty	変 更 C/H	備 考 Remarks
						100S 130S 185S
40	03737 17008		Gasket[HOKUETSU] ガasket	1		US
40 -1	03737 16802	A	Gasket[HOKUETSU] ガasket	1	M71	US
40	34215 04900		Gasket ガasket	1		EU EU
41	33260 05900		Bracket[SILVAN] ブラケット	1		US US
41 -1	33260 07000	B	Bracket[SILVAN] ブラケット	1	M19-3	US -
41 -1	33260 06600	B	Bracket[SILVAN] ブラケット	1	M18-1	- - US
41 -2	33260 06900	B	Bracket[SILVAN] ブラケット	1	M19-3	- - US
41 -1	33260 06500	B	Bracket[HOKUETSU] ブラケット	1	M 3-3	US/CE
41	33260 06500		Bracket[HOKUETSU] ブラケット	1		
41	33260 06400		Bracket[HOKUETSU] ブラケット	1		US
41	33260 05900		Bracket ブラケット	1		EU EU
	02201 08020		Flange bolt フランジ付ボルト	2		
	02915 00008		Hexagon flange nut フランジ付ナット	2		
42	03620 60006		Plug プラグ	1		
42 -1	03620 60006	C	Plug プラグ	1	M19	US/CE US
43	31120 13200	D	Shim シム	3	M 2	US US
43 -1	31120 14000	B	Shim シム	4	M30	US US
43 -2	31120 14000	C	Shim シム	4	M31	US/CE US
44	21222 09200	D	Washer ワッシャ	1	M 4	
44 -1	21222 09200	C	Washer ワッシャ	1	M 7	
45	03620 41002		Plug プラグ	1		US/CE
45	03620 41002	D	Plug プラグ	1	M19	US
46	02248 10030		Bolt,w/w ワッシャ付ボルト	5		
	02248 10035	C	Bolt,w/w(Bracket side) ワッシャ付ボルト	1	M 2	
46 -1	02135 10030	B	Bolt[SILVAN] ボルト	5	M 2	
	02135 10035	D	Bolt(Bracket side) ボルト	1	M 2	
	02135 10035	C	Bolt(Bracket side) ボルト	1	M 3-5	US US
	03115 02010	D	Spring washer スプリング ワッシャ	6	M 2	
	03116 12010	D	Plain washer プレーン ワッシャ	6	M 2	
46 -2	34262 03000	B	Bolt[SILVAN] ボルト	10	M19-3	US
	03115 02010	Q	Spring washer スプリング ワッシャ	10	M19-3	US
	03116 12010	Q	Plain washer プレーン ワッシャ	10	M19-3	US
	02138 10020	D	Bolt(Bracket side) ボルト	1	M19-3	US
	03115 02010	D	Spring washer(") スプリング ワッシャ	1	M19-3	US
	03116 12010	D	Plain washer(") プレーン ワッシャ	1	M19-3	US
46 -2	34262 02800	B	Bolt[SILVAN] ボルト	10	M18-1	US
46 -3	34262 03000	A	Bolt[SILVAN] ボルト	10	M19-2	US
	03115 02010	Q	Spring washer スプリング ワッシャ	10	M18-1	US
	03116 12010	Q	Plain washer プレーン ワッシャ	1	M18-1	US
	03116 12010	Q	Plain washer プレーン ワッシャ	9	M19-2	US
	21414 06000	D	Washer ワッシャ付ボルト	9	M18-1	US
	21414 06000	C	Washer ワッシャ付ボルト	9	M19-2	US
46 -2	34262 02800	B	Bolt[HOKUETSU] ボルト	10	M 3-3	US
46	02135 10035		Bolt[HOKUETSU] ボルト	10		CE
	03115 02010	Q	Spring washer スプリング ワッシャ	10	M 3-3	US/CE
	03116 12010	Q	Plain washer プレーン ワッシャ	10	M 3-3	US/CE
	02138 10020	D	Bolt(Bracket side) ボルト	1	M 3-3	US/CE
	03115 02010	D	Spring washer(") スプリング ワッシャ	1	M 3-3	US/CE
	03116 12010	D	Plain washer(") プレーン ワッシャ	1	M 3-3	US/CE

33 - 00 RECEIVER,SEPARATOR & SERVICE HEADER

見出番号 Ref.NO.	部品番号 Part NO.	互換性 Inter- change ability	部 品 名 称 Part Name	数量 Q'ty	変 更 C/H	備 考 Remarks
						100S 130S 185S
46	34262 02800		Bolt[HOKUETSU]	10		US
	03115 02010		Spring washer	10		US
	03116 12010		Plain washer	10		US
	02138 10020		Bolt(Bracket side)	1		US
	03115 02010		Spring washer(")	1		US
	03116 12010		Plain washer(")	1		US
47	34252 05100	D	Plate	1	M18-1	US
47 -1	34252 05100	C	Plate	1	M19-2	US
35 - 00		SERVICE HEADER GROUP				
71	35200 14100		Safety valve ass'y	1		US US
71	35200 16400		Safety valve ass'y	1		CE
	35210 00500		Washer	1		CE
72	37740 01400		Elbow	1		US US
72	37740 01600		Elbow	1		CE
73	35100 43102		Air manifold	1		
73	35100 44200		Air manifold	1		
73 -1	35100 45000	B	Air manifold	1	M19	US
	02201 08020		Flange bolt	4		
74	35421 00105		Air valve	2		
75	35300 16001		Press.Cont.Vlv.ass'y	1		
75 -1	35300 16102	A	Press.Cont.Vlv.ass'y	1	M 1	
	03620 41004	C	Plug	1	M 1	
	02135 10100		Bolt	4		
	03115 02010		Spring washer	4		
75 -2	35300 16102	C	Press.Cont.Vlv.ass'y (Const.No.76~80)	1	M19	US
	02135 10100	C	Bolt	4	M19	US
	03115 02010	C	Spring washer	4	M19	US
76	35301 19401		Body	1		US
76 -1	35301 19501	B	Body	1	M 1	US
76 -2	35301 19501	C	Body	1	M19	US
76	35301 19401		Body	1		EU
77	35302 04000		Cover	1		
77 -1	35302 04700	B	Cover	1	M17	
77 -2	35302 04700	C	Cover	1	M19	US
78	35303 04800		Piston	1		
78 -1	35303 04800	C	Piston	1	M19	US
79	03402 20036		O-ring	1		
79 -1	03402 20036	C	O-ring	1	M19	US
80	35304 02500		Spring	1		
80 -1	35304 03200	B	Spring	1	M17	
80 -2	35304 03200	C	Spring	1	M19	US
81	03739 09101		Gasket	1		
81 -1	03739 09101	C	Gasket	1	M19	US
82	37160 88010		Pipe	1		
82	37160 92110		Pipe	1		
82 -1	37160 93710		Pipe	1	M 5	
82 -2	37160 07820	B	Pipe	1	M19	US
83	03734 43080		Nipple	1		

33 - 00 RECEIVER,SEPARATOR & SERVICE HEADER

見出番号 Ref.NO.	部品番号 Part NO.	互換性 Inter- change ability	部 品 名 称 Part Name		数量 Q'ty	変 更 C/H	備 考 Remarks		
							100S	130S	185S
84	03734 43080		Nipple	ニップル	1				
84	03734 44008		Nipple elbow	ニップル エルボ	1				
84 -1	03734 43080	B	Nipple	ニップル	1	M19			US
85	03732 01208		Bush	ブッシュ	1				
86	03620 41008		Plug	プラグ	1				US
86	35421 00105		Air valve	エアバルブ	1				EU
87	35320 02800		Orifice	オリフィス	1				
87	35320 02000		Orifice	オリフィス	1				
	02249 08035		Bolt,w/w	ワッシャ付ボルト	2				
87	35320 02100	D	Orifice	オリフィス	1	M19			US
	02249 08035	D	Bolt,w/w	ワッシャ付ボルト	2	M19			US
88	03402 20042		O-ring	O-リング	1				
88	03402 20042	D	O-ring	O-リング	1	M19			US
89	03731 20008		Elbow	エルボ	1				
89	03731 20008	D	Elbow	エルボ	1	M19			US
90	35200 16400		Safety valve ass'y	安全弁	1			EU	EU
91	35210 00500		Washer	ワッシャ	1			EU	EU
92	03732 00302	D	Bush	ブッシュ	1	M19		US/CE	US
93	03731 42002	D	Nipple	ニップル	1	M19		US/CE	US
94	03735 13003	D	Valve	バルブ	1	M19		US/CE	US
95	03731 21003	D	Elbow	エルボ	1	M19		US/CE	US
96	03620 50008		Plug	プラグ	1				
96	03620 41008	C	Plug	プラグ	1	M 1		US	
96 -1	03620 41008	D	Plug	プラグ	1	M 5-2		US/CE	
96	03620 41008	D	Plug	プラグ	1	M19			US

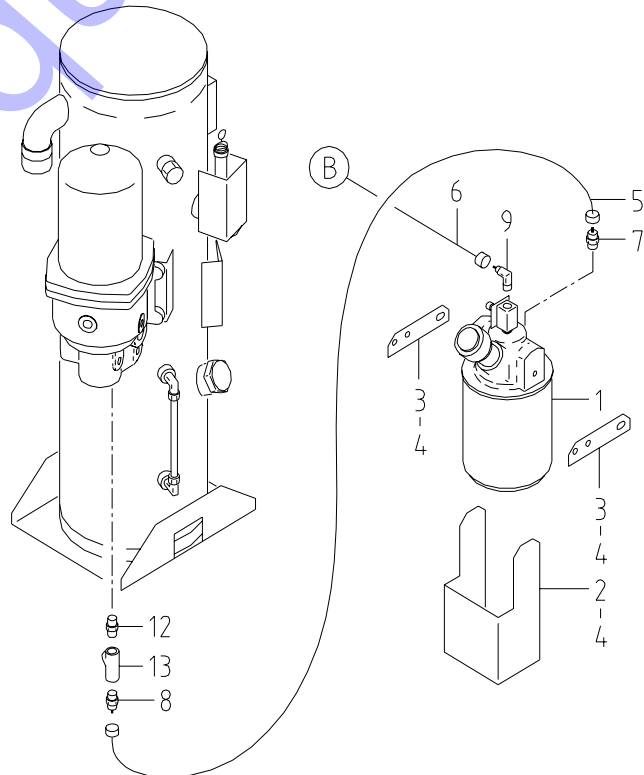
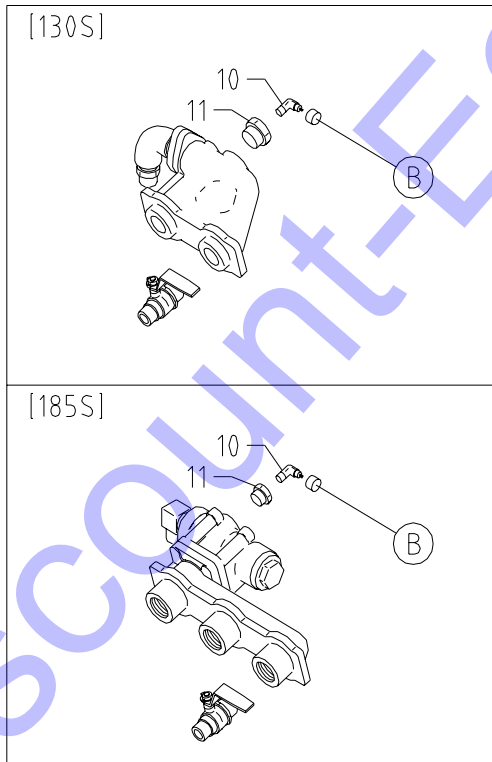
33 - 01 OILER (EU MODEL)

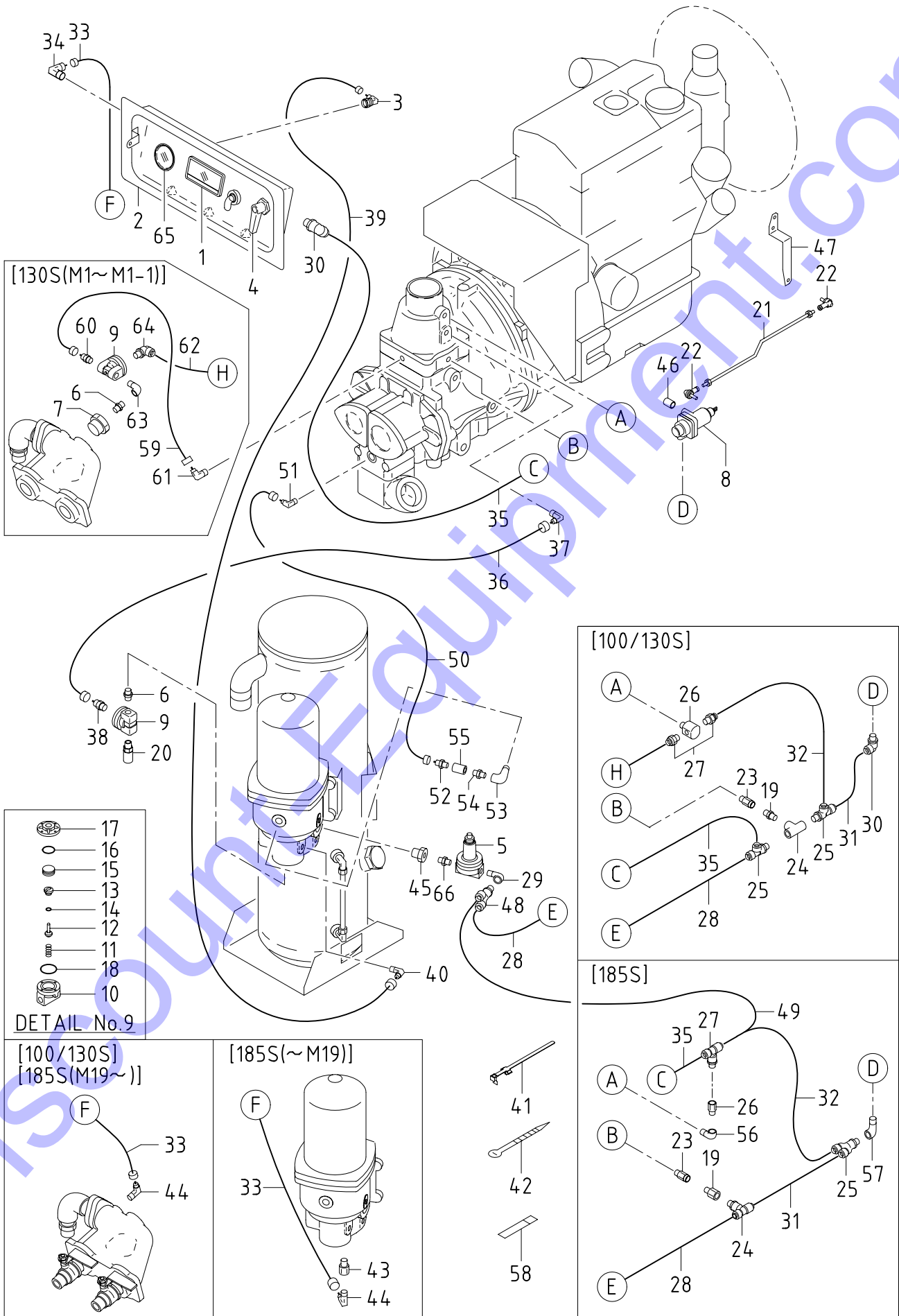
見出番号 Ref.NO.	部品番号 Part NO.	互換性 Inter- change ability	部 品 名 称 Part Name	数量 Q'ty	変更 C/H	備 考 Remarks
-----------------	------------------	------------------------------------	-------------------------------	------------	-----------	-------------------

130S 185S

35 - 01 SERVICE HEADER GROUP サービス ヘッダ グループ

1	35630 00100		Oiler	オイル	1	
2	35470 25000		Bracket	ブラケット	1	
3	35470 25100		Bracket	ブラケット	2	
	02201 10020		Flang bolt	フランジ付ボルト	2	
4	02201 08020		Flang bolt	フランジ付ボルト	8	
5	03841 20030		Nylon tube,w/n	ナット付ナイロンチューブ	1	
5	08341 20028		Nylon tube,w/n	ナット付ナイロンチューブ	1	
6	03841 20064		Nylon tube,w/n	ナット付ナイロンチューブ	1	
6 -1	03841 20070	A	Nylon tube,w/n	ナット付ナイロンチューブ	1	M14
6	03841 20084		Nylon tube,w/n	ナット付ナイロンチューブ	1	
7	03734 20201		Nipple	ニップル	1	
8	03734 20020		Nipple	ニップル	1	
9	03734 21201		Nipple elbow	ニップル エルボ	1	
10	03734 21020		Nipple elbow	ニップル エルボ	1	
11	03732 00802		Bush	ブッシュ	1	
11	03732 00402		Bush	ブッシュ	1	
12	03731 42002		Nipple	ニップル	1	
13	03731 30002		Tee	チー	1	
14	03734 20032		Nipple	ニップル	1	





36 - 00 AIR LINE

見出番号 Ref.NO.	部品番号 Part NO.	互換性 Inter- change ability	部 品 名 称 Part Name	数量 Q'ty	変 更 C/H	備 考 Remarks
	36 - 00		CONTROL GROUP			100S 130S 185S コントロール グループ
1	36100 06800		Instrument panel ass'y	1		
	36149 02700	C	Hour meter	1	M 1-1	
	52146 19400	C	Window glass	1	M 1-1	
	46161 10100	C	Pilot lamp (lamp ass'y)	1	M 1-1	
	02345 65020	C	Screw	4	M 1-1	
	03115 02005	C	Spring washer	4	M 1-1	
	03116 12005	C	Plain washer	4	M 1-1	
1 -1	36100 07200	B	Instrument panel ass'y	1	M 1-1	-
2	36110 81500		Instrument panel	1		
2 -1	36110 88600	B	Instrument panel	1	M15	
2 -2	36110 92500	B	Instrument panel	1	M 1-1	-
2 -3	36110 95300	B	Instrument panel	1	M79	-
	02915 00006		Hexagon flange nut	8		
	02915 00006		Hexagon flange nut	9		
3	36152 02500		Bushing	1		
3 -1	03734 21151	B	Nipple elbow	1	M149	US/CE
4	35421 01600		Air valve	1		
5	36400 19000		Regulator ass'y	1		
6	03731 42002		Nipple	1		
6 -1	03731 42002	Q	Nipple	2	M 1	US
6 -2	03731 42002	Q	Nipple	1	M 1-1	US/CE
7	03732 00802	D	Bush	1	M 1	US
7 -1	03732 00802	C	Bush	1	M 1-1	US
8	36400 17400		Regulator ass'y	1		
8 -1	36400 18901	B	Regulator ass'y	1	M 1-1	
8	36400 18901		Regulator ass'y	1		
	02238 08020		Bolt, w/w	2		
8 -1	36400 19200	B	Regulator ass'y	1	M19	US
	02138 08040	B	Bolt	2	M19	US
	03115 02008	D	Spring washer	2	M19	US
	03116 12008	D	Plain washer	2	M19	US
9	36600 03501		Auto(vacuum)-relief valve ass'y	1		Const.No.10 ~ 18
9 -1	36600 03501	Q	Auto(vacuum)-relief valve ass'y	2	M 1	US Const.No.10 ~ 18
9 -2	36600 03501	Q	Auto(vacuum)-relief valve ass'y	1	M 1-1	US/CE Const.No.10 ~ 18
10	36610 00401		Body	1		
11	22144 10600		Spring	1		
12	36429 00800		Needle valve	1		
13	36428 00700		Valve seat	1		
14	03402 25008		O-ring	1		
15	36623 00800		Piston	1		
16	03402 25021		O-ring	1		
17	36621 01401		Cover	1		
	02270 04012		Socket bolt, w/w	4		
18	21221 02100		O-ring	1		
19	03731 42002		Nipple	1		
19	37189 09700	C	Bushing	1	M 2	
20	35440 01702		Silencer	1		

36 - 00 AIR LINE

見出番号 Ref.NO.	部品番号 Part NO.	互換性 Inter- change ability	部 品 名 称 Part Name	数量 Q'ty	変 更 C/H	備 考 Remarks
						100S 130S 185S
21	36280 31200		Rod	1		
21 -1	36280 31600	B	Rod	1	M 1-1	
21	36280 29400		Rod	1		
21	36280 29100		Rod	1		
21 -1	36280 29301	B	Rod	1	M19	US
21 -2	36280 31500	B	Rod	1	M 7-1	US
	02912 08008		Nut	2		
22	36230 00600		Rod end ass'y	2		
	02915 00006		Hexagon flange nut	2		
	03116 12006		Plain washer	2		(Eng. side)
	02915 20006		Nut, w/w	2		
23	22200 07400		Check valve ass'y	1		
23 -1	22200 17200	A	Check valve ass'y	1	M139	
23	22200 15601		Check valve ass'y	1		
24	03731 30002		Tee	1		
24	03734 66020		Tee nipple	1		
25	03734 67020		Tee nipple	2		
25	03734 68020		Y-nipple	1		
25 -1	03734 65020	B	Nipple elbow	1	M19	US
26	37189 09700		Bushing	1		
26	37189 01400		Bushing	1		
26 -1	37731 09500	B	Nipple	1	M 1	US
26 -2	37189 01400	B	Bushing	1	M 1-1	US/CE
26 -1	37189 09700	B	Bushing	1	M19	US
27	03734 64020		Nipple	1		
27 -1	03734 64020	Q	Nipple	2	M 1	US
27 -2	03734 64020	Q	Nipple	1	M 1-1	US/CE
27	03734 66020		Tee nipple	1		
28	03890 20075		Nylon tube	1		
	44463 03400	C	Tube	1	M 3-1	
	44463 11900	D	Tube	1	M 3-1	
28	03890 20055		Nylon tube	1		
28 -1	03890 20061	A	Nylon tube	1	M 4	
	44463 03400	D	Tube	1	M10	
28 -2	03890 20045	B	Nylon tube	1	M 1	US
	44463 06900	B	Tube	1	M 1	US
28 -3	03890 20065	B	Nylon tube	1	M 2-1	US/CE
	44463 11900	B	Tube	1	M 2-1	US/CE
28	03890 20061		Nylon tube	1		
28 -1	03890 20078	B	Nylon tube	1	M19	US
	44463 11900	D	Tube	1	M10	
29	03731 21002		Elbow	1		
29 -1	03731 21002	C	Elbow	1	M 2-1	US/CE
30	03734 65020		Nipple elbow	2		
30	03734 65020		Nipple elbow	1		
31	03890 20024		Nylon tube	1		
	44463 10300		Tube	1		
31 -1	03890 20026	A	Nylon tube	1	M 3-1	
31 -2	03890 20025	B	Nylon tube	1	M 1-1	
	44463 17200	A	Tube	1	M 3-1	
31	03890 20028		Nylon tube	1		
31 -1	03890 20032	B	Nylon tube	1	M19	US

36 - 00 AIR LINE

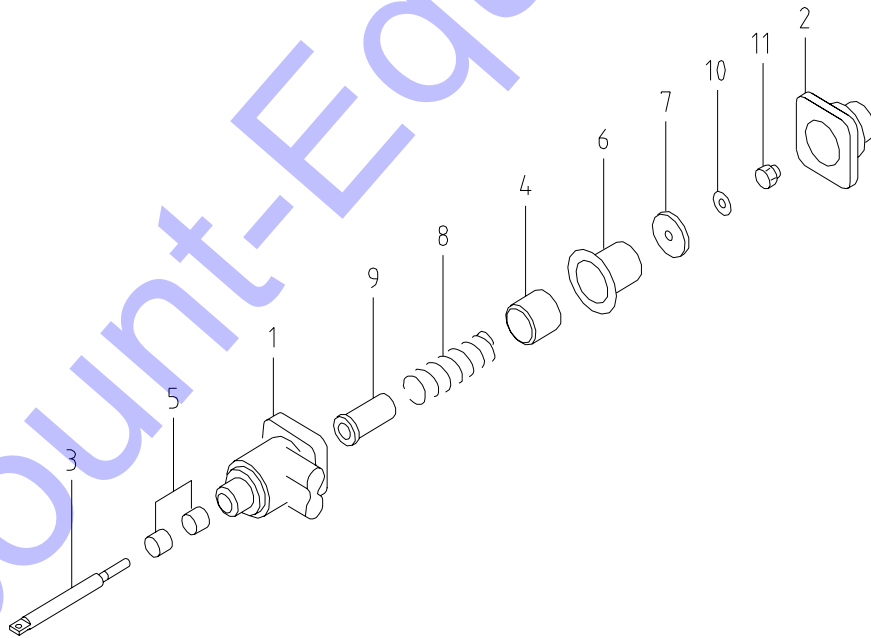
見出番号 Ref.NO.	部品番号 Part NO.	互換性 Inter- change ability	部 品 名 称 Part Name	数量 Q'ty	変 更 C/H	備 考 Remarks
						100S 130S 185S
32	03890 20018		Nylon tube	ナイロンチューブ	1	
32 -1	03890 20013	B	Nylon tube	ナイロンチューブ	1	M 1 - US
32 -2	03890 20018	B	Nylon tube	ナイロンチューブ	1	M 1-1 - US/CE
32	03890 20032		Nylon tube	ナイロンチューブ	1	
32 -1	03890 20028	B	Nylon tube	ナイロンチューブ	1	M21-1
32 -2	03890 20028	C	Nylon tube	ナイロンチューブ	1	M19 US
33	03840 30031		Nylon tube,w/n	ナット付ナイロンチューブ	1	
33	03840 30058		Nylon tube,w/n	ナット付ナイロンチューブ	1	US
33 -1	03840 30031	B	Nylon tube,w/n	ナット付ナイロンチューブ	1	M19 US
33	03840 30052		Nylon tube,w/n	ナット付ナイロンチューブ	1	EU
34	03734 21032		Nipple elbow	ニップルエルボ	1	
35	03890 20048		Nylon tube	ナイロンチューブ	1	
35 -1	03890 20059	B	Nylon tube	ナイロンチューブ	1	M 1-1
35	03890 20052		Nylon tube	ナイロンチューブ	1	
35	03890 20044		Nylon tube	ナイロンチューブ	1	
35 -1	03890 20046	A	Nylon tube	ナイロンチューブ	1	M19 US
36	03840 20044		Nylon tube,w/n	ナット付ナイロンチューブ	1	
36 -1	03840 20050	B	Nylon tube,w/n	ナット付ナイロンチューブ	1	M 1-1
36	03840 20043		Nylon tube,w/n	ナット付ナイロンチューブ	1	
36 -1	03840 20040	B	Nylon tube,w/n	ナット付ナイロンチューブ	1	M 1 US/CE
36	03840 20047		Nylon tube,w/n	ナット付ナイロンチューブ	1	
36 -1	03840 20048	A	Nylon tube,w/n	ナット付ナイロンチューブ	1	M19 US
37	03734 21020		Nipple elbow	ニップルエルボ	1	
38	03734 20020		Nipple	ニップル	1	
39	03840 15084		Nylon tube,w/n	ナット付ナイロンチューブ	1	
	44463 10300		Tube	チューブ	1	
39	03840 15090		Nylon tube,w/n	ナット付ナイロンチューブ	1	
	44463 07100		Tube	チューブ	1	
40	03734 21015		Nipple elbow	ニップルエルボ	1	
41	37181 03600	C	Clip	クリップ	1	M19
41	37181 03600		Clip	クリップ	1	
42	03425 00001		Vinyl clip	ビニールクリップ	3	
42 -1	03425 00001	Q	Vinyl clip	ビニールクリップ	5	M19
42	03425 00001		Vinyl clip	ビニールクリップ	3	
42 -1	03425 00001	Q	Vinyl clip	ビニールクリップ	5	M 1 US/CE
42	03425 00001		Vinyl clip	ビニールクリップ	4	
42 -1	03425 00001	Q	Vinyl clip	ビニールクリップ	5	M19 US
43	37189 15900	D	Bushing	ブッシング	1	M 9 US
43 -1	37189 15900	C	Bushing	ブッシング	1	M19 US
43	03731 42002		Nipple	ニップル	1	EU
	03731 30002		Tee(See page 33-7)	チー	1	EU
44	03734 21032		Nipple elbow	ニップルエルボ	1	US
44	03734 20032		Nipple	ニップル	1	EU
	37189 15900		Bushing	ブッシング	1	EU
45	03732 00602	D	Bush	ブッシュ	1	M19 US/CE US
46	03791 15002	D	Pipe	パイプ	2	M19 US

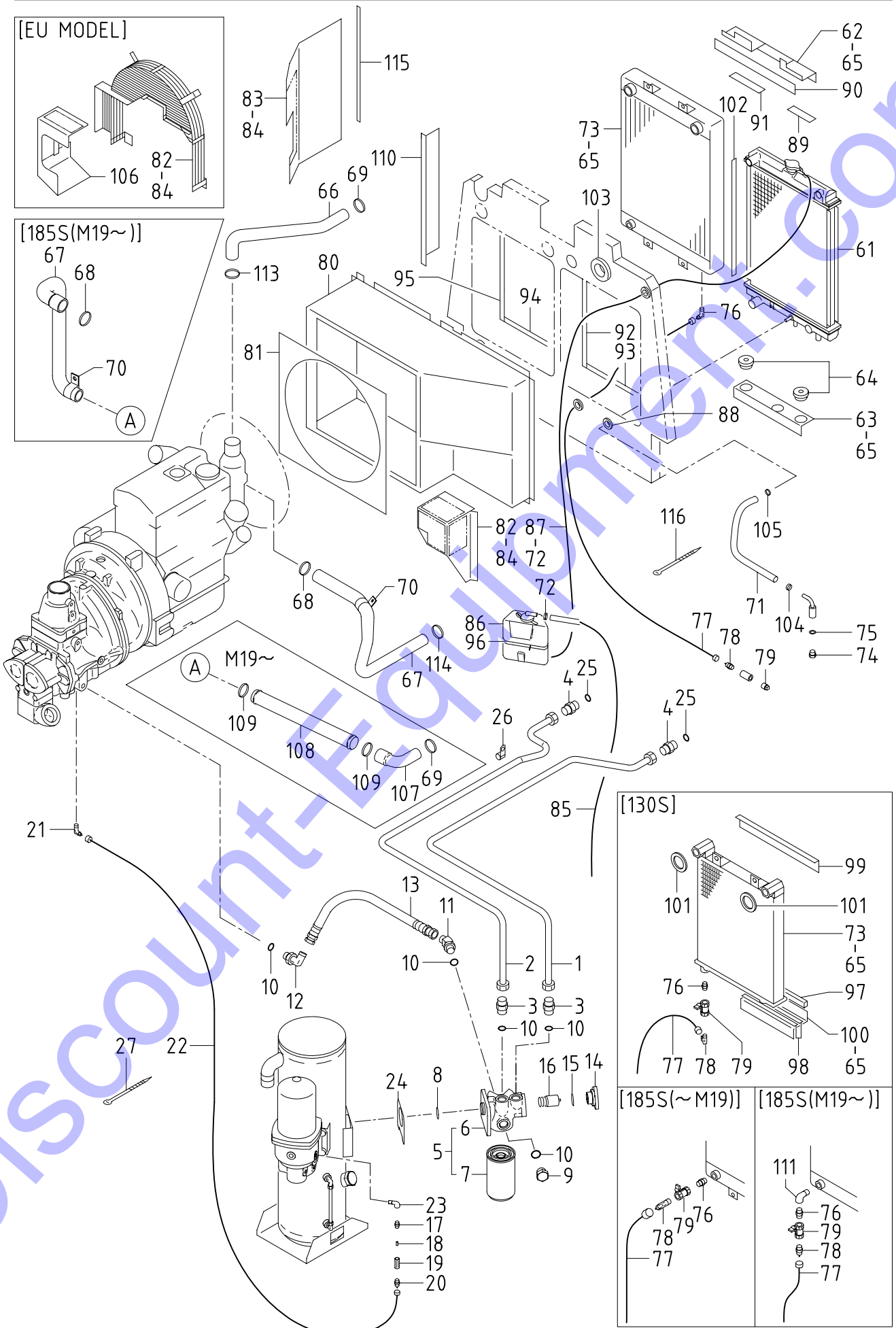
36 - 00 AIR LINE

見出番号 Ref.NO.	部品番号 Part NO.	互換性 Inter- change ability	部 品 名 称 Part Name	数量 Q'ty	変 更 C/H	備 考 Remarks
						100S 130S 185S
47	36221 03800	D	Lever	1	M 1-1	
	02138 05012	D	Bolt	2	M 1-1	
	02915 00005	D	Hexagon flange nut	2	M 1-1	
47	36221 03300	D	Lever	1	M 1	US/CE
	02138 05020	D	Bolt	2	M 1	US/CE
	02915 00005	D	Hexagon flange nut	2	M 1	US/CE
47	36260 11100	D	Lever	1	M19	US
47 -1	36260 12100	A	Lever	1	M 7-1	US
	02248 06016	D	Bolt,w/w	2	M19	US
48	03734 65020		Nipple elbow	1		
48 -1	03734 68020	B	Y-nipple	1	M19	US
49	03890 20070	D	Nylon tube	1	M19	US
	44463 11900	D	Tube	1	M19	US
50	03841 20140	D	Nylon tube,w/n	1	M19	US
	44463 17100	D	Tube	1	M19	US
51	03734 21023	D	Nipple elbow	1	M19	US
52	03734 20020	D	Nipple	1	M19	US
53	03731 21002	D	Elbow	1	M19	US
54	22200 07400	D	Check valve ass'y	1	M19	US
54 -1	22200 17200	A	Check valve ass'y	1	M139	US
55	03731 11002	D	Socket	1	M19	US
56	03731 21002	C	Elbow	1	M21-1	
57	03731 21002		Elbow	1		
57 -1	03731 21002	C	Elbow	1	M19	US
58	03424 80101	D	Clip	1	M19	US
59	03841 40047	D	Nylon tube,w/n	1	M 1	US
59 -1	03841 40047	C	Nylon tube,w/n	1	M 1-1	US
60	03734 20042	D	Nipple	1	M 1	US
60 -1	03734 20042	C	Nipple	1	M 1-1	US
61	03734 21042	D	Nipple elbow	1	M 1	US
61 -1	03734 21042	C	Nipple elbow	1	M 1-1	US
62	03890 20018	D	Nylon tube	1	M 1	US
62 -1	03890 20020	B	Nylon tube	1	M 2-1	US
62 -2	03890 20020	C	Nylon tube	1	M 1-1	US
63	03731 21002	D	Elbow	1	M 1	US
63 -1	03731 21002	C	Elbow	1	M 1-1	US
64	03734 65020	D	Nipple elbow	1	M 1	US
64 -1	03734 65020	C	Nipple elbow	1	M 1-1	US
65	36141 08000	D	Gauge,air press.	1	M 1-1	US/CE
65 -1	36141 18300	A	Gauge,air press.	1	M118	US/CE
65 -2	36141 18600	B	Gauge,air press.	1	M149	US/CE
	36131 03100	D	Cushion rubber	1	M118	US/CE
66	03731 42002		Nipple	1		

36 - 01 REGULATOR

見出番号 Ref.NO.	部品番号 Part NO.	互換性 Inter- change ability	部 品 名 称 Part Name	数量 Q'ty	変 更 C/H	備 考 Remarks
						100S 130S 185S
	36400 17400		REGULATOR ASS'Y	レギュレータ		
	36400 18901	B	REGULATOR ASS'Y	レギュレータ	M 1-1	
	36400 18901		REGULATOR ASS'Y	レギュレータ		
	36400 19200	B	REGULATOR ASS'Y	レギュレータ	M19	US
1	36421 03600		Body	ボディ	1	
2	36422 01501		Cap	キャップ	1	
	02283 06025		Socket bolt	ソケット ボルト	4	
	03115 40006		Spring washer	スプリング ワッシャ	4	
3	22152 04900		Shaft	シャフト	1	
4	22130 05500		Piston	ピストン	1	
5	23124 10300		Bushing	ブッシング	2	
6	36437 01500		Diaphragm	ダイヤフラム	1	
7	36435 01400		Washer	ワッシャ	1	
8	22144 08900		Spring	スプリング	1	
8 -1	22144 12800	B	Spring	スプリング	1 M 1-1	
8	22144 12800		Spring	スプリング	1	
9	31144 09800		Spacer	スペーサ	1	
9 -1	31144 09900	B	Spacer	スペーサ	1 M19	- - US
10	34232 00300		Gasket	ガスケット	1	
11	02914 60008		Locking nut	ロック ナット	1	





37 - 00 OIL LINE & COOLING

見出番号 Ref.NO.	部品番号 Part NO.	互換性 Inter- change ability	部 品 名 称 Part Name	数量 Q'ty	変 更 C/H	備 考 Remarks
	37 - 00		OIL LINE GROUP			100S 130S 185S オイルライングループ
1	37112 41501		Pipe	1		
1	37112 40100		Pipe	1		
1 -1	37112 42300	B	Pipe	1	M28	
1 -2	37112 45401	B	Pipe	1	M 1	US/CE
1	37112 40000		Pipe	1		
1 -1	37112 42400	B	Pipe	1	M19	US
2	37114 17901		Pipe	1		
2	37114 17100		Pipe	1		
2 -1	37114 18700	B	Pipe	1	M28	
2 -2	37114 21302	B	Pipe	1	M 1	US/CE
2	37114 17000		Pipe	1		
2 -1	37114 18900	B	Pipe	1	M19	US
3	03734 75060		Nipple(Incl.No.10)	2		
4	03734 70041		Nipple	2		
4	03734 75060		Nipple(Incl.No.25)	2		
5	37400 12600		Oil filter ass'y	1		
5 -1	37400 13000	B	Oil filter ass'y	1	M30	
5	37400 12500		Oil filter ass'y	1		
5 -1	37400 12900	B	Oil filter ass'y	1	M30	
			(Const.No.6~7)			
	02238 08030		Bolt,w/w	4		
	03116 12008		Plain washer	4		
6	37411 05300		Body	1		
	37429 00701	C	Valve ass'y	1	M30	(relief valve)
6 -1	37410 00600	B	Filter complete	1	M30	
			(Incl.relief valve)			
6	37411 04800		Body	1		
	37429 00701	C	Valve ass'y	1	M30	(relief valve)
6 -1	37410 00500	B	Filter complete	1	M30	
			(Incl.relief valve)			
7	37438 05201		Filter cartridge	1		
8	03402 25040		O-ring	1		
9	37430 00900		Plug	1		
10	03402 25024		O-ring	5		
11	GD920 14800		Nipple elbow(Incl.No.10)	1		
11	GD920 13100		Nipple elbow(Incl.No.10)	1		
12	GD920 14000		Nipple elbow(Incl.No.10)	1		
12	GD920 13600		Nipple elbow(Incl.No.10)	1		
13	37160 97200		Pipe	1		
13	37160 92700		Pipe	1		
14	37215 02602		Cover	1		
	02238 08030	C	Bolt,w/w	3	M27	
	02238 08025	D	Bolt,w/w	3	M27	
	03116 12008		Plain washer	3		

37 - 00 OIL LINE & COOLING

見出番号 Ref.NO.	部品番号 Part NO.	互換性 Inter- change ability	部 品 名 称 Part Name		数量 Q'ty	変 更 C/H	備 考 Remarks		
							100S	130S	185S
15	03402 15060		O-ring	O-リング	1				
16	37231 02100		Pelet ass'y	ペレット	1				
17	22200 07400		Check valve ass'y	チェックバルブ	1				
17 -1	22200 17200	A	Check valve ass'y	チェックバルブ	1	M139			
18	36580 00200		Filter	フィルタ	1				
19	37460 03200		Orifice	オリフィス	1				
20	03734 20201		Nipple	ニップル	1				
21	03734 21201		Nipple elbow	ニップルエルボ	1				
21	03734 21020		Nipple elbow	ニップルエルボ	1				
22	03841 20100		Nylon tube,w/n	ナット付ナイロンチューブ	1				
22 -1	03841 20086	A	Nylon tube,w/n	ナット付ナイロンチューブ	1	M 3-1			
22	03841 20054		Nylon tube,w/n	ナット付ナイロンチューブ	1				
	44463 07700		Tube	チューブ	1				
22 -1	03841 20064	B	Nylon tube,w/n	ナット付ナイロンチューブ	1	M49-1			
	44463 03400	B	Tube	チューブ	1	M49-1			
22	03841 20056		Nylon tube,w/n	ナット付ナイロンチューブ	1				US
	44463 06900		Tube	チューブ	1				US
22	03841 20060		Nylon tube,w/n	ナット付ナイロンチューブ	1				EU
	44463 07700		Tube	チューブ	1				EU
22 -1	03841 20066	B	Nylon tube,w/n	ナット付ナイロンチューブ	1	M49-1			
	44463 03400	B	Tube	チューブ	1	M49-1			
23	03731 21002		Elbow	エルボ	1				
24	31120 13300	D	Shim	シム	3	M 2		US	US
24 -1	31120 14000	B	Shim	シム	4	M30		US	US
24 -2	31120 14000	C	Shim	シム	4	M31		US	US
25	03402 25024		O-ring	O-リング	2				
26	37181 05000		Clip	クリップ	2				
	02201 08020		Flange bolt	フランジ付ボルト	2				
	02915 00008		Hexagon flange nut	フランジ付ナット	2				
26	37181 05000		Clip	クリップ	4				
	02201 08020		Flange bolt	フランジ付ボルト	4				
	02915 00008		Hexagon flange nut	フランジ付ナット	4				
27	03425 00005		Vinyl clip	ビニールクリップ	1				

38 - 00 COOLING GROUP ケーリング グループ

61	38100 40200		Radiator	ラジエータ	1				
	38410 06100		Cap	キャップ	1				
61	38100 39900		Radiator	ラジエータ	1				
61 -1	38100 41200	B	Radiator	ラジエータ	1	M22			
61	38100 40000		Radiator	ラジエータ	1				
61 -1	38100 41300	B	Radiator	ラジエータ	1	M22			
	38410 05700		Cap	キャップ	1				
62	38420 73001		Bracket	ブラケット	1				
62 -1	38420 83900	B	Bracket	ブラケット	1	M 1		US/CE	-
63	38420 74700		Bracket	ブラケット	1				
63	38420 73600		Bracket	ブラケット	1				
63 -1	38420 76500	B	Bracket	ブラケット	1	M 2			
64	31131 05000		Rubber	ラバー	2				
64	31131 04900		Rubber	ラバー	2				
65	02201 08020		Flange bolt	フランジ付ボルト	6				
65	02201 08020		Flange bolt	フランジ付ボルト	8				

37 - 00 OIL LINE & COOLING

見出番号 Ref.NO.	部品番号 Part NO.	互換性 Inter- change ability	部 品 名 称 Part Name	数量 Q'ty	変 更 C/H	備 考 Remarks
						100S 130S 185S
66	38524 55600		Hose(upper)	1		
66 -1	38524 64100	B	Hose(upper)	1	M 1	
66	38524 53400		Hose(upper)	1		
66 -1	38524 63501	B	Hose(upper)	1	M 1	US/CE
66	38524 55400		Hose(upper)	1		
66 -1	38524 54600	B	Hose(upper)	1	M19	US
67	38524 59800		Hose(lower)	1		
67 -1	38524 64200	B	Hose(lower)	1	M 1	
67	38524 53501		Hose(lower)	1		
67 -1	38524 63600	B	Hose(lower)	1	M 1	US/CE
67	38524 55300		Hose(lower)	1		
67 -1	38524 54500	B	Hose(lower)	1	M19	US
68	03511 20045		Hose clip	1		
68 -1	03511 20050	B	Hose clip	1	M19	US/CE US
69	03511 20045		Hose clip	1		
69	03511 20040		Hose clip	1		
70	03424 80069		Clip	1		
70 -1	03424 80231	B	Clip	1	M 1	
70	43322 04500		Cushion	1		
	03425 00005		Vinyl clip	2		
70 -1	43322 04400	B	Cushion	1	M 1	US/CE
	03425 00003	B	Vinyl clip	1	M 1	US
	03425 00003	Q	Vinyl clip	3	M 2-1	US/CE
	03425 00001	D	Vinyl clip	1	M 2-1	US/CE
70	03424 80214		Clip	1		
	02201 08020	C	Flange bolt	1	M19	US
	02905 00008	C	Hexagon flange nut	1	M19	US
	02201 08012		Flange bolt	1		EU
70 -1	03424 80218	B	Clip	1	M19	US
	03116 12008	D	Plain washer	1	M19	US
71	03611 08072		Hose	1		
71 -1	03611 08070		Hose	1	M 1	
71	38594 04900		Hose	1		
71 -1	38466 06500	A	Hose	1	M 8	
71 -2	03611 08046	B	Hose	1	M 1	US/CE
71	38594 03800		Hose	1		
71 -1	38466 06700	A	Hose	1	M 8	
71 -2	03611 08039	B	Hose	1	M19	US
72	03511 40018		Hose clip	2		
72	03511 40016		Hose clip	2		
72	03511 40016		Hose clip	3		
73	38200 32000		Oil cooler	1		
73	38200 31601		Oil cooler	1		
73 -1	38200 35300	B	Oil cooler	1	M28	
73 -2	38200 37700	B	Oil cooler	1	M 1	US/CE
73	38200 32500		Oil cooler	1		
74	03620 20010		Plug	1		
75	03407 14010		Gasket	1		
76	03731 21030		Nipple elbow	1		
76	03731 42003		Nipple	1		US
76 -1	03731 20030	B	Nipple	1	M13-1	US -
76	03731 20030		Nipple	1		CE

37 - 00 OIL LINE & COOLING

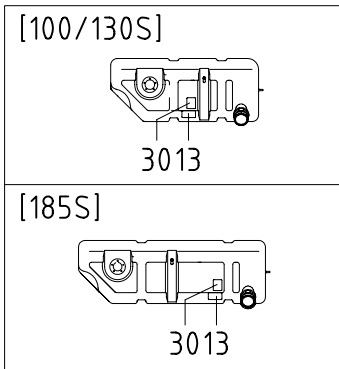
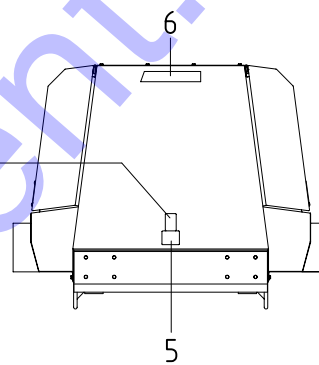
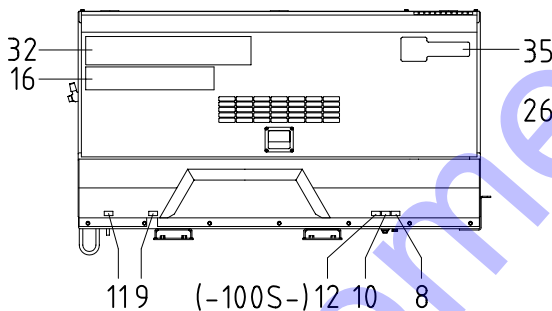
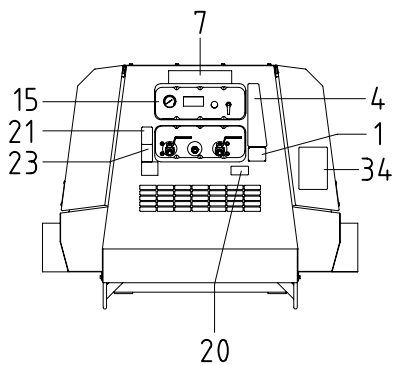
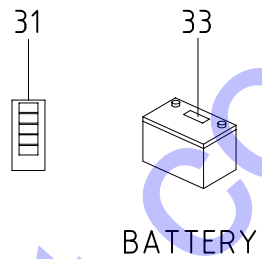
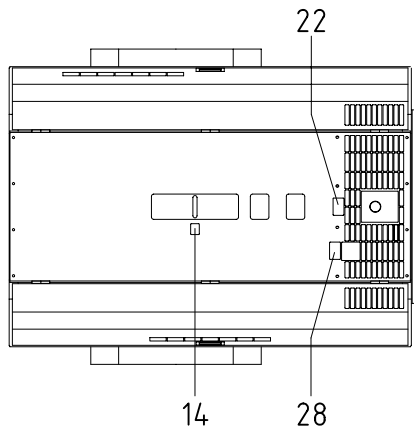
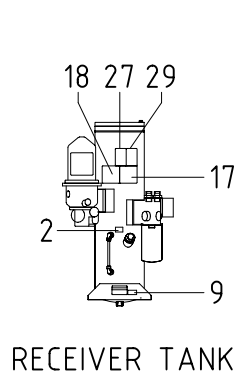
見出番号 Ref. NO.	部品番号 Part NO.	互換性 Inter- change ability	部 品 名 称 Part Name	数量 Q'ty	変 更 C/H	備 考 Remarks
						100S 130S 185S
77	03851 30080		Nylon tube, w/n ナット付ナイロン チューブ	1		◎
77 -1	03841 30076	B	Nylon tube, w/n ナット付ナイロン チューブ	1	M 1	◎
77	03851 30035		Nylon tube, w/n ナット付ナイロン チューブ	1		◎
77 -1	03851 30032	B	Nylon tube, w/n ナット付ナイロン チューブ	1	M28	◎
77 -2	03851 30038	B	Nylon tube, w/n ナット付ナイロン チューブ	1	M 1	US
77 -3	03841 30090	B	Nylon tube, w/n ナット付ナイロン チューブ	1	M13-1	US
	44463 05300	D	Tube Tube	1	M13-1	US
77	03841 30090		Nylon tube, w/n ナット付ナイロン チューブ	1		CE
77	03841 30045		Nylon tube, w/n ナット付ナイロン チューブ	1		◎
77 -1	03841 30035	B	Nylon tube, w/n ナット付ナイロン チューブ	1	M19	US
78	03734 21032		Nipple elbow ニップル エルボ	1		◎
78	03734 21030		Nipple elbow ニップル エルボ	1		US ◎
78 -1	03734 20032	B	Nipple ニップル	1	M13-1	US
78 -1	03734 20030	B	Nipple ニップル	1	M19	US
78	03734 20032		Nipple ニップル	1		CE
79	03620 41002		Plug プラグ	1		◎
79	03735 13003		Valve バルブ	1		US ◎
79 -1	03620 41002	B	Plug プラグ	1	M13-1	US
80	38440 82200	C	Shroud, fan ファン シュラウド	1	M 2	◎
	02915 00006	C	Hexagon flange nut フランジ 付ナット	11	M 2	◎
80	38440 81500	C	Shroud, fan ファン シュラウド	1	M 2	◎
	02915 00006	C	Hexagon flange nut フランジ 付ナット	14	M 2	◎
80	38440 82602	C	Shroud, fan ファン シュラウド	1	M 2	◎
	02915 00006	C	Hexagon flange nut フランジ 付ナット	12	M 2	◎
81	38440 82300		Shroud, fan ファン シュラウド	1		◎
81 -1	38440 94301	B	Shroud, fan ファン シュラウド	1	M 1	◎
81 -2	38440 05110	A	Shroud, fan ファン シュラウド	1	M166	◎
	02248 06016	D	Bolt, w/w ワッシャ付ボルト	8	M 1	◎
81	38440 82100		Shroud, fan ファン シュラウド	1		US
81 -1	38440 92800	B	Shroud, fan ファン シュラウド	1	M 1	US
81 -2	38440 95200	B	Shroud, fan ファン シュラウド	1	M 4-1	US/CE
81 -3	38440 02110	B	Shroud, fan ファン シュラウド	2	M13-1	US/CE
	02248 06012		Bolt, w/w ワッシャ付ボルト	10		US/CE
81	38440 85400		Shroud, fan ファン シュラウド	1		EU
	02248 06012		Bolt, w/w ワッシャ付ボルト	8		EU
81	38440 82700		Shroud, fan ファン シュラウド	1		US
81 -1	38440 89200	B	Shroud, fan ファン シュラウド	1	M19	US
	02248 06012		Bolt, w/w ワッシャ付ボルト	6		US
81	38440 85500		Shroud, fan ファン シュラウド	1		EU
	02248 06012		Bolt, w/w ワッシャ付ボルト	9		EU
82	38450 54500		Guard, fan ファン ガード	1		US
82 -1	38450 67701	B	Guard, fan ファン ガード	1	M 1	US
82 -2	38450 71900	B	Guard, fan ファン ガード	1	M 5-2	US
82	38450 76101		Guard, fan ファン ガード	1		CE
82	38450 58401		Guard, fan ファン ガード	1		EU
82	38450 54900		Guard, fan ファン ガード	1		US
82 -1	38450 64501	B	Guard, fan ファン ガード	1	M19	US
82	38450 58502		Guard, fan ファン ガード	1		EU
83	38450 58200		Guard, fan ファン ガード	1		◎
83 -1	38450 71301	B	Guard, fan ファン ガード	1	M 1	◎
	02915 00006		Hexagon flange nut フランジ 付ナット	3		◎

37 - 00 OIL LINE & COOLING

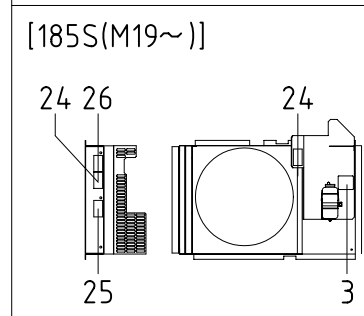
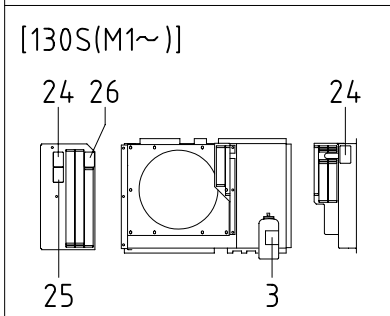
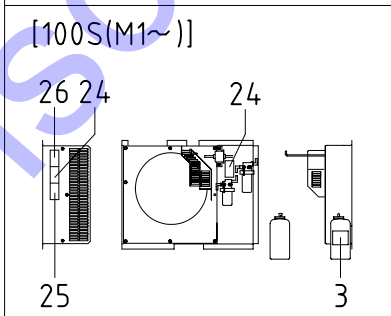
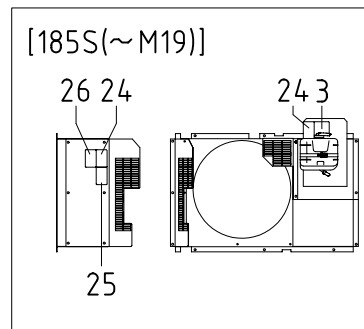
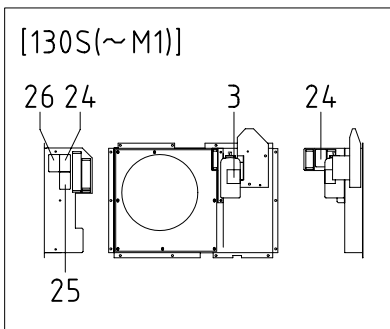
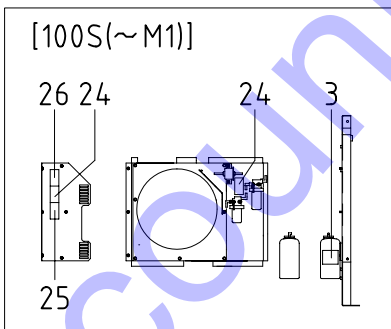
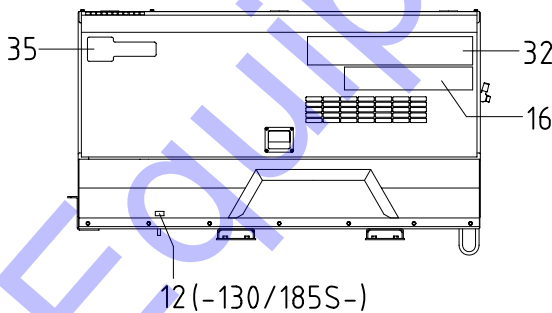
見出番号 Ref.NO.	部品番号 Part NO.	互換性 Inter- change ability	部 品 名 称 Part Name	数量 Q'ty	変 更 C/H	備 考 Remarks
						100S 130S 185S
83	38450 53501		Guard, fan ファン ガード	1		US
83 -1	38450 58100	B	Guard, fan ファン ガード	1	M16	US
83 -2	38450 67801	B	Guard, fan ファン ガード	1	M 1	US
83 -3	38450 72100	B	Guard, fan ファン ガード	1	M 5-2	US
	02915 00006	C	Hexagon flange nut フランジ 付ナット	3	M 5-2	US
83 -4	38450 77700	B	Guard, fan ファン ガード	1	M13-1	US
	02915 00006	D	Hexagon flange nut フランジ 付ナット	3	M13-1	US
83	38450 76201		Guard, fan ファン ガード	1		CE
	38450 76301		Guard, fan ファン ガード	1		CE
	02915 00006		Hexagon flange nut フランジ 付ナット	3		CE
83	38450 59601		Guard, fan ファン ガード	1		EU
83 -1	38450 61400	B	Guard, fan ファン ガード	1	M16	EU
	02915 00006		Hexagon flange nut フランジ 付ナット	3		EU
83	38450 55000		Guard, fan ファン ガード	1		US
83 -1	38450 64300	B	Guard, fan ファン ガード	1	M19	US
83	38450 58700		Guard, fan ファン ガード	1		EU
84	02248 06012		Bolt, w/w ワッシャ付ボルト	3		
84 -1	02248 06012	Q	Bolt, w/w ワッシャ付ボルト	4	M 1	
84	02248 06012		Bolt, w/w ワッシャ付ボルト	13		
84 -1	02201 06016	B	Flange bolt フランジ 付ボルト	7	M 1	US
84	02201 06016		Flange bolt フランジ 付ボルト	11		CE
84	02248 06012		Bolt, w/w ワッシャ付ボルト	9		
84 -1	02248 06012	Q	Bolt, w/w ワッシャ付ボルト	6	M19	US
85	38594 05000		Hose ホース	1		
85 -1	38594 02600	B	Hose ホース	1	M19	US
86	38590 01300		Reserve tank ass'y リザーブ タンク	1		
86	38590 01200		Reserve tank ass'y リザーブ タンク	1		
87	38594 05100		Hose ホース	1		
87 -1	38594 03700	B	Hose ホース	1	M11-2	
87	38594 02300		Hose ホース	1		
87 -1	38594 02000	B	Hose ホース	1	M 1	US/CE
87	38594 02900		Hose ホース	1		
87 -1	38594 02800	B	Hose ホース	1	M19	US
	44463 07000		Tube チューブ	1		
	44463 07000	C	Tube チューブ	1	M19	US
	03425 00001		Vinyl clip ビニール クリップ	1		
	03425 00001	C	Vinyl clip ビニール クリップ	1	M19	US
88	03403 00303		Grommet グロメット	1		
88	03403 00303		Grommet グロメット	2		US
88 -1	03403 00303	Q	Grommet グロメット	3	M13-1	US -
88	03403 00303		Grommet グロメット	3		CE
89	03407 67307		Seal rubber シール ラバー	1		
89	03407 65425		Seal rubber シール ラバー	1		
90	03407 66410		Seal rubber シール ラバー	1		
90	03407 67313		Seal rubber シール ラバー	1		
91	03407 67312		Seal rubber シール ラバー	1		
91	03407 65426		Seal rubber シール ラバー	1		
92	03407 67414		Seal rubber シール ラバー	2		
92	03407 67413		Seal rubber シール ラバー	2		
92	03407 67405		Seal rubber シール ラバー	2		
93	03407 66866		Seal rubber シール ラバー	2		
93	03407 66941		Seal rubber シール ラバー	2		
93	03407 66936		Seal rubber シール ラバー	2		

37 - 00 OIL LINE & COOLING

見出番号 Ref.NO.	部品番号 Part NO.	互換性 Inter- change ability	部 品 名 称 Part Name	数量 Q'ty	変 更 C/H	備 考 Remarks
						100S 130S 185S
94	03407 66851		Seal rubber シール ラバ -	2		
94	03407 66938		Seal rubber シール ラバ -	2		
94 -1	03407 66940	B	Seal rubber シール ラバ -	2	M 1	US/CE
94	03407 66819		Seal rubber シール ラバ -	2		
95	03407 66867		Seal rubber シール ラバ -	2		
95	03407 66932		Seal rubber シール ラバ -	2		
95	03407 66842		Seal rubber シール ラバ -	2		
96	03511 30155		Hose clip ホース クリップ	1		
97	03407 67310	C	Seal rubber シール ラバ -	1	M28	
98	03407 66938	C	Seal rubber シール ラバ -	2	M28	
99	38420 73802	C	Bracket ブラケット	1	M28	
	02249 06016	C	Bolt,w/w ワッシャ付ボルト	4	M26	
	02249 06016	D	Bolt,w/w ワッシャ付ボルト	6	M26	
	02249 06016	C	Bolt,w/w ワッシャ付ボルト	6	M28	
100	38420 73900	C	Bracket ブラケット	1	M28	
101	52728 95600	C	Cushion rubber クッション ラバ -	2	M28	
101 -1	35623 03000	D	Cushion rubber クッション ラバ -	2	M 1	US/CE
102	03407 67405		Seal rubber シール ラバ -	1		
103	03403 00703	D	Grommet グロメット	1	M 2	
104	03511 40016		Hose clip ホース クリップ	1		
104 -1	03511 40018	A	Hose clip ホース クリップ	1	M 8	
104	03511 40013		Hose clip ホース クリップ	1		
104 -1	03511 40018	A	Hose clip ホース クリップ	1	M 8	
105	03511 40016		Hose clip ホース クリップ	1		
105 -1	03511 40018	A	Hose clip ホース クリップ	1	M 8	
106	38454 53800		Plate プレート	1		EU EU
	02248 06012		Bolt,w/w ワッシャ付ボルト	3		EU EU
107	38524 54400	D	Hose ホース	1	M19	US
108	38510 33000	D	Pipe パイプ	1	M19	US
109	03511 20045	D	Hose clip ホース クリップ	2	M19	US
110	38441 87000	D	Plate プレート	1	M19	US
	02248 06012	D	Bolt,w/w ワッシャ付ボルト	3	M19	US
	02915 00006	D	Hexagon flange nut フランジ 付ナット	2	M19	US
111	03731 21003	D	Elbow エルボ	1	M19	US
112	* * *					
113	03511 20045		Hose clip ホース クリップ	1		
113 -1	03511 20050	B	Hose clip ホース クリップ	1	M19	- - US
114	03511 20045		Hose clip ホース クリップ	1		
114	03511 20040		Hose clip ホース クリップ	1		
114 -1	03511 20045	B	Hose clip ホース クリップ	1	M 1	US/CE
115	03407 64833	D	Seal rubber シール ラバ -	1	M 5-2	US
115 -1	03407 64833	C	Seal rubber シール ラバ -	1	M13-1	US
116	03425 00005		Vinyl clip ビニール クリップ	1		CE
116	03425 00005	D	Vinyl clip ビニール クリップ	1	M13-1	US



FUEL TANK



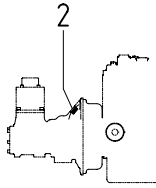
FAN SHROUD

39 - 00 NEME PLATE (US MODEL)

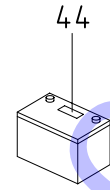
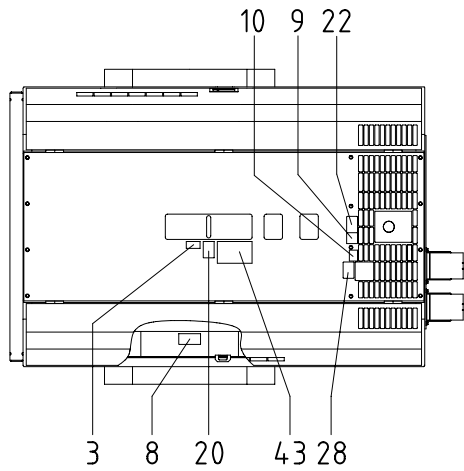
見出番号 Ref.NO.	部品番号 Part NO.	互換性 Inter- change ability	部 品 名 称 Part Name	数量 Q'ty	変 更 C/H	備 考 Remarks
	39 - 00		ACCESSORY GROUP			100S 130S 185S アクセサリグループ
	39600 14520		Instruction book			取扱説明書
	39600 34921	B	Instruction book		M 9-1	取扱説明書
	39600 50820	B	Instruction book		M32	取扱説明書
	39600 60920	B	Instruction book		M49-2	取扱説明書
	39600 43520	B	Instruction book		M19	取扱説明書
	39600 49722	B	Instruction book		M11-1	取扱説明書
	39600 62420	B	Instruction book		M 1-1	取扱説明書
	39600 64220	B	Instruction book		M49-1	取扱説明書
	39600 99720	B	Instruction book		M166	取扱説明書
	39615 00400		Instruction book			取扱説明書(Eng.)
	39615 04100	B	Instruction book		M19	取扱説明書(Eng.)
	39616 00200		Parts catalog			パーツカタログ(Eng.)
	39616 03000	B	Parts catalog		M19	パーツカタログ(Eng.)
	39616 04200	A	Parts catalog		M 6-1	パーツカタログ(Eng.)
	39615 00600		Instruction book			取扱説明書(Eng.)
	39615 04100	B	Instruction book		M19	取扱説明書(Eng.)
	39616 00300		Parts catalog			パーツカタログ(Eng.)
	39616 02700	B	Parts catalog		M19	パーツカタログ(Eng.)
	39615 00800		Instruction book			取扱説明書(Eng.)
	39615 02000	B	Instruction book		M19	取扱説明書(Eng.)
	39616 00400		Parts catalog			パーツカタログ(Eng.)
	39616 01400	B	Parts catalog		M19	パーツカタログ(Eng.)
	39616 03500	A	Parts catalog		M22-2	パーツカタログ(Eng.)
1	39103 10810		Plate(SER.NO.)	1		プレート
	03260 03010		Blind rivet	4		リベット
2	39141 01100	C	Plate(oil filler)	1	M 3	プレート
3	39178 00310		Plate(LLC)	1		プレート
4	39153 57600		Plate(start-stop)	1		プレート
5	39178 37310		Plate	1		プレート
			(caution,tow machine)			
6	39170 02000		Mark (AIRMAN)	1		マーク
7	39178 47510		Plate(AIRMAN)	1		プレート
8	39189 03600		Plate(eng.oil drain)	1		プレート
8 -1	39189 17300	Z	Plate	1	M 3	プレート
9	39189 03500		Plate(receiver drain)	1		プレート
9 -1	39189 17500	Z	Plate	1	M 3	プレート
9 -2	39189 19100	Z	Plate	2	M33	プレート
			(receiver oil drain)			
10	39189 05400		Plate(radiator drain)	1		プレート
10 -1	39189 17200	Z	Plate	1	M 3	プレート
11	39189 03300		Plate(fuel drain)	1		プレート
11 -1	39189 17100	Z	Plate	1	M 3	プレート
12	39189 12800		Plate	1		プレート
			(oil cooler drain)			
12 -1	39189 17400	Z	Plate	1	M 3	プレート
13	39178 72500		Plate(diesel fuel)	1		プレート
14	39176 69300		Plate(lift position)	1		プレート

39 - 00 NEME PLATE (US MODEL)

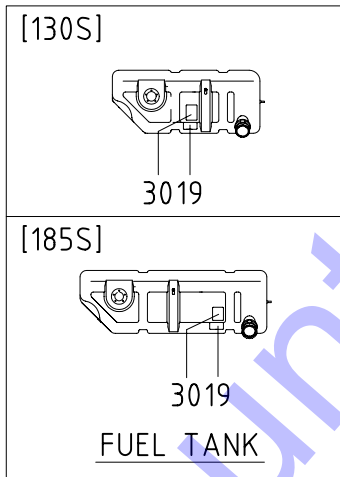
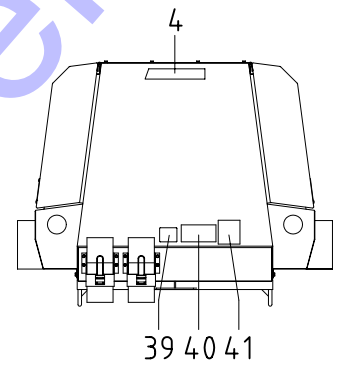
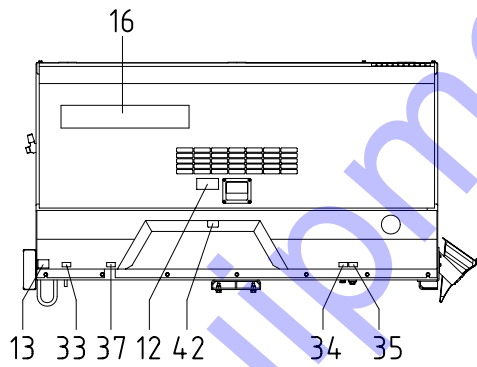
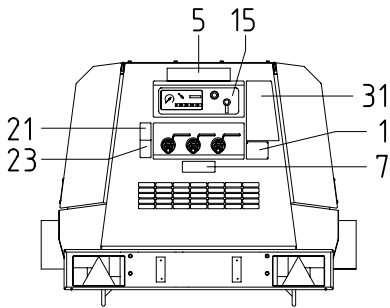
見出番号 Ref.NO.	部品番号 Part NO.	互換性 Inter- change ability	部 品 名 称 Part Name	数量 Q'ty	変 更 C/H	備 考 Remarks
						100S 130S 185S
15	39178 00820		Plate(in-pane) プレート	1		
15 -1	39178 27420	B	Plate プレート	1	M15	
15 -2	39178 32320	B	Plate プレート	1	M17-1	
15 -3	39178 59220	B	Plate プレート	1	M 1-1	
15 -4	39178 81820	B	Plate プレート	1	M79	
16	39178 22620		Plate(PDS100S) プレート	2		
16	39178 01820		Plate(PDS130S) プレート	2		
16	39178 01120		Plate(PDS185S) プレート	2		
17	39147 02800		Plate(comp.oil) プレート	1		
18	39176 72100		Plate プレート	1		
			(caution, strainer)			
19	* * *					
20	39178 43110		Plate(california) プレート	1		
21	39176 73600		Plate プレート	1		
			(danger, compressed air)			
22	39176 73300		Plate プレート	1		
			(warning, exhaust gases)			
23	39176 73400		Plate プレート	1		
			(warning, compressed air)			
24	39176 73500		Plate プレート	2		
			(warning, cooling fan)			
24	39176 73500		Plate プレート	1		
24 -1	39176 73500	Q	Plate プレート	2	M10	
			(warning, cooling fan)			
25	39176 73800		Plate プレート	1		
			(caution, fan-belt)			
26	39176 69500		Plate プレート	1		
26 -1	39176 69500	Q	Plate プレート	2	M 2	
			(caution, high temp.)			
27	39176 69700		Plate(caution, fire) プレート	1		
28	39176 69600		Plate プレート	1		
			(caution, radiator cap)			
29	39176 69800		Plate プレート	1		
			(warning, compressed air)			
30	39176 35600		Plate(No fire) プレート	1		
31	39173 00700	D	Plate, complete プレート(1セット)	1	M 3	Const.No.8 ~ 12
31 -1	39173 02100	A	Plate, complete プレート(1セット)	1	M33	Const.No.8 ~ 12
32	39178 83700	D	Plate(AIRMAN) プレート	2	M21	
33	39176 50000		Plate(warning, battery) プレート	1		
34	39178 35620	D	Plate(MMD) プレート	1	M22-1	
34 -1	39178 35620	C	Plate プレート	1	M168	
35	39178 35720	D	Plate(MMD) プレート	2	M22-1	
35 -1	39178 35720	C	Plate プレート	2	M168	



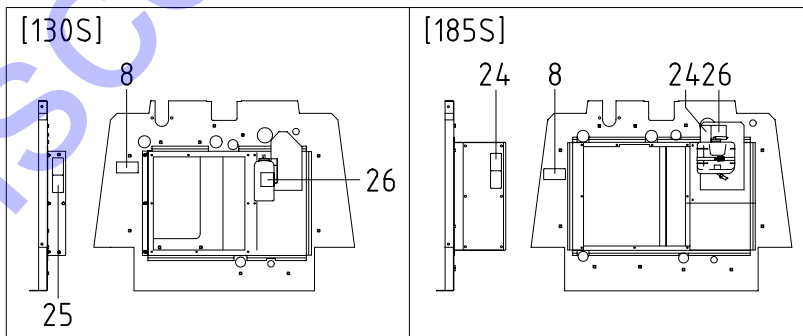
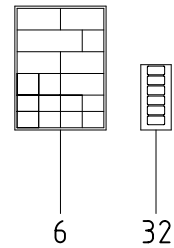
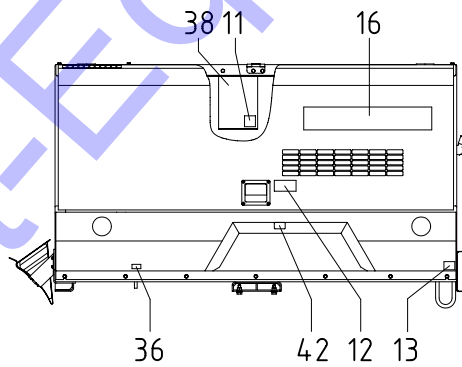
AIR END



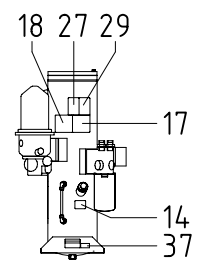
BATTERY



FUEL TANK



FAN SHROUD



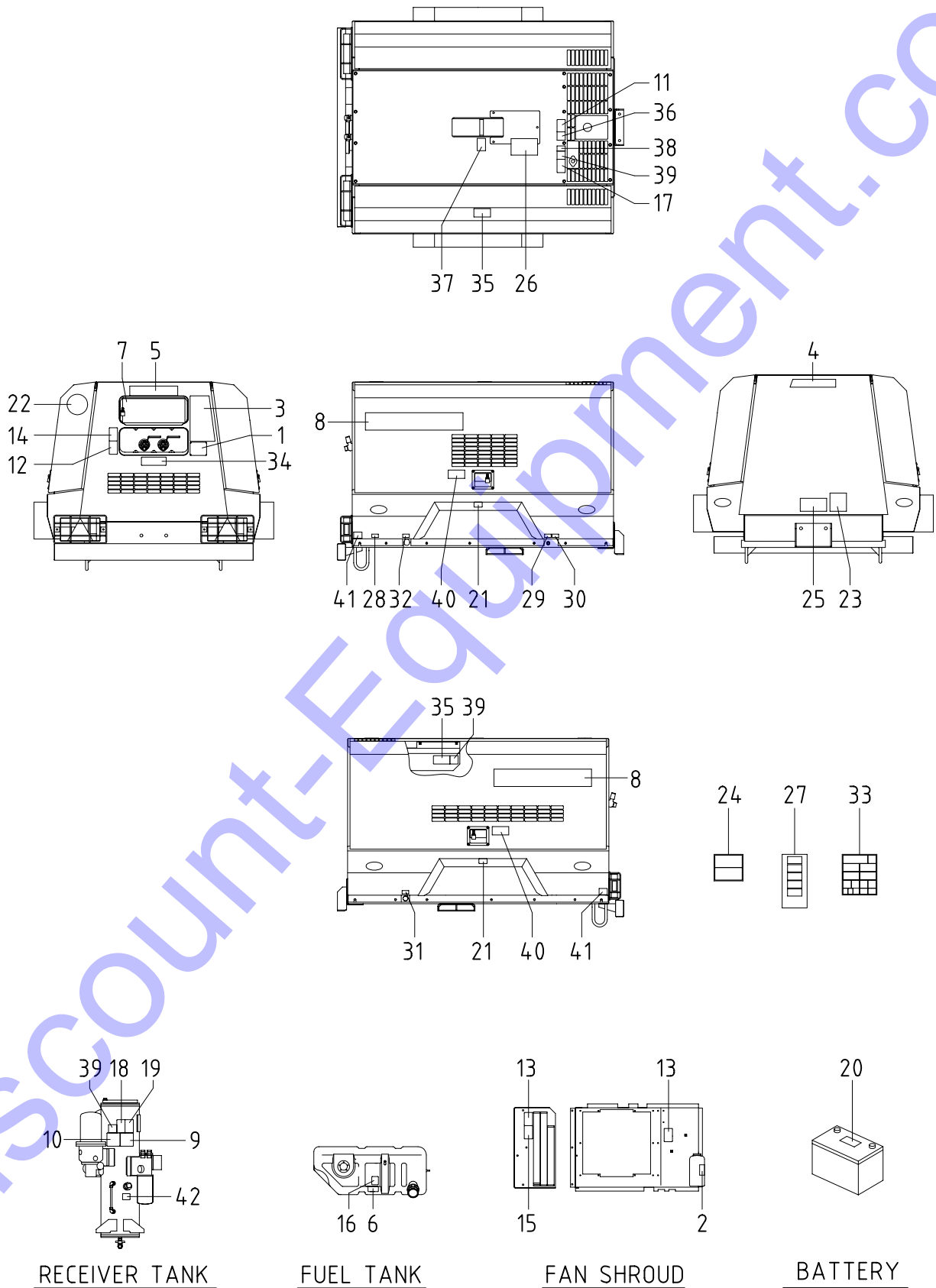
RECEIVER TANK

39 - 01 NEME PLATE (EU MODEL)

見出番号 Ref.NO.	部品番号 Part NO.	互換性 Inter- change ability	部 品 名 称 Part Name	数量 Q'ty	変 更 C/H	備 考 Remarks
	39 - 00		ACCESSORY GROUP アクセサリーグループ			130S 185S
1	39103 11510		Plate(SER.NO.) プレート	1		
	03260 03010		Blind rivet リハット	4		
2	21111 00500		Plug プラグ	1		
3	39178 18520		Plate(weight) プレート	1		
3	39178 18620		Plate(weight) プレート	1		
4	39170 02000		Mark (AIRMAN) マーク	1		
5	39178 47510		Plate(AIRMAN) プレート	1		
6	39176 74002		Plate プレート	1		Const.No.7 ~ 14
7	39176 72200	Z	Plate(air valve) プレート	1		
8	39176 72400	Z	Plate(notice) プレート	2		
9	39176 72600	Z	Plate(hot gases!) プレート	1		
10	39176 72900	Z	Plate(coolant) プレート	1		
11	39176 73001	Z	Plate(hot surface!) プレート	1		
12	39176 73200	Z	Plate(caution,open) プレート	2		
13	39176 76400	Z	Plate(hook mark) プレート(spear:2)	4		
14	39176 76500	Z	Plate(comp.oil port) プレート	1		
15	39178 09420		Plate(in-pane) プレート	1		
15 -1	39178 30420	B	Plate プレート	1	M15	
16	39178 01820		Plate(PDS130S) プレート	2		
16	39178 01120		Plate(PDS185S) プレート	2		
17	39147 02900	C	Plate(comp.oil) プレート	1	M14	
18	39176 72100		Plate (caution, strainer) プレート	1		
19	39178 72500		Plate(diesel fuel) プレート	1		
20	39176 69300		Plate(lift position) プレート	1		
21	39176 73600		Plate (danger, compressed air) プレート	1		
22	39176 73300		Plate (warning, exhaust gases) プレート	1		
23	39176 73400		Plate (warning, compressed air) プレート	1		
24	39176 73500		Plate (warning, cooling fan) プレート	1		
24	39176 73500		Plate (warning, cooling fan) プレート	2		
25	39176 73800		Plate (warning, fan-belt) プレート	1		
26	39178 00310		Plate(LLC) プレート	1		
27	39176 69700		Plate(caution, fire) プレート	1		
28	39176 69600		Plate (caution, radiator cap) プレート	1		
29	39176 69800		Plate (warning, compressed air) プレート	1		
30	39176 35600		Plate(No fire) プレート	1		
31	39153 58700		Plate(start-stop) プレート	1		
32	39173 00700		Plate, complete プレート(1セット)	1		Const.No.33 ~ 37
32 -1	39173 02100	A	Plate, complete プレート(1セット)	1	M33	Const.No.33 ~ 37
33	39189 17100	Z	Plate(fuel drain) プレート	1		

39 - 01 NEME PLATE (EU MODEL)

見出番号 Ref.NO.	部品番号 Part NO.	互換性 Inter- change ability	部 品 名 称 Part Name	数量 Q'ty	変 更 C/H	備 考 Remarks
						130S 185S
34	39189 17200	Z	Plate(radiator drain) プレート	1		
35	39189 17300	Z	Plate(eng.oil drain) プレート	1		
36	39189 17400	Z	Plate (oil cooler drain) プレート	1		
37	39189 17500	Z	Plate(receiver drain) プレート	1		
37 -1	39189 19100	Z	Plate (receiver oil drain) プレート	2	M33	
38	39701 03600		Plate プレート	1		
	02201 06016		Flange bolt フランジ付ボルト	2		
	02912 08006		Nut ナット	2		
	03115 02006		Spring washer スプリング ワッシャ	2		
	03116 12006		Plain washer プレーン ワッシャ	2		
39	39178 37310		Plate (caution,tow machine) プレート	1		
40	39167 72500		Plate (caution,tow machine) プレート	1		
41	39178 18320		Plate(Lwa) プレート	1		
41	39178 04420		Plate(Lwa) プレート	1		
42	39176 79900		Plate(tire press.) プレート	2		
43	39176 72700		Plate(notice) プレート	1		
44	39176 50000		Plate(warning,battery) プレート	1		

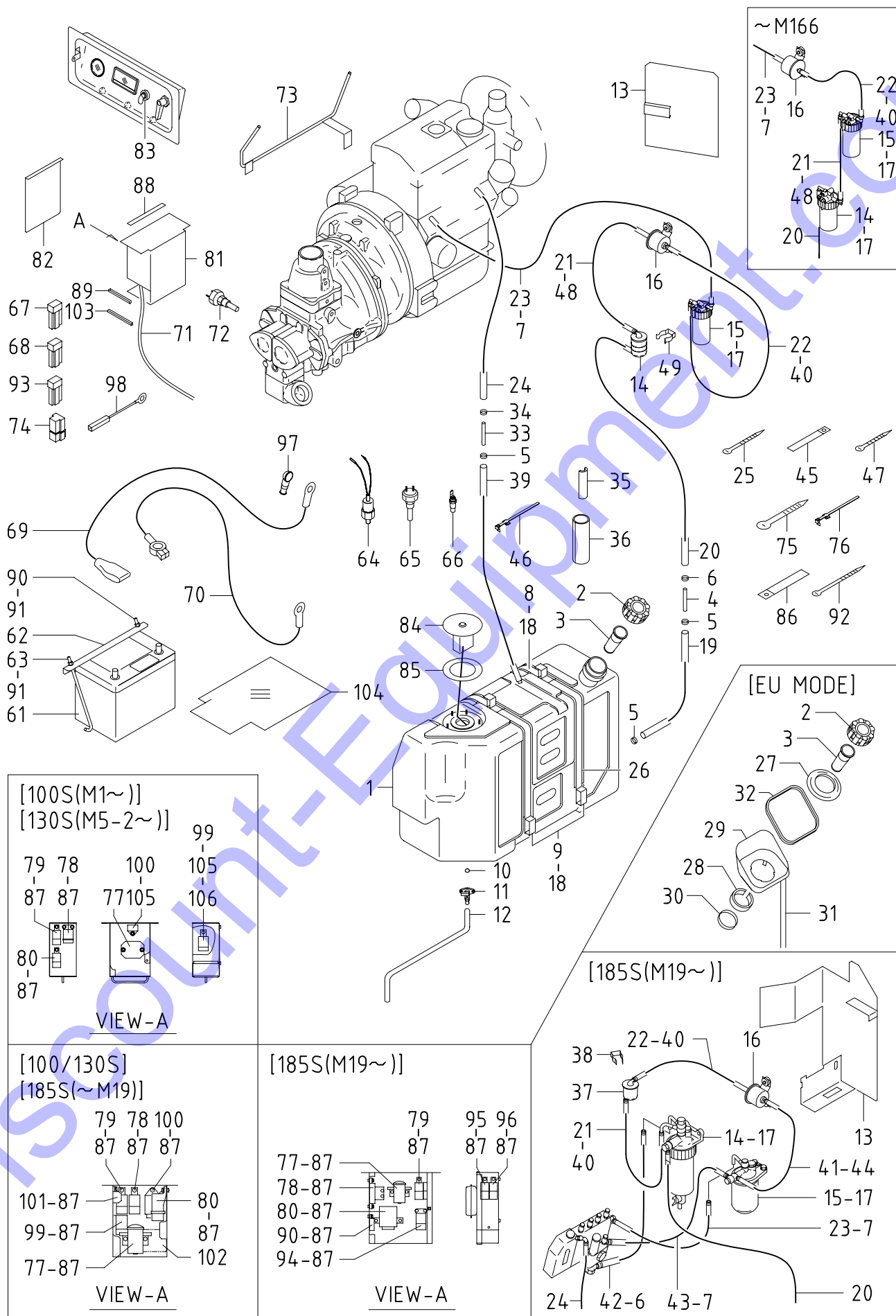


39 - 02 NEME PLATE (CE MARKING MODEL)

見出番号 Ref.NO.	部品番号 Part NO.	互換性 Inter- change ability	部 品 名 称 Part Name	数量 Q'ty	変 更 C/H	備 考 Remarks
	39 - 00		ACCESSORY GROUP			アクセサリ グループ
	39600 75021		Instruction book			取扱説明書
	39600 99520	B	Instruction book		M166	取扱説明書
	39615 04100		Instruction book			取扱説明書(Eng.)
	39616 02700		Parts catalog			パーツカタログ(Eng.)
1	39103 12310		Plate(SER.NO.)	1		プレート
	03260 03010		Blind rivet	4		リベット
2	39178 00310		Plate(LLC)	1		プレート
3	39153 58700		Plate(start-stop)	1		プレート
4	39170 02000		Mark (AIRMAN)	1		マーク
5	39178 47510		Plate(AIRMAN)	1		プレート
6	39178 72500		Plate(diesel fuel)	1		プレート
7	39178 82820		Plate(in-pane)	1		プレート
8	39178 01820		Plate(PDS130S)	2		プレート
9	39147 03600		Plate(comp.oil)	1		プレート
10	39176 72100		Plate (caution, strainer)	1		プレート
11	39176 73300		Plate (warning, exhaust gases)	1		プレート
12	39176 73400		Plate (warning, compressed air)	1		プレート
13	39176 73500		Plate (warning, cooling fan)	2		プレート
14	39176 73600		Plate (danger, compressed air)	1		プレート
15	39176 73800		Plate (warning, fan-belt)	1		プレート
16	39176 35600		Plate(No fire)	1		プレート
17	39176 69600		Plate (caution, radiator cap)	1		プレート
18	39176 69700		Plate(caution, fire)	1		プレート
19	39176 69800		Plate (warning, compressed air)	1		プレート
20	39176 50000		Plate(warning, battery)	1		プレート
21	39176 94600		Plate(tire press.)	2		プレート
22	39176 94700		Plate(80km)	1		プレート
23	39178 88200		Plate	1		プレート
24	39176 92700		Plate	1		プレート
25	39176 72500	Z	Plate(notice)	1		Const.No.25 ~ 26
26	39176 72700	Z	Plate(notice)	1		プレート
27	39173 03400		Plate, complete	1		プレート(1セット) Const.No.28 ~ 32
28	39189 21600	Z	Plate(fuel tank drain)	1		プレート
29	39189 21700	Z	Plate(radiator drain)	1		プレート
30	39189 21800	Z	Plate(eng.oil drain)	1		プレート
31	39189 21900	Z	Plate (oil cooler drain)	1		プレート

39 - 02 NEME PLATE (CE MARKING MODEL)

見出番号 Ref.NO.	部品番号 Part NO.	互換性 Inter- change ability	部 品 名 称 Part Name	数量 Q'ty	変 更 C/H	備 考 Remarks
32	39189 22000	Z	Plate (receiver tank drain)	1		
33	39176 92600		Plate,complete	1		Const.No.34~42
34	39176 72200	Z	Plate(air valve)	1		
35	39176 72400	Z	Plate(notice)	2		
36	39176 72600	Z	Plate(hot gases!)	1		
37	39176 72800	Z	Plate(lifting point)	1		
38	39176 72900	Z	Plate(coolant)	1		
39	39176 73001	Z	Plate(hot surface!)	4		
40	39176 73200	Z	Plate(caution)	2		
41	39176 76400	Z	Plate(hook mark)	2		
42	39176 92800	Z	Plate(oil filler)	1		



43 - 00 FUEL LINE & ELECTRIC

見出番号 Ref.NO.	部品番号 Part NO.	互換性 Inter- change ability	部 品 名 称 Part Name	数量 Q'ty	変 更 C/H	備 考 Remarks
	43 - 00		FUEL GROUP			100S 130S 185S FUEL グループ
1	43100 45802		Fuel tank	1		100S
1	43100 43802		Fuel tank	1		130S
2	43220 02200		Cap	1		185S
3	43210 01700		Strainer	1		
4	43525 01800		Pipe	1		
5	03511 40020		Hose clip	4		
5 -1	03511 10016	A	Hose clip	4	M166	US/CE
5 -1	03511 40020	Q	Hose clip	2	M19	US
6	03511 40016		Hose clip	2		
6 -1	03511 10013	A	Hose clip	2	M166	US/CE
6 -1	03511 40016	Q	Hose clip	4	M19	US
7	03511 10020		Hose clip	2		
7 -1	03511 10017	B	Hose clip	4	M19	US
8	43310 21002		Belt	2		
8 -1	43310 24600	B	Belt	2	M19-1	
9	43310 21103		Belt	2		
9 -1	43310 24701	B	Belt	2	M19-1	
9 -2	43310 29500	B	Belt	2	M165	
	02138 08035	C	Bolt	2	M165	
	02138 08070	D	Bolt	2	M165	
	02915 00008		Hexagon flange nut	2		
	03115 02008		Spring washer	2		
	03116 12008		Plain washer	2		
10	03402 25014		O-ring	1		
11	35421 05500		Air valve	1		
	02248 06012		Bolt,w/w	2		
12	03600 08055		Hose	1		
13	43340 19900		Bracket	1		
13 -1	43340 19900	C	Bracket	1	M 1	US
13 -2	43340 27800	D	Bracket	1	M 5-2	US/CE
13 -3	43340 32400	B	Bracket	1	M166	US/CE
	02248 06016	D	Bolt,w/w	3	M 5-2	US/CE
13	43340 20800		Bracket	1		
	02248 06016		Bolt,w/w	3		
13 -1	43340 24701	B	Bracket	1	M19	US
	02248 06016	Q	Bolt,w/w	4	M19	US
14	43550 01200		Sedimenter	1		
			(Element:ISUZU 897213-3810)			
			(Element:SHIBAURA 130366110)(O-ring:SHIBAURA 052100440)			
14 -1	43540 08000	B	Fuel filter	1	M166	US/CE
			(SHIBAURA 130306132)			
14 -1	43550 01000	B	Sedimenter	1	M19	US
			(NISSAN DIESEL 16400 95006)			
	03600 06080	D	Hose(drain)	1	M19	US

43 - 00 FUEL LINE & ELECTRIC

見出番号 Ref.NO.	部品番号 Part NO.	互換性 Inter- change ability	部 品 名 称 Part Name	数量 Q'ty	変 更 C/H	備 考 Remarks
						100S 130S 185S
15	43540 04100		Fuel filter Fuel filter (Element:ISUZU 894401-5310)	1		
15 -1	43540 03600	B	Fuel filter Fuel filter (Element:ISUZU 894401-5310) (Element:SHIBAURA 360720060)(O-ring:SHIBAURA 052100440)	1	M 1-1	US/CE
15 -2	43540 07900	B	Fuel filter Fuel filter (SHIBAURA 130306400)	1	M166	US/CE
15 -1	43540 05500	B	Fuel filter Fuel filter (Element:NISSAN DIESEL 16403 J5500)	1	M19	US
16	43650 01500		Fuel pump Fuel pump (ISUZU 897149-1820)	1		
16	02138 08030		Bolt Bolt	2		
16	43650 01800		Fuel pump Fuel pump (Filter:ISUZU 8-94437022-0)	1		
16 -1	43650 01500	B	Fuel pump Fuel pump (ISUZU 897149-1820)	1	M 1	US/CE
16 -1	43650 01900	B	Fuel pump Fuel pump	1	M19	US
	02248 06016	D	Bolt,w/w ワッシャ付ボルト	2	M19	US
17	02138 08070		Bolt ボルト	2		
	03115 02008		Spring washer スプリング ワッシャ	2		
	03116 12008		Plain washer プレーン ワッシャ	2		
17 -1	02138 08070	Q	Bolt ボルト	1	M166	US/CE
	03115 02008	Q	Spring washer スプリング ワッシャ	1	M166	US/CE
	03116 12008	Q	Plain washer プレーン ワッシャ	1	M166	US/CE
17 -1	02248 08030	B	Bolt,w/w ワッシャ付ボルト	4	M19	US
18	02201 08020		Flange bolt フランジ 付ボルト	4		
19	03600 09012		Hose ホース	1		
	44463 08400	C	Tube チューブ	1	M10	
20	03600 08060		Hose ホース	1		
20 -1	03600 08064	B	Hose ホース	1	M 2-2	
	06540 15035	D	Corrugated tube コルゲートチューブ	1	M166	
20	03600 08046		Hose ホース	1		
20 -1	03600 08050	A	Hose ホース	1	M 1	US/CE
20	03600 08053		Hose ホース	1		
20 -1	03600 08072	B	Hose ホース	1	M19	US
21	03600 08006		Hose ホース	1		
21 -1	03600 08028	B	Hose ホース	1	M166	
	06540 15025	D	Corrugated tube コルゲートチューブ	1	M166	
21	03600 08010		Hose ホース	1		
21 -1	03600 08006	B	Hose ホース	1	M 1	US/CE
21 -2	03600 08028	B	Hose ホース	1	M166	US/CE
21 -1	43510 06500	B	Hose ホース	1	M19	US
22	03600 08020		Hose ホース	1		
22 -1	03600 08024	B	Hose ホース	1	M 2-2	
22 -2	03570 08072	B	Hose ホース	1	M166	
22	03600 08044		Hose ホース	1		
22 -1	03600 08013	B	Hose ホース	1	M 1	US/CE
22 -2	03570 08060	B	Hose ホース	1	M166	US/CE
22	03600 08030		Hose ホース	1		
22 -1	03600 06600	B	Hose ホース	1	M19	US

43 - 00 FUEL LINE & ELECTRIC

見出番号 Ref.NO.	部品番号 Part NO.	互換性 Inter- change ability	部 品 名 称 Part Name	数量 Q'ty	変 更 C/H	備 考 Remarks
						100S 130S 185S
23	03570 08060		Hose	1		
23 -1	03570 08061	B	Hose	1	M 2-2	
23 -2	03570 08085	B	Hose	1	M166	
	06540 15072	D	Corrugated tube	1	M166	
23	03570 08090		Hose	1		
23 -1	03570 08036	B	Hose	1	M 1	US/CE
23 -2	03570 08057	B	Hose	1	M166	US/CE
23	03570 08114		Hose	1		
23 -1	03570 08060	B	Hose	1	M19	US
24	03570 05040		Hose	1		
24 -1	03570 05053	A	Hose	1	M 3-1	
24 -2	43526 06000	B	Pipe	1	M 1	
	06540 10035	D	Corrugated tube	1	M166	
24	03600 08018		Hose	1		
24 -1	43526 06000	B	Pipe	1	M 1	US/CE
24	03600 08019		Hose	1		
24 -1	03600 09024	B	Hose	1	M19	US
25	03425 00001		Vinyl clip	10		
25 -1	03425 00001	Q	Vinyl clip	9	M 3-1	
25 -2	03425 00001	Q	Vinyl clip	8	M 1-1	
25	03425 00001		Vinyl clip	4		US
25 -1	03425 00001	Q	Vinyl clip	3	M 1	US/CE
25	03425 00001		Vinyl clip	5		EU
26	43322 06200		Cushion	4		
27	43442 00700		Cushion rubber	1		EU EU
28	43442 00800		Cushion rubber	1		EU EU
29	43440 04300		Cover	1		EU EU
30	03511 20080		Hose clip	1		EU EU
31	03600 09048		Hose	1		EU EU
32	03407 67201		Seal rubber	1		EU EU
33	43525 01901		Pipe	1		
33 -1	43525 02300	B	Pipe	1	M 1	US/CE
33 -1	43525 01901	C	Pipe	1	M19	US
34	03511 40012	C	Hose clip	2	M 1	
34	03511 40016		Hose clip	2		
34	03511 40016		Hose clip	2		
34 -1	03511 40020	B	Hose clip	2	M19	US
35	43322 06800	C	Cushion	1	M 1-1	
36	43322 04400	C	Cushion	1	M 3-1	
37	43540 05600	D	Fuel filter	1	M19	US
			(NISSAN DIESEL 16400 H8501)			
38	43340 20500	D	Bracket	1	M19	US
	02709 00410	D	Tapping screw	2	M19	US
39	03600 09012		Hose	1		
39 -1	03600 09012	C	Hose	1	M19	US
40	03511 40016		Hose clip	2		
40 -1	03511 10013	A	Hose clip	2	M166	US/CE
40 -1	03511 40020	B	Hose clip	2	M19	US
41	03570 08025	D	Hose	1	M19	US
42	03600 08055	D	Hose	1	M19	US

43 - 00 FUEL LINE & ELECTRIC

見出番号 Ref.NO.	部品番号 Part NO.	互換性 Inter- change ability	部 品 名 称 Part Name	数量 Q'ty	変 更 C/H	備 考 Remarks
						100S 130S 185S
43	03570 08055	D	Hose	1	M19	US
44	03511 10017	D	Hose clip	2	M19	US
45	03424 80011	D	Clip	1	M19	US
	02248 06016	D	Bolt, w/w	1	M19	US
46	37181 03600	D	Clip	1	M166	
46	37181 03600	D	Clip	1	M 1	US/CE
46 -1	37181 03600	Q	Clip	2	M166	US/CE
47	03425 00002	D	Vinyl clip	2	M 1	US/CE
48	03511 40016		Hose clip	2		
48 -1	03511 10013	A	Hose clip	2	M142	US/CE
48 -1	03511 40020	B	Hose clip	2	M19	US
49	43340 32700	D	Bracket	1	M166	
	52744 01100	D	Washer	1	M166	
	44 - 00		ELECTRIC GROUP			エレクトリック グループ
61	44210 06600	Y	Battery(80D26R)	1		
61	44210 08200	Y	Battery(85D26R)	1		
61	44210 04100	Y	Battery(80D26R)	1		
62	44220 08000		Cover	1		
62 -1	44220 22601	B	Cover	1	M 1	US
	03407 66871	D	Seal rubber	2	M 1	US
	03407 66871	C	Seal rubber	2	M 2-1	US
	03407 66714	D	Seal rubber	1	M 1	US
	03407 66714	C	Seal rubber	1	M 2-1	US
62 -2	44220 08000	A	Cover	1	M 2-1	US/CE
63	44243 04300		Holder	1		
64	44328 06700		Pressure switch(oil)	1		
64 -1	44328 19100	B	Pressure switch(oil)	1	M19	US
65	44334 10200		Thermo switch(water)	1		
65 -1	44334 17100	B	Thermo switch(water)	1	M 1	US
65 -2	44334 17500	B	Thermo switch(water)	1	M18-2	US/CE
65 -1	44334 09300	B	Thermo switch(water)	1	M19	US
66	44334 14800		Thermo switch(water)	1		
67	44470 01600		Fuse box	1		
	46934 03200		Fuse (10A)	1		
67 -1	44470 01600	C	Fuse box	1	M5-2	US/CE
	46934 03200	C	Fuse (10A)	1	M5-2	US/CE
68	44470 01700		Fuse box	1		
	46934 03300		Fuse (20A)	1		
68 -1	44470 01700	C	Fuse box	1	M 1	
	46934 03300	C	Fuse (20A)	1	M 1	
68 -1	44470 01700	C	Fuse box	1	M 5-2	US/CE
	46934 03300	C	Fuse (20A)	1	M 5-2	US/CE
69	07835 25100		Cable(batt. ~ starter)	1		
	06540 15080		Corrugated tube	1		
69	07635 25080		Cable(batt. ~ starter)	1		
69 -1	07835 25080	B	Cable(batt. ~ starter)	1	M18	
	06540 15070		Corrugated tube	1		
69 -2	07885 25120	A	Cable(batt. ~ starter)	1	M19	US
	44462 02500	C	Insulator(battery"+")	1	M18	
	44462 05500	D	Insulator(battery"+")	1	M18	

43 - 00 FUEL LINE & ELECTRIC

見出番号 Ref.NO.	部品番号 Part NO.	互換性 Inter- change ability	部 品 名 称 Part Name		数量 Q'ty	変 更 C/H	備 考 Remarks		
							100S	130S	185S
70	05138 28035		Cable(earth)	ケーブル	1				
70 -1	07838 51035	B	Cable(earth)	ケーブル	1	M18			
	02201 10020		Flange bolt	フランジ 付ナット	1				
	02138 10016	B	Bolt	ボルト	1	M97			
	03116 12010	D	Plain washer	プレーン ワッシャ	1	M97			
70 -2	07885 51040	B	Cable(earth)	ケーブル	1	M19			US
	02201 10020	C	Flange bolt	フランジ 付ナット	1	M19			US
71	44490 95420		Wiring harness	ワイハーネス	1				
71 -1	44490 16430	A	Wiring harness	ワイハーネス	1	M32			
71 -2	44490 24133	B	Wiring harness	ワイハーネス	1	M 1			
71 -3	44490 62030	B	Wiring harness	ワイハーネス	1	M18-2			
71	44490 64520		Wiring harness	ワイハーネス	1				
71 -1	44490 93920	B	Wiring harness	ワイハーネス	1	M24-1			
71 -2	44490 16032	A	Wiring harness	ワイハーネス	1	M32			
71 -3	44490 18430	B	Wiring harness	ワイハーネス	1	M 1			US
71 -4	44490 28430	B	Wiring harness	ワイハーネス	1	M 4-1			US
71 -5	44490 24333	B	Wiring harness	ワイハーネス	1	M 5-2			US/CE
71	44490 64520		Wiring harness	ワイハーネス	1				
71 -1	44490 93920	B	Wiring harness	ワイハーネス	1	M24-1			
71 -2	44490 95523	B	Wiring harness	ワイハーネス	1	M19			US
72	44334 16500		Thermo switch(air)	吐出温スイッチ	1				
72	44334 15300		Thermo switch(air)	吐出温スイッチ	1				
72 -1	44334 16500	B	Thermo switch(air)	吐出温スイッチ	1	M24			
73	44290 30200		Guide	ガイド	1				
73 -1	44290 30300	B	Guide	ガイド	1	M 1			
73	44290 29400		Guide	ガイド	1				
	02201 10020		Flange bolt	フランジ 付ボルト	2				
	02201 10020	Q	Flange bolt	フランジ 付ボルト	1	M 1			
73 -1	44290 35901	B	Guide	ガイド	1	M 1			US/CE
	02201 10020	Q	Flange bolt	フランジ 付ボルト	1	M 1			US/CE
73	44290 30100		Guide	ガイド	1				
73 -1	44290 30400	B	Guide	ガイド	1	M19			US
	02201 10020		Flange bolt	フランジ 付ボルト	1				
74	46921 02300		Silicon rectifier	ダイオード	3				
74 -1	46921 02300	Q	Silicon rectifier	ダイオード	1	M 1			
74 -1	46921 02300	Q	Silicon rectifier	ダイオード	4	M 1			US
	46921 08700	D	Silicon rectifier (w.condencer)	ダイオード	1	M 1			US
	46921 08700	C	Silicon rectifier (w.condencer)	ダイオード	1	M 5-2			US
74 -2	46921 02300	Q	Silicon rectifier	ダイオード	1	M 5-2			US/CE
74 -1	46921 02300	Q	Silicon rectifier	ダイオード	5	M19			US
75	03425 00001		Vinyl clip	ビニール クリップ	14				
75 -1	03425 00001	Q	Vinyl clip	ビニール クリップ	15	M 3-1			
75 -2	03425 00001	Q	Vinyl clip	ビニール クリップ	20	M 1			
75	03425 00001		Vinyl clip	ビニール クリップ	14				
75 -1	03425 00001	Q	Vinyl clip	ビニール クリップ	15	M 5-2			US/CE
75	03425 00001		Vinyl clip	ビニール クリップ	18				
76	37181 03600		Clip	クリップ	3				
76 -1	37181 03600	Q	Clip	クリップ	4	M 3-1			
76 -2	37181 03600	C	Clip	クリップ	4	M 1			
76	37181 03600		Clip	クリップ	3				
76 -1	37181 03600	Q	Clip	クリップ	4	M 5-2			US/CE

43 - 00 FUEL LINE & ELECTRIC

見出番号 Ref.NO.	部品番号 Part NO.	互換性 Inter- change ability	部 品 名 称 Part Name	数量 Q'ty	変 更 C/H	備 考 Remarks
						100S 130S 185S
77	44335 00800		Magnetic switch マグネチックスイッチ	1		
77 -1	44323 06600	B	Regulator レギュレータ (SHIBAURA 185516170)	1	M 1	
	02138 06025	D	Bolt ボルト	2	M 1	
	03115 02006	D	Spring washer スプリングワッシャ	2	M 1	
	03116 12006	D	Plain washer プレーンワッシャ	2	M 1	
77 -1	44346 14800	B	Relay(glow) リレー (SHIBAURA 185206410A)	1	M 1	US
77 -2	44346 06300	B	Relay(charge) リレー (SHIBAURA 185206300)	1	M 4-1	US
77 -3	44323 06900	B	Regulator レギュレータ (SHIBAURA 185516180)	1	M 5-2	US/CE
	02138 06025	D	Bolt ボルト	2	M 5-2	US/CE
	03115 02006	D	Spring washer スプリングワッシャ	2	M 5-2	US/CE
	03116 12006	D	Plain washer プレーンワッシャ	2	M 5-2	US/CE
78	44346 06300		Relay(safety) リレー (ISUZU 582550-0290)	1		
78 -1	44346 14800	B	Relay(glow) リレー (SHIBAURA 185206410)	1	M 1	
78 -1	44346 08400	B	Relay(solenoid) リレー (ISUZU 894232-2250)	1	M 4-1	US
78 -2	44346 14800	B	Relay(glow) リレー (SHIBAURA 185206410)	1	M 5-2	US/CE
78 -1	44324 05400	B	Safety relay セーフティリレー	1	M19	US
79	44346 06300		Relay (solenoid) リレー (ISUZU 582550-0290)	1		
79 -1	44346 08400	A	Relay (solenoid) リレー (ISUZU 894232-2250)	1	M23	
79 -2	44346 12700	B	Relay (safety) リレー	1	M 1	
79 -2	44346 12700	B	Relay (safety) リレー (SHIBAURA 185206220)	1	M 4-1	US/CE
80	44327 07400		Time relay(QOS) タイムリレー (ISUZU 897201-3310)	1		
80 -1	44346 06300	B	Relay (solenoid) リレー (SHIBAURA 185206300)	1	M 1	
80 -2	44346 15800	A	Relay (solenoid) リレー (SHIBAURA 185206480)	1	M176	
80	44327 07100		Time relay(QOS) タイムリレー	1		
80 -1	44327 07100	C	Time relay(QOS) タイムリレー (ISUZU 897246-5100)	1	M 1	US
80 -2	44346 12500	D	Relay (glow) リレー (SHIBAURA 385870960)	1	M 4-1	US
	02912 08006	D	Nut ナット	1	M 4-1	US
	02912 08006	C	Nut ナット	1	M 5-2	US
80 -3	44346 06300	B	Relay (safety) リレー (SHIBAURA 185206300)	1	M 5-2	US/CE
80 -4	44346 15800	A	Relay (safety) リレー (SHIBAURA 185206480)	1	M176	US/CE
80 -1	44327 04100	B	Time relay(QOS) タイムリレー (NISSAN DIESEL 11067 90063)	1	M19	US

43 - 00 FUEL LINE & ELECTRIC

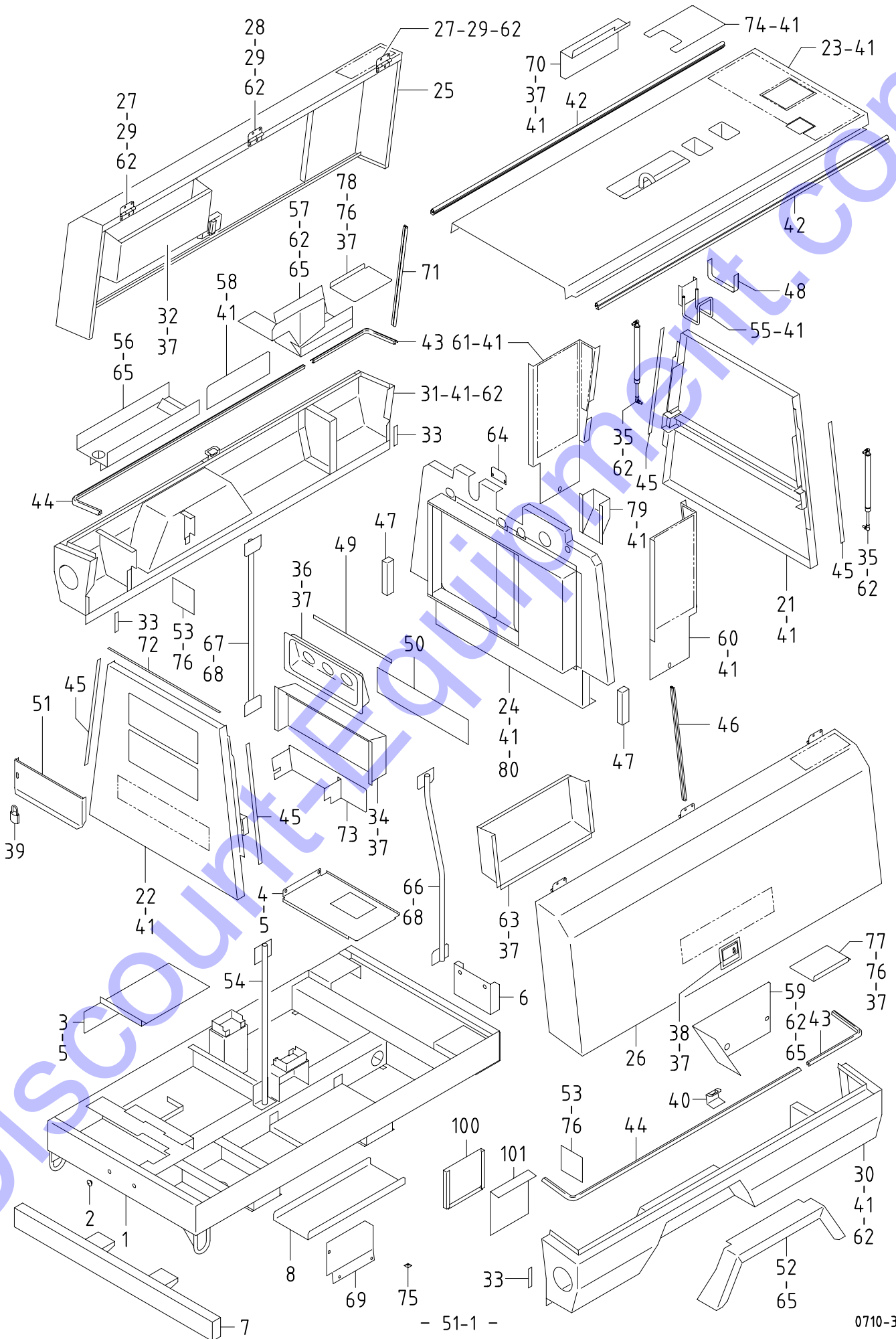
見出番号 Ref.NO.	部品番号 Part NO.	互換性 Inter- change ability	部 品 名 称 Part Name	数量 Q'ty	変 更 C/H	備 考 Remarks
						100S 130S 185S
81	44250 96701		Bracket ブ ラケ ッ ト	1		
81 -1	44250 17411	B	Bracket ブ ラケ ッ ト	1	M 1	
81 -1	44250 15910	B	Bracket ブ ラケ ッ ト	1	M 1	US
	02201 08020		Flange bolt フ ラ ン ジ 付 ボ ル ト	2		
81 -2	44250 19010	B	Bracket ブ ラケ ッ ト	1	M 4-1	US
	02201 08012	B	Flange bolt フ ラ ン ジ 付 ボ ル ト	2	M 4-1	US
81 -3	44250 17411	B	Bracket ブ ラケ ッ ト	1	M 5-2	US/CE
	02201 08020	B	Flange bolt フ ラ ン ジ 付 ボ ル ト	2	M 5-2	US/CE
81 -1	44250 09810	B	Bracket ブ ラケ ッ ト	1	M19	US
	02201 08020		Flange bolt フ ラ ン ジ 付 ボ ル ト	2		US
81 -2	44250 10210	B	Bracket ブ ラケ ッ ト	1	M 5-1	US
	02201 08020	Q	Flange bolt フ ラ ン ジ 付 ボ ル ト	3	M 5-1	US
82	44260 22800		Cover カ ー プ	1		
82 -1	44260 29500	B	Cover カ ー プ	1	M 1	
	02201 06012	C	Flange bolt フ ラ ン ジ 付 ボ ル ト	2	M 1	
	02201 06016	D	Flange bolt フ ラ ン ジ 付 ボ ル ト	2	M 1	
82 -1	44260 29500	B	Cover カ ー プ	1	M 5-2	US/CE
	02201 06012	C	Flange bolt フ ラ ン ジ 付 ボ ル ト	2	M 5-2	
	02201 06016	D	Flange bolt フ ラ ン ジ 付 ボ ル ト	2	M 5-2	US/CE
82 -1	44260 25800	B	Cover カ ー プ	1	M19	US
	02201 06012		Flange bolt フ ラ ン ジ 付 ボ ル ト	2		
83	44322 07200		Starter switch ス タ ー タ ス イ ッ チ	1		
	52739 00600		Key キ ー	2		
84	36159 02202		Sending unit セ ン デ ィ ン グ ユ ニ ッ ト	1		Incl.No.85
	02915 00005		Hexagon flange nut フ ラ ン ジ 付 ナ ッ ト	5		
85	36153 01600		Gasket ガ ス ケ ッ ト	1		
86	03424 80018		Clip ク リ ッ プ	1		
86 -1	03424 80101	B	Clip ク リ ッ プ	1	M 1	
86	03424 80018		Clip ク リ ッ プ	2		
86	03424 80101		Clip ク リ ッ プ	3		
86 -1	03424 80101	Q	Clip ク リ ッ プ	2	M 4-1	
86 -2	03424 80101	C	Clip ク リ ッ プ	2	M19	US
87	02248 06016		Bolt,w/w ワ ッ シ ャ 付 ボ ル ト	5		
87 -1	02248 06016	Q	Bolt,w/w ワ ッ シ ャ 付 ボ ル ト	4	M 1	
	02915 00006	D	Hexagon flange nut フ ラ ン ジ 付 ナ ッ ト	4	M 1	
87 -1	02248 06016	Q	Bolt,w/w ワ ッ シ ャ 付 ボ ル ト	10	M 1	US
	02912 08006	D	Nut ナ ッ ト	4	M 1	US
87 -2	02248 06016	Q	Bolt,w/w ワ ッ シ ャ 付 ボ ル ト	9	M 4-1	US
	02912 08006	Q	Nut ナ ッ ト	5	M 4-1	US
87 -3	02248 06016	Q	Bolt,w/w ワ ッ シ ャ 付 ボ ル ト	4	M 5-2	US/CE
	02915 00006	B	Hexagon flange nut フ ラ ン ジ 付 ナ ッ ト	4	M 5-2	US/CE
87 -1	02248 06016	Q	Bolt,w/w ワ ッ シ ャ 付 ボ ル ト	11	M19	US
88	03407 65027		Seal rubber シ ー ル ラ ー バ ー	1		
88 -1	03407 65027	C	Seal rubber シ ー ル ラ ー バ ー	1	M 1	
88 -1	03407 66859	B	Seal rubber シ ー ル ラ ー バ ー	1	M19	US
88 -2	03407 66859	C	Seal rubber シ ー ル ラ ー バ ー	1	M 5-1	US
89	03407 66709		Seal rubber シ ー ル ラ ー バ ー	1		
89 -1	03407 66709	C	Seal rubber シ ー ル ラ ー バ ー	1	M19	US
90	44243 04300		Holder ホ ル ダ ー	1		
90	44243 03400		Holder ホ ル ダ ー	1		
90 -1	44243 04300	B	Holder ホ ル ダ ー	1	M 1	US/CE

43 - 00 FUEL LINE & ELECTRIC

見出番号 Ref.NO.	部品番号 Part NO.	互換性 Inter- change ability	部 品 名 称 Part Name	数量 Q'ty	変 更 C/H	備 考 Remarks
						100S 130S 185S
91	02912 08006		Nut ナット	2		
	03115 02006		Spring washer スプリング ワッシャ	2		
	03116 12006		Plain washer プレーン ワッシャ	2		
91 -1	02915 00006	A	Hexagon flange nut フランジ 付ナット	2	M 1	
91 -1	02915 00006	A	Hexagon flange nut フランジ 付ナット	2	M 5-2	US/CE
92	03425 00005		Vinyl clip ビニール クリップ	2		
92 -1	03425 00005	Q	Vinyl clip ビニール クリップ	1	M 3-1	
92 -2	03425 00005	C	Vinyl clip ビニール クリップ	1	M 1	
93	44470 01700	C	Fuse box ヒューズ ホックス	1	M32	
	46934 03300	C	Fuse (20A) ヒューズ	1	M32	
93 -1	44470 01900	D	Fuse box ヒューズ ホックス	1	M 1	US
	46934 04400	D	Fuse (15A) ヒューズ	1	M 1	US
93 -2	44470 01900	C	Fuse box ヒューズ ホックス	1	M 5-2	US
	46934 04400	C	Fuse (15A) ヒューズ	1	M 5-2	US
93	44470 01700		Fuse box ヒューズ ホックス	1		
	46934 03300		Fuse (20A) ヒューズ	1		
93 -1	44470 02000	B	Fuse box ヒューズ ホックス	1	M19	US
	46934 04500	B	Fuse (1A) ヒューズ	1	M19	US
94	44346 07200	D	Relay (glow) リレー (NISSAN DIESEL 25230 18A00)	1	M19	US
95	44346 07300	D	Relay (stop motor) リレー (NISSAN DIESEL 25230 C9900)	1	M19	US
96	44346 07300	D	Relay (stop) リレー (NISSAN DIESEL 25230 C9900)	1	M19	US
97	44462 00800		Insulator(starter) インシュレータ	1		
98	44363 00700	D	Fusible link ヒューズ フル リンク	1	M 1	US/CE
99	44346 12500	D	Relay (glow) リレー (SHIBAURA 385870960)	1	M 1	
99	44346 13200	D	Relay (charge) リレー	1	M 1	US
99 -1	44346 12500	B	Relay (glow) リレー (SHIBAURA 385870960)	1	M 5-2	US/CE
100	46948 00700	D	Surge absorber(Varistor) リスタ (SHIBAURA 185596050)	1	M 1	
100	44346 12500	D	Relay(glow) リレー (SHIBAURA 385870960)	1	M 1	US
	02912 08006	D	Nut ナット	1	M 1	US
	02912 08006	C	Nut ナット	1	M 4-1	US
100 -1	44346 14800	B	Relay(glow) リレー (SHIBAURA 185206410A)	1	M 4-1	US
100 -2	46948 00700	B	Surge absorber(Varistor) リスタ (SHIBAURA 185596050)	1	M 5-2	US/CE
101	44346 14900	D	Relay(safety) リレー (SHIBAURA 1853560100)	1	M 1	US
101 -1	46948 00700	B	Surge absorber(Varistor) リスタ	1	M 4-1	US
101 -2	46948 00700	C	Surge absorber(Varistor) リスタ (SHIBAURA 185206410A)	1	M 5-2	US

43 - 00 FUEL LINE & ELECTRIC

見出番号 Ref.NO.	部品番号 Part NO.	互換性 Inter- change ability	部 品 名 称 Part Name	数量 Q'ty	変 更 C/H	備 考 Remarks
						100S 130S 185S
102	44323 06900	D	Regulator	レギュレータ	1 M 4-1	US
	02138 06025	D	Bolt	ボルト	2 M 4-1	US
	02912 08006	D	Nut	ナット	2 M 4-1	US
	03115 02006	D	Spring washer	スプリング ワッシャ	2 M 4-1	US
	03116 12006	D	Plain washer	プレーン ワッシャ	2 M 4-1	US
102 -1	44323 06900	C	Regulator	レギュレータ	1 M 5-2	US
	02138 06025	C	Bolt	ボルト	2 M 5-2	US
	02912 08006	C	Nut	ナット	2 M 5-2	US
	03115 02006	C	Spring washer	スプリング ワッシャ	2 M 5-2	US
	03116 12006	C	Plain washer	プレーン ワッシャ	2 M 5-2	US
103	03407 66709		Seal rubber	シール ラバ -	1	
103 -1	03407 66705	B	Seal rubber	シール ラバ -	1 M 4-1	US
103 -2	03407 66709	B	Seal rubber	シール ラバ -	1 M 5-2	US/CE
103 -1	03407 66709	C	Seal rubber	シール ラバ -	1 M19	US
104	44220 22800	D	Cover	カバー	1 M 1	
104	44220 22700	D	Cover	カバー	1 M 2-1	US
104 -1	44220 22800	B	Cover	カバー	1 M 4-1	US/CE
105	02201 06016	D	Flange bolt	フランジ 付ボルト	2 M 1	
105	02201 06016	D	Flange bolt	フランジ 付ボルト	2 M 5-2	US/CE
106	02915 00006	D	Hexagon flange nut	フランジ 付ナット	1 M 1	
106	02915 00006	D	Hexagon flange nut	フランジ 付ナット	1 M 5-2	US/CE



51 - 00 FRAME & BONNET

見出番号 Ref.NO.	部品番号 Part NO.	互換性 Inter- change ability	部 品 名 称 Part Name	数量 Q'ty	変 更 C/H	備 考 Remarks
						100S 130S 185S
51 - 00			FRAME GROUP	フレーム グループ		
1	51100 59231		Frame	1		
1 -1	51100 82332	B	Frame	1	M 1	
1	51100 36433		Frame	1		US
1 -1	51100 78032	B	Frame	1	M 1	US
1 -2	51100 87030	B	Frame	1	M 5-2	US
1 -3	51100 10040	B	Frame	1	M13-1	US
1	51100 46431		Frame	1		EU
1	51100 36331		Frame	1		US
1 -1	51100 43032	B	Frame	1	M 4	US
1 -2	51100 64630	B	Frame	1	M19	US
1 -3	51100 73931	B	Frame	1	M 9-2	US
	02102 14045		Bolt (draw bar)	8		US US
	03115 02014		Spring washer (")	8		US US
	03116 12014		Plain washer (")	8		US US
	02102 14030		Bolt (trailer)	8		US US
	03115 02014		Spring washer (")	8		US US
1	51100 00540		Frame	1		CE
	02135 12045		Bolt	2		CE
	02135 12035		Bolt	4		CE
	02912 06012		Nut	2		CE
	03115 02012		Spring washer	6		CE
	03116 12012		Plain washer	6		CE
1	51100 46531		Frame	1		EU
2	03403 10017	D	Grommet	4	M19	US US
3	51450 30300	D	Bracket	1	M 1	
3 -1	51450 31800	B	Bracket	1	M 3-4	
4	52830 36702	D	Cover	1	M 1	
	02201 06016	D	Flange bolt	2	M 1	
	03116 12006	D	Plain washer	2	M 3-4	
	02915 00008	D	Hexagon flange nut	1	M 1	
5	02201 08020	D	Flange bolt	6	M 1	
6	51450 32500		Bracket	1		CE
	02135 16040		Bolt	2		CE
	02912 06016		Nut	2		CE
	03115 02016		Spring washer	2		CE
	03116 12016		Plain washer	2		CE
7	51540 02300		Bumper	1		CE
	02201 08020		Flange bolt	4		CE
8	51450 33300		Bracket	2		CE
	02102 14030		Bolt	8		CE
	03115 02014		Spring washer	8		CE
	03116 12014		Plain washer	8		CE

51 - 00 FRAME & BONNET

見出番号 Ref.NO.	部品番号 Part NO.	互換性 Inter- change ability	部 品 名 称 Part Name	数量 Q'ty	変 更 C/H	備 考 Remarks
						100S 130S 185S
52 - 00			BONNET GROUP	ボンネットグループ		
21	52100 87313		Cover	1		
21 -1	52100 66120	B	Cover	1	M13-1	US/CE
22	52100 87213		Cover	1		US US
22 -1	52100 09320	B	Cover	1	M15	US US
22 -2	52100 38220	B	Cover	1	M 1	
22	52100 54520		Cover	1		CE
22	52100 99910		Cover	1		EU EU
22 -1	52100 09720	B	Cover	1	M15	EU EU
23	52300 49711		Top cover	1		US
23 -1	52300 54511	B	Top cover	1	M 4	US
23 -2	52300 81311	B	Top cover	1	M 1	
23 -2	52300 74711	B	Top cover	1	M 1	US
23 -3	52300 84110	B	Top cover	1	M 5-2	US
23	52300 96010		Top cover	1		CE
23	52300 57711		Top cover	1		EU
23	52300 49512		Top cover	1		US
23 -1	52300 65410	B	Top cover	1	M19	US
23 -2	52300 68711	B	Top cover	1	M 5-1	US
23	52300 57810		Top cover	1		EU
24	52350 76110		Cover	1		
24 -1	52350 00920	B	Cover	1	M 1	
24 -2	52350 10521	B	Cover	1	M 2-2	
24 -3	52350 25220	B	Cover	1	M11-2	
24 -4	52350 52620	B	Cover	1	M166	
24	52350 58110		Cover	1		
24 -1	52350 60910	B	Cover	1	M 2	
24 -2	52350 71110	B	Cover	1	M16	
24 -3	52350 73910	B	Cover	1	M22	
24 -4	52350 79610	B	Cover	1	M28	
24 -5	52350 95311	B	Cover	1	M 1	US
24 -6	52350 06720	B	Cover	1	M 5-2	US
24 -7	52350 28720	B	Cover	1	M13-1	US
24	52350 28720		Cover	1		CE
24 -1	52350 51920	B	Cover	1	M166	US/CE
24	52350 53810		Cover	1		
24 -1	52350 60810	B	Cover	1	M 2	
24 -2	52350 74310	B	Cover	1	M22	
24 -3	52350 80211	B	Cover	1	M19	US
25	52450 20321		Door	1		
25 -1	52450 30921	B	Door	1	M 4	
25 -2	52450 62220	B	Door	1	M 1	US/CE
25	52450 20822		Door	1		
25 -1	52450 46220	B	Door	1	M19	US
26	52450 12923		Door	1		
26 -1	52450 30821	B	Door	1	M 4	
26 -2	52450 62120	B	Door	1	M 1	US/CE
26	52450 17722		Door	1		
26 -1	52450 46120	B	Door	1	M19	US
27	52480 13800		Hinge	4		
28	52480 13200		Hinge	2		
29	02191 08020		Bolt	24		

51 - 00 FRAME & BONNET

見出番号 Ref.NO.	部品番号 Part NO.	互換性 Inter- change ability	部 品 名 称 Part Name	数量 Q'ty	変 更 C/H	備 考 Remarks
						100S 130S 185S
30	53220 59902		Fender	1		US
30 -1	53220 65300	B	Fender	1	M 1	US
30 -2	53220 66000	B	Fender	1	M 1-1	US
30	53220 67001		Fender	1		CE
	03403 00392		Grommet	4		CE
30	53220 62103		Fender	1		EU
30	53220 60102		Fender	1		US
30 -1	53220 63200	B	Fender	1	M19	US
30	53220 62303		Fender	1		EU
	03407 67319	D	Seal rubber	2	M14	EU
31	53220 60003		Fender	1		US
31 -1	53220 65400	B	Fender	1	M 1	US
31	53220 67101		Fender	1		CE
31	53220 62201		Fender	1		EU
31	53220 60202		Fender	1		US
31 -1	53220 61900	B	Fender	1	M 4	US
31 -2	53220 63300	B	Fender	1	M19	US
31	53220 62400		Fender	1		EU
32	52800 65100		Duct	1		
32 -1	52800 90001	B	Duct	1	M 1	US/CE
32	52800 70300		Duct	1		
32 -1	52800 83700	B	Duct	1	M19	US
33	03407 65218		Seal rubber	4		
34	52800 65301		Duct	1		
34 -1	52800 96900	B	Duct	1	M 1	
34 -2	52800 98200	B	Duct	1	M 3-4	
34 -1	52800 75802	B	Duct	1	M 1	US
34 -2	52800 99700	A	Duct	1	M80	US/CE
34	52800 70200		Duct	1		
34 -1	52800 75802	B	Duct	1	M 2	
34 -2	52800 99700	A	Duct	1	M80	
35	GE360 02100		Dumper	4		
36	52100 76211		Cover	1		
36 -1	52100 01820	B	Cover	1	M14	-
36 -2	52100 76510	B	Cover	1	M15	
36	52100 81310		Cover	1		
36 -1	52100 01920	B	Cover	1	M14	
36 -2	52100 13620	B	Cover	1	M15	
37	02915 00006		Hexagon flange nut	27		US
37 -1	02915 00006	Q	Hexagon flange nut	33	M 1	
37 -1	02915 00006	Q	Hexagon flange nut	29	M 1	US
37	02915 00006		Hexagon flange nut	35		CE
37	02915 00006		Hexagon flange nut	19		EU
37	02915 00006		Hexagon flange nut	18		US
37 -1	02915 00006	Q	Hexagon flange nut	21	M19	US
37	02915 00006		Hexagon flange nut	18		EU
38	52721 05500		Catch	2		
	02401 26012		Screw	8		
39	52723 00100		Lock ass'y	3		
40	52750 17500		Bracket	2		
	02401 28020		Screw	4		

51 - 00 FRAME & BONNET

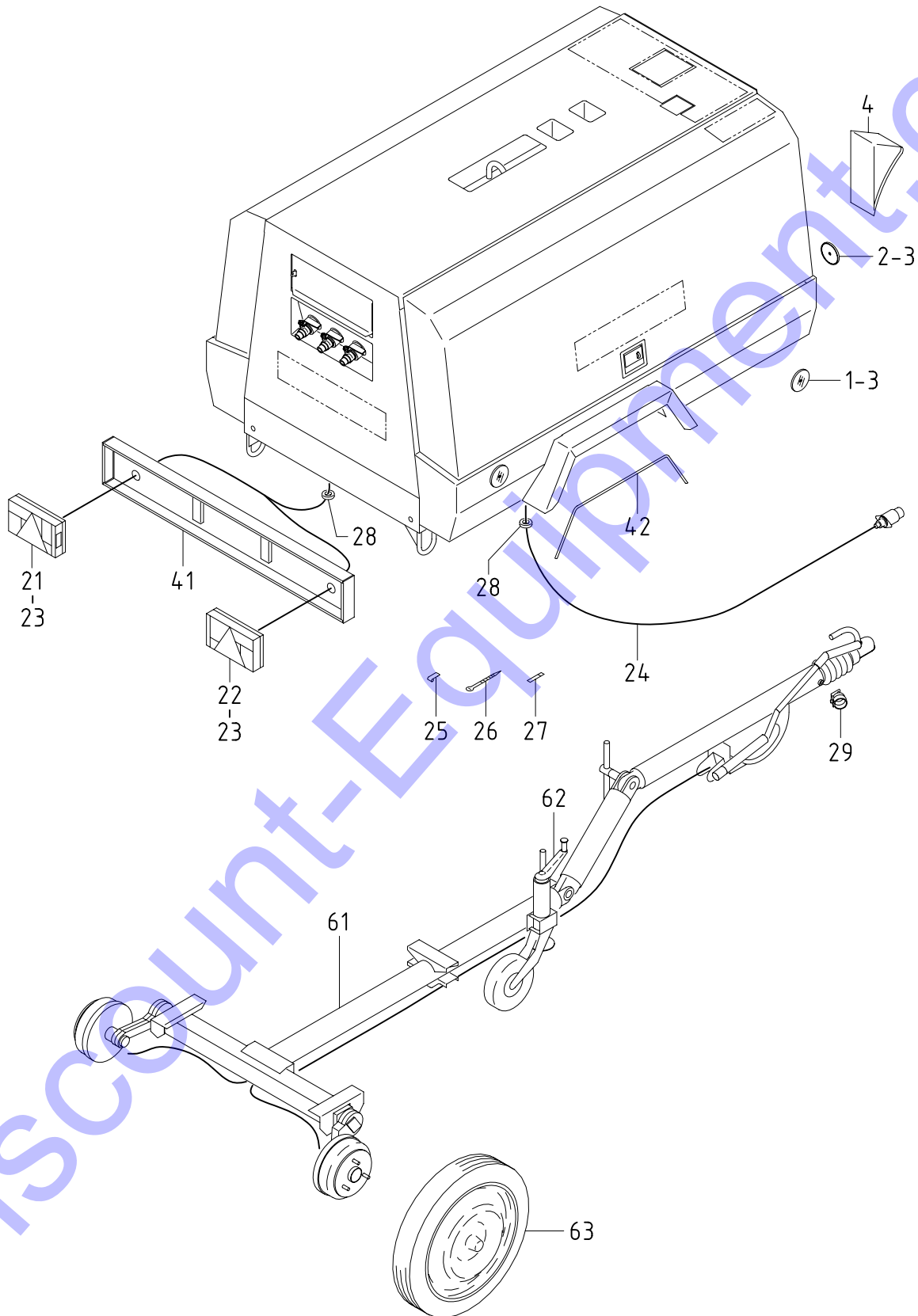
見出番号 Ref.NO.	部品番号 Part NO.	互換性 Inter- change ability	部 品 名 称 Part Name	数量 Q'ty	変 更 C/H	備 考 Remarks
						100S 130S 185S
41	02201 08020		Flange bolt フランジ付ボルト	66		US/EU
41 -1	02201 08020	Q	Flange bolt フランジ付ボルト	70	M 1	
41 -1	02201 08020	Q	Flange bolt フランジ付ボルト	68	M13-1	US
41	02201 08020		Flange bolt フランジ付ボルト	78		CE
41	02201 08020		Flange bolt フランジ付ボルト	72		
42	03407 67514		Seal rubber シールラバー	2		
42	03407 67520		Seal rubber シールラバー	2		
43	03407 67519		Seal rubber シールラバー	2		
43	03407 67521		Seal rubber シールラバー	2		
44	03407 67518		Seal rubber シールラバー	2		
44	03407 67522		Seal rubber シールラバー	2		
44 -1	03407 67515	B	Seal rubber シールラバー	2	M 1	US
	03407 67539	D	Seal rubber シールラバー	2	M 1	- US
	03407 67539	C	Seal rubber シールラバー	2	M 2-1	- US
	03407 67517	D	Seal rubber シールラバー	2	M 2-1	US
45	03407 67401		Seal rubber シールラバー	4		
46	03407 67201		Seal rubber シールラバー	1		
46 -1	03407 67215	B	Seal rubber シールラバー	1	M19	US
47	03407 67030		Seal rubber シールラバー	2		
48	03407 45027		Seal rubber シールラバー	1		
49	52104 51200	C	Plate プレート	1	M15	
50	52803 20500	C	Plate プレート	1	M 2	
	02248 06016	C	Bolt,w/w ワッシャ付ボルト	2	M 2	
	03407 64808	C	Seal rubber シールラバー	1	M 2	
51	52450 19820		Door ドア	1		
51 -1	52450 41220	B	Door ドア	1	M15	
	02138 08025	C	Bolt ボルト	2	M15	
	02138 08030	D	Bolt ボルト	2	M15	
	52744 00900	D	Washer ワッシャ	2	M15	
	03116 12008	D	Plain washer プレーンワッシャ	2	M15	
	02912 08008		Nut ナット	4		
	GH245 00600		Washer ワッシャ	4		
	03116 12008		Plain washer プレーンワッシャ	4		
52	53220 59800		Fender フェンダー	2		
53	52350 55810		Cover カバー	2		US US
53	52350 27520		Cover カバー	2		CE
54	52620 39200		Lifting bail リフティングヘイル	1		
54	52620 37401		Lifting bail リフティングヘイル	1		
	02135 12030		Bolt ボルト	6		
	03115 02012		Spring washer スプリングワッシャ	6		
	03116 12012		Plain washer プレーンワッシャ	4		
			(for top cover)			
54 -1	52620 41602	B	Lifting bail リフティングヘイル	1	M 1	US
	02135 12030	Q	Bolt(for top cover) ボルト	4	M 1	- US
	02135 12030	Q	Bolt(for top cover) ボルト	2	M 2-1	US
	02912 08012	D	Nut (for top cover) ナット	2	M 1	US
	02135 12045	D	Bolt ボルト	2	M 2-1	US
	03115 02012	Q	Spring washer スプリングワッシャ	4	M 1	US
	03116 12012	Q	Plain washer プレーンワッシャ	6	M 1	US

51 - 00 FRAME & BONNET

見出番号 Ref.NO.	部品番号 Part NO.	互換性 Inter- change ability	部 品 名 称 Part Name	数量 Q'ty	変 更 C/H	備 考 Remarks
						100S 130S 185S
54	52620 43600		Lifting bail	1		CE
	02135 12030		Bolt(for top cover)	3		CE
	02912 08012		Nut (for top cover)	3		CE
	02135 12045		Bolt	3		CE
	03115 02012		Spring washer	6		CE
	03116 12012		Plain washer	9		CE
54	52620 37701		Lifting bail	1		
	02135 12030		Bolt	6		
	03115 02012		Spring washer	6		
54 -1	52620 37701	C	Lifting bail	1	M19	US
55	52660 04000		Hook	1		
56	52750 18401		Bracket	1		US/EU
56	52750 27100		Bracket	1		CE
56	52750 19300		Bracket	1		
56 -1	52750 20300	B	Bracket	1	M 4	
56 -2	52750 23100	B	Bracket	1	M19	US
57	52750 18501		Bracket	1		
57 -1	52750 22800	B	Bracket	1	M19	US
58	52750 19400		Bracket	1		
58 -1	52750 22900	B	Bracket	1	M19	US
59	39200 06400		Tool box	1		US/EU
59	39200 09300		Tool box	1		CE
59	39200 06500		Tool box	1		
59 -1	39200 07100	B	Tool box	1	M19	US
60	52350 58210		Cover	1		US/EU
60 -1	52350 61310	B	Cover	1	M 2	US/EU
60 -2	52350 39820	B	Cover	1	M13-1	US
60	52350 23021		Cover	1		CE
60 -1	52350 40020	B	Cover	1	M13-1	CE
60	52350 55510		Cover	1		
60 -1	52350 61010	B	Cover	1	M 2	
61	52350 58310		Cover	1		US/EU
61 -1	52350 61411	B	Cover	1	M 2	US/EU
61 -2	52350 39920	B	Cover	1	M13-1	US
61	52350 23121		Cover	1		CE
61 -1	52350 40120	B	Cover	1	M13-1	CE
61	52350 55610		Cover	1		
61 -1	52350 61110	B	Cover	1	M 2	
62	02915 00008		Hexagon flange nut	30		
62 -1	02915 00008	Q	Hexagon flange nut	32	M 3-1	
62	02915 00008		Hexagon flange nut	32		
63	52800 65200		Duct	1		
63 -1	52800 89900	B	Duct	1	M 1	US/CE
63	52800 70300		Duct	1		
63 -1	52800 83600	B	Duct	1	M19	US
64	52121 00700		Cover	1		
65	02201 06016		Flange bolt	2		
65	02201 08012		Flange bolt	15		
65	02201 08012		Flange bolt	19		
65 -1	02201 08012	Q	Flange bolt	21	M19	US

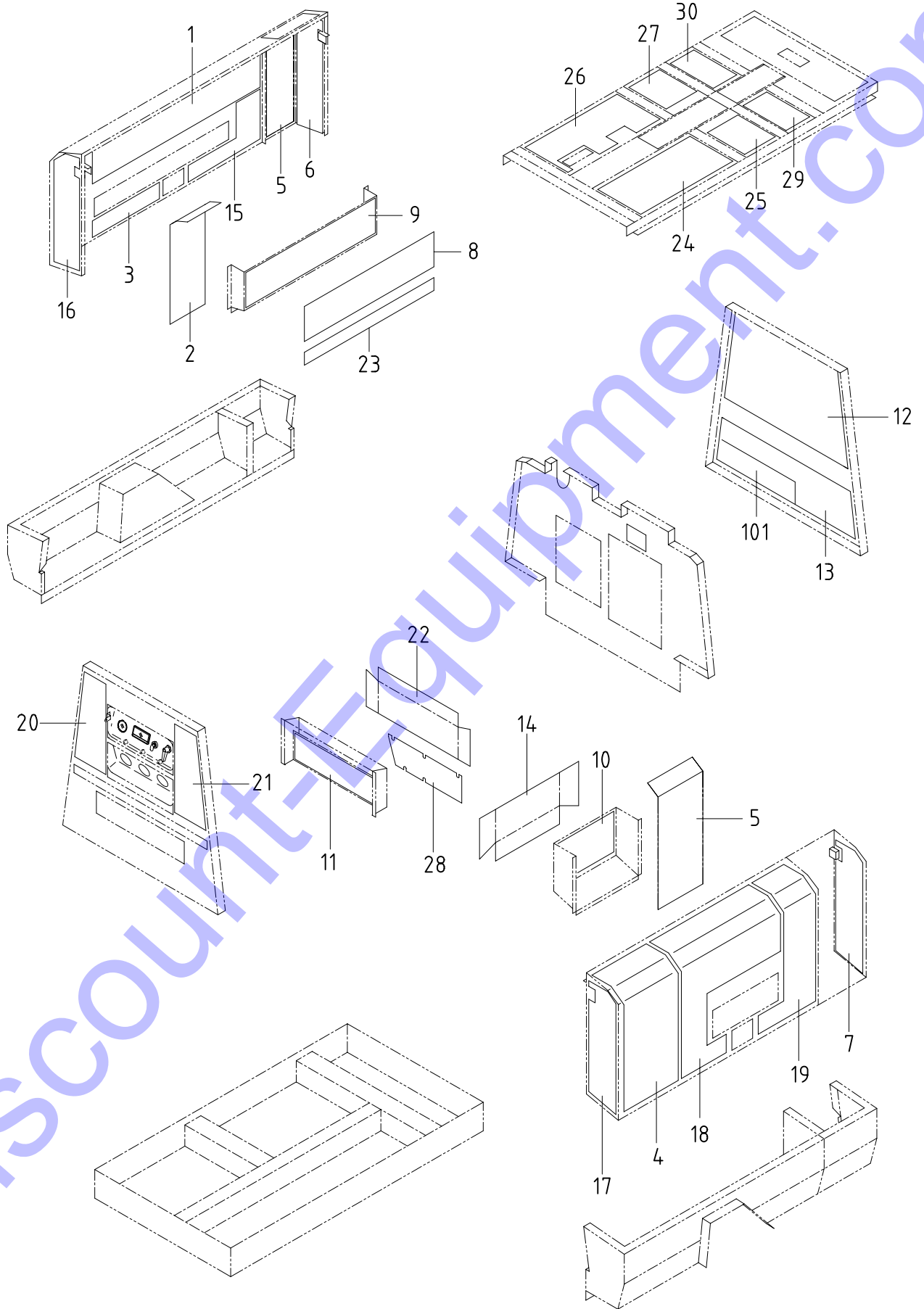
51 - 00 FRAME & BONNET

見出番号 Ref.NO.	部品番号 Part NO.	互換性 Inter- change ability	部 品 名 称 Part Name	数量 Q'ty	変 更 C/H	備 考 Remarks
						100S 130S 185S
66	52620 39900	D	Lifting bail リフティング ベイル	1	M19	US
67	52620 40000	D	Lifting bail リフティング ベイル	1	M19	US
68	02135 12030	D	Bolt ボルト	8	M19	US
	03115 02012	D	Spring washer スプリング ワッシャー	8	M19	US
69	52750 23300	D	Bracket ブラケット	1	M19	US
	02201 08012	D	Flange bolt フランジ 付ボルト	2	M19	US
69	52750 24800	D	Bracket ブラケット	1	M 1	US/CE
	02201 08020	D	Flange bolt フランジ 付ボルト	3	M 1	US/CE
	02915 00008	D	Hexagon flange nut フランジ 付ナット	3	M 1	US/CE
70	42260 20101	D	Cover カバー	1	M 1	CE
	02201 06016		Flange bolt フランジ 付ボルト	2		CE
	02915 00008		Hexagon flange nut フランジ 付ナット	2		CE
71	03407 67201		Seal rubber シール ラバー	1		
71 -1	03407 67212	B	Seal rubber シール ラバー	1	M 1	
71 -1	03407 67215	B	Seal rubber シール ラバー	1	M19	US
72	03407 67602	D	Seal rubber シール ラバー	1	M 1	
73	52830 37500	D	Cover カバー	1	M 3-4	
	02201 06016	D	Flange bolt フランジ 付ボルト	3	M 3-4	
74	52350 27820		Cover カバー	1		CE
75	44243 04600		Holder ホルダー	10		CE
76	02915 00006		Hexagon flange nut フランジ 付ナット	8		US US
76	02201 06016		Flange bolt フランジ 付ボルト	8		CE
77	52350 38520		Cover カバー	1		CE
78	52350 38620		Cover カバー	1		CE
79	52350 38720	D	Cover カバー	1	M13-1	US
79	52350 38720		Cover カバー	1		CE
80	02201 06016	D	Flange bolt フランジ 付ボルト	2	M13-1	US
	02915 00006	D	Hexagon flange nut フランジ 付ナット	2	M13-1	US
	39 - 00		ACCESSORY GROUP アクセサリ グループ			
100	39200 04900		Tool box ツール ボックス	1		
	03620 05013		Blind rivet リベット	4		
101	52750 19100		Bracket ブラケット	1		US/CE US
101	52750 19100		Bracket ブラケット	1		EU EU
101 -1	52750 21400	B	Bracket ブラケット	1	M14	EU EU
	02401 28020		Screw スクリュー	2		



51 - 01 TAIL LAMP & TRAILER (EU MODEL)

見出番号 Ref.NO.	部品番号 Part NO.	互換性 Inter- change ability	部 品 名 称 Part Name	数量 Q'ty	変 更 C/H	備 考 Remarks
	39 - 00		ACCESSORY GROUP			130S 185S アクセサリ グループ
1	44412 01200		Reflector	4		(ORANGE)
2	44412 01300		Reflector	2		(WHITE)
3	02325 64016		Screw	6		
	02912 08004		Nut	6		
	03115 02004		Spring washer	6		
	03116 12004		Plain washer	6		
4	51480 06400		Bracket	2		
5	51480 06500		Bracket	2		
	02138 06025		Bolt	8		
	44 - 00		ELECTRIC GROUP			エレクトリック グループ
21	44414 01300		Tail lamp	1		
22	44414 01400		Tail lamp	1		
23	44314 03400		Bulb	3		(FLASHER, FOG)
	44314 03500		Bulb	2		(TAIL, BRAKE)
	44314 03700		Bulb	2		(NUMBER PLATE)
24	44490 84221		Wiring harness	1		
24	44490 84321		Wiring harness	1		
25	03424 80164		Clip	4		
26	03425 00001		Vinyl clip	2		
27	03424 80101		Clip	1		
	02201 06016		Flange bolt	1		
28	03402 00453		Eyelet ring	2		
29	44382 01200		Coupler holder	1		
	52 - 00		BONNET GROUP			ボンネット グループ
41	44250 03510		Electric box	1		
	02201 08020		Flange bolt	4		
42	52724 00900		Cushion rubber	2		
	54 - 00		RUNNING GROUP			ランニング グループ
61	54700 01400		Trailer kit ass'y (w.DIN COUPLING & BRAKE TYPE)	1		
61	54700 01500		Trailer kit ass'y (w.DIN COUPLING & BRAKE TYPE)	1		
	02135 12035		Bolt	4		
	03115 02012		Spring washer	4		
	03116 12012		Plain washer	4		
62	51410 22100		Stand	1		
63	54420 05400		Tire ass'y	2		
	61136 01600		Bolt	8		

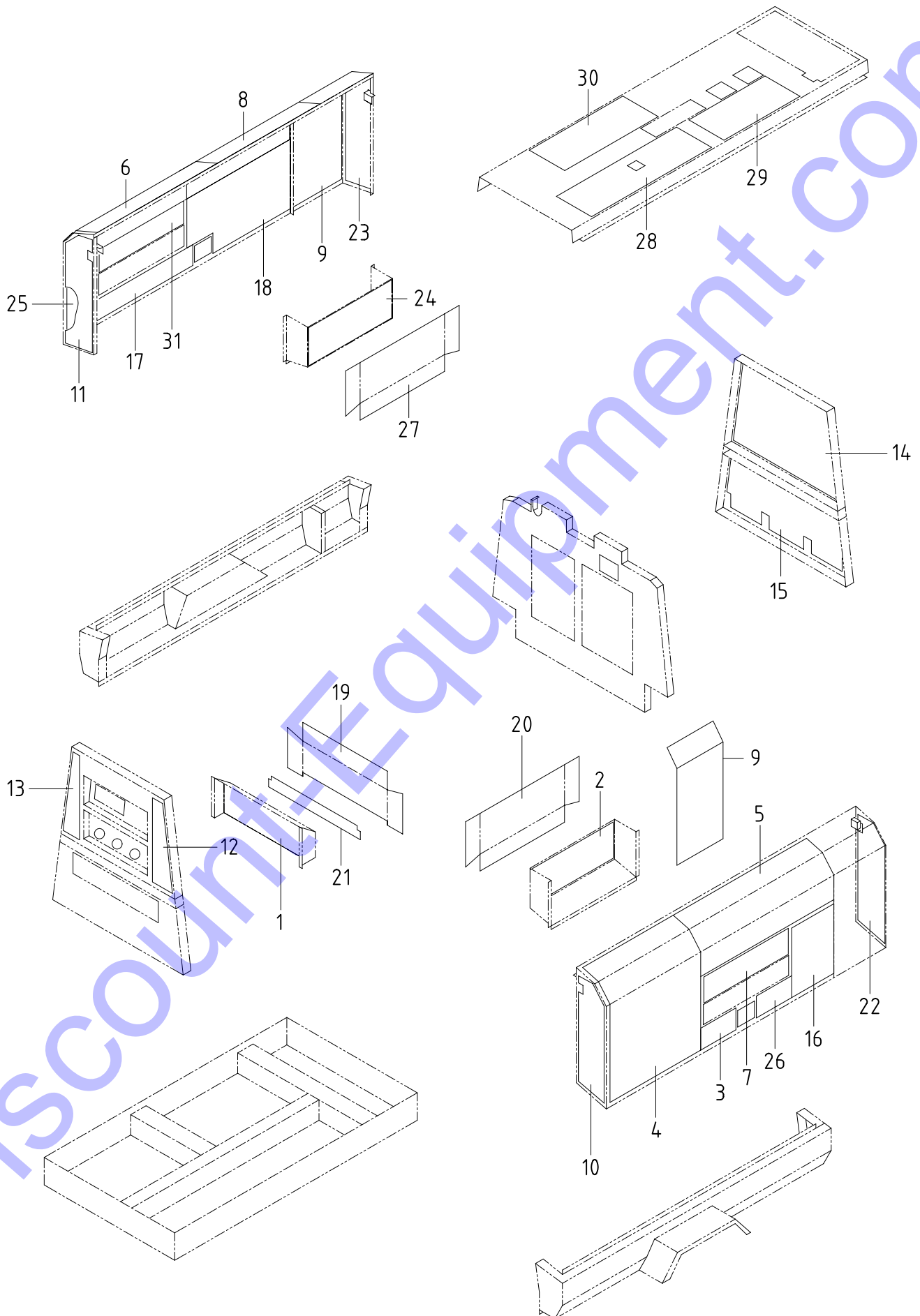


52 - 00 LINING (PD100/130S)

見出番号 Ref.NO.	部品番号 Part NO.	互換性 Inter- change ability	部 品 名 称 Part Name	数量 Q'ty	変 更 C/H	備 考 Remarks
						100S 130S
	52900 20815		URETHANE FOAM KIT ウレタン フォーム キット (Const.No.1~23)			
	52900 57610	B	URETHANE FOAM KIT ウレタン フォーム キット (Const.No.1~27)		M 1	
	52900 67510	B	URETHANE FOAM KIT ウレタン フォーム キット (Const.No.1~28)		M 3-4	
	52900 52711	B	URETHANE FOAM KIT ウレタン フォーム キット		M 1	US
	52900 60410	B	URETHANE FOAM KIT ウレタン フォーム キット (Const.No.1~27)		M 5-2	US
	52900 75611		URETHANE FOAM KIT ウレタン フォーム キット (Const.No.1~27,29 & 30)			CE
1	52959 94540		Lining ライニング	1		
2	52959 55640		Lining ライニング	1		
3	52959 55740		Lining ライニング	1		
4	52959 55840		Lining ライニング	1		
5	52919 03610		Lining ライニング	2		
6	52939 81030		Lining ライニング	1		
7	52939 80930		Lining ライニング	1		
8	52931 79610		Lining ライニング	1		
8 -1	52959 36940	B	Lining ライニング	1	M10	
8 -2	52959 98230	B	Lining ライニング	1	M25	
9	52928 26800		Lining ライニング	1		
10	52928 26900		Lining ライニング	1		
10 -1	52928 15600	B	Lining ライニング	1	M 1	US/CE
11	52928 28200		Lining ライニング	1		
11 -1	52928 14400	B	Lining ライニング	1	M 1	
12	52939 84230		Lining ライニング	1		
12 -1	52939 98630	B	Lining ライニング	1	M 1	US/CE
13	52939 84330		Lining ライニング	1		
13 -1	52939 01940	B	Lining ライニング	1	M 1	
14	52931 79710		Lining ライニング	1		
14 -1	52931 40120	B	Lining ライニング	1	M 1	US/CE
15	52931 79110		Lining ライニング	1		
16	52931 79210		Lining ライニング	1		
17	52931 79010		Lining ライニング	1		
18	52931 78910		Lining ライニング	1		
18 -1	52931 40220	B	Lining ライニング	1	M 1	US/CE
19	52931 78810		Lining ライニング	1		
20	52931 89710		Lining ライニング	1		
21	52931 89610		Lining ライニング	1		
22	52931 76710		Lining ライニング	1		
22 -1	52931 53720	B	Lining ライニング	1	M 1	
22 -2	52931 58720	B	Lining ライニング	1	M 3-4	
22 -1	52931 43920	B	Lining ライニング	1	M 1	US/CE
23	52959 83140	D	Lining ライニング	1	M10	
23 -1	52959 10330	B	Lining ライニング	1	M 1	US/CE
24	52959 89920	D	Lining ライニング	1	M 1	US
24	52959 22630		Lining ライニング	1		CE
25	52959 52540	D	Lining ライニング	1	M 1	US
25	52959 40250		Lining ライニング	1		CE

52 - 00 LINING (PD100/130S)

見出番号 Ref.NO.	部品番号 Part NO.	互換性 Inter- change ability	部 品 名 称 Part Name		数量 Q'ty	変 更 C/H	備 考 Remarks
							100S 130S
26	52931 53820	D	Lining	ライニング	1	M 1	
26	52931 41921	D	Lining	ライニング	1	M 1	US
26 -1	52931 53820	B	Lining	ライニング	1	M 5-2	US
26	52931 68420		Lining	ライニング	1		CE
27	52926 19200	D	Lining	ライニング	1	M 1	US
27	52926 24100		Lining	ライニング	1		CE
28	52931 58820	D	Lining	ライニング	1	M 3-4	
29	52959 02140		Lining	ライニング	1		CE
30	52926 01401		Lining	ライニング	1		CE
101	52965 06600	D	Lining	ライニング	1	M 1	



52 - 01 LINING (PDS185S)

見出番号 Ref.NO.	部品番号 Part NO.	互換性 Inter- change ability	部 品 名 称 Part Name	数量 Q'ty	変 更 C/H	備 考 Remarks
	52900 21613		URETHANE FOAM KIT			
	52900 42912	B	URETHANE FOAM KIT		M19	US
1	52928 28200		Lining	1		
2	52928 29100		Lining	1		
2 -1	52928 36000	B	Lining	1	M19	US
3	52959 15140		Lining	1		
3 -1	52959 80240	B	Lining	1	M19	US
4	52959 48840		Lining	1		
4 -1	52959 78030	B	Lining	1	M19	US
4 -2	52959 04250	B	Lining	1	M 3-2	US
5	52959 62240		Lining	1		
5 -1	52959 02550	B	Lining	1	M19	US
5 -2	52959 67440	B	Lining	1	M 3-2	US
6	52959 62340		Lining	1		
6 -1	52959 02550	B	Lining	1	M19	US
6 -2	52959 04450	B	Lining	1	M 3-2	US
7	52959 62440		Lining	1		
7 -1	52959 02650	B	Lining	1	M19	US
7 -2	52959 03950	B	Lining	1	M 2-1	US
8	52959 63840		Lining	1		
8 -1	52926 16500	A	Lining	1	M10	
8 -2	52926 16500	C	Lining	1	M19	US
9	52919 40100		Lining	2		
10	52931 79010		Lining	1		
11	52931 79210		Lining	1		
12	52931 89610		Lining	1		
13	52931 89710		Lining	1		
14	52939 84230		Lining	1		
15	52939 84330		Lining	1		
16	52931 85710		Lining	1		
16 -1	52959 65330	B	Lining	1	M19	US
16 -2	52959 04150	B	Lining	1	M 3-2	US
17	52931 85810		Lining	1		
17 -1	52959 02940	B	Lining	1	M19	US
18	52931 85910		Lining	1		
18 -1	52959 23930	B	Lining	1	M19	US
18 -2	52959 04350	B	Lining	1	M 3-2	US
19	52931 86010		Lining	1		
19 -1	52931 87710	B	Lining	1	M 2	
20	52931 86110		Lining	1		
20 -1	52931 28720	B	Lining	1	M19	US
21	52931 86610	C	Lining	1	M 2	
22	52939 80930		Lining	1		
23	52939 81030		Lining	1		
24	52928 29100		Lining	1		
24 -1	52928 23100	B	Lining	1	M19	US
25	52959 88920	D	Lining	1	M19	US
25 -1	52959 04050	B	Lining	1	M 3-2	US
26	52959 93140	D	Lining	1	M19	US
27	52931 86110		Lining	1		
27 -1	52931 28620	B	Lining	1	M19	US
28	52931 28520	D	Lining	1	M19	US

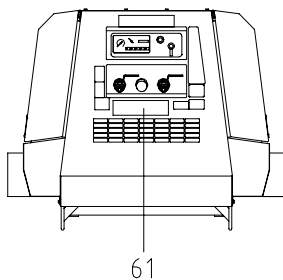
52 - 01 LINING (PDS185S)

見出番号 Ref.NO.	部品番号 Part NO.	互換性 Inter- change ability	部 品 名 称 Part Name		数量 Q'ty	変 更 C/H	備 考 Remarks
29	52959 93830	D	Lining	ライニング	1	M19	US
30	52959 03240	D	Lining	ライニング	1	M19	US
31	52959 62440		Lining	ライニング	1		
31 -1	52959 02450	B	Lining	ライニング	1	M19	US
31 -2	52959 03850	B	Lining	ライニング	1	M 2-1	US

SPECIAL SPECIFICATIONS

SS1- 00 49h.p.ENGINE (US MODEL)

見出番号 Ref.NO.	部品番号 Part NO.	互換性 Inter- change ability	部 品 名 称 Part Name	数量 Q'ty	変 更 C/H	備 考 Remarks
§ 31 - 00 MOUNTING, INTAKE, ENGINE & EXHAUST						100S 130S 185S refer to page 31-1
81	* * *		Engine エンジン (ISUZU 4LE2CA-01S)	1		
81 -1	* * *	A	Engine エンジン (ISUZU 4LE2CA-02) (oil filter cartridge :ISUZU 894456-7412) (fan belt :ISUZU 897230-9400)	1	M11	
81 -2	* * *	B	Engine エンジン	1	M19	
81 -3	* * *	B	Engine エンジン (NISSAN DIESEL TD2714) (oil filter element :NISSAN DIESEL 15208 43G00) (fan belt :NISSAN DIESEL 11720 43G01)	1	M14-1	
§ 36 - 00 AIR LINE						refer to page 36-1
8	36400 20000		Regulator ass'y レギュレータ	1		
	02238 08020		Bolt,w/w ワッシャ付ボルト	2		
8 -1	36400 19200	B	Regulator ass'y レギュレータ	1	M19	
	02138 08040	B	Bolt ボルト	2	M19	
	03115 02008	B	Spring washer スプリング ワッシャ	2	M19	
	03116 12008	B	Plain washer フレーン ワッシャ	2	M19	
§ 36 - 01 REGULATOR						refer to page 36-6
	36400 20000		Regulator ass'y レギュレータ			
	36400 19200	B	Regulator ass'y レギュレータ		M19	
9	31144 12900		Spacer スパ-サ	1		
9 -1	31144 09900	B	Spacer スパ-サ	1	M19	
§ 39 - 00 NEME PLATE (US MODEL)						refer to page 39-1
61	39178 72410		Plate(49HP) プレート	1		



SPECIAL SPECIFICATIONS

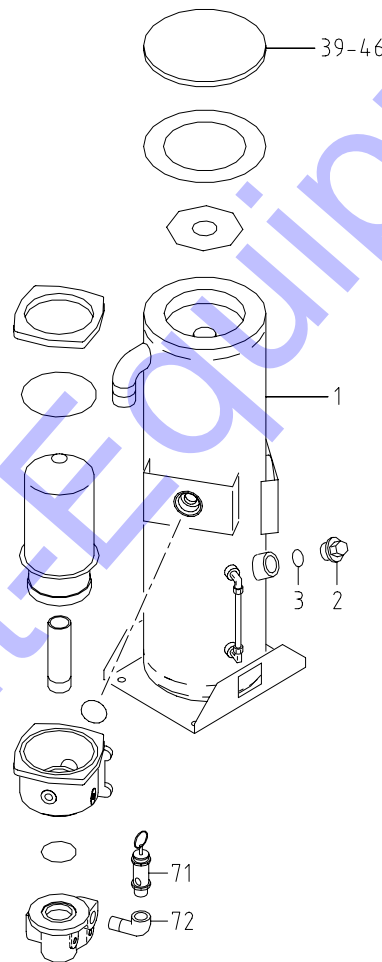
SS2- 00 EXP.TYPE (JIS TANK)(~ M19)

見出番号 Ref.NO.	部品番号 Part NO.	互換性 Inter- change ability	部 品 名 称 Part Name	数量 Q'ty	変更 C/H	備 考 Remarks
-----------------	------------------	------------------------------------	----------------------	------------	-----------	----------------

§ 33 - 00 RECEIVER,SEPARATOR & SERVICE HEADER

refer to page
33-1

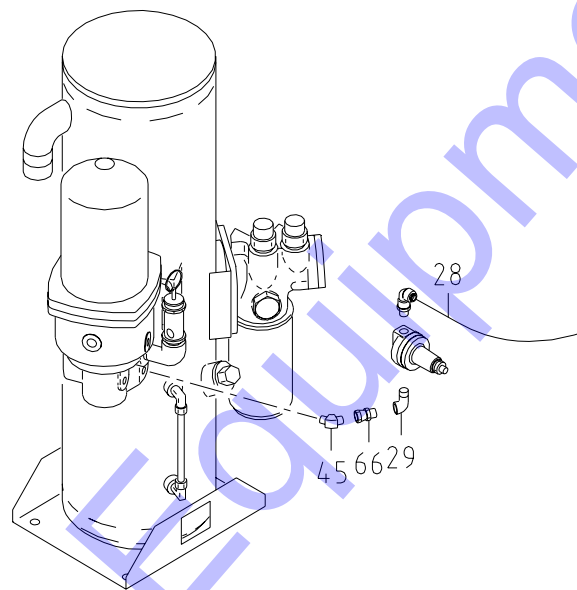
1	33100 26011		Receiver tank	レシーバ タンク	1	
2	33231 02500		Cap	キャップ	1	
3	03402 20030		O-ring	O-リング	1	
31	34210 27100		Casing	ケーシング	1	
	03620 41002		Plug	プラグ	2	
	02238 08030		Bolt, w/w	ワッシャ付ボルト	4	
	03116 12008		Plain washer	プレーン ワッシャ	4	
39	34250 21500		Cover	カバー	1	
71	35200 15200		Safety valve ass'y	安全弁	1	
72	03731 21006		Elbow	エルボ	1	



SPECIAL SPECIFICATIONS

SS2- 00 EXP.TYPE (JIS TANK)(~ M19)

見出番号 Ref.NO.	部品番号 Part NO.	互換性 Inter- change ability	部 品 名 称 Part Name		数量 Q'ty	変更 C/H	備 考 Remarks
			§ 36 - 00 AIR LINE				100S 130S refer to page 36-1
28	03890 20085		Nylon tube	ナイロンチューブ	1		
	44463 11900		Tube	チューブ	1		
28	03890 20065		Nylon tube	ナイロンチューブ	1		
	44463 03400		Tube	チューブ	1		
29	03731 21002		Elbow	エルボ	1		
45	03734 45002		Nipple elbow	ニップル エルボ	1		
66	86183 01500		Joint	ジョイント	1		



SPECIAL SPECIFICATIONS

SS2- 01 EXP.TYPE (JIS TANK)(M19 ~)

見出番号 Ref.NO.	部品番号 Part NO.	互換性 Inter- change ability	部 品 名 称 Part Name	数量 Q'ty	変 更 C/H	備 考 Remarks
-----------------	------------------	------------------------------------	----------------------	------------	------------	----------------

§ 31 - 00 MOUNTING, INTAKE, ENGINE & EXHAUST

100S 130S
refer to page
31-1

81	* * *		Engine	エンジン	1	
81 -1	* * *	B	Engine	エンジン	1	M18-2
81 -2	* * *	B	Engine	エンジン	1	M166
			(SHIBAURA S773L-C)			
			(oil filter	:SHIBAURA 140517020)		
			(fan belt	:SHIBAURA 080109049)		
81	* * *		Engine	エンジン	1	
81 -1	* * *	B	Engine	エンジン	1	M 4-1
81 -2	* * *	B	Engine	エンジン	1	M18-2
81 -3	* * *	B	Engine	エンジン	1	M166
			(SHIBAURA N843L-C)			
			(oil filter complete	:SHIBAURA 140517020)		
			(fan belt	:SHIBAURA 080109061)		

SPECIAL SPECIFICATIONS

SS2- 01 EXP.TYPE (JIS TANK)(M19 ~)

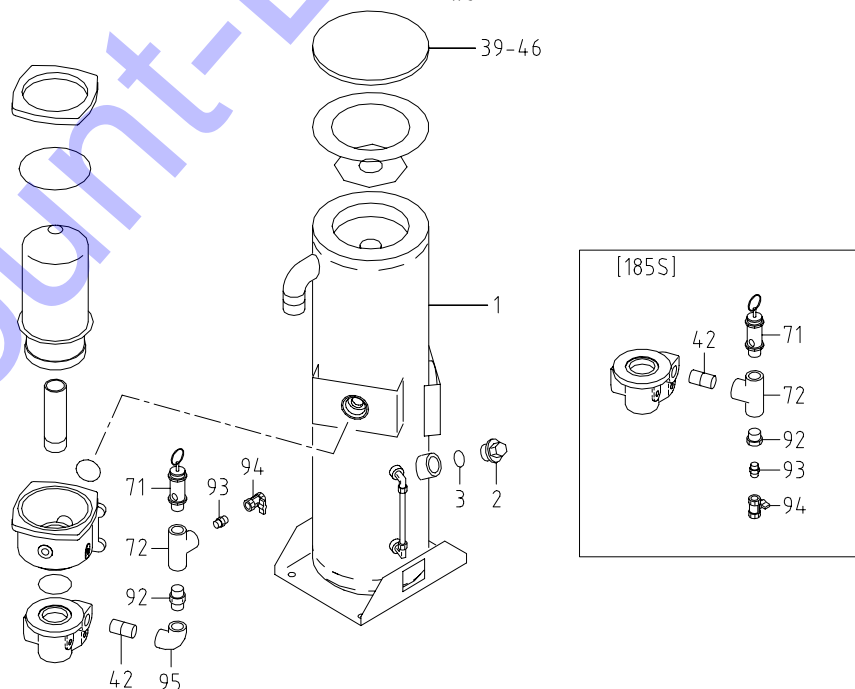
見出番号 Ref.NO.	部品番号 Part NO.	互換性 Inter- change ability	部 品 名 称 Part Name	数量 Q'ty	変 更 C/H	備 考 Remarks
-----------------	------------------	------------------------------------	----------------------	------------	------------	----------------

§ 33 - 00 RECEIVER,SEPARATOR & SERVICE HEADER

130S 185S
refer to page

33-1

1	33100 26011		Receiver tank	レシーバ タンク	1	
1 -1	33100 36911	B	Receiver tank	レシーバ タンク	1	M19-2
1 -2	33100 47310	B	Receiver tank	レシーバ タンク	1	M192
	31144 15100	D	Spacer	スペーサ	4	M192
2	33231 02500		Cap	キャップ	1	
3	03402 20030		O-ring	O-リング	1	
6	03730 04130		Gas pipe	ガスパイプ	1	
10	37160 87300		Pipe	パイプ	1	
39	34250 21500		Cover	カバー	1	
	02201 08020		Flange bolt	フランジ付ボルト	2	(閉塞用)
	02915 00008		Hexagon flange nut	フランジ付ナット	2	(閉塞用)
40	34215 04700		Gasket	ガスケット	1	
40 -1	03737 16802	A	Gasket	ガスケット	1	M71
41	33260 05900		Bracket	ブラケット	1	
	02201 08020		Flange bolt	フランジ付ボルト	2	
	02915 00008		Hexagon flange nut	フランジ付ナット	2	
42	03731 41006		Nipple	ニップル	1	
46	02135 10030		Bolt	ボルト	6	
46	02135 10030		Bolt	ボルト	5	
	02135 10035		Bolt(Bracket side)	ボルト	1	
	03115 02010		Spring washer	スプリング ワッシャ	6	
	03116 12010		Plain washer	プレーン ワッシャ	6	
71	35200 15200		Safety valve ass'y	安全弁	1	
72	03731 31012		Tee	チー	1	
72	03731 30006		Tee	チー	1	
92	03731 42006		Nipple	ニップル	1	
92	03732 00603		Bush	ブッシュ	1	
93	03731 42003		Nipple	ニップル	1	
95	03731 20006		Elbow	エルボ	1	



SPECIAL SPECIFICATIONS

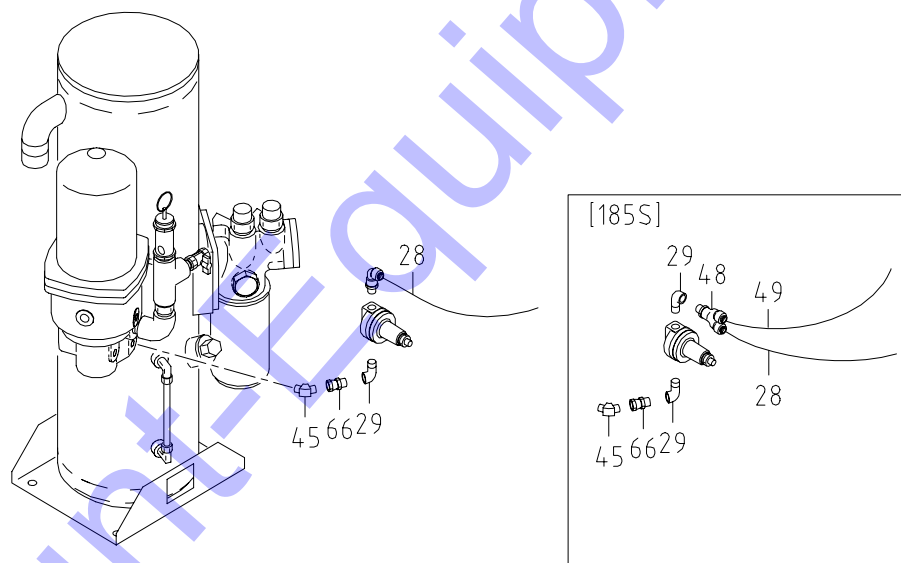
SS2- 01 EXP.TYPE (JIS TANK)(M19 ~)

見出番号 Ref.NO.	部品番号 Part NO.	互換性 Inter- change ability	部 品 名 称 Part Name	数量 Q'ty	変更 C/H	備 考 Remarks
-----------------	------------------	------------------------------------	----------------------	------------	-----------	----------------

§ 36 - 00 AIR LINE

130S 185S
refer to page
36-1

2	36110 92100		Instrument panel	1		
2 -1	36110 95200	B	Instrument panel	1	M79	
	02915 00006		Hexagon flange nut	8		
3	36152 02500		Bushing	1		
28	03890 20060		Nylon tube	1		
	44463 03400		Tube	1		
28	03890 20088		Nylon tube	1		
	44463 11900		Tube	1		
29	03731 21002		Elbow	1		
29	03731 21002		Elbow	2		
45	03734 45002		Nipple elbow	1		
49	03890 20080		Nylon tube	1		
	44463 11900		Tube	1		
65	36141 15503		Gauge,air press.	1		
	36131 03100	D	Cushion rubber	1	M118	
66	86183 01500		Joint	1		



§ 37 - 00 OIL LINE & COOLING

refer to page
37-1

5	37400 13000		Oil filter ass'y	1		
5 -1	37400 12900	B	Oil filter ass'y	1	M 8-1	
			(Const.No.6,7)			
	02238 08030		Bolt, w/w	4		
	03116 12008		Plain washer	4		
6	37410 00600		Filter complete	1		
6 -1	37410 00500	B	Filter complete	1	M 8-1	
			(Incl. relief valve)			
16	37231 02100	D	Pelet ass'y	1	M 8-1	

SPECIAL SPECIFICATIONS

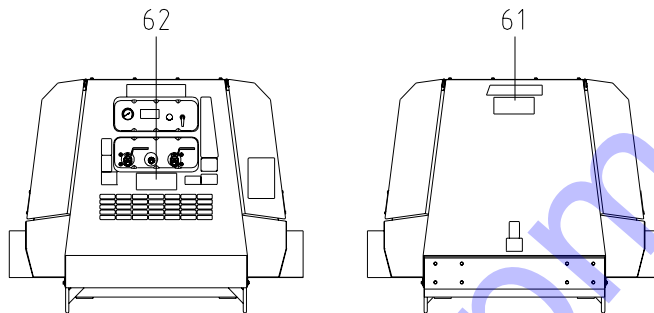
SS2- 01 EXP.TYPE (JIS TANK)(M19 ~)

見出番号 Ref.NO.	部品番号 Part NO.	互換性 Inter- change ability	部 品 名 称 Part Name	数量 Q'ty	変更 C/H	備 考 Remarks
-----------------	------------------	------------------------------------	----------------------	------------	-----------	----------------

§ 39 - 00 NEME PLATE (US MODEL)

130S 185S
refer to page
39-1

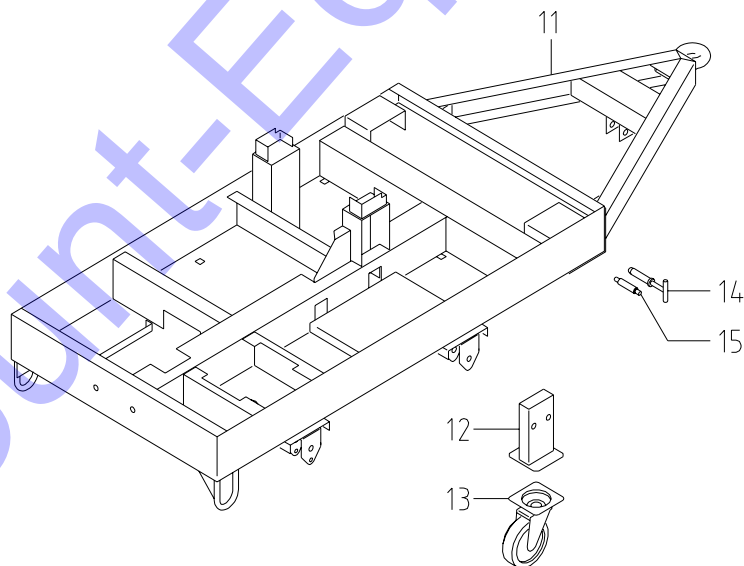
17	39147 00602		Plate(comp.oil) プレート	1		
61	39178 63200		Plate(never exceed) プレート	1		
62	39178 63100		Plate(speed limit) プレート	1		



SPECIAL SPECIFICATIONS

SS2- 01 EXP.TYPE (JIS TANK)(M19 ~)

見出番号 Ref.NO.	部品番号 Part NO.	互換性 Inter- change ability	部 品 名 称 Part Name	数量 Q'ty	変 更 C/H	備 考 Remarks
			§ 51 - 00 FRAME & BONNET			130S 185S refer to page 51-1
1	51100 87730		Frame	1		
1 -1	51100 10140	B	Frame	1	M13-1	
11	51300 21600		Draw bar	1		
12	51410 22000		Stand	1		
13	51460 02500		Wheel caster ass'y	1		
	02201 10020		Flange bolt	4		
	02915 00010		Hexagon flange nut	4		
14	51520 00100		Pin	1		
	51420 01000		Chain	1		
	51420 01100		Chain	1		
15	51434 02400		Bolt	1		
	02915 00012		Hexagon flange nut	2		
23	52300 74711		Top cover	1		
23 -1	52300 84110	B	Top cover	1	M 5-2	
	02201 08020		Flange bolt	2		(閉塞用)
	02915 00008		Hexagon flange nut	2		(閉塞用)
30	53220 66100		Fender	1		
30 -1	53220 69500	B	Fender	1	M13-1	
31	53220 66200		Fender	1		
39	52723 00100		Lock ass'y	2		
52	53220 66300		Fender	2		
59	39200 08800		Tool box(right)	1		
	39200 08900		Tool box(left)	1		



SPECIAL SPECIFICATIONS

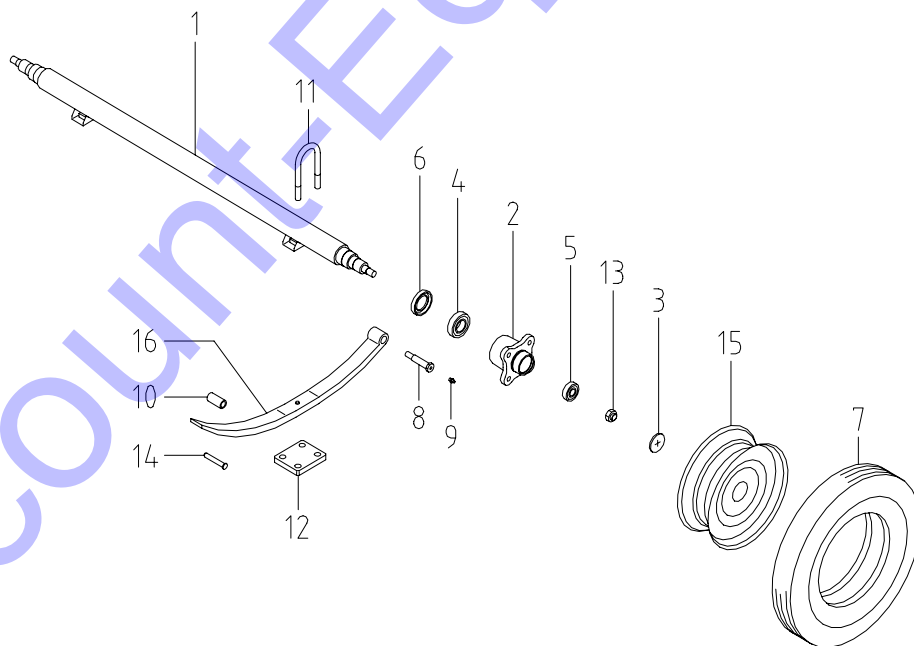
SS2- 01 EXP.TYPE (JIS TANK)(M19 ~)

見出番号 Ref.NO.	部品番号 Part NO.	互換性 Inter- change ability	部 品 名 称 Part Name	数量 Q'ty	変 更 C/H	備 考 Remarks
-----------------	------------------	------------------------------------	----------------------	------------	------------	----------------

130S 185S

§ 54 - 00 AXLE & TIRE

1	54200 33900		Axle	アクスル	1	
2	54341 03600		Hub	ハブ	2	
	54343 01900		Bolt	ボルト	8	
	54344 01300		Nut	ナット	8	
3	54342 00700		Cap	キャップ	2	
4	03410 30207		Bearing	ベアリング	2	
5	03410 30204		Bearing	ベアリング	2	
6	54345 00100		Oil seal	オイル シール	2	
7	54420 05200		Tire ass'y	タイヤ アッセンブリ	2	
7 -1	54420 06000	A	Tire ass'y	タイヤ アッセンブリ	2	M177
8	54624 01600		Pin	ピン	4	
	02914 50014		Locking nut	ロックング ナット	4	
	03116 12014		Plain washer	プレーン ワッシャ	4	
9	03408 10010		Grease nipple	グリース ニップル	4	
10	54622 00300		Bushing	ブッシング	2	
11	54627 05100		U-bolt	U-ボルト	4	
	02914 50014		Locking nut	ロックング ナット	8	
12	54628 01500		Pad	パッド	2	
13	54337 00500		Nut	ナット	2	
	03116 12018		Plain washer	プレーン ワッシャ	2	
14	03322 12074		Pin	ピン	2	
	03116 12012		Plain washer	プレーン ワッシャ	2	
	03310 30022		Split pin	スプリット ピン	2	
15	54410 01301		Disc,wheel	ホイール ディスク	2	
16	54500 02900		Leaf spring ass'y	リーフ スプリング	2	



I N D E X

PART NO.	PAGE	REF.NO.	PART NO.	PAGE	REF.NO.	PART NO.	PAGE	REF.NO.
02102 14030	51 - 2	1-3	02138 08040	SS1- 1	8-1	02201 08020	43 - 8	81-1
02102 14030	51 - 2	8	02138 08070	43 - 2	9-2	02201 08020	43 - 8	81-3
02102 14045	51 - 2	1-3	02138 08070	43 - 3	17	02201 08020	43 - 8	81-1
02108 12025	31 - 2	3-1	02138 08070	43 - 3	17-1	02201 08020	43 - 8	81-2
02108 14025	31 - 2	3-1	02138 10016	43 - 6	70-1	02201 08020	51 - 2	5
02135 00080	31 - 5	90	02138 10020	33 - 4	46-2	02201 08020	51 - 2	7
02135 08025	21 - 8	105-2	02138 10020	33 - 4	46	02201 08020	51 - 5	41
02135 08025	31 - 5	90	02138 10020	33 - 5	46	02201 08020	51 - 5	41-1
02135 08025	31 - 6	122-1	02138 12025	31 - 2	4-2	02201 08020	51 - 5	41-1
02135 10025	31 - 6	122-1	02191 08020	51 - 3	29	02201 08020	51 - 5	41
02135 10030	31 - 6	131-1	02201 06012	43 - 8	82-1	02201 08020	51 - 5	41
02135 10030	33 - 4	46-1	02201 06012	43 - 8	82-1	02201 08020	51 - 7	69
02135 10030	SS2- 4	46	02201 06012	43 - 8	82-1	02201 08020	51 - 9	41
02135 10030	SS2- 4	46	02201 06016	37 - 6	84-1	02201 08020	SS2- 4	39
02135 10035	21 - 8	104	02201 06016	37 - 6	84	02201 08020	SS2- 4	41
02135 10035	31 - 2	3-2	02201 06016	39 - 6	38	02201 08020	SS2- 7	23-1
02135 10035	31 - 2	3-3	02201 06016	43 - 8	82-1	02201 10020	31 - 2	3
02135 10035	33 - 4	46-1	02201 06016	43 - 8	82-1	02201 10020	31 - 3	37
02135 10035	33 - 4	46-1	02201 06016	43 -10	105	02201 10020	31 - 3	37
02135 10035	33 - 4	46	02201 06016	43 -10	105	02201 10020	31 - 3	37-1
02135 10035	SS2- 4	46	02201 06016	51 - 2	4	02201 10020	31 - 3	37-1
02135 10040	21 - 3	105	02201 06016	51 - 6	64	02201 10020	33 - 7	3
02135 10100	33 - 5	75-1	02201 06016	51 - 7	70	02201 10020	43 - 6	70-1
02135 10100	33 - 5	75-2	02201 06016	51 - 7	73	02201 10020	43 - 6	70-2
02135 12030	51 - 5	54	02201 06016	51 - 7	76	02201 10020	43 - 6	73
02135 12030	51 - 5	54-1	02201 06016	51 - 7	80	02201 10020	43 - 6	73
02135 12030	51 - 5	54-1	02201 06016	51 - 9	27	02201 10020	43 - 6	73-1
02135 12030	51 - 6	54	02201 08012	31 - 3	31-1	02201 10020	43 - 6	73-1
02135 12030	51 - 6	54	02201 08012	31 - 3	31-1	02201 10020	SS2- 7	13
02135 12030	51 - 7	68	02201 08012	31 - 3	37-2	02201 10030	33 - 2	1
02135 12035	51 - 2	1	02201 08012	37 - 4	70	02238 08020	36 - 2	8
02135 12035	51 - 9	61	02201 08012	43 - 8	81-2	02238 08020	SS1- 1	8
02135 12045	51 - 2	1	02201 08012	51 - 6	65	02238 08025	37 - 2	14
02135 12045	51 - 5	54-1	02201 08012	51 - 6	65	02238 08030	33 - 3	31-1
02135 12045	51 - 6	54	02201 08012	51 - 6	65-1	02238 08030	37 - 2	5-1
02135 16040	51 - 2	6	02201 08012	51 - 7	69	02238 08030	37 - 2	14
02136 10030	31 - 6	122-1	02201 08020	31 - 3	37-1	02238 08030	SS2- 1	31
02138 05012	36 - 5	47	02201 08020	31 - 3	37-1	02238 08030	SS2- 5	5-1
02138 05020	36 - 5	47	02201 08020	31 - 6	129	02238 10025	31 - 2	3
02138 06025	43 - 7	77-1	02201 08020	31 - 6	129-1	02238 10030	21 - 3	106
02138 06025	43 - 7	77-3	02201 08020	33 - 3	13	02238 10030	21 - 8	106
02138 06025	43 -10	102	02201 08020	33 - 4	41	02238 10035	31 - 2	3-1
02138 06025	43 -10	102-1	02201 08020	33 - 5	73-1	02248 06012	33 - 3	15
02138 06025	51 - 9	5	02201 08020	33 - 7	4	02248 06012	37 - 5	81-3
02138 08020	33 - 3	13	02201 08020	37 - 3	26	02248 06012	37 - 5	81
02138 08025	51 - 5	51-1	02201 08020	37 - 3	26	02248 06012	37 - 5	81-1
02138 08030	43 - 3	16	02201 08020	37 - 3	65	02248 06012	37 - 5	81
02138 08030	51 - 5	51-1	02201 08020	37 - 3	65	02248 06012	37 - 6	84
02138 08035	43 - 2	9-2	02201 08020	37 - 4	70	02248 06012	37 - 6	84-1
02138 08040	36 - 2	8-1	02201 08020	43 - 3	18	02248 06012	37 - 6	84

I N D E X

PART NO.	PAGE	REF.NO.	PART NO.	PAGE	REF.NO.	PART NO.	PAGE	REF.NO.
02248 06012	37 - 6	84	02280 10030	31 - 2	4-1	02915 00005	43 - 8	84
02248 06012	37 - 6	84-1	02280 10045	21 - 8	105-1	02915 00006	36 - 2	2-3
02248 06012	37 - 7	106	02280 10055	21 - 2	62-2	02915 00006	36 - 2	2-3
02248 06012	37 - 7	110	02280 10060	21 - 5	4-2	02915 00006	36 - 3	22
02248 06012	43 - 2	11	02280 10060	21 - 7	72-4	02915 00006	37 - 5	80
02248 06016	36 - 5	47-1	02280 10100	21 - 5	10-2	02915 00006	37 - 5	80
02248 06016	37 - 5	81-2	02280 10100	21 - 7	84-1	02915 00006	37 - 5	80
02248 06016	43 - 2	13-3	02282 08025	21 - 3	66-3	02915 00006	37 - 5	83-1
02248 06016	43 - 2	13	02282 08025	21 - 7	76-3	02915 00006	37 - 6	83-3
02248 06016	43 - 2	13-1	02282 08030	21 - 3	66	02915 00006	37 - 6	83-4
02248 06016	43 - 3	16-1	02282 08030	21 - 7	76	02915 00006	37 - 6	83
02248 06016	43 - 5	45	02282 10030	21 - 3	103-1	02915 00006	37 - 6	83-1
02248 06016	43 - 8	87	02282 10030	21 - 8	103	02915 00006	37 - 7	110
02248 06016	43 - 8	87-1	02283 06025	36 - 6	2	02915 00006	43 - 8	87-1
02248 06016	43 - 8	87-1	02283 08030	33 - 3	32	02915 00006	43 - 8	87-3
02248 06016	43 - 8	87-2	02283 08035	33 - 3	32	02915 00006	43 - 9	91-1
02248 06016	43 - 8	87-3	02283 10030	33 - 3	35	02915 00006	43 - 9	91-1
02248 06016	43 - 8	87-1	02283 10035	33 - 3	35	02915 00006	43 -10	106
02248 06016	51 - 5	50	02325 64016	51 - 9	3	02915 00006	43 -10	106
02248 08025	31 - 3	37-1	02345 65020	36 - 2	1	02915 00006	51 - 4	37
02248 08030	43 - 3	17-1	02401 26012	51 - 4	38	02915 00006	51 - 4	37-1
02248 10020	31 - 3	37-2	02401 28020	51 - 4	40	02915 00006	51 - 4	37-1
02248 10030	33 - 4	46	02401 28020	51 - 7	101-1	02915 00006	51 - 4	37
02248 10035	31 - 3	37-1	02709 00410	43 - 4	38	02915 00006	51 - 4	37
02248 10035	33 - 4	46	02905 00008	37 - 4	70	02915 00006	51 - 4	37
02249 06016	37 - 7	99	02912 06010	31 - 6	122-1	02915 00006	51 - 4	37-1
02249 06016	37 - 7	99	02912 06010	31 - 6	131-1	02915 00006	51 - 4	37
02249 06016	37 - 7	99	02912 06012	51 - 2	1	02915 00006	51 - 7	76
02249 08035	33 - 6	87	02912 06016	51 - 2	6	02915 00006	51 - 7	80
02249 08035	33 - 6	87	02912 08004	51 - 9	3	02915 00006	SS2- 5	2-1
02270 04012	36 - 2	17	02912 08006	39 - 6	38	02915 00008	31 - 2	2-1
02270 08025	21 - 5	6	02912 08006	43 - 7	80-2	02915 00008	31 - 2	2-1
02270 08030	21 - 2	15	02912 08006	43 - 7	80-2	02915 00008	31 - 6	127
02270 08030	21 - 5	11-1	02912 08006	43 - 8	87-1	02915 00008	31 - 6	127-1
02270 08030	21 - 8	105-1	02912 08006	43 - 8	87-2	02915 00008	33 - 4	41
02280 08025	21 - 2	6-1	02912 08006	43 - 9	91	02915 00008	37 - 3	26
02280 08030	21 - 3	65-2	02912 08006	43 - 9	100	02915 00008	37 - 3	26
02280 08030	21 - 3	104-1	02912 08006	43 - 9	100	02915 00008	43 - 2	9-2
02280 08030	21 - 5	15	02912 08006	43 -10	102	02915 00008	51 - 2	4
02280 08030	21 - 7	75	02912 08006	43 -10	102-1	02915 00008	51 - 6	62
02280 08095	21 - 2	6-1	02912 08008	36 - 3	21-2	02915 00008	51 - 6	62-1
02280 10030	21 - 2	25	02912 08008	51 - 5	51-1	02915 00008	51 - 6	62
02280 10030	21 - 2	62-2	02912 08010	21 - 3	106	02915 00008	51 - 7	69
02280 10030	21 - 5	1-3	02912 08012	51 - 5	54-1	02915 00008	51 - 7	70
02280 10030	21 - 5	4-2	02912 08012	51 - 6	54	02915 00008	SS2- 4	39
02280 10030	21 - 5	6-1	02914 50014	SS2- 8	8	02915 00008	SS2- 4	41
02280 10030	21 - 5	10-2	02914 50014	SS2- 8	11	02915 00008	SS2- 7	23-1
02280 10030	21 - 6	22	02914 60008	36 - 6	11	02915 00010	31 - 2	2
02280 10030	21 - 7	72-4	02915 00005	36 - 5	47	02915 00010	31 - 2	2-1
02280 10030	21 - 8	105-1	02915 00005	36 - 5	47	02915 00010	31 - 2	2-2

I N D E X

PART NO.	PAGE	REF.NO.	PART NO.	PAGE	REF.NO.	PART NO.	PAGE	REF.NO.
02915 00010	31 - 2	5-1	03115 02012	51 - 7	68	03116 12010	33 - 4	46-1
02915 00010	SS2- 7	13	03115 02012	51 - 9	61	03116 12010	33 - 4	46-2
02915 00012	31 - 2	5-1	03115 02014	31 - 2	3-1	03116 12010	33 - 4	46-2
02915 00012	SS2- 7	15	03115 02014	51 - 2	1-3	03116 12010	33 - 4	46-3
02915 01008	31 - 6	122-1	03115 02014	51 - 2	1-3	03116 12010	33 - 4	46-3
02915 01008	31 - 6	122-1	03115 02014	51 - 2	8	03116 12010	33 - 4	46
02915 20006	36 - 3	22	03115 02016	51 - 2	6	03116 12010	33 - 4	46
02915 20010	31 - 2	2	03115 06010	31 - 6	122-1	03116 12010	33 - 5	46
03115 02004	51 - 9	3	03115 30008	21 - 3	65-2	03116 12010	33 - 5	46
03115 02005	36 - 2	1	03115 30008	21 - 7	75	03116 12010	43 - 6	70-1
03115 02006	39 - 6	38	03115 30008	33 - 3	32	03116 12010	SS2- 4	46
03115 02006	43 - 7	77-1	03115 30010	21 - 2	25	03116 12012	51 - 2	1
03115 02006	43 - 7	77-3	03115 30010	21 - 2	62-2	03116 12012	51 - 5	54
03115 02006	43 - 9	91	03115 30010	21 - 3	103-1	03116 12012	51 - 5	54-1
03115 02006	43 -10	102	03115 30010	21 - 6	22	03116 12012	51 - 6	54
03115 02006	43 -10	102-1	03115 30010	21 - 8	103	03116 12012	51 - 9	61
03115 02008	21 - 8	105-2	03115 30010	31 - 2	4-1	03116 12012	SS2- 8	14
03115 02008	31 - 5	90	03115 30010	33 - 3	35	03116 12014	51 - 2	1-3
03115 02008	31 - 6	122-1	03115 40006	36 - 6	2	03116 12014	51 - 2	8
03115 02008	33 - 3	13	03115 40008	21 - 3	104-1	03116 12014	SS2- 8	8
03115 02008	36 - 2	8-1	03115 40008	21 - 5	15	03116 12016	51 - 2	6
03115 02008	43 - 2	9-2	03115 40010	21 - 5	6-1	03116 12018	SS2- 8	13
03115 02008	43 - 3	17	03115 40010	21 - 7	72-4	03116 15010	31 - 6	122-1
03115 02008	43 - 3	17-1	03115 40010	21 - 7	84-1	03260 03010	39 - 2	1
03115 02008	SS1- 1	8-1	03115 40010	21 - 8	105-1	03260 03010	39 - 5	1
03115 02010	21 - 3	105	03116 12004	51 - 9	3	03260 03010	39 - 8	1
03115 02010	21 - 3	106	03116 12005	36 - 2	1	03307 10040	21 - 6	29
03115 02010	21 - 8	104	03116 12006	36 - 3	22	03307 10045	21 - 3	102
03115 02010	31 - 2	3-2	03116 12006	39 - 6	38	03307 14050	21 - 8	102
03115 02010	31 - 2	3-3	03116 12006	43 - 7	77-1	03310 30022	SS2- 8	14
03115 02010	31 - 6	122-1	03116 12006	43 - 7	77-3	03316 14028	21 - 2	8-1
03115 02010	31 - 6	131-1	03116 12006	43 - 9	91	03316 14028	21 - 5	5-1
03115 02010	33 - 4	46-1	03116 12006	43 -10	102	03316 14032	21 - 2	8
03115 02010	33 - 4	46-2	03116 12006	43 -10	102-1	03316 14036	21 - 5	5
03115 02010	33 - 4	46-2	03116 12006	51 - 2	4	03322 12074	SS2- 8	14
03115 02010	33 - 4	46-3	03116 12008	33 - 3	13	03402 00453	51 - 9	28
03115 02010	33 - 4	46	03116 12008	33 - 3	31-1	03402 00603	31 - 5	89
03115 02010	33 - 4	46	03116 12008	36 - 2	8-1	03402 00603	31 - 5	89-1
03115 02010	33 - 5	46	03116 12008	37 - 2	5-1	03402 10075	21 - 2	11
03115 02010	33 - 5	46	03116 12008	37 - 2	14	03402 10095	21 - 5	9
03115 02010	33 - 5	75-1	03116 12008	37 - 4	70-1	03402 10115	21 - 2	64
03115 02010	33 - 5	75-2	03116 12008	43 - 2	9-2	03402 10115	21 - 7	74
03115 02010	SS2- 4	46	03116 12008	43 - 3	17	03402 15060	33 - 3	33
03115 02012	31 - 2	3-1	03116 12008	43 - 3	17-1	03402 15060	37 - 3	15
03115 02012	31 - 2	4-2	03116 12008	51 - 5	51-1	03402 15140	33 - 3	36
03115 02012	51 - 2	1	03116 12008	51 - 5	51-1	03402 20022	31 - 5	92-1
03115 02012	51 - 5	54	03116 12008	SS1- 1	8-1	03402 20030	33 - 2	3-1
03115 02012	51 - 5	54-1	03116 12008	SS2- 1	31	03402 20030	33 - 2	3
03115 02012	51 - 6	54	03116 12008	SS2- 5	5-1	03402 20030	33 - 2	3
03115 02012	51 - 6	54	03116 12010	31 - 3	37-1	03402 20030	SS2- 1	3

I N D E X

PART NO.	PAGE	REF.NO.	PART NO.	PAGE	REF.NO.	PART NO.	PAGE	REF.NO.
03402 20030	SS2- 4	3	03407 66859	43 - 8	88-2	03413 40045	21 - 6	34
03402 20036	33 - 5	79	03407 66866	37 - 6	93	03424 80011	43 - 5	45
03402 20036	33 - 5	79-1	03407 66867	37 - 7	95	03424 80018	43 - 8	86
03402 20042	33 - 6	88	03407 66871	43 - 5	62-1	03424 80018	43 - 8	86
03402 20042	33 - 6	88	03407 66871	43 - 5	62-1	03424 80069	37 - 4	70
03402 25008	36 - 2	14	03407 66932	37 - 7	95	03424 80101	36 - 5	58
03402 25014	43 - 2	10	03407 66936	37 - 6	93	03424 80101	43 - 8	86-1
03402 25021	36 - 2	16	03407 66938	37 - 7	94	03424 80101	43 - 8	86
03402 25024	37 - 2	10	03407 66938	37 - 7	98	03424 80101	43 - 8	86-1
03402 25024	37 - 3	25	03407 66940	37 - 7	94-1	03424 80101	43 - 8	86-2
03402 25029	33 - 2	12	03407 66941	37 - 6	93	03424 80101	51 - 9	27
03402 25040	33 - 3	38	03407 67030	51 - 5	47	03424 80164	51 - 9	25
03402 25040	37 - 2	8	03407 67201	43 - 4	32	03424 80197	31 - 6	128
03402 25044	33 - 2	12	03407 67201	51 - 5	46	03424 80214	37 - 4	70
03403 00303	37 - 6	88	03407 67201	51 - 7	71	03424 80218	37 - 4	70-1
03403 00303	37 - 6	88	03407 67212	51 - 7	71-1	03424 80230	31 - 6	128
03403 00303	37 - 6	88-1	03407 67215	51 - 5	46-1	03424 80230	31 - 6	128-1
03403 00303	37 - 6	88	03407 67215	51 - 7	71-1	03424 80231	37 - 4	70-1
03403 00392	51 - 4	30	03407 67307	37 - 6	89	03425 00001	33 - 2	6-1
03403 00703	37 - 7	103	03407 67310	37 - 7	97	03425 00001	36 - 4	42
03403 10017	51 - 2	2	03407 67312	37 - 6	91	03425 00001	36 - 4	42-1
03407 14010	37 - 4	75	03407 67313	37 - 6	90	03425 00001	36 - 4	42
03407 14020	31 - 5	88-1	03407 67319	51 - 4	30	03425 00001	36 - 4	42-1
03407 14020	31 - 5	88-1	03407 67401	51 - 5	45	03425 00001	36 - 4	42
03407 16020	31 - 5	84	03407 67405	37 - 6	92	03425 00001	36 - 4	42-1
03407 16020	31 - 5	92	03407 67405	37 - 7	102	03425 00001	37 - 4	70-1
03407 16022	31 - 5	84-1	03407 67413	37 - 6	92	03425 00001	37 - 6	87-1
03407 16022	31 - 5	92-1	03407 67414	37 - 6	92	03425 00001	37 - 6	87-1
03407 45027	51 - 5	48	03407 67514	51 - 5	42	03425 00001	43 - 4	25
03407 64808	51 - 5	50	03407 67515	51 - 5	44-1	03425 00001	43 - 4	25-1
03407 64833	37 - 7	115	03407 67517	51 - 5	44-1	03425 00001	43 - 4	25-2
03407 64833	37 - 7	115-1	03407 67518	51 - 5	44	03425 00001	43 - 4	25
03407 65027	43 - 8	88	03407 67519	51 - 5	43	03425 00001	43 - 4	25-1
03407 65027	43 - 8	88-1	03407 67520	51 - 5	42	03425 00001	43 - 4	25
03407 65218	51 - 4	33	03407 67521	51 - 5	43	03425 00001	43 - 6	75
03407 65425	37 - 6	89	03407 67522	51 - 5	44	03425 00001	43 - 6	75-1
03407 65426	37 - 6	91	03407 67539	51 - 5	44-1	03425 00001	43 - 6	75-2
03407 66410	37 - 6	90	03407 67539	51 - 5	44-1	03425 00001	43 - 6	75
03407 66705	43 -10	103-1	03407 67602	51 - 7	72	03425 00001	43 - 6	75-1
03407 66709	43 - 8	89	03408 10010	SS2- 8	9	03425 00001	43 - 6	75
03407 66709	43 - 8	89-1	03410 06211	21 - 6	32	03425 00001	51 - 9	26
03407 66709	43 -10	103	03410 30204	SS2- 8	5	03425 00002	31 - 5	93
03407 66709	43 -10	103-2	03410 30207	SS2- 8	4	03425 00002	43 - 5	47
03407 66709	43 -10	103-1	03413 10055	21 - 6	33	03425 00003	31 - 4	48
03407 66714	43 - 5	62-1	03413 20052	21 - 6	25	03425 00003	31 - 4	48
03407 66714	43 - 5	62-1	03413 20085	21 - 6	35	03425 00003	33 - 3	19
03407 66819	37 - 7	94	03413 20090	21 - 6	19	03425 00003	37 - 4	70-1
03407 66842	37 - 7	95	03413 40020	21 - 2	23	03425 00003	37 - 4	70-1
03407 66851	37 - 7	94	03413 40020	21 - 6	24	03425 00005	31 - 5	94
03407 66859	43 - 8	88-1	03413 40035	21 - 2	19	03425 00005	37 - 3	27

I N D E X

PART NO.	PAGE	REF.NO.	PART NO.	PAGE	REF.NO.	PART NO.	PAGE	REF.NO.
03425 00005	37 - 4	70	03511 40020	43 - 2	5	03600 09012	43 - 4	39
03425 00005	37 - 7	116	03511 40020	43 - 2	5-1	03600 09012	43 - 4	39-1
03425 00005	37 - 7	116	03511 40020	43 - 4	34-1	03600 09024	43 - 4	24-1
03425 00005	43 - 9	92	03511 40020	43 - 4	40-1	03600 09048	43 - 4	31
03425 00005	43 - 9	92-1	03511 40020	43 - 5	48-1	03611 08039	37 - 4	71-2
03425 00005	43 - 9	92-2	03550 89007	31 - 4	44	03611 08046	37 - 4	71-2
03511 10013	43 - 2	6-1	03570 05040	43 - 4	24	03611 08070	37 - 4	71-1
03511 10013	43 - 4	40-1	03570 05053	43 - 4	24-1	03611 08072	37 - 4	71
03511 10013	43 - 5	48-1	03570 08025	43 - 4	41	03620 05013	51 - 7	100
03511 10016	43 - 2	5-1	03570 08036	43 - 4	23-1	03620 20010	37 - 4	74
03511 10017	43 - 2	7-1	03570 08055	43 - 5	43	03620 20020	31 - 5	87-1
03511 10017	43 - 5	44	03570 08057	43 - 4	23-2	03620 41002	33 - 3	31-1
03511 10020	43 - 2	7	03570 08060	43 - 3	22-2	03620 41002	33 - 3	31-1
03511 20035	31 - 5	86	03570 08060	43 - 4	23	03620 41002	33 - 3	31-1
03511 20040	37 - 4	69	03570 08060	43 - 4	23-1	03620 41002	33 - 3	31-1
03511 20040	37 - 7	114	03570 08061	43 - 4	23-1	03620 41002	33 - 3	31-1
03511 20045	37 - 4	68	03570 08072	43 - 3	22-2	03620 41002	33 - 3	31-1
03511 20045	37 - 4	69	03570 08085	43 - 4	23-2	03620 41002	33 - 4	45
03511 20045	37 - 7	109	03570 08090	43 - 4	23	03620 41002	33 - 4	45
03511 20045	37 - 7	113	03570 08114	43 - 4	23	03620 41002	37 - 5	79
03511 20045	37 - 7	114	03570 15008	33 - 2	9	03620 41002	37 - 5	79-1
03511 20045	37 - 7	114-1	03580 19037	31 - 5	85-1	03620 41002	SS2-	1 31
03511 20050	37 - 4	68-1	03580 19070	31 - 5	85-1	03620 41003	21 - 6	37
03511 20050	37 - 7	113-1	03580 19075	31 - 5	85	03620 41004	33 - 5	75-1
03511 20070	31 - 4	43	03580 19080	31 - 5	85	03620 41008	33 - 6	86
03511 20080	31 - 4	42	03580 19083	31 - 5	85-1	03620 41008	33 - 6	96
03511 20080	31 - 4	43-1	03580 19095	31 - 5	85	03620 41008	33 - 6	96-1
03511 20080	31 - 4	45	03600 06080	43 - 2	14-1	03620 41008	33 - 6	96
03511 20080	43 - 4	30	03600 06600	43 - 3	22-1	03620 50008	33 - 6	96
03511 20090	31 - 4	42	03600 08006	43 - 3	21	03620 60001	21 - 2	7
03511 20100	31 - 4	40	03600 08006	43 - 3	21-1	03620 60001	21 - 5	2
03511 20100	31 - 4	45	03600 08010	43 - 3	21	03620 60001	21 - 6	40
03511 20100	31 - 4	46	03600 08013	43 - 3	22-1	03620 60001	21 - 6	40-1
03511 30155	37 - 7	96	03600 08018	43 - 4	24	03620 60002	21 - 2	2
03511 40012	43 - 4	34	03600 08019	43 - 4	24	03620 60002	21 - 5	2-1
03511 40013	37 - 7	104	03600 08020	43 - 3	22	03620 60002	21 - 6	38
03511 40016	37 - 4	72	03600 08024	43 - 3	22-1	03620 60002	21 - 6	40-1
03511 40016	37 - 4	72	03600 08028	43 - 3	21-1	03620 60002	21 - 6	40-2
03511 40016	37 - 7	104	03600 08028	43 - 3	21-2	03620 60002	21 - 6	40-2
03511 40016	37 - 7	105	03600 08030	43 - 3	22	03620 60003	21 - 2	3
03511 40016	43 - 2	6	03600 08044	43 - 3	22	03620 60003	21 - 5	3
03511 40016	43 - 2	6-1	03600 08046	43 - 3	20	03620 60003	21 - 5	3-1
03511 40016	43 - 4	34	03600 08050	43 - 3	20-1	03620 60003	21 - 5	3-2
03511 40016	43 - 4	34	03600 08053	43 - 3	20	03620 60003	21 - 5	3-1
03511 40016	43 - 4	40	03600 08055	43 - 2	12	03620 60003	21 - 6	39
03511 40016	43 - 5	48	03600 08055	43 - 4	42	03620 60006	33 - 4	42
03511 40018	37 - 4	72	03600 08060	43 - 3	20	03620 60006	33 - 4	42-1
03511 40018	37 - 7	104-1	03600 08064	43 - 3	20-1	03729 12140	33 - 3	37
03511 40018	37 - 7	104-1	03600 08072	43 - 3	20-1	03730 04080	33 - 2	6
03511 40018	37 - 7	105-1	03600 09012	43 - 3	19	03730 04080	33 - 2	6

I N D E X

PART NO.	PAGE	REF.NO.	PART NO.	PAGE	REF.NO.	PART NO.	PAGE	REF.NO.
03730 04100	33 - 2	6-1	03732 01208	33 - 6	85	03734 75060	37 - 2	3
03730 04130	SS2- 4	6	03734 20020	33 - 7	8	03734 75060	37 - 2	4
03731 11002	36 - 5	55	03734 20020	36 - 4	38	03735 13003	33 - 6	94
03731 20004	33 - 2	5	03734 20020	36 - 5	52	03735 13003	37 - 5	79
03731 20006	SS2- 4	95	03734 20030	37 - 5	78-1	03735 13004	33 - 2	7
03731 20008	33 - 6	89	03734 20032	33 - 7	14	03737 16802	33 - 3	40-3
03731 20008	33 - 6	89	03734 20032	36 - 4	44	03737 16802	33 - 3	40-2
03731 20030	37 - 4	76-1	03734 20032	37 - 5	78-1	03737 16802	33 - 4	40-1
03731 20030	37 - 4	76	03734 20032	37 - 5	78	03737 16802	SS2- 4	40-1
03731 21002	36 - 3	29	03734 20042	36 - 5	60	03737 17008	33 - 3	40-1
03731 21002	36 - 3	29-1	03734 20042	36 - 5	60-1	03737 17008	33 - 4	40
03731 21002	36 - 5	53	03734 20201	33 - 7	7	03739 09101	33 - 5	81
03731 21002	36 - 5	56	03734 20201	37 - 3	20	03739 09101	33 - 5	81-1
03731 21002	36 - 5	57	03734 21015	36 - 4	40	03791 15002	36 - 4	46
03731 21002	36 - 5	57-1	03734 21020	33 - 7	10	03830 08004	31 - 6	126
03731 21002	36 - 5	63	03734 21020	36 - 4	37	03830 08030	31 - 6	126-1
03731 21002	36 - 5	63-1	03734 21020	37 - 3	21	03840 15084	36 - 4	39
03731 21002	37 - 3	23	03734 21023	36 - 5	51	03840 15090	36 - 4	39
03731 21002	SS2- 2	29	03734 21030	33 - 2	4-1	03840 20040	36 - 4	36-1
03731 21002	SS2- 5	29	03734 21030	37 - 5	78	03840 20043	36 - 4	36
03731 21002	SS2- 5	29	03734 21032	36 - 4	34	03840 20044	36 - 4	36
03731 21003	33 - 6	95	03734 21032	36 - 4	44	03840 20047	36 - 4	36
03731 21003	37 - 7	111	03734 21032	37 - 5	78	03840 20048	36 - 4	36-1
03731 21006	SS2- 1	72	03734 21042	36 - 5	61	03840 20050	36 - 4	36-1
03731 21030	37 - 4	76	03734 21042	36 - 5	61-1	03840 30031	36 - 4	33
03731 30002	33 - 7	13	03734 21151	36 - 2	3-1	03840 30031	36 - 4	33-1
03731 30002	36 - 3	24	03734 21201	33 - 7	9	03840 30052	36 - 4	33
03731 30002	36 - 4	43	03734 21201	37 - 3	21	03840 30058	36 - 4	33
03731 30006	SS2- 4	72	03734 43080	33 - 5	83	03841 20030	33 - 7	5
03731 31012	SS2- 4	72	03734 43080	33 - 6	84	03841 20054	37 - 3	22
03731 41006	SS2- 4	42	03734 43080	33 - 6	84-1	03841 20056	37 - 3	22
03731 42002	33 - 6	93	03734 44008	33 - 6	84	03841 20060	37 - 3	22
03731 42002	33 - 7	12	03734 45002	SS2- 2	45	03841 20064	33 - 7	6
03731 42002	36 - 2	6	03734 45002	SS2- 5	45	03841 20064	37 - 3	22-1
03731 42002	36 - 2	6-1	03734 60144	33 - 2	8	03841 20066	37 - 3	22-1
03731 42002	36 - 2	6-2	03734 64020	36 - 3	27	03841 20070	33 - 7	6-1
03731 42002	36 - 2	19	03734 64020	36 - 3	27-1	03841 20084	33 - 7	6
03731 42002	36 - 4	43	03734 64020	36 - 3	27-2	03841 20086	37 - 3	22-1
03731 42002	36 - 5	66	03734 65020	36 - 3	25-1	03841 20100	37 - 3	22
03731 42003	37 - 4	76	03734 65020	36 - 3	30	03841 20140	36 - 5	50
03731 42003	SS2- 4	93	03734 65020	36 - 3	30	03841 30015	33 - 2	4
03731 42004	33 - 3	14	03734 65020	36 - 5	48	03841 30018	33 - 2	4-1
03731 42006	SS2- 4	92	03734 65020	36 - 5	64	03841 30035	37 - 5	77-1
03732 00302	33 - 6	92	03734 65020	36 - 5	64-1	03841 30045	37 - 5	77
03732 00402	33 - 7	11	03734 66020	36 - 3	24	03841 30076	37 - 5	77-1
03732 00602	36 - 4	45	03734 66020	36 - 3	27	03841 30090	37 - 5	77-3
03732 00603	SS2- 4	92	03734 67020	36 - 3	25	03841 30090	37 - 5	77
03732 00802	33 - 7	11	03734 68020	36 - 3	25	03841 40047	36 - 5	59
03732 00802	36 - 2	7	03734 68020	36 - 5	48-1	03841 40047	36 - 5	59-1
03732 00802	36 - 2	7-1	03734 70041	37 - 2	4	03851 30032	37 - 5	77-1

I N D E X

PART NO.	PAGE	REF.NO.	PART NO.	PAGE	REF.NO.	PART NO.	PAGE	REF.NO.
03851 30035	37 - 5	77	21201 34201	21 - 2	1	21437 01600	21 - 3	104
03851 30038	37 - 5	77-2	21201 34600	21 - 5	1	21437 02400	21 - 8	107
03851 30080	37 - 5	77	21201 36002	21 - 5	1-1	21437 02400	21 - 8	107-1
03890 20013	36 - 4	32-1	21201 38900	21 - 5	1-2	21437 02600	21 - 3	104-1
03890 20018	36 - 4	32	21201 39100	21 - 5	1-3	21441 03000	21 - 3	69
03890 20018	36 - 4	32-2	21207 03800	21 - 6	36	21441 03000	21 - 7	79
03890 20018	36 - 5	62	21211 10700	21 - 2	12	21461 28000	21 - 2	16
03890 20020	36 - 5	62-1	21211 10800	21 - 5	8	21461 28200	21 - 6	16
03890 20020	36 - 5	62-2	21212 07501	21 - 5	6	21461 31600	21 - 6	16-1
03890 20024	36 - 3	31	21212 14600	21 - 5	7	21461 32500	21 - 2	16-1
03890 20025	36 - 3	31-2	21212 15500	21 - 2	10	21462 22200	21 - 2	17
03890 20026	36 - 3	31-1	21212 16200	21 - 2	9	21462 22300	21 - 6	17
03890 20028	36 - 3	31	21212 17900	21 - 5	7-1	21462 24000	21 - 2	17-1
03890 20028	36 - 4	32-1	21212 18000	21 - 5	6-1	21465 05000	21 - 2	21
03890 20028	36 - 4	32-2	21214 12901	21 - 5	4	21467 17600	21 - 6	28-1
03890 20032	36 - 3	31-1	21214 13400	21 - 2	6	21467 17700	21 - 6	28
03890 20032	36 - 4	32	21214 16100	21 - 5	4-1	21467 18200	21 - 6	28
03890 20044	36 - 4	35	21214 16300	21 - 2	6-1	21467 25600	21 - 6	28-1
03890 20045	36 - 3	28-2	21214 16400	21 - 5	4-2	21467 26000	21 - 6	28-1
03890 20046	36 - 4	35-1	21217 26601	21 - 5	10	21467 26100	21 - 6	28-1
03890 20048	36 - 4	35	21217 30100	21 - 5	10-1	21467 26200	21 - 6	28-2
03890 20052	36 - 4	35	21217 30600	21 - 5	10-2	21467 27000	21 - 6	28-3
03890 20055	36 - 3	28	21218 30400	21 - 5	11	21467 28900	21 - 6	28-2
03890 20059	36 - 4	35-1	21218 30500	21 - 5	13	21467 28900	21 - 6	28-4
03890 20060	SS2- 5	28	21218 31300	21 - 2	13	21468 02700	21 - 3	103-1
03890 20061	36 - 3	28-1	21218 31400	21 - 2	4	21468 02700	21 - 6	21
03890 20061	36 - 3	28	21218 33400	21 - 5	13-1	21468 02700	21 - 6	41-1
03890 20065	36 - 3	28-3	21218 33500	21 - 5	11-1	21468 04400	21 - 3	103
03890 20065	SS2- 2	28	21219 10900	21 - 2	5	21468 04400	21 - 8	103
03890 20070	36 - 5	49	21219 11000	31 - 2	7	21468 09200	21 - 6	27
03890 20075	36 - 3	28	21219 11200	21 - 7	88	21468 09200	21 - 6	41
03890 20078	36 - 3	28-1	21219 11200	21 - 7	88-1	21468 12100	21 - 2	25
03890 20080	SS2- 5	49	21219 14200	31 - 2	7-1	21469 18100	21 - 6	31-1
03890 20085	SS2- 2	28	21219 14301	21 - 2	5-1	21469 18200	21 - 6	31
03890 20088	SS2- 5	28	21219 14401	21 - 7	88-2	21469 18300	21 - 6	31
05138 28035	43 - 6	70	21221 02100	36 - 2	18	21469 25400	21 - 6	31-1
06540 10035	43 - 4	24-2	21222 09200	33 - 4	44	21469 26000	21 - 6	31-2
06540 15025	43 - 3	21-1	21222 09200	33 - 4	44-1	21470 14300	21 - 6	20
06540 15035	43 - 3	20-1	21406 28500	21 - 6	30	21470 14400	21 - 6	26
06540 15070	43 - 5	69-1	21406 28700	21 - 6	23	21471 28000	21 - 2	24
06540 15072	43 - 4	23-2	21406 28800	21 - 2	18	21471 28100	21 - 2	20
06540 15080	43 - 5	69	21406 29900	21 - 6	18	22100 36000	21 - 2	61
07635 25080	43 - 5	69	21406 30600	21 - 2	22	22100 36000	21 - 7	71
07835 25080	43 - 5	69-1	21412 05002	21 - 8	104	22100 37303	21 - 2	61-1
07835 25100	43 - 5	69	21412 07100	21 - 3	101	22100 37303	21 - 7	71-1
07838 51035	43 - 6	70-1	21414 06000	21 - 3	105	22100 37303	21 - 7	71-3
07885 25120	43 - 5	69-2	21414 06000	21 - 8	104	22100 38500	21 - 7	71-2
07885 51040	43 - 6	70-2	21414 06000	33 - 4	46-3	22111 23900	21 - 2	62
08341 20028	33 - 7	5	21414 06000	33 - 4	46-3	22111 23900	21 - 7	72
21111 00500	39 - 5	2	21420 14000	21 - 8	101	22111 25500	21 - 2	62-1

I N D E X

PART NO.	PAGE	REF.NO.	PART NO.	PAGE	REF.NO.	PART NO.	PAGE	REF.NO.
22111 25500	21 - 7	72-1	22211 13000	21 - 7	84	31130 20500	31 - 2	5
22111 25500	21 - 7	72-3	22211 13700	21 - 7	84-1	31131 04900	37 - 3	64
22111 26700	21 - 7	72-2	22230 01700	21 - 7	85	31131 05000	37 - 3	64
22111 27202	21 - 2	62-2	22240 01700	21 - 7	87	31144 09800	36 - 6	9
22111 27202	21 - 7	72-4	22314 02201	21 - 5	14	31144 09900	36 - 6	9-1
22115 07200	21 - 3	66	22314 02500	21 - 2	14	31144 09900	SS1- 1	9-1
22115 07200	21 - 3	66-2	22314 02500	21 - 5	12	31144 12900	SS1- 1	9
22115 07200	21 - 7	76	22314 06200	21 - 5	14-1	31144 15100	SS2- 4	1-2
22115 07200	21 - 7	76-2	23124 10300	36 - 6	5	32100 38300	31 - 3	31
22115 07500	21 - 3	65	23124 14400	21 - 3	70	32100 38500	31 - 3	31
22115 07500	21 - 7	75	23124 14400	21 - 7	80	32100 38701	31 - 3	31
22115 08500	21 - 3	65-1	31110 78701	31 - 2	1	32100 40900	31 - 3	31-1
22115 08500	21 - 7	75-1	31110 78701	31 - 3	8	32100 41100	31 - 3	31-1
22115 08600	21 - 3	66-1	31110 78800	31 - 2	4	32142 08602	31 - 3	34
22115 08600	21 - 7	76-1	31110 79800	31 - 2	4	32142 08900	31 - 3	34
22115 10600	21 - 3	65-2	31110 80200	31 - 2	1	32142 10200	31 - 3	34
22115 10600	21 - 7	75-2	31110 80200	31 - 3	8	32143 11700	31 - 3	33
22115 11000	21 - 3	66-3	31110 81100	31 - 2	1	32143 11800	31 - 3	33
22115 11000	21 - 7	76-3	31110 81100	31 - 3	8	32143 12600	31 - 3	33
22123 01100	21 - 6	36-1	31110 81400	31 - 2	1-1	32143 12700	31 - 3	33
22123 02400	21 - 2	63	31110 81500	31 - 3	8-1	32148 00100	31 - 3	36
22123 02400	21 - 7	73	31110 82700	31 - 2	4	32151 01400	31 - 3	35
22130 05500	36 - 6	4	31110 87300	31 - 2	4-1	32151 01600	31 - 3	35
22130 08101	21 - 3	68	31110 89700	31 - 3	8-2	32152 00100	31 - 3	36
22130 08101	21 - 7	78	31110 89800	31 - 2	1-2	32240 25603	31 - 3	37
22130 09600	21 - 3	68-1	31110 90300	31 - 2	4-2	32240 29601	31 - 3	37
22130 09600	21 - 7	78-1	31110 91801	31 - 2	1-1	32240 29701	31 - 3	37-1
22144 02300	21 - 7	86	31110 91801	31 - 3	8-1	32240 33700	31 - 3	37-1
22144 08900	36 - 6	8	31110 91900	31 - 2	4-1	32240 34601	31 - 3	37-1
22144 10600	36 - 2	11	31110 93600	31 - 2	1-1	32240 35800	31 - 3	37-2
22144 10900	21 - 3	72	31110 93600	31 - 3	8-1	32310 18700	31 - 5	90
22144 10900	21 - 7	82	31110 95300	31 - 2	4-1	32320 61100	31 - 4	38
22144 12800	36 - 6	8-1	31110 96000	31 - 3	8-2	32320 61200	31 - 4	38
22144 12800	36 - 6	8	31110 96100	31 - 2	4-2	32320 62400	31 - 4	38
22144 12900	21 - 3	71	31120 03500	31 - 2	6	32331 06000	31 - 4	47
22144 12900	21 - 7	81	31120 13200	33 - 4	43	32331 34600	31 - 4	44
22144 15000	21 - 3	72-1	31120 13300	37 - 3	24	32331 45000	31 - 4	39
22144 15000	21 - 7	82-1	31120 14000	33 - 4	43-1	32331 45000	31 - 4	44
22150 11500	21 - 3	67	31120 14000	33 - 4	43-2	32331 56000	31 - 4	41
22150 11500	21 - 7	77	31120 14000	37 - 3	24-1	32331 56600	31 - 4	41
22152 04900	36 - 6	3	31120 14000	37 - 3	24-2	32331 57200	31 - 4	41
22200 07400	36 - 3	23	31130 02800	31 - 2	2-2	32331 63100	31 - 4	41-1
22200 07400	36 - 5	54	31130 04400	31 - 2	5-1	32331 66700	31 - 4	41-1
22200 07400	37 - 3	17	31130 10800	31 - 2	2	32331 67200	31 - 4	41-1
22200 15400	21 - 7	83	31130 10800	31 - 2	2	32331 68300	31 - 4	44-1
22200 15601	36 - 3	23	31130 10800	31 - 2	5	32334 02700	31 - 5	91
22200 16700	21 - 7	83-1	31130 11200	31 - 2	2-1	33100 24210	33 - 2	1
22200 17200	36 - 3	23-1	31130 11200	31 - 2	5-1	33100 26011	SS2- 1	1
22200 17200	36 - 5	54-1	31130 14200	31 - 2	2-1	33100 26011	SS2- 4	1
22200 17200	37 - 3	17-1	31130 14200	31 - 2	2-1	33100 27011	33 - 2	1
						33100 30310	33 - 2	1-1

I N D E X

PART NO.	PAGE	REF.NO.	PART NO.	PAGE	REF.NO.	PART NO.	PAGE	REF.NO.
33100 35210	33 - 2	1-2	34262 02800	33 - 4	46-2	36110 95300	36 - 2	2-3
33100 35210	33 - 2	1	34262 02800	33 - 5	46	36131 03100	36 - 5	65-2
33100 36410	33 - 2	1	34262 03000	33 - 4	46-2	36131 03100	SS2- 5	65
33100 36911	SS2- 4	1-1	34262 03000	33 - 4	46-3	36141 08000	36 - 5	65
33100 37210	33 - 2	1-1	34280 00101	33 - 3	32	36141 15503	SS2- 5	65
33100 37310	33 - 2	1-2	35100 43102	33 - 5	73	36141 18300	36 - 5	65-1
33100 38510	33 - 2	1	35100 44200	33 - 5	73	36141 18600	36 - 5	65-2
33100 47310	SS2- 4	1-2	35100 45000	33 - 5	73-1	36149 02700	36 - 2	1
33115 16800	33 - 3	13	35200 14100	33 - 5	71	36152 02500	36 - 2	3
33115 17500	33 - 3	13	35200 15200	SS2- 1	71	36152 02500	SS2- 5	3
33136 05900	33 - 3	15	35200 15200	SS2- 4	71	36153 01600	43 - 8	85
33231 02500	33 - 2	2	35200 16400	33 - 5	71	36153 02400	31 - 5	84-1
33231 02500	SS2- 1	2	35200 16400	33 - 6	90	36159 02202	43 - 8	84
33231 02500	SS2- 4	2	35210 00500	33 - 5	71	36221 03300	36 - 5	47
33231 03600	33 - 2	2-1	35210 00500	33 - 6	91	36221 03800	36 - 5	47
33231 03600	33 - 2	2	35300 16001	33 - 5	75	36230 00600	36 - 3	22
33238 01300	33 - 2	1	35300 16102	33 - 5	75-1	36260 11100	36 - 5	47
33238 02400	33 - 2	1	35300 16102	33 - 5	75-2	36260 12100	36 - 5	47-1
33260 05900	33 - 4	41	35301 19401	33 - 5	76	36280 29100	36 - 3	21
33260 05900	33 - 4	41	35301 19401	33 - 5	76	36280 29301	36 - 3	21-1
33260 05900	SS2- 4	41	35301 19501	33 - 5	76-1	36280 29400	36 - 3	21
33260 06400	33 - 4	41	35301 19501	33 - 5	76-2	36280 31200	36 - 3	21
33260 06500	33 - 4	41-1	35302 04000	33 - 5	77	36280 31500	36 - 3	21-2
33260 06500	33 - 4	41	35302 04700	33 - 5	77-1	36280 31600	36 - 3	21-1
33260 06600	33 - 4	41-1	35302 04700	33 - 5	77-2	36400 17400	36 - 2	8
33260 06900	33 - 4	41-2	35303 04800	33 - 5	78	36400 18901	36 - 2	8-1
33260 07000	33 - 4	41-1	35303 04800	33 - 5	78-1	36400 18901	36 - 2	8
33310 54700	33 - 3	16	35304 02500	33 - 5	80	36400 19000	36 - 2	5
33512 01400	33 - 3	17	35304 03200	33 - 5	80-1	36400 19200	36 - 2	8-1
34210 26400	33 - 3	31	35304 03200	33 - 5	80-2	36400 19200	SS1- 1	8-1
34210 27100	33 - 3	31-1	35320 02000	33 - 6	87	36400 20000	SS1- 1	8
34210 27100	SS2- 1	31	35320 02100	33 - 6	87	36421 03600	36 - 6	1
34215 04700	33 - 3	40	35320 02800	33 - 6	87	36422 01501	36 - 6	2
34215 04700	33 - 3	40-1	35421 00105	33 - 5	74	36428 00700	36 - 2	13
34215 04700	SS2- 4	40	35421 00105	33 - 6	86	36429 00800	36 - 2	12
34215 04900	33 - 4	40	35421 01600	36 - 2	4	36435 01400	36 - 6	7
34215 05100	33 - 3	40-2	35421 05500	43 - 2	11	36437 01500	36 - 6	6
34220 12802	33 - 3	34	35424 05600	33 - 2	1	36580 00200	37 - 3	18
34232 00300	36 - 6	10	35440 01702	36 - 2	20	36600 03501	36 - 2	9
34250 18301	33 - 3	35	35470 25000	33 - 7	2	36600 03501	36 - 2	9-1
34250 21500	SS2- 1	39	35470 25100	33 - 7	3	36600 03501	36 - 2	9-2
34250 21500	SS2- 4	39	35623 03000	37 - 7	101-1	36610 00401	36 - 2	10
34250 21900	33 - 3	39	35630 00100	33 - 7	1	36621 01401	36 - 2	17
34250 22200	33 - 3	39	36100 06800	36 - 2	1	36623 00800	36 - 2	15
34250 25802	33 - 3	39-1	36100 07200	36 - 2	1-1	37112 40000	37 - 2	1
34250 25802	33 - 3	39	36110 81500	36 - 2	2	37112 40100	37 - 2	1
34250 26400	33 - 3	39	36110 88600	36 - 2	2-1	37112 41501	37 - 2	1
34250 27400	33 - 3	39-1	36110 92100	SS2- 5	2	37112 42300	37 - 2	1-1
34252 05100	33 - 5	47	36110 92500	36 - 2	2-2	37112 42400	37 - 2	1-1
34252 05100	33 - 5	47-1	36110 95200	SS2- 5	2-1	37112 45401	37 - 2	1-2
34262 02800	33 - 4	46-2						

I N D E X

PART NO.	PAGE	REF.NO.	PART NO.	PAGE	REF.NO.	PART NO.	PAGE	REF.NO.
37114 17000	37 - 2	2	37400 13000	SS2- 5	5	38450 53501	37 - 6	83
37114 17100	37 - 2	2	37410 00500	37 - 2	6-1	38450 54500	37 - 5	82
37114 17901	37 - 2	2	37410 00500	SS2- 5	6-1	38450 54900	37 - 5	82
37114 18700	37 - 2	2-1	37410 00600	37 - 2	6-1	38450 55000	37 - 6	83
37114 18900	37 - 2	2-1	37410 00600	SS2- 5	6	38450 58100	37 - 6	83-1
37114 21302	37 - 2	2-2	37411 04800	37 - 2	6	38450 58200	37 - 5	83
37160 00610	33 - 2	10-2	37411 05300	37 - 2	6	38450 58401	37 - 5	82
37160 00610	33 - 2	10-1	37429 00701	37 - 2	6	38450 58502	37 - 5	82
37160 07820	33 - 5	82-2	37429 00701	37 - 2	6	38450 58700	37 - 6	83
37160 12110	33 - 2	10	37430 00900	37 - 2	9	38450 59601	37 - 6	83
37160 19320	33 - 2	10-1	37430 01100	31 - 5	87-1	38450 61400	37 - 6	83-1
37160 86510	33 - 2	10-1	37438 05201	37 - 2	7	38450 64300	37 - 6	83-1
37160 87300	33 - 2	10	37460 03200	37 - 3	19	38450 64501	37 - 5	82-1
37160 87300	SS2- 4	10	37731 09500	36 - 3	26-1	38450 67701	37 - 5	82-1
37160 88010	33 - 5	82	37740 01400	33 - 5	72	38450 67801	37 - 6	83-2
37160 92110	33 - 5	82	37740 01600	33 - 5	72	38450 71301	37 - 5	83-1
37160 92700	37 - 2	13	38100 39900	37 - 3	61	38450 71900	37 - 5	82-2
37160 93710	33 - 5	82-1	38100 40000	37 - 3	61	38450 72100	37 - 6	83-3
37160 97200	37 - 2	13	38100 40200	37 - 3	61	38450 76101	37 - 5	82
37181 03600	36 - 4	41	38100 41200	37 - 3	61-1	38450 76201	37 - 6	83
37181 03600	36 - 4	41	38100 41300	37 - 3	61-1	38450 76301	37 - 6	83
37181 03600	43 - 5	46	38200 31601	37 - 4	73	38450 77700	37 - 6	83-4
37181 03600	43 - 5	46	38200 32000	37 - 4	73	38454 53800	37 - 7	106
37181 03600	43 - 5	46-1	38200 32500	37 - 4	73	38466 06500	37 - 4	71-1
37181 03600	43 - 6	76	38200 35300	37 - 4	73-1	38466 06700	37 - 4	71-1
37181 03600	43 - 6	76-1	38200 37700	37 - 4	73-2	38510 33000	37 - 7	108
37181 03600	43 - 6	76-2	38410 05700	37 - 3	61-1	38524 53400	37 - 4	66
37181 03600	43 - 6	76	38410 06100	37 - 3	61	38524 53501	37 - 4	67
37181 03600	43 - 6	76-1	38420 73001	37 - 3	62	38524 54400	37 - 7	107
37181 05000	37 - 3	26	38420 73600	37 - 3	63	38524 54500	37 - 4	67-1
37181 05000	37 - 3	26	38420 73802	37 - 7	99	38524 54600	37 - 4	66-1
37185 24700	33 - 2	11	38420 73900	37 - 7	100	38524 55300	37 - 4	67
37187 01000	31 - 5	88	38420 74700	37 - 3	63	38524 55400	37 - 4	66
37187 01000	31 - 5	88-2	38420 76500	37 - 3	63-1	38524 55600	37 - 4	66
37189 01400	36 - 3	26	38420 83900	37 - 3	62-1	38524 59800	37 - 4	67
37189 01400	36 - 3	26-2	38440 02110	37 - 5	81-3	38524 63501	37 - 4	66-1
37189 09700	36 - 2	19	38440 05110	37 - 5	81-2	38524 63600	37 - 4	67-1
37189 09700	36 - 3	26	38440 81500	37 - 5	80	38524 64100	37 - 4	66-1
37189 09700	36 - 3	26-1	38440 82100	37 - 5	81	38524 64200	37 - 4	67-1
37189 15900	36 - 4	43	38440 82200	37 - 5	80	38590 01200	37 - 6	86
37189 15900	36 - 4	43-1	38440 82300	37 - 5	81	38590 01300	37 - 6	86
37189 15900	36 - 4	44	38440 82602	37 - 5	80	38594 02000	37 - 6	87-1
37215 02602	37 - 2	14	38440 82700	37 - 5	81	38594 02300	37 - 6	87
37231 02100	37 - 3	16	38440 85400	37 - 5	81	38594 02600	37 - 6	85-1
37231 02100	SS2- 5	16	38440 85500	37 - 5	81	38594 02800	37 - 6	87-1
37400 12500	37 - 2	5	38440 89200	37 - 5	81-1	38594 02900	37 - 6	87
37400 12600	37 - 2	5	38440 92800	37 - 5	81-1	38594 03700	37 - 6	87-1
37400 12900	37 - 2	5-1	38440 94301	37 - 5	81-1	38594 03800	37 - 4	71
37400 12900	SS2- 5	5-1	38440 95200	37 - 5	81-2	38594 04900	37 - 4	71
37400 13000	37 - 2	5-1	38441 87000	37 - 7	110	38594 05000	37 - 6	85

I N D E X

PART NO.	PAGE	REF.NO.	PART NO.	PAGE	REF.NO.	PART NO.	PAGE	REF.NO.			
38594	05100	37 - 6	87	39176	72700	39 - 8	26	39178	18620	39 - 5	3
39103	10810	39 - 2	1	39176	72800	39 - 9	37	39178	22620	39 - 3	16
39103	11510	39 - 5	1	39176	72900	39 - 5	10	39178	27420	39 - 3	15-1
39103	12310	39 - 8	1	39176	72900	39 - 9	38	39178	30420	39 - 5	15-1
39141	01100	39 - 2	2	39176	73001	39 - 5	11	39178	32320	39 - 3	15-2
39147	00602	SS2- 6	17	39176	73001	39 - 9	39	39178	35620	39 - 3	34
39147	02800	39 - 3	17	39176	73200	39 - 5	12	39178	35620	39 - 3	34-1
39147	02900	39 - 5	17	39176	73200	39 - 9	40	39178	35720	39 - 3	35
39147	03600	39 - 8	9	39176	73300	39 - 3	22	39178	35720	39 - 3	35-1
39153	57600	39 - 2	4	39176	73300	39 - 5	22	39178	37310	39 - 2	5
39153	58700	39 - 5	31	39176	73300	39 - 8	11	39178	37310	39 - 6	39
39153	58700	39 - 8	3	39176	73400	39 - 3	23	39178	43110	39 - 3	20
39167	72500	39 - 6	40	39176	73400	39 - 5	23	39178	47510	39 - 2	7
39170	02000	39 - 2	6	39176	73400	39 - 8	12	39178	47510	39 - 5	5
39170	02000	39 - 5	4	39176	73500	39 - 3	24	39178	47510	39 - 8	5
39170	02000	39 - 8	4	39176	73500	39 - 3	24	39178	59220	39 - 3	15-3
39173	00700	39 - 3	31	39176	73500	39 - 3	24-1	39178	63100	SS2- 6	62
39173	00700	39 - 5	32	39176	73500	39 - 5	24	39178	63200	SS2- 6	61
39173	02100	39 - 3	31-1	39176	73500	39 - 5	24	39178	72410	SS1- 1	61
39173	02100	39 - 5	32-1	39176	73500	39 - 8	13	39178	72500	39 - 2	13
39173	03400	39 - 8	27	39176	73600	39 - 3	21	39178	72500	39 - 5	19
39176	35600	39 - 3	30	39176	73600	39 - 5	21	39178	72500	39 - 8	6
39176	35600	39 - 5	30	39176	73600	39 - 8	14	39178	81820	39 - 3	15-4
39176	35600	39 - 8	16	39176	73800	39 - 3	25	39178	82820	39 - 8	7
39176	50000	39 - 3	33	39176	73800	39 - 5	25	39178	83700	39 - 3	32
39176	50000	39 - 6	44	39176	73800	39 - 8	15	39178	88200	39 - 8	23
39176	50000	39 - 8	20	39176	74002	39 - 5	6	39189	03300	39 - 2	11
39176	69300	39 - 2	14	39176	74400	33 - 3	34	39189	03500	39 - 2	9
39176	69500	39 - 3	26	39176	76400	39 - 5	13	39189	03600	39 - 2	8
39176	69500	39 - 3	26-1	39176	76400	39 - 9	41	39189	05400	39 - 2	10
39176	69600	39 - 3	28	39176	76500	39 - 5	14	39189	12800	39 - 2	12
39176	69600	39 - 5	28	39176	79900	39 - 6	42	39189	17100	39 - 2	11-1
39176	69600	39 - 8	17	39176	92600	39 - 9	33	39189	17100	39 - 5	33
39176	69700	39 - 3	27	39176	92700	39 - 8	24	39189	17200	39 - 2	10-1
39176	69700	39 - 5	27	39176	92800	39 - 9	42	39189	17200	39 - 6	34
39176	69700	39 - 8	18	39176	94600	39 - 8	21	39189	17300	39 - 2	8-1
39176	69800	39 - 3	29	39176	94700	39 - 8	22	39189	17300	39 - 6	35
39176	69800	39 - 5	29	39178	00310	39 - 2	3	39189	17400	39 - 2	12-1
39176	69800	39 - 8	19	39178	00310	39 - 5	26	39189	17400	39 - 6	36
39176	72100	39 - 3	18	39178	00310	39 - 8	2	39189	17500	39 - 2	9-1
39176	72100	39 - 5	18	39178	00820	39 - 3	15	39189	17500	39 - 6	37
39176	72100	39 - 8	10	39178	01120	39 - 3	16	39189	19100	39 - 2	9-2
39176	72200	39 - 5	7	39178	01120	39 - 5	16	39189	19100	39 - 6	37-1
39176	72200	39 - 9	34	39178	01820	39 - 3	16	39189	21600	39 - 8	28
39176	72400	39 - 5	8	39178	01820	39 - 5	16	39189	21700	39 - 8	29
39176	72400	39 - 9	35	39178	01820	39 - 8	8	39189	21800	39 - 8	30
39176	72500	39 - 8	25	39178	04420	39 - 6	41	39189	21900	39 - 8	31
39176	72600	39 - 5	9	39178	09420	39 - 5	15	39189	22000	39 - 9	32
39176	72600	39 - 9	36	39178	18320	39 - 6	41	39200	04900	51 - 7	100
39176	72700	39 - 6	43	39178	18520	39 - 5	3	39200	06400	51 - 6	59

I N D E X

PART NO.	PAGE	REF.NO.	PART NO.	PAGE	REF.NO.	PART NO.	PAGE	REF.NO.
39200 06500	51 - 6	59	43340 19900	43 - 2	13	44250 03510	51 - 9	41
39200 07100	51 - 6	59-1	43340 19900	43 - 2	13-1	44250 09810	43 - 8	81-1
39200 08800	SS2- 7	59	43340 20500	43 - 4	38	44250 10210	43 - 8	81-2
39200 08900	SS2- 7	59	43340 20800	43 - 2	13	44250 15910	43 - 8	81-1
39200 09300	51 - 6	59	43340 24701	43 - 2	13-1	44250 17411	43 - 8	81-1
39701 03600	39 - 6	38	43340 27800	43 - 2	13-2	44250 17411	43 - 8	81-3
41111 00900	31 - 5	87	43340 32400	43 - 2	13-3	44250 19010	43 - 8	81-2
41111 00900	31 - 5	87-2	43340 32700	43 - 5	49	44250 96701	43 - 8	81
42100 71100	31 - 6	121-1	43440 04300	43 - 4	29	44260 22800	43 - 8	82
42100 71201	31 - 6	121	43442 00700	43 - 4	27	44260 25800	43 - 8	82-1
42100 72800	31 - 6	121	43442 00800	43 - 4	28	44260 29500	43 - 8	82-1
42230 14200	31 - 6	131	43510 06500	43 - 3	21-1	44260 29500	43 - 8	82-1
42230 17800	31 - 6	131-1	43525 01800	43 - 2	4	44290 29400	43 - 6	73
42240 21600	31 - 6	125-1	43525 01901	43 - 4	33	44290 30100	43 - 6	73
42240 22300	31 - 6	125	43525 01901	43 - 4	33-1	44290 30200	43 - 6	73
42240 24100	31 - 6	125-1	43525 02300	43 - 4	33-1	44290 30300	43 - 6	73-1
42240 25500	31 - 6	132	43526 06000	43 - 4	24-2	44290 30400	43 - 6	73-1
42240 26500	31 - 6	132-1	43526 06000	43 - 4	24-1	44290 35901	43 - 6	73-1
42240 26600	31 - 6	125-1	43532 05201	31 - 5	83-1	44314 03400	51 - 9	23
42260 20101	51 - 7	70	43532 07001	31 - 5	83	44314 03500	51 - 9	23
42260 20200	31 - 6	132	43532 08401	31 - 5	83-1	44314 03700	51 - 9	23
42310 75400	31 - 6	122	43534 01702	31 - 5	82-1	44322 07200	43 - 8	83
42310 75500	31 - 6	122	43534 03900	31 - 5	82-1	44323 06600	43 - 7	77-1
42310 79500	31 - 6	122	43534 04000	31 - 5	82	44323 06900	43 - 7	77-3
42310 80200	31 - 6	130	43540 03600	43 - 3	15-1	44323 06900	43 -10	102
42310 81100	31 - 6	122-1	43540 04100	43 - 3	15	44323 06900	43 -10	102-1
42310 83800	31 - 6	122-1	43540 05500	43 - 3	15-1	44324 05400	43 - 7	78-1
42310 85600	31 - 6	122-1	43540 05600	43 - 4	37	44327 04100	43 - 7	80-1
42310 85700	31 - 6	130-1	43540 07900	43 - 3	15-2	44327 07100	43 - 7	80
42323 03600	31 - 6	131-1	43540 08000	43 - 2	14-1	44327 07100	43 - 7	80-1
42324 07100	31 - 6	123-1	43550 01000	43 - 2	14-1	44327 07400	43 - 7	80
42324 10800	31 - 6	123-1	43550 01200	43 - 2	14	44328 06700	43 - 5	64
42324 11200	31 - 6	123	43650 01500	43 - 3	16	44328 19100	43 - 5	64-1
42324 13200	31 - 6	124	43650 01500	43 - 3	16-1	44334 09300	43 - 5	65-1
42324 13600	31 - 6	124	43650 01800	43 - 3	16	44334 10200	43 - 5	65
43100 43802	43 - 2	1	43650 01900	43 - 3	16-1	44334 14800	43 - 5	66
43100 45802	43 - 2	1	44210 04100	43 - 5	61	44334 15300	43 - 6	72
43210 01700	43 - 2	3	44210 06600	43 - 5	61	44334 16500	43 - 6	72
43220 02200	43 - 2	2	44210 08200	43 - 5	61	44334 16500	43 - 6	72-1
43310 21002	43 - 2	8	44220 08000	43 - 5	62	44334 17100	43 - 5	65-1
43310 21103	43 - 2	9	44220 08000	43 - 5	62-2	44334 17500	43 - 5	65-2
43310 24600	43 - 2	8-1	44220 22601	43 - 5	62-1	44335 00800	43 - 7	77
43310 24701	43 - 2	9-1	44220 22700	43 -10	104	44346 06300	43 - 7	77-2
43310 29500	43 - 2	9-2	44220 22800	43 -10	104	44346 06300	43 - 7	78
43322 04400	37 - 4	70-1	44220 22800	43 -10	104-1	44346 06300	43 - 7	79
43322 04400	43 - 4	36	44243 03400	43 - 8	90	44346 06300	43 - 7	80-1
43322 04500	33 - 3	18	44243 04300	43 - 5	63	44346 06300	43 - 7	80-3
43322 04500	37 - 4	70	44243 04300	43 - 8	90	44346 07200	43 - 9	94
43322 06200	43 - 4	26	44243 04300	43 - 8	90-1	44346 07300	43 - 9	95
43322 06800	43 - 4	35	44243 04600	51 - 7	75	44346 07300	43 - 9	96

I N D E X

PART NO.	PAGE	REF. NO.	PART NO.	PAGE	REF. NO.	PART NO.	PAGE	REF. NO.			
44346	08400	43 - 7	78-1	44463	17200	36 - 3	31-2	51100	10140	SS2- 7	1-1
44346	08400	43 - 7	79-1	44470	01600	43 - 5	67	51100	36331	51 - 2	1
44346	12500	43 - 7	80-2	44470	01600	43 - 5	67-1	51100	36433	51 - 2	1
44346	12500	43 - 9	99	44470	01700	43 - 5	68	51100	43032	51 - 2	1-1
44346	12500	43 - 9	99-1	44470	01700	43 - 5	68-1	51100	46431	51 - 2	1
44346	12500	43 - 9	100	44470	01700	43 - 5	68-1	51100	46531	51 - 2	1
44346	12700	43 - 7	79-2	44470	01700	43 - 9	93	51100	59231	51 - 2	1
44346	12700	43 - 7	79-2	44470	01700	43 - 9	93	51100	64630	51 - 2	1-2
44346	13200	43 - 9	99	44470	01900	43 - 9	93-1	51100	73931	51 - 2	1-3
44346	14800	43 - 7	77-1	44470	01900	43 - 9	93-2	51100	78032	51 - 2	1-1
44346	14800	43 - 7	78-1	44470	02000	43 - 9	93-1	51100	82332	51 - 2	1-1
44346	14800	43 - 7	78-2	44490	16032	43 - 6	71-2	51100	87030	51 - 2	1-2
44346	14800	43 - 9	100-1	44490	16430	43 - 6	71-1	51100	87730	SS2- 7	1
44346	14900	43 - 9	101	44490	18430	43 - 6	71-3	51300	21600	SS2- 7	11
44346	15800	43 - 7	80-2	44490	24133	43 - 6	71-2	51410	22000	SS2- 7	12
44346	15800	43 - 7	80-4	44490	24333	43 - 6	71-5	51410	22100	51 - 9	62
44363	00700	43 - 9	98	44490	28430	43 - 6	71-4	51420	01000	SS2- 7	14
44382	01200	51 - 9	29	44490	62030	43 - 6	71-3	51420	01100	SS2- 7	14
44412	01200	51 - 9	1	44490	64520	43 - 6	71	51434	02400	SS2- 7	15
44412	01300	51 - 9	2	44490	64520	43 - 6	71	51450	30300	51 - 2	3
44414	01300	51 - 9	21	44490	84221	51 - 9	24	51450	31800	51 - 2	3-1
44414	01400	51 - 9	22	44490	84321	51 - 9	24	51450	32500	51 - 2	6
44462	00800	43 - 9	97	44490	93920	43 - 6	71-1	51450	33300	51 - 2	8
44462	02500	43 - 5	69-2	44490	93920	43 - 6	71-1	51460	02500	SS2- 7	13
44462	05500	43 - 5	69-2	44490	95420	43 - 6	71	51480	06400	51 - 9	4
44463	03400	36 - 3	28	44490	95523	43 - 6	71-2	51480	06500	51 - 9	5
44463	03400	36 - 3	28-1	46161	10100	36 - 2	1	51520	00100	SS2- 7	14
44463	03400	37 - 3	22-1	46921	02300	43 - 6	74	51540	02300	51 - 2	7
44463	03400	37 - 3	22-1	46921	02300	43 - 6	74-1	52100	01820	51 - 4	36-1
44463	03400	SS2- 2	28	46921	02300	43 - 6	74-1	52100	01920	51 - 4	36-1
44463	03400	SS2- 5	28	46921	02300	43 - 6	74-2	52100	09320	51 - 3	22-1
44463	05300	37 - 5	77-3	46921	02300	43 - 6	74-1	52100	09720	51 - 3	22-1
44463	06900	36 - 3	28-2	46921	08700	43 - 6	74-1	52100	13620	51 - 4	36-2
44463	06900	37 - 3	22	46921	08700	43 - 6	74-1	52100	38220	51 - 3	22-2
44463	07000	37 - 6	87-1	46934	03200	43 - 5	67	52100	54520	51 - 3	22
44463	07000	37 - 6	87-1	46934	03200	43 - 5	67-1	52100	66120	51 - 3	21-1
44463	07100	36 - 4	39	46934	03300	43 - 5	68	52100	76211	51 - 4	36
44463	07700	37 - 3	22	46934	03300	43 - 5	68-1	52100	76510	51 - 4	36-2
44463	07700	37 - 3	22	46934	03300	43 - 5	68-1	52100	81310	51 - 4	36
44463	08400	43 - 3	19	46934	03300	43 - 9	93	52100	87213	51 - 3	22
44463	10300	36 - 3	31	46934	03300	43 - 9	93	52100	87313	51 - 3	21
44463	10300	36 - 4	39	46934	04400	43 - 9	93-1	52100	99910	51 - 3	22
44463	11900	36 - 3	28	46934	04400	43 - 9	93-2	52104	51200	51 - 5	49
44463	11900	36 - 3	28-3	46934	04500	43 - 9	93-1	52121	00700	51 - 6	64
44463	11900	36 - 3	28-1	46948	00700	43 - 9	100	52146	19400	36 - 2	1
44463	11900	36 - 5	49	46948	00700	43 - 9	100-2	52300	49512	51 - 3	23
44463	11900	SS2- 2	28	46948	00700	43 - 9	101-1	52300	49711	51 - 3	23
44463	11900	SS2- 5	28	46948	00700	43 - 9	101-2	52300	54511	51 - 3	23-1
44463	11900	SS2- 5	49	51100	00540	51 - 2	1	52300	57711	51 - 3	23
44463	17100	36 - 5	50	51100	10040	51 - 2	1-3	52300	57810	51 - 3	23

I N D E X

PART NO.	PAGE	REF.NO.	PART NO.	PAGE	REF.NO.	PART NO.	PAGE	REF.NO.
52300 65410	51 - 3	23-1	52450 19820	51 - 5	51	52800 75802	51 - 4	34-1
52300 68711	51 - 3	23-2	52450 20321	51 - 3	25	52800 75802	51 - 4	34-1
52300 74711	51 - 3	23-2	52450 20822	51 - 3	25	52800 83600	51 - 6	63-1
52300 74711	SS2- 7	23	52450 30821	51 - 3	26-1	52800 83700	51 - 4	32-1
52300 81311	51 - 3	23-2	52450 30921	51 - 3	25-1	52800 89900	51 - 6	63-1
52300 84110	51 - 3	23-3	52450 41220	51 - 5	51-1	52800 90001	51 - 4	32-1
52300 84110	SS2- 7	23-1	52450 46120	51 - 3	26-1	52800 96900	51 - 4	34-1
52300 96010	51 - 3	23	52450 46220	51 - 3	25-1	52800 98200	51 - 4	34-2
52350 00920	51 - 3	24-1	52450 62120	51 - 3	26-2	52800 99700	51 - 4	34-2
52350 06720	51 - 3	24-6	52450 62220	51 - 3	25-2	52800 99700	51 - 4	34-2
52350 10521	51 - 3	24-2	52480 13200	51 - 3	28	52803 20500	51 - 5	50
52350 23021	51 - 6	60	52480 13800	51 - 3	27	52830 36702	51 - 2	4
52350 23121	51 - 6	61	52620 37401	51 - 5	54	52830 37500	51 - 7	73
52350 25220	51 - 3	24-3	52620 37701	51 - 6	54	52919 03610	52 - 2	5
52350 27520	51 - 5	53	52620 37701	51 - 6	54-1	52919 40100	52 - 5	9
52350 27820	51 - 7	74	52620 39200	51 - 5	54	52926 01401	52 - 3	30
52350 28720	51 - 3	24-7	52620 39900	51 - 7	66	52926 16500	52 - 5	8-1
52350 28720	51 - 3	24	52620 40000	51 - 7	67	52926 16500	52 - 5	8-2
52350 38520	51 - 7	77	52620 41602	51 - 5	54-1	52926 19200	52 - 3	27
52350 38620	51 - 7	78	52620 43600	51 - 6	54	52926 24100	52 - 3	27
52350 38720	51 - 7	79	52660 04000	51 - 6	55	52928 14400	52 - 2	11-1
52350 38720	51 - 7	79	52721 05500	51 - 4	38	52928 15600	52 - 2	10-1
52350 39820	51 - 6	60-2	52723 00100	51 - 4	39	52928 23100	52 - 5	24-1
52350 39920	51 - 6	61-2	52723 00100	SS2- 7	39	52928 26800	52 - 2	9
52350 40020	51 - 6	60-1	52724 00900	51 - 9	42	52928 26900	52 - 2	10
52350 40120	51 - 6	61-1	52728 95600	37 - 7	101	52928 28200	52 - 2	11
52350 51920	51 - 3	24-1	52739 00600	43 - 8	83	52928 28200	52 - 5	1
52350 52620	51 - 3	24-4	52744 00900	51 - 5	51-1	52928 29100	52 - 5	2
52350 53810	51 - 3	24	52744 01100	43 - 5	49	52928 29100	52 - 5	24
52350 55510	51 - 6	60	52750 17500	51 - 4	40	52928 36000	52 - 5	2-1
52350 55610	51 - 6	61	52750 18401	51 - 6	56	52931 28520	52 - 5	28
52350 55810	51 - 5	53	52750 18501	51 - 6	57	52931 28620	52 - 5	27-1
52350 58110	51 - 3	24	52750 19100	51 - 7	101	52931 28720	52 - 5	20-1
52350 58210	51 - 6	60	52750 19100	51 - 7	101	52931 40120	52 - 2	14-1
52350 58310	51 - 6	61	52750 19300	51 - 6	56	52931 40220	52 - 2	18-1
52350 60810	51 - 3	24-1	52750 19400	51 - 6	58	52931 41921	52 - 3	26
52350 60910	51 - 3	24-1	52750 20300	51 - 6	56-1	52931 43920	52 - 2	22-1
52350 61010	51 - 6	60-1	52750 21400	51 - 7	101-1	52931 53720	52 - 2	22-1
52350 61110	51 - 6	61-1	52750 22800	51 - 6	57-1	52931 53820	52 - 3	26
52350 61310	51 - 6	60-1	52750 22900	51 - 6	58-1	52931 53820	52 - 3	26-1
52350 61411	51 - 6	61-1	52750 23100	51 - 6	56-2	52931 58720	52 - 2	22-2
52350 71110	51 - 3	24-2	52750 23300	51 - 7	69	52931 58820	52 - 3	28
52350 73910	51 - 3	24-3	52750 24800	51 - 7	69	52931 68420	52 - 3	26
52350 74310	51 - 3	24-2	52750 27100	51 - 6	56	52931 76710	52 - 2	22
52350 76110	51 - 3	24	52800 65100	51 - 4	32	52931 78810	52 - 2	19
52350 79610	51 - 3	24-4	52800 65200	51 - 6	63	52931 78910	52 - 2	18
52350 80211	51 - 3	24-3	52800 65301	51 - 4	34	52931 79010	52 - 2	17
52350 95311	51 - 3	24-5	52800 70200	51 - 4	34	52931 79010	52 - 5	10
52450 12923	51 - 3	26	52800 70300	51 - 4	32	52931 79110	52 - 2	15
52450 17722	51 - 3	26	52800 70300	51 - 6	63	52931 79210	52 - 2	16

I N D E X

PART NO.	PAGE	REF. NO.	PART NO.	PAGE	REF. NO.	PART NO.	PAGE	REF. NO.
52931 79210	52 - 5	11	52959 62240	52 - 5	5	54622 00300	SS2- 8	10
52931 79610	52 - 2	8	52959 62340	52 - 5	6	54624 01600	SS2- 8	8
52931 79710	52 - 2	14	52959 62440	52 - 5	7	54627 05100	SS2- 8	11
52931 85710	52 - 5	16	52959 62440	52 - 6	31	54628 01500	SS2- 8	12
52931 85810	52 - 5	17	52959 63840	52 - 5	8	54700 01400	51 - 9	61
52931 85910	52 - 5	18	52959 65330	52 - 5	16-1	54700 01500	51 - 9	61
52931 86010	52 - 5	19	52959 67440	52 - 5	5-2	61111 08001	21 - 3	105
52931 86110	52 - 5	20	52959 78030	52 - 5	4-1	61111 11700	21 - 8	105
52931 86110	52 - 5	27	52959 80240	52 - 5	3-1	61111 12100	21 - 8	105-1
52931 86610	52 - 5	21	52959 83140	52 - 2	23	61111 12500	21 - 8	105-1
52931 87710	52 - 5	19-1	52959 88920	52 - 5	25	61111 12600	21 - 8	105-2
52931 89610	52 - 2	21	52959 89920	52 - 2	24	61136 01600	51 - 9	63
52931 89610	52 - 5	12	52959 93140	52 - 5	26	86183 01500	SS2- 2	66
52931 89710	52 - 2	20	52959 93830	52 - 6	29	86183 01500	SS2- 5	66
52931 89710	52 - 5	13	52959 94540	52 - 2	1	GD920 12800	33 - 2	11
52939 01940	52 - 2	13-1	52959 98230	52 - 2	8-2	GD920 13100	37 - 2	11
52939 80930	52 - 2	7	52965 06600	52 - 3	101	GD920 13600	37 - 2	12
52939 80930	52 - 5	22	53220 59800	51 - 5	52	GD920 14000	37 - 2	12
52939 81030	52 - 2	6	53220 59902	51 - 4	30	GD920 14800	37 - 2	11
52939 81030	52 - 5	23	53220 60003	51 - 4	31	GE360 02100	51 - 4	35
52939 84230	52 - 2	12	53220 60102	51 - 4	30	GG160 00100	31 - 2	5-1
52939 84230	52 - 5	14	53220 60202	51 - 4	31	GH245 00600	51 - 5	51-1
52939 84330	52 - 2	13	53220 61900	51 - 4	31-1			
52939 84330	52 - 5	15	53220 62103	51 - 4	30			
52939 98630	52 - 2	12-1	53220 62201	51 - 4	31			
52959 02140	52 - 3	29	53220 62303	51 - 4	30			
52959 02450	52 - 6	31-1	53220 62400	51 - 4	31			
52959 02550	52 - 5	5-1	53220 63200	51 - 4	30-1			
52959 02550	52 - 5	6-1	53220 63300	51 - 4	31-2			
52959 02650	52 - 5	7-1	53220 65300	51 - 4	30-1			
52959 02940	52 - 5	17-1	53220 65400	51 - 4	31-1			
52959 03240	52 - 6	30	53220 66000	51 - 4	30-2			
52959 03850	52 - 6	31-2	53220 66100	SS2- 7	30			
52959 03950	52 - 5	7-2	53220 66200	SS2- 7	31			
52959 04050	52 - 5	25-1	53220 66300	SS2- 7	52			
52959 04150	52 - 5	16-2	53220 67001	51 - 4	30			
52959 04250	52 - 5	4-2	53220 67101	51 - 4	31			
52959 04350	52 - 5	18-2	53220 69500	SS2- 7	30-1			
52959 04450	52 - 5	6-2	54200 33900	SS2- 8	1			
52959 10330	52 - 2	23-1	54337 00500	SS2- 8	13			
52959 15140	52 - 5	3	54341 03600	SS2- 8	2			
52959 22630	52 - 2	24	54342 00700	SS2- 8	3			
52959 23930	52 - 5	18-1	54343 01900	SS2- 8	2			
52959 36940	52 - 2	8-1	54344 01300	SS2- 8	2			
52959 40250	52 - 2	25	54345 00100	SS2- 8	6			
52959 48840	52 - 5	4	54410 01301	SS2- 8	15			
52959 52540	52 - 2	25	54420 05200	SS2- 8	7			
52959 55640	52 - 2	2	54420 05400	51 - 9	63			
52959 55740	52 - 2	3	54420 06000	SS2- 8	7-1			
52959 55840	52 - 2	4	54500 02900	SS2- 8	16			



www.discount-equipment.com



この冊子はエコマーク認定の再生紙と大豆油インキを使用しています。

AIRMAN

HOKUETSU INDUSTRIES CO., LTD.