

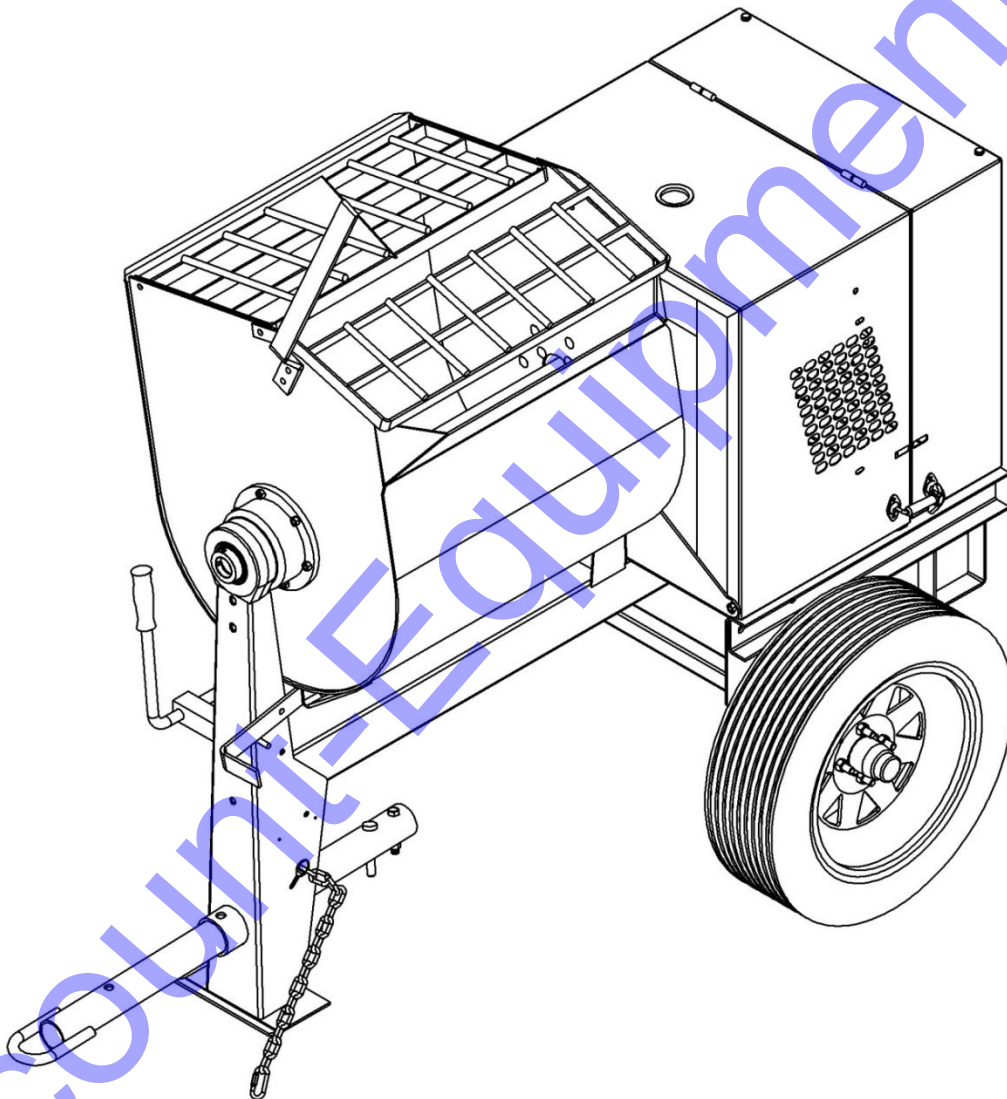
REPAIR PARTS MANUAL

SERIES	MM-Mech
BULLETIN No.	200089R6
SUPERSEDES	200089R5
DATE	Oct 2007

Last Rev: February 2015

MORTAR MIXERS

6-SR, S6-SR, 8S, S8-S, 10-S, S10-S

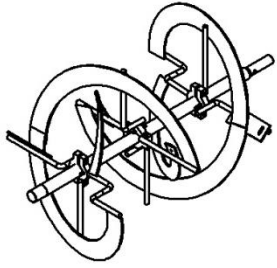


CROWN
CONSTRUCTION EQUIPMENT

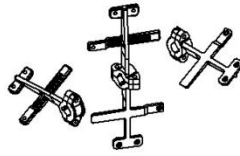
*When ordering parts please always specify the model and serial number of the mixers as a reference.

MORTAR MIXERS

6-SR, S6-SR, 8S, S8-S, 10-S, S10-S

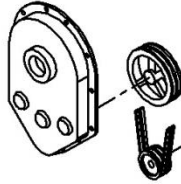


SPIRAL
Page 6

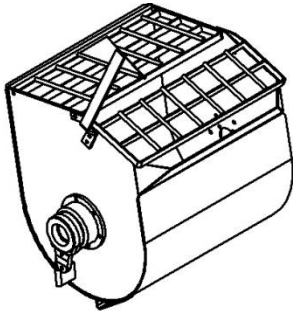
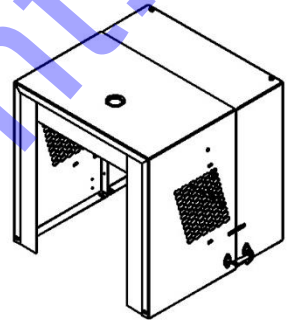


PADDLE
Page 7

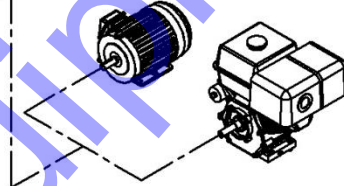
GEARBOX
Page 8



HOOD
Page 9

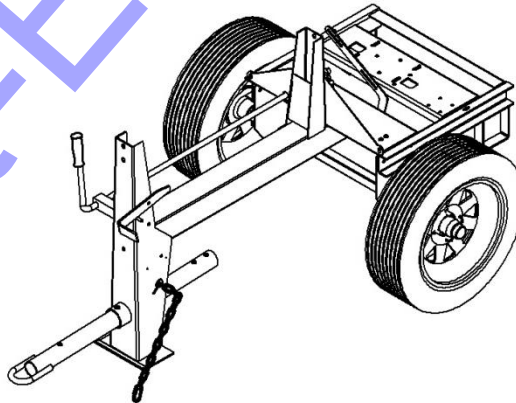


DRUM
Page 3



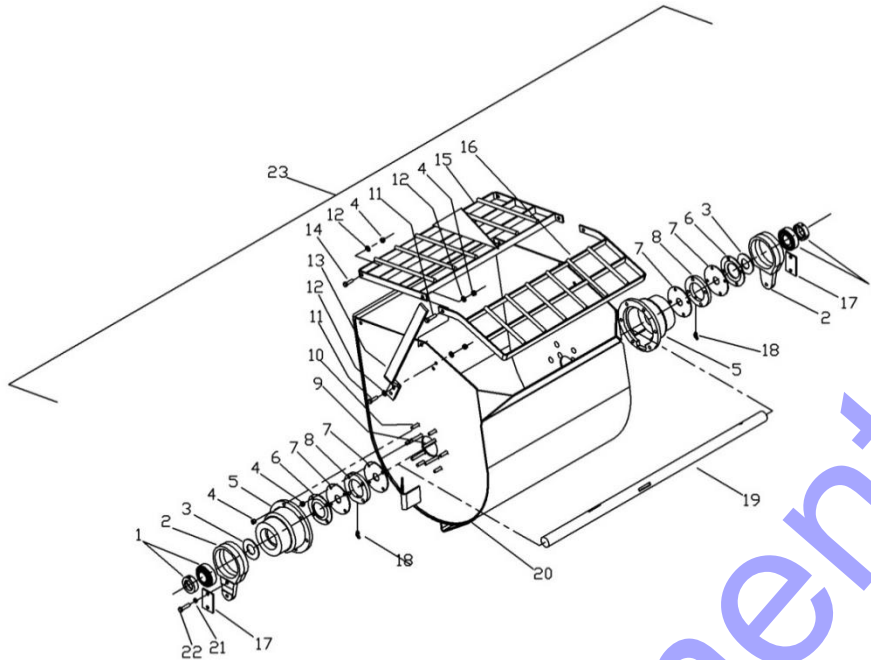
DRIVE
Page 10

FRAME
Page 4



*When ordering parts please always specify the model and serial number of the mixers as a reference.

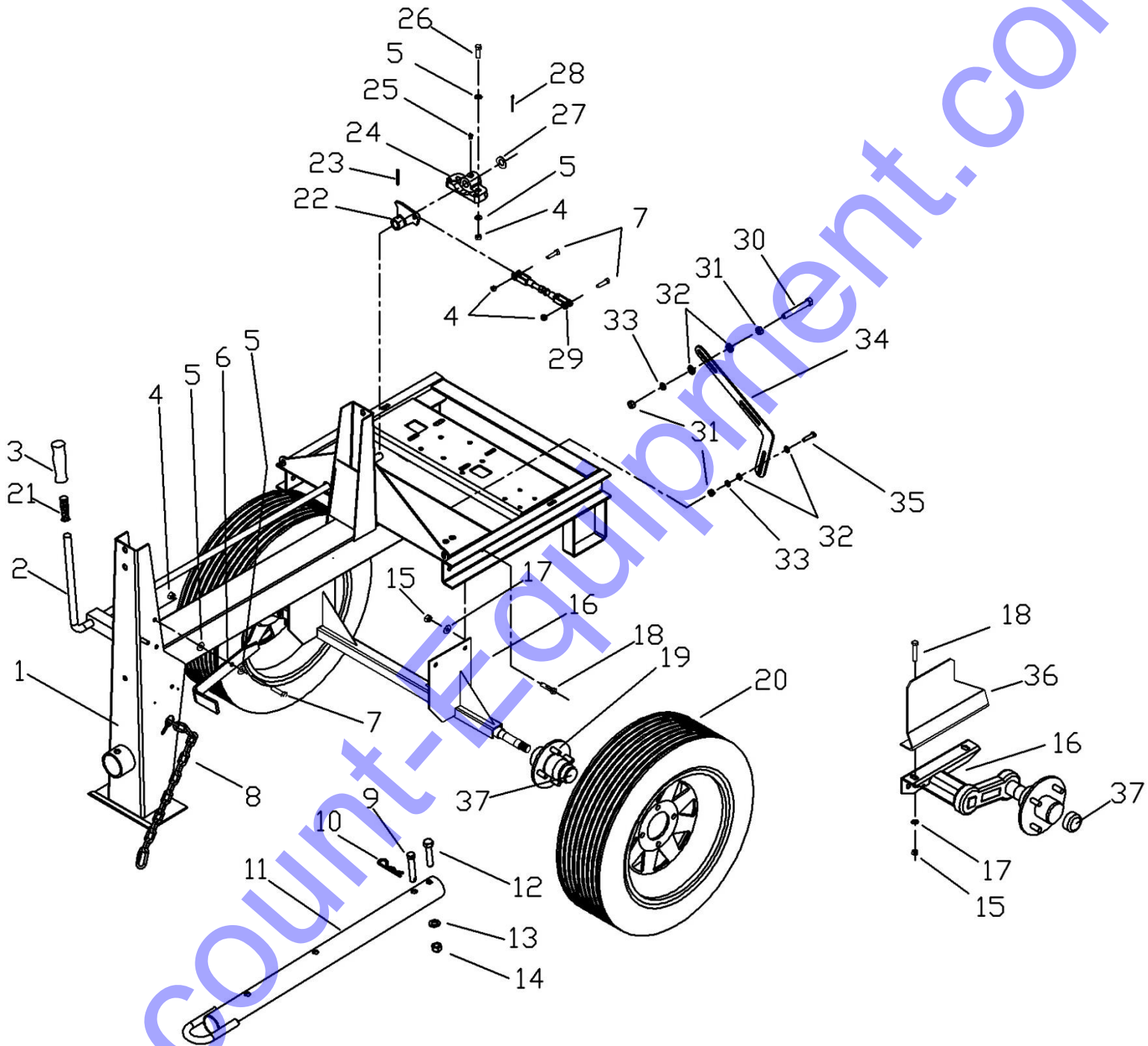
DRUM



Item	Part #	Description	6S	8S	10S
1	110450	Ball Bearing, 208-24 (0000BA20824)	2	2	2
2	496070	Pivot	2	2	2
3	190854	Flinger, 3.00 x 1.47 x .13	2	2	2
4	227830	Nut, Hex, Lock 3/8" (TCCS038GAL)	26	26	28
5	496080	Trunnion (4S-10S)	2	2	2
6	496042	Seal Ring	2	2	2
7	192923	Drum Seal	4	4	4
8	496177	Seal Plate	2	2	2
9	701011	Bolt, Carriage 3/8" x 2" (TOCL038200)	8	8	8
10	117771	Bolt, Carriage 3/8" x 1-1/2" (TOCL038112)	12	12	12
11	226230	Bolt, HexHd, 3/8" x 1-1/2" (TOCD038112)	4	4	4
12	174986	Washer, Plain 3/8" (RNPX038GAL)	6	6	8
13	496224	Dump Lever	1	1	1
14	226220	Bolt, HexHd, 3/8" x 1-1/4" (TOCD038114)	2	2	4
15	496214	Grill, Fixed 4S-6SR	1	*	*
	496370	Grill, Fixed 8S	*	1	*
	496380	Grill, Fixed 10S	*	*	1
16	496218	Grill, Hinged 4S-6SR	1	*	*
	496375	Grill, Hinged 8S	*	1	*
	496385	Grill, Hinged 10S	*	*	1
17	496000	Shim-Drum Locator (a/r) (optional)	2	2	2
18	110689	Grease Fitting 45° 1/8 NPT (0000GRH045)	2	2	2
19	496657	Old Main Shaft S6SR-S4SR (includes Keys)	1	*	*
	496656	Main Shaft 6S Since January 30, 2012 and the Series 3A9A09M14B1168083 (includes Keys) 42-1/2"	1	*	*
	496659	Old Main Shaft 8S (includes Keys)	*	1	*
	496658	Main Shaft 8S since February 04, 2012 an the series 3A9S12m12b1168005A (includes Keys) 40-11/16"	*	1	*
	496661	Old Main Shaft 10S (includes Keys)	*	*	1
	496660	Main Shaft 10S since January 30,2012 and the series 3A9S15M13B1168016 (Includes Keys) 45-11/16"	*	*	1
20	496207	Drum, 6SR W.A.	1	*	*
	496291	Drum, 8S W.A.	*	1	*
	496292	Drum, 10S W.A.	*	*	1
21	176250	Washer, Spring 1/2" (RNRX012GAL)	4	4	4
22	226650	Bolt, HexHd, 1/2" x 1-1/2" (TOCD012112)	4	4	4
23	609980	Kit, 6SR Drum (Includes Paddles)	1	*	*
	609981	Kit, S6SR Drum (Includes Spiral)	1	*	*
	609982	Kit, 8S Drum (Includes Paddles)	*	1	*
	609983	Kit, S8S Drum (Includes Spiral)	*	1	*
	609984	Kit, 10S Drum (Includes Paddles)	*	*	1
	609985	Kit, S10S Drum (Includes Spiral)	*	*	1

*When ordering parts please always specify the model and serial number of the mixers as a reference.

FRAME



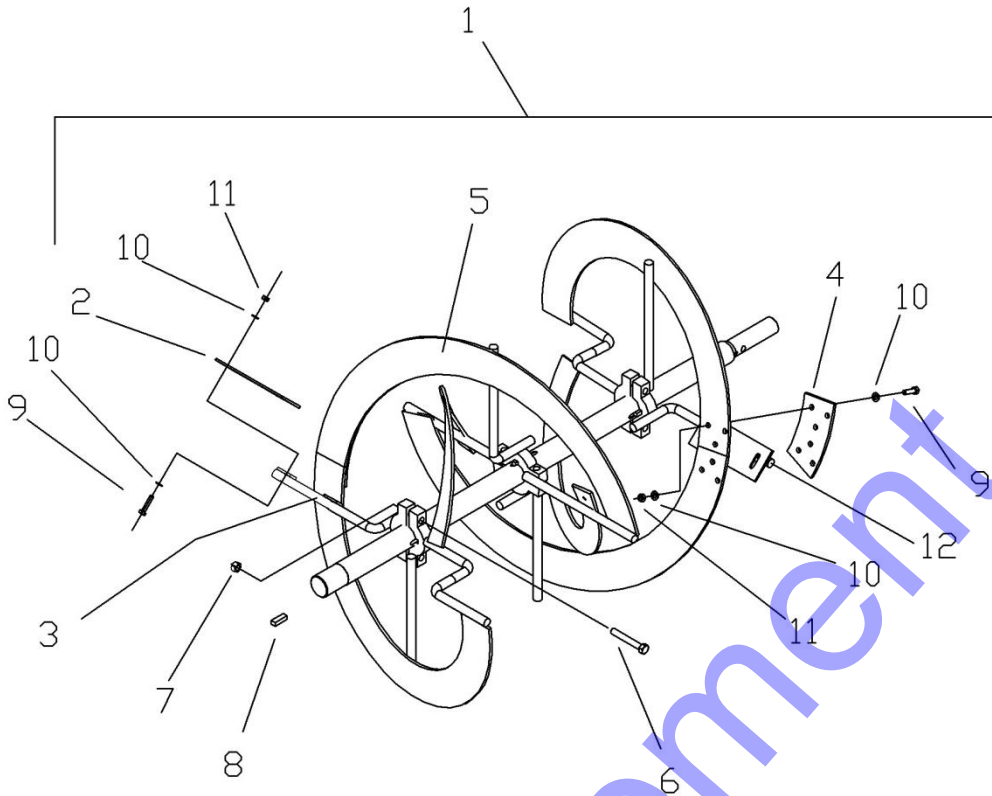
*When ordering parts please always specify the model and serial number of the mixers as a reference.

FRAME

Item	Part #	Description	6S	8S	10S
1	464925	Frame, 10S - S10S	*	*	1
	465128	Frame, 8S - S8S	*	1	*
	496127	Frame, 6S - S6SR	1	*	*
2	496206	Lever, 6SR, 8P	1	*	*
	496209	Lever, 8S - S8S	*	1	*
	496319	Lever, 10S, 6PR	*	*	1
3	139350	Hand Grip (0000RF01RJ)	1	1	1
4	227830	Nut, Hex Lock 3/8 (TCCS038GAL)	5	5	5
5	174986	Washer, Plain 3/8 (RNPX038GAL)	6	6	6
6	496244	Latch Plate	1	1	1
7	226230	Bolt, HexHd, 3/8 x 1-1/2 (TOCD038112)	3	3	3
8	701012	Safety Chain 5/16" (CA03516GAL) Includes Oval Snap Hook	1	1	1
9	702078	Lock Pin (0000CR01LZ) since November 15, 2013	1	1	1
10	134955	Hitch Pin Clip (SR00036EXT) since November 15, 2013	1	1	1
11	702069	Drawbar, Pintel (0000CO03LZ) Vertical Hole	1	1	1
	702070	Drawbar, 2" Ball Hitch (optional) (0000CO04LZ) Vertical Hole	1	1	1
12	226272	Bolt, HexHd, 3/4 x 3-1/2 NF (TOFD034312)	1	1	1
13	174510	Washer, Spring 3/4 (RNRX034GAL)	1	1	1
14	701028	Nut, Hex 3/4 NF (TCFN034GAL)	1	1	1
15	227854	Nut, Hex Lock 1/2 (TCCS012GAL)	4	4	4
16	464961	Axle Assembly (0200CO06RD) Includes #19	1	1	1
	464945	Axle before the June 09, 2014 (without Hubs)	1	1	1
	702096	Axle since June 09, 2014 (without Hubs)	1	1	1
	607916	Torsion Axle (optional)	1	1	1
17	174470	Washer, Plain 1/2 (RNPX012GAL)	4	4	4
18	226660	Bolt, HexHd, 1/2 x 1-3/4 (TOCD012134)	4	4	4
19	201731	Hub Assembly before June 09, 2014 (0200KI01RD)	2	2	2
	702071	Hub Assembly 4 Bolt, since June 09, 2014 (0200KI03RD)	2	2	2
20	431081	Wheel & Tire 13 (0000CO01RD)	2	2	2
	431063	Wheel & Tire 12 (0000CO02RD)	2	2	2
21	701023	Child hand Grip (0000RF02TQ)	1	1	1
22	496049	Lever Arm 6SR - 12S	1	1	1
23	135282	Pin, Spr SI 5/16 x 1-1/2 NC (00PE056112)	1	1	1
24	496048	Lever Bracket, 6SR - 12S	1	1	1
25	110680	Grase Fitting 1/8 NPT (0000GRH200)	1	1	1
26	226250	Bolt, HexHd, 3/8 x 2 (TOCD038200)	2	2	2
27	174996	Washer, Plain 3/4 (RNPX034GAL)	1	1	1
28	135810	Cotter Pin, 1/8 x 1-1/2 (SC18112NOR)	1	1	1
29	119225	Turnbuckle includes Yokes	1	1	1
30	701009	Bolt, HexHd 5/16 x 3 (TOCD056300)	2	2	2
31	227820	Nut, Hex 5/16 (TCCN056GAL)	6	6	6
32	174990	Washer, Plain 5/16 (RNPX056GAL)	8	8	8
33	176220	Washer, Spring 5/16 (RNRX056GAL)	4	4	4
34	464933	Belt Guide	1	1	1
35	225980	Bolt, HexHd 5/16 x 1 (TOCD056100)	2	2	2
36	496204	Axle Bracket-Torsion Axle only Lft & Right.	2	2	2
37	702087	Dust Cap (0000RF06RD)	2	2	2

*When ordering parts please always specify the model and serial number of the mixers as a reference.

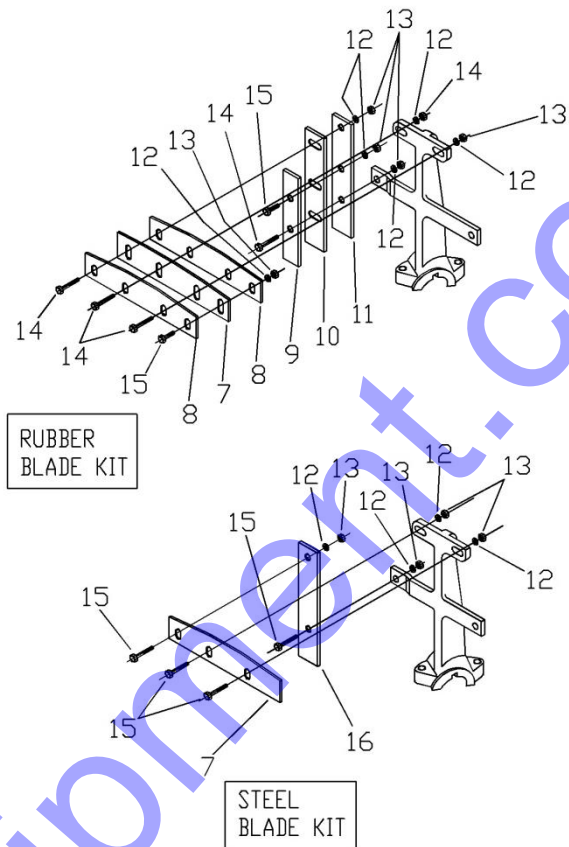
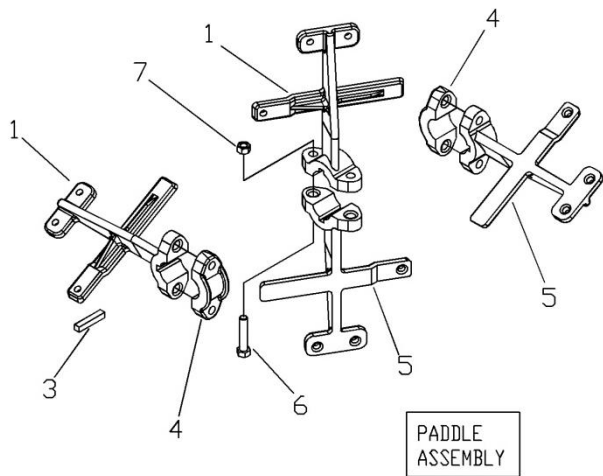
SPIRAL



Item	Part #	Description	6S	8S	10S
1	702015	Kit Assembly Spiral 6S with Main Shaft (if your machine is before February 12, 2013)	1	*	*
	702016	Kit Assembly Spiral 8S with Main Shaft (if your machine is before February 12, 2013)	*	1	*
	702017	Kit Assembly Spiral 10S with Main Shaft (if your machine is before February 12, 2013)	*	*	1
2	465680	Scraper 6S	2	*	*
	496242	Scraper 8S - S16SH	*	2	2
3	702019	Arm Bracket, Right 4S - 6S	1	*	*
	702021	Arm Bracket, Right 8S - 10S	*	1	1
4	702022	Spiral Link 4S - 6S	2	*	*
	702023	Spiral Link 8S - 10S	*	2	2
5	465001	Spiral Assembly 6S (without Main Shaft) (if your machine is after February 12, 2013)	1	*	*
	465002	Spiral Assembly 8S (without Main Shaft) (if your machine is after February 12, 2013)	*	1	*
	465003	Spiral Assembly 10S (without Main Shaft) (if your machine is after February 12, 2013)	*	*	1
6	226711	Bolt, HexHd, 1/2 x 3 (TOCD012300)	6	6	6
7	227854	Nut, Hex, Lock 1/2 (TCCS012GAL)	6	6	6
8	701013	Key, 3/8 x 1-3/4 (1000CC01ED)	4	4	4
9	226220	Bolt, HexHd, 3/8 x 1-1/4 (TOCD038114)	14	18	18
10	174986	Washer, Plain 3/8 (RNPX038GAL)	28	36	36
11	227830	Nut, Hex, Lock 3/8 (TCCS038GAL)	14	18	18
12	702018	Arm Bracket, Left 4S - 6S	1	*	*
	702020	Arm Bracket, Left 8S - 10S	*	1	1

*When ordering parts please always specify the model and serial number of the mixers as a reference.

PADDLE 4S – 6SR ~ 610550



PADDLE ASSEMBLY

Ref	Part #	Description	Qty
1	96019	Paddle 4S - 6PR Left	2
3	701013	Key, 3/8 x 1-3/4 (1000CC01ED)	4
4	96010	Paddle Cap	2
5	96018	Paddle 4S - 6PR Right	2
6	226711	Bolt, HexHd, 1/2 x 3 (TOCD012300)	6
7	227854	Nut, Hex, Lock 1/2 (TCCS012GAL)	6

RUBBER BLADE KIT - STANDARD- 609802

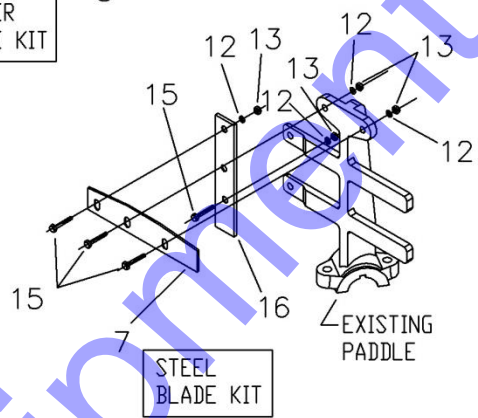
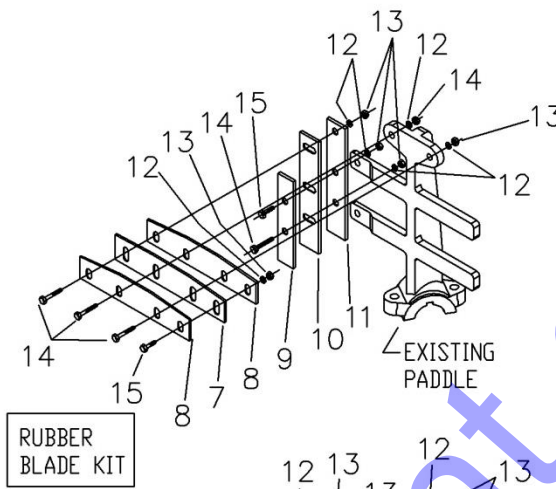
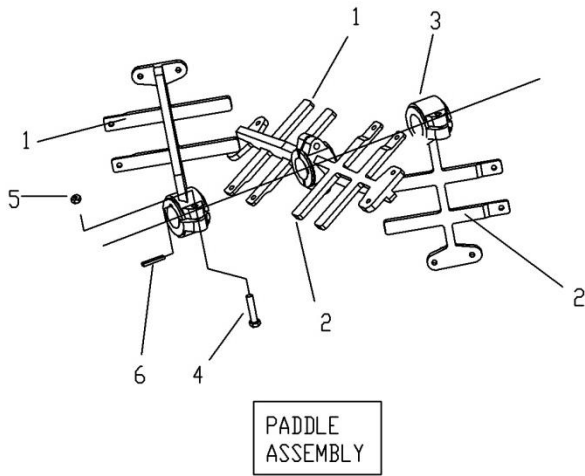
Ref	Part #	Description	Qty
7	190970	Top Wiper	4
8	436290	Blade, Top	8
9	436320	Blade 4S - 6SR, Side	2
10	192680	Wiper 4S - 6SR Side	2
11	436310	Blade 4S - 6SR, Side	2
12	174986	Washer, Plain 3/8 (RNPX038GAL)	44
13	227830	Nut, Hex, Lock 3/8 (TCCS038GAL)	22
14	226250	Bolt, HexHd, 3/8 x 2 (TOCD038200)	12
15	226230	Bolt, HexHd, 3/8 x 1-1/2 (TOCD038112)	10

STEEL BLADE KIT - OPTIONAL- 609803

Ref	Part #	Description	Qty
7	436280	Blade Top 4s-6s	4
16	436300	Blade Side 4s-6s	2
12	174986	Washer, Plain 3/8 (RNPX038GAL)	24
13	227830	Nut, Hex, Lock 3/8 (TCCS038GAL)	12
15	226230	Bolt, HexHd, 3/8 x 1-1/2 (TOCD038112)	12

*When ordering parts please always specify the model and serial number of the mixers as a reference.

PADDLE 8S – 10SR ~ 610555



PADDLE ASSEMBLY

Ref	Part #	Description	Qty
1	96305	Paddle 8S - 10S Left	2
2	96304	Paddle 8S - 10S Right	2
3	96010	Paddle Cap	8
4	226711	Bolt, HexHd, 1/2 x3 (TOCD012300)	6
5	227854	Nut, Hex, Lock 1/2 (TCCS012GAL)	6
6	701013	Key, 3/8 x 1-3/4	4

STEEL BLADE KIT - OPTIONAL -609909

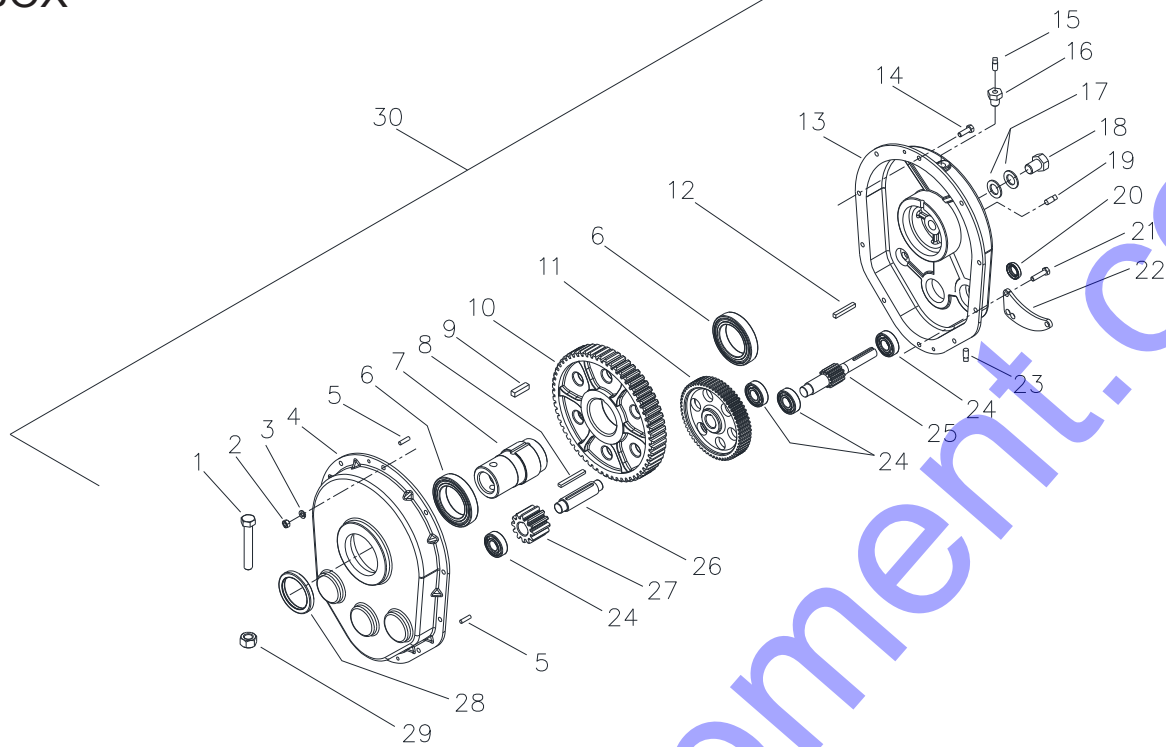
Ref	Part #	Description	Qty
7	436280	Blade, Top 4s-10s	4
	496075	Blade, Top 12s	4
16	496076	Blade Side 8S - 12S	2
12	174986	Washer, Plain 3/8 (RNPX038GAL)	28
13	227830	Nut, Hex, Lock 3/8 (TCCS038GAL)	14
15	226230	Bolt, HexHd, 3/8 x 1-1/2 (TOCD038112)	14

RUBBER BLADE KIT - STANDARD- 609910

Ref	Part #	Description	Qty
7	190970	Top Wiper	4
8	436290	Blade, Top	8
9	496099	Blade 8S - 12S, Side	2
10	190974	Wiper 8S - 12S, Side	2
11	496098	Blade 8S - 12S, Side	2
12	174986	Washer, Plain 3/8 (RNPX038GAL)	40
13	227830	Nut, Hex, Lock 3/8 (TCCS038GAL)	20
14	226250	Bolt, HexHd, 3/8 x 2 (TOCD038200)	14
15	226230	Bolt, HexHd, 3/8 x 1-1/2 (TOCD038112)	6

*When ordering parts please always specify the model and serial number of the mixers as a reference.

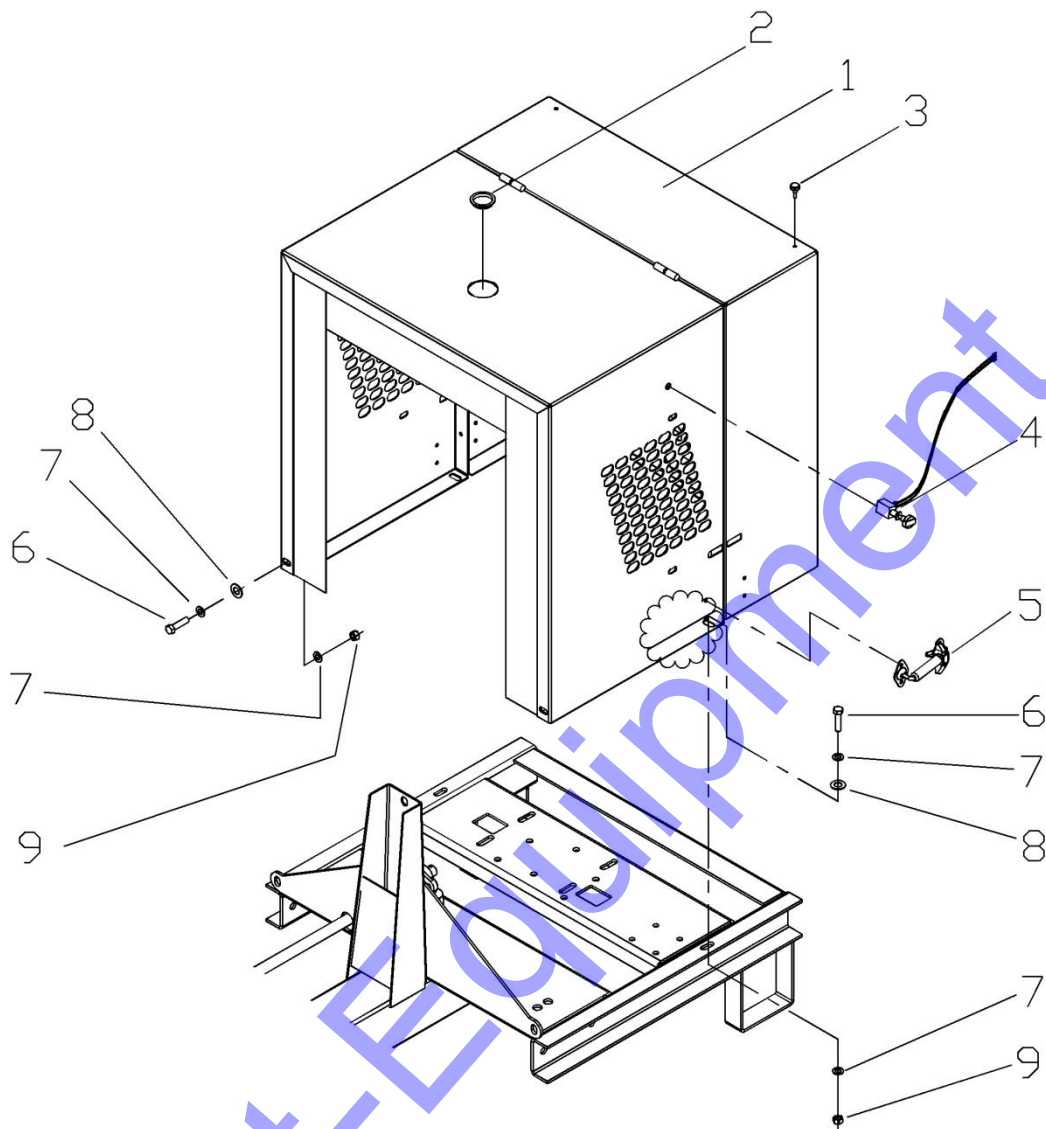
GEARBOX



Ref	Part #	Description	Qty.
1	226711	Bolt, HexHd, Shear, 1/2 x 3 (TOCD012300)	1
2	227820	Nut, Hex, 5/16 (TCCN056GAL)	10
3	176220	Washer, Spring 5/16 (RNRX056GAL)	10
4	496320	Case, Front Half	1
5	135470	Spring Pin, 1/4 x 5/8	2
6	110105	Ball Bearing, 6013-2RS	2
7	496642	Sleeve	1
8	432290	Key 1/4 x 2-1/2	1
9	432150	Key 3/8 x 1-3/8	1
10	496641	Gear, 60T, 6DP, (10" dia)	1
11	496322	Gear, 60T, 10DP (6" dia)	1
12	432050	Key 3/16 x 1-5/8	1
13	496640	Case, Rear Half	1
14	225980	Bolt, HexHd, 5/16 x 1 (TOCD056100)	8
15	110550	Breather	1
16	187411	Bushing, Reducer 3/8 x 1/8 NPT	1
17	174996	Washer, 3/4 (RNPX034GAL)	2
18	227236	Bolt, HexHd, 3/4 x 1	1
19	185630	Plug, Pipe 3/8 NPT	1
20	199380	Oil Seal, C/R 7440	1
21	225990	Bolt, HexHd, 5/16 x 1-1/4	2
22	496045	Link, Lever	1
23	185632	Pipe Plug, Magnetic 3/8 NPT	1
24	110410	Ball Bearing, 6204	4
25	496324	Pinion/Shaft, 12T, 6DP (2" dia)	1
26	496131	Shaft, Pinion	1
27	496333	Pinion, 12T, 6DP (2" dia)	1
28	199491	Oil Seal, C/R 24897	1
29	227854	Nut, Hex, Lock, 1/2	1
30	496645	Gear Box (complete)	1

*When ordering parts please always specify the model and serial number of the mixers as a reference.

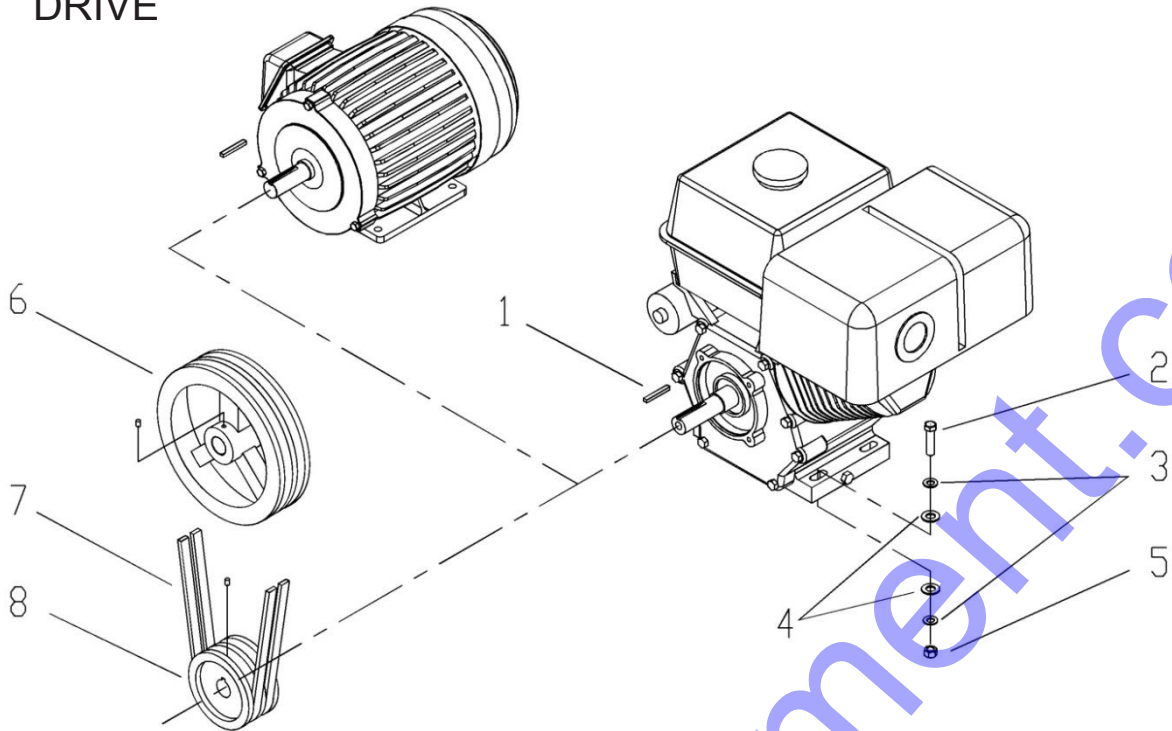
HOOD



Item	Part #	Description	Qty
1	702118	* Hood, 6S-10S * (3A9S23M12F1168001) Since 27-11-14	1
	464978	Old Hood, 6S-10S	1
2	701008	Snap (317333)	1
3	201544	Rubber Bumper (0000RF01GA)	4
4	701007	Complete, Push Stop (1000KI04GA)	1
5	701004	Hook (0000RF02GA)	2
6	226230	Bolt, HexHd, 3/8" x 1-1/2" (TOCD038112)	4
7	174986	Washer Plain, 3/8" (RNPX038GAL)	8
8	174470	Washer plain, 1/2" (RNPX012GAL)	4
9	227830	Lock Nut, 3/8" (TCCS038GAL)	4

*When ordering parts please always specify the model and serial number of the mixers as a reference.

DRIVE



HORSE POWER							
Ref	Part #	Description	GAS DRIVE		ELECTRIC DRIVE		
			5.5 HP	8 HP	0.5 - 1.5 HP	1 - 2 HP	3 HP
1	432050	Key, 3/16 x 1-5/8	1	*	1	1	
	432340	Key, 1/4 x 1-7/8	*	1	*	*	1
2	701022	Bolt, HexHd, 5/16 x 2" (TOCD056200)	4	*	*	*	*
	226250	Bolt, HexHd, 3/8 x 2" (TOCD038200)	*	4	*	*	*
	225980	Bolt, HexHd, 5/16 x 1 (TOCD056100)	*	*	4	*	*
	226210	Bolt, HexHd, 3/8 x 1 (TOCD038100)	*	*	*	4	4
3	174990	Washer, Plain 5/16 (RNPX056GAL)	8	*	8	8	8
	174986	Washer, Plain 3/8 (RNPX038GAL)	*	8	*	*	*
4	174470	Washer, Plain 1/2 (RNPX012GAL)	8	8	8	8	8
5	227821	Nut, Hex, Lock 5/16 (TCCS056GAL)	4	*	4	4	4
	227830	Nut, Hex, Lock 3/8 (TCCS038GAL)	*	4	*	*	*
6	496160	Pulley, 10 x 3/4	1	1	1	1	1
7	702024	Belt, A40 (0000BNA40)	2	2	*	*	*
	702013	Belt, A44 (0000BNA44)	*	*	2	2	2
8*	702025	Calibrated Pulley, Engine, 3-3/4 x 3/4 (POFG3340342R) (Replace of 407790)	1	*	*	*	*
	702010	Calibrated Pulley, Engine, 3-3/4 x 1 (POFG3341002R) (Replace of 430990)	*	1	*	*	*
	702026	Calibrated Pulley, Elec Motor, 4-1/4 x 5/8 (POFG4140582R) includes Allen Screw 3/8" x 1/2" (Replace of 408010 & 459911 w/176820)	*	*	1	*	*
	702095	Calibrated Pulley, Elec Motor, 4-1/4 x 7/8 (POFG4140782R) includes Allen Screw 3/8" x 1/2" (Replace of 408010 & 459911 w/176822)	*	*	*	1	*
	702011	Calibrated Pulley, Elec Motor, 4-1/4 x 1-1/8 (POFG4141182R) (Replace of 459907 & 459919 w/176825)	*	*	*	*	1

*Does not need Bushing.

*When ordering parts please always specify the model and serial number of the mixers as a reference.



www.discount-equipment.com

*When ordering parts please always specify the model and serial number of the mixers as a reference.