

Discount Equipment

Discount-Equipment.com is your online resource for commercial and industrial quality parts and equipment sales.

Locations:

Florida (West Palm Beach): [561-964-4949](tel:561-964-4949)

Outside Florida TOLL FREE: [877-690-3101](tel:877-690-3101)

Need parts? Check out our website at www.discount-equipment.com

Can't find what you need?

Click on this link: <http://www.discount-equipment.com/category/5443-parts/> and fill out the request form.

Please have the machine model and serial number available in order to help us get you the correct parts. One of our experienced staff members will get back to you with a quote for the right part that your machine needs.

We sell worldwide for the brands: Genie, Terex, JLG, MultiQuip, Mayco, Toro/Stone, Diamond Products, Magnum, Airman, Mustang, Power Blanket, Nifty Lift, Atlas Copco, Chicago Pneumatic, Allmand Brothers, Essick, Miller Spreader, Skyjack, Lull, Skytrak, Tsurumi, Husquvarna/Target, Whiteman-Concrete/Mortar, Stow-Concrete/Mortar, Baldor, Wacker, Sakai, Snorkel, Upright, Mi-T-M, Sullair, Neal, Basic, Dynapac, MBW, Weber, Bartell, Bennar Newman, Haulotte, Ditch Runner, Blaw-Knox, Himoina, Best, Buddy, Crown, Edco, Wyco, Bomag, Laymor, Terremite, Barreto, EZ Trench, Takeuchi, Basic, Bil-Jax, Curtis, Gehl, Heli, Honda, ICS/PowerGrit, Puckett, Waldon, ASV, IHI, Partner, Imer, Clipper, MMD, Koshin, Rice, Gorman Rupp, CH&E, Cat Pumps, Comet, General Pump, Giant, AMida, Coleman, NAC, Gradall, Square Shooter, Kent, Stanley, Tamco, Toku, Hatz, Kohler, Robin, Wisconsin, Northrock, Oztec, Toker TK, Rol-Air, Small Line, Wanco, Yanmar

New Equipment - Used Equipment - Rental Equipment - Parts and Accessories

Discount Equipment

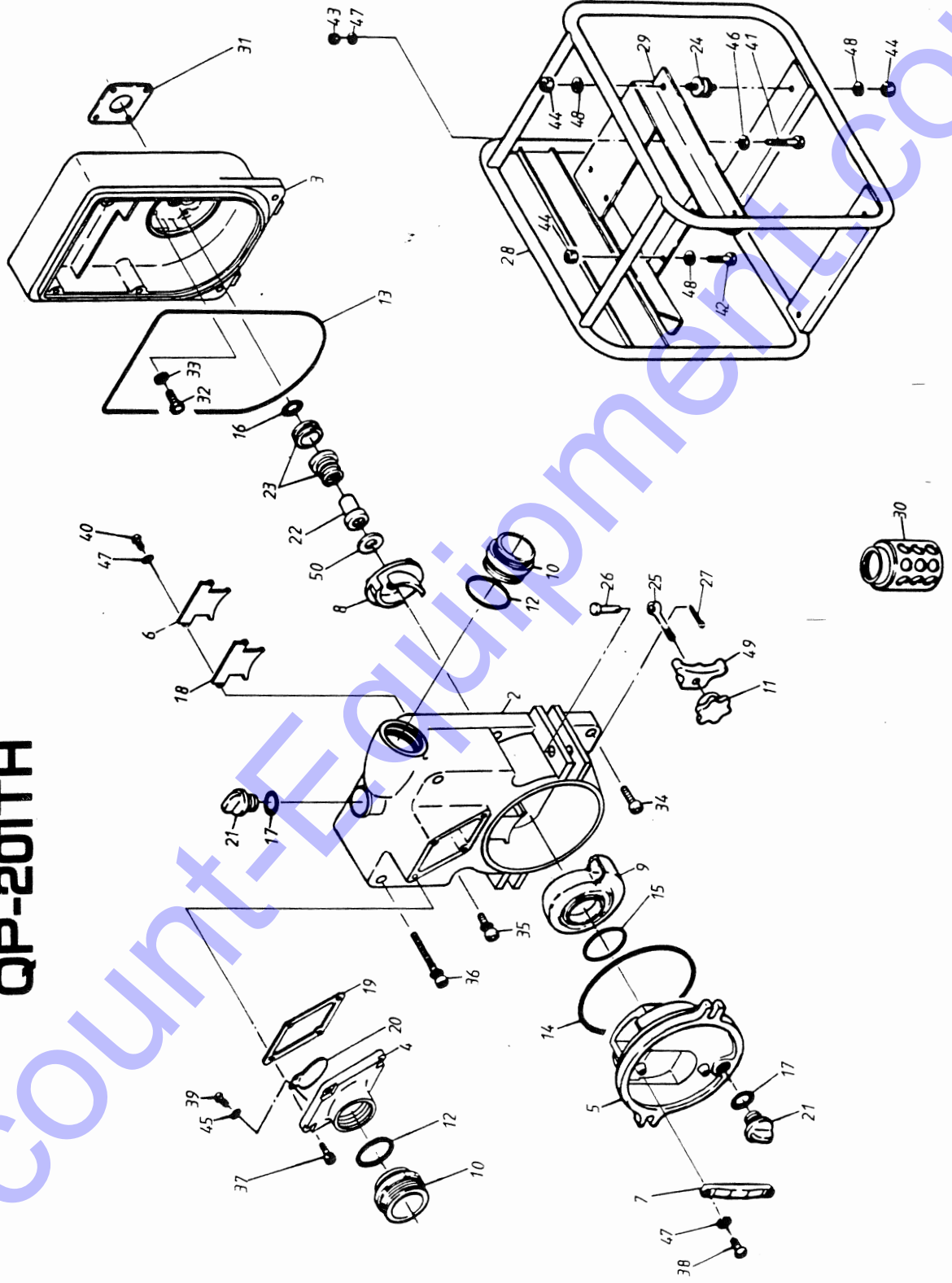
www.discount-equipment.com

561-964-4949

Parts: wbparts@Discount-Equipment.com

Sales: info@Discount-Equipment.com

QP-201TH





QP-201TH Trash Pump

MULTIQUIP

CODE NO	PAPTS NO.	PARTS NAME	QTY	MATERIAL	SPECIFICATION	OLD PARTS NO
1		ENGINE			GX140	
2	1841 100010	CASING	1	ADC	NPS3"	
3	1841 100020	CASING COVER	1	ADC		
4	1841 100160	SUCTION COVER	1	ADC	NPS3"	
5	1841- 100170	DRAIN COVER	1	ADC		
6	1841 100740	SUCTION PLATE	1	ADC		
7	1247- 100250	DRAIN COVER HANDLE	1	ADC		
8	1841 000030	IMPELLER	1	FC	1/2 -18UNF	
9	1841 000130	VOLUTE CASING	1	FC		
10	079043 3020	NIPPLE	2	FC	NPS3" x NPT2"	
11	1841 000190	DRAIN COVER SET HANDLE	2	FC	M16	
12	048131 0800	O'RING (NIPPLE)	2	NBR	G 80	
13	048935 3920	O'RING (CASING)	1	NBR	φ 3.5 x φ 392	
14	048945 2300	O'RING (DRAIN COVER)	1	NBR	φ 4.5 x φ 230	
15	048131 0750	O'RING (VOLUTE CASING)	1	NBR	G 75	
16	048024 -0160	O'RING (MECHANICAL SEAL SLEEVE)	1	NBR	P 16	
17	048035 0300	O'RING (FLOODING DRAIN CAP)	2	NBR	P 30	
18	1811 330410	SUCTION PLATE PACKING	1	NBR		
19	1841 330370	SUCTION COVER PACKING	1	NBR		
20	1317 - 350350	CHECK VALVE	1	NBR + SS41		
21	063121 - 1100	FLOODING DRAIN CAP	2	ABS	PF1"	
22	081158 - 2543	MECHANICAL SEAL SLEEVE	1	SUS	φ 1/2 x φ 25 x 43	
23	080612 - 3325	MECHANICAL SEAL	1set	CERAMIC x CUB	HK9A-SN φ 25	
24	072330 2040	CUSHION RUBBER	4	NBR + SS41	φ 40H 20M 10	
25	1841 200270	HINGE BOLT	2	SS41	M16 x 95	

When ordering parts PLEASE give model number and serial number of unit.

www.discount-equipment.com



mp

PARTS LIST

CODE NO.	PARTS NO.	PARTS NAME	QTY	MATERIAL	SPECIFICATION	OLD PARTS NO.
26	1247 - 220280	HINGE PIN	2	S45C	φ 12 × 65	
27	064140 - 0520	SPLIT PIN	2	SWRM	φ 5 × 20	
28	1841 - 214010	BASE	1	SS41		
29	1841 - 214020	ENGINE BASE	1	SS41		
30	074230 - 4050	STRAINER	1	PE	NPT2"	
31	1201 - 390610	CASING COVER PACKING	1	THREE SHEET		
32	019115 - 0525	BOLT (CASING COVER)	4	SS41	$\frac{5}{16}$ - 24UNF × 25	
33	045125 - 0080	SPRING WASHER	4	SWRH	M 8	
34	013115 - 1235	CAP SCREW (CASING)	2	SCM	M12 × 35	
35	013505 - 1235	CAP SCREW SET WITH SEAL RING (CASING)	2	SCM	M12 × 35	
36	013505 - 1295	CAP SCREW SET WITH SEAL RING (CASING)	2	SCM	M12 × 95	
37	013115 - 0830	CAP SCREW (SUCTION COVER)	4	SCM	M 8 × 30	
38	014105 - 0825	SCREW (DRAIN COVER HANELE)	2	SS41	M 8 × 25	
39	014105 - 0510	SCREW (CHECK VALVE)	2	SS41	M 5 × 10	
40	010505 - 0820	BOLT (SUCTION PLATE)	2	SS41	M 8 × 20	
41	010505 - 0840	BOLT (ENGINE)	4	SS41	M 8 × 40	
42	010505 - 1035	BOLT (PUMP)	2	SS41	M10 × 35	
43	020545 - 0080	NUT (ENGINE)	4	SS41	M 8	
44	020545 - 0100	NUT (PUMP CUSHION RUBBER)	10	SS41	M10	
45	040145 - 0050	WASHER	2	SS41	M 5	
46	040145 - 0080	WASHER	4	SS41	M 8	
47	045125 - 0080	SPRING WASHER	12	SWRH	M 8	
48	045125 - 0100	SPRING WASHER	10	SWRH	M10	
49	1841 - 000200	DRAIN COVER PUSH PLATE	2	FC		
50	085282 - 2516 085283 - 2516 085285 - 2516	ADJUST LINER	1~3	BsP	φ 25 × φ 1610 2 φ 25 × φ 1610 3 φ 25 × φ 1610 5	

**Discount
Equipment**

www.discount-equipment.com

MULTIQUIP