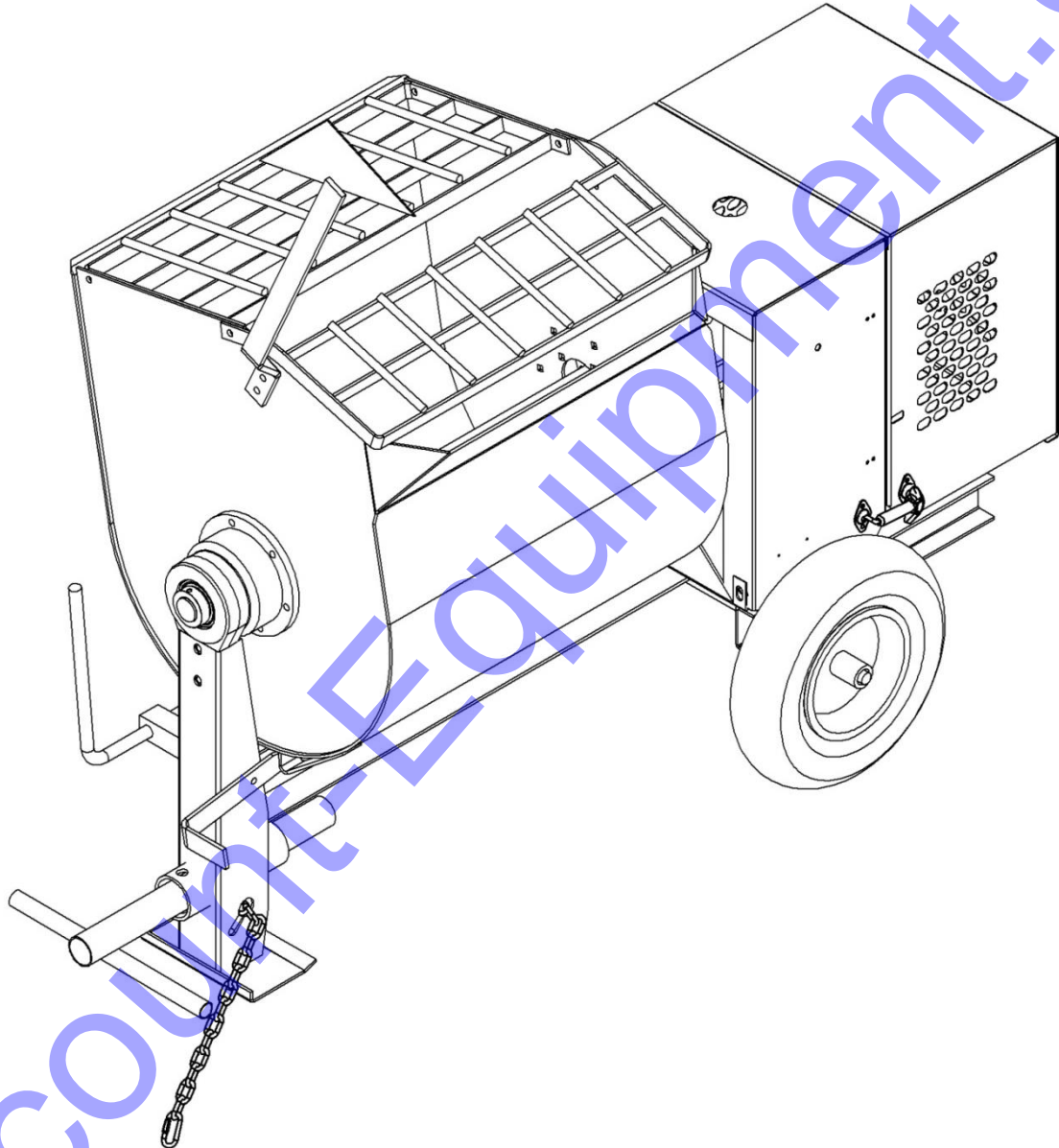


REPAIR PARTS MANUAL

SERIES	MM~Mech
BULLETIN No.	200078R6
SUPERSEDES	200078R5
DATE	Oct 2007
Last Rev: April 2015	

MORTAR MIXERS 4S



*When ordering parts please always specify the model and serial number of the mixers as a reference.

Discount Equipment

Discount-Equipment.com is your online resource for commercial and industrial quality parts and equipment sales.

Locations:

Florida (West Palm Beach): [561-964-4949](tel:561-964-4949)

Outside Florida TOLL FREE: [877-690-3101](tel:877-690-3101)

Need parts? Check out our website at www.discount-equipment.com

Can't find what you need?

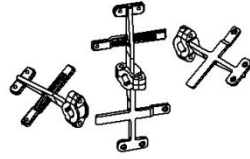
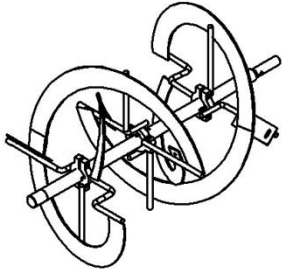
Click on this link: <http://www.discount-equipment.com/category/5443-parts/> and fill out the request form.

Please have the machine model and serial number available in order to help us get you the correct parts. One of our experienced staff members will get back to you with a quote for the right part that your machine needs.

We sell worldwide for the brands: Genie, Terex, JLG, MultiQuip, Mayco, Toro/Stone, Diamond Products, Magnum, Airman, Mustang, Power Blanket, Nifty Lift, Atlas Copco, Chicago Pneumatic, Allmand Brothers, Essick, Miller Spreader, Skyjack, Lull, Skytrak, Tsurumi, Husquyarna/Target, Whiteman-Concrete/Mortar, Stow-Concrete/Mortar, Baldor, Wacker, Sakai, Snorkel, Upright, Mi-T-M, Sullair, Neal, Basic, Dynapac, MBW, Weber, Bartell, Bennar Newman, Haulotte, Ditch Runner, Blaw-Knox, Himoina, Best, Buddy, Crown, Edco, Wyco, Bomag, Laymor, Terremite, Barreto, EZ Trench, Takeuchi, Basic, Bil-Jax, Curtis, Gehl, Heli, Honda, ICS/PowerGrit, Puckett, Waldon, ASV, IHI, Partner, Imer, Clipper, MMD, Koshin, Rice, Gorman Rupp, CH&E, Cat Pumps, Comet, General Pump, Giant, AMida, Coleman, NAC, Gradall, Square Shooter, Kent, Stanley, Tamco, Toku, Hatz, Kohler, Robin, Wisconsin, Northrock, Oztec, Toker TK, Rol-Air, Small Line, Wanco, Yanmar

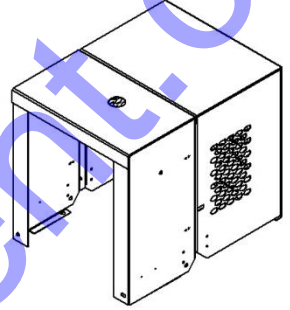
MORTAR MIXERS 4S

SPIRAL
Page 6

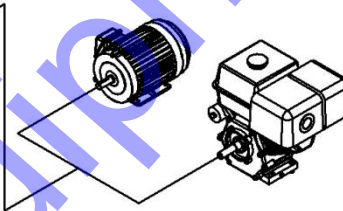
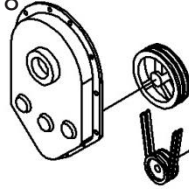


PADDLE
Page 7

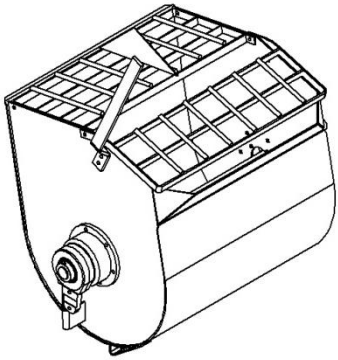
HOOD
Page 9



GEARBOX
Page 8

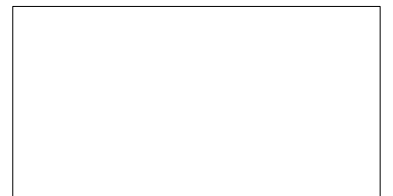
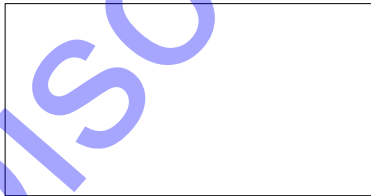
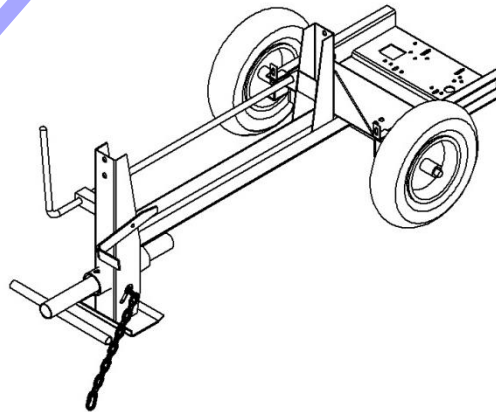


DRIVE
Page 10



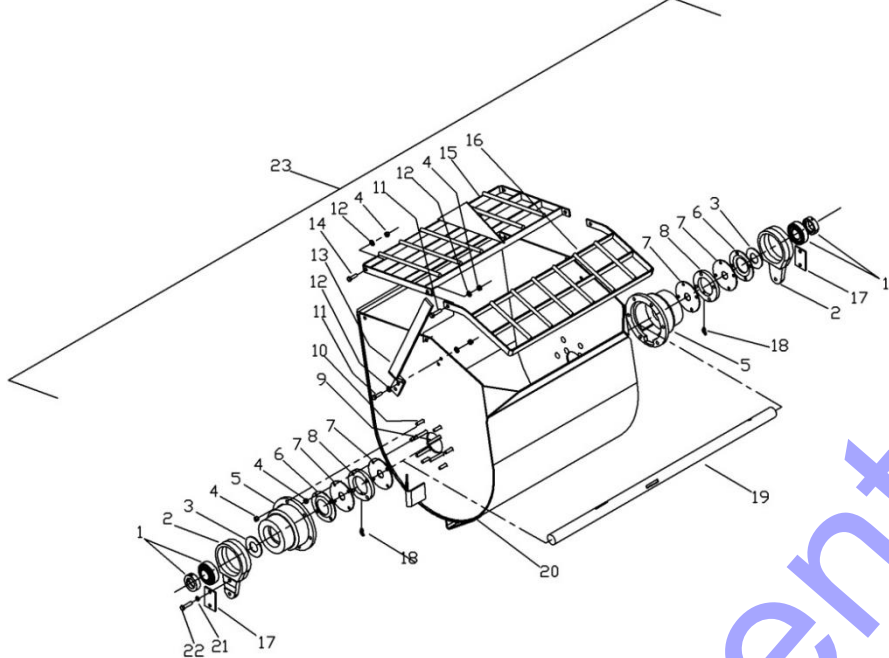
DRUM
Page 3

FRAME
Page 4



*When ordering parts please always specify the model and serial number of the mixers as a reference.

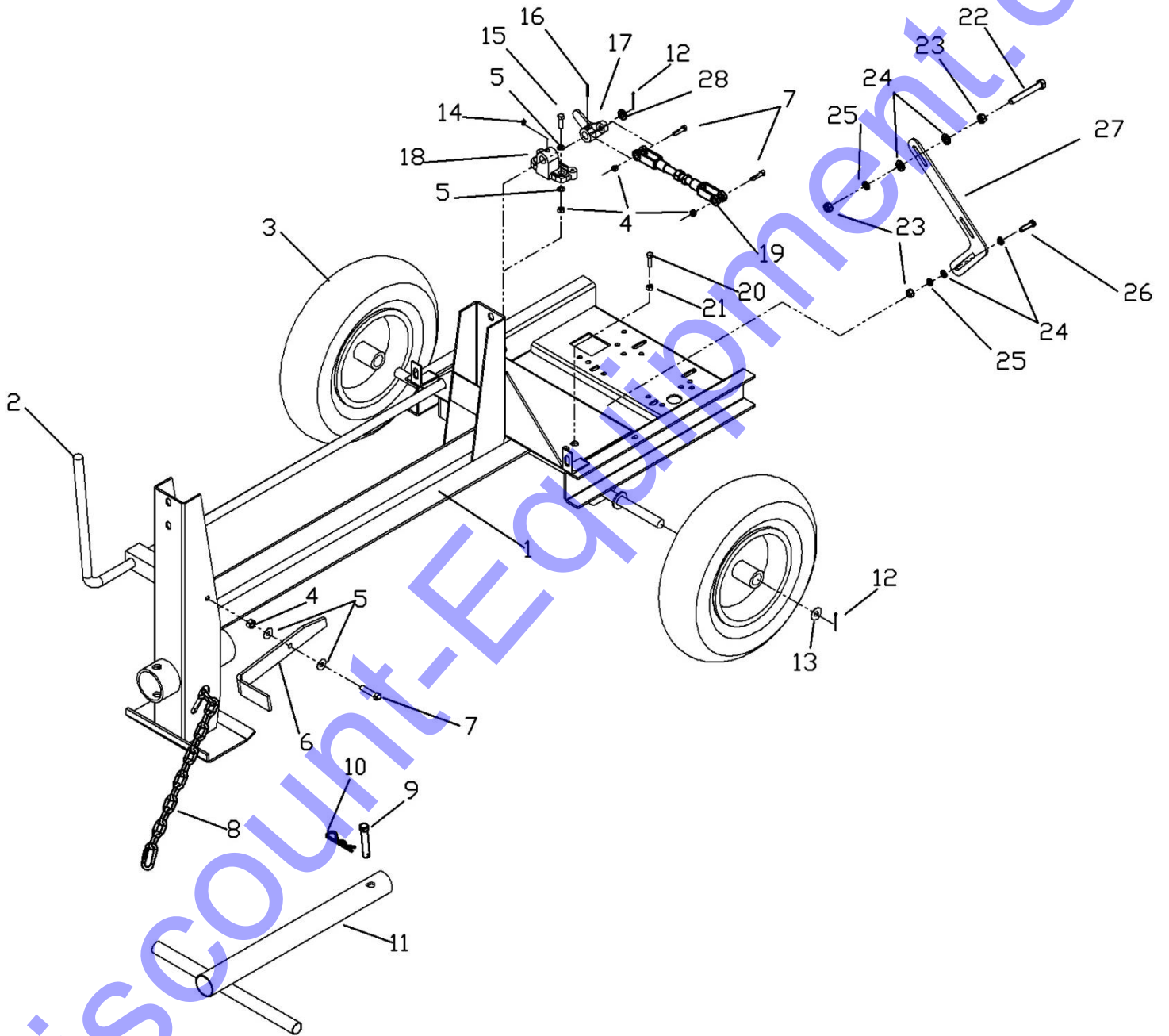
DRUM



Item	Part #	Description	4S
1	110450	Ball Bearing, 208-24 (0000BA20824)	2
2	496070	Pivot	2
3	190854	Flinger, 3.00 x 1.47 x .13	2
4	227830	Nut, Hex, Lock 3/8 (TCCS038GAL)	26
5	496080	Trunnion (4S - 10S)	2
6	496042	Seal Ring	2
7	192923	Drum Seal	4
8	496177	Seal Plate	2
9	701011	Bolt, Carriage 3/8 x 2 (TOCL038200)	8
10	117771	Bolt, Carriage 3/8 x 1-1/2 (TOCL038112)	12
11	226230	Bolt, HexHd, 3/8 x 1-1/2 (TOCD038112)	4
12	174986	Washer, Plain 3/8 (RNPX038GAL)	8
13	496224	Dump Lever	1
14	226220	Bolt, HexHd, 3/8 x 1-1/4 (TOCD038114)	2
15	496214	Grill, Fixed 4S - 6SR	1
16	496218	Grill, Hinged 4S - 6SR	1
17	496000	Shim - Drum Locator (a/r) (optional)	2
18	110689	Grease Fitting 45° 1/8 NPT (0000GRH045)	2
19	496657	Old Main Shaft 4S- 6S (Includes Keys)	1
	496656	Main Shaft 4S-6S since January 30,2012 and the series 3A9S09M14B1168083 (Includes Keys)	1
20	464990	Drum, 4S W.A.	1
21	176250	Washer, Spring 1/2 (RNPX012GAL)	4
22	226650	Bolt, HexHd, 1/2 x 1-1/2 (TOCD012112)	4
23	609996	Kit, 4S Drum with Spiral	1
	702097	Kit, 4S Drum with Paddles	1

*When ordering parts please always specify the model and serial number of the mixers as a reference.

FRAME



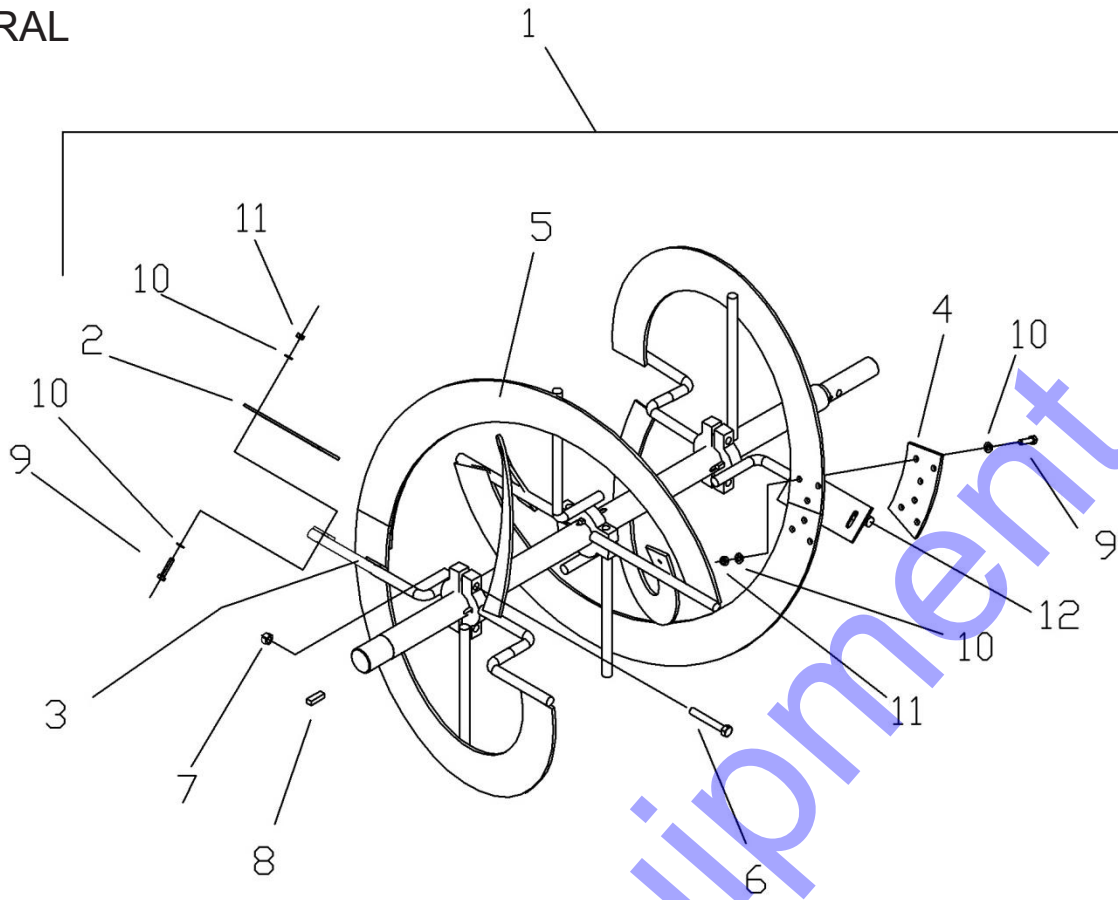
*When ordering parts please always specify the model and serial number of the mixers as a reference.

FRAME

Item	Part #	Description	Qty
1	465130	Frame, 4S	1
2	496190	Lever, 4S	1
3	201640	Tire 4 x 8	2
4	227830	Nut, Hex Lock 3/8 (TCCS038GAL)	5
5	174986	Washer, Plain 3/8 (RNPX038GAL)	6
6	496244	Latch Plate	1
7	226230	Bolt, HexHd, 3/8 x 1-1/2 (TOCD038112)	3
8	701012	Safety Chain Includes Oval Snap Hook	1
9	702078	Lock Pin (0000CR01LZ)	1
10	134955	Hitch Pin Clip (SR00036EXT)	1
11	464966	Drawbar, 4S	1
12	135810	Cotter Pin, 1/8 x 1-1/2 (SC018112NOR)	3
13	174996	Washer, Plain 3/4 (RNPX034GAL)	2
14	110680	Grase Fitting 1/8 NPT (0000GRH200)	1
15	226250	Bolt, HexHd, 3/8 x 2 (TOCD038200)	2
16	135282	Pin, spr SI 5/16 x 2 NC (00PE056200)	1
17	496180	Lever arm	1
18	496170	Lever bracket	1
19	119225	Turnbuckle Includes Yokes	1
20	226711	Bolt, HexHd, 1/2 x 3 (TOCD012300)	2
21	227854	Nut, Hex Lock 1/2 (TCCS012GAL)	2
22	701009	Bolt, HexHd 5/16 x 3 (TOCD056300)	2
23	227820	Nut, Hex 5/16 (TCCN056GAL)	6
24	174990	Washer, Plain 5/16 (RNPX056GAL)	8
25	176220	Washer, Spring 5/16 (RNRX056GAL)	4
26	225980	Bolt, HexHd 5/16 x 1 (TOCD056100)	2
27	464981	Belt Guide 4s	1
28	702028	Washer, Plain 5/8 (RNPX058GAL)	1

*When ordering parts please always specify the model and serial number of the mixers as a reference.

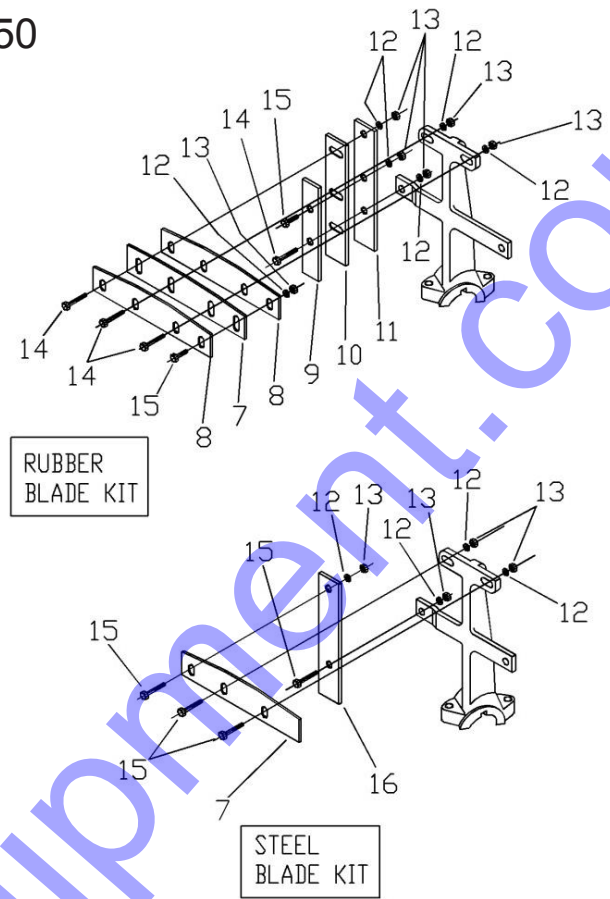
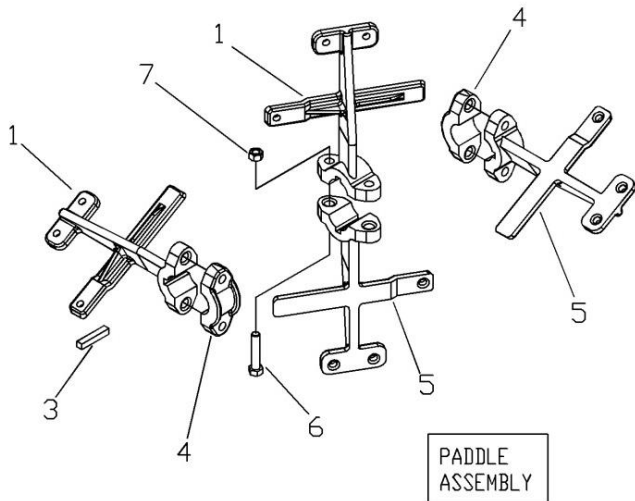
SPIRAL



Item	Part #	Description	4S
1	702015	Kit Spiral 6S with Main Shaft	1
2	465680	Scraper 4S-6S	2
3	702019	Arm Bracket, Right 4S - 6S (1001RE02ED)	1
4	702022	Spiral Link 4S - 6S	2
5	465001	Spiral Assembly 4S-6S (1001CO01ED)	1
6	226711	Bolt, HexHd, 1/2 x 3 (TOCD012300)	6
7	227854	Nut, Hex, Lock 1/2 (TCCS012GAL)	6
8	701013	Key, 3/8 x 1-3/4 (1000CC01ED)	4
9	226220	Bolt, HexHd, 3/8 x 1-1/4 (TOCD038114)	14
10	174986	Washer, Plain 3/8 (RNPX038GAL)	28
11	227830	Nut, Hex, Lock 3/8 (TCCS038GAL)	14
12	702018	Arm Bracket, Left 4S - 6S (1001RE01ED)	1

*When ordering parts please always specify the model and serial number of the mixers as a reference.

PADDLE ASSEMBLY 4S – 6SR ~ 610550



PADDLE ASSEMBLY

Ref	Part #	Description	Qty
1	96019	Paddle 4S - 6PR Left	2
3	701013	Key, 3/8 x 1-3/4 (1000CC01ED)	4
4	96010	Paddle Cap	2
5	96018	Paddle 4S-6PR Right	2
6	226711	Bolt, HexHd, 1/2 x 3 (TOCD012300)	6
7	227854	Nut, Hex, Lock 1/2 (TCCS012GAL)	6

STEEL BLADE KIT - OPTIONAL - 609803

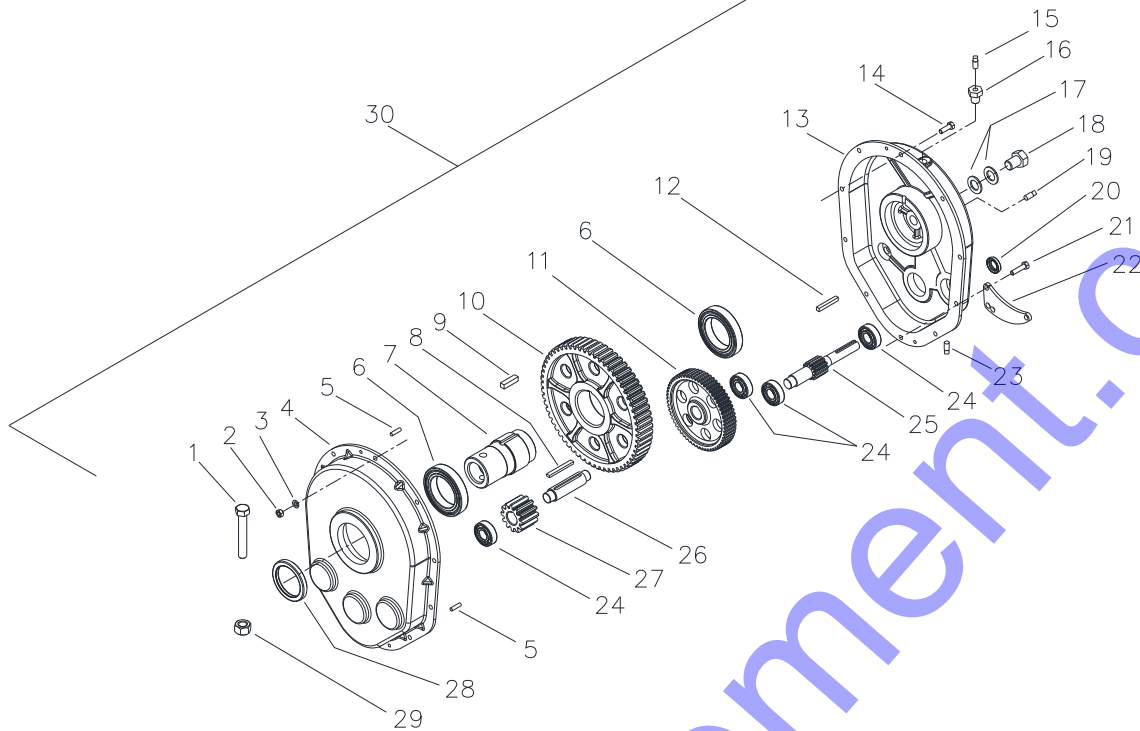
Ref	Part #	Description	Qty
7	436280	Blade Top 4s-6s	4
16	436300	Blade Side 4s-6s	2
12	174986	Washer, Plain 3/8 (RNPX08GAL)	24
13	227830	Nut, Hex, Lock 3/8 (TCCS038GAL)	12
15	226230	Bolt, HexHd, 3/8 x 1-1/2 (TOCD038112)	12

RUBBER BLADE KIT - STANDARD - 609802

Ref	Part #	Description	Qty
7	190970	Top Wiper	4
8	436290	Blade, Top	8
9	436320	Blade 4S - 6SR, Side	2
10	192680	Wiper 4S - 6SR Side	2
11	436310	Blade 4S - 6SR, Side	2
12	174986	Washer, Plain 3/8 (RNPX038GAL)	44
13	227830	Nut, Hex, Lock 3/8 (TCCS038GAL)	22
14	226250	Bolt, HexHd, 3/8 x 2 (TOCD038200)	12
15	226230	Bolt, HexHd, 3/8 x 1-1/2 (TOCD038112)	10

*When ordering parts please always specify the model and serial number of the mixers as a reference.

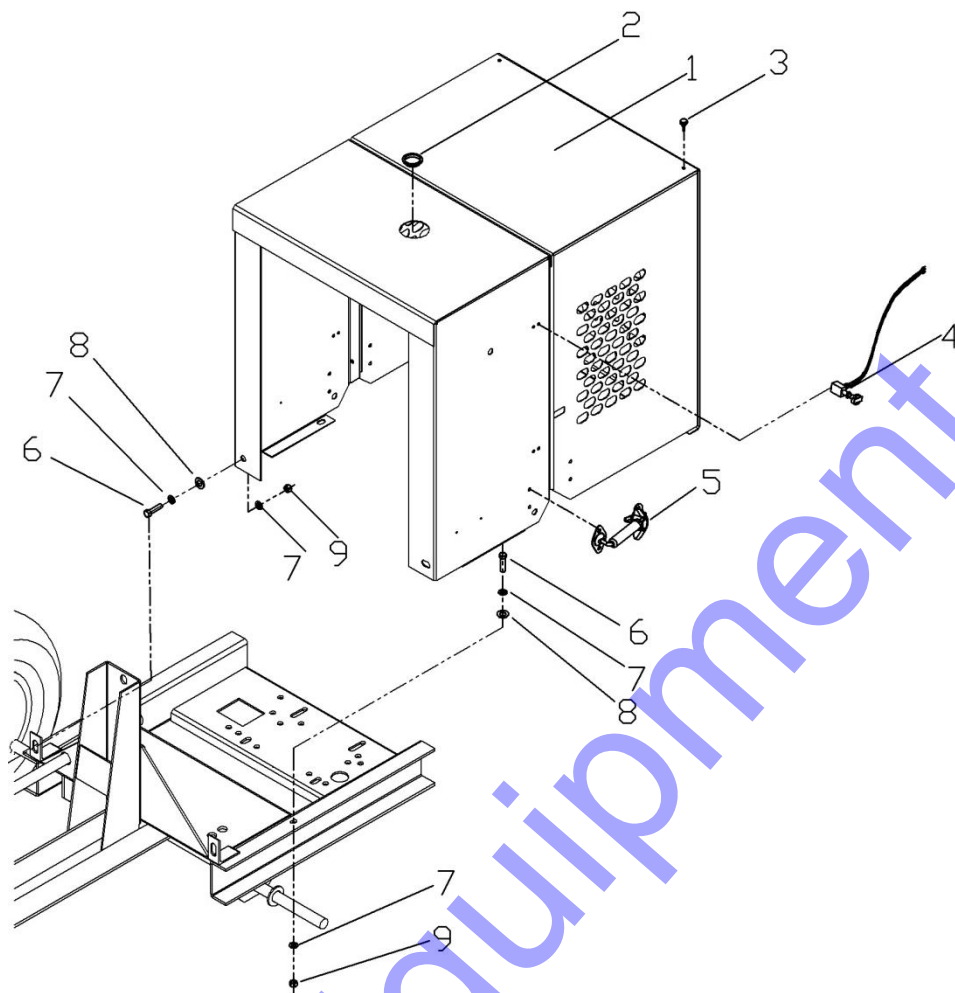
GEARBOX



Ref	Part #	Description	Qty.
1	226711	Bolt, HexHd, Shear, 1/2 x 3 (TOCD012300)	1
2	227820	Nut, Hex, 5/16 (TCCN056GAL)	10
3	176220	Washer, Spring 5/16 (RNRX056GAL)	10
4	496320	Case, Front Half	1
5	135470	Spring Pin, 1/4 x 5/8 (00PE014058)	2
6	110105	Ball Bearing, 6013-2RS	2
7	496642	Sleeve	1
8	432290	Key 1/4 x 2-1/2	1
9	432150	Key 3/8 x 1-3/8	1
10	496641	Gear, 60T, 6DP, (10" dia)	1
11	496322	Gear, 60T, 10DP (6" dia)	1
12	432050	Key 3/16 x 1-5/8	1
13	496640	Case, Rear Half	1
14	225980	Bolt, HexHd, 5/16 x 1 (TOCD056100)	8
15	110550	Breather	1
16	187411	Bushing, Reducer 3/8 x 1/8 NPT	1
17	174996	Washer, 3/4 (RNPX034GAL)	2
18	227236	Bolt, HexHd, 3/4 x 1 (TOCD034100)	1
19	185630	Plug, Pipe 3/8 NPT	1
20	199380	Oil Seal, C/R 7440	1
21	225990	Bolt, HexHd, 5/16 x 1-1/4 (TOCD056114)	2
22	496045	Link, Lever	1
23	185632	Pipe Plug, Magnetic 3/8 NPT	1
24	110410	Ball Bearing, 6204	4
25	496324	Pinion/Shaft, 12T, 6DP (2" dia)	1
26	496131	Shaft, Pinion	1
27	496333	Pinion, 12T, 6DP (2" dia)	1
28	199491	Oil Seal, C/R 24897	1
29	227854	Nut, Hex, Lock, 1/2 (TCCS012GAL)	1
30	496645	Gear Box (Complete)	1

*When ordering parts please always specify the model and serial number of the mixers as a reference.

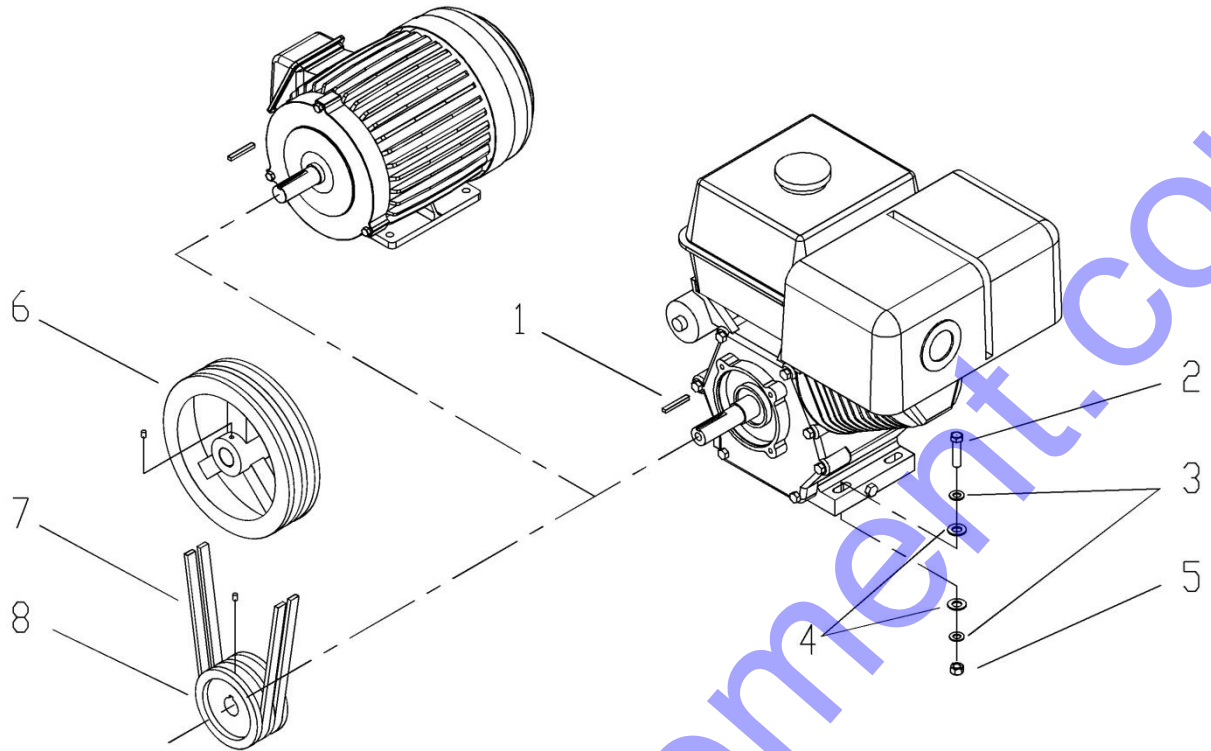
HOOD



Item	Part #	Description	Qty
1	464900	Hood, 4s	1
2	701008	Snap (317333) (1000RF01GA)	1
3	201544	Rubber Bumper (0000RF01GA)	4
4	701007	Complete, Push Stop (1000KI04GA)	1
5	701004	Hook (0000RF02GA)	2
6	226230	Bolt, HexHd, 3/8 x 1-1/2 (TOCD038112)	4
7	174986	Washer, Plain 3/8 (RNPX038GAL)	8
8	174470	Washer, Plain 1/2 (RNPX012GAL)	4
9	227830	Nut, Hex, Lock 3/8 (TCCS038GAL)	4

*When ordering parts please always specify the model and serial number of the mixers as a reference.

DRIVE



HORSE POWER							
Ref	Part #	Description	GAS DRIVE		ELECTRIC DRIVE		
			5.5 HP	8 HP	0.5 - 1.5 HP	1 - 2 HP	3 HP
1	432050	Key, 3/16 x 1-5/8	1	*	1	1	
	432340	Key, 1/4 x 1-7/8	*	1	*	*	1
2	701022	Bolt, HexHd, 5/16 x 2" (TOCD056200)	4	*	*	*	*
	226250	Bolt, HexHd, 3/8 x 2" (TOCD038200)	*	4	*	*	*
	225980	Bolt, HexHd, 5/16 x 1 (TOCD056100)	*	*	4	*	*
	226210	Bolt, HexHd, 3/8 x 1 (TOCD038100)	*	*	*	4	4
3	174990	Washer, Plain 5/16 (RNPX056GAL)	8	*	8	8	8
	174986	Washer, Plain 3/8 (RNPX038GAL)	*	8	*	*	*
4	174470	Washer, Plain 1/2 (RNPX012GAL)	8	8	8	8	8
5	227821	Nut, Hex, Lock 5/16 (TCCS056GAL)	4	*	4	4	4
	227830	Nut, Hex, Lock 3/8 (TCCS038GAL)	*	4	*	*	*
6	496160	Pulley, 10 x 3/4	1	1	1	1	1
7	702024	Belt, A40 (0000BNA40)	2	2	*	*	*
	702012	Belt, A42 (0000BNA42)	*	*	2	2	2
8	702025	Pulley, Engine, 3-3/4 x 3/4 (POFG3340342R)	1	*	*	*	*
	702010	Pulley, Engine, 3-3/4 x 1 (POFG3341002R)	*	1	*	*	*
	702026	Pulley, Elec Motor, 4-1/4 x 5/8 (POFG4140582R) includes Allen Screw 3/8" x 1/2"	*	*	1	*	*
	702095	Pulley, Elec Motor, 4-1/4 x 7/8 (POFG4140782R) includes Allen Screw 3/8" x 1/2"	*	*	*	1	*
	702011	Pulley, Elec Motor, 4-1/4 x 1-1/8 (POFG4141182R)	*	*	*	*	1

*When ordering parts please always specify the model and serial number of the mixers as a reference.



www.discount-equipment.com

*When ordering parts please always specify the model and serial number of the mixers as a reference.