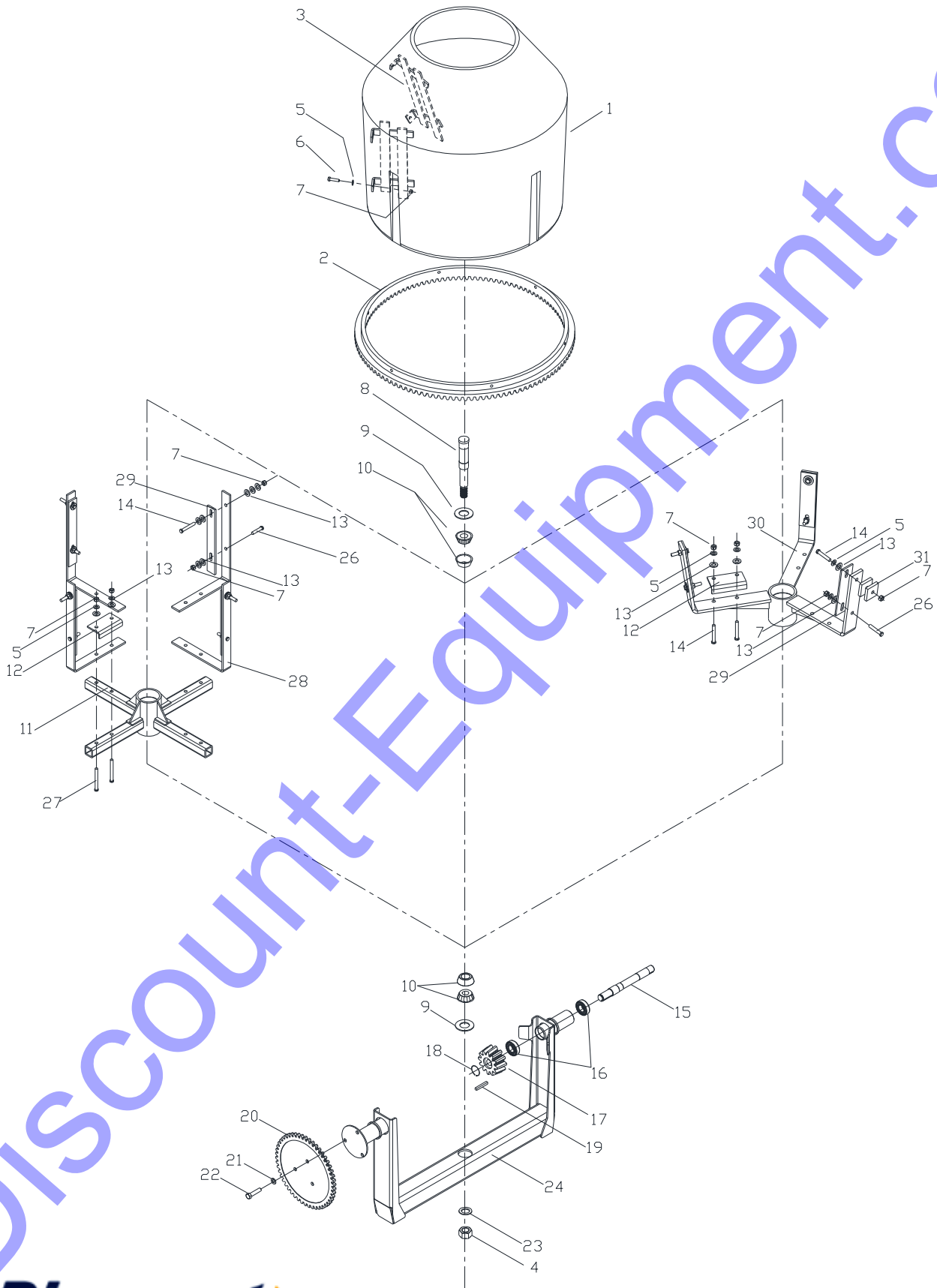


◆ LISTA DE PARTES



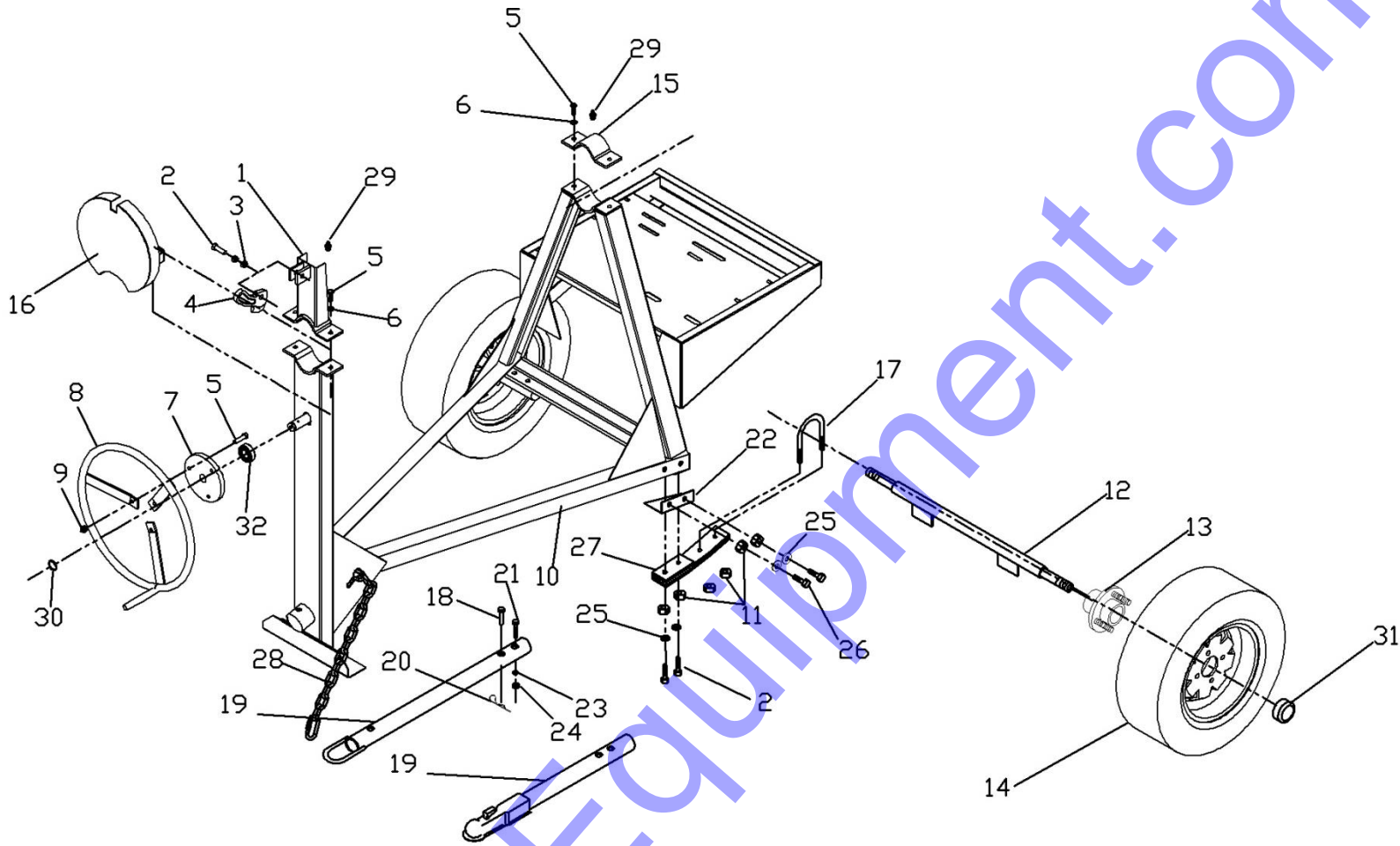
## ◆ LISTA DE PARTES

### TANQUE / DRUM ASSEMBLY

N°	Codigo	Code	Descripcion	Description	CM6P	CM9P
1	0903CO01TQ	C503	Tanque CM6P incluye Aspas	Drum CM6P Includes Paddles	1	*
	0906CO01TQ	C504	Tanque CM9P incluye Aspas	Drum CM9P Includes Paddles	*	1
2	0210FG01TQ	C506	Cremallera CM6P	Bowl Gear Ring	1	*
	0100FG02TQ	C122	Cremallera 115 Dientes	Gear Ring (115TH) **	*	1
3	0100SC01AS	C505	Aspa	Paddle	3	6
4	TCFN038ESP	C512	Tuerca Hex, 1" UNF	Nut, Hex, 1" UNF	1	1
5	RNPX038GAL	C139	Rondana Plana, 3/8"	Washer Plain, 3/8"	24	20
6	TOCD038112	C141	Tornillo Hex, 3/8" x 1-1/2"	Bolt, HexHd, 3/8" x 1-1/2"	6	12
7	TCCS038GAL	C142	Tuerca Seg, 3/8"	Lock Nut, 3/8"	18	28
8	0903CR01YU	C516	Flecha Central CM6P	Shaft, Bowl C6P	1	*
	0906CR01YU	C517	Flecha Central CM9P	Shaft, Bowl C9P	*	1
9	0100LA03TQ	C114	Guardapolvos	Central Washer	2	1
	0103LA03TQ	C115	Guardapolvos 2 Sacos	Central Washer for CM9P	*	1
10	0000BA2788	C150	Balero 2788 (cono y taza)	Ball Bearing, Cone & cup, 2788	2	2
11	0100CO01AD	C524	Base Soporte Tanque CM9P	Base Drum Support CM9P	*	1
12	0100PL03AD	C525	Abrazadera Soporte Tanque	Clamp Drum Support	3	4
13	RNPX012GAL	C172	Rondana Plana, 1/2"	Washer Plain, 1/2"	12	36
14	TOCD038212	C526	Tornillo Hex, 3/8" x 2-1/2"	Bolt, HexHd, 3/8" x 2-1/2"	9	4
15	0100CR02YU	C124	Flecha Motriz	Drive Shaft	1	1
16	0000BA6205	C154	Balero, 6205	Ball Bearing, 6205	2	2
17	0100FG02YU	C123	Piñon	Pinion **	1	1
18	SM00156EXT	C151	Seguro Omega 15/16"	Retaining Ring 15/16"	1	1
19	0170CC01MO	C152	Cuña 1/4" x 1-1/2"	Key, 1/4" x 1-1/2"	1	1
20	0100FG01YU	C107	Plato Dentado	Gear	1	1
21	RNRX012GAL	C145	Rondana de Presion, 1/2"	Washer Spring, 1/2"	3	3
22	TOCD012034	C149	Tornillo Hex, 1/2" x 3/4"	Bolt, HexHd, 1/2" x 3/4"	3	3
23	RNRX100GAL	C511	Rondana Presion, 1"	Washer Spring, 1"	1	1
24	0110CO01YU	C519	Yugo CM6P	Yoke CM6P	1	*
	0111CO01YU	C520	Yugo CM9P	Yoke CM9P	*	1
25*	0110CO01EF	C521	Tanque Completo CM6P	Drum Kit CM6P	1	*
	0111CO01EF	C522	Tanque Completo CM9P	Drum Kit CM9P	*	1
26	TOCD038134	C527	Tornillo Hex, 3/8" x 1- 3/4"	Bolt, HexHd, 3/8" x 1-3/4"	3	4
27	TOCD038312	C528	Tornillo Hex, 3/8" x 3-1/2"	Bolt, HexHd, 3/8" x 3-1/2"	*	8
28	0100SO02AD	C529	Brazo de Agarre	Bracket Support Arm CM9P	*	4
29	0110SO01AD	C531	Refuerzo Interior Soporte tanque CM6P	Bracket support Inner CM6P	3	*
	0100SO01AD	C530	Refuerzo Interior Soporte tanque	Bracket support Inner	*	4
30	0110CO01TQ-1	C507-1	Soporte Tanque CM6P desde Agosto 2015	Drum Support CM6P since Agust 2015	1	*
31	0110PL01TQ	C510	Refuerzo- Soporte Tanque	Bracket - Drum Support	6	*

\*\*If your mixer was before 2012 and requested a Gear Ring you need order a new Pinion 12TH (0100FG02TQ)(0100FG02YU)

## ◆ LISTA DE PARTES



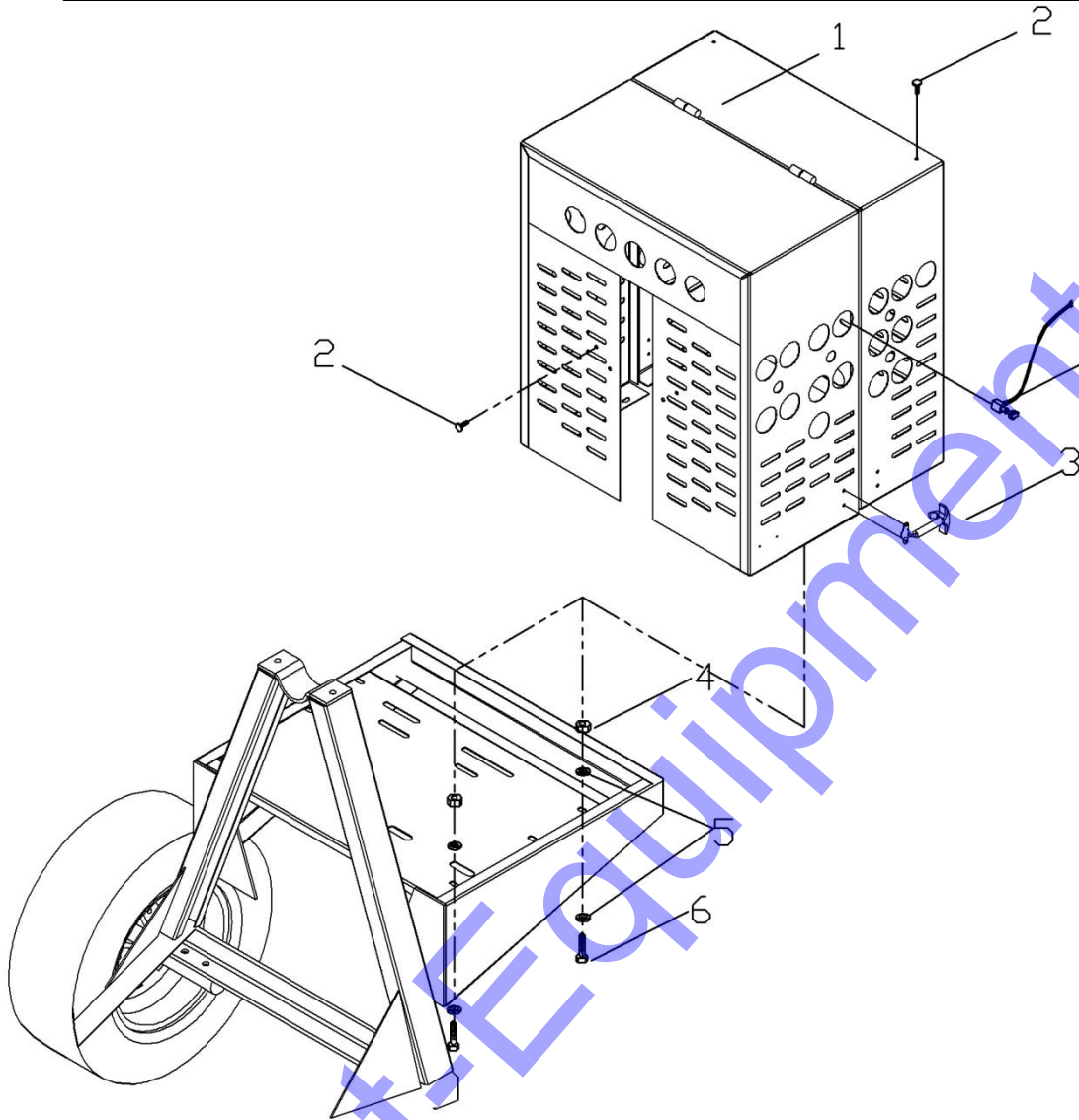
### CHASIS / FRAME ASSEMBLY

N°	PART #	CODE	DESCRIPCION	DESCRIPTION	MODELO		
					CM7	CM9	CM12
1	0100SC01FR	C103	Cajon Freno	Bracke	1	1	1
2	TOCD012212	C146	Tornillo Hexagonal, 1/2 x 2-1/2	Bolt, HexHd, 1/2 x 2-1/2	5	5	5
3	TCCN012GAL	C178	Tuerca Hexagonal, 1/2	Nut Hex, 1/2	2	2	2
4	0100FG01FR	C104	Manivela Freno	Locking Pin	1	1	1
5	TOCD038112	C141	Tornillo Hexagonal, 3/8 x 1-1/2	Bolt, HexHd, 3/8 x 1-1/2	7	7	7
6	RNRX038GAL	C144	Rondana de presion, 3/8	Spring Washer 3/8	4	4	4
7	0103FG01VO -1	C109 -1	Masa volante 2 sacos desde el 05 de Julio 2012	Handle Block Since July 05, 2012	1	1	1
8	0100SC01VO	C110	Volante since	Handle Tube	1	1	*
	0103SC01VO	C111	Volante 2 sacos	Handle Tube fo CM12	*	*	1
9	TCCS038GAL	C142	Tuerca seguridad, 3/8	Lock Nut, 3/8	3	3	3
10	0173CO01CH	C102	Chasis CM	Frame CM	1	1	1

## ◆ LISTA DE PARTES

11	TCCS012GAL	C304	Tuerca seguridad, 1/2	Nut, Hex, 1/2	12	12	12
12	0130SC01RD	C134	Eje de Exportacion	Axle	1	1	1
	0130SC02RD	C195	Eje Exportacion Tk apartir de la Serie 68051/68021	Axle since the series 68051/68021	1	1	1
13	0200KI01RD	C135	Ensamble masa Hub desde la serie 68051/68021	Hub, assy, 4 Bolt Since the series 68051/68021 with Dust Cap	2	2	2
	0200KI01RD	C196	Ensamble Masa Hub antigua	Old Hub, assy, 4 Bolt	2	2	2
14	0000CO02RD	C137	Llanta Rim 12"	Wheel Rim 12	2	*	*
	0000CO01RD	C136	Llanta Rim 13"	Wheel Rim 13	opt	2	2
15	0100SO01PD	C105	Chumacera	Pillow Block	1	1	1
16	0170CO01GF	C157	Guarda volante	Gear Guard	1	1	1
17	0170CO02CH	C166	Abrazadera U	U clamp	2	2	2
18	0000CR01LZ	C169	Perno Lanza	Lock Pin	1	1	1
19	0000CO01LZ	C192	Lanza Militar	Draw Bar, Pintle Hitch	1	1	1
	0000CO03LZ	C193	Lanza militar Barreno Vertical apartir de la serie 8725	Draw Bar, Pintle Hitch vertical Hole since the series 8725	1	1	1
	0000CO02LZ	C197	Lanza cople bola	2" Ball Hitch (optional)	opt	opt	opt
	0000CO04LZ	C198	Lanza cople bola Vertical apartir de la serie 8725	2" Ball Hitch Vertical Hole since the series 8725	opt	opt	opt
20	SR00036EXT	C502	Seguro R	Pin Hair	1	1	1
21	TOFD034312	C148	Tornillo 3/4 X 3 1/2 Grado 5 NF	Bolt,HexHd, 3/4 x 3-1/2 NF	1	1	1
22	0100KI01RD	C513	BracketS Muey IZQ/DER	Brackets R/L	2	2	2
23	RNRX034GAL	C180	Rondana de presion, 3/4	Spring Washer, 3/4	1	1	1
24	TCFN034GAL	C179	Tuerca , 3/4 NF	Nut, Hex, 3/4 NF	1	1	1
25	RNPX012GAL	C172	Rondana Plana, 1/2	Plain Washer, 1/2	8	8	8
26	TOCD012112	C303	Tornillo Hexagonal, 1/2 x 1-1/2	Bolt, HexHd, 1/2 x 1-1/2	4	4	4
27	0000RF03CH	C165	Muelle real 2 Hojas	Axle Spring Assembly	*	2	2
28	CA03516GAL	C501	Cadena	Chain includes Oval Snap hook	1	1	1
29	0000GRH200	C155	Grasera Recta	Grease Fiting, 1/8 NPT	2	2	2
30	SM00156EXT	C151	Seguro omega 15/16	Retaining Ring 15/16	1	1	1
31	0000RF06RD	C518	Guarda Polvos	Dust Cap	2	2	2
32	0000BA6205	C154	Balero, 6205	Ball Bearing, 6205	1	1	1

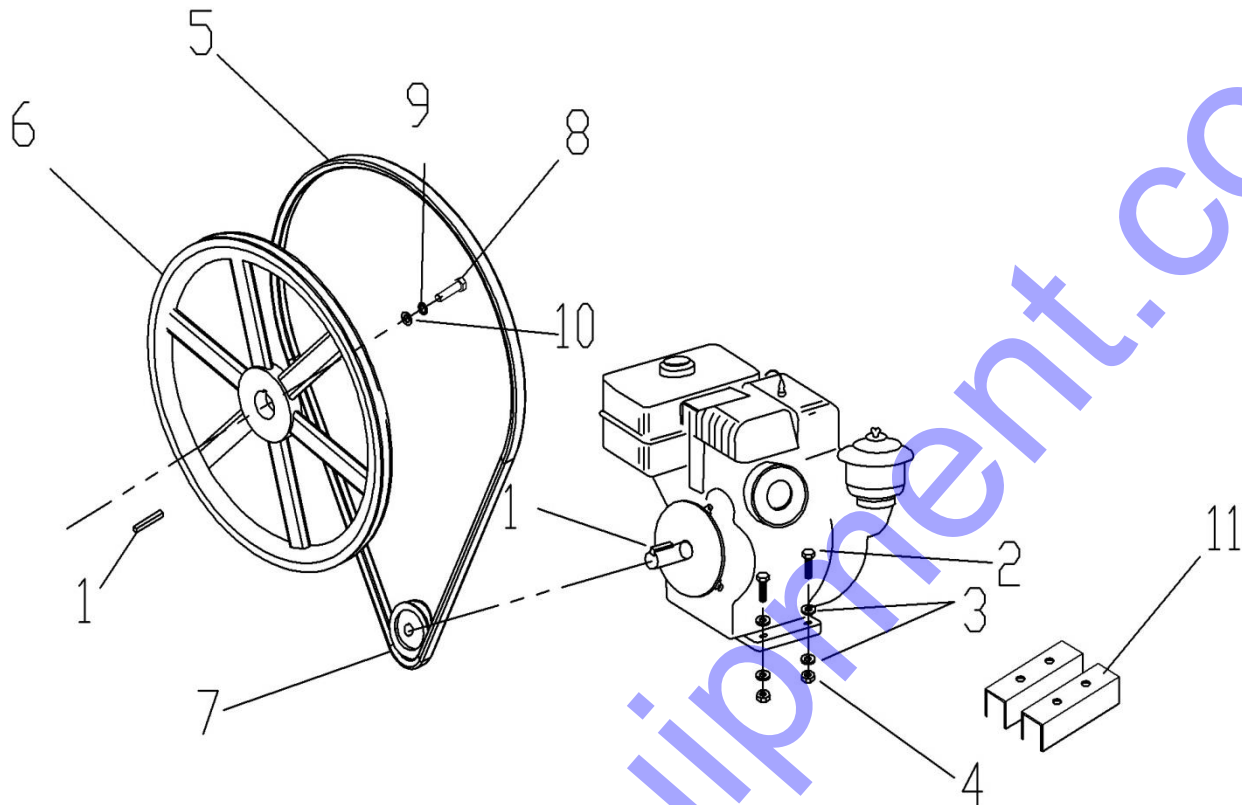
## ◆ LISTA DE PARTES



### GABINETE / HOOD ASSEMBLY

N°	PART #	CODE	DESCRIPCION	DESCRIPTION	MODELO		
					CM7	CM9	CM12
1	0110CO01GA	C131	Gabinete abatible TK apartir de la serie 23004	Hood, Hinged Assy since the series 23004	1	1	1
2	0000RF01GA	C159	Regaton 1/4	Rubber Screw 1/4	4	4	4
3	0000RF02GA	C161	Gancho cofre	Hook assembly	2	2	2
4	TCCS038GAL	C142	Tuerca Seguridad, 3/8	Lock Nut, 3/8	4	4	4
5	RNPX038GAL	C139	Rondana Plana, 3/8 ESP	Plain Washer, 3/8	8	8	8
6	TOCD038112	C141	Tornillo Hexagonal 3/8 x 1-1/2	Bolt, HexHd, 3/8 x 1-1/2	4	4	4
7	0200KI01GA	C190	Push Stop Completo	Shorud Assembly Push Stop	1	1	1

## ◆ LISTA DE PARTES



### MOTOR / DRIVE KIT

No.	CODIGO	CODE	DESCRIPCION DE PARTES	DESCRIPTION OF PARTS	GAS 5.5 HP	GAS 8HP-13HP	ELECTRIC .5&1.5	ELECTRIC 1&2 HP	ELECTRIC 3 & 5HP
1	0170CC01MO	C152	Cuña de 1/4 para motor	Engine Key, 1/4		1			1
	0200CU03TR	C514	Cuña de 3/16 para motor	Engine Key, 3/16	1		1	1	
2	TOCD038200	C158	Tornillo Hexagonal, 3/8" x 2"	Bolt HexHd, 3/8" x 2"	4	4			
	TOCD038100	C138	Tornillo Hexagonal, 3/8" x 1"	Bolt HexHd, 3/8" x 1"			4	4	4
3	RNPX038GAL	C139	Rondana Plana 3/8	Plain Washer, 3/8	8	8	8	8	8
4	TCCS038GAL	C142	Tuerca Seg. 3/8	Lock Nut, 3/8	4	4	4	4	4
5	0000BNB64	C129	Banda B64	Belt, B64	1	1			
	0000BNB68	C194	Banda B68	Belt, B68			1	1	1
6	POFG190516TK	C125	Polea Motriz 19"	Pulley 19" 1 Groove	1	1	1	1	1
7	POFG212034	C126	POLEA 2 1/2" CAL 3/4"	PULLEY 2 1/2" CAL 3/4	1				
	POFG212100	C127	POLEA 2 1/2" CAL 1"	PULLEY 2 1/2" CAL 1		1			
	POFG212058	C185	POLEA 2-1/2" CAL 5/8" CUÑERO 3/16"	PULLEY 2-1/2" CAL 5/8" KEY 3/16"			1		
	POFG212078	C186	POLEA 2-1/2" CAL 7/8" CUÑERO 3/16"	PULLEY 2-1/2" CAL 7/8" KEY 3/16"				1	
	POFG212118	C187	POLEA 2-1/2" CAL 1 1/8" CUÑERO 1/4"	PULLEY 2-1/2" CAL 1 1/8" KEY 1/4"					1
8	TOFD038100	C300	Tornillo Hexagonal, 3/8 x 1 NF	Bolt, HexHd, 3/8 x 1 NF	1	1	1	1	1
9	RNRX038GAL	C144	Rondana de presion, 3/8	Spring Washer 3/8	1	1	1	1	1
10	0170LA01TR	C140	Guasa Punch	Washer Transmission	1	1	1	1	1
11	0201PL01MO	C189	Canaleta para motor 5.5 HP	5.5 HP Gas Engine Bracket Support	2	2	2	2	2

# **Discount Equipment**

Discount-Equipment.com is your online resource for commercial and industrial quality parts and equipment sales.

## **Locations:**

Florida (West Palm Beach): [561-964-4949](tel:561-964-4949)

Outside Florida TOLL FREE: [877-690-3101](tel:877-690-3101)

**Need parts?** Check out our website at [www.discount-equipment.com](http://www.discount-equipment.com)

## **Can't find what you need?**

Click on this link: <http://www.discount-equipment.com/category/5443-parts/> and fill out the request form.

Please have the machine model and serial number available in order to help us get you the correct parts. One of our experienced staff members will get back to you with a quote for the right part that your machine needs.

We sell worldwide for the brands: Genie, Terex, JLG, MultiQuip, Mayco, Toro/Stone, Diamond Products, Magnum, Airman, Mustang, Power Blanket, Nifty Lift, Atlas Copco, Chicago Pneumatic, Allmand Brothers, Essick, Miller Spreader, Skyjack, Lull, Skytrak, Tsurumi, Husquyarna/Target, Whiteman-Concrete/Mortar, Stow-Concrete/Mortar, Baldor, Wacker, Sakai, Snorkel, Upright, Mi-T-M, Sullair, Neal, Basic, Dynapac, MBW, Weber, Bartell, Bennar Newman, Haulotte, Ditch Runner, Blaw-Knox, Himoina, Best, Buddy, Crown, Edco, Wyco, Bomag, Laymor, Terremite, Barreto, EZ Trench, Takeuchi, Basic, Bil-Jax, Curtis, Gehl, Heli, Honda, ICS/PowerGrit, Puckett, Waldon, ASV, IHI, Partner, Imer, Clipper, MMD, Koshin, Rice, Gorman Rupp, CH&E, Cat Pumps, Comet, General Pump, Giant, AMida, Coleman, NAC, Gradall, Square Shooter, Kent, Stanley, Tamco, Toku, Hatz, Kohler, Robin, Wisconsin, Northrock, Oztec, Toker TK, Rol-Air, Small Line, Wanco, Yanmar