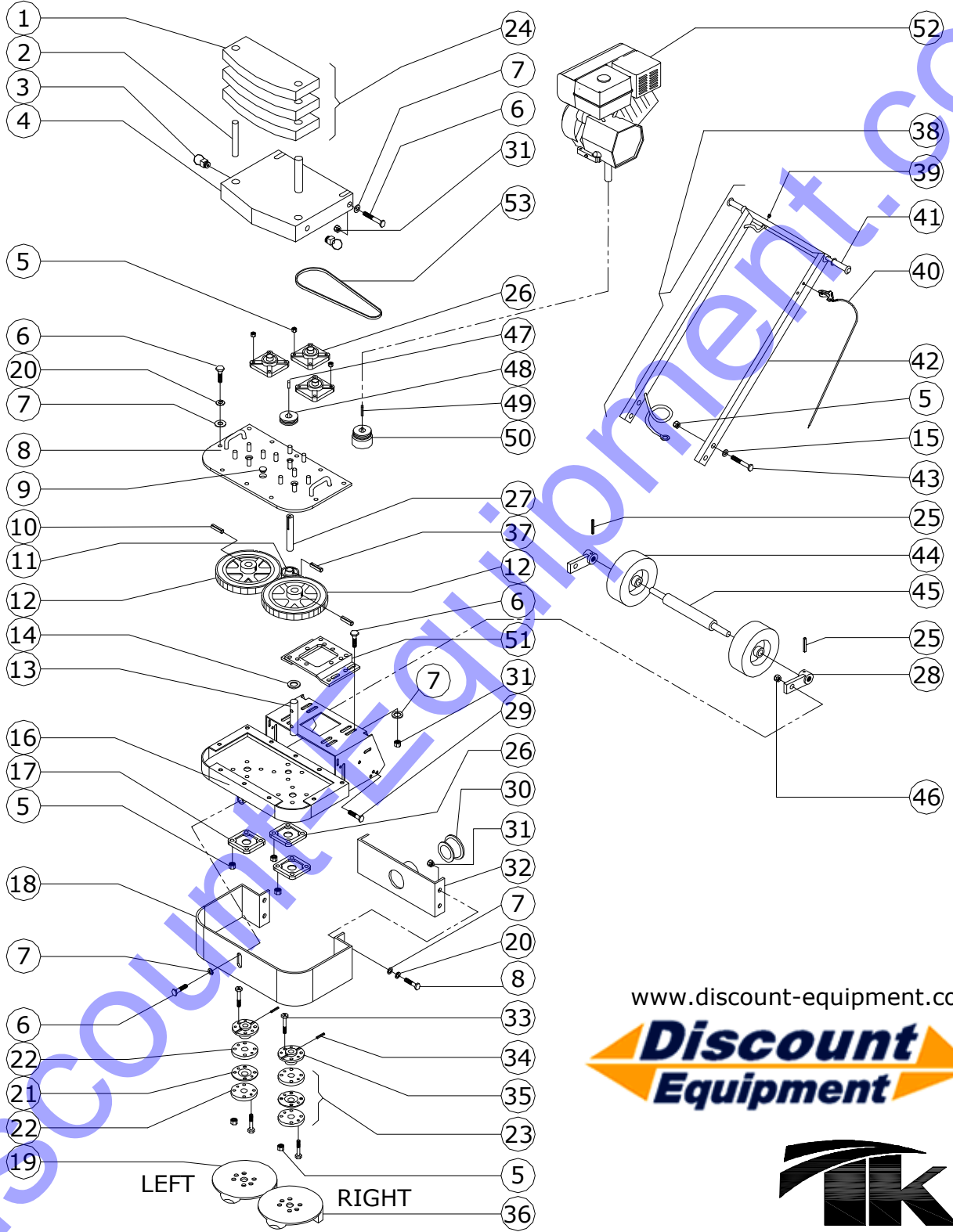


# DUAL DISC CONCRETE GRINDER

## PULIDORA DOBLE DISCO



www.discount-equipment.com

**Discount  
Equipment**



ITEM NO.	PART NO.	DESCRIPTION	DESCRIPCION	QTY.
1	0504FG01CH	WEIGHTS	PESOS	3
2	0504CR01CH	WEIGHT SHAFT 1-25 X 6	EJE DE LOS PESOS	2
3	0504CO01CH	PIN LOCKING 1/2	SEGURO PARA PERNO DE CONTRAPESO	2
4	0504CO02CH	WEIGHTS SUPPORTS	SOPORTES DEL PESO	1
5	TCCS038GAL	HEX, LOCK NUT, 3/8	TUERCA DE SEGURIDAD 3/8	40
6	TOCD516100	HEX HEAD SCREW, 5/16 X 1 STD	TORNILLO HEX, 5/16 X 1 STD	23
7	RNPX516GAL	FLAT WASHER, 5/16	RONDANA PLANA, 5/16	23
8	0504CO03CH	GEAR COVER	CUBRE ENGRANES	1
9	0504NY01CH	CAP NYLON GRASE	TAPON DE CUBRE ENGRANES	1
	00PE038300	ROLL PIN, 3/8 X 3	PERNO SPIRIL 3/8 X 3	2
11	0504CR03AC	PINION	PIÑON	1
12	0504FG01AC	GEAR	ENGRANE	2
13	0504CR01AC	GEAR SHAFT 1-25 X 8	FLECHA ENGRANE	2
14	RNPX034GAL	FLAT WASHER PINION 0.753	RONDANA PLANA DE PIÑON.753	1
15	RNPX038GAL	FLAT WASHER, 3/8	RONDANA PLANA, 3/8	4
16	0504CO04CH	GEAR FRAME	CHASIS DE ENGRANES	1
17	00CHPA4100	PILLOW BLOCK 1" DIAM	CHUMACERA DE 4 BIRLOS 1"	4
18	0504LA01CH	DISC COVER	GUARDA DISCO	1
19	0504FA01AC	ALUMINIUM LEFT DISC	DISCO PULIDOR DE ALUMINIO IZQUIERDO	1
20	RNRX516GAL	SPRING WASHER 5/16	RONDANA DE PRESION 5/16	14
21	0504LA01AC	PLATE	PLATO	2
22	0504HL01AC	RUBBER	HULES	4
23	0504KI01AC	KIT, RUBBER ASSEMBLY	KIT, ENSAMBLE DE HULES	2
24	0504KI01CH	KIT, WEIGHT ASSEMBLY	KIT, ENSAMBLE DE PESOS	1
25	00PE014112	ROLL PIN 1/4 X 1-1/2	PERNO SPIRIL 1/4 X 1-1/2	2
26	00CHPA4034	PILLOW BLOCK 3/4" DIAM	CHUMACERA DE 4 BIRLOS 3/4"	2
27	0504CR02AC	SHAFT PINION	FLECHA PIÑON	1
28	0504CO01RD	WHEEL SUPPORT	SOPORTE DE LLANTA	2
29	TOCD012112	HEX HEAD SCREW 1/2 X 1-1/2	TORNILLO CAB HEX 1/2 X 1-1/4	2
30	0504MI01CH	CAP	TAPON	1
31	TCCS516GAL	HEX, LOCK NUT, 5/16	TUERCA DE SEGURIDAD 5/16	12
32	0504CO05CH	DUST COVER	GUARDA POLVO	1
33	TOCH038212	ALLEN HEAD SCREW 3/8 X 2-1/2	TORNILLO CABEZA ALLEN 3/8 X 2-1/2	12
34	00PE038218	ROLL PIN 3/8 X 2-1/8	PERNO SPIRIL 3/8 X 2-1/8	2
35	0504FG02AC	HUB	HUB	2
36	0504FA02AC	ALUMINIUM RIGHT DISC	DISCO PULIDOR DE ALUMINIO DERECHO	1
37	00PE038214	ROLL PIN 3/8 X 2-1/4	PERNO SPIRIL 3/8 X 2-1/4	1
38	0504KI01MA	KIT, HANDLE ASSEMBLY	KIT MANERAL	1
39	0504MI01MA	SWITCH ON/OFF	INTERRUPTOR ON/OFF	1
40	0504MI02MA	THROTTLE CABLE	CABLE ACELERADOR	1
41	0504MI03MA	HANDLE BAR GRIP	MANGO DE HULE	2
42	0504CO01MA	HANDLE	MANERAL	1
43	TOCD038200	HEX HEAD SCREW 3/8 X 2	TORNILLO CAB HEX 3/8 X 2	4
44	000LL08RD	WHEEL 8"	LLANTA 8"	2
45	0504CR01RD	REAR AXLE	EJE TRASERO	1
46	TCCS012GAL	HEX, LOCK NUT, 1/2	TUERCA DE SEGURIDAD 1/2	2
47	0504CC01AC	KEY 3/16 X 1-1/4	CUÑA 3/16 X 1-1/4	1
48	POFG5000342R	PULLEY 5" - 3/4"	POLEA 5" - 3/4"	1
49	0504CC02AC	KEY 1/4 X 3	CUÑA 1/4 X 2	1
50	POFG4001002R	ENGINE PULLEY 4" - 1"	POLEA MOTOR 4" - 1"	1
51	0504LA01BM	ENGINE BASE	BASE MOTOR	1
52	0000BNB24	BELT B24	BANDA B24	1
53	MGHO110GX340TRSV	ENGINE, HONDA 11 HP GASOLINE	MOTOR HONDA 11 HP GASOLINA	1

# **Discount Equipment**

Discount-Equipment.com is your online resource for commercial and industrial quality parts and equipment sales.

## **Locations:**

Florida (West Palm Beach): [561-964-4949](tel:561-964-4949)

Outside Florida TOLL FREE: [877-690-3101](tel:877-690-3101)

**Need parts?** Check out our website at [www.discount-equipment.com](http://www.discount-equipment.com)

## **Can't find what you need?**

Click on this link: <http://www.discount-equipment.com/category/5443-parts/> and fill out the request form.

Please have the machine model and serial number available in order to help us get you the correct parts. One of our experienced staff members will get back to you with a quote for the right part that your machine needs.

We sell worldwide for the brands: Genie, Terex, JLG, MultiQuip, Mayco, Toro/Stone, Diamond Products, Magnum, Airman, Mustang, Power Blanket, Nifty Lift, Atlas Copco, Chicago Pneumatic, Allmand Brothers, Essick, Miller Spreader, Skyjack, Lull, Skytrak, Tsurumi, Husquyarna/Target, Whiteman-Concrete/Mortar, Stow-Concrete/Mortar, Baldor, Wacker, Sakai, Snorkel, Upright, Mi-T-M, Sullair, Neal, Basic, Dynapac, MBW, Weber, Bartell, Bennar Newman, Haulotte, Ditch Runner, Blaw-Knox, Himoinsa, Best, Buddy, Crown, Edco, Wyco, Bomag, Laymor, Terremite, Barreto, EZ Trench, Takeuchi, Basic, Bil-Jax, Curtis, Gehl, Heli, Honda, ICS/PowerGrit, Puckett, Waldon, ASV, IHI, Partner, Imer, Clipper, MMD, Koshin, Rice, Gorman Rupp, CH&E, Cat Pumps, Comet, General Pump, Giant, AMida, Coleman, NAC, Gradall, Square Shooter, Kent, Stanley, Tamco, Toku, Hatz, Kohler, Robin, Wisconsin, Northrock, Oztec, Toker TK, Rol-Air, Small Line, Wanco, Yanmar