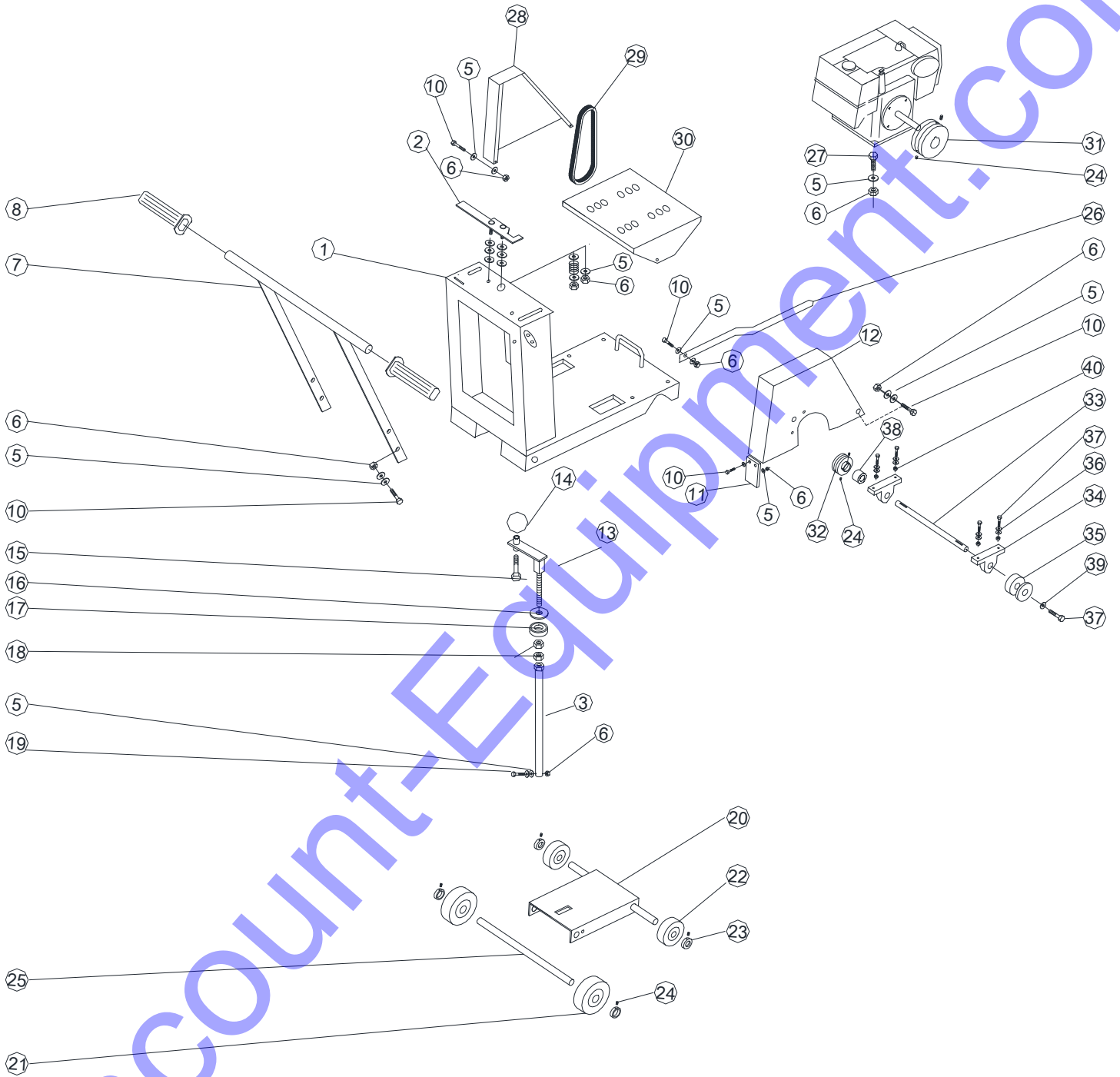


MSM



PARTS BREAK-DOWN MSM



SAW CONCRETE

No.	# PART	DESCRIPTION	QTY
1	0406CO01CH	FRAME	1
2	0406CO01FR	HANDLE BRACKETS	1
3	0406CO02TE	DEPTH SCREW TUBE	1
5	RNPX038GAL	PLAIN WASHER 3/8"	46
6	TCCS038GAL	LOCK NUT 3/8"	18
7	0406CO01MA	HANDLE	1
8	0000RF01MA	HANDLE GRIP	2
10	TOCD038114	BOLT 3/8" X 1 1/4"	10
11	0405MI01GD	FENDER	1
12	0406CO01GD	BLADE GUARD	1
13	0406CO01TE	RAISE SCREW	1
14	238202	BALL KNOB	1
15	TOCD012212	BOLT 1/2" X 2 1/2"	1
16	RNPX034GAL	PLAIN WASHER 3/4"	1
17	0000BA607	NICE BEARING 607	1
18	TCCN034MAQ	NUT 3/4"	2
19	TOCD038212	BOLT 3/8" X 2 1/2"	1
20	0406CO01RD	AXLE BASE	1
21	0000RD06RD	WHEEL 6"	2
22	0000RD04RD	WHEEL 4"	2
23	0406CR04RD	WHEEL BUSHING	4
24	OPFR056056	ALLEN SCREW 5/16"	8
25	0406CR01RD	REAR AXLE	1
26	0406SO01GC	CUTTING GUIDE	1
27	TOCD038200	BOLT 3/8" X 2"	4
28	0406CO01GB	BELT GUARD	1
29	0000BN3VX315	BELT 3VX315	3
30	0406CO01BM	POWER BASE	1
31	POFG3121003R	ENGINE PULLEY	1
32	POFG3121143R	CUTTING PULLEY	1
33	0406CR01CO	BLADE SHAFT	1
34	00CHPI2114	PILLOW BLOCK BEARING	2
35	0406CO01CO	LOOSE COLLAR	2
36	RNPX012GAL	PLAIN WASHER 1/2"	8
37	TOCD012200	BOLT 1/2 X 2 "	1
38	0406CR05CO	COLLAR SPACE	1
39	RNRX012GAL	WASHER SPRING 1/2"	1
40	TCCS012GAL	LOCK NUT 1/2"	4