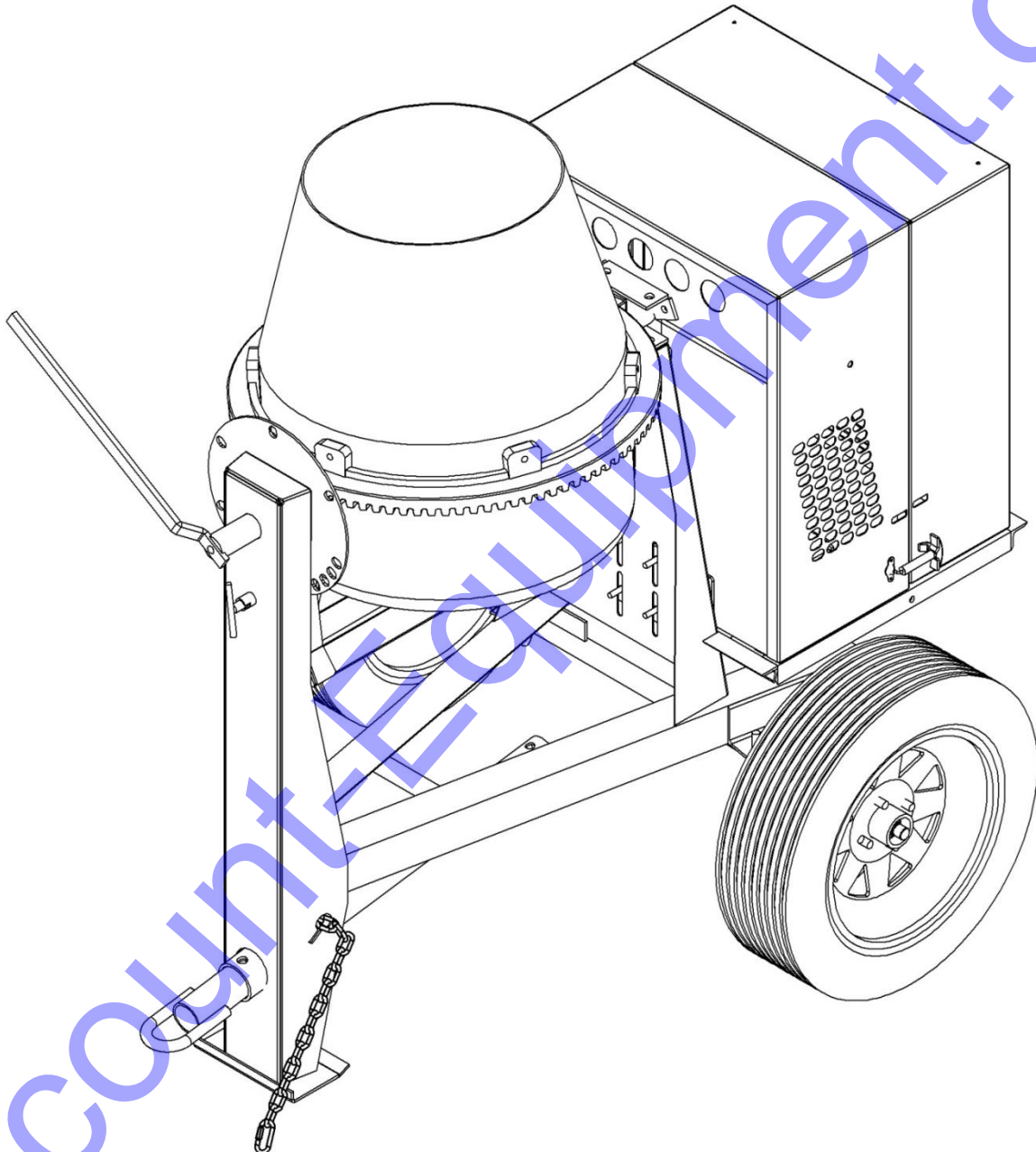


REPAIR PARTS MANUAL CONCRET MIXERS C3

SERIES	CM-mixers
BULLETIN No.	200156R7
SUPERSEDES	200157R8
DATE	April 2015

Last Rev: April 2015



CROWN
CONSTRUCTION EQUIPMENT

*When ordering parts please always specify the model and serial number of the mixers as a reference.

Discount Equipment

Discount-Equipment.com is your online resource for commercial and industrial quality parts and equipment sales.

Locations:

Florida (West Palm Beach): [561-964-4949](tel:561-964-4949)

Outside Florida TOLL FREE: [877-690-3101](tel:877-690-3101)

Need parts? Check out our website at www.discount-equipment.com

Can't find what you need?

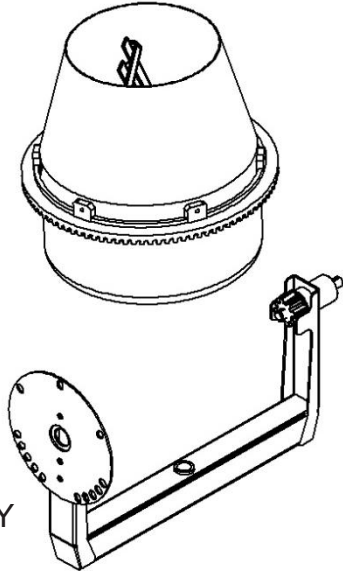
Click on this link: <http://www.discount-equipment.com/category/5443-parts/> and fill out the request form.

Please have the machine model and serial number available in order to help us get you the correct parts. One of our experienced staff members will get back to you with a quote for the right part that your machine needs.

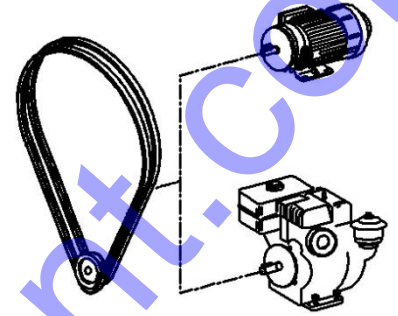
We sell worldwide for the brands: Genie, Terex, JLG, MultiQuip, Mayco, Toro/Stone, Diamond Products, Magnum, Airman, Mustang, Power Blanket, Nifty Lift, Atlas Copco, Chicago Pneumatic, Allmand Brothers, Essick, Miller Spreader, Skyjack, Lull, Skytrak, Tsurumi, Husquyarna/Target, Whiteman-Concrete/Mortar, Stow-Concrete/Mortar, Baldor, Wacker, Sakai, Snorkel, Upright, Mi-T-M, Sullair, Neal, Basic, Dynapac, MBW, Weber, Bartell, Bennar Newman, Haulotte, Ditch Runner, Blaw-Knox, Himoina, Best, Buddy, Crown, Edco, Wyco, Bomag, Laymor, Terremite, Barreto, EZ Trench, Takeuchi, Basic, Bil-Jax, Curtis, Gehl, Heli, Honda, ICS/PowerGrit, Puckett, Waldon, ASV, IHI, Partner, Imer, Clipper, MMD, Koshin, Rice, Gorman Rupp, CH&E, Cat Pumps, Comet, General Pump, Giant, AMida, Coleman, NAC, Gradall, Square Shooter, Kent, Stanley, Tamco, Toku, Hatz, Kohler, Robin, Wisconsin, Northrock, Oztec, Toker TK, Rol-Air, Small Line, Wanco, Yanmar

CONCRET MIXERS

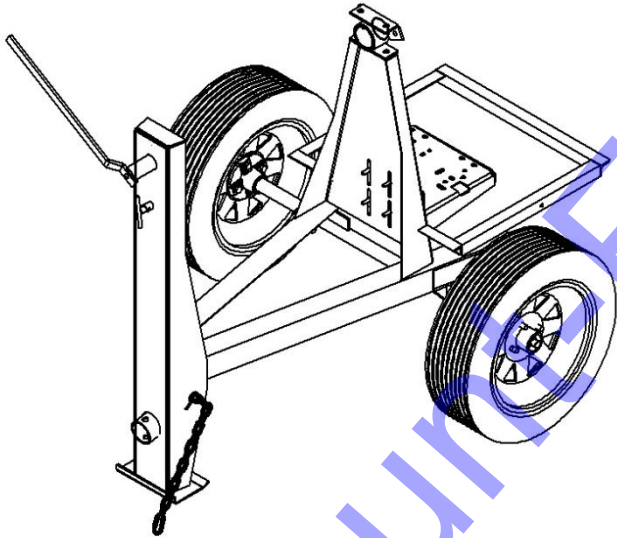
C3



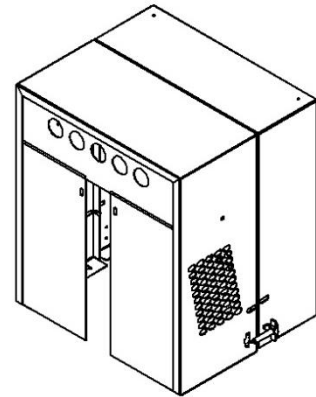
DRUM ASSEMBLY
Page 3



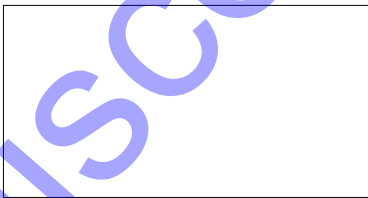
DRIVE KIT ASSEMBLY
Page 8



FRAME ASSEMBLY
Page 4

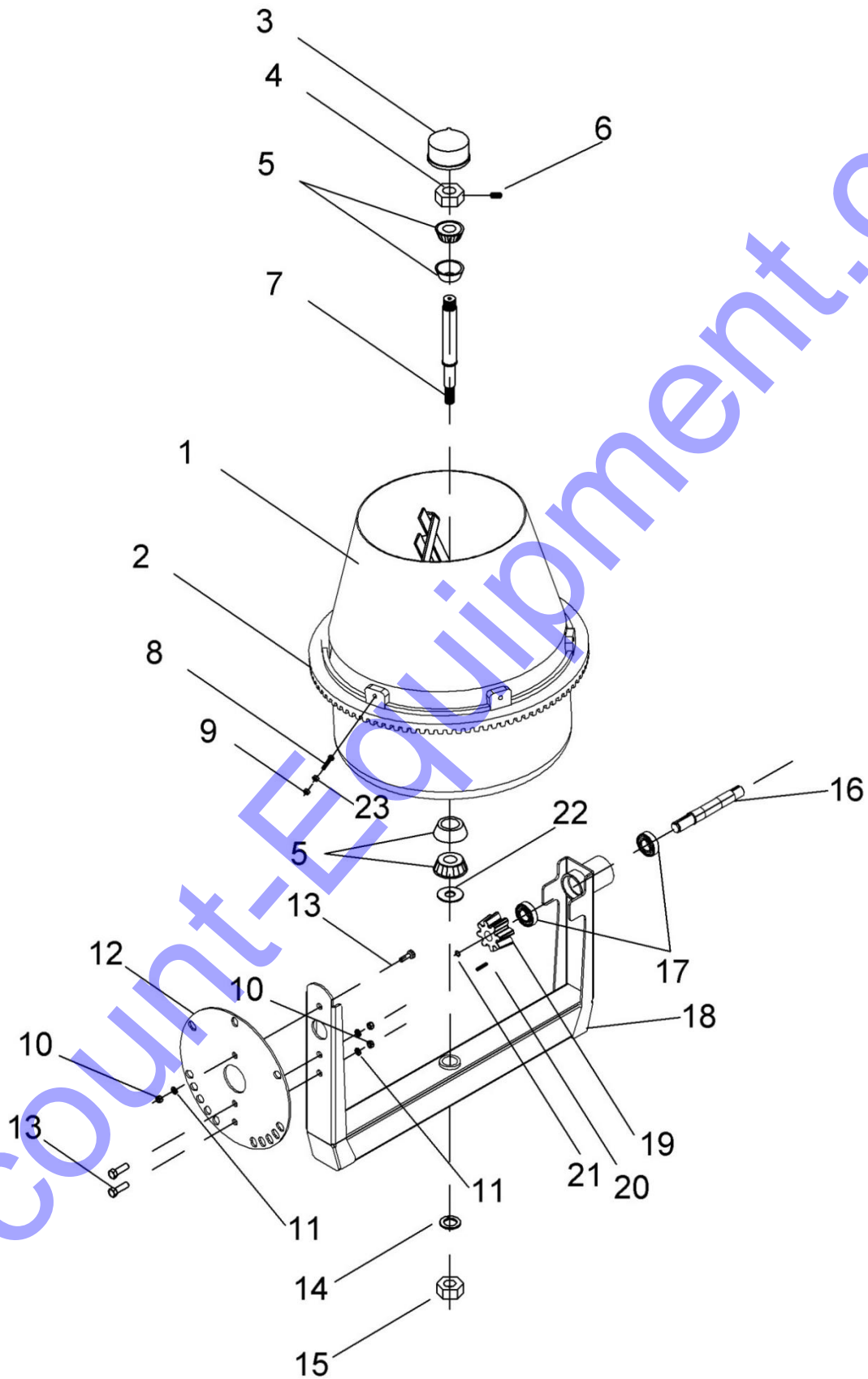


HOOD ASSEMBLY
Page 7



*When ordering parts please always specify the model and serial number of the mixers as a reference.

DRUM ASSEMBLY
702099*



*When ordering parts please always specify the model and serial number of the mixers as a reference.

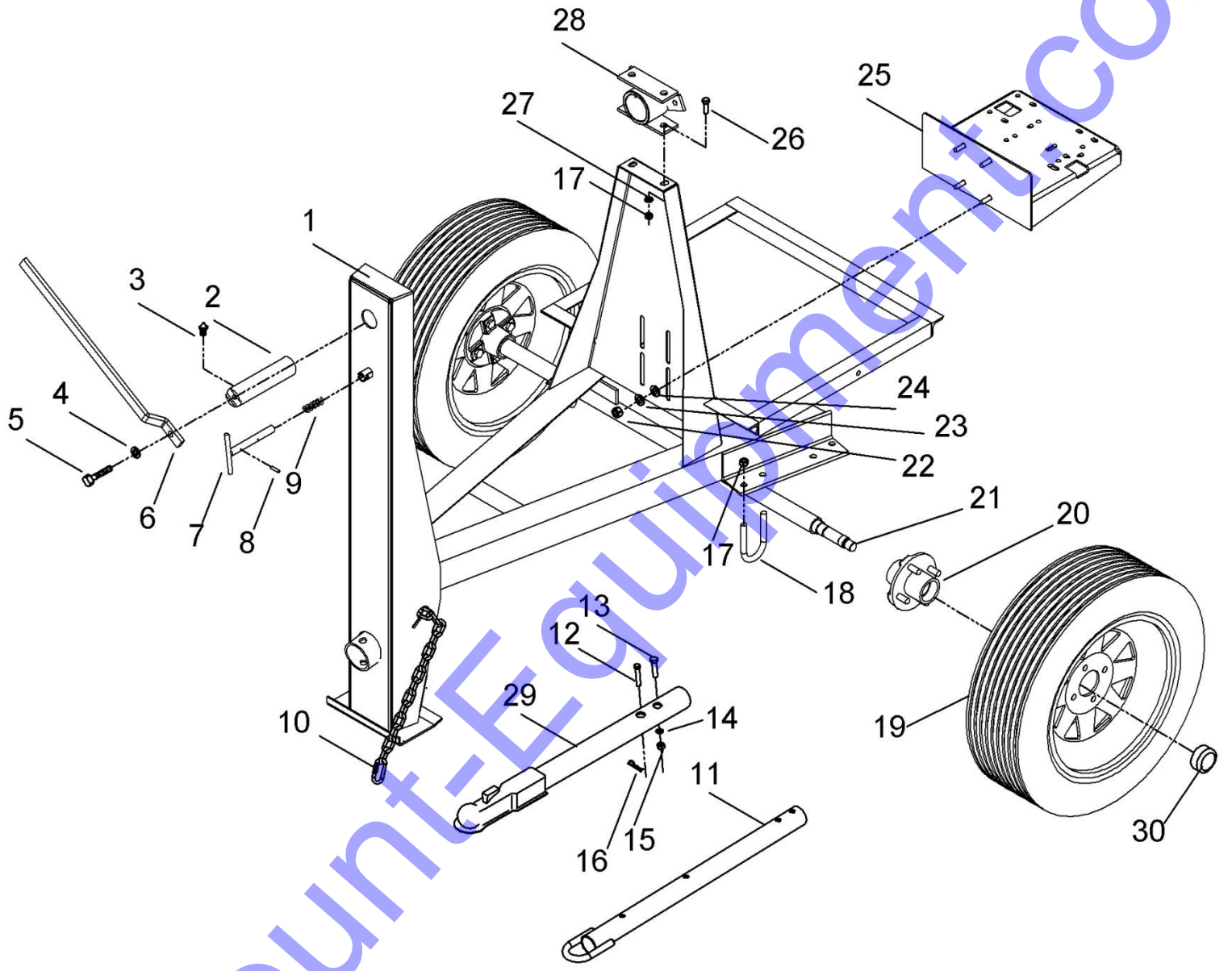
DRUM ASSEMBLY
702099*

Item	Part #	Description	Qty
*	702099	Drum Kit C3 Since 2010, Includes Yoke and Gear Ring	1
	431503	Drum C3 before 2010, Doesn't include Gear Ring	1
1	702100	Drum C3 Since 2010, includes Paddles	1
	609993	Drum C3 Before 2010, includes Paddles	1
2	411810	Bowl Gear Ring (96th) **	1
3	702033	Dust Cap (0100FG01TQ)	1
4	701013	Nut, Hex, 1-3/8 (TCCN138MAQ)	1
5	701014	Ball Bearing, Cone & cup, 2788 (0000BA2788)	2
6	702072	Allen Screw, 3/8 x 1/2 (OPCR038012)	1
7	702073	Shaft Bowl C3 since 2010	1
	491901	Old Shaft Bowl 8.73"	1
8	226230	Bolt, HexHd, 3/8 x 1-1/2 (TOCD038112)	6
9	227830	Nut, Hex Lock 3/8 (TCCS038GAL)	6
10	227854	Nut, Hex Lock 1/2 (TCCS012GAL)	3
11	174470	Washer, Plain 1/2 (RNPX012GAL)	3
12	411910	Tilt Disc	1
13	226650	Bolt, HexHd, 1/2 x 1-1/2 (TOCD012112)	3
14	176290	Washer, Spring 1" (RNRX100GAL)	1
15	227920	Nut, Hex, 1" UNF	1
16	702074	Drive Shaft C3	1
	411890	Old Drive Shaft C3, before 2010	1
17	701016	BRG, Ball 6205 (0000BA6205)	2
	110280	BRG, BALL E/L 176205-014 (NTN JEL205-100W3) before 2010	2
18	702101	Yoke C3	1
19	702075	Pinion 8th **	1
	411830	Old Pinion before 2010	1
20	701027	Key, 1/4 x 1-1/4 (0000CU01TR)	1
21	701029	Retaining Ring 15/16 (SM00156EXT)	1
22	702102	Dust Cover (0100LA01TQ)	1
23	701032	Washer Gear Ring I.D. 3/8" O.D. 1-1/4" (0170LA01TR)	6

**Please, when requesting a Gear Ring or a Pinion not forget to indicate the number of teeth.

*When ordering parts please always specify the model and serial number of the mixers as a reference.

FRAME ASSEMBLY



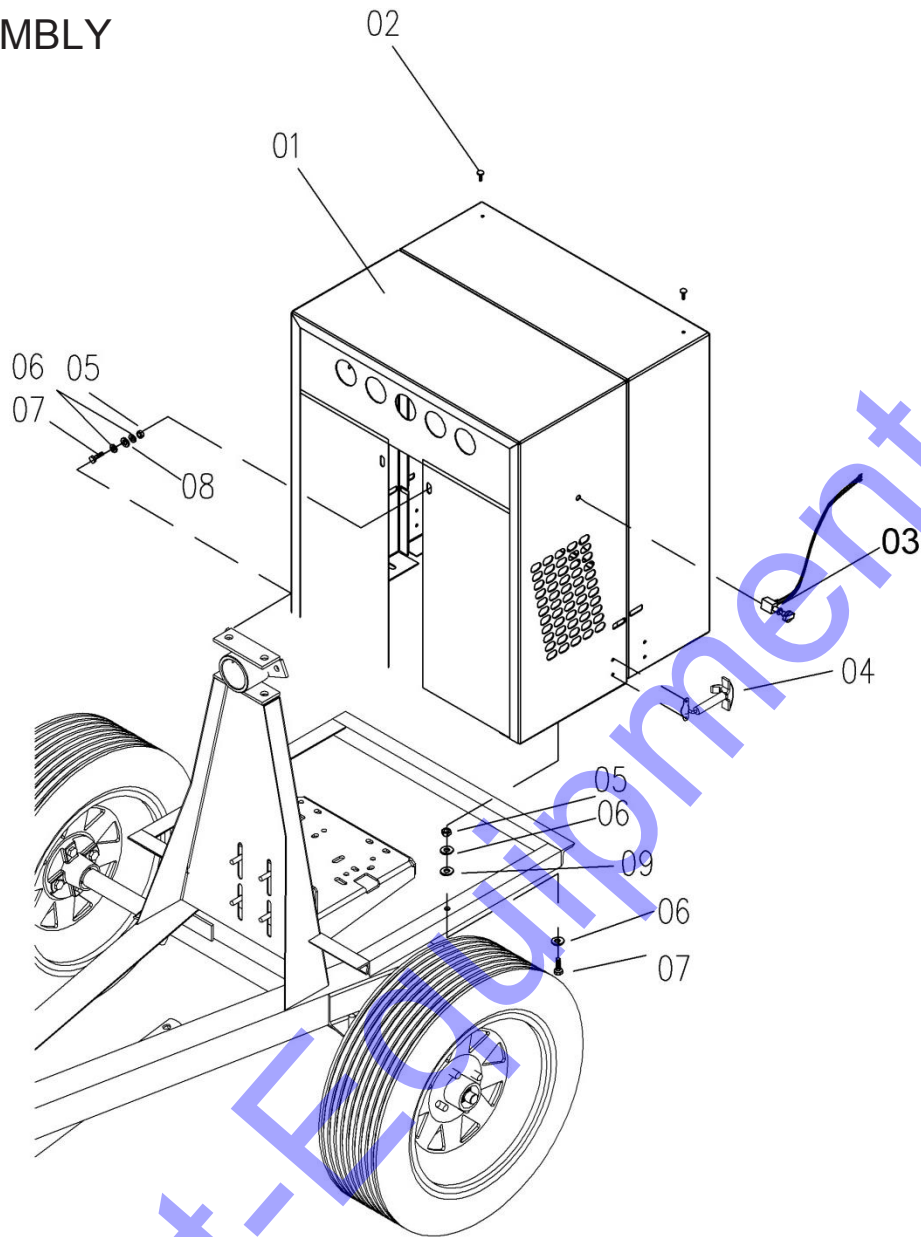
*When ordering parts please always specify the model and serial number of the mixers as a reference.

FRAME ASSEMBLY

Item	Part #	Description	Qty
1	412020	Frame	1
2	496904	Tilt Shaft	1
3	110680	Grase Fitting 1/8 NPT	1
4	176250	Washer, Spring 1/2 (RNRX012GAL)	1
5	226630	Bolt, HexHd, 1/2 X 1 (TOCD012100)	1
6	434645	Lever	1
7	431515	Lock Pin Weldment	1
8	701026	Pin, Spr 1/4 x 1-1/4 (00PE014114)	2
9	199750	Spring 1 x 3	1
10	701012	Safety Chain (CA03516GAL) includes Oval Snap Hook	1
11	702056	Draw Bar, Pintle Hitch (Horizontal Hole) (0000CO01LZ)	STD
	702069	Draw Bar, Pintle Hitch (Vetical Hole) (0000CO03LZ)	STD
12	702078	Lock Pin (0000CR01LZ)	1
13	226272	Bolt, HexHd, 3/4 x 3-1/2 NF (TOFD034312)	1
14	174510	Washer, Spring 3/4 (RNRX034GAL)	1
15	701028	Nut, Hex 3/4 NF (TCFN034GAL)	1
16	134955	Hitch Pin Clip (SR00036EXT)	1
17	227854	Nut, Hex Lock 1/2 (TCCS012GAL)	6
18	702059	Clamp U (0170CO02CH)	2
19	431063	Wheel & Tire Assy RIM 12" (0000CO02RD)	2
20	702071	Hub Assembly 4 Bolt (0200KI03RD)	2
21	702058	Axle, Assy (0130SC02RD) includes Hubs	1
22	227830	Nut, Hex Lock 3/8 (TCCS038GAL)	4
23	176230	Washer, Spring 3/8 (RNRX038GAL)	4
24	174986	Washer, Plain 3/8 (RNPX038GAL)	4
25	496720	Assy, Base Plate Old Style, before 2011	1
	702062	Assy, Base Plate New Style (0900CO01BM)	1
26	226660	Bolt, HexHd, 1/2 X 1-3/4 (TOCD012134)	2
27	174470	Washer, Plain 1/2 (RNPX012GAL)	2
28	496767	Swivel Bracket (0900CO01CH)	1
29	702060	Draw Bar, 2" Ball Hitch (Horizontal Hole) (0000CO02LZ)	OPT
	702070	Draw Bar, 2" Ball Hitch (Vertical Hole) (0000CO04LZ) since November 15, 2013	OPT
30	702087	Dust Cap (0000RF06RD)	2

*When ordering parts please always specify the model and serial number of the mixers as a reference.

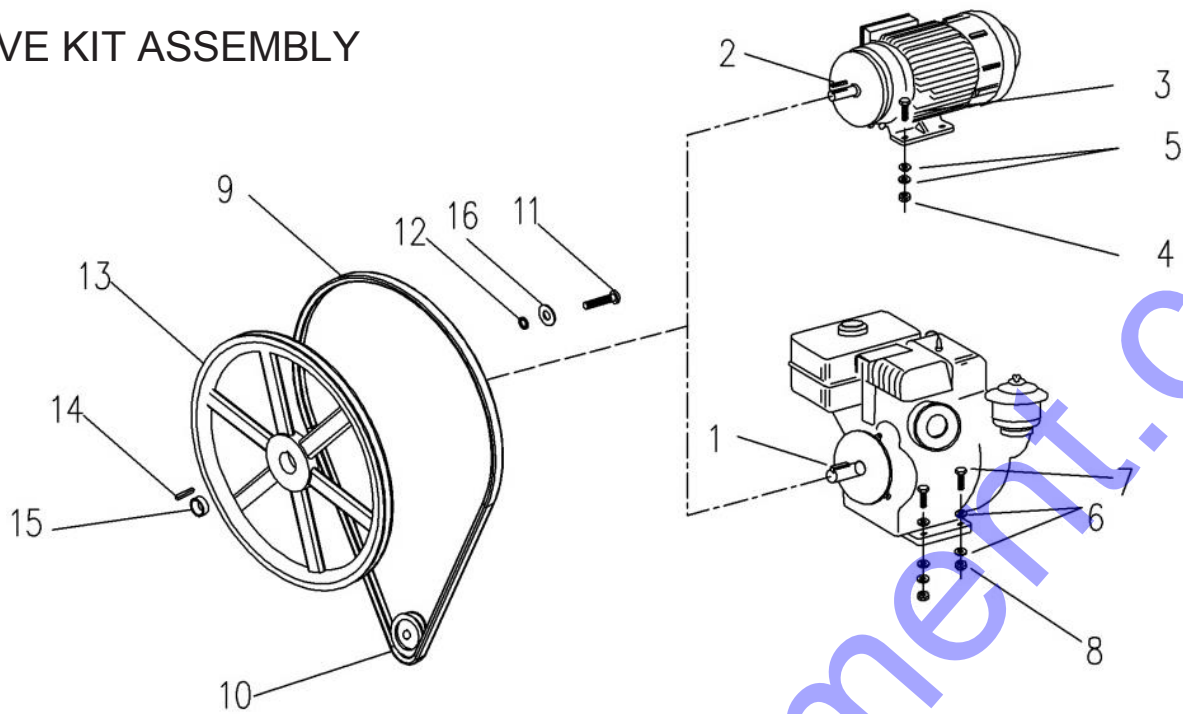
HOOD ASSEMBLY



ITEM	PART #	DESCRIPTION	C3
1	702047	Assy Hood(0900CO01GA-1) Since January 2015, and the series 3A9S23M12F1168001	1
	496700	Old Assy Hood	1
2	201544	Rubber Screw 1/4 (0000RF01GA)	2
3	701007	Shroud Assembly Push Stop (0200KI01GA)	1
4	701004	Shroud Hook Assembly (0000RF02GA)	2
5	227830	Nut, Hex Lock 3/8 (TCCS038GAL)	4
6	174986	Washer, Plain 3/8 (RNPX038GAL)	8
7	226230	Bolt, HexHd, 3/8 x 1-1/2 (TOCD038112)	4
8	174470	Washer, Plain 1/2 (RNPX012GAL)	2
9	701030	Neoprene Washer, 1/2"	2

*When ordering parts please always specify the model and serial number of the mixers as a reference.

DRIVE KIT ASSEMBLY



		HORSE POWER					
Item	Part	Description	GAS DRIVE		ELECTRIC DRIVE		
			5.5 HP	8 HP	.5 - 1.5 HP	1 - 2 HP	3 HP
1	432090	Key, 1/4 x 2 (0905CC01YU)	-	1	-	-	1
2	432060	Key, 3/16 x 2	1	-	1	1	-
	432310	Key, 5/16 x 2	-	-	-	-	-
3	225980	Bolt, HexHd, 5/16 x 1 (TOCD056100)	-	-	4	4	-
	226230	Bolt, HexHd, 3/8 x 1-1/2 (TOCD038112)	-	-	-	-	4
4	227820	Nut, 5/16 Nylon Lock (TCCS056GAL)	4	-	4	4	-
5	174990	Plain Washer, 5/16 (RNPX056GAL)	8	-	8	8	-
6	174986	Plain Washer, 3/8 (RNPX038GAL)	-	8	-	-	8
7	226250	Bolt, HexHd, 3/8 x 2 (TOCD038200)	-	4	-	-	-
	701022	Bolt, HexHd, 5/16 x 2 (TOCD056200)	4	-	-	-	-
8	227830	Nut, 3/8 Lock (TCCS038GAL)	-	4	-	-	4
9	701018	Belt, B71 (0000BNB71)	1	1	1	1	1
10	702049	Pulley Engine 2-1/2 x 3/4 (POFG212034) Include screw and nut	1	-	-	-	-
	702050	Pulley Engine 2-1/2 x 1 (POFG212100) Include screw and nut	-	1	-	-	-
	702103	Pulley Engine 3-3/4 x 5/8 (POFG334058) Include screw and nut	-	-	1	-	-
	702104	Pulley Engine 3-3/4 x 7/8 (POFG334078) Include screw and nut	-	-	-	1	-
	702105	Pulley Engine 3-3/4 x 1-1/8 (POFG334118) Include screw and nut	-	-	-	-	1
11	226210	Bolt, HexHd, 3/8 X 1 (TOCD038100)	1	1	1	1	1
12	176230	Washer, Spring 3/8 (RNRX038GAL)	1	1	1	1	1
13	702044	Pulley, 19" X 15/16 (POFG190516)	1	1	1	1	1
14	701025	Key, 1/4 X 1-3/4 (0905CC01YU)	1	1	1	1	1
15	702048	Bushing Spacer 7/8 (0900TU01TR)	1	1	1	1	1
16	701017	Washer Plain 3/8 x 1-1/4 (RNPNO38ESP)	1	1	1	1	1

*When ordering parts please always specify the model and serial number of the mixers as a reference.



www.discount-equipment.com

*When ordering parts please always specify the model and serial number of the mixers as a reference.