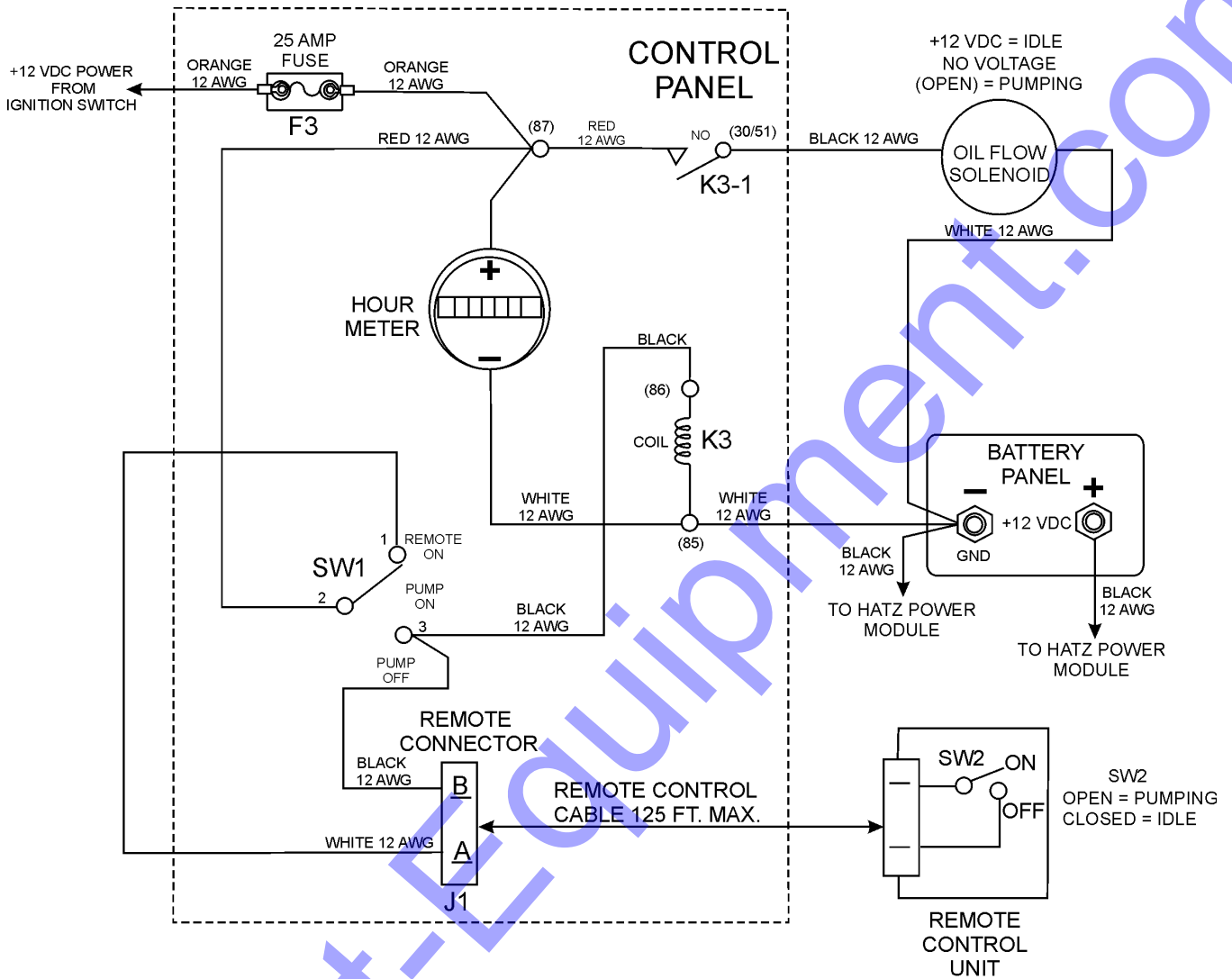
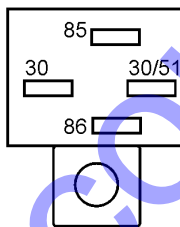


MG-30 PUMP — WIRING DIAGRAM

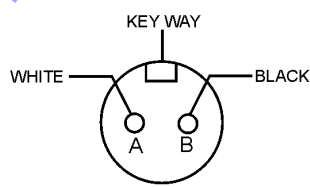


REMOTE CONTROL RELAY K3 PIN CALL-OUT



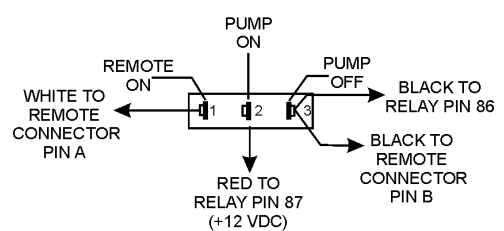
K3
BOTTOM VIEW

REMOTE CONTROL CONNECTOR, CABLE PIN CALL-OUT



J1
FRONT VIEW

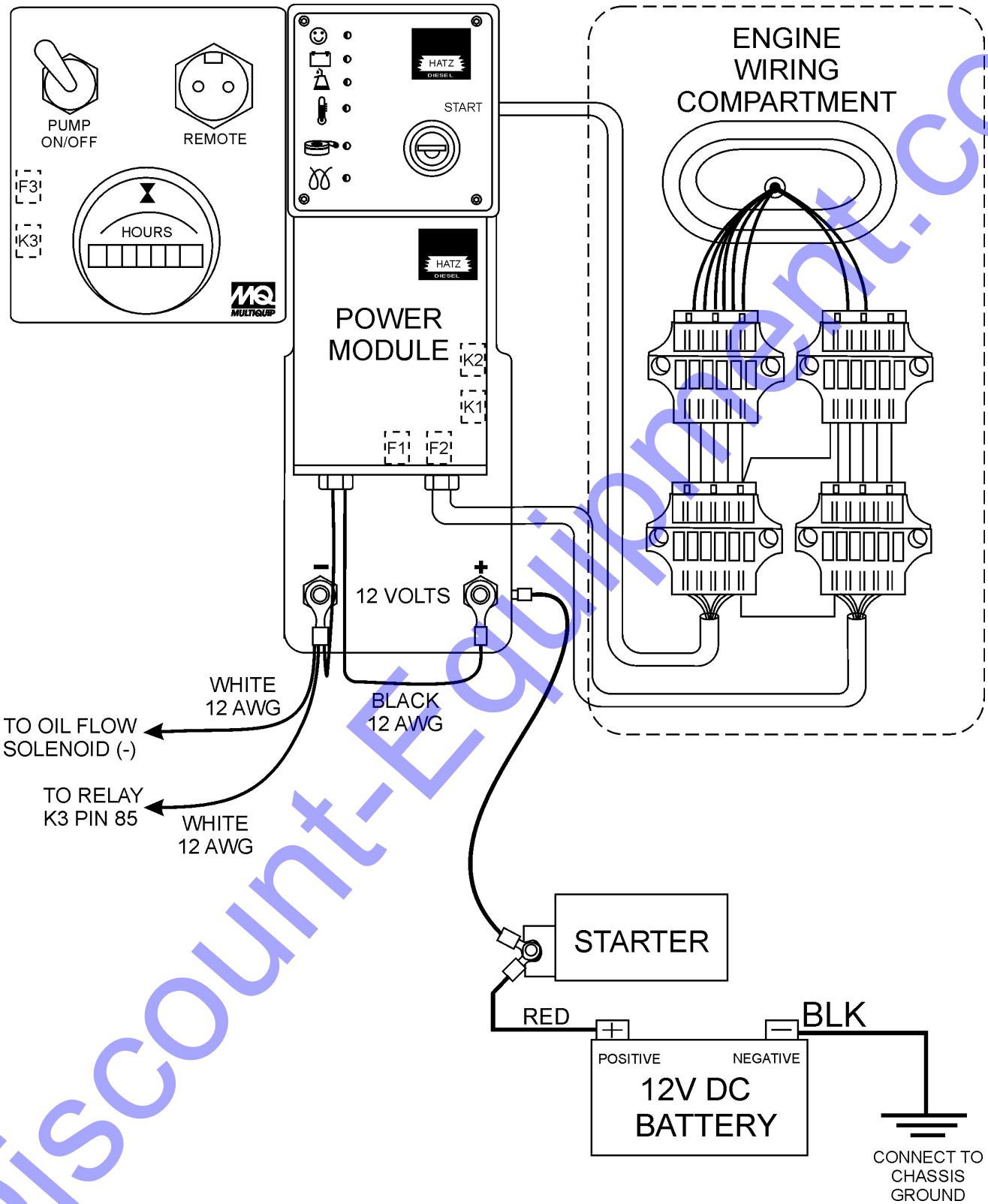
CONTROL SWITCH PIN CALL-OUT



SW1
REAR VIEW

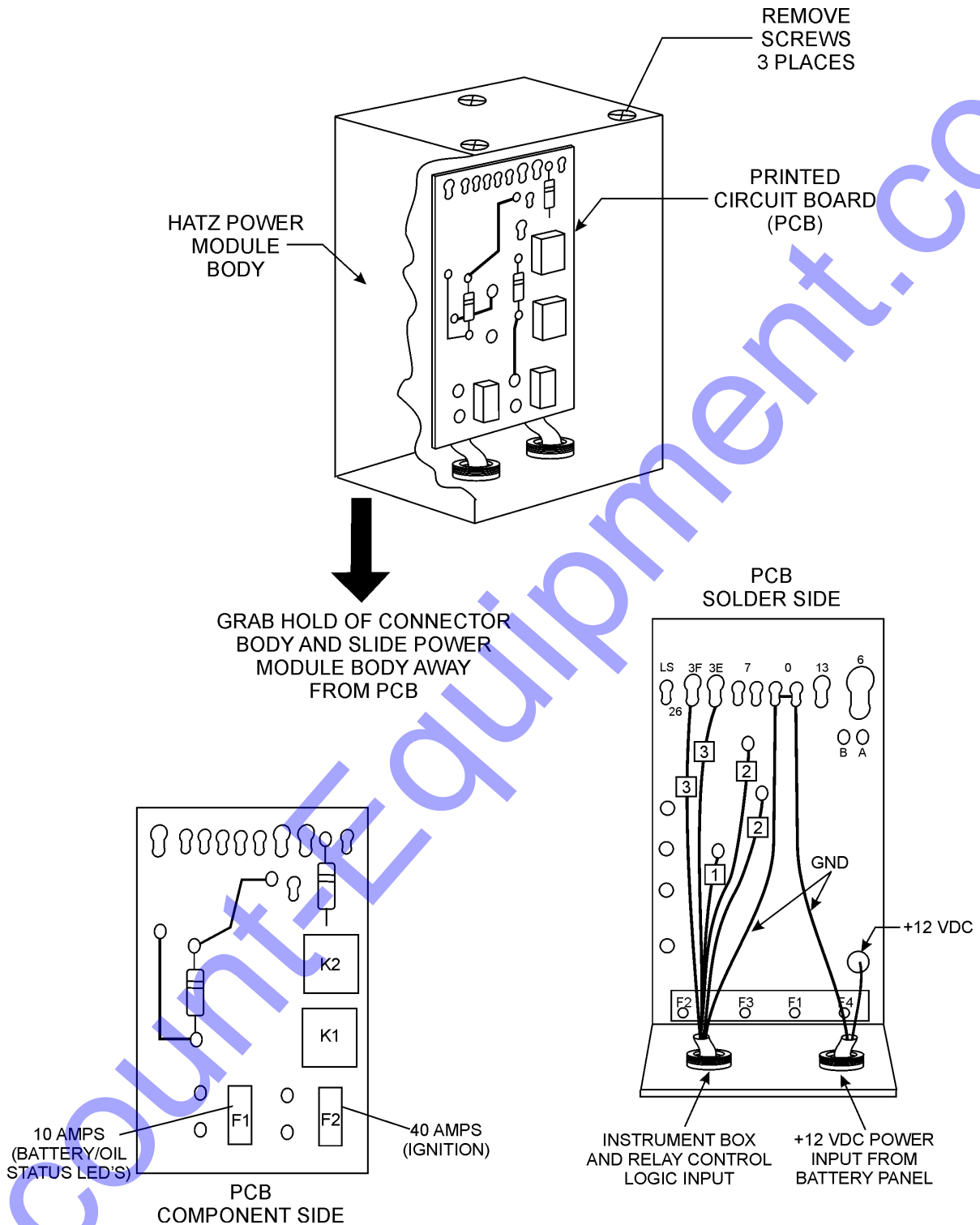
Control Panel/Remote Cable
Wiring Diagram

MG-30 PUMP — WIRING DIAGRAM



Electrical System Diagram

MG-30 PUMP — POWER MODULE LAYOUT



Power Module layout