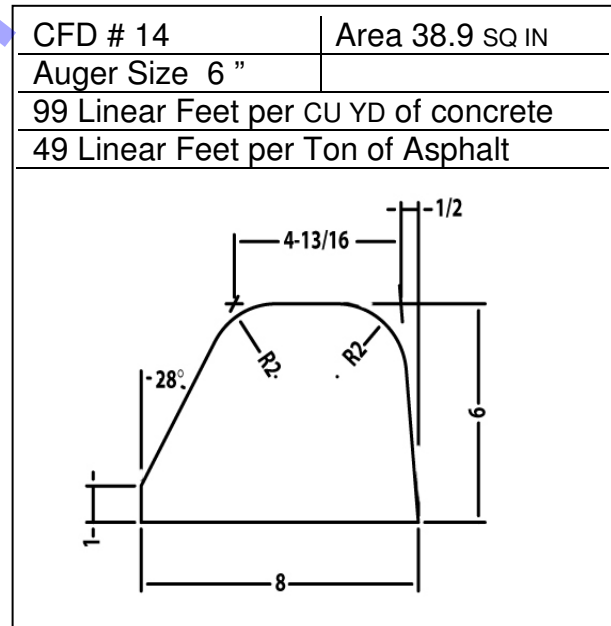
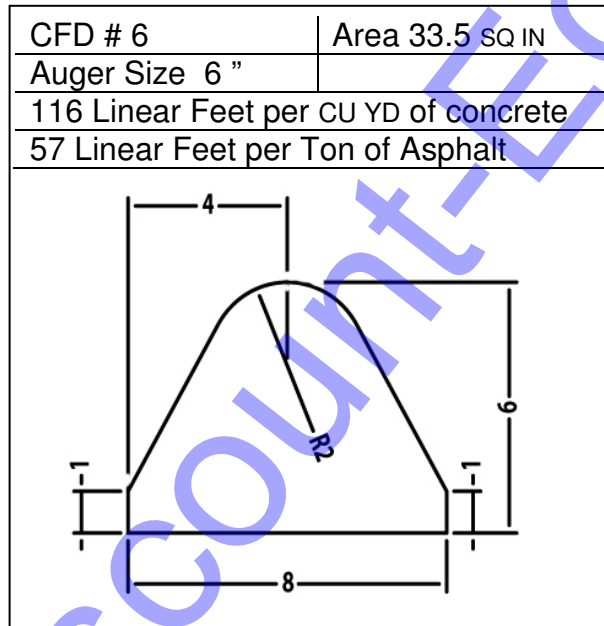
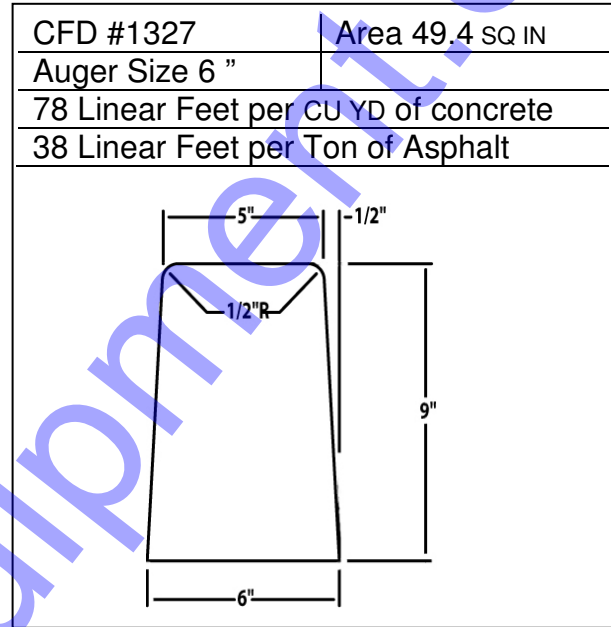
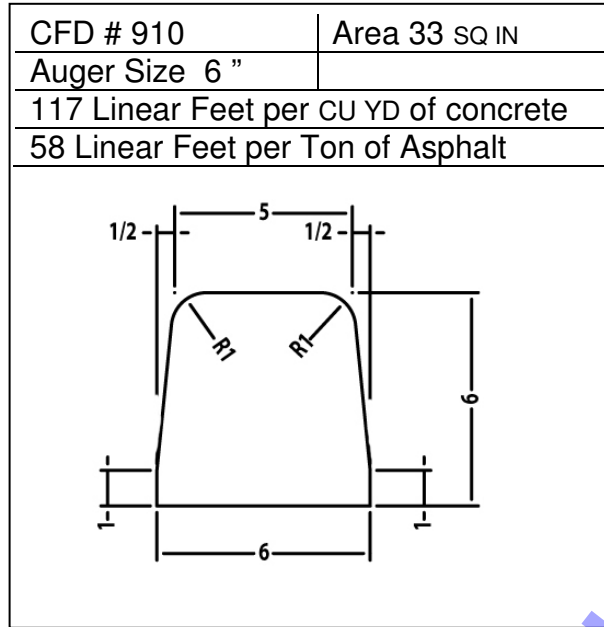
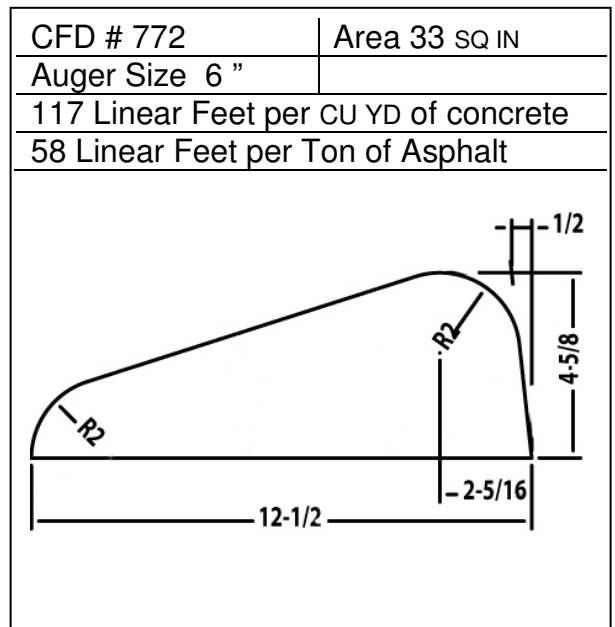
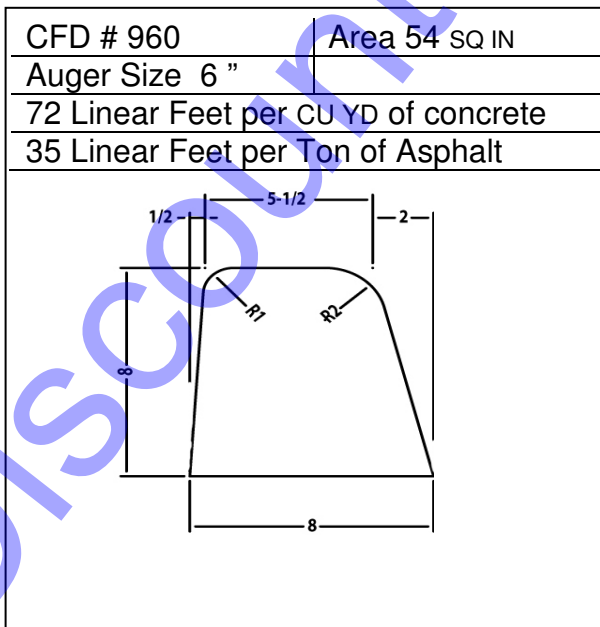
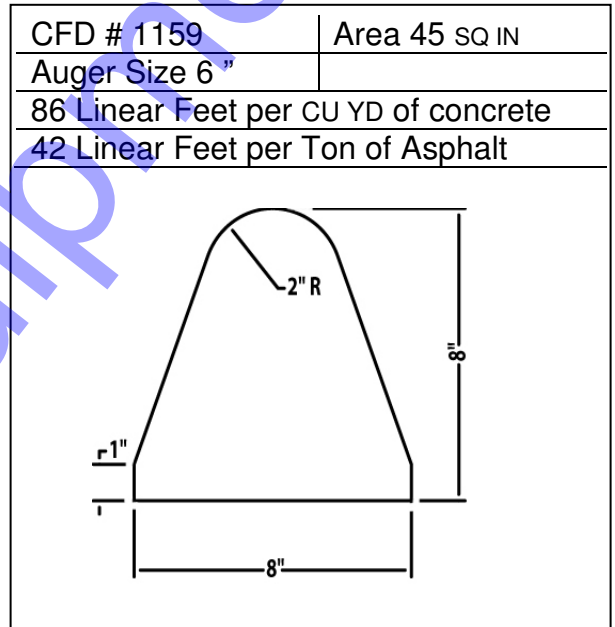
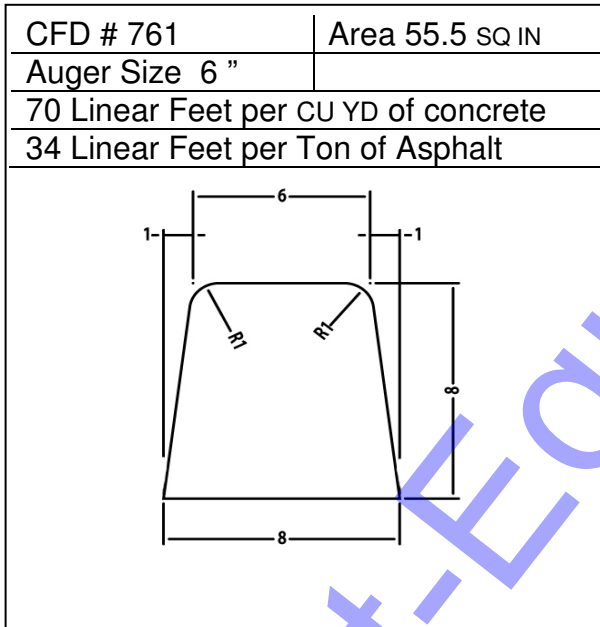
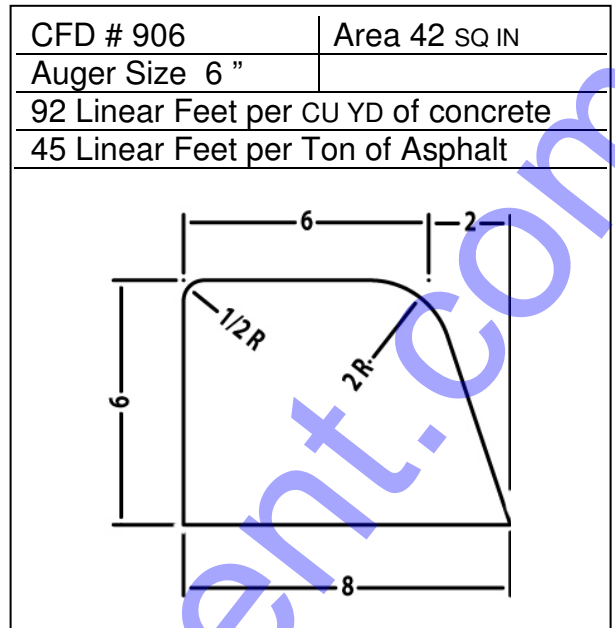
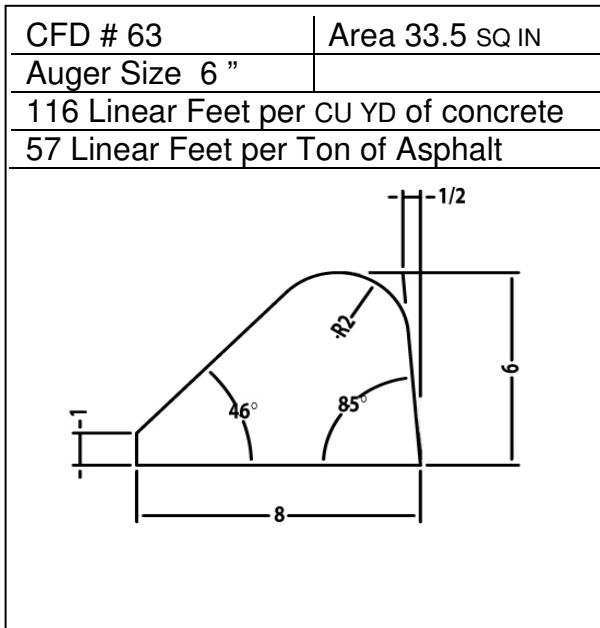
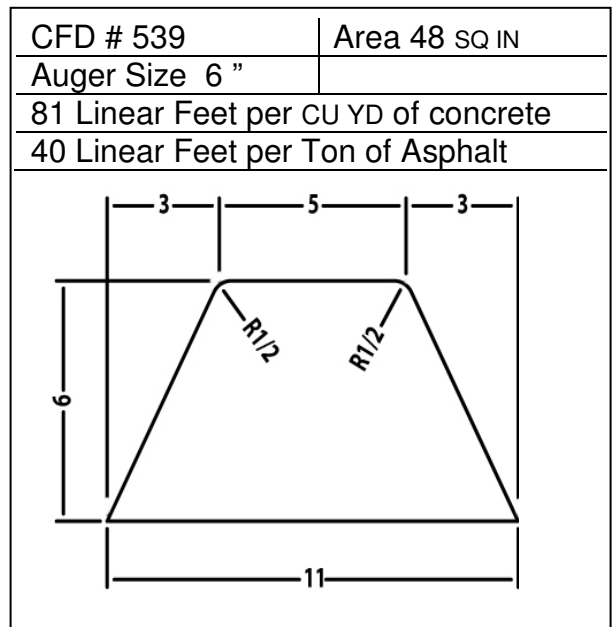
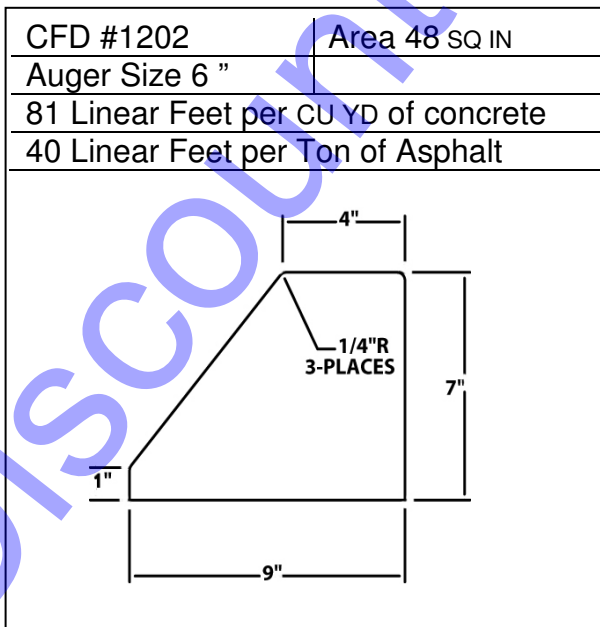
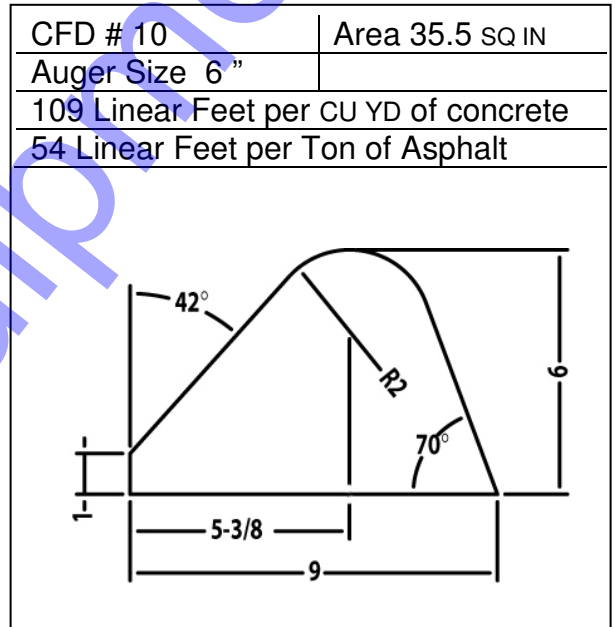
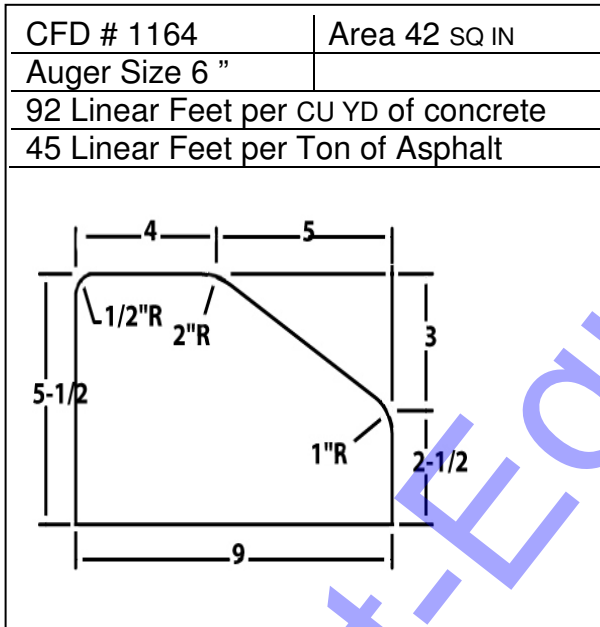
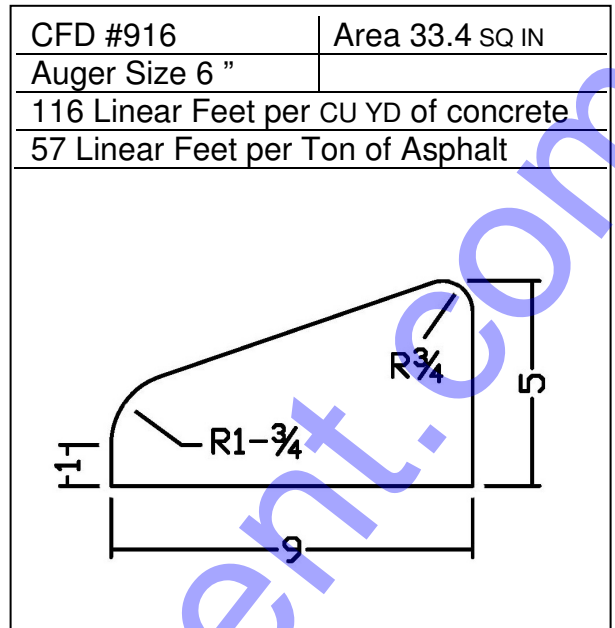
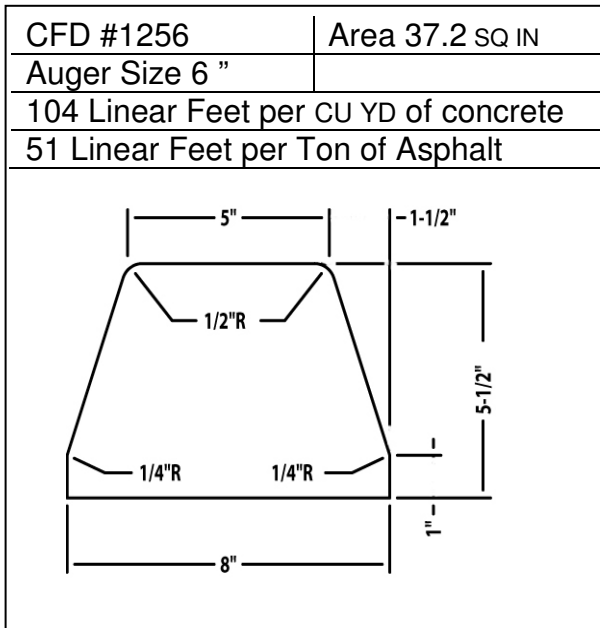


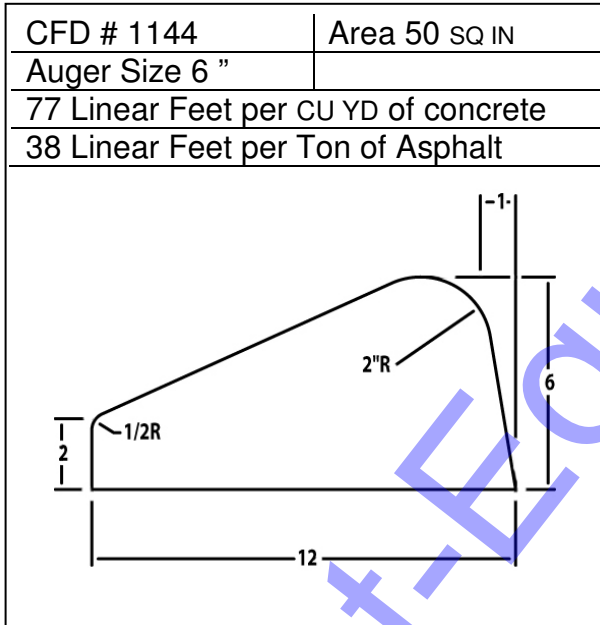
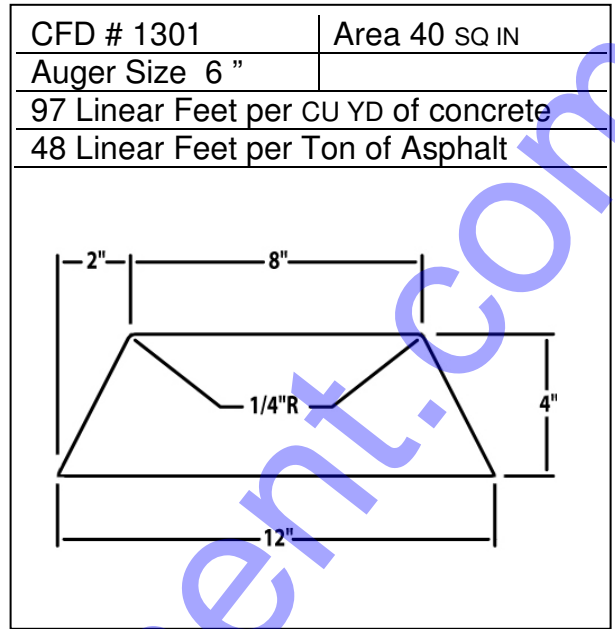
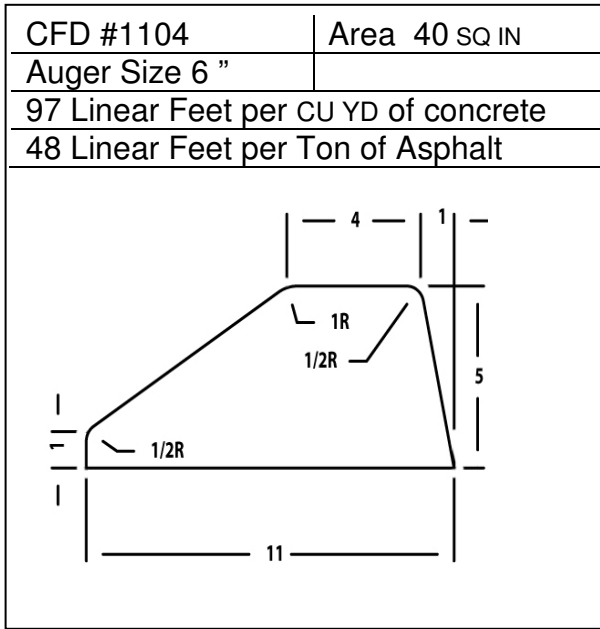
Sample Curb Form Designs for Miller Curbers Equipped with 6" Auger Assembly

Following are examples of curb forms designed for Miller curbers equipped with a 6" auger assembly. There are over 1,700 curb form designs. If none of these meet your needs, please contact us at www.discount-equipment.com.









www.discount-equipment.com