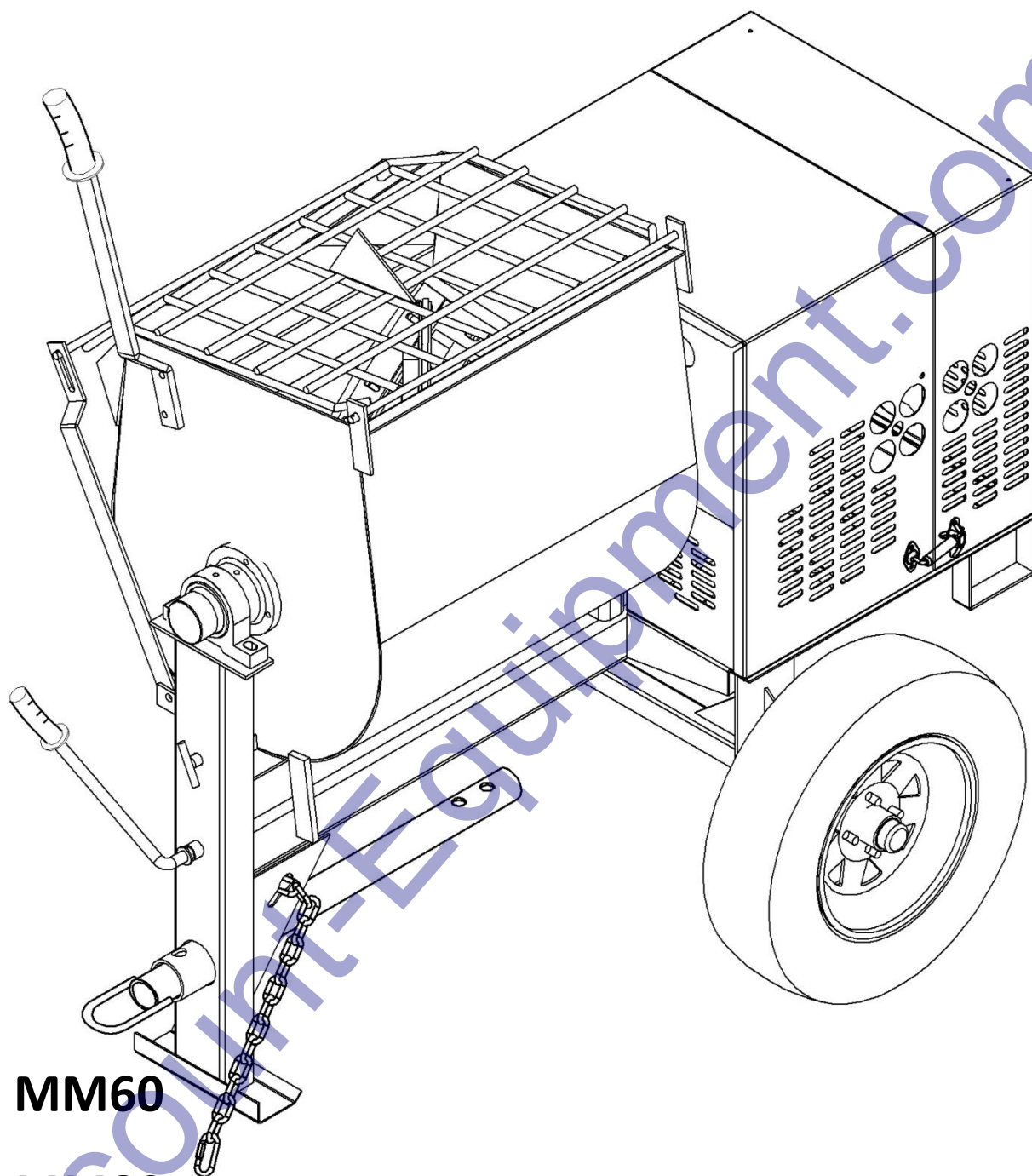


Part list Mortar Mixer



MM60

MM80

MM95

REV:20150507

Discount Equipment

Discount-Equipment.com is your online resource for commercial and industrial quality parts and equipment sales.

Locations:

Florida (West Palm Beach): [561-964-4949](tel:561-964-4949)

Outside Florida TOLL FREE: [877-690-3101](tel:877-690-3101)

Need parts? Check out our website at www.discount-equipment.com

Can't find what you need?

Click on this link: <http://www.discount-equipment.com/category/5443-parts/> and fill out the request form.

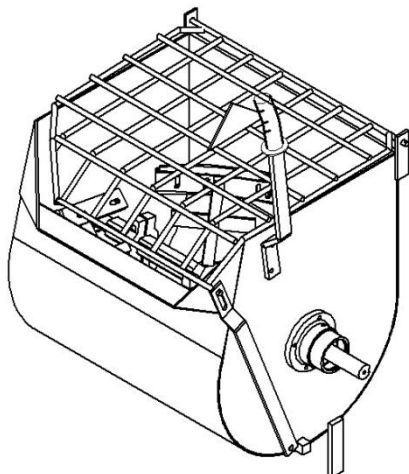
Please have the machine model and serial number available in order to help us get you the correct parts. One of our experienced staff members will get back to you with a quote for the right part that your machine needs.

We sell worldwide for the brands: Genie, Terex, JLG, MultiQuip, Mayco, Toro/Stone, Diamond Products, Magnum, Airman, Mustang, Power Blanket, Nifty Lift, Atlas Copco, Chicago Pneumatic, Allmand Brothers, Essick, Miller Spreader, Skyjack, Lull, Skytrak, Tsurumi, Husquyarna/Target, Whiteman-Concrete/Mortar, Stow-Concrete/Mortar, Baldor, Wacker, Sakai, Snorkel, Upright, Mi-T-M, Sullair, Neal, Basic, Dynapac, MBW, Weber, Bartell, Bennar Newman, Haulotte, Ditch Runner, Blaw-Knox, Himoina, Best, Buddy, Crown, Edco, Wyco, Bomag, Laymor, Terremite, Barreto, EZ Trench, Takeuchi, Basic, Bil-Jax, Curtis, Gehl, Heli, Honda, ICS/PowerGrit, Puckett, Waldon, ASV, IHI, Partner, Imer, Clipper, MMD, Koshin, Rice, Gorman Rupp, CH&E, Cat Pumps, Comet, General Pump, Giant, AMida, Coleman, NAC, Gradall, Square Shooter, Kent, Stanley, Tamco, Toku, Hatz, Kohler, Robin, Wisconsin, Northrock, Oztec, Toker TK, Rol-Air, Small Line, Wanco, Yanmar

MM60-MM95

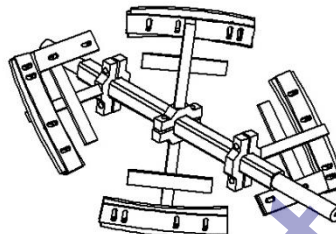
Tanque/Drum

Pag. 3



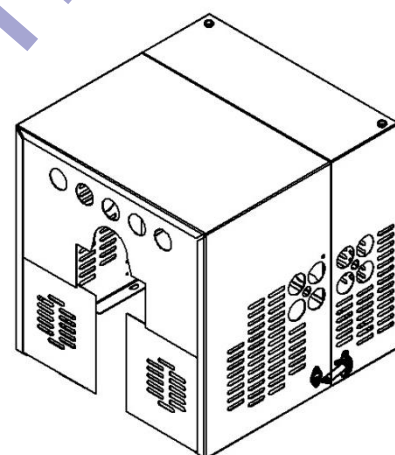
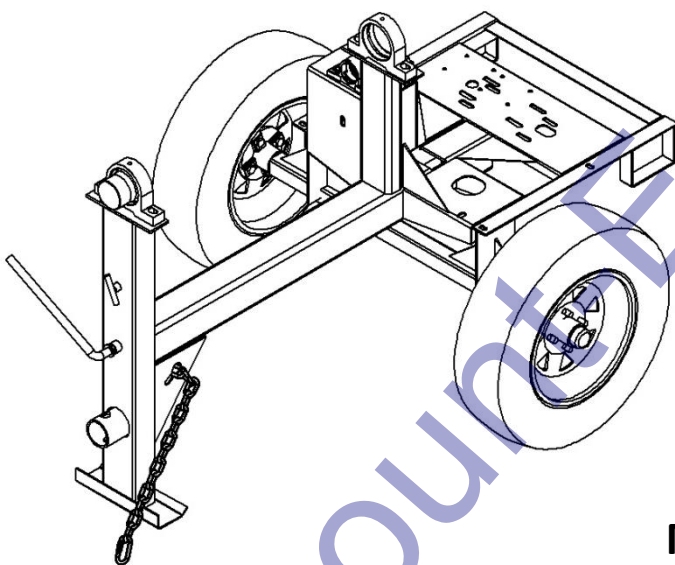
Aspas/Paddle

Pag. 4



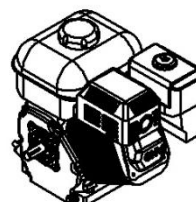
Chasis/Frame

Pag. 6



Gabinete/Hood

Pag. 8

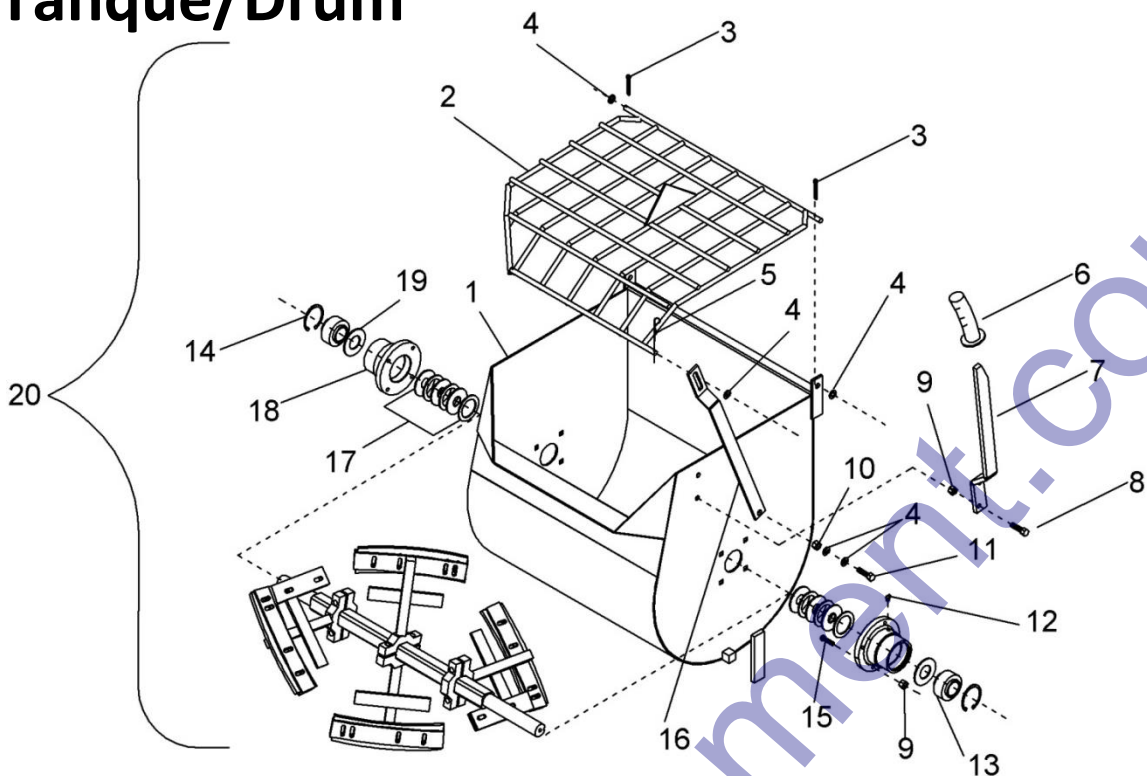


Motor/Drive

Pag. 9

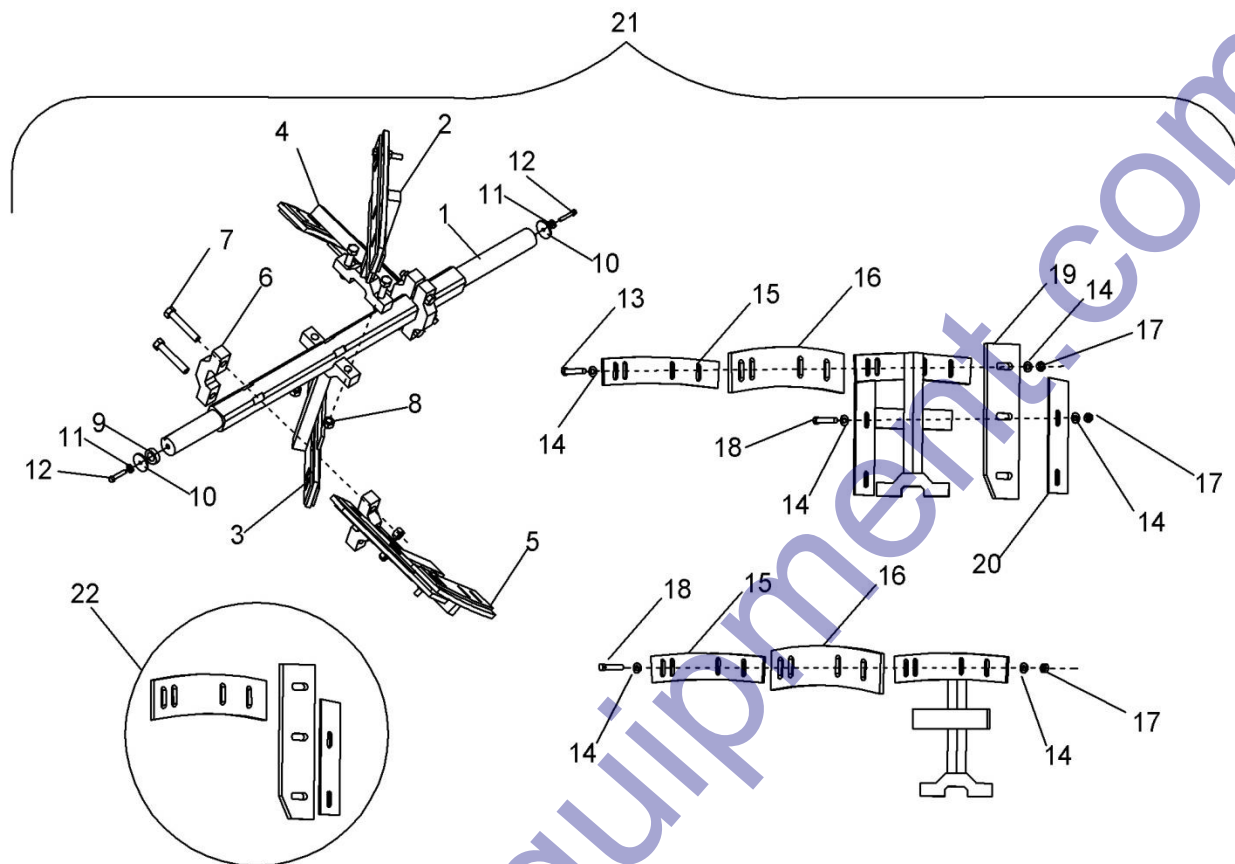
DiscountEquipment.com

Tanque/Drum



N°	Codigo	Code	Descripcion	Description	MM60	MM80	MM95
1	0201CO01TQ	T164	Tanque MM60	MM60 Drum from 1 to 4000	1	*	*
	0201CO01TQ-1	T164-1	Tanque MM60	MM60 Drum (Starts from SN 4001)	1	*	*
	0202CO01TQ	T302	Tanque MM80	MM80 Drum	*	1	*
	0203CO01TQ	T402	Tanque MM95	MM95 Drum	*	*	1
2	0201CO01RJ	T167	Rejilla	MM60 Drum Grid with Bag Cutter	1	*	*
	0202CO01RJ	T303	Rejilla	MM80 Drum Grid with Bag Cutter	*	1	*
	0203CO01RJ	T403	Rejilla	MM95 Drum Grid with Bag Cutter	*	*	1
3	SC3116200GAL	T111	Chaveta 3/16" x 2"	Grid Pin Cotter, 3/16 x 2	2	2	2
4	RNPX012GAL	T105	Rondana Plana 1/2"	Washer Plain, 1/2	5	5	5
5	SR00036EXT	T110	Seguro R 3/16"	Towing / Dumping, Lock Hair Pin	1	1	1
6	0000RF01RJ	T166	Puño	Dumping Handle & Control Handle Grip	1	1	1
7	0200CO01TQ	T168	Palanca Tanque	Drum Dumping Handle With Grip	1	1	1
8	TOCD038112	T176	Tornillo 3/8" x 1-1/2"	Bolt, HexHd, 3/8 x 1-1/2	2	2	2
9	TCCS038GAL	T114	Tuerca Seg 3/8"	Lock Nut, Hex, 3/8	10	10	10
10	TCCS012GAL	T106	Tuerca Seg 1/2"	Lock Nut, Hex, 1/2	1	1	1
11	TOCD012134	T189	Tonillo Hex 1/2" x1-3/4"	Bolt, HexHd, 1/2 x 1-3/4	1	1	1
12	0000GRH045	T102	Grasera 45	Bearing Fitting, grease 45 deg	2	2	2
13	0000BA20824	T175	Balero 208-24	Drum Trunnion Bearing Kit With Fiting Grease	2	2	2
14	SM00300INT	T177	Seguro Omega 3" interno	Drum Trunnion Retaining Internal Omega-ring 3	2	2	2
15	TOCL038112	T174	Tornillo cabeza Coche 3/8 x 1-1/2"	Carriage bolt 3/8" x 1-1/2"	8	8	8
16	0200SO01RJ	T115	Palanca Rejilla	Handle Grid	1	1	1
17	0200KI01TN	T172	Kit de Sellos	Drum Hub Seals Kit (one Dead)	2	2	2
18	0200CO01TN	T173-2	Trunnion 4 barrenos 3/8	4 Holes Drum Trunnion for 3/8" Hex Screws	2	2	2
19	0200LA01TN	T169	Sello acero Inoxidable	Drum Hub Steel Seals	2	2	2
20	0201KI01TQ	T211-0	Tanque Completo MM60	MM60 Drum assy complete (Before sn 4001)	1	*	*
	0201KI01TQ-1	T211	Tanque Completo MM60	MM60 Drum assy complete (Starts from sn 4000)	1	*	*
	0202KI01TQ	T212	Tanque Completo MM80	MM80 Drum assy complete	*	1	*
	0203KI01TQ	T213	Tanque Completo MM95	MM95 Drum assembly complete	*	*	1

Aspas/Paddle



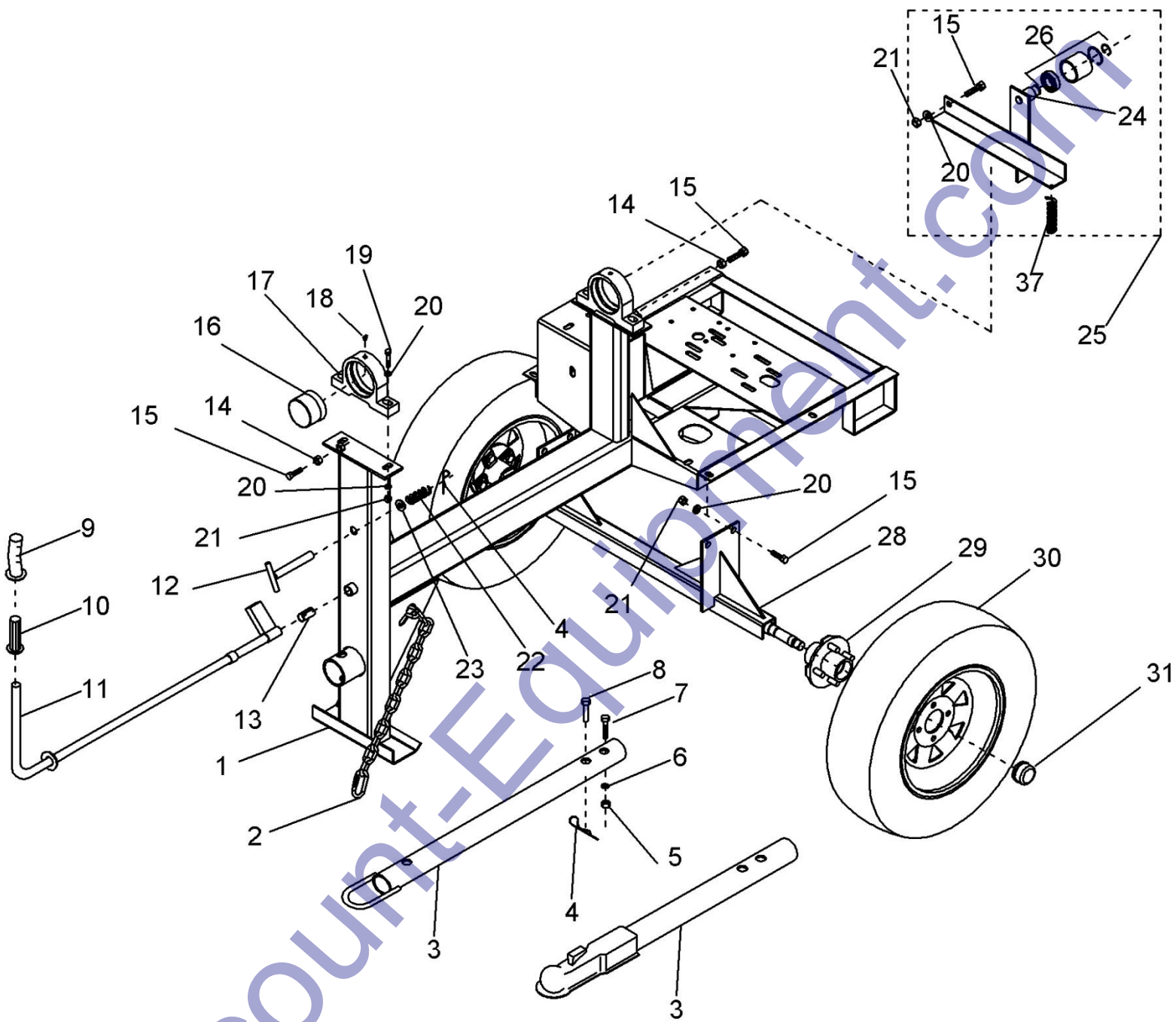
N°	Codigo	Code	Descripcion	Description	MM60	MM80	MM95
1	0202CR01CH	T305	Flecha central MM60-MM80	Square Shaft Main 1-3/4 x 38-7/8 MM60 & MM80 (SN up to 4001)	1	1	*
	0203CR01CH	T404	Flecha central MM95	Square Shaft Main 1-3/4 x 43-1/4 MM95 & MM120	*	*	1
2	0201CO01AS-1	T179-2	Aspa Central Derecha MM60 (Placa 1")	Center Paddle Right Arm MM60 (1" Thickness)	1	*	*
	0201CO01AS	T179	Aspa Central Derecha MM60 (Solera 3/8")	Center Paddle Right Arm MM60 (2 bole hole- 3/8" Thickness)	1	*	*
	0200CO01AS	T306	Aspa Central Derecha MM80-MM95 (Solera 3/8")	Center Paddle Right Arm MM80-MM95 (2 bole hole- 3/8" Thickness)	*	1	1
	0200CO01AS-1	T306-2	Aspa Central Derecha MM80-MM95 (Placa 1")	Center Paddle Right Arm MM80-MM95 (1" Thickness)	*	1	1
3	0202CO01AS-1	T182-2	Aspa central izquierda MM60 (Placa 1")	Center Paddle Left Arm MM60 (1" Thickness)	1	*	*
	0202CO01AS	T182	Aspa central izquierda MM60 (solera 3/8")	Center Paddle Left Arm MM60 (2 Bolt Hole- 3/8" Thickness)	1	*	*
	0200CO02AS	T308	Aspa Central Izquierda MM80-MM95 (Solera 3/8")	Center Paddle Left Arm MM80-MM95 (2 Bolt Hole- 3/8" Thickness)	*	1	1
	0200CO02AS-1	T308-2	Aspa Central Izquierda MM80-MM120 (Placa 1")	Center Paddle Left Arm MM80-MM95 (1 Thickness)	*	1	1
4	0201CO03AS	T191	Aspa Lateral Derecha MM60 (solera 3/8")	End Paddle Right Arm MM60 (2 Bolt Hole-3/8" Thickness)	1	*	*
	0201CO03AS-1	T191-2	Aspa Lateral Derecha MM60 (Placa 1")	End Paddle Right Arm MM60 (1" Thickness)	1	*	*
	0200CO03AS	T314	Aspa Lateral Derecha MM80-MM95 (Solera 3/8")	End Paddle Right Arm MM80-MM95 (2 Bolt Hole)	*	1	1
	0200CO03AS-1	T314-2	Aspa Lateral Derecha MM80-MM95 (Placa 1")	End Paddle Right Arm MM80-MM95 (1" Thickness)	*	1	1

Aspas/Paddle

5	0201CO02AS-1	T183-2	Aspa Lateral Izquierda MM60 (Placa 1")	End Paddle Left Arm MM60 (1" Thickness)	1	*	*
	0201CO02AS	T183	Aspa Lateral Izquierda MM60 (Solera 3/8")	End Paddle Left Arm MM60 (2 Bolt Hole-3/8" Thickness)	1	*	*
	0200SO03AS	T309	Aspa Lateral Izquierda MM80 - MM95 (Solera 3/8")	End Paddle Left Arm MM80 -MM95 (2 Bolt Hole- 3/8" Thickness)	*	1	1
	0200SO03AS-1	T309-2	Aspa Lateral Izquierda MM80 - MM95 (Placa de 1")	End Paddle Left Arm MM80- MM95 (1" Thickness)	*	1	1
6	0200SO05AS	T188	Abrazadera para aspa Lateral izquierdo y derecho MM60-MM95 (Solera 3/8")	Paddle end Left And Right Arms Brackets MM60-MM95 (1" Thickness)	2	2	2
	0200PL01AS	T188-2	Abrazadera para aspa Lateral izquierdo y derecho MM60-MM95 (Placa 1")	Paddle end Left And Right Arms Brackets MM60-MM95 (1" Thickness)	2	2	2
7	TOCD012134	T189	Tornillo Hex 1/2" x 1-3/4" para modelo antiguo (solera 3/8")	Bolt, HexHd, 1/2 x 1-3/4 for old Paddles (3/8" Thickness)	6	6	6
	TOCD012300	T481	Tornillo Hex 1/2" x 3" para modelo actual (Placa 1")	Bolt, HexHd, 1/2 x 3 for new Paddles (1" Thickness)			
8	TCCS012GAL	T106	Tuerca Seg. 1/2"	Lock Nut, 1/2	6	6	6
9	0200TU01FC	T413	Buje flecha Central	Main Shaft Bushing	1	1	1
10	0200PL01FC	T152	Rondana Flecha Central 3/16"	Central Shaft Washer 3/16	2	2	2
11	RNRX038GAL	T113	Rondana presion 3/8"	Spring Washer 3/8"	2	2	2
12	TOFD038100	T116	Tornillo Hex 3/8" x 1 NF	Bolt, HexHd, 3/8 x 1 NF	2	2	2
13	TOCD038200	T145	Tornillo Hex 3/8" x 2"	Bolt, HexHd, 3/8 x 2	2	2	2
14	RNPX038GAL	T112	Rondana Plana 3/8"	Plain Washer 3/8"	36	40	40
15	0201RF01AS	T180	Hule Central (MM60-MM95)	Center Paddle Rubber Blade (MM60-MM95)	4	4	4
16	0200SO01AS	T181	Contra Central (MM60-MM95)	Center Paddle Steel Blade (MM60-MM95)	4	4	4
17	TCCS038GAL	T114	Tuerca Seg. 3/8"	Lock Nut, 3/8	18	20	20
18	TOCD038112	T176	Tornillo 3/8" x 1-1/2"	Bolt, HexHd, 3/8 x 1-1/2	16	18	18
19	0201RF02AS	T184	Hule Lateral	End Paddle Side Rubber Blade MM60	2	*	*
	0200RF02AS	T310	Hule Lateral	End Paddle Side rubber Blade MM80-MM95	*	2	2
20	0201SO01AS	T185	Contra Lateral	End Paddle Side Steel Blade MM60	2	*	*
	0200SO02AS	T311	Contra Lateral	End Paddle Side Steel Blade MM80-MM95	*	2	2
21	0201KI01AS	T179-1	Set completo de Aspas MM60 (2 Tornillos- Solera 3/8") no incluye flecha	Complete Paddle Set MM60 (2 Bolt Hole - 3/8" Thickness) excludes Shaft	1	*	*
	0201KI01AS-1	T179-3	Set completo de Aspas MM60 (2 Tornillos- Placa 1") no incluye flecha	Complete Paddle Set MM60 (2 Bolt Hole - 1" Thickness) excludes Shaft	1	*	*
	0200KI01AS	T306-1	Set completo de Aspas MM80-MM95 (2 Tornillos- Solera 3/8") no incluye flecha	Complete Paddle Set MM80-MM95 (2 Bolt Hole -3/8" Thickness) excludes Shaft	*	1	1
	0200KI01AS-1	T306-3	Set completo de Aspas MM80-MM95 (2 Tornillos- Placa de 1") no incluye flecha	Complete Paddle Set MM80-MM95 (2 Bolt Hole -1" Thickness) excludes Shaft	*	1	1
22	0200KI03AS	T301	Kit De Hules MM8-MM95	MM80-MM95 Rubber Blade Kit	*	1	1
	0201KI03AS	T301-1	Kit De Hules MM60	MM60 Rubber Blade Kit	1	*	*

- Note: For more information of PADDLES SETS see page 10

Chasis/Frame

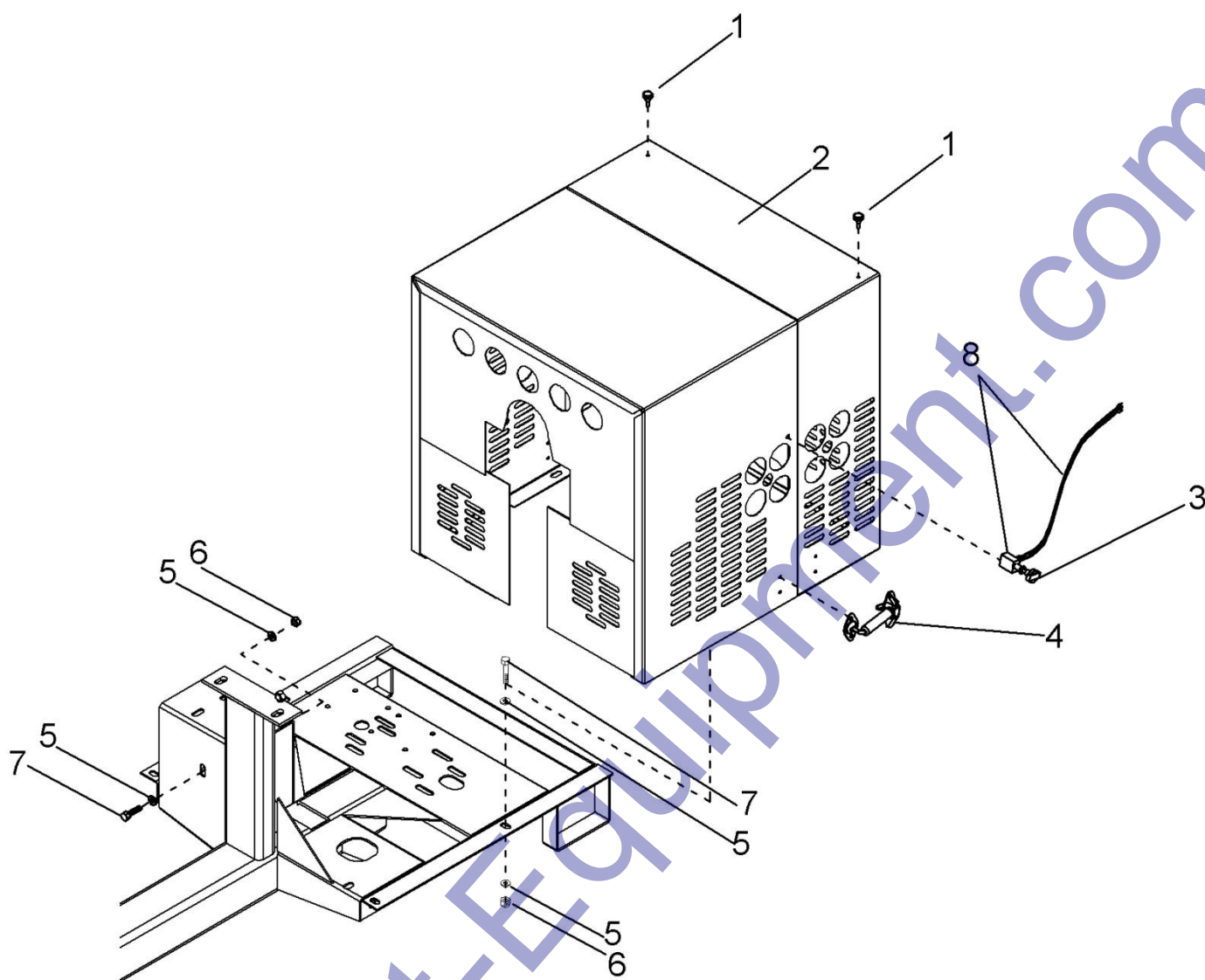


Discount Furniture

Chasis/Frame

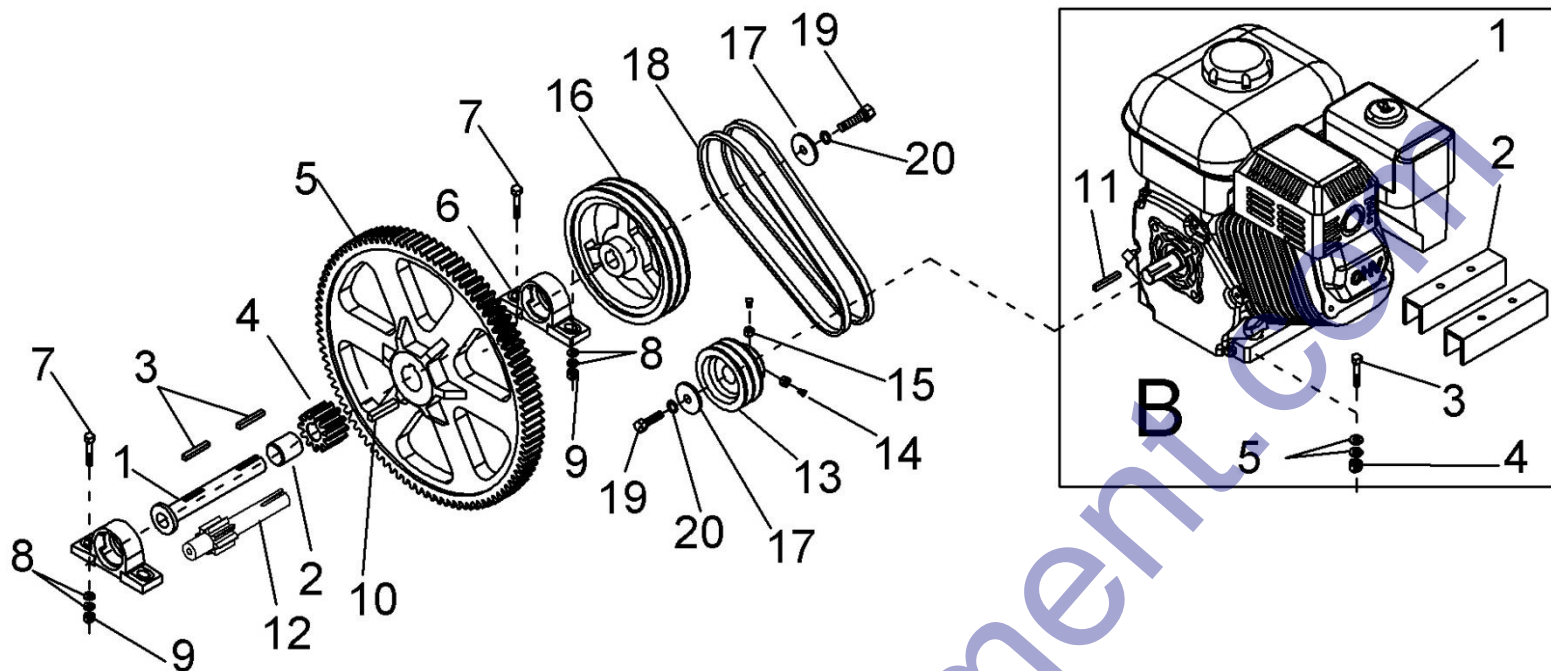
N°	Codigo	Code	Descripcion	Description	MM60	MM80	MM95
1	0201CO01CH	T200	Chasis M60 Antiguo	MM60 Frame (From 1 to 4000)	1	*	*
	0201CO01CH -1	T200-1	Chasis M60	MM60 Frame (starts from sn#4001)	1	*	*
	0202CO01CH	T300	Chasis	MM80 Frame	*	1	*
	0203CO01CH	T400	Chasis	MM95 Frame	*	*	1
2	CA03516GAL	T482	Cadena	Chain Includes Oval Snap Hook	1	1	1
3	0000CO01LZ	T118	Lanza Militar Horizontal	Pintle ,Hitch (Horizontal Hole)	1	1	1
	0000CO03LZ	T118-V	Lanza Militar Vertical	Pintle,Hitch(vertical Hole)	1	1	1
	0000CO02LZ	T119	Lanza Cople bola Horizontal	2" Ball Hitch (Horizontal Hole)	OPT	OPT	OPT
	0000CO04LZ	T119-V	Lanza Cople bola Vertical	2" Ball Hitch (vertical Hole)	OPT	OPT	OPT
4	SR00036EXT	T110	Seguro R 3/16"	Towing/ Dumping, Lock Hair Pin	2	2	2
5	TCFN034GAL	T124	Tuerca NF 3/4"	Nut Hex, 3/4 NF	1	1	1
6	RNRX034GAL	T123	Rondana Presion 3/4"	Spring Washer, 3/4	1	1	1
7	TOFD034312	T122	Tornillo 3/4" x 3-1/2" NF	Bolt, HexHd, 3/4 x 3-1/2	1	1	1
8	0000CR01LZ	T121	Perno Lanza	Towing Hitch, Lock Pin	1	1	1
9	0000RF01RJ	T166	Puño	Control Handle Grip	1	1	1
10	0000RF02TQ	T414	Puño Infantil	Idler Handle grip Holder	1	1	1
11	0200CO01CU	T117	Palanca Accionador MM60-MM80	Control Handle MM60-MM80	1	1	*
	0203CO01CU	T415	Palanca Accionador MM95	Control handle MM120	*	*	1
12	0200CO01CH	T107	Dedo de Bloqueo	Towing/ Dumping, Lock Pin	1	1	1
13	00PE056112	T653	Perno espirol 5/16" x 1-1/2"	Control Handle Lock Pin 5/16" x 1-1/2"	1	1	*
14	TCCN012GAL	T190	Tuerca 1/2"	Transmission Pillow Block Lock nut Hex 1/2	2	2	2
15	TOCD012134	T189	Tornillo Hex 1/2" x 1-3/4"	Bolt, HexHd, 1/2 x 1-3/4	7	7	7
16	0000RF02CH	T126	Cubre Polvo Flecha Central	Drum Bearings Dust Cap Upgrade	1	1	1
17	00CHPI2300	T101	Chumacera Tanque 3" Pl	Drum Pillow Block	2	2	2
18	0000GRH045	T102	Grasera 45	Bearing Fitting, grease 45 deg	2	2	2
19	TOCD012212	T104	Tornillo Hex 1/2" x 2-1/2"	Bolt, HexHd, 1/2 x 2-1/2	4	4	4
20	RNPX012GAL	T105	Rondana Plana 1/2"	Plain Washer, 1/2	13	13	13
21	TCCS012GAL	T106	Tuerca Seg. 1/2	Lock Nut, 1/2	9	9	9
22	0000RF01CH	T109	Resorte	Lock Pin Spring	1	1	1
23	RNPX034GAL	T108	Rondana Plana 3/4"	Plain Washer, 3/4	1	1	1
24	0200CO02CU	T140	Clutch	Idler arm Bracket	1	1	1
25	0200CO01CU	T197	Caja Clutch Completa	Clutch Complete	1	1	1
26	0200KI01CU	T197-1	Caja Clutch	Bearing Clutch Complete	1	1	1
27	0000RF01CU	T192	Resorte Clutch	Idler Arm Spring	1	1	1
28	0200CO03RD	T125-2	Eje Rodada	Standard Axle	1	1	1
	0200CO02RD	T225-1	Kit Eje Rodada incluye (T129-1)	Axle assembly (includeS T129-1)	1	1	1
29	0200KI02RD	T129-1	Masa Rim completa	Hub, Assey, 4 bolt (T136 Include)	2	2	2
30	0000CO01RD	T137	Llanta y Rim	Wheel and tire assey 165-80-R13	*	2	2
	0000CO02RD	T137-2	Llanta y Rim	Wheel and tire assey 4.8x12	2	*	*
31	0000RF06RD	T136-1	Cubre Polvo Masa Rim Nuevo	High Speed Wheels Hub,Dust Cap (New Style)	2	2	2

Gabinete/Hood



N°	Codigo	Code	Descripcion	Description	MM60	MM80	MM95
1	0000RF01GA	T158	Regaton	Shroud Rubber Screw	2	2	2
2	0200CO01GA	T157	Gabinete	Square Shroud assey	1	1	1
3	0000RF04GA	T195	Push Stop	Kill Switch	1	1	1
4	0000RF02GA	T160	Gancho Cofre	Shroud Hook Assy	2	2	2
5	RNPX038GAL	T112	Rondana Plana, 3/8"	Plain Washer, 3/8	10	10	10
6	TCCS038GAL	T114	Tuerca Seg. 3/8"	Lock Nut, 3/8	5	5	5
7	TOCD038114	T351	Tornillo Hex 3/8" x1- 1/4"	Bolt, HexHd, 3/8 x 1-1/4	5	5	5
8	0200KI01GA	T193	Push Stop Completo	Shroud assy Push stop	1	1	1

Motor/Drive Kit



N°	Codigo	Code	Descripcion	Description	MM60	MM80	MM95
1	0200CR01TR	T146	Flecha Transmision	Transmission Shaft 1" x 7-1/4	1	1	1
2	0200TU01TR	T205	Buje 1" x 1-5/8" Transmision	Bushing 1" x 1-5/8" Transmission	1	1	1
3	0000CU01TR	T483	Cuña 1/4" x 1-1/4"	Transmission Key 1/4 x 1-1/4"	1	1	1
4	0200CR04TR	T149	Piñon de 12 Dientes	Pinion 12TH	1	1	1
5	0200FG02TR	T151	Engrane de 96 Dientes	Bull Gear 96TH	1	1	1
6	00CHPI2100	T150	Chumacera Transmision 1"PI	Transmission Pillow Block 1"	2	2	2
7	TOCD038200	T145	Tornillo Hex 3/8" x 2"	Bolt, HexHd, 3/8 x 2	4	4	4
8	RNPX038GAL	T112	Rondana Plana 3/8"	Plain Washer 3/8	8	8	8
9	TCCS038GAL	T114	Tuerca Seg. 3/8"	Lock Nut, 3/8	4	4	4
10	0200CC01TR	T120	Cuña 3/8" x 2"	Bull Gear Key 3/8 x 2	1	1	1
11	0200CU02TR	T147	Cuña 1/4 p/Motor 8HP	Engine Key for 8HP & 13HP Honda 1/4	1	1	1
	0200CU03TR	T147-1	Cuña 3/16 p/Motor 5HP	Engine Key for 5HP Honda 3/16	1	*	*
12	0200CR03TR	T1002	Flecha Piñon para kit electrico	Shaft Pinion 8TH for electric drive	opt	opt	opt
13	POFG3341002R	T154	Polea 3-3/4" para motor de 8HP ajuste de 1"	2 Grooves 8HP Gas Engine Pulley 3-3/4"	1	1	1
	POFG3340342R	T154-1	Polea 3-3/4" para motor de 5.5HP ajuste de 3/4"	2 Grooves 5.5HP Engine Pulley 3-3/4" x 3/4"	1	1	1
	POFG2120582R	T154-3	Polea de motor Electrico 2.5 x 5/8" 2Ranuras	2 Grooves Electric Engine Pulley 2-1/2" x 5/8"	1	1	1
	POFG2120782R	T1000	Polea de motor Electrico 2.5 x 7/8" 2Ranuras	2 Grooves Pulley Electric Engine 2-1/2" x 7/8"	1	1	1
14	POFG2121182R	T1001	Polea de motor Electrico 2.5 x 1-1/8" 2Ranuras	2 Grooves Pulley Electric Engine 2-1/2" x 1-1/8"	1	1	1
	OPCQ038100	T203	Opresor Set 3/8" x 1"	8-13HP Engine Pulley Set Screw 3/8 x 1	2	2	2
	OPCQ038114	T203-1	Opresor Set 3/8" x 1-1/4"	5.5HP Engine Pulley Set Screw 3/8 x 1-1/4	2	*	*
15	TCCN038GAL	T410	Tuerca Hex 3/8"	Nut, Hex 3/8	2	2	2
16	POFG8001002R	T153	Polea 8"	2 Grooves Transmission Pulley 8"	1	1	1
17	0200PL01FC	T152	Rondana Flecha Central 3/16"	Central Shaft Washer 3/16	2	2	2
18	0000BNAX37	T155	Banda AX37	Gas Engine Transmission Belt AX37	2	2	2
	0000BNAX52	T155-1	Banda para motor electrico AX52	Electric Engine Transmission Belt AX52	2	2	2
19	TOCD038100	T116	Tornillo Hex 3/8" x 1 NF	Bolt, HexHd, 3/8 x 1 NF	2	2	2
20	RNRX038GAL	T113	Rondana presion 3/8"	Spring Washer 3/8"	2	2	2

Tabla B

N°	Codigo	Code	Descripcion	Description	Motor de Gas/ Gas Engine		Motor Electrico/ Electric Engine		
					Honda 5.5HP	Honda 8HP	.5-1.5 HP	1-2 HP	3-5 HP
2	0201PL01MO	T165	Canaleta Para motor de 5.5HP	5.5 HP Gas Engine Bracket Support	2	*	*	*	*
	0201PL02MO	T484	Canaleta Para motor electrico	Electric Engine Bracket Support	*	*	2	2	2
3	TOCD056300	T201	Tornillo Hex 5/16" x 3"	Bolt, HexHd, 5/16" x 3"	4	*	*	*	*
	TOCD038200	T145	Tornillo Hex 3/8" x 2"	Bolt, HexHd, 3/8" x 2"	*	4	*	*	*
	TOCD056312	T352	Tornillo Hex 5/16" x 3-1/2"	Bolt, HexHd, 5/16" x 3-1/2"	*	*	4	4	*
	TOCD038312	T353	Tornillo Hex 3/8" x 3-1/2"	Bolt, HexHd, 3/8" x 3-1/2"	*	*	*	*	4
4	TCCS056GAL	T148	Tuerca Seg. 5/16	Lock Nut, 5/16"	4	*	4	4	*
	TCCS038GAL	T114	Tuerca Seg. 3/8	Lock Nut, 3/8"	*	4	*	*	4
5	RNPX056ESP	T198	Rondana Plana 5/16" ESP	Plain Washer 5/16 I.D X 3/4 O.D.	8	*	8	8	*
	RNPX038GAL	T112	Rondana Plana 3/8"	Plain Washer, 3/8"	*	8	*	*	8

- Note: When Your Order a Part Please send the serial number of the serial number of the mixer as a reference.

Kits

T301	RUBBER BLADE KIT MM8-MM10	QTY
T181	CENTER BLADE	4
T180	BLADE RUBBER CENTER	4
T311	BLADE WIPER SIDE	2
T310	BLADE RUBBER SIDE	2
T176	HEX HEAD CAP SCREW 3/8 X 1-1/2 (TOCD038112)	18
T114	LOCK NUT 3/8 (TCCS038GAL)	20
T145	HEX HEAD CAP SCREW 3/8 X 2 (TOCD038200)	2
T112	PLAIN WASHER 3/8 (RNPX038GAL)	40

T301-1	RUBBER BLADE KIT MM6	QTY
T181	CENTER BLADE	4
T180	BLADE RUBBER CENTER	4
T185	BLADE WIPER SIDE	2
T184	BLADE RUBBER SIDE	2
T176	HEX HEAD CAP SCREW 3/8 X 1-1/2 (TOCD038112)	16
T114	LOCK NUT 3/8 (TCCS038GAL)	18
T145	HEX HEAD CAP SCREW 3/8 X 2 (TOCD38200)	2
T112	PLAIN WASHER 3/8 (RNPX038GAL)	36

T179-3	PADDLE SET COMPLETE MM6	QTY
T179-2	PADDLE CENTER, RIGHT MM6 (1" THICKNESS)	1
T182-2	PADDLE CENTER, LEFT MM6 (1" THICKNESS)	1
T183-2	PADDLE, END LEFT MM6 (1" THICKNESS)	1
T191-2	PADDLE, END RIGHT MM6 (1" THICKNESS)	1
T188-2	BRACKET, PADDLE ARM MM6-MM120 (1" THICKNESS)	2
T481	HEX HED CAP SCREW 1/2 X 3 (TOCD012300)	6
T106	LOCK NUT HEX 1/2 (TCCS012GAL)	6
T301-1	RUBBER BLADE KIT MM6	1

T306-3	PADDLE SET COMPLETE MM8-MM10	QTY
T306-2	PADDLE CENTER, RIGHT (1" THICKNESS)	1
T308-2	PADDLE CENTER, LEFT (1" THICKNESS)	1
T309-2	PADDLE END LEFT (1" THICKNESS)	1
T314-2	PADDLE END RIGHT (1" THICKNESS)	1
T188-2	BRACKET, PADDLE ARM MM6-MM120 (1" THICKNESS)	2
T481	HEX HEAD CAP SCREW 1/2 X 3 (TOCD012300)	6
T106	LOCK NUT HEX 1/2 (TCCS012GAL)	6
T301	RUBBER BLADE KIT MM8-MM10	1

T179-1	PADDLE SET COMPLETE MM6	QTY
T179	PADDLE CENTER, RIGHT MM6 (TWO BOLT HOLE)	1
T182	PADDLE CENTER, LEFT MM6 (TWO BOLT HOLE)	1
T183	PADDLE END LEFT MM6 (TWO BOLT HOLE)	1
T191	PADDLE END RIGHT MM6 (TWO BOLT HOLE)	1
T188	BRACKET, PADDLE ARM MM6-MM120 (TWO BOLT HOLE)	2
T189	HEX HEAD CAP SCREW 1/2 X 1-3/4 (TOCD012134)	6
T106	LOCK NUT HEX 1/2" (TCCS012GAL)	6
T301-1	RUBBER BLADE KIT MM6	1

T306-1	PADDLE SET COMPLETE MM8-MM10	QTY
T306	PADDLE CENTER, RIGHT (TWO BOLT HOLE)	1
T308	PADDLE CENTER, LEFT (TWO BOLT HOLE)	1
T309	PADDLE END LEFT (TWO BOLT HOLE)	1
T314	PADDLE END RIGHT (TWO BOLT HOLE)	1
T188	BRACKET, PADDLE ARM MM6-MM120 (TWO BOLT HOLE)	2
T189	HEX HEAD CAP SCREW 1/2 X 1-3/4 (TOCD012134)	6
T106	LOCK NUT HEX 1/2 (TCCS012GAL)	6
T301	RUBBER BLADE KIT MM8-MM10	1