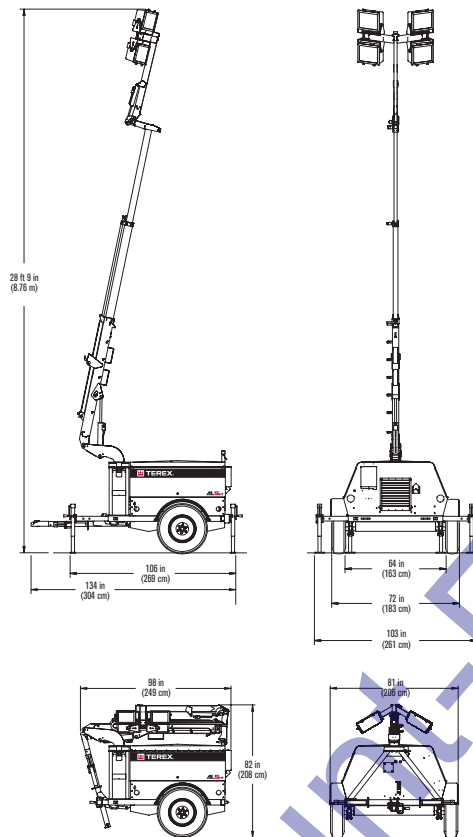


SPECIFICATIONS

MEASUREMENTS

Lamps	Metal halide 4 x 1,000 W
Generator	Brushless 60 Hz, 8.0 kW
Engine	Kubota® diesel 13.6 hp
Receptacles	One GFI duplex 20 A / 120 V One T/L 30 A / 240 V
Fuel capacity	30 gal (114 L)
Wheel size	15 in (38 cm)
Axle rating	4,200 lbs (1,905 kg)
Tongue weight travel position	375 lbs (170 kg)
Total weight no fuel	2,605 lbs (1,182 kg)



Notice: Metal halide lamp bulbs contain mercury (Hg). Dispose of lamp bulbs according to local, state and federal laws.

FEATURES

- 4 X 1000 W metal halide lights with Kubota engine and 8kW generator.
- Option for up to 20kW generator with plenty of extra power to run tools.
- The rotating, articulated hydraulic mast can reach out to the front, back and side for additional flexibility. The light bar also tilts 180° - and each light can point in a specific direction as well using a simple spring clip.
- Standard engine protection includes high water temperature and low oil auto shutdowns.
- Quick disconnect lights and ballasts allow for easy troubleshooting, service, and repair.
- Standard DOT approved run, stop and turn lights
- Heavy duty chassis and 4,200 lbs rated axle to handle rough road towing.
- Highway safety chains with snap hook

AL™5 HT LIGHT TOWER



CHASSIS OPTIONS

- 30 gal fuel tank with spill containment
- 60 gal fuel tank
- 60 gal fuel tank with spill containment
- Hitch, 2 1/2 in. ring
- Hitch, 2 5/16 in. ball
- Hitch, combination ring and ball
- Spare tire and wheel
- Tough coat paint surface: cabinet and trailer front
- Trailer brakes, electric
- Trailer brakes, Hydraulic surge: must specify ring or ball hitch

ENGINE OPTIONS

- 12 kW, 60 Hz generator with 16.3 hp Kubota® diesel engine
- 20 kW, 60 Hz generator with 29.2 hp, includes external receptacle package, and 2 ea. 20A/120V GFI & 3 ea. 30A/240V T/L, 700 CCA battery
- 15.5 kW, 50Hz generator
- Auto-Start
- Automatic air shutdown
- Fuel/water separator filter
- Fuel/water separator with fuel line heater

TOWER OPTIONS

- 6 metal halide lights
- 8 metal halide lights: only available with 12 kW or 20 kW engine option
- Tower Lock kit

COLD WEATHER OPTIONS

- Deluxe Cold weather package: 1000 CCA battery, battery blanket heater, engine block heater, low temp coolant



WORKS FOR YOU.™



www.discount-equipment.com

Effective Date: January, 2017. Product specifications and prices are subject to change without notice or obligation. The photographs and/or drawings in this document are for illustrative purposes only. Refer to the appropriate Operator's Manual for instructions on the proper use of this equipment. Failure to follow the appropriate Operator's Manual when using our equipment or to otherwise act irresponsibly may result in serious injury or death. The only warranty applicable to our equipment is the standard written warranty applicable to the particular product and sale and we make no other warranty, express or implied. Products and services listed may be trademarks, service marks or trade names of Terex Corporation and/or their subsidiaries in the USA and many other countries. Terex, Genie and Works For You are trademarks owned or licensed by Terex Corporation or its subsidiaries. All other trademarks are property of their respective owners. © 2017 Terex Aerial Work Platforms.

AL5 HT 0210E Part #127107



TEREX®

WORKS FOR YOU.™