



# TEREX

## Parts Manual

Serial Number Range

### **AL4000**

from SN AL4-8054 to AL4-8853

from SN AL4000-19102 to  
AL4000-24847

from SN AL406-25121 to  
AL411-2103

from SN FUF-17523 to  
HGF-27066

Part No. 116419

Rev C22

January 2018

# **Discount Equipment**

Discount-Equipment.com is your online resource for commercial and industrial quality parts and equipment sales.

## **Locations:**

Florida (West Palm Beach): [561-964-4949](tel:561-964-4949)

Outside Florida TOLL FREE: [877-690-3101](tel:877-690-3101)

**Need parts?** Check out our website at [www.discount-equipment.com](http://www.discount-equipment.com)

## **Can't find what you need?**

Click on this link: <http://www.discount-equipment.com/category/5443-parts/> and fill out the request form.

Please have the machine model and serial number available in order to help us get you the correct parts. One of our experienced staff members will get back to you with a quote for the right part that your machine needs.

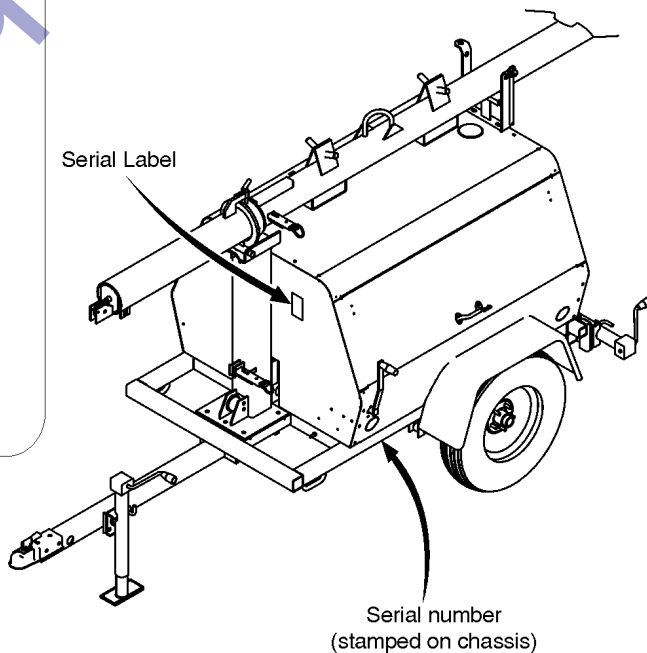
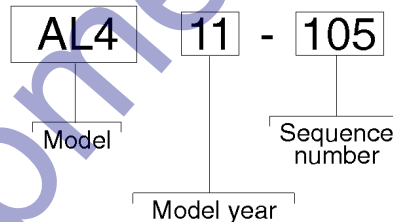
We sell worldwide for the brands: Genie, Terex, JLG, MultiQuip, Mayco, Toro/Stone, Diamond Products, Magnum, Airman, Mustang, Power Blanket, Nifty Lift, Atlas Copco, Chicago Pneumatic, Allmand Brothers, Essick, Miller Spreader, Skyjack, Lull, Skytrak, Tsurumi, Husquyarna/Target, Whiteman-Concrete/Mortar, Stow-Concrete/Mortar, Baldor, Wacker, Sakai, Snorkel, Upright, Mi-T-M, Sullair, Neal, Basic, Dynapac, MBW, Weber, Bartell, Bennar Newman, Haulotte, Ditch Runner, Blaw-Knox, Himoina, Best, Buddy, Crown, Edco, Wyco, Bomag, Laymor, Terremite, Barreto, EZ Trench, Takeuchi, Basic, Bil-Jax, Curtis, Gehl, Heli, Honda, ICS/PowerGrit, Puckett, Waldon, ASV, IHI, Partner, Imer, Clipper, MMD, Koshin, Rice, Gorman Rupp, CH&E, Cat Pumps, Comet, General Pump, Giant, AMida, Coleman, NAC, Gradall, Square Shooter, Kent, Stanley, Tamco, Toku, Hatz, Kohler, Robin, Wisconsin, Northrock, Oztec, Toker TK, Rol-Air, Small Line, Wanco, Yanmar



**MODEL:** AL4000  
**SERIAL NUMBER :** AL411-105  
**MANUFACTURE DATE:** 03/31/11    **MODEL YEAR:** 2011  
**ELECTRICAL SCHEMATIC NUMBER:** ES100033  
**MACHINE UNLADEN WEIGHT:** 2,541 lbs / 1,153 kg  
**AXLE WEIGHT :** 3500 lbs / 1588 kg  
**TONGUE WEIGHT :** 149 lbs / 67 kg  
**TIRE PRESSURE :** 50 psi / 345 kPA  
**MAXIMUM TOW SPEED :** 60 mph / 96 kph  
**KVA :** 6 kVA                      **HZ :** 60 Hz  
**KW:** 6 kW                        **VOLTS :** 240V  
**RPM :** 1800 rpm                **MAX AMPS :** 30 Amps  
**MAX AMBIENT TEMPERATURE :** 104 °F / 40 °C  
**INSULATION SYSTEM :** Class F

**Country of manufacture:** USA

**Manufacturer:**  
Terex USA, LLC  
590 Huey Road  
Rock Hill, SC 29732 USA



## Table of Contents

This manual is updated frequently. If you have a printed manual, you can keep it up to date by downloading new figures from the Genie website at [www.genielift.com](http://www.genielift.com). For the most up-to-date parts information, visit the Parts Lookup System on the Genie website at [www.genielift.com](http://www.genielift.com).

How to Read Your Serial Number.....	3
Parts Stocking List.....	7
How to Order Parts.....	8
Service Parts Fax Order Form.....	9

**Electronic Version**

Click on any page number to view the figure.

**100 Decals**

101.1 Decals with Words, Roadside.....	10
102.1 Decals with Words, Curbside.....	12

**200 Chassis Components**

201.1 Chassis.....	14
202.1 Skid Chassis Components.....	16
203.1 Fuel Tank and Hoses (models without Spill Containment Option).....	18
204.1 Fuel Tank and Hoses (models with Spill Containment Option).....	20
205.1 Axles and Brakes.....	22
206.1 Hitches.....	24
207.1 Ballast Box.....	26
208.1 Cabinet, View 1.....	28
209.1 Cabinet, View 2.....	30
210.1 Winch.....	32
211.1 Electric Winch.....	34

**300 Engine and Generator**

301.1 Kubota D1105-E3BG, View 1.....	36
302.1 Kubota D1105-E3BG, View 2.....	38
303.1 Kubota D1105-E3BG, View 3.....	40
304.1 Kubota D1105-E3BG, View 4.....	42
305.1 Perkins 403D-11G, View 1.....	44
306.1 Perkins 403D-11G, View 2 ( to serial number AL4011-1555).....	46
306.2 Perkins 403D-11G, View 2 ( from serial number AL4011-1556).....	48
307.1 Generators.....	50

**400 Electrical Components**

401.1 Control Box, 60 Hz, View 1.....	52
402.1 Control Box, 60 Hz, View 2.....	54
403.1 Control Box, 60 Hz with Auto Air Shutdown, View 1.....	56
404.1 Control Box, 60 Hz with Auto Air Shutdown, View 2.....	58
405.1 Control Box, Autostart, View 1.....	60
406.1 Control Box, Autostart, View 2.....	62
407.1 Control Box, 50 Hz, View 1.....	64
408.1 Control Box, 50 Hz, View 2.....	66
409.1 Control Box, 50 Hz, Australia, View 1.....	68
410.1 Control Box, 50 Hz, Australia, View 2.....	70
411.1 Control Box, 50 Hz, Twistlock, View 1.....	72
412.1 Control Box, 50 Hz, Twistlock, View 2.....	74
413.1 Electrical Wiring and Power Cables.....	76

**500 Mast Components**

501.1 Mast Assembly and Winch Cable Routing.....	78
502.1 Tower Base Assembly.....	80
503.1 Round Tube Assembly, 6 Inch.....	82
504.1 Mast Assembly, 4-inch.....	84
505.1 Mast Assembly, 2-inch and 3-inch.....	86
506.1 Mast Crossarm.....	88
507.1 Light Assembly, Round.....	90
508.1 Light Assembly, Square.....	92

**600 Accessories**

601.1 Spare Tire and Dome Light.....	94
602.1 Engine Options.....	96

**Indices**

Part Number Index.....	98
Part Description Index.....	101

**Cross References**

**Required Parts**

The following parts are required to perform maintenance procedures as outlined in the Terex AL4000 Service Manual.

**Kubota D1105-D3BG**

Description	Part No.
Air Filter Element	866127
Engine Oil Filter	866050
Fuel Filter Element	839200
In-line Fuel Filter	740620
V-Belt	839209
Lower Radiator Hose	839110
Upper Radiator Hose	839109
Hose Clamp, Upper Radiator Hose	32185

**Perkins 403D-11G**

Description	Part No.
Air Filter Element	866068
Engine Oil Filter	94762
Fuel Filter Element	62421
In-line Fuel Filter	740620
V-Belt	85071
Lower Radiator Hose	58292
Upper Radiator Hose	97428
Hose Clamp, Radiator Hose	30348

**Fuel Lines**

Description	Part No.
Fuel Return Hose, 1/8" (refer to 203.1)	890786
Hose, Fuel, 5/16" (refer to 203.1)	890795
Hose Clamp, 5/16" Fuel Line	898590

Description	Part No.
Kit: Upper Cable Assembly	105070
Kit: Lower Cable Assembly	109065

**Recommended Parts**

Description	Part No.
Mechanical Jack	841430
Snap Ring, Mechanical Jack	840222
Kit, Plunger Pin, Outrigger	970260
Grease Seal Bearing	834225
Cotter Pin, Wheel Bearing	834255

**Control Box**

Relay, 12VDC	R661490
Breaker, 20A	T113642
Breaker, 15A	T113641
Breaker, 30A	T113644

**Generator, Marathon**

Capacitor, 8KW, 50Hz	58356
Capacitor, 8KW, 50Hz	85207
Capacitor, 7.5KW, 50Hz	229457
Diode	836853
Surge Protector	836856

Discount-Equipment.com

# **Discount Equipment**

Discount-Equipment.com is your online resource for commercial and industrial quality parts and equipment sales.

## **Locations:**

Florida (West Palm Beach): [561-964-4949](tel:561-964-4949)

Outside Florida TOLL FREE: [877-690-3101](tel:877-690-3101)

**Need parts?** Check out our website at [www.discount-equipment.com](http://www.discount-equipment.com)

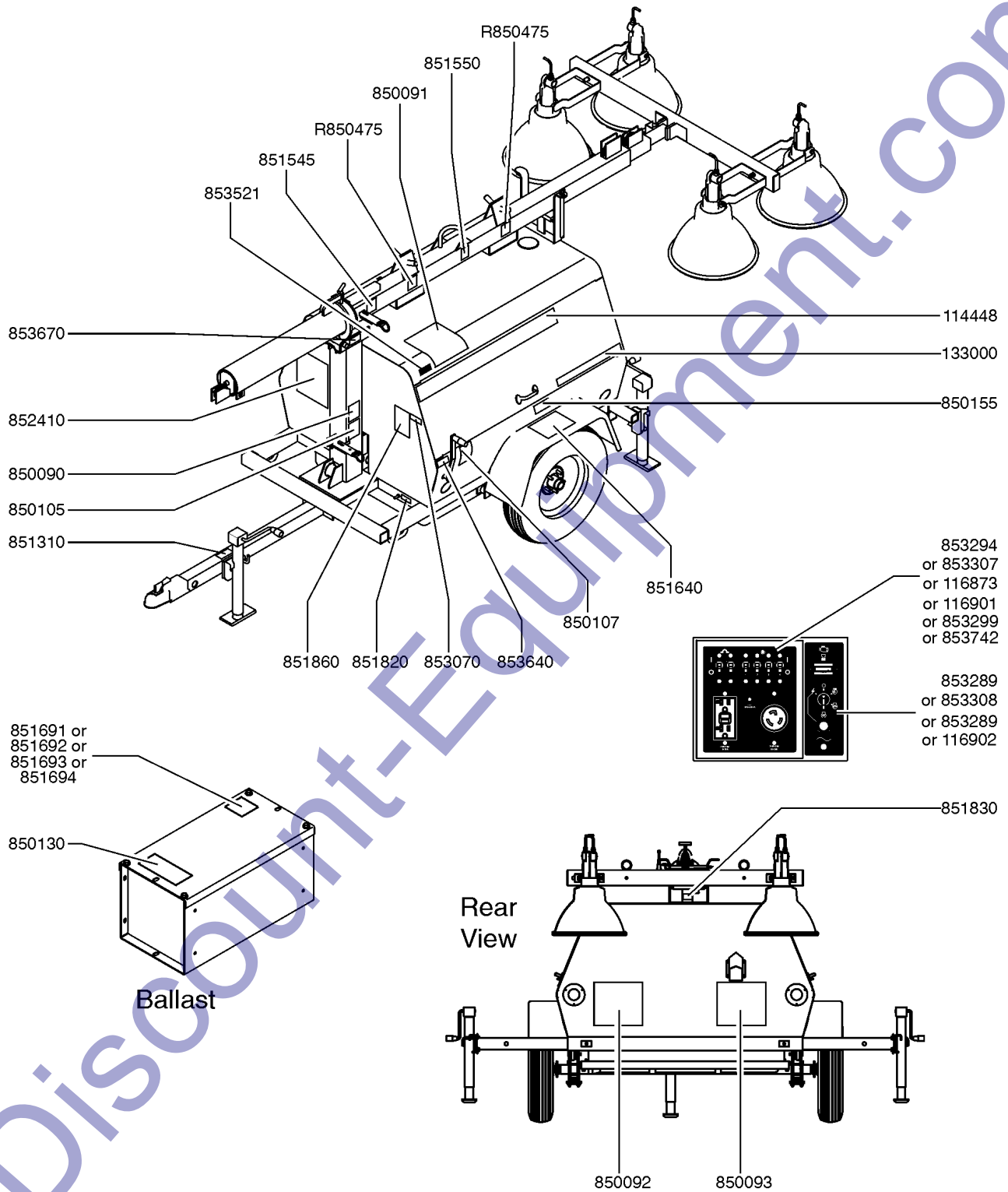
## **Can't find what you need?**

Click on this link: <http://www.discount-equipment.com/category/5443-parts/> and fill out the request form.

Please have the machine model and serial number available in order to help us get you the correct parts. One of our experienced staff members will get back to you with a quote for the right part that your machine needs.

We sell worldwide for the brands: Genie, Terex, JLG, MultiQuip, Mayco, Toro/Stone, Diamond Products, Magnum, Airman, Mustang, Power Blanket, Nifty Lift, Atlas Copco, Chicago Pneumatic, Allmand Brothers, Essick, Miller Spreader, Skyjack, Lull, Skytrak, Tsurumi, Husquvarna/Target, Whiteman-Concrete/Mortar, Stow-Concrete/Mortar, Baldor, Wacker, Sakai, Snorkel, Upright, Mi-T-M, Sullair, Neal, Basic, Dynapac, MBW, Weber, Bartell, Bennar Newman, Haulotte, Ditch Runner, Blaw-Knox, Himoina, Best, Buddy, Crown, Edco, Wyco, Bomag, Laymor, Terremite, Barreto, EZ Trench, Takeuchi, Basic, Bil-Jax, Curtis, Gehl, Heli, Honda, ICS/PowerGrit, Puckett, Waldon, ASV, IHI, Partner, Imer, Clipper, MMD, Koshin, Rice, Gorman Rupp, CH&E, Cat Pumps, Comet, General Pump, Giant, AMida, Coleman, NAC, Gradall, Square Shooter, Kent, Stanley, Tamco, Toku, Hatz, Kohler, Robin, Wisconsin, Northrock, Oztec, Toker TK, Rol-Air, Small Line, Wanco, Yanmar

101.1 Decals with Words, Roadside

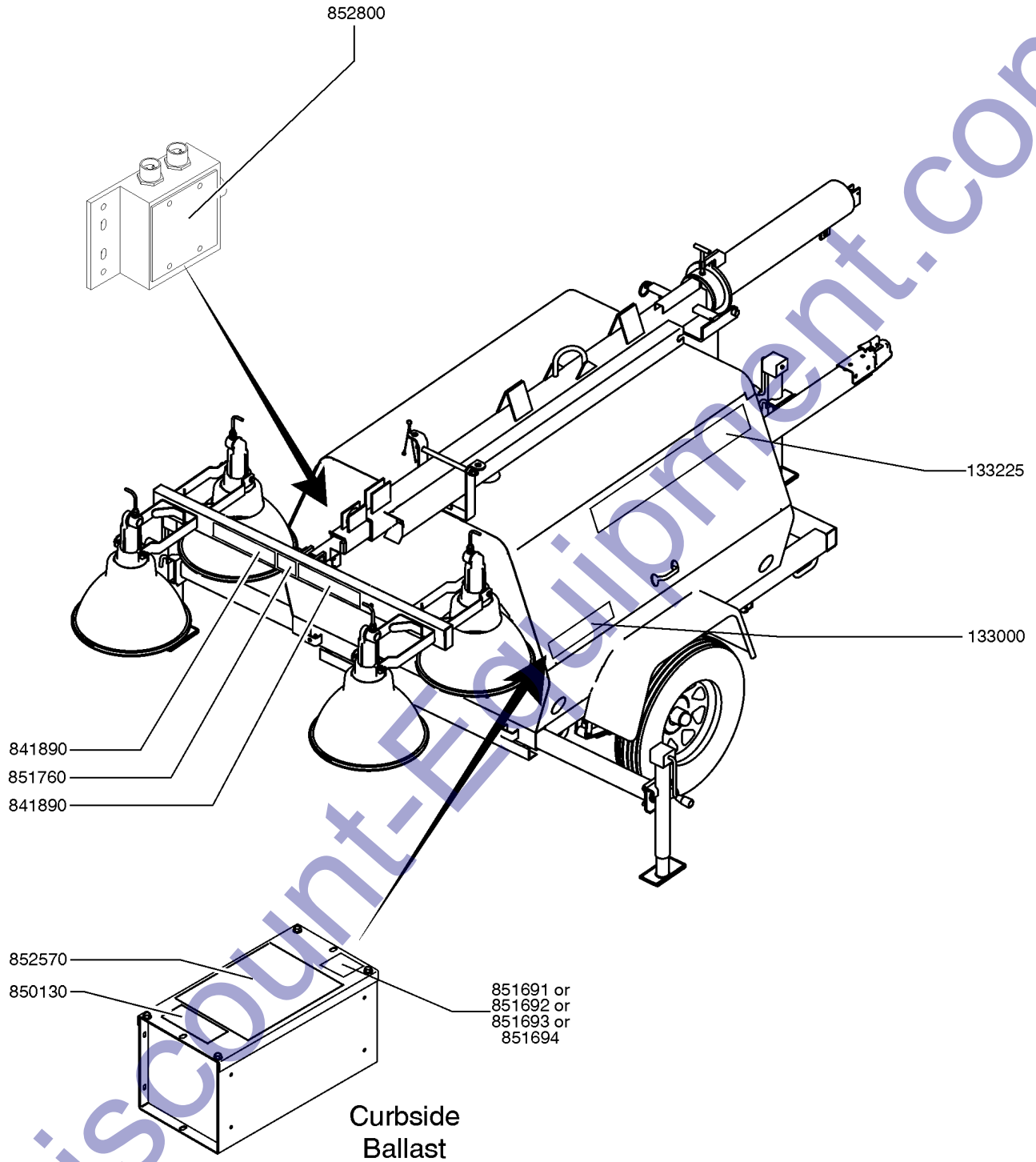


101.1 Decals with Words, Roadside

Item	Part No.	Description	Qty.	Item	Part No.	Description	Qty.
--	214413GT	DECAL KIT, WORD, AL4000 <i>(does not include control box decals)</i>		17	851830GT	DECAL- HORIZONTAL LOCK 4541.....	1
1	114355GT	BALLAST ASSY,60HZ,MH,1KW,120V.....	2	18	851860GT	DECAL-DANGER ELECT SHOCK HAZAR.....	1
1	114448GT	COSMETIC,TEREX LOGO-LG.....	1	19	852410GT	DECAL-OPERATING INSTRUCTIONS...	1
2	114448GT	COSMETIC,TEREX LOGO-LG.....	1	20	852411GT	DECAL - CE OPERATINGIN.....	1
2	133000GT	DECAL, COSMETIC, AL4000 LOGO....	2	20	853070GT	DECAL- CAUTION READ.....	1
3	133000GT	DECAL, COSMETIC, AL4000 LOGO....	2	21	852570GT	DECAL,BATTERY WARN &.....	1
3	850090GT	DECAL- CAUTION STAND.....	1	21	853521GT	DECAL,ATTN-ALWAYS "PRIME" FUEL.....	1
4	850090GT	DECAL- CAUTION STAND.....	1	22	853070GT	DECAL- CAUTION READ.....	1
4	850091GT	DECAL- DANGER CRUSH HAZARD....	1	22A	853289GT	DECAL, AL/RL CONTROL BOX DC.....	1
5	850091GT	DECAL- DANGER CRUSH HAZARD....	1	22B	853308GT	DECAL:AUTOSTART AL4 ENG CTRL	
5	850092GT	DECAL- DANGER FALLING.....	1	22C	853289GT	DECAL, AL/RL CONTROL BOX DC <i>(auto shut-down)</i>	
6	850092GT	DECAL- DANGER FALLING.....	1	22D	116902GT	DECAL,CONTROL BOX DC CONSOL <i>(symbol)</i>	
6	850093GT	DECAL- DO NOT STAND BEHIND TOW.....	1	23	853521GT	DECAL,ATTN-ALWAYS "PRIME" FUEL.....	1
7	850093GT	DECAL- DO NOT STAND BEHIND TOW.....	1	23A	853294GT	DECAL,AL/RL,CONTROL BOX,AC.....	1
7	850105GT	DECAL-DANGER DO NOT PULL LOCK.....	1	23B	853307GT	DECAL:AUTOSTART AL4 CB,FACE PL	
8	850105GT	DECAL-DANGER DO NOT PULL LOCK.....	1	23C	116873GT	DECAL: CONTROL BOX 4MH NO RC <i>(50 Hz)</i>	
8	850107GT	DECAL-CAUTION WINCH LOCK SYST.....	1	23D	116901GT	DECAL,CONTROL BOX AC CONSOL <i>(symbol)</i>	
9	850107GT	DECAL-CAUTION WINCH LOCK SYST.....	1	23E	853299GT	DECAL- AL/RL CNTRL BO <i>(50 Hz Twistlock)</i>	
9	850130GT	DECAL- DANGER HIGHVOLTAGE.....	2	23F	853742GT	DECAL- CNTRL BOX FACE <i>(50 Hz Australia)</i>	
10	850130GT	DECAL- DANGER HIGHVOLTAGE.....	4	24	853289GT	DECAL, AL/RL CONTROL BOX DC.....	1
10	850155GT	DECAL- NO.2 DIESELFUEL ONLY.....	1	24	853640GT	DECAL- CAUTION WINCH.....	1
11	850155GT	DECAL- NO.2 DIESELFUEL ONLY.....	2	25	853294GT	DECAL,AL/RL,CONTROL BOX,AC.....	1
11	851310GT	DECAL-ATTN ALL JACKS MUST BE.....	1	25	853670GT	DECAL- CRUSH AREA 4 X 2.....	1
11B	853289GT	DECAL, AL/RL CONTROL BOX DC <i>(Australia)</i>		26	853640GT	DECAL- CAUTION WINCH.....	1
12	851310GT	DECAL-ATTN ALL JACKS MUST BE....	3	26	R850475GT	DECAL-DANGER,FORKS MUST BE INS.....	2
12	851545GT	DECAL- WARNING SHOCK HAZARD....	1	27	853670GT	DECAL- CRUSH AREA 4 X 2.....	1
12b	853742GT	DECAL- CNTRL BOX FACE <i>(Australia)</i>		28	R850475GT	DECAL-DANGER,FORKS MUST BE INS.....	4
13	851545GT	DECAL- WARNING SHOCK HAZARD....	1				
13	851550GT	DECAL- LIFT MACHINEHERE.....	1				
14	851550GT	DECAL- LIFT MACHINEHERE.....	2				
14	851640GT	DECAL- TOWER OPERATING.....	1				
15	851640GT	DECAL- TOWER OPERATING.....	2				
15	851691GT	DECAL- 1 (10/CARD BRADY.....	1				
--	851692GT	DECAL- 2 (10/CARD BRADY					
--	851693GT	DECAL- 3 (10/CARD BRADY					
--	851694GT	DECAL - 4 (10/CARD BRADY					
16	851820GT	DECAL- SYMBOL FOR GROUND.....	1				



102.1 Decals with Words, Curbside



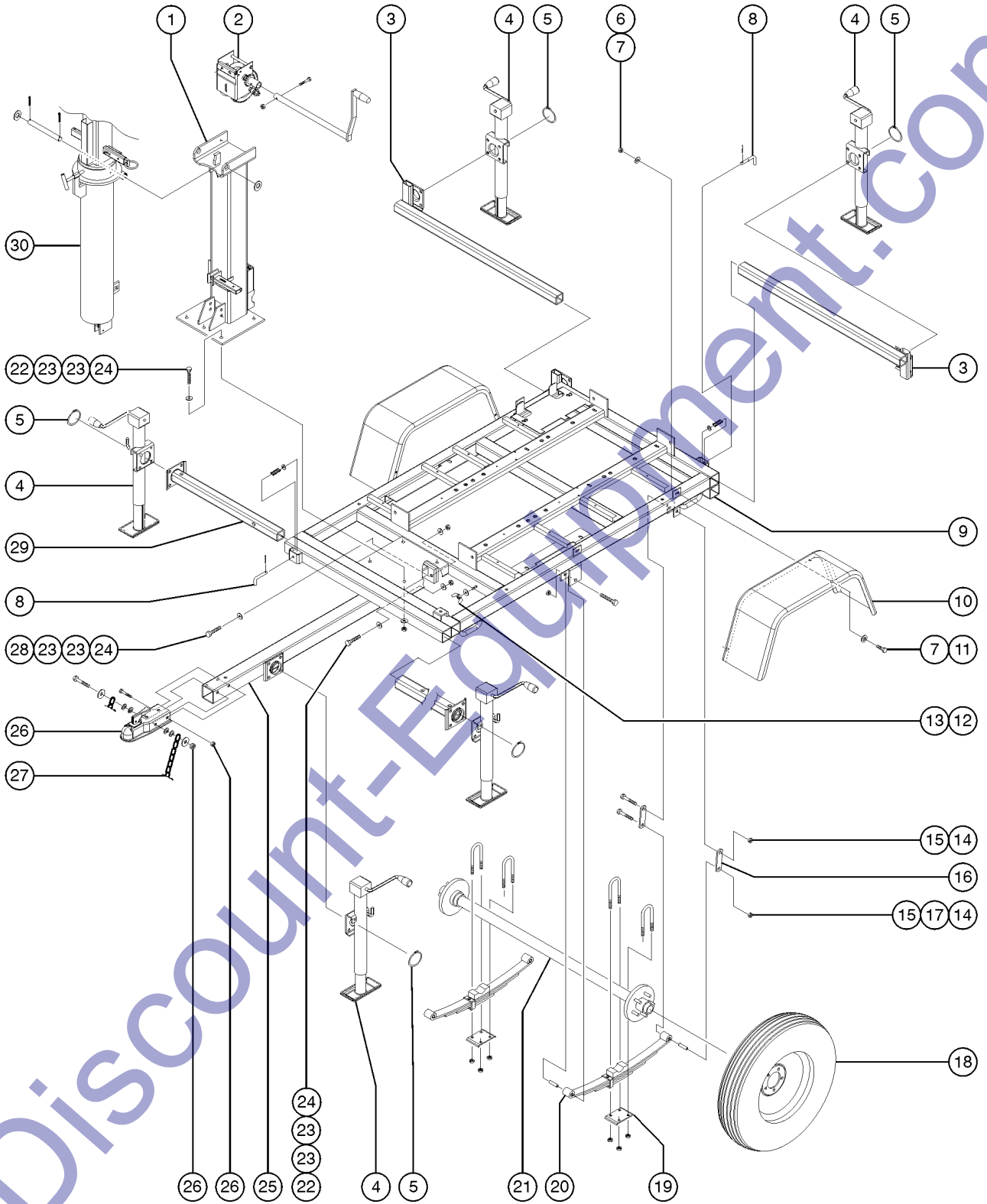
DiscountEquipment.com

102.1 Decals with Words, Curbside

Item	Part No.	Description	Qty.
--		Ref. DECAL KIT <i>(refer to 101.1)</i>	
1	133000GT	DECAL, COSMETIC, AL4000 LOGO.....2	
2	133225GT	DECAL,COSMETIC,TEREX,4X40-R.....1	
3	841890GT	REFLECTOR,SCOTCHLITE,2"X18".....2	
4	850130GT	DECAL- DANGER HIGHVOLTAGE.....2	
5	851691GT	DECAL- 1 (10/CARD BRADY.....1	
--	851692GT	DECAL- 2 (10/CARD BRADY	
--	851693GT	DECAL- 3 (10/CARD BRADY	
--	851694GT	DECAL - 4 (10/CARD BRADY	
6	851760GT	DECAL- DANGER HIGHVOLTAGE.....1	
7	852570GT	DECAL,BATTERY WARN &.....1	
8	852800GT	DECAL,CAUTION,TIGHTEN.....1	

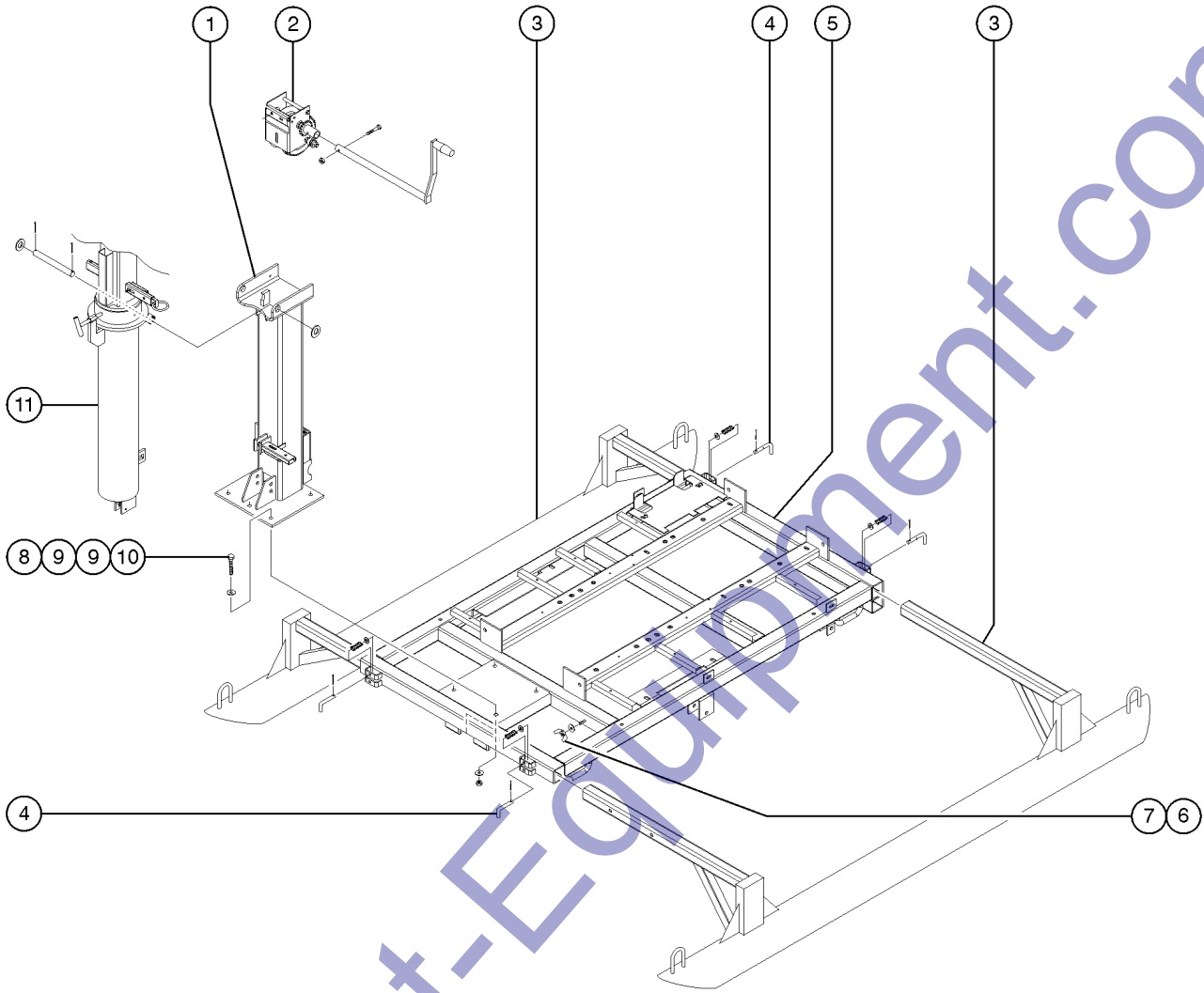
Discount-Equipment.com

201.1 Chassis



Item	Part No.	Description	Qty.	Item	Part No.	Description	Qty.
1		Ref. TOWER BASE ASSEMBLY <i>(refer to 502.1)</i>		30		Ref. 6" ROUND BASE ASSY <i>(refer to 503.1)</i>	
2		Ref. WINCH <i>(refer to 210.1)</i>					
3	114480GT	OUTRIGGER,2X2X42,GALVANIZED.....2					
4	841430GT	JACK,MECHANICAL,3000LB					
5	840222GT	SNAP RING,JACK (841430).....3					
6	6091GT	NUT,NYLOCK,1/4-20.....4					
7	75144GT	WASHER,FLAT,SAE 1/4",ZINC.....8					
8	790965GT	PIN,PLUNGER,OUTRIGGER, KIT.....2					
9A	124410GT	TRAILER FRAME 41X70W.....1 <i>(ANSI/CSA models)</i>					
9B	124412GT	TRAILER FRAME 41X70W/ <i>(shown) (Australian model)</i>					
10	974645GT	KIT:FENDERS TO CAB-SIDE.....1 <i>(includes 2 fenders, weatherstripping and fasteners)</i>					
--	123490GT	FENDER W/SKIRT,STEEL.....2					
--	930950GT	WTHRSRIP, 1/4" X 1/2"W <i>(50 foot roll)</i>					
11	994130GT	SCREW,HHC,1/4-20 X 1.....4					
12	993240GT	NUT,WING 3/8-16 ZP					
13	991690GT	WASHER LOCK STAR 3/8					
14	840395GT	NUT,AXLE SPRING 2000NO					
15	216631GT	BOLT,AXLE,3/16X3 W/7/16-20STEP					
16	841473GT	SHACKLE,AXLE,4-5/8" LONG					
17	834246GT	SPRING EYE BUSHING					
18	841061GT	WHEEL/TIRE ASSY,15",205/75 LRC....2					
--	840376GT	NUT,WHEEL, 1/2 X 20.....10					
19	834267GT	KIT,AXLE,U-BOLT & PLATE & NUTS....2					
20	834211GT	SPRING,LEAF FOR AXLE, 4 PLY.....2					
21		Ref., AXLE.....1 <i>(refer to 205.1)</i>					
22	994600GT	SCREW 1/2-13NCX1-1/2H.....2					
23	6095GT	WASHER,FLAT,USS,1/2",Y.....4					
24	6198GT	NUT,NYLOCK,1/2-13					
25	124470GT	TONGUE B-O-H W/JACKBR.....1					
26		Ref., HITCHES <i>(refer to 205.1)</i>					
27A	22111936GT	CHAIN,SAFETY,3000#,3/8 X 30 IN.....2 <i>30" safety chain with S-hook</i>					
27B	22111935GT	MA-CHAIN SAFETY 3000LB 3/8X30" <i>30" safety chain with snap hook</i>					
27C	162160GT	CHAIN, SAFETY, SNAP HOOK <i>42" safety chain with snap hook</i>					
28	6096GT	SCREW,HHC,1/2-13 X 2 GR5					
29	110040GT	OUTRIGGER 2X2X304819 GALV.....2 <i>models with four outriggers</i>					

202.1 Skid Chassis Components

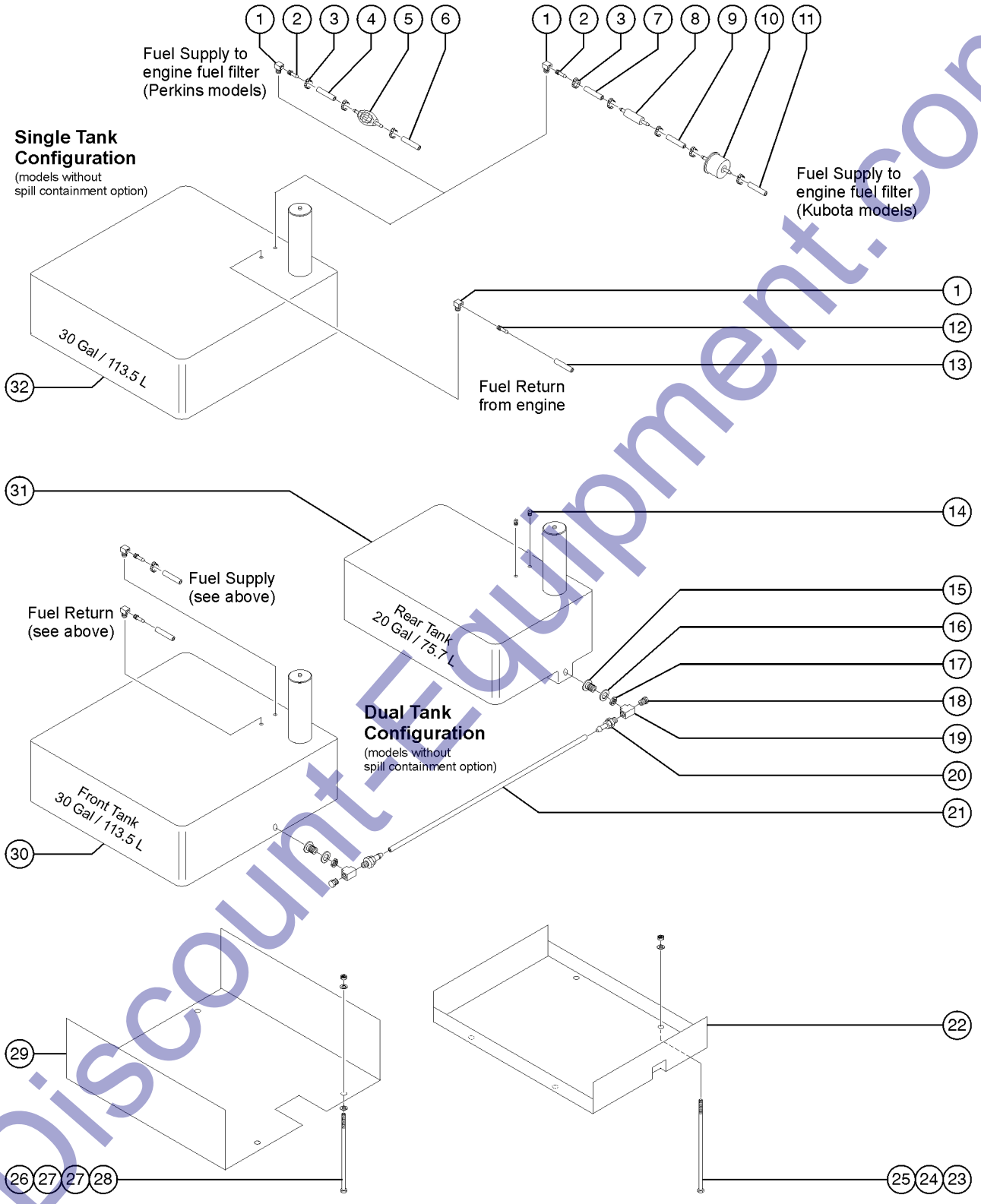


Discount-Equipment.com

Item	Part No.	Description	Qty.
1		Ref. TOWER BASE ASSEMBLY <i>(refer to 502.1)</i>	
2		Ref. WINCH <i>(refer to 209.1)</i>	
3	122025GT	SKID,6PIPE,X120LG,TRLR MT,AL4.....	2
4	790965GT	PIN,PLUNGER,OUTRIGGER, KIT.....	4
5	T108458GT	KIT,TRAILER,SKID MT,AL4.....	1
6	993240GT	NUT,WING 3/8-16 ZP.....	1
7	991690GT	WASHER LOCK STAR 3/8.....	1
8	994600GT	SCREW 1/2-13NCX1-1/2H.....	4
9	6095GT	WASHER,FLAT,USS,1/2",Y.....	8
10	6198GT	NUT,NYLOCK,1/2-13.....	4
11		Ref. 6" ROUND BASE ASSY <i>(refer to 503.1)</i>	

Discount-Equipment.com

203.1 Fuel Tank and Hoses (models without Spill Containment Option)



## 203.1 Fuel Tank and Hoses (models without Spill Containment Option)

Item	Part No.	Description	Qty.	Item	Part No.	Description	Qty.
1	891520GT	PIPE FITTING STR ELBO.....	2	26	994650GT	SCREW,HHC,1/2-13 X 10..... <i>for 188630GT</i>	4
2	898590GT	HOSE FITTING PIPE/BAR.....	1	27	990210GT	WASHER FLAT 1/2ZP..... <i>for 188630GT</i>	8
3	792750GT	CLAMP 7/16 TO 25/32		28	990200GT	NUT,NYLOCK,1/2-13 GR2..... <i>for 188630GT</i>	4
4	890795GT	HOSE,FUEL,5/16"ID..... <i>feet</i>	1.5	29	188630GT	FUEL TANK PAN, 30 GAL, AL4..... <i>for single and dual tank configurations</i>	1
5	85155GT	PUMP,PRIMER,PERKINS*** ..... <i>Perkins models</i>	1	30	189800GT	FUEL TANK,30 GAL W DRAIN HOLE..... <i>for dual-tank configuration</i>	1
6	890795GT	HOSE,FUEL,5/16"ID..... <i>feet</i>	2.5	--	217717GT	CAP FUEL RL4/AL4 WITH TETHER	
7	890795GT	HOSE,FUEL,5/16"ID..... <i>feet</i>	1	--	22109505GT	KIT: FUEL TANK DRAIN PLUG	
8	740620GT	FILTER,IN-LINE,FUEL,5/16" <i>Kubota models</i>		31	189805GT	FP-FUEL TANK 20GAL W/DRAIN..... <i>for dual-tank configuration</i>	1
9	890795GT	HOSE,FUEL,5/16"ID..... <i>feet</i>	0.25	--	217717GT	CAP FUEL RL4/AL4 WITH TETHER	
10	660320GT	PUMP,FUEL, 12VDC..... <i>Kubota models</i>	1	--	22109505GT	KIT: FUEL TANK DRAIN PLUG	
--	995810GT	SCREW 1/4-20NCX5/8 HW <i>for 660320GT</i>		32	825072GT	FUEL TNK ASSY,PLAS,30G,AL4..... <i>for single-tank configuration</i>	1
10A	R890065GT	HOSE FITTING PIPE/BARB 1/8MX..... <i>for 660320GT</i>	2	--	217717GT	CAP FUEL RL4/AL4 WITH TETHER	
11	890795GT	HOSE,FUEL,5/16"ID..... <i>feet</i>	1.5	--	22109505GT	KIT: FUEL TANK DRAIN PLUG	
12	891560GT	HOSE FITTING PIPE/BAR.....	1				
13	890785GT	HOSE,FUEL,1/8"ID..... <i>feet</i>	2.5				
14	894340GT	PIPE PLUG 3/8 GALV.....	2				
15	189790GT	PLUG,DRAIN,FUEL TANK..... <i>dual-tank models</i>	2				
--	189785GT	WASHER RUBBER BUNA-N <i>dual-tank models</i>					
16	990230GT	WASHER,FLAT,3/4 ZP <i>dual-tank models</i>					
17	996375GT	NUT HEX HEAD JAM 3/4- <i>dual-tank models</i>					
18	891190GT	PIPE PLUG 1/8 CS <i>dual-tank models</i>					
19	898575GT	FITTING,TEE,MALE,1/8 <i>dual-tank models</i>					
20	R890065GT	HOSE FITTING PIPE/BARB 1/8MX <i>dual-tank models</i>					
21	890790GT	HOSE,FUEL,1/4"ID,PUSH LOK,200#..... <i>feet</i>	3				
22	116139GT	FUEL TANK PAN,20GAL,AL4..... <i>for 189805GT</i>	1				
23	116157GT	SCREW,CARRIAGE,3/8-16X12,ZP..... <i>for 116139GT</i>	4				
24	981120GT	WASHER FLAT 3/8 ZP SAE BIN..... <i>for 116139GT</i>	4				
25	990170GT	NUT LOCK NYLON INSERT 3/8..... <i>for 116139GT</i>	4				

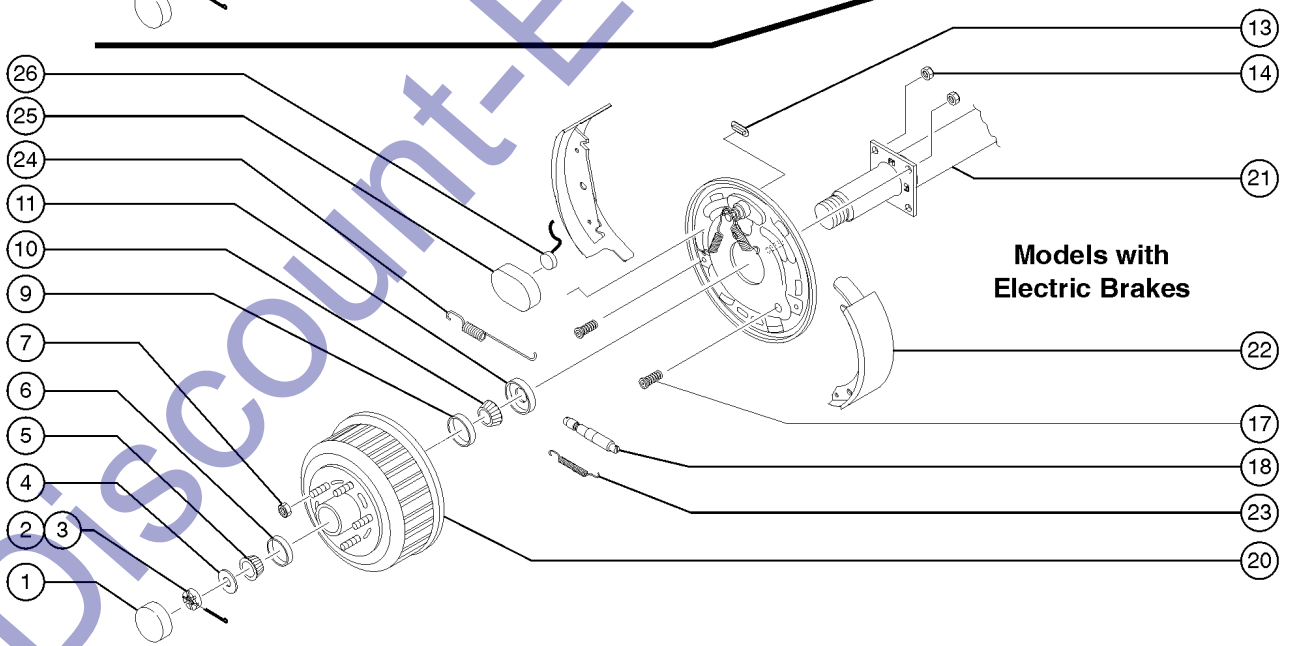
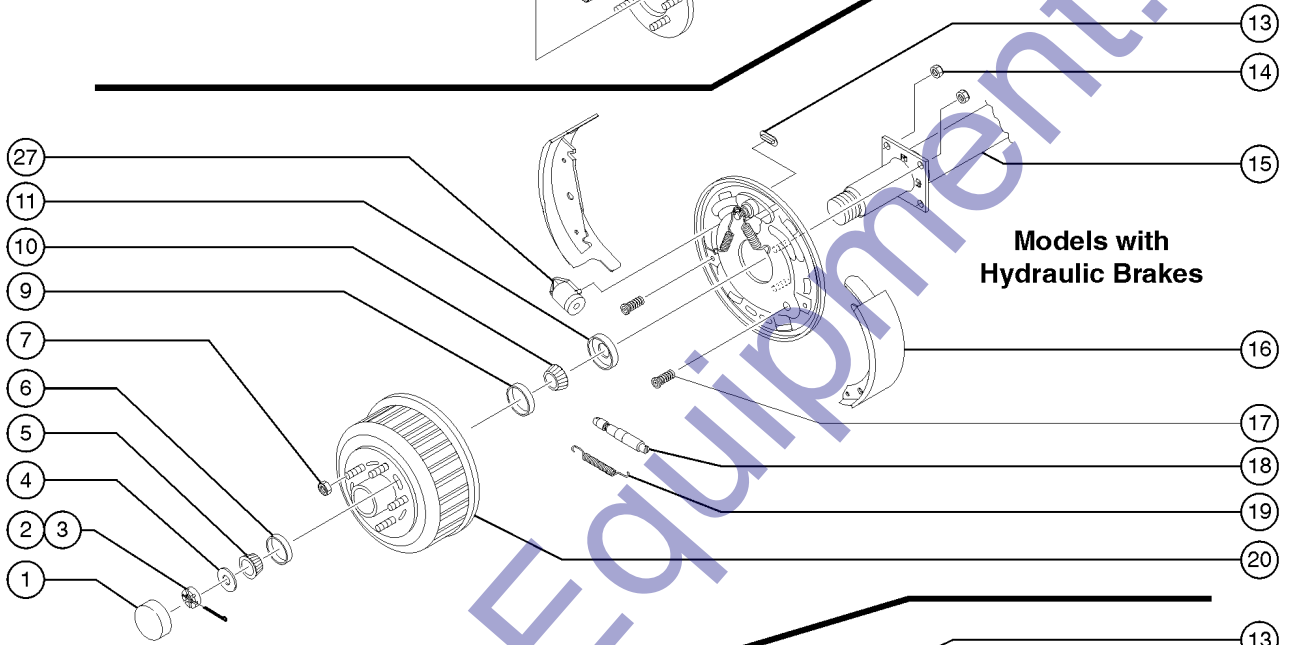
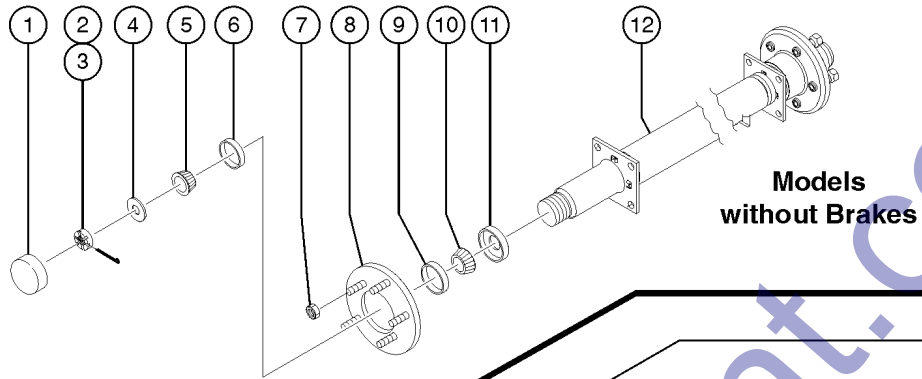




## 204.1 Fuel Tank and Hoses (models with Spill Containment Option)

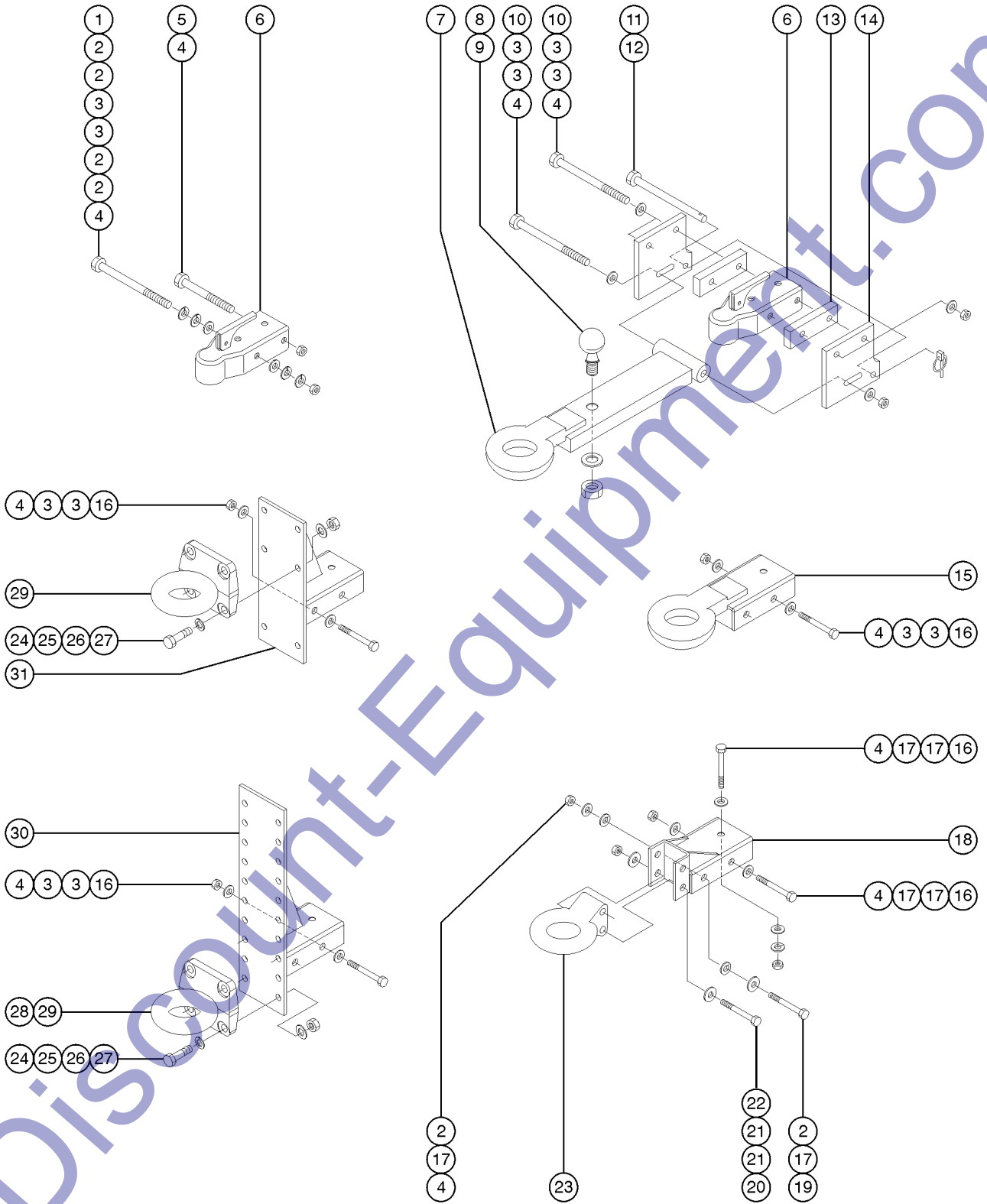
Item	Part No.	Description	Qty.
1		Ref. PIPE FITTING (refer to 203.1)	
2		Ref. HOSE FITTING (refer to 203.1)	
3		Ref. CLAMP (refer to 203.1)	
4		Ref. Hose (refer to 203.1)	
5		Ref. PUMP, PRIMER (refer to 203.1)	
6		Ref. FUEL HOSE (refer to 203.1)	
7		Ref. FUEL HOSE (refer to 203.1)	
8		Ref. FILTER, IN-LINE (refer to 203.1)	
9		Ref. FUEL HOSE (refer to 203.1)	
10		Ref. PUMP, FUEL (refer to 203.1)	
11		Ref. FUEL HOSE (refer to 203.1)	
12		Ref. HOSE FITTING (refer to 203.1)	
13		Ref. FUEL HOSE (refer to 203.1)	
14	992590GT	SCREW 3/8-16NCX1-1/2H.....	4
15	981120GT	WASHER FLAT 3/8 ZP SAE BIN.....	8
16	990170GT	NUT LOCK NYLON INSERT 3/8.....	4
17	124515GT	BUND FLUIDS CONTAINPA.....	1
18	891194GT	PIPE PLUG 1/2 GALV.....	2
19	995465GT	SCREW,HHC,1/2-13NCX12,GR2.....	4
20	990210GT	WASHER FLAT 1/2ZP.....	8
21	990200GT	NUT,NYLOCK,1/2-13 GR2.....	4
22	124445GT	BUND FUEL CONTAINPAN.....	1
23A		Ref. FUEL TANK (refer to 203.1)	
23B	742225GT	TANK FUEL 20GAL RMPE1 (dual tanks)	

205.1 Axles and Brakes

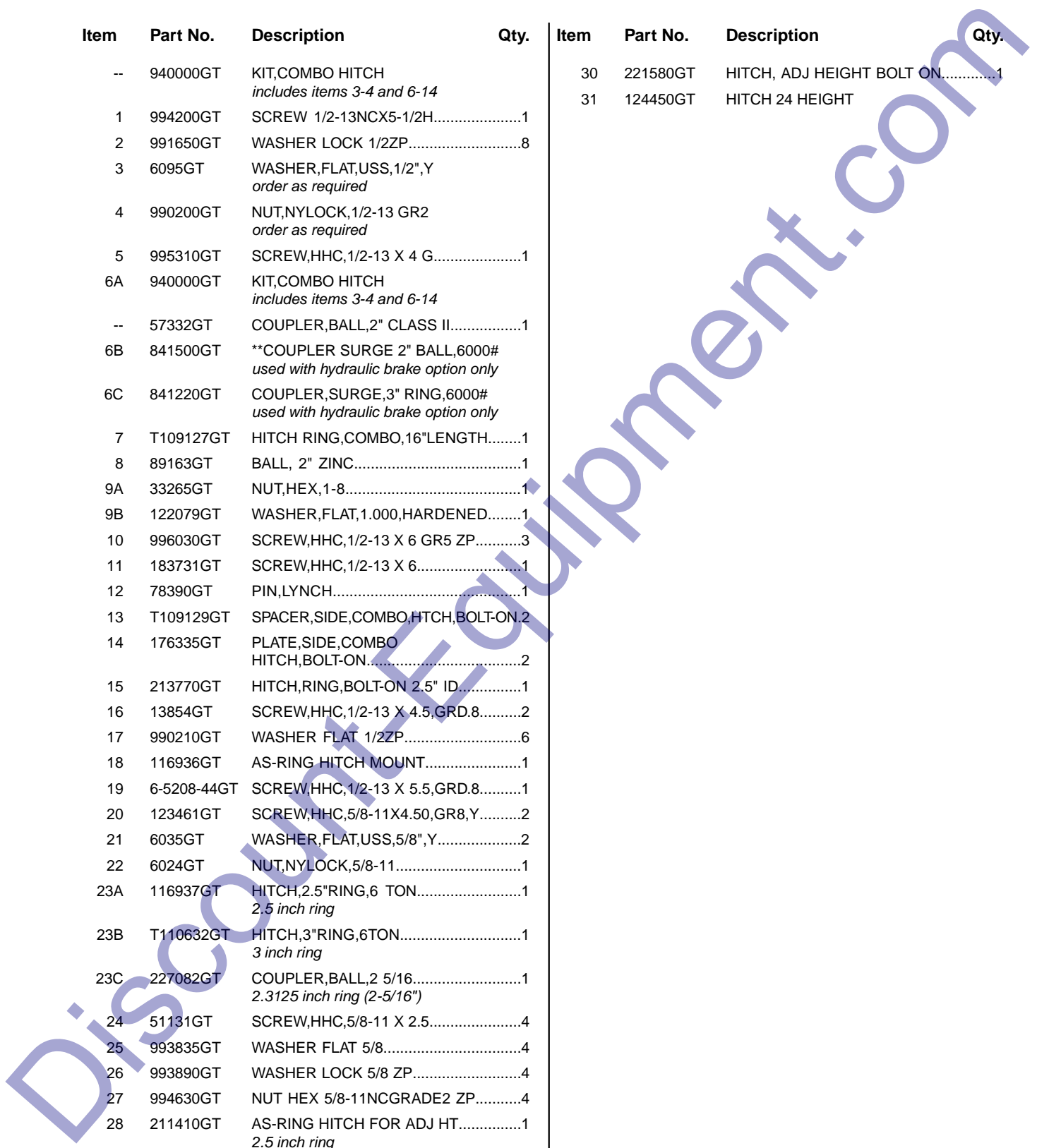


Item	Part No.	Description	Qty.
1	834228GT	GREASE CAP, AXLE, 3000LB.....	2
2	834250GT	HAMMERBLOW SPINDLE NUT,AXLE...	2
3	834255GT	HAMMERBLOW 033008COTTER PIN...	2
4	147123GT	WASHER,PLAIN,1".....	2
5	230561GT	BEARING,ALXL,840377,841050.....	2
6	230562GT	RACE,ALXL,840377,841050.....	2
7	840376GT	NUT,WHEEL, 1/2 X 20.....	10
8	230566GT	IDLER HUB,ALXL.....	2
9	230563GT	RACE,ALXL,840377,841050.....	2
10	834226GT	INNER BEARING.....	2
11	52265GT	SEAL,GREASE (SL173)..... <i>replaced 834225GT</i>	2
12	841050GT	AXLE ASSY,3500LB,IDLE,AL4..... <i>includes items 1-11</i>	1
13		COVER,ADJ SCREW,ALXL,BRAKE..... <i>(no longer avialble from supplier)</i>	2
14	230560GT	NUT,7/16,FH,ZINC,BRAKE, ALXL.....	10
15A	22105016GT	ASY:AXLE 3500LB W/HYD BRAKE <i>models with ball hitch; includes items 1-11, 13-20 and 26</i>	
15B	22105013GT	ASY:AXLE 3500LB W/HYD BRAKE <i>models with ring hitch; includes items 1-11, 13-20 and 26</i>	
16	230571GT	SHOE AND LINING KIT,ALXL,ELEC.....	2
17	230577GT	SHOE HOLD DOWN SPRING,ALXL.....	4
18	230569GT	ADJUSTER SCREW ASSY, ALXL.....	2
19		ADJUSTER SPRING,E BRAKE,ALXL..... <i>(no longer avialble from supplier)</i>	2
20	230565GT	BRAKE DRUM,ALXL.....	2
21	116941GT	AXLE ASSY ELE,3500 W/PRK BRK <i>includes items 1-11, 13-14, 17-18 and 20-26</i>	
22	230570GT	SHOE AND LINING KIT,ALXL,HYD.....	2
23	230573GT	ADJUSTER SPRING,H BRAKE,ALXL.....	2
24	230575GT	RETRACTOR SPRING,E BRK,ALXL.....	2
25	230568GT	MAGNET,ELEC BRAKE, ALXL.....	2
26	230567GT	MAGNET SPRING,ELEC BRAKE,ALXL.....	2
27A	230579GT	WHEEL CYLINDER, LH, ALXL.....	2
27B	230580GT	WHEEL CYLINDER, RH, ALXL.....	2

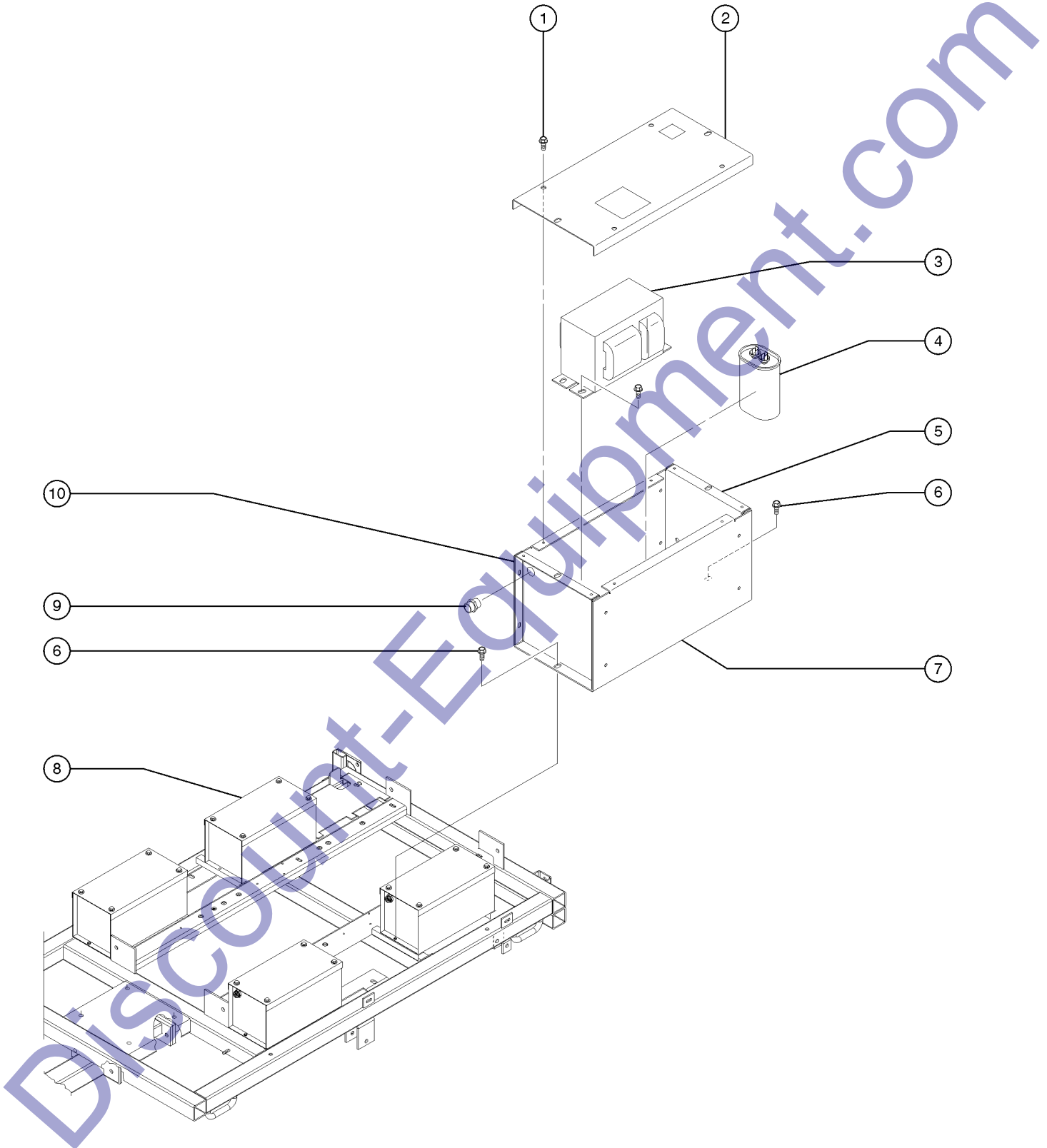
206.1 Hitches



Item	Part No.	Description	Qty.	Item	Part No.	Description	Qty.
--	940000GT	KIT,COMBO HITCH <i>includes items 3-4 and 6-14</i>		30	221580GT	HITCH, ADJ HEIGHT BOLT ON.....	1
1	994200GT	SCREW 1/2-13NCX5-1/2H.....	1	31	124450GT	HITCH 24 HEIGHT	
2	991650GT	WASHER LOCK 1/2ZP.....	8				
3	6095GT	WASHER,FLAT,USS,1/2",Y <i>order as required</i>					
4	990200GT	NUT,NYLOCK,1/2-13 GR2 <i>order as required</i>					
5	995310GT	SCREW,HHC,1/2-13 X 4 G.....	1				
6A	940000GT	KIT,COMBO HITCH <i>includes items 3-4 and 6-14</i>					
--	57332GT	COUPLER,BALL,2" CLASS II.....	1				
6B	841500GT	**COUPLER SURGE 2" BALL,6000# <i>used with hydraulic brake option only</i>					
6C	841220GT	COUPLER,SURGE,3" RING,6000# <i>used with hydraulic brake option only</i>					
7	T109127GT	HITCH RING,COMBO,16"LENGTH.....	1				
8	89163GT	BALL, 2" ZINC.....	1				
9A	33265GT	NUT,HEX,1-8.....	1				
9B	122079GT	WASHER,FLAT,1.000,HARDENED.....	1				
10	996030GT	SCREW,HHC,1/2-13 X 6 GR5 ZP.....	3				
11	183731GT	SCREW,HHC,1/2-13 X 6.....	1				
12	78390GT	PIN,LYNCH.....	1				
13	T109129GT	SPACER,SIDE,COMBO,HTCH,BOLT-ON,2					
14	176335GT	PLATE,SIDE,COMBO HITCH,BOLT-ON.....	2				
15	213770GT	HITCH,RING,BOLT-ON 2.5" ID.....	1				
16	13854GT	SCREW,HHC,1/2-13 X 4.5,GRD.8.....	2				
17	990210GT	WASHER FLAT 1/2ZP.....	6				
18	116936GT	AS-RING HITCH MOUNT.....	1				
19	6-5208-44GT	SCREW,HHC,1/2-13 X 5.5,GRD.8.....	1				
20	123461GT	SCREW,HHC,5/8-11X4.50,GR8,Y.....	2				
21	6035GT	WASHER,FLAT,USS,5/8",Y.....	2				
22	6024GT	NUT,NYLOCK,5/8-11.....	1				
23A	116937GT	HITCH,2.5"RING,6 TON..... <i>2.5 inch ring</i>	1				
23B	T110632GT	HITCH,3"RING,6TON..... <i>3 inch ring</i>	1				
23C	227082GT	COUPLER,BALL,2 5/16..... <i>2.3125 inch ring (2-5/16")</i>	1				
24	51131GT	SCREW,HHC,5/8-11 X 2.5.....	4				
25	993835GT	WASHER FLAT 5/8.....	4				
26	993890GT	WASHER LOCK 5/8 ZP.....	4				
27	994630GT	NUT HEX 5/8-11NCGRADE2 ZP.....	4				
28	211410GT	AS-RING HITCH FOR ADJ HT..... <i>2.5 inch ring</i>	1				
29	841200GT	HITCH PINTLE RING 3 I..... <i>3 inch ring</i>	1				



207.1 Ballast Box

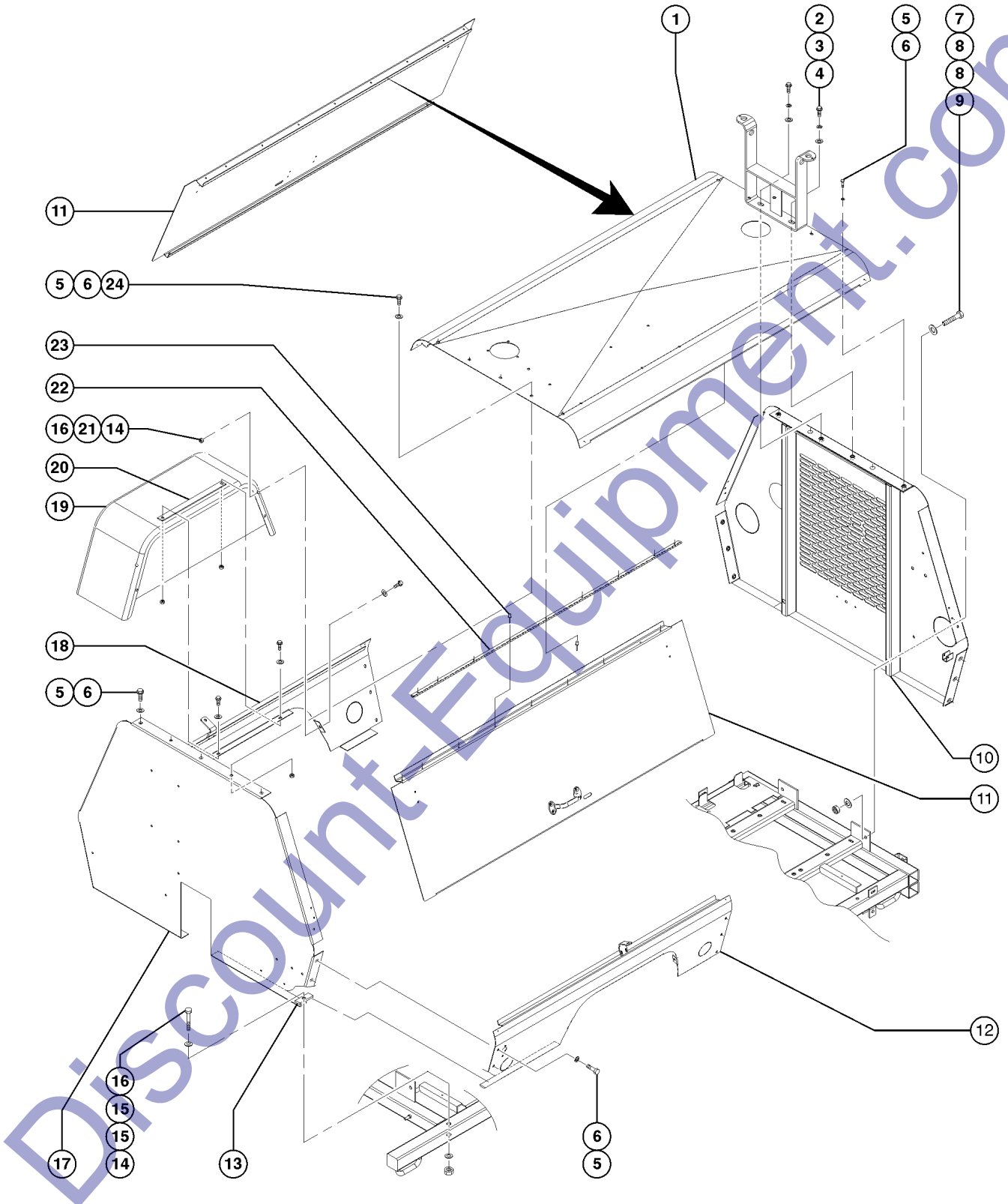


Item	Part No.	Description	Qty.
1	995490GT	SCREW,HH SLOT,1/4 X 0.75	
2	161181GT	FP-BALLAST BOX TOP.....1	
3A	160030GT	BALLAST/CAP MH60Hz120.....1 (includes item 4A)	
3B	160490GT	BALLAST MH 50HZ 120V/ (includes item 4B)	
4A	160032GT	CAPACITOR 24uF MH 60H.....1	
4B	160033GT	CAPACITOR,50HZ MH,26MF(BALLAST	
5	161185GT	FP-BALLAST BOX FRONT.....1	
6	995810GT	SCREW 1/4-20NCX5/8 HW.....8	
7	161180GT	FP-BALLAST BOX BOTTOM.....1	
8A	114355GT	BALLAST ASSY,60HZ,MH,1KW,120V.....1 (without decals, refer to section 1)	
8B	115366GT	BALLAST ASSY,50HZ,MH,1000W (without decals, refer to section 1)	
8C	114895GT	BALLAST ASSY,60HZ,HPS,1000W (without decals, refer to section 1)	
8D	22114359GT	BALLAST ASSY,50HZ,MH,1000W AUS (without decals, refer to section 1)	
9	663860GT	CONNECTOR 5P MALE RECEPTACLE.....1	
10	161184GT	FP-BALLAST BOX REAR.....1	

Discount-Equipment.com

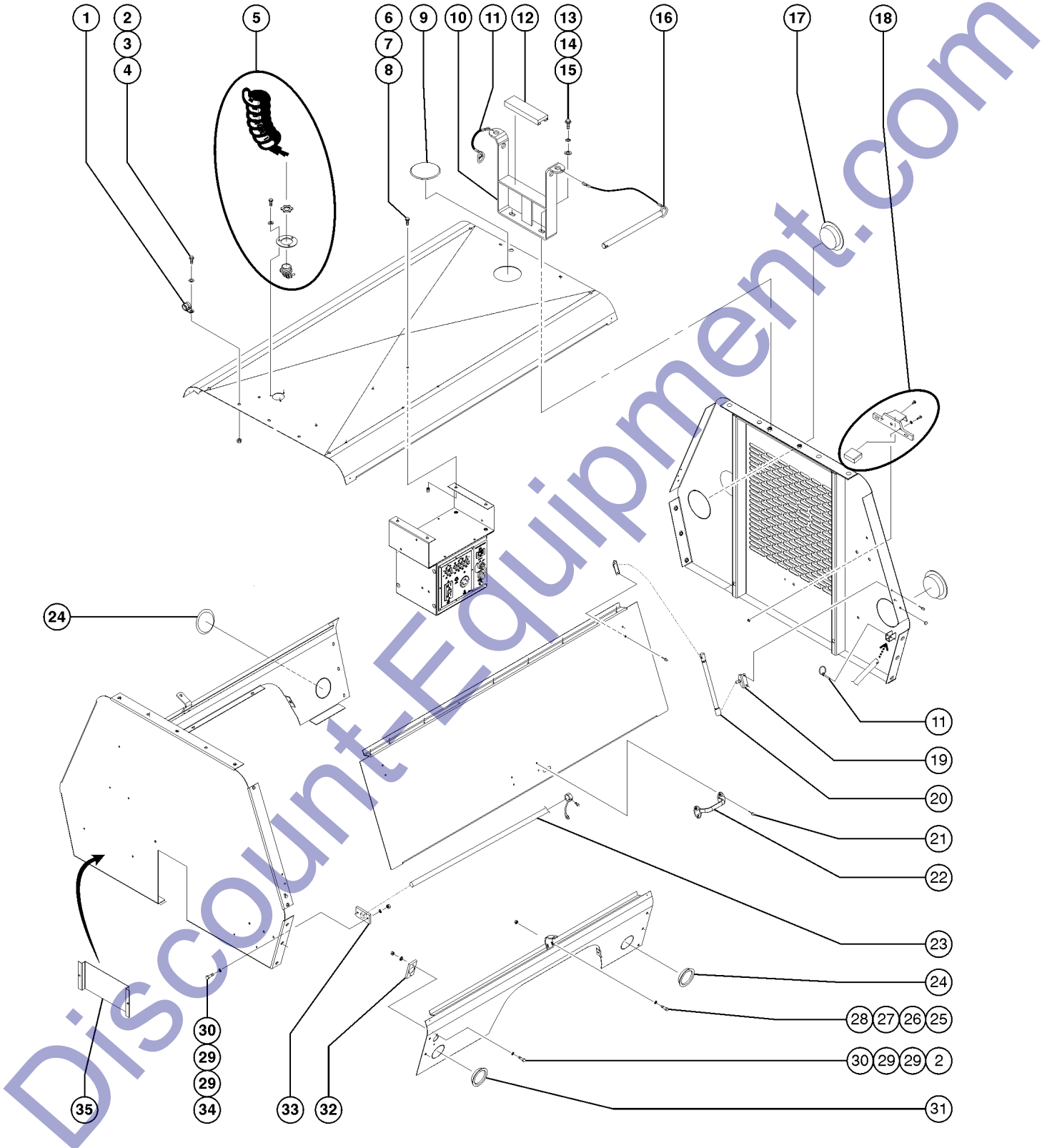


208.1 Cabinet, View 1



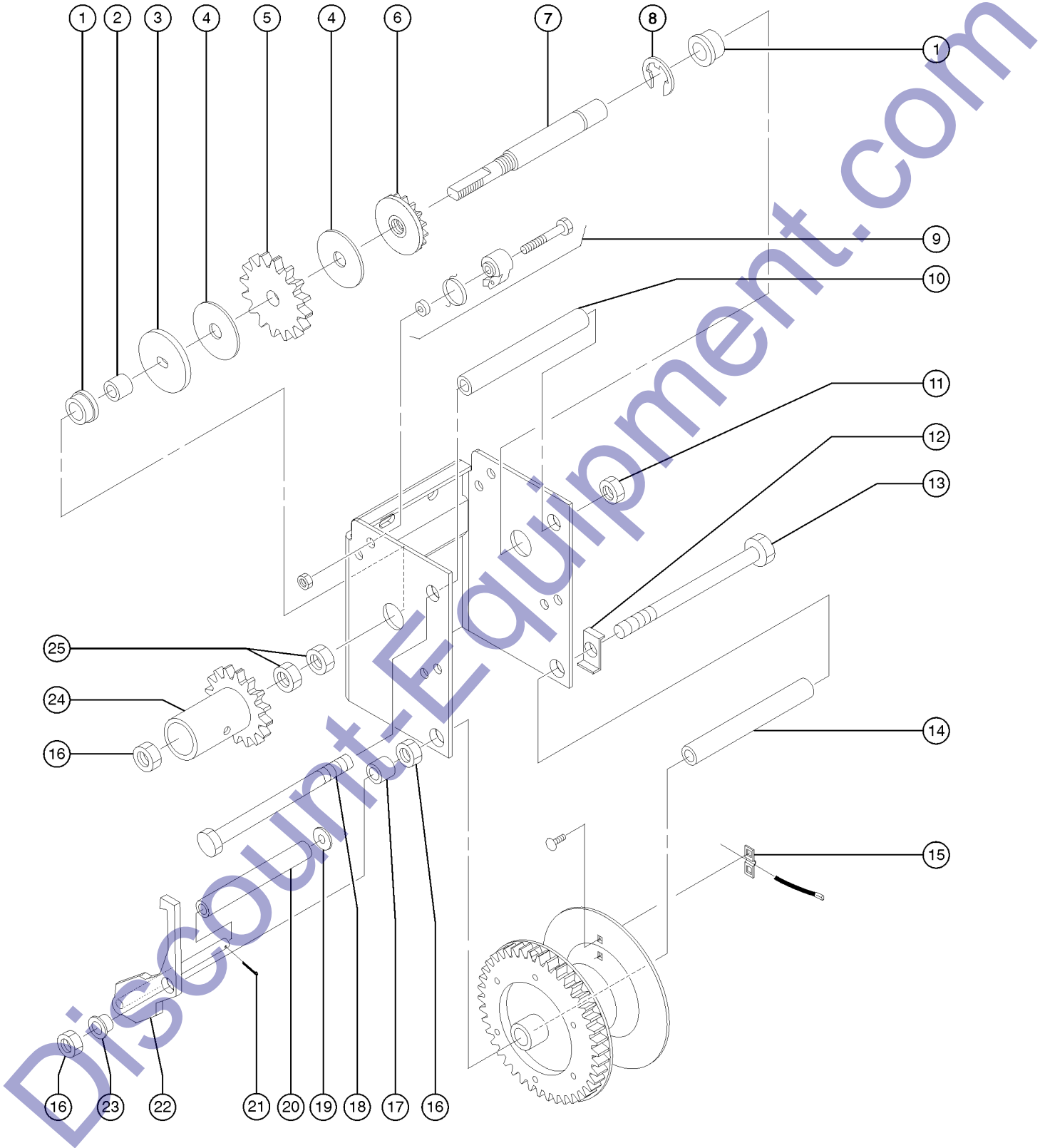
Item	Part No.	Description	Qty.
--	972885GT	KIT:CABINET BOLT-TOGETHER	
--	974635GT	KIT:CABINET MOUNT REAR AL4/5/7	
--	974636GT	KIT:CABINET MOUNT SIDES	
--	974637GT	KIT:CABINET MOUNT FRONT AL4000	
1	188554GT	CABINET TOP PANELAL4 AUTOSTART.....1	
2	994600GT	SCREW 1/2-13NCX1-1/2H	
3	991650GT	WASHER LOCK 1/2ZP	
4	993860GT	WASHER,FLAT,1/2 SS 18-8 BIN	
5	995810GT	SCREW 1/4-20NCX5/8 HW	
6	75144GT	WASHER,FLAT,SAE 1/4",ZINC	
7	990270GT	SCREW,HHC,1/2-13 X 3.5 GR8	
8	6095GT	WASHER,FLAT,USS,1/2",Y	
9	6198GT	NUT,NYLOCK,1/2-13	
10A	124436GT	CABINET REAR PANEL AUTOSTART....1 <i>(to SN AL4011-1554)(use with muffler 742731GT that exits through center of rear panel)</i>	
10B	230738GT	AS-PANEL, REAR,CABINET,AL4.....1 <i>(from SN AL4011-1556) (shown, use with muffler 230873GT that exits rear, curbside)</i>	
10C	T111131GT	CABINET REAR PANEL BLKOUT <i>(for models with blackout light option)</i>	
11	188560GT	PANEL,DOOR,CABINET,AL4.....2	
12A	188570GT	PANEL,CABINET, ROAD SIDE.....1	
12B	T111112GT	PANEL,CABINET,RDSIDE BLKOUT <i>(for models with blackout light option)</i>	
13	993900GT	WASHER RECTANGULAR1/4.....2	
14	990160GT	SCREW,HHC,3/8-16 X 3.75	
15	990080GT	WASHER FLAT 3/8USS ZPBIN	
16	990170GT	NUT LOCK NYLON INSERT 3/8	
17	188530GT	CABINET FRONT PANELAL.....1	
18A	188580GT	PANEL,CABINET, CURB SIDE.....1	
18B	T111113GT	PANEL,CABINET,CRBSIDE BLKOUT <i>(for models with blackout light option)</i>	
19	123490GT	FENDER W/SKIRT,STEEL.....2	
20	930950GT	WTHRSRIP, 1/4" X 1/2"W.....2	
21	990340GT	WASHER FLAT 1/4ZPLENSETBIN	
22	796610GT	HINGE,PIANO,1.5"W X 51.75"L.....2	
23	990670GT	RIVET,POP,SS,3/16"X1/2" BLIND	

209.1 Cabinet, View 2



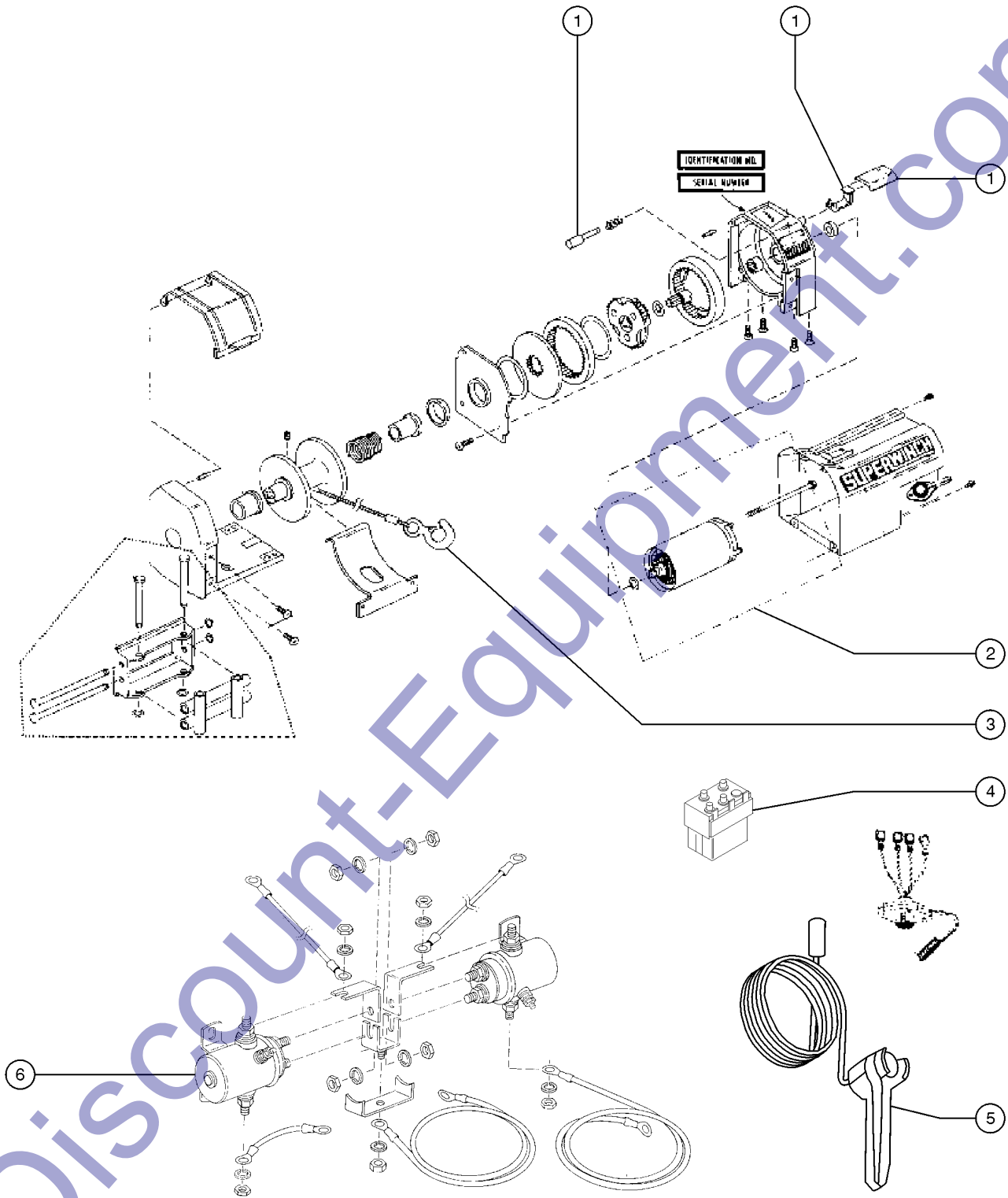
Item	Part No.	Description	Qty.
1	684200GT	CLAMP CABLE 5/8 1-HOL	
2	995810GT	SCREW 1/4-20NCX5/8 HW	
3	75144GT	WASHER,FLAT,SAE 1/4",ZINC	
4	6091GT	NUT,NYLOCK,1/4-20	
5		Ref. Coil Cord Kit (refer to 409.1)	
6	C51601570GT	SCREW FLANGE 3/8X 3/4	
7	T109006GT	WASHER,FLAT BOUNDED,3/16X1/2	
8	993310GT	NUTSERT,1/4-20	
9	57587GT	PLUG, 4", CAPPLUG.....1	
10	124460GT	REAR TOWER SUPPORT1-C.....1	
11	790540GT	PIN QUICK 1/4X 1.75 ZP.....1	
12	720220GT	BUMPER REAR TOWER SUP.....1	
13	994600GT	SCREW 1/2-13NCX1-1/2H	
14	991650GT	WASHER LOCK 1/2ZP	
15	993860GT	WASHER,FLAT,1/2 SS 18-8 BIN	
16	123680GT	PIN W/RING 3/4X11,HORZ LOCK.....1	
17A	663840GT	LIGHT,RECESSED,TAIL/STOP/TURN...2	
17B	T110631GT	LIGHT,REAR,BLACK OUT	
18	663520GT	LIGHT,LICENSE TAG W/BRACKET.....1	
19	796432GT	BRACKET W/BALL,GAS SPRING.....1	
20	796436GT	SPRING,GAS,16",60LBS.....4	
21	990670GT	RIVET,POP,SS,3/16"X1/2" BLIND	
22	790940GT	HANDLE,CHROME 5.75".....2	
23	113399GT	MA-GROUND ROD LT. TWR.....1	
24A	663528GT	LIGHT,SIDE MKR,RED,RECESSED.....2	
24B	T110629GT	LIGHT,SIDE MKR,RED,BLACK OUT	
25	995050GT	SCREW #10-32NFX3/4 LO	
26	R980300GT	WASHER FLAT #10 STAINLESS	
27	189796GT	HASP CABINET DOOR5584AL4/5	
28	995420GT	NUT LOCK NYLON INSERT,10-32JAM	
29	993850GT	WASHER FLAT 1/45/8 SBIN	
30	990150GT	NUT,NYLOCK,1/4-20 GR2	
31A	663527GT	LIGHT,SIDE MKR,AMBER,RECESSED.....2	
31B	T110630GT	LIGHT,SIDE MRK,YEL.,BLACK OUT	
32	184150GT	BUSHING,WNCH HANDL,0.5X2.0X3.5..1	
33	124420GT	GROUND ROD STORAGE TUBE 4397...1	
34	994130GT	SCREW,HHC,1/4-20 X 1	
35	162189GT	KIT:BOOK BRACKET TO CAB.....1	

210.1 Winch



Item	Part No.	Description	Qty.
--	105756GT	PM KIT;WINCH,ELECTRIC <i>(electric winch option)</i>	
--	109485GT	KIT-WINCH W/SAFETY LO <i>(includes items 1-25)(handle not included)</i>	
--	740050-1GT	KIT- WINCH - SOCKET FULTON <i>(includes items 1-16 and 24-25)</i>	
--	970760GT	WINCH HANDLE TO WINCH(1500LB)	
1	6199GT	BUSHING, SMALL PINION, FULTON.....	2
2	32890GT	SPACER,PINION SHAFT.....	1
3	7591GT	WINCH PINION PLATE, K-1550.....	1
4	1256083GT	SVC KIT, FRICTION DISC K/KX.....	2
5	6777GT	RATCHET GEAR,K-1550 1/2" I.D.....	1
6	7590GT	PINION GEAR AND DISC K-1550.....	1
7		Ref. Pinion Shaft <i>(not sold separately)</i>	
8	6200GT	RETAINING RING.....	1
9	6291GT	RATCHET KIT (K-1500,K-1550)**.....	1
10	7584GT	FRAME SPACER,K-1550.....	1
11	12012GT	NUT,LOCK,3/8-16.....	1
12	31946GT	WINCH BRACKET, DRUM BOLT LOCK.....	1
13	22832GT	SCREW,HHC,3/8-16 X 6.....	2
14	6184GT	SPACER, DRUM BOLT, K-1550	
15	6190GT	CABLE KEEP.KIT (BRACKET TYPE)*..... <i>(includes fasteners)</i>	1
16	6198GT	NUT,NYLOCK,1/2-13.....	1
17	124857GT	SPACER .5 ID 1.25ODNO. 5968.....	1
18	69209GT	SCREW,HHC,3/8-16 X 5.5 GRD 8	
19	980480GT	WASHER FLAT C816L S/S.....	1
20	124858GT	BUSHING,WINCH ROLLER LOCK.....	1
21	990650GT	COTTER PIN 1/8X1 SSBIN STOCK.....	1
22	124855GT	RATCHET ARM FULTONWI.....	1
--	109486GT	KIT-WINCH SAFETY LOCK <i>(includes items 13, 15-21, and 23)</i>	
23	124856GT	BUSHING FLANGE 1.25OD.....	1
24	124860GT	HANDLE SOCKET RATCHET.....	1
25	6034GT	NUT,HEX,JAM,1/2-13.....	2

211.1 Electric Winch



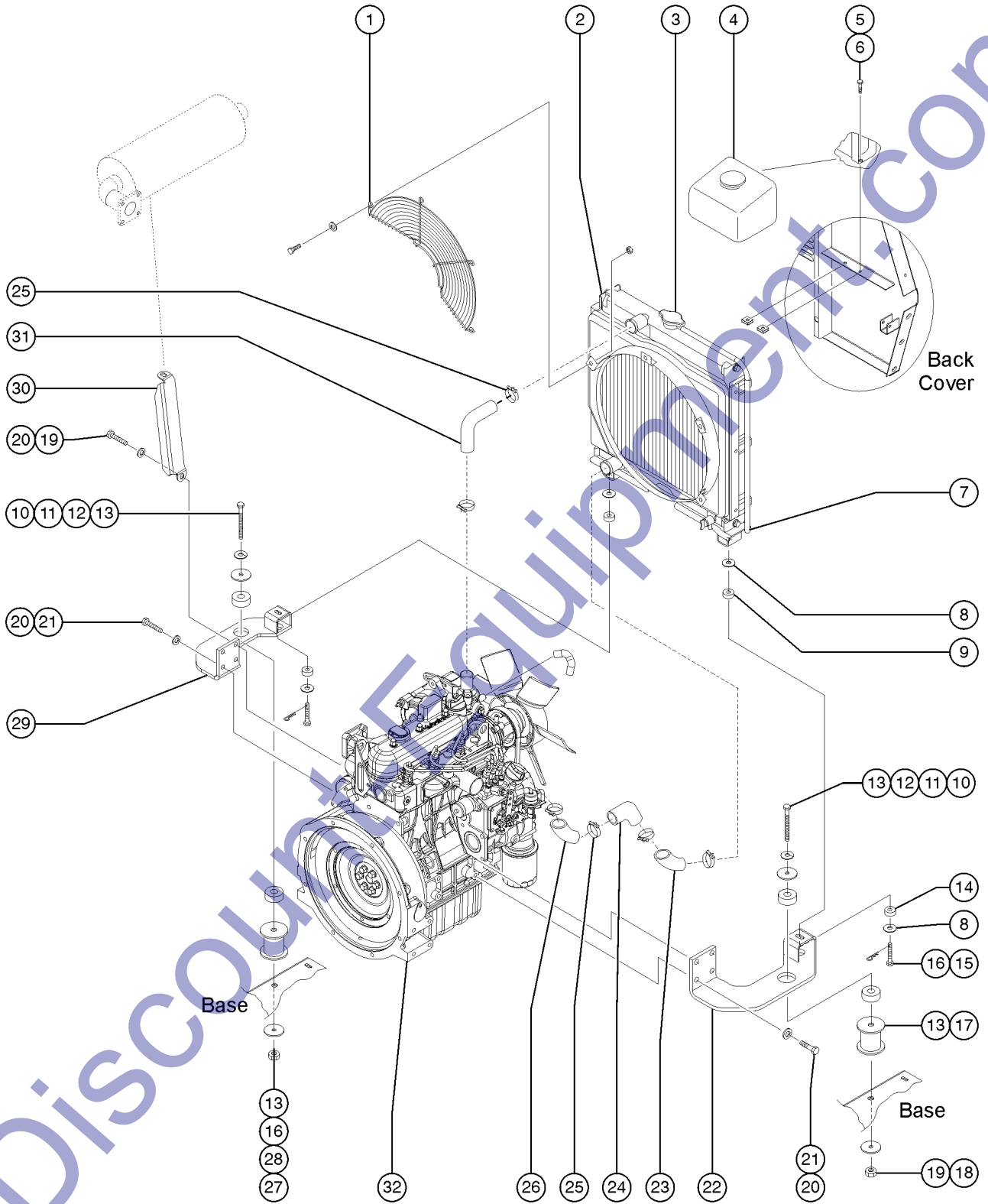
Discount-Equipment.com

Item	Part No.	Description	Qty.
--		WINCH W/SOLENOIDS 4000LB <i>(available soon)</i>	
1	219228GT	FREEWHEEL KIT,SUPERWINCH.....1	1
2	219224GT	12V MOTOR ASSY,SUPERWINCH.....1	1
3		WIRE ROPE ASSY,SUPERWINCH (219226).....1 <i>component no longer available</i>	1
4	160750GT	SOLENOID W/BRACKET SUPERWINCH.....1	1
5		REMOTE CNTRL,SUPERWINCH (219227).....1 <i>component no longer available</i>	1
6	219225GT	12V WIRED SOLENOID,SUPERWINCH.....2	2

Discount-Equipment.com



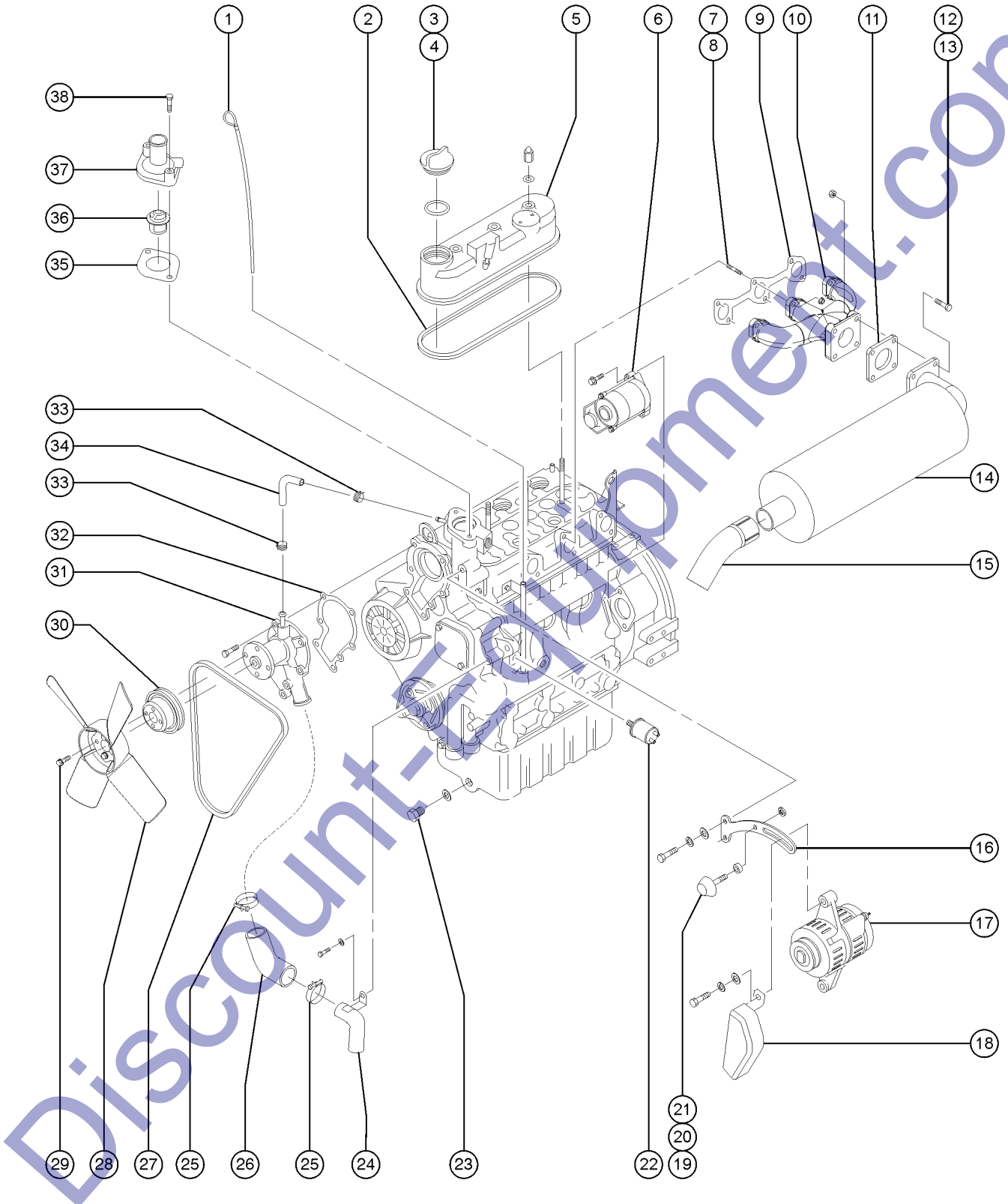
301.1 Kubota D1105-E3BG, View 1



301.1 Kubota D1105-E3BG, View 1

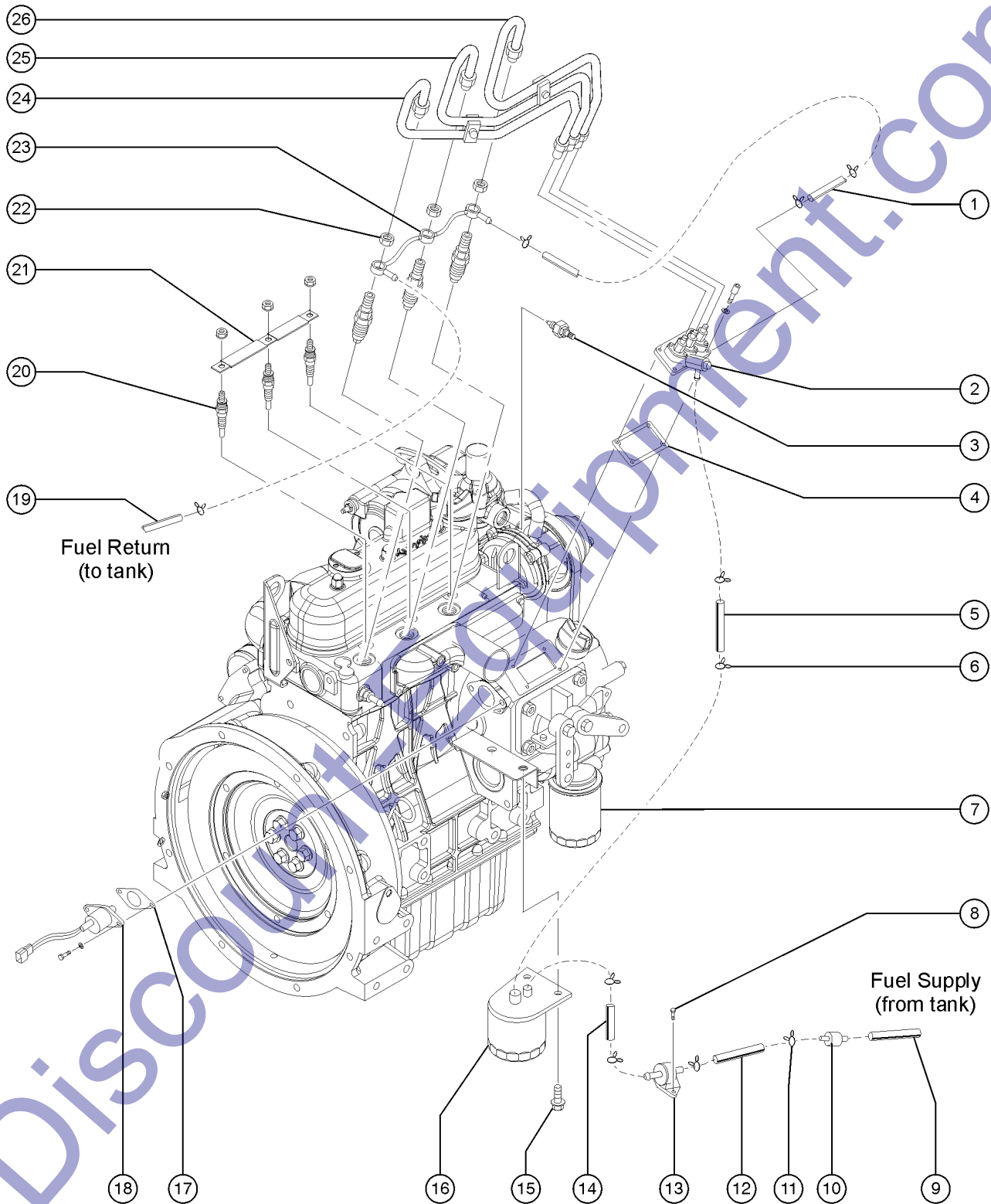
Item	Part No.	Description	Qty.	Item	Part No.	Description	Qty.
1	866113GT	GUARD,FAN,KUBOTA.....	1	29	22124016GT	ENGINE FOOT/RAD SUPPORT,CURBSD.....	1
2	866110GT	RADIATOR, KUBOTA, D905 & D1105.....	1	30	116733GT	MUFFLER BRACE.....	1
3A	110523GT	CAP,RADIATOR,AL,KUBOTA DF-752..... <i>aluminum radiator</i>	1	31	839109GT	RADIATOR HOSE,KUBOTA.....	1
3B	866120GT	CAP,RADIATOR,KUBOTA D905 <i>copper radiator</i>		32	732205PPGT	ENGINE,KUBOTA,,D1105 PAK.....	1
4	865307GT	TANK,RECOVERY,COOLANT,KUBOTA..	1	--	1254824GT	FILTER,FUEL,KUBOTA,W/O BRKT.....	1
5	C51601442GT	SCREW FLANGE 1/4 -20X.....	2				
6	C51600800GT	NUT CLIP 1/4 -20X3/4.....	2				
7	890790GT	HOSE,FUEL,1/4"ID,PUSH LOK,200#..... <i>this part is sold by the foot, this application requires at least 32 inches.</i>	3				
8	865263GT	KUBOTA 15111-72200 WASHER.....	4				
9	865260GT	KUBOTA 15263-12370CUSHION.....	2				
10A	995380GT	SCREW,HHC,1/2-13 X 6.5..... <i>Kubota models with 6kW generator</i>	2				
10B	116252GT	SCREW,HHC,1/2-13X7 GR5 YEL <i>Kubota models with 7.5kW and 8kW generators</i>					
11	991650GT	WASHER LOCK 1/2ZP.....	2				
12	990415GT	WASHER,FLAT,SNUB 1/2X2-3/4 ZN.....	2				
13A	80379GT	ISOLATOR, ENGINE MOUNT..... <i>Kubota models with 6kW and 8kW generators</i>	2				
13B	740920GT	ISOLATOR,ENGINE,390LB <i>Kubota models with 7.5kW generator</i>					
14	740770GT	VIBRATION MOUNT,35".....	2				
15	161109GT	BOLT,M10-1.25 x 35,W/HOLE.....	2				
16	865085GT	KUBOTA SNAP PIN.....	2				
17A	22124025GT	ENGINE RISER,2/75"H,FOR 1/2BLT..... <i>used with 6kW generator</i>	2				
17B	116249GT	AS:ENGINE RISER 3.25 HIGH <i>used with 7.5kW and 8kW generator</i>					
18	995110GT	SCREW,HHC,M10X1.25 X 35MM GR 8.....	2				
19	994830GT	WASHER,LOCK,M10 ZP.....	2				
20	995110GT	SCREW,HHC,M10X1.25 X 35MM GR 8.....	10				
21	994830GT	WASHER,LOCK,M10 ZP.....	10				
22	22124015GT	ENG FOOT/RAD SUPPORT, ROADSIDE.....	1				
23	839110GT	HOSE,RADIATOR,LOWER,KUBOTA.....	1				
24	866394GT	KUBOTA WATER PIPE.....	1				
25	32185GT	CLAMP,HOSE.....	6				
26	116523GT	KUBOTA HOSE,D905, D1105.....	1				
27	990200GT	NUT,NYLOCK,1/2-13 GR2.....	2				
28	990210GT	WASHER FLAT 1/2ZP.....	2				

302.1 Kubota D1105-E3BG, View 2



Item	Part No.	Description	Qty.	Item	Part No.	Description	Qty.
1	839154GT	DIPSTICK,OIL,KUBOTA		35	865435GT	KUBOTA 16221-73270GASKET	
2	839244GT	KUBOTA HEAD COVER GASKET		36	139278GT	THERMOSTAT	
3	839151GT	KUBOTA OIL FILLER PLUG,V1305		37	139279GT	THERMOSTAT COVER	
4	839034GT	KUBOTA O-RING		38	62296GT	SCREW,M8 X 35MM	
5	44191GT	VALVE COVER, D905					
6	866101GT	STARTER,KUBOTA,D1105/905					
7	101208GT	STUD,EXHAUST MANIFOLD					
8	101209GT	NUT,EXHAUST MANIFOLD					
9	32191GT	GASKET,EXHAUST MANIFOLD,D905					
10	839246GT	KUBOTA EXHAUST MANIFOLD					
11	832128GT	GASKET,MUFFLER,KUBOTA D905/11					
12	839103GT	KUBOTA 01123-50820 BOLT					
13	865055GT	KUBOTA NUT					
14	865276GT	MUFFLER,KUBOTA					
--	866825GT	KUBOTA 66711-54520COV (muffler cover)					
15	866800GT	TAIL PIPE, KUBOTA					
16	116833GT	KUBOTA DYNAMO STAY					
17	866090GT	ALTERNATOR,KUBOTA*					
18	866081GT	KUBOTA BELT COVER					
19	30973GT	BUMPER,RUBBER-1 X 1.25					
20	116503GT	BUSHING, 630DX.328ID .375T					
21	6782GT	NUT,NYLOCK,5/16-18					
22	839190GT	SWITCH,LOW OIL PRESS,KUBOTA					
23A	52532GT	PLUG,ENGINE OIL DRAIN,D-905*** <i>bottom of oil pan (not shown)</i>					
23A	52533GT	GASKET (52532) OIL DRAIN, D905 <i>for 52532GT</i>					
23B	234842GT	PLUG, ENGINE OIL, D1105 <i>bottom of oil pan (not shown)</i>					
23B	84042GT	GASKET-DRAIN PLUG,ENG OIL PAN <i>for 234842GT</i>					
23C	974800GT	KIT:OIL DRAIN W/VALVE,KUBOTA <i>(includes valve, clamp and hose)</i>					
24	116523GT	KUBOTA HOSE,D905, D1105					
25	32185GT	CLAMP,HOSE					
26	866394GT	KUBOTA WATER PIPE					
27	839209GT	V-BELT,KUBOTA					
28	839134GT	FAN,PUSHER,KUBOTA 15263-12370					
29	839027GT	KUBOTA FLANGE BOLT					
30	52531GT	PULLEY,FAN,KUBOTA, D-905,GS68					
31	101201GT	WATER PUMP ASSY,KUBOTA					
32	865079GT	KUBOTA 16259-73430					
33	32069GT	CLAMP,HOSE,KUBOTA WG750					
34	839011GT	KUBOTA WATER PIPE 16241-73350					

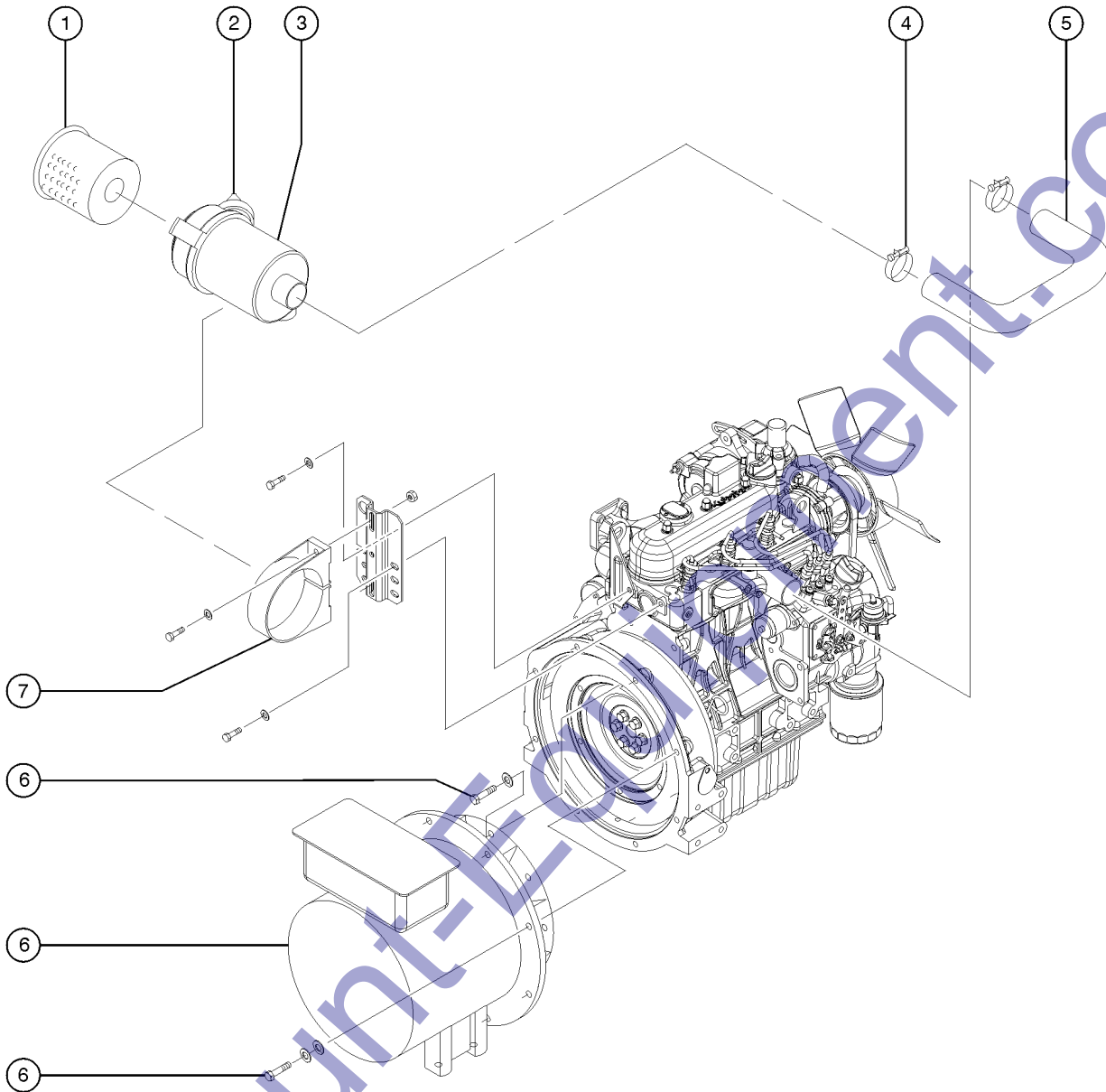
303.1 Kubota D1105-E3BG, View 3



Disco Equipment.com

Item	Part No.	Description	Qty.
1	839157GT	KUBOTA OVERFLOW PIPE.....1 <i>(to tank)</i>	1
2	839149GT	KUBOTA INJECTOR PUMP, D1105.....1	1
3	741140GT	ENGINE ACCESSORY TEMP SENDER.....1	1
4	32103GT	GASKET,INJECTION PUMP <i>(quantities vary)</i>	
5	890795GT	HOSE,FUEL,5/16"ID.....1.25 <i>feet</i>	1.25
6	898590GT	HOSE FITTING PIPE/BAR.....3	3
7	866050GT	FILTER,OIL,KUBOTA.....1	1
8		Ref., SCREW <i>refer to 203.1</i>	
9		Ref., FUEL HOSE <i>refer to 203.1</i>	
10		Ref., IN-LINE FILTER <i>refer to 203.1</i>	
11		Ref., HOSE CLAMP <i>refer to 203.1</i>	
12		Ref., FUEL HOSE <i>refer to 203.1</i>	
13		Ref., FUEL PUMP <i>refer to 203.1</i>	
14		Ref., FUEL HOSE <i>refer to 203.1</i>	
15	839103GT	KUBOTA 01123-50820 BOLT.....2	2
16	839107GT	FILTER,FUEL,KUBOTA.....1 <i>filter head and element</i>	1
--	116611GT	KUBOTA FUEL FILTER HOLDER <i>filter mount bracket</i>	
--	839200GT	ELEMENT,FUEL FILTER,KUBOTA <i>for 839107GT</i>	
17	866040GT	GASKET,SOLENOID,KUBOTA.....1	1
18A	99199GT	SOLENOID,KUBOTA D9/1105 SHTDWN.....1 <i>2-wire solenoid</i>	1
18B	866030GT	SOLENOID,FUEL,3 WIRE,KUBOTA <i>3-wire solenoid</i>	
19		Ref., FUEL HOSE <i>refer to 203.1</i>	
20	839119GT	KUBOTA GLOW PLUG.....3	3
21	62118GT	JUMPER-GLOW PLUG.....1	1
22	865257GT	KUBOTA KIT, HOLDER,NOZZLE.....3	3
23	865100GT	KUBOTA OVER FLOW PIPE.....1	1
24	44196GT	PIPE,INJECTOR 1,D905,D1105.....1	1
25	44197GT	PIPE,INJECTOR 2,D905,D1105.....1	1
26	44198GT	PIPE,INJECTOR 3,D905,D1105.....1	1

304.1 Kubota D1105-E3BG, View 4



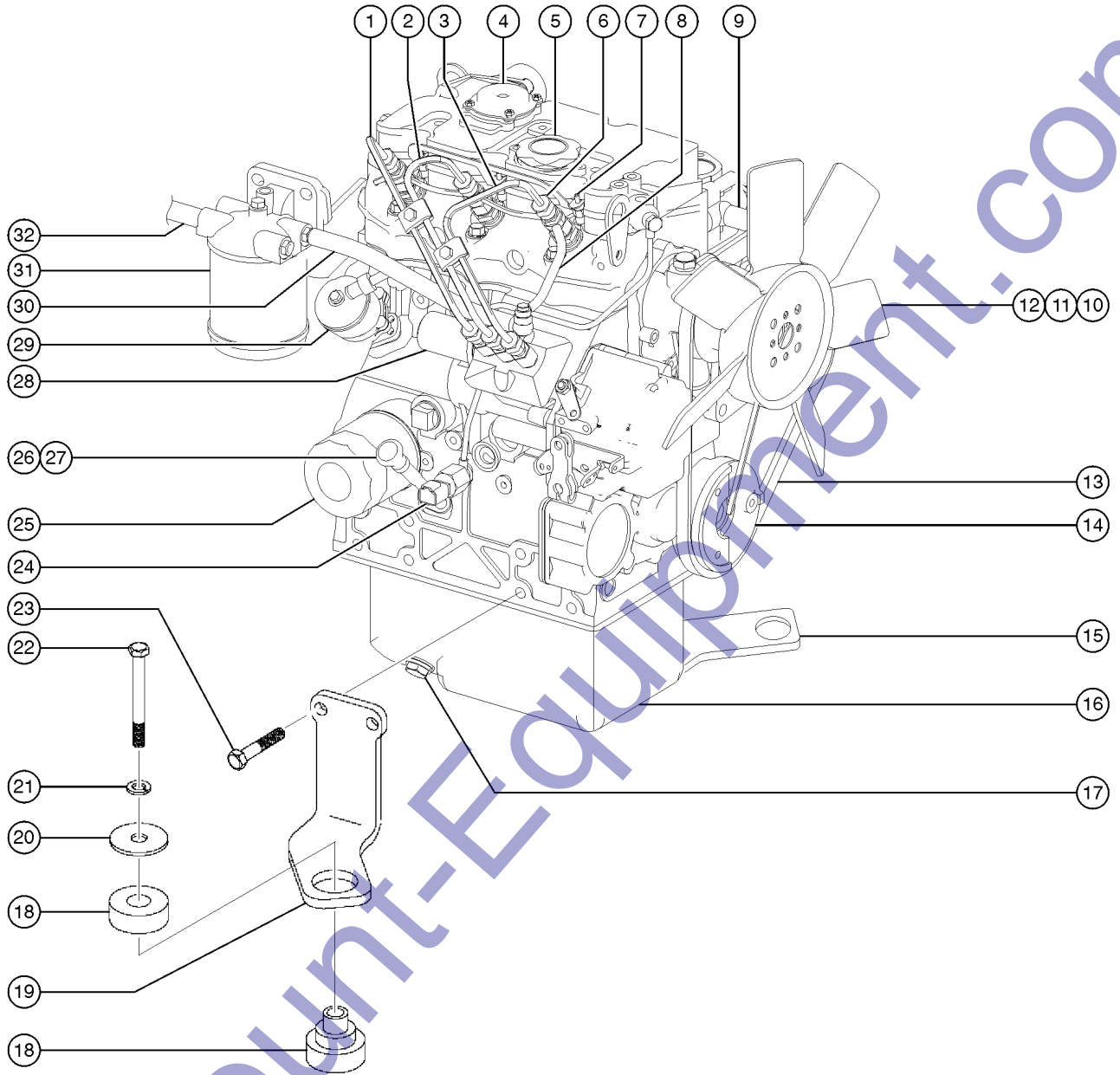
DiscountParts.com

Item	Part No.	Description	Qty.
1	866127GT	ELEMENT,AIR CLEANER,KUBOTA.....1	
2	866129GT	VALVE,AIR CLEANER,KUBOTA.....1	
3A	866126GT	BODY,AIR CLEANER,KUBOTA.....1	
3B	866128GT	COVER,AIR CLEANER,KUBOTA.....1	
4	839049GT	KUBOTA 15263-12370BAND PIPE.....2	
5	231332GT	HOSE, INTAKE, KUBOTA D1105.....1	
6		Ref, GENERATOR <i>refer to 307.1</i>	
7	231333GT	AIR CLEANER BRACKET, D1105.....1	

Discount-Equipment.com

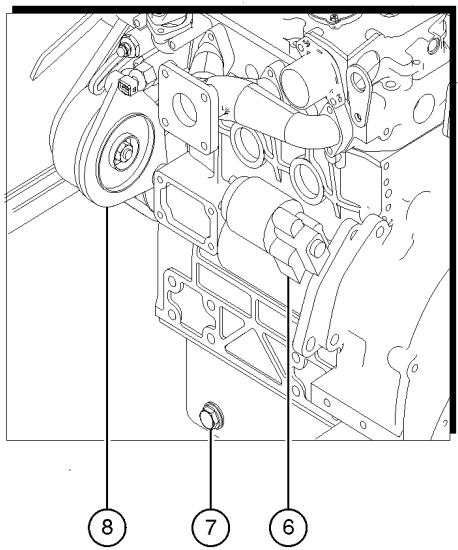
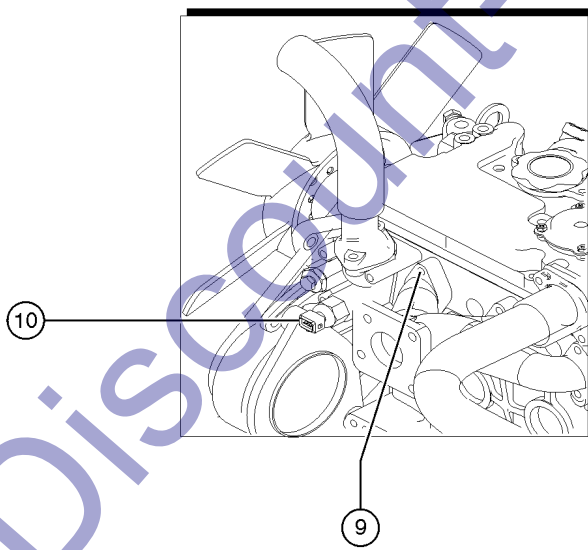
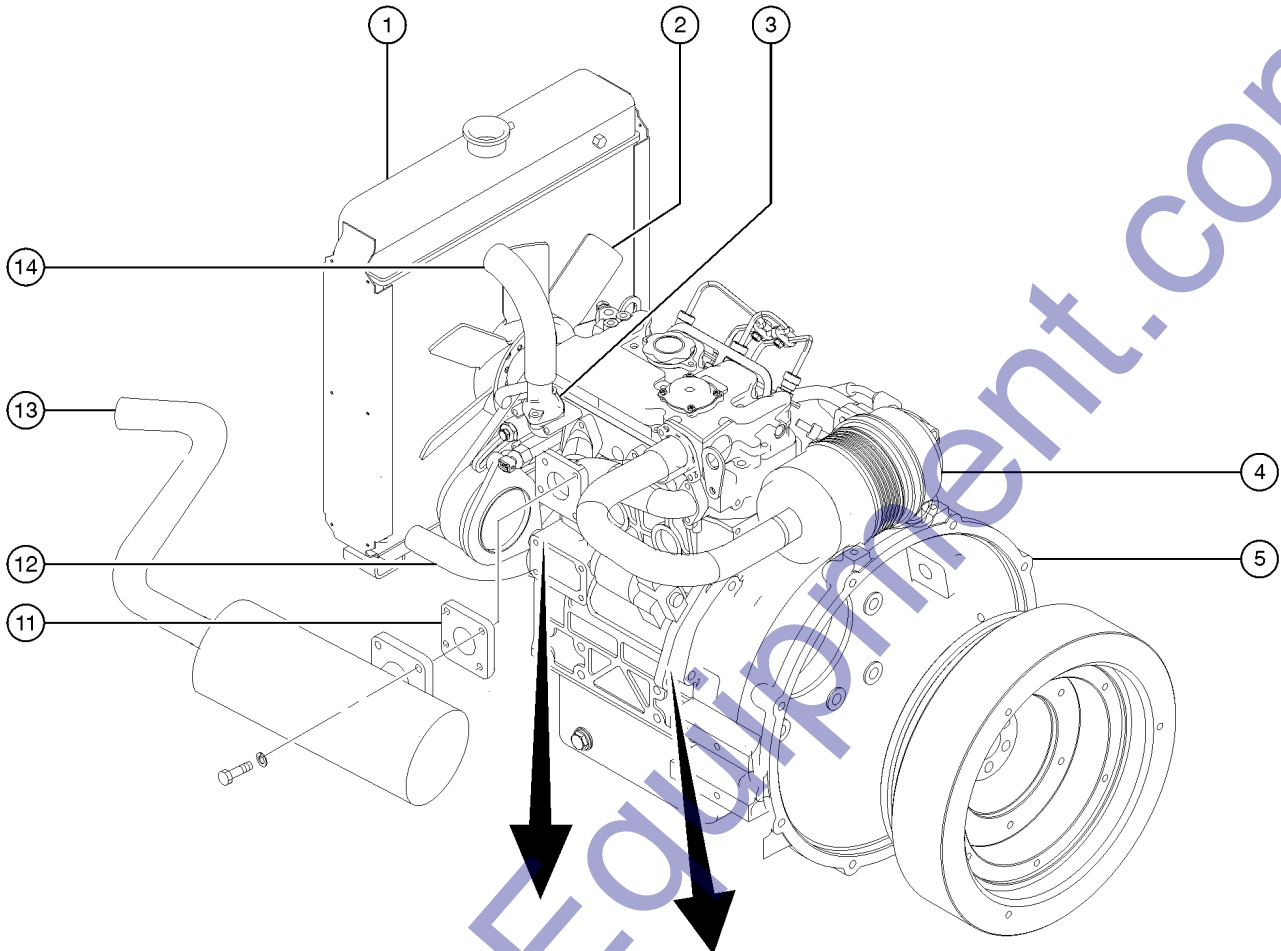


305.1 Perkins 403D-11G, View 1



Item	Part No.	Description	Qty.
1	84812GT	PIPE,INJECTOR 1, 403C-11.....	1
2	84813GT	PIPE,INJECTOR 2, 403C-11.....	1
3	84814GT	PIPE,INJECTOR 3, 403C-11.....	1
4	84860GT	VALVE COVER BREATHER.....	1
5	65636GT	CAP, OIL FILLER.....	1
--	65638GT	SEAL, OIL FILLER CAP.....	1
6	139272GT	FUEL INJECTOR.....	3
7	84815GT	GLOW PLUG, 403C-11.....	3
8	237707GT	HOSE,FUEL LEAK-OFF,403D-11G.....	1
9	89764GT	HOSE, WATER PUMP (PERKINS 404)...	1
10	101341GT	FAN.....	1
11	101319GT	FAN PULLEY.....	1
12	101322GT	PUMP,WATER.....	1
--	89764GT	HOSE, WATER PUMP (PERKINS 404)...	1
--	97483GT	GASKET,WATER PUMP, 403C-11.....	1
13	85071GT	BELT-FAN, PERKINS (103.10).....	1
14	97427GT	PULLEY,CRANK, 403C-11.....	1
15	116519GT	FP-ENG MNT RT FOOT CS PERK T4....	2
16	85140GT	GASKET-OIL PAN,PERKINS 103.10.....	1
17	237774GT	PLUG,OIL DRAIN,PERKINS 403D-11G.....	1
--	85124GT	GASKET,SOLENOID,PERKINS 72350....	1
17A	229918GT	KIT:OIL DRAIN W/VALVE,PERKINS	
--	229917GT	VALVE, OIL DRAIN, PERKINS	
--	792750GT	CLAMP 7/16 TO 25/32	
--	897110GT	HOSE,OIL,3/8 0250PS1.....	2.5-feet
18	116729GT	ISOLATOR,ENGINE,70D.....	2
19	116518GT	FP-ENG MNT RT FOOT RS PERK T4....	2
20	990415GT	WASHER,FLAT,SNUB 1/2X2-3/4 ZN	
21	991650GT	WASHER LOCK 1/2ZP	
22	990270GT	SCREW,HHC,1/2-13 X 3.5 GR8	
23	R981095GT	SCREW,HHC,M12X1.25X30MM,GR8.8	
24	237776GT	SWITCH,OIL PRES,PERK 403D-11G....	1
25	85069GT	FILTER, OIL-PERKINS (103-10)**.....	1
26	101320GT	DIPSTICK,STRAIGHT SHORT.....	1
27	97461GT	DIPSTICK TUBE,PERKINS(403C-11)....	1
28	106663GT	SOLENOID,SHUT DOWN PERKIN40422.....	1
29	72348GT	PUMP,LIFT(FUEL) PERKINS(54555)....	1
--	89761GT	O-RING, LIFT PUMP,(PERKINS 404)....	1
30	236046GT	HOSE, FUEL FILTER -INJ., 403D.....	1
31	94889GT	FUEL FILTER ASSEMBLY.....	1
--	62421GT	FILTER,FUEL,PERKINS.....	1
32		Ref., FUEL HOSE <i>refer to 203.1</i>	

306.1 Perkins 403D-11G, View 2 ( to serial number AL4011-1555)

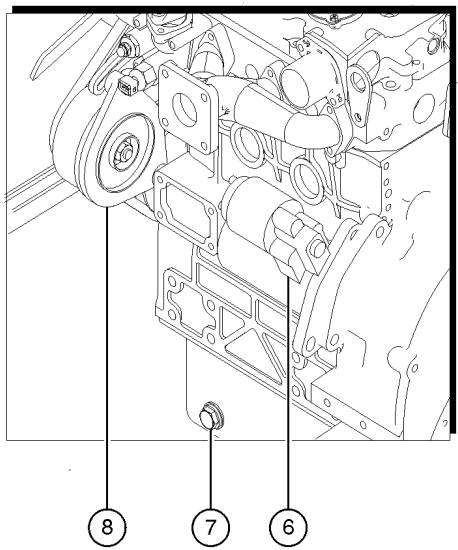
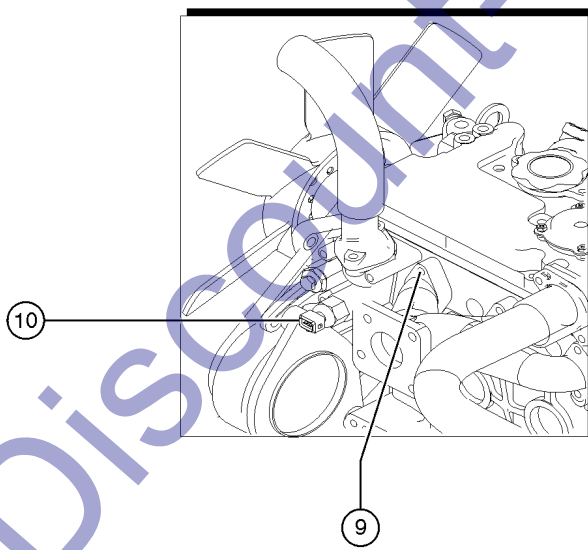
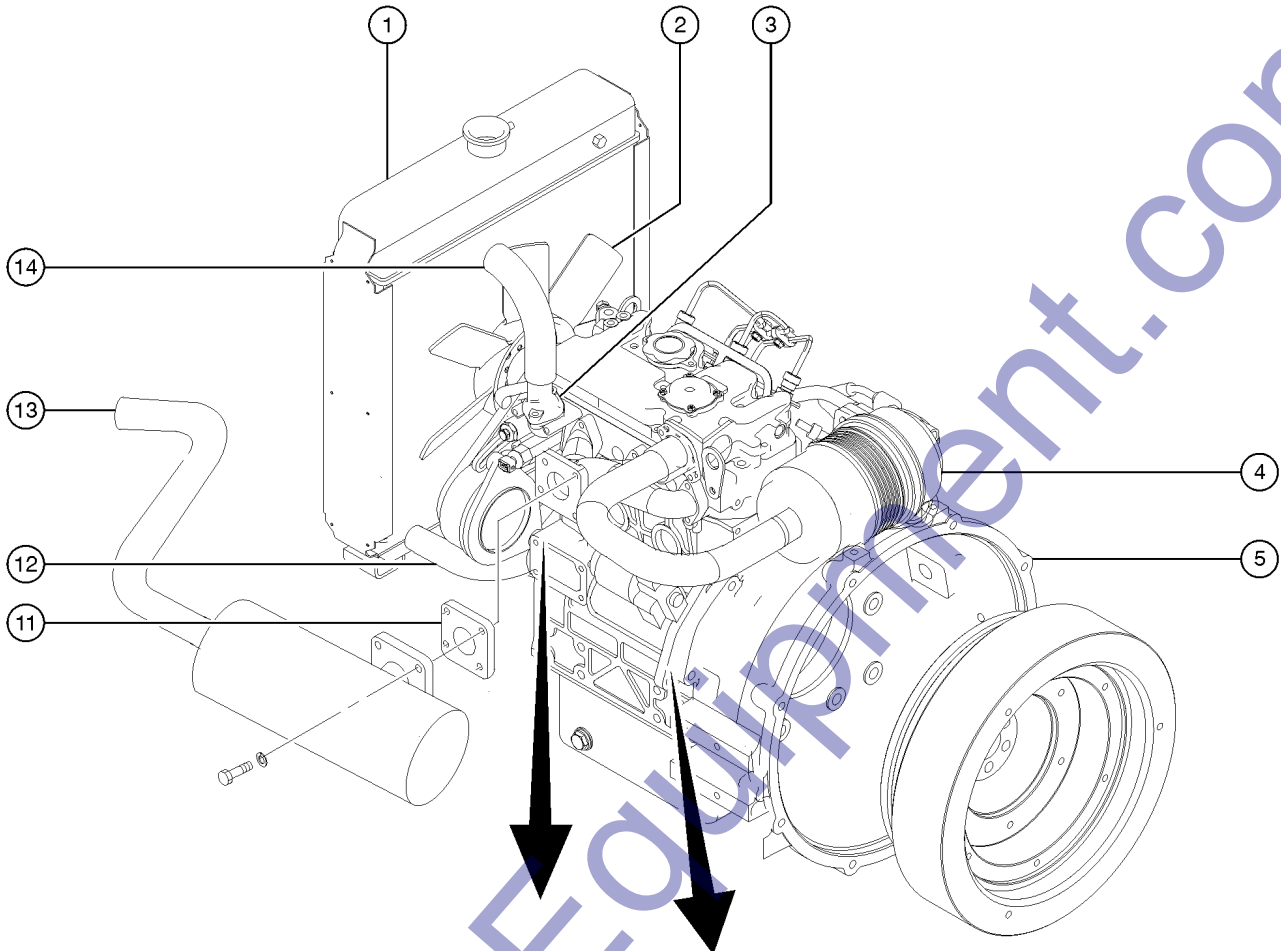


306.1 Perkins 403D-11G, View 2 ( to serial number AL4011-1555)

Item	Part No.	Description	Qty.
1	58291GT	RADIATOR,PERKINS,TML	
--	85130GT	CAP-RADIATOR,PERKINS (103.10)	
2		Ref., FAN <i>refer to 305.1</i>	
3	139265GT	WATER OUTLET, VERTICAL	
--	1257665GT	GASKET, THERMOSTAT, PERKINS	
--	237708GT	THERMOSTAT,PERKINS 403D-11G	
4	58427GT	AIR FILTER,ASSEMBLY	
--	237775GT	BKT,FILTER MNT,PERKINS 403D-11G	
--	866068GT	PERKINS 135326205AIR <i>filter element</i>	
5	97426GT	HOUSING,FLYWHEEL,403C-11	
6	228458GT	STARTER, PERKINS, 403D	
7		Ref., OIL DRAIN PLUG <i>refer to 305.1</i>	
8	85089GT	ALTERNATOR,15A,PERKINS 103.10	
--	85127GT	REGULATOR,12V-PERKINS 103.10	
9	85087GT	MANIFOLD-EXHAUST,PERK (103.10)	
--	101326GT	STUDS,EXHAUST	
--	101327GT	NUTS,EXHAUST	
--	85143GT	GASKET-EXHAUST MANIFOLD/PERKIN	
10	97473GT	SENSOR,WATER TEMPERATURE	
11	72343GT	GASKET,EXH FLANGE-FORD/PERKINS	
12	58292GT	HOSE,RADIATOR,PERKINS,TML	
--	30348GT	CLAMP,HOSE,1.00	
13	1275721GT	MUFFLER, PERKINS, RL-4.....1 <i>to serial number AL4011-1556</i>	
14	97428GT	HOSE,RADIATOR,UPPER PRKNS,TML	
--	30348GT	CLAMP,HOSE,1.00	

Discounted Equipment.com

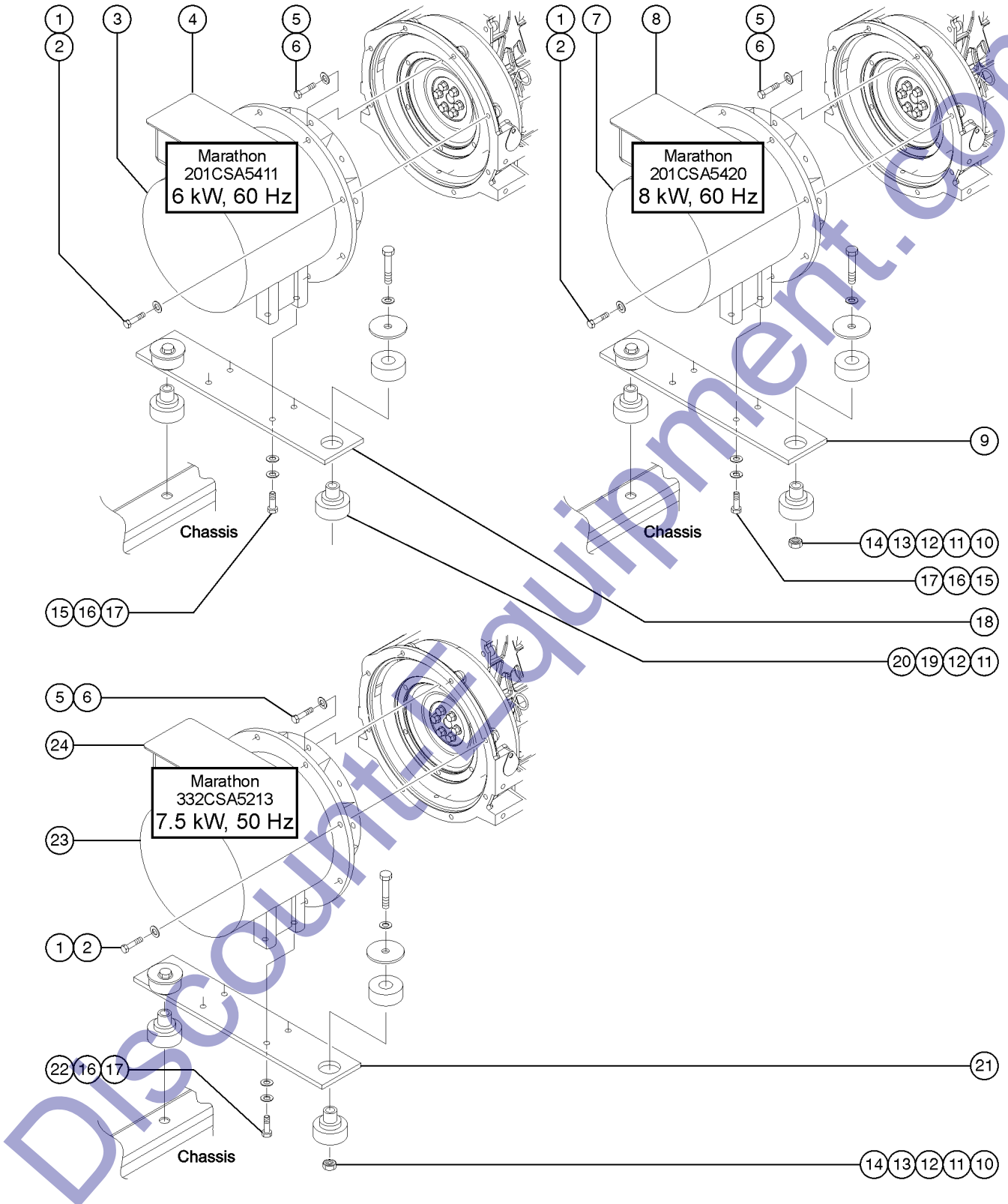
306.2 Perkins 403D-11G, View 2 ( from serial number AL4011-1556)



## 306.2 Perkins 403D-11G, View 2 ( from serial number AL4011-1556)

Item	Part No.	Description	Qty.
1	58291GT	RADIATOR,PERKINS,TML	
--	85130GT	CAP-RADIATOR,PERKINS (103.10)	
2		Ref., FAN <i>refer to 305.1</i>	
3	139265GT	WATER OUTLET, VERTICAL	
--	1257665GT	GASKET, THERMOSTAT, PERKINS	
--	237708GT	THERMOSTAT,PERKINS 403D-11G	
4	58427GT	AIR FILTER,ASSEMBLY	
--	237775GT	BKT,FILTER MNT,PERKINS 403D-11G	
--	866068GT	PERKINS 135326205AIR <i>filter element</i>	
5	97426GT	HOUSING,FLYWHEEL,403C-11	
6	228458GT	STARTER, PERKINS, 403D	
7		Ref., OIL DRAIN PLUG <i>refer to 305.1</i>	
8	85089GT	ALTERNATOR,15A,PERKINS 103.10	
--	85127GT	REGULATOR,12V-PERKINS 103.10	
9	85087GT	MANIFOLD-EXHAUST,PERK (103.10)	
--	101326GT	STUDS,EXHAUST	
--	101327GT	NUTS,EXHAUST	
--	85143GT	GASKET-EXHAUST MANIFOLD/PERKIN	
10	97473GT	SENSOR,WATER TEMPERATURE	
11	72343GT	GASKET,EXH FLANGE-FORD/PERKINS	
12	58292GT	HOSE,RADIATOR,PERKINS,TML	
--	30348GT	CLAMP,HOSE,1.00	
13	1275721GT	MUFFLER, PERKINS, RL-4.....1 <i>from serial number AL4011-1556</i>	
14	97428GT	HOSE,RADIATOR,UPPER PRKNS,TML	
--	30348GT	CLAMP,HOSE,1.00	

307.1 Generators

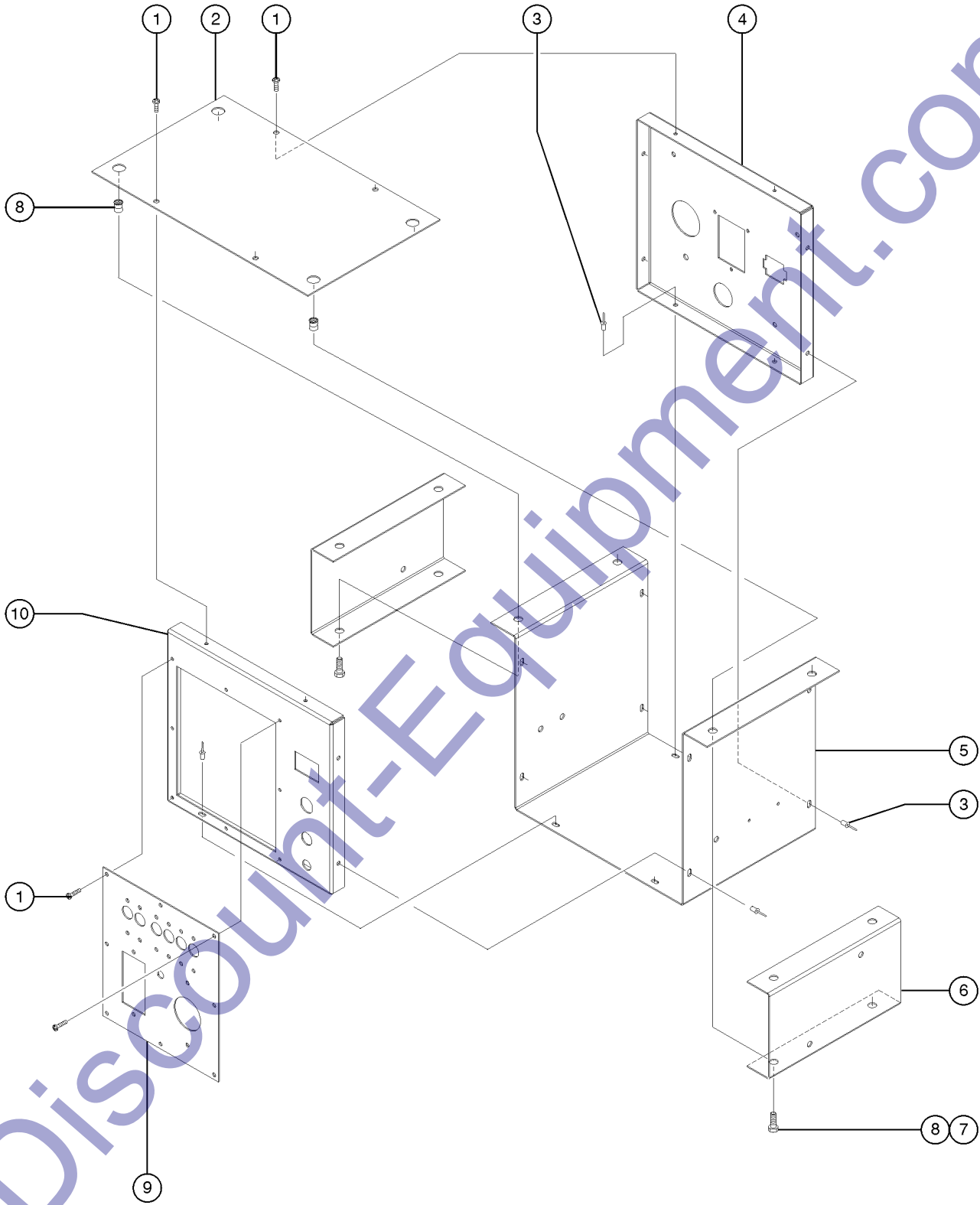


307.1 Generators

Item	Part No.	Description	Qty.	Item	Part No.	Description	Qty.
--		Ref., WIRE HARNESS <i>refer to 409.1</i>		9	189347GT	BRACKET,GENERATOR MOUNT.....	1
1	991761GT	SCREW,HHC,3/8-16 X 1.25.....	8	10	6198GT	NUT,NYLOCK,1/2-13.....	2
2	990470GT	WASHER LOCK 3/8ZP.....	8	11	80379GT	ISOLATOR, ENGINE MOUNT.....	2
3	85206GT	GENERATOR,6KVA,240VAC,60HZ..... <i>6 kW, 60 Hz (Marathon 201CSA5411)</i>	1	12	990415GT	WASHER,FLAT,SNUB 1/2X2-3/4 ZN.....	2
--	116168GT	BEARING, ODE <i>(opposite engine end)</i>		13	990210GT	WASHER FLAT 1/2ZP.....	2
--	116172GT	O-RING <i>(opposite engine end)</i>		14	6-5208-32GT	SCREW,HHC,1/2-13X4,GR8.....	2
--	116177GT	DRIVE DISC(C-107) MARATHON <i>(engine end)</i>		15A	991761GT	SCREW,HHC,3/8-16 X 1.25..... <i>models with Kubota engine</i>	4
--	116178GT	HUB SPACER <i>(engine end)</i>		15B	991761GT	SCREW,HHC,3/8-16 X 1.25..... <i>models with Perkins engine</i>	2
--	1277953GT	TERMINAL BLOCK,MARATHON GENERATOR(85206)		16A	990470GT	WASHER LOCK 3/8ZP..... <i>models with Kubota engine</i>	4
--	836853GT	DIODE,MARATHON <i>(opposite engine end)</i>		16B	990470GT	WASHER LOCK 3/8ZP..... <i>models with Perkins engine</i>	2
--	836856GT	MARATHON SUPPRESSOR/VARISTOR <i>(opposite engine end)</i>		17A	981120GT	WASHER FLAT 3/8 ZP SAE BIN..... <i>models with Kubota engine</i>	4
4	58356GT	CAPACITOR-ROUND 25MF <i>(for 201CSA5411)</i>		17B	981120GT	WASHER FLAT 3/8 ZP SAE BIN..... <i>models with Perkins engine</i>	2
--		Ref., WIRE HARNESS <i>refer to 405.1</i>		18A	189347GT	BRACKET,GENERATOR MOUNT..... <i>models with Kubota engine (shown)</i>	1
--	116184GT	CLAMP,CAPACITOR <i>(for 201CSA5411)</i>		18B	116517GT	FP-GEN MOUNT BAR RL PERK T4..... <i>models with Perkins engine</i>	1
--	116187GT	TERMINAL BLOCK <i>(for 201CSA5411)</i>		19	991650GT	WASHER LOCK 1/2ZP.....	2
5	123840GT	SCREW,HHC,5/16-18X.75,GR8,Y.....	6	20	990270GT	SCREW,HHC,1/2-13 X 3.5 GR8.....	2
6	990460GT	WASHER LOCK 5/16 ZP BIN.....	6	21	116244GT	FP-GEN MNT BAR,MAR SM HOLES.....	1
7	116253GT	GENERATOR,8KW,240V,60HZ,MAR..... <i>8 kW, 60 Hz (Marathon 201CSA5420)</i>	1	22	981450GT	SCREW,HHC,3/8-16 X 1.5.....	4
--	116168GT	BEARING, ODE <i>(opposite engine end)</i>		23	116254GT	GENERATOR,6.5KW,220V,50HZ,MAR <i>7.5 kW, 50 Hz (Marathon 332CSA5213)</i>	
--	116172GT	O-RING <i>(opposite engine end)</i>		--	116177GT	DRIVE DISC(C-107) MARATHON <i>(engine end)</i>	
--	116177GT	DRIVE DISC(C-107) MARATHON <i>(engine end)</i>		--	836853GT	DIODE,MARATHON <i>(opposite engine end)</i>	
--	116178GT	HUB SPACER <i>(engine end)</i>		--	836856GT	MARATHON SUPPRESSOR/VARISTOR <i>(opposite engine end)</i>	
--	836853GT	DIODE,MARATHON <i>(opposite engine end)</i>		--	T111700GT	BEARING, MARATHON GEN <i>(opposite engine end)</i>	
--	836856GT	MARATHON SUPPRESSOR/VARISTOR <i>(opposite engine end)</i>		24	85207GT	CAPACITOR,45 MF***OVAL <i>(for 332CSA5213)</i>	
8	229457GT	CAPACITOR, 8KW GENERATOR,5420 <i>(for 201CSA5420)</i>		--		Ref., WIRE HARNESS <i>refer to 409.1</i>	
--	116184GT	CLAMP,CAPACITOR <i>(for 201CSA5420)</i>		--	116184GT	CLAMP,CAPACITOR <i>(for 332CSA5213)</i>	
--	116187GT	TERMINAL BLOCK <i>(for 201CSA5420)</i>					



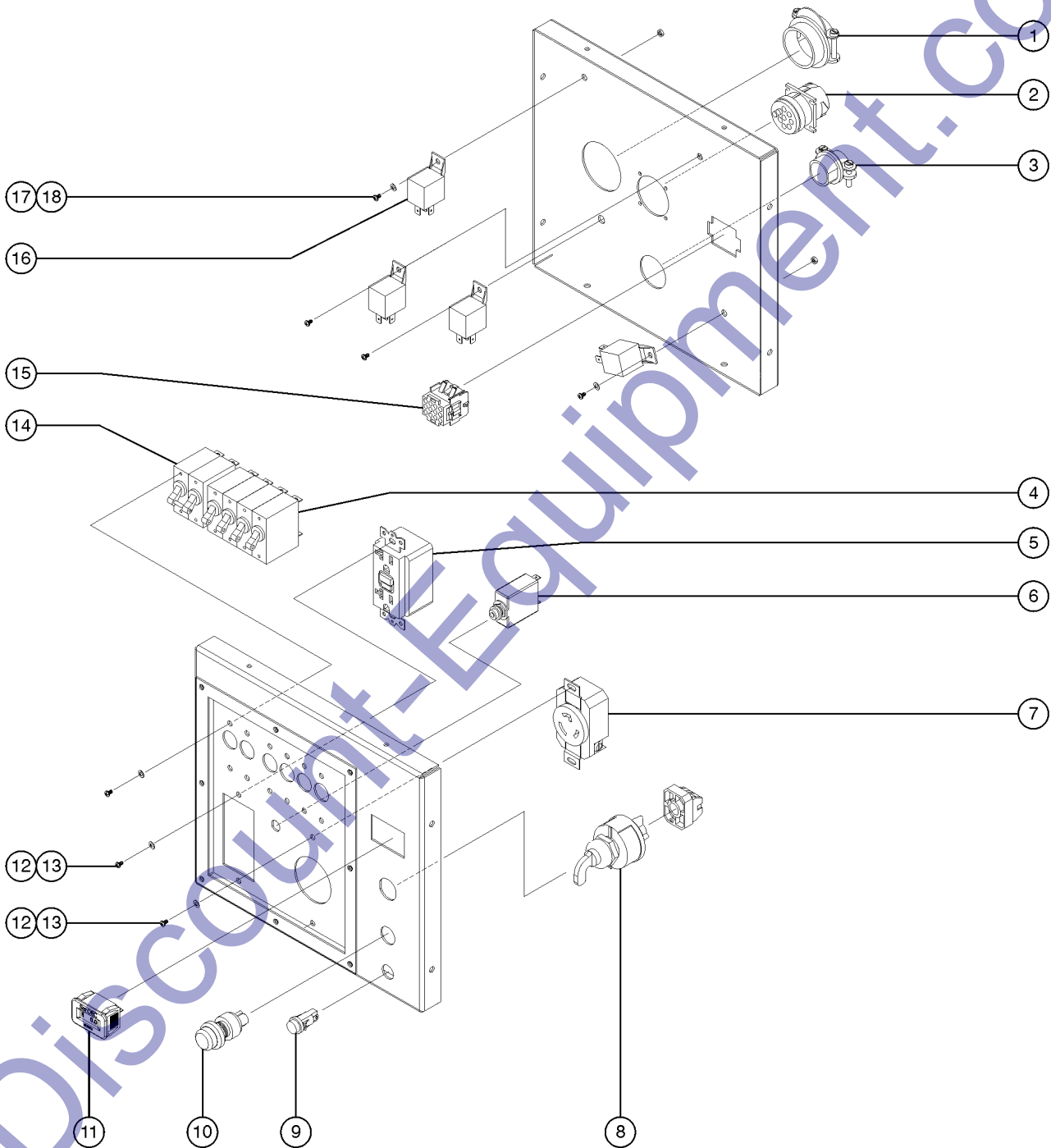
401.1 Control Box, 60 Hz, View 1



Item	Part No.	Description	Qty.
1	996340GT	SCREW,PHM,10-16 X 3/4 (tek screw)	
2	186543GT	FP-CONTROL BOX, TOP.....	1
3	990670GT	RIVET,POP,SS,3/16"X1/2" BLIND	
4	823430GT	FP-CONTROL BOX, REAR, 50HZ, STD....1 (replaced 186542GT from SN AL413-2417)	
5A	186540GT	BASE, CONTROL BOX, AL4 CONS.....1 (shown)	
5B	227275GT	FORMING, CONTROL BOX BASE, XTRA GFI	
6	186554GT	BRACKET, E-BOX, AUTOSTART, AL4.....	2
7	C51601444GT	SCREW, FLANGE, 1/4-20X1/2" PATCH	
8	993310GT	NUTSERT, 1/4-20	
9	T109757GT	PANEL, CNTL BOX FACE, CSA.....	1
10	186544GT	BRACKET, E-BOX, AUTOSTART, AL4.....	1

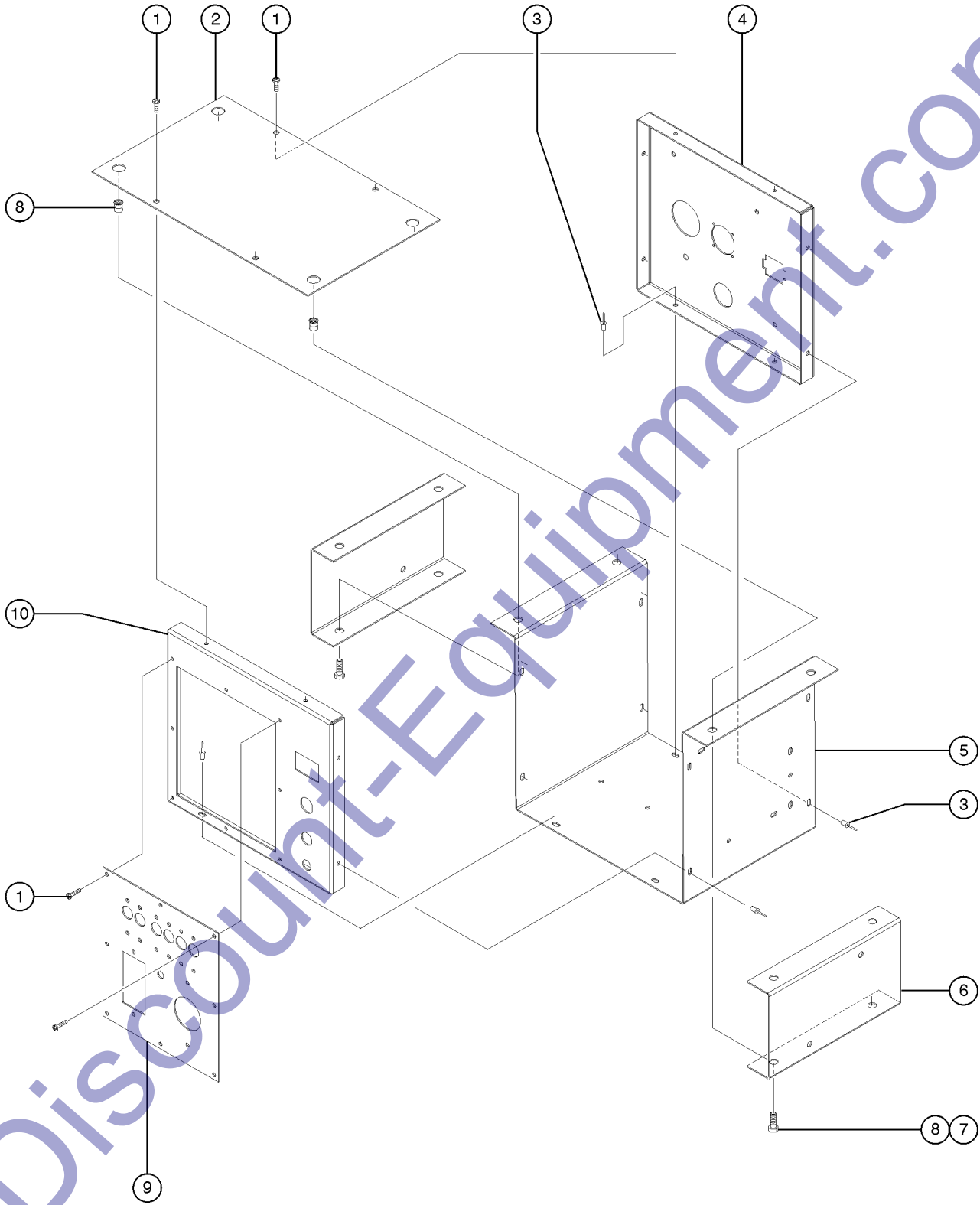
Discount-Equipment.com

402.1 Control Box, 60 Hz, View 2



Item	Part No.	Description	Qty.
--	218588GT	CNTRL BOX 4MH 60HZ 4WIRE <i>(with 4 pole receptacle)</i>	
--	T114064GT	CNTRL BOX,60HZ,4 LIGHTS,SYMBOL <i>(shown)</i>	
1	686220GT	CONNECTOR 2 SCREW 1.25T-B.....	1
2	822809GT	KIT, COIL CORD HW..... <i>kit 822809GT removes the Deutsch connector and hard wires the connection to the coil cord.</i>	1
3	680030GT	CONNECTOR 2 SCREW 3/4.....	1
--	680250GT	LOCKNUT, CONDUIT 3/4CSA APPVD	
4	T113641GT	BREAKER,15A,120VAC 1P,CSA.....	4
5A	684640GT	RECEPTACLE 20A 120V DUPLEX GFI..... <i>(all models)</i>	1
5B	684640GT	RECEPTACLE 20A 120V DUPLEX GFI..... <i>(models with extra GFI installed on side of control box)</i>	2
6	T113642GT	BREAKER,20A MINI,120VAC 1P,CSA.....	1
7A	684450GT	RECEP 30A 20V 3POLE.....	1
7B	686160GT	RECEP 30A 120/240V 4 POLE.....	1
8	684380GT	IGNITION SWITCH,LEVER OPR.....	1
9	682715GT	LIGHT INDICATOR 12VRED.....	1
10	R660010GT	SWITCH PUSH-BUTTON W/BOOT.....	1
11	T106193GT	HOURLMETER,DIGITAL,RECTANGULAR.1	
12	995300GT	SCREW,PHM,6-32 X .25	
13	994420GT	WASHER,LOCK,#6 SS	
14	T113644GT	BREAKER,30A 250VAC 2P,CSA.....	2
15	684167GT	CONNECTOR 12P FEMALE.....	1
16	R661490GT	RELAY 12V DC 30A NO OR.....	4
17	55306GT	SCREW,PHILLIPS,PHM,4-40 X .50.....	4
18	40766GT	NUT,NYLOCK,4-40.....	4

403.1 Control Box, 60 Hz with Auto Air Shutdown, View 1



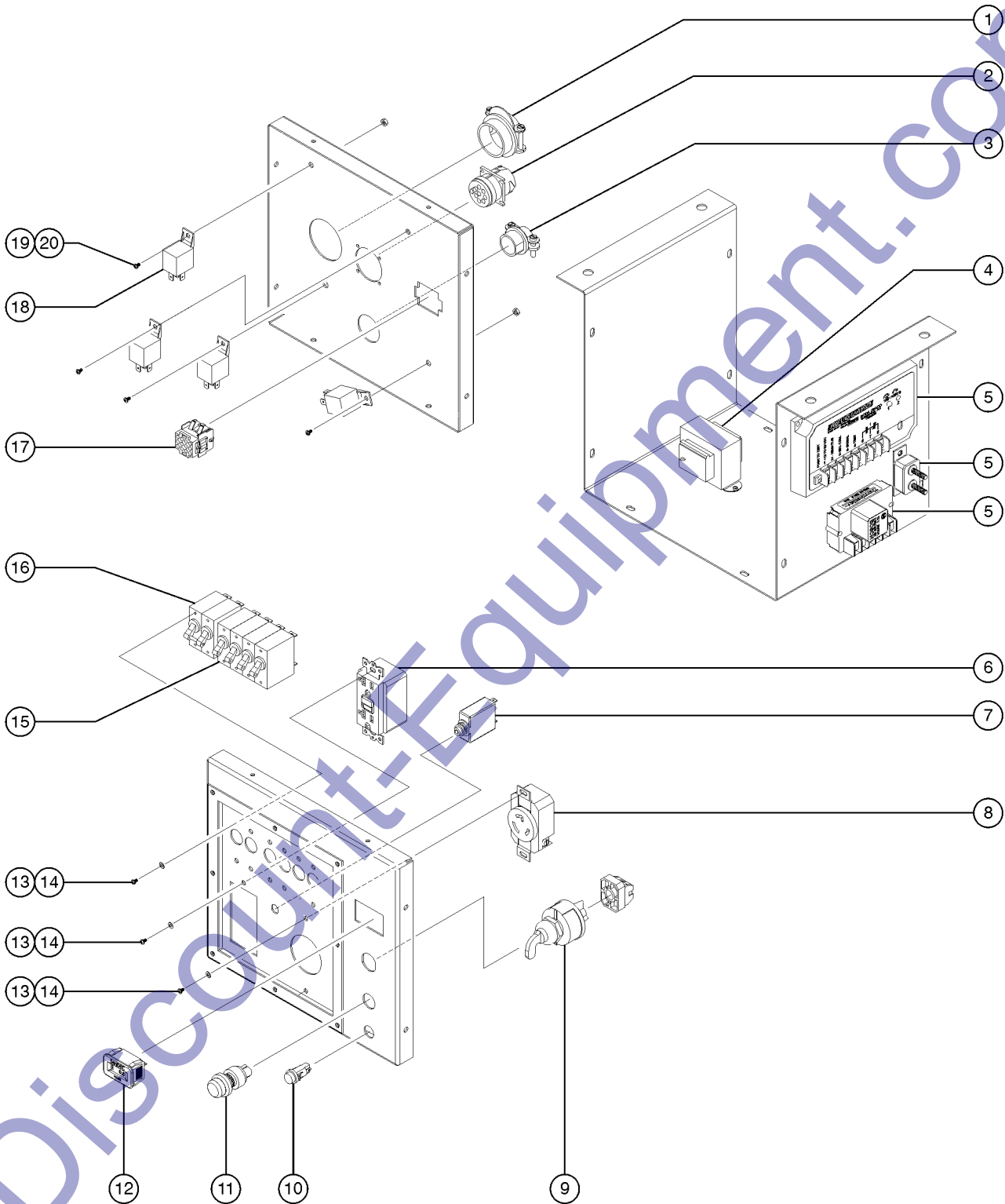
Discount-Equipment.com

## 403.1 Control Box, 60 Hz with Auto Air Shutdown, View 1

Item	Part No.	Description	Qty.
1	996340GT	SCREW,PHM,10-16 X 3/4	
2	186543GT	FP-CONTROL BOX, TOP.....	1
3	990670GT	RIVET,POP,SS,3/16"X1/2" BLIND	
4	186542GT	PANEL,REAR,CTRL BOX (186540).....	1
5	227086GT	FORMING CNTRL BOX AUTO AS 8KW.....	1
6	186554GT	BRACKET,E-BOX,AUTOSTART,AL4.....	2
7	C51601444GT	SCREW,FLANGE,1/4-20X1/2" PATCH	
8	993310GT	NUTSERT,1/4-20	
9	T109757GT	PANEL,CNTL BOX FACE,CSA.....	1
10	186544GT	BRACKET,E-BOX,AUTOSTART,AL4.....	1

Discount-Equipment.com

404.1 Control Box, 60 Hz with Auto Air Shutdown, View 2

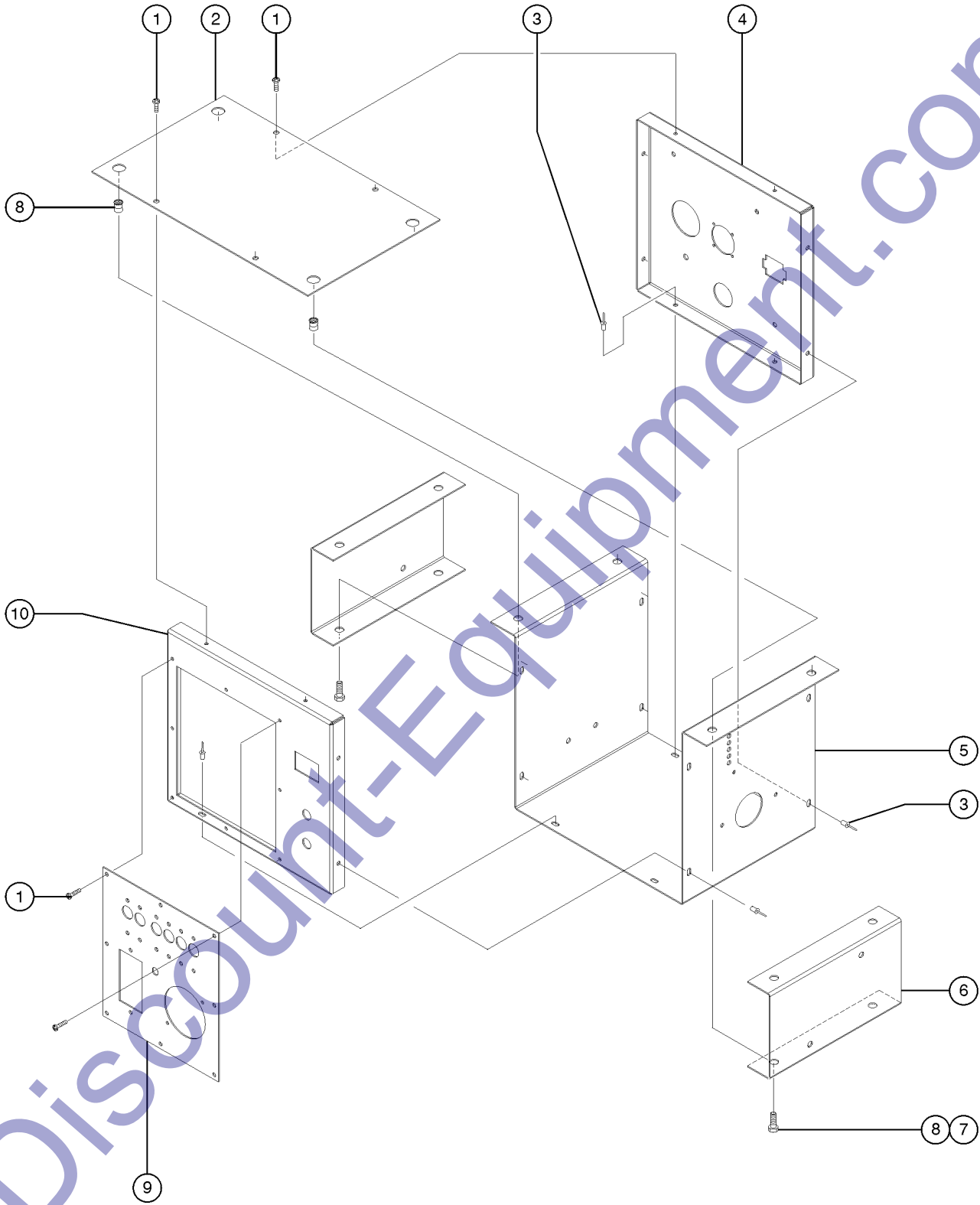


## 404.1 Control Box, 60 Hz with Auto Air Shutdown, View 2

Item	Part No.	Description	Qty.
--	227085GT	ASM,CNTRL BOX AUTO AS 8KW	
1	686220GT	CONNECTOR 2 SCREW 1.25T-B.....1	1
2	822809GT	KIT, COIL CORD HW.....1 <i>kit 822809GT removes the Deutsch connector and hard wires the connection to the coil cord.</i>	1
3	680030GT	CONNECTOR 2 SCREW 3/4.....1	1
--	680250GT	LOCKNUT, CONDUIT 3/4CSA APPVD	
4	669086GT	TRANSFORMER 120/24VAC.....1	1
5	742369GT	SHUTDOWN ,OVERSPEED,RD.....1 <i>(includes fuse and 20A AC breaker)</i>	1
6	684640GT	RECEPTACLE 20A 120V DUPLEX GFI.....1	1
7	T113642GT	BREAKER,20A MINI,120VAC 1P,CSA....1	1
8A	684450GT	RECEP 30A 20V 3POLE.....1	1
8B	686160GT	RECEP 30A 120/240V 4 POLE.....1	1
9	684380GT	IGNITION SWITCH,LEVER OPR.....1	1
10	682715GT	LIGHT INDICATOR 12VRED.....1	1
11	R660010GT	SWITCH PUSH-BUTTON W/BOOT.....1	1
12	T106193GT	HOURLMETER,DIGITAL,RECTANGULAR.1	1
13	995300GT	SCREW,PHM,6-32 X .25	
14	994420GT	WASHER,LOCK,#6 SS	
15	T113641GT	BREAKER,15A,120VAC 1P,CSA.....4	4
16	T113644GT	BREAKER,30A 250VAC 2P,CSA.....2	2
17	684167GT	CONNECTOR 12P FEMALE.....1	1
18	R661490GT	RELAY 12V DC 30A NO OR.....4	4
19	55906GT	SCREW,PHILLIPS,PHM,8-32 X .5.....4	4
20	40766GT	NUT,NYLOCK,4-40.....4	4



405.1 Control Box, Autostart, View 1



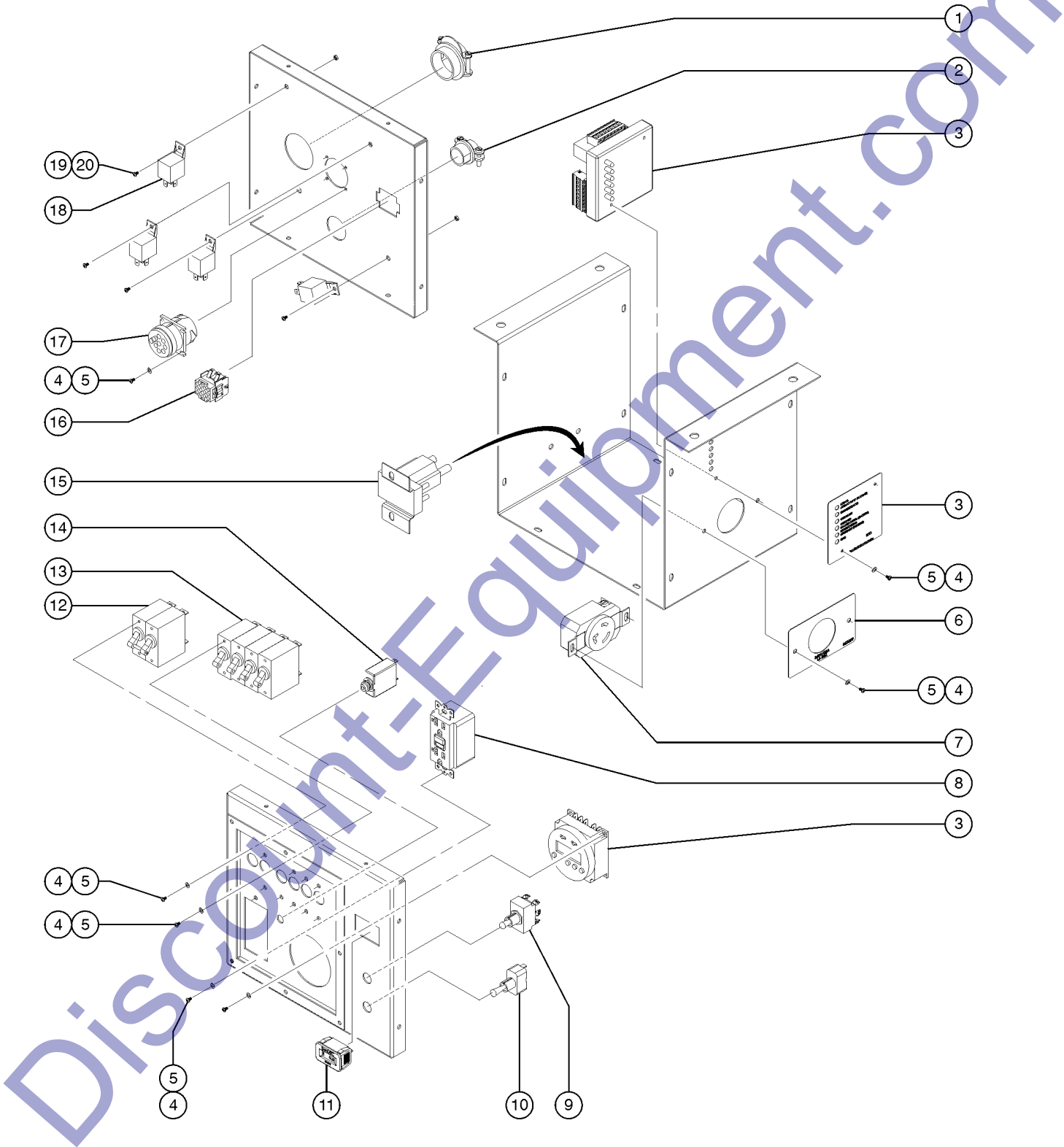
Discount-Equipment.com

## 405.1 Control Box, Autostart, View 1

Item	Part No.	Description	Qty.
1	996340GT	SCREW,PHM,10-16 X 3/4 (tek screw)	
2	186543GT	FP-CONTROL BOX, TOP.....	1
3	990670GT	RIVET,POP,SS,3/16"X1/2" BLIND	
4	186542GT	PANEL,REAR,CTRL BOX (186540).....	1
5	186550GT	FP-CONTROL BOX BODY, AUTO.....	1
6	186554GT	BRACKET,E-BOX,AUTOSTART,AL4.....	1
7	C51601444GT	SCREW,FLANGE,1/4-20X1/2" PATCH	
8	993310GT	NUTSERT,1/4-20	
9	186553GT	FP-CONTROL BOX, FACE AUTO.....	1
10	186552GT	FORMING,PAN.FRNT,CT BOX AUTOST.....	1

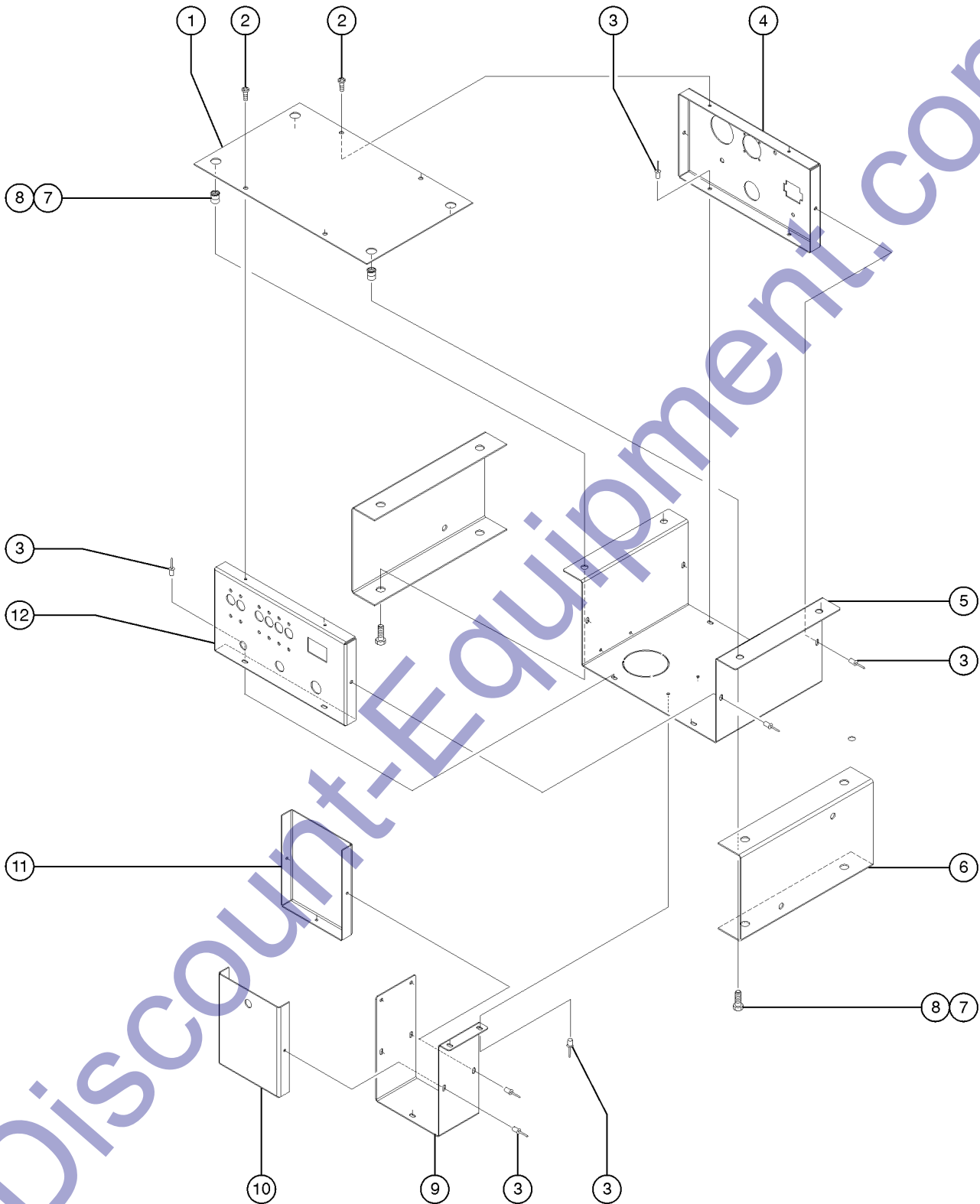
Discount-Equipment.com

406.1 Control Box, Autostart, View 2



Item	Part No.	Description	Qty.
--	T114063GT	CNTRL BOX,60HZ,AUTOSTART	
1	686220GT	CONNECTOR 2 SCREW 1.25T-B.....1	1
2	680030GT	CONNECTOR 2 SCREW 3/4.....1	1
--	680250GT	LOCKNUT, CONDUIT 3/4CSA APPVD	
3	261299GT	AUTOSTART CONTROLLER.....1 <i>(includes control board, timer, decal and fasteners)</i>	1
4	995300GT	SCREW,PHM,6-32 X .25	
5	994420GT	WASHER,LOCK,#6 SS	
6	853309GT	DECAL:240V 30 AMP RECEPTACLE.....1	1
7	684450GT	RECEP 30A 20V 3POLE.....1	1
8	684640GT	RECEPTACLE 20A 120V DUPLEX GFI.....1	1
9	672262GT	SWITCH, TOGGLE 6A DPDT ON/OFF...1	1
10	C42208400GT	SWITCH TOGGLE SPST.....1	1
11	T106193GT	HOURLMETER,DIGITAL,RECTANGULAR.1	1
12	T113644GT	BREAKER,30A 250VAC 2P,CSA.....2	2
13	T113641GT	BREAKER,15A,120VAC 1P,CSA.....4	4
14	T113642GT	BREAKER,20A MINI,120VAC 1P,CSA.....1	1
15	160761GT	CONTACTOR 100 A DP 12VDC AUTO...1	1
16	684167GT	CONNECTOR 12P FEMALE.....1	1
17	822809GT	KIT, COIL CORD HW.....1 <i>kit 822809GT removes the Deutsch connector and hard wires the connection to the coil cord.</i>	1
18	R661490GT	RELAY 12V DC 30A NO OR.....4	4
19	55306GT	SCREW,PHILLIPS,PHM,4-40 X .50.....4	4
20	40766GT	NUT,NYLOCK,4-40.....4	4

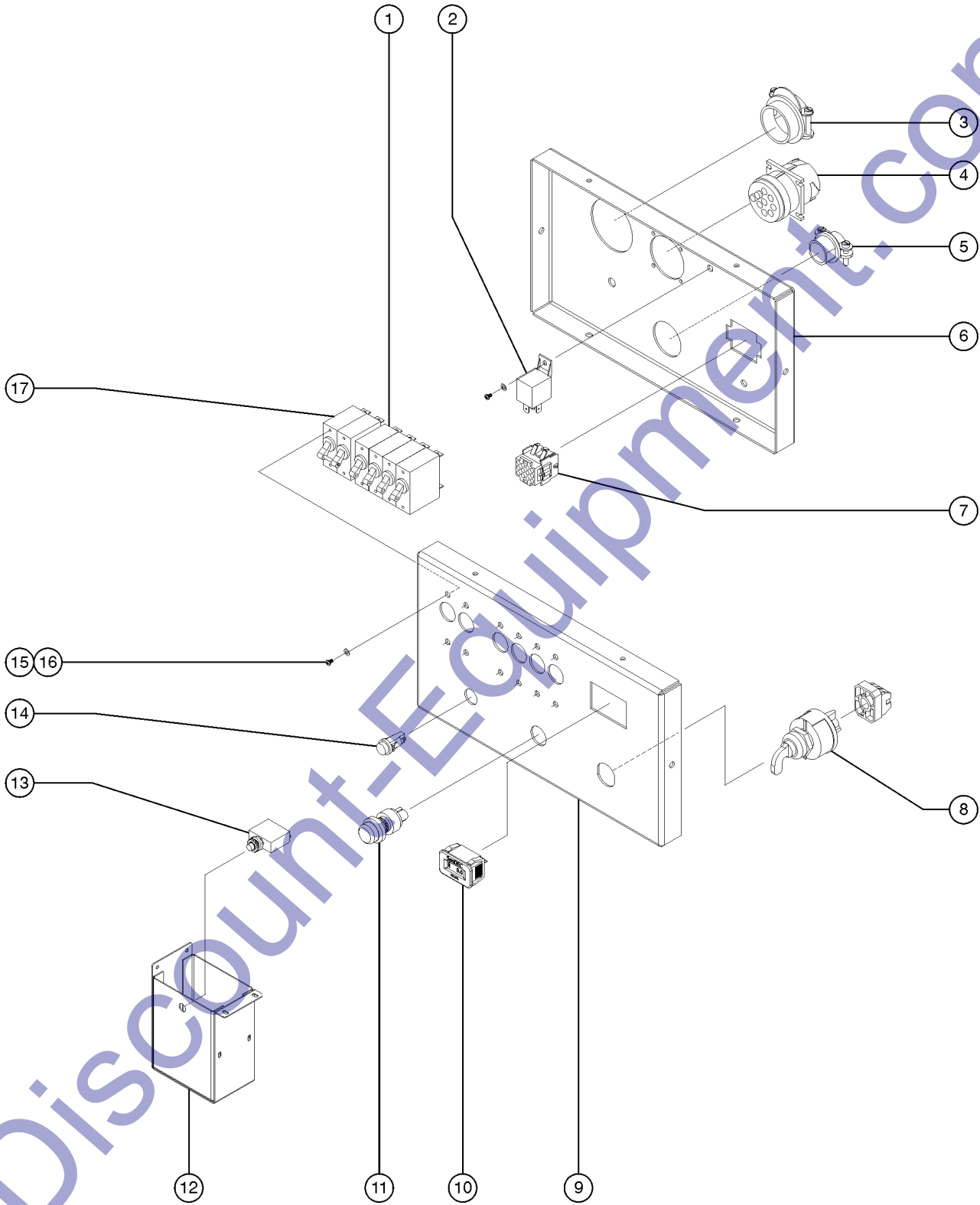
407.1 Control Box, 50 Hz, View 1



Item	Part No.	Description	Qty.
1	186543GT	FP-CONTROL BOX, TOP.....	1
2	996340GT	SCREW, PHM, 10-16 X 3/4	
3	990670GT	RIVET, POP, SS, 3/16" X 1/2" BLIND	
4	116802GT	FP-CONTROL BOX, REAR 50HZ.....	1
5	116801GT	FP-CONTROL BOX, BODY 50HZ.....	1
6	186554GT	BRACKET, E-BOX, AUTOSTART, AL4.....	1
7	C51601444GT	SCREW, FLANGE, 1/4-20 X 1/2" PATCH	
8	993310GT	NUTSERT, 1/4-20	
9	116919GT	FP-CONTROL BOX REC BOTTOM.....	1
10	996920GT	FP-CONTROL BOX REC FRONT.....	1
11	116921GT	FP-CONTROL BOX REC BACK.....	1
12	116803GT	FP-CONTROL BOX, FRONT 50HZ.....	1

Discount-Equipment.com

408.1 Control Box, 50 Hz, View 2

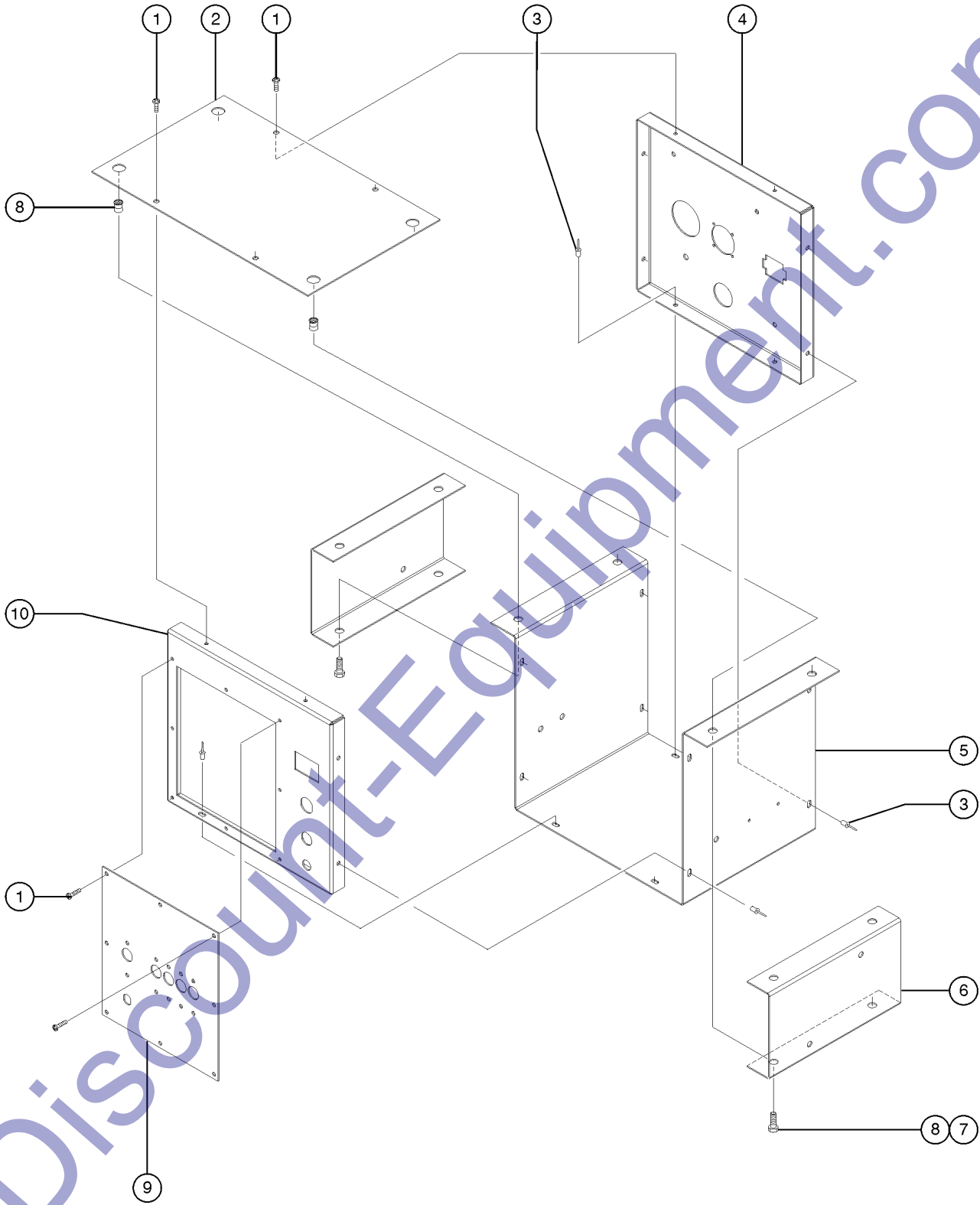


Item	Part No.	Description	Qty.
--	116804GT	EA-ELEC.BOX 4MH 50HZ NO RC	
--	116922GT	EA-ELEC.BOX 4MH 50HZ RC BOX	
1	683870GT	BREAKER 1P 15A 277VA.....1	1
2	R661490GT	RELAY 12V DC 30A NO OR.....1	1
3	686220GT	CONNECTOR 2 SCREW 1.25T-B.....1	1
4	822809GT	KIT, COIL CORD HW.....1 <i>kit 822809GT removes the Deutsch connector and hard wires the connection to the coil cord.</i>	1
5	680030GT	CONNECTOR 2 SCREW 3/4.....1	1
--	680250GT	LOCKNUT, CONDUIT 3/4CSA APPVD	
6		Ref. FP-CONTROL BOX REC BACK <i>(refer to 405.1)</i>	
7	684167GT	CONNECTOR 12P FEMALE.....1	1
8	684380GT	IGNITION SWITCH,LEVER OPR.....1	1
9		Ref. FP-CONTROL BOX REC FRONT <i>(refer to 405.1)</i>	
10	T106193GT	HOURMETER,DIGITAL,RECTANGULAR.1	1
11	R660010GT	SWITCH PUSH-BUTTON W/BOOT.....1	1
12		Ref. ELEC BOX <i>(refer to 405.1)</i>	
13	T113642GT	BREAKER,20A MINI,120VAC 1P,CSA.....1	1
14	682715GT	LIGHT INDICATOR 12VRED.....1	1
15	995300GT	SCREW,PHM,6-32 X .25.....12	12
16	994420GT	WASHER,LOCK,#6 SS.....12	12
17	T113644GT	BREAKER,30A 250VAC 2P,CSA.....2	2

Discount-Equipment.com



409.1 Control Box, 50 Hz, Australia, View 1

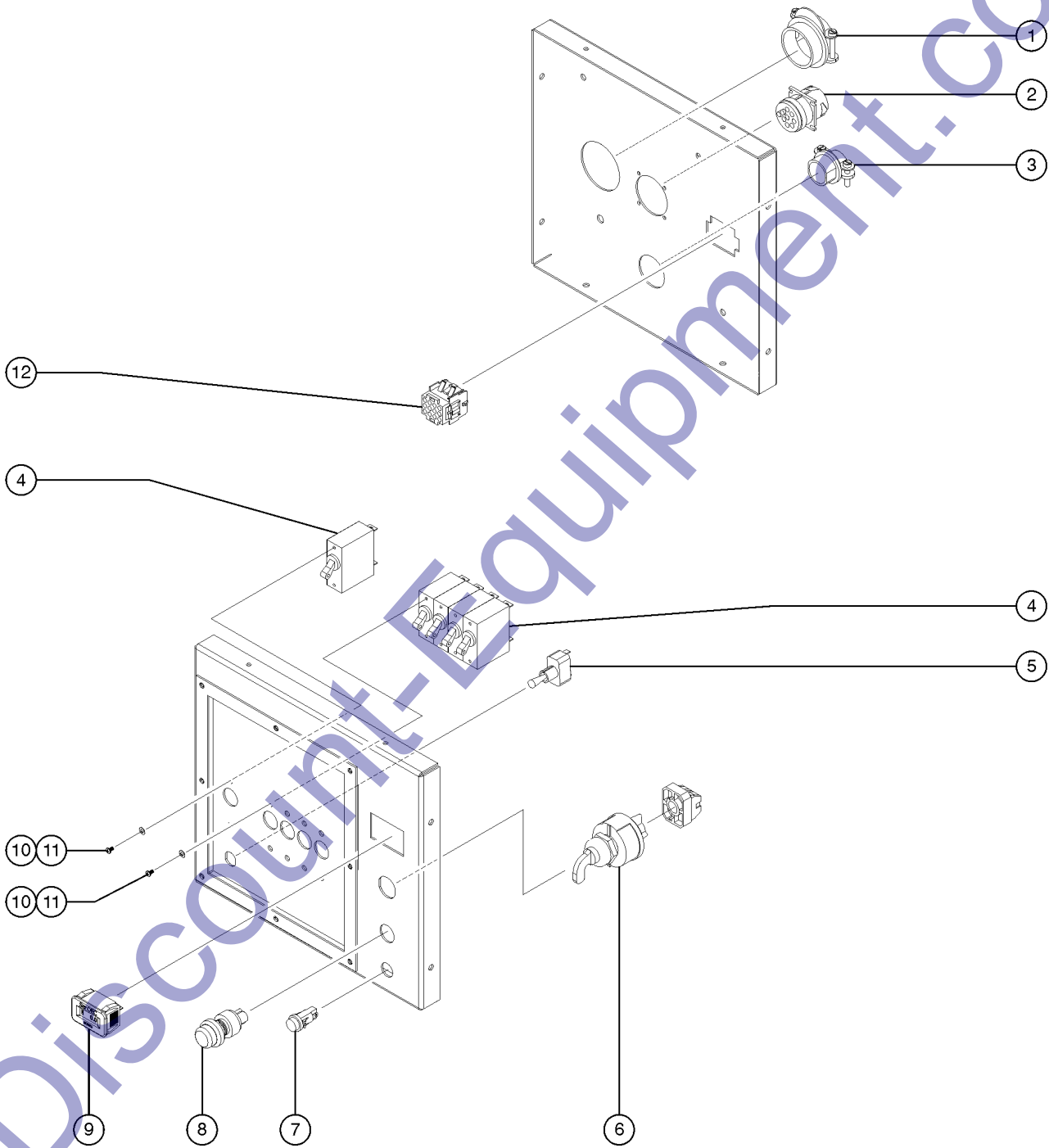


409.1 Control Box, 50 Hz, Australia, View 1

Item	Part No.	Description	Qty.
1	996340GT	SCREW,PHM,10-16 X 3/4	
2	186543GT	FP-CONTROL BOX,TOP.....1	
3	990670GT	RIVET,POP,SS,3/16"X1/2" BLIND	
4	186542GT	PANEL,REAR,CTRL BOX (186540).....1	
5	186540GT	BASE,CONTROL BOX,AL4 CONS.....1	
6	186554GT	BRACKET,E-BOX,AUTOSTART,AL4.....1	
7	C51601444GT	SCREW,FLANGE,1/4-20X1/2" PATCH	
8	993310GT	NUTSERT,1/4-20	
9	186551GT	PLATE,FACE,CNTL BOX,AUS.AL4.....1	
10	186544GT	BRACKET,E-BOX,AUTOSTART,AL4.....1	

Discount-Equipment.com

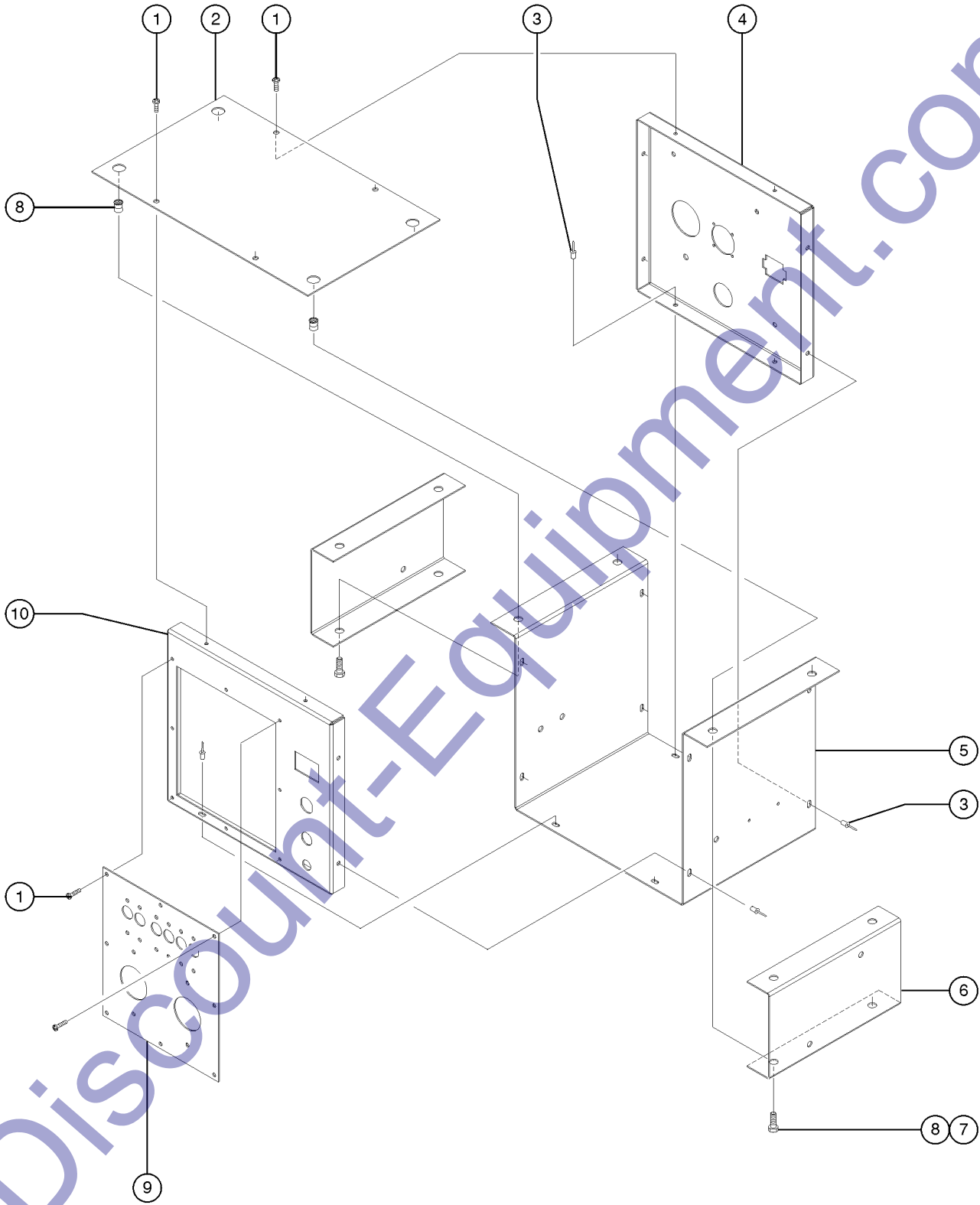
410.1 Control Box, 50 Hz, Australia, View 2



## 410.1 Control Box, 50 Hz, Australia, View 2

Item	Part No.	Description	Qty.
--	T108373GT	PM KIT,CONTROL BOX,AL.....	11
1	686220GT	CONNECTOR 2 SCREW 1.25T-B.....	1
2	822809GT	KIT, COIL CORD HW..... <i>kit 822809GT removes the Deutsch connector and hard wires the connection to the coil cord.</i>	1
3	680030GT	CONNECTOR 2 SCREW 3/4.....	3
--	680250GT	LOCKNUT, CONDUIT 3/4CSA APPVD	
4	683870GT	BREAKER 1P 15A 277VA.....	4
5	C42202900GT	SWITCH TOGGLE SPDTON-.....	1
6	684380GT	IGNITION SWITCH,LEVER OPR.....	1
7	682715GT	LIGHT INDICATOR 12VRED.....	1
8	R660010GT	SWITCH PUSH-BUTTON W/BOOT.....	1
9	T106193GT	HOURMETER,DIGITAL,RECTANGULAR.	1
10	995300GT	SCREW,PHM,6-32 X .25.....	10
11	994420GT	WASHER,LOCK,#6 SS.....	10
12	684167GT	CONNECTOR 12P FEMALE.....	1

411.1 Control Box, 50 Hz, Twistlock, View 1



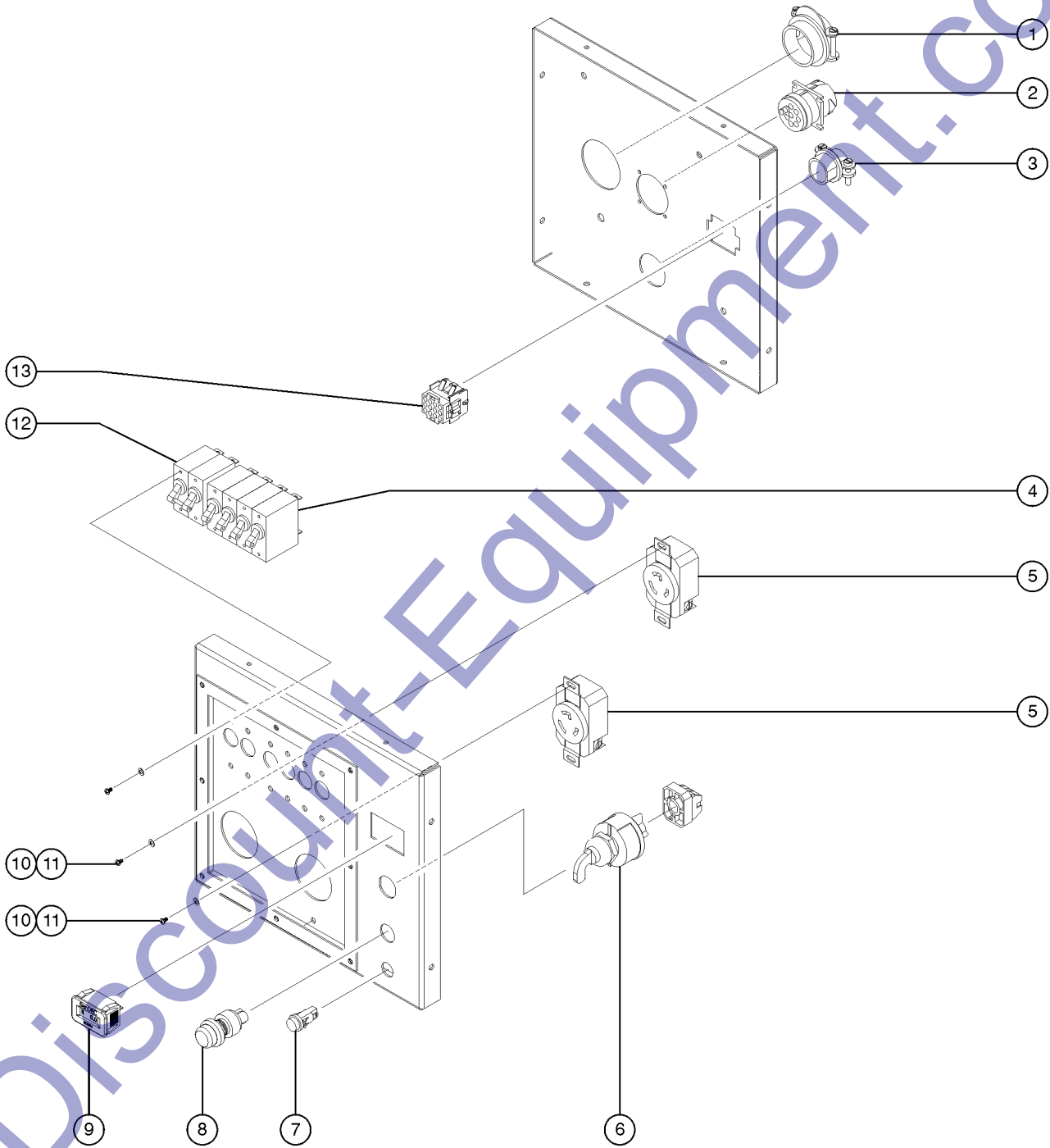
Discount-Equipment.com

## 411.1 Control Box, 50 Hz, Twistlock, View 1

Item	Part No.	Description	Qty.
1	996340GT	SCREW,PHM,10-16 X 3/4	
2	186543GT	FP-CONTROL BOX, TOP.....1	
3	990670GT	RIVET,POP,SS,3/16"X1/2" BLIND	
4	186542GT	PANEL,REAR,CTRL BOX (186540).....1	
5	186540GT	BASE,CONTROL BOX,AL4 CONS.....1	
6	186554GT	BRACKET,E-BOX,AUTOSTART,AL4.....1	
7	C51601444GT	SCREW,FLANGE,1/4-20X1/2" PATCH	
8	993310GT	NUTSERT,1/4-20	
9	T107893GT	PANEL,FRONT,CTRL BOX, 2 TL.....1	
10	186544GT	BRACKET,E-BOX,AUTOSTART,AL4.....1	

Discount-Equipment.com

412.1 Control Box, 50 Hz, Twistlock, View 2



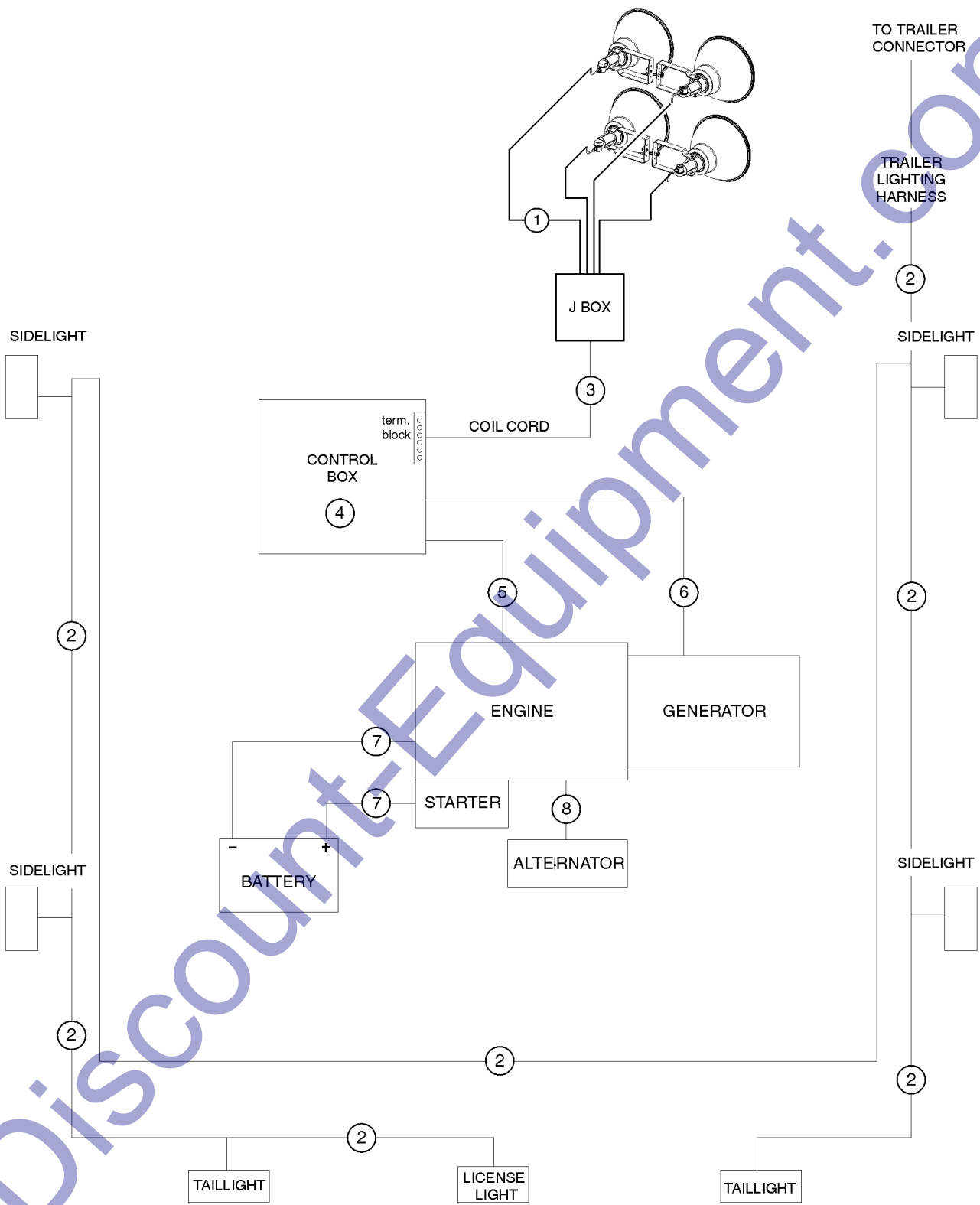
## 412.1 Control Box, 50 Hz, Twistlock, View 2

Item	Part No.	Description	Qty.
--	116806GT	CNTRL PNL,50HZ,MH,1KW,220V TWL	
1	686220GT	CONNECTOR 2 SCREW 1.25T-B.....1	1
2	685670GT	CONNECTOR 7P RECPTCAN.....1	1
3	680030GT	CONNECTOR 2 SCREW 3/4.....1	1
--	680250GT	LOCKNUT, CONDUIT 3/4CSA APPVD	
4	T113641GT	BREAKER,15A,120VAC 1P,CSA.....4	4
5	684450GT	RECEP 30A 20V 3POLE.....2	2
6	684380GT	IGNITION SWITCH,LEVER OPR.....1	1
7	682715GT	LIGHT INDICATOR 12VRED.....1	1
8	R660010GT	SWITCH PUSH-BUTTON W/BOOT.....1	1
9	T106193GT	HOURMETER,DIGITAL,RECTANGULAR.1	1
10	995300GT	SCREW,PHM,6-32 X .25.....12	12
11	994420GT	WASHER,LOCK,#6 SS.....12	12
12	T113644GT	BREAKER,30A 250VAC 2P,CSA.....2	2
13	684167GT	CONNECTOR 12P FEMALE.....1	1

Discount-Equipment.com



413.1 Electrical Wiring and Power Cables

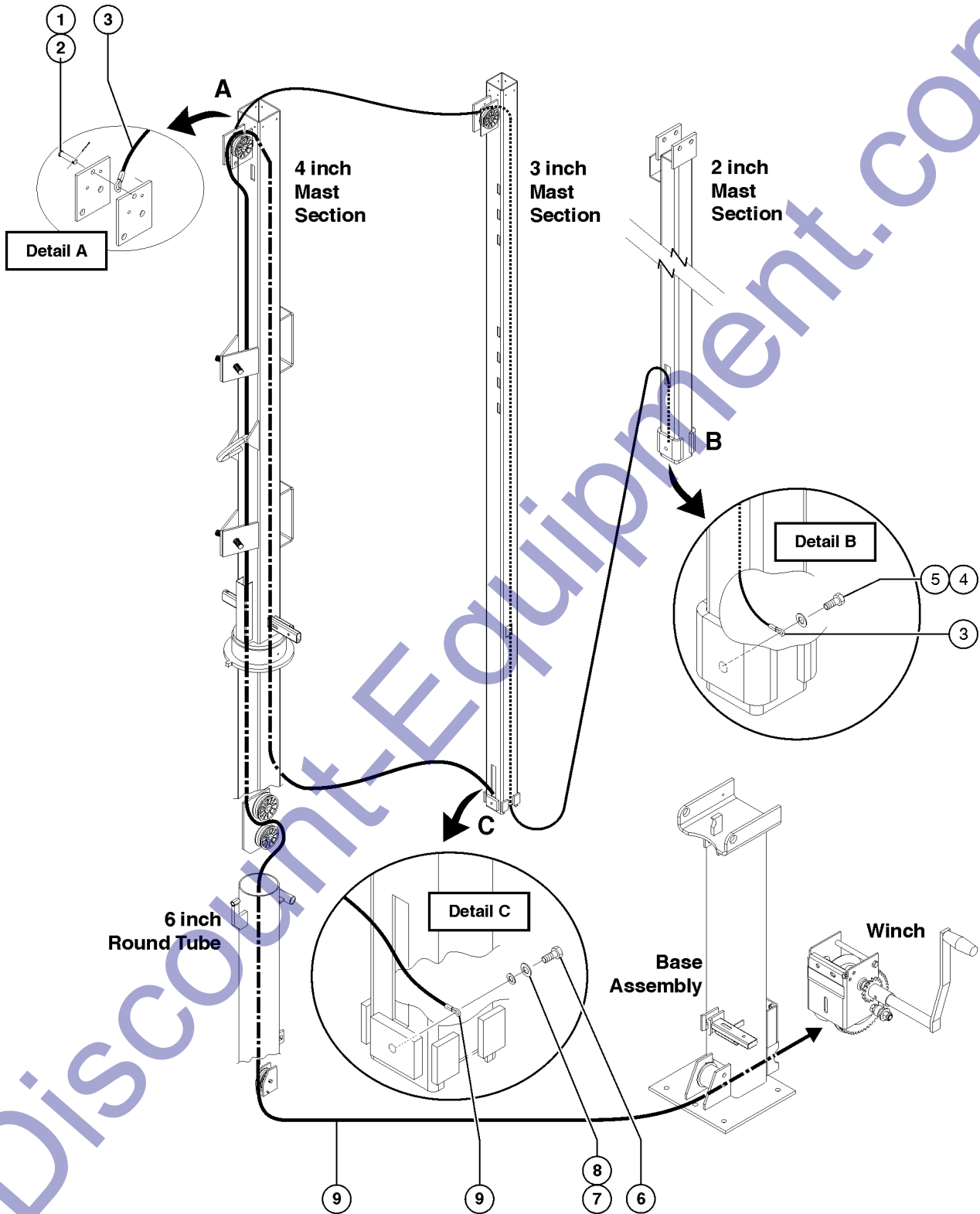


DiscountEquipment.com

## 413.1 Electrical Wiring and Power Cables

Item	Part No.	Description	Qty.
1		Ref. LAMP PIGTAIL (refer to 507.1 or 508.1)	
2A	T109325GT	SVC KIT,TAILLIGHTS,AL.....1	
--	663400GT	CONNECTOR,7-POLE,TLITE,RND PIN (7-pole connector (blade))	
--	663401GT	CONNECTOR,BLADE,POS,TAILT, 7P (7-pole connector (round); 663405GT required, order separately)	
--	663420GT	CONNECTOR,TAIL LIGHT,6 POLE (6-pole connector)	
--	663430GT	CONNECTOR,TAILLIGHT,4 PIN (4-pole connector)	
2B	T110696GT	HARNESS,BLACK OUT LIGHTS	
--	T110697GT	HARNESS,12 PIN CONNECTOR (blackout light option)	
3A	826917GT	KIT COIL CORD W JUNCTION BOX.....1 (coil cord, junction box and deutsch connector)	
--	663870GT	CONNECTOR 3P FEMALE RECEPTACLE	
--	680080GT	GRIP,HUBBLE 07401010	
--	680190GT	COVER,JUNC BOX W/GSKT, 2 GANG	
--	994380GT	SCREW,RH,6-32 X 5/8	
--	C48300108GT	BOX,JUNC,LIGHT TWR,4 CONN	
3B	22112555GT	COIL CORD W/JUN BOX,HW (for models that are hardwired, does not include plug)	
3C	826916GT	KIT COIL CORD WO/ JUNCTION BOX (coil cord without junction box)	
3D		BOX, JUNC, AUSTRALIA (available soon)	
3E		COIL CORD, AUS, IEC (available soon)	
4A	116815GT	WIRE HARN,DC,IN CTRL BOX,2006.....1 (engine)	
4C	R660715GT	DIODE 6AMP-50 PIV 2-WIRE.....1	
5A	116820GT	WIRE HARN,ENG,KUBOTA,DC,2006.....1 (engine)	
5B	116822GT	EA-WIRE HARNESS,PERKINS,DC (engine)	
--	800004GT	PIGTAIL,FUEL SOLENOID,KUBOTA	
6	237658GT	CABLE, POWER, 10/4 48".....1	
7	160276GT	CABLE SET,BATTERY,24" RED&BLK.....1	
8	973085GT	KIT:ALTERNATOR WIRING,KUBOTA.....1	

501.1 Mast Assembly and Winch Cable Routing

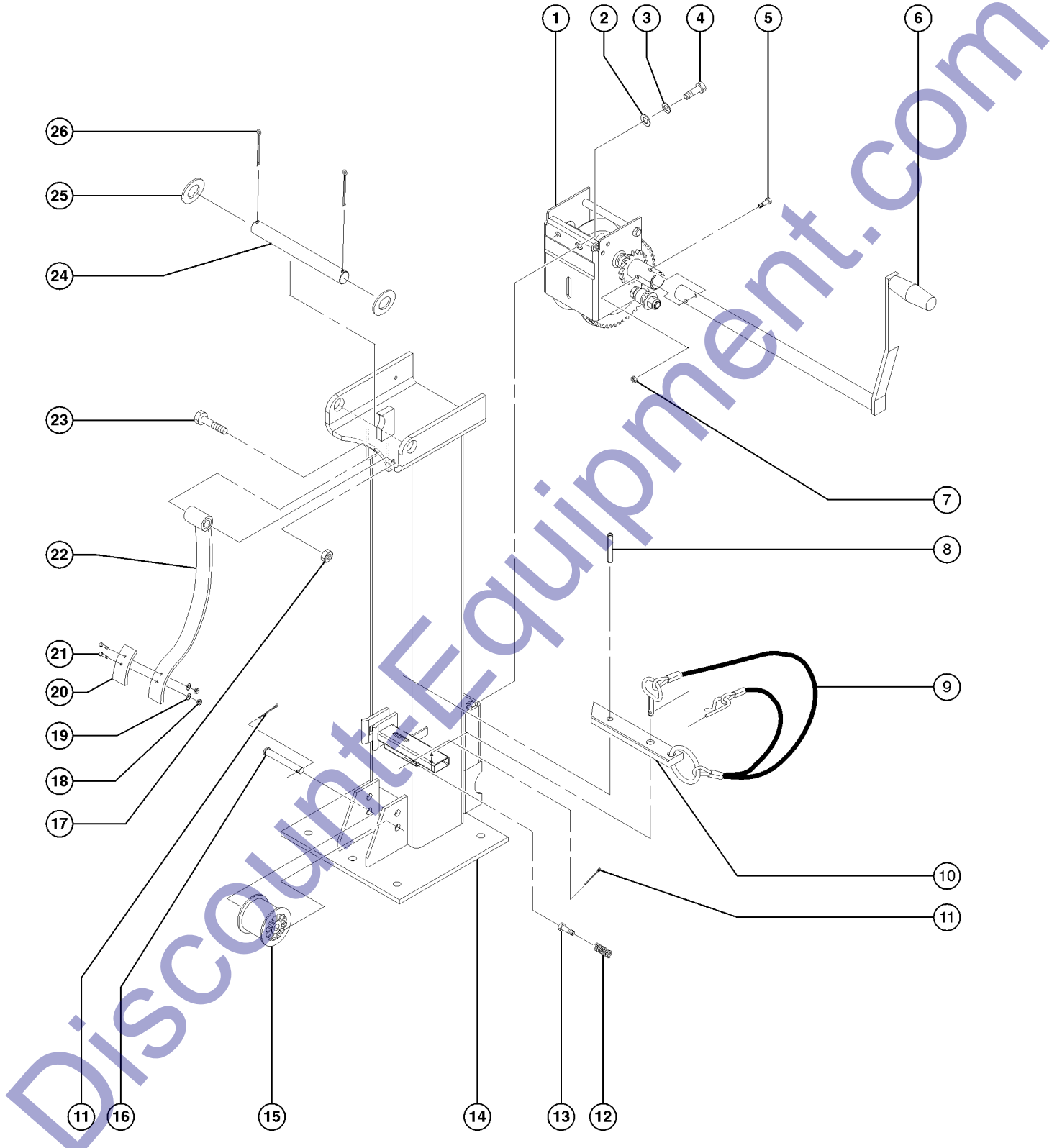


## 501.1 Mast Assembly and Winch Cable Routing

Item	Part No.	Description	Qty.
1	995780GT	CLEVIS PIN STAINLESSS.....	1
2	990650GT	COTTER PIN 1/8X1 SSBIN STOCK.....	1
3	109070GT	KIT,CABLE,UPPER AL4&5/LT5/SL4..... <i>(includes cable, shims, rivets, and fasteners)</i>	1
4	996230GT	SCREW,HHC,3/8-16 X 7/8.....	1
5	990470GT	WASHER LOCK 3/8ZP.....	1
6	990181GT	SCREW 3/8-16NCX1 HHC GR.....	1
7	15086GT	WASHER,FLAT,.375 X 1.5 X .125.....	1
8	990470GT	WASHER LOCK 3/8ZP.....	1
9	109065GT	KIT- CABLE ASSY LOWER 1/4" AL4..... <i>(includes cable, shims, rivets, and fasteners) (refer to 504.1 and 505.1 for shim installation)</i>	1

Discount-Equipment.com

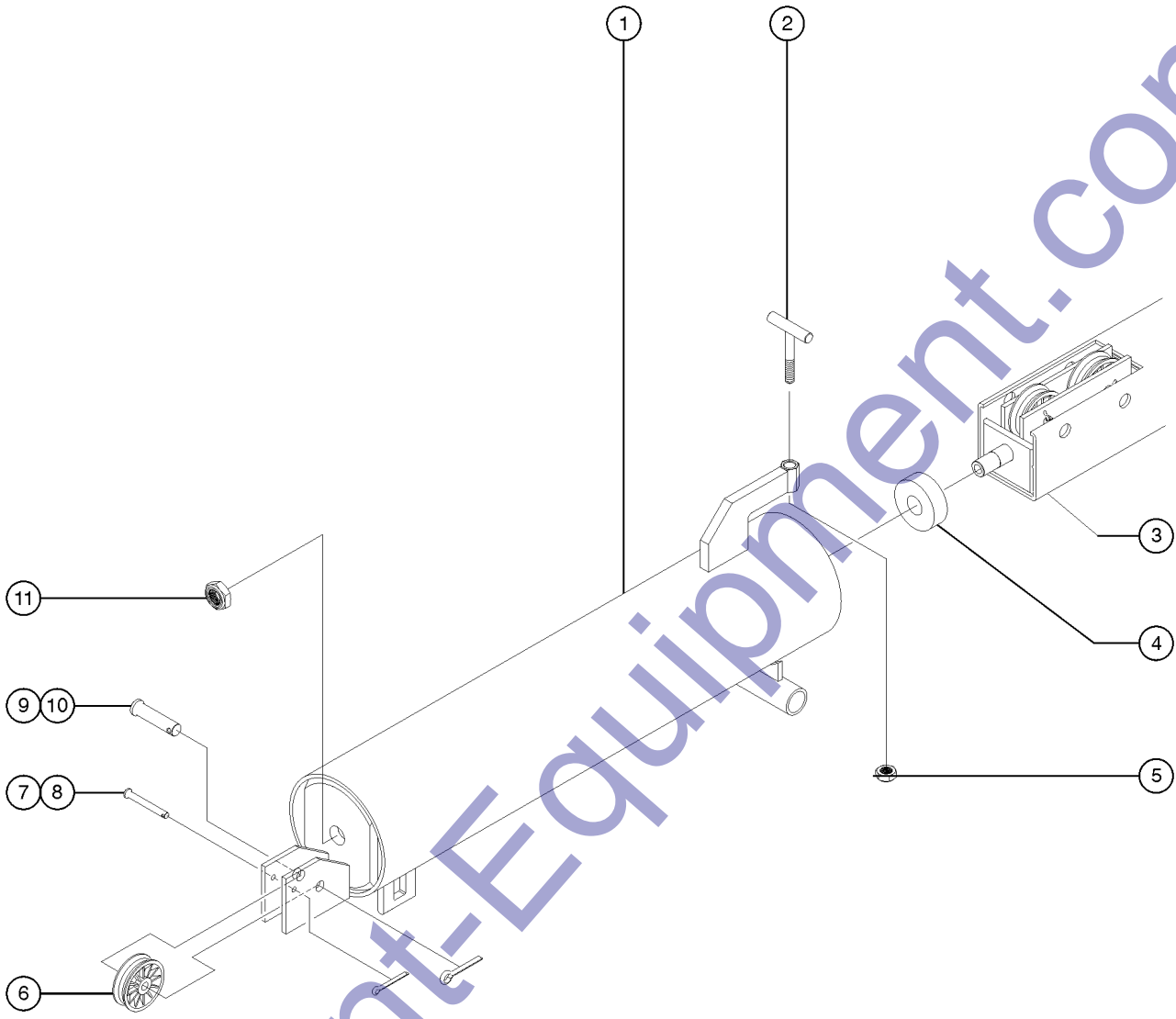
502.1 Tower Base Assembly



## 502.1 Tower Base Assembly

Item	Part No.	Description	Qty.
1		Ref. Winch (refer to 210.1)	
2	990080GT	WASHER FLAT 3/8USS ZPBIN.....	2
3	990470GT	WASHER LOCK 3/8ZP.....	2
4	981575GT	SCREW,HHC,3/8-16 X 1 GR 5 ZP.....	2
5	6-5204-16GT	SCREW,HHC,1/4-20X2.00,GR8.....	1
6	124480GT	AS-WINCH HANDLE W/TUBE,AL4000...	1
7	990150GT	NUT,NYLOCK,1/4-20 GR2.....	1
8	990660GT	ROLL PIN 1/4 X1-5/8.....	1
9	113362GT	MA-PIN LOCK SLIDE WITH RING..... (includes cable and pin)	1
10	22109517GT	KIT:LOCK SLIDE PIN W/..... (includes items 8-13)	1
11	990650GT	COTTER PIN 1/8X1 SSBIN STOCK.....	2
12	790710GT	SPRING,COIL,1/2 X 2.25.....	1
13	980340GT	SCREW,HHC,5/16-18 X 0.5 IN.....	1
14A	230613GT	TOWER BASE ASSY W/DEC,ALXL,WRD.....	1
14B	230638GT	TOWER BASE ASSY W/DEC,ALXL,SYM.....	1
15	184510GT	SHEAVE SPOOL 3 X2-1/2.....	1
16	995790GT	CLEVIS PIN STAINLESSS.....	1
17	990200GT	NUT,NYLOCK,1/2-13 GR2.....	1
18	995420GT	NUT LOCK NYLON INSERT,10-32JAM.....	2
19	995420GT	NUT LOCK NYLON INSERT,10-32JAM.....	2
20	186360GT	FP-BUMPER PAD,KICKOUT SPRING...1	1
21	995050GT	SCREW #10-32NFX3/4 LO.....	1
22	193750GT	SPRING,KICKOUT,0.262X1.75,AL'S.....	1
23	981920GT	SCREW,HHC,1/2-13 X 3 G.....	1
24	971290GT	KIT:TWR,30'CBL TO PIVOT POST..... (includes items 21 and 22)	1
--	173115GT	PIN 1X9-1/4 TOWER PIVOT	
25	994000GT	WASHER FLAT 1S/S 18-8BIN.....	2
26	990770GT	COTTER PIN 3/16X1.5 SS.....	2

503.1 Round Tube Assembly, 6 Inch



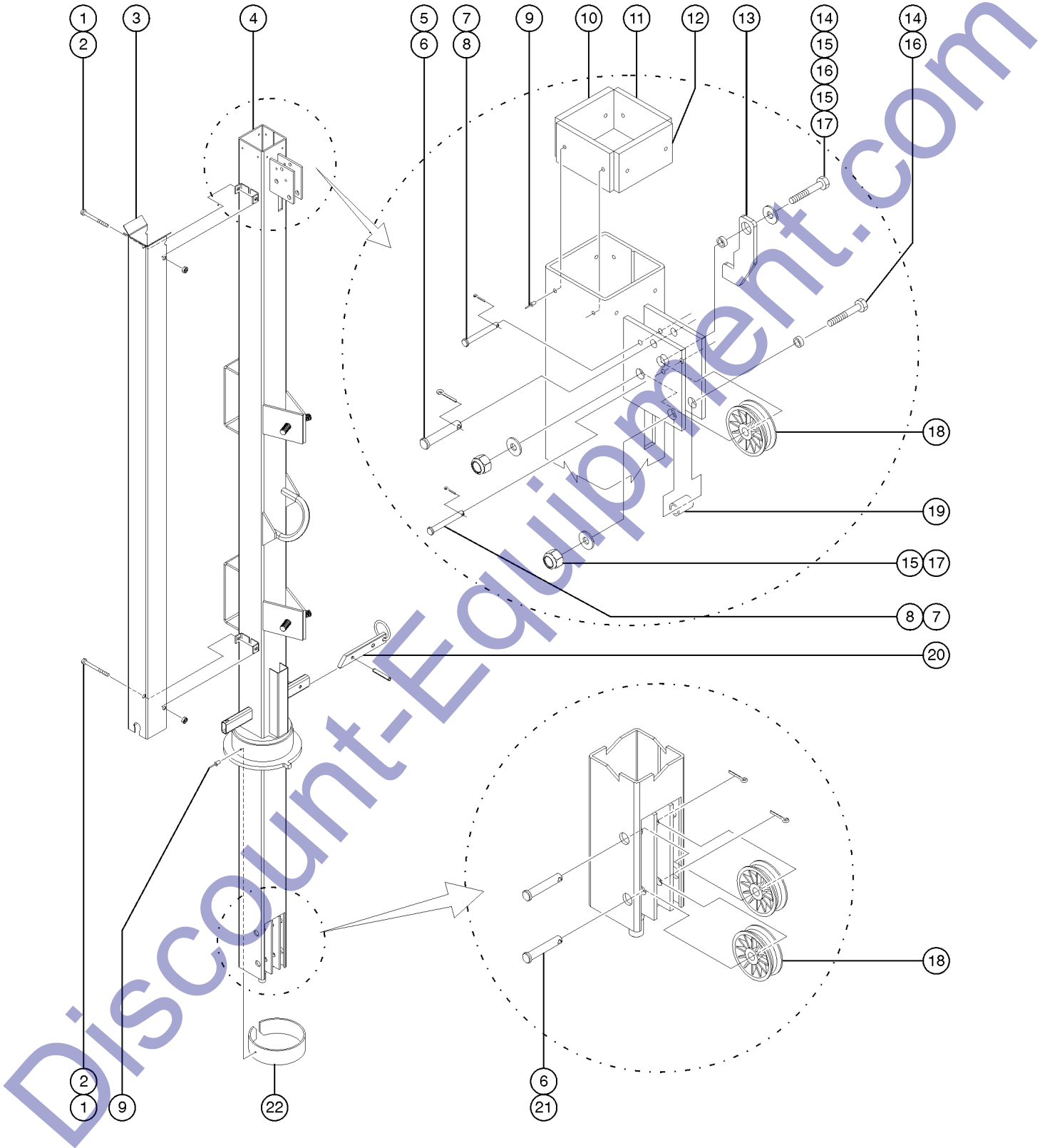
503.1 Round Tube Assembly, 6 Inch

Item	Part No.	Description	Qty.
1	230612GT	6" ROUND TUBE ASSY W/DECAL.....1	
--	974690GT	KIT:TOWER,30',6"ROUND TUBE.....1 <i>(includes item 2 and items 5-11)</i>	
2	990610GT	BOLT,TEE 1/2-20 X 4.5.....1	
3		Ref. Mast Assy, 4" <i>(refer to 504.1)</i>	
4	179850GT	BUSHING 2.5ODX13/16.....1	
5	995190GT	NUT,NYLOCK,1/2-20.....1	
6	188760GT	SHEAVE 3-1/8 X15/16.....1	
7	995790GT	CLEVIS PIN STAINLESSS.....1	
8	994920GT	COTTER PIN 3/32X3/4 S.....1	
9	992765GT	CLEVIS PIN STAINLESSS.....1	
10	990650GT	COTTER PIN 1/8X1 SSBIN STOCK.....1	
11	990620GT	NUT LOCK NYLON INSERT.....1	

Discount-Equipment.com



504.1 Mast Assembly, 4-inch



Item	Part No.	Description	Qty.
1	990160GT	SCREW,HHC,3/8-16 X 3.75.....	2
2	990170GT	NUT LOCK NYLON INSERT 3/8.....	2
3	113080GT	SLEEVE,COIL CORD,AL4,AL5.....	1
4A	230614GT	4" MAST ASSY W/DECAL,ALXL,WORD.....	1
4B	230615GT	4" MAST ASSY W/DECALS,ALXL,SYM	
5	995780GT	CLEVIS PIN STAINLESSS.....	1
6	990650GT	COTTER PIN 1/8X1 SSBIN STOCK.....	3
7	995790GT	CLEVIS PIN STAINLESSS.....	2
8	994920GT	COTTER PIN 3/32X3/4 S.....	2
9	990670GT	RIVET,POP,SS,3/16"X1/2" BLIND.....	10
10	183288GT	FP-SHIM 3/16X2X3-3/16 PLASTIC.....	1
11	177830GT	FP-SHIM 1/4X2X3-3/16 PLASTIC.....	2
12	183286GT	FP-SHIM 5/16X2X3-3/16 PLASTIC.....	1
13	178335GT	FP-LOCK LEVER, AL SERIES.....	1
14	990190GT	SCREW,HHC,1/2-13 X 3.....	2
15	990210GT	WASHER FLAT 1/2ZP.....	3
16	683460GT	BUSHING, 3/4OD X 1/2ID ***** .....	2
17	990200GT	NUT,NYLOCK,1/2-13 GR2.....	2
18	188760GT	SHEAVE 3-1/8 X15/16.....	3
19	683450GT	BUSHING 11/16ODX1/2IDX1.032L.....	1
20		Ref. Lock Pin (refer to 502.1)	
21	992765GT	CLEVIS PIN STAINLESSS.....	2
22	177810GT	FP-SHIM 3/16X2X19-3/4 PLASTIC.....	1

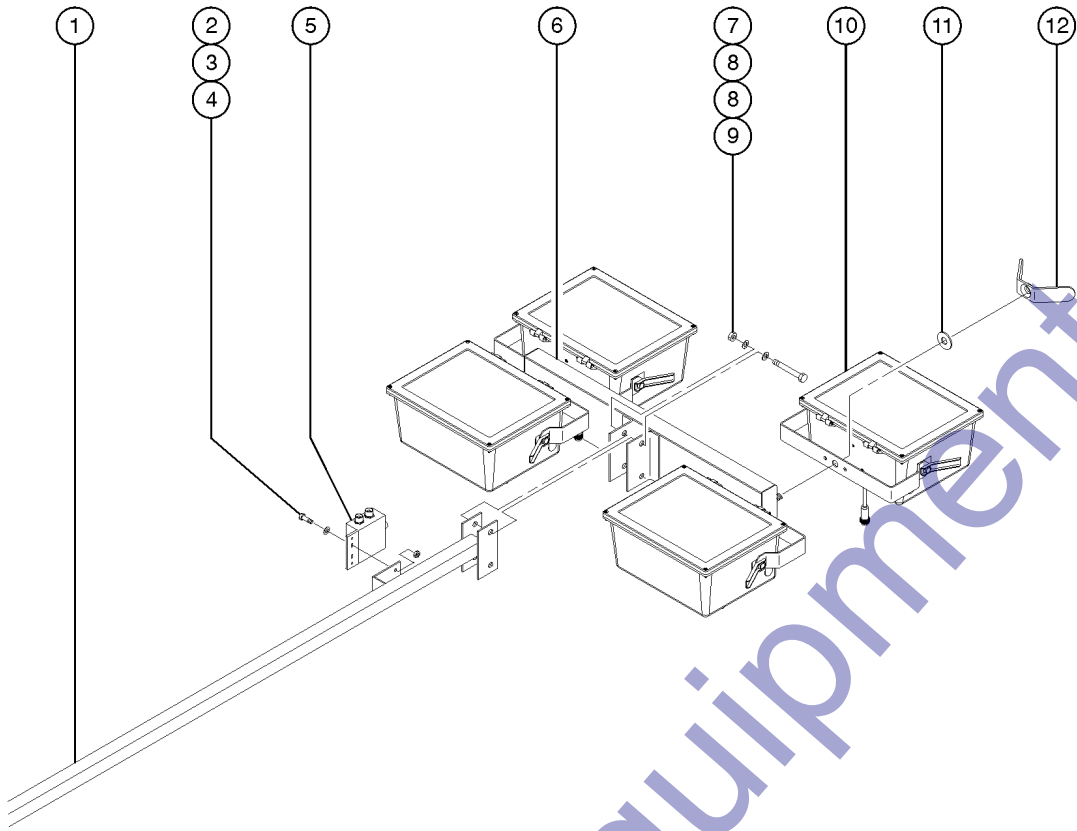


505.1 Mast Assembly, 2-inch and 3-inch

Item	Part No.	Description	Qty.
1	992765GT	CLEVIS PIN STAINLESSS.....	1
2	990650GT	COTTER PIN 1/8X1 SSBIN STOCK.....	1
3	995790GT	CLEVIS PIN STAINLESSS.....	2
4	994920GT	COTTER PIN 3/32X3/4 S.....	2
5	990670GT	RIVET,POP,SS,3/16"X1/2" BLIND.....	8
6	177820GT	FP-SHIM 5/16X2X2-1/4 PLASTIC.....	3
7	185290GT	FP-SHIM 3/8 X 2 X 2.25 PLASTIC.....	1
8	188760GT	SHEAVE 3-1/8 X15/16.....	1
9	124560GT	2" TOWER SECT,30'LG GALVANIZED....	1
10	124550GT	3 SECTION 30'TOWER AL4/AL5.....	1

Discount-Equipment.com

506.1 Mast Crossarm

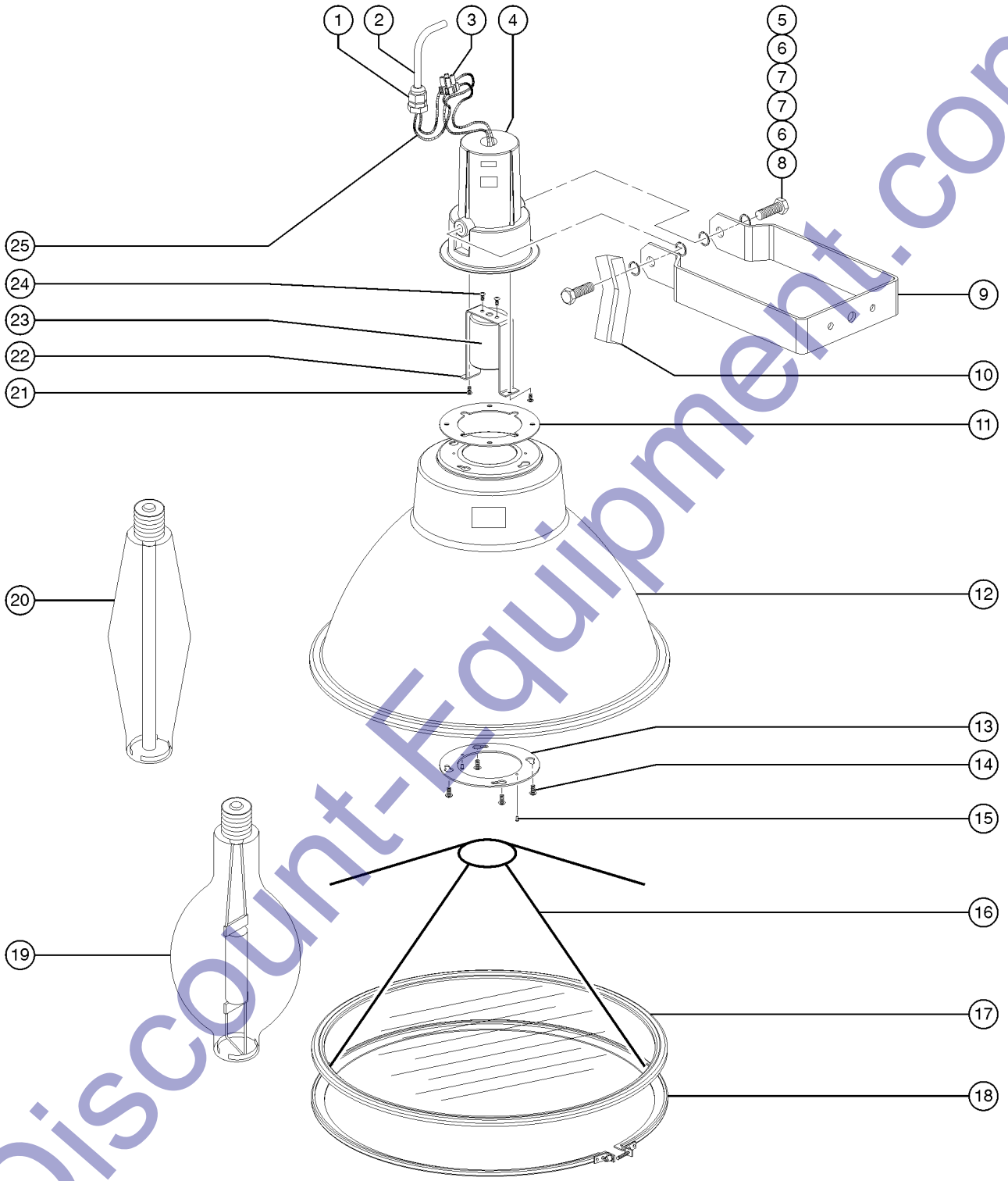


Discount-Equipment.com

Item	Part No.	Description	Qty.
1		Ref., 2-INCH MAST ASSY.....1 <i>refer to 505.1</i>	
2	6888GT	SCREW,HHC,1/4-20 X 1.....2	
3	6638GT	WASHER,FLAT,USS,1/4"Y.....2	
4	6091GT	NUT,NYLOCK,1/4-20.....2	
5		Ref., JUNCTION BOX <i>refer to 413.1</i>	
6	113040GT	CROSSARM,4 LIGHT,AL SERIES,GLV.....1	
7	994460GT	SCREW,HHC,3/8-16 X 4.5 ZP.....2	
8	990080GT	WASHER FLAT 3/8USS ZPBIN.....4	
9	990170GT	NUT LOCK NYLON INSERT 3/8.....2	
10A		Ref., ROUND LIGHT <i>refer to 507.1</i>	
10B		Ref., SQUARE LIGHT <i>(shown) refer to 508.1</i>	
11	990880GT	WASHER,LOCK,STAR 3/4 E.....4	
12	22123080GT	WING NUT, FIXTURE,RL4,AL4,AL5.....4	

Discount-Equipment.com

507.1 Light Assembly, Round

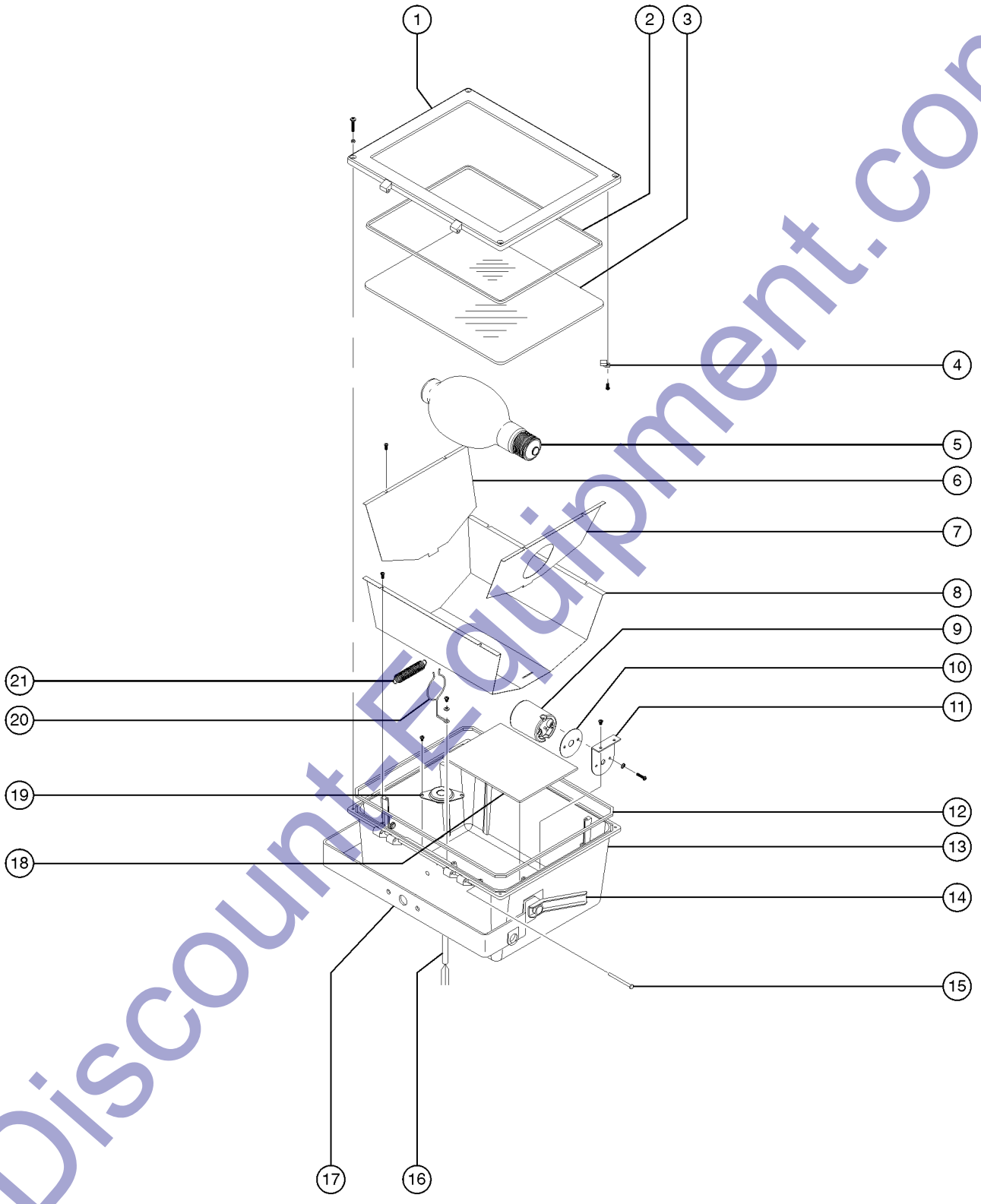


Discount-Equipment.com

Item	Part No.	Description	Qty.
--	C41100720GT	LIGHT FIXTURE,MH,AL4,RL4,AL5 <i>Light Fixture, Complete</i>	
1	683950GT	GASKET,STRAIN RELIEF,1/2	
--	680020GT	LOCKNUT,CONDUIT,1/2 CSA APPVD	
--	682470GT	CONN,STRAIN RELIEF,1/2 NPT	
2	663850GT	CORD SET MALE 5FT. 3P	
3	709034GT	TERMINAL STRIP,CE	
4	833567GT	CASTING,FIXTURE QUICK CONNECT	
5	990810GT	SCREW,HHC,1/2-13 X 1.5	
6	991650GT	WASHER LOCK 1/2ZP	
7	995970GT	WASHER LOCK STAR 1/2E	
8	981640GT	SCREW,HHC,1/2-13 X 1.25	
9	833566GT	BRKT,TRUNION	
10	833573GT	T-HANDLE	
11	833569GT	GASKET, HOUSING REFLECTOR BASE	
12	833547GT	REFLECTOR & LENS ASSY STD FIX <i>includes items 17-18</i>	
--	833568GT	REFLECTOR (C41100720)	
13	833570GT	RING,REINFORCING (C41100720)	
14	833571GT	SCREW,PHM,10-24 X 5/8	
15	990675GT	RIVET POP 1/8X.390 GR	
16	22120102GT	SPIDER, MH/HPS	
17	833524GT	LENS W/GASKET (C41100720)	
--	C2450108GT	LENS GASKET FOR LIGHT FIXTURE	
18	833543GT	CLAMPLENS (C41100720)	
--	833574GT	SCREW,HH SLOT,8-32X1	
--	833578GT	NUTSERT,8-32 (833543)	
--	833581GT	WASHER,CLAMP,RUBBER(833543)	
19	160071GT	LAMP MH 1000W M1000/U SYL	
20	160140GT	LAMP HPS 1000W LU1000CSA APPVD	
21	833565GT	SCREW,PHM,8-32X3/8	
22	833563GT	BRKT,SOCKET MOGUL FO	
23	833564GT	SOCKET BASE-MOGUL	
24	833577GT	SCREW,RHM,6-32X5/8	
25	833582GT	SLEEVE,WIRE,FIBERGLASS	



508.1 Light Assembly, Square

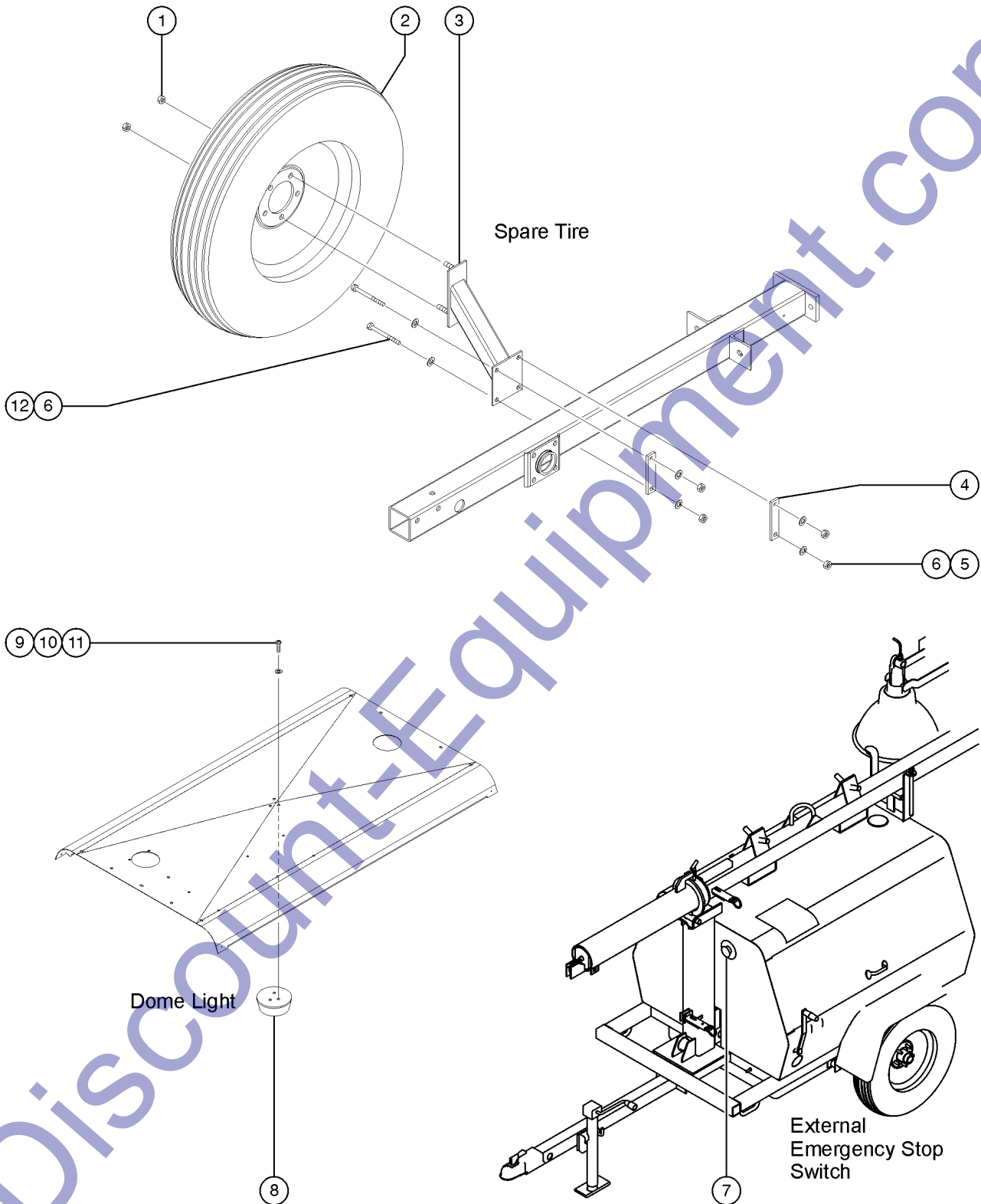


DiscountEquipment.com

Item	Part No.	Description	Qty.
--	161095GT	FIXTURE ASSEMBLY 1000W RECT <i>includes items 14 and 17</i>	
1	116054GT	TOP FRAME,HOUSING BASE	
1B	71979GT	SCREW,INDENTED HEX,10-24 X .75 <i>for 116054</i>	
2	116049GT	GASKET,RECTANGULAR GLASS/LENS	
3A	116048GT	GLASS/LENS,RECTANGULAR PSI <i>(14.14 x 10.83 inches)</i>	
3B	80103GT	LENS,LIGHT (57449) <i>(15.38 x 12.13 inches)</i>	
3C	116010GT	GLASS LENS <i>(17.5 x 9.75 inches)</i>	
4	116051GT	RETAINER CLIP,GLASS/LENS	
--	116052GT	COVER,GLASS/LENS RETAINER CLIP	
5	160077GT	LAMP MH 1000W BT37HOR	
6	116046GT	REFLECTOR SIDE	
7	116047GT	REFLECTOR LAMP SIDE	
8	116045GT	REFLECTOR BASE	
9	116057GT	LIGHT SOCKET,PSI RECT 5 KV <i>includes pigtail</i>	
10	116056GT	GASKET,LIGHT SOCKET	
11	116044GT	BRACKET, SOCKET MOUNT	
12	116053GT	GASKET,HOUSING BASE, TOPFRAME	
13	116042GT	FIXTURE HOUSING BASE,1KW RECT <i>(replaced 116108GT)</i>	
14	116064GT	HANDLE, ADJUSTMENT.....	2
--	823380GT	BOLT, HANDLE.....	2
--	991650GT	WASHER LOCK 1/2ZP.....	2
--	995970GT	WASHER LOCK STAR 1/2E.....	2
15	116043GT	CLEVIS PIN,4.6X60MM	
16	663850GT	CORD SET MALE 5FT. 3P	
17	116055GT	YOKE,PSI RECT.LIGHT FIXTURE.....	1
18	116059GT	FIBERGLASS PAD,RECT LAMP FIXT	
19	116109GT	GROMMET ASSEMBLY	
20	116058GT	LAMP BRACE, RECT HOUSING	
21	116061GT	SPRING, LAMP RETAINER	

DiscoveryEquipment.com

601.1 Spare Tire and Dome Light

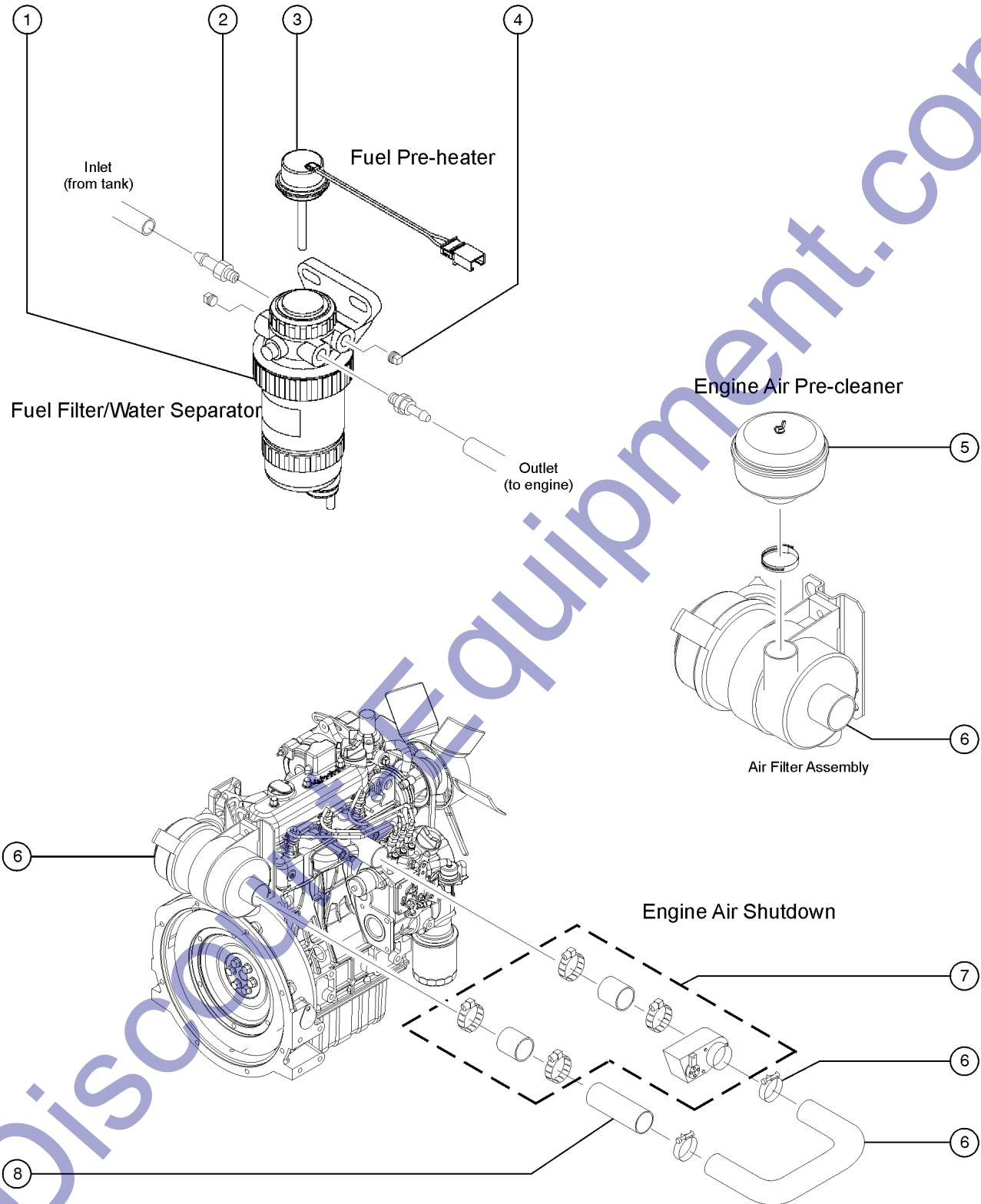


## 601.1 Spare Tire and Dome Light

Item	Part No.	Description	Qty.
1	840376GT	NUT,WHEEL, 1/2 X 20.....	2
2		Ref. Tire (refer to 205.1)	
3	124310GT	SPARE TIRE MT,5 LUG WHEEL.....	1
4	188070GT	FP-CLAMP,SPARE TIRE BRACKET.....	2
5	990170GT	NUT LOCK NYLON INSERT 3/8.....	4
6	990080GT	WASHER FLAT 3/8USS ZPBIN.....	8
7	686660GT	ACUTATOR EMERGENCYSTO.....	1
--	686661GT	PLATE FACE EMERGENCY.....	1
--	686671GT	BLOCK CONTACT 2P/STNO.....	1
8	684030GT	LIGHT,DOME, 12V DC.....	1
9	993711GT	SCREW #10-24NCX1/2RD.....	3
10	995755GT	WASHER FLAT BONDED3/1.....	3
11	6-6286-04GT	NUT.....	3
12	994460GT	SCREW,HHC,3/8-16 X 4.5 ZP.....	4

Discount-Equipment.com

602.1 Engine Options



Item	Part No.	Description	Qty.
1	116154GT	AY,DSL FUEL/WATER SEPARATOR.....1	
--	116148GT	GASKET,FUEL FILTER <i>for 116151GT</i>	
--	116151GT	FILTER,30 MICRON FUEL-WATER	
--	116152GT	GASKET,WATER COLLECTOR <i>for 116153GT</i>	
--	116153GT	WATER COLLECTOR AY	
--	116211GT	WASHER,RUBBER SEAL <i>for 116212GT</i>	
--	116212GT	VALVE,PLASTIC DRAIN	
1A	981120GT	WASHER FLAT 3/8 ZP SAE BIN.....4	
1A	990170GT	NUT LOCK NYLON INSERT 3/8.....2	
1A	990470GT	WASHER LOCK 3/8ZP.....2	
1A	991761GT	SCREW,HHC,3/8-16 X 1.25.....2	
2	898590GT	HOSE FITTING PIPE/BAR.....2	
3	116144GT	HEATER, TOPLOAD FUEL, 100W/12V...1	
--	116145GT	GASKET, FUEL HEATER	
--	116587GT	FUSE,ATC BLADE,10A	
--	116588GT	FUSE HOLDER,ATC BLADE,#16	
4	894230GT	PIPE PLUG 1/4 GALV.....2	
5	740455GT	AIR BREATHER PRE-CLEA	
6		Ref., ENGINE AIR COMPONENTS <i>refer to 304.1 or 306.1</i>	
7	228651GT	RODA DACO MANUAL SHUTDOWN.....1	
7A	227396GT	BRACKET,AIR SHUTDOWN <i>to SN AL411-519</i>	
7A	228652GT	SCREW,M10X1.25X20 <i>for 227396GT</i>	
7A	994830GT	WASHER,LOCK,M10 ZP <i>for 227396GT</i>	
8	228653GT	INTAKE FILTER SIDE MANUAL AIR.....1	

Discounted Equipment.com

## Part Number Index

The Part Number Index is a numeric index of all part numbers included in this manual. The index shows what page(s) the part is used on.

Part Number	Page	Part Number	Page	Part Number	Page	Part Number	Page
101201GT	39	116588GT	97	161184GT	27	228652GT	97
101208GT	39	116611GT	41	161185GT	27	228653GT	97
101209GT	39	116729GT	45	162160GT	15	229457GT	51
101319GT	45	116733GT	37	162189GT	31	229917GT	45
101320GT	45	116801GT	65	173115GT	81	229918GT	45
101322GT	45	116802GT	65	176335GT	25	230560GT	23
101326GT	47, 49	116803GT	65	177810GT	85	230561GT	23
101327GT	47, 49	116804GT	67	177820GT	87	230562GT	23
101341GT	45	116806GT	75	177830GT	85	230563GT	23
105756GT	33	116815GT	77	178335GT	85	230565GT	23
106663GT	45	116820GT	77	179850GT	83	230566GT	23
109065GT	79	116822GT	77	183286GT	85	230567GT	23
109070GT	79	116833GT	39	183288GT	85	230568GT	23
109485GT	33	116873GT	11	183731GT	25	230569GT	23
109486GT	33	116901GT	11	184150GT	31	230570GT	23
110040GT	15	116902GT	11	184510GT	81	230571GT	23
110523GT	37	116919GT	65	185290GT	87	230573GT	23
113040GT	89	116921GT	65	186360GT	81	230575GT	23
113080GT	85	116922GT	67	186540GT	53, 69, 73	230577GT	23
113362GT	81	116936GT	25	186542GT	57, 61, 69, 73	230579GT	23
113399GT	31	116937GT	25	186543GT	53, 57, 61, 65, 69, 73	230580GT	23
114355GT	11, 27	116941GT	23	186544GT	53, 57, 69, 73	230612GT	83
114448GT	11	12012GT	33	186550GT	61	230613GT	81
114480GT	15	122025GT	17	186551GT	69	230614GT	85
114895GT	27	122079GT	25	186552GT	61	230615GT	85
115366GT	27	123461GT	25	186553GT	61	230638GT	81
116010GT	93	123490GT	15, 29	186554GT	53, 57, 61, 65, 69, 73	230738GT	29
116042GT	93	123680GT	31	188070GT	95	231332GT	43
116043GT	93	123840GT	51	188530GT	29	231333GT	43
116044GT	93	124310GT	95	188554GT	29	234842GT	39
116045GT	93	124410GT	15	188560GT	29	236046GT	45
116046GT	93	124412GT	15	188570GT	29	237658GT	77
116047GT	93	124420GT	31	188580GT	29	237707GT	45
116048GT	93	124436GT	29	188630GT	19	237708GT	47, 49
116049GT	93	124445GT	21	188760GT	83, 85, 87	237774GT	45
116051GT	93	124450GT	25	189347GT	51	237775GT	47, 49
116052GT	93	124460GT	31	189785GT	19	237776GT	45
116053GT	93	124470GT	15	189790GT	19	261299GT	63
116054GT	93	124480GT	81	189796GT	31	30348GT	47, 49
116055GT	93	124515GT	21	189800GT	19	30973GT	39
116056GT	93	124550GT	87	189805GT	19	31946GT	33
116057GT	93	124560GT	87	193750GT	81	32069GT	39
116058GT	93	124855GT	33	211410GT	25	32103GT	41
116059GT	93	124856GT	33	213770GT	25	32185GT	37, 39
116061GT	93	124857GT	33	214413GT	11	32191GT	39
116064GT	93	124858GT	33	216631GT	15	32890GT	33
116109GT	93	124860GT	33	217717GT	19	33265GT	25
116139GT	19	125482GT	37	218588GT	55	40766GT	55, 59, 63
116144GT	97	125608GT	33	219224GT	35	44191GT	39
116145GT	97	125766GT	47, 49	219225GT	35	44196GT	41
116148GT	97	127572GT	47, 49	219228GT	35	44197GT	41
116151GT	97	127795GT	51	22105013GT	23	44198GT	41
116152GT	97	133000GT	11, 13	22105016GT	23	51131GT	25
116153GT	97	133225GT	13	22109505GT	19	52265GT	23
116154GT	97	13854GT	25	22109517GT	81	52531GT	39
116157GT	19	139265GT	47, 49	22111935GT	15	52532GT	39
116168GT	51	139272GT	45	22111936GT	15	52533GT	39
116172GT	51	139278GT	39	22112555GT	77	55306GT	55, 63
116177GT	51	139279GT	39	22114359GT	27	55906GT	59
116178GT	51	147123GT	23	22120102GT	91	57332GT	25
116184GT	51	15086GT	79	22123080GT	89	57587GT	31
116187GT	51	160030GT	27	22124015GT	37	58291GT	47, 49
116211GT	97	160032GT	27	22124016GT	37	58292GT	47, 49
116212GT	97	160033GT	27	22124025GT	37	58356GT	51
116244GT	51	160071GT	91	221580GT	25	58427GT	47, 49
116249GT	37	160077GT	93	227082GT	25	6-5204-16GT	81
116252GT	37	160140GT	91	227085GT	59	6-5208-32GT	51
116253GT	51	160276GT	77	227086GT	59	6-5208-44GT	25
116254GT	51	160490GT	27	227275GT	53	6-6286-04GT	95
116503GT	39	160750GT	35	227396GT	97	6024GT	25
116517GT	51	160761GT	63	22832GT	33	6034GT	33
116518GT	45	161095GT	93	228458GT	47, 49	6035GT	25
116519GT	45	161109GT	37	228651GT	97	6091GT	15, 31, 89
116523GT	37, 39	161180GT	27			6095GT	15, 17, 25, 29
116587GT	97	161181GT	27			6096GT	15

Part Number	Page	Part Number	Page	Part Number	Page	Part Number	Page
6184GT	33	790540GT	31	84812GT	45	866394GT	37, 39
6190GT	33	790710GT	81	84813GT	45	866800GT	39
6198GT	15, 17, 29, 33, 51	790940GT	31	84814GT	45	866825GT	39
6199GT	33	790965GT	15, 17	84815GT	45	890785GT	19
6200GT	33	792750GT	19, 45	84860GT	45	890790GT	19, 37
62118GT	41	796432GT	31	850090GT	11	890795GT	19, 41
62296GT	39	796436GT	31	850091GT	11	891190GT	19
62421GT	45	796610GT	29	850092GT	11	891194GT	21
6291GT	33	800004GT	77	850093GT	11	891520GT	19
65636GT	45	80103GT	93	850105GT	11	891560GT	19
65638GT	45	80379GT	37, 51	850107GT	11	89163GT	25
660320GT	19	822809GT	55, 59, 63, 67, 71	850130GT	11, 13	894230GT	97
663400GT	77	823380GT	93	850155GT	11	894340GT	19
663401GT	77	823430GT	53	85069GT	45	897110GT	45
663420GT	77	825072GT	19	85071GT	45	89761GT	45
663430GT	77	826916GT	77	85087GT	47, 49	89764GT	45
663520GT	31	826917GT	77	85089GT	47, 49	898575GT	19
663527GT	31	832128GT	39	85124GT	45	898590GT	19, 41, 97
663528GT	31	833524GT	91	85127GT	47, 49	930950GT	15, 29
663840GT	31	833543GT	91	85130GT	47, 49	940000GT	25
663850GT	91, 93	833547GT	91	851310GT	11	94889GT	45
663860GT	27	833563GT	91	85140GT	45	970760GT	33
663870GT	77	833564GT	91	85143GT	47, 49	971290GT	81
6638GT	89	833565GT	91	851545GT	11	972885GT	29
669086GT	59	833566GT	91	851550GT	11	973085GT	77
672262GT	63	833567GT	91	85155GT	19	97426GT	47, 49
6777GT	33	833568GT	91	851640GT	11	97427GT	45
6782GT	39	833569GT	91	851691GT	11, 13	97428GT	47, 49
680020GT	91	833570GT	91	851692GT	11, 13	97461GT	45
680030GT	55, 59, 63, 67, 71, 75	833571GT	91	851693GT	11, 13	974635GT	29
		833573GT	91	851694GT	11, 13	974636GT	29
680080GT	77	833574GT	91	851760GT	13	974637GT	29
680190GT	77	833577GT	91	851820GT	11	974645GT	15
680250GT	55, 59, 63, 67, 71, 75	833578GT	91	851830GT	11	974690GT	83
		833581GT	91	851860GT	11	97473GT	47, 49
682470GT	91	833582GT	91	85206GT	51	974800GT	39
682715GT	55, 59, 67, 71, 75	834211GT	15	85207GT	51	97483GT	45
683450GT	85	834226GT	23	852410GT	11	980340GT	81
683460GT	85	834228GT	23	852411GT	11	980480GT	33
683870GT	67, 71	834246GT	15	852570GT	11, 13	981120GT	19, 21, 51, 97
683950GT	91	834250GT	23	852800GT	13	981450GT	51
684030GT	95	834255GT	23	853070GT	11	981575GT	81
684167GT	55, 59, 63, 67, 71, 75	834267GT	15	853289GT	11	981640GT	91
		836853GT	51	853294GT	11	981920GT	81
684200GT	31	836856GT	51	853299GT	11	990080GT	29, 81, 89, 95
684380GT	55, 59, 67, 71, 75	839011GT	39	853307GT	11	990150GT	31, 81
684450GT	55, 59, 63, 75	839027GT	39	853308GT	11	990160GT	29, 85
684640GT	55, 59, 63	839034GT	39	853309GT	63	990170GT	19, 21, 29, 85, 89, 95, 97
685670GT	75	839049GT	43	853521GT	11	990181GT	79
686160GT	55, 59	839103GT	39, 41	853640GT	11	990190GT	85
686220GT	55, 59, 63, 67, 71, 75	839107GT	41	853670GT	11	990200GT	19, 21, 25, 37, 81, 85
		839109GT	37	853742GT	11	990210GT	19, 21, 25, 37, 51, 85
686660GT	95	839110GT	37	865055GT	39	990230GT	19
686661GT	95	839119GT	41	865079GT	39	990270GT	29, 45, 51
686671GT	95	839134GT	39	865085GT	37	990340GT	29
6888GT	89	839149GT	41	865100GT	41	990415GT	37, 45, 51
69209GT	33	839151GT	39	865257GT	41	990460GT	51
709034GT	91	839154GT	39	865260GT	37	990470GT	51, 79, 81, 97
71979GT	93	839157GT	41	865263GT	37	990610GT	83
720220GT	31	839190GT	39	865276GT	39	990620GT	83
72343GT	47, 49	839200GT	41	865307GT	37	990650GT	33, 79, 81, 83, 85, 87
72348GT	45	839209GT	39	865435GT	39	990660GT	81
732205PPGT	37	839244GT	39	866030GT	41	990670GT	29, 31, 53, 57, 61, 65, 69, 73, 85, 87
740050-1GT	33	839246GT	39	866040GT	41	990675GT	91
740455GT	97	840222GT	15	866050GT	41	990770GT	81
740620GT	19	840376GT	15, 23, 95	866068GT	47, 49	990810GT	91
740770GT	37	840395GT	15	866081GT	39	990880GT	89
740920GT	37	84042GT	39	866090GT	39	991650GT	25, 29, 31, 37, 45, 51, 91, 93
741140GT	41	841050GT	23	866101GT	39	991690GT	15, 17
742225GT	21	841061GT	15	866110GT	37		
742369GT	59	841200GT	25	866113GT	37		
75144GT	15, 29, 31	841220GT	25	866120GT	37		
7584GT	33	841430GT	15	866126GT	43		
7590GT	33	841473GT	15	866127GT	43		
7591GT	33	841500GT	25	866128GT	43		
78390GT	25	841890GT	13	866129GT	43		



## Part Number Index (continued)

Part Number	Page	Part Number	Page
991761GT	51, 97	T110632GT	25
99199GT	41	T110696GT	77
992590GT	21	T110697GT	77
992765GT	83, 85, 87	T111112GT	29
993240GT	15, 17	T111113GT	29
993310GT	31, 53, 57, 61, 65, 69, 73	T111131GT	29
993711GT	95	T111700GT	51
993835GT	25	T113641GT	55, 59, 63, 75
993850GT	31	T113642GT	55, 59, 63, 67
993860GT	29, 31	T113644GT	55, 59, 63, 67, 75
993890GT	25	T114063GT	63
993900GT	29	T114064GT	55
994000GT	81		
994130GT	15, 31		
994200GT	25		
994380GT	77		
994420GT	55, 59, 63, 67, 71, 75		
994460GT	89, 95		
994600GT	15, 17, 29, 31		
994630GT	25		
994650GT	19		
994830GT	37, 97		
994920GT	83, 85, 87		
995050GT	31, 81		
995110GT	37		
995190GT	83		
995300GT	55, 59, 63, 67, 71, 75		
995310GT	25		
995380GT	37		
995420GT	31, 81		
995465GT	21		
995490GT	27		
995755GT	95		
995780GT	79, 85		
995790GT	81, 83, 85, 87		
995810GT	19, 27, 29, 31		
995970GT	91, 93		
996030GT	25		
996230GT	79		
996340GT	53, 57, 61, 65, 69, 73		
996375GT	19		
996920GT	65		
C2450108GT	91		
C41100720GT	91		
C42202900GT	71		
C42208400GT	63		
C48300108GT	77		
C51600800GT	37		
C51601442GT	37		
C51601444GT	53, 57, 61, 65, 69, 73		
C51601570GT	31		
R660010GT	55, 59, 67, 71, 75		
R660715GT	77		
R661490GT	55, 59, 63, 67		
R850475GT	11		
R890065GT	19		
R980300GT	31		
R981095GT	45		
T106193GT	55, 59, 63, 67, 71, 75		
T107893GT	73		
T108373GT	71		
T108458GT	17		
T109006GT	31		
T109127GT	25		
T109129GT	25		
T109325GT	77		
T109757GT	53, 57		
T110629GT	31		
T110630GT	31		
T110631GT	31		

The Part Description Index is an alphabetical index of all part descriptions included in this manual. The index shows what page(s) the part is used on.

- \***
- \*\*COUPLER SURGE 2" BALL,6000#.....25**
- 1**
- 12V MOTOR ASSY,SUPERWINCH.....35  
12V WIRED SOLENOID,SUPERWINCH.....35
- 2**
- 2" TOWER SECT,30'LG GALVANIZED.....87
- 3**
- 3 SECTION 30'TOWER AL4/AL5.....87
- 4**
- 4" MAST ASSY W/DECAL,ALXL,WORD.....85  
4" MAST ASSY W/DECALS,ALXL,SYM.....85
- 6**
- 6" ROUND TUBE ASSY W/DECAL.....83
- A**
- ACUTATOR EMERGENCYSTO.....95  
ADJUSTER SCREW ASSY, ALXL.....23  
ADJUSTER SPRING,E BRAKE,ALXL.....23  
ADJUSTER SPRING,H BRAKE,ALXL.....23  
AIR BREATHER PRE-CLEA.....97  
AIR CLEANER BRACKET, D1105.....43  
AIR FILTER,ASSEMBLY.....47, 49  
ALTERNATOR,15A,PERKINS 103.10.....47, 49  
ALTERNATOR,KUBOTA\*.....39  
AS-PANEL, REAR,CABINET,AL4.....29  
AS-RING HITCH FOR ADJ HT.....25  
AS-RING HITCH MOUNT.....25  
AS-WINCH HANDLE W/TUBE,AL4000.....81  
AS:ENGINE RISER 3.25 HIGH.....37  
ASM,CNTRL BOX AUTO AS 8KW.....59  
ASY:AXLE 3500LB W/HYD BRAKE.....23  
AUTOSTART CONTROLLER.....63  
AXLE ASSY ELE,3500 W/PRK BRK.....23  
AXLE ASSY,3500LB,IDLE,AL4.....23  
AY,DSL FUEL/WATER SEPARATOR.....97
- B**
- BALL, 2" ZINC.....25  
BALLAST ASSY,50HZ,MH,1000W.....27  
BALLAST ASSY,50HZ,MH,1000W AUS.....27  
BALLAST ASSY,60HZ,HPS,1000W.....27  
BALLAST ASSY,60HZ,MH,1KW,120V.....11, 27  
BALLAST MH 50HZ 120V.....27  
BALLAST/CAP MH60Hz120.....27  
BASE,CONTROL BOX,AL4 CONS.....53, 69, 73  
BEARING, MARATHON GEN.....51  
BEARING, ODE.....51  
BEARING,ALXL,840377,841050.....23  
BELT-FAN, PERKINS (103.10).....45  
BKT,FILTER MNT,PERKINS 403D-11G.....47, 49  
BLOCK CONTACT 2P/STNO.....95  
BODY,AIR CLEANER,KUBOTA.....43  
BOLT, HANDLE.....93  
BOLT,AXLE,3/16X3 W/7/16-20STEP.....15
- BOLT,M10-1.25 x 35,W/HOLE.....37  
BOLT,TEE 1/2-20 X 4.5.....83  
BOX, JUNC, AUSTRALIA.....77  
BOX,JUNC,LIGHT TWR,4 CONN.....77  
BRACKET W/BALL,GAS SPRING.....31  
BRACKET, SOCKET MOUNT.....93  
BRACKET,AIR SHUTDOWN.....97  
BRACKET,E-BOX,AUTOSTART,AL4.....53, 57, 61, 65, 69, 73  
BRACKET,GENERATOR MOUNT.....51  
BRAKE DRUM,ALXL.....23  
BREAKER 1P 15A 277VA.....67, 71  
BREAKER,15A,120VAC 1P,CSA.....55, 59, 63, 75  
BREAKER,20A MINI,120VAC 1P,CSA.....55, 59, 63, 67  
BREAKER,30A 250VAC 2P,CSA.....55, 59, 63, 67, 75  
BRKT,SOCKET MOGUL FO.....91  
BRKT,TRUNION.....91  
BUMPER REAR TOWER SUP.....31  
BUMPER,RUBBER-1 X 1.25.....39  
BUND FLUIDS CONTAINPA.....21  
BUND FUEL CONTAINPAN.....21  
BUSHING 11/16ODX1/2IDX1.032L.....85  
BUSHING 2.5ODX13/16.....83  
BUSHING FLANGE 1.25OD.....33  
BUSHING, 3/4OD X 1/2ID \*\*\*\*\*.....85  
BUSHING, 630DX.328ID .375T.....39  
BUSHING, SMALL PINION, FULTON.....33  
BUSHING,WINCH ROLLER LOCK.....33  
BUSHING,WNCH HANDL,0.5X2.0X3.5.....31
- C**
- CABINET FRONT PANELAL.....29  
CABINET REAR PANEL AUTOSTART.....29  
CABINET REAR PANEL BLKOUT.....29  
CABINET TOP PANELAL4 AUTOSTART.....29  
CABLE KEEP,KIT (BRACKET TYPE)\*.....33  
CABLE SET,BATTERY,24" RED&BLK.....77  
CABLE, POWER, 10/4 48".....77  
CAP FUEL RL4/AL4 WITH TETHER.....19  
CAP, OIL FILLER.....45  
CAP,RADIATOR,AL,KUBOTA DF-752.....37  
CAP,RADIATOR,KUBOTA D905.....37  
CAP-RADIATOR,PERKINS (103.10).....47, 49  
CAPACITOR 24uF MH 60H.....27  
CAPACITOR, 8KW GENERATOR,5420.....51  
CAPACITOR,45 MF\*\*\*OVAL.....51  
CAPACITOR,50HZ MH,26MF(BALLAST.....27  
CAPACITOR-ROUND 25MF.....51  
CASTING,FIXTURE QUICK CONNECT.....91  
CHAIN, SAFETY, SNAP HOOK.....15  
CHAIN,SAFETY,3000#,3/8 X 30 IN.....15  
CLAMP 7/16 TO 25/32.....19, 45  
CLAMP CABLE 5/8 1-HOL.....31  
CLAMP,CAPACITOR.....51  
CLAMP,HOSE.....37, 39  
CLAMP,HOSE,1.00.....47, 49  
CLAMP,HOSE,KUBOTA WG750.....39  
CLAMP,LENS (C41100720).....91  
CLEVIS PIN STAINLESS.....79, 81, 83, 85, 67  
CLEVIS PIN,4.6X60MM.....93  
CNTRL BOX 4MH 60HZ 4WIRE.....55  
CNTRL BOX,60HZ,4 LIGHTS,SYMBOL.....55  
CNTRL BOX,60HZ,AUTOSTART.....63
- CNTRL PNL,50HZ,MH,1KW,220V TWL.....75  
COIL CORD W/JUN BOX,HW.....77  
COIL CORD, AUS, IEC.....77  
CONN,STRAIN RELIEF,1/2 NPT.....91  
CONNECTOR 12P FEMALE.....55, 59, 63, 67, 71, 75  
CONNECTOR 2 SCREW 1.25T-B.....55, 59, 63, 67, 71, 75  
CONNECTOR 2 SCREW 3/4.....55, 59, 63, 67, 71, 75  
CONNECTOR 3P FEMALE RECEPACLE...77  
CONNECTOR 5P MALE RECEPACLE.....27  
CONNECTOR 7P RECPTCAN.....75  
CONNECTOR,7-POLE,TLITE,RND PIN.....77  
CONNECTOR,BLADE,POS,TAILT, 7P.....77  
CONNECTOR,TAIL LIGHT,6 POLE.....77  
CONNECTOR,TAILLIGHT,4 PIN.....77  
CONTACTOR 100 A DP 12VDC AUTO.....63  
CORD SET MALE 5FT. 3P.....91, 93  
COSMETIC,TEREX LOGO-LG.....11  
COTTER PIN 1/8X1 SSBIN STOCK.....33, 79, 81, 83, 85, 87  
COTTER PIN 3/16X1.5 SS.....81  
COTTER PIN 3/32X3/4 S.....83, 85, 87  
COUPLER,BALL,2 5/16.....25  
COUPLER,BALL,2" CLASS II.....25  
COUPLER,SURGE,3" RING,6000#.....25  
COVER,ADJ SCREW,ALXL,BRAKE.....23  
COVER,AIR CLEANER,KUBOTA.....43  
COVER,GLASS/LENS RETAINER CLIP.....93  
COVER,JUNC BOX W/GSKT, 2 GANG.....77  
CROSSARM,4 LIGHT,AL SERIES,GLV.....89
- D**
- DECAL - 4 (10/CARD BRADY.....11, 13  
DECAL - CE OPERATINGIN.....11  
DECAL KIT, WORD, AL4000.....11  
DECAL, AL/RL CONTROL BOX DC.....11  
DECAL, COSMETIC, AL4000 LOGO.....11, 13  
DECAL,AL/RL,CONTROL BOX,AC.....11  
DECAL,ATTN-ALWAYS "PRIME" FUEL.....11  
DECAL,BATTERY WARN &.....11, 13  
DECAL,CAUTION,TIGHTEN.....13  
DECAL,CONTROL BOX AC CONSOL.....11  
DECAL,CONTROL BOX DC CONSOL.....11  
DECAL,COSMETIC,TEREX,4X40-R.....13  
DECAL- 1 (10/CARD BRADY.....11, 13  
DECAL- 2 (10/CARD BRADY.....11, 13  
DECAL- 3 (10/CARD BRADY.....11, 13  
DECAL- CAUTION WINCH.....11  
DECAL- CAUTION READ.....11  
DECAL- CAUTION STAND.....11  
DECAL- CRUSH AREA 4 X 2.....11  
DECAL- DANGER HIGHVOLTAGE.....11, 13  
DECAL- DANGER HIGHVOLTAGE.....13  
DECAL- HORIZONTAL LOCK 4541.....11  
DECAL- LIFT MACHINEHERE.....11  
DECAL- TOWER OPERATING.....11  
DECAL- AL/RL CNTRL BO.....11  
DECAL- CNTRL BOX FACE.....11  
DECAL- DANGER CRUSH HAZARD.....11  
DECAL- DANGER FALLING.....11  
DECAL- DO NOT STAND BEHIND TOW.....11  
DECAL- NO.2 DIESELFUEL ONLY.....11  
DECAL- SYMBOL FOR GROUND.....11  
DECAL- WARNING SHOCK HAZARD.....11

## Part Description Index (continued)

DECAL-ATTN ALL JACKS MUST BE.....11  
 DECAL-CAUTION WINCH LOCK SYST.....11  
 DECAL-DANGER DO NOT PULL LOCK.....11  
 DECAL-DANGER ELECT SHOCK HAZAR.....11  
 DECAL-DANGER,FORKS MUST BE INS.....11  
 DECAL-OPERATING INSTRUCTIONS.....11  
 DECAL: CONTROL BOX 4MH NO RC.....11  
 DECAL:240V 30 AMP RECEPTACLE.....63  
 DECAL:AUTOSTART AL4 CB,FACE PL.....11  
 DECAL:AUTOSTART AL4 ENG CTRL.....11  
 DIODE 6AMP-50 PIV 2-WIRE.....77  
 DIODE,MARATHON.....51  
 DIPSTICK TUBE,PERKINS(403C-11).....45  
 DIPSTICK,OIL,KUBOTA.....39  
 DIPSTICK,STRAIGHT SHORT.....45  
 DRIVE DISC(C-107) MARATHON.....51

**E**

EA-ELEC.BOX 4MH 50HZ NO RC.....67  
 EA-ELEC.BOX 4MH 50HZ RC BOX.....67  
 EA-WIRE HARNESS,PERKINS,DC.....77  
 ELEMENT,AIR CLEANER,KUBOTA.....43  
 ELEMENT,FUEL FILTER,KUBOTA.....41  
 ENG FOOT/RAD SUPPORT, ROADSIDE.....37  
 ENGINE ACCESSORY TEMP SENDER.....41  
 ENGINE FOOT/RAD SUPPORT,CURBSD.....37  
 ENGINE RISER,2/75"H,FOR 1/2BLT.....37  
 ENGINE,KUBOTA,D1105 PAK.....37

**F**

FAN.....45  
 FAN PULLEY.....45  
 FAN,PUSHER,KUBOTA 15263-12370.....39  
 FENDER W/SKIRT,STEEL.....15, 29  
 FIBERGLASS PAD,RECT LAMP FIXT.....93  
 FILTER, OIL-PERKINS (103-10)\*\*.....45  
 FILTER,30 MICRON FUEL-WATER.....97  
 FILTER,FUEL,KUBOTA.....41  
 FILTER,FUEL,KUBOTA,W/O BRKT.....37  
 FILTER,FUEL,PERKINS.....45  
 FILTER,IN-LINE,FUEL,5/16".....19  
 FILTER,OIL,KUBOTA.....41  
 FITTING,TEE,MALE,1/8.....19  
 FIXTURE ASSEMBLY 1000W RECT.....93  
 FIXTURE HOUSING BASE,1KW RECT.....93  
 FORMING CNTRL BOX AUTO AS 8KW.....57  
 FORMING, CONTROL BOX BASE, XTRA  
 GFI.....53  
 FORMING,PAN.FRNT,CT BOX AUTOST.....61  
 FP-BALLAST BOX BOTTOM.....27  
 FP-BALLAST BOX FRONT.....27  
 FP-BALLAST BOX REAR.....27  
 FP-BALLAST BOX TOP.....27  
 FP-BUMPER PAD,KICKOUT SPRING.....81  
 FP-CLAMP,SPARE TIRE BRACKET.....95  
 FP-CONTROL BOX BODY, AUTO.....61  
 FP-CONTROL BOX REC BACK.....65  
 FP-CONTROL BOX REC BOTTOM.....65  
 FP-CONTROL BOX REC FRONT.....65  
 FP-CONTROL BOX, FACE AUTO.....61  
 FP-CONTROL BOX,BODY 50HZ.....65  
 FP-CONTROL BOX,FRONT 50HZ.....65  
 FP-CONTROL BOX,REAR 50HZ.....65  
 FP-CONTROL BOX,REAR,50HZ,STD.....53  
 FP-CONTROL BOX,TOP.....53, 57, 61, 65, 69,  
 73  
 FP-ENG MNT RT FOOT CS PERK T4.....45  
 FP-ENG MNT RT FOOT RS PERK T4.....45

FP-FUEL TANK 20GAL W/DRAIN.....19  
 FP-GEN MNT BAR,MAR SM HOLES.....51  
 FP-GEN MOUNT BAR RL PERK T4.....51  
 FP-LOCK LEVER, AL SERIES.....85  
 FP-SHIM 1/4X2X3-3/16 PLASTIC.....85  
 FP-SHIM 3/16X2X19-3/4 PLASTIC.....85  
 FP-SHIM 3/16X2X3-3/16 PLASTIC.....85  
 FP-SHIM 3/8 X 2 X 2.25 PLASTIC.....87  
 FP-SHIM 5/16X2X2-1/4 PLASTIC.....87  
 FP-SHIM 5/16X2X3-3/16 PLASTIC.....85  
 FRAME SPACER,K-1550.....33  
 FREEWHEEL KIT,SUPERWINCH.....35  
 FUEL FILTER ASSEMBLY.....45  
 FUEL INJECTOR.....45  
 FUEL TANK PAN, 30 GAL, AL4.....19  
 FUEL TANK PAN,20GAL,AL4.....19  
 FUEL TANK,30 GAL W DRAIN HOLE.....19  
 FUEL TNK ASSY,PLAS,30G,AL4.....19  
 FUSE HOLDER,ATC BLADE,#16.....97  
 FUSE,ATC BLADE,10A.....97

**G**

GASKET (52532) OIL DRAIN, D905.....39  
 GASKET, FUEL HEATER.....97  
 GASKET, HOUSING REFLECTOR BASE.....91  
 GASKET, THERMOSTAT, PERKINS.....47, 49  
 GASKET,EXH FLANGE-FORD/PERKINS.....47,  
 49  
 GASKET,EXHAUST MANIFOLD,D905.....39  
 GASKET,FUEL FILTER.....97  
 GASKET,HOUSING BASE, TOPFRAME.....93  
 GASKET,INJECTION PUMP.....41  
 GASKET,LIGHT SOCKET.....93  
 GASKET,MUFFLER,KUBOTA D905/11.....39  
 GASKET,RECTANGULAR GLASS/LENS.....93  
 GASKET,SOLENOID,KUBOTA.....41  
 GASKET,SOLENOID,PERKINS 72350.....45  
 GASKET,STRAIN RELIEF,1/2.....91  
 GASKET,WATER COLLECTOR.....97  
 GASKET,WATER PUMP, 403C-11.....45  
 GASKET-DRAIN PLUG,ENG OIL PAN.....39  
 GASKET-EXHAUST MANIFOLD/PERKIN.....47,  
 49  
 GASKET-OIL PAN,PERKINS 103.10.....45  
 GENERATOR,6.5KW,220V,50HZ,MAR.....51  
 GENERATOR,6KVA,240VAC,60HZ.....51  
 GENERATOR,8KW,240V,60HZ,MAR.....51  
 GLASS LENS.....93  
 GLASS/LENS,RECTANGULAR PSI.....93  
 GLOW PLUG, 403C-11.....45  
 GREASE CAP, AXLE, 3000LB.....23  
 GRIP,HUBBLE 07401010.....77  
 GROMMET ASSEMBLY.....93  
 GROUND ROD STORAGETUBE 4397.....31  
 GUARD,FAN,KUBOTA.....37

**H**

HAMMERBLOW 033008COTTER PIN.....23  
 HAMMERBLOW SPINDLE NUT,AXLE.....23  
 HANDLE SOCKET RATCHET.....33  
 HANDLE, ADJUSTMENT.....93  
 HANDLE,CHROME,5.75".....31  
 HARNESS,12 PIN CONNECTOR.....77  
 HARNESS,BLACK OUT LIGHTS.....77  
 HASP CABINET DOOR5584AL4/5.....31  
 HEATER, TOPLOAD FUEL, 100W/12V.....97  
 HINGE,PIANO,1.5"W X 51.75"L.....29  
 HITCH 24 HEIGHT.....25

HITCH PINTLE RING 3 I.....25  
 HITCH RING,COMBO,16"LENGTH.....25  
 HITCH, ADJ HEIGHT BOLT ON.....25  
 HITCH,2.5"RING,6 TON.....25  
 HITCH,3"RING,6TON.....25  
 HITCH,RING,BOLT-ON 2.5" ID.....25  
 HOSE FITTING PIPE/BAR.....19, 41, 97  
 HOSE FITTING PIPE/BARB 1/8MX.....19  
 HOSE, FUEL FILTER -INJ., 403D.....45  
 HOSE, INTAKE, KUBOTA D1105.....43  
 HOSE, WATER PUMP (PERKINS 404).....45  
 HOSE,FUEL LEAK-OFF,403D-11G.....45  
 HOSE,FUEL,1/4"ID,PUSH LOK,200#.....19, 37  
 HOSE,FUEL,1/8"ID.....19  
 HOSE,FUEL,5/16"ID.....19, 41  
 HOSE,OIL,3/8 0250PS1.....45  
 HOSE,RADIATOR,LOWER,KUBOTA.....37  
 HOSE,RADIATOR,PERKINS,TML.....47, 49  
 HOSE,RADIATOR,UPPER PRKNS,TML.....47,  
 49  
 HOURMETER,DIGITAL,RECTANGULAR...55,  
 59, 63, 67, 71, 75  
 HOUSING,FLYWHEEL,403C-11.....47, 49  
 HUB SPACER.....51

**I**

IDLER HUB,ALXL.....23  
 IGNITION SWITCH,LEVER OPR.....55, 59, 67,  
 71, 75  
 INNER BEARING.....23  
 INTAKE FILTER SIDE MANUAL AIR.....97  
 ISOLATOR, ENGINE MOUNT.....37, 51  
 ISOLATOR,ENGINE,390LB.....37  
 ISOLATOR,ENGINE,70D.....45

**J**

JACK,MECHANICAL,3000LB.....15  
 JUMPER-GLOW PLUG.....41

**K**

KIT COIL CORD W JUNCTION BOX.....77  
 KIT COIL CORD WO/ JUNCTION BOX.....77  
 KIT, COIL CORD HW.....55, 59, 63, 67, 71  
 KIT,AXLE,U-BOLT & PLATE & NUTS.....15  
 KIT,CABLE,UPPER AL4&5/LT5/SL4.....79  
 KIT,COMBO HITCH.....25  
 KIT,TRAILER,SKID MT,AL4.....17  
 KIT- CABLE ASSY LOWER 1/4" AL4.....79  
 KIT- WINCH - SOCKET FULTON.....33  
 KIT-WINCH SAFETY LOCK.....33  
 KIT-WINCH W/SAFETY LO.....33  
 KIT: FUEL TANK DRAIN PLUG.....19  
 KIT:ALTERNATOR WIRING,KUBOTA.....77  
 KIT:BOOK BRACKET TO CAB.....31  
 KIT:CABINET BOLT-TOGETHER.....29  
 KIT:CABINET MOUNT FRONT AL4000.....29  
 KIT:CABINET MOUNT REAR AL4/5/7.....29  
 KIT:CABINET MOUNT SIDES.....29  
 KIT:FENDERS TO CAB-SIDE.....15  
 KIT:LOCK SLIDE PIN W/.....81  
 KIT:OIL DRAIN W/VALVE,KUBOTA.....39  
 KIT:OIL DRAIN W/VALVE,PERKINS.....45  
 KIT:TOWER,30',6"ROUND TUBE.....83  
 KIT:TWR,30'CBL TO PIVOT POST.....81  
 KUBOTA 01123-50820 BOLT.....39, 41  
 KUBOTA 15111-72200 WASHER.....37  
 KUBOTA 15263-12370BAND PIPE.....43  
 KUBOTA 15263-12370CUSHION.....37

KUBOTA 16221-73270GASKET.....39  
 KUBOTA 16259-73430.....39  
 KUBOTA 66711-54520COV.....39  
 KUBOTA BELT COVER.....39  
 KUBOTA DYNAMO STAY.....39  
 KUBOTA EXHAUST MANIFOLD.....39  
 KUBOTA FLANGE BOLT.....39  
 KUBOTA FUEL FILTER HOLDER.....41  
 KUBOTA GLOW PLUG.....41  
 KUBOTA HEAD COVER GASKET.....39  
 KUBOTA HOSE,D905, D1105.....37, 39  
 KUBOTA INJECTOR PUMP, D1105.....41  
 KUBOTA KIT, HOLDER,NOZZLE.....41  
 KUBOTA NUT.....39  
 KUBOTA O-RING.....39  
 KUBOTA OIL FILLER PLUG,V1305.....39  
 KUBOTA OVER FLOW PIPE.....41  
 KUBOTA OVERFLOW PIPE.....41  
 KUBOTA SNAP PIN.....37  
 KUBOTA WATER PIPE.....37, 39  
 KUBOTA WATER PIPE 16241-73350.....39

**L**

LAMP BRACE, RECT HOUSING.....93  
 LAMP HPS 1000W LU1000CSA APPVD.....93  
 LAMP MH 1000W BT37HOR.....93  
 LAMP MH 1000W M1000/U SYL.....91  
 LENS GASKET FOR LIGHT FIXTURE.....91  
 LENS W/GASKET (C41100720).....91  
 LENS,LIGHT (57449).....93  
 LIGHT FIXTURE,MH,AL4,RL4,AL5.....91  
 LIGHT INDICATOR 12VRED.....55, 59, 67, 71, 75  
 LIGHT SOCKET,PSI RECT 5 KV.....93  
 LIGHT,DOME, 12V DC.....95  
 LIGHT,LICENSE TAG W/BACKET.....31  
 LIGHT,REAR,BLACK OUT.....31  
 LIGHT,RECESSED,TAIL/STOP/TURN.....31  
 LIGHT,SIDE MKR,AMBER,RECESSED.....31  
 LIGHT,SIDE MKR,RED,BLACK OUT.....31  
 LIGHT,SIDE MKR,RED,RECESSED.....31  
 LIGHT,SIDE MRK,YEL.,BLACK OUT.....31  
 LOCKNUT, CONDUIT 3/4CSA APPVD.....55, 59, 63, 67, 71, 75  
 LOCKNUT,CONDUIT,1/2 CSA APPVD.....91

**M**

MA-CHAIN SAFETY 3000LB 3/8X30".....15  
 MA-GROUND ROD LT. TWR.....31  
 MA-PIN LOCK SLIDE WITH RING.....81  
 MAGNET SPRING,ELEC BRAKE,ALXL.....23  
 MAGNET,ELEC BRAKE, ALXL.....23  
 MANIFOLD-EXHAUST,PERK (103.10).....47, 49  
 MARATHON SUPPRESSOR/VARISTOR.....51  
 MUFFLER BRACE.....37  
 MUFFLER, PERKINS, RL-4.....47, 49  
 MUFFLER,KUBOTA.....39

**N**

NUT.....95  
 NUT CLIP 1/4 -20X3/4.....37  
 NUT HEX 5/8-11NCGRADE2 ZP.....25  
 NUT HEX HEAD JAM 3/4.....19  
 NUT LOCK NYLON INSERT.....83  
 NUT LOCK NYLON INSERT 3/8.....19, 21, 29, 85, 89, 95, 97

NUT LOCK NYLON INSERT,10-32JAM.....31, 81  
 NUT,7/16,FH,ZINC,BRAKE, ALXL.....23  
 NUT,AXLE SPRING 2000NO.....15  
 NUT,EXHAUST MANIFOLD.....39  
 NUT,HEX,1-8.....25  
 NUT,HEX,JAM,1/2-13.....33  
 NUT,LOCK,3/8-16.....33  
 NUT,NYLOCK,1/2-13.....15, 17, 29, 33, 51  
 NUT,NYLOCK,1/2-13 GR2.....19, 21, 25, 37, 81, 85  
 NUT,NYLOCK,1/2-20.....83  
 NUT,NYLOCK,1/4-20.....15, 31, 89  
 NUT,NYLOCK,1/4-20 GR2.....31, 81  
 NUT,NYLOCK,4-40.....55, 59, 63  
 NUT,NYLOCK,5/16-18.....39  
 NUT,NYLOCK,5/8-11.....25  
 NUT,WHEEL, 1/2 X 20.....15, 23, 95  
 NUT,WING 3/8-16 ZP.....15, 17  
 NUTS,EXHAUST.....47, 49  
 NUTSERT,1/4-20.....31, 53, 57, 61, 65, 69, 73  
 NUTSERT,8-32 (833543).....91

**O**

O-RING.....51  
 O-RING, LIFT PUMP,(PERKINS 404).....45  
 OUTRIGGER 2X2X304819 GALV.....15  
 OUTRIGGER,2X2X42,GALVANIZED.....15

**P**

PANEL,CABINET, CURB SIDE.....29  
 PANEL,CABINET, ROAD SIDE.....29  
 PANEL,CABINET,CRBSIDE BLKOUT.....29  
 PANEL,CABINET,RDSDIE BLKOUT.....29  
 PANEL,CNTL BOX FACE,CSA.....53, 57  
 PANEL,DOOR,CABINET,AL4.....29  
 PANEL,FRONT,CTRL BOX, 2 TL.....73  
 PANEL,REAR,CTRL BOX (186540).....57, 61, 69, 73  
 PERKINS 135326205AIR.....47, 49  
 PIGTAIL,FUEL SOLENOID,KUBOTA.....77  
 PIN 1X9-1/4 TOWER PIVOT.....81  
 PIN QUICK 1/4X 1.75 ZP.....31  
 PIN W/RING 3/4X11,HORZ LOCK.....31  
 PIN,LYNCH.....25  
 PIN,PLUNGER,OUTRIGGER, KIT.....15, 17  
 PINION GEAR AND DISC K-1550.....33  
 PIPE FITTING STR ELBO.....19  
 PIPE PLUG 1/2 GALV.....21  
 PIPE PLUG 1/4 GALV.....97  
 PIPE PLUG 1/8 CS.....19  
 PIPE PLUG 3/8 GALV.....19  
 PIPE,INJECTOR 1, 403C-11.....45  
 PIPE,INJECTOR 1,D905,D1105.....41  
 PIPE,INJECTOR 2, 403C-11.....45  
 PIPE,INJECTOR 2,D905,D1105.....41  
 PIPE,INJECTOR 3, 403C-11.....45  
 PIPE,INJECTOR 3,D905,D1105.....41  
 PLATE FACE EMERGENCY.....95  
 PLATE,FACE,CNTL BOX,AUS,AL4.....69  
 PLATE,SIDE,COMBO HITCH,BOLT-ON.....25  
 PLUG, 4", CAPPLUG.....31  
 PLUG,ENGINE OIL, D1105.....39  
 PLUG,DRAIN,FUEL TANK.....19  
 PLUG,ENGINE OIL DRAIN,D-905\*\*\*.....39  
 PLUG,OIL DRAIN,PERKINS 403D-11G.....45  
 PM KIT,CONTROL BOX,AL.....71  
 PM KIT;WINCH,ELECTRIC.....33

PULLEY,CRANK, 403C-11.....45  
 PULLEY,FAN,KUBOTA, D-905,GS68.....39  
 PUMP,FUEL, 12VDC.....19  
 PUMP,LIFT(FUEL) PERKINS(54555).....45  
 PUMP,PRIMER,PERKINS\*\*\*.....19  
 PUMP,WATER.....45

**R**

RACE,ALXL,840377,841050.....23  
 RADIATOR HOSE,KUBOTA.....37  
 RADIATOR, KUBOTA, D905 & D1105.....37  
 RADIATOR,PERKINS,TML.....47, 49  
 RATCHET ARM FULTONWI.....33  
 RATCHET GEAR,K-1550 1/2" I.D.....33  
 RATCHET KIT (K-1500,K-1550)\*\*.....33  
 REAR TOWER SUPPORT 1-C.....31  
 RECEP 30A 120/240V 4 POLE.....55, 59  
 RECEP 30A 20V 3POLE.....55, 59, 63, 75  
 RECEPTACLE 20A 120V DUPLEX GFI.....55, 59, 63  
 Ref, GENERATOR.....43  
 REFLECTOR & LENS ASSY STD FIX.....91  
 REFLECTOR (C41100720).....91  
 REFLECTOR BASE.....93  
 REFLECTOR LAMP SIDE.....93  
 REFLECTOR SIDE.....93  
 REFLECTOR,SCOTCHLITE,2"X18".....13  
 REGULATOR,12V-PERKINS 103.10.....47, 49  
 RELAY 12V DC 30A NO OR.....55, 59, 63, 67  
 REMOTE CNTRL,SUPERWINCH (219227).....35  
 RETAINER CLIP,GLASS/LENS.....93  
 RETAINING RING.....33  
 RETRACTOR SPRING,E BRK,ALXL.....23  
 RING,REINFORCING (C41100720).....91  
 RIVET POP 1/8X.390 GR.....91  
 RIVET,POP,SS,3/16"X1/2" BLIND.....29, 31, 53, 57, 61, 65, 69, 73, 85, 87  
 RODA DACO MANUAL SHUTDOWN.....97  
 ROLL PIN 1/4 X1-5/8.....81

**S**

SCREW #10-24NCX1/2RD.....95  
 SCREW #10-32NFX3/4 LO.....31, 81  
 SCREW 1/2-13NCX1-1/2H.....15, 17, 29, 31  
 SCREW 1/2-13NCX5-1/2H.....25  
 SCREW 1/4-20NCX5/8 HW.....19, 27, 29, 31  
 SCREW 3/8-16NCX1 HHC GR.....79  
 SCREW 3/8-16NCX1-1/2H.....21  
 SCREW FLANGE 1/4 -20X.....37  
 SCREW FLANGE 3/8X 3/4.....31  
 SCREW,CARRIAGE,3/8-16X12,ZP.....19  
 SCREW,FLANGE,1/4-20X1/2" PATCH.....53, 57, 61, 65, 69, 73  
 SCREW,HH SLOT,1/4 X 0.75.....27  
 SCREW,HH SLOT,8-32X1.....91  
 SCREW,HHC,1/2-13 X 1.25.....91  
 SCREW,HHC,1/2-13 X 1.5.....91  
 SCREW,HHC,1/2-13 X 10.....19  
 SCREW,HHC,1/2-13 X 2 GR5.....15  
 SCREW,HHC,1/2-13 X 3.....85  
 SCREW,HHC,1/2-13 X 3 G.....81  
 SCREW,HHC,1/2-13 X 3.5 GR8.....29, 45, 51  
 SCREW,HHC,1/2-13 X 4 G.....25  
 SCREW,HHC,1/2-13 X 4.5,GRD.8.....25  
 SCREW,HHC,1/2-13 X 5.5,GRD.8.....25  
 SCREW,HHC,1/2-13 X 6.....25  
 SCREW,HHC,1/2-13 X 6 GR5 ZP.....25



California Proposition 65



**WARNING**

Operating, servicing and maintaining this equipment can expose you to chemicals including engine exhaust, carbon monoxide, phthalates, and lead, which are known to the State of California to cause cancer and birth defects or other reproductive harm. These chemicals can be emitted from or contained in other various parts and systems, fluids and some component wear by-products. To minimize exposure, avoid breathing exhaust, do not idle the engine except as necessary, service your equipment and vehicle in a well-ventilated area and wear gloves or wash your hands frequently when servicing your equipment or vehicle and after operation. For more information go to [www.P65Warnings.ca.gov/passenger-vehicle](http://www.P65Warnings.ca.gov/passenger-vehicle).

Breathing diesel engine exhaust exposes you to chemicals known to the State of California to cause cancer and birth defects or other reproductive harm.

- Always start and operate the engine in a well-ventilated area.
- If in an enclosed area, vent the exhaust to the outside.
- Do not modify or tamper with the exhaust system.
- Do not idle the engine except as necessary.

For more information go to [www.P65warnings.ca.gov/diesel](http://www.P65warnings.ca.gov/diesel).