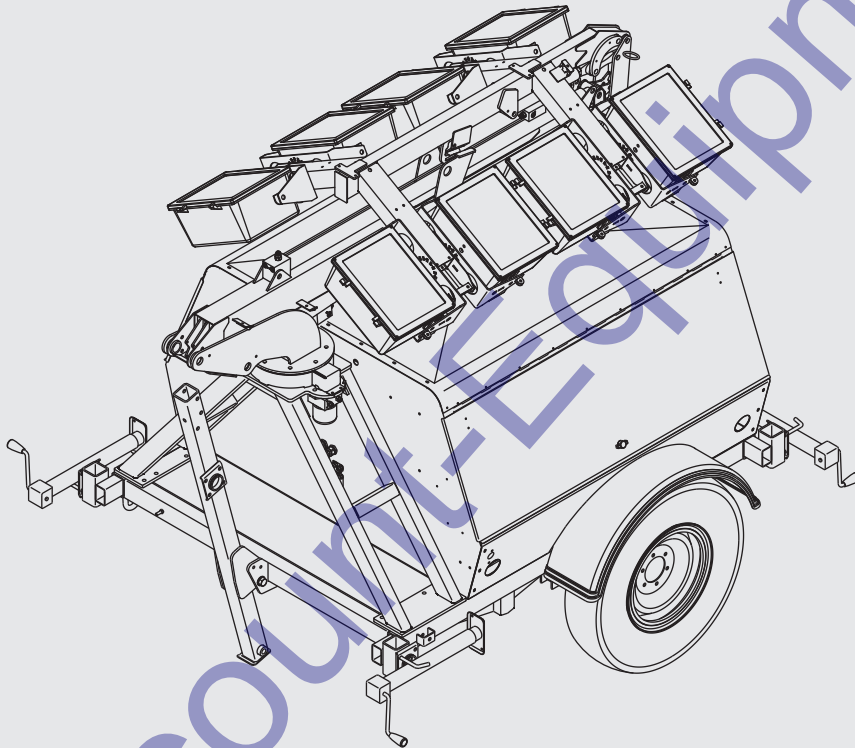




TEREX[®]

Parts Manual

AL8000HT[™]



First Edition
Rev A
Part No. 116477
September 2008

Discount Equipment

Discount-Equipment.com is your online resource for commercial and industrial quality parts and equipment sales.

Locations:

Florida (West Palm Beach): [561-964-4949](tel:561-964-4949)

Outside Florida TOLL FREE: [877-690-3101](tel:877-690-3101)

Need parts? Check out our website at www.discount-equipment.com

Can't find what you need?

Click on this link: <http://www.discount-equipment.com/category/5443-parts/> and fill out the request form.

Please have the machine model and serial number available in order to help us get you the correct parts. One of our experienced staff members will get back to you with a quote for the right part that your machine needs.

We sell worldwide for the brands: Genie, Terex, JLG, MultiQuip, Mayco, Toro/Stone, Diamond Products, Magnum, Airman, Mustang, Power Blanket, Nifty Lift, Atlas Copco, Chicago Pneumatic, Allmand Brothers, Essick, Miller Spreader, Skyjack, Lull, Skytrak, Tsurumi, Husquvarna/Target, Whiteman-Concrete/Mortar, Stow-Concrete/Mortar, Baldor, Wacker, Sakai, Snorkel, Upright, Mi-T-M, Sullair, Neal, Basic, Dynapac, MBW, Weber, Bartell, Bennar Newman, Haulotte, Ditch Runner, Blaw-Knox, Himoina, Best, Buddy, Crown, Edco, Wyco, Bomag, Laymor, Terremite, Barreto, EZ Trench, Takeuchi, Basic, Bil-Jax, Curtis, Gehl, Heli, Honda, ICS/PowerGrit, Puckett, Waldon, ASV, IHI, Partner, Imer, Clipper, MMD, Koshin, Rice, Gorman Rupp, CH&E, Cat Pumps, Comet, General Pump, Giant, AMida, Coleman, NAC, Gradall, Square Shooter, Kent, Stanley, Tamco, Toku, Hatz, Kohler, Robin, Wisconsin, Northrock, Oztec, Toker TK, Rol-Air, Small Line, Wanco, Yanmar

Introduction

Important

Read, understand and obey the safety rules and operating instructions in the appropriate Operator's Manual on your machine before attempting any maintenance procedure.

Basic mechanical, hydraulic and electrical skills are required to perform most procedures. However, several procedures require specialized skills, tools, lifting equipment and a suitable workshop. In these instances, we strongly recommend that maintenance and repair be performed at an authorized Terex dealer service center.

Technical Publications

Terex has endeavored to deliver the highest degree of accuracy possible. However, continuous improvement of our products is a Terex policy. Therefore, product specifications are subject to change without notice.

Readers are encouraged to notify Terex of errors and send in suggestions for improvement. All communications will be carefully considered for future printings of this and all other manuals.



www.discount-equipment.com

Copyright © 2008 by Terex

Terex Rock Hill
590 Huey Road
Rock Hill, SC. 29730

116477 Rev A September 2008
First Edition, First Printing


 Printed on recycled paper

Printed in U.S.A.

How to Read Your Serial Number

Serial Number Legend

MANUFACTURED BY/FABRIQUE PAR:
TEREX
590 Huey Road
Rock Hill, SC 29732
USA


 **TEREX**


MODEL:
SERIAL NUMBER: XXXXXXXXXXX-999999
MODEL YEAR: 9999 **MANUFACTURE DATE:** 99/99/99

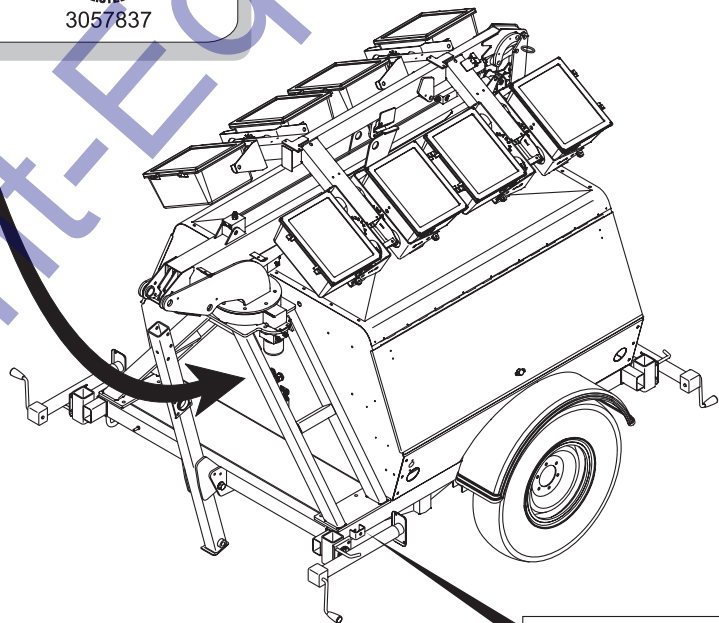
V.I.N. NUMBER:
MACHINE UNLADEN WEIGHT: 99.999 lbs / 99.999 kg

RATED GENERATOR OUTPUT: Position 41
VOLTS AC: Position 35
FREQUENCY: Position 42
PHASES: Position 43
RATED CURRENT: Position 44

ELECTRICAL SCHEMATIC: Position 3
ETL CERTIFICATION 1: Position 45
ETL CERTIFICATION 2: Position 46


P/N 77172


3057837



AL8XXXXX
Serial number is stamped into frame.

Safety Rules



Danger

Failure to obey the instructions and safety rules in this manual and the *Terex AL8000HT Operator's Manual* on your machine will result in death or serious injury.

Many of the hazards identified in the operator's manual are also safety hazards when maintenance and repair procedures are performed.

Do Not Perform Maintenance Unless:

- You are trained and qualified to perform maintenance on this machine.
- You read, understand and obey:
 - manufacturer's instructions and safety rules
 - employer's safety rules and worksite regulations
 - applicable governmental regulations
- You have the appropriate tools, lifting equipment and a suitable workshop.



Personal Safety

Any person working on or around a machine must be aware of all known safety hazards. Personal safety and the continued safe operation of the machine should be your top priority.



Read each procedure thoroughly. This manual and the decals on the machine, use signal words to identify the following:



Safety alert symbol—used to alert personnel to potential personal injury hazards. Obey all safety messages that follow this symbol to avoid possible injury or death.

▲ DANGER

Indicates an imminently hazardous situation which, if not avoided, will result in death or serious injury.

▲ WARNING

Indicates a potentially hazardous situation which, if not avoided, could result in death or serious injury.

▲ CAUTION

Indicates a potentially hazardous situation which, if not avoided, may cause minor or moderate injury.

NOTICE

Indicates a potentially hazardous situation which, if not avoided, may result in property damage.



Be sure to wear protective eye wear and other protective clothing if the situation warrants it.



Be aware of potential crushing hazards such as moving parts, free swinging or unsecured components when lifting or placing loads. Always wear approved steel-toed shoes.

Workplace Safety



Be sure to keep sparks, flames and lighted tobacco away from flammable and combustible materials like battery gases and engine fuels. Always have an approved fire extinguisher within easy reach.



Be sure that all tools and working areas are properly maintained and ready for use. Keep work surfaces clean and free of debris that could get into machine components and cause damage.



Be sure any forklift, overhead crane or other lifting or supporting device is fully capable of supporting and stabilizing the weight to be lifted. Use only chains or straps that are in good condition and of ample capacity.



Be sure that fasteners intended for one time use (i.e., cotter pins and self-locking nuts) are not reused. These components may fail if they are used a second time.



Be sure to properly dispose of old oil or other fluids. Use an approved container. Please be environmentally safe.



Be sure that your workshop or work area is properly ventilated and well lit.

Table of Contents

Introduction

Important Information	ii
How to Read Your Serial Number	iii
Safety Rules	iv
Parts Stocking List	viii
How to Order Parts	ix
Service Parts Fax Order Form	x

Section 100 Rev Decals

A Figure 101.1 Decals	100 - 2
A Figure 102.1 Decals	100 - 3
A Figure 103.1 Decals	100 - 4
A Figure 104.1 Decals	100 - 5
A Figure 105.1 Decals	100 - 6

Section 200 Rev Chassis Components

A Figure 201.1 Chassis Components	200 - 2
A Figure 202.1 Fuel Tanks	200 - 6
A Figure 203.1 Hydraulic Pump Components	200 - 8

Section 300 Rev Cabinet Components

A Figure 301.1 Cabinet Components	300 - 2
---	---------

Section 400 Rev Electrical Components

A Figure 401.1 Control Panel	400 - 2
A Figure 402.1 External Receptacle Panel	400 - 6

Section 500 Rev Tower/Mast Components

A Figure 501.1 Tower Base Assembly	500 - 2
A Figure 502.1 Tower Mast Section #1	500 - 4
A Figure 503.1 Tower Mast Section #2	500 - 6
A Figure 504.1 Tower Mast Section #3	500 - 8

Section 600 Rev Light Bar & Fixture Assemblies

A	Figure 601.1	Light Bar Assembly - 4 Lamp Fixture	600 - 2
A	Figure 602.1	Light Bar Assembly - 8 Lamp Fixture	600 - 4
A	Figure 603.1	Light Fixture Assembly	600 - 6

Section 700 Rev Engine & Genset

A	Figure 701.1	Isuzu 4LE1PV02-502 (20kW Option)	700 - 2
A	Figure 702.1	Kubota D1105 (8kW Option)	700 - 4
A	Figure 703.1	Kubota V1505 (12kW Option)	700 - 6
A	Figure 704.1	Newage Generator (12kW & 20kW Option)	700 - 8
A	Figure 705.1	Leroy Somer Generator (8kW Option)	700 - 10
A	Figure 706.1	Marathon Generator (8kW Option)	700 - 12

Section 800 Rev Options

A	Figure 801.1	Options	800 - 2
A	Figure 802.1	Options	800 - 4

Parts Stocking List

Required Parts

The following parts are required to perform maintenance procedures as outlined in the *TEREX AL8000HT Parts and Service Manual*.

Description	Part No.
Kubota Models	
Oil Filter	866050
Air Filter	866127
Fuel Filter	839200
V-belt	839209
Isuzu Models	
Oil Filter	868075
Air Filter	834460
Fuel Filter	868137
V-belt	868067

Manuals

TEREX Corporation offers the following manuals for these models:

Title	Part No.
TEREX AL8000HT Operator's Manual, First Edition	114426
TEREX AL8000HT Part's Manual, First Edition	116447
TEREX AL8000HT Service Manual, First Edition	116478
Newage Generator Manual	830001
Leroy Somer Manual	116118
Isuzu Engine Manual	116133
Kubota Engine Manual	893020
Axis Manual	116117
Marathon Manual	116188

How To Order Parts

Please be prepared with the following information when ordering replacement parts for your TEREX product:

- Machine model number
- Machine serial number
- Terex part number
- Part description and quantity
- Purchase order number
- "Ship to" address
- Desired method of shipment
- Name and telephone number of the authorized TEREX Distributor in your area



www.discount-equipment.com

Model

Serial Number

Date of Purchase

Authorized TEREX Distributor

Phone Number

Discount Equipment

Discount-Equipment.com is your online resource for commercial and industrial quality parts and equipment sales.

Locations:

Florida (West Palm Beach): [561-964-4949](tel:561-964-4949)

Outside Florida TOLL FREE: [877-690-3101](tel:877-690-3101)

Need parts? Check out our website at www.discount-equipment.com

Can't find what you need?

Click on this link: <http://www.discount-equipment.com/category/5443-parts/> and fill out the request form.

Please have the machine model and serial number available in order to help us get you the correct parts. One of our experienced staff members will get back to you with a quote for the right part that your machine needs.

We sell worldwide for the brands: Genie, Terex, JLG, MultiQuip, Mayco, Toro/Stone, Diamond Products, Magnum, Airman, Mustang, Power Blanket, Nifty Lift, Atlas Copco, Chicago Pneumatic, Allmand Brothers, Essick, Miller Spreader, Skyjack, Lull, Skytrak, Tsurumi, Husquvarna/Target, Whiteman-Concrete/Mortar, Stow-Concrete/Mortar, Baldor, Wacker, Sakai, Snorkel, Upright, Mi-T-M, Sullair, Neal, Basic, Dynapac, MBW, Weber, Bartell, Bennar Newman, Haulotte, Ditch Runner, Blaw-Knox, Himoina, Best, Buddy, Crown, Edco, Wyco, Bomag, Laymor, Terremite, Barreto, EZ Trench, Takeuchi, Basic, Bil-Jax, Curtis, Gehl, Heli, Honda, ICS/PowerGrit, Puckett, Waldon, ASV, IHI, Partner, Imer, Clipper, MMD, Koshin, Rice, Gorman Rupp, CH&E, Cat Pumps, Comet, General Pump, Giant, AMida, Coleman, NAC, Gradall, Square Shooter, Kent, Stanley, Tamco, Toku, Hatz, Kohler, Robin, Wisconsin, Northrock, Oztec, Toker TK, Rol-Air, Small Line, Wanco, Yanmar



Decals

Discount-Equipment.com

Figure 101.1

Decals

REV A

97602

WARNING

Explosion Hazard
Death or serious injury can result from the use of either other high energy starting aids.

Do not use either or other high energy starting aids on machines equipped with glow plugs.

97602 B

114258

DANGER

Burn Hazard
Fuel and fumes can explode and burn.

No smoking. No flame. Stop engine.

114258 A

114431

DANGER

Electrocution Hazard
Death or injury can result from contacting electric power lines. Always contact the electric power line owner. The electric power shall be disconnected or the power lines moved or insulated before machine operations begin.

Line Voltage	Required Clearance
0 to 50KV	10 ft. 3.0 m
50 to 200KV	15 ft. 4.6 m
200 to 350KV	20 ft. 6.1 m
350 to 500KV	25 ft. 7.6 m
500 to 750KV	35 ft. 10.6 m
750 to 1000KV	45 ft. 13.7 m

114431 A

133164

NOTICE

Component Damage Hazard.
Damage to equipment may occur if tower is operated with travel lock pin in place. Remove travel lock pin before operating hydraulic tower.

133164 A

133020 / 133097 (AUS)

Tires
Size: ST205/75R15 Load C
Lug Nut Torque: 80 ft-lbs / 108 Nm
Tire Pressure: 50 psi / 3.4 bar

133020 A

114463

INSTRUCTIONS

Set up
Position the light tower at the desired work site. Chock the wheels.
Disconnect the trailer lights and safety chains.
Pull release pin on the tongue jack and rotate into place.
Turn the jack handle to lower the foot pad and raise the tongue of the machine enough to clear the tow vehicle.
Release spring pin on the front and back outriggers and slide each outrigger out until spring pin engages. Rotate outriggers into position.
Turn the outrigger jack handles to level the machine. Level the machine using only the leveling jacks.
Drive the grounding rod into the ground and attach to grounding lug on chassis near base of tower.

Transport
Make sure the travel lock pin is securely locked in place. Make sure the doors are closed and secured.
Pull release pin on each outrigger and slide into stowed position. Make sure the spring pins lock securely in place.
Raise the tongue of the machine by turning the tongue jack handle.
Position the transport vehicle under the coupler on the tongue of the machine.
Open the latch on the coupler.
Turn the tongue jack handle to lower the tongue.
Close the latch on the coupler.
Rotate the tongue jack to the stowed position and secure with the lock pin.
Attach the safety chains (if required).
Connect and test the trailer lights.

114463 A

52475

52475 C

133063

133063

114432

DANGER

Failure to read, understand and obey the operator's manual and the following safety rules could result in death or serious injury.

Improper Use Hazard
The operator is responsible for safe machine operation. This includes:
1. Avoid hazardous situations.
2. Always perform a pre-operation inspection.
3. Always perform function tests prior to use.
4. Inspect the work place.
5. Only use the machine as it was intended.
Do not operate unless:
- You read, understand and obey - manufacturer's instructions and safety rules - safety and operator's manuals and decals - employer's safety rules - applicable governmental regulations
You are properly trained to safely operate this machine.

Explosion and Fire Hazards
Do not start the engine if you smell or detect diesel fuel or other explosive substances.
Do not refuel with the engine running.
Refuel machine and charge battery only in an open, well-ventilated area away from sparks, flames and lighted tobacco.
Do not operate in hazardous locations or locations where potentially flammable or explosive gases or particles may be present.
Do not spray ether into engines equipped with glow plugs.

Electrocution Hazards
Machine is not electrically insulated and will not provide protection from contact with or proximity to electrically charged power lines.

Do not connect wires directly to the generator. Connect auxiliary equipment only to the power outlets provided.
Do not raise light tower near any overhead power lines.
Maintain required clearances in accordance with applicable governmental regulations and the following chart.

Line Voltage	Required Clearance
0 to 50KV	10 ft. 3.0 m
50 to 200KV	15 ft. 4.6 m
200 to 350KV	20 ft. 6.1 m
350 to 500KV	25 ft. 7.6 m
500 to 750KV	35 ft. 10.6 m
750 to 1000KV	45 ft. 13.7 m

Allow for tower movement and electrical line sway or sag, and beware of strong or gusty winds.
Keep away from machine if it contacts energized power lines. Personnel must not touch or operate machine until energized power lines are shut off.
Do not operate during lightning or storms.
Do not use machine as a ground for welding. Machine should be grounded in accordance with all local electrical codes. Consult local electrical codes or Authority Having Jurisdiction in the area where machine will be used for specific requirements.

11432 A

Do not service or replace the lamps with the engine/generator running.
Component Damage Hazards
Do not turn the lights on unless the engine is running. Always turn the lights off before shutting down the engine.
Do not use a damaged or malfunctioning machine.
Do not tow light tower when lamps are hot. Hot lamps will break if moved.
Be sure all decals are legible and in place.
Tip-over Hazards
Do not raise tower unless all outriggers are properly deployed, foot pads are in firm contact with ground and machine is level.
Do not set machine up where it cannot be leveled using only the leveling jacks.
Do not hang any objects from lights or tower.
Do not raise or extend tower when wind speed may exceed 52 mph / 100 km/h.
Do not move machine while tower is raised.
Do not adjust or stow outriggers while tower is raised.
Do not place ladders or scaffolds against machine.
Do not use tower to raise material or personnel.
Do not alter or disable machine components that affect stability or safety.

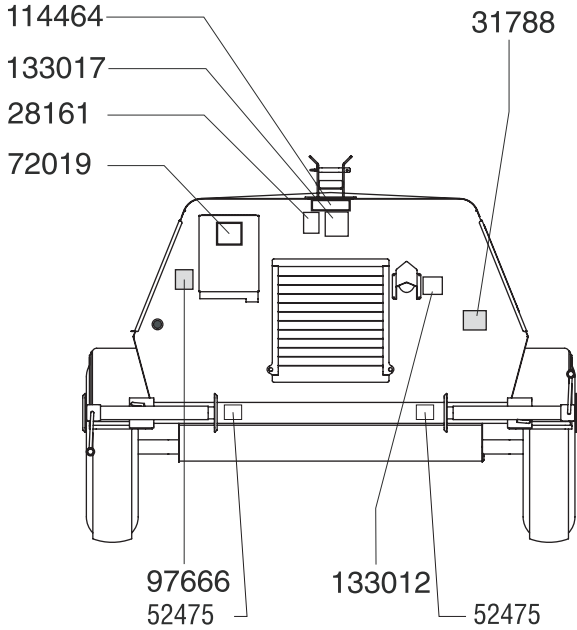
Collision Hazard
Check work area for overhead obstructions or hazards.
Burn Hazard
Do not touch lamp fixtures when lights are turned on. Turn lamps off and allow to cool before touching.
Crushing Hazards
Do not lower tower unless area is clear of personnel and obstructions.
Keep hands away from potential pinch points.
Towing Hazards
Do not tow machine unless tower is fully retracted and lowered.
Do not tow machine unless travel lock is securely in place.
Do not tow machine unless all outriggers have been retracted and stowed.
Do not load cargo on the light tower. The light tower is not designed to carry any extra cargo.
Be sure the hitch is securely attached to the tow vehicle.
Be sure that all driving lights are operational. Be sure all lights, mirrors and hitch components conform to federal and local regulations.
Do not tow on public roads unless the machine meets all governmental regulations for towing.
Do not exceed maximum towing speed: 60 mph / 97 km/h.



Figure 102.1

Decals

REV A



97666

WARNING	
Improper operation or maintenance can result in serious injury or death.	Read and understand operator's manual and all safety signs before using or maintaining machine. If you do not understand the information in the manuals, consult your supervisor, the owner or the manufacturer.

31788

DANGER	
	Explosion / Burn Hazard Ignition of explosive gases or contact with corrosive acid will cause death, burns or blindness.
	Keep all open flames and sparks away. Wear personal protective equipment, including face shield, gloves and long sleeve shirt.
	READ MANUALS Read all manuals prior to operation. DO NOT OPERATE equipment if you do not understand the information in the manuals. Consult your supervisor, the owner or the manufacturer.

72019

DANGER	
	Electrocution Hazard Exposure to electrical wires will cause death or serious injury.
	Only trained and qualified maintenance personnel may access this compartment.

52475

114464

TRAVEL LOCK

133012

DANGER	
	Burn / Carbon monoxide hazard. Hot exhaust can contain carbon monoxide that will result in death or serious injury.
	Do not touch hot surfaces or breathe exhaust. Wear protective gloves when handling hot parts. Read the operator's manual.

28161

WARNING	
	Crush Hazard Contact with moving parts can result in death or serious injury.
	Keep away from moving parts.

133017

WARNING	
	Crushing Hazard Contact with descending tower could result in death or serious injury.
	Keep away from machine when tower is being lowered.

Figure 103.1

Decals

REV A

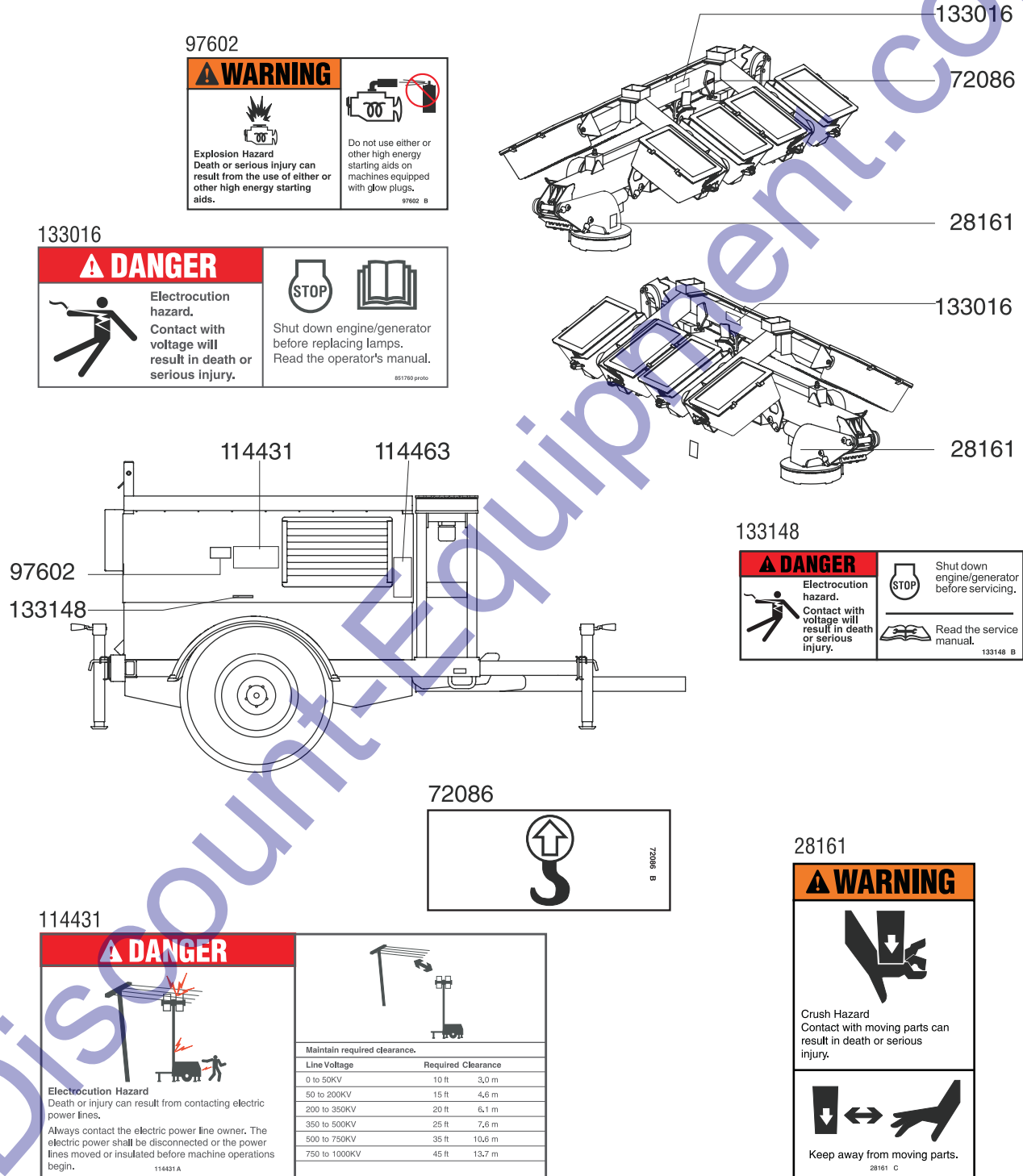




Figure 104.1

Decals

REV A

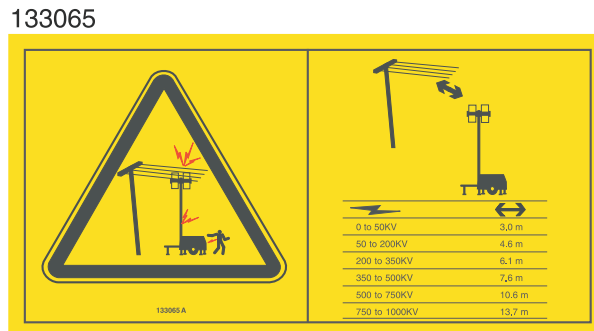
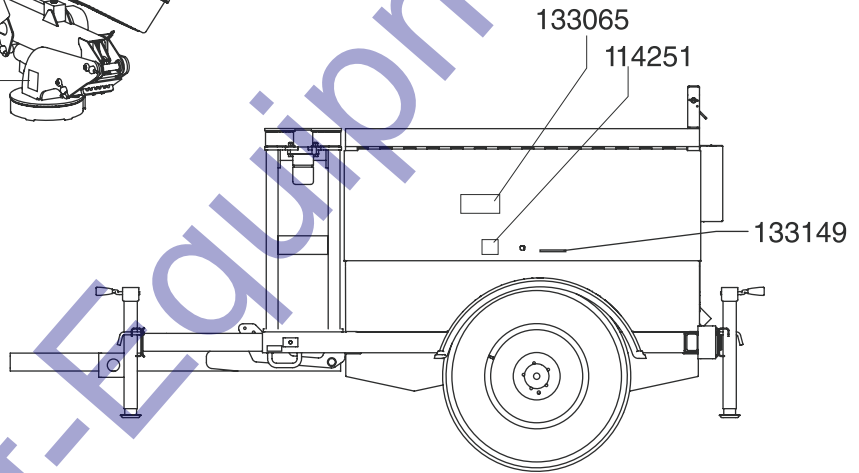
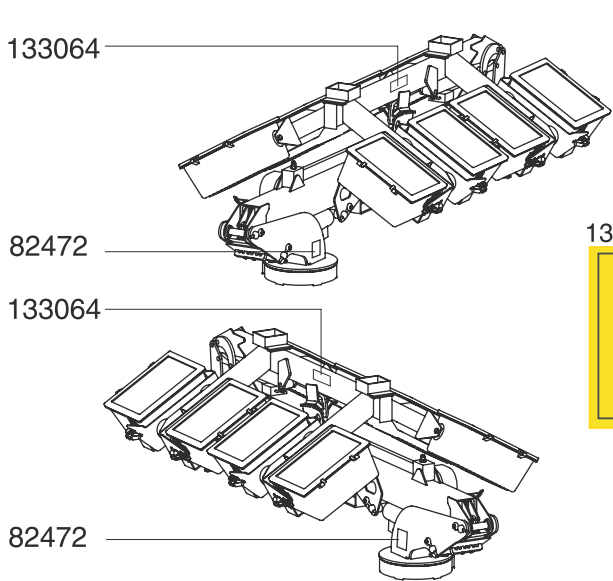
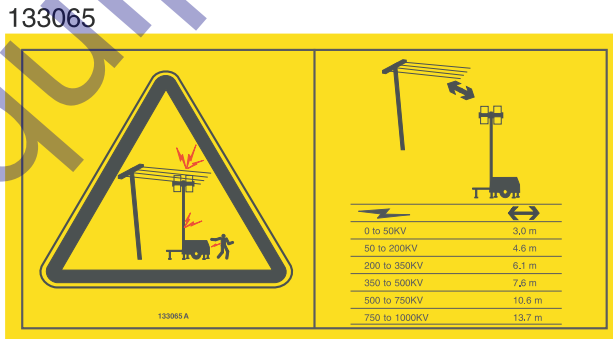
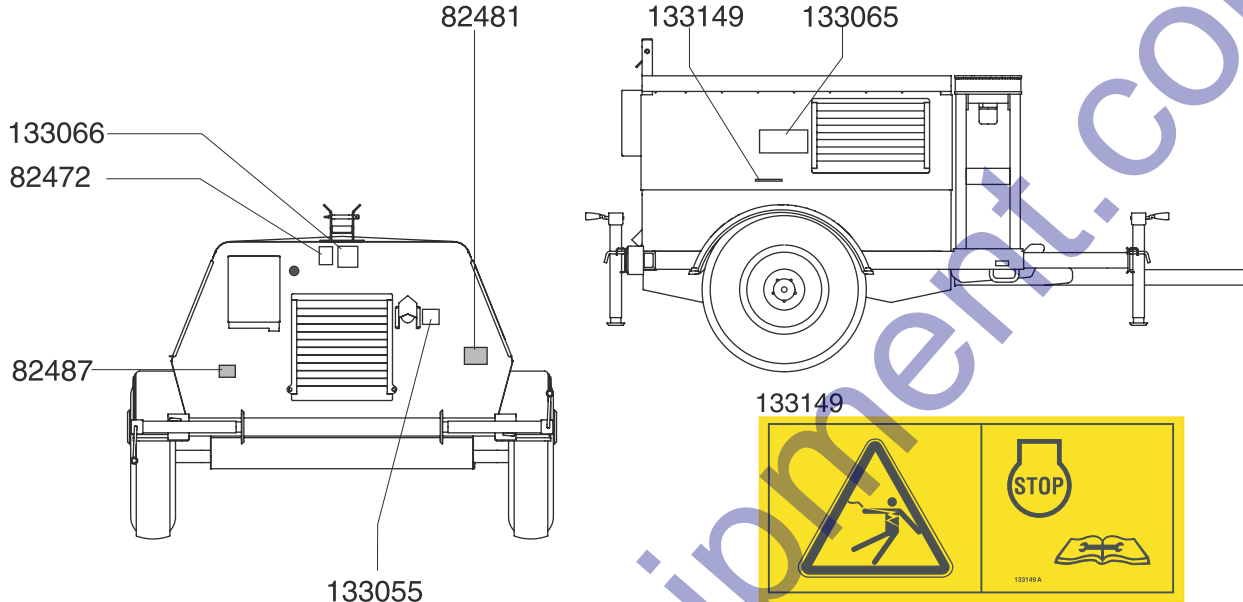


Figure 105.1

Decals

REV A



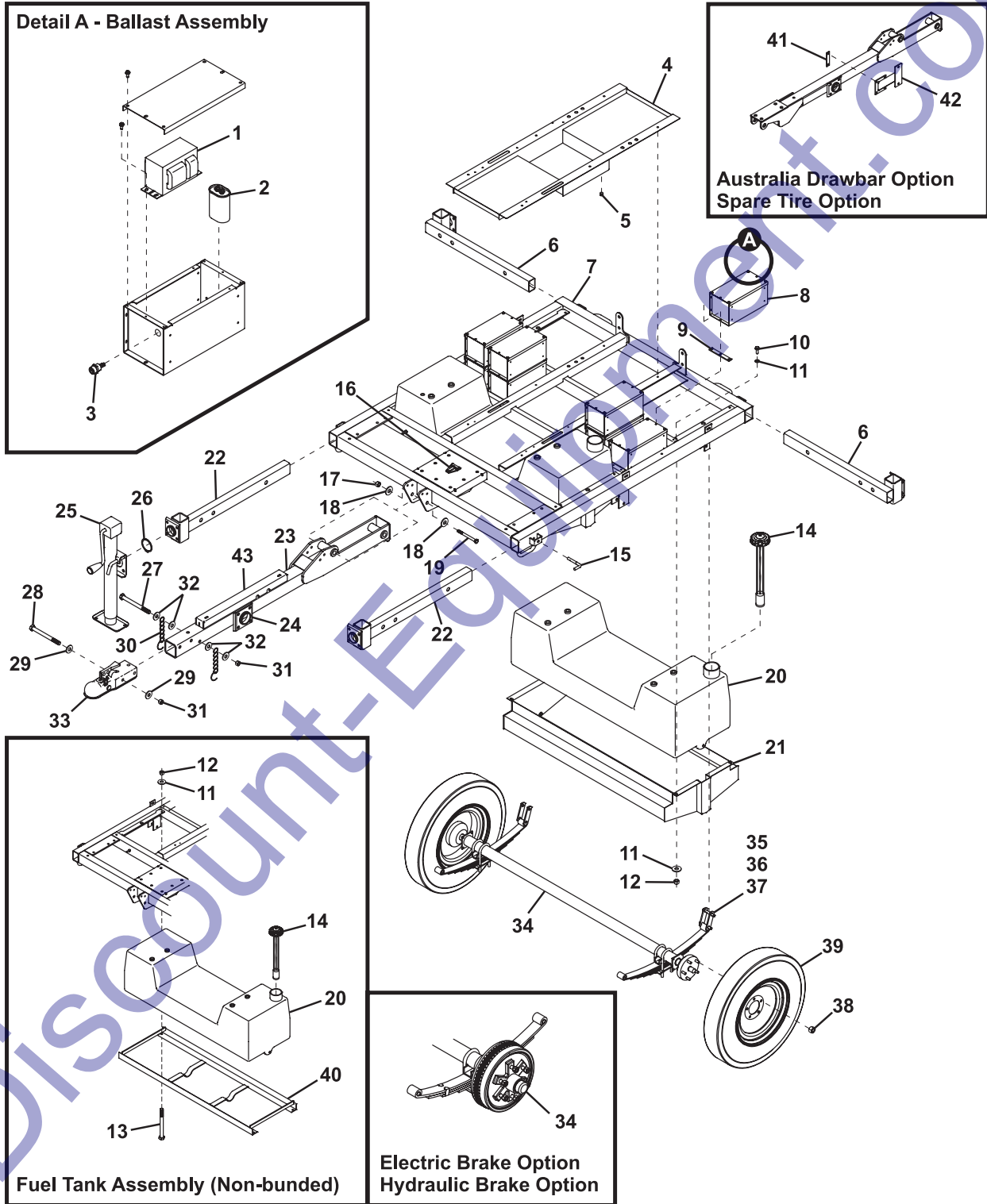


Chassis Components

Figure 201.1

Chassis Components

REV A



REV A

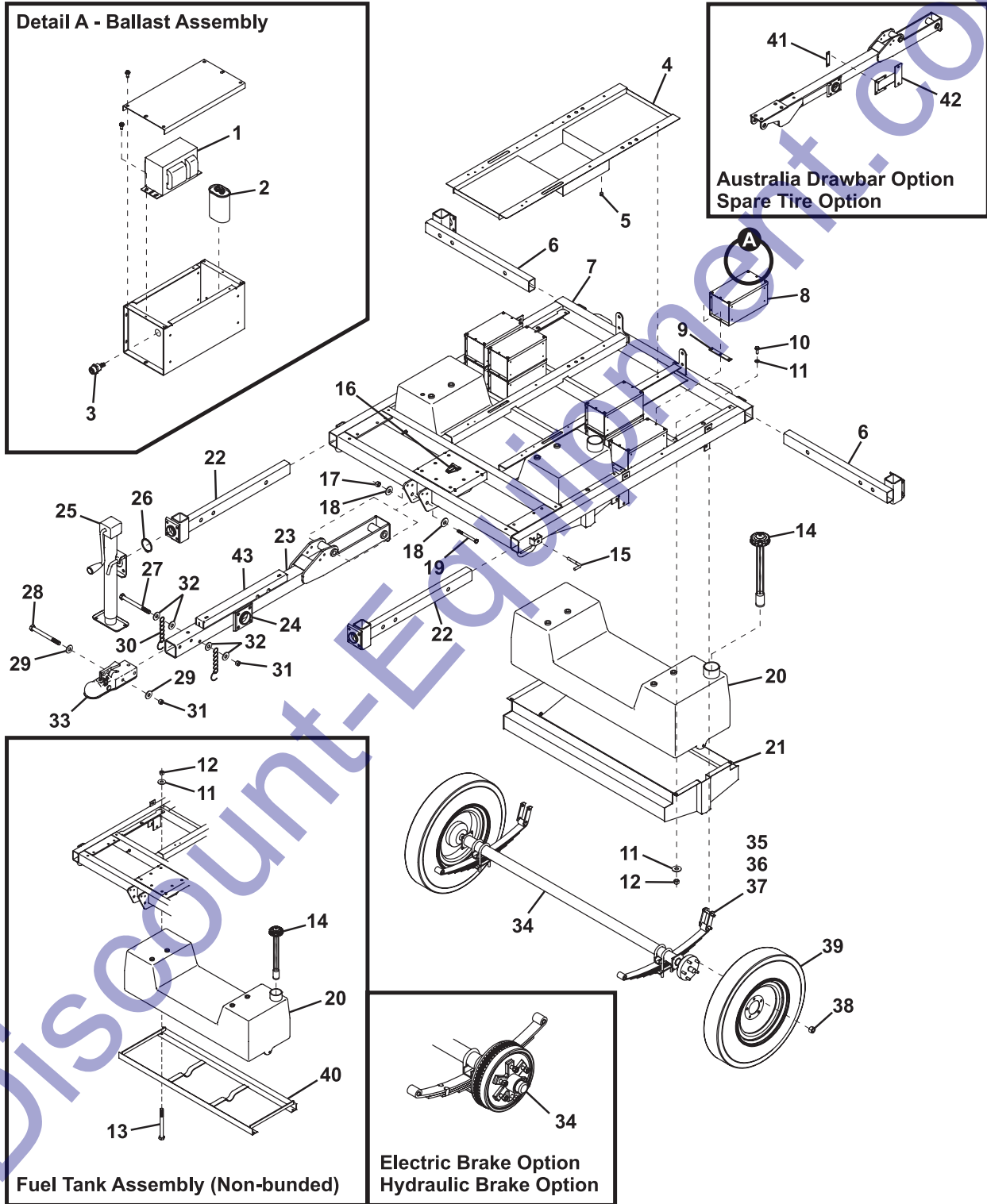
FIGURE 201.1

ITEM #	PART #	DESCRIPTION	QTY.
1	160030	BALLAST & CAPACITOR, MH, 60Hz, 120V	1
	160490	BALLAST & CAPACITOR, MH, 50Hz, 120V	1
2	160032	CAPACITOR ONLY, 24uF, MH, 60Hz	1
	160033	CAPACITOR ONLY, 24uF, MH, 50Hz	1
3	663860	CONNECTOR, 5P, MALE, RECEPT	1
4	119712	WELDMENT, ENGINE CONTAINMENT	1
5	894230	PIPE PLUG, 1/4 GALV	1
6	114613	OUTRIGGER, 3 X 2 X 33", REAR	2
7	125113	WELDMENT, CHASSIS	1
8	114355	BALLAST BOX, COMPLETE, MH	1
9	189346	BALLAST SPACER	8
10	6175	SCREW, HHC, 3/8-16 X 1 **	8
11	6097	WASHER, FLAT, USS, 3/8", Y	16
12	4828	NUT, NYLOCK, 3/8-16	12
13	35729	SCREW, HHC, 3/8-16 X 8.5	4
14	741715	TANK CAP & GAUGE	1
15	790965	OUTRIGGER PLUNGER PIN ASSEMBLY	4
16	99024	LEVEL, BUBBLE, T	1
17	10258	NUT, NYLOCK, 3/4-10	2
18	33278	WASHER, FLAT, .75, HARDENED	4
19	80529	SCREW, HHC, 3/4-10 X 6.5, GRD 5	2
20	741701	TANK, FUEL, 30GAL, PLASTIC	1
21	119668	WELDMENT, CONTAINMENT TANK	1
22	114612	OUTRIGGER, 3 X 2 X 32.5", FRONT	2
23	125121	WELDMENT, DRAWBAR	1
	125162	WELDMENT, DRAWBAR, AUSTRALIA	1
24	840221	JACK BRACKET, WELD ON	1
25	841430	JACK, SIDEWIND, 3K LB	5
26	840222	JACK SNAP RING	5
27	6-5208-44	SCREW, HHC, 1/2-13 X 5.5", GRD.8	1
28	6-5208-32	SCREW, HHC, 1/2-13 X 4", GR8	2
29	993860	WASHER, FLAT 1/2"	2
30	111936	CHAIN, SAFETY, 3000LB, 3/8 X 30", W/S-HOOK, STANDARD	2
	794560	HOOK W/SS SNAP RING, 5000 LB, OPTIONAL EQUIPMENT	2
	794690	CHAIN, QUICK LINK, 3/8, OPTIONAL EQUIPMENT	2
31	990200	NUT, LOCK, NYLON INSERT, 1/2-13 NC, GR 2	3
32	993860	WASHER, FLAT 1/2"	4
33	57332	COUPLER, 2" BALL, CLASS II, STANDARD	1
	841500	COUPLER, SURGE, 2" BALL, 6000 LB, OPTION	1
	841220	COUPLER, SURGE, 3" RING, 6000 LB, OPTION	1

Figure 201.1

Chassis Components

REV A



REV A

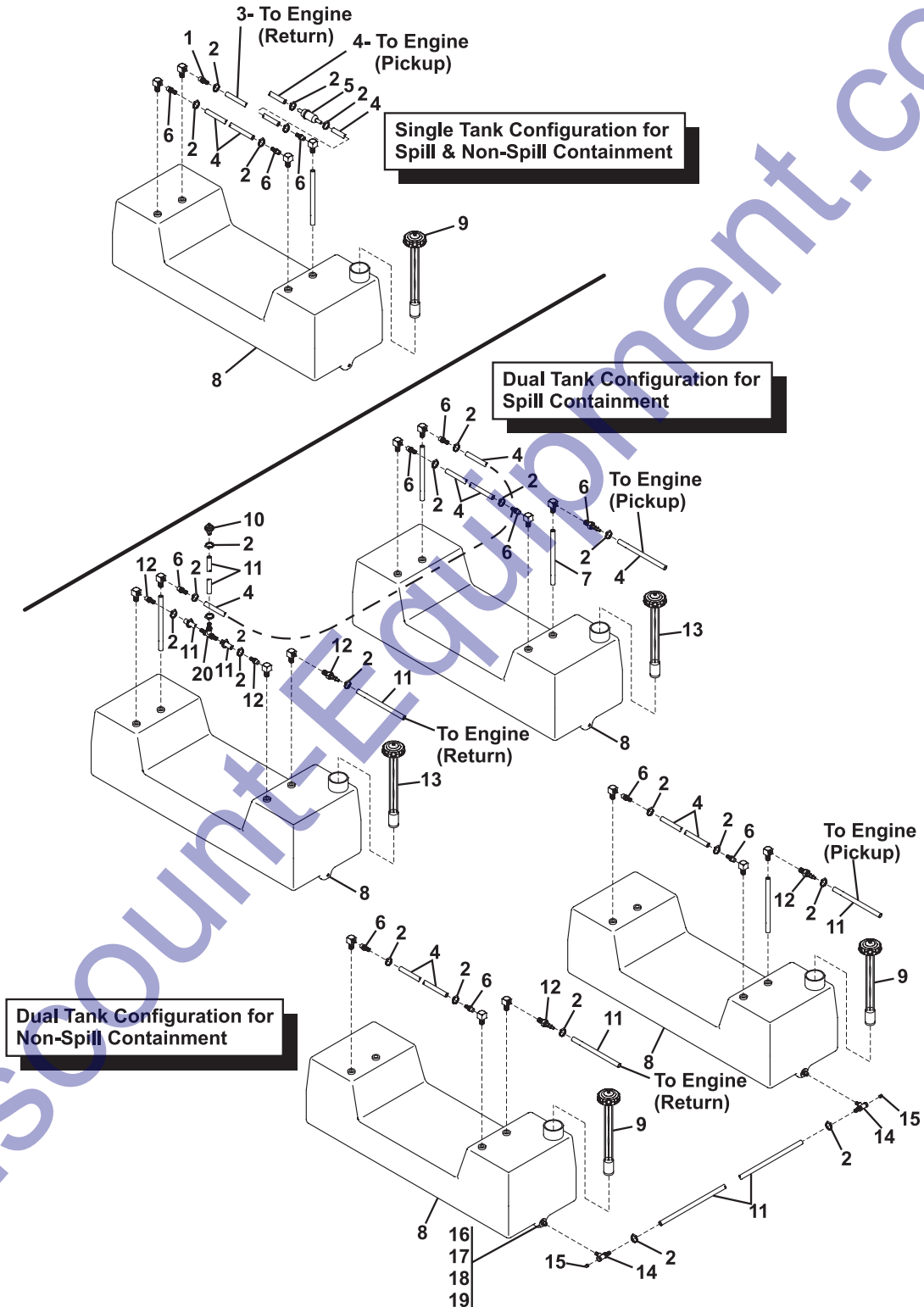
FIGURE 201.1

ITEM #	PART #	DESCRIPTION	QTY.
34	125605	AXLE, 6 X 5.5 BC, FREE WHEEL, STANDARD	1
	125606	AXLE, 6 X 5.5 BC, ELECTRIC BRAKES, OPTION	1
	116098	WIRING HARNESS, ELECTRIC BRAKES, TONGUE	1
	116099	WIRING HARNESS, ELECTRIC BRAKES, LEFT SIDE	1
	116100	WIRING HARNESS, ELECTRIC BRAKES, RIGHT SIDE	1
	125358	AXLE, 6 X 5.5 BC, HYDRAULIC BRAKES, OPTION	1
	125658	HYDRAULIC BRAKE KIT (INCLUDES PART NUMBERS 125649, 125650, 48308, 48309, 116294, 125657, 125647 AND 125648.)	1
	125649	BRAKELINE, 30" FLEXIBLE	1
	125650	BRAKELINE, 18" FLEXIBLE	2
	48308	CLIP, BRAKE HOSE	3
	48309	FITTING TEE, BRAKE LINE	1
	116294	BRAKELINE, FRONT JUMP	1
	125657	BRAKELINE, FRONT DRAWBAR	1
	125647	BRAKELINE, CURBSIDE	1
	125648	BRAKELINE, ROADSIDE	1
35	840394	AXLE SPRING BOLT	6
36	840395	AXLE SPRING NUT	6
37	841473	AXLE SHACKLE, 4-5/8", LONG	4
38	840376	AXLE WHEEL NUT	12
39	125640	TIRE & WHEEL, 15 X 5.5-6/5.5", 205/75, STANDARD	2
	125604	TIRE & WHEEL, 16 X 6-6/5.5 7.5-16LT, OPTION	2
40	114720	FUEL TANK BRACKET	1
41	188070	CLAMP, SPARE TIRE BRACKET, TONGUE MOUNT	1
42	124315	SPARE TIRE MOUNT, 6-LUG WHEEL	1
43	125646	BRAKE LINE COVER	1

Figure 202.1

Fuel Tanks

REV A





REV A

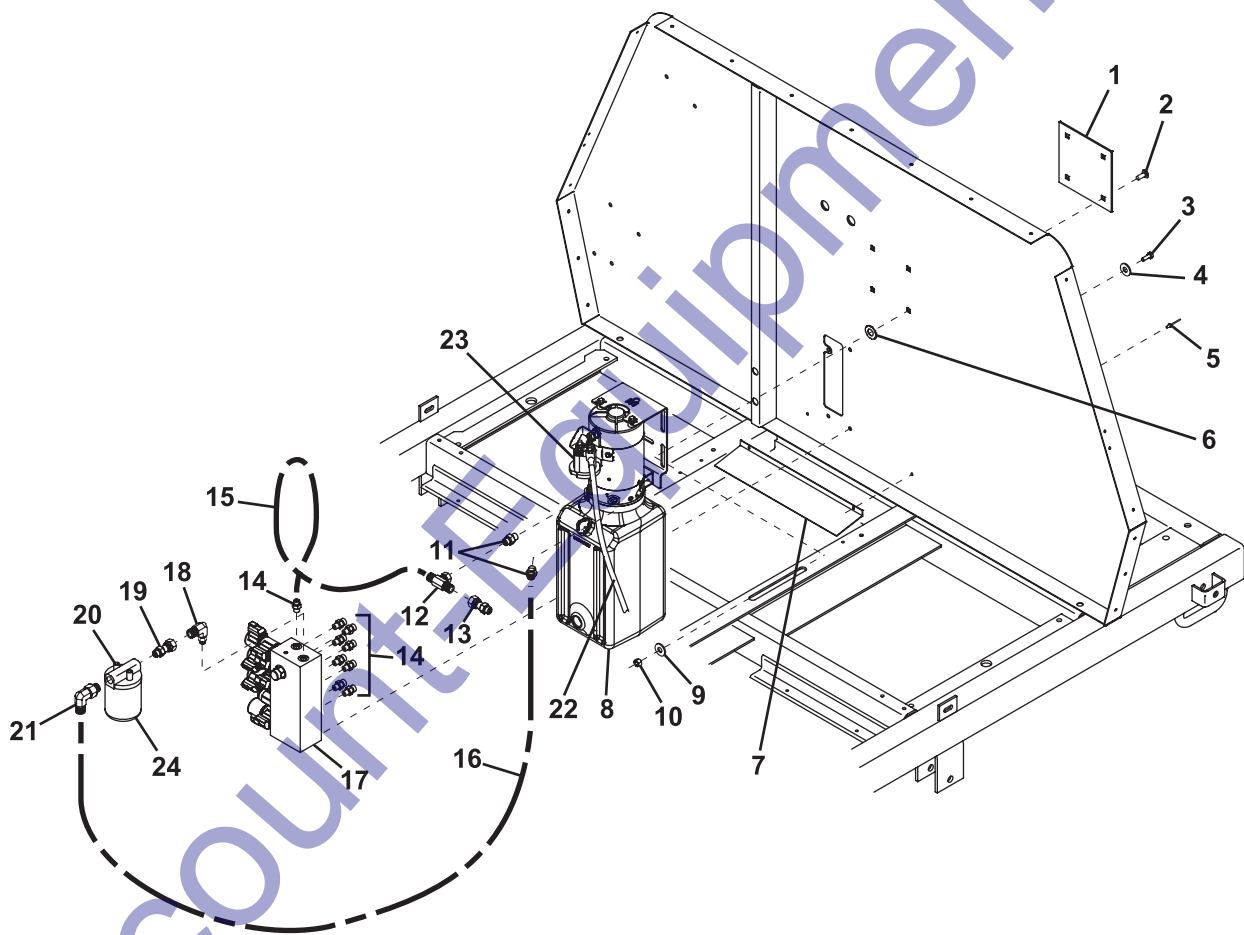
FIGURE 202.1

ITEM #	PART #	DESCRIPTION	QTY.
1	891560	HOSE FITTING, PIPE/BARB, 1/4M X 1/8 H,B	AR
2	792750	CLAMP, 7/16 TO 25/32	AR
3	890785	HOSE, FUEL 1/8 ID	FT
4	890795	HOSE, FUEL 5/16 ID	FT
5	740620	FILTER, IN-LINE FUEL	AR
6	898590	HOSE FITTING, PIPE/BARB,1/4M,X 5/16H, B,125HB-5-4	AR
7	C91100300	NYLON TUBING	FT
8	741701	TANK FUEL, 30GAL	AR
9	741715	TANK CAP & GAUGE	AR
10	895371	VALVE, VACCUUM RELIEF	AR
11	890790	HOSE, FUEL 1/4 X 1/2, 200#	AR
12	891530	HOSE FITTING, PIPE/BARB, 1/4M X 1/4H,B	AR
13	125641	TANK CAP, NON VENTED	AR
14	898575	FITTING, TEE 1/8	AR
15	891190	PIPE PLUG, 1/8", CS	AR
16	189785	WASHER, RUBBER, BUNA-N, 3/4ID X 1-9/16 OD	AR
17	189790	FUEL TANK DRAINPLUG WITH O-RING 5201	AR
18	990230	WASHER, FLAT, 3/4"	AR
19	996375	NUT, HEX HEAD, JAM, 3/4-16NF	AR
20	125666	TEE, HOSE, PLASTIC, .25	AR

Figure 203.1

Hydraulic Pump Components

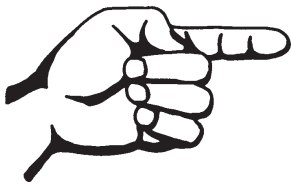
REV A



REV A

FIGURE 203.1

ITEM #	PART #	DESCRIPTION	QTY.
1	125156	PLATE, POWER UNIT MOUNT	1
2	64154	BOLT, CARRIAGE, 3/8-16 X 1.00, G5	4
3	8914	SCREW, HHC, 1/4-20 X .625	4
4	6356	WASHER, LOCK, .25	4
5	990670	RIVET, POP, 3/16 X 1/2 S/S, BLIND RIVET	2
6	87684	PUSH RETAINER FOR 3/8"THREAD SCREW	4
7	125155	FORMING, OIL DEFLECTOR	1
8	125105	POWER UNIT, 12V, VERTICAL MOUNT	1
9	6097	WASHER, FLAT, USS, 3/8", Y	4
10	4828	NUT, NYLOCK, 3/8-16	4
11	48912	CONNECTOR, 520120-4-6***	2
12	48891	TEE, BRANCH, 520433-4	1
13	49207	NIPPLE, DIAGNOSTIC #4	1
14	48905	CONNECTOR, 520120-4***	9
15	49117-1991	HOSE ASSY, 1/4, 90 FEM, STR FEM	1
16	49116-3137	HOSE ASSY, 1/4, 45 FEM, STR FEM	1
17	125100	MANIFOLD, HYD, MLT 28	1
18	48926	ELBOW, 90D, 520220-6-4	1
19	125602	CONNECTOR, 520181-6	1
20	125295	FILTER ASSEMBLY, SPIN ON, 10 MICRON	1
21	48911	ELBOW, 90D, 520220-4-6***	1
22	116484	POSITIVE BATTERY CABLE TO PUMP, 25" LONG	1
23	124186	SOLENOID, MOTOR START	1
24	49798	FILTER ONLY, 10 MICRON	1



This page intentionally left blank.

Discount-Equipment.com



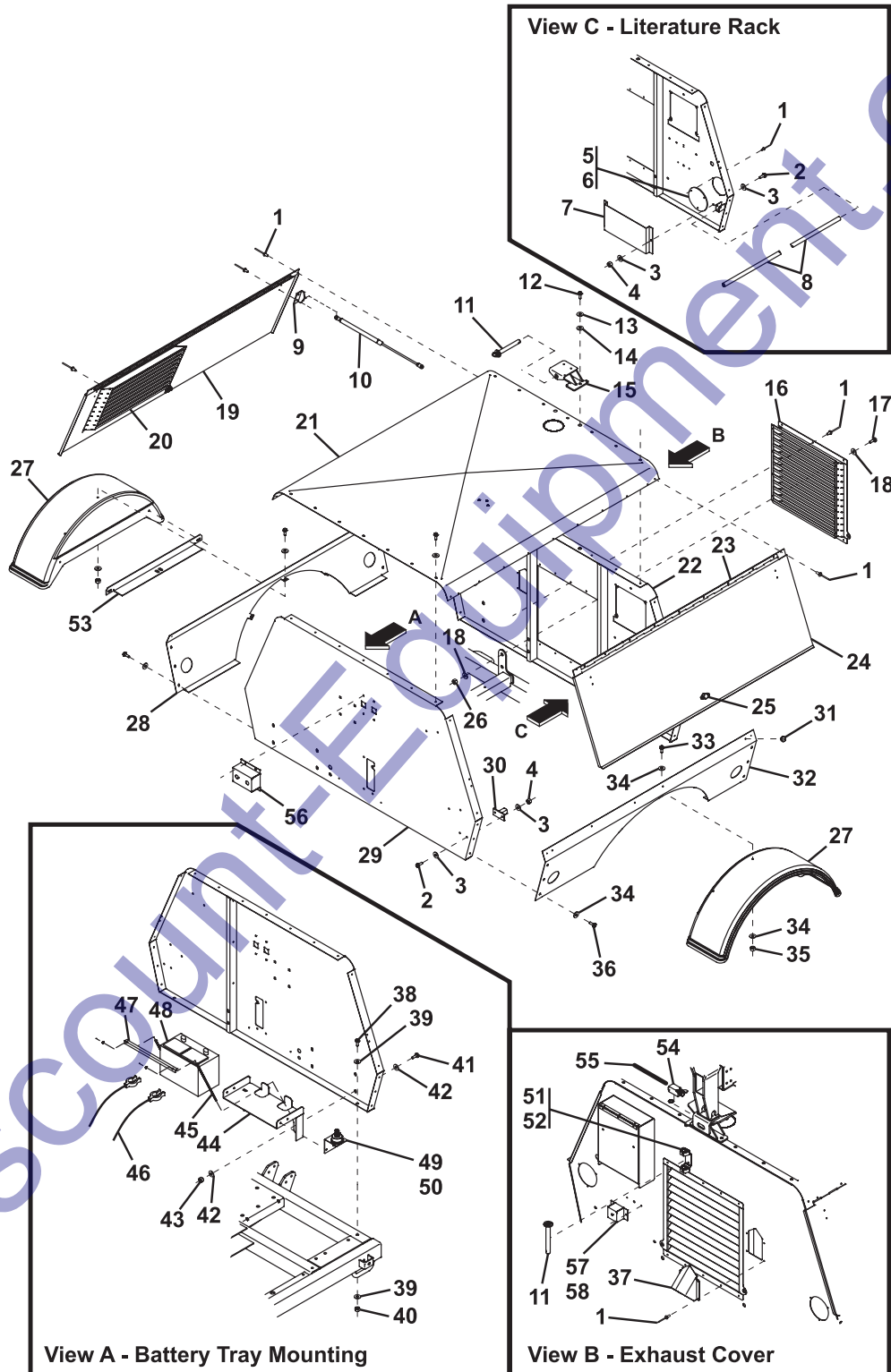
Cabinet Components

Discount-Equipment.com

Figure 301.1

Cabinet Components - Panels

REV A





REV A

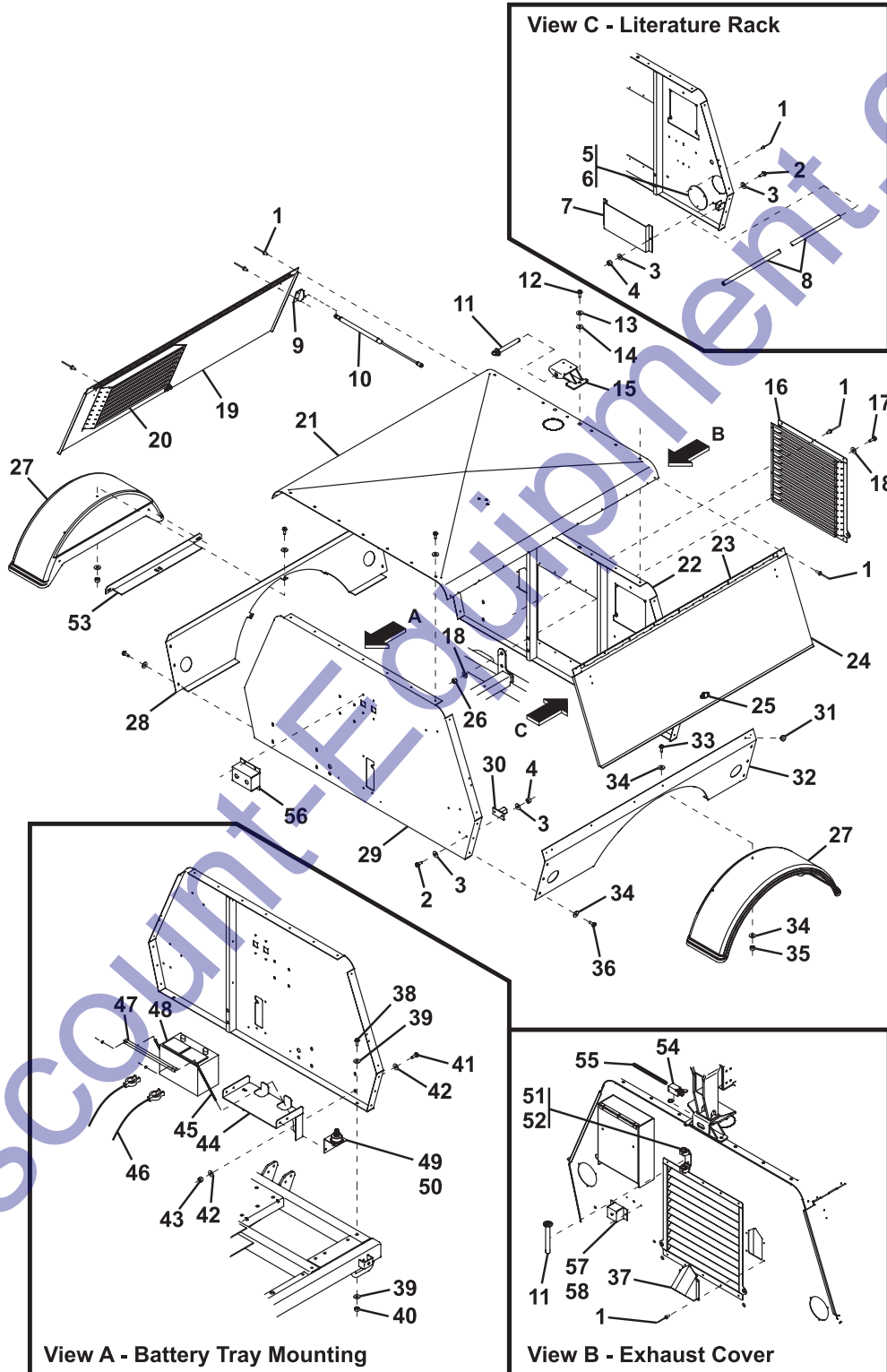
FIGURE 301.1

ITEM #	PART #	DESCRIPTION	QTY.
1	990670	RIVET, POP, 3/16 X 1/2, S/S, BLIND RIVET	AR
2	8914	SCREW, HHC, 1/4-20 X .625	4
3	6638	WASHER, FLAT, USS, 1/4"Y	4
4	6091	NUT, NYLOCK, 1/4-20	4
5	176380	COVER PLATE, CABINET, TAILLIGHT HOLES	2
6	841710	REFLECTOR, RED	2
7	176370	LITERATURE RACK	1
8	113390	GROUND ROD	1
9	796432	GAS SPRING, SHORT, BRACKET W/BALL	8
10	796438	GAS SPRING, 16, 80 LB.	4
11	125212	WELDMENT, PIN, MAST LOCK	1
12	8177	SCREW, HHC, 1/2-13 X 1.5	2
13	6033	WASHER, LOCK, .5 ***	2
14	6095	WASHER, FLAT, USS, 1/2",Y	2
15	125986	WELDMENT, MAST REST	1
16	125126	WELDMENT, LOUVER ASSEMBLY	1
17	990270	SCREW, 1/2-13NC X 3-1/2 HHC, GRADE 8,Y-ZIN	4
18	993860	WASHER, FLAT, 1/2"	8
19	125138	FORMING, DOOR, RH	1
20	125260	WELDMENT, DOOR LOUVER ASSEMBLY	1
21	125154	FORMING, CABINET TOP	1
22	125149	WELDMENT, CABINET, REAR PANEL	1
23	796730	HINGE, PIANO, 1.5 X 55.75"	2
24	125137	FORMING, DOOR, LH	1
25	125378	DOOR LATCH, ROTARY	2
26	990200	NUT, LOCK, NYLON INSERT, 1/2-13NC, GR 2, ZPIN	4
27	841611	FENDER, PLASTIC, BLACK	2
28	125349	FORMING, CABINET SIDE PANEL, RH	1
29	125145	WELDMENT, CABINET, FRONT PANEL	1
30	124420	GROUND ROD STORAGE TUBE	1
31	791840	BUMPER, RUBBER	8
32	125350	FORMING, CABINET SIDE PANEL, LH	1
33	993440	SCREW, 1/4-20 NC X 3/4 HHC, GRADE 2	10
34	993850	WASHER, FLAT 1/4"	20
35	990150	NUT, LOCK, NYLON INSERT, 1/4-20NC, GR 2, ZP	10
36	995810	SCREW, 1/4-20NC X 5/8, HWH, ROLLOK, ULTRA SEALN	AR
37	125367	FORMING, EXHAUST COVER	1
38	994460	SCREW, 3/8-16NC X 4-1/2" HHC	2
39	990080	WASHER, FLAT 3/8"	4
40	990170	NUT, LOCK, NYLON INSERT, 3/8-16NC, GR 2, ZPN	2
41	6175	SCREW, HHC, 3/8-16 X 1 **	2
42	6097	WASHER, FLAT, USS, 3/8", Y	4
43	4828	NUT, NYLOCK, 3/8-16	2

Figure 301.1

Cabinet Components - Doors

REV A

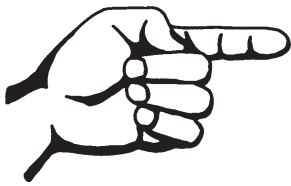




REV A

FIGURE 301.1

ITEM #	PART #	DESCRIPTION	QTY.
44	125477	BATTERY, SUPPORT PAN	1
45	182330	BATTERY, HOLD-DOWN ROD 1/4 X 10-1/4	2
46	160277	BATTERY, CABLE SET, 49"	PR
47	174170	BATTERY, HOLDOWN ANGLE, 14.50	1
48	60499	BATTERY, 12V, GRP27TM, 105 AH, WET, 635 CCA	1
49	125330	FORMING, BATTERY SWITCH MOUNT	1
50	686711	SWITCH, BATTERY DISCONNECT, 175 AMP	1
51	125995	FORMING, PIN HOLDER	1
52	125940	CLAMP & PIN HOLDER	2
53	125996	FORMING, FENDER SKIRT	2
54	88356-211J5	FITTING, 90 DEGREE SQUEEZE CONNECTOR & LIMIT SWITCH	1
55	39907	CABLE, LIMIT SWITCH	12.5 FT
56	116284	COVER, CANNON CONNECTOR	1
57	116264	COVER, PHOTOCCELL	1
58	116299	GROMMET	1



This page intentionally left blank.

Discount-Equipment.com



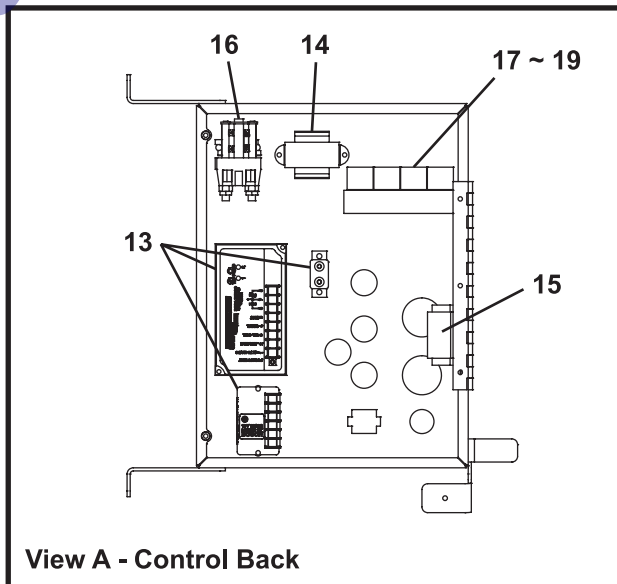
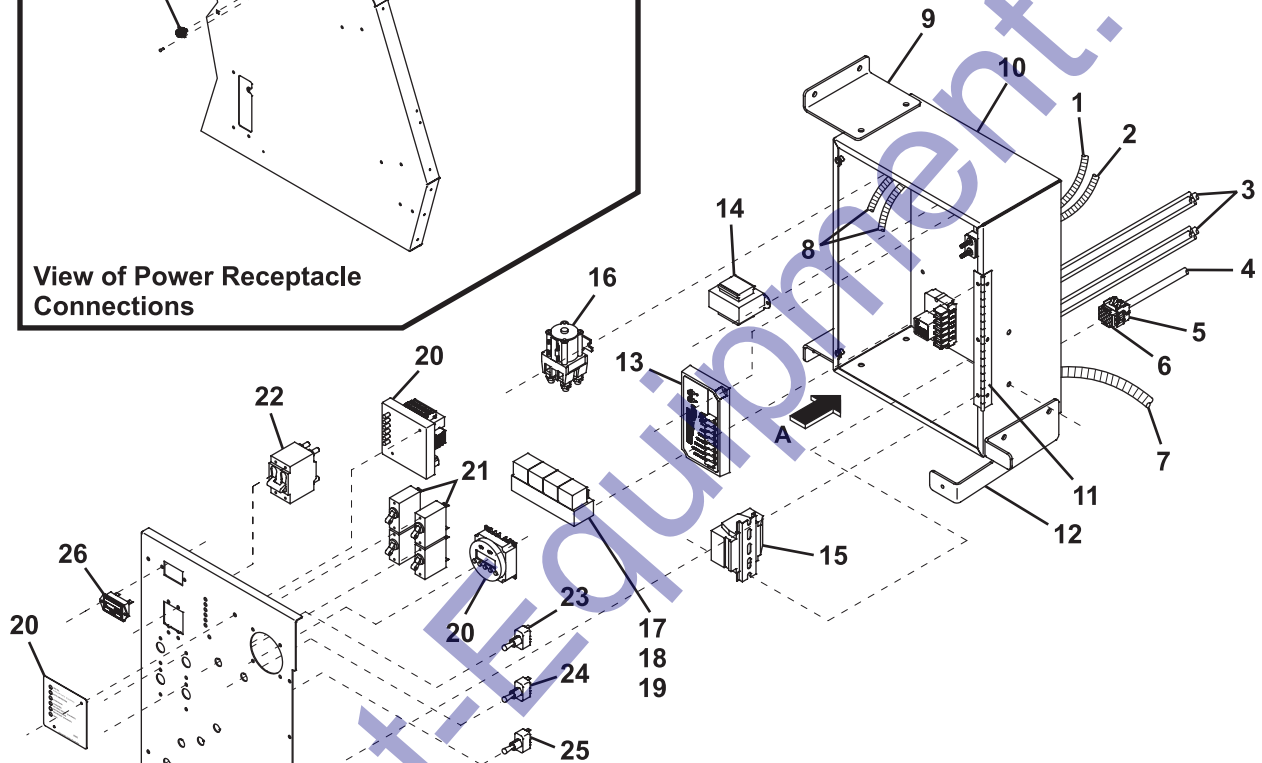
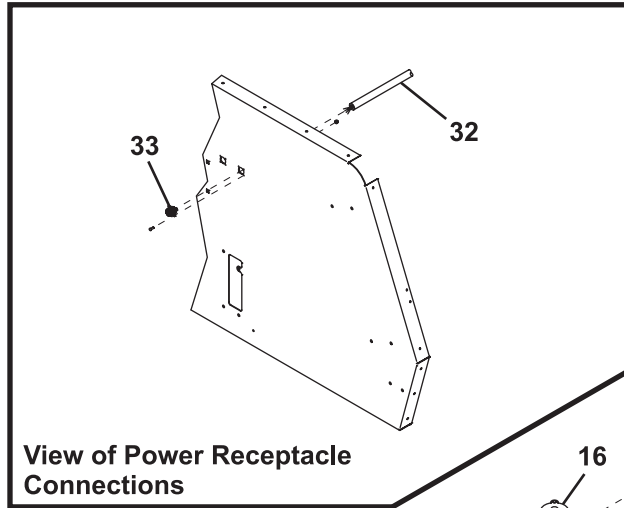
Electrical Components

Discount-Equipment.com

Figure 401.1

Control Panel

REV A



REV A

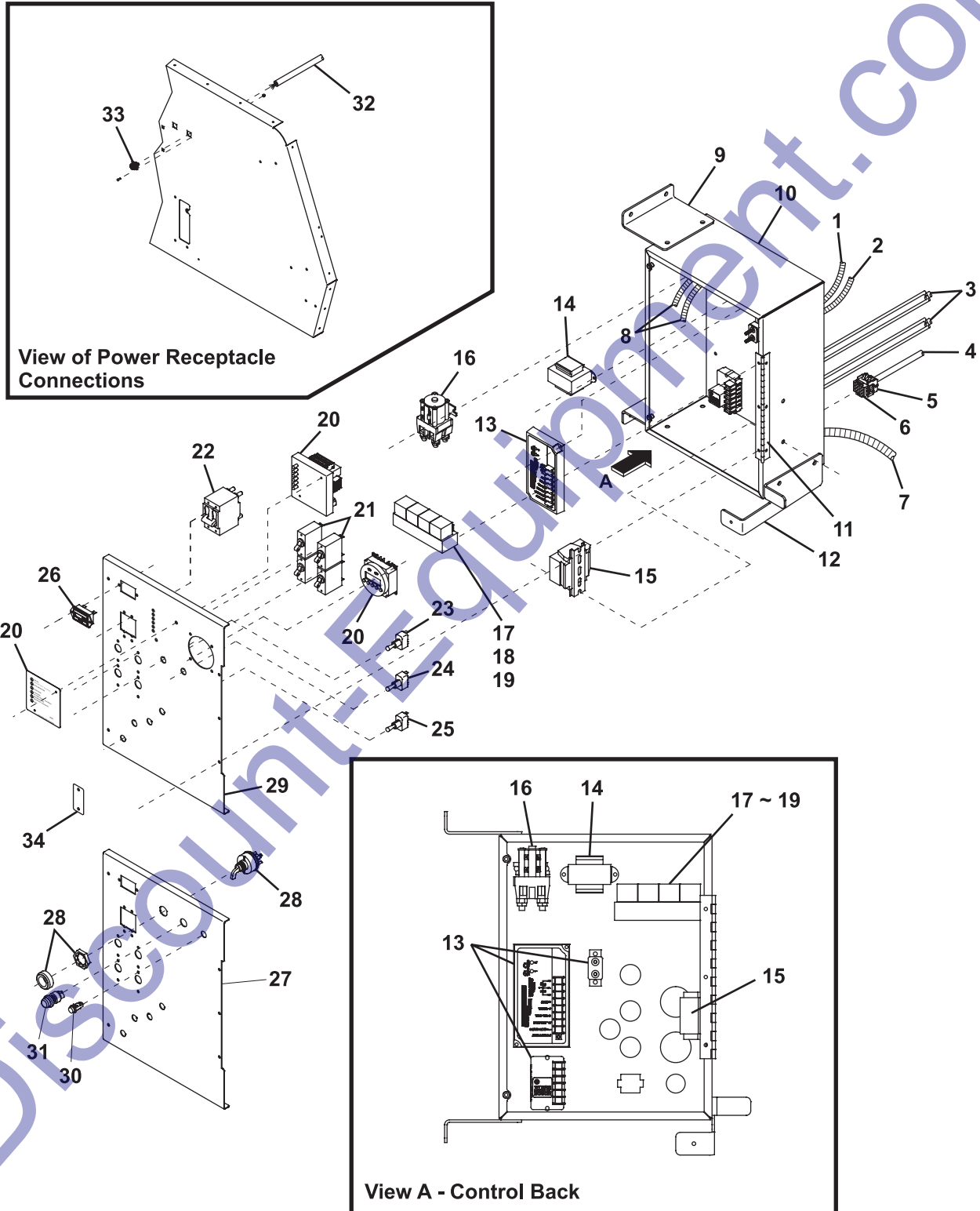
FIGURE 401.1

ITEM #	PART #	DESCRIPTION	QTY.
1	125566	HARNESS, HYDRAULIC CONTROLS	1
2		SEE ITEMS 32 AND 34	
3	663890	CORD SET, FEMALE, 6FT, 5P, BALLAST	AR
4	116821	WIRE HARNESS, ENGINE, DC, ISUZU, MANUAL START	1
	116820	WIRE HARNESS, ENGINE, DC, KUBOTA MANUAL START	1
	116823	WIRE HARNESS, ENGINE, DC, KUBOTA, AUTO START	1
	116829	WIRE HARNESS, ENGINE, DC, ISUZU, AUTO START	1
5	684169	SOCKET, MATE-N-LOK II	1
6	684167	CONNECTOR, 12P, FEMALE, MATE-N-LOK II	1
7	660101	CORD, 10/4, SEO W-A BLACK, 105°C, UL, 8 AND 12KW	5
	C45101500	WIRE, EDPM, #10, 20KW	5
8	116161	WIRE HARNESS, CONTROL BOX, MANUAL START	1
	116162	WIRE HARNESS, CONTROL BOX, AUTO START	1
9	125372	FORMING, PANEL MOUNT, SIDE	1
10	125371	FORMING, PANEL, BACK	1
11	C51200201	HINGE, PIANO, 9", SS	1
12	125373	FORMING, PANEL MOUNT, FRONT	1
13	742369	RODA-DEACO, AIR SHUTDOWN, OPTION ONLY	1
	742368	RODA-DEACO, 1.75" ROD-1427-E12, 8 & 12 KW ONLY	1
	742366	RODA-DEACO, 2" ROD-1284-E12, 20 KW ONLY	1
	440467	RODA DEACO, OIL PRESSURE SWITCH (NO), 2 PRONG	1
14	669086	TRANSFORMER, 120/24VAC, USED W/RODA DEACO	1
15	125567	TERMINAL BLOCK	1
16	160761	CONTACTOR, 100 A ,SP, 12VDC, AUTO	2
17	CDWV40150	RELAY, 50A, BOSCH	4
18	CDWV40151	RELAY BASE, 50A, BOSCH	4
19	CDWV40152	RELAY PIN, USE W/CDWV40151 & 50	6
20	261299	AUTOSTART CONTROLLER	1
21	683870	BREAKER, 1P, 15A, 277VAC	AR
	440410	BREAKER, 1P, 20A, 240V	AR
22	683680	BREAKER, 2P, 30A, 240V	1
	684530	BREAKER, 2P, 50A, 240V	1
	686840	BREAKER, 2P, 80A, 240V	1
23	C42202900	SWITCH, TOGGLE, SPDT, ON-OFF-ON	1
24	C42208400	SWITCH, TOGGLE, SINGLE THROW	1
25	16397	SWITCH, TOGGLE, DPDT, 3POS, MOM***	4
	27246	BOOT, TOGGLE SWITCH, SHORT*	4
26	260361	HOURMETER, DIGITAL, 12VDC	1
27	125370	FORMING, PANEL FRONT	1
28	684380	SWITCH, IGNITION, LEVER OPERATED	1
29	125391	FORMING, PANEL FRONT W/O AUTOSTART	1

Figure 401.1

Control Panel

REV A





REV A

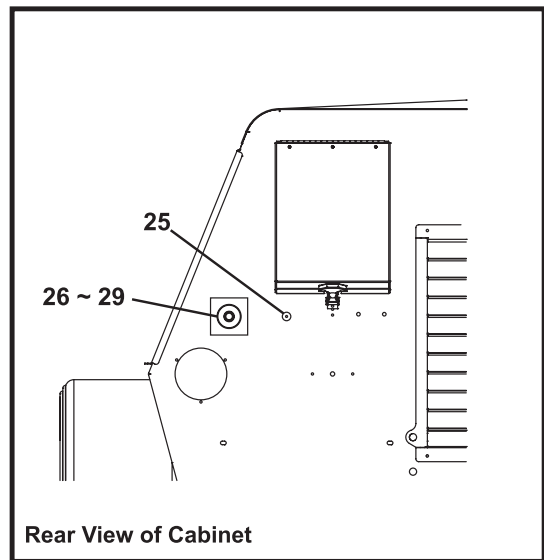
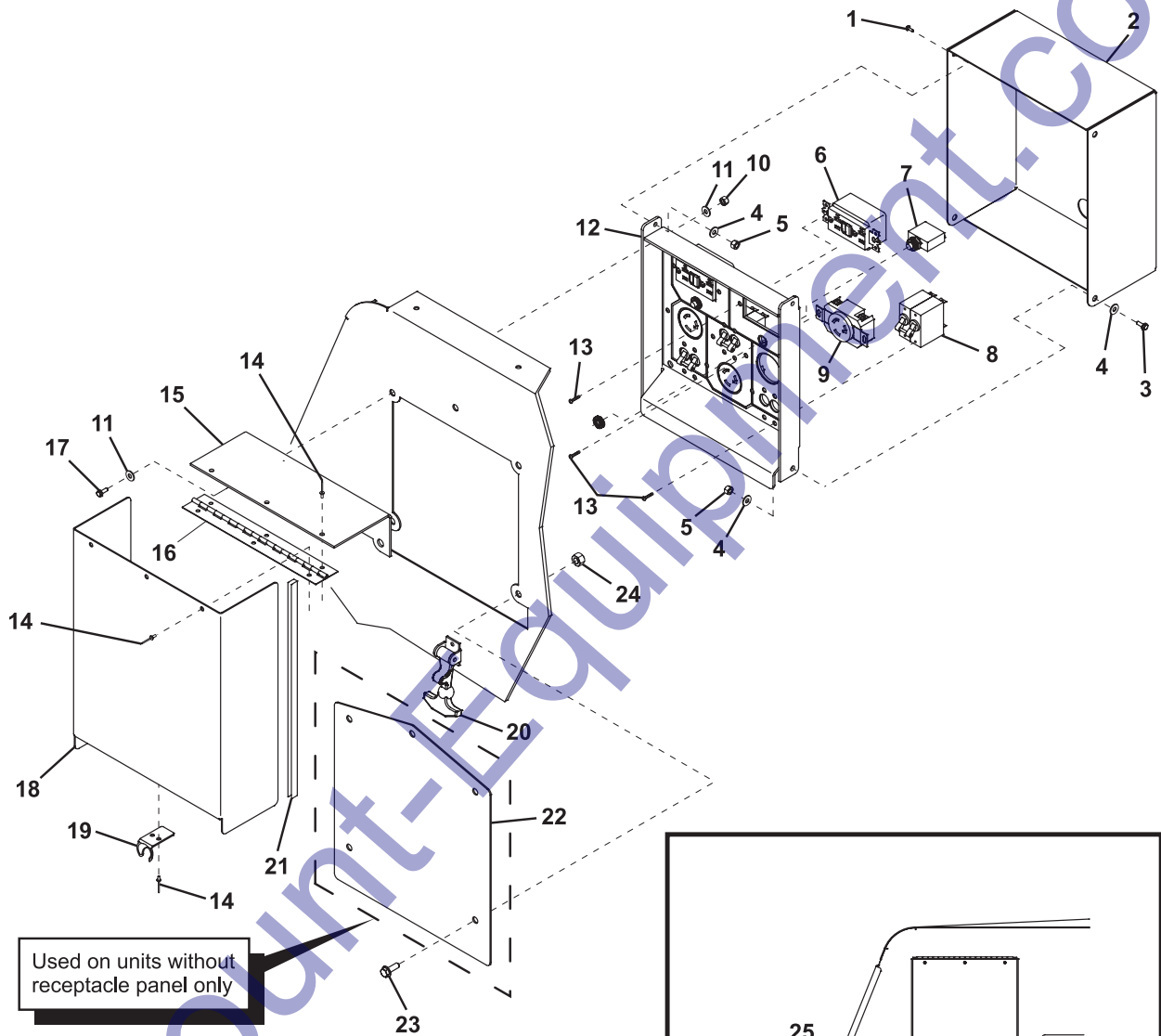
FIGURE 401.1

ITEM #	PART #	DESCRIPTION	QTY.
30	682715	LIGHT, INDICATOR, 12V, RED	1
31	R660010	SWITCH, PUSH-BUTTON W/BOOT	1
32	67739	WIRE, CABLE, 14GA/7 CON.TPE JKT	28
33	685670	CONNECTOR, 7P, RECEPTACLE	1
34	116528	COVER, BREAKER-6 LIGHT OPTION	1

Figure 402.1

External Receptacle Panel

REV A





REV A

FIGURE 402.1

ITEM #	PART #	DESCRIPTION	QTY.
1	995810	SCREW, 1/4-20NC X 5/8, HWHROLLOK ULTRA SEALN	2
2	125390	FORMING, REC. PANEL COVER IN	1
3	8914	SCREW, HHC, 1/4-20 X .625	2
4	6638	WASHER, FLAT, USS, 1/4"Y	4
5	6091	NUT, NYLOCK, 1/4-20	2
6	684640	RECEPTACLE, 20A, 120V, DUPLEX W/GFI	2
7	683970	BREAKER, MINI, 1P, 20A	2
8	683680	BREAKER, 2P, 30A, 240V	3
9	686160	RECEPTACLE, 30A, 120/240, T-LOCK	3
10	991940	NUT, LOCK, NYLON INSERT, 5/16-18NC, GR 2, ZP	5
11	R980010	WASHER, FLAT, 5/16"S/S 18-8	5
12	125389	FORMING, RECEPTACLE PANEL	1
	125471	FORMING, RECEPTACLE PANEL, 1-GFI, 1-30A TL	1
	125472	FORMING, RECEPTACLE PANEL, 2-GFI, 1-30A TL	1
13	994330	SCREW, #6-32 X 1/2"	10
14	990670	RIVET, POP, 3/16 X 1/2, S/S, BLIND RIVET	6
15	125387	FORMING, REC. PANEL, HINGE MOUNT	1
16	C51200201	HINGE, PIANO, 9", SS	1
17	981255	SCREW, 5/16-18NF X 2-1/2HHC, GRADE 5, ZP	5
18	125388	FORMING, REC. PANEL, COVER OUT	1
19	796512	HOOD BRACKET, RUBBER HOOK, BUCKHORN	1
20	796513	LATCH ASSEMBLY	1
21	C73000100	TRIM LOCK, 1/4"	2FT
22	125394	PLATE, RECEPTACLE PANEL COVER	1
23	47094	SCREW, HHC, 5/16-18 X .50	5
24	6782	NUT, NYLOCK, 5/16-18	5
25	211999	PHOTOCELL, MOUNTED, W/LENS CAP	1
26	66812	BUTTON, PUSH, RED MUSHROOM HEAD*	1
27	66817	BASE, W/1 N.C. CONTACT***	1
28	686662	FACE PLATE, EMERGENCY STOP	1
29	72143	DECAL, EMERGENCY STOP, GR	1



This page intentionally left blank.

Discount-Equipment.com



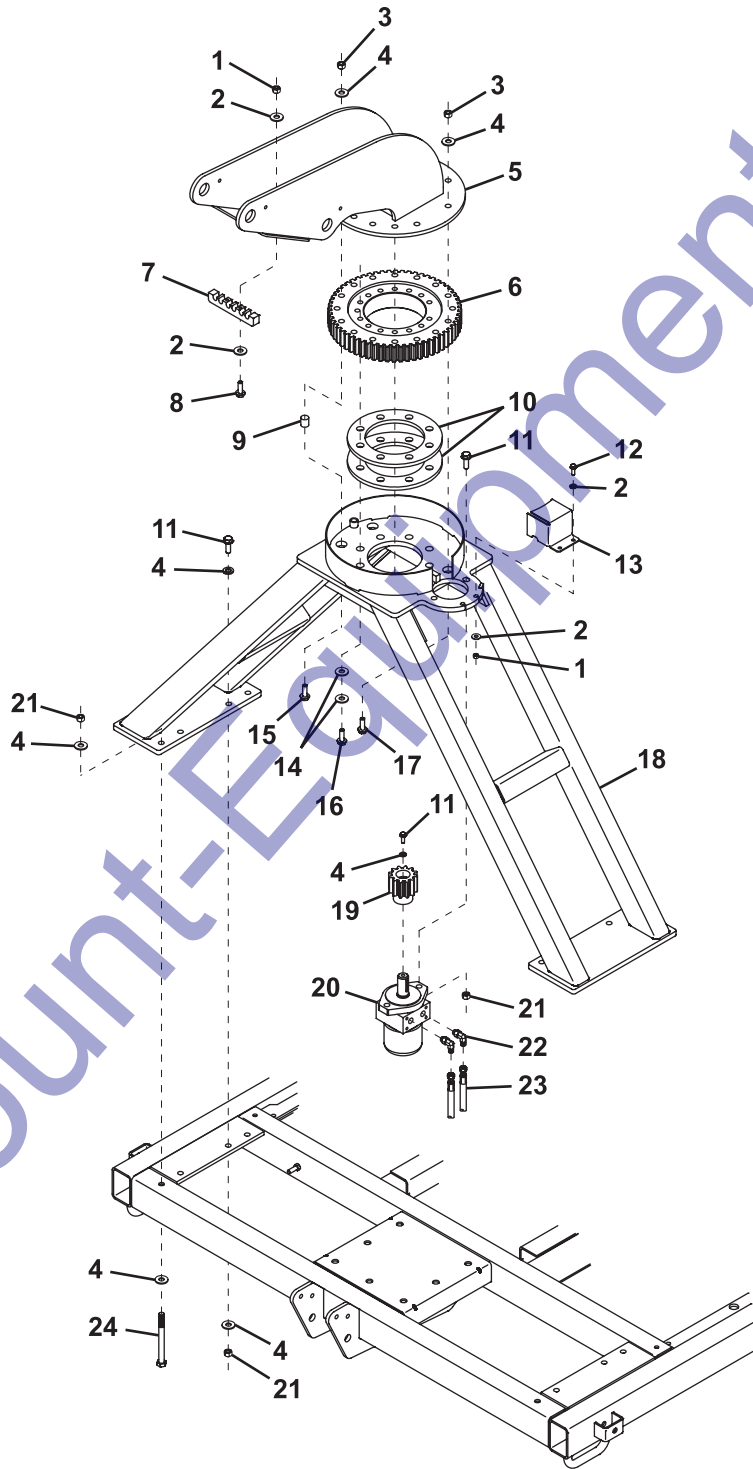
Tower/Mast Components

Discount-Equipment.com

Figure 501.1

Tower Base Assembly

REV A





REV A

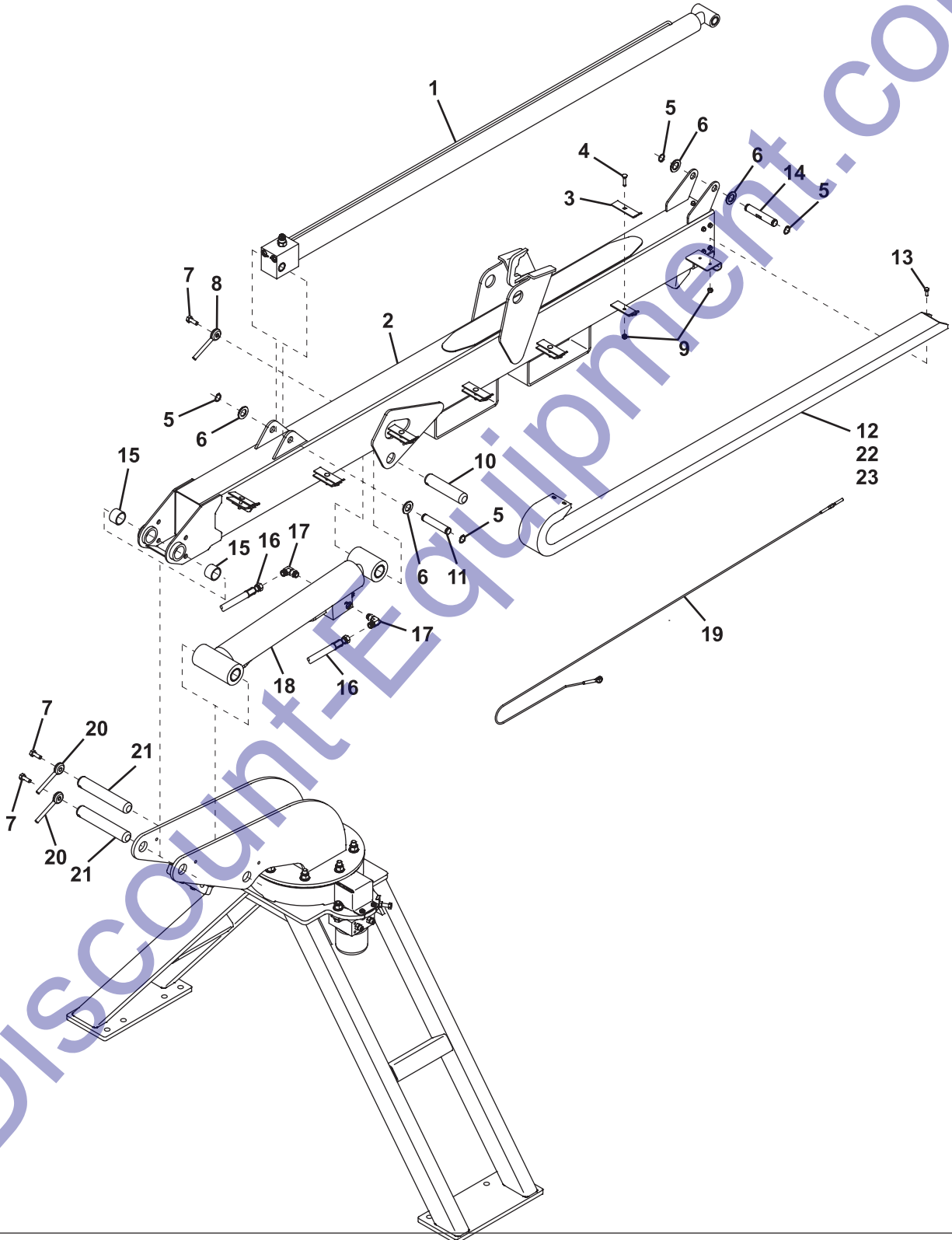
FIGURE 501.1

ITEM #	PART #	DESCRIPTION	QTY.
1	6091	NUT, NYLOCK, 1/4-20	4
2	6638	WASHER, FLAT, USS, 1/4"Y	8
3	R980690	NUT, LOCK, NYLON INSERT, 1/2-13NC, GR8, CAD&YEL	12
4	6095	WASHER, FLAT, USS, 1/2", Y	29
5	125163	WELDMENT, TURNTABLE	1
6	87410	BEARING, ROTATION	1
7	125356	CLAMP, MAIN MAST PIVOT	1
8	6637	SCREW, HHC, 1/4-20 X 1.75	2
9	125287	TUBE, SPACER, .74OD X .51ID X.63	1
10	119711	PLATE, BEARING SPACER	2
11	6096	SCREW, HHC, 1/2-13 X 2, GR5	9
12	8915	SCREW, HHC, 1/4-20 X 1.25	2
13	125204	FORMING, MOTOR PINION GUARD	1
14	13064	WASHER, FLAT, .625 HARDENED	16
15	28118	SCREW, SHC, 1/2-13 X 2.75	1
16	56900	SCREW, SHC, 5/8-11 X 2.5 BLK	8
17	50576	SCREW, SHC, 1/2-13 X 3.00	11
18	125385	WELDMENT, TOWER	1
19	87721	GEAR, PINION, 5/7 D.P	1
20	87473	MOTOR, HYD. T34	1
21	6198	NUT, NYLOCK, 1/2-13	6
22	48904	ELBOW, 90D, 520220-4	2
23	49116-3137	HOSE ASSY, 1/4, 45 FEM, STR FEM	2
24	993520	SCREW, 1/2-13NC X 5HHC, GRADE 8, Y-ZINC	2

Figure 502.1

Tower Mast Section #1

REV A





REV A

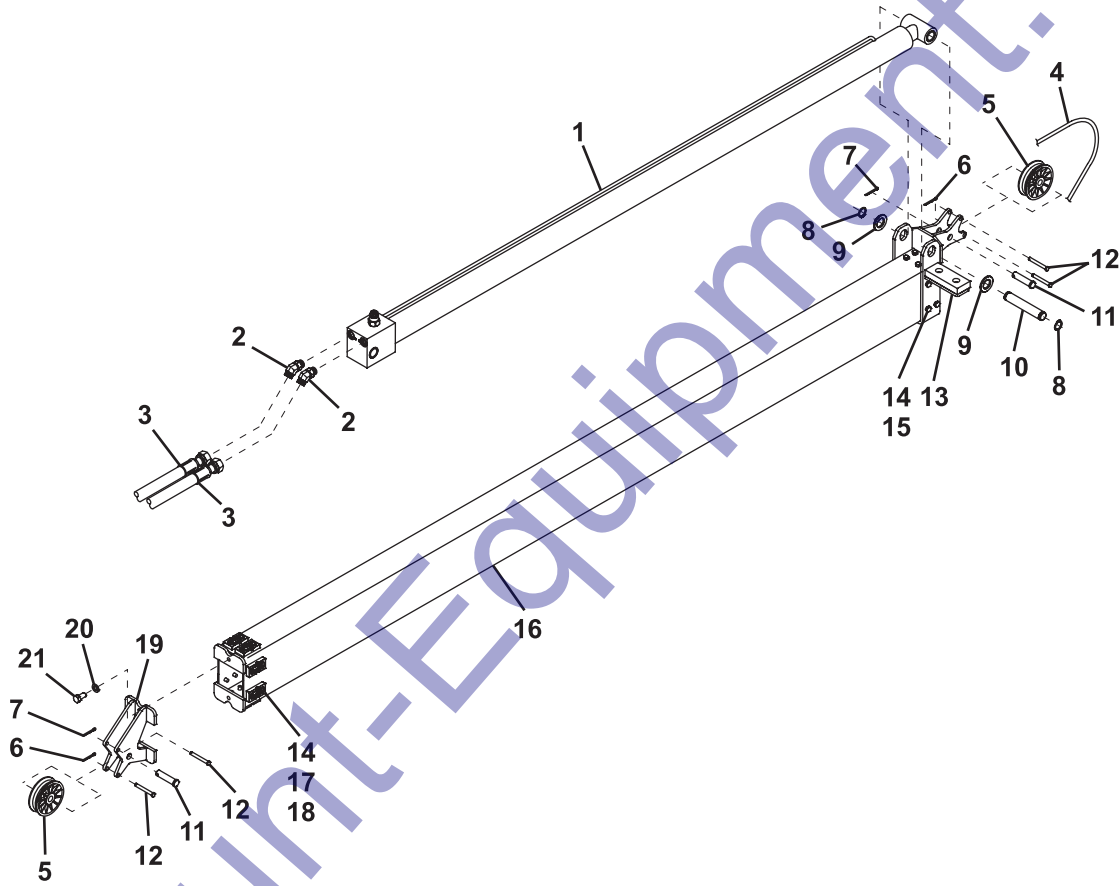
FIGURE 502.1

ITEM #	PART #	DESCRIPTION	QTY.
1	119682	CYLINDER, EXTEND	1
	125446	SEAL KIT FOR 119682	
2	119690	WELDMENT, MAST SECTION 1	1
3	125219	FORMING, CABLE CLAMP	6
4	9116	BOLT, CARRIAGE, 1/4-20 X 1.25, G2	6
5	10262	SNAP RING, EXTERNAL, .75 DIA.	4
6	33278	WASHER, FLAT, .75 HARDENED	4
7	8255	SCREW, HHC, 3/8-16 X .75	3
8	45748	ROD END, .250 X 2.75 LG	1
9	6091	NUT, NYLOCK, 1/4-20	6
10	125213	PIN, 1.25 DIA X 5.63 LG, 1HOLE	1
11	125215	PIN, .75 DIA X 4.35 LG 2 RING	1
12	125230	CABLE TRACK, PLASTIC, 38 LINKS	1
13	6090	SCREW, HHC, 1/4-20 X .75	2
14	125325	PIN, 0.75 DIA X 4.35 LG, 2 RING	1
15	30370	BEARING, 1.25ID X 1.5OD X 1***	2
16	49117-7191	HOSE ASSY 1/4, 90 FEM, STR FEM	2
17	48904	ELBOW, 90D, 520220-4	2
18	119683	CYLINDER, BOOM LIFT	1
	125447	SEAL KIT FOR 119683	
19	125231	CABLE ASSEMBLY, EXTEND/RETRACT	1
20	45226	ROD END, .375 X 3.69	2
21	27326	PIN, 1.25 DIA X 7.57LG, 1HOLE	2
22	58980	REPAIR KIT	1
23	84448	HINGE BAR	1

Figure 503.1

Tower Mast Section #2

REV A





REV A

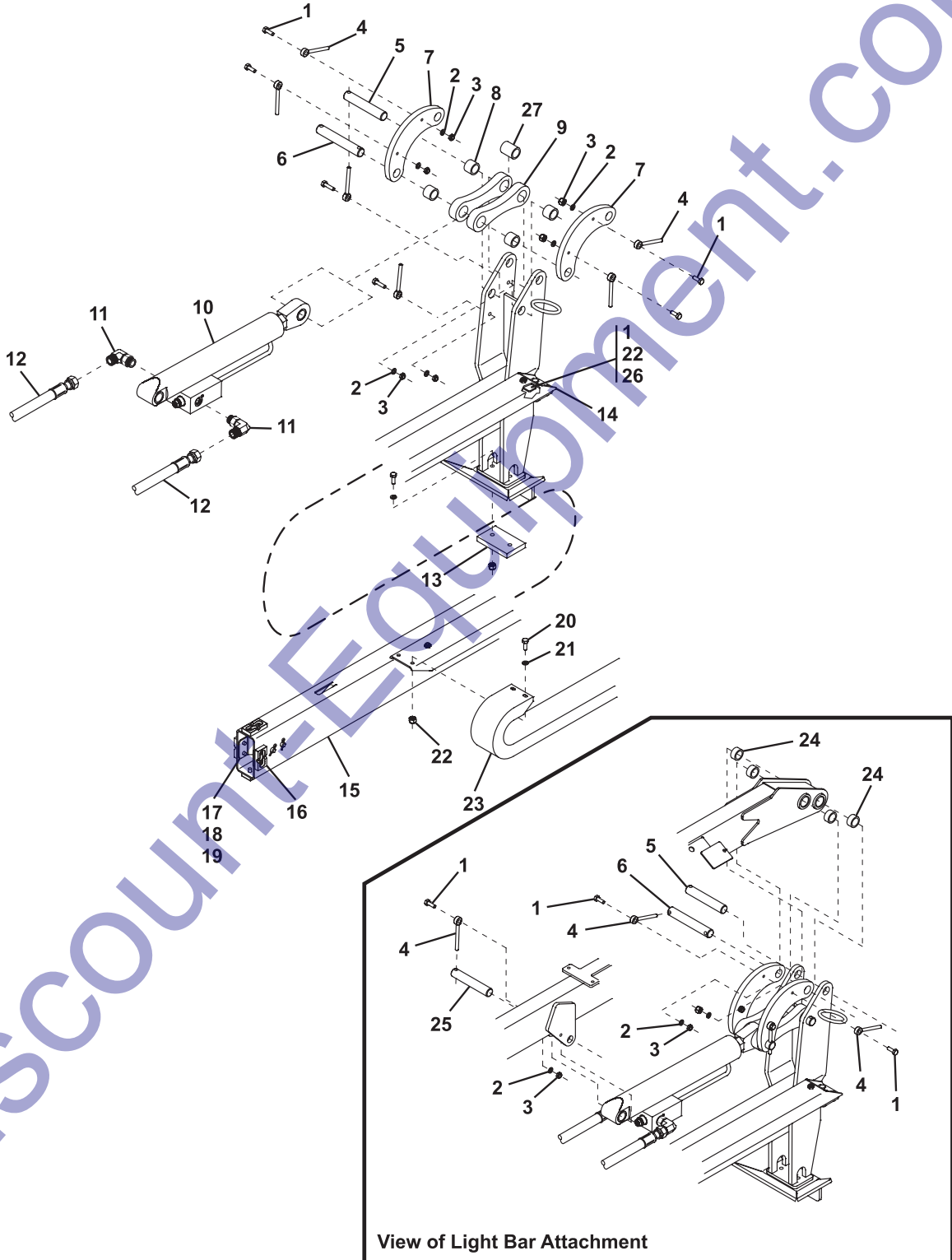
FIGURE 503.1

ITEM #	PART#	DESCRIPTION	QTY.
1	119682	CYLINDER, EXTEND	1
	125446	SEAL KIT FOR 119682	
2	48905	CONNECTOR, 520120-4***	2
3	49119-7678	HOSE ASSY, 1/4, STR FEM, STR FEM	2
4	125231	CABLE ASSEMBLY, EXTEND/RETRACT	1
5	188760	SHEAVE, 3-1/8 X 11/4 CA	2
6	994920	COTTER PIN, 3/32 X 3/4, SS	4
7	990650	COTTER PIN, 1/8 X 1, SS	2
8	10262	SNAP RING, EXTERNAL, .75 DIA.	2
9	33278	WASHER, FLAT, .75 HARDENED	2
10	125215	PIN, .75DIA X 4.35 LG, 2RING	1
11	992765	CLEVIS PIN, STAINLESS STEEL, 1/2 X2	2
12	995790	CLEVIS PIN, STAINLESS, STEEL 1/4 X2	4
13	104741	WEAR PAD, 3.75 X 1.50 X .63***	1
14	6356	WASHER, LOCK, .25	AR
15	6090	SCREW, HHC, 1/4-20 X .75	AR
16	119691	WELDMENT, MAST SECTION 2	1
17	8914	SCREW, HHC, 1/4-20 X .625	AR
18	85304	WEAR PAD, TML KIT***	AR
19	125237	WELDMENT, RETRACT SHEAVE SUPPORT	1
20	6021	WASHER, LOCK, .375	4
21	8255	SCREW, HHC, 3/8-16 X .75	4

Figure 504.1

Tower Mast Section #3

REV A





REV A

FIGURE 504.1

ITEM #	PART #	DESCRIPTION	QTY.
1	6888	SCREW, HHC, 1/4-20 X 1"	6
2	6356	WASHER, LOCK, .25"	6
3	6889	NUT, LP NYLOCK, 1/4-20	6
4	45748	ROD END, .250 X 2.75 LONG	6
5	51972	PIN, .75DIA X 4.25 LONG, 1HOLE	2
6	125217	PIN, .75DIA X 4.75LONG, 2HOLE	2
7	119638	PLATE, LIGHT BAR LEVER	2
8	36369	BEARING, .75ID X 1"OD X .75LG**	4
9	119639	PLATE, LIGHT BAR LINK	2
10	119681	CYLINDER, LIGHT BAR LIFT	1
	125445	SEAL KIT FOR 119681	
11	48904	ELBOW, 90D, 520220-4	2
12	49119-33078	HOSE ASSY, 1/4 ,STR FEM, STR FEM	2
13	45209	WEAR PAD, 4.00 X 2.00 X .50	1
14	125211	TUBE, CABLE PULL	1
15	119692	WELDMENT, MAST SECTION 3	1
16	85304	WEAR PAD TML KIT***	AR
17	125239	FORMING, RETRACT PIN SUPPORT	2
18	125407	PIN, CLEVIS, .375 X 2.25 LONG, SS	2
19	994920	COTTER PIN, 3/32 X 3/4, SS	2
20	6090	SCREW, HHC, 1/4-20 X .75	4
21	6638	WASHER, FLAT, USS, 1/4"Y	4
22	6091	NUT, NYLOCK, 1/4-20	4
23	125230	CABLE TRACK, PLASTIC, 38 LINKS	1
24	39581	BEARING, .75ID X 1"OD X .50"LONG	4
25	125357	PIN, .75DIA X 3.75LONG, 1HOLE	1
26	125368	PLATE, CABLE RETENTION CLAMP	1
27	57495-125R1	TUBE, ROUND, ALUMINUM, 1 X .120	1



This page intentionally left blank.

Discount-Equipment.com

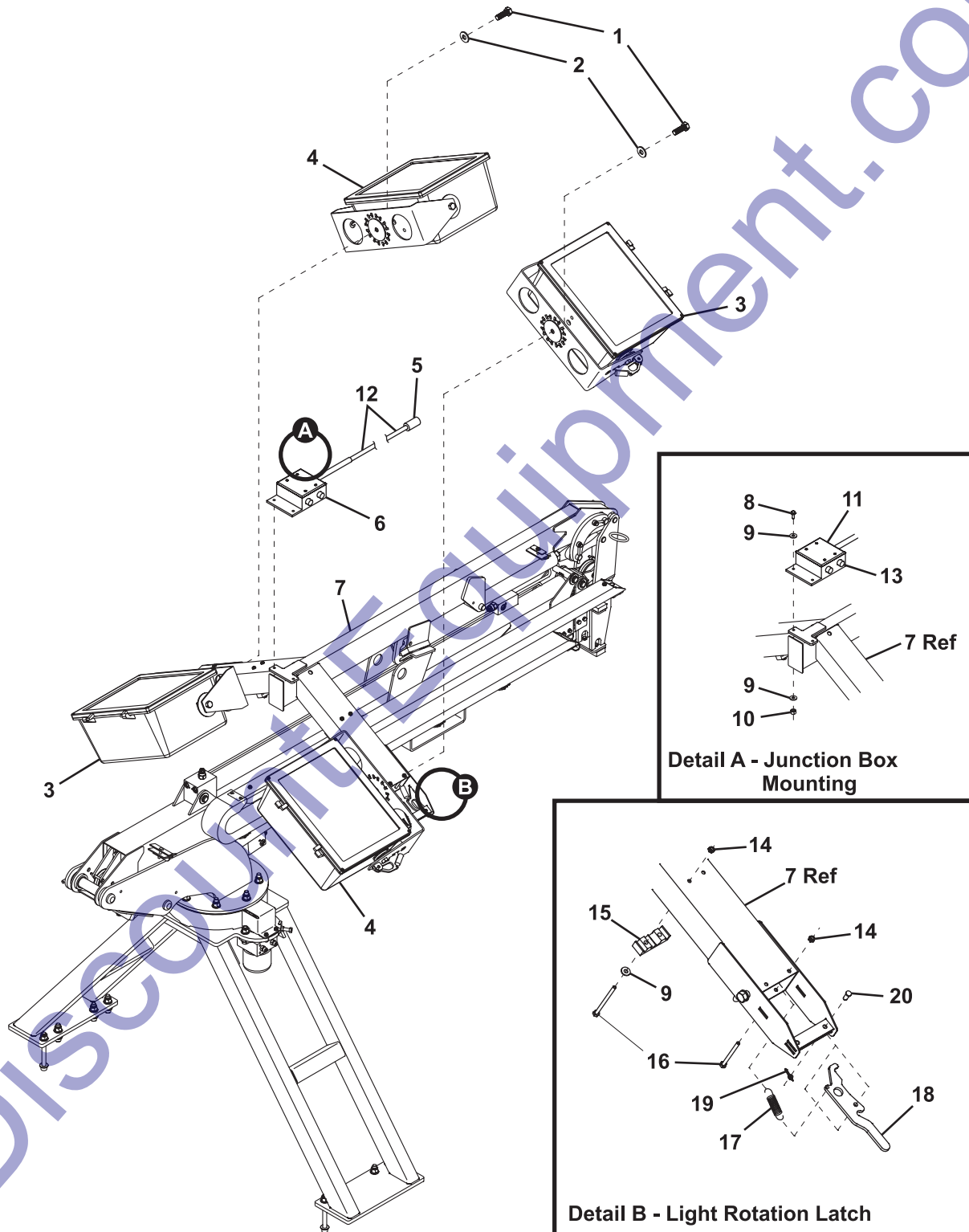


Light Bar & Fixture Assemblies

Figure 601.1

Light Bar Assembly - 4 Lamp Fixture

REV A





REV A

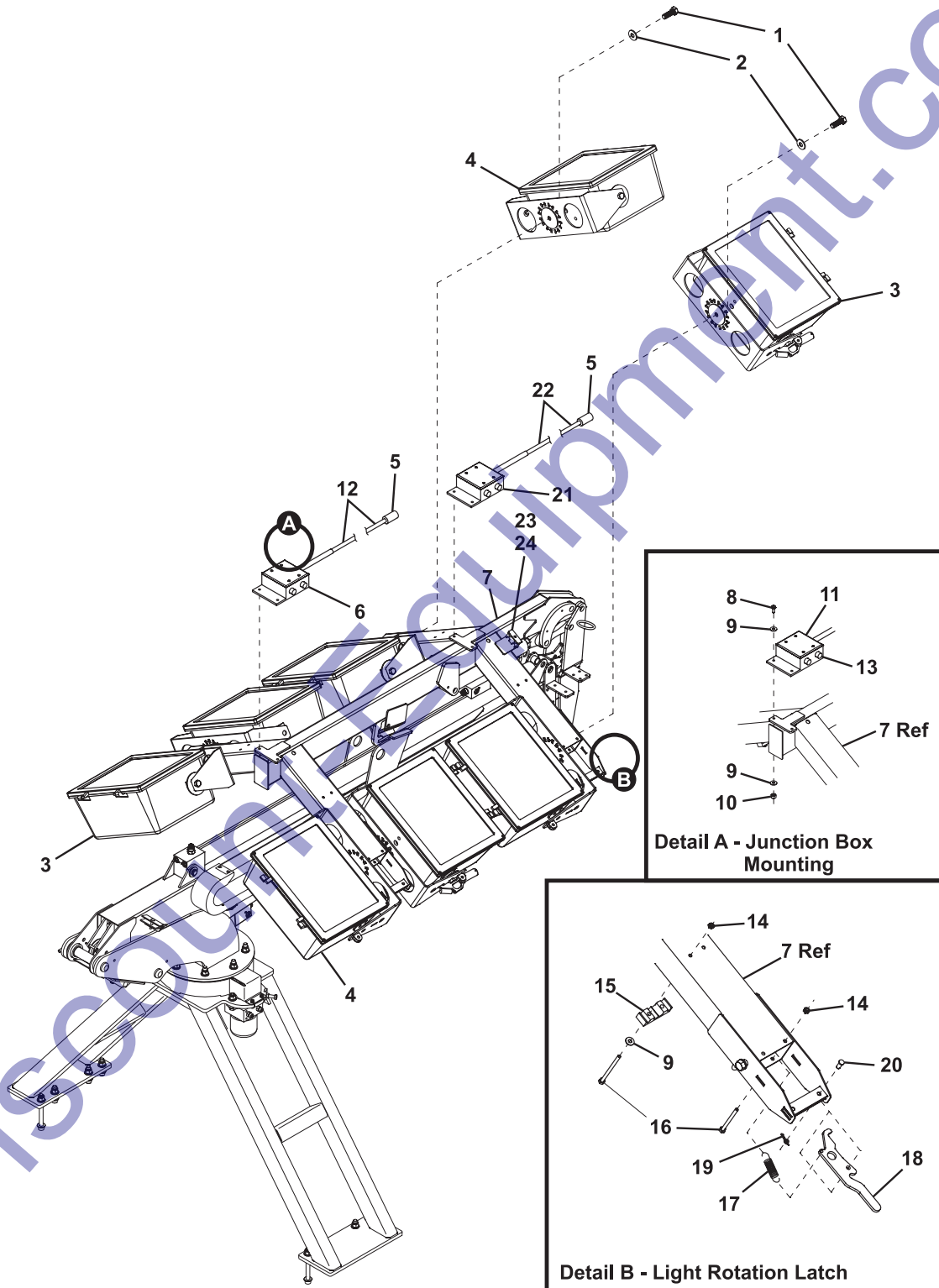
FIGURE 601.1

ITEM #	PART #	DESCRIPTION	QTY.
1	94438	SCREW, HHC, 1/2-13 X 1 1/4	4
2	6095	WASHER, FLAT, USS, 1/2", Y	4
3	125408	COMPLETE LIGHT ASSEMBLY, LH	2
4	125409	COMPLETE LIGHT ASSEMBLY, RH	2
5	685660	CONNECTOR, 7P, PLUG	1
6	125414	JUNCTION BOX, W/LONG CORD, 4 CONNECTIONS	1
7	125343	WELDMENT, LIGHT BAR, 4 LIGHTS	1
8	6888	SCREW, HHC, 1/4-20 X 1	2
9	6638	WASHER, FLAT, USS, 1/4"Y	6
10	6091	NUT, NYLOCK, 1/4-20	2
11	C48300108	JUNCTION BOX, QUICK CONNECT	1
12	67739	WIRE CABLE, 14GA/7 CON.TPE JKT	28FT
13	663870	CONNECTOR, 3P, FEMALE, RECEPTACLE	4
14	6889	NUT, LP NYLOCK, 1/4-20	4
15	99698	CLAMP, CABLE 2X.5, 2 X .38	1
16	11413	SCREW, HHC, 1/4-20 X 4	2
17	48075	SPRING, OUTRIGGER	2
18	125491	PLATE, LIGHT ROTATION LOCK	2
19	80336	CLIP, COTTER RING, 5/16 X .047	2
20	59972	CLEVIS PIN, 5/16 X 3/4	2

Figure 602.1

Light Bar Assembly - 8 Lamp Fixture

REV A





REV A

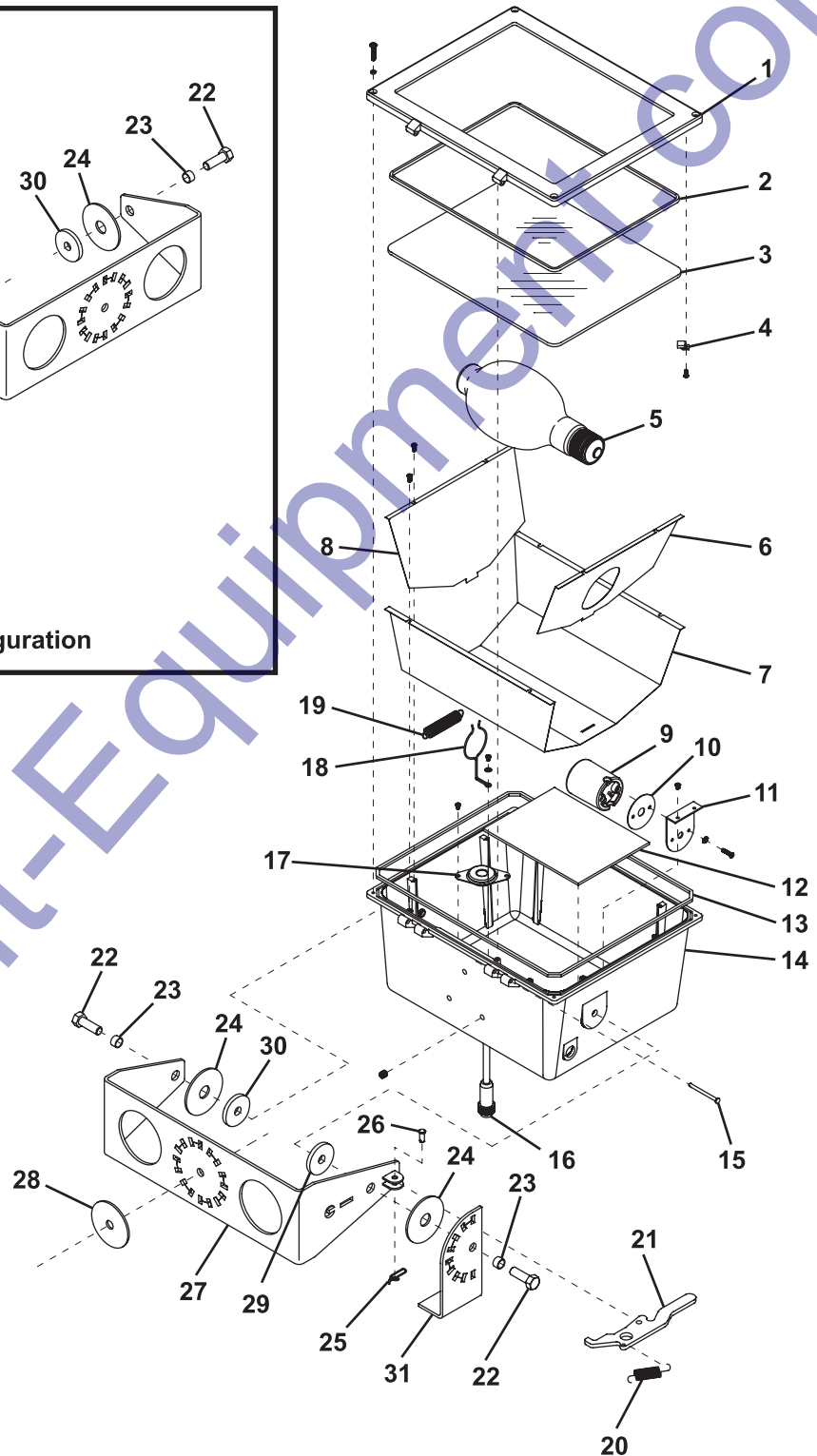
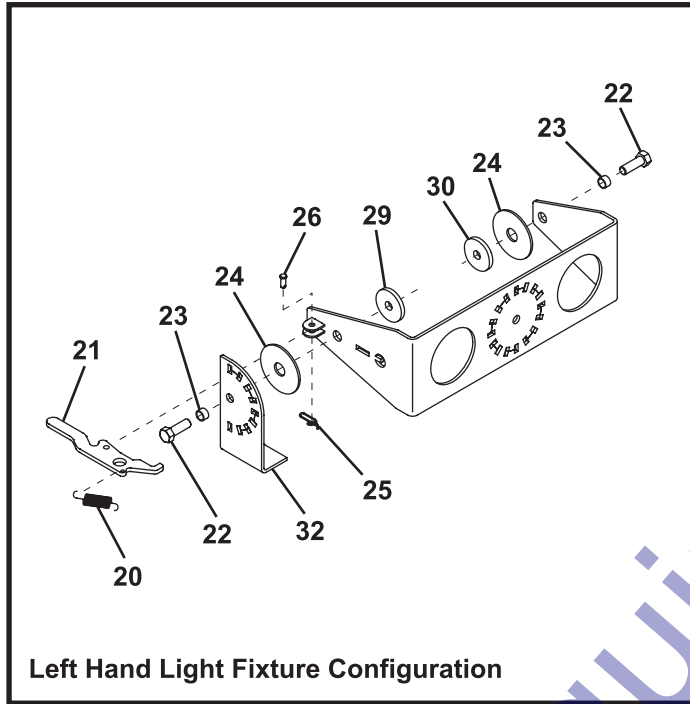
FIGURE 602.1

ITEM #	PART #	DESCRIPTION	QTY.
1	94438	SCREW, HHC, 1/2-13 X 1 1/4	8
2	6095	WASHER, FLAT, USS, 1/2", Y	8
3	125408	COMPLETE LIGHT ASSEMBLY, LH	4
4	125409	COMPLETE LIGHT ASSEMBLY, RH	4
5	685660	CONNECTOR, 7P, PLUG	2
6	125414	JUNCTION BOX, W/LONG CORD, 4 CONNECTIONS	1
7	119630	WELDMENT, LIGHT BAR, 6 OR 8 LIGHTS	1
8	6888	SCREW, HHC, 1/4-20 X 1	2
9	6638	WASHER, FLAT, USS, 1/4"Y	6
10	6091	NUT, NYLOCK, 1/4-20	2
11	C48300108	JUNCTION BOX, QUICK CONNECT	1
12	67739	WIRE CABLE, 14GA/7 CON.TPE JKT	28FT
13	663870	CONNECTOR, 3P, FEMALE, RECEPTACLE	4
14	6889	NUT, LP NYLOCK, 1/4-20	4
15	99698	CLAMP, CABLE 2X.5, 2 X .38	1
16	11413	SCREW, HHC, 1/4-20 X 4	2
17	48075	SPRING, OUTRIGGER	16
18	125491	PLATE, LIGHT ROTATION LOCK	8
19	80336	CLIP, COTTER RING, 5/16 X .047	8
20	59972	CLEVIS PIN, 5/16 X 3/4	8
21	125415	JUNCTION BOX, W/SHORT CORD, 4 CONNECTIONS	1
21	116526	JUNCTION BOX, W/SHORT CORD, 2 CONNECTIONS	1
22	67739	WIRE CABLE, 14GA/7 CON.TPE JKT	26FT
23	125218	CLAMP, PULL TUBE CABLE	1
24	125368	PLATE, CABLE RETENTION CLAMP	1

Figure 603.1

Light Fixture Assembly

REV A





REV A

FIGURE 603.1

ITEM #	PART #	DESCRIPTION	QTY.
1	116054	TOP FRAME, HOUSING BASE	1
2	116049	GASKET, RECTANGULAR GLASS LENS	1
3	116048	GLASS LENS, RECTANGULAR	1
4	116051	RETAINER CLIP, GLASS LENS	8
	116052	RETAINER CLIP, GLASS LENS, COVER	8
5	80101	LAMP, 1000 WATT, METAL HALIDE BT-37	1
6	116047	REFLECTOR, LAMP SIDE	1
7	116045	REFLECTOR BASE	1
8	116046	REFLECTOR SIDE	1
9	116057	LIGHT SOCKET	1
10	116056	GASKET, LIGHT SOCKET	1
11	116044	BRACKET, SOCKET MOUNT	1
12	116059	FIBERGLASS PAD, RECTANGULAR LAMP FIXTURE	1
13	116053	GASKET, HOUSING BASE, TOP FRAME	1
14	116042	FIXTURE HOUSING BASE, 1KW RECTANGULAR	1
15	116043	CLEVIS PIN, 4.6 X 60 MM	2
16	116112	CORD, 16/3 STW 60" QUICK CONNECT	1
17	116109	GROMMET ASSEMBLY	2
18	116058	LAMP CLIP, PSI RECTANGULAR HOUSING	2
19	116061	SPRING, LAMP RETAINER	2
20	48075	SPRING, OUTRIGGER	1
21	125491	PLATE, LIGHT ROTATION LOCK	1
22	8177	SCREW, HHC, 1/2-13 X 1.5	1
23	125253	TUBE, LIGHT BAR SPACER	1
24	720495	WASHER, UHMW, BLACK 13/16 ID X 3.0 OD X 1/8	1
25	80336	SPRING CLIP	1
26	59972	CLEVIS PIN, 5/16 X 3/4	1
27	125252	WELDMENT, LIGHT YAW ADJUSTABLE	1
28	69766	WASHER, UHMW, 9/16 X 3.00	1
29	125249	SPACER .25, LIGHT BAR	1
30	125250	SPACER .375, LIGHT BAR	1
31	125247	FORMING, LIGHT PIVOT CATCH, RH	1
32	125248	FORMING, LIGHT PIVOT CATCH, LH	1



This page intentionally left blank.

Discount-Equipment.com

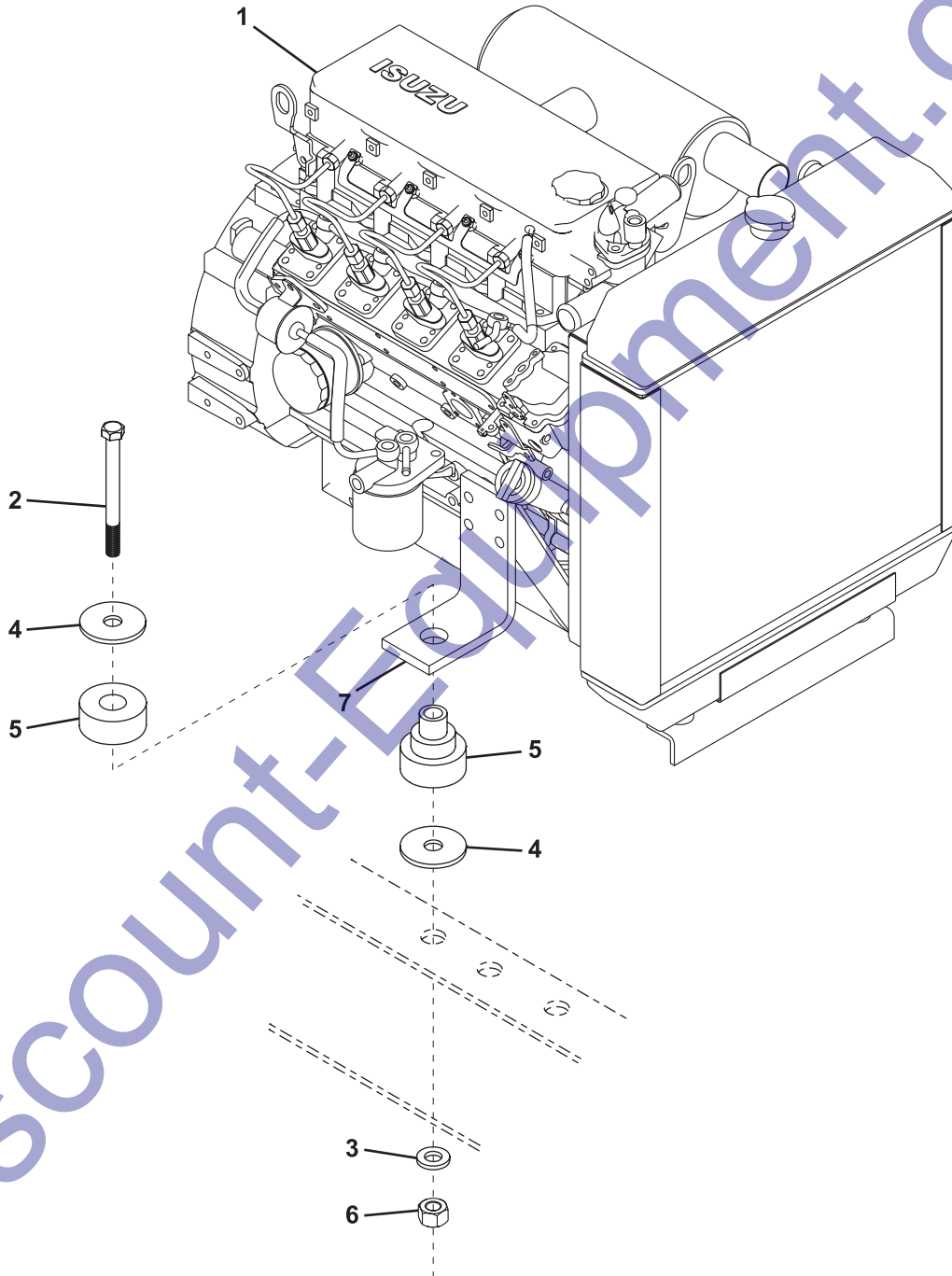


Engine & Genset

Figure 701.1

Isuzu 4LE1PV02-502 (20kW Option)

REV A





REV A

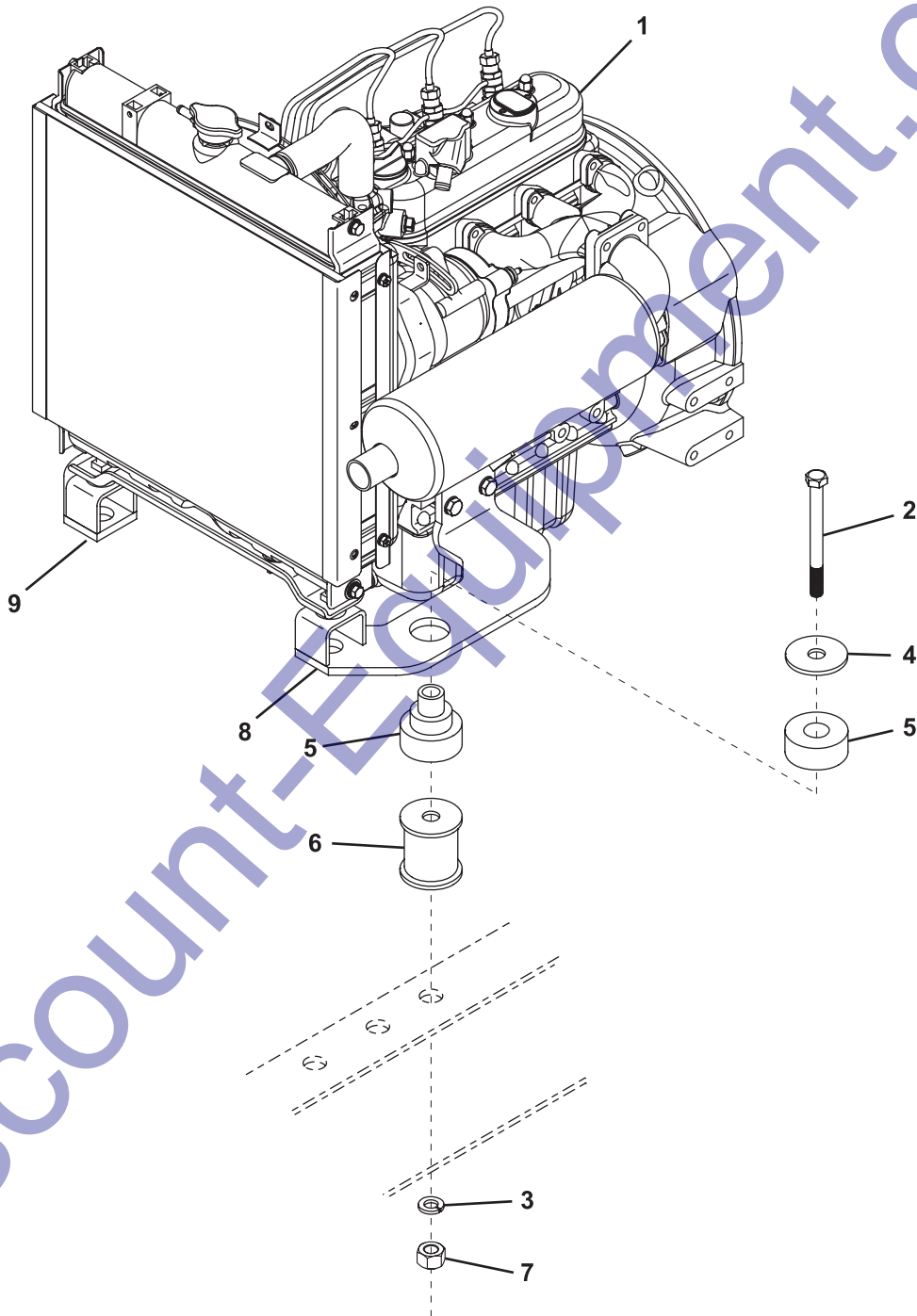
FIGURE 701.1

ITEM #	PART #	DESCRIPTION	QTY.
1	732111PP	ENGINE, ISUZU, 4LE1PV02-502, PUSHER FAN	1
	116236-1	GENSET-ISUZU 4LE, NEWAGE 20K, PUSHER FAN	1
2	990220	SCREW, 1/2-13NC X 3-1/2HHC, GR 2, ZP	2
3	6-6212-08	WASHER, 1/2"	2
4	990410	WASHER, FLAT, FENDER 1/2 X 2, ZP	4
5	740920-50	VIBRATION MOUNT, 50 DUROMETER	2
6	990200	NUT, LOCK, NYLON INSERT, 1/2-13NC, GR 2, ZPIN	2
7	189293	ENGINE MOUNT, L-BRACKET	2
	741976	OIL DRAIN VALVE	1
	792750	CLAMP, 7/16 TO 25/32"	1
	897110	HOSE, OIL, 3/8, 0-250PS1	3
	868082	TEMP, SWITCH, 213 DEG	1
	868011	ISUZU (EPI) N-100-795 TEMP SENDER	1
	742280	SENDER, ENGINE OIL PRESSURE	1
	C42300100	SWITCH, OIL PRESSURE, 14 PSI	1
	868086	STOP SOLENOID	1
	834458	AIR FILTER ASSEMBLY	1
	834460	AIR ELEMENT ONLY	1
	868137	FUEL FILTER	1
	868075	OIL FILTER ELEMENT	1
	868076	STARTER ASSEMBLY	1
	868077	ALTERNATOR	1
	868150	GLOW PLUG	1
	868069	NOZZLE ASSEMBLY	1
	868070	FUEL PUMP ASSEMBLY	1
	187988	MUFFLER	1
	415912	MUFFLER SPACER	1
	832128	MUFFLER GASKET	1
	125245	MUFFLER TAILPIPE	1
	791610	CLAMP, MUFFLER 2-1/8	1
	868143	WATER PUMP	1
	C33304202	RADIATOR	1
	116129	RADIATOR VIBRATION MOUNTS, UPPER	2
	116130	RADIATOR VIBRATION MOUNTS, LOWER	2
	116131	RADIATOR DRAIN	1
	868112	LOWER RADIATOR HOSE	1
	868113	UPPER RADIATOR HOSE	1
	116125	FAN	1
	116132	FAN GUARD	1
	868067	FAN BELT	1
	116133	OPERATOR'S MANUAL	1

Figure 702.1

Kubota D1105 (8kW Option)

REV A





REV A

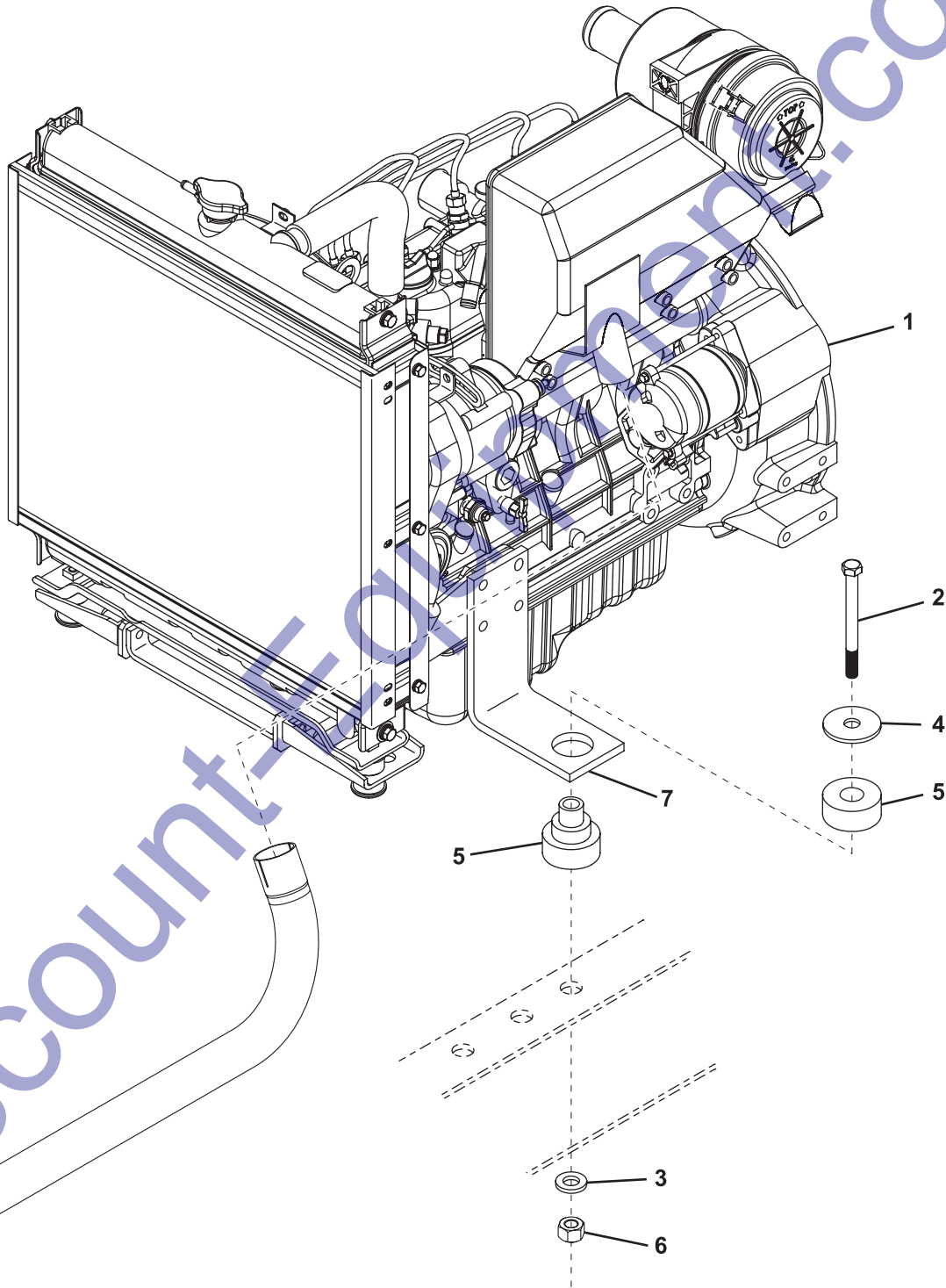
FIGURE 702.1

ITEM #	PART #	DESCRIPTION	QTY.
1	732205PP	KUBOTA D1105 ENGINE, POWERPACK, BUILD EBG2	1
2	116252	SCREW, 1/2-13NC X 7HHC, GR 5, ZP	2
3	990210	WASHER, FLAT, USS, 1/2", Y	4
4	990415	WASHER, SNUBBER	4
5	80379	VIBRATION MOUNT, 40 DUROMETER	4
6	116249	GENSET RISER, 3.25"	2
7	990200	NUT, LOCK, NYLON INSERT, 1/2-13NC, GR 2, ZPIN	2
8	124016	ENGINE MOUNT, L-BRACKET, CURBSIDE	1
9	124015	ENGINE MOUNT, L-BRACKET, ROADSIDE	1
	116820	WIRING HARNESS	1
	839190	LOW OIL PRESSURE SWITCH	1
	741140	HIGH TEMPERATURE SWITCH	1
	866125	AIR CLEANER ASSEMBLY	1
	866126	AIR CLEANER BODY	1
	866127	AIR CLEANER ELEMENT	1
	866128	AIR CLEANER COVER	1
	866129	AIR CLEANER VALVE	1
	866050	OIL FILTER	1
	740620	FUEL FILTER, IN-LINE, 5/16	1
	839107	FUEL FILTER ASSEMBLY	1
	839200	FUEL FILTER ELEMENT	1
	660320	FUEL PUMP	1
	866101	STARTER	1
	866090	ALTERNATOR	1
	866044	2 WIRE STOP SOLENOID	1
	866040	GASKET, SOLENOID	1
	839209	V-BELT	1
	839261	WATER PUMP	1
	839134	FAN, PUSHER	1
	866113	FAN GUARD	1
	839154	OIL DIPSTICK	1
	865276	MUFFLER, D1105	1
	190150	SPACER, MUFFLER	2
	832128	MUFFLER GASKET	3
	125395	MUFFLER TAILPIPE, D1105	1
	741970	OIL DRAIN VALVE	1
	792750	CLAMP 7/16 TO 25/32	1
	897110	HOSE, OIL, 3/8, 0-250PSI	3
	866110	RADIATOR	1
	866120	CAP FOR RADIATOR	1
	839109	HOSE, TOP	1
	839110	HOSE, BOTTOM	1
	865307	COOLANT RECOVERY TANK	1
	890790	HOSE, FUEL, 1/4 X 1/2, 200#	AR
	893020	OPERATION MANUAL D1105	1

Figure 703.1

Kubota V1505 (12kW Option)

REV A





REV A

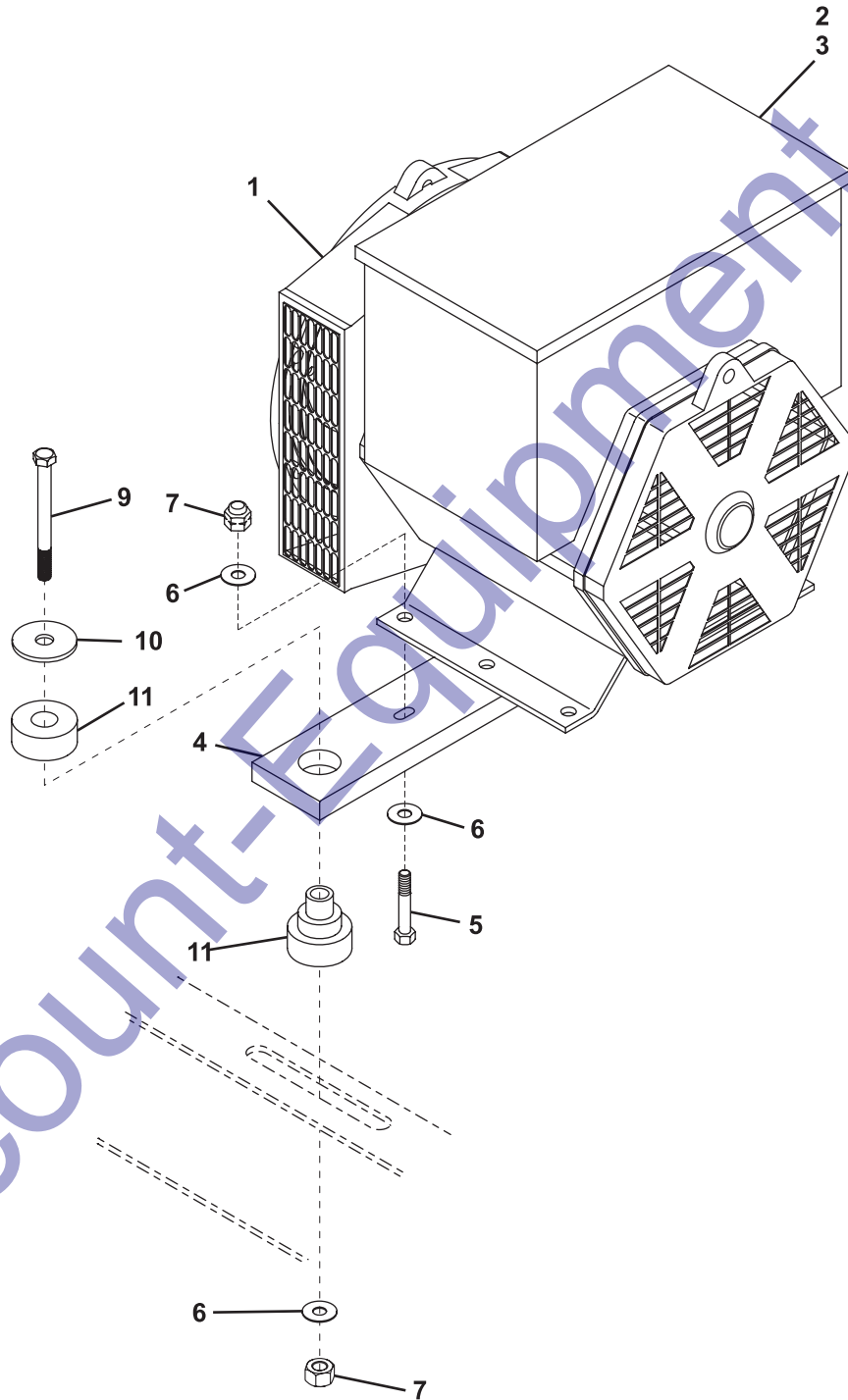
FIGURE 703.1

ITEM #	PART #	DESCRIPTION	QTY.
1	116289PP	KUBOTA V1505 ENGINE, POWERPACK, 12 KW	1
	116292	GENSET, KUBOTA V1505, 12KW NEWAGE GENERATOR	1
2	990190	SCREW, 1/2-13NC X 3HHC, GR 2, ZP	4
3	6-6212-08	WASHER, FLAT, USS, 1/2", Y	2
4	990410	WASHER, FLAT, FENDER, 1/2 X 2, ZP	4
5	80379	VIBRATION MOUNT, 40 DUROMETER	4
6	990200	NUT, LOCK, NYLON INSERT, 1/2-13NC, GR 2, ZPIN	4
7	116213	ENGINE MOUNT, L-BRACKET	2
	839190	LOW OIL PRESSURE SWITCH	1
	741140	HIGH TEMPERATURE SWITCH	1
	116413	AIR CLEANER ASSEMBLY	1
	116414	AIR CLEANER MOUNTING BRACKET	1
	116501	AIR CLEANER ELEMENT	1
	116498	AIR CLEANER COVER	1
	116502	AIR CLEANER VALVE	1
	116509	OIL FILTER	1
	740620	FUEL FILTER, IN-LINE, 5/16	1
	839179	FUEL FILTER ASSEMBLY	1
	839200	FUEL FILTER ELEMENT	1
	866070	FUEL PUMP	1
	866101	STARTER	1
	866090	ALTERNATOR	1
	866044	2 WIRE STOP SOLENOID	1
	866040	GASKET, SOLENOID	1
	839209	V-BELT	1
	839261	WATER PUMP	1
	116511	FAN, PUSHER	1
	116512	FAN GUARD	1
	839154	OIL DIPSTICK	1
	116309	MUFFLER, V1505	1
	116297	MUFFLER TAILPIPE, V1505	1
	741970	OIL DRAIN VALVE	1
	792750	CLAMP 7/16 TO 25/32	1
	897110	HOSE, OIL, 3/8, 0-250PSI	3
	116314	RADIATOR	1
	110523	CAP FOR RADIATOR	1
	116513	HOSE, TOP	1
	116514	HOSE, BOTTOM	1
	865307	COOLANT RECOVERY TANK	1
	890790	HOSE, FUEL, 1/4 X 1/2, 200#	AR
	893020	OPERATION MANUAL D1105, V15051	1

Figure 704.1

Newage Generator - BCI184E1J203A (12kW & 20kW Option)

REV A





REV A

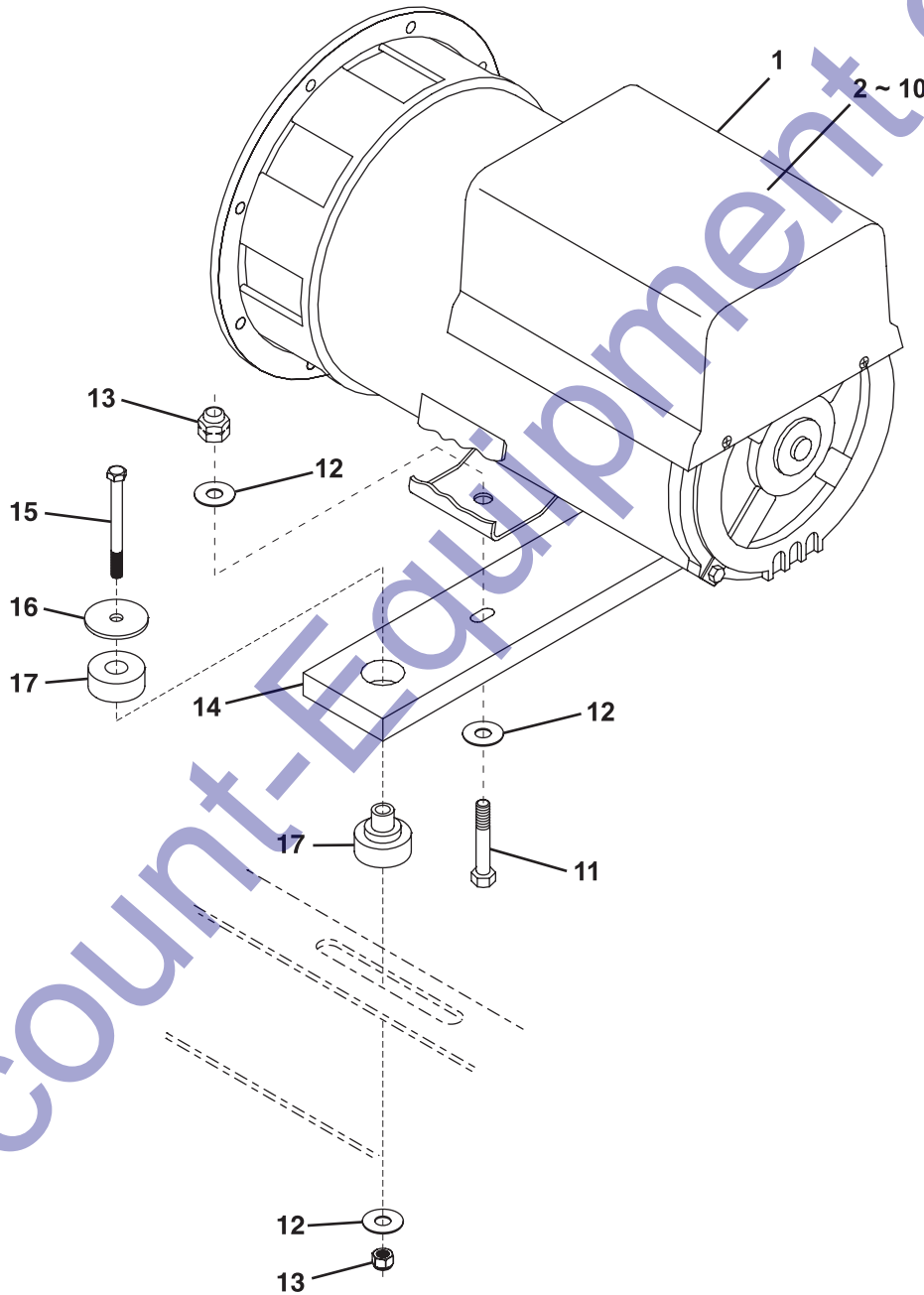
FIGURE 704.1

ITEMS #	PART #	DESCRIPTION	QTY.
1	116291	GENERATOR, NEWAGE, 12KW, 1P, BCI164C1J195A	1
	630972	GENERATOR, NEWAGE, 20KW, BCI184E1J203A, 1PH	1
2	836427	NEWAGE, RSK1001, RECTIFIER SERVICE KIT	1
3	836420	NEWAGE, SX-460, AUTOMATIC VOLTAGE REGULATOR	1
4	116214	GENERATOR MOUNT BAR	1
5	6-5208-16	SCREW, HHC, 1/2-13 X 2.00, GR8	2
6	6-6212-08	WASHER, FLAT, USS, 1/2", Y	4
7	990200	NUT, LOCK, NYLON INSERT, 1/2-13NC, GR 2, ZPIN	4
8	830001	NEWAGE, BCH-018, OPERATION MANUAL	1
9	990190	SCREW, 1/2-13 X 3 HHC, GR2, ZP	2
10	990410	WASHER. FLAT FENDER, 1/2 X 2 ZP	2
11	80379	VIBRATION MOUNT, 40 DUROMETER	4

Figure 705.1

Leroy Somer Generator LSA 37 - M7 (8kW Option)

REV A





REV A

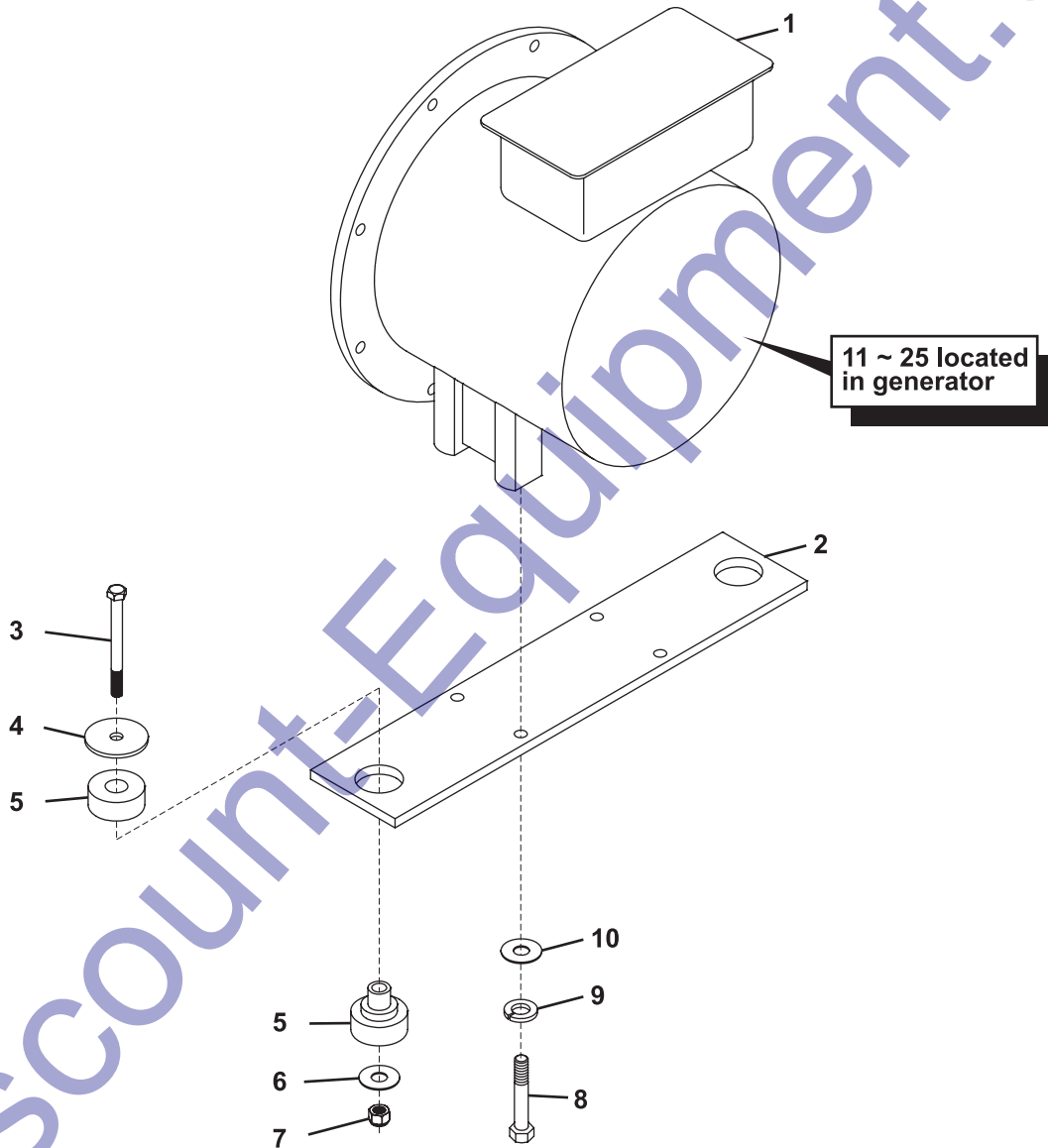
FIGURE 705.1

ITEM #	PART #	DESCRIPTION	QTY.
1	630960	GENERATOR, L-S 8KW, 120/240, C106 SAE5, LSA37M7	1
2	836831	NON DRIVE END BEARING HOUSING	1
3	836832	O-RING	1
4	836833	BEARING	1
5	836839	BEARING HOUSING	1
6	836840	TERMINAL BOX COVER	1
7	836842	WAVY WASHER FOR LSA37	1
8	836814	FLEX PLATE	1
9	836857	DIODE	2
10	109330	KIT:CAPACITOR REPLACEMENT, 8KW, L-S, 60HZ, 2-50UF	1
11	6-5208-16	SCREW, HHC, 1/2-13 X 2.00, GR8	2
12	6-6212-08	WASHER, FLAT, USS, 1/2", Y	6
13	990200	NUT, LOCK, NYLON INSERT, 1/2-13NC, GR 2, ZPIN	4
14	189335	GENERATOR MOUNT BAR, L-S, 1/2" X 3" X 19" LG	1
15	990220	SCREW, HHC, 1/2-13 X 3.5, GR8	2
16	990410	WASHER, FLAT FENDER, USS, 1/2" X 2", ZP	2
17	740920	VIBRATION MOUNT, 390 LB	2

Figure 706.1

Marathon Generator - 201CSA5412 (8kW Option)

REV A

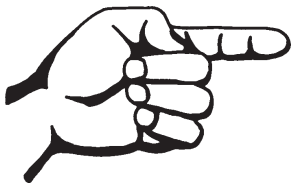




REV A

FIGURE 706.1

ITEM #	PART #	DESCRIPTION	QTY.
1	116253	GENERATOR, MARATHON, PANCAKE, 8KW	1
2	116244	GENERATOR MOUNT BRACKET	1
3	995310	SCREW, 1/2-13NC X 4 HHC, GR 8, ZP	2
4	990415	WASHER, FLAT SNUBBER, 1/2 X 2-3/4 X 7GA, ZINC	2
5	80379	ISOLATOR, ENGINE MOUNT, 40 DURO	2
6	990210	WASHER, FLAT, 1/2	2
7	990200	NUT, LOCK, NYLON INSERT, 1/2-13NC, GR 2	2
8	981480	SCREW, 3/8-16NC X 1-1/2 HHC, GRADE 5, ZP	4
9	990470	WASHER, LOCK, 3/8	4
10	981120	WASHER, FLAT, 3/8	4
11	116167	FAN, 8LHD435044	1
12	116168	BEARING, ODE, A-90006R-30	1
13	116169	BEARING, BRACKET, ODE(5412), 8LHD013096	1
14	116172	O-RING, 8LHD766012	1
15	116174	POT COVER, 8LHD310316	1
16	116176	SCREEN ASY W/SPGS, 8LHD336030	1
17	116177	DRIVE DISC (C-107), 702326-01	1
18	116178	HUB SPACER, 725334-01	1
19	116179	CONN. BOX BASE, 8LHD354045	1
20	116182	CONN. BOX COVER, 8LHD354044	1
21	116183	CAPACITOR 25MF, 8LHD5990012	1
22	116184	CLAMP, CAPACITOR, 8LHD086034	1
23	116187	TERMINAL BLOCK, TS-6005	1
24	836853	DIODE	1
25	836856	SURGE PROTECTOR, SUPPRESSOR/VARISITOR	1
26	116188	MANUAL, MARATHON PANCAKE GENERATOR	1



This page intentionally left blank.

Discount-Equipment.com

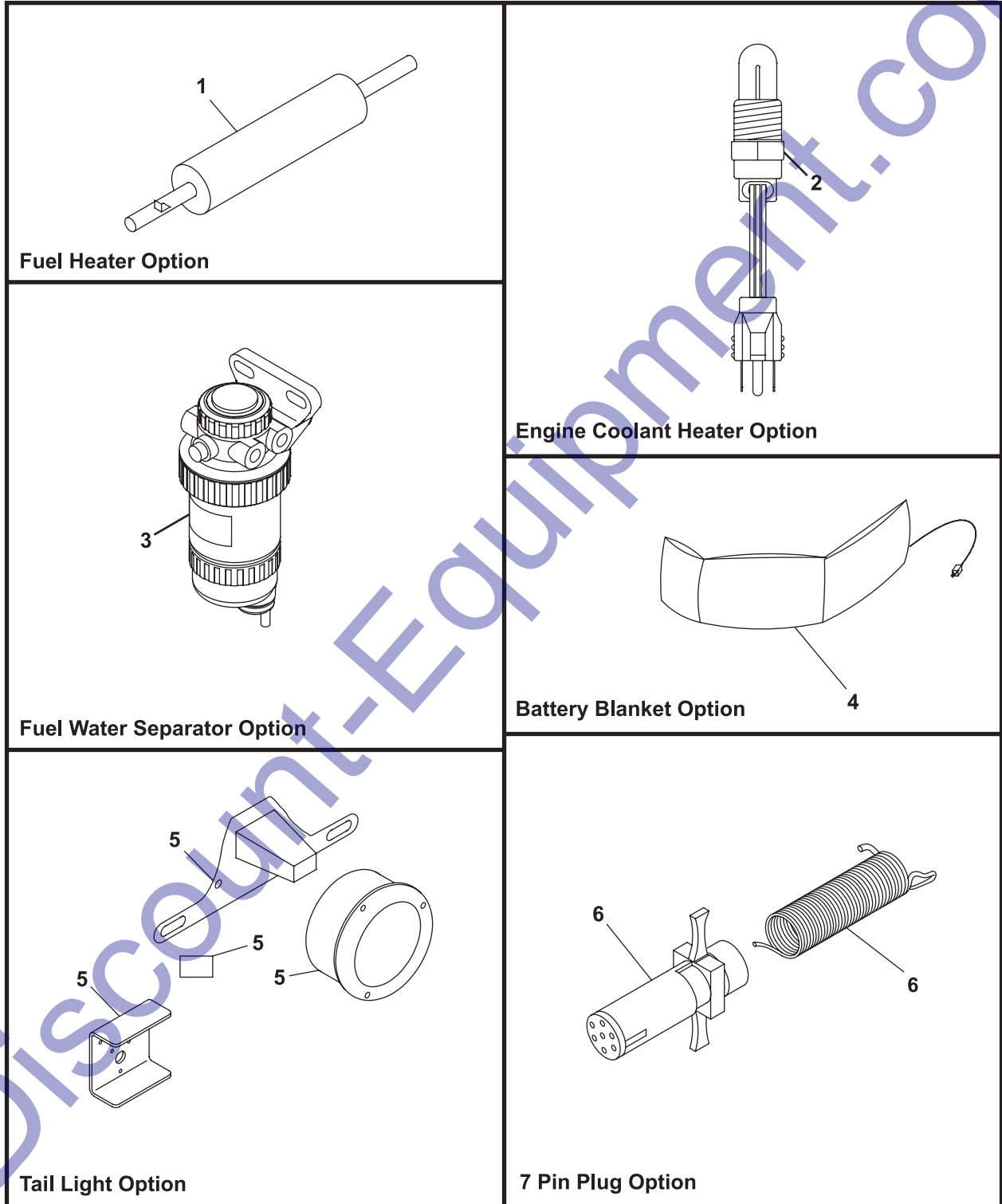
Options

Discount-Equipment.com

Figure 801.1

REV A

Options





REV A

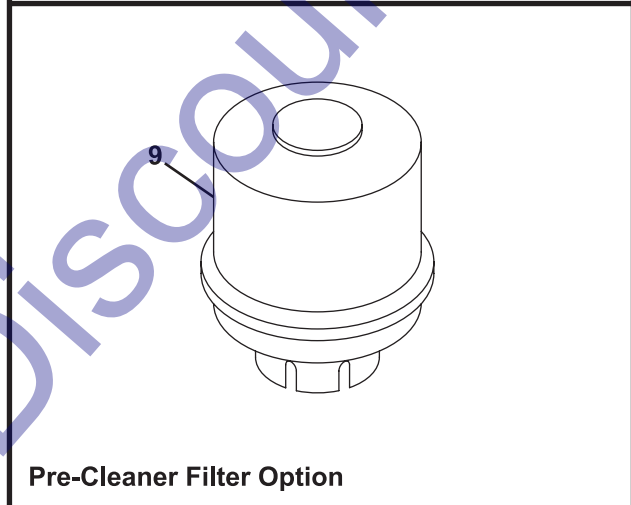
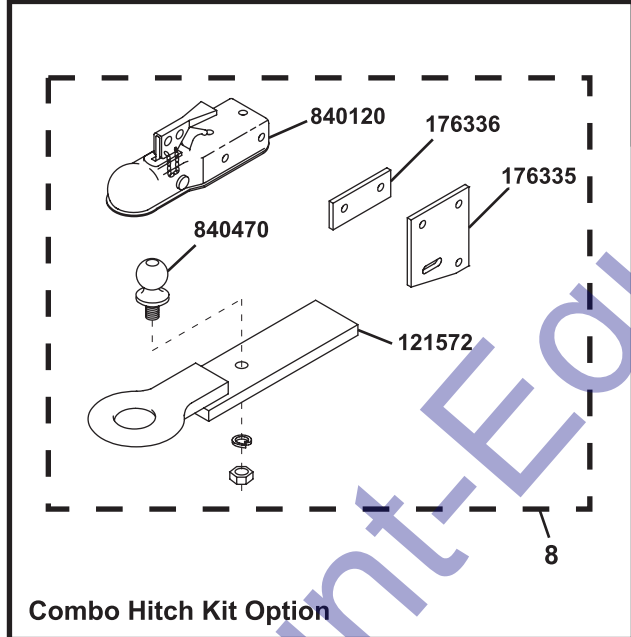
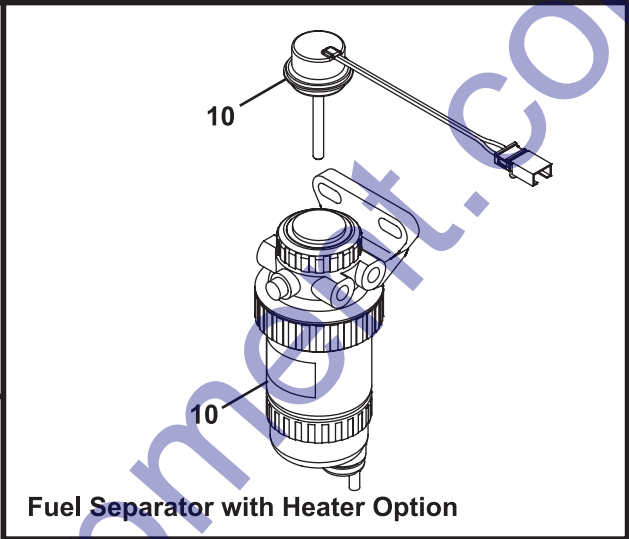
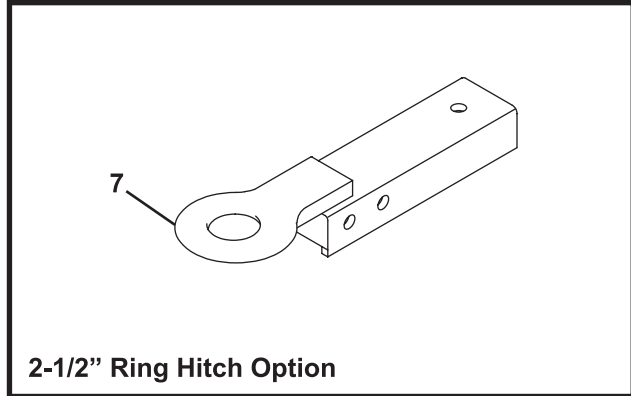
FIGURE 801.1

ITEM #	PART #	DESCRIPTION	QTY.
1	0LTX0140 741690	OPTION LT: FUEL HEATER, IN-LINE, DIESEL FUEL LINE HEATER, DIESEL, 12V, 150W	1
2	0LTY0422 741993	OPTION LT: ENGINE BLOCK HEATER, KUBOTA HEATER, ENGINE BLOCK, 3100003, ZERO START	1
	0LTY0423 C33301000	OPTION LT: ENGINE BLOCK HEATER, ISUZU - 4LE1 HEATER, ENGINE BLOCK, ISUZU 4LE1PV01	1
3	0LTX0580 116151 116154	OPTION LT: FUEL/WATER SEPARATOR, RACOR, KUBOTA ELEMENT, 30 MICRON, FUEL WATER FILTER, WATER SEPARATOR, DIESEL FUEL, ASSEMBLY	1 1
4	0LTX0130 160530	OPTION LT: BATTERY HEATER BLANKET, GROUP 24 & 27 BATTERY BLANKET, THERMO 284-4001, 36"LG	1
5	0LTX0481 663515 663520 663527 663528 663529 663843 663840	OPTION LT: TAIL LIGHTS, RECESSED LIGHT WIRING HARNESS, RECESSED LIGHTS LIGHT, LICENSE TAG W/BRACKET LIGHT, SIDE MARKER, AMBER 2.5" DIAMETER, RECESSED LIGHT, SIDE MARKER, RED, 2.5" DIAMETER, RECESSED GROMMET, RECESSED LIGHT KIT, W/PLUG AND WIRES TRAILER HARNESS, 4 POLE, RUN/BRAKE LIGHTS LIGHT, TRAILER, RECESSED, STOP, TURN, TAIL LIGHTS	1 1 2 2 4 1 1
	22105321 184155 663515 663520 669290 669295 686775 841340 841350	RUNNING LIGHTS AND REFLECTORS FOR AUSTRALIA TAILIGHT "C" BRACKET FOR AUSTRALIA LIGHT WIRING HARNESS, RECESSED LIGHTS LIGHT, LICENSE TAG W/BRACKET 12V TRAILER BULB, TAIL LIGHT, NAPA R10W 12V TRAILER BULB, STOP LIGHT, NAPA P21W TAIL LIGHT, AUSTRALIA 12V, DUAL LENSE/BULB REFLECTOR, RED REFLECTOR, AMBER	2 1 1 2 2 2 2 2
6	0LTX0180 663400 663405	OPTION LT: CONNECTOR 7-POLE, RUN LIGHTS, ROUND CONNECTOR, TAIL LIGHT CONNECTOR, TAIL LIGHT, 7POLE CABLE GUARD	1 1
	0LTX0182 663401	OPTION LT: CONNECTOR, 7 POLE RUN LIGHTS, BLADED CONNECTOR, TAIL LIGHT, 7 POLE, BLADED	1
	0LTX0190 663420	OPTION LT: CONNECTOR, 6-POLE RUN LIGHTS CONNECTOR, TAIL LIGHT, 6 POLE	1

Figure 802.1

Options

REV A





REV A

FIGURE 802.1

ITEM #	PART #	DESCRIPTION	QTY.
7	OLTX0031 213770	OPTION LT: HITCH, RING 2.5", BOLT-ON RING HITCH, BOLT-ON, 2-1/2" ID	1
8	OLTX0040 940000 840120 176336 176335 121572 840470	OPTION LT: HITCH, COMBO, BALL & RING, BOLT-ON KIT: COMBINATION HITCH, BALL & RING, COMPLETE COUPLER FOR 2" BALL COMBO HITCH SIDE SPACER, BOLT-ON COMBO HITCH SIDE PLATE, BOLT-ON COMBO HITCH RING, 16" LONG, BOLT-ON BALL, 2"	1 1 2 2 1 1
9	OLTY0405 740455	OPTION LT: AIR BREATHER, PRE-CLEANER AIR BREATHER, PRE-CLEANER, DONALDSON-KUBOTA	
10	116218 116154 116144	OPTION LT: FUEL SEPARATOR WITH HEATER FILTER, WATER SEPARATOR, ASSEMBLY HEATER, TOP LOAD, FUEL, 100W/12V	1 1
<p>NOTE: OPTION NUMBERS CANNOT BE SOLD AS SPARE PARTS.</p>			

REV A



This page intentionally left blank.

Discount-Equipment.com

California Proposition 65

Warning

The exhaust from this product contains chemicals known to the State of California to cause cancer, birth defects or other reproductive harm.

Towing Checklist

(Use at each stop)

Before Towing

- Boom hold-down latch is securely locked in place
- Towing hitch is properly secured to tow vehicle
- Safety chains (if required) are properly attached and secure (chains are crossed below hitch)
- All lights are connected and working
- Tires are properly inflated

Before Driving

- Fasten safety restraints
- Properly adjust mirrors

On The Road

- Do not exceed 60 mph / 97 km/h. Obey all local and national towing speed laws
- Check connections and tire pressure at each stop
- Slow down for hazardous conditions
- Allow extra distance for following and passing other vehicles



www.discount-equipment.com

Distributed By:

Discount-Equipment.com