



# TEREX

## Parts Manual

Serial Number Range

**AL4**

from SN AL412-101 to  
AL416-2947

from AL416J-2948 to  
AL416J-4399

from AL4J-4400

Part No. 216011

Rev C8

January 2018

# **Discount Equipment**

Discount-Equipment.com is your online resource for commercial and industrial quality parts and equipment sales.

## **Locations:**

Florida (West Palm Beach): [561-964-4949](tel:561-964-4949)

Outside Florida TOLL FREE: [877-690-3101](tel:877-690-3101)

**Need parts?** Check out our website at [www.discount-equipment.com](http://www.discount-equipment.com)


## **Can't find what you need?**

Click on this link: <http://www.discount-equipment.com/category/5443-parts/> and fill out the request form.

Please have the machine model and serial number available in order to help us get you the correct parts. One of our experienced staff members will get back to you with a quote for the right part that your machine needs.

We sell worldwide for the brands: Genie, Terex, JLG, MultiQuip, Mayco, Toro/Stone, Diamond Products, Magnum, Airman, Mustang, Power Blanket, Nifty Lift, Atlas Copco, Chicago Pneumatic, Allmand Brothers, Essick, Miller Spreader, Skyjack, Lull, Skytrak, Tsurumi, Husquyarna/Target, Whiteman-Concrete/Mortar, Stow-Concrete/Mortar, Baldor, Wacker, Sakai, Snorkel, Upright, Mi-T-M, Sullair, Neal, Basic, Dynapac, MBW, Weber, Bartell, Bennar Newman, Haulotte, Ditch Runner, Blaw-Knox, Himoinsa, Best, Buddy, Crown, Edco, Wyco, Bomag, Laymor, Terremite, Barreto, EZ Trench, Takeuchi, Basic, Bil-Jax, Curtis, Gehl, Heli, Honda, ICS/PowerGrit, Puckett, Waldon, ASV, IHI, Partner, Imer, Clipper, MMD, Koshin, Rice, Gorman Rupp, CH&E, Cat Pumps, Comet, General Pump, Giant, AMida, Coleman, NAC, Gradall, Square Shooter, Kent, Stanley, Tamco, Toku, Hatz, Kohler, Robin, Wisconsin, Northrock, Oztec, Toker TK, Rol-Air, Small Line, Wanco, Yanmar

To August 31, 2016

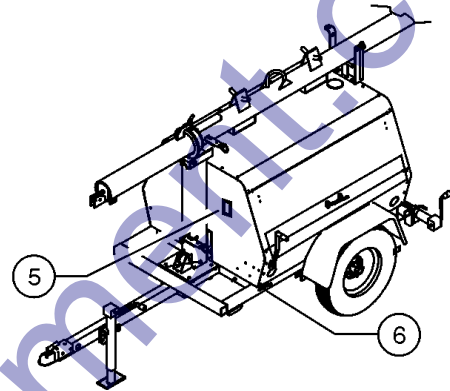


**Model:**  
**Serial number:** AL416J-1234  
**Manufacture date:** 1/2/16  
**Electrical schematic number:**  
**Machine unladen weight:**  
**Axle weight:**  
**Tongue weight:**  
**Tire pressure:**  
**Maximum tow speed:**

**Model year:** 2016

AL4 16 J - 1234

- 1
- 2
- 3
- 4



- 1 Model
- 2 Model year
- 3 Facility code

- 4 Sequence number
- 5 Serial label
- 6 Serial number (stamped on chassis)

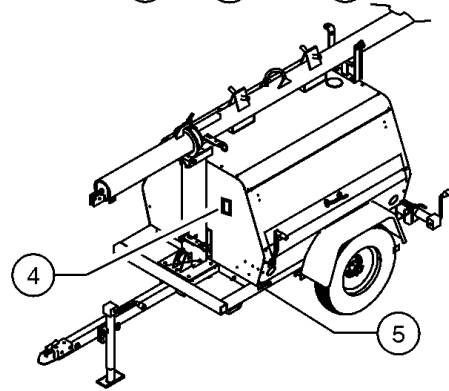
From September 1, 2016



**Model:**  
**Serial number:** AL416J-1234  
**Year of Manufacture :** 2016  
**Electrical schematic number:**  
**Machine unladen weight:**  
**Axle weight:**  
**Tongue weight:**  
**Tire pressure:**  
**Maximum tow speed:**

AL4 J - 1234

- 1
- 2
- 3



- 1 Model
- 2 Facility code
- 3 Sequence number

- 4 Serial label
- 5 Serial number (stamped on chassis)

## Table of Contents

This manual is updated frequently. If you have a printed manual, you can keep it up to date by downloading new figures from the Genie website at [www.genielift.com](http://www.genielift.com). For the most up-to-date parts information, visit the Parts Lookup System on the Genie website at [www.genielift.com](http://www.genielift.com).

How to Read Your Serial Number.....	3
Parts Stocking List.....	7
How to Order Parts.....	8
Service Parts Fax Order Form.....	9

**Electronic Version**

Click on any page number to view the figure.

**001 Parts Stocking List**

001.1 Parts Stocking List.....	10
--------------------------------	----

**100 Decals**

101.1 Decals with Words, Roadside.....	12
102.1 Decals with Words, Curbside.....	14
103.1 Decals with Symbols, Roadside.....	16
104.1 Decals with Symbols, Curbside.....	18

**200 Chassis Components**

201.1 Chassis.....	20
202.1 Skid Chassis Components.....	22
203.1 Fuel Tank and Hoses (models without Spill Containment Option).....	24
203.2 Fuel Tank and Hoses (models without Spill Containment Option).....	26
204.1 Fuel Tank and Hoses (models with Spill Containment Option).....	28
204.2 Fuel Tank and Hoses (models with Spill Containment Option).....	30
205.1 Axles and Brakes.....	32
206.1 Hitches.....	34
207.1 Ballast Box.....	36
208.1 Cabinet, View 1 (to SN AL413-2416).....	38
208.2 Cabinet, View 1 (from SN AL413-2417).....	40
209.1 Cabinet, View 2.....	42
210.1 Winch.....	44
211.1 Electric Winch.....	46

**300 Engine and Generator**

301.1 Kubota D1105-E3BG, View 1 (to serial number AL414-2720).....	48
--	----

301.2 Kubota D1105-E3BG, View 1 (from serial number AL414-2721).....	50
302.1 Kubota D1105-E3BG, View 2.....	52
303.1 Kubota D1105-E3BG, View 3.....	54
304.1 Kubota D1105-E3BG, View 4.....	56
305.1 Perkins 403D-11G, View 1.....	58
306.2 Perkins 403D-11G, View 2 ( from serial number AL4011-1556).....	60
307.1 Generators.....	62

**400 Electrical Components**

401.1 Control Box, 60 Hz, View 1.....	64
402.1 Control Box, 60 Hz, View 2.....	66
403.1 Control Box, 60 Hz with Auto Air Shutdown, View 1.....	68
404.1 Control Box, 60 Hz with Auto Air Shutdown, View 2.....	70
405.1 Control Box, Autostart, View 1.....	72
406.1 Control Box, Autostart, View 2.....	74
407.1 Control Box, 50 Hz, View 1.....	76
408.1 Control Box, 50 Hz, View 2.....	78
409.1 Control Box, 50 Hz, Australia, View 1.....	80
410.1 Control Box, 50 Hz, Australia, View 2.....	82
411.1 Control Box, 50 Hz, Twistlock, View 1.....	84
412.1 Control Box, 50 Hz, Twistlock, View 2.....	86
413.1 Electrical Wiring and Power Cables.....	88

**500 Mast Components**

501.1 Mast Assembly and Winch Cable Routing.....	90
502.1 Tower Base Assembly.....	92
503.1 Round Tube Assembly, 6 Inch.....	94
504.1 Mast Assembly, 4-inch.....	96
505.1 Mast Assembly, 2-inch and 3-inch.....	98
506.1 Mast Crossarm.....	100
507.1 Light Assembly, Round.....	102
508.1 Light Assembly, Square.....	104

**600 Accessories**

601.1 Spare Tire and Dome Light.....	106
602.1 Engine Options.....	108

**Indices**

Part Number Index.....	110
Part Description Index.....	113

**Cross References**

## Required Parts

The following parts are required to perform maintenance procedures as outlined in the Terex AL4 Service Manual.

### Kubota D1105-D3BG

Description	Part No.
Air Filter Element .....	866127
Engine Oil Filter.....	866050
Fuel Filter Element.....	839200
In-line Fuel Filter.....	740620
V-Belt.....	839209
Lower Radiator Hose .....	839110
Upper Radiator Hose.....	839109
Hose Clamp, Upper Radiator Hose .....	32185

### Perkins 403D-11G

Description	Part No.
Air Filter Element .....	866068
Engine Oil Filter.....	94762
Fuel Filter Element.....	62421
In-line Fuel Filter.....	740620
V-Belt.....	85071
Lower Radiator Hose.....	58292
Upper Radiator Hose.....	97428
Hose Clamp, Radiator Hose.....	30348

### Fuel Lines

Description	Part No.
Fuel Return Hose, 1/8" (refer to 203.1) .....	890785
Hose, Fuel, 5/16" (refer to 203.1) .....	890795
Hose Clamp, 5/16" Fuel Line.....	898590

Description	Part No.
Kit: Upper Cable Assembly.....	109070
Kit: Lower Cable Assembly.....	109065

## Recommended Parts

Description	Part No.
Mechanical Jack .....	841430
Snap Ring, Mechanical Jack .....	840222
Kit, Plunger Pin, Outrigger.....	970260
Grease Seal Bearing .....	834225
Cotter Pin, Wheel Bearing.....	834255

### Control Box

Relay, 12VDC.....	R661490
Breaker, 20A .....	T113642
Breaker, 15A .....	T113641
Breaker, 30A .....	T113644

### Generator, Marathon

Capacitor, 6KW, 60Hz.....	58356
Capacitor, 8KW, 60Hz.....	85207
Capacitor, 7.5KW, 50Hz.....	229457
Diode.....	836853
Surge Protector.....	836856

# **Discount Equipment**

Discount-Equipment.com is your online resource for commercial and industrial quality parts and equipment sales.

## **Locations:**

Florida (West Palm Beach): [561-964-4949](tel:561-964-4949)

Outside Florida TOLL FREE: [877-690-3101](tel:877-690-3101)

**Need parts?** Check out our website at [www.discount-equipment.com](http://www.discount-equipment.com)

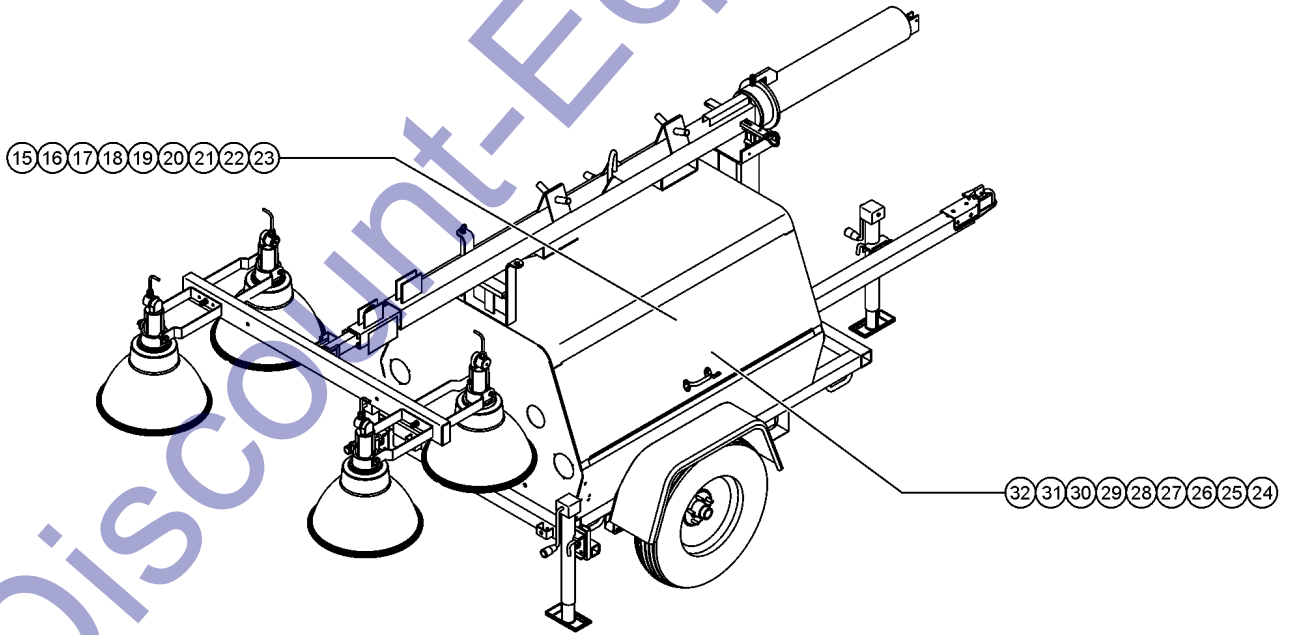
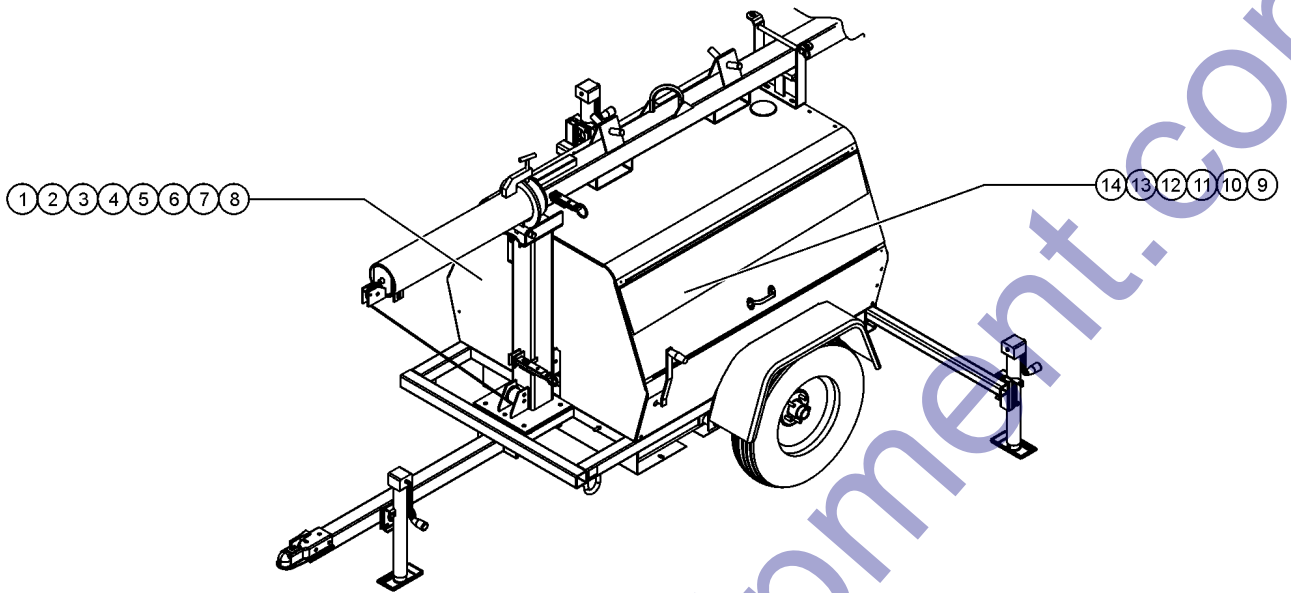
## **Can't find what you need?**

Click on this link: <http://www.discount-equipment.com/category/5443-parts/> and fill out the request form.

Please have the machine model and serial number available in order to help us get you the correct parts. One of our experienced staff members will get back to you with a quote for the right part that your machine needs.

We sell worldwide for the brands: Genie, Terex, JLG, MultiQuip, Mayco, Toro/Stone, Diamond Products, Magnum, Airman, Mustang, Power Blanket, Nifty Lift, Atlas Copco, Chicago Pneumatic, Allmand Brothers, Essick, Miller Spreader, Skyjack, Lull, Skytrak, Tsurumi, Husquvarna/Target, Whiteman-Concrete/Mortar, Stow-Concrete/Mortar, Baldor, Wacker, Sakai, Snorkel, Upright, Mi-T-M, Sullair, Neal, Basic, Dynapac, MBW, Weber, Bartell, Bennar Newman, Haulotte, Ditch Runner, Blaw-Knox, Himoinsa, Best, Buddy, Crown, Edco, Wyco, Bomag, Laymor, Terremite, Barreto, EZ Trench, Takeuchi, Basic, Bil-Jax, Curtis, Gehl, Heli, Honda, ICS/PowerGrit, Puckett, Waldon, ASV, IHI, Partner, Imer, Clipper, MMD, Koshin, Rice, Gorman Rupp, CH&E, Cat Pumps, Comet, General Pump, Giant, AMida, Coleman, NAC, Gradall, Square Shooter, Kent, Stanley, Tamco, Toku, Hatz, Kohler, Robin, Wisconsin, Northrock, Oztec, Toker TK, Rol-Air, Small Line, Wanco, Yanmar

001.1 Parts Stocking List



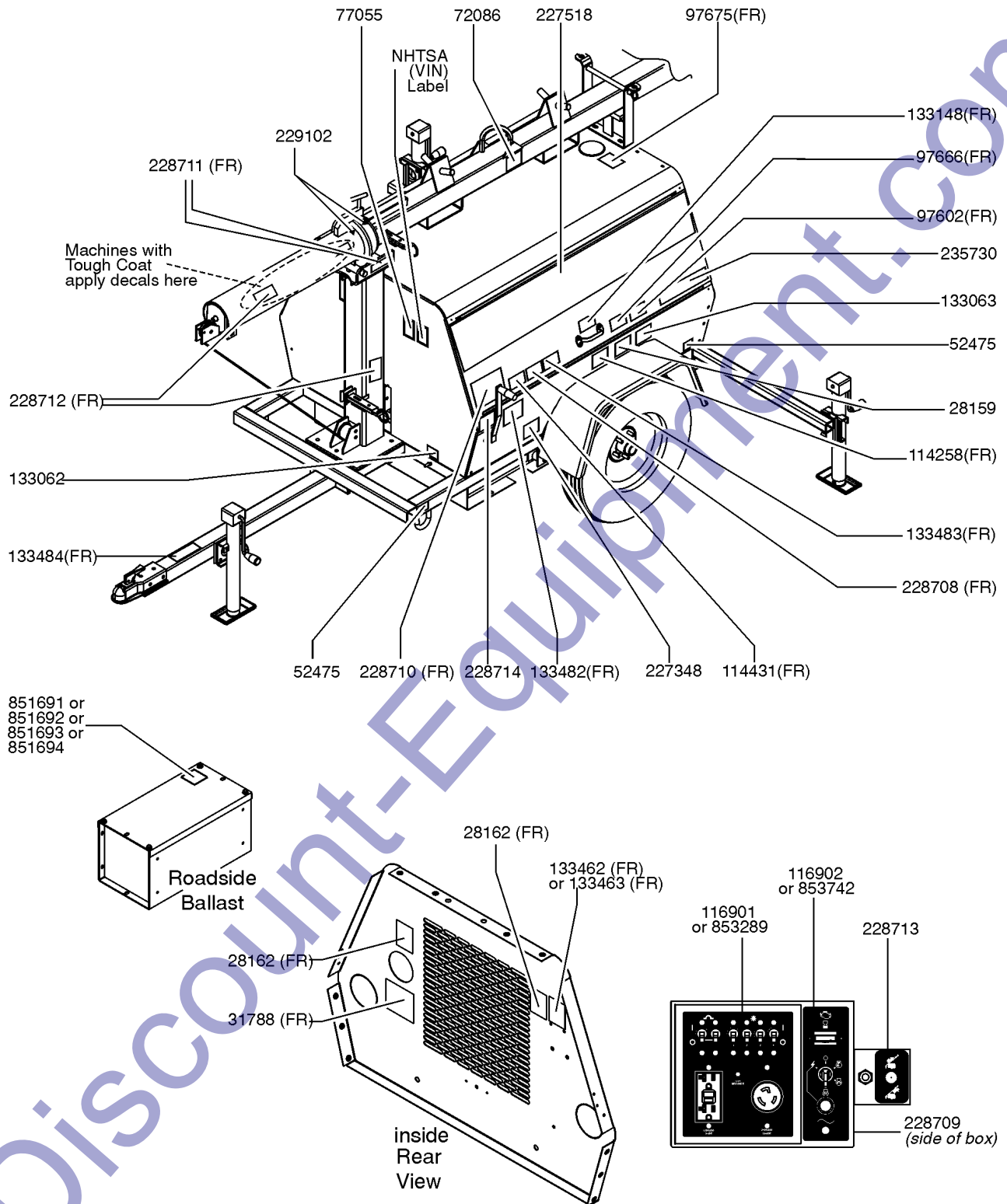
Discount-Equipment.com



Item	Part No.	Description	Qty.	Item	Part No.	Description	Qty.
A		— GENERAL SERVICE PARTS —		--	839209GT	V-BELT,KUBOTA	
--	1258567GT	PAINT, AEROSOL, TRAFFIC BLACK <i>12-ounce spray paint</i>		--	839110GT	HOSE,RADIATOR,LOWER,KUBOTA	
--	1268GT	PAINT,AEROSOL,GENIE GRAY*** <i>12-ounce spray paint</i>		--	839109GT	RADIATOR HOSE,KUBOTA	
--	1283776GT	SEAL MARKER,CROSS CHECK,BLUE,TUBE		--	32185GT	CLAMP,HOSE	
--	1484GT	PAINT,AEROSOL,BRIGHT BLUE*** <i>12-ounce spray paint</i>		24		— PERKINS MODELS —	
--	28750GT	O-RING KIT,FIELD SVC,ALL PROD* <i>O-ring kit, SAE</i>		--	866068GT	PERKINS 135326205AIR	
--	32150GT	PAINT,WET,GENIE BLUE (1 GL)** <i>1-gallon</i>		--	94762GT	OIL FILTER - PERKINS	
--	32151GT	PAINT,WET,GENIE GRAY (1 GL)** <i>1-gallon</i>		--	62421GT	FILTER,FUEL,PERKINS	
--	33994GT	PLUG AND CAP KIT-SERVICE,37 ** <i>Plug and cap kit, SAE</i>		--	740620GT	FILTER,IN-LINE,FUEL,5/16"	
--	49612GT	O-RING KIT (ORFS FITTINGS) <i>O-ring kit, ORFS</i>		--	85071GT	BELT-FAN, PERKINS (103.10)	
--	49613GT	PLUG AND CAP KIT-SERVICE,ORFS* <i>Plug and cap kit, ORFS</i>		--	58292GT	HOSE,RADIATOR,PERKINS,TML	
--	66399GT	GREASE,DIELECTRIC 4 OZ**		--	97428GT	HOSE,RADIATOR,UPPER PRKNS,TML	
--	890785GT	HOSE,FUEL,1/8"ID		--	30348GT	CLAMP,HOSE,1.00	
--	890795GT	HOSE,FUEL,5/16"ID					
--	898590GT	HOSE FITTING PIPE/BAR					
--	93500GT	PARKER DIGITAL PRESSURE GAUGE					
--							
1		— MANUALS —					
--	27581GT	MANUAL,AEM SAFETY					
--	229101GT	MANUAL, OPERATOR'S, AL4					
--	218567GT	MANUAL, SERVICE, AL4					
--	216011GT	MANUAL, PARTS, AL4					
--	131661GT	MANUAL, OPERATORS,PERKINS,403D					
--	131379GT	MANUAL,OPER,KUBOTA DIESEL****					
--	116188GT	MANUAL,OP,MARATHON GENERATOR					
9		— GENERATOR, MARATHON MODELS —					
--	58356GT	CAPACITOR-ROUND 25MF					
--	85207GT	CAPACITOR,45 MF***OVAL					
--	229457GT	CAPACITOR, 8KW GENERATOR,5420					
--	836853GT	DIODE,MARATHON					
--	836856GT	MARATHON SUPPRESSOR/VARISTOR					
15		— KUBOTA MODELS —					
--	866127GT	ELEMENT,AIR CLEANER,KUBOTA					
--	866050GT	FILTER,OIL,KUBOTA					
--	839200GT	ELEMENT,FUEL FILTER,KUBOTA					
--	740620GT	FILTER,IN-LINE,FUEL,5/16"					



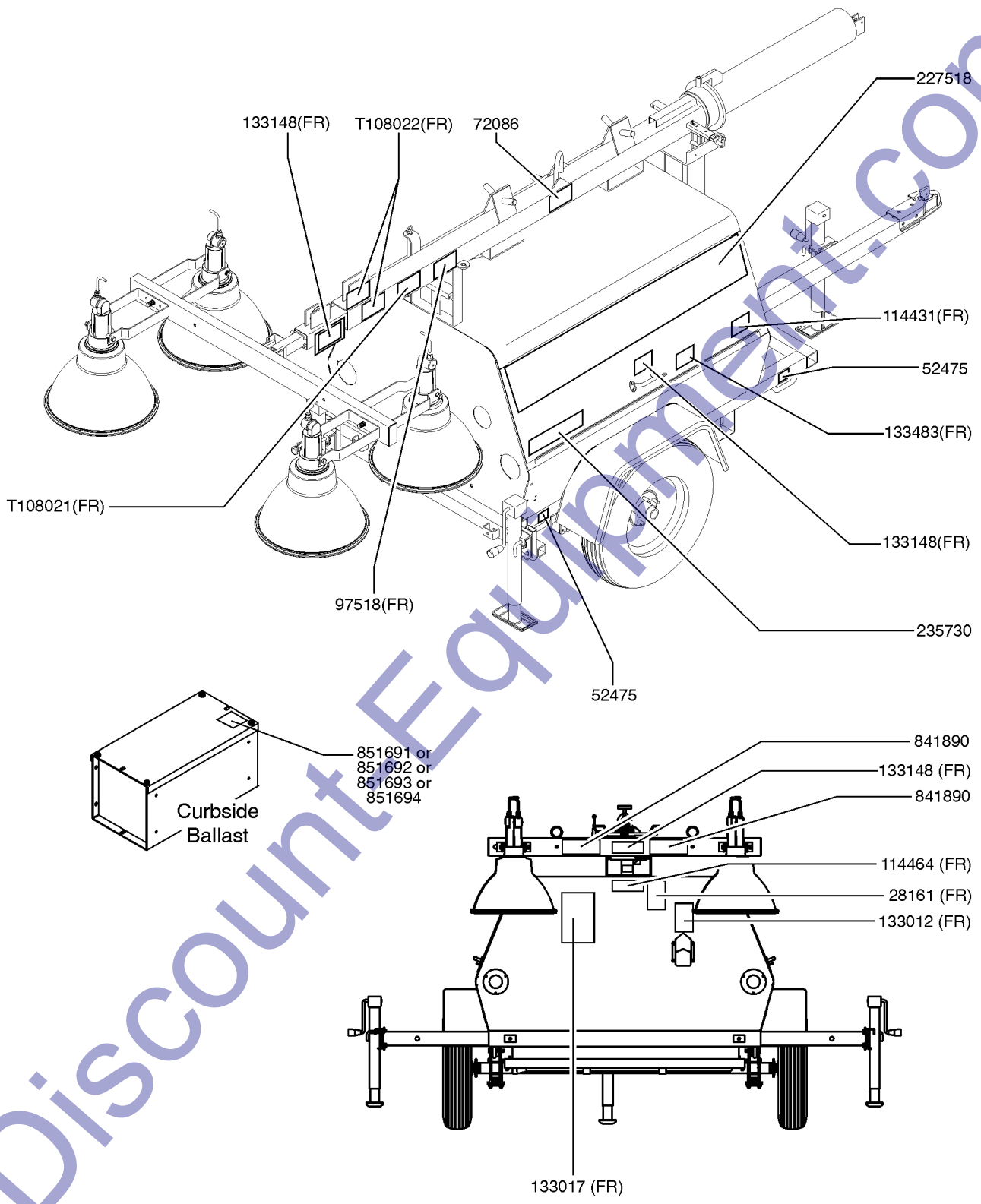
101.1 Decals with Words, Roadside



101.1 Decals with Words, Roadside

Item	Part No.	Description	Qty.	Item	Part No.	Description	Qty.
--	216137GT	DECAL KIT, WORD, AL4 <i>(does not include control box decals)</i>		32	851691GT	DECAL- 1 (10/CARD BRADY.....)	1
1	28159GT	DECAL,LABEL,DIESEL FUEL.....	1	33	851692GT	DECAL- 2 (10/CARD BRADY.....)	1
2	28162GT	DECAL,WARNING,CRUSHING.....	2	34	851693GT	DECAL- 3 (10/CARD BRADY.....)	1
3	31788GT	DECAL,DANGER,BATTERY SAFETY***.....	1	35	851694GT	DECAL - 4 (10/CARD BRADY.....)	1
4	52475GT	DECAL,LABEL,TRANSPORT TIEDOWN*.....	2				
5	72086GT	DECAL,LABEL,LIFTING EYE.....	1				
6	77055GT	SERIAL LABEL,BLANK,4X8,CHROME*..... <i>(This is a blank label. Contact Service Parts to order; the model and serial number of the machine will be required.)</i>	1				
7	97666GT	DECAL,WARN,READ MANUAL.....	1				
8	97675GT	DECAL,WARN,EXPLSION/BURN HAZ...	1				
9	114258GT	DECAL,DANGER,NO SMOKING.....	1				
10	114431GT	DECAL,DANGER,ELECTROCUTION HZD.....	1				
11A	116901GT	DECAL,CONTROL BOX AC CONSOL....	1				
11B	853289GT	DECAL, AL/RL CONTROL BOX DC <i>(Australia)</i>					
12A	116902GT	DECAL,CONTROL BOX DC CONSOL....	1				
12B	853742GT	DECAL- CNTRL BOX FACE <i>(Australia)</i>					
13	133062GT	Decal, Label, Ground.....	1				
14	133063GT	DECAL,LABEL,TIE DOWN DIAGRAM....	1				
15	133148GT	DECAL,DANGER,HAZARD VOLTAGE...2					
16	133462GT	DECAL,PERKINS ENGINE SPECS.....	1				
17	133463GT	DECAL,KUBOTA ENGINE SPECS.....	1				
18	133482GT	DECAL,WARNING TIP-OVER HAZ.....	1				
19	133483GT	DECAL,WARNING BURN HAZ.....	1				
20	133484GT	DECAL,WARNING TOW SPEED.....	1				
21	227348GT	DECAL,TIRE SPECIFICATION.....	1				
22	227518GT	DECAL,COSMETIC TEREX,AL4,AL4L...1					
23	228708GT	DECAL, DANGER, CSA OUTDOOR USE.....	1				
24	228709GT	LABEL, CSA NEUTRAL BOND TO GND.....	1				
25	228710GT	DECAL INSTRUCTION AL4 AL5.....	1				
26	228711GT	DECAL, WARNING, CRUSH HAZARD...1					
27	228712GT	DECAL, WARN, CRUSH HAZARD,MAST.....	1				
28	228713GT	LABEL, ELECTRIC WINCH.....	1				
29	228714GT	LABEL, WINCH, RAISE & LOWER.....	1				
30	229102GT	DECAL, LABEL, ARROW.....	2				
31	235730GT	DECAL COSMETIC MODEL AL4.....	2				

102.1 Decals with Words, Curbside

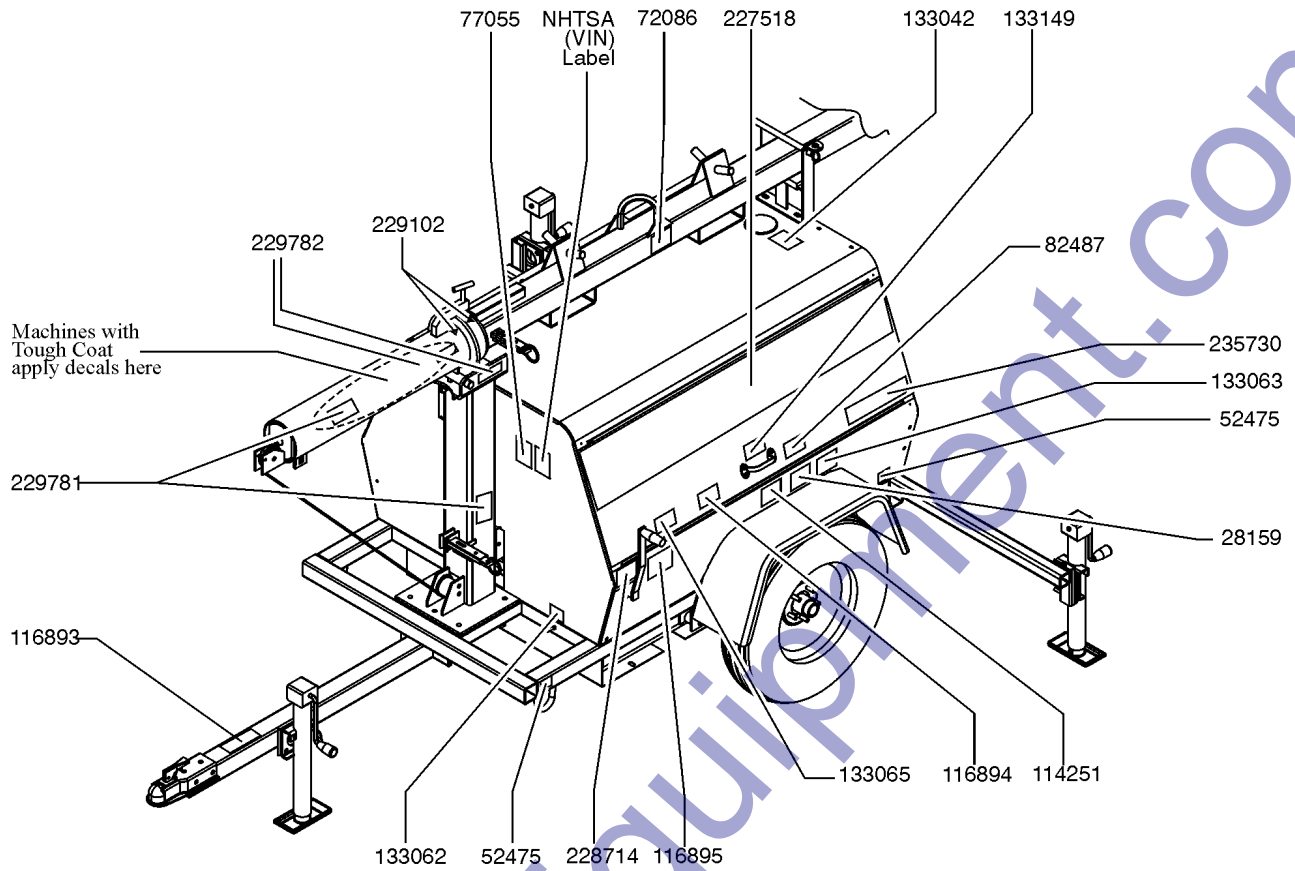


102.1 Decals with Words, Curbside

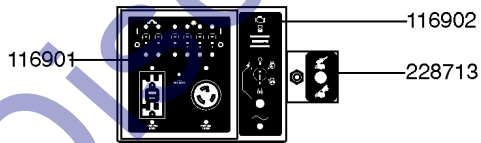
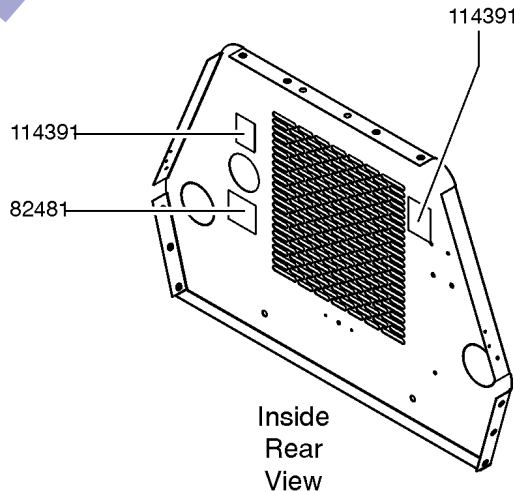
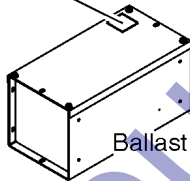
Item	Part No.	Description	Qty.
--		Ref. DECAL KIT, WORD, AL4 <i>(refer to 101.1)</i>	
1	28161GT	DECAL,WARN,CRUSH HAZARD HAND.....	1
2	52475GT	DECAL,LABEL,TRANSPORT TIEDOWN*.....	2
2	72086GT	DECAL,LABEL,LIFTING EYE.....	1
3	97518GT	Decal, Instruction, Lamp Disposal.....	1
4	114431GT	DECAL,DANGER,ELECTROCUTION HZD.....	1
5	114464GT	LABEL,TRAVEL LOCK.....	1
6	133012GT	DECAL,DANGER-BURN/CO HAZARD...1	
7	133017GT	DECAL,WARNING,CRUSH HZD,TOWER.....	1
8	133148GT	DECAL,DANGER,HAZARD VOLTAGE...2	
9	133483GT	DECAL,WARNING BURN HAZ.....1	
10	227518GT	DECAL,COSMETIC TEREX,AL4,AL4L...1	
11	235730GT	DECAL COSMETIC MODEL AL4.....1	
12	841890GT	REFLECTOR,SCOTCHLITE,2"X18".....2	
13	851691GT	DECAL- 1 (10/CARD BRADY.....1	
14	851692GT	DECAL- 2 (10/CARD BRADY.....1	
15	851693GT	DECAL- 3 (10/CARD BRADY.....1	
16	851694GT	DECAL - 4 (10/CARD BRADY.....1	
17	T108021GT	DECAL,WARN,PROTECTIVE BARRIER.....	1
18	T108022GT	DECAL, WARNING BURN HAZARD.....2	

Discount-Equipment.com

103.1 Decals with Symbols, Roadside



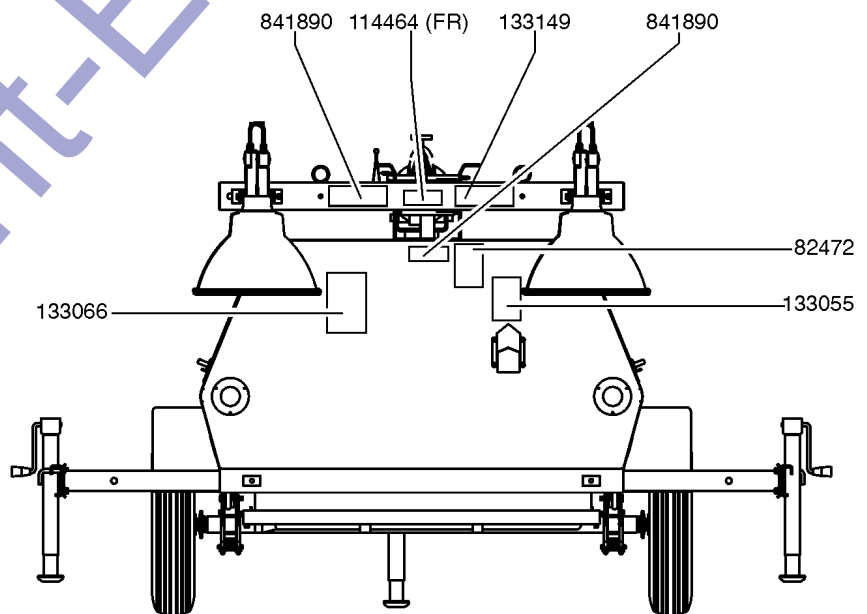
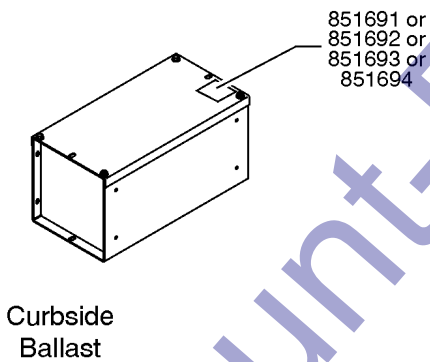
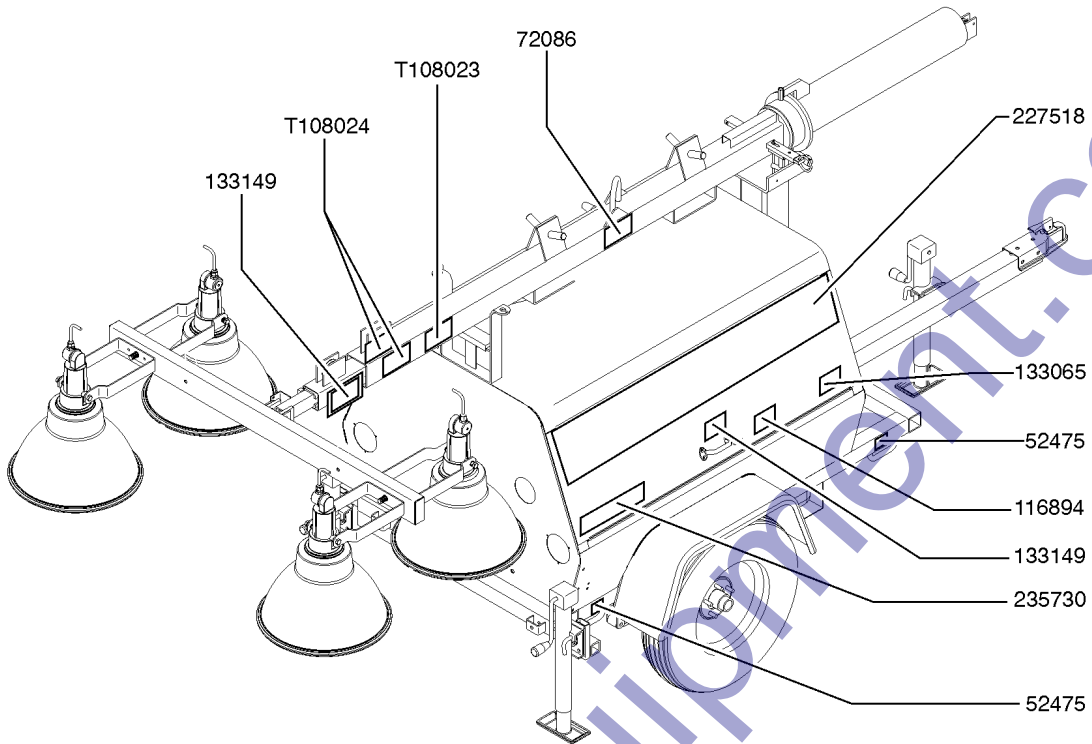
851691 or  
851692 or  
851693 or  
851694



## 103.1 Decals with Symbols, Roadside

Item	Part No.	Description	Qty.
--	216138GT	DECAL KIT, SYMBOL, AL4 <i>(does not include control box decals)</i>	
1	28159GT	DECAL,LABEL,DIESEL FUEL.....1	1
2	52475GT	DECAL,LABEL,TRANSPORT TIEDOWN*.....2	2
3	72086GT	DECAL,LABEL,LIFTING EYE.....1	1
4	82481GT	DECAL,SYMBOL-BATTERY SAFETY.....1	1
5	82487GT	DECAL,SYMBOL-READ THE MANUAL.....1	1
6	77055GT	SERIAL LABEL,BLANK,4X8,CHROME*.....1 <i>(This is a blank label. Contact Service Parts to order; the model and serial number of the machine will be required.)</i>	1
7	114251GT	DECAL,LABEL,NO SMOKING,SYMB.....1	1
8	114391GT	DECAL,WARNING,CRUSHING.....2	2
9	116893GT	DECAL,TOW SPEED SYMBOL.....1	1
10	116894GT	DECAL,BURN HAZARD SYMBOL.....1	1
11	116895GT	DECAL,TIP HAZARD SYMBOL.....1	1
12	116901GT	DECAL,CONTROL BOX AC CONSOL.....1	1
13	116902GT	DECAL,CONTROL BOX DC CONSOL.....1	1
14	133042GT	DECAL,EXPLSION/BURN HAZ SYMB.....1	1
15	133062GT	Decal, Label, Ground.....1	1
16	133063GT	DECAL,LABEL,TIE DOWN DIAGRAM.....1	1
17	133065GT	DECAL,LABEL-ELEC HAZ,DISTANCE.....1	1
18	133149GT	DECAL,LABEL-ELEC HAZ,SERV MAN..2	2
19	227518GT	DECAL,COSMETIC TEREX,AL4,AL4L..1	1
20	228713GT	LABEL, ELECTRIC WINCH.....1	1
21	228714GT	LABEL, WINCH, RAISE & LOWER.....1	1
22	229102GT	DECAL, LABEL, ARROW.....2	2
23	229781GT	DECAL,WARNING,TIP-OVER,SYM.....1	1
24	229782GT	DECAL,WARNING,CRUSHING HAZARD.....1	1
25	235730GT	DECAL COSMETIC MODEL AL4.....1	1
26	851691GT	DECAL- 1 (10/CARD BRADY.....1	1
27	851692GT	DECAL- 2 (10/CARD BRADY.....1	1
28	851693GT	DECAL- 3 (10/CARD BRADY.....1	1
29	851694GT	DECAL - 4 (10/CARD BRADY.....1	1

104.1 Decals with Symbols, Curbside



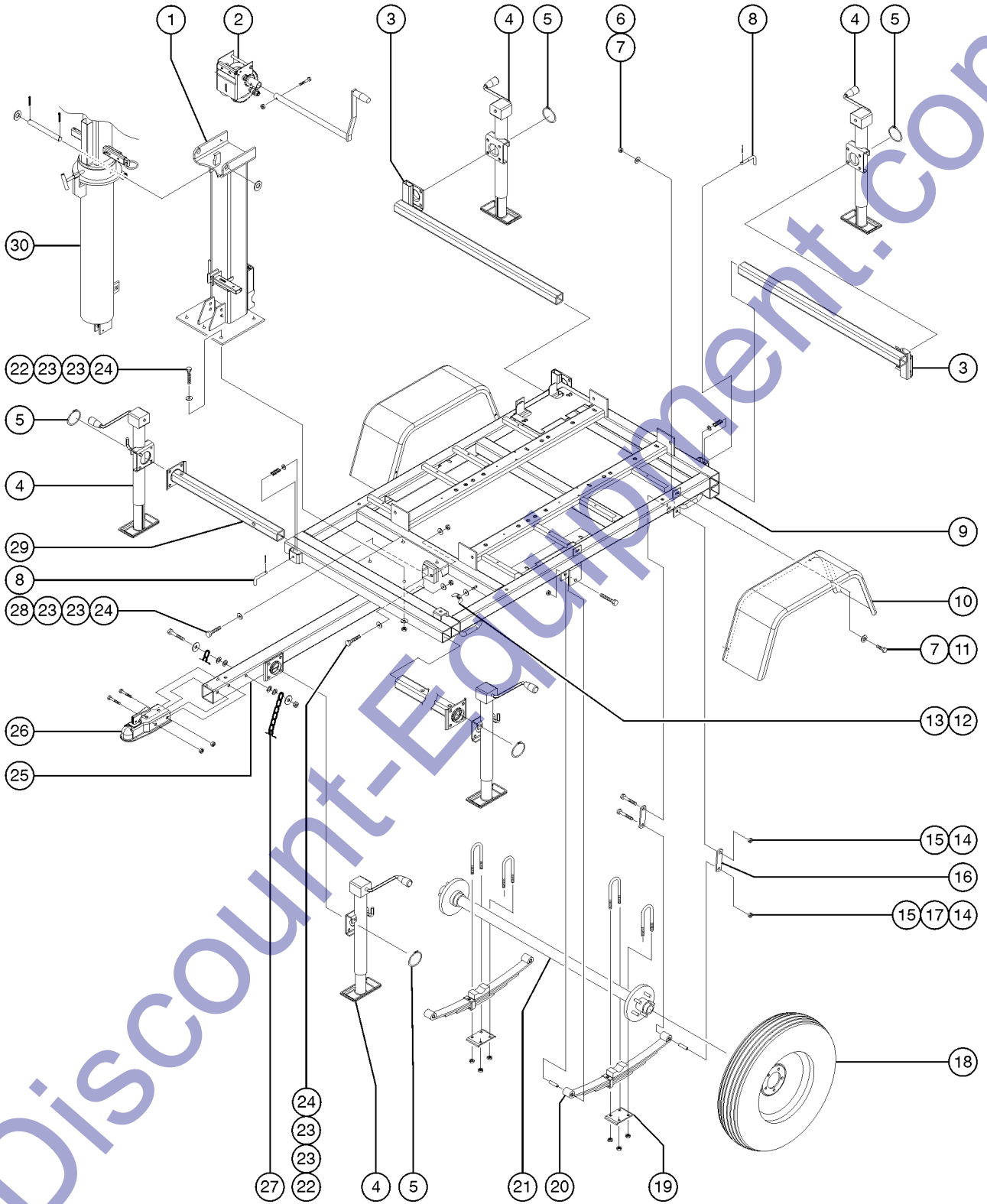


104.1 Decals with Symbols, Curbside

Item	Part No.	Description	Qty.
--		Ref. DECAL KIT, SYMBOL, AL4 (refer to 103.1)	
1	52475GT	DECAL,LABEL,TRANSPORT TIEDOWN*.....	2
2	72086GT	DECAL,LABEL,LIFTING EYE.....	1
3	82472GT	DECAL,WARNING,CRUSHING HAZARD.....	1
4	114464GT	LABEL,TRAVEL LOCK.....	1
5	116894GT	DECAL,BURN HAZARD SYMBOL.....	1
6	133055GT	DECAL,LABEL,BURN/CO2 HAZARD.....	1
7	133065GT	DECAL,LABEL-ELEC HAZ,DISTANCE...1	1
8	133066GT	DECAL,LABEL-CRUSH HAZ,TOWER.....1	1
9	133149GT	DECAL,LABEL-ELEC HAZ,SERV MAN..2	2
10	227518GT	DECAL,COSMETIC TEREX,AL4,AL4L...1	1
11	235730GT	DECAL COSMETIC MODEL AL4.....1	1
12	841890GT	REFLECTOR,SCOTCHLITE,2"X18".....2	2
13	851691GT	DECAL- 1 (10/CARD BRADY.....1	1
14	851692GT	DECAL- 2 (10/CARD BRADY.....1	1
15	851693GT	DECAL- 3 (10/CARD BRADY.....1	1
16	851694GT	DECAL - 4 (10/CARD BRADY.....1	1
17	T108023GT	DECAL,BODILY INJURY SYMBOL.....1	1
18	T108024GT	DECAL,BURN HAZARD SYMBOL.....2	2

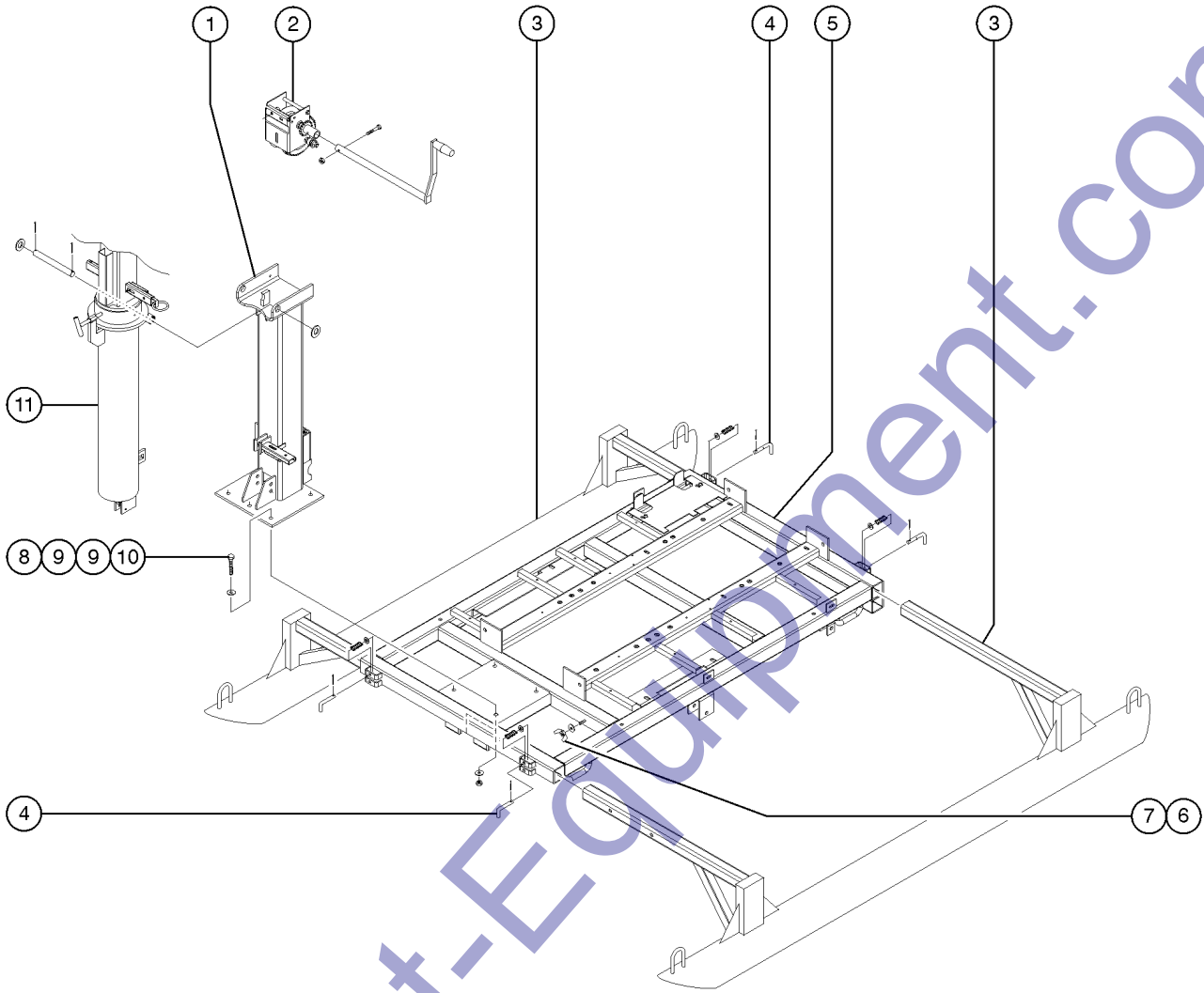
Discount-Equipment.com

201.1 Chassis



Item	Part No.	Description	Qty.	Item	Part No.	Description	Qty.
1		Ref. TOWER BASE ASSEMBLY <i>(refer to 502.1)</i>		30		Ref. 6" ROUND BASE ASSY <i>(refer to 503.1)</i>	
2		Ref. WINCH <i>(refer to 210.1)</i>					
3	114480GT	OUTRIGGER,2X2X42,GALVANIZED.....2					
4	841430GT	JACK,MECHANICAL,3000LB					
5	840222GT	SNAP RING,JACK (841430).....3					
6	824024GT	NUT, TL, 1/4-20, C, ZAG.....4					
7	75144GT	WASHER,FLAT,SAE 1/4",ZINC.....8					
8	790965GT	PIN,PLUNGER,OUTRIGGER, KIT.....2					
9A	124410GT	TRAILER FRAME 41X70W.....1 <i>(ANSI/CSA models)</i>					
9B	124412GT	TRAILER FRAME 41X70W/ <i>(shown) (Australian model)</i>					
10	974645GT	KIT:FENDERS TO CAB-SIDE.....1 <i>(includes 2 fenders, weatherstripping and fasteners)</i>					
--	123490GT	FENDER W/SKIRT,STEEL.....2					
--	930950GT	WTHRSRIP, 1/4" X 1/2"W <i>(50 foot roll)</i>					
11	994130GT	SCREW,HHC,1/4-20 X 1.....4					
12	993240GT	NUT,WING 3/8-16 ZP					
13	991690GT	WASHER LOCK STAR 3/8					
14	840395GT	NUT,AXLE SPRING 2000NO					
15	216631GT	BOLT,AXLE,3/16X3 W/7/16-20STEP					
16	841473GT	SHACKLE,AXLE,4-5/8" LONG					
17	834246GT	SPRING EYE BUSHING					
18	841061GT	WHEEL/TIRE ASSY,15",205/75 LRC....2					
--	840376GT	NUT,WHEEL, 1/2 X 20.....10					
19	834267GT	KIT,AXLE,U-BOLT & PLATE & NUTS....2					
20	834211GT	SPRING,LEAF FOR AXLE, 4 PLY.....2					
21		Ref., AXLE.....1 <i>(refer to 205.1)</i>					
22	994600GT	SCREW 1/2-13NCX1-1/2H.....2					
23	6095GT	WASHER,FLAT,USS,1/2",Y.....4					
24	6198GT	NUT,NYLOCK,1/2-13					
25	124470GT	TONGUE B-O-H W/JACKBR.....1					
26		Ref., HITCHES <i>(refer to 205.1)</i>					
27	162160GT	CHAIN, SAFETY, SNAP HOOK.....2					
--	32645GT	SCREW,HHC,3/8-16 X 5 GRD 5 ZNC....1					
--	6097GT	WASHER,FLAT,USS,3/8",Y.....2					
--	61975GT	RETAINER,SPRING,1.21 X .375.....2					
--	824029GT	NUT,TL FLG,3/8-16,G,ZAG.....1					
28	6096GT	SCREW,HHC,1/2-13 X 2 GR5					
29	110040GT	OUTRIGGER 2X2X304819 GALV.....2 <i>models with four outriggers</i>					

202.1 Skid Chassis Components



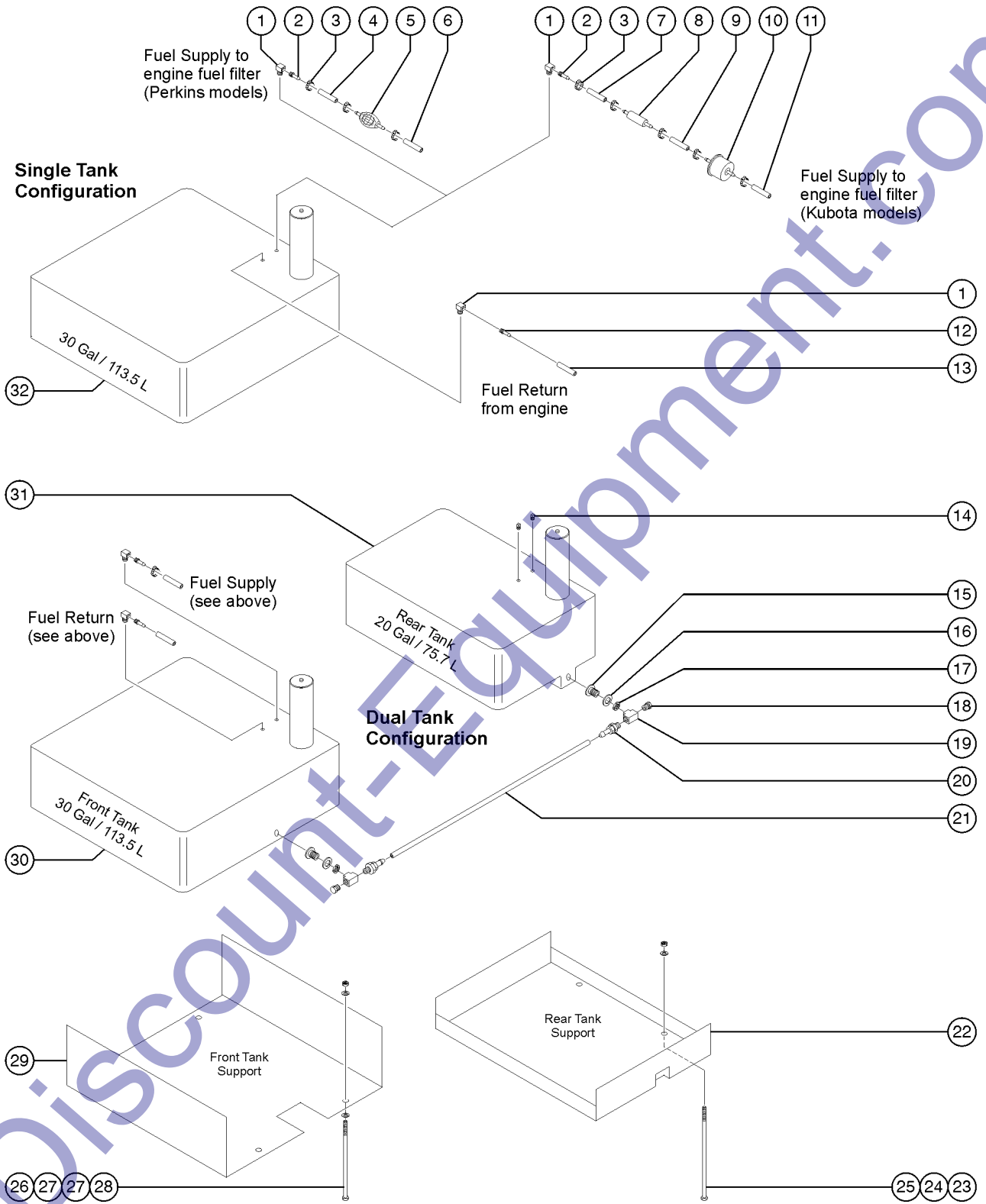
Discount-Equipment.com

202.1 Skid Chassis Components

Item	Part No.	Description	Qty.
1		Ref. TOWER BASE ASSEMBLY <i>(refer to 502.1)</i>	
2		Ref. WINCH <i>(refer to 209.1)</i>	
3	122025GT	SKID,6PIPE,X120LG,TRLR MT,AL4.....	2
4	790965GT	PIN,PLUNGER,OUTRIGGER, KIT.....	4
5	T108458GT	KIT,TRAILER,SKID MT,AL4.....	1
6	993240GT	NUT,WING 3/8-16 ZP.....	1
7	991690GT	WASHER LOCK STAR 3/8.....	1
8	994600GT	SCREW 1/2-13NCX1-1/2H.....	4
9	6095GT	WASHER,FLAT,USS,1/2",Y.....	8
10	6198GT	NUT,NYLOCK,1/2-13.....	4
11		Ref. 6" ROUND BASE ASSY <i>(refer to 503.1)</i>	

Discount-Equipment.com

203.1 Fuel Tank and Hoses (models without Spill Containment Option)

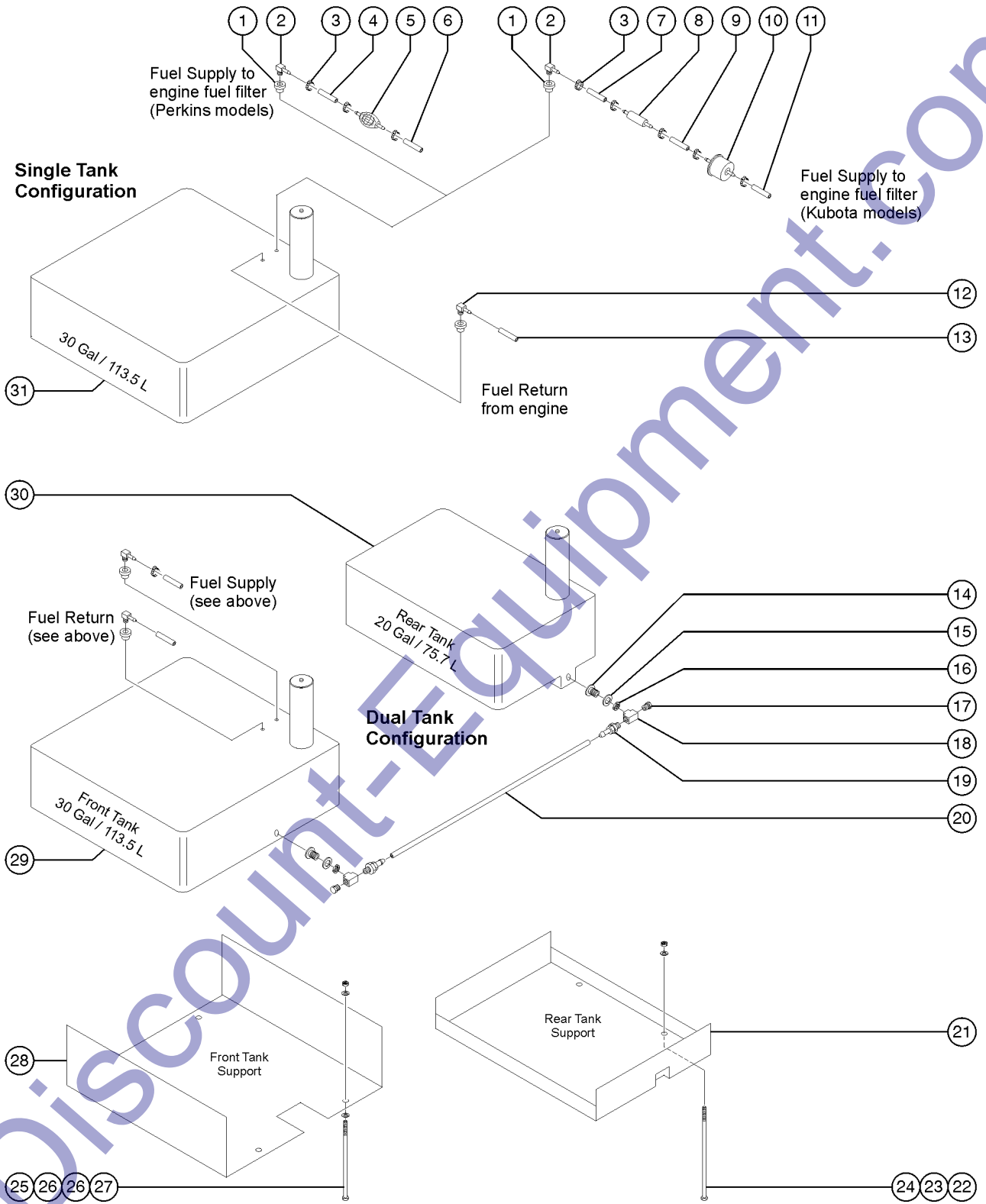


## 203.1 Fuel Tank and Hoses (models without Spill Containment Option)

Item	Part No.	Description	Qty.	Item	Part No.	Description	Qty.
1	891520GT	PIPE FITTING STR ELBO.....	2	26	994650GT	SCREW,HHC,1/2-13 X 10..... <i>for 188630GT</i>	4
2	898590GT	HOSE FITTING PIPE/BAR.....	1	27	990210GT	WASHER FLAT 1/2ZP..... <i>for 188630GT</i>	8
3	792750GT	CLAMP 7/16 TO 25/32		28	990200GT	NUT,NYLOCK,1/2-13 GR2..... <i>for 188630GT</i>	4
4	890795GT	HOSE,FUEL,5/16"ID..... <i>feet</i>	15	29	188630GT	FUEL TANK PAN, 30 GAL, AL4..... <i>for single and dual tank configurations</i>	1
5	85155GT	PUMP,PRIMER,PERKINS*** ..... <i>Perkins models</i>	1	30	189800GT	FUEL TANK,30 GAL W DRAIN HOLE.... <i>for dual-tank configuration</i>	1
6	890795GT	HOSE,FUEL,5/16"ID..... <i>feet</i>	2.5	--	217717GT	CAP FUEL RL4/AL4 WITH TETHER	
7	890795GT	HOSE,FUEL,5/16"ID..... <i>inches</i>	12	--	218075GT	CAP FUEL AL4 GAGE W TETHER <i>with fuel-level gauge</i>	
8	740620GT	FILTER,IN-LINE,FUEL,5/16" <i>Kubota models</i>		--	22109505GT	KIT: FUEL TANK DRAIN PLUG	
9	890795GT	HOSE,FUEL,5/16"ID..... <i>feet</i>	0.25	--	217717GT	CAP FUEL RL4/AL4 WITH TETHER	
10	660320GT	PUMP,FUEL, 12VDC..... <i>Kubota models</i>	1	--	218075GT	CAP FUEL AL4 GAGE W TETHER <i>with fuel-level gauge</i>	
--	995810GT	SCREW 1/4-20NCX5/8 HW <i>for 660320GT</i>		--	22109505GT	KIT: FUEL TANK DRAIN PLUG	
10A	R890065GT	HOSE FITTING PIPE/BARB 1/8MX..... <i>for 660320GT</i>	2	31A	189805GT	FP-FUEL TANK 20GAL W/DRAIN..... <i>for dual-tank configuration</i>	1
11	890795GT	HOSE,FUEL,5/16"ID..... <i>feet</i>	1.5	32	825072GT	FUEL TNK ASSY,PLAS,30G,AL4..... <i>for single-tank configuration</i>	1
12	891560GT	HOSE FITTING PIPE/BAR.....	1	--	217717GT	CAP FUEL RL4/AL4 WITH TETHER	
13	890785GT	HOSE,FUEL,1/8"ID..... <i>feet</i>	2.5	--	218075GT	CAP FUEL AL4 GAGE W TETHER <i>with fuel-level gauge</i>	
14	894340GT	PIPE PLUG 3/8 GALV.....	2	--	22109505GT	KIT: FUEL TANK DRAIN PLUG	
15	189790GT	PLUG,DRAIN,FUEL TANK..... <i>dual-tank models</i>	2				
--	189785GT	WASHER RUBBER BUNA-N <i>dual-tank models</i>					
16	990230GT	WASHER,FLAT,3/4 ZP <i>dual-tank models</i>					
17	996375GT	NUT HEX HEAD JAM 3/4- <i>dual-tank models</i>					
18	891190GT	PIPE PLUG 1/8 CS <i>dual-tank models</i>					
19	898575GT	FITTING,TEE,MALE,1/8 <i>dual-tank models</i>					
20	R890065GT	HOSE FITTING PIPE/BARB 1/8MX <i>dual-tank models</i>					
21	890790GT	HOSE,FUEL,1/4"ID,PUSH LOK,200#..... <i>feet</i>	3				
22	116139GT	FUEL TANK PAN,20GAL,AL4..... <i>for 189805GT</i>	1				
23	116157GT	SCREW,CARRIAGE,3/8-16X12,ZP..... <i>for 116139GT</i>	4				
24	981120GT	WASHER FLAT 3/8 ZP SAE BIN..... <i>for 116139GT</i>	4				
25	824025GT	NUT,TL,3/8-16,C,ZAG..... <i>for 116139GT</i>	4				



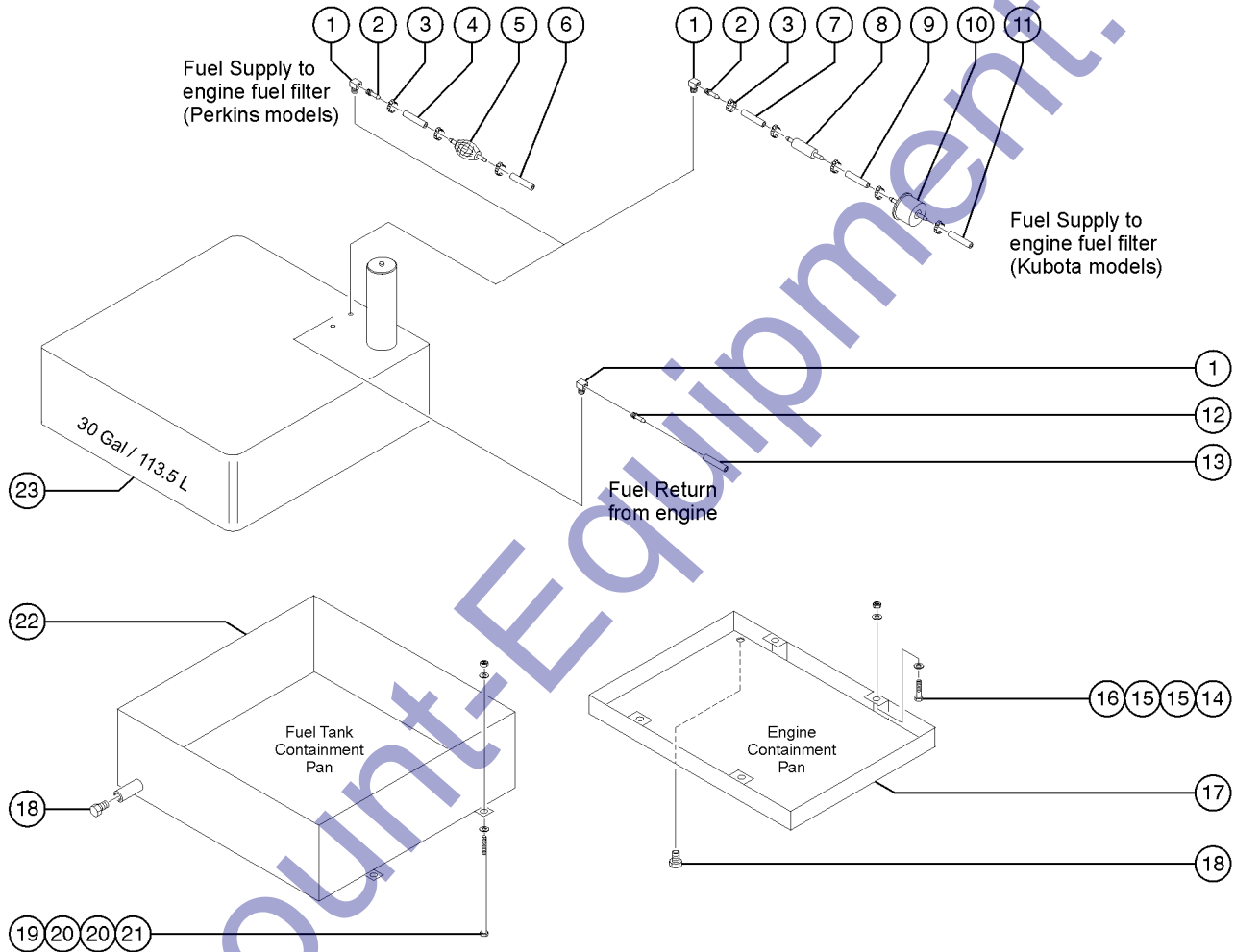
203.2 Fuel Tank and Hoses (models without Spill Containment Option)



203.2 Fuel Tank and Hoses (models without Spill Containment Option)

Item	Part No.	Description	Qty.	Item	Part No.	Description	Qty.
1	825081GT	GROMMET DAPCO RUBBER SM.....	2	28	188630GT	FUEL TANK PAN, 30 GAL, AL4.....	1
2	825076GT	FITTING 5/16, WITH TUBE.....	1			<i>for single and dual tank configurations</i>	
3	792750GT	CLAMP 7/16 TO 25/32		29	162280GT	FUEL TANK,30 GAL W DRAIN HOLE.....	1
4	890795GT	HOSE,FUEL,5/16"ID.....	15-feet			<i>for dual-tank configuration</i>	
5	85155GT	PUMP,PRIMER,PERKINS***.....	1	--	217717GT	CAP FUEL RL4/AL4 WITH TETHER	
		<i>Perkins models</i>		--	218075GT	CAP FUEL AL4 GAGE W TETHER	
6	890795GT	HOSE,FUEL,5/16"ID.....	2.5-feet			<i>with fuel-level gauge</i>	
7	890795GT	HOSE,FUEL,5/16"ID.....	1-feet	--	22109505GT	KIT: FUEL TANK DRAIN PLUG	
8	740620GT	FILTER,IN-LINE,FUEL,5/16"		--	217717GT	CAP FUEL RL4/AL4 WITH TETHER	
		<i>Kubota models</i>		--	218075GT	CAP FUEL AL4 GAGE W TETHER	
9	890795GT	HOSE,FUEL,5/16"ID.....	0.25-feet			<i>with fuel-level gauge</i>	
10	660320GT	PUMP,FUEL, 12VDC.....	1	--	22109505GT	KIT: FUEL TANK DRAIN PLUG	
		<i>Kubota models</i>		30A	189805GT	FP-FUEL TANK 20GAL W/DRAIN.....	1
--	995810GT	SCREW 1/4-20NCX5/8 HW				<i>for dual-tank configuration</i>	
		<i>for 660320GT</i>		31	742220GT	FUEL TNK ASSY,PLAS,30G,AL4.....	1
10A	R890065GT	HOSE FITTING PIPE/BARB 1/8MX.....	2			<i>for single-tank configuration</i>	
		<i>for 660320GT</i>					
11	890795GT	HOSE,FUEL,5/16"ID.....	1.5-feet				
12	825079GT	FITTING 1/8,FITTING FOR DOWN T.....	1				
13	890785GT	HOSE,FUEL,1/8"ID.....	2.5-feet				
14	189790GT	PLUG,DRAIN,FUEL TANK.....	2				
		<i>dual-tank models</i>					
--	189785GT	WASHER RUBBER BUNA-N					
		<i>dual-tank models</i>					
15	990230GT	WASHER,FLAT,3/4 ZP					
		<i>dual-tank models</i>					
16	996375GT	NUT HEX HEAD JAM 3/4-					
		<i>dual-tank models</i>					
17	891190GT	PIPE PLUG 1/8 CS					
		<i>dual-tank models</i>					
18	898575GT	FITTING,TEE,MALE,1/8					
		<i>dual-tank models</i>					
19	R890065GT	HOSE FITTING PIPE/BARB 1/8MX					
		<i>dual-tank models</i>					
20	890790GT	HOSE,FUEL,1/4"ID,PUSH					
		LOK,200#.....	3-feet				
21	116139GT	FUEL TANK PAN,20GAL,AL4.....	1				
		<i>for 189805GT</i>					
22	116157GT	SCREW,CARRIAGE,3/8-16X12,ZP.....	4				
		<i>for 116139GT</i>					
23	981120GT	WASHER FLAT 3/8 ZP SAE BIN.....	4				
		<i>for 116139GT</i>					
24	824025GT	NUT,TL,3/8-16,C,ZAG.....	4				
		<i>for 116139GT</i>					
25	994650GT	SCREW,HHC,1/2-13 X 10.....	4				
		<i>for 188630GT</i>					
26	990210GT	WASHER FLAT 1/2ZP.....	8				
		<i>for 188630GT</i>					
27	990200GT	NUT,NYLOCK,1/2-13 GR2.....	4				
		<i>for 188630GT</i>					

204.1 Fuel Tank and Hoses (models with Spill Containment Option)

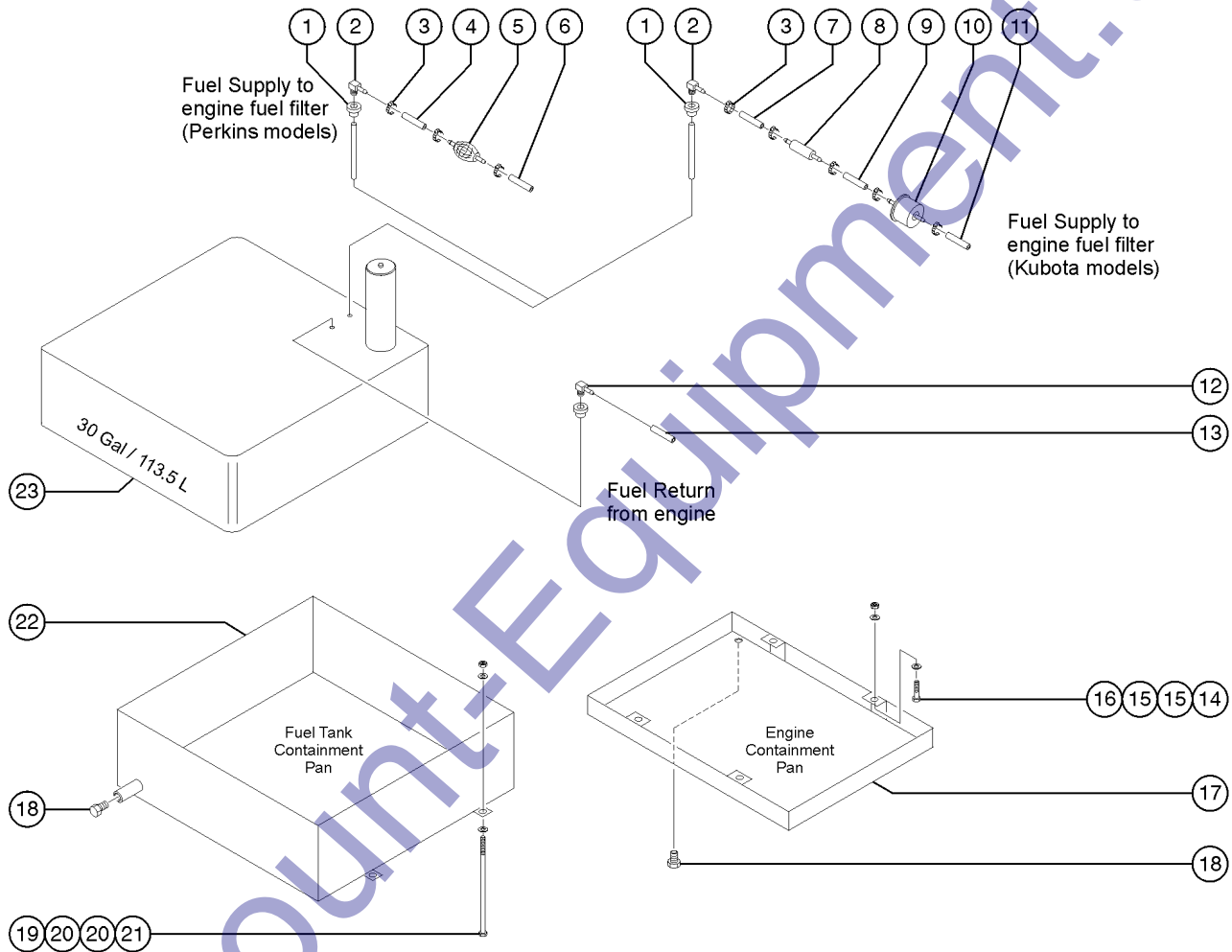


204.1 Fuel Tank and Hoses (models with Spill Containment Option)

Item	Part No.	Description	Qty.
1		Ref. PIPE FITTING <i>(refer to 203.1)</i>	
2		Ref. HOSE FITTING <i>(refer to 203.1)</i>	
3		Ref. CLAMP <i>(refer to 203.1)</i>	
4		Ref. Hose <i>(refer to 203.1)</i>	
5		Ref. PUMP, PRIMER <i>(refer to 203.1)</i>	
6		Ref. FUEL HOSE <i>(refer to 203.1)</i>	
7		Ref. FUEL HOSE <i>(refer to 203.1)</i>	
8		Ref. FILTER, IN-LINE <i>(refer to 203.1)</i>	
9		Ref. FUEL HOSE <i>(refer to 203.1)</i>	
10		Ref. PUMP, FUEL <i>(refer to 203.1)</i>	
11		Ref. FUEL HOSE <i>(refer to 203.1)</i>	
12		Ref. HOSE FITTING <i>(refer to 203.1)</i>	
13		Ref. FUEL HOSE <i>(refer to 203.1)</i>	
14	992590GT	SCREW 3/8-16NCX1-1/2H.....	4
15	981120GT	WASHER FLAT 3/8 ZP SAE BIN.....	8
16	824025GT	NUT,TL,3/8-16,C,ZAG.....	4
17	124515GT	BUND FLUIDS CONTAINPA.....	1
18	891194GT	PIPE PLUG 1/2 GALV.....	2
19	995465GT	SCREW,HHC,1/2-13NCX12,GR2.....	4
20	990210GT	WASHER FLAT 1/2ZP.....	8
21	990200GT	NUT,NYLOCK,1/2-13 GR2.....	4
22	124445GT	BUND FUEL CONTAINPAN.....	1
23A		Ref. FUEL TANK <i>(refer to 203.1)</i>	
23B	74225GT	TANK FUEL 20GAL RMPE1	

DiscoveryEquipment.com

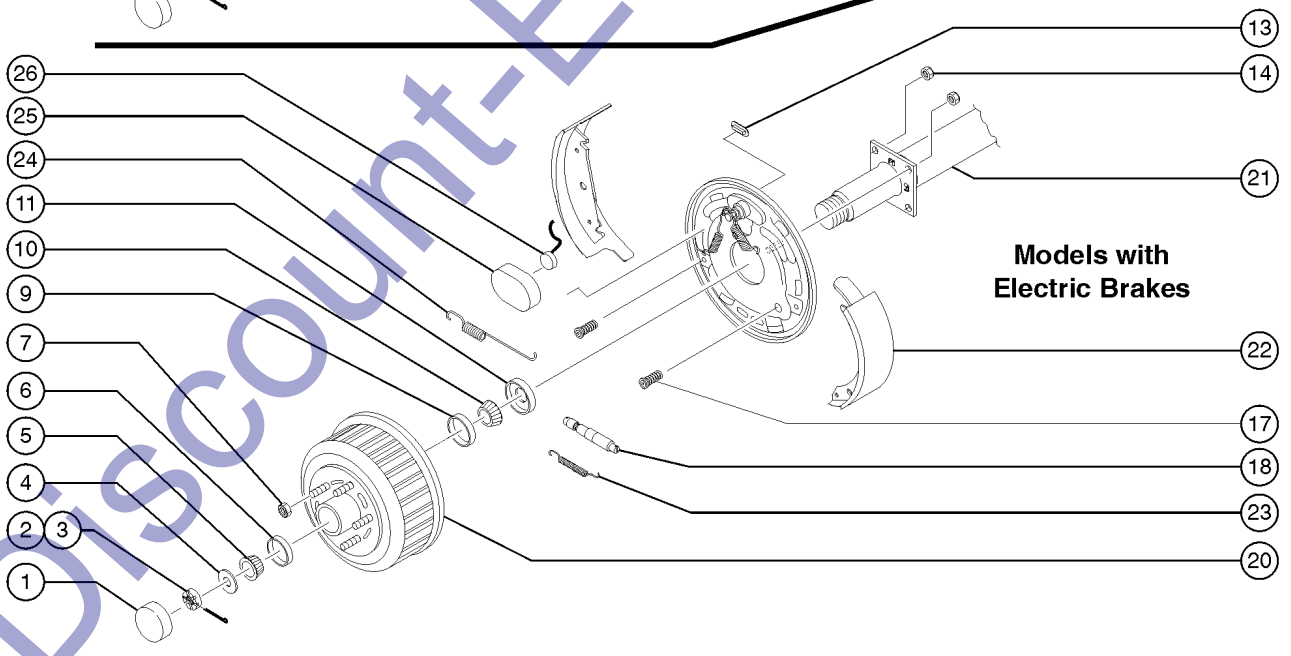
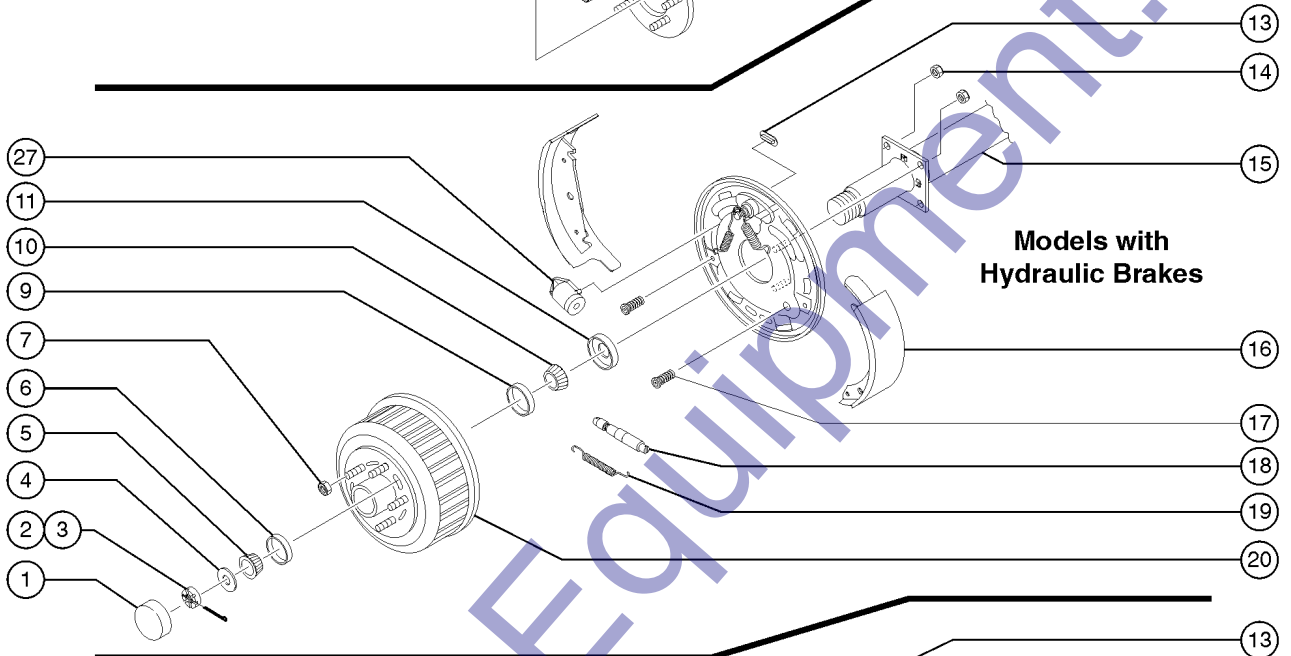
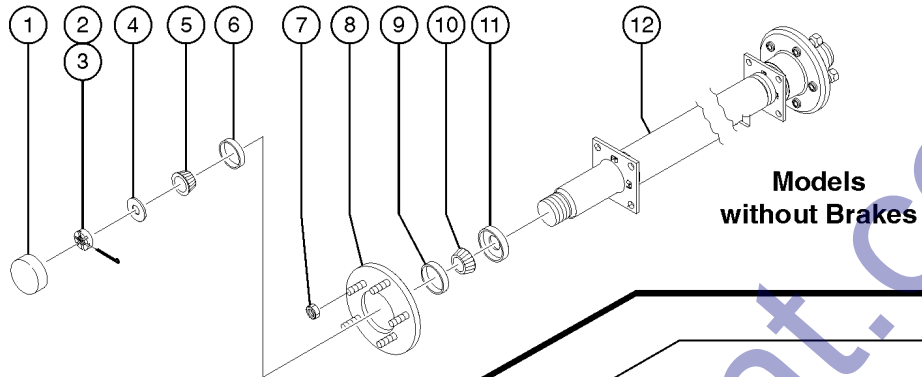
204.2 Fuel Tank and Hoses (models with Spill Containment Option)



## 204.2 Fuel Tank and Hoses (models with Spill Containment Option)

Item	Part No.	Description	Qty.
1		Ref. PIPE FITTING (refer to 203.2)	
2		Ref. HOSE FITTING (refer to 203.2)	
3		Ref. CLAMP (refer to 203.2)	
4		Ref. Hose (refer to 203.2)	
5		Ref. PUMP, PRIMER (refer to 203.2)	
6		Ref. FUEL HOSE (refer to 203.2)	
7		Ref. FUEL HOSE (refer to 203.2)	
8		Ref. FILTER, IN-LINE (refer to 203.2)	
9		Ref. FUEL HOSE (refer to 203.2)	
10		Ref. PUMP, FUEL (refer to 203.2)	
11		Ref. FUEL HOSE (refer to 203.2)	
12		Ref. HOSE FITTING (refer to 203.2)	
13		Ref. FUEL HOSE (refer to 203.2)	
14	992590GT	SCREW 3/8-16NCX1-1/2H.....	4
15	981120GT	WASHER FLAT 3/8 ZP SAE BIN.....	8
16	824025GT	NUT,TL,3/8-16,C,ZAG.....	4
17	124515GT	BUND FLUIDS CONTAINPA.....	1
18	891194GT	PIPE PLUG 1/2 GALV.....	2
19	995465GT	SCREW,HHC,1/2-13NCX12,GR2.....	4
20	990210GT	WASHER FLAT 1/2ZP.....	8
21	990200GT	NUT,NYLOCK,1/2-13 GR2.....	4
22	124445GT	BUND FUEL CONTAINPAN.....	1
23A		Ref. FUEL TANK (refer to 203.2)	
23B	74225GT	TANK FUEL 20GAL RMPE1	

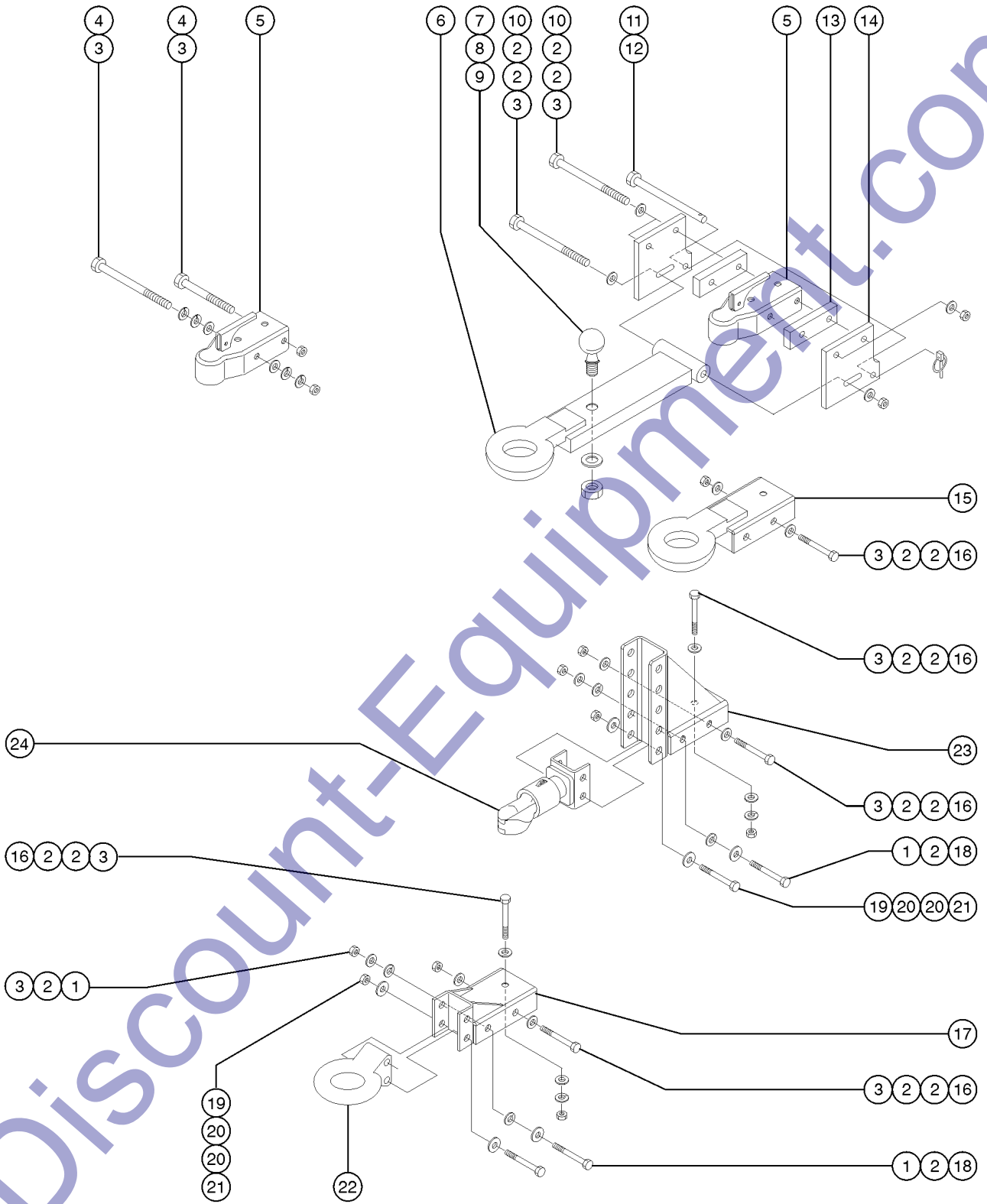
205.1 Axles and Brakes





Item	Part No.	Description	Qty.
1	834228GT	GREASE CAP, AXLE, 3000LB.....	2
2	834250GT	HAMMERBLOW SPINDLE NUT,AXLE...	2
3	834255GT	HAMMERBLOW 033008COTTER PIN...	2
4	147123GT	WASHER,PLAIN,1".....	2
5	230561GT	BEARING,ALXL,840377,841050.....	2
6	230562GT	RACE,ALXL,840377,841050.....	2
7	840376GT	NUT,WHEEL, 1/2 X 20.....	10
8	230566GT	IDLER HUB,ALXL.....	2
9	230563GT	RACE,ALXL,840377,841050.....	2
10	834226GT	INNER BEARING.....	2
11	52265GT	SEAL,GREASE (SL173)..... <i>replaced 834225GT</i>	2
12	841050GT	AXLE ASSY,3500LB,IDLE,AL4..... <i>includes items 1-11</i>	1
13		COVER,ADJ SCREW,ALXL,BRAKE..... <i>(no longer available from supplier)</i>	2
14	230560GT	NUT,7/16,FH,ZINC,BRAKE, ALXL.....	10
15A	22105016GT	ASY:AXLE 3500LB W/HYD BRAKE <i>models with ball hitch; includes items 1-11, 13-20 and 26</i>	
15B	22105013GT	ASY:AXLE 3500LB W/HYD BRAKE <i>models with ring hitch; includes items 1-11, 13-20 and 26</i>	
16	230571GT	SHOE AND LINING KIT,ALXL,ELEC.....	2
17	230577GT	SHOE HOLD DOWN SPRING,ALXL.....	4
18	230569GT	ADJUSTER SCREW ASSY, ALXL.....	2
19		ADJUSTER SPRING,E BRAKE,ALXL..... <i>(no longer available from supplier)</i>	2
20	230565GT	BRAKE DRUM,ALXL.....	2
21	116941GT	AXLE ASSY ELE,3500 W/PRK BRK <i>includes items 1-11, 13-14, 17-18 and 20-26</i>	
22	230570GT	SHOE AND LINING KIT,ALXL,HYD.....	2
23	230573GT	ADJUSTER SPRING,H BRAKE,ALXL.....	2
24	230575GT	RETRACTOR SPRING,E BRK,ALXL.....	2
25	230568GT	MAGNET,ELEC BRAKE, ALXL.....	2
26	230567GT	MAGNET SPRING,ELEC BRAKE,ALXL.....	2
27A	230579GT	WHEEL CYLINDER, LH, ALXL.....	2
27B	230580GT	WHEEL CYLINDER, RH, ALXL.....	2

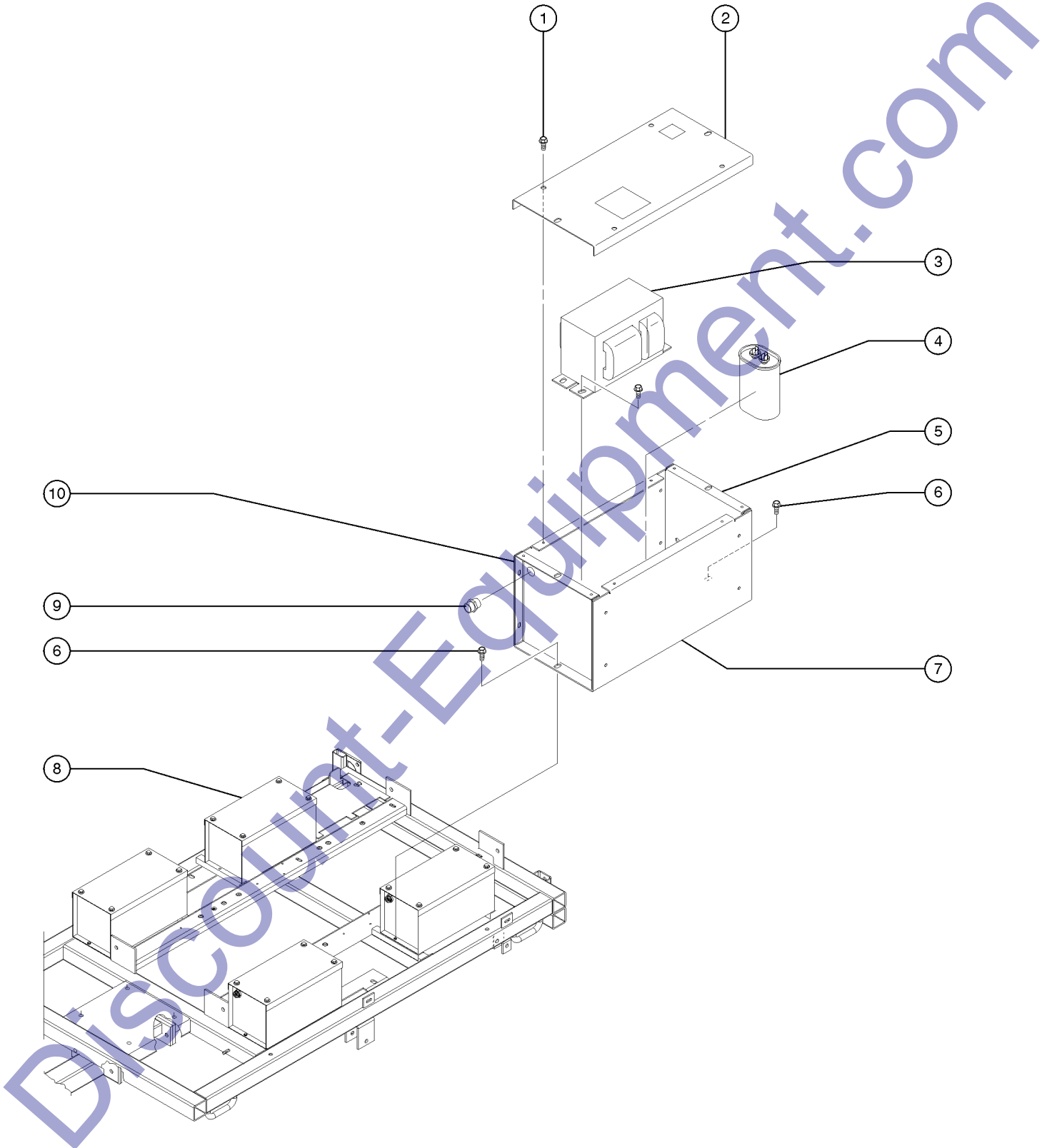
206.1 Hitches



Discount-Equipment.com

Item	Part No.	Description	Qty.
1	991650GT	WASHER LOCK 1/2ZP.....	2
2	6095GT	WASHER,FLAT,USS,1/2",Y	
3	6198GT	NUT,NYLOCK,1/2-13	
4	995310GT	SCREW,HHC,1/2-13 X 4 G.....	2
5A	57332GT	COUPLER,BALL,2" CLASS II	
5B	227082GT	COUPLER,BALL,2 5/16	
6	T109127GT	HITCH RING,COMBO,16"LENGTH.....	1
7	89163GT	BALL, 2" ZINC.....	1
8	122079GT	WASHER,FLAT,1.000,HARDENED.....	1
9	33265GT	NUT,HEX,1-8.....	1
10	1262632GT	SCREW,HHC,1/2-13 X 6 GR8 ZP.....	3
11	183731GT	SCREW,HHC,1/2-13 X 6.....	1
12	790540GT	PIN QUICK 1/4X 1.75 ZP.....	1
13	T109129GT	SPACER,SIDE,COMBO,HTCH,BOLT-ON.2	
14	176335GT	PLATE,SIDE,COMBO HITCH,BOLT-ON.....	2
15	213770GT	HITCH,RING,BOLT-ON 2.5" ID.....	1
16	13854GT	SCREW,HHC,1/2-13 X 4.5,GRD.8.....	2
17	116936GT	AS-RING HITCH MOUNT.....	1
18	6-5208-44GT	SCREW,HHC,1/2-13 X 5.5,GRD.8.....	1
19	123461GT	SCREW,HHC,5/8-11X4.50,GR8,Y.....	2
20	6035GT	WASHER,FLAT,USS,5/8",Y.....	4
21	6024GT	NUT,NYLOCK,5/8-11.....	1
22A	116937GT	HITCH,2.5"RING,6 TON.....	1
22B	T110632GT	HITCH,3"RING,6TON.....	1
23	218691GT	BRACKET ADJ HGT 6".....	1
24A	67231GT	COUPLER 2-5/16" BALL BULLDOG T....	1
24B	67230GT	COUPLER 2" BALL BULLDOG TMZ.....	1

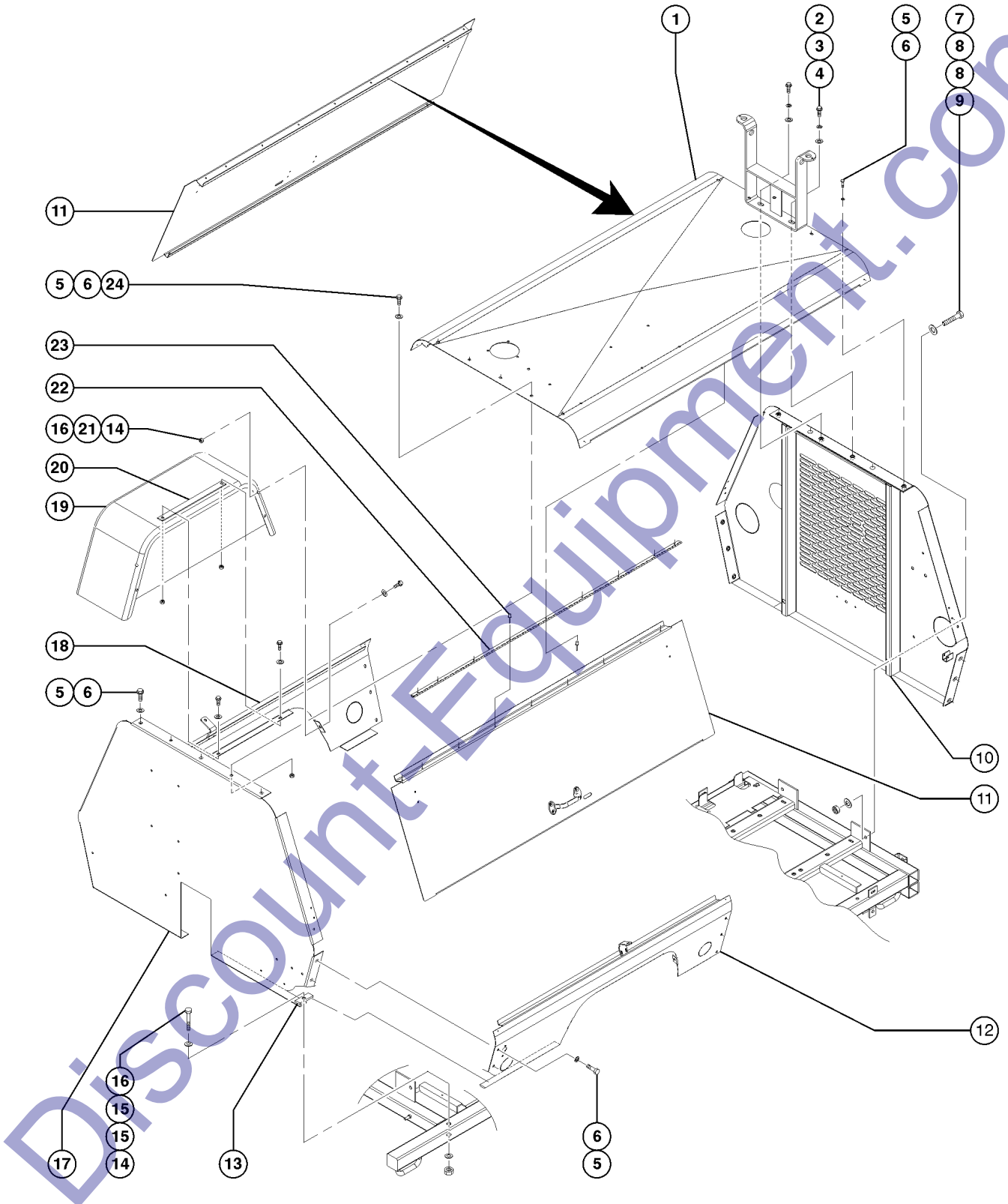
207.1 Ballast Box



Item	Part No.	Description	Qty.
1	995490GT	SCREW,HH SLOT,1/4 X 0.75	
2	161181GT	FP-BALLAST BOX TOP.....1	
3A	160030GT	BALLAST/CAP MH60Hz120.....1 (includes item 4A)	
3B	160490GT	BALLAST MH 50HZ 120V/ (includes item 4B)	
4A	160032GT	CAPACITOR 24uF MH 60H.....1	
4B	160033GT	CAPACITOR,50HZ MH,26MF(BALLAST	
5	161185GT	FP-BALLAST BOX FRONT.....1	
6	995810GT	SCREW 1/4-20NCX5/8 HW.....8	
7	161180GT	FP-BALLAST BOX BOTTOM.....1	
8A	114355GT	BALLAST ASSY,60HZ,MH,1KW,120V.....1 (without decals, refer to section 1)	
8B	115366GT	BALLAST ASSY,50HZ,MH,1000W (without decals, refer to section 1)	
8C	114895GT	BALLAST ASSY,60HZ,HPS,1000W (without decals, refer to section 1)	
8D	22114359GT	BALLAST ASSY,50HZ,MH,1000W AUS (without decals, refer to section 1)	
9	663860GT	CONNECTOR 5P MALE RECEPTACLE.....1	
10	161184GT	FP-BALLAST BOX REAR.....1	

Discount-Equipment.com

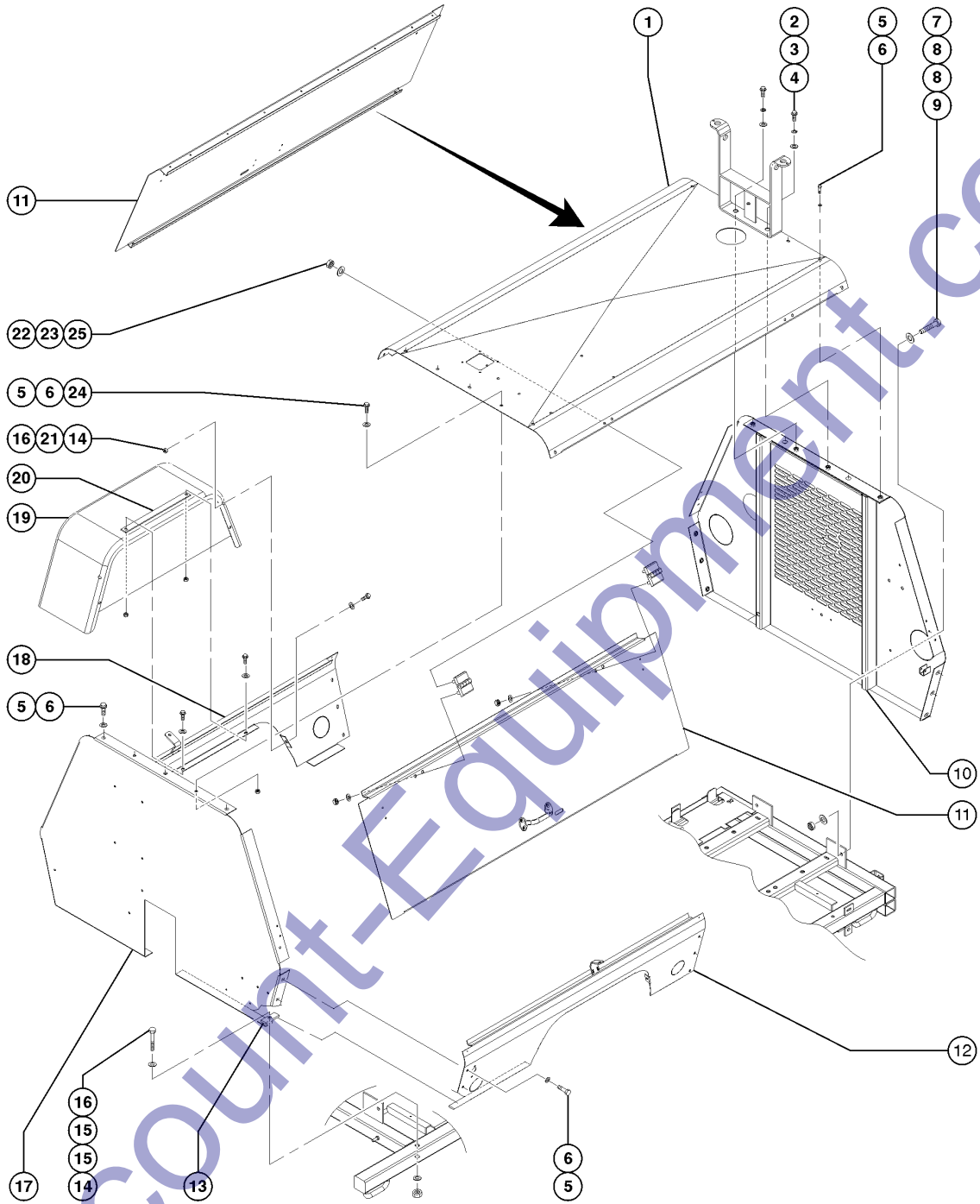
208.1 Cabinet, View 1 (to SN AL413-2416)



## 208.1 Cabinet, View 1 (to SN AL413-2416)

Item	Part No.	Description	Qty.
--	972885GT	KIT:CABINET BOLT-TOGETHER	
--	974635GT	KIT:CABINET MOUNT REAR AL4/5/7	
--	974636GT	KIT:CABINET MOUNT SIDES	
--	974637GT	KIT:CABINET MOUNT FRONT AL4000	
1	188554GT	CABINET TOP PANELAL4 AUTOSTART.....1	
2	994600GT	SCREW 1/2-13NCX1-1/2H	
3	991650GT	WASHER LOCK 1/2ZP	
4	993860GT	WASHER,FLAT,1/2 SS 18-8 BIN	
5	995810GT	SCREW 1/4-20NCX5/8 HW	
6	75144GT	WASHER,FLAT,SAE 1/4",ZINC	
7	990270GT	SCREW,HHC,1/2-13 X 3.5 GR8	
8	6095GT	WASHER,FLAT,USS,1/2",Y	
9	6198GT	NUT,NYLOCK,1/2-13	
10B	230738GT	AS-PANEL, REAR,CABINET,AL4.....1	
10C	T111131GT	CABINET REAR PANEL BLKOUT (for models with blackout light option)	
11	188560GT	PANEL,DOOR,CABINET,AL4.....2	
12A	188570GT	PANEL,CABINET, ROAD SIDE.....1	
12B	T111112GT	PANEL,CABINET,RDSIDE BLKOUT (for models with blackout light option)	
13	993900GT	WASHER RECTANGULAR1/4.....2	
14	990160GT	SCREW,HHC,3/8-16 X 3.75	
15	990080GT	WASHER FLAT 3/8USS ZPBIN	
16	824025GT	NUT,TL,3/8-16,C,ZAG	
17	188530GT	CABINET FRONT PANELAL.....1	
18A	188580GT	PANEL,CABINET, CURB SIDE.....1	
18B	T111113GT	PANEL,CABINET,CRBSIDE BLKOUT (for models with blackout light option)	
19	123490GT	FENDER W/SKIRT,STEEL.....2	
20	930950GT	WTHRSRIP, 1/4" X 1/2"W.....2	
21	990340GT	WASHER FLAT 1/4ZPLENSETBIN	
22	796610GT	HINGE,PIANO,1.5"W X 51.75"L.....2	
23	990670GT	RIVET,POP,SS,3/16"X1/2" BLIND	
24	824024GT	NUT, TL, 1/4-20, C, ZAG	

208.2 Cabinet, View 1 (from SN AL413-2417)



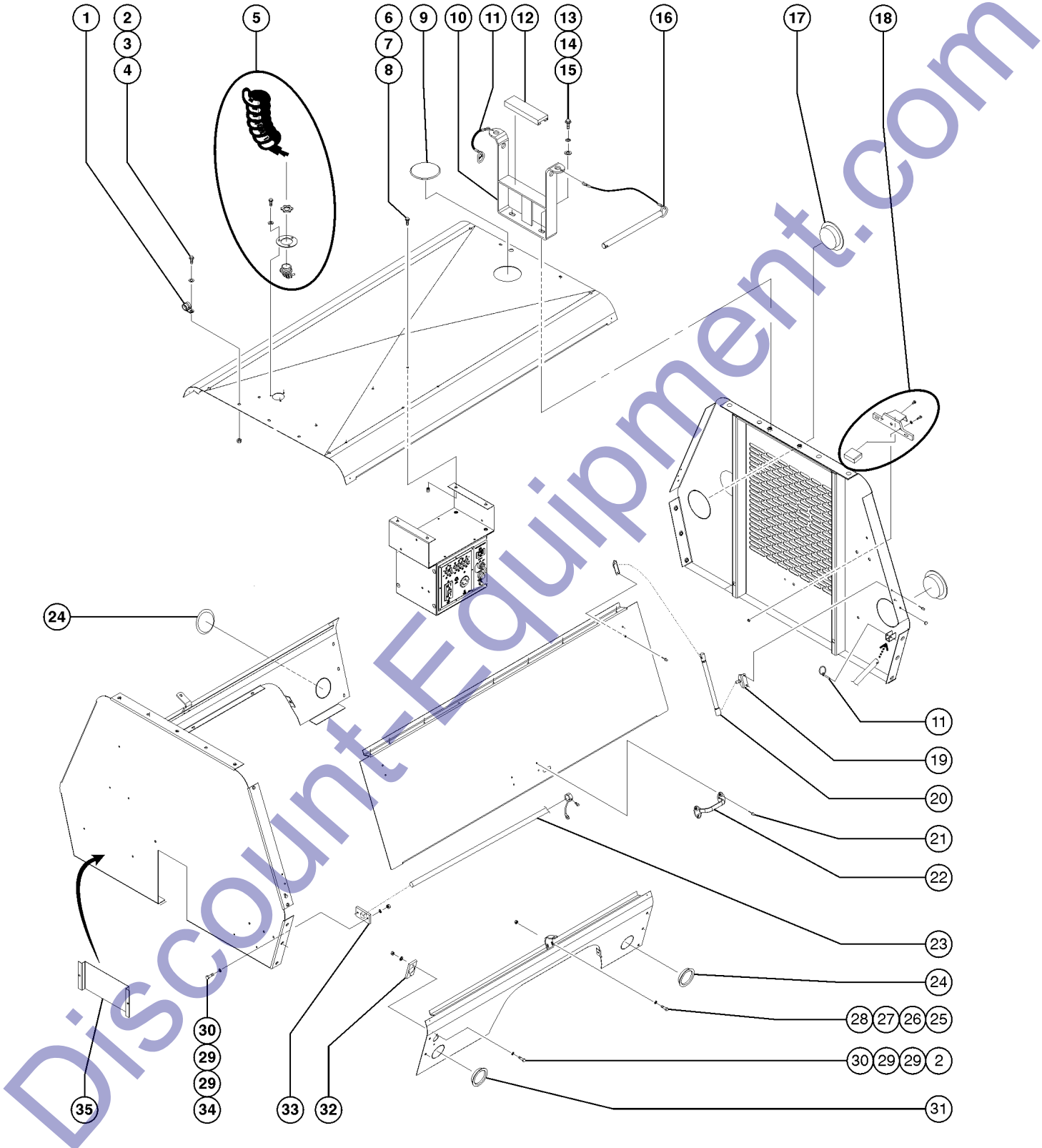
Discount-Equipment.com



## 208.2 Cabinet, View 1 (from SN AL413-2417)

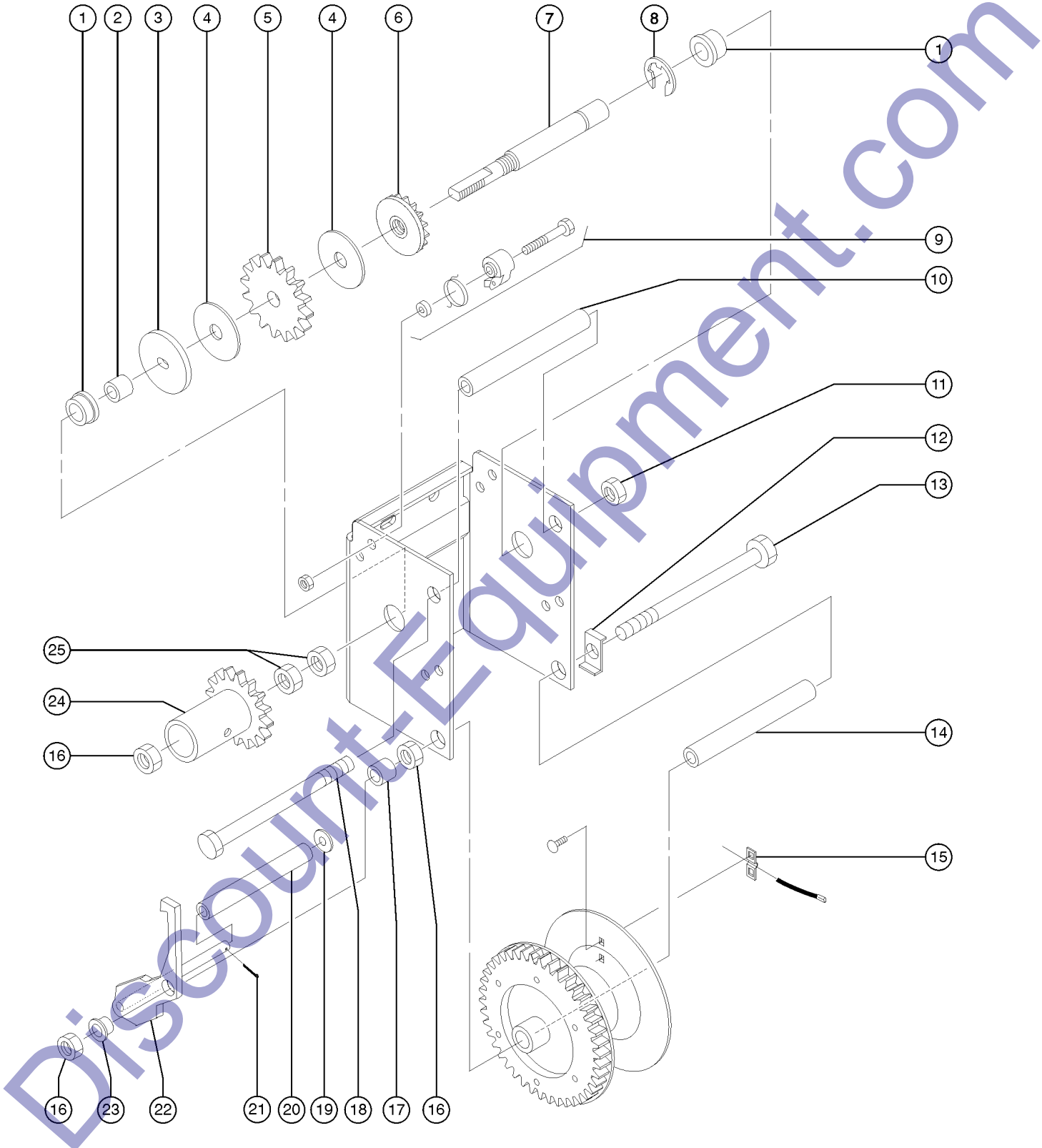
Item	Part No.	Description	Qty.
--	972885GT	KIT:CABINET BOLT-TOGETHER	
--	974635GT	KIT:CABINET MOUNT REAR AL4/5/7	
--	974636GT	KIT:CABINET MOUNT SIDES	
--	974637GT	KIT:CABINET MOUNT FRONT AL4000	
1	160422GT	TOP, CABINET, AL4 BUTT HINGE.....1	
2	994600GT	SCREW 1/2-13NCX1-1/2H	
3	991650GT	WASHER LOCK 1/2ZP	
4	993860GT	WASHER,FLAT,1/2 SS 18-8 BIN	
5	995810GT	SCREW 1/4-20NCX5/8 HW	
6	75144GT	WASHER,FLAT,SAE 1/4",ZINC	
7	990270GT	SCREW,HHC,1/2-13 X 3.5 GR8	
8	6095GT	WASHER,FLAT,USS,1/2",Y	
9	6198GT	NUT,NYLOCK,1/2-13	
10B	230738GT	AS-PANEL, REAR,CABINET,AL4.....1	
10C	T111131GT	CABINET REAR PANEL BLKOUT (for models with blackout light option)	
11	160423GT	DOOR, CABINET, AL4, BUTT HINGE....2	
12A	188570GT	PANEL,CABINET, ROAD SIDE.....1	
12B	T111112GT	PANEL,CABINET,RDSIDE BLKOUT (for models with blackout light option)	
13	993900GT	WASHER RECTANGULAR1/4.....2	
14	990160GT	SCREW,HHC,3/8-16 X 3.75	
15	990080GT	WASHER FLAT 3/8USS ZPBIN	
16	824025GT	NUT,TL,3/8-16,C,ZAG	
17	188530GT	CABINET FRONT PANELAL.....1	
18A	188580GT	PANEL,CABINET, CURB SIDE.....1	
18B	T111113GT	PANEL,CABINET,CRBSIDE BLKOUT (for models with blackout light option)	
19	123490GT	FENDER W/SKIRT,STEEL.....2	
20	930950GT	WTHRSRIP, 1/4" X 1/2"W.....2	
21	990340GT	WASHER FLAT 1/4ZPLENSETBIN	
22	237832GT	NUT,TL FLG,M8-1:25,DIN6927,10,ZAB.....2	
23	5397GT	WASHER,FLAT,USS,5/16",Y	
24	824024GT	NUT, TL, 1/4-20, C, ZAG	
25	160421GT	HINGE, BUTT	

209.1 Cabinet, View 2



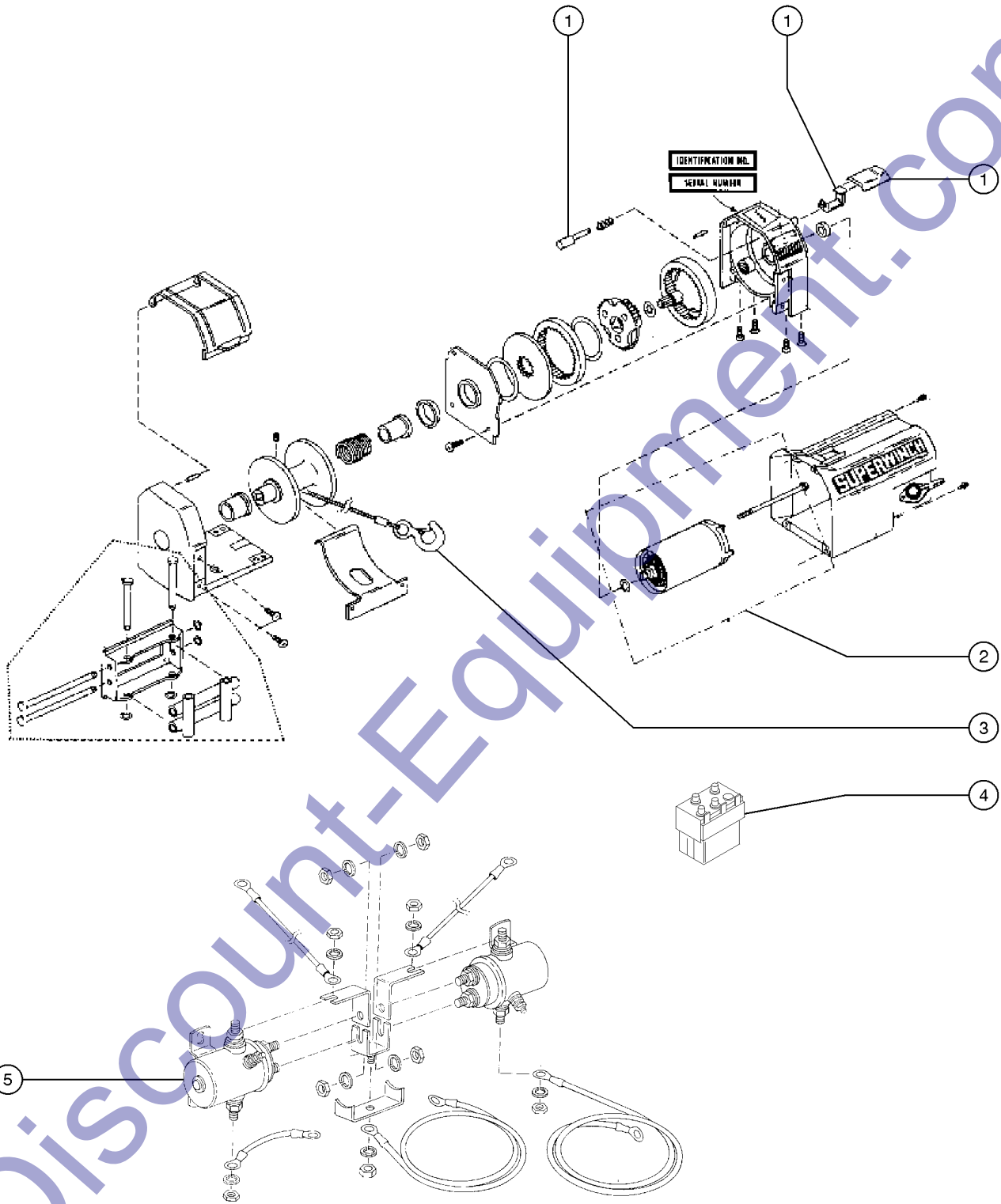
Item	Part No.	Description	Qty.
1	684200GT	CLAMP CABLE 5/8 1-HOL	
2	995810GT	SCREW 1/4-20NCX5/8 HW	
3	75144GT	WASHER,FLAT,SAE 1/4",ZINC	
4	824024GT	NUT, TL, 1/4-20, C, ZAG	
5		Ref. Coil Cord Kit (refer to 413.1)	
6	C51601570GT	SCREW FLANGE 3/8X 3/4	
7	T109006GT	WASHER,FLAT BOUNDED,3/16X1/2	
8	993310GT	NUTSERT,1/4-20	
9	57587GT	PLUG, 4", CAPPLUG.....1	
10	124460GT	REAR TOWER SUPPORT1-C.....1	
11	790540GT	PIN QUICK 1/4X 1.75 ZP.....1	
12	720220GT	BUMPER REAR TOWER SUP.....1	
13	994600GT	SCREW 1/2-13NCX1-1/2H	
14	991650GT	WASHER LOCK 1/2ZP	
15	993860GT	WASHER,FLAT,1/2 SS 18-8 BIN	
16	123680GT	PIN W/RING 3/4X11,HORZ LOCK.....1	
17A	663840GT	LIGHT,RECESSED,TAIL/STOP/TURN...2	
17B	T110631GT	LIGHT,REAR,BLACK OUT	
18	663520GT	LIGHT,LICENSE TAG W/BRACKET.....1	
19	796432GT	BRACKET W/BALL,GAS SPRING.....1	
20	796436GT	SPRING,GAS,16",60LBS.....4	
21	990670GT	RIVET,POP,SS,3/16"X1/2" BLIND	
22	790940GT	HANDLE,CHROME 5.75".....2	
23	113399GT	MA-GROUND ROD LT. TWR.....1	
24A	663528GT	LIGHT,SIDE MKR,RED,RECESSED.....2	
24B	T110629GT	LIGHT,SIDE MKR,RED,BLACK OUT	
25	1258649GT	SCREW, PANHEAD, 10-32 X 5/8	
26	R980300GT	WASHER FLAT #10 STAINLESS	
27	189796GT	HASP CABINET DOOR5584AL4/5	
28	824024GT	NUT, TL, 1/4-20, C, ZAG	
29	993850GT	WASHER FLAT 1/45/8 SBIN	
30	824024GT	NUT, TL, 1/4-20, C, ZAG	
31A	663527GT	LIGHT,SIDE MKR,AMBER,RECESSED.....2	
31B	T110630GT	LIGHT,SIDE MRK,YEL.,BLACK OUT	
32	184150GT	BUSHING,WNCH HANDL,0.5X2.0X3.5..1	
33	124420GT	GROUND ROD STORAGE TUBE 4397...1	
34	994130GT	SCREW,HHC,1/4-20 X 1	
35	162189GT	KIT:BOOK BRACKET TO CAB.....1	

210.1 Winch



Item	Part No.	Description	Qty.
--	105756GT	PM KIT;WINCH,ELECTRIC <i>(electric winch option)</i>	
--	109485GT	KIT-WINCH W/SAFETY LO <i>(includes items 1-25)(handle not included)</i>	
--	740050-1GT	KIT- WINCH - SOCKET FULTON <i>(includes items 1-16 and 24-25)</i>	
--	970760GT	WINCH HANDLE TO WINCH(1500LB)....1	
1	6199GT	BUSHING, SMALL PINION, FULTON.....2	
2	32890GT	SPACER,PINION SHAFT.....1	
3	7591GT	WINCH PINION PLATE, K-1550.....1	
4	1256083GT	SVC KIT, FRICTION DISC K/KX.....2	
5	6777GT	RATCHET GEAR,K-1550 1/2" I.D.....1	
6	7590GT	PINION GEAR AND DISC K-1550.....1	
7		Ref. Pinion Shaft <i>(not sold separately)</i>	
8	6200GT	RETAINING RING.....1	
9	6291GT	RATCHET KIT (K-1500,K-1550)**.....1	
10	7584GT	FRAME SPACER,K-1550.....1	
11	12012GT	NUT,LOCK,3/8-16.....1	
12	31946GT	WINCH BRACKET, DRUM BOLT LOCK.....1	
13	22832GT	SCREW,HHC,3/8-16 X 6.....2	
14	6184GT	SPACER, DRUM BOLT, K-1550	
15	6190GT	CABLE KEEP.KIT (BRACKET TYPE)*.....1 <i>(includes fasteners)</i>	
16	6198GT	NUT,NYLOCK,1/2-13.....1	
17	124857GT	SPACER .5 ID 1.25ODNO. 5968.....1	
18	69209GT	SCREW,HHC,3/8-16 X 5.5 GRD 8	
19	980480GT	WASHER FLAT C816L S/S.....1	
20	124858GT	BUSHING,WINCH ROLLER LOCK.....1	
21	990650GT	COTTER PIN 1/8X1 SSBIN STOCK.....1	
22	124855GT	RATCHET ARM FULTONWI.....1	
--	109486GT	KIT-WINCH SAFETY LOCK <i>(includes items 13, 15-21, and 23)</i>	
23	124856GT	BUSHING FLANGE 1.25OD.....1	
24	124860GT	HANDLE SOCKET RATCHET.....1	
25	6034GT	NUT,HEX,JAM,1/2-13.....2	

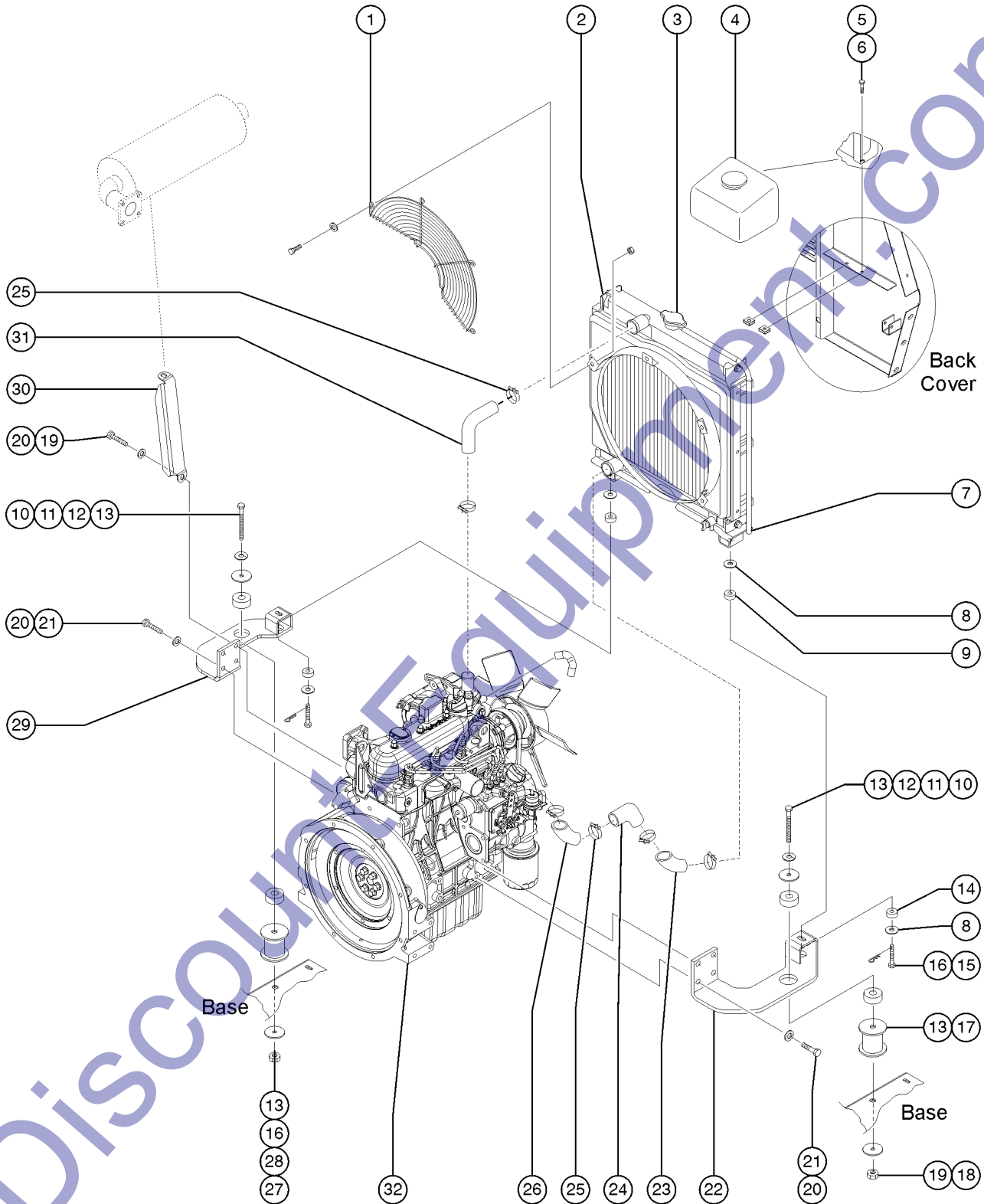
211.1 Electric Winch



Item	Part No.	Description	Qty.
--		WINCH W/SOLENOIDS 4000LB <i>(available soon)</i>	
1	219228GT	FREEWHEEL KIT,SUPERWINCH.....1	1
2	219224GT	12V MOTOR ASSY,SUPERWINCH.....1	1
3	109065GT	KIT- CABLE ASSY LOWER 1/4" AL4.....1	1
4	160750GT	SOLENOID W/BRACKET SUPERWINCH.....1	1
5	219225GT	12V WIRED SOLENOID,SUPERWINCH.....2	2

Discount-Equipment.com

301.1 Kubota D1105-E3BG, View 1 (to serial number AL414-2720)

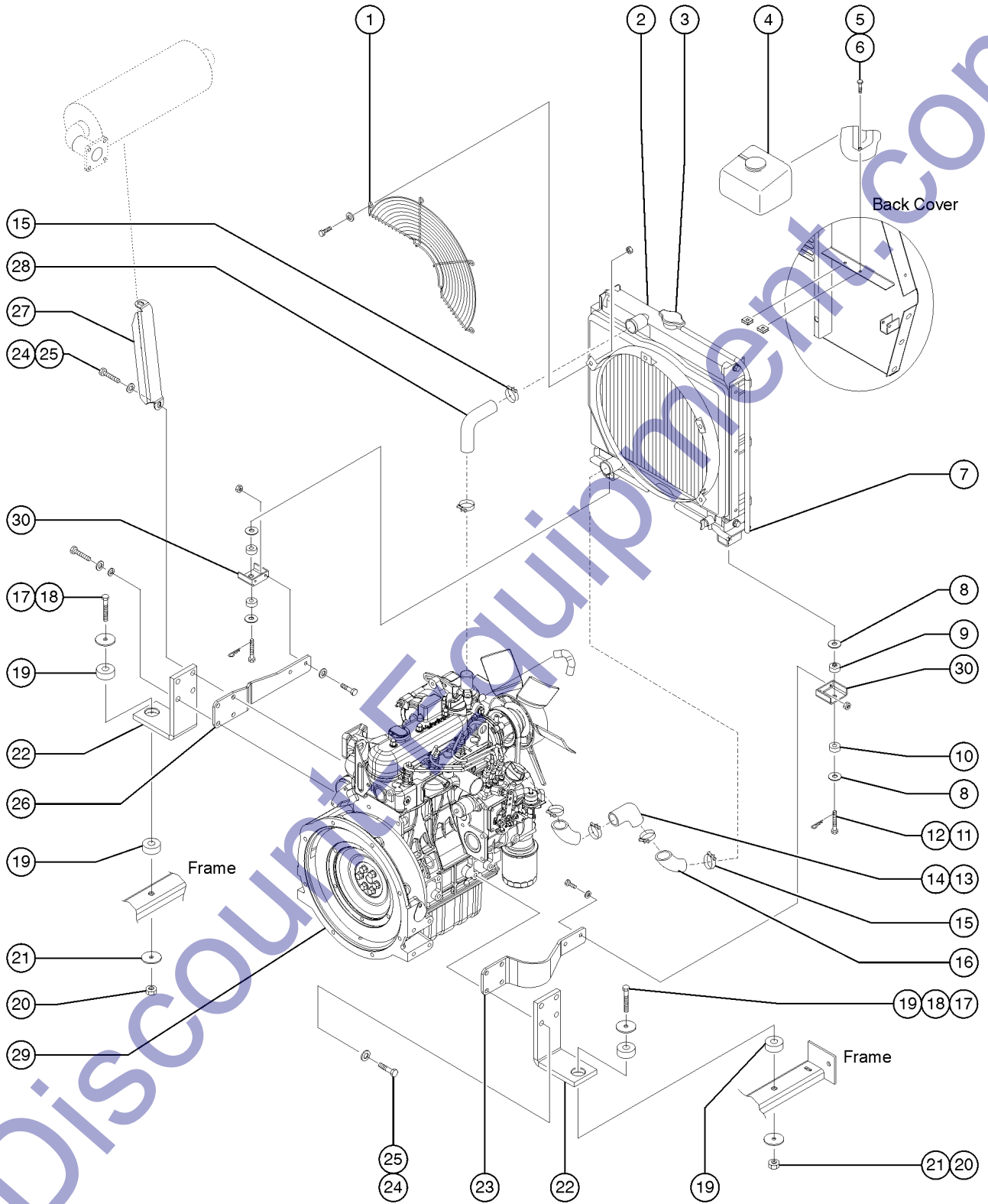




## 301.1 Kubota D1105-E3BG, View 1 (to serial number AL414-2720)

Item	Part No.	Description	Qty.	Item	Part No.	Description	Qty.
1	866113GT	GUARD,FAN,KUBOTA.....	1	29	22124016GT	ENGINE FOOT/RAD SUPPORT,CURBSD.....	1
2	866110GT	RADIATOR, KUBOTA, D905 & D1105.....	1	30	116733GT	MUFFLER BRACE.....	1
3A	110523GT	CAP,RADIATOR,AL,KUBOTA DF-752..... <i>aluminum radiator</i>	1	31	839109GT	RADIATOR HOSE,KUBOTA.....	1
3B	866120GT	CAP,RADIATOR,KUBOTA D905 <i>copper radiator</i>		32	732205PPGT	ENGINE,KUBOTA,,D1105 PAK.....	1
4	865307GT	TANK,RECOVERY,COOLANT,KUBOTA..	1	--	1254824GT	FILTER,FUEL,KUBOTA,W/O BRKT.....	1
5	C51601442GT	SCREW FLANGE 1/4 -20X.....	2				
6	C51600800GT	NUT CLIP 1/4 -20X3/4.....	2				
7	890790GT	HOSE,FUEL,1/4"ID,PUSH LOK,200#..... <i>this part is sold by the foot, this application requires at least 32 inches.</i>	3				
8	865263GT	KUBOTA 15111-72200 WASHER.....	4				
9	865260GT	KUBOTA 15263-12370CUSHION.....	2				
10A	995380GT	SCREW,HHC,1/2-13 X 6.5..... <i>Kubota models with 6kW generator</i>	2				
10B	116252GT	SCREW,HHC,1/2-13X7 GR5 YEL <i>Kubota models with 7.5kW and 8kW generators</i>					
11	991650GT	WASHER LOCK 1/2ZP.....	2				
12	990415GT	WASHER,FLAT,SNUB 1/2X2-3/4 ZN.....	2				
13A	80379GT	ISOLATOR, ENGINE MOUNT..... <i>Kubota models with 6kW and 8kW generators</i>	2				
13B	740920GT	ISOLATOR,ENGINE,390LB <i>Kubota models with 7.5kW generator</i>					
14	740770GT	VIBRATION MOUNT,35".....	2				
15	161109GT	BOLT,M10-1.25 x 35,W/HOLE.....	2				
16	865085GT	KUBOTA SNAP PIN.....	2				
17A	22124025GT	ENGINE RISER,2/75"H,FOR 1/2BLT..... <i>used with 6kW generator</i>	2				
17B	116249GT	AS:ENGINE RISER 3.25 HIGH <i>used with 7.5kW and 8kW generator</i>					
18	995110GT	SCREW,HHC,M10X1.25 X 35MM GR 8.....	2				
19	994830GT	WASHER,LOCK,M10 ZP.....	2				
20	995110GT	SCREW,HHC,M10X1.25 X 35MM GR 8.....	10				
21	994830GT	WASHER,LOCK,M10 ZP.....	10				
22	22124015GT	ENG FOOT/RAD SUPPORT, ROADSIDE.....	1				
23	839110GT	HOSE,RADIATOR,LOWER,KUBOTA.....	1				
24	866394GT	KUBOTA WATER PIPE.....	1				
25	32185GT	CLAMP,HOSE.....	6				
26	116523GT	KUBOTA HOSE,D905, D1105.....	1				
27	990200GT	NUT,NYLOCK,1/2-13 GR2.....	2				
28	990210GT	WASHER FLAT 1/2ZP.....	2				

301.2 Kubota D1105-E3BG, View 1 (from serial number AL414-2721)

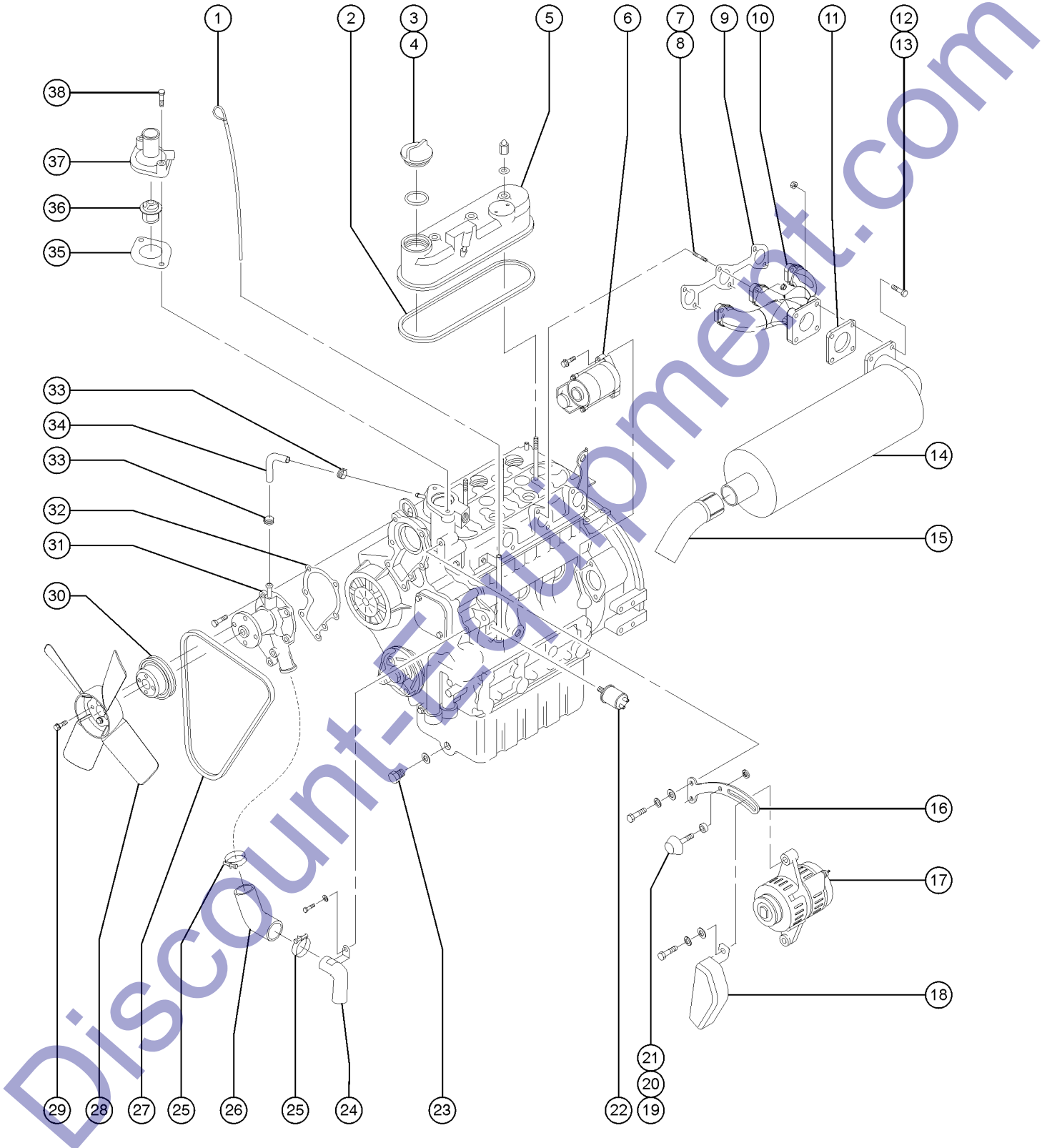


DiscountEquipment.com

## 301.2 Kubota D1105-E3BG, View 1 (from serial number AL414-2721)

Item	Part No.	Description	Qty.
1	839131GT	KUBOTA FAN COVER.....	1
2	866110GT	RADIATOR, KUBOTA, D905 & D1105.....	1
3	110523GT	CAP,RADIATOR,AL,KUBOTA DF-752.....	1
4	865307GT	TANK,RECOVERY,COOLANT,KUBOTA..	1
5	C51601442GT	SCREW FLANGE 1/4 -20X.....	2
6	C51600800GT	NUT CLIP 1/4 -20X3/4.....	2
7	890790GT	HOSE,FUEL,1/4"ID,PUSH LOK,200#..... <i>this part is sold by the foot, this application requires at least 32 inches.</i>	3
8	865263GT	KUBOTA 15111-72200 WASHER.....	4
9	865260GT	KUBOTA 15263-12370CUSHION.....	2
10	865261GT	KUBOTA CUSHION.....	2
11	865086GT	KUBOTA RAD ISOLATOR BOLT.....	1
12	865085GT	KUBOTA SNAP PIN.....	2
13	866394GT	KUBOTA WATER PIPE.....	1
14	116523GT	KUBOTA HOSE,D905, D1105.....	1
15	32185GT	CLAMP,HOSE.....	6
16	839110GT	HOSE,RADIATOR,LOWER,KUBOTA.....	1
17	990270GT	SCREW,HHC,1/2-13 X 3.5 GR8.....	2
18	990410GT	WASHER FLAT FENDER1/2.....	2
19A	740920GT	ISOLATOR,ENGINE,390LB..... <i>Kubota models with 7.5kW generator</i>	4
19B	80379GT	ISOLATOR, ENGINE MOUNT..... <i>Kubota models with 6kW and 8kW generators</i>	4
20	990200GT	NUT,NYLOCK,1/2-13 GR2.....	2
21	990210GT	WASHER FLAT 1/2ZP.....	2
22	189290GT	NOTOR MOUNT BRACKET,KUBOTA 905.....	2
23	52851GT	BRACKET-RADIATOR SUPRT,INBOARD.....	1
24	995110GT	SCREW,HHC,M10X1.25 X 35MM GR 8.....	8
25	994830GT	WASHER,LOCK,M10 ZP.....	8
26	52847GT	BRACKET-RADIATOR SUPRT,OUTBRD.....	1
27	116733GT	MUFFLER BRACE.....	1
28	839109GT	RADIATOR HOSE,KUBOTA.....	1
29	732200PPGT	ENGINE,KUBOTA,D1105,OLDREV,PAK	
30	19428-72160GT	RADIATOR BRACKET.....	2

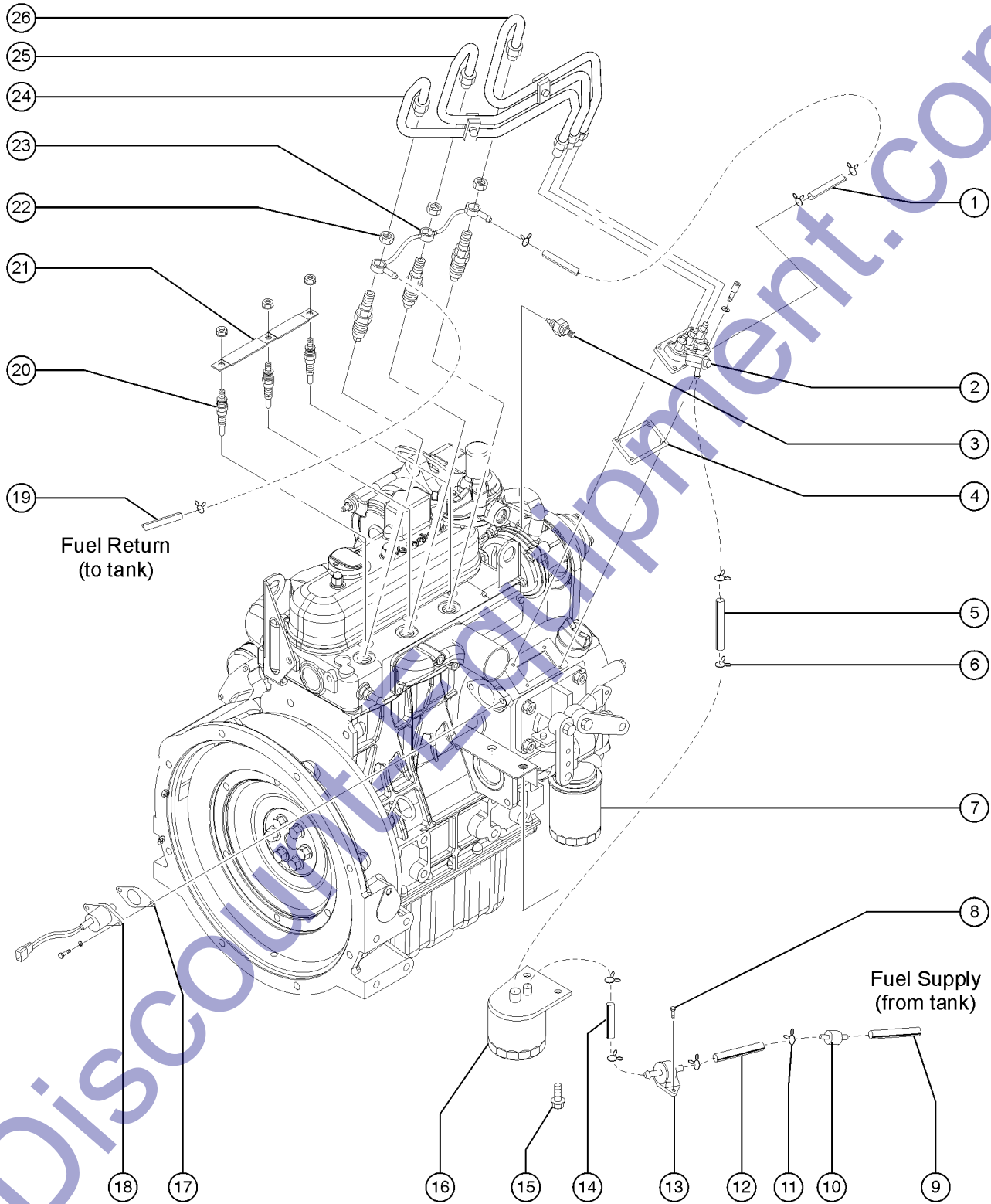
302.1 Kubota D1105-E3BG, View 2



## 302.1 Kubota D1105-E3BG, View 2

Item	Part No.	Description	Qty.	Item	Part No.	Description	Qty.
1	839154GT	DIPSTICK,OIL,KUBOTA.....	1	34	839011GT	KUBOTA WATER PIPE 16241-73350.....	1
2	839244GT	KUBOTA HEAD COVER GASKET.....	1	35	865435GT	KUBOTA 16221-73270GASKET.....	1
3	839151GT	KUBOTA OIL FILLER PLUG,V1305.....	1	36	139278GT	THERMOSTAT.....	1
4	839034GT	KUBOTA O-RING.....	1	37	139279GT	THERMOSTAT COVER.....	1
5	44191GT	VALVE COVER, D905.....	1	38	62296GT	SCREW,M8 X 35MM	
6	866101GT	STARTER,KUBOTA,D1105/905.....	1				
7	101208GT	STUD,EXHAUST MANIFOLD.....	6				
8	101209GT	NUT,EXHAUST MANIFOLD.....	6				
9	32191GT	GASKET,EXHAUST MANIFOLD,D905....	1				
10	839246GT	KUBOTA EXHAUST MANIFOLD.....	1				
11	832128GT	GASKET,MUFFLER,KUBOTA D905/11.....	1				
12	839103GT	KUBOTA 01123-50820 BOLT.....	4				
13	865055GT	KUBOTA NUT.....	4				
14	865276GT	MUFFLER,KUBOTA.....	1				
--	866825GT	KUBOTA 66711-54520COV..... (muffler cover)	1				
15	125395GT	TAILPIPE,8K EXHAUST.....	1				
16	116833GT	KUBOTA DYNAMO STAY.....	1				
17	866090GT	ALTERNATOR,KUBOTA*.....	1				
18	866081GT	KUBOTA BELT COVER.....	1				
19	30973GT	BUMPER,RUBBER-1 X 1.25.....	1				
20	116503GT	BUSHING, 630DX.328ID .375T					
21	6782GT	NUT,NYLOCK,5/16-18					
22	839190GT	SWITCH,LOW OIL PRESS,KUBOTA.....	1				
23A	52532GT	PLUG,ENGINE OIL DRAIN,D-905*** ..... <i>bottom of oil pan (not shown)</i>	1				
23A	52533GT	GASKET (52532) OIL DRAIN, D905..... <i>for 52532GT</i>	1				
23B	234842GT	PLUG, ENGINE OIL, D1105..... <i>bottom of oil pan (not shown)</i>	1				
23B	84042GT	GASKET-DRAIN PLUG,ENG OIL PAN.... <i>for 234842GT</i>	1				
23C	974800GT	KIT:OIL DRAIN W/VALVE,KUBOTA..... <i>(includes valve, clamp and hose)</i>	1				
24	116523GT	KUBOTA HOSE,D905, D1105.....	1				
25	32185GT	CLAMP,HOSE.....	2				
26	866394GT	KUBOTA WATER PIPE.....	1				
27	839209GT	V-BELT,KUBOTA.....	1				
28	839134GT	FAN,PUSHER,KUBOTA 15263-12370.....	1				
29	839027GT	KUBOTA FLANGE BOLT					
30	52531GT	PULLEY,FAN,KUBOTA, D-905,GS68.....	1				
31	101201GT	WATER PUMP ASSY,KUBOTA.....	1				
32	865079GT	KUBOTA 16259-73430.....	1				
33	32069GT	CLAMP,HOSE,KUBOTA WG750					

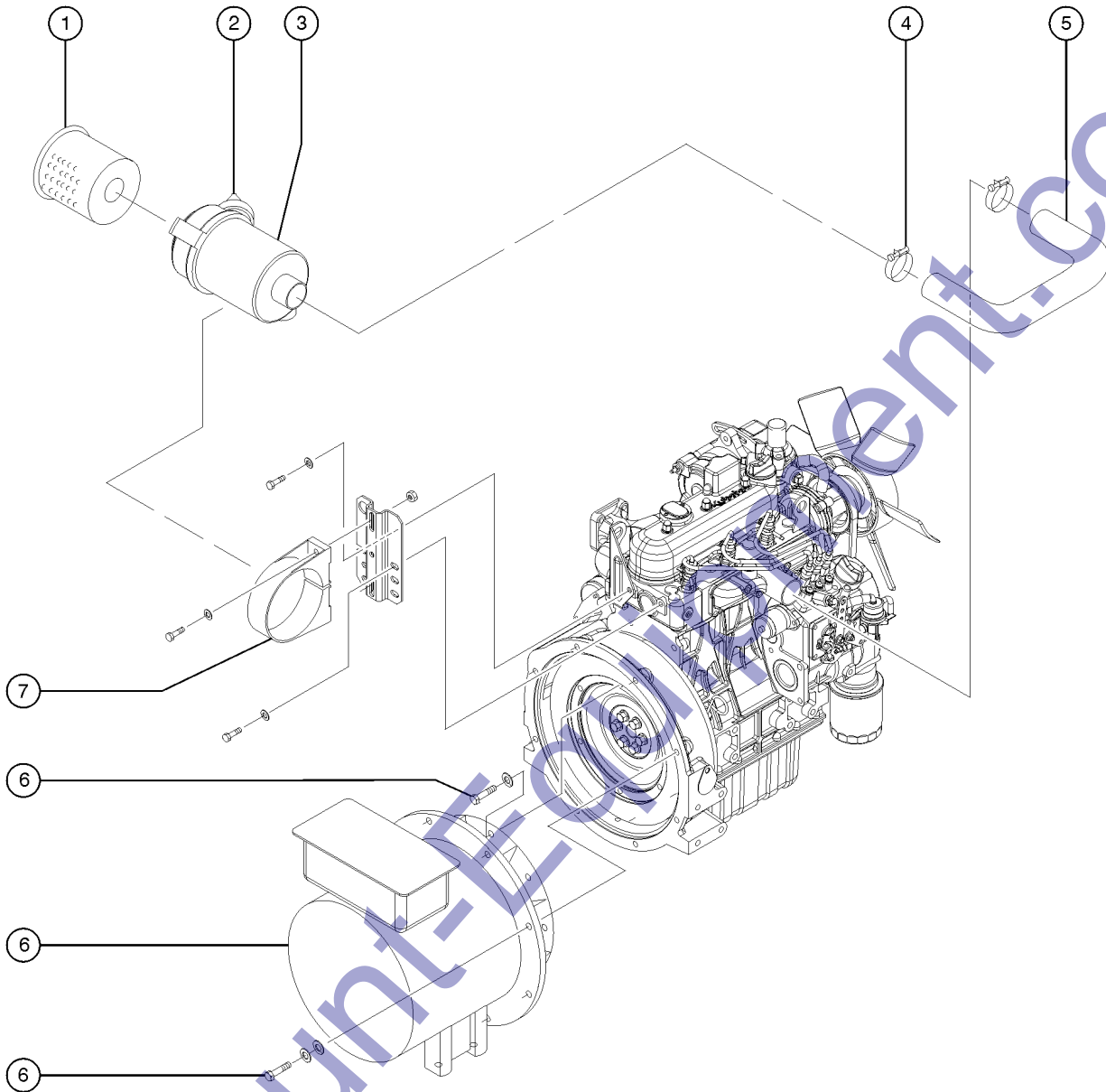
303.1 Kubota D1105-E3BG, View 3



Item	Part No.	Description	Qty.
1	839157GT	KUBOTA OVERFLOW PIPE.....1 <i>(to tank)</i>	1
2	839149GT	KUBOTA INJECTOR PUMP, D1105.....1	1
3	741140GT	ENGINE ACCESSORY TEMP SENDER.....1	1
4	32103GT	GASKET,INJECTION PUMP <i>(quantities vary)</i>	
5	890795GT	HOSE,FUEL,5/16"ID.....1.25 <i>feet</i>	1.25
6	898590GT	HOSE FITTING PIPE/BAR.....3	3
7	866050GT	FILTER,OIL,KUBOTA.....1	1
8		Ref., SCREW <i>refer to 203.1 or 204.1</i>	
9		Ref., FUEL HOSE <i>refer to 203.1 or 204.1</i>	
10		Ref., IN-LINE FILTER <i>refer to 203.1 or 204.1</i>	
11		Ref., HOSE CLAMP <i>refer to 203.1 or 204.1</i>	
12		Ref., FUEL HOSE <i>refer to 203.1 or 204.1</i>	
13		Ref., FUEL PUMP <i>refer to 203.1 or 204.1</i>	
14		Ref., FUEL HOSE <i>refer to 203.1 or 204.1</i>	
15	839103GT	KUBOTA 01123-50820 BOLT.....2	2
16	839107GT	FILTER,FUEL,KUBOTA.....1 <i>filter head and element</i>	1
--	116611GT	KUBOTA FUEL FILTER HOLDER <i>filter mount bracket</i>	
--	839200GT	ELEMENT,FUEL FILTER,KUBOTA <i>for 839107GT</i>	
17	866040GT	GASKET,SOLENOID,KUBOTA.....1	1
18A	99199GT	SOLENOID,KUBOTA D9/1105 SHTDWN.....1 <i>2-wire solenoid</i>	1
18B	866030GT	SOLENOID,FUEL,3 WIRE,KUBOTA <i>3-wire solenoid</i>	
19		Ref., FUEL HOSE <i>refer to 203.1</i>	
20	839119GT	KUBOTA GLOW PLUG.....3	3
21	62118GT	JUMPER-GLOW PLUG.....1	1
22	865257GT	KUBOTA KIT, HOLDER,NOZZLE.....3	3
23	865100GT	KUBOTA OVER FLOW PIPE.....1	1
24	44196GT	PIPE,INJECTOR 1,D905,D1105.....1	1
25	44197GT	PIPE,INJECTOR 2,D905,D1105.....1	1
26	44198GT	PIPE,INJECTOR 3,D905,D1105.....1	1



304.1 Kubota D1105-E3BG, View 4

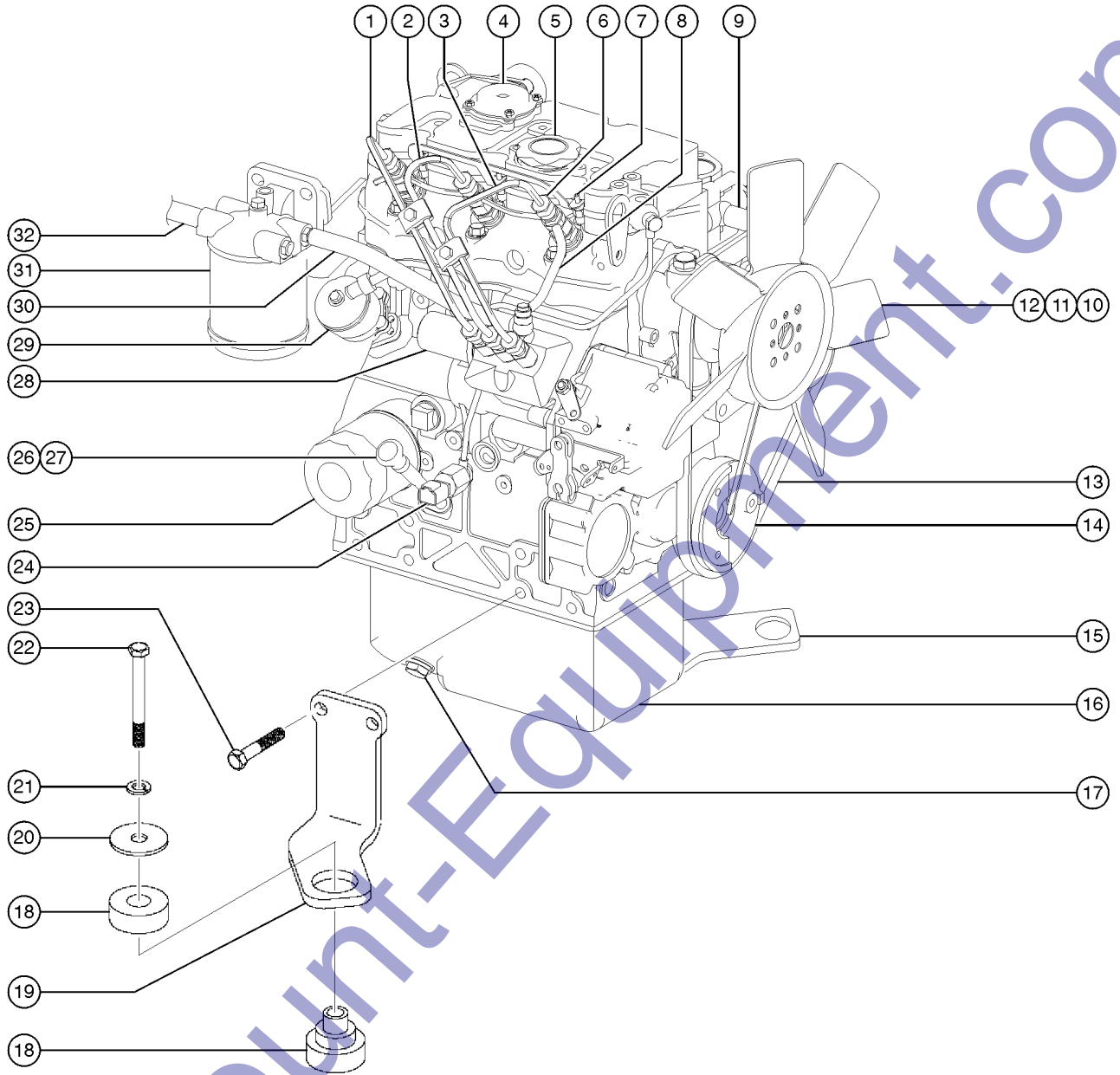




Item	Part No.	Description	Qty.
1	866127GT	ELEMENT,AIR CLEANER,KUBOTA.....1	
2	866129GT	VALVE,AIR CLEANER,KUBOTA.....1	
3A	866126GT	BODY,AIR CLEANER,KUBOTA.....1	
3B	866128GT	COVER,AIR CLEANER,KUBOTA.....1	
4	839049GT	KUBOTA 15263-12370BAND PIPE.....2	
5	231332GT	HOSE, INTAKE, KUBOTA D1105.....1	
6		Ref, GENERATOR <i>refer to 307.1</i>	
7	231333GT	AIR CLEANER BRACKET, D1105.....1	

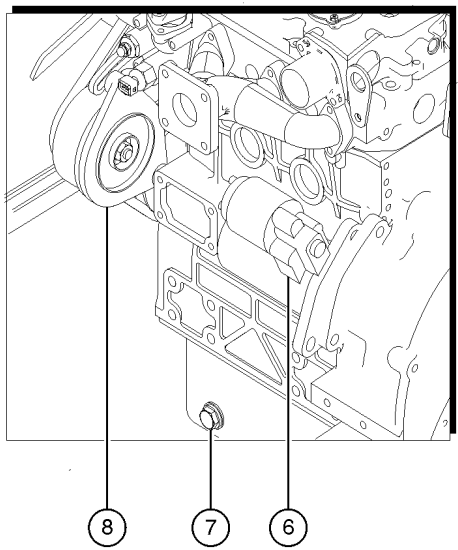
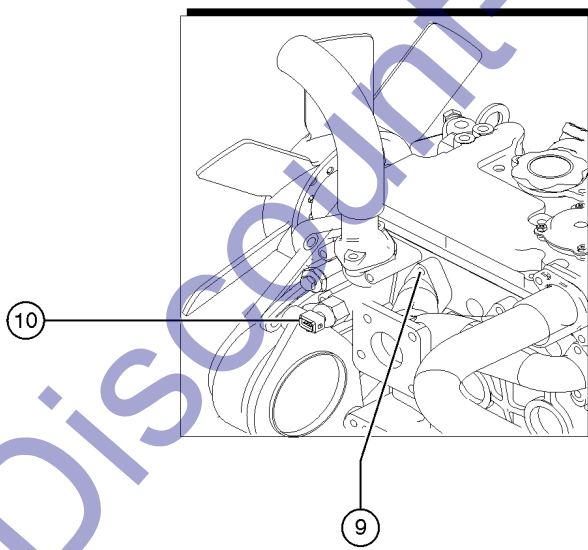
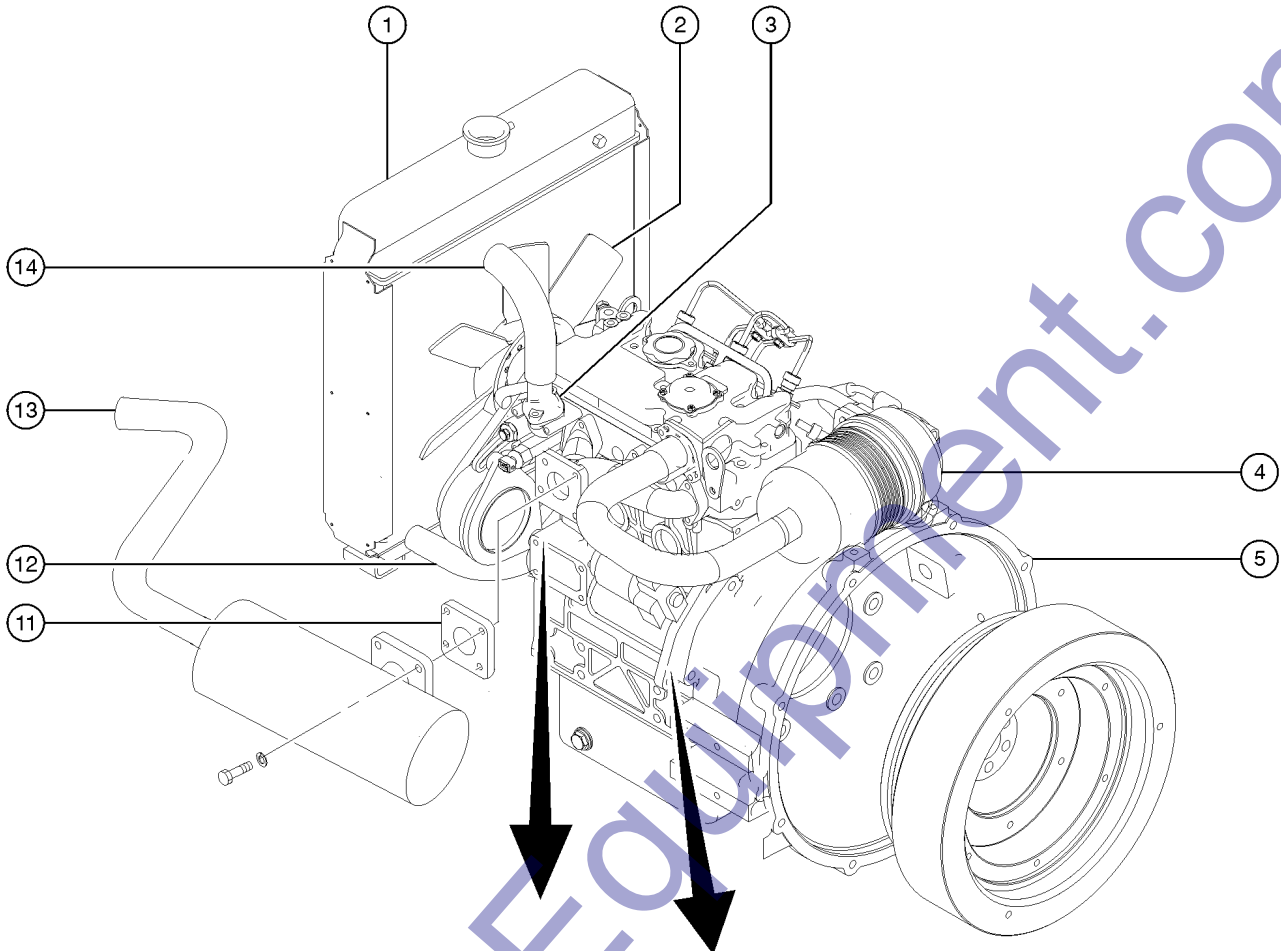
Discount-Equipment.com

305.1 Perkins 403D-11G, View 1



Item	Part No.	Description	Qty.
1	84812GT	PIPE,INJECTOR 1, 403C-11.....	1
2	84813GT	PIPE,INJECTOR 2, 403C-11.....	1
3	84814GT	PIPE,INJECTOR 3, 403C-11.....	1
4	84860GT	VALVE COVER BREATHER.....	1
5	65636GT	CAP, OIL FILLER.....	1
--	65638GT	SEAL, OIL FILLER CAP.....	1
6	139272GT	FUEL INJECTOR.....	3
7	84815GT	GLOW PLUG, 403C-11.....	3
8	237707GT	HOSE,FUEL LEAK-OFF,403D-11G.....	1
9	89764GT	HOSE, WATER PUMP (PERKINS 404)...	1
10	101341GT	FAN.....	1
11	101319GT	FAN PULLEY.....	1
12	101322GT	PUMP,WATER.....	1
--	89764GT	HOSE, WATER PUMP (PERKINS 404)...	1
--	97483GT	GASKET,WATER PUMP, 403C-11.....	1
13	85071GT	BELT-FAN, PERKINS (103.10).....	1
14	97427GT	PULLEY,CRANK, 403C-11.....	1
15	116519GT	FP-ENG MNT RT FOOT CS PERK T4....	2
16	85140GT	GASKET-OIL PAN,PERKINS 103.10.....	1
17	237774GT	PLUG,OIL DRAIN,PERKINS 403D-11G.....	1
--	85124GT	GASKET,SOLENOID,PERKINS 72350....	1
17A	229918GT	KIT:OIL DRAIN W/VALVE,PERKINS	
--	229917GT	VALVE, OIL DRAIN, PERKINS	
--	792750GT	CLAMP 7/16 TO 25/32	
--	897110GT	HOSE,OIL,3/8 0250PS1.....	2.5-feet
18	116729GT	ISOLATOR,ENGINE,70D.....	2
19	116518GT	FP-ENG MNT RT FOOT RS PERK T4....	2
20	990415GT	WASHER,FLAT,SNUB 1/2X2-3/4 ZN	
21	991650GT	WASHER LOCK 1/2ZP	
22	990270GT	SCREW,HHC,1/2-13 X 3.5 GR8	
23	R981095GT	SCREW,HHC,M12X1.25X30MM,GR8.8	
24	237776GT	SWITCH,OIL PRES,PERK 403D-11G....	1
25	85069GT	FILTER, OIL-PERKINS (103-10)**.....	1
26	101320GT	DIPSTICK,STRAIGHT SHORT.....	1
27	97461GT	DIPSTICK TUBE,PERKINS(403C-11)....	1
28	106663GT	SOLENOID,SHUT DOWN PERKIN40422.....	1
29	72348GT	PUMP,LIFT(FUEL) PERKINS(54555)....	1
--	89761GT	O-RING, LIFT PUMP,(PERKINS 404)....	1
30	236046GT	HOSE, FUEL FILTER -INJ., 403D.....	1
31	94889GT	FUEL FILTER ASSEMBLY.....	1
--	62421GT	FILTER,FUEL,PERKINS.....	1
32		Ref., FUEL HOSE <i>refer to 203.1 or 204.1</i>	

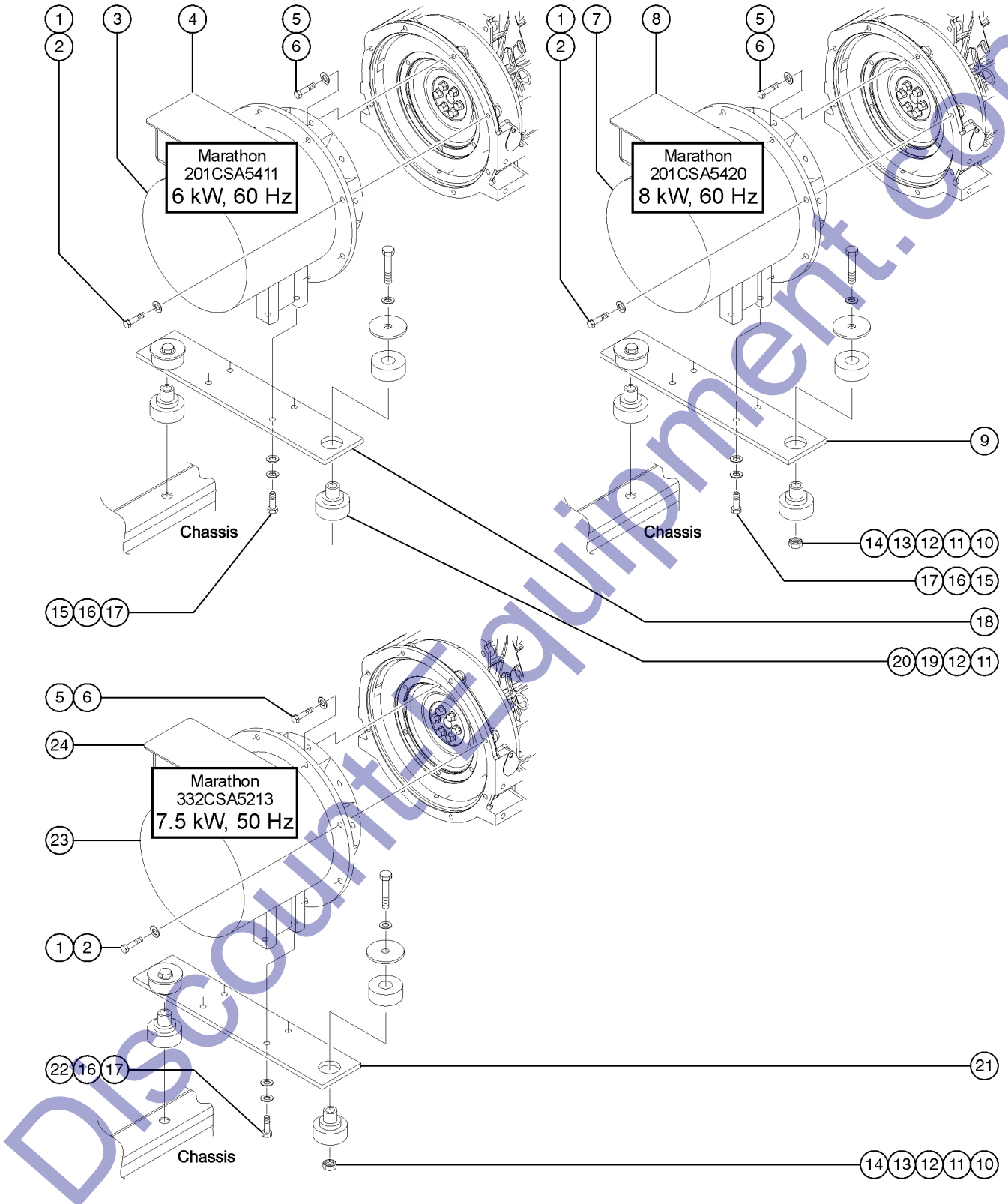
306.2 Perkins 403D-11G, View 2 ( from serial number AL4011-1556)



## 306.2 Perkins 403D-11G, View 2 ( from serial number AL4011-1556)

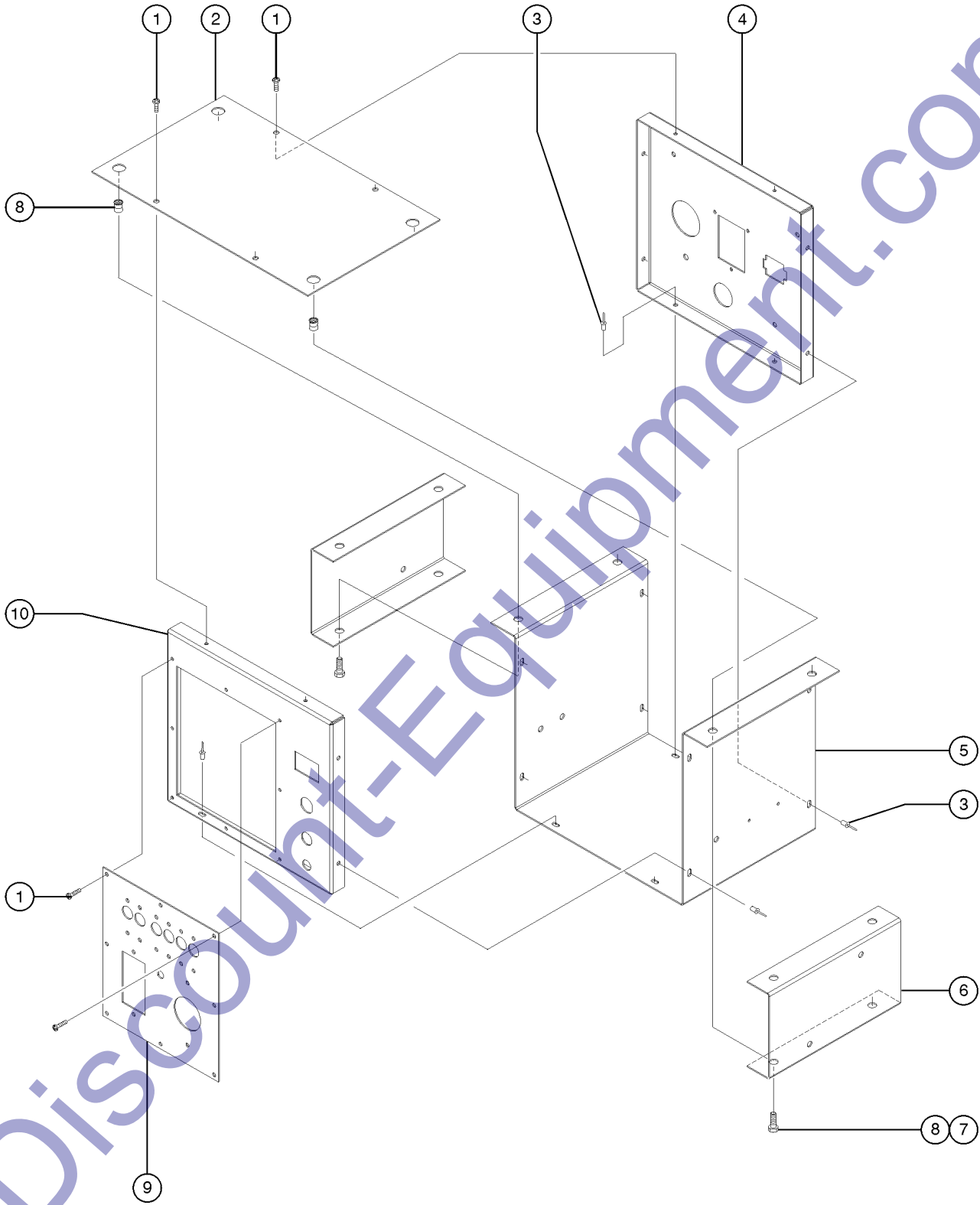
Item	Part No.	Description	Qty.
1	58291GT	RADIATOR,PERKINS,TML	
--	85130GT	CAP-RADIATOR,PERKINS (103.10)	
2		Ref., FAN <i>refer to 305.1</i>	
3	139265GT	WATER OUTLET, VERTICAL	
--	1257665GT	GASKET, THERMOSTAT, PERKINS	
--	237708GT	THERMOSTAT,PERKINS 403D-11G	
4	58427GT	AIR FILTER,ASSEMBLY	
--	237775GT	BKT,FILTER MNT,PERKINS 403D-11G	
--	866068GT	PERKINS 135326205AIR <i>filter element</i>	
5	97426GT	HOUSING,FLYWHEEL,403C-11	
6	228458GT	STARTER, PERKINS, 403D	
7		Ref., OIL DRAIN PLUG <i>refer to 305.1</i>	
8	85089GT	ALTERNATOR,15A,PERKINS 103.10	
--	85127GT	REGULATOR,12V-PERKINS 103.10	
9	85087GT	MANIFOLD-EXHAUST,PERK (103.10)	
--	101326GT	STUDS,EXHAUST	
--	101327GT	NUTS,EXHAUST	
--	85143GT	GASKET-EXHAUST MANIFOLD/PERKIN	
10	97473GT	SENSOR,WATER TEMPERATURE	
11	72343GT	GASKET,EXH FLANGE-FORD/PERKINS	
12	58292GT	HOSE,RADIATOR,PERKINS,TML	
--	30348GT	CLAMP,HOSE,1.00	
13	1275721GT	MUFFLER, PERKINS, RL-4.....1 <i>from serial number AL4011-1556</i>	
14	97428GT	HOSE,RADIATOR,UPPER PRKNS,TML	
--	30348GT	CLAMP,HOSE,1.00	

307.1 Generators



Item	Part No.	Description	Qty.	Item	Part No.	Description	Qty.
--		Ref., WIRE HARNESS <i>refer to 409.1</i>		9	189347GT	BRACKET,GENERATOR MOUNT.....	1
1	991761GT	SCREW,HHC,3/8-16 X 1.25.....	8	10	6198GT	NUT,NYLOCK,1/2-13.....	2
2	990470GT	WASHER LOCK 3/8ZP.....	8	11	80379GT	ISOLATOR, ENGINE MOUNT.....	2
3	85206GT	GENERATOR,6KVA,240VAC,60HZ..... <i>6 kW, 60 Hz (Marathon 201CSA5411)</i>	1	12	990415GT	WASHER,FLAT,SNUB 1/2X2-3/4 ZN.....	2
--	116168GT	BEARING, ODE <i>(opposite engine end)</i>		13	990210GT	WASHER FLAT 1/2ZP.....	2
--	116172GT	O-RING <i>(opposite engine end)</i>		14	6-5208-32GT	SCREW,HHC,1/2-13X4,GR8.....	2
--	116177GT	DRIVE DISC(C-107) MARATHON <i>(engine end)</i>		15A	991761GT	SCREW,HHC,3/8-16 X 1.25..... <i>models with Kubota engine</i>	4
--	116178GT	HUB SPACER <i>(engine end)</i>		15B	991761GT	SCREW,HHC,3/8-16 X 1.25..... <i>models with Perkins engine</i>	2
--	1277953GT	TERMINAL BLOCK,MARATHON GENERATOR(85206)		16A	990470GT	WASHER LOCK 3/8ZP..... <i>models with Kubota engine</i>	4
--	836853GT	DIODE,MARATHON <i>(opposite engine end)</i>		16B	990470GT	WASHER LOCK 3/8ZP..... <i>models with Perkins engine</i>	2
--	836856GT	MARATHON SUPPRESSOR/VARISTOR <i>(opposite engine end)</i>		17A	981120GT	WASHER FLAT 3/8 ZP SAE BIN..... <i>models with Kubota engine</i>	4
4	58356GT	CAPACITOR-ROUND 25MF <i>(for 201CSA5411)</i>		17B	981120GT	WASHER FLAT 3/8 ZP SAE BIN..... <i>models with Perkins engine</i>	2
--		Ref., WIRE HARNESS <i>refer to 405.1</i>		18A	189347GT	BRACKET,GENERATOR MOUNT..... <i>models with Kubota engine (shown)</i>	1
--	116184GT	CLAMP,CAPACITOR <i>(for 201CSA5411)</i>		18B	116517GT	FP-GEN MOUNT BAR RL PERK T4..... <i>models with Perkins engine</i>	1
--	116187GT	TERMINAL BLOCK <i>(for 201CSA5411)</i>		19	991650GT	WASHER LOCK 1/2ZP.....	2
5	123840GT	SCREW,HHC,5/16-18X.75,GR8,Y.....	6	20	990270GT	SCREW,HHC,1/2-13 X 3.5 GR8.....	2
6	990460GT	WASHER LOCK 5/16 ZP BIN.....	6	21	116244GT	FP-GEN MNT BAR,MAR SM HOLES.....	1
7	116253GT	GENERATOR,8KW,240V,60HZ,MAR..... <i>8 kW, 60 Hz (Marathon 201CSA5420)</i>	1	22	981450GT	SCREW,HHC,3/8-16 X 1.5.....	4
--	116168GT	BEARING, ODE <i>(opposite engine end)</i>		23	116254GT	GENERATOR,6.5KW,220V,50HZ,MAR <i>7.5 kW, 50 Hz (Marathon 332CSA5213)</i>	
--	116172GT	O-RING <i>(opposite engine end)</i>		--	116177GT	DRIVE DISC(C-107) MARATHON <i>(engine end)</i>	
--	116177GT	DRIVE DISC(C-107) MARATHON <i>(engine end)</i>		--	836853GT	DIODE,MARATHON <i>(opposite engine end)</i>	
--	116178GT	HUB SPACER <i>(engine end)</i>		--	836856GT	MARATHON SUPPRESSOR/VARISTOR <i>(opposite engine end)</i>	
--	836853GT	DIODE,MARATHON <i>(opposite engine end)</i>		--	T111700GT	BEARING, MARATHON GEN <i>(opposite engine end)</i>	
--	836856GT	MARATHON SUPPRESSOR/VARISTOR <i>(opposite engine end)</i>		24	85207GT	CAPACITOR,45 MF***OVAL <i>(for 332CSA5213)</i>	
8	229457GT	CAPACITOR, 8KW GENERATOR,5420 <i>(for 201CSA5420)</i>		--		Ref., WIRE HARNESS <i>refer to 409.1</i>	
--	116184GT	CLAMP,CAPACITOR <i>(for 201CSA5420)</i>		--	116184GT	CLAMP,CAPACITOR <i>(for 332CSA5213)</i>	
--	116187GT	TERMINAL BLOCK <i>(for 201CSA5420)</i>					

401.1 Control Box, 60 Hz, View 1

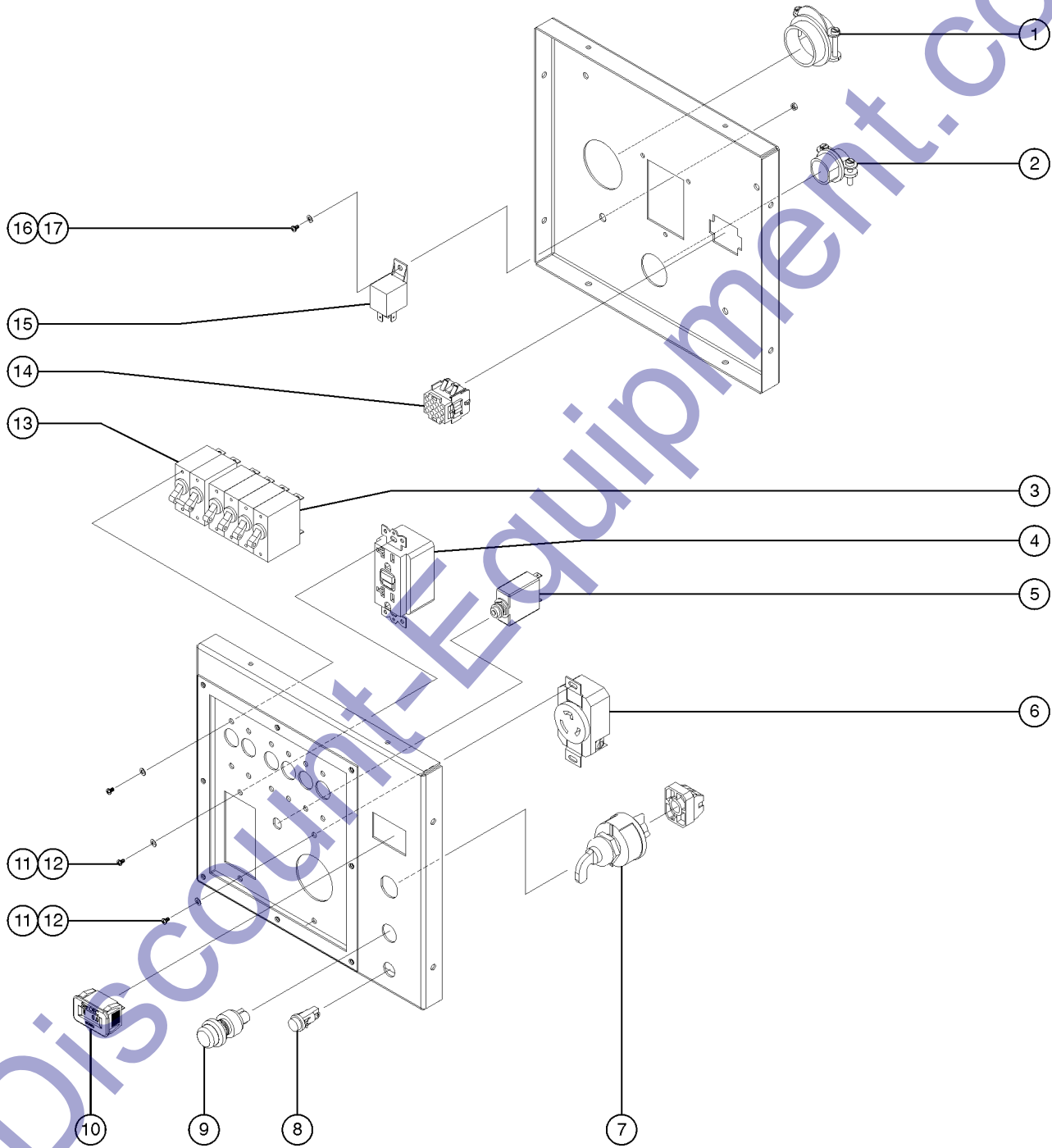




Item	Part No.	Description	Qty.
1	996340GT	SCREW,PHM,10-16 X 3/4 <i>(tek screw)</i>	
2	186543GT	FP-CONTROL BOX, TOP.....	1
3	990670GT	RIVET,POP,SS,3/16"X1/2" BLIND	
4	823430GT	FP-CONTROL BOX, REAR, 50HZ, STD....1 <i>(replaced 186542GT from SN AL413-2417)</i>	
5A	186540GT	BASE, CONTROL BOX, AL4 CONS.....1 <i>(shown)</i>	
5B	227275GT	FORMING, CONTROL BOX BASE, XTRA GFI	
6	186554GT	BRACKET, E-BOX, AUTOSTART, AL4.....	2
7	C51601444GT	SCREW, FLANGE, 1/4-20X1/2" PATCH	
8	993310GT	NUTSERT, 1/4-20	
9	T109757GT	PANEL, CNTL BOX FACE, CSA.....	1
10	186544GT	BRACKET, E-BOX, AUTOSTART, AL4.....	1

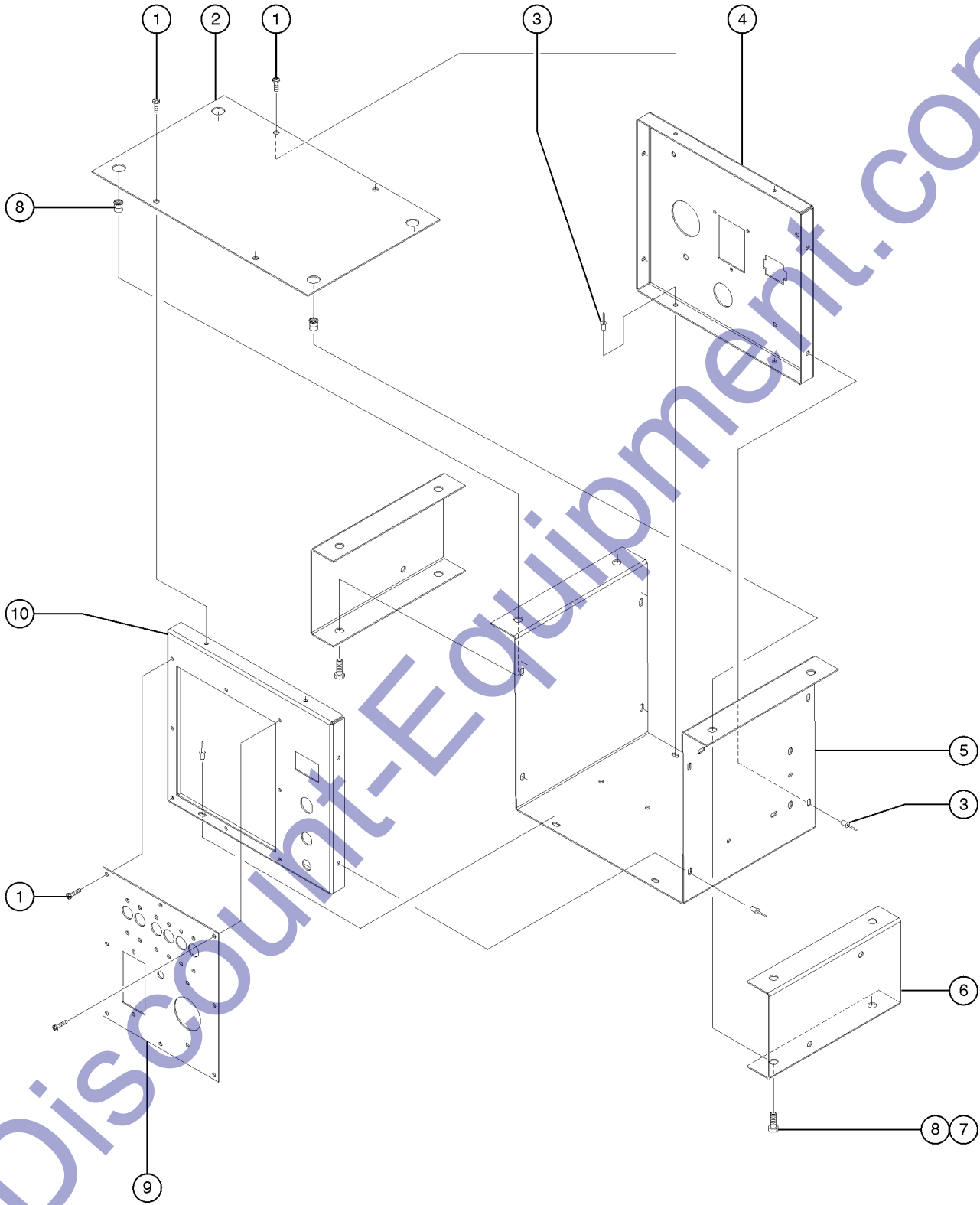
Discount-Equipment.com

402.1 Control Box, 60 Hz, View 2



Item	Part No.	Description	Qty.
A	826910GT	KIT CNTRL BOX 60HZ ALRL4 (to SN AL413-2416)	
--	822789GT	CNTRL,BOX,60HZ,MH,4PTL	
--	826915GT	KIT CONTROL BOX TO COIL CORD (to SN AL413-2416)	
B	822789GT	CNTRL,BOX,60HZ,MH,4PTL (with 4 pole receptacle and 8 pin Deutsch connector, replaced 218588) (from SN AL413-2417)	
1	686220GT	CONNECTOR 2 SCREW 1.25T-B.....1	
2	680030GT	CONNECTOR 2 SCREW 3/4.....1	
--	680250GT	LOCKNUT, CONDUIT 3/4CSA APPVD	
3	T113641GT	BREAKER,15A,120VAC 1P,CSA.....4	
4A	684640GT	RECEPTACLE 20A 120V DUPLEX GFI.....1 (all models)	
4B	684640GT	RECEPTACLE 20A 120V DUPLEX GFI.....2 (models with extra GFI installed on side of control box)	
5	T113642GT	BREAKER,20A MINI,120VAC 1P,CSA.....1	
6A	684450GT	RECEP 30A 20V 3POLE.....1	
6B	686160GT	RECEP 30A 120/240V 4 POLE	
7	684380GT	IGNITION SWITCH,LEVER OPR.....1	
8	682715GT	LIGHT INDICATOR 12VRED.....1	
9	R660010GT	SWITCH PUSH-BUTTON W/BOOT.....1	
10	T106193GT	HOURMETER,DIGITAL,RECTANGULAR.1	
11	995300GT	SCREW,PHM,6-32 X .25	
12	994420GT	WASHER,LOCK,#6 SS	
13	T113644GT	BREAKER,30A 250VAC 2P,CSA.....2	
14	684167GT	CONNECTOR 12P FEMALE.....1	
15	R661490GT	RELAY 12V DC 30A NO OR.....1	
16	55306GT	SCREW,PHILLIPS,PHM,4-40 X .50.....4	
17	40766GT	NUT,NYLOCK,4-40.....4	

403.1 Control Box, 60 Hz with Auto Air Shutdown, View 1

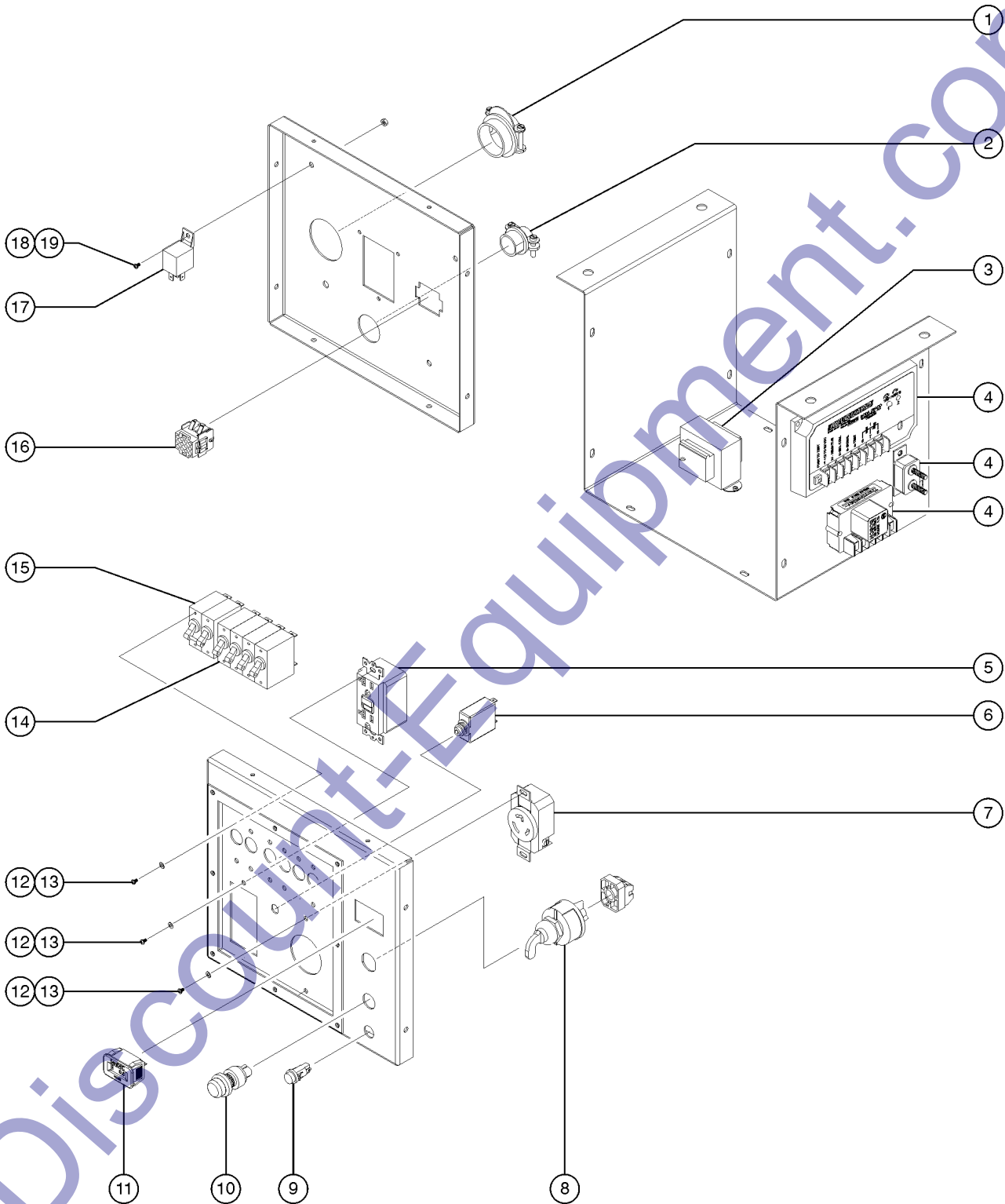


## 403.1 Control Box, 60 Hz with Auto Air Shutdown, View 1

Item	Part No.	Description	Qty.
1	996340GT	SCREW,PHM,10-16 X 3/4	
2	186543GT	FP-CONTROL BOX, TOP.....1	
3	990670GT	RIVET,POP,SS,3/16"X1/2" BLIND	
4	833430GT	FP-CONTROL BOX,REAR,50HZ,STD....1 (replaced 186542GT from SN AL413-2417)	
5	227086GT	FORMING CNTRL BOX AUTO AS 8KW.....1	
6	186554GT	BRACKET,E-BOX,AUTOSTART,AL4.....2	
7	C51601444GT	SCREW,FLANGE,1/4-20X1/2" PATCH	
8	993310GT	NUTSERT,1/4-20	
9	T109757GT	PANEL,CNTL BOX FACE,CSA.....1	
10	186544GT	BRACKET,E-BOX,AUTOSTART,AL4.....1	

Discount-Equipment.com

404.1 Control Box, 60 Hz with Auto Air Shutdown, View 2

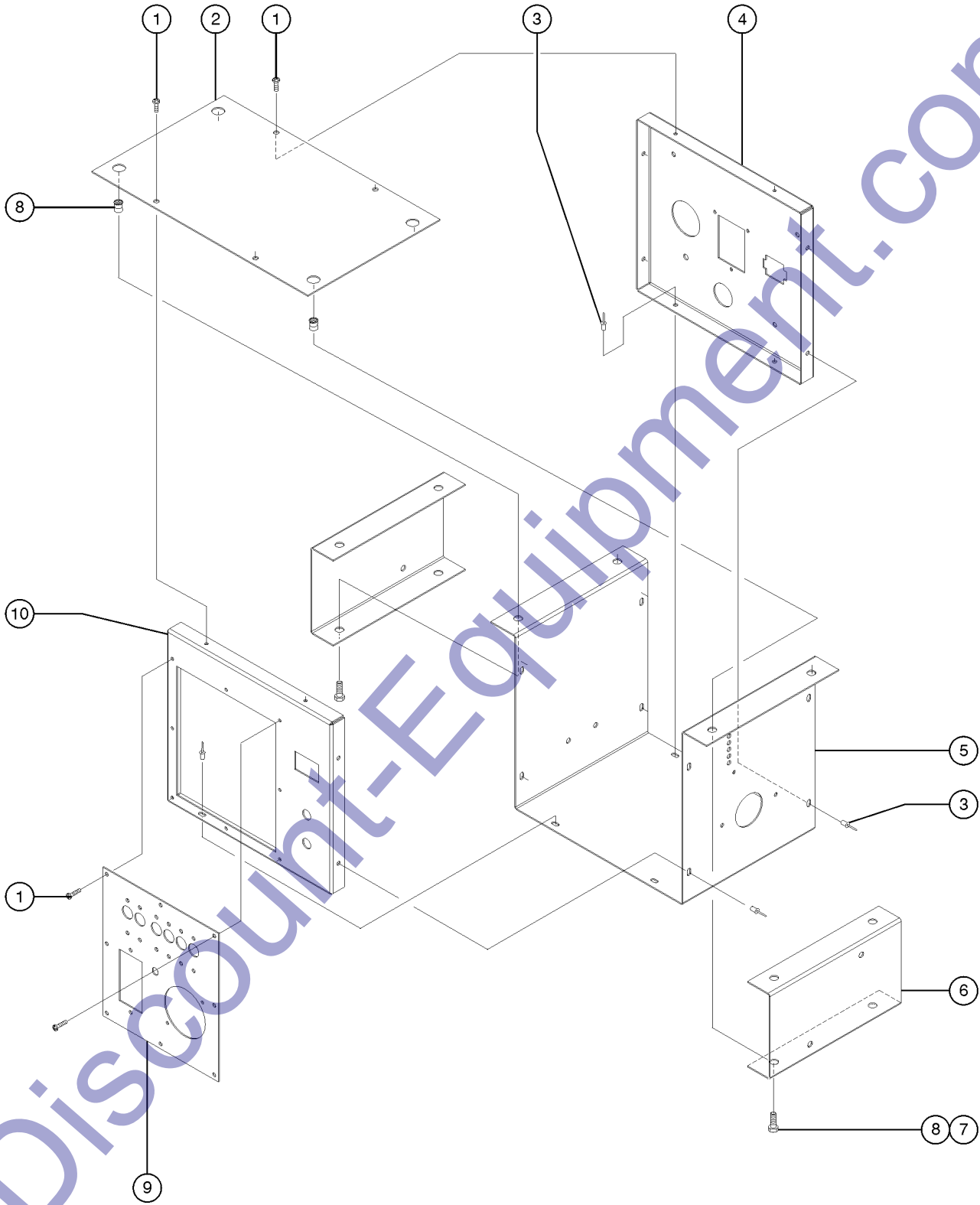


## 404.1 Control Box, 60 Hz with Auto Air Shutdown, View 2

Item	Part No.	Description	Qty.
--	227085GT	ASM,CNTRL BOX AUTO AS 8KW	
1	686220GT	CONNECTOR 2 SCREW 1.25T-B.....1	1
2	680030GT	CONNECTOR 2 SCREW 3/4.....1	1
--	680250GT	LOCKNUT, CONDUIT 3/4CSA APPVD	
3	669086GT	TRANSFORMER 120/24VAC.....1	1
4	742369GT	SHUTDOWN ,OVERSPEED,RD.....1 (includes fuse and 20A AC breaker)	1
5	684640GT	RECEPTACLE 20A 120V DUPLEX GFI.....1	1
6	T113642GT	BREAKER,20A MINI,120VAC 1P,CSA.....1	1
7A	684450GT	RECEP 30A 20V 3POLE.....1	1
7B	686160GT	RECEP 30A 120/240V 4 POLE	
8	684380GT	IGNITION SWITCH,LEVER OPR.....1	1
9	682715GT	LIGHT INDICATOR 12VRED.....1	1
10	R660010GT	SWITCH PUSH-BUTTON W/BOOT.....1	1
11	T106193GT	HOURMETER,DIGITAL,RECTANGULAR.1	1
12	995300GT	SCREW,PHM,6-32 X .25	
13	994420GT	WASHER,LOCK,#6 SS	
14	T113641GT	BREAKER,15A,120VAC 1P,CSA.....4	4
15	T113644GT	BREAKER,30A 250VAC 2P,CSA.....2	2
16	684167GT	CONNECTOR 12P FEMALE.....1	1
17	R661490GT	RELAY 12V DC 30A NO OR.....1	1
18	55906GT	SCREW,PHILLIPS,PHM,8-32 X .5.....4	4
19	40766GT	NUT,NYLOCK,4-40.....4	4

Discount-Equipment.com

405.1 Control Box, Autostart, View 1



Discount-Equipment.com

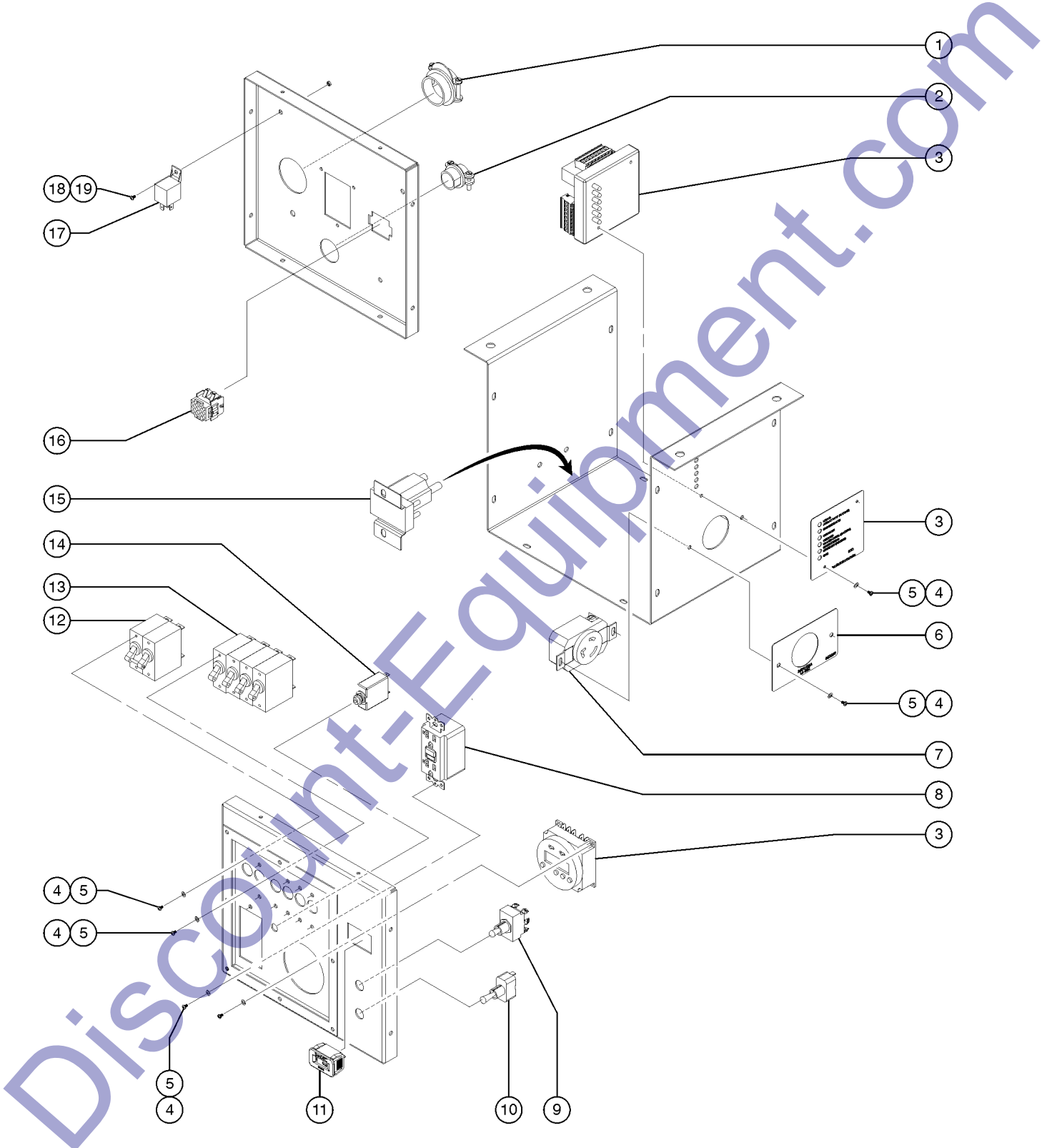


405.1 Control Box, Autostart, View 1

Item	Part No.	Description	Qty.
1	996340GT	SCREW,PHM,10-16 X 3/4 <i>(tek screw)</i>	
2	186543GT	FP-CONTROL BOX, TOP.....	1
3	990670GT	RIVET,POP,SS,3/16"X1/2" BLIND	
4	823430GT	FP-CONTROL BOX, REAR, 50HZ, STD.... <i>(replaced 186542GT at SN AL413-2417)</i>	
5	186550GT	FP-CONTROL BOX BODY, AUTO.....	1
6	186554GT	BRACKET,E-BOX,AUTOSTART,AL4.....	1
7	C51601444GT	SCREW,FLANGE,1/4-20X1/2" PATCH	
8	993310GT	NUTSERT,1/4-20	
9	186553GT	FP-CONTROL BOX, FACE AUTO.....	1
10	186552GT	FORMING,PAN.FRNT,CT BOX AUTOST.....	1

Discount-Equipment.com

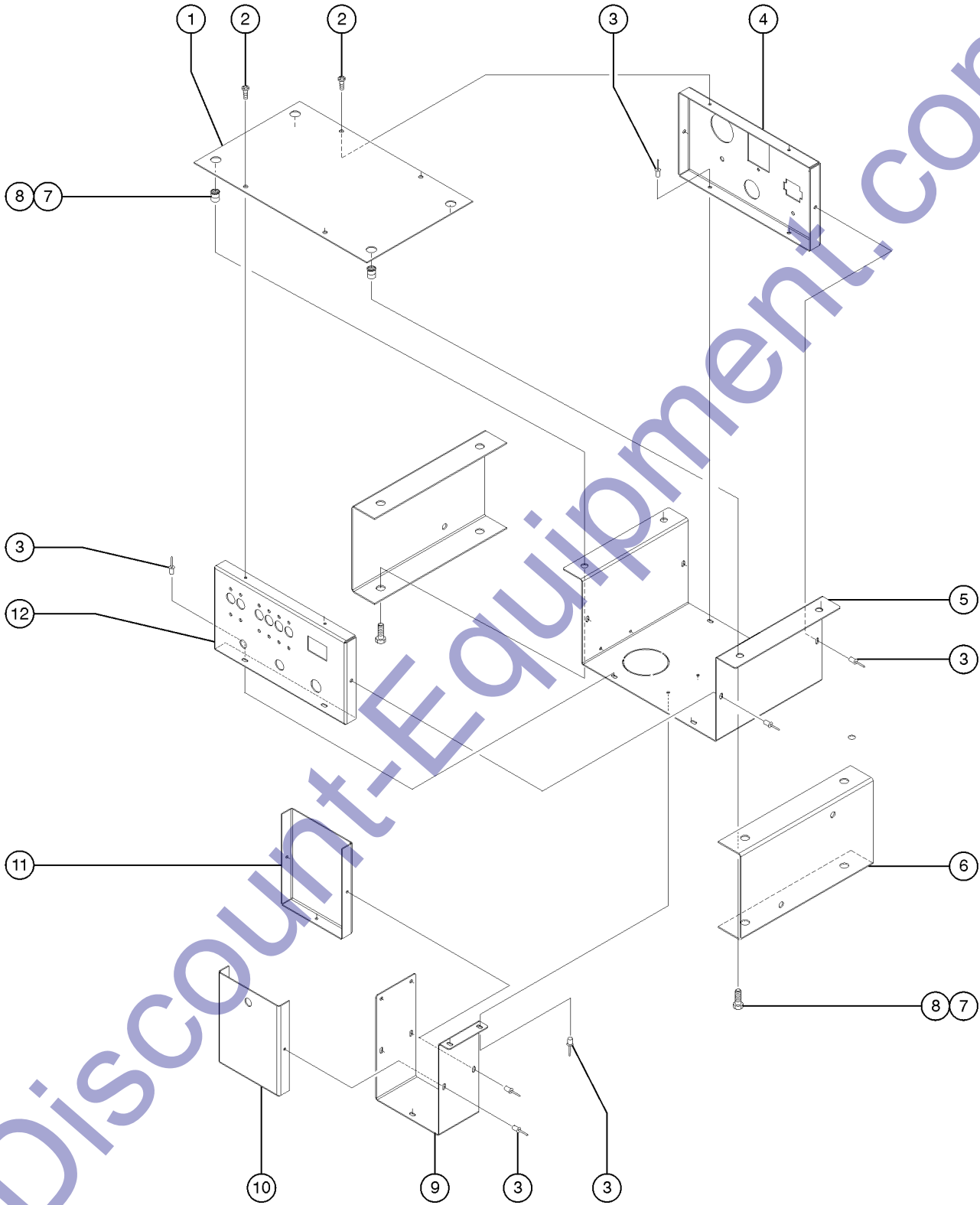
406.1 Control Box, Autostart, View 2



Item	Part No.	Description	Qty.
--	T114063GT	CNTRL BOX,60HZ,AUTOSTART	
1	686220GT	CONNECTOR 2 SCREW 1.25T-B.....1	1
2	680030GT	CONNECTOR 2 SCREW 3/4.....1	1
--	680250GT	LOCKNUT, CONDUIT 3/4CSA APPVD	
3	261299GT	AUTOSTART CONTROLLER.....1 <i>(includes control board, timer, decal and fasteners)</i>	1
4	995300GT	SCREW,PHM,6-32 X .25	
5	994420GT	WASHER,LOCK,#6 SS	
6	853309GT	DECAL:240V 30 AMP RECEPTACLE.....1	1
7	684450GT	RECEP 30A 20V 3POLE.....1	1
8	684640GT	RECEPTACLE 20A 120V DUPLEX GFI.....1	1
9	672262GT	SWITCH, TOGGLE 6A DPDT ON/OFF...1	1
10	C42208400GT	SWITCH TOGGLE SPST.....1	1
11	T106193GT	HOURMETER,DIGITAL,RECTANGULAR.1	1
12	T113644GT	BREAKER,30A 250VAC 2P,CSA.....2	2
13	T113641GT	BREAKER,15A,120VAC 1P,CSA.....4	4
14	T113642GT	BREAKER,20A MINI,120VAC 1P,CSA.....1	1
15	160761GT	CONTACTOR 100 A DP 12VDC AUTO...1	1
16	684167GT	CONNECTOR 12P FEMALE.....1	1
17	R661490GT	RELAY 12V DC 30A NO OR.....4	4
18	55306GT	SCREW,PHILLIPS,PHM,4-40 X .50.....4	4
19	40766GT	NUT,NYLOCK,4-40.....4	4

Discount-Equipment.com

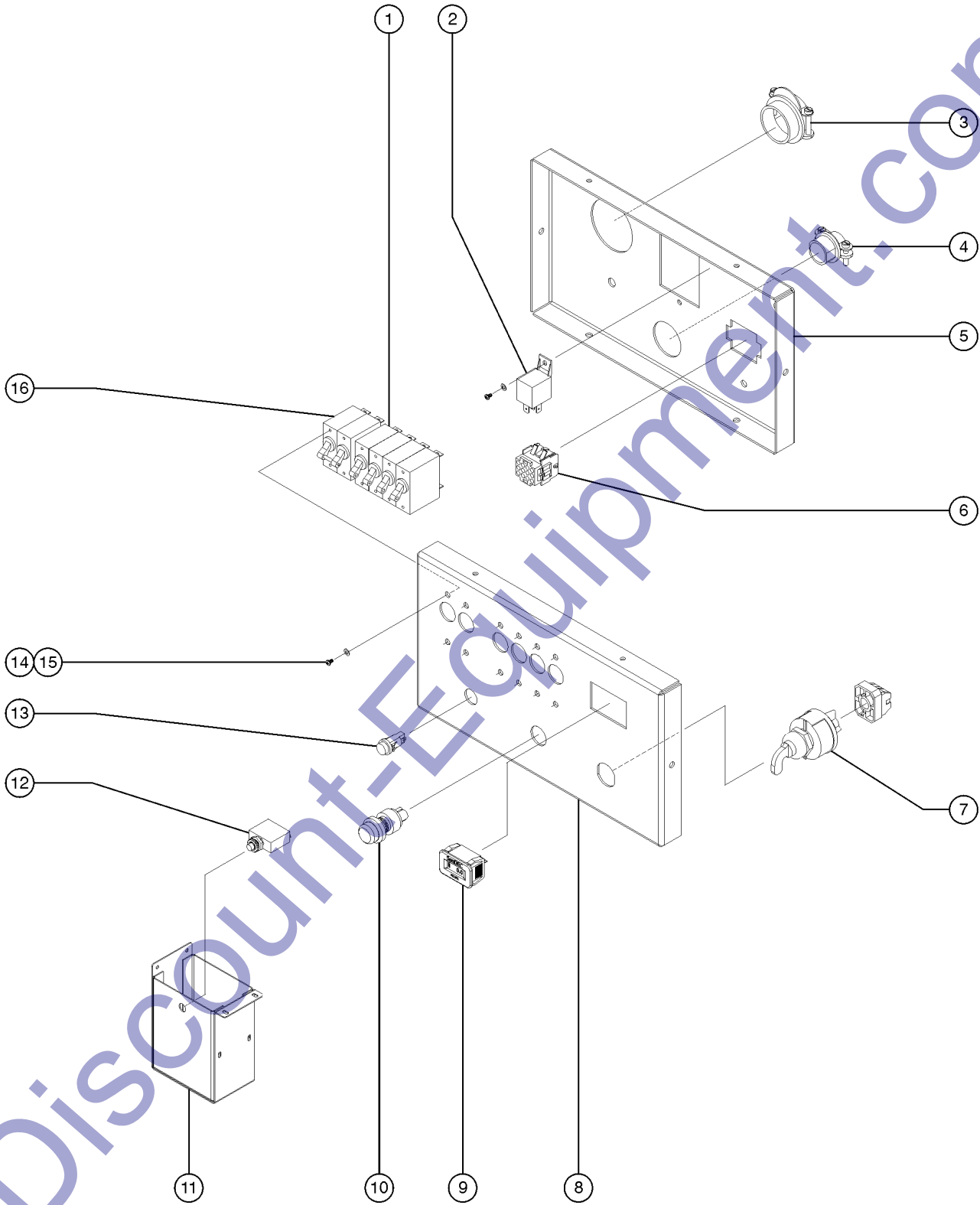
407.1 Control Box, 50 Hz, View 1



Item	Part No.	Description	Qty.
1	186543GT	FP-CONTROL BOX, TOP.....	1
2	996340GT	SCREW, PHM, 10-16 X 3/4	
3	990670GT	RIVET, POP, SS, 3/16" X 1/2" BLIND	
4	823428GT	FP-CONTROL BOX, REAR, SHORT..... <i>(replaced 116802GT, from SN AL413-2417)</i>	1
5	116801GT	FP-CONTROL BOX, BODY 50HZ.....	1
6	186554GT	BRACKET, E-BOX, AUTOSTART, AL4.....	1
7	C51601444GT	SCREW, FLANGE, 1/4-20 X 1/2" PATCH	
8	993310GT	NUTSERT, 1/4-20	
9	116919GT	FP-CONTROL BOX REC BOTTOM.....	1
10	996920GT	FP-CONTROL BOX REC FRONT.....	1
11	116921GT	FP-CONTROL BOX REC BACK.....	1
12	116803GT	FP-CONTROL BOX, FRONT 50HZ.....	1

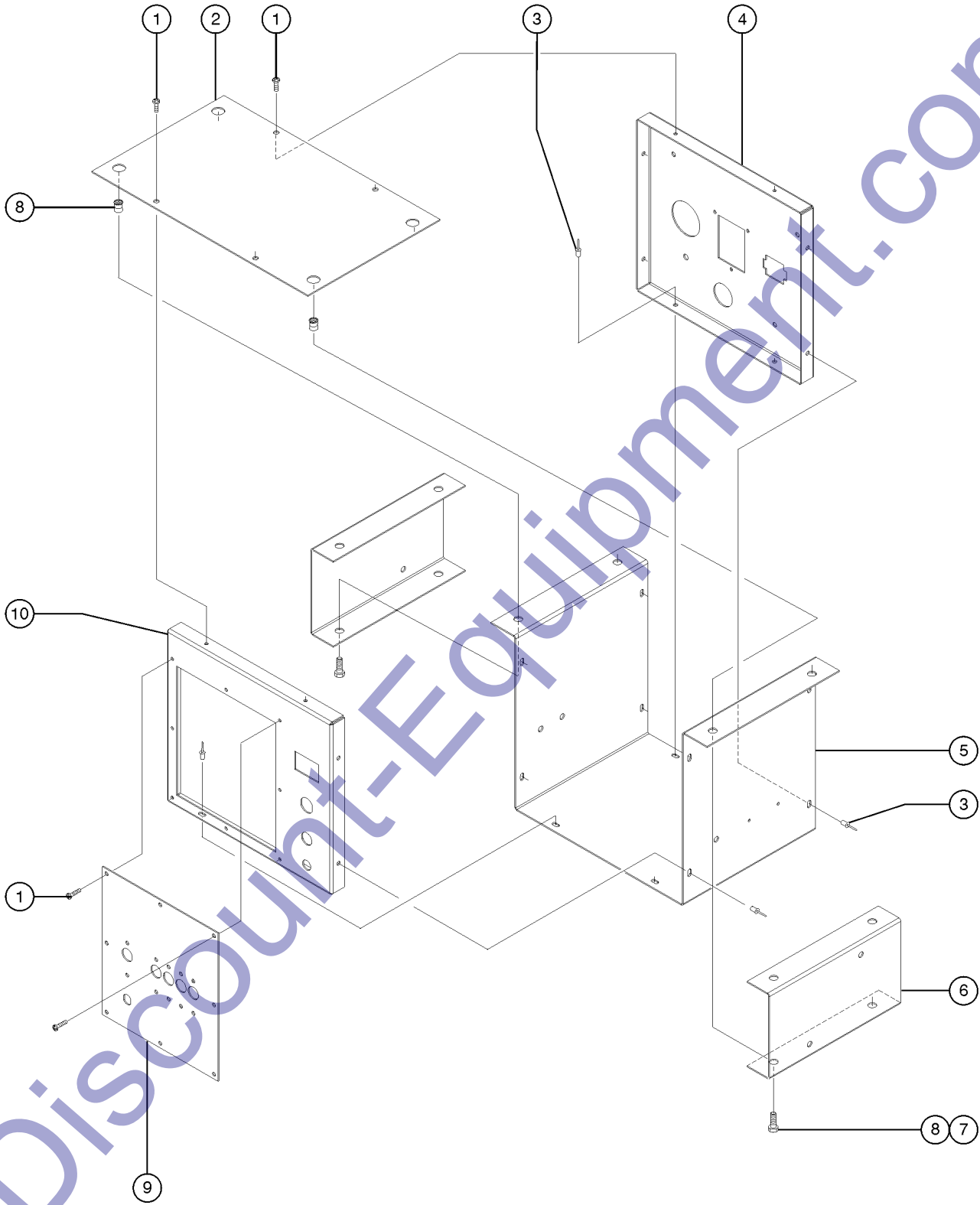
Discount-Equipment.com

408.1 Control Box, 50 Hz, View 2



Item	Part No.	Description	Qty.
A	826911GT	KIT CNTRL BOX 50HZ ALRL4 (to SN AL413-2416)	
--	822784GT	CONTRL BOX 50HZ, MH, 7KW,AL,RL	
--	826915GT	KIT CONTROL BOX TO COIL CORD (to SN AL413-2416)	
B	822784GT	CONTRL BOX 50HZ, MH, 7KW,AL,RL (replaced 116922GT) (from SN AL413-2417)	
1	683870GT	BREAKER 1P 15A 277VA.....	1
2	R661490GT	RELAY 12V DC 30A NO OR.....	1
3	686220GT	CONNECTOR 2 SCREW 1.25T-B.....	1
4	680030GT	CONNECTOR 2 SCREW 3/4.....	1
--	680250GT	LOCKNUT, CONDUIT 3/4CSA APPVD	
5		Ref. FP-CONTROL BOX REC BACK (refer to 405.1)	
6	684167GT	CONNECTOR 12P FEMALE.....	1
7	684380GT	IGNITION SWITCH,LEVER OPR.....	1
8		Ref. FP-CONTROL BOX REC FRONT (refer to 405.1)	
9	T106193GT	HOURMETER,DIGITAL,RECTANGULAR.1	
10	R660010GT	SWITCH PUSH-BUTTON W/BOOT.....	1
11		Ref. ELEC BOX (refer to 405.1)	
12	T113642GT	BREAKER,20A MINI,120VAC 1P,CSA.....	1
13	682715GT	LIGHT INDICATOR 12VRED.....	1
14	995300GT	SCREW,PHM,6-32 X .25.....	12
15	994420GT	WASHER,LOCK,#6 SS.....	12
16	T113644GT	BREAKER,30A 250VAC 2P,CSA.....	2

409.1 Control Box, 50 Hz, Australia, View 1



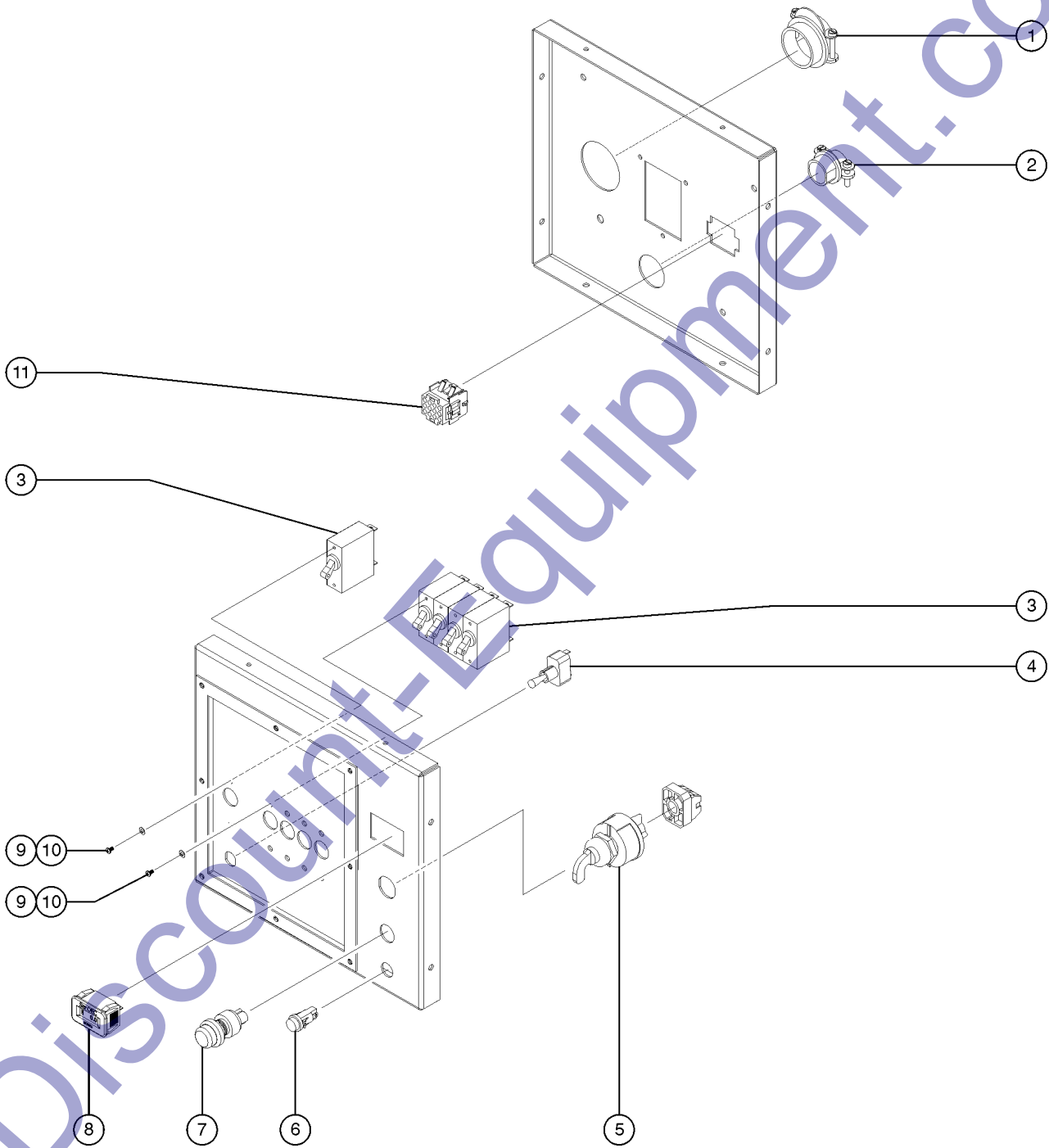


## 409.1 Control Box, 50 Hz, Australia, View 1

Item	Part No.	Description	Qty.
1	996340GT	SCREW,PHM,10-16 X 3/4	
2	186543GT	FP-CONTROL BOX, TOP.....1	
3	990670GT	RIVET,POP,SS,3/16"X1/2" BLIND	
4	823430GT	FP-CONTROL BOX,REAR,50HZ,STD....1 (replaced 186540GT, from SN AL413-2417)	
5	186540GT	BASE,CONTROL BOX,AL4 CONS.....1	
6	186554GT	BRACKET,E-BOX,AUTOSTART,AL4.....1	
7	C51601444GT	SCREW,FLANGE,1/4-20X1/2" PATCH	
8	993310GT	NUTSERT,1/4-20	
9	186551GT	PLATE,FACE,CNTL BOX,AUS.AL4.....1	
10	186544GT	BRACKET,E-BOX,AUTOSTART,AL4.....1	

Discount-Equipment.com

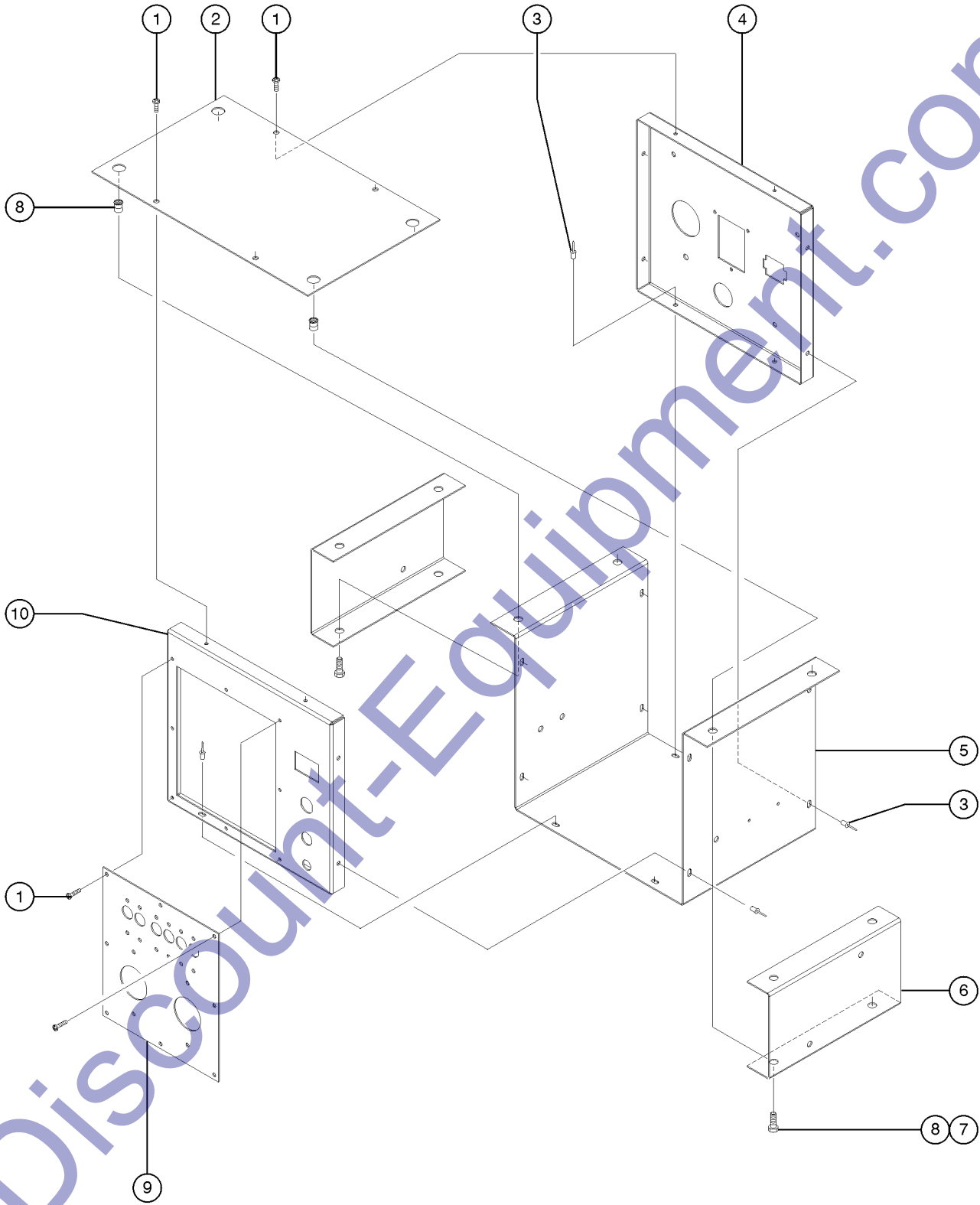
410.1 Control Box, 50 Hz, Australia, View 2



## 410.1 Control Box, 50 Hz, Australia, View 2

Item	Part No.	Description	Qty.
A	826912GT	KIT CNTRL BOX 240V AUS.....	1
--	822787GT	CNTRL BOX 50HZ MH 7KW 240V AUS	
--	826915GT	KIT CONTROL BOX TO COIL CORD	
1	686220GT	CONNECTOR 2 SCREW 1.25T-B.....	1
2	680030GT	CONNECTOR 2 SCREW 3/4.....	3
--	680250GT	LOCKNUT, CONDUIT 3/4CSA APPVD	
3	683870GT	BREAKER 1P 15A 277VA.....	4
4	C42202900GT	SWITCH TOGGLE SPDTON.....	1
5	684380GT	IGNITION SWITCH,LEVER OPR.....	1
6	682715GT	LIGHT INDICATOR 12VRED.....	1
7	R660010GT	SWITCH PUSH-BUTTON W/BOOT.....	1
8	T106193GT	HOURMETER,DIGITAL,RECTANGULAR.1	
9	995300GT	SCREW,PHM,6-32 X .25.....	10
10	994420GT	WASHER,LOCK,#6 SS.....	10
11	684167GT	CONNECTOR 12P FEMALE.....	1

411.1 Control Box, 50 Hz, Twistlock, View 1

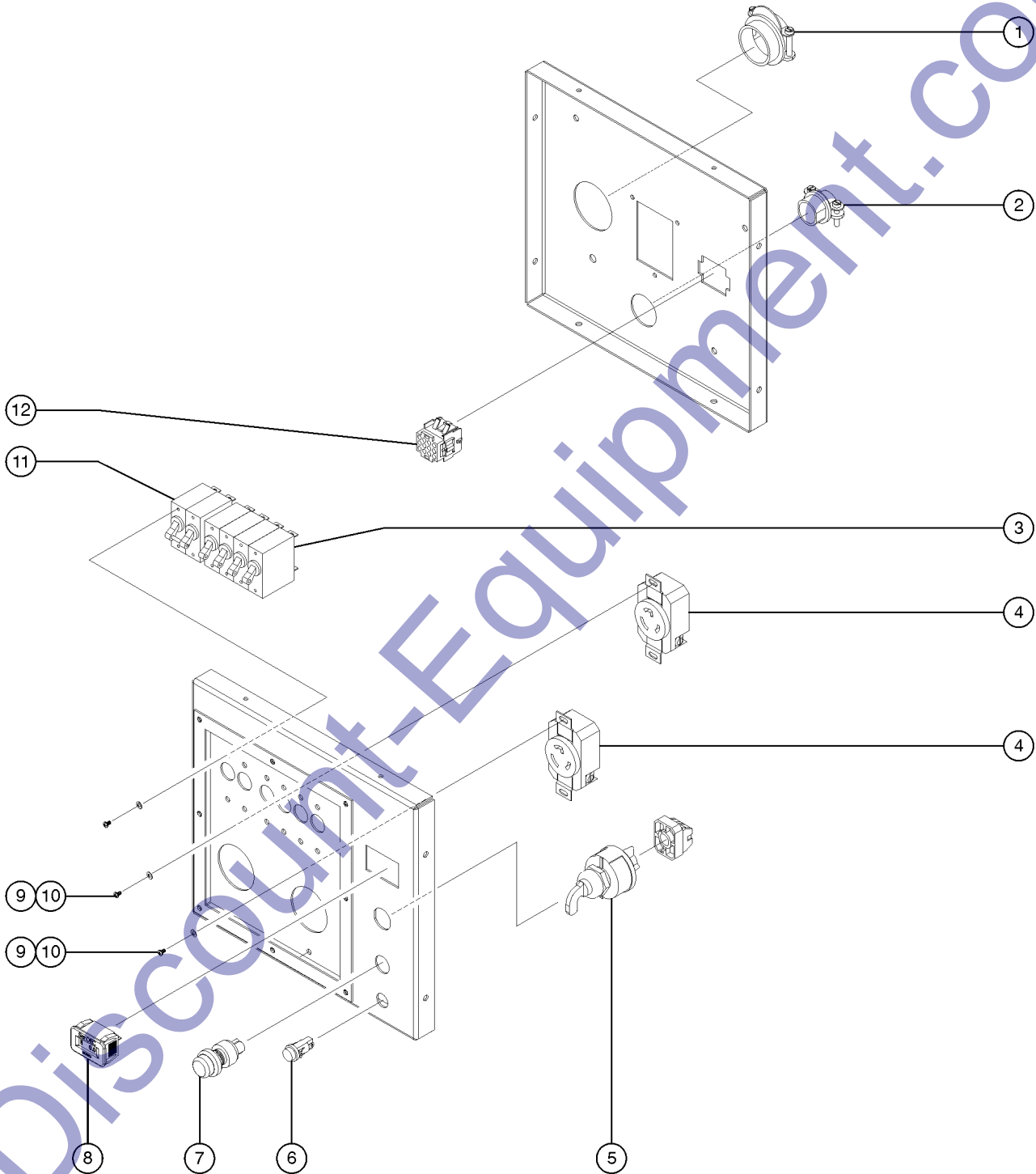


## 411.1 Control Box, 50 Hz, Twistlock, View 1

Item	Part No.	Description	Qty.
1	996340GT	SCREW,PHM,10-16 X 3/4	
2	186543GT	FP-CONTROL BOX, TOP.....1	
3	990670GT	RIVET,POP,SS,3/16"X1/2" BLIND	
4	823430GT	FP-CONTROL BOX, REAR, 50HZ, STD....1 <i>(replaced 186542GT, from SN AL413-2417)</i>	
5	186540GT	BASE, CONTROL BOX, AL4 CONS.....1	
6	186554GT	BRACKET, E-BOX, AUTOSTART, AL4.....1	
7	C51601444GT	SCREW, FLANGE, 1/4-20X1/2" PATCH	
8	993310GT	NUTSERT, 1/4-20	
9	T107893GT	PANEL, FRONT, CTRL BOX, 2 TL.....1	
10	186544GT	BRACKET, E-BOX, AUTOSTART, AL4.....1	

Discount-Equipment.com

412.1 Control Box, 50 Hz, Twistlock, View 2

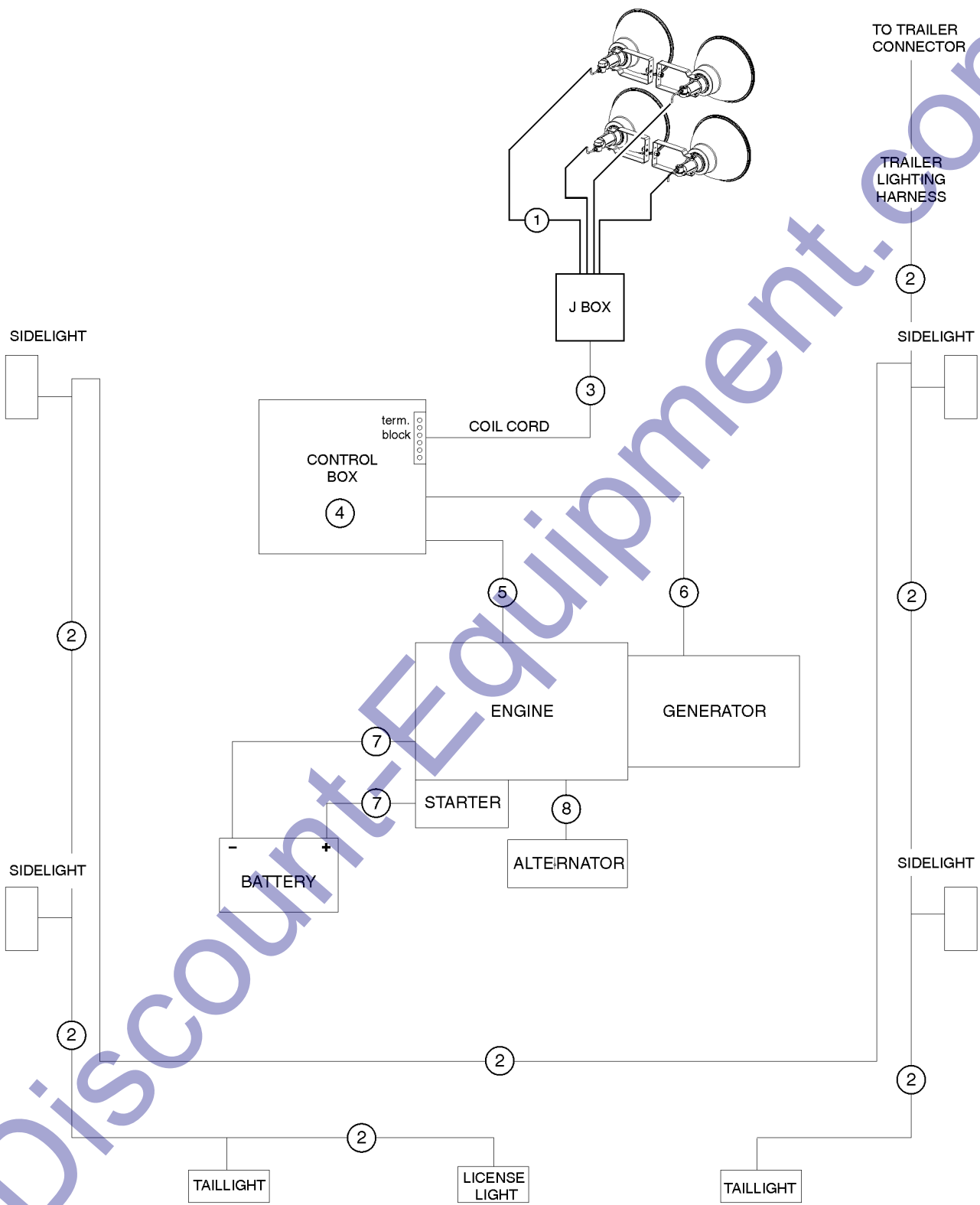


## 412.1 Control Box, 50 Hz, Twistlock, View 2

Item	Part No.	Description	Qty.
A	826914GT	KIT CNTRL BOX 50HZ 2XTL	
--	822786GT	CONTROL BOX 50HZ 7KW TL	
--	826915GT	KIT CONTROL BOX TO COIL CORD	
1	686220GT	CONNECTOR 2 SCREW 1.25T-B.....1	
2	680030GT	CONNECTOR 2 SCREW 3/4.....1	
--	680250GT	LOCKNUT, CONDUIT 3/4CSA APPVD	
3	T113641GT	BREAKER,15A,120VAC 1P,CSA.....4	
4	684450GT	RECEP 30A 20V 3POLE.....2	
5	684380GT	IGNITION SWITCH,LEVER OPR.....1	
6	682715GT	LIGHT INDICATOR 12VRED.....1	
7	R660010GT	SWITCH PUSH-BUTTON W/BOOT.....1	
8	T106193GT	HOURMETER,DIGITAL,RECTANGULAR.1	
9	995300GT	SCREW,PHM,6-32 X .25.....12	
10	994420GT	WASHER,LOCK,#6 SS.....12	
11	T113644GT	BREAKER,30A 250VAC 2P,CSA.....2	
12	684167GT	CONNECTOR 12P FEMALE.....1	

Discount-Equipment.com

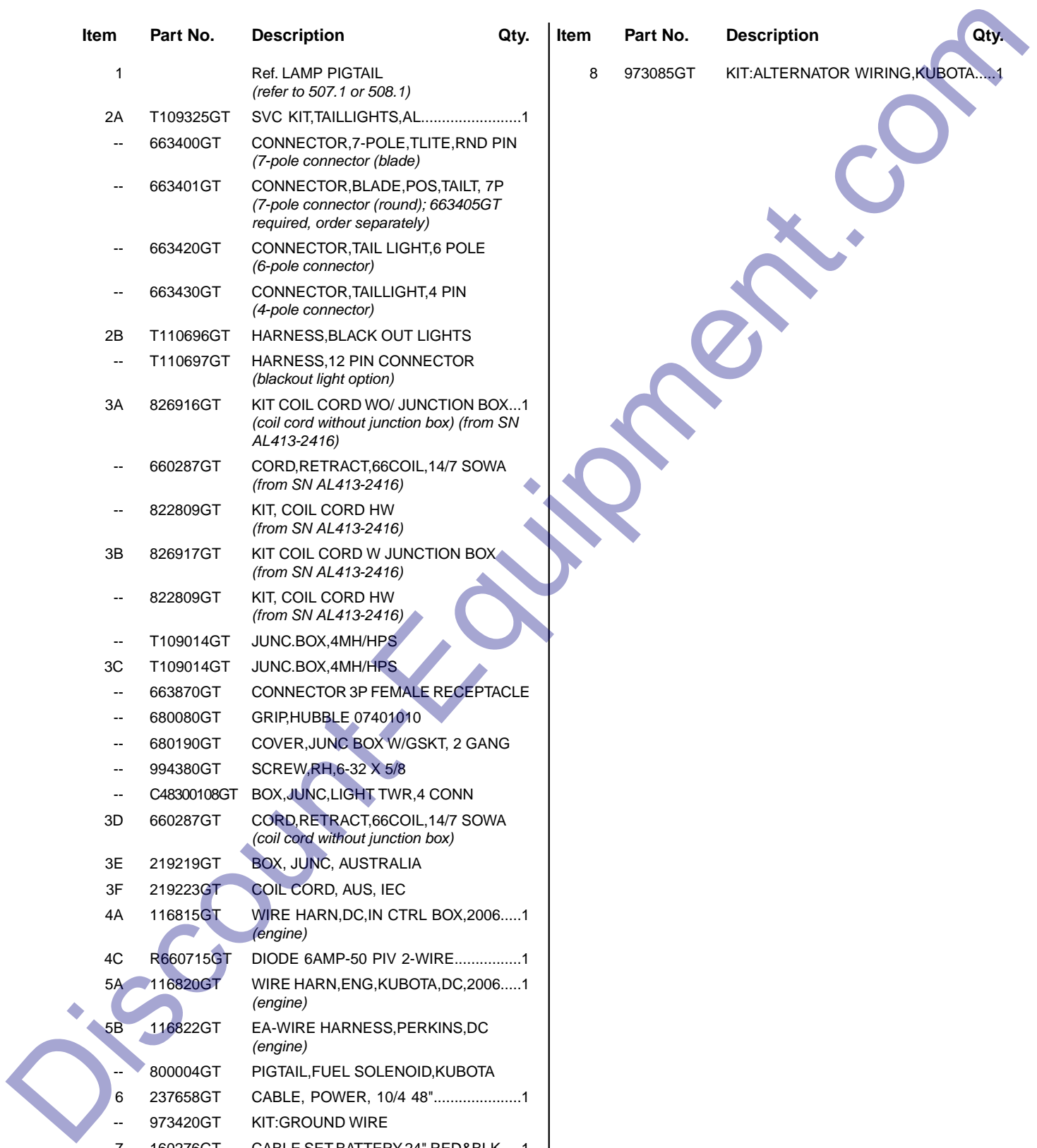
413.1 Electrical Wiring and Power Cables



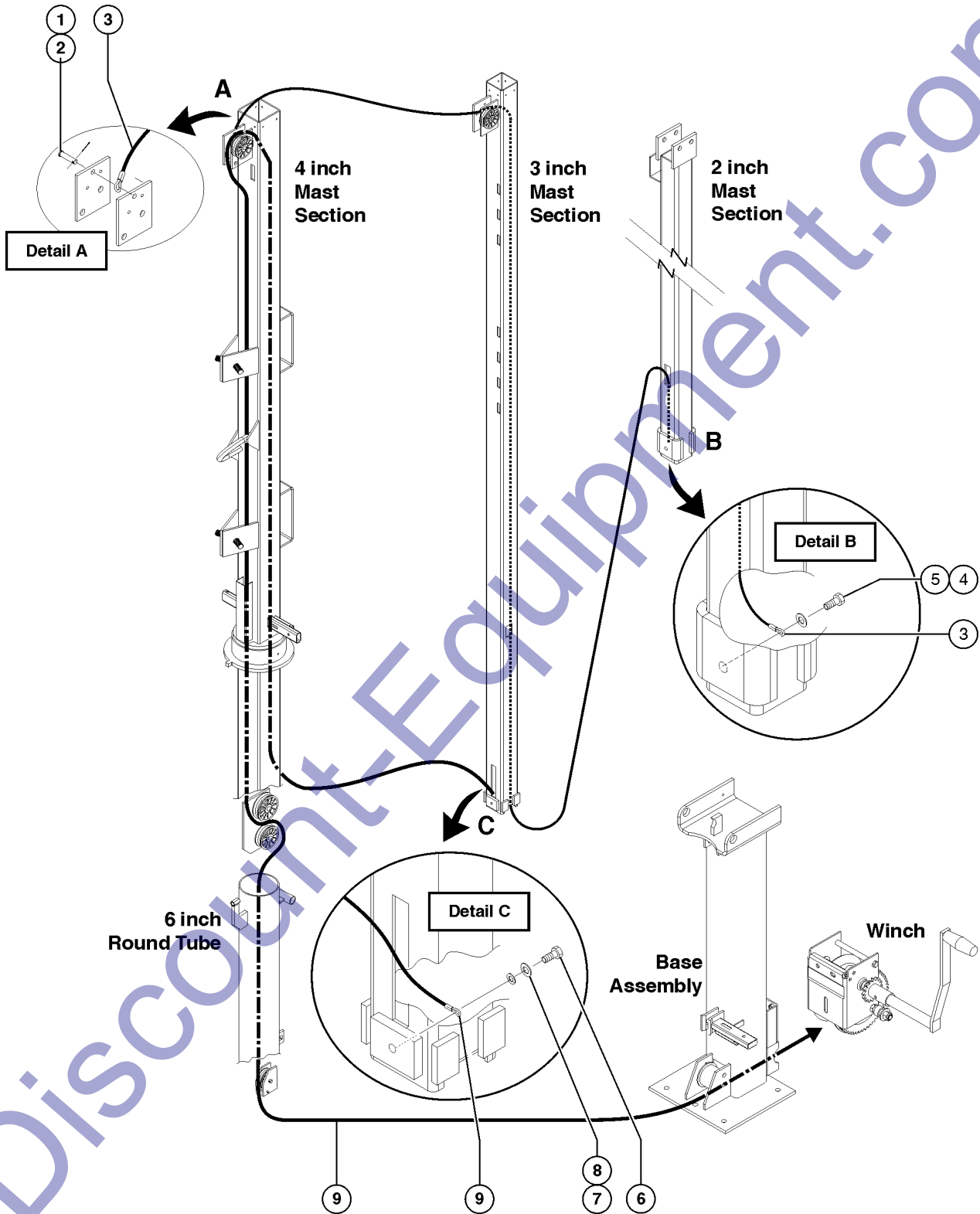


413.1 Electrical Wiring and Power Cables

Item	Part No.	Description	Qty.	Item	Part No.	Description	Qty.
1		Ref. LAMP PIGTAIL <i>(refer to 507.1 or 508.1)</i>		8	973085GT	KIT:ALTERNATOR WIRING,KUBOTA.....1	
2A	T109325GT	SVC KIT,TAILLIGHTS,AL.....1					
--	663400GT	CONNECTOR,7-POLE,TLITE,RND PIN <i>(7-pole connector (blade))</i>					
--	663401GT	CONNECTOR,BLADE,POS,TAILT, 7P <i>(7-pole connector (round); 663405GT required, order separately)</i>					
--	663420GT	CONNECTOR,TAIL LIGHT,6 POLE <i>(6-pole connector)</i>					
--	663430GT	CONNECTOR,TAILLIGHT,4 PIN <i>(4-pole connector)</i>					
2B	T110696GT	HARNESS,BLACK OUT LIGHTS					
--	T110697GT	HARNESS,12 PIN CONNECTOR <i>(blackout light option)</i>					
3A	826916GT	KIT COIL CORD WO/ JUNCTION BOX...1 <i>(coil cord without junction box) (from SN AL413-2416)</i>					
--	660287GT	CORD,RETRACT,66COIL,14/7 SOWA <i>(from SN AL413-2416)</i>					
--	822809GT	KIT, COIL CORD HW <i>(from SN AL413-2416)</i>					
3B	826917GT	KIT COIL CORD W JUNCTION BOX <i>(from SN AL413-2416)</i>					
--	822809GT	KIT, COIL CORD HW <i>(from SN AL413-2416)</i>					
--	T109014GT	JUNC.BOX,4MH/HPS					
3C	T109014GT	JUNC.BOX,4MH/HPS					
--	663870GT	CONNECTOR 3P FEMALE RECEPTACLE					
--	680080GT	GRIP,HUBBLE 07401010					
--	680190GT	COVER,JUNC BOX W/GSKT, 2 GANG					
--	994380GT	SCREW,RH,6-32 X 5/8					
--	C48300108GT	BOX,JUNC,LIGHT TWR,4 CONN					
3D	660287GT	CORD,RETRACT,66COIL,14/7 SOWA <i>(coil cord without junction box)</i>					
3E	219219GT	BOX, JUNC, AUSTRALIA					
3F	219223GT	COIL CORD, AUS, IEC					
4A	116815GT	WIRE HARN,DC,IN CTRL BOX,2006.....1 <i>(engine)</i>					
4C	R660715GT	DIODE 6AMP-50 PIV 2-WIRE.....1					
5A	116820GT	WIRE HARN,ENG,KUBOTA,DC,2006.....1 <i>(engine)</i>					
5B	116822GT	EA-WIRE HARNESS,PERKINS,DC <i>(engine)</i>					
--	800004GT	PIGTAIL,FUEL SOLENOID,KUBOTA					
6	237658GT	CABLE, POWER, 10/4 48".....1					
--	973420GT	KIT:GROUND WIRE					
7	160276GT	CABLE SET,BATTERY,24" RED&BLK.....1					



501.1 Mast Assembly and Winch Cable Routing

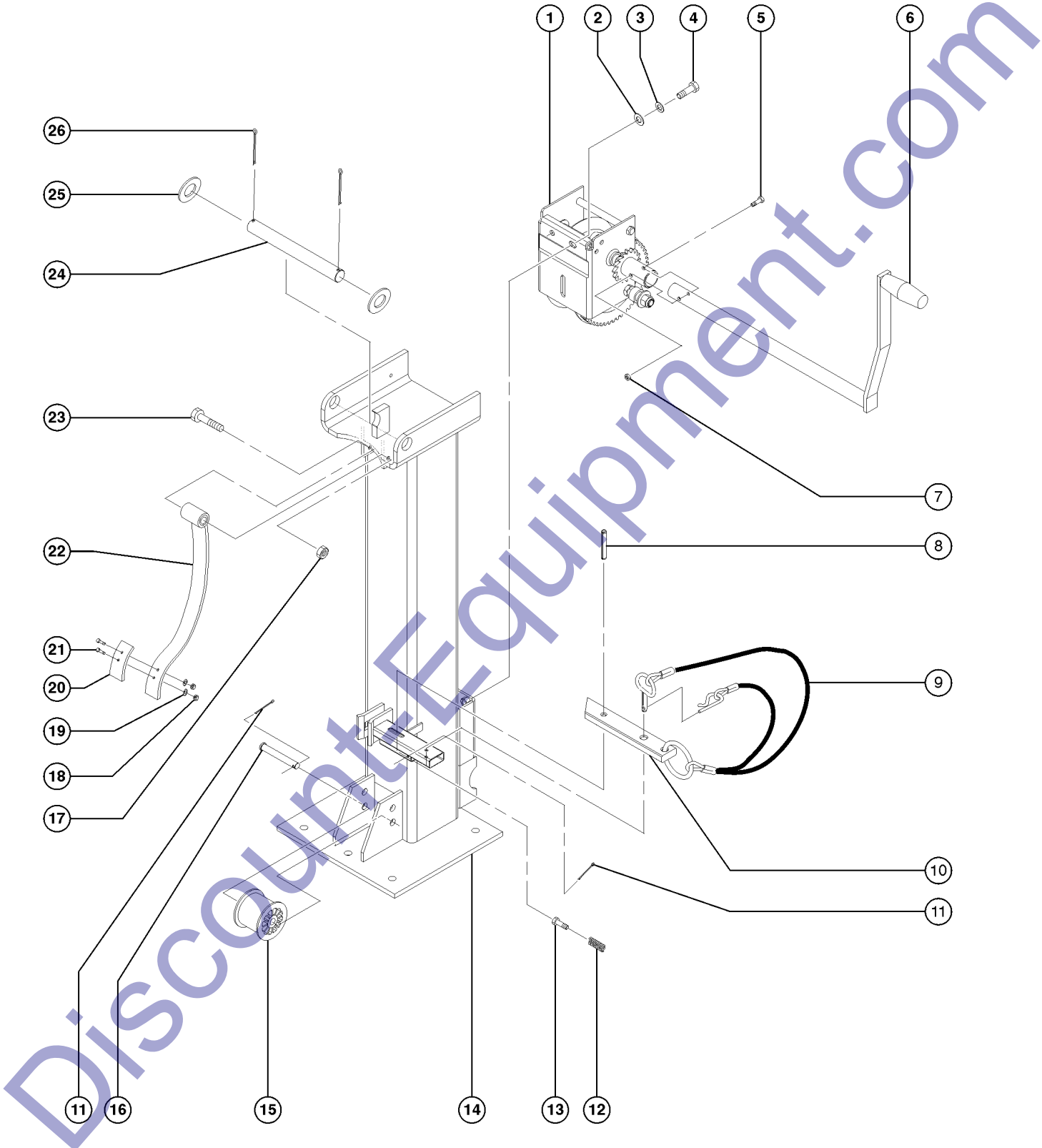


## 501.1 Mast Assembly and Winch Cable Routing

Item	Part No.	Description	Qty.
1	995780GT	CLEVIS PIN STAINLESSS.....	1
2	990650GT	COTTER PIN 1/8X1 SSBIN STOCK.....	1
3	109070GT	KIT,CABLE,UPPER AL4&5/LT5/SL4..... <i>(includes cable, shims, rivets, and fasteners)</i>	1
4	996230GT	SCREW,HHC,3/8-16 X 7/8.....	1
5	990470GT	WASHER LOCK 3/8ZP.....	1
6	990181GT	SCREW 3/8-16NCX1 HHC GR.....	1
7	15086GT	WASHER,FLAT,.375 X 1.5 X .125.....	1
8	990470GT	WASHER LOCK 3/8ZP.....	1
9	109065GT	KIT- CABLE ASSY LOWER 1/4" AL4..... <i>(includes cable, shims, rivets, and fasteners) (refer to 504.1 and 505.1 for shim installation)</i>	1

Discount-Equipment.com

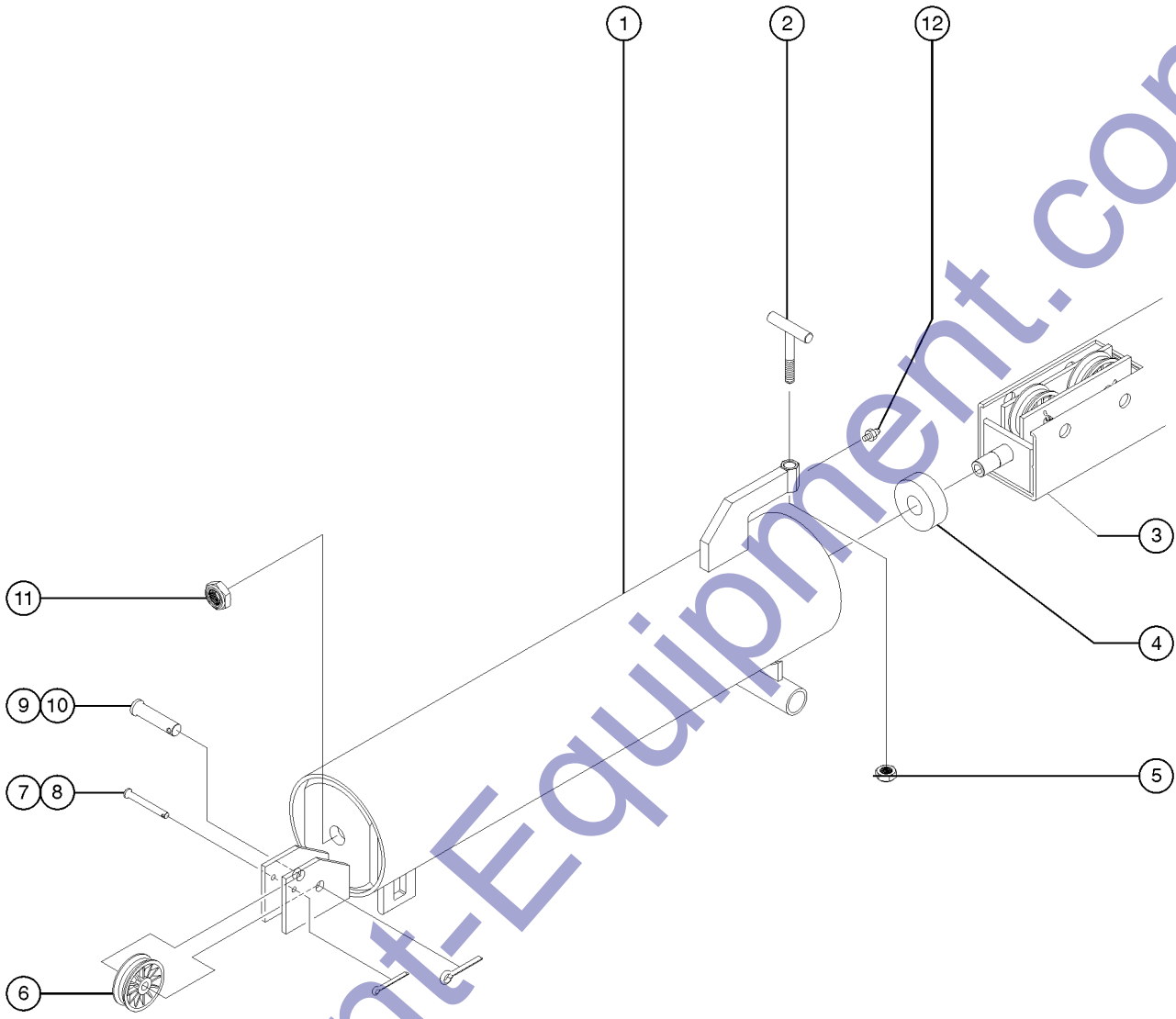
502.1 Tower Base Assembly



## 502.1 Tower Base Assembly

Item	Part No.	Description	Qty.
1		Ref. Winch (refer to 210.1)	
2	990080GT	WASHER FLAT 3/8USS ZPBIN.....	2
3	990470GT	WASHER LOCK 3/8ZP.....	2
4	981575GT	SCREW,HHC,3/8-16 X 1 GR 5 ZP.....	2
5	6-5204-16GT	SCREW,HHC,1/4-20X2.00,GR8.....	1
6	124480GT	AS-WINCH HANDLE W/TUBE,AL4000...	1
7	824024GT	NUT, TL, 1/4-20, C, ZAG.....	1
8	990660GT	ROLL PIN 1/4 X1-5/8.....	1
9	113362GT	MA-PIN LOCK SLIDE WITH RING..... (includes cable and pin)	1
10	22109517GT	KIT:LOCK SLIDE PIN W/..... (includes items 8-13)	1
11	990650GT	COTTER PIN 1/8X1 SSBIN STOCK.....	2
12	790710GT	SPRING,COIL,1/2 X 2.25.....	1
13	980340GT	SCREW,HHC,5/16-18 X 0.5 IN.....	1
14A	230613GT	TOWER BASE ASSY W/DEC,ALXL,WRD.....	1
14B	230638GT	TOWER BASE ASSY W/DEC,ALXL,SYM.....	1
15	184510GT	SHEAVE SPOOL 3 X2-1/2.....	1
16	995790GT	CLEVIS PIN STAINLESSS.....	1
17	990200GT	NUT,NYLOCK,1/2-13 GR2.....	1
18	824024GT	NUT, TL, 1/4-20, C, ZAG.....	2
19	824024GT	NUT, TL, 1/4-20, C, ZAG.....	2
20	186360GT	FP-BUMPER PAD,KICKOUT SPRING....	1
21	1258649GT	SCREW, PANHEAD, 10-32 X 5/8.....	1
22	193750GT	SPRING,KICKOUT,0.262X1.75,AL'S.....	1
23	981920GT	SCREW,HHC,1/2-13 X 3 G.....	1
24	971290GT	KIT:TWR,30'CBL TO PIVOT POST..... (includes items 21, and 22)	1
--	173115GT	PIN 1X9-1/4 TOWER PIVOT	
25	994000GT	WASHER FLAT 1S/S 18-8BIN.....	2
26	990770GT	COTTER PIN 3/16X1.5 SS.....	2

503.1 Round Tube Assembly, 6 Inch

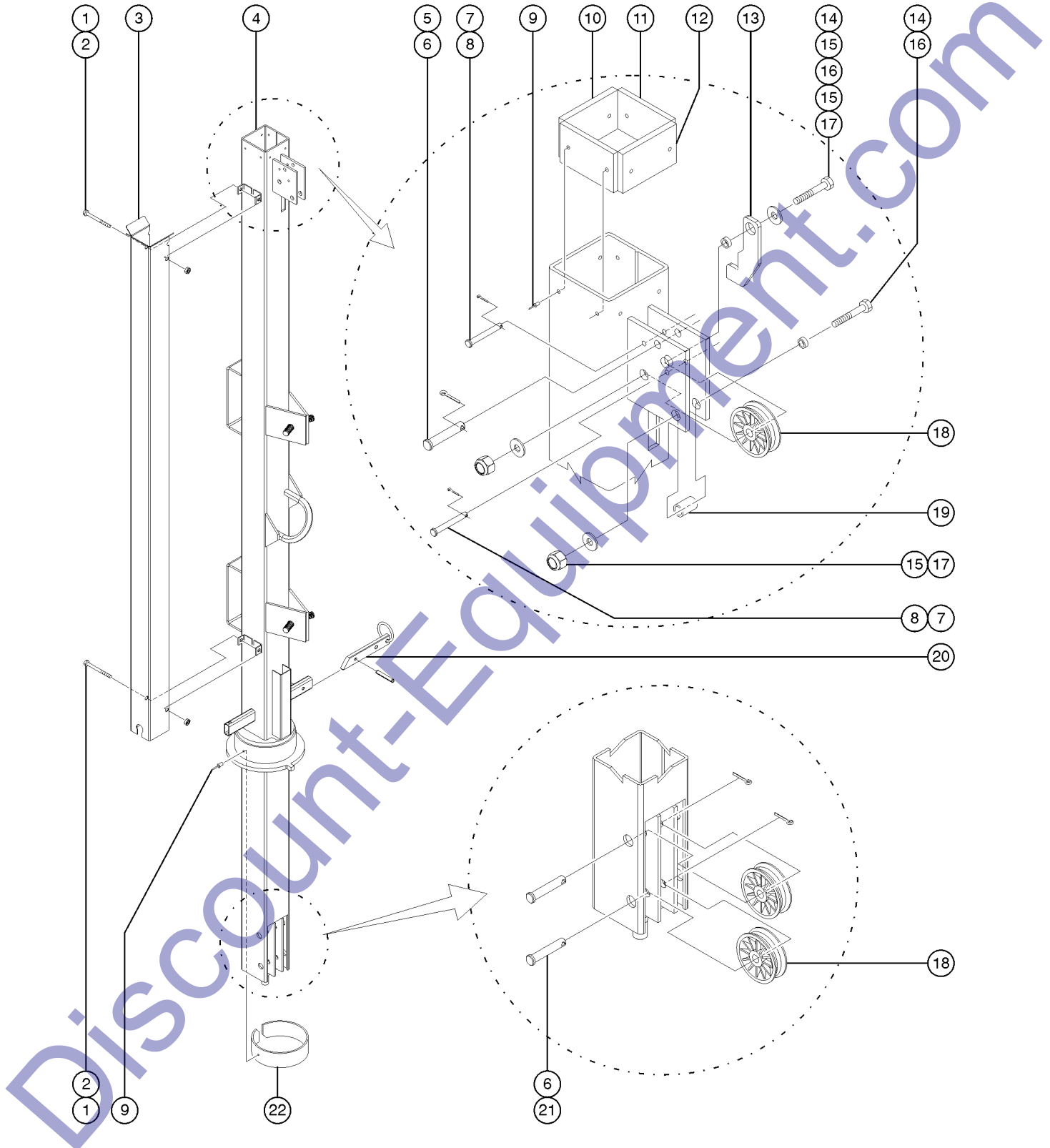


## 503.1 Round Tube Assembly, 6 Inch

Item	Part No.	Description	Qty.
1	230612GT	6" ROUND TUBE ASSY W/DECAL.....	1
--	974690GT	KIT:TOWER,30',6"ROUND TUBE..... <i>(includes item 2 and items 5-11)</i>	1
2	990610GT	BOLT,TEE 1/2-20 X 4.5.....	1
3		Ref. Mast Assy, 4" <i>(refer to 504.1)</i>	
4	179850GT	BUSHING 2.5ODX13/16.....	1
5	995190GT	NUT,NYLOCK,1/2-20.....	1
6	188760GT	SHEAVE 3-1/8 X15/16.....	1
7	995790GT	CLEVIS PIN STAINLESSS.....	1
8	994920GT	COTTER PIN 3/32X3/4 S.....	1
9	992765GT	CLEVIS PIN STAINLESSS.....	1
10	990650GT	COTTER PIN 1/8X1 SSBIN STOCK.....	1
11	990620GT	NUT LOCK NYLON INSERT.....	1
12	28646GT	ZERK,GREASE,1/8 NPT.....	1

Discount-Equipment.com

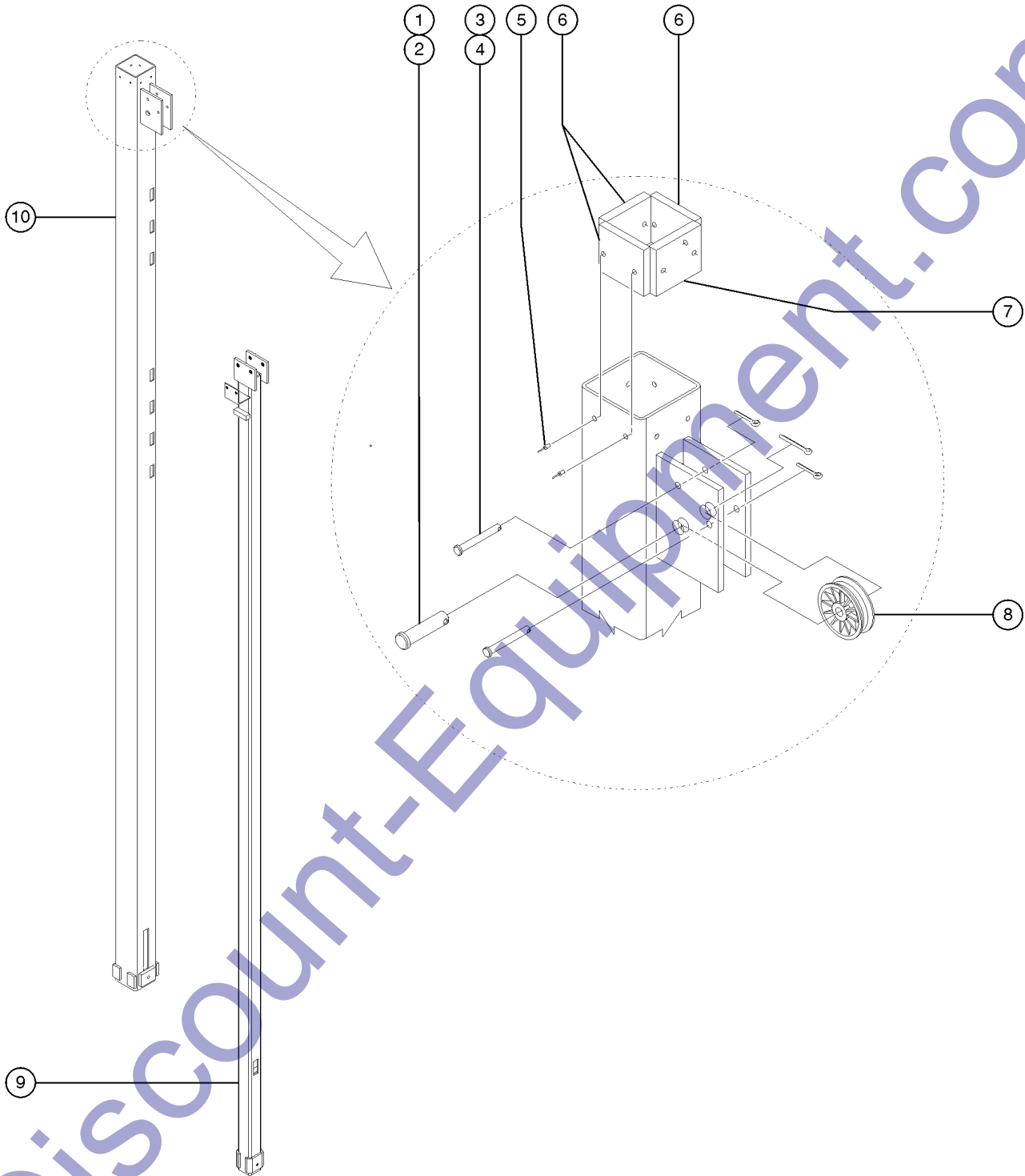
504.1 Mast Assembly, 4-inch





Item	Part No.	Description	Qty.
1	990160GT	SCREW,HHC,3/8-16 X 3.75.....	2
2	824025GT	NUT,TL,3/8-16,C,ZAG.....	2
3	113080GT	SLEEVE,COIL CORD,AL4,AL5.....	1
4A	230614GT	4" MAST ASSY W/DECAL,ALXL,WORD.....	1
4B	230615GT	4" MAST ASSY W/DECALS,ALXL,SYM	
5	995780GT	CLEVIS PIN STAINLESSS.....	1
6	990650GT	COTTER PIN 1/8X1 SSBIN STOCK.....	3
7	995790GT	CLEVIS PIN STAINLESSS.....	2
8	994920GT	COTTER PIN 3/32X3/4 S.....	2
9	990670GT	RIVET,POP,SS,3/16"X1/2" BLIND.....	10
10	183288GT	FP-SHIM 3/16X2X3-3/16 PLASTIC.....	1
11	177830GT	FP-SHIM 1/4X2X3-3/16 PLASTIC.....	2
12	183286GT	FP-SHIM 5/16X2X3-3/16 PLASTIC.....	1
13	178335GT	FP-LOCK LEVER, AL SERIES.....	1
14	990190GT	SCREW,HHC,1/2-13 X 3.....	2
15	990210GT	WASHER FLAT 1/2ZP.....	3
16	683460GT	BUSHING, 3/4OD X 1/2ID ***** .....	2
17	990200GT	NUT,NYLOCK,1/2-13 GR2.....	2
18	188760GT	SHEAVE 3-1/8 X15/16.....	3
19	683450GT	BUSHING 11/16ODX1/2IDX1.032L.....	1
20		Ref. Lock Pin (refer to 502.1)	
21	992765GT	CLEVIS PIN STAINLESSS.....	2
22	177810GT	FP-SHIM 3/16X2X19-3/4 PLASTIC.....	1

505.1 Mast Assembly, 2-inch and 3-inch

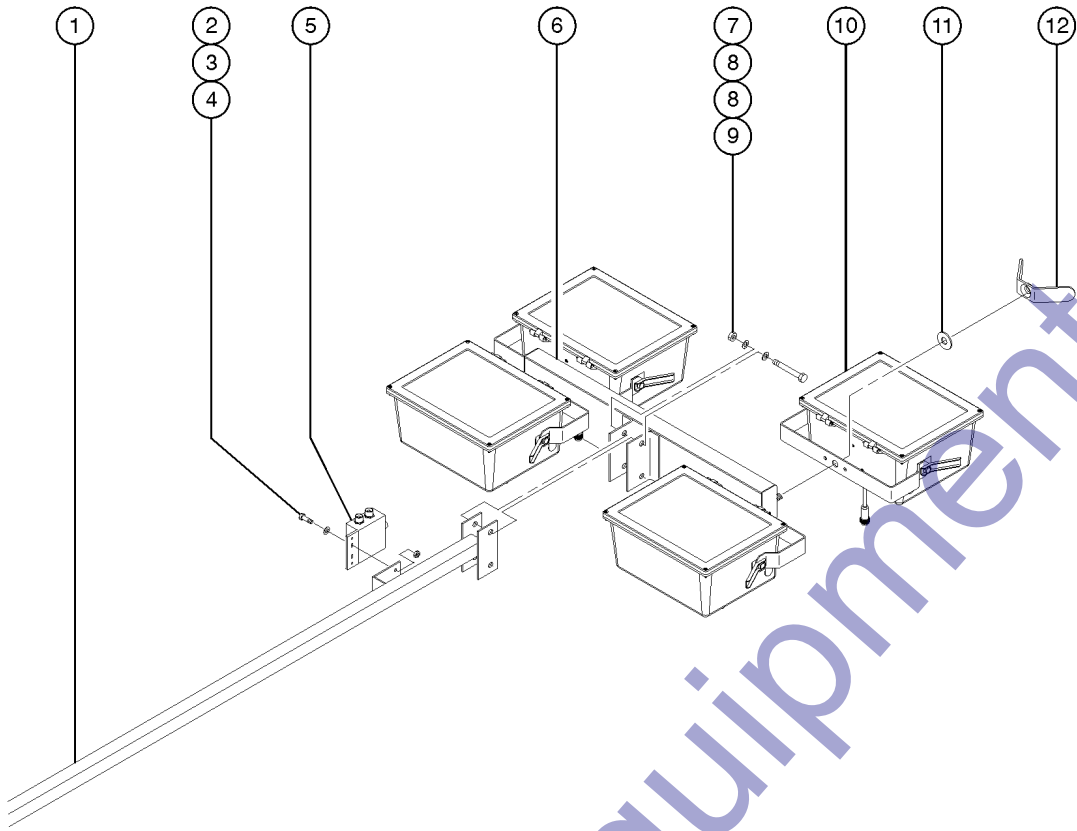


505.1 Mast Assembly, 2-inch and 3-inch

Item	Part No.	Description	Qty.
1	992765GT	CLEVIS PIN STAINLESSS.....	1
2	990650GT	COTTER PIN 1/8X1 SSBIN STOCK.....	1
3	995790GT	CLEVIS PIN STAINLESSS.....	2
4	994920GT	COTTER PIN 3/32X3/4 S.....	2
5	990670GT	RIVET,POP,SS,3/16"X1/2" BLIND.....	8
6	177820GT	FP-SHIM 5/16X2X2-1/4 PLASTIC.....	3
7	185290GT	FP-SHIM 3/8 X 2 X 2.25 PLASTIC.....	1
8	188760GT	SHEAVE 3-1/8 X15/16.....	1
9	124560GT	2" TOWER SECT,30'LG GALVANIZED....	1
10	124550GT	3 SECTION 30'TOWER AL4/AL5.....	1

Discount-Equipment.com

506.1 Mast Crossarm

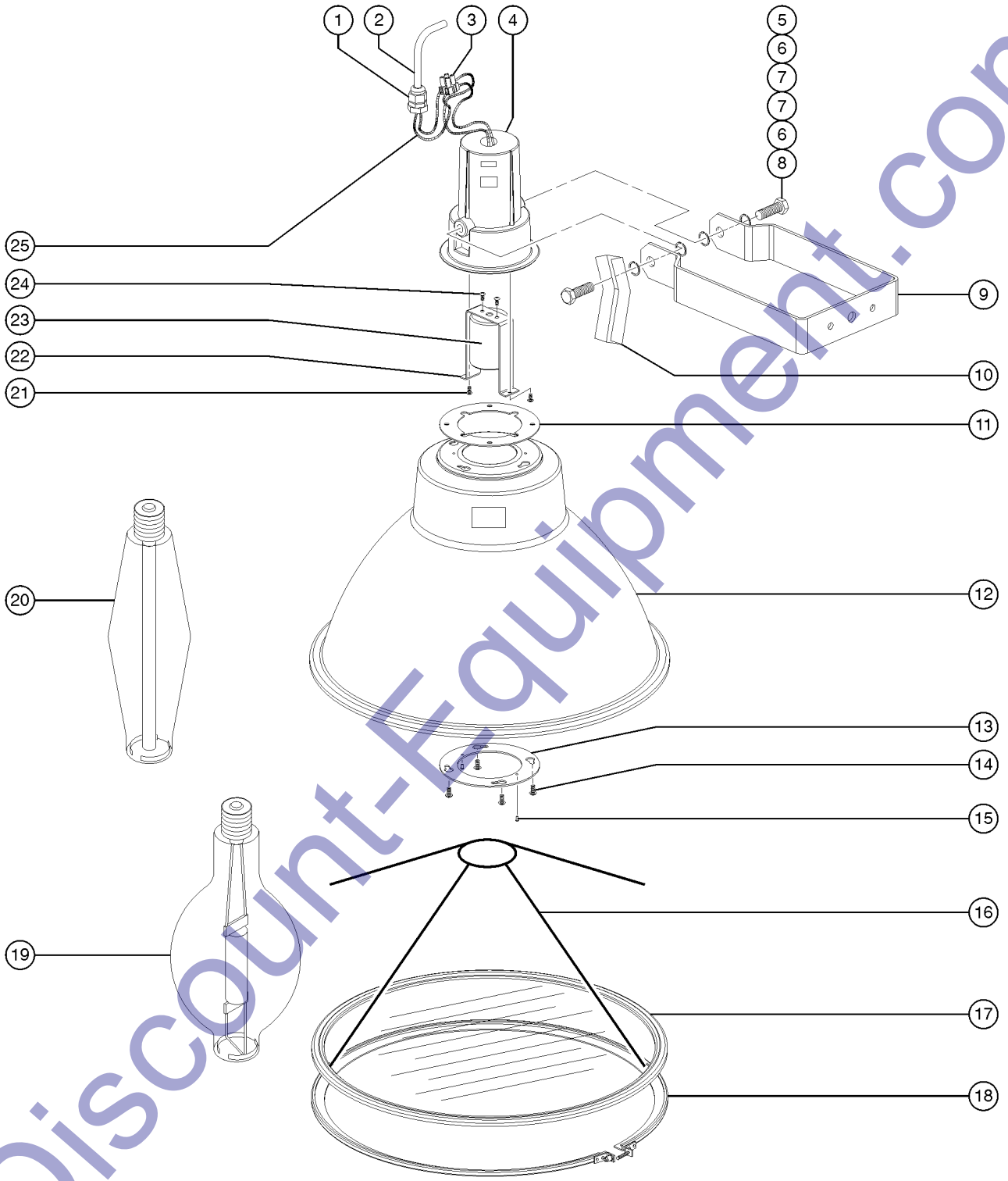


Discount-Equipment.com

Item	Part No.	Description	Qty.
1		Ref., 2-INCH MAST ASSY.....1 <i>refer to 505.1</i>	1
2	824060GT	SCREW,HHC,1/4-20X1,8,ZAG.....2	2
3	6638GT	WASHER,FLAT,USS,1/4"Y.....2	2
4	824024GT	NUT, TL, 1/4-20, C, ZAG.....2	2
5		Ref., JUNCTION BOX <i>refer to 409.1</i>	
6	113040GT	CROSSARM,4 LIGHT,AL SERIES,GLV.....1	1
7	994460GT	SCREW,HHC,3/8-16 X 4.5 ZP.....2	2
8	990080GT	WASHER FLAT 3/8USS ZPBIN.....4	4
9	824025GT	NUT,TL,3/8-16,C,ZAG.....2	2
10A		Ref., ROUND LIGHT <i>refer to 507.1</i>	
10B		Ref., SQUARE LIGHT <i>(shown) refer to 508.1</i>	
11	990880GT	WASHER,LOCK,STAR 3/4 E.....4	4
12	22123080GT	WING NUT, FIXTURE,RL4,AL4,AL5.....4	4

Discount-Equipment.com

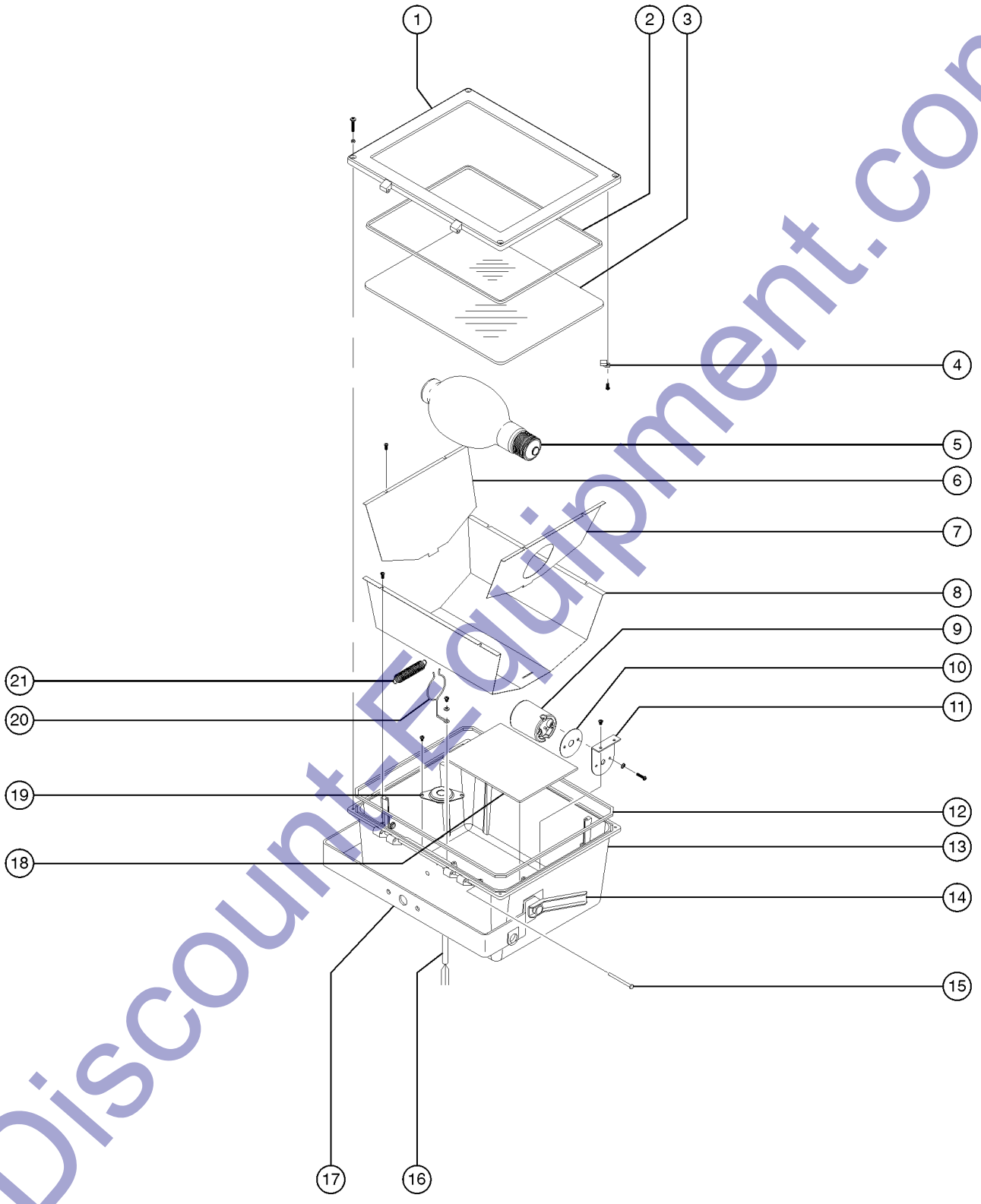
507.1 Light Assembly, Round



Discount-Equipment.com

Item	Part No.	Description	Qty.
--	C41100720GT	LIGHT FIXTURE,MH,AL4,RL4,AL5 <i>Light Fixture, Complete</i>	
1	683950GT	GASKET,STRAIN RELIEF,1/2	
--	680020GT	LOCKNUT,CONDUIT,1/2 CSA APPVD	
--	682470GT	CONN,STRAIN RELIEF,1/2 NPT	
2	663850GT	CORD SET MALE 5FT. 3P	
3	709034GT	TERMINAL STRIP,CE	
4	833567GT	CASTING,FIXTURE QUICK CONNECT	
5	990810GT	SCREW,HHC,1/2-13 X 1.5	
6	991650GT	WASHER LOCK 1/2ZP	
7	995970GT	WASHER LOCK STAR 1/2E	
8	981640GT	SCREW,HHC,1/2-13 X 1.25	
9	833566GT	BRKT,TRUNION	
10	833573GT	T-HANDLE	
11	833569GT	GASKET, HOUSING REFLECTOR BASE	
12	833547GT	REFLECTOR & LENS ASSY STD FIX <i>includes items 17-18</i>	
--	833568GT	REFLECTOR (C41100720)	
13	833570GT	RING,REINFORCING (C41100720)	
14	833571GT	SCREW,PHM,10-24 X 5/8	
15	990675GT	RIVET POP 1/8X.390 GR	
16	22120102GT	SPIDER, MH/HPS	
17	833524GT	LENS W/GASKET (C41100720)	
--	C2450108GT	LENS GASKET FOR LIGHT FIXTURE	
18	833543GT	CLAMP,LENS (C41100720)	
--	833574GT	SCREW,HH SLOT,8-32X1	
--	833578GT	NUTSERT,8-32 (833543)	
--	833581GT	WASHER,CLAMP,RUBBER(833543)	
19	160071GT	LAMP MH 1000W M1000/U SYL	
20	160140GT	LAMP HPS 1000W LU1000CSA APPVD	
21	833565GT	SCREW,PHM,8-32X3/8	
22	833563GT	BRKT,SOCKET MOGUL FO	
23	833564GT	SOCKET BASE-MOGUL	
24	833577GT	SCREW,RHM,6-32X5/8	
25	833582GT	SLEEVE,WIRE,FIBERGLASS	

508.1 Light Assembly, Square



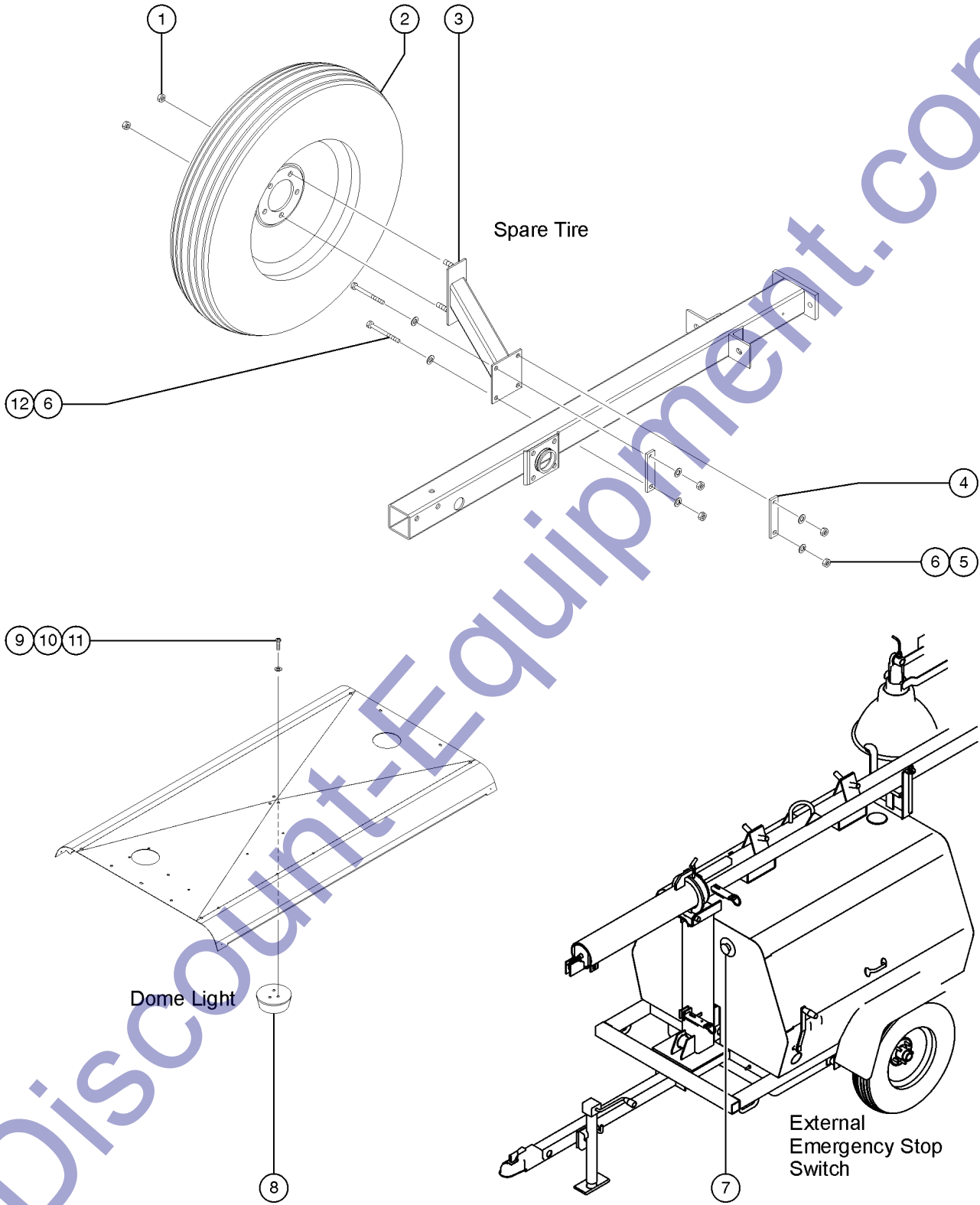
DiscountEquipment.com



Item	Part No.	Description	Qty.
--	1266141GT	FIXTURE ASSEMBLY 1000W RECT <i>includes items 14 and 17</i>	
1	116054GT	TOP FRAME,HOUSING BASE	
1B	71979GT	SCREW,INDENTED HEX,10-24 X .75 <i>for 116054</i>	
2	116049GT	GASKET,RECTANGULAR GLASS/LENS	
3A	116048GT	GLASS/LENS,RECTANGULAR PSI <i>(14.14 x 10.83 inches)</i>	
3B	80103GT	LENS,LIGHT (57449) <i>(15.38 x 12.13 inches)</i>	
3C	116010GT	GLASS LENS <i>(17.5 x 9.75 inches)</i>	
4	116051GT	RETAINER CLIP,GLASS/LENS	
--	116052GT	COVER,GLASS/LENS RETAINER CLIP	
5	160077GT	LAMP MH 1000W BT37HOR	
6	116046GT	REFLECTOR SIDE	
7	116047GT	REFLECTOR LAMP SIDE	
8	116045GT	REFLECTOR BASE	
9	116057GT	LIGHT SOCKET,PSI RECT 5 KV <i>includes pigtail</i>	
10	116056GT	GASKET,LIGHT SOCKET	
11	116044GT	BRACKET, SOCKET MOUNT	
12	116053GT	GASKET,HOUSING BASE, TOPFRAME	
13	116042GT	FIXTURE HOUSING BASE,1KW RECT <i>(replaced 116108GT)</i>	
14	116064GT	HANDLE, ADJUSTMENT.....	2
--	823380GT	BOLT, HANDLE.....	2
--	991650GT	WASHER LOCK 1/2ZP.....	2
--	995970GT	WASHER LOCK STAR 1/2E.....	2
15	116043GT	CLEVIS PIN,4.6X60MM	
16	663850GT	CORD SET MALE 5FT. 3P	
17	116055GT	YOKE,PSI RECT.LIGHT FIXTURE.....	1
18	116059GT	FIBERGLASS PAD,RECT LAMP FIXT	
19	116109GT	GROMMET ASSEMBLY	
20	116058GT	LAMP BRACE, RECT HOUSING	
21	116061GT	SPRING, LAMP RETAINER	

DiscoveryEquipment.com

601.1 Spare Tire and Dome Light



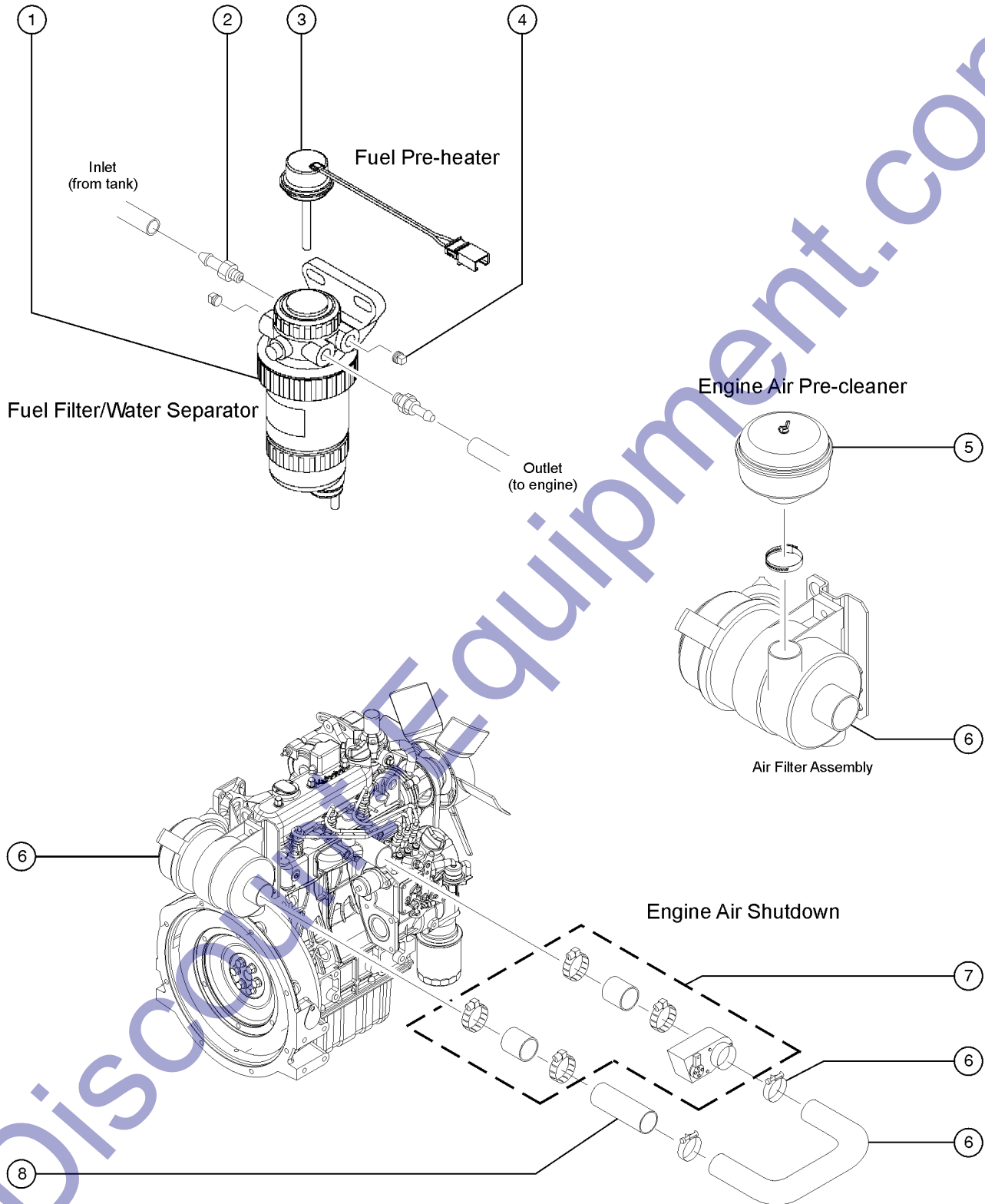
DiscountEquipment.com

## 601.1 Spare Tire and Dome Light

Item	Part No.	Description	Qty.
1	840376GT	NUT,WHEEL, 1/2 X 20.....	2
2		Ref. Tire (refer to 205.1)	
3	124310GT	SPARE TIRE MT,5 LUG WHEEL.....	1
4	188070GT	FP-CLAMP,SPARE TIRE BRACKET.....	2
5	824025GT	NUT,TL,3/8-16,C,ZAG.....	4
6	990080GT	WASHER FLAT 3/8USS ZPBIN.....	8
7	686660GT	ACUTATOR EMERGENCYSTO.....	1
--	686661GT	PLATE FACE EMERGENCY.....	1
--	686671GT	BLOCK CONTACT 2P/STNO.....	1
8	684030GT	LIGHT,DOME, 12V DC.....	1
9	1258649GT	SCREW, PANHEAD, 10-32 X 5/8.....	3
10	995755GT	WASHER FLAT BONDED3/1.....	3
11	6-6286-04GT	NUT.....	3
12	994460GT	SCREW,HHC,3/8-16 X 4.5 ZP.....	4

Discount-Equipment.com

602.1 Engine Options



## 602.1 Engine Options

Item	Part No.	Description	Qty.
1	116154GT	AY,DSL FUEL/WATER SEPARATOR.....1	
--	116148GT	GASKET,FUEL FILTER for 116151GT	
--	116151GT	FILTER,30 MICRON FUEL-WATER	
--	116152GT	GASKET,WATER COLLECTOR for 116153GT	
--	116153GT	WATER COLLECTOR AY	
--	116211GT	WASHER,RUBBER SEAL for 116212GT	
--	116212GT	VALVE,PLASTIC DRAIN	
1A	824025GT	NUT,TL,3/8-16,C,ZAG.....2	
1A	981120GT	WASHER FLAT 3/8 ZP SAE BIN.....4	
1A	990470GT	WASHER LOCK 3/8ZP.....2	
1A	991761GT	SCREW,HHC,3/8-16 X 1.25.....2	
2	898590GT	HOSE FITTING PIPE/BAR.....2	
3	116144GT	HEATER, TOPLOAD FUEL, 100W/12V...1	
--	116145GT	GASKET, FUEL HEATER	
--	116587GT	FUSE,ATC BLADE,10A	
--	116588GT	FUSE HOLDER,ATC BLADE,#16	
4	894230GT	PIPE PLUG 1/4 GALV.....2	
5	740455GT	AIR BREATHER PRE-CLEA	
6		Ref., ENGINE AIR COMPONENTS refer to 304.1 or 306.1	
7	228651GT	RODA DACO MANUAL SHUTDOWN.....1	
7A	227396GT	BRACKET,AIR SHUTDOWN to SN AL411-519	
7A	228652GT	SCREW,M10X1.25X20 for 227396GT	
7A	994830GT	WASHER,LOCK,M10 ZP for 227396GT	
8	228653GT	INTAKE FILTER SIDE MANUAL AIR.....1	

## Part Number Index

The Part Number Index is a numeric index of all part numbers included in this manual. The index shows what page(s) the part is used on.

Part Number	Page	Part Number	Page	Part Number	Page	Part Number	Page
101201GT	53	116517GT	63	133483GT	13, 15	216138GT	17
101208GT	53	116518GT	59	133484GT	13	216631GT	21
101209GT	53	116519GT	59	13854GT	35	217717GT	25, 27
101319GT	59	116523GT	49, 51, 53	139265GT	61	218075GT	25, 27
101320GT	59	116587GT	109	139272GT	59	218567GT	11
101322GT	59	116588GT	109	139278GT	53	218691GT	35
101326GT	61	116611GT	55	139279GT	53	219219GT	89
101327GT	61	116729GT	59	147123GT	33	219223GT	89
101341GT	59	116733GT	49, 51	1484GT	11	219224GT	47
105756GT	45	116801GT	77	15086GT	91	219225GT	47
106663GT	59	116803GT	77	160030GT	37	219228GT	47
109065GT	47, 91	116815GT	89	160032GT	37	22105013GT	33
109070GT	91	116820GT	89	160033GT	37	22105016GT	33
109485GT	45	116822GT	89	160071GT	103	22109505GT	25, 27
109486GT	45	116833GT	53	160077GT	105	22109517GT	93
110040GT	21	116893GT	17	160140GT	103	22114359GT	37
110523GT	49, 51	116894GT	17, 19	160276GT	89	22120102GT	103
113040GT	101	116895GT	17	160421GT	41	22123080GT	101
113080GT	97	116901GT	13, 17	160422GT	41	22124015GT	49
113362GT	93	116902GT	13, 17	160423GT	41	22124016GT	49
113399GT	43	116919GT	77	160490GT	37	22124025GT	49
114251GT	17	116921GT	77	160750GT	47	227082GT	35
114258GT	13	116936GT	35	160761GT	75	227085GT	71
114355GT	37	116937GT	35	161109GT	49	227086GT	69
114391GT	17	116941GT	33	161180GT	37	227275GT	65
114431GT	13, 15	12012GT	45	161181GT	37	227348GT	13
114464GT	15, 19	122025GT	23	161184GT	37	227396GT	109
114480GT	21	122079GT	35	161185GT	37	227518GT	13, 15, 17, 19
114895GT	37	123461GT	35	162160GT	21	22832GT	45
115366GT	37	123490GT	21, 39, 41	162189GT	43	228458GT	61
116010GT	105	123680GT	43	162280GT	27	228651GT	109
116042GT	105	123840GT	63	173115GT	93	228652GT	109
116043GT	105	124310GT	107	176335GT	35	228653GT	109
116044GT	105	124410GT	21	177810GT	97	228708GT	13
116045GT	105	124412GT	21	177820GT	99	228709GT	13
116046GT	105	124420GT	43	177830GT	97	228710GT	13
116047GT	105	124445GT	29, 31	178335GT	97	228711GT	13
116048GT	105	124460GT	43	179850GT	95	228712GT	13
116049GT	105	124470GT	21	183286GT	97	228713GT	13, 17
116051GT	105	124480GT	93	183288GT	97	228714GT	13, 17
116052GT	105	124515GT	29, 31	183731GT	35	229101GT	11
116053GT	105	124550GT	99	184150GT	43	229102GT	13, 17
116054GT	105	124560GT	99	184510GT	93	229457GT	11, 63
116055GT	105	124855GT	45	185290GT	99	229781GT	17
116056GT	105	124856GT	45	186360GT	93	229782GT	17
116057GT	105	124857GT	45	186540GT	65, 81, 85	229917GT	59
116058GT	105	124858GT	45	186543GT	65, 69, 73, 77, 81, 85	229918GT	59
116059GT	105	124860GT	45	186544GT	65, 69, 81, 85	230560GT	33
116061GT	105	125395GT	53	186550GT	73	230561GT	33
116064GT	105	125482GT	49	186551GT	81	230562GT	33
116109GT	105	1256083GT	45	186552GT	73	230563GT	33
116139GT	25, 27	1257665GT	61	186553GT	73	230565GT	33
116144GT	109	1258567GT	11	186554GT	65, 69, 73, 77, 81, 85	230566GT	33
116145GT	109	1258649GT	43, 93, 107	188070GT	107	230567GT	33
116148GT	109	1262632GT	35	188530GT	39, 41	230568GT	33
116151GT	109	1266141GT	105	18854GT	39	230569GT	33
116152GT	109	1268GT	11	188554GT	39	230570GT	33
116153GT	109	1275721GT	61	188560GT	39	230571GT	33
116154GT	109	1277953GT	63	188560GT	39	230573GT	33
116157GT	25, 27	1283776GT	11	188570GT	39, 41	230575GT	33
116168GT	63	131379GT	11	188580GT	39, 41	230577GT	33
116172GT	63	131661GT	11	188630GT	25, 27	230579GT	33
116177GT	63	133012GT	15	188760GT	95, 97, 99	230580GT	33
116178GT	63	133017GT	15	189290GT	51	230612GT	95
116184GT	63	133042GT	17	189347GT	63	230613GT	93
116187GT	63	133055GT	19	189785GT	25, 27	230614GT	97
116188GT	11	133062GT	13, 17	189790GT	25, 27	230615GT	97
116211GT	109	133063GT	13, 17	189796GT	43	230638GT	93
116212GT	109	133065GT	17, 19	189800GT	25	230738GT	39, 41
116244GT	63	133066GT	19	189805GT	25, 27	231332GT	57
116249GT	49	133148GT	13, 15	193750GT	93	231333GT	57
116252GT	49	133149GT	17, 19	19428-72160GT	51	234842GT	53
116253GT	63	133462GT	13	213770GT	35	235730GT	13, 15, 17, 19
116254GT	63	133463GT	13	216011GT	11	236046GT	59
116503GT	53	133482GT	13	216137GT	13	237658GT	89

Part Number	Page	Part Number	Page	Part Number	Page	Part Number	Page
237707GT	59	663401GT	89	80103GT	105	839200GT	11, 55
237708GT	61	663420GT	89	80379GT	49, 51, 63	839209GT	11, 53
237774GT	59	663430GT	89	822784GT	79	839244GT	53
237775GT	61	663520GT	43	822786GT	87	839246GT	53
237776GT	59	663527GT	43	822787GT	83	840222GT	21
237832GT	41	663528GT	43	822789GT	67	840376GT	21, 33, 107
261299GT	75	663840GT	43	822809GT	89	840395GT	21
27581GT	11	663850GT	103, 105	823380GT	105	84042GT	53
28159GT	13, 17	663860GT	37	823428GT	77	841050GT	33
28161GT	15	663870GT	89	823430GT	65, 73, 81, 85	841061GT	21
28162GT	13	6638GT	101	824024GT	21, 39, 41, 43, 93, 101	841430GT	21
28646GT	95	66399GT	11	824025GT	25, 27, 29, 31, 39, 41, 97, 101, 107, 109	841473GT	21
28750GT	11	669086GT	71	824029GT	21	841890GT	15, 19
30348GT	11, 61	672262GT	75	824060GT	101	84812GT	59
30973GT	53	67230GT	35	82472GT	19	84813GT	59
31788GT	13	67231GT	35	82481GT	17	84814GT	59
31946GT	45	6777GT	45	82487GT	17	84815GT	59
32069GT	53	6782GT	53	825072GT	25	84860GT	59
32103GT	55	680020GT	103	825076GT	27	85069GT	59
32150GT	11	680030GT	67, 71, 75, 79, 83, 87	825081GT	27	85071GT	11, 59
32151GT	11	680080GT	89	82509GT	27	85087GT	61
32185GT	11, 49, 51, 53	680190GT	89	82509GT	27	85089GT	61
32191GT	53	680250GT	67, 71, 75, 79, 83, 87	825081GT	27	85124GT	59
32645GT	21	682470GT	103	826910GT	67	85127GT	61
32890GT	45	682715GT	67, 71, 79, 83, 87	826911GT	79	85130GT	61
33265GT	35	683450GT	97	826912GT	83	85140GT	59
33994GT	11	683460GT	97	826914GT	87	85143GT	61
40766GT	67, 71, 75	683870GT	79, 83	826915GT	67, 79, 83, 87	85155GT	25, 27
44191GT	53	683950GT	103	826916GT	89	851691GT	13, 15, 17, 19
44196GT	55	684030GT	107	826917GT	89	851692GT	13, 15, 17, 19
44197GT	55	684167GT	67, 71, 75, 79, 83, 87	832128GT	53	851693GT	13, 15, 17, 19
44198GT	55	684200GT	43	833430GT	69	851694GT	13, 15, 17, 19
49612GT	11	684380GT	67, 71, 79, 83, 87	833524GT	103	85206GT	63
49613GT	11	684450GT	67, 71, 75, 87	833543GT	103	85207GT	11, 63
52265GT	33	684640GT	67, 71, 75	833547GT	103	853289GT	13
52475GT	13, 15, 17, 19	686160GT	67, 71	833563GT	103	853309GT	75
52531GT	53	686220GT	67, 71, 75, 79, 83, 87	833564GT	103	853742GT	13
52532GT	53	686660GT	107	833565GT	103	865055GT	53
52533GT	53	686661GT	107	833566GT	103	865079GT	53
52847GT	51	686671GT	107	833567GT	103	865085GT	49, 51
52851GT	51	69209GT	45	833568GT	103	865086GT	51
5397GT	41	709034GT	103	833569GT	103	865100GT	55
55306GT	67, 75	71979GT	105	833570GT	103	865257GT	55
55906GT	71	720220GT	43	833571GT	103	865260GT	49, 51
57332GT	35	72086GT	13, 15, 17, 19	833573GT	103	865261GT	51
57587GT	43	72343GT	61	833574GT	103	865263GT	49, 51
58291GT	61	72348GT	59	833577GT	103	865276GT	53
58292GT	11, 61	73220PPGT	51	833578GT	103	865307GT	49, 51
58356GT	11, 63	732205PPGT	49	833581GT	103	865435GT	53
58427GT	61	740050-1GT	45	833582GT	103	866030GT	55
6-5204-16GT	93	740455GT	109	834211GT	21	866040GT	55
6-5208-32GT	63	740620GT	11, 25, 27	834226GT	33	866050GT	11, 55
6-5208-44GT	35	740770GT	49	834228GT	33	866068GT	11, 61
6-6286-04GT	107	740920GT	49, 51	834246GT	21	866081GT	53
6024GT	35	741140GT	55	834250GT	33	866090GT	53
6034GT	45	742220GT	27	834255GT	33	866101GT	53
6035GT	35	74225GT	29, 31	834267GT	21	866110GT	49, 51
6095GT	21, 23, 35, 39, 41	742369GT	71	836853GT	11, 63	866113GT	49
6096GT	21	75144GT	21, 39, 41, 43	836856GT	11, 63	866120GT	49
6097GT	21	7584GT	45	839011GT	53	866126GT	57
6184GT	45	7590GT	45	839027GT	53	866127GT	11, 57
6190GT	45	7591GT	45	839034GT	53	866128GT	57
61975GT	21	77055GT	13, 17	839049GT	57	866129GT	57
6198GT	21, 23, 35, 39, 41, 45, 63	790540GT	35, 43	839103GT	53, 55	866394GT	49, 51, 53
6199GT	45	790710GT	93	839107GT	55	866825GT	53
6200GT	45	790940GT	43	839109GT	11, 49, 51	890785GT	11, 25, 27
62118GT	55	790965GT	21, 23	839110GT	11, 49, 51	890790GT	25, 27, 49, 51
62296GT	53	792750GT	25, 27, 59	839119GT	55	890795GT	11, 25, 27, 55
62421GT	11, 59	796432GT	43	839131GT	51	891190GT	25, 27
6291GT	45	796436GT	43	839134GT	53	891194GT	29, 31
65636GT	59	796610GT	39	839149GT	55	891520GT	25
65638GT	59	800004GT	89	839151GT	53	891560GT	25
660287GT	89			839154GT	53	89163GT	35
660320GT	25, 27			839157GT	55	894230GT	109
663400GT	89			839190GT	53	894340GT	25
						897110GT	59

## Part Number Index (continued)

Part Number	Page	Part Number	Page
89761GT	59	993860GT	39, 41, 43
89764GT	59	993900GT	39, 41
898575GT	25, 27	994000GT	93
898590GT	11, 25, 55, 109	994130GT	21, 43
930950GT	21, 39, 41	994380GT	89
93500GT	11	994420GT	67, 71, 75, 79, 83, 87
94762GT	11	994460GT	101, 107
94889GT	59	994600GT	21, 23, 39, 41, 43
970760GT	45	994650GT	25, 27
971290GT	93	994830GT	49, 51, 109
972885GT	39, 41	994920GT	95, 97, 99
973085GT	89	995110GT	49, 51
973420GT	89	995190GT	95
97426GT	61	995300GT	67, 71, 75, 79, 83, 87
97427GT	59	995310GT	35
97428GT	11, 61	995380GT	49
97461GT	59	995465GT	29, 31
974635GT	39, 41	995490GT	37
974636GT	39, 41	995755GT	107
974637GT	39, 41	995780GT	91, 97
974645GT	21	995790GT	93, 95, 97, 99
974690GT	95	995810GT	25, 27, 37, 39, 41, 43
97473GT	61	995970GT	103, 105
974800GT	53	996230GT	91
97483GT	59	996340GT	65, 69, 73, 77, 81, 85
97518GT	15	996375GT	25, 27
97666GT	13	996920GT	77
97675GT	13	C2450108GT	103
980340GT	93	C41100720GT	103
980480GT	45	C42202900GT	83
981120GT	25, 27, 29, 31, 63, 109	C42208400GT	75
981450GT	63	C48300108GT	89
981575GT	93	C51600800GT	49, 51
981640GT	103	C51601442GT	49, 51
981920GT	93	C51601444GT	65, 69, 73, 77, 81, 85
990080GT	39, 41, 93, 101, 107	C51601570GT	43
990160GT	39, 41, 97	R660010GT	67, 71, 79, 83, 87
990181GT	91	R660715GT	89
990190GT	97	R661490GT	67, 71, 75, 79
990200GT	25, 27, 29, 31, 49, 51, 93, 97	R890065GT	25, 27
990210GT	25, 27, 29, 31, 49, 51, 63, 97	R980300GT	43
990230GT	25, 27	R981095GT	59
990270GT	39, 41, 51, 59, 63	T106193GT	67, 71, 75, 79, 83, 87
990340GT	39, 41	T107893GT	85
990410GT	51	T108021GT	15
990415GT	49, 59, 63	T108022GT	15
990460GT	63	T108023GT	19
990470GT	63, 91, 93, 109	T108024GT	19
990610GT	95	T108458GT	23
990620GT	95	T109006GT	43
990650GT	45, 91, 93, 95, 97, 99	T109014GT	89
990660GT	93	T109127GT	35
990670GT	39, 43, 65, 69, 73, 77, 81, 85, 97, 99	T109129GT	35
990675GT	103	T109325GT	89
990770GT	93	T109757GT	65, 69
990810GT	103	T110629GT	43
990880GT	101	T110630GT	43
991650GT	35, 39, 41, 43, 49, 59, 63, 103, 105	T110631GT	43
991690GT	21, 23	T110632GT	35
991761GT	63, 109	T110696GT	89
99199GT	55	T110697GT	89
992590GT	29, 31	T111112GT	39, 41
992765GT	95, 97, 99	T111113GT	39, 41
993240GT	21, 23	T111131GT	39, 41
993310GT	43, 65, 69, 73, 77, 81, 85	T111700GT	63
993850GT	43	T113641GT	67, 71, 75, 87
		T113642GT	67, 71, 75, 79
		T113644GT	67, 71, 75, 79, 87
		T114063GT	75



The Part Description Index is an alphabetical index of all part descriptions included in this manual. The index shows what page(s) the part is used on.

**1**  
12V MOTOR ASSY,SUPERWINCH.....47  
12V WIRED SOLENOID,SUPERWINCH.....47

**2**  
2" TOWER SECT,30'LG GALVANIZED.....99

**3**  
3 SECTION 30'TOWER AL4/AL5.....99

**4**  
4" MAST ASSY W/DECAL,ALXL,WORD.....97  
4" MAST ASSY W/DECALS,ALXL,SYM.....97

**6**  
6" ROUND TUBE ASSY W/DECAL.....95

**A**  
ACUTATOR EMERGENCYSTO.....107  
ADJUSTER SCREW ASSY, ALXL.....33  
ADJUSTER SPRING,E BRAKE,ALXL.....33  
ADJUSTER SPRING,H BRAKE,ALXL.....33  
AIR BREATHER PRE-CLEA.....109  
AIR CLEANER BRACKET, D1105.....57  
AIR FILTER,ASSEMBLY.....61  
ALTERNATOR,15A,PERKINS 103.10.....61  
ALTERNATOR,KUBOTA\*.....53  
AS-PANEL, REAR,CABINET,AL4.....39, 41  
AS-RING HITCH MOUNT.....35  
AS-WINCH HANDLE W/TUBE,AL4000.....93  
AS:ENGINE RISER 3.25 HIGH.....49  
ASM,CNTRL BOX AUTO AS 8KW.....71  
ASY:AXLE 3500LB W/HYD BRAKE.....33  
AUTOSTART CONTROLLER.....75  
AXLE ASSY ELE,3500 W/PRK BRK.....33  
AXLE ASSY,3500LB,IDLE,AL4.....33  
AY,DSL FUEL/WATER SEPARATOR.....109

**B**  
BALL, 2" ZINC.....35  
BALLAST ASSY,50HZ,MH,1000W.....37  
BALLAST ASSY,50HZ,MH,1000W AUS.....37  
BALLAST ASSY,60HZ,HPS,1000W.....37  
BALLAST ASSY,60HZ,MH,1KW,120V.....37  
BALLAST MH 50HZ 120V.....37  
BALLAST/CAP MH60Hz120.....37  
BASE,CONTROL BOX,AL4 CONS.....65, 81, 85  
BEARING, MARATHON GEN.....63  
BEARING, ODE.....63  
BEARING,ALXL, 840377,841050.....33  
BELT-FAN, PERKINS (103.10).....11, 59  
BKT,FILTER MNT,PERKINS 403D-11G.....61  
BLOCK CONTACT 2P/STNO.....107  
BODY,AIR CLEANER,KUBOTA.....57  
BOLT, HANDLE.....105  
BOLT,AXLE,3/16X3 W/7/16-20STEP.....21  
BOLT,M10-1.25 x 35,W/HOLE.....49  
BOLT,TEE 1/2-20 X 4.5.....95  
BOX, JUNC, AUSTRALIA.....89  
BOX,JUNC,LIGHT TWR,4 CONN.....89  
BRACKET ADJ HGT 6".....35

BRACKET W/BALL,GAS SPRING.....43  
BRACKET, SOCKET MOUNT.....105  
BRACKET,AIR SHUTDOWN.....109  
BRACKET,E-BOX,AUTOSTART,AL4.....65, 69, 73, 77, 81, 85  
BRACKET,GENERATOR MOUNT.....63  
BRACKET-RADIATOR SUPRT,INBOARD.....51  
BRACKET-RADIATOR SUPRT,OUTBRD.....51  
BRAKE DRUM,ALXL.....33  
BREAKER 1P 15A 277VA.....79, 83  
BREAKER,15A,120VAC 1P,CSA.....67, 71, 75, 87  
BREAKER,20A MINI,120VAC 1P,CSA.....67, 71, 75, 79  
BREAKER,30A 250VAC 2P,CSA.....67, 71, 75, 79, 87  
BRKT,SOCKET MOGUL FO.....103  
BRKT,TRUNION.....103  
BUMPER REAR TOWER SUP.....43  
BUMPER,RUBBER-1 X 1.25.....53  
BUND FLUIDS CONTAINPA.....29, 31  
BUND FUEL CONTAINPAN.....29, 31  
BUSHING 11/16ODX1/2IDX1.032L.....97  
BUSHING 2.5ODX13/16.....95  
BUSHING FLANGE 1.25OD.....45  
BUSHING, 3/4OD X 1/2ID \*\*\*\*\*.....97  
BUSHING, 630DX.328ID .375T.....53  
BUSHING, SMALL PINION, FULTON.....45  
BUSHING,WINCH ROLLER LOCK.....45  
BUSHING,WNCH HANDL,0.5X2.0X3.5.....43

**C**  
CABINET FRONT PANELAL.....39, 41  
CABINET REAR PANEL BLKOUT.....39, 41  
CABINET TOP PANELAL4 AUTOSTART.....39  
CABLE KEEP KIT (BRACKET TYPE)\*.....45  
CABLE SET,BATTERY,24" RED&BLK.....89  
CABLE, POWER, 10/4 48".....89  
CAP FUEL AL4 GAGE W TETHER.....25, 27  
CAP FUEL RL4/AL4 WITH TETHER.....25, 27  
CAP, OIL FILLER.....59  
CAP,RADIATOR,AL,KUBOTA DF-752.....49, 51  
CAP,RADIATOR,KUBOTA D905.....49  
CAP-RADIATOR,PERKINS (103.10).....61  
CAPACITOR 24uF MH 60H.....37  
CAPACITOR, 8KW GENERATOR,5420.....11, 63  
CAPACITOR,45 MF\*\*\*OVAL.....11, 63  
CAPACITOR,50HZ MH,26MF(BALLAST).....37  
CAPACITOR-ROUND 25MF.....11, 63  
CASTING, FIXTURE QUICK CONNECT.....103  
CHAIN, SAFETY, SNAP HOOK.....21  
CLAMP 7/16 TO 25/32.....25, 27, 59  
CLAMP CABLE 5/8 1-HOL.....43  
CLAMP,CAPACITOR.....63  
CLAMP,HOSE.....11, 49, 51, 53  
CLAMP,HOSE,1.00.....11, 61  
CLAMP,HOSE,KUBOTA WG750.....53  
CLAMP,LENS (C41100720).....103  
CLEVIS PIN STAINLESSS.....91, 93, 95, 97, 99  
CLEVIS PIN,4.6X60MM.....105  
CNTRL BOX 50HZ MH 7KW 240V AUS.....83  
CNTRL BOX,60HZ,AUTOSTART.....75  
CNTRL,BOX,60HZ,MH,4PTL.....67  
COIL CORD, AUS, IEC.....89  
CONN,STRAIN RELIEF,1/2 NPT.....103

CONNECTOR 12P FEMALE.....67, 71, 75, 79, 83, 87  
CONNECTOR 2 SCREW 1.25T-B.....67, 71, 75, 79, 83, 87  
CONNECTOR 2 SCREW 3/4.....67, 71, 75, 79, 83, 87  
CONNECTOR 3P FEMALE RECEPTACLE.....89  
CONNECTOR 5P MALE RECEPTACLE.....37  
CONNECTOR,7-POLE,TLITE,RND PIN.....89  
CONNECTOR,BLADE,POS,TAIT,7P.....89  
CONNECTOR,TAIL LIGHT,6 POLE.....89  
CONNECTOR,TAILLIGHT,4 PIN.....89  
CONTACTOR 100 A DP 12VDC AUTO.....75  
CONTRL BOX 50HZ, MH, 7KW,AL,RL.....79  
CONTROL BOX 50HZ 7KW TL.....87  
CORD SET MALE 5FT. 3P.....103, 105  
CORD,RETRACT,66COIL,14/7 SOWA.....89  
COTTER PIN 1/8X1 SSBIN STOCK.....45, 91, 93, 95, 97, 99  
COTTER PIN 3/16X1.5 SS.....93  
COTTER PIN 3/32X3/4 S.....95, 97, 99  
COUPLER 2" BALL BULLDOG TMZ.....35  
COUPLER 2-5/16" BALL BULLDOG T.....35  
COUPLER,BALL,2 5/16.....35  
COUPLER,BALL,2" CLASS II.....35  
COVER,ADJ SCREW,ALXL,BRAKE.....33  
COVER,AIR CLEANER,KUBOTA.....57  
COVER,GLASS/LENS RETAINER CLIP.....105  
COVER,JUNC BOX W/GSKT, 2 GANG.....89  
CROSSARM,4 LIGHT,AL SERIES,GLV.....101

**D**  
DECAL - 4 (10/CARD BRADY).....13, 15, 17, 19  
DECAL COSMETIC MODEL AL4.....13, 15, 17, 19  
DECAL INSTRUCTION AL4 AL5.....13  
DECAL KIT, SYMBOL, AL4.....17  
DECAL KIT, WORD, AL4.....13  
DECAL, AL/RL CONTROL BOX DC.....13  
DECAL, DANGER, CSA OUTDOOR USE.....13  
Decal, Instruction, Lamp Disposal.....15  
DECAL, LABEL, ARROW.....13, 17  
Decal, Label, Ground.....13, 17  
DECAL, WARN, CRUSH HAZARD,MAST.....13  
DECAL, WARNING BURN HAZARD.....15  
DECAL, WARNING, CRUSH HAZARD.....13  
DECAL,BODILY INJURY SYMBOL.....19  
DECAL,BURN HAZARD SYMBOL.....17, 19  
DECAL,CONTROL BOX AC CONSOL.....13, 17  
DECAL,CONTROL BOX DC CONSOL.....13, 17  
DECAL,COSMETIC TEREX,AL4,AL4L.....13, 15, 17, 19  
DECAL,DANGER,BATTERY SAFETY\*\*\*.....13  
DECAL, DANGER, ELECTROCUTION HZD.....13, 15  
DECAL,DANGER,HAZARD VOLTAGE.....13, 15  
DECAL,DANGER,NO SMOKING.....13  
DECAL,DANGER-BURN/CO HAZARD.....15  
DECAL,EXPLSION/BURN HAZ SYMB.....17  
DECAL,KUBOTA ENGINE SPECS.....13  
DECAL,LABEL,BURN/CO2 HAZARD.....19  
DECAL,LABEL,DIESEL FUEL.....13, 17  
DECAL,LABEL,LIFTING EYE.....13, 15, 17, 19

## Part Description Index (continued)

- DECAL,LABEL,NO SMOKING,SYMB.....17  
 DECAL,LABEL,TIE DOWN DIAGRAM.....13, 17  
 DECAL,LABEL,TRANSPORT TIEDOWN\*.....13, 15, 17, 19  
 DECAL,LABEL-CRUSH HAZ,TOWER.....19  
 DECAL,LABEL-ELEC HAZ,DISTANCE.....17, 19  
 DECAL,LABEL-ELEC HAZ,SERV MAN.....17, 19  
 DECAL,PERKINS ENGINE SPECS.....13  
 DECAL,SYMBOL-BATTERY SAFETY.....17  
 DECAL,SYMBOL-READ THE MANUAL.....17  
 DECAL,TIP HAZARD SYMBOL.....17  
 DECAL,TIRE SPECIFICATION.....13  
 DECAL,TOW SPEED SYMBOL.....17  
 DECAL,WARN,CRUSH HAZARD HAND.....15  
 DECAL,WARN,EXPLSION/BURN HAZ.....13  
 DECAL,WARN,PROTECTIVE BARRIER.....15  
 DECAL,WARN,READ MANUAL.....13  
 DECAL,WARNING BURN HAZ.....13, 15  
 DECAL,WARNING TIP-OVER HAZ.....13  
 DECAL,WARNING TOW SPEED.....13  
 DECAL,WARNING,CRUSH HZD,TOWER.....15  
 DECAL,WARNING,CRUSHING.....13, 17  
 DECAL,WARNING,CRUSHING HAZARD...17, 19  
 DECAL,WARNING,TIP-OVER,SYM.....17  
 DECAL- 1 (10/CARD BRADY.....13, 15, 17, 19  
 DECAL- 2 (10/CARD BRADY.....13, 15, 17, 19  
 DECAL- 3 (10/CARD BRADY.....13, 15, 17, 19  
 DECAL- CNTRL BOX FACE.....13  
 DECAL:240V 30 AMP RECEPTACLE.....75  
 DIODE 6AMP-50 PIV 2-WIRE.....89  
 DIODE,MARATHON.....11, 63  
 DIPSTICK TUBE,PERKINS(403C-11).....59  
 DIPSTICK,OIL,KUBOTA.....53  
 DIPSTICK,STRAIGHT SHORT.....59  
 DOOR, CABINET, AL4, BUTT HINGE.....41  
 DRIVE DISC(C-107) MARATHON.....63
- E**
- EA-WIRE HARNESS,PERKINS,DC.....89  
 ELEMENT,AIR CLEANER,KUBOTA.....11, 57  
 ELEMENT,FUEL FILTER,KUBOTA.....11, 55  
 ENG FOOT/RAD SUPPORT, ROADSIDE.....49  
 ENGINE ACCESSORY TEMP SENDER.....55  
 ENGINE FOOT/RAD SUPPORT,CURBSD.....49  
 ENGINE RISER,2/75"H,FOR 1/2BLT.....49  
 ENGINE,KUBOTA,D1105 PAK.....49  
 ENGINE,KUBOTA,D1105,OLDREV,PAK.....51
- F**
- FAN.....59  
 FAN PULLEY.....59  
 FAN,PUSHER,KUBOTA 15263-12370.....53  
 FENDER W/SKIRT,STEEL.....21, 39, 41  
 FIBERGLASS PAD,RECT LAMP FIXT.....105  
 FILTER, OIL-PERKINS (103-10)\*\*.....59  
 FILTER,30 MICRON FUEL-WATER.....109  
 FILTER,FUEL,KUBOTA.....55  
 FILTER,FUEL,KUBOTA,W/O BRKT.....49  
 FILTER,FUEL,PERKINS.....11, 59  
 FILTER,IN-LINE,FUEL,5/16".....11, 25, 27  
 FILTER,OIL,KUBOTA.....11, 55  
 FITTING 1/8,FITTING FOR DOWN T.....27  
 FITTING 5/16, WITH TUBE.....27  
 FITTING,TEE,MALE,1/8.....25, 27  
 FIXTURE ASSEMBLY 1000W RECT.....105
- FIXTURE HOUSING BASE,1KW RECT.....105  
 FORMING CNTRL BOX AUTO AS 8KW.....69  
 FORMING, CONTROL BOX BASE, XTRA GFI.....65  
 FORMING,PAN.FRNT,CT BOX AUTOST.....73  
 FP-BALLAST BOX BOTTOM.....37  
 FP-BALLAST BOX FRONT.....37  
 FP-BALLAST BOX REAR.....37  
 FP-BALLAST BOX TOP.....37  
 FP-BUMPER PAD,KICKOUT SPRING.....93  
 FP-CLAMP,SPARE TIRE BRACKET.....107  
 FP-CONTROL BOX BODY, AUTO.....73  
 FP-CONTROL BOX REC BACK.....77  
 FP-CONTROL BOX REC BOTTOM.....77  
 FP-CONTROL BOX REC FRONT.....77  
 FP-CONTROL BOX, FACE AUTO.....73  
 FP-CONTROL BOX,BODY 50HZ.....77  
 FP-CONTROL BOX,FRONT 50HZ.....77  
 FP-CONTROL BOX,REAR,50HZ,STD.....65, 69, 73, 81, 85  
 FP-CONTROL BOX,REAR,SHORT.....77  
 FP-CONTROL BOX,TOP.....65, 69, 73, 77, 81, 85  
 FP-ENG MNT RT FOOT CS PERK T4.....59  
 FP-ENG MNT RT FOOT RS PERK T4.....59  
 FP-FUEL TANK 20GAL W/DRAIN.....25, 27  
 FP-GEN MNT BAR,MAR SM HOLES.....63  
 FP-GEN MOUNT BAR RL PERK T4.....63  
 FP-LOCK LEVER, AL SERIES.....97  
 FP-SHIM 1/4X2X3-3/16 PLASTIC.....97  
 FP-SHIM 3/16X2X19-3/4 PLASTIC.....97  
 FP-SHIM 3/16X2X3-3/16 PLASTIC.....97  
 FP-SHIM 3/8 X 2 X 2.25 PLASTIC.....99  
 FP-SHIM 5/16X2X2-1/4 PLASTIC.....99  
 FP-SHIM 5/16X2X3-3/16 PLASTIC.....97  
 FRAME SPACER,K-1550.....45  
 FREEWHEEL KIT,SUPERWINCH.....47  
 FUEL FILTER ASSEMBLY.....59  
 FUEL INJECTOR.....59  
 FUEL TANK PAN, 30 GAL, AL4.....25, 27  
 FUEL TANK PAN,20GAL,AL4.....25, 27  
 FUEL TANK,30 GAL W DRAIN HOLE.....25, 27  
 FUEL TNK ASSY,PLAS,30G,AL4.....25, 27  
 FUSE HOLDER,ATC BLADE,#16.....109  
 FUSE,ATC BLADE,10A.....109
- G**
- GASKET (52532) OIL DRAIN, D905.....53  
 GASKET, FUEL HEATER.....109  
 GASKET, HOUSING REFLECTOR BASE...103  
 GASKET, THERMOSTAT, PERKINS.....61  
 GASKET,EXH FLANGE-FORD/PERKINS.....61  
 GASKET,EXHAUST MANIFOLD,D905.....53  
 GASKET,FUEL FILTER.....109  
 GASKET,HOUSING BASE, TOPFRAME.....105  
 GASKET,INJECTION PUMP.....55  
 GASKET,LIGHT SOCKET.....105  
 GASKET,MUFFLER,KUBOTA D905/11.....53  
 GASKET,RECTANGULAR GLASS/LENS.....105  
 GASKET,SOLENOID,KUBOTA.....55  
 GASKET,SOLENOID,PERKINS 72350.....59  
 GASKET,STRAIN RELIEF,1/2.....103  
 GASKET,WATER COLLECTOR.....109  
 GASKET,WATER PUMP, 403C-11.....59  
 GASKET-DRAIN PLUG,ENG OIL PAN.....53  
 GASKET-EXHAUST MANIFOLD/PERKIN.....61  
 GASKET-OIL PAN,PERKINS 103.10.....59  
 GENERATOR,6.5KW,220V,50HZ,MAR.....63  
 GENERATOR,6KVA,240VAC,60HZ.....63
- GENERATOR,8KW,240V,60HZ,MAR.....63  
 GLASS LENS.....105  
 GLASS/LENS,RECTANGULAR PSI.....105  
 GLOW PLUG, 403C-11.....59  
 GREASE CAP, AXLE, 3000LB.....33  
 GREASE,DIELECTRIC 4 OZ\*\*.....11  
 GRIP,HUBBLE 07401010.....89  
 GROMMET ASSEMBLY.....105  
 GROMMET DAPCO RUBBER SM.....27  
 GROUND ROD STORAGE TUBE 4397.....43  
 GUARD,FAN,KUBOTA.....49
- H**
- HAMMERBLOW 033008COTTER PIN.....33  
 HAMMERBLOW SPINDLE NUT,AXLE.....33  
 HANDLE SOCKET RATCHET.....45  
 HANDLE, ADJUSTMENT.....105  
 HANDLE,CHROME,5.75".....43  
 HARNESS,12 PIN CONNECTOR.....89  
 HARNESS,BLACK OUT LIGHTS.....89  
 HASP CABINET DOOR5584AL4/5.....43  
 HEATER, TOPLOAD FUEL, 100W/12V.....109  
 HINGE, BUTT.....41  
 HINGE,PIANO,1.5"W X 51.75"L.....39  
 HITCH RING,COMBO,16"LENGTH.....35  
 HITCH,2.5"RING,6 TON.....35  
 HITCH,3"RING,6TON.....35  
 HITCH,RING,BOLT-ON 2.5" ID.....35  
 HOSE FITTING PIPE/BAR.....11, 25, 55, 109  
 HOSE FITTING PIPE/BARB 1/8MX.....25, 27  
 HOSE, FUEL FILTER -INJ., 403D.....59  
 HOSE, INTAKE, KUBOTA D1105.....57  
 HOSE, WATER PUMP (PERKINS 404).....59  
 HOSE,FUEL LEAK-OFF,403D-11G.....59  
 HOSE,FUEL,1/4"ID,PUSH LOK,200#.....25, 27, 49, 51  
 HOSE,FUEL,1/8"ID.....11, 25, 27  
 HOSE,FUEL,5/16"ID.....11, 25, 27, 55  
 HOSE,OIL,3/8 0250PS1.....59  
 HOSE,RADIATOR,LOWER,KUBOTA.....11, 49, 51  
 HOSE,RADIATOR,PERKINS,TML.....11, 61  
 HOSE,RADIATOR,UPPER PRKNS,TML.....11, 61  
 HOURMETER,DIGITAL,RECTANGULAR...67, 71, 75, 79, 83, 87  
 HOUSING,FLYWHEEL,403C-11.....61  
 HUB SPACER.....63
- I**
- IDLER HUB,ALXL.....33  
 IGNITION SWITCH,LEVER OPR.....67, 71, 79, 83, 87  
 INNER BEARING.....33  
 INTAKE FILTER SIDE MANUAL AIR.....109  
 ISOLATOR, ENGINE MOUNT.....49, 51, 63  
 ISOLATOR,ENGINE,390LB.....49, 51  
 ISOLATOR,ENGINE,70D.....59
- J**
- JACK,MECHANICAL,3000LB.....21  
 JUMPER-GLOW PLUG.....55  
 JUNC.BOX,4MH/HPS.....89
- K**
- KIT CNTRL BOX 240V AUS.....83  
 KIT CNTRL BOX 50HZ 2XTL.....87

KIT CNTRL BOX 50HZ ALRL4.....79  
 KIT CNTRL BOX 60HZ ALRL4.....67  
 KIT COIL CORD W JUNCTION BOX.....89  
 KIT COIL CORD WO/ JUNCTION BOX.....89  
 KIT CONTROL BOX TO COIL CORD.....67, 79, 83, 87  
 KIT, COIL CORD HW.....89  
 KIT,AXLE,U-BOLT & PLATE & NUTS.....21  
 KIT,CABLE,UPPER AL4&5/LT5/SL4.....91  
 KIT,TRAILER,SKID MT,AL4.....23  
 KIT- CABLE ASSY LOWER 1/4" AL4.....47, 91  
 KIT- WINCH - SOCKET FULTON.....45  
 KIT-WINCH SAFETY LOCK.....45  
 KIT-WINCH W/SAFETY LO.....45  
 KIT: FUEL TANK DRAIN PLUG.....25, 27  
 KIT:ALTERNATOR WIRING,KUBOTA.....89  
 KIT:BOOK BRACKET TO CAB.....43  
 KIT:CABINET BOLT-TOGETHER.....39, 41  
 KIT:CABINET MOUNT FRONT AL4000.....39, 41  
 KIT:CABINET MOUNT REAR AL4/5/7.....39, 41  
 KIT:CABINET MOUNT SIDES.....39, 41  
 KIT:FENDERS TO CAB-SIDE.....21  
 KIT:GROUND WIRE.....89  
 KIT:LOCK SLIDE PIN W/.....93  
 KIT:OIL DRAIN W/VALVE,KUBOTA.....53  
 KIT:OIL DRAIN W/VALVE,PERKINS.....59  
 KIT:TOWER,30',6"ROUND TUBE.....95  
 KIT:TWR,30' CBL TO PIVOT POST.....93  
 KUBOTA FAN COVER.....51  
 KUBOTA 01123-50820 BOLT.....53, 55  
 KUBOTA 15111-72200 WASHER.....49, 51  
 KUBOTA 15263-12370BAND PIPE.....57  
 KUBOTA 15263-12370CUSHION.....49, 51  
 KUBOTA 16221-73270GASKET.....53  
 KUBOTA 16259-73430.....53  
 KUBOTA 66711-54520COV.....53  
 KUBOTA BELT COVER.....53  
 KUBOTA CUSHION.....51  
 KUBOTA DYNAMO STAY.....53  
 KUBOTA EXHAUST MANIFOLD.....53  
 KUBOTA FLANGE BOLT.....53  
 KUBOTA FUEL FILTER HOLDER.....55  
 KUBOTA GLOW PLUG.....55  
 KUBOTA HEAD COVER GASKET.....53  
 KUBOTA HOSE,D905, D1105.....49, 51, 53  
 KUBOTA INJECTOR PUMP, D1105.....55  
 KUBOTA KIT, HOLDER,NOZZLE.....55  
 KUBOTA NUT.....53  
 KUBOTA O-RING.....53  
 KUBOTA OIL FILLER PLUG,V1305.....53  
 KUBOTA OVER FLOW PIPE.....55  
 KUBOTA OVERFLOW PIPE.....55  
 KUBOTA RAD ISOLATOR BOLT.....51  
 KUBOTA SNAP PIN.....49, 51  
 KUBOTA WATER PIPE.....49, 51, 53  
 KUBOTA WATER PIPE 16241-73350.....53

**L**

LABEL, CSA NEUTRAL BOND TO GND.....13  
 LABEL, ELECTRIC WINCH.....13, 17  
 LABEL, WINCH, RAISE & LOWER.....13, 17  
 LABEL,TRAVEL LOCK.....15, 19  
 LAMP BRACE, RECT HOUSING.....105  
 LAMP HPS 1000W LU1000CSA APPVD.....103  
 LAMP MH 1000W BT37HOR.....105  
 LAMP MH 1000W M1000/U SYL.....103  
 LENS GASKET FOR LIGHT FIXTURE.....103  
 LENS W/GASKET (C41100720).....103

LENS,LIGHT (57449).....105  
 LIGHT FIXTURE,MH,AL4,RL4,AL5.....103  
 LIGHT INDICATOR 12VRED.....67, 71, 79, 83, 87  
 LIGHT SOCKET,PSI RECT 5 KV.....105  
 LIGHT,DOME, 12V DC.....107  
 LIGHT,LICENSE TAG W/BRACKET.....43  
 LIGHT,REAR,BLACK OUT.....43  
 LIGHT,RECESSED,TAIL/STOP/TURN.....43  
 LIGHT,SIDE MKR,AMBER,RECESSED.....43  
 LIGHT,SIDE MKR,RED,BLACK OUT.....43  
 LIGHT,SIDE MKR,RED,RECESSED.....43  
 LIGHT,SIDE MRK,YEL,BLACK OUT.....43  
 LOCKNUT, CONDUIT 3/4CSA APPVD.....67, 71, 75, 79, 83, 87  
 LOCKNUT,CONDUIT,1/2 CSA APPVD.....103

**M**

MA-GROUND ROD LT. TWR.....43  
 MA-PIN LOCK SLIDE WITH RING.....93  
 MAGNET SPRING,ELEC BRAKE,ALXL.....33  
 MAGNET,ELEC BRAKE, ALXL.....33  
 MANIFOLD-EXHAUST,PERK (103.10).....61  
 MANUAL, OPERATOR'S, AL4.....11  
 MANUAL, PARTS, AL4.....11  
 MANUAL, SERVICE, AL4.....11  
 MANUAL,AEM SAFETY.....11  
 MANUAL,OP,MARATHON GENERATOR.....11  
 MANUAL,OPER,KUBOTA DIESEL\*\*\*\*.....11  
 MANUAL,OPERATORS,PERKINS,403D.....11  
 MARATHON SUPPRESSOR/VARISTOR.....11, 63  
 MUFFLER BRACE.....49, 51  
 MUFFLER, PERKINS, RL4.....61  
 MUFFLER,KUBOTA.....53

**N**

NOTOR MOUNT BRACKET,KUBOTA 905.....51  
 NUT.....107  
 NUT CLIP 1/4 -20X3/4.....49, 51  
 NUT HEX HEAD JAM 3/4.....25, 27  
 NUT LOCK NYLON INSERT.....95  
 NUT, TL, 1/4-20, C, ZAG.....21, 39, 41, 43, 93, 101  
 NUT,7/16,FH,ZINC,BRAKE, ALXL.....33  
 NUT,AXLE SPRING 2000NO.....21  
 NUT,EXHAUST MANIFOLD.....53  
 NUT,HEX,1-8.....35  
 NUT,HEX,JAM,1/2-13.....45  
 NUT,LOCK,3/8-16.....45  
 NUT,NYLOCK,1/2-13.....21, 23, 35, 39, 41, 45, 63  
 NUT,NYLOCK,1/2-13 GR2.....25, 27, 29, 31, 49, 51, 93, 97  
 NUT,NYLOCK,1/2-20.....95  
 NUT,NYLOCK,4-40.....67, 71, 75  
 NUT,NYLOCK,5/16-18.....53  
 NUT,NYLOCK,5/8-11.....35  
 NUT,TL FLG,3/8-16,G,ZAG.....21  
 NUT,TL FLG,M8-1.25,DIN6927,10,ZAB.....41  
 NUT,TL,3/8-16,C,ZAG.....25, 27, 29, 31, 39, 41, 97, 101, 107, 109  
 NUT,WHEEL, 1/2 X 20.....21, 33, 107  
 NUT,WING 3/8-16 ZP.....21, 23  
 NUTS,EXHAUST.....61  
 NUTSERT,1/4-20.....43, 65, 69, 73, 77, 81, 85  
 NUTSERT,8-32 (833543).....103

**O**

O-RING.....63  
 O-RING KIT (ORFS FITTINGS).....11  
 O-RING KIT,FIELD SVC,ALL PROD\*.....11  
 O-RING, LIFT PUMP,(PERKINS 404).....59  
 OIL FILTER - PERKINS.....11  
 OUTRIGGER 2X2X304819 GALV.....21  
 OUTRIGGER,2X2X42,GALVANIZED.....21

**P**

PAINT, AEROSOL, TRAFFIC BLACK.....11  
 PAINT,AEROSOL,BRIGHT BLUE\*\*\*.....11  
 PAINT,AEROSOL,GENIE GRAY\*\*\*.....11  
 PAINT,WET,GENIE BLUE (1 GL)\*\*.....11  
 PAINT,WET,GENIE GRAY (1 GL)\*\*.....11  
 PANEL,CABINET, CURB SIDE.....39, 41  
 PANEL,CABINET, ROAD SIDE.....39, 41  
 PANEL,CABINET,CRBSIDE BLKOUT.....39, 41  
 PANEL,CABINET,RDSIDE BLKOUT.....39, 41  
 PANEL,CNTL BOX FACE,CSA.....65, 69  
 PANEL,DOOR,CABINET,AL4.....39  
 PANEL,FRONT,CTRL BOX, 2 TL.....85  
 PARKER DIGITAL PRESSURE GAUGE.....11  
 PERKINS 135326205AIR.....11, 61  
 PIGTAIL,FUEL SOLENOID,KUBOTA.....89  
 PIN 1X9-1/4 TOWER PIVOT.....93  
 PIN QUICK 1/4X 1.75 ZP.....35, 43  
 PIN W/RING 3/4X11,HORZ LOCK.....43  
 PIN,PLUNGER,OUTRIGGER, KIT.....21, 23  
 PINION GEAR AND DISC K-1550.....45  
 PIPE FITTING STR ELBO.....25  
 PIPE PLUG 1/2 GALV.....29, 31  
 PIPE PLUG 1/4 GALV.....109  
 PIPE PLUG 1/8 CS.....25, 27  
 PIPE PLUG 3/8 GALV.....25  
 PIPE,INJECTOR 1, 403C-11.....59  
 PIPE,INJECTOR 1,D905,D1105.....55  
 PIPE,INJECTOR 2, 403C-11.....59  
 PIPE,INJECTOR 2,D905,D1105.....55  
 PIPE,INJECTOR 3, 403C-11.....59  
 PIPE,INJECTOR 3,D905,D1105.....55  
 PLATE FACE EMERGENCY.....107  
 PLATE,FACE,CNTL BOX,AUS,AL4.....81  
 PLATE,SIDE,COMBO HITCH,BOLT-ON.....35  
 PLUG AND CAP KIT-SERVICE,37 \*\*.....11  
 PLUG AND CAP KIT-SERVICE,ORFS\*.....11  
 PLUG, 4", CAPPLUG.....43  
 PLUG, ENGINE OIL, D1105.....53  
 PLUG,DRAIN,FUEL TANK.....25, 27  
 PLUG,ENGINE OIL DRAIN,D-905\*\*\*.....53  
 PLUG,OIL DRAIN,PERKINS 403D-11G.....59  
 PM KIT;WINCH,ELECTRIC.....45  
 PULLEY,CRANK, 403C-11.....59  
 PULLEY,FAN,KUBOTA, D-905,GS68.....53  
 PUMP,FUEL, 12VDC.....25, 27  
 PUMP,LIFT(FUEL) PERKINS(54555).....59  
 PUMP,PRIMER,PERKINS\*\*\*.....25, 27  
 PUMP,WATER.....59

**R**

RACE,ALXL,840377,841050.....33  
 RADIATOR BRACKET.....51  
 RADIATOR HOSE,KUBOTA.....11, 49, 51  
 RADIATOR, KUBOTA, D905 & D1105.....49, 51  
 RADIATOR,PERKINS,TML.....61  
 RATCHET ARM FULTONWI.....45  
 RATCHET GEAR,K-1550 1/2" I.D.....45  
 RATCHET KIT (K-1500,K-1550)\*\*.....45



## Part Description Index (continued)

REAR TOWER SUPPORT1-C.....43	SCREW,HHC,5/16-18X.75,GR8,Y.....63	TAILPIPE,8K EXHAUST.....53
RECEP 30A 120/240V 4 POLE.....67, 71	SCREW,HHC,5/8-11X4.50,GR8,Y.....35	TANK FUEL 20GAL RMPE1.....29, 31
RECEP 30A 20V 3POLE.....67, 71, 75, 87	SCREW,HHC,M10X1.25 X 35MM GR 8.....49, 51	TANK,RECOVERY,COOLANT,KUBOTA.....49, 51
RECEPTACLE 20A 120V DUPLEX GFI.....67, 71, 75	SCREW,HHC,M12X1.25X30MM,GR8.8.....59	TERMINAL BLOCK.....63
Ref, GENERATOR.....57	SCREW,INDENTED HEX,10-24 X .75.....105	TERMINAL BLOCK,MARATHON
REFLECTOR & LENS ASSY STD FIX.....103	SCREW,M10X1.25X20.....109	GENERATOR(85206).....63
REFLECTOR (C41100720).....103	SCREW,M8 X 35MM.....53	TERMINAL STRIP,CE.....103
REFLECTOR BASE.....105	SCREW,PHILLIPS,PHM,4-40 X .50.....67, 75	THERMOSTAT.....53
REFLECTOR LAMP SIDE.....105	SCREW,PHILLIPS,PHM,8-32 X .5.....71	THERMOSTAT COVER.....53
REFLECTOR SIDE.....105	SCREW,PHM,10-16 X 3/4.....65, 69, 73, 77, 81, 85	THERMOSTAT,PERKINS 403D-11G.....61
REFLECTOR,SCOTCHLITE,2"X18".....15, 19	SCREW,PHM,10-24 X 5/8.....103	TONGUE B-O-H W/JACKBR.....21
REGULATOR,12V-PERKINS 103.10.....61	SCREW,PHM,6-32 X .25.....67, 71, 75, 79, 83, 87	TOP FRAME,HOUSING BASE.....105
RELAY 12V DC 30A NO OR.....67, 71, 75, 79	SCREW,PHM,8-32X3/8.....103	TOP, CABINET, AL4 BUTT HINGE.....41
RETAINER CLIP,GLASS/LENS.....105	SCREW,RH,6-32 X 5/8.....89	TOWER BASE ASSY W/DEC,ALXL,SYM.....93
RETAINER,SPRING,1.21 X .375.....21	SCREW,RHM,6-32X5/8.....103	TOWER BASE ASSY W/DEC,ALXL,WRD.....93
RETAINING RING.....45	S E A L M A R K E R , C R O S S	TRAILER FRAME 41X70W.....21
RETRACTOR SPRING,E BRK,ALXL.....33	CHECK,BLUE,TUBE.....11	TRAILER FRAME 41X70W.....21
RING,REINFORCING (C41100720).....103	SEAL,OIL FILLER CAP.....59	TRANSFORMER 120/24VAC.....71
RIVET POP 1/8X.390 GR.....103	SEAL,GREASE (SL173).....33	
RIVET,POP,SS,3/16"X1/2" BLIND.....39, 43, 65, 69, 73, 77, 81, 85, 97, 99	SENSOR,WATER TEMPERATURE.....61	<b>V</b>
RODA DACO MANUAL SHUTDOWN.....109	SERIAL LABEL,BLANK,4X8,CHROME*.....13, 17	V-BELT,KUBOTA.....11, 53
ROLL PIN 1/4 X1-5/8.....93	SHACKLE,AXLE,4-5/8" LONG.....21	VALVE COVER BREATHER.....59
	SHEAVE 3-1/8 X15/16.....95, 97, 99	VALVE COVER, D905.....53
<b>S</b>	SHEAVE SPOOL 3 X2-1/2.....93	VALVE, OIL DRAIN, PERKINS.....59
SCREW 1/2-13NCX1-1/2H.....21, 23, 39, 41, 43	SHOE AND LINING KIT,ALXL,ELEC.....33	VALVE,AIR CLEANER,KUBOTA.....57
SCREW 1/4-20NCX5/8 HW.....25, 27, 37, 39, 41, 43	SHOE AND LINING KIT,ALXL,HYD.....33	VALVE,PLASTIC DRAIN.....109
SCREW 3/8-16NCX1 HHC GR.....91	SHOE HOLD DOWN SPRING,ALXL.....33	VIBRATION MOUNT,35".....49
SCREW 3/8-16NCX1-1/2H.....29, 31	SHUTDOWN ,OVERSPEED,RD.....71	
SCREW FLANGE 1/4 -20X.....49, 51	SKID,6PIPE,X120LG,TRLR MT,AL4.....23	<b>W</b>
SCREW FLANGE 3/8X 3/4.....43	SLEEVE,COIL CORD,AL4,AL5.....97	WASHER FLAT #10 STAINLESS.....43
SCREW, PANHEAD, 10-32 X 5/8.....43, 93, 107	SLEEVE,WIRE,FIBERGLASS.....103	WASHER FLAT 1/2ZP.....25, 27, 29, 31, 49, 51, 63, 97
SCREW,CARRIAGE,3/8-16X12,ZP.....25, 27	SNAP RING,JACK (841430).....21	WASHER FLAT 1/4S/8 SBIN.....43
SCREW,FLANGE,1/4-20X1/2" PATCH.....65, 69, 73, 77, 81, 85	SOCKET BASE-MOGUL.....103	WASHER FLAT 1/4ZPLENSETBIN.....39, 41
SCREW,HH SLOT,1/4 X 0.75.....37	SOLENOID W/BACKET SUPERWINCH.....47	WASHER FLAT 1S/S 18-8BIN.....93
SCREW,HH SLOT,8-32X1.....103	SOLENOID,FUEL,3 WIRE,KUBOTA.....55	WASHER FLAT 3/8 ZP SAE BIN.....25, 27, 29, 31, 63, 109
SCREW,HHC,1/2-13 X 1.25.....103	SOLENOID,KUBOTA D9/1105 SHTDWN.....55	WASHER FLAT 3/8USS ZPBIN.....39, 41, 93, 101, 107
SCREW,HHC,1/2-13 X 1.5.....103	SOLENOID,SHUT DOWN PERKIN40422.....59	WASHER FLAT BONDED3/1.....107
SCREW,HHC,1/2-13 X 10.....25, 27	SPACER .5 ID 1.25ODNO. 5968.....45	WASHER FLAT C816L S/S.....45
SCREW,HHC,1/2-13 X 2 GR5.....21	SPACER, DRUM BOLT, K-1550.....45	WASHER FLAT FENDER1/2.....51
SCREW,HHC,1/2-13 X 3.....97	SPACER,PINION SHAFT.....45	WASHER LOCK 1/2ZP.....35, 39, 41, 43, 49, 59, 63, 103, 105
SCREW,HHC,1/2-13 X 3 G.....93	SPACER,SIDE,COMBO,HTCH,BOLT-ON.....35	WASHER LOCK 3/8ZP.....63, 91, 93, 109
SCREW,HHC,1/2-13 X 3.5 GR8.....39, 41, 51, 59, 63	SPARE TIRE MT,5 LUG WHEEL.....107	WASHER LOCK 5/16 ZP BIN.....63
SCREW,HHC,1/2-13 X 4 G.....35	SPIDER, MH/HPS.....103	WASHER LOCK STAR 1/2E.....103, 105
SCREW,HHC,1/2-13 X 4.5,GRD.8.....35	SPRING EYE BUSHING.....21	WASHER LOCK STAR 3/8.....21, 23
SCREW,HHC,1/2-13 X 5.5,GRD.8.....35	SPRING,LAMP RETAINER.....105	WASHER RECTANGULAR1/4.....39, 41
SCREW,HHC,1/2-13 X 6.....35	SPRING,COIL, 1/2 X 2.25.....93	WASHER RUBBER BUNA-N.....25, 27
SCREW,HHC,1/2-13 X 6 GR8 ZP.....35	SPRING,GAS,16",60LBS.....43	WASHER,CLAMP,RUBBER(833543).....103
SCREW,HHC,1/2-13 X 6.5.....49	SPRING,KICKOUT,0.262X1.75,AL'S.....93	WASHER,FLAT BOUNDED,3/16X1/2.....43
SCREW,HHC,1/2-13NCX12,GR2.....29, 31	SPRING,LEAF FOR AXLE, 4 PLY.....21	WASHER,FLAT,375 X 1.5 X .125.....91
SCREW,HHC,1/2-13X4,GR8.....63	STARTER, PERKINS, 403D.....61	WASHER,FLAT,1.000,HARDENED.....35
SCREW,HHC,1/2-13X7 GR5 YEL.....49	STARTER,KUBOTA,D1105/905.....53	WASHER,FLAT,1/2 SS 18-8 BIN.....39, 41, 43
SCREW,HHC,1/4-20 X 1.....21, 43	STUD,EXHAUST MANIFOLD.....53	WASHER,FLAT,3/4 ZP.....25, 27
SCREW,HHC,1/4-20X1.8,ZAG.....101	STUDS,EXHAUST.....61	WASHER,FLAT,SAE 1/4",ZINC.....21, 39, 41, 43
SCREW,HHC,1/4-20X2.00,GR8.....93	SVC KIT, FRICTION DISC K/KX.....45	WASHER,FLAT,SNUB 1/2X2-3/4 ZN.....49, 59, 63
SCREW,HHC,3/8-16 X 1 GR 5 ZP.....93	SVC KIT,TAILLIGHTS,AL.....89	WASHER,FLAT,USS,1/2",Y.....21, 23, 35, 39, 41
SCREW,HHC,3/8-16 X 1.25.....63, 109	SWITCH PUSH-BUTTON W/BOOT.....67, 71, 79, 83, 87	WASHER,FLAT,USS,1/4"Y.....101
SCREW,HHC,3/8-16 X 1.5.....63	SWITCH TOGGLE SPDTON.....83	WASHER,FLAT,USS,3/8",Y.....21
SCREW,HHC,3/8-16 X 3.75.....39, 41, 97	SWITCH TOGGLE SPST.....75	WASHER,FLAT,USS,5/16",Y.....41
SCREW,HHC,3/8-16 X 4.5 ZP.....101, 107	SWITCH, TOGGLE 6A DPDT ON/OFF.....75	WASHER,FLAT,USS,5/8",Y.....35
SCREW,HHC,3/8-16 X 5 GRD 5 ZNC.....21	SWITCH,LOW OIL PRESS,KUBOTA.....53	
SCREW,HHC,3/8-16 X 5.5 GRD 8.....45	SWITCH,OIL PRES,PERK 403D-11G.....59	
SCREW,HHC,3/8-16 X 6.....45		
SCREW,HHC,3/8-16 X 7/8.....91		
SCREW,HHC,5/16-18 X 0.5 IN.....93		
	<b>T</b>	
	T-HANDLE.....103	

WASHER,LOCK,#6 SS.....67, 71, 75, 79, 83,  
87  
WASHER,LOCK,M10 ZP.....49, 51, 109  
WASHER,LOCK,STAR 3/4 E.....101  
WASHER,PLAIN,1".....33  
WASHER,RUBBER SEAL.....109  
WATER COLLECTOR AY.....109  
WATER OUTLET, VERTICAL.....61  
WATER PUMP ASSY,KUBOTA.....53  
WHEEL CYLINDER, LH, ALXL.....33  
WHEEL CYLINDER, RH, ALXL.....33  
WHEEL/TIRE ASSY,15",205/75 LRC.....21  
WINCH BRACKET, DRUM BOLT LOCK.....45  
WINCH HANDLE TO WINCH(1500LB).....45  
WINCH PINION PLATE, K-1550.....45  
WINCH W/SOLENOIDS 4000LB.....47  
WING NUT, FIXTURE,RL4,AL4,AL5.....101  
WIRE HARN,DC,IN CTRL BOX,2006.....89  
WIRE HARN,ENG,KUBOTA,DC,2006.....89  
WTHRSRIP, 1/4" X 1/2"W.....21, 39, 41

**Y**

YOKE,PSI RECT.LIGHT FIXTURE.....105

**Z**

ZERK,GREASE,1/8 NPT.....95

**—**

— GENERAL SERVICE PARTS —.....11  
— GENERATOR, MARATHON MODELS  
—.....11  
— KUBOTA MODELS —.....11  
— MANUALS —.....11  
— PERKINS MODELS —.....11

California Proposition 65



**WARNING**

Operating, servicing and maintaining this equipment can expose you to chemicals including engine exhaust, carbon monoxide, phthalates, and lead, which are known to the State of California to cause cancer and birth defects or other reproductive harm. These chemicals can be emitted from or contained in other various parts and systems, fluids and some component wear by-products. To minimize exposure, avoid breathing exhaust, do not idle the engine except as necessary, service your equipment and vehicle in a well-ventilated area and wear gloves or wash your hands frequently when servicing your equipment or vehicle and after operation. For more information go to [www.P65Warnings.ca.gov/passenger-vehicle](http://www.P65Warnings.ca.gov/passenger-vehicle).

Breathing diesel engine exhaust exposes you to chemicals known to the State of California to cause cancer and birth defects or other reproductive harm.

- Always start and operate the engine in a well-ventilated area.
- If in an enclosed area, vent the exhaust to the outside.
- Do not modify or tamper with the exhaust system.
- Do not idle the engine except as necessary.

For more information go to [www.P65warnings.ca.gov/diesel](http://www.P65warnings.ca.gov/diesel).