



TEREX

Parts Manual

Serial Number Range

***AL5 with
Vertical Mast***

from SN AL514-001 to
AL516-1669

from SN AL516J-1670 to
AL516J-2999

from SN AL5J-3000

Part No. 1259378

Rev A12

January 2018

Discount-Equipment.com

Discount Equipment

Discount-Equipment.com is your online resource for commercial and industrial quality parts and equipment sales.

Locations:

Florida (West Palm Beach): [561-964-4949](tel:561-964-4949)

Outside Florida TOLL FREE: [877-690-3101](tel:877-690-3101)

Need parts? Check out our website at www.discount-equipment.com


Can't find what you need?

Click on this link: <http://www.discount-equipment.com/category/5443-parts/> and fill out the request form.

Please have the machine model and serial number available in order to help us get you the correct parts. One of our experienced staff members will get back to you with a quote for the right part that your machine needs.

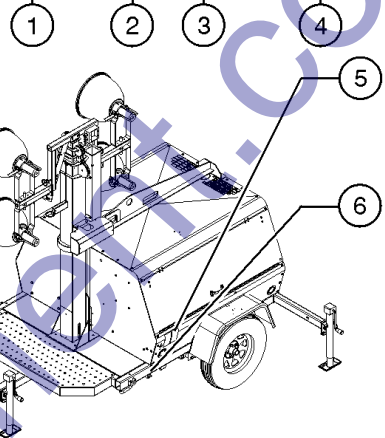
We sell worldwide for the brands: Genie, Terex, JLG, MultiQuip, Mayco, Toro/Stone, Diamond Products, Magnum, Airman, Mustang, Power Blanket, Nifty Lift, Atlas Copco, Chicago Pneumatic, Allmand Brothers, Essick, Miller Spreader, Skyjack, Lull, Skytrak, Tsurumi, Husquvarna/Target, Whiteman-Concrete/Mortar, Stow-Concrete/Mortar, Baldor, Wacker, Sakai, Snorkel, Upright, Mi-T-M, Sullair, Neal, Basic, Dynapac, MBW, Weber, Bartell, Bennar Newman, Haulotte, Ditch Runner, Blaw-Knox, Himoina, Best, Buddy, Crown, Edco, Wyco, Bomag, Laymor, Terremite, Barreto, EZ Trench, Takeuchi, Basic, Bil-Jax, Curtis, Gehl, Heli, Honda, ICS/PowerGrit, Puckett, Waldon, ASV, IHI, Partner, Imer, Clipper, MMD, Koshin, Rice, Gorman Rupp, CH&E, Cat Pumps, Comet, General Pump, Giant, AMida, Coleman, NAC, Gradall, Square Shooter, Kent, Stanley, Tamco, Toku, Hatz, Kohler, Robin, Wisconsin, Northrock, Oztec, Toker TK, Rol-Air, Small Line, Wanco, Yanmar

To August 31, 2016



Model:
Serial number: AL516J-1234
Manufacture date: 1/2/16 **Model year:** 2016
Electrical schematic number:
Machine unladen weight:
Axle weight:
Tongue weight:
Tire pressure:
Maximum tow speed:

AL5 16 J - 1234



- 1 Model
- 2 Model year
- 3 Facility code

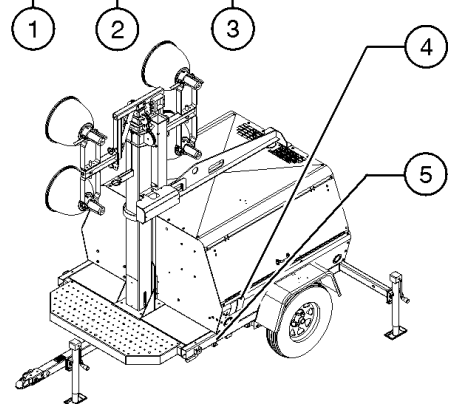
- 4 Sequence number
- 5 Serial label
- 6 Serial number (stamped on chassis)

From September 1, 2016



Model:
Serial number: AL5J-1234
Year of Manufacture : 2016
Electrical schematic number:
Machine unladen weight:
Axle weight:
Tongue weight:
Tire pressure:
Maximum tow speed:

AL5 J - 1234



- 1 Model
- 2 Facility code
- 3 Sequence number

- 4 Serial label
- 5 Serial number (stamped on chassis)

Table of Contents

This manual is updated frequently. If you have a printed manual, you can keep it up to date by downloading new figures from the Genie website at www.genielift.com. For the most up-to-date parts information, visit the Parts Lookup System on the Genie website at www.genielift.com.

How to Read Your Serial Number.....	3
Parts Stocking List.....	7
How to Order Parts.....	8
Service Parts Fax Order Form.....	9

Electronic Version

Click on any page number to view the figure.

001 Parts Stocking List

001.1 Parts Stocking List.....	10
--------------------------------	----

100 Decals

101.1 Decals with Words.....	12
102.1 Decals with Symbols.....	14

200 Chassis Components

201.1 Chassis Components.....	16
202.1 30 Gallon Fuel Tank and Hoses, Models Without Spill Containment.....	18
203.1 30 Gallon Fuel Tank and Hoses, Models With Spill Containment.....	20
203.2 60 Gallon Fuel Tank and Hoses, Models Without Spill Containment.....	22
203.3 60 Gallon Fuel Tank and Hoses, Models With Spill Containment.....	24
204.1 Axles and Brakes.....	26
205.1 Hitches.....	28
206.1 Ballast Assembly.....	30
207.1 Cabinet, View 1.....	32
208.1 Cabinet, View 2.....	34
209.1 Cabinet, View 3, 20kW Option.....	36

300 Engines and Generators

301.1 Kubota D1105-E3BG, View 1.....	38
302.1 Kubota D1105-E3BG, View 2.....	40
303.1 Kubota D1105-E3BG, View 3.....	42
304.1 Kubota D1105-E3BG, View 4.....	44
305.1 Kubota V1505 T41, View 1.....	46
306.1 Kubota V1505 T41, View 2.....	48
307.1 Isuzu 4LE2,1800R, View 1.....	50

307.3 Isuzu 4LE2-T, Tier 4, View 1.....	52
308.1 Isuzu 4LE2,1800R, View 2.....	54
308.3 Isuzu 4LE2-T, Tier 4, View 2.....	56
309.1 Isuzu 4LE2,1800R, Radiator Assembly.....	58
310.1 Generator, Marathon 8 Kw.....	60
311.1 Generator, Marathon 12 Kw and 20 Kw.....	62

400 Electrical Components

401.1 Control Box Assembly, View 1.....	64
401.2 Control Box Assembly with Tier 4 option, View 1.....	66
402.1 Control Box Assembly, View 2, Standard Box.....	68
403.1 Control Box Assembly, View 2, External Power Access.....	70
403.2 Control Box Assembly with Tier 4 option, View 2.....	72
404.1 Control Box Assembly, View 2, Roda Deaco.....	74
405.1 Electrical Wiring and Power Cables.....	76

500 Mast Components

501.1 Mast Assembly and Winch Cable Routing.....	78
502.1 Tower Base and Rotating Mast Assembly.....	80
503.1 Mast Assembly, 5 Inch.....	82
504.1 Mast Assembly, 4 Inch.....	84
505.1 Mast Assembly, 3 Inch.....	86
506.1 Mast Assembly, 2 Inch.....	88
507.1 Light Crossbar Assembly.....	90
508.1 Light Assembly, 16" Round.....	92

600 Accessories

601.1 Chassis Options.....	94
602.1 Engine Options.....	96
603.1 Outrigger Options.....	98

Indices

Part Number Index.....	100
Part Description Index.....	103

Cross References

Notes

Discount-Equipment.com

Discount Equipment

Discount-Equipment.com is your online resource for commercial and industrial quality parts and equipment sales.

Locations:

Florida (West Palm Beach): [561-964-4949](tel:561-964-4949)

Outside Florida TOLL FREE: [877-690-3101](tel:877-690-3101)

Need parts? Check out our website at www.discount-equipment.com

Can't find what you need?

Click on this link: <http://www.discount-equipment.com/category/5443-parts/> and fill out the request form.

Please have the machine model and serial number available in order to help us get you the correct parts. One of our experienced staff members will get back to you with a quote for the right part that your machine needs.

We sell worldwide for the brands: Genie, Terex, JLG, MultiQuip, Mayco, Toro/Stone, Diamond Products, Magnum, Airman, Mustang, Power Blanket, Nifty Lift, Atlas Copco, Chicago Pneumatic, Allmand Brothers, Essick, Miller Spreader, Skyjack, Lull, Skytrak, Tsurumi, Husquvarna/Target, Whiteman-Concrete/Mortar, Stow-Concrete/Mortar, Baldor, Wacker, Sakai, Snorkel, Upright, Mi-T-M, Sullair, Neal, Basic, Dynapac, MBW, Weber, Bartell, Bennar Newman, Haulotte, Ditch Runner, Blaw-Knox, Himoina, Best, Buddy, Crown, Edco, Wyco, Bomag, Laymor, Terremite, Barreto, EZ Trench, Takeuchi, Basic, Bil-Jax, Curtis, Gehl, Heli, Honda, ICS/PowerGrit, Puckett, Waldon, ASV, IHI, Partner, Imer, Clipper, MMD, Koshin, Rice, Gorman Rupp, CH&E, Cat Pumps, Comet, General Pump, Giant, AMida, Coleman, NAC, Gradall, Square Shooter, Kent, Stanley, Tamco, Toku, Hatz, Kohler, Robin, Wisconsin, Northrock, Oztec, Toker TK, Rol-Air, Small Line, Wanco, Yanmar

Required Parts

The following parts are required to perform maintenance procedures as outlined in the Terex AL5 with Vertical Mast Parts and Service Manual.

Kubota D1105-D3BG

Description	Part No.
Air Filter Element	866127
Engine Oil Filter.....	866050
Fuel Filter Element.....	839107
In-line Fuel Filter.....	740620
V-Belt.....	839209
Lower Radiator Hose	839110
Upper Radiator Hose.....	839109
Hose Clamp, Upper Radiator Hose	32185

Kubota D1505 T41

Description	Part No.
Air Cleaner, Donaldson	116413
Engine Oil Filter.....	116509
Fuel Filter Element.....	839200
In-line Fuel Filter.....	740620
V-Belt.....	839209
Lower Radiator Hose	116514
Upper Radiator Hose	116513
Hose Clamp, Upper Radiator Hose	32185

Isuzu, 4LE1PV02

Description	Part No.
Air Filter Element	834460
Air Filter Assembly.....	T113769
Engine Oil Filter.....	868075
Engine Oil Filter.....	T113767
Fuel Filter Element.....	868137
Fuel Filter Element.....	116151
V-Belt.....	868067
V-Belt.....	T113776

Fuel Lines

Description	Part No.
Fuel Return Hose, 1/8" (refer to 203.1)	890785
Hose, Fuel, 5/16" (refer to 203.1)	890795
Hose Clamp, 5/16" Fuel Line.....	898590

Recommended Parts

Description	Part No.
Mechanical Jack	841430
Snap Ring, Mechanical Jack	840222
Kit, Plunger Pin, Outrigger.....	970260
Grease Seal, Wheel Bearing	834225
Cotter Pin, Wheel Bearing.....	834255
Kit: Upper Cable Assembly.....	822841
Kit: Lower Cable Assembly.....	CU61A035

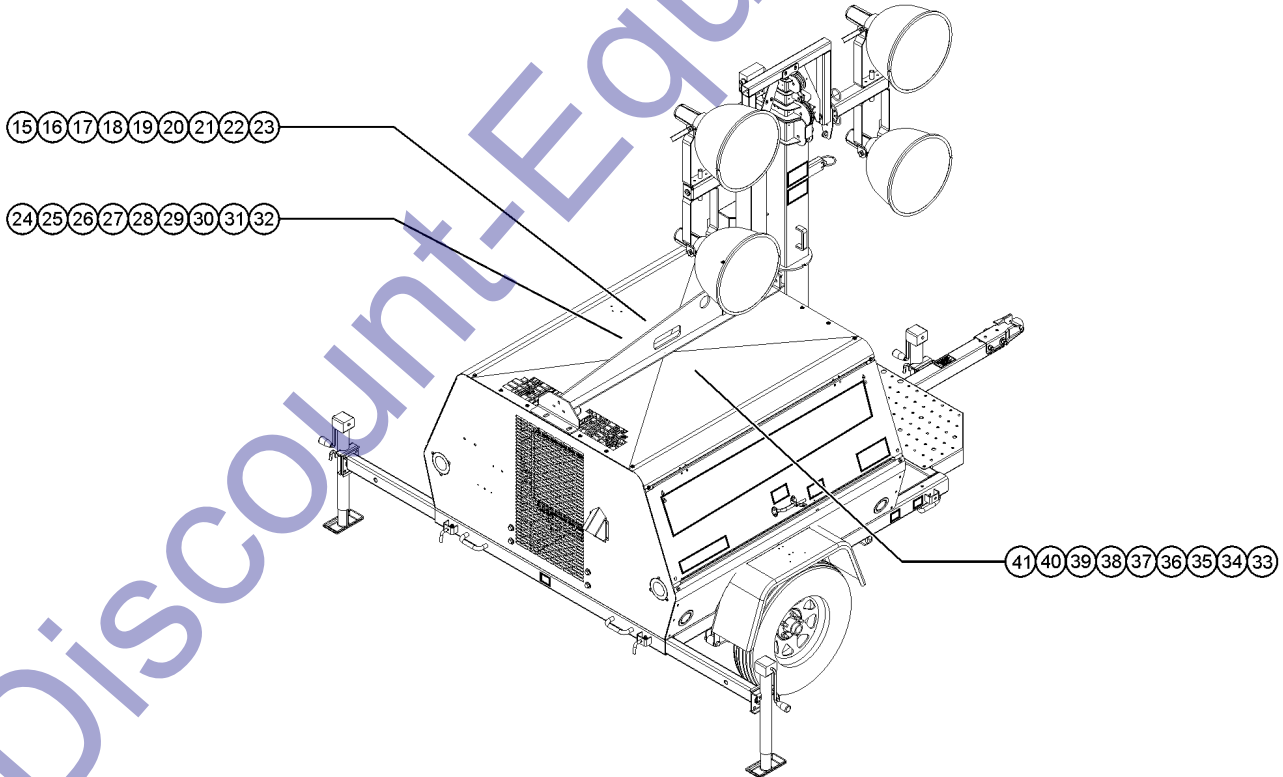
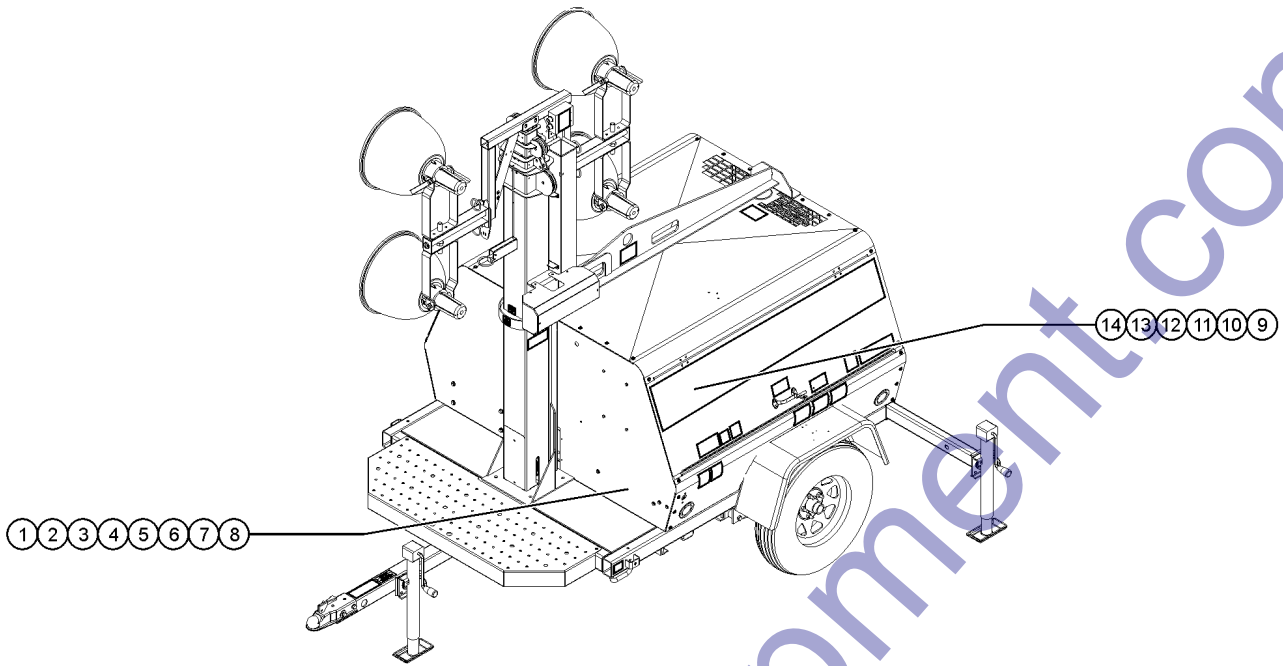
Control Box

Description	Part No.
Relay, 12VDC.....	R661490
Breaker, 20A	T113642
Breaker, 15A	T113641
Breaker, 30A	T113644

Generator, Marathon

Description	Part No.
Capacitor, 8KW, 60Hz.....	229457
Capacitor, 12KW, 60Hz.....	229457
Capacitor, 20KW, 60Hz.....	229457
Diode.....	836853
Surge Protector.....	836856

001.1 Parts Stocking List

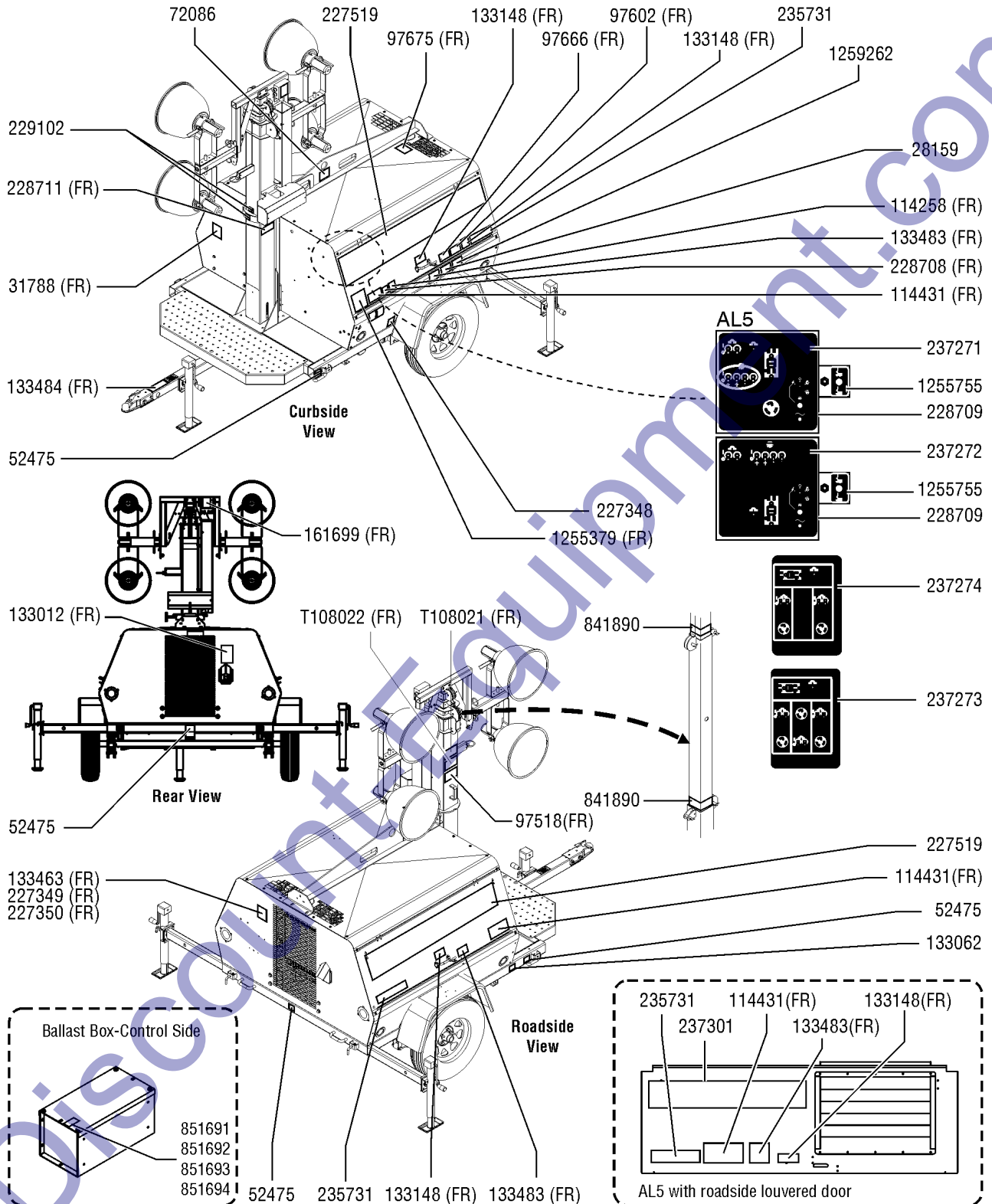


DiscountEquipment.com

001.1 Parts Stocking List

Item	Part No.	Description	Qty.	Item	Part No.	Description	Qty.
A		— GENERAL SERVICE PARTS —		--	839209GT	V-BELT,KUBOTA	
--	1258567GT	PAINT, AEROSOL, TRAFFIC BLACK <i>12-ounce spray paint</i>		--	839110GT	HOSE,RADIATOR,LOWER,KUBOTA	
--	1268GT	PAINT,AEROSOL,GENIE GRAY*** <i>12-ounce spray paint</i>		--	839109GT	RADIATOR HOSE,KUBOTA	
--	1283776GT	SEAL MARKER,CROSS CHECK,BLUE,TUBE		--	32185GT	CLAMP,HOSE	
--	1484GT	PAINT,AEROSOL,BRIGHT BLUE*** <i>12-ounce spray paint</i>		24		— KUBOTA D1505 T1 MODELS —	
--	28750GT	O-RING KIT,FIELD SVC,ALL PROD* <i>O-ring kit, SAE</i>		--	116413GT	AIR CLEANER,DONALDSON G042544	
--	32150GT	PAINT,WET,GENIE BLUE (1 GL)** <i>1-gallon</i>		--	116509GT	KUBOTA OIL FILTER,D1105	
--	32151GT	PAINT,WET,GENIE GRAY (1 GL)** <i>1-gallon</i>		--	839200GT	ELEMENT,FUEL FILTER,KUBOTA	
--	33994GT	PLUG AND CAP KIT-SERVICE,37 ** <i>Plug and cap kit, SAE</i>		--	740620GT	FILTER,IN-LINE,FUEL,5/16"	
--	49612GT	O-RING KIT (ORFS FITTINGS) <i>O-ring kit, ORFS</i>		--	839209GT	V-BELT,KUBOTA	
--	49613GT	PLUG AND CAP KIT-SERVICE,ORFS* <i>Plug and cap kit, ORFS</i>		--	116514GT	KUBOTA BOTTOM HOSE,D1105	
--	66399GT	GREASE,DIELECTRIC 4 OZ**		--	116513GT	KUBOTA TOP HOSE,D1105	
--	890785GT	HOSE,FUEL,1/8"ID		--	32185GT	CLAMP,HOSE	
--	890795GT	HOSE,FUEL,5/16"ID		33		— ISUZU 4LE1PV02 MODELS —	
--	898590GT	HOSE FITTING PIPE/BAR		--	834460GT	ELEMENT,AIR FILTER,DONALDSON	
--	93500GT	PARKER DIGITAL PRESSURE GAUGE		--	T113769GT	AIR CLEANER, ISUZU 4LE2	
--				--	868036GT	ISUZU FUEL FILTER	
1		— MANUALS —		--	T113767GT	CARTRIDGE, OIL FLTR, ISUZU 4LE	
--	27581GT	MANUAL,AEM SAFETY		--	868036GT	ISUZU FUEL FILTER	
--	229101GT	MANUAL, OPERATOR'S, AL4		--	116151GT	FILTER,30 MICRON FUEL-WATER	
--	218567GT	MANUAL, SERVICE, AL4		--	868067GT	ISUZU 4LE 8972249990FAN BELT	
--	216011GT	MANUAL, PARTS, AL4		--	T113776GT	BELT, FAN, ISUZU 4LE2	
--	131661GT	MANUAL, OPERATORS,PERKINS,403D					
--	131379GT	MANUAL,OPER,KUBOTA DIESEL****					
--	116188GT	MANUAL,OP,MARATHON GENERATOR					
9		— GENERATOR, MARATHON MODELS —					
--	58356GT	CAPACITOR-ROUND 25MF					
--	85207GT	CAPACITOR,45 MF***OVAL					
--	229457GT	CAPACITOR, 8KW GENERATOR,5420					
--	836853GT	DIODE,MARATHON					
--	836856GT	MARATHON SUPPRESSOR/VARISTOR					
15		— KUBOTA D1105 MODELS —					
--	866127GT	ELEMENT,AIR CLEANER,KUBOTA					
--	866050GT	FILTER,OIL,KUBOTA					
--	839200GT	ELEMENT,FUEL FILTER,KUBOTA					
--	740620GT	FILTER,IN-LINE,FUEL,5/16"					

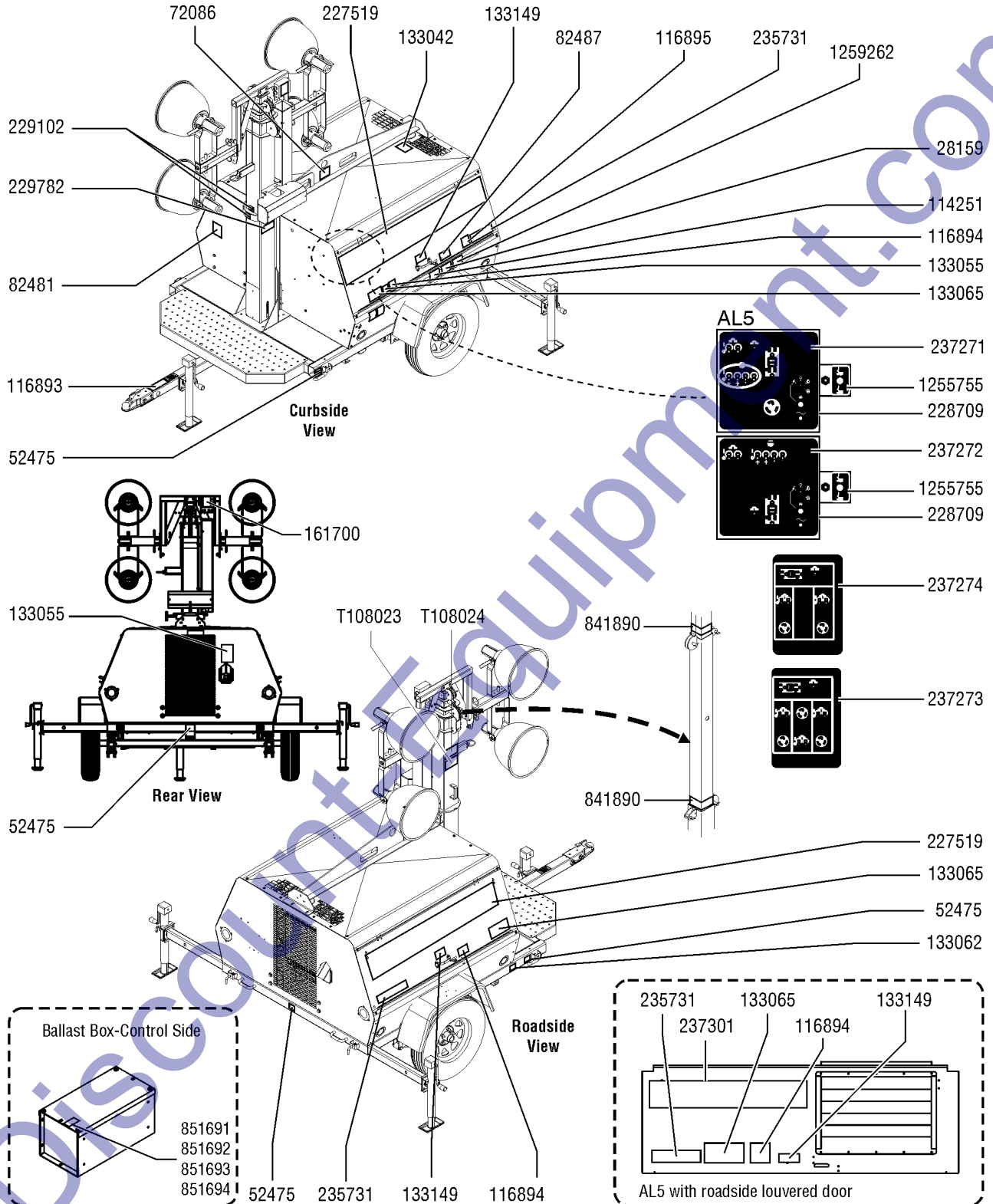
101.1 Decals with Words



101.1 Decals with Words

Item	Part No.	Description	Qty.	Item	Part No.	Description	Qty.
1	28159GT	DECAL,LABEL,DIESEL FUEL.....	1	35	841890GT	REFLECTOR,SCOTCHLITE,2"X18".....	2
2	31788GT	DECAL,DANGER,BATTERY SAFETY***.....	1	36	T108022GT	DECAL, WARNING BURN HAZARD.....	2
3	52475GT	DECAL,LABEL,TRANSPORT TIEDOWN*.....	2	37	97518GT	Decal, Instruction, Lamp Disposal.....	1
4	72086GT	DECAL,LABEL,LIFTING EYE.....	1	38	237301GT	DECAL COSM TEREX VENTED DOOR.....	1
5	77055GT	SERIAL LABEL,BLANK,4X8,CHROME*..... <i>(This is a blank label. Contact Service Parts to order; the model and serial number of the machine will be required.)</i>	1	39	T108021GT	DECAL,WARN,PROTECTIVE BARRIER.....	1
6	77172	LABEL,BLANK,4X5,CHROME POLY***.....	1				
7	97602GT	DECAL,EXPLOSION HAZARD.....	1				
8	97666GT	DECAL,WARN,READ MANUAL.....	1				
9	97675GT	DECAL,WARN,EXPLSION/BURN HAZ...1	1				
10	114258GT	DECAL,DANGER,NO SMOKING.....	1				
11	114431GT	DECAL,DANGER,ELECTROCUTION HZD.....	2				
12	133062GT	Decal, Label, Ground.....	1				
13	1259262GT	DECAL,LABEL,TIE DOWN DIAGRAM...1	1				
14	133148GT	DECAL,DANGER,HAZARD VOLTAGE...4	4				
15	133463GT	DECAL,KUBOTA ENGINE SPECS.....	1				
16	133482GT	DECAL,WARNING TIP-OVER HAZ.....	1				
17	133483GT	DECAL,WARNING BURN HAZ.....	2				
18	133484GT	DECAL,WARNING TOW SPEED.....	1				
19	227348GT	DECAL,TIRE SPECIFICATION.....	1				
20	227349GT	DECAL,ENGINE SPEC,V1505.....	1				
21	227350GT	DECAL ENGINE SPEC ISUZU 4LE2....1	1				
22	227519GT	DECAL,COSMETIC TEREX,AL5,AL5....2	2				
23	228708GT	DECAL, DANGER, CSA OUTDOOR USE.....	1				
24	228709GT	LABEL, CSA NEUTRAL BOND TO GND.....	1				
25	1255379GT	DECAL INSTRUCTION AL5 VERTICAL MAST.....	1				
26	228711GT	DECAL, WARNING, CRUSH HAZARD...1	1				
27	1255755GT	LABEL, ELECTRIC WINCH.....	1				
29	229102GT	DECAL, LABEL, ARROW.....	2				
30	235731GT	DECAL COSMETIC MODEL AL5.....	2				
31	237271GT	DECAL AL5 CONTROL PANEL 8KW....1	1				
32	237272GT	DECAL AL5 CONTROL PANEL 12KW &.....	1				
33	237273GT	DECAL AL5 CONTROL PANEL 20KW E.....	1				
34	237274GT	DECAL AL5 CONTROL PANEL 12KW E.....	1				

102.1 Decals with Symbols

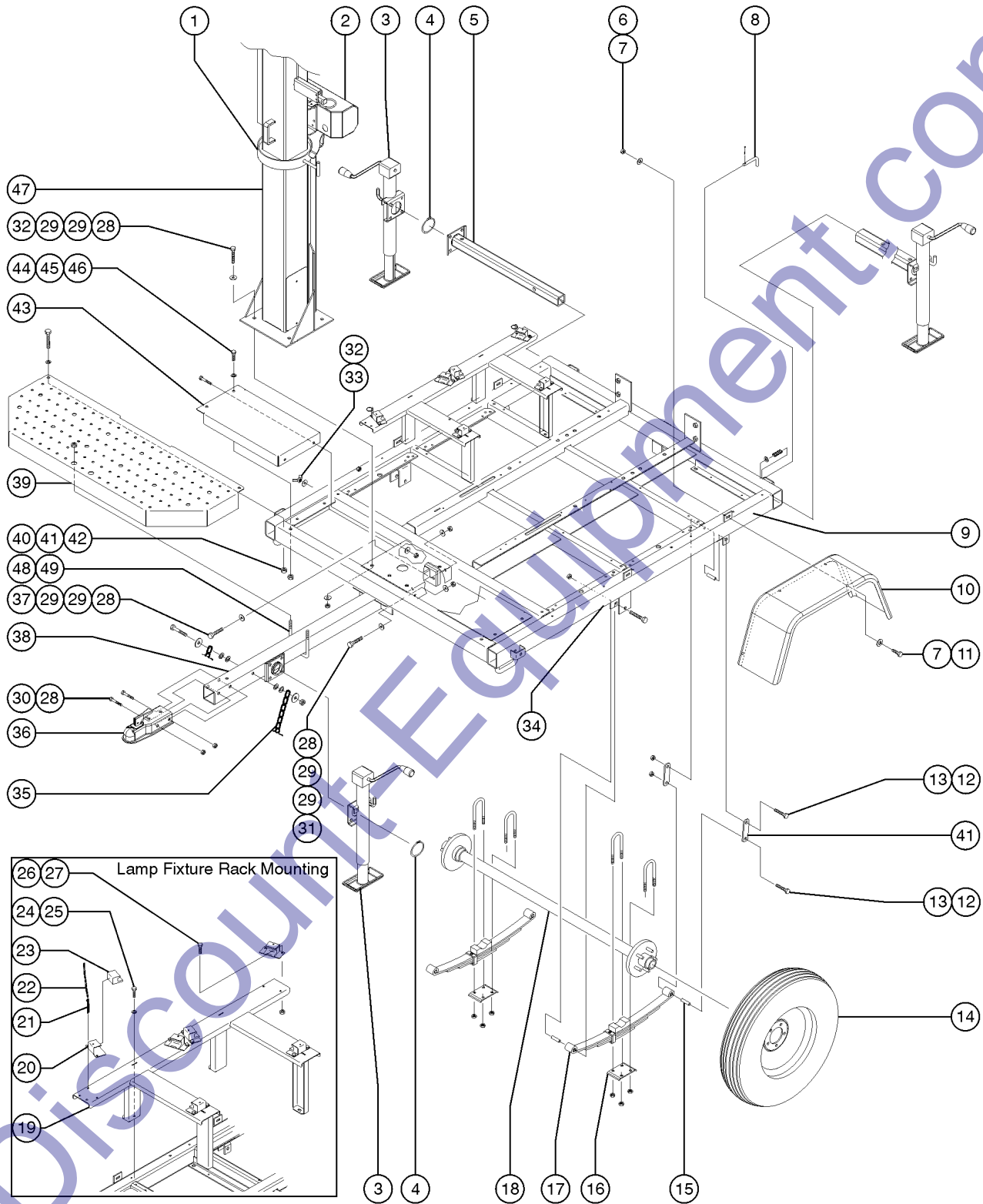


102.1 Decals with Symbols

Item	Part No.	Description	Qty.
1	28159GT	DECAL,LABEL,DIESEL FUEL.....	1
2	52475GT	DECAL,LABEL,TRANSPORT TIEDOWN*.....	2
3	72086GT	DECAL,LABEL,LIFTING EYE.....	1
4	77055GT	SERIAL LABEL,BLANK,4X8,CHROME*..... <i>(This is a blank label. Contact Service Parts to order; the model and serial number of the machine will be required.)</i>	1
5	77172GT	LABEL,BLANK,4X5,CHROME POLY***.....	1
6	82481GT	DECAL,SYMBOL-BATTERY SAFETY.....	1
7	82487GT	DECAL,SYMBOL-READ THE MANUAL.....	1
8	114251GT	DECAL,LABEL,NO SMOKING,SYMB.....	1
9	116893GT	DECAL,TOW SPEED SYMBOL.....	1
12	116894GT	DECAL,BURN HAZARD SYMBOL.....	2
13	116895GT	DECAL,TIP HAZARD SYMBOL.....	1
14	133042GT	DECAL,EXPLSION/BURN HAZ SYMB...1	1
15	133055GT	DECAL,LABEL,BURN/CO2 HAZARD.....	1
16	133062GT	Decal, Label, Ground.....	1
17	1259262GT	DECAL,LABEL,TIE DOWN DIAGRAM...1	1
18	133065GT	DECAL,LABEL-ELEC HAZ,DISTANCE...2	2
19	133149GT	DECAL,LABEL-ELEC HAZ,SERV MAN.2	2
21	1255755GT	LABEL, ELECTRIC WINCH.....	1
22	227519GT	DECAL,COSMETIC TEREX,AL5,AL5.....2	2
23	229102GT	DECAL, LABEL, ARROW.....	2
24	235731GT	DECAL COSMETIC MODEL AL5.....	1
26	237271GT	DECAL AL5 CONTROL PANEL 8KW.....1	1
27	237272GT	DECAL AL5 CONTROL PANEL 12KW &.....	1
28	237273GT	DECAL AL5 CONTROL PANEL 20KW E.....	1
29	237274GT	DECAL AL5 CONTROL PANEL 12KW E.....	1
30	841890GT	REFLECTOR,SCOTCHLITE,2"X18".....2	2
31	T108024GT	DECAL,BURN HAZARD SYMBOL.....2	2
32	237301GT	DECAL COSM TEREX VENTED DOOR.....	1
33	T108023GT	DECAL,BODILY INJURY SYMBOL.....1	1
34	229782GT	DECAL,WARNING,CRUSHING HAZARD.....	1
35	161700GT	DECAL, ELECTROCUTION HAZARD...1	1
36	228709GT	LABEL, CSA NEUTRAL BOND TO GND.....	1

DiscoveryEquipment.com

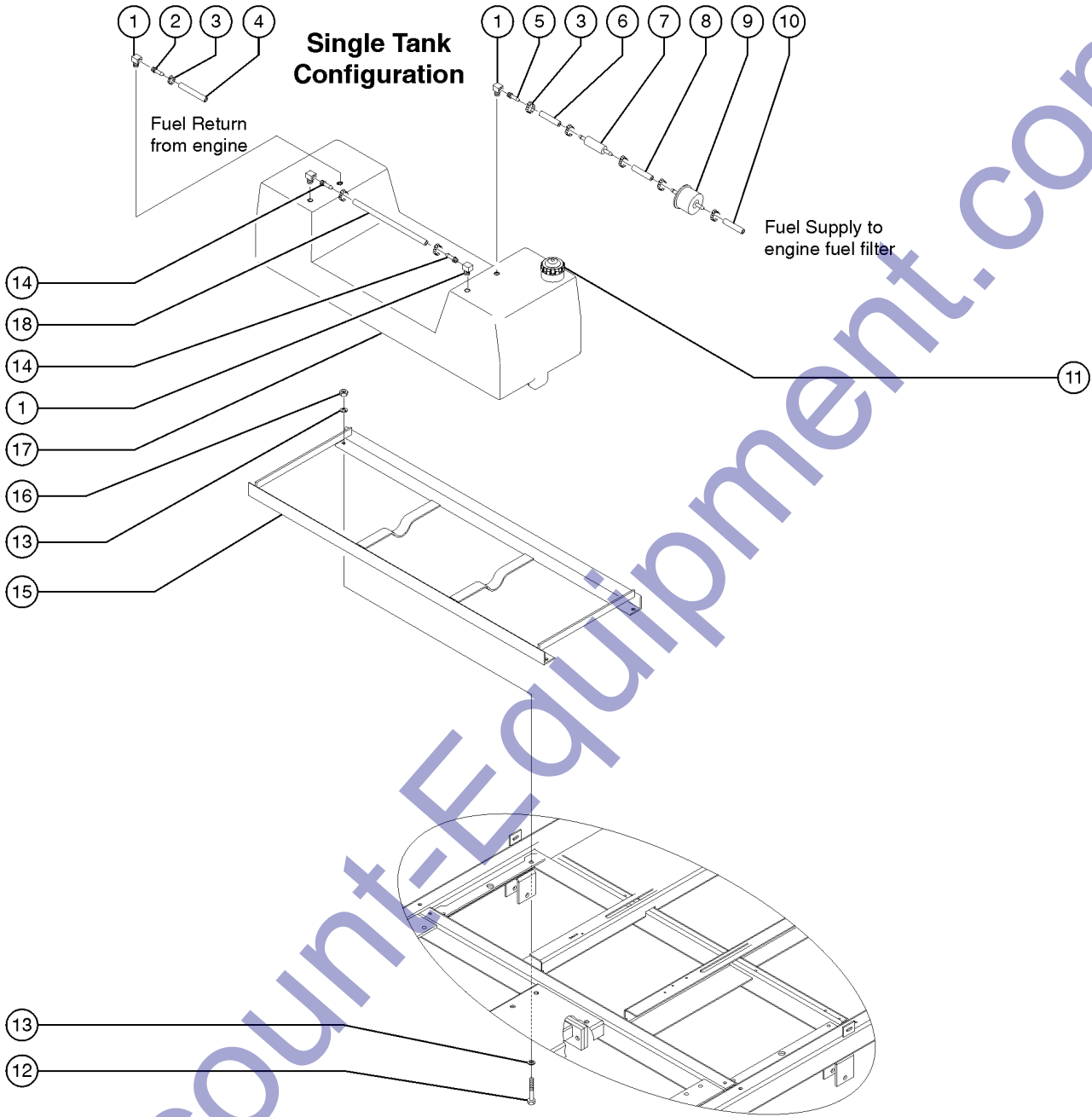
201.1 Chassis Components



201.1 Chassis Components

Item	Part No.	Description	Qty.	Item	Part No.	Description	Qty.
1		Ref. Tower Base <i>(refer to 502.1)</i>		35	162160GT	CHAIN, SAFETY, SNAP HOOK.....	2
2		Ref. Winch <i>(refer to 502.1)</i>		--	32645GT	SCREW,HHC,3/8-16 X 5 GRD 5 ZNC.....	1
3		Ref. JACK,MECHANICAL,3000LB.....	3	--	6097GT	WASHER,FLAT,USS,3/8",Y.....	2
		<i>(refer to 603.1)</i>		--	61975GT	RETAINER,SPRING,1.21 X .375.....	2
4	840222GT	SNAP RING,JACK (841430).....	3	--	824029GT	NUT,TL FLG,3/8-16,G,ZAG.....	1
5A	114612GT	OUTRIGGER,3X2X32.5,GALVANIZED <i>(models with steel fenders, shown)</i>		36		Ref. COUPLER,BALL,2" CLASS II.....	1
5B	114613GT	OUTRIGGER 3X2X33REARAL5000.....	2			<i>(refer to 205.1)</i>	
		<i>(models with plastic fenders, not shown)</i>		37	6096GT	SCREW,HHC,1/2-13 X 2 GR5	
6	824024GT	NUT, TL, 1/4-20, C, ZAG		38	124470GT	TONGUE B-O-H W/JACKBR.....	1
7	75144GT	WASHER,FLAT,SAE 1/4",ZINC		39	1256375GT	WELDMENT, PLATFORM STEP.....	1
8		Ref. KIT:OUTRIGGER PLUNGER PIN ASSY.....	2	40	13854GT	SCREW,HHC,1/2-13 X 4.5,GRD.8.....	2
		<i>(refer to 603.1)</i>		41	6095GT	WASHER,FLAT,USS,1/2",Y.....	2
9	162363GT	WELDMENT, CHASSIS.....	1	42	6198GT	NUT,NYLOCK,1/2-13.....	2
10		Ref. Fender <i>(refer to 207.1)</i>		43	1255380GT	PLATFORM, FRONT INNER, AL5.....	2
11	994130GT	SCREW,HHC,1/4-20 X 1		44	990180GT	SCREW, HHC, 3/8-16 NC X 1, GRD 2, Y.....	4
12	216631GT	BOLT,AXLE,3/16X3 W/7/16-20STEP		45	6097GT	WASHER,FLAT,USS,3/8",Y.....	4
--	841473GT	SHACKLE,AXLE,4-5/8" LONG		46	824025GT	NUT,TL,3/8-16,C,ZAG.....	4
13	216634GT	NUT,FLANGE,7/16-20, TOP LOCK		47		Ref. Rotating Section, 6" <i>(refer to 501.1)</i>	
14	841061GT	WHEEL/TIRE ASSY,15",205/75 LRC.....	2	48	1258668GT	U-BOLT, SQUARE, 3/8-16, 4" X 4-5/8"....	1
15	834246GT	SPRING EYE BUSHING		49	4828GT	NUT,NYLOCK,3/8-16.....	2
16	834267GT	KIT,AXLE,U-BOLT & PLATE & NUTS					
17	834211GT	SPRING,LEAF FOR AXLE, 4 PLY.....	2				
18		Ref. Axle <i>(refer to 204.1)</i>					
19	826452GT	FIXTURE MOUNTINGBRKT.....	2				
20	184840GT	FIXTURE STOR.CUSH.BRK.....	12				
21	793490GT	PIN COTTERLESS HITCH1.....	4				
22	790930GT	CHAIN JACK #12 ZP100FT/CARTON....	2				
23	720401GT	FIXTURE MOUNT CUSHION.....	12				
24	990450GT	SCREW 5/16-18NCX3/4 HHC					
25	990460GT	WASHER LOCK 5/16 ZP BIN					
26	993440GT	SCREW,HHC,1/4-20 X 3/4 GR2 ZP					
27	824024GT	NUT, TL, 1/4-20, C, ZAG					
28	6198GT	NUT,NYLOCK,1/2-13					
29	6095GT	WASHER,FLAT,USS,1/2",Y					
30	995310GT	SCREW,HHC,1/2-13 X 4 G					
31	994600GT	SCREW 1/2-13NCX1-1/2H					
31	995310GT	SCREW,HHC,1/2-13 X 4 G					
32	993240GT	NUT,WING 3/8-16 ZP					
33	991690GT	WASHER LOCK STAR 3/8					
34	840392GT	HANGER,AXLE REAR,1.25F.....	2				
		<i>(weld-on only)</i>					

202.1 30 Gallon Fuel Tank and Hoses, Models Without Spill Containment

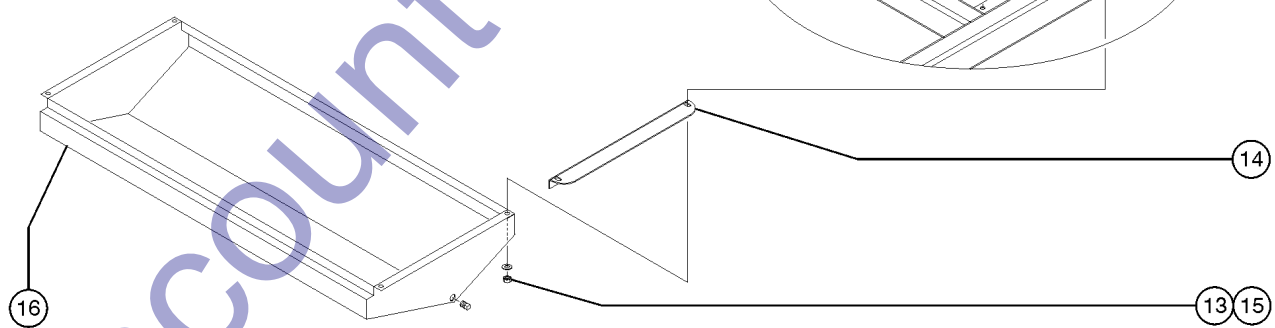
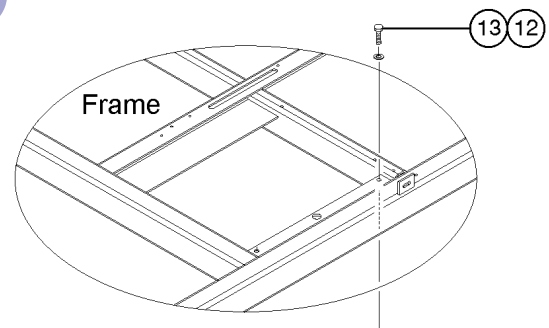
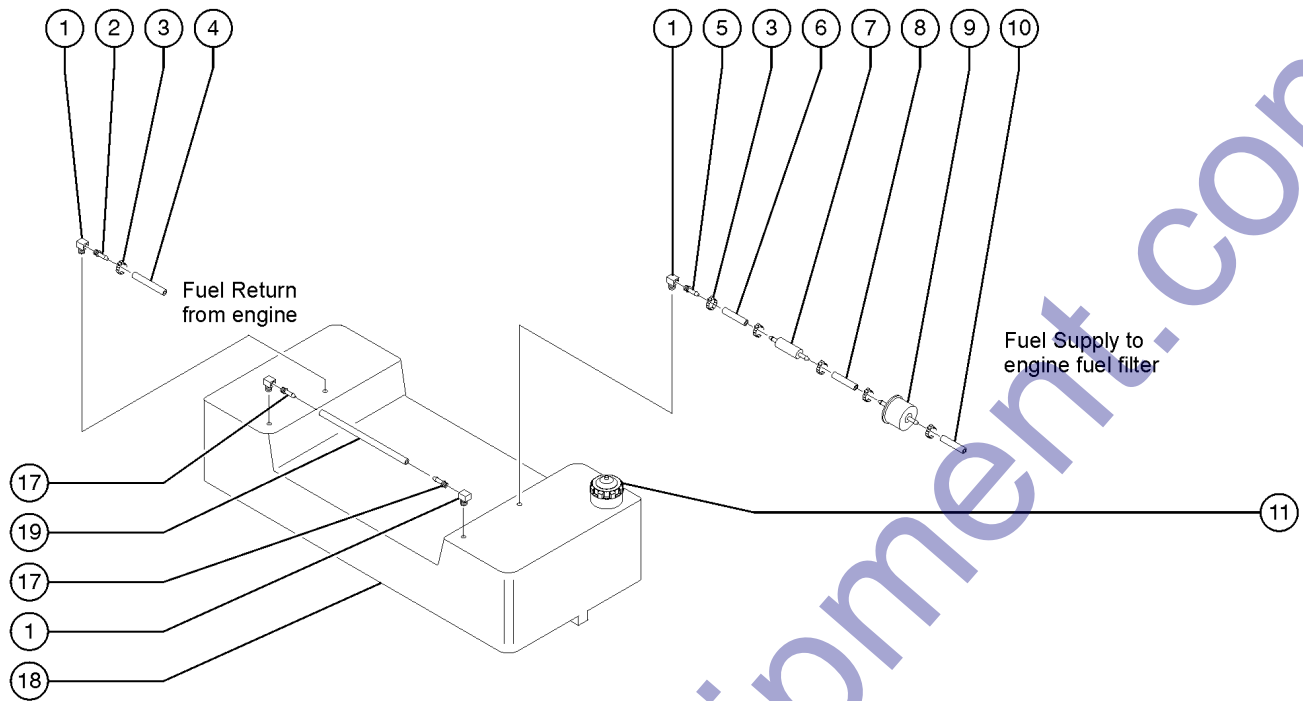


Discount-Equipment.com

202.1 30 Gallon Fuel Tank and Hoses, Models Without Spill Containment

Item	Part No.	Description	Qty.
1	741720GT	TANK ACCESSORY DIPTUB <i>elbow with 14-inch dip tube (not shown)</i>	
1	891520GT	PIPE FITTING STR ELBO <i>elbow only (shown)</i>	
2A	891560GT	HOSE FITTING PIPE/BAR <i>(Kubota)</i>	
2B	891530GT	HOSE FITTING PIPE/BARB, 1/4" <i>(Isuzu)</i>	
3	792750GT	CLAMP 7/16 TO 25/32	
4A	890785GT	HOSE,FUEL,1/8"ID.....3.75-feet <i>(Kubota) (quantity approximate)</i>	
4B	890790GT	HOSE,FUEL,1/4"ID,PUSH LOK,200#.....3.75-feet <i>(Isuzu) (quantity approximate)</i>	
5	898590GT	HOSE FITTING PIPE/BAR.....1	
6	890795GT	HOSE,FUEL,5/16"ID.....0.5-feet <i>(quantity approximate)</i>	
7	740620GT	FILTER,IN-LINE,FUEL,5/16".....1	
8	890795GT	HOSE,FUEL,5/16"ID.....1.5-feet <i>(quantity approximate)</i>	
9	660320GT	PUMP,FUEL, 12VDC.....1	
--	995810GT	SCREW 1/4-20NCX5/8 HW	
10	890795GT	HOSE,FUEL,5/16"ID.....3-feet <i>(quantity approximate)</i>	
11A	218074GT	CAP FUEL VENT AL5 WITH TETHER <i>vented</i>	
11B	217720GT	CAP FUEL NVENT AL5 WITH TETHER <i>non-vented</i>	
12	35729GT	SCREW,HHC,3/8-16 X 8.5.....4	
13	6097GT	WASHER,FLAT,USS,3/8",Y.....8	
14	891530GT	HOSE FITTING PIPE/BARB, 1/4" <i>(quantity 1 per tank)</i>	
15	114720GT	FUEL TANK BRKT.2538 A.....3.75-feet <i>(quantity approximate)</i>	
16	824029GT	NUT,TL FLG,3/8-16,G,ZAG.....4	
17	162280GT	FUEL TANK,30 GAL W DRAIN HOLE.....1	
18	890790GT	HOSE,FUEL,1/4"ID,PUSH LOK,200#.....3.75-feet	

203.1 30 Gallon Fuel Tank and Hoses, Models With Spill Containment

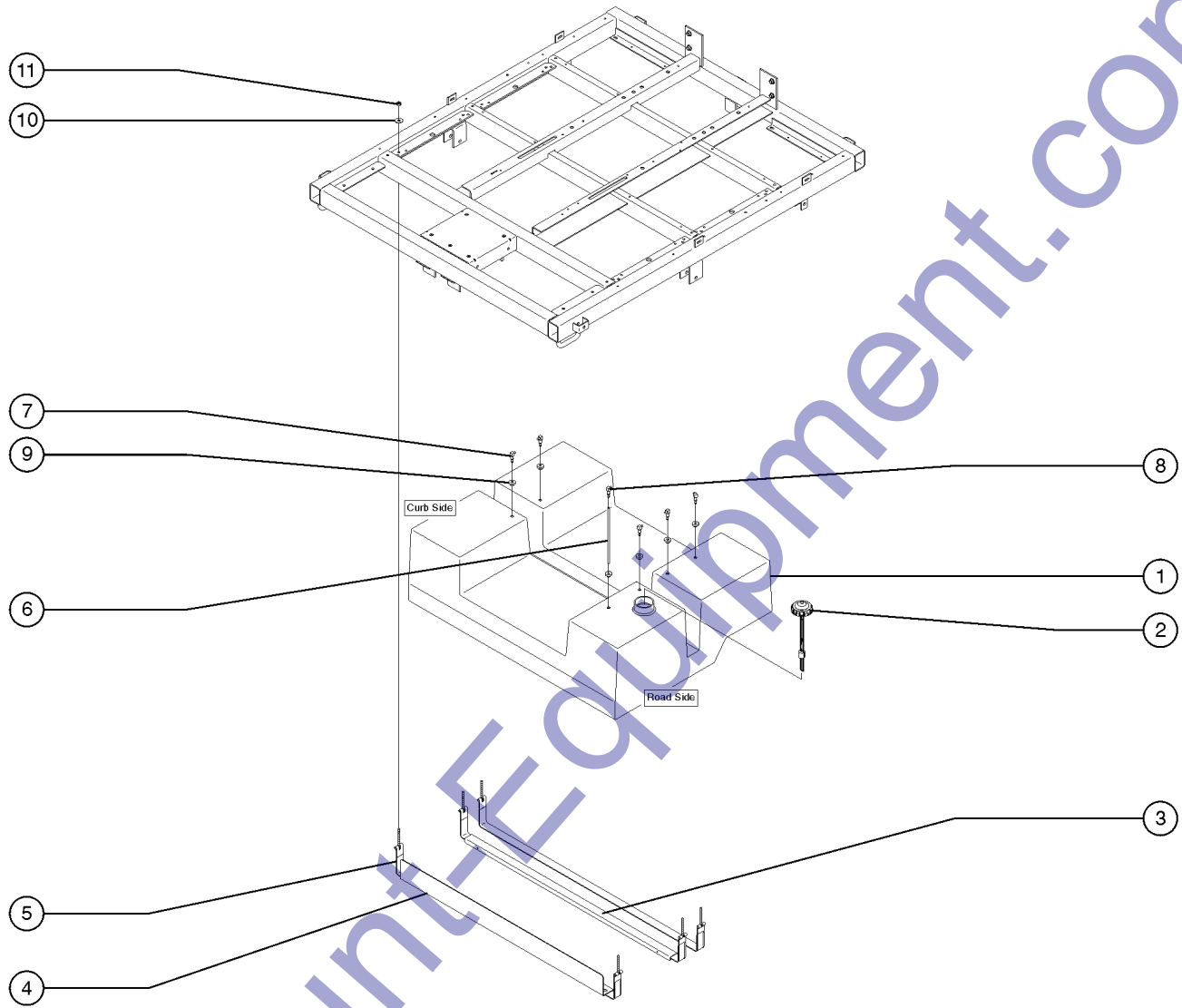


Discount-Equipment.com

203.1 30 Gallon Fuel Tank and Hoses, Models With Spill Containment

Item	Part No.	Description	Qty.
1A	891520GT	PIPE FITTING STR ELBO.....3 <i>elbow only</i>	
1B	741720GT	TANK ACCESSORY DIPTUB <i>elbow with 14-inch dip tube (not shown)</i>	
2A	891560GT	HOSE FITTING PIPE/BAR.....1 <i>(Kubota)</i>	
2B	891530GT	HOSE FITTING PIPE/BARB, 1/4".....1 <i>(Isuzu)</i>	
3	792750GT	CLAMP 7/16 TO 25/32	
4A	890785GT	HOSE,FUEL,1/8"ID.....3.75-feet <i>(Kubota) (quantities approximate)</i>	
4B	890790GT	HOSE,FUEL,1/4"ID,PUSH LOK,200#.....3.75-feet <i>(Isuzu) (quantities approximate)</i>	
5	898590GT	HOSE FITTING PIPE/BAR	
6	890795GT	HOSE,FUEL,5/16"ID.....0.5-feet <i>(quantity approximate)</i>	
7	740620GT	FILTER,IN-LINE,FUEL,5/16".....1	
8	890795GT	HOSE,FUEL,5/16"ID.....1.5-feet <i>(quantity approximate)</i>	
9	660320GT	PUMP,FUEL, 12VDC.....1	
--	995810GT	SCREW 1/4-20NCX5/8 HW	
10	890795GT	HOSE,FUEL,5/16"ID.....3-feet <i>(quantity approximate)</i>	
11	218074GT	CAP FUEL VENT AL5 WITH TETHER....1 o r 2 <i>(models with one tank) (vented)</i>	
12	6019GT	SCREW,HHC,3/8-16 X 1.25 GRD 5	
13	6097GT	WASHER,FLAT,USS,3/8",Y	
14	217714GT	FORMING ROCK GUARD SPILL PAN....2 <i>(available soon)</i>	
15	824029GT	NUT,TL FLG,3/8-16,G,ZAG	
16	119668GT	WELDMENT,CONTAINMENT TANK.....1	
17	891530GT	HOSE FITTING PIPE/BARB, 1/4".....2	
18	741701GT	FUEL TNK ASSY,PLAS,30G,AL5&AL8....2	
19	890790GT	HOSE,FUEL,1/4"ID,PUSH LOK,200#.....3.5-feet	

203.2 60 Gallon Fuel Tank and Hoses, Models Without Spill Containment

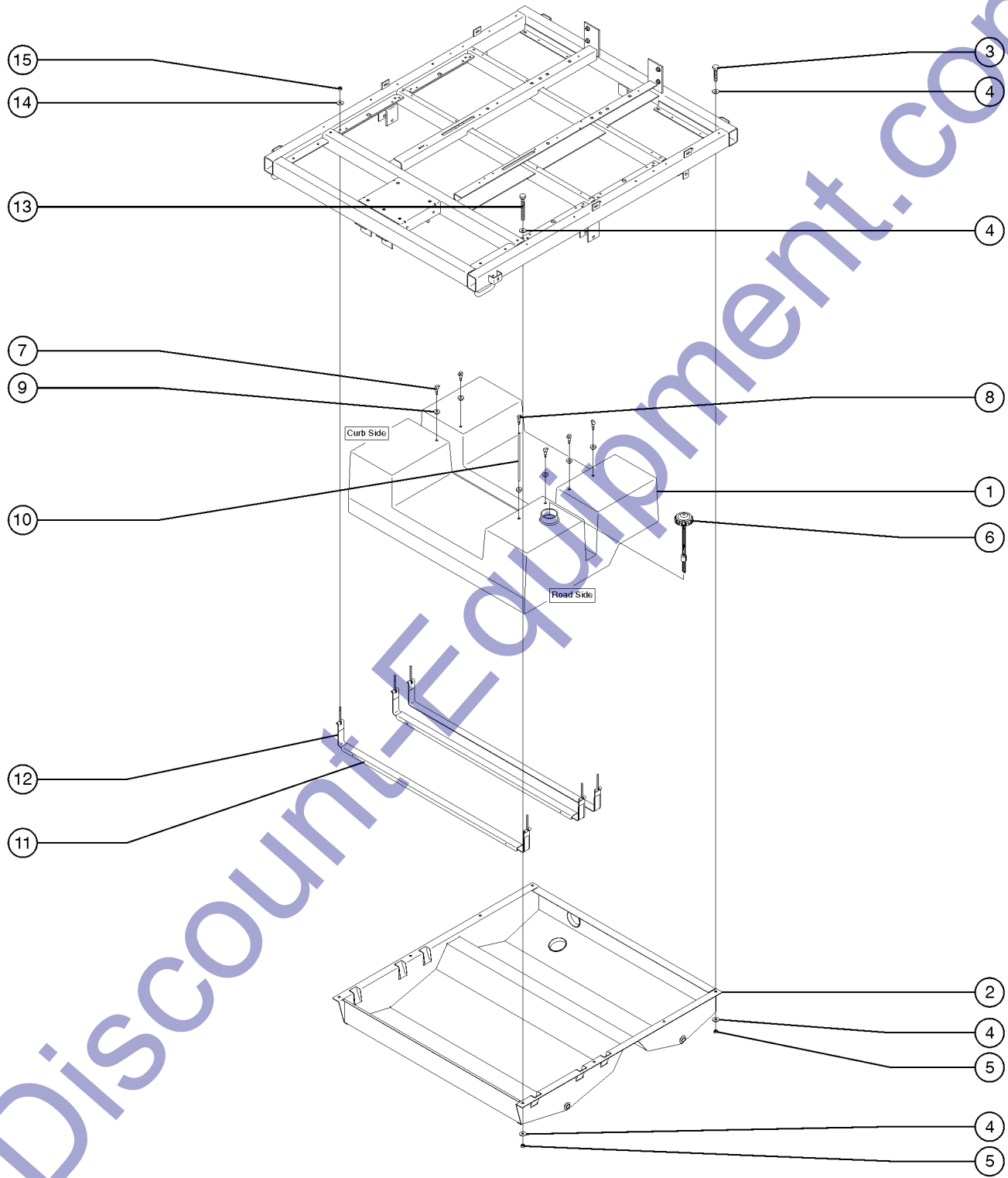


203.2 60 Gallon Fuel Tank and Hoses, Models Without Spill Containment

Item	Part No.	Description	Qty.
1	162368GT	60 GALLON FUEL TANK.....	1
2	218074GT	CAP FUEL VENT AL5 WITH TETHER....	1
3	825125GT	STRAP SUPPORT 60 GAL.....	2
4	1251869GT	ANGLE, FRONT FUEL TANK MOUNTING.....	1
5	825124GT	TANK STRAP.....	3
6	890795GT	HOSE,FUEL,5/16"ID.....	1.25-feet
7	825078GT	FITTING 5/16,FITTING FOR DOWN....	5
8	825077GT	FITTING 5/16,W TUBE 13.25 45D.....	1
9	825081GT	GROMMET DAPCO RUBBER SM.....	6
10	96005GT	WASHER, 5/16".....	6
11	991940GT	NUT,NYLOCK,5/16-18.....	6

Discount-Equipment.com

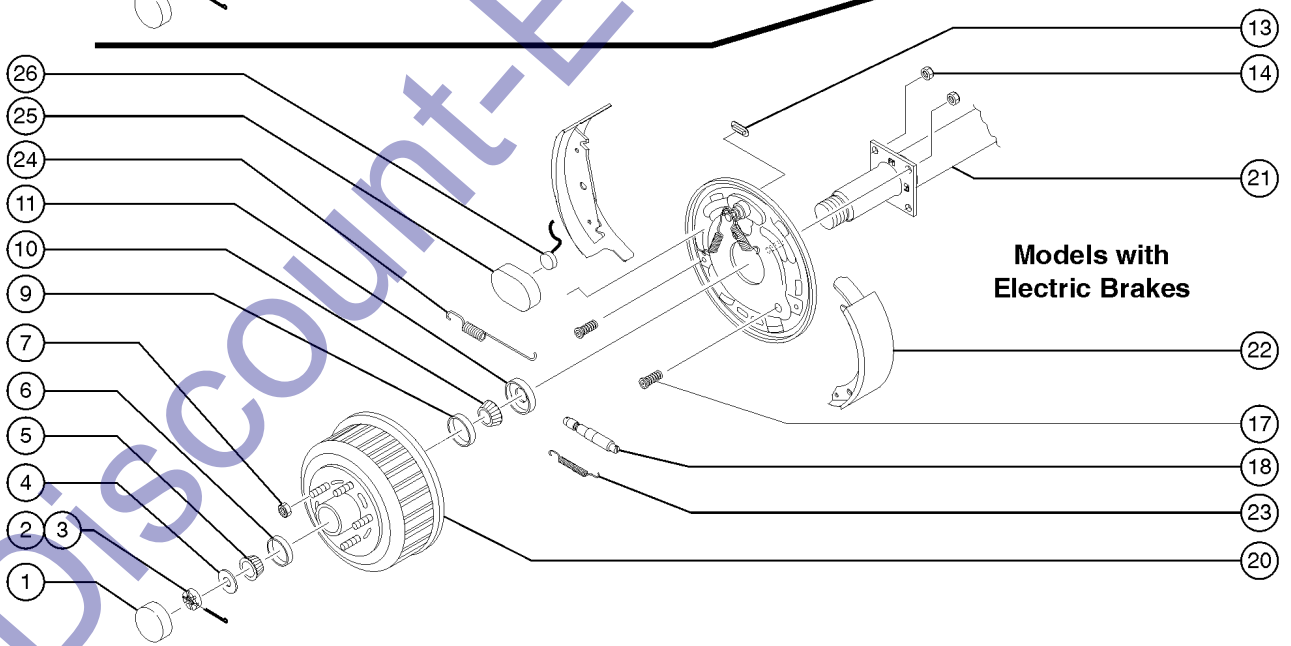
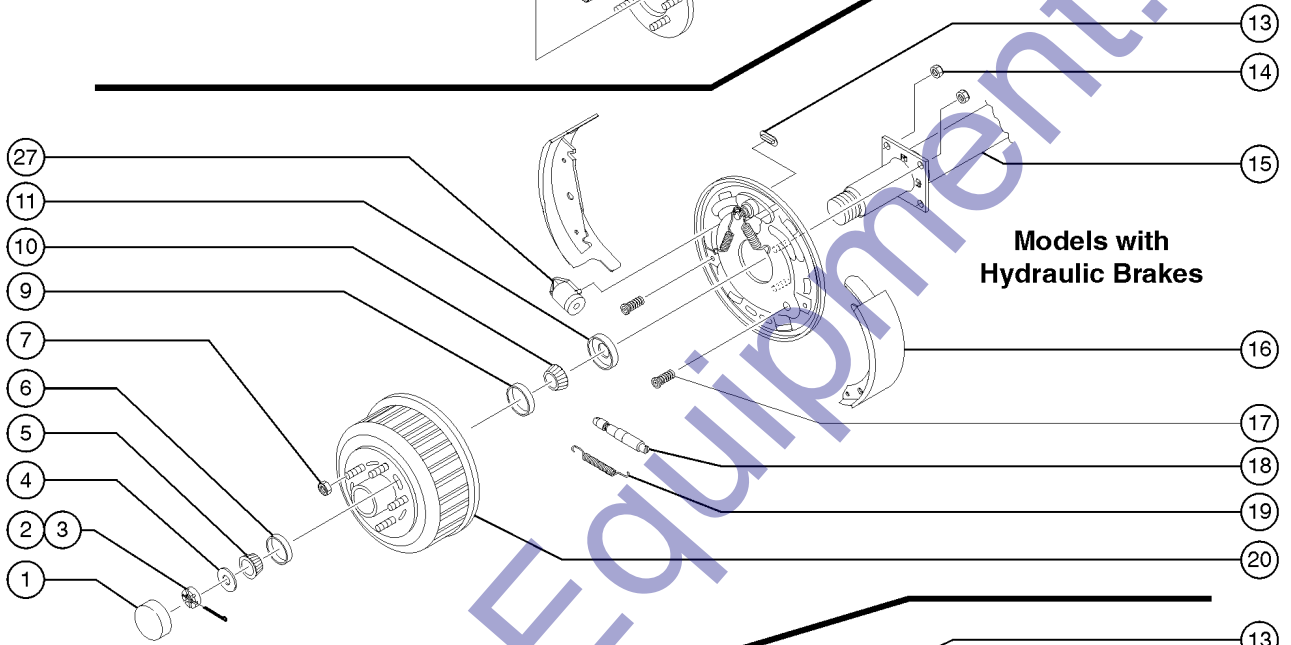
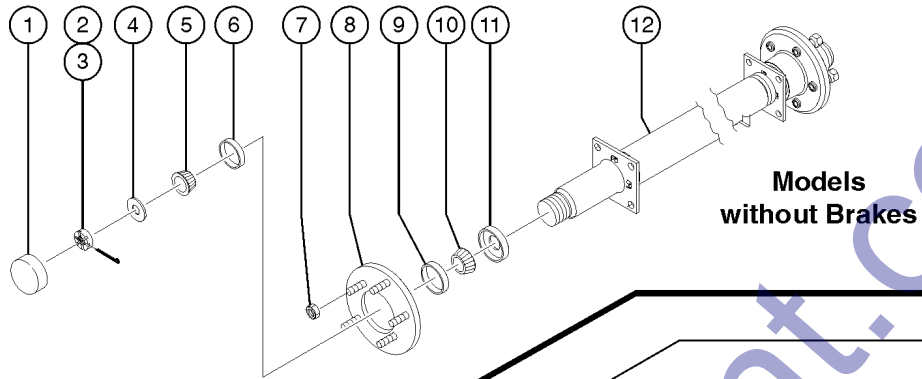
203.3 60 Gallon Fuel Tank and Hoses, Models With Spill Containment



203.3 60 Gallon Fuel Tank and Hoses, Models With Spill Containment

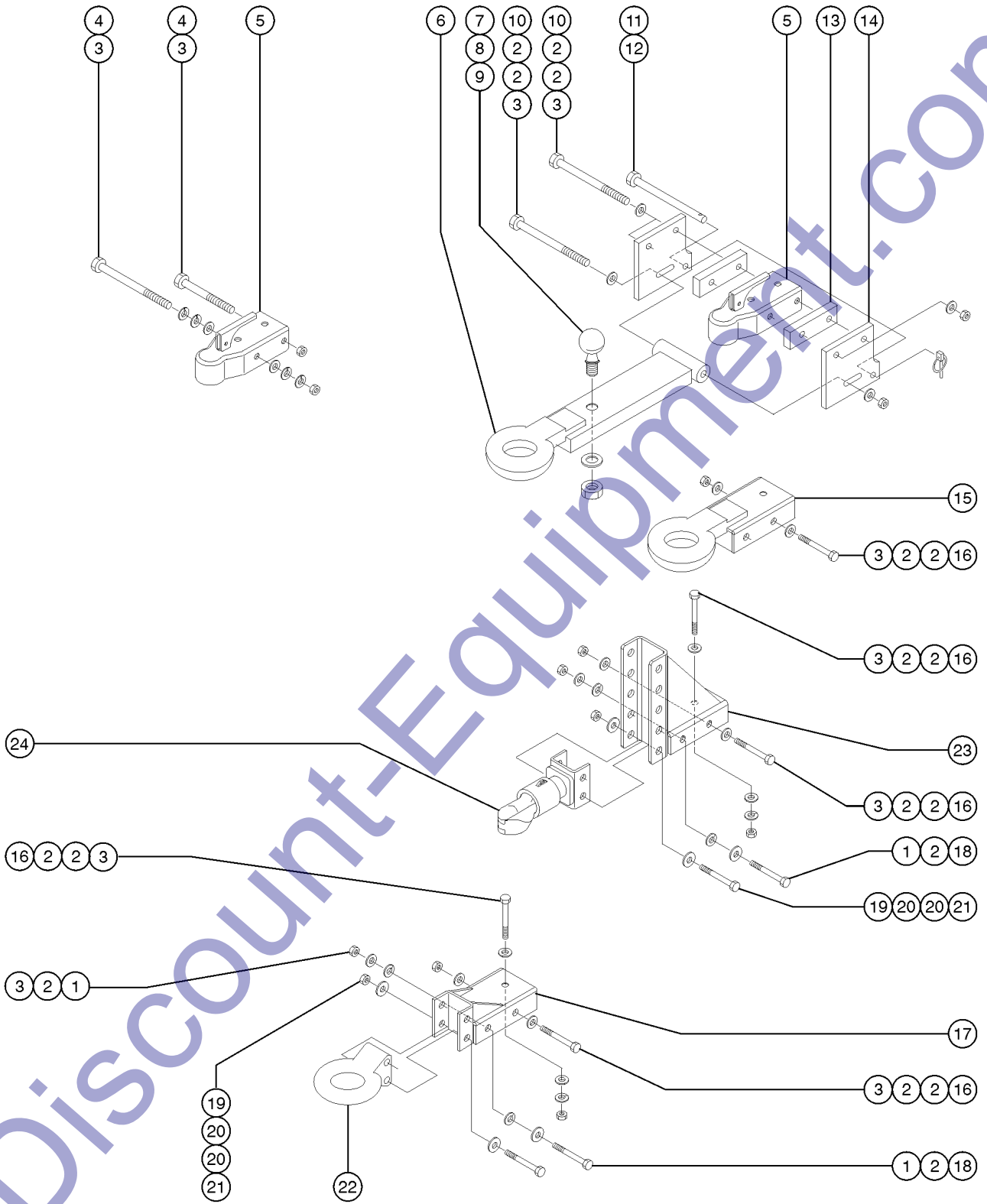
Item	Part No.	Description	Qty.
1	162368GT	60 GALLON FUEL TANK.....	1
2	162369GT	SPILL CONTAINMENT PAN.....	1
3	981460GT	SCREW 3/8-16NCX1-1/4H.....	2
4	990080GT	WASHER FLAT 3/8USS ZPBIN.....	16
5	990170GT	NUT LOCK NYLON INSERT 3/8.....	8
6	218074GT	CAP FUEL VENT AL5 WITH TETHER....	1
7	825078GT	FITTING 5/8, FITTING FOR DOWN....	5
8	825077GT	FITTING 5/16, W TUBE 13.25 45D.....	1
9	825081GT	GROMMET DAPCO RUBBER SM.....	6
10	890795GT	HOSE, FUEL, 5/16" ID.....	1.25-feet
11	825125GT	STRAP SUPPORT 60 GAL.....	2
12	825124GT	TANK STRAP.....	3
13	992220GT	SCREW, 3/8 X 4" HHCS.....	6
14	96005GT	WASHER, 5/16".....	6
15	991940GT	NUT, NYLOCK, 5/16-18.....	6

204.1 Axles and Brakes



Item	Part No.	Description	Qty.
1	834228GT	GREASE CAP, AXLE, 3000LB.....	2
2	834250GT	HAMMERBLOW SPINDLE NUT,AXLE....	2
3	834255GT	HAMMERBLOW 033008COTTER PIN....	2
4	147123GT	WASHER,PLAIN,1".....	2
5	230561GT	BEARING,ALXL,840377,841050.....	2
6	230562GT	RACE,ALXL,840377,841050.....	2
7	840376GT	NUT,WHEEL, 1/2 X 20.....	10
8	230566GT	IDLER HUB,ALXL.....	2
9	230563GT	RACE,ALXL,840377,841050.....	2
10	834226GT	INNER BEARING.....	2
11	52265GT	SEAL,GREASE (SL173)..... <i>replaced 834225GT</i>	2
12	840377GT	AXLE ASSY,3500LB,IDLE,AL5,7,8.....	1
13		COVER,ADJ SCREW,ALXL,BRAKE..... <i>(no longer available from supplier)</i>	2
14	230560GT	NUT,7/16,FH,ZINC,BRAKE, ALXL.....	10
15A	228092GT	AXLE W/HYD SURGE BRK/BALL AL5 <i>models with ball hitch</i>	
15B	228093GT	AXLE W/HYD SURGE BRK/RING AL5 <i>models with ring hitch</i>	
16	230571GT	SHOE AND LINING KIT,ALXL,ELEC.....	2
17	230577GT	SHOE HOLD DOWN SPRING,ALXL.....	4
18	230569GT	ADJUSTER SCREW ASSY, ALXL.....	2
19		ADJUSTER SPRING,E BRAKE,ALXL..... <i>(no longer available from supplier)</i>	2
20	230565GT	BRAKE DRUM,ALXL.....	2
21	228461GT	AXLE W/ELECTRIC BRAKES	
22	230570GT	SHOE AND LINING KIT,ALXL,HYD.....	2
23	230573GT	ADJUSTER SPRING,H BRAKE,ALXL.....	2
24	230575GT	RETRACTOR SPRING,E BRK,ALXL.....	2
25	230568GT	MAGNET,ELEC BRAKE, ALXL.....	2
26	230567GT	MAGNET SPRING,ELEC BRAKE,ALXL.....	2
27A	230579GT	WHEEL CYLINDER, LH, ALXL.....	2
27B	230580GT	WHEEL CYLINDER, RH, ALXL.....	2

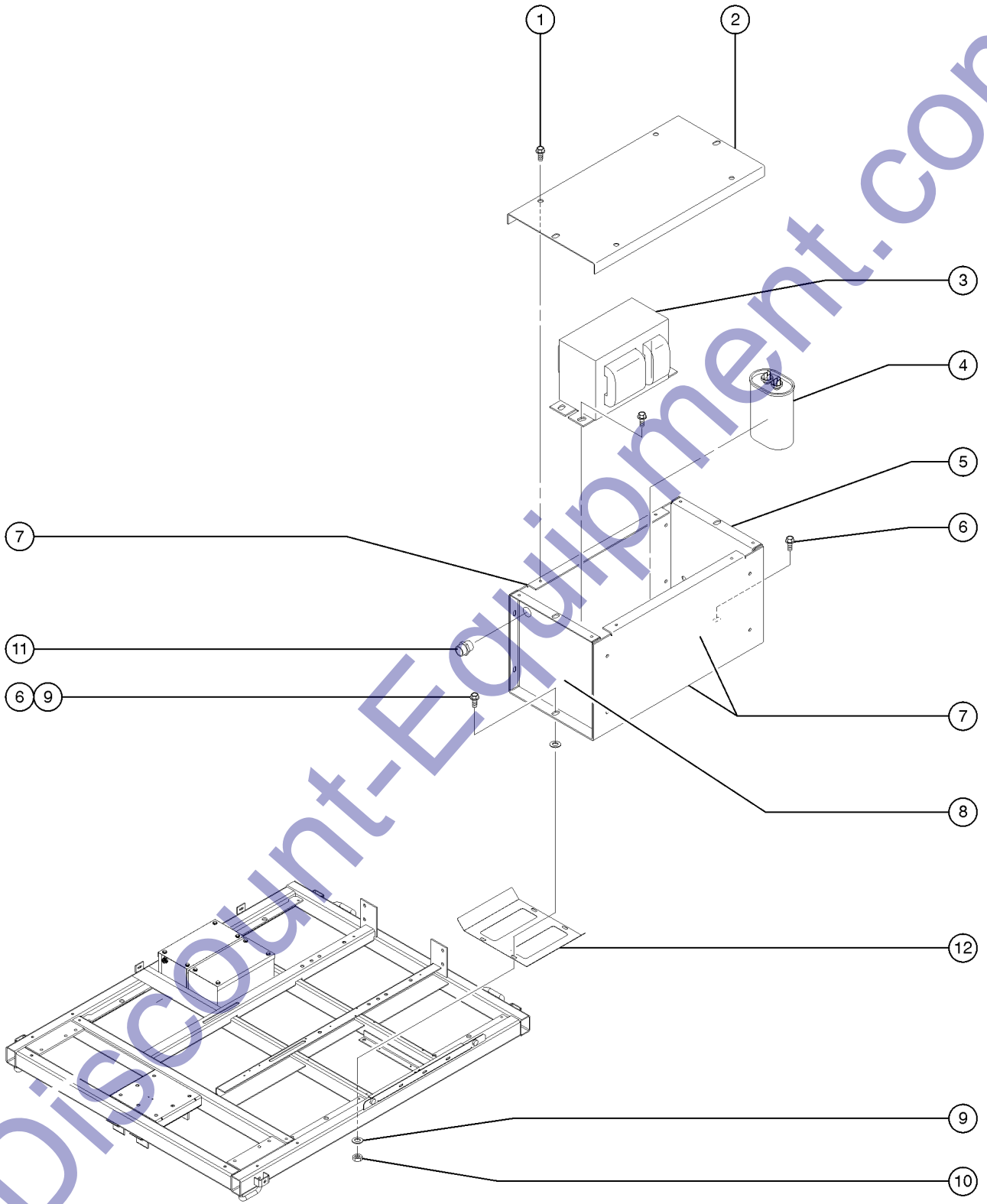
205.1 Hitches



Discount-Equipment.com

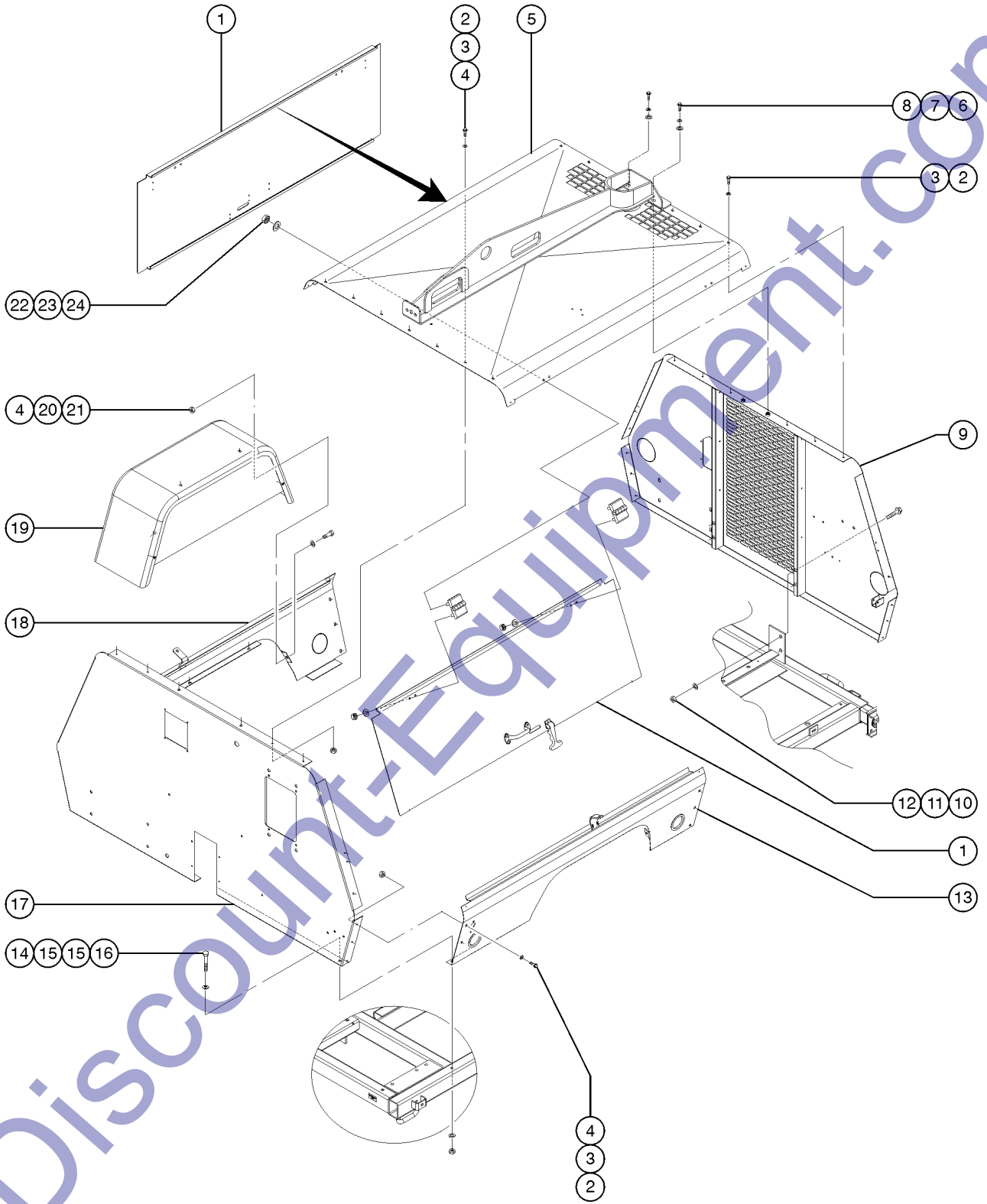
Item	Part No.	Description	Qty.
1	991650GT	WASHER LOCK 1/2ZP.....	2
2	6095GT	WASHER,FLAT,USS,1/2",Y	
3	6198GT	NUT,NYLOCK,1/2-13	
4	995310GT	SCREW,HHC,1/2-13 X 4 G.....	2
5A	57332GT	COUPLER,BALL,2" CLASS II	
5B	227082GT	COUPLER,BALL,2 5/16	
6	T109127GT	HITCH RING,COMBO,16"LENGTH.....	1
7	89163GT	BALL, 2" ZINC.....	1
8	122079GT	WASHER,FLAT,1.000,HARDENED.....	1
9	33265GT	NUT,HEX,1-8.....	1
10	1262632GT	SCREW,HHC,1/2-13 X 6 GR8 ZP.....	3
11	183731GT	SCREW,HHC,1/2-13 X 6.....	1
12	790540GT	PIN QUICK 1/4X 1.75 ZP.....	1
13	T109129GT	SPACER,SIDE,COMBO,HTCH,BOLT-ON.2	
14	176335GT	PLATE,SIDE,COMBO HITCH,BOLT-ON.....	2
15	213770GT	HITCH,RING,BOLT-ON 2.5" ID.....	1
16	13854GT	SCREW,HHC,1/2-13 X 4.5,GRD.8.....	2
17	116936GT	AS-RING HITCH MOUNT.....	1
18	6-5208-44GT	SCREW,HHC,1/2-13 X 5.5,GRD.8.....	1
19	123461GT	SCREW,HHC,5/8-11X4.50,GR8,Y.....	2
20	6035GT	WASHER,FLAT,USS,5/8",Y.....	4
21	6024GT	NUT,NYLOCK,5/8-11.....	1
22A	116937GT	HITCH,2.5"RING,6 TON.....	1
22B	T110632GT	HITCH,3"RING,6TON.....	1
23	218691GT	BRACKET ADJ HGT 6".....	1
24A	67231GT	COUPLER 2-5/16" BALL BULLDOG T....	1
24B	67230GT	COUPLER 2" BALL BULLDOG TMZ.....	1

206.1 Ballast Assembly



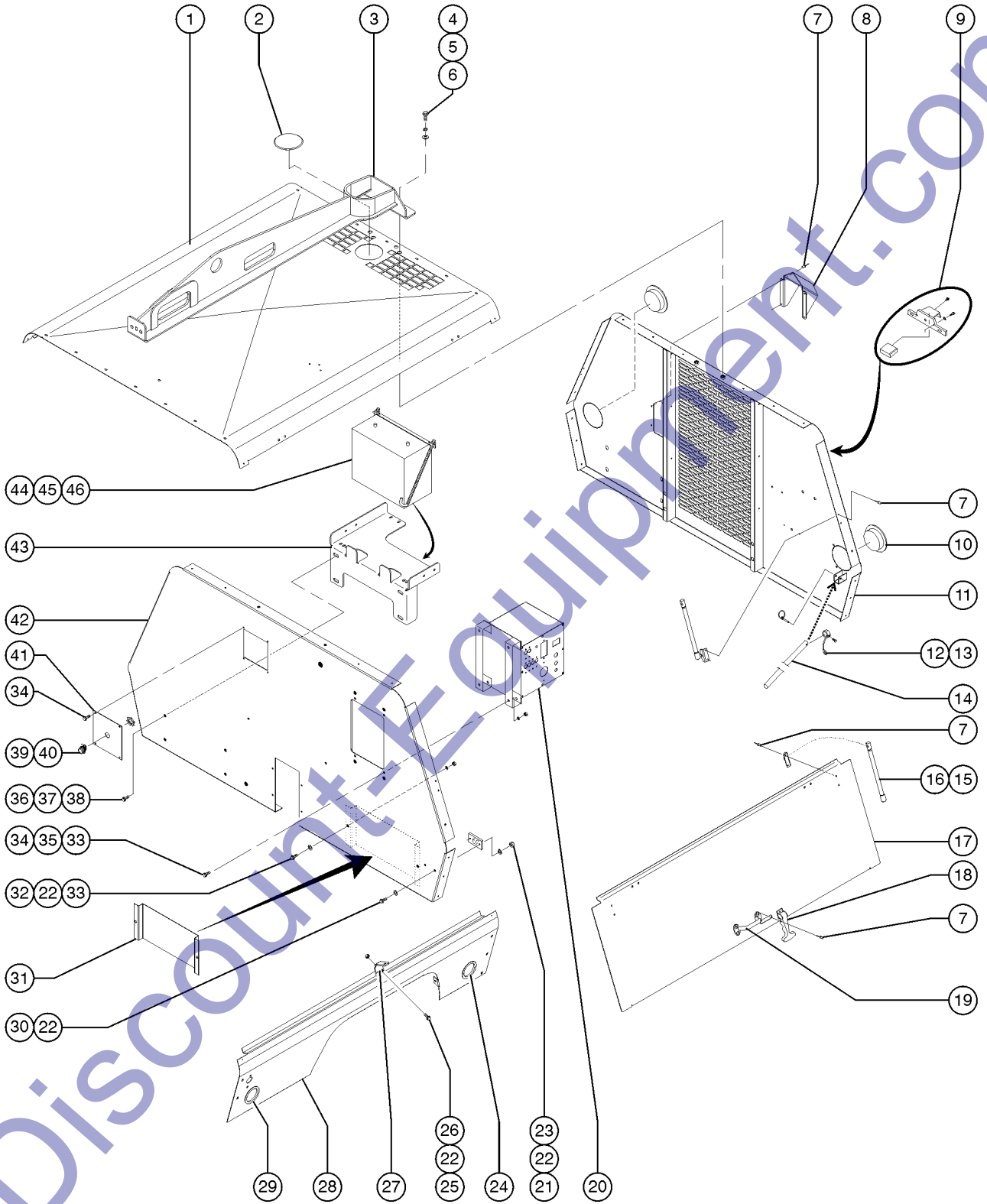
Item	Part No.	Description	Qty.
--	114355GT	BALLAST ASSY,60HZ,MH,1KW,120V <i>(models with metal halide lights)</i>	
--	114895GT	BALLAST ASSY,60HZ,HPS,1000W <i>(models with high pressure sodium lights)</i>	
1	995490GT	SCREW,HH SLOT,1/4 X 0.75.....	12
2	161181GT	FP-BALLAST BOX TOP.....	1
3A	160030GT	BALLAST/CAP MH60Hz120..... <i>(includes item 4A, models with metal halide lights)</i>	1
3B	160040GT	BALLAST HPS 60HZ 120V..... <i>(includes item 4B, models with high pressure sodium lights)</i>	1
4A	160032GT	CAPACITOR 24uF MH 60H..... <i>(models with metal halide lights)</i>	1
4B	160042GT	CAPACITOR, HPS,60HZ,BALLAST..... <i>(models with high pressure sodium lights)</i>	1
5	161185GT	FP-BALLAST BOX FRONT.....	1
6	995490GT	SCREW,HH SLOT,1/4 X 0.75.....	2
7	161180GT	FP-BALLAST BOX BOTTOM.....	1
8	161184GT	FP-BALLAST BOX REAR.....	1
9	990080GT	WASHER FLAT 3/8USS ZPBIN.....	4
10	990170GT	NUT LOCK NYLON INSERT 3/8.....	2
11	663860GT	CONNECTOR 5P MALE RECEPTACLE.....	1
12		FORMING ROCK GUARD BALLAST.... <i>(available soon)</i>	2

207.1 Cabinet, View 1



Item	Part No.	Description	Qty.
--	972895GT	KIT:CABINET,BOLT-TOGETHER (fastener kit)	
1A	189851GT	CABINET DOOR PANELC/S.....	2
--	189920GT	FOAM CABINET DOOR5430AL5/7000... (models with sound dampening option)	2
1B	T112123GT	FORMING, CABINET DOOR, VENTED.....	1
--	125260GT	WELDMNT,DOOR LOUVER ASSEMBLY.....	1
--	T112134GT	FOAM, CABINET, DOOR, VENTED.....	1
2	995810GT	SCREW 1/4-20NCX5/8 HW	
3	993850GT	WASHER FLAT 1/45/8 SBIN	
4	824024GT	NUT, TL, 1/4-20, C, ZAG	
5	189842GT	CABINET TOP PANEL(GRI.....)	1
6	994600GT	SCREW 1/2-13NCX1-1/2H	
7	991650GT	WASHER LOCK 1/2ZP	
8	994600GT	SCREW 1/2-13NCX1-1/2H	
9	124192GT	CABINET REAR PANEL(LG.....)	1
10	990200GT	NUT,NYLOCK,1/2-13 GR2	
11	993860GT	WASHER,FLAT,1/2 SS 18-8 BIN	
12	990270GT	SCREW,HHC,1/2-13 X 3.5 GR8.....	8
13A	189861GT	CABINET SIDE PANEL ROADSIDE..... (models with steel fenders)	1
13B	189862GT	CABINET SIDE PANELRS (models with plastic fenders)	
14	990160GT	SCREW,HHC,3/8-16 X 3.75	
15	990080GT	WASHER FLAT 3/8USS ZPBIN	
16	990170GT	NUT LOCK NYLON INSERT 3/8	
17A	116421GT	ASY,CABINET FRONT,AL5 NO PWR.....	1
17B	116423GT	ASY,CABINET FRONT,AL5 EXT PWR	
18A	189871GT	CABINET SIDE PANEL CURBSIDE..... (models with steel fenders)	1
18B	189872GT	CABINET SIDE PANELCS..... (models with plastic fenders)	1
19A	123490GT	FENDER W/SKIRT,STEEL.....	2
--	930950GT	WTHRSRIP, 1/4" X 1/2"W.....	2
19B	841611GT	FENDER,PLASTIC,BLACK.....	2
--	930950GT	WTHRSRIP, 1/4" X 1/2"W.....	2
20	990340GT	WASHER FLAT 1/4ZPLENSETBIN	
21	993440GT	SCREW,HHC,1/4-20 X 3/4 GR2 ZP	
22	990670GT	RIVET,POP,SS,3/16"X1/2" BLIND	
23	796730GT	HINGE,PIANO,1.5"W X 55.75"L.....	2
24	5397GT	WASHER,FLAT,USS,5/16",Y.....	12

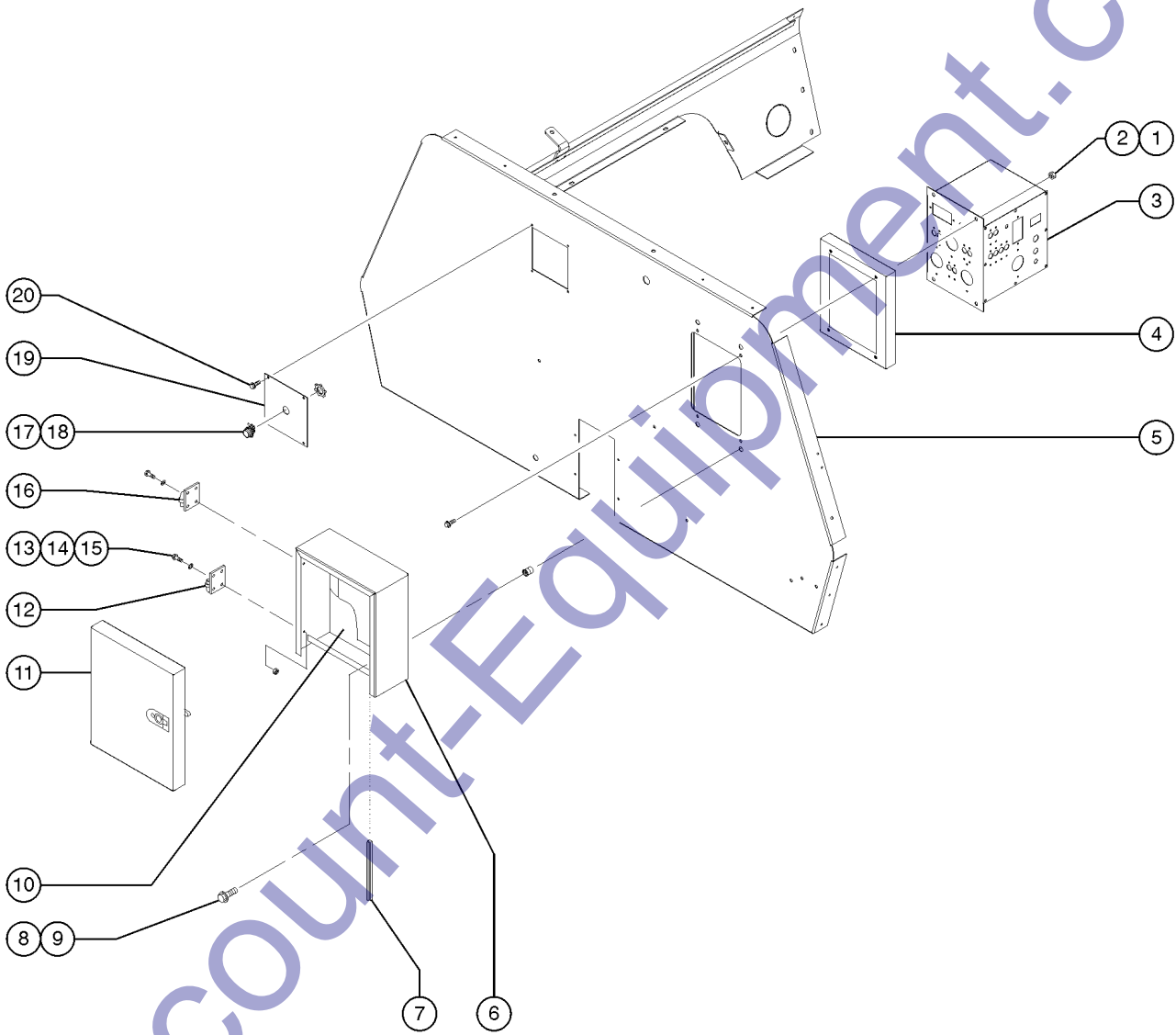
208.1 Cabinet, View 2



208.1 Cabinet, View 2

Item	Part No.	Description	Qty.	Item	Part No.	Description	Qty.
1		Ref. TOP PANEL, CABINET (refer to 207.1)		--	974813GT	KIT,ELECT.BOX,MNTG,2-CC	
2	57587GT	PLUG, 4", CAPPLUG.....	1	35	990340GT	WASHER FLAT 1/4ZPLENSETBIN	
3	1254501GT	LIFT BAR, VERTICAL MAST.....	1	36	6175GT	SCREW,HHC,3/8-16 X 1	
4	994600GT	SCREW 1/2-13NCX1-1/2H		37	6097GT	WASHER,FLAT,USS,3/8",Y	
5	991650GT	WASHER LOCK 1/2ZP		38	824029GT	NUT,TL FLG,3/8-16,G,ZAG	
6	6095GT	WASHER,FLAT,USS,1/2",Y		39	680030GT	CONNECTOR 2 SCREW 3/4.....	1
7	990670GT	RIVET,POP,SS,3/16"X1/2" BLIND		40	680250GT	LOCKNUT, CONDUIT 3/4CSA APPVD...	1
8	116532GT	TAILPIPE COVER..... (includes rivets)	1	41A	186280GT	PLATE COIL CORD CAB MOUNT.....	1
--	990670GT	RIVET,POP,SS,3/16"X1/2" BLIND		41B	186285GT	PLATE,2 COIL CORD, CAB MT.	
9	663520GT	LIGHT,LICENSE TAG W/BRACKET		42		Ref. FRONT PANEL, CABINET (refer to 207.1)	
10	663840GT	LIGHT,RECESSED,TAIL/STOP/TURN....	2	43	115530GT	BATTERY SUPPORT PAN.....	1
--	176380GT	COVER PLATE CABINETTA		44	112300GT	BATTERY.....	1
11		Ref. REAR PANEL, CABINET (refer to 207.1)		45	174170GT	FP-BATTERY HOLDOWN ANGLE.....	1
12	682660GT	GROUND CLAMP 3/4 MW 2.....	1	46	182330GT	FP-BATTERY HOLD-DOWN ROD.....	2
13	790540GT	PIN QUICK 1/4X 1.75 ZP.....	1				
14	113390GT	MA-GROUND ROD 5/8 X 59.....	1				
--	974686GT	KIT:GROUND ROD TO CAB					
15	796438GT	SPRING,GAS,16",80LBS.....	4				
16	796432GT	BRACKET W/BALL,GAS SPRING.....	8				
17		Ref. DOOR, CABINET (refer to 207.1)					
18	796513GT	LATCH ASSEMBLY..... (rubber latch assembly, optional)	2				
19	790940GT	HANDLE,CHROME,5.75".....	2				
20		Ref. CONTROL BOX (refer to 401.1, 402.1, 403.1 or 404.1)					
21	124420GT	GROUND ROD STORAGETUBE 4397					
22	993850GT	WASHER FLAT 1/45/8 SBIN					
23	124420GT	GROUND ROD STORAGETUBE 4397...	1				
24	663528GT	LIGHT,SIDE MKR,RED,RECESSED.....	2				
25	1258649GT	SCREW, PANHEAD, 10-32 X 5/8					
26	824024GT	NUT, TL, 1/4-20, C, ZAG					
27	189795GT	FP-HASP CABINET DOOR.....	2				
28		Ref. SIDE PANEL, CABINET (refer to 207.1)					
29	663527GT	LIGHT,SIDE MKR,AMBER,RECESSED.....	2				
30	994130GT	SCREW,HHC,1/4-20 X 1					
31	974640GT	KIT:BOOK BRACKET TO CAB.....	1				
--	176370GT	LITERATURE RACK FOR CABINET					
32	993421GT	SCREW,HHC,1/4-20 X 0.75					
33	824024GT	NUT, TL, 1/4-20, C, ZAG					
34	995810GT	SCREW 1/4-20NCX5/8 HW					

209.1 Cabinet, View 3, 20kW Option

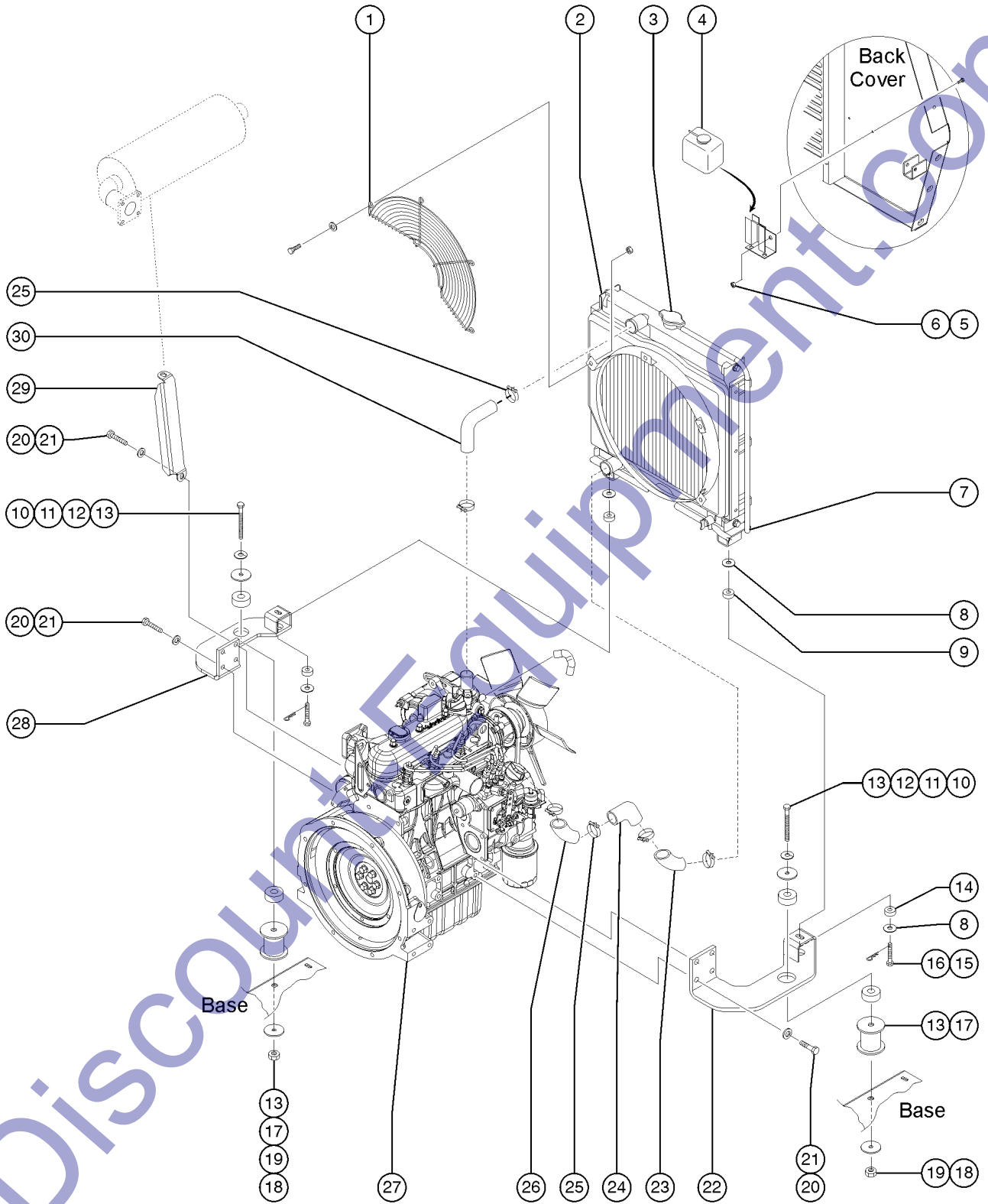


Discount-Equipment.com

209.1 Cabinet, View 3, 20kW Option

Item	Part No.	Description	Qty.
1	824024GT	NUT, TL, 1/4-20, C, ZAG	
2	995810GT	SCREW 1/4-20NCX5/8 HW	
3		Ref. CONTROL BOX (refer to 403.1)	
4	188785GT	SPACER FRAME 1PWR ACC.....1	
5		Ref. FRONT PANEL, CABINET (refer to 207.1)	
6	188735GT	BOX EXT POWERACCESS.....1	
7	GUL401100GT	GASKET,TRIM LOCK SEAL,7/16".....3	
8	990450GT	SCREW 5/16-18NCX3/4 HHC	
9	996380GT	NUTSERT 5/16-18 UNCP/	
10	116068GT	COVER, RUBBER, EXTPOWER AL5.....1	
11	188775GT	DOOR PNL EXT PWRACCES.....1	
11A	C51101000GT	LATCH,PUSH-BUTTON,BLACK W/KEY	
12	794890GT	HINGE,STAINLESS STEEL,BLACK.....2	
13	C21353GT	BOLT,CARRIAGE 3/8-16X.75 Z KEG	
14	981120GT	WASHER FLAT 3/8 ZP SAE BIN	
15	990170GT	NUT LOCK NYLON INSERT 3/8	
16	794890GT	HINGE,STAINLESS STEEL,BLACK.....2	
17	680030GT	CONNECTOR 2 SCREW 3/4.....1	
18	680250GT	LOCKNUT, CONDUIT 3/4CSA APPVD...1	
19		Ref. PLATE, COIL CORD MOUNT (refer to 208.1)	
20	995810GT	SCREW 1/4-20NCX5/8 HW	

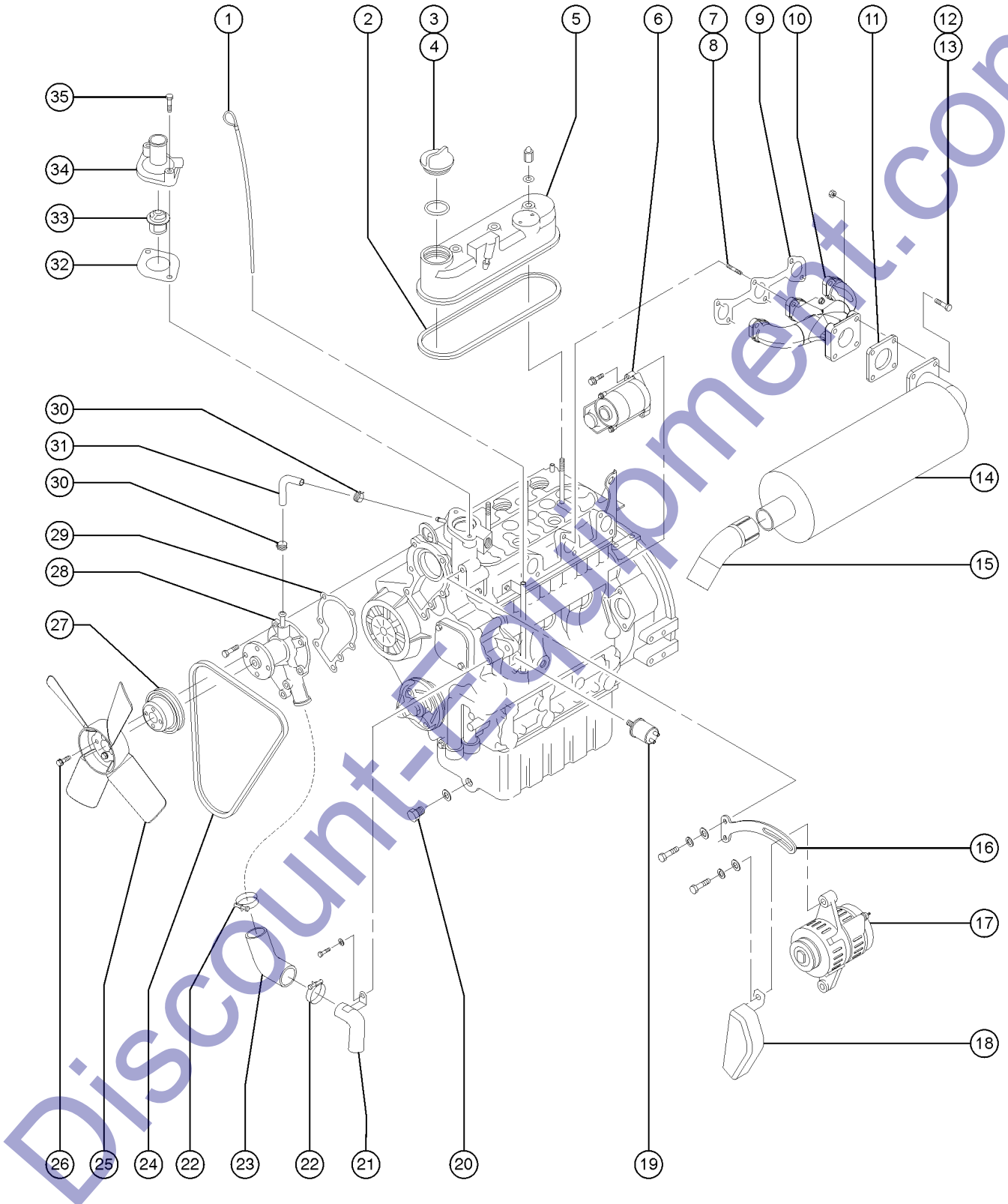
301.1 Kubota D1105-E3BG, View 1



DISCOBANK.COM

Item	Part No.	Description	Qty.
1	866113GT	GUARD,FAN,KUBOTA.....	1
2	866110GT	RADIATOR, KUBOTA, D905 & D1105.....	1
3A	110523GT	CAP,RADIATOR,AL,KUBOTA DF-752..... <i>aluminum radiator</i>	1
3B	866120GT	CAP,RADIATOR,KUBOTA D905 <i>copper radiator</i>	1
4	865307GT	TANK,RECOVERY,COOLANT,KUBOTA..1 <i>(includes mounting bracket)</i>	1
5	824024GT	NUT, TL, 1/4-20, C, ZAG.....	2
6	C51601442GT	SCREW FLANGE 1/4 -20X.....	2
7	890790GT	HOSE,FUEL,1/4"ID,PUSH LOK,200#..... <i>this part is sold by the foot, this application requires at least 32 inches.</i>	3
8	865263GT	KUBOTA 15111-72200 WASHER.....	1
9	740770GT	VIBRATION MOUNT,35".....	4
10	995380GT	SCREW,HHC,1/2-13 X 6.5.....	2
11	991650GT	WASHER LOCK 1/2ZP.....	2
12	990415GT	WASHER,FLAT,SNUB 1/2X2-3/4 ZN.....	2
13	80379GT	ISOLATOR, ENGINE MOUNT.....	4
14	865261GT	KUBOTA CUSHION.....	2
15	865086GT	KUBOTA RAD ISOLATOR BOLT.....	2
16	865085GT	KUBOTA SNAP PIN.....	2
17	22124025GT	ENGINE RISER,2/75"H,FOR 1/2BLT.....	2
18	990200GT	NUT,NYLOCK,1/2-13 GR2.....	2
19	990210GT	WASHER FLAT 1/2ZP	2
20	995110GT	SCREW,HHC,M10X1.25 X 35MM GR 8.....	12
21	994830GT	WASHER,LOCK,M10 ZP.....	12
22	22124016GT	ENGINE FOOT/RAD SUPPORT,CURBSD.....	1
23	839110GT	HOSE,RADIATOR,LOWER,KUBOTA.....	1
24	866394GT	KUBOTA WATER PIPE.....	1
25	32185GT	CLAMP,HOSE.....	6
26	116523GT	KUBOTA HOSE,D905, D1105.....	1
27	732205PPGT	ENGINE,KUBOTA,D1105 PAK.....	1
--	1254824GT	FILTER,FUEL,KUBOTA,W/O BRKT.....	1
28	22124015GT	ENG FOOT/RAD SUPPORT, ROADSIDE.....	1
29	116733GT	MUFFLER BRACE.....	1
30	839109GT	RADIATOR HOSE,KUBOTA.....	1

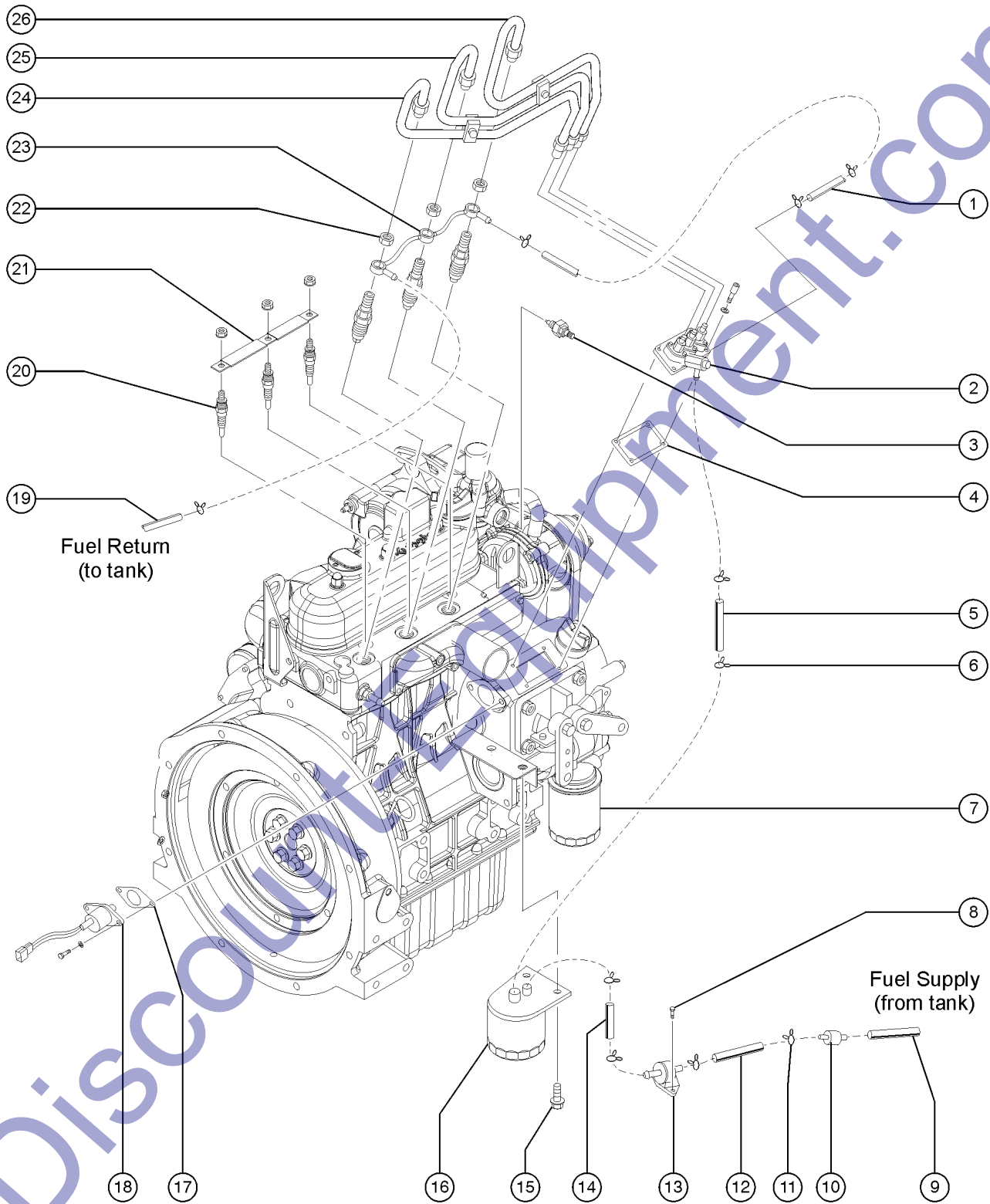
302.1 Kubota D1105-E3BG, View 2



302.1 Kubota D1105-E3BG, View 2

Item	Part No.	Description	Qty.	Item	Part No.	Description	Qty.
1	839154GT	DIPSTICK,OIL,KUBOTA.....	1	25	839134GT	FAN,PUSHER,KUBOTA 15263-12370.....	1
2	839244GT	KUBOTA HEAD COVER GASKET.....	1	26	839027GT	KUBOTA FLANGE BOLT.....	4
3	839151GT	KUBOTA OIL FILLER PLUG,V1305.....	1	27	52531GT	PULLEY,FAN,KUBOTA, D-905,GS68.....	1
4	839034GT	KUBOTA O-RING.....	1	28	839261GT	PUMP,WATER,KUBOTA.....	1
5	44191GT	VALVE COVER, D905.....	1	29	865079GT	KUBOTA 16259-73430.....	1
6	866101GT	STARTER,KUBOTA,D1105/905.....	1	30	32069GT	CLAMP,HOSE,KUBOTA WG750.....	2
7	101208GT	STUD,EXHAUST MANIFOLD.....	6	31	839011GT	KUBOTA WATER PIPE 16241-73350.....	1
8	101209GT	NUT,EXHAUST MANIFOLD.....	6	32	865435GT	KUBOTA 16221-73270GASKET.....	1
9	32191GT	GASKET,EXHAUST MANIFOLD,D905....	1	33	139278GT	THERMOSTAT.....	1
10	839246GT	KUBOTA EXHAUST MANIFOLD.....	1	34	139279GT	THERMOSTAT COVER.....	1
11	832128GT	GASKET,MUFFLER,KUBOTA D905/11.....	1	35	62296GT	SCREW,M8 X 35MM	
12	839103GT	KUBOTA 01123-50820 BOLT.....	4				
13	865055GT	KUBOTA NUT.....	4				
14A	865276GT	MUFFLER,KUBOTA.....	1				
14B	866825GT	KUBOTA 66711-54520COV (muffler cover)					
14C	975907GT	KIT:MUFFLER (KUB) SPACER					
--	190150GT	SPACER,MUFFLER,KUBOTA 6013..... (includes spacer, gasket, washers and screws listed below)	2				
--	823384GT	GASKET, MUFFLER, KUBOTA (FIBER.....)	3				
--	832128GT	GASKET,MUFFLER,KUBOTA D905/11.....	1				
--	866803GT	KUBOTA BAND, MUFFLER.....	1				
--	990460GT	WASHER LOCK 5/16 ZP BIN.....	4				
--	996330GT	SCREW,HHC,M8-1.25 X 45MM ZP.....	4				
15	125395GT	TAILPIPE,8K EXHAUST.....	1				
16	116833GT	KUBOTA DYNAMO STAY.....	1				
17	866090GT	ALTERNATOR,KUBOTA*.....	1				
18	866081GT	KUBOTA BELT COVER.....	1				
19	839190GT	SWITCH,LOW OIL PRESS,KUBOTA.....	1				
20A	52532GT	PLUG,ENGINE OIL DRAIN,D-905***..... bottom of oil pan (not shown)	1				
20A	52533GT	GASKET (52532) OIL DRAIN, D905..... for 234842GT	1				
20B	234842GT	PLUG, ENGINE OIL, D1105 bottom of oil pan (not shown)					
20B	84042GT	GASKET-DRAIN PLUG,ENG OIL PAN for 84042GT					
20C	897110GT	HOSE,OIL,3/8 0250PS1.....	1				
21	116523GT	KUBOTA HOSE,D905, D1105.....	1				
22	32185GT	CLAMP,HOSE.....	2				
23	866394GT	KUBOTA WATER PIPE.....	1				
24	839209GT	V-BELT,KUBOTA.....	1				

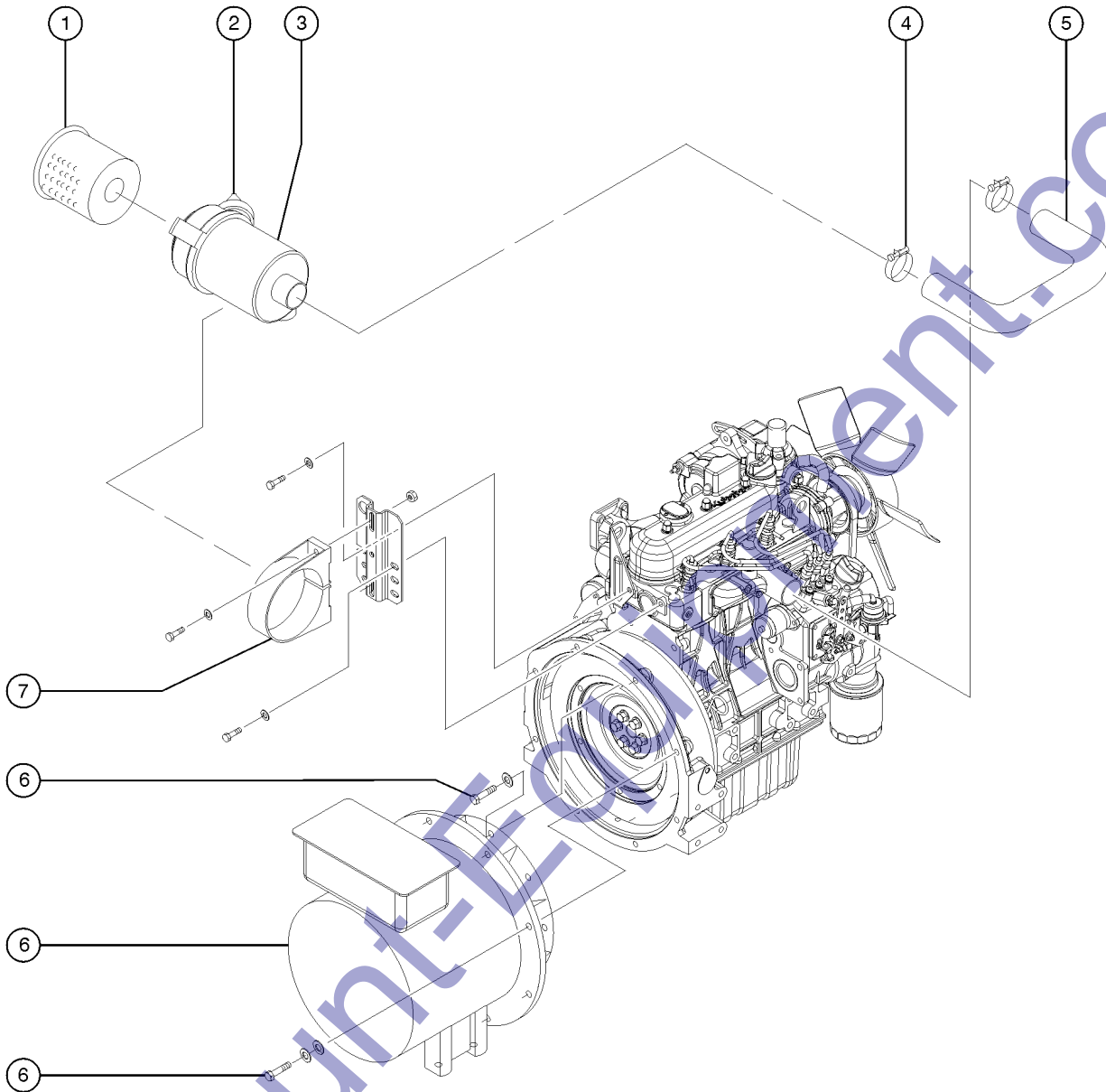
303.1 Kubota D1105-E3BG, View 3



DiscoveryEquipment.com

Item	Part No.	Description	Qty.
1	839157GT	KUBOTA OVERFLOW PIPE.....1 (to tank)	1
2	839149GT	KUBOTA INJECTOR PUMP, D1105.....1	1
3	741140GT	ENGINE ACCESSORY TEMP SENDER.....1	1
4	32103GT	GASKET,INJECTION PUMP (quantities vary)	
5	890795GT	HOSE,FUEL,5/16"ID.....1.25 feet	1.25
6	898590GT	HOSE FITTING PIPE/BAR.....3	3
7	866050GT	FILTER,OIL,KUBOTA.....1	1
8		Ref., SCREW refer to 202.1 or 203.1	
9		Ref., FUEL HOSE refer to 202.1 or 203.1	
10		Ref., IN-LINE FILTER refer to 202.1 or 203.1	
11		Ref., HOSE CLAMP refer to 202.1 or 203.1	
12		Ref., FUEL HOSE refer to 202.1 or 203.1	
13		Ref., FUEL PUMP refer to 202.1 or 203.1	
14		Ref., FUEL HOSE refer to 202.1 or 203.1	
15	839103GT	KUBOTA 01123-50820 BOLT.....2	2
16	839107GT	FILTER,FUEL,KUBOTA.....1	1
17	866040GT	GASKET,SOLENOID,KUBOTA.....1	1
18A	99199GT	SOLENOID,KUBOTA D9/1105 SHTDWN.....1 2-wire solenoid	1
18B	866030GT	SOLENOID,FUEL,3 WIRE,KUBOTA 3-wire solenoid	
19		Ref., FUEL HOSE refer to 202.1 or 203.1	
20	839119GT	KUBOTA GLOW PLUG.....3	3
21	62118GT	JUMPER-GLOW PLUG.....1	1
22	865257GT	KUBOTA KIT, HOLDER,NOZZLE.....3	3
23	865100GT	KUBOTA OVER FLOW PIPE.....1	1
24	44196GT	PIPE,INJECTOR 1,D905,D1105.....1	1
25	44197GT	PIPE,INJECTOR 2,D905,D1105.....1	1
26	44198GT	PIPE,INJECTOR 3,D905,D1105.....1	1

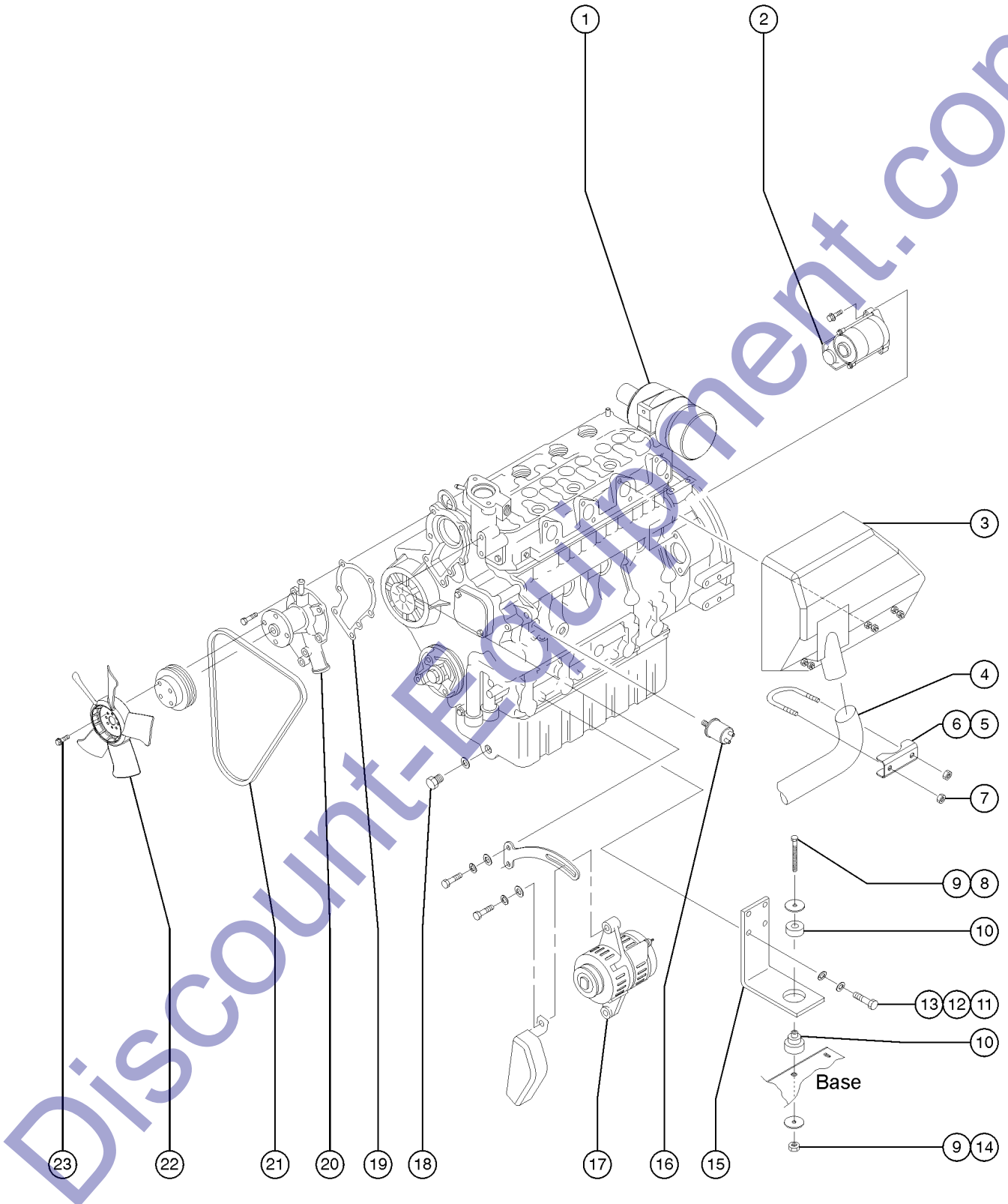
304.1 Kubota D1105-E3BG, View 4



Item	Part No.	Description	Qty.
1	866127GT	ELEMENT,AIR CLEANER,KUBOTA.....1	
2	866129GT	VALVE,AIR CLEANER,KUBOTA.....1	
3A	866126GT	BODY,AIR CLEANER,KUBOTA.....1	
3B	866128GT	COVER,AIR CLEANER,KUBOTA.....1	
4	839049GT	KUBOTA 15263-12370BAND PIPE.....2	
5	231332GT	HOSE, INTAKE, KUBOTA D1105.....1	
6		Ref, GENERATOR (refer to 310.1, 311.1, 312.1 or 313.1)	
7	231333GT	AIR CLEANER BRACKET, D1105.....1	

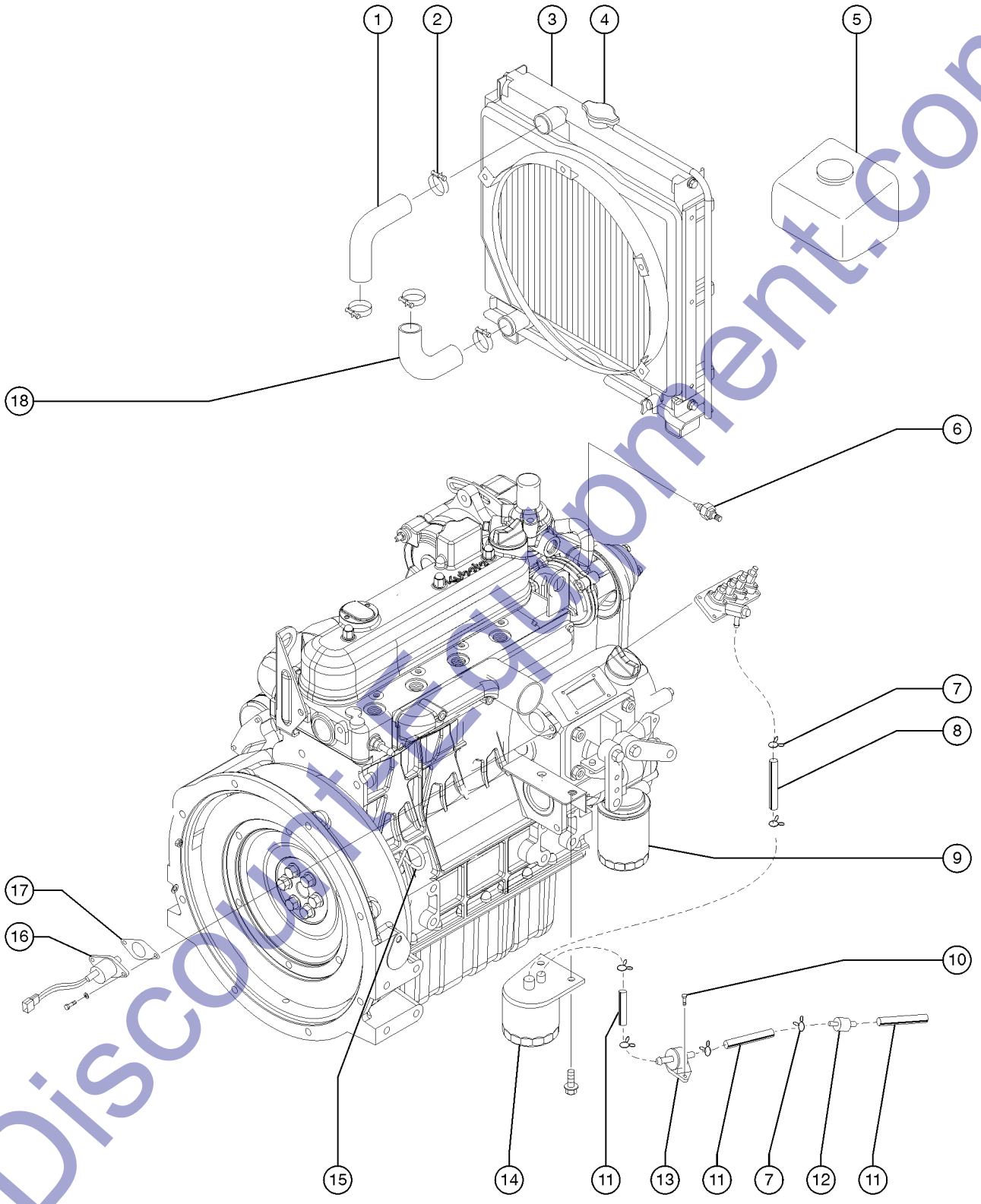
Discount-Equipment.com

305.1 Kubota V1505 T41, View 1



Item	Part No.	Description	Qty.
--	116289PPGT	KUBOTA ENGINE 1505 T4I PACK (complete)	
--	116292GT	PMA-GENSET-KUBOTA 1505 12KW (engine with generator)	
--	893020GT	MANUAL,OP,KUBOTA,D1105,TIER 2*	
1	116413GT	AIR CLEANER,DONALDSON G042544.....	1
--	116414GT	AIR CLNR MNT DONALDSON P777151	
--	116498GT	AIR CLEANER COVER	
--	116502GT	AIR CLEANER VALVE	
2	866101GT	STARTER,KUBOTA,D1105/905.....	1
3	116309GT	MUFFLER,KUBOTA BOX TYPE.....	1
--	832128GT	GASKET,MUFFLER,KUBOTA D905/11	
4	116297GT	ASY,ENGIN TAILPIPE.....	1
--	116296GT	BRKT,TAILPIPE SUPPORT	
--	116298GT	MNT,CYL,M/M 1/4-20X.75 1.0 OD	
--	116418GT	KIT: V1505 TAILPIPE MOUNT	
5	791600GT	CLAMP,U-BOLT,1.5".....	1
6	791610GT	CLAMP,U-BOLT,2-1/8"	
7	824024GT	NUT, TL, 1/4-20, C, ZAG.....	4
8	990190GT	SCREW,HHC,1/2-13 X 3.....	2
9	990410GT	WASHER FLAT FENDER1/2.....	4
10	80379GT	ISOLATOR, ENGINE MOUNT.....	4
11	995110GT	SCREW,HHC,M10X1.25 X 35MM GR 8.....	8
12	990080GT	WASHER FLAT 3/8USS ZPBIN.....	8
13	6-9111-10GT	LOCKWASHER,10MM.....	8
14	990200GT	NUT,NYLOCK,1/2-13 GR2.....	2
15	116213GT	FOOT,ENGINE MOUNT L BRACKET.....	2
16	839190GT	SWITCH,LOW OIL PRESS,KUBOTA.....	1
17	866090GT	ALTERNATOR,KUBOTA*.....	1
18	741970GT	VALVE,OIL DRAIN,KUBOTA.....	1
--	897110GT	HOSE,OIL,3/8 0250PS1	
19	865079GT	KUBOTA 16259-73430..... (gasket)	1
20	839261GT	PUMP,WATER,KUBOTA.....	1
21	839209GT	V-BELT,KUBOTA.....	1
22	116511GT	KUBOTA PUSHER FAN,D1105.....	1
--	116512GT	KUBOTA FAN GUARD,D1105	
23	839027GT	KUBOTA FLANGE BOLT.....	4

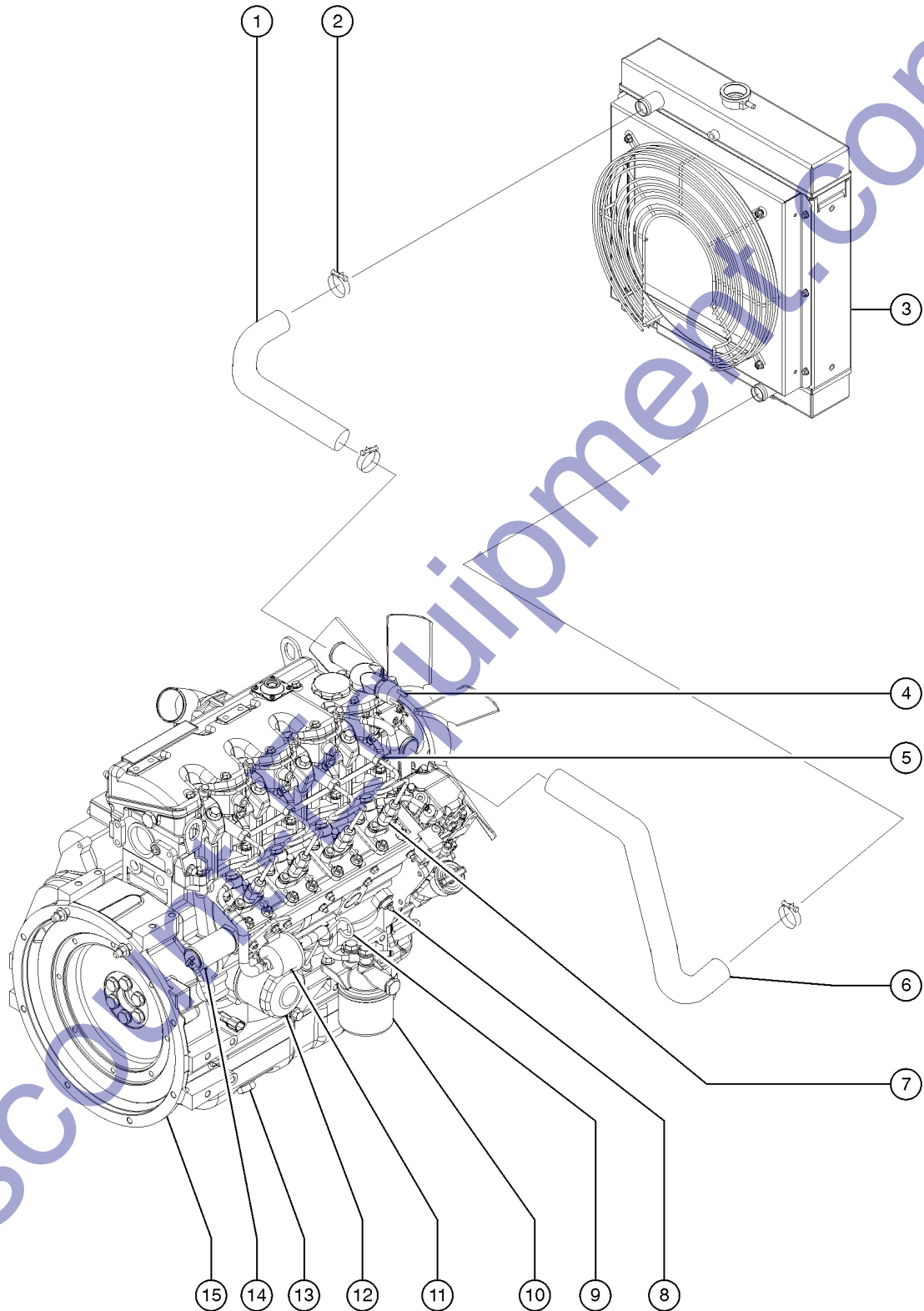
306.1 Kubota V1505 T41, View 2



Disco.com

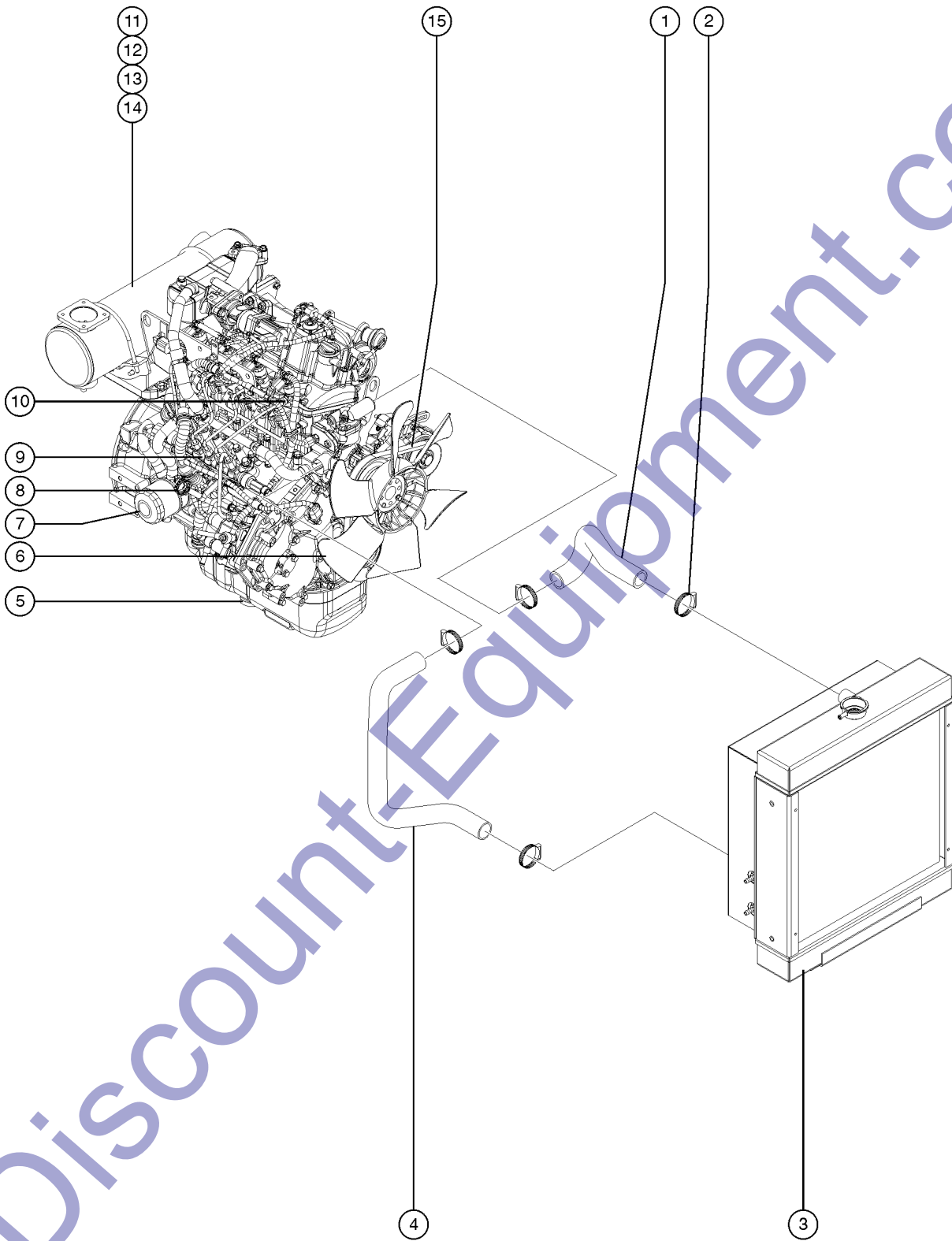
Item	Part No.	Description	Qty.
1	116513GT	KUBOTA TOP HOSE,D1105.....	1
2	32185GT	CLAMP,HOSE.....	4
3	116314GT	RADIATOR,KUBOTA A-47.....	1
4	110523GT	CAP,RADIATOR,AL,KUBOTA DF-752.....	1
5	973390GT	KIT:KUBOTA OVER-FLOW (includes bracket, nut, washer, hose, and screw)	
--	865307GT	TANK,RECOVERY,COOLANT,KUBOTA (includes mounting bracket)	
6	741140GT	ENGINE ACCESSORY TEMP SENDER.....	1
7	792750GT	CLAMP 7/16 TO 25/32	
8	890795GT	HOSE,FUEL,5/16"ID.....	5-feet
9	116509GT	KUBOTA OIL FILTER,D1105.....	1
10	995810GT	SCREW 1/4-20NCX5/8 HW.....	2
11		Ref. Fuel Line (refer to 202.1 or 203.1)	
12		Ref. In-line fuel filter (refer to 202.1 or 203.1)	
13		Ref. Fuel Pump (refer to 202.1 or 203.1)	
14	839107GT	FILTER,FUEL,KUBOTA.....	1
--	839200GT	ELEMENT,FUEL FILTER,KUBOTA	
15	839154GT	DIPSTICK,OIL,KUBOTA.....	1
16	99199GT	SOLENOID,KUBOTA D9/1105 SHTDWN.....	1
17	866040GT	GASKET,SOLENOID,KUBOTA.....	1
18	116514GT	KUBOTA BOTTOM HOSE,D1105.....	1

307.1 Isuzu 4LE2,1800R, View 1



Item	Part No.	Description	Qty.
--	T111619GT	ENGINE,ISUZU,PUSHER,4LE2,1800R <i>(engine plus generator) (refer to 313.1 for generator)</i>	
--	T111622GT	GENSET,20K,60HZ,PUSHER	
--	T110453GT	ENGINE,ISUZU,SUCKER,4LE2,1800R	
--	T111617GT	GENSET,20K,60HZ,SUCKER <i>(engine plus generator) (refer to 313.1 for generator)</i>	
--	116133GT	ISUZU OPERATORS MANUAL	
--	116821GT	WIRE HARN,ENG,ISUZU,4LE1,AL5	
--	T113775GT	MANUAL, INSTRUCTION, ISUZU 4LE	
--		FUSE,40 AMP,ATC <i>(available soon) (for 116821GT)</i>	
1	868113GT	ISUZU 4LE UPPER RADIATOR HOSE...1	
2	32185GT	CLAMP,HOSE	
3		Ref. RADIATOR <i>(refer to 309.1)</i>	
4	T113772GT	OIL SWITCH, ISUZU 4LE2.....1	
5	T113777GT	GLOW PLUG, ISUZU 4LE2.....1	
6	868112GT	LOWER READIATOR HOSE.....1	
7	T113780GT	ASSY, INJECTION PUMP,ISUZU 4LE....1	
8	T113772GT	OIL SWITCH, ISUZU 4LE2.....1	
9	T113766GT	DIP STICK, ISUZU 4LE2.....1	
10	116154GT	AY,DSL FUEL/WATER SEPARATOR.....1	
--	116151GT	FILTER,30 MICRON FUEL-WATER	
11	T113770GT	FUEL PUMP, ISUZU 4LE2.....1	
12	T113767GT	CARTRIDGE, OIL FLTR, ISUZU 4LE....1	
13	974803GT	KIT:HOSE/CLAMP ISUZU.....1	
14	T113771GT	STOP SOLENOID, ISUZU 4LE2.....1	
15	T113756GT	FLYWHEEL, ISUZU 4LE2.....1	
--	T113757GT	HOUSING, FLYWHEEL ISUZU 4LE2	

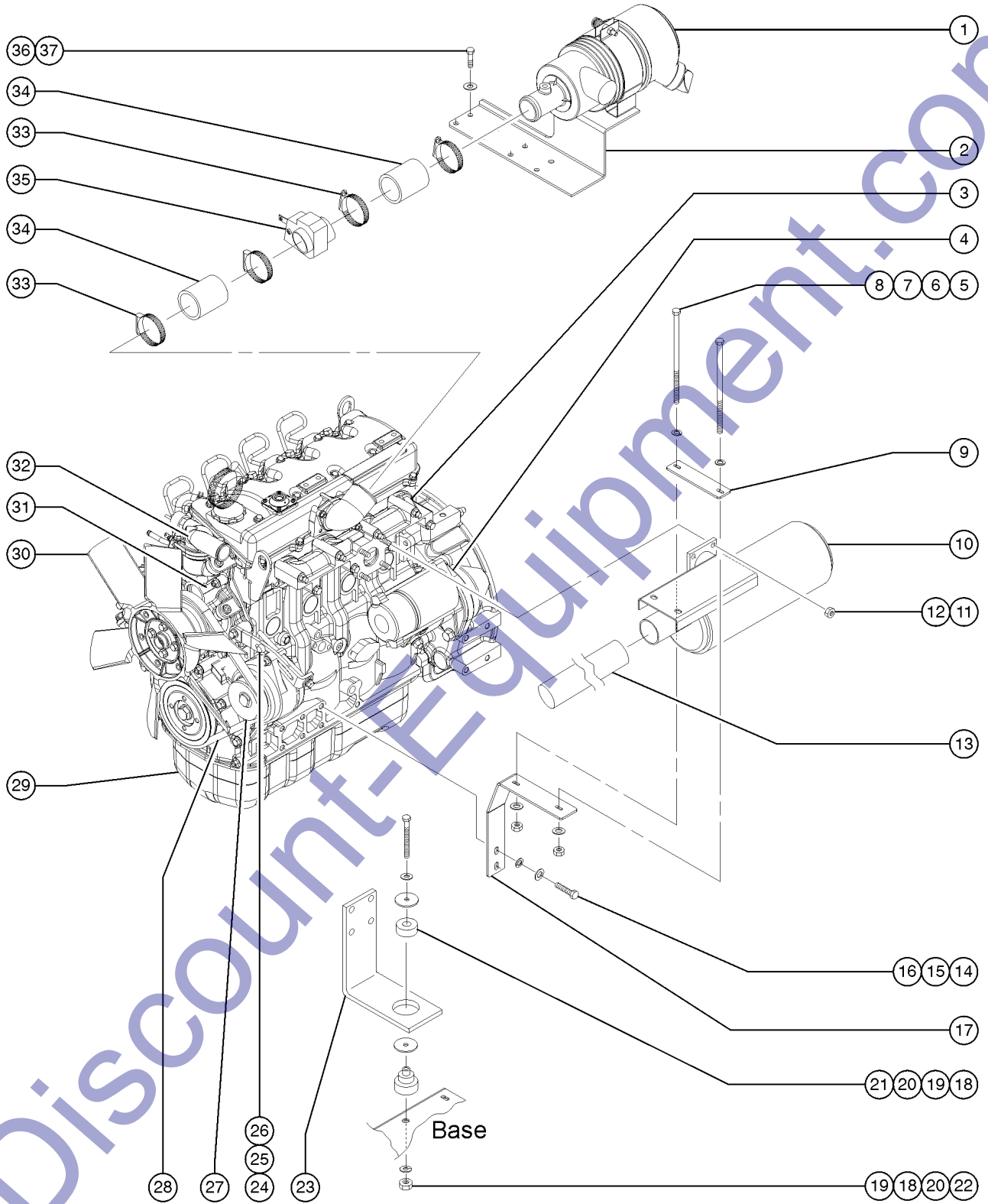
307.3 Isuzu 4LE2-T, Tier 4, View 1



DiscountEquipment.com

Item	Part No.	Description	Qty.
1	1264575GT	WATER OUT.PIPE 4LE2-T.....	1
2	32185GT	CLAMP,HOSE.....	4
3	1264612GT	RAD. ASSY.+SHROUD, 4LE2-T.....	1
4	1264615GT	RAD. HOSE ASSY.,4LE2-T.....	1
5	1264573GT	REMOTE OIL DRAIN, 4LE2-T.....	1
6	1276741GT	FAN ASSY,COOLING,ISUZU,TIER4.....	1
7	1276734GT	ELEMENT,OIL FILTER,ISUZU,TIER4.....	1
8	1264569GT	DIPSTICK, 4LE2-T.....	1
9		FUEL RAIL, 4LE2-T.....	1
10		INJECTOR, FUEL, 4LE2-T.....	4
11		CAT/MUFFLER, EXHAUST, 4LE2-T.....	1
12		BRACKET, EXHAUST CAT/MUFFLER, 4LE2-T.....	1
13		U BOLT, EXHAUST, 4LE2-T.....	2
14		NUT.....	4
15	1276742GT	V-BELT,ISUZU,TIER4.....	1
--	1276736GT	ELEMENT KIT,MAIN FILTER,FUEL,ISUZU,TIER4.....	1
--	1276735GT	ELEMENT KIT,FUEL,PRE-FILTER,ISUZU,TIER4.....	1
--	1264609GT	OWNERS MANUAL, 4LE2-T.....	1
--	1276737GT	GLOW PLUG,ISUZU,TIER4.....	1
--	1276739GT	THERMOSTAT,ISUZU,TIER4.....	1
--	1276740GT	GASKET,THERMOSTAT,ISUZU,TIER4.....	1
--	1276738GT	PUMP ASSY,WATER,ISUZU,TIER4.....	1

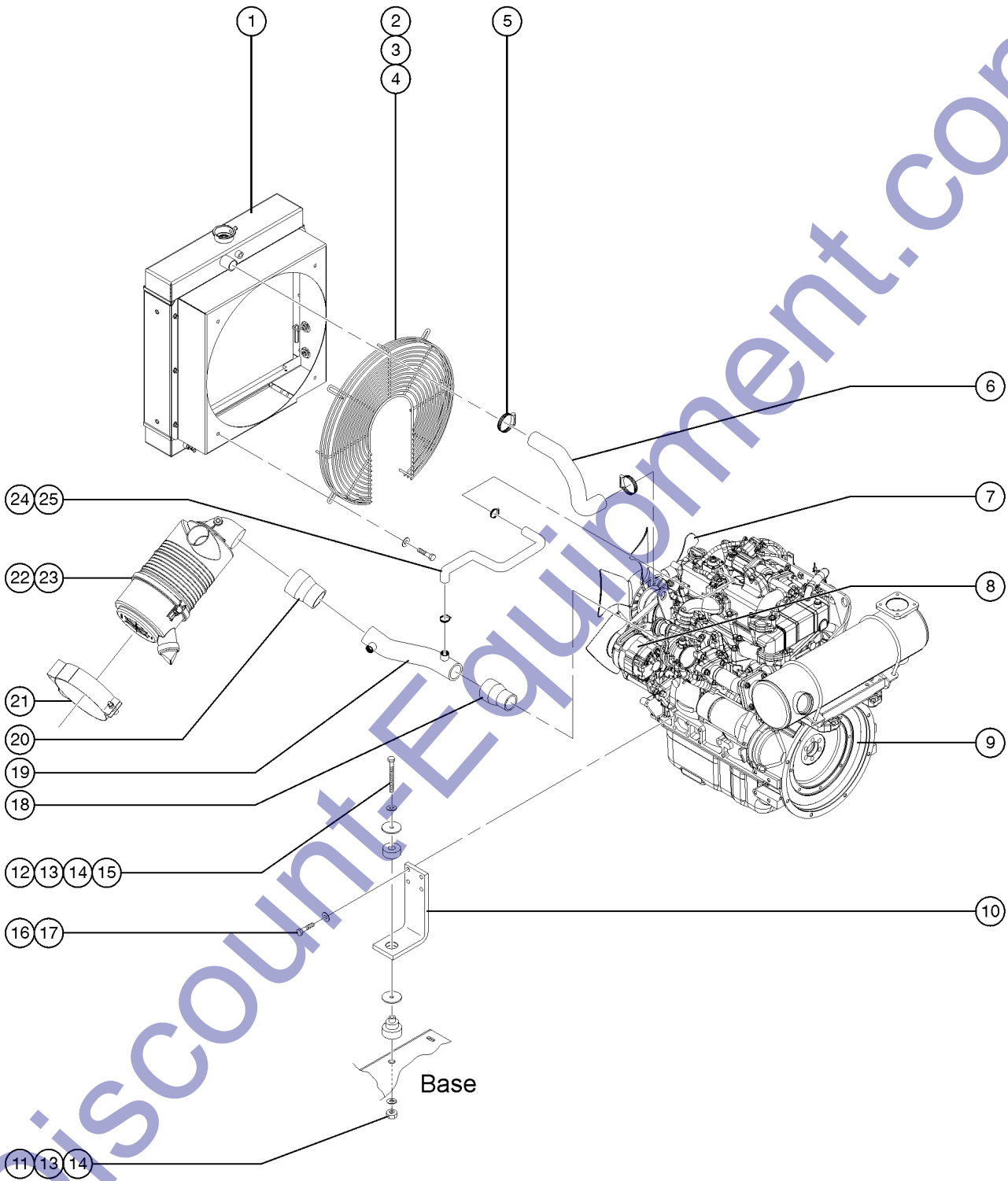
308.1 Isuzu 4LE2,1800R, View 2



308.1 Isuzu 4LE2,1800R, View 2

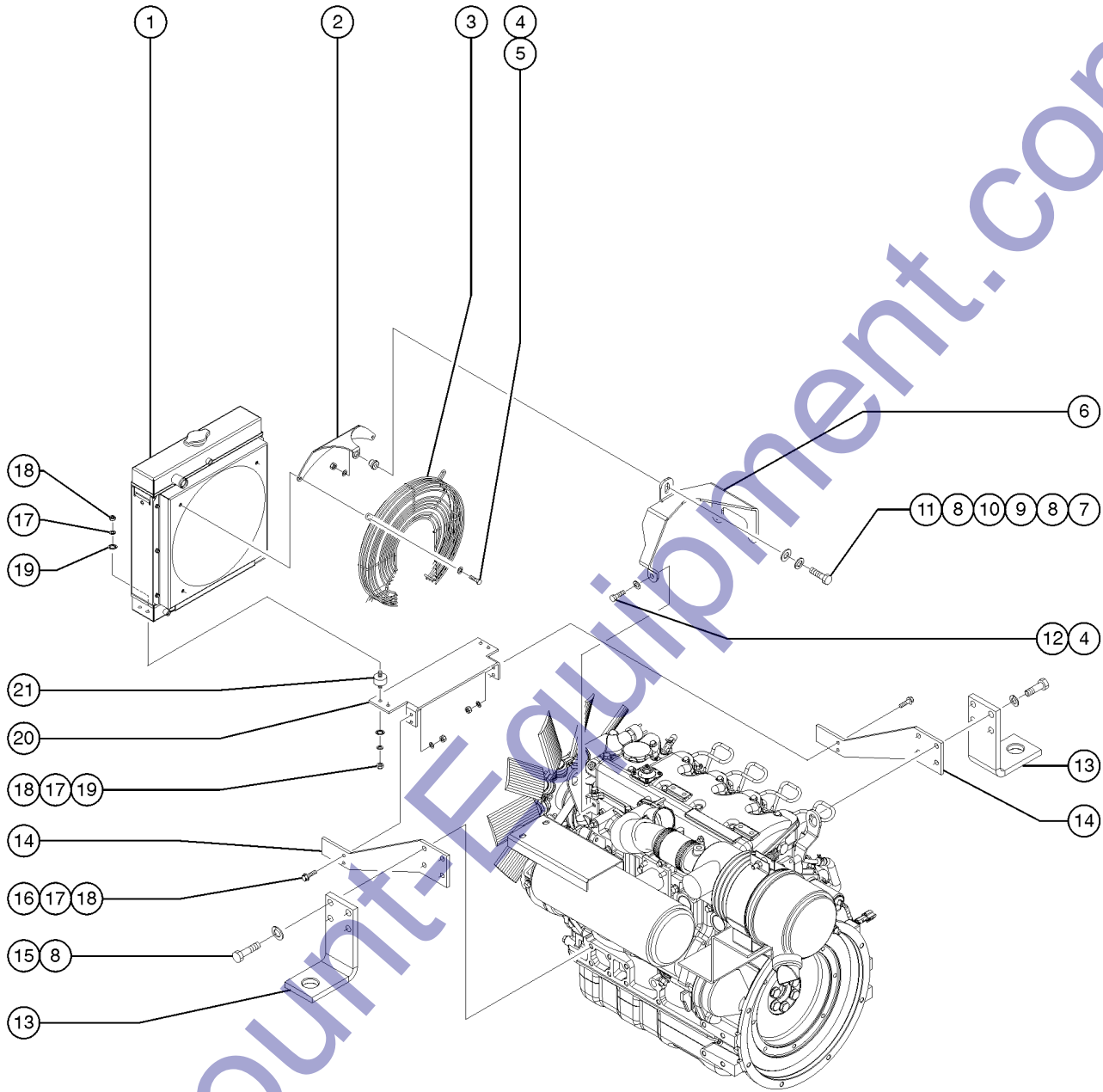
Item	Part No.	Description	Qty.	Item	Part No.	Description	Qty.
1	T113769GT	AIR CLEANER, ISUZU 4LE2.....1 <i>(includes items 2 and 33-36)</i>	1	28	T113776GT	BELT, FAN, ISUZU 4LE2.....1	1
--	834458GT	AIR FILTER ASSY,DONALDSON		--	T113786GT	COVER, V-BELT, ISUZU 4LE2	
--	T113985GT	BAND, AIR FILTER MOUNTING, ISU		29	T113765GT	OIL PAN, ISUZU 4LE2.....1	1
2	T113984GT	FORMING, BRKT, AIR INTAKE, ISU.....1	1	30A	T111701GT	FAN, ISUZU 4LE,1800RPM,SUCKER.....1	1
3	T113755GT	MANIFOLD, EXHAUST, ISUZU 4LE2		30B	T111625GT	FAN, ISUZU 4LE, 1800RPM, PUSH	
--	T113781GT	GASKET EXHST MANIFLD,ISUZU 4LE		30C	T113758GT	PULLEY, FAN, ISUZU 4LE2.....1	1
--	T113782GT	STUD,EXHAUST MANIFLD,ISUZU 4LE		30D	T113759GT	PULLEY, FAND DRIVE, ISUZU 4LE2.....1	1
4	T113763GT	STARTER, ISUZU 4LE2.....1	1	31	T113779GT	ASSY, WATER PUMP, ISUZU 4LE2.....1	1
5	215719GT	SCREW,HHC,1/4-20X6 1/2,ZINC.....2 <i>(from SN AL511-709)</i>	2	32	T113762GT	HOUSING, THERMOSTAT, ISUZU 4LE	
6	990340GT	WASHER FLAT 1/4ZPLENSETBIN.....2 <i>(from SN AL511-709)</i>	2	--	T113760GT	THERMOSTAT, ISUZU 4LE2	
7	990400GT	WASHER LOCK 1/4ZP.....2 <i>(from SN AL511-709)</i>	2	--	T113761GT	GASKET, THRMOST HSG, ISUZU 4LE	
8	824024GT	NUT, TL, 1/4-20, C, ZAG.....2 <i>(from SN AL511-709)</i>	2	33	T113989GT	CLAMP, HOSE, #36.....4	4
9	215711GT	PLATE, TOP, BRACKET, MUFFLER.....1 <i>(from SN AL511-709)</i>	1	34	T113987GT	HOSE, STRAIGHT, AIR INTAKE, IS.....2	2
10	187988GT	MUFFLER ASSY.....1	1	35		Ref. RODA DECO SHUTOFF <i>(refer to 602.1)</i>	
--	T113774GT	GASKET, MUFFLER, ISUZU 4LE2		36	27034GT	SCREW,HHC,M10 X 25MM,GR 8.8.....4	4
11	T113783GT	NUT,EXHAUST MANIFLD,ISUZU 4LE2.....4	4	37	22700GT	WASHER,LOCK,M10.....4	4
12	T113784GT	BOLT,EXHAUST MANIFLD,ISUZU 4LE.....4	4				
13A	T110447GT	TAILPIPE, ISUZU EXHAUST, TOP.....1	1				
13B	T110446GT	TAILPIPE, ISUZU EXHAUST.....1	1				
--	791610GT	CLAMP,U-BOLT,2-1/8"					
14	215722GT	SCREW,HHC,10MM-1.5X258.8,ZINC.....2 <i>(from SN AL511-709)</i>	2				
15	990080GT	WASHER FLAT 3/8USS ZPBIN.....2 <i>(from SN AL511-709)</i>	2				
16	994830GT	WASHER,LOCK,M10 ZP.....2 <i>(from SN AL511-709)</i>	2				
17	215712GT	BRACKET,SUPPORT,MUFFLER.....1 <i>(from SN AL511-709)</i>	1				
18	740920GT	ISOLATOR,ENGINE,390LB.....2	2				
19	990410GT	WASHER FLAT FENDER1/2.....2	2				
20	990210GT	WASHER FLAT 1/2ZP.....2	2				
21	990270GT	SCREW,HHC,1/2-13 X 3.5 GR8.....2	2				
22	990200GT	NUT,NYLOCK,1/2-13 GR2.....2	2				
23		Ref. ENGINE BRACKET <i>(refer to 309.1)</i>					
24	30973GT	BUMPER,RUBBER-1 X 1.25.....1	1				
25	116503GT	BUSHING, 630DX.328ID .375T.....1	1				
26	991945GT	NUT LOCK NYLON INSERT.....1	1				
27	T113764GT	ALTERNATOR, ISUZU 4LE2.....1	1				

308.3 Isuzu 4LE2-T, Tier 4, View 2



Item	Part No.	Description	Qty.
1	1264612GT	RAD. ASSY.+SHROUD, 4LE2-T.....	1
2		SHROUD, COOLING FAN, 4LE2-T.....	1
3		WASHER.....	4
4		SCREW.....	4
5		CLAMP, RADIATOR HOSE, 4LE2-T.....	2
6	1264575GT	WATER OUT.PIPE 4LE2-T.....	1
7	1276741GT	FAN ASSY,COOLING,ISUZU,TIER4.....	1
8	1276746GT	ALTERNATOR,ISUZU,TIER4.....	1
9	1264570GT	FLYWHEEL, 4LE2-T.....	1
10	1264596GT	ENG. MOUNT FOOT, 4LE2-T.....	2
11	990410GT	WASHER FLAT FENDER1/2.....	2
12	740920GT	ISOLATOR,ENGINE,390LB.....	2
13	990210GT	WASHER FLAT 1/2ZP.....	2
14	990200GT	NUT,NYLOCK,1/2-13 GR2.....	2
15	990270GT	SCREW,HHC,1/2-13 X 3.5 GR8.....	2
16	T113974GT	HHC,M10-1.5 X 30, YELLOW ZINC.....	8
17	22700GT	WASHER,LOCK,M10.....	8
18		COUPLER, AIR INTAKE, 4LE2-T.....	1
19	1264584GT	AIR IN. PIPE, 4LE2-T.....	1
20		COUPLER, AIR INTAKE, 4LE2-T.....	1
21		BRACKET, AIR CLEANER MOUNTING, 4LE2-T.....	1
22	1264617GT	AIR CLEANER ASSY.,4LE2-T.....	1
23		FILTER, AIR CLEANER, 4LE2-T.....	1
24		HOSE	
25		CLAMP, HOSE.....	2
26	1276745	STARTER,DENSO,12V/4LE2PV01,ISUZU,TIER4.1	

309.1 Isuzu 4LE2,1800R, Radiator Assembly

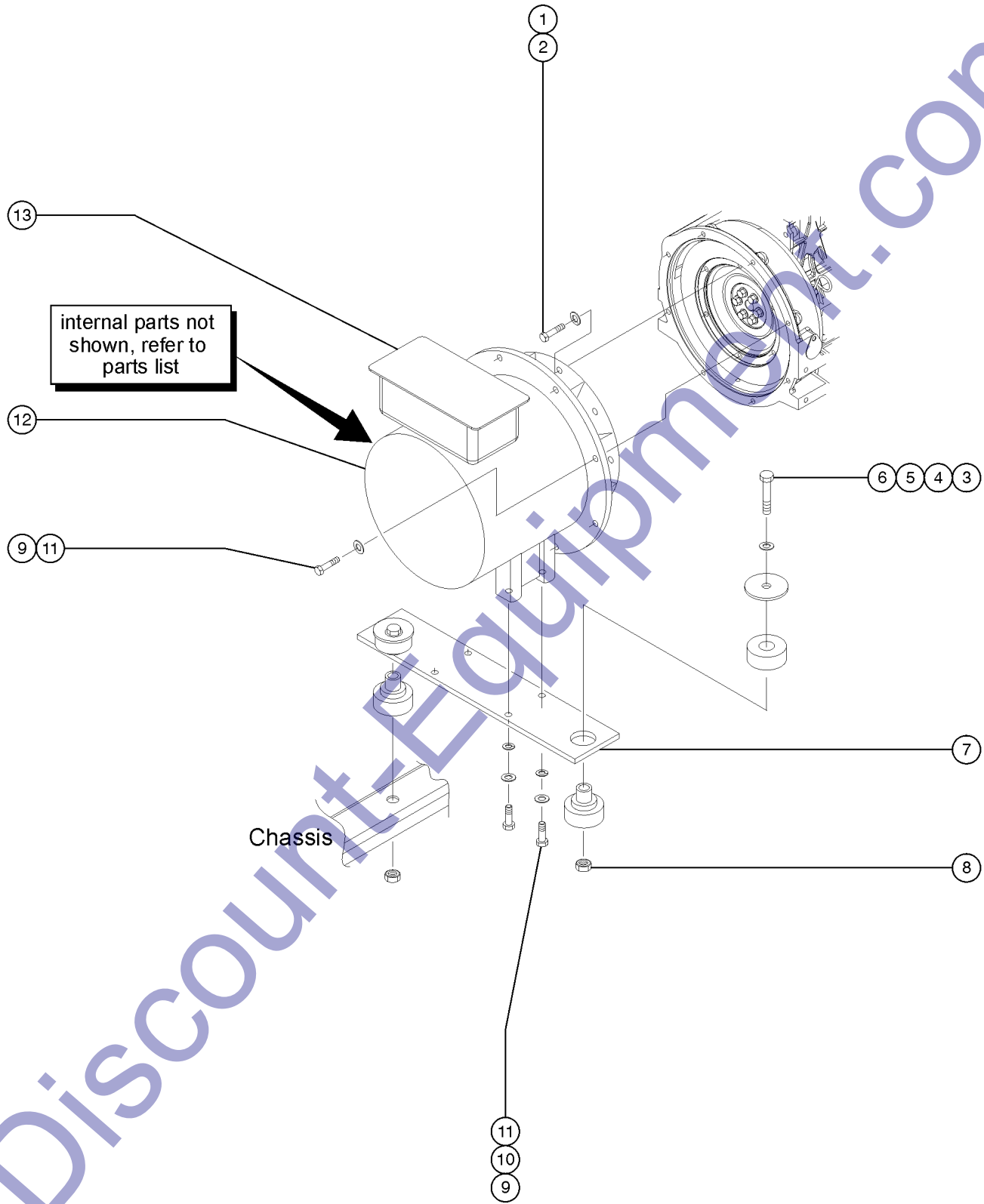


DiscountEquipment.com

309.1 Isuzu 4LE2,1800R, Radiator Assembly

Item	Part No.	Description	Qty.
1	T110455GT	RADIATOR, ISUZU 4LE.....	1
2	T113688GT	FORMING,BRACKET,RAD MOUNT,FRNT.....	1
3	116132GT	ISUZU FAN GUARD.....	1
4	22586GT	SCREW,HHC,M8 X 20MM,F.TH.GR8.8.....	7
5	T110064GT	WASHER,M8,ZINC.....	4
6	T113669GT	FORMING, BRKT, RAD MOUNT, REAR.....	1
7	T113972GT	HHC,M10-1.5 X 45, YELLOW ZINC.....	1
8	22700GT	WASHER,LOCK,M10.....	2
9	58486GT	WASHER,FLAT,3/8,HARDENED,YZ.....	1
10	T113670GT	ISOLATOR, RADIATOR, UPPER.....	1
11	227336GT	NUT,NYLOCK,M10X1.50.....	1
12	T113975GT	WASHER, LOCK, M8, INTERNAL TOO.....	3
13	189293GT	ENGINE MOUNT L-BRKTIS.....	2
14	T113671GT	PLATE, RAD MOUNT, LOWER.....	2
15	T113974GT	HHC,M10-1.5 X 30, YELLOW ZINC.....	8
16	18507GT	1/4-20 X .75 LG.FLG.LCK.SCREW.....	4
17	6356GT	WASHER,LOCK,.25.....	8
18	824024GT	NUT, TL, 1/4-20, C, ZAG.....	8
19	T113975GT	WASHER, LOCK, M8, INTERNAL TOO.....	4
20	T113672GT	FORMING, BRKT, RAD MOUNT, LOW...1	1
21	T113673GT	ISOLATOR, RADIATOR, LOWER.....	2

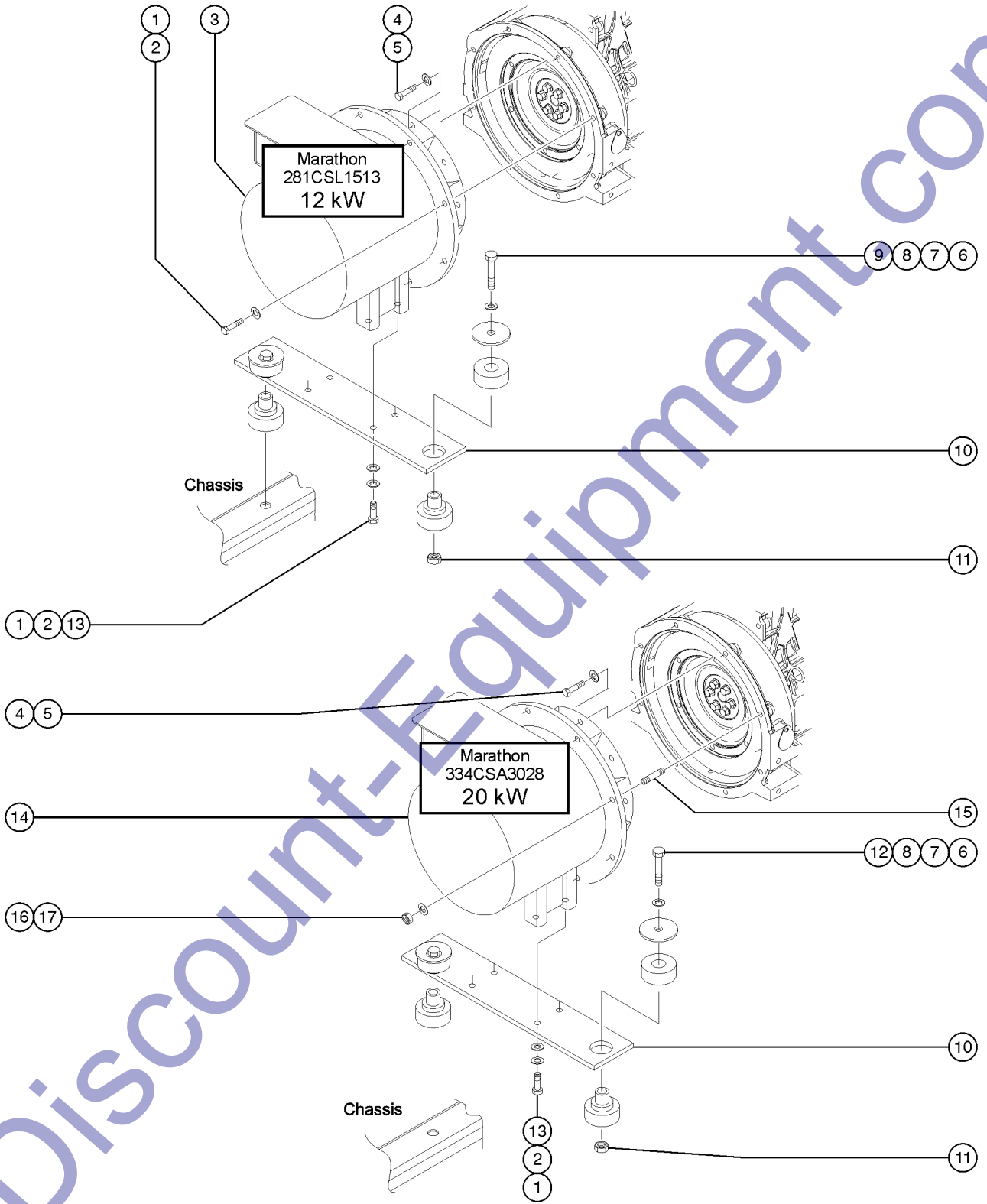
310.1 Generator, Marathon 8 Kw



310.1 Generator, Marathon 8 Kw

Item	Part No.	Description	Qty.
--	116188GT	MANUAL,OP,MARATHON GENERATOR.....	1
1	123840GT	SCREW,HHC,5/16-18X.75,GR8,Y	
2	990460GT	WASHER LOCK 5/16 ZP BIN	
3	6-5208-32GT	SCREW,HHC,1/2-13X4,GR8	
4	990210GT	WASHER FLAT 1/2ZP.....	2
5	990415GT	WASHER,FLAT,SNUB 1/2X2-3/4 ZN.....	2
6	740920GT	ISOLATOR,ENGINE,390LB.....	2
7	189347GT	BRACKET,GENERATOR MOUNT	
8	6198GT	NUT,NYLOCK,1/2-13.....	2
9	991761GT	SCREW,HHC,3/8-16 X 1.25	
10	998120GT	WASHER FLAT 3/8 ZP SAE BIN	
11	990470GT	WASHER LOCK 3/8ZP.....	4
12A	116253GT	GENERATOR,8KW,240V,60HZ,MAR..... (201CSA5420)	1
12B	116167GT	FAN..... (located within generator)	1
12C	116168GT	BEARING, ODE..... (located within generator)	1
12D	116169GT	BEARING,BRKT,ODE(5412)..... (located within generator)	1
12E	116172GT	O-RING..... (located within generator)	1
12F	116174GT	POT COVER..... (located within generator)	1
12G	116176GT	SCREEN ASY W/SPGS..... (located within generator)	1
12H	116177GT	DRIVE DISC(C-107) MARATHON..... (located within generator)	1
12J	116178GT	HUB SPACER..... (located within generator)	1
12K	836853GT	DIODE,MARATHON..... (located within generator)	1
12L	836856GT	MARATHON SUPPRESSOR/VARISTOR..... (located within generator)	1
13A	116183GT	CAPACITOR 25MF..... (38P7681)	1
--	116179GT	BOX,CONNECTOR,BASE..... (located within generator)	1
--	116182GT	COVER,CONNECTOR BOX (116179)..... (located within generator)	1
--	116184GT	CLAMP,CAPACITOR..... (located within generator)	1
--	116187GT	TERMINAL BLOCK..... (located within generator)	1
13B	229457GT	CAPACITOR, 8KW GENERATOR,5420 (8LHD599002)	

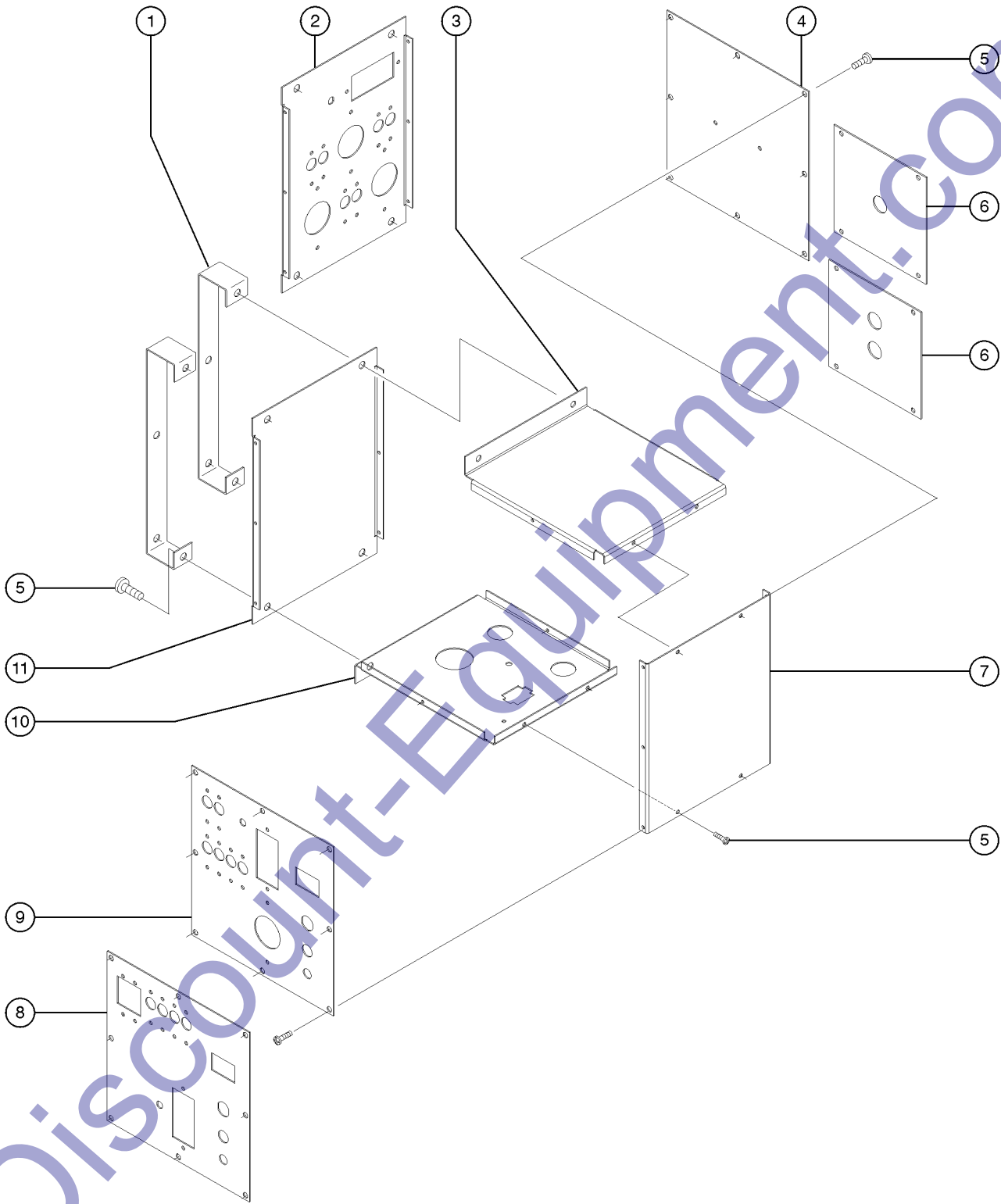
311.1 Generator, Marathon 12 Kw and 20 Kw



311.1 Generator, Marathon 12 Kw and 20 Kw

Item	Part No.	Description	Qty.
--	T111627GT	MANUAL, OP, MARATHON 20K	
--	T113586GT	MANUAL, OP, MARATHON 12K	
1	991761GT	SCREW,HHC,3/8-16 X 1.25.....	8
2	990470GT	WASHER LOCK 3/8ZP.....	8
3	T113584GT	GENERATOR, MARATHON 12K.....	1
--	111700GT	MANIFOLD,MULTI-FUNCTION, S40 <i>(replaced T113589GT)</i>	
--	CSE350GT	MARATHON VOLTAGE REGULATOR	
--	T113586GT	MANUAL, OP, MARATHON 12K	
--	T113587GT	RECTIFIER, MARATHON 12K	
4	123840GT	SCREW,HHC,5/16-18X.75,GR8,Y.....	6
5	990460GT	WASHER LOCK 5/16 ZP BIN.....	6
6	6732GT	SCREW,HHC,1/2-13 X 3.25	
7	6-6212-08GT	WASHER,FLAT,USS,1/2",Y	
8	990410GT	WASHER FLAT FENDER1/2	
9	116729GT	ISOLATOR,ENGINE,70D	
10	T110456GT	BRACKET, MOUNT GENERATOR.....	1
11	6198GT	NUT,NYLOCK,1/2-13.....	2
12	740920GT	ISOLATOR,ENGINE,390LB.....	2
13	981120GT	WASHER FLAT 3/8 ZP SAE BIN.....	4
14	T110451GT	GENERATOR, MARATHON 20KW.....	1
--	161050GT	FAN, MARATHON 20 KW GENERATOR	
--	824820GT	END BELL,MARATHON 20 KW GEN <i>includes bearing</i>	
--	CSE350GT	MARATHON VOLTAGE REGULATOR	
--	T111627GT	MANUAL, OP, MARATHON 20K <i>(from AL511-230)</i>	
--	T111628GT	EXCITER,ROTOR/RECTIFIER 20K	
--	T111700GT	BEARING, MARATHON GEN	
15	162277GT	STUD, F10-1.5 X 40 DOUBLE GVD.....	8
16	59680GT	NUT,HEX M10-1.5.....	8
17	994830GT	WASHER,LOCK,M10 ZP.....	8

401.1 Control Box Assembly, View 1

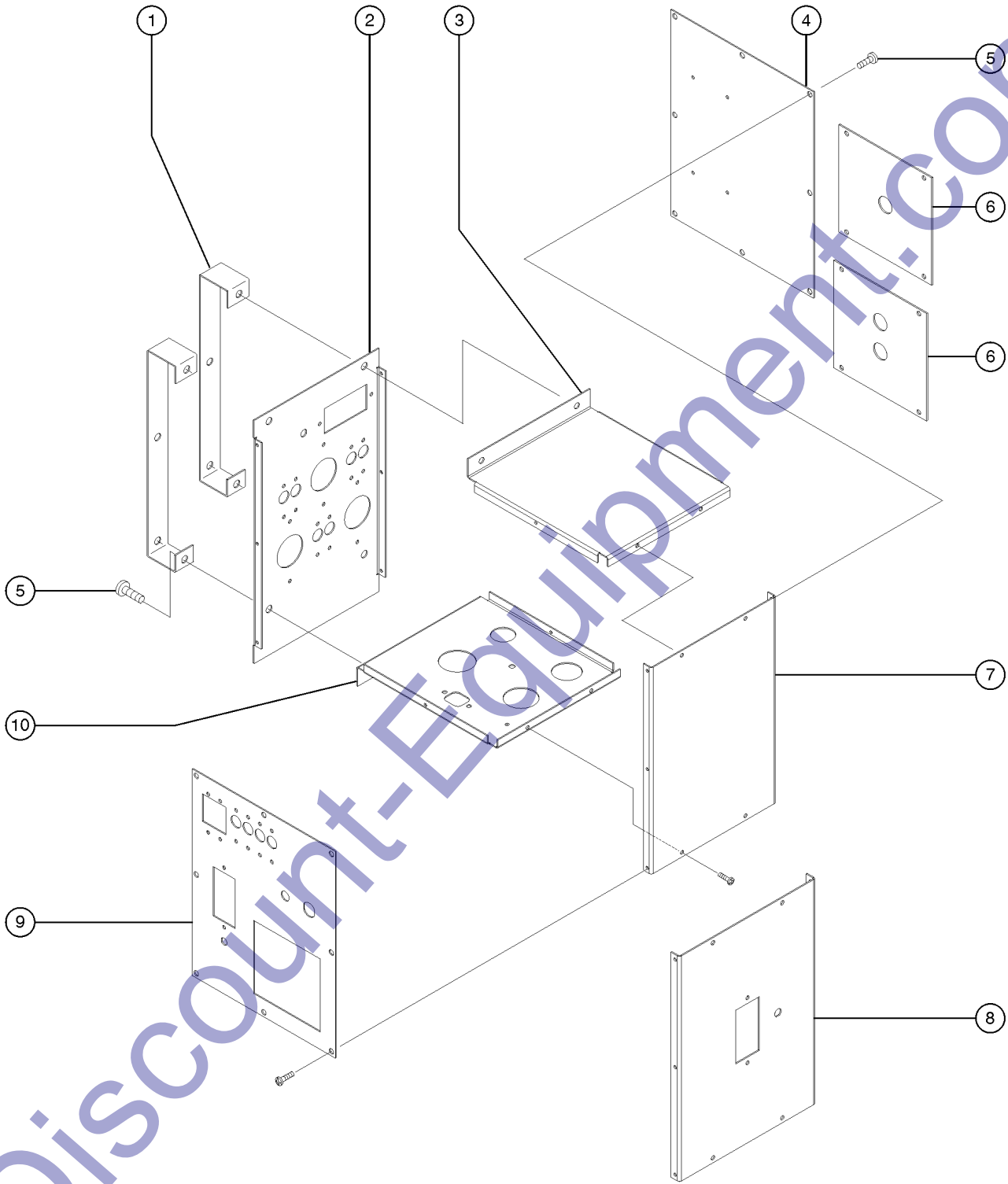


Discount-Equipment.com

401.1 Control Box Assembly, View 1

Item	Part No.	Description	Qty.
1	189390GT	ELEC.BOX MOUNTINGBRKT.....2 <i>(models without external power access)</i>	
2	185405GT	PLATE,CTRL BOX,LEFT EXT PWR.....1 <i>(models with external power source) (20 KW)</i>	
3	186801GT	PLATE,TOP,CNTRL BOX.....1	
4	186733GT	CONTROL BOX,REAR,RODA.....1	
5	973030GT	KIT:ELEC.CONTROL BOX ASSY <i>(control box, bolt together kit)</i>	
6A		Ref. PLATE COIL CORD CAB MOUNT <i>(1 coil cord) (refer to 209.1)</i>	
6B		Ref. PLATE,2 COIL CORD, CAB MT. <i>(2 coil cords) (refer to 209.1)</i>	
7A	185370GT	PLATE,RH,CNTRL BOX.....1 <i>(models without Roda Deaco)</i>	
7B	185382GT	CONTROL BOX,RIGHT SIDE,RODA <i>(models with Roda Deaco)</i>	
7C	227147GT	PLATE,CTRL BOX RIGHT, GFI <i>(models with extra GFI)</i>	
8	T114068GT	CONTROL BOX FACE PLT,EXT PWR <i>(models with external power source) (20 KW)</i>	
9A	T113805GT	PANEL,CNTL BOX FACE,8 LIGHT <i>(models without external power source)</i>	
9B	T114066GT	PLATE,FACE,CNTL BOX,4LT W/GFI <i>(models without external power source)</i>	
10	186788GT	PLATE,CTRL BOX,BOTTOM.....1	
11	185390GT	PLATE,TOP&SIDE,CNTRL BOX.....1 <i>(models without external power source)</i>	

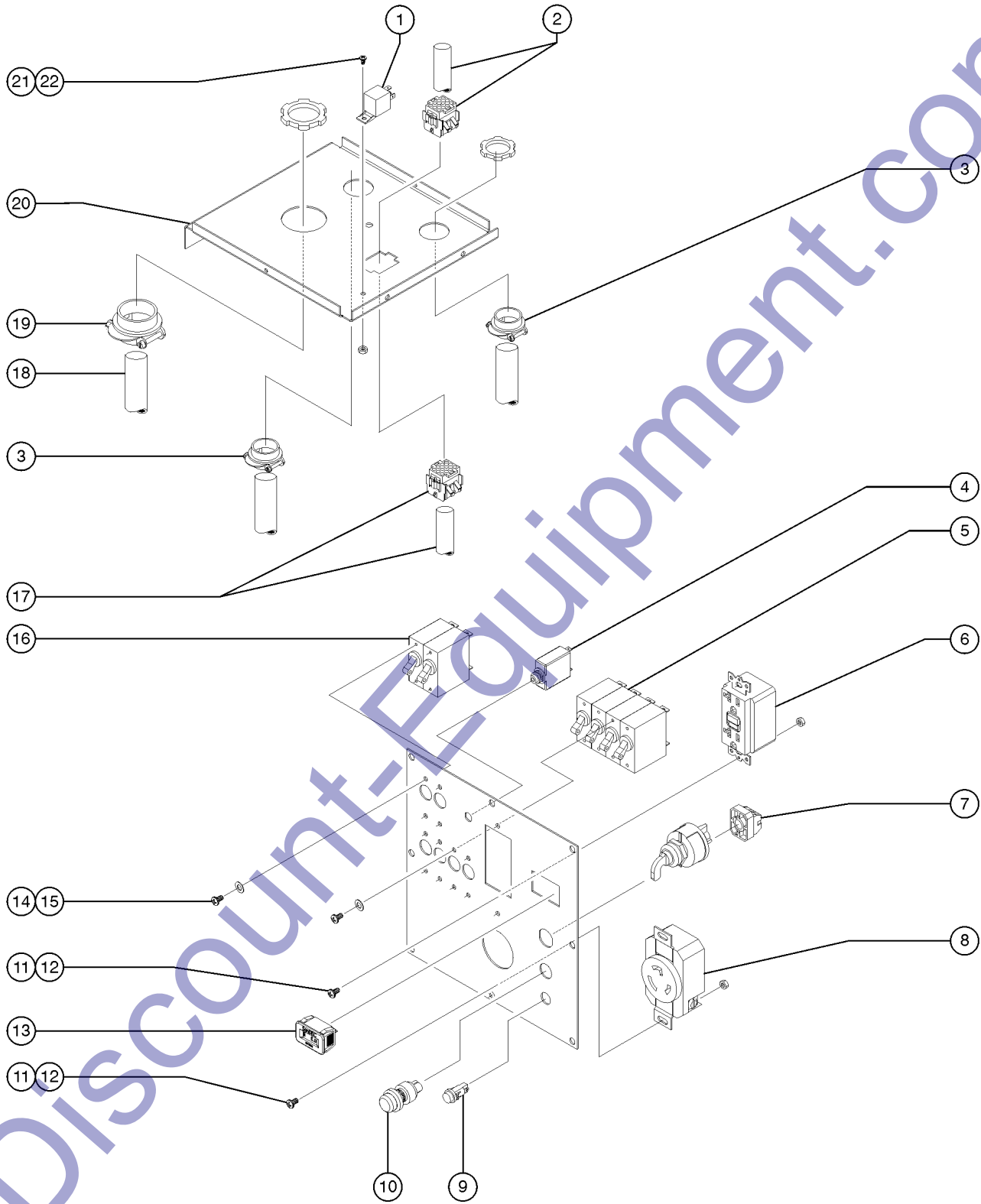
401.2 Control Box Assembly with Tier 4 option, View 1



401.2 Control Box Assembly with Tier 4 option, View 1

Item	Part No.	Description	Qty.
1	189390GT	ELEC.BOX MOUNTINGBRKT.....	2
2	1259678GT	PLATE,CTRL BOX,LEFT EXT PWR..... (20 KW)	1
3	186801GT	PLATE,TOP,CNTRL BOX.....	1
4	1259679GT	CONTROL BOX,REAR.....	1
5	973030GT	KIT:ELEC.CONTROL BOX ASSY (control box, bolt together kit)	
6A		Ref. PLATE COIL CORD CAB MOUNT (1 coil cord) (refer to 209.1)	
6B		Ref. PLATE,2 COIL CORD, CAB MT. (2 coil cords) (refer to 209.1)	
7	1259680GT	PLATE,RH,CNTRL BOX.....	1
8	1260029GT	PLATE,CTRL BOX RIGHT, GFI..... (models with extra GFI)	1
9	1259677GT	CONTROL BOX FACE PLT..... (20 KW)	1
10	1259676GT	PLATE,CTRL BOX,BOTTOM.....	1

402.1 Control Box Assembly, View 2, Standard Box

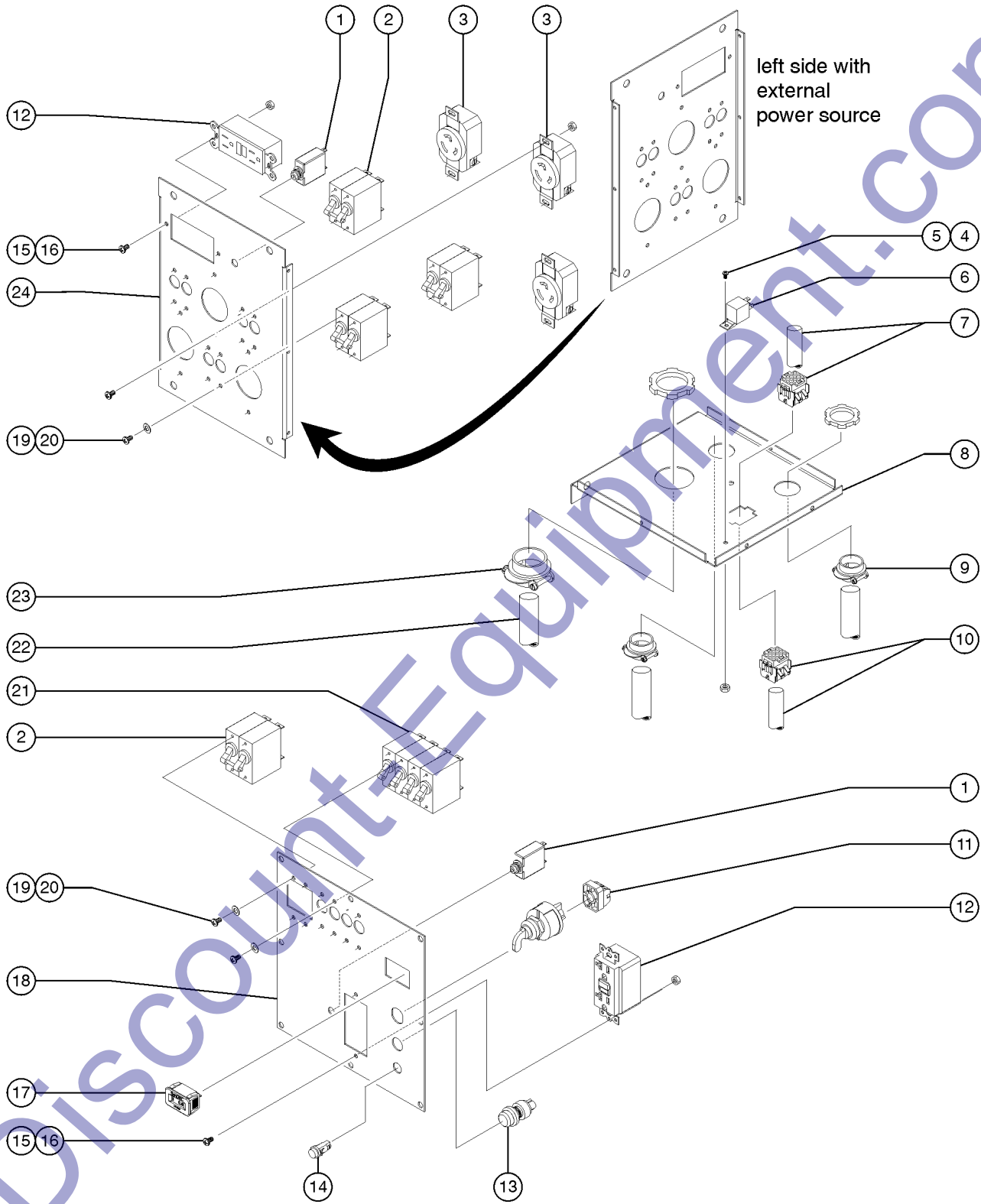


Discount-Equipment.com

402.1 Control Box Assembly, View 2, Standard Box

Item	Part No.	Description	Qty.	Item	Part No.	Description	Qty.
--	116780GT	ELEC.BOX W/C-CORD 4LT AC-DCKUB <i>(8 Kw models with 4 lights)</i>		14	995300GT	SCREW,PHM,6-32 X .25	
--	116632GT	ELEC.BOX W/C-CORS,AC-DC,KUB <i>(8 Kw models with 6 lights)</i>		15	994420GT	WASHER,LOCK,#6 SS	
--	116724GT	ELEC.BOX,W/C-CORD,12KW AC-DC <i>(12 Kw models with 4 lights)</i>		16	T113644GT	BREAKER,30A 250VAC 2P,CSA.....2	
--	227314GT	ELEC BOX,12KW,6LIGHT <i>(12 Kw models with 6 lights)</i>		17	116820GT	WIRE HARN,ENG,KUBOTA,DC,2006.....1	
--	116322GT	ELEC. BOX W/C-CORD <i>(20 Kw models with 4 lights)</i>		18	663890GT	CORD SET FEMALE 6FT 5.....1	
--	227318GT	ELEC BOX,20KW,6LIGHT <i>(20 Kw models with 6 lights)</i>		19	686220GT	CONNECTOR 2 SCREW 1.25T-B.....1	
--	227652GT	ELEC BOX, 8KW, 4L,4POLE T/L <i>(8 Kw models with 4 lights and 4 pole twistlock)</i>		20		Ref. Plate, Control Box Bottom <i>(refer to 401.1)</i>	
--	227635GT	ELEC BOX, 8KW, 6L,4POLE T/L <i>(8 Kw models with 6 lights and 4 pole twistlock)</i>		21	55906GT	SCREW,PHILLIPS,PHM,8-32 X .5	
--	227639GT	ELEC BOX, 12KW, 4L, RD,4PTL <i>(12 Kw models with 4 lights and 4 pole twistlock)</i>		22	49779GT	NUT,LOCK,8-32	
--	227645GT	ELEC BOX, 20KW, 6L,4PTL <i>(12 Kw models with 6 lights and 4 pole twistlock)</i>					
--	227643GT	ELEC BOX, 20KW, 4L,4PTL <i>(20 Kw models with 4 lights and 4 pole twistlock)</i>					
--	227632GT	ELEC BOX, 20KW, 6L,4PTL <i>(20 Kw models with 6 lights and 4 pole twistlock)</i>					
1	R661490GT	RELAY 12V DC 30A NO OR.....1	1				
2	116815GT	WIRE HARN,DC,IN CTRL BOX,2006.....1	1				
3	680030GT	CONNECTOR 2 SCREW 3/4.....2	2				
4	T113642GT	BREAKER,20A MINI,120VAC 1P,CSA.....1	1				
5A	T113641GT	BREAKER,15A,120VAC 1P,CSA.....4 <i>(models with 4 lights)</i>	4				
5B	T113641GT	BREAKER,15A,120VAC 1P,CSA.....2 <i>(models with 6 lights)</i>	2				
5C	T113641GT	BREAKER,15A,120VAC 1P,CSA.....6 <i>(8 Kw models with 6 lights)</i>	6				
6	684640GT	RECEPTACLE 20A 120V DUPLEX GFI.....1	1				
7	684380GT	IGNITION SWITCH,LEVER OPR.....1	1				
8A	684450GT	RECEP 30A 20V 3POLE.....1	1				
8B	686160GT	RECEP 30A 120/240V 4 POLE					
9	824879GT	LIGHT,LED IND. RED 12V NH.....1	1				
10	R660010GT	SWITCH PUSH-BUTTON W/BOOT.....1	1				
11	47363GT	SCREW,RHM,8-32 X .50					
12	18542GT	NUT,HEX,8-32					
13	T106193GT	HOURMETER,DIGITAL,RECTANGULAR.1					

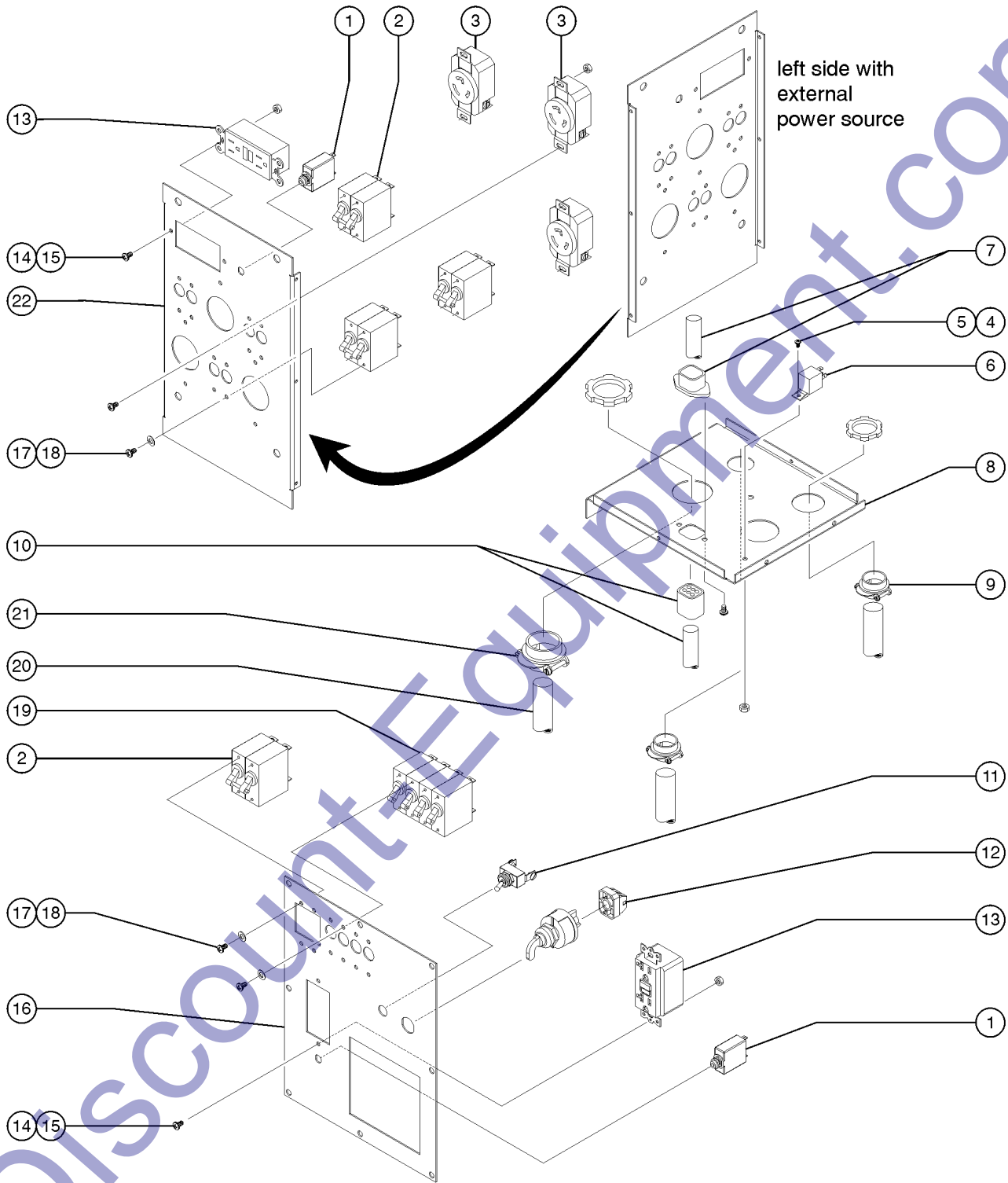
403.1 Control Box Assembly, View 2, External Power Access



403.1 Control Box Assembly, View 2, External Power Access

Item	Part No.	Description	Qty.	Item	Part No.	Description	Qty.
--	227310GT	ELEC BOX, 8KW,4L,XTRA GFI (8 Kw models with 4 lights)		21A	T113641GT	BREAKER,15A,120VAC 1,PCSA.....4 (4 lights)	4
--	227312GT	ELEC BOX,12KW,4L,XTRA GFI (12 Kw models with 4 lights)		21B	T113641GT	BREAKER,15A,120VAC 1,PCSA.....2 (6 lights)	2
--	227315GT	ELEC BOX,12KW,6L,XTRA GFI (12 Kw models with 6 lights)		21C	T113641GT	BREAKER,15A,120VAC 1,PCSA.....6 (8Kw, 6 light)	6
--	227317GT	ELEC BOX,20KW,4L,XTRA GFI (20 Kw models with 4 lights)		22	663890GT	CORD SET FEMALE 6FT 5	
--	227319GT	ELEC BOX,20KW,6L,XTRA GFI (20 Kw models with 6 lights)		23	686220GT	CONNECTOR 2 SCREW 1.25T-B	
--	227653GT	ELEC BOX, 8KW, 4L, XGFI,4PTL (8 Kw models with 4 lights and 4 pole twistlock)		24		Ref. Plate, Control Box LH Side (refer to 401.1)	
--	227638GT	ELEC BOX, 12KW, 4L, XGFI,4PTL (12 Kw models with 4 lights and 4 pole twistlock)					
--	227641GT	ELEC BOX, 12KW, 6L, XGFI,4PTL (12 Kw models with 6 lights and 4 pole twistlock)					
--	227631GT	ELEC BOX, 20KW, 4L, XGFI,4PTL (20 Kw models with 4 lights and 4 pole twistlock)					
--	227633GT	ELEC BOX, 20KW, 6L, XGFI,4PTL (20 Kw models with 6 lights and 4 pole twistlock)					
1	T113642GT	BREAKER,20A MINI,120VAC 1,PCSA.....2	2				
2	T113644GT	BREAKER,30A 250VAC 2,PCSA.....3	3				
3A	684450GT	RECEP 30A 20V 3POLE.....3	3				
3B	686160GT	RECEP 30A 120/240V 4 POLE.....3	3				
4	55906GT	SCREW,PHILLIPS,PHM,8-32 X .5					
5	49779GT	NUT,LOCK,8-32					
6	R661490GT	RELAY 12V DC 30A NO OR.....1	1				
7	116815GT	WIRE HARN,DC,IN CTRL BOX,2006.....1	1				
8		Ref. Plate, Control Box, Bottom (refer to 401.1)					
9	680030GT	CONNECTOR 2 SCREW 3/4					
10	116820GT	WIRE HARN,ENG,KUBOTA,DC,2006.....1	1				
11	684380GT	IGNITION SWITCH,LEVER OPR.....1	1				
12	684640GT	RECEPTACLE 20A 120V DUPLEX GFI.....2	2				
13	R660010GT	SWITCH PUSH-BUTTON W/BOOT.....1	1				
14	824879GT	LIGHT,LED IND. RED 12V NH.....1	1				
15	47363GT	SCREW,RHM,8-32 X .50					
16	18542GT	NUT,HEX,8-32					
17	T106193GT	HOURMETER,DIGITAL,RECTANGULAR.1	1				
18		Ref. Plate, Control Box Face (refer to 401.1)					
19	995300GT	SCREW,PHM,6-32 X .25					
20	994420GT	WASHER,LOCK,#6 SS					

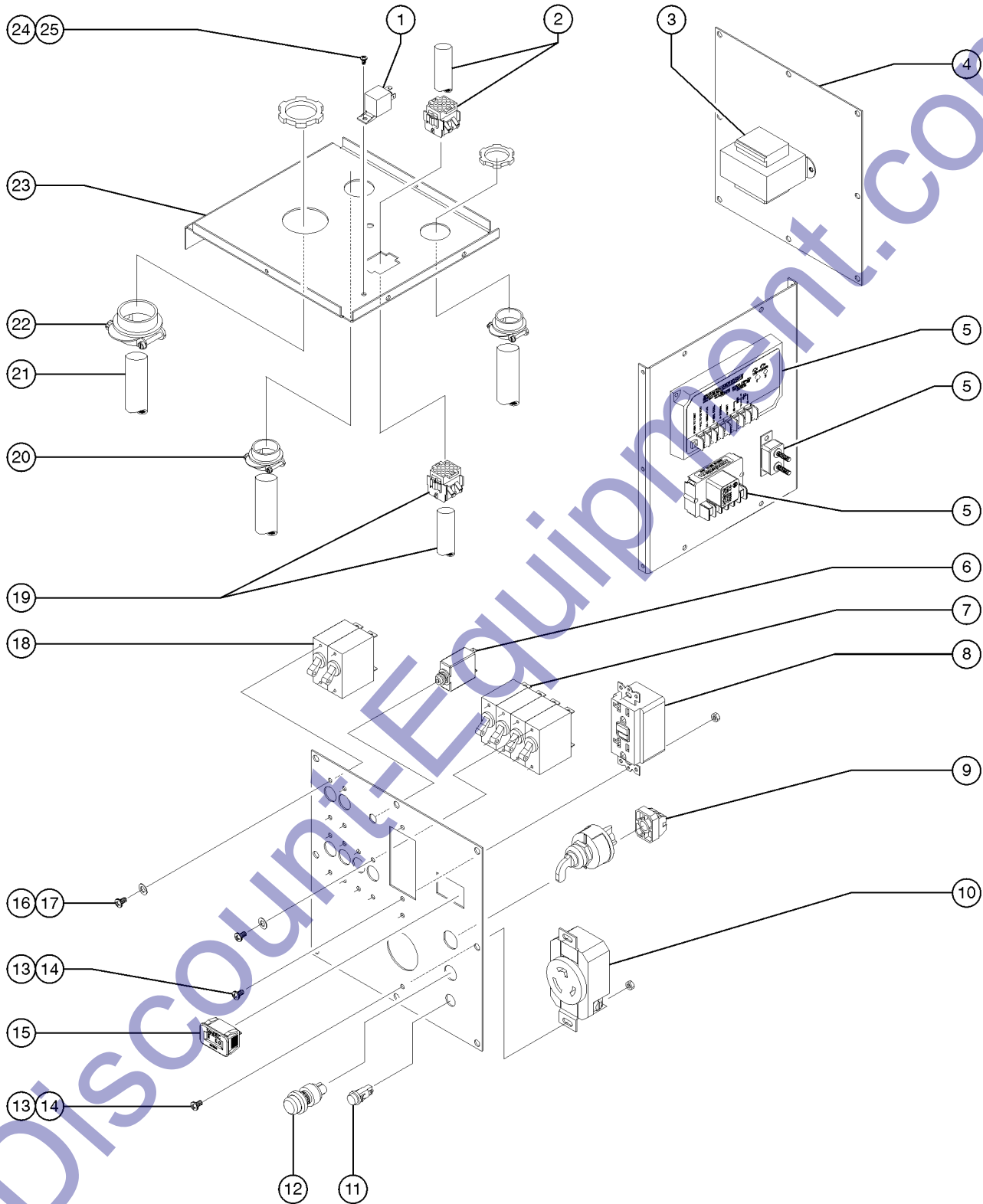
403.2 Control Box Assembly with Tier 4 option, View 2



403.2 Control Box Assembly with Tier 4 option, View 2

Item	Part No.	Description	Qty.
--	227317GT	ELEC BOX,20KW,4L,XTRA GFI (20 Kw models with 4 lights)	
--	227319GT	ELEC BOX,20KW,6L,XTRA GFI (20 Kw models with 6 lights)	
--	227631GT	ELEC BOX, 20KW, 4L, XGFI,4PTL (20 Kw models with 4 lights and 4 pole twistlock)	
--	227633GT	ELEC BOX, 20KW, 6L, XGFI,4PTL (20 Kw models with 6 lights and 4 pole twistlock)	
1	T113642GT	BREAKER,20A MINI,120VAC 1P,CSA.....2	
2	T113644GT	BREAKER,30A 250VAC 2P,CSA.....3	
3A	684450GT	RECEP 30A 20V 3POLE.....3	
3B	686160GT	RECEP 30A 120/240V 4 POLE.....3	
4	55906GT	SCREW,PHILLIPS,PHM,8-32 X .5	
5	49779GT	NUT,LOCK,8-32	
6	R661490GT	RELAY 12V DC 30A NO OR.....1	
7	1260420GT	PLUG, DEUTSCH, 6PIN BACKED.....1	
8		Ref. Plate, Control Box, Bottom (refer to 401.2)	
9	680030GT	CONNECTOR 2 SCREW 3/4	
10	116820GT	WIRE HARN,ENG,KUBOTA,DC,2006.....1	
11	663780GT	SWITCH, RPM CONTROL.....1	
12	684380GT	IGNITION SWITCH,LEVER OPR.....1	
13	684640GT	RECEPTACLE 20A 120V DUPLEX GFI.....2	
14	47363GT	SCREW,RHM,8-32 X .50	
15	18542GT	NUT,HEX,8-32	
16		Ref. Plate, Control Box Face (refer to 401.2)	
17	995300GT	SCREW,PHM,6-32 X .25	
18	994420GT	WASHER,LOCK,#6 SS	
19	T113641GT	BREAKER,15A,120VAC 1P,CSA.....4 (4 lights)	
20	663890GT	CORD SET FEMALE 6FT 5	
21	686220GT	CONNECTOR 2 SCREW 1.25T-B	
22		Ref. Plate, Control Box LH Side (refer to 401.2)	

404.1 Control Box Assembly, View 2, Roda Deaco

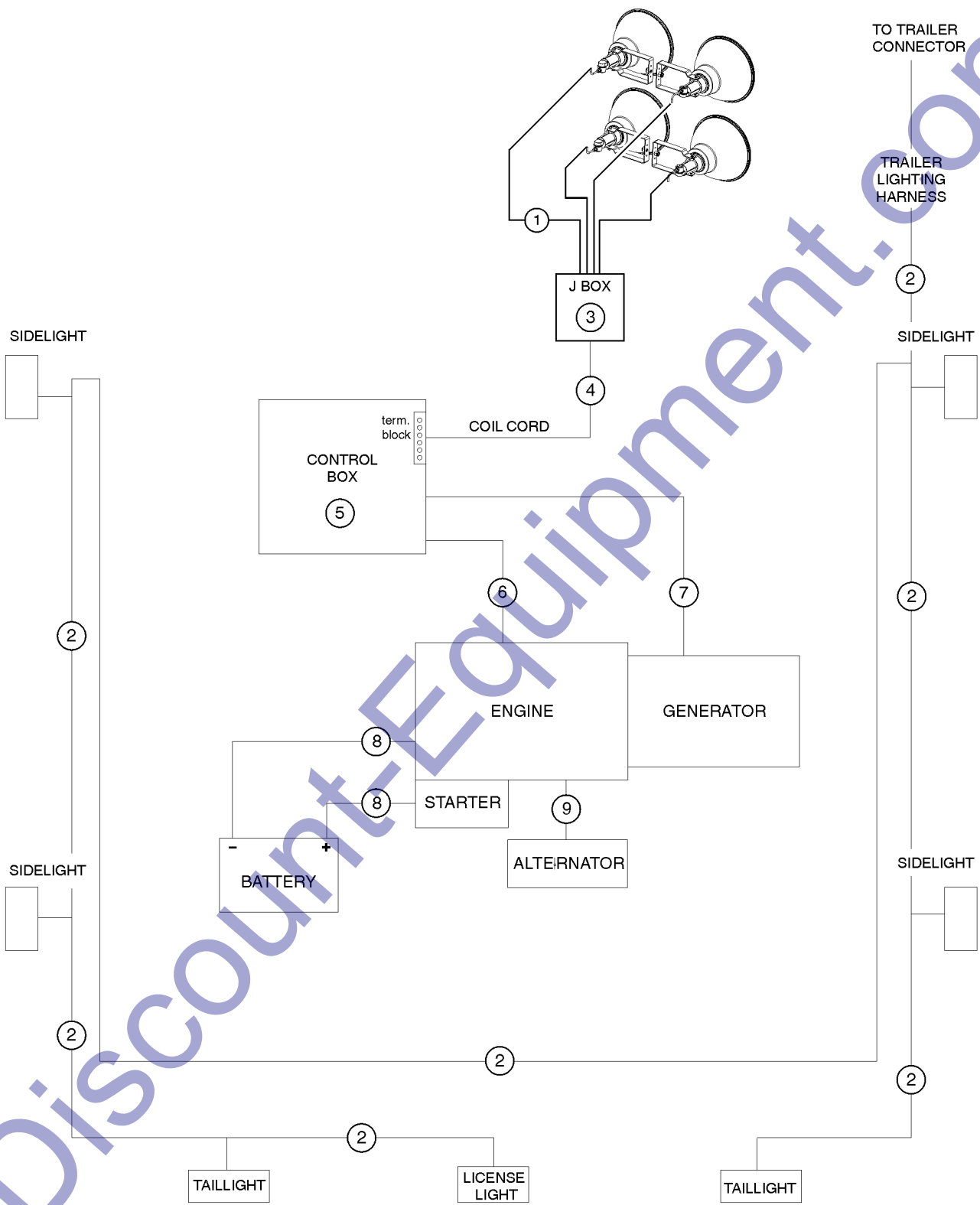


DiscountEquipment.com

404.1 Control Box Assembly, View 2, Roda Deaco

Item	Part No.	Description	Qty.	Item	Part No.	Description	Qty.
--	116794GT	ELEC.BOX W/C-CORD,RODA KUB <i>(8 Kw models with 4 lights)</i>		9	684380GT	IGNITION SWITCH,LEVER OPR.....	1
--	227311GT	ELEC BOX,8KW,6L,RD <i>(8 Kw models with 6 lights)</i>		10A	684450GT	RECEP 30A 20V 3POLE.....	1
--	227313GT	ELEC BOX,12KW,4L,RD <i>(12 Kw models with 4 lights)</i>		10B	686160GT	RECEP 30A 120/240V 4 POLE	
--	227316GT	ELEC BOX,12KW,6L,RD <i>(12 Kw models with 6 lights)</i>		11	824879GT	LIGHT,LED IND. RED 12V NH.....	1
--	T110701GT	KIT,ELEC.COMP.BOX,ISU/RODA,20K <i>(20 Kw models with 4 lights)</i>		12	R660010GT	SWITCH PUSH-BUTTON W/BOOT.....	1
--	227320GT	ELEC BOX,20KW,6L,RD <i>(20 Kw models with 6 lights)</i>		13	47363GT	SCREW,RHM,8-32 X .50	
--	227654GT	ELEC BOX, 8KW, 4L, RD,4PTL <i>(8 Kw models with 4 lights and 4 pole twistlock)</i>		14	18542GT	NUT,HEX,8-32	
--	227636GT	ELEC BOX, 8KW, 6L, RD, 4PTL <i>(8 Kw models with 6 lights and 4 pole twistlock)</i>		15	T106193GT	HOURMETER,DIGITAL,RECTANGULAR.1	
--	227639GT	ELEC BOX, 12KW, 4L, RD,4PTL <i>(12 Kw models with 4 lights and 4 pole twistlock)</i>		16	995300GT	SCREW,PHM,6-32 X .25	
--	227640GT	ELEC BOX, 12KW, 6L,4PTL <i>(12 Kw models with 6 lights and 4 pole twistlock)</i>		17	994420GT	WASHER,LOCK,#6 SS	
--	227644GT	ELEC BOX, 20KW, 4L, RD,4PTL <i>(20 Kw models with 4 lights and 4 pole twistlock)</i>		18	T113644GT	BREAKER,30A 250VAC 2P,CSA.....	1
--	227634GT	ELEC BOX, 20KW, 6L, RD,4PTL <i>(20 Kw models with 6 lights and 4 pole twistlock)</i>		19	116820GT	WIRE HARN,ENG,KUBOTA,DC,2006.....	1 <i>(8KW, Standard Box)</i>
1	R661490GT	RELAY 12V DC 30A NO OR.....	1	20	680030GT	CONNECTOR 2 SCREW 3/4.....	2
2	116815GT	WIRE HARN,DC,IN CTRL BOX,2006.....	1	21	663890GT	CORD SET FEMALE 6FT 5	
3	669086GT	TRANSFORMER 120/24VAC.....	1 <i>(models with Roda Deaco)</i>	22	686220GT	CONNECTOR 2 SCREW 1.25T-B	
4		Ref. Control Box Rear <i>(refer to 401.1)</i>		23		Ref. Plate, Control Box, Bottom <i>(refer to 401.1)</i>	
5	742369GT	SHUTDOWN ,OVERSPEED,RD <i>(includes fuse and breaker)</i>		24	55906GT	SCREW,PHILLIPS,PHM,8-32 X .5	
--	975150GT	KIT:RODA-DEACO MOUNTING		25	49779GT	NUT,LOCK,8-32	
--	975151GT	KIT:RODA DEACO WIRING					
6	T113642GT	BREAKER,20A MINI,120VAC 1P,CSA.....	1				
7A	T113641GT	BREAKER,15A,120VAC 1P,CSA.....	4 <i>(4 lights)</i>				
7B	T113641GT	BREAKER,15A,120VAC 1P,CSA.....	2 <i>(6 lights)</i>				
7C	T113643GT	BREAKER,20A,120VAC 1P,CSA.....	2 <i>(6 lights)</i>				
7D	T113641GT	BREAKER,15A,120VAC 1P,CSA.....	6 <i>(8Kw, 6 light)</i>				
8	684640GT	RECEPTACLE 20A 120V DUPLEX GFI.....	1				

405.1 Electrical Wiring and Power Cables

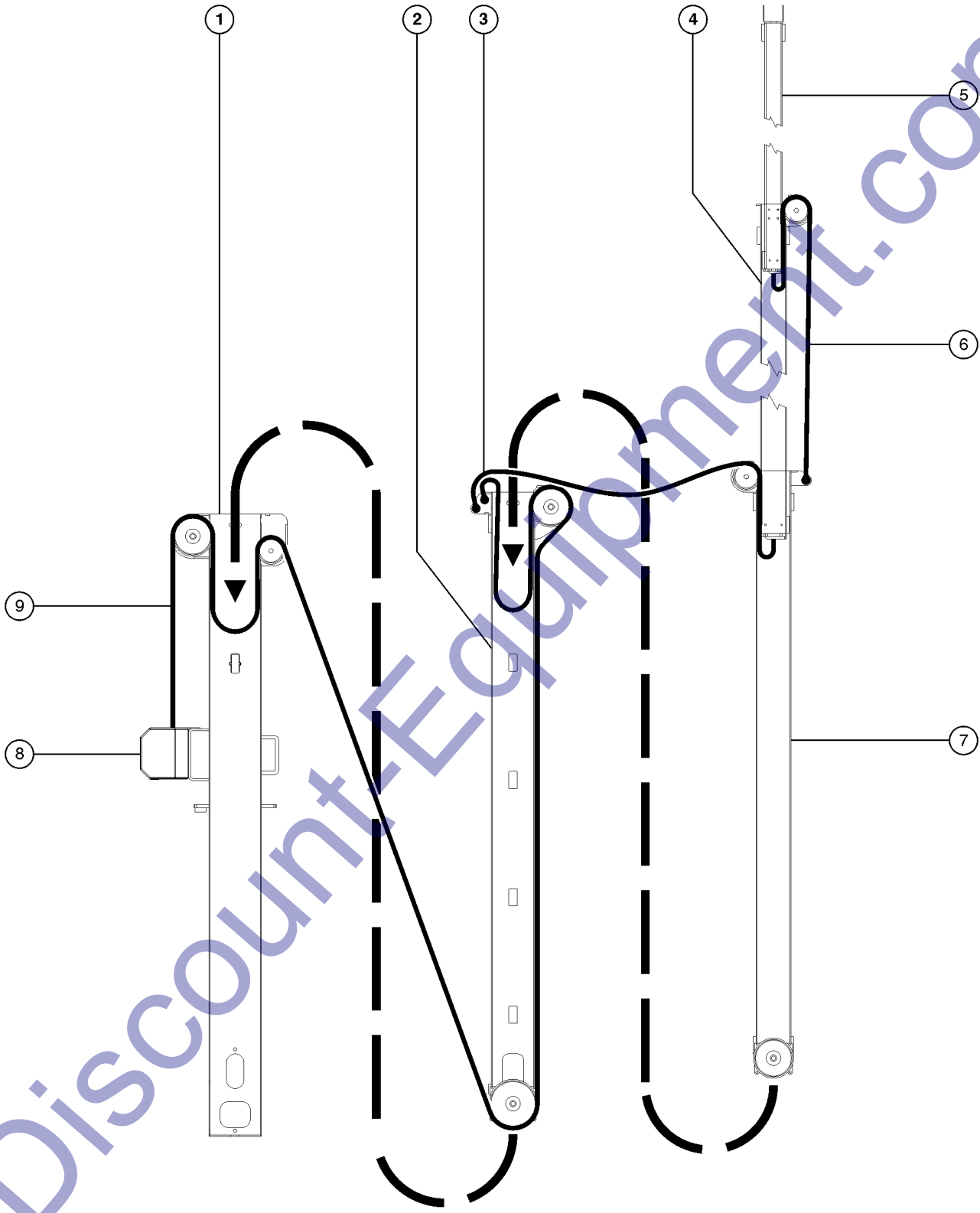


DiscountEquipment.com

405.1 Electrical Wiring and Power Cables

Item	Part No.	Description	Qty.
1		Ref. LAMP PIGTAIL (refer to 508.1 or 508.2)	
2A	663515GT	WIRE HARNESS, TAIL LIGHTS.....1	
--	663400GT	CONNECTOR, 7-POLE, TLITE, RND PIN (7-pole connector (blade))	
--	663401GT	CONNECTOR, BLADE, POS, TAILT, 7P (7-pole connector (round); 663405GT required, order separately)	
--	663420GT	CONNECTOR, TAIL LIGHT, 6 POLE (6-pole connector)	
--	663430GT	CONNECTOR, TAILLIGHT, 4 PIN (4-pole connector)	
2B	T109325GT	SVC KIT, TAILLIGHTS, AL	
3	C48300108GT	BOX, JUNC, LIGHT TWR, 4 CONN	
--	680080GT	GRIP, HUBBLE 07401010	
--	680190GT	COVER, JUNC BOX W/GSKT, 2 GANG	
--	994380GT	SCREW, RH, 6-32 X 5/8	
--	C48300108GT	BOX, JUNC, LIGHT TWR, 4 CONN	
4A	826917GT	KIT COIL CORD W JUNCTION BOX.....1 (coil cord with junction box, includes item 3) (to SN RL413-6096)	
--	663870GT	CONNECTOR 3P FEMALE RECEPTACLE	
4B	22112555GT	COIL CORD W/JUN BOX, HW (models with hard-wired coil cord)	
4C	826916GT	KIT COIL CORD WO/ JUNCTION BOX (coil cord without junction box) (to SN RL413-6096)	
5	116815GT	WIRE HARN, DC, IN CTRL BOX, 2006.....1 (engine)	
--	116770GT	WIRE HARN, AC, 60HZ, 1-240V&1-GFI (switches)	
6A	116820GT	WIRE HARN, ENG, KUBOTA, DC, 2006.....1 (engine)	
6B	116821GT	WIRE HARN, ENG, ISUZU, 4LE1, AL5 (engine)	
--	800004GT	PIGTAIL, FUEL SOLENOID, KUBOTA	
7	660101GT	CORD 10/4 SEO W-ABLAC.....1	
8	230056GT	KIT: BATTERY CABLE AL5/AL8.....1	
9	973085GT	KIT: ALTERNATOR WIRING, KUBOTA.....1	

501.1 Mast Assembly and Winch Cable Routing



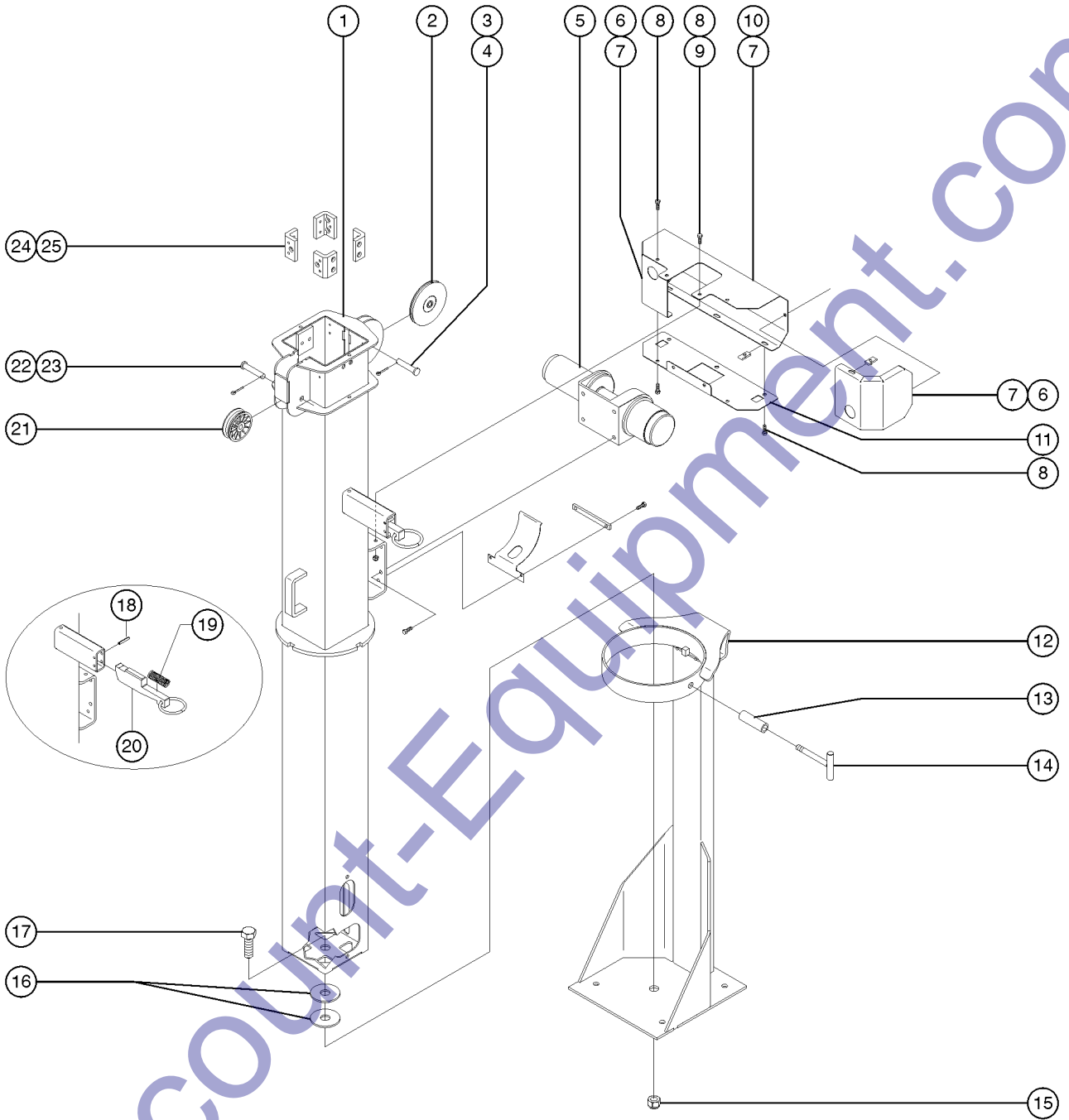
DiscountEquipment.com

501.1 Mast Assembly and Winch Cable Routing

Item	Part No.	Description	Qty.
1	1253856GT	WELDMENT, 6" ROTATING SECTION....1	
2	1253866GT	WELDMENT, MAST, 5" SECTION B.....1	
3	CU61A035GT	CABLE,EXT,LOWER, 3/16 X 11'.....1	
4	1253881GT	WELDMENT, MAST, 3" SECTION D.....1	
5	1253887GT	WELDMENT, MAST, 2" SECTION E.....1	
6	CU61A035GT	CABLE,EXT,LOWER, 3/16 X 11'.....1 <i>(also order one each 791910GT & T108880GT)</i>	
6A	791910GT	SLEEVE,OVAL,3/16",ALUMINUM.....1	
6B	T108880GT	THIMBLE WIRE ROPE-3/16.....1	
7	1253874GT	WELDMENT, MAST, 4" SECTION C.....1	
8	1255784GT	WINCH, TERRA 2500, SUPERWINCH...1	
9	822841GT	MA-CABLE ASSEMBLY 1/4.....1	

Discount-Equipment.com

502.1 Tower Base and Rotating Mast Assembly

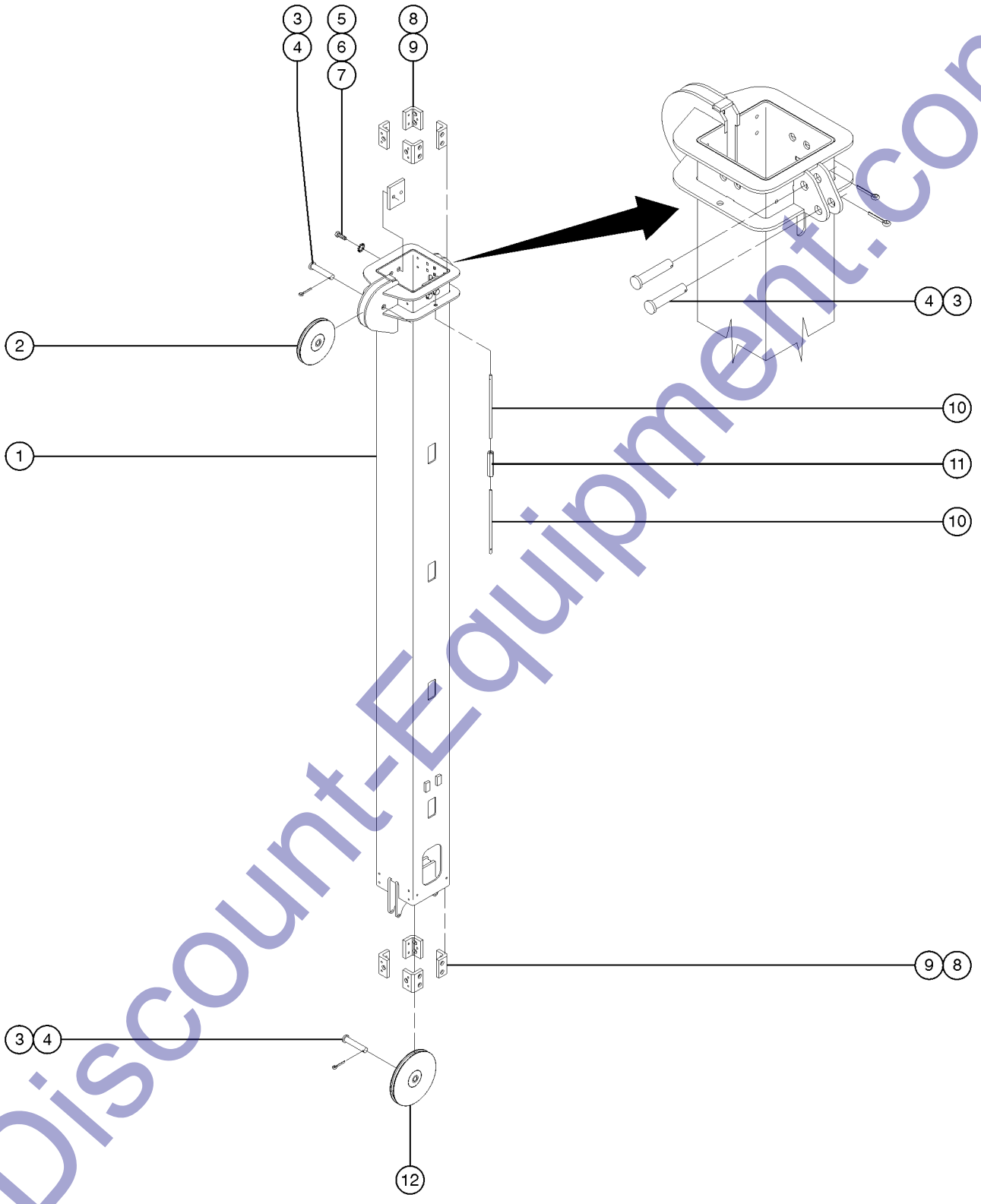


Discount-Equipment.com

502.1 Tower Base and Rotating Mast Assembly

Item	Part No.	Description	Qty.
1	1253856GT	WELDMENT, 6" ROTATING SECTION....1	
2	1254058GT	SHEAVE, 4.625"OD X 5ID, 1/4.....1	
3	992765GT	CLEVIS PIN STAINLESSS.....1	
4	990650GT	COTTER PIN 1/8X1 SSBIN STOCK.....1	
5	1255784GT	WINCH, TERRA 2500, SUPERWINCH...1	
6	1254898GT	FORMING, WINCH COVER, SIDE.....2	
7	C51600800GT	NUT CLIP 1/4 -20X3/4.....9	
8	C51601442GT	SCREW FLANGE 1/4 -20X.....11	
9	824024GT	NUT, TL, 1/4-20, C, ZAG.....2	
10	1254899GT	FORMING, WINCH COVER, TOP.....1	
11	1258597GT	FORMING, WINCH COVER, BOTTOM...1	
12	1253850GT	WELDMENT, MAST BASE.....1	
13	1258669GT	TUBE, GRAY PVC, 1/2" SCHED. 40 X 2.25.....1	
14	990610GT	BOLT,TEE 1/2-20 X 4.5.....1	
15	C54100200GT	NUT, NYLOCK 7/8-9 Z.....1	
16	69819GT	WASHER,FLAT,USS,7/8",Y.....2	
17		SCEW, HHC, 7/8 X.....1	
18	1255104GT	RING, LOCK PIN, VERTICAL MAST.....1	
19	1254506GT	SPRING, MAST LOCK, VERTICAL MAST.....1	
20	1254504GT	BAR, MAST LOCK, VERTICAL MAST...1	
21	188760GT	SHEAVE 3-1/8 X15/16.....1	
22	1254839GT	PIN, CLEVIS, .5 DIA X 2.50 LG.....1	
23	990650GT	COTTER PIN 1/8X1 SSBIN STOCK.....1	
24	1254989GT	WEAR PAD, CORNER, VERTICAL MAST.....4	
25	39579GT	RIVET,STL,STL, 188 X .45.....8	

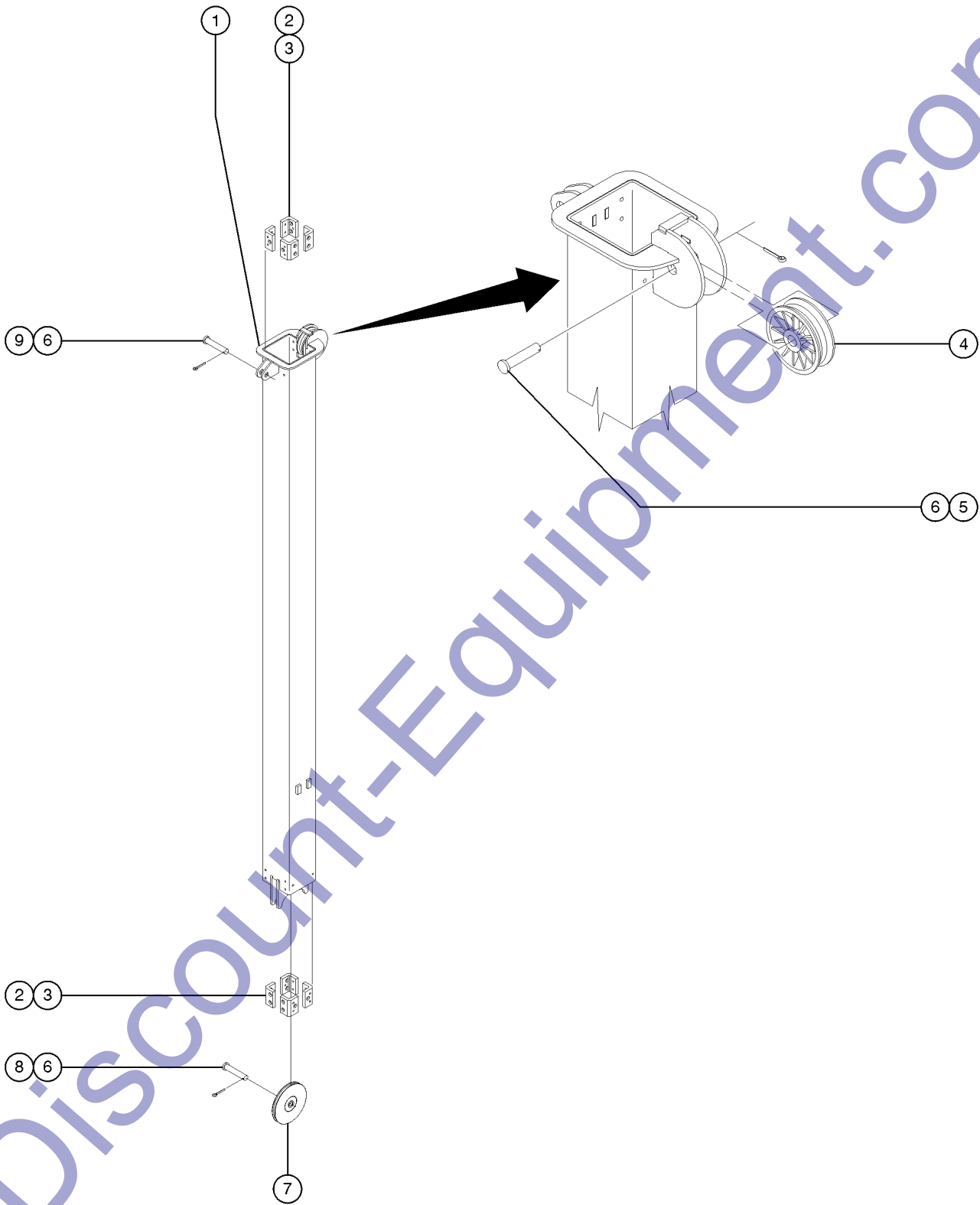
503.1 Mast Assembly, 5 Inch



Item	Part No.	Description	Qty.
1	1253866GT	WELDMENT, MAST, 5" SECTION B.....	1
2	1254059GT	SHEAVE, 5.625" OD X .5 ID.....	1
3	992765GT	CLEVIS PIN STAINLESSS.....	4
4	990650GT	COTTER PIN 1/8X1 SSBIN STOCK.....	6
5	1254838GT	SCREW, HHC, 3/8-16 X .50 WHITE ZP.....	4
6	991690GT	WASHER LOCK STAR 3/8.....	4
7	1253885GT	BAR, STRIKER, VERTICAL STOP.....	2
8	1254989GT	WEAR PAD, CORNER, VERTICAL MAST.....	8
9	39579GT	RIVET,STL,STL,.188 X .45.....	16
10	1254510GT	LOCK ROD, VERTICAL MAST.....	2
11	1259225GT	THREADED HEX NUT, 1/4" X 1.75".....	1
12	1254058GT	SHEAVE, 4.625"OD X 5ID, 1/4.....	1

Discount-Equipment.com

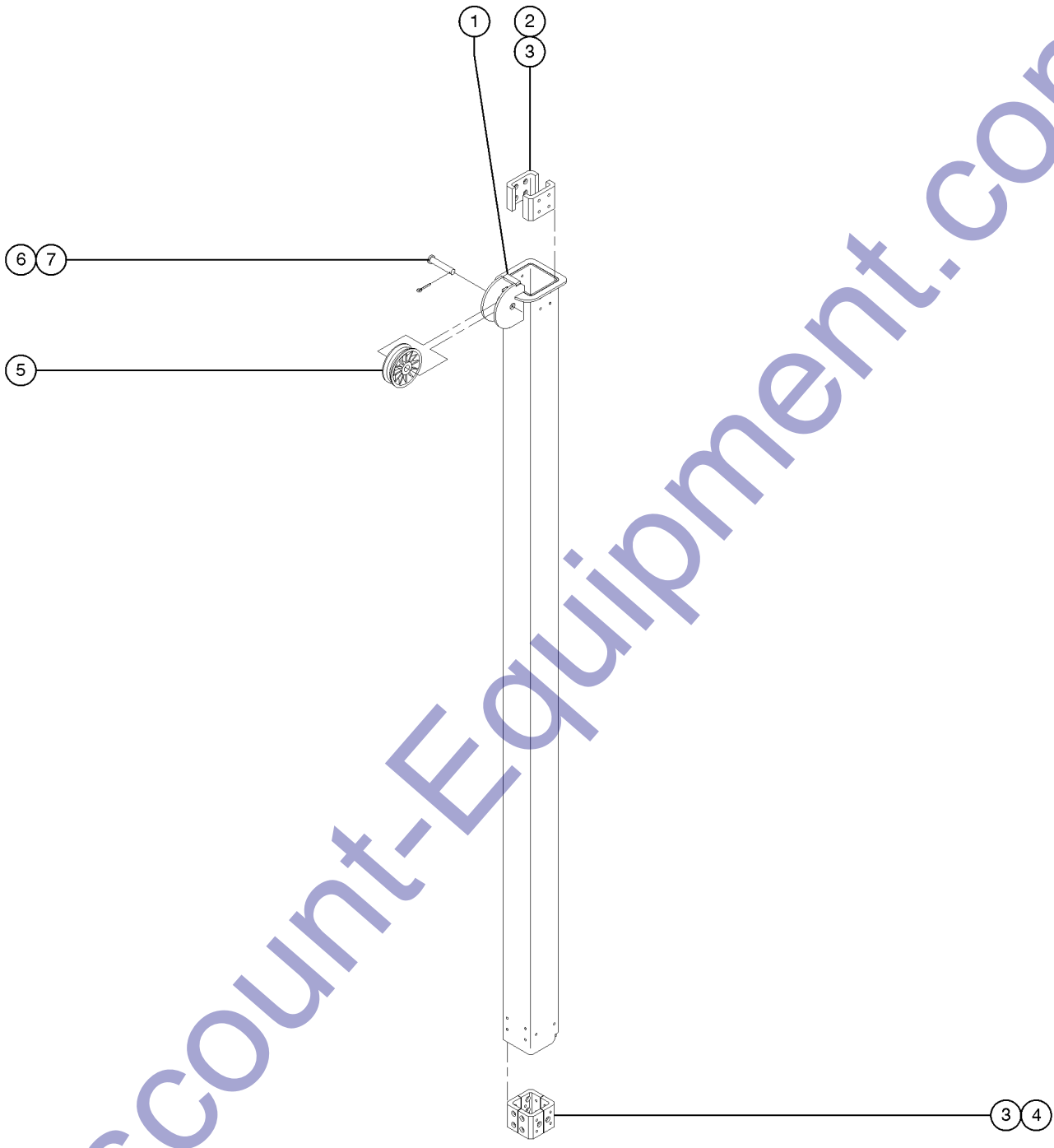
504.1 Mast Assembly, 4 Inch



Item	Part No.	Description	Qty.
1	1253874GT	WELDMENT, MAST, 4" SECTION C.....	1
2	1254989GT	WEAR PAD, CORNER, VERTICAL MAST.....	8
3	39579GT	RIVET,STL,STL,,188 X .45.....	16
4	188760GT	SHEAVE 3-1/8 X15/16.....	1
5	1254839GT	PIN, CLEVIS, .5 DIA X 2.50 LG.....	1
6	990650GT	COTTER PIN 1/8X1 SSBIN STOCK.....	3
7	1254058GT	SHEAVE, 4.625"OD X 5ID, 1/4.....	1
8	995790GT	CLEVIS PIN STAINLESSS.....	1
9	992765GT	CLEVIS PIN STAINLESSS.....	1

Discount-Equipment.com

505.1 Mast Assembly, 3 Inch



Item	Part No.	Description	Qty.
1	1253881GT	WELDMENT, MAST, 3" SECTION D.....1	1
2	1253899GT	WEAR PAD, UPPER, SECTION D.....2	2
3	39579GT	RIVET,STL,STL,.188 X .45.....16	16
4	1254989GT	WEAR PAD, CORNER, VERTICAL MAST.....4	4
5	188760GT	SHEAVE 3-1/8 X15/16.....1	1
6	992765GT	CLEVIS PIN STAINLESSS.....1	1
7	990650GT	COTTER PIN 1/8X1 SSBIN STOCK.....1	1

Discount-Equipment.com

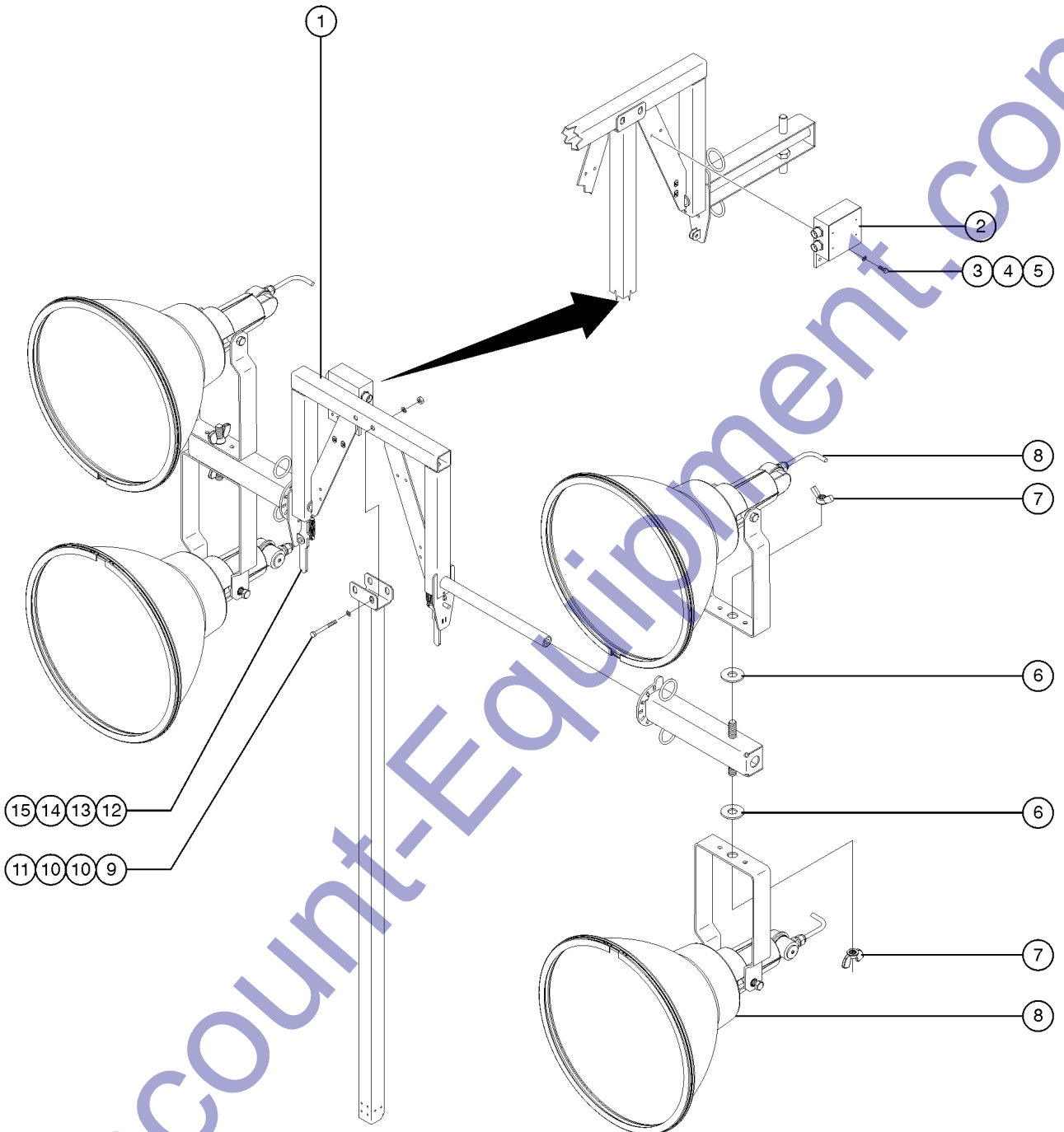
506.1 Mast Assembly, 2 Inch



Item	Part No.	Description	Qty.
1	1253887GT	WELDMENT, MAST, 2" SECTION E.....	1
2	1254989GT	WEAR PAD, CORNER, VERTICAL MAST.....	4
3	39579GT	RIVET,STL,STL,,188 X .45.....	8

Discount-Equipment.com

507.1 Light Crossbar Assembly

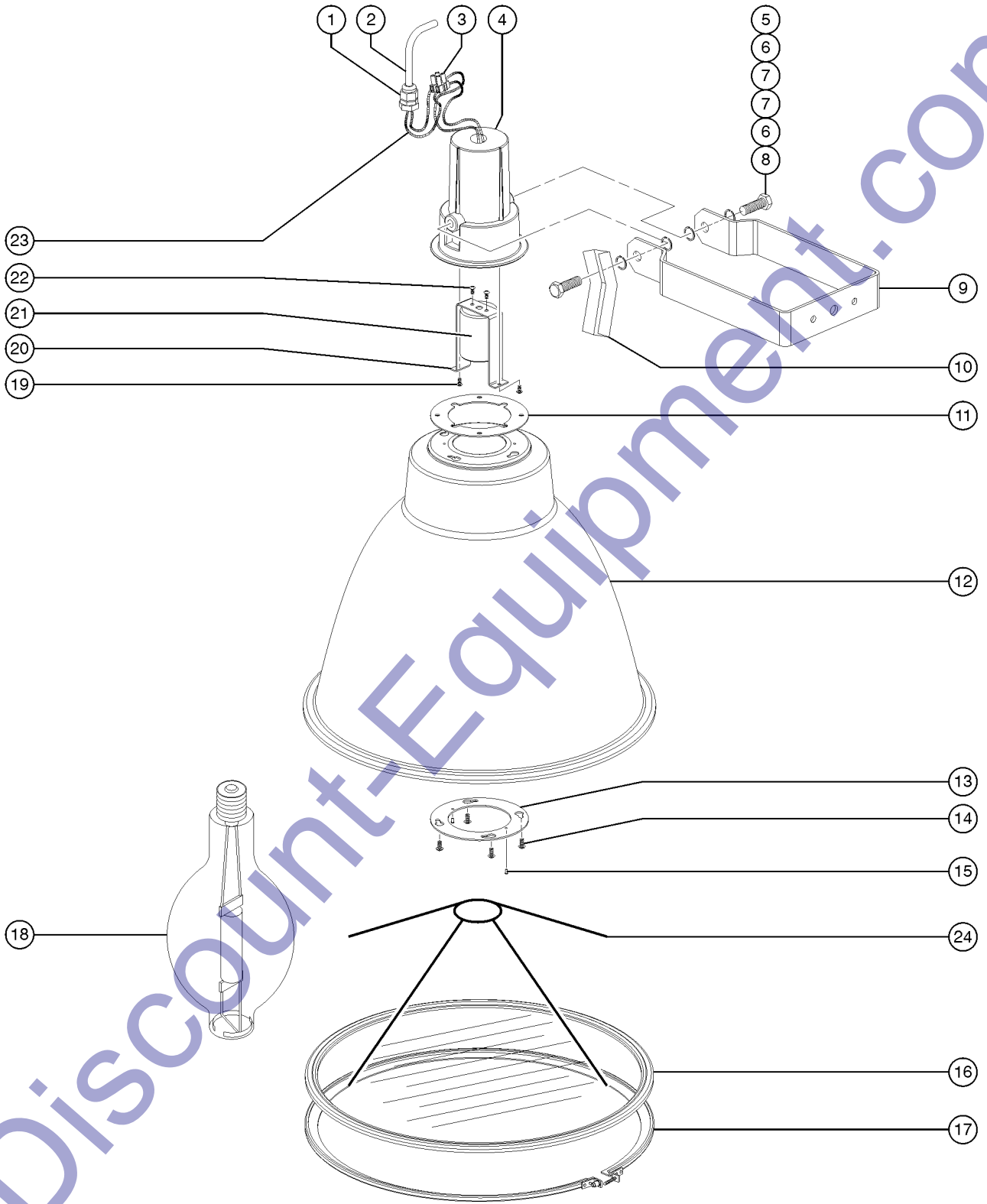


507.1 Light Crossbar Assembly

Item	Part No.	Description	Qty.
1	823665GT	WELDMENT, TOP CROSSBAR.....	1
2		Ref. JUNCTION BOX..... <i>(refer to 405.1)</i>	1
3	824060GT	SCREW,HHC,1/4-20X1,8,ZAG.....	2
4	54177GT	SCREW,HHC,1/2-13 X 1.5 GRD 8.....	2
5	824024GT	NUT, TL, 1/4-20, C, ZAG.....	2
6	990880GT	WASHER,LOCK,STAR 3/4 E.....	4
7	22123080GT	WING NUT, FIXTURE,RL4,AL4,AL5.....	4
8		Ref. LIGHT ASSEMBLY..... <i>(refer to 508.1)</i>	4
9	990170GT	NUT LOCK NYLON INSERT 3/8.....	2
10	990080GT	WASHER FLAT 3/8USS ZPBIN.....	4
11	994460GT	SCREW,HHC,3/8-16 X 4.5 ZP.....	2
12	1255085GT	PLATE,LIGHT ROTATION LOCK.....	4
13	48075GT	SPRING, OUTRIGGER.....	4
14	59972GT	CLEVIS PIN, 5/16 X 3/4.....	4
15	80336GT	CLIP, COTTER RING, 5/16 X .047.....	4

Discount-Equipment.com

508.1 Light Assembly, 16" Round

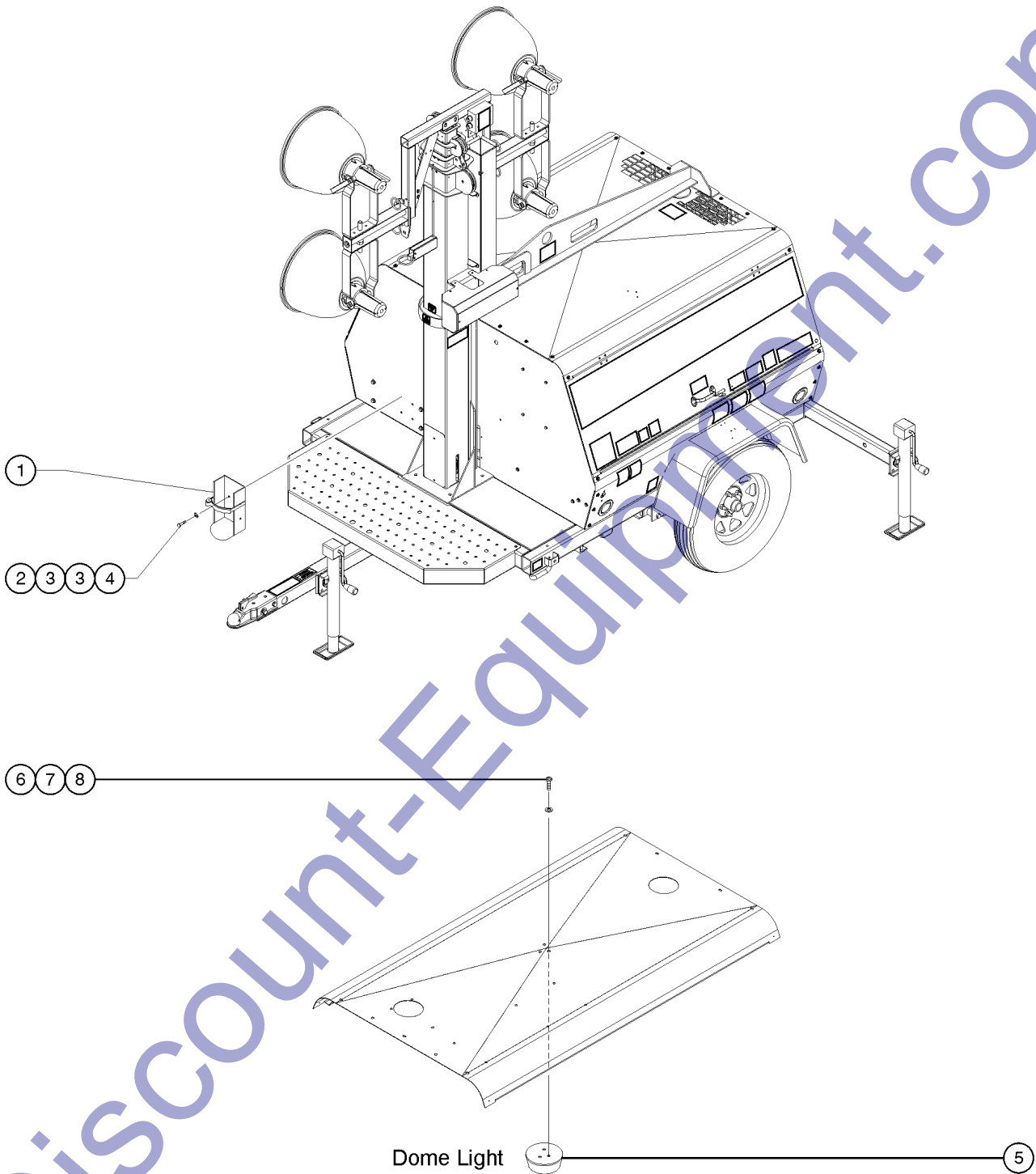


Discount-Equipment.com

508.1 Light Assembly, 16" Round

Item	Part No.	Description	Qty.
--	233777GT	LIGHT FIXTURE, MH, ROUND, 16" <i>Light Fixture, Complete (silver)</i>	
1	680020GT	LOCKNUT,CONDUIT,1/2 CSA APPVD....1	
1	682470GT	CONN,STRAIN RELIEF,1/2 NPT.....1	
1	683950GT	GASKET,STRAIN RELIEF,1/2.....1	
2	663850GT	CORD SET MALE 5FT. 3P.....1	
3	57440GT	CONNECTOR, WIRE NUT.....2	
4	833567GT	CASTING,FIXTURE QUICK CONNECT.....1 <i>silver</i>	
5	981640GT	SCREW,HHC,1/2-13 X 1.25.....1	
6	991650GT	WASHER LOCK 1/2ZP.....2	
7	995970GT	WASHER LOCK STAR 1/2E.....2	
8	981640GT	SCREW,HHC,1/2-13 X 1.25.....1	
9	833566GT	BRKT,TRUNION.....1 <i>silver</i>	
10	833573GT	T-HANDLE.....1 <i>silver</i>	
11	833569GT	GASKET, HOUSING REFLECTOR BASE.....1	
12	236839GT	REFLECTOR & LENS ASSY 16 INCH FIX.....1 <i>silver; includes items 16-17</i>	
13	833570GT	RING,REINFORCING (C41100720)	
14	833571GT	SCREW,PHM,10-24 X 5/8	
15	990675GT	RIVET POP 1/8X.390 GR	
16	236841GT	LENS W/GASKET (233777)	
--	236840GT	LENS GASKET FOR LIGHT FIXTURE	
17	236842GT	CLAMP,LENS (233777GT) <i>includes fasteners</i>	
--	833574GT	SCREW,HH SLOT,8-32X1	
--	833578GT	NUTSERT,8-32 (833543)	
--	833581GT	WASHER,CLAMP,RUBBER(833543)	
18	160077GT	LAMP MH 1000W BT37HOR.....1	
19	833565GT	SCREW,PHM,8-32X3/8.....2	
20	833563GT	BRKT,SOCKET MOGUL FO.....1	
21	833564GT	SOCKET BASE-MOGUL.....1	
22	833577GT	SCREW,RHM,6-32X5/8.....2	
23	833582GT	SLEEVE,WIRE,FIBERGLASS.....1	

601.1 Chassis Options

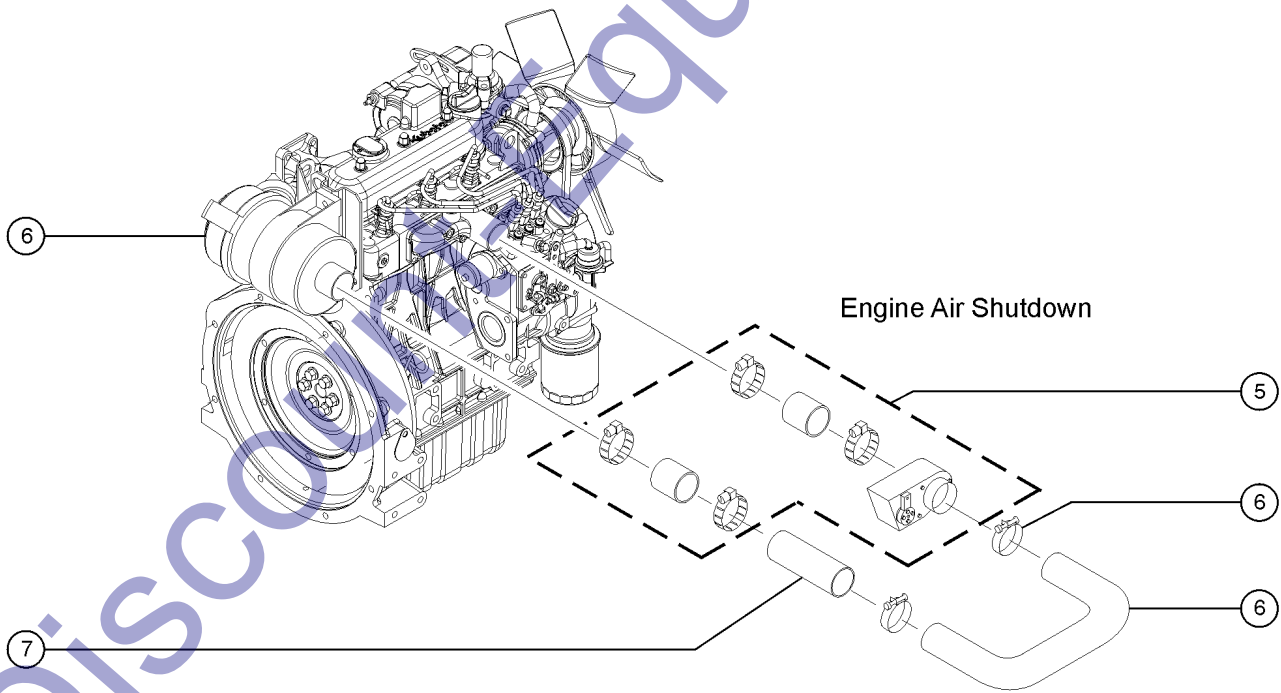
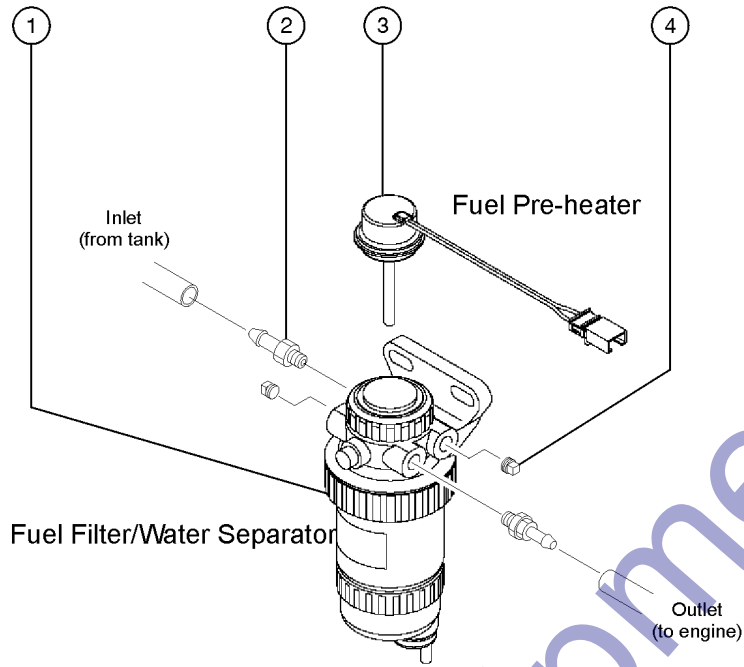


Discount-Equipment.com

Item	Part No.	Description	Qty.
1	991940GT	NUT,NYLOCK,5/16-18.....	4
2	981065GT	WASHER FLAT 5/16ZP SAE/BIN.....	8
3	217719GT	BRACKET FIRE EXT 20LB AL5.....	1
4	123840GT	SCREW,HHC,5/16-18X.75,GR8,Y.....	4
5	684030GT	LIGHT,DOME, 12V DC.....	1
6	993711GT	SCREW #10-24NCX1/2RD.....	3
7	995755GT	WASHER FLAT BONDED3/1.....	3
8	6-6286-04GT	NUT.....	3

Discount-Equipment.com

602.1 Engine Options

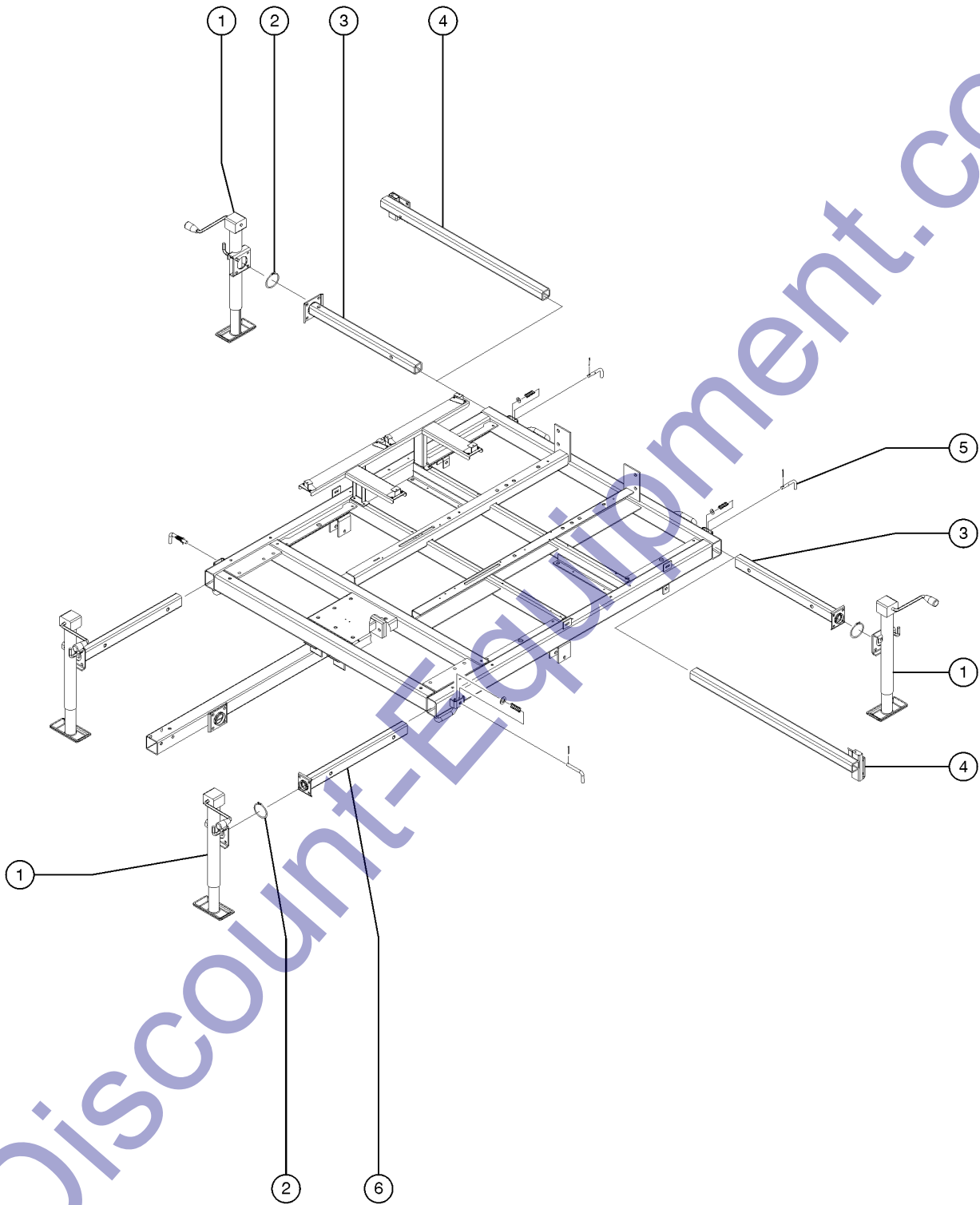


DISCO...quipment.com

602.1 Engine Options

Item	Part No.	Description	Qty.
1	116154GT	AY,DSL FUEL/WATER SEPARATOR.....1	
--	116148GT	GASKET,FUEL FILTER <i>for 116151GT</i>	
--	116151GT	FILTER,30 MICRON FUEL-WATER	
--	116152GT	GASKET,WATER COLLECTOR <i>for 116153GT</i>	
--	116153GT	WATER COLLECTOR AY	
--	116211GT	WASHER,RUBBER SEAL <i>for 116212GT</i>	
--	116212GT	VALVE,PLASTIC DRAIN	
1A	981120GT	WASHER FLAT 3/8 ZP SAE BIN.....4	
1A	990170GT	NUT LOCK NYLON INSERT 3/8.....2	
1A	990470GT	WASHER LOCK 3/8ZP.....2	
1A	991761GT	SCREW,HHC,3/8-16 X 1.25.....2	
2	898590GT	HOSE FITTING PIPE/BAR.....2	
3	116144GT	HEATER, TOPLOAD FUEL, 100W/12V...1	
--	116145GT	GASKET, FUEL HEATER	
--	116587GT	FUSE,ATC BLADE,10A	
--	116588GT	FUSE HOLDER,ATC BLADE,#16	
4	894230GT	PIPE PLUG 1/4 GALV.....2	
5	228651GT	RODA DACO MANUAL SHUTDOWN.....1	
6		Ref., ENGINE AIR COMPONENTS <i>(refer to 304.1, 305.1, 308.1 or 308.2)</i>	
7	228653GT	INTAKE FILTER SIDE MANUAL AIR.....1	

603.1 Outrigger Options



Discount-Equipment.com

603.1 Outrigger Options

Item	Part No.	Description	Qty.
1A	841430GT	JACK,MECHANICAL,3000LB.....4-EA <i>(models with front outriggers) (qty 4 per unit)</i>	
1B	841430GT	JACK,MECHANICAL,3000LB.....2-EA <i>(models without front outriggers) (qty 2 per unit)</i>	
2A	840222GT	SNAP RING,JACK (841430).....4-EA <i>(models with front outriggers) (qty 4 per unit)</i>	
2B	840222GT	SNAP RING,JACK (841430).....2-EA <i>(models without front outriggers) (qty 2 per unit)</i>	
3	114612GT	OUTRIGGER,3X2X32.5,GALVANIZED.2-EA <i>(models with steel fenders)</i>	
4	114613GT	OUTRIGGER 3X2X33REARAL5000.....2-EA <i>(models with plastic fenders)</i>	
5A	790965GT	PIN,PLUNGER,OUTRIGGER, KIT....4-EA <i>(models with front outriggers) (qty 4 per unit)</i>	
5B	790965GT	PIN,PLUNGER,OUTRIGGER, KIT....2-EA <i>(models without front outriggers) (qty 2 per unit)</i>	
6	114612GT	OUTRIGGER,3X2X32.5,GALVANIZED.2-EA <i>(models with front outriggers)</i>	

Discount-Equipment.com

Part Number Index

The Part Number Index is a numeric index of all part numbers included in this manual. The index shows what page(s) the part is used on.

Part Number	Page	Part Number	Page	Part Number	Page	Part Number	Page
101208GT	41	116815GT	69, 71, 75, 77	1276736GT	53	189871GT	33
101209GT	41	116820GT	69, 71, 73, 75, 77	1276737GT	53	189872GT	33
110523GT	39, 49	116821GT	51, 77	1276738GT	53	189920GT	33
111700GT	63	116833GT	41	1276739GT	53	190150GT	41
112300GT	35	116893GT	15	1276740GT	53	213770GT	29
113390GT	35	116894GT	15	1276741GT	53, 57	215711GT	55
114251GT	15	116895GT	15	1276742GT	53	215712GT	55
114258GT	13	116936GT	29	1276745	57	215719GT	55
114355GT	31	116937GT	29	1276746GT	57	215722GT	55
114431GT	13	119668GT	21	1283776GT	11	216011GT	11
114612GT	17, 99	122079GT	29	131379GT	11	216631GT	17
114613GT	17, 99	123461GT	29	131661GT	11	216634GT	17
114720GT	19	123490GT	33	133042GT	15	217714GT	21
114895GT	31	123840GT	61, 63, 95	133055GT	15	217719GT	95
115530GT	35	124192GT	33	133062GT	13, 15	217720GT	19
116068GT	37	124420GT	35	133065GT	15	218074GT	19, 21, 23, 25
116132GT	59	124470GT	17	133148GT	13	218567GT	11
116133GT	51	1251869GT	23	133149GT	15	218691GT	29
116144GT	97	125260GT	33	133463GT	13	22112555GT	77
116145GT	97	1253850GT	81	133482GT	13	22123080GT	91
116148GT	97	1253856GT	79, 81	133483GT	13	22124015GT	39
116151GT	11, 51, 97	1253866GT	79, 83	133484GT	13	22124016GT	39
116152GT	97	1253874GT	79, 85	13854GT	17, 29	22124025GT	39
116153GT	97	1253881GT	79, 87	139278GT	41	225866GT	59
116154GT	51, 97	1253885GT	83	139279GT	41	22700GT	55, 57, 59
116167GT	61	1253887GT	79, 89	147123GT	27	227082GT	29
116168GT	61	1253899GT	87	1484GT	11	227147GT	65
116169GT	61	125395GT	41	160030GT	31	227310GT	71
116172GT	61	1254058GT	81, 83, 85	160032GT	31	227311GT	75
116174GT	61	1254059GT	83	160040GT	31	227312GT	71
116176GT	61	1254501GT	35	160042GT	31	227313GT	75
116177GT	61	1254504GT	81	160077GT	93	227314GT	69
116178GT	61	1254506GT	81	161050GT	63	227315GT	71
116179GT	61	1254510GT	83	161180GT	31	227316GT	75
116182GT	61	1254824GT	39	161181GT	31	227317GT	71, 73
116183GT	61	1254838GT	83	161184GT	31	227318GT	69
116184GT	61	1254839GT	81, 85	161185GT	31	227319GT	71, 73
116187GT	61	1254898GT	81	161700GT	15	227320GT	75
116188GT	11, 61	1254899GT	81	162160GT	17	227336GT	59
116211GT	97	1254989GT	81, 83, 85, 87, 89	162277GT	63	227348GT	13
116212GT	97	1255085GT	91	162280GT	19	227349GT	13
116213GT	47	1255104GT	81	162363GT	17	227350GT	13
116253GT	61	1255379GT	13	162368GT	23, 25	227519GT	13, 15
116289PPGT	47	1255380GT	17	162369GT	25	227631GT	71, 73
116292GT	47	1255755GT	13, 15	174170GT	35	227632GT	69
116296GT	47	1255784GT	79, 81	176335GT	29	227633GT	71, 73
116297GT	47	1256375GT	17	176370GT	35	227634GT	75
116298GT	47	1258567GT	11	176380GT	35	227635GT	69
116309GT	47	1258597GT	81	182330GT	35	227636GT	75
116314GT	49	1258649GT	35	183731GT	29	227638GT	71
116322GT	69	1258668GT	17	184840GT	17	227639GT	69, 75
116413GT	11, 47	1258669GT	81	18507GT	59	227640GT	75
116414GT	47	1259225GT	83	185370GT	65	227641GT	71
116418GT	47	1259262GT	13, 15	185382GT	65	227643GT	69
116421GT	33	1259676GT	67	185390GT	65	227644GT	75
116423GT	33	1259677GT	67	185405GT	65	227645GT	69
116498GT	47	1259678GT	67	18542GT	69, 71, 73, 75	227652GT	69
116502GT	47	1259679GT	67	186280GT	35	227653GT	71
116503GT	55	1259680GT	67	186285GT	35	227654GT	75
116509GT	11, 49	1260029GT	67	186733GT	65	228092GT	27
116511GT	47	1260420GT	73	186788GT	65	228093GT	27
116512GT	47	1262632GT	29	186801GT	65, 67	228461GT	27
116513GT	11, 49	1264569GT	53	187988GT	55	228651GT	97
116514GT	11, 49	1264570GT	57	188735GT	37	228653GT	97
116523GT	39, 41	1264573GT	53	188760GT	81, 85, 87	228708GT	13
116532GT	35	1264575GT	53, 57	188775GT	37	228709GT	13, 15
116587GT	97	1264584GT	57	188785GT	37	228711GT	13
116588GT	97	1264596GT	57	189293GT	59	229101GT	11
116632GT	69	1264609GT	53	189347GT	61	229102GT	13, 15
116724GT	69	1264612GT	53, 57	189390GT	65, 67	229457GT	11, 61
116729GT	63	1264615GT	53	189795GT	35	229782GT	15
116733GT	39	1264617GT	57	189842GT	33	230056GT	77
116770GT	77	1268GT	11	189851GT	33	230560GT	27
116780GT	69	1276734GT	53	189861GT	33	230561GT	27
116794GT	75	1276735GT	53	189862GT	33	230562GT	27

Part Number	Page	Part Number	Page	Part Number	Page	Part Number	Page
230563GT	27	6024GT	29	796730GT	33	841061GT	17
230565GT	27	6035GT	29	800004GT	77	841430GT	99
230566GT	27	6095GT	17, 29, 35	80336GT	91	841473GT	17
230567GT	27	6096GT	17	80379GT	39, 47	841611GT	33
230568GT	27	6097GT	17, 19, 21, 35	822841GT	79	841890GT	13, 15
230569GT	27	6175GT	35	823384GT	41	85207GT	11
230570GT	27	61975GT	17	823665GT	91	865055GT	41
230571GT	27	6198GT	17, 29, 61, 63	824024GT	17, 33, 35, 37, 39, 47, 55, 59, 81, 91	865079GT	41, 47
230573GT	27	62118GT	43			865085GT	39
230575GT	27	62296GT	41			865086GT	39
230577GT	27	6356GT	59	824025GT	17	865100GT	43
230579GT	27	660101GT	77	824029GT	17, 19, 21, 35	865257GT	43
230580GT	27	660320GT	19, 21	824060GT	91	865261GT	39
231332GT	45	663400GT	77	82481GT	15	865263GT	39
231333GT	45	663401GT	77	824820GT	63	865276GT	41
233777GT	93	663420GT	77	824879GT	69, 71, 75	865307GT	39, 49
234842GT	41	663430GT	77	82487GT	15	865435GT	41
235731GT	13, 15	663515GT	77	825077GT	23, 25	866030GT	43
236839GT	93	663520GT	35	825078GT	23, 25	866040GT	43, 49
236840GT	93	663527GT	35	825081GT	23, 25	866050GT	11, 43
236841GT	93	663528GT	35	825124GT	23, 25	866081GT	41
236842GT	93	663780GT	73	825125GT	23, 25	866090GT	41, 47
237271GT	13, 15	663840GT	35	826452GT	17	866101GT	41, 47
237272GT	13, 15	663850GT	93	826916GT	77	866110GT	39
237273GT	13, 15	663860GT	31	826917GT	77	866113GT	39
237274GT	13, 15	663870GT	77	832128GT	41, 47	866120GT	39
237301GT	13, 15	663890GT	69, 71, 73, 75	833563GT	93	866126GT	45
27034GT	55	66399GT	11	833564GT	93	866127GT	11, 45
27581GT	11	669086GT	75	833565GT	93	866128GT	45
28159GT	13, 15	67230GT	29	833566GT	93	866129GT	45
28750GT	11	67231GT	29	833567GT	93	866394GT	39, 41
30973GT	55	6732GT	63	833569GT	93	866803GT	41
31788GT	13	680020GT	93	833570GT	93	866825GT	41
32069GT	41	680030GT	35, 37, 69, 71, 73, 75	833571GT	93	868036GT	11
32103GT	43			833573GT	93	868067GT	11
32150GT	11	680080GT	77	833574GT	93	868112GT	51
32151GT	11	680190GT	77	833577GT	93	868113GT	51
32185GT	11, 39, 41, 49, 51, 53	680250GT	35, 37	833578GT	93	890785GT	11, 19, 21
		682470GT	93	833581GT	93	890790GT	19, 21, 39
32191GT	41	682660GT	35	833582GT	93	890795GT	11, 19, 21, 23, 25, 43, 49
32645GT	17	683950GT	93	834211GT	17		
33265GT	29	684030GT	95	834226GT	27	891520GT	19, 21
33994GT	11	684380GT	69, 71, 73, 75	834228GT	27	891530GT	19, 21
35729GT	19	684450GT	69, 71, 73, 75	834246GT	17	891560GT	19, 21
39579GT	81, 83, 85, 87, 89	684640GT	69, 71, 73, 75	834250GT	27	89163GT	29
44191GT	41	686160GT	69, 71, 73, 75	834255GT	27	893020GT	47
44196GT	43	686220GT	69, 71, 73, 75	834267GT	17	894230GT	97
44197GT	43	69819GT	81	834458GT	55	897110GT	41, 47
44198GT	43	720401GT	17	834460GT	11	898590GT	11, 19, 21, 43, 97
47363GT	69, 71, 73, 75	72086GT	13, 15	836853GT	11, 61	930950GT	33
48075GT	91	732205PPGT	39	836856GT	11, 61	93500GT	11
4828GT	17	740620GT	11, 19, 21	839011GT	41	96005GT	23, 25
49612GT	11	740770GT	39	839027GT	41, 47	972895GT	33
49613GT	11	740920GT	55, 57, 61, 63	839034GT	41	973030GT	65, 67
49779GT	69, 71, 73, 75	741140GT	43, 49	839049GT	45	973085GT	77
52265GT	27	741701GT	21	839103GT	41, 43	973390GT	49
52475GT	13, 15	741720GT	19, 21	839107GT	43, 49	974640GT	35
52531GT	41	741970GT	47	839109GT	11, 39	974686GT	35
52532GT	41	742369GT	75	839110GT	11, 39	974803GT	51
52533GT	41	75144GT	17	839119GT	43	974813GT	35
5397GT	33	77055GT	13, 15	839134GT	41	975150GT	75
54177GT	91	77172GT	13	839149GT	43	975151GT	75
55906GT	69, 71, 73, 75	77172GT	15	839151GT	41	97518GT	13
57332GT	29	790540GT	29, 35	839154GT	41, 49	975907GT	41
57440GT	93	790930GT	17	839157GT	43	97602GT	13
57587GT	35	790940GT	35	839190GT	41, 47	97666GT	13
58356GT	11	790965GT	99	839200GT	11, 49	97675GT	13
58486GT	59	791600GT	47	839209GT	11, 41, 47	981065GT	95
59680GT	63	791610GT	47, 55	839244GT	41	981120GT	37, 63, 97
59972GT	91	791910GT	79	839246GT	41	981460GT	25
6-5208-32GT	61	792750GT	19, 21, 49	839261GT	41, 47	981640GT	93
6-5208-44GT	29	793490GT	17	840222GT	17, 99	990080GT	25, 31, 33, 47, 55, 91
6-6212-08GT	63	794890GT	37	840376GT	27		
6-6286-04GT	95	796432GT	35	840377GT	27	990160GT	33
6-9111-10GT	47	796438GT	35	840392GT	17	990170GT	25, 31, 33, 37, 91, 97
6019GT	21	796513GT	35	84042GT	41		

Part Number Index (continued)

Part Number	Page	Part Number	Page
990180GT	17	T110456GT	63
990190GT	47	T110632GT	29
990200GT	33, 39, 47, 55, 57	T110701GT	75
990210GT	39, 55, 57, 61	T111617GT	51
990270GT	33, 55, 57	T111619GT	51
990340GT	33, 35, 55	T111622GT	51
990400GT	55	T111625GT	55
990410GT	47, 55, 57, 63	T111627GT	63
990415GT	39, 61	T111628GT	63
990450GT	17, 37	T111700GT	63
990460GT	17, 41, 61, 63	T111701GT	55
990470GT	61, 63, 97	T112123GT	33
990610GT	81	T112134GT	33
990650GT	81, 83, 85, 87	T113584GT	63
990670GT	33, 35	T113586GT	63
990675GT	93	T113587GT	63
990880GT	91	T113641GT	69, 71, 73, 75
991650GT	29, 33, 35, 39, 93	T113642GT	69, 71, 73, 75
991690GT	17, 83	T113643GT	75
991761GT	61, 63, 97	T113644GT	69, 71, 73, 75
991940GT	23, 25, 95	T113669GT	59
991945GT	55	T113670GT	59
99199GT	43, 49	T113671GT	59
992220GT	25	T113672GT	59
992765GT	81, 83, 85, 87	T113673GT	59
993240GT	17	T113688GT	59
993421GT	35	T113755GT	55
993440GT	17, 33	T113756GT	51
993711GT	95	T113757GT	51
993850GT	33, 35	T113758GT	55
993860GT	33	T113759GT	55
994130GT	17, 35	T113760GT	55
994380GT	77	T113761GT	55
994420GT	69, 71, 73, 75	T113762GT	55
994460GT	91	T113763GT	55
994600GT	17, 33, 35	T113764GT	55
994830GT	39, 55, 63	T113765GT	55
995110GT	39, 47	T113766GT	51
995300GT	69, 71, 73, 75	T113767GT	11, 51
995310GT	17, 29	T113769GT	11, 55
995380GT	39	T113770GT	51
995490GT	31	T113771GT	51
995755GT	95	T113772GT	51
995790GT	85	T113774GT	55
995810GT	19, 21, 33, 35, 37, 49	T113775GT	51
995970GT	93	T113776GT	11, 55
996330GT	41	T113777GT	51
996380GT	37	T113779GT	55
998120GT	61	T113780GT	51
C21353GT	37	T113781GT	55
C48300108GT	77	T113782GT	55
C51101000GT	37	T113783GT	55
C51600800GT	81	T113784GT	55
C51601442GT	39, 81	T113786GT	55
C54100200GT	81	T113805GT	65
CSE350GT	63	T113972GT	59
CU61A035GT	79	T113974GT	57, 59
GUU401100GT	37	T113975GT	59
R660010GT	69, 71, 75	T113984GT	55
R661490GT	69, 71, 73, 75	T113985GT	55
T106193GT	69, 71, 75	T113987GT	55
T108021GT	13	T113989GT	55
T108022GT	13	T114066GT	65
T108023GT	15	T114068GT	65
T108024GT	15		
T108880GT	79		
T109127GT	29		
T109129GT	29		
T109325GT	77		
T110064GT	59		
T110446GT	55		
T110447GT	55		
T110451GT	63		
T110453GT	51		
T110455GT	59		

The Part Description Index is an alphabetical index of all part descriptions included in this manual. The index shows what page(s) the part is used on.

1
1/4-20 X .75 LG.FLG.LCK.SCREW.....59

6
60 GALLON FUEL TANK.....23, 25

A
ADJUSTER SCREW ASSY, ALXL.....27
ADJUSTER SPRING,E BRAKE,ALXL.....27
ADJUSTER SPRING,H BRAKE,ALXL.....27
AIR CLEANER ASSY.,4LE2-T.....57
AIR CLEANER BRACKET, D1105.....45
AIR CLEANER COVER.....47
AIR CLEANER VALVE.....47
AIR CLEANER, ISUZU 4LE2.....11, 55
AIR CLEANER,DONALDSON G042544.....11, 47
AIR CLNR MNT DONALDSON P777151.....47
AIR FILTER ASSY,DONALDSON.....55
AIR IN. PIPE, 4LE2-T.....57
ALTERNATOR, ISUZU 4LE2.....55
ALTERNATOR,ISUZU,TIER4.....57
ALTERNATOR,KUBOTA*.....41, 47
ANGLE, FRONT FUEL TANK MOUNTING.....23
AS-RING HITCH MOUNT.....29
ASSY, INJECTION PUMP,ISUZU 4LE.....51
ASSY, WATER PUMP, ISUZU 4LE2.....55
ASY,CABINET FRONT,AL5 EXT PWR.....33
ASY,CABINET FRONT,AL5 NO PWR.....33
ASY,ENGIN TAILPIPE.....47
AXLE ASSY,3500LB,IDLE,AL5,7,8.....27
AXLE W/ELECTRIC BRAKES.....27
AXLE W/HYD SURGE BRK/BALL AL5.....27
AXLE W/HYD SURGE BRK/RING AL5.....27
AY,DSL FUEL/WATER SEPARATOR.....51, 97

B
BALL, 2" ZINC.....29
BALLAST ASSY,60HZ,HPS,1000W.....31
BALLAST ASSY,60HZ,MH,1KW,120V.....31
BALLAST HPS 60HZ 120V.....31
BALLAST/CAP MH60Hz120.....31
BAND, AIR FILTER MOUNTING, ISU.....55
BAR, MAST LOCK, VERTICAL MAST.....81
BAR, STRIKER, VERTICAL STOP.....83
BATTERY.....35
BATTERY SUPPORT PAN.....35
BEARING, MARATHON GEN.....63
BEARING, ODE.....61
BEARING,ALXL,840377,841050.....27
BEARING,BRKT,ODE(5412).....61
BELT, FAN, ISUZU 4LE2.....11, 55
BODY,AIR CLEANER,KUBOTA.....45
BOLT,AXLE,3/16X3 W/7/16-20STEP.....17
BOLT,CARRIAGE 3/8-16X.75 Z KEG.....37
BOLT,EXHAUST MANIFLD,ISUZU 4LE.....55
BOLT,TEE 1/2-20 X 4.5.....81
BOX EXT POWERACCESS.....37
BOX,CONNECTOR,BASE.....61
BOX,JUNC,LIGHT TWR,4 CONN.....77
BRACKET ADJ HGT 6".....29
BRACKET FIRE EXT 20LB AL5.....95
BRACKET W/BALL,GAS SPRING.....35

BRACKET, AIR CLEANER MOUNTING, 4LE2-T.....57
BRACKET, EXHAUST CAT/MUFFLER, 4LE2-T.....53
BRACKET, MOUNT GENERATOR.....63
BRACKET,GENERATOR MOUNT.....61
BRACKET,SUPPORT,MUFFLER.....55
BRAKE DRUM,ALXL.....27
BREAKER,15A,120VAC 1P,CSA.....69, 71, 73, 75
BREAKER,20A MINI,120VAC 1P,CSA.....69, 71, 73, 75
BREAKER,20A,120VAC 1P,CSA.....75
BREAKER,30A 250VAC 2P,CSA.....69, 71, 73, 75
BRKT,SOCKET MOGUL FO.....93
BRKT,TAILPIPE SUPPORT.....47
BRKT,TRUNION.....93
BUMPER,RUBBER-1 X 1.25.....55
BUSHING, 630DX.328ID .375T.....55

C
CABINET DOOR PANELC/S.....33
CABINET REAR PANEL(LG.....33
CABINET SIDE PANEL CURBSIDE.....33
CABINET SIDE PANEL ROADSIDE.....33
CABINET SIDE PANELCS.....33
CABINET SIDE PANELRS.....33
CABINET TOP PANEL(GRI.....33
CABLE,EXT,LOWER, 3/16 X 11'.....79
CAP FUEL NVENT AL5 WITH TETHER.....19
CAP FUEL VENT AL5 WITH TETHER.....19, 21, 23, 25
CAP,RADIATOR,AL,KUBOTA DF-752.....39, 49
CAP,RADIATOR,KUBOTA D905.....39
CAPACITOR 24uF MH 60H.....31
CAPACITOR 25MF.....61
CAPACITOR, 8KW GENERATOR,5420.....11, 61
CAPACITOR, HPS,60HZ,BALLAST.....31
CAPACITOR,45 MF***OVAL.....11
CAPACITOR-ROUND 25MF.....11
CARTRIDGE, OIL FLTR, ISUZU 4LE.....11, 51
CASTING,FIXTURE QUICK CONNECT.....93
CAT/MUFFLER, EXHAUST, 4LE2-T.....53
CHAIN JACK #12 ZP100FT/CARTON.....17
CHAIN, SAFETY, SNAP HOOK.....17
CLAMP 7/16 TO 25/32.....19, 21, 49
CLAMP, HOSE.....57
CLAMP, HOSE, #36.....55
CLAMP, RADIATOR HOSE, 4LE2-T.....57
CLAMP,CAPACITOR.....61
CLAMP,HOSE.....11, 39, 41, 49, 51, 53
CLAMP,HOSE,KUBOTA WG750.....41
CLAMP,LENS (233777GT).....93
CLAMP,U-BOLT,1.5".....47
CLAMP,U-BOLT,2-1/8".....47, 55
CLEVIS PIN STAINLESSS.....81, 83, 85, 87
CLEVIS PIN, 5/16 X 3/4.....91
CLIP, COTTER RING, 5/16 X .047.....91
COIL CORD W/JUN BOX,HW.....77
CONN,STRAIN RELIEF,1/2 NPT.....93
CONNECTOR 2 SCREW 1.25T-B.....69, 71, 73, 75
CONNECTOR 2 SCREW 3/4.....35, 37, 69, 71, 73, 75

CONNECTOR 3P FEMALE RECEPTACLE...77
CONNECTOR 5P MALE RECEPTACLE.....31
CONNECTOR, WIRE NUT.....93
CONNECTOR,7-POLE,TLITE,RND PIN.....77
CONNECTOR,BLADE,POS,TAILT, 7P.....77
CONNECTOR,TAIL LIGHT,6 POLE.....77
CONNECTOR,TAILLIGHT,4 PIN.....77
CONTROL BOX FACE PLT.....67
CONTROL BOX FACE PLT,EXT PWR.....65
CONTROL BOX,REAR.....67
CONTROL BOX,REAR,RODA.....65
CONTROL BOX,RIGHT SIDE,RODA.....65
CORD 10/4 SEO W-ABLAC.....77
CORD SET FEMALE 6FT 5.....69, 71, 73, 75
CORD SET MALE 5FT, 3P.....93
COTTER PIN 1/8X1 SSBIN STOCK.....81, 83, 85, 87
COUPLER 2" BALL BULLDOG TMZ.....29
COUPLER 2-5/16" BALL BULLDOG T.....29
COUPLER, AIR INTAKE, 4LE2-T.....57
COUPLER,BALL,2 5/16.....29
COUPLER,BALL,2" CLASS II.....29
COVER PLATE CABINETTA.....35
COVER, RUBBER, EXTPower AL5.....37
COVER, V-BELT, ISUZU 4LE2.....55
COVER,ADJ SCREW,ALXL,BRAKE.....27
COVER,AIR CLEANER,KUBOTA.....45
COVER,CONNECTOR BOX (116179).....61
COVER,JUNC BOX W/GSKT, 2 GANG.....77

D
DECAL AL5 CONTROL PANEL 12KW &.....13, 15
DECAL AL5 CONTROL PANEL 12KW E.....13, 15
DECAL AL5 CONTROL PANEL 20KW E.....13, 15
DECAL AL5 CONTROL PANEL 8KW.....13, 15
DECAL COSM TEREX VENTED DOOR.....13, 15
DECAL COSMETIC MODEL AL5.....13, 15
DECAL ENGINE SPEC ISUZU 4LE2.....13
DECAL INSTRUCTION AL5 VERTICAL MAST.....13
DECAL, DANGER, CSA OUTDOOR USE.....13
DECAL, ELECTROCUTION HAZARD.....15
Decal, Instruction, Lamp Disposal.....13
DECAL, LABEL, ARROW.....13, 15
Decal, Label, Ground.....13, 15
DECAL, WARNING BURN HAZARD.....13
DECAL, WARNING, CRUSH HAZARD.....13
DECAL,BODILY INJURY SYMBOL.....15
DECAL,BURN HAZARD SYMBOL.....15
DECAL,COSMETIC TEREX,AL5,AL5.....13, 15
DECAL,DANGER,BATTERY SAFETY***.....13
DECAL,DANGER,ELECTROCUTION HZD...13
DECAL,DANGER,HAZARD VOLTAGE.....13
DECAL,DANGER,NO SMOKING.....13
DECAL,ENGINE SPEC,V1505.....13
DECAL,EXPLOSION HAZARD.....13
DECAL,EXPLSION/BURN HAZ SYMB.....15
DECAL,KUBOTA ENGINE SPECS.....13
DECAL,LABEL,BURN/CO2 HAZARD.....15
DECAL,LABEL,DIESEL FUEL.....13, 15
DECAL,LABEL,LIFTING EYE.....13, 15
DECAL,LABEL,NO SMOKING,SYMB.....15

Part Description Index (continued)

DECAL,LABEL,TIE DOWN DIAGRAM.....13, 15
 DECAL,LABEL,TRANSPORT TIEDOWN*.....13, 15
 DECAL,LABEL-ELEC HAZ,DISTANCE.....15
 DECAL,LABEL-ELEC HAZ,SERV MAN.....15
 DECAL,SYMBOL-BATTERY SAFETY.....15
 DECAL,SYMBOL-READ THE MANUAL.....15
 DECAL,TIP HAZARD SYMBOL.....15
 DECAL,TIRE SPECIFICATION.....13
 DECAL,TOW SPEED SYMBOL.....15
 DECAL,WARN,EXPLSION/BURN HAZ.....13
 DECAL,WARN,PROTECTIVE BARRIER.....13
 DECAL,WARN,READ MANUAL.....13
 DECAL,WARNING BURN HAZ.....13
 DECAL,WARNING TIP-OVER HAZ.....13
 DECAL,WARNING TOW SPEED.....13
 DECAL,WARNING,CRUSHING HAZARD.....15
 DIODE,MARATHON.....11, 61
 DIP STICK, ISUZU 4LE2.....51
 DIPSTICK, 4LE2-T.....53
 DIPSTICK,OIL,KUBOTA.....41, 49
 DOOR PNL EXT PWRACCES.....37
 DRIVE DISC(C-107) MARATHON.....61

E

ELEC BOX, 12KW, 4L, RD,4PTL.....69, 75
 ELEC BOX, 12KW, 4L, XGFI,4PTL.....71
 ELEC BOX, 12KW, 6L, XGFI,4PTL.....71
 ELEC BOX, 12KW, 6L,4PTL.....75
 ELEC BOX, 20KW, 4L, RD,4PTL.....75
 ELEC BOX, 20KW, 4L, XGFI,4PTL.....71, 73
 ELEC BOX, 20KW, 4L,4PTL.....69
 ELEC BOX, 20KW, 6L, RD,4PTL.....75
 ELEC BOX, 20KW, 6L, XGFI,4PTL.....71, 73
 ELEC BOX, 20KW, 6L,4PTL.....69
 ELEC BOX, 8KW, 4L, RD,4PTL.....75
 ELEC BOX, 8KW, 4L, XGFI,4PTL.....71
 ELEC BOX, 8KW, 4L,4POLE T/L.....69
 ELEC BOX, 8KW, 6L, RD, 4PTL.....75
 ELEC BOX, 8KW, 6L,4POLE T/L.....69
 ELEC BOX, 8KW,4L,XTRA GFI.....71
 ELEC BOX,12KW,4L,RD.....75
 ELEC BOX,12KW,4L,XTRA GFI.....71
 ELEC BOX,12KW,6L,RD.....75
 ELEC BOX,12KW,6L,XTRA GFI.....71
 ELEC BOX,12KW,6LIGHT.....69
 ELEC BOX,20KW,4L,XTRA GFI.....71, 73
 ELEC BOX,20KW,6L,RD.....75
 ELEC BOX,20KW,6L,XTRA GFI.....71, 73
 ELEC BOX,20KW,6LIGHT.....69
 ELEC BOX,8KW,6L,RD.....75
 ELEC. BOX W/C-CORD.....69
 ELEC.BOX MOUNTINGBRKT.....65, 67
 ELEC.BOX W/C-CORD 4LT AC-DCKUB.....69
 ELEC.BOX W/C-CORD,RODA KUB.....75
 ELEC.BOX W/C-CORS,AC-DC,KUB.....69
 ELEC.BOX,W/C-CORD,12KW AC-DC.....69
 E L E M E N T
 KIT,FUEL,PRE-FILTER,ISUZU,TIER4.....53
 E L E M E N T K I T , M A I N
 FILTER,FUEL,ISUZU,TIER4.....53
 ELEMENT,AIR CLEANER,KUBOTA.....11, 45
 ELEMENT,AIR FILTER,DONALDSON.....11
 ELEMENT,FUEL FILTER,KUBOTA.....11, 49
 ELEMENT,OIL FILTER,ISUZU,TIER4.....53
 END BELL,MARATHON 20 KW GEN.....63
 ENG FOOT/RAD SUPPORT,ROADSIDE.....39
 ENG. MOUNT FOOT, 4LE2-T.....57

ENGINE ACCESSORY TEMP SENDER.....43, 49
 ENGINE FOOT/RAD SUPPORT,CURBSD.....39
 ENGINE MOUNT L-BRKTIS.....59
 ENGINE RISER,2/75"H,FOR 1/2BLT.....39
 ENGINE,ISUZU,PUSHER,4LE2,1800R.....51
 ENGINE,ISUZU,SUCKER,4LE2,1800R.....51
 ENGINE,KUBOTA,D1105 PAK.....39
 EXCITER,ROTOR/RECTIFIER 20K.....63

F

FAN.....61
 FAN ASSY,COOLING,ISUZU,TIER4.....53, 57
 FAN, ISUZU 4LE, 1800RPM, PUSH.....55
 FAN, ISUZU 4LE,1800RPM,SUCKER.....55
 FAN, MARATHON 20 KW GENERATOR.....63
 FAN,PUSHER,KUBOTA 15263-12370.....41
 FENDER W/SKIRT,STEEL.....33
 FENDER,PLASTIC,BLACK.....33
 FILTER, AIR CLEANER, 4LE2-T.....57
 FILTER,30 MICRON FUEL-WATER.....11, 51, 97
 FILTER,FUEL,KUBOTA.....43, 49
 FILTER,FUEL,KUBOTA,W/O BRKT.....39
 FILTER,IN-LINE,FUEL,5/16".....11, 19, 21
 FILTER,OIL,KUBOTA.....11, 43
 FITTING 5/16,W TUBE 13.25 45D.....23, 25
 FITTING 5816,FITTING FOR DOWN.....23, 25
 FIXTURE MOUNT CUSHION.....17
 FIXTURE MOUNTINGBRKT.....17
 FIXTURE STOR.CUSH.BRKT.....17
 FLYWHEEL, 4LE2-T.....57
 FLYWHEEL, ISUZU 4LE2.....51
 FOAM CABINET DOOR5430AL5/7000.....33
 FOAM, CABINET, DOOR, VENTED.....33
 FOOT,ENGINE MOUNT L BRACKET.....47
 FORMING ROCK GUARD BALLAST.....31
 FORMING ROCK GUARD SPILL PAN.....21
 FORMING, BRKT, AIR INTAKE, ISU.....55
 FORMING, BRKT, RAD MOUNT, LOW.....59
 FORMING, BRKT, RAD MOUNT, REAR.....59
 FORMING, CABINET DOOR, VENTED.....33
 FORMING, WINCH COVER, BOTTOM.....81
 FORMING, WINCH COVER, SIDE.....81
 FORMING, WINCH COVER, TOP.....81
 FORMING,BRACKET,RAD MOUNT,FRNT...59
 FP-BALLAST BOX BOTTOM.....31
 FP-BALLAST BOX FRONT.....31
 FP-BALLAST BOX REAR.....31
 FP-BALLAST BOX TOP.....31
 FP-BATTERY HOLD-DOWN ROD.....35
 FP-BATTERY HOLDOWN ANGLE.....35
 FP-HASP CABINET DOOR.....35
 FUEL PUMP, ISUZU 4LE2.....51
 FUEL RAIL, 4LE2-T.....53
 FUEL TANK BRKT.2538 A.....19
 FUEL TANK,30 GAL W DRAIN HOLE.....19
 FUEL TNK ASSY,PLAS,30G,AL5&AL8.....21
 FUSE HOLDER,ATC BLADE,#16.....97
 FUSE,40 AMP,ATC.....51
 FUSE,ATC BLADE,10A.....97

G

GASKET (52532) OIL DRAIN, D905.....41
 GASKET EXHST MANIFLD,ISUZU 4LE.....55
 GASKET, FUEL HEATER.....97
 GASKET, HOUSING REFLECTOR BASE.....93
 GASKET, MUFFLER, ISUZU 4LE2.....55

GASKET, MUFFLER, KUBOTA (FIBER.....41
 GASKET, THRMOST HSG, ISUZU 4LE.....55
 GASKET,EXHAUST MANIFOLD,D905.....41
 GASKET,FUEL FILTER.....97
 GASKET,INJECTION PUMP.....43
 GASKET,MUFFLER,KUBOTA D905/11.....41, 47
 GASKET,SOLENOID,KUBOTA.....43, 49
 GASKET,STRAIN RELIEF,1/2.....93
 GASKET,THERMOSTAT,ISUZU,TIER4.....53
 GASKET,TRIM LOCK SEAL,7/16".....37
 GASKET,WATER COLLECTOR.....97
 GASKET-DRAIN PLUG,ENG OIL PAN.....41
 GENERATOR, MARATHON 12K.....63
 GENERATOR, MARATHON 20KW.....63
 GENERATOR,8KW,240V,60HZ,MAR.....61
 GENSET,20K,60HZ,PUSHER.....51
 GENSET,20K,60HZ,SUCKER.....51
 GLOW PLUG, ISUZU 4LE2.....51
 GLOW PLUG,ISUZU,TIER4.....53
 GREASE CAP, AXLE, 3000LB.....27
 GREASE,DIELECTRIC 4 OZ*.....11
 GRIP,HUBBLE 07401010.....77
 GROMMET DAPCO RUBBER SM.....23, 25
 GROUND CLAMP 3/4 MW 2.....35
 GROUND ROD STORAGETUBE 4397.....35
 GUARD,FAN,KUBOTA.....39

H

HAMMERBLOW 033008COTTER PIN.....27
 HAMMERBLOW SPINDLE NUT,AXLE.....27
 HANDLE,CHROME,5,75".....35
 HANGER,AXLE REAR,1.25F.....17
 HEATER, TOPLOAD FUEL, 100W/12V.....97
 HHC,M10-1.5 X 30, YELLOW ZINC.....57, 59
 HHC,M10-1.5 X 45, YELLOW ZINC.....59
 HINGE,PIANO,1.5"W X 55.75"L.....33
 HINGE,STAINLESS STEEL,BLACK.....37
 HITCH RING,COMBO,16"LENGTH.....29
 HITCH,2.5"RING,6 TON.....29
 HITCH,3"RING,6TON.....29
 HITCH,RING,BOLT-ON 2.5" ID.....29
 HOSE.....57
 HOSE FITTING PIPE/BAR.....11, 19, 21, 43, 97
 HOSE FITTING PIPE/BARB, 1/4".....19, 21
 HOSE, INTAKE, KUBOTA D1105.....45
 HOSE, STRAIGHT, AIR INTAKE, IS.....55
 HOSE,FUEL,1/4"ID,PUSH LOK,200#.....19, 21, 39
 HOSE,FUEL,1/8"ID.....11, 19, 21
 HOSE,FUEL,5/16"ID.....11, 19, 21, 23, 25, 43, 49
 HOSE,OIL,3/8 0250PS1.....41, 47
 HOSE,RADIATOR,LOWER,KUBOTA.....11, 39
 HOURMETER,DIGITAL,RECTANGULAR...69, 71, 75
 HOUSING, FLYWHEEL ISUZU 4LE2.....51
 HOUSING, THERMOSTAT, ISUZU 4LE.....55
 HUB SPACER.....61

I

IDLER HUB,ALXL.....27
 IGNITION SWITCH,LEVER OPR....69, 71, 73, 75
 INJECTOR, FUEL, 4LE2-T.....53
 INNER BEARING.....27
 INTAKE FILTER SIDE MANUAL AIR.....97
 ISOLATOR, ENGINE MOUNT.....39, 47

ISOLATOR, RADIATOR, LOWER.....59
 ISOLATOR, RADIATOR, UPPER.....59
 ISOLATOR,ENGINE,390LB.....55, 57, 61, 63
 ISOLATOR,ENGINE,70D.....63
 ISUZU 4LE 8972249990FAN BELT.....11
 ISUZU 4LE UPPER RADIATOR HOSE.....51
 ISUZU FAN GUARD.....59
 ISUZU FUEL FILTER.....11
 ISUZU OPERATORS MANUAL.....51

J

JACK,MECHANICAL,3000LB.....99
 JUMPER-GLOW PLUG.....43

K

KIT COIL CORD W JUNCTION BOX.....77
 KIT COIL CORD WO/ JUNCTION BOX.....77
 KIT,AXLE,U-BOLT & PLATE & NUTS.....17
 KIT,ELEC.COMP.BOX,ISU/RODA,20K.....75
 KIT,ELECT.BOX,MNTG,2-CC.....35
 KIT: V1505 TAILPIPE MOUNT.....47
 KIT:ALTERNATOR WIRING,KUBOTA.....77
 KIT:BATTERY CABLE AL5/AL8.....77
 KIT:BOOK BRACKET TO CAB.....35
 KIT:CABINET,BOLT-TOGETHER.....33
 KIT:ELEC.CONTROL BOX ASSY.....65, 67
 KIT:GROUND ROD TO CAB.....35
 KIT:HOSE/CLAMP ISUZU.....51
 KIT:KUBOTA OVER-FLOW.....49
 KIT:MUFFLER (KUB) SPACER.....41
 KIT:RODA DEACO WIRING.....75
 KIT:RODA-DEACO MOUNTING.....75
 KUBOTA 01123-50820 BOLT.....41, 43
 KUBOTA 15111-72200 WASHER.....39
 KUBOTA 15263-12370BAND PIPE.....45
 KUBOTA 16221-73270GASKET.....41
 KUBOTA 16259-73430.....41, 47
 KUBOTA 66711-54520COV.....41
 KUBOTA BAND, MUFFLER.....41
 KUBOTA BELT COVER.....41
 KUBOTA BOTTOM HOSE,D1105.....11, 49
 KUBOTA CUSHION.....39
 KUBOTA DYNAMO STAY.....41
 KUBOTA ENGINE 1505 T4I PACK.....47
 KUBOTA EXHAUST MANIFOLD.....41
 KUBOTA FAN GUARD,D1105.....47
 KUBOTA FLANGE BOLT.....41, 47
 KUBOTA GLOW PLUG.....43
 KUBOTA HEAD COVER GASKET.....41
 KUBOTA HOSE,D905, D1105.....39, 41
 KUBOTA INJECTOR PUMP, D1105.....43
 KUBOTA KIT, HOLDER,NOZZLE.....43
 KUBOTA NUT.....41
 KUBOTA O-RING.....41
 KUBOTA OIL FILLER PLUG,V1305.....41
 KUBOTA OIL FILTER,D1105.....11, 49
 KUBOTA OVER FLOW PIPE.....43
 KUBOTA OVERFLOW PIPE.....43
 KUBOTA PUSHER FAN,D1105.....47
 KUBOTA RAD ISOLATOR BOLT.....39
 KUBOTA SNAP PIN.....39
 KUBOTA TOP HOSE,D1105.....11, 49
 KUBOTA WATER PIPE.....39, 41
 KUBOTA WATER PIPE 16241-73350.....41

L

LABEL, CSA NEUTRAL BOND TO GND.....13, 15

LABEL, ELECTRIC WINCH.....13, 15
 LABEL,BLANK,4X5,CHROME POLY***13, 15
 LAMP MH 1000W BT37HOR.....93
 LATCH ASSEMBLY.....35
 LATCH,PUSH-BUTTON,BLACK W/KEY.....37
 LENS GASKET FOR LIGHT FIXTURE.....93
 LENS W/GASKET (233777).....93
 LIFT BAR, VERTICAL MAST.....35
 LIGHT FIXTURE, MH, ROUND, 16".....93
 LIGHT,DOME, 12V DC.....95
 LIGHT,LED IND. RED 12V NH.....69, 71, 75
 LIGHT,LICENSE TAG W/BRACKET.....35
 LIGHT,RECESSED,TAIL/STOP/TURN.....35
 LIGHT,SIDE MKR,AMBER,RECESSED.....35
 LIGHT,SIDE MKR,RED,RECESSED.....35
 LITERATURE RACK FOR CABINET.....35
 LOCK ROD, VERTICAL MAST.....83
 LOCKNUT, CONDUIT 3/4CSA APPVD.....35, 37
 LOCKNUT,CONDUIT,1/2 CSA APPVD.....93
 LOCKWASHER,10MM.....47
 LOWER READIATOR HOSE.....51

M

MA-CABLE ASSEMBLY 1/4.....79
 MA-GROUND ROD 5/8 X 59.....35
 MAGNET SPRING,ELEC BRAKE,ALXL.....27
 MAGNET,ELEC BRAKE, ALXL.....27
 MANIFOLD, EXHAUST, ISUZU 4LE2.....55
 MANIFOLD,MULTI-FUNCTION, S40.....63
 MANUAL, INSTRUCTION, ISUZU 4LE.....51
 MANUAL, OP, MARATHON 12K.....63
 MANUAL, OP, MARATHON 20K.....63
 MANUAL, OPERATOR'S, AL4.....11
 MANUAL, PARTS, AL4.....11
 MANUAL, SERVICE, AL4.....11
 MANUAL,AEM SAFETY.....11
 MANUAL,OP,KUBOTA,D1105,TIER 2*.....47
 MANUAL,OP,MARATHON GENERATOR.....11, 61
 MANUAL,OPER,KUBOTA DIESEL****11
 MANUAL,OPERATORS,PERKINS,403D.....11
 MARATHON SUPPRESSOR/VARISTOR.....11, 61
 MARATHON VOLTAGE REGULATOR.....63
 MNT,CYL,M/M 1/4-20X.75 1.0 OD.....47
 MUFFLER ASSY.....55
 MUFFLER BRACE.....39
 MUFFLER,KUBOTA.....41
 MUFFLER,KUBOTA BOX TYPE.....47

N

NUT.....53, 95
 NUT CLIP 1/4 -20X3/4.....81
 NUT LOCK NYLON INSERT.....55
 NUT LOCK NYLON INSERT 3/8.....25, 31, 33, 37, 91, 97
 NUT, NYLOCK 7/8-9 Z.....81
 NUT, TL, 1/4-20, C, ZAG.....17, 33, 35, 37, 39, 47, 55, 59, 81, 91
 NUT,7/16,FH,ZINC,BRAKE, ALXL.....27
 NUT,EXHAUST MANIFLD,ISUZU 4LE2.....55
 NUT,EXHAUST MANIFOLD.....41
 NUT,FLANGE,7/16-20, TOP LOCK.....17
 NUT,HEX M10-1.5.....63
 NUT,HEX,1-8.....29
 NUT,HEX,8-32.....69, 71, 73, 75

NUT,LOCK,8-32.....69, 71, 73, 75
 NUT,NYLOCK,1/2-13.....17, 29, 61, 63
 NUT,NYLOCK,1/2-13 GR2.....33, 39, 47, 55, 57
 NUT,NYLOCK,3/8-16.....17
 NUT,NYLOCK,5/16-18.....23, 25, 95
 NUT,NYLOCK,5/8-11.....29
 NUT,NYLOCK,M10X1.50.....59
 NUT,TL FLG,3/8-16,G,ZAG.....17, 19, 21, 35
 NUT,TL,3/8-16,C,ZAG.....17
 NUT,WHEEL, 1/2 X 20.....27
 NUT,WING 3/8-16 ZP.....17
 NUTSERT 5/16-18 UNCP/.....37
 NUTSERT,8-32 (833543).....93

O

O-RING.....61
 O-RING KIT (ORFS FITTINGS).....11
 O-RING KIT,FIELD SVC,ALL PROD*.....11
 OIL PAN, ISUZU 4LE2.....55
 OIL SWITCH, ISUZU 4LE2.....51
 OUTRIGGER 3X2X33REARAL5000.....17, 99
 OUTRIGGER,3X2X32.5,GALVANIZED.....17, 99
 OWNERS MANUAL, 4LE2-T.....53

P

PAINT, AEROSOL, TRAFFIC BLACK.....11
 PAINT,AEROSOL,BRIGHT BLUE***.....11
 PAINT,AEROSOL,GENIE GRAY***.....11
 PAINT,WET,GENIE BLUE (1 GL)**.....11
 PAINT,WET,GENIE GRAY (1 GL)**.....11
 PANEL,CNTL BOX FACE,8 LIGHT.....65
 PARKER DIGITAL PRESSURE GAUGE.....11
 PIGTAIL,FUEL SOLENOID,KUBOTA.....77
 PIN COTTERLESS HITCH1.....17
 PIN QUICK 1/4X 1.75 ZP.....29, 35
 PIN, CLEVIS, .5 DIA X 2.50 LG.....81, 85
 PIN,PLUNGER,OUTRIGGER, KIT.....99
 PIPE FITTING STR ELBO.....19, 21
 PIPE PLUG 1/4 GALV.....97
 PIPE,INJECTOR 1,D905,D1105.....43
 PIPE,INJECTOR 2,D905,D1105.....43
 PIPE,INJECTOR 3,D905,D1105.....43
 PLATE COIL CORD CAB MOUNT.....35
 PLATE, RAD MOUNT, LOWER.....59
 PLATE,2 COIL CORD, CAB MT.....35
 PLATE,CTRL BOX RIGHT, GFI.....65, 67
 PLATE,CTRL BOX,BOTTOM.....65, 67
 PLATE,CTRL BOX,LEFT EXT PWR.....65, 67
 PLATE,FACE,CNTL BOX,4LT W/GFI.....65
 PLATE,LIGHT ROTATION LOCK.....91
 PLATE,RH,CNTRL BOX.....65, 67
 PLATE,SIDE,COMBO HITCH,BOLT-ON.....29
 PLATE,TOP&SIDE,CNTRL BOX.....65
 PLATE,TOP,BRACKET,MUFFLER.....55
 PLATE,TOP,CNTRL BOX.....65, 67
 PLATFORM, FRONT INNER, AL5.....17
 PLUG AND CAP KIT-SERVICE,37 **.....11
 PLUG AND CAP KIT-SERVICE,ORFS*.....11
 PLUG, 4", CAPPLUG.....35
 PLUG, DEUTSCH, 6PIN BACKED.....73
 PLUG, ENGINE OIL, D1105.....41
 PLUG,ENGINE OIL DRAIN,D-905***.....41
 PMA-GENSET-KUBOTA 1505 12KW.....47
 POT COVER.....61
 PULLEY, FAN, ISUZU 4LE2.....55
 PULLEY, FAND DRIVE, ISUZU 4LE2.....55
 PULLEY,FAN,KUBOTA, D-905,GS68.....41

Part Description Index (continued)

PUMP ASSY,WATER,ISUZU,TIER4.....53
 PUMP,FUEL, 12VDC.....19, 21
 PUMP,WATER,KUBOTA.....41, 47

R

RACE,ALXL,840377,841050.....27
 RAD. ASSY.+SHROUD, 4LE2-T.....53, 57
 RAD. HOSE ASSY.,4LE2-T.....53
 RADIATOR HOSE,KUBOTA.....11, 39
 RADIATOR, ISUZU 4LE.....59
 RADIATOR, KUBOTA, D905 & D1105.....39
 RADIATOR,KUBOTA A-47.....49
 RECEP 30A 120/240V 4 POLE.....69, 71, 73, 75
 RECEP 30A 20V 3POLE.....69, 71, 73, 75
 RECEPTACLE 20A 120V DUPLEX GFI.....69, 71, 73, 75
 RECTIFIER, MARATHON 12K.....63
 Ref, GENERATOR.....45
 REFLECTOR & LENS ASSY 16 INCH FIX...93
 REFLECTOR,SCOTCHLITE,2"X18".....13, 15
 RELAY 12V DC 30A NO OR.....69, 71, 73, 75
 REMOTE OIL DRAIN, 4LE2-T.....53
 RETAINER,SPRING,1.21 X .375.....17
 RETRACTOR SPRING,E BRK,ALXL.....27
 RING, LOCK PIN, VERTICAL MAST.....81
 RING,REINFORCING (C41100720).....93
 RIVET POP 1/8X.390 GR.....93
 RIVET,POP,SS,3/16"X1/2" BLIND.....33, 35
 RIVET,STL,STL,.188 X .45.....81, 83, 85, 87, 89
 RODA DACO MANUAL SHUTDOWN.....97

S

SCEW, HHC, 7/8 X.....81
 SCREEN ASY W/SPGS.....61
 SCREW.....57
 SCREW #10-24NCX1/2RD.....95
 SCREW 1/2-13NCX1-1/2H.....17, 33, 35
 SCREW 1/4-20NCX5/8 HW.....19, 21, 33, 35, 37, 49
 SCREW 3/8-16NCX1-1/4H.....25
 SCREW 5/16-18NCX3/4 HHC.....17, 37
 SCREW FLANGE 1/4 -20X.....39, 81
 SCREW, 3/8 X 4" HHC.....25
 SCREW, HHC, 3/8-16 NC X 1, GRD 2, Y.....17
 SCREW, HHC, 3/8-16 X .50 WHITE ZP.....83
 SCREW, PANHEAD, 10-32 X 5/8.....35
 SCREW,HH SLOT,1/4 X 0.75.....31
 SCREW,HH SLOT,8-32X1.....93
 SCREW,HHC,1/2-13 X 1.25.....93
 SCREW,HHC,1/2-13 X 1.5 GRD 8.....91
 SCREW,HHC,1/2-13 X 2 GR5.....17
 SCREW,HHC,1/2-13 X 3.....47
 SCREW,HHC,1/2-13 X 3.25.....63
 SCREW,HHC,1/2-13 X 3.5 GR8.....33, 55, 57
 SCREW,HHC,1/2-13 X 4 G.....17, 29
 SCREW,HHC,1/2-13 X 4.5 GRD.8.....17, 29
 SCREW,HHC,1/2-13 X 5.5 GRD.8.....29
 SCREW,HHC,1/2-13 X 6.....29
 SCREW,HHC,1/2-13 X 6 GR8 ZP.....29
 SCREW,HHC,1/2-13 X 6.5.....39
 SCREW,HHC,1/2-13X4,GR8.....61
 SCREW,HHC,1/4-20 X 0.75.....35
 SCREW,HHC,1/4-20 X 1.....17, 35
 SCREW,HHC,1/4-20 X 3/4 GR2 ZP.....17, 33
 SCREW,HHC,1/4-20X1,8,ZAG.....91
 SCREW,HHC,1/4-20X6 1/2,ZINC.....55
 SCREW,HHC,10MM-1.5X258.8,ZINC.....55

SCREW,HHC,3/8-16 X 1.....35
 SCREW,HHC,3/8-16 X 1.25.....61, 63, 97
 SCREW,HHC,3/8-16 X 1.25 GRD 5.....21
 SCREW,HHC,3/8-16 X 3.75.....33
 SCREW,HHC,3/8-16 X 4.5 ZP.....91
 SCREW,HHC,3/8-16 X 5 GRD 5 ZNC.....17
 SCREW,HHC,3/8-16 X 8.5.....19
 SCREW,HHC,5/16-18X.75,GR8,Y.....61, 63, 95
 SCREW,HHC,5/8-11X4.50,GR8,Y.....29
 SCREW,HHC,M10 X 25MM,GR 8.8.....55
 SCREW,HHC,M10X1.25 X 35MM GR 8.....39, 47
 SCREW,HHC,M8 X 20MM,F.TH.GR8.8.....59
 SCREW,HHC,M8-1.25 X 45MM ZP.....41
 SCREW,M8 X 35MM.....41
 SCREW,PHILLIPS,PHM,8-32 X .5.....69, 71, 73, 75
 SCREW,PHM,10-24 X 5/8.....93
 SCREW,PHM,6-32 X .25.....69, 71, 73, 75
 SCREW,PHM,8-32X3/8.....93
 SCREW,RH,6-32 X 5/8.....77
 SCREW,RHM,6-32X5/8.....93
 SCREW,RHM,8-32 X .50.....69, 71, 73, 75
 S E A L M A R K E R , C R O S S
 CHECK,BLUE,TUBE.....11
 SEAL,GREASE (SL173).....27
 SERIAL LABEL,BLANK,4X8,CHROME*.....13, 15
 SHACKLE,AXLE,4-5/8" LONG.....17
 SHEAVE 3-1/8 X15/16.....81, 85, 87
 SHEAVE, 4.625"OD X 5ID, 1/4.....81, 83, 85
 SHEAVE, 5.625" OD X .5 ID.....83
 SHOE AND LINING KIT,ALXL,ELEC.....27
 SHOE AND LINING KIT,ALXL,HYD.....27
 SHOE HOLD DOWN SPRING,ALXL.....27
 SHROUD, COOLING FAN, 4LE2-T.....57
 SHUTDOWN ,OVERSPEED,RD.....75
 SLEEVE,OVAL,3/16",ALUMINUM.....79
 SLEEVE,WIRE,FIBERGLASS.....93
 SNAP RING,JACK (841430).....17, 99
 SOCKET BASE-MOGUL.....93
 SOLENOID,FUEL,3 WIRE,KUBOTA.....43
 SOLENOID,KUBOTA D9/1105 SHTDWN....43, 49
 SPACER FRAME 1PWR ACC.....37
 SPACER,MUFFLER,KUBOTA 6013.....41
 SPACER,SIDE,COMBO,HTCH,BOLT-ON.....29
 SPILL CONTAINMENT PAN.....25
 SPRING EYE BUSHING.....17
 SPRING, MAST LOCK, VERTICAL MAST....81
 SPRING, OUTRIGGER.....91
 SPRING,GAS,16",80LBS.....35
 SPRING,LEAF FOR AXLE, 4 PLY.....17
 STARTER, ISUZU 4LE2.....55
 STARTER,DENSO,12V/4LE2PV01,ISUZU,TIER4.57
 STARTER,KUBOTA,D1105/905.....41, 47
 STOP SOLENOID, ISUZU 4LE2.....51
 STRAP SUPPORT 60 GAL.....23, 25
 STUD, F10-1.5 X 40 DOUBLE GVD.....63
 STUD,EXHAUST MANIFLD,ISUZU 4LE.....55
 STUD,EXHAUST MANIFOLD.....41
 SVC KIT,TAILLIGHTS,AL.....77
 SWITCH PUSH-BUTTON W/BOOT.....69, 71, 75
 SWITCH, RPM CONTROL.....73
 SWITCH,LOW OIL PRESS,KUBOTA.....41, 47

T

T-HANDLE.....93

TAILPIPE COVER.....35
 TAILPIPE, ISUZU EXHAUST.....55
 TAILPIPE, ISUZU EXHAUST, TOP.....55
 TAILPIPE,8K EXHAUST.....41
 TANK ACCESSORY DIPTUB.....19, 21
 TANK STRAP.....23, 25
 TANK,RECOVERY,COOLANT,KUBOTA.....39, 49
 TERMINAL BLOCK.....61
 THERMOSTAT.....41
 THERMOSTAT COVER.....41
 THERMOSTAT, ISUZU 4LE2.....55
 THERMOSTAT,ISUZU,TIER4.....53
 THIMBLE WIRE ROPE-3/16.....79
 THREADED HEX NUT, 1/4" X 1.75".....83
 TONGUE B-O-H W/JACKBR.....17
 TRANSFORMER 120/24VAC.....75
 TUBE, GRAY PVC, 1/2" SCHED. 40 X 2.25.....81

U

U BOLT, EXHAUST, 4LE2-T.....53
 U-BOLT, SQUARE, 3/8-16, 4" X 4-5/8".....17

V

V-BELT,ISUZU,TIER4.....53
 V-BELT,KUBOTA.....11, 41, 47
 VALVE COVER, D905.....41
 VALVE,AIR CLEANER,KUBOTA.....45
 VALVE,OIL DRAIN,KUBOTA.....47
 VALVE,PLASTIC DRAIN.....97
 VIBRATION MOUNT,35".....39

W

WASHER.....57
 WASHER FLAT 1/2ZP.....39, 55, 57, 61
 WASHER FLAT 1/45/8 SBIN.....33, 35
 WASHER FLAT 1/4ZPLENSETBIN.....33, 35, 55
 WASHER FLAT 3/8 ZP SAE BIN.....37, 61, 63, 97
 WASHER FLAT 3/8USS ZPBIN.....25, 31, 33, 47, 55, 91
 WASHER FLAT 5/16ZP SAE/BIN.....95
 WASHER FLAT BONDED3/1.....95
 WASHER FLAT FENDER1/2.....47, 55, 57, 63
 WASHER LOCK 1/2ZP.....29, 33, 35, 39, 93
 WASHER LOCK 1/4ZP.....55
 WASHER LOCK 3/8ZP.....61, 63, 97
 WASHER LOCK 5/16 ZP BIN.....17, 41, 61, 63
 WASHER LOCK STAR 1/2E.....93
 WASHER LOCK STAR 3/8.....17, 83
 WASHER, 5/16".....23, 25
 WASHER, LOCK, M8, INTERNAL TOO.....59
 WASHER,CLAMP,RUBBER(833543).....93
 WASHER,FLAT,1.000,HARDENED.....29
 WASHER,FLAT,1/2 SS 18-8 BIN.....33
 WASHER,FLAT,3/8,HARDENED,YZ.....59
 WASHER,FLAT,SAE 1/4",ZINC.....17
 WASHER,FLAT,SNUB 1/2X2-3/4 ZN.....39, 61
 WASHER,FLAT,USS,1/2",Y.....17, 29, 35, 63
 WASHER,FLAT,USS,3/8",Y.....17, 19, 21, 35
 WASHER,FLAT,USS,5/16",Y.....33
 WASHER,FLAT,USS,5/8",Y.....29
 WASHER,FLAT,USS,7/8",Y.....81
 WASHER,LOCK,#6 SS.....69, 71, 73, 75
 WASHER,LOCK,.25.....59
 WASHER,LOCK,M10.....55, 57, 59

WASHER,LOCK,M10 ZP.....39, 55, 63
 WASHER,LOCK,STAR 3/4 E.....91
 WASHER,M8,ZINC.....59
 WASHER,PLAIN,1".....27
 WASHER,RUBBER SEAL.....97
 WATER COLLECTOR AY.....97
 WATER OUT.PIPE 4LE2-T.....53, 57
 WEAR PAD, CORNER, VERTICAL
 MAST.....81, 83, 85, 87, 89
 WEAR PAD, UPPER, SECTION D.....87
 WELDMENT, 6" ROTATING SECTION.....79,
 81
 WELDMENT, CHASSIS.....17
 WELDMENT, MAST BASE.....81
 WELDMENT, MAST, 2" SECTION E.....79, 89
 WELDMENT, MAST, 3" SECTION D.....79, 87
 WELDMENT, MAST, 4" SECTION C.....79, 85
 WELDMENT, MAST, 5" SECTION B.....79, 83
 WELDMENT, PLATFORM STEP.....17
 WELDMENT, TOP CROSSBAR.....91
 WELDMENT,CONTAINMENT TANK.....21
 WELDMENT,DOOR LOUVER ASSEMBLY...33
 WHEEL CYLINDER, LH, ALXL.....27
 WHEEL CYLINDER, RH, ALXL.....27
 WHEEL/TIRE ASSY,15",205/75 LRC.....17
 WINCH, TERRA 2500, SUPERWINCH.....79,
 81
 WING NUT, FIXTURE,RL4,AL4,AL5.....91
 WIRE HARN,AC,60HZ,1-240V&1-GFI.....77
 WIRE HARN,DC,IN CTRL BOX,2006....69, 71,
 75, 77
 WIRE HARN,ENG,ISUZU,4LE1,AL5.....51, 77
 WIRE HARN,ENG,KUBOTA,DC,2006.....69,
 71, 73, 75, 77
 WIRE HARNESS,TAIL LIGHTS.....77
 WTHRSRIP, 1/4" X 1/2"W.....33

—
 — GENERAL SERVICE PARTS —.....11
 — GENERATOR, MARATHON MODELS
 —.....11
 — ISUZU 4LE1PV02 MODELS —.....11
 — KUBOTA D1105 MODELS —.....11
 — KUBOTA D1505 T1 MODELS —.....11
 — MANUALS —.....11

California Proposition 65



WARNING

Operating, servicing and maintaining this equipment can expose you to chemicals including engine exhaust, carbon monoxide, phthalates, and lead, which are known to the State of California to cause cancer and birth defects or other reproductive harm. These chemicals can be emitted from or contained in other various parts and systems, fluids and some component wear by-products. To minimize exposure, avoid breathing exhaust, do not idle the engine except as necessary, service your equipment and vehicle in a well-ventilated area and wear gloves or wash your hands frequently when servicing your equipment or vehicle and after operation. For more information go to www.P65Warnings.ca.gov/passenger-vehicle.

Breathing diesel engine exhaust exposes you to chemicals known to the State of California to cause cancer and birth defects or other reproductive harm.

- Always start and operate the engine in a well-ventilated area.
- If in an enclosed area, vent the exhaust to the outside.
- Do not modify or tamper with the exhaust system.
- Do not idle the engine except as necessary.

For more information go to www.P65warnings.ca.gov/diesel.