



TEREX

Parts Manual

Serial Number Range

AL5

from SN AL512-517 to
AL516-1669

from SN AL516J-1670 to
AL516J-2999

from SN AL5J-3000

Part No. 216639

Rev B8

January 2018

Discount-Equipment.com

Discount Equipment

Discount-Equipment.com is your online resource for commercial and industrial quality parts and equipment sales.

Locations:

Florida (West Palm Beach): [561-964-4949](tel:561-964-4949)

Outside Florida TOLL FREE: [877-690-3101](tel:877-690-3101)

Need parts? Check out our website at www.discount-equipment.com


Can't find what you need?

Click on this link: <http://www.discount-equipment.com/category/5443-parts/> and fill out the request form.

Please have the machine model and serial number available in order to help us get you the correct parts. One of our experienced staff members will get back to you with a quote for the right part that your machine needs.

We sell worldwide for the brands: Genie, Terex, JLG, MultiQuip, Mayco, Toro/Stone, Diamond Products, Magnum, Airman, Mustang, Power Blanket, Nifty Lift, Atlas Copco, Chicago Pneumatic, Allmand Brothers, Essick, Miller Spreader, Skyjack, Lull, Skytrak, Tsurumi, Husquvarna/Target, Whiteman-Concrete/Mortar, Stow-Concrete/Mortar, Baldor, Wacker, Sakai, Snorkel, Upright, Mi-T-M, Sullair, Neal, Basic, Dynapac, MBW, Weber, Bartell, Bennar Newman, Haulotte, Ditch Runner, Blaw-Knox, Himoina, Best, Buddy, Crown, Edco, Wyco, Bomag, Laymor, Terremite, Barreto, EZ Trench, Takeuchi, Basic, Bil-Jax, Curtis, Gehl, Heli, Honda, ICS/PowerGrit, Puckett, Waldon, ASV, IHI, Partner, Imer, Clipper, MMD, Koshin, Rice, Gorman Rupp, CH&E, Cat Pumps, Comet, General Pump, Giant, AMida, Coleman, NAC, Gradall, Square Shooter, Kent, Stanley, Tamco, Toku, Hatz, Kohler, Robin, Wisconsin, Northrock, Oztec, Toker TK, Rol-Air, Small Line, Wanco, Yanmar

To August 31, 2016

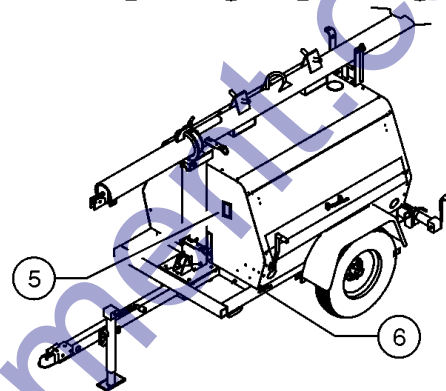


Model:
Serial number: AL416J-1234
Manufacture date: 1/2/16
Electrical schematic number:
Machine unladen weight:
Axle weight:
Tongue weight:
Tire pressure:
Maximum tow speed:

Model year: 2016

AL4 16 J - 1234

1 2 3 4



- 1 Model
- 2 Model year
- 3 Facility code

- 4 Sequence number
- 5 Serial label
- 6 Serial number (stamped on chassis)

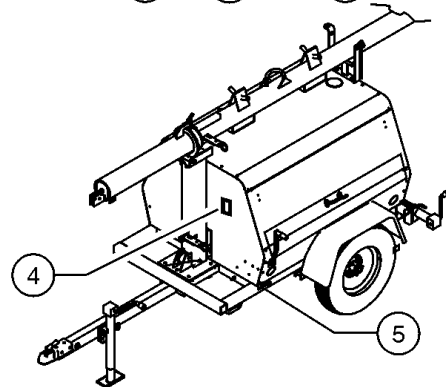
From September 1, 2016



Model:
Serial number: AL416J-1234
Year of Manufacture : 2016
Electrical schematic number:
Machine unladen weight:
Axle weight:
Tongue weight:
Tire pressure:
Maximum tow speed:

AL4 J - 1234

1 2 3



- 1 Model
- 2 Facility code
- 3 Sequence number

- 4 Serial label
- 5 Serial number (stamped on chassis)

Table of Contents

This manual is updated frequently. If you have a printed manual, you can keep it up to date by downloading new figures from the Genie website at www.genielift.com. For the most up-to-date parts information, visit the Parts Lookup System on the Genie website at www.genielift.com.

How to Read Your Serial Number.....3
 Parts Stocking List.....7
 How to Order Parts.....8
 Service Parts Fax Order Form.....9

Electronic Version

Click on any page number to view the figure.

001 Parts Stocking List

001.1 Parts Stocking List.....10

100 Decals

101.1 Decals with Words, Roadside.....12
 102.1 Decals with Words, Curbside.....14
 103.1 Decals with Symbols, Roadside.....16
 104.1 Decals with Symbols, Curbside.....18

200 Chassis Components

201.1 Chassis Components (from SN AL513-817 to AL513-1117).....20
 201.2 Chassis Components (from SN AL513-1118).....22
 202.1 Fuel Tank and Hoses, Models Without Spill Containment.....24
 202.2 Fuel Tank and Hoses, Models Without Spill Containment.....26
 203.1 Fuel Tanks and Hoses, Models With Spill Containment (from SN AL513-817 to AL513-1117).....28
 203.2 Fuel Tank and Hoses, Models With Spill Containment (from SN AL513-1118).....30
 203.3 Fuel Tank and Hoses, Models With Out Spill Containment (from SN AL513-1118).....32
 203.4 Fuel Tank and Hoses, Models With Out Spill Containment (from SN AL513-1118).....34
 204.1 Axles and Brakes.....36
 205.1 Hitches.....38
 206.1 Ballast Assembly.....40
 207.1 Cabinet, View 1 (from SN AL512-517 to AL513-816).....42
 207.1 Cabinet, View 1 (from SN AL513-817 to AL513-1117).....44

207.2 Cabinet, View 1 (from SN AL513-1118).....46
 208.1 Cabinet, View 2 (from SN AL512-517 to AL513-816).....48
 208.1 Cabinet, View 2 (from SN AL513-817 to AL513-1117).....50
 208.2 Cabinet, View 2 (from SN AL513-1118).....52
 209.1 Cabinet, View 3, 20kW Option.....54

300 Engines and Generators

301.1 Kubota D1105-E3BG, View 1.....56
 302.1 Kubota D1105-E3BG, View 2.....58
 303.1 Kubota D1105-E3BG, View 3.....60
 304.1 Kubota D1105-E3BG, View 4.....62
 305.1 Kubota V1505 T41, View 1.....64
 306.1 Kubota V1505 T41, View 2.....66
 307.1 Isuzu 4LE2,1800R, View 1.....68
 307.2 Isuzu 4LE2-T,1800R, View 1.....70
 307.3 Isuzu 4LE2-T, Tier 4, View 1.....72
 308.1 Isuzu 4LE2,1800R, View 2.....74
 308.2 Isuzu 4LE2-T,1800R, View 2.....76
 308.3 Isuzu 4LE2-T, Tier 4, View 2.....78
 309.1 Isuzu 4LE2,1800R, Radiator Assembly.....80
 310.1 Generator, Marathon 8 Kw.....82
 311.1 Generator, Marathon 12 Kw and 20 Kw.....84
 312.1 Generator, Coliseum 15Kw.....86

400 Electrical Components

401.1 Control Box Assembly, View 1.....88
 401.2 Control Box Assembly with Tier 4 option, View 1.....90
 402.1 Control Box Assembly, View 2, Standard Box.....92
 403.1 Control Box Assembly, View 2, External Power Access.....94
 403.2 Control Box Assembly with Tier 4 option, View 2.....96
 404.1 Control Box Assembly, View 2, Roda Deaco.....98
 405.1 Electrical Wiring and Power Cables.....100

500 Mast Components

501.1 Mast Assembly and Winch Cable Routing.....102
 502.1 Tower Base Assembly.....104
 503.1 Winch.....106
 504.1 Round Tube Assembly, 6 Inch.....108
 505.1 Mast Assembly, 4-inch.....110
 506.1 Mast Assembly, 2-inch and 3-inch.....112
 507.1 Mast Crossarm.....114
 508.1 Light Assembly, Round.....116

600 Accessories

601.1 Chassis Options.....118
 602.1 Engine Options.....120

603.1 Outrigger Options.....122
604.1 Electric Winch.....124

Indices

Part Number Index.....126
Part Description Index.....129

Cross References

Discount-Equipment.com

Required Parts

The following parts are required to perform maintenance procedures as outlined in the Terex AL5000 Parts and Service Manual.

Kubota D1105-D3BG

Description	Part No.
Air Filter Element	866127
Engine Oil Filter.....	866050
Fuel Filter Element.....	839200
In-line Fuel Filter.....	740620
V-Belt.....	839209
Lower Radiator Hose	839110
Upper Radiator Hose.....	839109
Hose Clamp, Upper Radiator Hose	32185

Kubota D1505 T41

Description	Part No.
Air Cleaner, Donaldson	116413
Engine Oil Filter.....	116509
Fuel Filter Element.....	839200
In-line Fuel Filter.....	740620
V-Belt.....	839209
Lower Radiator Hose	116514
Upper Radiator Hose	116513
Hose Clamp, Upper Radiator Hose	32815

Isuzu, 4LE1PV02

Description	Part No.
Air Filter Element (to SN AL511--229).....	834460
Air Filter Assembly (from SN AL511-230).....	T113769
Engine Oil Filter (to SN AL511-229).....	868075
Engine Oil Filter (from SN AL511-230).....	T113767
Fuel Filter Element (to SN AL511-229).....	868137
Fuel Filter Element (from SN AL511-230).....	116151
V-Belt (to SN AL511-229).....	868067
V-Belt (from SN AL511-230).....	T113776

Fuel Lines

Description	Part No.
Fuel Return Hose, 1/8" (refer to 203.1)	890785
Hose, Fuel, 5/16" (refer to 203.1)	890795
Hose Clamp, 5/16" Fuel Line.....	898590

Recommended Parts

Description	Part No.
Mechanical Jack	841430
Snap Ring, Mechanical Jack	840222
Kit, Plunger Pin, Outrigger.....	970260
Grease Seal Bearing	834225
Cotter Pin, Wheel Bearing.....	834255
Kit: Upper Cable Assembly.....	109070
Kit: Lower Cable Assembly.....	109065

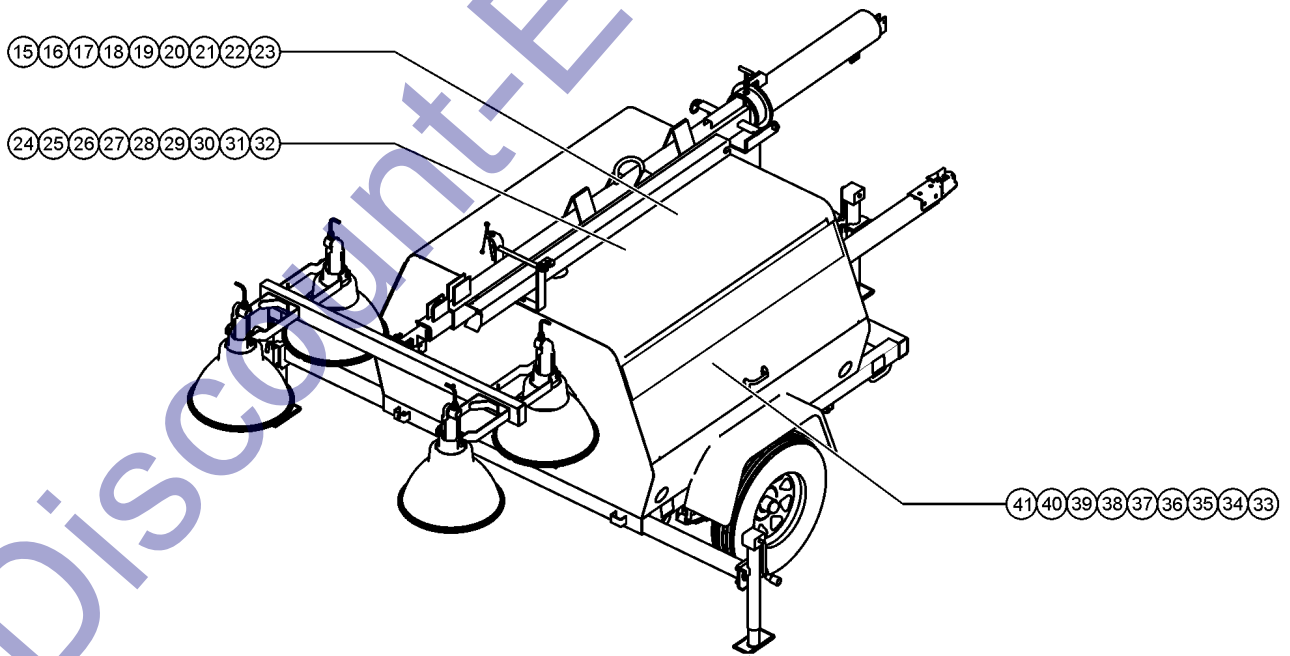
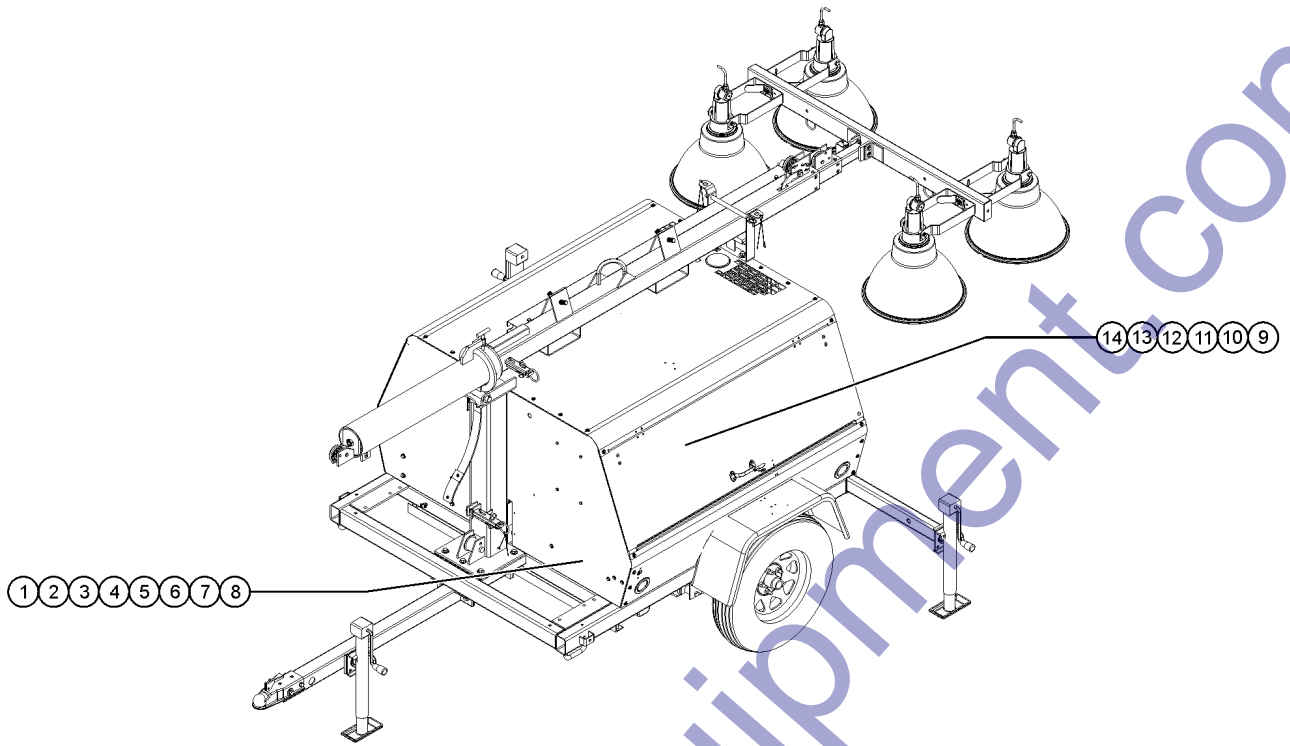
Control Box

Description	Part No.
Relay, 12VDC.....	R661490
Breaker, 20A	T113642
Breaker, 15A	T113641
Breaker, 30A	T113644

Generator, Marathon

Description	Part No.
Capacitor, 6KW, 60Hz.....	58356
Capacitor, 8KW, 60Hz.....	85207
Capacitor, 7.5KW, 50Hz.....	229457
Diode.....	836853
Surge Protector.....	836856

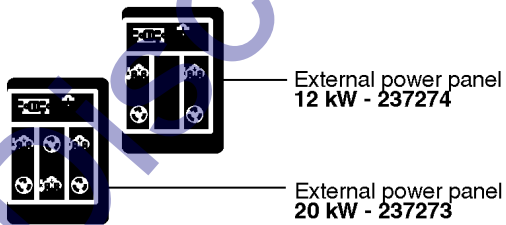
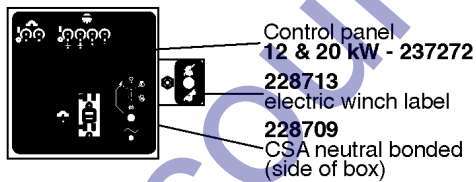
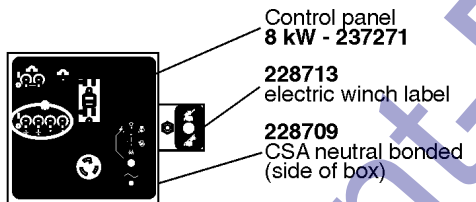
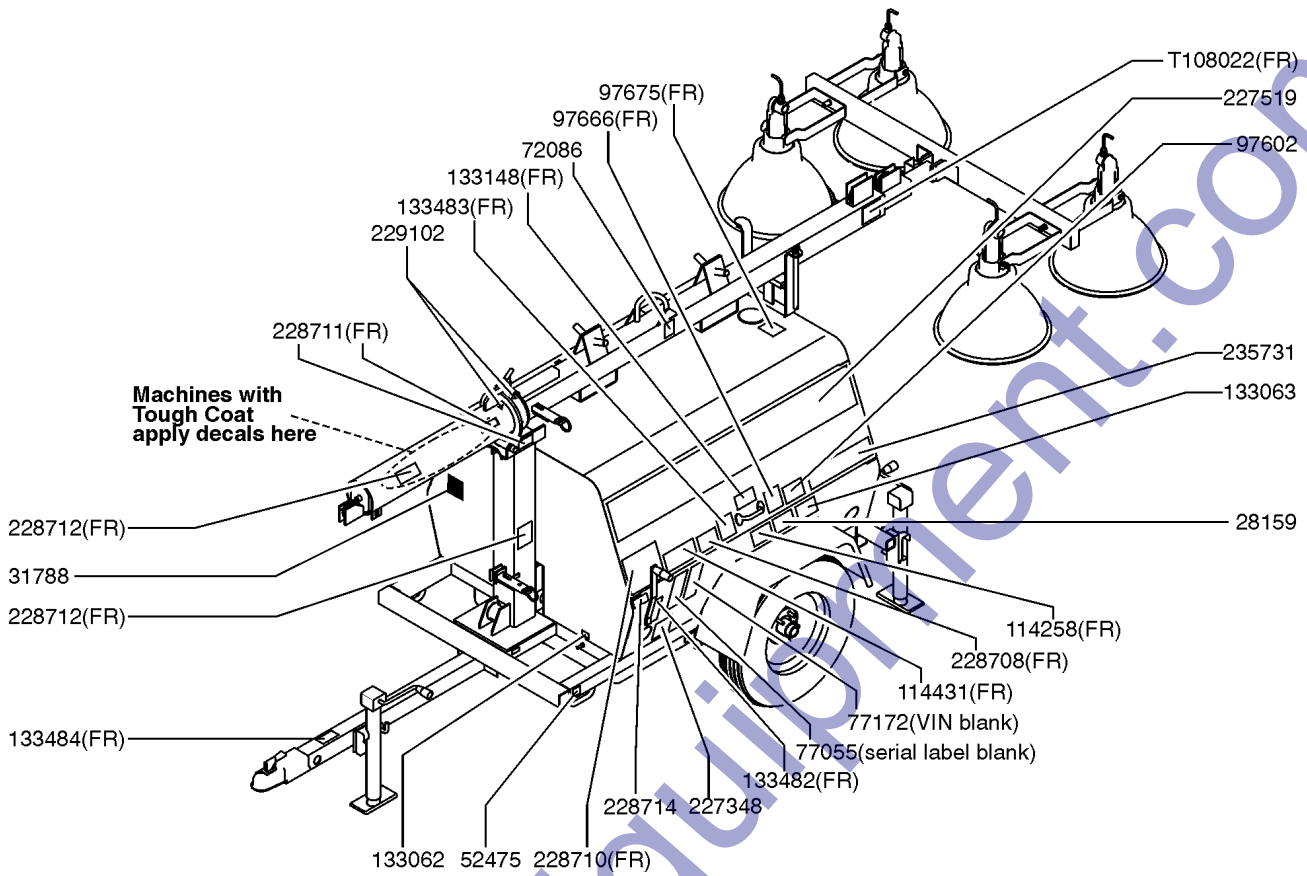
001.1 Parts Stocking List



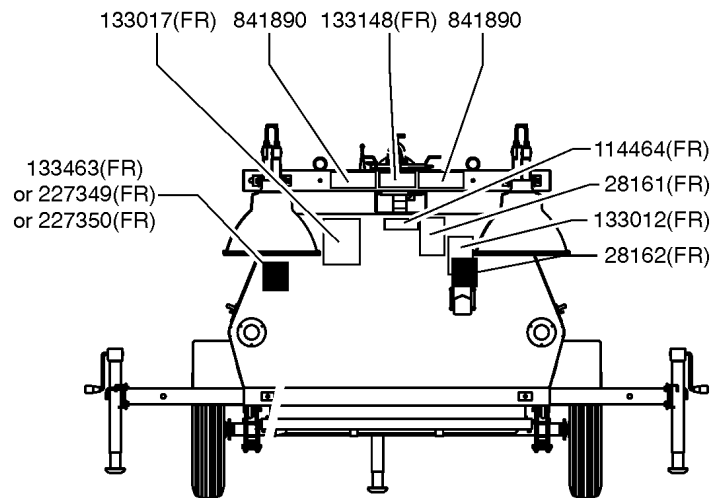
001.1 Parts Stocking List

Item	Part No.	Description	Qty.	Item	Part No.	Description	Qty.
A		— GENERAL SERVICE PARTS —		--	839209GT	V-BELT,KUBOTA	
--	1258567GT	PAINT, AEROSOL, TRAFFIC BLACK <i>12-ounce spray paint</i>		--	839110GT	HOSE,RADIATOR,LOWER,KUBOTA	
--	1268GT	PAINT,AEROSOL,GENIE GRAY*** <i>12-ounce spray paint</i>		--	839109GT	RADIATOR HOSE,KUBOTA	
--	1283776GT	SEAL MARKER,CROSS CHECK,BLUE,TUBE		--	32185GT	CLAMP,HOSE	
--	1484GT	PAINT,AEROSOL,BRIGHT BLUE*** <i>12-ounce spray paint</i>		24		— KUBOTA D1505 T1 MODELS —	
--	28750GT	O-RING KIT,FIELD SVC,ALL PROD* <i>O-ring kit, SAE</i>		--	116413GT	AIR CLEANER,DONALDSON G042544	
--	32150GT	PAINT,WET,GENIE BLUE (1 GL)** <i>1-gallon</i>		--	116509GT	KUBOTA OIL FILTER,D1105	
--	32151GT	PAINT,WET,GENIE GRAY (1 GL)** <i>1-gallon</i>		--	839200GT	ELEMENT,FUEL FILTER,KUBOTA	
--	33994GT	PLUG AND CAP KIT-SERVICE,37 ** <i>Plug and cap kit, SAE</i>		--	740620GT	FILTER,IN-LINE,FUEL,5/16"	
--	49612GT	O-RING KIT (ORFS FITTINGS) <i>O-ring kit, ORFS</i>		--	839209GT	V-BELT,KUBOTA	
--	49613GT	PLUG AND CAP KIT-SERVICE,ORFS* <i>Plug and cap kit, ORFS</i>		--	116514GT	KUBOTA BOTTOM HOSE,D1105	
--	66399GT	GREASE,DIELECTRIC 4 OZ**		--	116513GT	KUBOTA TOP HOSE,D1105	
--	890785GT	HOSE,FUEL,1/8"ID		--	32185GT	CLAMP,HOSE	
--	890795GT	HOSE,FUEL,5/16"ID		33		— ISUZU 4LE1PV02 MODELS —	
--	898590GT	HOSE FITTING PIPE/BAR		--	834460GT	ELEMENT,AIR FILTER,DONALDSON	
--	93500GT	PARKER DIGITAL PRESSURE GAUGE		--	T113769GT	AIR CLEANER, ISUZU 4LE2	
--				--	868036GT	ISUZU FUEL FILTER	
1		— MANUALS —		--	T113767GT	CARTRIDGE, OIL FLTR, ISUZU 4LE	
--	27581GT	MANUAL,AEM SAFETY		--	868036GT	ISUZU FUEL FILTER	
--	229101GT	MANUAL, OPERATOR'S, AL4		--	116151GT	FILTER,30 MICRON FUEL-WATER	
--	218567GT	MANUAL, SERVICE, AL4		--	868067GT	ISUZU 4LE 8972249990FAN BELT	
--	216011GT	MANUAL, PARTS, AL4		--	T113776GT	BELT, FAN, ISUZU 4LE2	
--	131661GT	MANUAL, OPERATORS,PERKINS,403D					
--	131379GT	MANUAL,OPER,KUBOTA DIESEL****					
--	116188GT	MANUAL,OP,MARATHON GENERATOR					
9		— GENERATOR, MARATHON MODELS —					
--	58356GT	CAPACITOR-ROUND 25MF					
--	85207GT	CAPACITOR,45 MF***OVAL					
--	229457GT	CAPACITOR, 8KW GENERATOR,5420					
--	836853GT	DIODE,MARATHON					
--	836856GT	MARATHON SUPPRESSOR/VARISTOR					
15		— KUBOTA D1105 MODELS —					
--	866127GT	ELEMENT,AIR CLEANER,KUBOTA					
--	866050GT	FILTER,OIL,KUBOTA					
--	839200GT	ELEMENT,FUEL FILTER,KUBOTA					
--	740620GT	FILTER,IN-LINE,FUEL,5/16"					

101.1 Decals with Words, Roadside



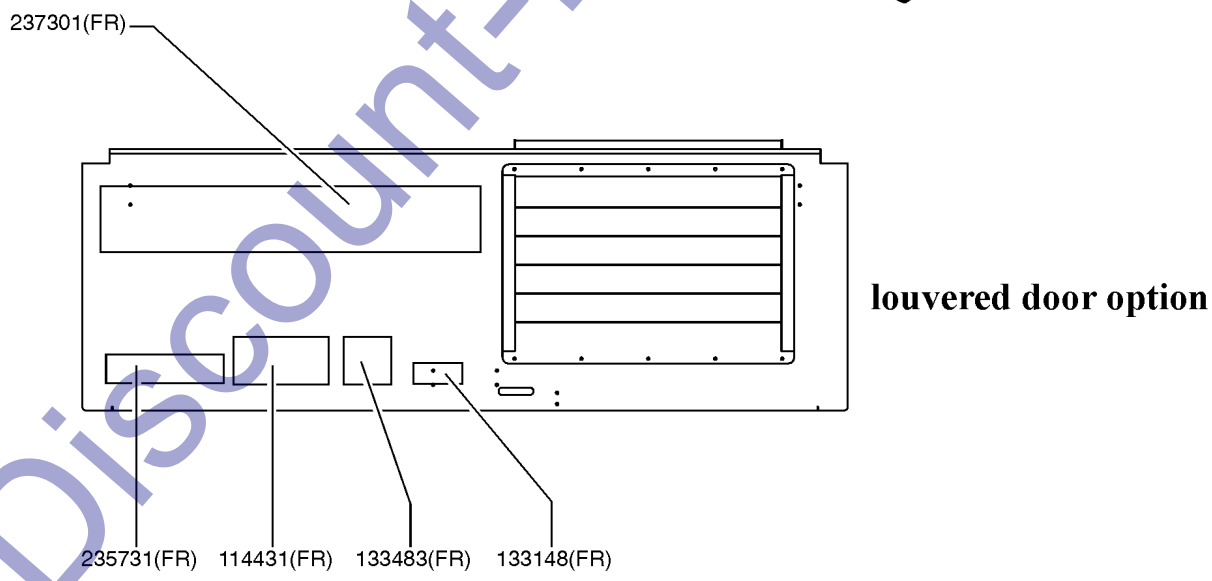
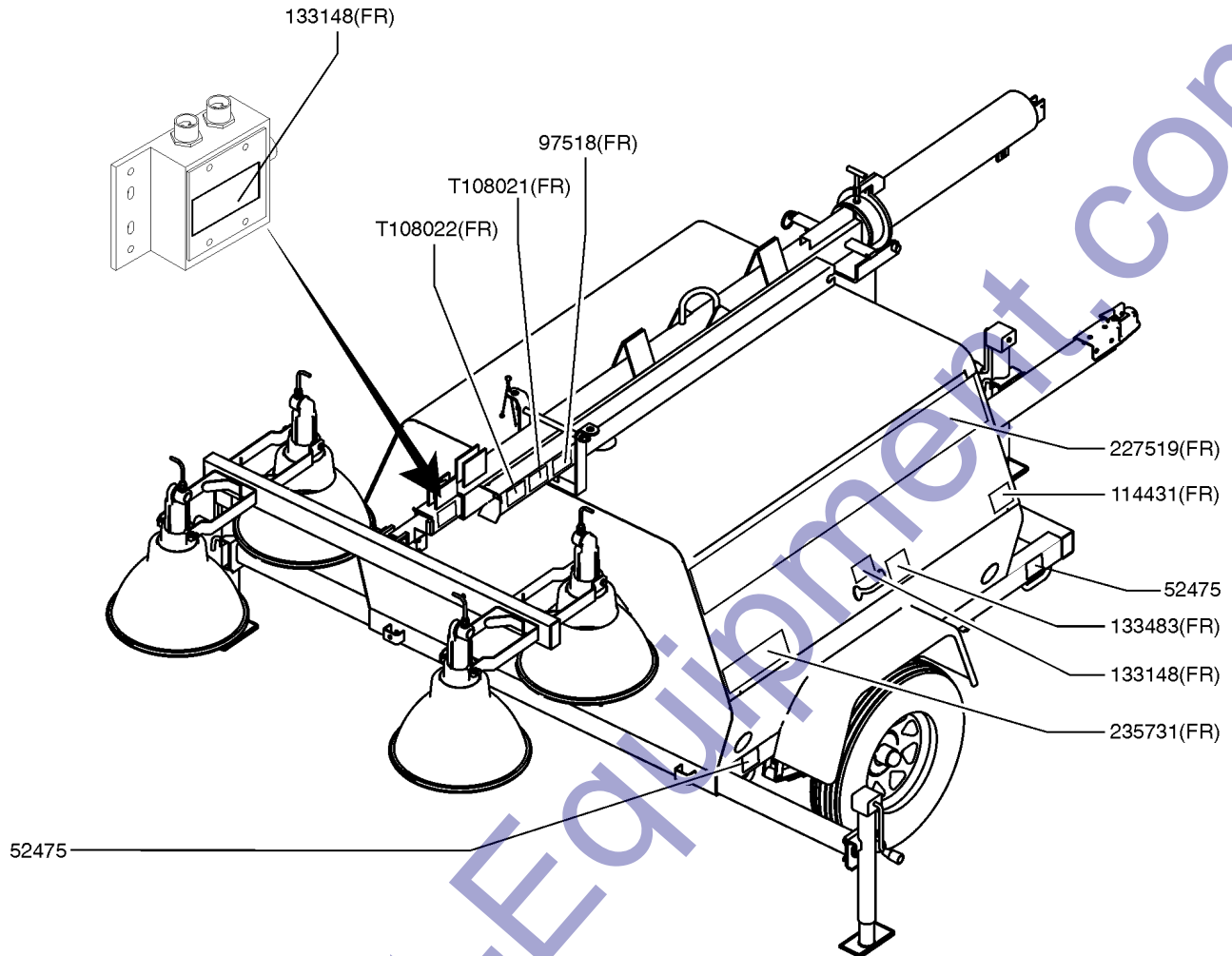
Rear View



101.1 Decals with Words, Roadside

Item	Part No.	Description	Qty.	Item	Part No.	Description	Qty.
1	28159GT	DECAL,LABEL,DIESEL FUEL.....	1	35	229102GT	DECAL, LABEL, ARROW.....	2
2	28161GT	DECAL,WARN,CRUSH HAZARD HAND.....	1	36	235731GT	DECAL COSMETIC MODEL AL5.....	2
3	28162GT	DECAL,WARNING,CRUSHING.....	2	37	237271GT	DECAL AL5 CONTROL PANEL 8KW....	1
4	31788GT	DECAL,DANGER,BATTERY SAFETY***.....	1	38	237272GT	DECAL AL5 CONTROL PANEL 12KW &.....	1
5	52475GT	DECAL,LABEL,TRANSPORT TIEDOWN*.....	2	39	237273GT	DECAL AL5 CONTROL PANEL 20KW E.....	1
6	72086GT	DECAL,LABEL,LIFTING EYE.....	1	40	237274GT	DECAL AL5 CONTROL PANEL 12KW E.....	1
7	77055GT	SERIAL LABEL,BLANK,4X8,CHROME*..... <i>(This is a blank label. Contact Service Parts to order; the model and serial number of the machine will be required.)</i>	1	41	841890GT	REFLECTOR,SCOTCHLITE,2"X18".....	2
8	77172GT	LABEL,BLANK,4X5,CHROME POLY***.....	1	42	T108022GT	DECAL, WARNING BURN HAZARD.....	2
9	97602GT	DECAL,EXPLOSION HAZARD.....	1				
10	97666GT	DECAL,WARN,READ MANUAL.....	1				
11	97675GT	DECAL,WARN,EXPLSION/BURN HAZ...	1				
12	114258GT	DECAL,DANGER,NO SMOKING.....	1				
13	114431GT	DECAL,DANGER,ELECTROCUTION HZD.....	2				
14	114464GT	LABEL,TRAVEL LOCK.....	1				
15	133012GT	DECAL,DANGER-BURN/CO HAZARD...	1				
16	133017GT	DECAL,WARNING,CRUSH HZD,TOWER.....	1				
17	133062GT	Decal, Label, Ground.....	1				
18	133063GT	DECAL,LABEL,TIE DOWN DIAGRAM...	1				
19	133148GT	DECAL,DANGER,HAZARD VOLTAGE...4					
20	133463GT	DECAL,KUBOTA ENGINE SPECS.....	1				
21	133482GT	DECAL,WARNING TIP-OVER HAZ.....	1				
22	133483GT	DECAL,WARNING BURN HAZ.....	2				
23	133484GT	DECAL,WARNING TOW SPEED.....	1				
24	227348GT	DECAL,TIRE SPECIFICATION.....	1				
25	227349GT	DECAL,ENGINE SPEC,V1505.....	1				
26	227350GT	DECAL ENGINE SPEC ISUZU 4LE2....	1				
27	227519GT	DECAL,COSMETIC TEREX,AL5,AL5....	2				
28	228708GT	DECAL, DANGER, CSA OUTDOOR USE.....	1				
29	228709GT	LABEL, CSA NEUTRAL BOND TO GND.....	1				
30	228710GT	DECAL INSTRUCTION AL4 AL5.....	1				
31	228711GT	DECAL, WARNING, CRUSH HAZARD...	1				
32	228712GT	DECAL, WARN, CRUSH HAZARD,MAST.....	1				
33	228713GT	LABEL, ELECTRIC WINCH.....	1				
34	228714GT	LABEL, WINCH, RAISE & LOWER.....	1				

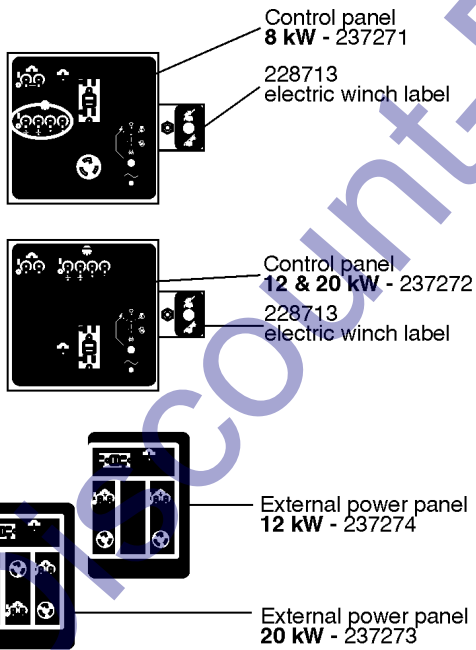
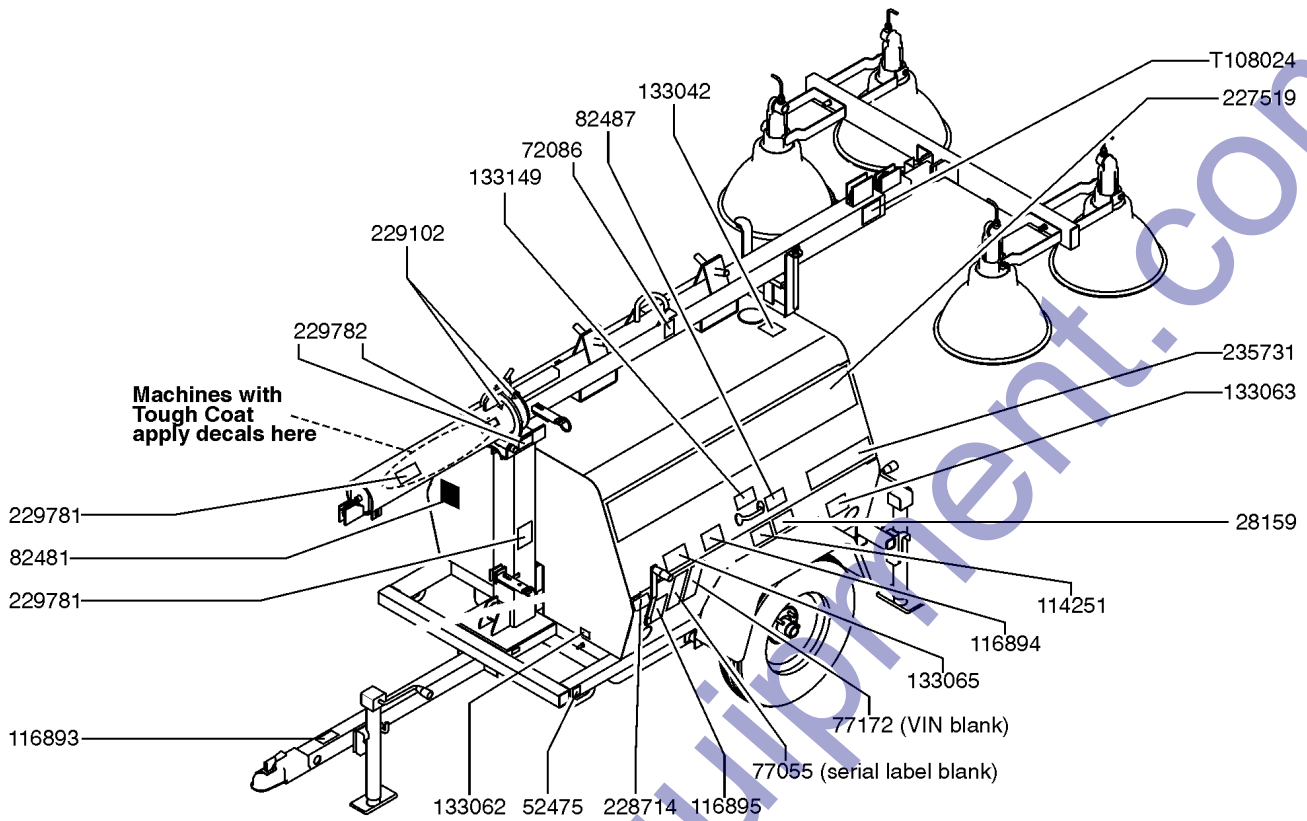
102.1 Decals with Words, Curbside



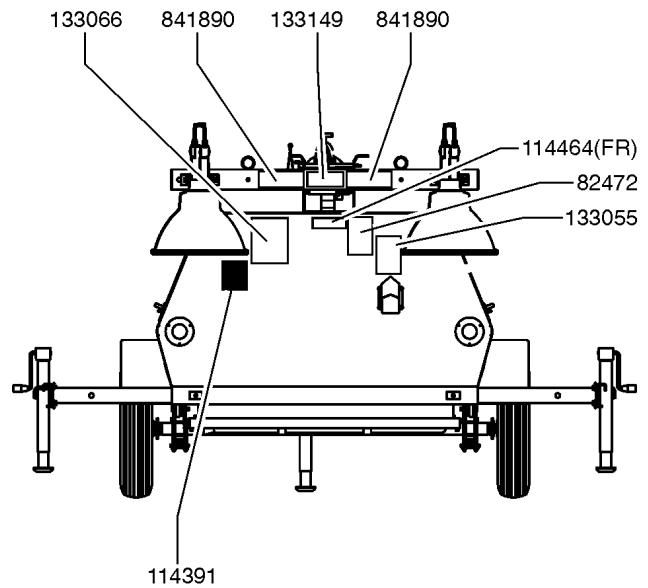
Item	Part No.	Description	Qty.
1	52475GT	DECAL,LABEL,TRANSPORT TIEDOWN*.....	2
2	97518GT	Decal, Instruction, Lamp Disposal.....	1
3	114431GT	DECAL,DANGER,ELECTROCUTION HZD.....	2
5	133148GT	DECAL,DANGER,HAZARD VOLTAGE....	4
5	133483GT	DECAL,WARNING BURN HAZ.....	2
6	227519GT	DECAL,COSMETIC TEREX,AL5,AL5....	2
7	235731GT	DECAL COSMETIC MODEL AL5.....	2
8	237301GT	DECAL COSM TEREX VENTED DOOR.....	1
9	T108021GT	DECAL,WARN,PROTECTIVE BARRIER.....	1
10	T108022GT	DECAL, WARNING BURN HAZARD.....	2

Discount-Equipment.com

103.1 Decals with Symbols, Roadside



Rear View

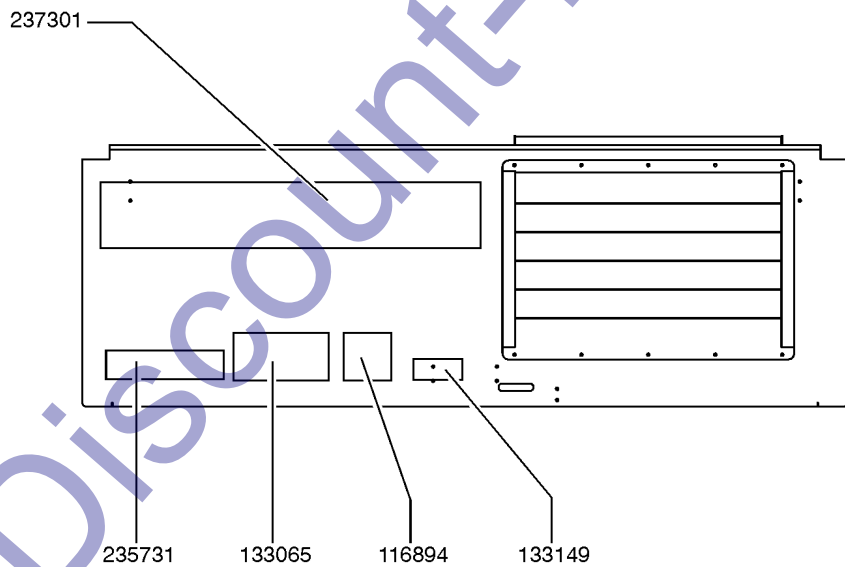
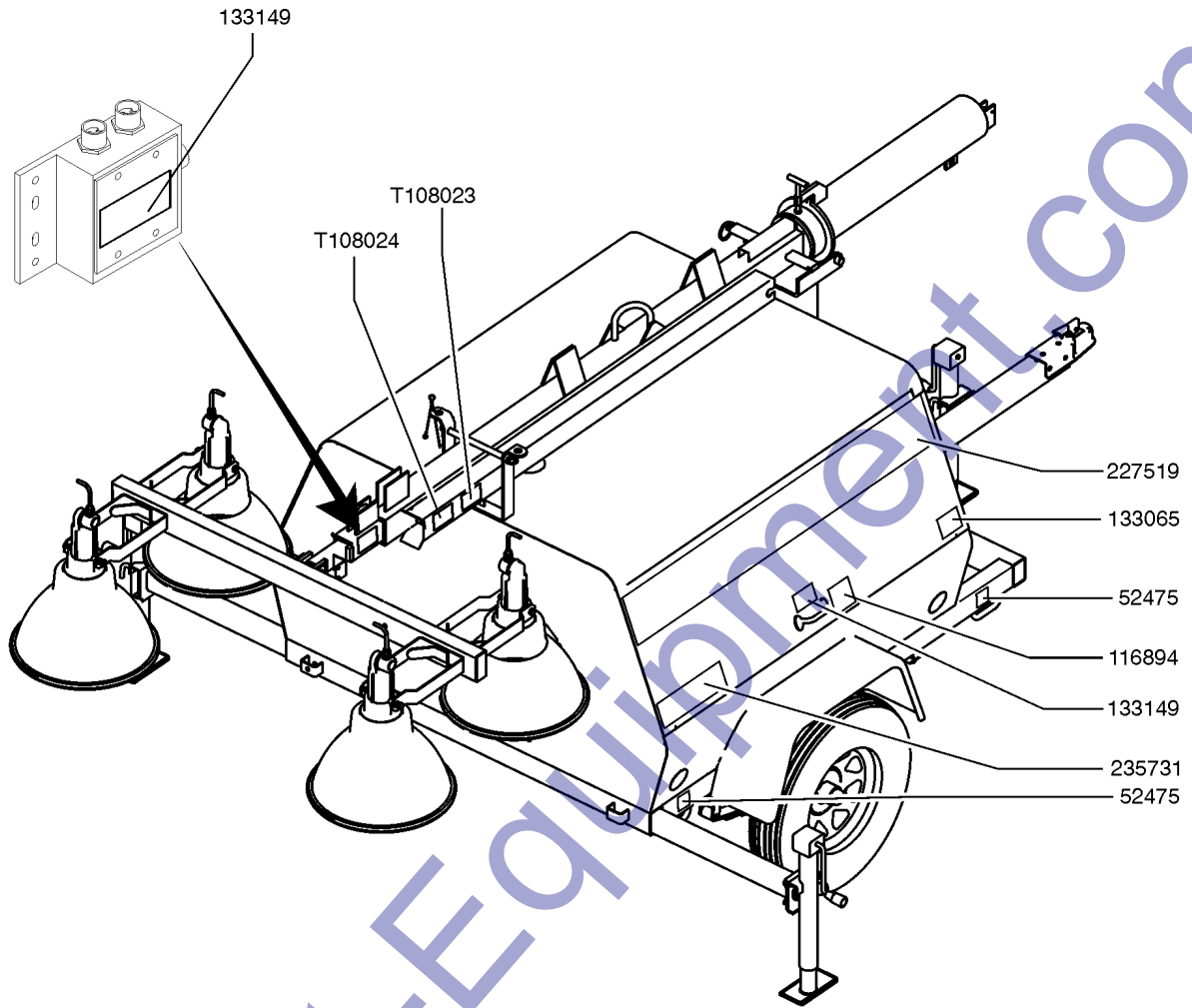


103.1 Decals with Symbols, Roadside

Item	Part No.	Description	Qty.
1	28159GT	DECAL,LABEL,DIESEL FUEL.....	1
2	52475GT	DECAL,LABEL,TRANSPORT TIEDOWN*.....	2
3	72086GT	DECAL,LABEL,LIFTING EYE.....	1
4	77055GT	SERIAL LABEL,BLANK,4X8,CHROME*..... <i>(This is a blank label. Contact Service Parts to order; the model and serial number of the machine will be required.)</i>	1
5	77172GT	LABEL,BLANK,4X5,CHROME POLY***.....	1
6	82472GT	DECAL,WARNING,CRUSHING HAZARD.....	1
7	82481GT	DECAL,SYMBOL-BATTERY SAFETY.....	1
8	82487GT	DECAL,SYMBOL-READ THE MANUAL.....	1
9	114251GT	DECAL,LABEL,NO SMOKING,SYMB.....	1
10	114391GT	DECAL,WARNING,CRUSHING.....	2
11	114464GT	LABEL,TRAVEL LOCK.....	1
12	116893GT	DECAL,TOW SPEED SYMBOL.....	1
13	116894GT	DECAL,BURN HAZARD SYMBOL.....	2
14	116895GT	DECAL,TIP HAZARD SYMBOL.....	1
15	133042GT	DECAL,EXPLSION/BURN HAZ SYMB.....	1
16	133055GT	DECAL,LABEL,BURN/CO2 HAZARD.....	1
17	133062GT	Decal, Label, Ground.....	1
18	133063GT	DECAL,LABEL,TIE DOWN DIAGRAM.....	1
19	133065GT	DECAL,LABEL-ELEC HAZ,DISTANCE.....	2
20	133066GT	DECAL,LABEL-CRUSH HAZ,TOWER.....	1
21	133149GT	DECAL,LABEL-ELEC HAZ,SERV MAN.....	4
22	227519GT	DECAL,COSMETIC TEREX,AL5,AL5.....	2
23	228713GT	LABEL, ELECTRIC WINCH.....	1
24	228714GT	LABEL, WINCH, RAISE & LOWER.....	1
25	229102GT	DECAL, LABEL, ARROW.....	2
26	229781GT	DECAL,WARNING,TIP-OVER,SYM.....	1
27	229782GT	DECAL,WARNING,CRUSHING HAZARD.....	1
28	235731GT	DECAL COSMETIC MODEL AL5.....	1
29	237271GT	DECAL AL5 CONTROL PANEL 8KW.....	1
30	237272GT	DECAL AL5 CONTROL PANEL 12KW &.....	1
31	237273GT	DECAL AL5 CONTROL PANEL 20KW E.....	1
32	237274GT	DECAL AL5 CONTROL PANEL 12KW E.....	1
33	841890GT	REFLECTOR,SCOTCHLITE,2"X18".....	2
34	T108024GT	DECAL,BURN HAZARD SYMBOL.....	2

Discontinued Equipment.com

104.1 Decals with Symbols, Curbside



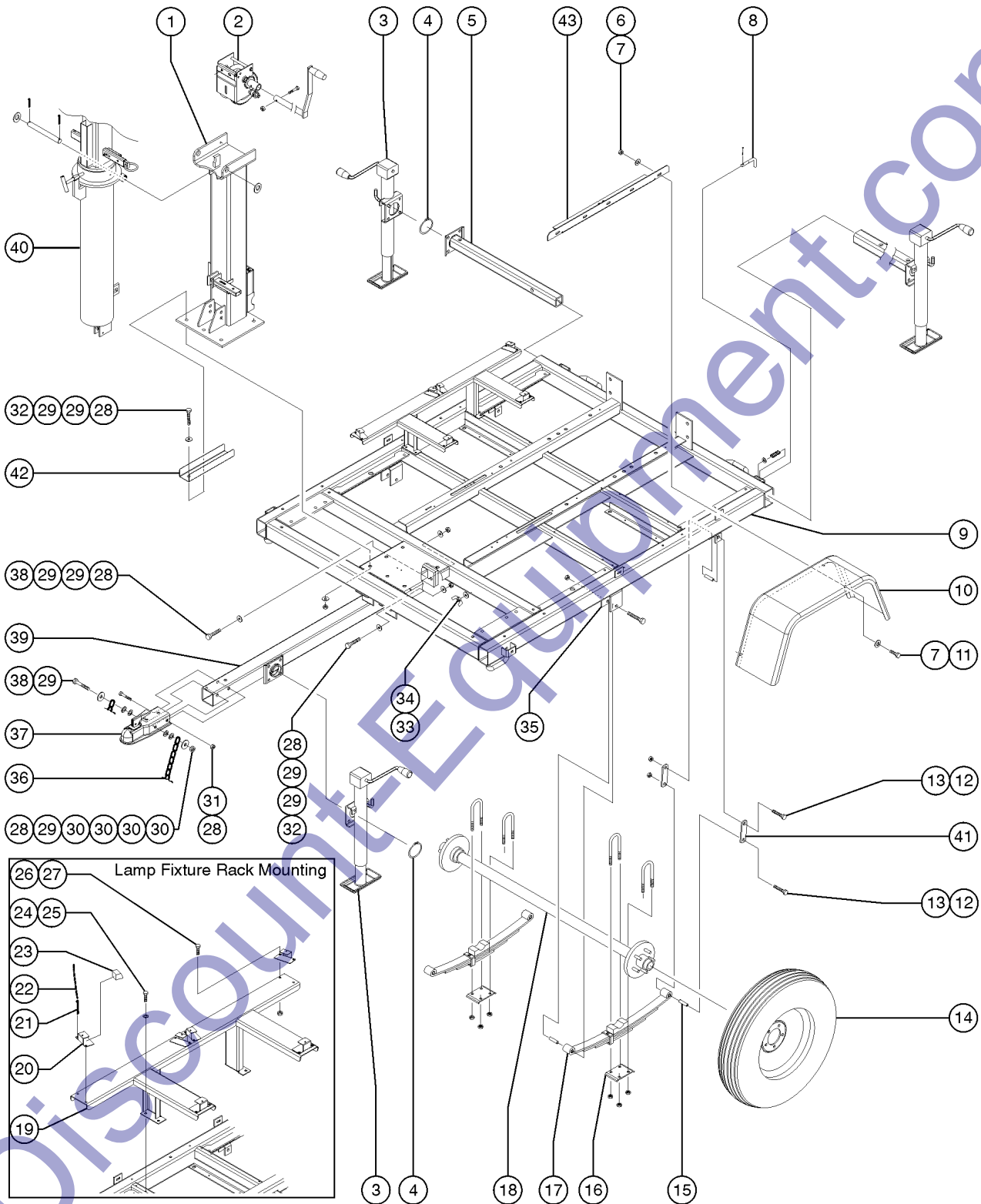
louvered door option

104.1 Decals with Symbols, Curbside

Item	Part No.	Description	Qty.
1	52475GT	DECAL,LABEL,TRANSPORT TIEDOWN*.....	2
2	116894GT	DECAL,BURN HAZARD SYMBOL.....	2
3	133065GT	DECAL,LABEL-ELEC HAZ,DISTANCE...2	
4	133149GT	DECAL,LABEL-ELEC HAZ,SERV MAN..4	
5	227519GT	DECAL,COSMETIC TEREX,AL5,AL5....2	
6	235731GT	DECAL COSMETIC MODEL AL5.....2	
7	237301GT	DECAL COSM TEREX VENTED DOOR.....	1
8	T108023GT	DECAL,BODILY INJURY SYMBOL.....1	
9	T108024GT	DECAL,BURN HAZARD SYMBOL.....2	

Discount-Equipment.com

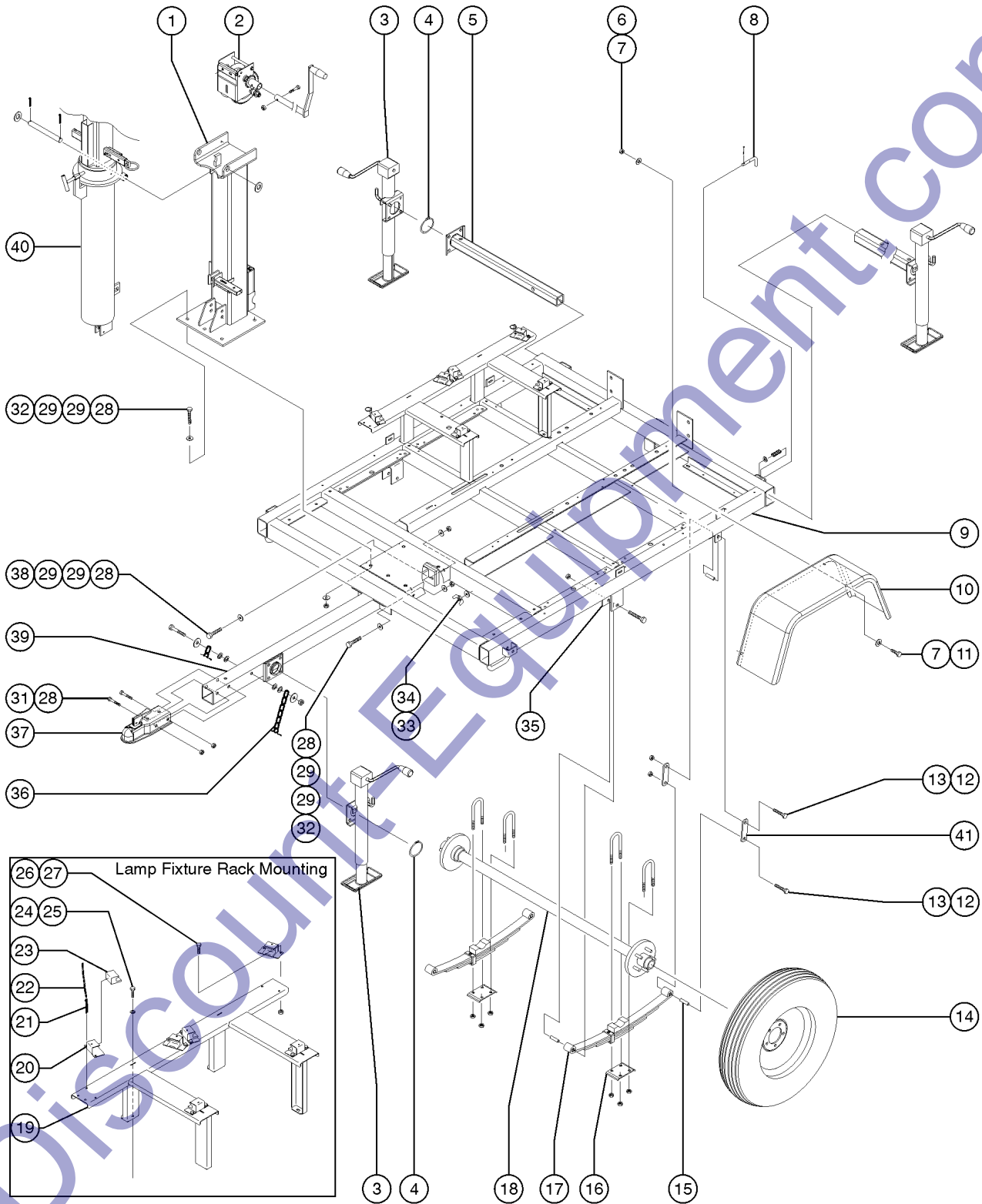
201.1 Chassis Components (from SN AL513-817 to AL513-1117)



201.1 Chassis Components (from SN AL513-817 to AL513-1117)

Item	Part No.	Description	Qty.	Item	Part No.	Description	Qty.
1		Ref. Tower Base <i>(refer to 502.1)</i>		36	22111936GT	CHAIN,SAFETY,3000#,3/8 X 30 IN.....1	1
2		Ref. Winch <i>(refer to 503.1)</i>		37		Ref. COUPLER,BALL,2" CLASS II.....1 <i>(refer to 205.1)</i>	1
3		Ref. JACK,MECHANICAL,3000LB.....3 <i>(refer to 603.1)</i>	3	38	6096GT	SCREW,HHC,1/2-13 X 2 GR5	
4	840222GT	SNAP RING,JACK (841430).....3	3	39	124470GT	TONGUE B-O-H W/JACKBR.....1	1
5A	114612GT	OUTRIGGER,3X2X32.5,GALVANIZED <i>(models with steel fenders, shown)</i>		40		Ref. Round Tube Assembly <i>(refer to 504.1)</i>	
5B	114613GT	OUTRIGGER 3X2X33REARAL5000.....2 <i>(models with plastic fenders, not shown)</i>	2	41	216633GT	KIT,SHACKLE SHOULDER BOLT ASSY <i>(includes shackle assembly, bolt, link, and nuts)</i>	
6	824024GT	NUT, TL, 1/4-20, C, ZAG		--	216632GT	MA-SHACKLE/SHOULDER BOLT ASSY <i>(includes 1 link with 2 bolts pressed into it)</i>	
7	75144GT	WASHER,FLAT,SAE 1/4",ZINC		42		FORMING LTBAR HOLDER LOWER <i>(available soon)</i>	
8		Ref. KIT:OUTRIGGER PLUNGER PIN ASSY.....2 <i>(refer to 603.1)</i>	2	43	125996GT	FORMING,FENDER SKIRT.....2	2
9	T108775GT	WELDMENT, CHASSIS.....1	1				
10		Ref. Fender <i>(refer to 207.1)</i>					
11	994130GT	SCREW,HHC,1/4-20 X 1					
12	216631GT	BOLT,AXLE,3/16X3 W/7/16-20STEP					
--	841473GT	SHACKLE,AXLE,4-5/8" LONG					
13	216634GT	NUT,FLANGE,7/16-20, TOP LOCK					
14	841061GT	WHEEL/TIRE ASSY,15",205/75 LRC.....2	2				
15	834246GT	SPRING EYE BUSHING					
16	834267GT	KIT,AXLE,U-BOLT & PLATE & NUTS					
17	834211GT	SPRING,LEAF FOR AXLE, 4 PLY.....2	2				
18		Ref. Axle <i>(refer to 204.1)</i>					
19	114715GT	FIXTURE MOUNTINGBRKT.....1	1				
20	184840GT	FIXTURE STOR.CUSH.BRK.....12	12				
21	793490GT	PIN COTTERLESS HITCH1.....4	4				
22	790930GT	CHAIN JACK #12 ZP100FT/CARTON.....2	2				
23	720401GT	FIXTURE MOUNT CUSHION.....12	12				
24	990450GT	SCREW 5/16-18NCX3/4 HHC					
25	990460GT	WASHER LOCK 5/16 ZP BIN					
26	993440GT	SCREW,HHC,1/4-20 X 3/4 GR2 ZP					
27	824024GT	NUT, TL, 1/4-20, C, ZAG					
28	6198GT	NUT,NYLOCK,1/2-13					
29	6095GT	WASHER,FLAT,USS,1/2",Y					
30	991650GT	WASHER LOCK 1/2ZP					
31	995310GT	SCREW,HHC,1/2-13 X 4 G					
32	994600GT	SCREW 1/2-13NCX1-1/2H					
33	993240GT	NUT,WING 3/8-16 ZP					
34	991690GT	WASHER LOCK STAR 3/8					
35	840392GT	HANGER,AXLE REAR,1.25F.....2 <i>(weld-on only)</i>	2				

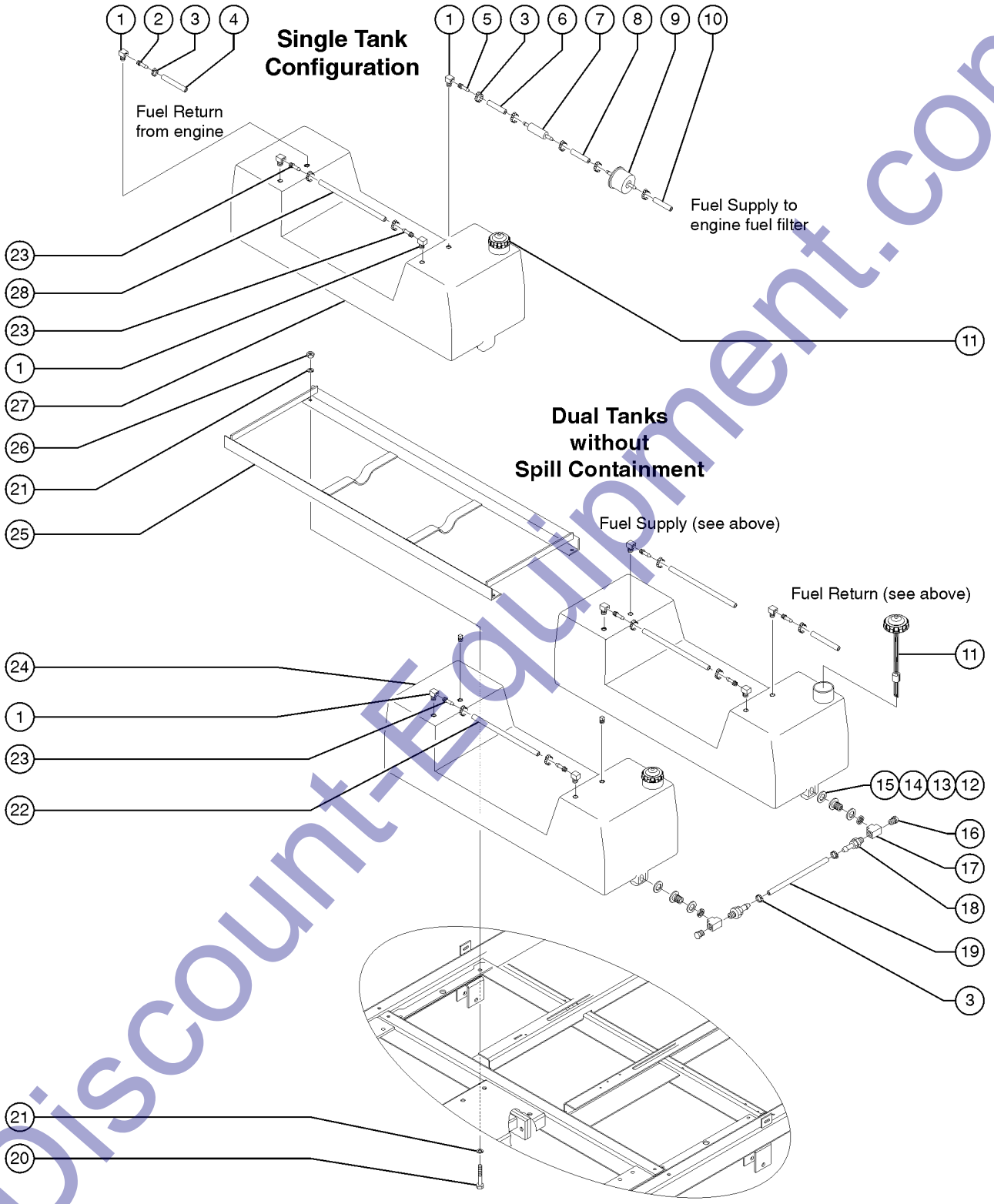
201.2 Chassis Components (from SN AL513-1118)



201.2 Chassis Components (from SN AL513-1118)

Item	Part No.	Description	Qty.	Item	Part No.	Description	Qty.
1		Ref. Tower Base <i>(refer to 502.1)</i>		36	162160GT	CHAIN, SAFETY, SNAP HOOK.....2	
2		Ref. Winch <i>(refer to 503.1)</i>		--	32645GT	SCREW,HHC,3/8-16 X 5 GRD 5 ZNC.....1	
3		Ref. JACK,MECHANICAL,3000LB.....3 <i>(refer to 603.1)</i>		--	6097GT	WASHER,FLAT,USS,3/8",Y.....2	
4	840222GT	SNAP RING,JACK (841430).....3		--	61975GT	RETAINER,SPRING,1.21 X .375.....2	
5A	114612GT	OUTRIGGER,3X2X32.5,GALVANIZED <i>(models with steel fenders, shown)</i>		--	824029GT	NUT,TL FLG,3/8-16,G,ZAG.....1	
5B	114613GT	OUTRIGGER 3X2X33REARAL5000.....2 <i>(models with plastic fenders, not shown)</i>		37		Ref. COUPLER,BALL,2" CLASS II.....1 <i>(refer to 205.1)</i>	
6	824024GT	NUT, TL, 1/4-20, C, ZAG		38	6096GT	SCREW,HHC,1/2-13 X 2 GR5	
7	75144GT	WASHER,FLAT,SAE 1/4",ZINC		39	124470GT	TONGUE B-O-H W/JACKBR.....1	
8		Ref. KIT:OUTRIGGER PLUNGER PIN ASSY.....2 <i>(refer to 603.1)</i>		40		Ref. Round Tube Assembly <i>(refer to 504.1)</i>	
9	162363GT	WELDMENT, CHASSIS.....1		41	216633GT	KIT,SHACKLE SHOULDER BOLT ASSY <i>(includes shackle assembly, bolt, link, and nuts)</i>	
10		Ref. Fender <i>(refer to 207.1)</i>		--	216632GT	MA-SHACKLE/SHOULDER BOLT ASSY <i>(includes 1 link with 2 bolts pressed into it)</i>	
11	994130GT	SCREW,HHC,1/4-20 X 1					
12	216631GT	BOLT,AXLE,3/16X3 W/7/16-20STEP					
--	841473GT	SHACKLE,AXLE,4-5/8" LONG					
13	216634GT	NUT,FLANGE,7/16-20, TOP LOCK					
14	841061GT	WHEEL/TIRE ASSY,15",205/75 LRC.....2					
15	834246GT	SPRING EYE BUSHING					
16	834267GT	KIT,AXLE,U-BOLT & PLATE & NUTS					
17	834211GT	SPRING,LEAF FOR AXLE, 4 PLY.....2					
18		Ref. Axle <i>(refer to 204.1)</i>					
19	826452GT	FIXTURE MOUNTINGBRKT.....2					
20	184840GT	FIXTURE STOR.CUSH.BRK.....12					
21	793490GT	PIN COTTERLESS HITCH1.....4					
22	790930GT	CHAIN JACK #12 ZP100FT/CARTON.....2					
23	720401GT	FIXTURE MOUNT CUSHION.....12					
24	990450GT	SCREW 5/16-18NCX3/4 HHC					
25	990460GT	WASHER LOCK 5/16 ZP BIN					
26	993440GT	SCREW,HHC,1/4-20 X 3/4 GR2 ZP					
27	824024GT	NUT, TL, 1/4-20, C, ZAG					
28	6198GT	NUT,NYLOCK,1/2-13					
29	6095GT	WASHER,FLAT,USS,1/2",Y					
30	991650GT	WASHER LOCK 1/2ZP					
31	995310GT	SCREW,HHC,1/2-13 X 4 G					
32	994600GT	SCREW 1/2-13NCX1-1/2H					
33	993240GT	NUT,WING 3/8-16 ZP					
34	991690GT	WASHER LOCK STAR 3/8					
35	840392GT	HANGER,AXLE REAR,1.25F.....2 <i>(weld-on only)</i>					

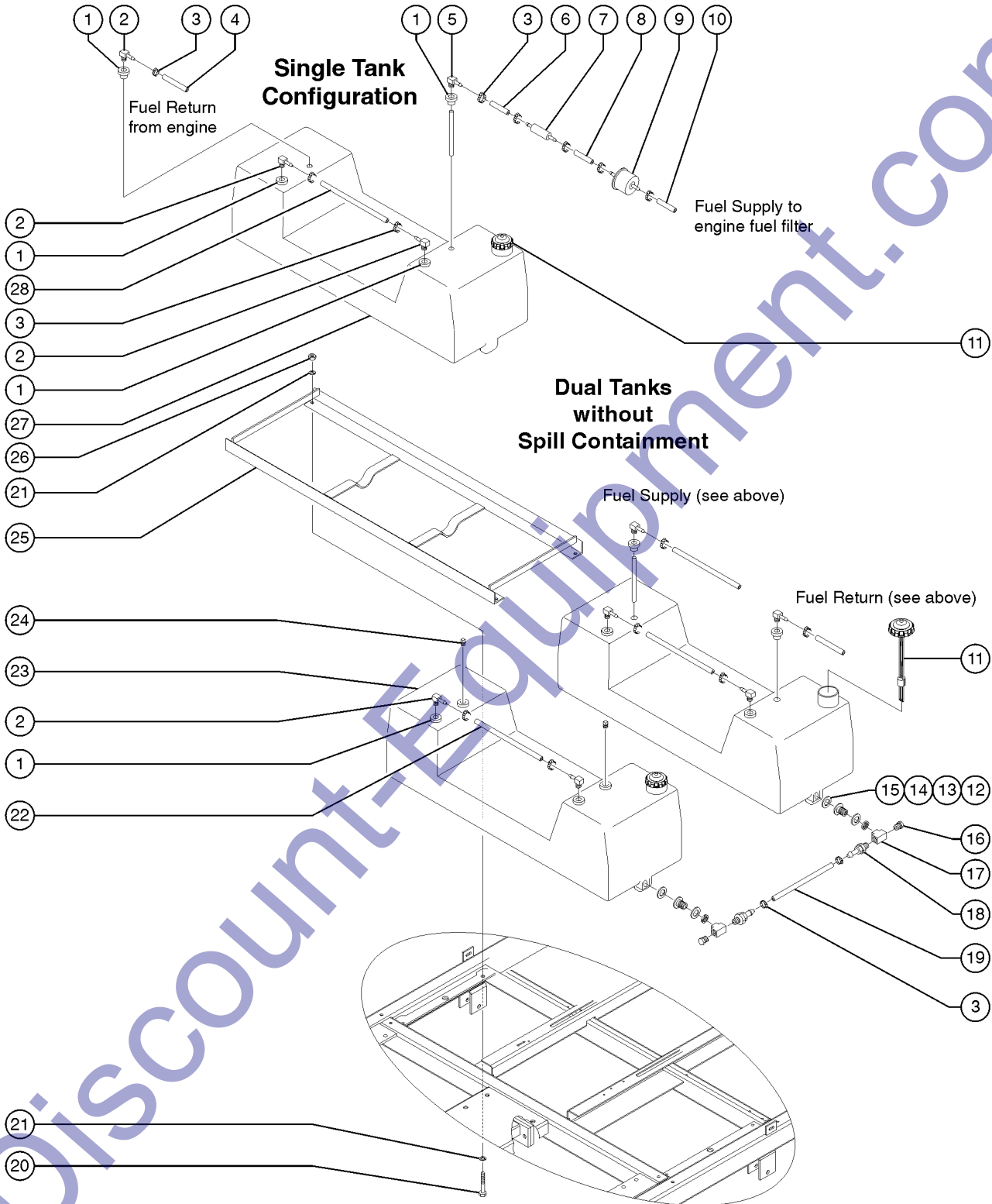
202.1 Fuel Tank and Hoses, Models Without Spill Containment



202.1 Fuel Tank and Hoses, Models Without Spill Containment

Item	Part No.	Description	Qty.	Item	Part No.	Description	Qty.
1	741720GT	TANK ACCESSORY DIPTUB <i>elbow with 14-inch dip tube (not shown)</i>		24	162280GT	FUEL TANK,30 GAL W DRAIN HOLE.....2 <i>(models with 2 tanks)</i>	
1	891520GT	PIPE FITTING STR ELBO <i>elbow only (shown)</i>		25	114720GT	FUEL TANK BRKT.2538 A.....3.75-feet <i>(quantity approximate)</i>	
2A	891560GT	HOSE FITTING PIPE/BAR <i>(Kubota)</i>		26	824029GT	NUT,TL FLG,3/8-16,G,ZAG.....4	
2B	891530GT	HOSE FITTING PIPE/BARB, 1/4" <i>(Isuzu)</i>		27	741701GT	FUEL TNK ASSY,PLAS,30G,AL5&AL8....1 <i>(models with 1 tank)</i>	
3	792750GT	CLAMP 7/16 TO 25/32		28	890790GT	HOSE,FUEL,1/4"ID,PUSH LOK,200#.....3.75-feet	
4A	890785GT	HOSE,FUEL,1/8"ID.....3.75-feet <i>(Kubota) (quantity approximate)</i>					
4B	890790GT	HOSE,FUEL,1/4"ID,PUSH LOK,200#.....3.75-feet <i>(Isuzu) (quantity approximate)</i>					
5	898590GT	HOSE FITTING PIPE/BAR.....1					
6	890795GT	HOSE,FUEL,5/16"ID.....0.5-feet <i>(quantity approximate)</i>					
7	740620GT	FILTER,IN-LINE,FUEL,5/16".....1					
8	890795GT	HOSE,FUEL,5/16"ID.....1.5-feet <i>(quantity approximate)</i>					
9	660320GT	PUMP,FUEL, 12VDC.....1					
--	995810GT	SCREW 1/4-20NCX5/8 HW					
10	890795GT	HOSE,FUEL,5/16"ID.....3-feet <i>(quantity approximate)</i>					
11A	218074GT	CAP FUEL VENT AL5 WITH TETHER <i>vented</i>					
11B	217720GT	CAP FUEL NVENT AL5 WITH TETHER <i>non-vented</i>					
12	996375GT	NUT HEX HEAD JAM 3/4.....2 <i>(models with 2 tanks)</i>					
13	990230GT	WASHER,FLAT,3/4 ZP.....2 <i>(models with 2 tanks)</i>					
14	189790GT	PLUG,DRAIN,FUEL TANK.....2 <i>(models with 2 tanks)</i>					
15	189785GT	WASHER RUBBER BUNA-N.....2 <i>(models with 2 tanks)</i>					
16	891190GT	PIPE PLUG 1/8 CS.....2 <i>(models with 2 tanks)</i>					
17	R890065GT	HOSE FITTING PIPE/BARB 1/8MX.....2					
18	891530GT	HOSE FITTING PIPE/BARB, 1/4".....2					
19	890790GT	HOSE,FUEL,1/4"ID,PUSH LOK,200#.....3.5-feet <i>(models with 2 tanks) (quantity approximate)</i>					
20	35729GT	SCREW,HHC,3/8-16 X 8.5.....4					
21	6097GT	WASHER,FLAT,USS,3/8",Y.....8					
22	890790GT	HOSE,FUEL,1/4"ID,PUSH LOK,200#.....3.5-feet <i>(quantity approximate)</i>					
23	891530GT	HOSE FITTING PIPE/BARB, 1/4" <i>(quantity 1 per tank)</i>					

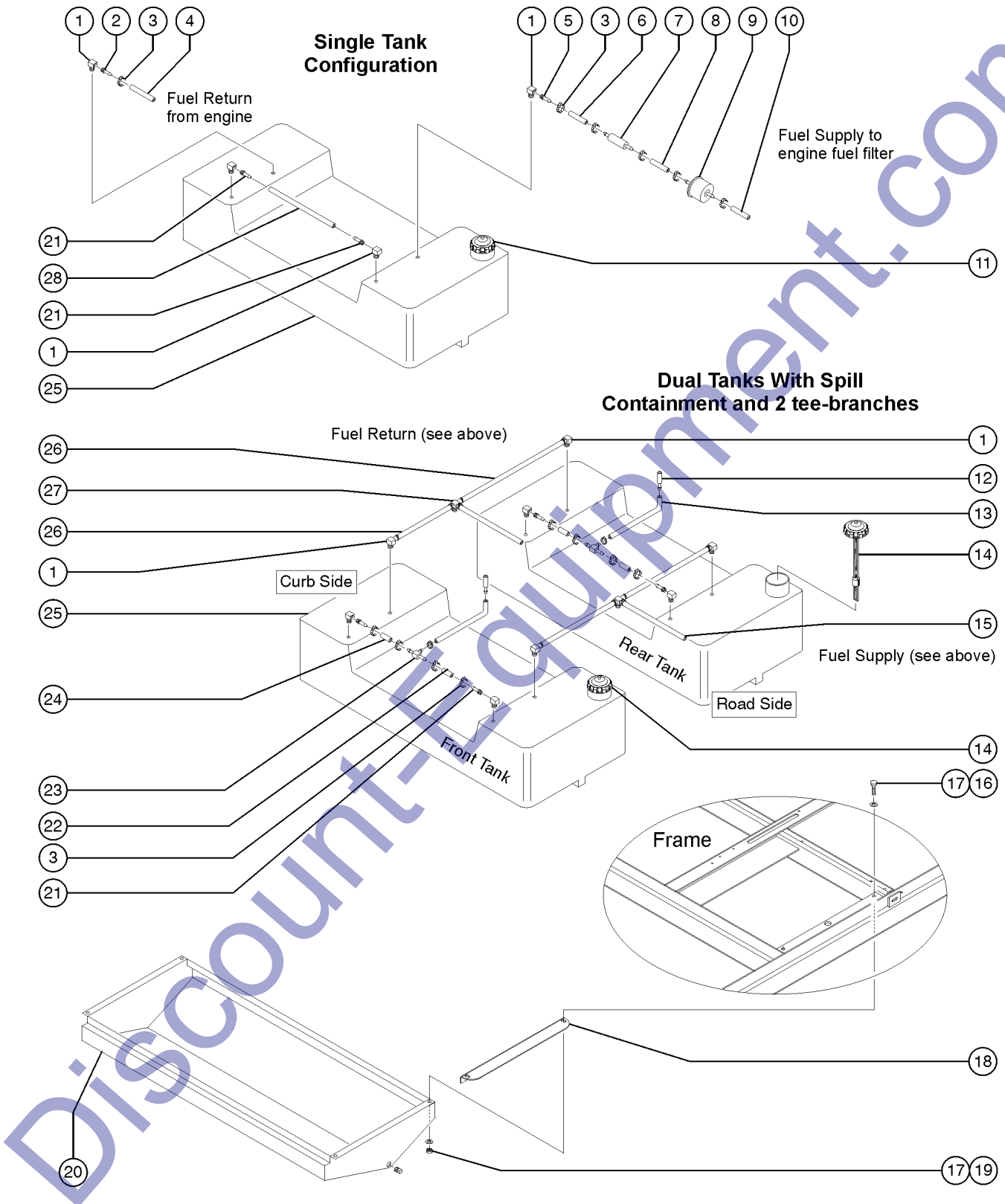
202.2 Fuel Tank and Hoses, Models Without Spill Containment



202.2 Fuel Tank and Hoses, Models Without Spill Containment

Item	Part No.	Description	Qty.	Item	Part No.	Description	Qty.
1	825081GT	GROMMET DAPCO RUBBER SM		25	114720GT	FUEL TANK BRKT.2538 A.....3.6-feet (quantity approximate)	
2A	825078GT	FITTING 5816,FITTING FOR DOWN (Isuzu)		26	824029GT	NUT,TL FLG,3/8-16,G,ZAG.....4	
2B	825079GT	FITTING 1/8,FITTING FOR DOWN T (Kubota)		27	741701GT	FUEL TNK ASSY,PLAS,30G,AL5&AL8....1 (models with 1 tank)	
3	792750GT	CLAMP 7/16 TO 25/32		28	890790GT	HOSE,FUEL,1/4"ID,PUSH LOK,200#.....3.6-feet	
4A	890785GT	HOSE,FUEL,1/8"ID.....3.66-feet (Kubota) (quantity approximate)					
4B	890790GT	HOSE,FUEL,1/4"ID,PUSH LOK,200#.....3.66-feet (Isuzu) (quantity approximate)					
5	825077GT	FITTING 5/16,W TUBE 13.25 45D.....1					
6	890795GT	HOSE,FUEL,5/16"ID.....0.33-feet (quantity approximate)					
7	740620GT	FILTER,IN-LINE,FUEL,5/16".....1					
8	890795GT	HOSE,FUEL,5/16"ID.....1.3-feet (quantity approximate)					
9	660320GT	PUMP,FUEL, 12VDC.....1					
--	995810GT	SCREW 1/4-20NCX5/8 HW					
10	890795GT	HOSE,FUEL,5/16"ID.....3-feet (quantity approximate)					
11A	218074GT	CAP FUEL VENT AL5 WITH TETHER vented					
11B	217720GT	CAP FUEL NVENT AL5 WITH TETHER non-vented					
12	996375GT	NUT HEX HEAD JAM 3/4.....2 (models with 2 tanks)					
13	990230GT	WASHER,FLAT,3/4 ZP.....2 (models with 2 tanks)					
14	189790GT	PLUG,DRAIN,FUEL TANK.....2 (models with 2 tanks)					
15	189785GT	WASHER RUBBER BUNA-N.....2 (models with 2 tanks)					
16	891190GT	PIPE PLUG 1/8 CS.....2 (models with 2 tanks)					
17	R890065GT	HOSE FITTING PIPE/BARB 1/8MX.....2					
18	891530GT	HOSE FITTING PIPE/BARB, 1/4".....2					
19	890790GT	HOSE,FUEL,1/4"ID,PUSH LOK,200#.....3.4-feet (models with 2 tanks) (quantity approximate)					
20	35729GT	SCREW,HHC,3/8-16 X 8.5.....4					
21	6097GT	WASHER,FLAT,USS,3/8",Y.....8					
22	890790GT	HOSE,FUEL,1/4"ID,PUSH LOK,200#.....3.5-feet (quantity approximate)					
23	189800GT	FUEL TANK,30 GAL W DRAIN HOLE....2 (models with 2 tanks)					
24	825772GT	PLUG, DAPCO.....2 (models with 2 tanks)					

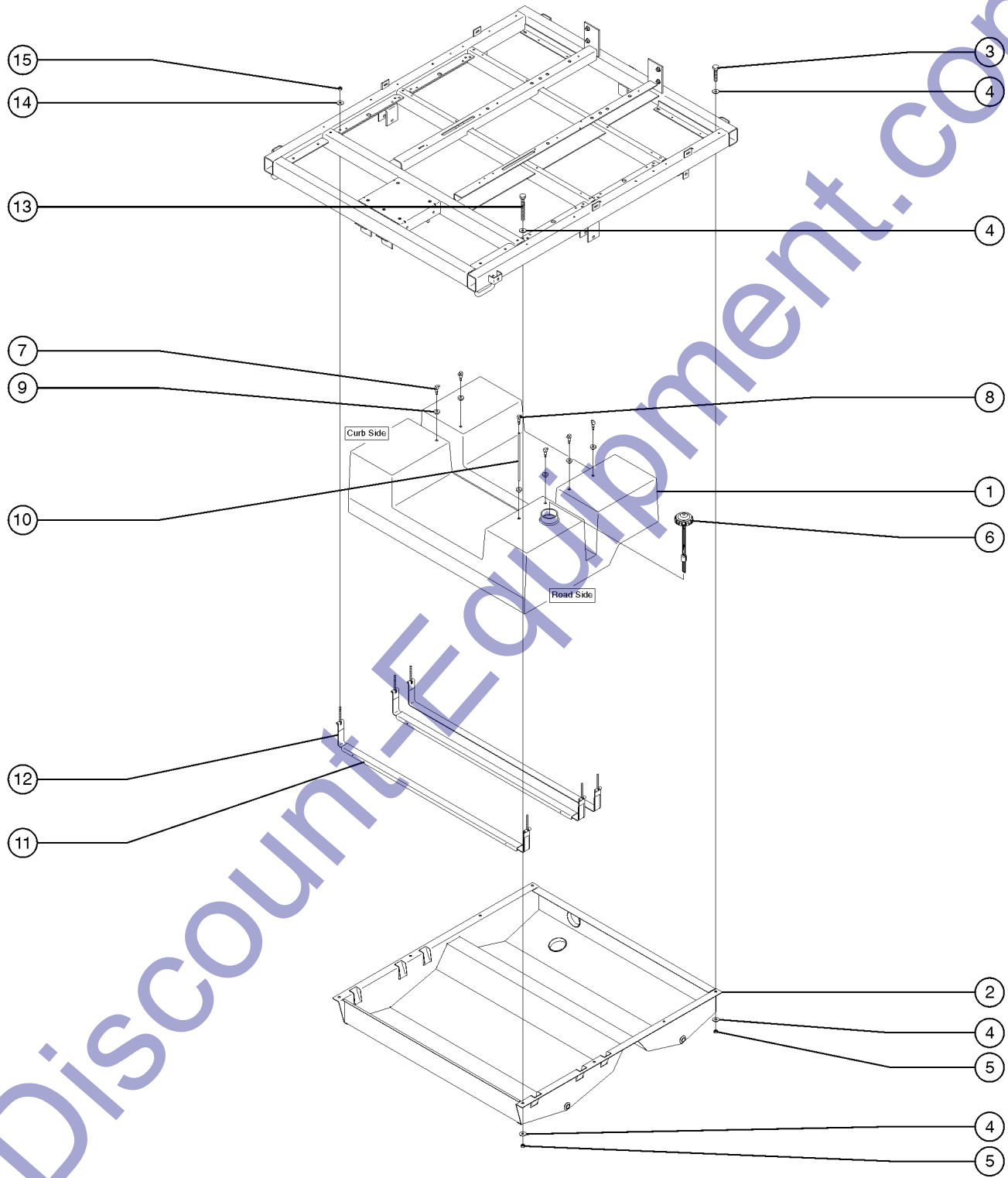
203.1 Fuel Tanks and Hoses, Models With Spill Containment (from SN AL513-817 to AL513-1117)



203.1 Fuel Tanks and Hoses, Models With Spill Containment (from SN AL513-817 to AL513-1117)

Item	Part No.	Description	Qty.	Item	Part No.	Description	Qty.
A	822836GT	KIT, DUAL TANK RETROFIT.....1 <i>(includes separate tee branches for each tank, shown in illustration) (includes B, C, D and instructions)</i>	1	11	218074GT	CAP FUEL VENT AL5 WITH TETHER...1 o r 2 <i>(models with one tank) (vented)</i>	2
B	822840GT	VENT T,DUAL TANK RETROFIT.....2	2	12	895371GT	CHECK VALVE - 1/4".....2 <i>(822840GT, see fuel vent kit listed above, item B)</i>	2
--	215348GT	TEE,HOSE,BRASS,1/4.....2	2	13	890790GT	HOSE,FUEL,1/4"ID,PUSH LOK,200#.....2.25-feet <i>(822840GT, see fuel vent kit listed above, item B)</i>	2.25-feet
--	792750GT	CLAMP 7/16 TO 25/32.....4	4	14	217720GT	CAP FUEL NVENT AL5 WITH TETHER.....2 <i>(models with two tanks and spill containment) (non-vented)</i>	2
--	890790GT	HOSE,FUEL,1/4"ID,PUSH LOK,200#.....4-feet	4-feet	15	890790GT	HOSE,FUEL,1/4"ID,PUSH LOK,200#.....2.25-feet <i>(822838GT, see fuel supply kit listed above, item C)</i>	2.25-feet
--	895371GT	CHECK VALVE - 1/4".....2	2	16	6019GT	SCREW,HHC,3/8-16 X 1.25 GRD 5	
C	822838GT	PICK-UP T,DUAL TANK RETROFIT.....1	1	17	6097GT	WASHER,FLAT,USS,3/8",Y	
--	215348GT	TEE,HOSE,BRASS,1/4.....1	1	18	217714GT	FORMING ROCK GUARD SPILL PAN...2 <i>(available soon)</i>	2
--	792750GT	CLAMP 7/16 TO 25/32.....3	3	19	824029GT	NUT,TL FLG,3/8-16,G,ZAG	
--	890790GT	HOSE,FUEL,1/4"ID,PUSH LOK,200#.....2.25-feet <i>(qty 2)</i>	2.25-feet	20	119668GT	WELDMENT,CONTAINMENT TANK.....1	1
D	822839GT	RETURN T,DUAL TANK RETROFIT.....1	1	21	891530GT	HOSE FITTING PIPE/BARB, 1/4".....2	2
--	215348GT	TEE,HOSE,BRASS,1/4.....1	1	22	890790GT	HOSE,FUEL,1/4"ID,PUSH LOK,200#.....1-feet <i>(822840GT, see fuel vent kit listed above, item B)</i>	1-feet
--	792750GT	CLAMP 7/16 TO 25/32.....3	3	23	215348GT	TEE,HOSE,BRASS,1/4.....3 <i>(822840GT, see fuel vent kit listed above, item B)</i>	3
--	890790GT	HOSE,FUEL,1/4"ID,PUSH LOK,200#.....3.75-feet <i>(qty 1) (not included in fuel return tee assembly)</i>	3.75-feet	24	890790GT	HOSE,FUEL,1/4"ID,PUSH LOK,200#.....4-feet <i>(822840GT, see fuel vent kit listed above, item B)</i>	4-feet
1A	891520GT	PIPE FITTING STR ELBO.....3 <i>elbow only (shown) (single tank)</i>	3	25	741701GT	FUEL TNK ASSY,PLAS,30G,AL5&AL8...2	2
1B	891520GT	PIPE FITTING STR ELBO.....8 <i>elbow only (shown) (dual tank)</i>	8	26	890790GT	HOSE,FUEL,1/4"ID,PUSH LOK,200#.....2.25-feet <i>(822839GT, see fuel return kit listed above, item D)</i>	2.25-feet
1C	741720GT	TANK ACCESSORY DIPTUB <i>elbow with 14-inch dip tube (not shown)</i>		27	215348GT	TEE,HOSE,BRASS,1/4.....3 <i>(822839GT, see fuel return kit listed above, item D)</i>	3
2A	891560GT	HOSE FITTING PIPE/BAR.....1 <i>(Kubota)</i>	1	28	890790GT	HOSE,FUEL,1/4"ID,PUSH LOK,200#.....3.5-feet	3.5-feet
2B	891530GT	HOSE FITTING PIPE/BARB, 1/4".....1 <i>(Isuzu)</i>	1				
3	792750GT	CLAMP 7/16 TO 25/32					
4A	890785GT	HOSE,FUEL,1/8"ID.....3.75-feet <i>(Kubota) (quantities approximate)</i>	3.75-feet				
4B	890790GT	HOSE,FUEL,1/4"ID,PUSH LOK,200#.....3.75-feet <i>(Isuzu) (quantities approximate)</i>	3.75-feet				
5	898590GT	HOSE FITTING PIPE/BAR					
6	890795GT	HOSE,FUEL,5/16"ID.....0.5-feet <i>(quantity approximate)</i>	0.5-feet				
7	740620GT	FILTER,IN-LINE,FUEL,5/16".....1	1				
8	890795GT	HOSE,FUEL,5/16"ID.....1.5-feet <i>(quantity approximate)</i>	1.5-feet				
9	660320GT	PUMP,FUEL, 12VDC.....1	1				
--	995810GT	SCREW 1/4-20NCX5/8 HW					
10	890795GT	HOSE,FUEL,5/16"ID.....3-feet <i>(quantity approximate)</i>	3-feet				

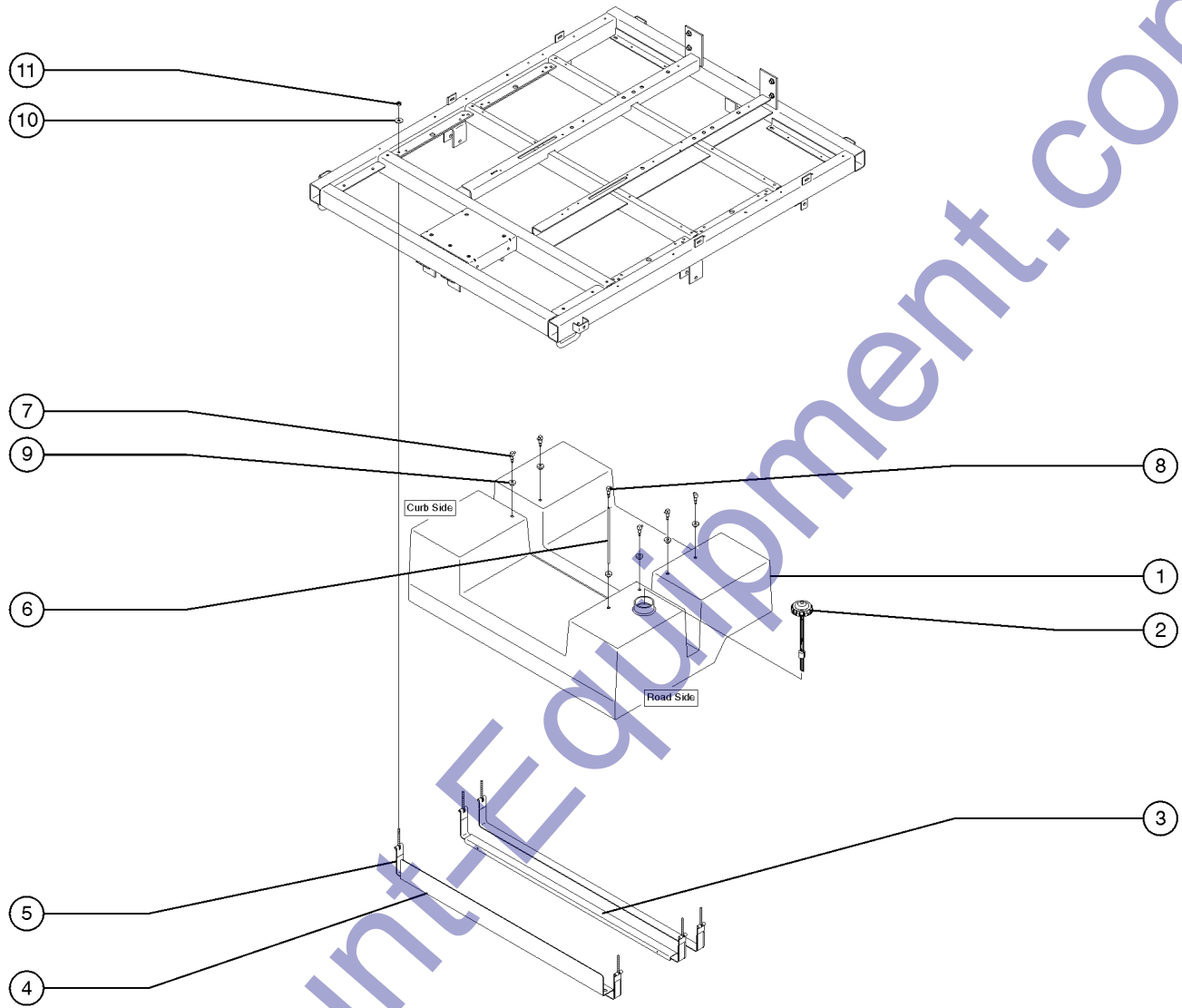
203.2 Fuel Tank and Hoses, Models With Spill Containment (from SN AL513-1118)



203.2 Fuel Tank and Hoses, Models With Spill Containment (from SN AL513-1118)

Item	Part No.	Description	Qty.
1	162368GT	60 GALLON FUEL TANK.....	1
2	162369GT	SPILL CONTAINMENT PAN.....	1
3	981460GT	SCREW 3/8-16NCX1-1/4H.....	2
4	990080GT	WASHER FLAT 3/8USS ZPBIN.....	16
5	990170GT	NUT LOCK NYLON INSERT 3/8.....	8
6	218074GT	CAP FUEL VENT AL5 WITH TETHER....	1
7	825078GT	FITTING 5/8, FITTING FOR DOWN....	5
8	825077GT	FITTING 5/16, W TUBE 13.25 45D.....	1
9	825081GT	GROMMET DAPCO RUBBER SM.....	6
10	890795GT	HOSE, FUEL, 5/16" ID.....	1.25-feet
11	825125GT	STRAP SUPPORT 60 GAL.....	2
12	825124GT	TANK STRAP.....	3
13	992220GT	SCREW, 3/8 X 4" HHCS.....	6
14	96005GT	WASHER, 5/16".....	6
15	991940GT	NUT, NYLOCK, 5/16-18.....	6

203.3 Fuel Tank and Hoses, Models With Out Spill Containment (from SN AL513-1118)

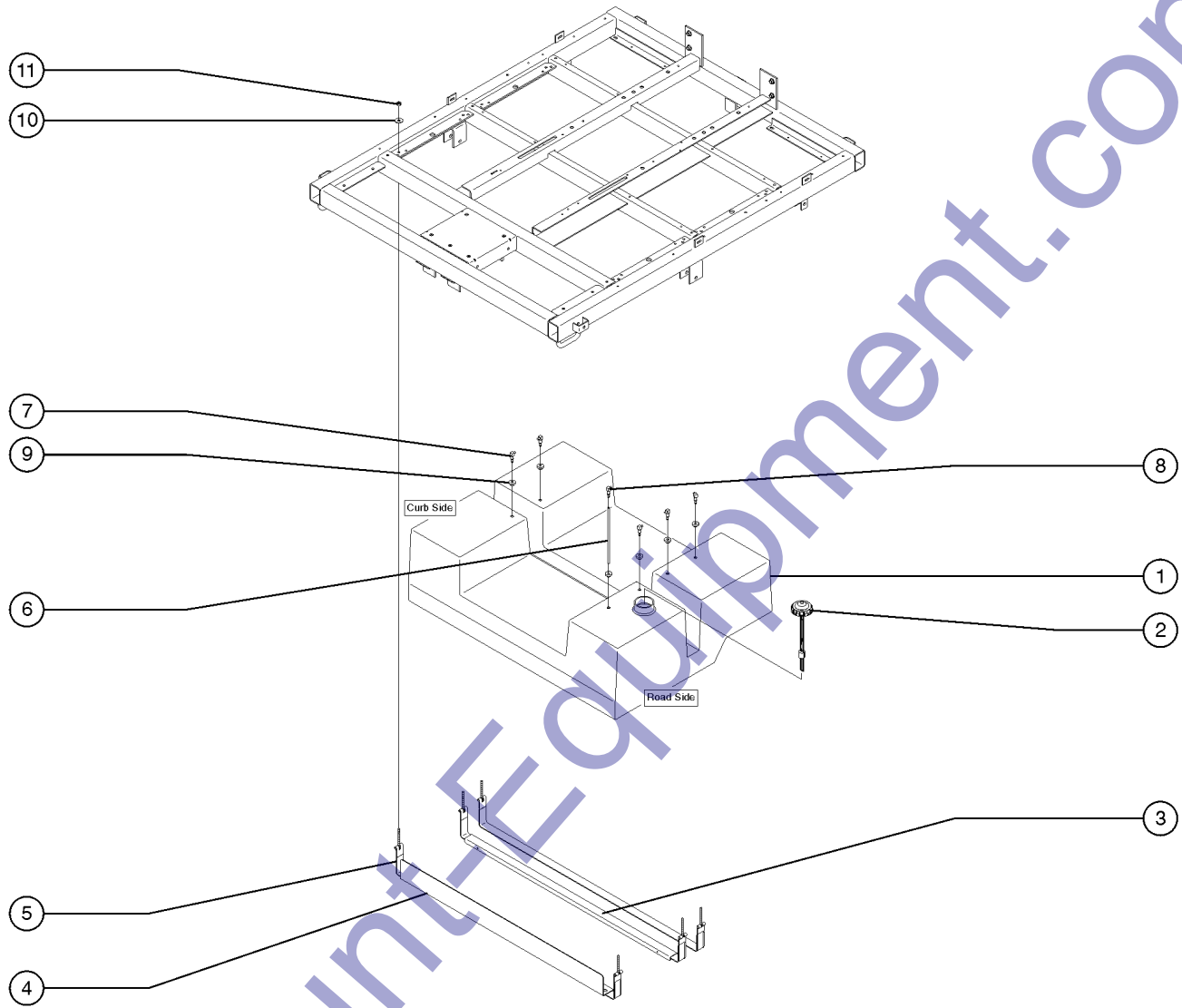


Discount Equipment.com

203.3 Fuel Tank and Hoses, Models With Out Spill Containment (from SN AL513-1118)

Item	Part No.	Description	Qty.
1	162368GT	60 GALLON FUEL TANK.....	1
2	218074GT	CAP FUEL VENT AL5 WITH TETHER....	1
3	825125GT	STRAP SUPPORT 60 GAL.....	2
4	1251869GT	ANGLE, FRONT FUEL TANK MOUNTING.....	1
5	825124GT	TANK STRAP.....	3
6	890795GT	HOSE,FUEL,5/16"ID.....	1.25-feet
7	825078GT	FITTING 5/16,FITTING FOR DOWN....	5
8	825077GT	FITTING 5/16,W TUBE 13.25 45D.....	1
9	825081GT	GROMMET DAPCO RUBBER SM.....	6
10	96005GT	WASHER, 5/16".....	6
11	991940GT	NUT,NYLOCK,5/16-18.....	6

203.4 Fuel Tank and Hoses, Models With Out Spill Containment (from SN AL513-1118)



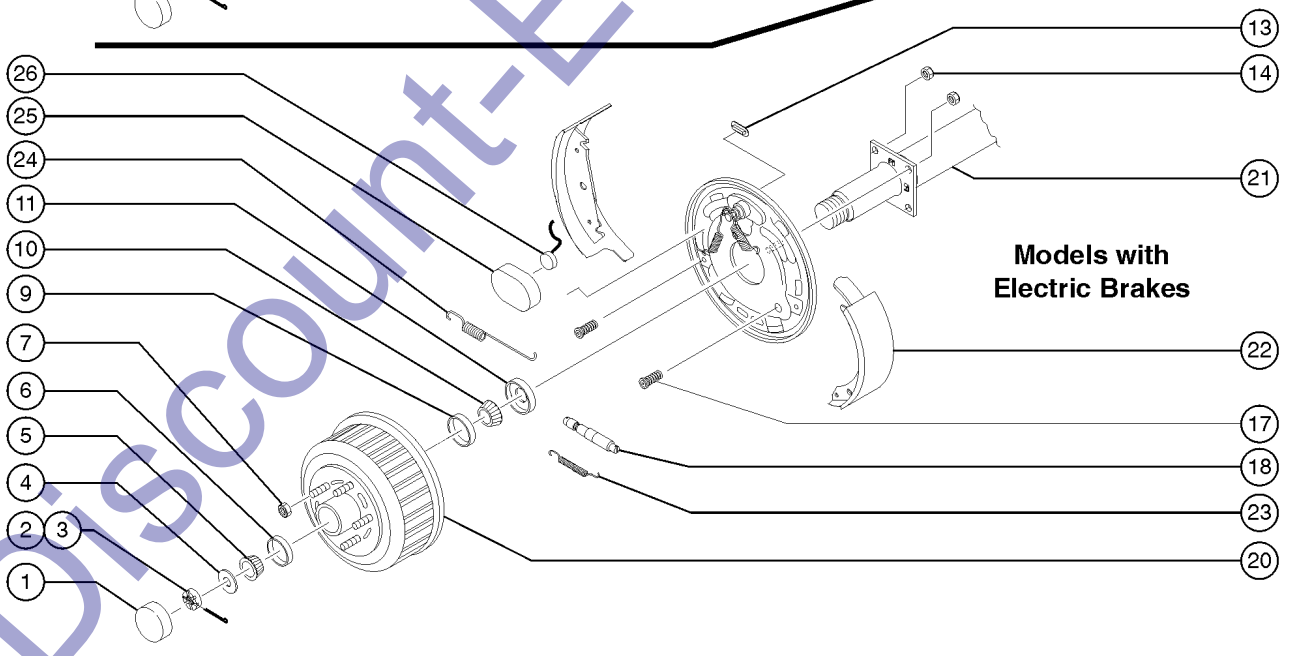
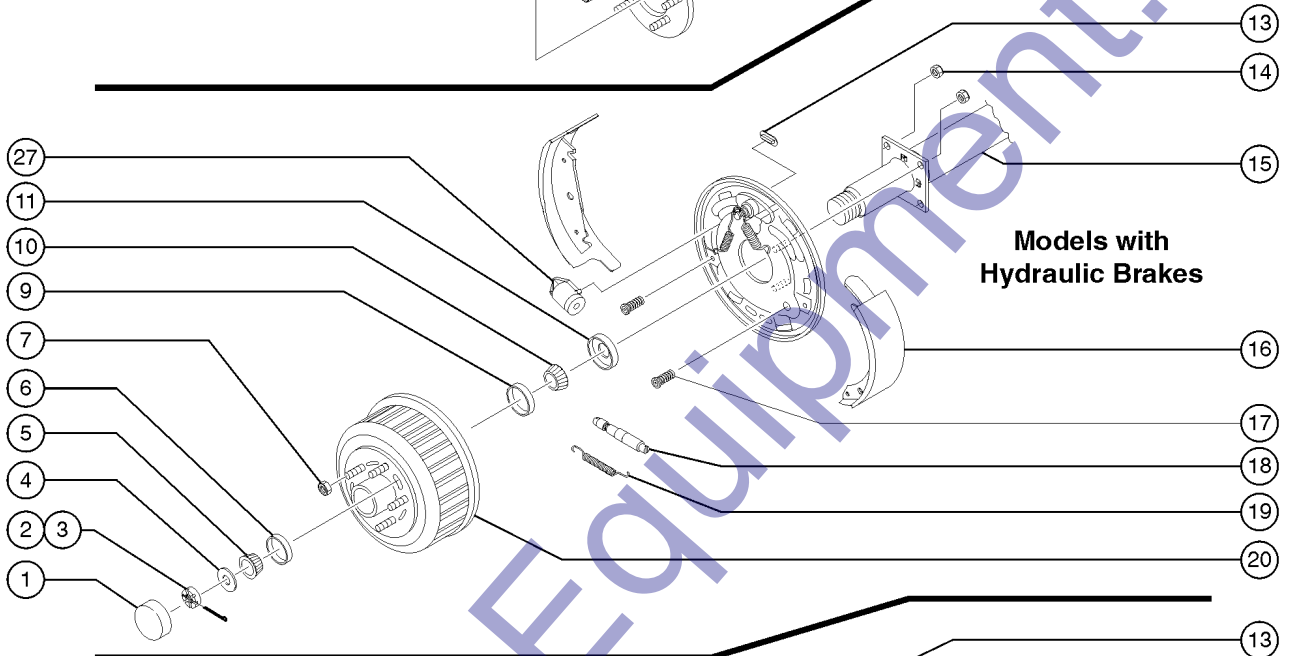
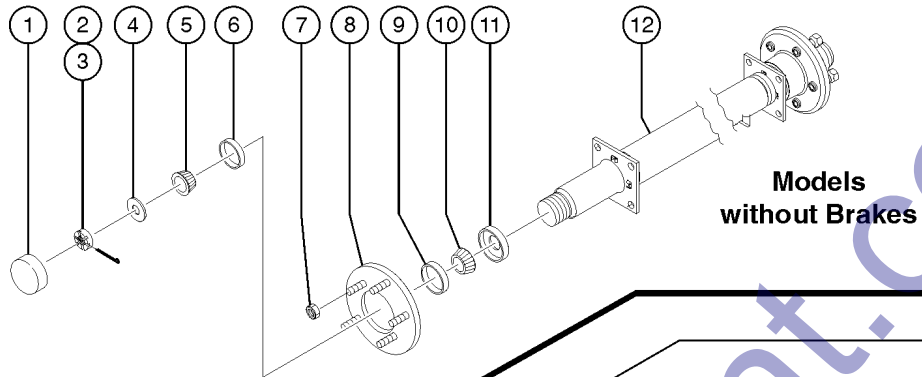
DiscountEquipment.com

203.4 Fuel Tank and Hoses, Models With Out Spill Containment (from SN AL513-1118)

Item	Part No.	Description	Qty.
1	162368GT	60 GALLON FUEL TANK.....	1
2	218074GT	CAP FUEL VENT AL5 WITH TETHER....	1
3	825125GT	STRAP SUPPORT 60 GAL.....	2
4	1251869GT	ANGLE, FRONT FUEL TANK MOUNTING.....	1
5	825124GT	TANK STRAP.....	3
6	890795GT	HOSE,FUEL,5/16"ID.....	1.15-feet
7	825078GT	FITTING 5/16,FITTING FOR DOWN....	5
8	825077GT	FITTING 5/16,W TUBE 13.25 45D.....	1
9	825081GT	GROMMET DAPCO RUBBER SM.....	6
10	96005GT	WASHER, 5/16".....	6
11	991940GT	NUT,NYLOCK,5/16-18.....	6

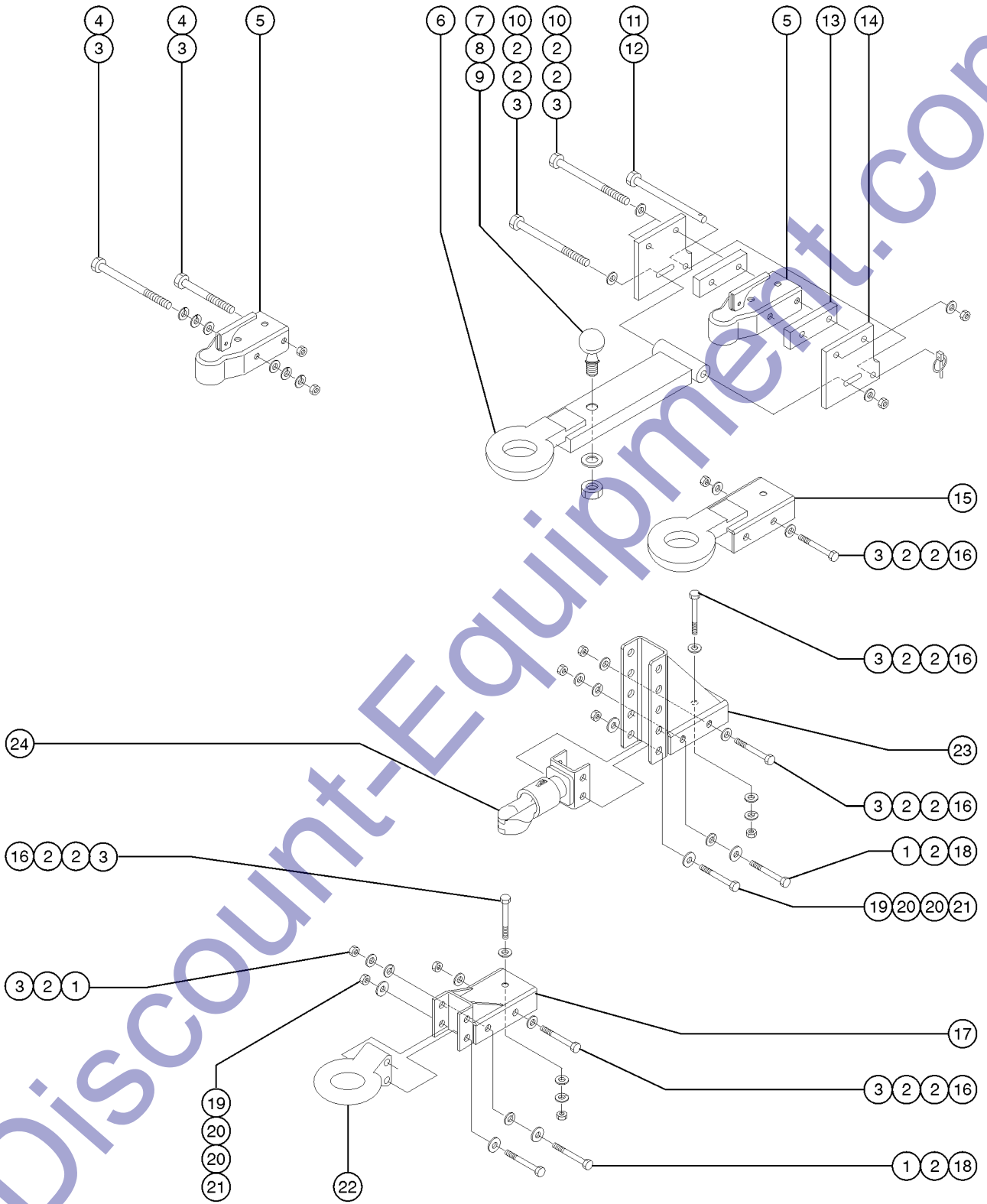
Discount-Equipment.com

204.1 Axles and Brakes



Item	Part No.	Description	Qty.
1	834228GT	GREASE CAP, AXLE, 3000LB.....	2
2	834250GT	HAMMERBLOW SPINDLE NUT,AXLE....	2
3	834255GT	HAMMERBLOW 033008COTTER PIN....	2
4	147123GT	WASHER,PLAIN,1".....	2
5	230561GT	BEARING,ALXL,840377,841050.....	2
6	230562GT	RACE,ALXL,840377,841050.....	2
7	840376GT	NUT,WHEEL, 1/2 X 20.....	10
8	230566GT	IDLER HUB,ALXL.....	2
9	230563GT	RACE,ALXL,840377,841050.....	2
10	834226GT	INNER BEARING.....	2
11	52265GT	SEAL,GREASE (SL173)..... <i>replaced 834225GT</i>	2
12	840377GT	AXLE ASSY,3500LB,IDLE,AL5,7,8.....	1
13		COVER,ADJ SCREW,ALXL,BRAKE..... <i>(no longer available from supplier)</i>	2
14	230560GT	NUT,7/16,FH,ZINC,BRAKE, ALXL.....	10
15A	228092GT	AXLE W/HYD SURGE BRK/BALL AL5 <i>models with ball hitch</i>	
15B	228093GT	AXLE W/HYD SURGE BRK/RING AL5 <i>models with ring hitch</i>	
16	230571GT	SHOE AND LINING KIT,ALXL,ELEC.....	2
17	230577GT	SHOE HOLD DOWN SPRING,ALXL.....	4
18	230569GT	ADJUSTER SCREW ASSY, ALXL.....	2
19		ADJUSTER SPRING,E BRAKE,ALXL..... <i>(no longer available from supplier)</i>	2
20	230565GT	BRAKE DRUM,ALXL.....	2
21	228461GT	AXLE W/ELECTRIC BRAKES	
22	230570GT	SHOE AND LINING KIT,ALXL,HYD.....	2
23	230573GT	ADJUSTER SPRING,H BRAKE,ALXL.....	2
24	230575GT	RETRACTOR SPRING,E BRK,ALXL.....	2
25	230568GT	MAGNET,ELEC BRAKE, ALXL.....	2
26	230567GT	MAGNET SPRING,ELEC BRAKE,ALXL.....	2
27A	230579GT	WHEEL CYLINDER, LH, ALXL.....	2
27B	230580GT	WHEEL CYLINDER, RH, ALXL.....	2

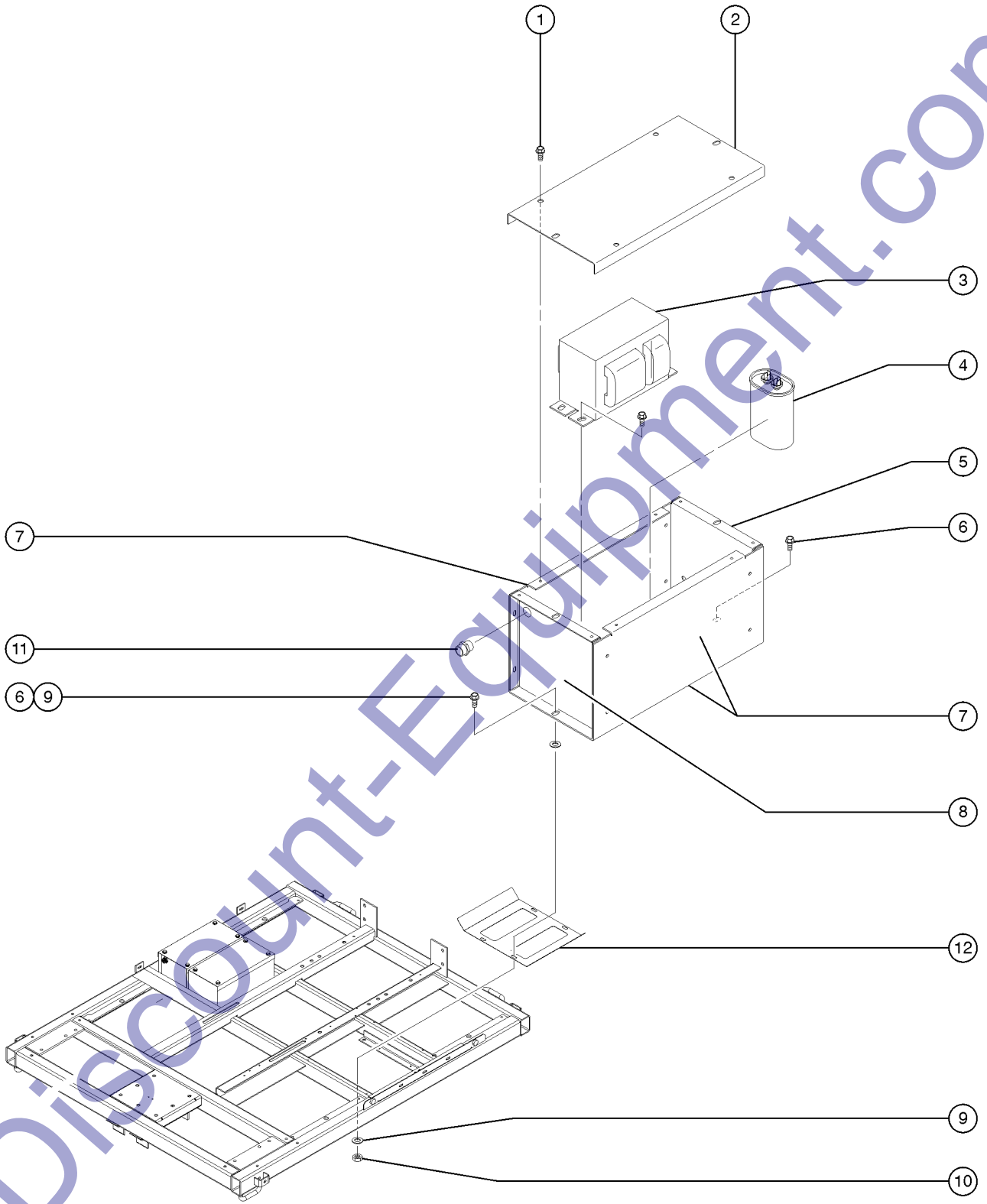
205.1 Hitches



Discount-Equipment.com

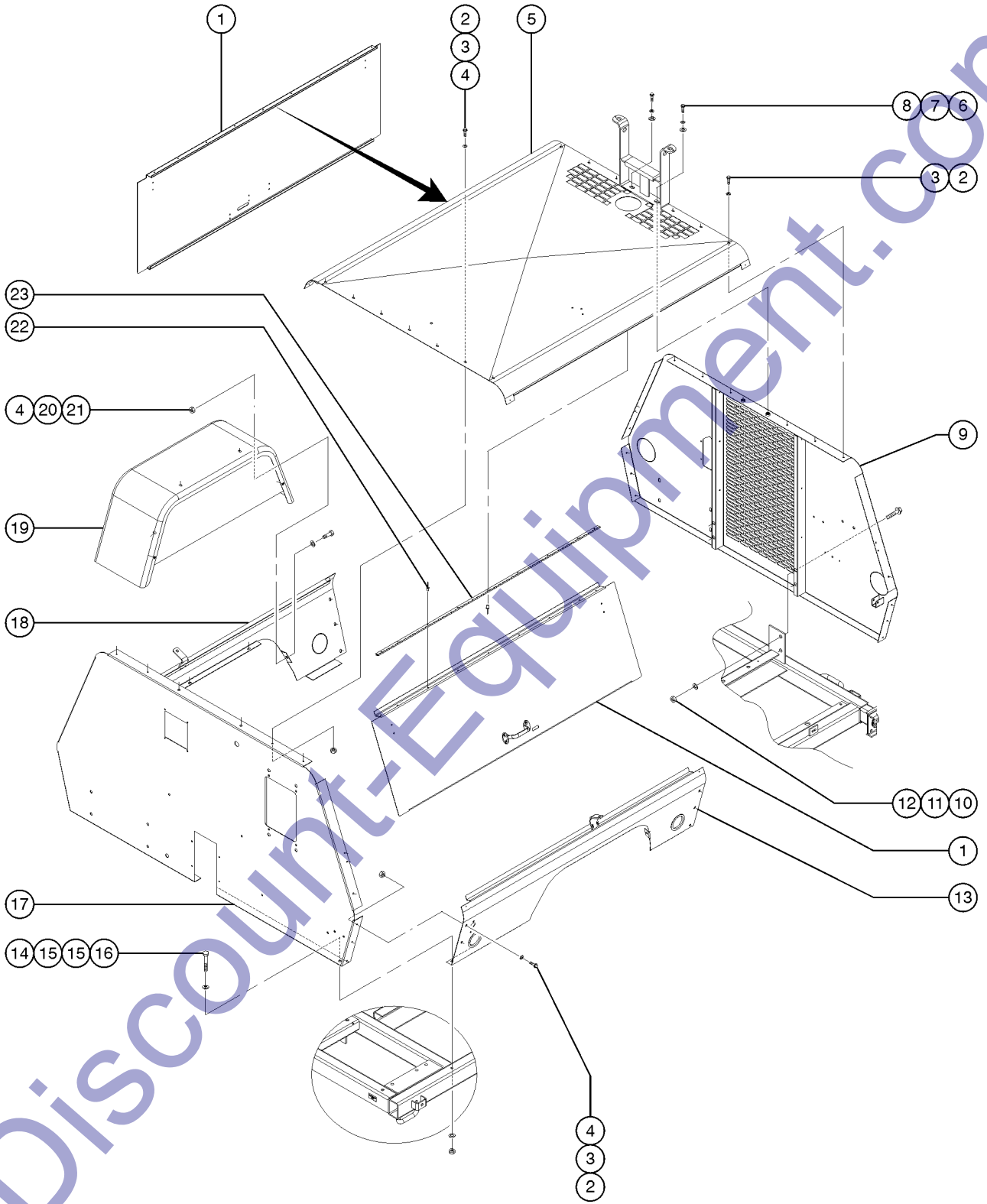
Item	Part No.	Description	Qty.
1	991650GT	WASHER LOCK 1/2ZP.....	2
2	6095GT	WASHER,FLAT,USS,1/2",Y	
3	6198GT	NUT,NYLOCK,1/2-13	
4	995310GT	SCREW,HHC,1/2-13 X 4 G.....	2
5A	57332GT	COUPLER,BALL,2" CLASS II	
5B	227082GT	COUPLER,BALL,2 5/16	
6	T109127GT	HITCH RING,COMBO,16"LENGTH.....	1
7	89163GT	BALL, 2" ZINC.....	1
8	122079GT	WASHER,FLAT,1.000,HARDENED.....	1
9	33265GT	NUT,HEX,1-8.....	1
10	1262632GT	SCREW,HHC,1/2-13 X 6 GR8 ZP.....	3
11	183731GT	SCREW,HHC,1/2-13 X 6.....	1
12	790540GT	PIN QUICK 1/4X 1.75 ZP.....	1
13	T109129GT	SPACER,SIDE,COMBO,HTCH,BOLT-ON.2	
14	176335GT	PLATE,SIDE,COMBO HITCH,BOLT-ON.....	2
15	213770GT	HITCH,RING,BOLT-ON 2.5" ID.....	1
16	13854GT	SCREW,HHC,1/2-13 X 4.5,GRD.8.....	2
17	116936GT	AS-RING HITCH MOUNT.....	1
18	6-5208-44GT	SCREW,HHC,1/2-13 X 5.5,GRD.8.....	1
19	123461GT	SCREW,HHC,5/8-11X4.50,GR8,Y.....	2
20	6035GT	WASHER,FLAT,USS,5/8",Y.....	4
21	6024GT	NUT,NYLOCK,5/8-11.....	1
22A	116937GT	HITCH,2.5"RING,6 TON.....	1
22B	T110632GT	HITCH,3"RING,6TON.....	1
23	218691GT	BRACKET ADJ HGT 6".....	1
24A	67231GT	COUPLER 2-5/16" BALL BULLDOG T....	1
24B	67230GT	COUPLER 2" BALL BULLDOG TMZ.....	1

206.1 Ballast Assembly



Item	Part No.	Description	Qty.
--	114355GT	BALLAST ASSY,60HZ,MH,1KW,120V <i>(models with metal halide lights)</i>	
--	114895GT	BALLAST ASSY,60HZ,HPS,1000W <i>(models with high pressure sodium lights)</i>	
1	995490GT	SCREW,HH SLOT,1/4 X 0.75.....	12
2	161181GT	FP-BALLAST BOX TOP.....	1
3A	160030GT	BALLAST/CAP MH60Hz120..... <i>(includes item 4A, models with metal halide lights)</i>	1
3B	160040GT	BALLAST HPS 60HZ 120V..... <i>(includes item 4B, models with high pressure sodium lights)</i>	1
4A	160032GT	CAPACITOR 24uF MH 60H..... <i>(models with metal halide lights)</i>	1
4B	160042GT	CAPACITOR, HPS,60HZ,BALLAST..... <i>(models with high pressure sodium lights)</i>	1
5	161185GT	FP-BALLAST BOX FRONT.....	1
6	995490GT	SCREW,HH SLOT,1/4 X 0.75.....	2
7	161180GT	FP-BALLAST BOX BOTTOM.....	1
8	161184GT	FP-BALLAST BOX REAR.....	1
9	990080GT	WASHER FLAT 3/8USS ZPBIN.....	4
10	990170GT	NUT LOCK NYLON INSERT 3/8.....	2
11	663860GT	CONNECTOR 5P MALE RECEPTACLE.....	1
12		FORMING ROCK GUARD BALLAST.... <i>(available soon)</i>	2

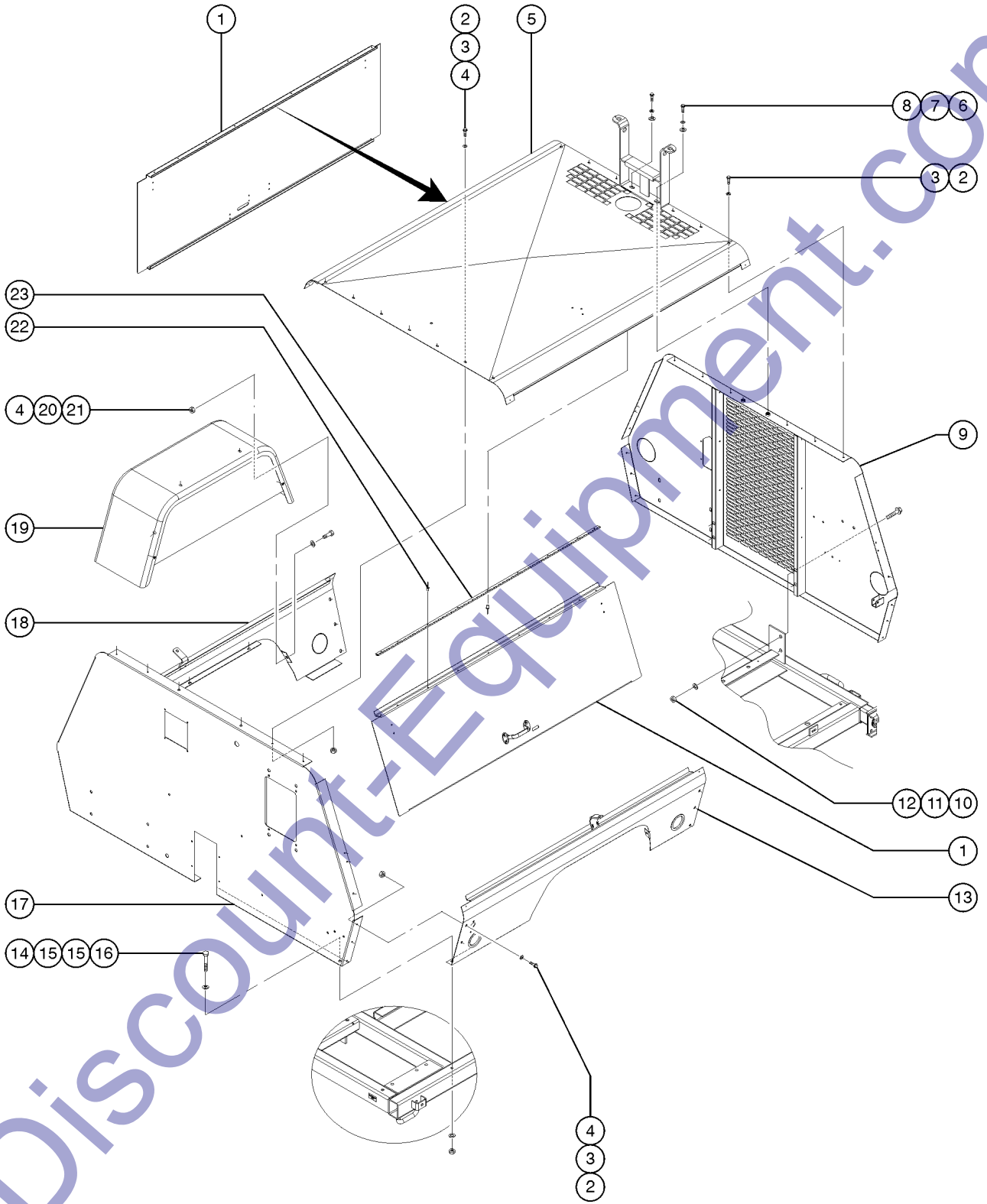
207.1 Cabinet, View 1 (from SN AL512-517 to AL513-816)



207.1 Cabinet, View 1 (from SN AL512-517 to AL513-816)

Item	Part No.	Description	Qty.
--	972895GT	KIT:CABINET,BOLT-TOGETHER (<i>fastener kit</i>)	
1A	189851GT	CABINET DOOR PANELC/S.....	2
--	189920GT	FOAM CABINET DOOR5430AL5/7000... (<i>models with sound dampening option</i>)	2
1B	T112123GT	FORMING, CABINET DOOR, VENTED.....	1
--	125260GT	WELDMENT,DOOR LOUVER ASSEMBLY.....	1
--	T112134GT	FOAM, CABINET, DOOR, VENTED.....	1
2	995810GT	SCREW 1/4-20NCX5/8 HW	
3	993850GT	WASHER FLAT 1/45/8 SBIN	
4	824024GT	NUT, TL, 1/4-20, C, ZAG	

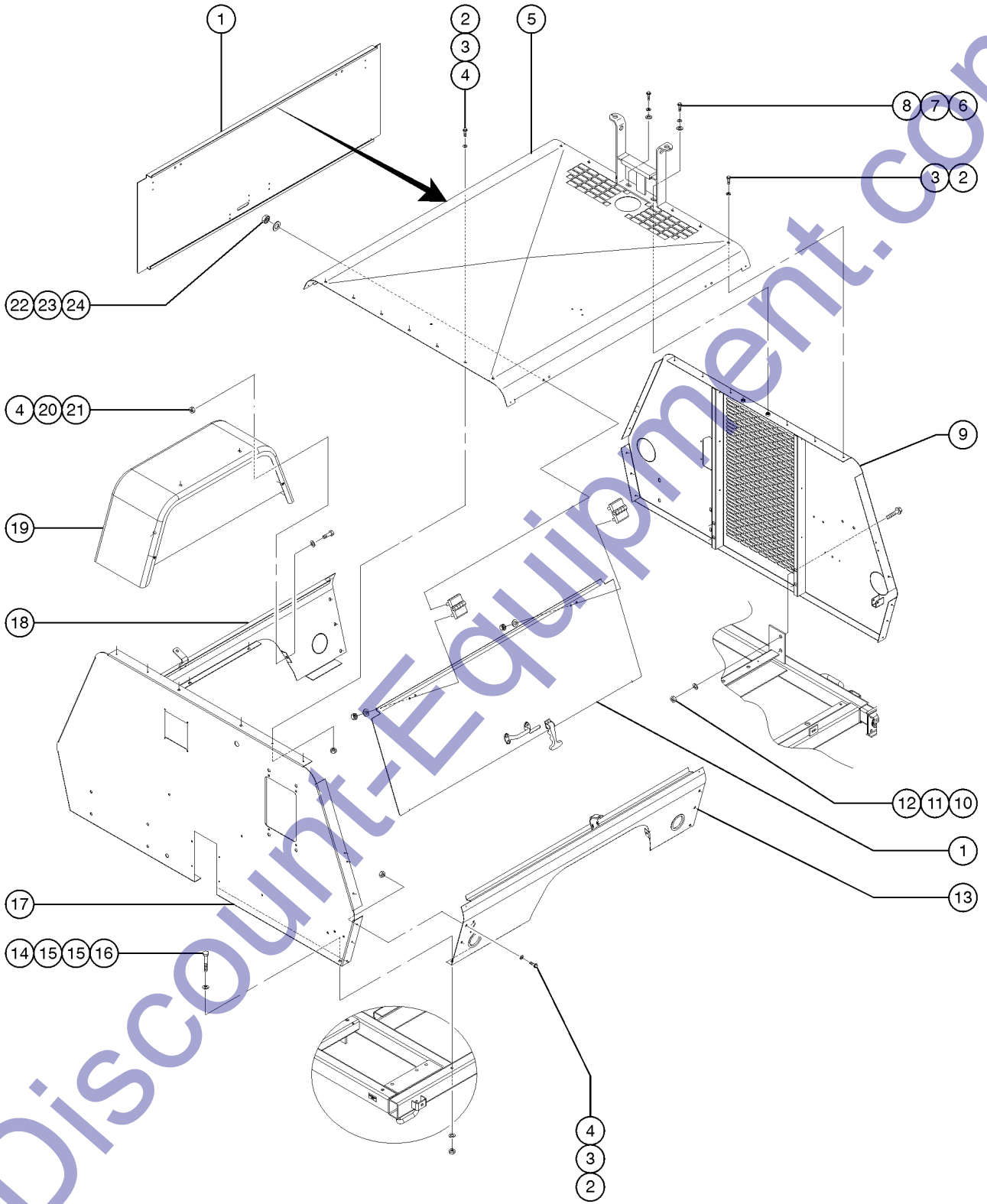
207.1 Cabinet, View 1 (from SN AL513-817 to AL513-1117)



207.1 Cabinet, View 1 (from SN AL513-817 to AL513-1117)

Item	Part No.	Description	Qty.
--	972895GT	KIT:CABINET,BOLT-TOGETHER (fastener kit)	
1A	189851GT	CABINET DOOR PANELC/S.....	2
--	189920GT	FOAM CABINET DOOR5430AL5/7000... (models with sound dampening option)	2
1B	T112123GT	FORMING, CABINET DOOR, VENTED.....	1
--	125260GT	WELDMNT,DOOR LOUVER ASSEMBLY.....	1
--	T112134GT	FOAM, CABINET, DOOR, VENTED.....	1
2	995810GT	SCREW 1/4-20NCX5/8 HW	
3	993850GT	WASHER FLAT 1/45/8 SBIN	
4	824024GT	NUT, TL, 1/4-20, C, ZAG	
5	189842GT	CABINET TOP PANEL(GRI.....)	1
6	994600GT	SCREW 1/2-13NCX1-1/2H	
7	991650GT	WASHER LOCK 1/2ZP	
8	994600GT	SCREW 1/2-13NCX1-1/2H	
9	124192GT	CABINET REAR PANEL(LG.....)	1
10	990200GT	NUT,NYLOCK,1/2-13 GR2	
11	993860GT	WASHER,FLAT,1/2 SS 18-8 BIN	
12	990270GT	SCREW,HHC,1/2-13 X 3.5 GR8.....	8
13A	189861GT	CABINET SIDE PANEL ROADSIDE..... (models with steel fenders)	1
13B	189862GT	CABINET SIDE PANELRS (models with plastic fenders)	
14	990160GT	SCREW,HHC,3/8-16 X 3.75	
15	990080GT	WASHER FLAT 3/8USS ZPBIN	
16	990170GT	NUT LOCK NYLON INSERT 3/8	
17A	116421GT	ASY,CABINET FRONT,AL5 NO PWR.....	1
17B	116423GT	ASY,CABINET FRONT,AL5 EXT PWR	
18A	189871GT	CABINET SIDE PANEL CURBSIDE..... (models with steel fenders)	1
18B	189872GT	CABINET SIDE PANELCS..... (models with plastic fenders)	1
19A	123490GT	FENDER W/SKIRT,STEEL.....	2
--	930950GT	WTHRSRIP, 1/4" X 1/2"W.....	2
19B	841611GT	FENDER,PLASTIC,BLACK.....	2
--	930950GT	WTHRSRIP, 1/4" X 1/2"W.....	2
20	990340GT	WASHER FLAT 1/4ZPLENSETBIN	
21	993440GT	SCREW,HHC,1/4-20 X 3/4 GR2 ZP	
22	990670GT	RIVET,POP,SS,3/16"X1/2" BLIND	
23	796730GT	HINGE,PIANO,1.5"W X 55.75"L.....	2

207.2 Cabinet, View 1 (from SN AL513-1118)

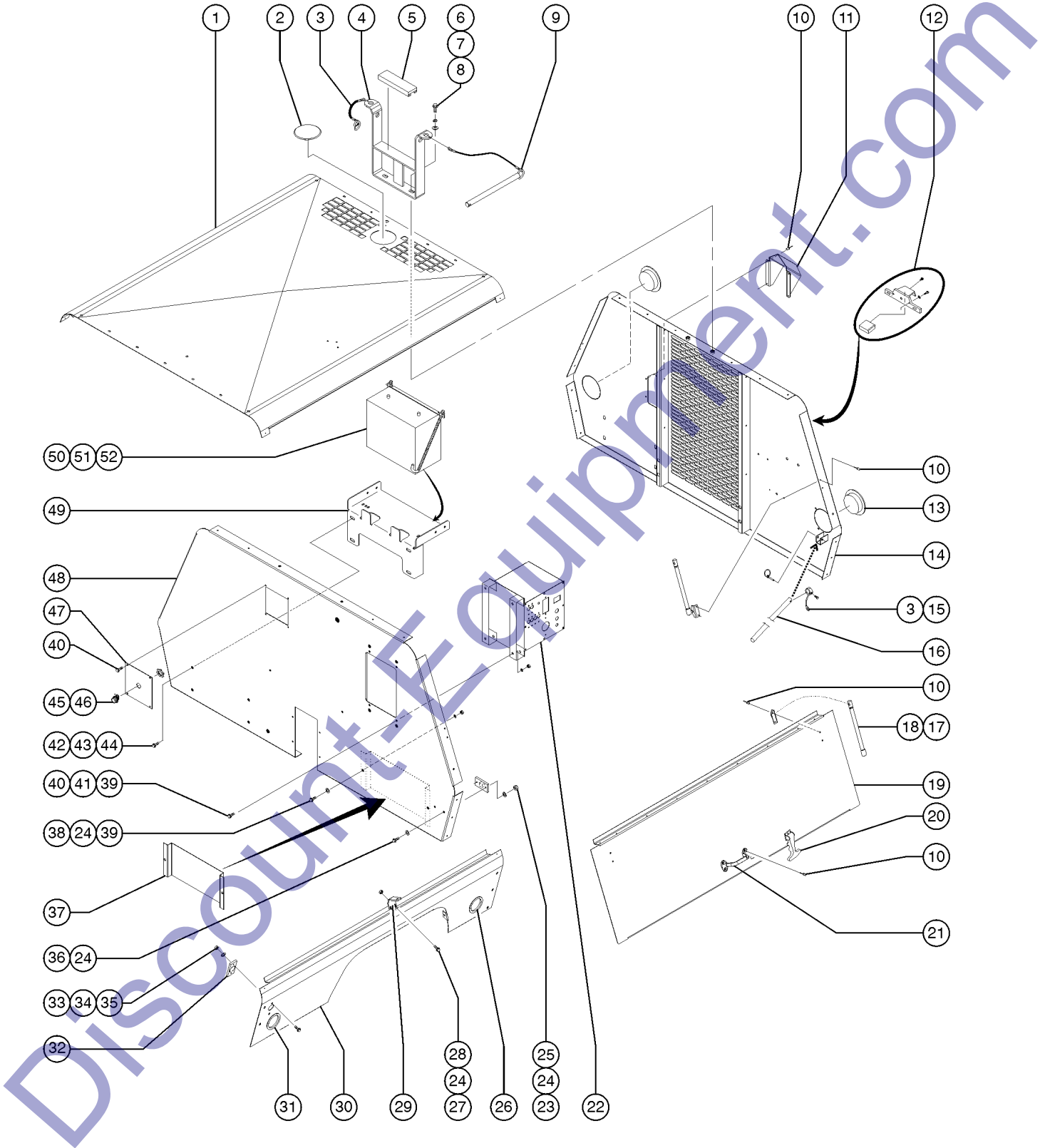


DiscountEquipment.com

207.2 Cabinet, View 1 (from SN AL513-1118)

Item	Part No.	Description	Qty.
--	972895GT	KIT:CABINET,BOLT-TOGETHER (fastener kit)	
1A	823715GT	CABINET DOOR PANELC/S.....	2
--	825602GT	FOAM CABINET DOOR5430AL5/7000... (models with sound dampening option)	2
1B	823720GT	FORMING, CABINET DOOR, VENTED.....	1
--	823717GT	WELDMNT,DOOR LOUVER ASSEMBLY.....	1
--	825603GT	FOAM, CABINET, DOOR, VENTED.....	1
2	995810GT	SCREW 1/4-20NCX5/8 HW	
3	993850GT	WASHER FLAT 1/45/8 SBIN	
4	824024GT	NUT, TL, 1/4-20, C, ZAG	
5	823716GT	CABINET TOP PANEL(GRI.....)	1
6	994600GT	SCREW 1/2-13NCX1-1/2H	
7	991650GT	WASHER LOCK 1/2ZP	
8	994600GT	SCREW 1/2-13NCX1-1/2H	
9	124192GT	CABINET REAR PANEL(LG.....)	1
10	990200GT	NUT,NYLOCK,1/2-13 GR2	
11	993860GT	WASHER,FLAT,1/2 SS 18-8 BIN	
12	990270GT	SCREW,HHC,1/2-13 X 3.5 GR8.....	8
13A	189861GT	CABINET SIDE PANEL ROADSIDE..... (models with steel fenders)	1
13B	189862GT	CABINET SIDE PANELRS (models with plastic fenders)	
14	990160GT	SCREW,HHC,3/8-16 X 3.75	
15	990080GT	WASHER FLAT 3/8USS ZPBIN	
16	990170GT	NUT LOCK NYLON INSERT 3/8	
17A	116421GT	ASY,CABINET FRONT,AL5 NO PWR.....	1
17B	116423GT	ASY,CABINET FRONT,AL5 EXT PWR	
18A	189871GT	CABINET SIDE PANEL CURBSIDE..... (models with steel fenders)	1
18B	189872GT	CABINET SIDE PANELCS..... (models with plastic fenders)	1
19A	123490GT	FENDER W/SKIRT,STEEL.....	2
--	930950GT	WTHRSRIP, 1/4" X 1/2"W.....	2
19B	841611GT	FENDER,PLASTIC,BLACK.....	2
--	930950GT	WTHRSRIP, 1/4" X 1/2"W.....	2
20	990340GT	WASHER FLAT 1/4ZPLENSETBIN	
21	993440GT	SCREW,HHC,1/4-20 X 3/4 GR2 ZP	
22	160421GT	HINGE, BUTT.....	4
23	237832GT	NUT,TL FLG,M8-1.25,DIN6927,10,ZAB.....	12
24	5397GT	WASHER,FLAT,USS,5/16",Y.....	12

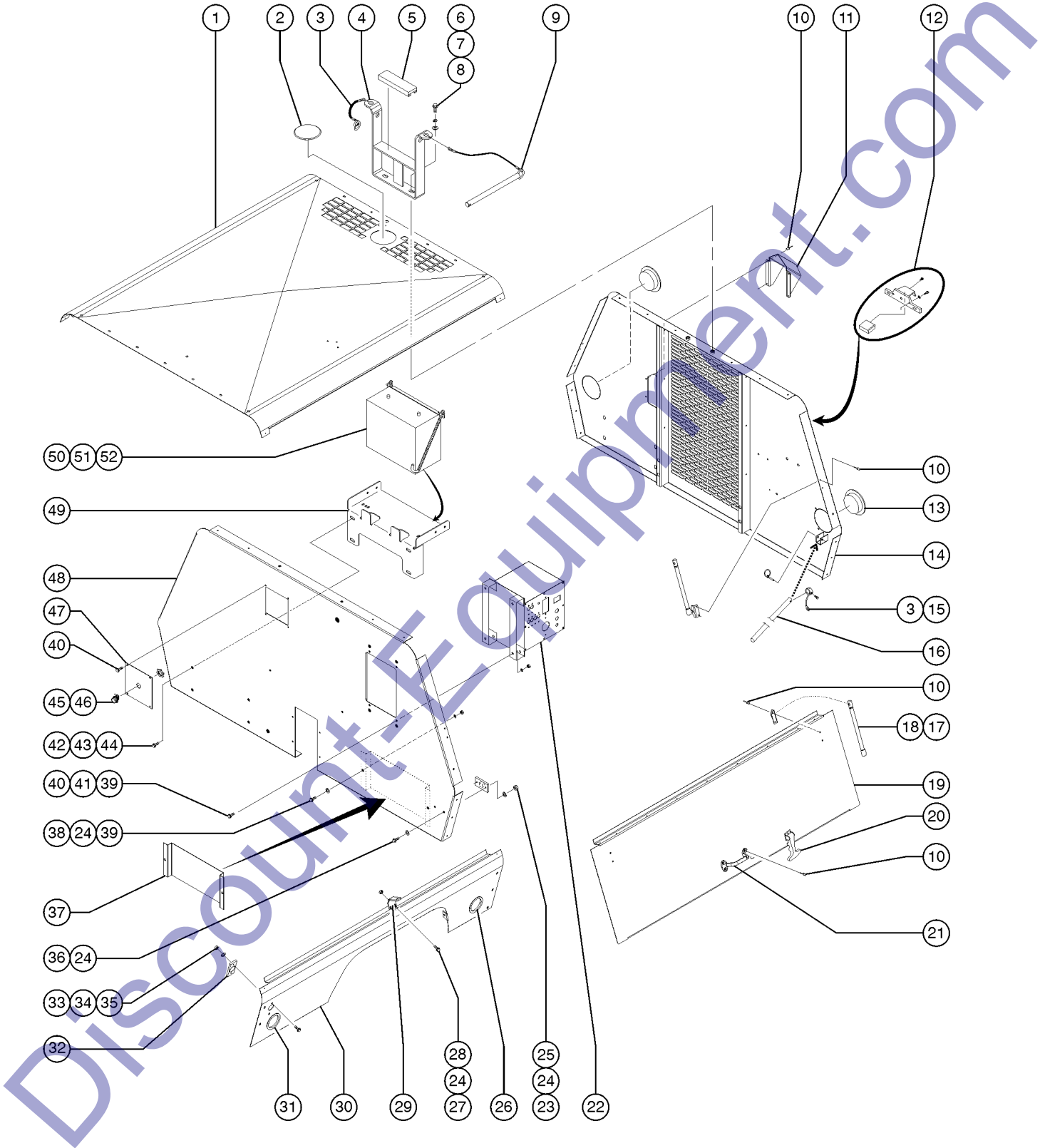
208.1 Cabinet, View 2 (from SN AL512-517 to AL513-816)



208.1 Cabinet, View 2 (from SN AL512-517 to AL513-816)

Item	Part No.	Description	Qty.	Item	Part No.	Description	Qty.
1		Ref. TOP PANEL, CABINET (refer to 207.1)		36	994130GT	SCREW,HHC,1/4-20 X 1	
2	57587GT	PLUG, 4", CAPPLUG.....	1	37	974640GT	KIT:BOOK BRACKET TO CAB.....	1
3	790540GT	PIN QUICK 1/4X 1.75 ZP.....	2	--	176370GT	LITERATURE RACK FOR CABINET	
4	237686GT	REAR TOWER SUPPORT 1CC, AL5.....	1	38	993421GT	SCREW,HHC,1/4-20 X 0.75	
5	720220GT	BUMPER REAR TOWER SUP.....	1	39	824024GT	NUT, TL, 1/4-20, C, ZAG	
6	994600GT	SCREW 1/2-13NCX1-1/2H		40	995810GT	SCREW 1/4-20NCX5/8 HW	
7	991650GT	WASHER LOCK 1/2ZP		--	974813GT	KIT,ELECT.BOX,MNTG,2-CC	
8	6095GT	WASHER,FLAT,USS,1/2",Y		41	990340GT	WASHER FLAT 1/4ZPLENSETBIN	
9	123680GT	PIN W/RING 3/4X11,HORZ LOCK.....	1	42	6175GT	SCREW,HHC,3/8-16 X 1	
10	990670GT	RIVET,POP,SS,3/16"X1/2" BLIND		43	6097GT	WASHER,FLAT,USS,3/8",Y	
11	116532GT	TAILPIPE COVER..... (includes rivets)	1	44	824029GT	NUT,TL FLG,3/8-16,G,ZAG	
--	990670GT	RIVET,POP,SS,3/16"X1/2" BLIND		45	680030GT	CONNECTOR 2 SCREW 3/4.....	1
12	663520GT	LIGHT,LICENSE TAG W/BRACKET		46	680250GT	LOCKNUT, CONDUIT 3/4CSA APPVD...	1
13	663840GT	LIGHT,RECESSED,TAIL/STOP/TURN....	2	47A	186280GT	PLATE COIL CORD CAB MOUNT.....	1
--	176380GT	COVER PLATE CABINETTA		47B	186285GT	PLATE,2 COIL CORD, CAB MT.	
14		Ref. REAR PANEL, CABINET (refer to 207.1)		48		Ref. FRONT PANEL, CABINET (refer to 207.1)	
15	682660GT	GROUND CLAMP 3/4 MW 2.....	1	49	115530GT	BATTERY SUPPORT PAN.....	1
16	113390GT	MA-GROUND ROD 5/8 X 59.....	1	50	112300GT	BATTERY.....	1
--	974686GT	KIT:GROUND ROD TO CAB		51	174170GT	FP-BATTERY HOLDOWN ANGLE.....	1
17	796438GT	SPRING,GAS,16",80LBS.....	4	52	182330GT	FP-BATTERY HOLD-DOWN ROD.....	2
18	796432GT	BRACKET W/BALL,GAS SPRING.....	8				
19		Ref. DOOR, CABINET (refer to 207.1)					
20	796513GT	LATCH ASSEMBLY..... (rubber latch assembly, optional)	2				
21	790940GT	HANDLE,CHROME,5.75".....	2				
22		Ref. CONTROL BOX (refer to 401.1, 402.1, 403.1 or 404.1)					
23	124420GT	GROUND ROD STORAGETUBE 4397					
24	993850GT	WASHER FLAT 1/45/8 SBIN					
25	124420GT	GROUND ROD STORAGETUBE 4397...	1				
26	663528GT	LIGHT,SIDE MKR,RED,RECESSED.....	2				
27	1258649GT	SCREW, PANHEAD, 10-32 X 5/8					
28	995420GT	NUT LOCK NYLON INSERT,10-32JAM					
29	189795GT	FP-HASP CABINET DOOR.....	2				
30		Ref. SIDE PANEL, CABINET (refer to 207.1)					
31	663527GT	LIGHT,SIDE MKR,AMBER,RECESSED.....	2				
32	184150GT	BUSHING,WNCH HANDL,0.5X2.0X3.5..	1				
33	824024GT	NUT, TL, 1/4-20, C, ZAG					
34	75144GT	WASHER,FLAT,SAE 1/4",ZINC					
35	824059GT	SCREW,HHC,1/4-20X.75,8,ZAG					

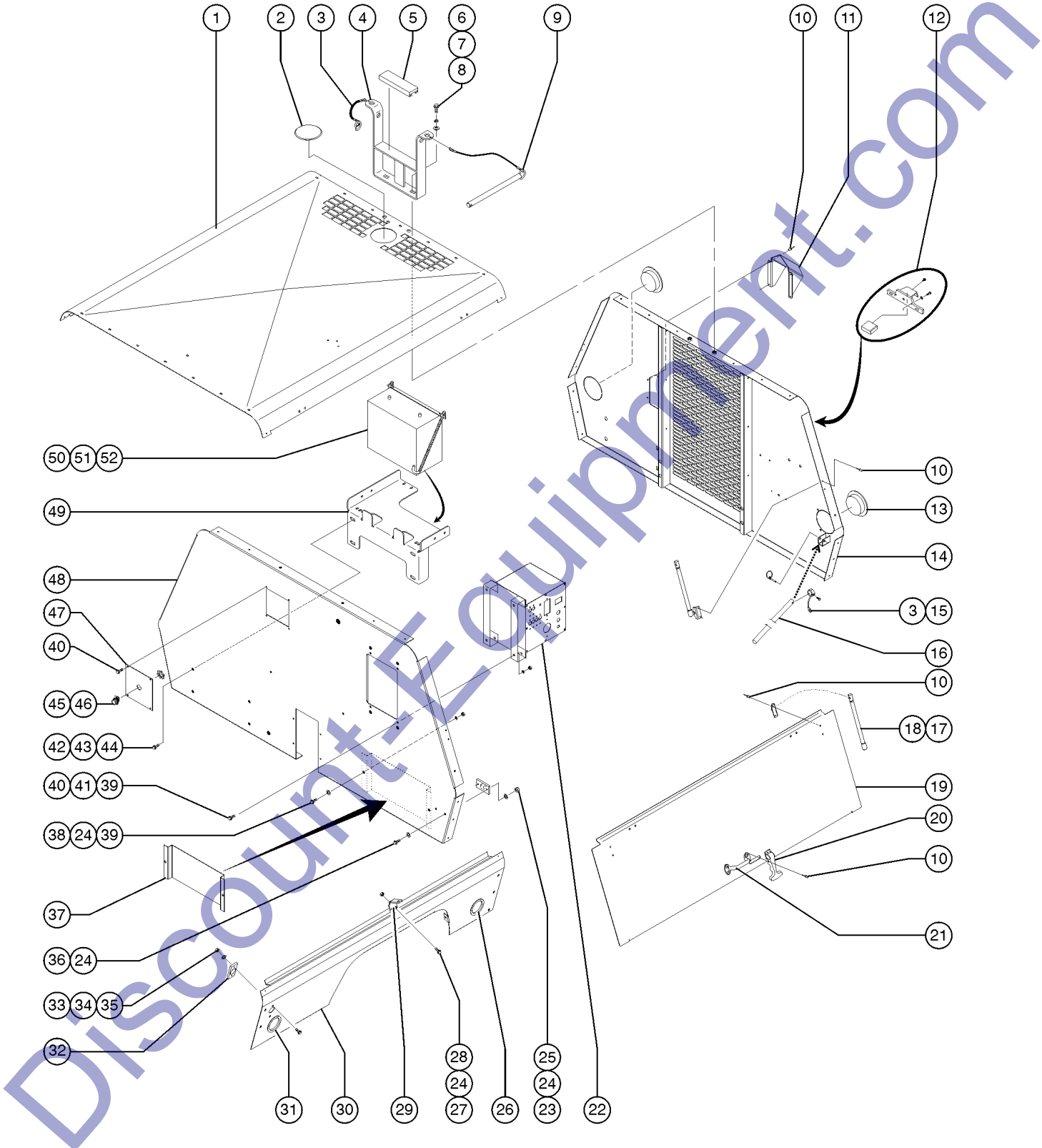
208.1 Cabinet, View 2 (from SN AL513-817 to AL513-1117)



208.1 Cabinet, View 2 (from SN AL513-817 to AL513-1117)

Item	Part No.	Description	Qty.	Item	Part No.	Description	Qty.
1		Ref. TOP PANEL, CABINET (refer to 207.1)		36	994130GT	SCREW,HHC,1/4-20 X 1	
2	57587GT	PLUG, 4", CAPPLUG.....	1	37	974640GT	KIT:BOOK BRACKET TO CAB.....	1
3	790540GT	PIN QUICK 1/4X 1.75 ZP.....	2	--	176370GT	LITERATURE RACK FOR CABINET	
4	237686GT	REAR TOWER SUPPORT 1CC, AL5.....	1	38	993421GT	SCREW,HHC,1/4-20 X 0.75	
5	720220GT	BUMPER REAR TOWER SUP.....	1	39	824024GT	NUT, TL, 1/4-20, C, ZAG	
6	994600GT	SCREW 1/2-13NCX1-1/2H		40	995810GT	SCREW 1/4-20NCX5/8 HW	
7	991650GT	WASHER LOCK 1/2ZP		--	974813GT	KIT,ELECT.BOX,MNTG,2-CC	
8	6095GT	WASHER,FLAT,USS,1/2",Y		41	990340GT	WASHER FLAT 1/4ZPLENSETBIN	
9	123680GT	PIN W/RING 3/4X11,HORZ LOCK.....	1	42	6175GT	SCREW,HHC,3/8-16 X 1	
10	990670GT	RIVET,POP,SS,3/16"X1/2" BLIND		43	6097GT	WASHER,FLAT,USS,3/8",Y	
11	116532GT	TAILPIPE COVER..... (includes rivets)	1	44	824029GT	NUT,TL FLG,3/8-16,G,ZAG	
--	990670GT	RIVET,POP,SS,3/16"X1/2" BLIND		45	680030GT	CONNECTOR 2 SCREW 3/4.....	1
12	663520GT	LIGHT,LICENSE TAG W/BACKET		46	680250GT	LOCKNUT, CONDUIT 3/4CSA APPVD...	1
13	663840GT	LIGHT,RECESSED,TAIL/STOP/TURN....	2	47A	186280GT	PLATE COIL CORD CAB MOUNT.....	1
--	176380GT	COVER PLATE CABINETTA		47B	186285GT	PLATE,2 COIL CORD, CAB MT.	
14		Ref. REAR PANEL, CABINET (refer to 207.1)		48		Ref. FRONT PANEL, CABINET (refer to 207.1)	
15	682660GT	GROUND CLAMP 3/4 MW 2.....	1	49	115530GT	BATTERY SUPPORT PAN.....	1
16	113390GT	MA-GROUND ROD 5/8 X 59.....	1	50	112300GT	BATTERY.....	1
--	974686GT	KIT:GROUND ROD TO CAB		51	174170GT	FP-BATTERY HOLDOWN ANGLE.....	1
17	796438GT	SPRING,GAS,16",80LBS.....	4	52	182330GT	FP-BATTERY HOLD-DOWN ROD.....	2
18	796432GT	BRACKET W/BALL,GAS SPRING.....	8				
19		Ref. DOOR, CABINET (refer to 207.1)					
20	796513GT	LATCH ASSEMBLY..... (rubber latch assembly, optional)	2				
21	790940GT	HANDLE,CHROME,5.75".....	2				
22		Ref. CONTROL BOX (refer to 401.1, 402.1, 403.1 or 404.1)					
23	124420GT	GROUND ROD STORAGETUBE 4397					
24	993850GT	WASHER FLAT 1/45/8 SBIN					
25	124420GT	GROUND ROD STORAGETUBE 4397...	1				
26	663528GT	LIGHT,SIDE MKR,RED,RECESSED.....	2				
27	1258649GT	SCREW, PANHEAD, 10-32 X 5/8					
28	824024GT	NUT, TL, 1/4-20, C, ZAG					
29	189795GT	FP-HASP CABINET DOOR.....	2				
30		Ref. SIDE PANEL, CABINET (refer to 207.1)					
31	663527GT	LIGHT,SIDE MKR,AMBER,RECESSED.....	2				
32	184150GT	BUSHING,WNCH HANDL,0.5X2.0X3.5..	1				
33	824024GT	NUT, TL, 1/4-20, C, ZAG					
34	75144GT	WASHER,FLAT,SAE 1/4",ZINC					
35	824059GT	SCREW,HHC,1/4-20X.75,8,ZAG					

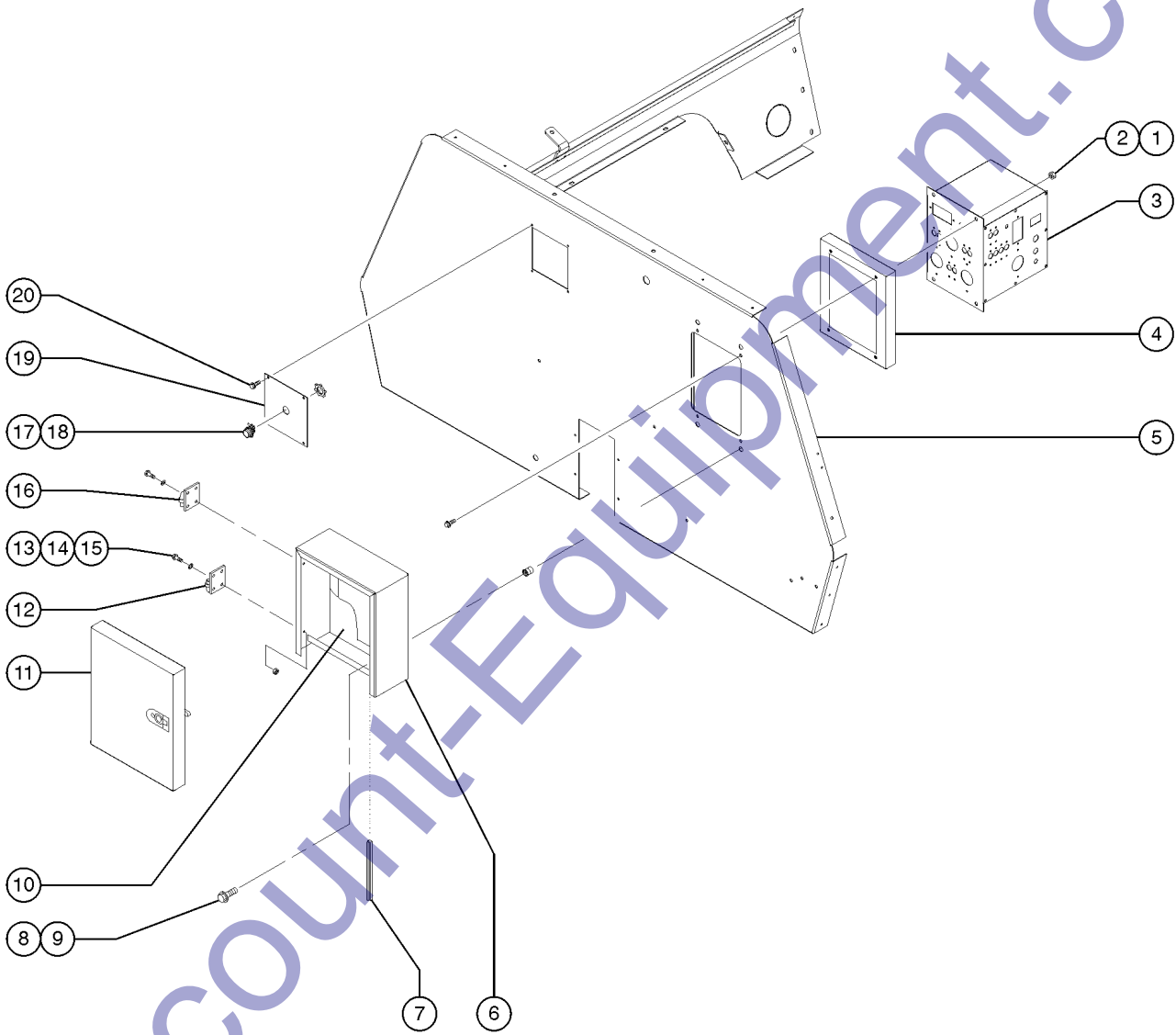
208.2 Cabinet, View 2 (from SN AL513-1118)



208.2 Cabinet, View 2 (from SN AL513-1118)

Item	Part No.	Description	Qty.	Item	Part No.	Description	Qty.
1		Ref. TOP PANEL, CABINET (refer to 207.1)		36	994130GT	SCREW,HHC,1/4-20 X 1	
2	57587GT	PLUG, 4", CAPPLUG.....	1	37	974640GT	KIT:BOOK BRACKET TO CAB.....	1
3	790540GT	PIN QUICK 1/4X 1.75 ZP.....	2	--	176370GT	LITERATURE RACK FOR CABINET	
4	237686GT	REAR TOWER SUPPORT 1CC, AL5.....	1	38	993421GT	SCREW,HHC,1/4-20 X 0.75	
5	720220GT	BUMPER REAR TOWER SUP.....	1	39	824024GT	NUT, TL, 1/4-20, C, ZAG	
6	994600GT	SCREW 1/2-13NCX1-1/2H		40	995810GT	SCREW 1/4-20NCX5/8 HW	
7	991650GT	WASHER LOCK 1/2ZP		--	974813GT	KIT,ELECT.BOX,MNTG,2-CC	
8	6095GT	WASHER,FLAT,USS,1/2",Y		41	990340GT	WASHER FLAT 1/4ZPLENSETBIN	
9	123680GT	PIN W/RING 3/4X11,HORZ LOCK.....	1	42	6175GT	SCREW,HHC,3/8-16 X 1	
10	990670GT	RIVET,POP,SS,3/16"X1/2" BLIND		43	6097GT	WASHER,FLAT,USS,3/8",Y	
11	116532GT	TAILPIPE COVER..... (includes rivets)	1	44	824029GT	NUT,TL FLG,3/8-16,G,ZAG	
--	990670GT	RIVET,POP,SS,3/16"X1/2" BLIND		45	680030GT	CONNECTOR 2 SCREW 3/4.....	1
12	663520GT	LIGHT,LICENSE TAG W/BRACKET		46	680250GT	LOCKNUT, CONDUIT 3/4CSA APPVD...	1
13	663840GT	LIGHT,RECESSED,TAIL/STOP/TURN....	2	47A	186280GT	PLATE COIL CORD CAB MOUNT.....	1
--	176380GT	COVER PLATE CABINETTA		47B	186285GT	PLATE,2 COIL CORD, CAB MT.	
14		Ref. REAR PANEL, CABINET (refer to 207.1)		48		Ref. FRONT PANEL, CABINET (refer to 207.1)	
15	682660GT	GROUND CLAMP 3/4 MW 2.....	1	49	825887GT	BATTERY SUPPORT PAN.....	1
16	113390GT	MA-GROUND ROD 5/8 X 59.....	1	50	112300GT	BATTERY.....	1
--	974686GT	KIT:GROUND ROD TO CAB		51	174170GT	FP-BATTERY HOLDOWN ANGLE.....	1
17	796438GT	SPRING,GAS,16",80LBS.....	4	52	182330GT	FP-BATTERY HOLD-DOWN ROD.....	2
18	796432GT	BRACKET W/BALL,GAS SPRING.....	8				
19		Ref. DOOR, CABINET (refer to 207.1)					
20	796513GT	LATCH ASSEMBLY..... (rubber latch assembly, optional)	2				
21	790940GT	HANDLE,CHROME,5.75".....	2				
22		Ref. CONTROL BOX (refer to 401.1, 402.1, 403.1 or 404.1)					
23	124420GT	GROUND ROD STORAGETUBE 4397					
24	993850GT	WASHER FLAT 1/45/8 SBIN					
25	124420GT	GROUND ROD STORAGETUBE 4397...	1				
26	663528GT	LIGHT,SIDE MKR,RED,RECESSED.....	2				
27	995050GT	SCREW #10-32NFX3/4 LO					
28	824024GT	NUT, TL, 1/4-20, C, ZAG					
29	189795GT	FP-HASP CABINET DOOR.....	2				
30		Ref. SIDE PANEL, CABINET (refer to 207.1)					
31	663527GT	LIGHT,SIDE MKR,AMBER,RECESSED.....	2				
32	184150GT	BUSHING,WNCH HANDL,0.5X2.0X3.5..	1				
33	824024GT	NUT, TL, 1/4-20, C, ZAG					
34	75144GT	WASHER,FLAT,SAE 1/4",ZINC					
35	824059GT	SCREW,HHC,1/4-20X.75,8,ZAG					

209.1 Cabinet, View 3, 20kW Option

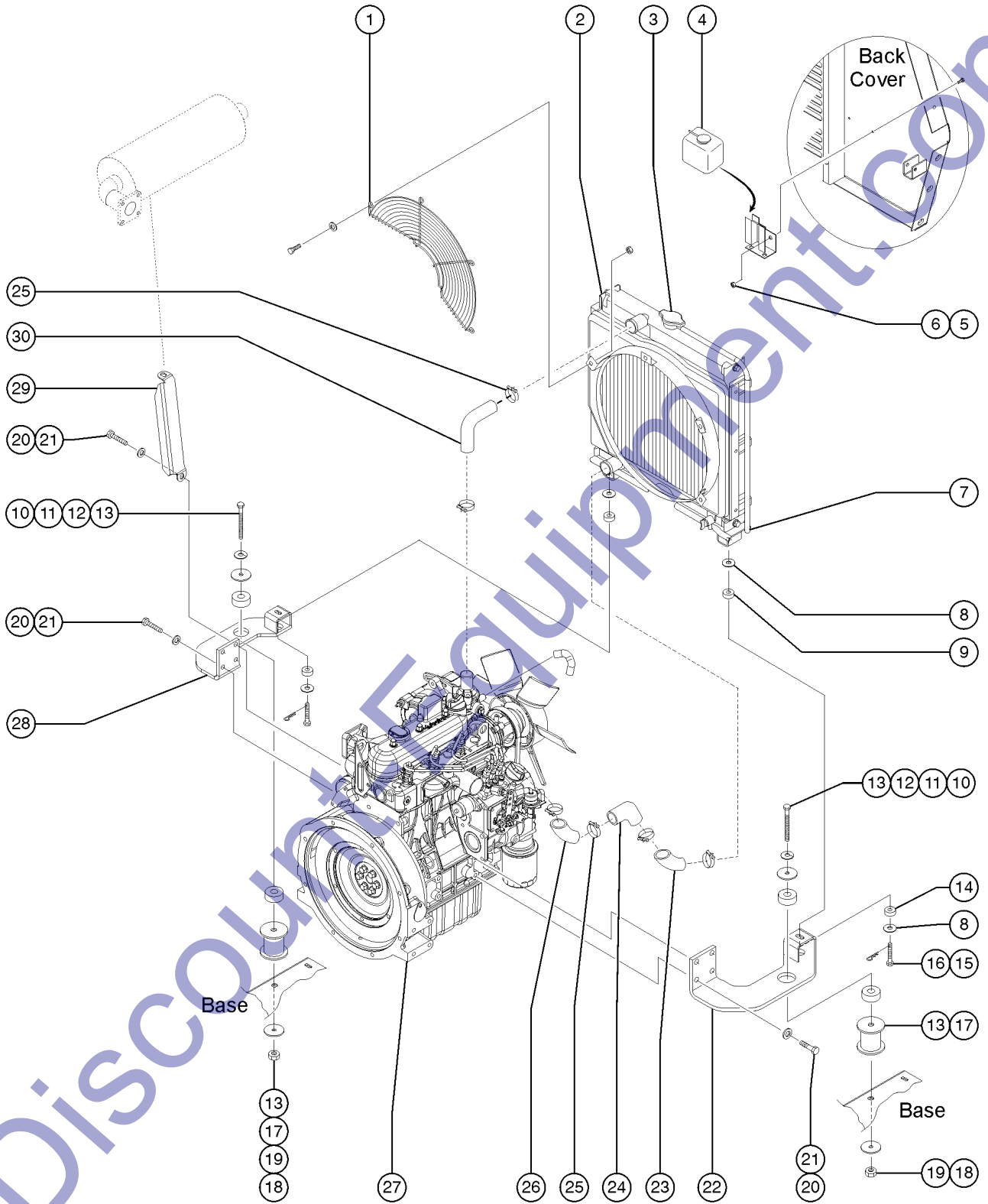


Discount-Equipment.com

209.1 Cabinet, View 3, 20kW Option

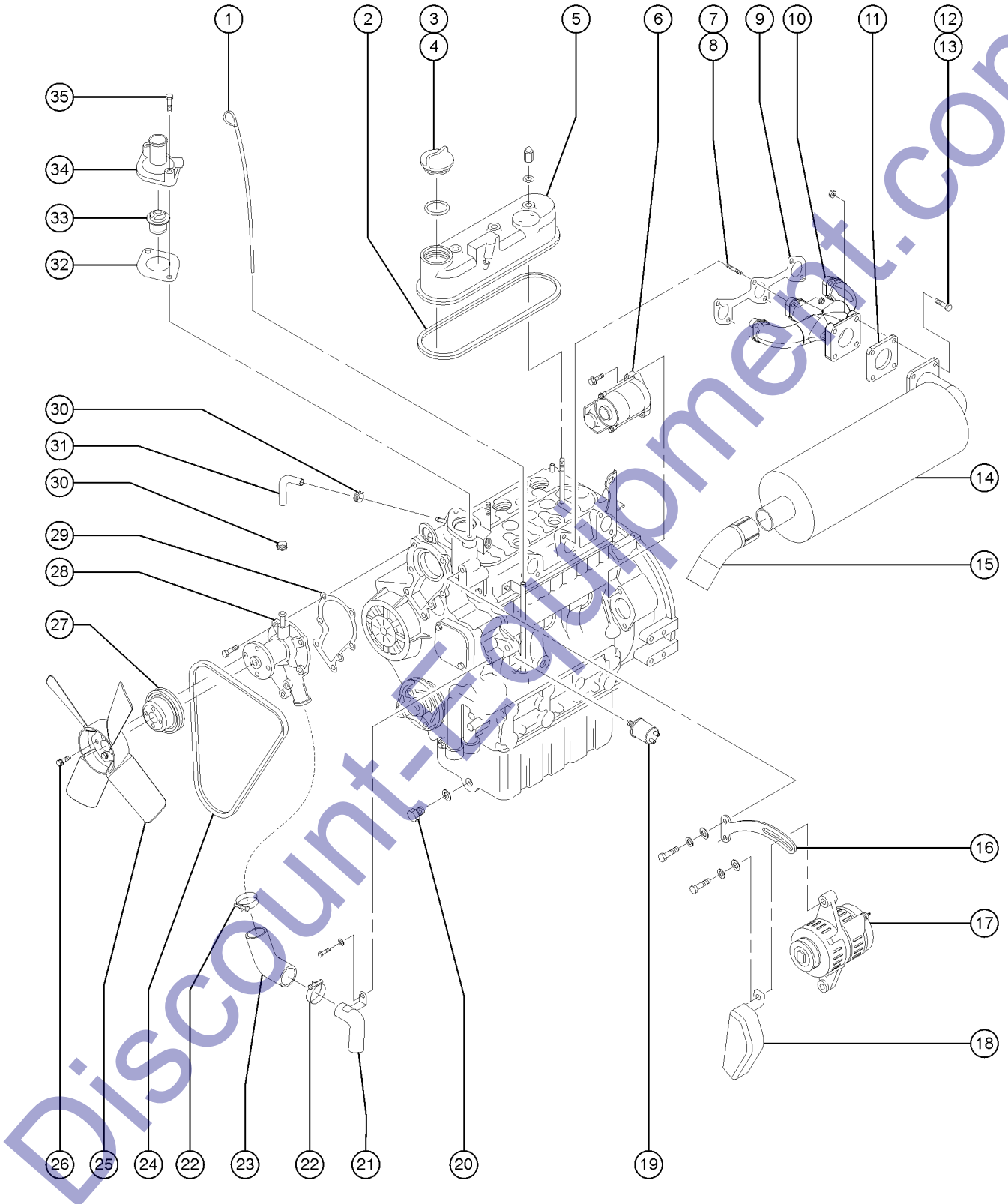
Item	Part No.	Description	Qty.
1	824024GT	NUT, TL, 1/4-20, C, ZAG	
2	995810GT	SCREW 1/4-20NCX5/8 HW	
3		Ref. CONTROL BOX (refer to 403.1)	
4	188785GT	SPACER FRAME 1PWR ACC.....1	
5		Ref. FRONT PANEL, CABINET (refer to 207.1)	
6	188735GT	BOX EXT POWERACCESS.....1	
7	GUL401100GT	GASKET,TRIM LOCK SEAL,7/16".....3	
8	990450GT	SCREW 5/16-18NCX3/4 HHC	
9	996380GT	NUTSERT 5/16-18 UNCP/	
10	116068GT	COVER, RUBBER, EXTPOWER AL5.....1	
11	188775GT	DOOR PNL EXT PWRACCES.....1	
11A	C51101000GT	LATCH,PUSH-BUTTON,BLACK W/KEY	
12	794890GT	HINGE,STAINLESS STEEL,BLACK.....2	
13	C21353GT	BOLT,CARRIAGE 3/8-16X.75 Z KEG	
14	981120GT	WASHER FLAT 3/8 ZP SAE BIN	
15	990170GT	NUT LOCK NYLON INSERT 3/8	
16	794890GT	HINGE,STAINLESS STEEL,BLACK.....2	
17	680030GT	CONNECTOR 2 SCREW 3/4.....1	
18	680250GT	LOCKNUT, CONDUIT 3/4CSA APPVD...1	
19		Ref. PLATE, COIL CORD MOUNT (refer to 208.1)	
20	995810GT	SCREW 1/4-20NCX5/8 HW	

301.1 Kubota D1105-E3BG, View 1



Item	Part No.	Description	Qty.
1	866113GT	GUARD,FAN,KUBOTA.....	1
2	866110GT	RADIATOR, KUBOTA, D905 & D1105.....	1
3A	110523GT	CAP,RADIATOR,AL,KUBOTA DF-752..... <i>aluminum radiator</i>	1
3B	866120GT	CAP,RADIATOR,KUBOTA D905 <i>copper radiator</i>	1
4	865307GT	TANK,RECOVERY,COOLANT,KUBOTA..1 <i>(includes mounting bracket)</i>	1
5	824024GT	NUT, TL, 1/4-20, C, ZAG.....	2
6	C51601442GT	SCREW FLANGE 1/4 -20X.....	2
7	890790GT	HOSE,FUEL,1/4"ID,PUSH LOK,200#..... <i>this part is sold by the foot, this application requires at least 32 inches.</i>	3
8	865263GT	KUBOTA 15111-72200 WASHER.....	1
9	740770GT	VIBRATION MOUNT,35".....	4
10	995380GT	SCREW,HHC,1/2-13 X 6.5.....	2
11	991650GT	WASHER LOCK 1/2ZP.....	2
12	990415GT	WASHER,FLAT,SNUB 1/2X2-3/4 ZN.....	2
13	80379GT	ISOLATOR, ENGINE MOUNT.....	4
14	865261GT	KUBOTA CUSHION.....	2
15	865086GT	KUBOTA RAD ISOLATOR BOLT.....	2
16	865085GT	KUBOTA SNAP PIN.....	2
17	22124025GT	ENGINE RISER,2/75"H,FOR 1/2BLT.....	2
18	990200GT	NUT,NYLOCK,1/2-13 GR2.....	2
19	990210GT	WASHER FLAT 1/2ZP	2
20	995110GT	SCREW,HHC,M10X1.25 X 35MM GR 8.....	12
21	994830GT	WASHER,LOCK,M10 ZP.....	12
22	22124016GT	ENGINE FOOT/RAD SUPPORT,CURBSD.....	1
23	839110GT	HOSE,RADIATOR,LOWER,KUBOTA.....	1
24	866394GT	KUBOTA WATER PIPE.....	1
25	32185GT	CLAMP,HOSE.....	6
26	116523GT	KUBOTA HOSE,D905, D1105.....	1
27	732205PPGT	ENGINE,KUBOTA,D1105 PAK.....	1
--	1254824GT	FILTER,FUEL,KUBOTA,W/O BRKT.....	1
28	22124015GT	ENG FOOT/RAD SUPPORT, ROADSIDE.....	1
29	116733GT	MUFFLER BRACE.....	1
30	839109GT	RADIATOR HOSE,KUBOTA.....	1

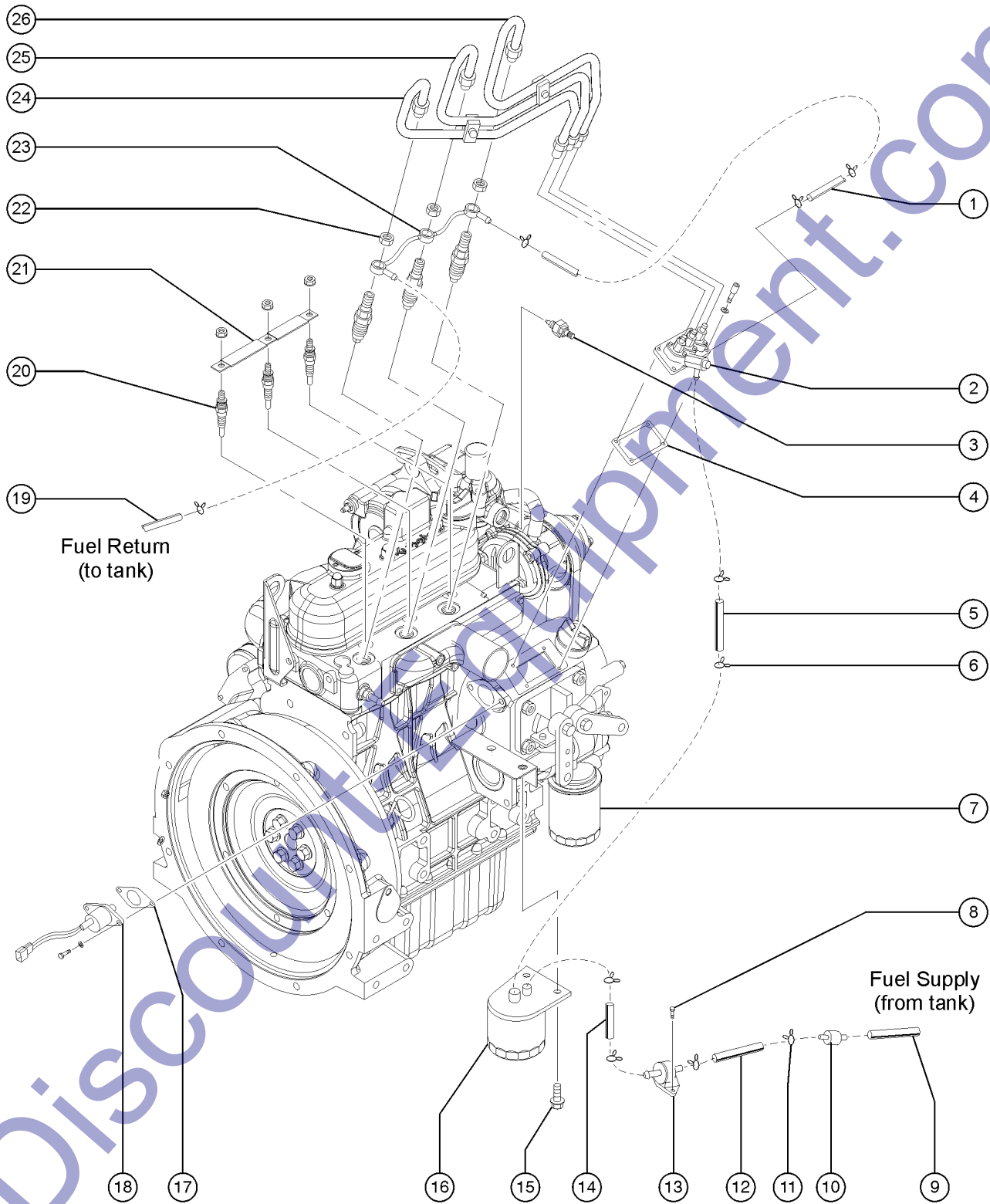
302.1 Kubota D1105-E3BG, View 2



302.1 Kubota D1105-E3BG, View 2

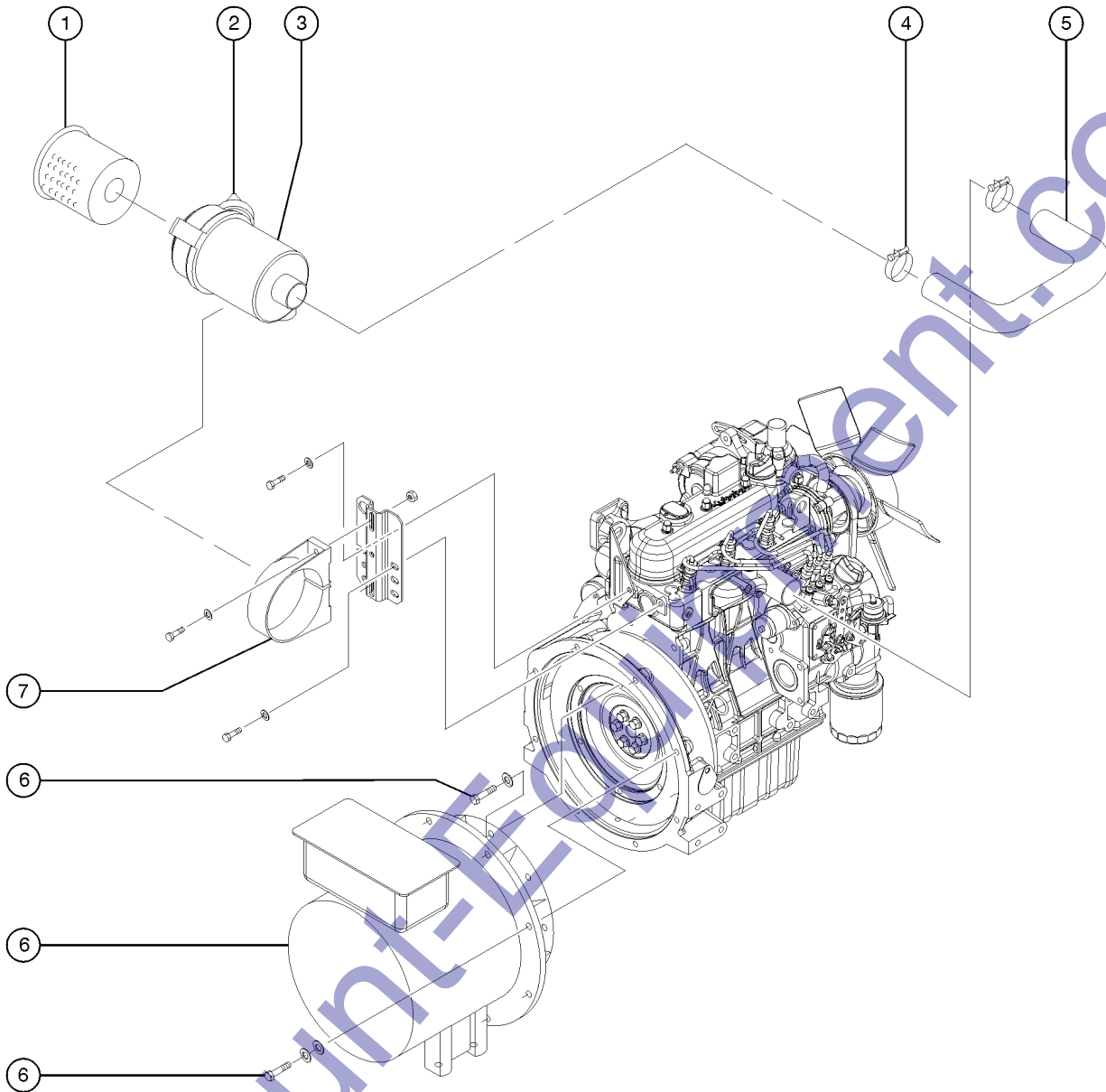
Item	Part No.	Description	Qty.	Item	Part No.	Description	Qty.
1	839154GT	DIPSTICK,OIL,KUBOTA.....	1	25	839134GT	FAN,PUSHER,KUBOTA 15263-12370.....	1
2	839244GT	KUBOTA HEAD COVER GASKET.....	1	26	839027GT	KUBOTA FLANGE BOLT.....	4
3	839151GT	KUBOTA OIL FILLER PLUG,V1305.....	1	27	52531GT	PULLEY,FAN,KUBOTA, D-905,GS68.....	1
4	839034GT	KUBOTA O-RING.....	1	28	839261GT	PUMP,WATER,KUBOTA.....	1
5	44191GT	VALVE COVER, D905.....	1	29	865079GT	KUBOTA 16259-73430.....	1
6	866101GT	STARTER,KUBOTA,D1105/905.....	1	30	32069GT	CLAMP,HOSE,KUBOTA WG750.....	2
7	101208GT	STUD,EXHAUST MANIFOLD.....	6	31	839011GT	KUBOTA WATER PIPE 16241-73350.....	1
8	101209GT	NUT,EXHAUST MANIFOLD.....	6	32	865435GT	KUBOTA 16221-73270GASKET.....	1
9	32191GT	GASKET,EXHAUST MANIFOLD,D905....	1	33	139278GT	THERMOSTAT.....	1
10	839246GT	KUBOTA EXHAUST MANIFOLD.....	1	34	139279GT	THERMOSTAT COVER.....	1
11	832128GT	GASKET,MUFFLER,KUBOTA D905/11.....	1	35	62296GT	SCREW,M8 X 35MM	
12	839103GT	KUBOTA 01123-50820 BOLT.....	4				
13	865055GT	KUBOTA NUT.....	4				
14A	865276GT	MUFFLER,KUBOTA.....	1				
14B	866825GT	KUBOTA 66711-54520COV (muffler cover)					
14C	975907GT	KIT:MUFFLER (KUB) SPACER					
--	190150GT	SPACER,MUFFLER,KUBOTA 6013..... (includes spacer, gasket, washers and screws listed below)	2				
--	823384GT	GASKET, MUFFLER, KUBOTA (FIBER.....)	3				
--	832128GT	GASKET,MUFFLER,KUBOTA D905/11.....	1				
--	866803GT	KUBOTA BAND, MUFFLER.....	1				
--	990460GT	WASHER LOCK 5/16 ZP BIN.....	4				
--	996330GT	SCREW,HHC,M8-1.25 X 45MM ZP.....	4				
15	125395GT	TAILPIPE,8K EXHAUST.....	1				
16	116833GT	KUBOTA DYNAMO STAY.....	1				
17	866090GT	ALTERNATOR,KUBOTA*.....	1				
18	866081GT	KUBOTA BELT COVER.....	1				
19	839190GT	SWITCH,LOW OIL PRESS,KUBOTA.....	1				
20A	52532GT	PLUG,ENGINE OIL DRAIN,D-905***..... bottom of oil pan (not shown)	1				
20A	52533GT	GASKET (52532) OIL DRAIN, D905..... for 234842GT	1				
20B	234842GT	PLUG, ENGINE OIL, D1105 bottom of oil pan (not shown)					
20B	84042GT	GASKET-DRAIN PLUG,ENG OIL PAN for 84042GT					
20C	897110GT	HOSE,OIL,3/8 0250PS1.....	1				
21	116523GT	KUBOTA HOSE,D905, D1105.....	1				
22	32185GT	CLAMP,HOSE.....	2				
23	866394GT	KUBOTA WATER PIPE.....	1				
24	839209GT	V-BELT,KUBOTA.....	1				

303.1 Kubota D1105-E3BG, View 3



Item	Part No.	Description	Qty.
1	839157GT	KUBOTA OVERFLOW PIPE.....1 (to tank)	1
2	839149GT	KUBOTA INJECTOR PUMP, D1105.....1	1
3	741140GT	ENGINE ACCESSORY TEMP SENDER.....1	1
4	32103GT	GASKET,INJECTION PUMP (quantities vary)	
5	890795GT	HOSE,FUEL,5/16"ID.....1.25 feet	1.25
6	898590GT	HOSE FITTING PIPE/BAR.....3	3
7	866050GT	FILTER,OIL,KUBOTA.....1	1
8		Ref., SCREW refer to 202.1 or 203.1	
9		Ref., FUEL HOSE refer to 202.1 or 203.1	
10		Ref., IN-LINE FILTER refer to 202.1 or 203.1	
11		Ref., HOSE CLAMP refer to 202.1 or 203.1	
12		Ref., FUEL HOSE refer to 202.1 or 203.1	
13		Ref., FUEL PUMP refer to 202.1 or 203.1	
14		Ref., FUEL HOSE refer to 202.1 or 203.1	
15	839103GT	KUBOTA 01123-50820 BOLT.....2	2
16	839107GT	FILTER,FUEL,KUBOTA.....1	1
17	866040GT	GASKET,SOLENOID,KUBOTA.....1	1
18A	99199GT	SOLENOID,KUBOTA D9/1105 SHTDWN.....1 2-wire solenoid	1
18B	866030GT	SOLENOID,FUEL,3 WIRE,KUBOTA 3-wire solenoid	
19		Ref., FUEL HOSE refer to 202.1 or 203.1	
20	839119GT	KUBOTA GLOW PLUG.....3	3
21	62118GT	JUMPER-GLOW PLUG.....1	1
22	865257GT	KUBOTA KIT, HOLDER,NOZZLE.....3	3
23	865100GT	KUBOTA OVER FLOW PIPE.....1	1
24	44196GT	PIPE,INJECTOR 1,D905,D1105.....1	1
25	44197GT	PIPE,INJECTOR 2,D905,D1105.....1	1
26	44198GT	PIPE,INJECTOR 3,D905,D1105.....1	1

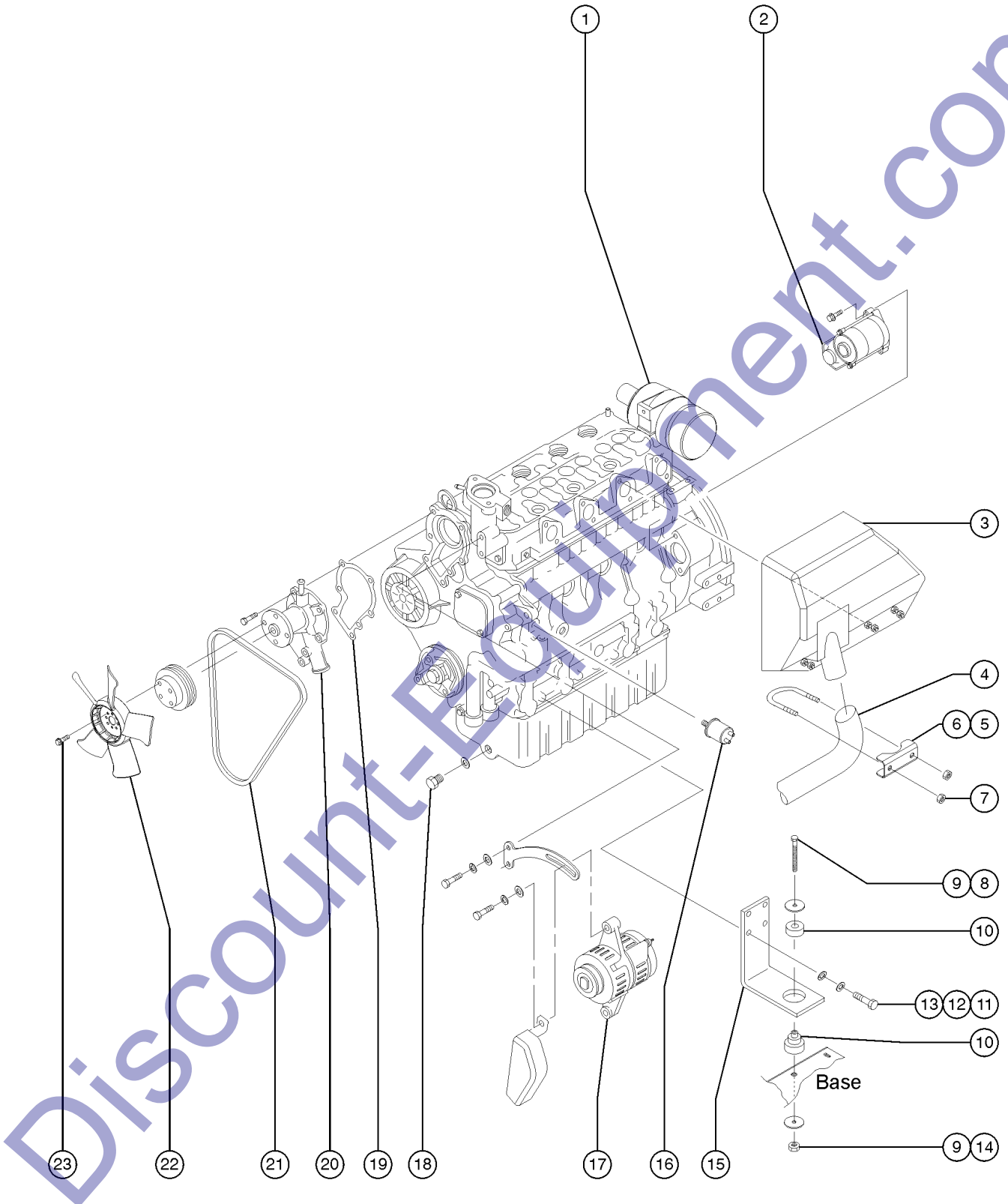
304.1 Kubota D1105-E3BG, View 4



Item	Part No.	Description	Qty.
1	866127GT	ELEMENT,AIR CLEANER,KUBOTA.....1	
2	866129GT	VALVE,AIR CLEANER,KUBOTA.....1	
3A	866126GT	BODY,AIR CLEANER,KUBOTA.....1	
3B	866128GT	COVER,AIR CLEANER,KUBOTA.....1	
4	839049GT	KUBOTA 15263-12370BAND PIPE.....2	
5	231332GT	HOSE, INTAKE, KUBOTA D1105.....1	
6		Ref, GENERATOR (refer to 310.1, 311.1, 312.1 or 313.1)	
7	231333GT	AIR CLEANER BRACKET, D1105.....1	

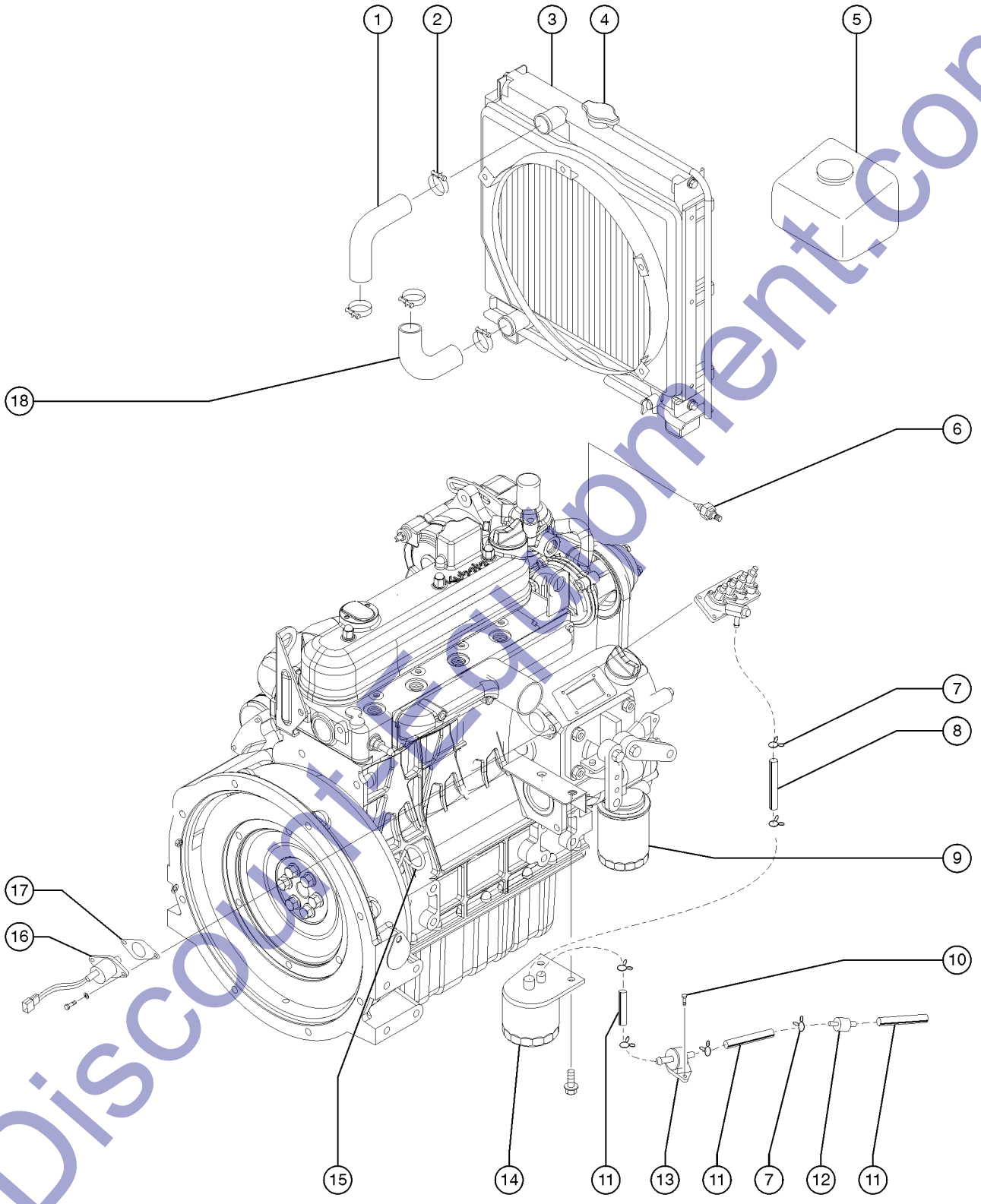
Discount-Equipment.com

305.1 Kubota V1505 T41, View 1



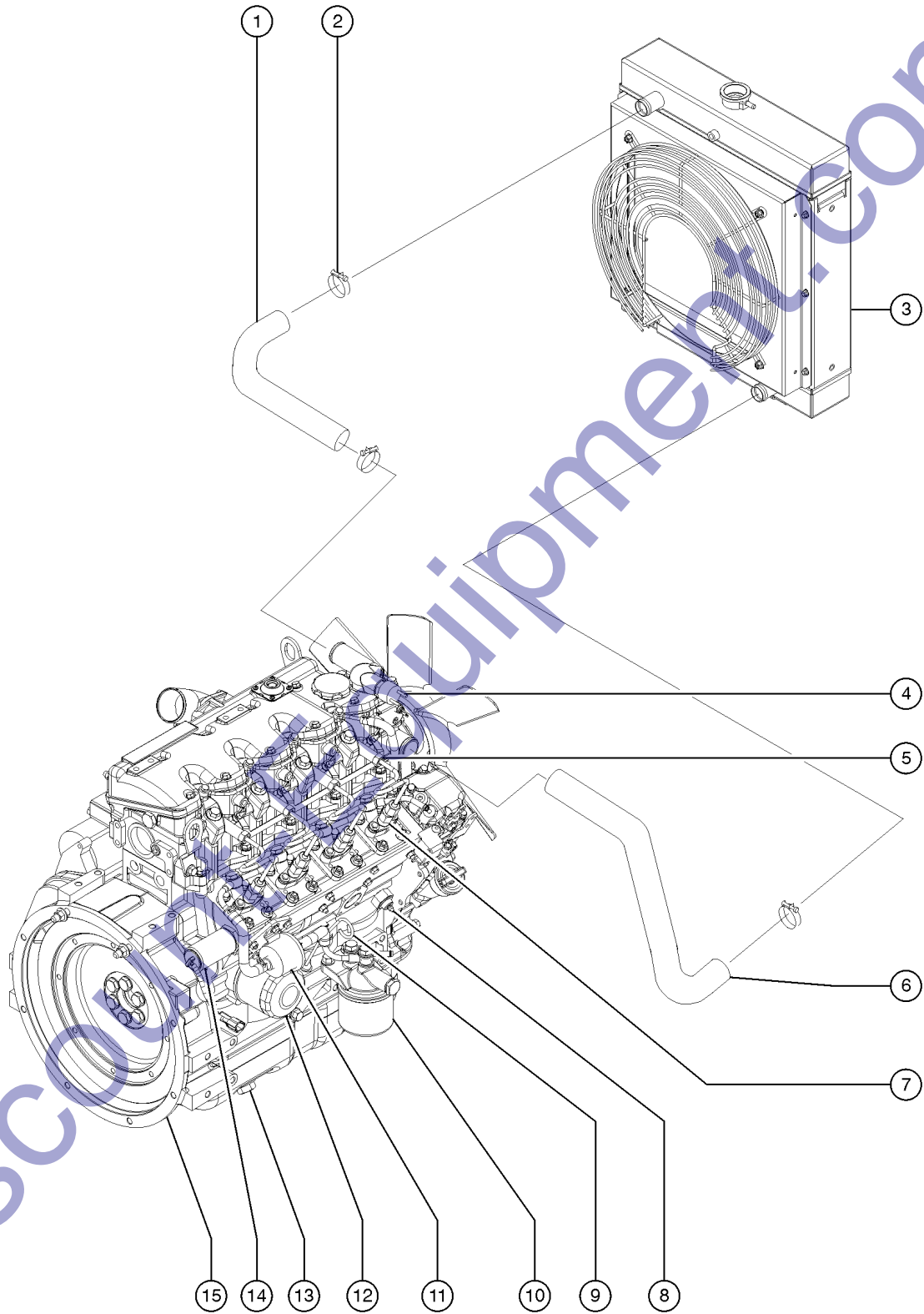
Item	Part No.	Description	Qty.
--	116289PPGT	KUBOTA ENGINE 1505 T4I PACK (complete)	
--	116292GT	PMA-GENSET-KUBOTA 1505 12KW (engine with generator)	
--	893020GT	MANUAL,OP,KUBOTA,D1105,TIER 2*	
1	116413GT	AIR CLEANER,DONALDSON G042544.....	1
--	116414GT	AIR CLNR MNT DONALDSON P777151	
--	116498GT	AIR CLEANER COVER	
--	116502GT	AIR CLEANER VALVE	
2	866101GT	STARTER,KUBOTA,D1105/905.....	1
3	116309GT	MUFFLER,KUBOTA BOX TYPE.....	1
--	832128GT	GASKET,MUFFLER,KUBOTA D905/11	
4	116297GT	ASY,ENGIN TAILPIPE.....	1
--	116296GT	BRKT,TAILPIPE SUPPORT	
--	116298GT	MNT,CYL,M/M 1/4-20X.75 1.0 OD	
--	116418GT	KIT: V1505 TAILPIPE MOUNT	
5	791600GT	CLAMP,U-BOLT,1.5".....	1
6	791610GT	CLAMP,U-BOLT,2-1/8"	
7	824024GT	NUT, TL, 1/4-20, C, ZAG.....	4
8	990190GT	SCREW,HHC,1/2-13 X 3.....	2
9	990410GT	WASHER FLAT FENDER1/2.....	4
10	80379GT	ISOLATOR, ENGINE MOUNT.....	4
11	995110GT	SCREW,HHC,M10X1.25 X 35MM GR 8.....	8
12	990080GT	WASHER FLAT 3/8USS ZPBIN.....	8
13	6-9111-10GT	LOCKWASHER,10MM.....	8
14	990200GT	NUT,NYLOCK,1/2-13 GR2.....	2
15	116213GT	FOOT,ENGINE MOUNT L BRACKET.....	2
16	839190GT	SWITCH,LOW OIL PRESS,KUBOTA.....	1
17	866090GT	ALTERNATOR,KUBOTA*.....	1
18	741970GT	VALVE,OIL DRAIN,KUBOTA.....	1
--	897110GT	HOSE,OIL,3/8 0250PS1	
19	865079GT	KUBOTA 16259-73430..... (gasket)	1
20	839261GT	PUMP,WATER,KUBOTA.....	1
21	839209GT	V-BELT,KUBOTA.....	1
22	116511GT	KUBOTA PUSHER FAN,D1105.....	1
--	116512GT	KUBOTA FAN GUARD,D1105	
23	839027GT	KUBOTA FLANGE BOLT.....	4

306.1 Kubota V1505 T41, View 2



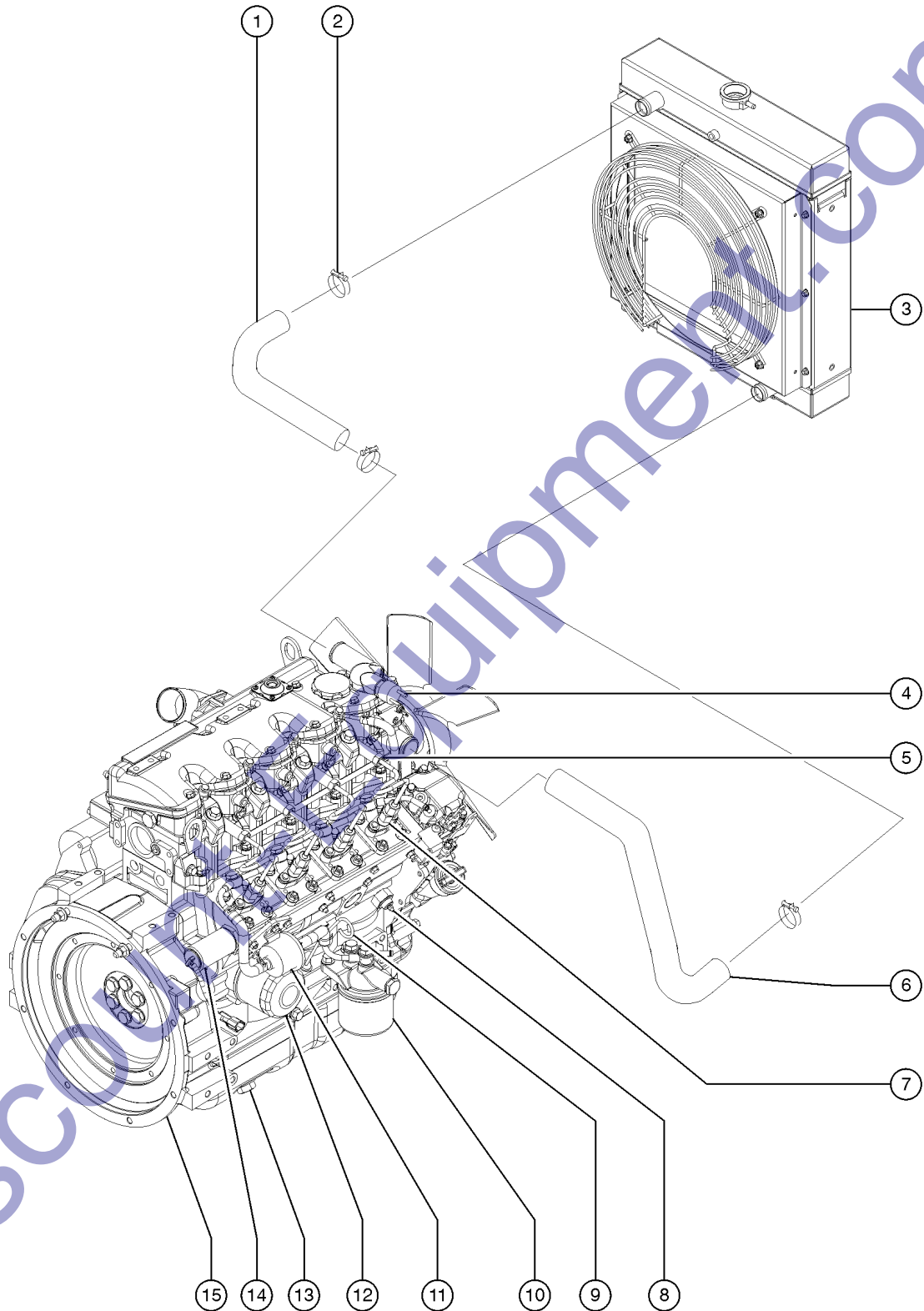
Item	Part No.	Description	Qty.
1	116513GT	KUBOTA TOP HOSE,D1105.....	1
2	32185GT	CLAMP,HOSE.....	4
3	116314GT	RADIATOR,KUBOTA A-47.....	1
4	110523GT	CAP,RADIATOR,AL,KUBOTA DF-752.....	1
5	973390GT	KIT:KUBOTA OVER-FLOW (includes bracket, nut, washer, hose, and screw)	
--	865307GT	TANK,RECOVERY,COOLANT,KUBOTA (includes mounting bracket)	
6	741140GT	ENGINE ACCESSORY TEMP SENDER.....	1
7	792750GT	CLAMP 7/16 TO 25/32	
8	890795GT	HOSE,FUEL,5/16"ID.....	5-feet
9	866050GT	FILTER,OIL,KUBOTA.....	1
10	995810GT	SCREW 1/4-20NCX5/8 HW.....	2
11		Ref. Fuel Line (refer to 202.1 or 203.1)	
12		Ref. In-line fuel filter (refer to 202.1 or 203.1)	
13		Ref. Fuel Pump (refer to 202.1 or 203.1)	
14	839107GT	FILTER,FUEL,KUBOTA.....	1
--	839200GT	ELEMENT,FUEL FILTER,KUBOTA	
15	839154GT	DIPSTICK,OIL,KUBOTA.....	1
16	99199GT	SOLENOID,KUBOTA D9/1105 SHTDWN.....	1
17	866040GT	GASKET,SOLENOID,KUBOTA.....	1
18	116514GT	KUBOTA BOTTOM HOSE,D1105.....	1

307.1 Isuzu 4LE2,1800R, View 1



Item	Part No.	Description	Qty.
--	T111619GT	ENGINE,ISUZU,PUSHER,4LE2,1800R <i>(engine plus generator) (refer to 313.1 for generator)</i>	
--	T111622GT	GENSET,20K,60HZ,PUSHER	
--	T110453GT	ENGINE,ISUZU,SUCKER,4LE2,1800R	
--	T111617GT	GENSET,20K,60HZ,SUCKER <i>(engine plus generator) (refer to 313.1 for generator)</i>	
--	116133GT	ISUZU OPERATORS MANUAL	
--	116821GT	WIRE HARN,ENG,ISUZU,4LE1,AL5	
--	T113775GT	MANUAL, INSTRUCTION, ISUZU 4LE	
--		FUSE,40 AMP,ATC <i>(available soon) (for 116821GT)</i>	
1	868113GT	ISUZU 4LE UPPER RADIATOR HOSE...1	
2	32185GT	CLAMP,HOSE	
3		Ref. RADIATOR <i>(refer to 309.1)</i>	
4	T113772GT	OIL SWITCH, ISUZU 4LE2.....1	
5	T113777GT	GLOW PLUG, ISUZU 4LE2.....1	
6	868112GT	LOWER READIATOR HOSE.....1	
7	T113780GT	ASSY, INJECTION PUMP,ISUZU 4LE....1	
8	T113772GT	OIL SWITCH, ISUZU 4LE2.....1	
9	T113766GT	DIP STICK, ISUZU 4LE2.....1	
10	116154GT	AY,DSL FUEL/WATER SEPARATOR.....1	
--	116151GT	FILTER,30 MICRON FUEL-WATER	
11	T113770GT	FUEL PUMP, ISUZU 4LE2.....1	
12	T113767GT	CARTRIDGE, OIL FLTR, ISUZU 4LE....1	
13	974803GT	KIT:HOSE/CLAMP ISUZU.....1	
14	T113771GT	STOP SOLENOID, ISUZU 4LE2.....1	
15	T113756GT	FLYWHEEL, ISUZU 4LE2.....1	
--	T113757GT	HOUSING, FLYWHEEL ISUZU 4LE2	

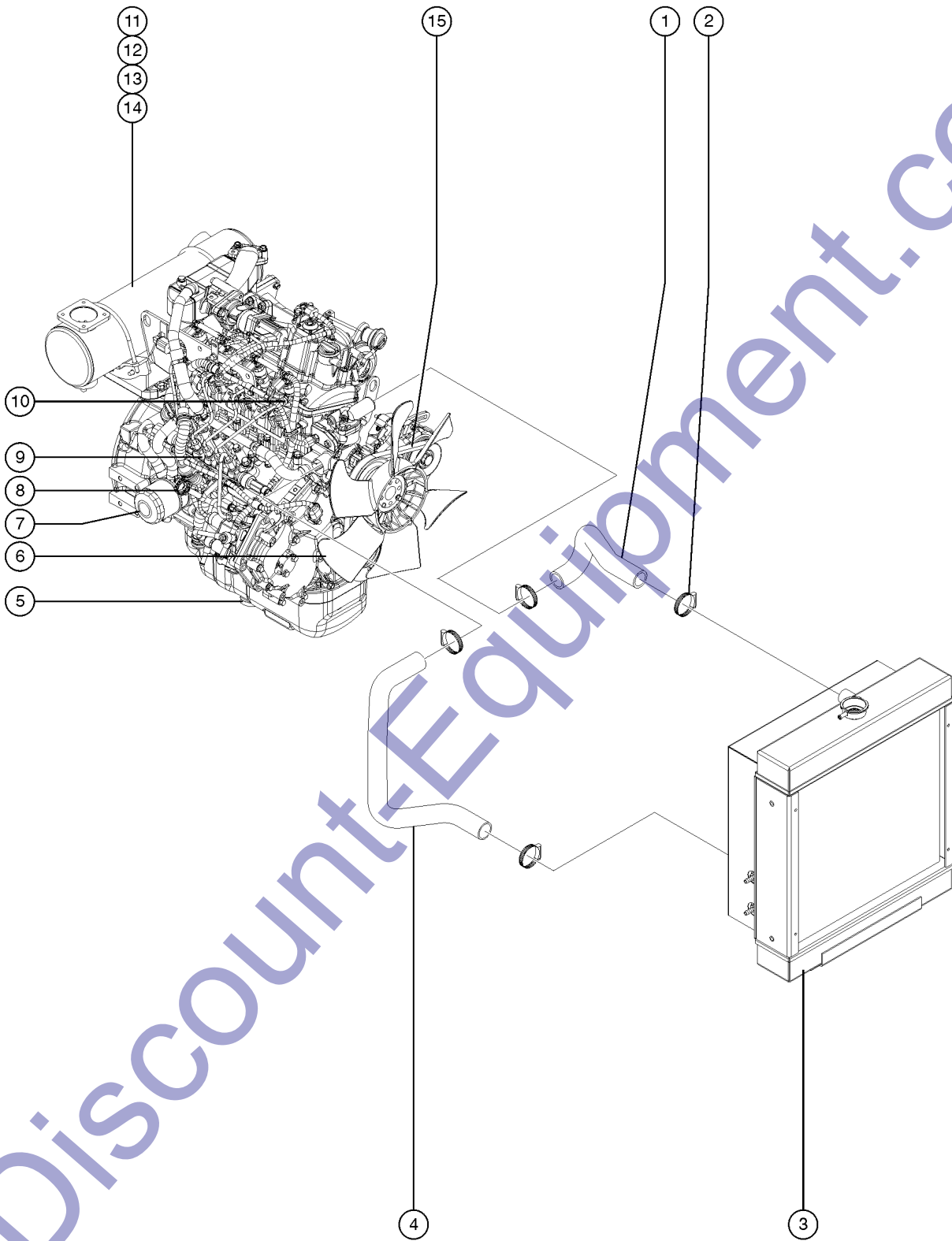
307.2 Isuzu 4LE2-T,1800R, View 1



DISC

Item	Part No.	Description	Qty.
--	T111619GT	ENGINE,ISUZU,PUSHER,4LE2,1800R <i>(engine plus generator) (refer to 313.1 for generator)</i>	
--	T111622GT	GENSET,20K,60HZ,PUSHER	
--	T110453GT	ENGINE,ISUZU,SUCKER,4LE2,1800R	
--	T111617GT	GENSET,20K,60HZ,SUCKER <i>(engine plus generator) (refer to 313.1 for generator)</i>	
--	116133GT	ISUZU OPERATORS MANUAL	
--	116821GT	WIRE HARN,ENG,ISUZU,4LE1,AL5	
--	T113775GT	MANUAL, INSTRUCTION, ISUZU 4LE	
--		FUSE,40 AMP,ATC <i>(available soon) (for 116821GT)</i>	
1	868113GT	ISUZU 4LE UPPER RADIATOR HOSE...1	
2	32185GT	CLAMP,HOSE	
3		Ref. RADIATOR <i>(refer to 309.1)</i>	
4	T113772GT	OIL SWITCH, ISUZU 4LE2.....1	
5	T113777GT	GLOW PLUG, ISUZU 4LE2.....1	
6	868112GT	LOWER READIATOR HOSE.....1	
7	T113780GT	ASSY, INJECTION PUMP,ISUZU 4LE....1	
8	T113772GT	OIL SWITCH, ISUZU 4LE2.....1	
9	T113766GT	DIP STICK, ISUZU 4LE2.....1	
10	116154GT	AY,DSL FUEL/WATER SEPARATOR.....1	
--	116151GT	FILTER,30 MICRON FUEL-WATER	
11	T113770GT	FUEL PUMP, ISUZU 4LE2.....1	
12	T113767GT	CARTRIDGE, OIL FLTR, ISUZU 4LE....1	
13	974803GT	KIT:HOSE/CLAMP ISUZU.....1	
14	T113771GT	STOP SOLENOID, ISUZU 4LE2.....1	
15	T113756GT	FLYWHEEL, ISUZU 4LE2.....1	
--	T113757GT	HOUSING, FLYWHEEL ISUZU 4LE2	

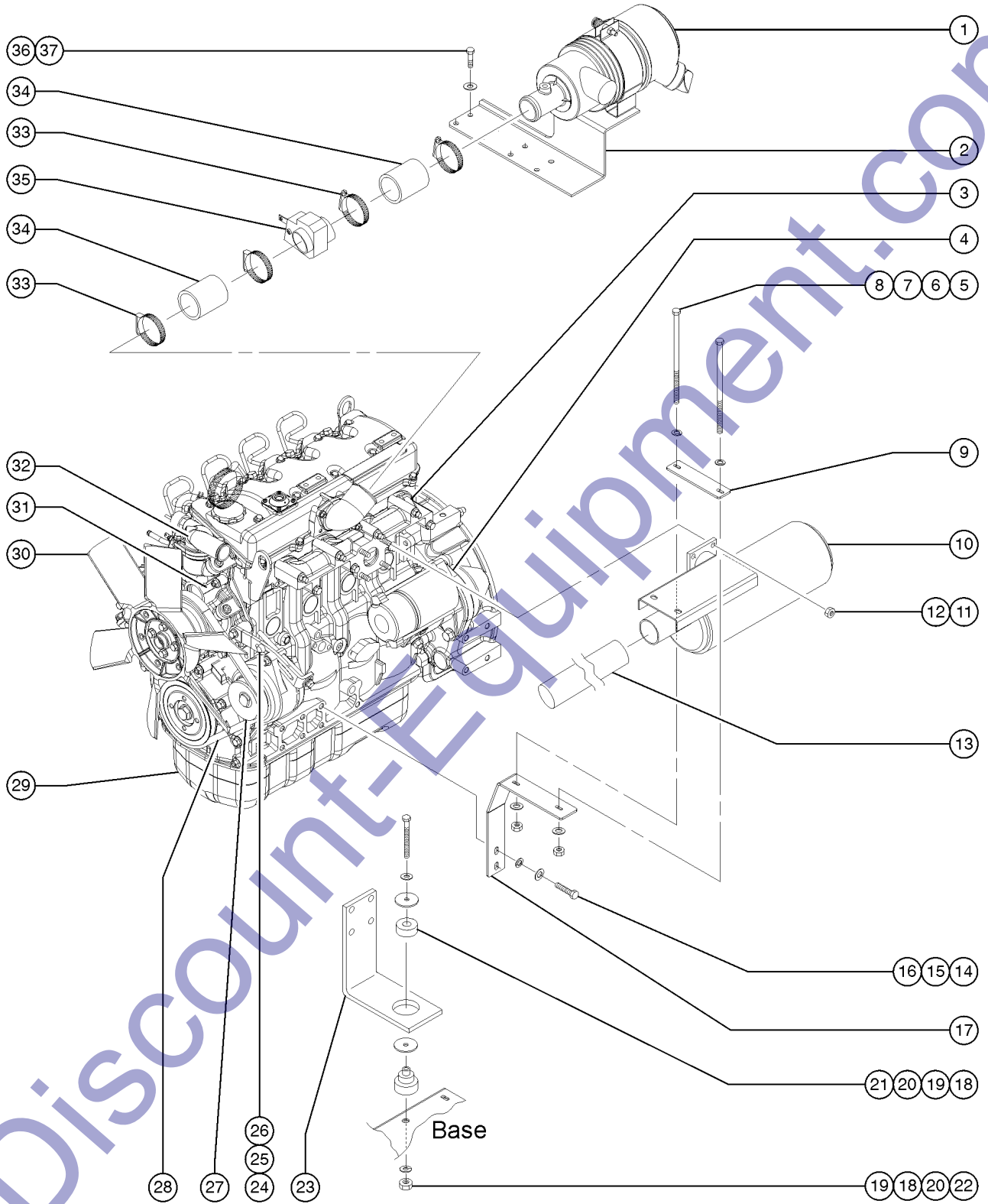
307.3 Isuzu 4LE2-T, Tier 4, View 1



DiscountEquipment.com

Item	Part No.	Description	Qty.
1	1264575GT	WATER OUT.PIPE 4LE2-T.....	1
2	32185GT	CLAMP,HOSE.....	4
3	1264612GT	RAD. ASSY.+SHROUD, 4LE2-T.....	1
4	1264615GT	RAD. HOSE ASSY.,4LE2-T.....	1
5	1264573GT	REMOTE OIL DRAIN, 4LE2-T.....	1
6	1276741GT	FAN ASSY,COOLING,ISUZU,TIER4.....	1
7	1276734GT	ELEMENT,OIL FILTER,ISUZU,TIER4.....	1
8	1264569GT	DIPSTICK, 4LE2-T.....	1
9		FUEL RAIL, 4LE2-T.....	1
10		INJECTOR, FUEL, 4LE2-T.....	4
11		CAT/MUFFLER, EXHAUST, 4LE2-T.....	1
12		BRACKET, EXHAUST CAT/MUFFLER, 4LE2-T.....	1
13		U BOLT, EXHAUST, 4LE2-T.....	2
14		NUT.....	4
15	1276742GT	V-BELT,ISUZU,TIER4.....	1
--	1276736GT	ELEMENT KIT,MAIN FILTER,FUEL,ISUZU,TIER4.....	1
--	1276735GT	ELEMENT KIT,FUEL,PRE-FILTER,ISUZU,TIER4.....	1
--	1264609GT	OWNERS MANUAL, 4LE2-T.....	1
--	1276737GT	GLOW PLUG,ISUZU,TIER4.....	1
--	1276739GT	THERMOSTAT,ISUZU,TIER4.....	1
--	1276740GT	GASKET,THERMOSTAT,ISUZU,TIER4.....	1
--	1276738GT	PUMP ASSY,WATER,ISUZU,TIER4.....	1

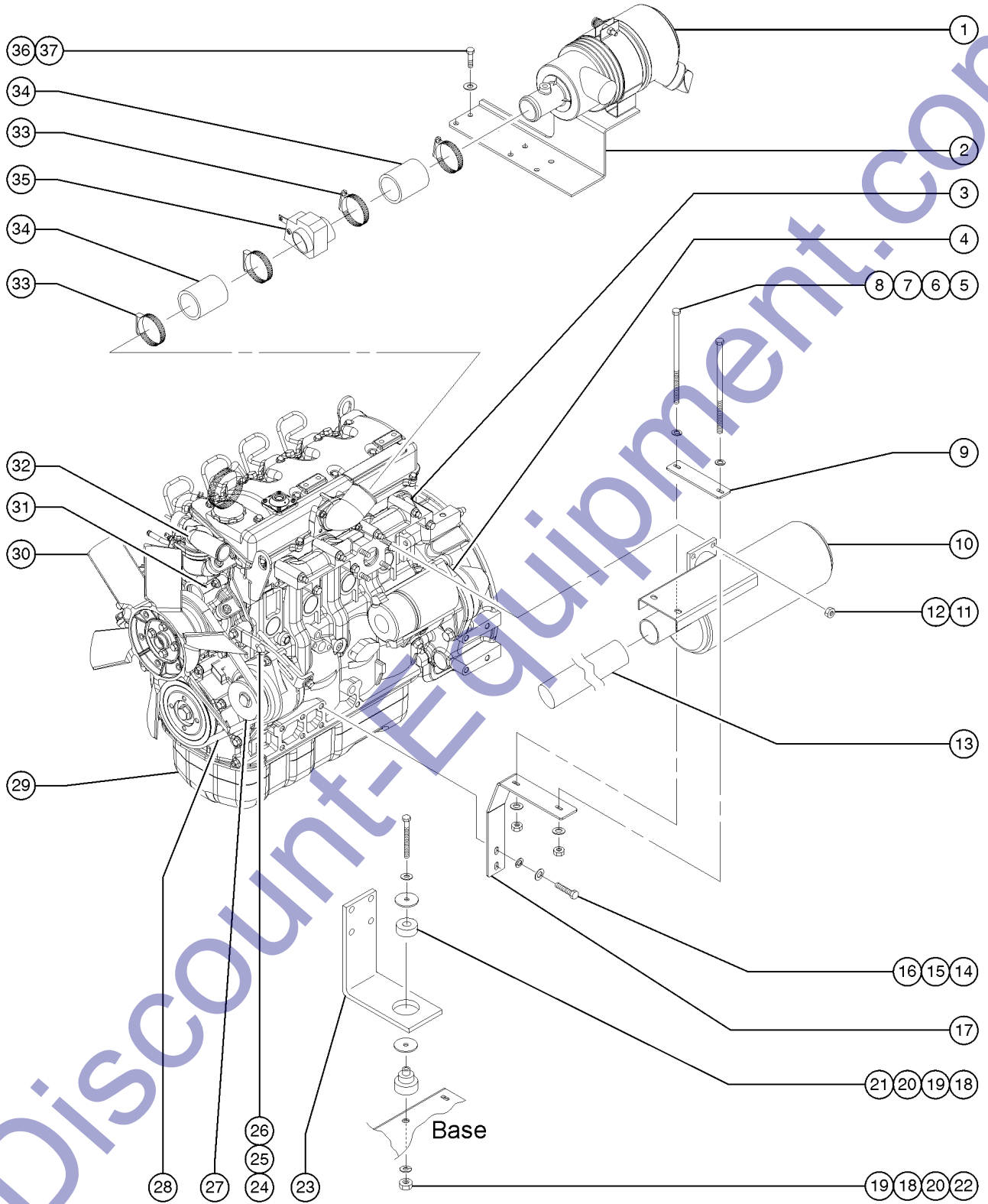
308.1 Isuzu 4LE2,1800R, View 2



308.1 Isuzu 4LE2,1800R, View 2

Item	Part No.	Description	Qty.	Item	Part No.	Description	Qty.
1	T113769GT	AIR CLEANER, ISUZU 4LE2.....1 <i>(includes items 2 and 33-36)</i>	1	28	T113776GT	BELT, FAN, ISUZU 4LE2.....1	1
--	834458GT	AIR FILTER ASSY,DONALDSON		--	T113786GT	COVER, V-BELT, ISUZU 4LE2	
--	T113985GT	BAND, AIR FILTER MOUNTING, ISU		29	T113765GT	OIL PAN, ISUZU 4LE2.....1	1
2	T113984GT	FORMING, BRKT, AIR INTAKE, ISU.....1	1	30A	T111701GT	FAN, ISUZU 4LE,1800RPM,SUCKER.....1	1
3	T113755GT	MANIFOLD, EXHAUST, ISUZU 4LE2		30B	T111625GT	FAN, ISUZU 4LE, 1800RPM, PUSH	
--	T113781GT	GASKET EXHST MANIFLD,ISUZU 4LE		30C	T113758GT	PULLEY, FAN, ISUZU 4LE2.....1	1
--	T113782GT	STUD,EXHAUST MANIFLD,ISUZU 4LE		30D	T113759GT	PULLEY, FAND DRIVE, ISUZU 4LE2.....1	1
4	T113763GT	STARTER, ISUZU 4LE2.....1	1	31	T113779GT	ASSY, WATER PUMP, ISUZU 4LE2.....1	1
5	215719GT	SCREW,HHC,1/4-20X6 1/2,ZINC.....2 <i>(from SN AL511-709)</i>	2	32	T113762GT	HOUSING, THERMOSTAT, ISUZU 4LE	
6	990340GT	WASHER FLAT 1/4ZPLENSETBIN.....2 <i>(from SN AL511-709)</i>	2	--	T113760GT	THERMOSTAT, ISUZU 4LE2	
7	990400GT	WASHER LOCK 1/4ZP.....2 <i>(from SN AL511-709)</i>	2	--	T113761GT	GASKET, THRMOST HSG, ISUZU 4LE	
8	824024GT	NUT, TL, 1/4-20, C, ZAG.....2 <i>(from SN AL511-709)</i>	2	33	T113989GT	CLAMP, HOSE, #36.....4	4
9	215711GT	PLATE, TOP, BRACKET, MUFFLER.....1 <i>(from SN AL511-709)</i>	1	34	T113987GT	HOSE, STRAIGHT, AIR INTAKE, IS.....2	2
10	187988GT	MUFFLER ASSY.....1	1	35	235385GT	RODA DEACO MAN, SHUTDOWN, 2"	
--	T113774GT	GASKET, MUFFLER, ISUZU 4LE2		36	27034GT	SCREW,HHC,M10 X 25MM,GR 8.8.....4	4
11	T113783GT	NUT,EXHAUST MANIFLD,ISUZU 4LE2.....4	4	37	22700GT	WASHER,LOCK,M10.....4	4
12	T113784GT	BOLT,EXHAUST MANIFLD,ISUZU 4LE.....4	4				
13A	T110447GT	TAILPIPE, ISUZU EXHAUST, TOP.....1	1				
13B	T110446GT	TAILPIPE, ISUZU EXHAUST.....1	1				
--	791610GT	CLAMP,U-BOLT,2-1/8"					
14	215722GT	SCREW,HHC,10MM-1.5X258.8,ZINC.....2 <i>(from SN AL511-709)</i>	2				
15	990080GT	WASHER FLAT 3/8USS ZPBIN.....2 <i>(from SN AL511-709)</i>	2				
16	994830GT	WASHER,LOCK,M10 ZP.....2 <i>(from SN AL511-709)</i>	2				
17	215712GT	BRACKET,SUPPORT,MUFFLER.....1 <i>(from SN AL511-709)</i>	1				
18	740920GT	ISOLATOR,ENGINE,390LB.....2	2				
19	990410GT	WASHER FLAT FENDER1/2.....2	2				
20	990210GT	WASHER FLAT 1/2ZP.....2	2				
21	990270GT	SCREW,HHC,1/2-13 X 3.5 GR8.....2	2				
22	990200GT	NUT,NYLOCK,1/2-13 GR2.....2	2				
23		Ref. ENGINE BRACKET <i>(refer to 309.1)</i>					
24	30973GT	BUMPER,RUBBER-1 X 1.25.....1	1				
25	116503GT	BUSHING, 630DX.328ID .375T.....1	1				
26	991945GT	NUT LOCK NYLON INSERT.....1	1				
27	T113764GT	ALTERNATOR, ISUZU 4LE2.....1	1				

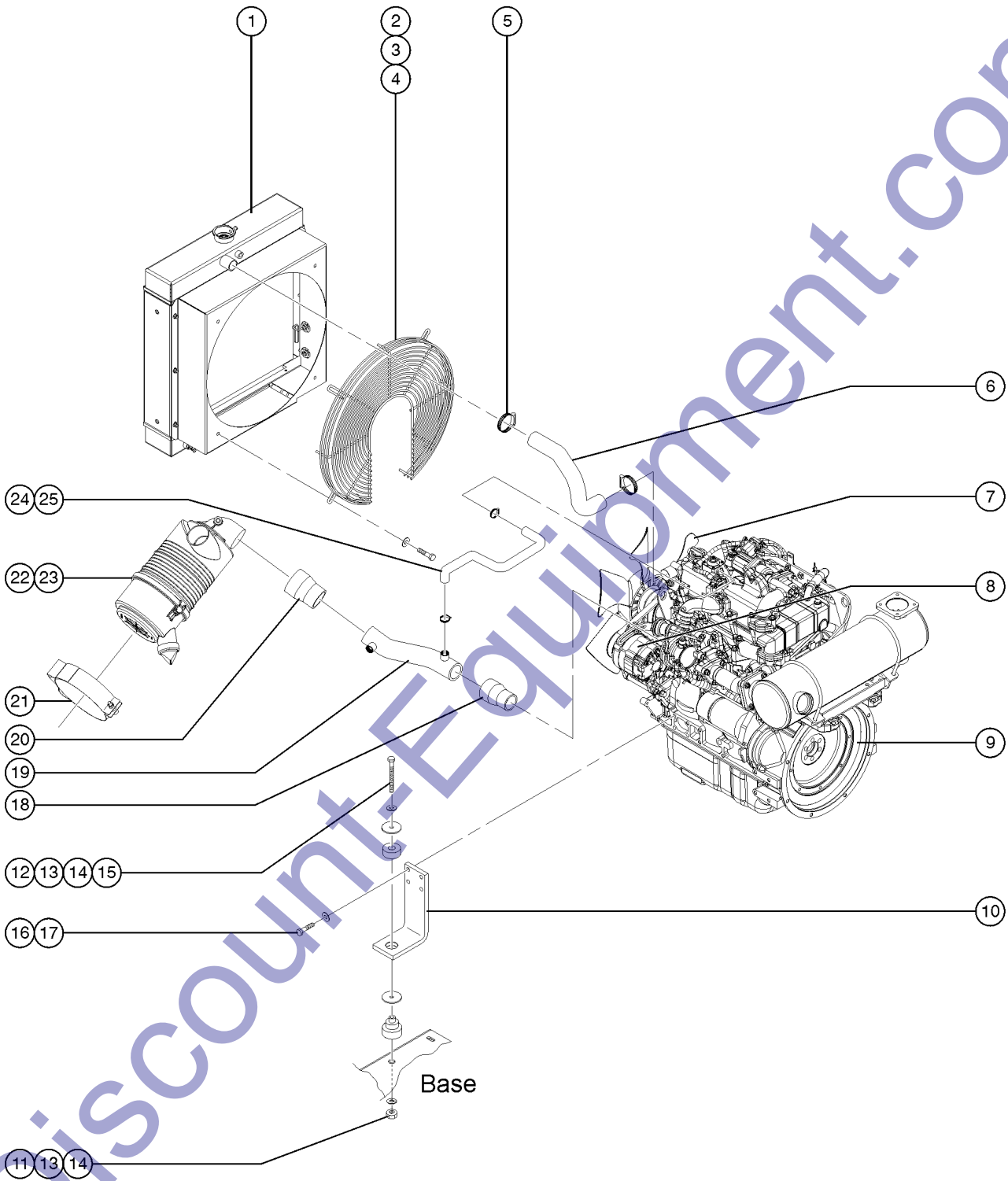
308.2 Isuzu 4LE2-T,1800R, View 2



308.2 Isuzu 4LE2-T,1800R, View 2

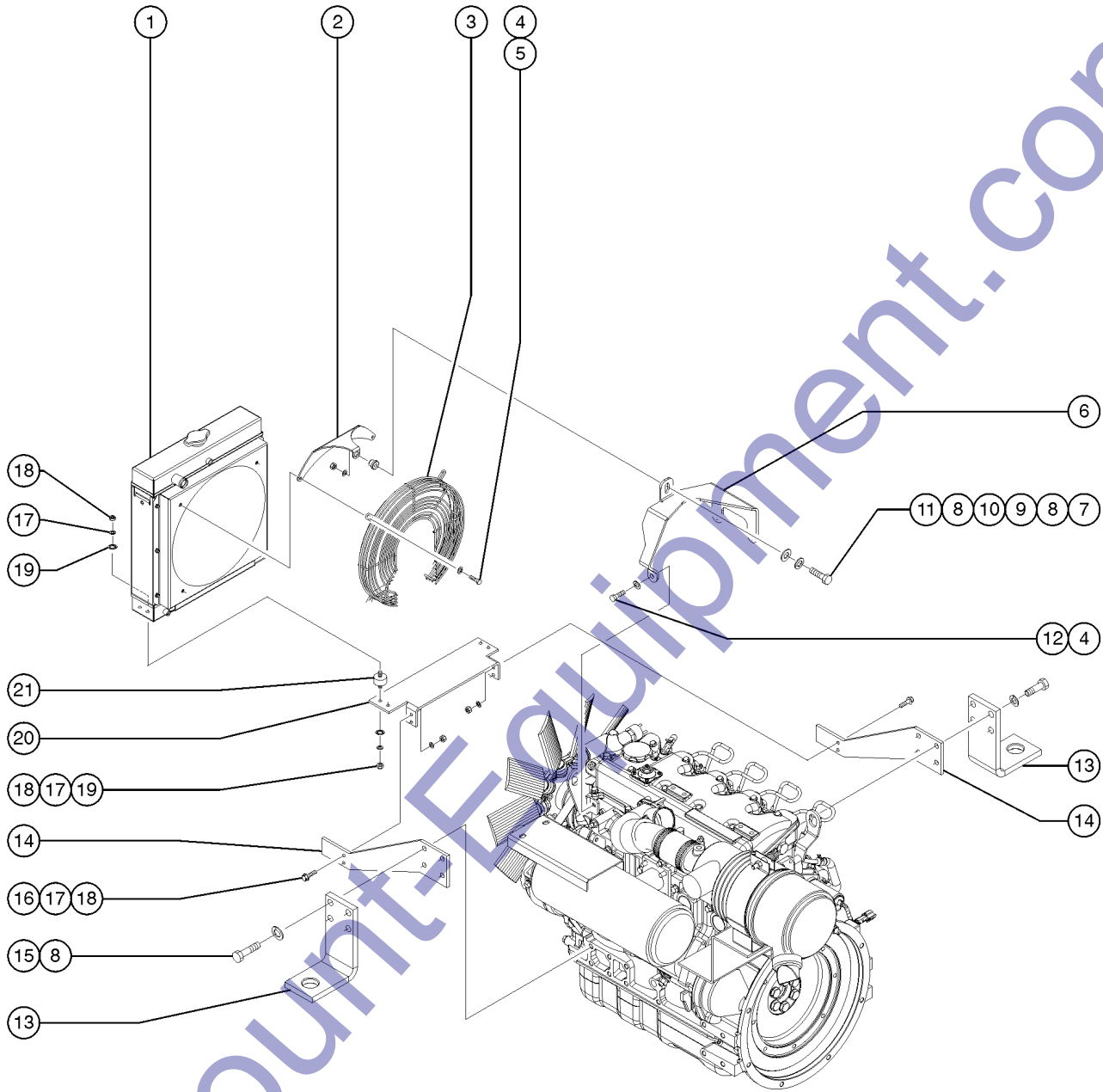
Item	Part No.	Description	Qty.	Item	Part No.	Description	Qty.
1	T113769GT	AIR CLEANER, ISUZU 4LE2.....1 <i>(includes items 2 and 33-36)</i>	1	28	T113776GT	BELT, FAN, ISUZU 4LE2.....1	1
--	834458GT	AIR FILTER ASSY,DONALDSON		--	T113786GT	COVER, V-BELT, ISUZU 4LE2	
--	T113985GT	BAND, AIR FILTER MOUNTING, ISU		29	T113765GT	OIL PAN, ISUZU 4LE2.....1	1
2	T113984GT	FORMING, BRKT, AIR INTAKE, ISU.....1	1	30A	T111701GT	FAN, ISUZU 4LE,1800RPM,SUCKER.....1	1
3	T113755GT	MANIFOLD, EXHAUST, ISUZU 4LE2		30B	T111625GT	FAN, ISUZU 4LE, 1800RPM, PUSH	
--	T113781GT	GASKET EXHST MANIFLD,ISUZU 4LE		30C	T113758GT	PULLEY, FAN, ISUZU 4LE2.....1	1
--	T113782GT	STUD,EXHAUST MANIFLD,ISUZU 4LE		30D	T113759GT	PULLEY, FAND DRIVE, ISUZU 4LE2.....1	1
4	T113763GT	STARTER, ISUZU 4LE2.....1	1	31	T113779GT	ASSY, WATER PUMP, ISUZU 4LE2.....1	1
5	215719GT	SCREW,HHC,1/4-20X6 1/2,ZINC.....2 <i>(from SN AL511-709)</i>	2	32	T113762GT	HOUSING, THERMOSTAT, ISUZU 4LE	
6	990340GT	WASHER FLAT 1/4ZPLENSETBIN.....2 <i>(from SN AL511-709)</i>	2	--	T113760GT	THERMOSTAT, ISUZU 4LE2	
7	990400GT	WASHER LOCK 1/4ZP.....2 <i>(from SN AL511-709)</i>	2	--	T113761GT	GASKET, THRMOST HSG, ISUZU 4LE	
8	824024GT	NUT, TL, 1/4-20, C, ZAG.....2 <i>(from SN AL511-709)</i>	2	33	T113989GT	CLAMP, HOSE, #36.....4	4
9	215711GT	PLATE, TOP, BRACKET, MUFFLER.....1 <i>(from SN AL511-709)</i>	1	34	T113987GT	HOSE, STRAIGHT, AIR INTAKE, IS.....2	2
10	187988GT	MUFFLER ASSY.....1	1	35	235385GT	RODA DEACO MAN, SHUTDOWN, 2"	
--	T113774GT	GASKET, MUFFLER, ISUZU 4LE2		36	27034GT	SCREW,HHC,M10 X 25MM,GR 8.8.....4	4
11	T113783GT	NUT,EXHAUST MANIFLD,ISUZU 4LE2.....4	4	37	22700GT	WASHER, LOCK, M10.....4	4
12	T113784GT	BOLT,EXHAUST MANIFLD,ISUZU 4LE.....4	4				
13A	T110447GT	TAILPIPE, ISUZU EXHAUST, TOP.....1	1				
13B	T110446GT	TAILPIPE, ISUZU EXHAUST.....1	1				
--	791610GT	CLAMP,U-BOLT,2-1/8"					
14	215722GT	SCREW,HHC,10MM-1.5X258.8,ZINC.....2 <i>(from SN AL511-709)</i>	2				
15	990080GT	WASHER FLAT 3/8USS ZPBIN.....2 <i>(from SN AL511-709)</i>	2				
16	994830GT	WASHER, LOCK, M10 ZP.....2 <i>(from SN AL511-709)</i>	2				
17	215712GT	BRACKET,SUPPORT,MUFFLER.....1 <i>(from SN AL511-709)</i>	1				
18	740920GT	ISOLATOR,ENGINE,390LB.....2	2				
19	990410GT	WASHER FLAT FENDER1/2.....2	2				
20	990210GT	WASHER FLAT 1/2ZP.....2	2				
21	990270GT	SCREW,HHC,1/2-13 X 3.5 GR8.....2	2				
22	990200GT	NUT,NYLOCK,1/2-13 GR2.....2	2				
23		Ref. ENGINE BRACKET <i>(refer to 309.1)</i>					
24	30973GT	BUMPER,RUBBER-1 X 1.25.....1	1				
25	116503GT	BUSHING, 630DX.328ID .375T.....1	1				
26	991945GT	NUT LOCK NYLON INSERT.....1	1				
27	T113764GT	ALTERNATOR, ISUZU 4LE2.....1	1				

308.3 Isuzu 4LE2-T, Tier 4, View 2



Item	Part No.	Description	Qty.
1	1264612GT	RAD. ASSY.+SHROUD, 4LE2-T.....	1
2		SHROUD, COOLING FAN, 4LE2-T.....	1
3		WASHER.....	4
4		SCREW.....	4
5		CLAMP, RADIATOR HOSE, 4LE2-T.....	2
6	1264575GT	WATER OUT.PIPE 4LE2-T.....	1
7	1276741GT	FAN ASSY,COOLING,ISUZU,TIER4.....	1
8	1276746GT	ALTERNATOR,ISUZU,TIER4.....	1
9	1264570GT	FLYWHEEL, 4LE2-T.....	1
10	1264596GT	ENG. MOUNT FOOT, 4LE2-T.....	2
11	990410GT	WASHER FLAT FENDER1/2.....	2
12	740920GT	ISOLATOR,ENGINE,390LB.....	2
13	990210GT	WASHER FLAT 1/2ZP.....	2
14	990200GT	NUT,NYLOCK,1/2-13 GR2.....	2
15	990270GT	SCREW,HHC,1/2-13 X 3.5 GR8.....	2
16	T113974GT	HHC,M10-1.5 X 30, YELLOW ZINC.....	8
17	22700GT	WASHER,LOCK,M10.....	8
18		COUPLER, AIR INTAKE, 4LE2-T.....	1
19	1264584GT	AIR IN. PIPE, 4LE2-T.....	1
20		COUPLER, AIR INTAKE, 4LE2-T.....	1
21		BRACKET, AIR CLEANER MOUNTING, 4LE2-T.....	1
22	1264617GT	AIR CLEANER ASSY.,4LE2-T.....	1
23		FILTER, AIR CLEANER, 4LE2-T.....	1
24		HOSE	
25		CLAMP, HOSE.....	2
26	1276745	STARTER,DENSO,12V/4LE2PV01,ISUZU,TIER4.1	

309.1 Isuzu 4LE2,1800R, Radiator Assembly

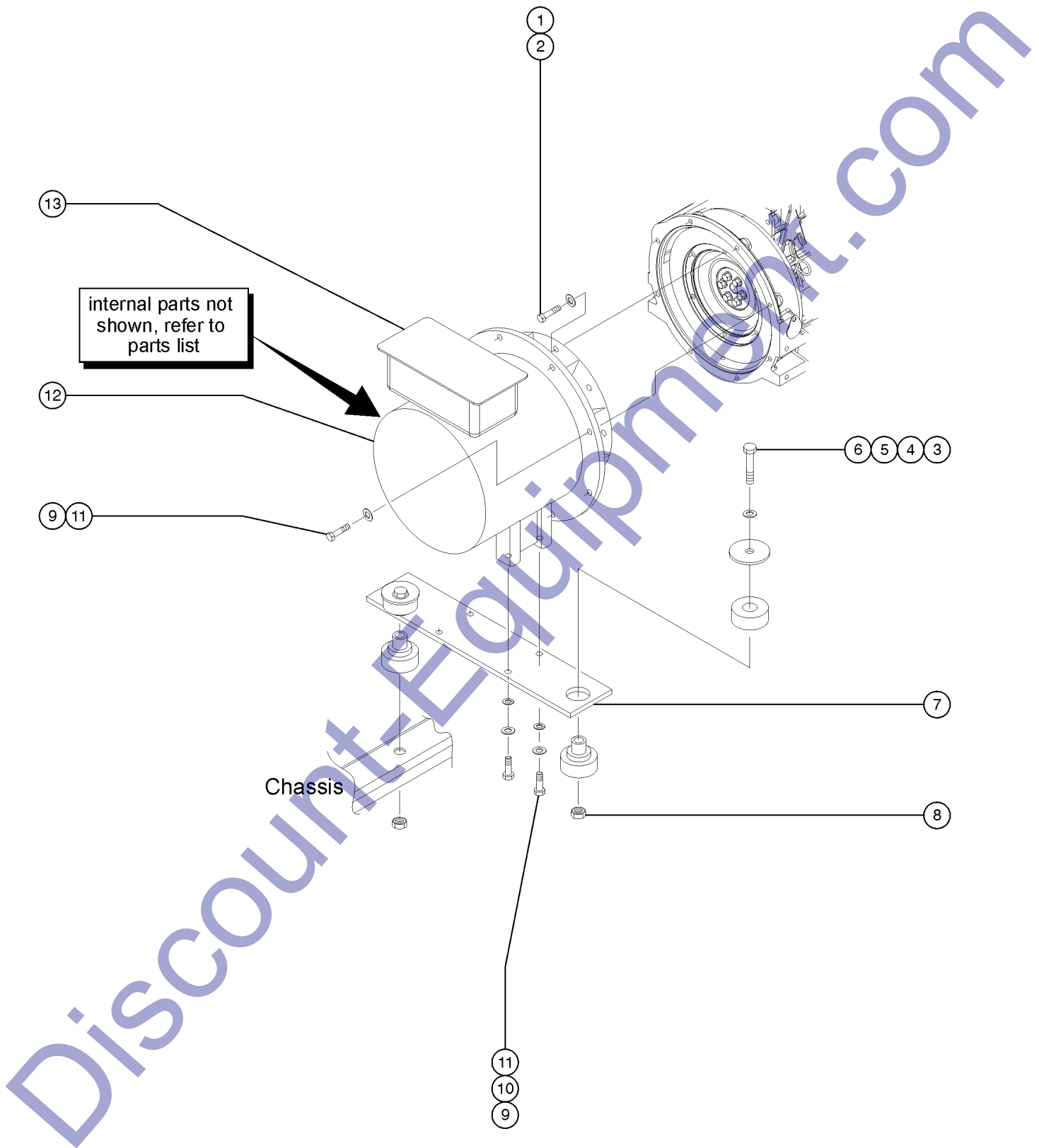


DiscountEquipment.com

309.1 Isuzu 4LE2,1800R, Radiator Assembly

Item	Part No.	Description	Qty.
1	T110455GT	RADIATOR, ISUZU 4LE.....	1
2	T113688GT	FORMING,BRACKET,RAD MOUNT,FRNT.....	1
3	116132GT	ISUZU FAN GUARD.....	1
4	22586GT	SCREW,HHC,M8 X 20MM,F.TH.GR8.8.....	7
5	T110064GT	WASHER,M8,ZINC.....	4
6	T113669GT	FORMING, BRKT, RAD MOUNT, REAR.....	1
7	T113972GT	HHC,M10-1.5 X 45, YELLOW ZINC.....	1
8	22700GT	WASHER,LOCK,M10.....	2
9	58486GT	WASHER,FLAT,3/8,HARDENED,YZ.....	1
10	T113670GT	ISOLATOR, RADIATOR, UPPER.....	1
11	227336GT	NUT,NYLOCK,M10X1.50.....	1
12	T113975GT	WASHER, LOCK, M8, INTERNAL TOO.....	3
13	189293GT	ENGINE MOUNT L-BRKTIS.....	2
14	T113671GT	PLATE, RAD MOUNT, LOWER.....	2
15	T113974GT	HHC,M10-1.5 X 30, YELLOW ZINC.....	8
16	18507GT	1/4-20 X .75 LG.FLG.LCK.SCREW.....	4
17	6356GT	WASHER,LOCK,.25.....	8
18	824024GT	NUT, TL, 1/4-20, C, ZAG.....	8
19	T113975GT	WASHER, LOCK, M8, INTERNAL TOO.....	4
20	T113672GT	FORMING, BRKT, RAD MOUNT, LOW...1	1
21	T113673GT	ISOLATOR, RADIATOR, LOWER.....	2

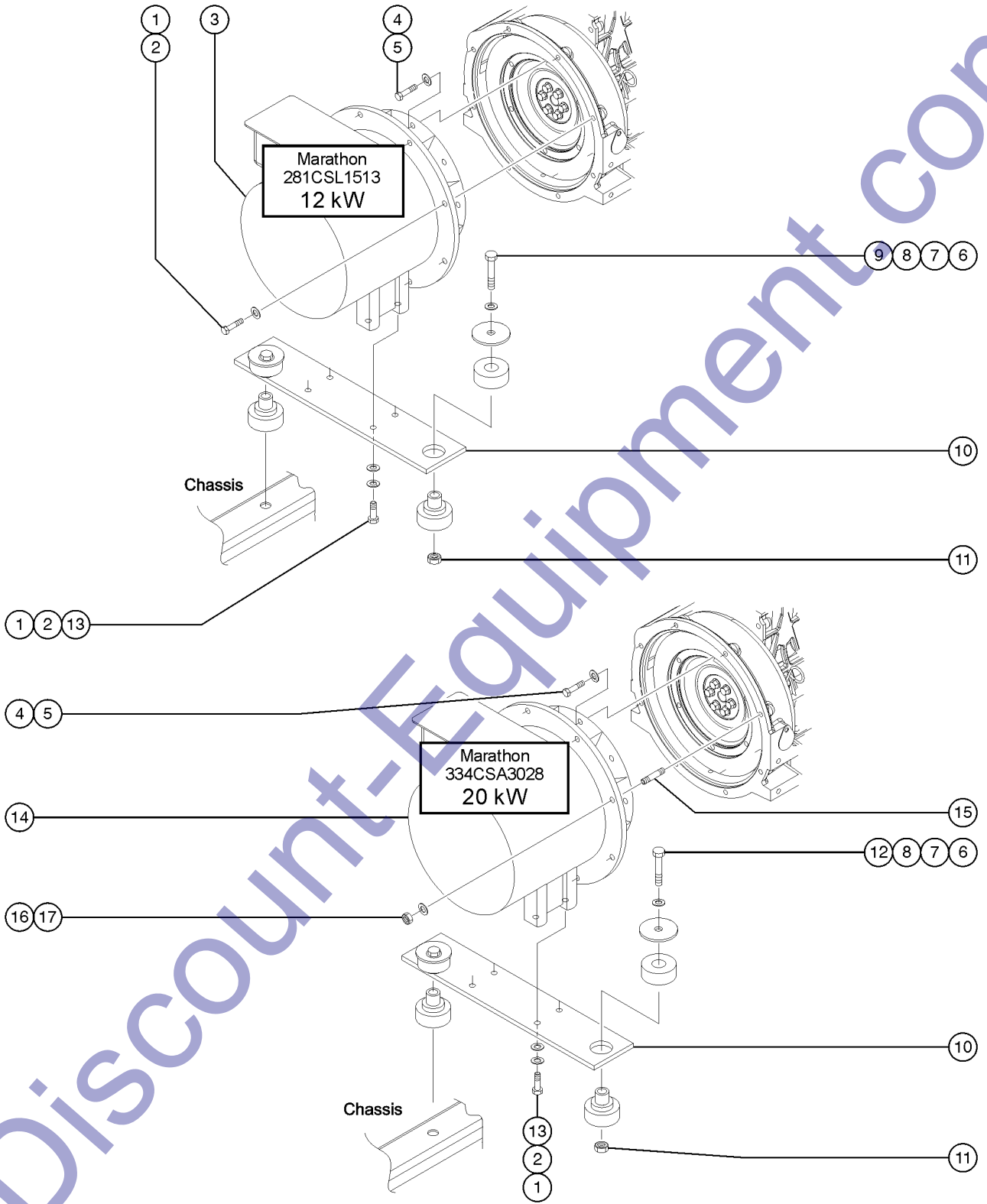
310.1 Generator, Marathon 8 Kw



310.1 Generator, Marathon 8 Kw

Item	Part No.	Description	Qty.
--	116188GT	MANUAL,OP,MARATHON GENERATOR.....	1
1	123840GT	SCREW,HHC,5/16-18X.75,GR8,Y	
2	990460GT	WASHER LOCK 5/16 ZP BIN	
3	6-5208-32GT	SCREW,HHC,1/2-13X4,GR8	
4	990210GT	WASHER FLAT 1/2ZP.....	2
5	990415GT	WASHER,FLAT,SNUB 1/2X2-3/4 ZN.....	2
6	740920GT	ISOLATOR,ENGINE,390LB.....	2
7	189347GT	BRACKET,GENERATOR MOUNT	
8	6198GT	NUT,NYLOCK,1/2-13.....	2
9	991761GT	SCREW,HHC,3/8-16 X 1.25	
10	998120GT	WASHER FLAT 3/8 ZP SAE BIN	
11	990470GT	WASHER LOCK 3/8ZP.....	4
12A	116253GT	GENERATOR,8KW,240V,60HZ,MAR..... (201CSA5420)	1
12B	116167GT	FAN..... (located within generator)	1
12C	116168GT	BEARING, ODE..... (located within generator)	1
12D	116169GT	BEARING,BRKT,ODE(5412)..... (located within generator)	1
12E	116172GT	O-RING..... (located within generator)	1
12F	116174GT	POT COVER..... (located within generator)	1
12G	116176GT	SCREEN ASY W/SPGS..... (located within generator)	1
12H	116177GT	DRIVE DISC(C-107) MARATHON..... (located within generator)	1
12J	116178GT	HUB SPACER..... (located within generator)	1
12K	836853GT	DIODE,MARATHON..... (located within generator)	1
12L	836856GT	MARATHON SUPPRESSOR/VARISTOR..... (located within generator)	1
13A	116183GT	CAPACITOR 25MF..... (38P7681)	1
--	116179GT	BOX,CONNECTOR,BASE..... (located within generator)	1
--	116182GT	COVER,CONNECTOR BOX (116179)..... (located within generator)	1
--	116184GT	CLAMP,CAPACITOR..... (located within generator)	1
--	116187GT	TERMINAL BLOCK..... (located within generator)	1
13B	229457GT	CAPACITOR, 8KW GENERATOR,5420 (8LHD599002)	

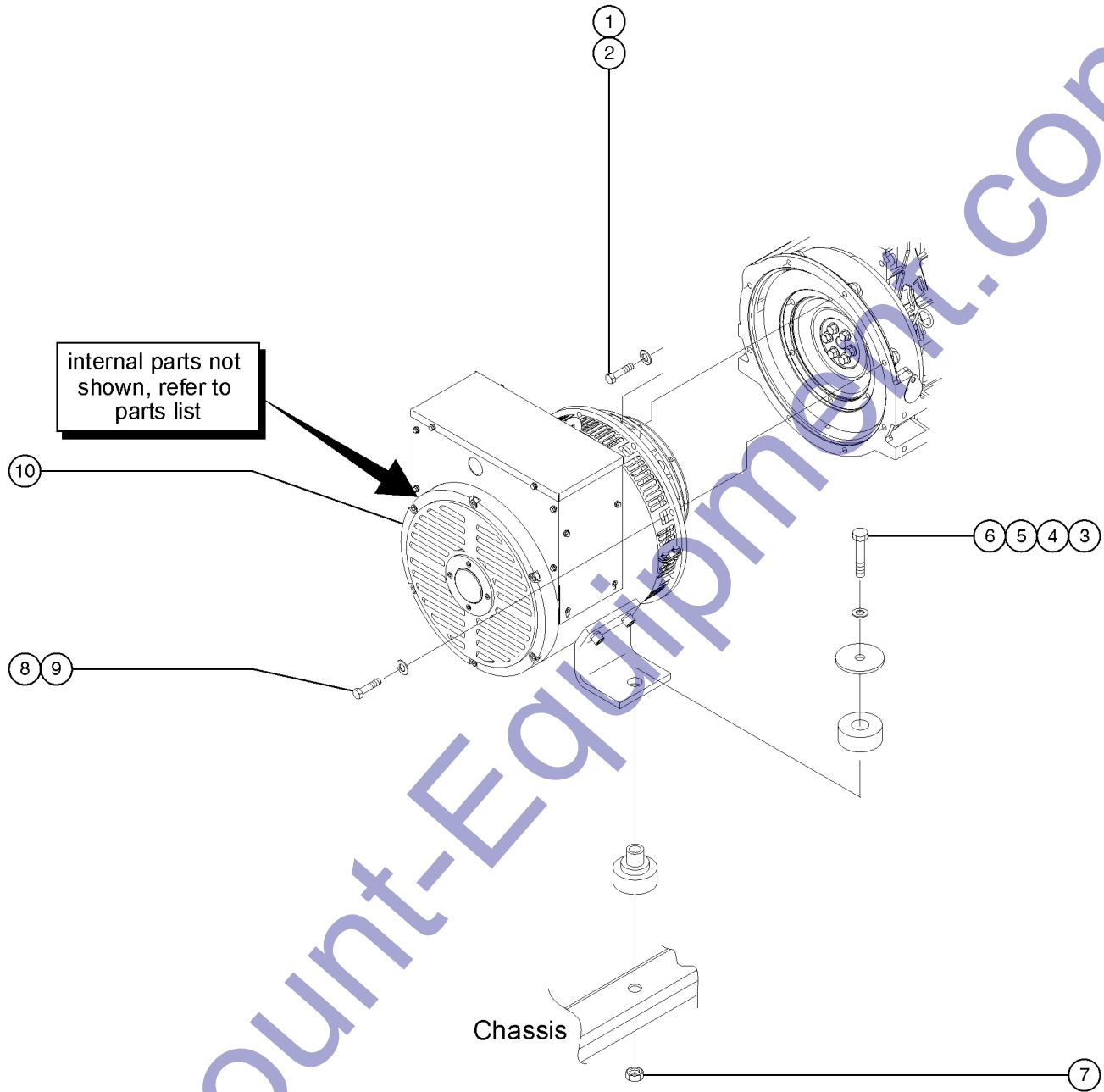
311.1 Generator, Marathon 12 Kw and 20 Kw



311.1 Generator, Marathon 12 Kw and 20 Kw

Item	Part No.	Description	Qty.
--	T111627GT	MANUAL, OP, MARATHON 20K	
--	T113586GT	MANUAL, OP, MARATHON 12K	
1	991761GT	SCREW,HHC,3/8-16 X 1.25.....8	8
2	990470GT	WASHER LOCK 3/8ZP.....8	8
3	T113584GT	GENERATOR, MARATHON 12K.....1	1
--	111700GT	MANIFOLD,MULTI-FUNCTION, S40 (replaced T113589)	
--	CSE350GT	MARATHON VOLTAGE REGULATOR	
--	T113586GT	MANUAL, OP, MARATHON 12K	
--	T113587GT	RECTIFIER, MARATHON 12K	
4	123840GT	SCREW,HHC,5/16-18X.75,GR8,Y.....6	6
5	990460GT	WASHER LOCK 5/16 ZP BIN.....6	6
6	6732GT	SCREW,HHC,1/2-13 X 3.25	
7	6-6212-08GT	WASHER,FLAT,USS,1/2",Y	
8	990410GT	WASHER FLAT FENDER1/2	
9	116729GT	ISOLATOR,ENGINE,70D	
10	T110456GT	BRACKET, MOUNT GENERATOR.....1	1
11	6198GT	NUT,NYLOCK,1/2-13.....2	2
12	740920GT	ISOLATOR,ENGINE,390LB.....2	2
13	981120GT	WASHER FLAT 3/8 ZP SAE BIN.....4	4
14	T110451GT	GENERATOR, MARATHON 20KW.....1	1
--	161050GT	FAN, MARATHON 20 KW GENERATOR	
--	824820GT	END BELL,MARATHON 20 KW GEN includes bearing	
--	CSE350GT	MARATHON VOLTAGE REGULATOR	
--	T111627GT	MANUAL, OP, MARATHON 20K (from AL511-230)	
--	T111628GT	EXCITER,ROTOR/RECTIFIER 20K	
--	T111700GT	BEARING, MARATHON GEN	
15	162277GT	STUD, F10-1.5 X 40 DOUBLE GVD.....8	8
16	59680GT	NUT,HEX M10-1.5.....8	8
17	994830GT	WASHER,LOCK,M10 ZP.....8	8

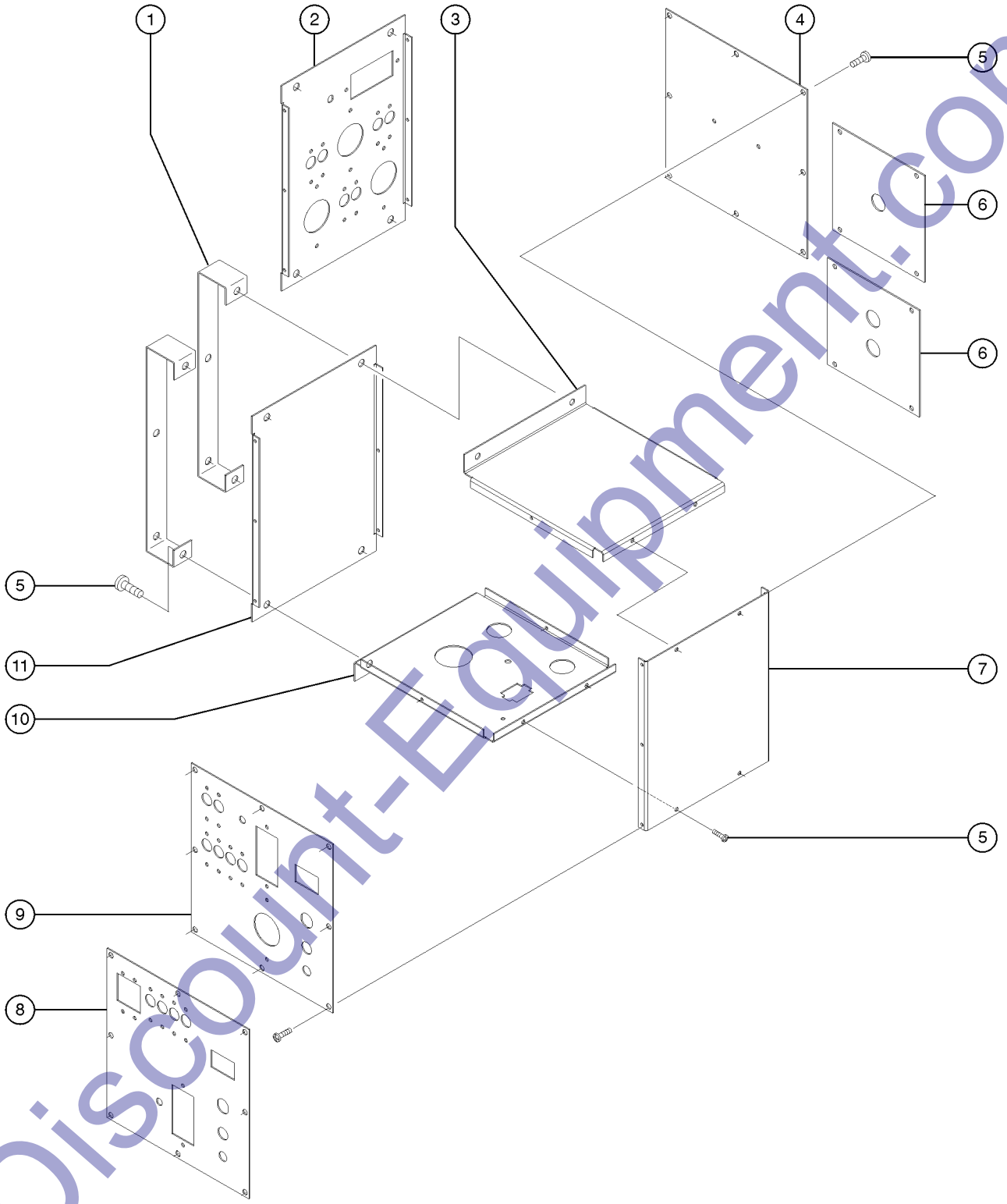
312.1 Generator, Coliseum 15Kw



Item	Part No.	Description	Qty.
--	1256646GT	MANUAL, OP, COLISEUM 15 KW	
1	123840GT	SCREW,HHC,5/16-18X.75,GR8,Y.....6	6
2	990460GT	WASHER LOCK 5/16 ZP BIN.....6	6
3	6732GT	SCREW,HHC,1/2-13 X 3.25	
4	6-6212-08GT	WASHER,FLAT,USS,1/2",Y	
5	990410GT	WASHER FLAT FENDER1/2	
6	740920GT	ISOLATOR,ENGINE,390LB.....2	2
7	6198GT	NUT,NYLOCK,1/2-13.....2	2
8	991761GT	SCREW,HHC,3/8-16 X 1.25.....8	8
9	990470GT	WASHER LOCK 3/8ZP.....8	8
10	1253163GT	GENERATOR, COLISEUM 15KW.....1	1
--		BEARING, COLISEUM 15 KW <i>includes bearing</i>	

Discount-Equipment.com

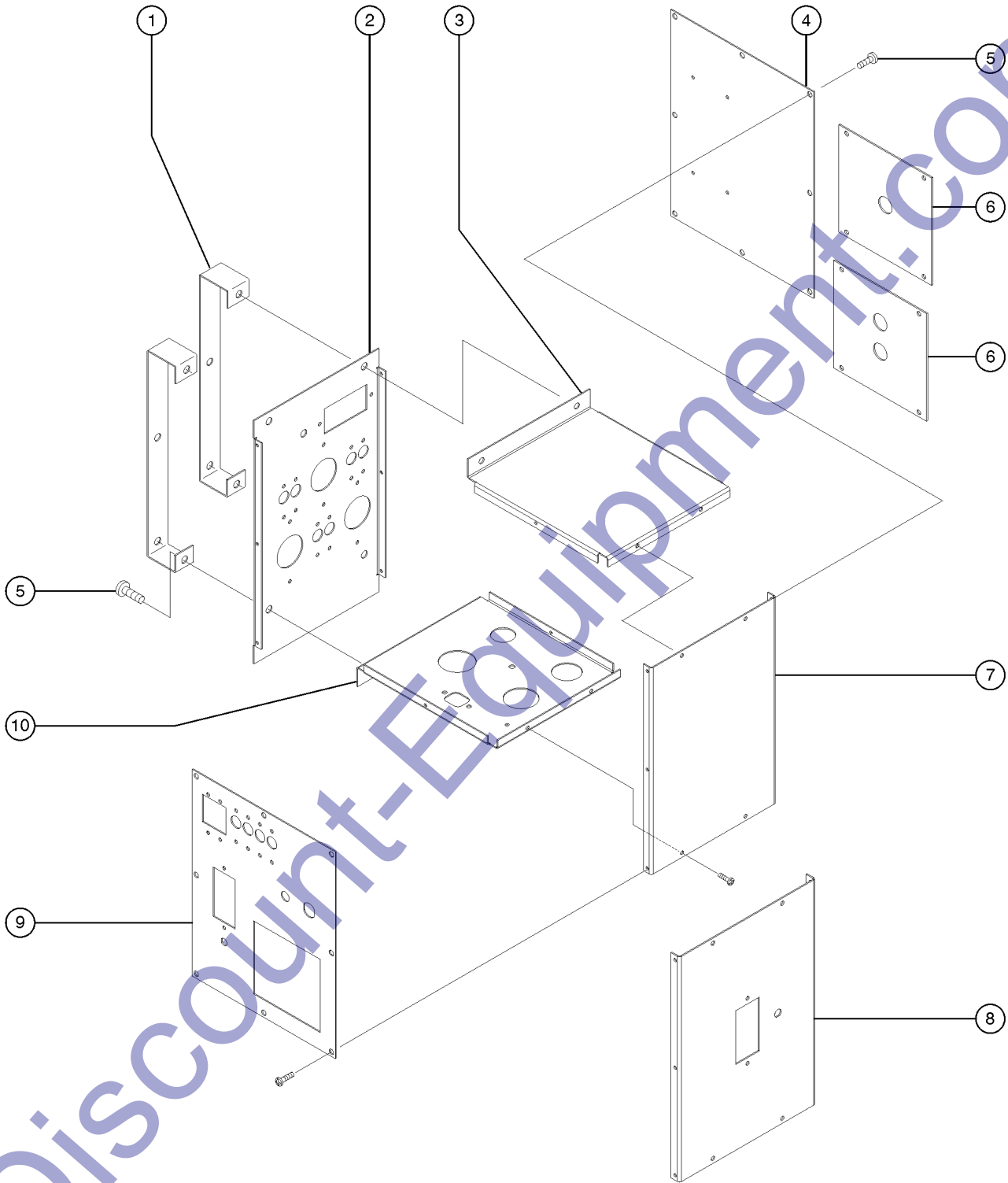
401.1 Control Box Assembly, View 1



401.1 Control Box Assembly, View 1

Item	Part No.	Description	Qty.
1	189390GT	ELEC.BOX MOUNTINGBRKT.....2 <i>(models without external power access)</i>	
2	185405GT	PLATE,CTRL BOX,LEFT EXT PWR.....1 <i>(models with external power source) (20 KW)</i>	
3	186801GT	PLATE,TOP,CNTRL BOX.....1	
4	186733GT	CONTROL BOX,REAR,RODA.....1	
5	973030GT	KIT:ELEC.CONTROL BOX ASSY <i>(control box, bolt together kit)</i>	
6A		Ref. PLATE COIL CORD CAB MOUNT <i>(1 coil cord) (refer to 209.1)</i>	
6B		Ref. PLATE,2 COIL CORD, CAB MT. <i>(2 coil cords) (refer to 209.1)</i>	
7A	185370GT	PLATE,RH,CNTRL BOX.....1 <i>(models without Roda Deaco)</i>	
7B	185382GT	CONTROL BOX,RIGHT SIDE,RODA <i>(models with Roda Deaco)</i>	
7C	227147GT	PLATE,CTRL BOX RIGHT, GFI <i>(models with extra GFI)</i>	
8	T114068GT	CONTROL BOX FACE PLT,EXT PWR <i>(models with external power source) (20 KW)</i>	
9A	T113805GT	PANEL,CNTL BOX FACE,8 LIGHT <i>(models without external power source)</i>	
9B	T114066GT	PLATE,FACE,CNTL BOX,4LT W/GFI <i>(models without external power source)</i>	
10	186788GT	PLATE,CTRL BOX,BOTTOM.....1	
11	185390GT	PLATE,TOP&SIDE,CNTRL BOX.....1 <i>(models without external power source)</i>	

401.2 Control Box Assembly with Tier 4 option, View 1



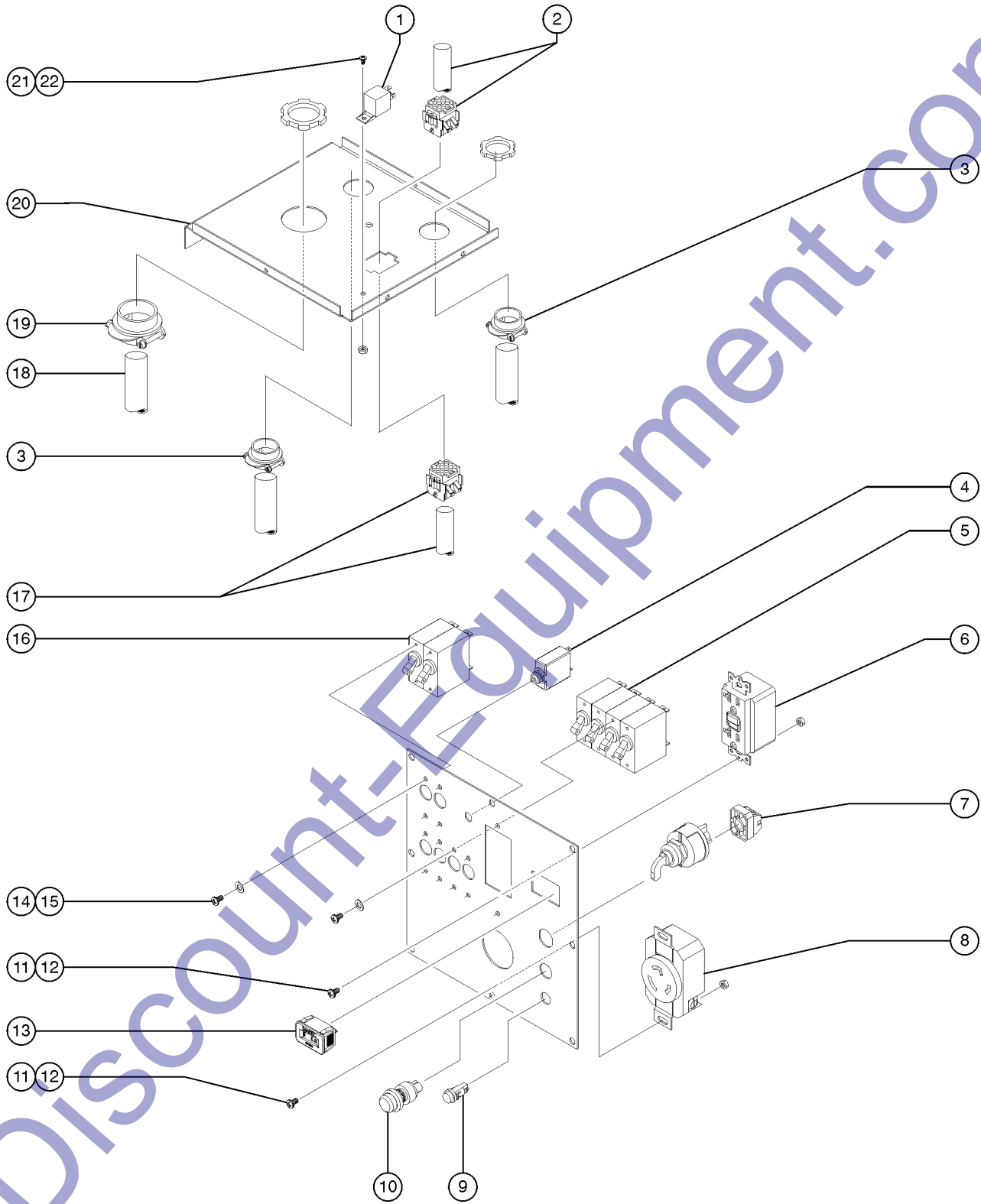
Discount-Equipment.com

401.2 Control Box Assembly with Tier 4 option, View 1

Item	Part No.	Description	Qty.
1	189390GT	ELEC.BOX MOUNTINGBRKT.....	2
2	1259678GT	PLATE,CTRL BOX,LEFT EXT PWR..... <i>(20 KW)</i>	1
3	186801GT	PLATE,TOP,CNTRL BOX.....	1
4	1259679GT	CONTROL BOX,REAR.....	1
5	973030GT	KIT:ELEC.CONTROL BOX ASSY <i>(control box, bolt together kit)</i>	
6A		Ref. PLATE COIL CORD CAB MOUNT <i>(1 coil cord) (refer to 209.1)</i>	
6B		Ref. PLATE,2 COIL CORD, CAB MT. <i>(2 coil cords) (refer to 209.1)</i>	
7	1259680GT	PLATE,RH,CNTRL BOX.....	1
8	1260029GT	PLATE,CTRL BOX RIGHT, GFI..... <i>(models with extra GFI)</i>	1
9	1259677GT	CONTROL BOX FACE PLT..... <i>(20 KW)</i>	1
10	1259676GT	PLATE,CTRL BOX,BOTTOM.....	1

Discount-Equipment.com

402.1 Control Box Assembly, View 2, Standard Box

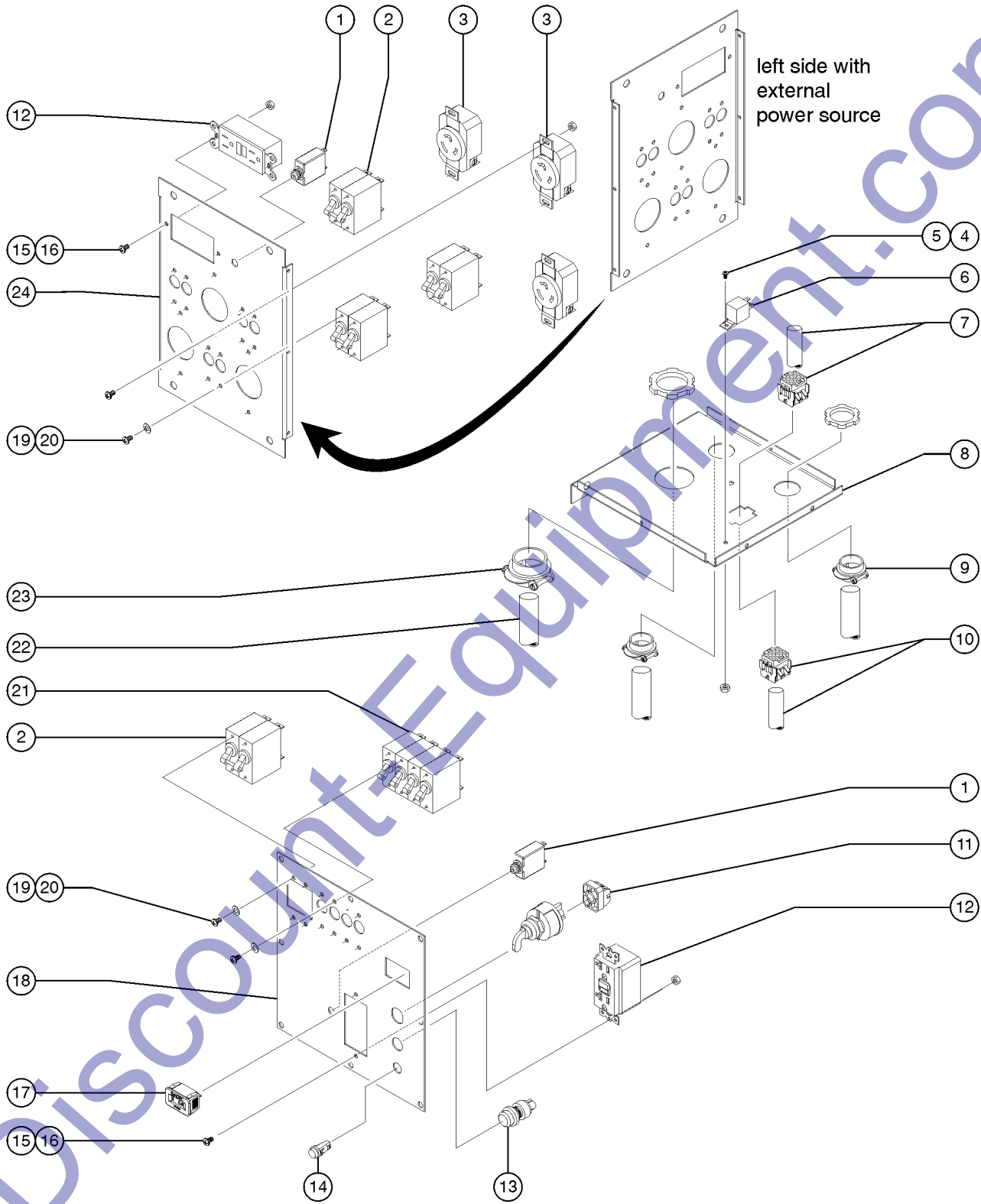


Discount-Equipment.com

402.1 Control Box Assembly, View 2, Standard Box

Item	Part No.	Description	Qty.	Item	Part No.	Description	Qty.
--	116780GT	ELEC.BOX W/C-CORD 4LT AC-DCKUB <i>(8 Kw models with 4 lights)</i>		14	995300GT	SCREW,PHM,6-32 X .25	
--	116632GT	ELEC.BOX W/C-CORS,AC-DC,KUB <i>(8 Kw models with 6 lights)</i>		15	994420GT	WASHER,LOCK,#6 SS	
--	116724GT	ELEC.BOX,W/C-CORD,12KW AC-DC <i>(12 Kw models with 4 lights)</i>		16	T113644GT	BREAKER,30A 250VAC 2P,CSA.....2	
--	227314GT	ELEC BOX,12KW,6LIGHT <i>(12 Kw models with 6 lights)</i>		17	116820GT	WIRE HARN,ENG,KUBOTA,DC,2006.....1	
--	116322GT	ELEC. BOX W/C-CORD <i>(20 Kw models with 4 lights)</i>		18	663890GT	CORD SET FEMALE 6FT 5.....1	
--	227318GT	ELEC BOX,20KW,6LIGHT <i>(20 Kw models with 6 lights)</i>		19	686220GT	CONNECTOR 2 SCREW 1.25T-B.....1	
--	227652GT	ELEC BOX, 8KW, 4L,4POLE T/L <i>(8 Kw models with 4 lights and 4 pole twistlock)</i>		20		Ref. Plate, Control Box Bottom <i>(refer to 401.1)</i>	
--	227635GT	ELEC BOX, 8KW, 6L,4POLE T/L <i>(8 Kw models with 6 lights and 4 pole twistlock)</i>		21	55906GT	SCREW,PHILLIPS,PHM,8-32 X .5	
--	227639GT	ELEC BOX, 12KW, 4L, RD,4PTL <i>(12 Kw models with 4 lights and 4 pole twistlock)</i>		22	49779GT	NUT,LOCK,8-32	
--	227645GT	ELEC BOX, 20KW, 6L,4PTL <i>(12 Kw models with 6 lights and 4 pole twistlock)</i>					
--	227643GT	ELEC BOX, 20KW, 4L,4PTL <i>(20 Kw models with 4 lights and 4 pole twistlock)</i>					
--	227632GT	ELEC BOX, 20KW, 6L,4PTL <i>(20 Kw models with 6 lights and 4 pole twistlock)</i>					
1	R661490GT	RELAY 12V DC 30A NO OR.....1	1				
2	116815GT	WIRE HARN,DC,IN CTRL BOX,2006.....1	1				
3	680030GT	CONNECTOR 2 SCREW 3/4.....2	2				
4	T113642GT	BREAKER,20A MINI,120VAC 1P,CSA.....1	1				
5A	T113641GT	BREAKER,15A,120VAC 1P,CSA.....4 <i>(models with 4 lights)</i>	4				
5B	T113641GT	BREAKER,15A,120VAC 1P,CSA.....2 <i>(models with 6 lights)</i>	2				
5C	T113641GT	BREAKER,15A,120VAC 1P,CSA.....6 <i>(8 Kw models with 6 lights)</i>	6				
6	684640GT	RECEPTACLE 20A 120V DUPLEX GFI.....1	1				
7	684380GT	IGNITION SWITCH,LEVER OPR.....1	1				
8A	684450GT	RECEP 30A 20V 3POLE.....1	1				
8B	686160GT	RECEP 30A 120/240V 4 POLE					
9	824879GT	LIGHT,LED IND. RED 12V NH.....1	1				
10	R660010GT	SWITCH PUSH-BUTTON W/BOOT.....1	1				
11	47363GT	SCREW,RHM,8-32 X .50					
12	18542GT	NUT,HEX,8-32					
13	T106193GT	HOURMETER,DIGITAL,RECTANGULAR.1	1				

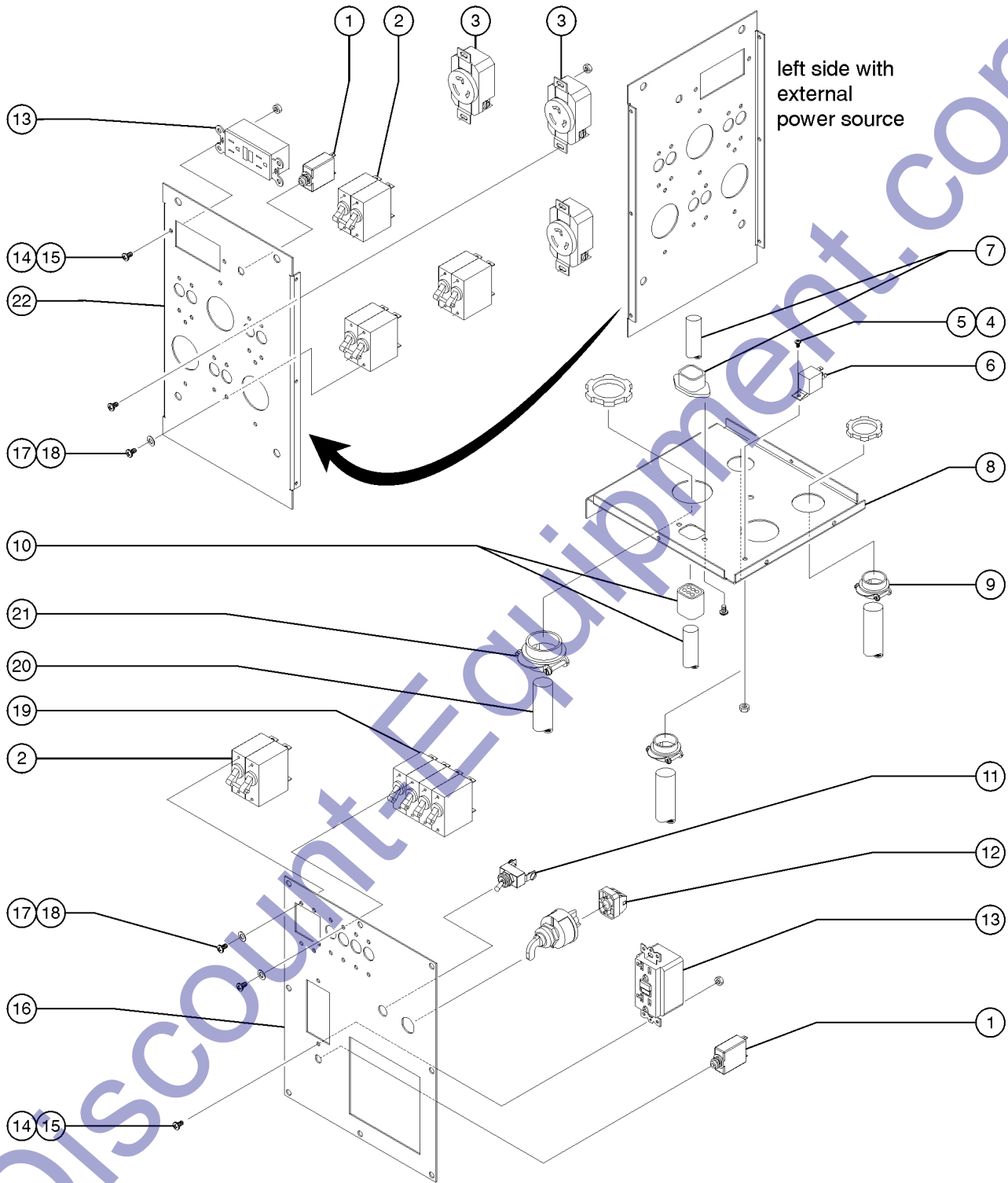
403.1 Control Box Assembly, View 2, External Power Access



403.1 Control Box Assembly, View 2, External Power Access

Item	Part No.	Description	Qty.	Item	Part No.	Description	Qty.
--	227310GT	ELEC BOX, 8KW,4L,XTRA GFI (8 Kw models with 4 lights)		21A	T113641GT	BREAKER,15A,120VAC 1,PCSA.....4 (4 lights)	4
--	227312GT	ELEC BOX,12KW,4L,XTRA GFI (12 Kw models with 4 lights)		21B	T113641GT	BREAKER,15A,120VAC 1,PCSA.....2 (6 lights)	2
--	227315GT	ELEC BOX,12KW,6L,XTRA GFI (12 Kw models with 6 lights)		21C	T113641GT	BREAKER,15A,120VAC 1,PCSA.....6 (8Kw, 6 light)	6
--	227317GT	ELEC BOX,20KW,4L,XTRA GFI (20 Kw models with 4 lights)		22	663890GT	CORD SET FEMALE 6FT 5	
--	227319GT	ELEC BOX,20KW,6L,XTRA GFI (20 Kw models with 6 lights)		23	686220GT	CONNECTOR 2 SCREW 1.25T-B	
--	227653GT	ELEC BOX, 8KW, 4L, XGFI,4PTL (8 Kw models with 4 lights and 4 pole twistlock)		24		Ref. Plate, Control Box LH Side (refer to 401.1)	
--	227638GT	ELEC BOX, 12KW, 4L, XGFI,4PTL (12 Kw models with 4 lights and 4 pole twistlock)					
--	227641GT	ELEC BOX, 12KW, 6L, XGFI,4PTL (12 Kw models with 6 lights and 4 pole twistlock)					
--	227631GT	ELEC BOX, 20KW, 4L, XGFI,4PTL (20 Kw models with 4 lights and 4 pole twistlock)					
--	227633GT	ELEC BOX, 20KW, 6L, XGFI,4PTL (20 Kw models with 6 lights and 4 pole twistlock)					
1	T113642GT	BREAKER,20A MINI,120VAC 1,PCSA.....2	2				
2	T113644GT	BREAKER,30A 250VAC 2,PCSA.....3	3				
3A	684450GT	RECEP 30A 20V 3POLE.....3	3				
3B	686160GT	RECEP 30A 120/240V 4 POLE.....3	3				
4	55906GT	SCREW,PHILLIPS,PHM,8-32 X .5					
5	49779GT	NUT,LOCK,8-32					
6	R661490GT	RELAY 12V DC 30A NO OR.....1	1				
7	116815GT	WIRE HARN,DC,IN CTRL BOX,2006.....1	1				
8		Ref. Plate, Control Box, Bottom (refer to 401.1)					
9	680030GT	CONNECTOR 2 SCREW 3/4					
10	116820GT	WIRE HARN,ENG,KUBOTA,DC,2006.....1	1				
11	684380GT	IGNITION SWITCH,LEVER OPR.....1	1				
12	684640GT	RECEPTACLE 20A 120V DUPLEX GFI.....2	2				
13	R660010GT	SWITCH PUSH-BUTTON W/BOOT.....1	1				
14	824879GT	LIGHT,LED IND. RED 12V NH.....1	1				
15	47363GT	SCREW,RHM,8-32 X .50					
16	18542GT	NUT,HEX,8-32					
17	T106193GT	HOURMETER,DIGITAL,RECTANGULAR.1	1				
18		Ref. Plate, Control Box Face (refer to 401.1)					
19	995300GT	SCREW,PHM,6-32 X .25					
20	994420GT	WASHER,LOCK,#6 SS					

403.2 Control Box Assembly with Tier 4 option, View 2

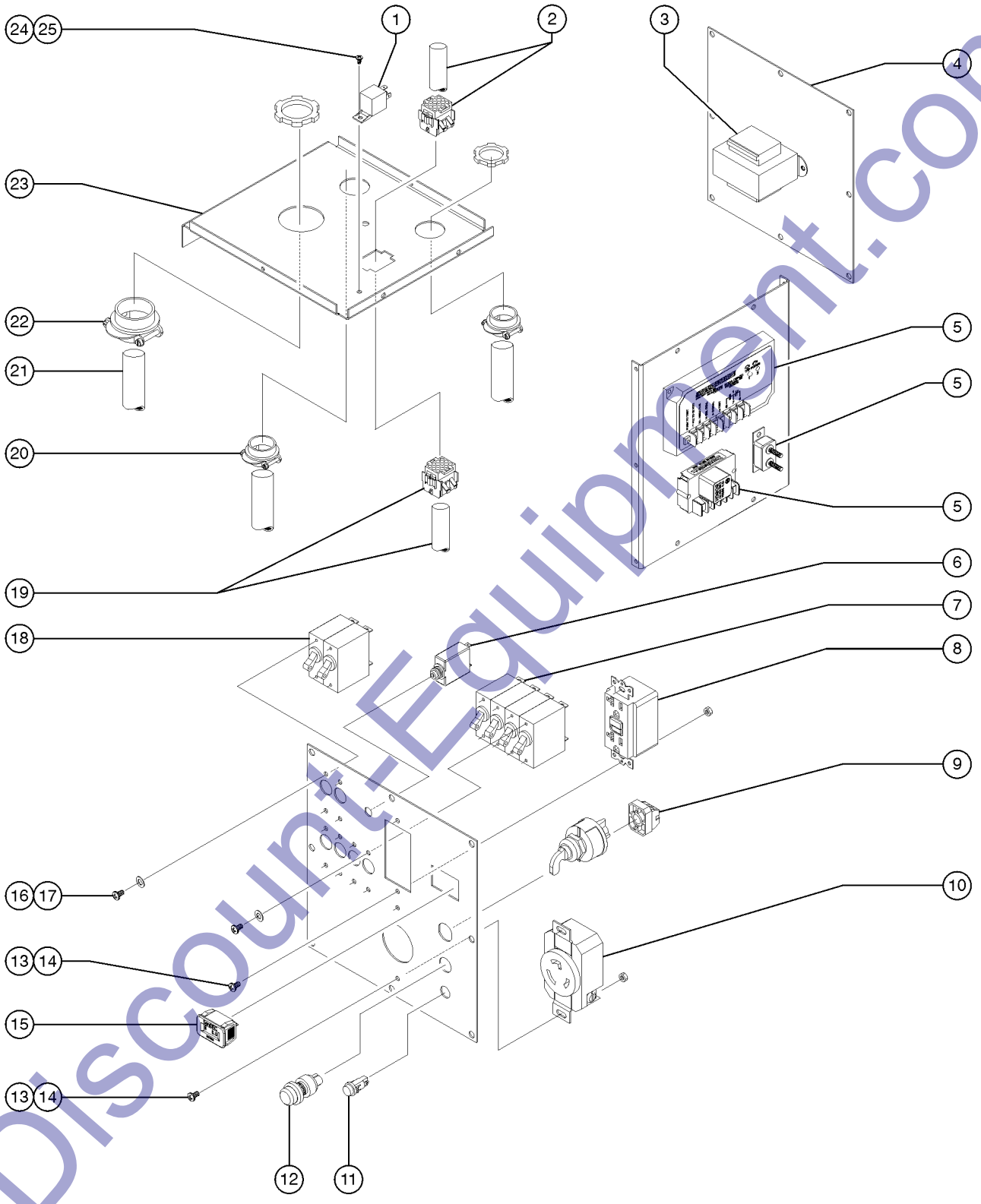


DiscountEquipment.com

403.2 Control Box Assembly with Tier 4 option, View 2

Item	Part No.	Description	Qty.
--	227317GT	ELEC BOX,20KW,4L,XTRA GFI (20 Kw models with 4 lights)	
--	227319GT	ELEC BOX,20KW,6L,XTRA GFI (20 Kw models with 6 lights)	
--	227631GT	ELEC BOX, 20KW, 4L, XGFI,4PTL (20 Kw models with 4 lights and 4 pole twistlock)	
--	227633GT	ELEC BOX, 20KW, 6L, XGFI,4PTL (20 Kw models with 6 lights and 4 pole twistlock)	
1	T113642GT	BREAKER,20A MINI,120VAC 1P,CSA.....2	
2	T113644GT	BREAKER,30A 250VAC 2P,CSA.....3	
3A	684450GT	RECEP 30A 20V 3POLE.....3	
3B	686160GT	RECEP 30A 120/240V 4 POLE.....3	
4	55906GT	SCREW,PHILLIPS,PHM,8-32 X .5	
5	49779GT	NUT,LOCK,8-32	
6	R661490GT	RELAY 12V DC 30A NO OR.....1	
7	1260420GT	PLUG, DEUTSCH, 6PIN BACKED.....1	
8		Ref. Plate, Control Box, Bottom (refer to 401.2)	
9	680030GT	CONNECTOR 2 SCREW 3/4	
10	116820GT	WIRE HARN,ENG,KUBOTA,DC,2006.....1	
11	663780GT	SWITCH, RPM CONTROL.....1	
12	684380GT	IGNITION SWITCH,LEVER OPR.....1	
13	684640GT	RECEPTACLE 20A 120V DUPLEX GFI.....2	
14	47363GT	SCREW,RHM,8-32 X .50	
15	18542GT	NUT,HEX,8-32	
16		Ref. Plate, Control Box Face (refer to 401.2)	
17	995300GT	SCREW,PHM,6-32 X .25	
18	994420GT	WASHER,LOCK,#6 SS	
19	T113641GT	BREAKER,15A,120VAC 1P,CSA.....4 (4 lights)	
20	663890GT	CORD SET FEMALE 6FT 5	
21	686220GT	CONNECTOR 2 SCREW 1.25T-B	
22		Ref. Plate, Control Box LH Side (refer to 401.2)	

404.1 Control Box Assembly, View 2, Roda Deaco

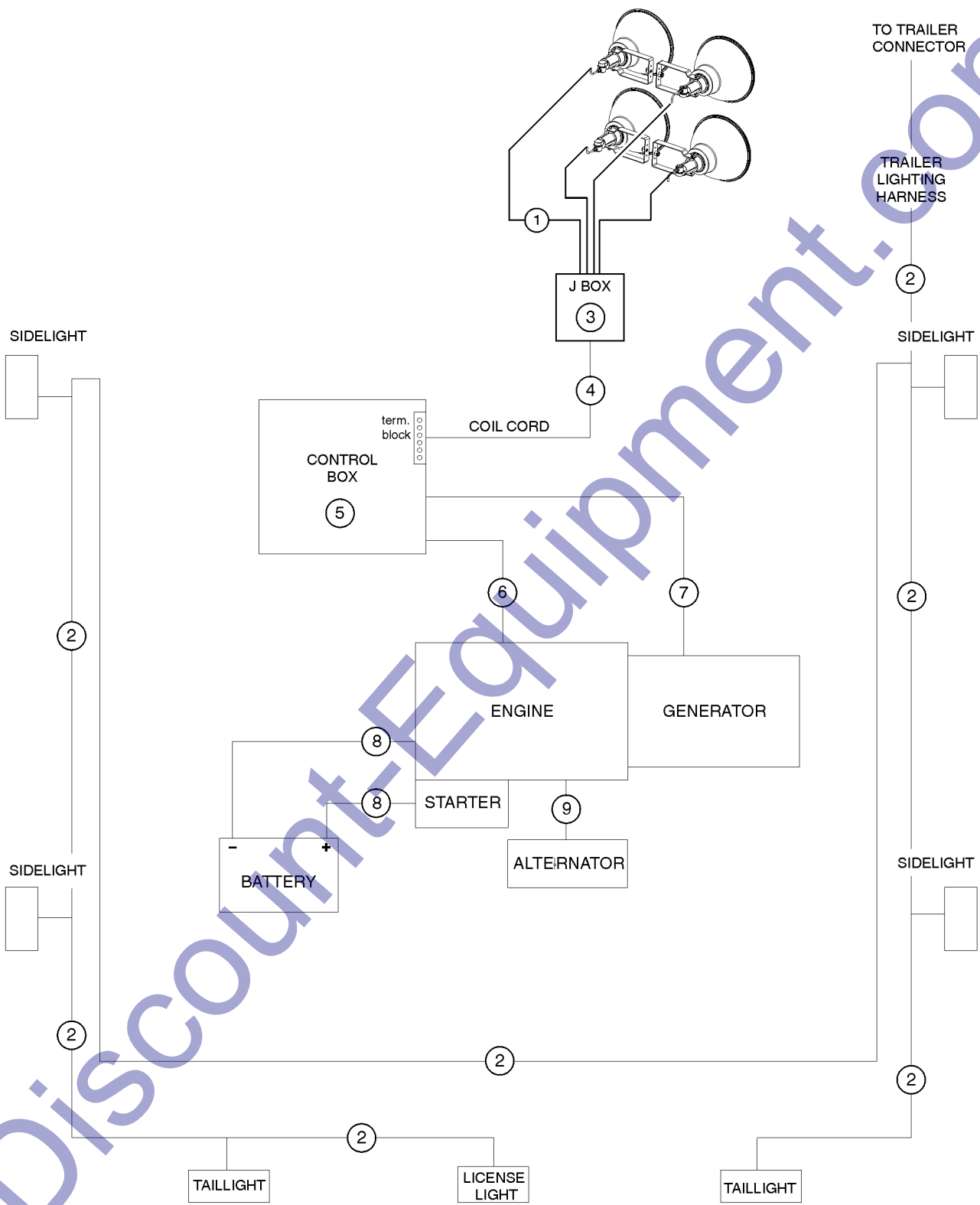


DISCOUNT-EQUIPMENT.COM

404.1 Control Box Assembly, View 2, Roda Deaco

Item	Part No.	Description	Qty.	Item	Part No.	Description	Qty.
--	116794GT	ELEC.BOX W/C-CORD,RODA KUB <i>(8 Kw models with 4 lights)</i>		9	684380GT	IGNITION SWITCH,LEVER OPR.....	1
--	227311GT	ELEC BOX,8KW,6L,RD <i>(8 Kw models with 6 lights)</i>		10A	684450GT	RECEP 30A 20V 3POLE.....	1
--	227313GT	ELEC BOX,12KW,4L,RD <i>(12 Kw models with 4 lights)</i>		10B	686160GT	RECEP 30A 120/240V 4 POLE	
--	227316GT	ELEC BOX,12KW,6L,RD <i>(12 Kw models with 6 lights)</i>		11	824879GT	LIGHT,LED IND. RED 12V NH.....	1
--	T110701GT	KIT,ELEC.COMP.BOX,ISU/RODA,20K <i>(20 Kw models with 4 lights)</i>		12	R660010GT	SWITCH PUSH-BUTTON W/BOOT.....	1
--	227320GT	ELEC BOX,20KW,6L,RD <i>(20 Kw models with 6 lights)</i>		13	47363GT	SCREW,RHM,8-32 X .50	
--	227654GT	ELEC BOX, 8KW, 4L, RD,4PTL <i>(8 Kw models with 4 lights and 4 pole twistlock)</i>		14	18542GT	NUT,HEX,8-32	
--	227636GT	ELEC BOX, 8KW, 6L, RD, 4PTL <i>(8 Kw models with 6 lights and 4 pole twistlock)</i>		15	T106193GT	HOURMETER,DIGITAL,RECTANGULAR.1	
--	227639GT	ELEC BOX, 12KW, 4L, RD,4PTL <i>(12 Kw models with 4 lights and 4 pole twistlock)</i>		16	995300GT	SCREW,PHM,6-32 X .25	
--	227640GT	ELEC BOX, 12KW, 6L,4PTL <i>(12 Kw models with 6 lights and 4 pole twistlock)</i>		17	994420GT	WASHER,LOCK,#6 SS	
--	227644GT	ELEC BOX, 20KW, 4L, RD,4PTL <i>(20 Kw models with 4 lights and 4 pole twistlock)</i>		18	T113644GT	BREAKER,30A 250VAC 2P,CSA.....	1
--	227634GT	ELEC BOX, 20KW, 6L, RD,4PTL <i>(20 Kw models with 6 lights and 4 pole twistlock)</i>		19	116820GT	WIRE HARN,ENG,KUBOTA,DC,2006.....	1 <i>(8KW, Standard Box)</i>
1	R661490GT	RELAY 12V DC 30A NO OR.....	1	20	680030GT	CONNECTOR 2 SCREW 3/4.....	2
2	116815GT	WIRE HARN,DC,IN CTRL BOX,2006.....	1	21	663890GT	CORD SET FEMALE 6FT 5	
3	669086GT	TRANSFORMER 120/24VAC.....	1 <i>(models with Roda Deaco)</i>	22	686220GT	CONNECTOR 2 SCREW 1.25T-B	
4		Ref. Control Box Rear <i>(refer to 401.1)</i>		23		Ref. Plate, Control Box, Bottom <i>(refer to 401.1)</i>	
5	742369GT	SHUTDOWN ,OVERSPEED,RD <i>(includes fuse and breaker)</i>		24	55906GT	SCREW,PHILLIPS,PHM,8-32 X .5	
--	975150GT	KIT:RODA-DEACO MOUNTING		25	49779GT	NUT,LOCK,8-32	
--	975151GT	KIT:RODA DEACO WIRING					
6	T113642GT	BREAKER,20A MINI,120VAC 1P,CSA.....	1				
7A	T113641GT	BREAKER,15A,120VAC 1P,CSA.....	4 <i>(4 lights)</i>				
7B	T113641GT	BREAKER,15A,120VAC 1P,CSA.....	2 <i>(6 lights)</i>				
7C	T113643GT	BREAKER,20A,120VAC 1P,CSA.....	2 <i>(6 lights)</i>				
7D	T113641GT	BREAKER,15A,120VAC 1P,CSA.....	6 <i>(8Kw, 6 light)</i>				
8	684640GT	RECEPTACLE 20A 120V DUPLEX GFI.....	1				

405.1 Electrical Wiring and Power Cables

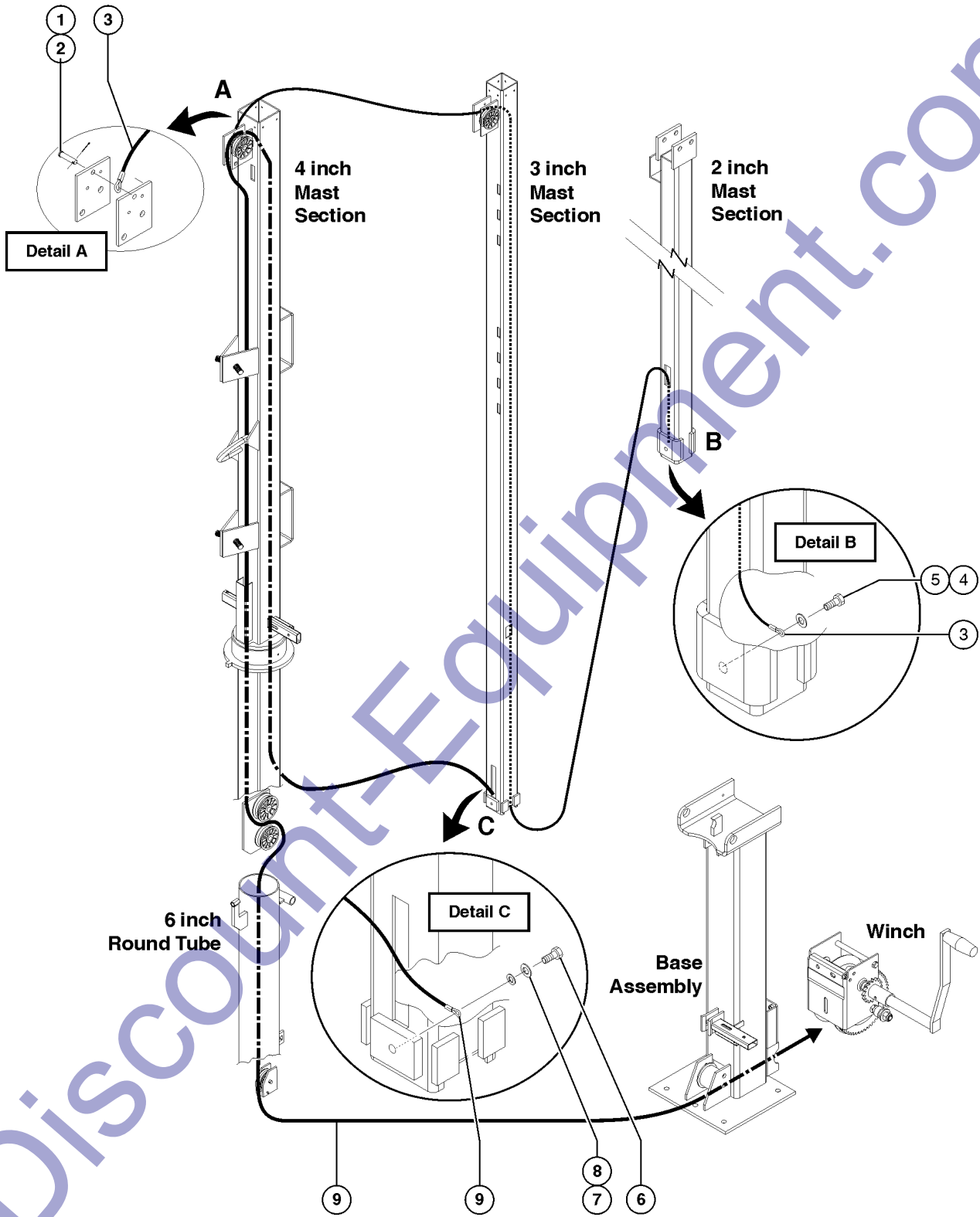


DiscountEquipment.com

405.1 Electrical Wiring and Power Cables

Item	Part No.	Description	Qty.
1		Ref. LAMP PIGTAIL (refer to 508.1 or 508.2)	
2A	663515GT	WIRE HARNESS, TAIL LIGHTS.....1	
--	663400GT	CONNECTOR, 7-POLE, TLITE, RND PIN (7-pole connector (blade))	
--	663401GT	CONNECTOR, BLADE, POS, TAILT, 7P (7-pole connector (round); 663405 required, order separately)	
--	663420GT	CONNECTOR, TAIL LIGHT, 6 POLE (6-pole connector)	
--	663430GT	CONNECTOR, TAILLIGHT, 4 PIN (4-pole connector)	
2B	T109325GT	SVC KIT, TAILLIGHTS, AL	
3	C48300108GT	BOX, JUNC, LIGHT TWR, 4 CONN	
--	680080GT	GRIP, HUBBLE 07401010	
--	680190GT	COVER, JUNC BOX W/GSKT, 2 GANG	
--	994380GT	SCREW, RH, 6-32 X 5/8	
--	C48300108GT	BOX, JUNC, LIGHT TWR, 4 CONN	
4A	826917GT	KIT COIL CORD W JUNCTION BOX.....1 (coil cord with junction box, includes item 3) (to SN RL413-6096)	
--	663870GT	CONNECTOR 3P FEMALE RECEPTACLE	
4B	22112555GT	COIL CORD W/JUN BOX, HW (models with hard-wired coil cord)	
4C	826916GT	KIT COIL CORD WO/ JUNCTION BOX (coil cord without junction box) (to SN RL413-6096)	
5	116815GT	WIRE HARN, DC, IN CTRL BOX, 2006.....1 (engine)	
--	116770GT	WIRE HARN, AC, 60HZ, 1-240V&1-GFI (switches)	
6A	116820GT	WIRE HARN, ENG, KUBOTA, DC, 2006.....1 (engine)	
6B	116821GT	WIRE HARN, ENG, ISUZU, 4LE1, AL5 (engine)	
--	800004GT	PIGTAIL, FUEL SOLENOID, KUBOTA	
7	660101GT	CORD 10/4 SEO W-ABLAC.....1	
8	230056GT	KIT: BATTERY CABLE AL5/AL8.....1	
9	973085GT	KIT: ALTERNATOR WIRING, KUBOTA.....1	

501.1 Mast Assembly and Winch Cable Routing

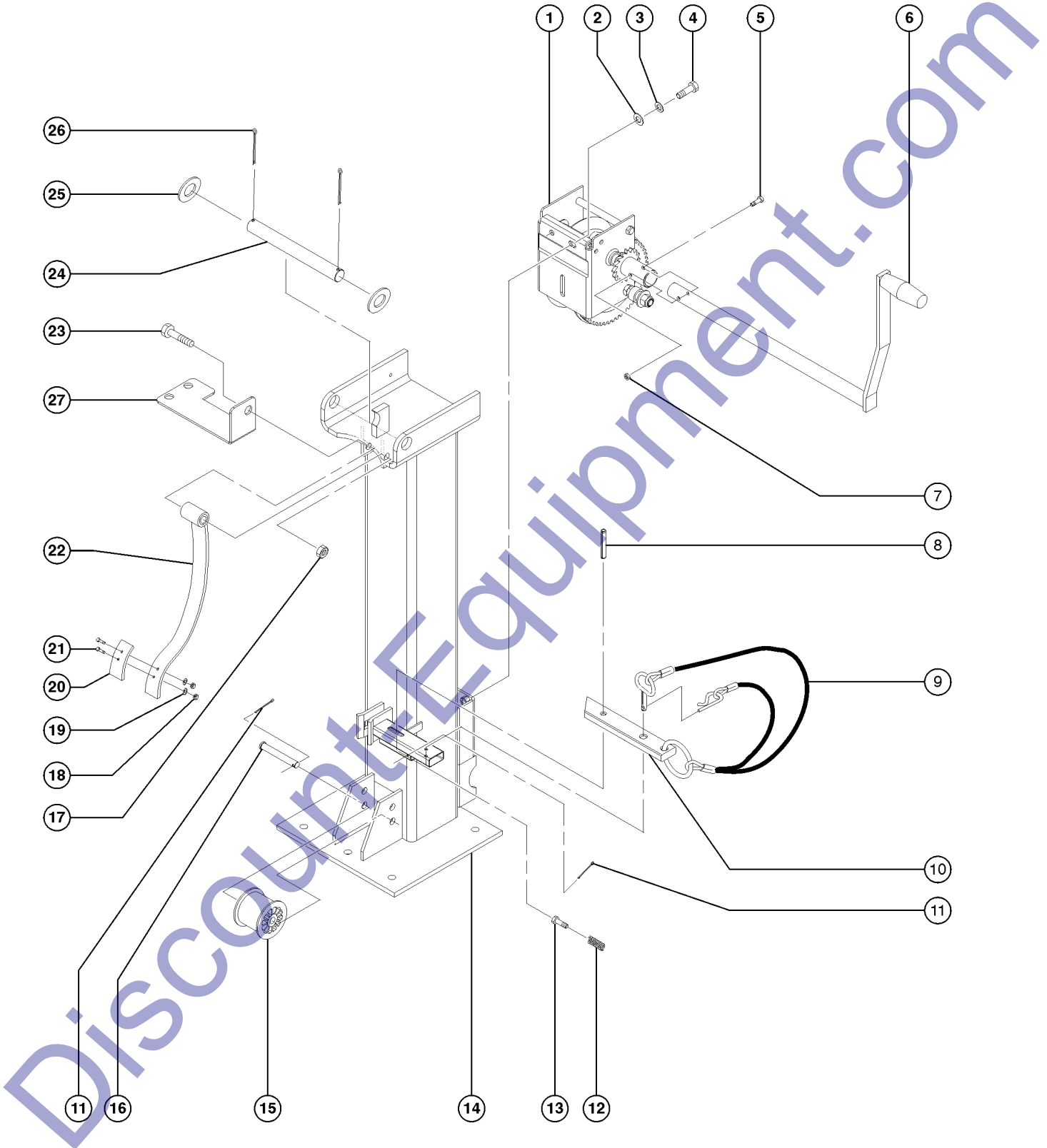


501.1 Mast Assembly and Winch Cable Routing

Item	Part No.	Description	Qty.
1	995780GT	CLEVIS PIN STAINLESSS.....	1
2	990650GT	COTTER PIN 1/8X1 SSBIN STOCK.....	1
3	190570GT	CABLE,3/16",2EYE,111.25IN LONG.....	1
4	996230GT	SCREW,HHC,3/8-16 X 7/8.....	1
5	990470GT	WASHER LOCK 3/8ZP.....	1
6	990181GT	SCREW 3/8-16NCX1 HHC GR.....	1
7	15086GT	WASHER,FLAT,.375 X 1.5 X .125.....	1
8	990470GT	WASHER LOCK 3/8ZP.....	1
9	22110700GT	MA-CABLE ASSEMBLY 1/4.....	1

Discount-Equipment.com

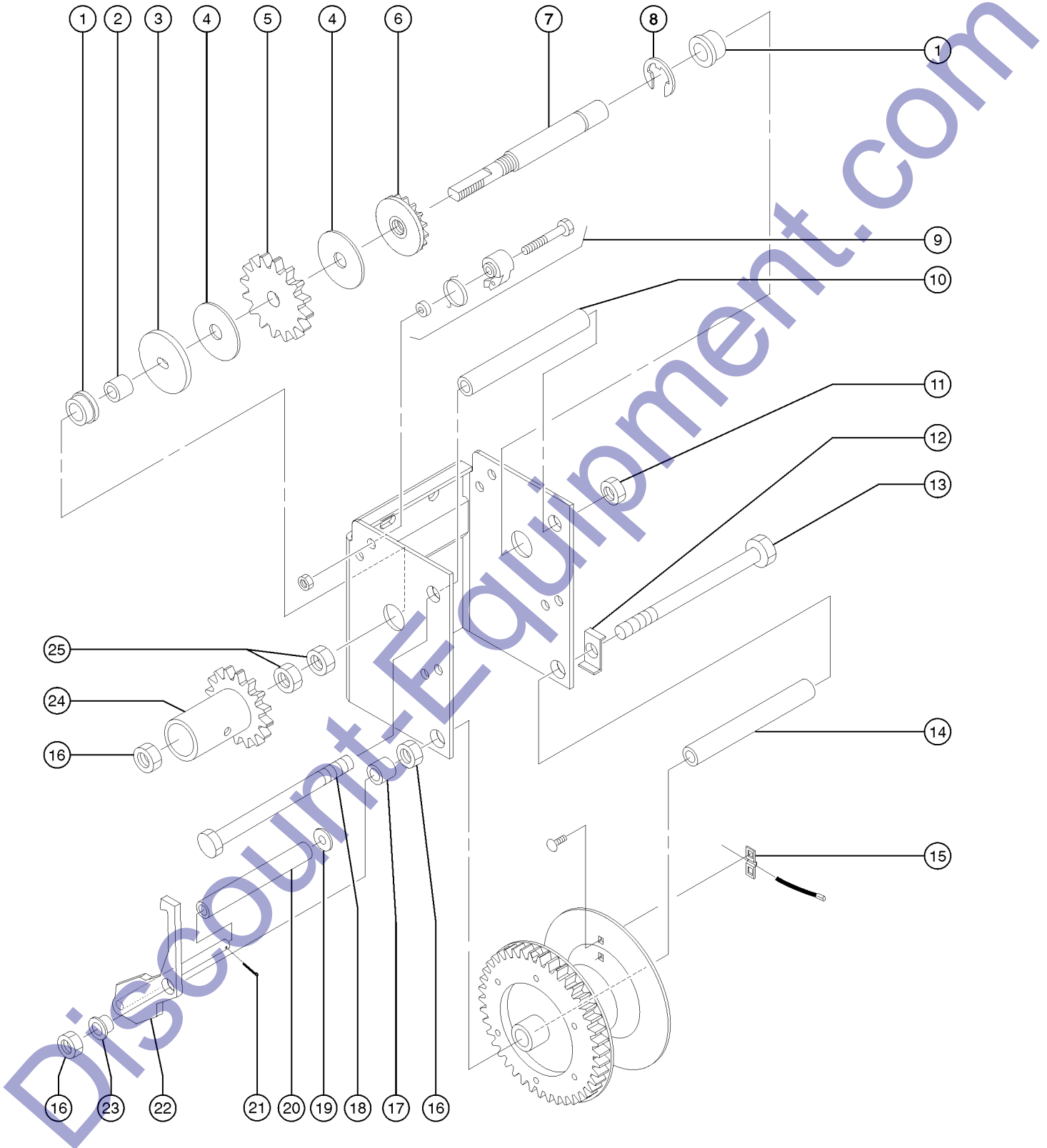
502.1 Tower Base Assembly



502.1 Tower Base Assembly

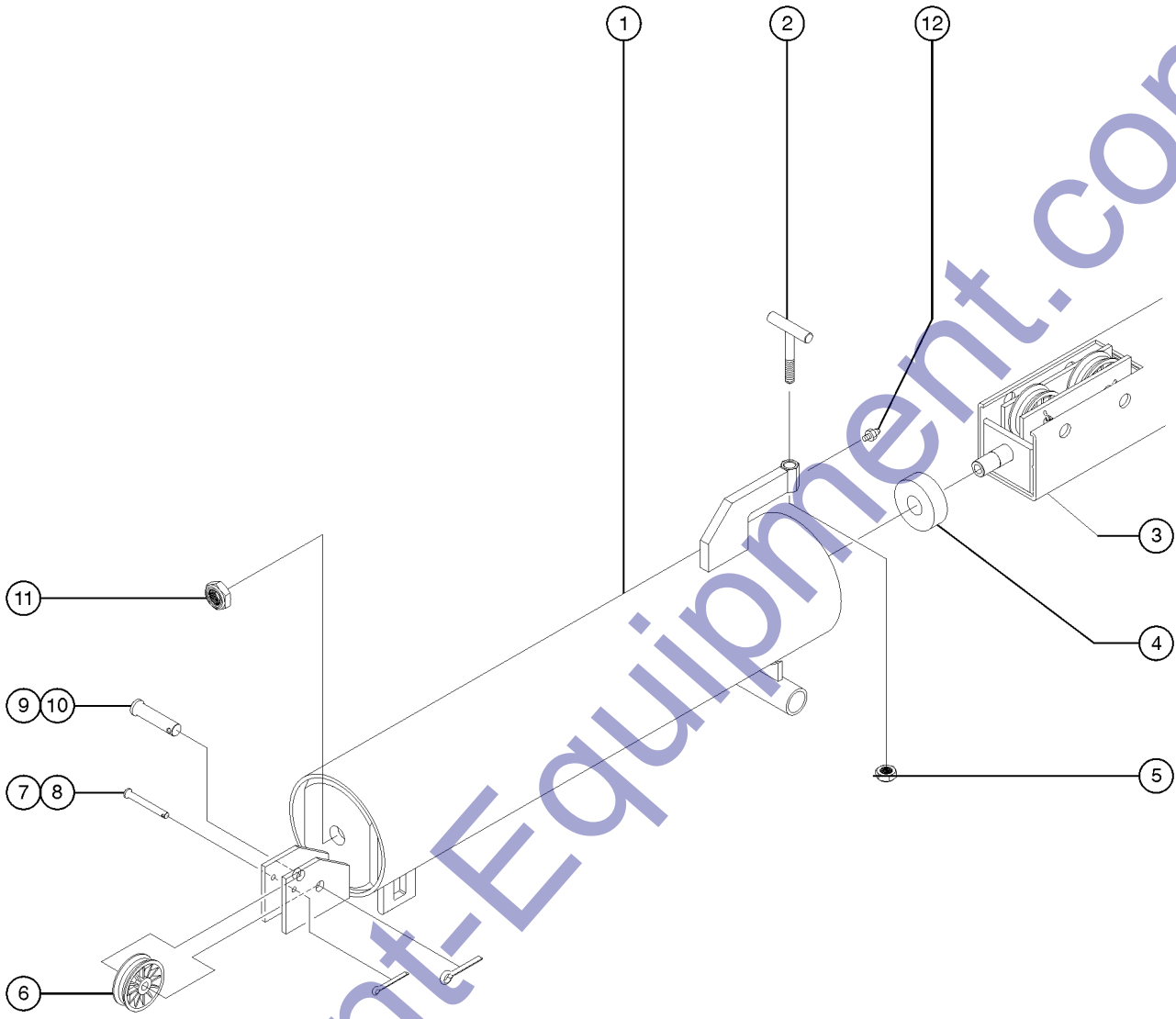
Item	Part No.	Description	Qty.
1		Ref. Winch (refer to 503.1)	
2	990080GT	WASHER FLAT 3/8USS ZPBIN.....	2
3	990470GT	WASHER LOCK 3/8ZP.....	2
4	981575GT	SCREW,HHC,3/8-16 X 1 GR 5 ZP.....	2
5	6-5204-16GT	SCREW,HHC,1/4-20X2.00,GR8.....	1
6	22114420GT	WINCH HANDLE W/TUBE1 X 29LG.....	1
7	824024GT	NUT, TL, 1/4-20, C, ZAG.....	1
8	990660GT	ROLL PIN 1/4 X1-5/8.....	1
9	113362GT	MA-PIN LOCK SLIDE WITH RING..... (includes cable and pin)	1
10	22109517GT	KIT:LOCK SLIDE PIN W/..... (includes items 8-13)	1
11	990650GT	COTTER PIN 1/8X1 SSBIN STOCK.....	2
12	790710GT	SPRING,COIL,1/2 X 2.25.....	1
13	980340GT	SCREW,HHC,5/16-18 X 0.5 IN.....	1
14	124490GT	TOWER BASE ROT.TWR.30..... (decals not included; refer to section 1)	1
15	184510GT	SHEAVE SPOOL 3 X2-1/2.....	1
16	995760GT	CLEVIS PIN STAINLESSS.....	1
17	990200GT	NUT,NYLOCK,1/2-13 GR2.....	1
18	824024GT	NUT, TL, 1/4-20, C, ZAG.....	2
19	824024GT	NUT, TL, 1/4-20, C, ZAG.....	2
20	186360GT	FP-BUMPER PAD,KICKOUT SPRING....	1
21	1258649GT	SCREW, PANHEAD, 10-32 X 5/8.....	1
22	193750GT	SPRING,KICKOUT,0.262X1.75,AL'S.....	1
23	981920GT	SCREW,HHC,1/2-13 X 3 G.....	1
24	971290GT	KIT:TWR,30'CBL TO PIVOT POST..... (includes items 25 and 26)	1
--	173115GT	PIN 1X9-1/4 TOWER PIVOT	
25	994000GT	WASHER FLAT 1S/S 18-8BIN.....	2
26	990770GT	COTTER PIN 3/16X1.5 SS.....	2
27		FORMING LTBAR HOLDER UPPER..... (available soon)	1

503.1 Winch



Item	Part No.	Description	Qty.
A	109485GT	KIT-WINCH W/SAFETY LO <i>(includes items 1-25)(handle not included)</i>	
B	740050-1GT	KIT- WINCH - SOCKET FULTON <i>(includes items 1-16 and 24-25)</i>	
--	22114420GT	WINCH HANDLE W/TUBE1 X 29LG	
1	6199GT	BUSHING, SMALL PINION, FULTON.....	2
2	32890GT	SPACER,PINION SHAFT.....	1
3	7591GT	WINCH PINION PLATE, K-1550.....	1
4	1256083GT	SVC KIT, FRICTION DISC K/KX.....	2
5	6777GT	RATCHET GEAR,K-1550 1/2" I.D.....	1
6	7590GT	PINION GEAR AND DISC K-1550.....	1
7		Ref. Pinion Shaft <i>(not sold separately)</i>	
8	6200GT	RETAINING RING.....	1
9	6291GT	RATCHET KIT (K-1500,K-1550)**.....	1
10	7584GT	FRAME SPACER,K-1550.....	1
11	12012GT	NUT,LOCK,3/8-16.....	1
12	31946GT	WINCH BRACKET, DRUM BOLT LOCK.....	1
13	22832GT	SCREW,HHC,3/8-16 X 6.....	2
14	6184GT	SPACER, DRUM BOLT, K-1550	
15	740050-2GT	CABLE HARDWARE FULTON WINCH... <i>(includes fasteners)</i>	1
16	6198GT	NUT,NYLOCK,1/2-13.....	1
17	124857GT	SPACER .5 ID 1.25ODNO. 5968.....	1
18	69209GT	SCREW,HHC,3/8-16 X 5.5 GRD 8	
19	980480GT	WASHER FLAT C816L S/S.....	1
20	124858GT	BUSHING,WINCH ROLLER LOCK.....	1
21	990650GT	COTTER PIN 1/8X1 SSBIN STOCK.....	1
22	124855GT	RATCHET ARM FULTONWI.....	1
--	109486GT	KIT-WINCH SAFETY LOCK <i>(includes items 13, 15-21, and 23)</i>	
23	124856GT	BUSHING FLANGE 1.25OD.....	1
24	124860GT	HANDLE SOCKET RATCHET.....	1
25	6034GT	NUT,HEX,JAM,1/2-13.....	2

504.1 Round Tube Assembly, 6 Inch

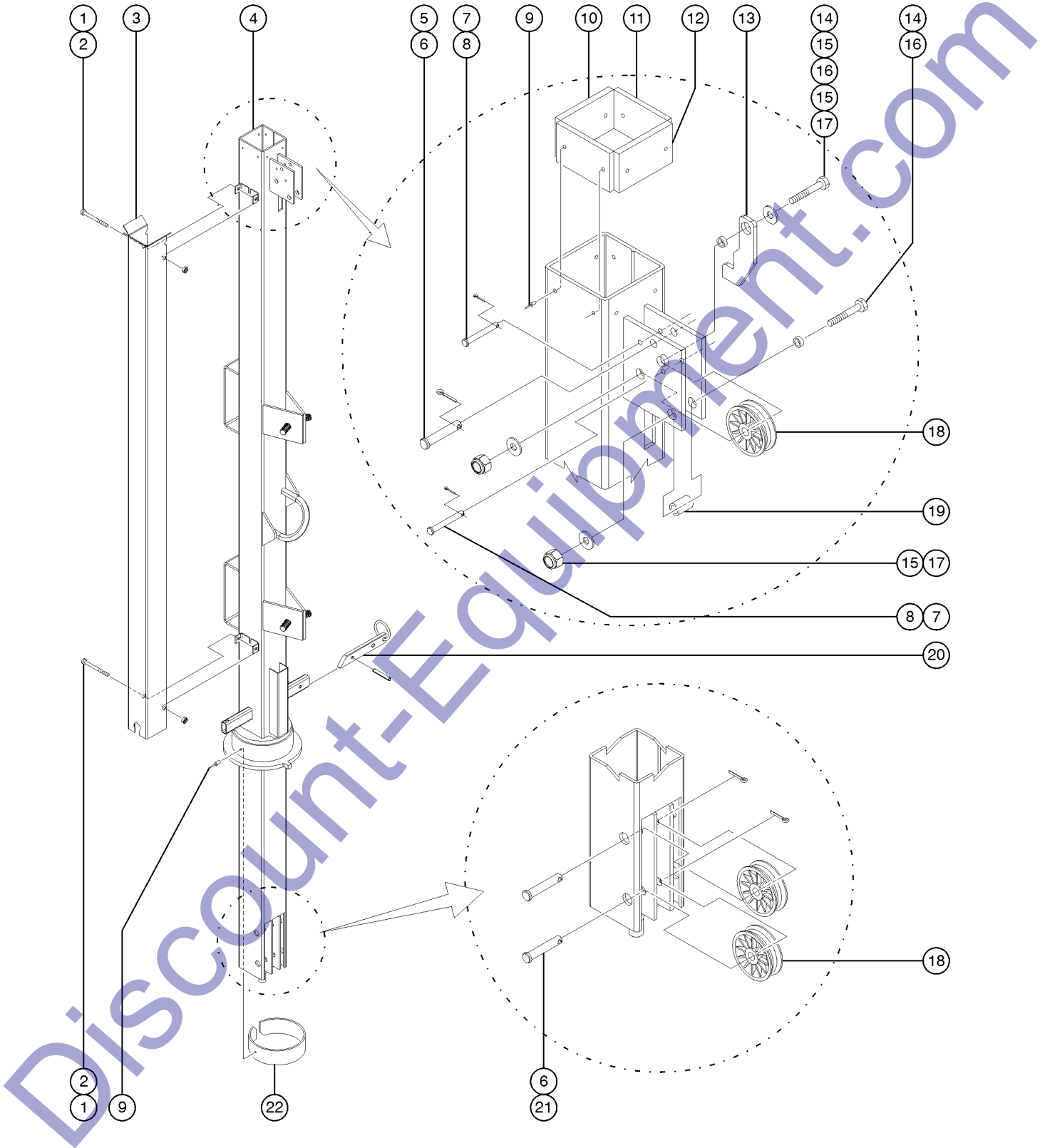


504.1 Round Tube Assembly, 6 Inch

Item	Part No.	Description	Qty.
1	124530GT	AS-6" ROUND TUBE SECT.....1 <i>(decals not included; refer to section 1)</i>	1
--	974690GT	KIT:TOWER,30',6"ROUND TUBE.....1 <i>(includes items 2 and 5-11)</i>	1
2	990610GT	BOLT,TEE 1/2-20 X 4.5.....1	1
3		Ref. Mast Assy, 4" <i>(refer to 505.1)</i>	
4	179850GT	BUSHING 2.5ODX13/16.....1	1
5	995190GT	NUT,NYLOCK,1/2-20.....1	1
6	188760GT	SHEAVE 3-1/8 X15/16.....1	1
7	995790GT	CLEVIS PIN STAINLESSS.....1	1
8	994920GT	COTTER PIN 3/32X3/4 S.....1	1
9	992765GT	CLEVIS PIN STAINLESSS.....1	1
10	990650GT	COTTER PIN 1/8X1 SSBIN STOCK.....1	1
11	990620GT	NUT LOCK NYLON INSERT.....1	1
12	28646GT	ZERK,GREASE,1/8 NPT.....1	1

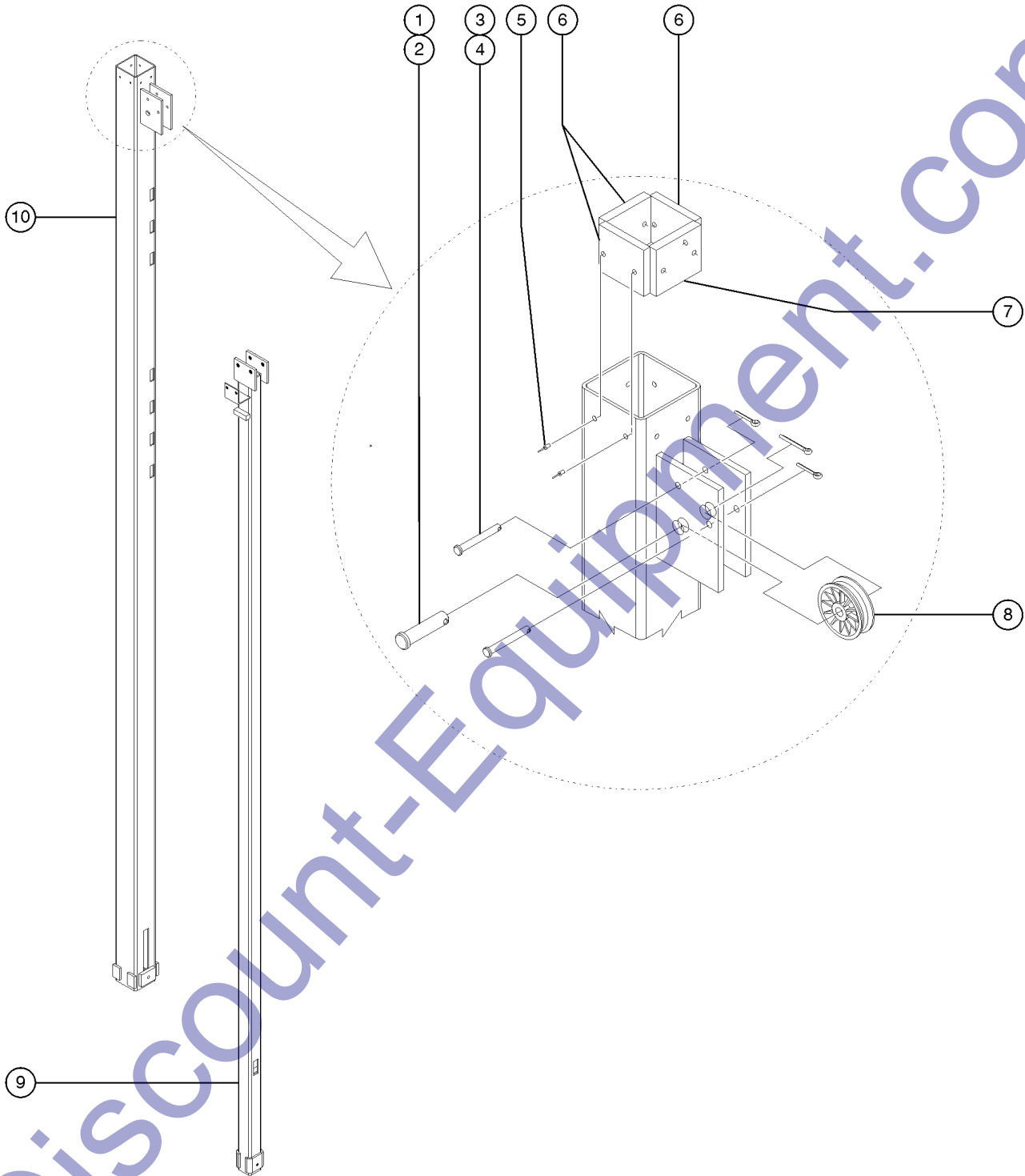
Discount-Equipment.com

505.1 Mast Assembly, 4-inch



Item	Part No.	Description	Qty.
1	990160GT	SCREW,HHC,3/8-16 X 3.75.....	2
2	990170GT	NUT LOCK NYLON INSERT 3/8.....	2
3	113080GT	SLEEVE,COIL CORD,AL4,AL5.....	1
4	124540GT	4 SECTION 30'TOWER1-C..... (decals not included; refer to section 1)	1
5	995780GT	CLEVIS PIN STAINLESSS.....	1
6	990650GT	COTTER PIN 1/8X1 SSBIN STOCK.....	3
7	995790GT	CLEVIS PIN STAINLESSS.....	2
8	994920GT	COTTER PIN 3/32X3/4 S.....	2
9	990670GT	RIVET,POP,SS,3/16"X1/2" BLIND.....	10
10	235686GT	SHIM 3/16X2X3-3/16 PLASTIC.....	1
11	235684GT	SHIM 1/4X2X3-3/16 PLASTIC.....	2
12	235683GT	SHIM 5/16X2X3-3/16 PLASTIC.....	1
13	178335GT	FP-LOCK LEVER, AL SERIES.....	1
14	990190GT	SCREW,HHC,1/2-13 X 3.....	2
15	990210GT	WASHER FLAT 1/2ZP.....	3
16	683460GT	BUSHING, 3/4OD X 1/2ID *****	2
17	990200GT	NUT,NYLOCK,1/2-13 GR2.....	2
18	188760GT	SHEAVE 3-1/8 X15/16.....	3
19	683450GT	BUSHING 11/16ODX1/2IDX1.032L.....	1
20		Ref. Lock Pin (refer to 502.1)	
21	992765GT	CLEVIS PIN STAINLESSS.....	2
22	177810GT	FP-SHIM 3/16X2X19-3/4 PLASTIC.....	1

506.1 Mast Assembly, 2-inch and 3-inch

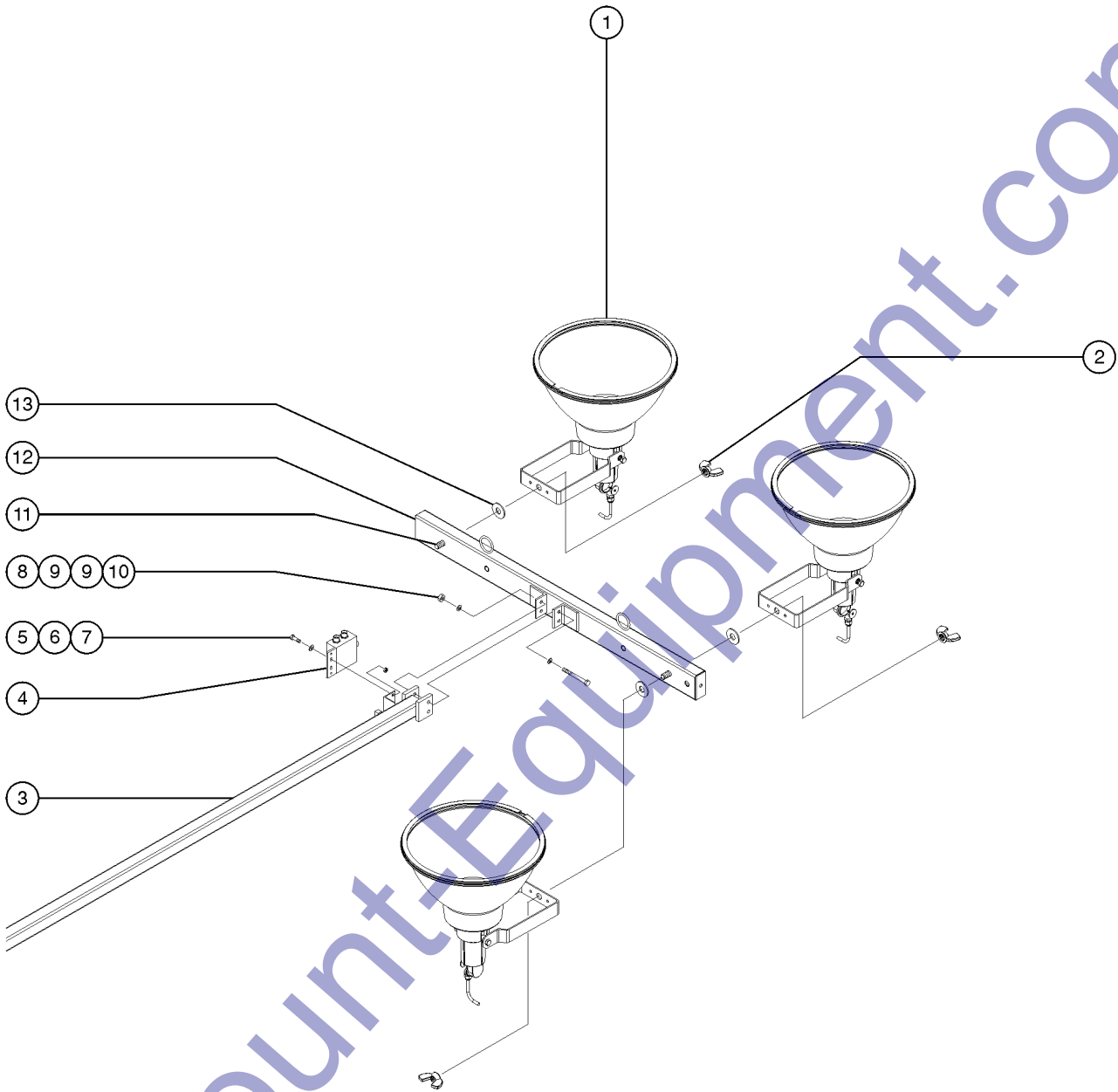


506.1 Mast Assembly, 2-inch and 3-inch

Item	Part No.	Description	Qty.
1	992765GT	CLEVIS PIN STAINLESSS.....	1
2	990650GT	COTTER PIN 1/8X1 SSBIN STOCK.....	1
3	995790GT	CLEVIS PIN STAINLESSS.....	2
4	994920GT	COTTER PIN 3/32X3/4 S.....	2
5	990670GT	RIVET,POP,SS,3/16"X1/2" BLIND.....	8
6	235685GT	SHIM 5/16X2X2-1/4 PLASTIC.....	3
7	235682GT	SHIM 3/8X2X2X2.25 PLASTIC.....	1
8	188760GT	SHEAVE 3-1/8 X15/16.....	1
9	124560GT	2" TOWER SECT,30'LG GALVANIZED....	1
10	124550GT	3 SECTION 30'TOWER AL4/AL5.....	1

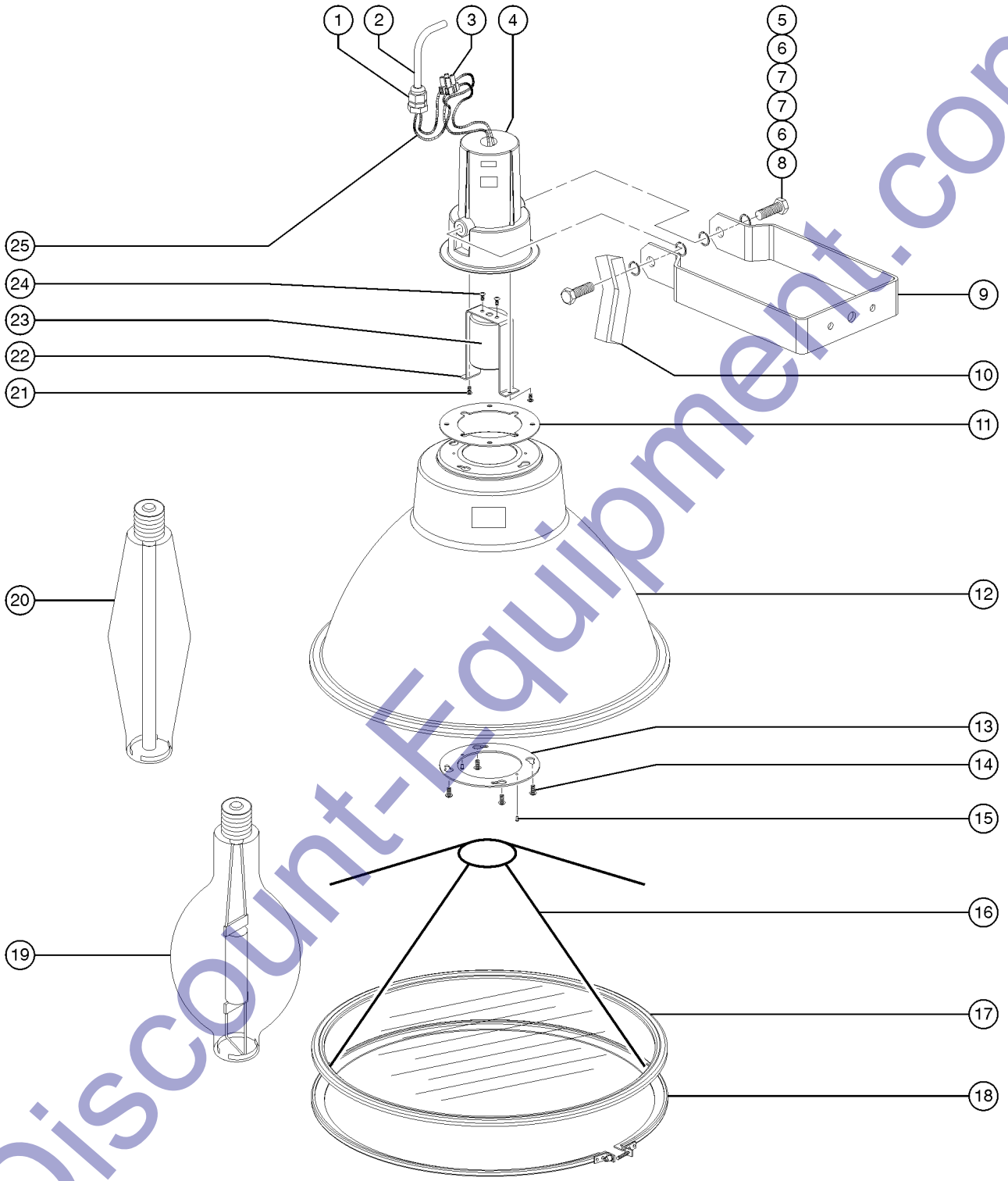
Discount-Equipment.com

507.1 Mast Crossarm



Item	Part No.	Description	Qty.
1		Ref. LIGHT ASSEMBLY.....4 (refer to 508.1 or 509.1)	
2	22123080GT	WING NUT, FIXTURE,RL4,AL4,AL5.....4	
3		Ref. 2 INCH MAST ASSEMBLY.....1 (refer to 506.1)	
4		Ref. JUNCTION BOX.....1 (refer to 405.1)	
5	824060GT	SCREW,HHC,1/4-20X1,8,ZAG	
6	6638GT	WASHER,FLAT,USS,1/4"Y	
7	824024GT	NUT, TL, 1/4-20, C, ZAG	
8	990170GT	NUT LOCK NYLON INSERT 3/8.....4	
9	990080GT	WASHER FLAT 3/8USS ZPBIN.....8	
10	994460GT	SCREW,HHC,3/8-16 X 4.5 ZP.....4	
11	191781GT	CROSSARM STUD DRAWING 2851.....2	
12A	113040GT	CROSSARM,4 LIGHT,AL SERIES,GLV.....1	
12B	113050GT	AS-CROSSARM 6-LIGHT.....1	
13	990880GT	WASHER,LOCK,STAR 3/4 E.....4	

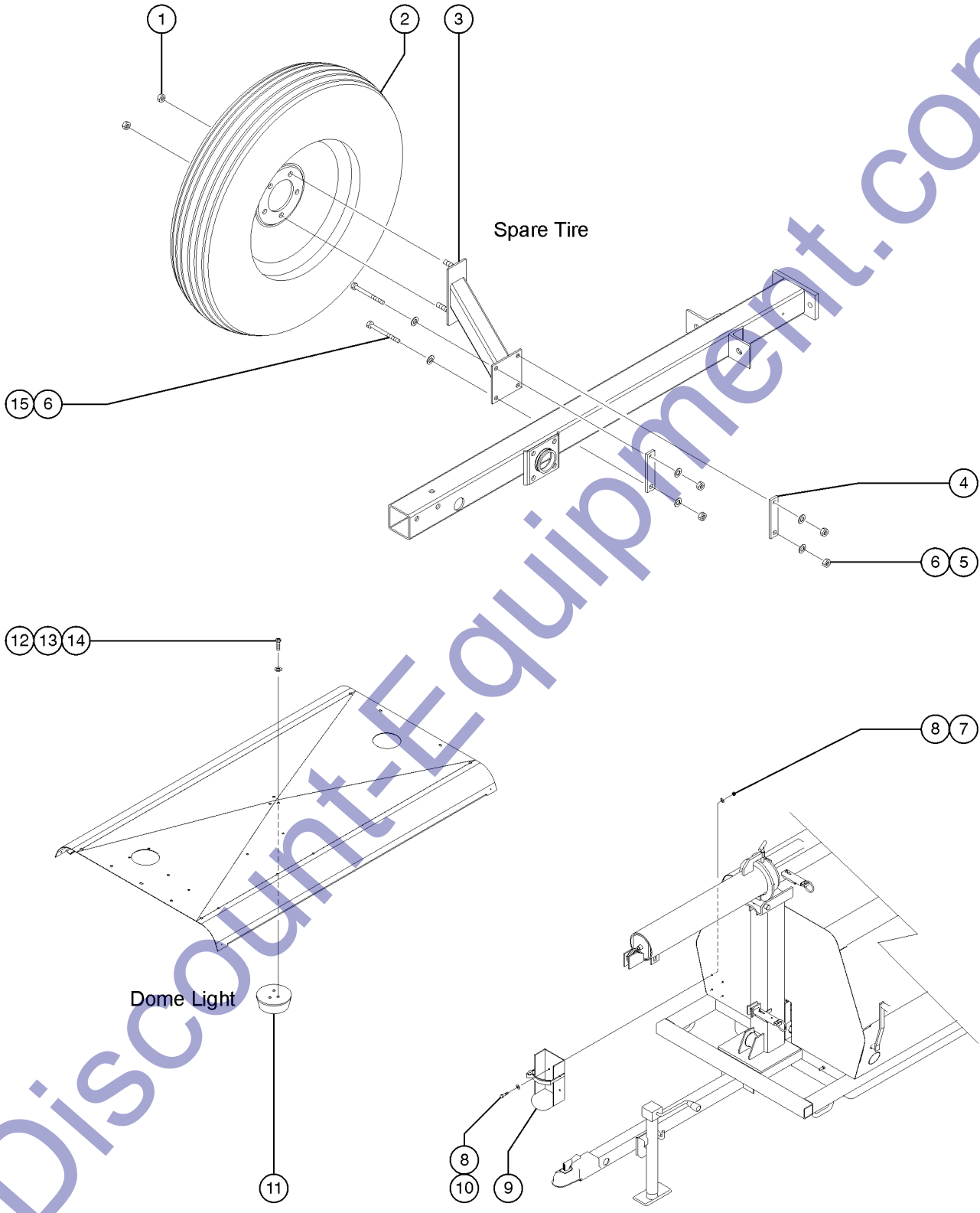
508.1 Light Assembly, Round



Discount-Equipment.com

Item	Part No.	Description	Qty.
--	C41100720GT	LIGHT FIXTURE,MH,AL4,RL4,AL5 <i>Light Fixture, Complete</i>	
1	683950GT	GASKET,STRAIN RELIEF,1/2.....1	1
--	680020GT	LOCKNUT,CONDUIT,1/2 CSA APPVD....1	1
--	682470GT	CONN,STRAIN RELIEF,1/2 NPT.....1	1
2	663850GT	CORD SET MALE 5FT. 3P.....1	1
3	709034GT	TERMINAL STRIP,CE.....1	1
4	833567GT	CASTING,FIXTURE QUICK CONNECT.....1	1
5	990810GT	SCREW,HHC,1/2-13 X 1.5	
6	991650GT	WASHER LOCK 1/2ZP	
7	995970GT	WASHER LOCK STAR 1/2E	
8	981640GT	SCREW,HHC,1/2-13 X 1.25	
9	833566GT	BRKT,TRUNION.....1	1
10	833573GT	T-HANDLE.....1	1
11	833569GT	GASKET, HOUSING REFLECTOR BASE.....1	1
12	833547GT	REFLECTOR & LENS ASSY STD FIX....1 <i>includes items 13-18</i>	1
--	833568GT	REFLECTOR (C41100720).....1	1
13	833570GT	RING,REINFORCING (C41100720).....1	1
14	833571GT	SCREW,PHM,10-24 X 5/8	
15	990675GT	RIVET POP 1/8X.390 GR	
16	22120102GT	SPIDER, MH/HPS.....1	1
17	833524GT	LENS W/GASKET (C41100720).....1	1
--	C2450108GT	LENS GASKET FOR LIGHT FIXTURE...1	1
18	833543GT	CLAMPLENS (C41100720).....1	1
--	833574GT	SCREW,HH SLOT,8-32X1	
--	833578GT	NUTSERT,8-32 (833543)	
--	833581GT	WASHER,CLAMP,RUBBER(833543)	
19	160071GT	LAMP MH 1000W M1000/U SYL.....1	1
20	160140GT	LAMP HPS 1000W LU1000CSA APPVD.....1	1
21	833565GT	SCREW,PHM,8-32X3/8	
22	833563GT	BRKT,SOCKET MOGUL FO.....1	1
23	833564GT	SOCKET BASE-MOGUL.....1	1
24	833577GT	SCREW,RHM,6-32X5/8	
25	833582GT	SLEEVE,WIRE,FIBERGLASS.....1	1

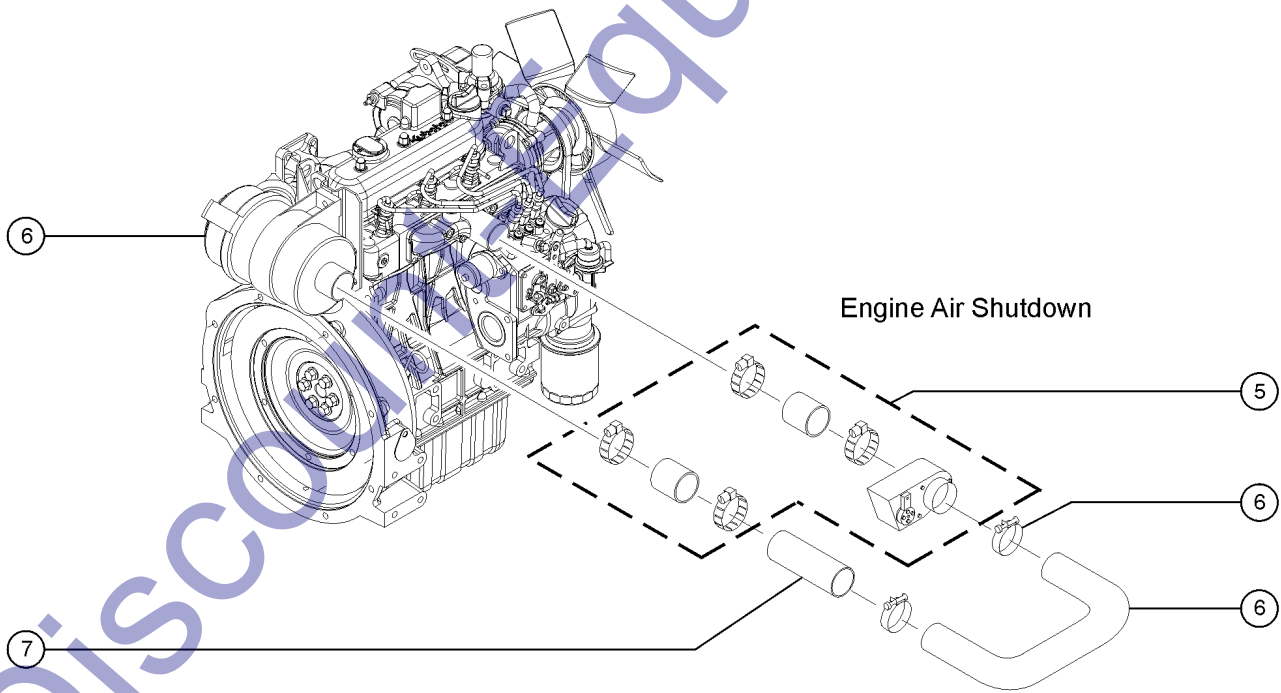
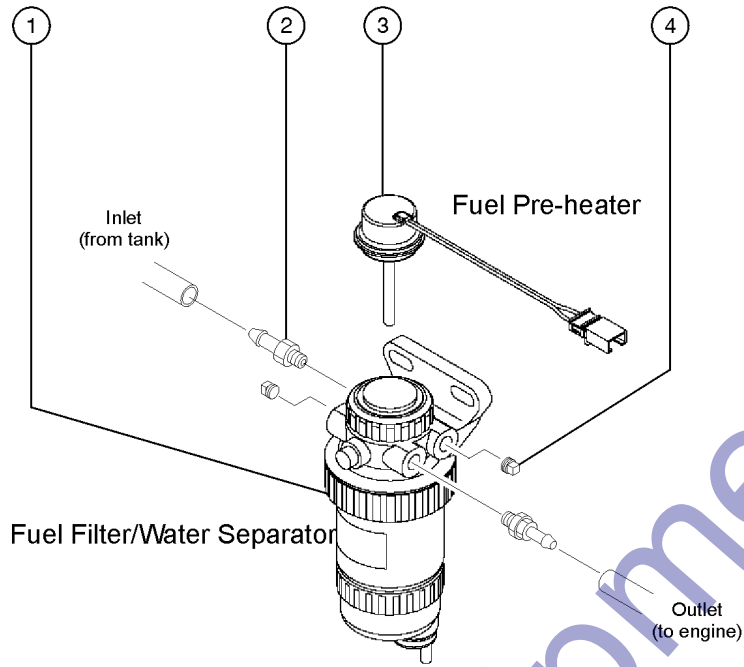
601.1 Chassis Options



Item	Part No.	Description	Qty.
1	840376GT	NUT,WHEEL, 1/2 X 20.....	2
2		Ref. Tire (refer to 205.1)	
3	124310GT	SPARE TIRE MT,5 LUG WHEEL.....	1
4	188070GT	FP-CLAMP,SPARE TIRE BRACKET.....	2
5	990170GT	NUT LOCK NYLON INSERT 3/8.....	4
6	990080GT	WASHER FLAT 3/8USS ZPBIN.....	8
7	991940GT	NUT,NYLOCK,5/16-18.....	4
8	981065GT	WASHER FLAT 5/16ZP SAE/BIN.....	8
9	217719GT	BRACKET FIRE EXT 20LB AL5.....	1
10	123840GT	SCREW,HHC,5/16-18X.75,GR8,Y.....	4
11	684030GT	LIGHT,DOME, 12V DC.....	1
12	993711GT	SCREW #10-24NCX1/2RD.....	3
13	995755GT	WASHER FLAT BONDED3/1.....	3
14	6-6286-04GT	NUT.....	3
15	994460GT	SCREW,HHC,3/8-16 X 4.5 ZP.....	4

Discount-Equipment.com

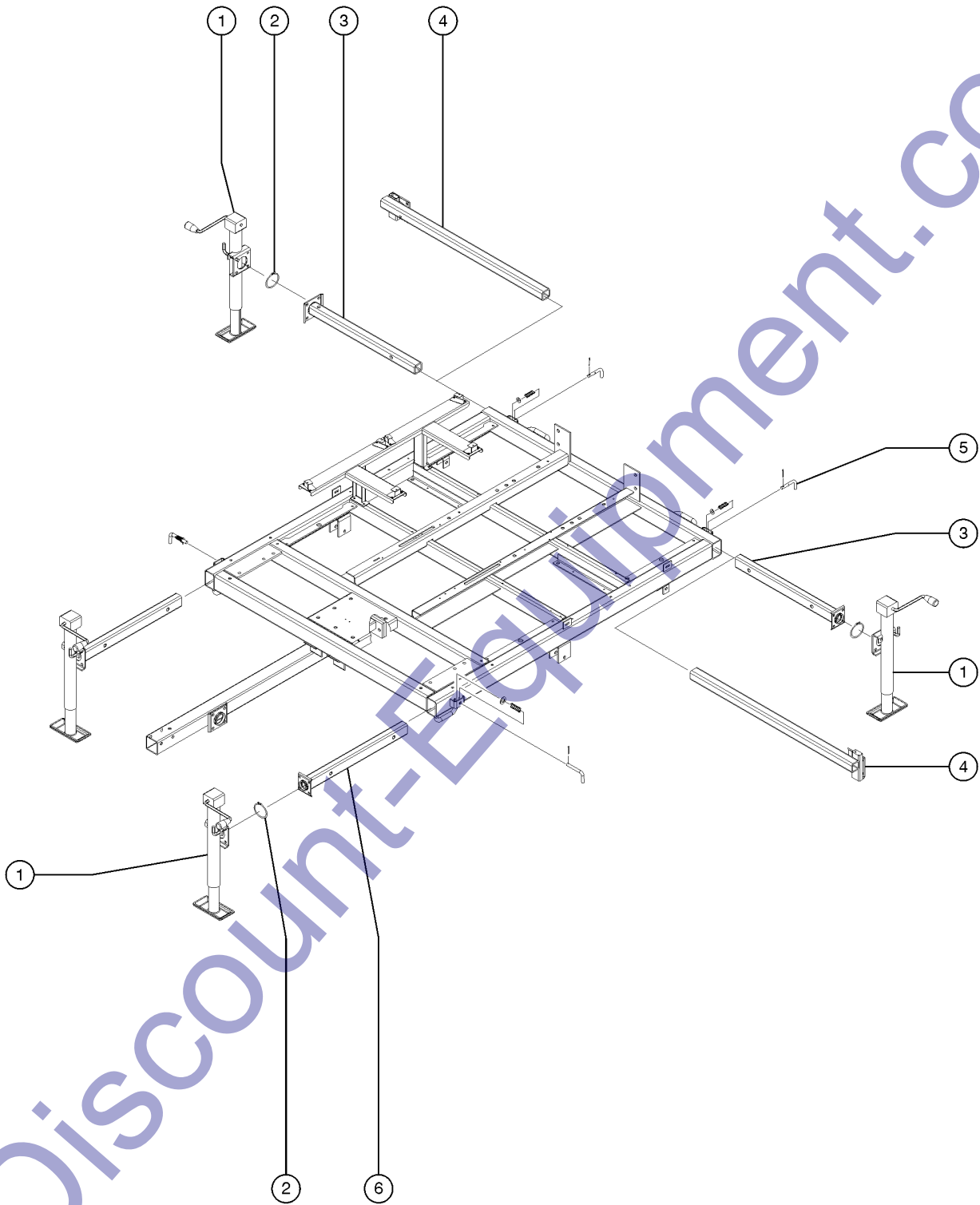
602.1 Engine Options



602.1 Engine Options

Item	Part No.	Description	Qty.
1	116154GT	AY,DSL FUEL/WATER SEPARATOR.....1	
--	116148GT	GASKET,FUEL FILTER <i>for 116151GT</i>	
--	116151GT	FILTER,30 MICRON FUEL-WATER	
--	116152GT	GASKET,WATER COLLECTOR <i>for 116153GT</i>	
--	116153GT	WATER COLLECTOR AY	
--	116211GT	WASHER,RUBBER SEAL <i>for 116212GT</i>	
--	116212GT	VALVE,PLASTIC DRAIN	
1A	981120GT	WASHER FLAT 3/8 ZP SAE BIN.....4	
1A	990170GT	NUT LOCK NYLON INSERT 3/8.....2	
1A	990470GT	WASHER LOCK 3/8ZP.....2	
1A	991761GT	SCREW,HHC,3/8-16 X 1.25.....2	
2	898590GT	HOSE FITTING PIPE/BAR.....2	
3	116144GT	HEATER, TOPLOAD FUEL, 100W/12V...1	
--	116145GT	GASKET, FUEL HEATER	
--	116587GT	FUSE,ATC BLADE,10A	
--	116588GT	FUSE HOLDER,ATC BLADE,#16	
4	894230GT	PIPE PLUG 1/4 GALV.....2	
5	228651GT	RODA DACO MANUAL SHUTDOWN.....1	
6		Ref., ENGINE AIR COMPONENTS <i>(refer to 304.1, 305.1, 308.1 or 308.2)</i>	
7	228653GT	INTAKE FILTER SIDE MANUAL AIR.....1	

603.1 Outrigger Options

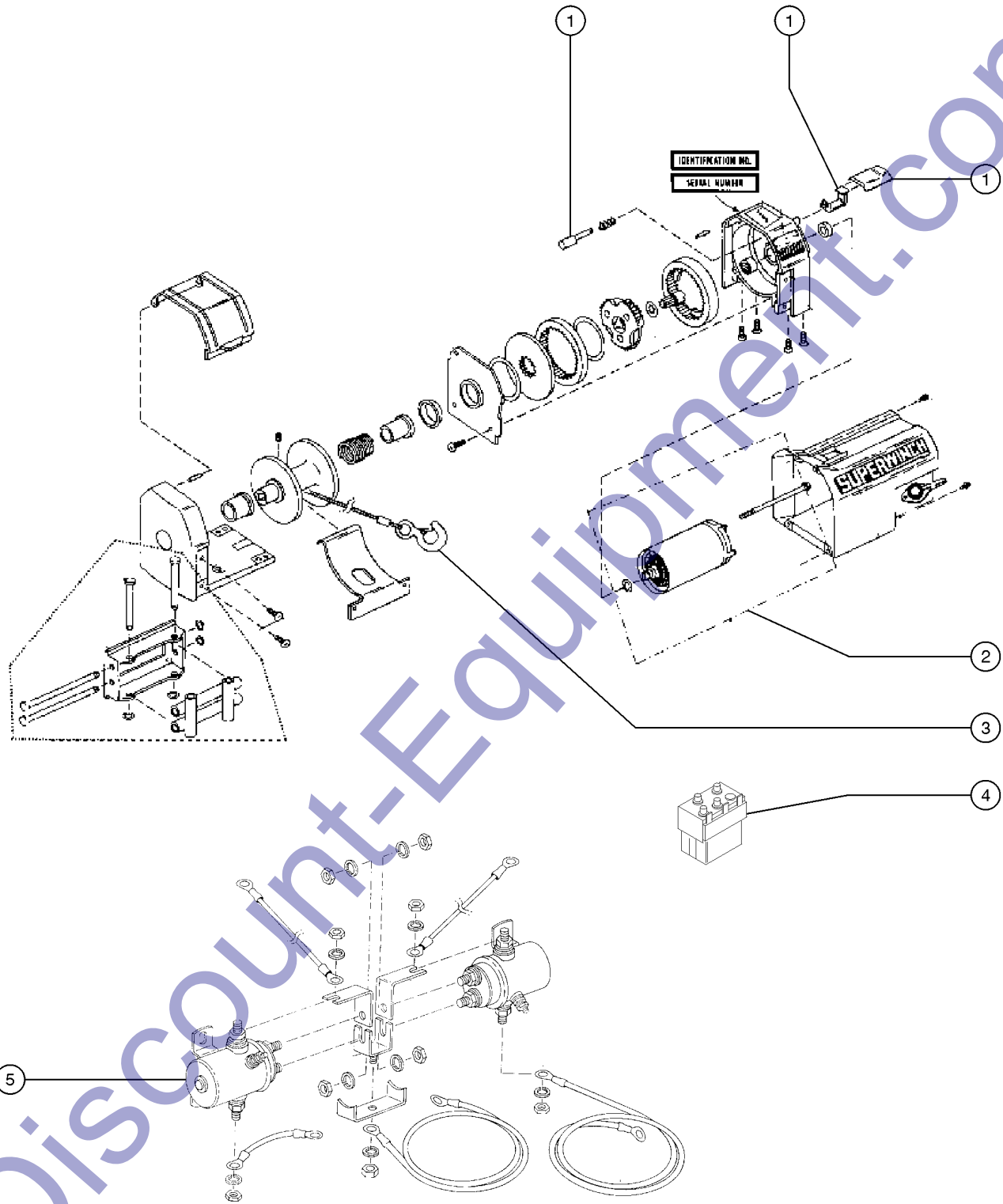


603.1 Outrigger Options

Item	Part No.	Description	Qty.
1A	841430GT	JACK,MECHANICAL,3000LB.....4-EA <i>(models with front outriggers) (qty 4 per unit)</i>	
1B	841430GT	JACK,MECHANICAL,3000LB.....2-EA <i>(models without front outriggers) (qty 2 per unit)</i>	
2A	840222GT	SNAP RING,JACK (841430).....4-EA <i>(models with front outriggers) (qty 4 per unit)</i>	
2B	840222GT	SNAP RING,JACK (841430).....2-EA <i>(models without front outriggers) (qty 2 per unit)</i>	
3	114612GT	OUTRIGGER,3X2X32.5,GALVANIZED.2-EA <i>(models with steel fenders)</i>	
4	114613GT	OUTRIGGER 3X2X33REARAL5000.....2-EA <i>(models with plastic fenders)</i>	
5A	790965GT	PIN,PLUNGER,OUTRIGGER, KIT....4-EA <i>(models with front outriggers) (qty 4 per unit)</i>	
5B	790965GT	PIN,PLUNGER,OUTRIGGER, KIT....2-EA <i>(models without front outriggers) (qty 2 per unit)</i>	
6	114612GT	OUTRIGGER,3X2X32.5,GALVANIZED.2-EA <i>(models with front outriggers)</i>	

Discount-Equipment.com

604.1 Electric Winch



Item	Part No.	Description	Qty.
--		WINCH W/SOLENOIDS 4000LB <i>(available soon)</i>	
1	219228GT	FREEWHEEL KIT,SUPERWINCH.....1	1
2	219224GT	12V MOTOR ASSY,SUPERWINCH.....1	1
3	109065GT	KIT- CABLE ASSY LOWER 1/4" AL4.....1	1
4	160750GT	SOLENOID W/BRACKET SUPERWINCH.....1	1
5	219225GT	12V WIRED SOLENOID,SUPERWINCH.....2	2

Discount-Equipment.com

Part Number Index

The Part Number Index is a numeric index of all part numbers included in this manual. The index shows what page(s) the part is used on.

Part Number	Page	Part Number	Page	Part Number	Page	Part Number	Page
101208GT	59	116532GT	49, 51, 53	1276739GT	73	188735GT	55
101209GT	59	116587GT	121	1276740GT	73	188760GT	109, 111, 113
109065GT	125	116588GT	121	1276741GT	73, 79	188775GT	55
109485GT	107	116632GT	93	1276742GT	73	188785GT	55
109486GT	107	116724GT	93	1276745	79	189293GT	81
110523GT	57, 67	116729GT	85	1276746GT	79	189347GT	83
111700GT	85	116733GT	57	1283776GT	11	189390GT	89, 91
112300GT	49, 51, 53	116770GT	101	131379GT	11	189785GT	25, 27
113040GT	115	116780GT	93	131661GT	11	189790GT	25, 27
113050GT	115	116794GT	99	133012GT	13	189795GT	49, 51, 53
113080GT	111	116815GT	93, 95, 99, 101	133017GT	13	189800GT	27
113362GT	105	116820GT	93, 95, 97, 99, 101	133042GT	17	189842GT	45
113390GT	49, 51, 53			133055GT	17	189851GT	43, 45
114251GT	17	116821GT	69, 71, 101	133062GT	13, 17	189861GT	45, 47
114258GT	13	116833GT	59	133063GT	13, 17	189862GT	45, 47
114355GT	41	116893GT	17	133065GT	17, 19	189871GT	45, 47
114391GT	17	116894GT	17, 19	133066GT	17	189872GT	45, 47
114431GT	13, 15	116895GT	17	133148GT	13, 15	189920GT	43, 45
114464GT	13, 17	116936GT	39	133149GT	17, 19	190150GT	59
114612GT	21, 23, 123	116937GT	39	133463GT	13	190570GT	103
114613GT	21, 23, 123	119668GT	29	133482GT	13	191781GT	115
114715GT	21	12012GT	107	133483GT	13, 15	193750GT	105
114720GT	25, 27	122079GT	39	133484GT	13	213770GT	39
114895GT	41	123461GT	39	13854GT	39	215348GT	29
115530GT	49, 51	123490GT	45, 47	139278GT	59	215711GT	75, 77
116068GT	55	123680GT	49, 51, 53	139279GT	59	215712GT	75, 77
116132GT	81	123840GT	83, 85, 87, 119	147123GT	37	215719GT	75, 77
116133GT	69, 71	124192GT	45, 47	1484GT	11	215722GT	75, 77
116144GT	121	124310GT	119	15086GT	103	216011GT	11
116145GT	121	124420GT	49, 51, 53	160030GT	41	216631GT	21, 23
116148GT	121	124470GT	21, 23	160032GT	41	216632GT	21, 23
116151GT	11, 69, 71, 121	124490GT	105	160040GT	41	216633GT	21, 23
116152GT	121	124530GT	109	160042GT	41	216634GT	21, 23
116153GT	121	124540GT	111	160071GT	117	217714GT	29
116154GT	69, 71, 121	124550GT	113	160140GT	117	217719GT	119
116167GT	83	124560GT	113	160421GT	47	217720GT	25, 27, 29
116168GT	83	124855GT	107	160750GT	125	218074GT	25, 27, 29, 31, 33, 35
116169GT	83	124856GT	107	161050GT	85		
116172GT	83	124857GT	107	161180GT	41	218567GT	11
116174GT	83	124858GT	107	161181GT	41	218691GT	39
116176GT	83	124860GT	107	161184GT	41	219224GT	125
116177GT	83	1251869GT	33, 35	161185GT	41	219225GT	125
116178GT	83	125260GT	43, 45	162160GT	23	219228GT	125
116179GT	83	1253163GT	87	162277GT	85	22109517GT	105
116182GT	83	125395GT	59	162280GT	25	22110700GT	103
116183GT	83	1254824GT	57	162363GT	23	22111936GT	21
116184GT	83	1256083GT	107	162368GT	31, 33, 35	22112555GT	101
116187GT	83	1256646GT	87	162369GT	31	22114420GT	105, 107
116188GT	11, 83	1258567GT	11	173115GT	105	22120102GT	117
116211GT	121	1258649GT	49, 51, 105	174170GT	49, 51, 53	22123080GT	115
116212GT	121	1259676GT	91	176335GT	39	22124015GT	57
116213GT	65	1259677GT	91	176370GT	49, 51, 53	22124016GT	57
116253GT	83	1259678GT	91	176380GT	49, 51, 53	22124025GT	57
116289PPGT	65	1259679GT	91	177810GT	111	22586GT	81
116292GT	65	1259680GT	91	178335GT	111	22700GT	75, 77, 79, 81
116296GT	65	125996GT	21	179850GT	109	227082GT	39
116297GT	65	1260029GT	91	182330GT	49, 51, 53	227147GT	89
116298GT	65	1260420GT	97	183731GT	39	227310GT	95
116309GT	65	1262632GT	39	184150GT	49, 51, 53	227311GT	99
116314GT	67	1264569GT	73	184510GT	105	227312GT	95
116322GT	93	1264570GT	79	184840GT	21, 23	227313GT	99
116413GT	11, 65	1264573GT	73	18507GT	81	227314GT	93
116414GT	65	1264575GT	73, 79	185370GT	89	227315GT	95
116418GT	65	1264584GT	79	185382GT	89	227316GT	99
116421GT	45, 47	1264596GT	79	185390GT	89	227317GT	95, 97
116423GT	45, 47	1264609GT	73	185405GT	89	227318GT	93
116498GT	65	1264612GT	73, 79	18542GT	93, 95, 97, 99	227319GT	95, 97
116502GT	65	1264615GT	73	186280GT	49, 51, 53	227320GT	99
116503GT	75, 77	1264617GT	79	186285GT	49, 51, 53	227336GT	81
116509GT	11	1268GT	11	186360GT	105	227348GT	13
116511GT	65	1276734GT	73	186733GT	89	227349GT	13
116512GT	65	1276735GT	73	186788GT	89	227350GT	13
116513GT	11, 67	1276736GT	73	186801GT	89, 91	227519GT	13, 15, 17, 19
116514GT	11, 67	1276737GT	73	187988GT	75, 77	227631GT	95, 97
116523GT	57, 59	1276738GT	73	188070GT	119	227632GT	93

Part Number	Page	Part Number	Page	Part Number	Page	Part Number	Page
227633GT	95, 97	32069GT	59	669086GT	99	824059GT	49, 51, 53
227634GT	99	32103GT	61	67230GT	39	824060GT	115
227635GT	93	32150GT	11	67231GT	39	82472GT	17
227636GT	99	32151GT	11	6732GT	85, 87	82481GT	17
227638GT	95	32185GT	11, 57, 59, 67, 69, 71, 73	6777GT	107	824820GT	85
227639GT	93, 99			680020GT	117	824879GT	93, 95, 99
227640GT	99	32191GT	59	680030GT	49, 51, 53, 55, 93, 95, 97, 99	82487GT	17
227641GT	95	32645GT	23			825077GT	27, 31, 33, 35
227643GT	93	32890GT	107	680080GT	101	825078GT	27, 31, 33, 35
227644GT	99	33265GT	39	680190GT	101	825079GT	27
227645GT	93	33994GT	11	680250GT	49, 51, 53, 55	825081GT	27, 31, 33, 35
227652GT	93	35729GT	25, 27	682470GT	117	825124GT	31, 33, 35
227653GT	95	44191GT	59	682660GT	49, 51, 53	825125GT	31, 33, 35
227654GT	99	44196GT	61	683450GT	111	825602GT	47
228092GT	37	44197GT	61	683460GT	111	825603GT	47
228093GT	37	44198GT	61	683950GT	117	825772GT	27
22832GT	107	47363GT	93, 95, 97, 99	684030GT	119	825887GT	53
228461GT	37	49612GT	11	684380GT	93, 95, 97, 99	826452GT	23
228651GT	121	49613GT	11	684450GT	93, 95, 97, 99	826916GT	101
228653GT	121	49779GT	93, 95, 97, 99	684640GT	93, 95, 97, 99	826917GT	101
228708GT	13	52265GT	37	686160GT	93, 95, 97, 99	832128GT	59, 65
228709GT	13	52475GT	13, 15, 17, 19	686220GT	93, 95, 97, 99	833524GT	117
228710GT	13	52531GT	59	69209GT	107	833543GT	117
228711GT	13	52532GT	59	709034GT	117	833547GT	117
228712GT	13	52533GT	59	720220GT	49, 51, 53	833563GT	117
228713GT	13, 17	5397GT	47	720401GT	21, 23	833564GT	117
228714GT	13, 17	55906GT	93, 95, 97, 99	72086GT	13, 17	833565GT	117
229101GT	11	57332GT	39	732205PPGT	57	833566GT	117
229102GT	13, 17	57587GT	49, 51, 53	740050-1GT	107	833567GT	117
229457GT	11, 83	58356GT	11	740050-2GT	107	833568GT	117
229781GT	17	58486GT	81	740620GT	11, 25, 27, 29	833569GT	117
229782GT	17	59680GT	85	740770GT	57	833570GT	117
230056GT	101	6-5204-16GT	105	740920GT	75, 77, 79, 83, 85, 87	833571GT	117
230560GT	37	6-5208-32GT	83			833573GT	117
230561GT	37	6-5208-44GT	39	741140GT	61, 67	833574GT	117
230562GT	37	6-6212-08GT	85, 87	741701GT	25, 27, 29	833577GT	117
230563GT	37	6-6286-04GT	119	741720GT	25, 29	833578GT	117
230565GT	37	6-9111-10GT	65	741970GT	65	833581GT	117
230566GT	37	6019GT	29	742369GT	99	833582GT	117
230567GT	37	6024GT	39	75144GT	21, 23, 49, 51, 53	834211GT	21, 23
230568GT	37	6034GT	107	7584GT	107	834226GT	37
230569GT	37	6035GT	39	7590GT	107	834228GT	37
230570GT	37	6095GT	21, 23, 39, 49, 51, 53	7591GT	107	834246GT	21, 23
230571GT	37			77055GT	13, 17	834250GT	37
230573GT	37	6096GT	21, 23	77172GT	13, 17	834255GT	37
230575GT	37	6097GT	23, 25, 27, 29, 49, 51, 53	790540GT	39, 49, 51, 53	834267GT	21, 23
230577GT	37			790710GT	105	834458GT	75, 77
230579GT	37	6175GT	49, 51, 53	790930GT	21, 23	834460GT	11
230580GT	37	6184GT	107	790940GT	49, 51, 53	836853GT	11, 83
231332GT	63	61975GT	23	790965GT	123	836856GT	11, 83
231333GT	63	6198GT	21, 23, 39, 83, 85, 87, 107	791600GT	65	839011GT	59
234842GT	59			791610GT	65, 75, 77	839027GT	59, 65
235385GT	75, 77	6199GT	107	792750GT	25, 27, 29, 67	839034GT	59
235682GT	113	6200GT	107	793490GT	21, 23	839049GT	63
235683GT	111	62118GT	61	794890GT	55	839103GT	59, 61
235684GT	111	62296GT	59	796432GT	49, 51, 53	839107GT	61, 67
235685GT	113	6291GT	107	796438GT	49, 51, 53	839109GT	11, 57
235686GT	111	6356GT	81	796513GT	49, 51, 53	839110GT	11, 57
235731GT	13, 15, 17, 19	660101GT	101	796730GT	45	839119GT	61
237271GT	13, 17	660320GT	25, 27, 29	800004GT	101	839134GT	59
237272GT	13, 17	663400GT	101	80379GT	57, 65	839149GT	61
237273GT	13, 17	663401GT	101	822836GT	29	839151GT	59
237274GT	13, 17	663420GT	101	822838GT	29	839154GT	59, 67
237301GT	15, 19	663430GT	101	822839GT	29	839157GT	61
237686GT	49, 51, 53	663515GT	101	822840GT	29	839190GT	59, 65
237832GT	47	663520GT	49, 51, 53	823384GT	59	839200GT	11, 67
27034GT	75, 77	663527GT	49, 51, 53	823715GT	47	839209GT	11, 59, 65
27581GT	11	663528GT	49, 51, 53	823716GT	47	839244GT	59
28159GT	13, 17	663780GT	97	823717GT	47	839246GT	59
28161GT	13	663840GT	49, 51, 53	823720GT	47	839261GT	59, 65
28162GT	13	663850GT	117	824024GT	21, 23, 43, 45, 47, 49, 51, 53, 55, 57, 65, 75, 77, 81, 105, 115	840222GT	21, 23, 123
28646GT	109	663860GT	41			840376GT	37, 119
28750GT	11	663870GT	101			840377GT	37
30973GT	75, 77	663890GT	93, 95, 97, 99			840392GT	21, 23
31788GT	13	6638GT	115	824029GT	23, 25, 27, 29, 49, 51, 53	84042GT	59
31946GT	107	66399GT	11			841061GT	21, 23

Part Number Index (continued)

Part Number	Page	Part Number	Page	Part Number	Page	Part Number	Page
841430GT	123	981575GT	105	995760GT	105	T113767GT	11, 69, 71
841473GT	21, 23	981640GT	117	995780GT	103, 111	T113769GT	11, 75, 77
841611GT	45, 47	981920GT	105	995790GT	109, 111, 113	T113770GT	69, 71
841890GT	13, 17	990080GT	31, 41, 45, 47, 65, 75, 77, 105, 115, 119	995810GT	25, 27, 29, 43, 45, 47, 49, 51, 53, 55, 67	T113771GT	69, 71
85207GT	11					T113772GT	69, 71
865055GT	59					T113774GT	75, 77
865079GT	59, 65	990160GT	45, 47, 111	995970GT	117	T113775GT	69, 71
865085GT	57	990170GT	31, 41, 45, 47, 55, 111, 115, 119, 121	996230GT	103	T113776GT	11, 75, 77
865086GT	57			996330GT	59	T113777GT	69, 71
865100GT	61			996375GT	25, 27	T113779GT	75, 77
865257GT	61	990181GT	103	996380GT	55	T113780GT	69, 71
865261GT	57	990190GT	65, 111	998120GT	83	T113781GT	75, 77
865263GT	57	990200GT	45, 47, 57, 65, 75, 77, 79, 105, 111	C21353GT	55	T113782GT	75, 77
865276GT	59			C2450108GT	117	T113783GT	75, 77
865307GT	57, 67			C41100720GT	117	T113784GT	75, 77
865435GT	59	990210GT	57, 75, 77, 79, 83, 111	C48300108GT	101	T113786GT	75, 77
866030GT	61			C51101000GT	55	T113805GT	89
866040GT	61, 67	990230GT	25, 27	C51601442GT	57	T113972GT	81
866050GT	11, 61, 67	990270GT	45, 47, 75, 77, 79	CSE350GT	85	T113974GT	79, 81
866081GT	59	990340GT	45, 47, 49, 51, 53, 75, 77	GUU401100GT	55	T113975GT	81
866090GT	59, 65			R660010GT	93, 95, 99	T113984GT	75, 77
866101GT	59, 65	990400GT	75, 77	R661490GT	93, 95, 97, 99	T113985GT	75, 77
866110GT	57	990410GT	65, 75, 77, 79, 85, 87	R890065GT	25, 27	T113987GT	75, 77
866113GT	57			T106193GT	93, 95, 99	T113989GT	75, 77
866120GT	57	990415GT	57, 83	T108021GT	15	T114066GT	89
866126GT	63	990450GT	21, 23, 55	T108022GT	13, 15	T114068GT	89
866127GT	11, 63	990460GT	21, 23, 59, 83, 85, 87	T108023GT	19		
866128GT	63			T108024GT	17, 19		
866129GT	63	990470GT	83, 85, 87, 103, 105, 121	T108775GT	21		
866394GT	57, 59			T109127GT	39		
866803GT	59	990610GT	109	T109129GT	39		
866825GT	59	990620GT	109	T109325GT	101		
868036GT	11	990650GT	103, 105, 107, 109, 111, 113	T110064GT	81		
868067GT	11			T110446GT	75, 77		
868112GT	69, 71	990660GT	105	T110447GT	75, 77		
868113GT	69, 71	990670GT	45, 49, 51, 53, 111, 113	T110451GT	85		
890785GT	11, 25, 27, 29			T110453GT	69, 71		
890790GT	25, 27, 29, 57	990675GT	117	T110455GT	81		
890795GT	11, 25, 27, 29, 31, 33, 35, 61, 67	990770GT	105	T110456GT	85		
		990810GT	117	T110632GT	39		
891190GT	25, 27	990880GT	115	T110701GT	99		
891520GT	25, 29	991650GT	21, 23, 39, 45, 47, 49, 51, 53, 57, 117	T111617GT	69, 71		
891530GT	25, 27, 29			T111619GT	69, 71		
891560GT	25, 29	991690GT	21, 23	T111622GT	69, 71		
89163GT	39	991761GT	83, 85, 87, 121	T111625GT	75, 77		
893020GT	65	991940GT	31, 33, 35, 119	T111627GT	85		
894230GT	121	991945GT	75, 77	T111628GT	85		
895371GT	29	99199GT	61, 67	T111700GT	85		
897110GT	59, 65	992220GT	31	T111701GT	75, 77		
898590GT	11, 25, 29, 61, 121	992765GT	109, 111, 113	T112123GT	43, 45		
		993240GT	21, 23	T112134GT	43, 45		
930950GT	45, 47	993421GT	49, 51, 53	T113584GT	85		
93500GT	11	993440GT	21, 23, 45, 47	T113586GT	85		
96005GT	31, 33, 35	993711GT	119	T113587GT	85		
971290GT	105	993850GT	43, 45, 47, 49, 51, 53	T113641GT	93, 95, 97, 99		
972895GT	43, 45, 47			T113642GT	93, 95, 97, 99		
973030GT	89, 91	993860GT	45, 47	T113643GT	99		
973085GT	101	994000GT	105	T113644GT	93, 95, 97, 99		
973390GT	67	994130GT	21, 23, 49, 51, 53	T113669GT	81		
974640GT	49, 51, 53	994380GT	101	T113670GT	81		
974686GT	49, 51, 53	994420GT	93, 95, 97, 99	T113671GT	81		
974690GT	109	994460GT	115, 119	T113672GT	81		
974803GT	69, 71	994600GT	21, 23, 45, 47, 49, 51, 53	T113673GT	81		
974813GT	49, 51, 53			T113688GT	81		
975150GT	99	994830GT	57, 75, 77, 85	T113755GT	75, 77		
975151GT	99	994920GT	109, 111, 113	T113756GT	69, 71		
97518GT	15	995050GT	53	T113757GT	69, 71		
975907GT	59	995110GT	57, 65	T113758GT	75, 77		
97602GT	13	995190GT	109	T113759GT	75, 77		
97666GT	13	995300GT	93, 95, 97, 99	T113760GT	75, 77		
97675GT	13	995310GT	21, 23, 39	T113761GT	75, 77		
980340GT	105	995380GT	57	T113762GT	75, 77		
980480GT	107	995420GT	49	T113763GT	75, 77		
981065GT	119	995490GT	41	T113764GT	75, 77		
981120GT	55, 85, 121	995755GT	119	T113765GT	75, 77		
981460GT	31			T113766GT	69, 71		

The Part Description Index is an alphabetical index of all part descriptions included in this manual. The index shows what page(s) the part is used on.

1
1/4-20 X .75 LG.FLG.LCK.SCREW.....81
12V MOTOR ASSY,SUPERWINCH.....125
12V WIRED SOLENOID,SUPERWINCH.....125

2
2" TOWER SECT,30'LG GALVANIZED.....113

3
3 SECTION 30'TOWER AL4/AL5.....113

4
4 SECTION 30'TOWER1-C.....111

6
60 GALLON FUEL TANK.....31, 33, 35

A
ADJUSTER SCREW ASSY, ALXL.....37
ADJUSTER SPRING,E BRAKE,ALXL.....37
ADJUSTER SPRING,H BRAKE,ALXL.....37
AIR CLEANER ASSY,4LE2-T.....79
AIR CLEANER BRACKET, D1105.....63
AIR CLEANER COVER.....65
AIR CLEANER VALVE.....65
AIR CLEANER, ISUZU 4LE2.....11, 75, 77
AIR CLEANER,DONALDSON G042544.....11, 65
AIR CLNR MNT DONALDSON P777151.....65
AIR FILTER ASSY,DONALDSON.....75, 77
AIR IN. PIPE, 4LE2-T.....79
ALTERNATOR, ISUZU 4LE2.....75, 77
ALTERNATOR,ISUZU,TIER4.....79
ALTERNATOR,KUBOTA*.....59, 65
ANGLE, FRONT FUEL TANK MOUNTING.....33, 35
AS-6" ROUND TUBE SECT.....109
AS-CROSSARM 6-LIGHT.....115
AS-RING HITCH MOUNT.....39
ASSY, INJECTION PUMP,ISUZU 4LE.....69, 71
ASSY, WATER PUMP, ISUZU 4LE2.....75, 77
ASY,CABINET FRONT,AL5 EXT PWR.....45, 47
ASY,CABINET FRONT,AL5 NO PWR.....45, 47
ASY,ENGIN TAILPIPE.....65
AXLE ASSY,3500LB.IDLE,AL5,7,8.....37
AXLE W/ELECTRIC BRAKES.....37
AXLE W/HYD SURGE BRK/BALL AL5.....37
AXLE W/HYD SURGE BRK/RING AL5.....37
AY,DSL FUEL/WATER SEPARATOR.....69, 71, 121

B
BALL, 2" ZINC.....39
BALLAST ASSY,60HZ,HPS,1000W.....41
BALLAST ASSY,60HZ,MH,1KW,120V.....41
BALLAST HPS 60HZ 120V.....41
BALLAST/CAP MH60Hz120.....41
BAND, AIR FILTER MOUNTING, ISU.....75, 77
BATTERY.....49, 51, 53
BATTERY SUPPORT PAN.....49, 51, 53
BEARING, COLISEUM 15 KW.....87

BEARING, MARATHON GEN.....85
BEARING, ODE.....83
BEARING,ALXL,840377,841050.....37
BEARING,BRKT,ODE(5412).....83
BELT, FAN, ISUZU 4LE2.....11, 75, 77
BODY,AIR CLEANER,KUBOTA.....63
BOLT,AXLE,3/16X3 W/7/16-20STEP.....21, 23
BOLT,CARRIAGE 3/8-16X.75 Z KEG.....55
BOLT,EXHAUST MANIFLD,ISUZU 4LE.....75, 77
BOLT,TEE 1/2-20 X 4.5.....109
BOX EXT POWERACCESS.....55
BOX,CONNECTOR,BASE.....83
BOX,JUNC,LIGHT TWR,4 CONN.....101
BRACKET ADJ HGT 6".....39
BRACKET FIRE EXT 20LB AL5.....119
BRACKET W/BALL,GAS SPRING.....49, 51, 53
BRACKET, AIR CLEANER MOUNTING, 4LE2-T.....79
BRACKET, EXHAUST CAT/MUFFLER, 4LE2-T.....73
BRACKET, MOUNT GENERATOR.....85
BRACKET,GENERATOR MOUNT.....83
BRACKET,SUPPORT,MUFFLER.....75, 77
BRAKE DRUM,ALXL.....37
BREAKER,15A,120VAC 1P,CSA.....93, 95, 97, 99
BREAKER,20A MINI,120VAC 1P,CSA.....93, 95, 97, 99
BREAKER,20A,120VAC 1P,CSA.....99
BREAKER,30A 250VAC 2P,CSA.....93, 95, 97, 99
BRKT,SOCKET MOGUL FO.....117
BRKT,TAILPIPE SUPPORT.....65
BRKT,TRUNION.....117
BUMPER REAR TOWER SUP.....49, 51, 53
BUMPER,RUBBER-1 X 1.25.....75, 77
BUSHING 11/16ODX1/2IDX1.032L.....111
BUSHING 2.5ODX13/16.....109
BUSHING FLANGE 1.25OD.....107
BUSHING, 3/4OD X 1/2ID *****.....111
BUSHING, 630DX.328ID .375T.....75, 77
BUSHING, SMALL PINION, FULTON.....107
BUSHING,WINCH ROLLER LOCK.....107
BUSHING,WNCH HANDL,0.5X2.0X3.5.....49, 51, 53

C
CABINET DOOR PANELC/S.....43, 45, 47
CABINET REAR PANEL(LG.....45, 47
CABINET SIDE PANEL CURBSIDE.....45, 47
CABINET SIDE PANEL ROADSIDE.....45, 47
CABINET SIDE PANELCS.....45, 47
CABINET SIDE PANELRS.....45, 47
CABINET TOP PANEL(GRI.....45, 47
CABLE HARDWARE FULTON WINCH.....107
CABLE,3/16",2EYE,11.25IN LONG.....103
CAP FUEL NVENT AL5 WITH TETHER.....25, 27, 29
CAP FUEL VENT AL5 WITH TETHER.....25, 27, 29, 31, 33, 35
CAP,RADIATOR,AL,KUBOTA DF-752.....57, 67
CAP,RADIATOR,KUBOTA D905.....57
CAPACITOR 24uF MH 60H.....41
CAPACITOR 25MF.....83

CAPACITOR, 8KW GENERATOR,5420.....11, 83
CAPACITOR, HPS,60HZ,BALLAST.....41
CAPACITOR,45 MF***OVAL.....11
CAPACITOR-ROUND 25MF.....11
CARTRIDGE, OIL FLTR, ISUZU 4LE.....11, 69, 71
CASTING,FIXTURE QUICK CONNECT.....117
CAT/MUFFLER, EXHAUST, 4LE2-T.....73
CHAIN JACK #12 ZP100FT/CARTON.....21, 23
CHAIN, SAFETY, SNAP HOOK.....23
CHAIN,SAFETY,3000#,3/8 X 30 IN.....21
CHECK VALVE - 1/4".....29
CLAMP 7/16 TO 25/32.....25, 27, 29, 67
CLAMP, HOSE.....79
CLAMP, HOSE, #36.....75, 77
CLAMP, RADIATOR HOSE, 4LE2-T.....79
CLAMP,CAPACITOR.....83
CLAMP,HOSE.....11, 57, 59, 67, 69, 71, 73
CLAMP,HOSE,KUBOTA WG750.....59
CLAMP,LENS (C41100720).....117
CLAMP,U-BOLT,1.5".....65
CLAMP,U-BOLT,2-1/8".....65, 75, 77
CLEVIS PIN STAINLESS.....103, 105, 109, 111, 113
COIL CORD W/JUN BOX,HW.....101
CONN,STRAIN RELIEF,1/2 NPT.....117
CONNECTOR 2 SCREW 1.25T-B.....93, 95, 97, 99
CONNECTOR 2 SCREW 3/4.....49, 51, 53, 55, 93, 95, 97, 99
CONNECTOR 3P FEMALE RECEPTACLE.....101
CONNECTOR 5P MALE RECEPTACLE.....41
CONNECTOR,7-POLE,TLITE,RND PIN.....101
CONNECTOR,BLADE,POS,TAILT, 7P.....101
CONNECTOR,TAIL LIGHT,6 POLE.....101
CONNECTOR,TAILLIGHT,4 PIN.....101
CONTROL BOX FACE PLT.....91
CONTROL BOX FACE PLT,EXT PWR.....89
CONTROL BOX,REAR.....91
CONTROL BOX,REAR,RODA.....89
CONTROL BOX,RIGHT SIDE,RODA.....89
CORD 10/4 SEO W-ABLAC.....101
CORD SET FEMALE 6FT 5.....93, 95, 97, 99
CORD SET MALE 5FT. 3P.....117
COTTER PIN 1/8X1 SSBIN STOCK.....103, 105, 107, 109, 111, 113
COTTER PIN 3/16X1.5 SS.....105
COTTER PIN 3/32X3/4 S.....109, 111, 113
COUPLER 2" BALL BULLDOG TMZ.....39
COUPLER 2-5/16" BALL BULLDOG T.....39
COUPLER, AIR INTAKE, 4LE2-T.....79
COUPLER,BALL,2 5/16.....39
COUPLER,BALL,2" CLASS II.....39
COVER PLATE CABINETTA.....49, 51, 53
COVER, RUBBER, EXTPOWER AL5.....55
COVER, V-BELT, ISUZU 4LE2.....75, 77
COVER,ADJ SCREW,ALXL,BRAKE.....37
COVER,AIR CLEANER,KUBOTA.....63
COVER,CONNECTOR BOX (116179).....83
COVER,JUNC BOX W/GSKT, 2 GANG.....101
CROSSARM STUD DRAWING 2851.....115
CROSSARM,4 LIGHT,AL SERIES,GLV.....115

Part Description Index (continued)

D

DECAL AL5 CONTROL PANEL 12KW &.....13, 17
 DECAL AL5 CONTROL PANEL 12KW E.....13, 17
 DECAL AL5 CONTROL PANEL 20KW E.....13, 17
 DECAL AL5 CONTROL PANEL 8KW.....13, 17
 DECAL COSM TEREX VENTED DOOR.....15, 19
 DECAL COSMETIC MODEL AL5.....13, 15, 17, 19
 DECAL ENGINE SPEC ISUZU 4LE2.....13
 DECAL INSTRUCTION AL4 AL5.....13
 DECAL, DANGER, CSA OUTDOOR USE.....13
 Decal, Instruction, Lamp Disposal.....15
 DECAL, LABEL, ARROW.....13, 17
 Decal, Label, Ground.....13, 17
 DECAL, WARN, CRUSH HAZARD,MAST.....13
 DECAL, WARNING BURN HAZARD.....13, 15
 DECAL, WARNING, CRUSH HAZARD.....13
 DECAL,BODILY INJURY SYMBOL.....19
 DECAL,BURN HAZARD SYMBOL.....17, 19
 DECAL,COSMETIC TEREX,AL5,AL5.....13, 15, 17, 19
 DECAL,DANGER,BATTERY SAFETY***.....13
 DECAL, DANGER, ELECTROCUTION HZD.....13, 15
 DECAL,DANGER,HAZARD VOLTAGE.....13, 15
 DECAL,DANGER,NO SMOKING.....13
 DECAL,DANGER-BURN/CO HAZARD.....13
 DECAL,ENGINE SPEC,V1505.....13
 DECAL,EXPLOSION HAZARD.....13
 DECAL,EXPLSION/BURN HAZ SYMB.....17
 DECAL,KUBOTA ENGINE SPECS.....13
 DECAL,LABEL,BURN/CO2 HAZARD.....17
 DECAL,LABEL,DIESEL FUEL.....13, 17
 DECAL,LABEL,LIFTING EYE.....13, 17
 DECAL,LABEL,NO SMOKING,SYMB.....17
 DECAL,LABEL,TIE DOWN DIAGRAM.....13, 17
 DECAL,LABEL,TRANSPORT TIEDOWN*.....13, 15, 17, 19
 DECAL,LABEL-CRUSH HAZ,TOWER.....17
 DECAL,LABEL-ELEC HAZ,DISTANCE.....17, 19
 DECAL,LABEL-ELEC HAZ,SERV MAN.....17, 19
 DECAL,SYMBOL-BATTERY SAFETY.....17
 DECAL,SYMBOL-READ THE MANUAL.....17
 DECAL,TIP HAZARD SYMBOL.....17
 DECAL,TIRE SPECIFICATION.....13
 DECAL,TOW SPEED SYMBOL.....17
 DECAL,WARN,CRUSH HAZARD HAND.....13
 DECAL,WARN,EXPLSION/BURN HAZ.....13
 DECAL,WARN,PROTECTIVE BARRIER.....15
 DECAL,WARN,READ MANUAL.....13
 DECAL,WARNING BURN HAZ.....13, 15
 DECAL,WARNING TIP-OVER HAZ.....13
 DECAL,WARNING TOW SPEED.....13
 DECAL,WARNING,CRUSH HZD,TOWER.....13
 DECAL,WARNING,CRUSHING.....13, 17
 DECAL,WARNING,CRUSHING HAZARD.....17
 DECAL,WARNING,TIP-OVER,SYM.....17
 DIODE,MARATHON.....11, 83
 DIP STICK, ISUZU 4LE2.....69, 71
 DIPSTICK, 4LE2-T.....73
 DIPSTICK,OIL,KUBOTA.....59, 67
 DOOR PNL EXT PWRACCES.....55

DRIVE DISC(C-107) MARATHON.....83

E

ELEC BOX, 12KW, 4L, RD,4PTL.....93, 99
 ELEC BOX, 12KW, 4L, XGFI,4PTL.....95
 ELEC BOX, 12KW, 6L, XGFI,4PTL.....95
 ELEC BOX, 12KW, 6L,4PTL.....99
 ELEC BOX, 20KW, 4L, RD,4PTL.....99
 ELEC BOX, 20KW, 4L, XGFI,4PTL.....95, 97
 ELEC BOX, 20KW, 4L,4PTL.....93
 ELEC BOX, 20KW, 6L, RD,4PTL.....99
 ELEC BOX, 20KW, 6L, XGFI,4PTL.....95, 97
 ELEC BOX, 20KW, 6L,4PTL.....93
 ELEC BOX, 8KW, 4L, RD,4PTL.....99
 ELEC BOX, 8KW, 4L, XGFI,4PTL.....95
 ELEC BOX, 8KW, 4L,4POLE T/L.....93
 ELEC BOX, 8KW, 6L, RD, 4PTL.....99
 ELEC BOX, 8KW, 6L,4POLE T/L.....93
 ELEC BOX, 8KW,4L,XTRA GFI.....95
 ELEC BOX,12KW,4L,RD.....99
 ELEC BOX,12KW,4L,XTRA GFI.....95
 ELEC BOX,12KW,6L,RD.....99
 ELEC BOX,12KW,6L,XTRA GFI.....95
 ELEC BOX,12KW,6LIGHT.....93
 ELEC BOX,20KW,4L,XTRA GFI.....95, 97
 ELEC BOX,20KW,6L,RD.....99
 ELEC BOX,20KW,6L,XTRA GFI.....95, 97
 ELEC BOX,20KW,6LIGHT.....93
 ELEC BOX,8KW,6L,RD.....99
 ELEC. BOX W/C-CORD.....93
 ELEC.BOX MOUNTINGBRKT.....89, 91
 ELEC.BOX W/C-CORD 4LT AC-DCKUB.....93
 ELEC.BOX W/C-CORD,RODA KUB.....99
 ELEC.BOX W/C-CORS,AC-DC,KUB.....93
 ELEC.BOX,W/C-CORD,12KW AC-DC.....93
 E L E M E N T K I T , M A I N
 KIT,FUEL,PRE-FILTER,ISUZU,TIER4.....73
 E L E M E N T K I T , M A I N
 FILTER,FUEL,ISUZU,TIER4.....73
 ELEMENT,AIR CLEANER,KUBOTA.....11, 63
 ELEMENT,AIR FILTER,DONALDSON.....11
 ELEMENT,FUEL FILTER,KUBOTA.....11, 67
 ELEMENT,OIL FILTER,ISUZU,TIER4.....73
 END BELL,MARATHON 20 KW GEN.....85
 ENG FOOT/RAD SUPPORT, ROADSIDE.....57
 ENG. MOUNT FOOT, 4LE2-T.....79
 ENGINE ACCESSORY TEMP SENDER.....61, 67
 ENGINE FOOT/RAD SUPPORT,CURBSD.....57
 ENGINE MOUNT L-BRKTIS.....81
 ENGINE RISER,2/75"H,FOR 1/2BLT.....57
 ENGINE,ISUZU,PUSHER,4LE2,1800R.....69, 71
 ENGINE,ISUZU,SUCKER,4LE2,1800R.....69, 71
 ENGINE,KUBOTA,D1105 PAK.....57
 EXCITER,ROTOR/RECTIFIER 20K.....85

F

FAN.....83
 FAN ASSY,COOLING,ISUZU,TIER4.....73, 79
 FAN, ISUZU 4LE, 1800RPM, PUSH.....75, 77
 FAN, ISUZU 4LE,1800RPM,SUCKER.....75, 77
 FAN, MARATHON 20 KW GENERATOR.....85
 FAN,PUSHER,KUBOTA 15263-12370.....59
 FENDER W/SKIRT,STEEL.....45, 47
 FENDER,PLASTIC,BLACK.....45, 47
 FILTER, AIR CLEANER, 4LE2-T.....79

FILTER,30 MICRON FUEL-WATER.....11, 69, 71, 121
 FILTER,FUEL,KUBOTA.....61, 67
 FILTER,FUEL,KUBOTA,W/O BRKT.....57
 FILTER,IN-LINE,FUEL,5/16".....11, 25, 27, 29
 FILTER,OIL,KUBOTA.....11, 61, 67
 FITTING 1/8,FITTING FOR DOWN T.....27
 FITTING 5/16,W TUBE 13.25 45D.....27, 31, 33, 35
 FITTING 5816,FITTING FOR DOWN.....27, 31, 33, 35
 FIXTURE MOUNT CUSHION.....21, 23
 FIXTURE MOUNTINGBRKT.....21, 23
 FIXTURE STOR.CUSH.BRK.....21, 23
 FLYWHEEL, 4LE2-T.....79
 FLYWHEEL, ISUZU 4LE2.....69, 71
 FOAM CABINET DOOR5430AL5/7000.....43, 45, 47
 FOAM, CABINET, DOOR, VENTED.....43, 45, 47
 FOOT,ENGINE MOUNT L BRACKET.....65
 FORMING LTBAR HOLDER LOWER.....21
 FORMING LTBAR HOLDER UPPER.....105
 FORMING ROCK GUARD BALLAST.....41
 FORMING ROCK GUARD SPILL PAN.....29
 FORMING, BRKT, AIR INTAKE, ISU.....75, 77
 FORMING, BRKT, RAD MOUNT, LOW.....81
 FORMING, BRKT, RAD MOUNT, REAR.....81
 FORMING, CABINET DOOR, VENTED.....43, 45, 47
 FORMING,BRACKET,RAD MOUNT,FRNT...81
 FORMING,FENDER SKIRT.....21
 FP-BALLAST BOX BOTTOM.....41
 FP-BALLAST BOX FRONT.....41
 FP-BALLAST BOX REAR.....41
 FP-BALLAST BOX TOP.....41
 FP-BATTERY HOLD-DOWN ROD.....49, 51, 53
 FP-BATTERY HOLDOWN ANGLE.....49, 51, 53
 FP-BUMPER PAD,KICKOUT SPRING.....105
 FP-CLAMP,SPARE TIRE BRACKET.....119
 FP-HASP CABINET DOOR.....49, 51, 53
 FP-LOCK LEVER, AL SERIES.....111
 FP-SHIM 3/16X2X19-3/4 PLASTIC.....111
 FRAME SPACER,K-1550.....107
 FREEWHEEL KIT,SUPERWINCH.....125
 FUEL PUMP, ISUZU 4LE2.....69, 71
 FUEL RAIL, 4LE2-T.....73
 FUEL TANK BRKT.2538 A.....25, 27
 FUEL TANK,30 GAL W DRAIN HOLE.....25, 27
 FUEL TNK ASSY,PLAS,30G,AL5&AL8.....25, 27, 29
 FUSE HOLDER,ATC BLADE,#16.....121
 FUSE,40 AMP,ATC.....69, 71
 FUSE,ATC BLADE,10A.....121

G

GASKET (52532) OIL DRAIN, D905.....59
 GASKET EXHST MANIFLD,ISUZU 4LE.....75, 77
 GASKET, FUEL HEATER.....121
 GASKET, HOUSING REFLECTOR BASE...117
 GASKET, MUFFLER, ISUZU 4LE2.....75, 77
 GASKET, MUFFLER, KUBOTA (FIBER.....59
 GASKET, THRMOST HSG, ISUZU 4LE.....75, 77
 GASKET,EXHAUST MANIFOLD,D905.....59
 GASKET,FUEL FILTER.....121
 GASKET,INJECTION PUMP.....61

GASKET,MUFFLER,KUBOTA D905/11.....59, 65
 GASKET,SOLENOID,KUBOTA.....61, 67
 GASKET,STRAIN RELIEF,1/2.....117
 GASKET,THERMOSTAT,ISUZU,TIER4.....73
 GASKET,TRIM LOCK SEAL,7/16".....55
 GASKET,WATER COLLECTOR.....121
 GASKET-DRAIN PLUG,ENG OIL PAN.....59
 GENERATOR, COLISEUM 15KW.....87
 GENERATOR, MARATHON 12K.....85
 GENERATOR, MARATHON 20KW.....85
 GENERATOR,8KW,240V,60HZ,MAR.....83
 GENSET,20K,60HZ,PUSHER.....69, 71
 GENSET,20K,60HZ,SUCKER.....69, 71
 GLOW PLUG, ISUZU 4LE2.....69, 71
 GLOW PLUG,ISUZU,TIER4.....73
 GREASE CAP, AXLE, 3000LB.....37
 GREASE,DIELECTRIC 4 OZ**.....11
 GRIP,HUBBLE 07401010.....101
 GROMMET DAPCO RUBBER SM.....27, 31, 33, 35
 GROUND CLAMP 3/4 MW 2.....49, 51, 53
 GROUND ROD STORAGE TUBE 4397.....49, 51, 53
 GUARD,FAN,KUBOTA.....57

H

HAMMERBLOW 033008COTTER PIN.....37
 HAMMERBLOW SPINDLE NUT,AXLE.....37
 HANDLE SOCKET RATCHET.....107
 HANDLE,CHROME,5.75".....49, 51, 53
 HANGER,AXLE REAR,1.25F.....21, 23
 HEATER, TOPLOAD FUEL, 100W/12V.....121
 HHC,M10-1.5 X 30, YELLOW ZINC.....79, 81
 HHC,M10-1.5 X 45, YELLOW ZINC.....81
 HINGE, BUTT.....47
 HINGE,PIANO,1.5"W X 55.75"L.....45
 HINGE,STAINLESS STEEL,BLACK.....55
 HITCH RING,COMBO,16"LENGTH.....39
 HITCH,2.5"RING,6 TON.....39
 HITCH,3"RING,6TON.....39
 HITCH,RING,BOLT-ON 2.5" ID.....39
 HOSE.....79
 HOSE FITTING PIPE/BAR.....11, 25, 29, 61, 121
 HOSE FITTING PIPE/BARB 1/8MX.....25, 27
 HOSE FITTING PIPE/BARB, 1/4".....25, 27, 29
 HOSE, INTAKE, KUBOTA D1105.....63
 HOSE, STRAIGHT, AIR INTAKE, IS.....75, 77
 HOSE,FUEL,1/4"ID,PUSH LOK,200#.....25, 27, 29, 57
 HOSE,FUEL,1/8"ID.....11, 25, 27, 29
 HOSE,FUEL,5/16"ID.....11, 25, 27, 29, 31, 33, 35, 61, 67
 HOSE,OIL,3/8 0250PS1.....59, 65
 HOSE,RADIATOR,LOWER,KUBOTA.....11, 57
 HOURMETER,DIGITAL,RECTANGULAR...93, 95, 99
 HOUSING, FLYWHEEL ISUZU 4LE2.....69, 71
 HOUSING, THERMOSTAT, ISUZU 4LE.....75, 77
 HUB SPACER.....83

I

IDLER HUB,ALXL.....37
 IGNITION SWITCH,LEVER OPR.....93, 95, 97, 99
 INJECTOR, FUEL, 4LE2-T.....73

INNER BEARING.....37
 INTAKE FILTER SIDE MANUAL AIR.....121
 ISOLATOR, ENGINE MOUNT.....57, 65
 ISOLATOR, RADIATOR, LOWER.....81
 ISOLATOR, RADIATOR, UPPER.....81
 ISOLATOR,ENGINE,390LB.....75, 77, 79, 83, 85, 87
 ISOLATOR,ENGINE,70D.....85
 ISUZU 4LE 8972249990FAN BELT.....11
 ISUZU 4LE UPPER RADIATOR HOSE.....69, 71
 ISUZU FAN GUARD.....81
 ISUZU FUEL FILTER.....11
 ISUZU OPERATORS MANUAL.....69, 71

J

JACK,MECHANICAL,3000LB.....123
 JUMPER-GLOW PLUG.....61

K

KIT COIL CORD W JUNCTION BOX.....101
 KIT COIL CORD WO/ JUNCTION BOX.....101
 KIT, DUAL TANK RETROFIT.....29
 KIT,AXLE,U-BOLT & PLATE & NUTS.....21, 23
 KIT,ELEC.COMP.BOX,ISU/RODA,20K.....99
 KIT,ELECT.BOX,MNTG,2-CC.....49, 51, 53
 KIT,SHACKLE SHOULDER BOLT ASSY.....21, 23
 KIT- CABLE ASSY LOWER 1/4" AL4.....125
 KIT- WINCH - SOCKET FULTON.....107
 KIT-WINCH SAFETY LOCK.....107
 KIT-WINCH W/SAFETY LO.....107
 KIT: V1505 TAILPIPE MOUNT.....65
 KIT:ALTERNATOR WIRING,KUBOTA.....101
 KIT:BATTERY CABLE AL5/AL8.....101
 KIT:BOOK BRACKET TO CAB.....49, 51, 53
 KIT:CABINET,BOLT-TOGETHER.....43, 45, 47
 KIT:ELEC.CONTROL BOX ASSY.....89, 91
 KIT:GROUND ROD TO CAB.....49, 51, 53
 KIT:HOSE/CLAMP ISUZU.....69, 71
 KIT:KUBOTA OVER-FLOW.....67
 KIT:LOCK SLIDE PIN W/.....105
 KIT:MUFFLER (KUB) SPACER.....59
 KIT:RODA DEACO WIRING.....99
 KIT:RODA-DEACO MOUNTING.....99
 KIT:TOWER,30',6"ROUND TUBE.....109
 KIT:TWR,30'CBL TO PIVOT POST.....105
 KUBOTA 01123-50820 BOLT.....59, 61
 KUBOTA 15111-72200 WASHER.....57
 KUBOTA 15263-12370BAND PIPE.....63
 KUBOTA 16221-73270GASKET.....59
 KUBOTA 16259-73430.....59, 65
 KUBOTA 66711-54520COV.....59
 KUBOTA BAND, MUFFLER.....59
 KUBOTA BELT COVER.....59
 KUBOTA BOTTOM HOSE,D1105.....11, 67
 KUBOTA CUSHION.....57
 KUBOTA DYNAMO STAY.....59
 KUBOTA ENGINE 1505 T41 PACK.....65
 KUBOTA EXHAUST MANIFOLD.....59
 KUBOTA FAN GUARD,D1105.....65
 KUBOTA FLANGE BOLT.....59, 65
 KUBOTA GLOW PLUG.....61
 KUBOTA HEAD COVER GASKET.....59
 KUBOTA HOSE,D905, D1105.....57, 59
 KUBOTA INJECTOR PUMP, D1105.....61
 KUBOTA KIT, HOLDER,NOZZLE.....61
 KUBOTA NUT.....59

KUBOTA O-RING.....59
 KUBOTA OIL FILLER PLUG,V1305.....59
 KUBOTA OIL FILTER,D1105.....11
 KUBOTA OVER FLOW PIPE.....61
 KUBOTA OVERFLOW PIPE.....61
 KUBOTA PUSHER FAN,D1105.....65
 KUBOTA RAD ISOLATOR BOLT.....57
 KUBOTA SNAP PIN.....57
 KUBOTA TOP HOSE,D1105.....11, 67
 KUBOTA WATER PIPE.....57, 59
 KUBOTA WATER PIPE 16241-73350.....59

L

LABEL, CSA NEUTRAL BOND TO GND.....13
 LABEL, ELECTRIC WINCH.....13, 17
 LABEL, WINCH, RAISE & LOWER.....13, 17
 LABEL,BLANK,4X5,CHROME POLY***.....13, 17
 LABEL,TRAVEL LOCK.....13, 17
 LAMP HPS 1000W LU1000CSA APPVD....117
 LAMP MH 1000W M1000/U SYL.....117
 LATCH ASSEMBLY.....49, 51, 53
 LATCH,PUSH-BUTTON,BLACK W/KEY.....55
 LENS GASKET FOR LIGHT FIXTURE.....117
 LENS W/GASKET (C41100720).....117
 LIGHT FIXTURE,MH,AL4,RL4,AL5.....117
 LIGHT,DOME, 12V DC.....119
 LIGHT,LED IND. RED 12V NH.....93, 95, 99
 LIGHT,LICENSE TAG W/BACKET.....49, 51, 53
 LIGHT,RECESSED,TAIL/STOP/TURN.....49, 51, 53
 LIGHT,SIDE MKR,AMBER,RECESSED.....49, 51, 53
 LIGHT,SIDE MKR,RED,RECESSED.....49, 51, 53
 LITERATURE RACK FOR CABINET.....49, 51, 53
 LOCKNUT, CONDUIT 3/4CSA APPVD.....49, 51, 53, 55
 LOCKNUT,CONDUIT,1/2 CSA APPVD.....117
 LOCKWASHER,10MM.....65
 LOWER RADIATOR HOSE.....69, 71

M

MA-CABLE ASSEMBLY 1/4.....103
 MA-GROUND ROD 5/8 X 59.....49, 51, 53
 MA-PIN LOCK SLIDE WITH RING.....105
 MA-SHACKLE/SHOULDER BOLT ASSY.....21, 23
 MAGNET SPRING,ELEC BRAKE,ALXL.....37
 MAGNET,ELEC BRAKE, ALXL.....37
 MANIFOLD, EXHAUST, ISUZU 4LE2.....75, 77
 MANIFOLD,MULTI-FUNCTION, S40.....85
 MANUAL, INSTRUCTION, ISUZU 4LE.....69, 71
 MANUAL, OP, COLISEUM 15 KW.....87
 MANUAL, OP, MARATHON 12K.....85
 MANUAL, OP, MARATHON 20K.....85
 MANUAL, OPERATOR'S, AL4.....11
 MANUAL, PARTS, AL4.....11
 MANUAL, SERVICE, AL4.....11
 MANUAL,AEM SAFETY.....11
 MANUAL,OP,KUBOTA,D1105,TIER 2*.....65
 MANUAL,OP,MARATHON GENERATOR.....11, 83
 MANUAL,OPER,KUBOTA DIESEL****.....11
 MANUAL,OPERATORS,PERKINS,403D.....11

Part Description Index (continued)

MARATHON SUPPRESSOR/VARISTOR....11, 83
 MARATHON VOLTAGE REGULATOR....85
 MNT,CYL,M/M 1/4-20X.75 1.0 OD....65
 MUFFLER ASSY....75, 77
 MUFFLER BRACE....57
 MUFFLER,KUBOTA....59
 MUFFLER,KUBOTA BOX TYPE....65

N

NUT....73, 119
 NUT HEX HEAD JAM 3/4-.....25, 27
 NUT LOCK NYLON INSERT....75, 77, 109
 NUT LOCK NYLON INSERT 3/8.....31, 41, 45, 47, 55, 111, 115, 119, 121
 NUT LOCK NYLON INSERT,10-32JAM....49
 NUT, TL, 1/4-20, C, ZAG....21, 23, 43, 45, 47, 49, 51, 53, 55, 57, 65, 75, 77, 81, 105, 115
 NUT,7/16,FH,ZINC,BRAKE, ALXL.....37
 NUT,EXHAUST MANIFLD,ISUZU 4LE2....75, 77
 NUT,EXHAUST MANIFOLD....59
 NUT,FLANGE,7/16-20, TOP LOCK....21, 23
 NUT,HEX M10-1.5.....85
 NUT,HEX,1-8.....39
 NUT,HEX,8-32....93, 95, 97, 99
 NUT,HEX,JAM,1/2-13.....107
 NUT,LOCK,3/8-16.....107
 NUT,LOCK,8-32....93, 95, 97, 99
 NUT,NYLOCK,1/2-13.....21, 23, 39, 83, 85, 87, 107
 NUT,NYLOCK,1/2-13 GR2....45, 47, 57, 65, 75, 77, 79, 105, 111
 NUT,NYLOCK,1/2-20.....109
 NUT,NYLOCK,5/16-18.....31, 33, 35, 119
 NUT,NYLOCK,5/8-11.....39
 NUT,NYLOCK,M10X1.50.....81
 NUT,TL FLG,3/8-16,G,ZAG....23, 25, 27, 29, 49, 51, 53
 NUT,TL FLG,M8-1.25,DIN6927,10,ZAB....47
 NUT,WHEEL, 1/2 X 20.....37, 119
 NUT,WING 3/8-16 ZP....21, 23
 NUTSERT 5/16-18 UNCP/....55
 NUTSERT,8-32 (833543).....117

O

O-RING....83
 O-RING KIT (ORFS FITTINGS).....11
 O-RING KIT,FIELD SVC,ALL PROD*.....11
 OIL PAN, ISUZU 4LE2....75, 77
 OIL SWITCH, ISUZU 4LE2....69, 71
 OUTRIGGER 3X2X33REARAL5000....21, 23, 123
 OUTRIGGER,3X2X32.5,GALVANIZED....21, 23, 123
 OWNERS MANUAL, 4LE2-T....73

P

PAINT, AEROSOL, TRAFFIC BLACK....11
 PAINT,AEROSOL,BRIGHT BLUE***....11
 PAINT,AEROSOL,GENIE GRAY***....11
 PAINT,WET,GENIE BLUE (1 GL)**....11
 PAINT,WET,GENIE GRAY (1 GL)**....11
 PANEL,CNTL BOX FACE,8 LIGHT....89
 PARKER DIGITAL PRESSURE GAUGE....11
 PICK-UP T,DUAL TANK RETROFIT....29
 PIGTAIL,FUEL SOLENOID,KUBOTA....101
 PIN 1X9-1/4 TOWER PIVOT....105

PIN COTTERLESS HITCH1....21, 23
 PIN QUICK 1/4X 1.75 ZP....39, 49, 51, 53
 PIN W/RING 3/4X11,HORZ LOCK....49, 51, 53
 PIN,PLUNGER,OUTRIGGER, KIT....123
 PINION GEAR AND DISC K-1550....107
 PIPE FITTING STR ELBO....25, 29
 PIPE PLUG 1/4 GALV....121
 PIPE PLUG 1/8 CS....25, 27
 PIPE,INJECTOR 1,D905,D1105....61
 PIPE,INJECTOR 2,D905,D1105....61
 PIPE,INJECTOR 3,D905,D1105....61
 PLATE COIL CORD CAB MOUNT....49, 51, 53
 PLATE, RAD MOUNT, LOWER....81
 PLATE,2 COIL CORD, CAB MT....49, 51, 53
 PLATE,CTRL BOX RIGHT, GFI....89, 91
 PLATE,CTRL BOX,BOTTOM....89, 91
 PLATE,CTRL BOX,LEFT EXT PWR....89, 91
 PLATE,FACE,CNTL BOX,4LT W/GFI....89
 PLATE,RH,CNTRL BOX....89, 91
 PLATE,SIDE,COMBO HITCH,BOLT-ON....39
 PLATE,TOP&SIDE,CNTRL BOX....89
 PLATE,TOP,BRACKET,MUFFLER....75, 77
 PLATE,TOP,CNTRL BOX....89, 91
 PLUG AND CAP KIT-SERVICE,37 **....11
 PLUG AND CAP KIT-SERVICE,ORFS*....11
 PLUG, 4", CAPPLUG....49, 51, 53
 PLUG, DAPCO....27
 PLUG, DEUTSCH, 6PIN BACKED....97
 PLUG, ENGINE OIL, D1105....59
 PLUG,DRAIN,FUEL TANK....25, 27
 PLUG,ENGINE OIL DRAIN,D-905***....59
 PMA-GENSET-KUBOTA 1505 12KW....65
 POT COVER....83
 PULLEY, FAN, ISUZU 4LE2....75, 77
 PULLEY, FAND DRIVE, ISUZU 4LE2....75, 77
 PULLEY,FAN,KUBOTA, D-905,GS68....59
 PUMP ASSY,WATER,ISUZU,TIER4....73
 PUMP,FUEL, 12VDC....25, 27, 29
 PUMP,WATER,KUBOTA....59, 65

R

RACE,ALXL,840377,841050....37
 RAD. ASSY.+SHROUD, 4LE2-T....73, 79
 RAD. HOSE ASSY,4LE2-T....73
 RADIATOR HOSE,KUBOTA....11, 57
 RADIATOR, ISUZU 4LE....81
 RADIATOR, KUBOTA, D905 & D1105....57
 RADIATOR,KUBOTA A-47....67
 RATCHET ARM FULTONWI....107
 RATCHET GEAR,K-1550 1/2" I.D....107
 RATCHET KIT (K-1500,K-1550)**....107
 REAR TOWER SUPPORT 1CC, AL5....49, 51, 53
 RECEP 30A 120/240V 4 POLE....93, 95, 97, 99
 RECEP 30A 20V 3POLE....93, 95, 97, 99
 RECEPTACLE 20A 120V DUPLEX GFI....93, 95, 97, 99
 RECTIFIER, MARATHON 12K....85
 Ref, GENERATOR....63
 REFLECTOR & LENS ASSY STD FIX....117
 REFLECTOR (C41100720)....117
 REFLECTOR,SCOTCHLITE,2"X18"....13, 17
 RELAY 12V DC 30A NO OR....93, 95, 97, 99
 REMOTE OIL DRAIN, 4LE2-T....73
 RETAINER,SPRING,1.21 X .375....23
 RETAINING RING....107
 RETRACTOR SPRING,E BRK,ALXL....37
 RETURN T,DUAL TANK RETROFIT....29

RING,REINFORCING (C41100720)....117
 RIVET POP 1/8X.390 GR....117
 RIVET,POP,SS,3/16"X1/2" BLIND.....45, 49, 51, 53, 111, 113
 RODA DACO MANUAL SHUTDOWN....121
 RODA DEACO MAN, SHUTDOWN, 2".....75, 77
 ROLL PIN 1/4 X1-5/8....105

S

SCREEN ASY W/SPGS....83
 SCREW....79
 SCREW #10-24NCX1/2RD....119
 SCREW #10-32NFX3/4 LO....53
 SCREW 1/2-13NCX1-1/2H....21, 23, 45, 47, 49, 51, 53
 SCREW 1/4-20NCX5/8 HW....25, 27, 29, 43, 45, 47, 49, 51, 53, 55, 67
 SCREW 3/8-16NCX1 HHC GR....103
 SCREW 3/8-16NCX1-1/4H....31
 SCREW 5/16-18NCX3/4 HHC....21, 23, 55
 SCREW FLANGE 1/4 -20X....57
 SCREW, 3/8 X 4" HHCS....31
 SCREW, PANHEAD, 10-32 X 5/8....49, 51, 105
 SCREW,HH SLOT,1/4 X 0.75....41
 SCREW,HH SLOT,8-32X1....117
 SCREW,HHC,1/2-13 X 1.25....117
 SCREW,HHC,1/2-13 X 1.5....117
 SCREW,HHC,1/2-13 X 2 GR5....21, 23
 SCREW,HHC,1/2-13 X 3....65, 111
 SCREW,HHC,1/2-13 X 3 G....105
 SCREW,HHC,1/2-13 X 3.25....85, 87
 SCREW,HHC,1/2-13 X 3.5 GR8....45, 47, 75, 77, 79
 SCREW,HHC,1/2-13 X 4 G....21, 23, 39
 SCREW,HHC,1/2-13 X 4.5,GRD.8....39
 SCREW,HHC,1/2-13 X 5.5,GRD.8....39
 SCREW,HHC,1/2-13 X 6....39
 SCREW,HHC,1/2-13 X 6 GR8 ZP....39
 SCREW,HHC,1/2-13 X 6.5....57
 SCREW,HHC,1/2-13X4,GR8....83
 SCREW,HHC,1/4-20 X 0.75....49, 51, 53
 SCREW,HHC,1/4-20 X 1....21, 23, 49, 51, 53
 SCREW,HHC,1/4-20 X 3/4 GR2 ZP....21, 23, 45, 47
 SCREW,HHC,1/4-20X.75,8,ZAG....49, 51, 53
 SCREW,HHC,1/4-20X1,8,ZAG....115
 SCREW,HHC,1/4-20X2.00,GR8....105
 SCREW,HHC,1/4-20X6 1/2,ZINC....75, 77
 SCREW,HHC,10MM-1.5X258.8,ZINC....75, 77
 SCREW,HHC,3/8-16 X 1....49, 51, 53
 SCREW,HHC,3/8-16 X 1 GR 5 ZP....105
 SCREW,HHC,3/8-16 X 1.25....83, 85, 87, 121
 SCREW,HHC,3/8-16 X 1.25 GRD 5....29
 SCREW,HHC,3/8-16 X 3.75....45, 47, 111
 SCREW,HHC,3/8-16 X 4.5 ZP....115, 119
 SCREW,HHC,3/8-16 X 5 GRD 5 ZNC....23
 SCREW,HHC,3/8-16 X 5.5 GRD 8....107
 SCREW,HHC,3/8-16 X 6....107
 SCREW,HHC,3/8-16 X 7/8....103
 SCREW,HHC,3/8-16 X 8.5....25, 27
 SCREW,HHC,5/16-18 X 0.5 IN....105
 SCREW,HHC,5/16-18X.75,GR8,Y....83, 85, 87, 119
 SCREW,HHC,5/8-11X4.50,GR8,Y....39
 SCREW,HHC,M10 X 25MM,GR 8.8....75, 77
 SCREW,HHC,M10X1.25 X 35MM GR 8....57, 65
 SCREW,HHC,M8 X 20MM,F.TH.GR8.8....81

SCREW,HHC,M8-1.25 X 45MM ZP.....59
 SCREW,M8 X 35MM.....59
 SCREW,PHILLIPS,PHM,8-32 X .5.....93, 95, 97, 99
 SCREW,PHM,10-24 X 5/8.....117
 SCREW,PHM,6-32 X .25.....93, 95, 97, 99
 SCREW,PHM,8-32X3/8.....117
 SCREW,RH,6-32 X 5/8.....101
 SCREW,RHM,6-32X5/8.....117
 SCREW,RHM,8-32 X .50.....93, 95, 97, 99
 S E A L M A R K E R , C R O S S
 CHECK,BLUE,TUBE.....11
 SEAL,GREASE (SL173).....37
 SERIAL LABEL,BLANK,4X8,CHROME*.....13, 17
 SHACKLE,AXLE,4-5/8" LONG.....21, 23
 SHEAVE 3-1/8 X15/16.....109, 111, 113
 SHEAVE SPOOL 3 X2-1/2.....105
 SHIM 1/4X2X3-3/16 PLASTIC.....111
 SHIM 3/16X2X3-3/16 PLASTIC.....111
 SHIM 3/8X2X2X2.25 PLASTIC.....113
 SHIM 5/16X2X2-1/4 PLASTIC.....113
 SHIM 5/16X2X3-3/16 PLASTIC.....111
 SHOE AND LINING KIT,ALXL,ELEC.....37
 SHOE AND LINING KIT,ALXL,HYD.....37
 SHOE HOLD DOWN SPRING,ALXL.....37
 SHROUD, COOLING FAN, 4LE2-T.....79
 SHUTDOWN ,OVERSPEED,RD.....99
 SLEEVE,COIL CORD,AL4,AL5.....111
 SLEEVE,WIRE,FIBERGLASS.....117
 SNAP RING,JACK (841430).....21, 23, 123
 SOCKET BASE-MOGUL.....117
 SOLENOID W/BACKET SUPERWINCH...125
 SOLENOID,FUEL,3 WIRE,KUBOTA.....61
 SOLENOID,KUBOTA D9/1105 SHTDWN....61, 67
 SPACER .5 ID 1.25ODNO. 5968.....107
 SPACER FRAME 1PWR ACC.....55
 SPACER, DRUM BOLT, K-1550.....107
 SPACER,MUFFLER,KUBOTA 6013.....59
 SPACER,PINION SHAFT.....107
 SPACER,SIDE,COMBO,HTCH,BOLT-ON.....39
 SPARE TIRE MT,5 LUG WHEEL.....119
 SPIDER, MH/HPS.....117
 SPILL CONTAINMENT PAN.....31
 SPRING EYE BUSHING.....21, 23
 SPRING,COIL,1/2 X 2.25.....105
 SPRING,GAS,16",80LBS.....49, 51, 53
 SPRING,KICKOUT,0.262X1.75,AL S.....105
 SPRING,LEAF FOR AXLE, 4 PLY.....21, 23
 STARTER, ISUZU 4LE2.....75, 77
 STARTER,DENSO,12V/4LE2PV01,ISUZU,TIER4.79
 STARTER,KUBOTA,D1105/905.....59, 65
 STOP SOLENOID, ISUZU 4LE2.....69, 71
 STRAP SUPPORT 60 GAL.....31, 33, 35
 STUD, F10-1.5 X 40 DOUBLE GVD.....85
 STUD,EXHAUST MANIFLD,ISUZU 4LE.....75, 77
 STUD,EXHAUST MANIFOLD.....59
 SVC KIT, FRICTION DISC K/KX.....107
 SVC KIT,TAILLIGHTS,AL.....101
 SWITCH PUSH-BUTTON W/BOOT.....93, 95, 99
 SWITCH, RPM CONTROL.....97
 SWITCH,LOW OIL PRESS,KUBOTA.....59, 65

T

T-HANDLE.....117
 TAILPIPE COVER.....49, 51, 53

TAILPIPE, ISUZU EXHAUST.....75, 77
 TAILPIPE, ISUZU EXHAUST, TOP.....75, 77
 TAILPIPE,8K EXHAUST.....59
 TANK ACCESSORY DIPTUB.....25, 29
 TANK STRAP.....31, 33, 35
 TANK,RECOVERY,COOLANT,KUBOTA.....57, 67
 TEE,HOSE,BRASS,1/4.....29
 TERMINAL BLOCK.....83
 TERMINAL STRIP,CE.....117
 THERMOSTAT.....59
 THERMOSTAT COVER.....59
 THERMOSTAT, ISUZU 4LE2.....75, 77
 THERMOSTAT,ISUZU,TIER4.....73
 TONGUE B-O-H W/JACKBR.....21, 23
 TOWER BASE ROT.TWR.30.....105
 TRANSFORMER 120/24VAC.....99

U

U BOLT, EXHAUST, 4LE2-T.....73

V

V-BELT,ISUZU,TIER4.....73
 V-BELT,KUBOTA.....11, 59, 65
 VALVE COVER, D905.....59
 VALVE,AIR CLEANER,KUBOTA.....63
 VALVE,OIL DRAIN,KUBOTA.....65
 VALVE,PLASTIC DRAIN.....121
 VENT T,DUAL TANK RETROFIT.....29
 VIBRATION MOUNT,35".....57

W

WASHER.....79
 WASHER FLAT 1/2ZP...57, 75, 77, 79, 83, 111
 WASHER FLAT 1/45/8 SBIN.....43, 45, 47, 49, 51, 53
 WASHER FLAT 1/4ZPLENSETBIN.....45, 47, 49, 51, 53, 75, 77
 WASHER FLAT 1S/S 18-8BIN.....105
 WASHER FLAT 3/8 ZP SAE BIN.....55, 83, 85, 121
 WASHER FLAT 3/8USS ZPBIN.....31, 41, 45, 47, 65, 75, 77, 105, 115, 119
 WASHER FLAT 5/16ZP SAE/BIN.....119
 WASHER FLAT BONDED3/1.....119
 WASHER FLAT C816L S/S.....107
 WASHER FLAT FENDER1/2.....65, 75, 77, 79, 85, 87
 WASHER LOCK 1/2ZP.....21, 23, 39, 45, 47, 49, 51, 53, 57, 117
 WASHER LOCK 1/4ZP.....75, 77
 WASHER LOCK 3/8ZP....83, 85, 87, 103, 105, 121
 WASHER LOCK 5/16 ZP BIN....21, 23, 59, 83, 85, 87
 WASHER LOCK STAR 1/2E.....117
 WASHER LOCK STAR 3/8.....21, 23
 WASHER RUBBER BUNA-N.....25, 27
 WASHER, 5/16".....31, 33, 35
 WASHER, LOCK, M8, INTERNAL TOO.....81
 WASHER,CLAMP,RUBBER(833543).....117
 WASHER,FLAT,.375 X 1.5 X .125.....103
 WASHER,FLAT,1.000,HARDENED.....39
 WASHER,FLAT,1/2 SS 18-8 BIN.....45, 47
 WASHER,FLAT,3/4 ZP.....25, 27
 WASHER,FLAT,3/8,HARDENED,YZ.....81
 WASHER,FLAT,SAE 1/4",ZINC.....21, 23, 49, 51, 53

WASHER,FLAT,SNUB 1/2X2-3/4 ZN.....57, 83
 WASHER,FLAT,USS,1/2",Y.....21, 23, 39, 49, 51, 53, 85, 87
 WASHER,FLAT,USS,1/4"Y.....115
 WASHER,FLAT,USS,3/8",Y.....23, 25, 27, 29, 49, 51, 53
 WASHER,FLAT,USS,5/16",Y.....47
 WASHER,FLAT,USS,5/8",Y.....39
 WASHER,LOCK,#6 SS.....93, 95, 97, 99
 WASHER,LOCK,.25.....81
 WASHER,LOCK,M10.....75, 77, 79, 81
 WASHER,LOCK,M10 ZP.....57, 75, 77, 85
 WASHER,LOCK,STAR 3/4 E.....115
 WASHER,M8,ZINC.....81
 WASHER,PLAIN,1".....37
 WASHER,RUBBER SEAL.....121
 WATER COLLECTOR AY.....121
 WATER OUT,PIPE 4LE2-T.....73, 79
 WELDMENT, CHASSIS.....21, 23
 WELDMENT,CONTAINMENT TANK.....29
 WELDMENT,DOOR LOUVER
 ASSEMBLY.....43, 45, 47
 WHEEL CYLINDER, LH, ALXL.....37
 WHEEL CYLINDER, RH, ALXL.....37
 WHEEL/TIRE ASSY,15",205/75 LRC.....21, 23
 WINCH BRACKET, DRUM BOLT LOCK.....107
 WINCH HANDLE W/TUBE 1 X 29LG...105, 107
 WINCH PINION PLATE, K-1550.....107
 WINCH W/SOLENOIDS 4000LB.....125
 WING NUT, FIXTURE,RL4,AL4,AL5.....115
 WIRE HARN,AC,60HZ,1-240V&1-GFI.....101
 WIRE HARN,DC,IN CTRL BOX,2006....93, 95, 99, 101
 WIRE HARN,ENG,ISUZU,4LE1,AL5.....69, 71, 101
 WIRE HARN,ENG,KUBOTA,DC,2006.....93, 95, 97, 99, 101
 WIRE HARNESS,TAIL LIGHTS.....101
 WTHRSRIP, 1/4" X 1/2"W.....45, 47

Z

ZERK,GREASE,1/8 NPT.....109

—

— GENERAL SERVICE PARTS11
 — GENERATOR, MARATHON MODELS
 —.....11
 — ISUZU 4LE1PV02 MODELS11
 — KUBOTA D1105 MODELS11
 — KUBOTA D1505 T1 MODELS11
 — MANUALS11

California Proposition 65



WARNING

Operating, servicing and maintaining this equipment can expose you to chemicals including engine exhaust, carbon monoxide, phthalates, and lead, which are known to the State of California to cause cancer and birth defects or other reproductive harm. These chemicals can be emitted from or contained in other various parts and systems, fluids and some component wear by-products. To minimize exposure, avoid breathing exhaust, do not idle the engine except as necessary, service your equipment and vehicle in a well-ventilated area and wear gloves or wash your hands frequently when servicing your equipment or vehicle and after operation. For more information go to www.P65Warnings.ca.gov/passenger-vehicle.

Breathing diesel engine exhaust exposes you to chemicals known to the State of California to cause cancer and birth defects or other reproductive harm.

- Always start and operate the engine in a well-ventilated area.
- If in an enclosed area, vent the exhaust to the outside.
- Do not modify or tamper with the exhaust system.
- Do not idle the engine except as necessary.

For more information go to www.P65warnings.ca.gov/diesel.