

LAYMOR



TM

SWEEPMASTER 300
PARTS MANUAL

01 May 2015

9107139

Discount-Equipment.com

Safety Precautions

- Always wear safety goggles when working with or testing the hydraulic system.
- Always relieve pressure from the hydraulic system before performing any maintenance or service actions on lines, valves, cylinders, and motors.
- Always check the temperature of hydraulic components before performing any maintenance or service actions. Hydraulic systems run at very high temperatures, and contact with hot hydraulic fluid can cause serious burns or injury.
- Always set the parking brake before any maintenance or service actions to prevent the sweeper from rolling. Chock wheels when required.
- Always have an operator in the seat when performing any test with the engine running.
- When trying to locate hydraulic leaks, use a piece of cardboard or paper. NEVER use your hand to locate leaks. High pressure hydraulic fluid leaks can penetrate the skin and cause severe injury.

California Proposition 65 Warnings

- Diesel engine exhaust and some of its constituents are known to the State of California to cause cancer, birth defects, and other reproductive harm.
- Battery posts, terminals, and related accessories contain lead and lead compounds, chemicals known to the State of California to cause cancer and birth defects or other reproductive harm. **WASH HANDS AFTER HANDLING THESE ITEMS.**

Towing Instructions

- 1. ...
- 2. ...
- 1. ...
- 2. ...

Discount Equipment

Discount-Equipment.com is your online resource for commercial and industrial quality equipment sales and rentals. We sell worldwide for the brands Genie, Terex, Stihl, JLG, Multiquip, Mayco, Stone, Diamond Products, Airman, Mustang, Power Blanket.

Locations:

Florida (West Palm Beach) – [561-964-4949](tel:561-964-4949)

Outside Florida TOLL FREE: 877-690-3101

Need parts? Check out our website at www.discount-equipment.com

Can't find what you need? Click on this link:

<http://www.discount-equipment.com/category/5443-parts/> and fill out the request form.

Make sure you have your machines model and serial number available in order to help us get you the correct parts. One of our experienced staff members will get back to you with a quote for the right part that your machine needs.

Brushes and Filters Quick Reference

6-3/8" Wafers and Combo Boxes

P/N	Description
100000	2 d
100000	2 d
101000	2 d in
0000	2 d r d
0000	2 d r d
0001	21 d
0001	21 d
0002	21 d in
0010	21 d r d
0012	21 d r d
0000	r
1000000	2 d 2
1000000	2 d 2 2
1010000	2 d in 2
0000000	2 d 0
0000000	2 d r d 0
0001000	21 d 0
0001000	21 d 0
0002000	21 d in 0
0001000	21 d r d
0001200	21 d r d

Complete Brush Kits

P/N	Description
100000	2 d d
100001	2 d 12 12 in d
100100	2 d d
100000	2 d in d
100000	2 d d r
100000	21 d 12 12 in d r
100000	21 d in d r
100000	2 d d
100002	2 d 12 12 in d
100101	2 d d
100000	2 d in d
100001	2 d d r
100000	21 d 12 12 in d r
100000	21 d in d r

Brushes and Filters Quick Reference - Cont.

Filters List

Item	P/N	Description	Qty
1	00002	000000 0	1
2	00000	0r0 0r00000	1
	010120	000000r0000000	1
	0101000	000r00 0dr000000000000	2
	010000	000r00 0dr000000000r00000	1
	010100	0 0r0000000r00000	1
	000000	0r00 0000r0r0 0r0	1
	00000	000000r00 0000r	1

Table of Contents

Section 1. Chassis

1-1	Frame Assembly	1-2
1-2	Fork Assembly	1-4
1-3	Tow Hitch Assembly (Optional)	1-6
1-4	Tire Wheel and Lug Nut Assembly	1-8
1-5	Dash Assembly	1-10
1-6	Ignition Key Identification	1-12
1-7	Seat Assembly	1-14
1-8	Speed Pedal Linkage Assembly	1-16
1-9	Brake Pedal Assembly	1-18
1-10	Steering Assembly	1-20
1-11	Tail Light Mount	1-22
1-12	Engine Protection Module	1-24

Section 2. Hydraulic Components

2-1	Hydraulic System Hoses and Fittings	2-2
2-2	Manifold Block	2-6
2-3	Wheel Drive Motors	2-8
2-4	Wheel Drive Motor Assembly	2-10
2-5	Hydraulic Broom Motor Assembly	2-12
2-6	Piston Pump	2-14
2-7	Auxiliary Pump	2-16
2-8	High Pressure Filter Assembly	2-18
2-9	Low Pressure Filter Assembly	2-20
2-10	Steering Cylinder	2-22
2-11	Broom Lift Cylinder	2-24
2-12	Broom Swing Cylinder	2-26

Section 3. Brakes

3-1	Surge Brake Actuator	3-2
3-2	Brake Line Assembly	3-4
3-3	Brake Hubs	3-6
3-4	Hydraulic Disconnect With Brake Assembly	3-8
3-5	Wheel Disconnect With Brake Assembly	3-10
3-6	Parking Brake Assembly	3-12

Section 4. Electrical

4-1	Wiring Harness Assembly	4-2
4-2	Tail Light Assembly	4-4
4-3	Battery Assembly	4-6
4-4	Hub Disengage Warning System	4-8

Table of Contents - Cont.

Section 5. Broom

5-1	Hood Assembly	5-2
5-2	Broom Assembly	5-4
5-3	Broom Frame Assembly	5-8
5-4	Water Pump	5-10
5-5	Broom Kits	5-11

Section 6. Decals

6-1	Decal Kit	6-2
-----	-----------------	-----

Section 7. Engine Components

7-1	Main Drivetrain Assembly	7-2
7-2	Radiator Assembly	7-5
7-3	Fuel System Assembly	7-7
7-4	Air Cleaner and Pre-Cleaner Assembly	7-9
7-5	Hood Assembly	7-11

Section 8. Options

8-1	Light Kit (Front and Rear)	8-2
8-2	Water Tank Assembly	8-4
8-3	Sprinkler Assembly	8-6

Section 9. General Service Information

9-1	Specifications	9-2
9-2	Torque Recommendations	9-4
9-3	Broom Core Replacement	9-5
9-4	Broom Wafer Replacement	9-5
9-5	Replacement of Convolute (Spacer-less) Wafers	9-5
9-6	Neutral Creep Adjustment	9-5

Section 10. Hydraulic System Servicing

10-1	Introduction	10-2
10-2	Troubleshooting	10-3
10-3	High Pressure Filter Replacement	10-3
10-4	Drive Motor Seal Test	10-4
10-5	Hydraulic Cylinders Servicing	10-4
10-6	Hydraulic Pressure Relief Valve Adjustment	10-4
10-7	Broom Drive Motor Test	10-8

Table of Contents - Cont.

Section 11. Brake/Wheel System Servicing

11-1 Introduction 11-2
11-2 Wheel Disconnect and Brake Assembly Servicing 11-3
11-3 Surge Brake Actuator Maintenance 11-4
11-4 Surge Brake Master Cylinder Servicing 11-6

Appendix A. Torque Requirements

A-1 When to Use Torque Limits A-1
A-2 When To Use Adapters With Torque Wrenches A-1
A-3 How To Use Adapters With Torque Wrenches A-1
A-4 How to Use Torque Tables A-1

This page left intentionally blank.

Discount-Equipment.com

Section 1. Chassis

Component	Page
1-1 Frame Assembly	1-2
1-2 Fork Assembly	1-4
1-3 Tow Hitch Assembly (Optional).....	1-6
1-4 Tire Wheel and Lug Nut Assembly	1-8
1-5 Dash Assembly	1-10
1-6 Ignition Key Identification	1-12
1-7 Seat Assembly	1-14
1-8 Speed Pedal Linkage Assembly	1-16
1-10 Steering Assembly	1-20
1-11 Tail Light Mount	1-22
1-12 Engine Protection Module.....	1-24

PARTS LIST

Figure 1-1. Frame Assembly

PARTS LIST

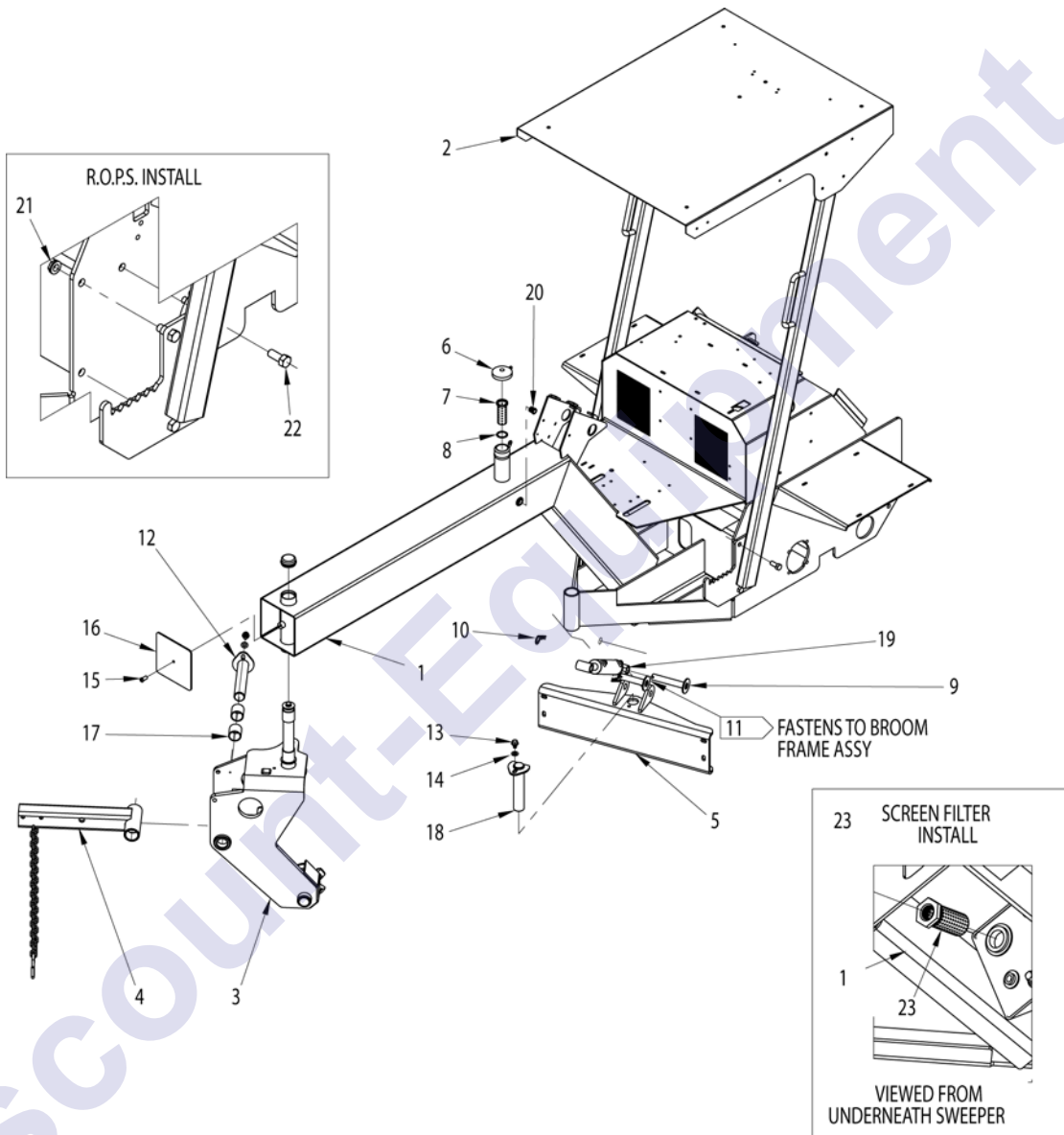
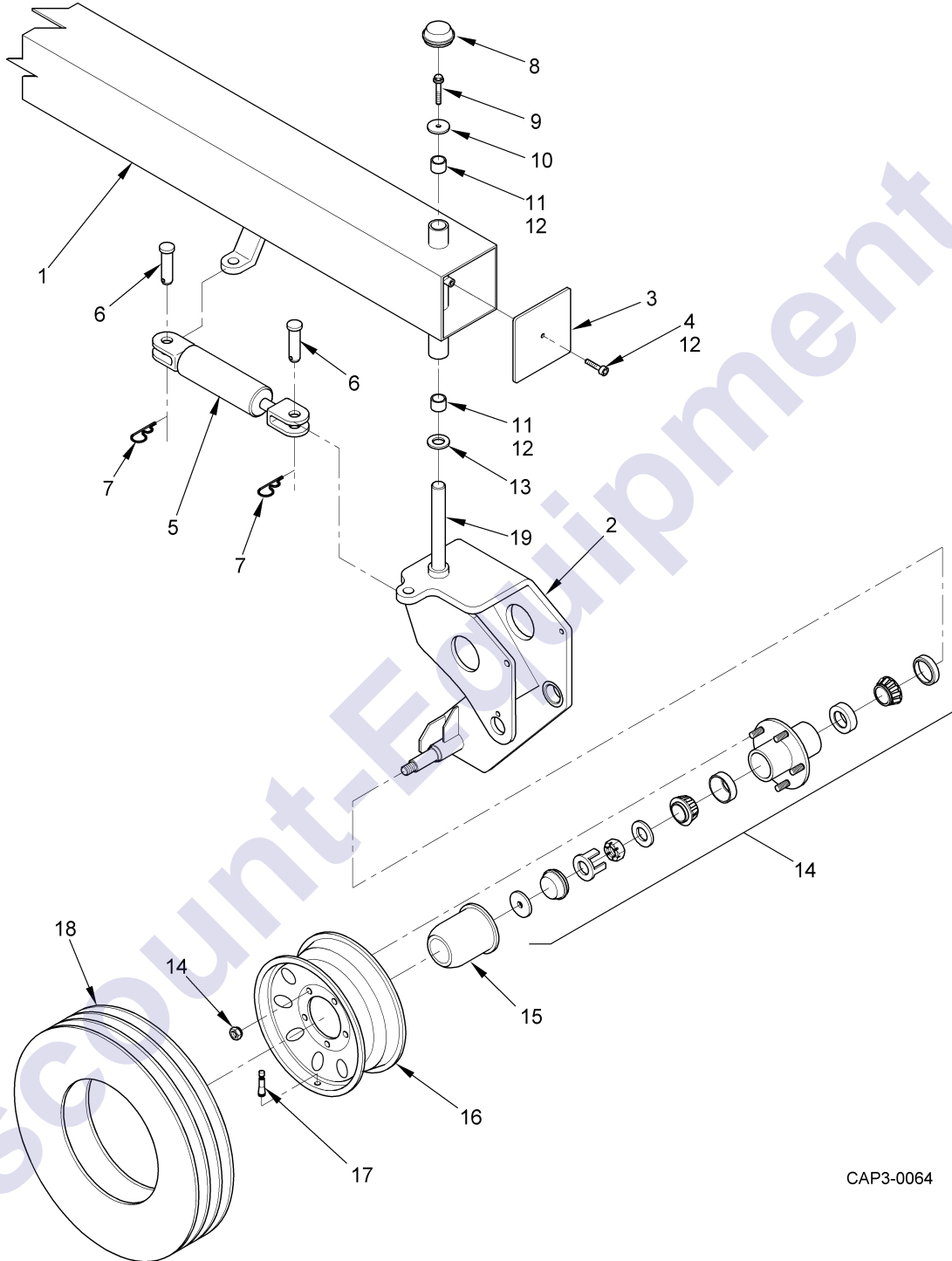


Figure 1-2. Fork Assembly

PARTS LIST



CAP3-0064

Figure 1-3. Tow Hitch Assembly (Optional)

PARTS LIST

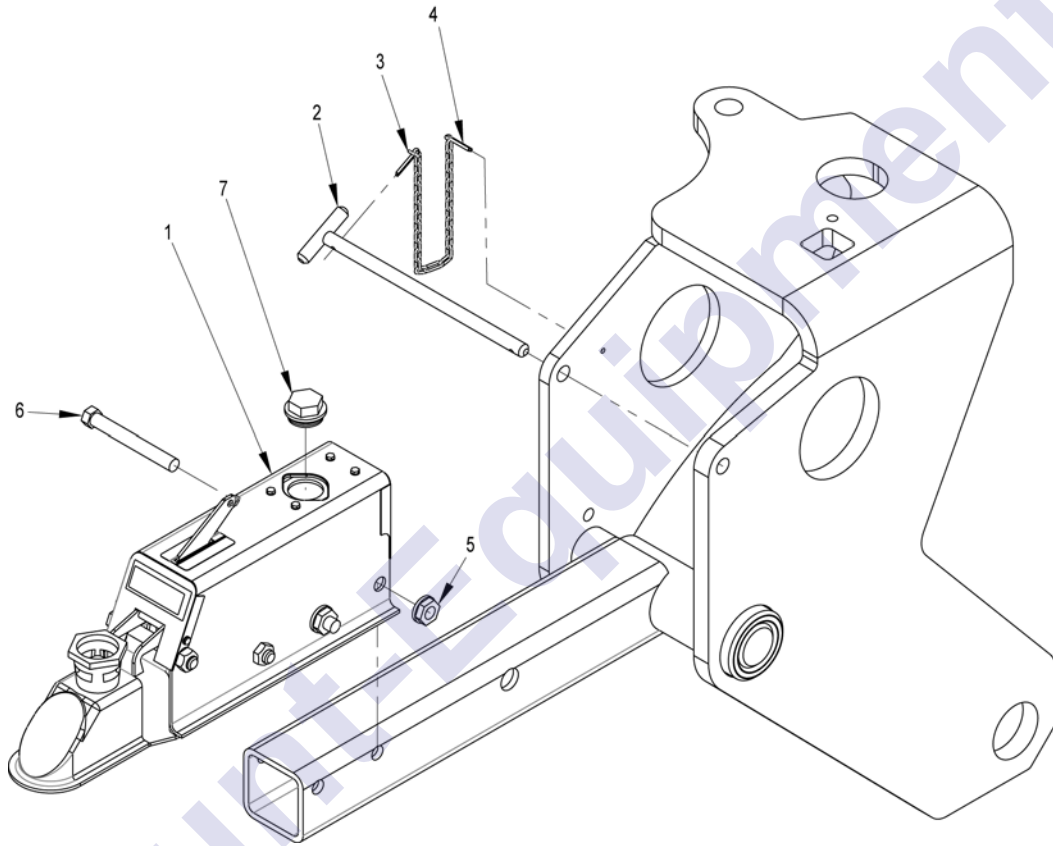
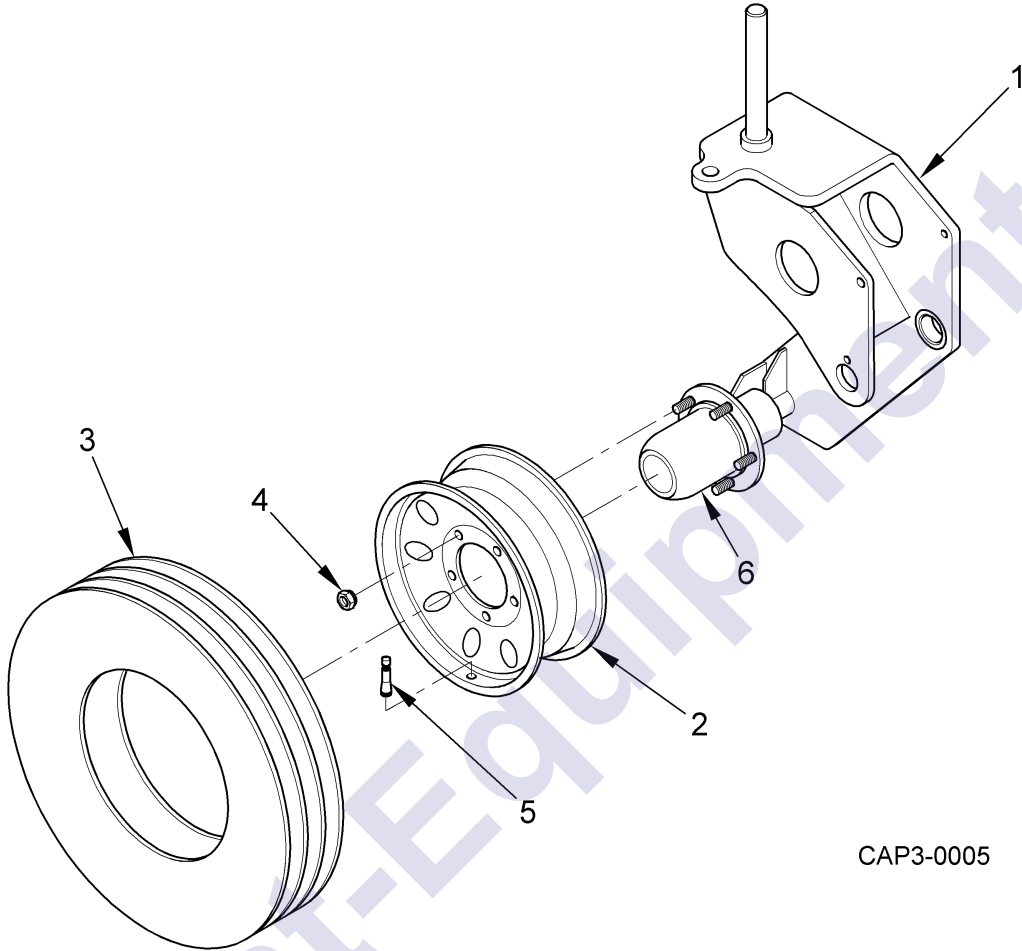


Figure 1-4. Tire Wheel and Lug Nut Assembly



CAP3-0005

Item	P/N	Description	Qty
	374694	Tire Wheel & Lug Nut Assembly	
1	000000	Wheel Assembly	1
2	100000	Hub	1
	100000	20x2.25-16 Tire	1
	000000	Lug Nut	1
	020020	Washer	1
	020000	Bracket	1

PARTS LIST

Discount-Equipment.com

Figure 1-5. Dash Assembly

PARTS LIST

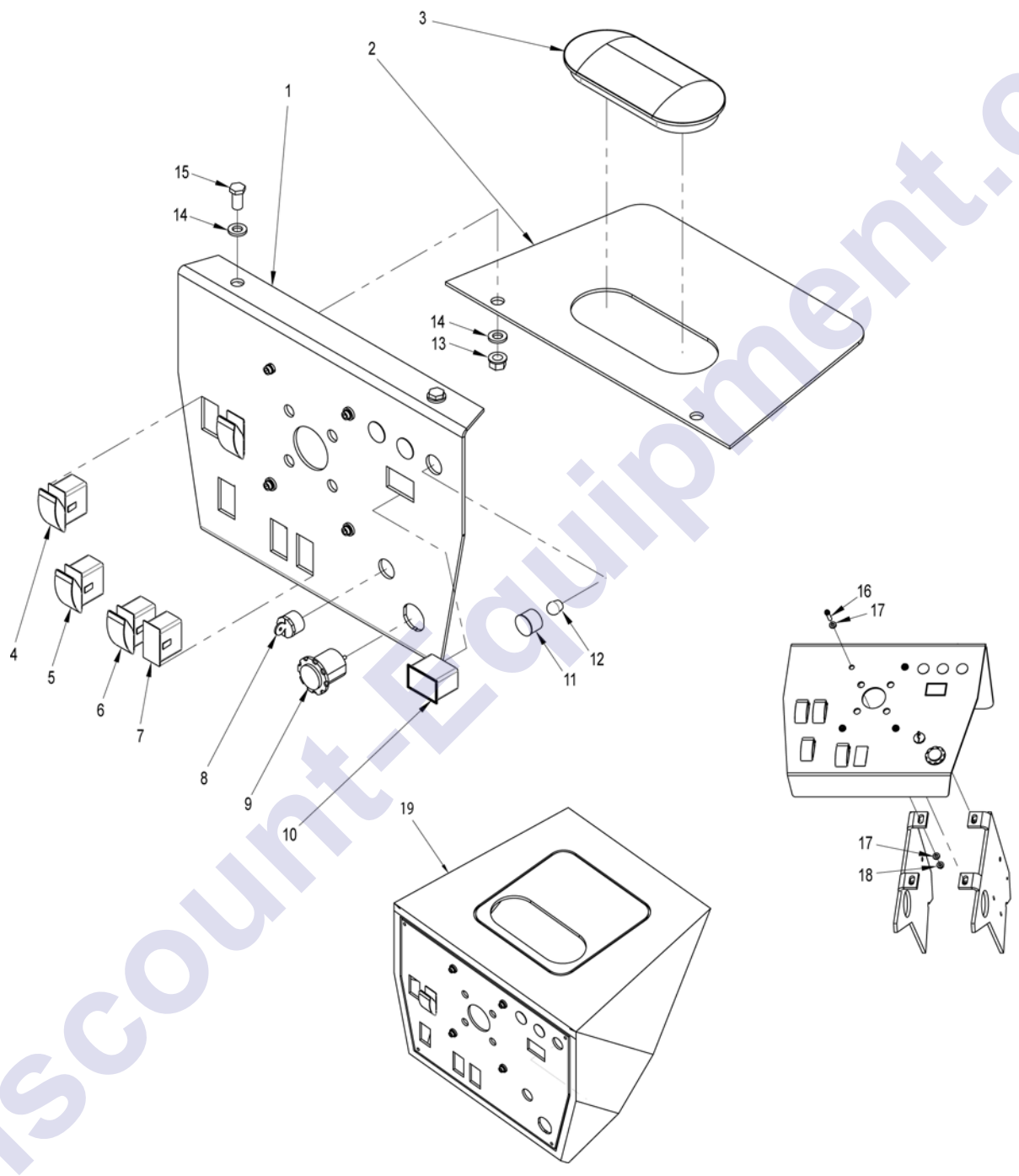
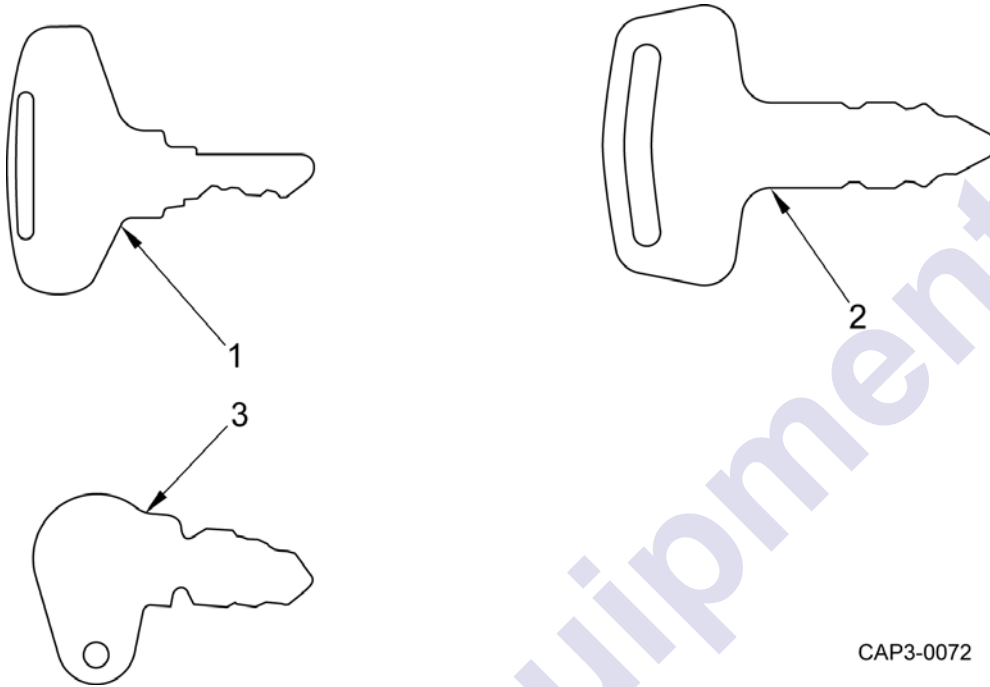


Figure 1-6. Ignition Key Identification



CAP3-0072

PARTS LIST

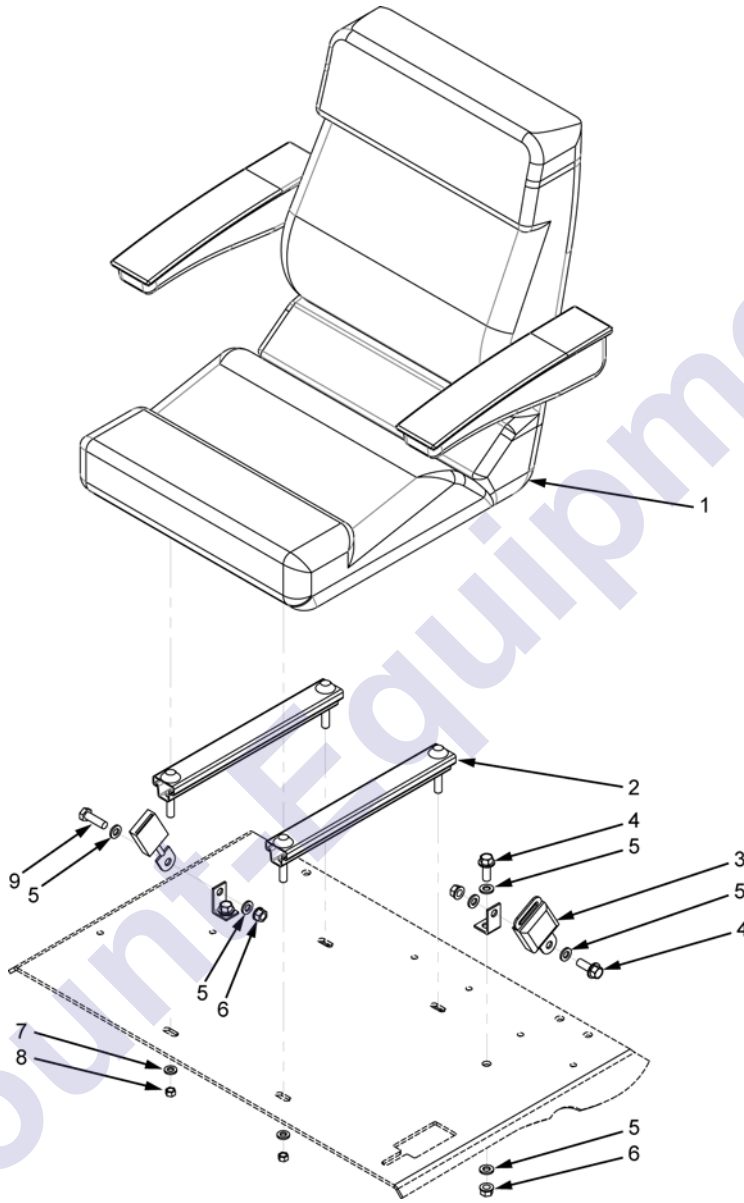
Item	P/N	Description	Qty
1	1012		1
	101		1
2	00		1
	02		1
	0		1
	0		1

PARTS LIST

Discount-Equipment.com

Figure 1-7. Seat Assembly

PARTS LIST



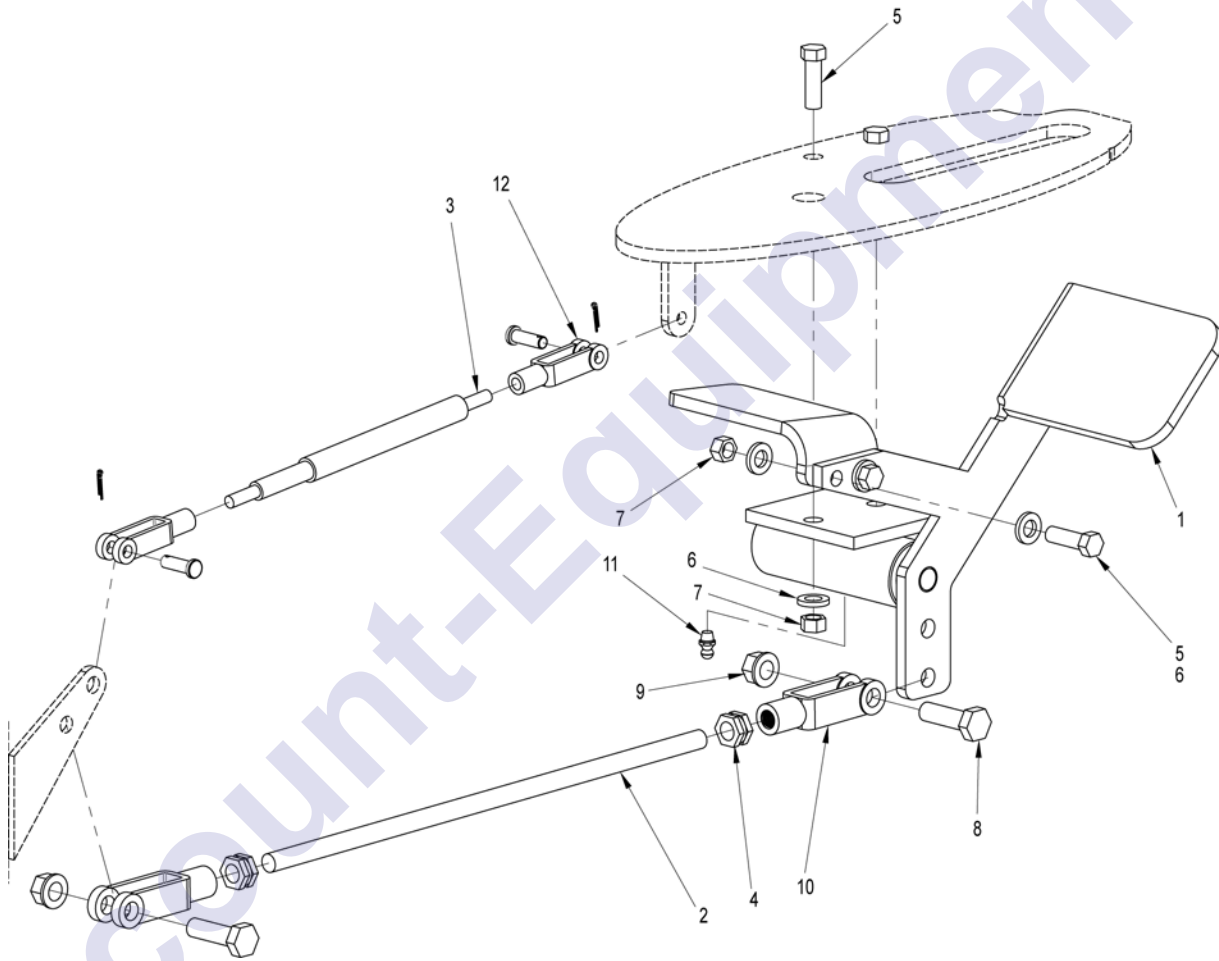
Item	P/N	Description	Qty
	472689	Seat Assembly	
1	□□2□□□	□□□□	1
2	0□□□1□	□□□□□□□□□□□□□□□□□□	1
□	□□□□□□	□□□□□□□□□□	1
□	□1□□□□	□□□□	□
□	011□2□	□ □□□□r	□
□	□□1□□□	□□□□	□
□	011□22	□ □□□□r	□
□	0□□□□□	□□□□□□□□	□
□	0□□□2□	□□□□	□

PARTS LIST

Discount-Equipment.com

Figure 1-8. Speed Pedal Linkage Assembly

PARTS LIST



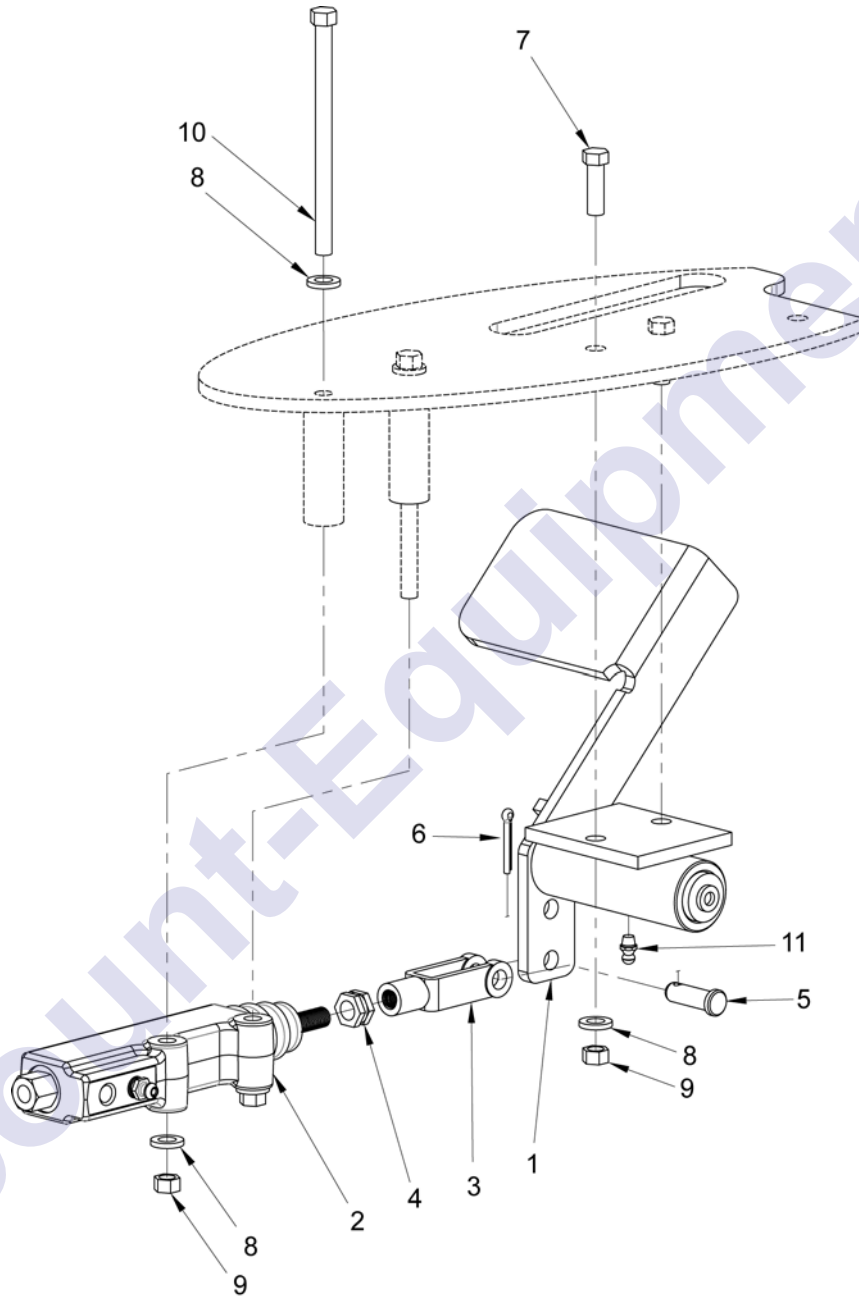
Item	P/N	Description	Qty
	100240	Speed Pedal Linkage Assembly	
1	10010		1
2			1
	100200		1
	2000000		2
	00100		
	01122		
	00000		1
	00020		1
	00100		2
10	00100		1
11	00101		1
12	001010		2

PARTS LIST

Discount-Equipment.com

Figure 1-9. Brake Pedal Assembly

PARTS LIST

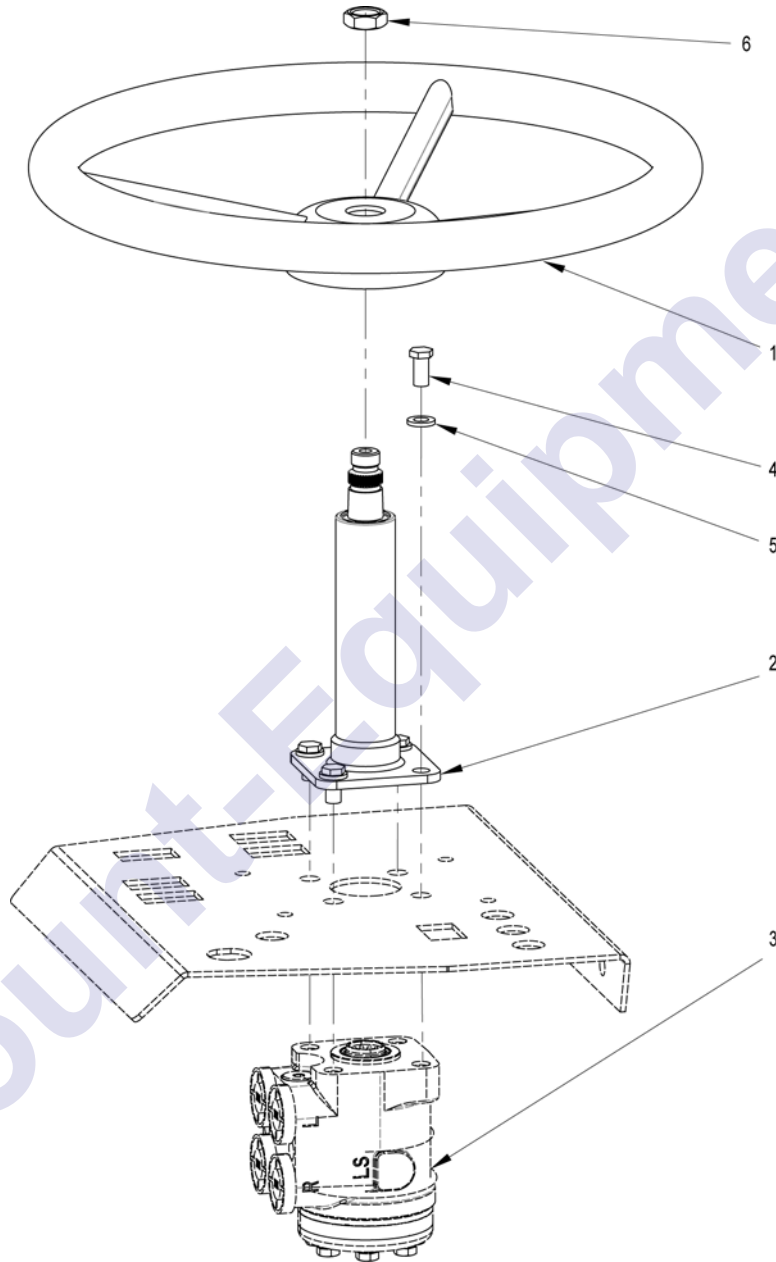


Item	P/N	Description	Qty
	100241	Brake Pedal Assembly	
1	1000	Brake Pedal	1
2	1000	Master Cylinder	1
	001	Pin	1
	020000	Pin	1
	02	Pin	1
	0101	Pin	1
	00100	Pin	2
	01122	Pin	0
	0	Pin	0
10	010	Pin	2
11	00101	Pin	1

PARTS LIST

Discount-Equipment.com

Figure 1-10. Steering Assembly



PARTS LIST

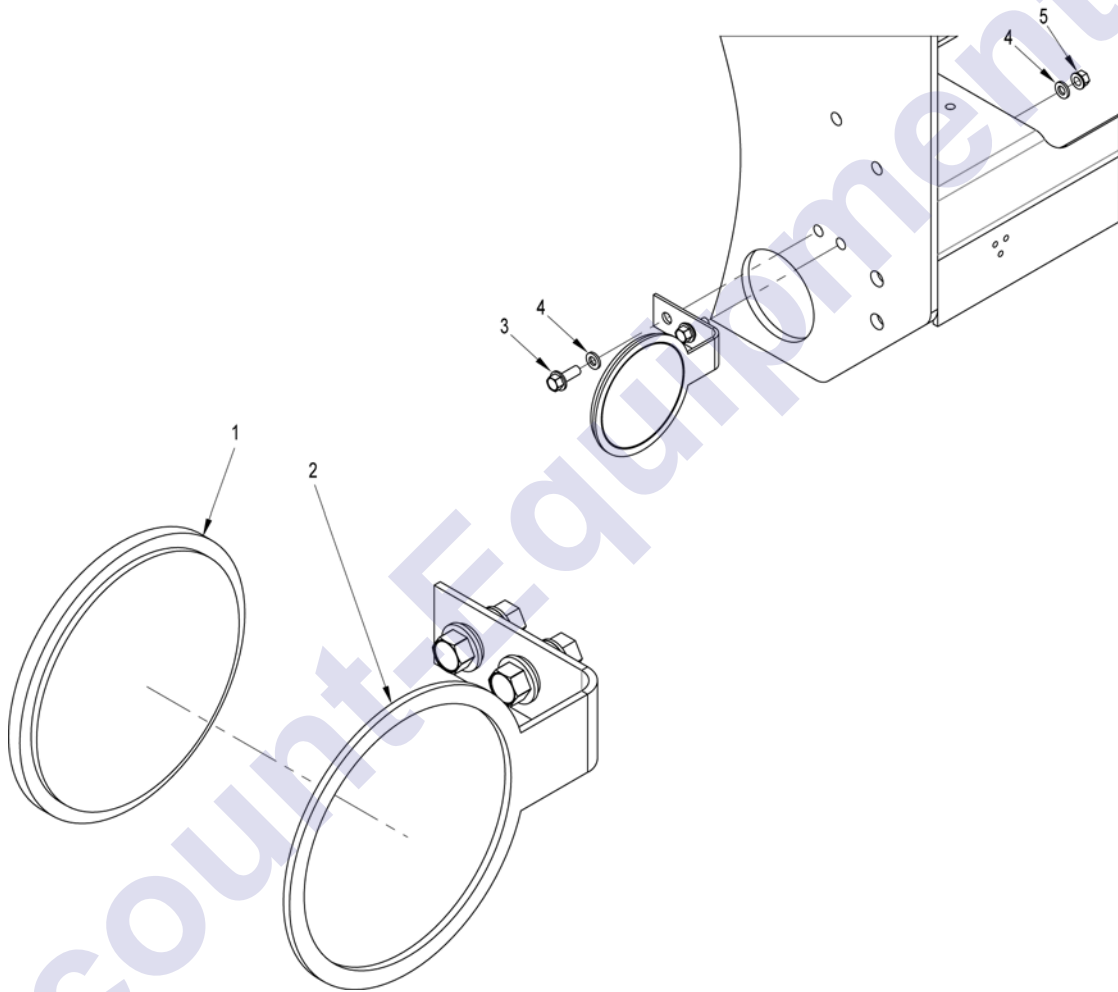
Item	P/N	Description	Qty
	100242	Steering Assembly	
1	1000□□	□□□□□□□□ □□□□	1
2	1000□□	□□□□□□□□ □□□ □□□□□□ □□	1
□	1000□2	□□□□□□□□□□□□□□□□□□□□□□	1
□	□□1□□□	□□□□	□
□	011□2□	□ □□□□r	□
□	□10□1□□	□□□□□□□□□□d□ □□□□□□□ 2□	1
□	□□□□□□	□□□□r	1

PARTS LIST

Discount-Equipment.com

Figure 1-11. Tail Light Mount

PARTS LIST



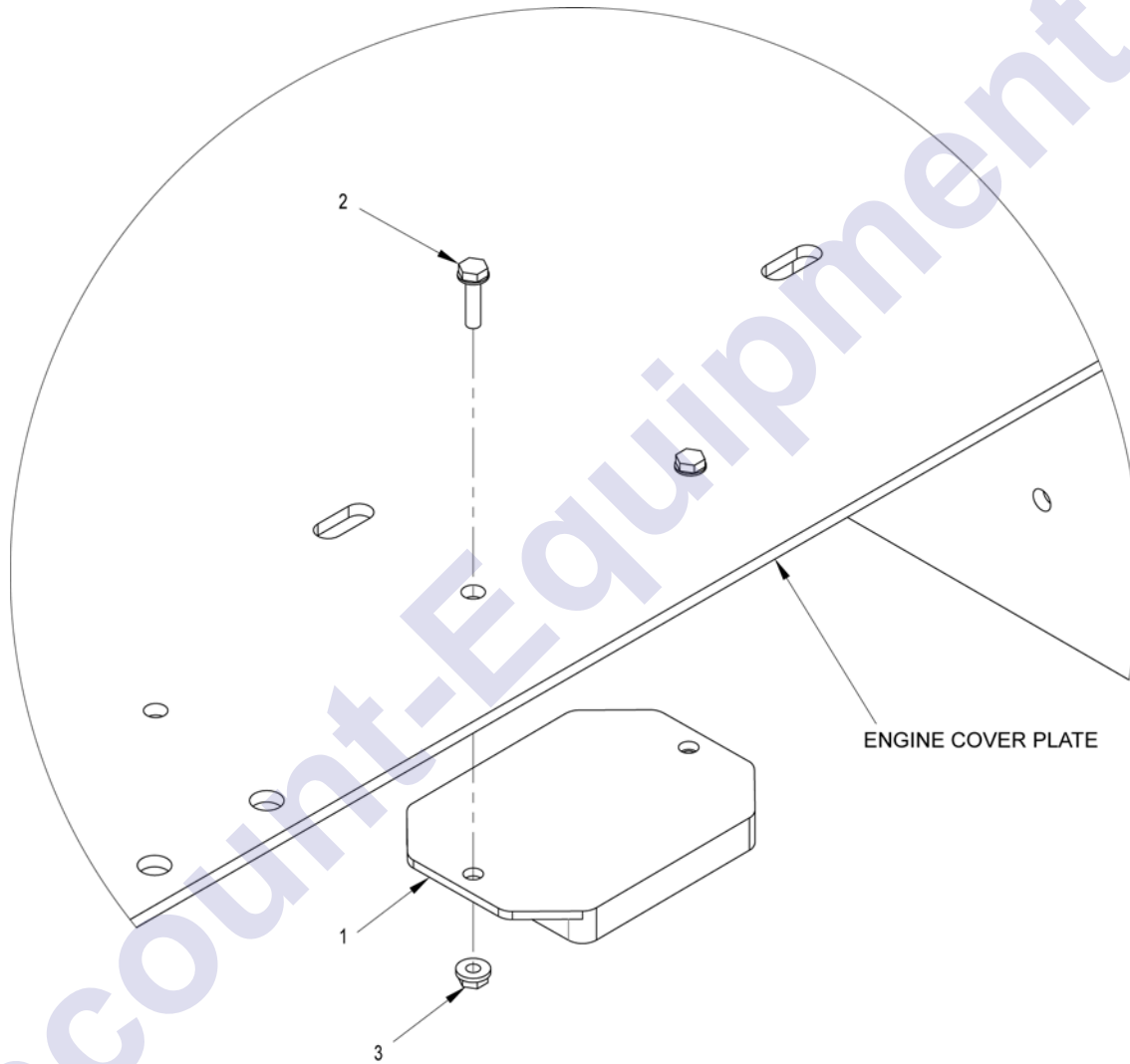
Item	P/N	Description	Qty
	100244	Tail Light Bracket	
1	1001		2
2	10010		2
	1		
	011		
	1		

PARTS LIST

Discount-Equipment.com

Figure 1-12. Engine Protection Module

PARTS LIST



Item	P/N	Description	Qty
	374967	Engine Protection Module	
1	□□□22□	□□□□□□□□□□□□□□□□ (Mod□□)	1
2	□□1□2□	□□□	2
□	□□0□2□	□□□	2

PARTS LIST

Discount-Equipment.com

This page left intentionally blank.

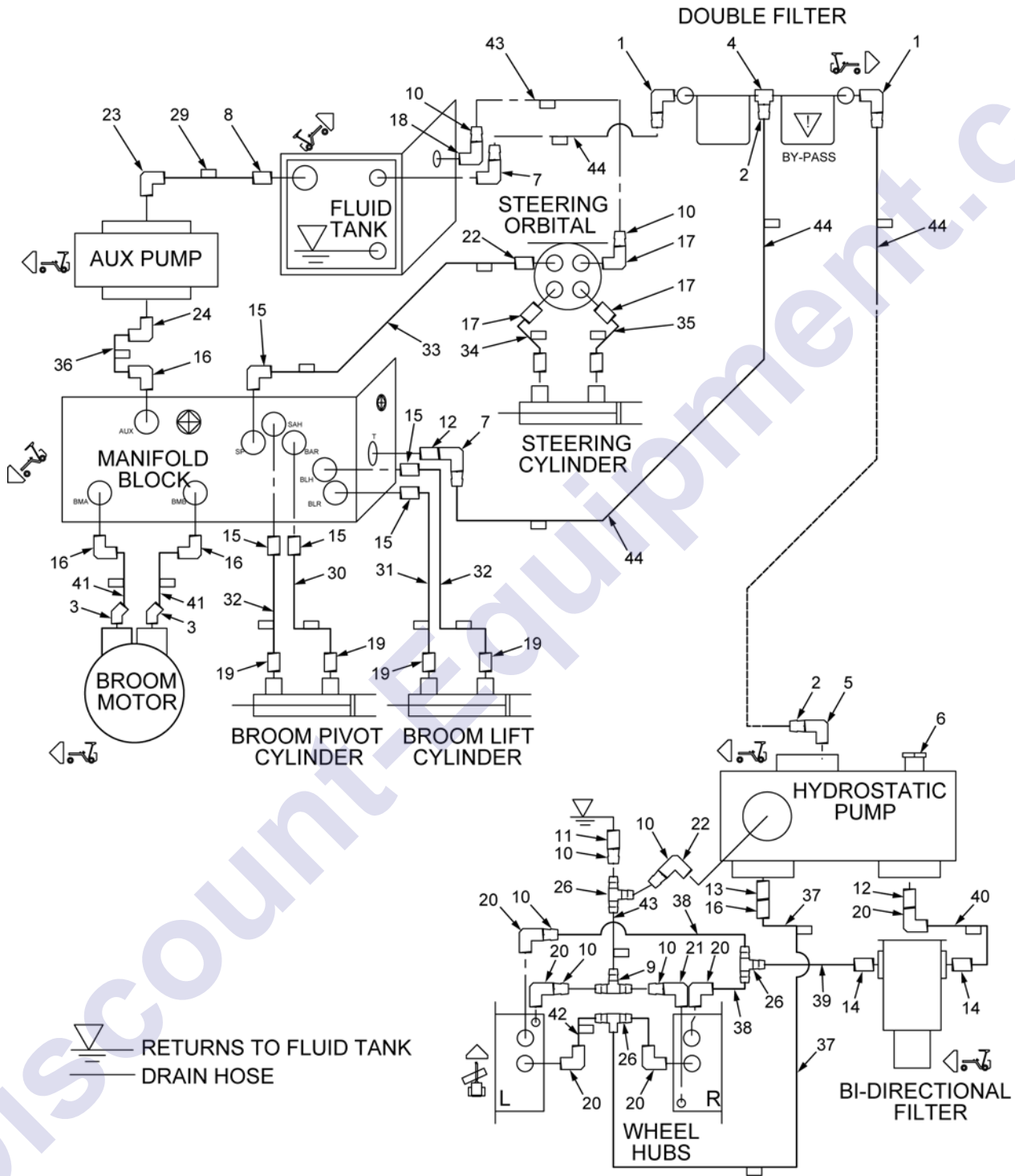
Discount-Equipment.com

Section 2. Hydraulic Components

Component	Page
2-1 Hydraulic System Hoses and Fittings	2-2
2-3 Wheel Drive Motors	2-8
2-4 Wheel Drive Motor Assembly	2-10
2-5 Hydraulic Broom Motor Assembly	2-12
2-6 Piston Pump	2-14
2-7 Auxiliary Pump	2-16
2-8 High Pressure Filter Assembly	2-18
2-9 Low Pressure Filter Assembly	2-20
2-10 Steering Cylinder	2-22
2-11 Broom Lift Cylinder	2-24
2-12 Broom Swing Cylinder	2-26

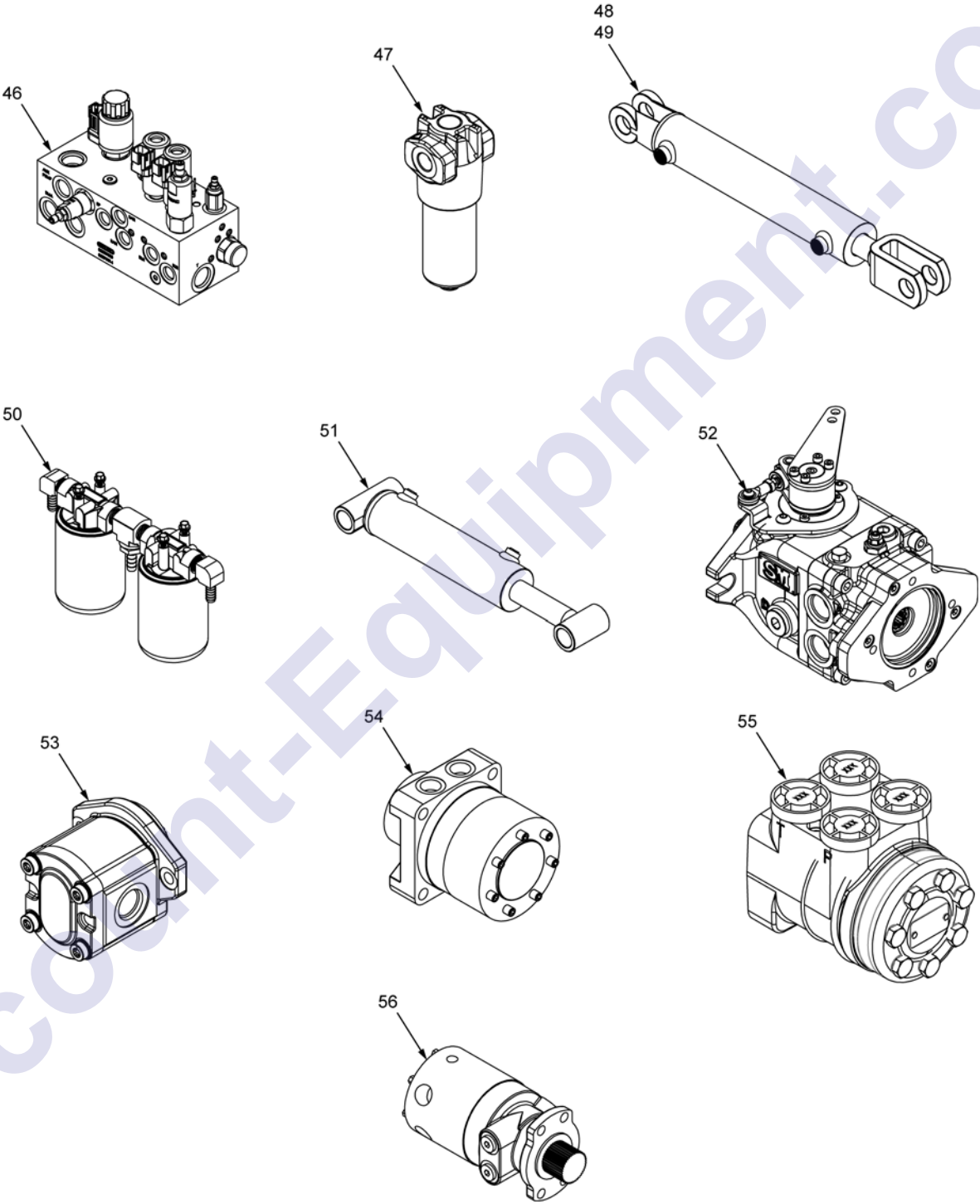
PARTS LIST

Figure 2-1. Hydraulic System Hoses and Fittings



PARTS LIST

Figure 2-1. Hydraulic System Hoses and Fittings (Cont.)



PARTS LIST

Sweepmaster 300 Parts & Service Manual
Section 2. Hydraulic Components

PARTS LIST

Item	P/N	Description	Qty
Hydraulic System Hoses and Fittings			
1	000010	000000r00000	2
2	000021	000000r	2
	000000	00000000	2
	000000	0000	1
	100120	000000	1
	000010	0000	
	000000	000000r00000	2
	000000 r	M0000000000r	1
	000120	0000	1
10	000210	000000	
11	200000	00000000	1
12	100120	00d000r	1
10	100120	00d000r	1
10	000000 r	00000000r	2
10	000000	00000000r	
10	000000	00000000r	
10	000020	00000000r	
10	002120	00000000	1
10	000000	00000000	
20	000002	00000000	
21	000000	00000000	2
22	00010000	00000000	2
20	000000	00000000	1
20	000000 r	00000000	1
20	002000	00000000000000	1
20	000000	000000000000	2
20	000000	00000000	1
20	000000 r	00000000	1
20	100000	0000000000000000	1
00	100110	0000000000000000	1
01	100110	0000000000000000	1
02	100110	0000000000000000	1
00	100110	0000000000000000	1
00	100110	0000000000000000	1
00	000010	0000000000000000	1
00	000000	0000000000000000	1
00	100120	0000000000000000	1
00	100121	0000000000000000	1
00	100122	0000000000000000	2
00	100120	0000000000000000	1
01	100120	0000000000000000	1
02	100120	0000000000000000	2
00	000002	0000000000000000	1
00	000000	00dr0000000000000000	
00	000000	00dr0000000000000000	
00	100000	M00000d0000000000000000r220000r0000d0000	1
00	100101	0000r0000000000000000000000000000r20000r0000d0000	1
00	000000	0000d00000000000000000000000r212000r0000d0000	1
00	000000	0000d00000000000000000000000r210000r0000d0000	1

Sweepmaster 300 Parts & Service Manual
Section 2. Hydraulic Components

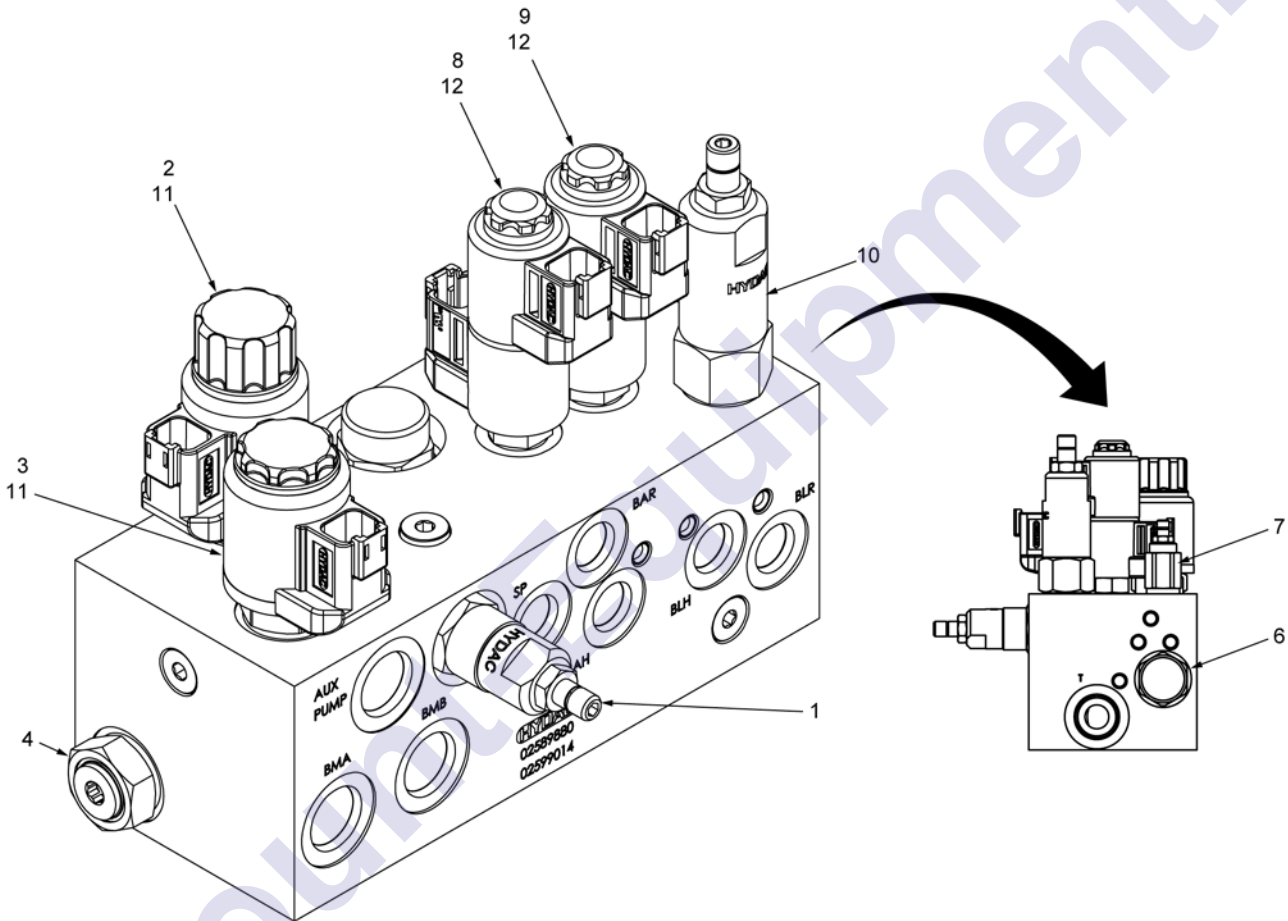
Item	P/N	Description	Qty
0	2	2	1
1	1	2:11	1
2	1000	2	1
	10	2	1
		M	1
	1000		1
	10	M	2

PARTS LIST

Discount-Equipment.com

Figure 2-2. Manifold Block

PARTS LIST



Sweepmaster 300 Parts & Service Manual
Section 2. Hydraulic Components

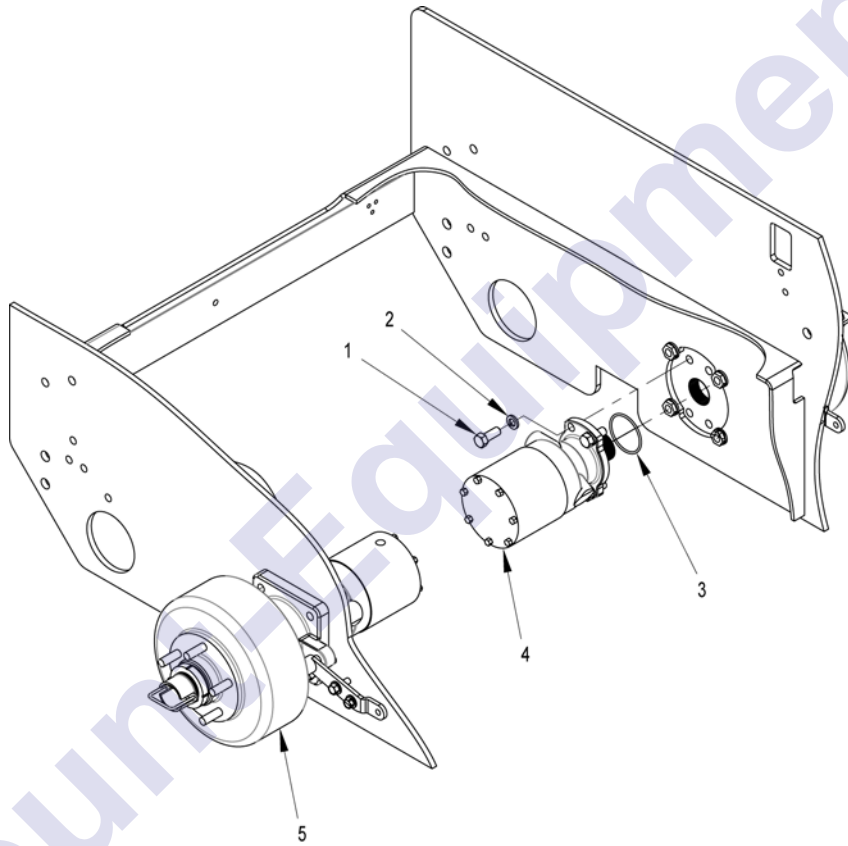
Item	P/N	Description	Qty
	1000	Manifold Block	1
1	10002	Manifold Block	1
2	1000	Manifold Block	1
	1000	Manifold Block	1
	1000	Manifold Block	1
	1000	Manifold Block	1
	1000	Manifold Block	1
	1000	Manifold Block	1
	1000	Manifold Block	1
	1000	Manifold Block	1
	1000	Manifold Block	1
	1000	Manifold Block	1
10	10001	Manifold Block	1
11	10002	Manifold Block	2
12	1000	Manifold Block	1

PARTS LIST

Discount-Equipment.com

Figure 2-3. Wheel Drive Motors

PARTS LIST



Sweepmaster 300 Parts & Service Manual
Section 2. Hydraulic Components

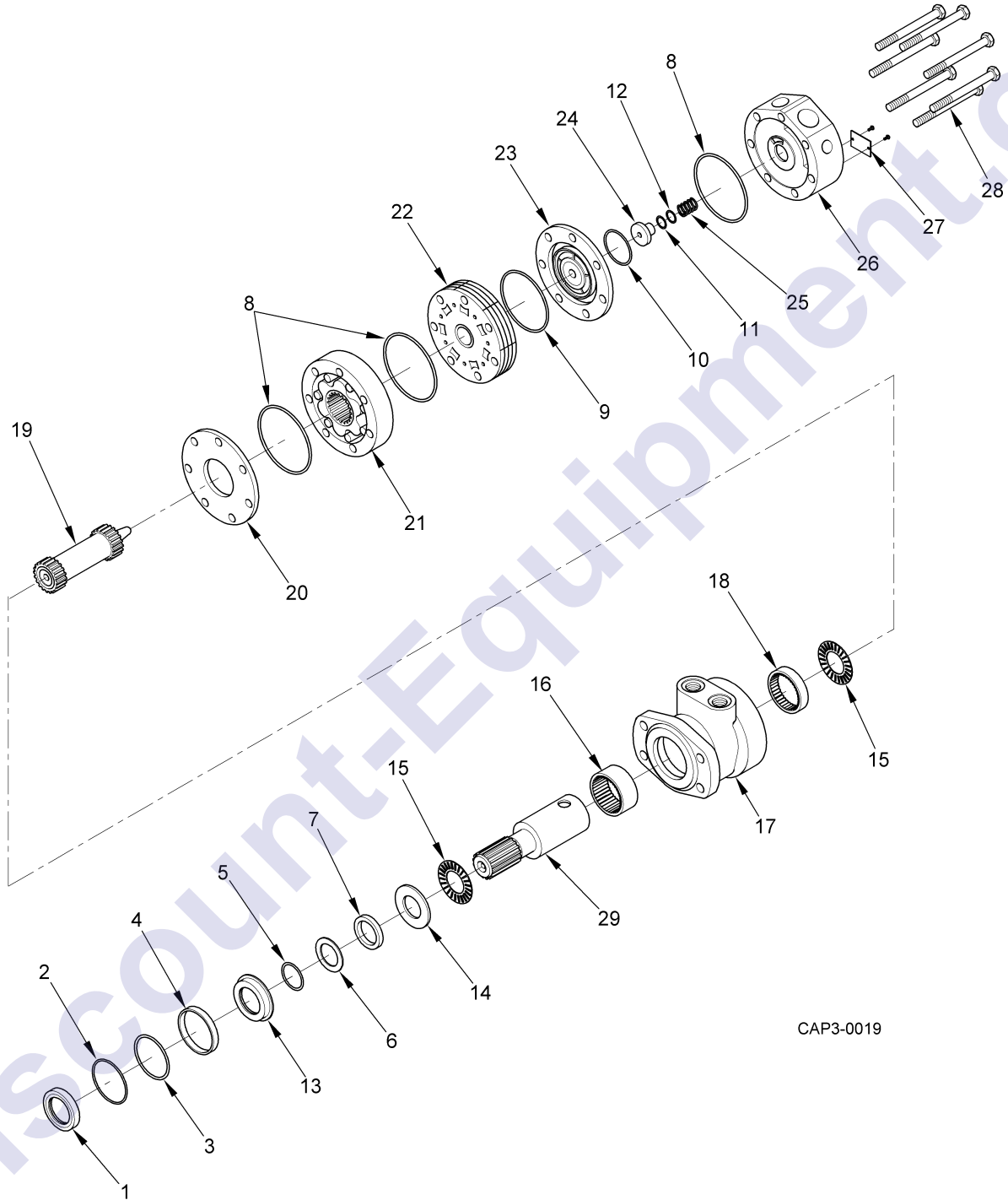
Item	P/N	Description	Qty
	9103730	Wheel Drive Motors	
1	000000	0000	0
2	011000	0000r	0
	101002	0000	1
	100000	0r00M00r	2
	100000	0dr00000 0000000000 0r0000 0000 00000r000000r0000d0000	2

PARTS LIST

Discount-Equipment.com

Figure 2-4. Wheel Drive Motor Assembly

PARTS LIST



CAP3-0019

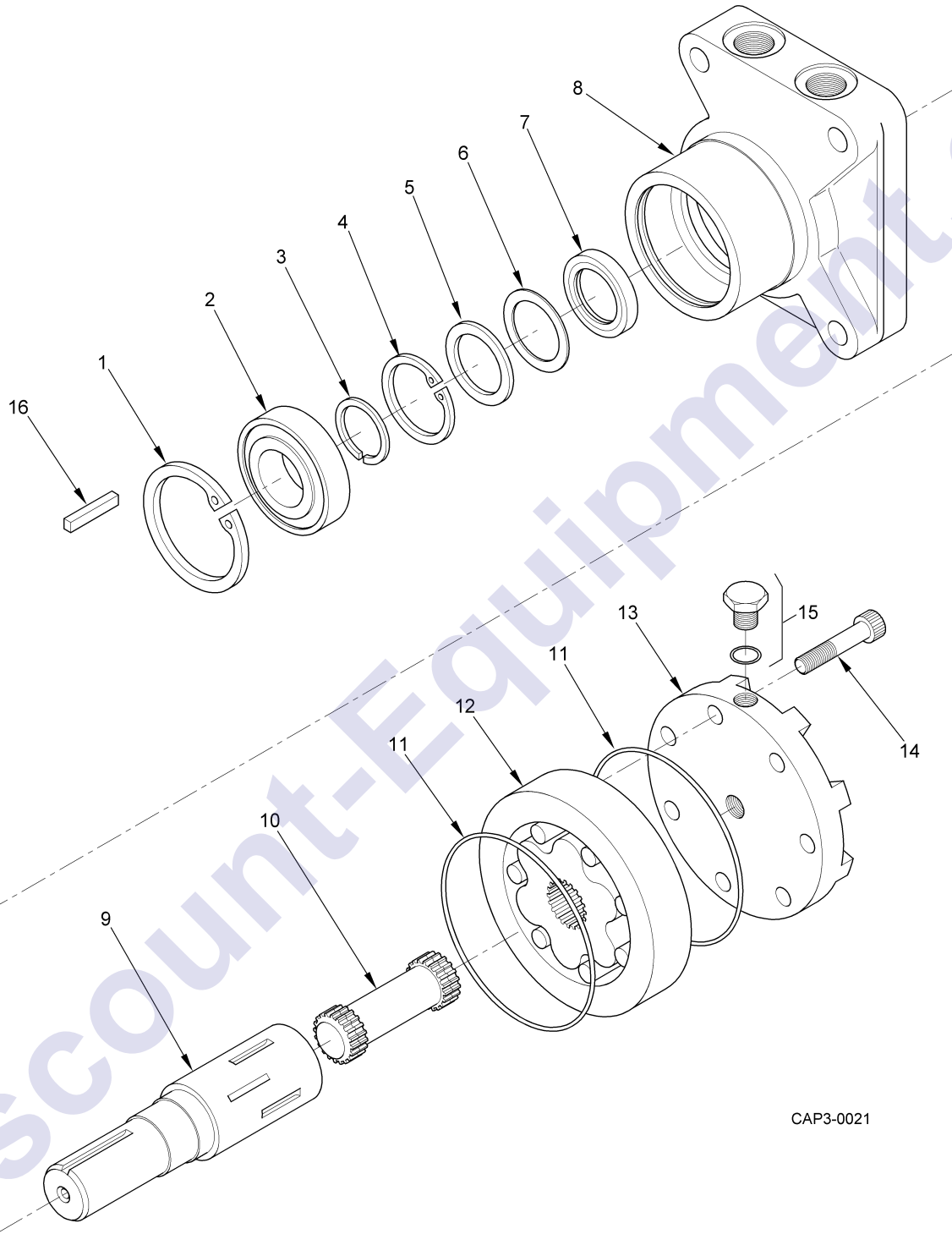
Sweepmaster 300 Parts & Service Manual
Section 2. Hydraulic Components

Item	P/N	Description	Qty
	9103730	Wheel Drive Motor Assembly	
	101	00 2	1
	110	00 2	1
1			1
2			1
			1
			1
			1
			1
			1
			1
			1
10			1
11			1
12			1
1			1
1			1
1	1022	00	2
	0	00	2
1			1
1			1
			1
1			1
1	21	00	1
	0	00	1
20			1
21			1
22		M	1
2			1
2		d	1
2			1
2			1
2			1
2			1
2			1
2	10	00	1
	0	00	1
d 101 d 110			

PARTS LIST

Discount Equipment.com

Figure 2-5. Hydraulic Broom Motor Assembly



PARTS LIST

CAP3-0021

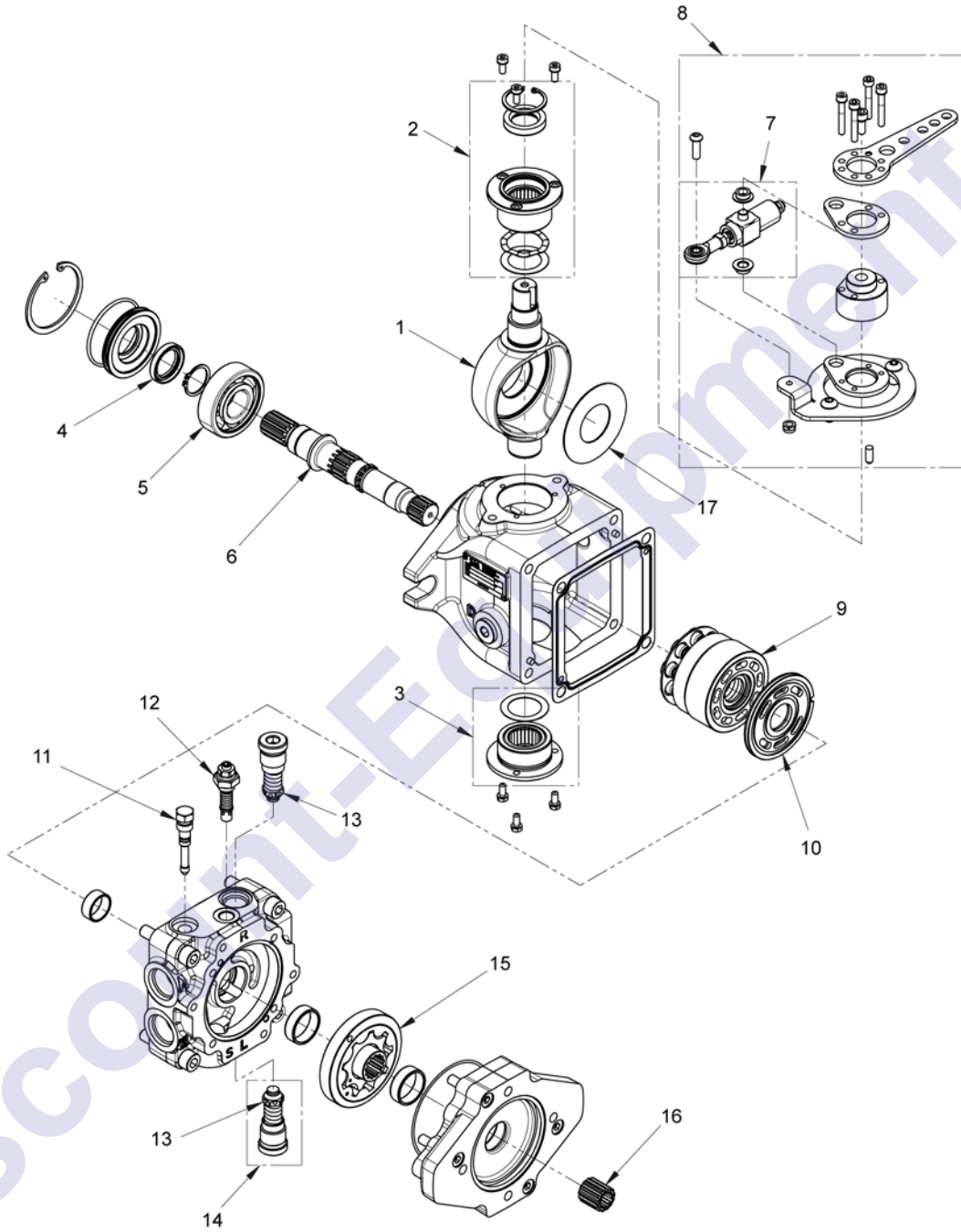
Sweepmaster 300 Parts & Service Manual
Section 2. Hydraulic Components

Item	P/N	Description	Qty
	473464	Hydraulic Broom Motor Assembly	
	10000	Motor Assembly	1
1		Motor Assembly	1
2		Motor Assembly	1
		Motor Assembly	1
		Motor Assembly	1
		Motor Assembly	1
		Motor Assembly	1
		Motor Assembly	1
		Motor Assembly	1
		Motor Assembly	1
		Motor Assembly	1
10		Motor Assembly	1
11		Motor Assembly	2
12		Motor Assembly	1
1		Motor Assembly	1
1		Motor Assembly	1
1		Motor Assembly	1
1		Motor Assembly	1

PARTS LIST

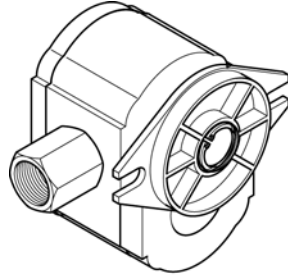
Discount-Equipment.com

Figure 2-6. Piston Pump



PARTS LIST

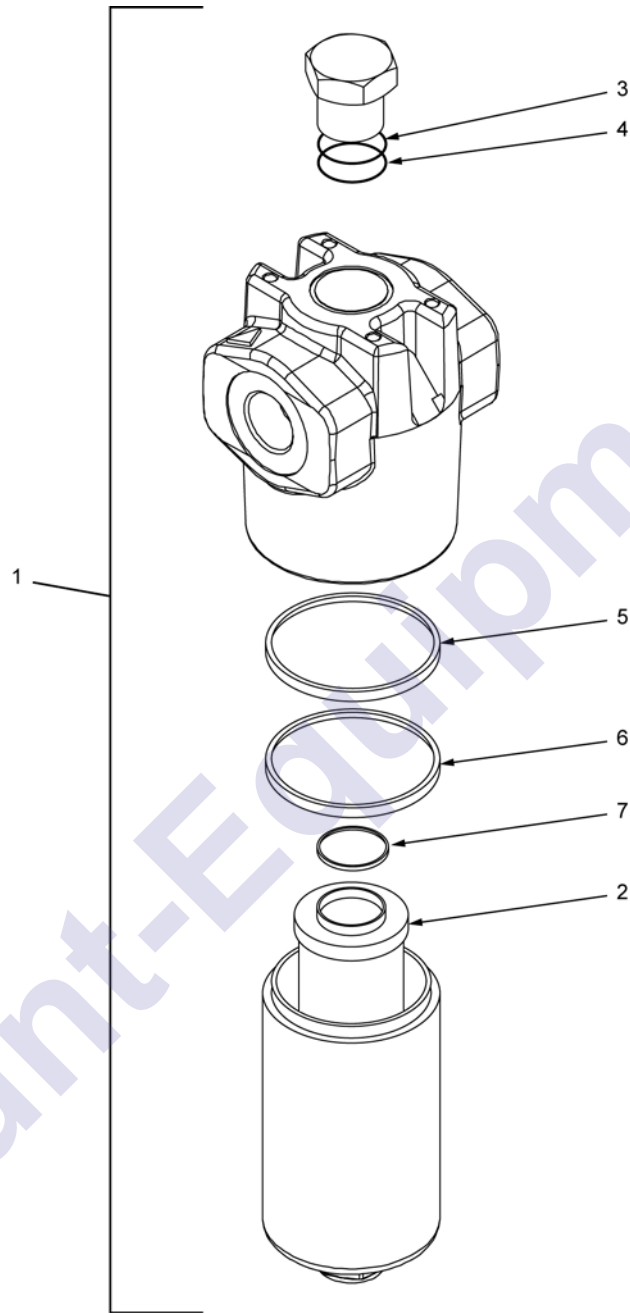
Figure 2-7. Auxiliary Pump



CAP3-0023

Figure 2-8. High Pressure Filter Assembly

PARTS LIST

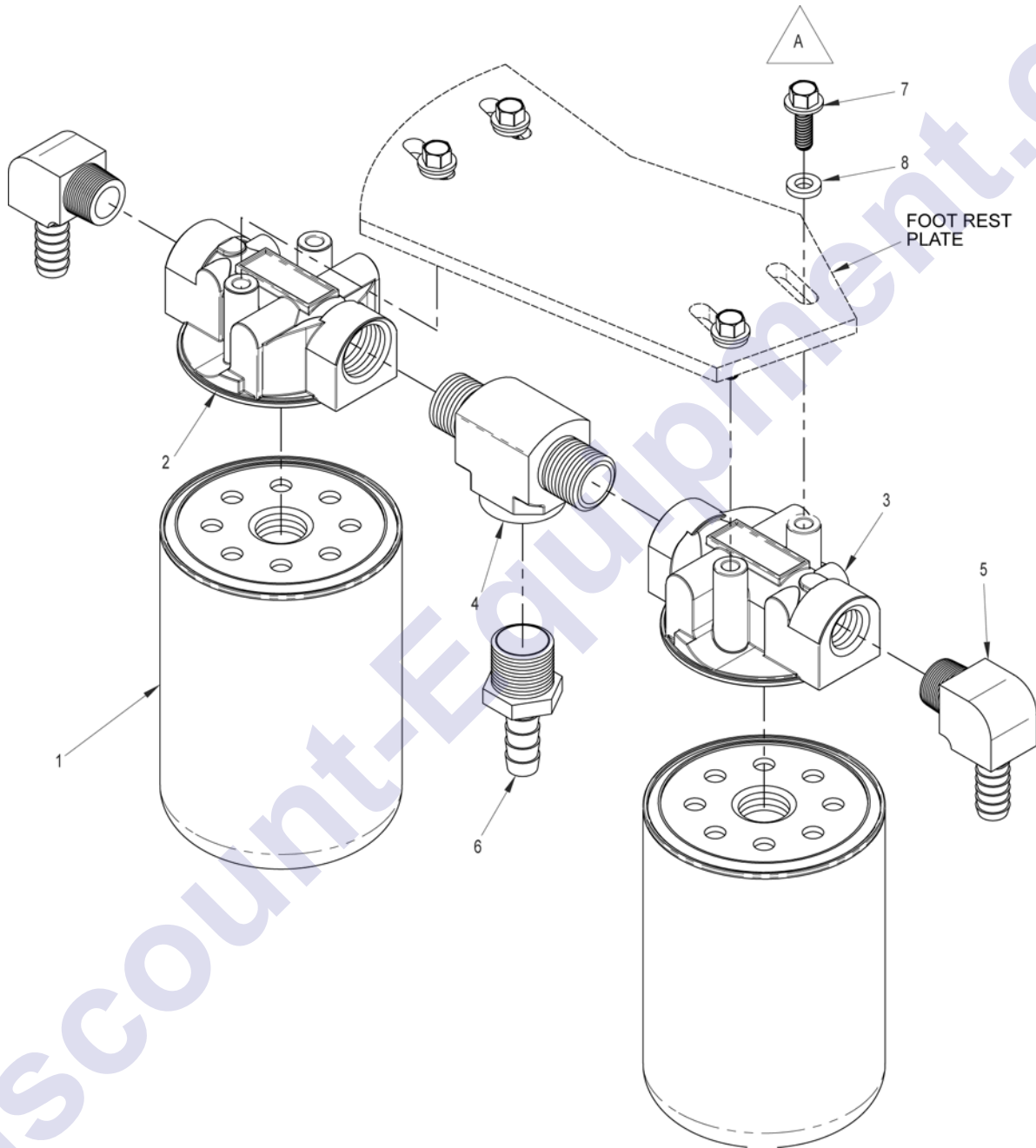


Item	P/N	Description	Qty
		High Pressure Filter Assembly	
1		High Pressure Filter Assembly	1
2	10000	High Pressure Filter Element	1
	0120000	High Pressure Filter Housing	1
		High Pressure Filter Housing Cap	1
		High Pressure Filter Housing Gasket	1
		High Pressure Filter Housing Bolt	1
		High Pressure Filter Housing Nut	1
		High Pressure Filter Housing Washer	1

PARTS LIST

Discount-Equipment.com

Figure 2-9. Low Pressure Filter Assembly



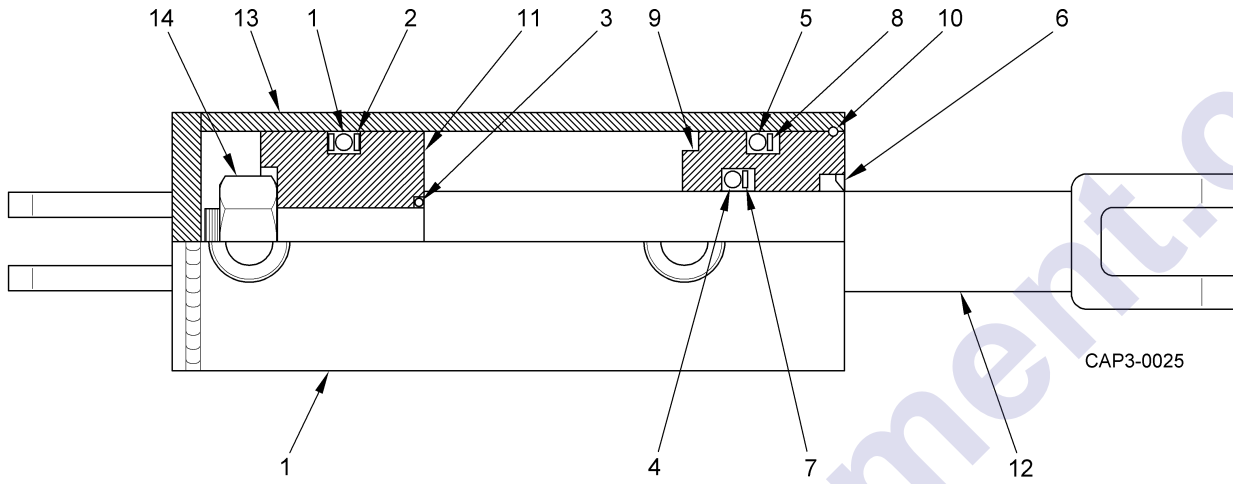
PARTS LIST

Item	P/N	Description	Qty
	376442	Low Pressure Filter Assembly	
1	□101□□□	□□□□□□□□□□	2
2	□101□□□	□□□□□□□□□□	1
□	□101□□□	□□□□□□□□□□	1
□	□□□□0□	□□□□□□□□□□	1
□	11□□□□	□0□□□□□□□□□□	2
□	10□□□□	□□□□□□□□□□	1
□	□□1□□0	□□□□	□
□	011□21	□□□□□□	□

PARTS LIST

Discount-Equipment.com

Figure 2-10. Steering Cylinder



PARTS LIST

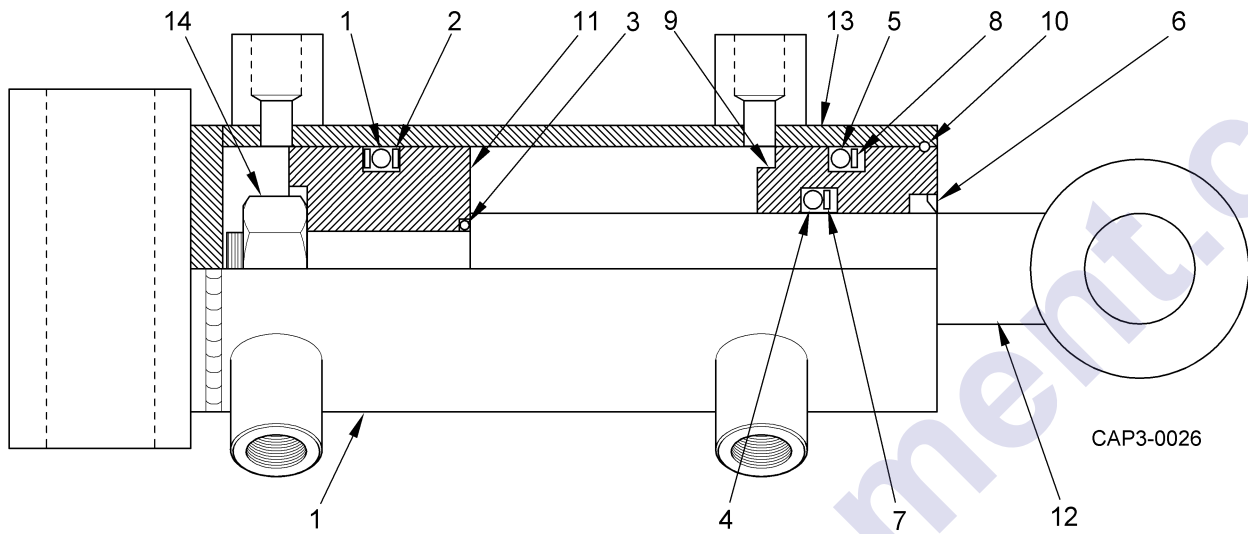
Sweepmaster 300 Parts & Service Manual
Section 2. Hydraulic Components

Item	P/N	Description	Qty
	467978	Steering Cylinder	
1	1011	Cylinder	1
	00	Seal Kit	1
10	01	Control Valve	1
11	02	Control Valve	1
12	01	Control Valve	1
1		Control Valve	1
1	0200	Control Valve	1

PARTS LIST

Discount-Equipment.com

Figure 2-11. Broom Lift Cylinder



PARTS LIST

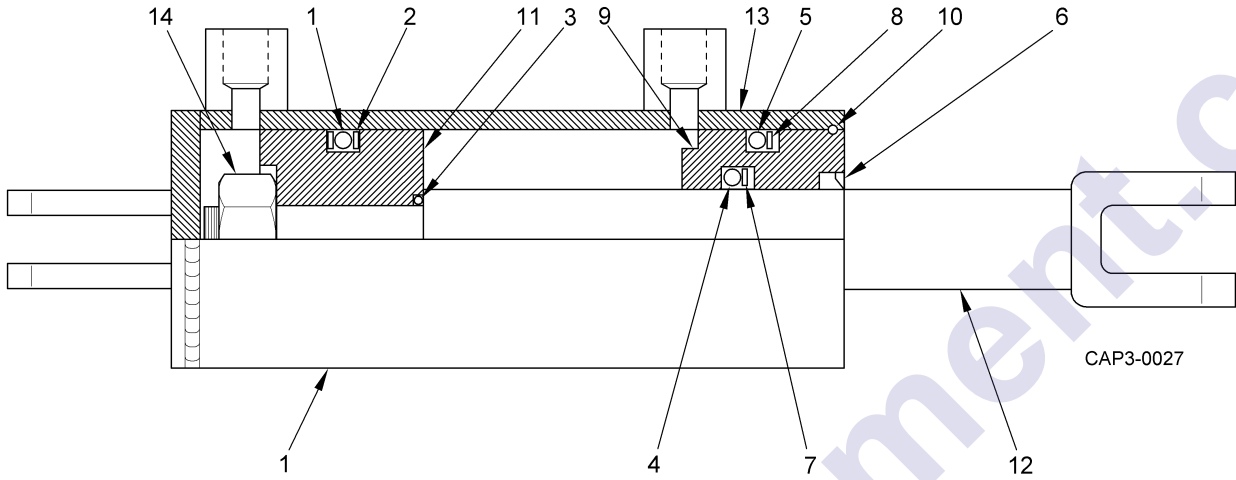
Sweepmaster 300 Parts & Service Manual
Section 2. Hydraulic Components

Item	P/N	Description	Qty
	376641	Broom Lift Cylinder	
1	10111	Cylinder	1
		rod	1
10	01	rod	1
11	02	rod	1
12		rod	1
1		rod	1
1	00000	rod	1

PARTS LIST

Discount-Equipment.com

Figure 2-12. Broom Swing Cylinder



PARTS LIST

Sweepmaster 300 Parts & Service Manual
Section 2. Hydraulic Components

Item	P/N	Description	Qty
	467986	Broom Swing Cylinder	
1	1011	Cylinder	1
		rod	1
10	01	rod	1
11	02	rod	1
12		rod	1
1		rod	1
1	0200	rod	1

PARTS LIST

Discount-Equipment.com

Discount-Equipment.com

Section 3. Brakes

Component	Page
3-1 Surge Brake Actuator	3-2
3-2 Brake Line Assembly	3-4
3-3 Brake Hubs	3-6
3-4 Hydraulic Disconnect With Brake Assembly	3-8
3-5 Wheel Disconnect With Brake Assembly	3-10
3-6 Parking Brake Assembly	3-12

PARTS LIST

Figure 3-1. Surge Brake Actuator

PARTS LIST

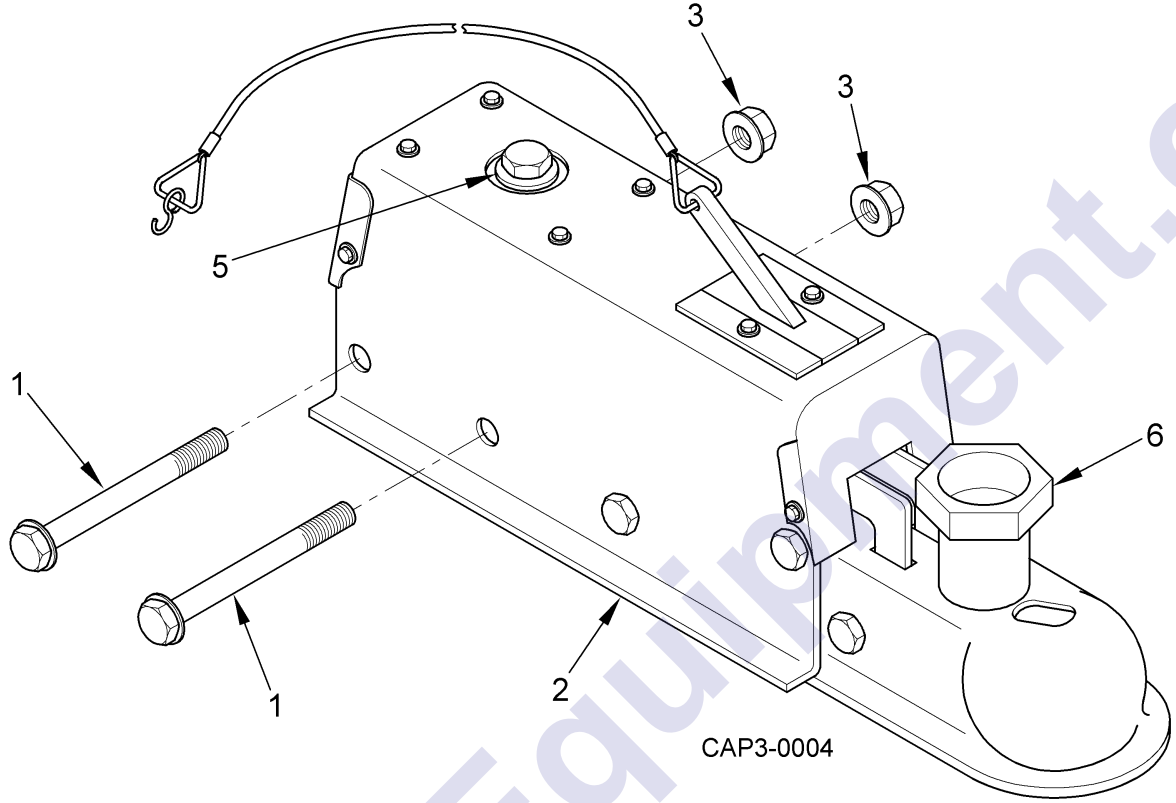
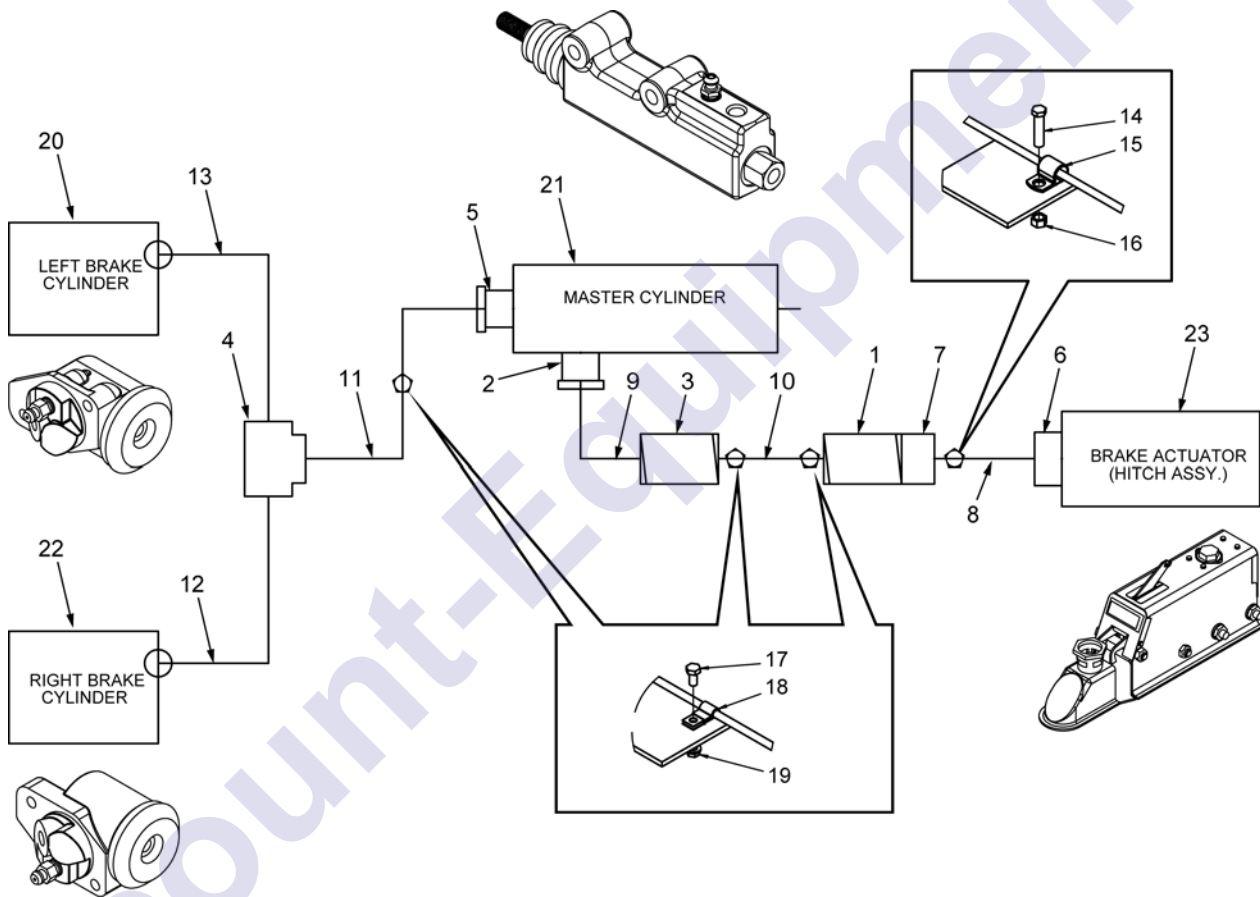


Figure 3-2. Brake Line Assembly

PARTS LIST

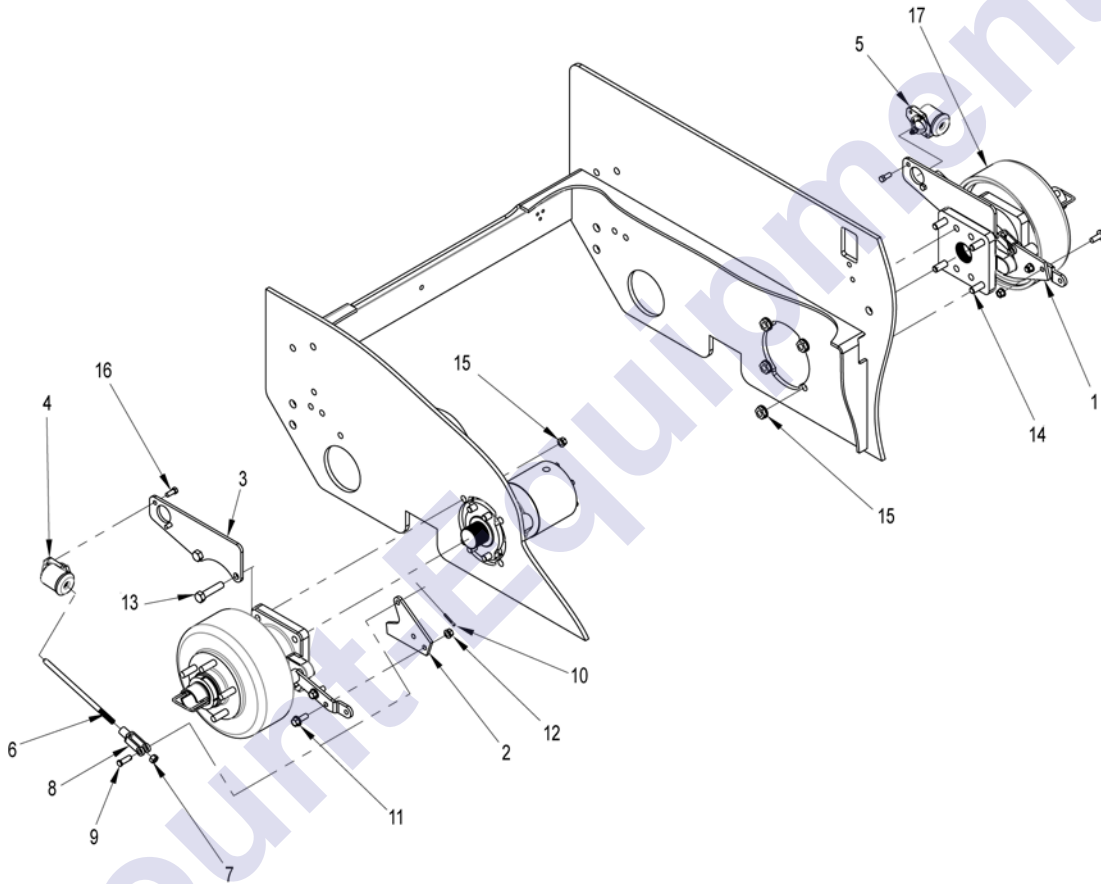


Item	P/N	Description	Qty
	374629	Brake Line Assembly	
1	000001	Brake Line Assembly	1
2	000011	Brake Line	1
	000001	Brake Line Assembly	1
	000001	Brake Line Assembly	1
	000001	Brake Line Assembly	1
	000001	Brake Line Assembly	1
	000001	Brake Line Assembly	1
	000001	Brake Line Assembly	1
	000001	Brake Line Assembly	1
	000001	Brake Line Assembly	1
	000001	Brake Line Assembly	1
	000001	Brake Line Assembly	1
10	000020	Brake Line	1
11	202100	Brake Line	1
12	000010	Brake Line	1
1	000010	Brake Line	1
1	000010	Brake Line	1
1	020000	Brake Line	1
1	000000	Brake Line	1
1	000001	Brake Line	1
1	000001	Brake Line	1
1	000000	Brake Line	1
20	000110	Brake Line	1
21	100000	Master Cylinder	1
22	000120	Brake Line	1
2	000020	Brake Line	1

PARTS LIST

Figure 3-3. Brake Hubs

PARTS LIST



Sweepmaster 300 Parts & Service Manual
Section 3. Brakes

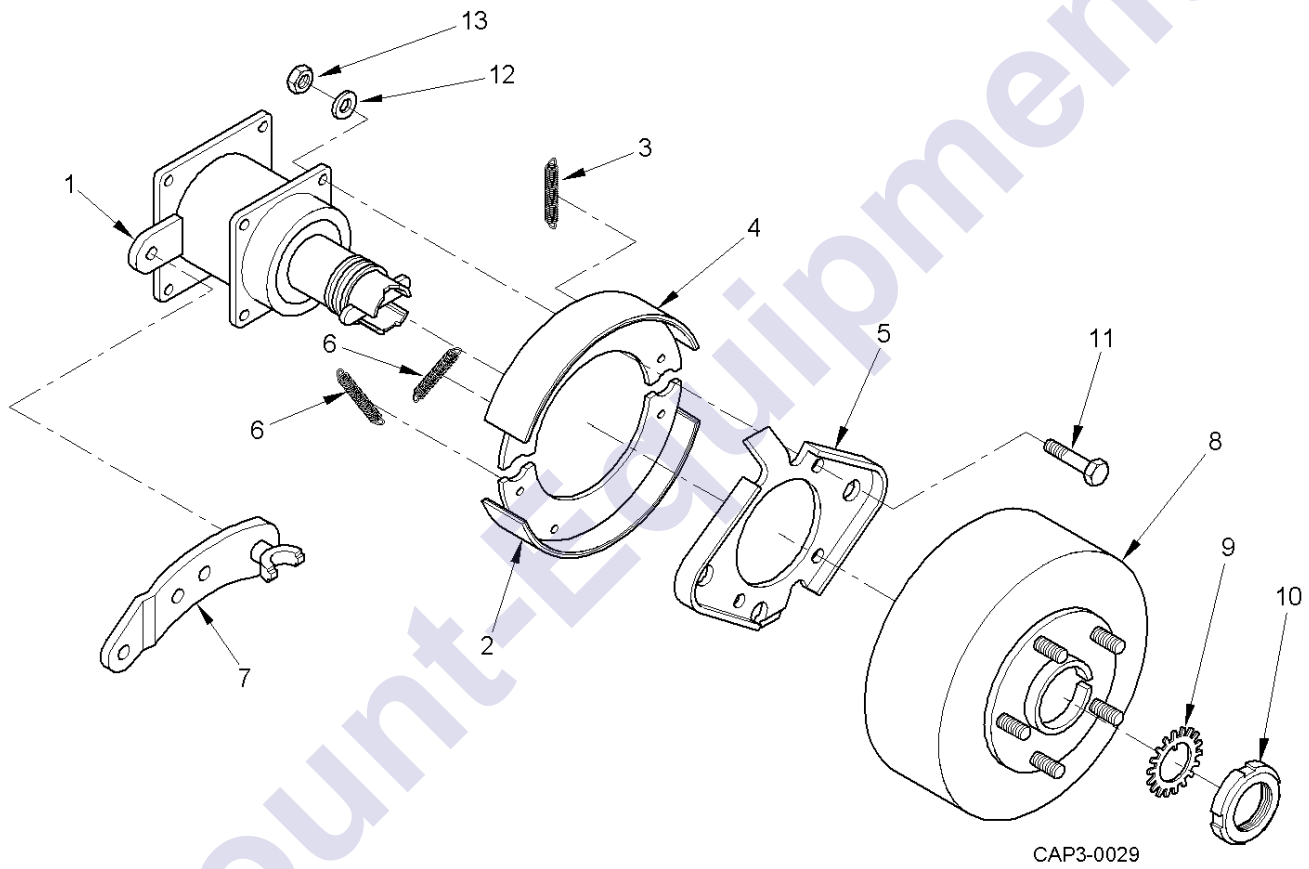
Item	P/N	Description	Qty
	100249	Ground Drive Assembly	
1	10002	Drive Shaft	1
2	10000	Drive Shaft Mounting Bracket	2
	10001	Drive Shaft	1
	10002	Drive Shaft Mounting Bracket	2
	00110	Drive Shaft Mounting Bracket	1
	00120	Drive Shaft Mounting Bracket	1
	10000	Drive Shaft Mounting Bracket	2
	00100	Drive Shaft Mounting Bracket	2
	00100	Drive Shaft Mounting Bracket	2
10	02000	Drive Shaft Mounting Bracket	2
11	01001	Drive Shaft Mounting Bracket	2
12	00100	Drive Shaft Mounting Bracket	
1	01000	Drive Shaft Mounting Bracket	
1	01100	Drive Shaft Mounting Bracket	
1	01100	Drive Shaft Mounting Bracket	
1	00000	Drive Shaft Mounting Bracket	
1	00000	Drive Shaft Mounting Bracket	
1	10000	Drive Shaft Mounting Bracket	

PARTS LIST

Discount-Equipment.com

Figure 3-4. Hydraulic Disconnect With Brake Assembly

PARTS LIST



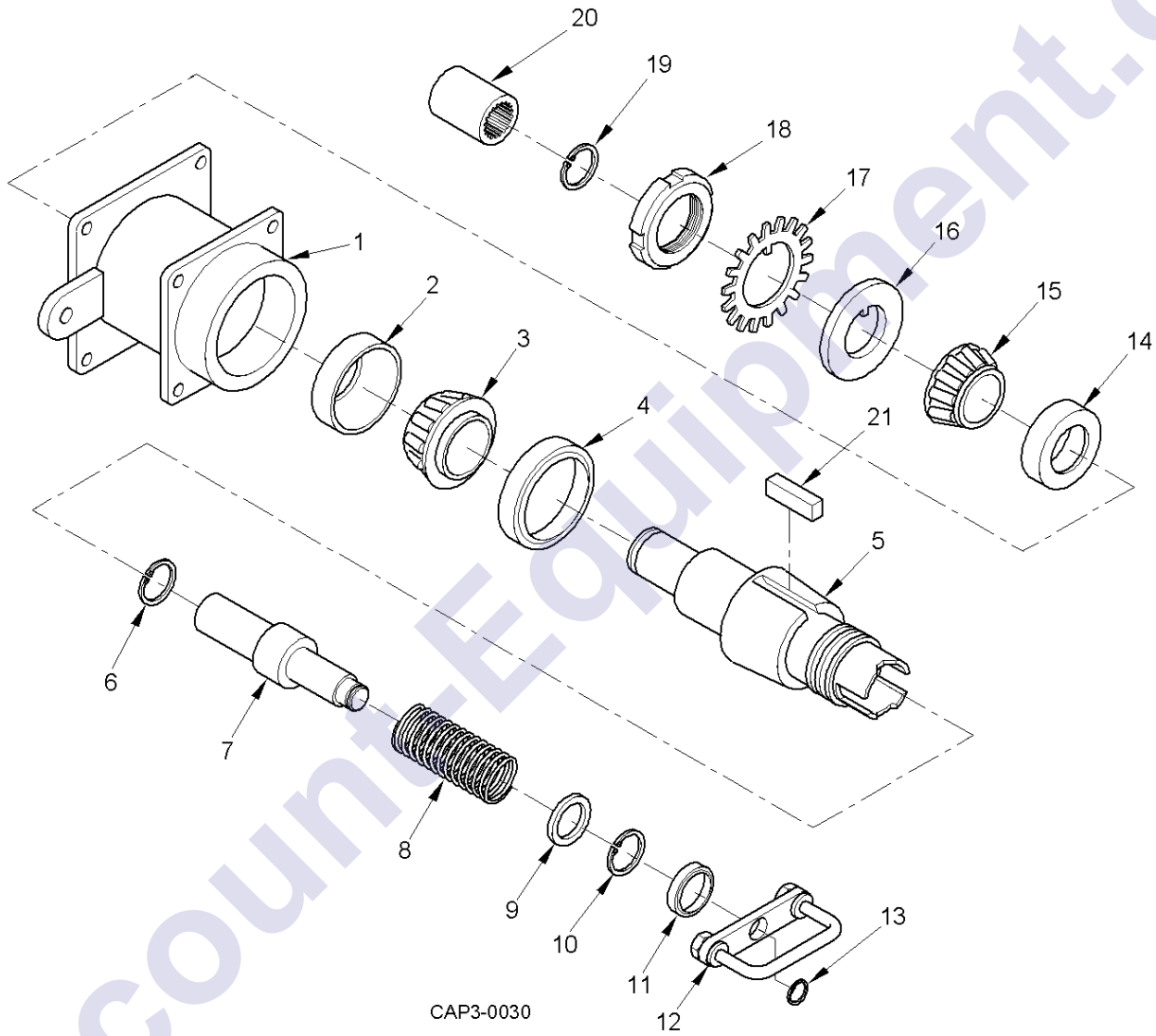
Item	P/N	Description	Qty
	9104349	Hydraulic Disconnect with Brake Assembly	
1		Hydraulic Disconnect with Brake Assembly	1
2	101	Hydraulic Disconnect with Brake Assembly	1
		Hydraulic Disconnect with Brake Assembly	1
		Hydraulic Disconnect with Brake Assembly	2
		Hydraulic Disconnect with Brake Assembly	1
		Hydraulic Disconnect with Brake Assembly	2
	1010	Hydraulic Disconnect with Brake Assembly	1
	1011	Hydraulic Disconnect with Brake Assembly	1
	10202	Hydraulic Disconnect with Brake Assembly	1
10	10201	Hydraulic Disconnect with Brake Assembly	1
11	0	Hydraulic Disconnect with Brake Assembly	
12	011	Hydraulic Disconnect with Brake Assembly	
1	012	Hydraulic Disconnect with Brake Assembly	
1	1	Hydraulic Disconnect with Brake Assembly	1

PARTS LIST

Discount-Equipment.com

Figure 3-5. Wheel Disconnect With Brake Assembly

PARTS LIST



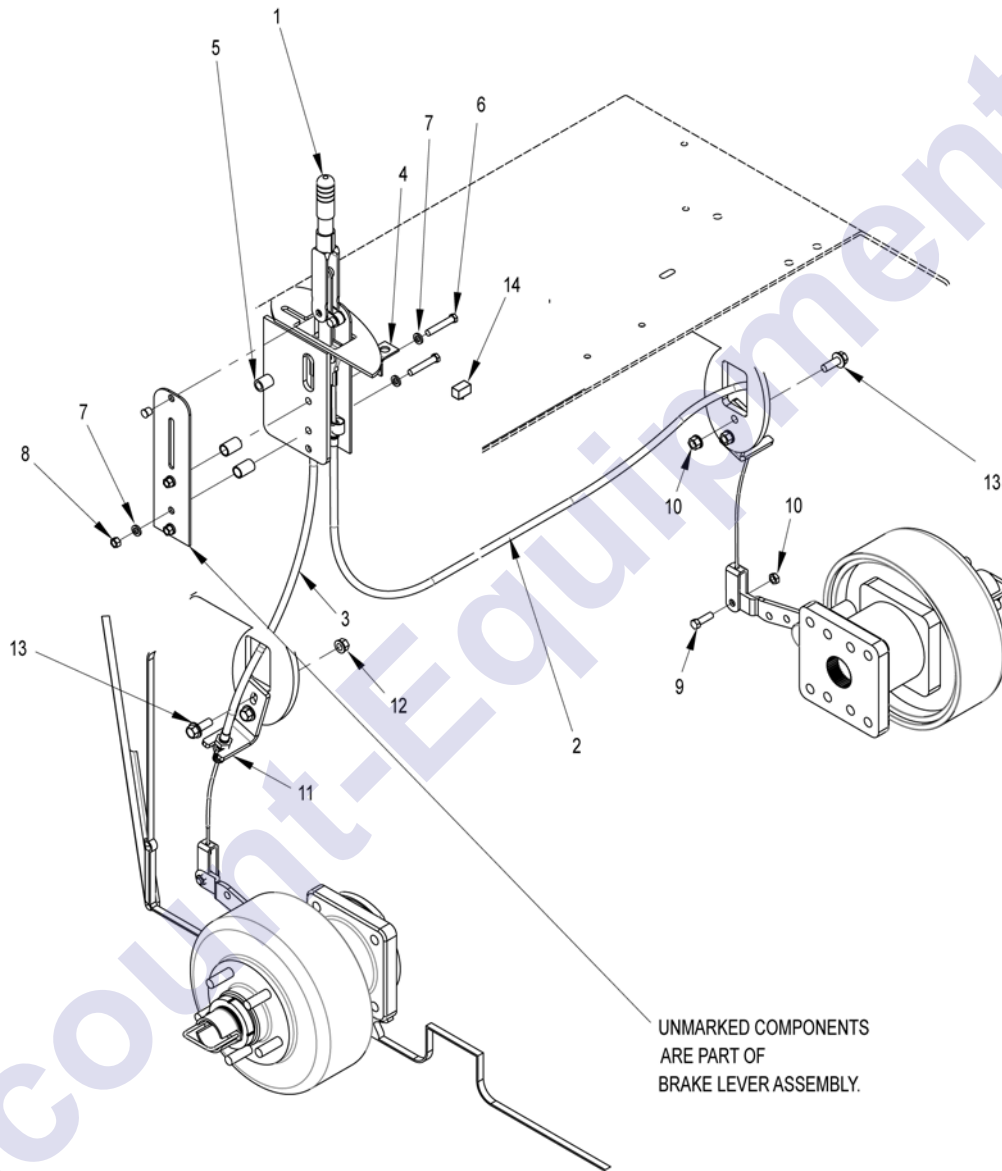
Item	P/N	Description	Qty
	9104349	Wheel Disconnect w/Brake Assembly	
1	101100	Wheel Disconnect w/Brake Assembly	1
2	101100	Wheel Disconnect w/Brake Assembly	1
	101100	Wheel Disconnect w/Brake Assembly	1
	102000	Wheel Disconnect w/Brake Assembly	2
	101100	Wheel Disconnect w/Brake Assembly	1
	101100	Wheel Disconnect w/Brake Assembly	1
	101101	Wheel Disconnect w/Brake Assembly	1
	102000	Wheel Disconnect w/Brake Assembly	1
	102000	Wheel Disconnect w/Brake Assembly	1
10	101102	Wheel Disconnect w/Brake Assembly	1
11	102000	Wheel Disconnect w/Brake Assembly	1
12	102000	Wheel Disconnect w/Brake Assembly	1
1	00000	Wheel Disconnect w/Brake Assembly	1
1	00000	Wheel Disconnect w/Brake Assembly	1
1	00010	Wheel Disconnect w/Brake Assembly	1
1	101100	Wheel Disconnect w/Brake Assembly	1
1	102002	Wheel Disconnect w/Brake Assembly	2
1	102001	Wheel Disconnect w/Brake Assembly	2
1	101100	Wheel Disconnect w/Brake Assembly	1
20	101000	Wheel Disconnect w/Brake Assembly	1
21	101100	Wheel Disconnect w/Brake Assembly	1
22	002200	Wheel Disconnect w/Brake Assembly	2

PARTS LIST

Discount-Equipment.com

Figure 3-6. Parking Brake Assembly

PARTS LIST



Item	P/N	Description	Qty
		Parking Brake Assembly	
1	000000	Assembly	1
2	000000	Component	1
	000000	Component	1
	002000	Component	1
	000001	Component	1
	001000	Component	0
	010000	Component	0
	000000	Component	0
	001000	Component	2
10	000000	Component	2
11	000000	Component	2
12	001000	Component	0
1	001000	Component	0
1	001000	Component	1

PARTS LIST

Discount-Equipment.com

This page left intentionally blank.

Discount-Equipment.com

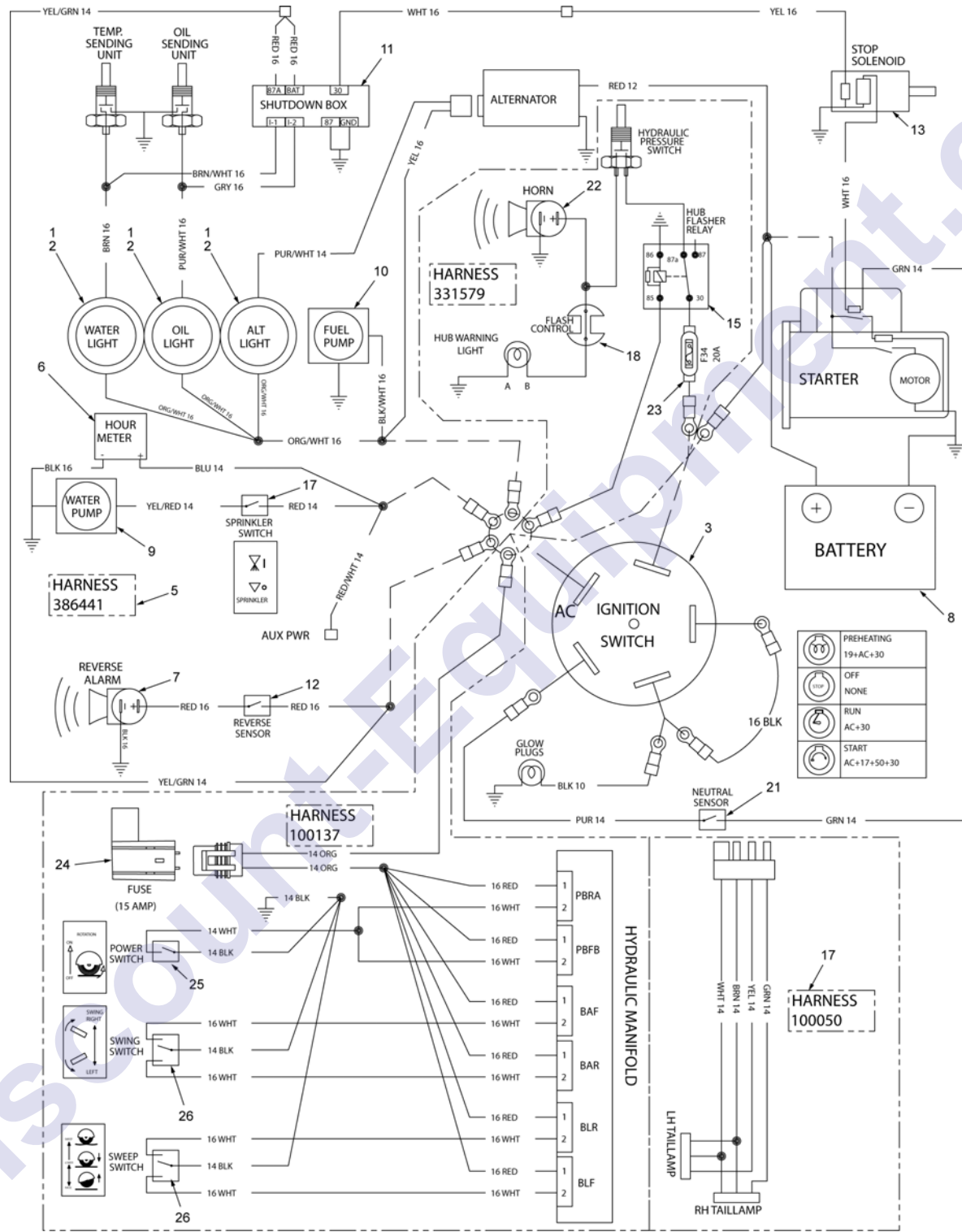
Section 4. Electrical

Component	Page
4-1 Wiring Harness Assembly	4-2
4-2 Tail Light Assembly	4-4
4-3 Battery Assembly	4-6
4-4 Hub Disengage Warning System	4-8

PARTS LIST

Figure 4-1. Wiring Harness Assembly

PARTS LIST



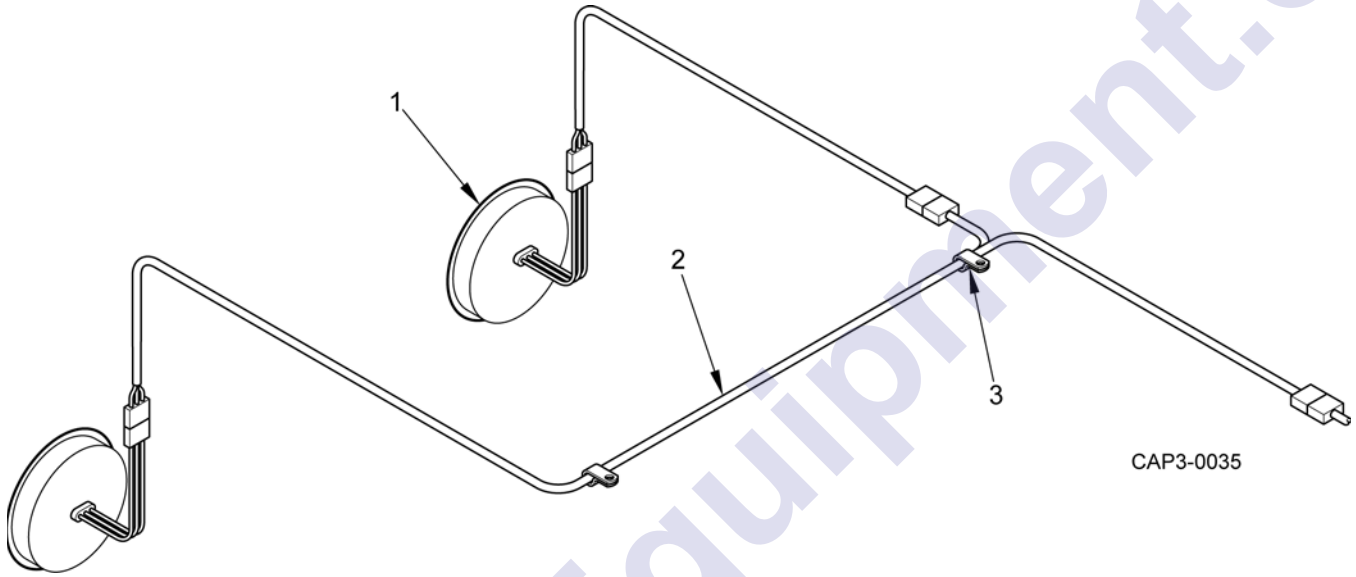
Item	P/N	Description	Qty
Wiring Harness Assembly			
1	000001	Master control harness	1
2	000000	Control harness	1
	000020	Control harness	1
	000000	Master control harness	1
	000000	Control harness	1
	010020	Control harness	1
	010100	Control harness	1
	000220	Master control harness	1
	000102	Control harness	2
10	000000	Control harness	1
	000000	Control harness	1
	000000	Control harness	1
11	000110	Control harness	1
12	000100	Control harness	1
1	00012100	Control harness	1
1	000200	Control harness	1
1	010100	Control harness	1
1	100100	Master control harness	1
1	100000	Control harness	1
1	00012100	Control harness	1
1	000100	Control harness	1
20	000020	Control harness	1
21	010000	Control harness	1
22	000000	Control harness	1
2	000001	Control harness	1
2	000000	Control harness	1
2	100100	Control harness	1
2	100100	Control harness	2
	0101020	Control harness	1
	000100	Control harness	1
	000020	Control harness	1

PARTS LIST

Discount Equipment.com

Figure 4-2. Tail Light Assembly

PARTS LIST



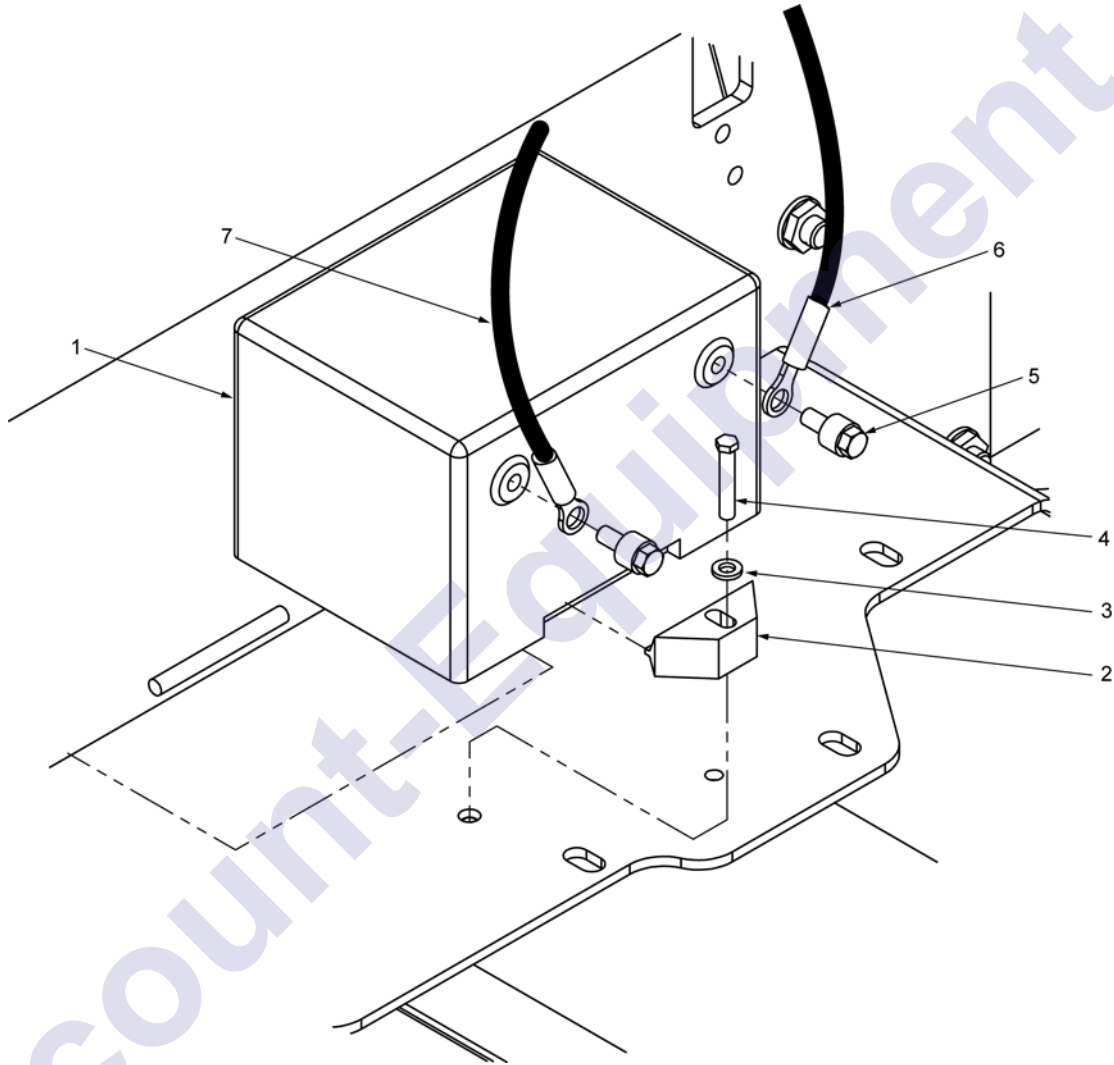
Item	P/N	Description	Qty
		Tail Light Assembly	
1	1001		2
2	001		1
	02		2
	00		1
			1
			1
	2		1

PARTS LIST

Discount-Equipment.com

Figure 4-3. Battery Assembly

PARTS LIST



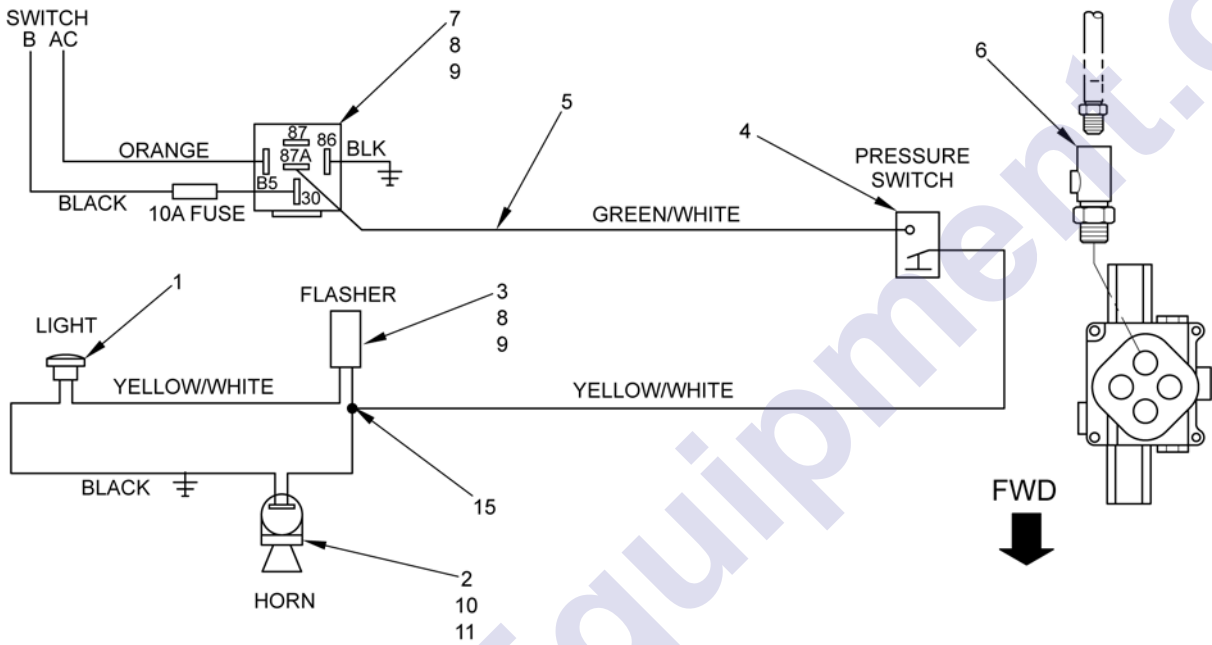
Item	P/N	Description	Qty
	100246	Battery Assembly	
1	101	12	1
2	2	d	1
	011	r	1
	1	r	1
			2
	22		1
	0	d	1

PARTS LIST

Discount-Equipment.com

Figure 4-4. Hub Disengagement Warning System

PARTS LIST



CAP3-0071

Item	P/N	Description	Qty
	331587	Hub Disengage Warning System	
1	22		1
2			1
	12100		1
			1
	1		1
			1
	1		1
	20		1
	10		2
	1		2
10	11		1
11			1
12	012		10
1	11		1
1	20		1
1	011200		1

PARTS LIST

Discount-Equipment.com

Discount-Equipment.com

Section 5. Broom

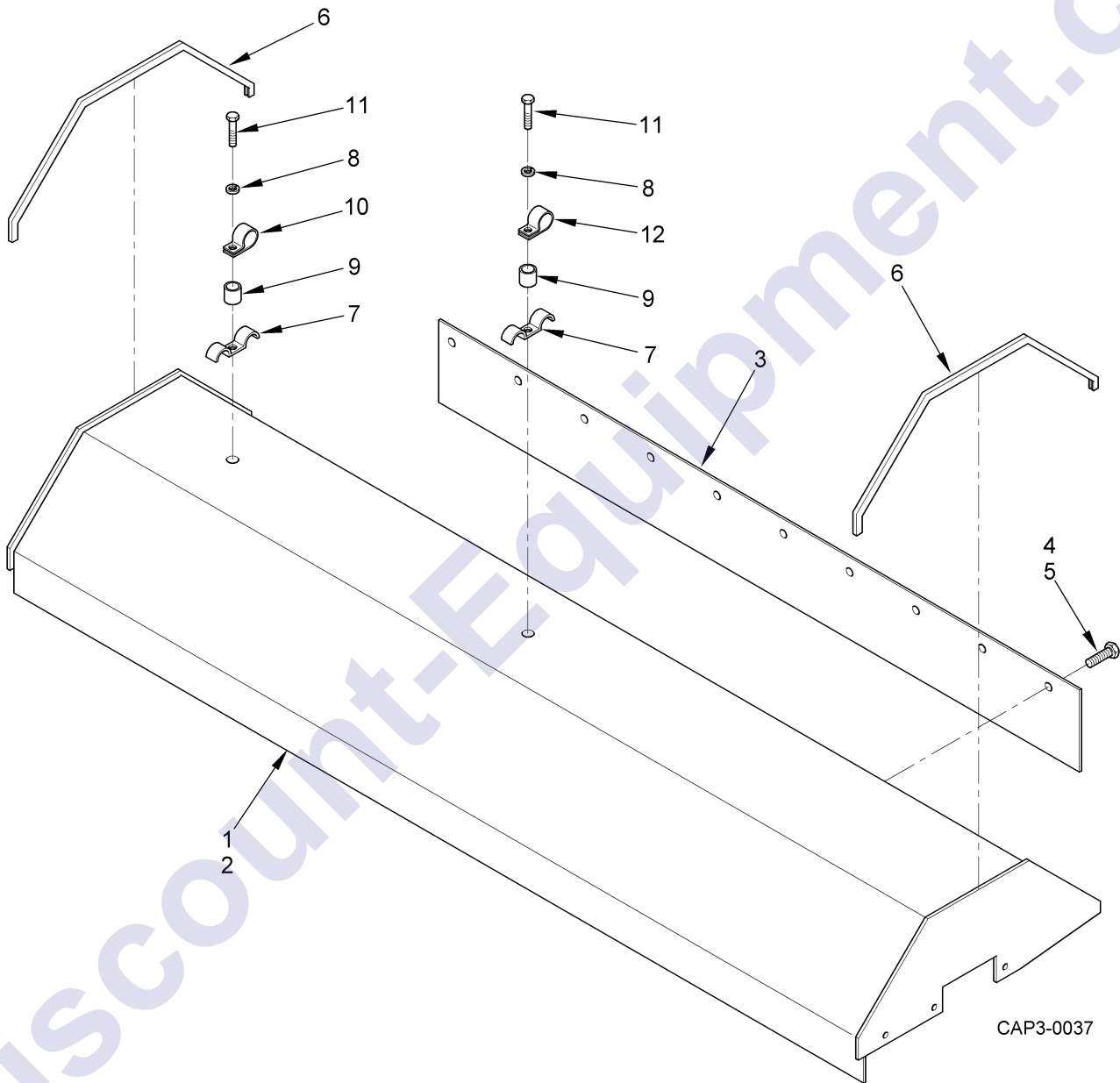
5-1 Hood Assembly	5-2
5-2 Broom Assembly	5-4
5-3 Broom Frame Assembly	5-8
5-4 Water Pump	5-10
5-5 Broom Kits	5-11

PARTS LIST

Discount-Equipment.com

Figure 5-1. Hood Assembly

PARTS LIST



Item	P/N	Description	Qty
		Broom Hood Assembly	
1	02002	02002	1
2	001	001	1
	00001	00001	1
	00022	00022	1
	001	001	1
	001	001	12
	000	000	1
	000	000	12
	00000	00000	2
	1001	1001	
	1001	1001	2
	01102	01102	
	01102	01102	2
	10022	10022	
	10022	10022	2
10	010	010	
	010	010	2
11	001	001	1

PARTS LIST

Discount-Equipment.com

Figure 5-2. Broom Assembly

PARTS LIST

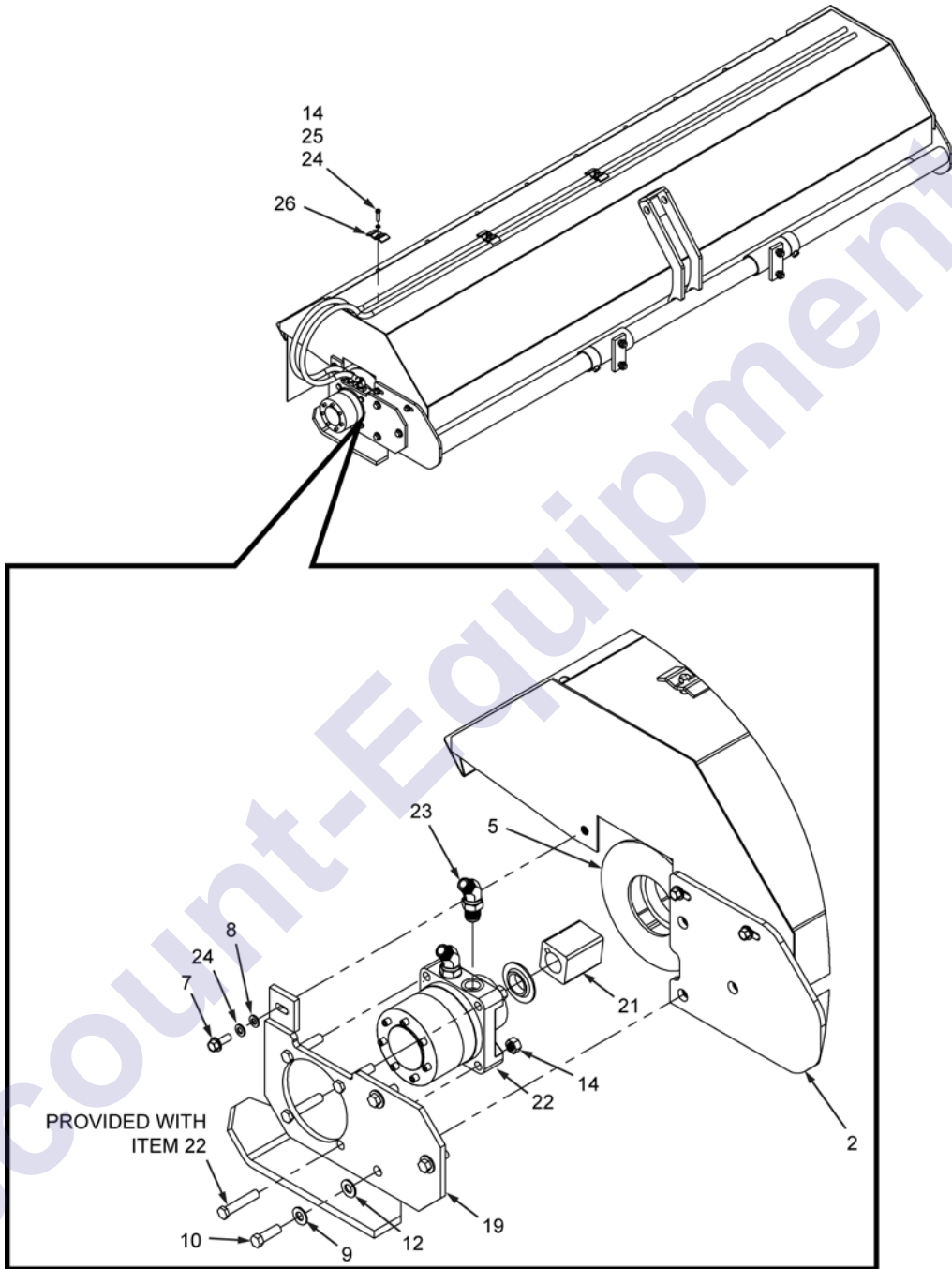


Figure 5-2. Broom Assembly - Continued

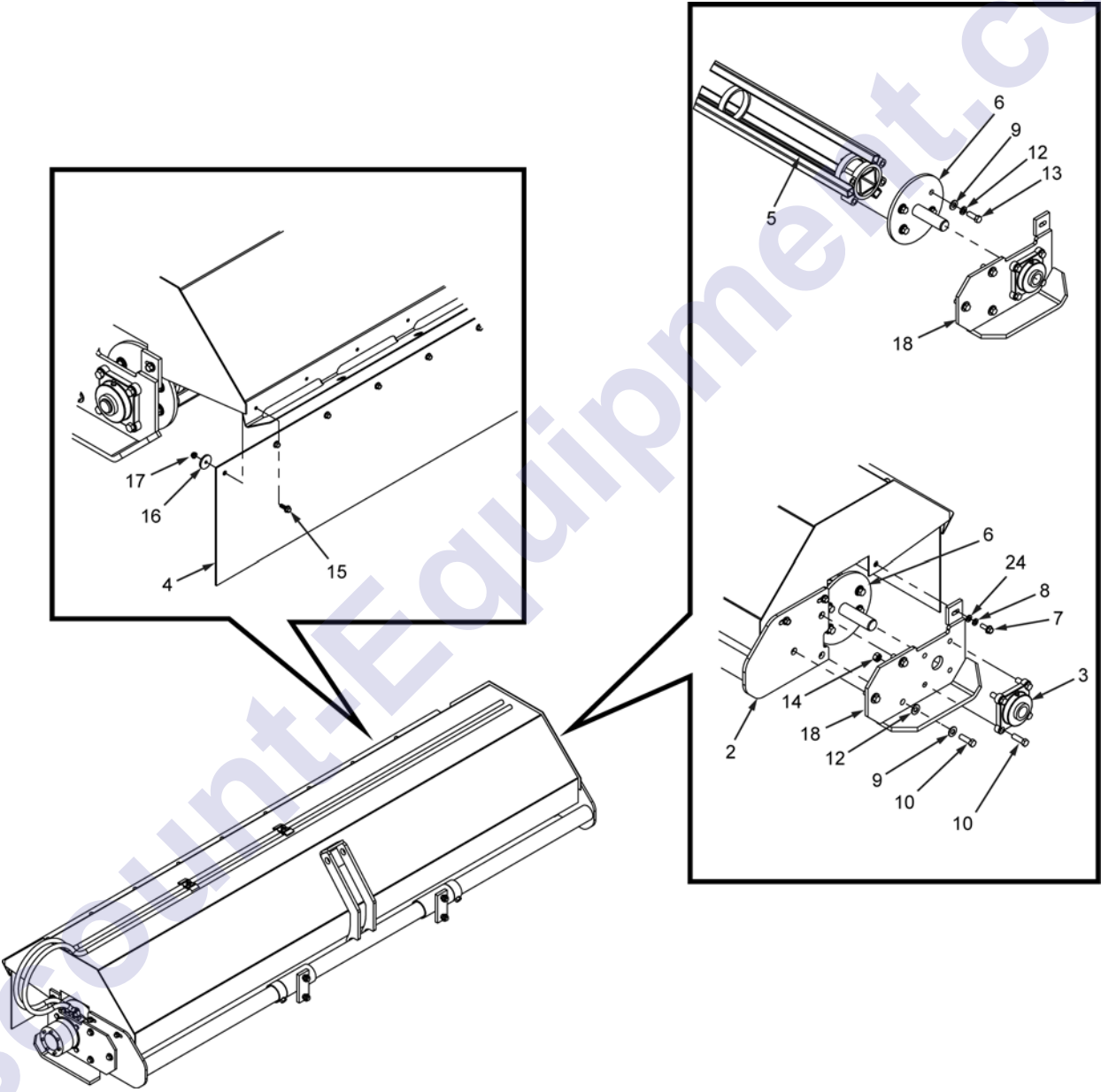
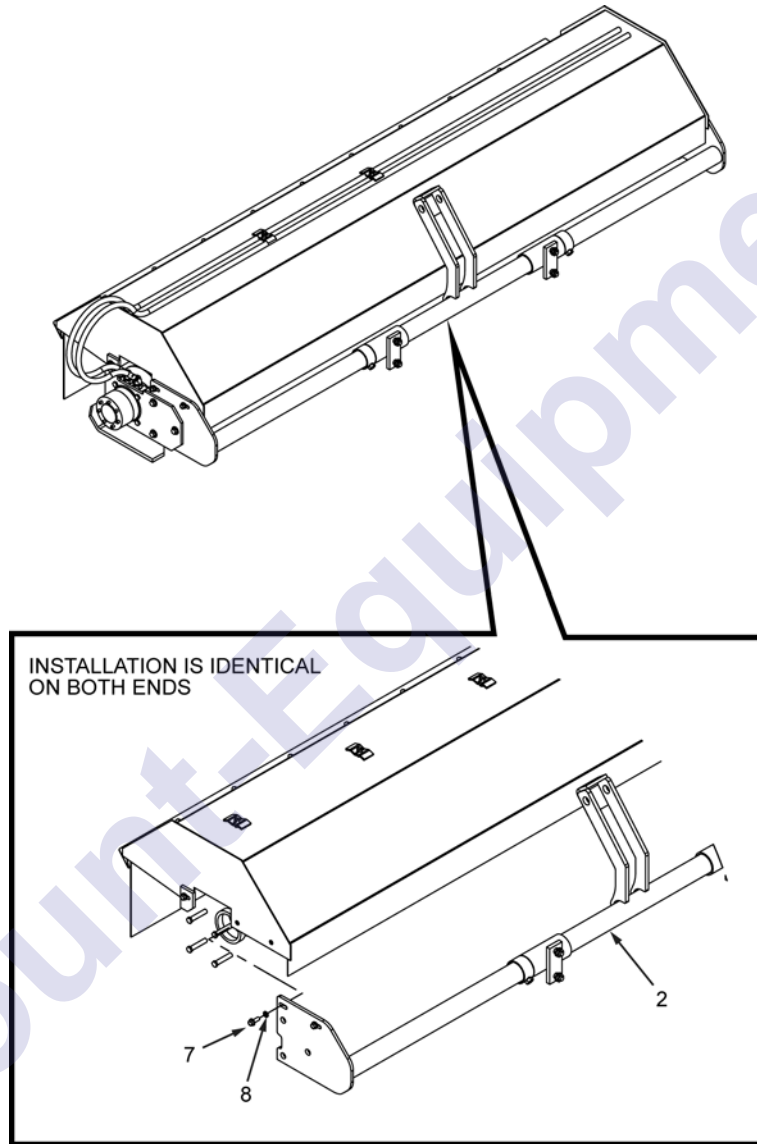


Figure 5-2. Broom Assembly - Continued

PARTS LIST



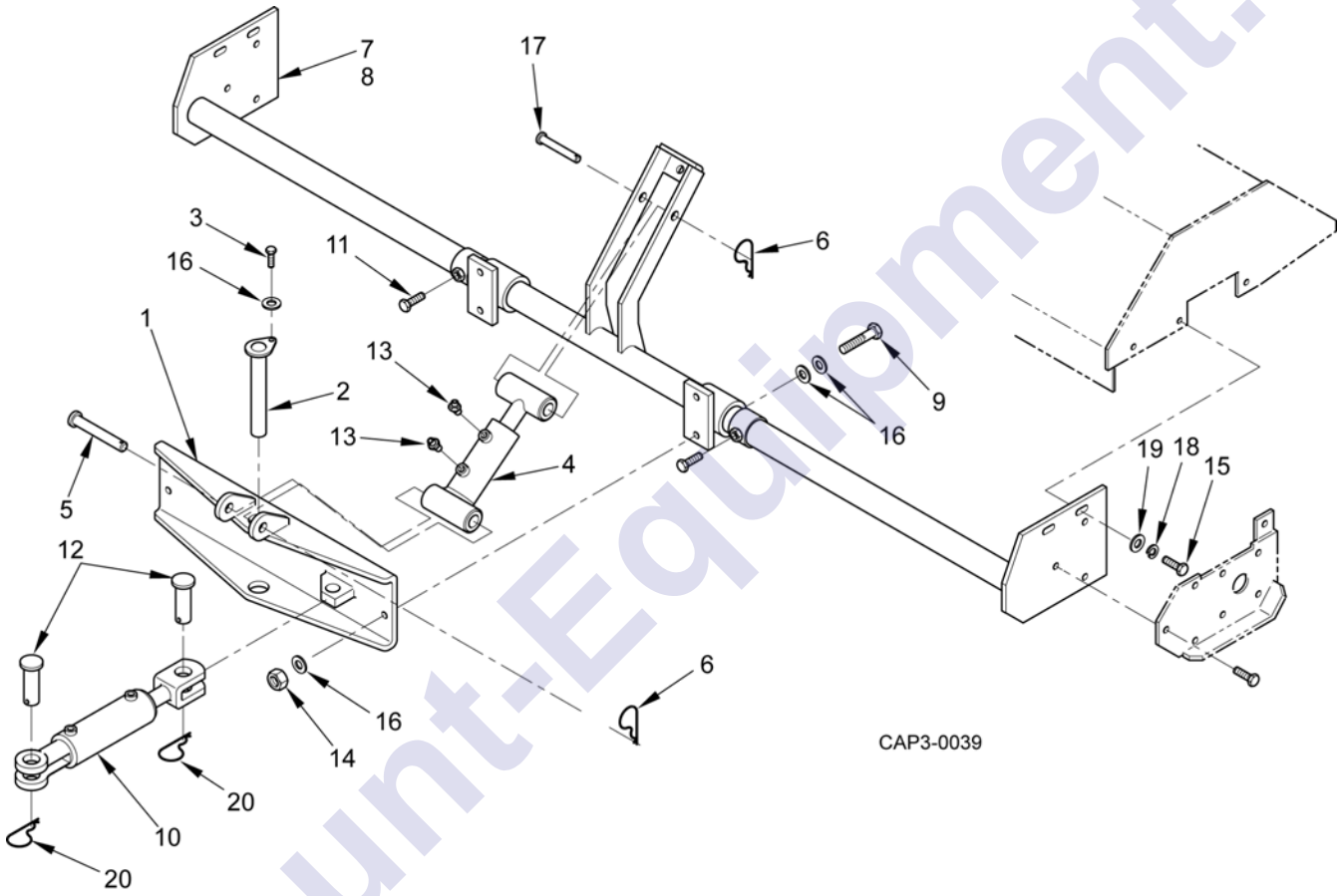
Item	P/N	Description	Qty
		Broom Assembly (8 ft.)	1
1	2002	End	1
2	2	IM	1
	0000		1
	1		
	102		1
	2	IM	
	1		
	0112		22
	0112		1
10	12		
11	0		10
12	011		
1	1		11
1	2001		1
1	100		1
1	0102		1
1	0		1
1	0	IM	1
1	0	IM	1
20	1	rd	1
21	1021	IM	1
22		IM 2	1
2			2
2	01102		
2	010		
2	1001		

PARTS LIST

Discount-Equipment.com

Figure 5-3. Broom Frame Assembly

PARTS LIST



CAP3-0039

Sweepmaster 300 Parts & Service Manual
Section 5. Broom

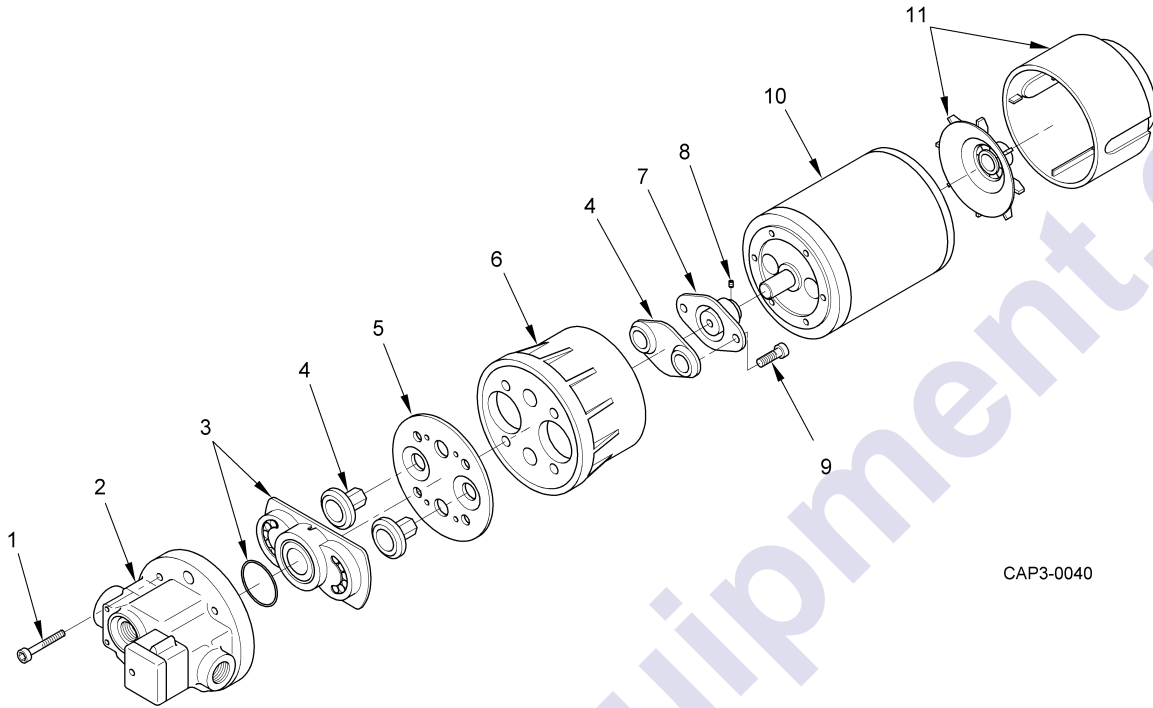
Item	P/N	Description	Qty
		Broom Frame Assembly	
1	000010	000010 Broom Frame (M)	1
2	000020	000020	1
	000010	000010	1
	000001	000001 211	1
	100110	100110	1
	010000	010000	2
	000002	000002 (M)	1
	000000	000000 (M)	1
	001000	001000	
10	000000	000000 212	1
11	000000	000000	2
12	010000	010000	2
1	002020	002020	2
1	000000	000000	
1	000020	000020	
1	011020	011020	1
1	100110	100110	1
1	011020	011020	
1	011020	011020	
20	000100	000100	2

PARTS LIST

Discount-Equipment.com

Figure 5-4. Water Pump

PARTS LIST



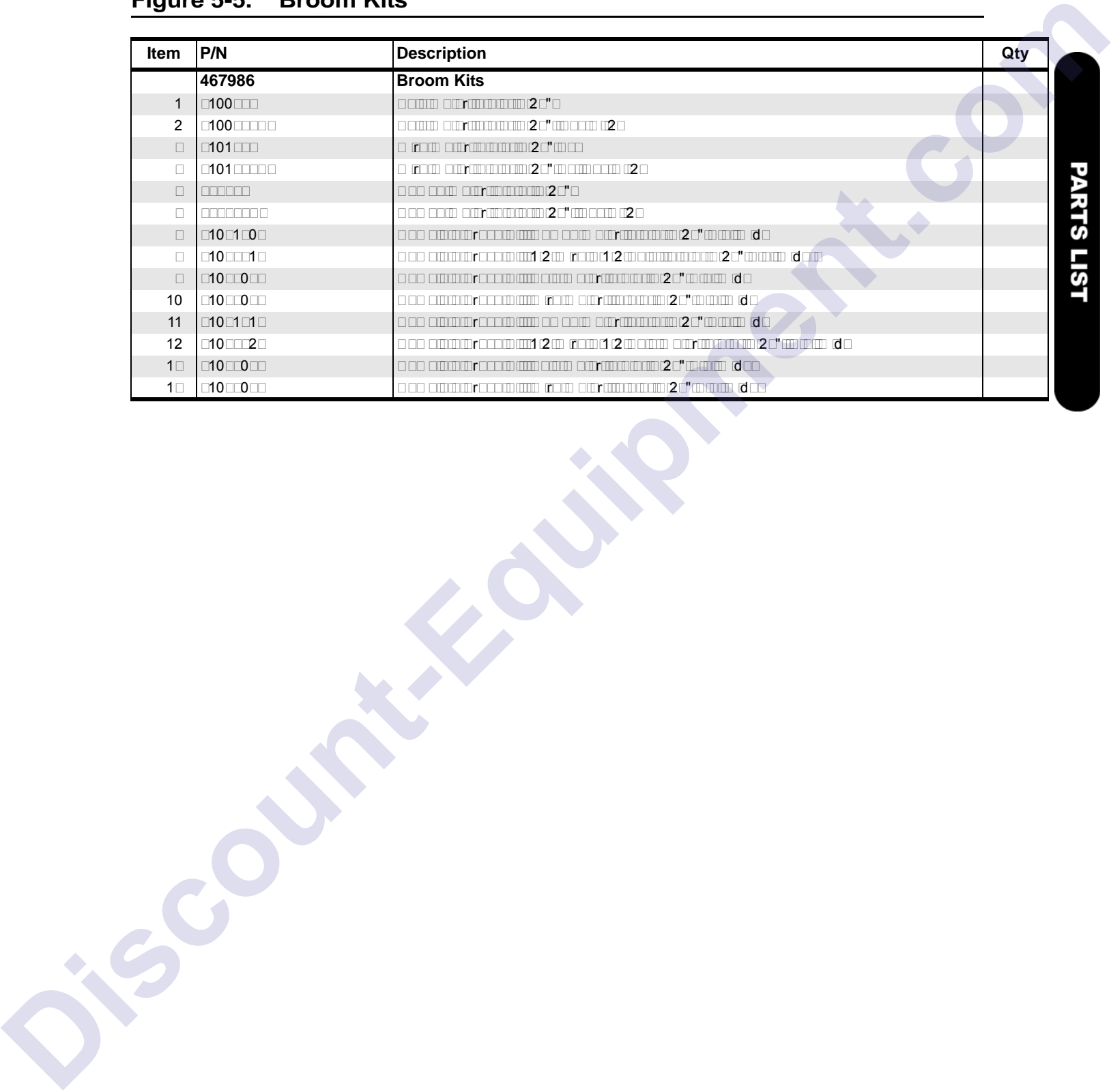
CAP3-0040

Item	P/N	Description	Qty
	416826	Water Pump (No service parts available)	
1		SCREW	1
2		HOUSING	1
		SEAL	1
		NUT	1
		PLATE	1
		NUT	1
		WASHER	1
		PIN	1
10		MOTOR	1
11		COVER	1

Figure 5-5. Broom Kits

Item	P/N	Description	Qty
	467986	Broom Kits	
1	100000	2" broom	
2	100000	2" broom	
	101000	2" broom	
	101000	2" broom	
	100000	2" broom	
	100000	2" broom	
	101000	2" broom	
	100000	2" broom	
10	100000	2" broom	
11	101000	2" broom	
12	100000	2" broom	
1	100000	2" broom	
1	100000	2" broom	

PARTS LIST



Discount-Equipment.com

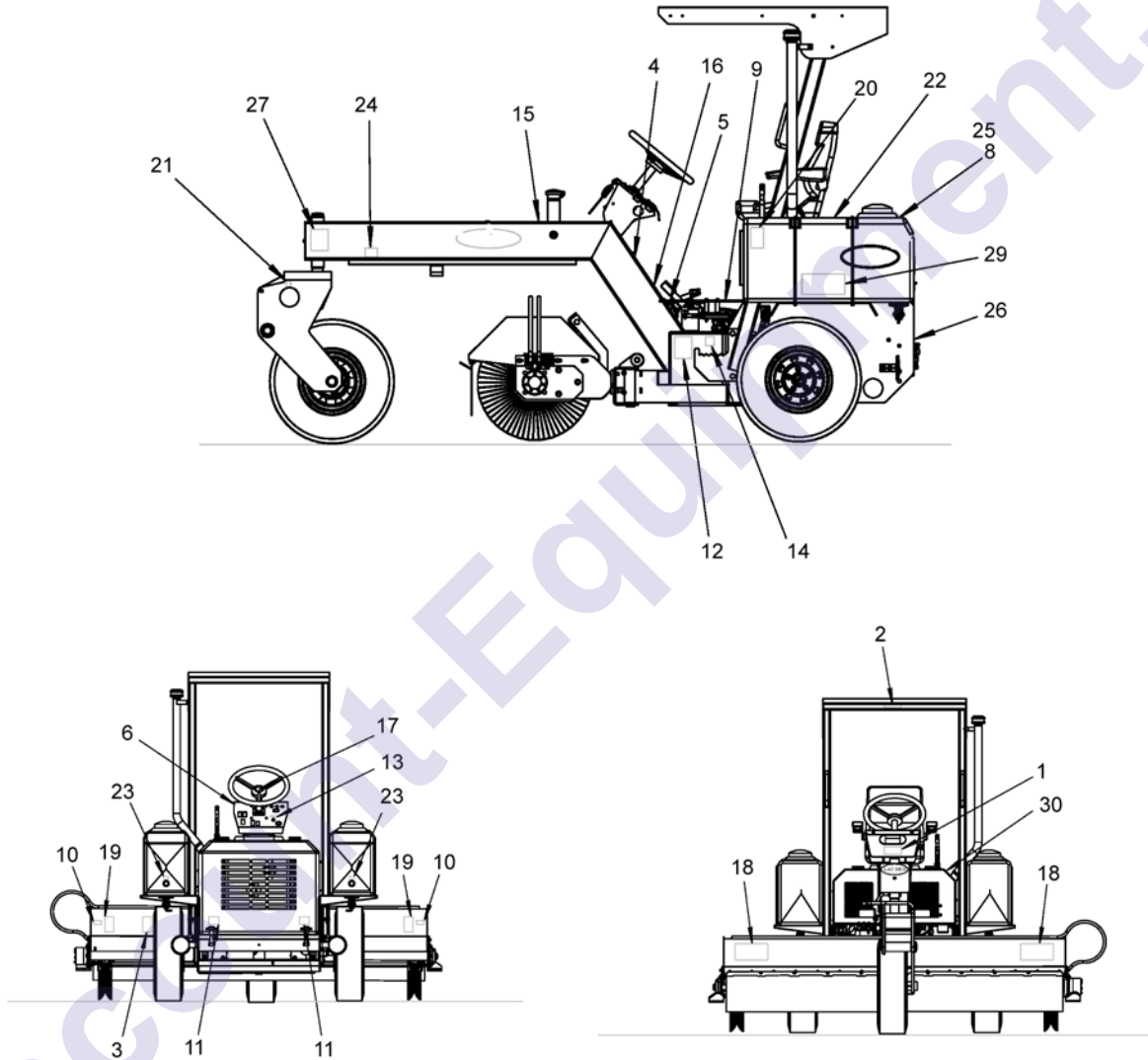
Section 6. Decals

6-1 Decal Kit.....	6-2
--------------------	-----

PARTS LIST

Discount-Equipment.com

Figure 6-1. Decal Kit



PARTS LIST

This page left intentionally blank.

Discount-Equipment.com

Section 7. Engine Components

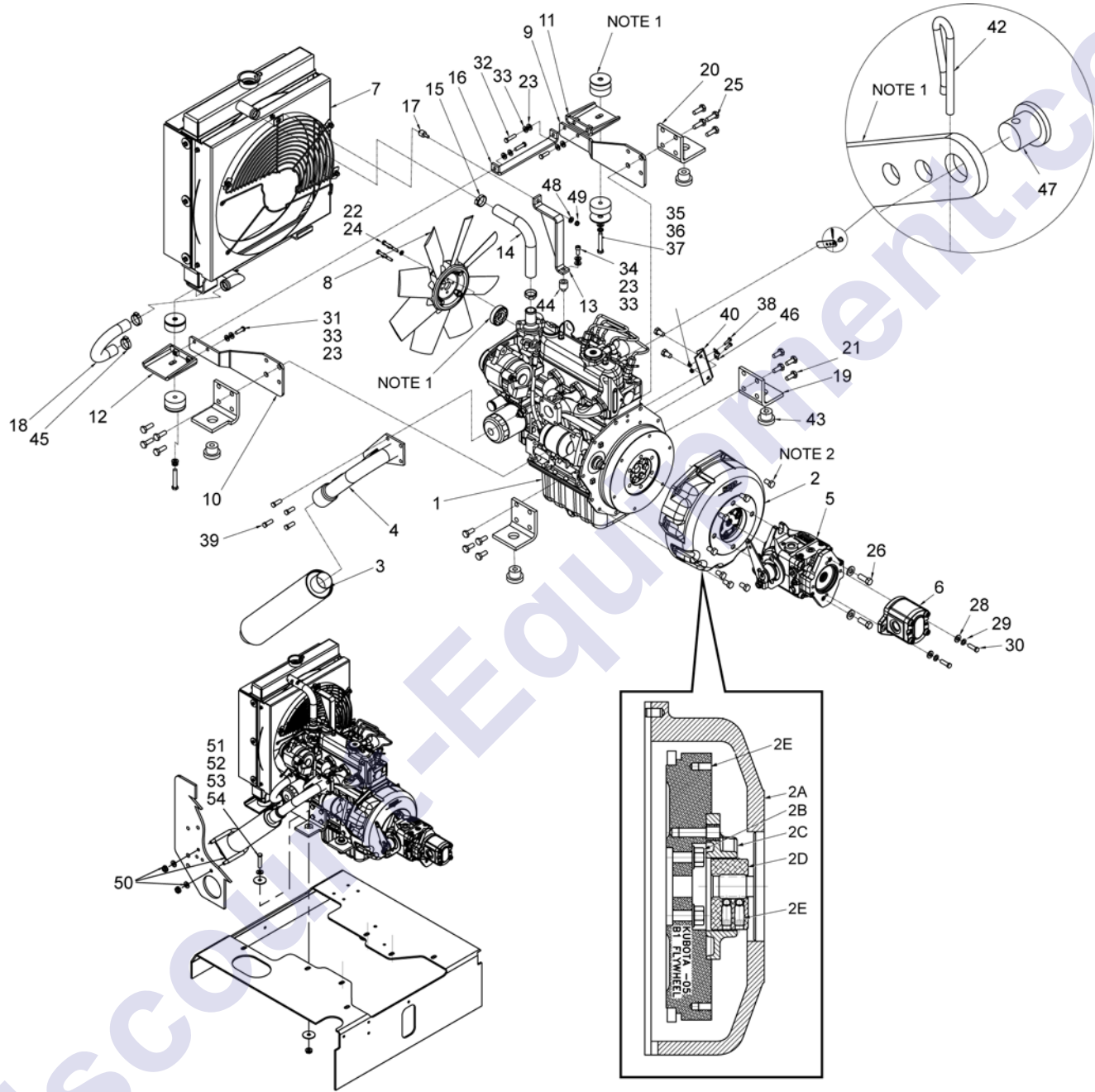
7-1 Main Drivetrain Assembly	7-2
7-2 Radiator Assembly	7-4
7-3 Fuel System Assembly	7-6
7-3 Fuel System Assembly	7-6
7-4 Air Cleaner and Pre-Cleaner Assembly	7-8
7-5 Hood Assembly	7-10

PARTS LIST

Discount-Equipment.com

Figure 7-1. Main Drivetrain Assembly

PARTS LIST



NOTES:
 1. SUPPLIED WITH ENGINE KIT
 2. SUPPLIED WITH FLYWHEEL HOUSING

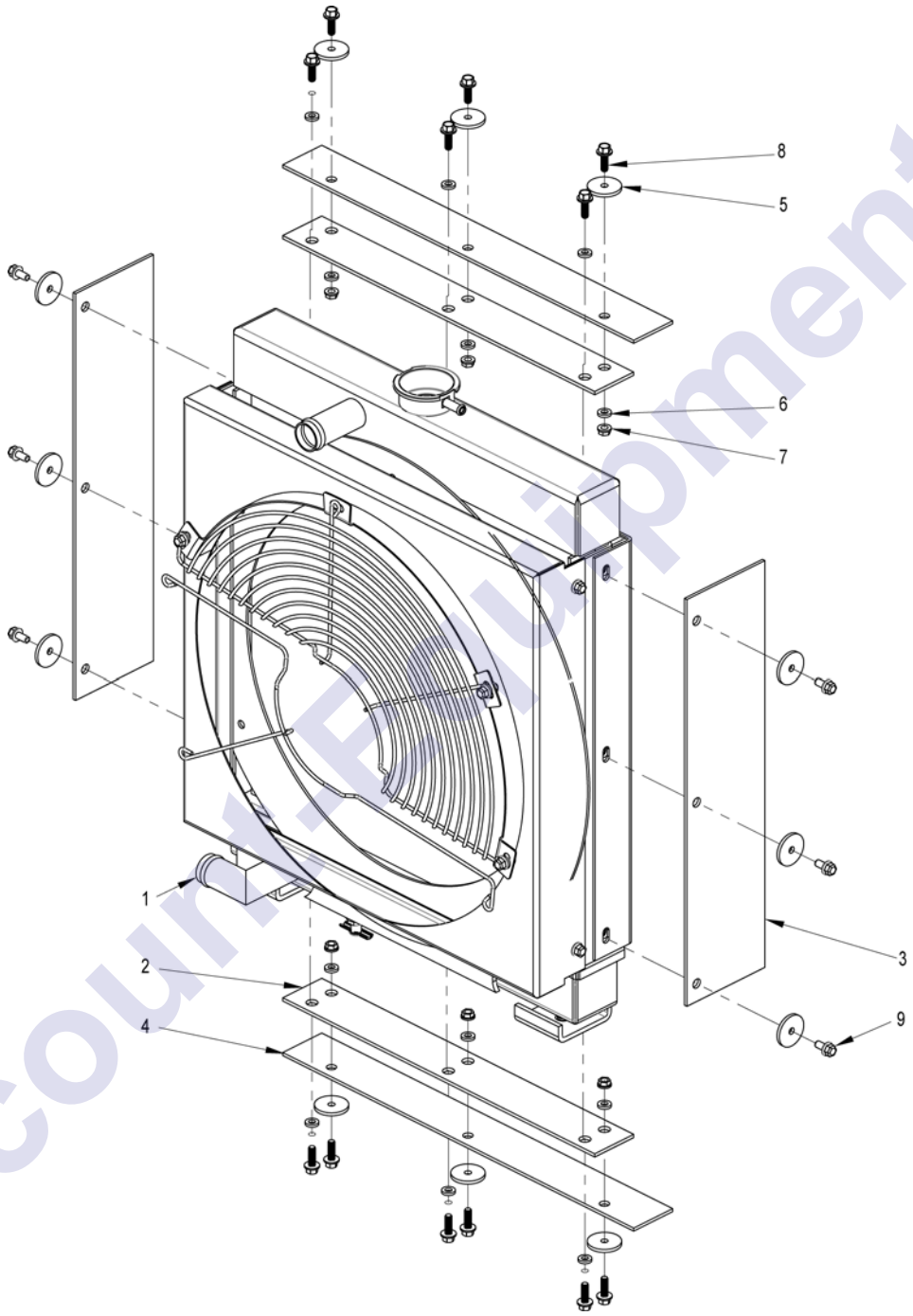
Sweepmaster 300 Parts & Service Manual
Section 7. Engine Components

Item	P/N	Description	Qty
		Main Drivetrain Assembly	
1	1000	1000	1
2	100100	100100	1
2	10112	10112	1
2	10110	10110	1
2	10111	10111	1
2	10111	10111	1
2	10111	10111	2
	101	M 101	1
	0	0	1
	1000	1000	1
	1000	1000	1
	1002	1002	1
	100121	100121	1
	10010	10010	1
10	100110	100110	1
11	10012	10012	1
12	10012	10012	1
1	1001	1001	1
1	10010	10010	1
1	2	2	2
1	1001	1001	1
1	0	0	1
1	10011	10011	1
1		M	2
20	00	M	2
21			
22	12211	12211	
2	111	111	
2	1112	1112	
2			
2	11	11	2
2	00	00	2
2	11	11	2
2	111	111	2
0	1010	1010	2
1	100	100	2
2	100	100	2
	11	11	
			1
	112	112	2
	1102	1102	2
	10	10	2
	112	112	2
	0	0	
0	10	10	1
1	02	02	2
2	2	2	1
		M	
	1	1	1
	10020	10020	2
	1	1	1
	12	12	1
	1122	1122	1
	0	0	1
0	1011	1011	1
1	10002	10002	
2	0112	0112	
	2	2	
	1000	1000	
	100100	100100	1

PARTS LIST

Figure 7-2. Radiator Assembly

PARTS LIST

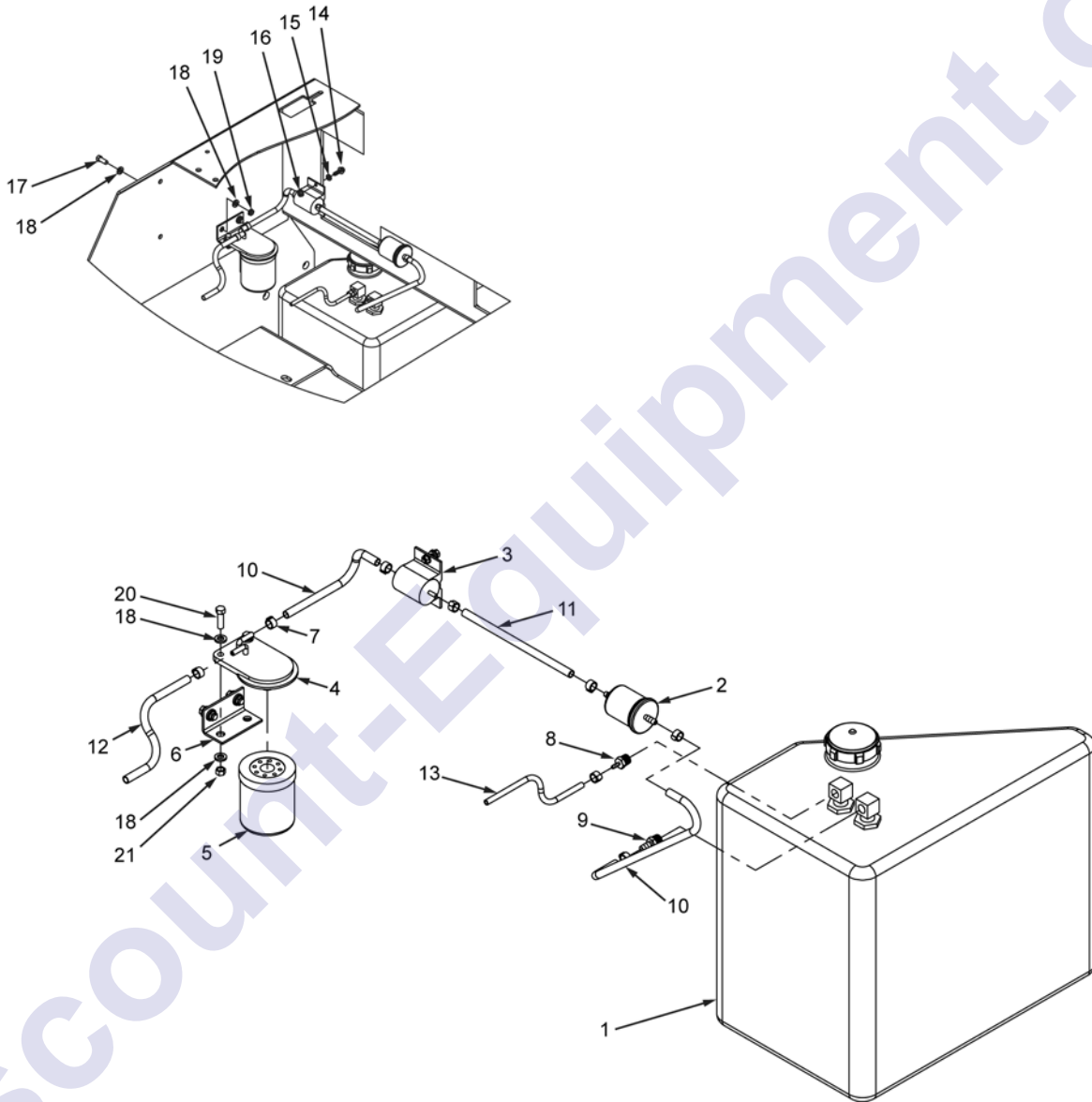


Item	P/N	Description	Qty
		Radiator Assembly	
1	1000	Radiator	1
2	10010	Radiator Fan	2
	1001	Radiator Fan	2
	1001	Radiator Fan	2
	0102	Radiator Fan	12
	011	Radiator Fan	12
	0	Radiator Fan	
	1	Radiator Fan	12
	M	Radiator Fan	

PARTS LIST

Discount-Equipment.com

Figure 7-3. Fuel System Assembly



PARTS LIST

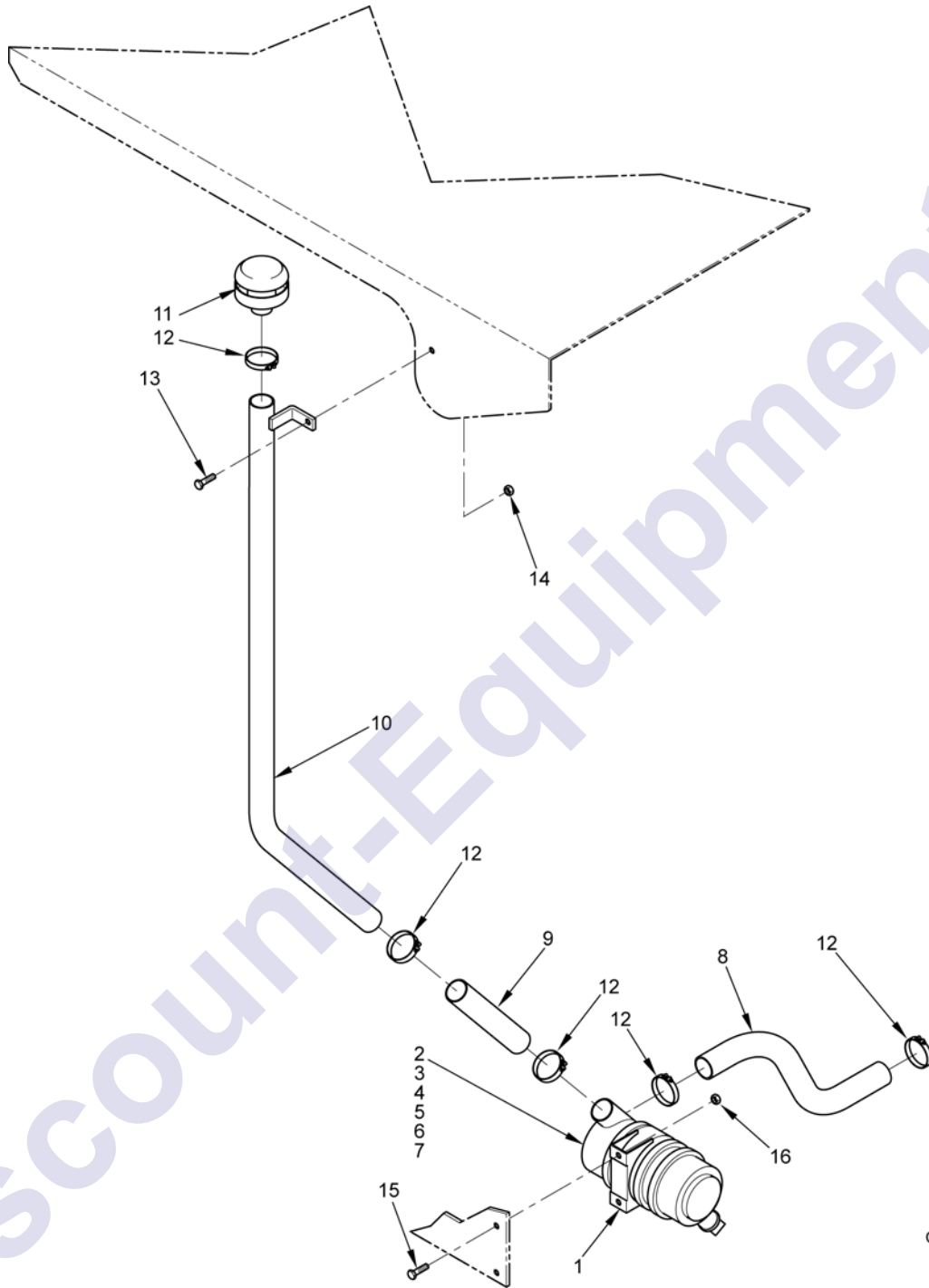
Sweepmaster 300 Parts & Service Manual
Section 7. Engine Components

Item	P/N	Description	Qty
	100243	Fuel System Assembly	
1	0001 00	0000000000000000	1
2	101 20	00000000r0000000	1
	101 00	000000 0	1
	0001 00	000rM0000	1
	102 2	00000000r0000000 0	1
	000000	M000000000000r	1
	02 001	00000 00 0	0
	00 1 00	00000	1
	0 002 0	00000	1
10	1001 1	000000000000	2
11	1001 2	0000000010 0	1
12	1001 00	000000002 00	1
1	1001 00	00000 00r000 000	1
1	001 000	0000	2
1	011 21	0 000r	2
1	00 000	0000000	2
1	0 00000	0000	2
1	011 22	0 000r	0
1	0 00000	000	2
20	001 000	0000	2
21	0 00000	000	2

PARTS LIST

Discount-Equipment.com

Figure 7-4. Air Cleaner and Pre-Cleaner Assembly



PARTS LIST

CAP3-0049

Sweepmaster 300 Parts & Service Manual
Section 7. Engine Components

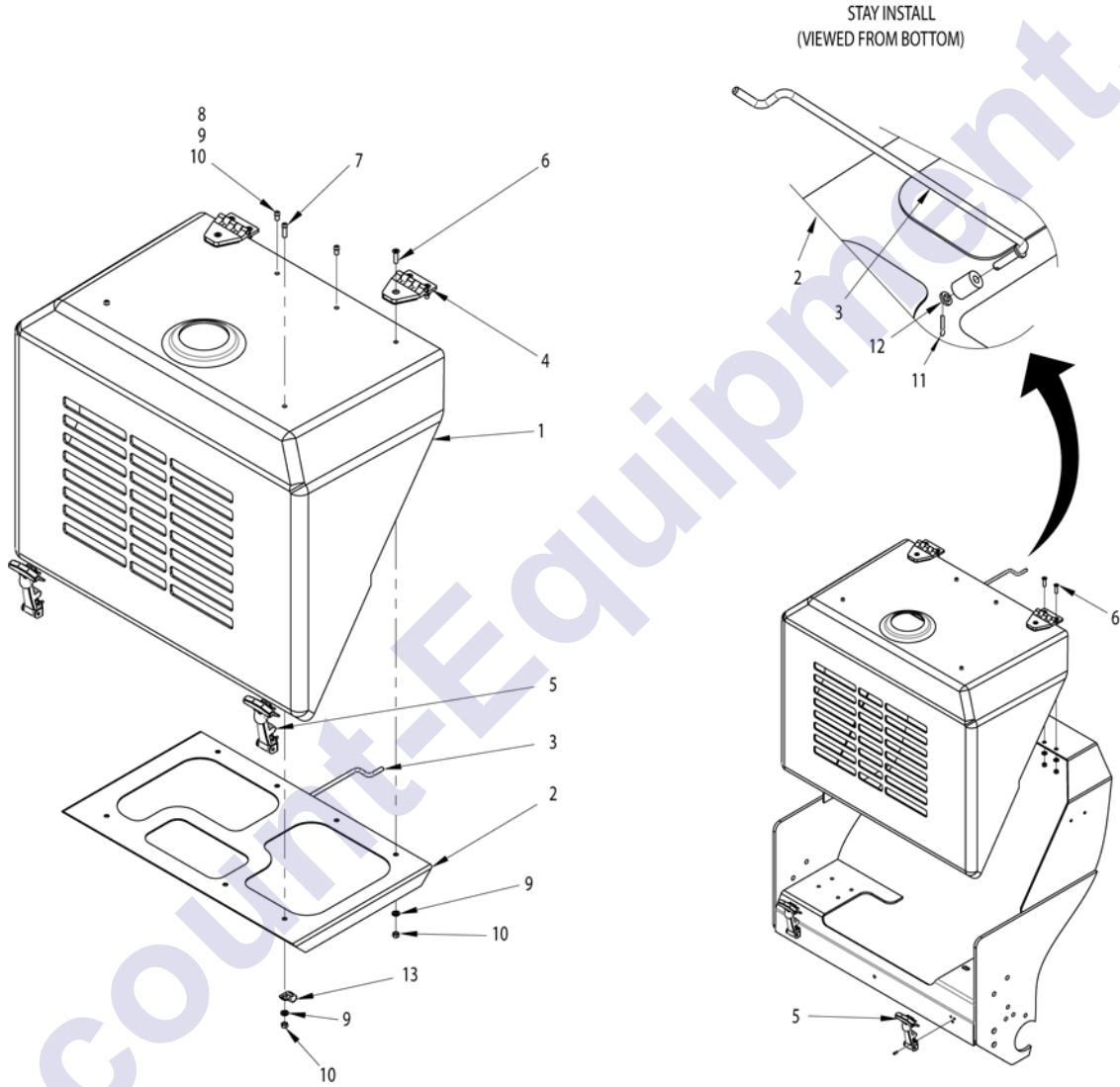
Item	P/N	Description	Qty
Air Cleaner Assembly			
1	000000	Assemble	1
2	000002	Bracket	1
3	000003	Plate	1
4	000004	Bracket	2
5	000005	Bracket	2
6	000006	Bracket	2
7	000007	Bracket	2
8	000008	Bracket	2
9	000009	Bracket	1
10	000010	Bracket	1
11	000011	Bracket	1
12	02020200	Bracket	1
13	000013	Bracket	1
14	000014	Bracket	1
15	000015	Bracket	2
16	000016	Bracket	2

PARTS LIST



Figure 7-5. Hood Assembly

PARTS LIST



Item	P/N	Description	Qty
	100247	Hood Assembly	
1	1001□□	□□□d□□□□□□	1
2	10011□	□□□□□r	1
□	1001□□	□□□□r□□□d	1
□	□□22□□	□□□□	2
□	□□01□□00	□□□□□□□□□□	2
□	□□22□□	□□□□	□
□	□□2□02	□□□□	2
□	□□2□02	□□□□	2
□	010□□1	□□□□□□□r	□
10	010□□□	□□□□	10
11	01□12□	□□□□r□□□	1
12	010□□□	□□□□r	1
1□	02□□□□	□□□□□□□□	2

PARTS LIST

Discount-Equipment.com

This page left intentionally blank.

Discount-Equipment.com

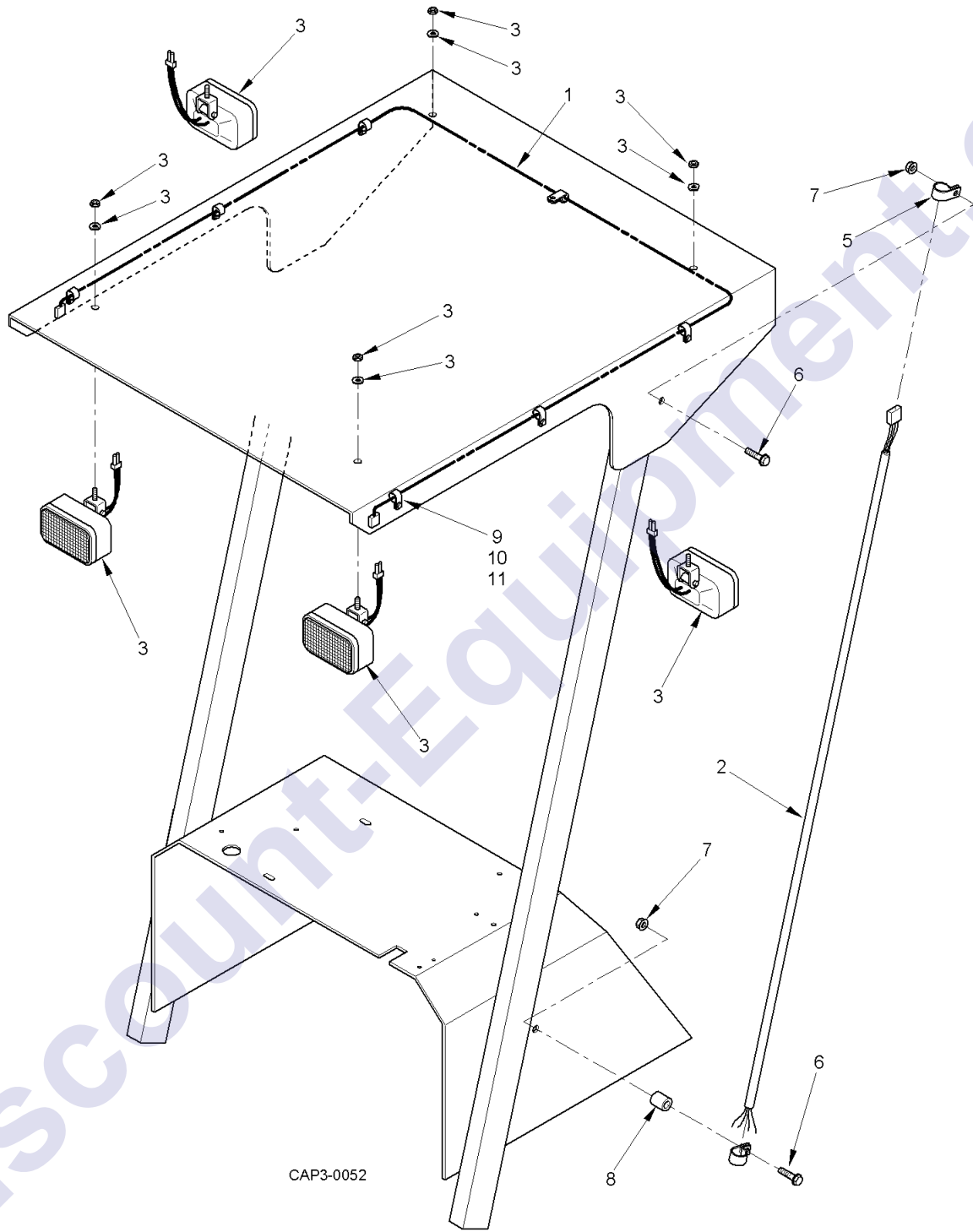
Section 8. Options

8-1 Light Kit (Front and Rear)	8-2
8-2 Water Tank Assembly	8-4
8-3 Sprinkler Assembly	8-6

PARTS LIST

Discount-Equipment.com

Figure 8-1. Light Kit (Front and Rear)



PARTS LIST

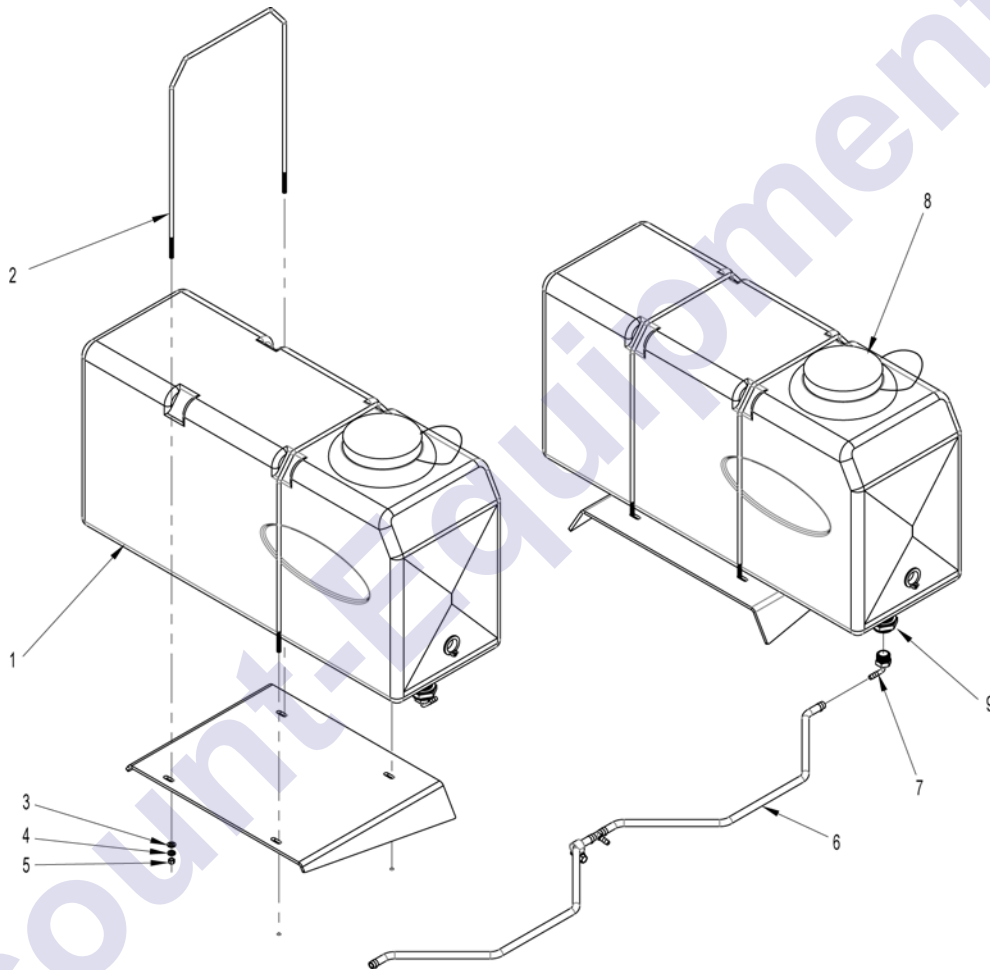
Item	P/N	Description	Qty
	379024	Light Kit (Front and Rear)	
1	002		1
2			1
	01		1
	02		2
	100		2
	0		2
	11		1
	100		
10	0		
11	001		

PARTS LIST

Discount-Equipment.com

Figure 8-2. Water Tank Assembly

PARTS LIST



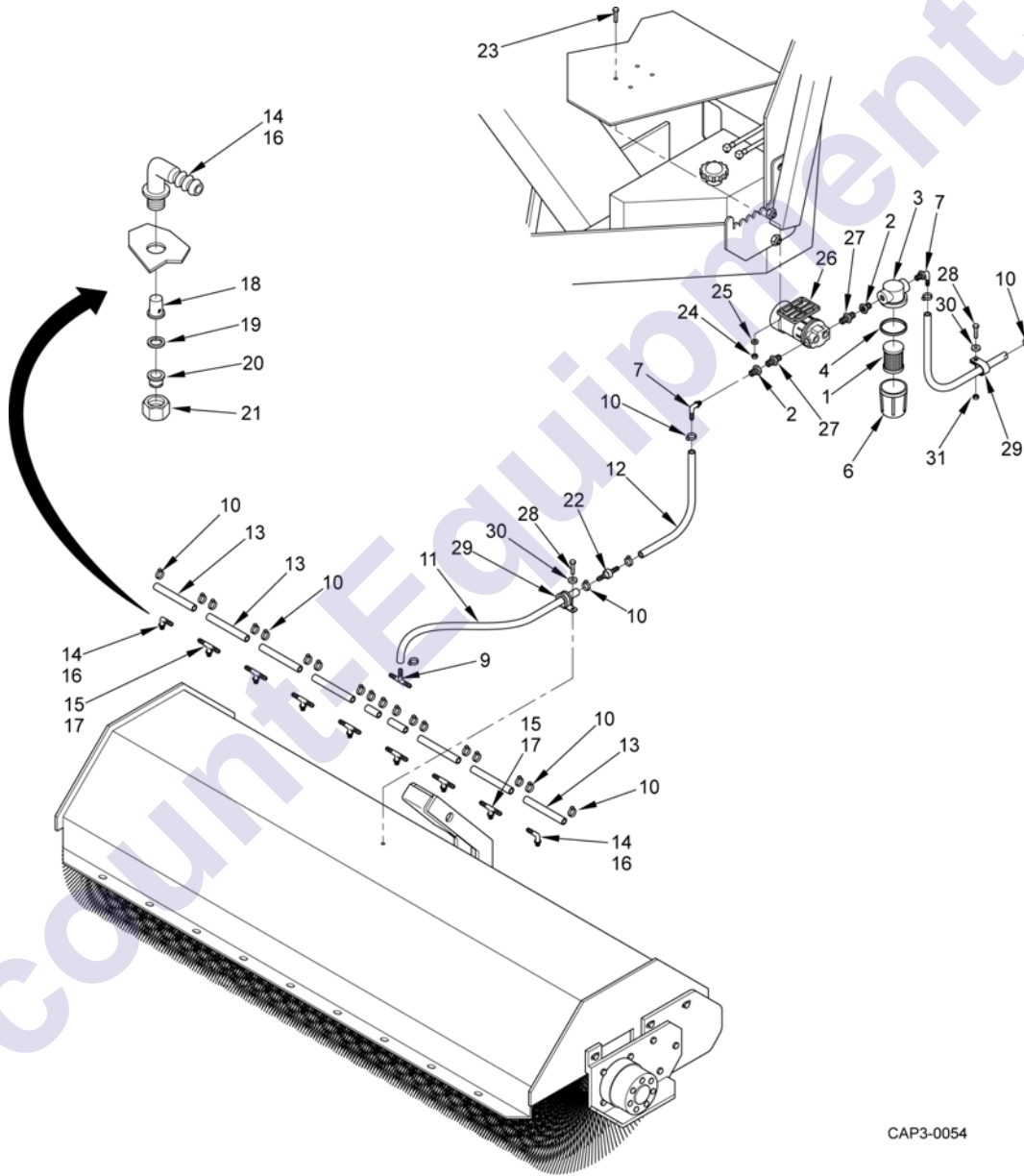
Item	P/N	Description	Qty
		Water Tank Assembly	
1			1
2			
	01122		
	0101		
	010		
			1
	0211		1
	100		2
	1000		2

PARTS LIST

Discount-Equipment.com

Figure 8-3. Sprinkler Assembly

PARTS LIST



CAP3-0054

Sweepmaster 300 Parts & Service Manual
 Section 8. Options

Item	P/N	Description	Qty
	000000	Sprinkler Assembly - 6'	
	000021	Sprinkler Assembly - 8'	
	000000	Sprinkler Assembly - 6' with Black Tanks	
	000022	Sprinkler Assembly - 8' with Black Tanks	
1	10002		1
2	10100		1
	10221		1
	10222		1
			1
	10220		1
	10001		1
	00012		1
	10100		
	10100		
10	00000		20
	00000		20
11	00000		00
12	00000		00
10	00000		00
10	10021		2
10	10020		0
	10020		0
10	10000		2
10	10000		0
	10000		0
10	00000		0
	00000		0
10	10000		0
	10000		0
20	10100		0
	10100		0
	10100		0
	10100		0
	10102		0
	10102		0
21	00000		0
	00000		0
22	00000		1
20	00100		0
20	01022		0
20	01020		0
20	10020		1
20	10100		2
	10100		1
20	00100		2
20	00100		2
00	01101		2
01	00001		1

PARTS LIST

This page left intentionally blank.

Discount-Equipment.com

Section 9. General Service Information

9-1 Specifications.....	9-2
9-2 Torque Recommendations.....	9-4
9-3 Broom Core Replacement	9-5
9-4 Broom Wafer Replacement.....	9-5
9-5 Replacement of Convolute (Spacer-less) Wafers.....	9-5
9-6 Neutral Creep Adjustment.....	9-5

© 2015 Tennant Company. All rights reserved. Tennant, the Tennant logo, and Sweepmaster are trademarks of Tennant Company. M

SERVICE

9-1. Specifications

ENGINE	
Model	110
Displacement	112
Rated Power	
Rated Speed	rpm
Rated Torque	2000
Rated Fuel Consumption	000
Rated Air Consumption	000
Rated Oil Consumption	12
Rated Water Consumption	0
HYDRAULIC SYSTEM	
Drive Type	M
HYDRAULIC CYLINDERS	
Model	1212
Displacement	00
Rated Power	110
Rated Speed	00
Rated Torque	200
Rated Fuel Consumption	110
Rated Air Consumption	00
AUXILIARY PUMP	
Model	
Displacement	01
Rated Power	200
Rated Fuel Consumption	000
BROOM MOTORS	
Model	121
Displacement	220
Rated Power	200
TRANSMISSION	
Model	
Displacement	012
Rated Power	000
Rated Fuel Consumption	000
WHEEL MOTORS	
Model	
Displacement	100
Rated Power	12
STEERING	
Model	
Displacement	

SERVICE

BRAKES

dr
dr
dr

CAPACITIES

dr 21
r 1 0
d d 1 0
2

TIRES

r 20 1
r r d
r 1
d d d 10

DIMENSIONS

1
d r
d r 0
0

WEIGHT

r 2100

SPEED

M M

STEERING

M 0

BROOM ANGLE

0

SERVICE

9-2. Torque Recommendations

CHASSIS	
Front axle drive shaft nut	220
Front axle drive shaft nut	100
Front axle drive shaft nut	0
Front axle drive shaft nut	0
HYDRAULIC COMPONENTS	
Hydraulic hose nut	
Hydraulic hose nut	
Hydraulic hose nut	
HYDRAULIC CYLINDERS	
Hydraulic cylinder nut	1010
GROUND DRIVE	
Drive shaft nut	100
Drive shaft nut	100
Drive shaft nut	20

9-3. Broom Core Replacement

1. Turn the broom core clockwise to the stop.
2. Turn the broom core counter-clockwise to the stop. The broom core should be turned to the stop.
3. Turn the broom core clockwise to the stop. The broom core should be turned to the stop.
4. Turn the broom core counter-clockwise to the stop. The broom core should be turned to the stop.
5. Turn the broom core clockwise to the stop. The broom core should be turned to the stop.
6. Turn the broom core counter-clockwise to the stop. The broom core should be turned to the stop.
7. Turn the broom core clockwise to the stop. The broom core should be turned to the stop.
8. Turn the broom core counter-clockwise to the stop. The broom core should be turned to the stop.
9. Turn the broom core clockwise to the stop. The broom core should be turned to the stop.
10. Turn the broom core counter-clockwise to the stop. The broom core should be turned to the stop.

9-4. Broom Wafer Replacement

1. Turn the broom wafer clockwise to the stop. The broom wafer should be turned to the stop.
2. Turn the broom wafer counter-clockwise to the stop. The broom wafer should be turned to the stop.
3. Turn the broom wafer clockwise to the stop. The broom wafer should be turned to the stop.

9-5. Replacement of Convoluted (Spacer-less) Wafers

1. Turn the convoluted wafer clockwise to the stop. The convoluted wafer should be turned to the stop.
2. Turn the convoluted wafer counter-clockwise to the stop. The convoluted wafer should be turned to the stop.
3. Turn the convoluted wafer clockwise to the stop. The convoluted wafer should be turned to the stop.
4. Turn the convoluted wafer counter-clockwise to the stop. The convoluted wafer should be turned to the stop.
5. Turn the convoluted wafer clockwise to the stop. The convoluted wafer should be turned to the stop.
6. Turn the convoluted wafer counter-clockwise to the stop. The convoluted wafer should be turned to the stop.
7. Turn the convoluted wafer clockwise to the stop. The convoluted wafer should be turned to the stop.
8. Turn the convoluted wafer counter-clockwise to the stop. The convoluted wafer should be turned to the stop.
9. Turn the convoluted wafer clockwise to the stop. The convoluted wafer should be turned to the stop.
10. Turn the convoluted wafer counter-clockwise to the stop. The convoluted wafer should be turned to the stop.

9-6. Neutral Creep Adjustment

Turn the neutral creep adjustment clockwise to the stop. The neutral creep adjustment should be turned to the stop.

1. Turn the neutral creep adjustment clockwise to the stop. The neutral creep adjustment should be turned to the stop.
2. Turn the neutral creep adjustment counter-clockwise to the stop. The neutral creep adjustment should be turned to the stop.
3. Turn the neutral creep adjustment clockwise to the stop. The neutral creep adjustment should be turned to the stop.
4. Turn the neutral creep adjustment counter-clockwise to the stop. The neutral creep adjustment should be turned to the stop.

SERVICE

SERVICE

Discount-Equipment.com

Section 10. Hydraulic System Servicing

10-1 Introduction	10-2
10-2 Troubleshooting	10-3
10-3 High Pressure Filter Replacement	10-3
10-4 Drive Motor Seal Test	10-4
10-5 Hydraulic Cylinders Servicing	10-4
10-6 Hydraulic Pressure Relief Valve Adjustment.....	10-4
10-7 Broom Drive Motor Test.....	10-8

© 2015 Tennant Company. All rights reserved. This document is the property of Tennant Company. It is to be used only for the purpose indicated. No part of this document may be reproduced, stored in a retrieval system, or transmitted in any form or by any means, electronic, mechanical, photocopying, recording, or by any information storage and retrieval system, without the prior written permission of Tennant Company.

SERVICE

10-1. Introduction

When working on the hydraulic system, always use proper safety procedures. Before working on the hydraulic system, always relieve the pressure in the system. Always use proper lifting techniques when lifting heavy components. Always use proper tie-off techniques when working on the hydraulic system. Always use proper tie-off techniques when working on the hydraulic system. Always use proper tie-off techniques when working on the hydraulic system.

When working on the hydraulic system, always use proper safety procedures. Before working on the hydraulic system, always relieve the pressure in the system. Always use proper lifting techniques when lifting heavy components. Always use proper tie-off techniques when working on the hydraulic system. Always use proper tie-off techniques when working on the hydraulic system. Always use proper tie-off techniques when working on the hydraulic system.

SERVICE

10-2. Troubleshooting

PROBLEM	POSSIBLE CAUSE	CORRECTION
1. Hydraulic system does not operate.	Oil level is low.	Check and add oil to the correct level.
	Oil is contaminated.	Change the oil.
	Oil filter is clogged.	Change the oil filter.
	Hydraulic pump is not working.	Check the pump drive shaft and belt.
	Hydraulic pump is not primed.	Check the pump inlet filter and hose.
	Hydraulic pump is not generating pressure.	Check the pump discharge hose and filter.
	Hydraulic pump is not generating pressure.	Check the pump discharge hose and filter.
	Hydraulic pump is not generating pressure.	Check the pump discharge hose and filter.
	Hydraulic pump is not generating pressure.	Check the pump discharge hose and filter.
	Hydraulic pump is not generating pressure.	Check the pump discharge hose and filter.
Hydraulic pump is not generating pressure.	Check the pump discharge hose and filter.	
2. Hydraulic system leaks.	Loose connections.	Tighten connections.
	Cracked hoses.	Replace hoses.
	Worn seals.	Replace seals.
	Overfilled reservoir.	Drain excess oil.
3. Hydraulic system operates slowly.	Low oil level.	Check and add oil to the correct level.
	Clogged filter.	Change the filter.
	Worn pump.	Replace the pump.
4. Hydraulic system operates erratically.	Air in the system.	Bleed the system.
	Contaminated oil.	Change the oil.

10-3. High Pressure Filter Replacement

1. Turn the engine off and remove the key.

2. Remove the cap and clean the cap and the filter housing.

SERVICE

10-4. Drive Motor Seal Test

1. Disconnect the drive motor from the hydraulic system.

10-5. Hydraulic Cylinders Servicing

1. Disconnect the hydraulic cylinder from the hydraulic system.
2. Remove the hydraulic cylinder cap and inspect the cylinder for damage.
3. Clean the hydraulic cylinder with a clean cloth.
4. Inspect the hydraulic cylinder seals and o-rings for wear.
5. Replace the hydraulic cylinder seals and o-rings if necessary.

NOTE:

It is recommended that all seals and o-rings be expanded in warm oil before installation.

1. Expand the seals and o-rings in warm oil for 24 hours.
2. Clean the seals and o-rings with a clean cloth.
3. Install the seals and o-rings in the hydraulic cylinder.
4. Reconnect the hydraulic cylinder to the hydraulic system.

10-6. Hydraulic Pressure Relief Valve Adjustment

Tools Required

1. 1/4" hex key
2. 1/8" hex key
3. 1/16" hex key
4. Torque wrench
5. Pressure gauge
6. Hydraulic oil
7. Clean cloth
8. Safety glasses

Checking Manifold Pressure

1. Connect the pressure gauge to the manifold.
2. Turn the pressure relief valve adjustment screw clockwise until the pressure gauge reads 2100 ± 100 psi.
3. Turn the pressure relief valve adjustment screw counter-clockwise until the pressure gauge reads 1000 ± 100 psi.
4. Turn the pressure relief valve adjustment screw clockwise until the pressure gauge reads 2100 ± 100 psi.
5. Turn the pressure relief valve adjustment screw counter-clockwise until the pressure gauge reads 1000 ± 100 psi.
6. Turn the pressure relief valve adjustment screw clockwise until the pressure gauge reads 2100 ± 100 psi.
7. Turn the pressure relief valve adjustment screw counter-clockwise until the pressure gauge reads 1000 ± 100 psi.
8. Turn the pressure relief valve adjustment screw clockwise until the pressure gauge reads 2100 ± 100 psi.
9. Turn the pressure relief valve adjustment screw counter-clockwise until the pressure gauge reads 1000 ± 100 psi.
10. Turn the pressure relief valve adjustment screw clockwise until the pressure gauge reads 2100 ± 100 psi.
11. Turn the pressure relief valve adjustment screw counter-clockwise until the pressure gauge reads 1000 ± 100 psi.
12. Turn the pressure relief valve adjustment screw clockwise until the pressure gauge reads 2100 ± 100 psi.
13. Turn the pressure relief valve adjustment screw counter-clockwise until the pressure gauge reads 1000 ± 100 psi.
14. Turn the pressure relief valve adjustment screw clockwise until the pressure gauge reads 2100 ± 100 psi.
15. Turn the pressure relief valve adjustment screw counter-clockwise until the pressure gauge reads 1000 ± 100 psi.

SERVICE



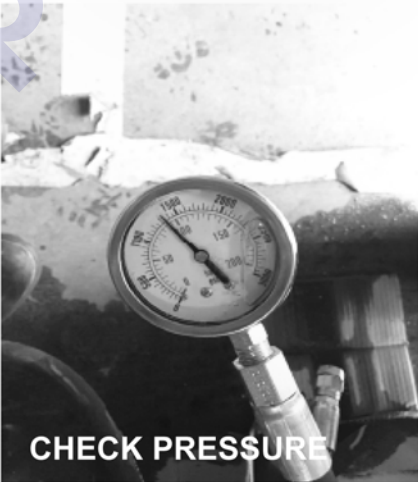
DISCONNECT HOSE



INSTALL GAUGE



CAP HOSE




CHECK PRESSURE

SERVICE

Adjustment Procedure




NOTE:

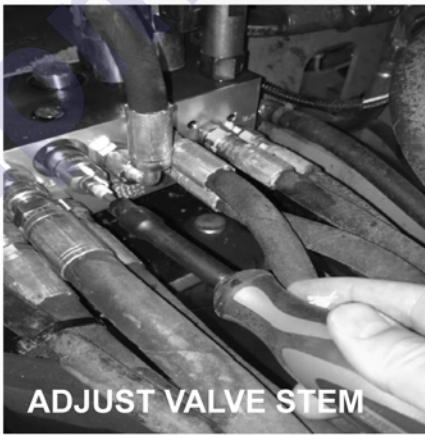
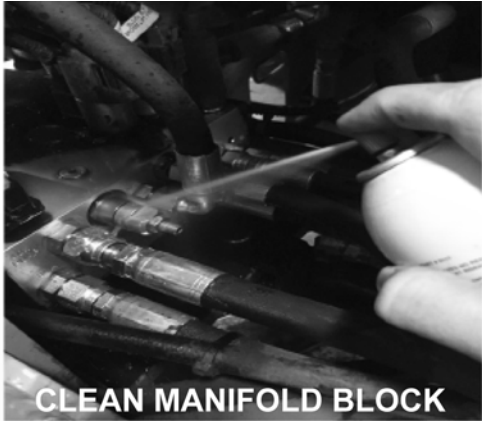
Rotate clockwise to increase pressure and counter-clockwise to reduce pressure. It is recommended that adjustments be made in 1/4 turn increments.

1.  Turn the pressure relief valve adjustment screw clockwise to increase pressure or counter-clockwise to reduce pressure.
2.  Turn the pressure relief valve adjustment screw clockwise to increase pressure or counter-clockwise to reduce pressure.
3.  Turn the pressure relief valve adjustment screw clockwise to increase pressure or counter-clockwise to reduce pressure.

NOTE:

Laymor has identified that the current hydraulic pressure at the pressure relief valve is incorrect for units delivered between March 1, 2014 and March 24, 2014. In order to prolong the life and efficiency of the broom motor, the pressure relief valve should be adjusted to 1650 PSI cracking pressure, 1900 PSI Max Operating Pressure 2100 (± 100) PSI dead Head pressure. For these units, loosen the valve stem one complete revolution counter-clockwise using a 4 MM Allen wrench or drive bit. Make sure to use your paint mark from before as a reference.

1.  Turn the pressure relief valve adjustment screw clockwise to increase pressure or counter-clockwise to reduce pressure.
2.  Turn the pressure relief valve adjustment screw clockwise to increase pressure or counter-clockwise to reduce pressure.
3.  Turn the pressure relief valve adjustment screw clockwise to increase pressure or counter-clockwise to reduce pressure.



SERVICE

Section 11. Brake/Wheel System Servicing

11-1 Introduction	11-2
11-2 Wheel Disconnect and Brake Assembly Servicing	11-3
11-3 Surge Brake Actuator Maintenance	11-4
11-4 Surge Brake Master Cylinder Servicing	11-6

© 2015 by Tenneco Automotive Service Corporation. All rights reserved. No part of this publication may be reproduced, stored in a retrieval system, or transmitted, in any form or by any means, electronic, mechanical, photocopying, recording, or by any information storage and retrieval system, without the prior written permission of Tenneco Automotive Service Corporation. Printed in the United States of America.

Discount-Equipment.com

SERVICE

11-1. Introduction

When servicing the brake/wheel system, it is important to use the correct tools and techniques. The following information provides a general overview of the brake/wheel system and the steps involved in servicing it. For more detailed information, refer to the relevant sections of this manual.

SERVICE

11-2. Wheel Disconnect and Brake Assembly Servicing

1. Remove the wheel disconnect assembly from the wheel hub. Refer to the Wheel Disconnect Assembly section for more information.
2. Remove the wheel disconnect assembly from the wheel hub. Refer to the Wheel Disconnect Assembly section for more information.
3. Remove the wheel disconnect assembly from the wheel hub. Refer to the Wheel Disconnect Assembly section for more information.
4. Remove the wheel disconnect assembly from the wheel hub. Refer to the Wheel Disconnect Assembly section for more information.
5. Remove the wheel disconnect assembly from the wheel hub. Refer to the Wheel Disconnect Assembly section for more information.
6. Remove the wheel disconnect assembly from the wheel hub. Refer to the Wheel Disconnect Assembly section for more information.
7. Remove the wheel disconnect assembly from the wheel hub. Refer to the Wheel Disconnect Assembly section for more information.
8. Remove the wheel disconnect assembly from the wheel hub. Refer to the Wheel Disconnect Assembly section for more information.
9. Remove the wheel disconnect assembly from the wheel hub. Refer to the Wheel Disconnect Assembly section for more information.

11-3. Surge Brake Actuator Maintenance

1. Turn the surge brake actuator clockwise until it is fully extended. The surge brake actuator should be fully extended when the surge brake pedal is fully depressed.

2. Turn the surge brake actuator counter-clockwise until it is fully retracted. The surge brake actuator should be fully retracted when the surge brake pedal is released.

- 3. Inspect the surge brake actuator for any signs of wear or damage. If any wear or damage is found, replace the surge brake actuator.
- 4. Lubricate the surge brake actuator with a light oil or grease. Apply the lubricant to the pivot points and the sliding surfaces of the surge brake actuator.
- 5. Test the surge brake actuator by depressing the surge brake pedal. The surge brake actuator should extend fully and retract fully when the surge brake pedal is released.
- 6. If the surge brake actuator does not extend or retract properly, adjust the surge brake actuator. See the Surge Brake Actuator Adjustment section for more information.

Pre-Towing Checks

1. Check the surge brake actuator for proper operation. The surge brake actuator should extend fully and retract fully when the surge brake pedal is depressed and released.

1. Check the surge brake actuator for proper operation. The surge brake actuator should extend fully and retract fully when the surge brake pedal is depressed and released.
2. Check the surge brake actuator for any signs of wear or damage. If any wear or damage is found, replace the surge brake actuator.
3. Check the surge brake actuator for proper lubrication. The surge brake actuator should be lubricated with a light oil or grease.
4. Check the surge brake actuator for proper adjustment. The surge brake actuator should be adjusted so that it extends fully and retracts fully when the surge brake pedal is depressed and released.
5. Check the surge brake actuator for proper operation. The surge brake actuator should extend fully and retract fully when the surge brake pedal is depressed and released.

Brake Fluid Filling and Bleeding

1. Fill the surge brake actuator with brake fluid. The surge brake actuator should be filled with brake fluid to the top of the surge brake actuator.

CAUTION:
DO NOT allow brake fluid to contact painted surfaces since it will damage the finish.

1. Check the surge brake actuator for proper operation. The surge brake actuator should extend fully and retract fully when the surge brake pedal is depressed and released.
2. Check the surge brake actuator for any signs of wear or damage. If any wear or damage is found, replace the surge brake actuator.

SERVICE

CAUTION:

DO NOT use the actuator's break-away lever or cable to bleed the brake system.

- ❑ [Illegible text]
- ❑ [Illegible text]
- ❑ [Illegible text]
- ❑ [Illegible text]
- ❑ [Illegible text]
- ❑ [Illegible text]
- ❑ [Illegible text]



11-4. Surge Brake Master Cylinder Servicing

Disassembly

1. Remove the surge master cylinder cap.
2. Remove the surge master cylinder from the vehicle.
3. Remove the surge master cylinder from the surge master cylinder bracket.
4. Remove the surge master cylinder from the surge master cylinder bracket.
5. Remove the surge master cylinder from the surge master cylinder bracket.

Cleaning, Inspection, and Repair

1. Clean the surge master cylinder with a clean cloth.
2. Inspect the surge master cylinder for wear and damage.
3. Measure the surge master cylinder bore diameter with a micrometer.
4. Measure the surge master cylinder bore diameter with a micrometer.
5. Measure the surge master cylinder bore diameter with a micrometer.

Assembly

1. Install the surge master cylinder into the surge master cylinder bracket.
2. Install the surge master cylinder into the surge master cylinder bracket.
3. Install the surge master cylinder into the surge master cylinder bracket.
4. Measure the surge master cylinder bore diameter with a micrometer.
5. Measure the surge master cylinder bore diameter with a micrometer.

SERVICE

Sweepmaster 300 Parts & Service Manual
Appendix A. Torque Requirements

PARTS LIST

1. Tighten the following nuts and bolts to the following torque values:

2. Tighten the following nuts and bolts to the following torque values:

3. Tighten the following nuts and bolts to the following torque values:

4. Tighten the following nuts and bolts to the following torque values:

5. Tighten the following nuts and bolts to the following torque values:

6. Tighten the following nuts and bolts to the following torque values:

7. Tighten the following nuts and bolts to the following torque values:

8. Tighten the following nuts and bolts to the following torque values:

9. Tighten the following nuts and bolts to the following torque values:

10. Tighten the following nuts and bolts to the following torque values:

11. Tighten the following nuts and bolts to the following torque values:

12. Tighten the following nuts and bolts to the following torque values:

Table 1. SAE Standard Torque

DIA IN.	THREADS PER IN.	SAE GRADE NO. 2				SAE GRADE NO. 5				SAE GRADE NO. 8			
		DRY		WET		DRY		WET		DRY		WET	
		IN-LB	NM	IN-LB	NM	IN-LB	NM	IN-LB	NM	IN-LB	NM	IN-LB	NM
1/2	20	10	14	10	14	101	110	10	14	10	14	10	14
1/2	2	10	14	10	14	11	15	10	14	10	14	12	16
3/8	18	10	14	101	110	20	27	10	14	20	27	22	30
3/8	24	10	14	112	120	20	27	10	14	20	27	20	27
3/8	1	20	27	10	20	0	0	20	27	20	27	20	27
3/8	2	20	27	20	20	20	27	10	14	20	27	20	27
1/2	18	10	14	20	27	0	0	0	0	0	0	20	27
1/2	20	20	27	21	28	2	2	0	0	0	10	14	0
1/2	1	10	14	0	0	102	12	10	14	12	16	0	10
1/2	20	0	0	0	2	1020	112	0	0	100	12	10	122
1	12	0	2	0	1	10	100	2	111	10	20	11	100
1	1	10	100	0	0	121	100	1	12	10	20	12	100
1	11	10	100	0	0	10	200	11	100	212	200	10	210
1	1	110	100	2	111	10	20	12	12	20	20	10	200
1	10	12	20	12	100	2	100	201	20	0	0	2	20
1	1	12	20	10	100	2	02	22	02	20	00	10	20
1	0	0	0	0	20	0	0	0	12	0	0	0	0
1	12	0	0	0	0	2	0	0	100	1011	0	0	0

Table 2. Metric Standard Torque

DIA IN.	THREADS PER IN.	CLASS 4.6				CLASS 4.8				CLASS 5.8			
		DRY		WET		DRY		WET		DRY		WET	
		IN-LB	NM	IN-LB	NM	IN-LB	NM	IN-LB	NM	IN-LB	NM	IN-LB	NM
00	000	000	0	000	0	000	0	000	0	0	0	0	0
000	000	000	0	000	0	110	10	000	0	0	0	0	0
00	000	120	11	000	0	100	10	120	11	0	0	0	0
00	000	200	21	100	10	000	20	200	22	000	00	000	20
00	10	000	00	000	20	0000	0	020	00	000	01	020	00
00	120	000	00	000	00	1000	120	1020	0	1000	100	1200	111
100	100	1000	100	1000	100	2000	200	2000	100	00010	200	2000	220
120	1000	00010	002	2000	220	0000	010	0000	010	0000	010	0000	001
100	20	0000	001	0000	001	0000	000	0000	000	0200	010	0000	011
00	120	2000	10	1000	10	2000	21	2100	10	0000	20	2000	20
100	100	020	00	0020	20	0000	02	0200	01	020	00	0020	00
120	1000	01	00	00	00	00	00	00	00	120	00	00	00
100	200	100	100	100	00	100	110	110	00	200	100	100	111
100	200	220	100	100	120	200	101	100	100	010	201	200	100
200	200	001	020	001	200	000	000	000	200	010	000	000	000
200	000	002	002	002	022	020	000	020	000	1000	000	001	000
000	000	1010	1110	1100	000	1001	1210	1201	000	2000	1000	1002	1100
000	000	2000	1002	1000	1000	2000	2110	2101	1000	0002	2001	2000	2020

PARTS LIST

This page left intentionally blank.

Discount-Equipment.com