



# WSC55 Chemical Spray Cart

## Assembly Instructions

The following instructions are intended to assist the user in the assembly of the WSC55 Chemical Spray Cart. They are not intended to take the place of the Operation and Parts manual shipped with the unit. Refer to the Operation and Parts manual for safety, operation, and maintenance information. If you did not receive a manual with your spray cart, contact MultiQuip at (800) 421-1244 for a replacement.

### REQUIRED TOOLS

- 7/16" and 3/4" Wrench or Socket

### PARTS

Verify that all parts are accounted for. See Figure 1 through Figure 4 and Table 1 through Table 4.

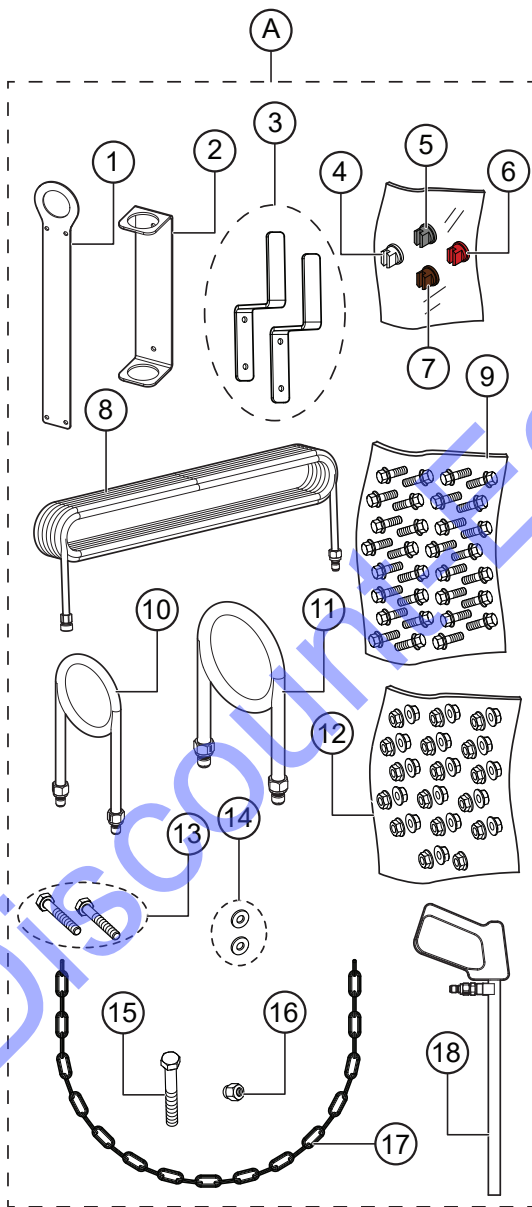


Figure 1. Box A Contents

Table 1. Box A Contents				
Item	Part No.	Description	Qty.	Remarks
A	777362	Carton, 20 x 16 x 12	1	Contains Items 1-18
1	49223	Crane Hook	1	
2	49214	Spray Gun Holder	1	
3	49215	Hose Holder	2	
4	49254	Spray Tip, Flat White	1	
5	49251	Spray Tip, Flat Grey	1	
6	49250	Spray Tip, Flat Red	1	
7	49247	Spray Tip, Flat Brown	1	
8	49303	Hose, 50' x 3/8"	1	
9	49048	Screw, HHFS 1/4-20 x 3/4" Gr5	31	
10	49305	Hose, 5' x 1/2" Return	1	
11	49307	Hose, 5' x 3/4" Suction	1	
12	49070	Nut, HFS, 1/4-20	33	
13	26250	Screw, HHC 1/4-20 x 1-3/4"	2	
14	0948	Washer, Flat SAE 1/4"	2	
15	8087	Screw, HHC 1/2-13 x 4"	1	
16	10176	Nut, Nyloc 1/2-13	1	
17	49242	Drum Chain	1	
18	49284	Spray Gun	1	

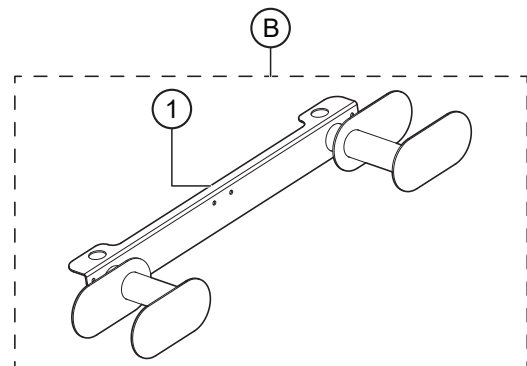


Figure 2. Box B Contents

Table 2. Box B Contents				
Item	Part No.	Description	Qty.	Remarks
B	777363	Carton, 36 x 8 x 4	1	Contains Item 1
1	49216	Hose Wrap	1	

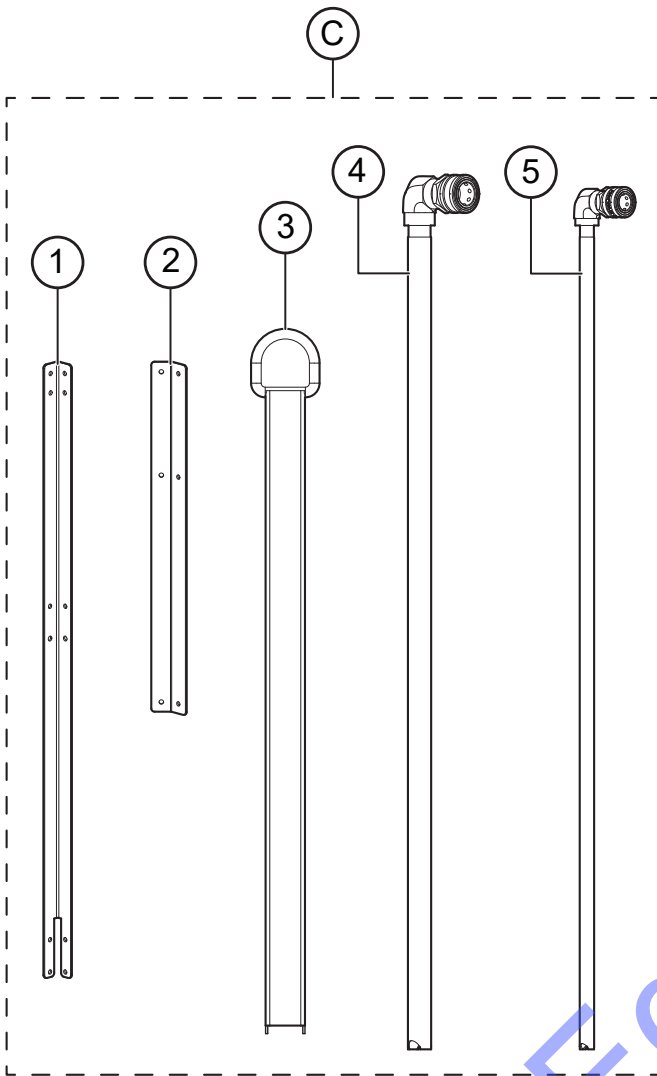


Figure 3. Box C Contents

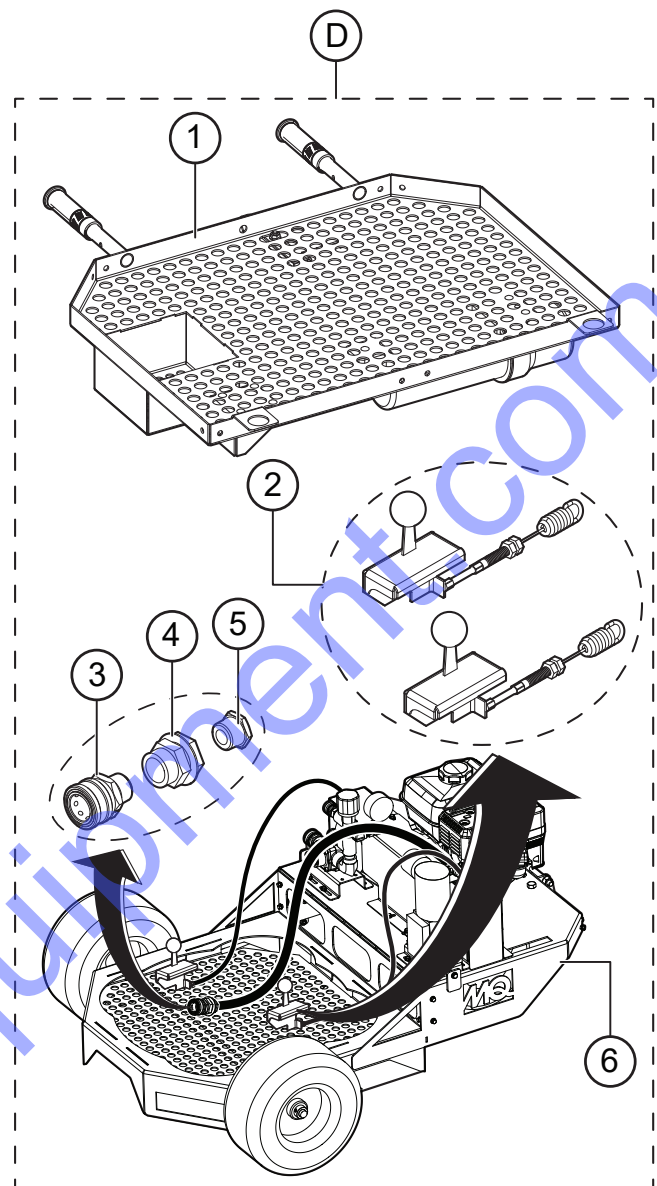


Figure 4. Pallet Contents

Table 3. Box C Contents

Item	Part No.	Description	Qty.	Remarks
C	777364	Box, 48 x 6 x 3	1	Contains Items 1-5
1	49212	Mount, Front Frame	2	
2	49213	Mount, Rear Frame	2	
3	49221	Tow Hitch	1	
4	49280	Tube, Suction	1	
5	49281	Tube, Return	1	

Table 4. Pallet Contents

Item	Part No.	Description	Qty.	Remarks
D	777367	Pallet, 60 x 45, WSC55	1	Contains Items 1-6
1	49225	Tool Tray	1	
2	49308	Cable, Cart Engage	2	
3	49326	Fitting, 3/4 MNPT, Female Quick	1	
4	49256	Fitting, Bulkhead 3/4" NPT	1	
5	49333	Fitting, Brass 3/4 MNPT, 3/8 FNPT	1	
6	49201	Assembly, Spray Cart	1	

## WORK SAFELY!

Only a **qualified service technician** with proper training should perform this assembly. Follow all shop safety rules when performing this assembly.

## PREPARATION

Place the spray cart packaging in an area free of dirt and debris. Make sure it is on secure, level ground.

## GENERAL SAFETY

### NOTICE

- Manufacturer does not assume responsibility for any accident due to equipment modifications. Unauthorized equipment modification will void all warranties.
- **DO NOT** use accessories or attachments that are not recommended by Multiquip for this equipment. Damage to the equipment and/or injury to the user may result.

## SPRAY CART SAFETY

### DANGER

- **NEVER** disconnect any **emergency or safety devices**. These devices are intended for operator safety. Disconnection of these devices can cause **severe injury, bodily harm, or even death**. Disconnection of any of these devices will void all warranties.

## ENGINE SAFETY

### NOTICE

- **DO NOT** tamper with the factory settings of the engine or engine governor. Damage to the engine or equipment can result if operating in speed ranges above the maximum allowable.

## SPRAY CART ASSEMBLY

1. The lower cart assembly (P/N 49201) sits on a pallet (P/N 777367) at the bottom of the main shipping container. Remove all other packages and components from the main shipping container, so that only the lower cart assembly remains on the pallet (Figure 5).

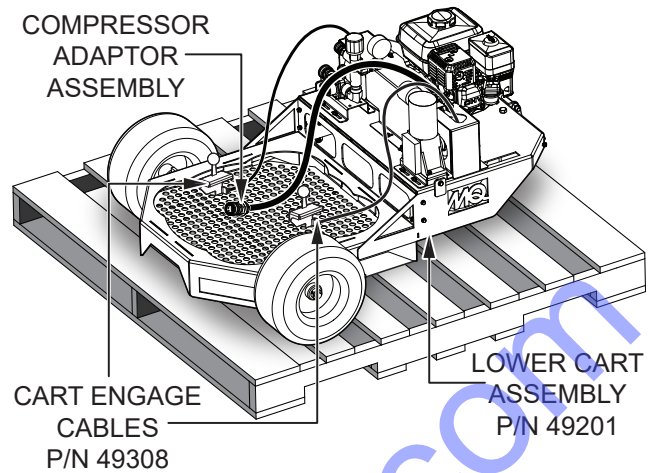


Figure 5. Lower Cart Assembly on Pallet

### NOTICE

The cart engage cables (P/N 49308) and compressor adaptor assembly components (P/N 49326, P/N 49256, and P/N 49333) ship **attached to the assembly** (Figure 5). Cut the cable ties securing these components to the assembly, but **DO NOT** disconnect or disassemble these components at this time.

2. Secure the two rear upright frame mounts (P/N 49213) to the frame with four 1/4-20 x 3/4" flange bolts (P/N 49048) and four 1/4-20 flange nuts (P/N 49070). See Figure 6.

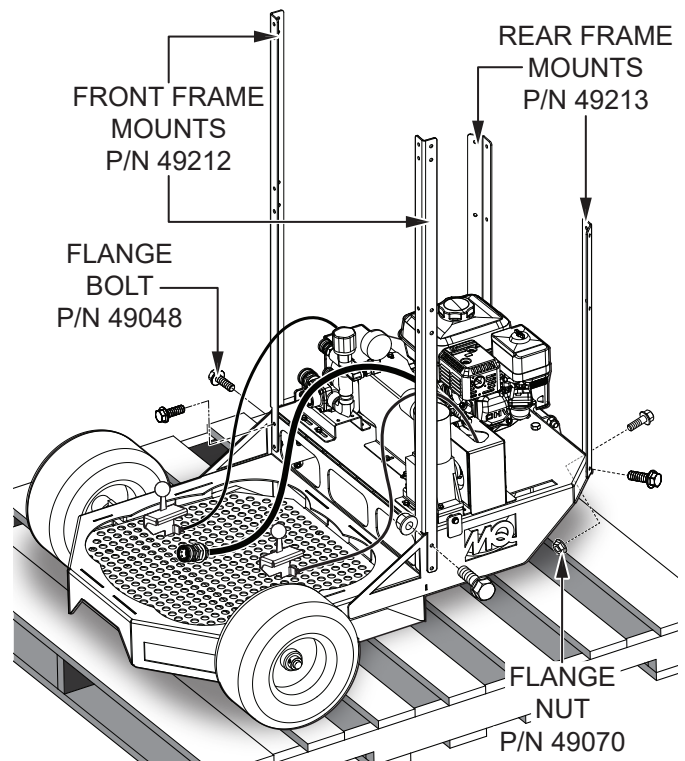
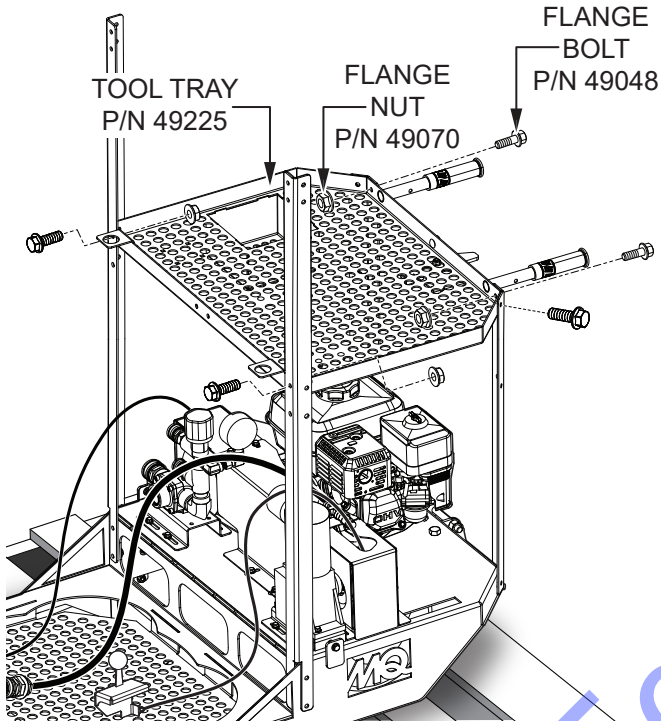


Figure 6. Frame Mount Installation

- Secure the two front upright frame mounts (P/N 49212) to the frame with four 1/4-20 x 3/4" flange bolts (P/N 49048) and four 1/4-20 flange nuts (P/N 49070). See Figure 6.
- Secure the tool tray (P/N 49225) to the four upright frame mounts with five 1/4-20 x 3/4" flange bolts (P/N 49048) and five 1/4-20 flange nuts (P/N 49070). See Figure 7.

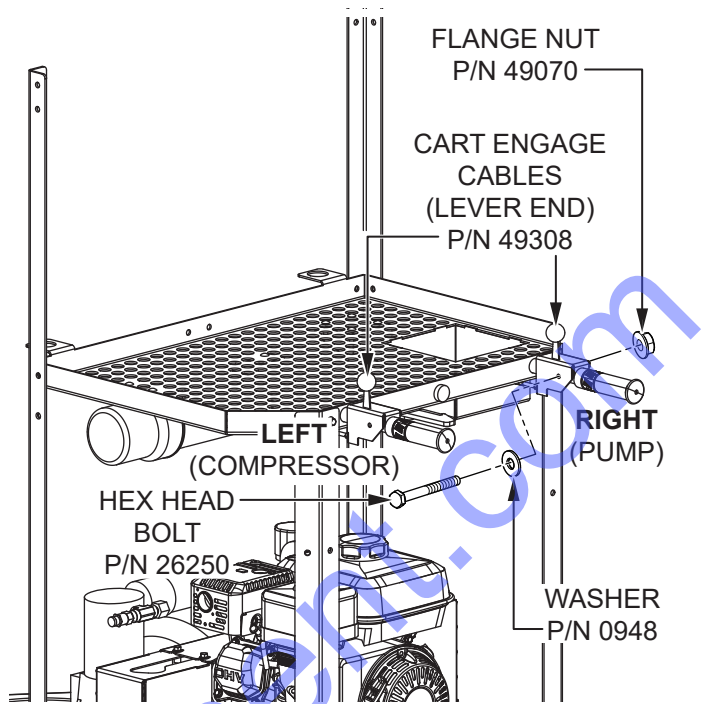


**Figure 7. Tool Tray Installation**

- Locate the two cart engage cables (P/N 49308). One is connected to the pump, and the other is connected to the compressor. Secure the lever end of the cables to the cart handles with the two 1/4-20 x 1-3/4" hex head bolts (P/N 26250), two 1/4" washers (P/N 0948), and two 1/4-20 flange nuts (P/N 49070). See Figure 8.

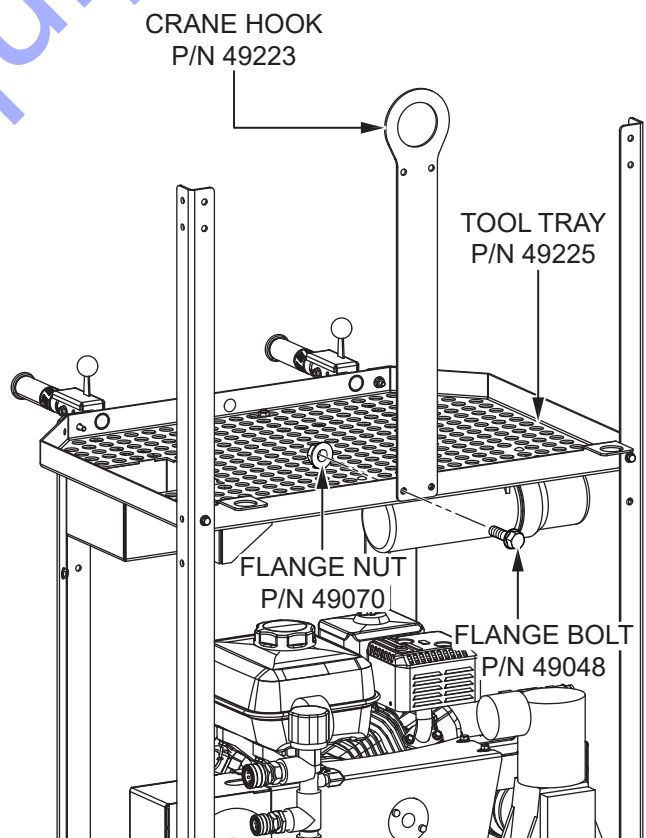
**NOTICE**

Be sure to install the **pump** engage cable lever onto the **right** handle, and the **compressor** engage cable lever onto the **left** handle.



**Figure 8. Cart Engage Cable Installation**

- Secure the crane hook (P/N 49223) to the tool tray (P/N 49225) with two 1/4-20 x 3/4" flange bolts (P/N 49048) and two 1/4-20 flange nuts (P/N 49070). See Figure 9.



**Figure 9. Crane Hook Installation**



- Secure the hose wrap (P/N 49216) to the front upright frame mounts (P/N 49212) and crane hook (P/N 49223) with six 1/4-20 x 3/4" flange bolts (P/N 49048) and six 1/4-20 flange nuts (P/N 49070). See Figure 10.

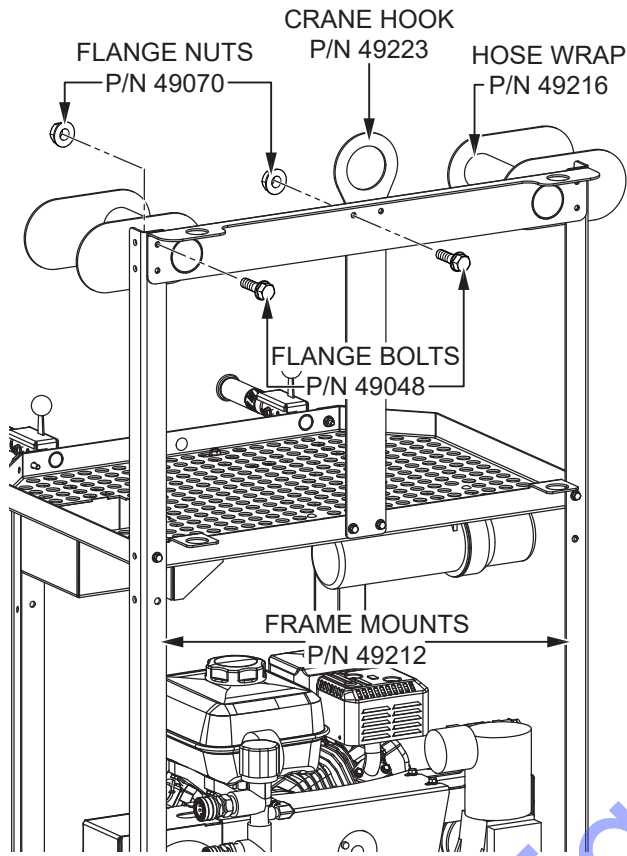


Figure 10. Hose Wrap Installation

- Attach the tow hitch (P/N 49221) to the frame with the 1/2-13 x 4" hex head bolt (P/N 8087) and nyloc nut (P/N 10176). Secure the tow hitch with the hitch latch. See Figure 11.

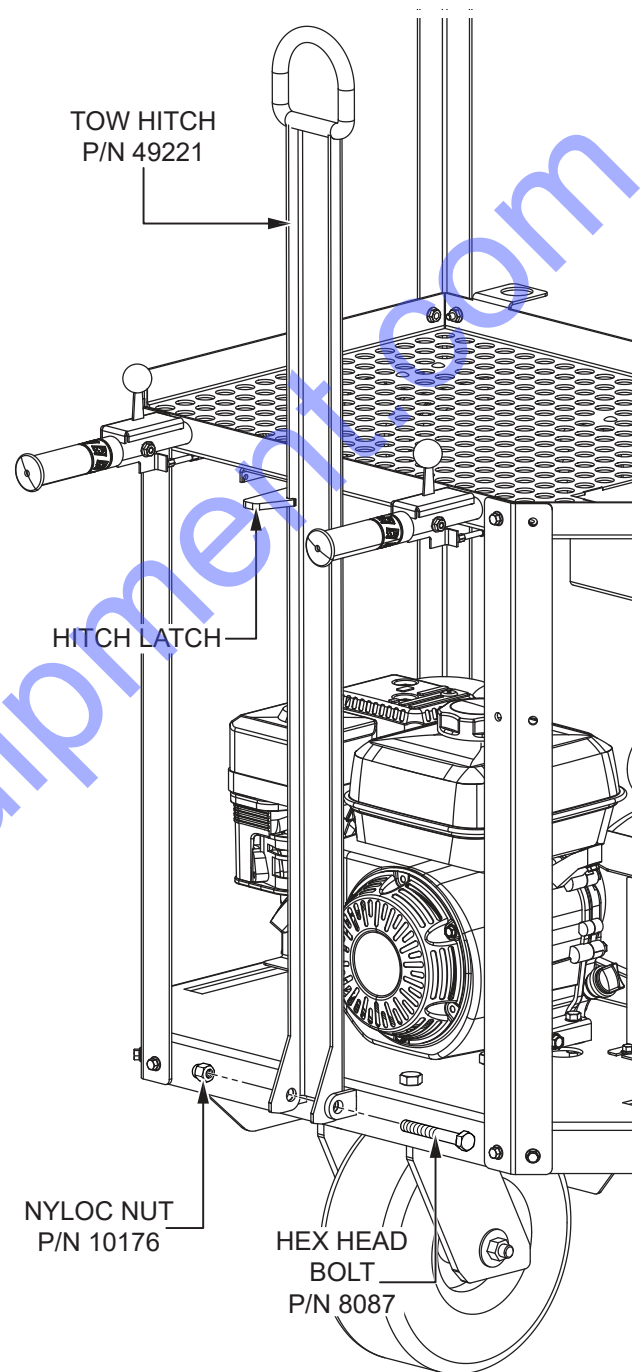
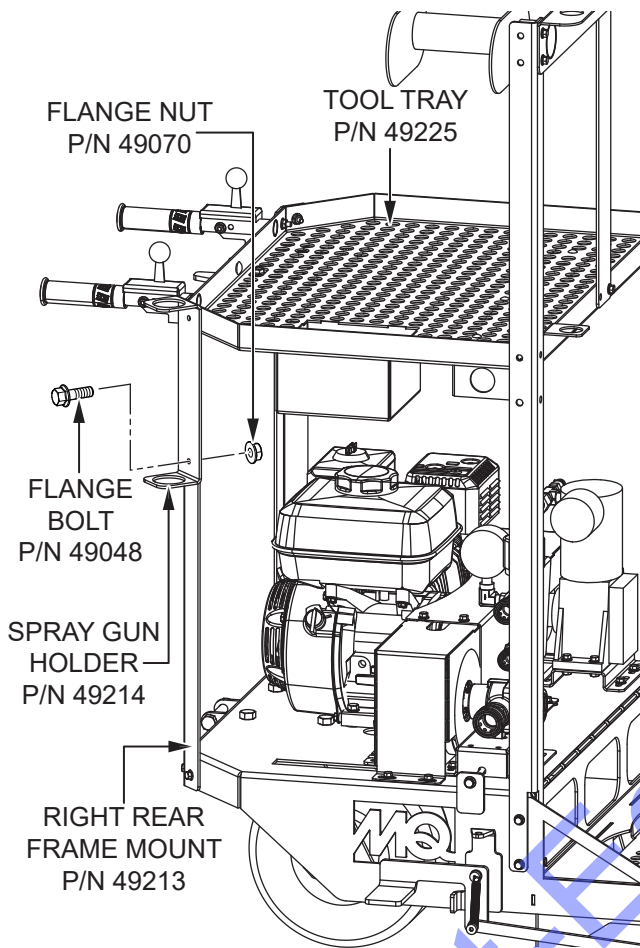


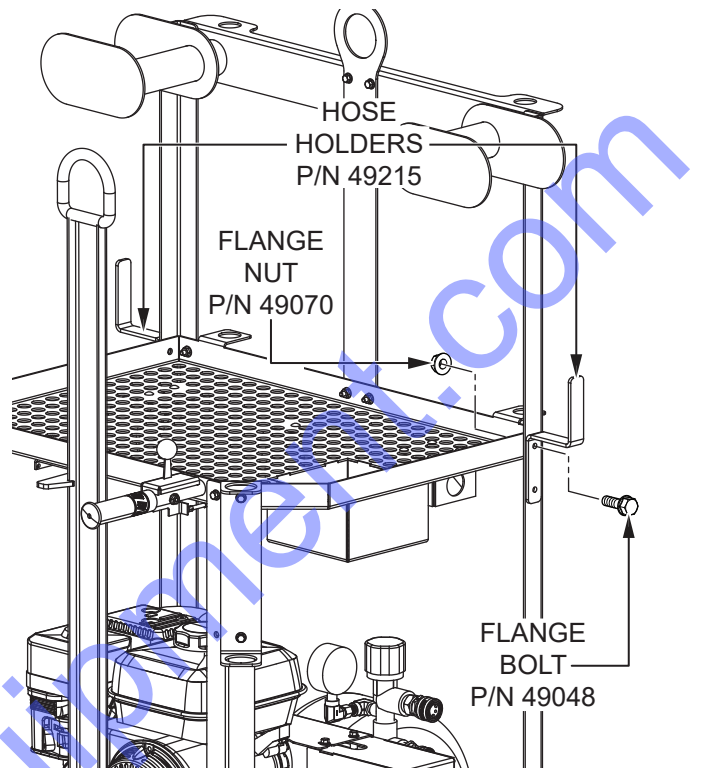
Figure 11. Tow Hitch Installation

- Secure the spray gun holder (P/N 49214) to the right rear upright frame mount (P/N 49213) and tool tray (P/N 49225) with two 1/4-20 x 3/4" flange bolts (P/N 49048) and two 1/4-20 flange nuts (P/N 49070). See Figure 12.



**Figure 12. Spray Gun Holder Installation**

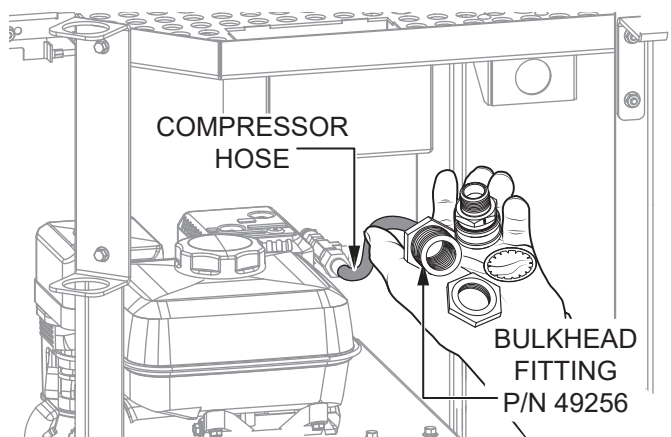
- Secure the two hose holders (P/N 49215) to the tool tray and front upright frame mounts with four 1/4-20 x 3/4" flange bolts (P/N 49048) and four 1/4-20 flange nuts (P/N 49070). See Figure 13.



**Figure 13. Hose Holder Installation**

### COMPRESSOR ADAPTOR INSTALLATION

- Remove and disassemble the compressor adaptor components located at the end of the compressor hose (Figure 14). Leave the bulkhead fitting (P/N 49256) connected to the hose as shown.



**Figure 14. Compressor Adaptor Components**

2. Insert the bulkhead fitting (P/N 49256) at the end of the compressor hose through the bulkhead. Place the bulkhead washer and nut onto the bulkhead fitting and tighten to secure the bulkhead fitting to the bulkhead. See Figure 15.

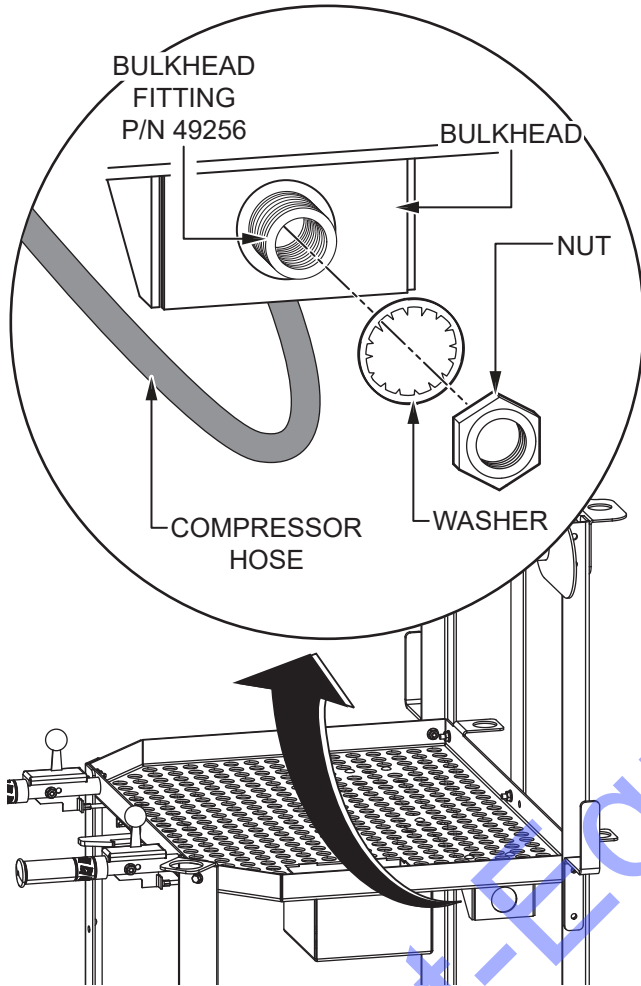


Figure 15. Bulkhead Fitting Installation

3. Insert the quick-connect fitting (P/N 49326) into the bulkhead fitting (P/N 49256) and tighten securely. See Figure 16.

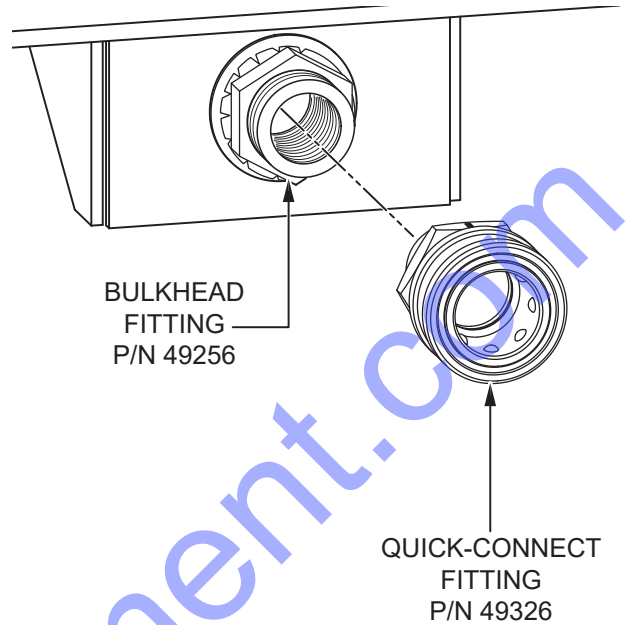


Figure 16. Quick-Connect Fitting Installation

## FINAL ASSEMBLY

1. Insert the suction tube (P/N 49280) and return tube (P/N 49281) through the tube holders in the hose wrap and tool tray as shown in Figure 17.

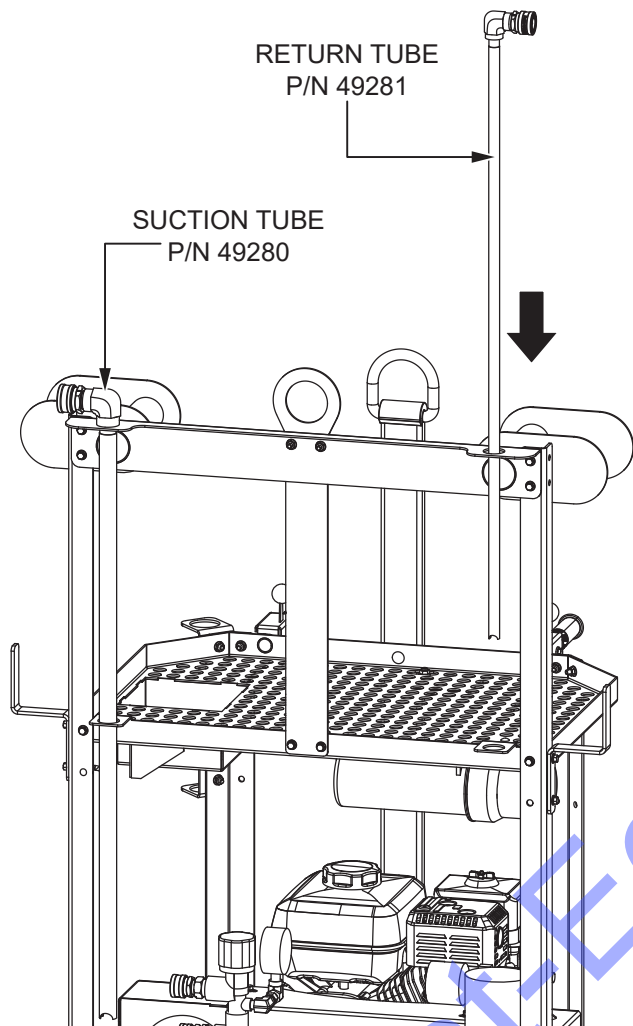


Figure 17. Tube Installation

2. Wrap the 50' hose (P/N 49303) around the hose wrap (P/N 49216). See Figure 18.

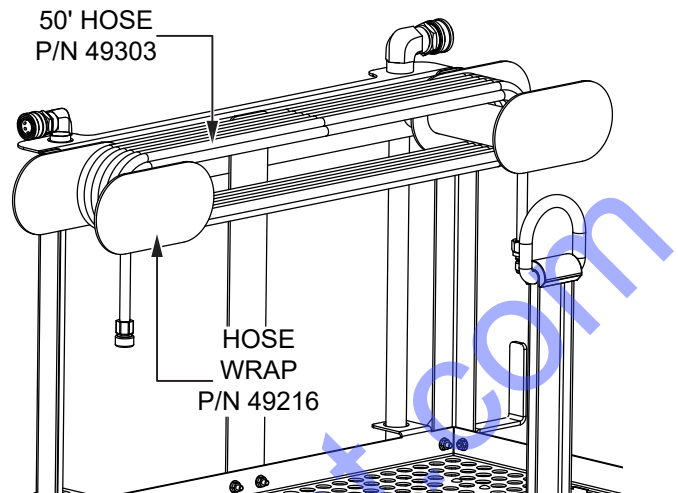


Figure 18. Hose Wrap with 50' Hose

3. Wrap the suction hose (P/N 49307) and return hose (P/N 49305) around the hose holders (P/N 49215). See Figure 19.

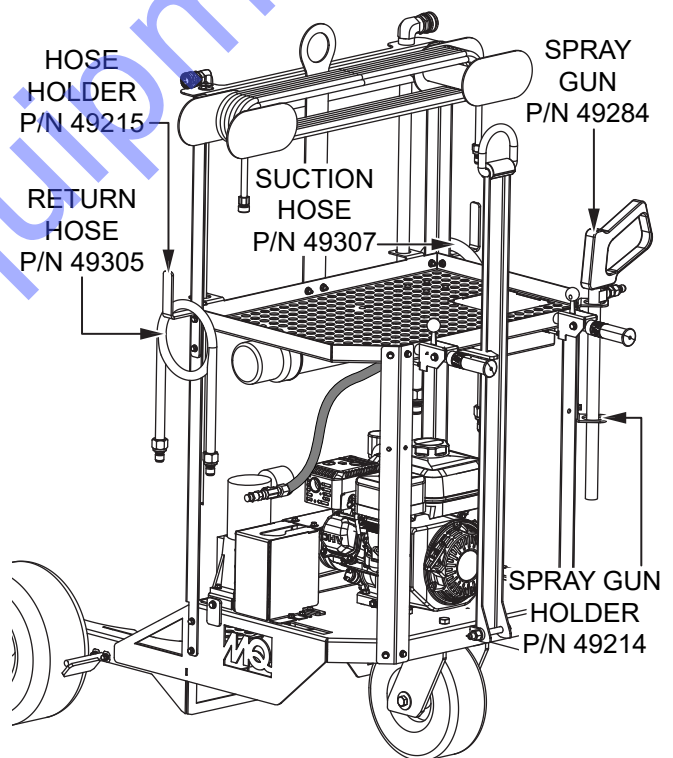
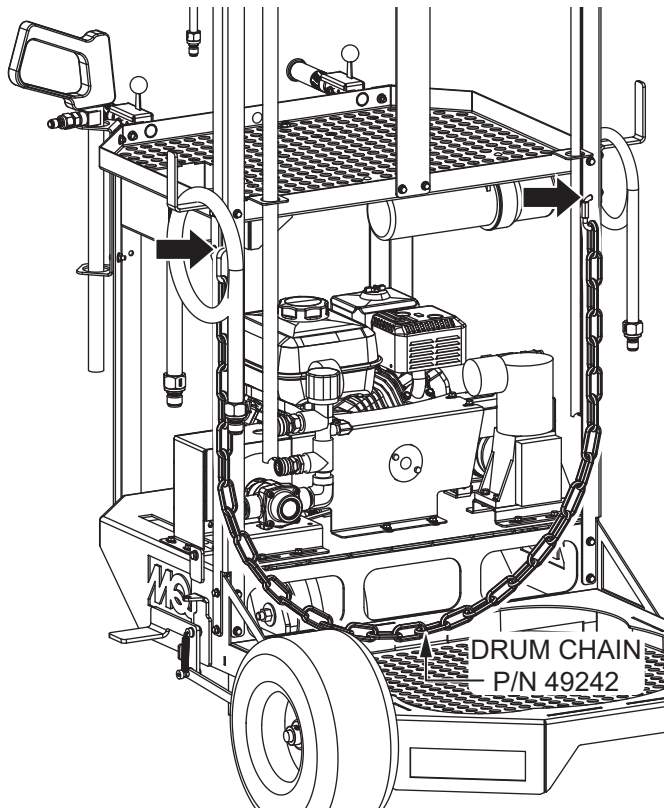


Figure 19. Hoses and Spray Gun

4. Place the spray gun (P/N 49284) in the spray gun holder (P/N 49214). See Figure 19.



5. Attach the drum chain (P/N 49242) to the front upright frame mounts as shown in Figure 20.



**Figure 20. Drum Chain Installation**

6. Make sure all fasteners are tightened securely.

### **READ THE MANUAL!**

Your WSC55 Chemical Spray Cart is now fully assembled. Refer to the Operation and Parts Manual (P/N 49356) shipped with the unit for **important safety information** and final set-up instructions.

#### **NOTICE**

**DO NOT** attempt to operate or service this equipment before reading the entire manual!



# WSC55 Chemical Spray Cart

## Assembly Instructions

---

### HERE'S HOW TO GET HELP

PLEASE HAVE THE MODEL AND SERIAL  
NUMBER ON-HAND WHEN CALLING



[www.discount-equipment.com](http://www.discount-equipment.com)  
[info@discount-equipment.com](mailto:info@discount-equipment.com)

Florida: 561-964-4949

All Others: 877-690-3101

---

© COPYRIGHT 2017, MULTIQUIP INC.

Multiquip Inc and the MQ logo are registered trademarks of Multiquip Inc. and may not be used, reproduced, or altered without written permission. All other trademarks are the property of their respective owners and used with permission.

The information and specifications included in this publication were in effect at the time of approval for printing. Illustrations, descriptions, references and technical data contained in this document are for guidance only and may not be considered as binding. Multiquip Inc. reserves the right to discontinue or change specifications, design or the information published in this publication at any time without notice and without incurring any obligations.

Your Local Dealer is:



[www.discount-equipment.com](http://www.discount-equipment.com)  
[info@discount-equipment.com](mailto:info@discount-equipment.com)

