

DYNAPAC

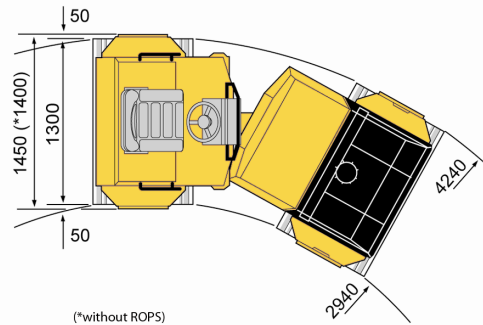
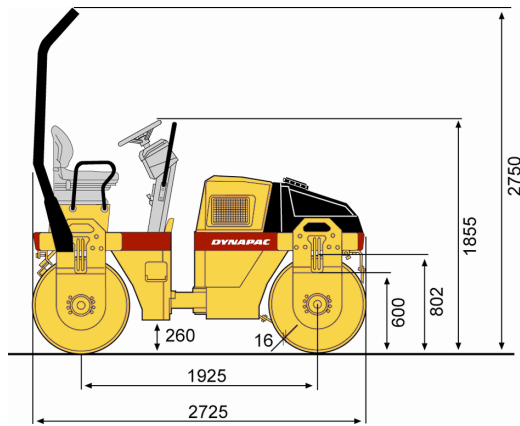
Part of the Atlas Copco Group

CC142

Double drum vibratory rollers



Technical data



Masses	CC142
Max. operating mass	8,885 lbs
Operating mass (incl. ROPS)	8,600 lbs
Module mass (front/ rear)	4,200/ 4,400 lbs
Propulsion	
Speed range (mph)	0-10
Vertical oscillation	±10°
Theor. gradeability	41 %
Compaction	
Water tank (l)	200
Static linear load (front/ rear)	81/ 86 lbs/ in
Centrifugal force	7,400 lb
Nominal amplitude	0.020 in
Vibration frequency	3,110 vpm
Engine	
Manufacturer/ Model	Deutz D2011 L03 I
Type	Air cooled diesel
Rated power, SAE J1995	45.0 hp @ 2,600 rpm
Fuel tank capacity	13 gal
Hydraulic system	
Driving	Axial piston pump with variable displacement and servo. 2 radial piston motors with constant displacement.
Vibration	Gear pump/ motors with constant displacement.
Steering	Gear pump with constant displacement.
Service brake	Hydrostatic in forward and reverse lever.
Parking/ Emergency brake	Failsafe brake in both drums.
Standard equipment	
Standard equipment	Adjustable seat, Anti- spin, Brake release system Fuel gauge, Horn, Hourmeter, Hydraulic pressure checkpoints Interlock, Lifting points, Limited slip on rear axle, Lockable enging hood, Lockable instrument panel cover, Main battery switch, ROPS, Rubber mounted operators platform, Tilt steering wheel, Tractor tire (PD), Vandal protected filler caps, 3" seat belt

Find your local dealer at www.dynapac.com

We reserve the right to change specifications without notice. Photos and illustrations do not always show standard versions of machines.
The above information is a general description only, all informations are supplied without liability.