

MENEGOTTI PARTS LIST

MORTAR MIXER

9 CuFt

7 CuFt

**Discount
Equipment**

www.discount-equipment.com



MENEGOTTI
NORTH AMERICA 

PARTS FINDER

**Search Website
by Part Number**



**Search Manual
Library For Parts
Manual & Lookup Part
Numbers – Purchase
or Request Quote**

Search Manuals

Enter your information to help us find the right parts manual for your machine.

* Brand:

* Model:

* Serial:

* Part Number:

SEARCH

**Can't Find Part or
Manual? Request Help
by Manufacturer,
Model & Description**

Parts Order Form

Please fill in the following information to help us find the right part for your machine.

Manufacturer:	<input type="text"/>
Model:	<input type="text"/>
Description:	<input type="text"/>
Part Number:	<input type="text"/>
Quantity:	<input type="text"/>
Notes:	<input type="text"/>

Submit

Discount-Equipment.com is your online resource for quality parts & equipment.

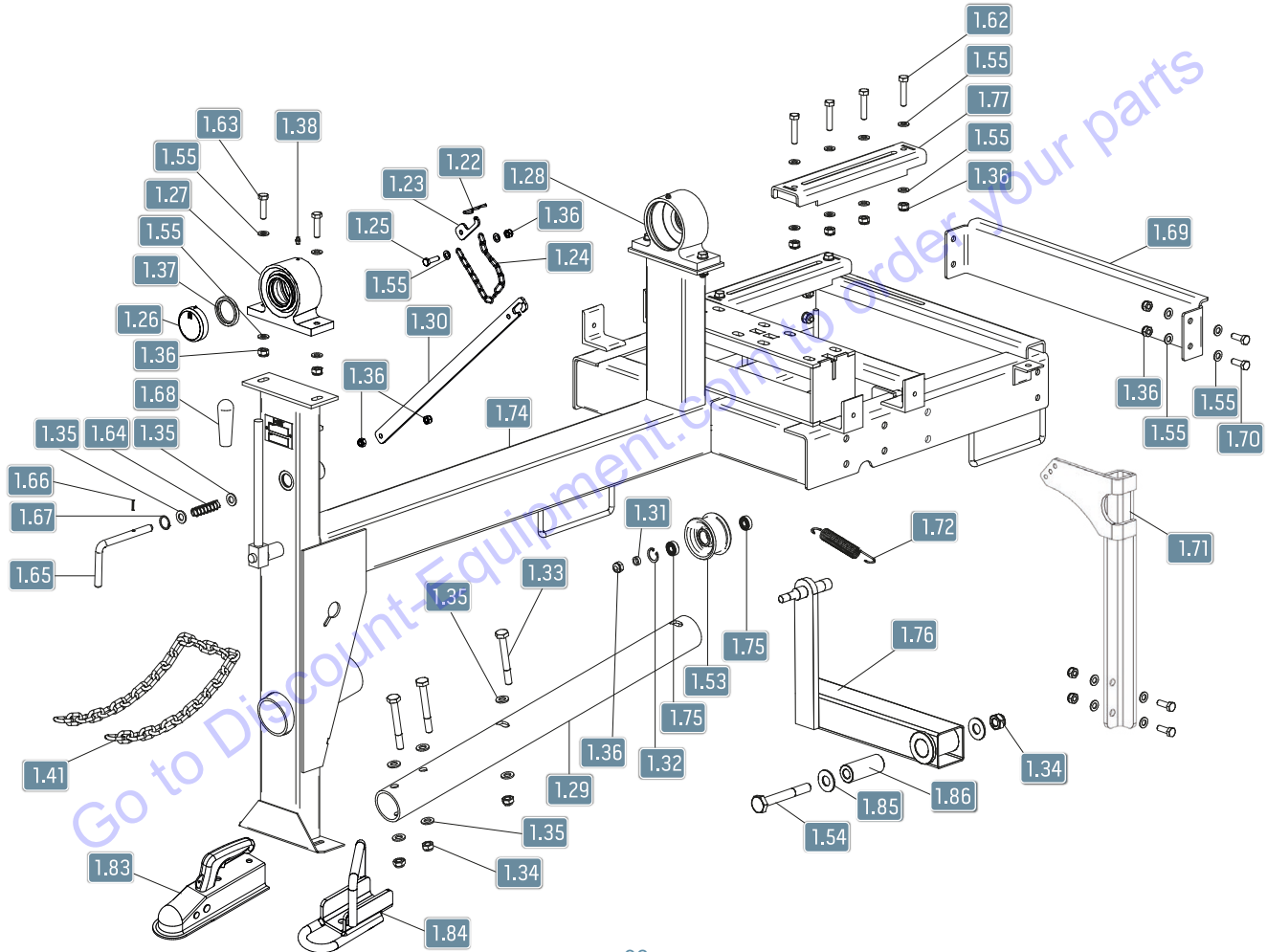
Florida: **561-964-4949** Outside Florida TOLL FREE: **877-690-3101**

Need parts?

Click on this link: <http://www.discount-equipment.com/category/5443-parts/> and choose one of the options to help get the right parts and equipment you are looking for. Please have the machine model and serial number available in order to help us get you the correct parts. If you don't find the part on the website or on one of the online manuals, please fill out the request form and one of our experienced staff members will get back to you with a quote for the right part that your machine needs.

We sell worldwide for the brands: Genie, Terex, JLG, MultiQuip, Mikasa, Essick, Whiteman, Mayco, Toro Stone, Diamond Products, Generac Magnum, Airman, Haulotte, Barreto, Power Blanket, Nifty Lift, Atlas Copco, Chicago Pneumatic, Allmand, Miller Curber, Skyjack, Lull, Skytrak, Tsurumi, Husquvarna Target, Stow, Wacker, Sakai, Mi-T-M, Sullair, Basic, Dynapac, MBW, Weber, Bartell, Bennar Newman, Haulotte, Ditch Runner, Menegotti, Morrison, Contec, Buddy, Crown, Edco, Wyco, Bomag, Laymor, EZ Trench, Bil-Jax, F.S. Curtis, Gehl Pavers, Heli, Honda, ICS/PowerGrit, IHI, Partner, Imer, Clipper, MMD, Koshin, Rice, CH&E, General Equipment, Amida, Coleman, NAC, Gradall, Square Shooter, Kent, Stanley, Tamco, Toku, Hatz, Kohler, Robin, Wisconsin, Northrock, Oztec, Toker TK, Rol-Air, APT, Wylie, Ingersoll Rand / Doosan, Innovatech, Con X, Ammann, Mecalac, Makinex, Smith Surface Prep, Small Line, Wanco, Yanmar

Column and Chassis



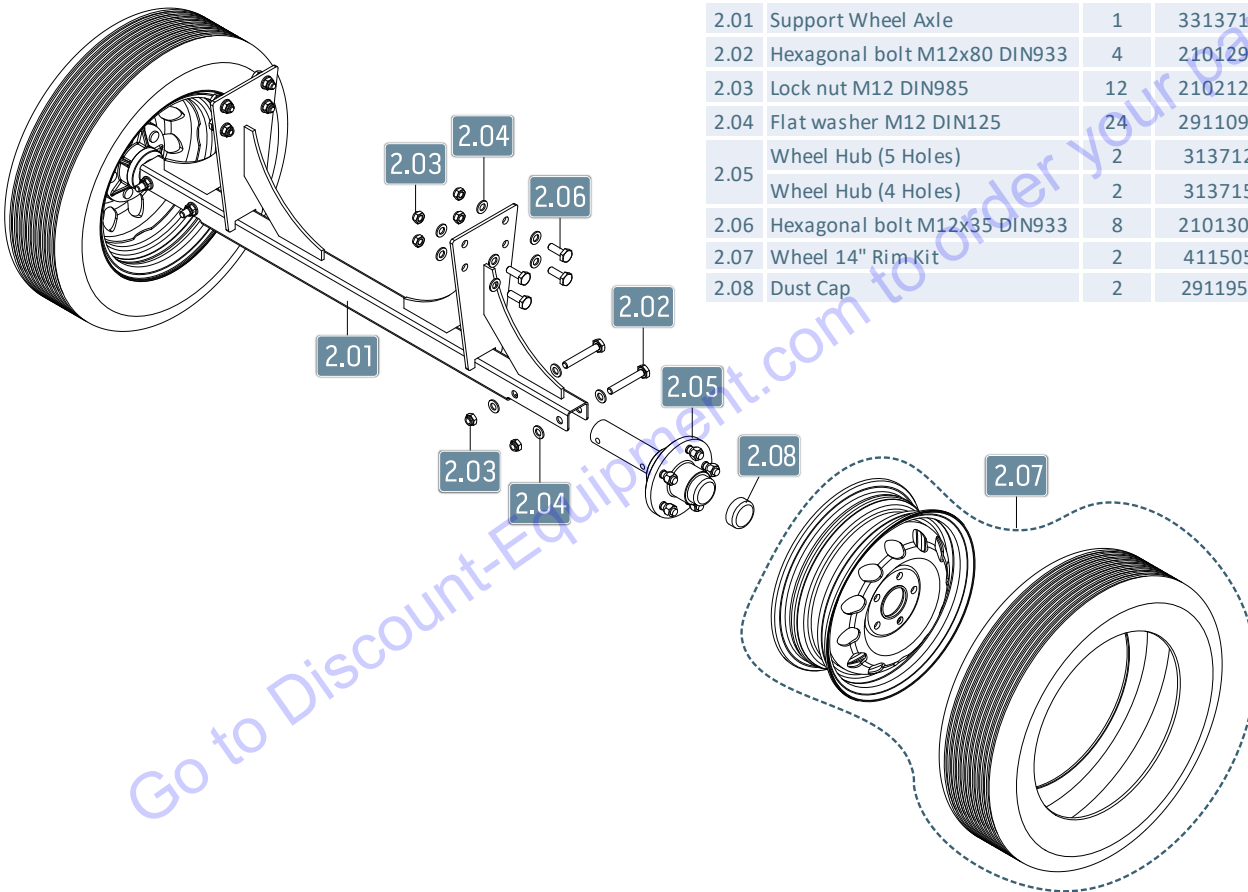
Column and Chassis

NO.	DESCRIPTION	QTY.	CODE	DRAWING
1.22	Clamp R 3X67 ZNAM	1	29750041	29750041
1.23	Rod lock	1	4137199	4137199
1.24	Long link chain (250 mm)	1	22060353	-
1.25	Hex. Bolt M10x35 mm	1	21012886	-
1.26	Closed plastic cover 120/150L	1	24110103	4122036
1.27	Housing bearing (front)	1	3116034	3116034
1.28	Housing bearing (back)	1	31090255	3116026
1.29	Tow Bar	1	34137179	4137179
1.30	Grid's articulating bar	1	29121343	4105022
1.31	Separator	1	29121344	4105031
1.32	Circlip for shaft I-26	1	21060221	-
1.33	Bolt M12x100mm DIN931	3	21012741	-
1.34	Lock Nut M12x1,75 DIN985	12	21021207	-
1.35	Flat Washer M12 DIN125	28	29110907	-
1.36	Lock Nut M10 DIN985	18	21021206	-
1.37	Seal Ring BR-00880 Ø56x40x8mm	2	24010105	24010105
1.38	Grease fitting M6 DIN 71412	2	24040305	-
1.41	Chain (2,6M) 1/4"	1	22060303	-
1.53	Pulley	1	31080050	4105032
1.54	Bolt M12x90 mm	1	21010140	-
1.55	Flat Washer M10 DIN 125	32	21030676	-
1.62	Bolt M10x50 DIN 933	8	29110982	-

NO.	DESCRIPTION	QTY.	CODE	DRAWING
1.63	Bolt M10x40 DIN 933	4	21012720	-
1.64	Compression spring	1	29751849	4122575
1.65	Fixing pin	1	4137159	4137159
1.66	Heavy Elastic Pin 5 x 32	1	21040112	-
1.67	Elastics ring I-38	1	21060222	-
1.68	Handle grip	1	27020110	4138020
1.69	Back plate	1	3137152	3137152
1.70	Bolt M10x30 mm DIN 933	6	21012816	-
1.71	Spring support	1	3137176	3137176
1.72	Spring	1	4122534	4122534
1.74	Chassis Assembly 9 CuFt	1	-	2125019
1.74	Chassis Assembly 7 CuFt	1	-	2125020
1.75	Bearing 6000ZZ	2	22020201	-
1.76	Stretcher Arm	1	3137134	3137134
1.77	Engine support	2	4137167	4137167
1.83	Trailer Coupling 2.1/2"	1	3122537	-
*1.84	Pintle Hitch	1	3137173	-
1.85	Flat Washer 1/2"	2	21030250	-
1.86	Internal Bushing	1	4137211	4137211
NO.	DESCRIPTION	QTY.	CODE	DRAWING
KIT-1	Stretcher Arm with Pulley - Nos. - 1.76, 1.53, 1.75 1.31 1.32 1.36	1	3137170	3137170

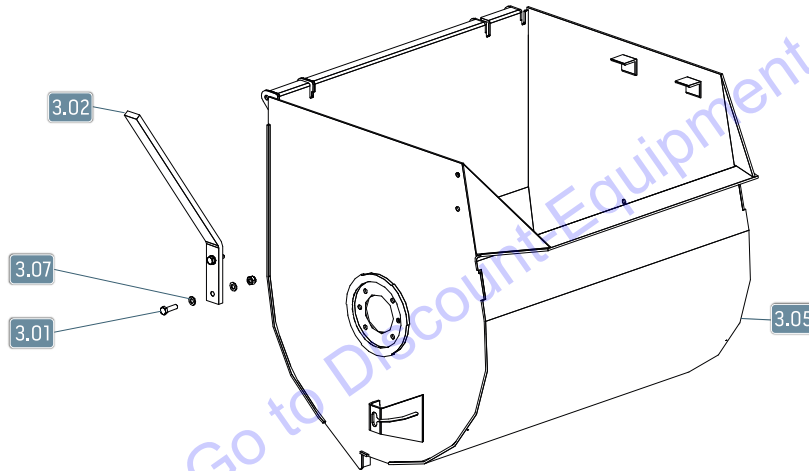
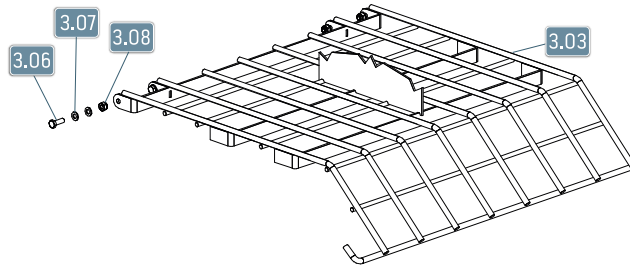
**Optional parts.*

Wheel 14" Rim Kit



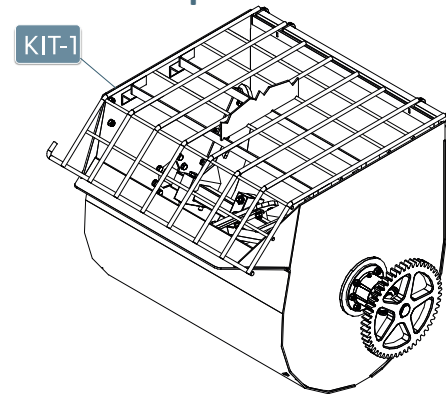
NO.	DESCRIPTION	QTY.	CODE	DRAWING
2.01	Support Wheel Axle	1	33137122	3137122
2.02	Hexagonal bolt M12x80 DIN933	4	21012983	-
2.03	Lock nut M12 DIN985	12	21021207	-
2.04	Flat washer M12 DIN125	24	29110907	-
2.05	Wheel Hub (5 Holes)	2	3137123	3137123
2.05	Wheel Hub (4 Holes)	2	3137159	3137159
2.06	Hexagonal bolt M12x35 DIN933	8	21013013	-
2.07	Wheel 14" Rim Kit	2	4115054	4115054
2.08	Dust Cap	2	29119518	-

Drum Kit



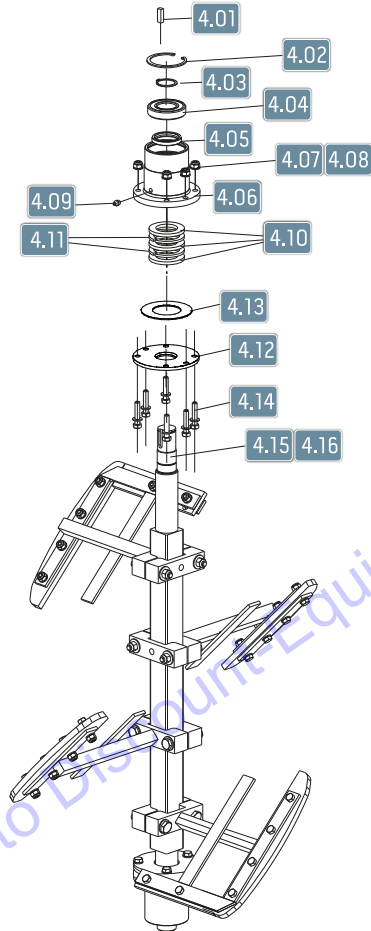
NO.	DESCRIPTION	QTY.	CODE	DRAWING
3.01	Hexagonal bolt M10x35 DIN 933	2	21012886	-
3.02	Lever Set	1	4107154	4107154
3.03	Fixed Grid 7 CuFt	1	32610784	3119070
	Fixed Grid 9 CuFt	1	33119168	3119168
3.05	Drum 7 CuFt	1	-	2137015
	Drum 9 CuFt	1	-	2137012
3.06	Hexagonal bolt M10x30 DIN933	6	21012816	-
3.07	Flat washer M10 DIN125	12	21030676	-
3.08	Hex lock nut M10 DIN985	6	21021206	-

Complete Drum Replacement Kit



NO.	DESCRIPTION	QTY.	CODE	DRAWING
KIT-2	Drum Replacement Kit 7 CuFt Packaged	1	3137185	3137185
	Drum Replacement Kit 9 CuFt Packaged	1	3137186	3137186

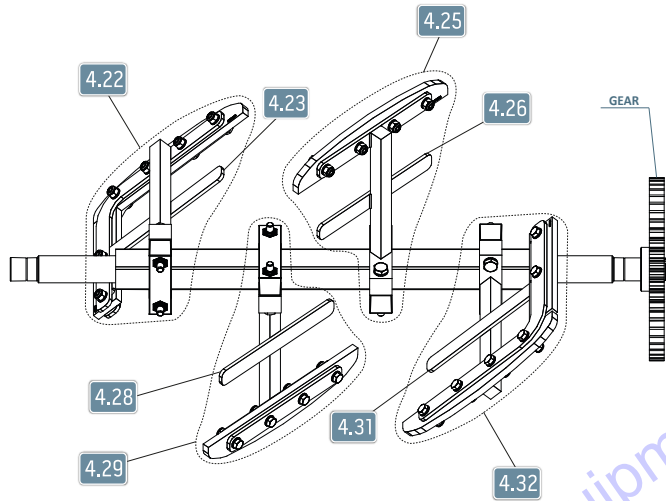
Drum Shaft Kit



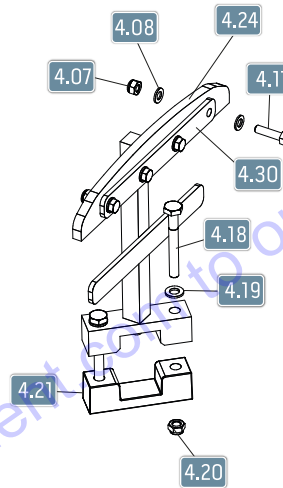
NO.	DESCRIPTION	QTY.	CODE	DRAWING
4.01	Key (10x8x30mm)	1	30167009	-
4.02	Snap Ring I-80 DIN472	1	21060264	-
4.03	Snap Ring E-38 DIN471	1	21060134	-
4.04	Bearing 6208 ZZ	1	22020126	-
4.05	Oil Seal (47 x 62 x 8 mm) Type BR	1	24010511	-
4.06	Drum Bearing	1	33137178	3137178
4.07	Hex Lock Nut M10	32	21021206	-
4.08	Flat Washer M10	64	21030676	-
4.09	Grease fitting 1/8" BSP	2	24040101	-
4.10	Oil Control Ring (74,5 x 46 x 6,5mm)	6	24030177	-
4.11	Shim	4	4107146	4107146
4.12	Rubber Washer (DN140 x 40 x 6,5mm)	2	24030178	4107147
4.13	Washer DN 140	2	4137189	4137189
4.14	Hex Screw M10 x 35 DIN 933	12	21012886	-
4.15	Main Shaft 7 CuFt	1	29121402	3107088
4.16	Main Shaft 9 CuFt	1	29121355	3107068

NO.	DESCRIPTION	QTY.	CODE	DRAWING
KIT-3	Drum bearing assembly - NOs. 4.02, 4.04, 4.05, 4.06, 4.09, 4.10, 4.11, 4.13	1	3137171	3137171

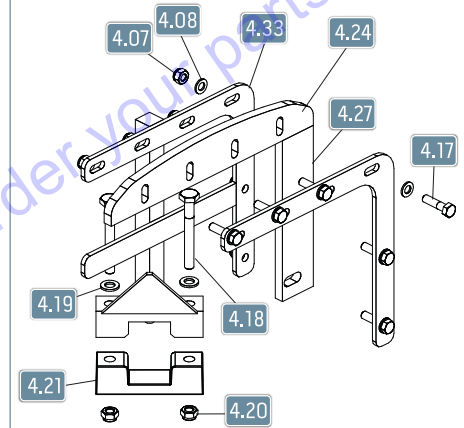
Paddle Shaft Kit



Central Blade:



Outside Blade:

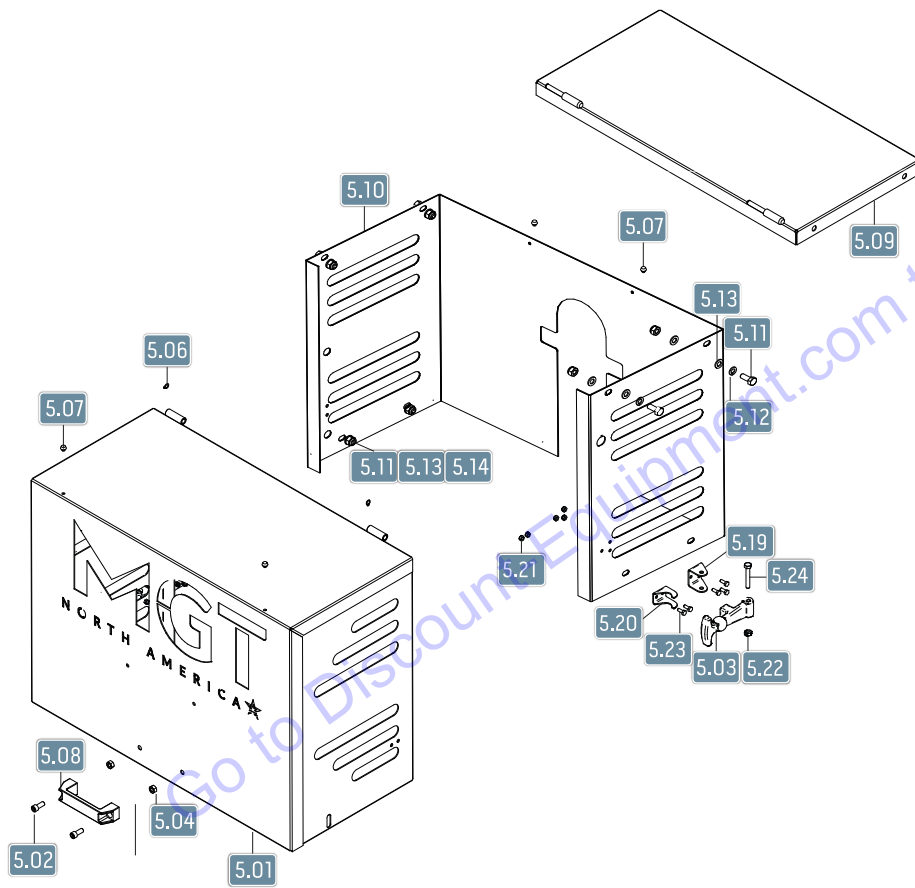


NOTE: Use gear as a reference for the left and right positions.

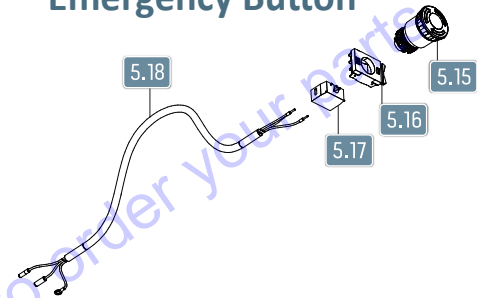
NO.	DESCRIPTION	QTY.	CODE	DRAWING
4.17	Hex Screw M10x40 DIN931	20	21012720	-
4.18	Hex Screw M12x100 DIN933	8	21012947	-
4.19	Flat Washer M12 (13x24x2,5) DIN125	8	29110907	-
4.20	Hex Lock Nut BX M12x1,75 DIN985	8	21021207	-
4.21	Paddle Arms Brackets	4	31090276	3137167
4.22	Outside left Blade Assembly	1	32610071	3107071
4.23	Outside left Blade	1	3107073	3107073
4.24	Top Paddle Rubber	4	24030241	4107110
4.25	Central right Blade Assembly	1	32610065	3107065

NO.	DESCRIPTION	QTY.	CODE	DRAWING
4.26	Central right Blade	1	3107064	3107064
4.27	Side Paddle Rubber	2	24030245	4107111
4.28	Central left Blade	1	3107067	3107067
4.29	Central left Blade Assembly	1	32610066	3107066
4.30	Side Blade	2	29121361	4107104
4.31	Outside right Blade	1	3107063	3107063
4.32	Outside right Blade Assembly	1	32610062	3107062
4.33	Top Blade	2	4107157	4107157

Box Kit



Emergency Button



NO.	DESCRIPTION	QTY.	CODE	DRAWING
5.01	Box door	1	33108422	3108422
5.02	Bolt 5/16"x3/4"	2	21010523	-
5.03	Rubber Door Latch	2	24030255	4122581
5.04	Hex nut 5/16"	2	21021052	-
5.06	Circlip for shaft E-8 DIN471	2	21060150	-
5.07	Rubber lock	8	24030222	4122072
5.08	Handle	1	24070164	4122435
5.09	Box cover	1	34137165	4137165
5.10	Back box	1	33137151	3137151
5.11	Hex Bolt M10x25 DIN933	8	21012815	-
5.12	Spring washer M10 DIN127	4	21030406	-
5.13	Flat Washer M10 DIN125	12	21030676	-
5.14	Hex Lock Nut M10	4	21021206	-
5.15	Emergency Button	1	26160132	-
5.16	Flange (button)	1	26160155	-
5.17	Contact Block NA BC10F-CSW X100	1	26160146	-
5.18	Cable (button)	1	26010436	4122579
5.19	Fixed Rubber Door Latch Support	2	29117877	4122582
5.20	Movable Rubber Door Latch Support	2	29117878	4122583
5.21	Hex Nut 3/16"	10	21021002	-
5.22	Low Hex Nut 1/4"	2	21021004	-
5.23	Hex. Bolt 3/16"x 1/2"	10	29117880	-
5.24	Hex. Bolt 1/4"x 1.3/4"	2	29117879	-

PARTS FINDER

**Search Website
by Part Number**



**Search Manual
Library For Parts
Manual & Lookup Part
Numbers – Purchase
or Request Quote**

Search Manuals

Enter your information to help us find the right parts manual for your machine.

* Brand:

* Model:

* Serial:

* Part Number:

SEARCH

**Can't Find Part or
Manual? Request Help
by Manufacturer,
Model & Description**

Parts Order Form

Please fill in the following information to help us find the right part for your machine.

MANUFACTURER:

MODEL:

DESCRIPTION:

SEARCH

Discount-Equipment.com is your online resource for quality parts & equipment.

Florida: **561-964-4949** Outside Florida TOLL FREE: **877-690-3101**

Need parts?

Click on this link: <http://www.discount-equipment.com/category/5443-parts/> and choose one of the options to help get the right parts and equipment you are looking for. Please have the machine model and serial number available in order to help us get you the correct parts. If you don't find the part on the website or on one of the online manuals, please fill out the request form and one of our experienced staff members will get back to you with a quote for the right part that your machine needs.

We sell worldwide for the brands: Genie, Terex, JLG, MultiQuip, Mikasa, Essick, Whiteman, Mayco, Toro Stone, Diamond Products, Generac Magnum, Airman, Haulotte, Barreto, Power Blanket, Nifty Lift, Atlas Copco, Chicago Pneumatic, Allmand, Miller Curber, Skyjack, Lull, Skytrak, Tsurumi, Husquvarna Target, Stow, Wacker, Sakai, Mi-T-M, Sullair, Basic, Dynapac, MBW, Weber, Bartell, Bennar Newman, Haulotte, Ditch Runner, Menegotti, Morrison, Contec, Buddy, Crown, Edco, Wyco, Bomag, Laymor, EZ Trench, Bil-Jax, F.S. Curtis, Gehl Pavers, Heli, Honda, ICS/PowerGrit, IHI, Partner, Imer, Clipper, MMD, Koshin, Rice, CH&E, General Equipment, Amida, Coleman, NAC, Gradall, Square Shooter, Kent, Stanley, Tamco, Toku, Hatz, Kohler, Robin, Wisconsin, Northrock, Oztec, Toker TK, Rol-Air, APT, Wylie, Ingersoll Rand / Doosan, Innovatech, Con X, Ammann, Mecalac, Makinex, Smith Surface Prep, Small Line, Wanco, Yanmar



Menegotti
GROUP
Solid values, *sustainable future.*

MENEGOTTI
HANDLING

MENEGOTTI
CONSTRUCTION

MENEGOTTI
HOUSE & GARDEN



www.discount-equipment.com