



www.discount-equipment.com

Parts Manual

Serial Number Range

S-85XC

from SN S85XCD-101 to SN S85XCD-2001

Part No. 1299628GT
Rev: A13
May 2026

Go to Discount-Equipment.com to order your parts

PARTS FINDER

**Search Website
by Part Number**



**Search Manual
Library For Parts
Manual & Lookup Part
Numbers – Purchase
or Request Quote**

Search Manuals

Enter your information to help us find the right parts manual for your machine.

* Brand:

* Model:

* Serial:

* Part Number:

SEARCH

**Can't Find Part or
Manual? Request Help
by Manufacturer,
Model & Description**

Parts Order Form

Please fill in the following information to help us find the right part for your machine.

Manufacturer:	<input type="text"/>
Model:	<input type="text"/>
Description:	<input type="text"/>
Part Number:	<input type="text"/>
Quantity:	<input type="text"/>
Notes:	<input type="text"/>

Submit

Discount-Equipment.com is your online resource for quality parts & equipment.

Florida: **561-964-4949** Outside Florida TOLL FREE: **877-690-3101**

Need parts?

Click on this link: <http://www.discount-equipment.com/category/5443-parts/> and choose one of the options to help get the right parts and equipment you are looking for. Please have the machine model and serial number available in order to help us get you the correct parts. If you don't find the part on the website or on one of the online manuals, please fill out the request form and one of our experienced staff members will get back to you with a quote for the right part that your machine needs.

We sell worldwide for the brands: Genie, Terex, JLG, MultiQuip, Mikasa, Essick, Whiteman, Mayco, Toro Stone, Diamond Products, Generac Magnum, Airman, Haulotte, Barreto, Power Blanket, Nifty Lift, Atlas Copco, Chicago Pneumatic, Allmand, Miller Curber, Skyjack, Lull, Skytrak, Tsurumi, Husquvarna Target, Stow, Wacker, Sakai, Mi-T-M, Sullair, Basic, Dynapac, MBW, Weber, Bartell, Bennar Newman, Haulotte, Ditch Runner, Menegotti, Morrison, Contec, Buddy, Crown, Edco, Wyco, Bomag, Laymor, EZ Trench, Bil-Jax, F.S. Curtis, Gehl Pavers, Heli, Honda, ICS/PowerGrit, IHI, Partner, Imer, Clipper, MMD, Koshin, Rice, CH&E, General Equipment, Amida, Coleman, NAC, Gradall, Square Shooter, Kent, Stanley, Tamco, Toku, Hatz, Kohler, Robin, Wisconsin, Northrock, Oztec, Toker TK, Rol-Air, APT, Wylie, Ingersoll Rand / Doosan, Innovatech, Con X, Ammann, Mecalac, Makinex, Smith Surface Prep, Small Line, Wanco, Yanmar

Technical Publications

Genie has endeavored to deliver the highest degree of accuracy possible. However, continuous improvement of our products is a Genie policy. Therefore, product specifications are subject to change without notice.

Readers are encouraged to notify Genie of errors and send in suggestions for improvement. All communications will be carefully considered for future printings of this and all other manuals.

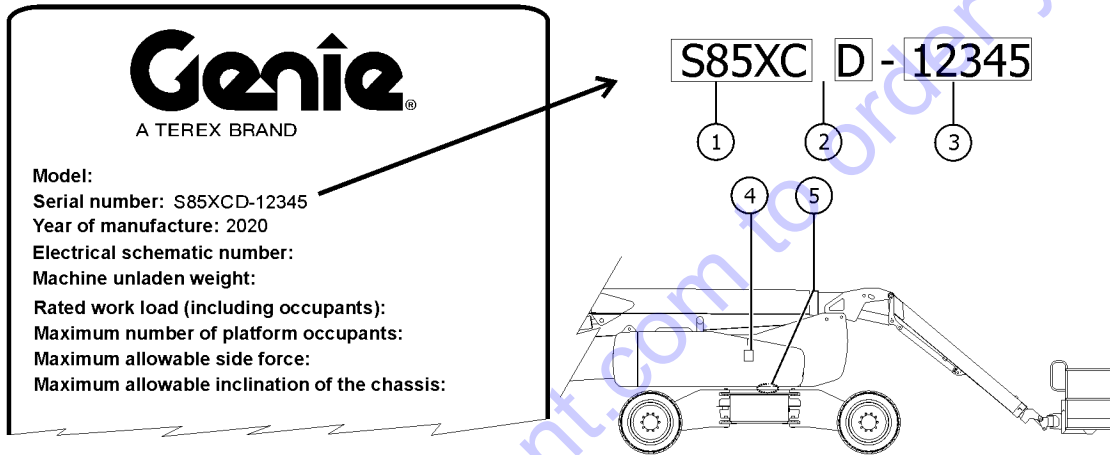
Copyright © 2020 Terex Corporation

1299628GT Rev A13 May 2026
First Edition, Ninth Printing

Genie is a registered trademark of Terex South Dakota, Inc. in the USA and many other countries. "S" is a trademark of Terex South Dakota, Inc.



Πριντεδ ου ρεχψχλεδ παπερ



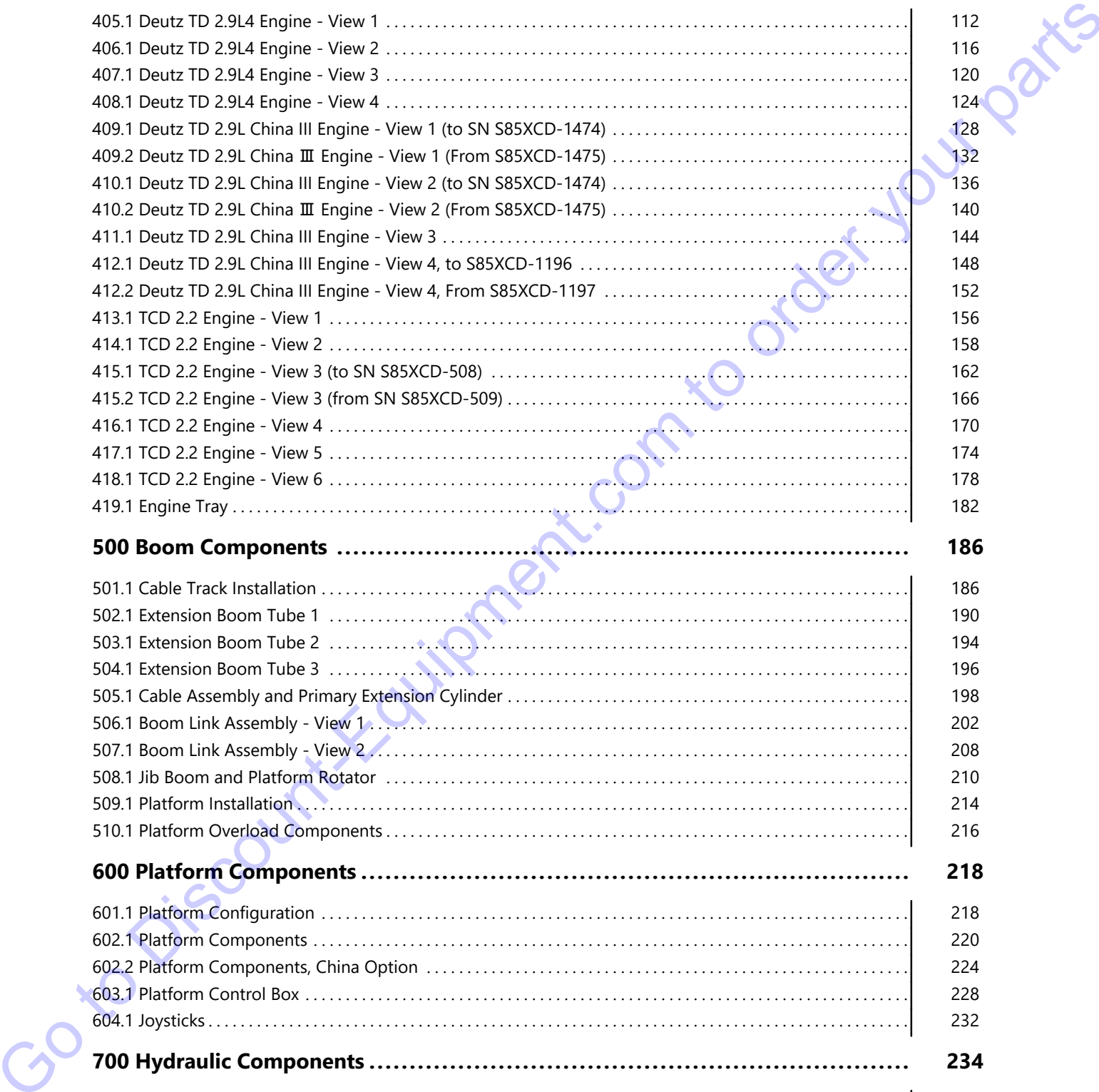
- 1 Model
- 2 Facility code
- 3 Sequence number
- 4 Serial label (located under cover)
- 5 Serial number (stamped on chassis)

Go to Discount-Equipment.com to order your parts

Description	Page
001 Parts Stocking List	10
001.1 Parts Stocking List	10
100 Decals	14
101.1 Decals with Words, Hydraulic Tank Side	14
102.1 Decals with Words, Chassis	18
103.1 Decals with Words, Engine Side	20
104.1 Decals with Words, Boom	22
105.1 Decals with Words, Platform	24
106.1 Decals with Symbols, Hydraulic Tank Side	26
107.1 Decals with Symbols, Chassis	30
108.1 Decals with Symbols, Engine Side	32
109.1 Decals with Symbols, Boom	34
110.1 Decals with Symbols, Platform	36
200 Drive Chassis Components.....	38
201.1 Steer End	38
202.1 Axle Installation	42
203.1 Oscillation Control Valve	46
204.1 Drive Hub Assembly with Brake (to SN S85XCD-1767, from SN S85XCD-1769 to S85XCD-1788, from SN S85XCD-1792)	48
204.2 Drive Hub Assembly with Brake (PMP) (from SN S85XCD-1768, from SN S85XCD-1789 to S85XCD-1791)	50
300 Turntable Components.....	54
301.1 Hydraulic and Fuel Tanks - Diesel Models	54
302.1 Hydraulic Tank Side Components, to S85XCD-1196	58
302.2 Hydraulic Tank Side Components, From S85XCD-1197	64
303.1 Turntable Covers - Hydraulic Tank Side	70
304.1 Turntable Covers - Engine Side	74
305.1 Turntable Components and Swivel Drive Assembly	78
306.1 Turntable Center Components	84
307.1 Ground Control Box - View 1	88
308.1 Ground Control Box - View 2	90
309.1 Turntable Counterweight	94
310.1 Wire Harness Diagram	96
400 Engine Components	100
401.1 Deutz TD2011L04i Engine - View 1	100
402.1 Deutz TD2011L04i Engine - View 2	104
403.1 Deutz TD2011L04i Engine - View 3	108
404.1 Deutz TD2011L04i Engine - View 4	110

Table of Contents

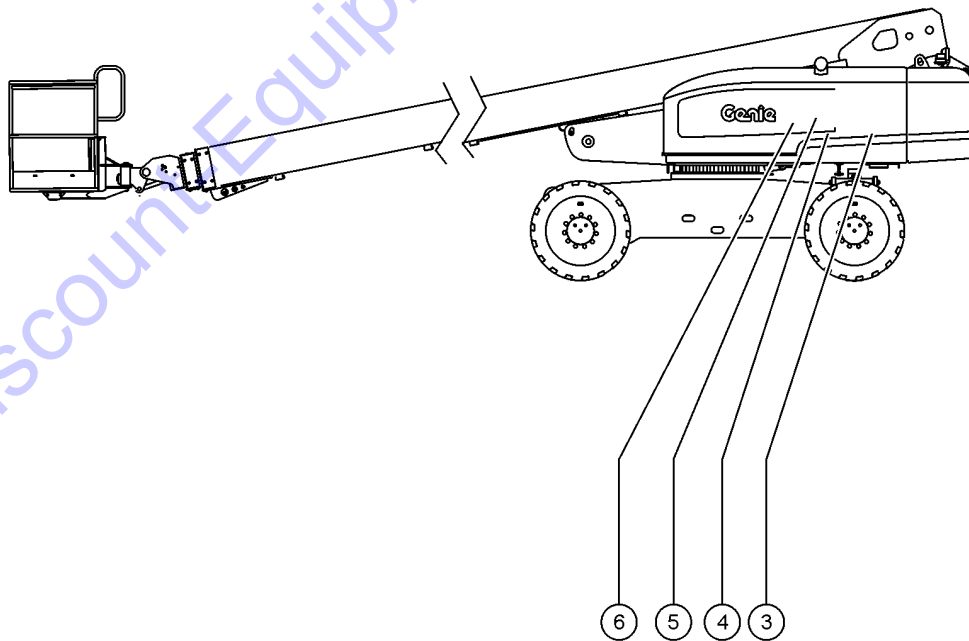
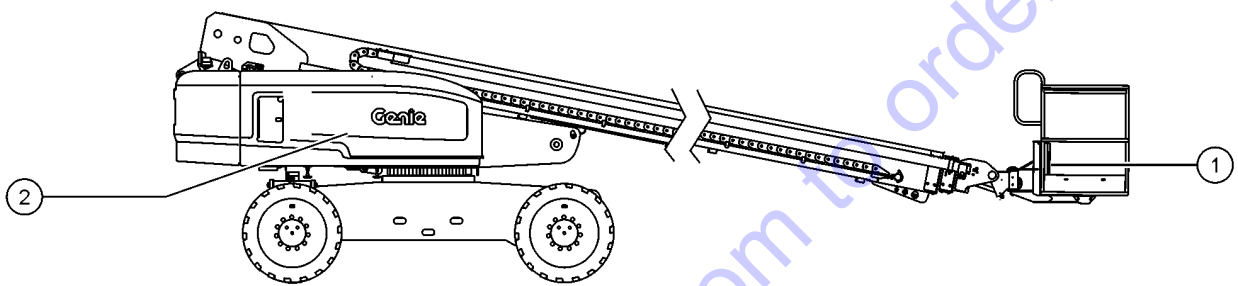
Description	Page
405.1 Deutz TD 2.9L4 Engine - View 1	112
406.1 Deutz TD 2.9L4 Engine - View 2	116
407.1 Deutz TD 2.9L4 Engine - View 3	120
408.1 Deutz TD 2.9L4 Engine - View 4	124
409.1 Deutz TD 2.9L China III Engine - View 1 (to SN S85XCD-1474)	128
409.2 Deutz TD 2.9L China III Engine - View 1 (From S85XCD-1475)	132
410.1 Deutz TD 2.9L China III Engine - View 2 (to SN S85XCD-1474)	136
410.2 Deutz TD 2.9L China III Engine - View 2 (From S85XCD-1475)	140
411.1 Deutz TD 2.9L China III Engine - View 3	144
412.1 Deutz TD 2.9L China III Engine - View 4, to S85XCD-1196	148
412.2 Deutz TD 2.9L China III Engine - View 4, From S85XCD-1197	152
413.1 TCD 2.2 Engine - View 1	156
414.1 TCD 2.2 Engine - View 2	158
415.1 TCD 2.2 Engine - View 3 (to SN S85XCD-508)	162
415.2 TCD 2.2 Engine - View 3 (from SN S85XCD-509)	166
416.1 TCD 2.2 Engine - View 4	170
417.1 TCD 2.2 Engine - View 5	174
418.1 TCD 2.2 Engine - View 6	178
419.1 Engine Tray	182
500 Boom Components	186
501.1 Cable Track Installation	186
502.1 Extension Boom Tube 1	190
503.1 Extension Boom Tube 2	194
504.1 Extension Boom Tube 3	196
505.1 Cable Assembly and Primary Extension Cylinder	198
506.1 Boom Link Assembly - View 1	202
507.1 Boom Link Assembly - View 2	208
508.1 Jib Boom and Platform Rotator	210
509.1 Platform Installation	214
510.1 Platform Overload Components	216
600 Platform Components	218
601.1 Platform Configuration	218
602.1 Platform Components	220
602.2 Platform Components, China Option	224
603.1 Platform Control Box	228
604.1 Joysticks	232
700 Hydraulic Components	234
701.1 Traction Manifold	234
702.1 Two-Speed/Brake Manifold	238



Description	Page
703.1 Function Enable Valve and Platform Rotator Manifold	240
704.1 Platform Manifold	242
705.1 Function Manifold	244
706.1 Generator Manifold	250
707.1 Pumps	252
708.1 4WD Drive and Steer System	254
709.1 Oscillate System	258
710.1 Turntable Components	260
711.1 Boom	266
800 Accessories	270
801.1 Alarm, Beacon Package and Driving Lights	270
802.1 Hostile Environment Package - Ground and Platform Control Box Covers	272
803.1 Hostile Environment Package - Booms	274
804.1 Hostile Environment Package - Turntable(to SN S85XCD-1843)	276
804.2 Hostile Environment Package - Turntable (from SN S85XCD-1844)	278
805.1 Hostile Environment Package - Engine Air Cleaners	280
806.1 Hostile Environment Package - Cylinder Bellows	282
807.1 Welder Option, Chassis Components - View 1	284
808.1 Welder Option, Hoses and Fittings - View 2	288
809.1 3K Hydraulic Generator Option	290
810.1 3K Hydraulic Generator Option - Hoses and Fittings	292
811.1 Oil Cooler Components	294
812.1 Air Line/Power to Platform	296
813.1 Lift Guard Contact Alarm Option	300
814.1 China Telematics Option, TZ200	304
814.2 Telematics Option	306
815.1 Platform Installation, China Option	308
816.1 Work Light Package	310
817.1 Latch Guard Option	312
818.1 Welder Option, Platform Components	314
Part Number Index	318

Go to DiscountEquipment.com to order your parts

001.1 Parts Stocking List



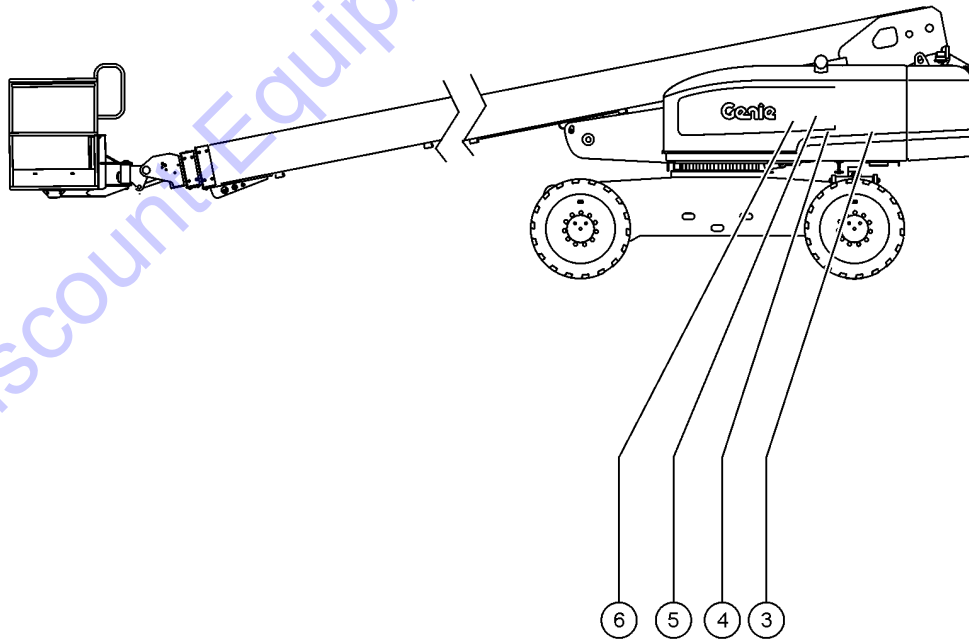
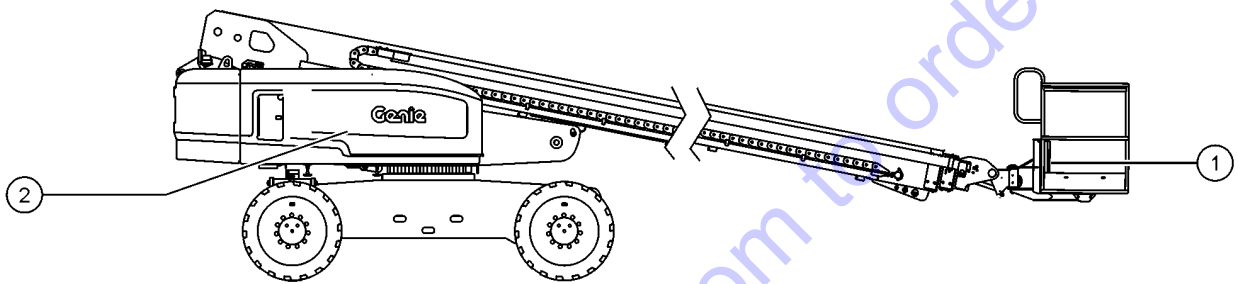
Go to DiscountEquipment.com to order your parts

Item	Part No.	Description	Qty.
1		—MANUALS—	
1-	27581GT	MANUAL, EMI SAFETY	
1-	1298933GT	MANUAL, SAIA MANUAL OF RESPONSIBILITIES, MEWP	
2		2 —HYD FILTERS—	
2-	1282117GT	FILTER,ELEMENT,HYD TANK,RETURN (refer to 301.1 and 302.1)	
2-	60857GT	FILTER,ELEMENT,BETA(5)=1000	
3		—Deutz TD2011L04i Models—	
3-	102589GT	V-BELT, DEUTZ F4L2011 (refer to 409.1)	
3-	29560GT	FILTER,FUEL/WTR SEP, DTZ 1008 (refer to 404.1)	
3-	49924GT	FILTER,OIL,DEUTZ (refer to 404.1)	
3-	62425GT	FILTER,AIR CLEANER, SUPERBOOM (refer to 408.1)	
4		—Deutz TD 2.9L4 Models—	
4-	1262866GT	FAN BELT, ALTERNATOR (refer to 407.1)	
4-	214228GT	FILTER, DEUTZ 2.9, FUEL (refer to 408.1)	
4-	236260GT	FILTER, FUEL PRE-FILTER, SPIN-ON, DEUTZ (refer to 408.1)	
4-	49924GT	FILTER,OIL,DEUTZ (refer to 405.1)	
4-	62425GT	FILTER,AIR CLEANER, SUPERBOOM (refer to 406.1)	
5		—GM 3.0L Models—	
5-	1272019GT	FILTER, FUEL	1
5-	58412GT	SPARK PLUG WIRE SET,GM 3.0 (refer to 412.1)	
5-	62420GT	FILTER,AIR*** (refer to 409.1)	
5-	65621GT	BELT-FAN, GM 3.0L ENGINE (refer to 412.1)	
5-	65623GT	FILTER-OIL,GM 3.0L ENGINE (refer to 412.1)	
5-	65626GT	FILTER-FUEL, GM 3.0L ENGINE (refer to 412.1)	
6		—Perkins 404D-22T Models—	
6-	94762GT	OIL FILTER - PERKINS (refer to 415.1)	
6-	1262484GT	FUEL FILTER ASSY,PERKINS 404D/ (refer to 415.1)	
6-	89765GT	BELT, V (PERKINS 404) (refer to 415.1)	

Goto DiscountEquipment.com to order your parts



001.1 Parts Stocking List



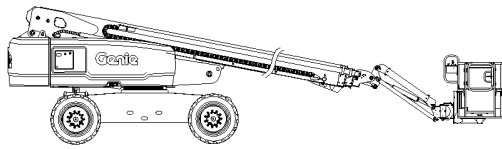
Go to DiscountEquipment.com to order your parts

<i>Item</i>	<i>Part No.</i>	<i>Description</i>	<i>Qty.</i>
6-	62420GT	FILTER,AIR*** (refer to 414.1)	
6-	75020GT	SEPRTR/FLTR,FUEL DSL,15GPH,.30 (refer to 413.1)	

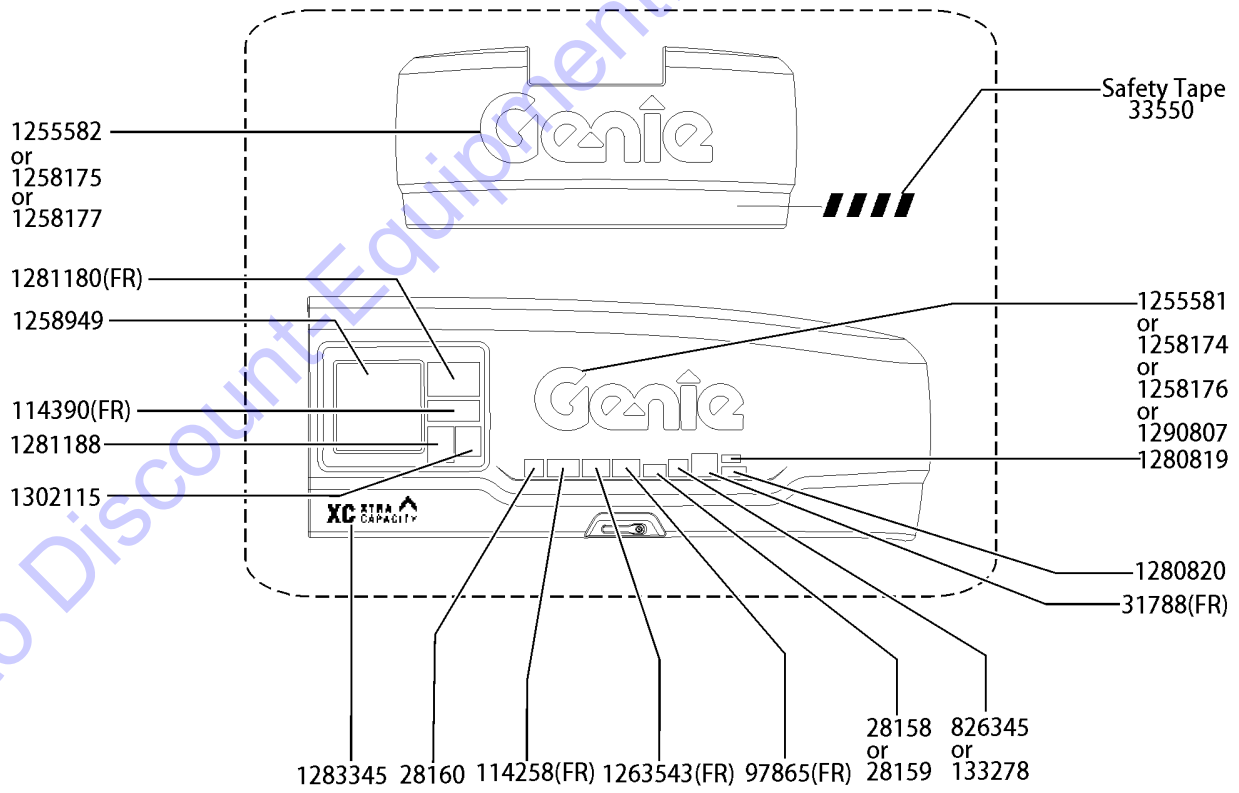
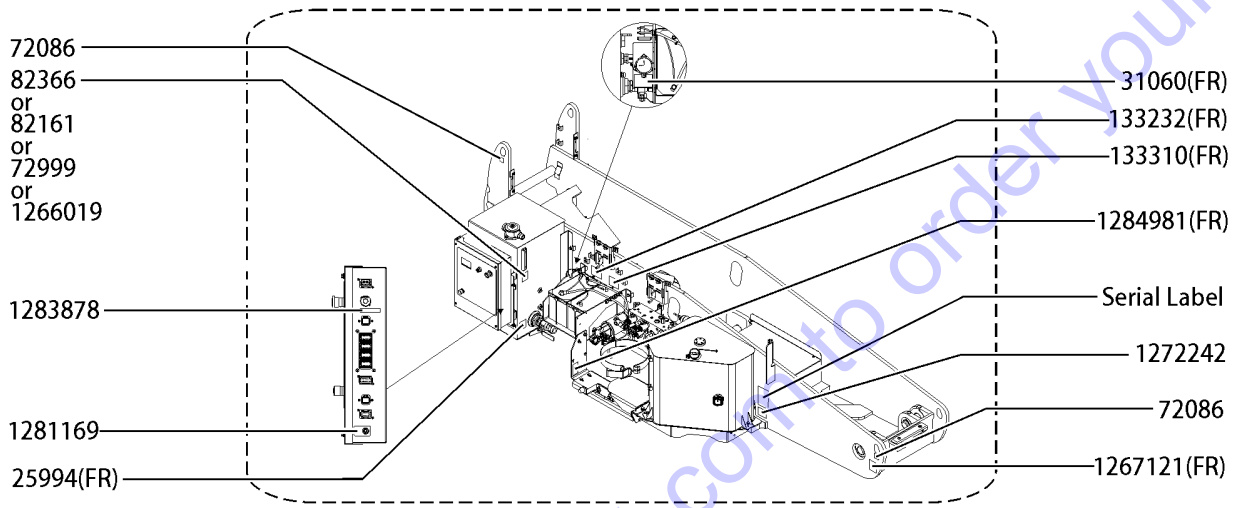
Go to Discount-Equipment.com to order your parts



101.1 Decals with Words, Hydraulic Tank Side



NOTE:
Part numbers with "(FR)" indicates French translation is available



Go to DiscountEquipment.com to order your parts

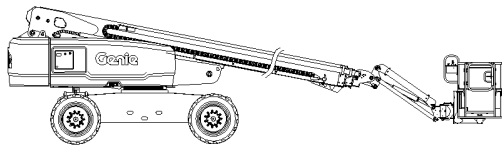


101.1 Decals with Words, Hydraulic Tank Side

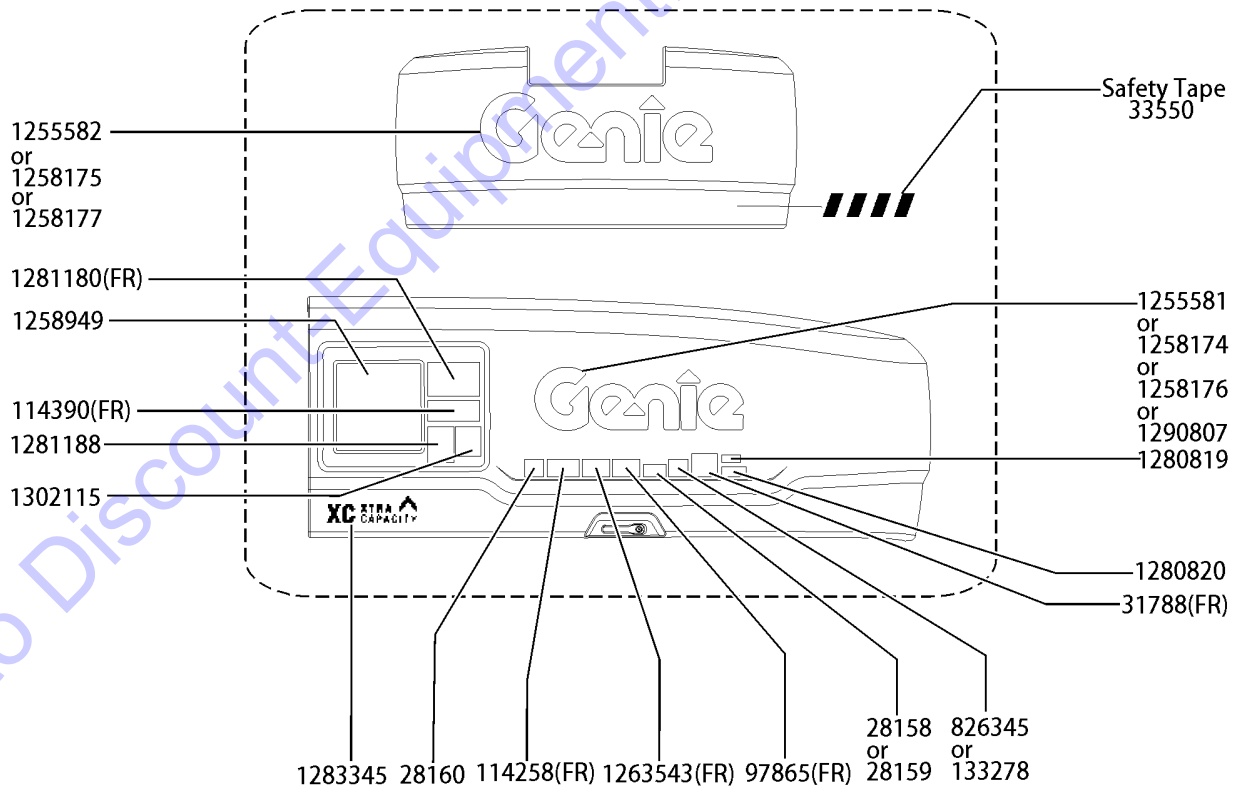
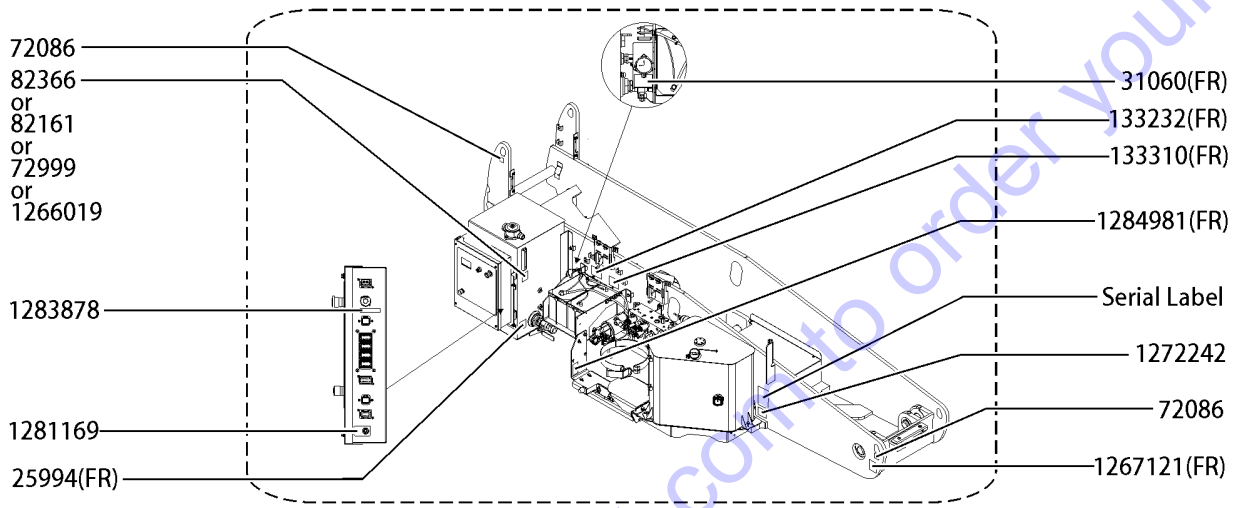
Item	Part No.	Description	Qty.
A		DECAL KIT,S8085 XC COMP,WORD,ANSI	
B		DECAL KIT,S8085 XC COMP,WORD,AUS	
C	1285294GT	INSTRUCTIONS,INSTALL,COMP,WORD	
D	33550GT	TAPE,WARNING,BLK/YEL, 50****	50
1	25994GT	DECAL,NOTICE,SHUTOFF VALVES	1
2	28158GT	DECAL,LABEL,UNLEADED GAS ONLY	1
		Option, fuel	
3	28159GT	DECAL,DIESEL	1
		Option, fuel	
4	28160GT	DECAL,LABEL,LIQUID PROPANE	1
		Option, LPG Tank	
5	31060GT	DECAL,DANGER DO NOT ALTER SWTC	1
6	31788GT	DECAL,DANGER,BATTERY SAFETY***	1
7	72086GT	DECAL,LABEL,LIFTING EYE	2
8	72999GT	DECAL,LABEL,PETRO CANADA***	1
		Option, hydraulic oil	
9	82161GT	DECAL,LABEL,UCON HYDROLUBE	1
		Option, hydraulic oil	
10	82366GT	DECAL, LABEL - CHEVRON RANDO	1
		Option, hydraulic oil	
11	97865GT	DECAL,WARN,ELECTRO HAZARD	1
12	114258GT	DECAL,DANGER,NO SMOKING	1
13	114390GT	DECAL,DANGER,ELECT HAZARD***	1
14	133232GT	DECAL,LABEL,AUX BATTERY	1
15	133278GT	DECAL,LOW/ULTRA LOW SULFR FUEL	1
		(TPEM/ROW) diesel models only	
16	133310GT	DECAL,LABEL,ENG STRT& CONTROLS	1
17	826345GT	DECAL,ULS DIESEL ONLY,TIER 4	1
		Tier 4	
18	1255581GT	DECAL,COSMETIC, 10" GENIE BLUE	1
19	1255582GT	DECAL COSMETIC,15" GENIE BLUE	1
20	1258174GT	DECAL, COSMETIC, 10", GENIE WHITE	1
21	1258175GT	DECAL COSMETIC,15" GENIE WHITE	1
22	1258176GT	DECAL, COSMETIC, 10", GENIE BLACK	1
23	1258177GT	DECAL COSMETIC,15" GENIE BLACK	1
24	1258949GT	OVERLAY GROUND CONTROLS S-BOOM JIB	1



101.1 Decals with Words, Hydraulic Tank Side



NOTE:
Part numbers with "(FR)"
indicates French translation
is available



Go to DiscountEquipment.com to order your parts



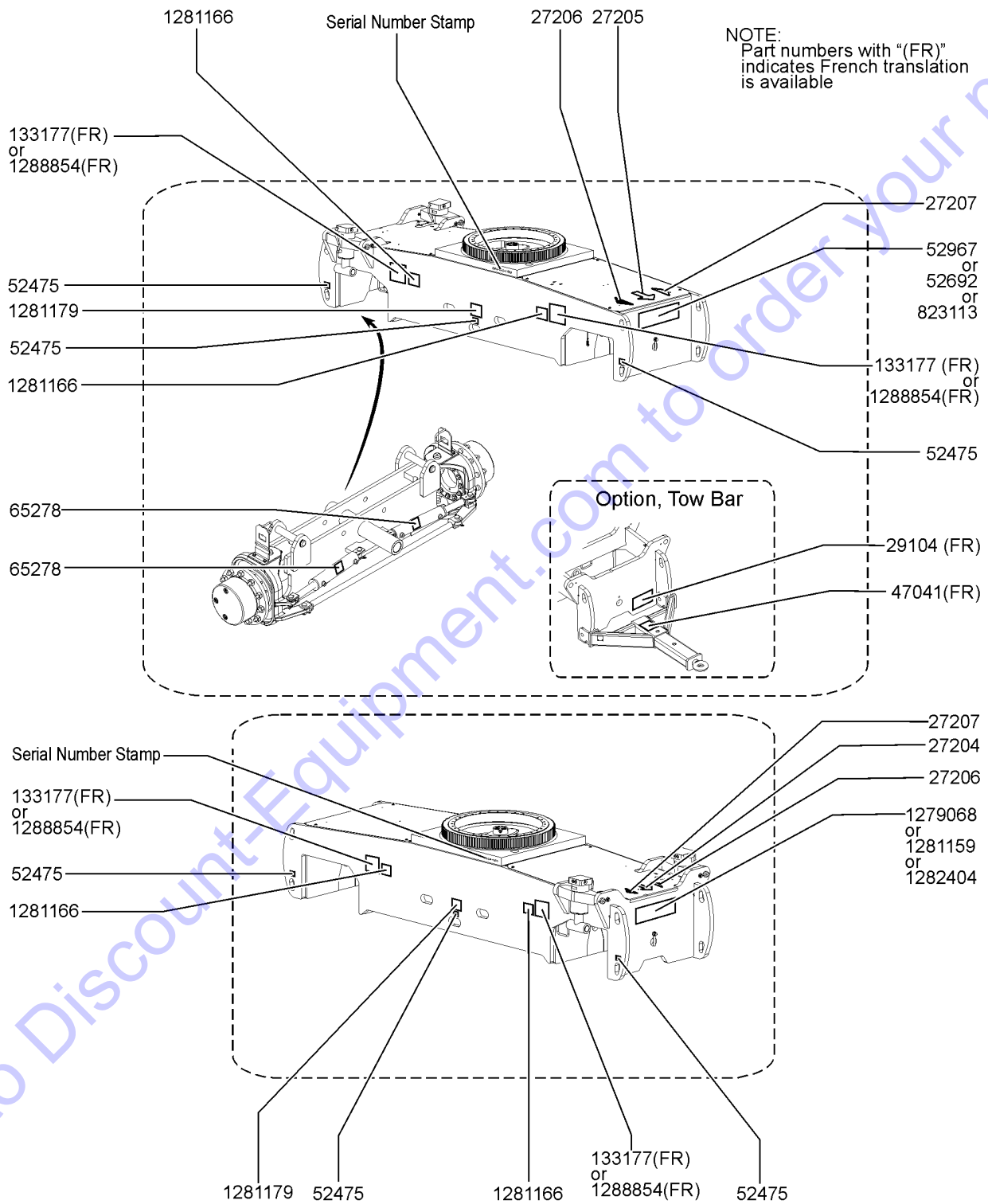
101.1 Decals with Words, Hydraulic Tank Side

Item	Part No.	Description	Qty.
25	1263543GT	DECAL, WARNING, IMPROPER OPERATION	1
26	1266019GT	DECAL, LABEL, SHELL TELLUS	1
		Option, hydraulic oil	
27	1267121GT	DECAL, BOOM SUPPORT	1
28	1272242G	DECAL,MACHINE REGISTRATION/OWNER TRANSFER	1
29	1280819GT	DECAL,WARNING,CANCER AND REPRODUCTIVE HARM, PROP 65	1
		(US only)	
30	1280820GT	DECAL,FUEL,DIESEL EXHAUST, PROP 65	1
		(US only)	
31	1281169GT	DECAL,RECOVERY SWITCH	1
32	1281180GT	DECAL,OPERATING INSTRUCTIONS	1
33	1281188GT	DECAL,EMERGENCY LOWERING	1
34	1283345GT	DECAL, COVER, XC XTRA CAPACITY	1
35	1283878GT	DECAL, TECHPRO LINK	1
36	1284981GT	DECAL,ACCUMULATOR EXPLOSION HAZARD,WORD	1
37	1290807GT	DECAL,COSMETIC,13.5" GENIE, WHITE	1
38	1302115GT	QRCODE GENIE AWP	1
		(Chinese market)	

Go to Discount-Equipment.com to order your parts



102.1 Decals with Words, Chassis



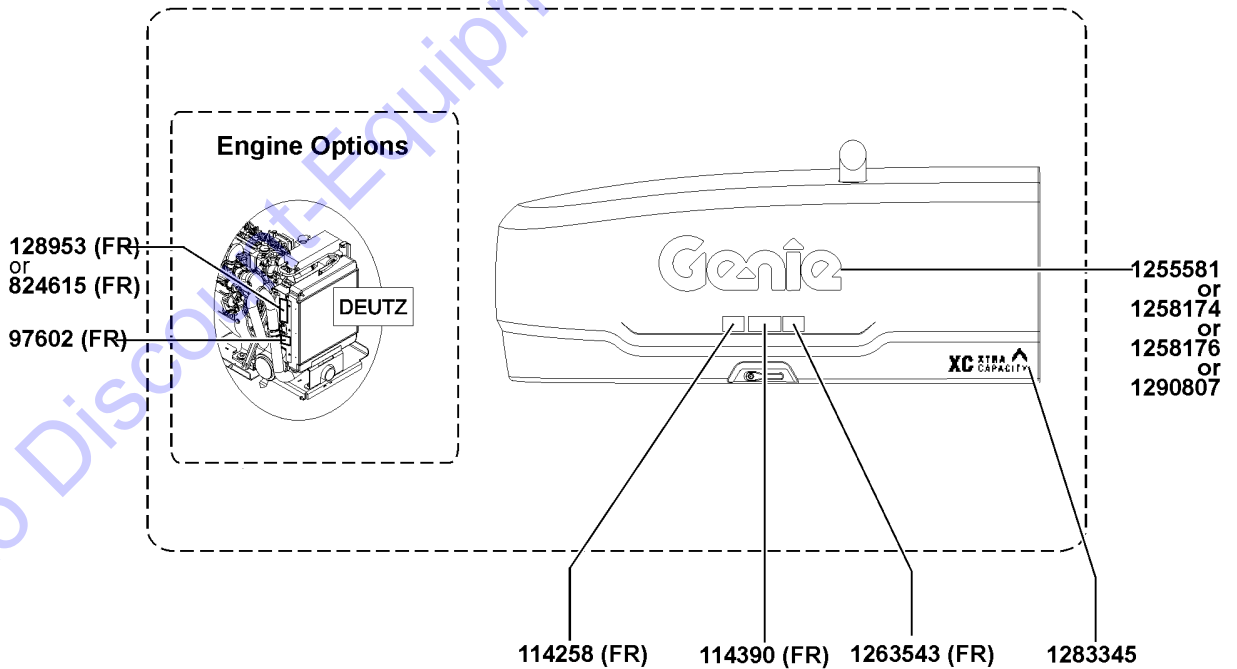
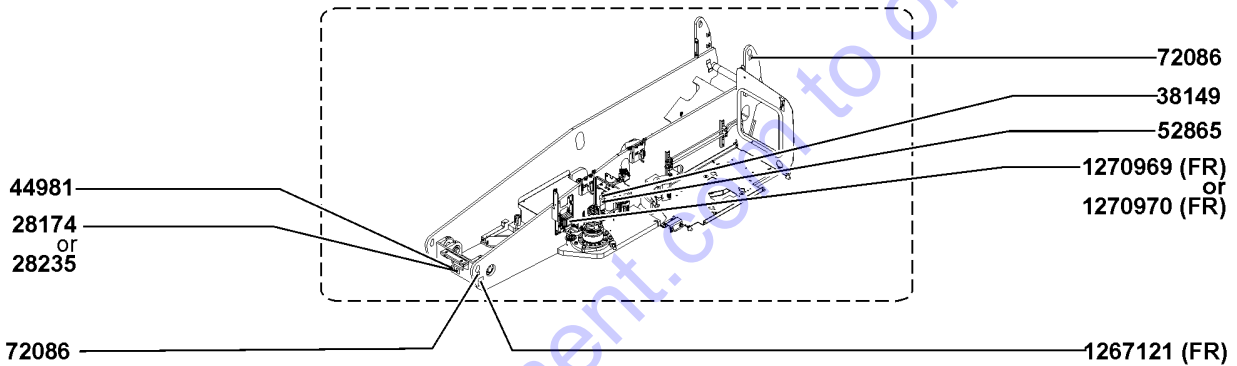
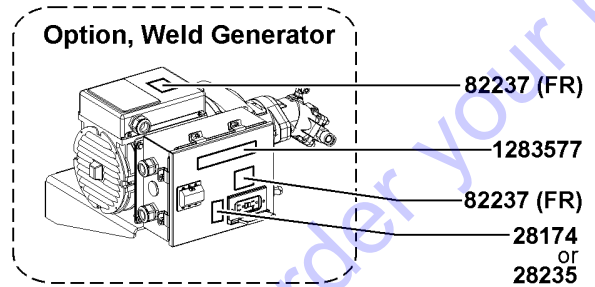
Go to Discount-Equipment.com to order your parts

Item	Part No.	Description	Qty.
1	27204GT	DECAL,ARROW BLUE	1
2	27205GT	DECAL,ARROW YELLOW LRG 9"	1
3	27206GT	DECAL,TRIANGLE,BLUE	2
4	27207GT	DECAL,TRIANGLE,YELLOW	2
5	29104GT	DECAL,TOWING INSTRUCTIONS Option, tow	1
6	47041GT	DECAL,CAUTION,TOWING SPEED Option, tow	1
7	52475GT	DECAL LABEL TRANSPORT TIE DOWN*	6
8	52692GT	DECAL,COSMETIC,4X4 BLUE	1
9	52967GT	DECAL,COSMETIC,4 X 4	1
10	65278GT	DECAL,CAUTION,NO STEP	2
11	133177GT	DECAL,DANGER/LABEL,TIRE SPECS (foam filled)	4
12	823113GT	DECAL,COSM,4X4,BLACK	1
13	1279068GT	DECAL, CHASSIS, S-85 XC	1
14	1281159GT	DECAL, CHASSIS, S-85 XC, BLUE	1
15	1281166GT	DECAL,LABEL,WHEEL LOAD S85 XC	4
16	1281179GT	DECAL,TRANSPORT/LIFTING, S-80/85 XC	2
17	1282404GT	DECAL, CHASSIS, S-85 XC, BLK	1
18	1288854GT	DECAL,DANGER/LABEL,TIRE SPEC,HF (High Flotation ANSI &CSA only)	4

Go to Discount-Equipment.com to order your parts

103.1 Decals with Words, Engine Side

NOTE:
Part numbers with "(FR)" indicates French translation is available



Go to Discount Equipment. Call to order your parts

103.1 Decals with Words, Engine Side

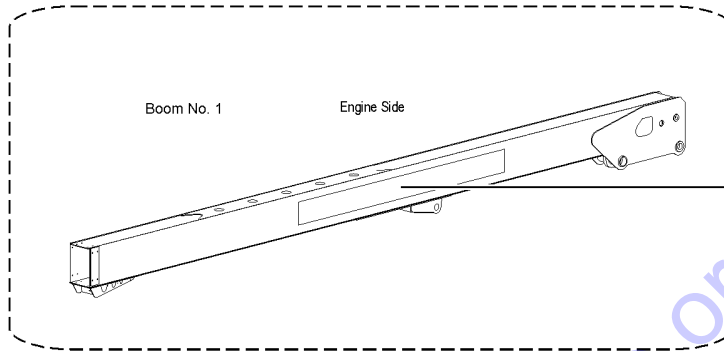
Item	Part No.	Description	Qty.
1	28174GT	DECAL, POWER TO PLATFORM 230V** Option, Power to plat	2
2	28235GT	DECAL, POWER TO PLATFORM 115V** Option, Power to plat	2
3	38149GT	DECAL LABEL PATENTS (US Only)	1
4	44981GT	DECAL,LABEL, AIR LINE 110 PSI Option, airline to plat	1
5	52865GT	DECAL,ANNUAL INSP*** (US Only)	1
6	72086GT	DECAL,LABEL,LIFTING EYE	2
7	82237GT	DECAL,DANGER,HIGH VOLTAGE (Option, Weld generator)	2
8	97602GT	DECAL,EXPLOSION HAZARD	1
9	114258GT	DECAL,DANGER,NO SMOKING	1
10	114390GT	DECAL,DANGER,ELECT HAZARD***	1
11	128953GT	DECAL,ENGINE SPEC,DEUTZ,TD2011 Deutz TD2011L04i	1
12	824615GT	DECAL,ENGINE SPEC,DEUTZ TD2.9 Deutz TD 2.9L4	1
13	1255581GT	DECAL,COSMETIC, 10" GENIE BLUE	1
14	1258174GT	DECAL, COSMETIC, 10", GENIE WHITE	1
15	1258176GT	DECAL, COSMETIC, 10", GENIE BLACK	1
16	1263543GT	DECAL, WARNING, IMPROPER OPERATION	1
17	1267121GT	DECAL, BOOM SUPPORT	1
18	1270969GT	DECAL, VEC, DEUTZ2.9T, S80 Deutz TD 2.9L4	1
19	1270970GT	DECAL, VEC, DEUTZ2011T, S80 Deutz TD2011L04i	1
20	1283345GT	DECAL, COVER, XC XTRA CAPACITY	1
21	1283577GT	DECAL, LIFT^POWER, 1X7 INCH (Option, Welder)	1
22	1290807GT	DECAL,COSMETIC,13.5" GENIE, WHITE	1

Go to DiscountSupplyment.com to order your parts



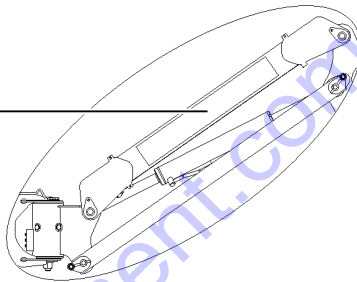
104.1 Decals with Words, Boom

NOTE:
Part numbers with "(FR)"
indicates French translation
is available

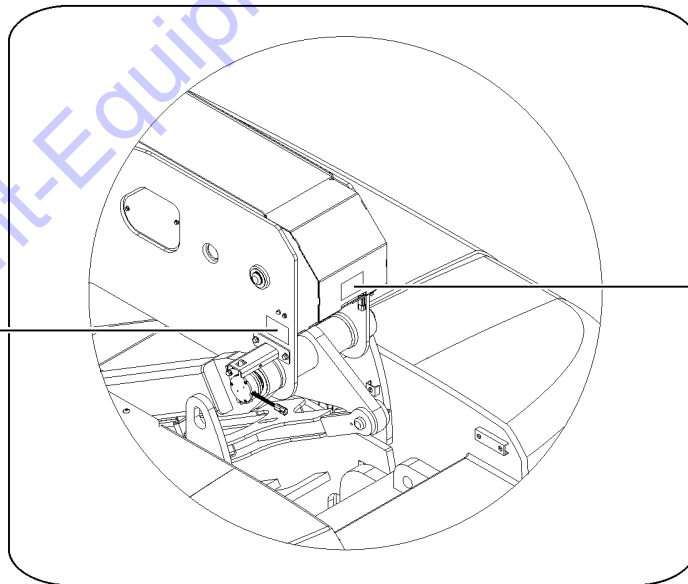


1279067
or
1281158
or
1282402

1283744



31060 (FR)



31060 (FR)

Go to Discount-Equipment.com to order your parts

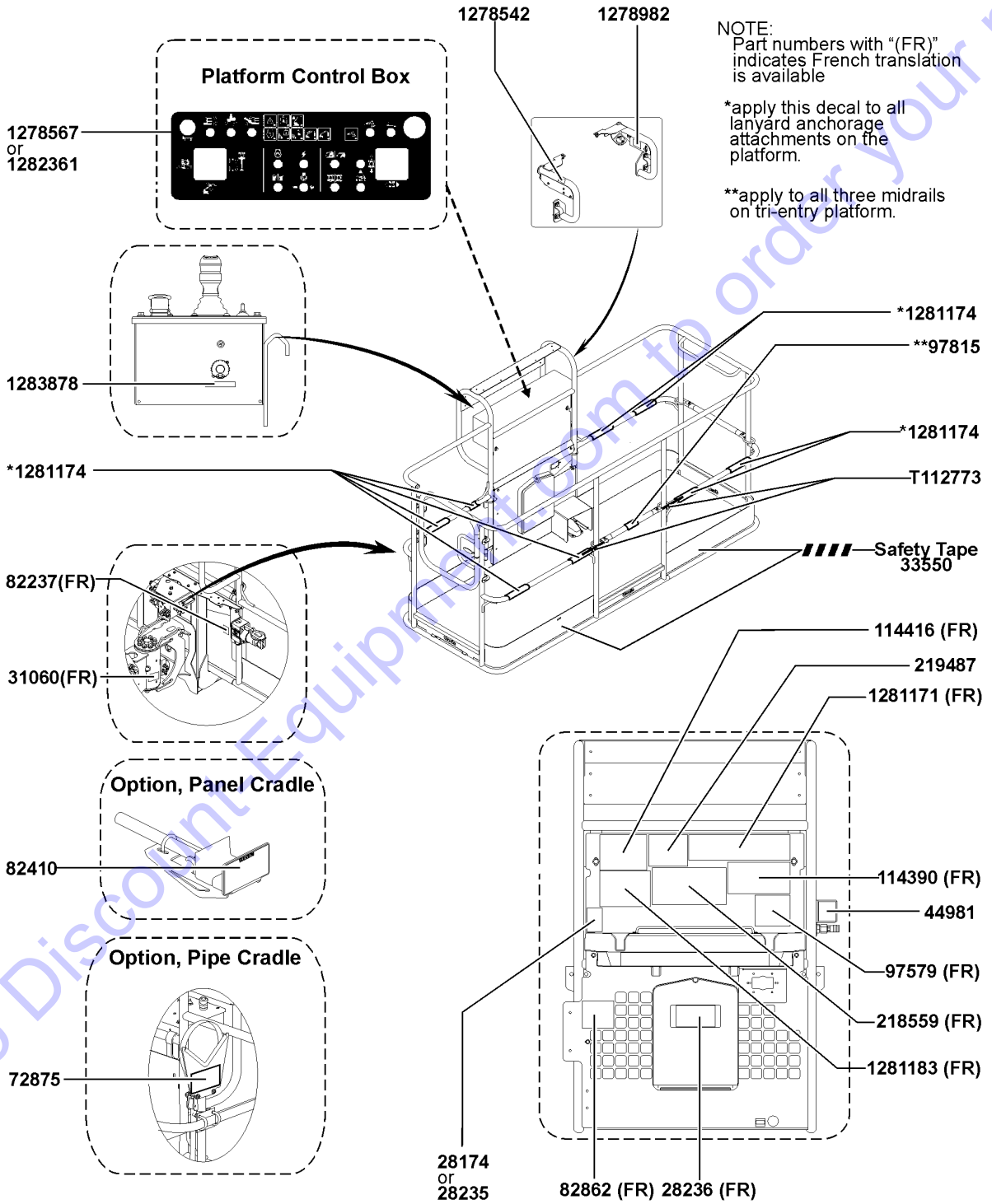
104.1 Decals with Words, Boom

Item	Part No.	Description	Qty.
1	31060GT	DECAL,DANGER DO NOT ALTER SWTC	2
2	1279067GT	DECAL, BOOM, GENIE S-85 XC	1
3	1281158GT	DECAL, BOOM, GENIE S-85 XC, BLUE	1
4	1282402GT	DECAL, BOOM, GENIE S-85 XC, BLK	1
5	1283744GT	DECAL, LIFT^POWER (Option, welder)	1

Go to Discount-Equipment.com to order your parts



105.1 Decals with Words, Platform



Go to DiscountEquipment.com to order your parts

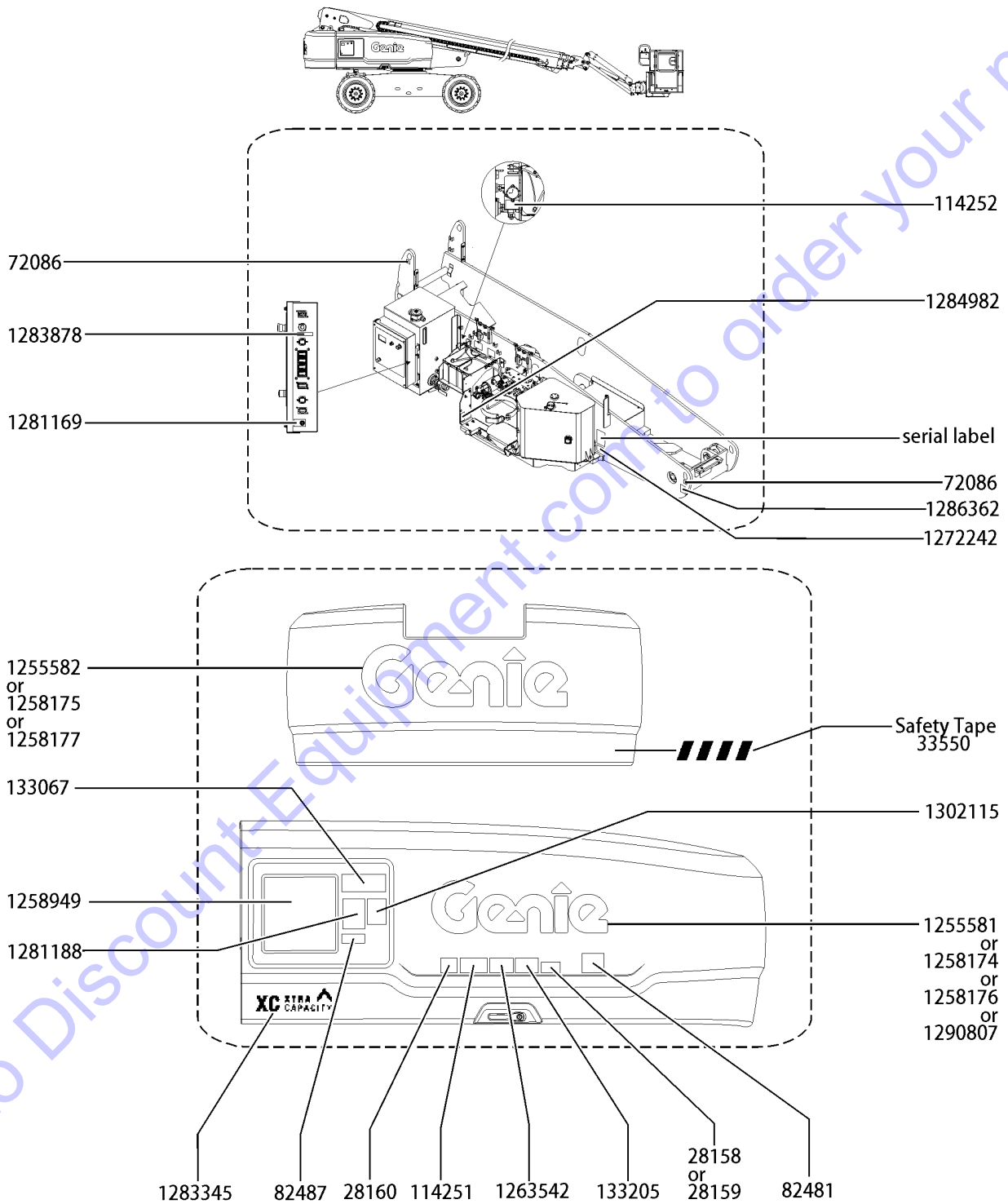
105.1 Decals with Words, Platform

Item	Part No.	Description	Qty.
A	33550GT	TAPE,WARNING,BLK/YEL, 50***	50
1	28174GT	DECAL, POWER TO PLATFORM 230V** Option, Power to Plat	1
2	28235GT	DECAL, POWER TO PLATFORM 115V** Option, Power to Plat	1
3	28236GT	DECAL,WARN,IMPROPER OPERATION	1
4	31060GT	DECAL,DANGER DO NOT ALTER SWTC	1
5	44981GT	DECAL,LABEL, AIR LINE 110 PSI (Option, Airline to plat)	1
6	72875GT	DECAL,WARNING,PIPE CRADLE,BOOM Option, pipe cradle	1
7	82237GT	DECAL,DANGER,HIGH VOLTAGE Option, welder	1
8	82410GT	DECAL,WARNING,PANEL CRADLE Option, panel cradle	1
9	82862GT	DECAL,FIRE EXTINGUISHER Option, welder	1
10	97579GT	DECAL,DANGER,TIP-OVER,WELDER** Option, welder	1
11	97815GT	DECAL,LABEL,LOWER MIDRAIL	1
12	114390GT	DECAL,DANGER,ELECT HAZARD***	1
13	114416GT	DECAL,DANGER,TIPOVER,TILT	1
14	218559GT	DECAL,DANGER/WARNING COMBO	1
15	219487GT	DECAL,PLATFORM OVERLOAD	1
16	1278542GT	DECAL, INSTRUCTION, CONTACT ALARM	1
17	1278567GT	OVERLAY,PLATFORM CONTROLS,S-BOOM,XC	1
18	1278982GT	DECAL, INSTRUCTION, ACTUATOR SWITCH SOCKET	1
19	1281171GT	DECAL,DANGER,CAPACITY S-85 XC,WORD	1
20	1281174GT	DECAL,LANYARD,FALL ARREST/FALL RESTRAINED	8
21	1281183GT	DECAL,WARNING,RUNAWAY MACHINE,WORD	1
22	1282361GT	DECAL,PROTECTOR,CLEAR,S-80/85 XC	1
23	1283878GT	DECAL, TECHPRO LINK	1
24	T112773GT	TAPE, PROTECTIVE MASK	2

Go to Discount-Equipment.com to order your parts

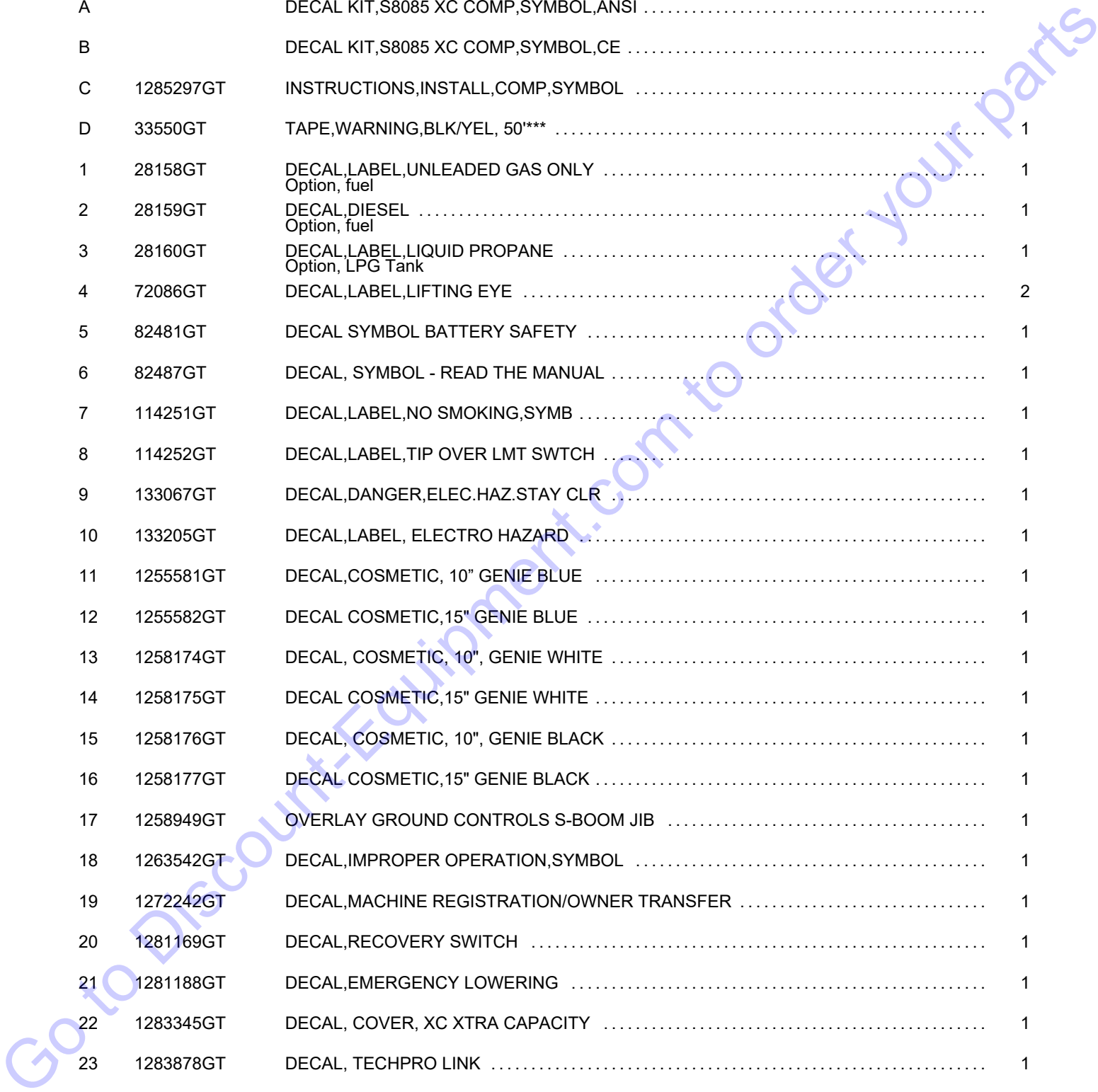


106.1 Decals with Symbols, Hydraulic Tank Side

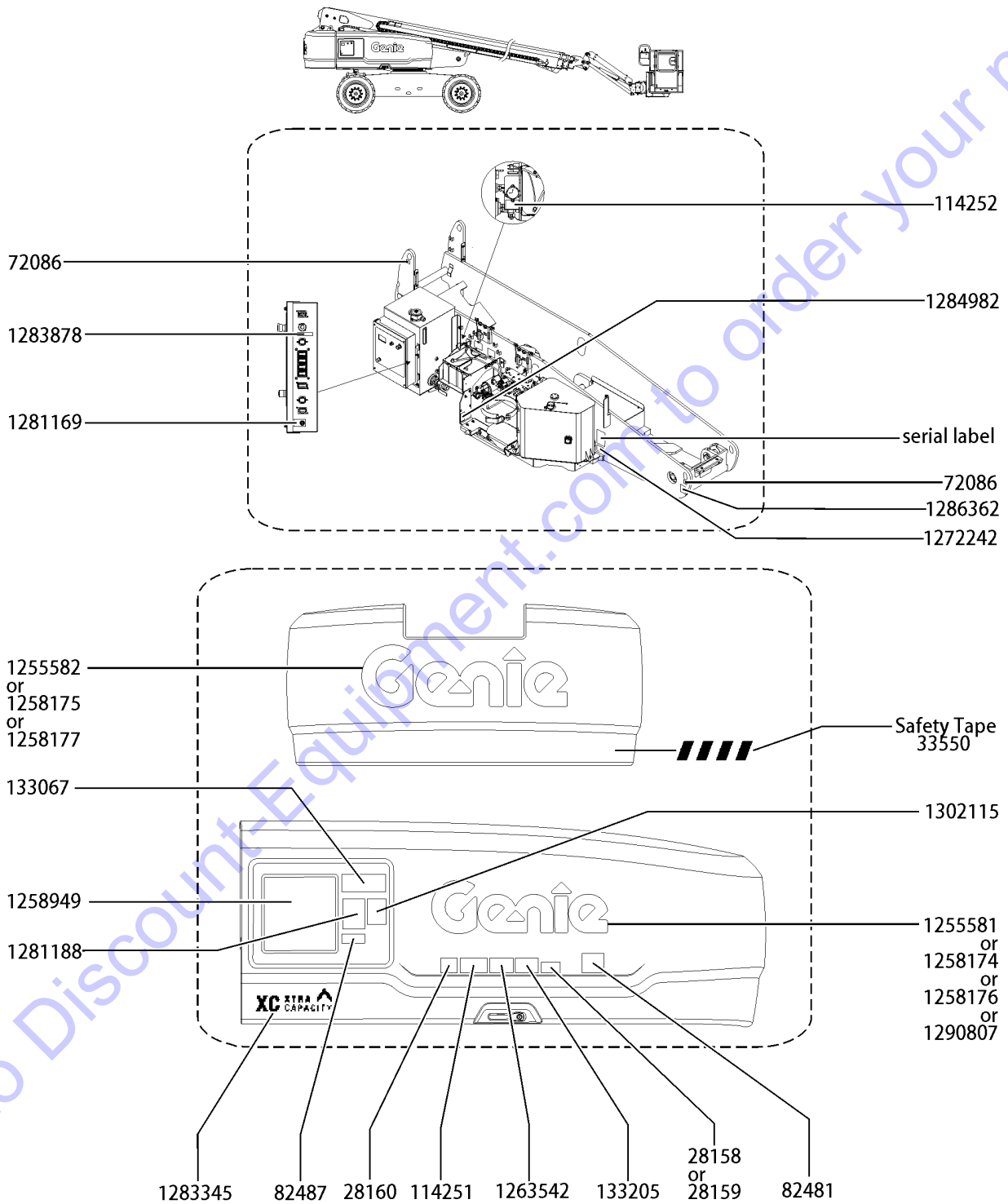


106.1 Decals with Symbols, Hydraulic Tank Side

Item	Part No.	Description	Qty.
A		DECAL KIT,S8085 XC COMP,SYMBOL,ANSI	
B		DECAL KIT,S8085 XC COMP,SYMBOL,CE	
C	1285297GT	INSTRUCTIONS,INSTALL,COMP,SYMBOL	
D	33550GT	TAPE,WARNING,BLK/YEL, 50****	1
1	28158GT	DECAL,LABEL,UNLEADED GAS ONLY	1
		Option, fuel	
2	28159GT	DECAL,DIESEL	1
		Option, fuel	
3	28160GT	DECAL,LABEL,LIQUID PROPANE	1
		Option, LPG Tank	
4	72086GT	DECAL,LABEL,LIFTING EYE	2
5	82481GT	DECAL SYMBOL BATTERY SAFETY	1
6	82487GT	DECAL, SYMBOL - READ THE MANUAL	1
7	114251GT	DECAL,LABEL,NO SMOKING,SYMB	1
8	114252GT	DECAL,LABEL,TIP OVER LMT SWTCH	1
9	133067GT	DECAL,DANGER,ELEC.HAZ.STAY CLR	1
10	133205GT	DECAL,LABEL, ELECTRO HAZARD	1
11	1255581GT	DECAL,COSMETIC, 10" GENIE BLUE	1
12	1255582GT	DECAL COSMETIC,15" GENIE BLUE	1
13	1258174GT	DECAL, COSMETIC, 10", GENIE WHITE	1
14	1258175GT	DECAL COSMETIC,15" GENIE WHITE	1
15	1258176GT	DECAL, COSMETIC, 10", GENIE BLACK	1
16	1258177GT	DECAL COSMETIC,15" GENIE BLACK	1
17	1258949GT	OVERLAY GROUND CONTROLS S-BOOM JIB	1
18	1263542GT	DECAL,IMPROPER OPERATION,SYMBOL	1
19	1272242GT	DECAL,MACHINE REGISTRATION/OWNER TRANSFER	1
20	1281169GT	DECAL,RECOVERY SWITCH	1
21	1281188GT	DECAL,EMERGENCY LOWERING	1
22	1283345GT	DECAL, COVER, XC XTRA CAPACITY	1
23	1283878GT	DECAL, TECHPRO LINK	1
24	1284982GT	DECAL,ACCUMULATOR EXPLOSION HAZARD,SYMBOL	1



106.1 Decals with Symbols, Hydraulic Tank Side



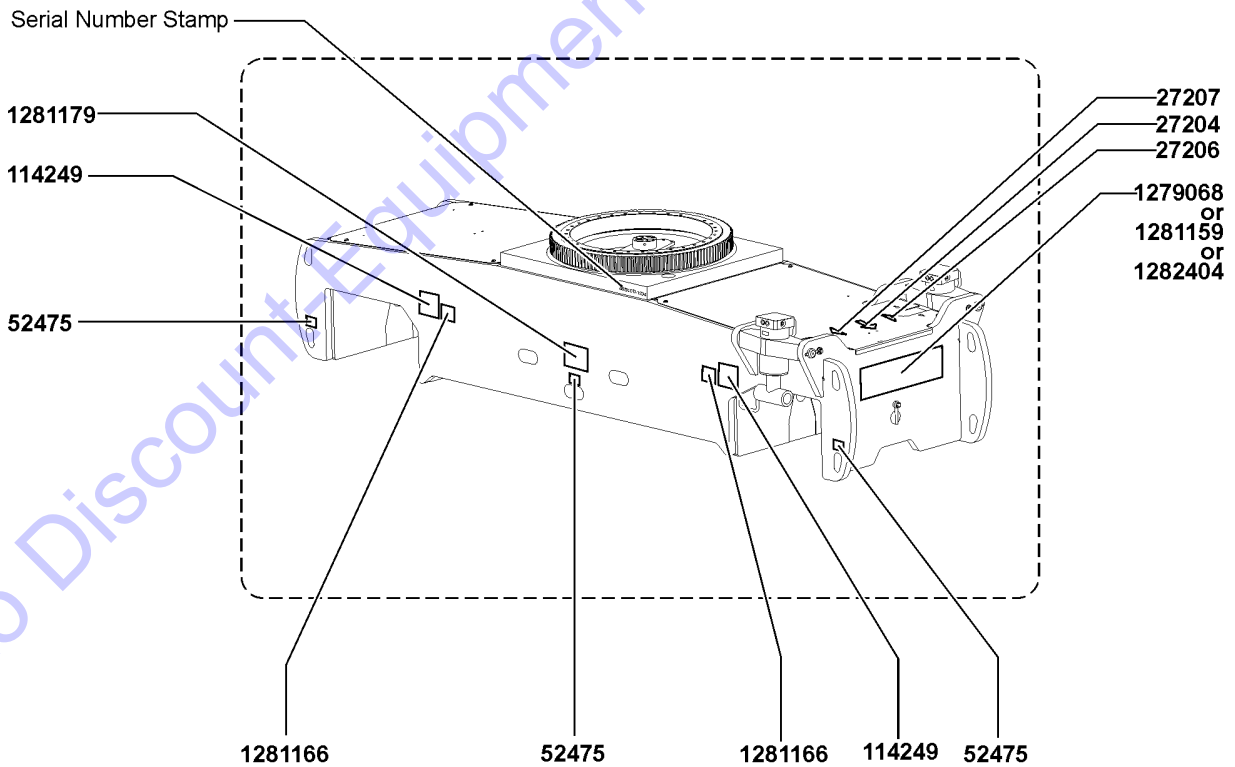
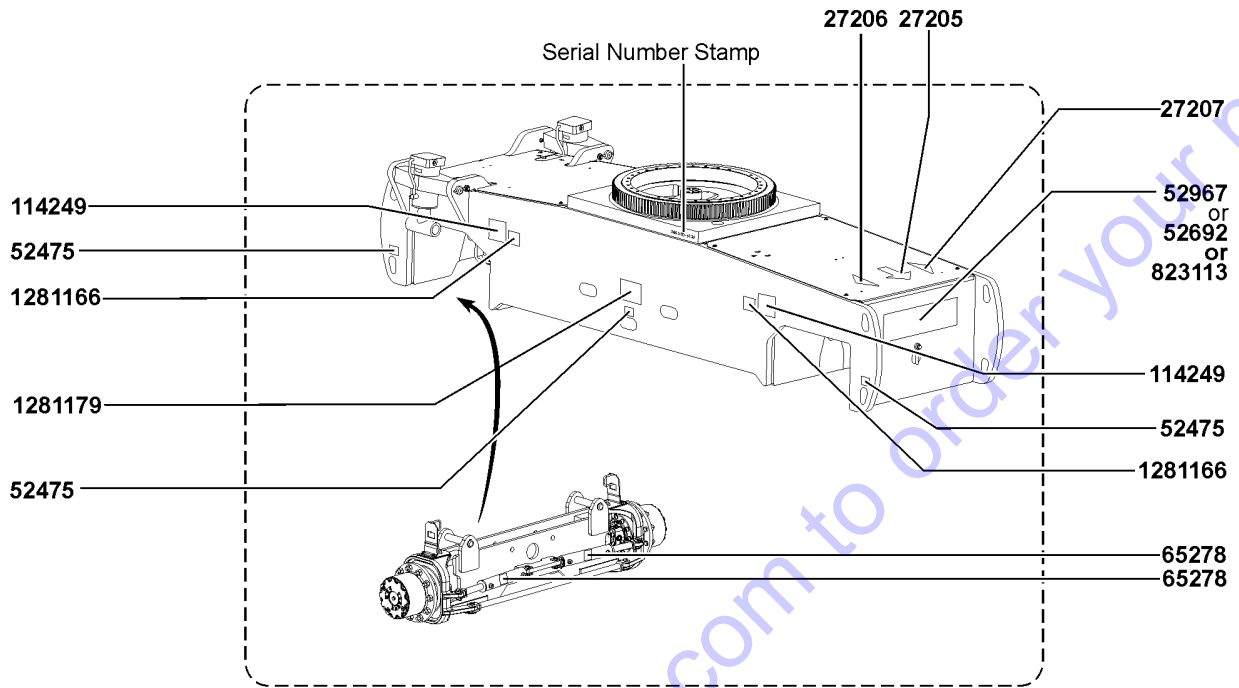
106.1 Decals with Symbols, Hydraulic Tank Side

<i>Item</i>	<i>Part No.</i>	<i>Description</i>	<i>Qty.</i>
25	1286362GT	DECAL, BOOM SUPPORT, SYMBOL	1
26	1290807GT	DECAL,COSMETIC,13.5" GENIE, WHITE	1
27	1302115GT	QRCODE GENIE AWP	1
		(Chinese market)	

Go to Discount-Equipment.com to order your parts



107.1 Decals with Symbols, Chassis



Go to DiscountEquipment.com to order your parts

107.1 Decals with Symbols, Chassis

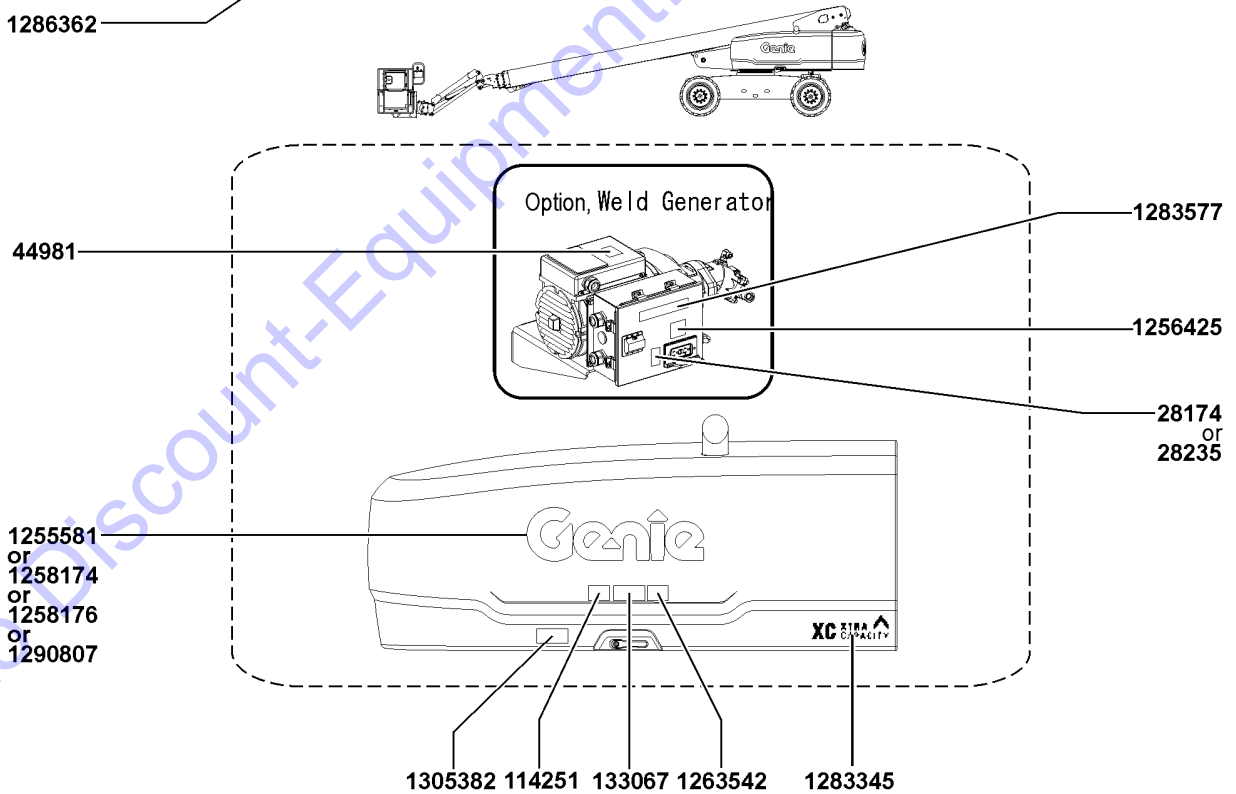
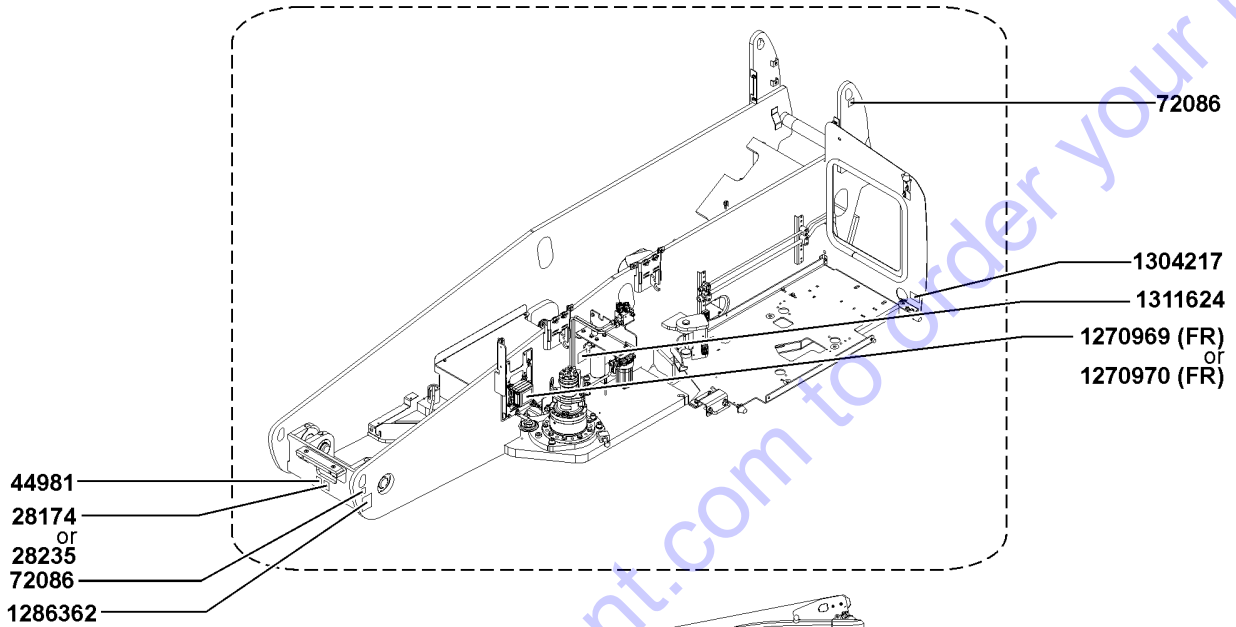
Item	Part No.	Description	Qty.
1	27204GT	DECAL,ARROW BLUE	1
2	27205GT	DECAL,ARROW YELLOW LRG 9"	1
3	27206GT	DECAL,TRIANGLE,BLUE	2
4	27207GT	DECAL,TRIANGLE,YELLOW	2
5	52475GT	DECAL LABEL TRANSPORT TIE DOWN*	6
6	52692GT	DECAL,COSMETIC,4X4 BLUE	1
7	52967GT	DECAL,COSMETIC,4 X 4	1
8	65278GT	DECAL,CAUTION,NO STEP	2
9	114249GT	DECAL,LABEL,TIPOVER,TIRES,SYMB	4
10	823113GT	DECAL,COSM,4X4,BLACK	1
11	1279068GT	DECAL, CHASSIS, S-85 XC	1
12	1281159GT	DECAL, CHASSIS, S-85 XC, BLUE	1
13	1281166GT	DECAL,LABEL,WHEEL LOAD S85 XC	4
14	1281179GT	DECAL,TRANSPORT/LIFTING, S-80/85 XC	2
15	1282404GT	DECAL, CHASSIS, S-85 XC, BLK	1

Go to Discount-Equipment.com to order your parts



108.1 Decals with Symbols, Engine Side

NOTE:
Part numbers with "(FR)"
indicates French translation
is available



Go to Discount-Equipment.com to order your parts

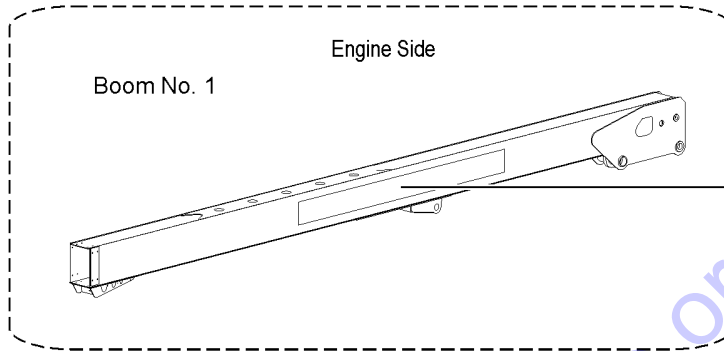
108.1 Decals with Symbols, Engine Side

Item	Part No.	Description	Qty.
1	28174GT	DECAL, POWER TO PLATFORM 230V** Option, power to Plat	2
2	28235GT	DECAL, POWER TO PLATFORM 115V** Option, power to Plat	2
3	44981GT	DECAL,LABEL, AIR LINE 110 PSI Option, airline to Plat	2
4	72086GT	DECAL,LABEL,LIFTING EYE	2
5	114251GT	DECAL,LABEL,NO SMOKING,SYMB	1
6	133067GT	DECAL,DANGER,ELEC.HAZ.STAY CLR	1
7	1255581GT	DECAL,COSMETIC, 10" GENIE BLUE	1
8	1256425GT	DECAL, DANGER, ELECTROCUTION HAZARD, SYMBOL Option, welder	2
9	1258174GT	DECAL, COSMETIC, 10", GENIE WHITE	1
10	1258176GT	DECAL, COSMETIC, 10", GENIE BLACK	1
11	1263542GT	DECAL,IMPROPER OPERATION,SYMBOL	1
12	1270969GT	DECAL, VEC, DEUTZ2.9T, S80 Deutz TD 2.9L4	1
13	1270970GT	DECAL, VEC, DEUTZ2011T, S80 Deutz TD2011L04i	1
14	1283345GT	DECAL, COVER, XC XTRA CAPACITY	1
15	1283577GT	DECAL, LIFT^POWER, 1X7 INCH Option, welder	1
16	1286362GT	DECAL, BOOM SUPPORT, SYMBOL	1
17	1290807GT	DECAL,COSMETIC,13.5" GENIE, WHITE	1
18	1304217GT	DECAL, EXPLOSION HAZARD	1
19	1305382GT	STAGE V IDENTIFICATION LABEL	1
20	1311624GT	LABEL,DECIBEL,109DB	

Go to Discount-Equipment.com to order your parts

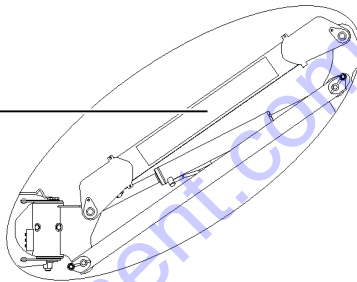


109.1 Decals with Symbols, Boom

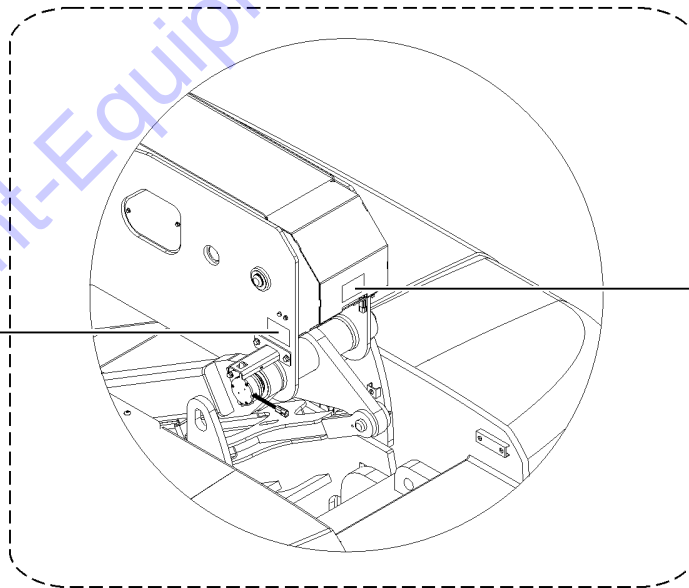


1279067
or
1281158
or
1282402

1283744



114252



114252

Go to Discount-Equipment.com to order your parts

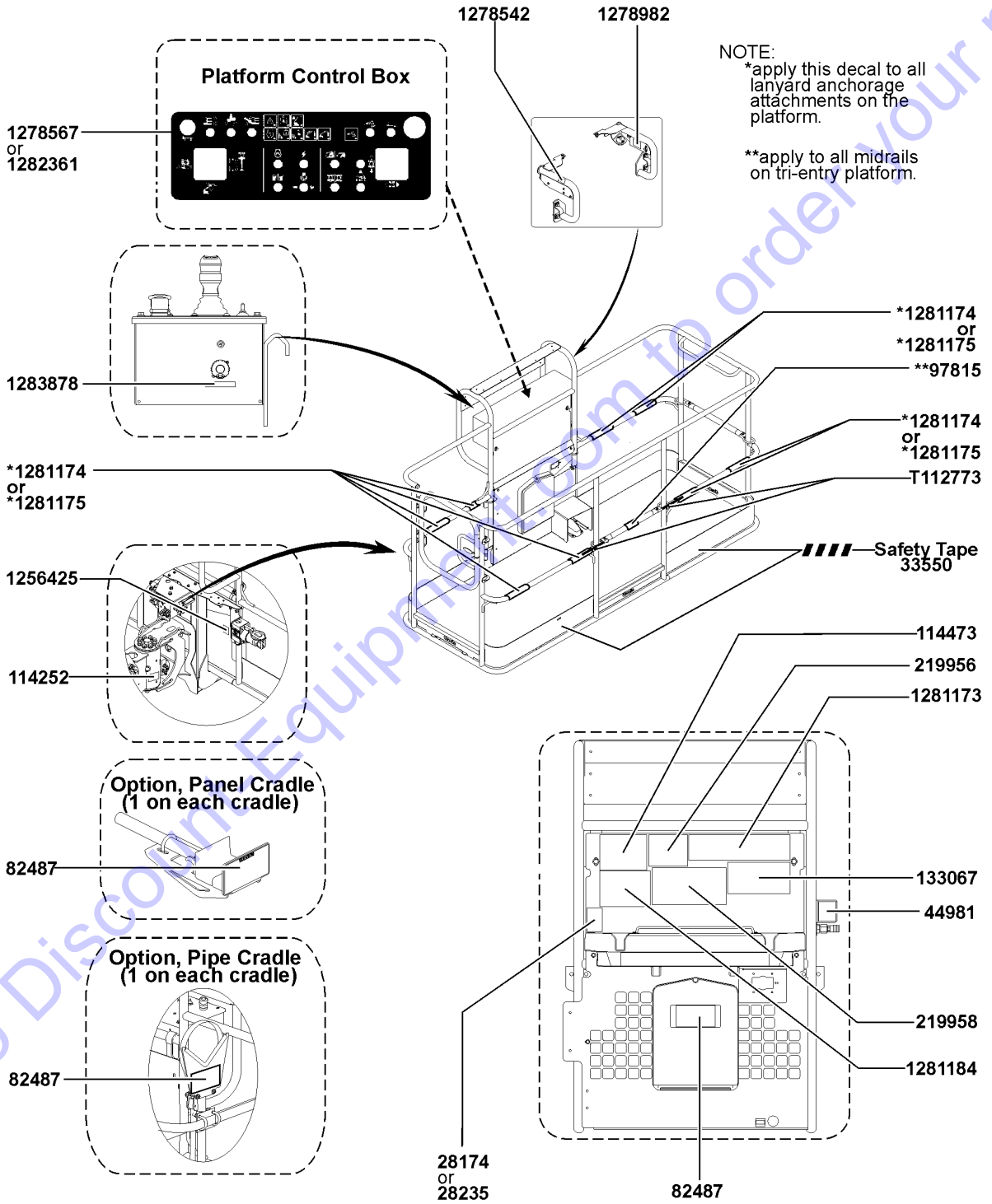
109.1 Decals with Symbols, Boom

Item	Part No.	Description	Qty.
1	114252GT	DECAL,LABEL,TIP OVER LMT SWTCH	2
2	1279067GT	DECAL, BOOM, GENIE S-85 XC	1
3	1281158GT	DECAL, BOOM, GENIE S-85 XC, BLUE	1
4	1282402GT	DECAL, BOOM, GENIE S-85 XC, BLK	1
5	1283744GT	DECAL, LIFT^POWER (Option, welder)	1

Go to Discount-Equipment.com to order your parts



110.1 Decals with Symbols, Platform



Go to Discount Equipment from to order your parts

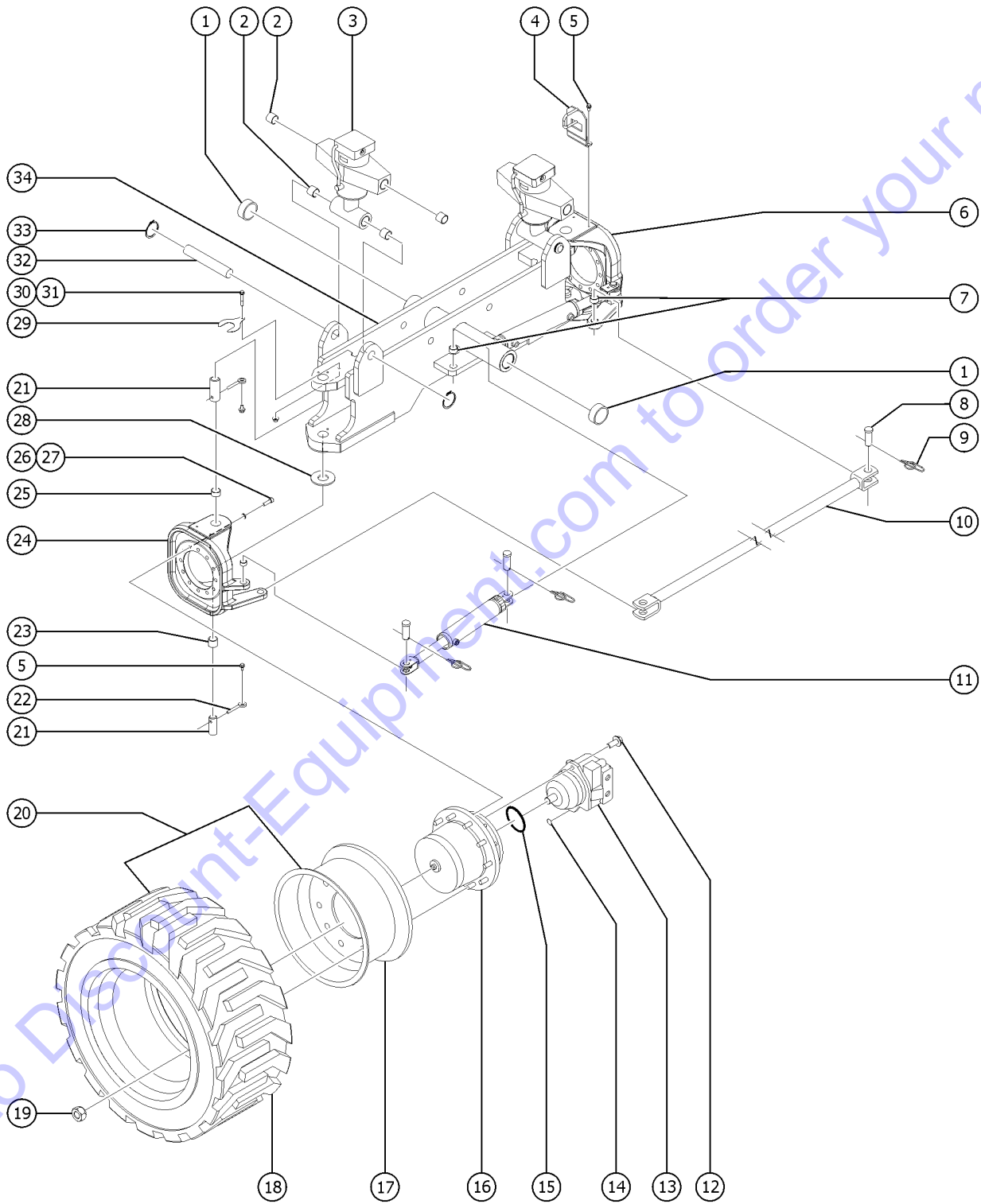
110.1 Decals with Symbols, Platform

Item	Part No.	Description	Qty.
1	33550GT	TAPE,WARNING,BLK/YEL, 50****	50
2	28174GT	DECAL, POWER TO PLATFORM 230V** Option, Power to Plat	1
3	28235GT	DECAL, POWER TO PLATFORM 115V** Option, Power to Plat	1
4	44981GT	DECAL,LABEL, AIR LINE 110 PSI Option, airline to plat	1
4-	82487GT	DECAL, SYMBOL - READ THE MANUAL	3
5	97815GT	DECAL,LABEL,LOWER MIDRAIL	1
6	114252GT	DECAL,LABEL,TIP OVER LMT SWTCH	1
7	114473GT	DECAL,DANGER,TIPOVER,TILT,SYM	1
8	133067GT	DECAL,DANGER,ELEC.HAZ.STAY CLR	1
9	219956GT	DECAL,PLATFORM OVERLOAD	1
10	219958GT	DECAL,TIP-OVER,CRUSH	1
11	1256425GT	DECAL, DANGER, ELECTROCUTION HAZARD, SYMBOL Option, welder	1
12	1278542GT	DECAL, INSTRUCTION, CONTACT ALARM	1
13	1278567GT	OVERLAY,PLATFORM CONTROLS,S-BOOM,XC	1
14	1278982GT	DECAL, INSTRUCTION, ACTUATOR SWITCH SOCKET	1
15	1281173GT	DECAL,DANGER,CAPICITY S-85 XC,SYMBOL	1
16	1281174GT	DECAL,LANYARD,FALL ARREST/FALL RESTRAINED (ANSI/CSA)	8
17	1281175GT	DECAL,LANYARD,FALL RESTRAINED (CE)	8
17-	1281184GT	DECAL,WARNING,RUNAWAY MACHINE,SYMBOL	1
17-	1282361GT	DECAL,PROTECTOR,CLEAR,S-80/85 XC	1
18	1283878GT	DECAL, TECHPRO LINK	1
19	T112773GT	TAPE, PROTECTIVE MASK	2

Go to DiscountEquipment.com to order your parts



201.1 Steer End

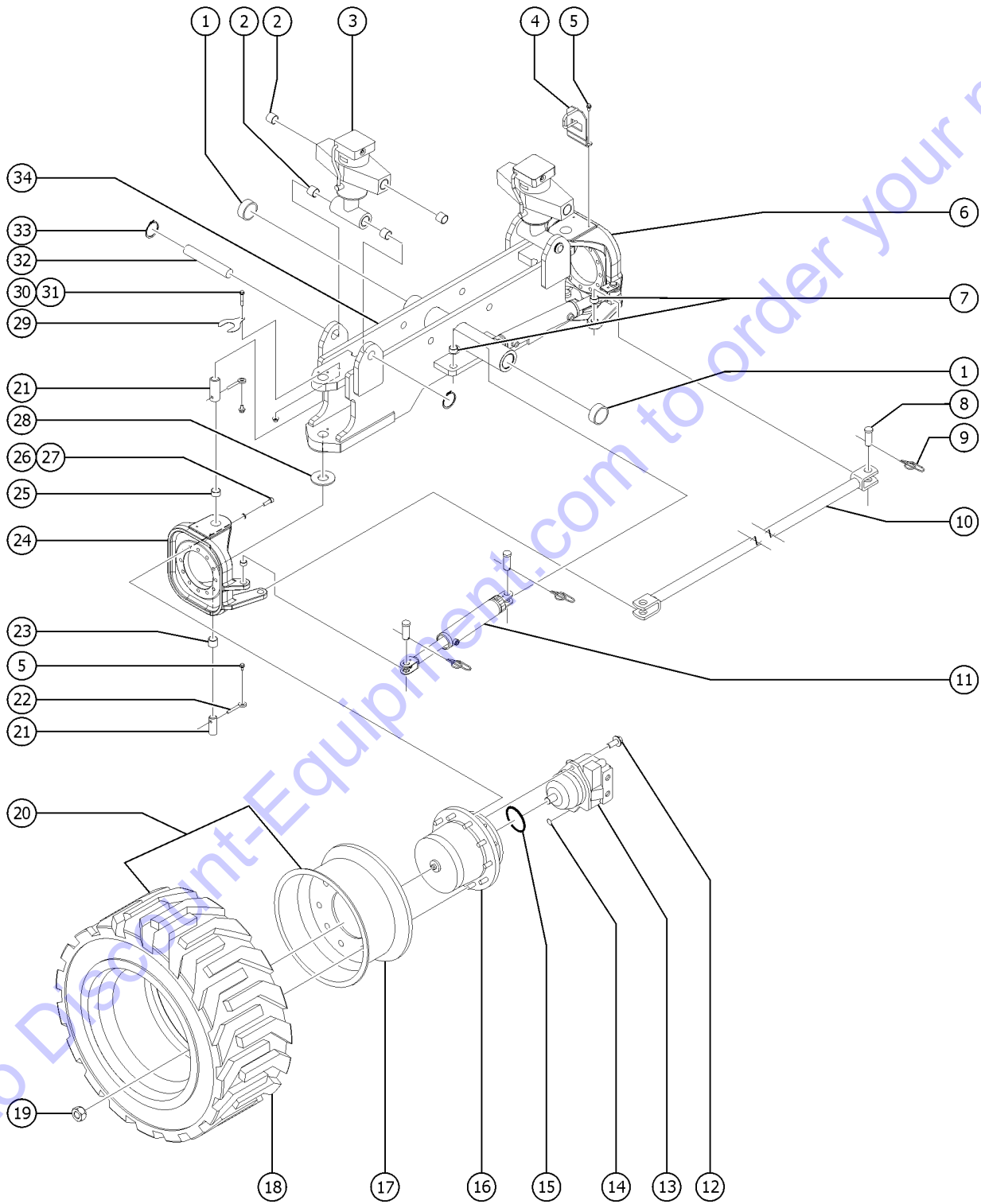


Go to Discount-Equipment.com to order your parts

Item	Part No.	Description	Qty.
1	27698GT	BEARING,2.50IDX2.75ODX2.00L	2
2	30221GT	BEARING,1.75IDX2.00ODX1.50LG	8
3	81330GT	CYLINDER,OSCILLATE***	2
3-	33428GT	VALVE,COUNTERBALANCE	
3-	43018GT	SEAL KIT (39345)	
3-	77519GT	SEAL KIT,OSC CYLINDER (81330)*	
4	1268563GT	WELDMENT, GUIDE BRACKET,YOKE	2
5	824089GT	SCREW, HHF, 3/8-16 X .75, 8, ZAG	8
6	1269323GT	ASSY,S80YOKE,W/BEARINGS,RFLR,N	1
7	25817GT	BEARING,1.00IDX1.25ODX1.00L	6
8	824127GT	PIN, CLEVIS, SAE 1.0 X 2.41, ZAG	6
9	824129GT	RUE RING,1.0,ZAG	6
10	1268565GT	WELDMENT, TIE ROD, S80, NDL	1
11	59370GT	CYLINDER,STEER	2
11-	88349GT	SEAL KIT,STEER CYL***	
12	824134GT	SCREW,HHF,M12-1.75X30,DIN6921,10.9,ZAB	4
13	101070GT	MOTOR,PISTON,2 SPEED,45CC	2
13-	106098GT	SEAL KIT,MOTOR,LC/KC***	
13B	1314862GT	MOTOR,PISTON, HM3V45	2
13B-	1314863GT	SEAL KIT, MOTOR,HM3V45	
14	106117GT	O-RING,2-010,VITON (Mating O-ring for Brake Port)(Extremely small)	2
15	106118GT	O-RING,2-157,VITON*** (Motor to Hub O-ring)	2
16	1275746GT	WHEEL DRIVE W/BRAKE, 71:1 (Refer to 204.1), (to SN S85XCD-1767, from SN S85XCD-1769 to S85XCD-1788, from SN S85XCD-1792)	4
16B	1306188GT	WHEEL DRIVE W/BRAKE,71:1 PMP,(Refer to 204.2), (from SN S85XCD-1768, from SN S85XCD-1789 to S85XCD-1791)	4
17	121268GT	WHEEL,24.5 X 15.00 for 227804, 227805, 227985, 228805, 121286, 121287, 121271, 121272	
17B	121270GT	WHEEL,HF,22.5 X 14.00 for 1286371, 1286507	
18	101943GT	TIRE,18-625,16 PLY RT HBR,N-M for 227985, 228805,121271,121272	
18B	88261GT	TIRE,18-625,16 PLY,RT HBR for 227804, 227805,121286,121287	



201.1 Steer End

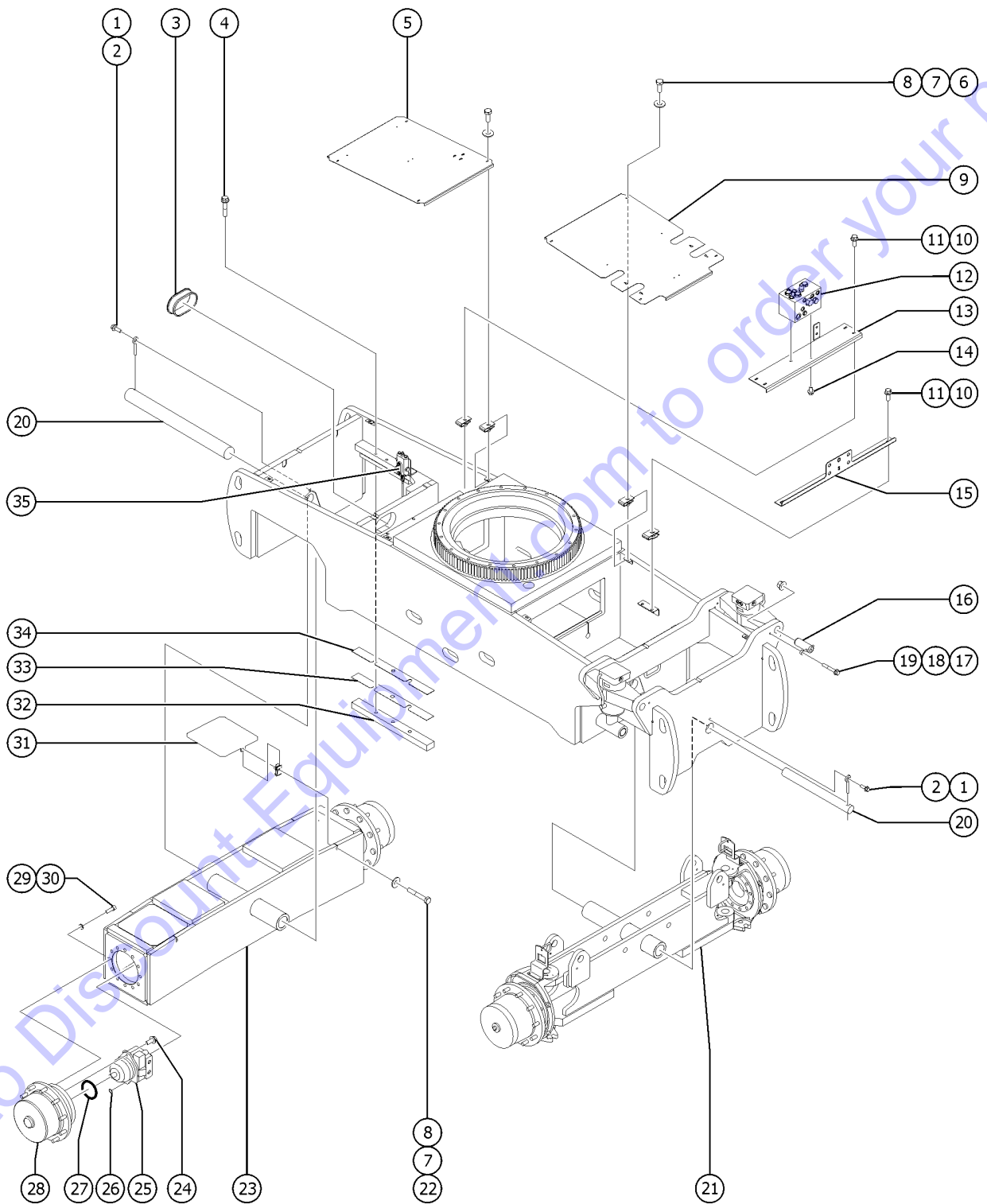


Go to Discount-Equipment.com to order your parts

Item	Part No.	Description	Qty.
18C	1286372GT	TIRE,41/18LLX22.5,20PR,TURF for 1286371, 1286507	
19	1259931GT	NUT,LUG,3/4-16 X 7/8 RADIUS,ZA	44
20	121286GT	TIRE & WHEEL ASSY,RT LP FOAM,L RT, Foam-filled, left (11 holes)	1
20B	121287GT	TIRE & WHEEL ASSY,RT LP FOAM,R RT, Foam-filled, right (11 holes)	
20C	121271GT	TIRE & WHEEL ASSY,FOAM NM,LH RT, Foam-filled, Non-marking, left	
20D	121272GT	TIRE & WHEEL ASSY,FOAM NM,RH RT, Foam-filled, Non-marking, right	
20E	1263978GT	ASSY,TIRE,18/625,LH,EXMILE EXMILE, left	
20F	1263979GT	ASSY,TIRE,18/625,RH,EXMILE EXMILE, right	
21	30199GT	PIN,1.75 DIA X 4.50LG,THREADED	4
22	825019GT	ROD END,.375 X 3.69,ZAG	4
23	119620GT	BEARING,1.75IDX2.00ODX1.50L	2
24	1269321GT	ASSY,S80 YOKE W/BEARINGS,L,NDL	1
25	51144GT	BEARING,1.75IDX2.00ODX1.25L	2
26	1269593GT	SCREW,SHC,M16-2.0X55,DIN912,12.9,ZAB	24
27	825348GT	WASHER,FLAT,M16,DIN6916,HRD,ZAB	24
28	60555GT	WASHER,THRUST 5 X 1.81 BRON	2
29	88241GT	SHIM,GALVANIZED STEER YOKE	2
30	1256856GT	SCREW,HHF,3/8-16X2.5,8,ZAG	2
31	1274322GT	NUT,NYLOCK FLG,3/8-16,F,ZAG	2
32	121371GT	PIN,1.75DIA X 10.50LG,2 RING	2
33	825759GT	SNAP RING,EXTERNAL,1.75,ZAG	4
34	1269322GT	ASSY,STEER AXLE,W/BEARINGS,NDL	1

Go to Discount-Equipment.com to order your parts

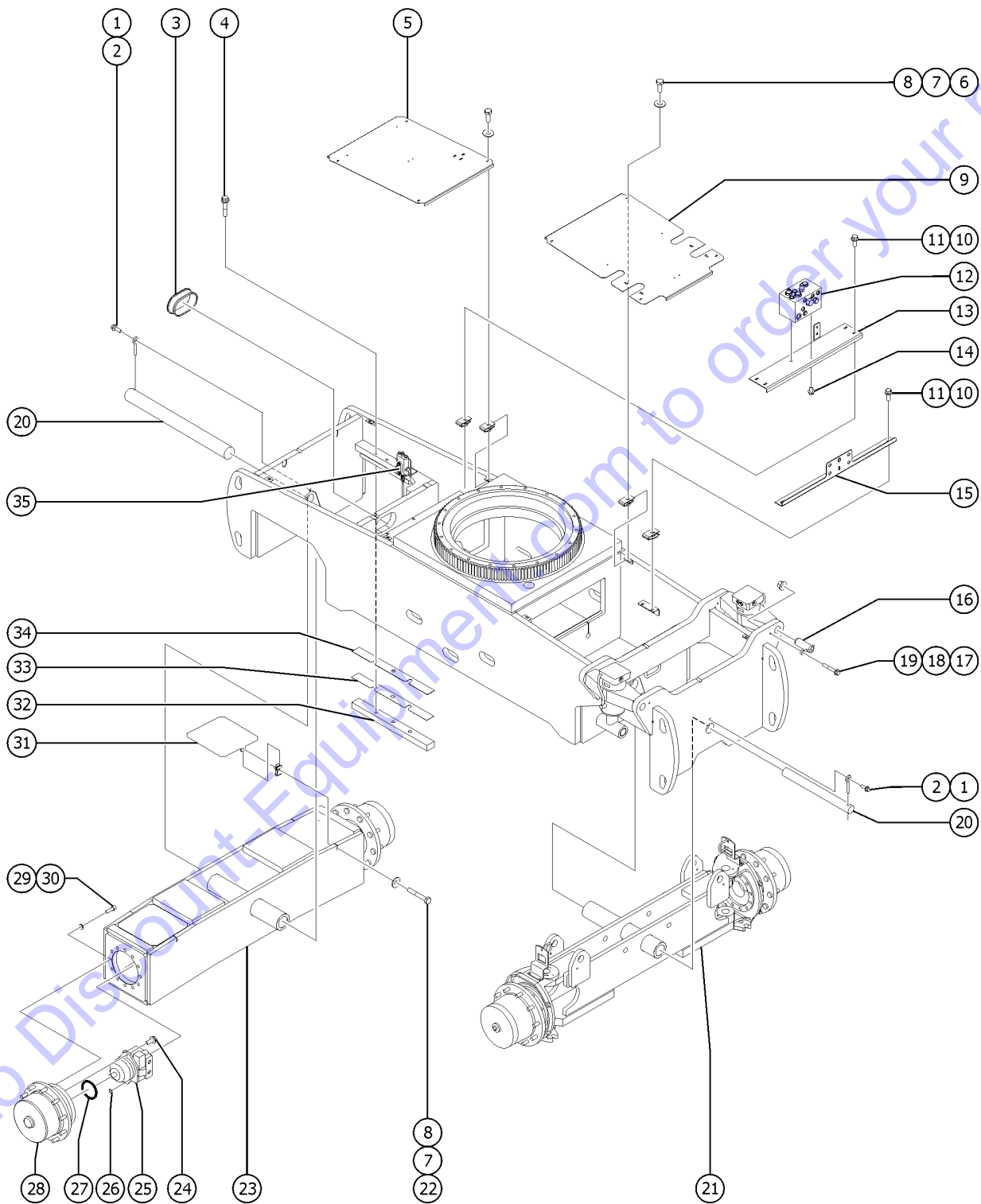
202.1 Axle Installation



Go to DiscountEquipment.com to order your parts

Item	Part No.	Description	Qty.
1	1253498GT	SCREW,HHF,1/2-13X1.5,8,ZAG	2
2	1256267GT	ROD END,.5 X 3.75,ZAG	2
3	53387GT	GUARD, HOSE PROTECTOR	2
4	1255802GT	SCREW,HHF,1/2-13X2.5,8,ZAG	6
5	1268568GT	COVER, DRIVE CHASSIS, REAR,NDL	1
6	824059GT	SCREW, HHC, 1/4-20 X .75, 8, ZAG	8
7	824113GT	WASHER,FLAT,USS,1/4,ZAG	12
8	56912GT	SPRING CLIP,1/4-20,.025-.15X.54,ZAG	12
9	1268569GT	COVER, DRIVE CHASSIS, FRONT,ND	1
10	824090GT	SCREW,HHF,3/8-16X1,8,ZAG	6
11	29868GT	SPRING CLIP,3/8-16,.05-.20X.73,ZAG	6
12		REF. TRACTION MANIFOLD (refer to 701.1)	
13	1268570GT	FORMING, TRAC. CONT. MAN. BRKT	1
14	237830GT	SCREW,HHF,1/2-13X1,8,ZAG	2
15	1268571GT	FORMING, BULKHEAD BRKT, NDL	1
16	81498GT	PIN,1.75DIAX4.50LG,THREADED	4
17	1256856GT	SCREW,HHF,3/8-16X2.5,8,ZAG	4
18	825019GT	ROD END,.375 X 3.69,ZAG	4
19	1274322GT	NUT,NYLOCK FLG,3/8-16,F,ZAG	4
20	81378GT	PIN,2.50DIAX27.63LG,1HOLE no longer available	2
21		REF. STEER END (refer to 201.1)	
22	824063GT	SCREW, HHC, 1/4-20 X 1.75, 8, ZAG	4
23	1269319GT	ASSY,NON-STEER AXLE W/BEARINGS	1
23-	27698GT	BEARING,2.50IDX2.75ODX2.00L	2
24	824134GT	SCREW,HHF,M12-1.75X30,DIN6921,10.9,ZAB	4
25	101070GT	MOTOR,PISTON,2 SPEED,45CC	2
25B	1314862GT	MOTOR,PISTON, HM3V45	2
25B-	1314863GT	SEAL KIT, MOTOR,HM3V45	

202.1 Axle Installation



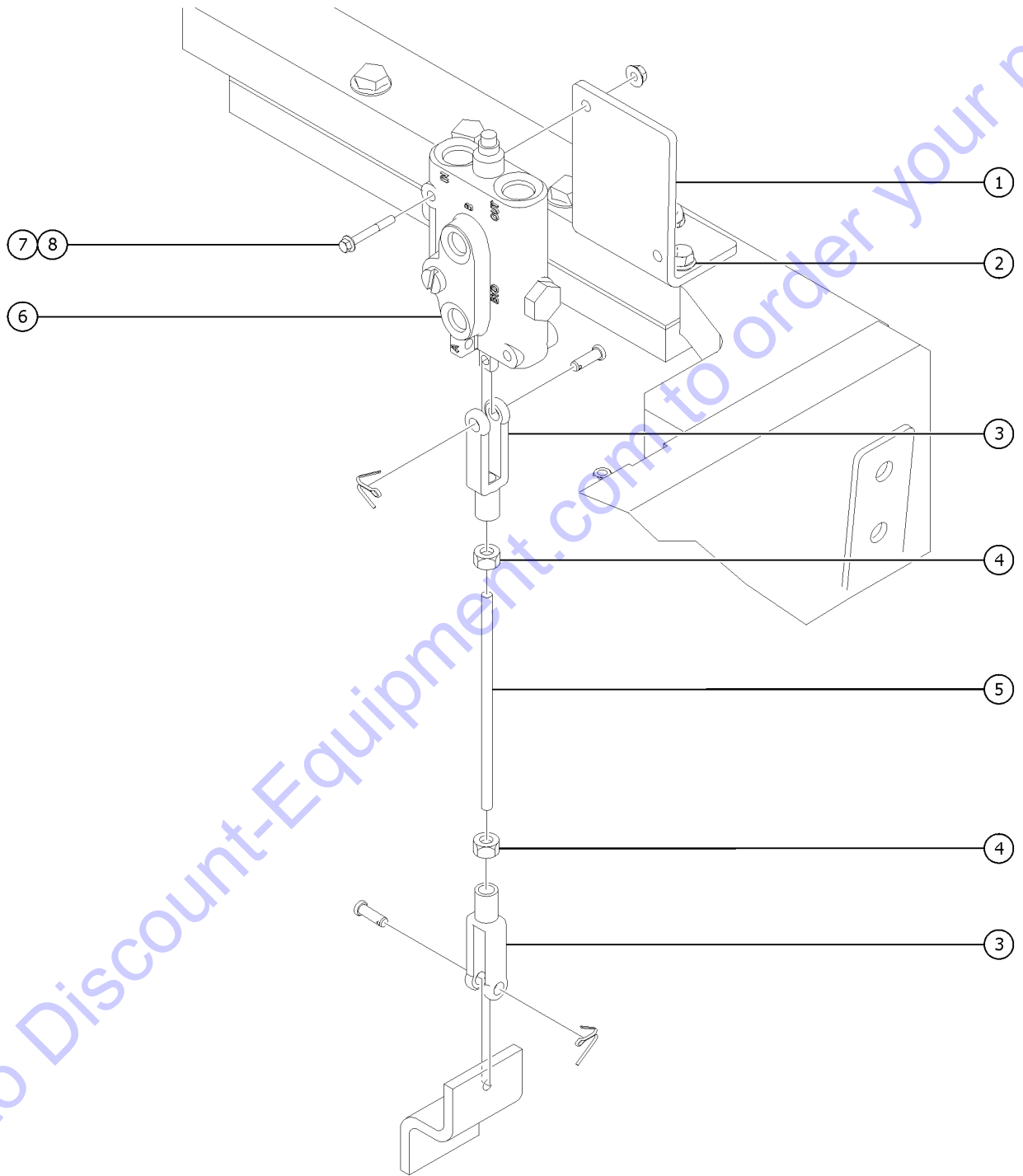
202.1 Axle Installation

Item	Part No.	Description	Qty.
26	106117GT	O-RING,2-010,VITON (Mating O-ring for Brake Port)(Extremely small)	2
27	106118GT	O-RING,2-157,VITON*** (Motor to Hub O-ring)	2
28	1275746GT	WHEEL DRIVE W/BRAKE, 71:1 (refer to 204.1)	2
29	1269593GT	SCREW,SHC,M16-2.0X55,DIN912,12.9,ZAB	24
30	825348GT	WASHER,FLAT,M16,DIN6916,HRD,ZAB	24
31	1268573GT	FORMING, COVER, REAR AXLE, NDL	2
32	1268574GT	BAR, AXLE ROTATION STOP, OSC,N	2
33	81609GT	SHIM,AXLE ROTATION STOP,22G	2
34	81610GT	SHIM,AXLE ROTATION STOP,16G	2
35		REF. OSCILLATION CONTROL VALVE (refer to 203.1)	

Go to Discount-Equipment.com to order your parts



203.1 Oscillation Control Valve



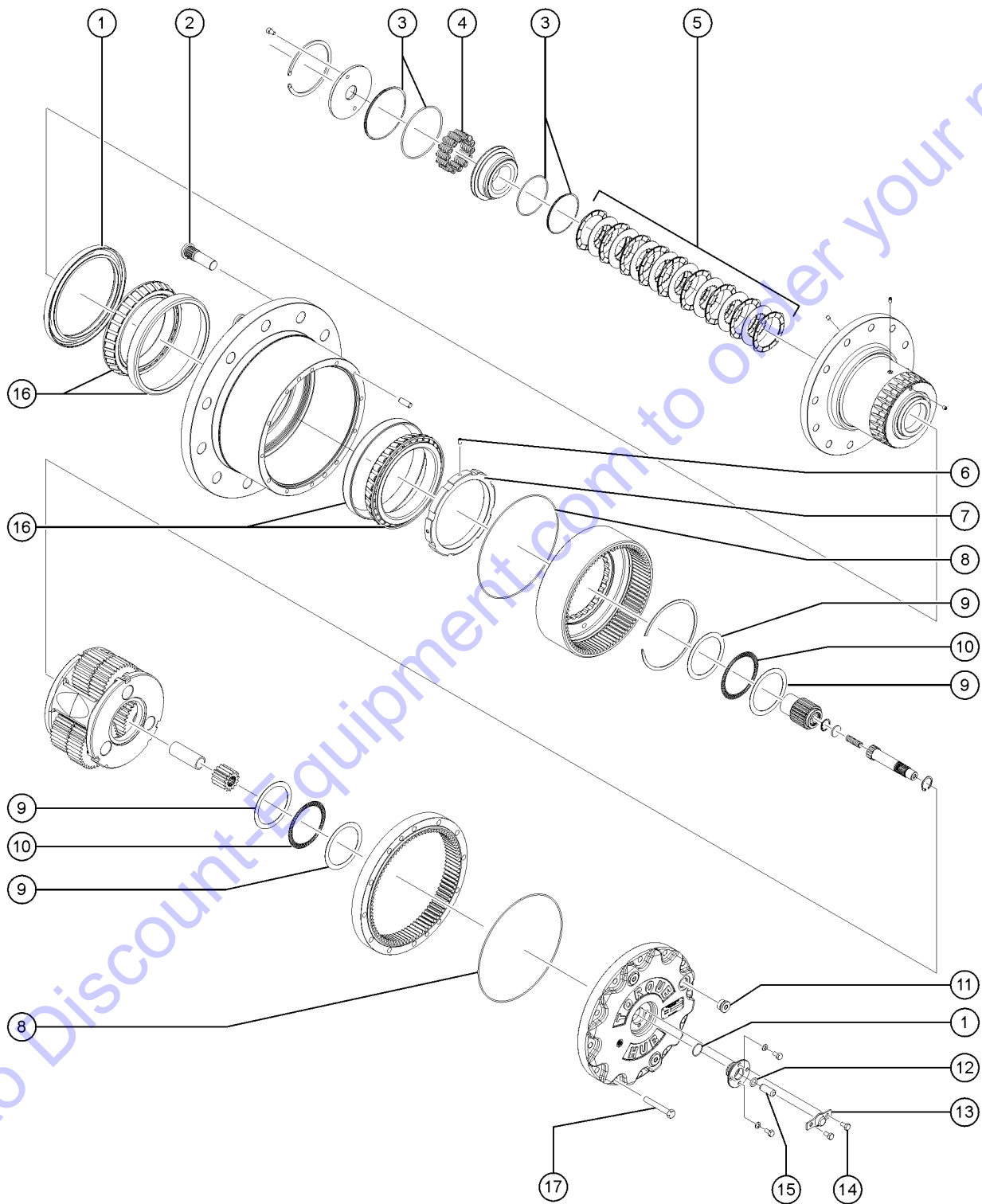
203.1 Oscillation Control Valve

Item	Part No.	Description	Qty.
1	1268575GT	FORMING, OSC. MANIFOLD MOUNT,N	1
2	824089GT	SCREW, HHF, 3/8-16 X .75, 8, ZAG	2
3	21130GT	CLEVIS YOKE-1/4-28,PLTD W/PIN	2
		(Includes clevis pin and cotter pin)	
4	824041GT	NUT, 1/4-28, 8, ZAG	2
5	1268606GT	ROD,THREADED,1/4-28X6,ZAG	1
6	49768GT	VLV,MAN,3 POS/4 WAY,CLOSE CTR*	1
7	1253485GT	SCREW,HHF,1/4-20X2,8,ZAG	2
8	824027GT	NUT, TL FLG, 1/4-20, G, ZAG	2

Go to Discount-Equipment.com to order your parts



204.1 Drive Hub Assembly with Brake (to SN S85XCD-1767, from SN S85XCD-1769 to S85XCD-1788, from SN S85XCD-1792)



Go to DiscountEquipment.com to order your parts

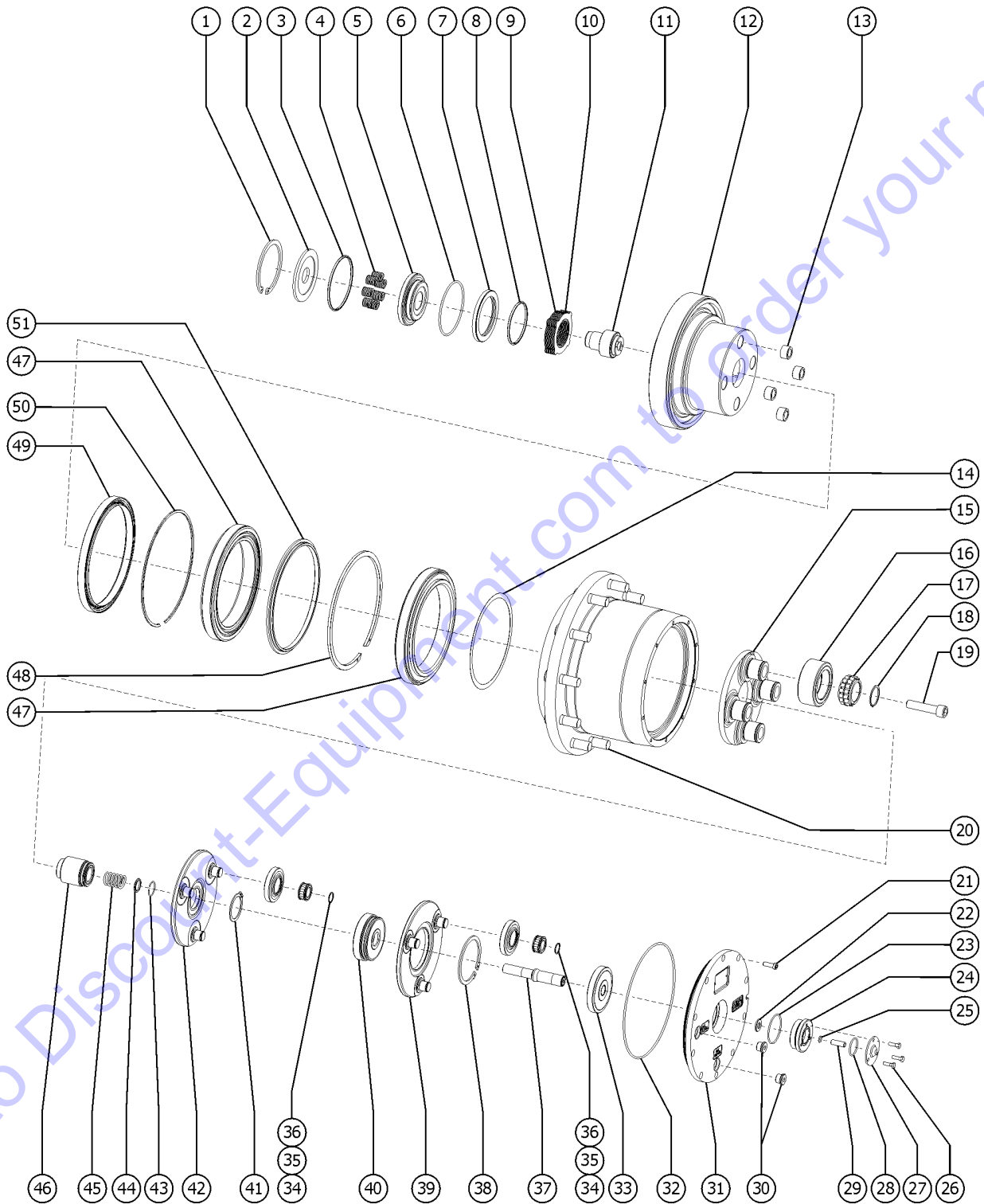
204.1 Drive Hub Assembly with Brake (to SN S85XCD-1767, from SN S85XCD-1769 to S85XCD-1788, from SN S85XCD-1792)
Qty.

Item	Part No.	Description	Qty.
A	1275746GT	WHEEL DRIVE W/BRAKE, 71:1	
1	T111507GT	SEAL KIT (121291)*** Includes items 8 and 12	1
2	33441GT	STUD,WHEEL,3/4-16, (34115)	11
3	106125GT	SEAL KIT, BRAKE, 4HP replaced by 106124GT	
3B	106124GT	LINING KIT, BRAKE, 4HP*** for 101585GT	
3C	1286602GT	SEAL KIT,WHEEL DRIVE W/BRAKE (101584/101585)	
4	122879GT	SPRING KIT (121291)	1
5	122878GT	BRAKE LINING KIT (121291)	1
6	146052GT	SET SCREW***	1
7	146051GT	BEARING NUT***	1
8	33990GT	O-RING, TORQUE HUB COVER (component of seal kit T111507)	2
-	1300827GT	TORQUE HUB CAP SEAL (1275746)	2
9	58999GT	WASHER,THRUST,(33434)**	4
10	65846GT	BEARING,THRUST WASHER***	2
11	58237GT	PLUG,TORQUE HUB,DRAIN***	3
12	111363GT	O-RING,DISCONNECT ROD (111060) (component of seal kit T111507)	1
13	106122GT	CAP,DISENGAGE,4HP/4HB***	1
14	235154GT	BOLT,HEX-UNC(.250-20, .500G)	4
15	235152GT	DISENGAGE, ROD	1
17	9990384GT	BOLT,HEX-UNC(.375-16,2.)	1
16	235137GT	BEARING, TAPERED - ASSY	2

Go to Discount-Equipment.com to order your parts

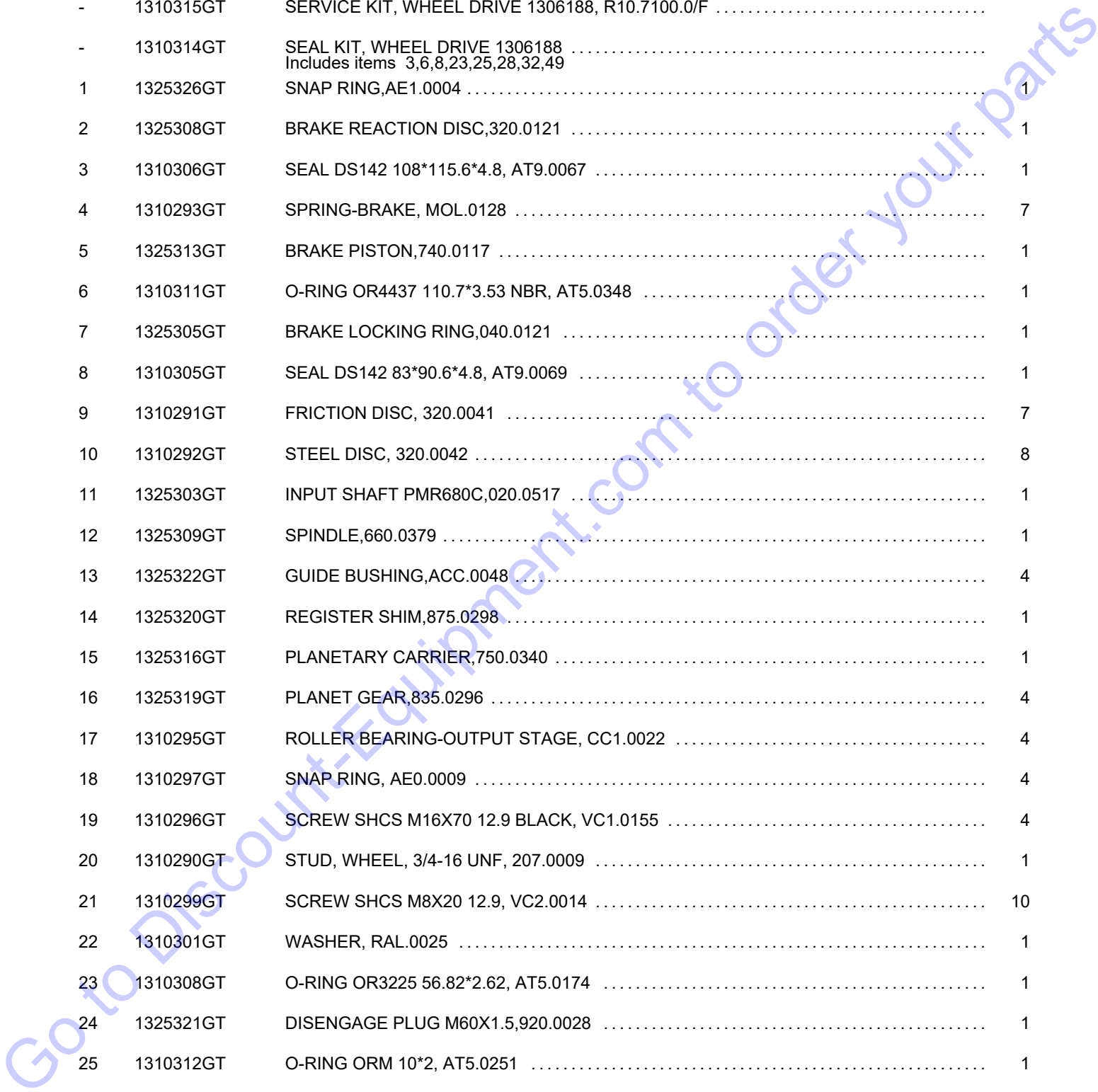


204.2 Drive Hub Assembly with Brake (PMP) (from SN S85XCD-1768, from SN S85XCD-1789 to S85XCD-1791)

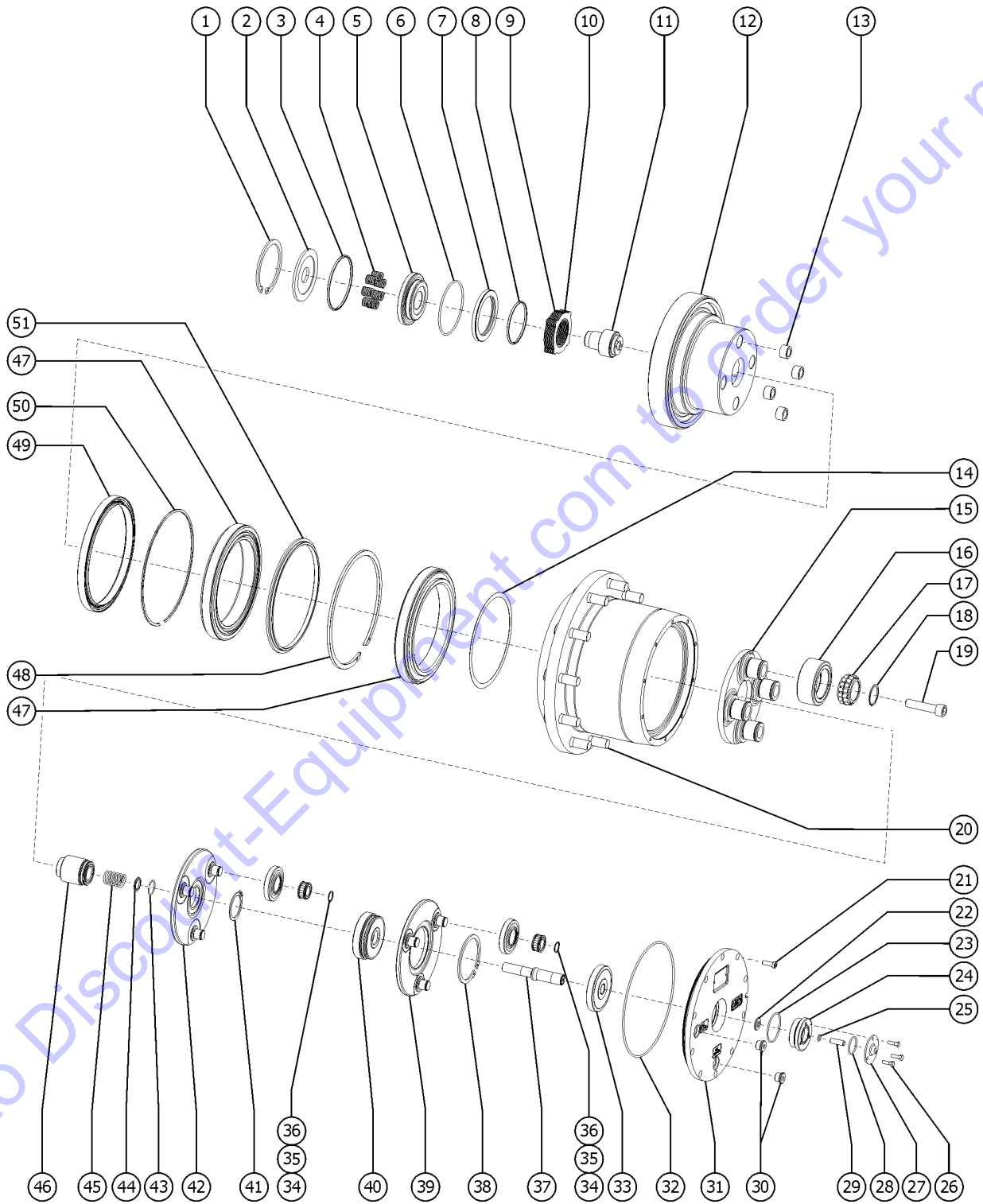


204.2 Drive Hub Assembly with Brake (PMP) (from SN S85XCD-1768, from SN S85XCD-1789 to S85XCD-1791)

Item	Part No.	Description	Qty.
-	1310315GT	SERVICE KIT, WHEEL DRIVE 1306188, R10.7100.0/F	
-	1310314GT	SEAL KIT, WHEEL DRIVE 1306188 Includes items 3,6,8,23,25,28,32,49	
1	1325326GT	SNAP RING,AE1.0004	1
2	1325308GT	BRAKE REACTION DISC,320.0121	1
3	1310306GT	SEAL DS142 108*115.6*4.8, AT9.0067	1
4	1310293GT	SPRING-BRAKE, MOL.0128	7
5	1325313GT	BRAKE PISTON,740.0117	1
6	1310311GT	O-RING OR4437 110.7*3.53 NBR, AT5.0348	1
7	1325305GT	BRAKE LOCKING RING,040.0121	1
8	1310305GT	SEAL DS142 83*90.6*4.8, AT9.0069	1
9	1310291GT	FRICTION DISC, 320.0041	7
10	1310292GT	STEEL DISC, 320.0042	8
11	1325303GT	INPUT SHAFT PMR680C,020.0517	1
12	1325309GT	SPINDLE,660.0379	1
13	1325322GT	GUIDE BUSHING,ACC.0048	4
14	1325320GT	REGISTER SHIM,875.0298	1
15	1325316GT	PLANETARY CARRIER,750.0340	1
16	1325319GT	PLANET GEAR,835.0296	4
17	1310295GT	ROLLER BEARING-OUTPUT STAGE, CC1.0022	4
18	1310297GT	SNAP RING, AE0.0009	4
19	1310296GT	SCREW SHCS M16X70 12.9 BLACK, VC1.0155	4
20	1310290GT	STUD, WHEEL, 3/4-16 UNF, 207.0009	1
21	1310299GT	SCREW SHCS M8X20 12.9, VC2.0014	10
22	1310301GT	WASHER, RAL.0025	1
23	1310308GT	O-RING OR3225 56.82*2.62, AT5.0174	1
24	1325321GT	DISENGAGE PLUG M60X1.5,920.0028	1
25	1310312GT	O-RING ORM 10*2, AT5.0251	1
26	1310304GT	SCREW M6X20 8.8, VT1.0101	3



204.2 Drive Hub Assembly with Brake (PMP) (from SN S85XCD-1768, from SN S85XCD-1789 to S85XCD-1791)

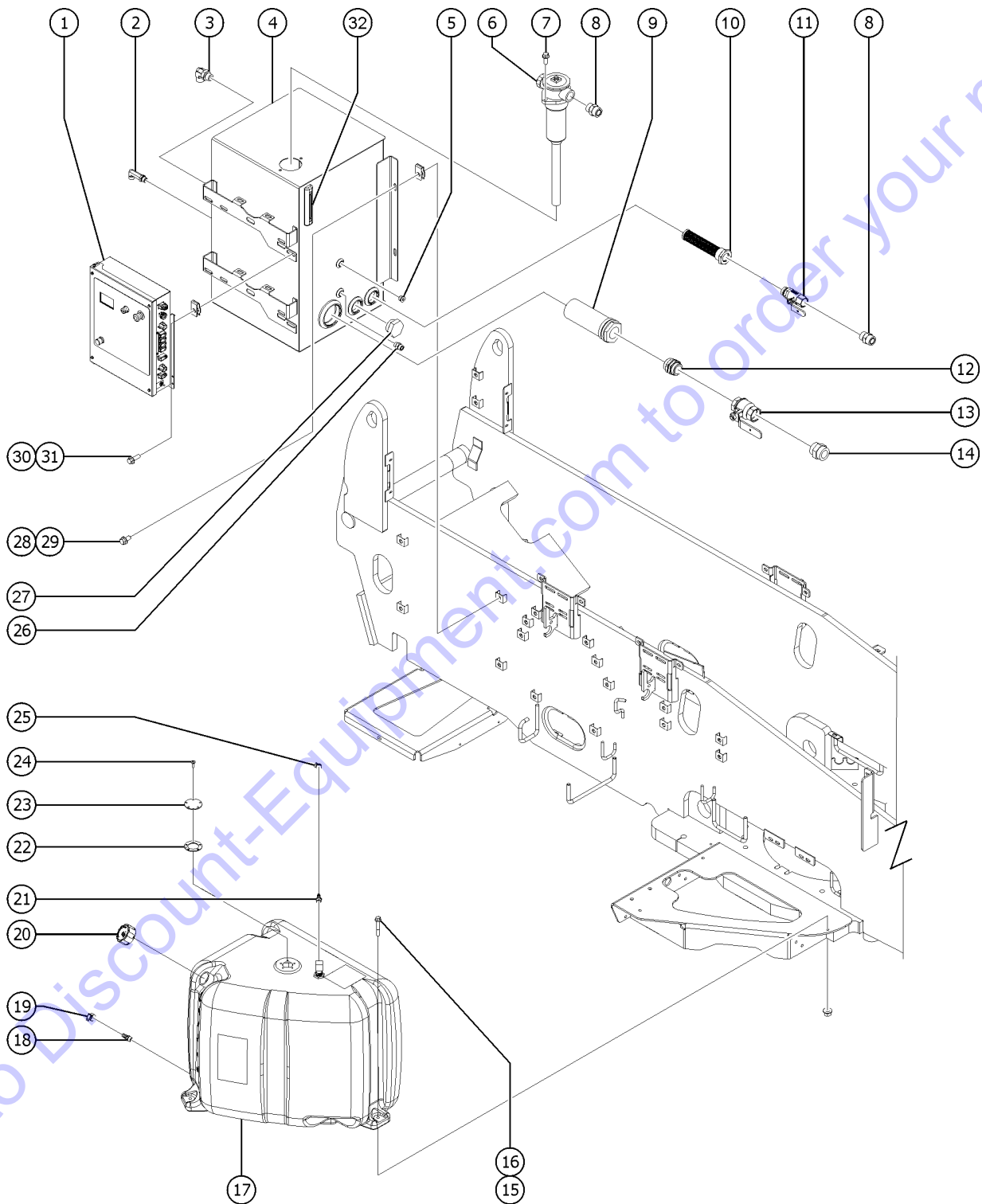


204.2 Drive Hub Assembly with Brake (PMP) (from SN S85XCD-1768, from SN S85XCD-1789 to S85XCD-1791)

Item	Part No.	Description	Qty.
27	1310303GT	PROTECTION, 780.0015	1
28	1310307GT	O-RING OR3131 32.99*2.62, AT5.0177	1
29	1310302GT	DOWEL PIN, SP1.0058	1
30	1310300GT	PLUG, TAP.0122	2
31	1325307GT	GEARBOX COVER,215.0490	1
32	1310309GT	O-RING OR4925 234.5*3.35 NBR, AT5.0154	1
33	1325312GT	SUN GEAR,FAST STAGE,735.0566	1
34	1325324GT	SNAP RING,AE0.0028	6
35	1310298GT	ROLLER BEARING-MIDDLE/FAST STAGE, CC1.0019	6
36	1325318GT	PLANET GEAR,INTERMEDIATE STAGE AND FAST,835.0294	6
37	1325304GT	INNER SHAFT,020.0534	1
38	1325325GT	SNAP RING,AE0.0062	1
39	1325315GT	PLANET CARRIER,FAST STAGE,750.0337	1
40	1325311GT	SUN GEAR,INTERMEDIATE STAGE,735.0565	1
41	1325323GT	SNAP RING,AE0.0027	1
42	1325314GT	PLANET CARRIER,INTERMEDIATE STAGE,750.0336	1
43	1325327GT	SNAP RING,AE1.0070	1
44	1325317GT	SLIDING RING,800.0025	1
45	1325330GT	DISENGAGE RING,MOL.0119	1
46	1325310GT	SUN GEAR,POWER STAGE,735.0564	1
47	1310294GT	ROLLER BEARING-MAIN, CU1.0054	2
48	1325329GT	SPECIAL SNAP RING,AE9.0007	1
49	1310310GT	SEAL 210*240*17.5/19, AT1.0075	1
50	1325328GT	SNAP RING,AE2.0062	1
51	1325306GT	SPACER,040.0133	1

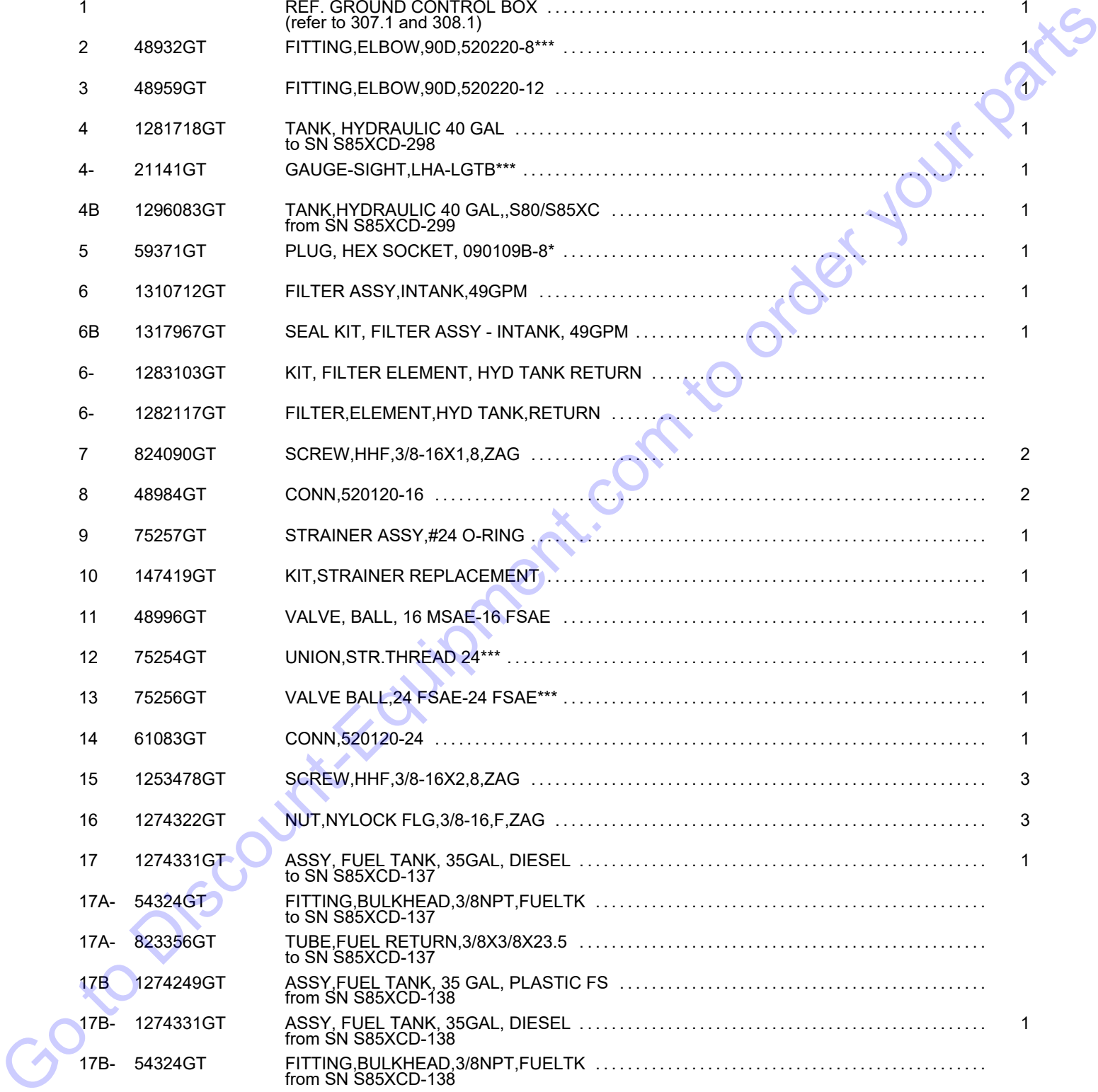
Go to Discount-Equipment.com to order your parts

301.1 Hydraulic and Fuel Tanks - Diesel Models

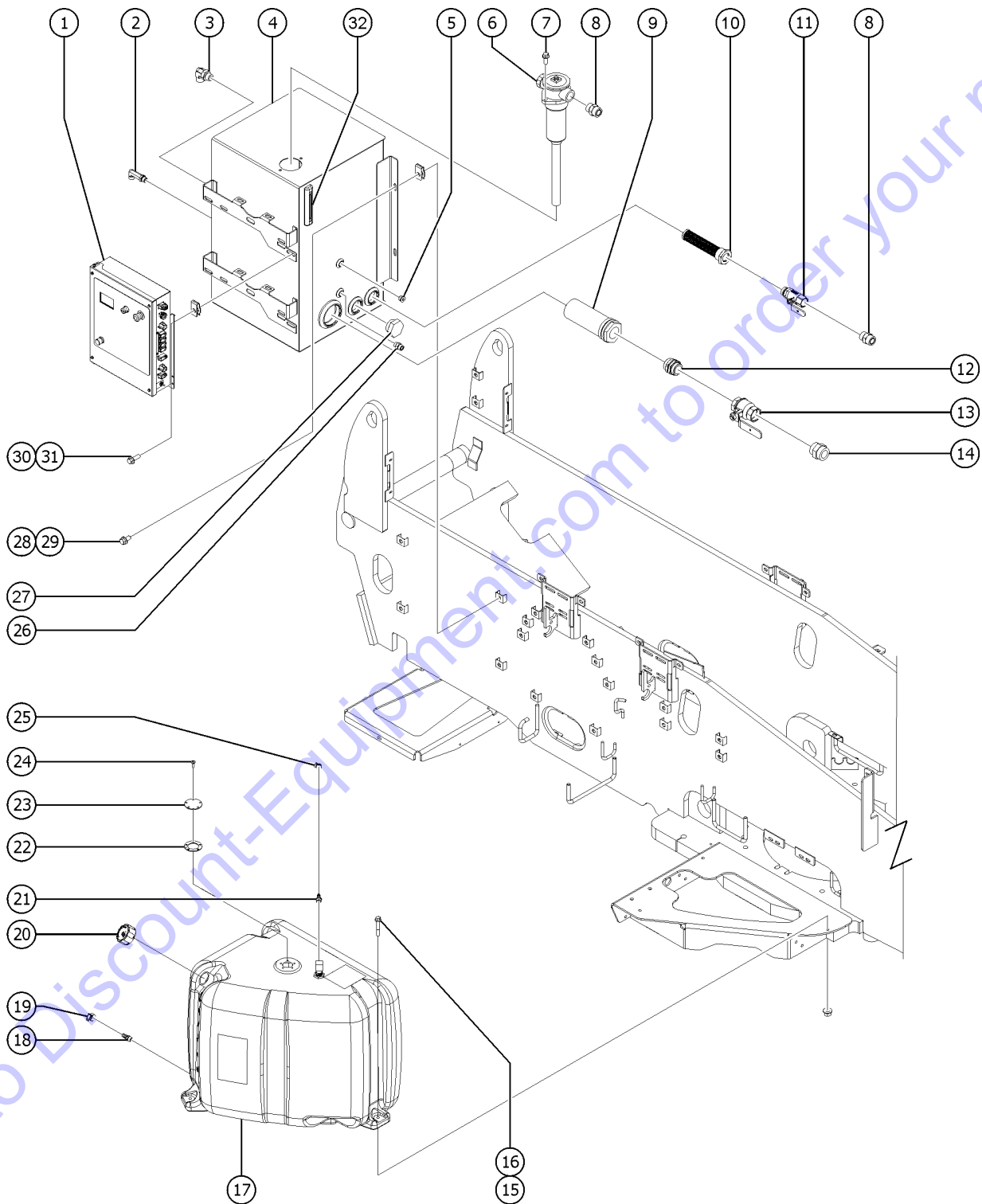


301.1 Hydraulic and Fuel Tanks - Diesel Models

Item	Part No.	Description	Qty.
1		REF. GROUND CONTROL BOX (refer to 307.1 and 308.1)	1
2	48932GT	FITTING,ELBOW,90D,520220-8***	1
3	48959GT	FITTING,ELBOW,90D,520220-12	1
4	1281718GT	TANK, HYDRAULIC 40 GAL to SN S85XCD-298	1
4-	21141GT	GAUGE-SIGHT,LHA-LGTB***	1
4B	1296083GT	TANK,HYDRAULIC 40 GAL,,S80/S85XC from SN S85XCD-299	1
5	59371GT	PLUG, HEX SOCKET, 090109B-8*	1
6	1310712GT	FILTER ASSY,INTANK,49GPM	1
6B	1317967GT	SEAL KIT, FILTER ASSY - INTANK, 49GPM	1
6-	1283103GT	KIT, FILTER ELEMENT, HYD TANK RETURN	
6-	1282117GT	FILTER,ELEMENT,HYD TANK,RETURN	
7	824090GT	SCREW,HHF,3/8-16X1,8,ZAG	2
8	48984GT	CONN,520120-16	2
9	75257GT	STRAINER ASSY,#24 O-RING	1
10	147419GT	KIT,STRAINER REPLACEMENT	1
11	48996GT	VALVE, BALL, 16 MSAE-16 FSAE	1
12	75254GT	UNION,STR.THREAD 24***	1
13	75256GT	VALVE BALL,24 FSAE-24 FSAE***	1
14	61083GT	CONN,520120-24	1
15	1253478GT	SCREW,HHF,3/8-16X2,8,ZAG	3
16	1274322GT	NUT,NYLOCK FLG,3/8-16,F,ZAG	3
17	1274331GT	ASSY, FUEL TANK, 35GAL, DIESEL to SN S85XCD-137	1
17A-	54324GT	FITTING,BULKHEAD,3/8NPT,FUELTK to SN S85XCD-137	
17A-	823356GT	TUBE,FUEL RETURN,3/8X3/8X23.5 to SN S85XCD-137	
17B	1274249GT	ASSY,FUEL TANK, 35 GAL, PLASTIC FS from SN S85XCD-138	
17B-	1274331GT	ASSY, FUEL TANK, 35GAL, DIESEL from SN S85XCD-138	1
17B-	54324GT	FITTING,BULKHEAD,3/8NPT,FUELTK from SN S85XCD-138	
17B-	1271770GT	SENSOR, FUEL LEVEL, 30" DIESEL from SN S85XCD-138	1



301.1 Hydraulic and Fuel Tanks - Diesel Models



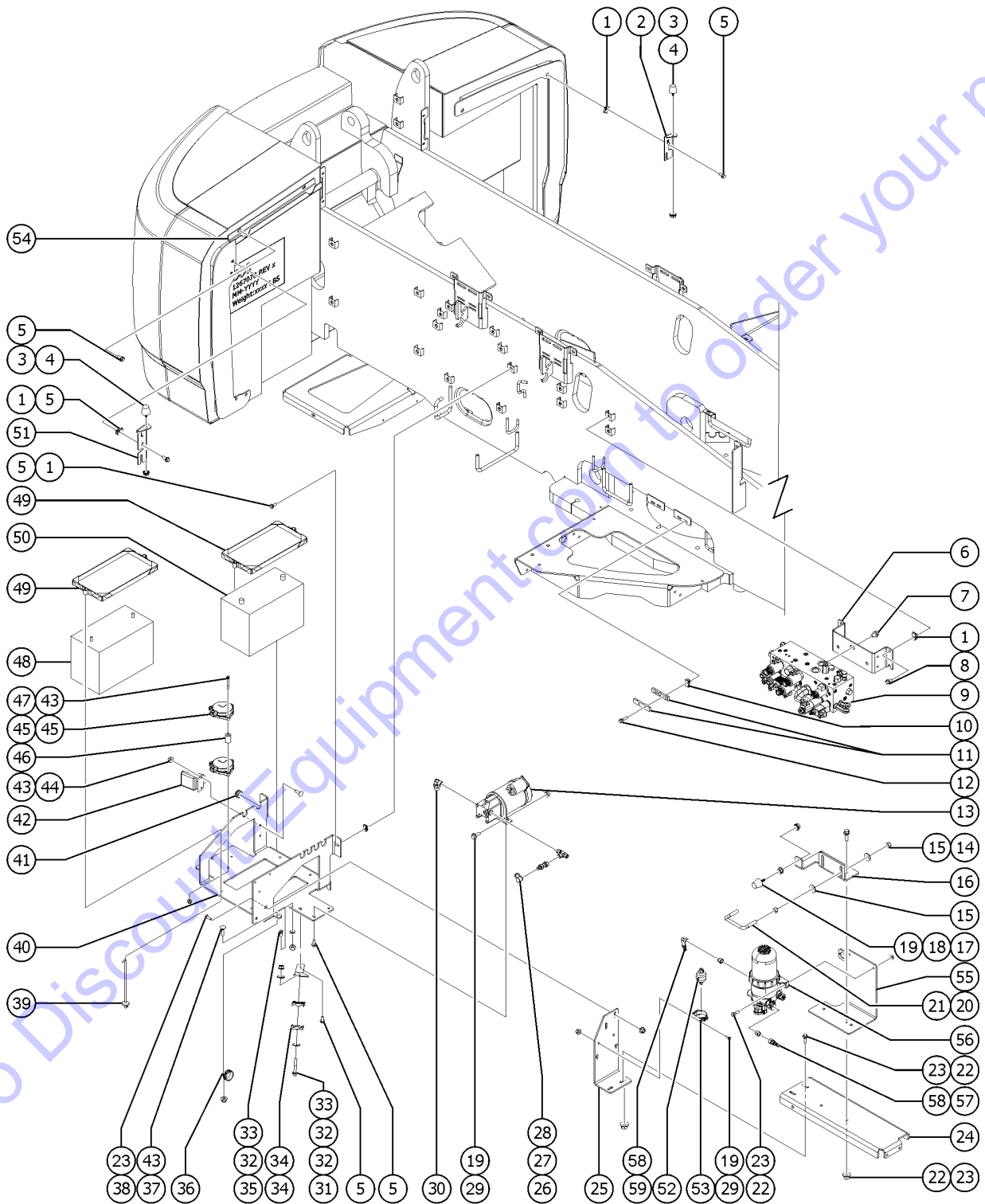
301.1 Hydraulic and Fuel Tanks - Diesel Models

Item	Part No.	Description	Qty.
17B-	823356GT	TUBE,FUEL RETURN,3/8X3/8X23.5 from SN S85XCD-138	
18	824471GT	FITTING,3/8 NPT TO 1/2 BARB	1
19	46131GT	CLAMP,HOSE,.63" - 1.0" X .5"	1
20	101726GT	CAP,FUEL,DIESEL,1/8"VENT(GRN) no longer available, (replaced by 1316635)	1
20B	1316635GT	CAP, FUEL, DIESEL, 0.08 IN HOLE (BLACK)	1
21	27901GT	HOSE END,BARBED,RIGID,-6-6	1
22	1271773GT	GASKET, TANK, FUEL SENSOR to SN S85XCD-137	1
23	1271772GT	CAP, TANK, FUEL SENSOR to SN S85XCD-137	1
24	1251757GT	SCREW,PHPM,10-32X.50,ZAG to SN S85XCD-137	5
25	81154GT	CLAMP,HOSE,SIZE .31 > .91	1
26	48933GT	CONN,520120-8***	1
27	1282197GT	PLUG,SAE-24,EXTERNAL HEX	1
28	824089GT	SCREW, HHF, 3/8-16 X .75, 8, ZAG	4
29	29868GT	SPRING CLIP,3/8-16,.05-.20X.73,ZAG	4
30	824078GT	SCREW,HHF,1/4-20X.75,8,ZAG	4
31	56912GT	SPRING CLIP,1/4-20,.025-.15X.54,ZAG	4
32	21141GT	GAUGE-SIGHT,LHA-LGTB***	1

Go to Discount-Equipment.com to order your parts



302.1 Hydraulic Tank Side Components, to S85XCD-1196



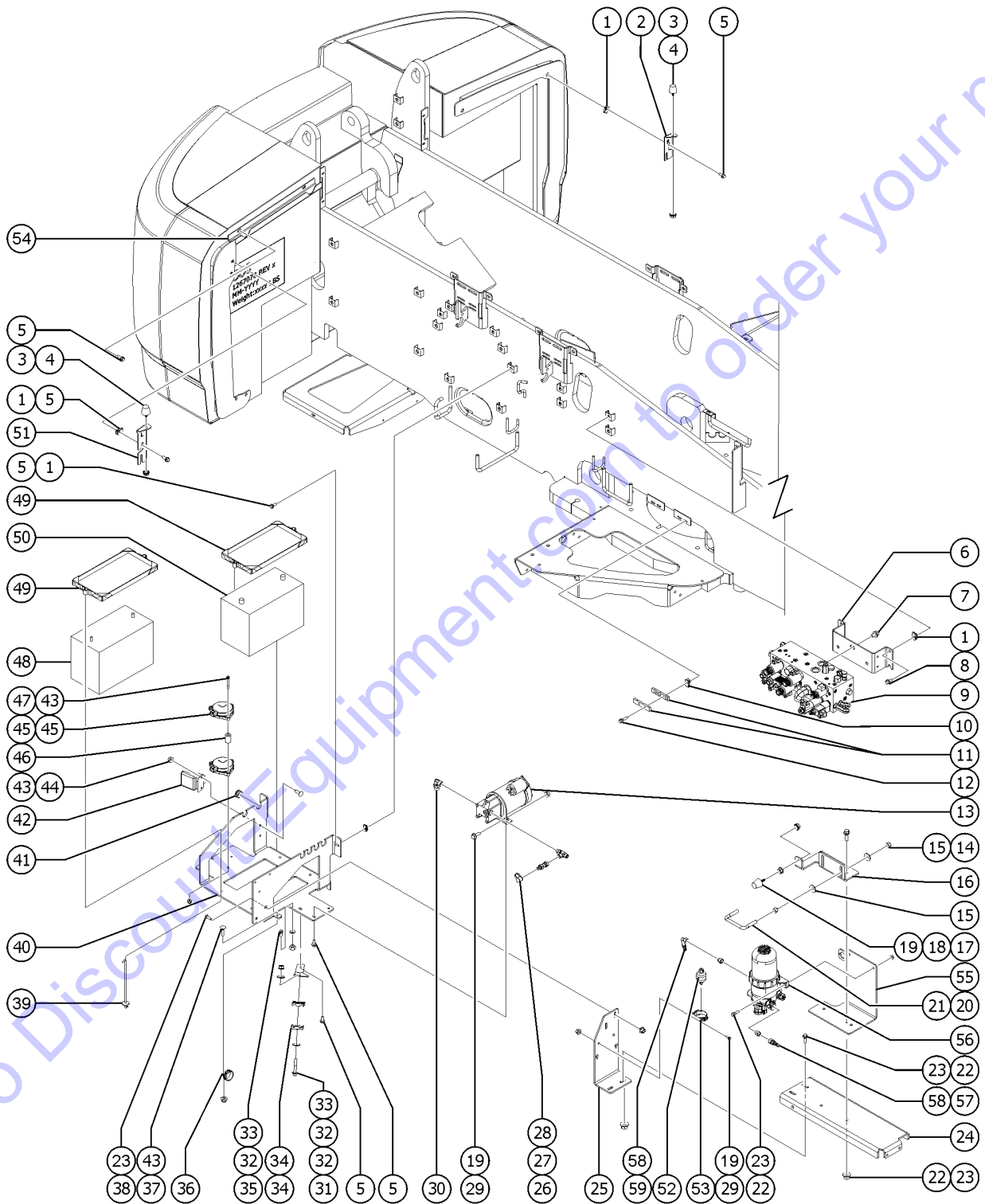
302.1 Hydraulic Tank Side Components, to S85XCD-1196

Item	Part No.	Description	Qty.
1	29868GT	SPRING CLIP,3/8-16,.05-.20X.73,ZAG	16
2	1272230GT	FORMING, BRKT, ENGINE COVER	2
3	30973GT	BUMPER,RUBBER-1 X 1.25	4
4	1255805GT	NUT,SERRATED,5/16-18,8,ZAG	
5	824090GT	SCREW,HHF,3/8-16X1,8,ZAG	16
6	121687GT	FORMING,MANIFOLD MOUNT	1
7	1257454GT	SCREW,HHF,1/2-13X.75,8,ZAG	3
8	824089GT	SCREW, HHF, 3/8-16 X .75, 8, ZAG	4
9		REF. FUNCTION MANIFOLD (refer to 705.1)	
10	56912GT	SPRING CLIP,1/4-20,.025-.15X.54,ZAG	4
11	121690GT	CLAMP,HALF,HARDLINE,3/8	4
12	824079GT	SCREW,HHF,1/4-20X1,8,ZAG	4
13	146180GT	ASSEMBLY, AUX POWER UNIT, 12VDC	1
13-	1264969GT	MOTOR, 12VDC, I-TERMINAL	
13-	146181GT	SOLENOID, APU	
13-	146182GT	GROUND WIRE,SOLENOID	
13-	37187GT	SEAL KIT, 37185 PUMP	
13-	37192GT	COUPLER, PUMP / MOTOR (36179)	
13-	58489GT	PUMP ASSY,AUX.POWER UNIT 89617	
13-	62414GT	SEAL, SHAFT, 60511 APU	
14	1255804GT	NUT,JAM,1/2-13,A,ZAG	2
15	1255760GT	WASHER,FLAT,1/2,USS,ZAG	4
16	1283180GT	FORMING,BRACKET,COVER LATCH,S80/85 XC	1
17	1261277GT	RUBBER BUMPER, 1.25 X 1.25 IN	1
18	1256468GT	NUT,3/8-16,8,ZAG	1
19	1274167GT	NUT,NYLOCK FLG,5/16-18,F,ZAG	3
20	1259855GT	UBOLT, 0.4724 IN D X 4.0 IN L	1
21	1259106GT	NUT,1/2-13,8,ZAG	2

Go to Discount-Equipment.com to order your parts



302.1 Hydraulic Tank Side Components, to S85XCD-1196



Go to DiscountEquipment.com to order your parts

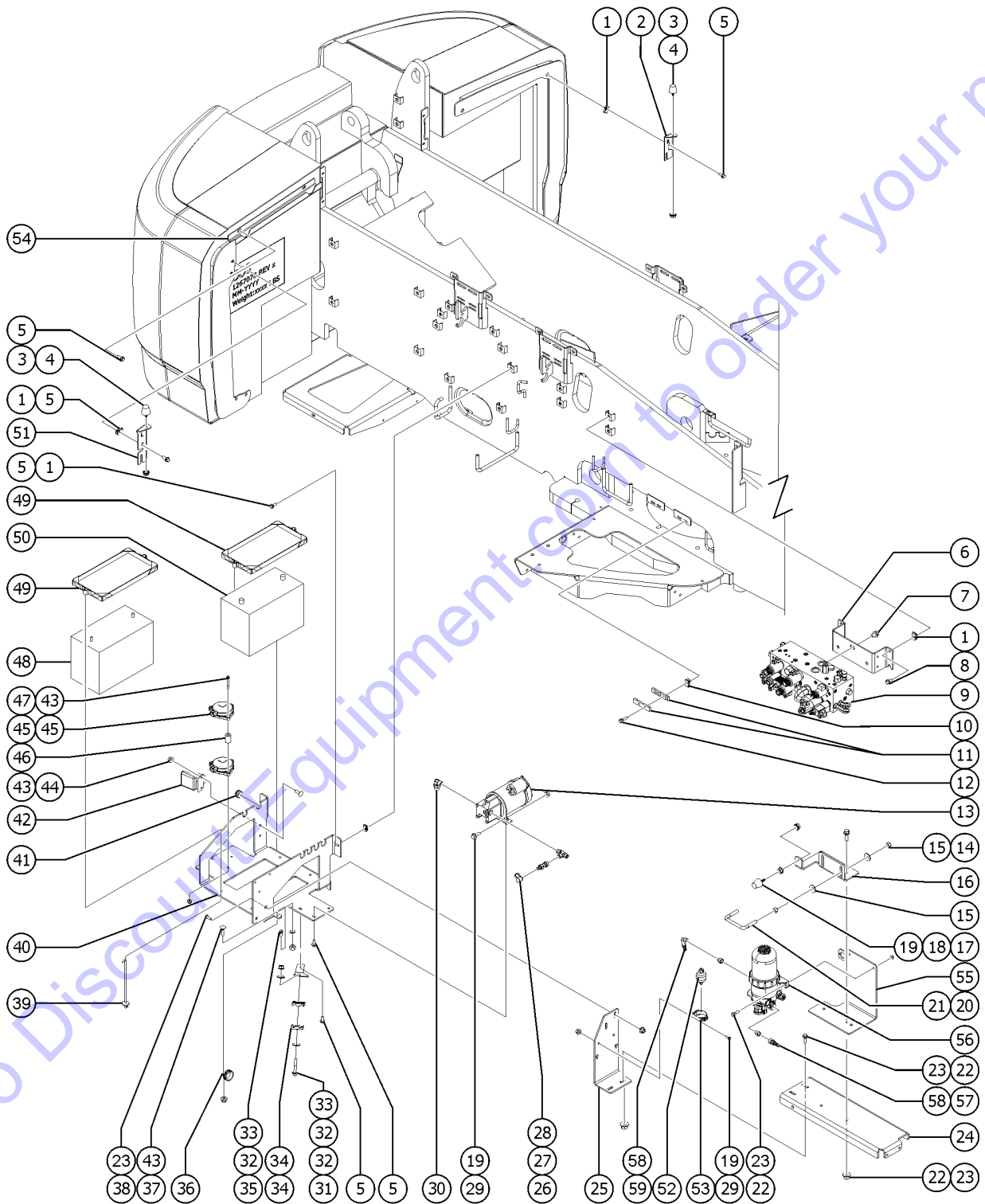
302.1 Hydraulic Tank Side Components, to S85XCD-1196

Item	Part No.	Description	Qty.
22	824092GT	SCREW, HHF, 3/8-16 X 1.5, 8, ZAG	8
23	1274322GT	NUT, NYLOCK FLG, 3/8-16, F, ZAG	11
24	1280126GT	FORMING, BRACKET, LATCH	1
25	1274974GT	FORMING, LATCH, SUPPORT	1
26	48918GT	TEE, RUN, 520428-6	1
27	48867GT	NIPPLE, DIAGNOSTIC	1
28	48880GT	CAP, DIAGNOSTIC NIPPLE	1
29	824086GT	SCREW, HHF, 5/16-18 X 1, 8, ZAG	2
30	48932GT	FITTING, ELBOW, 90D, 520220-8***	1
31	824081GT	SCREW, HHF, 1/4-20 X 1.5, 8, ZAG	1
32	824113GT	WASHER, FLAT, USS, 1/4, ZAG	3
33	1274165GT	NUT, NYLOCK, 1/4-20, C, ZAG	2
34	78736GT	CLAMP, 2 HOSE, PLASTIC	2
35	824078GT	SCREW, HHF, 1/4-20 X .75, 8, ZAG	1
36	66031GT	CLAMP, 1.88, #30 X 3/8, RUB CUSH	1
37	1256127GT	BOLT, CARRIAGE, 1/4-20 X 1", GR 5, ZAG	1
38	1255757GT	BOLT, CARRIAGE, 3/8-16 X 1.25, 5, ZAG	2
39	45708GT	HOOK-BATT HOLD DOWN 10" LG	4
40	1274550GT	FORMING, BATTERY TRAY, XC	1
41	104570GT	GROMMET, RUBBER .688 X .25 X 1	5
42	237068GT	SEPARATOR, DUAL BATTERY, 100A	1
42-	214393GT	KIT, BATT SEPARATOR, ANSI/CSA	
42-	215209GT	KIT, BATT SEPARATOR, CE	
42-	215210GT	KIT, BATT SEPARATOR, AS	
43	1277924GT	NUT, NYLOCK FLG, 1/4-20, F, ZAG	6
44	824124GT	BOLT, CARRIAGE, 1/4-20 X .75, 5, ZAG	2
45	823368GT	SENSOR, LEVEL, UNIVERSAL	2
46	8149GT	SPACER, NYLON .257 X .5 X .75"	3

Go to Discount-Equipment.com to order your parts



302.1 Hydraulic Tank Side Components, to S85XCD-1196



Go to DiscountEquipment.com to order your parts

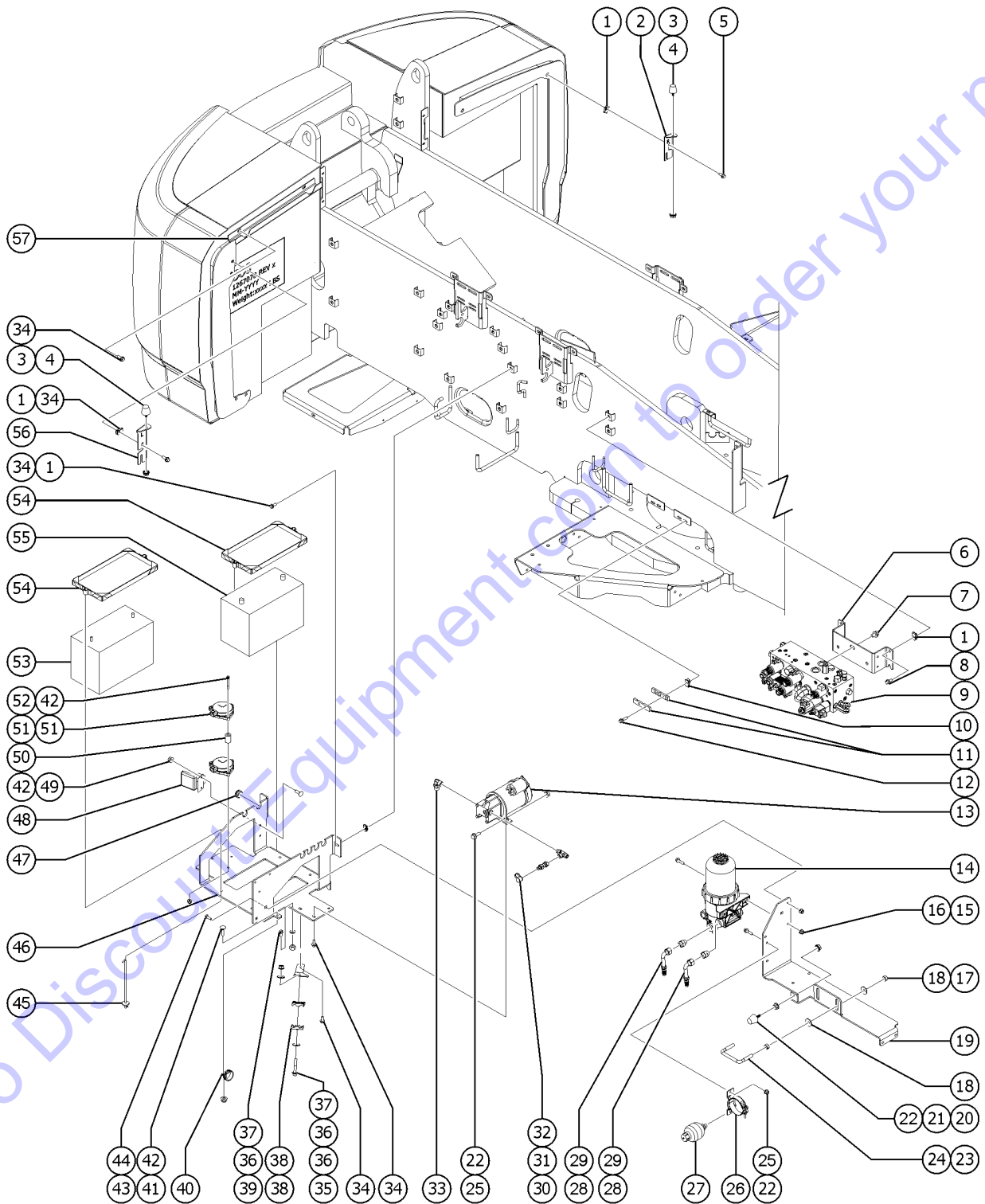
302.1 Hydraulic Tank Side Components, to S85XCD-1196

Item	Part No.	Description	Qty.
47	824083GT	SCREW, HHF, 1/4-20 X 2.5, 8, ZAG	3
48	77694GT	BATTERY, 12V DEEP CYC 5/16"STUD	1
48-	1274322GT	NUT, NYLOCK FLG, 3/8-16, F, ZAG	
49	30144GT	BATTERY HOLD DOWN, GROUP 31	2
50	1306670GT	START BATTERY, 12V 1000CCA	1
51	1272231GT	FORMING, BRKT, TANK COVER	2
52	1284787GT	ACCUMULATOR, 10 CU. IN., 1100 PSI	1
52-		REF. HOSE, ACCUMULATOR (refer to 711.1)	
52-	61745GT	CLAMP, 2.25, #36 X 3/8, RUB CUSH (not shown)	1
52-	824125GT	BOLT, CARRIAGE, 3/8-16X1.5, ZAG (not shown)	1
52-	1274332GT	NUT, NYLOCK FLG, 3/8-16, F, ZAG (not shown)	1
53	1284835GT	CLAMP, ACCUM, 10 CU. IN.	1
54	1276677GT	FORMING, RAIN TRAY	1
55	1286388GT	FORMING, PRE-FILTER BRACKET (Chinese Market only)	1
56	1286335GT	PRE-FILTER, FUEL, DEUTZ TD2.9, FH23841 (Chinese Market only), (to SN S85XCD-1192)	1
56B	1306589GT	PRE-FILTER, FUEL, DEUTZ TD2.9, FH23817 (Chinese Market only), (from SN S85XCD-1193)	1
56B-	1313660GT	FILTER ELEMENT, DEUTZ TD2.9, FS20020 (Chinese Market only), (from SN S85XCD-1193)	1
57	824635GT	FITTING, STR, 1/2 HS X 3/4-16, JIC, SW, FEMALE, STEEL (Chinese Market only)	1
58	162209GT	FITTING, CONN, 16MM-8MJ (Chinese Market only)	2
59	162207GT	FITTING, ELBOW, 8GS-8FJX90S (Chinese Market only)	1

Go to DiscountPart.com to order your parts



302.2 Hydraulic Tank Side Components, From S85XCD-1197



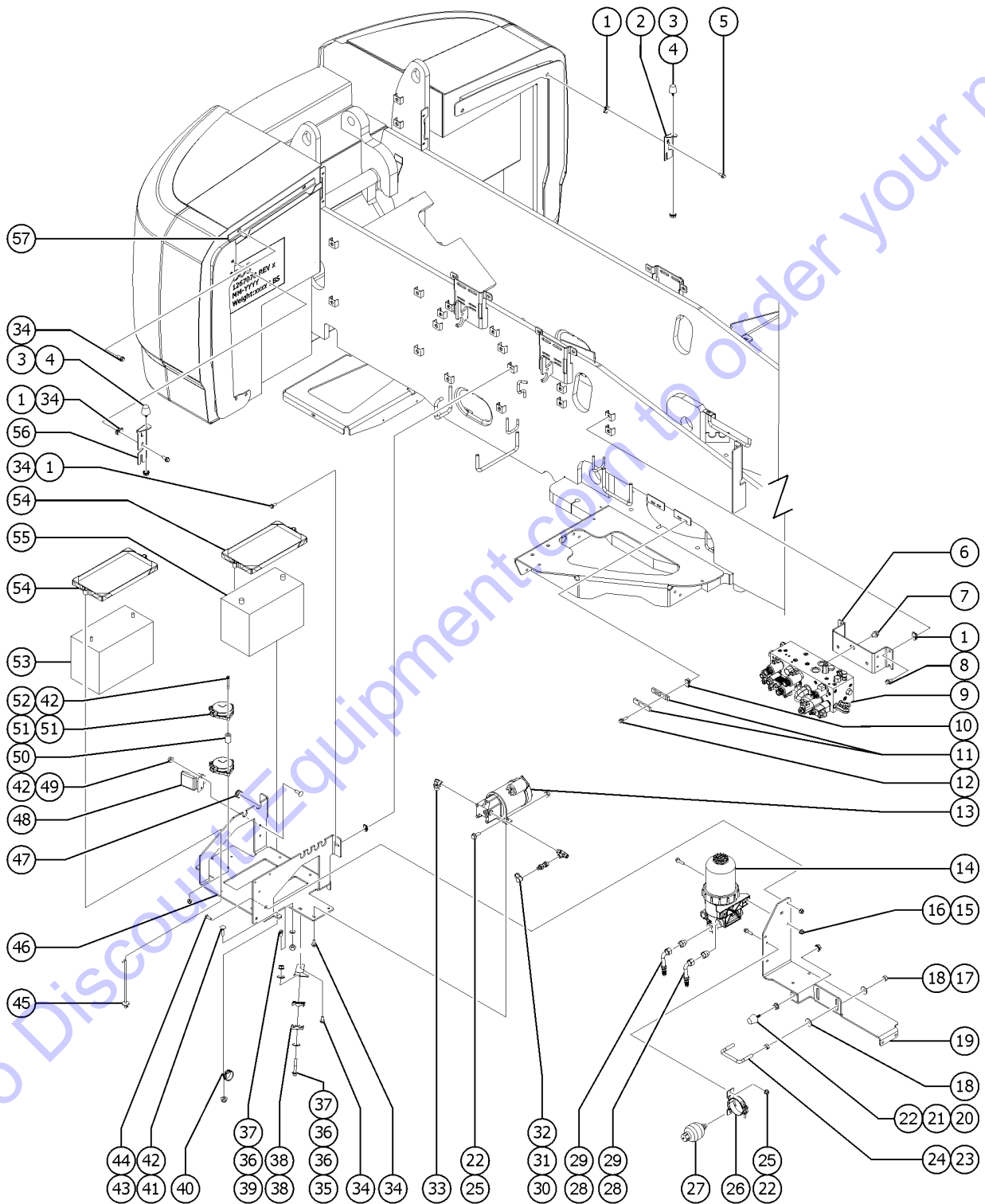
Go to DiscountEquipment.com to order your parts

302.2 Hydraulic Tank Side Components, From S85XCD-1197

Item	Part No.	Description	Qty.
1	29868GT	SPRING CLIP,3/8-16,.05-.20X.73,ZAG	16
2	1272230GT	FORMING, BRKT, ENGINE COVER	2
3	30973GT	BUMPER,RUBBER-1 X 1.25	4
4	1255805GT	NUT,SERRATED,5/16-18,8,ZAG	
5	1261836GT	SCREW, THM, TORX, 3/8-16X1,SS	1
6	121687GT	FORMING,MANIFOLD MOUNT	1
7	1257454GT	SCREW,HHF,1/2-13X.75,8,ZAG	3
8	824089GT	SCREW, HHF, 3/8-16 X .75, 8, ZAG	4
9		REF. FUNCTION MANIFOLD (refer to 705.1)	
10	56912GT	SPRING CLIP,1/4-20,.025-.15X.54,ZAG	4
11	121690GT	CLAMP,HALF,HARDLINE,3/8	4
12	824079GT	SCREW,HHF,1/4-20X1,8,ZAG	4
13	146180GT	ASSEMBLY, AUX POWER UNIT, 12VDC to SN S85XCD-1246	1
13-	1264969GT	MOTOR, 12VDC, I-TERMINAL to SN S85XCD-1246	
13-	146181GT	SOLENOID, APU to SN S85XCD-1246	
13-	146182GT	GROUND WIRE,SOLENOID to SN S85XCD-1246	
13-	37187GT	SEAL KIT, 37185 PUMP to SN S85XCD-1246	
13-	37192GT	COUPLER, PUMP / MOTOR (36179) to SN S85XCD-1246	
13-	58489GT	PUMP ASSY,AUX.POWER UNIT 89617 to SN S85XCD-1246	
13-	62414GT	SEAL, SHAFT, 60511 APU to SN S85XCD-1246	
13B	1307439GT	ASSY. AUX POWER UNIT, 2.1CC, 12VDC from SN S85XCD-1247	1
13B-	1307579GT	MOTOR, 12V, 2.0KW from SN S85XCD-1247	
13B-	1307580GT	PUMP ASSY, 2.1CC from SN S85XCD-1247	
13B-	1307581GT	VALVE BLOCK, 2.1CC PUMP from SN S85XCD-1247	
13B-	1307582GT	SOLENOID, 12V, 150A from SN S85XCD-1247	
14	1306589GT	PRE-FILTER,FUEL,DEUTZ TD2.9,FH23817 Chinese Market only	1
14-	1313660GT	FILTER ELEMENT,DEUTZ TD2.9,FS20020 Chinese Market only	1
15	824029GT	NUT, TL FLG, 3/8-16, G, ZAG Chinese Market only	2



302.2 Hydraulic Tank Side Components, From S85XCD-1197



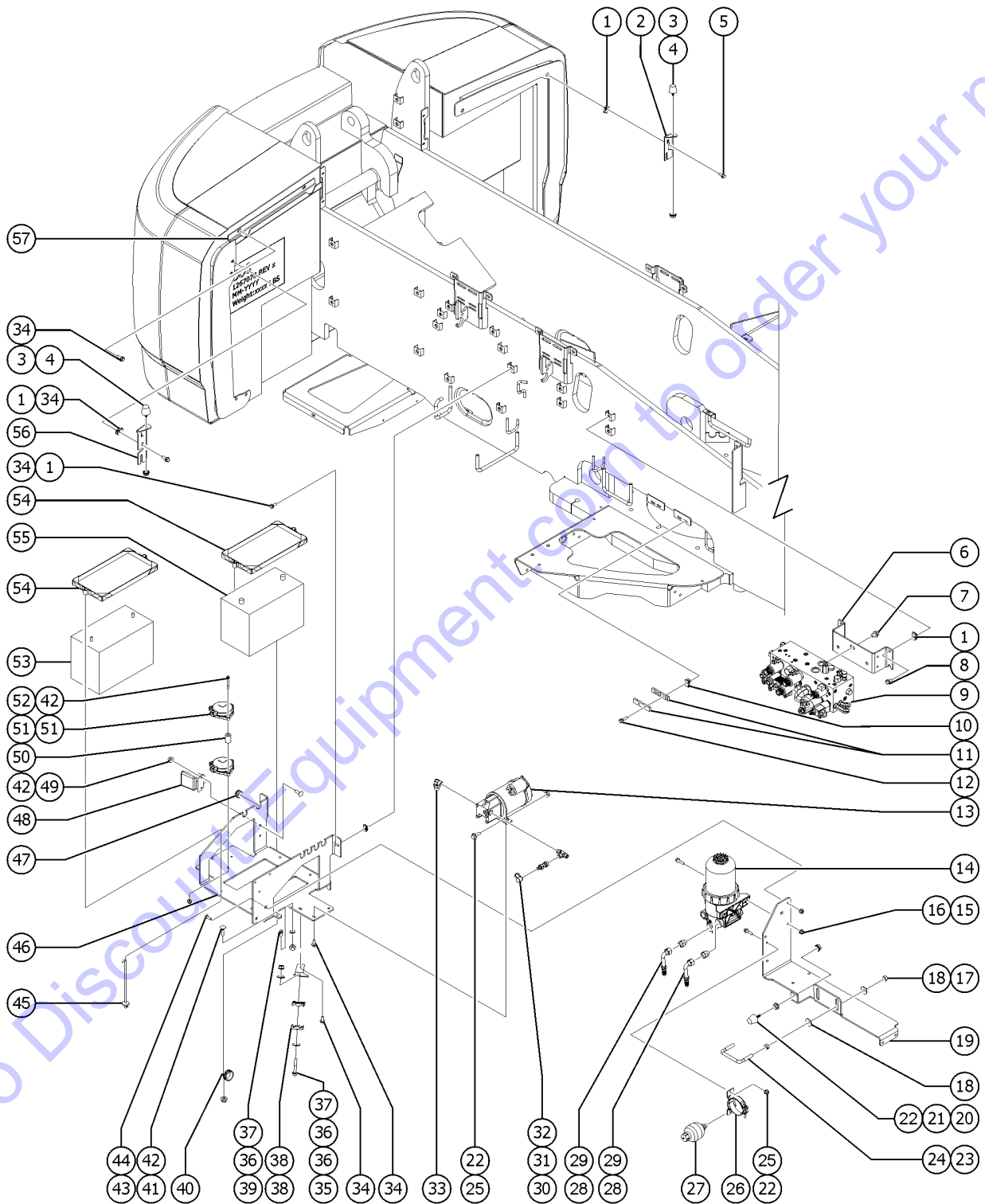
302.2 Hydraulic Tank Side Components, From S85XCD-1197

Item	Part No.	Description	Qty.
16	824092GT	SCREW, HHF, 3/8-16 X 1.5, 8, ZAG Chinese Market only	2
17	1255804GT	NUT, JAM, 1/2-13, A, ZAG	2
18	1255760GT	WASHER, FLAT, 1/2, USS, ZAG	4
19	1305529GT	FORMING, BRACKET LATCH	1
20	1261277GT	RUBBER BUMPER, 1.25 X 1.25 IN	1
21	1256468GT	NUT, 3/8-16, 8, ZAG	1
22	1274167GT	NUT, NYLOCK FLG, 5/16-18, F, ZAG	5
23	1259855GT	UBOLT, 0.4724 IN D X 4.0 IN L	1
24	1259106GT	NUT, 1/2-13, 8, ZAG	2
25	824086GT	SCREW, HHF, 5/16-18 X 1, 8, ZAG	2
26	1284835GT	CLAMP, ACCUM, 10 CU. IN.	1
27	1284787GT	ACCUMULATOR, 10 CU. IN., 1100 PSI	1
27-		REF. HOSE, ACCUMULATOR (refer to 711.1)	
27-	61745GT	CLAMP, 2.25, #36 X 3/8, RUB CUSH (not shown)	1
27-	824125GT	BOLT, CARRIAGE, 3/8-16X1, 5, ZAG (not shown)	1
27-	1274332GT	NUT, NYLOCK FLG, 3/8-16, F, ZAG (not shown)	1
28	162207GT	FITTING, ELBOW, 8GS-8FJX90S Chinese Market only	1
29	162209GT	FITTING, CONN, 16MM-8MJ Chinese Market only	1
30	48918GT	TEE, RUN, 520428-6	1
31	48867GT	NIPPLE, DIAGNOSTIC	1
32	48880GT	CAP, DIAGNOSTIC NIPPLE	1
33	48932GT	FITTING, ELBOW, 90D, 520220-8***	1
34	824090GT	SCREW, HHF, 3/8-16X1, 8, ZAG to SN S85XCD-1515	15
34B	231088GT	SCREW, HHF, M10-1.5X20, DIN6921, 10.9, ZAB (for 1307439 APU), from SN S85XCD-1516	2
35	824081GT	SCREW, HHF, 1/4-20X1.5, 8, ZAG	1
36	824113GT	WASHER, FLAT, USS, 1/4, ZAG	3
37	1274165GT	NUT, NYLOCK, 1/4-20, C, ZAG	2
38	78736GT	CLAMP, 2 HOSE, PLASTIC	2

Go to Discount-Element.com to order your parts



302.2 Hydraulic Tank Side Components, From S85XCD-1197



Go to DiscountEquipment.com to order your parts

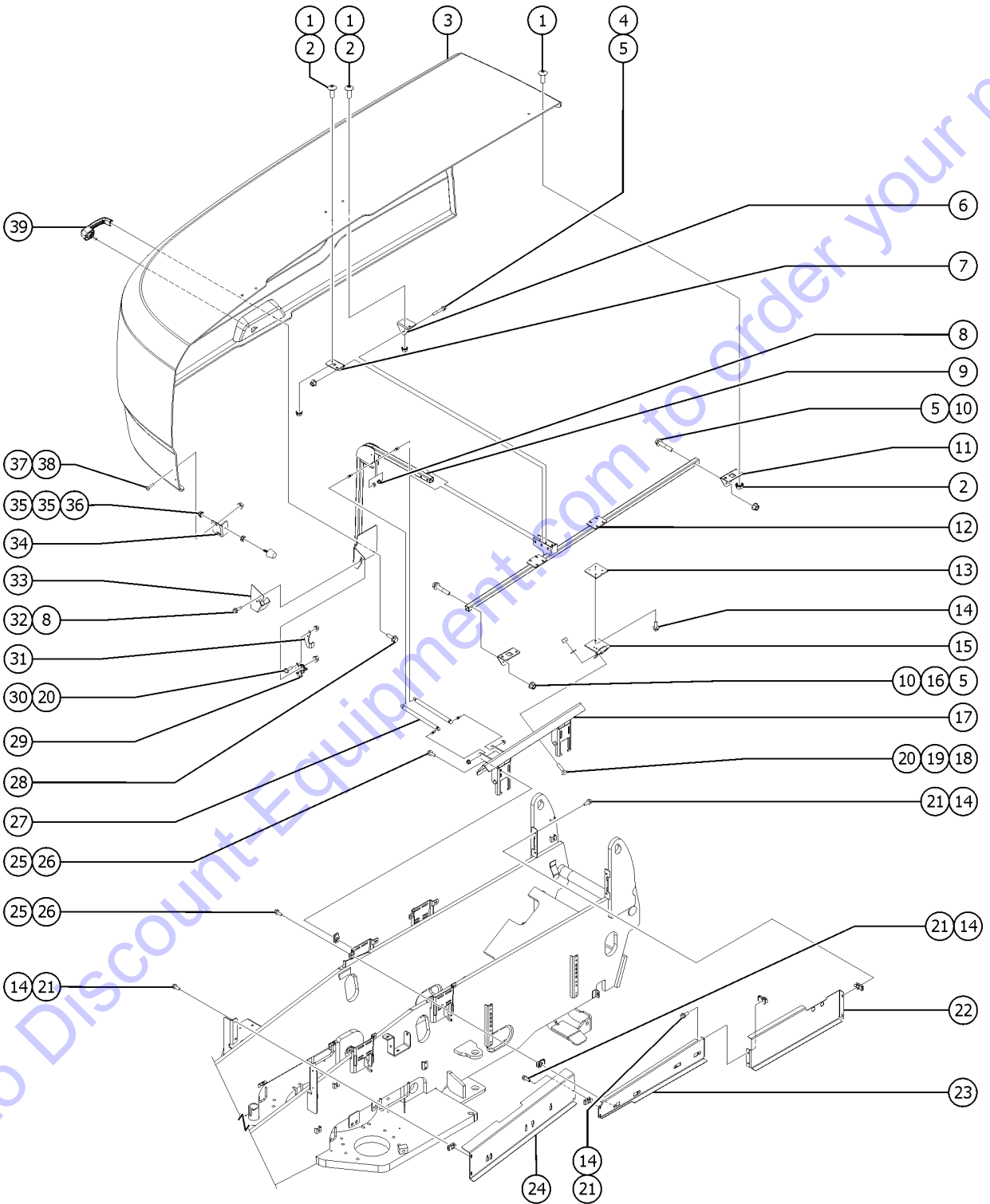
302.2 Hydraulic Tank Side Components, From S85XCD-1197

Item	Part No.	Description	Qty.
39	824078GT	SCREW,HHF,1/4-20X.75,8,ZAG	1
40	66031GT	CLAMP,1.88,#30X3/8,RUB CUSH	1
41	1256127GT	BOLT,CARRIAGE,1/4-20X1",GR 5,ZAG	1
42	1277924GT	NUT,NYLOCK FLG,1/4-20,F,ZAG	6
43	1255757GT	BOLT,CARRIAGE,3/8-16X1.25,5,ZAG	2
44	1274322GT	NUT,NYLOCK FLG,3/8-16,F,ZAG	2
45	45708GT	HOOK-BATT HOLD DOWN 10"LG	4
46	1274550GT	FORMING, BATTERY TRAY, XC	1
47	104570GT	GROMMET,RUBBER .688 X .25 X 1	5
48	237068GT	SEPARATOR,DUAL BATTERY,100A	1
48-	214393GT	KIT, BATT SEPARATOR, ANSI/CSA	
48-	215209GT	KIT, BATT SEPARATOR, CE	
48-	215210GT	KIT, BATT SEPARATOR, AS	
49	824124GT	BOLT, CARRIAGE, 1/4-20 X .75, 5, ZAG	2
50	8149GT	SPACER,NYLON .257 X .5 X .75"	3
51	823368GT	SENSOR,LEVEL,UNIVERSAL	2
52	824083GT	SCREW, HHF, 1/4-20 X 2.5, 8, ZAG	3
53	77694GT	BATTERY,12V DEEP CYC 5/16"STUD	1
53-	1274322GT	NUT,NYLOCK FLG,3/8-16,F,ZAG	
54	30144GT	BATTERY HOLD DOWN,GROUP 31	2
55	1306670GT	START BATTERY,12V 1000CCA	1
56	1272231GT	FORMING,BRKT,TANK COVER	2
57	1276677GT	FORMING, RAIN TRAY	1

Go to Discount-Equipment.com to order your parts



303.1 Turntable Covers - Hydraulic Tank Side



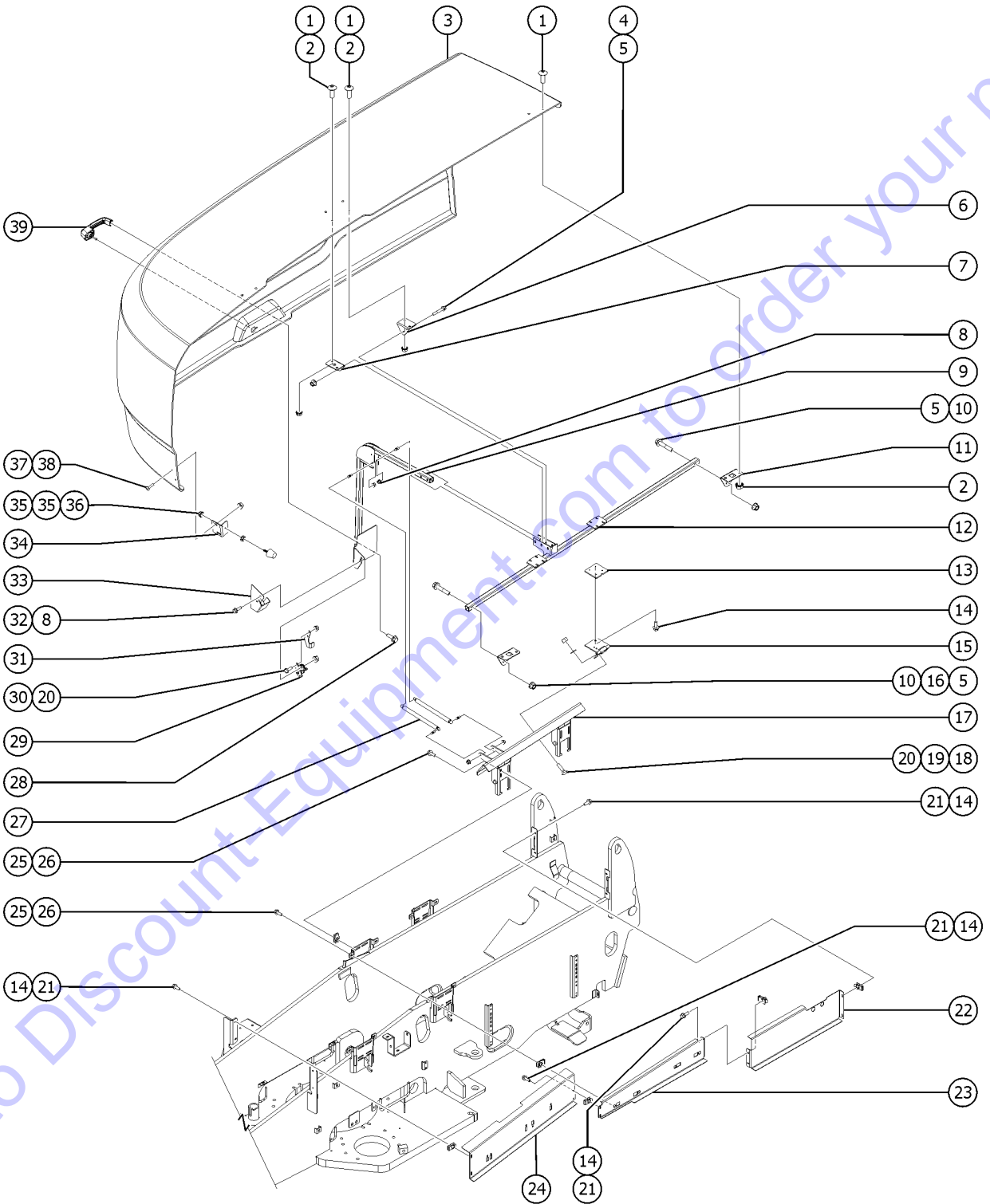
303.1 Turntable Covers - Hydraulic Tank Side

Item	Part No.	Description	Qty.
1	1261836GT	SCREW, THM, TORX, 3/8-16X1,SS	8
2	1257628GT	NUT,SERRATED,3/8-16,ZAG	8
3	1265999GT	COVER, SWING CHASSIS, TANK SIDE	1
4	1256856GT	SCREW,HHF,3/8-16X2.5,8,ZAG	3
5	1274322GT	NUT,NYLOCK FLG,3/8-16,F,ZAG	5
6	1253831GT	MOUNT, COVER SUPPORT CTR 93DEG	1
7	1253830GT	MOUNT, COVER SUPPORT CTR 86DEG	1
8	1274167GT	NUT,NYLOCK FLG,5/16-18,F,ZAG	6
9	1266895GT	WLDMT, LOWER COVER SUPPORT	1
10	1253478GT	SCREW,HHF,3/8-16X2,8,ZAG	2
11	1258723GT	MOUNT, COVER SUPPORT FRONT	1
12	1266897GT	WLDMT,HIGHER COVER SUPPORT,TS	1
13	1258724GT	SUPPORT, TAPPED HINGE	2
14	824078GT	SCREW,HHF,1/4-20X.75,8,ZAG	12
15	1266902GT	HINGE,.375X.1875THK,SLOTTED (to SN S85XCD-1216)	2
15B	75073GT	HINGE,.375X.120THK.,SLOTTED (from SN S85XCD-1217)	2
15B	77778GT	PLATE,HINGE SUPPORT,BLUE PAINT (from SN S85XCD-1217)	2
16	1258722GT	MOUNT, COVER SUPPORT REAR	1
17	1269080GT	WELDMENT, COVER SUPPORT,TANK SIDE	1
18	1256127GT	BOLT,CARRIAGE,1/4-20X1",GR 5,ZAG	6
19	824113GT	WASHER,FLAT,USS,1/4,ZAG	6
20	1274165GT	NUT,NYLOCK,1/4-20,C,ZAG	8
21	56912GT	SPRING CLIP,1/4-20,.025-.15X.54,ZAG	8
22	1267082GT	FORMING,COVER,RIGHT BACK	1
23	1267083GT	FORMING,COVER,RIGHT MIDDLE	1
24	1280379GT	FORMING,COVER,RIGHT FRONT	1
25	824090GT	SCREW,HHF,3/8-16X1,8,ZAG	8
26	29868GT	SPRING CLIP,3/8-16,.05-.20X.73,ZAG	8

Go to Discount Equipment.com to order your parts



303.1 Turntable Covers - Hydraulic Tank Side



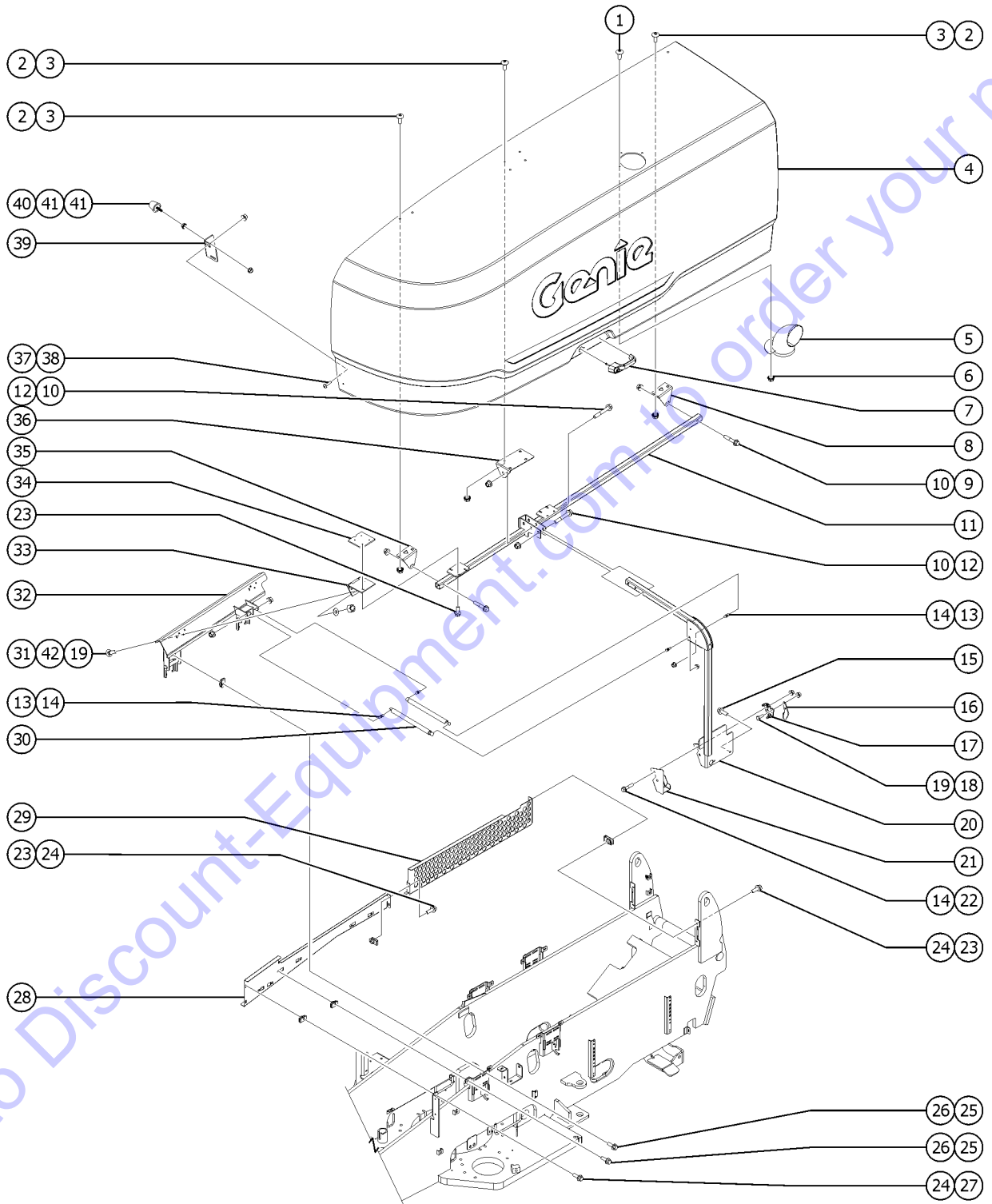
303.1 Turntable Covers - Hydraulic Tank Side

Item	Part No.	Description	Qty.
27	28301GT	GAS STRUT,250 LBS FORCE*** (to SN S85XCD-1083)	2
27B	1323025GT	GAS STRUT, 250 LBS FORCE *** (from SN S85XCD-1084)	2
28	231532GT	SCREW,HHF,M6-1.0X20,DIN6921,10.9,ZAB	2
29	215254GT	LATCH,ROTARY,ENGINE COVER	1
30	824059GT	SCREW, HHC, 1/4-20 X .75, 8, ZAG	2
31	1262210GT	FORMING, LATCH TRIGGER, TS	1
32	1255763GT	SCREW,HHF,5/16-18X1.5,8,ZAG	2
33	1261244GT	FORMING,LATCH GUARD,TS	1
34	1271984GT	BRACKET, BUMPER	1
35	1255805GT	NUT,SERRATED,5/16-18,8,ZAG	2
36	1261277GT	RUBBER BUMPER, 1.25 X 1.25 IN	1
37	1261837GT	SCREW, THM, TORX, M6X25, ZAB	2
38	231513GT	NUT,TL FLG,M6-1.0,DIN6927,10,ZAB	2
39	1256054GT	HANDLE, YELLOW LOCKING, CODE 455	1
39-	37947GT	KEYS,10 PACK*** sold separately	
39-	83093GT	KEY SINGLE*** sold separately	

Go to Discount-Equipment.com to order your parts



304.1 Turntable Covers - Engine Side

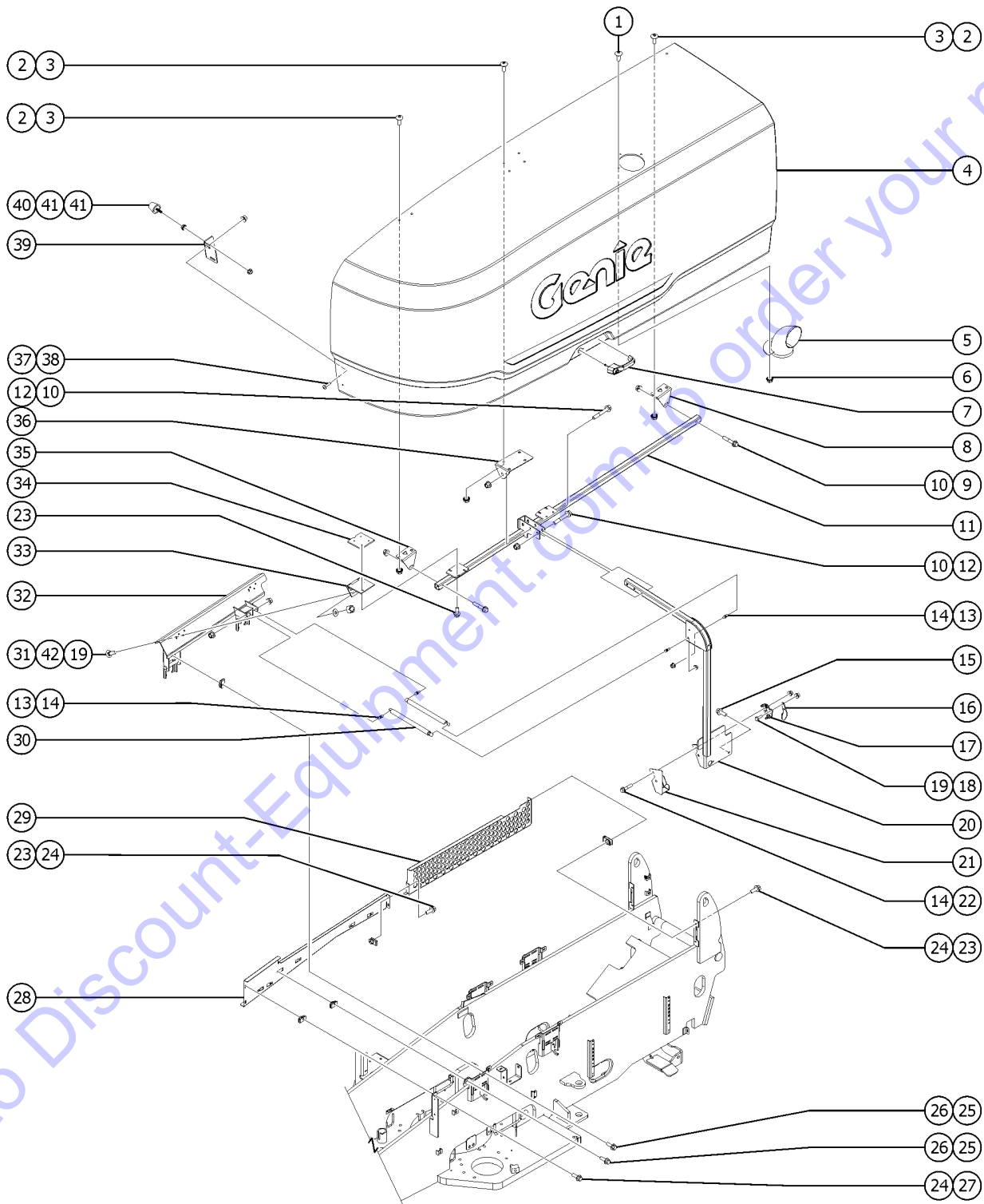


304.1 Turntable Covers - Engine Side

Item	Part No.	Description	Qty.
1	1261835GT	SCREW, THM, TORX, 1/4-20X1,SS	3
2	1261836GT	SCREW, THM, TORX, 3/8-16X1,SS	8
3	1257628GT	NUT,SERRATED,3/8-16,ZAG	8
4	1253264GT	COVER, SWING CHASSIS, ES	1
5	101964GT	WELDMENT,EXHAUST TUBE	1
6	1256679GT	NUT,SERRATED,1/4-20,8,ZAG	3
7	1256054GT	HANDLE, YELLOW LOCKING, CODE 455	1
7-	37947GT	KEYS,10 PACK*** sold separately	
7-	83093GT	KEY SINGLE*** sold separately	
8	1258723GT	MOUNT, COVER SUPPORT FRONT	1
9	1253478GT	SCREW,HHF,3/8-16X2,8,ZAG	2
10	1274322GT	NUT,NYLOCK FLG,3/8-16,F,ZAG	5
11	1266916GT	WLDMT, HIGHER COVER SUPPORT,ES	1
12	1256856GT	SCREW,HHF,3/8-16X2.5,8,ZAG	3
13	33555GT	BALL STUD**	4
14	1274167GT	NUT,NYLOCK FLG,5/16-18,F,ZAG	6
15	231532GT	SCREW,HHF,M6-1.0X20,DIN6921,10.9,ZAB	2
16	1262211GT	FORMING, LATCH TRIGGER, ES	1
17	215254GT	LATCH,ROTARY,ENGINE COVER	1
18	824059GT	SCREW, HHC, 1/4-20 X .75, 8, ZAG	2
19	1274165GT	NUT,NYLOCK,1/4-20,C,ZAG	8
20	1267309GT	WLDMT, LOWER COVER SUPPORT	1
21	1261245GT	FORMING,LATCH GUARD,ES	1
22	1255763GT	SCREW,HHF,5/16-18X1.5,8,ZAG	2
23	824078GT	SCREW,HHF,1/4-20X.75,8,ZAG	8
24	56912GT	SPRING CLIP,1/4-20,.025-.15X.54,ZAG	6
25	824090GT	SCREW,HHF,3/8-16X1,8,ZAG	8
26	29868GT	SPRING CLIP,3/8-16,.05-.20X.73,ZAG	8

Go to Discount-Equipment.com to order your parts

304.1 Turntable Covers - Engine Side



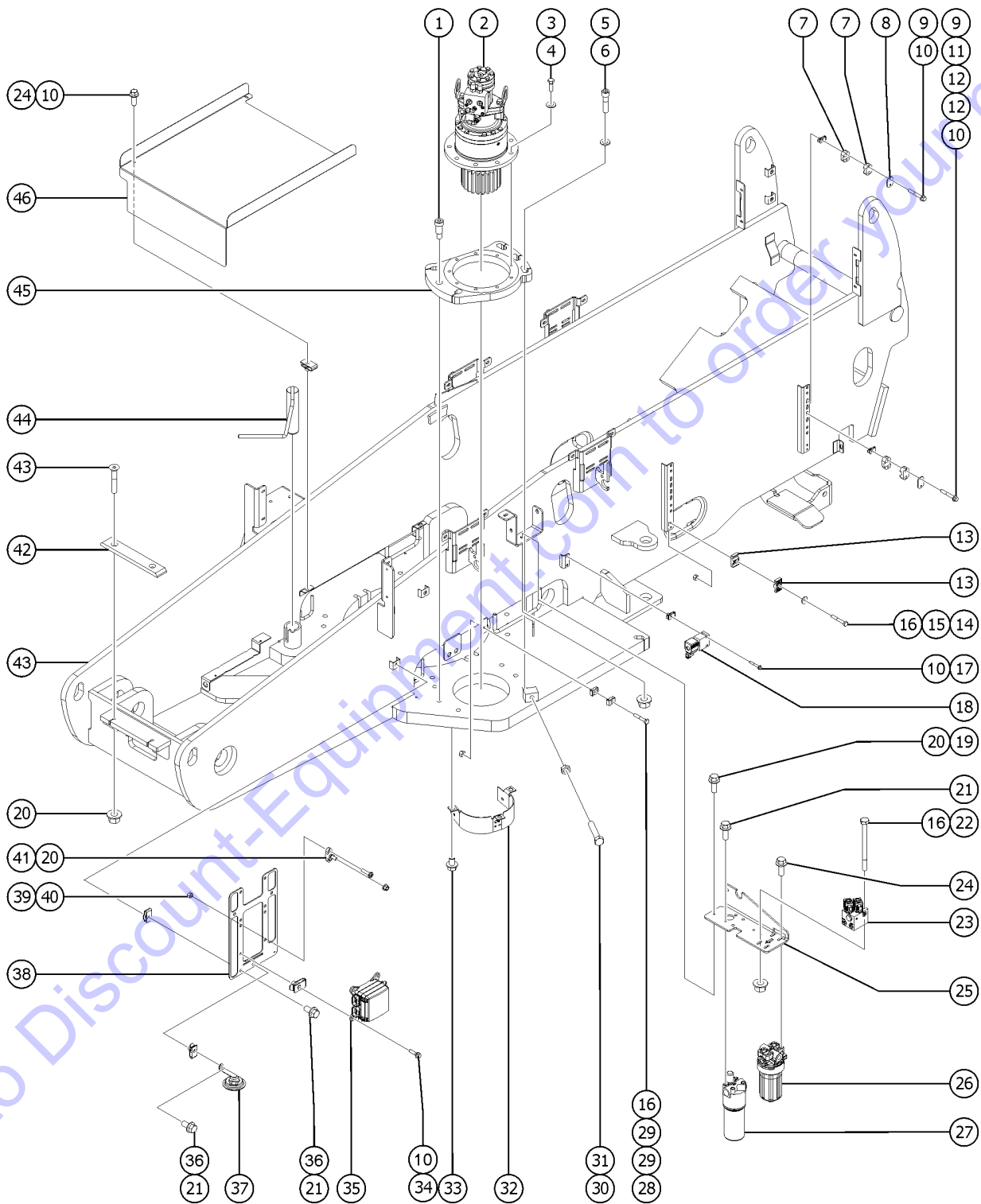
304.1 Turntable Covers - Engine Side

Item	Part No.	Description	Qty.
27	824079GT	SCREW,HHF,1/4-20X1,8,ZAG	2
28	1267081GT	FORMING,COVER,LEFT FRONT	1
29	1267080GT	FORMING,COVER,LEFT BACK	1
30	28301GT	GAS STRUT,250 LBS FORCE*** (to SN S85XCD-1083)	2
30B	1323025GT	GAS STRUT,250 LBS FORCE *** (from SN S85XCD-1084)	2
31	1256127GT	BOLT,CARRIAGE,1/4-20X1",GR 5,ZAG	6
32	1269081GT	WELDMENT, COVER SUPPORT,ENGINE SIDE	1
33	1266902GT	HINGE,.375X.1875THK,SLOTTED (to SN S85XCD-1216)	2
33B	75073GT	HINGE,.375X.120THK.,SLOTTED (from SN S85XCD-1217)	2
33B	77778GT	PLATE,HINGE SUPPORT,BLUE PAINT (from SN S85XCD-1217)	2
34	1258724GT	SUPPORT, TAPPED HINGE	2
35	1258722GT	MOUNT, COVER SUPPORT REAR	1
36	1278128GT	MOUNT, COVER SUPPORT, CENTER	1
37	1261837GT	SCREW, THM, TORX, M6X25, ZAB	2
38	231513GT	NUT,TL FLG,M6-1.0,DIN6927,10,ZAB	2
39	1271984GT	BRACKET, BUMPER	1
40	1261277GT	RUBBER BUMPER, 1.25 X 1.25 IN	1
41	1255805GT	NUT,SERRATED,5/16-18,8,ZAG	2
42	824113GT	WASHER,FLAT,USS,1/4,ZAG	

Go to Discount-Equipment.com to order your parts



305.1 Turntable Components and Swivel Drive Assembly



Go to Discount-Equipment.com to order your parts

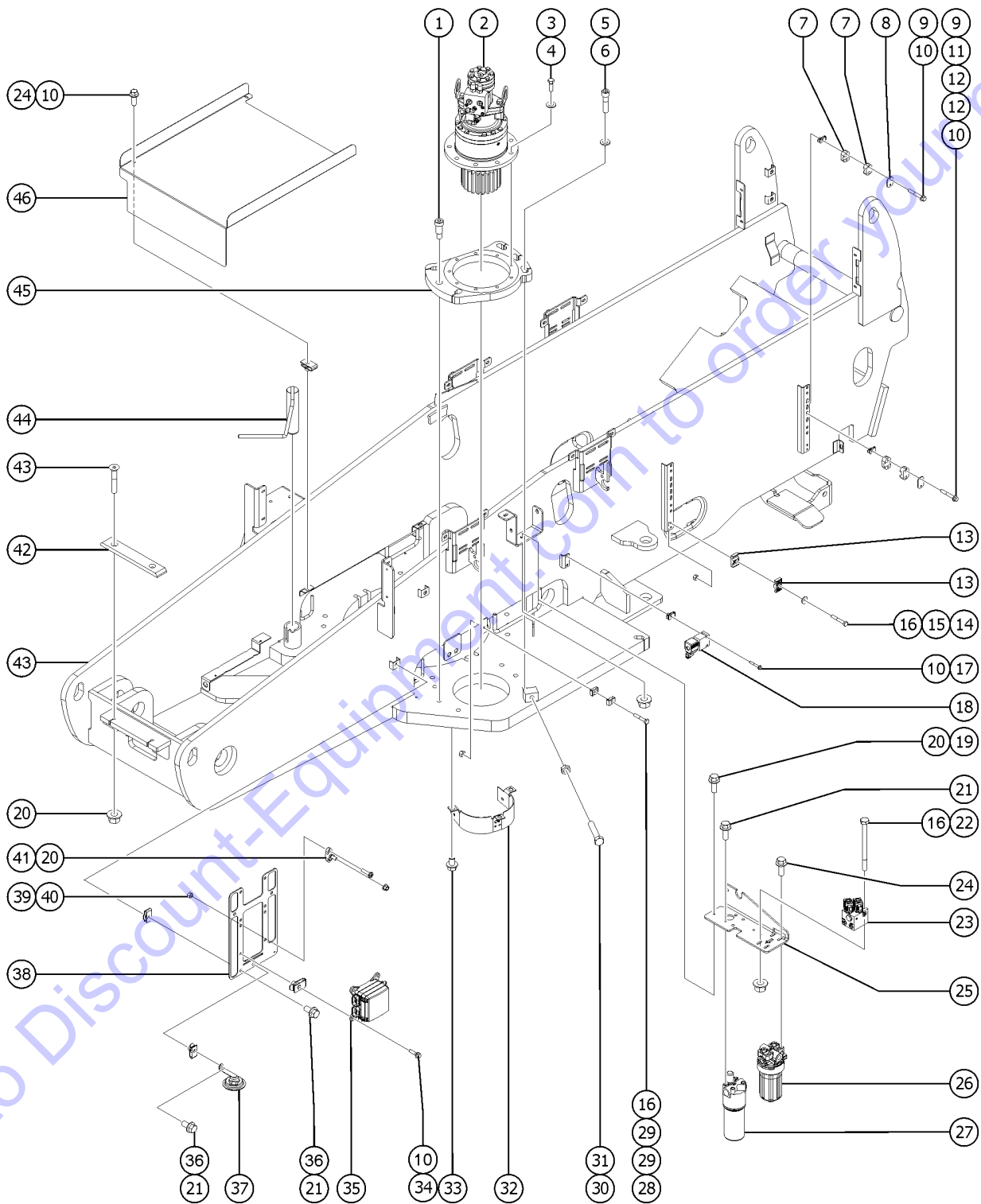
305.1 Turntable Components and Swivel Drive Assembly

Item	Part No.	Description	Qty.
1	1269586GT	BOLT,SHS,1.0X1.5X3/4-10,ZAG	1
2	1255768GT	SWING DRIVE ASSEMBLY	1
2-	1315824GT	BEARING/SEAL KIT (1255768)	
2-	1255769GT	SEAL KIT, SWING BRAKE (Used on swing drive 1255768)	
2-	1255770GT	KIT, FRICTION DISC (Used on swing drive 1255768)	
2-	1255771GT	KIT, BRAKE SPRING (Used on swing drive 1255768)	
2-	1255772GT	KIT, SWING BRAKE REBUILD (Used on swing drive 1255768)	
2-	1255773GT	BRAKE TUBING (Used on swing drive 1255768)	
2-	139308GT	SWING MOTOR COMPLETE*** (Used on swing drive 1255768)	
2-	139309GT	CBV ASSEMBLY*** (Used on swing drive 1255768)	
2-	139315GT	O-RING,MOTOR/BRAKE*** (Used on swing drive 1255768)	
2-	139323GT	VALVE,COUNTERBAL,CBCA-LIN*** (Used on swing drive 1255768)	
2-	58304GT	SHAFT,OUTPUT Used on swing drive 1255768)	
3	1256844GT	SCREW,HHC,1/2-13X1.5,8,ZAG	9
4	825353GT	WASHER,FLAT,1/2,SAE,HRD,ZAG	9
5	1256860GT	SCREW,SHC,3/4-10X3,A574,ZAG	5
6	1256863GT	WASHER,FLAT,.75,F436,HRD,ZAG	5
7	121219GT	CLAMP HALF,#8 TUBE	4
8	121217GT	COVER PLATE,TUBE CLAMP #8	2
9	1257866GT	SCREW,HHF,1/4-20X2.25,8,ZAG	8
10	56912GT	SPRING CLIP,1/4-20,.025-.15X.54,ZAG	18
11	121216GT	COVER PLATE, TUBE CLAMP #12	2
12	121218GT	CLAMP HALF,#12 TUBE	4
13	78736GT	CLAMP,2 HOSE,PLASTIC	2
14	824063GT	SCREW, HHC, 1/4-20 X 1.75, 8, ZAG	1
15	824113GT	WASHER,FLAT,USS,1/4,ZAG	1
16	1274165GT	NUT,NYLOCK,1/4-20,C,ZAG	4
17	1253485GT	SCREW,HHF,1/4-20X2,8,ZAG	2

Go to Discount-Equipment.com to order your parts



305.1 Turntable Components and Swivel Drive Assembly



Go to Discount-Equipment.com to order your parts

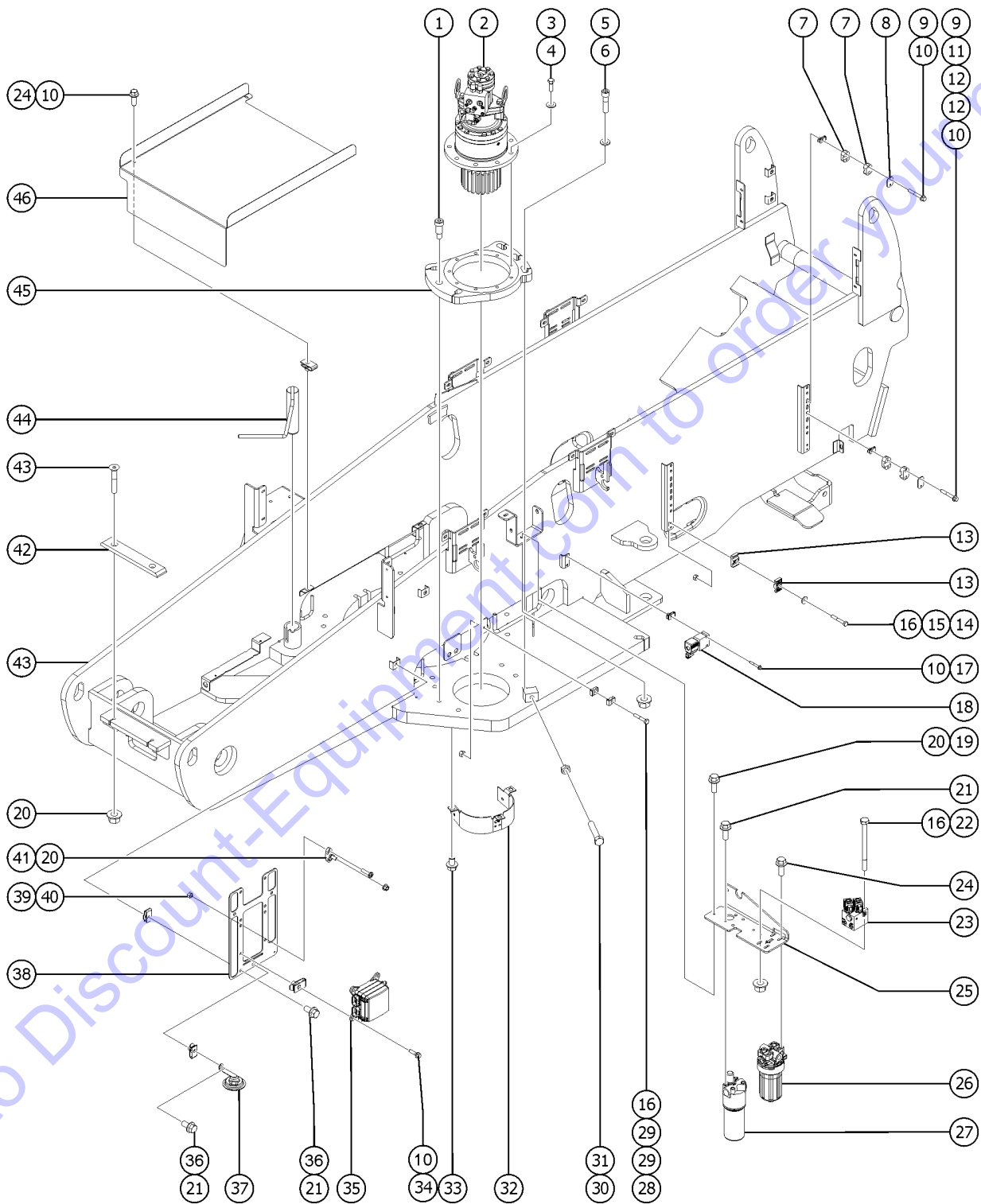
305.1 Turntable Components and Swivel Drive Assembly

Item	Part No.	Description	Qty.
18		REF. VALVE,FUNCTION ENABLE (refer to 703.1)	
19	824090GT	SCREW,HHF,3/8-16X1,8,ZAG	2
20	1274322GT	NUT,NYLOCK FLG,3/8-16,F,ZAG	5
21	824089GT	SCREW, HHF, 3/8-16 X .75, 8, ZAG	8
22	1256123GT	SCREW,HHC,1/4-20X3.25,8,ZAG	2
23		REF. TWO SPEED BRAKE MANIFOLD (refer to 702.1)	
24	824078GT	SCREW,HHF,1/4-20X.75,8,ZAG	8
25	1281796GT	FORMING, FILTER MOUNTING BRACKET, S-80/85 XC	1
26	1267807GT	ASSEMBLY, MED. PRESS. FILTER, SAE8	1
26-	1268229GT	ELEMENT-5 MIC, PAPER, W/ BYPASS	
27	60334GT	FILTER ASSY,HIGH PRESS SAE-12	1
27-	58222GT	O-RING,FILTER ASSY (60334)***	
27-	58223GT	SEAL,FILTER ASSY (60334)***	
27-	60857GT	FILTER,ELEMENT,BETA(5)=1000	
28	824062GT	SCREW,HHC,1/4-20X1.5,8,ZAG	1
29	121215GT	CLAMP HALF, #6 DOUBLE TUBE	2
30	1256846GT	SCREW,HEX TAP,3/4-10X4,8,ZAG	1
31	1256837GT	NUT,JAM,3/4-10,A, ZAG	1
32	81986PGT	COVER,ROTATION GEAR PAINTED (to SN S85XCD-1954)	1
32B	1305543GT	FORMING, ROTATION GEAR COVER (from SN S85XCD-1955)	1
33	1257723GT	SCREW,HHF-S,1/2-13X.75,5,ZAG	3
34	824079GT	SCREW,HHF,1/4-20X1,8,ZAG	4
35	1269738GT	MODULE, VEC, ALC600	1
36	29868GT	SPRING CLIP,3/8-16,.05-.20X.73,ZAG	4
37	81578GT	HORN,12VDC,SPADE TERMINALS	1
38	1279748GT	PLATE, VEC, MOUNTING, BRACKET	1
39	1274168GT	NUT,NYLOCK,10-32,A,ZAG	2
40	49816GT	SCREW,PHILLIPS,PHM,10-32 X .75	2

Goto Discount Equipment.com to order your parts



305.1 Turntable Components and Swivel Drive Assembly



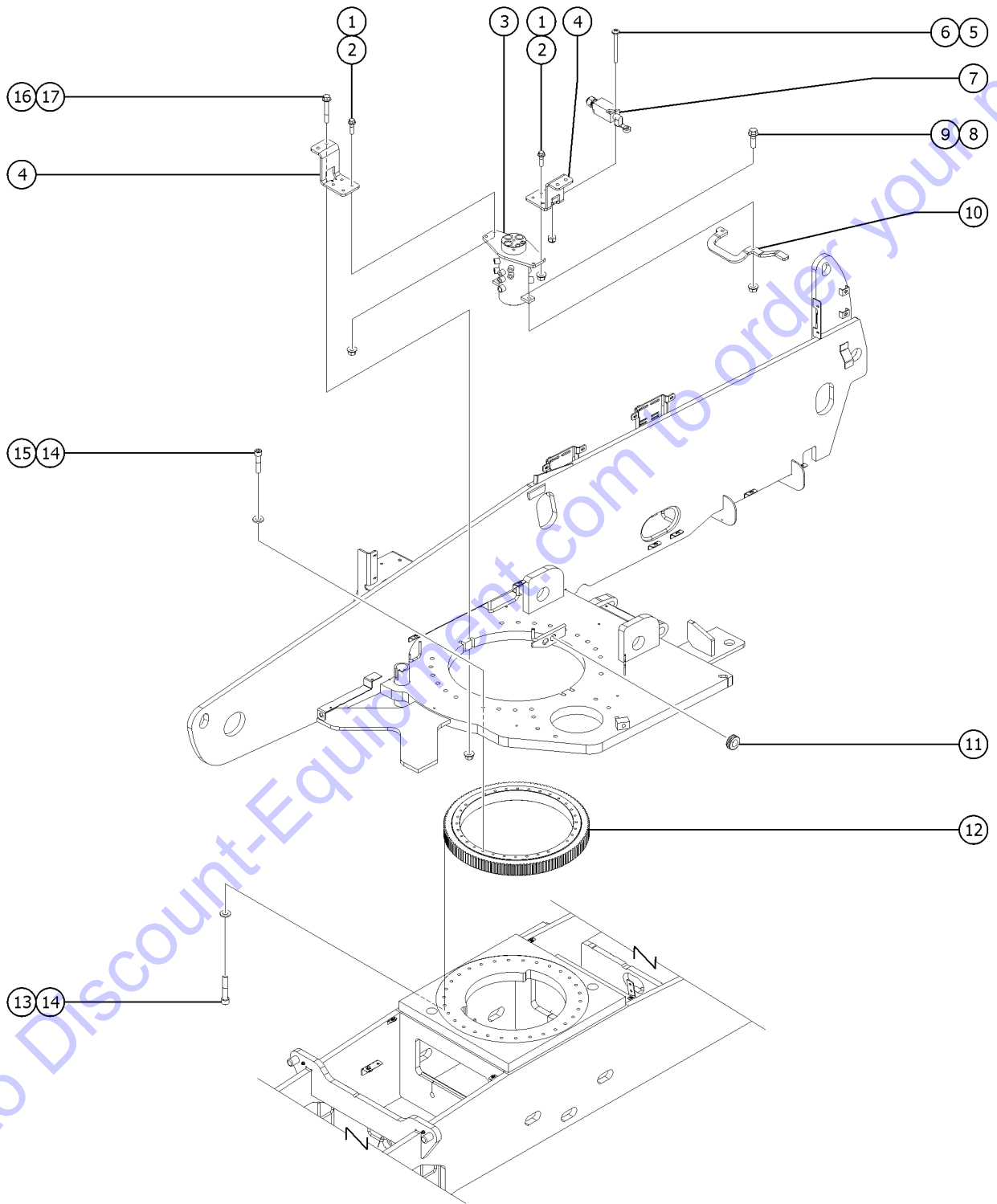
Go to Discount-Equipment.com to order your parts

305.1 Turntable Components and Swivel Drive Assembly

<i>Item</i>	<i>Part No.</i>	<i>Description</i>	<i>Qty.</i>
41	94982GT	STANDOFF, 3/8" BLACK	1
42	41549GT	PAD,BOOM REST	1
43	1256842GT	SCREW,FHS,3/8-16X2.25,F835,ZAG	2
44	121353GT	WELDMENT, TRANSPORT LOCK	1
45	121393GT	MACHINED BACKLASH	1
46	121381PGT	FORMING, COVER, SWIVEL, PNTD	1
		replaces 121381GT	

Go to Discount-Equipment.com to order your parts

306.1 Turntable Center Components



Go to Discount-Equipment.com to order your parts

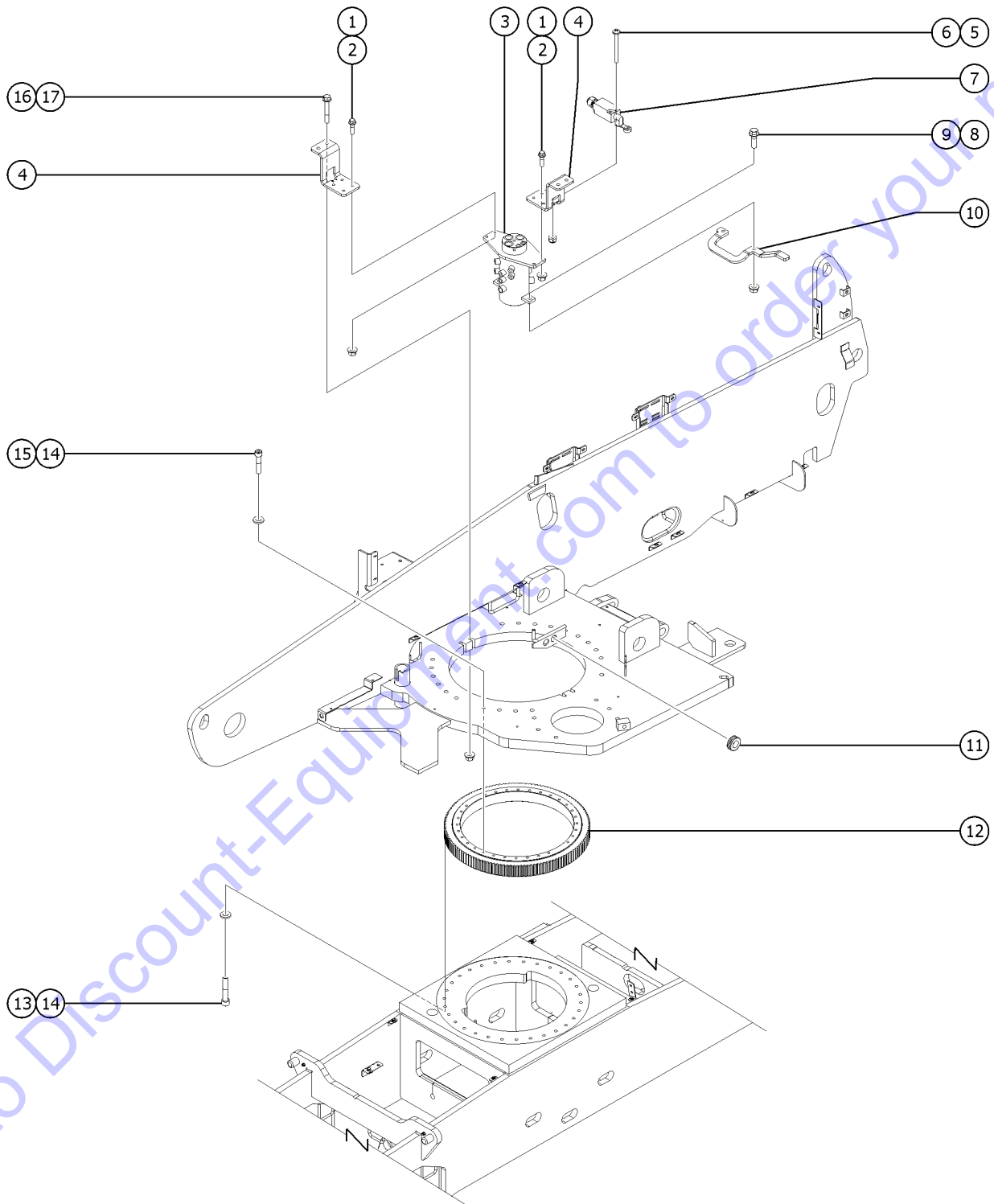
306.1 Turntable Center Components

Item	Part No.	Description	Qty.
1	824092GT	SCREW, HHF, 3/8-16 X 1.5, 8, ZAG	4
2	1274322GT	NUT, NYLOCK FLG, 3/8-16, F, ZAG	4
3	1280390GT	SWIVEL, HYD 8 PORT (to SN S85XCD-1117)	1
3-	94937GT	SEAL KIT, 8-PORT SWIVEL	
3-	T106954GT	SEAL, O-RING LIP	
3-	T106955GT	SEAL, POLY, CHAMFER	
3-	T106957GT	SEAL, CAP, NOTCHED	
3-	T106961GT	SEAL, O-RING ENERGIZER	
3-	T106962GT	SEAL, CAP, NOTCHED	
3B	1306175GT	SWIVEL HYD 8 PORT (from SN S85XCD-1118)	1
3B-	1308160GT	SEAL KIT, 8-PORT SWIVEL 1306175	
3B-	1308161GT	SEAL, ROTARY RING, 85×96×4.2	
3B-	1308162GT	SEAL, O-RING, 84.6×5.7	
3B-	1308163GT	SEAL, O-RING, 139.6×5.7	
3B-	1308164GT	SEAL, O-RING, 104.6×5.7	
3B-	1308172GT	SEAL, WEARING RING, 85×90×10	
3B-	1308173GT	SEAL, SUPPORT RING, 85×105×3	
4	60575PGT	BRACKET, HYD. ROTATOR MOUNT MNT	2
5	1256177GT	SCREW, PHPM, 10-32X1.75, ZAG	2
6	1274168GT	NUT, NYLOCK, 10-32, A, ZAG	2
7		REF. HARNESS, LST10, S80/85 (Drive Enable Limit Switch) (refer to 310.1)	1
8	826171GT	SCREW, HHF, 1/2-13X1.75, ZAG	2
9	1251997GT	NUT, TL FLG, 1/2-13, G, ZAG	2
10	1274153GT	FORMING, SWIVEL STOP, NDL (to SN S85XCD-1117)	1
10B	1309413GT	FORMING, SWIVEL STOP, NDL (from SN S85XCD-1118)	1
11	826559GT	GROMMET, .875"ID, 1.25"OD, .188"	2
12	50035GT	BEARING, TURNTABLE	1
12-	227785GT	BEARING TURNTABLE SEAL***	

Go to Discount Equipment.com to order your parts



306.1 Turntable Center Components



Go to Discount-Equipment.com to order your parts

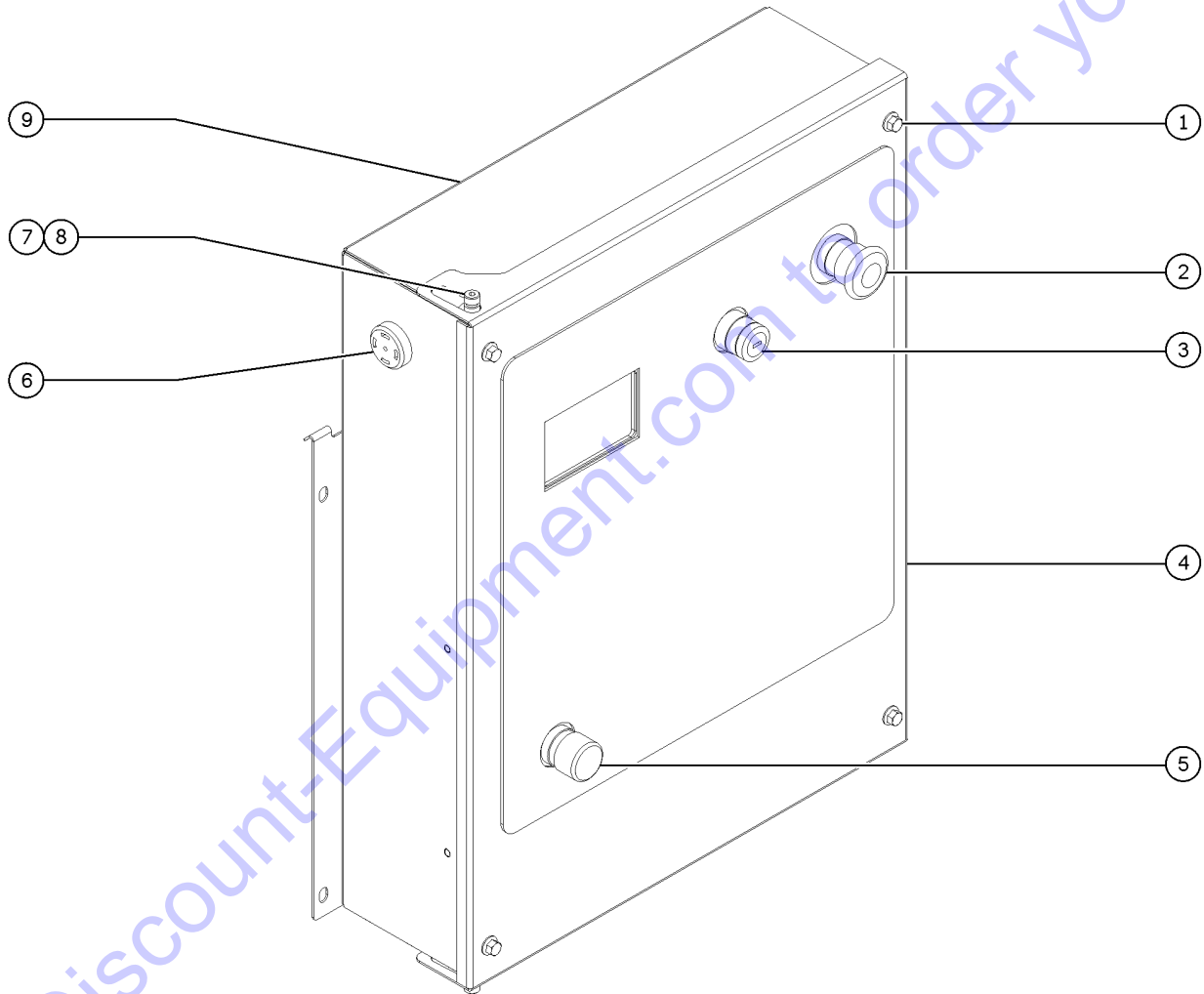
306.1 Turntable Center Components

Item	Part No.	Description	Qty.
12-	49189-6838GT	HOSE ASSY,FM SW,JIC,4-4 (not shown)	1
12-	48887GT	ELBOW,90D, 070202-4	1
12-	48885GT	CONNECTOR,BULKHEAD,FEMALE-4	1
12-	28646GT	ZERK,GREASE,1/8 NPT (located under function manifold, hyd tank side)	1
13	1268596GT	SCREW,SHC,5/8-11X3.5,A574,ZAG	30
14	1256182GT	WASHER,FLAT,5/8,F436,HRD,ZAG	52
15	824107GT	SCREW, SHC, 5/8-11 X 3, A574, ZAG	22
16	1256851GT	SCREW,HHF,1/2-13X3.5,8,ZAG	4
17	1274172GT	NUT,NYLOCK FLG,1/2-13,G,ZAG	4

Go to Discount-Equipment.com to order your parts



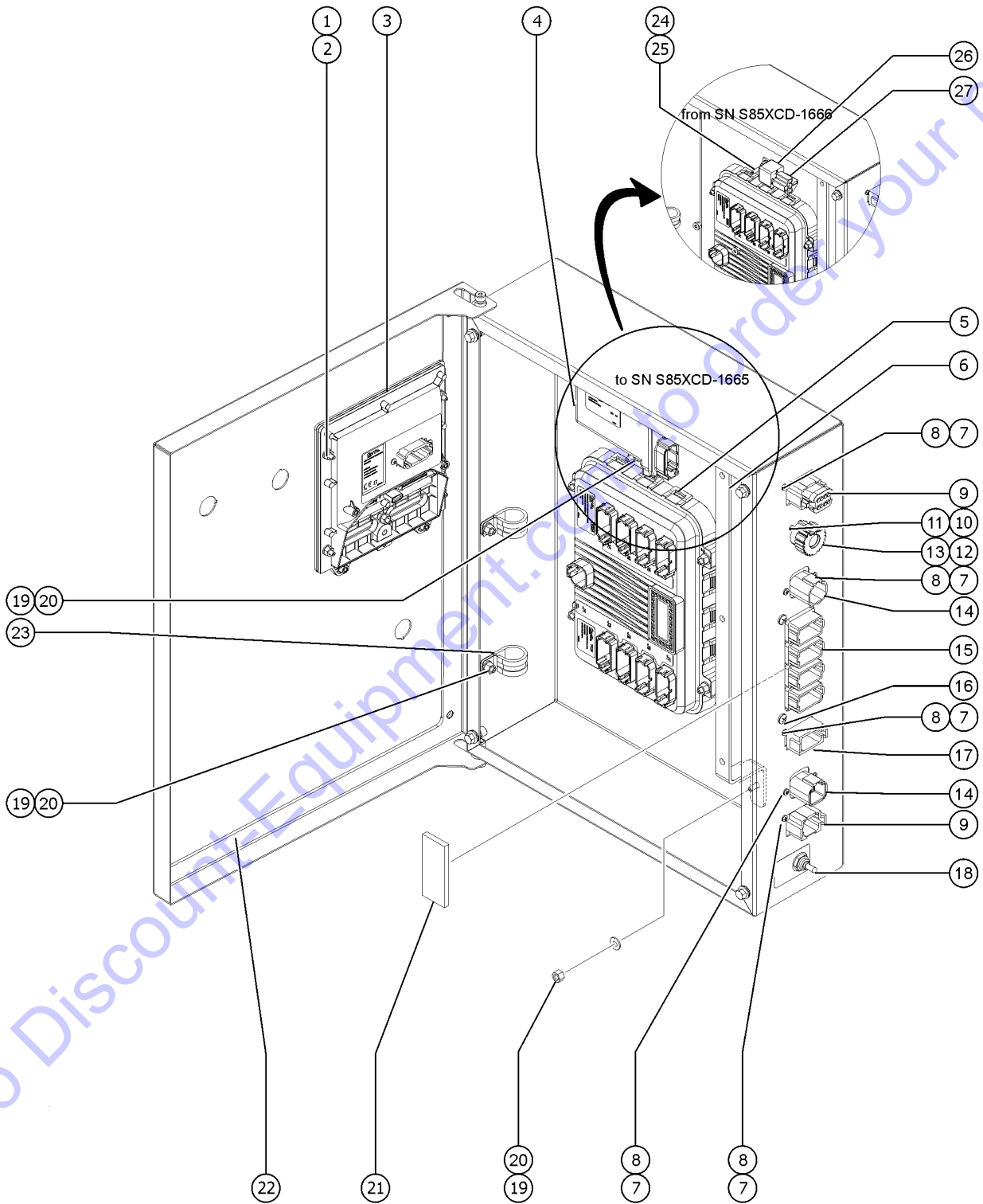
307.1 Ground Control Box - View 1



Item	Part No.	Description	Qty.
A	1275940GT	ASSEMBLY, GBOX, S-BOOM, JIB, ALC600 to SN S85XCD-137	1
B	1290460GT	ASSEMBLY, GBOX, S-BOOM, JIB, ALC600, TELEMATICS 2.0 from SN S85XCD-138	1
1	1256855	SCREW,HHF,1/4-20X.625,8,ZAG	4
2	66812GT	BUTTON,PUSH,RED MUSHROOM HEAD	1
2-	66817GT	E-STOP W/ NC CONTACT	
2-	66818GT	CONTACT,NC	
3	66811GT	KEYSWITCH,3POS.MNTND.DR WKEY**	1
3-	66817GT	E-STOP W/ NC CONTACT	
3-	66818GT	CONTACT,NC	
3-	66816GT	CONTACT,N.O.***	
4	1275937GT	WELDMENT LID TCON ALC600	1
5	66813GT	BUTTON,PUSH,BLACK W/SEAL***	1
5-	66821GT	BASE,WITHOUT CONTACTS	
5-	66816GT	CONTACT,N.O.***	
6	39540GT	ALARM, STEADY TONE***	1
6-	72326GT	NUT - PLASTIC, RING FOR ALARMS	
7	1257410GT	BOLT,SHS,5/16X.375X1/4-20,ZAG	2
8	218449GT	WASHER,SHOULDER,NYLON	2
9	1275939GT	WELDMENT, BOX, TCON, ALC600 to SN S85XCD-137	1
9B	1290450GT	WELDMENT, BOX, TCON, ALC600, TELEMATICS 2.0 from SN S85XCD-138	1

Go to DiscountEquipment.com to order your parts

308.1 Ground Control Box - View 2

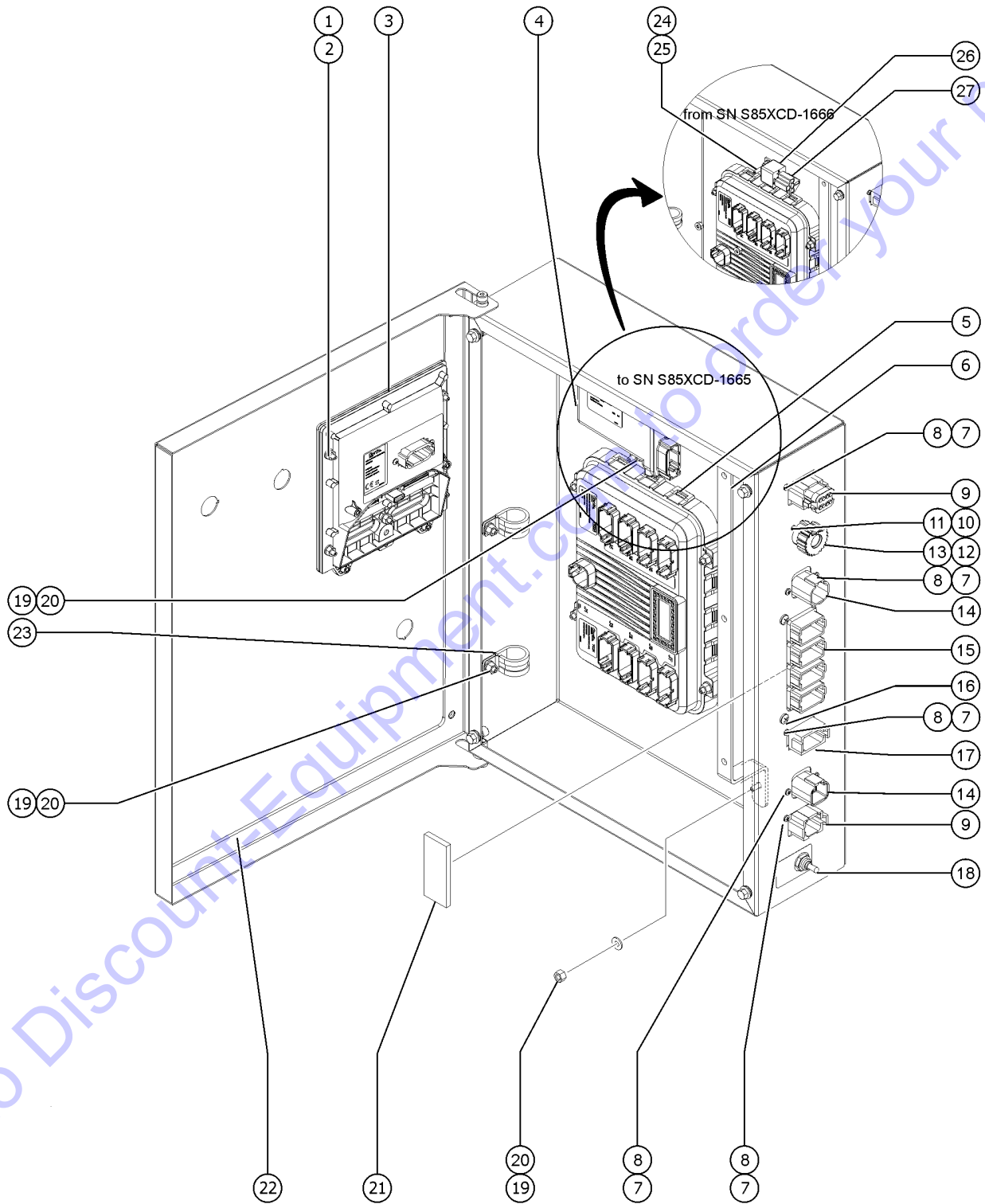


Go to DiscountEquipment.com to order your parts

Item	Part No.	Description	Qty.
1	1271081GT	NUT,NYLOCK,8-32,8,ZAG	5
2	1257390GT	WASHER,FLAT,#8,SAE,ZAG	5
3	1286640GT	KIT,DISCON ALC600	1
3-	1268327GT	ECU, DISPLAY CONTROLLER unprogrammed version	
3-	1284522GT	ECU,DISPLAY CONTROLLER,PROGRAMMED programmed version	
3-	1268322GT	GASKET, RIBBON, DISCON	
3-	1268651GT	CABLE, FLAT FLEX, 30 POS 1MMX3"	
4	1280589GT	MODULE, RECOVERY (to SN S85XCD-1665)	1
5	1284523GT	ECU,TURNTABLE,S-XC,PROGRAMMED	1
6	119644GT	BRACKET,PBOX WIRE SUPPORT	1
7	824214GT	SCREW,PHPM,6-32X.50,ZAG	10
8	1274164GT	NUT,NYLOCK,6-32,A,ZAG	10
9	87755GT	CONN, RECEP, 8 WAY, DEUTSCH, DT, GRAY/FLANGE (FOR BOOM CABLE); to SN S85XCD-137	2
9A-	1258768GT	CONN,PLUG 8WAY,BLOCKED GROMMET to SN S85XCD-137	
9A-	60757GT	PLUG, SEAL, 12-18GA to SN S85XCD-137	
9B	119061GT	CONN PLUG 12 WAY ENDCAP DT GY (FOR TELEMATICS); from SN S85XCD-138	2
9B-	73730GT	CONN, RECEP, 12 WAY, DEUTSCH, DT, GRAY/FLANGE from SN S85XCD-138	
10	1253477GT	SCREW,PHPM,4-40X.5,ZAG	2
11	1283012GT	NUT,NYLOCK,4-40,2,ZAG	2
12	1272123GT	DUST CAP, RECEPTACLE, 5 WAY, CIRCULAR (SERVICE PORT)	1
13	1272122GT	CONN, RECEP, 5 WAY, DEUTSCH, HD10	1
14	73717GT	CONN, RECEP, 4 WAY, DEUTSCH, DTP, FLANGE (UPPER PORT FOR POWER) (LOWER PORT FOR BOOM CABLE)	2
15	73736GT	CONN,RECEP 48 WAY,4 X 12 (ENGINE AND FUNCTION MANIFOLD)	1
16	824226GT	SCREW, PHPSH, #12-11 X .75, ZAG	4
17	73730GT	CONN, RECEP, 12 WAY, DEUTSCH, DT, GRAY/FLANGE (SENSORS)	1
18	128203GT	SWITCH TOGGLE ASSY SPDT 2P MOM (RECOVERY SWITCH), (to SN S85XCD-1665)	1
18B	128202GT	SWITCH TOGGLE ASSY DPDT 3P MOM (from SN S85XCD-1666)	1
19	1274168GT	NUT,NYLOCK,10-32,A,ZAG	10



308.1 Ground Control Box - View 2

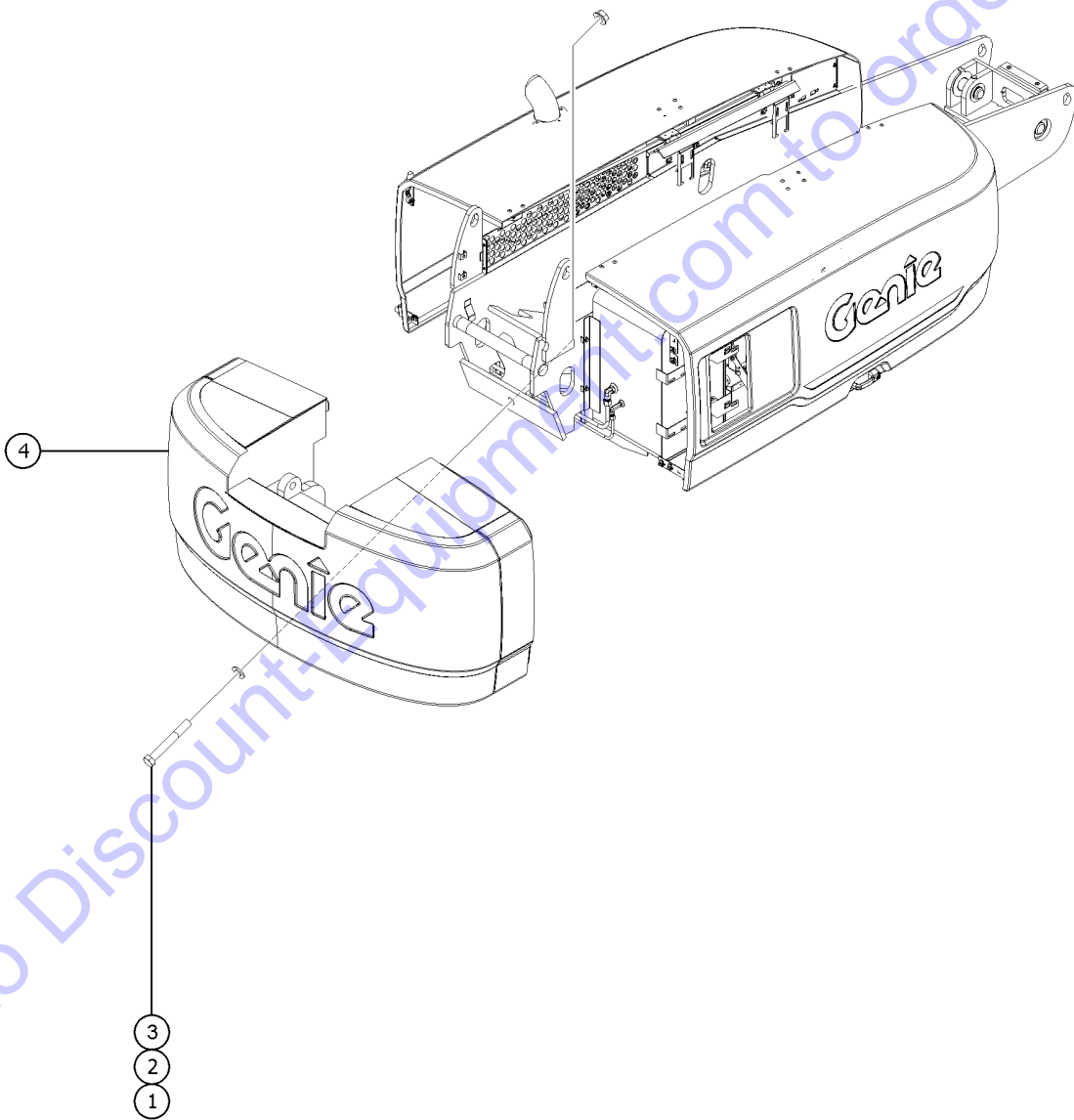


Item	Part No.	Description	Qty.
20	1253185GT	WASHER,FLAT,#10,USS,ZAG	10
21	30997GT	CORROSION INHIBITOR,FOAM	1
22	1277169GT	GASKET GBOX ALC600	1
23	18666GT	CLAMP,1.00,#16 X 1/4,RUB CUSH	2
24	1280702GT	PEMSTUD 10-32X1.25 FH032-20	2
		(from SN S85XCD-1666)	
25	1274168GT	NUT,NYLOCK,10-32,A,ZAG	2
		(from SN S85XCD-1666)	
26	19274GT	RELAY SPDT,12V(AUTO)**	2
		(from SN S85XCD-1666)	
27	1310252GT	CONNECTOR, RELAY SOCKET, 5PIN	2
		(from SN S85XCD-1666)	

Go to Discount-Equipment.com to order your parts



309.1 Turntable Counterweight



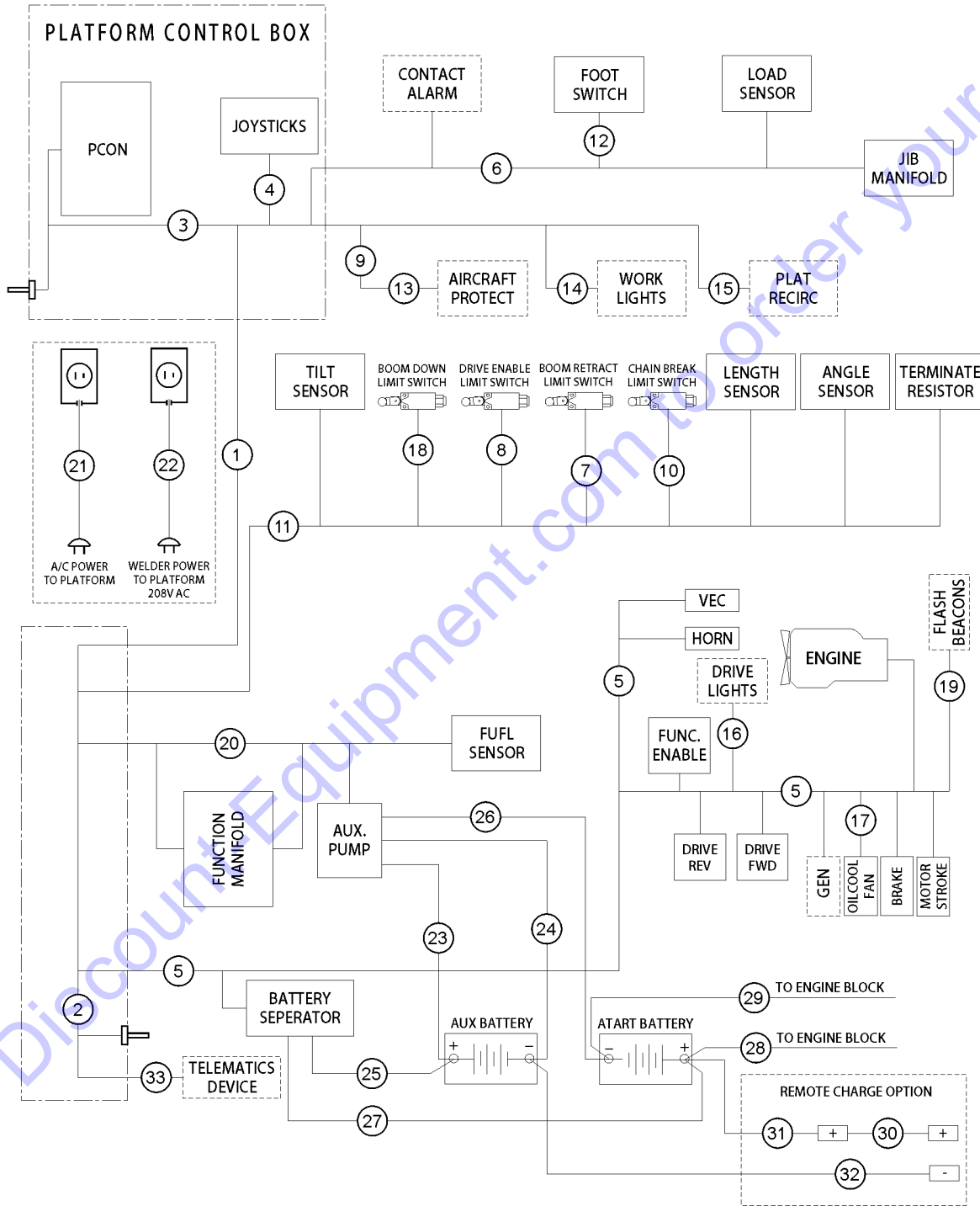
309.1 Turntable Counterweight

Item	Part No.	Description	Qty.
1	1258563GT	SCREW,HHC,1-8X7,8,ZAG	1
2	824116GT	WASHER,FLAT,1.0,F436,HRD,ZAG	1
3	824031GT	NUT, TL FLG, 1-8, G, ZAG	1
4	1272956GT	COUNTERWEIGHT, S85 XC (14,100+/- 100 lbs / 6396+/- 45 kg)	1

Go to Discount-Equipment.com to order your parts



310.1 Wire Harness Diagram

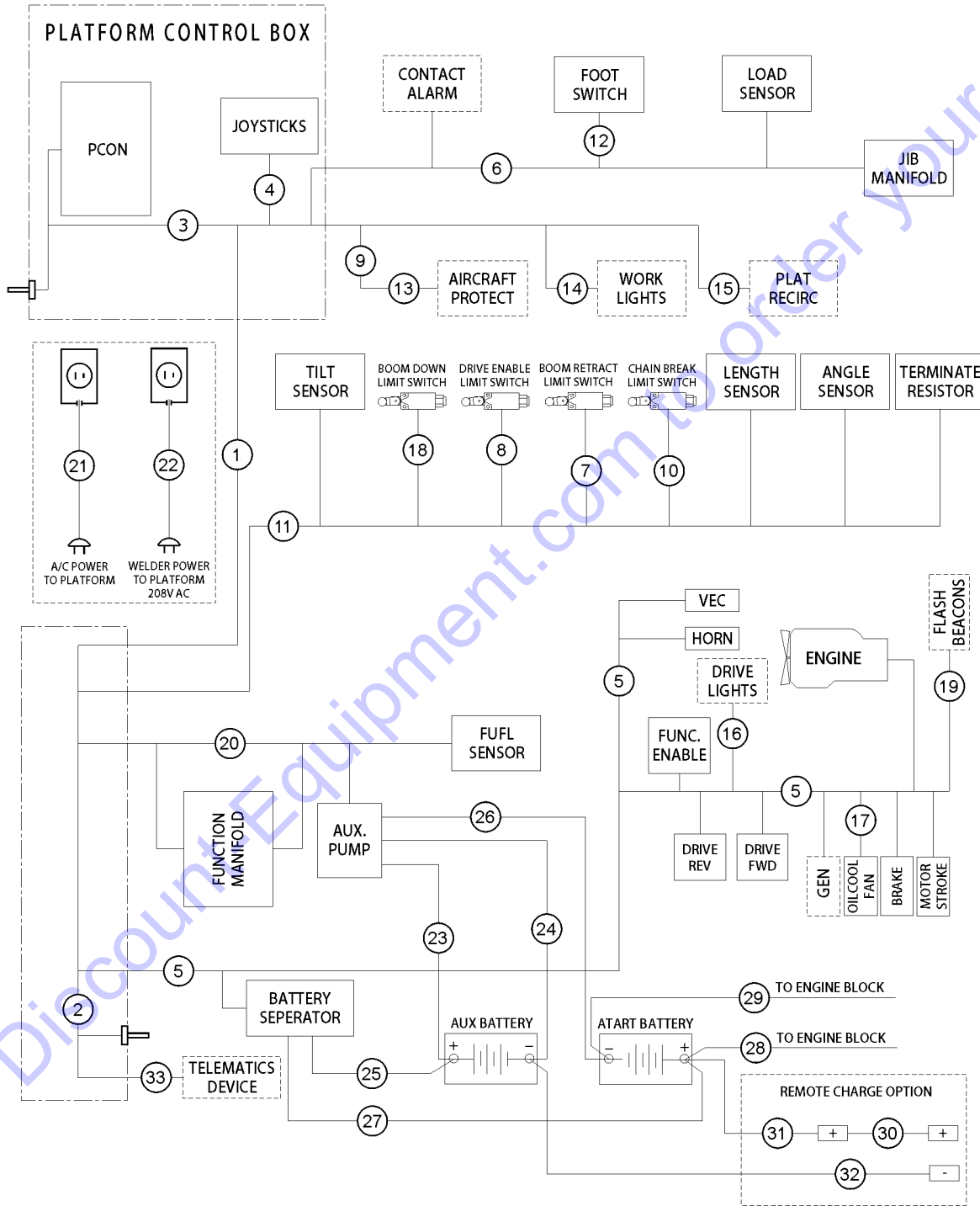


310.1 Wire Harness Diagram

Item	Part No.	Description	Qty.
1	1269744GT	CABLE, BOOM, COMPOSITE, S85XC	1
1-	1280487-SGT	CABLE, COMPOSITE, J1939, 11C, 10/14/16/18(INCH)	12 62
2	1288347GT	HARNESS GBOX ALC600 to SN S85XCD-137	1
2B	1290501GT	HARNESS, GBOX, ALC600, TELEMATICS 2.0 from SN S85XCD-138 to SN S85XCD-1665	1
2C	1302656GT	HARNESS, LOCK, TELEMATICS, S85XC (for China telematics option)	1
2D	1309207GT	HARNESS GBOX, ALC600, TELEMATIC 2, HW from SN S85XCD-1666	1
3	1274448GT	HARNESS PCON ALC600	1
3-	1258951GT	HARNESS, SWITCH, JIB, PCON	1
3-	1269733GT	HARNESS, SWITCH, GENERATOR	1
3-	1282176GT	HARNESS, SWITCH, FUEL SELECT	1
4	1269719GT	HARNESS JOYSTICK ALC600	1
5	1269699GT	HARNESS, ENGINE, DEUTZ 2.9T (Deutz TD 2.9L4 and Deutz TD 2.9L4 China III)	1
5B	1269700GT	HARNESS, ENGINE, DEUTZ 2011 (Deutz TD2011L04i)	1
5C	1290930GT	HARNESS, DEUTZ 2.2 STAGE V, S80/85 XC (TCD 2.2 engine)	1
6	1274450GT	HARNESS, PLATFORM MANIFOLD	1
7	1269714GT	HARNESS, LSB1RS, S80/85 (Boom Retract Limit Switch)	1
8	1269715GT	HARNESS LST1O S80/85 (Drive Enable Limit Switch)	1
9	1269734GT	HARNESS, PROX, MANIFOLD, PLAT	1
10	1269717GT	HARNESS, LSB2S, S80/85 (Chain Break Limit Switch)	1
11	1274449GT	HARNESS, BOOM SENSORS	1
12	227618GT	ASSEMBLY, FOOTSWITCH	1
13	1269721GT	HARNESS, PROX SENSOR, ACP	1
14	1269720GT	HARNESS, LIGHTS, WORK	2
15	1269722GT	HARNESS, RECIRCULATION, PLAT	1
16	1269724GT	HARNESS, LIGHTS, DRIVE	1
17	1269725GT	HARNESS COOLER HYDRAULIC (standard)	1
17-	1254360GT	HARNESS, OIL COOLER, LIFT POWER (generator option)	1
18	1280395GT	HARNESS LST3S S80/85 (Boom Down Limit Switch)	1



310.1 Wire Harness Diagram



Go to DiscountEquipment.com to order your parts

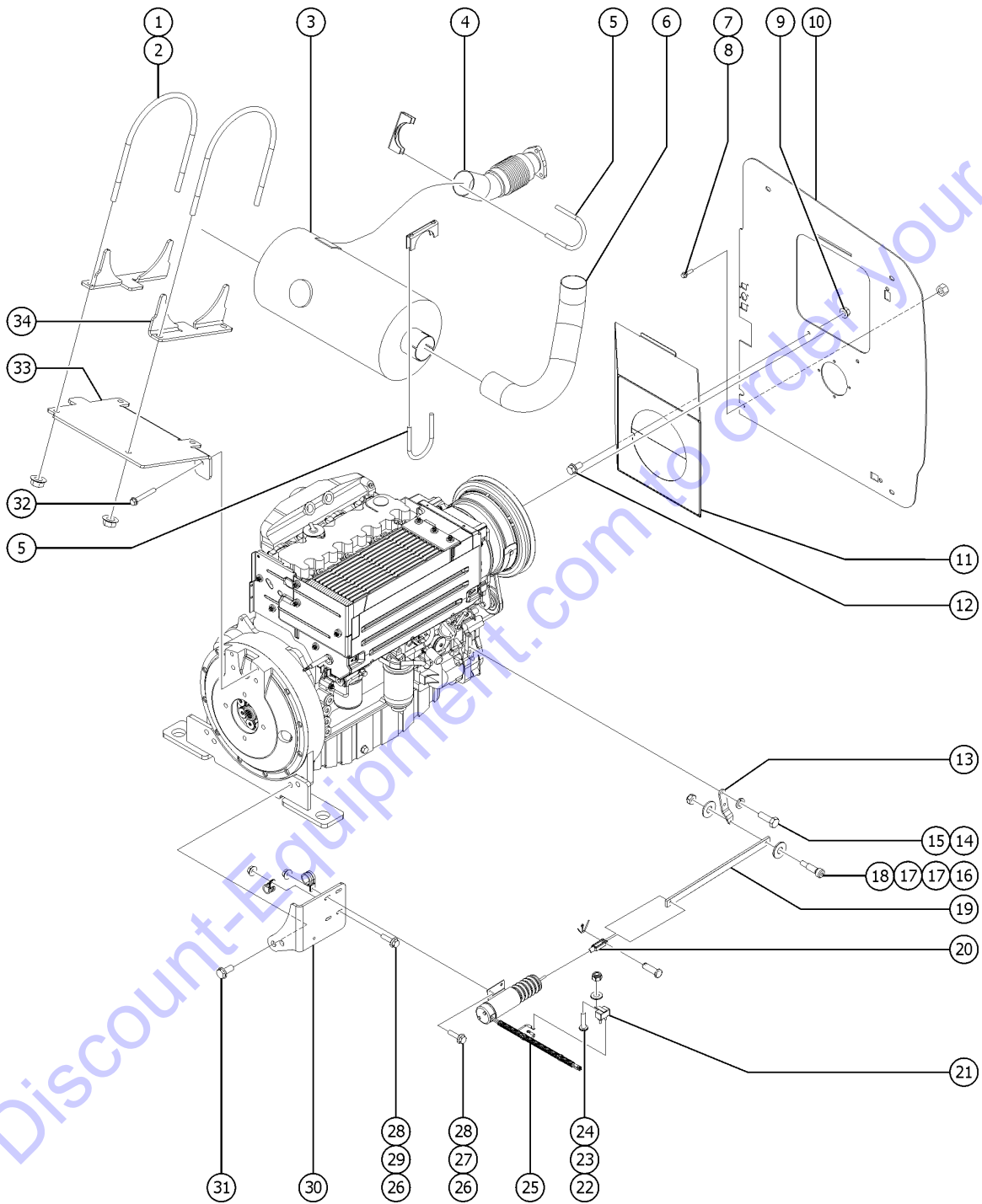
310.1 Wire Harness Diagram

Item	Part No.	Description	Qty.
19	1269729GT	HARNESS, BEACONS, FLASHING	1
20	1269731GT	HARNESS MANIFOLD FUNCTION S80/85	1
21	1256921GT	WIRE CABLE,10/3 (BR,GN/YL,BL)	12 72
22	106115GT	WIRE CABLE 8 GA/4 CON.SO	13 24
23	121619GT	HARNESS,BATT2 TO APU(+),S80	1
24	121622GT	HARNESS,BATT2 TO APU(-),S80	1
25	1279680GT	ASSEMBLY WIRE SEPARATOR BATTERY A	1
26	1274452GT	HARNESS BATTERY NEGATIVE	1
27	1279679GT	ASSEMBLY WIRE SEPARATOR BATTERY M	1
28	121474GT	BATTERY CABLE,2/0,POS,RD,123"	1
28-	826138GT	CABLE, BATTERY POS RED 136"	1
29	1281128GT	CABLE, BATTERY BLACK 2/0 122"	1
29-	1279875GT	CABLE, BATTERY BLACK 2/0 128"	1
30	1269051GT	CABLE ASSY, RED 2/0	1
31	1269060GT	CABLE, RED 2/0, 20"	1
32	1269061GT	CABLE ASSY, BLACK 2/0	1
33	1256074GT	HARNESS, HERTZ GPS, 8"	1
33B	1260526GT	HARNESS,TELEMATICS,TOPCON,36IN	1
33C	1274342GT	HARNESS, M8, ZTR, 35IN	1
33D	1261655GT	HARNESS,TELEMATICS,ZTR,M5S	1
33E	1281095GT	ASSEMBLY,TELEMATICS, TTU 2830	1

Go to Discount-Equipment.com to order your parts



401.1 Deutz TD2011L04i Engine - View 1

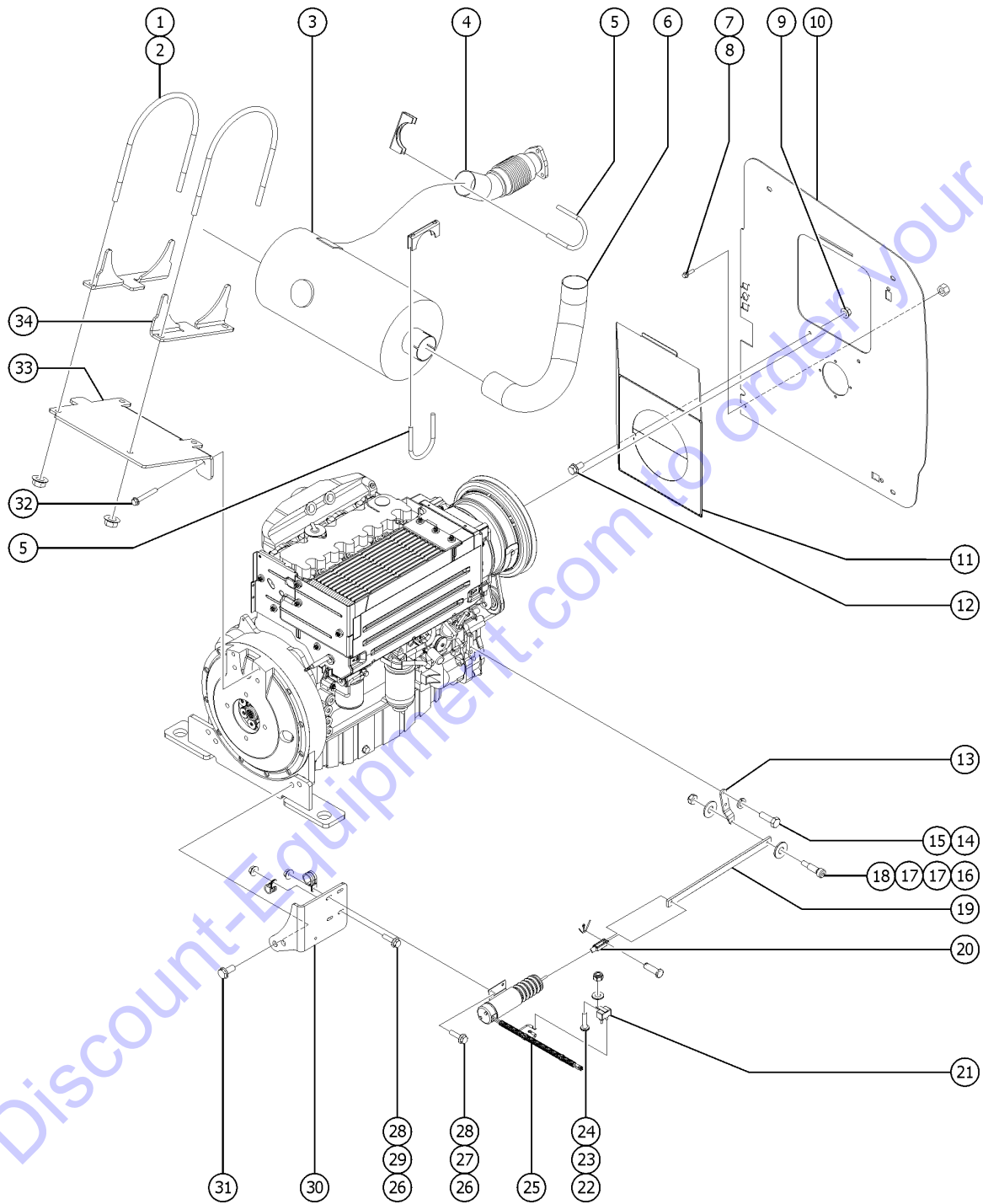


Go to Discount-Equipment.com to order your parts

Item	Part No.	Description	Qty.
1	70449GT	U-BOLT,1/2-13 X 8.5	2
2	121423GT	NUT,FLG,1/2-13	4
3	70444GT	MUFFLER,2.5"INLET/OUTLET	1
4	70445GT	FLEX PIPE,EXHAUST,2.5" DIA	1
5	71911GT	CLAMP,MUFFLER, 2.50 INCH	2
6	70465GT	TAILPIPE,DEUTZ BF4L2011	1
7	824079GT	SCREW,HHF,1/4-20X1,8,ZAG	3
8	1274165GT	NUT,NYLOCK,1/4-20,C,ZAG	1
9	121422GT	NUT,HEX,FLG,3/8-16	2
10	1274053GT	PLATE, BULKHEAD, DEUTZ TD2011	1
11	121410GT	WELDMENT,COOLING AIRBOX	1
12	75051GT	SCREW,SER FLNG3/8UNCX3/4ZNYEL	2
13	50787-SGT	LEVER, GOVERNOR ACTUATOR	1
14	22578GT	SCREW,HHC,M6 X 20MM,GR8.8	2
15	49407GT	WASHER,LOCK,M6	2
16	6584GT	SCREW,SHS,10-24 X .625	1
17	6638GT	WASHER, FLAT, USS, 1/4"Y	2
18	5365GT	NUT,NYLOCK,10-24	1
19	139322GT	THROTTLE LINKAGE, DSL	1
20	21130GT	CLEVIS YOKE-1/4-28,PLTD W/PIN	1
21	128829GT	CIRCUIT BRKR 15A TYPE 2 METAL	1
22	49816GT	SCREW,PHILLIPS,PHM,10-32 X .75	1
23	6146GT	WASHER,FLAT,MS,#10,Y	1
24	6178GT	NUT, NYLOCK, 10-32, SS	1
25	121615GT	THROTTLE SOLENOID ASSY, TROMB.	1
25-	128829GT	CIRCUIT BRKR 15A TYPE 2 METAL	
26	121420GT	SCREW,HHF,1/4-20 X 1.00	4
27	18666GT	CLAMP,1.00,#16 X 1/4,RUB CUSH	1

Go to Discount-Equipment.com to order your parts

401.1 Deutz TD2011L04i Engine - View 1



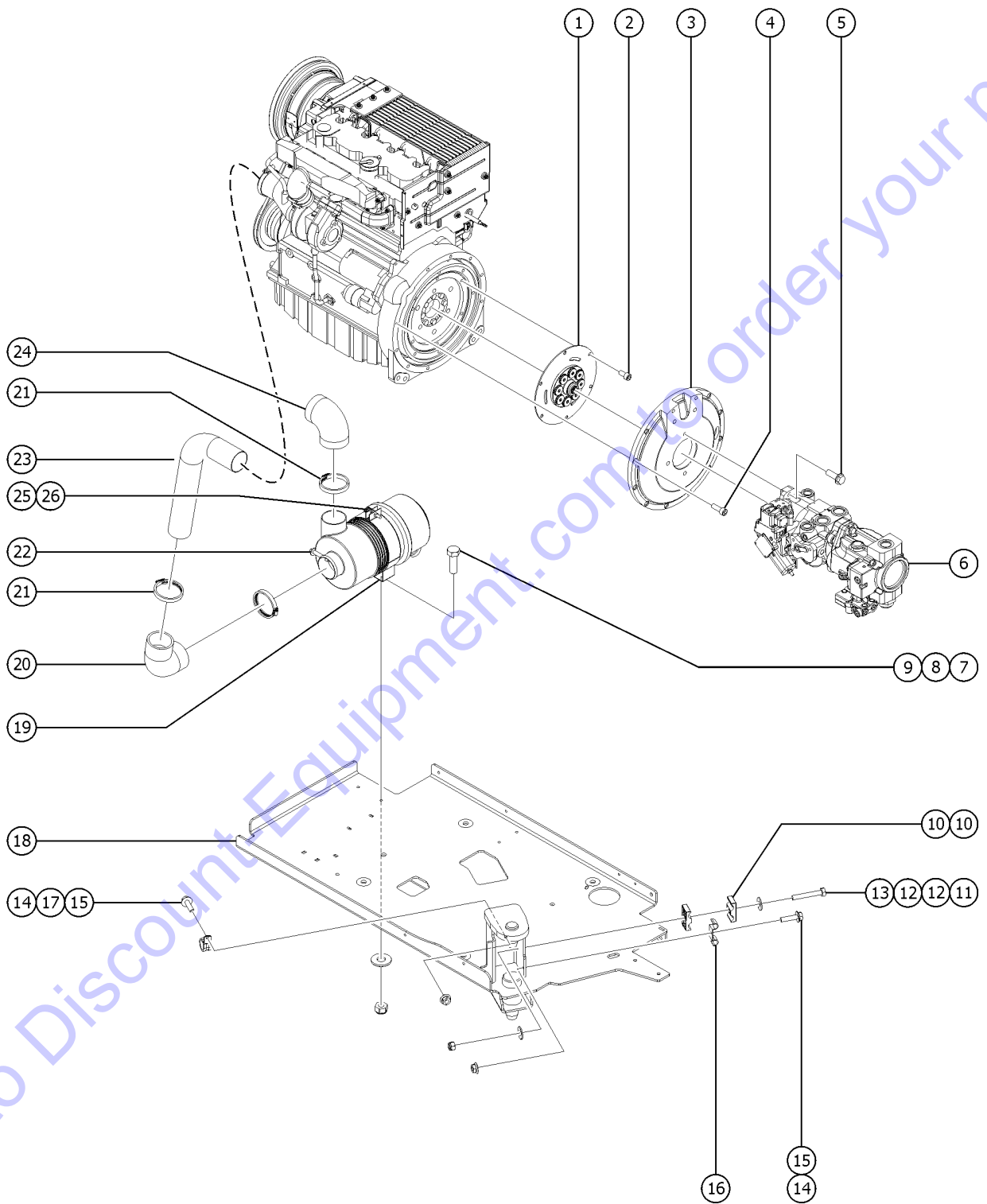
Go to Discount-Equipment.com to order your parts

<i>Item</i>	<i>Part No.</i>	<i>Description</i>	<i>Qty.</i>
28	121421GT	NUT,FLG,1/4-20	4
29	45454GT	CLAMP,0.75,#12 X 3/8,RUB CUSH*	1
30	139321GT	FORMING, SOLENOID MOUNT***	1
31	121688GT	SCREW,HHC,FLG,M14 X 35	2
32	121430GT	SCREW,FLG HD,M10 X 70 GR12.9	2
33	70448PGT	FORMING,MUFFLER MOUNT	1
34	70483GT	FORMING,8.5' MUFFLER MOUNT	2

Go to Discount-Equipment.com to order your parts



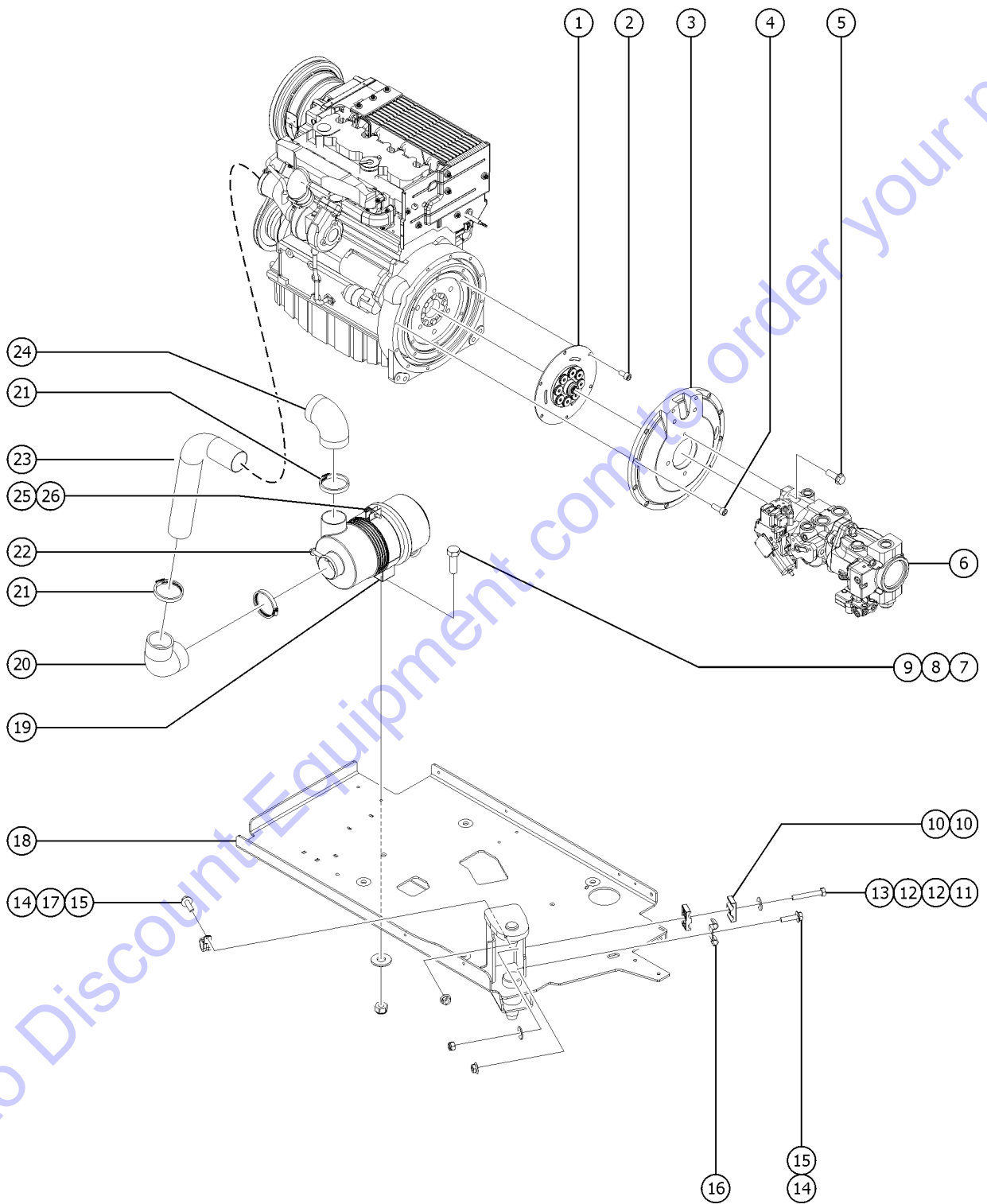
402.1 Deutz TD2011L04i Engine - View 2



Go to DiscountEquipment.com to order your parts

Item	Part No.	Description	Qty.
1	128004GT	COUPLER,15 TOOTH,FBA,SAE8***	1
2	62476GT	SCREW,SHC,M10X1.5X20MM (75090)	6
3	70381GT	COVER,FLYWHEEL CASTING	1
4	61110GT	SCREW,SHC,M10X1.5X30 GR 12.9	9
5	123167GT	FLGHCS,1/2-13X1.50,GR8,BLK PH	4
6		REF. DRIVE PUMP AND FUNCTION PUMP (refer to 707.1)	1
7	13002GT	SCREW,HHC,5/16-18 X 1 GR5	2
8	5397GT	WASHER,FLAT,5/16,USS,ZAG	2
9	6782GT	NUT, NYLOCK, 5/16-18	2
10	78736GT	CLAMP,2 HOSE,PLASTIC	2
11	6637GT	SCREW,HHC,1/4-20 X 1.75	1
12	6638GT	WASHER, FLAT, USS, 1/4"Y	2
13	6091GT	NUT, NYLOCK, 1/4-20	1
14	121420GT	SCREW,HHF,1/4-20 X 1.00	2
15	121421GT	NUT,FLG,1/4-20	2
16	75289GT	CLAMP,HOSE,1/2" DOUBLE	1
17	18666GT	CLAMP,1.00,#16 X 1/4,RUB CUSH	1
18		REF. WELDMENT,ENGINE TRAY (refer to 417.1)	1
19	81468GT	MOUNTING BAND,AIR CLEANER (to S85XCD-1379)	1
19B	1309605GT	BRKT,AIR CLEANER,DONALDSON,S-BOOM (from S85XCD-1380)	1
20	139455GT	ELBOW,AIR INTAKE,RUBBER	1
21	30489GT	CLAMP,HOSE,3.50	3
22	81467GT	AIR CLEANER,NELSON (to S85XCD-1379)	1
22-	75450GT	AIR CLEANER CLIPS, SUPERBOOM	
22-	75451GT	AIR CLEANER COVER, SUPERBOOM*	
22-	52866GT	EVACUATOR VALVE-AIR CLEANER	
22-	62425GT	FILTER,AIR CLEANER, SUPERBOOM	
22B	1309573GT	AIR CLEANER, DONADSON,G070017 (from S85XCD-1380)	1

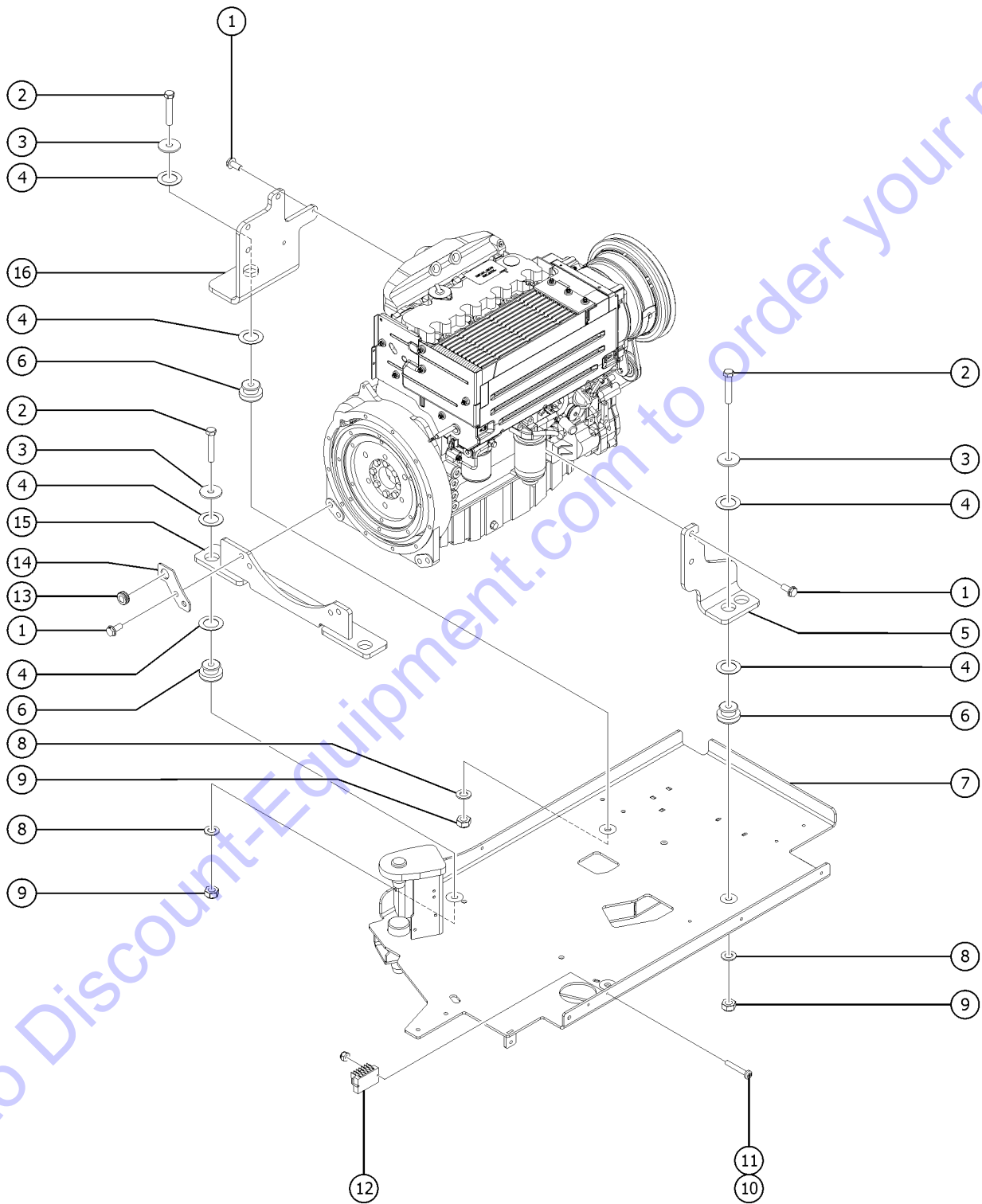
402.1 Deutz TD2011L04i Engine - View 2



Item	Part No.	Description	Qty.
22B-	1309780GT	SAFETY FILTER,P829332,G070017 HOSTILE ENVIRONMENT OPTION	1
23	121563GT	TUBE,AIR INTAKE,DEUTZ	1
24	60561GT	ELBOW,INLET,CUMMINS	1
25	1255763GT	SCREW,HHF,5/16-18X1.5,8,ZAG (from S85XCD-1380)	1
26	1274167GT	NUT,NYLOCK FLG,5/16-18,F,ZAG (from S85XCD-1380)	1

Go to Discount-Equipment.com to order your parts

403.1 Deutz TD2011L04i Engine - View 3

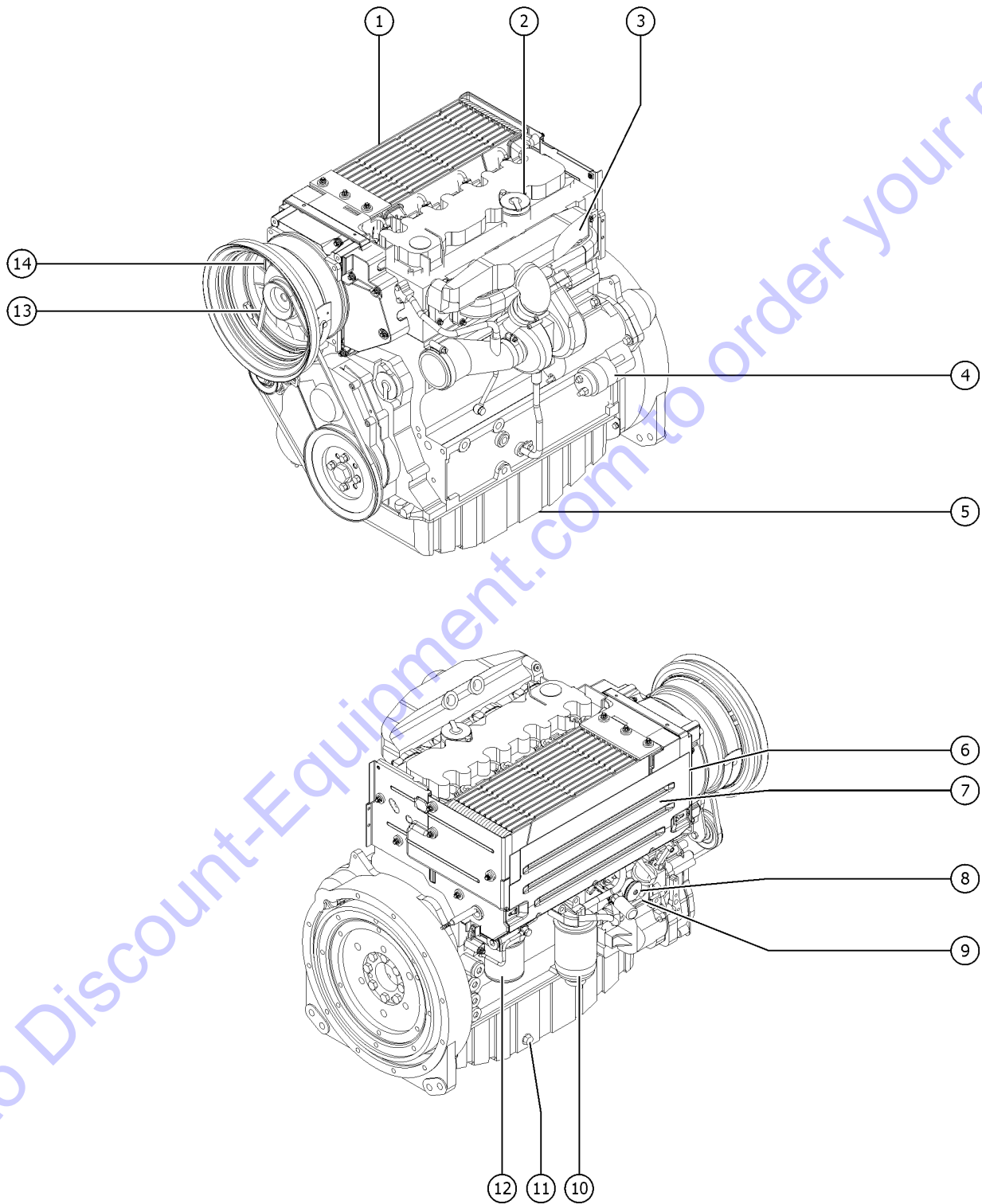


Go to Discount-Equipment.com to order your parts

Item	Part No.	Description	Qty.
1	121688GT	SCREW,HHC,FLG,M14 X 35	7
2	13003GT	SCREW,HHC,5/8-11 X 3.5 GRD.8	4
3	33418GT	WASHER,FLAT,.625 X 2.25 X.15	4
4	18596GT	WASHER,FLAT,1.56 X 2.5 X .061	8
5	70455GT	FORMING,ENGINE MOUNT	1
6	102045GT	ISOLATOR,ENGINE VIBRATION	4
7		REF. WELDMENTM, ENGINE TRAY	1
		(refer to 417.1)	
8	13064GT	WASHER,FLAT,.625 HARDENED	4
9	6024GT	NUT,NYLOCK,5/8-11	4
10	49817GT	SCREW,PHILLIPS,PHM,10-32 X1.25	2
11	6178GT	NUT, NYLOCK, 10-32, SS	2
12	89997GT	RELAY MODULE(89996,89998)	1
13	60584GT	GROMMET,RUBBER .75 X .19 X 1**	1
14	217203GT	PLATE,BRACKET,BATTERY CABLE	1
15	70456GT	WELDMENT,REAR ENGINE MOUNT	1
16	70454GT	FORMING,ENGINE MOUNT	1

Go to Discount-Equipment.com to order your parts

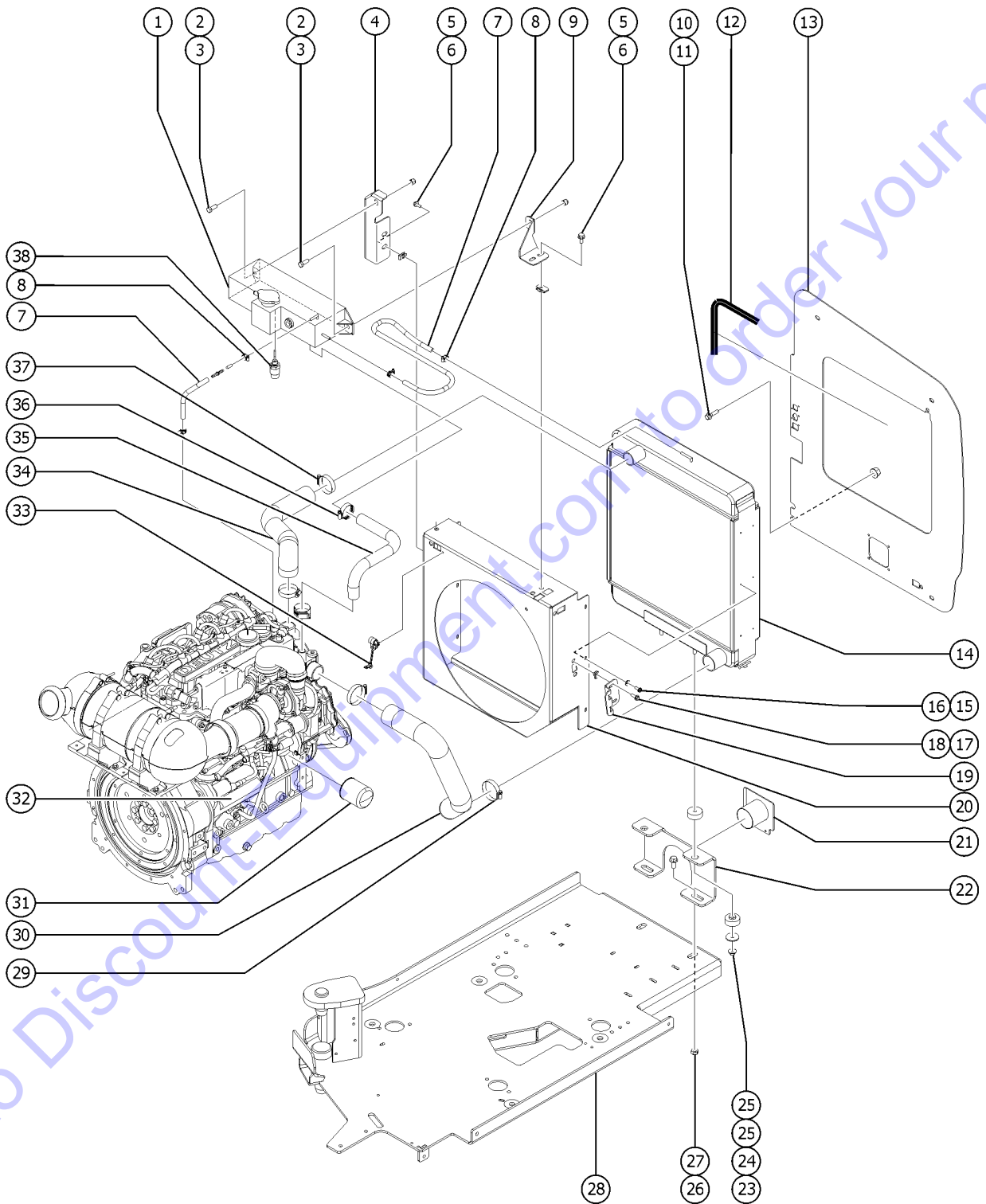
404.1 Deutz TD2011L04i Engine - View 4



Item	Part No.	Description	Qty.
A	27089GT	HOSE,5/16 FUEL,SAE 30R7 (tank to engine input line)	108
B	30490GT	HOSE,1/4 FUEL LINE,SAE 30R7 (tank to engine return line)	101
1	161189GT	Z135,DEUTZ TD2011L04I,TPEM	1
2	29557GT	CAP,OIL FILLER,DEUTZ,DIESEL ***	1
3	102590GT	EXHAUST MANIFOLD, DEUTZ F4L201	1
3-	29559GT	GASKET,EXHAUST	1
4	49915GT	SOLENOID-STARTR DEUTZF4L1011F*	1
5	102586GT	OIL PAN,DEUTZ F4L2011	1
6	1289103GT	COVER,ENGINE,TD2011 L04I	1
7	111445GT	SENDING UNIT,OIL TEMP SWCH,DTZ	1
8	30810GT	SENDING UNIT,OIL PRESSURE***	
8-	106033GT	ADAPTER,NPT 6-4	
8-	106034GT	ADAPTER,M18	
9	52352GT	DIPSTICK-F3L1011F (DEUTZ)	
10	29560GT	FILTER,FUEL/WTR SEP, DTZ 1008 (Genie genuine part. see PN 1254826 for compatible aftermarket replacement)	1
10-	1254826GT	FUEL FILTER W/SEP,DEUTZ,1008 (Genie aftermarket part. filter for Deutz F3L 1011F engine)	1
10-	58566GT	FILTER HEAD (29560)	
11	102587GT	PLUG,ENGINE OIL,DEUTZ F4L2011	
12	49924GT	FILTER,OIL,DEUTZ (Genie genuine part. See PN 1255653 for compatible aftermarket replacement)	
12-	1255653GT	FILTER,OIL,DEUTZ,REPLACEMENT (Genie aftermarket part. compatible with Genie Genuine Part 49924)	
13	58630GT	V-BELT, DEUTZ TD2011LOAI	
14	58249GT	ALTERNATOR, DEUTZ,BF4L2011***	

Go to DiscountEquipment.com to order your parts

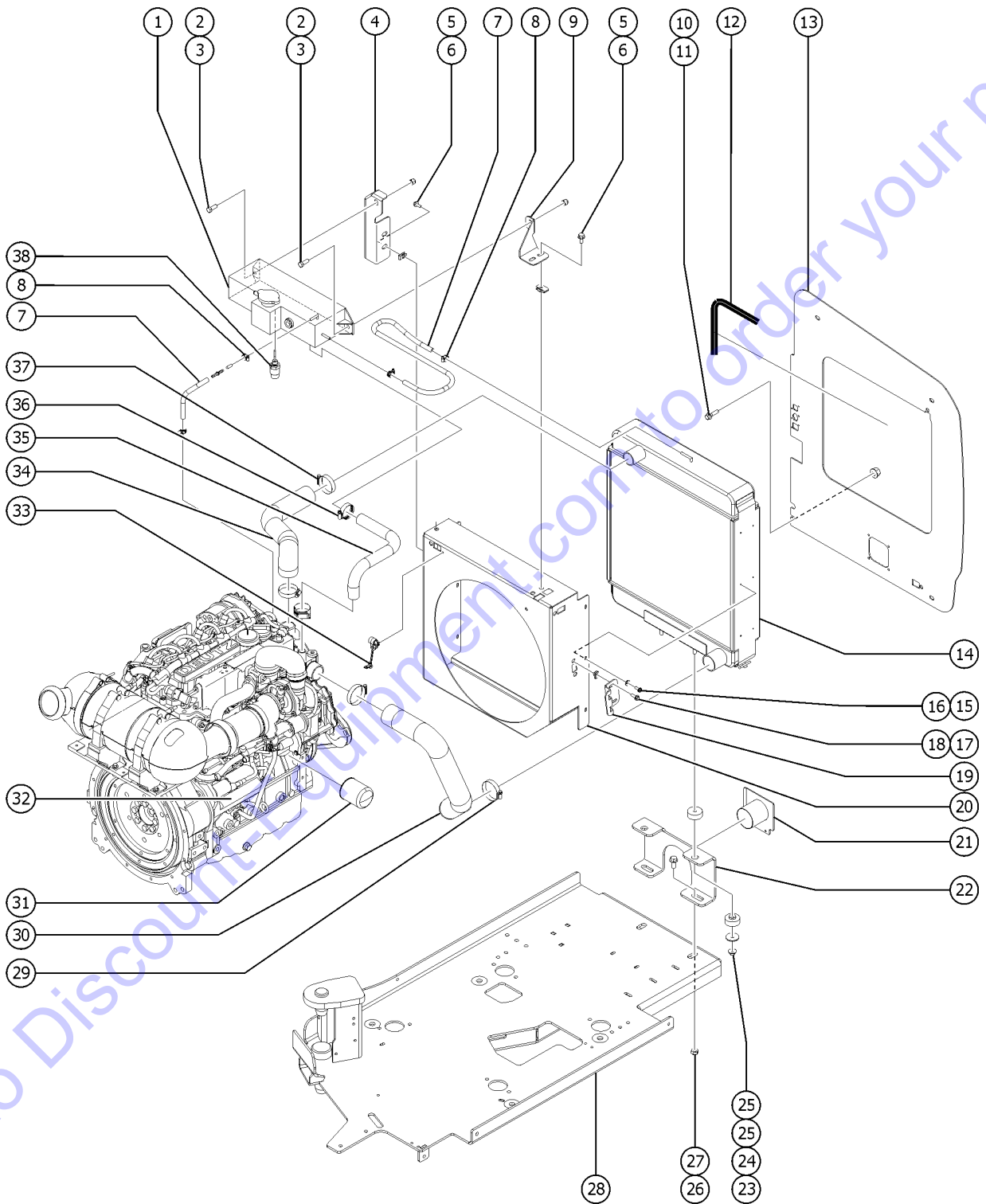
405.1 Deutz TD 2.9L4 Engine - View 1



Go to DiscountEquipment.com to order your parts

Item	Part No.	Description	Qty.
A		Due to Tier 4 regulations, many engine replacement parts require the engine serial number at time of order placement. When ordering engine parts please have both machine and engine serial numbers available. For internal engine parts, contact engine dealer	
1	161938GT	EXPANSION TANK,METAL,D2.9	1
1B	1254823GT	CAP,RADIATOR,PERKINS (94232) for 161938	
1C	1274900GT	SIGHT GLASS for 161938	
2	824090GT	SCREW,HHF,3/8-16X1,8,ZAG	2
3	1274322GT	NUT,NYLOCK FLG,3/8-16,F,ZAG	2
4	826825GT	BRACKET,EXPANSION TANK, LEFT M	1
5	824089GT	SCREW, HHF, 3/8-16 X .75, 8, ZAG	4
6	29868GT	SPRING CLIP,3/8-16,.05-.20X.73,ZAG	4
7	1283995GT	HEATER HOSE,1/4"	8
7-	1282119GT	2MM ORIFICE UNION, 1/4" HOSE	
7-	1283995GT	HEATER HOSE,1/4"	4
8	21465GT	CLAMP,HOSE,.25" - .63" X .3125	4
9	825218GT	BRACKET,EXPANSION TANK,DEUTZ 2	1
10	824079GT	SCREW,HHF,1/4-20X1,8,ZAG	1
11	1274165GT	NUT,NYLOCK,1/4-20,C,ZAG	1
12	119218GT	TRIM,EDGE,1/8X3/4 SIDE BULB	1
13		Ref. PLATE, BULKHEAD refer to 417.1	1
14	826795GT	RADIATOR,6-CORE,19.375W X 18.1	1
15	824220GT	SCREW,PHPM SEMS ET,10-24X.5,ZA	6
16	1253185GT	WASHER,FLAT,#10,USS,ZAG	6
17	824078GT	SCREW,HHF,1/4-20X.75,8,ZAG	2
18	56912GT	SPRING CLIP,1/4-20,.025-.15X.54,ZAG	2
19	823751GT	BRACKET,INTAKE PIPE,MOUNT,DEUT	1
20	826859GT	SHROUD,17" FAN,6-CORE RADIATOR	1
21	1251928GT	WLDT, INTAKE, T4 DEUTZ, Z80/S80	1
22	826835GT	FORMING,6-CORE RADIATOR MOUNT	1

405.1 Deutz TD 2.9L4 Engine - View 1

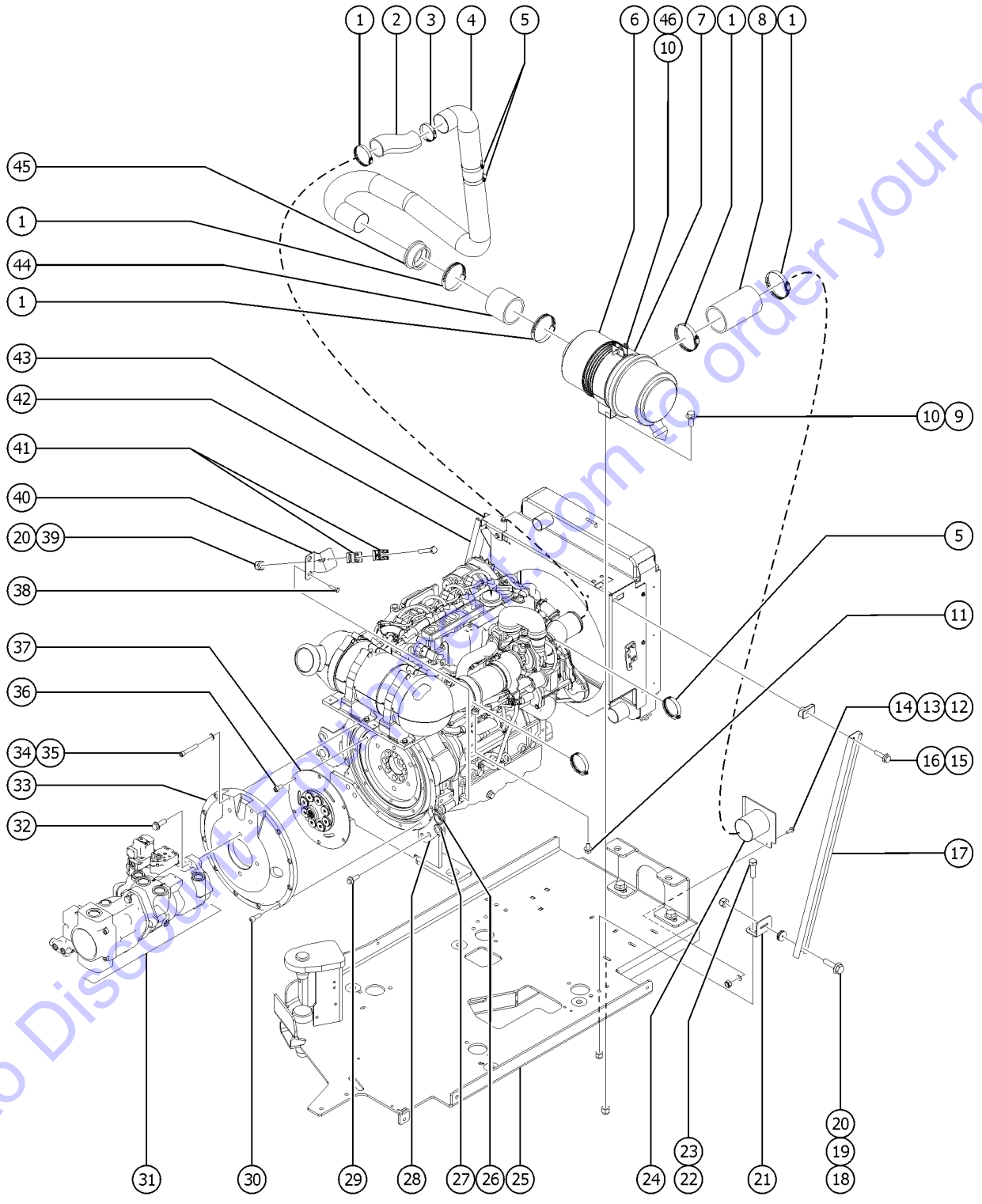


Go to DiscountEquipment.com to order your parts

Item	Part No.	Description	Qty.
23	1257628GT	NUT,SERRATED,3/8-16,ZAG	2
24	824120GT	WASHER, FLAT, .375 X 1.50 X .125, ZAG	2
25	24038GT	SHOCK MOUNT,SMALL	4
26	1253319GT	NUT,TL FLG,5/8-11,G,ZAG	2
27	1253208GT	SCREW,HHF,5/8-11X1.5,8,ZAG	2
28		REF. WELDMENT,ENGINE TRAY	
		refer to 417.1	
29	35434GT	CLAMP,HOSE,2.00***	2
30	162284GT	HOSE,LOWER RADIATOR, 2.9L DEUT	1
31	49924GT	FILTER,OIL,DEUTZ	1
31B	1255653GT	FILTER,OIL,DEUTZ,REPLACEMENT	1
32	1254594GT	STARTER,3.2KW,DEUTZ D2.9	1
33	219508GT	CLAMP, FIXED DIA, NYLON, 3/8"	1
34	162283GT	HOSE, UPPER RADIATOR, DEUTZ D	1
35	823229GT	HOSE,EXPANSION TANK,COMPENSATION	1
36	36208GT	CLAMP,HOSE,1.25***	2
37	22672GT	CLAMP,HOSE,1.75	2
38	218715GT	COOLANT LEVEL SNSR, DEUTZ D2.9/TCD3.6	1
38-	826152GT	WASHER, CRUSH, COOLANT SENSOR	

Go to Discount-Equipment.com to order your parts

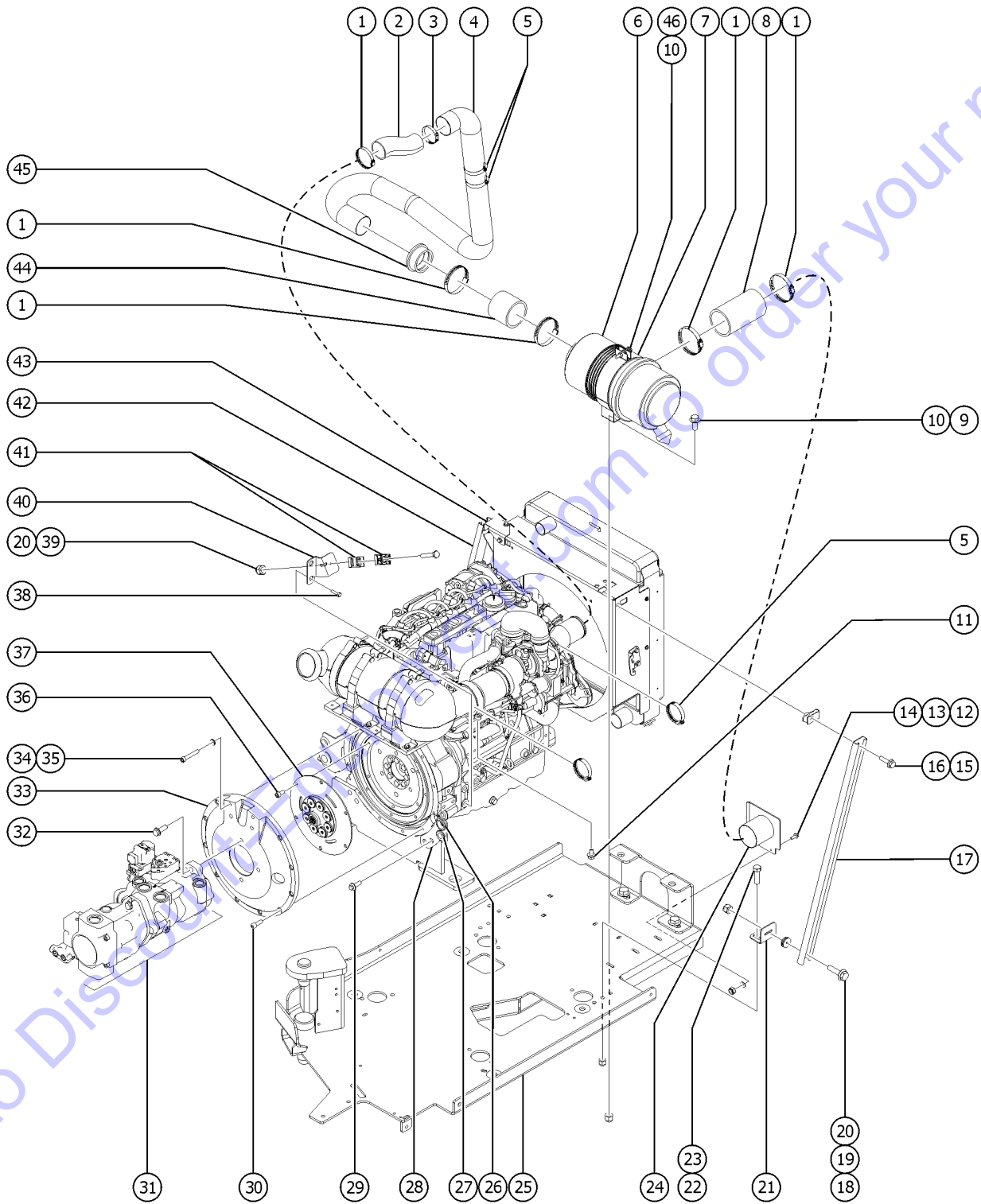
406.1 Deutz TD 2.9L4 Engine - View 2



Go to www.genie.com to order your parts

Item	Part No.	Description	Qty.
A		Due to Tier 4 regulations, many engine replacement parts require the engine serial number at time of order placement. When ordering engine parts please have both machine and engine serial numbers available. For internal engine parts, contact engine dealer	
1	30489GT	CLAMP,HOSE,3.50	5
2	823703GT	HOSE,REDUCER,OFFSET,TURBO INLE	1
3	30971GT	CLAMP,HOSE,3.00"	1
4	823239GT	TUBE,INTAKE,DEUTZ 2.9L	1
5	45435GT	CLAMP,HOSE,2.50"***	2
6	81467GT	AIR CLEANER,NELSON	1
		(to S85XCD-1379)	
6B	1309573GT	AIR CLEANER, DONADSON,G070017	1
		(from S85XCD-1380)	
6B-	1309780GT	SAFETY FILTER,P829332,G070017	
		HOSTILE ENVIRONMENT OPTION	
7	81468GT	MOUNTING BAND,AIR CLEANER	1
		(to S85XCD-1379)	
7B	1309605GT	BRKT,AIR CLEANER,DONALDSON,S-BOOM	1
		(from S85XCD-1380)	
8	106211-600GT	HOSE,RUBBER 3"ID X .25 BLACK X 6.00 LG	1
9	824086GT	SCREW, HHF, 5/16-18 X 1, 8, ZAG	2
10	1274167GT	NUT,NYLOCK FLG,5/16-18,F,ZAG	3
11	1251983GT	SCREW,HHF,M8-1.25X16,DIN6921,10.9,ZAB	2
11-	824131GT	SCREW,HHF,M6-1.0X16,DIN6921,10.9,ZAB	1
12	121420GT	SCREW,HHF,1/4-20 X 1.00	
13	6638GT	WASHER, FLAT, USS, 1/4"Y	
14	6091GT	NUT, NYLOCK, 1/4-20	
15	824078GT	SCREW,HHF,1/4-20X.75,8,ZAG	5
16	56912GT	SPRING CLIP,1/4-20,.025-.15X.54,ZAG	5
17	823144GT	UNISTRUT,FAN SHROUD BRACE,R,DE	1
18	824079GT	SCREW,HHF,1/4-20X1,8,ZAG	2
19	229986GT	GROMMET RUBBER .375X1.00X.1875	2
20	1277924GT	NUT,NYLOCK FLG,1/4-20,F,ZAG	3
21	823147GT	FORMING,FAN SHROUD STRUT MOUNT	2
22	824091GT	SCREW, HHF, 3/8-16 X 1.25, 8, ZAG	4

406.1 Deutz TD 2.9L4 Engine - View 2

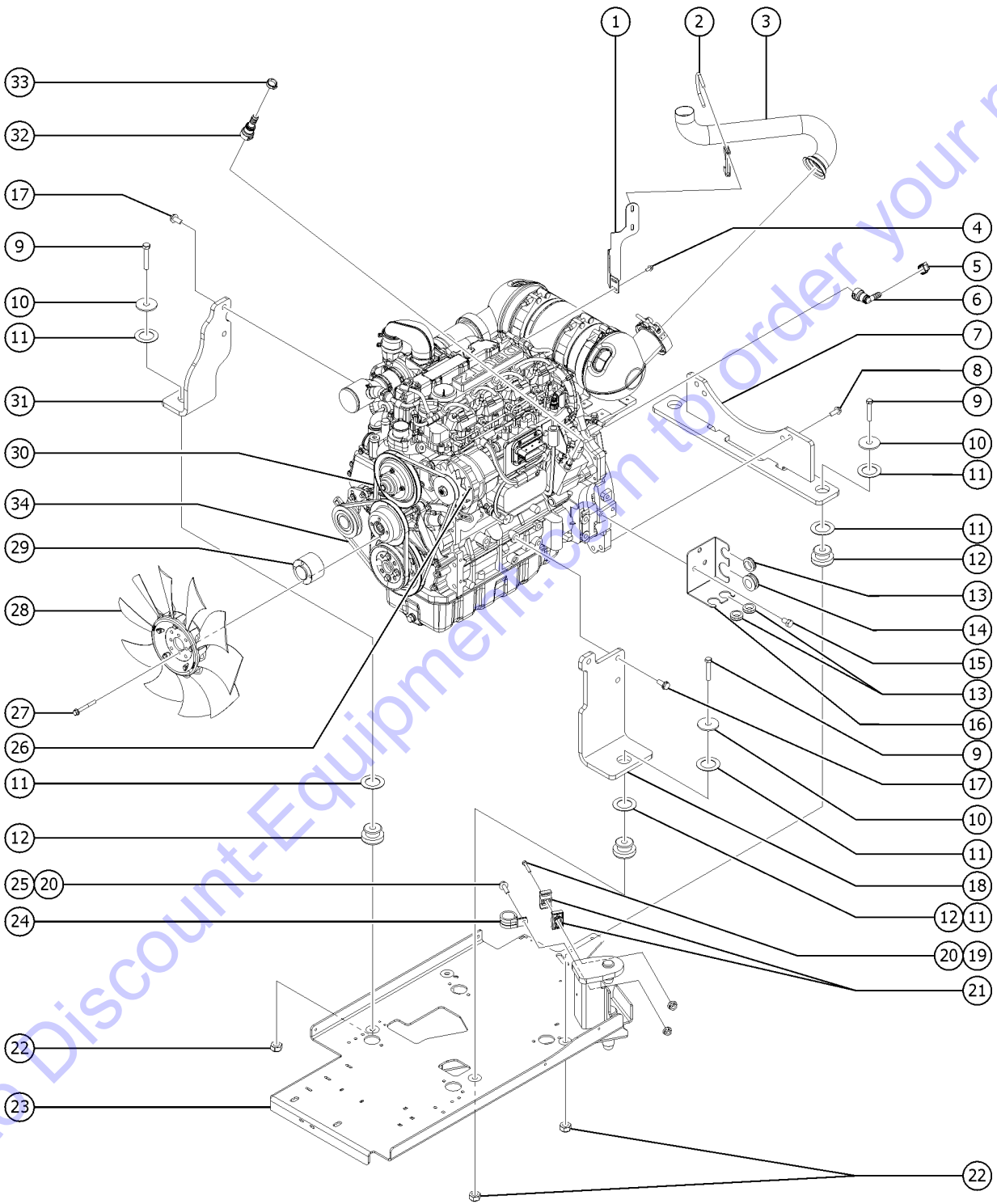


Go to www.genie.com to order your parts

Item	Part No.	Description	Qty.
23	1274322GT	NUT,NYLOCK FLG,3/8-16,F,ZAG	4
24		REF. WLDT, INTAKE, T4 DEUTZ, Z80/S8 (refer to 405.1)	
25		REF. WELDMENT,ENGINE TRAY,2.9L DEUTZ (refer to 417.1)	
26	124962GT	GROMMET,RUBBER,1.0 X 1.25X1.5	1
27	60584GT	GROMMET,RUBBER .75 X .19 X 1**	1
28	1286137GT	PLATE,BATTERY CABLE SUPPORT	1
29	1251899GT	SCREW,HHF,M14-2.0 X 40,DIN 6921,10.9, ZAB	4
30	1255666GT	SCREW,SHC,M10-1.50X30,DIN912,1	10
31		REF.DRIVE PUMP AND FUNCTION PUMP (refer to 707.1)	
32	123167GT	FLGHCS,1/2-13X1.50,GR8,BLK PH	4
33	70381GT	COVER,FLYWHEEL CASTING	1
34	1257481GT	SCREW,SHC,M10-1.5X60,DIN912,12.9,ZAB	2
35	824145GT	WASHER, FLAT, DIN125, M10, ZAB	2
36	1255665GT	SCREW,SHC,M10-1.50X20,DIN912,12.9,ZAB	6
37	128004GT	COUPLER,15 TOOTH,FBA,SAE8***	1
38	1255806GT	SCREW,HHF,M12-1.75X20,DIN6921,10.9,ZAB	2
39	824082GT	SCREW, HHF, 1/4-20 X 1.75, 8, ZAG	1
40	825939GT	FORMING, CLAMP, BATTERY CABLE	1
41	78736GT	CLAMP,2 HOSE,PLASTIC	2
42	823143GT	UNISTRUT,FAN SHROUD BRACE,L,DE	1
43	1252687GT	BRACKET, STRUT BRACE	1
44	106211-300GT	HOSE,RUBBER 3"ID X .25 BLACK	1
45	101640GT	REDUCER,RUBBER 3.0 - 2.5	1
46	1255763GT	SCREW,HHF,5/16-18X1.5,8,ZAG (from S85XCD-1380)	1

Go to DiscountEquipment.com to order your parts

407.1 Deutz TD 2.9L4 Engine - View 3

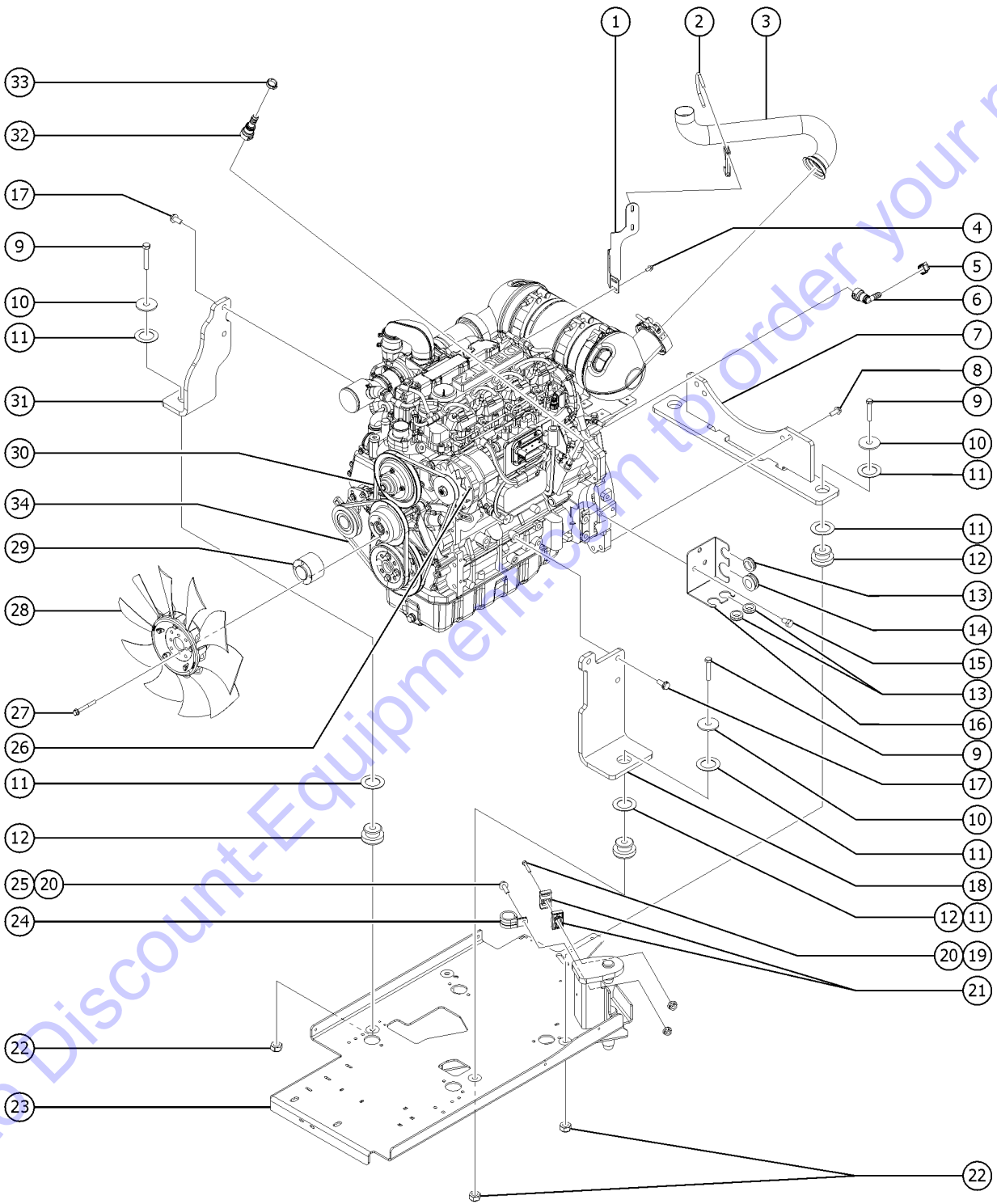


Go to Discount-Equipment.com to order your parts

Item	Part No.	Description	Qty.
A		Due to Tier 4 regulations, many engine replacement parts require the engine serial number at time of order placement. When ordering engine parts please have both machine and engine serial numbers available. For internal engine parts, contact engine dealer	
1	1268921GT	FORMING, TAILPIPE SUPPORT, S80	1
2	71911GT	CLAMP, MUFFLER, 2.50 INCH	1
3	162276GT	EXHAUST PIPE, 2.9L DEUTZ	1
3-	825015GT	CLAMP, T4 TCD3.6 DOC	1
4	824132GT	SCREW, HHF, M8-1.25X20, DIN6921, 10.9, ZAB	2
5	81154GT	CLAMP, HOSE, SIZE .31 > .91	1
6	826000GT	CONNECTOR, SAE10, QUICK CONNECT	1
7	823135GT	WELDMENT, REAR MOUNT, ENGINE	1
8	1251899GT	SCREW, HHF, M14-2.0 X 40, DIN 6921, 10.9, ZAB	4
9	1256169GT	SCREW, HHC, 5/8-11X3.5, 8, ZAG	4
10	824123GT	WASHER, FLAT, .625X2.25X.188, ZAG	4
11	1251565GT	WASHER, SHIM, 1.56X2.5X.061, ZAG	8
12	102045GT	ISOLATOR, ENGINE VIBRATION	4
13	124962GT	GROMMET, RUBBER, 1.0 X 1.25X1.5	3
14	106923GT	GROMMET, RUBBER .38X1.38X1.0	1
15	1255806GT	SCREW, HHF, M12-1.75X20, DIN6921, 10.9, ZAB	3
16	826873GT	FORMING, ENGINE HARNESS SUPPORT	1
17	1256776GT	SCREW, HHF, M14-2.0X35, DIN6921, 10.9, ZAB	5
18	823012GT	MOUNT, ENGINE, LEFT SIDE	1
19	824082GT	SCREW, HHF, 1/4-20 X 1.75, 8, ZAG	1
20	1277924GT	NUT, NYLOCK FLG, 1/4-20, F, ZAG	2
21	78736GT	CLAMP, 2 HOSE, PLASTIC	2
22	1253319GT	NUT, TL FLG, 5/8-11, G, ZAG	4
23		REF. WELDMENT, ENGINE TRAY, 2.9L DEUTZ (refer to 417.1)	
24	18666GT	CLAMP, 1.00, #16 X 1/4, RUB CUSH	1
25	824079GT	SCREW, HHF, 1/4-20X1, 8, ZAG	1

Go to DiscountEquipment.com to order your parts

407.1 Deutz TD 2.9L4 Engine - View 3

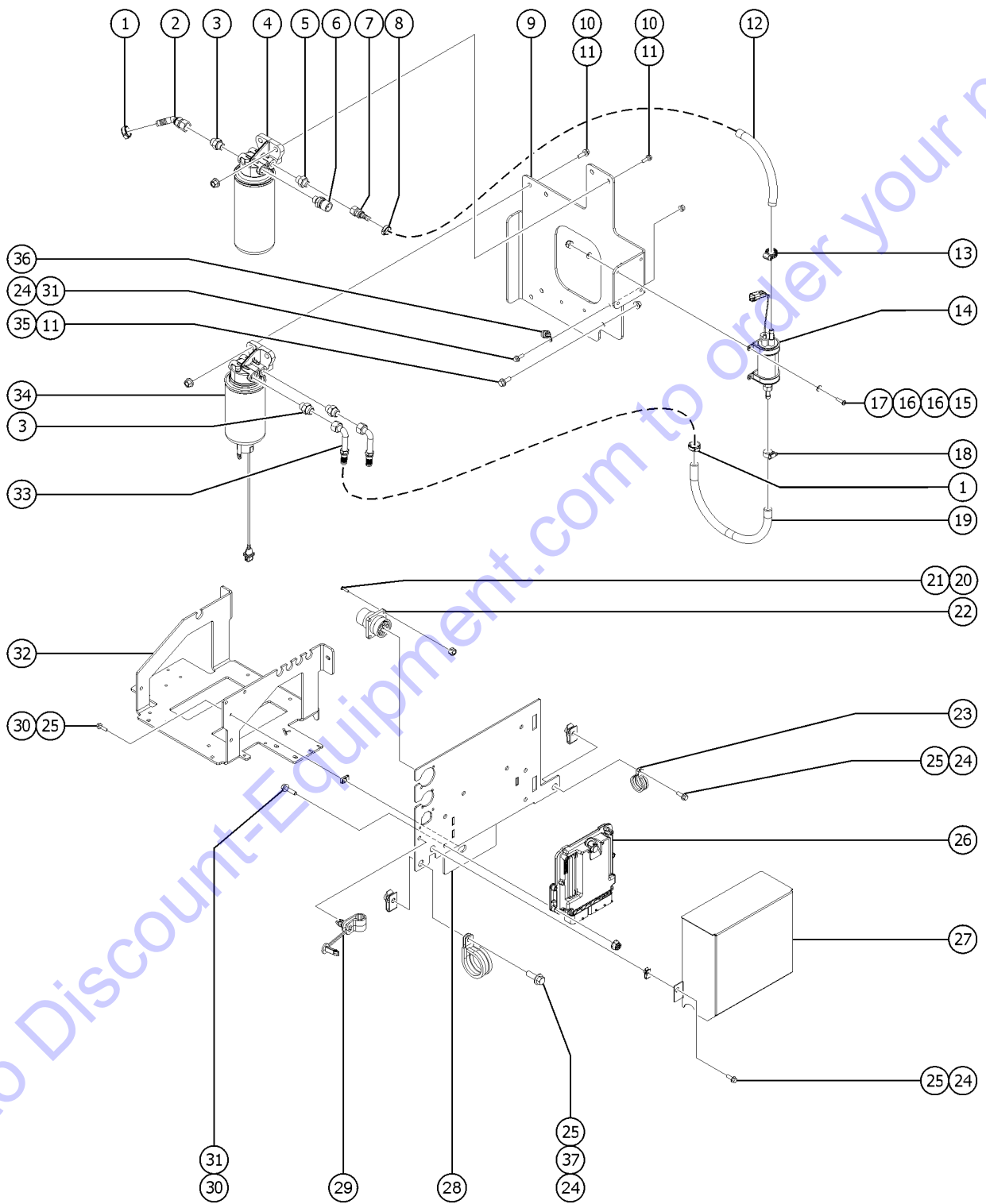


Go to Discount-Equipment.com to order your parts

Item	Part No.	Description	Qty.
26	236251GT	ALTERNATOR,95 AMP,DEUTZ TCD3.6	1
27	1258771GT	SCREW,HHF,M8-1.25X60,DIN6921,10.9,ZAB	4
28	1251496GT	FAN,10 BLADE,17",DEUTZ 2.9L	1
29	1258641GT	SPACER, FAN, DEUTZ, 43MM LNG	1
30	1262866GT	FAN BELT, ALTERNATOR	1
31	823013GT	MOUNT,ENGINE,RIGHT SIDE	1
32	1255651GT	CONNECTOR,SAE12,QUICK CONNECT	1
33	822087GT	CLAMP,HOSE,1EAR,25/32	1
34	1262867GT	V-BELT, DEUTZ	1

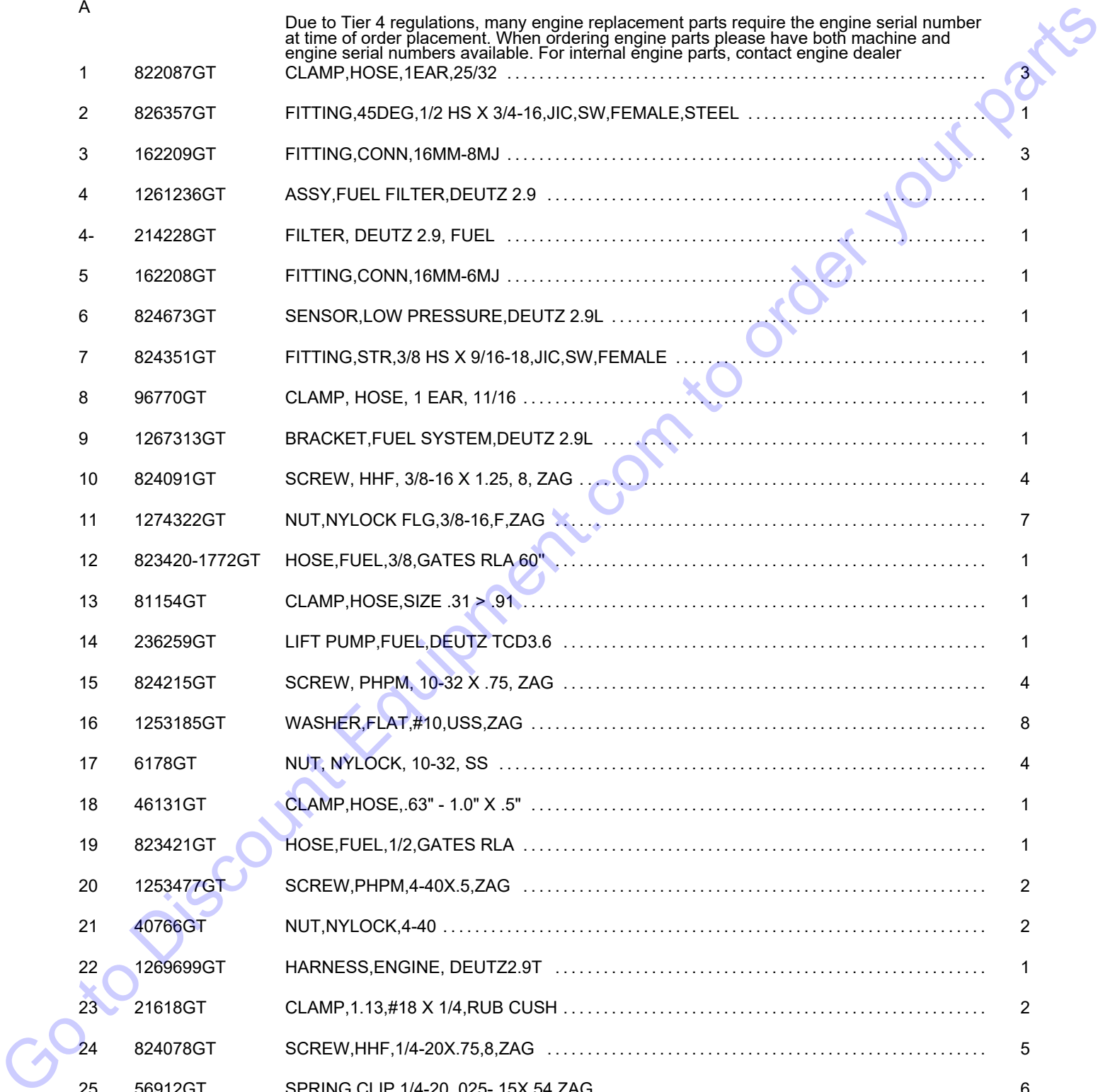
Go to Discount-Equipment.com to order your parts

408.1 Deutz TD 2.9L4 Engine - View 4

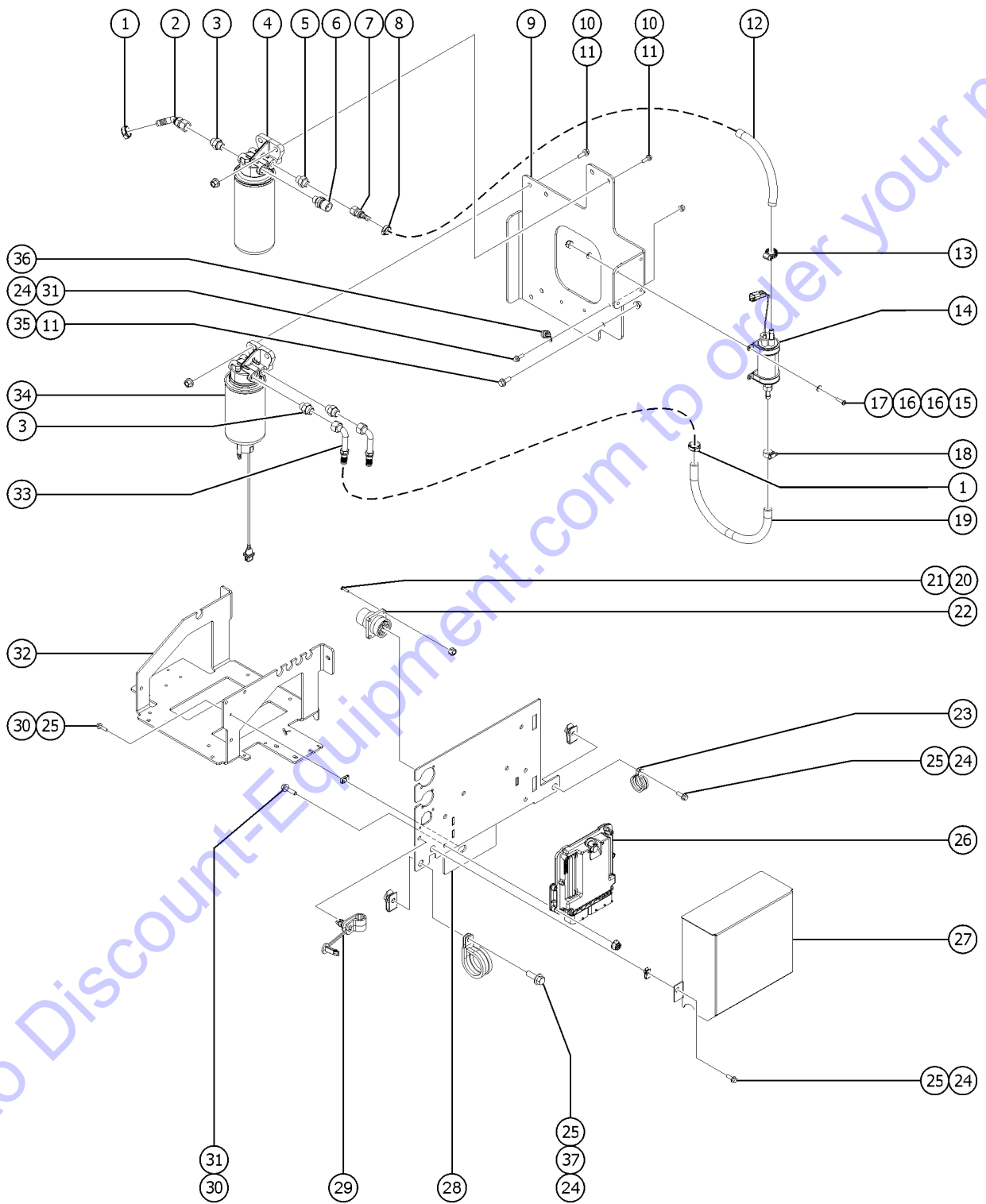


Go to Discount-Equipment.com to order your parts

Item	Part No.	Description	Qty.
A		Due to Tier 4 regulations, many engine replacement parts require the engine serial number at time of order placement. When ordering engine parts please have both machine and engine serial numbers available. For internal engine parts, contact engine dealer	
1	822087GT	CLAMP,HOSE,1EAR,25/32	3
2	826357GT	FITTING,45DEG,1/2 HS X 3/4-16,JIC,SW,FEMALE,STEEL	1
3	162209GT	FITTING,CONN,16MM-8MJ	3
4	1261236GT	ASSY,FUEL FILTER,DEUTZ 2.9	1
4-	214228GT	FILTER, DEUTZ 2.9, FUEL	1
5	162208GT	FITTING,CONN,16MM-6MJ	1
6	824673GT	SENSOR,LOW PRESSURE,DEUTZ 2.9L	1
7	824351GT	FITTING,STR,3/8 HS X 9/16-18,JIC,SW,FEMALE	1
8	96770GT	CLAMP, HOSE, 1 EAR, 11/16	1
9	1267313GT	BRACKET,FUEL SYSTEM,DEUTZ 2.9L	1
10	824091GT	SCREW, HHF, 3/8-16 X 1.25, 8, ZAG	4
11	1274322GT	NUT,NYLOCK FLG,3/8-16,F,ZAG	7
12	823420-1772GT	HOSE,FUEL,3/8,GATES RLA 60"	1
13	81154GT	CLAMP,HOSE,SIZE .31 > .91	1
14	236259GT	LIFT PUMP,FUEL,DEUTZ TCD3.6	1
15	824215GT	SCREW, PHPM, 10-32 X .75, ZAG	4
16	1253185GT	WASHER,FLAT,#10,USS,ZAG	8
17	6178GT	NUT, NYLOCK, 10-32, SS	4
18	46131GT	CLAMP,HOSE,.63" - 1.0" X .5"	1
19	823421GT	HOSE,FUEL,1/2,GATES RLA	1
20	1253477GT	SCREW,PHPM,4-40X.5,ZAG	2
21	40766GT	NUT,NYLOCK,4-40	2
22	1269699GT	HARNESS,ENGINE, DEUTZ2.9T	1
23	21618GT	CLAMP,1.13,#18 X 1/4,RUB CUSH	2
24	824078GT	SCREW,HHF,1/4-20X.75,8,ZAG	5
25	56912GT	SPRING CLIP,1/4-20,.025-.15X.54,ZAG	6



408.1 Deutz TD 2.9L4 Engine - View 4

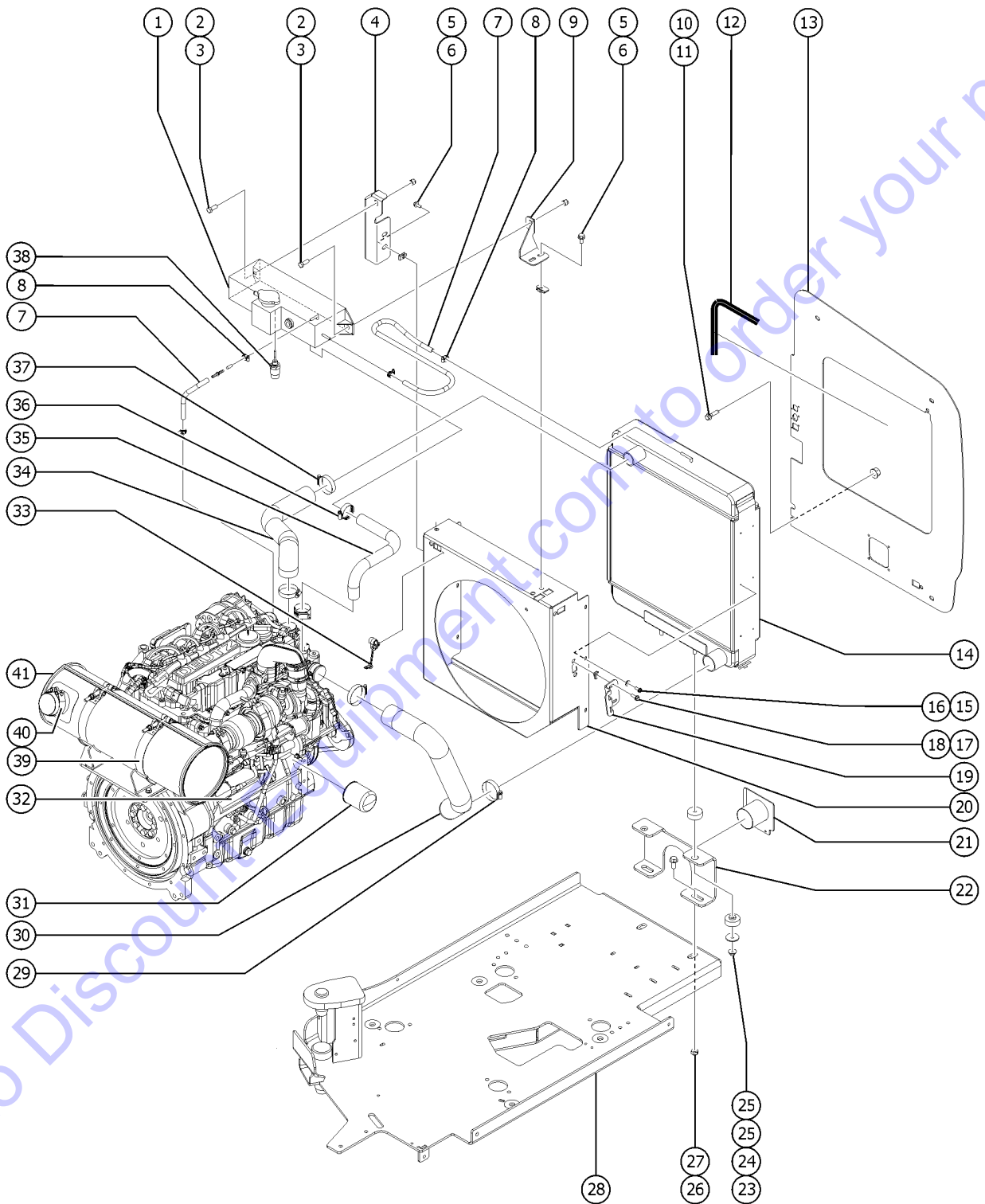


Go to Discount-Equipment.com to order your parts

Item	Part No.	Description	Qty.
26	214795GT	ECM, Deutz D2.9 (must contact service parts to order, SN information is required)	1
27	1274200GT	BRACKET,COVER, ECU, TIER IV	1
28	1279791GT	WELDMENT, ECU MOUNT, XC	1
29	219508GT	CLAMP, FIXED DIA, NYLON, 3/8"	1
30	824079GT	SCREW,HHF,1/4-20X1,8,ZAG	7
31	1277924GT	NUT,NYLOCK FLG,1/4-20,F,ZAG	6
32		REF. FORMING, BATTERY TRAY, XC (refer to 302.1)	1
33	162207GT	FITTING,ELBOW,8GS-8FJX90S	2
34	1261239GT	ASSY,FUEL PREFILTER,DEUTZ 2.9	1
34-	236260GT	FILTER, FUEL PRE-FILTER, SPIN-ON, DEUTZ	1
35	824090GT	SCREW,HHF,3/8-16X1,8,ZAG	3
36	219508GT	CLAMP, FIXED DIA, NYLON, 3/8"	2
37	33784GT	CLAMP,1.31,#21 X 1/4,RUB CUSH	2

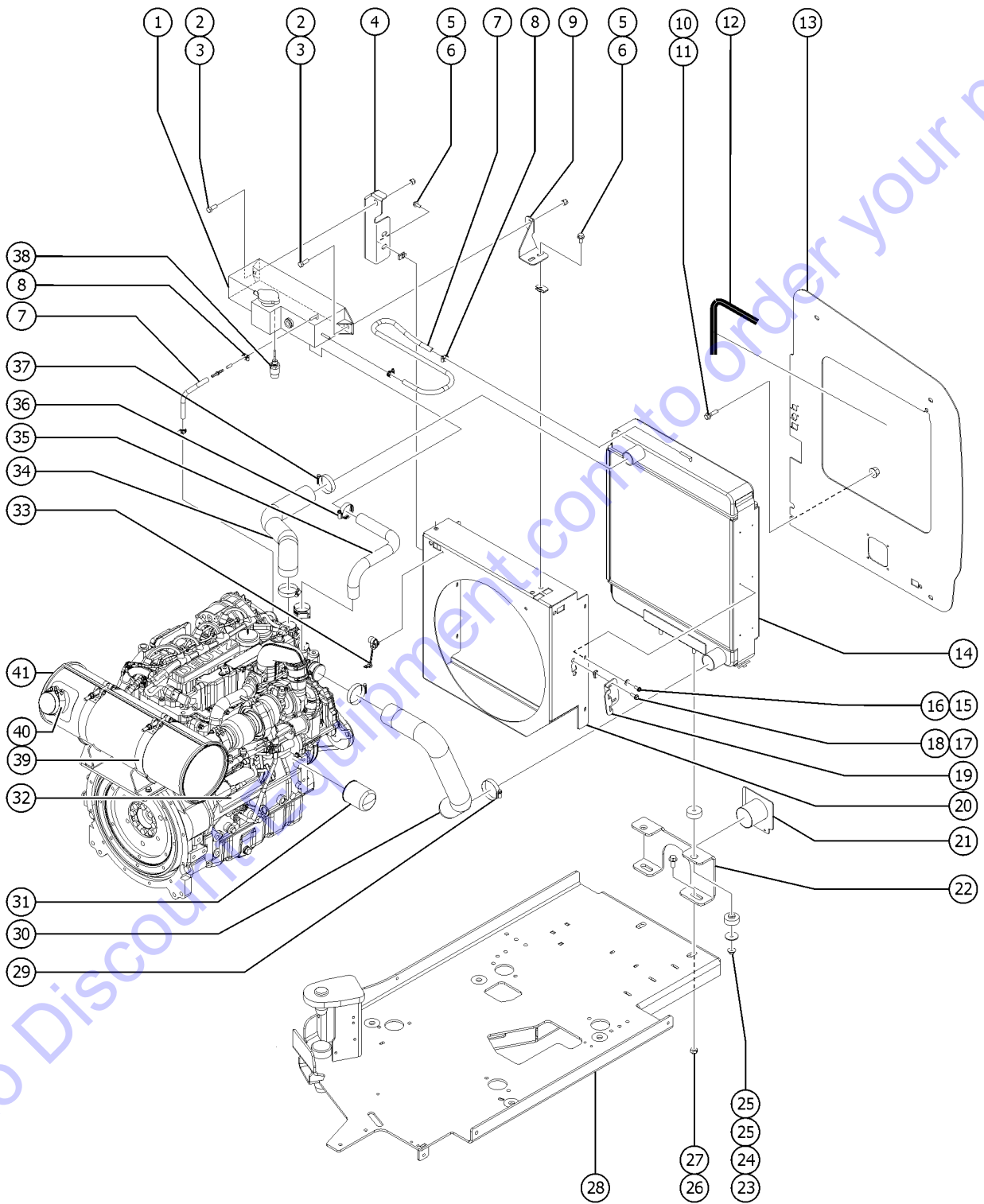
Go to Discount-Equipment.com to order your parts

409.1 Deutz TD 2.9L China III Engine - View 1 (to SN S85XCD-1474)



Item	Part No.	Description	Qty.
1	161938GT	EXPANSION TANK,METAL,D2.9	1
1B	1254823GT	CAP,RADIATOR,PERKINS (94232) for 161938	
1C	1274900GT	SIGHT GLASS for 161938	
2	824090GT	SCREW,HHF,3/8-16X1,8,ZAG	2
3	1274322GT	NUT,NYLOCK FLG,3/8-16,F,ZAG	2
4	826825GT	BRACKET,EXPANSION TANK, LEFT M	1
5	824089GT	SCREW, HHF, 3/8-16 X .75, 8, ZAG	4
6	29868GT	SPRING CLIP,3/8-16,.05-.20X.73,ZAG	4
7	1283995GT	HEATER HOSE,1/4"	8
7-	1282119GT	2MM ORIFICE UNION, 1/4" HOSE	
7-	1283995GT	HEATER HOSE,1/4"	4
8	21465GT	CLAMP,HOSE,.25" - .63" X .3125	4
9	825218GT	BRACKET,EXPANSION TANK,DEUTZ 2	1
10	824079GT	SCREW,HHF,1/4-20X1,8,ZAG	1
11	1274165GT	NUT,NYLOCK,1/4-20,C,ZAG	1
12	119218GT	TRIM,EDGE,1/8X3/4 SIDE BULB	1
13		Ref. PLATE, BULKHEAD refer to 417.1	1
14	826795GT	RADIATOR,6-CORE,19.375W X 18.1	1
15	824220GT	SCREW,PHPM SEMS ET,10-24X.5,ZA	6
16	1253185GT	WASHER,FLAT,#10,USS,ZAG	6
17	824078GT	SCREW,HHF,1/4-20X.75,8,ZAG	2
18	56912GT	SPRING CLIP,1/4-20,.025-.15X.54,ZAG	2
19	823751GT	BRACKET,INTAKE PIPE,MOUNT,DEUT	1
20	826859GT	SHROUD,17" FAN,6-CORE RADIATOR	1
21	1251928GT	WLDT, INTAKE, T4 DEUTZ, Z80/S80	1
22	826835GT	FORMING,6-CORE RADIATOR MOUNT	1
23	1257628GT	NUT,SERRATED,3/8-16,ZAG	2
24	824120GT	WASHER, FLAT, .375 X 1.50 X .125, ZAG	2

409.1 Deutz TD 2.9L China III Engine - View 1 (to SN S85XCD-1474)



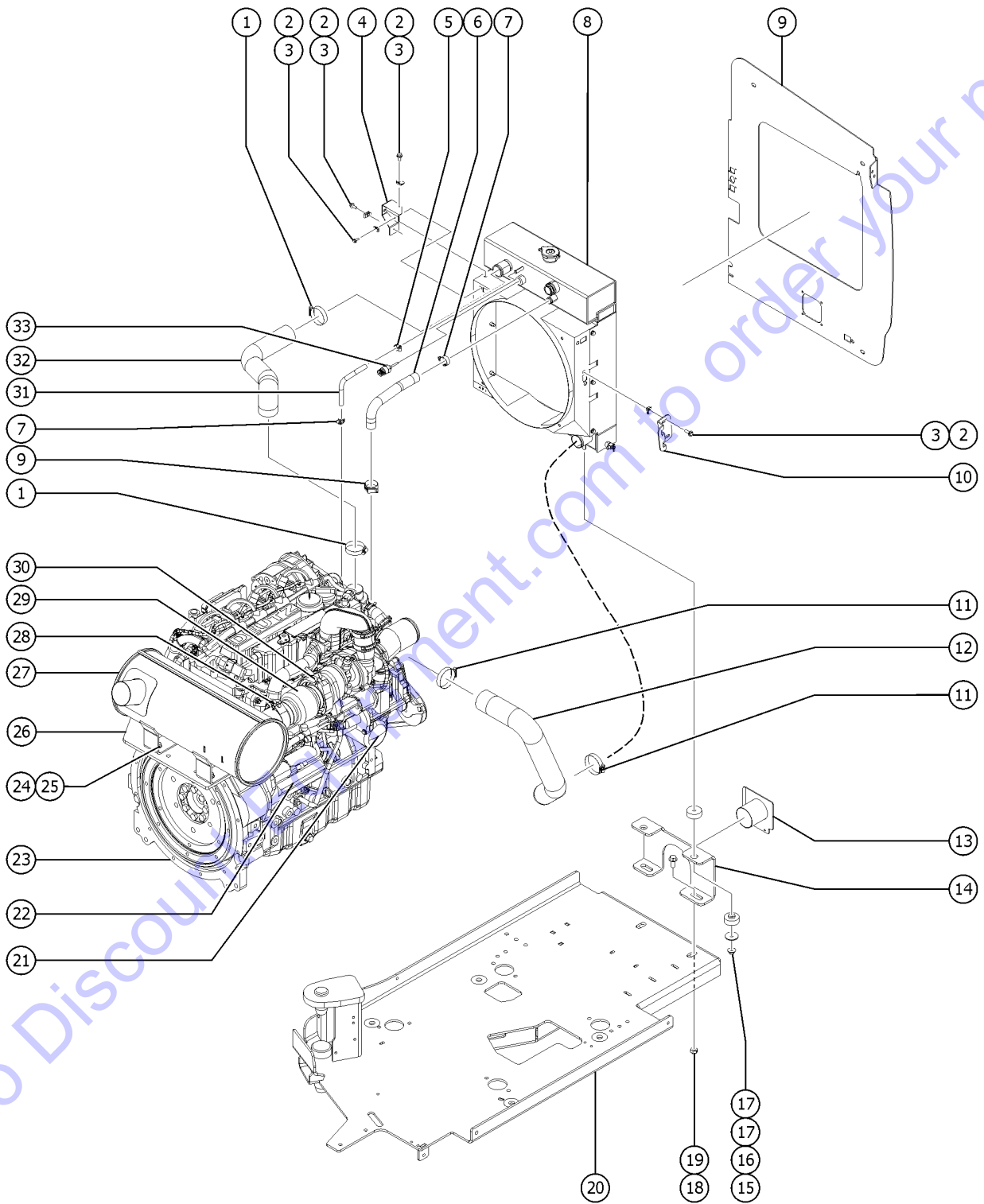
409.1 Deutz TD 2.9L China III Engine - View 1 (to SN S85XCD-1474)

Item	Part No.	Description	Qty.
25	24038GT	SHOCK MOUNT,SMALL	4
26	1253319GT	NUT,TL FLG,5/8-11,G,ZAG	2
27	1253208GT	SCREW,HHF,5/8-11X1.5,8,ZAG	2
28		REF. WELDMENT,ENGINE TRAY	
		refer to 417.1	
29	35434GT	CLAMP,HOSE,2.00***	2
30	162284GT	HOSE,LOWER RADIATOR, 2.9L DEUT	1
31	49924GT	FILTER,OIL,DEUTZ	1
31B	1255653GT	FILTER,OIL,DEUTZ,REPLACEMENT	1
32	1254594GT	STARTER,3.2KW,DEUTZ D2.9	1
33	219508GT	CLAMP, FIXED DIA, NYLON, 3/8"	1
34	162283GT	HOSE, UPPER RADIATOR, DEUTZ D	1
35	823229GT	HOSE,EXPANSION TANK,COMPENSATION	1
36	36208GT	CLAMP,HOSE,1.25***	2
37	22672GT	CLAMP,HOSE,1.75	2
38	218715GT	COOLANT LEVEL SNSR, DEUTZ D2.9/TCD3.6	1
38-	826152GT	WASHER, CRUSH, COOLANT SENSOR	
39	1295436GT	T-BOLT CLAMP, TD2.9 MUFFLER, S85	2
		(To S85XCD-1405)	
40	1288341GT	TIGHTFIT CLAMP, TD2.9 MUFFLER	1
41	1287261GT	MUFFLER, DEUTZ TD2.9	1
		(To S85XCD-1405)	
41B	1307334GT	MUFFLER, DEUTZ TD2.9	1
		(From S85XCD-1406)	

Go to DiscountEquipment.com to order your parts



409.2 Deutz TD 2.9L China III Engine - View 1 (From S85XCD-1475)

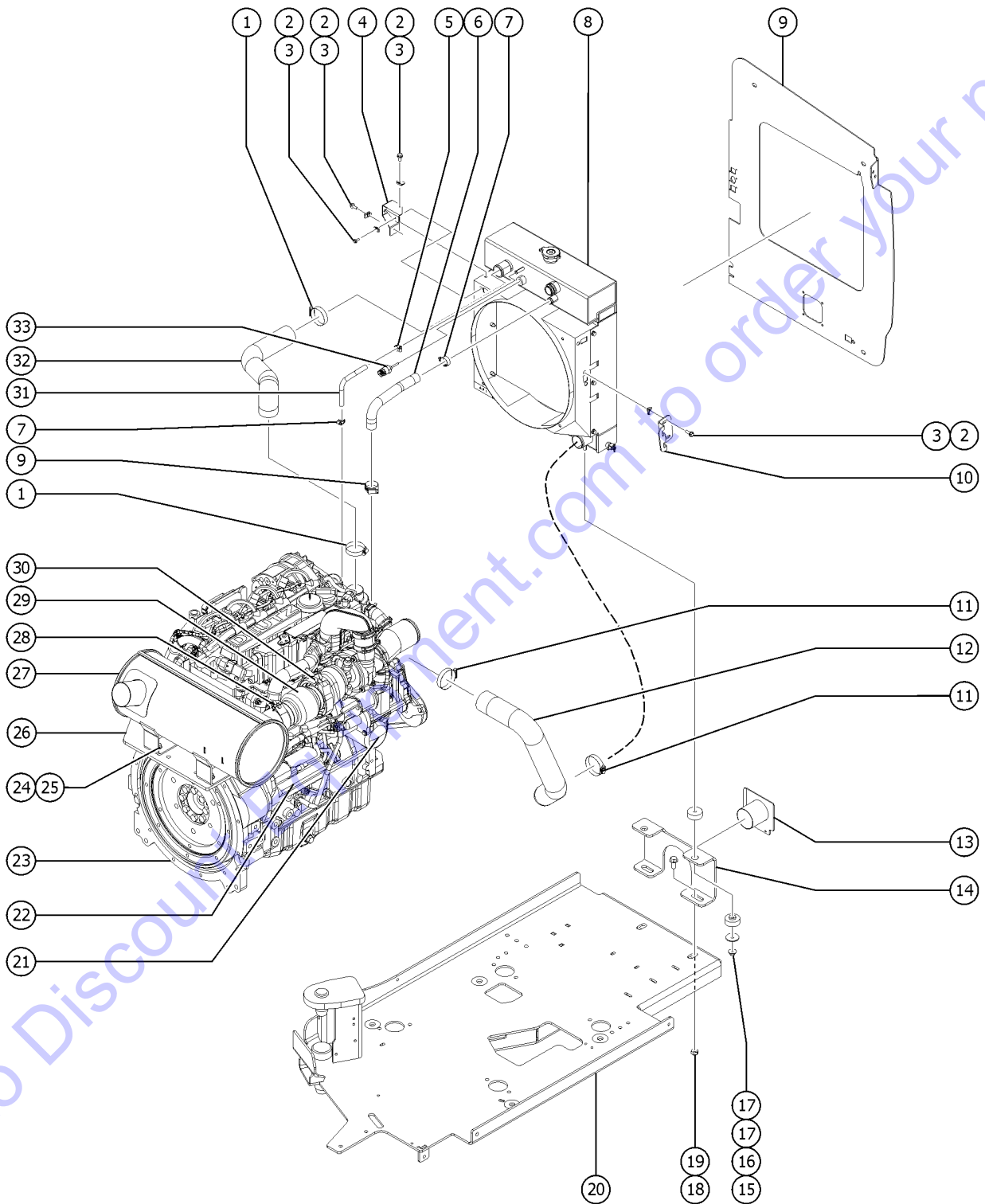


Go to DiscountParts.com to order your parts

Item	Part No.	Description	Qty.
1	22672GT	CLAMP,HOSE,1.75	2
2	824078GT	SCREW,HHF,1/4-20X.75,8,ZAG	2
3	56912GT	SPRING CLIP,1/4-20,.025-.15X.54,ZAG	2
4	1252687GT	BRACKET, STRUT BRACE	1
5	21465GT	CLAMP,HOSE,.25" - .63" X .3125	4
6	1307250GT	HOSE,UPPER SUBSIDIARY RADIATOR,DEUTZ 2.9L	1
7	36208GT	CLAMP,HOSE,1.25***	2
8	1306598GT	RADIATOR,COOLING SYSTEM,API,S85XC	1
9	1270963GT	PLATE, BULKHEAD, DEUTZ 2.9L	1
10	823751GT	BRACKET,INTAKE PIPE,MOUNT,DEUT	1
11	35434GT	CLAMP,HOSE,2.00***	2
12	1307252GT	HOSE,LOWER RADIATOR,DEUTZ 2.9L	1
13	1251928GT	WLDT, INTAKE, T4 DEUTZ, Z80/S80	1
14	1307254GT	FORMING,RADIATOR MOUNT,DEUTZ 2.9L	1
15	1257628GT	NUT,SERRATED,3/8-16,ZAG	2
16	824120GT	WASHER, FLAT, .375 X 1.50 X .125, ZAG	2
17	24038GT	SHOCK MOUNT,SMALL	4
18	1253319GT	NUT,TL FLG,5/8-11,G,ZAG	2
19	1253208GT	SCREW,HHF,5/8-11X1.5,8,ZAG	2
20		REF. WELDMENT,ENGINE TRAY refer to 417.1	
21	49924GT	FILTER,OIL,DEUTZ	1
21B	1255653GT	FILTER,OIL,DEUTZ,REPLACEMENT	1
22	1254594GT	STARTER,3.2KW,DEUTZ D2.9	1
23	1275816GT	DEUTZ,TD2.9L,CHINA III	1
24	824133GT	SCREW,HHF,M8-1.25X25,DIN6921,10.9,ZAB	4
25	237832GT	NUT,TL FLG,M8-1.25,DIN6927,10,ZAB	4
26	1307332GT	WELDMENT, MUFFLER MOUNT, DEUTZ TD2.9, S85XC	1
26-	238347GT	SCREW,HHF,M10-1.5X70,DIN6921,10.9,ZAB	4

Go to DiscountEquipment.com to order your parts

409.2 Deutz TD 2.9L China III Engine - View 1 (From S85XCD-1475)



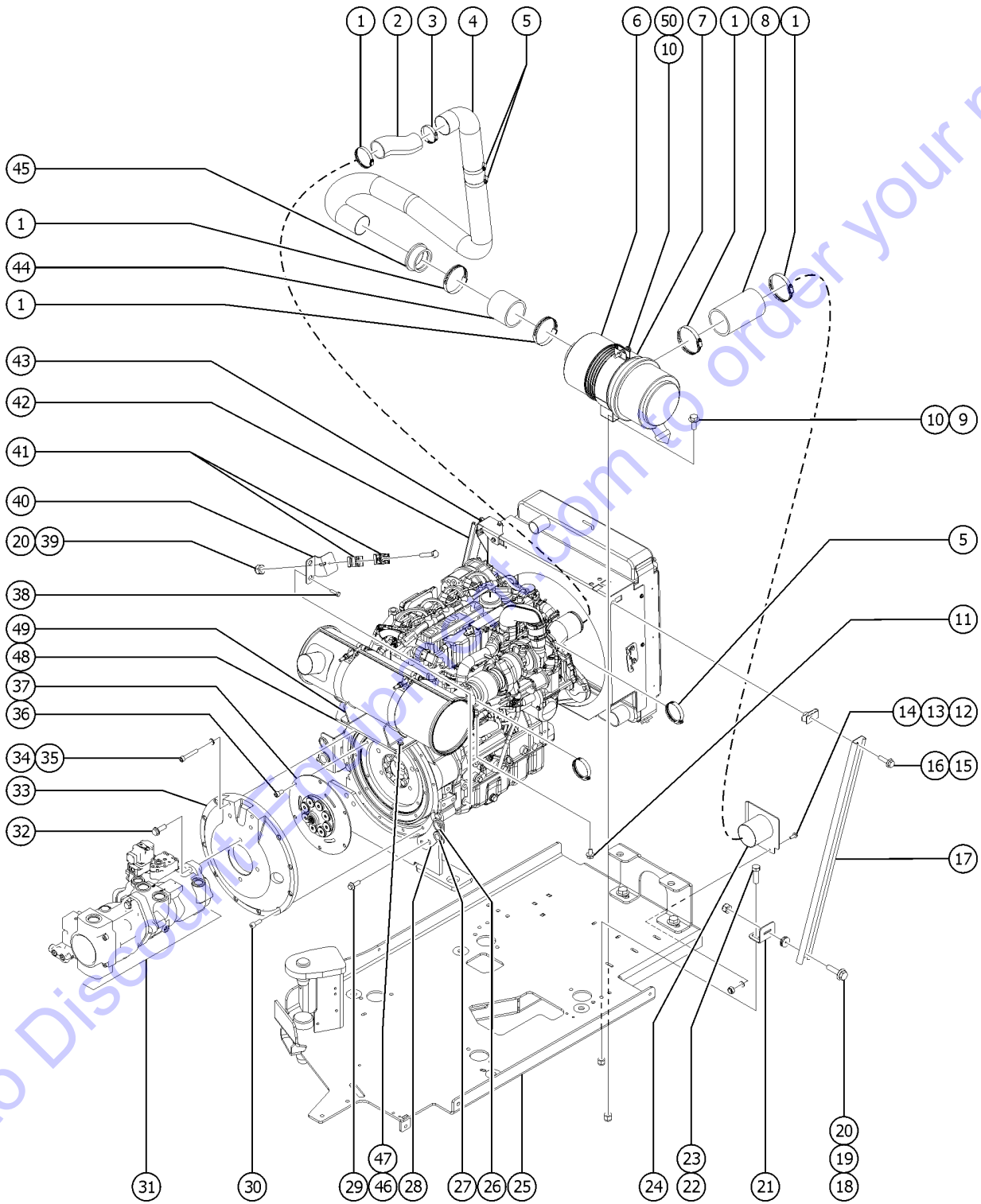
409.2 Deutz TD 2.9L China III Engine - View 1 (From S85XCD-147

Item	Part No.	Description	Qty.
27	1307334GT	MUFFLER, DEUTZ TD2.9	1
28	1288341GT	TIGHTFIT CLAMP, TD2.9 MUFFLER	1
29	1287263GT	FLEXIBLE BELLOW PIPE, TD2.9 MUFFLER	1
30	1288342GT	V CLAMP, TD2.9 TURBO OUTLET	1
31	824600-1500GT	HOSE, HEATER, 1/4", 15"	1
32	1307249GT	HOSE,UPPER RADIATOR,DEUTZ 2.9L	1
33	218715GT	COOLANT LEVEL SNSR, DEUTZ D2.9/TCD3.6	1

Go to Discount-Equipment.com to order your parts



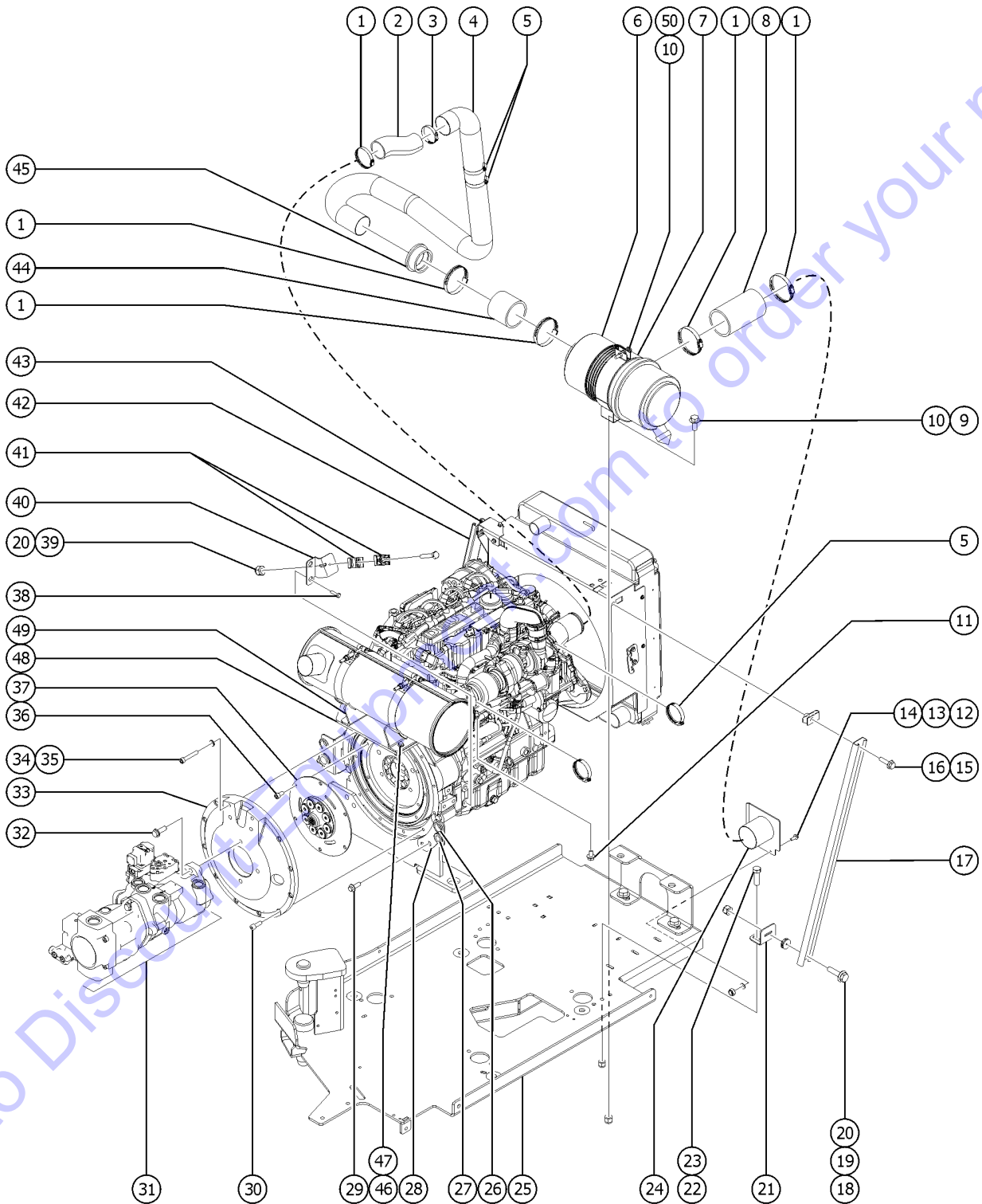
410.1 Deutz TD 2.9L China III Engine - View 2 (to SN S85XCD-1474)



Go to DiscountParts.com to order your parts

Item	Part No.	Description	Qty.
1	30489GT	CLAMP,HOSE,3.50	5
2	823703GT	HOSE,REDUCER,OFFSET,TURBO INLE	1
3	30971GT	CLAMP,HOSE,3.00"	1
4	823239GT	TUBE,INTAKE,DEUTZ 2.9L	1
5	45435GT	CLAMP,HOSE,2.50"****	2
6	81467GT	AIR CLEANER,NELSON	1
		(to S85XCD-1379)	
6B	1309573GT	AIR CLEANER, DONADSON,G070017	1
		(from S85XCD-1380)	
6B-	1309780GT	SAFETY FILTER,P829332,G070017	
		HOSTILE ENVIRONMENT OPTION	
7	81468GT	MOUNTING BAND,AIR CLEANER	1
		(to S85XCD-1379)	
7B	1309605GT	BRKT,AIR CLEANER,DONALDSON,S-BOOM	1
		(from S85XCD-1380)	
8	106211-600GT	HOSE,RUBBER 3"ID X .25 BLACK X 6.00 LG	1
9	824086GT	SCREW, HHF, 5/16-18 X 1, 8, ZAG	2
10	1274167GT	NUT,NYLOCK FLG,5/16-18,F,ZAG	3
11	1251983GT	SCREW,HHF,M8-1.25X16,DIN6921,10.9,ZAB	2
11-	824131GT	SCREW,HHF,M6-1.0X16,DIN6921,10.9,ZAB	1
12	121420GT	SCREW,HHF,1/4-20 X 1.00	
13	6638GT	WASHER, FLAT, USS, 1/4"Y	
14	6091GT	NUT, NYLOCK, 1/4-20	
15	824078GT	SCREW,HHF,1/4-20X.75,8,ZAG	5
16	56912GT	SPRING CLIP,1/4-20,.025-.15X.54,ZAG	5
17	823144GT	UNISTRUT,FAN SHROUD BRACE,R,DE	1
18	824079GT	SCREW,HHF,1/4-20X1,8,ZAG	2
19	229986GT	GROMMET RUBBER .375X1.00X.1875	2
20	1277924GT	NUT,NYLOCK FLG,1/4-20,F,ZAG	3
21	823147GT	FORMING,FAN SHROUD STRUT MOUNT	2
22	824091GT	SCREW, HHF, 3/8-16 X 1.25, 8, ZAG	4
23	1274322GT	NUT,NYLOCK FLG,3/8-16,F,ZAG	4
24		REF. WLDT, INTAKE, T4 DEUTZ, Z80/S8	
		(refer to 405.1)	

410.1 Deutz TD 2.9L China III Engine - View 2 (to SN S85XCD-1474)

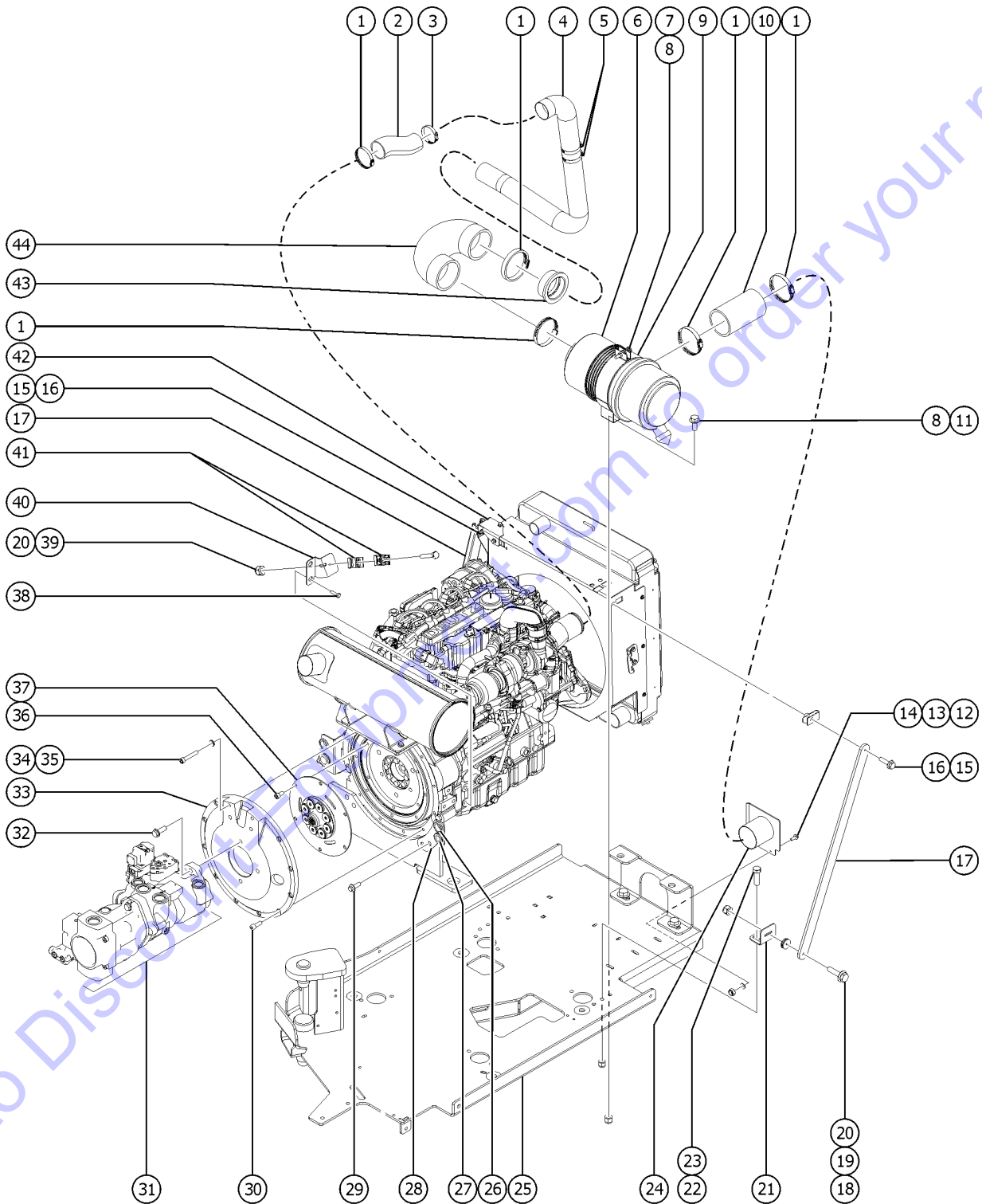


Go to DiscountParts.com to order your parts

410.1 Deutz TD 2.9L China III Engine - View 2 (to SN S85XCD-1474)

Item	Part No.	Description	Qty.
25		REF. WELDMENT,ENGINE TRAY,2.9L DEUTZ (refer to 417.1)	
26	124962GT	GROMMET,RUBBER,1.0 X 1.25X1.5	1
27	60584GT	GROMMET,RUBBER .75 X .19 X 1**	1
28	1286137GT	PLATE,BATTERY CABLE SUPPORT	1
29	1251899GT	SCREW,HHF,M14-2.0 X 40,DIN 6921,10.9, ZAB	4
30	1255666GT	SCREW,SHC,M10-1.50X30,DIN912,1	10
31		REF.DRIVE PUMP AND FUNCTION PUMP (refer to 707.1)	
32	123167GT	FLGHCS,1/2-13X1.50,GR8,BLK PH	4
33	70381GT	COVER,FLYWHEEL CASTING	1
34	1257481GT	SCREW,SHC,M10-1.5X60,DIN912,12.9,ZAB	2
35	824145GT	WASHER, FLAT, DIN125, M10, ZAB	2
36	1255665GT	SCREW,SHC,M10-1.50X20,DIN912,12.9,ZAB	6
37	128004GT	COUPLER,15 TOOTH,FBA,SAE8***	1
38	1255806GT	SCREW,HHF,M12-1.75X20,DIN6921,10.9,ZAB	2
39	824082GT	SCREW, HHF, 1/4-20 X 1.75, 8, ZAG	1
40	825939GT	FORMING, CLAMP, BATTERY CABLE	1
41	78736GT	CLAMP,2 HOSE,PLASTIC	2
42	823143GT	UNISTRUT,FAN SHROUD BRACE,L,DE	1
43	1252687GT	BRACKET, STRUT BRACE	1
44	106211-300GT	HOSE,RUBBER 3"ID X .25 BLACK	1
45	101640GT	REDUCER,RUBBER 3.0 - 2.5	1
46	824133GT	SCREW,HHF,M8-1.25X25,DIN6921,10.9,ZAB	4
47	237832GT	NUT,TL FLG,M8-1.25,DIN6927,10,ZAB	4
48	1287194GT	WELDMENT,MUFFLER MOUNT,DEUTZ TD2.9,S85 (To S85XCD-1405)	1
48B	1307332GT	WELDMENT, MUFFLER MOUNT, DEUTZ TD2.9, S85XC (From S85XCD-1406)	1
49	1288340GT	BRACKET, TD2.9 MUFFLER (To S85XCD-1405)	2
50	1255763GT	SCREW,HHF,5/16-18X1.5,8,ZAG (from S85XCD-1380)	1

410.2 Deutz TD 2.9L China III Engine - View 2 (From S85XCD-1475)



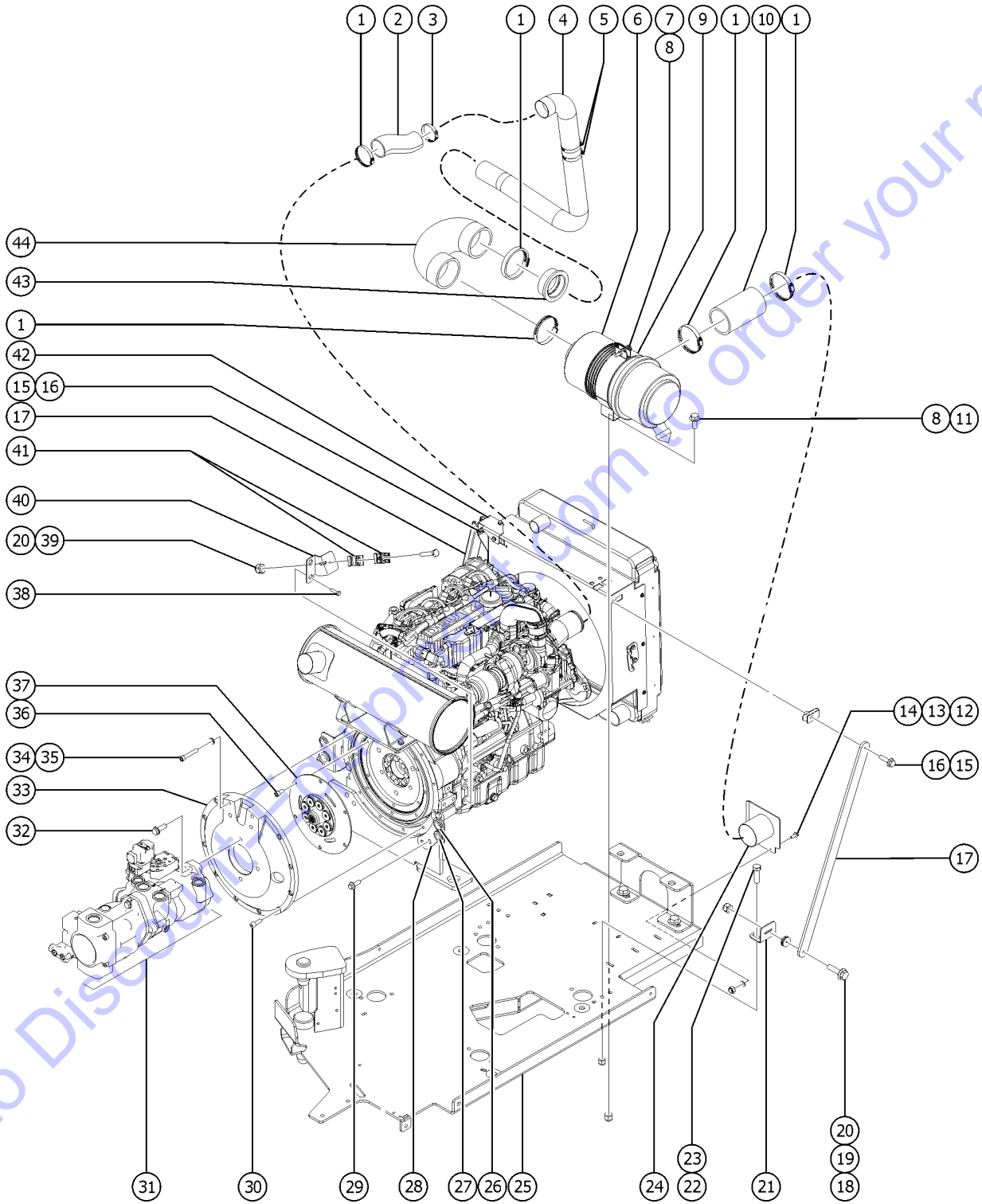
Go to DiscountParts.com to order your parts

Item	Part No.	Description	Qty.
1	30489GT	CLAMP,HOSE,3.50	5
2	823703GT	HOSE,REDUCER,OFFSET,TURBO INLE	1
3	30971GT	CLAMP,HOSE,3.00"	1
4	1307251GT	TUBE,INTAKE,DEUTZ 2.9L	1
5	45435GT	CLAMP,HOSE,2.50"****	2
6	1309573GT	AIR CLEANER, DONADSON,G070017	1
6-	1309780GT	SAFETY FILTER,P829332,G070017 HOSTILE ENVIRONMENT OPTION	
7	1255763GT	SCREW,HHF,5/16-18X1.5,8,ZAG	1
8	1274167GT	NUT,NYLOCK FLG,5/16-18,F,ZAG	3
9	1309605GT	BRKT,AIR CLEANER,DONALDSON,S-BOOM	1
10	106211-760GT	HOSE,RUBBER 3"ID X .25 BLACK X 7.60 LG	1
11	824086GT	SCREW, HHF, 5/16-18 X 1, 8, ZAG	2
12	121420GT	SCREW,HHF,1/4-20 X 1.00	
13	6638GT	WASHER, FLAT, USS, 1/4"Y	
14	6091GT	NUT, NYLOCK, 1/4-20	
15	824078GT	SCREW,HHF,1/4-20X.75,8,ZAG	5
16	56912GT	SPRING CLIP,1/4-20,.025-.15X.54,ZAG	5
17	1307255GT	FORMING,RADIATOR SUPPORT,DEUTZ 2.9L	2
18	824079GT	SCREW,HHF,1/4-20X1,8,ZAG	2
19	229986GT	GROMMET RUBBER .375X1.00X.1875	2
20	1277924GT	NUT,NYLOCK FLG,1/4-20,F,ZAG	3
21	823147GT	FORMING,FAN SHROUD STRUT MOUNT	2
22	824091GT	SCREW, HHF, 3/8-16 X 1.25, 8, ZAG	4
23	1274322GT	NUT,NYLOCK FLG,3/8-16,F,ZAG	4
24		REF. WLDT, INTAKE, T4 DEUTZ, Z80/S8 (refer to 405.1)	
25		REF. WELDMENT,ENGINE TRAY,2.9L DEUTZ (refer to 417.1)	
26	124962GT	GROMMET,RUBBER,1.0 X 1.25X1.5	1
27	60584GT	GROMMET,RUBBER .75 X .19 X 1**	1

Go to Discount-Equipment.com to order your parts



410.2 Deutz TD 2.9L China III Engine - View 2 (From S85XCD-1475)



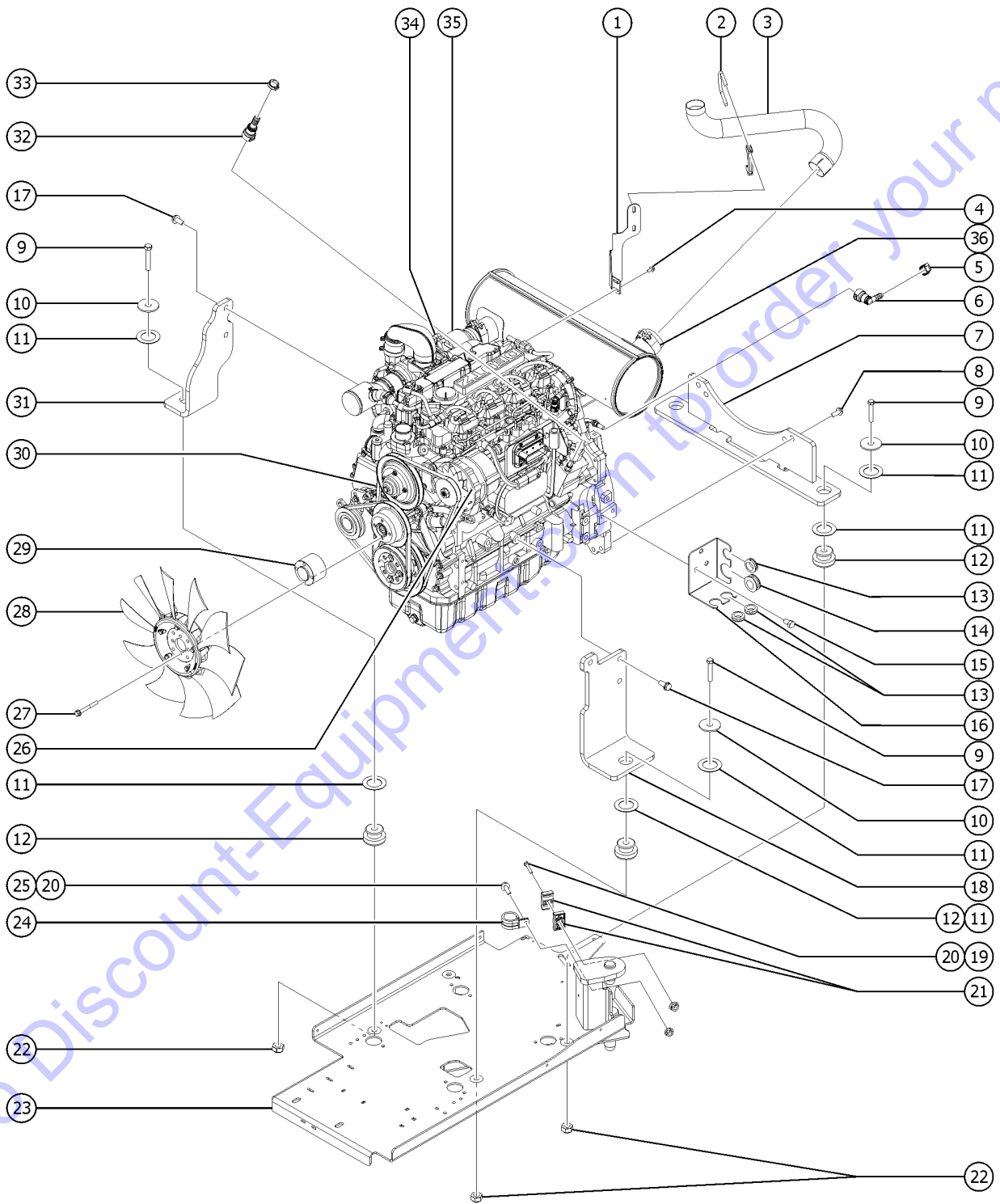
410.2 Deutz TD 2.9L China III Engine - View 2 (From S85XCD-147

Item	Part No.	Description	Qty.
28	1286137GT	PLATE,BATTERY CABLE SUPPORT	1
29	1251899GT	SCREW,HHF,M14-2.0 X 40,DIN 6921,10.9, ZAB	4
30	1255666GT	SCREW,SHC,M10-1.50X30,DIN912,1	10
31		REF.DRIVE PUMP AND FUNCTION PUMP	
		(refer to 707.1)	
32	123167GT	FLGHCS,1/2-13X1.50,GR8,BLK PH	4
33	70381GT	COVER,FLYWHEEL CASTING	1
34	1257481GT	SCREW,SHC,M10-1.5X60,DIN912,12.9,ZAB	2
35	824145GT	WASHER, FLAT, DIN125, M10, ZAB	2
36	1255665GT	SCREW,SHC,M10-1.50X20,DIN912,12.9,ZAB	6
37	128004GT	COUPLER,15 TOOTH,FBA,SAE8***	1
38	1255806GT	SCREW,HHF,M12-1.75X20,DIN6921,10.9,ZAB	2
39	824082GT	SCREW, HHF, 1/4-20 X 1.75, 8, ZAG	1
40	825939GT	FORMING, CLAMP, BATTERY CABLE	1
41	78736GT	CLAMP,2 HOSE,PLASTIC	2
42		Ref. BRACKET, STRUT BRACE	1
		(refer to 409.2)	
43	101640GT	REDUCER,RUBBER 3.0 - 2.5	1
44	1308141GT	HOSE, AIR INTAKE, 3.00" I.D.	1

Go to Discount-Equipment.com to order your parts



411.1 Deutz TD 2.9L China III Engine - View 3

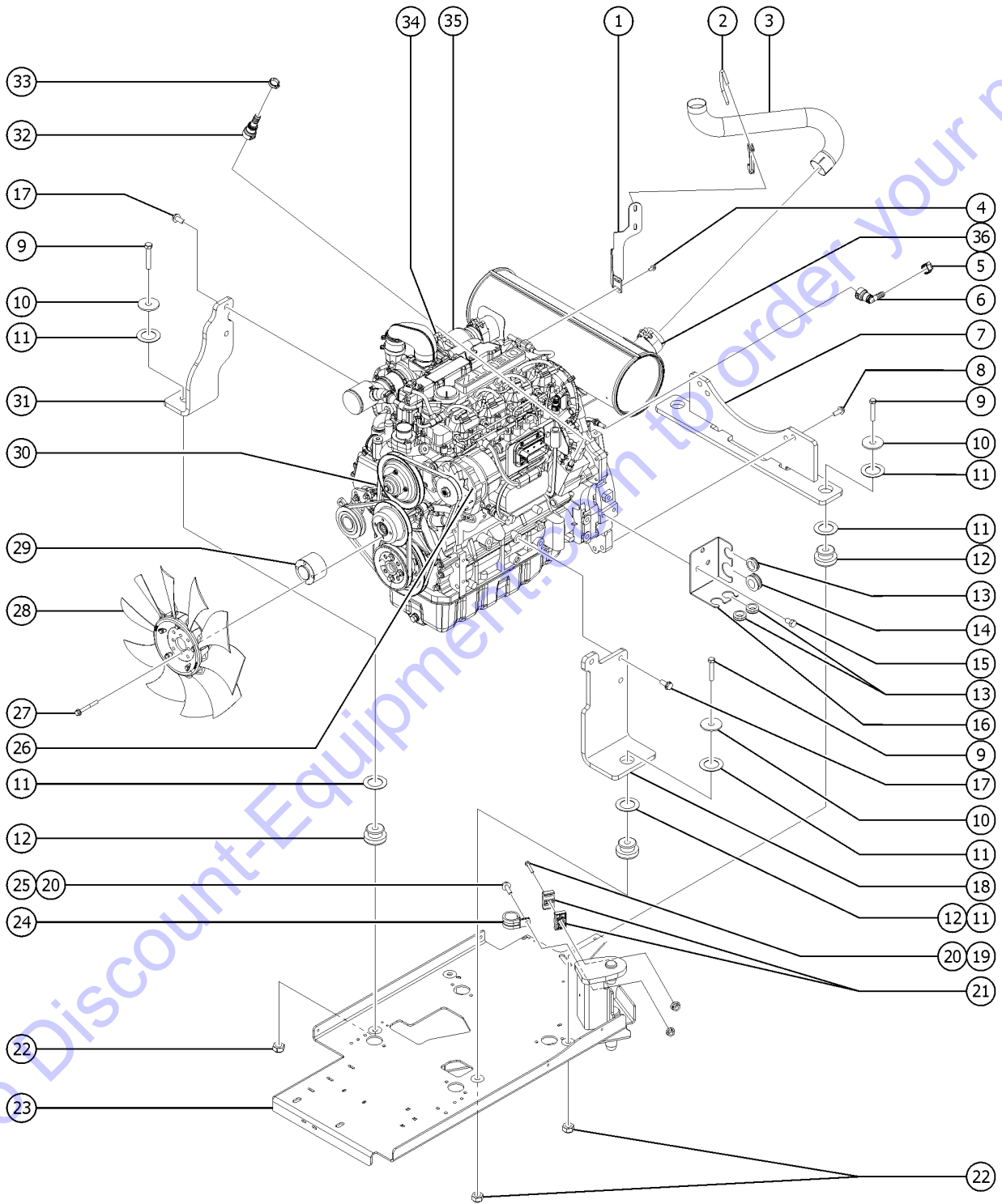


Go to Discount-Equipment.com to order your parts

Item	Part No.	Description	Qty.
1	1268921GT	FORMING, TAILPIPE SUPPORT, S80	1
2	71911GT	CLAMP, MUFFLER, 2.50 INCH	1
3	1287264GT	TAILPIPE, TD2.9 MUFFLER (To S85XCD-1405)	1
3B	1307336GT	TAILPIPE, TD2.9 MUFFLER (From S85XCD-1406)	1
4	824132GT	SCREW, HHF, M8-1.25X20, DIN6921, 10.9, ZAB	2
5	81154GT	CLAMP, HOSE, SIZE .31 > .91	1
6	826000GT	CONNECTOR, SAE10, QUICK CONNECT	1
7	823135GT	WELDMENT, REAR MOUNT, ENGINE	1
8	1251899GT	SCREW, HHF, M14-2.0 X 40, DIN 6921, 10.9, ZAB	4
9	1256169GT	SCREW, HHC, 5/8-11X3.5, 8, ZAG	4
10	824123GT	WASHER, FLAT, .625X2.25X.188, ZAG	4
11	1251565GT	WASHER, SHIM, 1.56X2.5X.061, ZAG	8
12	102045GT	ISOLATOR, ENGINE VIBRATION	4
13	124962GT	GROMMET, RUBBER, 1.0 X 1.25X1.5	3
14	106923GT	GROMMET, RUBBER .38X1.38X1.0	1
15	1255806GT	SCREW, HHF, M12-1.75X20, DIN6921, 10.9, ZAB	3
16	826873GT	FORMING, ENGINE HARNESS SUPPORT	1
17	1256776GT	SCREW, HHF, M14-2.0X35, DIN6921, 10.9, ZAB	5
18	823012GT	MOUNT, ENGINE, LEFT SIDE	1
19	824082GT	SCREW, HHF, 1/4-20 X 1.75, 8, ZAG	1
20	1277924GT	NUT, NYLOCK FLG, 1/4-20, F, ZAG	2
21	78736GT	CLAMP, 2 HOSE, PLASTIC	2
22	1253319GT	NUT, TL FLG, 5/8-11, G, ZAG	4
23		REF. WELDMENT, ENGINE TRAY, 2.9L DEUTZ (refer to 417.1)	
24	18666GT	CLAMP, 1.00, #16 X 1/4, RUB CUSH	1
25	824079GT	SCREW, HHF, 1/4-20X1, 8, ZAG	1
26	236251GT	ALTERNATOR, 95 AMP, DEUTZ TCD3.6	1
27	1258771GT	SCREW, HHF, M8-1.25X60, DIN6921, 10.9, ZAB	4

Go to DiscountEquipment.com to order your parts

411.1 Deutz TD 2.9L China III Engine - View 3

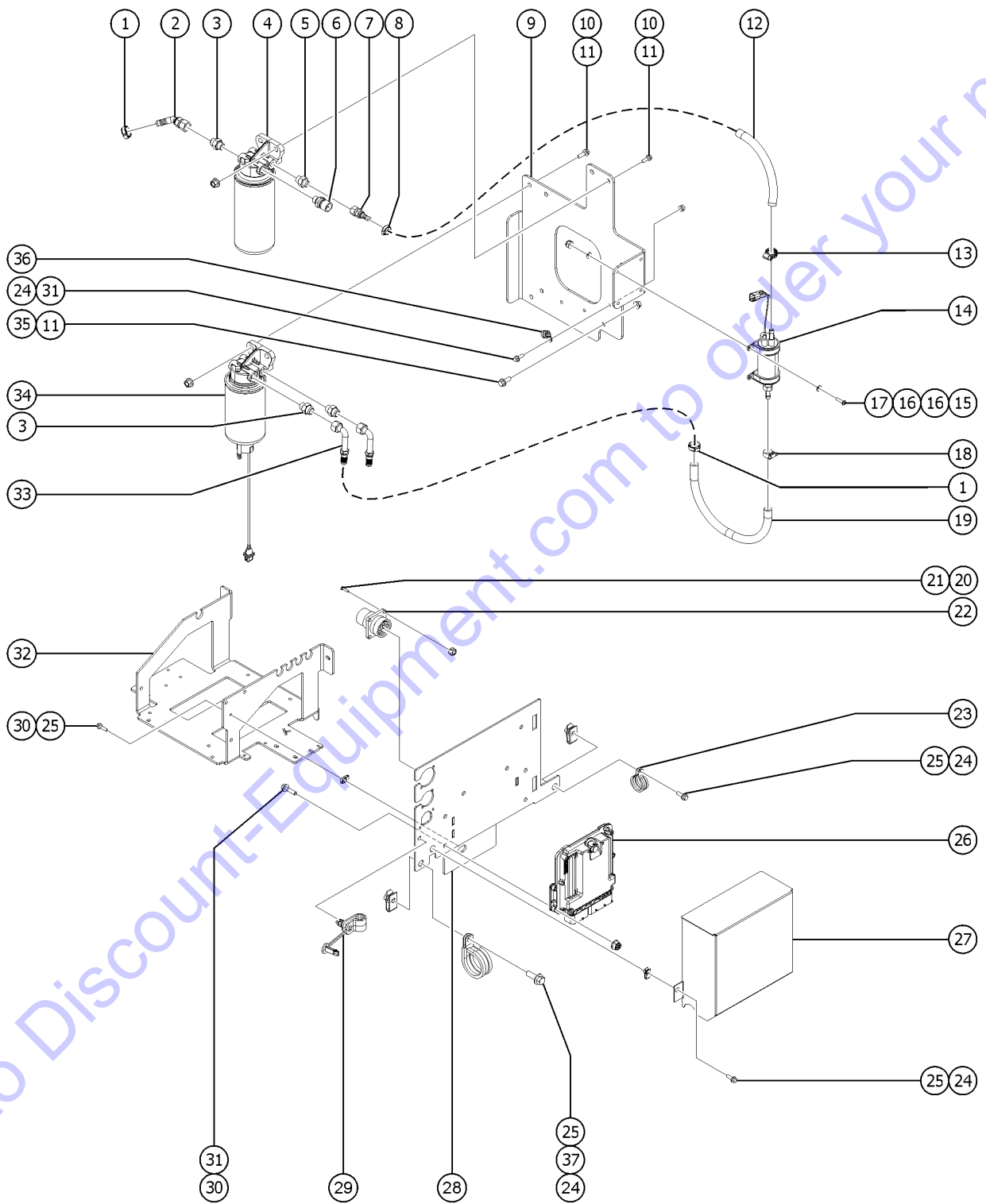


Item	Part No.	Description	Qty.
28	1251496GT	FAN,10 BLADE,17",DEUTZ 2.9L	1
29	1258641GT	SPACER, FAN, DEUTZ, 43MM LNG	1
30	1262866GT	FAN BELT, ALTERNATOR	1
31	823013GT	MOUNT,ENGINE,RIGHT SIDE	1
32	1255651GT	CONNECTOR,SAE12,QUICK CONNECT	1
33	822087GT	CLAMP,HOSE,1EAR,25/32	1
34	1288342GT	V CLAMP, TD2.9 TURBO OUTLET	1
35	1287263GT	FLEXIBLE BELLOW PIPE, TD2.9 MUFFLER	1
36	1288341GT	TIGHTFIT CLAMP, TD2.9 MUFFLER	1
		(From S85XCD-1406)	

Go to Discount-Equipment.com to order your parts



412.1 Deutz TD 2.9L China III Engine - View 4, to S85XCD-1196



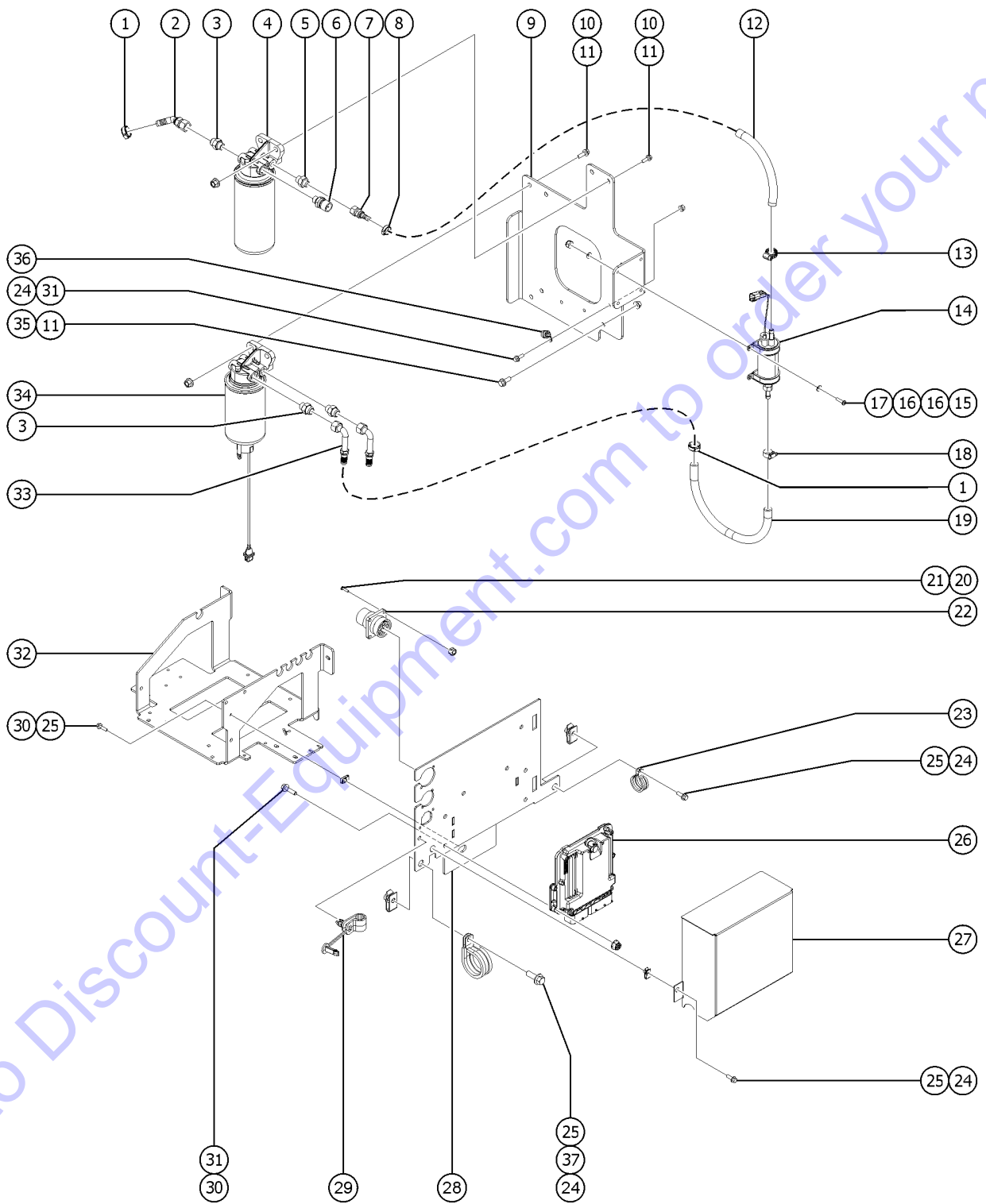
Go to Discount-Equipment.com to order your parts

412.1 Deutz TD 2.9L China III Engine - View 4, to S85XCD-1196

Item	Part No.	Description	Qty.
1	822087GT	CLAMP,HOSE,1EAR,25/32	3
2	826357GT	FITTING,45DEG,1/2 HS X 3/4-16,JIC,SW,FEMALE,STEEL	1
3	162209GT	FITTING,CONN,16MM-8MJ	3
4	1261236GT	ASSY,FUEL FILTER,DEUTZ 2.9	1
4-	214228GT	FILTER, DEUTZ 2.9, FUEL	1
5	162208GT	FITTING,CONN,16MM-6MJ	1
6	824673GT	SENSOR,LOW PRESSURE,DEUTZ 2.9L	1
7	824351GT	FITTING,STR,3/8 HS X 9/16-18,JIC,SW,FEMALE	1
8	96770GT	CLAMP, HOSE, 1 EAR, 11/16	1
9	1267313GT	BRACKET,FUEL SYSTEM,DEUTZ 2.9L	1
10	824091GT	SCREW, HHF, 3/8-16 X 1.25, 8, ZAG	4
11	1274322GT	NUT,NYLOCK FLG,3/8-16,F,ZAG	7
12	823420-1772GT	HOSE,FUEL,3/8,GATES RLA 60"	1
13	81154GT	CLAMP,HOSE,SIZE .31 > .91	1
14	236259GT	LIFT PUMP,FUEL,DEUTZ TCD3.6	1
15	824215GT	SCREW, PHPM, 10-32 X .75, ZAG	4
16	1253185GT	WASHER,FLAT,#10,USS,ZAG	8
17	6178GT	NUT, NYLOCK, 10-32, SS	4
18	46131GT	CLAMP,HOSE,.63" - 1.0" X .5"	1
19	823421GT	HOSE,FUEL,1/2,GATES RLA	1
20	1253477GT	SCREW,PHPM,4-40X.5,ZAG	2
21	40766GT	NUT,NYLOCK,4-40	2
22	1269699GT	HARNESS,ENGINE, DEUTZ2.9T	1
23	21618GT	CLAMP,1.13,#18 X 1/4,RUB CUSH	2
24	824078GT	SCREW,HHF,1/4-20X.75,8,ZAG	5
25	56912GT	SPRING CLIP,1/4-20,.025-.15X.54,ZAG	6
26	214795GT	ECM, Deutz D2.9 (must contact service parts to order, SN information is required)	1
27	1274200GT	BRACKET,COVER, ECU, TIER IV	1



412.1 Deutz TD 2.9L China III Engine - View 4, to S85XCD-1196



Go to Discount-Equipment.com to order your parts

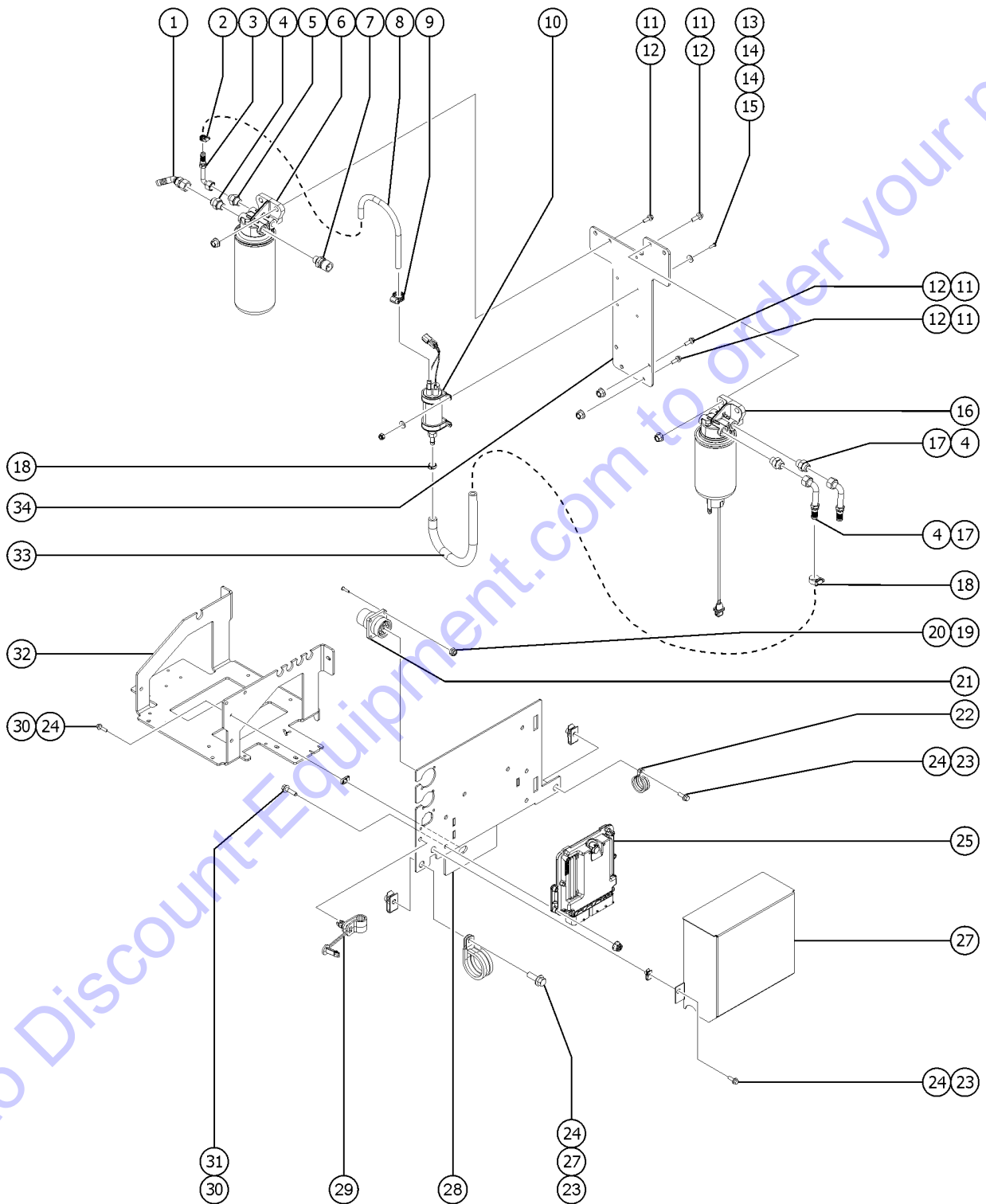
412.1 Deutz TD 2.9L China III Engine - View 4, to S85XCD-1196

Item	Part No.	Description	Qty.
28	1279791GT	WELDMENT, ECU MOUNT, XC	1
29	219508GT	CLAMP, FIXED DIA, NYLON, 3/8"	1
30	824079GT	SCREW,HHF,1/4-20X1,8,ZAG	7
31	1277924GT	NUT,NYLOCK FLG,1/4-20,F,ZAG	6
32		REF. FORMING, BATTERY TRAY, XC	1
		(refer to 302.1)	
33	162207GT	FITTING,ELBOW,8GS-8FJX90S	2
34	1261239GT	ASSY,FUEL PREFILTER,DEUTZ 2.9	1
34-	236260GT	FILTER, FUEL PRE-FILTER, SPIN-ON, DEUTZ	1
35	824090GT	SCREW,HHF,3/8-16X1,8,ZAG	3
36	219508GT	CLAMP, FIXED DIA, NYLON, 3/8"	2
37	33784GT	CLAMP,1.31,#21 X 1/4,RUB CUSH	2

Go to Discount-Equipment.com to order your parts



412.2 Deutz TD 2.9L China III Engine - View 4, From S85XCD-1197

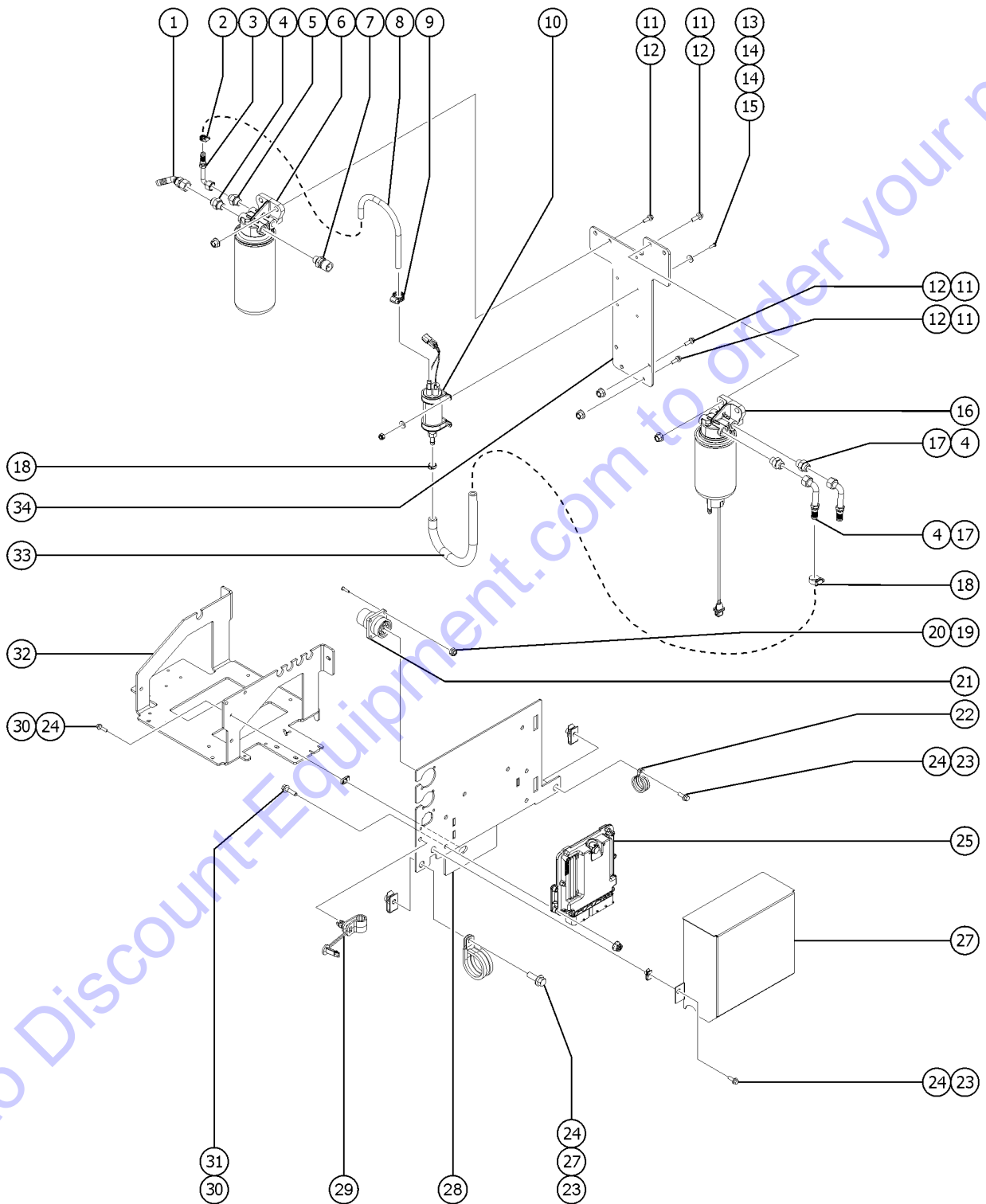


Go to Discount-Equipment.com to order your parts

Item	Part No.	Description	Qty.
1	826357GT	FITTING,45DEG,1/2 HS X 3/4-16,JIC,SW,FEMALE,STEEL	1
2	96770GT	CLAMP, HOSE, 1 EAR, 11/16	1
3	162206GT	FITTING,ELBOW,6GS-6FJX90S	1
4	162209GT	FITTING,CONN,16MM-8MJ	3
5	162208GT	FITTING,CONN,16MM-6MJ	1
6	1261236GT	ASSY,FUEL FILTER,DEUTZ 2.9	1
6-	214228GT	FILTER, DEUTZ 2.9, FUEL	1
7	824673GT	SENSOR,LOW PRESSURE,DEUTZ 2.9L	1
8	823420-1772GT	HOSE,FUEL,3/8,GATES RLA 60"	17.7
9	21465GT	CLAMP,HOSE,.25" - .63" X .3125	1
10	236259GT	LIFT PUMP,FUEL,DEUTZ TCD3.6	1
11	824091GT	SCREW, HHF, 3/8-16 X 1.25, 8, ZAG	8
12	1274322GT	NUT,NYLOCK FLG,3/8-16,F,ZAG	8
13	824215GT	SCREW, PHPM, 10-32 X .75, ZAG	4
14	1253185GT	WASHER,FLAT,#10,USS,ZAG	8
15	6178GT	NUT, NYLOCK, 10-32, SS	4
16	1261239GT	ASSY,FUEL PREFILTER,DEUTZ 2.9	1
16-	236260GT	FILTER, FUEL PRE-FILTER, SPIN-ON, DEUTZ	1
17	162207GT	FITTING,ELBOW,8GS-8FJX90S	2
18	46131GT	CLAMP,HOSE,.63" - 1.0" X .5"	2
19	1253477GT	SCREW,PHPM,4-40X.5,ZAG	2
20	40766GT	NUT,NYLOCK,4-40	2
21	1269699GT	HARNESS,ENGINE, DEUTZ2.9T	1
22	21618GT	CLAMP,1.13,#18 X 1/4,RUB CUSH	2
23	824078GT	SCREW,HHF,1/4-20X.75,8,ZAG	5
24	56912GT	SPRING CLIP,1/4-20,.025-.15X.54,ZAG	6
25	214795GT	ECM, Deutz D2.9 (must contact service parts to order, SN information is required)	1
26	1274200GT	BRACKET,COVER, ECU, TIER IV	1

Go to Discount-Equipment.com to order your parts

412.2 Deutz TD 2.9L China III Engine - View 4, From S85XCD-1197



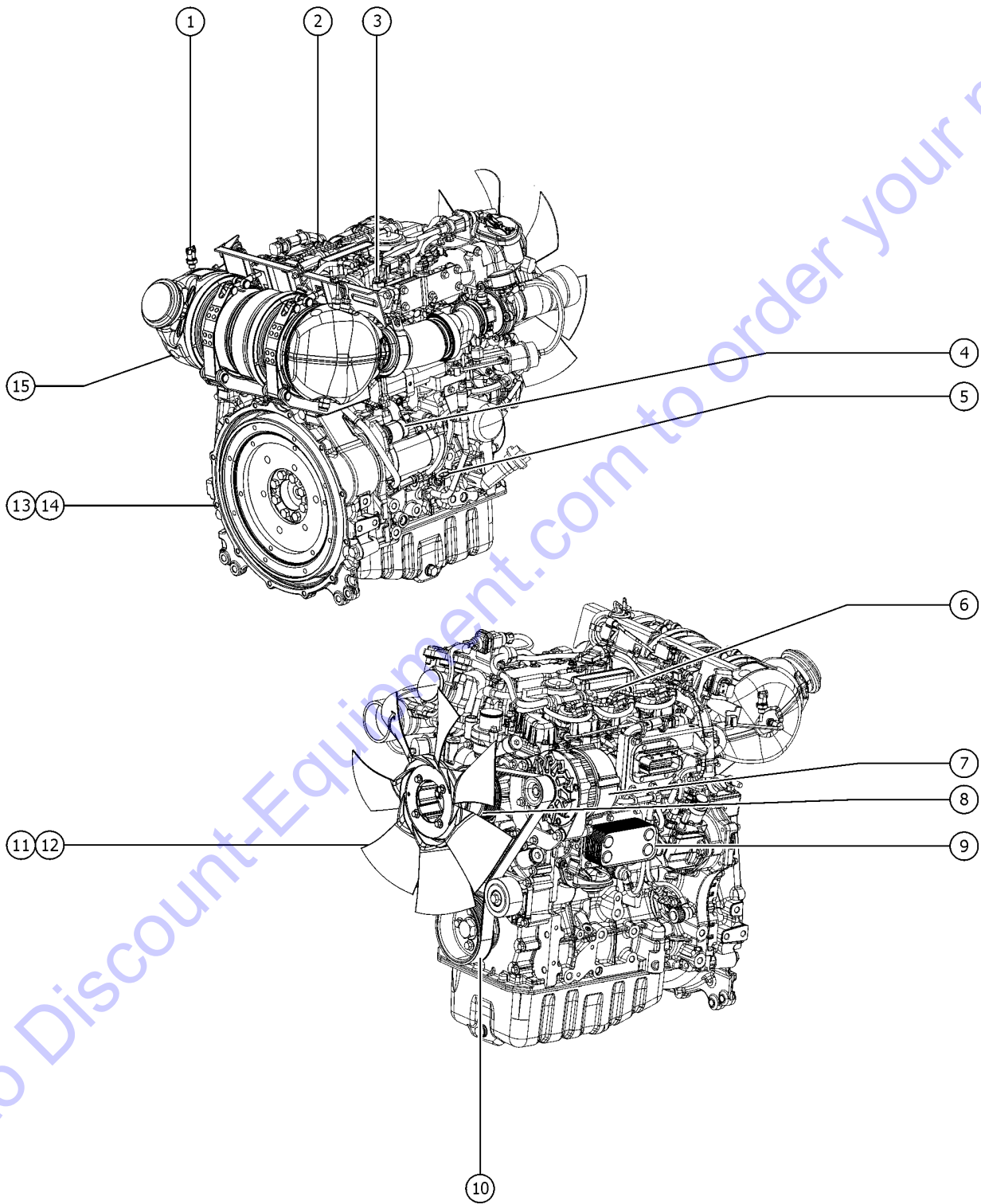
412.2 Deutz TD 2.9L China III Engine - View 4, From S85XCD-1197

Item	Part No.	Description	Qty.
27	33784GT	CLAMP,1.31,#21 X 1/4,RUB CUSH	2
28	1279791GT	WELDMENT, ECU MOUNT, XC	1
29	219508GT	CLAMP, FIXED DIA, NYLON, 3/8"	1
30	824079GT	SCREW,HHF,1/4-20X1,8,ZAG	7
31	1277924GT	NUT,NYLOCK FLG,1/4-20,F,ZAG	6
32		REF. FORMING, BATTERY TRAY, XC	1
		(refer to 302.1)	
33	823421GT	HOSE,FUEL,1/2,GATES RLA	17
			.7
34	1306173GT	BRACKET,FUEL SYSTEM,DEUTZ 2.9L,S-80	1

Go to Discount-Equipment.com to order your parts



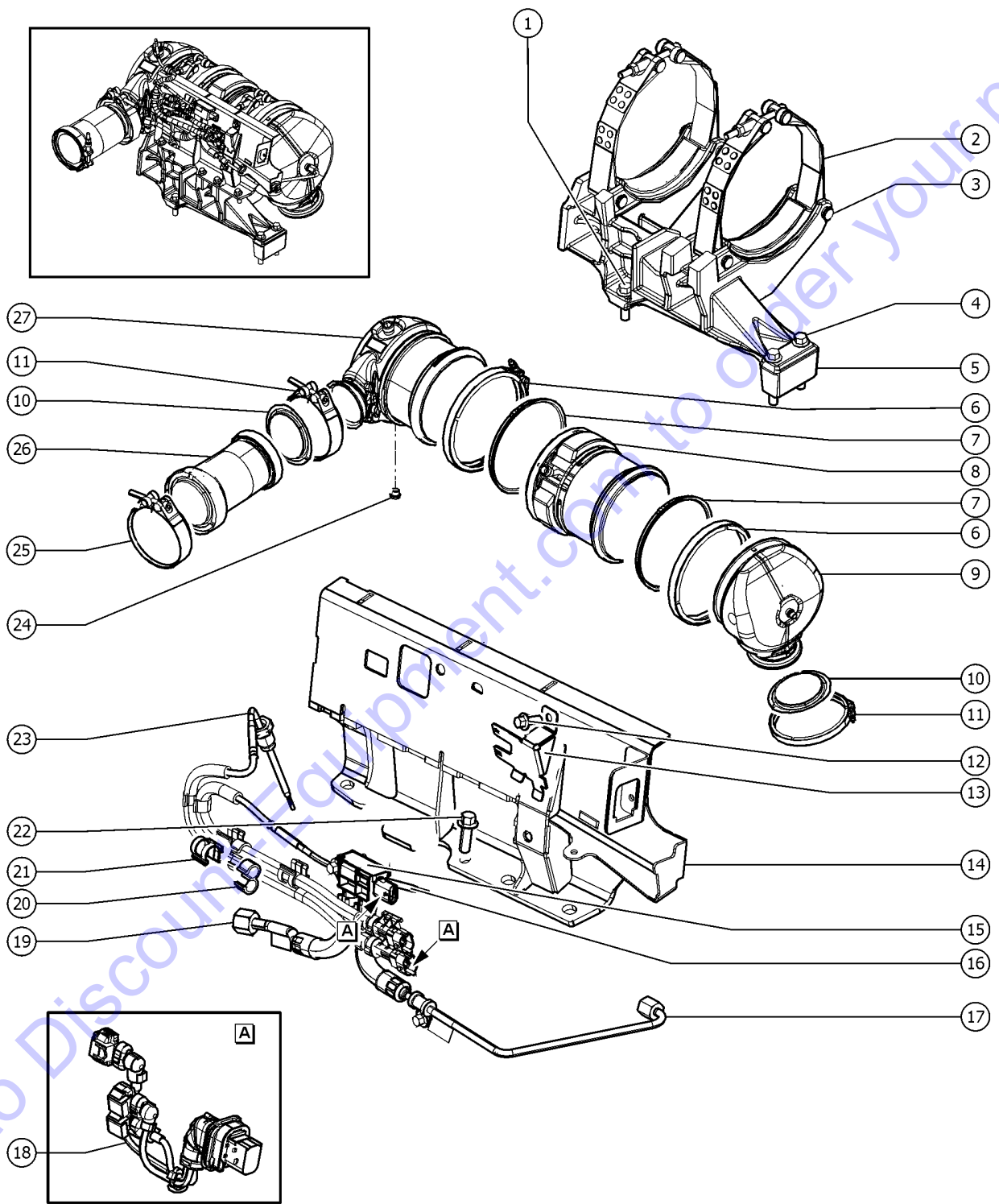
413.1 TCD 2.2 Engine - View 1



Item	Part No.	Description	Qty.
A		Due to Stage V regulations, many engine replacement parts require the engine serial number at time of order placement. When ordering engine parts please have both machine and engine serial numbers available. For internal engine parts, contact engine dealer	
1	825693GT	COOLANT TEMP SENSOR,TD2.9	1
2	1261237GT	SENSOR,FUEL PRESSURE	1
2-	1262893GT	O-RING, OIL PRESSURE SENSOR	
3	1262896GT	SENSOR,INTAKE AIR PRESSURE	1
3-	1262897GT	O-RING, INTAKE AIR PRESSURE SENSOR	
4	1300704GT	STARTER	1
5	825708GT	DIPSTICK,TD2.9	1
6	1300706GT	CABLE HARNESS	1
7	07.0501.0051GT	ALTERNATOR	1
8	1300713GT	ADAPTER	1
9	1300707GT	OIL COOLER	1
10	1293934GT	Belt No longer available,(Replaced by 07.4501.0289)	1
10B	07.4501.0289GT	Belt	1
11	1294968GT	FAN, 430MM	1
12	1294091GT	HEXAGON BOLT	4
13	89785GT	RING GEAR,DEUTZ F3L2011F (please verify ring gear thickness) 0.6 inches	1
14	1262873GT	BOLT, DEUTZ FLYWHEEL	8
15		REF. DPF (refer to 414.1)	

Go to DiscountEquipment.com to order your parts

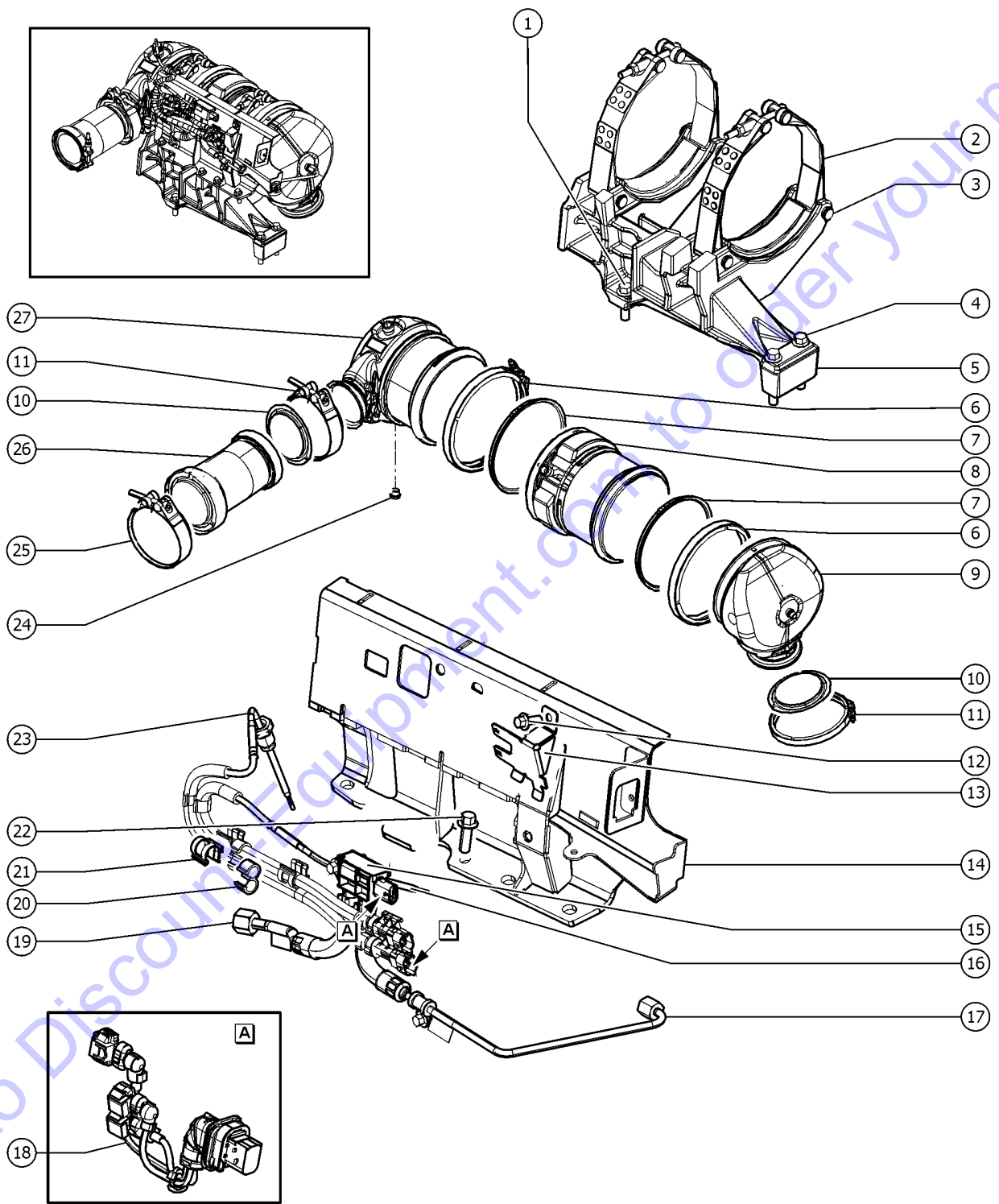
414.1 TCD 2.2 Engine - View 2



Item	Part No.	Description	Qty.
A		Due to Stage V regulations, many engine replacement parts require the engine serial number at time of order placement. When ordering engine parts please have both machine and engine serial numbers available. For internal engine parts, contact engine dealer	
1	1297249GT	SCREW M10x38	2
2	1297244GT	STRAP W/SCREW	2
3	1297245GT	CIRCLIP	8
4	1297251GT	SCREW M10x65	2
5	1297250GT	BRACKET	1
6	1297261GT	CLIP	2
7	1297262GT	GASKET	2
8	1297263GT	PARTICULATE FILTER	1
9	1297264GT	DPF OUTLET	1
10	1257377GT	GASKET,MIXING PIPE,TCD3.6 T4F	2
11	825015GT	CLAMP, T4 TCD3.6 DOC	2
12	1297255GT	SCREW M6x12	1
13	1297257GT	RETAINING PLATE	1
14	1297256GT	SHEET / PLATE	1
15	1297253GT	PRESSURE SENSOR	1
16	07.4501.0252GT	TEMPERATURE SENSOR	1
17	1297252GT	TUBE	1
18	1297243GT	INTERCONNECTING PIPE	1
19	1297247GT	TUBE	1
20	1297248GT	HOSE CLIP	2
21	1297254GT	CLAMP	4
22	1293871GT	HEXAGON BOLT	3
23	1257779GT	SENSOR,EXH,TEMP,TCD3.6 T4F	1
24	1297258GT	PLUG	1
25	824775GT	CLAMP,TURBO OUTLET-TURBO PIPE,	1
26	1300708GT	COMPENSATOR	1

Go to DiscountEquipment.com to order your parts

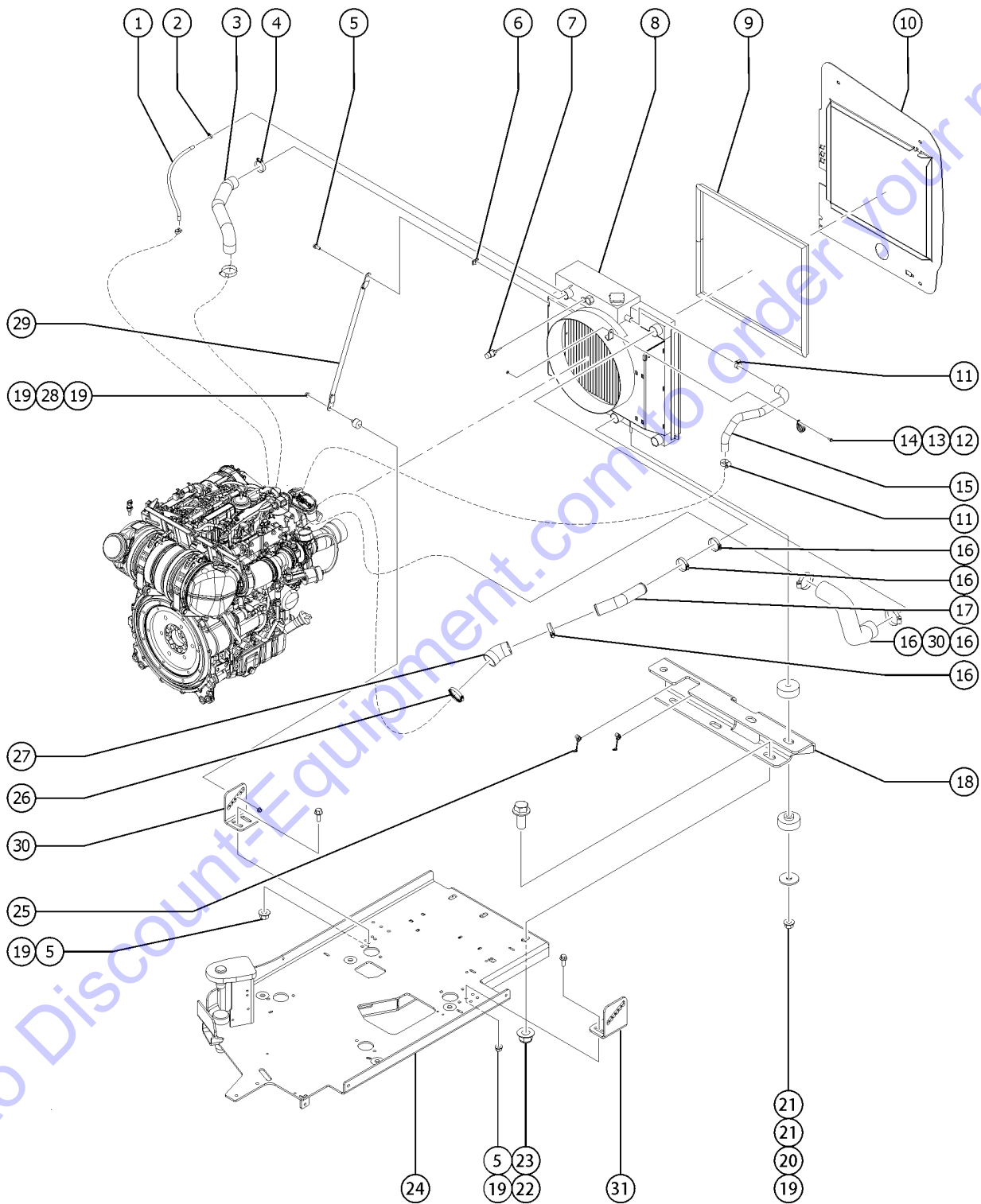
414.1 TCD 2.2 Engine - View 2



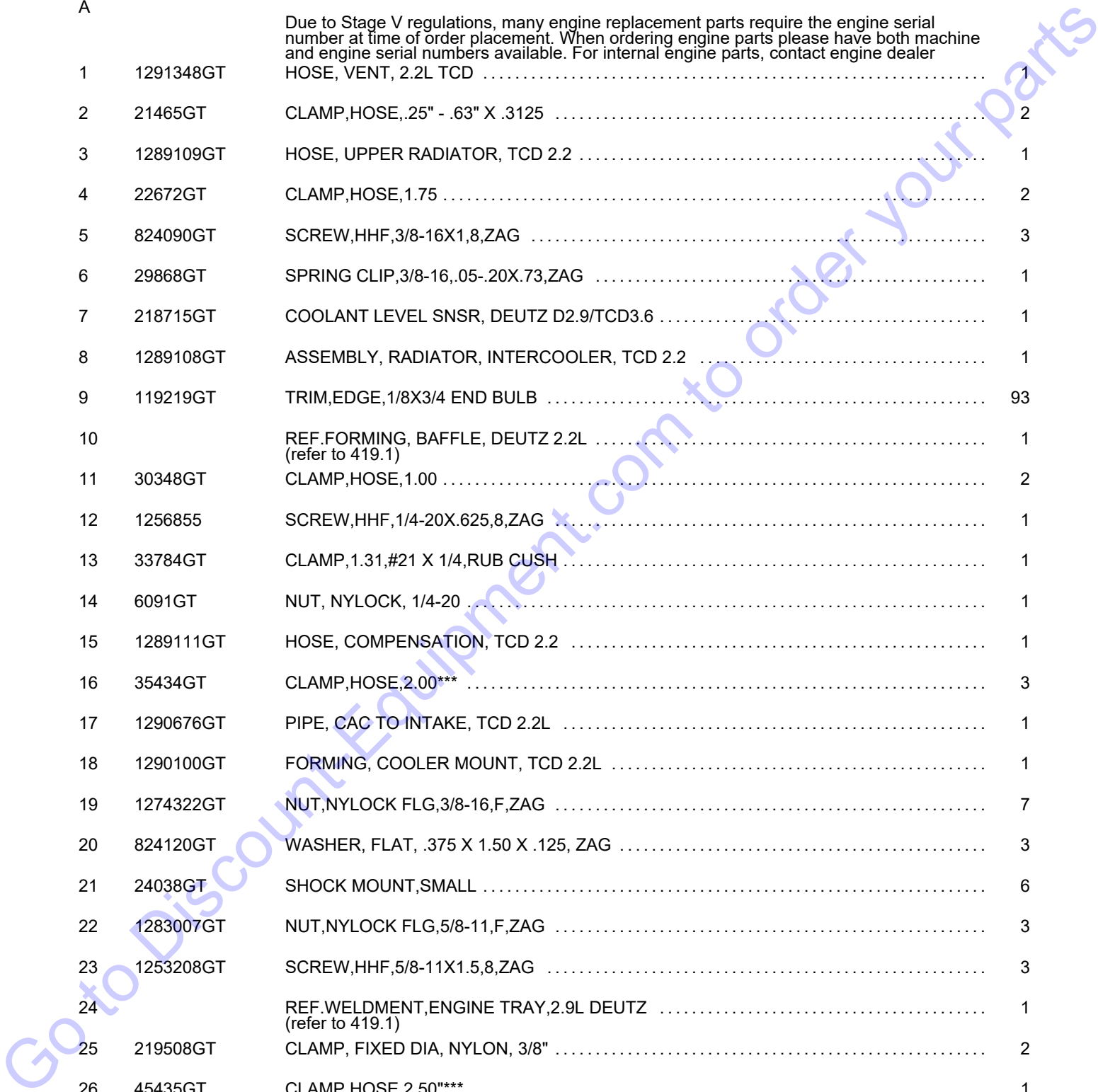
<i>Item</i>	<i>Part No.</i>	<i>Description</i>	<i>Qty.</i>
27	1297260GT	DPF INLET	1

Go to Discount-Equipment.com to order your parts

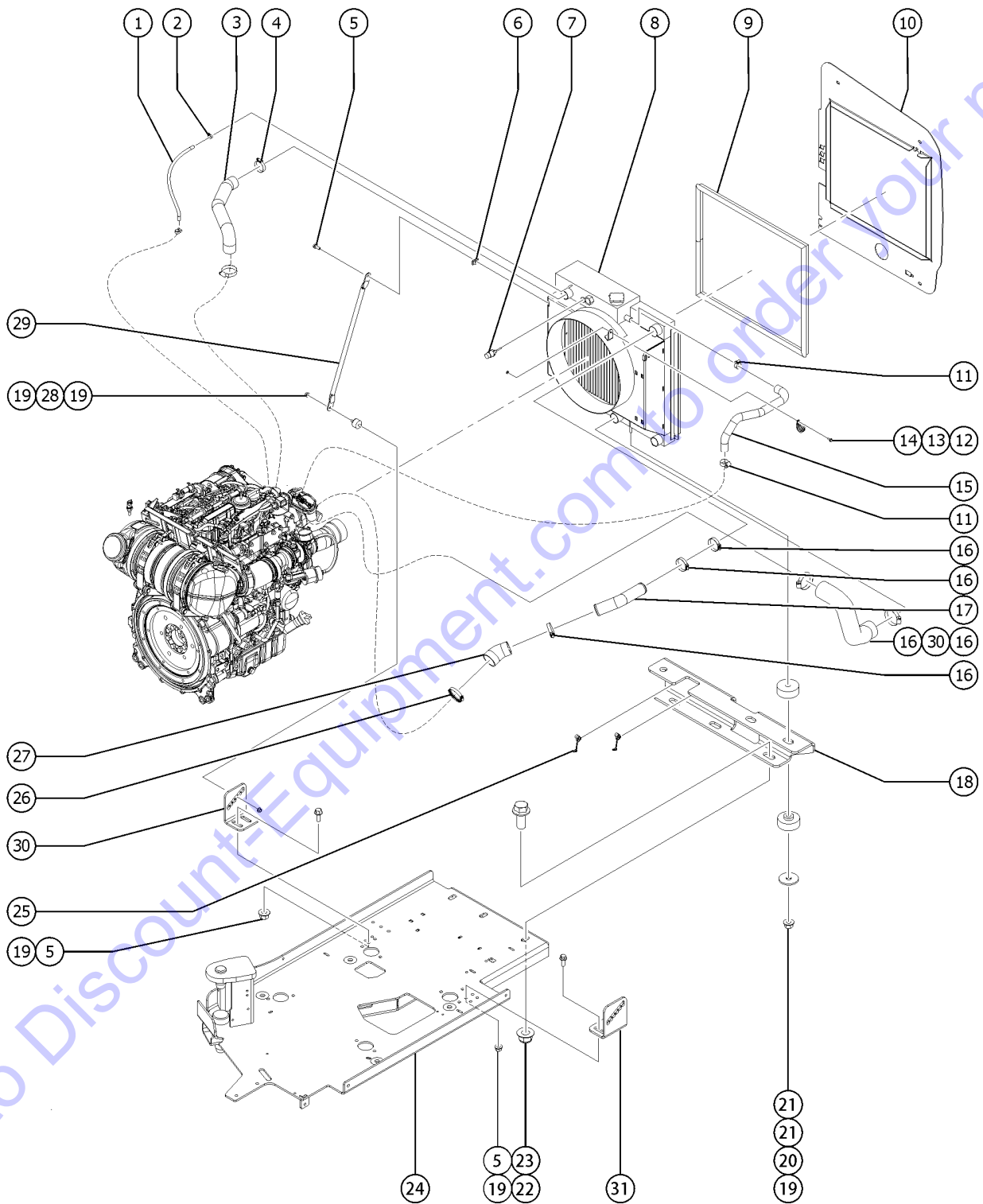
415.1 TCD 2.2 Engine - View 3 (to SN S85XCD-508)



Item	Part No.	Description	Qty.
A		Due to Stage V regulations, many engine replacement parts require the engine serial number at time of order placement. When ordering engine parts please have both machine and engine serial numbers available. For internal engine parts, contact engine dealer	
1	1291348GT	HOSE, VENT, 2.2L TCD	1
2	21465GT	CLAMP,HOSE,.25" - .63" X .3125	2
3	1289109GT	HOSE, UPPER RADIATOR, TCD 2.2	1
4	22672GT	CLAMP,HOSE,1.75	2
5	824090GT	SCREW,HHF,3/8-16X1.8,ZAG	3
6	29868GT	SPRING CLIP,3/8-16,.05-.20X.73,ZAG	1
7	218715GT	COOLANT LEVEL SNSR, DEUTZ D2.9/TCD3.6	1
8	1289108GT	ASSEMBLY, RADIATOR, INTERCOOLER, TCD 2.2	1
9	119219GT	TRIM,EDGE,1/8X3/4 END BULB	93
10		REF.FORMING, BAFFLE, DEUTZ 2.2L	1
		(refer to 419.1)	
11	30348GT	CLAMP,HOSE,1.00	2
12	1256855	SCREW,HHF,1/4-20X.625,8,ZAG	1
13	33784GT	CLAMP,1.31,#21 X 1/4,RUB CUSH	1
14	6091GT	NUT, NYLOCK, 1/4-20	1
15	1289111GT	HOSE, COMPENSATION, TCD 2.2	1
16	35434GT	CLAMP,HOSE,2.00***	3
17	1290676GT	PIPE, CAC TO INTAKE, TCD 2.2L	1
18	1290100GT	FORMING, COOLER MOUNT, TCD 2.2L	1
19	1274322GT	NUT,NYLOCK FLG,3/8-16,F,ZAG	7
20	824120GT	WASHER, FLAT, .375 X 1.50 X .125, ZAG	3
21	24038GT	SHOCK MOUNT,SMALL	6
22	1283007GT	NUT,NYLOCK FLG,5/8-11,F,ZAG	3
23	1253208GT	SCREW,HHF,5/8-11X1.5,8,ZAG	3
24		REF.WELDMENT,ENGINE TRAY,2.9L DEUTZ	1
		(refer to 419.1)	
25	219508GT	CLAMP, FIXED DIA, NYLON, 3/8"	2
26	45435GT	CLAMP,HOSE,2.50****	1



415.1 TCD 2.2 Engine - View 3 (to SN S85XCD-508)



Go to Discount-Equipment.com to order your parts

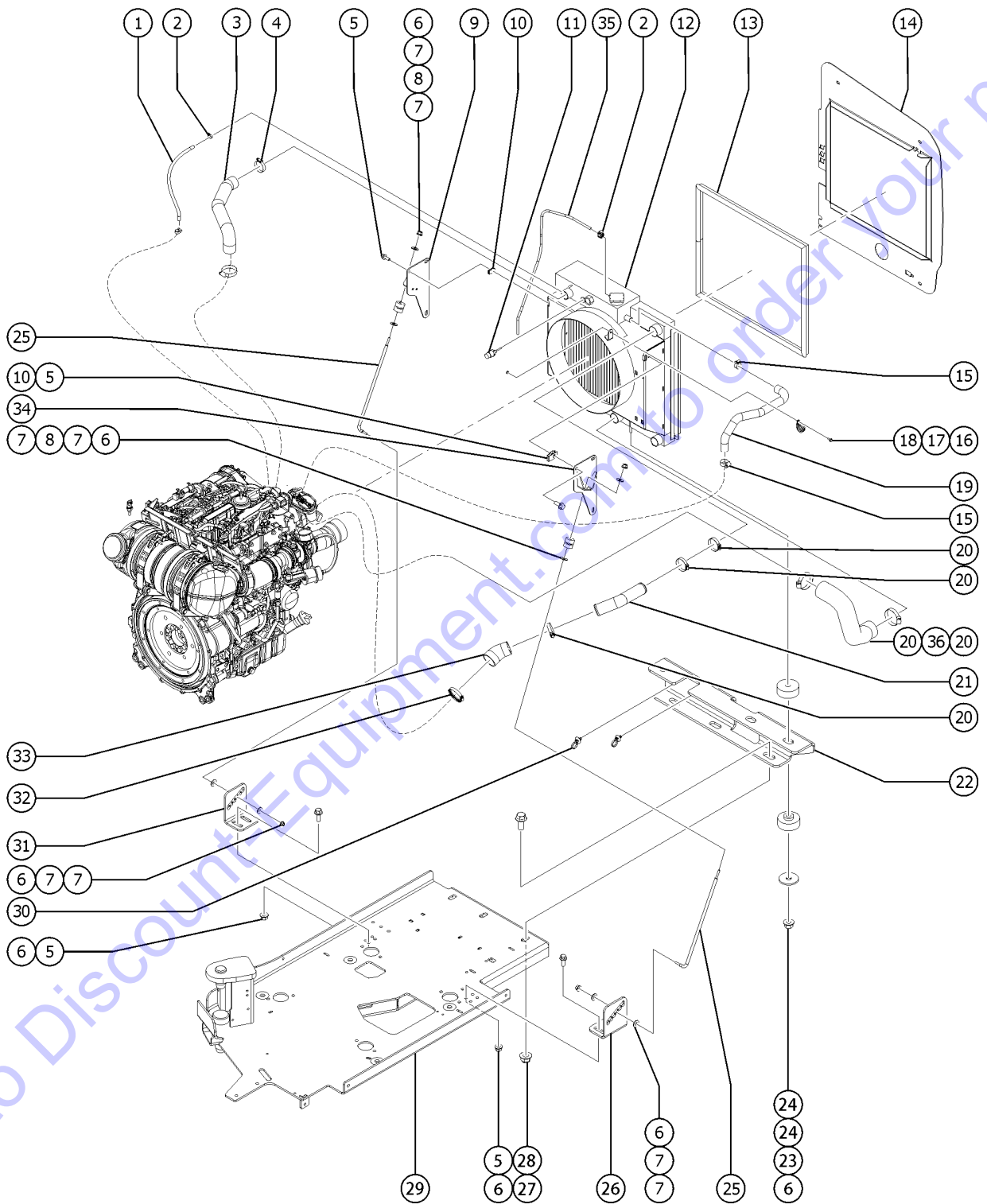
415.1 TCD 2.2 Engine - View 3 (to SN S85XCD-508)

<i>Item</i>	<i>Part No.</i>	<i>Description</i>	<i>Qty.</i>
27	1290370GT	ADAPTER, AIR INTAKE, 2" X 2.4"	1
28	75260GT	ISOLATOR,FLEX-BOLT SANDWICH***	2
29	1291151GT	TUBE, STRUT, RADIATOR SUPPORT	2
30	1289110GT	HOSE, LOWER RADIATOR, TCD 2.2	1
31	1291076GT	FORMING,FAN SHROUD STRUT MOUNT, LH	1

Go to Discount-Equipment.com to order your parts



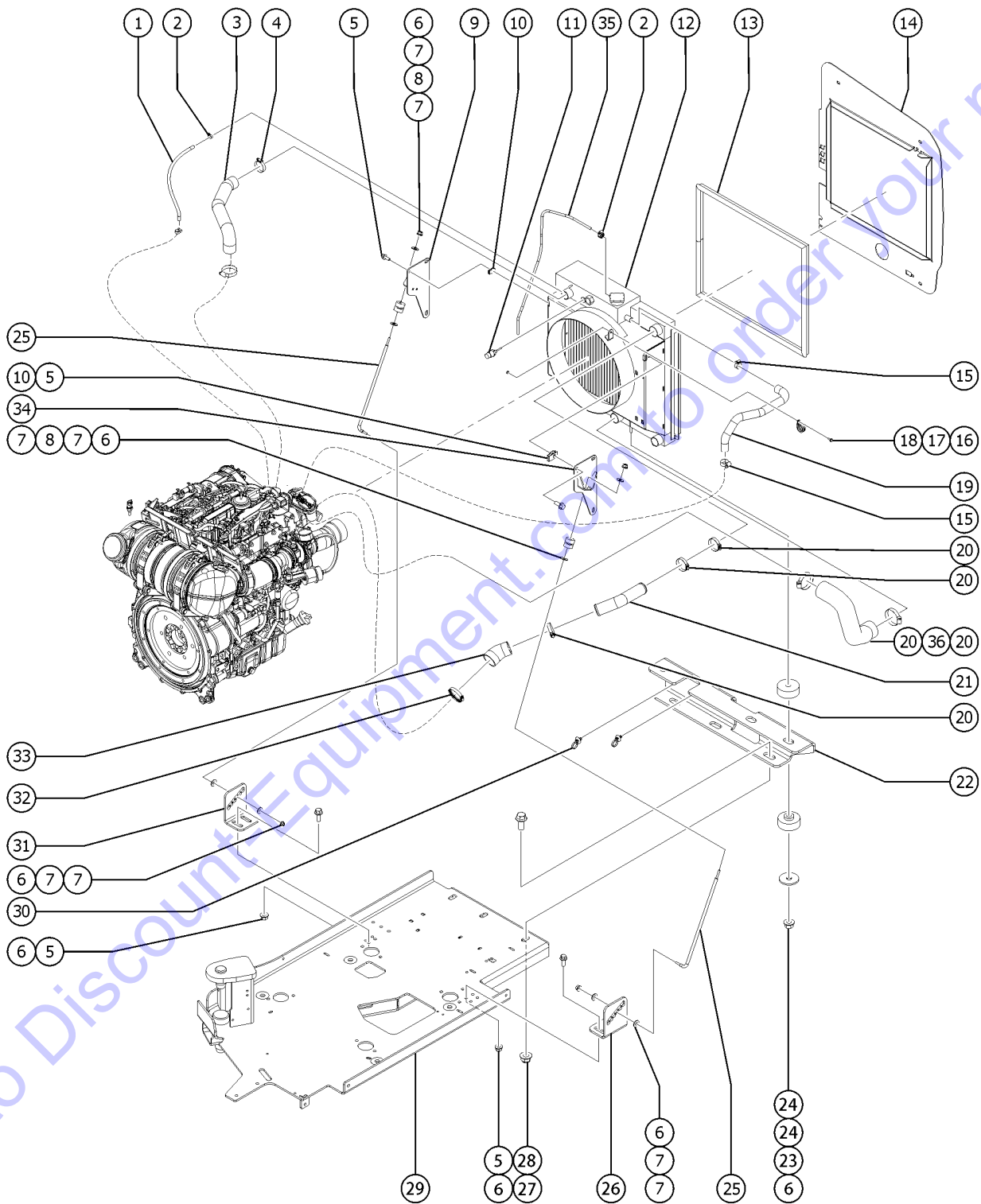
415.2 TCD 2.2 Engine - View 3 (from SN S85XCD-509)



Item	Part No.	Description	Qty.
1	1291348GT	HOSE, VENT, 2.2L TCD	1
2	21465GT	CLAMP,HOSE,.25" - .63" X .3125	2
3	1289109GT	HOSE, UPPER RADIATOR, TCD 2.2	1
4	22672GT	CLAMP,HOSE,1.75	2
5	824090GT	SCREW,HHF,3/8-16X1,8,ZAG	2
6	1274322GT	NUT,NYLOCK FLG,3/8-16,F,ZAG	2
7	1255758GT	WASHER,FLAT,3/8,USS,ZAG	4
8	1301742GT	ISOLATOR, RADIATOR, 80 LB	2
9	1301883GT	WELDMENT, STAGE V, STRUT BRACKET, SWING SIDE	1
10	29868GT	SPRING CLIP,3/8-16,.05-.20X.73,ZAG	2
11	218715GT	COOLANT LEVEL SNSR, DEUTZ D2.9/TCD3.6	1
12	1289108GT	ASSEMBLY, RADIATOR, INTERCOOLER, TCD 2.2	1
13	119219-9300GT	GASKET, 3/4"BULB X 1/8" GAP	1
14		REF.FORMING, BAFFLE, DEUTZ 2.2L (refer to 419.1)	1
15	30348GT	CLAMP,HOSE,1.00	2
16	1256855	SCREW,HHF,1/4-20X.625,8,ZAG	1
17	33784GT	CLAMP,1.31,#21 X 1/4,RUB CUSH	1
18	1277924GT	NUT,NYLOCK FLG,1/4-20,F,ZAG	1
19	1289111GT	HOSE, COMPENSATION, TCD 2.2	1
20	35434GT	CLAMP,HOSE,2.00***	3
21	1290676GT	PIPE, CAC TO INTAKE, TCD 2.2L	1
22	1290100GT	FORMING, COOLER MOUNT, TCD 2.2L	1
23	824120GT	WASHER, FLAT, .375 X 1.50 X .125, ZAG	3
24	24038GT	SHOCK MOUNT,SMALL	6
25	1301741GT	STRUT, ROD, STAGE V	2
26	1291076GT	FORMING,FAN SHROUD STRUT MOUNT, LH	1
27	1283007GT	NUT,NYLOCK FLG,5/8-11,F,ZAG	3
28	1253208GT	SCREW,HHF,5/8-11X1.5,8,ZAG	3

Go to Discount-Equipment.com to order your parts

415.2 TCD 2.2 Engine - View 3 (from SN S85XCD-509)



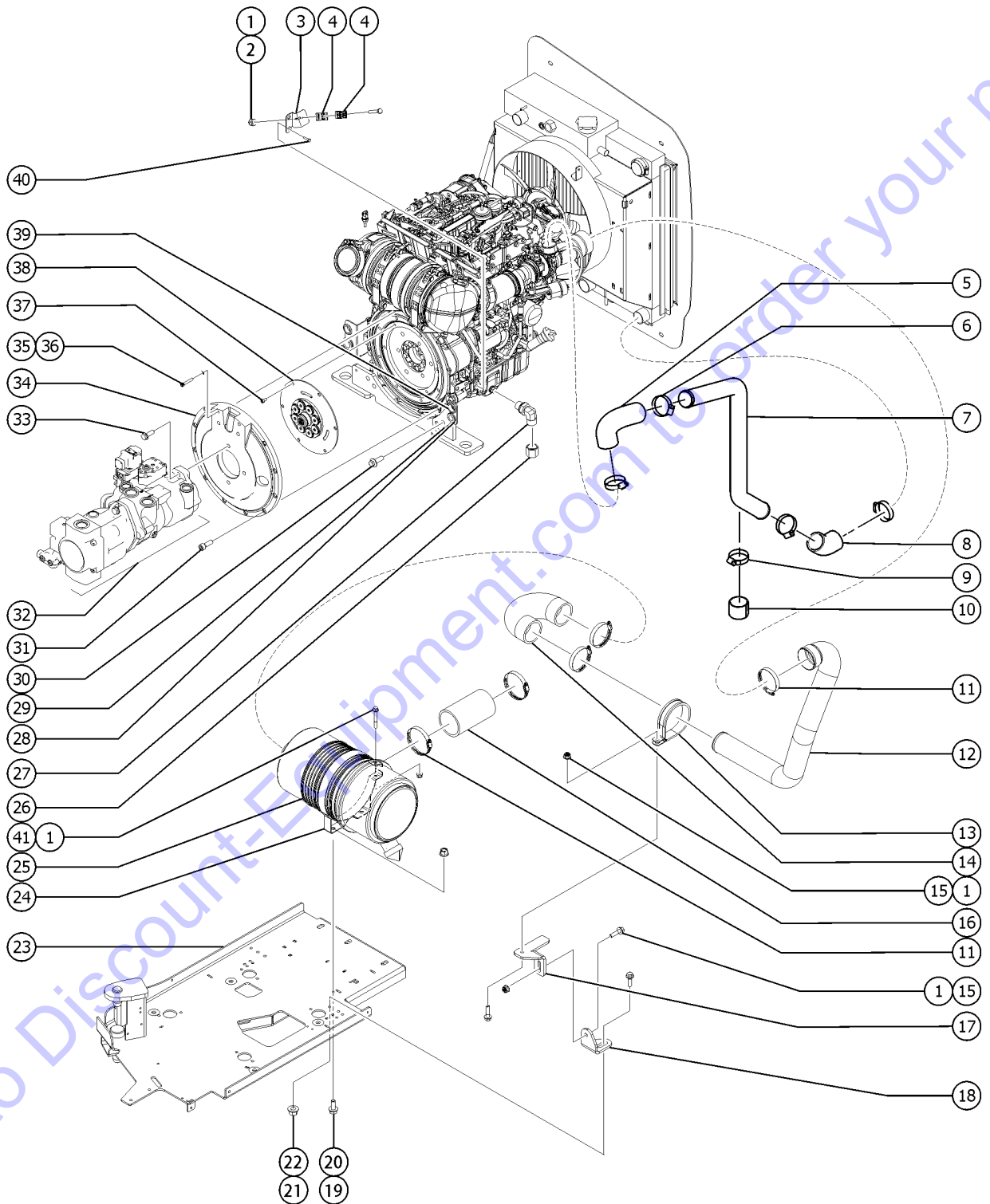
415.2 TCD 2.2 Engine - View 3 (from SN S85XCD-509)

Item	Part No.	Description	Qty.
29		REF.WELDMENT,ENGINE TRAY (refer to 419.1)	1
30	110149GT	CABLE TIE,DFT MOUNT,BLK,6.5"	2
31	1299496GT	FORMING,FAN SHROUD STRUT MOUNT, RH	1
32	45435GT	CLAMP,HOSE,2.50****	1
33	1290370GT	ADAPTER, AIR INTAKE, 2" X 2.4"	1
34	1301884GT	WELDMENT, STAGE V, STRUT BRACKET, COVER SIDE	1
35	1302463GT	TUBE, COOLANT OVER FLOW	1
36	1289110GT	HOSE, LOWER RADIATOR, TCD 2.2	1

Go to Discount-Equipment.com to order your parts



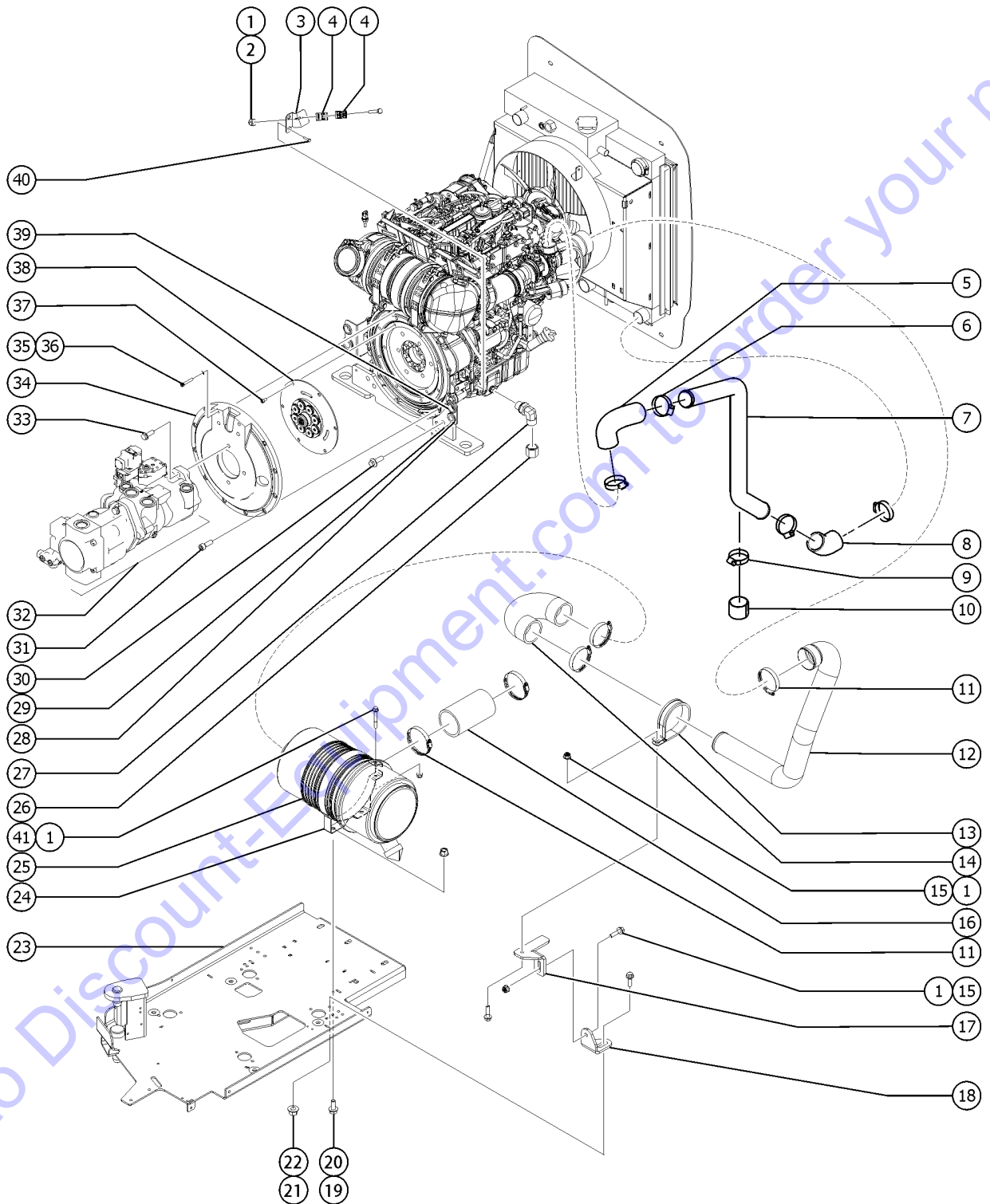
416.1 TCD 2.2 Engine - View 4



Item	Part No.	Description	Qty.
A		Due to Stage V regulations, many engine replacement parts require the engine serial number at time of order placement. When ordering engine parts please have both machine and engine serial numbers available. For internal engine parts, contact engine dealer	
1	1277924GT	NUT,NYLOCK FLG,1/4-20,F,ZAG	4
2	824082GT	SCREW, HHF, 1/4-20 X 1.75, 8, ZAG	1
3	825939GT	FORMING, CLAMP, BATTERY CABLE	1
4	78736GT	CLAMP,2 HOSE,PLASTIC	2
5	1290094GT	ADAPTER, TURBO OUTLET	1
6	22672GT	CLAMP,HOSE,1.75	4
7	1289113GT	PIPE, TURBO TO CAC, TCD 2.2	1
8	1290368GT	COUPLER, 1.75", HT SILICONE RED	1
9	35434GT	CLAMP,HOSE,2.00***	2
10	1287140GT	RUBBER, PIPE CUSHION	2
11	30971GT	CLAMP,HOSE,3.00"	5
12	1289112GT	PIPE, FILTER TO TURBO, TCD 2.2	1
13	101626GT	CLAMP,2.5,#40 x 1/4,RUB CUSH	1
14	1293912GT	HOSE, AIR INTAKE, 2.50" I.D.	1
15	824079GT	SCREW,HHF,1/4-20X1,8,ZAG	2
16	1294752GT	HOSE, RAW AIR INTAKE, 2.50" I.D.	1
17	1295534GT	FORMING, CLAMP AIR TURBO PIPE, TD 2.2L	1
18	1295535GT	FORMING, CLAMP AIR TURBO PIPE, TD 2.2L	1
19	824085GT	SCREW, HHF, 5/16-18 X .75, 8, ZAG	2
20	1274167GT	NUT,NYLOCK FLG,5/16-18,F,ZAG	2
21	1274322GT	NUT,NYLOCK FLG,3/8-16,F,ZAG	1
22	824091GT	SCREW, HHF, 3/8-16 X 1.25, 8, ZAG	1
23		REF. WELDMENT,ENGINE TRAY,2.9L DEUTZ (refer to 419.1)	1
24	33931GT	MOUNTING BAND (27915)	1
25	63463GT	AIR CLEANER,NELSON***	1
26	69775GT	CAP,520112-8	1

Go to DiscountEquipment.com to order your parts

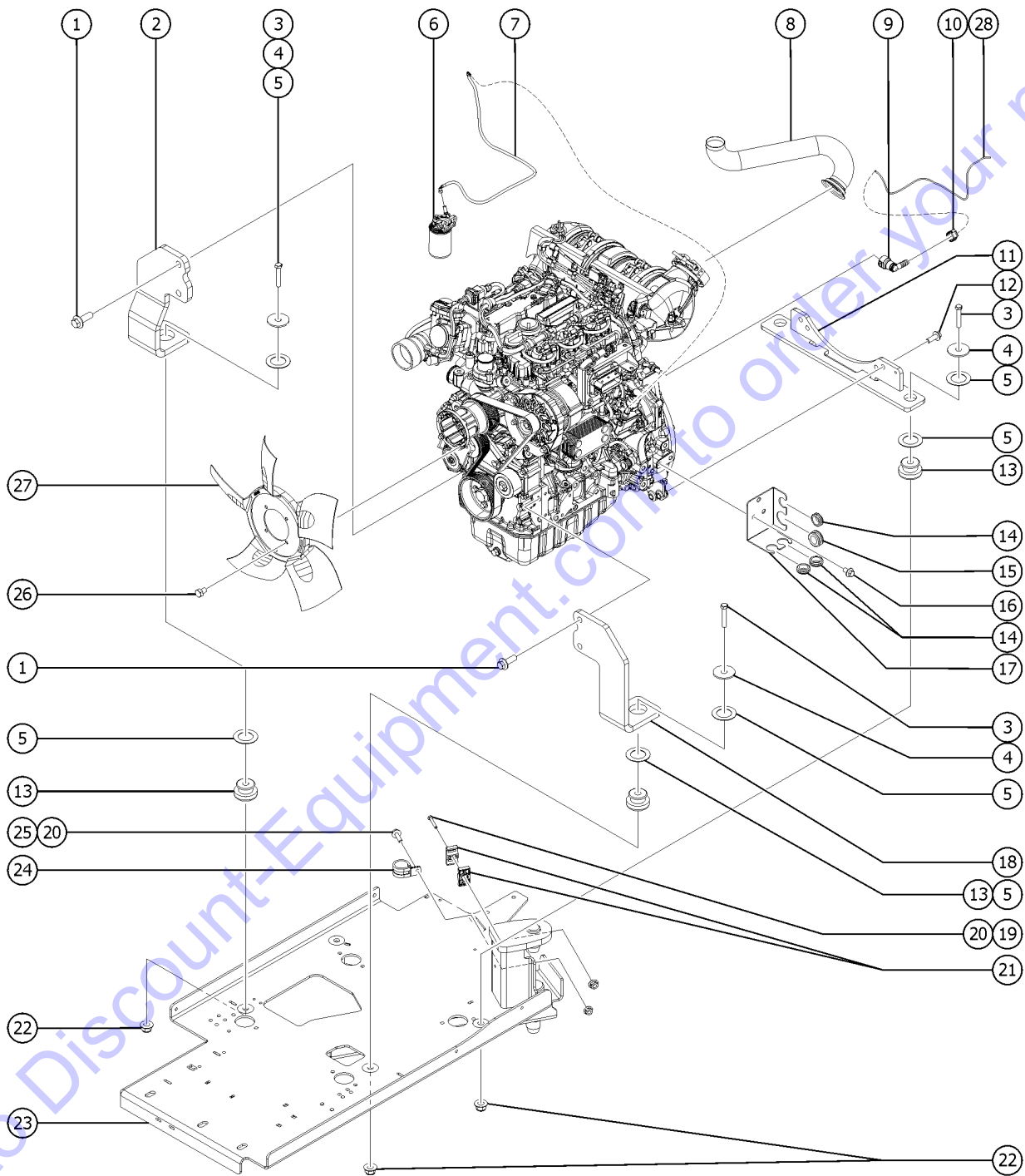
416.1 TCD 2.2 Engine - View 4



Item	Part No.	Description	Qty.
27	54428GT	FITTING, HYDRAULIC, 90DEG, O-RING	1
28	60584GT	GROMMET, RUBBER .75 X .19 X 1**	1
29	1286137GT	PLATE, BATTERY CABLE SUPPORT	1
30	1251899GT	SCREW, HHF, M14-2.0 X 40, DIN 6921, 10.9, ZAB	4
31	1255666GT	SCREW, SHC, M10-1.50X30, DIN912, 1	10
32		REF. DRIVE PUMP AND FUNCTION PUMP	
		(refer to 707.1)	
33	123167GT	FLGHCS, 1/2-13X1.50, GR8, BLK PH	2
34	70381GT	COVER, FLYWHEEL CASTING	1
35	1257481GT	SCREW, SHC, M10-1.5X60, DIN912, 12.9, ZAB	2
36	824145GT	WASHER, FLAT, DIN125, M10, ZAB	2
37	1255665GT	SCREW, SHC, M10-1.50X20, DIN912, 12.9, ZAB	6
38	128004GT	COUPLER, 15 TOOTH, FBA, SAE8***	1
39	124962GT	GROMMET, RUBBER, 1.0 X 1.25X1.5	1
40	1255806GT	SCREW, HHF, M12-1.75X20, DIN6921, 10.9, ZAB	2
41	1253485GT	SCREW, HHF, 1/4-20X2, 8, ZAG	1

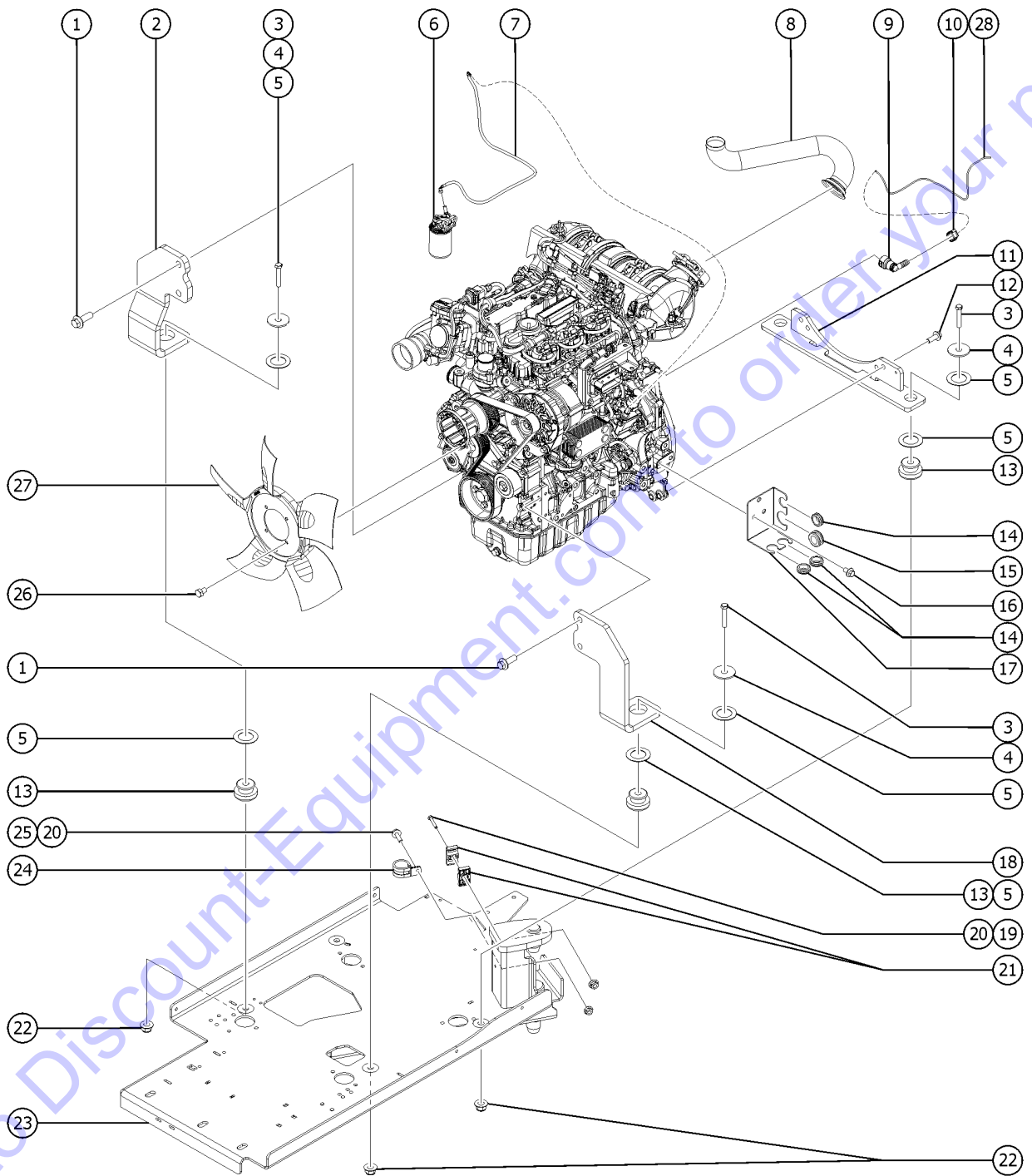
Go to Discount-Equipment.com to order your parts

417.1 TCD 2.2 Engine - View 5



Item	Part No.	Description	Qty.
A		Due to Stage V regulations, many engine replacement parts require the engine serial number at time of order placement. When ordering engine parts please have both machine and engine serial numbers available. For internal engine parts, contact engine dealer	
1	231511GT	SCREW,HHF,M12-1.75X35,DIN6921,10.9,ZAB	4
2	1290998GT	MOUNT,ENGINE,LEFT SIDE	1
3	1256169GT	SCREW,HHC,5/8-11X3.5,8,ZAG	4
4	824123GT	WASHER,FLAT,.625X2.25X.188,ZAG	4
5	1251565GT	WASHER,SHIM,1.56X2.5X.061,ZAG	8
6		Ref. Assy, Fuel Filter (refer to 418.1)	
7		Ref. HOSE ASSEMBLY - 1/2" FUEL GATES, 90 FEM, 90 FEM, 100" (refer to 418.1)	
8	1290527GT	EXHAUST PIPE, DEUTZ 2.2L	1
9	826000GT	CONNECTOR, SAE10, QUICK CONNECT	1
10	81154GT	CLAMP,HOSE,SIZE .31 > .91	1
11	1291075GT	WELDMENT, REAR MOUNT,ENGINE	1
12	1251899GT	SCREW,HHF,M14-2.0 X 40,DIN 6921,10.9, ZAB	4
13	102045GT	ISOLATOR,ENGINE VIBRATION	4
14	124962GT	GROMMET,RUBBER,1.0 X 1.25X1.5	3
15	106923GT	GROMMET,RUBBER .38X1.38X1.0	1
16	1255806GT	SCREW,HHF,M12-1.75X20,DIN6921,10.9,ZAB	3
17	826873GT	FORMING, ENGINE HARNESS SUPPORT	1
18	1291073GT	MOUNT,ENGINE,RIGHT SIDE	1
19	824082GT	SCREW, HHF, 1/4-20 X 1.75, 8, ZAG	1
20	1277924GT	NUT,NYLOCK FLG,1/4-20,F,ZAG	2
21	78736GT	CLAMP,2 HOSE,PLASTIC	2
22	1283007GT	NUT,NYLOCK FLG,5/8-11,F,ZAG	4
23		REF. WELDMENT,ENGINE TRAY,2.9L DEUTZ (refer to 419.1)	1
24	18666GT	CLAMP,1.00,#16 X 1/4,RUB CUSH	1
25	824079GT	SCREW,HHF,1/4-20X1,8,ZAG	1
26	1257704GT	SCREW,HHC,M8-1.25X12,DIN933,10.9,ZAB	4

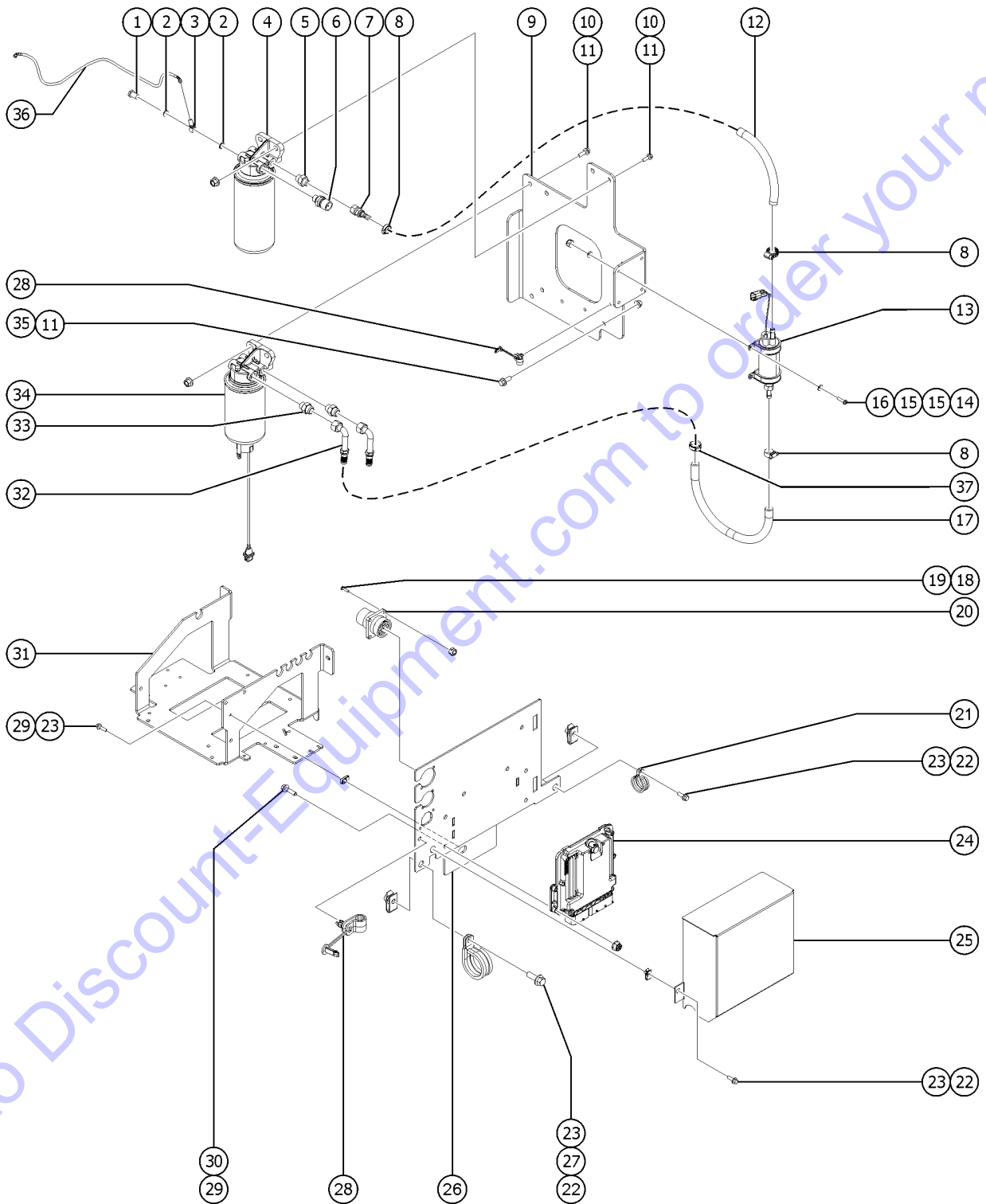
417.1 TCD 2.2 Engine - View 5



<i>Item</i>	<i>Part No.</i>	<i>Description</i>	<i>Qty.</i>
27	1294968GT	FAN, 430MM	1
28	1291353GT	HOSE, ENGINE TO TANK	1

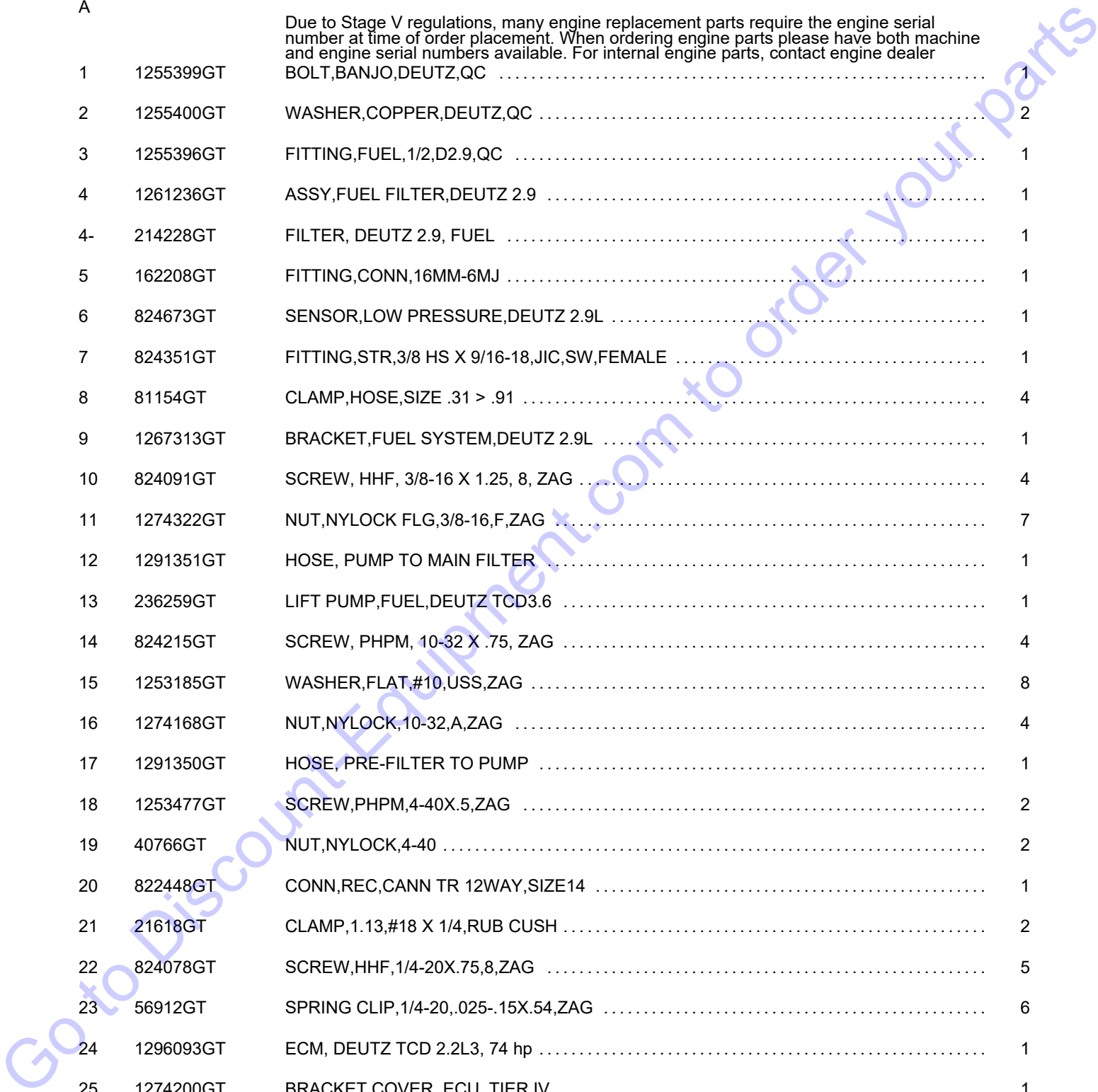
Go to Discount-Equipment.com to order your parts

418.1 TCD 2.2 Engine - View 6

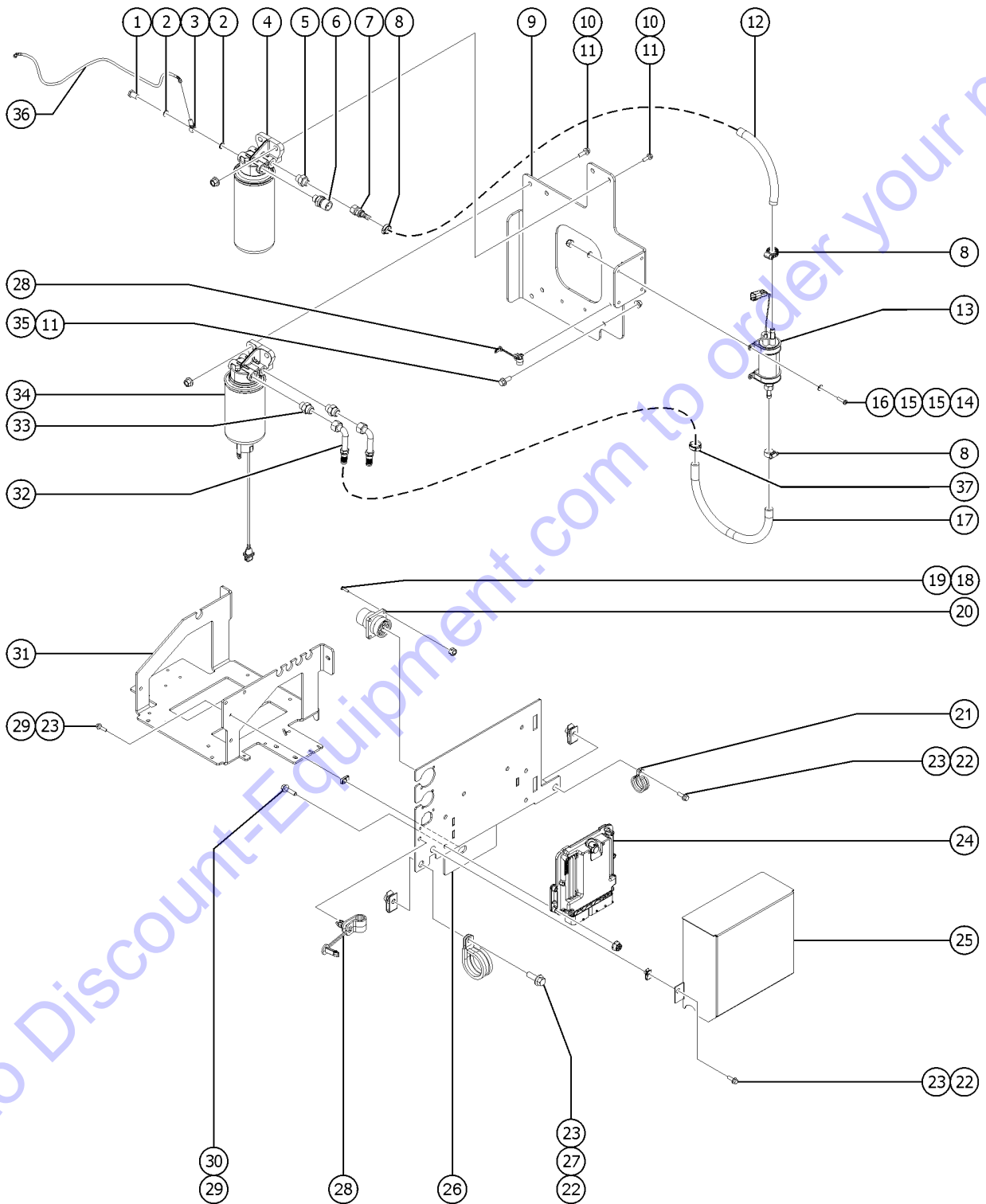


Go to Discount-Equipment.com to order your parts

Item	Part No.	Description	Qty.
A		Due to Stage V regulations, many engine replacement parts require the engine serial number at time of order placement. When ordering engine parts please have both machine and engine serial numbers available. For internal engine parts, contact engine dealer	
1	1255399GT	BOLT,BANJO,DEUTZ,QC	1
2	1255400GT	WASHER,COPPER,DEUTZ,QC	2
3	1255396GT	FITTING,FUEL,1/2,D2.9,QC	1
4	1261236GT	ASSY,FUEL FILTER,DEUTZ 2.9	1
4-	214228GT	FILTER, DEUTZ 2.9, FUEL	1
5	162208GT	FITTING,CONN,16MM-6MJ	1
6	824673GT	SENSOR,LOW PRESSURE,DEUTZ 2.9L	1
7	824351GT	FITTING,STR,3/8 HS X 9/16-18,JIC,SW,FEMALE	1
8	81154GT	CLAMP,HOSE,SIZE .31 > .91	4
9	1267313GT	BRACKET,FUEL SYSTEM,DEUTZ 2.9L	1
10	824091GT	SCREW, HHF, 3/8-16 X 1.25, 8, ZAG	4
11	1274322GT	NUT,NYLOCK FLG,3/8-16,F,ZAG	7
12	1291351GT	HOSE, PUMP TO MAIN FILTER	1
13	236259GT	LIFT PUMP,FUEL,DEUTZ TCD3.6	1
14	824215GT	SCREW, PHPM, 10-32 X .75, ZAG	4
15	1253185GT	WASHER,FLAT,#10,USS,ZAG	8
16	1274168GT	NUT,NYLOCK,10-32,A,ZAG	4
17	1291350GT	HOSE, PRE-FILTER TO PUMP	1
18	1253477GT	SCREW,PHPM,4-40X.5,ZAG	2
19	40766GT	NUT,NYLOCK,4-40	2
20	822448GT	CONN,REC,CANN TR 12WAY,SIZE14	1
21	21618GT	CLAMP,1.13,#18 X 1/4,RUB CUSH	2
22	824078GT	SCREW,HHF,1/4-20X.75,8,ZAG	5
23	56912GT	SPRING CLIP,1/4-20,.025-.15X.54,ZAG	6
24	1296093GT	ECM, DEUTZ TCD 2.2L3, 74 hp	1
25	1274200GT	BRACKET,COVER, ECU, TIER IV	1



418.1 TCD 2.2 Engine - View 6

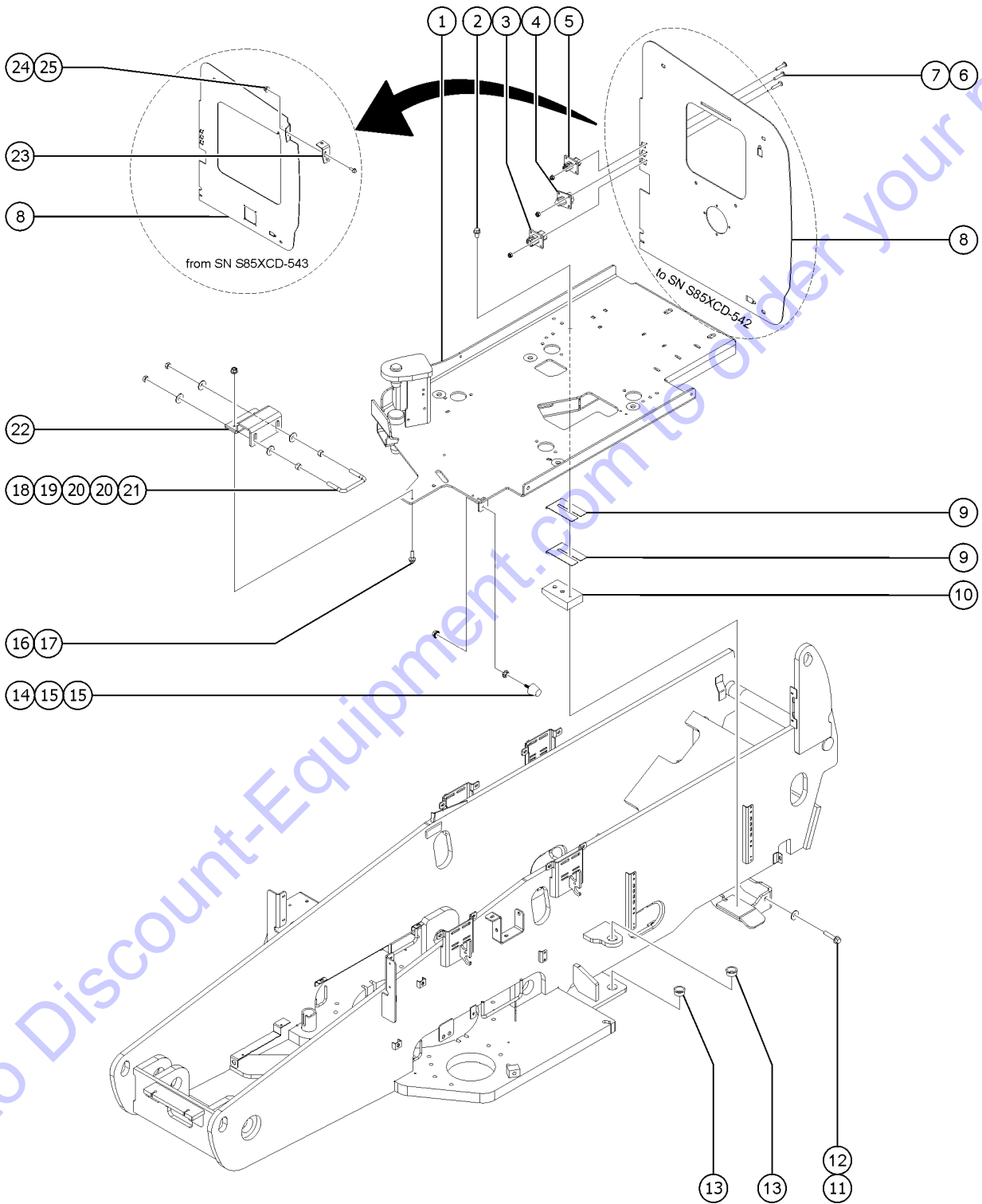


Go to Discount-Equipment.com to order your parts

Item	Part No.	Description	Qty.
26	1279791GT	WELDMENT, ECU MOUNT, XC	1
27	33784GT	CLAMP, 1.31, #21 X 1/4, RUB CUSH	1
28	219508GT	CLAMP, FIXED DIA, NYLON, 3/8"	3
29	824079GT	SCREW, HHF, 1/4-20X1,8, ZAG	7
30	1277924GT	NUT, NYLOCK FLG, 1/4-20, F, ZAG	6
31		REF. FORMING, BATTERY TRAY, XC (refer to 302.1)	1
32	162207GT	FITTING, ELBOW, 8GS-8FJX90S	2
33	162209GT	FITTING, CONN, 16MM-8MJ	2
34	236260GT	FILTER, FUEL PRE-FILTER, SPIN-ON, DEUTZ	1
35	824090GT	SCREW, HHF, 3/8-16X1,8, ZAG	3
36	1299663-10000GT	HOSE ASSEMBLY - 1/2" FUEL GATES, 90 FEM, 90 FEM, 100"	1
37	822087GT	CLAMP, HOSE, 1EAR, 25/32	2

Go to Discount-Equipment.com to order your parts

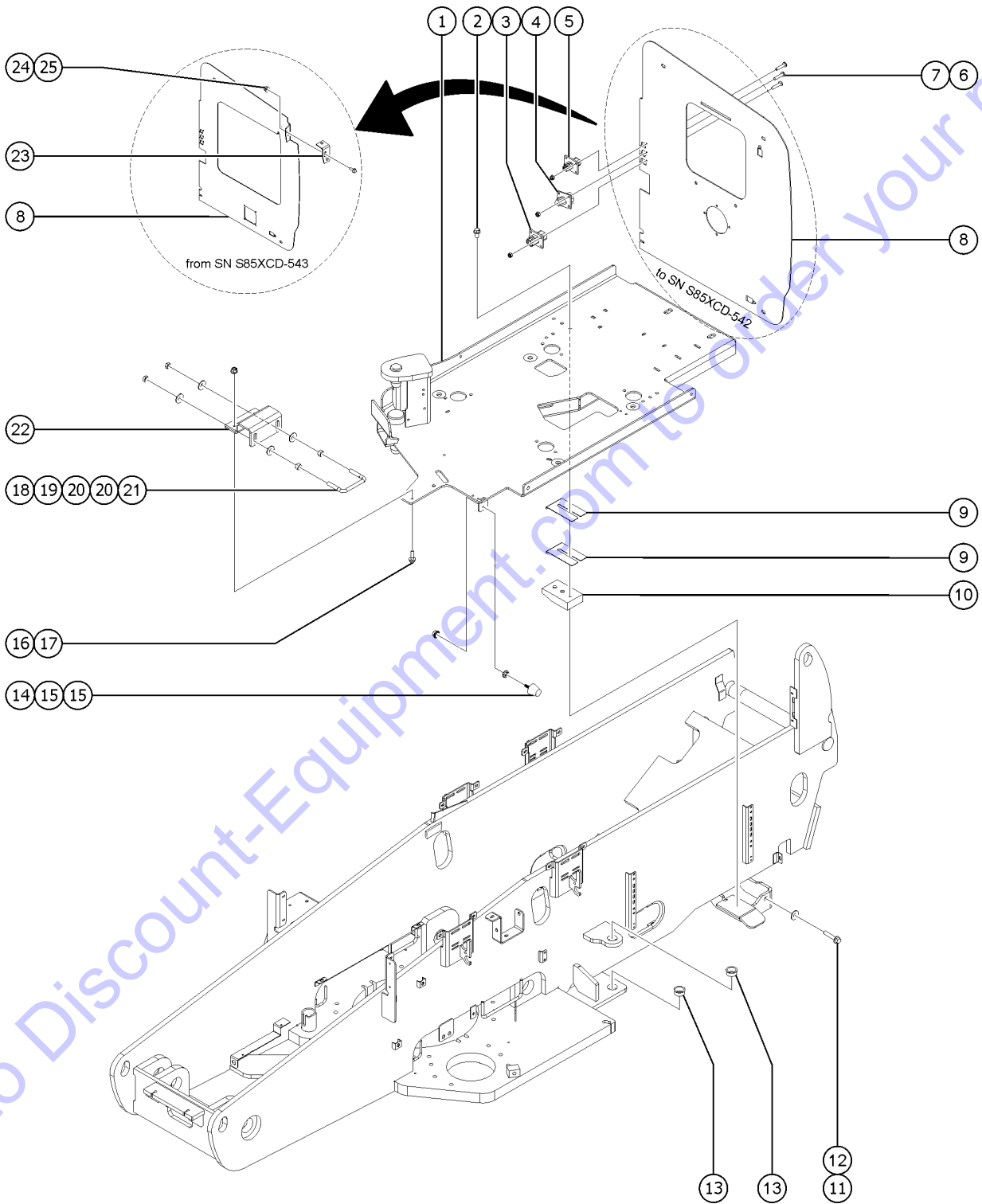
419.1 Engine Tray



419.1 Engine Tray

Item	Part No.	Description	Qty.
1	1267074GT	WELDMENT,ENGINE TRAY (Deutz TD2011L04i), US part number	1
1B	1306689GT	WELDMENT, ENGINE TRAY, S85XC, TD2011 (Deutz TD2011L04i), China part number	1
1C	1267076GT	WELDMENT,ENGINE TRAY,2.9L DEUT (Deutz TD 2.9L4 , Deutz TD 2.9L China III and TCD 2.2 engine), US part number	1
1D	1306691GT	WELDMENT, ENGINE TRAY, S85XC, TD2.9 (Deutz TD 2.9L4 , Deutz TD 2.9L China III and TCD 2.2 engine), China part number	1
2	824089GT	SCREW, HHF, 3/8-16 X .75, 8, ZAG	2
3	73723GT	CONN RECEP,FLANGED	1
4	75629GT	CONN,RECEP 3 WAY,W/FLANGE	1
5	1269704GT	CONNECTOR, RECEP, 2WAY, FL	1
6	1253490GT	SCREW,PHPM,8-32 X .75,ZAG	6
7	18605GT	NUT,NYLOCK,8-32	6
8	1270963GT	PLATE, BULKHEAD, DEUTZ 2.9L (Deutz TD 2.9L4 , Deutz TD 2.9L China III and TCD 2.2 engine); to SN S85XCD-542	1
8B	1294199GT	PLATE, BULKHEAD, DEUTZ TD2.9L (Deutz TD 2.9L4 and TCD 2.2 engine) from SN S85XCD-543; (Deutz TD 2.9L China III) from SN S85XCD-543 to SN S85XCD-1819	1
8C	1311564GT	FORMING, BULKHEAD, DEUTZ 2.9L, S85XC CHINA III (Deutz TD 2.9L China III), from SN S85XCD-1820	1
8D	1274053GT	PLATE, BULKHEAD, DEUTZ TD2011 (Deutz TD2011L04i)	1
9	34344GT	SHIM,SIDE PAD 16GA. 3 X 5	2
10	81522GT	WEAR PAD,ENGINE TRAY	1
11	1256126GT	SCREW,HHF,5/8-11X2,8,ZAG	1
12	824115GT	WASHER, FLAT, USS, 5/8, ZAG	1
13	41858GT	BEARING,FL,1.51X1.75X.84LG	2
14	1261277GT	RUBBER BUMPER, 1.25 X 1.25 IN	1
15	1274167GT	NUT,NYLOCK FLG,5/16-18,F,ZAG	1
16	824091GT	SCREW, HHF, 3/8-16 X 1.25, 8, ZAG	2
17	1274322GT	NUT,NYLOCK FLG,3/8-16,F,ZAG	2
18	1259855GT	UBOLT, 0.4724 IN D X 4.0 IN L	1
19	1259106GT	NUT,1/2-13,8,ZAG	2
20	1255760GT	WASHER,FLAT,1/2,USS,ZAG	4
21	1255804GT	NUT,JAM,1/2-13,A,ZAG	2
22	1267070GT	FORMING,BRACKET,LATCH	1

419.1 Engine Tray



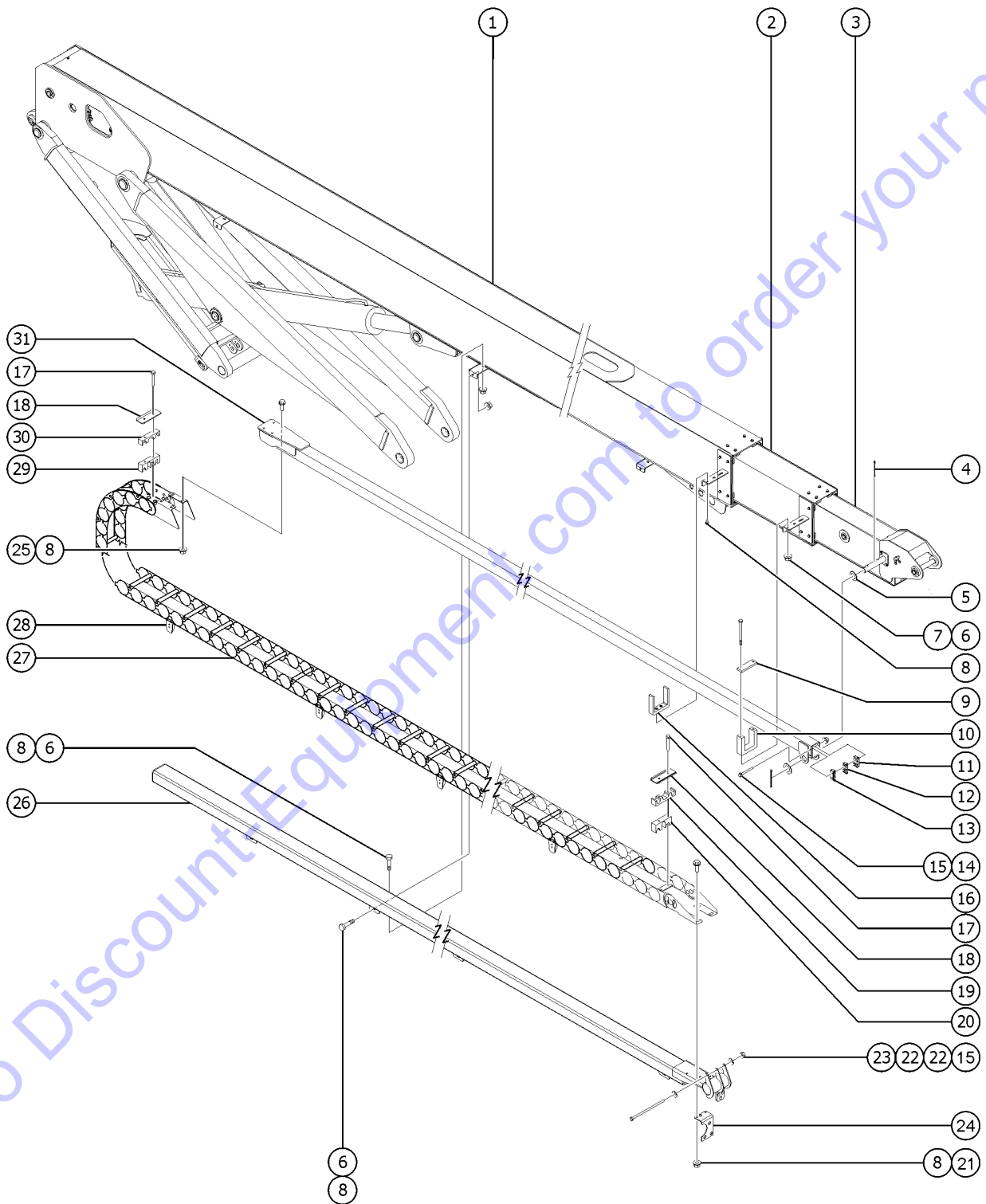
419.1 Engine Tray

<i>Item</i>	<i>Part No.</i>	<i>Description</i>	<i>Qty.</i>
23	1298765GT	FORMING,BRKT,ENGINE SIDE COVER from SN S85XCD-543	1
24	1274322GT	NUT,NYLOCK FLG,3/8-16,F,ZAG from SN S85XCD-543	2
25	824090GT	SCREW,HHF,3/8-16X1,8,ZAG from SN S85XCD-543	2

Go to Discount-Equipment.com to order your parts



501.1 Cable Track Installation



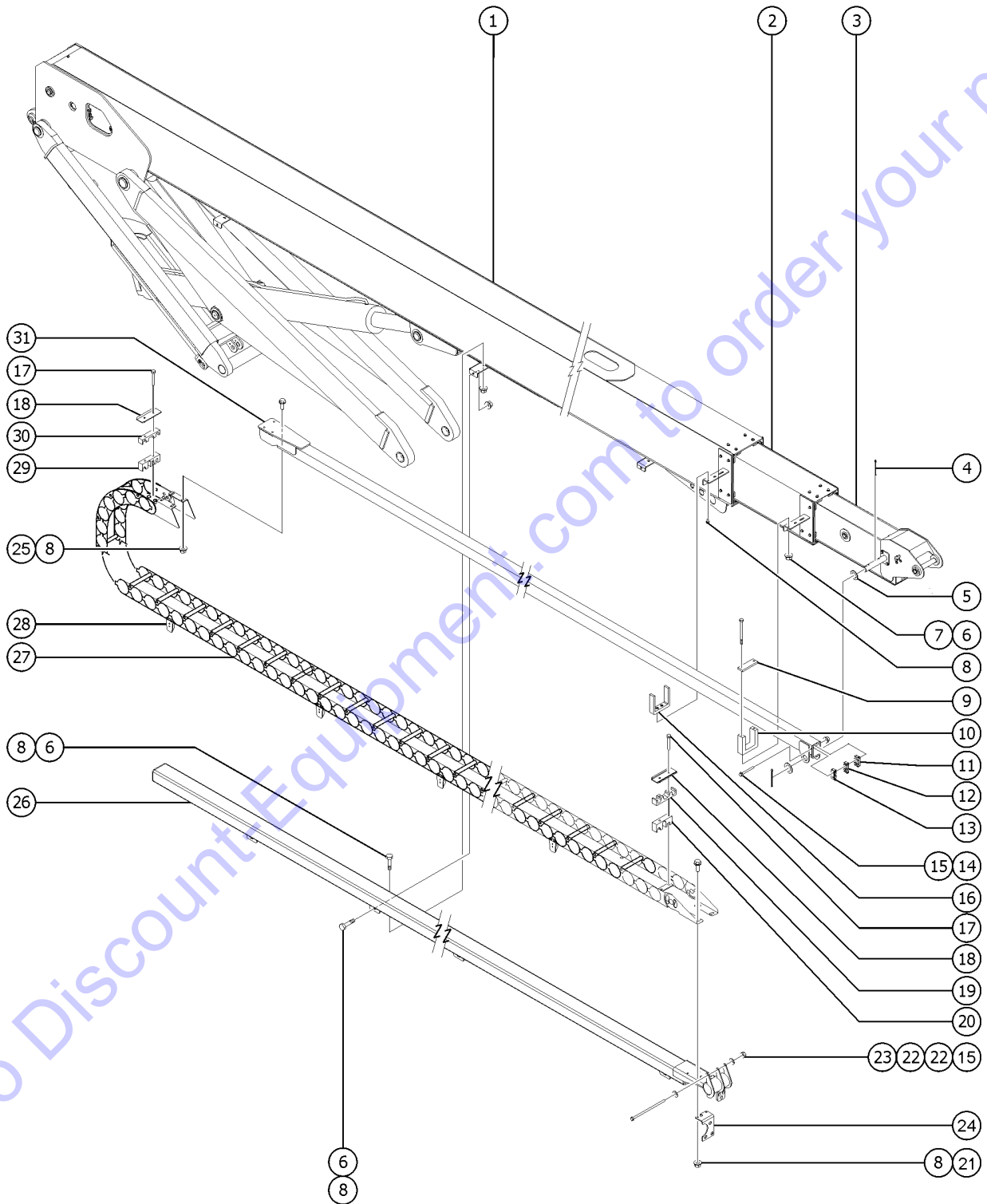
501.1 Cable Track Installation

Item	Part No.	Description	Qty.
1		REF. BOOM NUMBER 1 (refer to 502.1)	1
2		REF. BOOM NUMBER 2 (refer to 503.1)	1
3		REF. BOOM NUMBER 3 (refer to 504.1)	1
4	42079GT	PIN,COTTER,.156 X 2.5	2
5	1251565GT	WASHER,SHIM,1.56X2.5X.061,ZAG	2
6	1274322GT	NUT,NYLOCK FLG,3/8-16,F,ZAG	12
7	1255391GT	SCREW,HHC,3/8-16X7,8,ZAG	2
8	824090GT	SCREW,HHF,3/8-16X1,8,ZAG	20
9	81342GT	WEAR PAD,5.5 X 1.75 X .5	1
10	81341GT	WEAR PAD,CABLE TRACK PULL TUBE	1
11	1288009GT	CLAMP,PULL TUBE,RIGHT,OPTIONS	1
12	1288010GT	CLAMP,PULL TUBE,CENTER	1
13	1288011GT	CLAMP,PULL TUBE,LEFT	1
14	1257867GT	SCREW,HHF,1/4-20X3.5,8,ZAG	2
15	1277924GT	NUT,NYLOCK FLG,1/4-20,F,ZAG	3
16	81340GT	WEAR PAD ASSEMBLY,CABLE TRACK	1
17	1256123GT	SCREW,HHC,1/4-20X3.25,8,ZAG	4
17B	50160GT	SCREW,HHC,1/4-20 X 3.75 (Welder and Air Line options)	4
18	121065GT	FORMING,CLAMP,TOP,CABLE TRACK	2
19	1283306GT	CLAMP, OPTIONS, CABLE TRACK	1
20	1288012GT	CLAMP,CABLE TRACK	1
21	824091GT	SCREW, HHF, 3/8-16 X 1.25, 8, ZAG	2
22	824113GT	WASHER,FLAT,USS,1/4,ZAG	1
23	1268605GT	SCREW,HHC,1/4-20X6,8,ZAG	1
24	1283938GT	FORMING,ARCTIC KIT,BULKHEAD	1
25	1274322GT	NUT,NYLOCK FLG,3/8-16,F,ZAG	6
26	1308928GT	WELDMENT,CABLE TRACK TRAY	1
27	121064GT	CABLE TRACK,SX,70 LNK (Include items 18 & 28)	1

Go to Discount Equipment.com to order your parts



501.1 Cable Track Installation



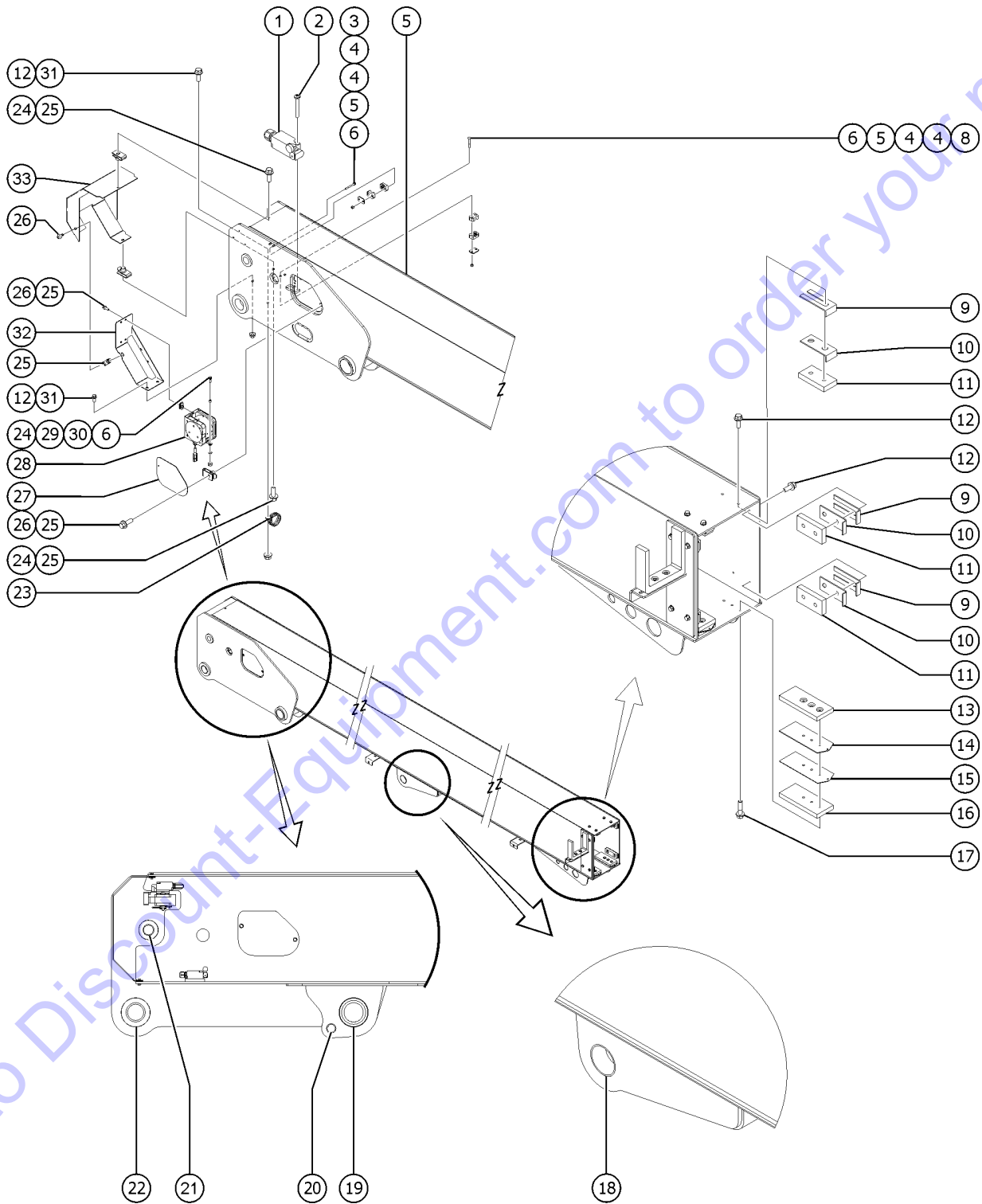
501.1 Cable Track Installation

Item	Part No.	Description	Qty.
27-	122661GT	REPAIR KIT,4 LINK,W/GUIDE (to SN S85XCD-1245)	
27-	122662GT	END BRACKET,MOVING END (to SN S85XCD-1245)	
27-	122663GT	END BRACKET,FIXED END (to SN S85XCD-1245)	
27-	122664GT	ALUMINUM FLAT CROSS BAR (to SN S85XCD-1245)	
27-	122665GT	FLAT BAR W/PEM NUTS (to SN S85XCD-1245)	
27-	122666GT	SEPERATOR,PLASTIC (to SN S85XCD-1245)	
27B	1308956GT	S85XC CABLE TRACK, CDKS095,75 LINK (from SN S85XCD-1246)	
27B-	1311783GT	LINK,STEEL,CDKS0910,CABLE TRACK (from SN S85XCD-1246)	
27B-	1311790GT	PIN,CDKS0911 (from SN S85XCD-1246)	
27B-	1311791GT	RETAINER,CDKS0912 (from SN S85XCD-1246)	
27B-	1311793GT	CROSS BAR,CDKS0950 (from SN S85XCD-1246)	
27B-	1311812GT	BRACKET SET,CDKS0962 (from SN S85XCD-1246)	
27B-	1311839GT	CLAMP PLATE,CDKS 0970 (from SN S85XCD-1246)	
27B-	1311843GT	GUIDE FINGER,CDKS 0914 (from SN S85XCD-1246)	
27B-	1311845GT	GUIDE PLATE,CDKS 0915 (from SN S85XCD-1246)	
27B-	1311847GT	SEPARATOR,CDKS 0916 (from SN S85XCD-1246)	
28	218448GT	FINGER,GUIDE,CABLE TRACK 16	
28-	122668GT	GUIDE FINGER,PLASTIC	
28-	87085GT	RIVET,ALUM,P,,188 X .25	
29	1283304GT	CLAMP,CABLE TRACK,WK LT 1	
30	1288013GT	CLAMP,CABLE TRACK,OPTIONS 1	
31	121063GT	WELDMENT, LONG GUIDE TUBE 1	

Go to Discount-Equipment.com to order your parts



502.1 Extension Boom Tube 1

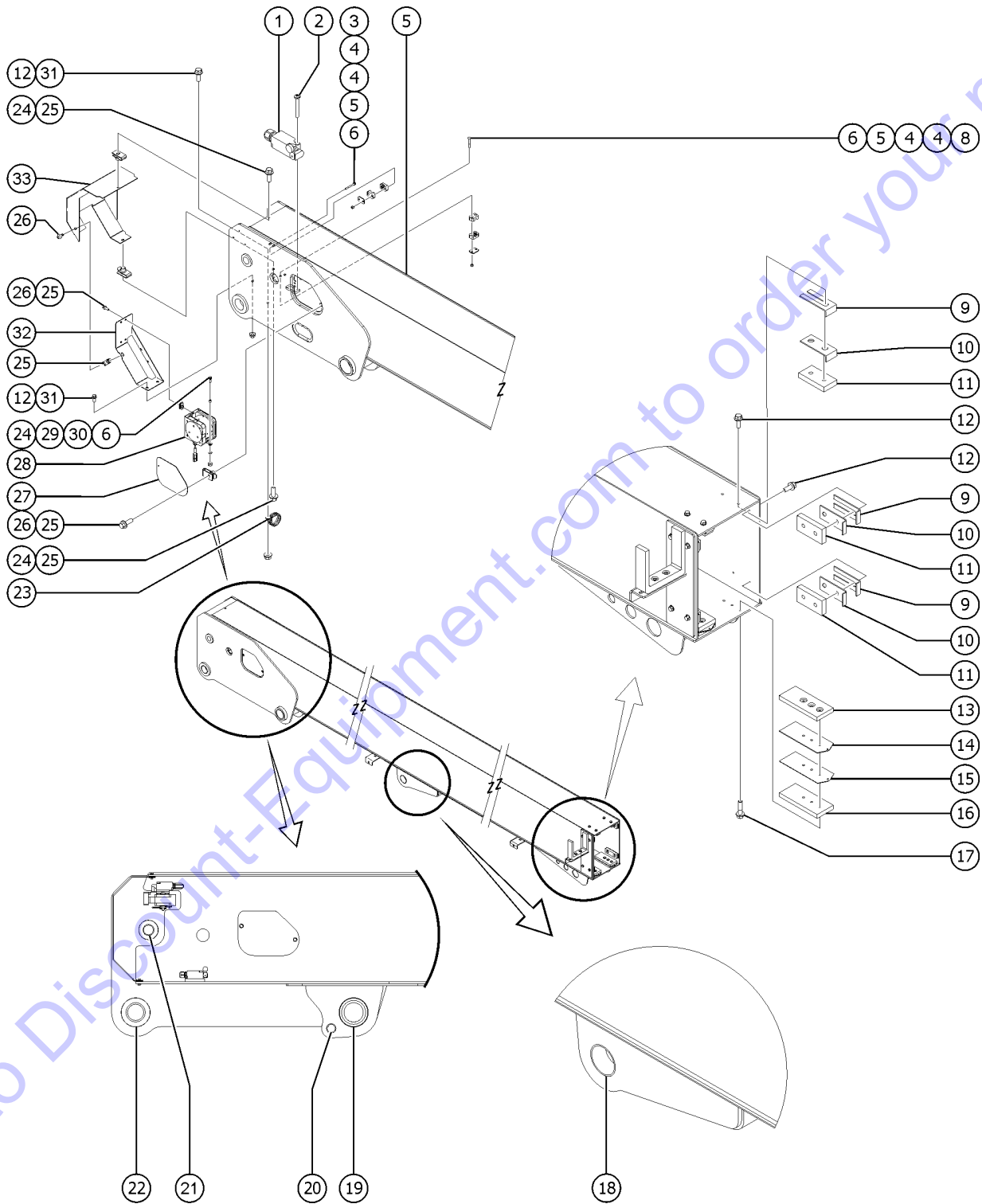


Item	Part No.	Description	Qty.
1		REF. LIMIT SWITCH LSB1RS	1
2	824216GT	SCREW, PHPM, 10-32 X 1.5, ZAG	2
3	824083GT	SCREW, HHF, 1/4-20 X 2.5, 8, ZAG	2
4	117310GT	CLAMP HALF SET,SINGLE,5/8" TUBE	4
5	117312GT	CLAMP CVR PLATE,SINGLE,GRP 2	2
6	1274165GT	NUT,NYLOCK,1/4-20,C,ZAG	5
7	1273660GT	ASSEMBLY,BOOM #1	1
8	824083GT	SCREW, HHF, 1/4-20 X 2.5, 8, ZAG	2
9	1276017GT	SHIM,WEAR PAD,7 X 1.5,16GA	6
10	1276018GT	SHIM,WEAR PAD,7 X 1.5,14GA	6
11	1273674GT	WEAR PAD,7 X 1.5 X .875 W/INSERT	6
12	824090GT	SCREW,HHF,3/8-16X1,8,ZAG	15
13	1276021GT	WEAR PAD,7 X 3 X .625 W/INSERT	2
14	60304GT	SHIM,WEAR PAD,7 X 3,12GA	2
15	60840GT	SHIM,WEAR PAD,7 X 3,16GA	2
16	121164GT	BAR,SPACER	2
17	824092GT	SCREW, HHF, 3/8-16 X 1.5, 8, ZAG	4
18	27697GT	BEARING,2.50IDX2.75ODX1.50L	2
19	121754GT	BEARING,3.00IDX3.50DX2.25LG	2
20	119619GT	BEARING,1.5 ID X 1.75 ODX1.5L	1
21	110876GT	BEARING,1.5"ID X 1.75OD X1.25L	2
22	101559GT	BEARING,FL,2.50IDX2.75ODX1.61L	2
23	61745GT	CLAMP,2.25,#36 X 3/8,RUB CUSH	1
24	824079GT	SCREW,HHF,1/4-20X1,8,ZAG	3
25	56912GT	SPRING CLIP,1/4-20,.025-.15X.54,ZAG	11
26	824078GT	SCREW,HHF,1/4-20X.75,8,ZAG	9
27	121029GT	COVER PLATE,BOOM	2
28	1325538GT	SERVICE KIT, LENGTH TRANSDUCER, BAUMER, S80/85XC Replaces 1278666GT	

Go to Discount Equipment.com to order your parts



502.1 Extension Boom Tube 1



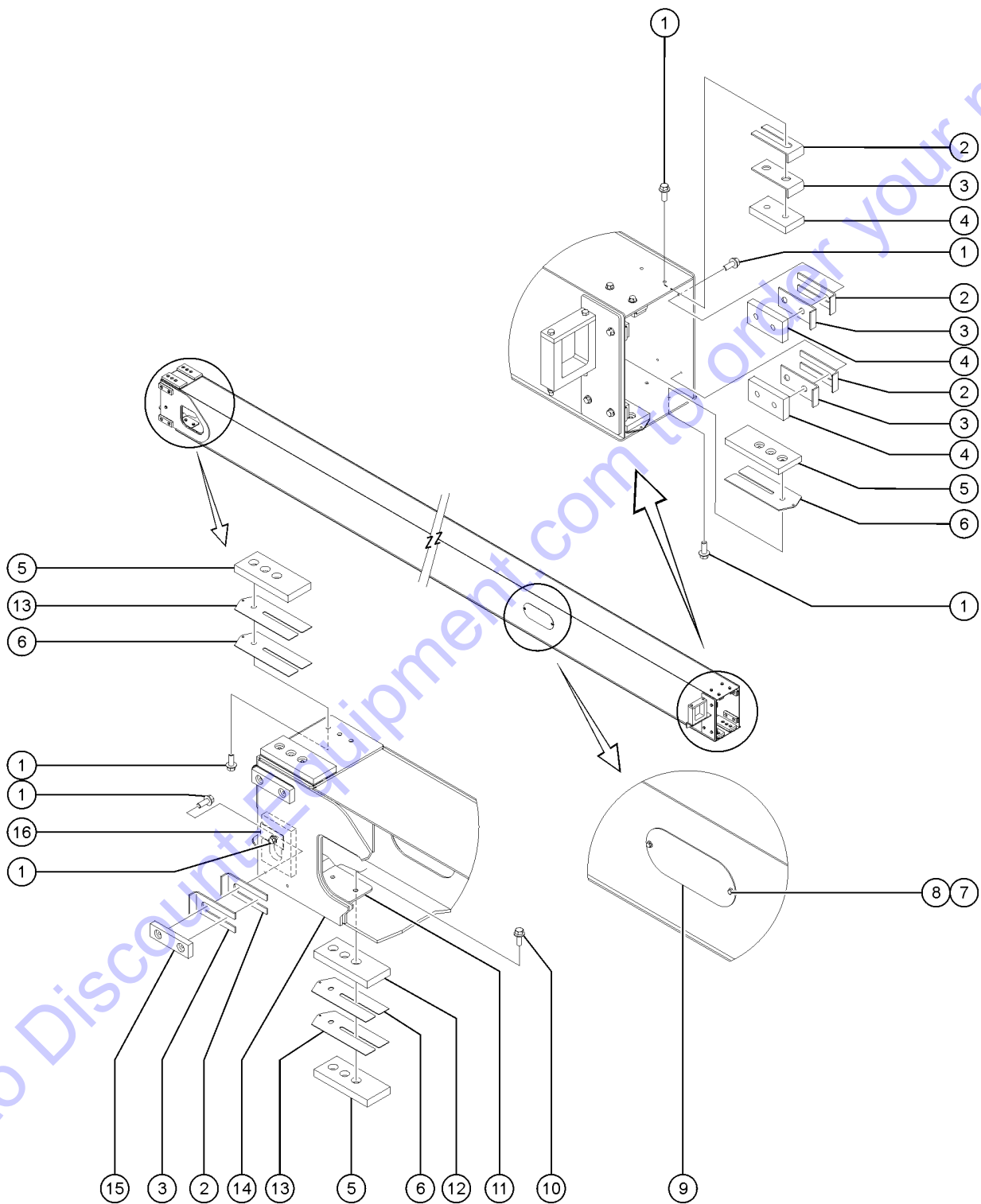
502.1 Extension Boom Tube 1

<i>Item</i>	<i>Part No.</i>	<i>Description</i>	<i>Qty.</i>
29	35732GT	SPACER,TUBE,1/4 X 3/8 **	1
30	824113GT	WASHER,FLAT,USS,1/4,ZAG	1
31	1274322GT	NUT,NYLOCK FLG,3/8-16,F,ZAG	3
32	1274633GT	WELDMENT, STRING POT MOUNT	1
33	1277597GT	WELDMENT, COVER, PRIMARY BOOM	1

Go to Discount-Equipment.com to order your parts



503.1 Extension Boom Tube 2



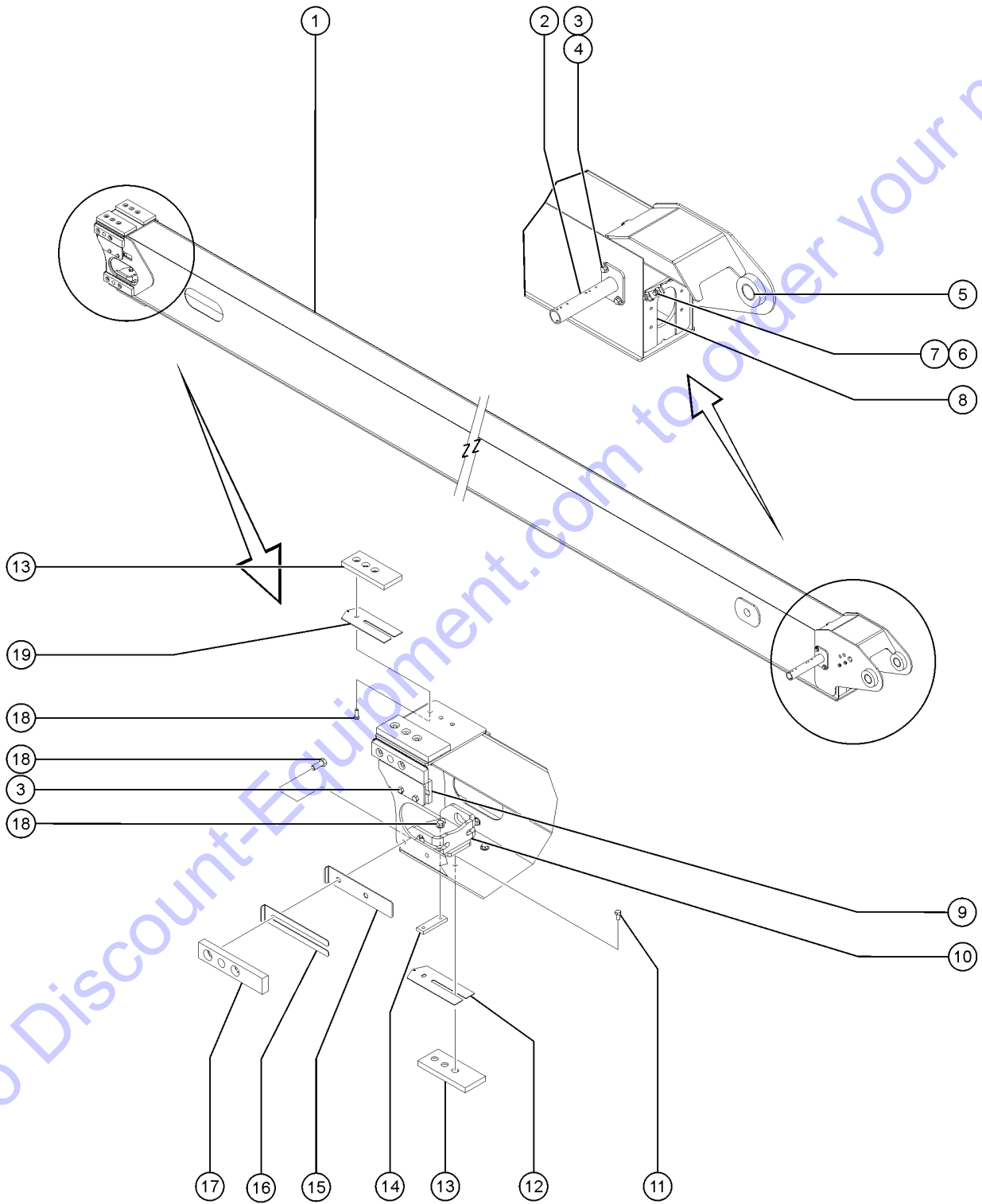
503.1 Extension Boom Tube 2

Item	Part No.	Description	Qty.
1	824090GT	SCREW,HHF,3/8-16X1,8,ZAG	30
2	1276017GT	SHIM,WEAR PAD,7 X 1.5,16GA	10
3	1276018GT	SHIM,WEAR PAD,7 X 1.5,14GA	10
4	1273674GT	WEAR PAD,7 X 1.5 X .875 W/INSERT	6
5	1276021GT	WEAR PAD,7 X 3 X .625 W/INSERT	5
6	60840GT	SHIM,WEAR PAD,7 X 3,16GA	5
7	824078GT	SCREW,HHF,1/4-20X.75,8,ZAG	4
8	56912GT	SPRING CLIP,1/4-20,.025-.15X.54,ZAG	4
9	77884GT	COVER,BOOM SECTION #2	2
10	824092GT	SCREW, HHF, 3/8-16 X 1.5, 8, ZAG	2
11	121045GT	FORMING,LS RAMP	1
12	121164GT	BAR,SPACER	1
13	60304GT	SHIM,WEAR PAD,7 X 3,12GA	5
14	1273689GT	WELDMENT,BOOM #2	1
15	1276019GT	WEAR PAD,7 X 1.5 X .625 W/INSERT	4
16	121658GT	CAP,EXTENSION	2

Go to Discount-Equipment.com to order your parts



504.1 Extension Boom Tube 3



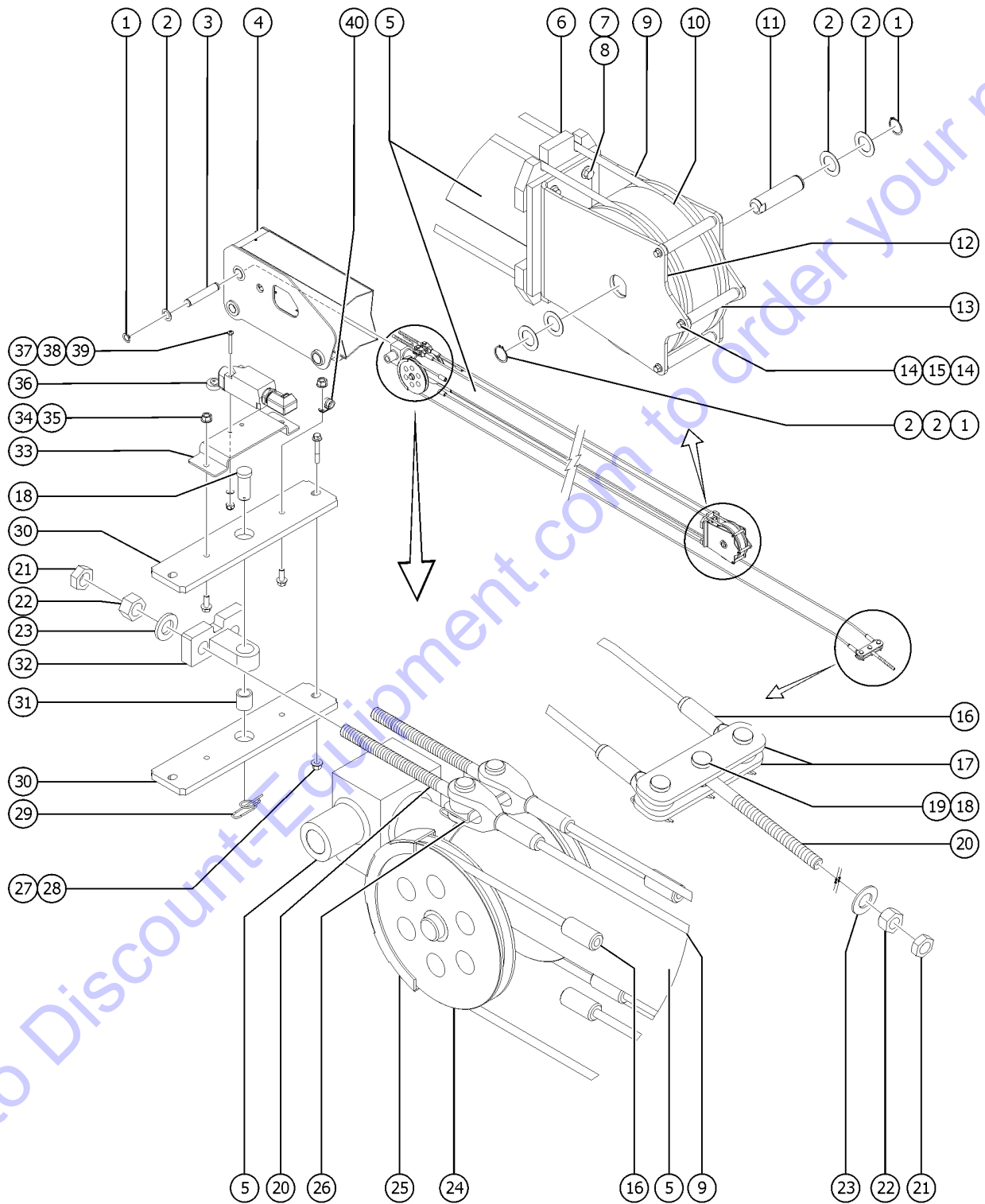
Go to Discount-Equipment.com to order your parts

Item	Part No.	Description	Qty.
1	1273678GT	ASSEMBLY,BOOM #3 includes bearings	1
2	81347GT	WELDMENT,TRACK PULL TUBE PIVOT	1
3	824068GT	SCREW, HHC, 3/8-16 X 1.25, 8, ZAG	4
4	1274322GT	NUT,NYLOCK FLG,3/8-16,F,ZAG	2
5	1273706GT	BEARING,1.5IDX1.75ODX1.825L	2
6	824078GT	SCREW,HHF,1/4-20X.75,8,ZAG	4
7	56912GT	SPRING CLIP,1/4-20,.025-.15X.54,ZAG	4
8	1274869GT	FORMING, DEBRIS COVER, SEC #3	1
9	121163GT	PLATE,CABLE BLOCK	2
10	1274348GT	WELDMENT,EXTENSION BRACKET	1
11	824089GT	SCREW, HHF, 3/8-16 X .75, 8, ZAG	4
12	60840GT	SHIM,WEAR PAD,7 X 3,16GA	2
13	1276021GT	WEAR PAD,7 X 3 X .625 W/INSERT	4
14	1264897GT	PLATE,TAP BLOCK	1
15	1276017GT	SHIM,WEAR PAD,7 X 1.5,16GA	4
16	1276018GT	SHIM,WEAR PAD,7 X 1.5,14GA	4
17	1276019GT	WEAR PAD,7 X 1.5 X .625 W/INSERT	4
18	824090GT	SCREW,HHF,3/8-16X1,8,ZAG	14
19	60304GT	SHIM,WEAR PAD,7 X 3,12GA	2
20	824091GT	SCREW, HHF, 3/8-16 X 1.25, 8, ZAG	2

Go to DiscountEquipment.com to order your parts



505.1 Cable Assembly and Primary Extension Cylinder



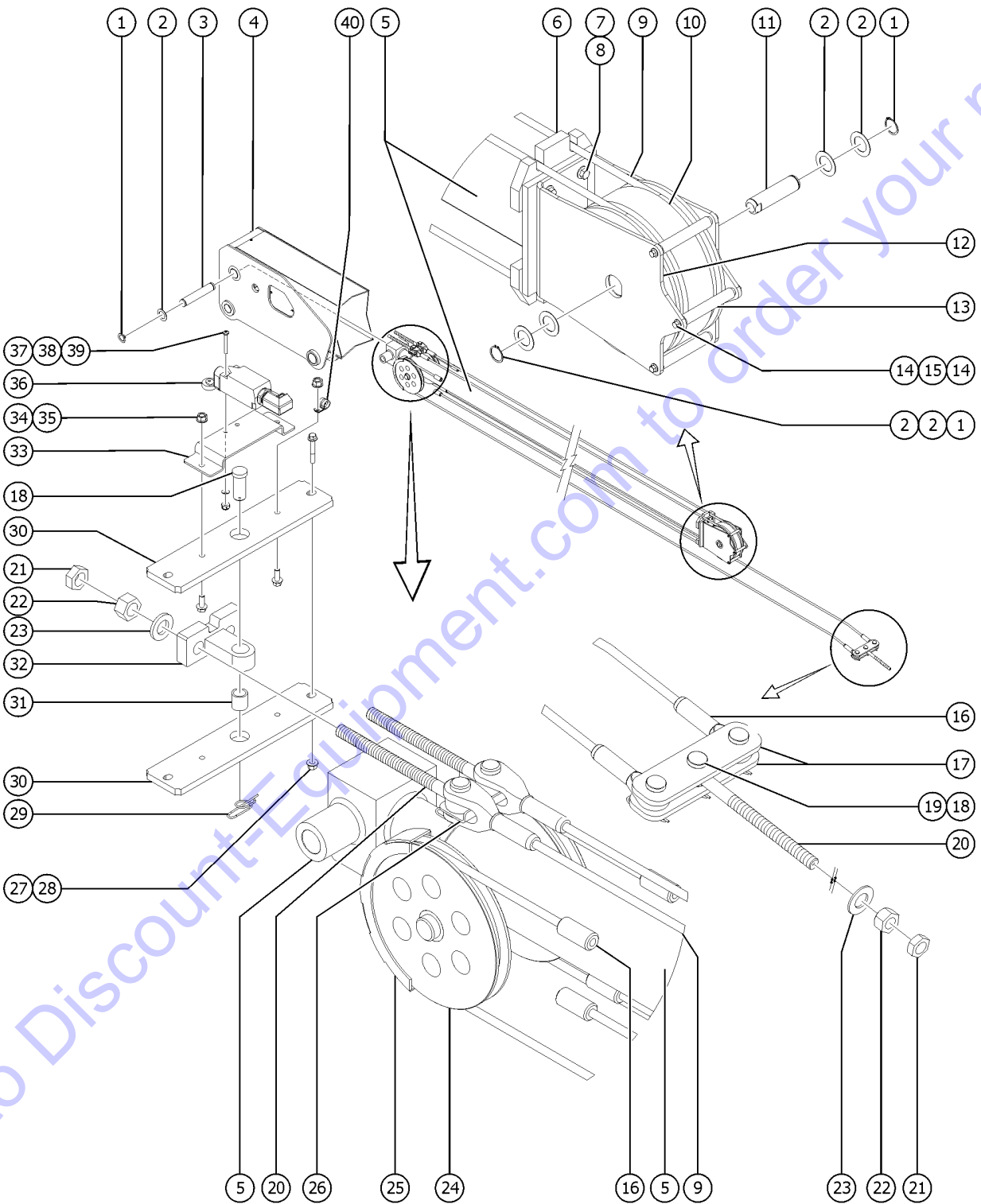
505.1 Cable Assembly and Primary Extension Cylinder

Item	Part No.	Description	Qty.
1	825796GT	SNAP RING,EXTERNAL,1.50,ZAG	4
2	1251565GT	WASHER,SHIM,1.56X2.5X.061,ZAG	6
3	121034GT	PIN,1.500 X 15.000,2 RINGS	1
4		REF. BOOM NUMBER 1 (refer to 502.1)	
5	1274253GT	CYLINDER, PRIMARY EXTENSION (to S85XCD-1254)	1
5-	1279051GT	SEAL KIT, CYLINDER, EXTEND	
5-	1274314GT	CACA-LHN-1200	
5-	1274315GT	CABG-LHN-1200	
5B	1304000GT	CYLINDER, PRIMARY EXTENSION (from S85XCD-1255)	1
5B-	1304001GT	SEAL KIT, EXTEND CYLINDER 1304000	
5B-	1274314GT	CACA-LHN-1200	
5B-	1274315GT	CABG-LHN-1200	
6	121155GT	GUIDE,EXT. CABLES	2
7	1253478GT	SCREW,HHF,3/8-16X2,8,ZAG	4
8	1274322GT	NUT,NYLOCK FLG,3/8-16,F,ZAG	4
9	1274252GT	CABLE ASSY,EXTEND	2
10	1274251GT	SHEAVE,EXTEND	1
11	121156GT	PIN,DIA. 1.50 X 5.875	1
12	121146GT	FORMING,BRACKET,EXTEND SHEAVE	1
13	121670GT	ROLLER,1/2" PVC	3
14	824078GT	SCREW,HHF,1/4-20X.75,8,ZAG	6
15	121671GT	ROLLER,1/2" ALUMINUM	3
16	232844GT	CABLE ASSEMBLY,RETRACT SET	1
17	121044GT	PLATE,RETRACT CABLE EQUALIZER	2
18	826379GT	PIN,CLEVIS,1X2.250,ZAG	4
19	74389GT	RUE RING 1.00	5
20	77656GT	ROD END,CABLE	3
20-	1274252GT	CABLE ASSY,EXTEND	

Go to Discount-Equipment.com to order your parts



505.1 Cable Assembly and Primary Extension Cylinder



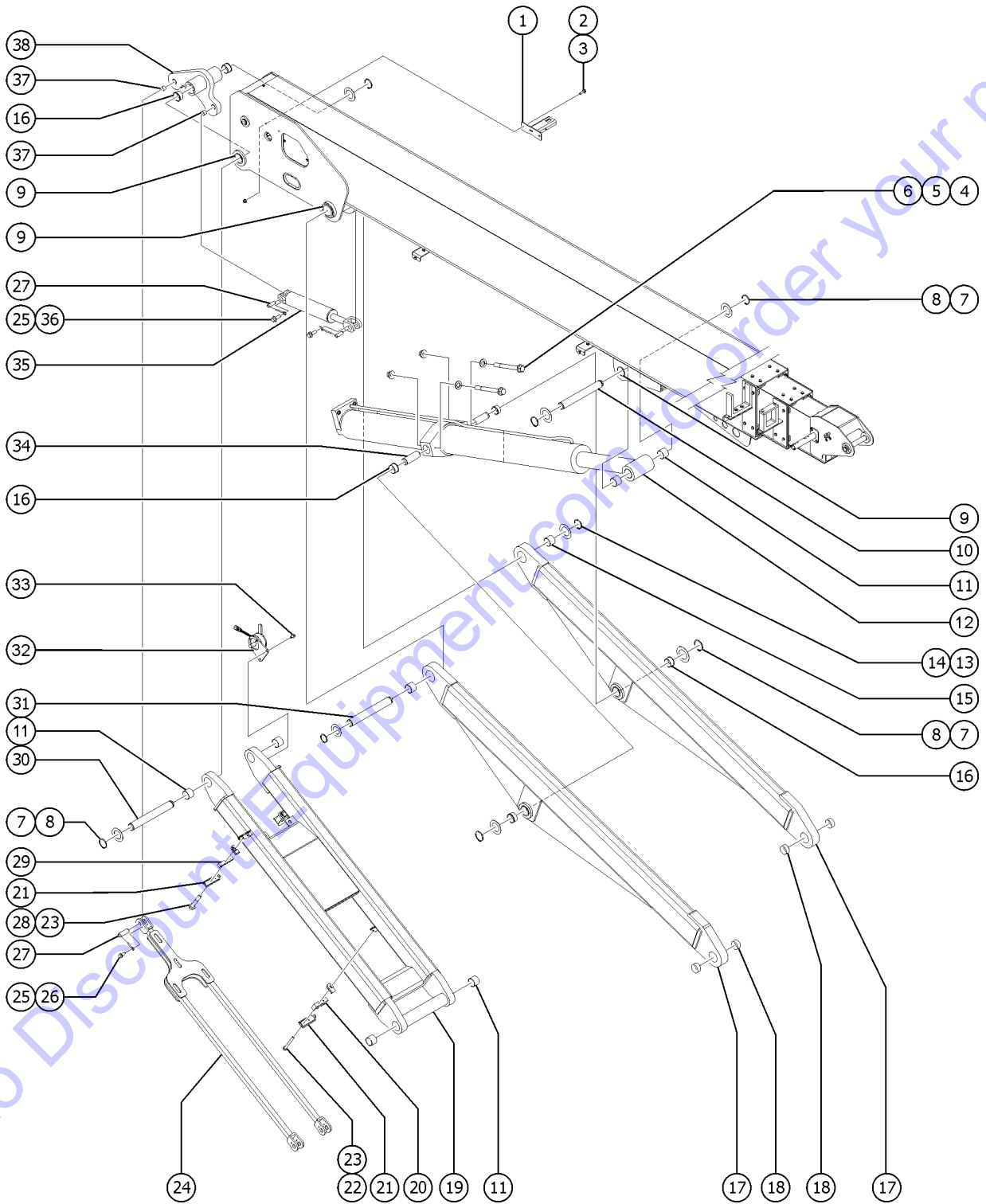
505.1 Cable Assembly and Primary Extension Cylinder

Item	Part No.	Description	Qty.
21	1256837GT	NUT,JAM,3/4-10,A,ZAG	3
22	1268597GT	NUT,3/4-10,8,ZAG	3
23	1256863GT	WASHER,FLAT,.75,F436,HRD,ZAG	3
24	88568GT	SHEAVE,RETRACT CABLE(SMALLER)	2
25	1274868GT	WELDMENT, RETRACT SHEAVE COVER	1
25-	824078GT	SCREW,HHF,1/4-20X.75,8,ZAG	
26	121189GT	PLATE,ANTIROTATION	1
27	1274166GT	NUT,NYLOCK,3/8-16,C,ZAG	2
28	1256856GT	SCREW,HHF,3/8-16X2.5,8,ZAG	2
29	824129GT	RUE RING,1.0,ZAG	5
30	121028GT	PLATE,ROCKER	2
31	25817GT	BEARING,1.00IDX1.25ODX1.00L	1
32	121180GT	ASSEMBLY,PIVOT PLATE	1
33	77653GT	FORMING,LIMIT SWITCH BRACKET	1
34	1274165GT	NUT,NYLOCK,1/4-20,C,ZAG	2
35	824079GT	SCREW,HHF,1/4-20X1,8,ZAG	2
36		REF. HARNESS,LS,CHAIN BREAK (Chain Break Limit Switch) (refer to 310.1)	1
37	824216GT	SCREW, PHPM, 10-32 X 1.5, ZAG	2
38	1253185GT	WASHER,FLAT,#10,USS,ZAG	2
39	1283005GT	NUT,NYLOCK FLG,10-32,A,ZAG	2
40	6833GT	CLAMP,0.50,#8 X 1/4,RUB CUSH	1

Go to DiscountEquipment.com to order your parts



506.1 Boom Link Assembly - View 1

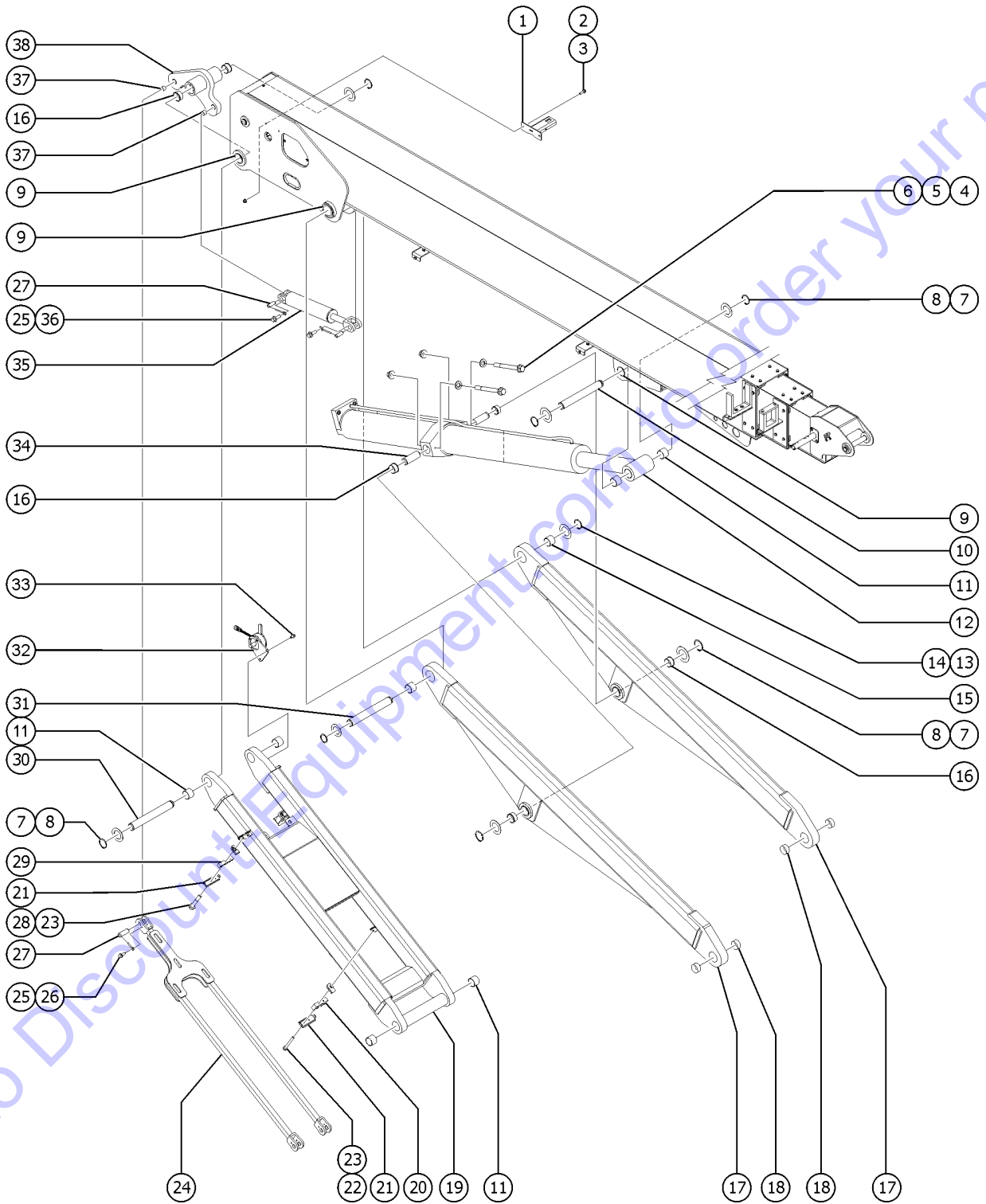


Go to DiscountEquipment.com to order your parts

Item	Part No.	Description	Qty.
1	1277859GT	WELDMENT,SENSOR RETAINER,PRIMARY	1
2	824091GT	SCREW, HHF, 3/8-16 X 1.25, 8, ZAG	2
3	1274322GT	NUT,NYLOCK FLG,3/8-16,F,ZAG	2
4	1256112GT	SCREW,HHC,1/2-13X6,8,ZAG	2
5	824146GT	WASHER, FLAT, DIN125, M12, ZAB	2
6	1274172GT	NUT,NYLOCK FLG,1/2-13,G,ZAG	2
7	825760GT	SNAP RING,EXTERNAL,2.50,ZAG	6
8	1256111GT	WASHER,SHIM,2.5X4X.062,ZAG	6
9		REF. BEARING	
		(refer to 502.1)	
10	121031GT	PIN,2.50 X 12.200,2 RINGS	1
11	27698GT	BEARING,2.50IDX2.75ODX2.00L	6
12	1273034GT	CYLINDER,LIFT,S80/85,XC	1
		(to S85XCD-1238)	
12-	1298860GT	PORT PLUG, #2 SAE, 5/6-24 (1273034)	
12-	1279048GT	SEAL KIT, CYLINDER, LIFT	
12-	75064GT	VALVE, COUNTERBALANCE, CWCG-LGN.5000	
12-	60984GT	VALVE COUNTERBAL.CBBB-LJN@5000	
12-	1273414GT	VALVE,COUNTERBALANCE,CBCB-LHN 3500	
12-	75097GT	CHOCK,SERVICE	
		(for inspection purpose)	
12B	1303998GT	CYLINDER,LIFT,S80/85,XC	1
		(from S85XCD-1239)	
12B-	1303999GT	SEAL KIT, LIFT CYLINDER 1303998	
12B-	75064GT	VALVE, COUNTERBALANCE, CWCG-LGN.5000	
12B-	60984GT	VALVE COUNTERBAL.CBBB-LJN@5000	
12B-	1273414GT	VALVE,COUNTERBALANCE,CBCB-LHN 3500	
13	825762GT	SNAP RING,EXTERNAL,3.0,ZAG	2
14	1258728GT	WASHER,FLAT,3.062X4.5X.05,ZAG	2
15	121406GT	BEARING,3.00IDX3.25ODX2.50LG	2
16	101566GT	BEARING,FL,2.50IDX2.75ODX1.36L	6
17	1273328GT	ASSEMBLY,LONG LINK, METRIC	2
		includes bearings	

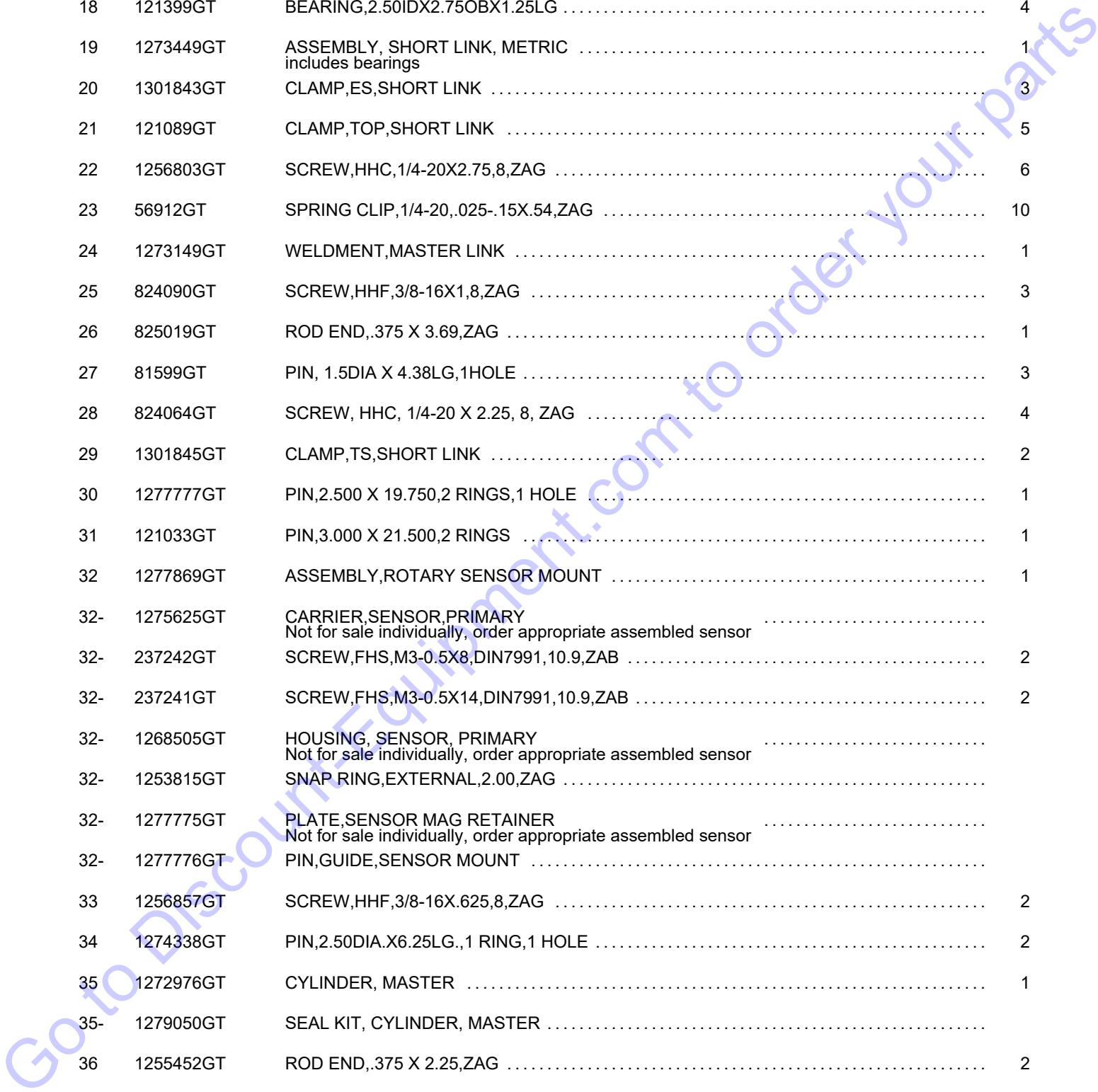
Go to Document Equipment.com to order your parts

506.1 Boom Link Assembly - View 1

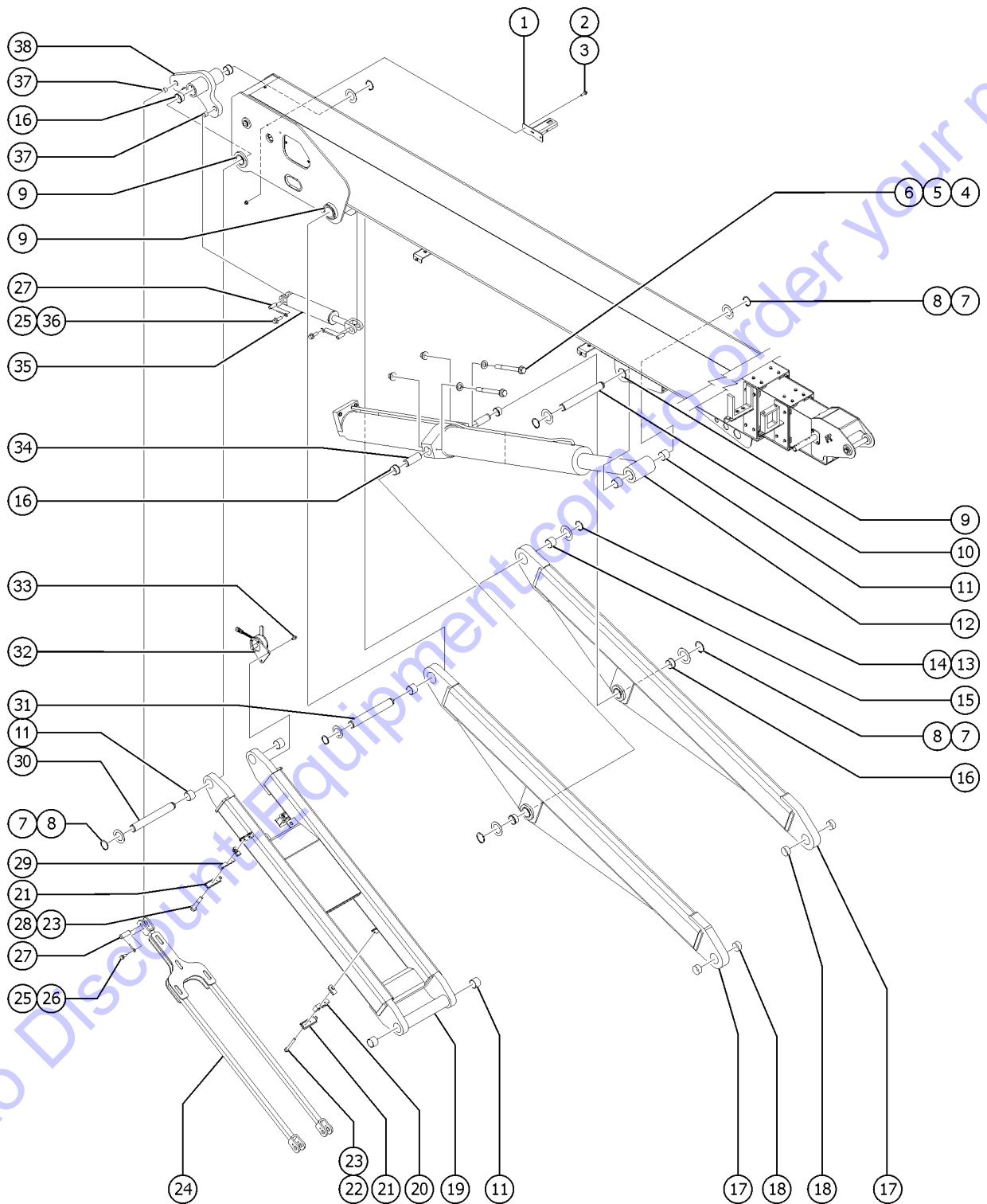


Go to DiscountEquipment.com to order your parts

Item	Part No.	Description	Qty.
18	121399GT	BEARING,2.50IDX2.75OBX1.25LG	4
19	1273449GT	ASSEMBLY, SHORT LINK, METRIC includes bearings	1
20	1301843GT	CLAMP,ES,SHORT LINK	3
21	121089GT	CLAMP, TOP, SHORT LINK	5
22	1256803GT	SCREW, HHC, 1/4-20X2.75, 8, ZAG	6
23	56912GT	SPRING CLIP, 1/4-20, .025-.15X.54, ZAG	10
24	1273149GT	WELDMENT, MASTER LINK	1
25	824090GT	SCREW, HHF, 3/8-16X1, 8, ZAG	3
26	825019GT	ROD END, .375 X 3.69, ZAG	1
27	81599GT	PIN, 1.5DIA X 4.38LG, 1HOLE	3
28	824064GT	SCREW, HHC, 1/4-20 X 2.25, 8, ZAG	4
29	1301845GT	CLAMP, TS, SHORT LINK	2
30	1277777GT	PIN, 2.500 X 19.750, 2 RINGS, 1 HOLE	1
31	121033GT	PIN, 3.000 X 21.500, 2 RINGS	1
32	1277869GT	ASSEMBLY, ROTARY SENSOR MOUNT	1
32-	1275625GT	CARRIER, SENSOR, PRIMARY Not for sale individually, order appropriate assembled sensor	
32-	237242GT	SCREW, FHS, M3-0.5X8, DIN7991, 10.9, ZAB	2
32-	237241GT	SCREW, FHS, M3-0.5X14, DIN7991, 10.9, ZAB	2
32-	1268505GT	HOUSING, SENSOR, PRIMARY Not for sale individually, order appropriate assembled sensor	
32-	1253815GT	SNAP RING, EXTERNAL, 2.00, ZAG	
32-	1277775GT	PLATE, SENSOR MAG RETAINER Not for sale individually, order appropriate assembled sensor	
32-	1277776GT	PIN, GUIDE, SENSOR MOUNT	
33	1256857GT	SCREW, HHF, 3/8-16X.625, 8, ZAG	2
34	1274338GT	PIN, 2.50DIA.X6.25LG., 1 RING, 1 HOLE	2
35	1272976GT	CYLINDER, MASTER	1
35-	1279050GT	SEAL KIT, CYLINDER, MASTER	
36	1255452GT	ROD END, .375 X 2.25, ZAG	2
37	119619GT	BEARING, 1.5 ID X 1.75 ODX1.5L	2



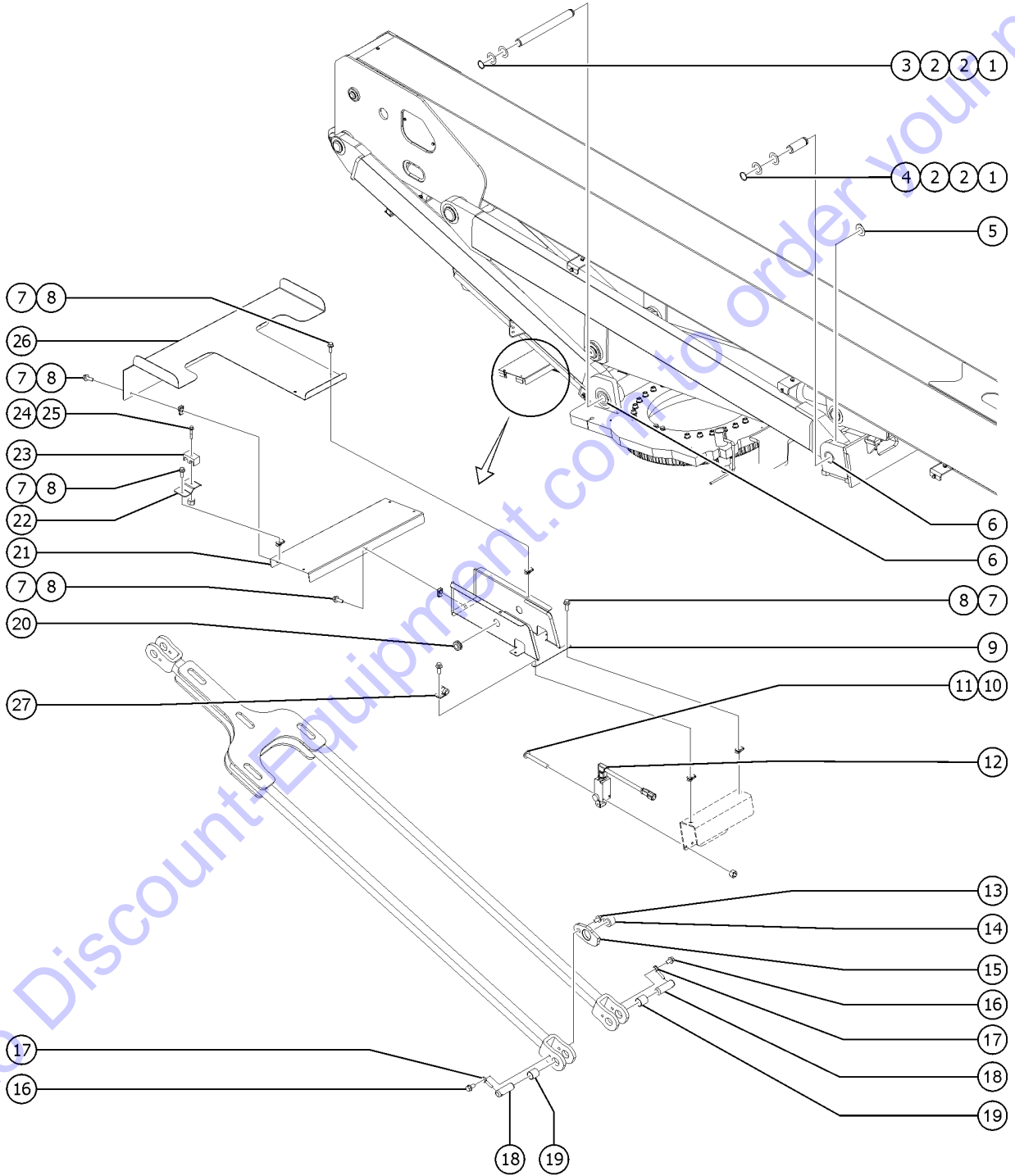
506.1 Boom Link Assembly - View 1



<i>Item</i>	<i>Part No.</i>	<i>Description</i>	<i>Qty.</i>
38	1273059GT	WELDMENT, LEVER, MAST. CYL	1

Go to Discount-Equipment.com to order your parts

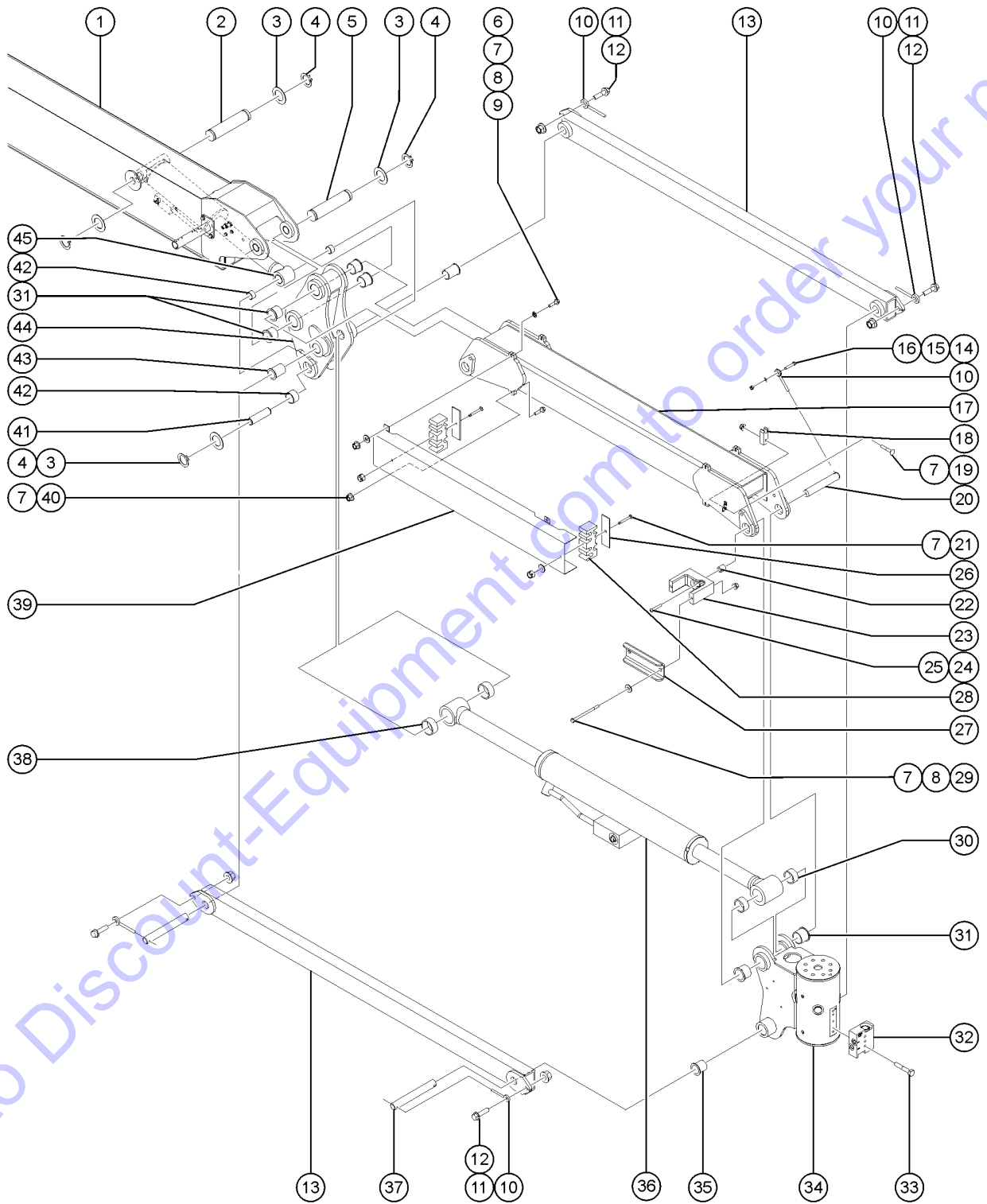
507.1 Boom Link Assembly - View 2



Item	Part No.	Description	Qty.
1	825760GT	SNAP RING,EXTERNAL,2.50,ZAG	6
2	1256111GT	WASHER,SHIM,2.5X4X.062,ZAG	12
3	121388GT	PIN,2.50DIAX24.50,2RINGS,TAPER	1
4	121387GT	PIN,2.50DIAX7.00,2 RINGS,TAPER	2
5	121869GT	FORMING,LINK THRUST WASHER	4
6	121399GT	BEARING,2.50IDX2.75OBX1.25LG	6
7	824078GT	SCREW,HHF,1/4-20X.75,8,ZAG	10
8	56912GT	SPRING CLIP,1/4-20,.025-.15X.54,ZAG	10
9	121822GT	WELDMENT,CABLE GUIDE	1
10	824216GT	SCREW, PHPM, 10-32 X 1.5, ZAG	2
11	1274168GT	NUT,NYLOCK,10-32,A,ZAG	2
12		REF. HARNESS LST3S S80/85 (Boom Down Limit Switch) (refer to 310.1)	1
13	824089GT	SCREW, HHF, 3/8-16 X .75, 8, ZAG	1
14	1299299GT	SPACER,ALUMINUM,10 DEGREE LIMIT CAM	1
15	1299300GT	MACHINED,10 DEGREE LIMIT CAM	1
16	824090GT	SCREW,HHF,3/8-16X1,8,ZAG	2
17	1255452GT	ROD END,.375 X 2.25,ZAG	2
18	119032GT	PIN,1.25DIAX4.38LG,1HOLE	2
19	50560GT	BEARING,1.25IDX1.50ODX1.50L	2
20	104570GT	GROMMET,RUBBER .688 X .25 X 1	1
21	121819GT	FORMING,CABLE SUPPORT	1
22	219393GT	FORMING,BRACKET BATTERY CABLE	1
23	70289GT	CLAMP,LINK,LH WELD WIRE	1
24	824081GT	SCREW,HHF,1/4-20X1.5,8,ZAG	1
25	1274165GT	NUT,NYLOCK,1/4-20,C,ZAG	1
26	1275052GT	FORMING, CABLE COVER	1
27	45470GT	CLAMP,0.31,#5 X 1/4,RUB CUSH	1

Go to Discount-Equipment.com to order your parts

508.1 Jib Boom and Platform Rotator

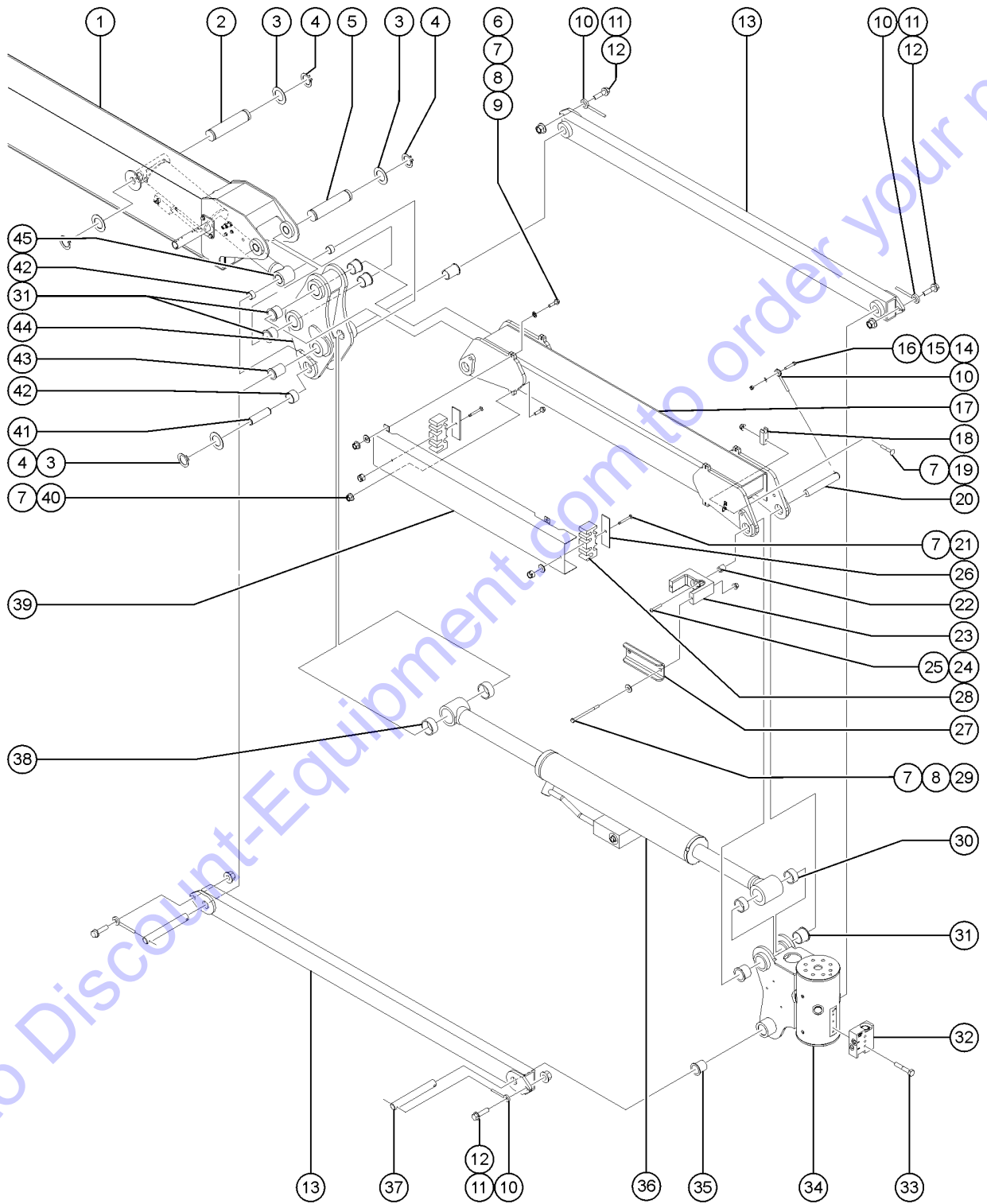


Go to Discount-Equipment.com to order your parts

Item	Part No.	Description	Qty.
-	61283GT	SLEAVING,PARKER TEK,2.00"	
1		REF. BOOM TUBE 3	
		(refer to 504.1)	
2	1279567GT	PIN, 1.50DIA X 8.50LG, 2RING	1
3	1251565GT	WASHER,SHIM,1.56X2.5X.061,ZAG	6
4	825796GT	SNAP RING,EXTERNAL,1.50,ZAG	6
5	1307726GT	PIN,1.50DIA X 10.25LG,2RING,1THR D	1
6	824079GT	SCREW,HHF,1/4-20X1,8,ZAG	4
7	238135GT	PUSHNUT RETAINER, 1/4" X 1/2"OD, ZINC	4
8	824113GT	WASHER,FLAT,USS,1/4,ZAG	8
9	1277924GT	NUT,NYLOCK FLG,1/4-20,F,ZAG	10
10	825019GT	ROD END,.375 X 3.69,ZAG	6
11	824092GT	SCREW, HHF, 3/8-16 X 1.5, 8, ZAG	4
12	1274322GT	NUT,NYLOCK FLG,3/8-16,F,ZAG	4
13	1274511GT	MACHINING, COMPRESSION LINK	2
14	5224GT	SCREW,HHC,3/8-16 X 2	2
15	6097GT	WASHER, FLAT, USS, 3/8", Y	2
16	4828GT	NUT, NYLOCK, 3/8-16	2
17	1269424GT	MACHINING, JIB ARM, 5 FT.	1
18	1269642GT	CLAMP, HOSE	2
19	1255756GT	BOLT,CARRIAGE,1/4-20X1.5,5,ZAG	2
20	76695GT	PIN,1.50 DIA X 8.75"LG,1HOLE	2
21	1256180GT	BOLT,CARRIAGE,1/4-20X2.75,5,ZAG	2
22	101932GT	TUBE, RD., STL., DOM .75 X .437 X .78	1
23	1284573GT	GUIDE,CABLE,UHMW	1
24	1256110GT	SCREW,BHC,3/8-16X2.25,F835,ZAG	2
25	1283028GT	NUT,LP NYLOCK,3/8-16,2,ZAG	2
26	128483GT	BACKING PLATE, HOSE BLOCK, JIB	2
27	1265019GT	FORMING, CABLE GUIDE	1

Go to Discount Equipment.com to order your parts

508.1 Jib Boom and Platform Rotator



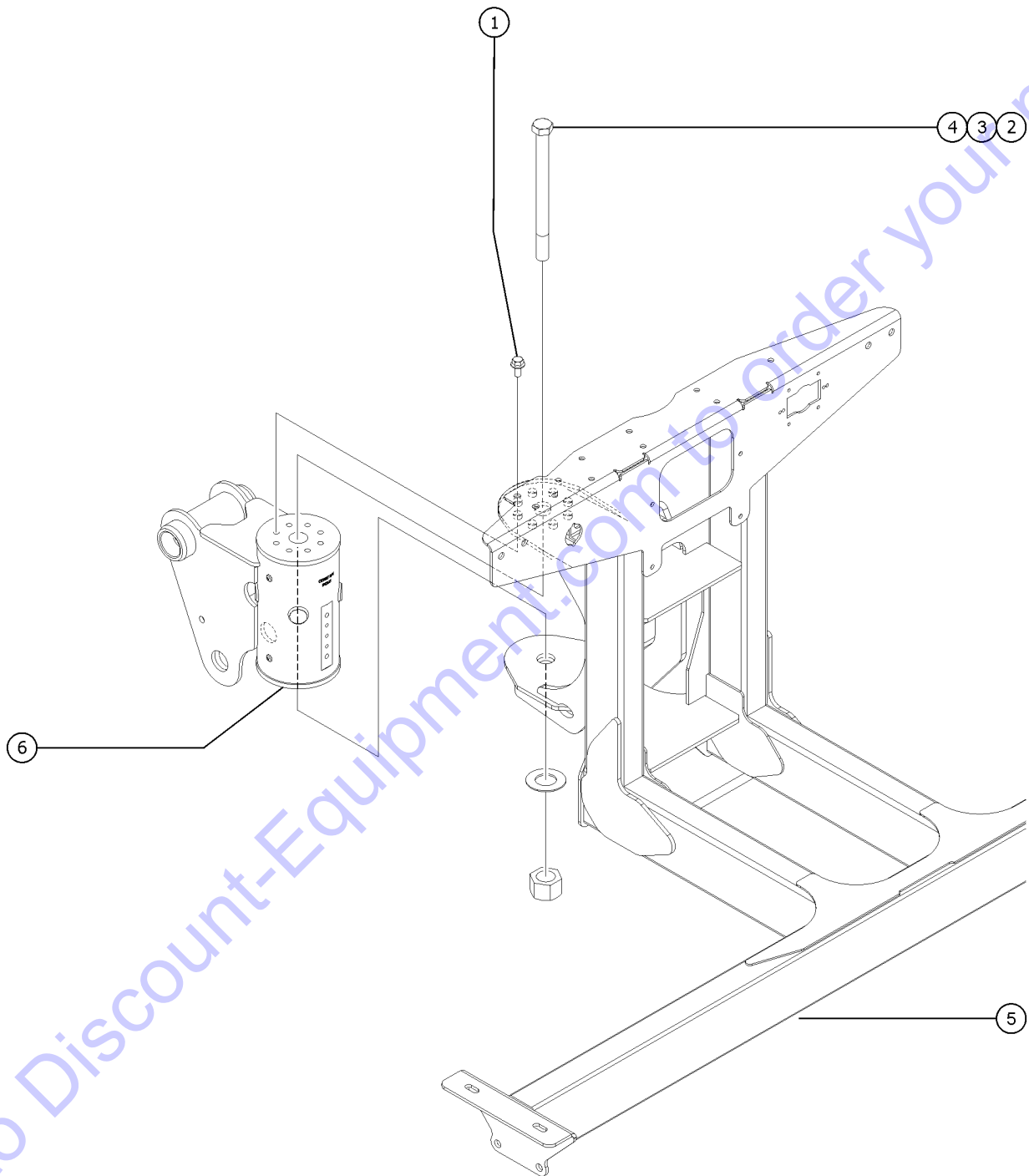
Go to Discount-Equipment.com to order your parts

508.1 Jib Boom and Platform Rotator

Item	Part No.	Description	Qty.
28	1283307GT	CLAMP, JIB HOSE/CABLE	2
29	824065GT	SCREW,HHC,1/4-20X4,8,ZAG	4
30	88280GT	BEARING,1.5IDX1.75ODX0.75L	2
31	214226GT	BEARING,FL,1.75IDX2.00ODX1.61L	4
32		REF. ROTATOR MANIFOLD	1
		(refer to 703.1)	
33	824081GT	SCREW,HHF,1/4-20X1.5,8,ZAG	3
34	214225GT	ROTATOR,PLATFORM,15K,JIB	1
34-	226542GT	SEAL KIT, 15K ROTATOR	
34-	88516GT	SCREW,BLEEDER,M5X0.8	
35	30222GT	BEARING,FL,1.25IDX1.41ODX1.50L	2
36	1276820GT	CYLINDER, JIB	1
36-	1268011GT	SEAL KIT FOR JIB CYLINDER	
36-	33428GT	VALVE,COUNTERBALANCE	2
37	81175GT	PIN,1.25DIAX14.45LG,2HOLE	2
38	30220GT	BEARING,1.25ID X 1.5OD X 0.69L	2
39	1269367GT	FORMING, HOSE COVER	1
40	824080GT	SCREW, HHF, 1/4-20 X 1.25, 8, ZAG	2
41	1276484GT	PIN, 1.50X5.625, 2 RING	1
42	18396GT	BEARING,1.5IDX1.75ODX1.0L	4
43	128268GT	BEARING,FL, 1.25X1.5X2.13	2
44	1288386G	ASSY,JIB BELLCRANK WITH BEARINGS	1
45	1273589GT	CYLINDER, PLATFORM LEVEL	1
45-	1279049GT	SEAL KIT, CYLINDER, LEVEL	
45-	77303GT	VALVE, CNTRBAL 3500 PSI, ATM VEN	

Go to DiscountEquipment.com to order your parts

509.1 Platform Installation



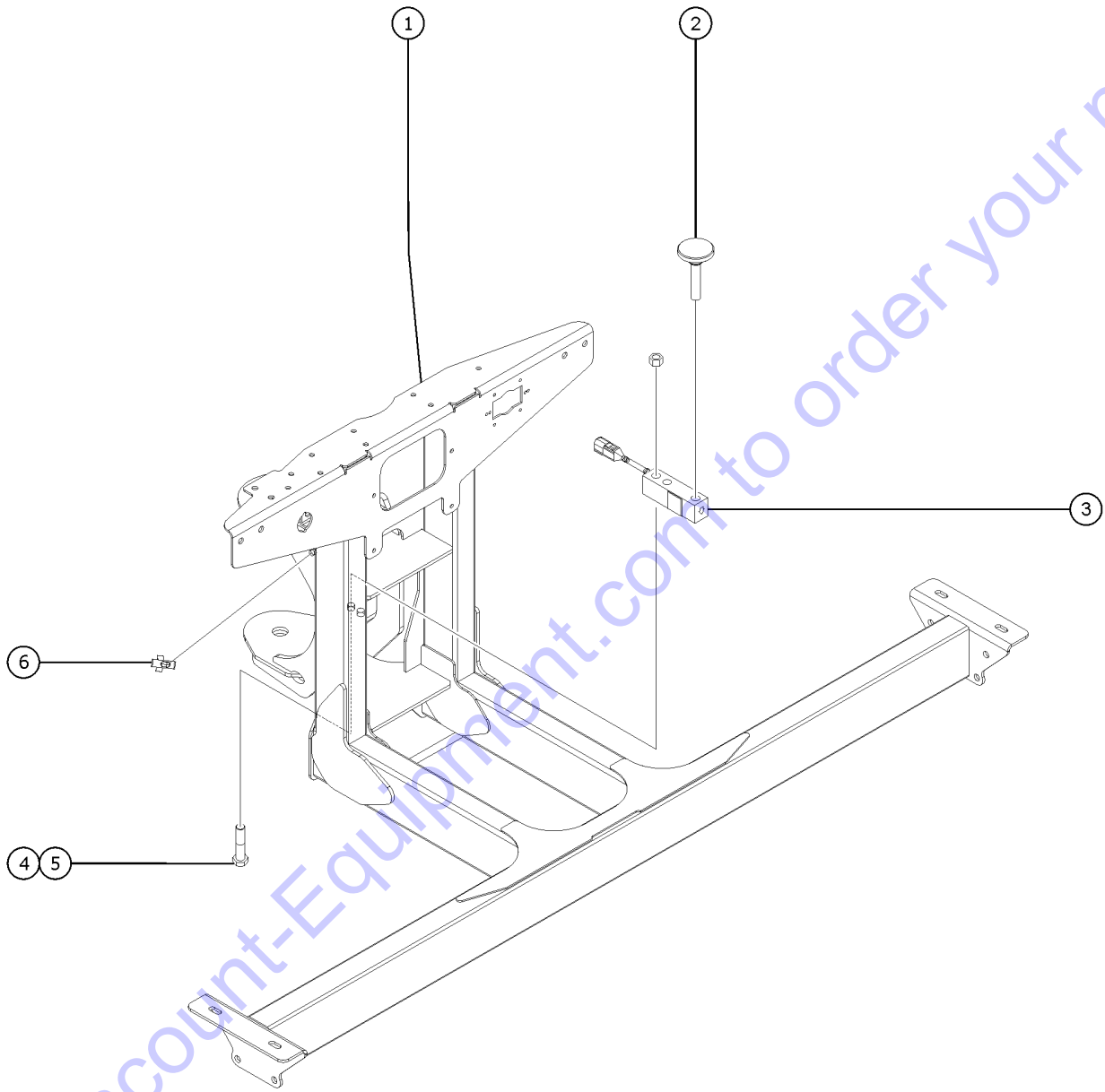
509.1 Platform Installation

Item	Part No.	Description	Qty.
1	237830GT	SCREW,HHF,1/2-13X1,8,ZAG	8
2	824075GT	SCREW, HHC, 1-8 X 12.75, 5, ZAG	1
3	824116GT	WASHER,FLAT,1.0,F436,HRD,ZAG	1
4	826794GT	NUT,TL,1-8,C,ZAGRING	1
5		REF. PLATFORM MOUNT	
		(refer to 602.1)	
6		REF. PLATFORM ROTATOR	
		(refer to 508.1)	

Go to Discount-Equipment.com to order your parts



510.1 Platform Overload Components



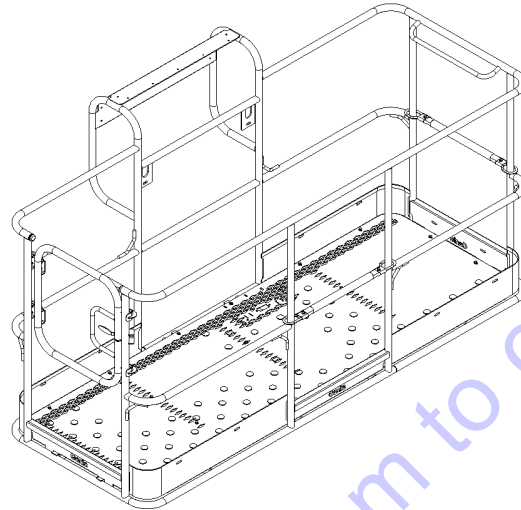
510.1 Platform Overload Components

Item	Part No.	Description	Qty.
A	1274068GT	ASSEMBLY,PLAT SUPPORT,15K,LS	1
1		REF. WELDMENT, PLATFORM SUPPORT, 15 (refer to 602.1)	1
2	1270337GT	LEVELING MOUNT, SWIVEL, 1/2-20X2, SS	1
3	1270278GT	LOAD CELL, J1939, 650KG/1433LB (1280949GT) NOTE: install with arrows pointing downwards (Calibration required after replacement)	1
4	1257464GT	SCREW,HHC,1/2-13X2.5,8,ZAG	2
5	1259106GT	NUT,1/2-13,8,ZAG	2
6	105214GT	CABLE TIE MOUNT, WINGED	2

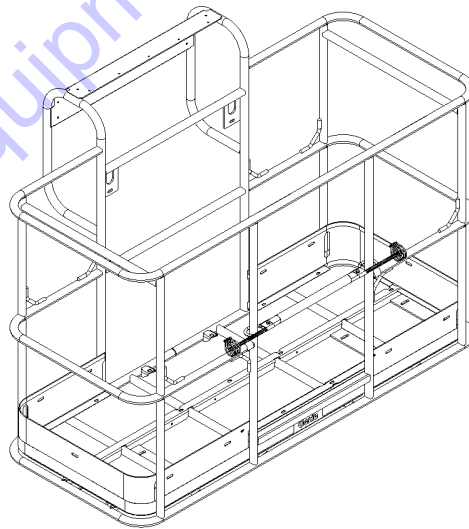
Go to Discount-Equipment.com to order your parts



601.1 Platform Configuration



(1) Side Swing Gate Platform



(2) Front Single Entry Platform

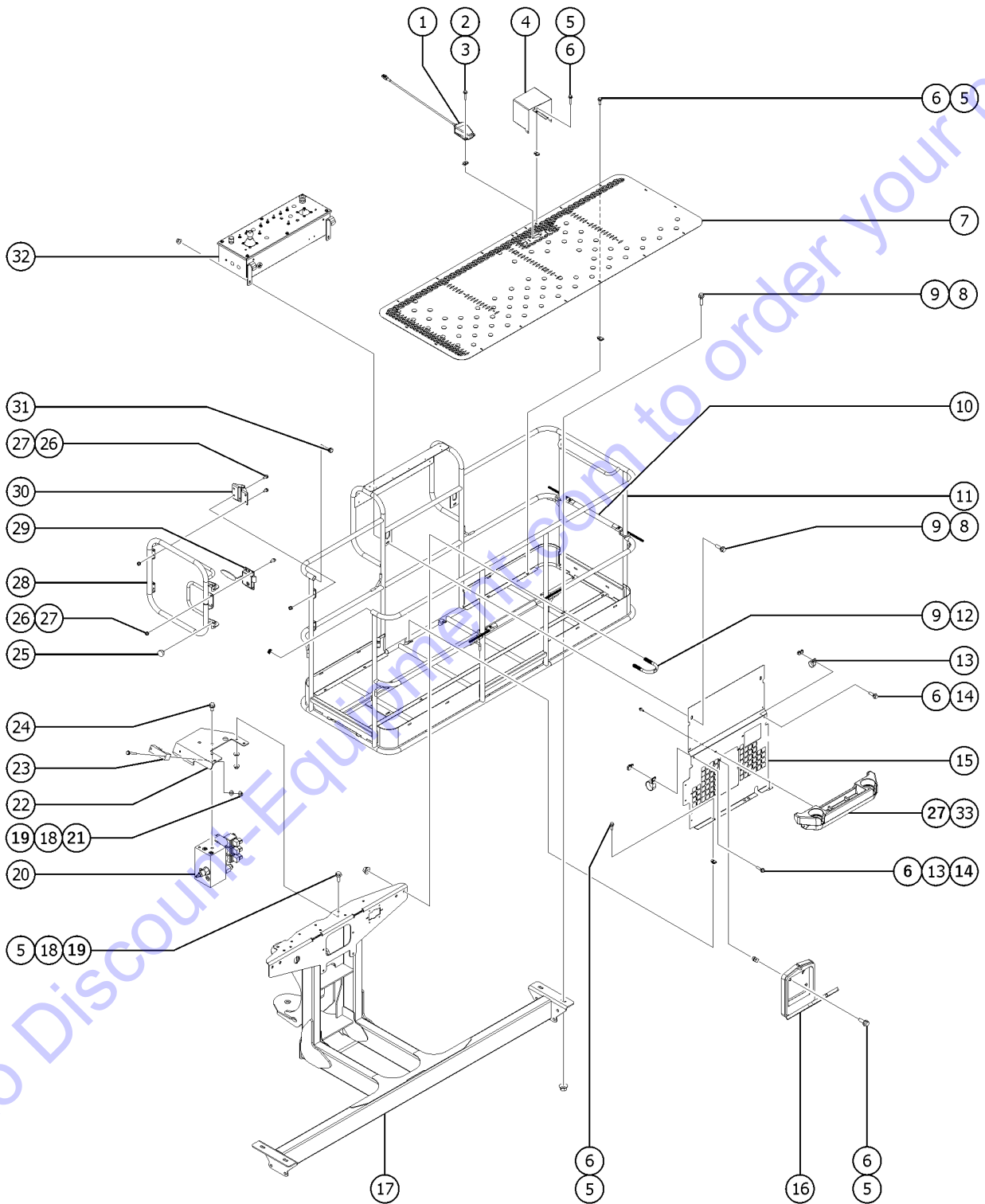
Go to Discount-Equipment.com to order your parts

Item	Part No.	Description	Qty.
A-		PLAT ASSY,8' W/SIDE GATE,S80/85 XC ANSI WORD USA and Canadian models	
B-		PLAT ASSY,8' W/SIDE GATE,S80/85 XC CE European models	
C-		PLAT ASSY,8' W/SIDE GATE,S80/85 XC AUS Australian models	
D-		PLAT ASSY,8' W/SIDE GATE,S80/85 XC ANSI SYM Asia and South America models	
1	1272304GT	ASSY,8FT PLAT TRI LG,BLANK W/SIDE SWING GATE front and side entry	
1A-	1274859GT	ASSY,8' PLAT WELDMNT W/SIDE GATE flooring and decal plate not included (refer to 602.1)	
1B	1272303GT	ASSY,6FT PLAT DUAL LG,BLANK W/SIDE SWING GATE front and side entry	
2	160809GT	ASSY,6FT PLATFORM,NO DECALS single entry	
2-	73900GT	WELDMNT,6 FT PLATFORM flooring and decal plate not included (refer to 602.1)	

Go to Discount-Equipment.com to order your parts

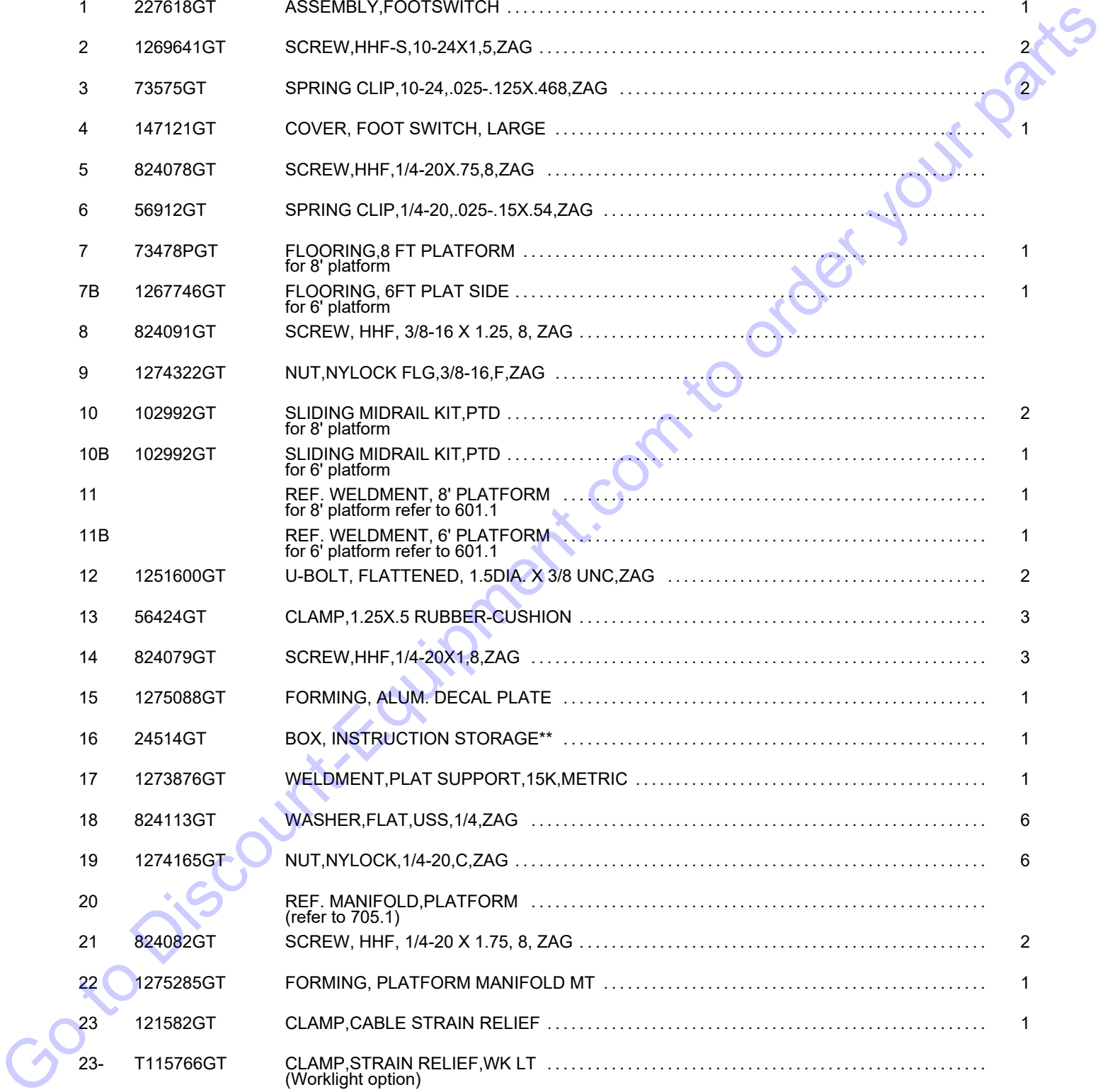


602.1 Platform Components

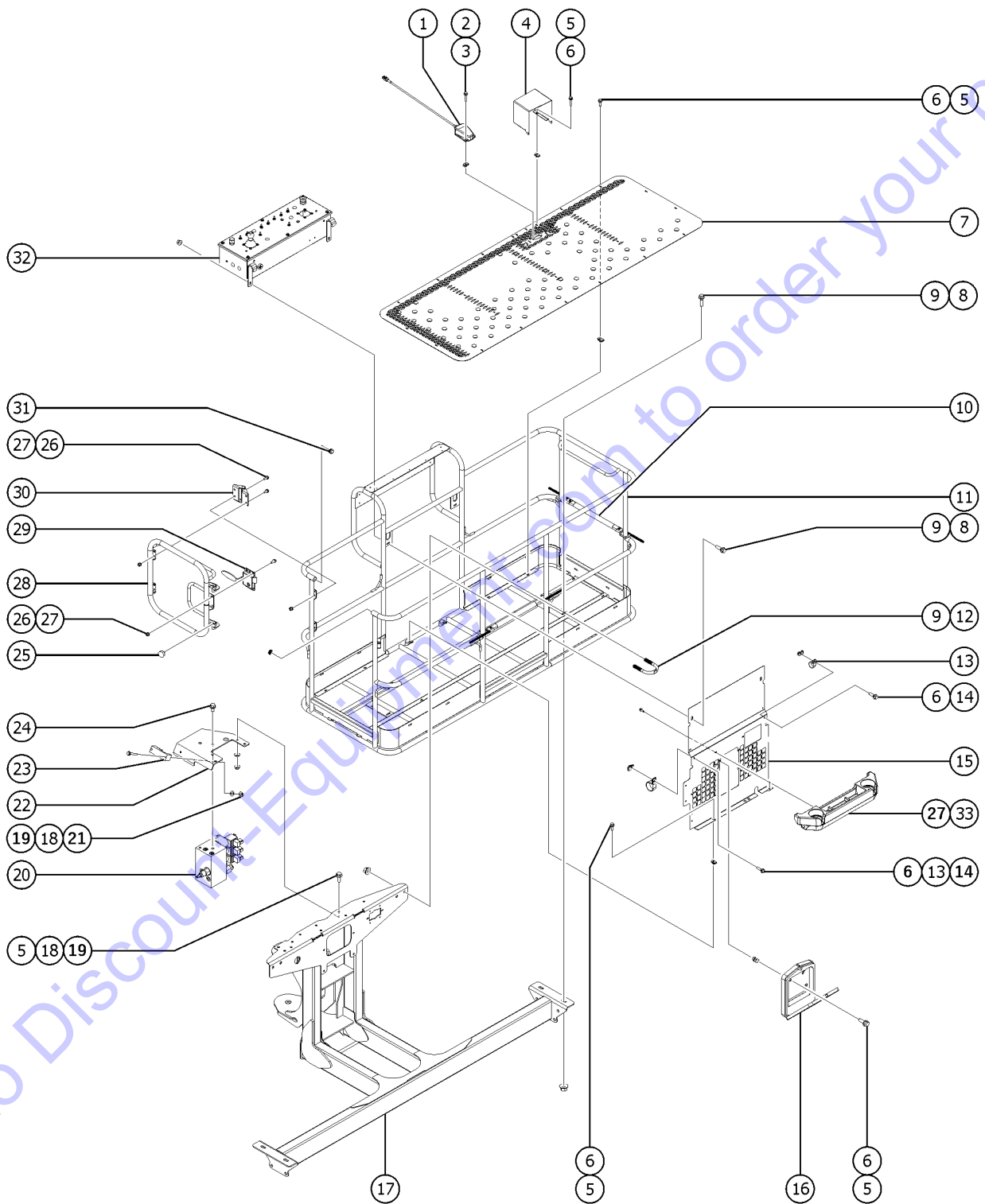


602.1 Platform Components

Item	Part No.	Description	Qty.
1	227618GT	ASSEMBLY,FOOTSWITCH	1
2	1269641GT	SCREW,HHF-S,10-24X1.5,ZAG	2
3	73575GT	SPRING CLIP,10-24,.025-.125X.468,ZAG	2
4	147121GT	COVER, FOOT SWITCH, LARGE	1
5	824078GT	SCREW,HHF,1/4-20X.75,8,ZAG	
6	56912GT	SPRING CLIP,1/4-20,.025-.15X.54,ZAG	
7	73478PGT	FLOORING,8 FT PLATFORM for 8' platform	1
7B	1267746GT	FLOORING, 6FT PLAT SIDE for 6' platform	1
8	824091GT	SCREW, HHF, 3/8-16 X 1.25, 8, ZAG	
9	1274322GT	NUT,NYLOCK FLG,3/8-16,F,ZAG	
10	102992GT	SLIDING MIDRAIL KIT,PTD for 8' platform	2
10B	102992GT	SLIDING MIDRAIL KIT,PTD for 6' platform	1
11		REF. WELDMENT, 8' PLATFORM for 8' platform refer to 601.1	1
11B		REF. WELDMENT, 6' PLATFORM for 6' platform refer to 601.1	1
12	1251600GT	U-BOLT, FLATTENED, 1.5DIA. X 3/8 UNC,ZAG	2
13	56424GT	CLAMP,1.25X.5 RUBBER-CUSHION	3
14	824079GT	SCREW,HHF,1/4-20X1,8,ZAG	3
15	1275088GT	FORMING, ALUM. DECAL PLATE	1
16	24514GT	BOX, INSTRUCTION STORAGE**	1
17	1273876GT	WELDMENT,PLAT SUPPORT,15K,METRIC	1
18	824113GT	WASHER,FLAT,USS,1/4,ZAG	6
19	1274165GT	NUT,NYLOCK,1/4-20,C,ZAG	6
20		REF. MANIFOLD,PLATFORM (refer to 705.1)	
21	824082GT	SCREW, HHF, 1/4-20 X 1.75, 8, ZAG	2
22	1275285GT	FORMING, PLATFORM MANIFOLD MT	1
23	121582GT	CLAMP,CABLE STRAIN RELIEF	1
23-	T115766GT	CLAMP,STRAIN RELIEF,WK LT (Worklight option)	
24	824089GT	SCREW, HHF, 3/8-16 X .75, 8, ZAG	2



602.1 Platform Components



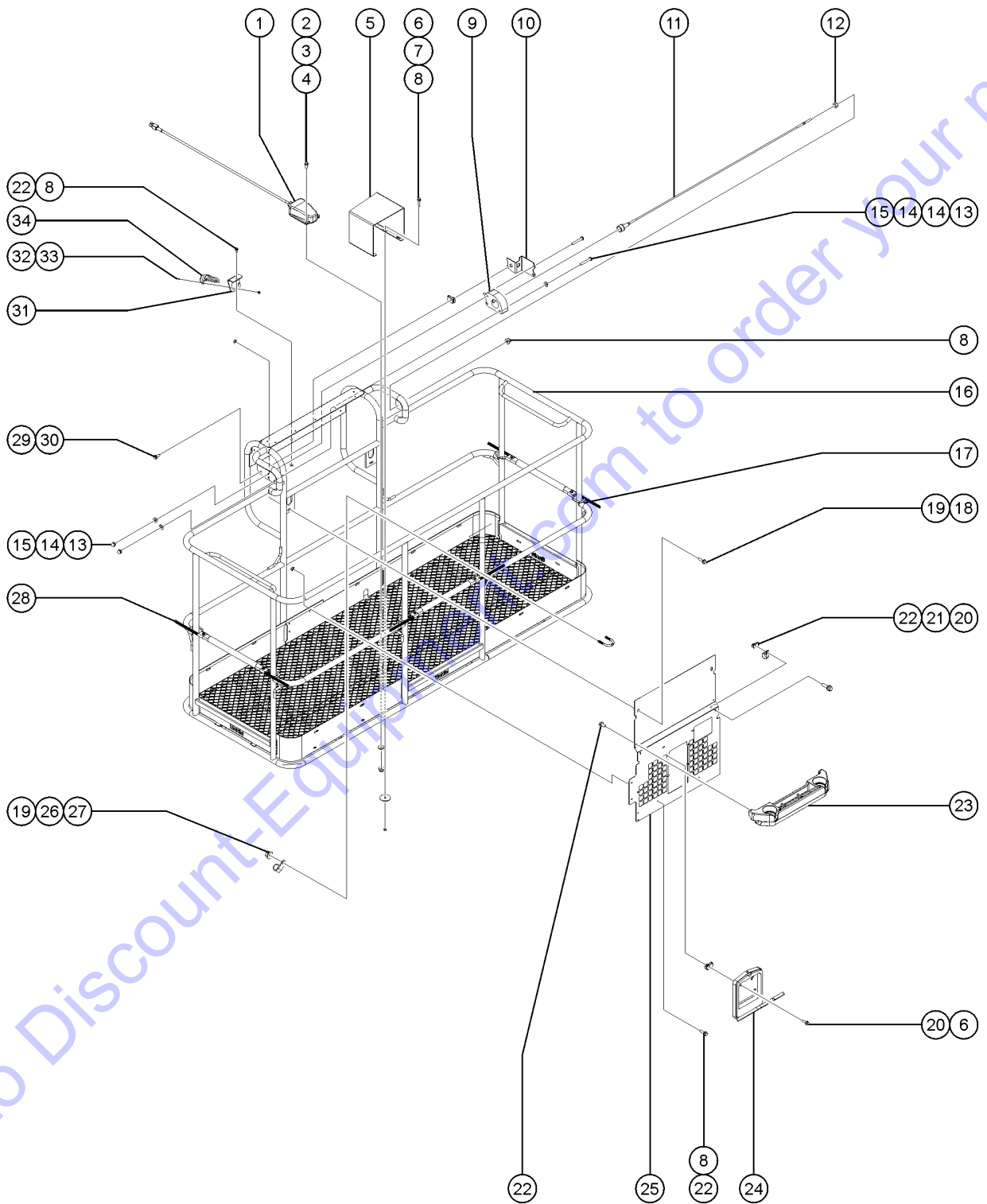
Go to Discount-Equipment.com to order your parts

602.1 Platform Components

Item	Part No.	Description	Qty.
25	43392GT	BUMPER,BATTERY BOX & RAILS	2
26	1277924GT	NUT,NYLOCK FLG,1/4-20,F,ZAG	12
27	1256855	SCREW,HHF,1/4-20X.625,8,ZAG	16
28	1265397GT	WELDMENT, SWING GATE	1
29	1267747GT	LATCH, SWING GATE	1
30	104804GT	HINGE, SPRING, LONG LEG	2
31	55753GT	BUMPER, PLASTIC, 1.25 O.D.	2
32		REF. PLATFORM CONTROL BOX ASSEMBLY (refer to 602.1)	
33	1289552GT	KIT, PLATFORM WORK TRAY	1

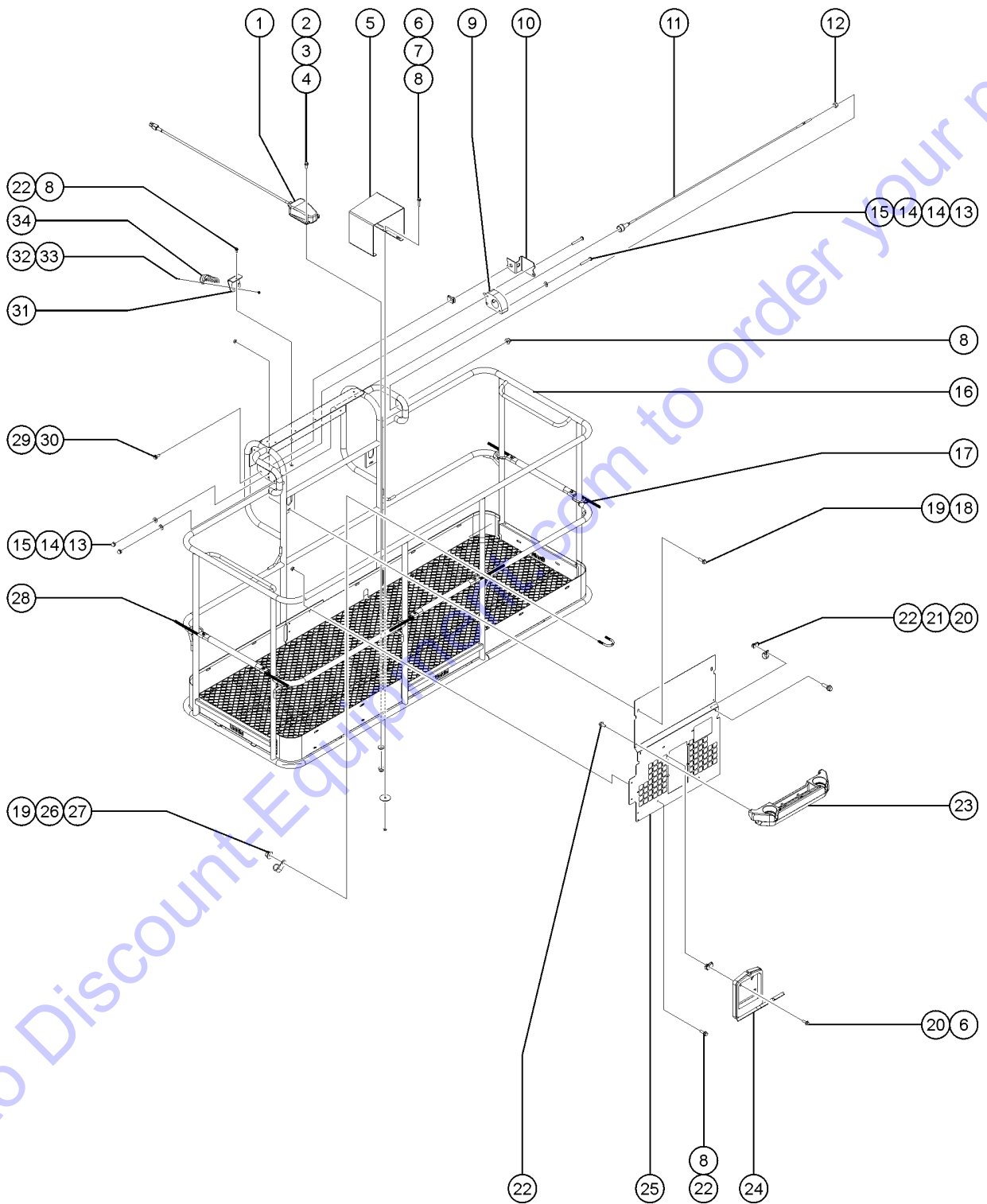
Go to Discount-Equipment.com to order your parts





Go to DiscountEquipment.com to order your parts

Item	Part No.	Description	Qty.
1	227618GT	ASSEMBLY,FOOTSWITCH	1
2	1269641GT	SCREW,HHF-S,10-24X1.5,ZAG	2
3	1307740GT	WASHER,FLAT,#10,ZINC	2
4	1283004GT	NUT,NYLOCK FLG,10-24,A,ZAG	2
5	1306706GT	COVER,FOOT SWITCH ,LARGE	1
6	824078GT	SCREW,HHF,1/4-20X.75,8,ZAG	8
7	824113GT	WASHER,FLAT,USS,1/4,ZAG	4
8	1277924GT	NUT,NYLOCK FLG,1/4-20,F,ZAG	8
9	1332974GT	ASSY, SENSOR W/ HOUSING	1
10	1331488GT	FORMING, SENSOR HOLDER	1
11	1306900GT	CONTACT ALARM WIRE ASSY, LARGE	1
12	1261184GT	NUT,1/4-20,8,ZAG	1
13	1280278GT	SCREW,PHPM,10-24X1.375,ZAG	3
14	1253185GT	WASHER,FLAT,#10,USS,ZAG	4
15	1307739GT	Nut,#10-24 Nickel Plated Acorn	3
16	1306251GT	WELDMNT, SIDE-ENTRY PLATFORM, 8' (8 foot platform)	1
16B	1306354GT	WELDMNT,6 FT PLATFORM (6 foot platform)	1
17	T112773GT	TAPE, PROTECTIVE MASK	6
18	824091GT	SCREW, HHF, 3/8-16 X 1.25, 8, ZAG	2
19	1274322GT	NUT,NYLOCK FLG,3/8-16,F,ZAG	6
20	56912GT	SPRING CLIP,1/4-20,.025-.15X.54,ZAG	6
21	56424GT	CLAMP,1.25X.5 RUBBER-CUSHION	2
22	1256855GT	SCREW,HHF,1/4-20X.625,8,ZAG	9
23	1275089GT	PLATFORM WORK TRAY (use until exhausted) Replaced by 1289552	1
23B	1289552GT	KIT, PLATFORM WORK TRAY	1
24	24514GT	BOX, INSTRUCTION STORAGE**	1
25	1306707GT	FORMING,ALUM,DECAL PLATE	1
26	67897GT	CLAMP,0.56,#9 X 3/8,RUB CUSH	1



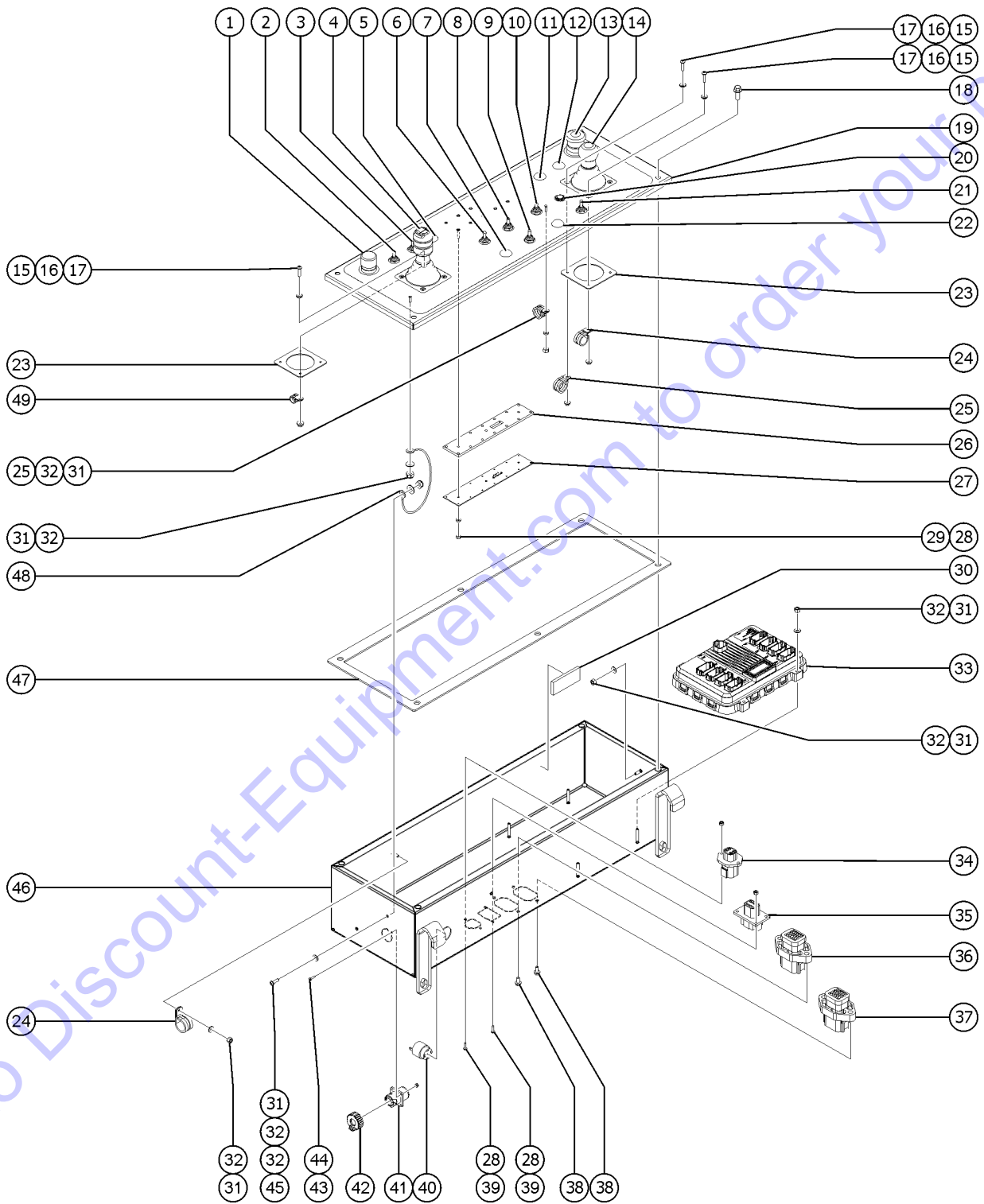
Go to DiscountEquipment.com to order your parts

<i>Item</i>	<i>Part No.</i>	<i>Description</i>	<i>Qty.</i>
27	1251600GT	U-BOLT, FLATTENED, 1.5DIA. X 3/8 UNC,ZAG	2
28	53471GT	WIRE LOOM,3/8 NYLON,HI TEMP PROVIDE LENGTH WHEN ORDERING	6
29	1264934GT	SCREW,HHF,10-24X.5	1
30	73575GT	SPRING CLIP,10-24,.025-.125X.468,ZAG	1
31	1306957GT	FORMING,LIGHT BRKT	1
32	1259259GT	SCREW,PHPM,6-32X.75,ZAG	2
33	12344GT	NUT,NYLOCK,6-32	2
34	1307643GT	ASSEMBLY, LIGHT, CONTACT ALARM	2

Go to Discount-Equipment.com to order your parts



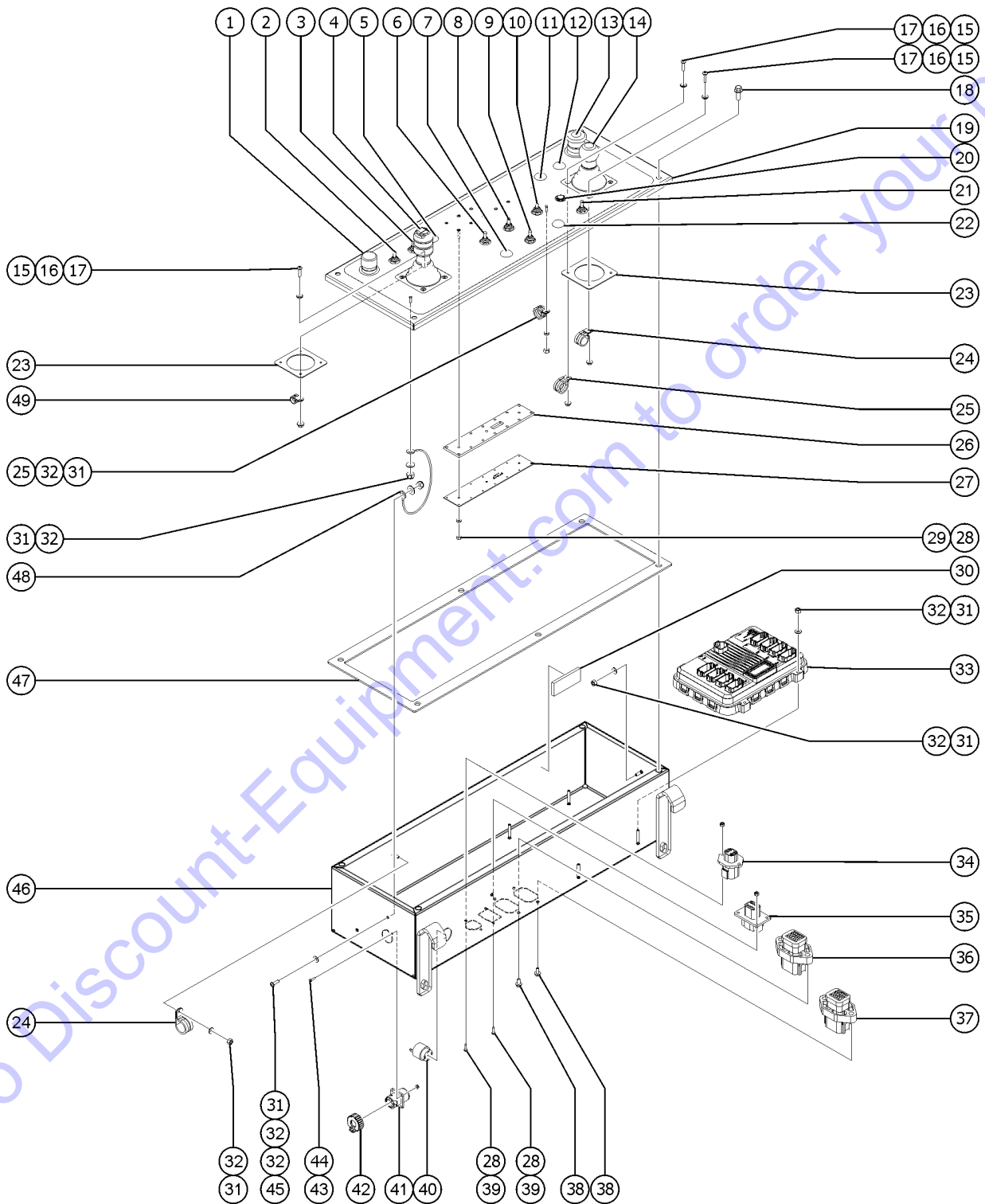
603.1 Platform Control Box



Item	Part No.	Description	Qty.
A		ASSEMBLY, PBOX, S-BOOM, XC contact Genie customer service for this part quotation.	1
1	66813GT	BUTTON,PUSH,BLACK W/SEAL ***	1
1-	66815GT	BASE, W/1 N.O. CONTACTS***	
2	128200GT	SWITCH TOGGLE ASSY SPDT 3P MOM (platform level up/down)	1
3	128200GT	SWITCH TOGGLE ASSY SPDT 3P MOM (platform rotate left /right)	1
4		REF. JOYSTICK (refer to 604.1)	
5	128200GT	SWITCH TOGGLE ASSY SPDT 3P MOM (jib up/down)	1
6	128200GT	SWITCH TOGGLE ASSY SPDT 3P MOM (engine start)	1
7	229567GT	PLUG,SANTOPRENE .5 BLACK DOME	1
8	128203GT	SWITCH TOGGLE ASSY SPDT 2P MOM (emergency power)	1
9	128204GT	SWITCH TOGGLE ASSY SPDT 2P MNT (engine RPM select)	1
10	128204GT	SWITCH TOGGLE ASSY SPDT 2P MNT (drive speed select)	1
11	229567GT	PLUG,SANTOPRENE .5 BLACK DOME	1
11B	128204GT	SWITCH TOGGLE ASSY SPDT 2P MNT (Models with Generator option)	1
12	229567GT	PLUG,SANTOPRENE .5 BLACK DOME	1
12B	128203GT	SWITCH TOGGLE ASSY SPDT 2P MOM (Models with Aircraft Protection package)	1
13	66812GT	BUTTON,PUSH,RED MUSHROOM HEAD	1
13-	146478GT	BOOT(BELLOWS),E-STOP,BLACK	
13-	66817GT	E-STOP W/ NC CONTACT	
14		REF. JOYSTICK Drive joystick needs to be ordered separately; (refer to 604.1)	
15	139338GT	SCREW PH M5-0.8X20 DIN 7500CE	8
16	1269498GT	SHOULDER WASHER, NYLON	8
17	1255753GT	NUT,FLG,M5-0.8,DIN6923,8,ZAB	3
18	824078GT	SCREW,HHF,1/4-20X.75,8,ZAG	4
19	1282472GT	WELDMENT, LID, CONTROLS, PLATFORM	1
20	218165GT	LIGHT,INDICATOR,RED 12V H-BRI	1
21	128200GT	SWITCH TOGGLE ASSY SPDT 3P MOM (drive enable)	1
22	229567GT	PLUG,SANTOPRENE .5 BLACK DOME	1



603.1 Platform Control Box

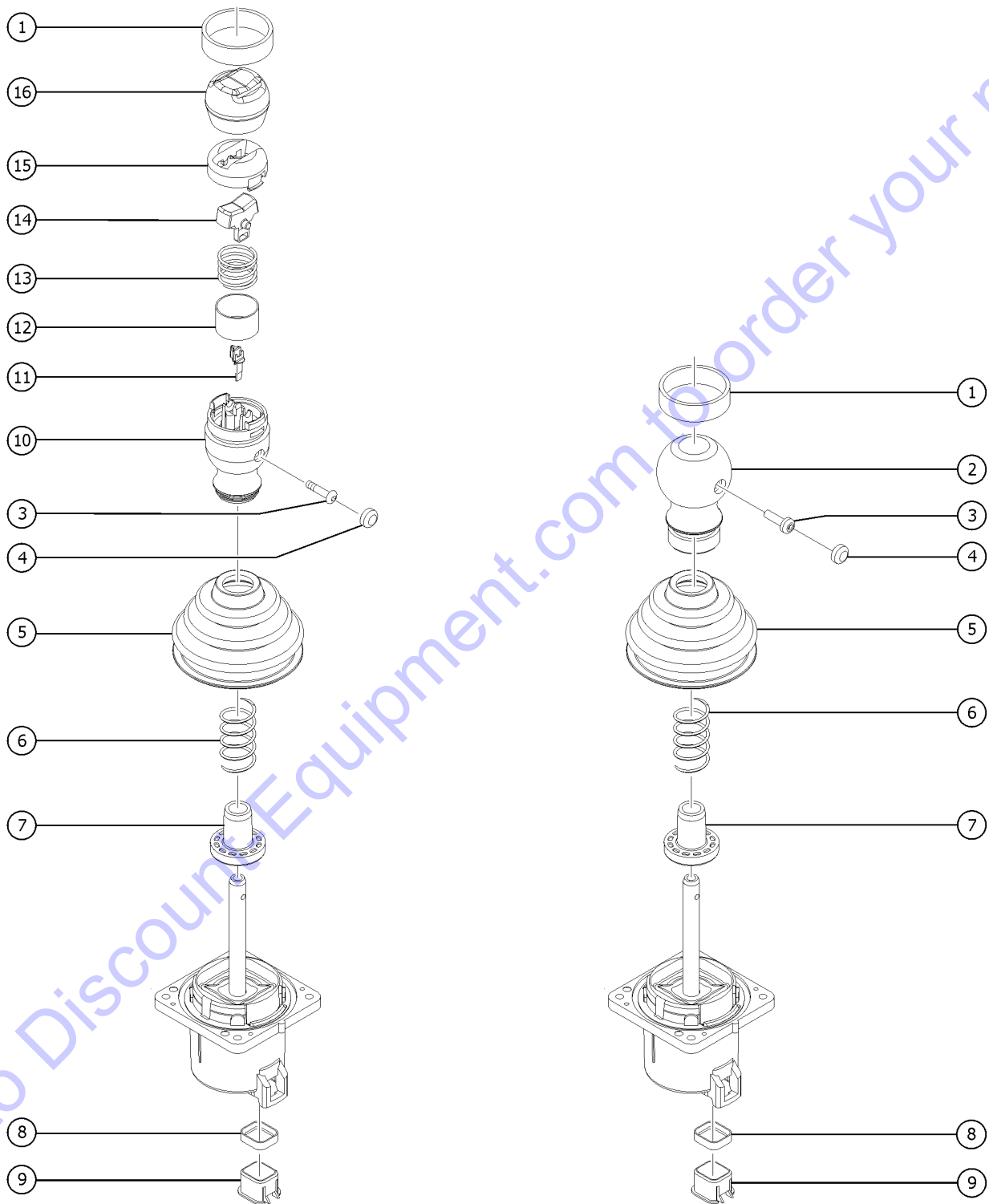


Item	Part No.	Description	Qty.
23	1269497GT	GASKET, ISOLATION, JOYSTICK	2
24	18666GT	CLAMP,1.00,#16 X 1/4,RUB CUSH	3
25	13268GT	CLAMP,0.75,#12 X 1/4,RUB CUSH	2
		(No longer used at this location)	
26	1278613GT	SPACER, XC PLATFORM INDICATORS	1
27	1278612GT	PCBA, XC PLATFORM INDICATORS	1
28	1274164GT	NUT,NYLOCK,6-32,A,ZAG	7
29	822224GT	WASHER, NYLON #10, 0.093	3
30	30997GT	CORROSION INHIBITOR,FOAM	1
31	1274168GT	NUT,NYLOCK,10-32,A,ZAG	12
32	1253185GT	WASHER,FLAT,#10,USS,ZAG	13
33	1284524GT	ECU, PLATFORM, S-XC, PROGRAMMED	1
		(Contact Genie Parts Sales with full model and SN)	
34	73717GT	CONN, RECEP, 4 WAY, DEUTSCH, DTP, FLANGE	1
35	87755GT	CONN, RECEP, 8 WAY, DEUTSCH, DT, GRAY/FLANGE	1
36	1265862GT	CONN, RECEP, 18 WAY, DEUTSCH, DTV, GRAY/FLANGE	1
37	226948GT	CONN, RECEP, 18 WAY, DEUTSCH, DTV, BLACK/FLANGE	1
38	218457GT	SCREW,HHF,M5X12,DIN6921,10.9,Z	4
39	824214GT	SCREW,PHPM,6-32X.50,ZAG	4
40	39540GT	ALARM, STEADY TONE***	1
41	1272122GT	CONN, RECEP, 5 WAY, DEUTSCH, HD10	1
42	1272123GT	DUST CAP, RECEPTACLE, 5 WAY, CIRCULAR	1
43	1253477GT	SCREW,PHPM,4-40X.5,ZAG	2
44	40766GT	NUT,NYLOCK,4-40	2
45	1257227GT	SCREW,PHPM,10-32X.625,ZAG	1
46	1279851GT	WELDMENT,BOX,PLATFORM CONTROL,XC	1
47	81488GT	GASKET,PLATFORM CONTROL BOX	1
48	1258952GT	LANYARD, BOX, CONTROL, PLATFORM	2
49	6833GT	CLAMP,0.50,#8 X 1/4,RUB CUSH	1

Goto DiscountEquipment.com to order your parts



604.1 Joysticks



Go to DiscountEquipment.com to order your parts

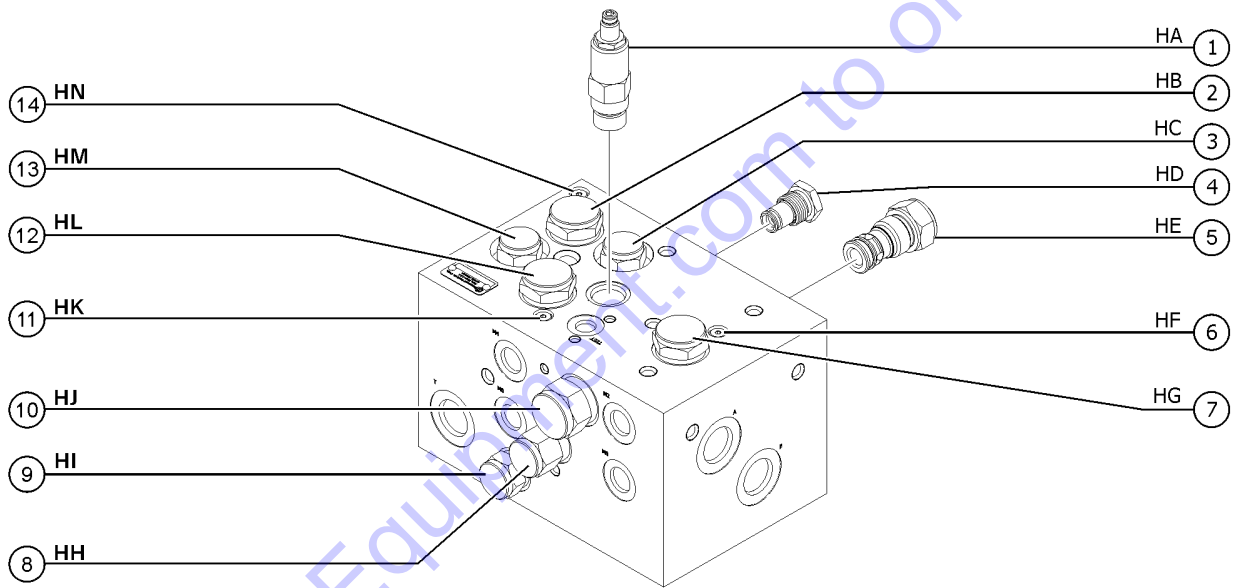
604.1 Joysticks

Item	Part No.	Description	Qty.
A-	1275259GT	JOYSTICK, ISOLATED, 2 AXIS ROCKER OEM joystick (calibration required after replacement) includes gasket part 1269497 and shoulder washer part 1269498 (refer to 603.1)	1
B-	1275248GT	JOYSTICK, ISOLATED, 2 AXIS OEM joystick (calibration required after replacement) includes gasket part 1269497 and shoulder washer part 1269498 (refer to 603.1)	1
C-	1275258GT	JOYSTICK, ISOLATED, ASSY, ROCKER OEM joystick (calibration required after replacement) includes gasket part 1269497 and shoulder washer part 1269498 (refer to 603.1)	1
D-	83098GT	TERM,AMP MTE,SOC,22-26 GA BULK	1
1	1335662GT	SHRINK TUBE; BLUE, 3:1, 40MM X 0.5"LG replaces 1271713GT	2
2	62392GT	KNOB,JOYSTICK, 62390/62391	1
3	T112626GT	SCREW, PHM, #6-32 X .625 ZINC	1
4	1269499GT	PLUG, JOYSTICK HANDLE	2
5	139598GT	BOOT,JOYSTICK	1
6		SPRING,JOYSTK CENTR,62390/91 (no longer available from supplier)	
7	119915GT	COLLAR, JOYSTICK, CENTER	1
8	128000GT	SEAL, CONNECTOR (DT JOYSTICKS)	1
9	128001GT	SLEEVE,CONNECTOR,DT JOYSTICKS	1
10	75449GT	KNOB,ROCKER JOYSTICK 75565	1
11	75448GT	SUPPORT,SENSOR,JOYSTICK	1
12	75447GT	SWITCH SHIELD,ROCK JOYSTK75565	1
13	75446GT	SPRING,SWITCH CENTERING,75565	1
14	75445GT	ROCKER ASSY.,MAGNETIC 75565	1
15	75444GT	ROCKER,RETAINER, 75565	1
16	75443GT	BOOT, ROCKER JOYSTICK 75565	1

Go to DiscountEquipment.com to order your parts



701.1 Traction Manifold

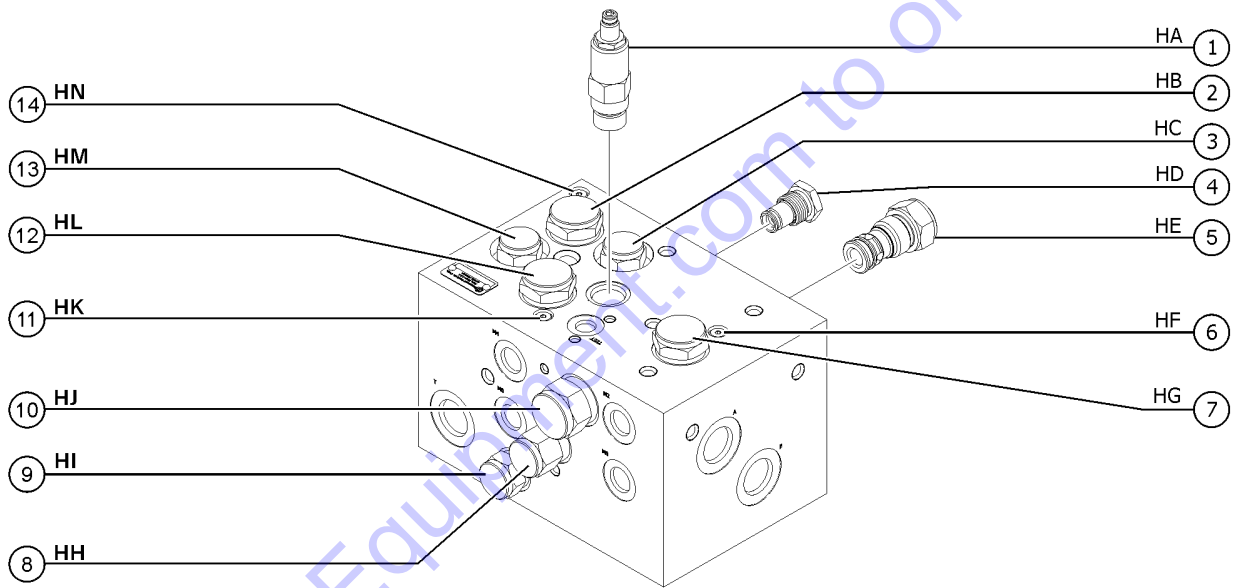


Go to Discount-Equipment.com to order your parts

Item	Part No.	Description	Qty.
A	139712GT	MANIFOLD,TRACTION,4WD*** (complete)	
A-	1287434GT	PLUG,SAE #03 (139712) Plug for ORIFICE, 0.040"	
B	28750GT	O-RING KIT,FIELD SVC,ALL PROD*	
C	49612GT	O-RING KIT (ORFS FITTINGS)	
D	33994GT	PLUG AND CAP KIT-SERVICE,37?***	
E	49613GT	PLUG AND CAP KIT-SERVICE,ORFS*	
1	139718GT	VALVE, RELIEF, 280PSI HA, Charge pressure circuit	
1-	139512GT	SEAL KIT, VALVE	
2	139717GT	VALVE, FLOW DIVIDE/COMB,24GPM HB, Controls flow to non-steer end drive motors in forward and reverse.	
2-	139512GT	SEAL KIT, VALVE	
3	139527GT	VALVE, CHECK, 5PSI HC, Steer end drive motor circuit	
3-	139528GT	SEAL KIT, VALVE	
4	139527GT	VALVE, CHECK, 5PSI HD, Non-steer end drive motor circuit	
4-	139528GT	SEAL KIT, VALVE	
5	139716GT	VALVE, CHECK HE, Non-steer end drive motor circuit	
5-	139727GT	SEAL KIT, VALVE	
6	139719GT	ORIFICE, 0.040" HF, Equalizes pressure on both sides of HF, Equalizes pressure of flow divider/combiner valve item 7	
7	139508GT	VALVE, FLOW DIVIDE/COMBINE 1:1 HG, Controls flow to flow divider/combiner valves 2 and 12	
7-	139512GT	SEAL KIT, VALVE	
8	139715GT	VALVE, SHUTTLE, FIXED HH, Steer end drive motor circuit	
8-	139512GT	SEAL KIT, VALVE	
9	139527GT	VALVE, CHECK, 5PSI HI, Steer end drive motor circuit	
9-	139528GT	SEAL KIT, VALVE	
10	139716GT	VALVE, CHECK HJ, Charge pressure circuit that directs hot oil out of low pressure side of drive pump	
10-	139727GT	SEAL KIT, VALVE	
11	139719GT	ORIFICE, 0.040" HK, Equalizes pressure on both sides of the flow divider/combiner valve item 12	
12	139717GT	VALVE, FLOW DIVIDE/COMB,24GPM HL, Controls flow to steer end motors in forward and reverse	
12-	139512GT	SEAL KIT, VALVE	



701.1 Traction Manifold



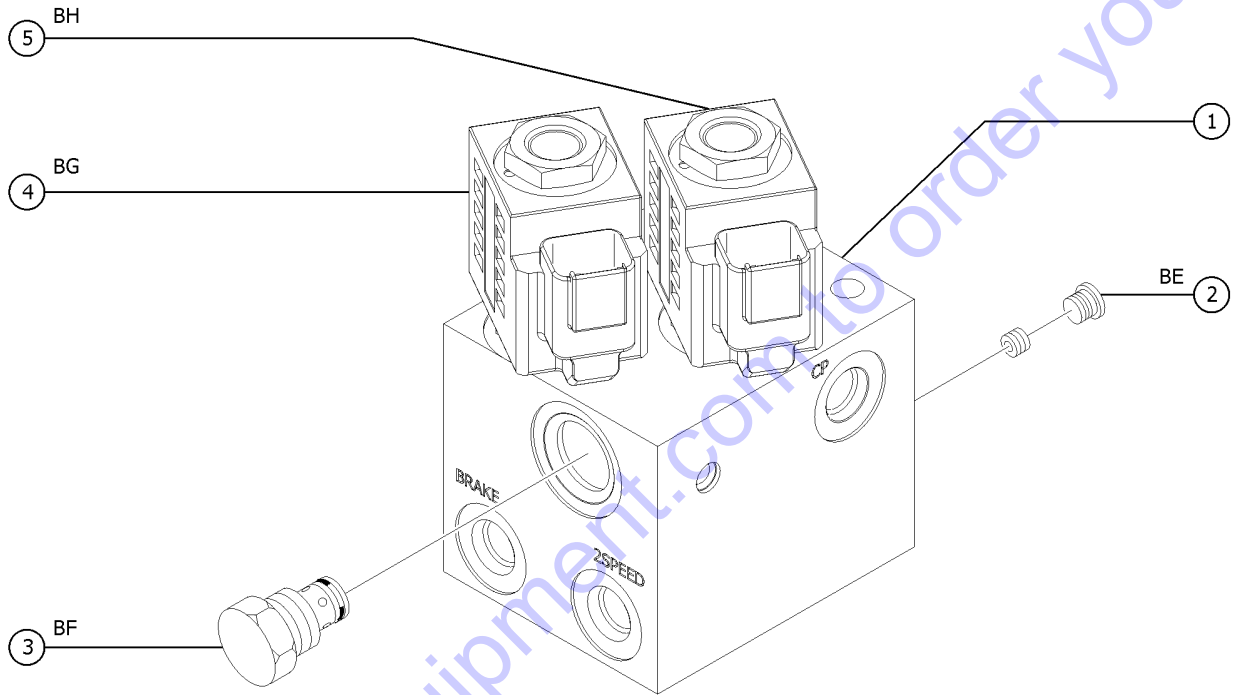
Go to Discount-Equipment.com to order your parts

701.1 Traction Manifold

Item	Part No.	Description	Qty.
13	139527GT	VALVE, CHECK, 5PSI HM, Non-steer end drive motor circuit	
13-	139528GT	SEAL KIT, VALVE	
14	139719GT	ORIFICE, 0.040" HN, Equalizes pressure on both sides of flow divider/combiner valve item 2	

Go to Discount-Equipment.com to order your parts

702.1 Two-Speed/Brake Manifold



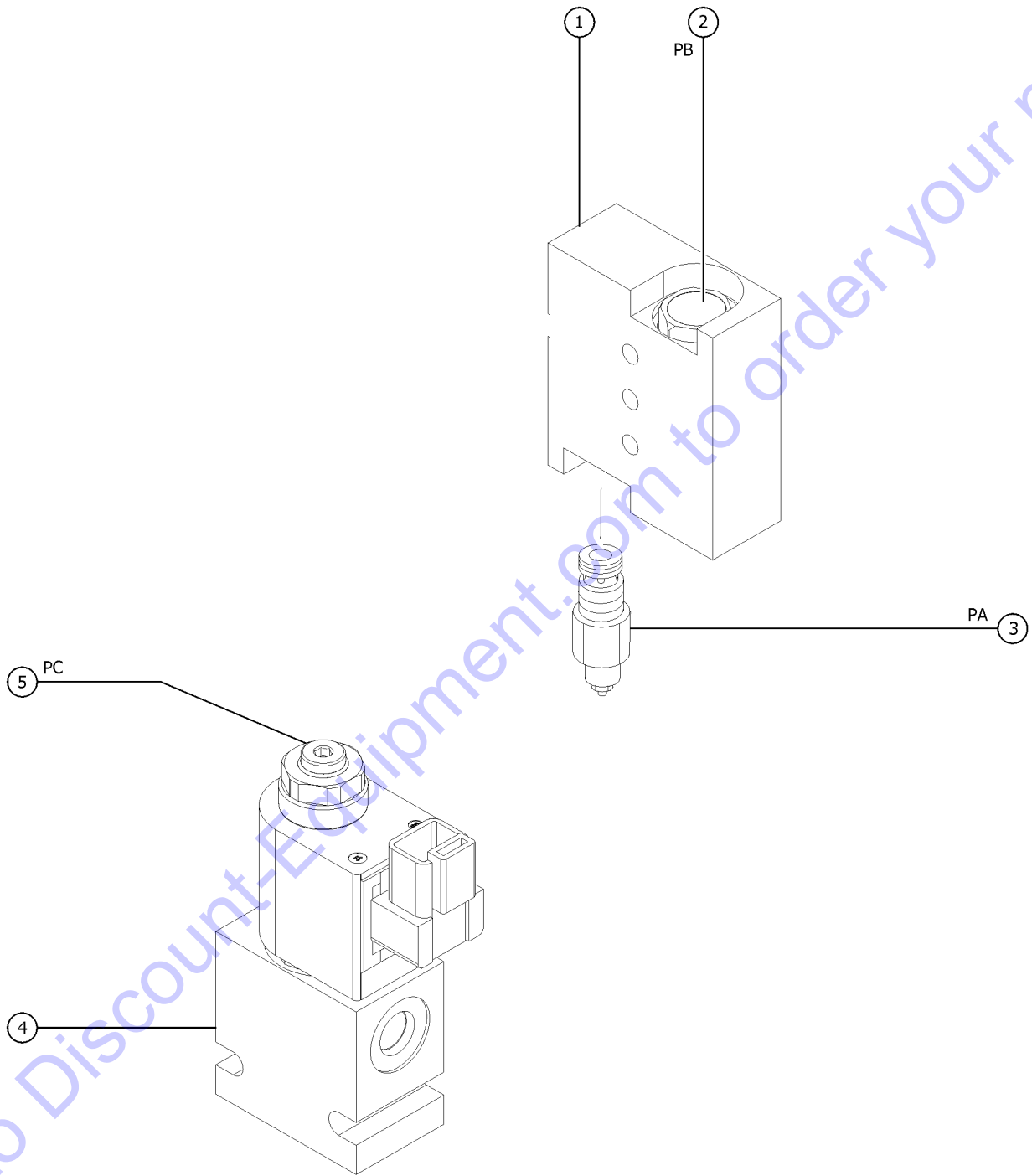
702.1 Two-Speed/Brake Manifold

Item	Part No.	Description	Qty.
1	1283179GT	MANIFOLD,BRAKE,2-SPEED (Complete)	
1-	1285623GT	SCREEN KIT (1283179)	
2	219245GT	ORIFICE PLUG .025 DIA. BE, Turntable rotaton brake release	
3	35726GT	VALVE,HYDRAULIC CHECK BF, Brake release circuit	
3-	161145GT	SEAL KIT,CHECK VALVE 219246	
4	219247GT	VALVE, SOLENOID	
4-	219243GT	COIL, SOLENOID VALVE, 10V BG, Brake release	
4-	161144GT	SEAL KIT,SOLENOID VALVE 219247	
4-	94759GT	NUT,SOLENOID	
5	219247GT	VALVE, SOLENOID	
5-	161144GT	SEAL KIT,SOLENOID VALVE 219247	
5-	219243GT	COIL, SOLENOID VALVE, 10V BH, Two speed motor shift;	
5-	94759GT	NUT,SOLENOID	

Go to Discount-Equipment.com to order your parts



703.1 Function Enable Valve and Platform Rotator Manifold



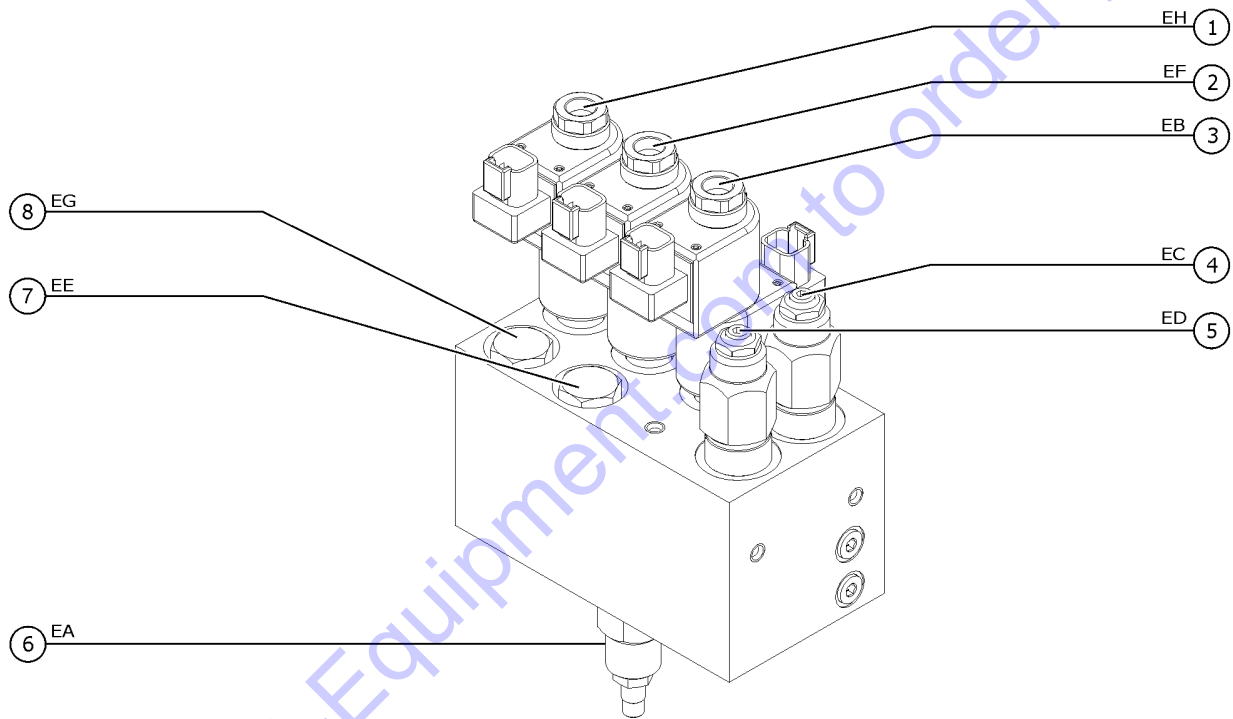
703.1 Function Enable Valve and Platform Rotator Manifold

Item	Part No.	Description	Qty.
1	1270810GT	MANIFOLD, ROTATOR, CB (Complete)	
1-	62507GT	O-RING, ROTATOR MANIFOLD	
2	62506GT	VALVE - COUNTERBALANCE** PB, Platform rotate left	
2-	43018GT	SEAL KIT (39345)	
3	62506GT	VALVE - COUNTERBALANCE** PA, Platform rotate right	
3-	43018GT	SEAL KIT (39345)	
4	218144GT	VALVE, FUNCTION ENABLE, ZX135 (Complete)	
5	107742GT	VALVE, SOLENOID 2 POS 2 WAY PC, Differential sensing	
5-	89770GT	SEAL KIT, SOLENOID VALVE	
5-	89733GT	COIL SOLENOID VALVE***	

Go to Discount-Equipment.com to order your parts



704.1 Platform Manifold



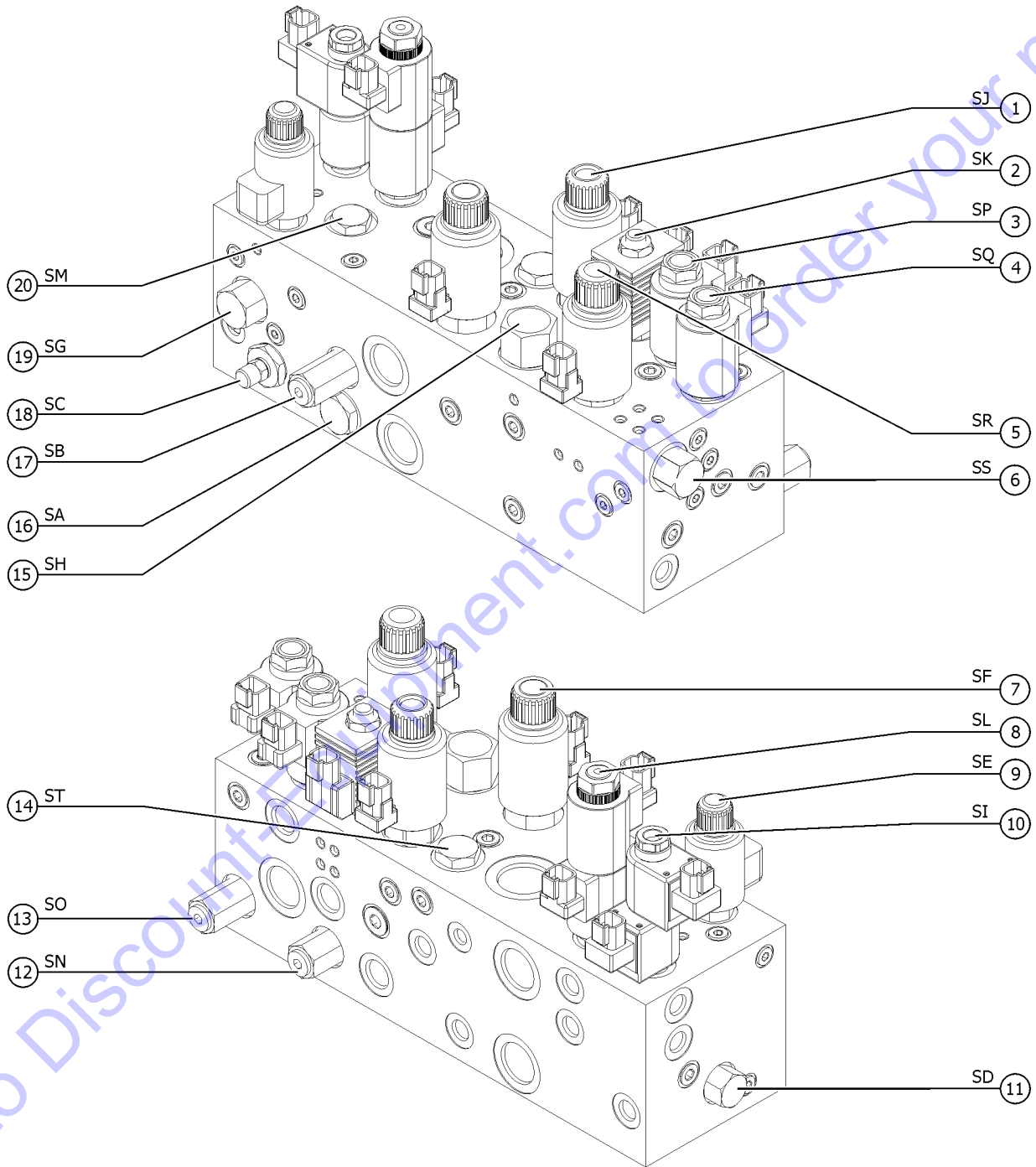
Go to Discount-Equipment.com to order your parts

Item	Part No.	Description	Qty.
A	121706GT	MANIFOLD,PLATFORM,S856,3 SEC (Complete), (to SN S85XCD-1139)	
B	1298829GT	MANIFOLD PLATFORM,S85XC,3 SEC (Complete), (from SN S85XCD-1140)	
1	122121GT	SOLENOID VALVE (EH, Jib up/down)	
1-	122120GT	SEAL KIT, SOLENOID VALVE	
1-	122148GT	COIL, SOLENOID VALVE,20W	
1-	52943GT	NUT, SOLENOID VALVE COIL	
2	122121GT	SOLENOID VALVE (EF, Platform rotate CW/CCW)	
2-	122120GT	SEAL KIT, SOLENOID VALVE	
2-	122148GT	COIL, SOLENOID VALVE,20W	
2-	52943GT	NUT, SOLENOID VALVE COIL	
3	122121GT	SOLENOID VALVE (EB, Platform level up/down)	
3-	122120GT	SEAL KIT, SOLENOID VALVE	
3-	122148GT	COIL, SOLENOID VALVE,20W	
3-	52943GT	NUT, SOLENOID VALVE COIL	
4	50481GT	VALVE,COUNTERBALANCE,3500 PSI (EC, Platform level CB valve)	
4-	43018GT	SEAL KIT (39345)	
5	50481GT	VALVE,COUNTERBALANCE,3500 PSI (ED, Platform level CB valve)	
5-	43018GT	SEAL KIT (39345)	
6	62258GT	VALVE,NEEDLE*** (EA, Platform level)	
6-	110194GT	SEAL KIT, VALVE, #10	
7	1274553GT	PRESSURE COMP FLOW CONTROL 0.3GPM (EE, Platform rotate flow control)	
7-	74902GT	SEAL KIT, VALVE	
8	1274554GT	PRESSURE COMP FLOW CONTROL 0.8GPM (EG, Jib flow control), (to SN S85XCD-1139)	
8-	74902GT	SEAL KIT, VALVE	
8B	122655GT	PRESSURE COMP FLOW CONTROL 0.6GPM (EG, Jib flow control), (from SN S85XCD-1140)	

Go to DiscountEquipment.com to order your parts



705.1 Function Manifold

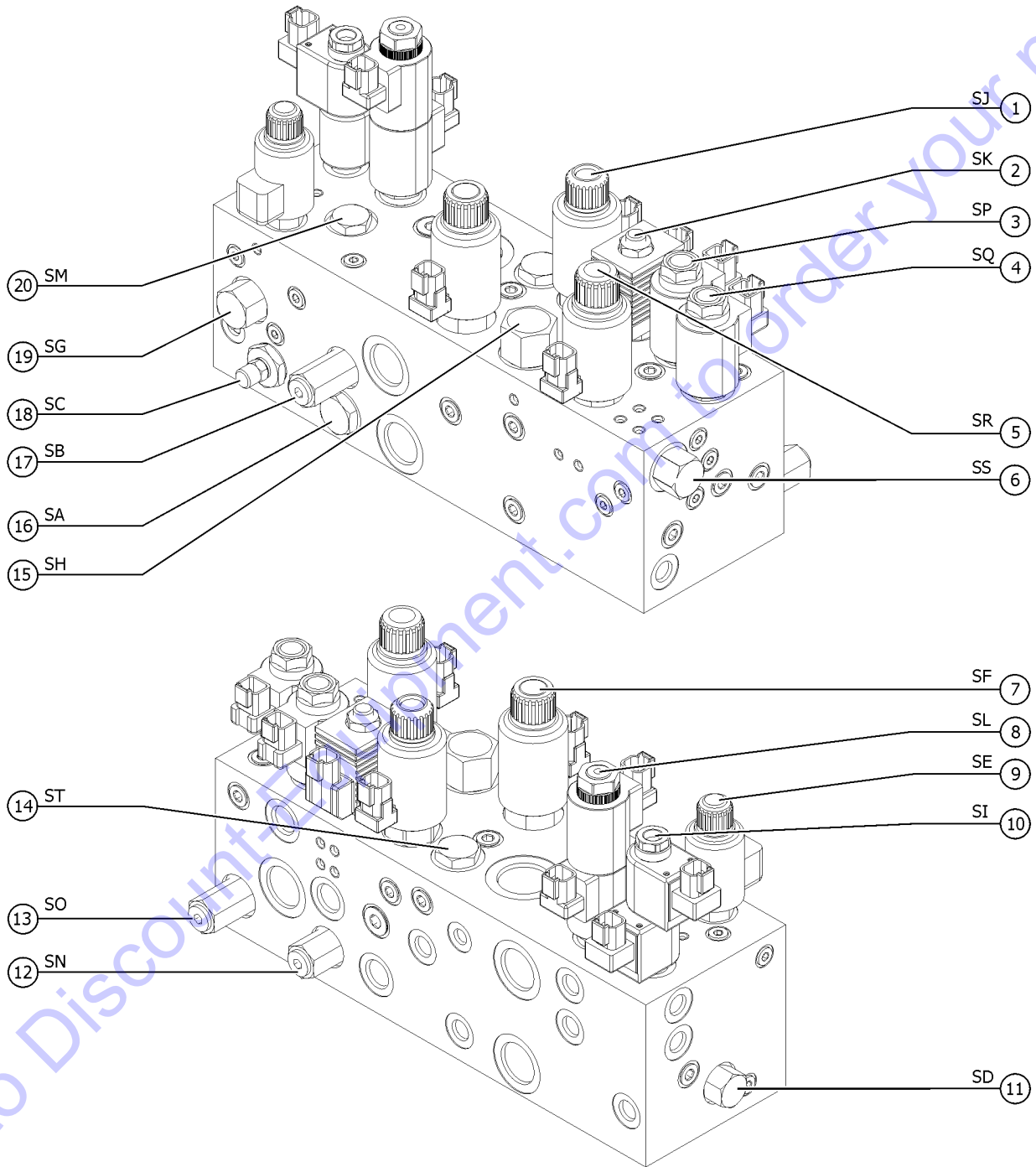


Item	Part No.	Description	Qty.
A-	1284616GT	MANIFOLD,FUNCTION,S80/85 XC (complete)	
A-	69550GT	PLUG,ORB #4 size 4 plug	
A-	1260124GT	PLUG, 6 SAE, TAPERED, BUNA size 6 plug	
A-	1260125GT	PLUG, 8 SAE, TAPERED, BUNA size 8 plug	
1	122643GT	Valve-Solenid 2 Postion 3WA (SJ, Boom up)	
1-	122652GT	COIL, D14E 10 VDC DED	
1-	45921GT	RETAINER-N.C.PROPOR.SOLENOID	
1-	110198GT	SEAL KIT, VALVE, #12	
2	89309GT	VALVE - SOLENOID 2POSITION 3WA (SK, Boom down)	
2-	62275GT	COIL,10V	
2-	45912GT	NUT,SOLENOID VALVE 2P3W	
2-	89310GT	SEAL KIT, SOLENOID VALVE	
3	122649GT	VALVE,SOLENOID,NO,POPPET (SP, Retract)	
3-	111778GT	COIL,10V DC(D10,26 WATT)	
3-	102940GT	NUT,SOLENOID VALVE	
3-	122657GT	SEAL KIT	
4	122649GT	VALVE,SOLENOID,NO,POPPET (SP, Extend)	
4-	111778GT	COIL,10V DC(D10,26 WATT)	
4-	102940GT	NUT,SOLENOID VALVE	
4-	122657GT	SEAL KIT	
5	107753GT	VALVE,PROPORTIONAL (SR, Extend/Retract proportional)	
5-	58303GT	COIL,VALVE,PROPORTIONAL***	
5-	45912GT	NUT,SOLENOID VALVE 2P3W	
5-	89310GT	SEAL KIT, SOLENOID VALVE	
6	122651GT	VALV, DIFFERENTIAL SENSING (SS, Boom extend)	
6-	122657GT	SEAL KIT	
7	107752GT	VALVE,PROPORTIONAL (SF, Boom up/down proportional)	
7-	58303GT	COIL,VALVE,PROPORTIONAL***	

Go to Discount-Equipment.com to order your parts



705.1 Function Manifold

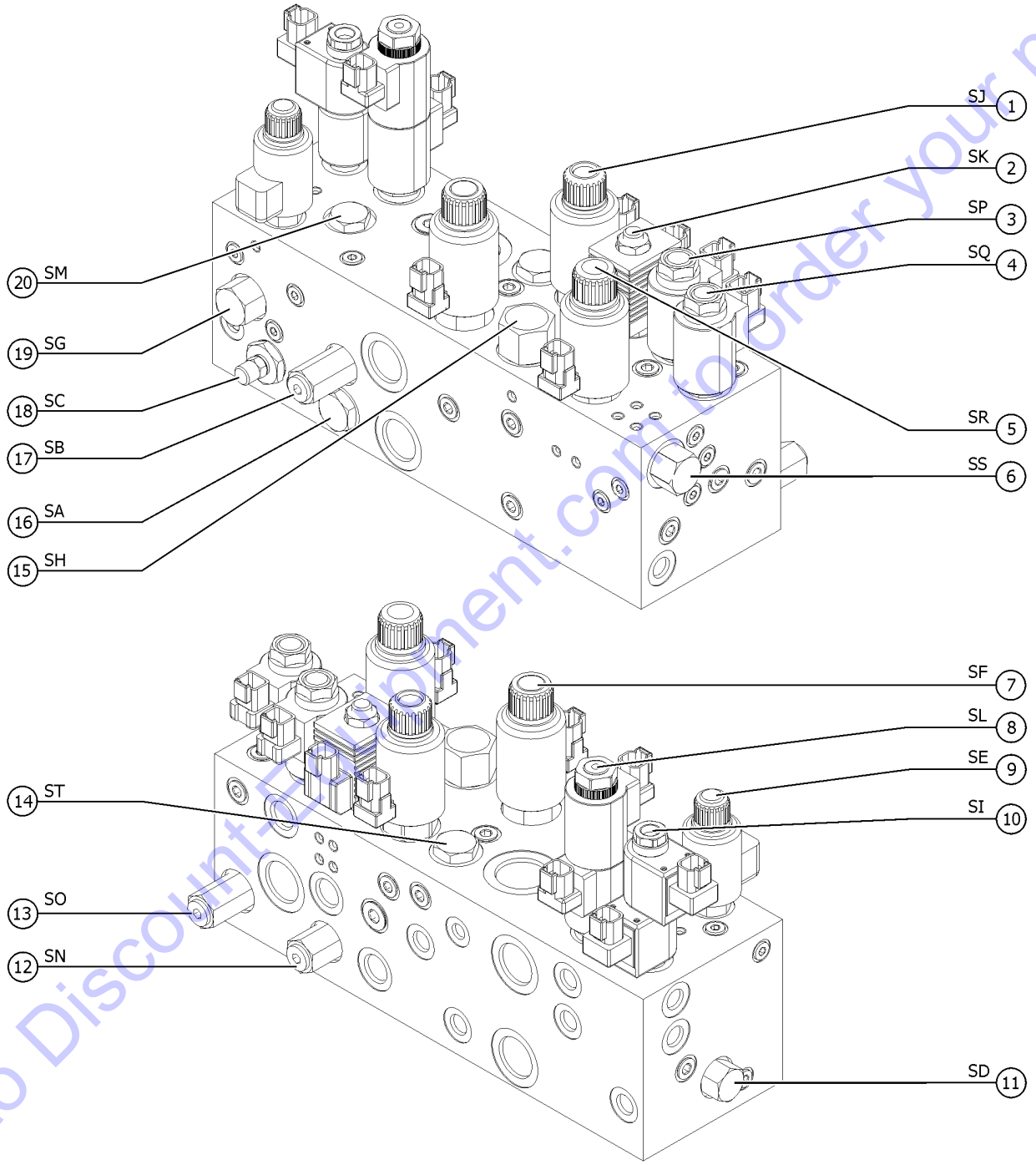


Item	Part No.	Description	Qty.
7-	45921GT	RETAINER-N.C.PROPOR.SOLENOID	
7-	110198GT	SEAL KIT, VALVE, #12	
8	122647GT	SOLENOID VALVE SPOOL TYPE	
		(SL, Steering directional)	
8-	111778GT	COIL,10V DC(D10,26 WATT)	
8-	122653GT	Coil Nut	
8-	122657GT	SEAL KIT	
9	102528GT	VALVE,PROPORTIONAL	
		(SE, Swing proportional)	
9-	89737GT	COIL, PROPORTIONAL VALVE***	
9-	89738GT	NUT, PROPORTIONAL VALVE	
9-	89312GT	SEAL KIT, SOLENOID VALVE	
9-	102526GT	O-RING, PROPORTIONAL VALVE	
		(between coil and nut)	
10	122645GT	SOLENOID VALVE,SPOOL TYPE	
		(SI, Swing directional)	
10-	89733GT	COIL SOLENOID VALVE***	
10-	102940GT	NUT,SOLENOID VALVE	
10-	122120GT	SEAL KIT, SOLENOID VALVE	
11	19060GT	VALVE,FLOW REGULATOR	
		(SD, Oscilate flow control)	
11-	74902GT	SEAL KIT, VALVE	
12	77501GT	VALVE,RELIEF 2600 PSI (70242)	
		(SN, Boom down relief)	
12-	74902GT	SEAL KIT, VALVE	
13	110209GT	VALVE, RELIEF, 2400 PSI	
		(SO, Boom extend relief)	
13-	74902GT	SEAL KIT, VALVE	
14	122656GT	VALVE, CHECK, 30 PSI	
		(ST, Return check valve)	
14-	110194GT	SEAL KIT, VALVE, #10	
15	122650GT	VALV, DIFFERENTIAL SENSING	
		(SH, Primary lift)	
15-	122660GT	Seal Kit	
16	122646GT	BYPASS VALVE RELIEF	
		(SA, Back flow check function pump)	
16-	110194GT	SEAL KIT, VALVE, #10	
17	52715GT	VALVE,RELIEF 3200 PSI	
		(SB, System main relief)	

Go to Discount Equipment.com to order your parts



705.1 Function Manifold



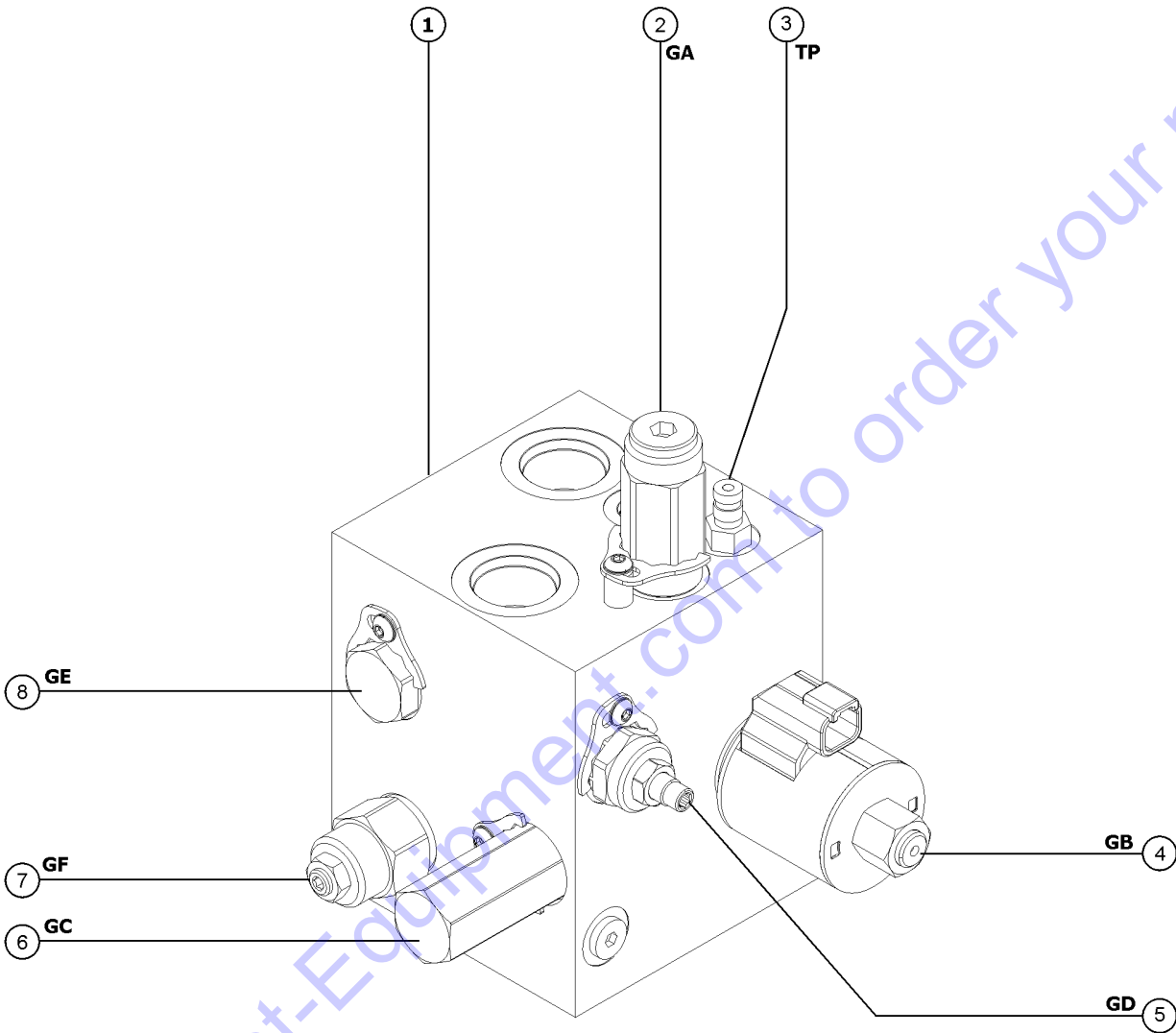
Go to Discount.com to order your parts

Item	Part No.	Description	Qty.
17-	74902GT	SEAL KIT, VALVE	
18	122644GT	PRESSURE REDUCING VALVE	
		(SC, Oscilate pressure control)	
18-	122657GT	SEAL KIT	
19	52714GT	VALVE,DIFFERENTIAL SENSING	
		(SG, Differential sensing. TT rotate)	
19-	74902GT	SEAL KIT, VALVE	
20	122641GT	VALVE,FLOW REGULATOR	
		(SM, Steering flow control)	
20-	74902GT	SEAL KIT, VALVE	

Go to Discount-Equipment.com to order your parts



706.1 Generator Manifold



Go to Discount-Equipment.com to order your parts

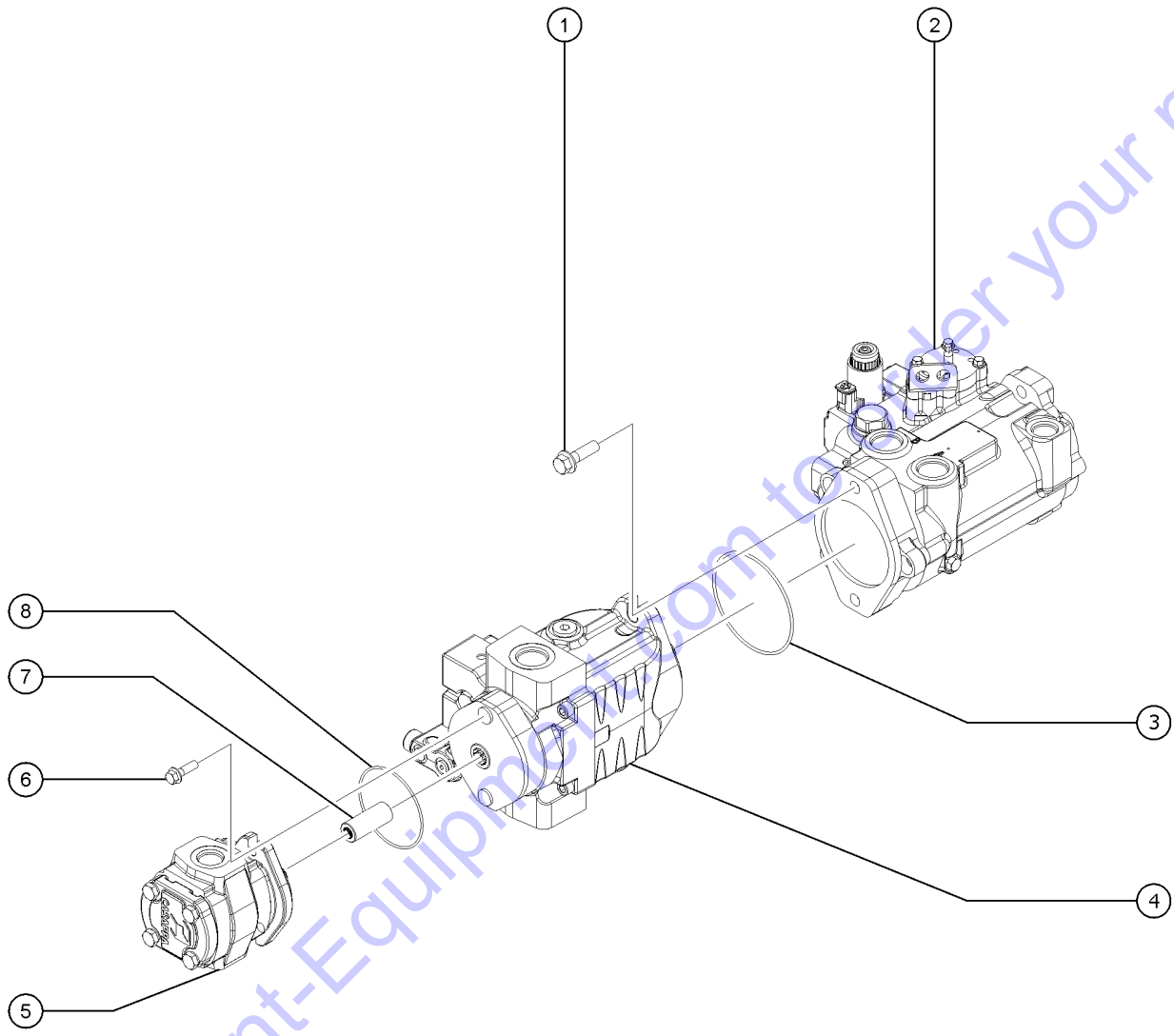
706.1 Generator Manifold

Item	Part No.	Description	Qty.
A	115048GT	#6 PLUG	3
A	1285147GT	PLUG, PORT, SAE4, 6103004	1
1	1281789GT	MANIFOLD, HYD, LIFT POWER, WELDER GENERATOR (Complete)	1
2	1285141GT	VALVE, RELIEF, RV50-26H-0-P-50/36	1
2-	1285145GT	KIT, LOCKDOWN, HYD VALVE, 5965000.1000M	
3	48997GT	NIPPLE,DIAGNOSTIC,#4	1
3-	48880GT	CAP,DIAGNOSTIC NIPPLE	
4	1285143GT	VALVE, SOLENOID, HSV10-21-0-U-0	1
4-	97469GT	COIL#10 E-COIL,10V ZENER DIODE	
4-	1285144GT	KIT, LOCKDOWN, HYD VALVE, 5965000.1063	
5	1285142GT	VALVE, NEEDLE, NV10-22A-0-N	1
5-	1285146GT	KIT, LOCKDOWN, HYD VALVE, 5965000.1000	
6	75462GT	VALVE,DIFFERENTIAL SENSE230PSI	1
6-	62337GT	SEAL KIT, VALVE	
6-	1285146GT	KIT, LOCKDOWN, HYD VALVE, 5965000.1000	
7	1284399GT	VALVE, COUNTERBALANCE, 3:1 1000PSI, CBEA-LIN	1
8	62127GT	VALVE-CHECK,SIZE 10(59599)	1
8-	1285146GT	KIT, LOCKDOWN, HYD VALVE, 5965000.1000	

Go to Discount-Equipment.com to order your parts



707.1 Pumps



Go to Discount-Equipment.com to order your parts

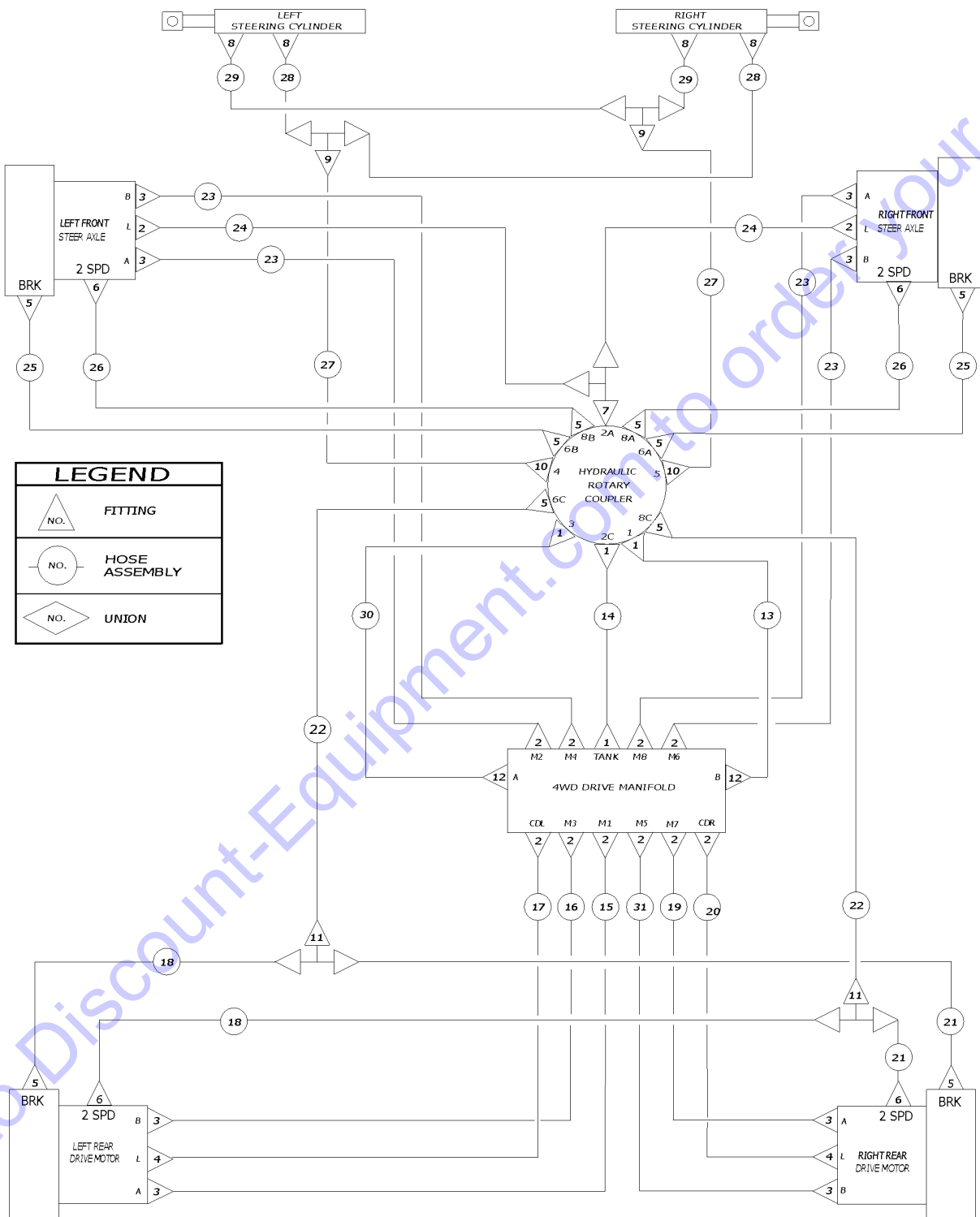
707.1 Pumps

Item	Part No.	Description	Qty.
1	826171GT	SCREW,HHF,1/2-13X1.75,ZAG	2
2	1270946GT	PUMP, DRIVE, M46 HC	1
2-	29739GT	SEAL KIT,SAUER-DANFOSS M46***	
2-	1272536GT	KIT, EDC REPLACEMENT, SAUER M46	
3	52087GT	O-RING,2-044 BUNA***	1
4	1280967GT	PUMP, FUNCTION, 38CC LS, 12V PASSTHRU (Deutz TCD2.2 engine, TD 2.9L Tier IV engine, TD2011 L04i ROW engine), (TD 2.9 China III engine, to SN S85XCD-1767)	1
4-	122669GT	SEAL KIT	1
4B	1272553GT	PUMP,FUNCTION,45CC (TD 2.9 China III engine, from S85XCD-1768), (TD 2.9 China IV engine)	1
5	139799GT	PUMP,LIFT,1 SECTION (Welder and 3K generator Option)	1
5-	147550GT	KIT, SEAL, PUMP, 1 SECTION (Welder and 3K generator Option)	
6	824091GT	SCREW, HHF, 3/8-16 X 1.25, 8, ZAG	2
7	1284038GT	COUPLER,SPLINED,11 TOOTH, K FRAME (Welder and 3K generator Option)	1
8	83141GT	O-RING, .103 X 3.237, NBR/NTRL, 90D	1

Go to Discount-Equipment.com to order your parts



708.1 4WD Drive and Steer System



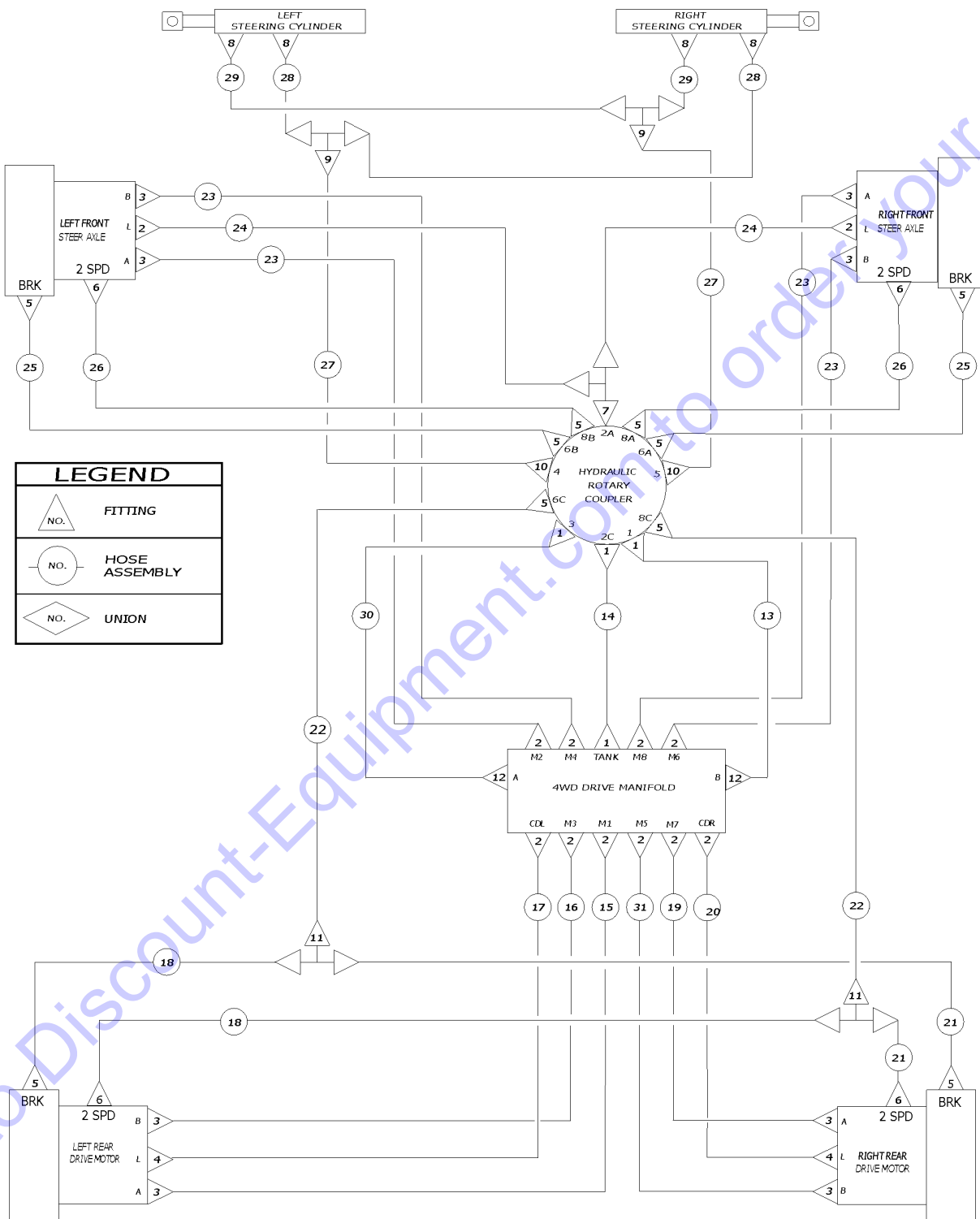
Go to Discount-Equipment.com to order your parts

Item	Part No.	Description	Qty.
1	48960GT	FITTING,CONN,520120-12***	4
2	48933GT	CONN,520120-8***	12
3	48948GT	CONN,520120-8-12	8
4	48932GT	FITTING,ELBOW,90D,520220-8***	2
5	48905GT	CONNECTOR, 520120-4	10
6	48911GT	ELBOW,90D,520220-4-6***	4
7	48936GT	TEE,BRANCH,520429-8	1
8	48915GT	ELBOW,90D,520220-6	4
9	89449GT	FITTING, BRANCH BULKHEAD	2
10	48916GT	CONN, 520120-6	2
11	48909GT	TEE,BULKHEAD,RUN,520958-4	2
12	48959GT	FITTING,ELBOW,90D,520220-12	2
13	89871-2448GT	HOSE ASSY,3/4,STR FEM,STR FEM	1
14	49149-2526GT	HOSE ASSY,3/4,STR FEM,STR FEM	1
15	75278-4829GT	HOSE ASSY,1/2,90 FEM,STR FEM	1
16	75278-5229GT	HOSE ASSY,1/2,90 FEM,STR FEM	1
17	49183-5092GT	HOSE ASSY,1/2,STR FEM,STR FEM*	1
18	49119-4578GT	HOSE ASSY,1/4,STR FEM,STR FEM	2
19	75278-4729GT	HOSE ASSY,1/2,90 FEM,STR FEM	1
20	49183-4692GT	HOSE ASSY,1/2,STR FEM,STR FEM	1
21	49117-5391GT	HOSE ASSY,1/4,90 FEM,STR FEM	2
22	49116-3137GT	HOSE ASSY,1/4,45 FEM,STR FEM	2
23	81812-14692GT	ASSY, HOSE, HYD, -8, 4250, STR, STR	4
24	49141-11463GT	ASSY,HOSE,HYD,-6,3000,STR,STR	2
25	49117-11491GT	HOSE ASSY,1/4,90 FEM,STR FEM**	2
26	49119-11378GT	HOSE ASSY,1/4,STR FEM,STR FEM	2
27	49130-2957GT	HOSE ASSEMBLY,3/8	2
28	49128-2409GT	HOSE ASSEMBLY,3/8"	2

Go to DocuPrint-Equipment.com to order your parts



708.1 4WD Drive and Steer System



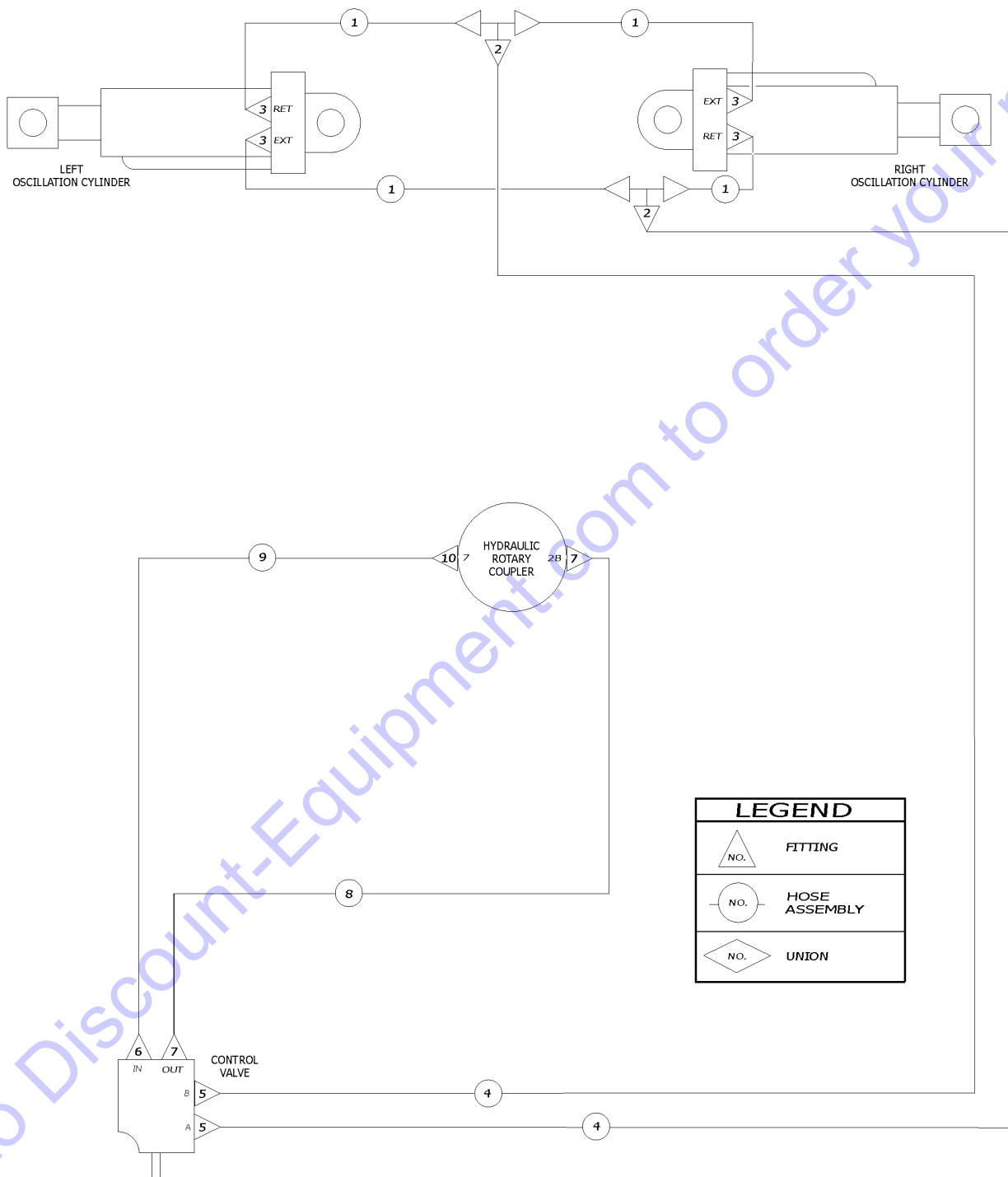
Go to Discount-Equipment.com to order your parts

708.1 4WD Drive and Steer System

<i>Item</i>	<i>Part No.</i>	<i>Description</i>	<i>Qty.</i>
29	49128-3709GT	HOSE ASSEMBLY,3/8"	2
30	49117-4891GT	HOSE ASSY,1/4,90 FEM,STR FEM	1
31	75278-5029GT	HOSE ASSY,1/2,90 FEM,STR FEM	1

Go to Discount-Equipment.com to order your parts

709.1 Oscillate System



Go to Discount-Equipment.com to order your parts

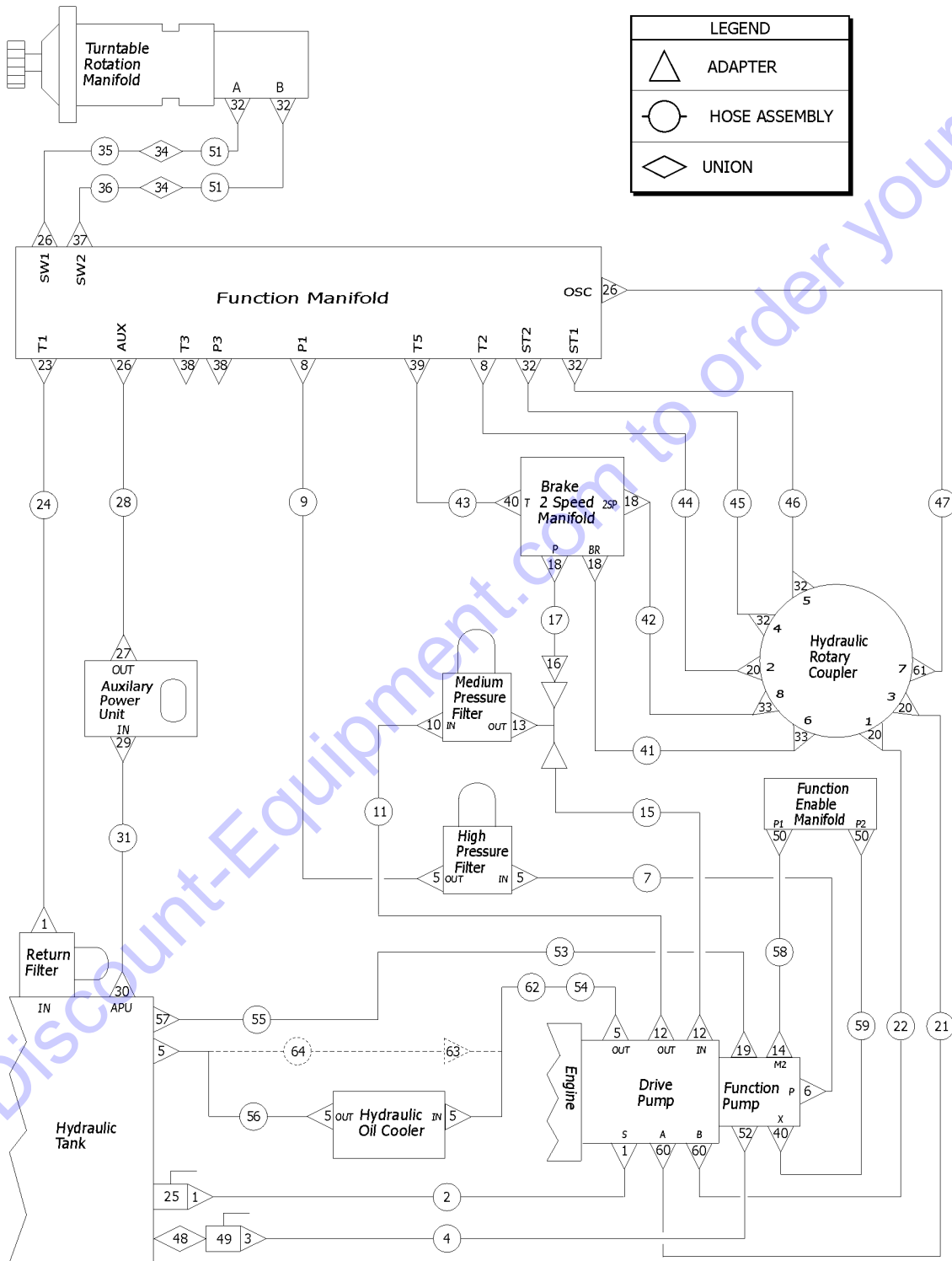
709.1 Oscillate System

Item	Part No.	Description	Qty.
1	49128-4209GT	HOSE ASSY,3/8,90D	4
2	89449GT	FITTING, BRANCH BULKHEAD	2
3	48920GT	ELBOW,45D,520320-6	4
4	49130-8382GT	HOSE ASSY,FEM SW,6-6	2
5	48915GT	ELBOW,90D,520220-6	2
6	48914GT	CONN,520120-4-8	1
7	48930GT	CONN,520120-6-8	2
8	49128-4509GT	HOSE ASSY,3/8" 90 FEM,STR FEM	1
9	49117-4891GT	HOSE ASSY,1/4,90 FEM,STR FEM	1
10	49418GT	FITTING,ELBOW,45D,520320-4-6**	1

Go to Discount-Equipment.com to order your parts



710.1 Turntable Components



Go to Discount-Equipment.com to order your parts

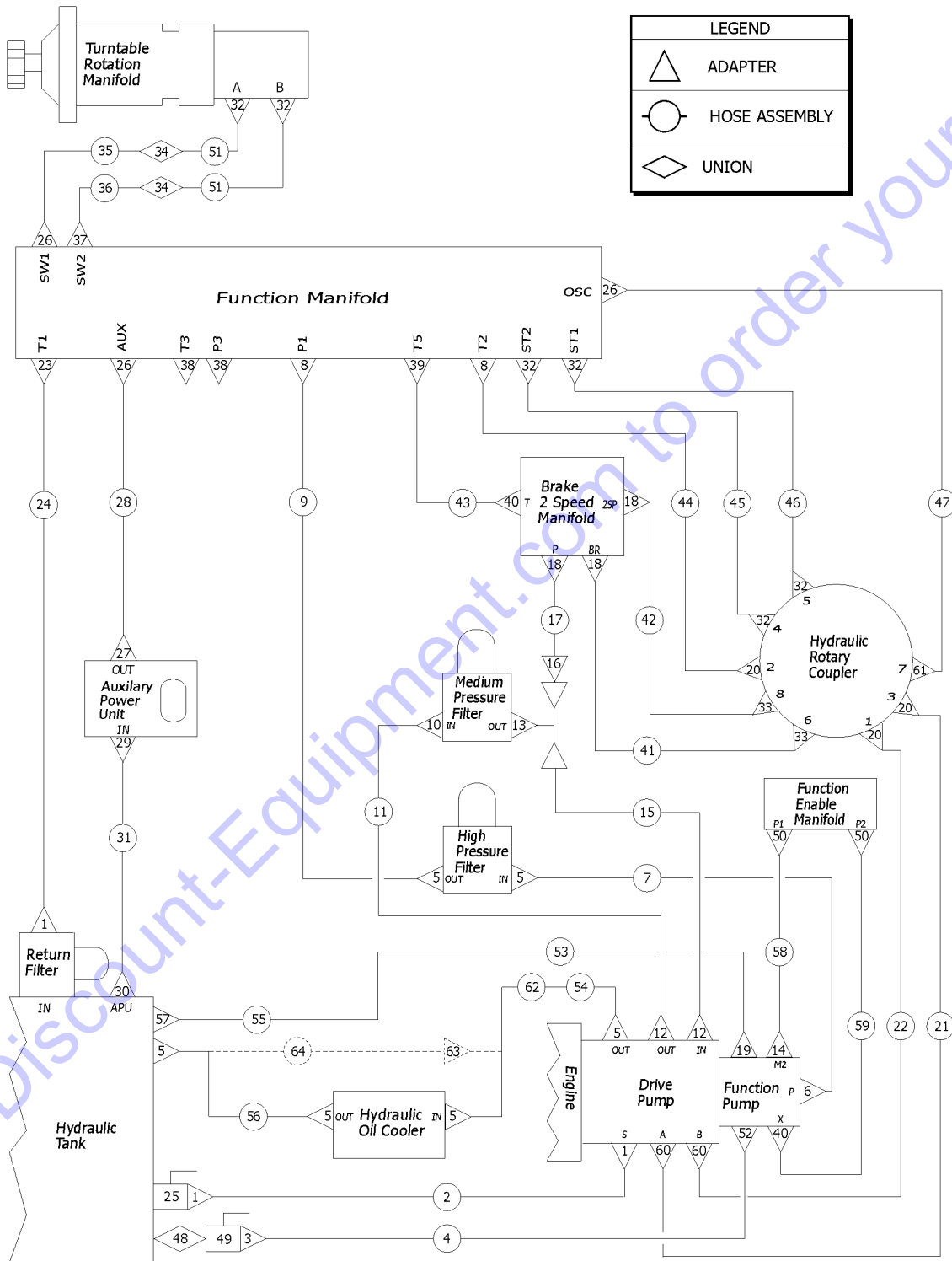
710.1 Turntable Components

Item	Part No.	Description	Qty.
1	48984GT	CONN,520120-16	3
2	88942-9554GT	HOSE ASSY,1",90 FEM,STR FEM	1
3	61083GT	CONN,520120-24	1
4	121608-9331GT	HOSE ASSY,1-1/2,STR,90D JIC (stage V only), (to SN S85XCD-1312)	1
4B	1307759-9331GT	HOSE ASSY,1-1/2,90 FEM,STR FEM (to SN S85XCD-1312)	1
4C	1310740-9331GT	HOSE ASSY,1-1/2,90 FEM,STR FEM (from SN S85XCD-1313)	1
5	48959GT	FITTING,ELBOW,90D,520220-12	4
6	48977GT	CONN,520120-12-16	1
7	94374-4755GT	ASSY,HOSE,HYD,-8,3000,STR,45	1
8	48960GT	FITTING,CONN,520120-12***	2
8-	48963GT	FITTING,ELBOW,45D,520320-12 (Welder option)	
8-	48964GT	FITTING,TEE,RUN,SWIVEL,520432-12 (Welder option)	
9	89871-5348GT	HOSE ASSY,3/4,STR FEM,STR FEM	1
10	48933GT	CONN,520120-8***	1
11	49143-4754GT	ASSY,HOSE,HYD,-6,3000,STR,STR	1
12	48976GT	ELBOW,90D,520220-12-16	2
13	48935GT	TEE,RUN, 520428-8	1
14	48912GT	CONN,520120-4-6***	1
15	49143-3354GT	ASSY,HOSE,HYD,-6,3000,STR,STR	1
16	111572GT	REDUCER,520123-8-6 TO SN S85XCH-2839	1
16B	139231GT	REDUCER,520123-8-6 FROM SN S85XCH-2840	1
17	101929-1809GT	ASSY,HOSE,HYD,-8,3000,STR,90	1
18	48927GT	CONN,520120-6-4	3
19	48946GT	CONN,520120-8-10	1
20	48963GT	FITTING,ELBOW,45D,520320-12	3
21	89871-5848GT	HOSE ASSY,3/4,STR FEM	1
22	89871-5648GT	HOSE ASSY,3/4,STR FEM	1
23	48983GT	ELBOW,90D,520220-16	1

Go to DiscountEquipment.com to order your parts



710.1 Turntable Components



Go to Discount-Equipment.com to order your parts

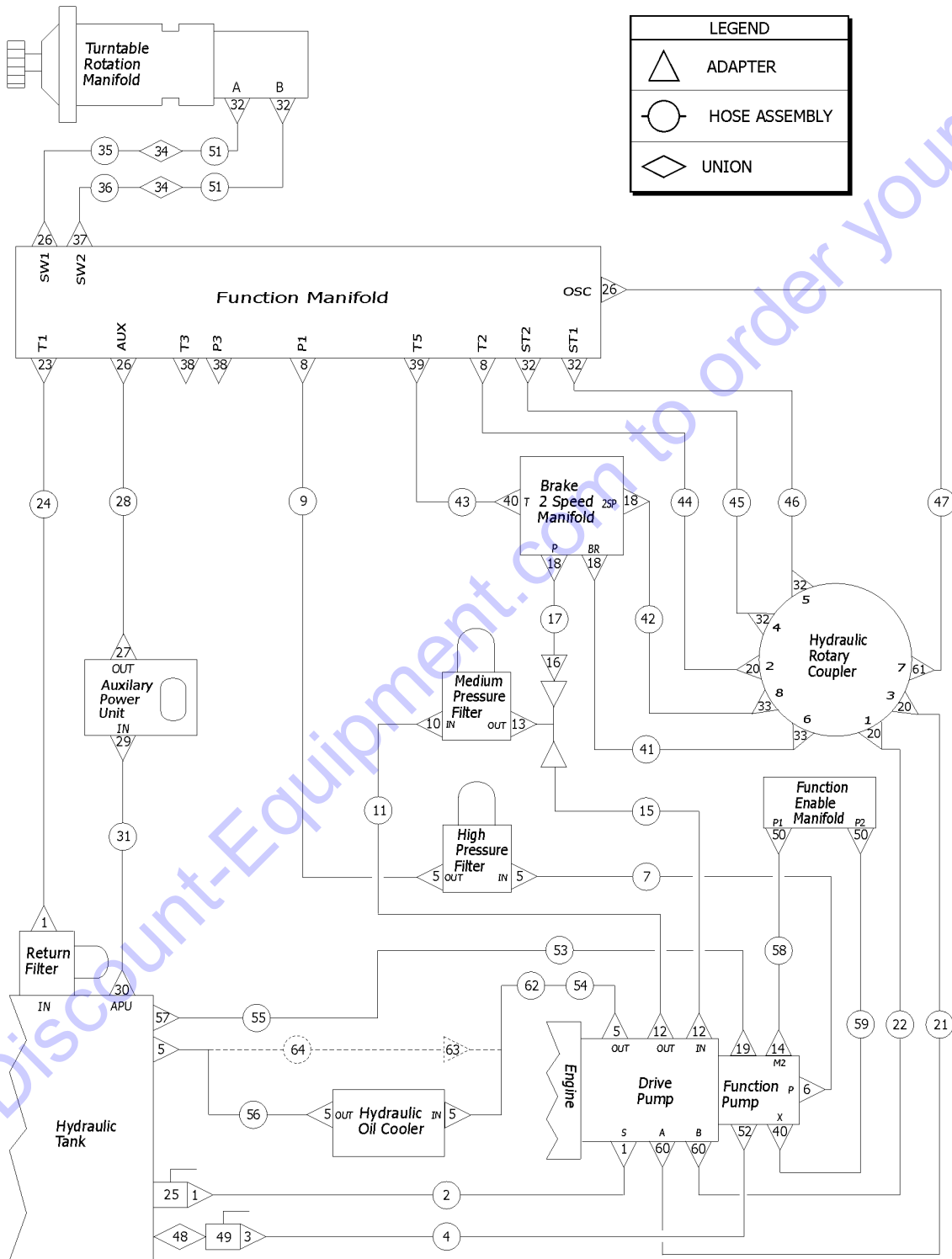
710.1 Turntable Components

Item	Part No.	Description	Qty.
24	88942-6754GT	HOSE ASSY,1,90 FEM,STR FEM	1
25	48996GT	VALVE, BALL, 16 MSAE-16 FSAE	1
26	48915GT	ELBOW,90D,520220-6	3
27	48918GT	TEE,RUN,520428-6	1
28	49128-1509GT	HOSE ASSY,3/8,90 FEM,STR FEM	1
29	48932GT	FITTING,ELBOW,90D,520220-8***	1
30	48933GT	CONN,520120-8***	1
31	49183-2692GT	HOSE ASSY,1/2,STR FEM,STR FEM*	1
32	48916GT	CONN, 520120-6	7
33	48928GT	ELBOW,45D,520320-6-4	2
34	61321GT	ELBOW,90D,BLKHD,ORFS-6-6 W/NUT	2
35	121685GT	HYD TUBE,SWING DRIVE #1	1
36	121684GT	HYD TUBE,SWING DRIVE #2	1
37	56003GT	ELBOW,90D,LONG,521520-6	1
38	87172GT	PLUG,HEX SOCKET,090109B-12	2
39	48905GT	CONNECTOR, 520120-4	1
40	48904GT	ELBOW, 90D, 520220-4	2
		(Deutz models)	
41	1282287GT	HYD TUBE,BRAKE	1
42	1282286GT	HYD TUBE,2-SPEED	1
43	49117-6191GT	HOSE ASSY,1/4,90 FEM,STR FEM	1
44	49149-3126GT	HOSE ASSY,3/4,45 FEM,STR FEM	1
45	121682GT	HYD TUBE,STEER TUBE #2	1
46	121683GT	HYD TUBE,STEER TUBE #1	1
47	121681GT	HYD TUBE,OSC TUBE	1
48	75254GT	UNION,STR.THREAD 24***	1
49	75256GT	VALVE BALL,24 FSAE-24 FSAE***	1
50	48907GT	ELBOW,45D,520320-4	2
		(Deutz models)	
51	49128-2609GT	HOSE ASSEMBLY,3/8"	2

Go to Discount-Equipment.com to order your parts



710.1 Turntable Components



Go to Discount-Equipment.com to order your parts

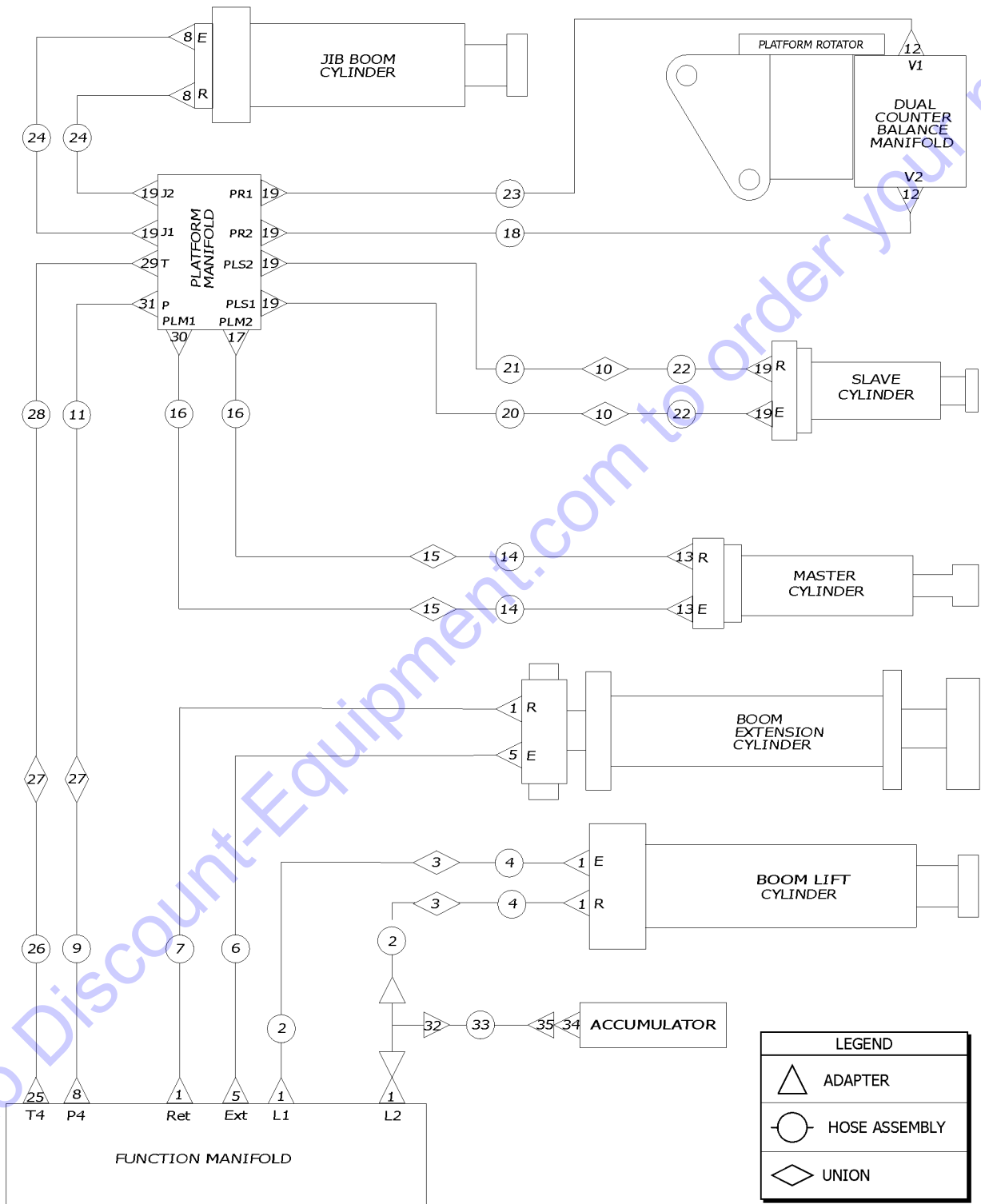
710.1 Turntable Components

Item	Part No.	Description	Qty.
52	121777GT	CONN,070121-24-24 (stage V only)	1
52B	61083GT	CONN,520120-24	1
53	49143-2829GT	HOSE ASSY,1/2,90 FEM,STR FEMM*	1
53-		SEAL, ORFS TUBE FLANGE, 8PLS (no longer available)	
54	49151-3548GT	HOSE ASSY,3/4,STR FEM,STR FEM	1
55	121366GT	HYD TUBE,FUNCTION CASE	1
56	49151-1898GT	HOSE ASSY,3/4,STR FEM,STR FEM	1
57	75614GT	ELBOW,90D,LONG,521520-8	1
58	49116-1437GT	HOSE ASSY,1/4,45 FEM,STR FEM	1
59	49119-1378GT	HOSE ASSY,1/4,STR FEM,STR FEM	1
60	48946GT	CONN,520120-8-10	2
61	48920GT	ELBOW,45D,520320-6	1
62	1269348GT	HYD TUBE, DRIVE COOLER, #12 FLANGED	1
63	48968GT	CONN,BULKHEAD,520601-12 (no oil cooler option only), (to SN S85XCD-1312)	1
64	49151-3298GT	HOSE ASSY,3/4,STR FEM,STR FEM (no oil cooler option only), (to SN S85XCD-1312)	1
65	1269348GT	HYD TUBE, DRIVE COOLER, #12 FLANGED (from SN S85XCD-1313)	1
66	1269349GT	HYD TUBE, DRIVE TANK RETURN (from SN S85XCD-1313)	1

Go to Discount-Equipment.com to order your parts



711.1 Boom

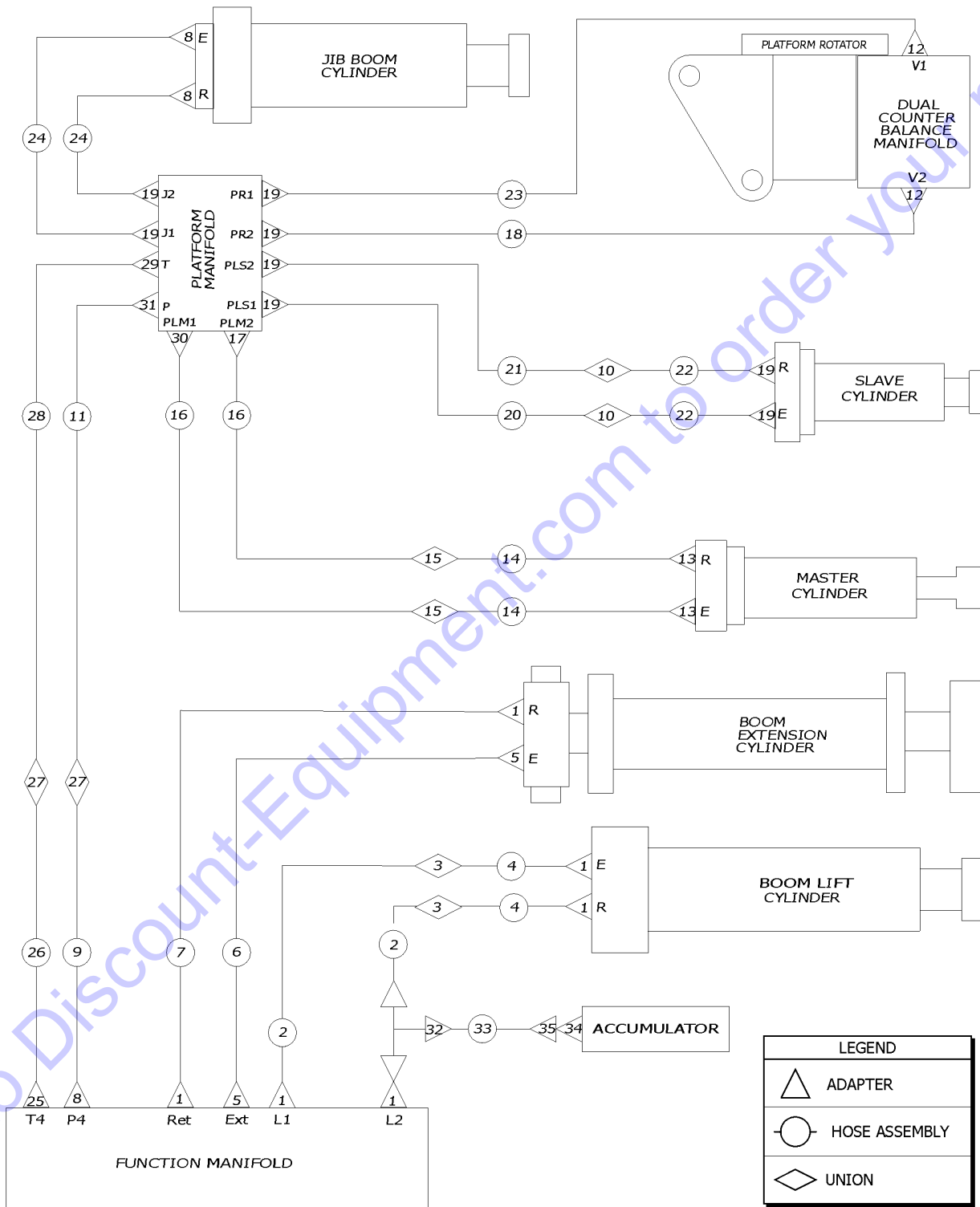


Item	Part No.	Description	Qty.
-	1297451GT	FITTING, ORFS, STR, 125 MICRON SCREEN, SAE -6 service part	
1	48933GT	CONN,520120-8***	6
2	49137-14429GT	ASSY,HOSE,HYD,-6,3000,STR,90	2
3	48894GT	CONN,BULKHEAD,520601-8	2
4	49137-5041GT	HOSE ASSY,1/2,90L FEM,STR FEM	2
5	48960GT	FITTING,CONN,520120-12***	2
6	102313-17526GT	HOSE ASSY,3/4,45 FEM,STR FEM	1
7	49141-17463GT	HOSE ASSY,1/2,45 FEM,STR FEM	1
8	48916GT	CONN, 520120-6	3
9	49130-51182GT	ASSY,HOSE,HYD,-4,3250,STR,90	1
10	61079GT	ELBOW,90D,BULKHEAD,520701-4	2
11	49128-73609GT	ASSY,HOSE,HYD,-6,3000,STR,STR	1
12	48907GT	ELBOW,45D,520320-4	2
13	48926GT	FITTING,ELBOW,90D,520220-6-4	3
14	49130-34182GT	ASSY,HOSE,HYD,-4,3250,STR,90	2
15	61265GT	CONN,BULKHEAD,520801,-6	2
16	1288893-73582GT	ASSY,HOSE,HYD,-12,4000,STR,90	2
17	61259GT	ELBOW,90D,LONG,521520-4	1
18	49116-2637GT	HOSE ASSY,1/4,45 FEM,STR FEM	1
19	48905GT	CONNECTOR, 520120-4	8
20	49117-12291GT	ASSY,HOSE,HYD,-6,5000,STR,STR	1
21	121787-12291GT	ASSY,HOSE,HYD,-8,3000,STR,90	1
22	49119-2478GT	HOSE ASSEMBLY, 1/4, STRAIGHT FEMAL	2
23	49116-2437GT	HOSE ASSY,1/4,45 FEM,STR FEM	1
24	49119-4978GT	ASSY, HOSE, HYD, 3250, -4, STR, STR	2
25	48916GT	CONN, 520120-6	1
26	49128-50409GT	HOSE ASSY,3/8,90 FEM,STR FEM	1
27	61321GT	ELBOW,90D,BLKHD,ORFS-6-6 W/NUT	2

Go to DiscountEquipment.com to order your parts



711.1 Boom



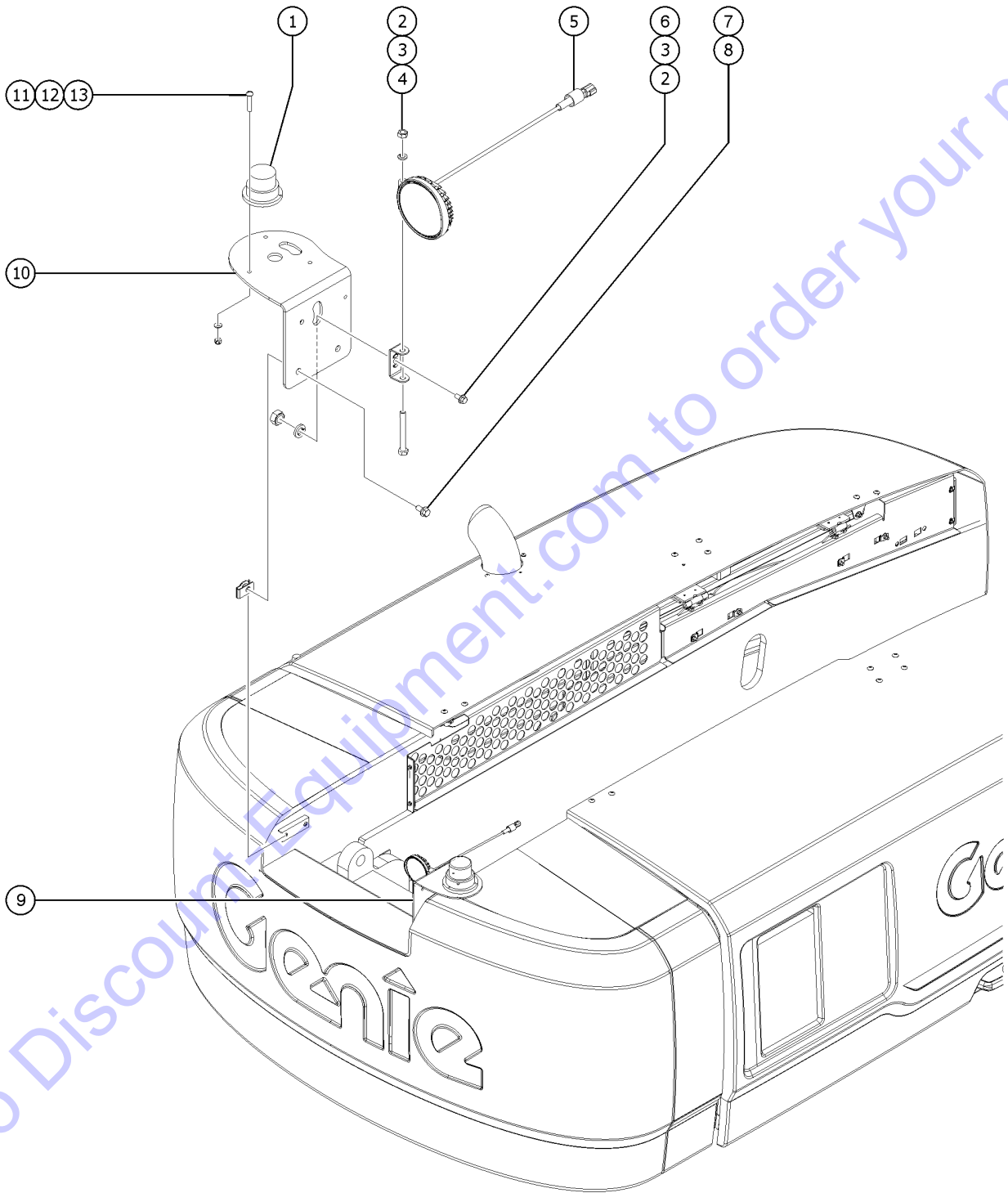
Go to Discount-Equipment.com to order your parts

Item	Part No.	Description	Qty.
28	49130-70782GT	ASSY,HOSE,HYD,-4,3250,STR,STR	1
29	48920GT	ELBOW,45D,520320-6	1
30	48904GT	ELBOW, 90D, 520220-4	1
31	48928GT	ELBOW,45D,520320-6-4	1
32	48938GT	FITTING,TEE,RUN,SWIVEL520432-8	1
33	49131-2309GT	ASSY,HOSE,HYD,-6,3000,STR,90	1
34	48915GT	ELBOW,90D,520220-6	1
35	1284927GT	FITTING,FEM ORB,FEM ORB,-6-6	1

Go to Discount-Equipment.com to order your parts



801.1 Alarm, Beacon Package and Driving Lights



Go to Discount Equipment.com to order your parts

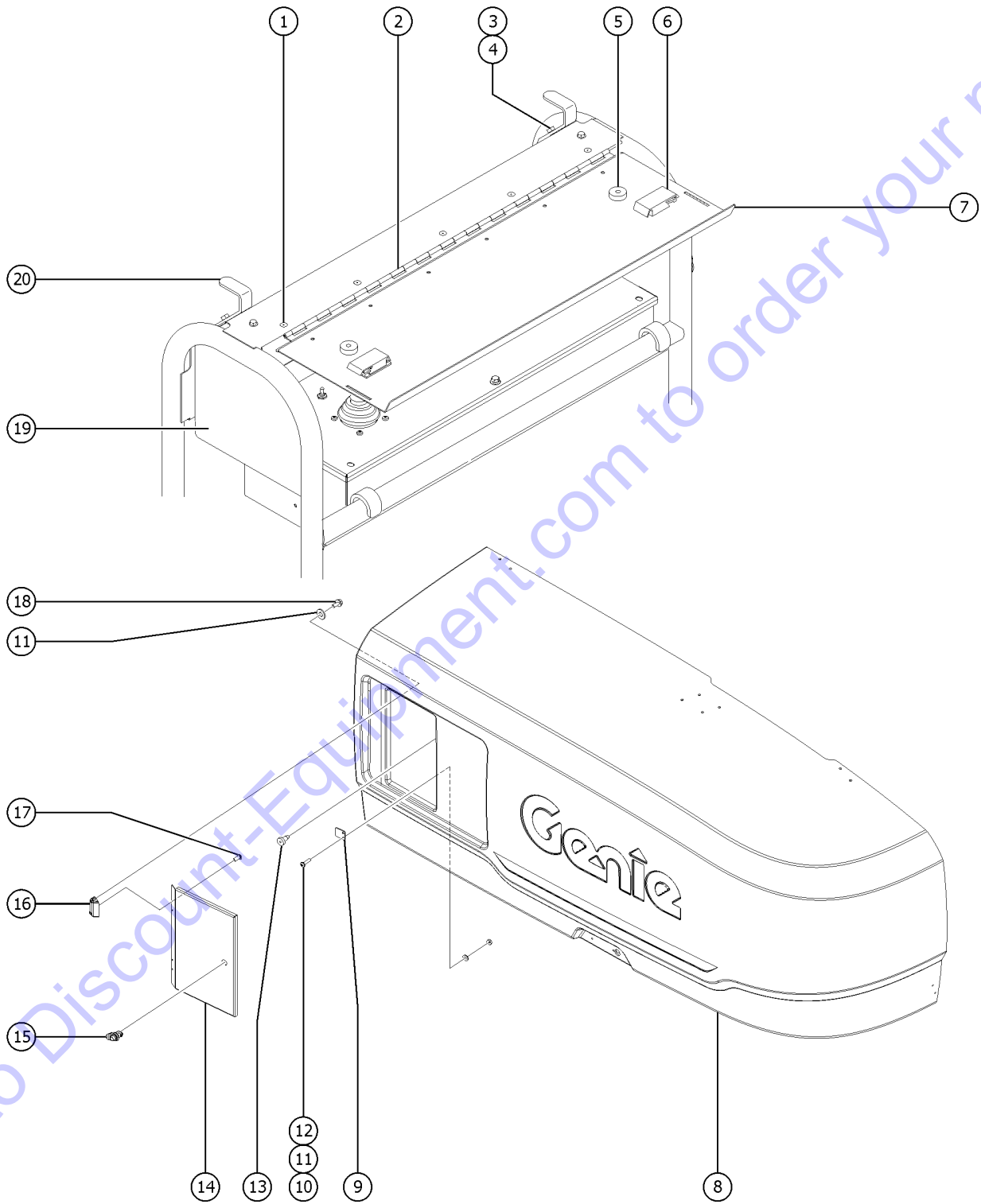
801.1 Alarm, Beacon Package and Driving Lights

Item	Part No.	Description	Qty.
1	121804GT	ASSY,FLASHING BEACON 2008	2
2	22571GT	NUT,HEX,M8 X 1.25	2
3	49408GT	WASHER,LOCK,M8	4
4	75185GT	SCREW,HHC,M8X1.25X 70MM,GR8.8	2
5	1306812GT	ASSY,DRIVE LIGHT,12V LED	2
6	49379GT	SCREW,HHC,M8 X 1.25 X 25	
7	824089GT	SCREW, HHF, 3/8-16 X .75, 8, ZAG	
8	29868GT	SPRING CLIP,3/8-16,.05-.20X.73,ZAG	4
9	1310191GT	FORMING, LIGHT/BEACON BRKT,RH right side	1
10	1310192GT	FORMING, LIGHT/BEACON BRKT,LH left side	1
11	825352GT	SCREW,PHPM,10-32X1.25,ZAG	6
12	1253185GT	WASHER,FLAT,#10,USS,ZAG	6
13	1283005GT	NUT,NYLOCK FLG,10-32,A,ZAG	6

Go to Discount-Equipment.com to order your parts



802.1 Hostile Environment Package - Ground and Platform Control Box Covers



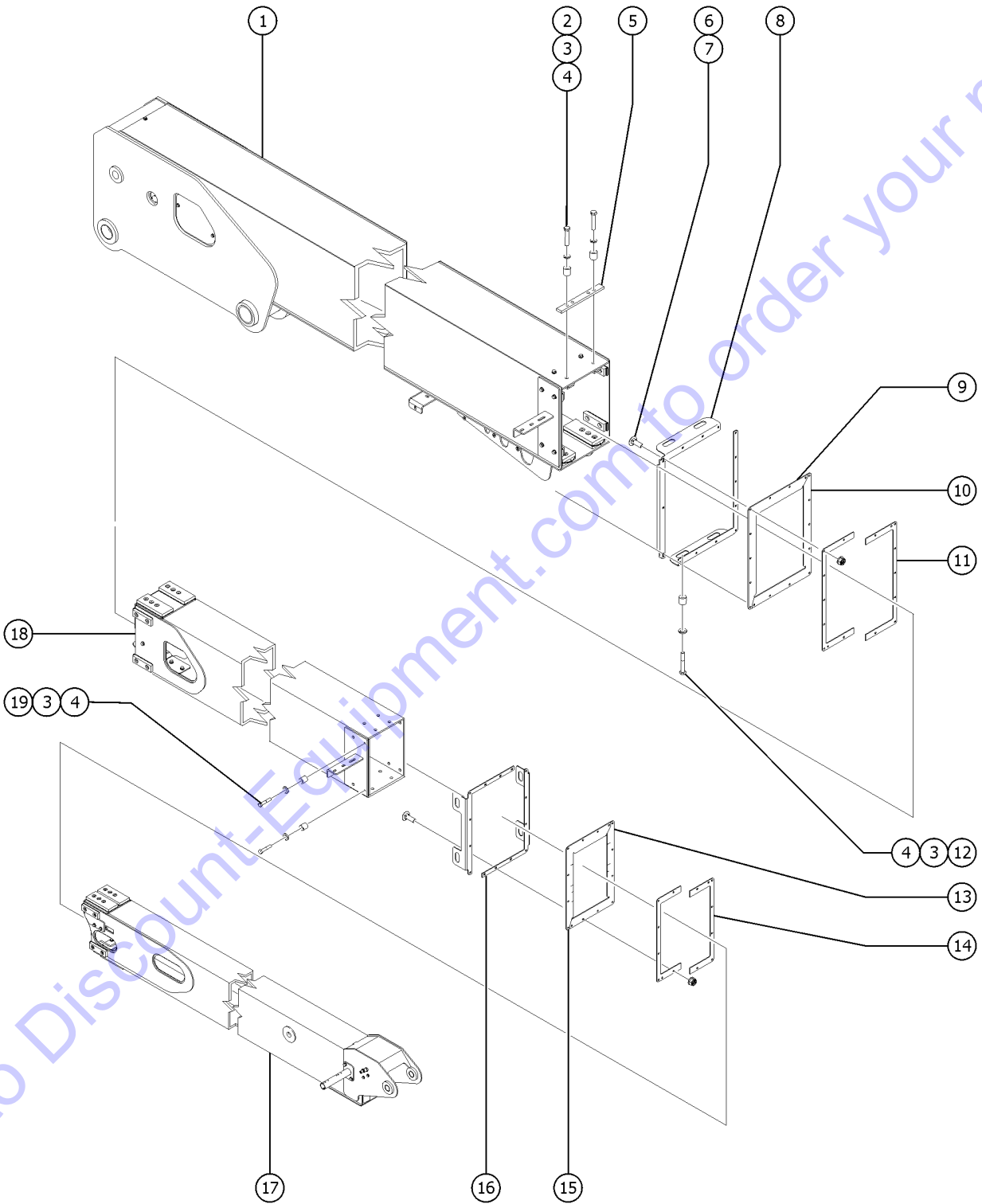
802.1 Hostile Environment Package - Ground and Platform Control Box Covers

Item	Part No.	Description	Qty.
1	54486GT	RIVET,ALUM,ALUM,3/16BUTTONHEAD	11
2	111526GT	HINGE,PLAT CONTROL BOX COVER	1
3	824078GT	SCREW,HHF,1/4-20X.75,8,ZAG	8
4	824027GT	NUT, TL FLG, 1/4-20, G, ZAG	8
5	43392GT	BUMPER,BATTERY BOX & RAILS	2
6	30468GT	LATCH,SLIDE, FLUSH MOUNT STYLE	2
7	102785PGT	CONTROL BOX COVER,LID,PTD	1
8		REF. COVER, SWING CHASSIS, TS	1
		(refer to 304.1)	
9	1261001GT	STRIKER, LATCH	1
10	824215GT	SCREW, PHPM, 10-32 X .75, ZAG	2
11	1253185GT	WASHER,FLAT,#10,USS,ZAG	6
12	1256804GT	NUT,10-32,ZAG	2
13	34619GT	BUMPER,RUBBER***	2
14	1284272GT	FORMING,CONTROL BOX COVER,ALC600	1
15	1259583GT	LATCH, PUSH BUTTON	1
16	1259584GT	HINGE, CONSTANT TORQUE	2
17	1257227GT	SCREW,PHPM,10-32X.625,ZAG	4
18	218457GT	SCREW,HHF,M5X12,DIN6921,10.9,Z	4
19	88607PGT	COVER,CONTROL BOX LEFT SIDE***	1
19-	88606PGT	COVER,CONTROL BOX RIGHT SIDE**	1
20	102786PGT	FORMING,LATCH,CTRL BOX LID PTD	2

Go to Discount-Equipment.com to order your parts



803.1 Hostile Environment Package - Booms



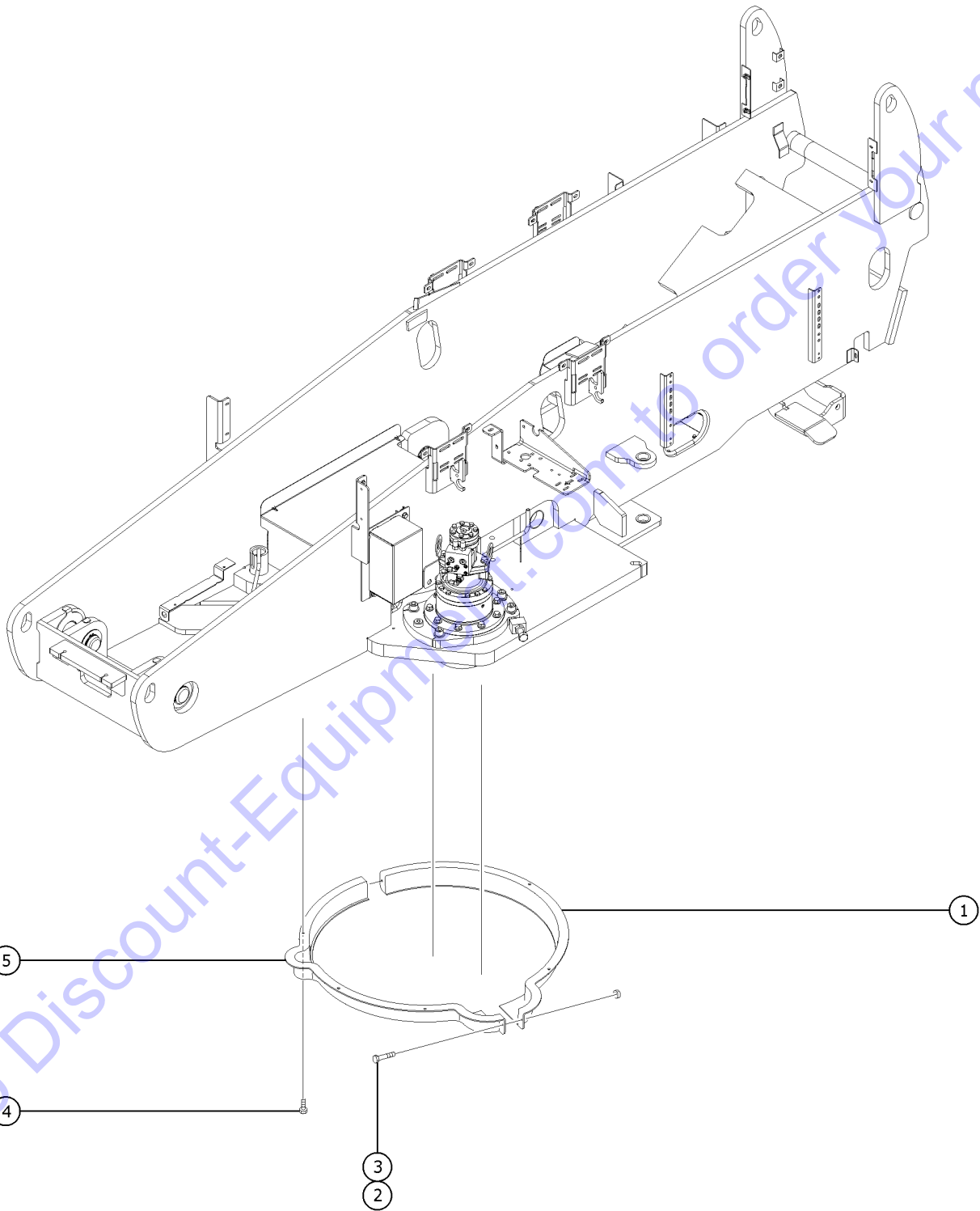
803.1 Hostile Environment Package - Booms

Item	Part No.	Description	Qty.
1		REF. BOOM TUBE 1 (refer to 502.1)	
2	1252978GT	SCREW,HHC,3/8-16X2.25,8,ZAG	2
3	824110GT	WASHER, LOCK, 3/8, ZAG	8
4	101932GT	TUBE, RD., STL., DOM .75 X .437 X .78	8
5	121173GT	SPACER,BOOM WIPER TOP	2
6	824124GT	BOLT, CARRIAGE, 1/4-20 X .75, 5, ZAG	30
7	1277924GT	NUT,NYLOCK FLG,1/4-20,F,ZAG	30
8	1280076GT	FORMING, BRKT, WIPER 1 TO 2, S-80/85 XC	2
9	1280072GT	WIPER, RUBBER S-80/85 XC SEC #1, TOP	1
10	1280073GT	WIPER, RUBBER S-80/85 XC SEC #1, BOT	1
11	121167GT	PLATE,WIPER BACKING,BOOM #1	2
12	824069GT	SCREW, HHC, 3/8-16 X 2.5, 8, ZAG	2
13	1280075GT	WIPER, RUBBER S-80/85 XC SEC #2, BOT	1
14	121170GT	PLATE,BACKING WIPER 2 TO 3	2
15	1280074GT	WIPER, RUBBER S-80/85 XC SEC #2, TOP	1
16	1280077GT	FORMING, BRKT, WIPER 2 TO 3, S-80/85 XC	2
17		REF. BOOM TUBE 3 (refer to 504.1)	
18		REF.. BOOM TUBE 2 (refer to 503.1)	
19	1256108GT	SCREW,HHC,3/8-16X2,8,ZAG	4

Go to Discount-Equipment.com to order your parts



804.1 Hostile Environment Package - Turntable(to SN S85XCD-1843)



Go to Discount-Equipment.com to order your parts

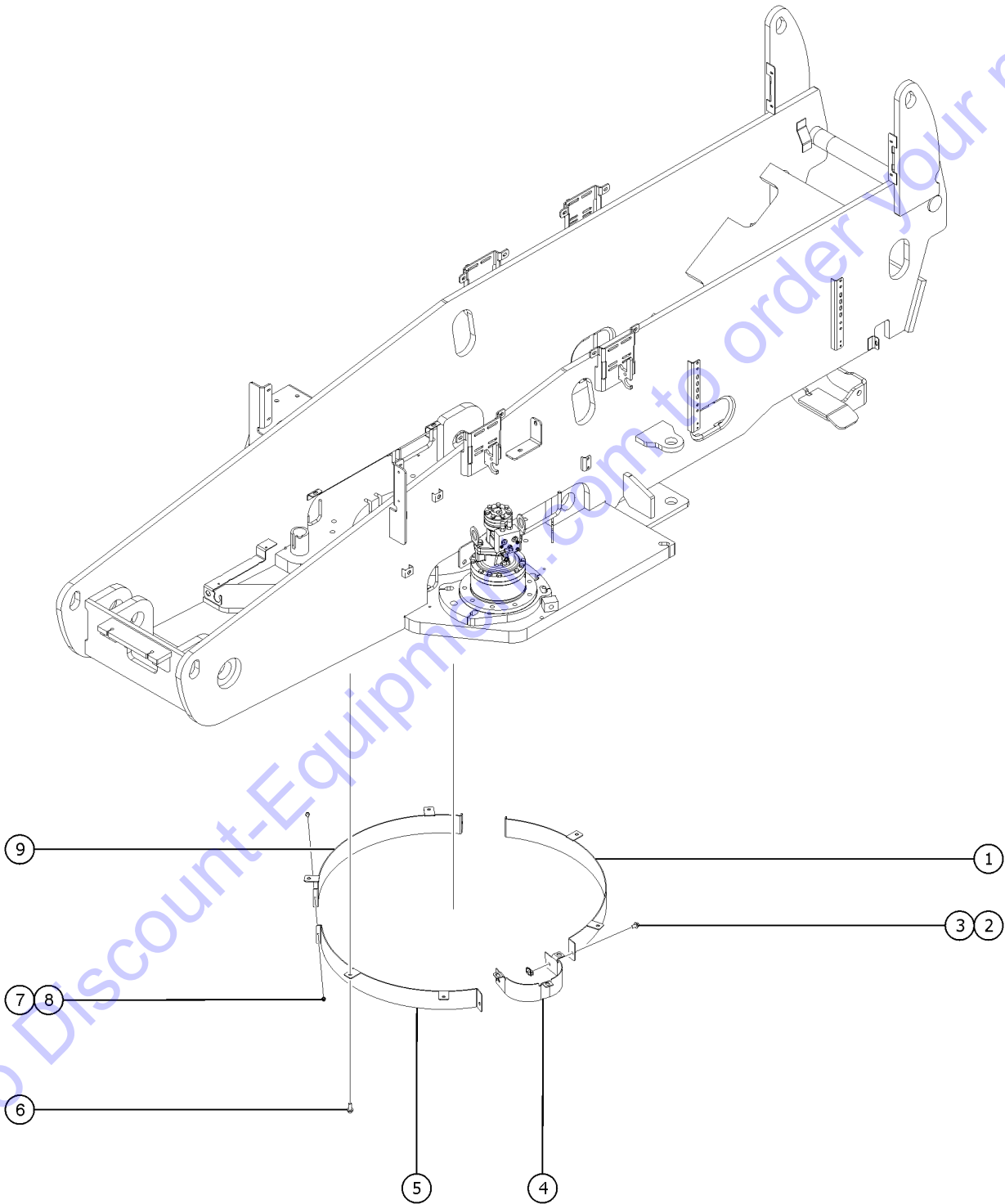
804.1 Hostile Environment Package - Turntable(to SN S85XCD-1843)

Item	Part No.	Description	Qty.
1	121316GT	COVER,RING GEAR,FRONT	1
2	824078GT	SCREW,HHF,1/4-20X.75,8,ZAG	2
3	1277924GT	NUT,NYLOCK FLG,1/4-20,F,ZAG	2
4	824090GT	SCREW,HHF,3/8-16X1,8,ZAG	6
5	121317GT	COVER,RING GEAR,REAR	1

Go to Discount-Equipment.com to order your parts



804.2 Hostile Environment Package - Turntable (from SN S85XCD-1844)



Go to Discount-Equipment.com to order your parts

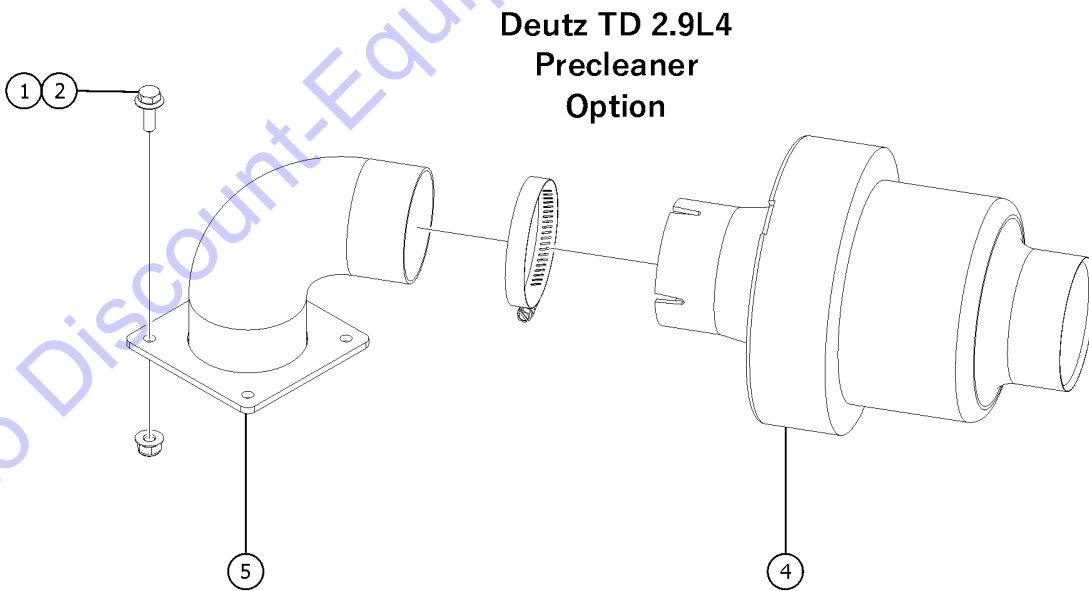
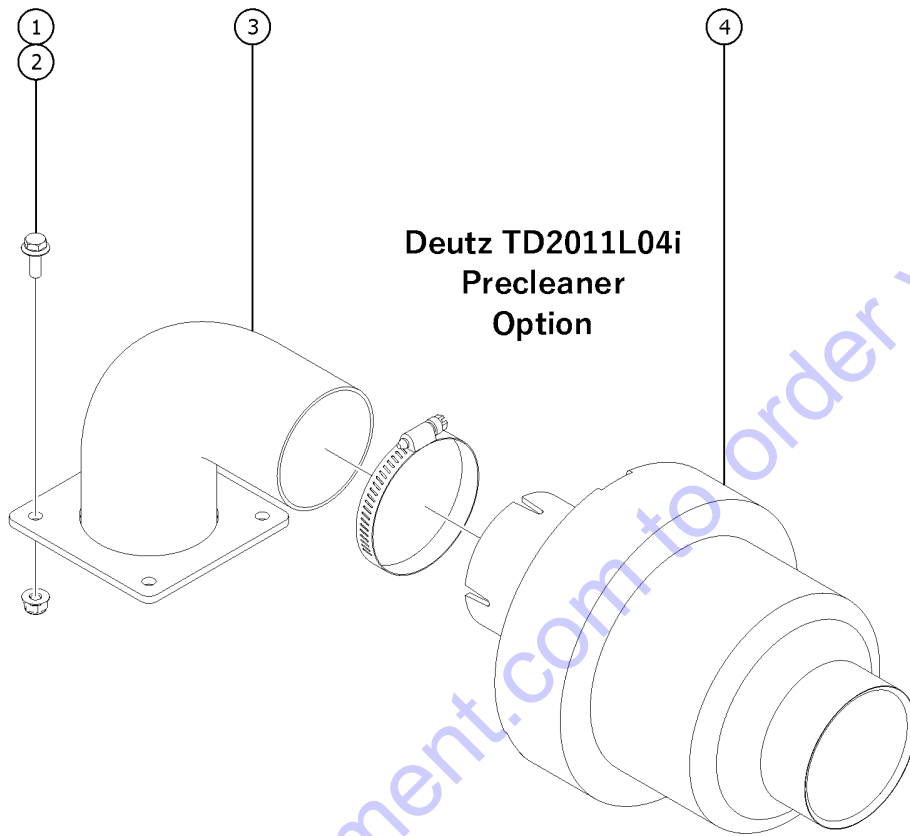
804.2 Hostile Environment Package - Turntable (from SN S85XCD-1844)

Item	Part No.	Description	Qty.
1	1305530GT	COVER,RING GEAR, FRONT	1
2	824089GT	SCREW, HHF, 3/8-16 X .75, 8, ZAG	2
3	29868GT	SPRING CLIP,3/8-16,.05-.20X.73,ZAG	2
4		Ref. FORMING, ROTATION GEAR COVER	1
		refer to 305.1	
5	1305531GT	COVER,RING GEAR, REAR	1
6	824090GT	SCREW,HHF,3/8-16X1,8,ZAG	6
7	1277924GT	NUT,NYLOCK FLG,1/4-20,F,ZAG	2
8	824078GT	SCREW,HHF,1/4-20X.75,8,ZAG	2
9	1307055GT	COVER,RING GEAR, SIDE	1

Go to Discount-Equipment.com to order your parts



805.1 Hostile Environment Package - Engine Air Cleaners



Go to Discount-Equipment.com to order your parts

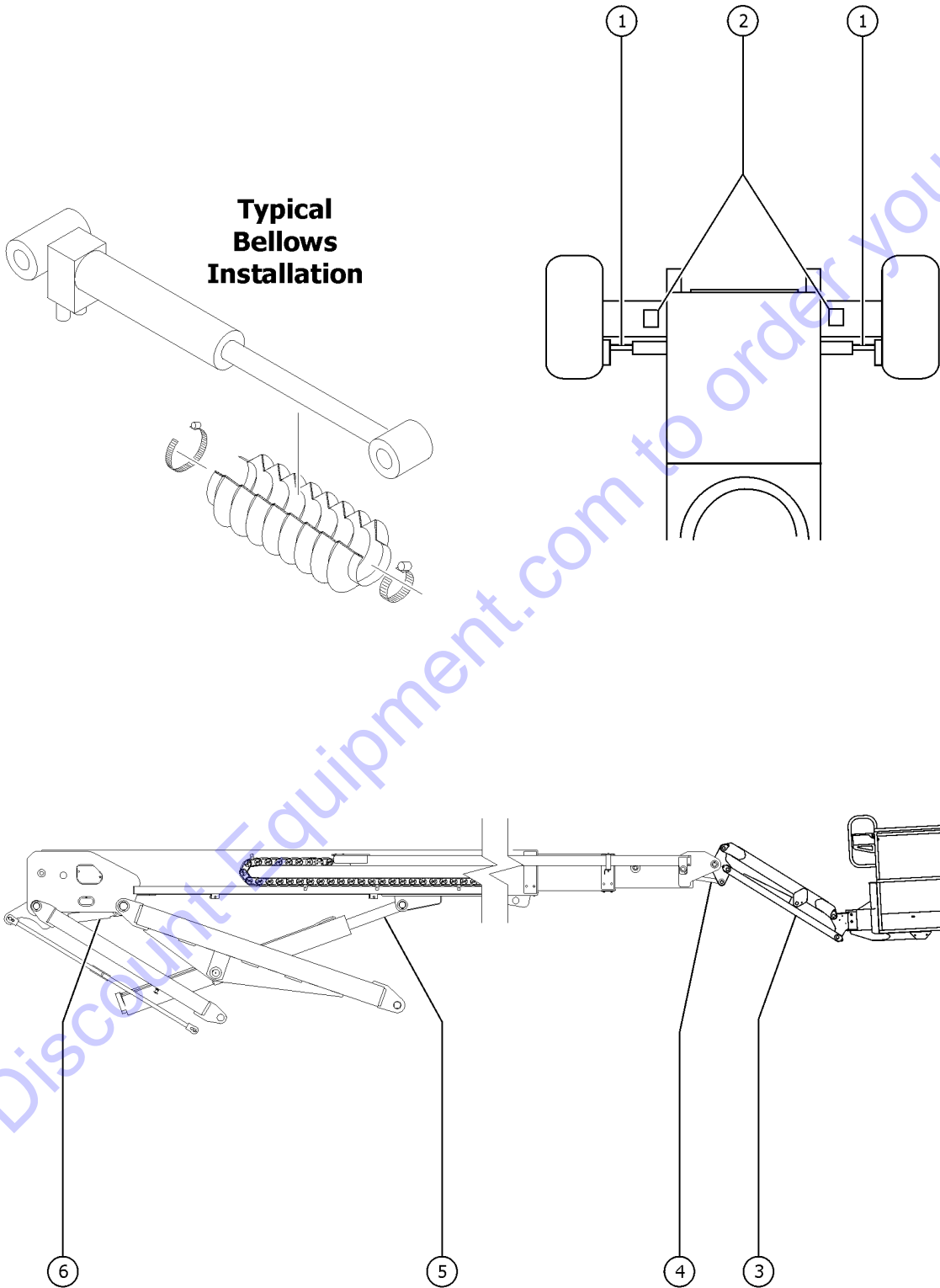
805.1 Hostile Environment Package - Engine Air Cleaners

Item	Part No.	Description	Qty.
1	824078GT	SCREW,HHF,1/4-20X.75,8,ZAG	4
2	1277924GT	NUT,NYLOCK FLG,1/4-20,F,ZAG	4
3	121413GT	WELDMENT,PRECLEANER MT,DEUTZ	1
4	89959GT	PRECLEANER,INLINE 3"	1
		(Includes clamp)	
5	825948GT	WELDMENT, PRECLEANER MT, DEUTZ/PERKINS	1

Go to Discount-Equipment.com to order your parts



806.1 Hostile Environment Package - Cylinder Bellows



Go to DiscountEquipment.com to order your parts

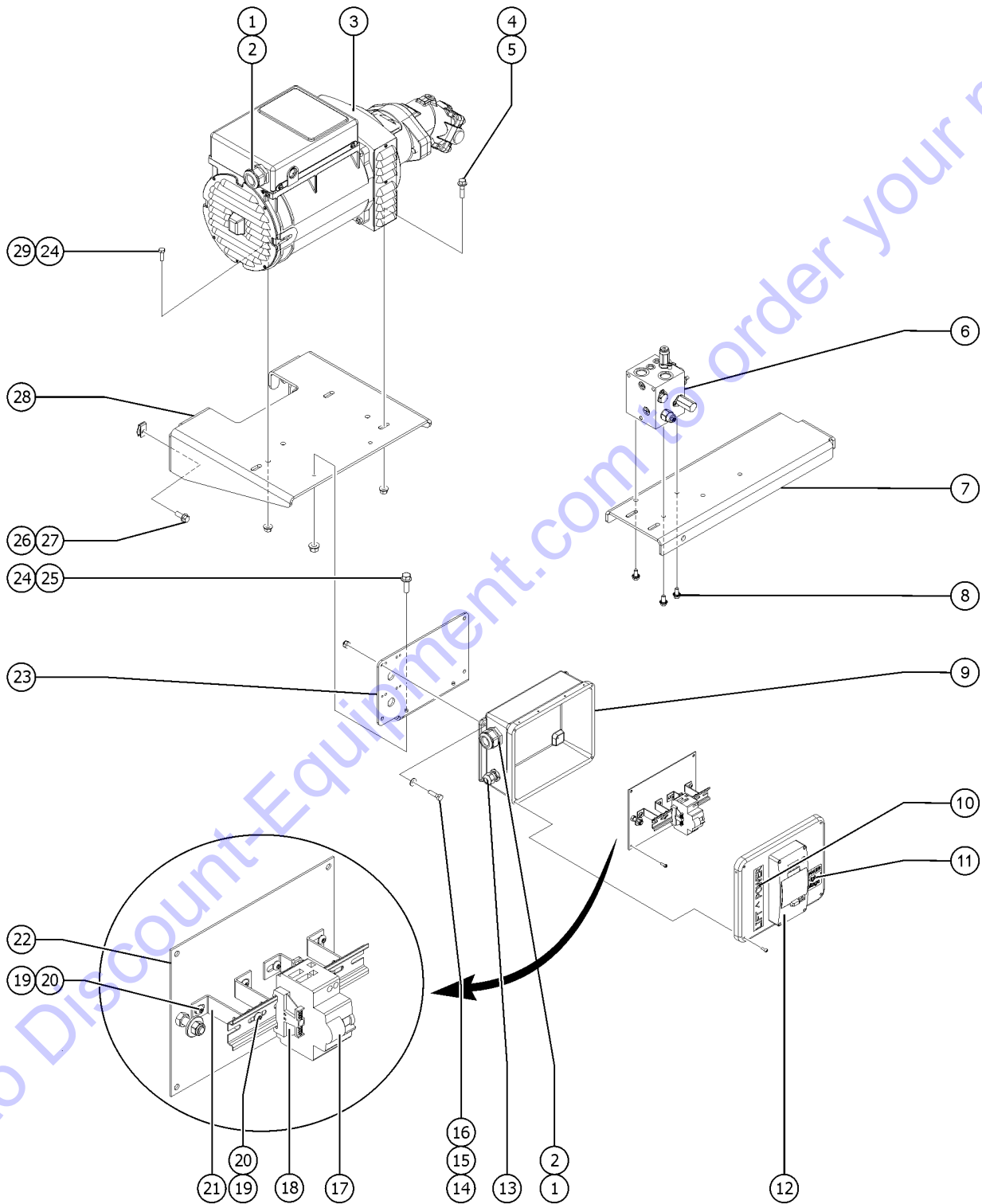
806.1 Hostile Environment Package - Cylinder Bellows

Item	Part No.	Description	Qty.
1	34533GT	COVER,PROTECTIVE,STEER CYL	2
1-	30971GT	CLAMP,HOSE,3.00"	
1-	35434GT	CLAMP,HOSE,2.00***	
2	81700GT	COVER,PROTECTIVE,OSC.CYLINDER	2
2-	45345GT	CLAMP,HOSE,2.50****	
2-	35432GT	CLAMP,HOSE,6.50	
3	1279801GT	BELLOWS, JIB CYLINDER	1
3-	34955GT	CLAMP, HOSE, 5.00	
3-	35434GT	CLAMP,HOSE,2.00***	
4	1279802GT	BELLOWS, PLATFORM LEVEL CYLINDER	1
4-	1280080GT	PLATE, BACKING BELLOWS, S-80/85 XC	1
4-	1271757GT	SCREW,PHPM,10-32X.50,ZAG	
4-	30971GT	CLAMP,HOSE,3.00"	
4-	23405GT	NUTSERT,10-32 STEEL CAD PLTD	
4-	1256312GT	WASHER,LOCK,#10,ZAG	
5	1279799GT	BELLOWS, LIFT CYLINDER	1
5-	31523GT	CLAMP,HOSE,8.50 DIA***	
5-	34955GT	CLAMP, HOSE, 5.00	
6	1279800GT	BELLOWS, MASTER CYLINDER	1
6-	35434GT	CLAMP,HOSE,2.00***	
6-	34955GT	CLAMP, HOSE, 5.00	

Go to Discount-Equipment.com to order your parts



807.1 Welder Option, Chassis Components - View 1

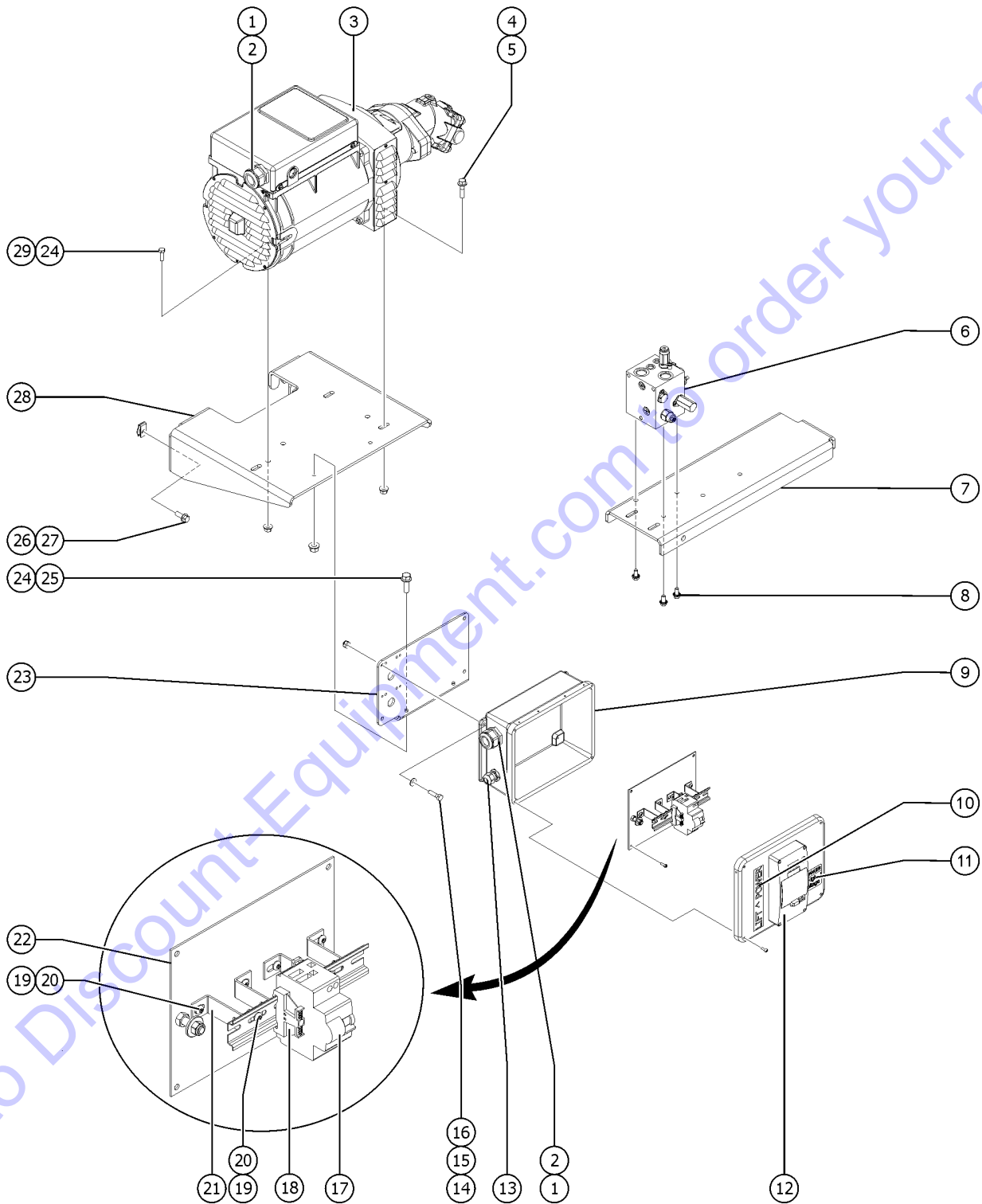


807.1 Welder Option, Chassis Components - View 1

Item	Part No.	Description	Qty.
1	20776GT	CABLE SQUEEZE CONN.	1
2	18665GT	LOCKNUT,ELECTRIC,1" NPT	1
3	1279871GT	GEN,7.5kW,230VAC,1PH,50HZ,AUS,S80	1
4	824091GT	SCREW, HHF, 3/8-16 X 1.25, 8, ZAG	2
5	1274322GT	NUT,NYLOCK FLG,3/8-16,F,ZAG	2
6		REF. MANIFOLD,HYD,LIFTPOWER,WELDER GENERATOR refer to 706.1	1
7		REF. FORMING,BRACKET,LATCH refer to 302.1	1
8	1257721GT	SCREW,HHF-S,3/8-16X.75,8,ZAG	3
9	1289554GT	BOX, AUS JBOX, CIRCUIT BREAKER	1
10	1283577GT	DECAL, LIFT^POWER, 1X7 INCH	1
11	82237GT	DECAL,DANGER,HIGH VOLTAGE	1
12	1258687GT	MOUNTING COVER KIT WITH NEON	1
13	1287081GT	CORD GRIP, CLICK 20, BLACK, 0.276-0.512	1
14	824060GT	SCREW, HHC, 1/4-20 X 1, 8, ZAG	4
15	824113GT	WASHER,FLAT,USS,1/4,ZAG	4
16	1277924GT	NUT,NYLOCK FLG,1/4-20,F,ZAG	4
17	1258674GT	RCBO, 16A/30MA TRIP, 1P	1
18	74913GT	END STOP, DIN RAIL,SCREW CLAMP	2
19	54365GT	SCREW,PHIL,PHM,10-32 X .5,SSTL	6
20	6178GT	NUT, NYLOCK, 10-32, SS	6
21	1258689GT	BRACKET,DIN RAIL SUPPORT	2
22	1258688GT	PANEL,AUSSY ENCLOSURE BACK	1
23	111576GT	FORMING,CONTROLBOX MT,WELD GEN	1
24	1274167GT	NUT,NYLOCK FLG,5/16-18,F,ZAG	2
25	824086GT	SCREW, HHF, 5/16-18 X 1, 8, ZAG	2
26	824090GT	SCREW,HHF,3/8-16X1,8,ZAG	4
27	29868GT	SPRING CLIP,3/8-16,.05-.20X.73,ZAG	4
28	1268186GT	BRACKET, GENERATOR 12 KW	1



807.1 Welder Option, Chassis Components - View 1



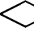


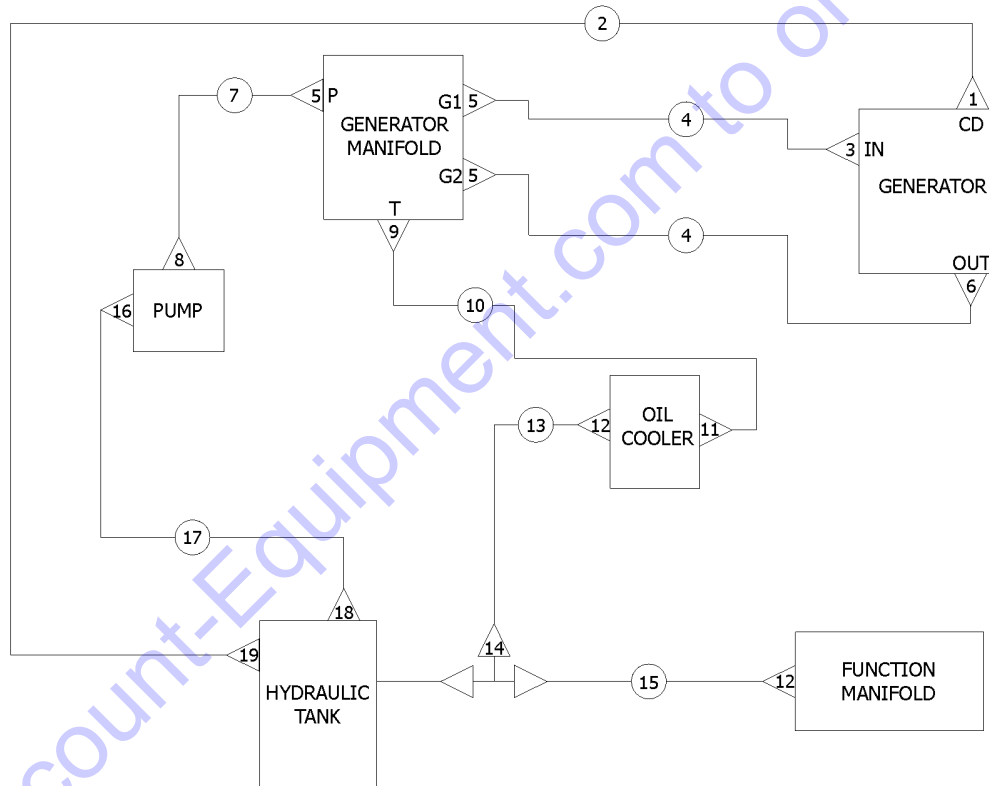
Go to Discount-Equipment.com to order your parts

<i>Item</i>	<i>Part No.</i>	<i>Description</i>	<i>Qty.</i>
29	824086GT	SCREW, HHF, 5/16-18 X 1, 8, ZAG	1

Go to Discount-Equipment.com to order your parts

808.1 Welder Option, Hoses and Fittings - View 2

LEGEND	
	ADAPTER
	HOSE ASSEMBLY
	UNION



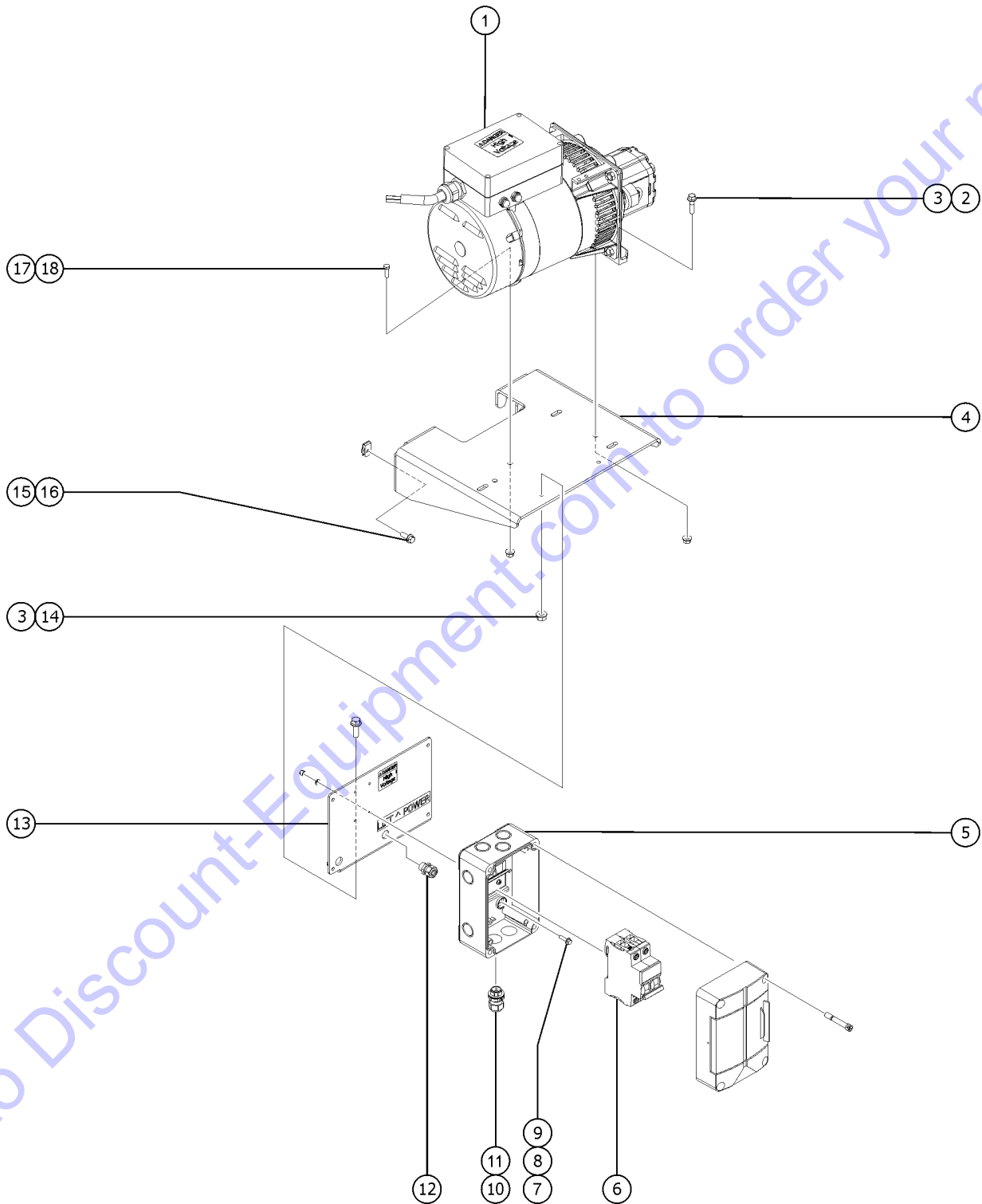
Go to Discount-Equipment.com to order your parts

Item	Part No.	Description	Qty.
1	48915GT	ELBOW,90D,520220-6	1
2	49128-4029GT	HOSE ASSY,3/8,90 FEM,STR FEM	1
3	48975GT	CONN,520120-12-10	1
4	89871-2898GT	HOSE ASSY,3/4,STR FEM,STR FEM	2
5	48963GT	FITTING,ELBOW,45D,520320-12	3
6	48974GT	ELBOW,90D,520220-12-10	1
7	94374-9730GT	HOSE ASSY,3/4,90 FEM,STR FEM	1
8	48960GT	FITTING,CONN,520120-12***	1
9	48992GT	ELBOW,45D,520320-16-12	1
10	88942-6654GT	ASSY, HOSE, HYD, -16, 250, STR, 90	1
11	48985GT	ELBOW,45D,520320-16	1
12	48983GT	ELBOW,90D,520220-16	2
13	88949-4328GT	ASSY, HOSE, HYD, -16, 250, STR, STR	1
14	1283576GT	TEE, BRANCH, -16M-16F-16M, ORFS	1
15	88942-6754GT	HOSE ASSY,1,90 FEM,STR FEM	1
16	88936GT	CONN,520120-20-16	1
17	88943-9336GT	HOSE ASSY,1.25 INCH,90 FEM,STR FEM	1
18	61083GT	CONN,520120-24	1
19	48929GT	FITTING,ELBOW,90D,520220-6-8	

Go to Discount-Equipment.com to order your parts



809.1 3K Hydraulic Generator Option



Go to Discount-Equipment.com to order your parts


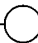
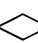
809.1 3K Hydraulic Generator Option

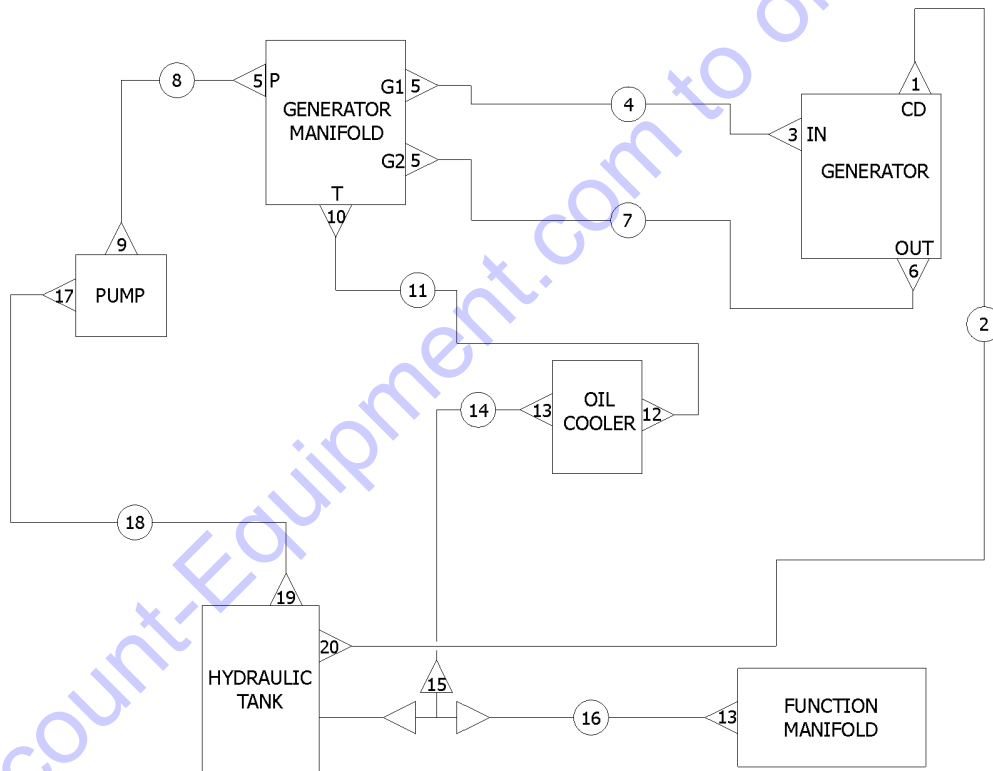
Item	Part No.	Description	Qty.
1	1279869GT	GEN, 3.0 kW, 50Hz, DUAL VOLTAGE	1
1-	824220GT	SCREW,PHPM SEMS ET,10-24X.5,ZA	
2	824087GT	SCREW, HHF, 5/16-18 X 1.25, 8, ZAG	2
3	1274167GT	NUT,NYLOCK FLG,5/16-18,F,ZAG	4
4	1268186GT	BRACKET, GENERATOR 12 KW	1
5	1269086GT	ENCLOSURE, FUSE, MODULAR, 100x150x96, IP65	1
5-	74913GT	END STOP, DIN RAIL,SCREW CLAMP	
6	1261795GT	RCBO, 10A, 30MA, TYPE B, 240V, 50HZ	1
7	218458GT	SCREW,HHF,M5-0.8X20,DIN6921,10.9,ZAB	4
8	826215GT	WASHER,FLAT,M5,DIN125,ZAB	4
9	826214GT	NUT,TL,M5-0.8,DIN980,10,ZAB	4
10	1287081GT	CORD GRIP, CLICK 20, BLACK, 0.276-0.512	2
11	1269107GT	NUT, PLASTIC, M25, GREY	2
12	7057GT	CONN. SQZ,1/2NPT .39-.56 MED.	2
13	1283841GT	FORMING, MOUNT, JBOX 12X10	1
14	824086GT	SCREW, HHF, 5/16-18 X 1, 8, ZAG	2
15	824090GT	SCREW,HHF,3/8-16X1,8,ZAG	4
16	29868GT	SPRING CLIP,3/8-16,.05-.20X.73,ZAG	4
17	1255538GT	SCREW,HHC,M8-1.25X30,DIN933,10.9,ZAB	1
18	1283014GT	NUT,NYLOCK FLG,M8-1.25,DIN6926,10,ZAB	1

Go to Discount-Equipment.com to order your parts



810.1 3K Hydraulic Generator Option - Hoses and Fittings

LEGEND	
	ADAPTER
	HOSE ASSEMBLY
	UNION



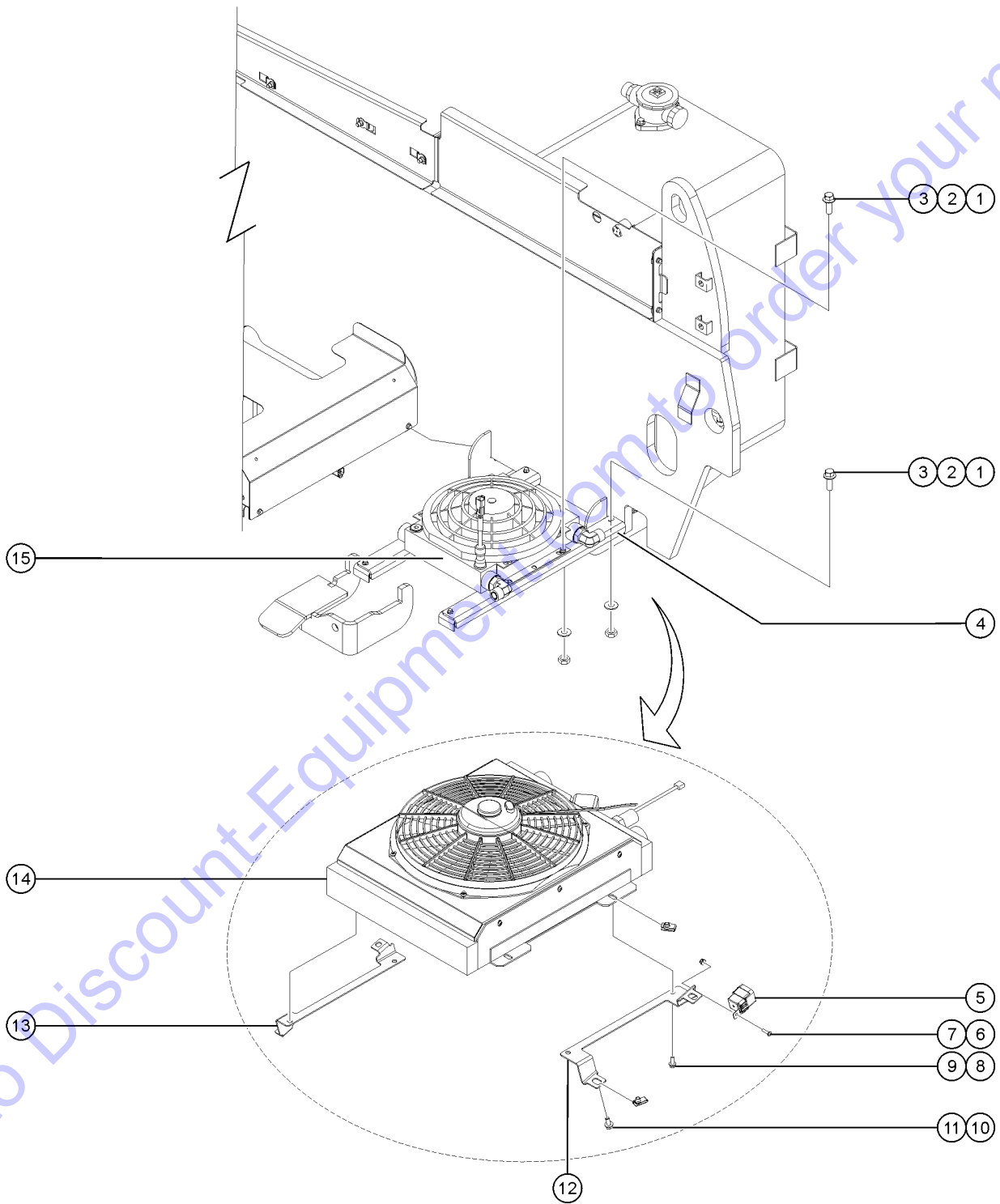
810.1 3K Hydraulic Generator Option - Hoses and Fittings

Item	Part No.	Description	Qty.
1	48915GT	ELBOW,90D,520220-6	1
2	49128-4029GT	HOSE ASSY,3/8,90 FEM,STR FEM	1
3	48946GT	CONN,520120-8-10	1
4	54085-2918GT	HOSE ASSY,1/2,90 FEM,STR FEM	1
5	48963GT	FITTING,ELBOW,45D,520320-12	3
6	54283GT	ELBOW,90D,520220-8-10	1
7	102355-3163GT	ASSY, HOSE, HYD, -8, 3000, STR, 45	1
8	94374-9730GT	HOSE ASSY,3/4,90 FEM,STR FEM	1
9	48960GT	FITTING,CONN,520120-12***	1
10	49519GT	CONN,520120-16-12	1
11	88942-6654GT	ASSY, HOSE, HYD, -16, 250, STR, 90	1
12	48985GT	ELBOW,45D,520320-16	1
13	48983GT	ELBOW,90D,520220-16	2
14	88949-4328GT	ASSY, HOSE, HYD, -16, 250, STR, STR	1
15	1283576GT	TEE, BRANCH, -16M-16F-16M, ORFS	1
16	88942-6754GT	HOSE ASSY,1,90 FEM,STR FEM	1
17	88936GT	CONN,520120-20-16	1
18	88943-9136GT	HOSE ASSY,1.25 INCH,90 FEM,STR FEM	1
19	61083GT	CONN,520120-24	1
20	48984GT	CONN,520120-16	1

Go to DiscountEquipment.com to order your parts



811.1 Oil Cooler Components



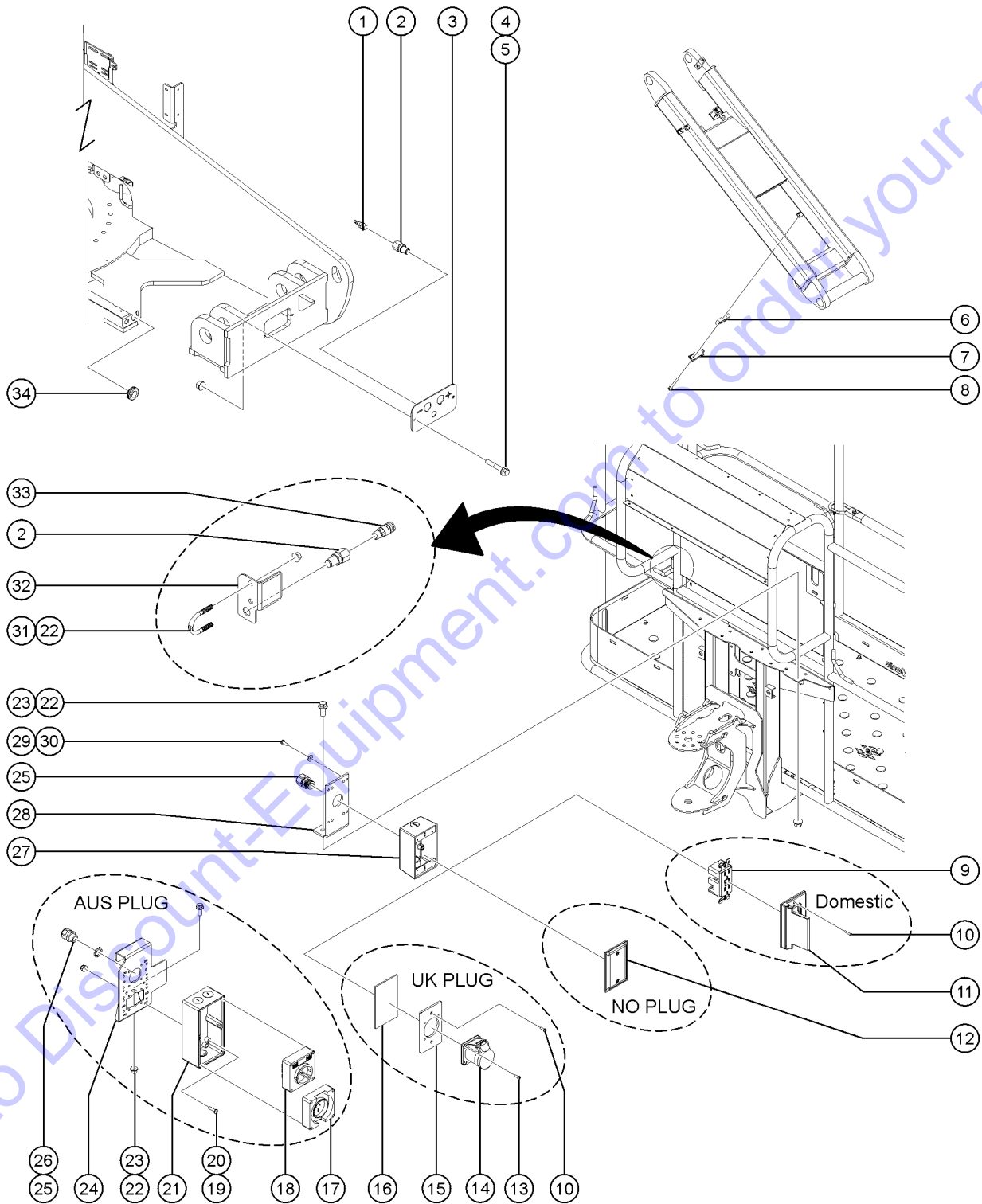
811.1 Oil Cooler Components

Item	Part No.	Description	Qty.
1	824078GT	SCREW,HHF,1/4-20X.75,8,ZAG	8
2	824113GT	WASHER,FLAT,USS,1/4,ZAG	8
3	1274165GT	NUT,NYLOCK,1/4-20,C,ZAG	8
4	121389GT	FORMING,OIL COOLER SUPPORT	2
5	1254360GT	HARNESS, OIL COOLER, LIFT POWER (relay included)	1
5-	60521GT	RELAY,SEALED 30/40 AMP	
6	824215GT	SCREW, PHPM, 10-32 X .75, ZAG	1
7	1283005GT	NUT,NYLOCK FLG,10-32,A,ZAG	1
8	29868GT	SPRING CLIP,3/8-16,.05-.20X.73,ZAG (3K Generator option)	4
9	824090GT	SCREW,HHF,3/8-16X1,8,ZAG	4
10	824085GT	SCREW, HHF, 5/16-18 X .75, 8, ZAG	4
11	36456GT	SPRING CLIP,5/16-18,.025-.15X.83,ZAG	4
12	1285868GT	FORMING, OIL COOLER SUPPORT, LH	1
13	1285869GT	FORMING, OIL COOLER SUPPORT, RH	1
14	1284196GT	OIL COOLER, W/FAN, 12VDC, 22.5 X 18.5, RCP (models with Welder / 3K Generator option) (measures 17 inches x 21 inches)	1
14-	48985GT	ELBOW,45D,520320-16	2
14-	1284240GT	ASSEMBLY, SHROUD, RCP COOLER	
14-	1284241GT	COOLER CORE, RCP, 22.5x18.5	
14-	1284242GT	ASSEMBLY, FAN, COOLER, RCP	
14-	1284243GT	TEMP SWITCH, 145F, 3/8 NPT	
15	71259GT	OIL COOLER W/FAN, 12VDC (standard) (models without generator option) (measures 13 inches x 13 inches)	1
15-	75854GT	FAN - VENTED	
15-	75855GT	THERMOSTAT -OIL COOLER (71259)	
15-	48992GT	ELBOW,45D,520320-16-12	
15-	49519GT	CONN,520120-16-12	

Go to Discount-Equipment.com to order your parts



812.1 Air Line/Power to Platform

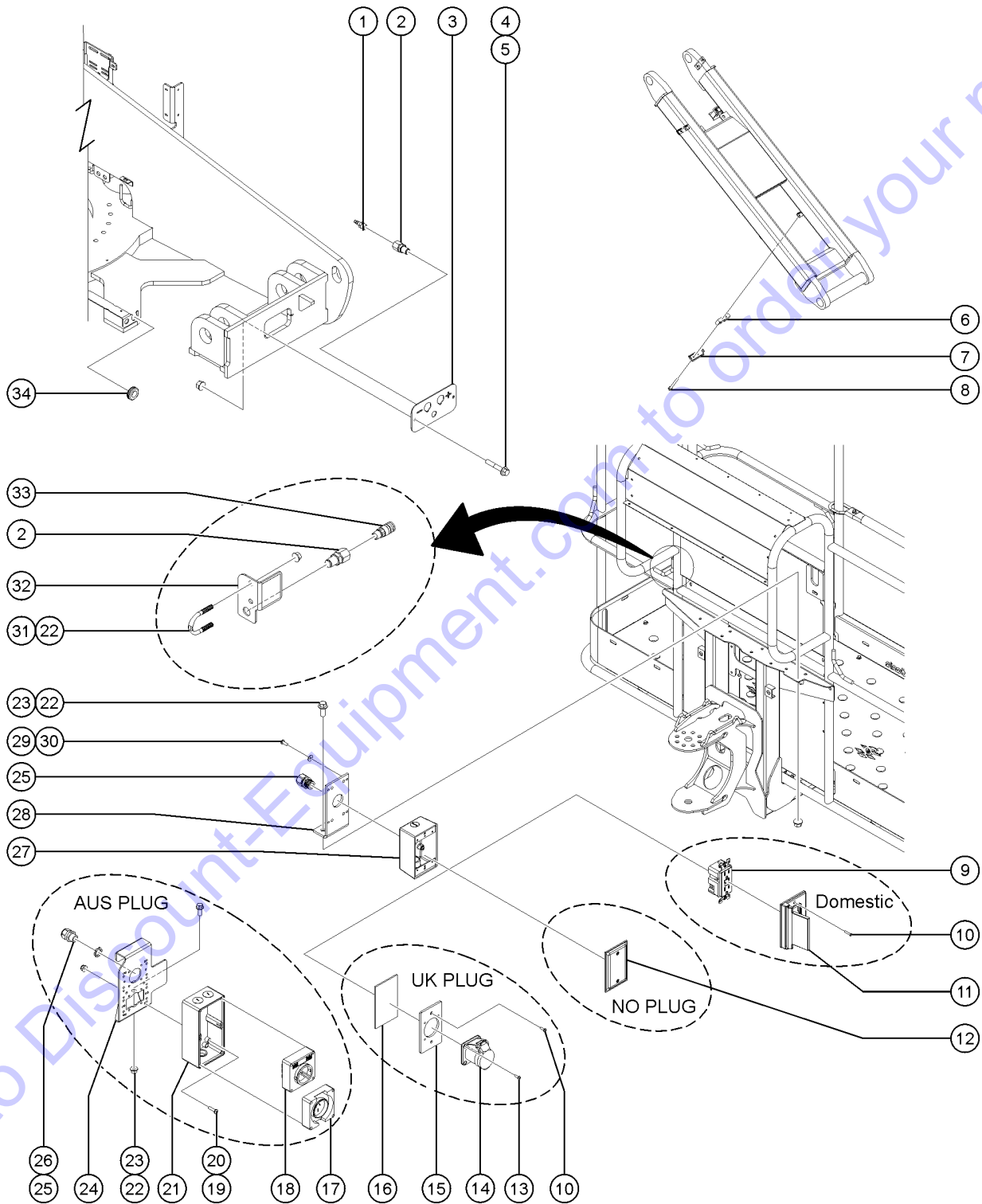


812.1 Air Line/Power to Platform

Item	Part No.	Description	Qty.
A	T109692GT	AIRLINE ASSY, S85	13
B	144161GT	PLUG,POWER,UK,16AMP,3PIN UK Plug	1
C	1269052GT	SHRINK TUBE, CAP, BLACK, 0.86" No Plug	1
D	7057GT	CONN. SQZ,1/2NPT .39-.56 MED.	
E	119103GT	CONN PLUG,20WAY AMP MATENLOK2 Domestic	1
F	6935GT	LOCKNUT,CONN, SQZ, 1/2NPT	
1	49214GT	MALE PIPE THD,1/4" SER,3/8"X18	1
2	49212GT	FEMALE BULKHEAD CONNECTOR-8	2
3	121595GT	PLATE,WELD OPTION	1
4	824081GT	SCREW,HHF,1/4-20X1.5,8,ZAG	2
5	824027GT	NUT, TL FLG, 1/4-20, G, ZAG	2
6	121085GT	CLAMP,ELEC,SHORT LINK	2
7		Ref. CLAMP,TOP,SHORT LINK (refer to 506.1)	
8	1256123GT	SCREW,HHC,1/4-20X3.25,8,ZAG	4
9	13585GT	OUTLET 110V	1
10	1253489GT	SCREW,FHPM,6-32 X .75,ZAG	2
11	74006GT	COVER,GFCI,HORIZONTAL,WEATHER	1
12	10777GT	COVER, BLANK	1
13	1255788GT	SCREW,FHPM,8-32X.375,ZAG	4
14	T112560GT	RECEPTACLE,UK,110 VOLT	1
15	T112561GT	PLATE,UK POWER TO PLATFORM	1
16	74052GT	MAGNET, 1/4-20, 15 LB.	1
17	1284975GT	SOCKET OUTLET 1P+N+E 250V 15A (AUS Plug Only)	1
18	1284974GT	SWITCH, 7KW, AUS (AUS Plug Only)	1
19	824215GT	SCREW, PHPM, 10-32 X .75, ZAG (AUS Plug Only)	4
20	1283005GT	NUT,NYLOCK FLG,10-32,A,ZAG (AUS Plug Only)	4
21	1284973GT	T-BOX, AUS, 2 GANG (AUS Plug Only)	1
21-	1284977GT	HARNESS, JUMPER TBOX. AUS (AUS Plug Only)	1



812.1 Air Line/Power to Platform



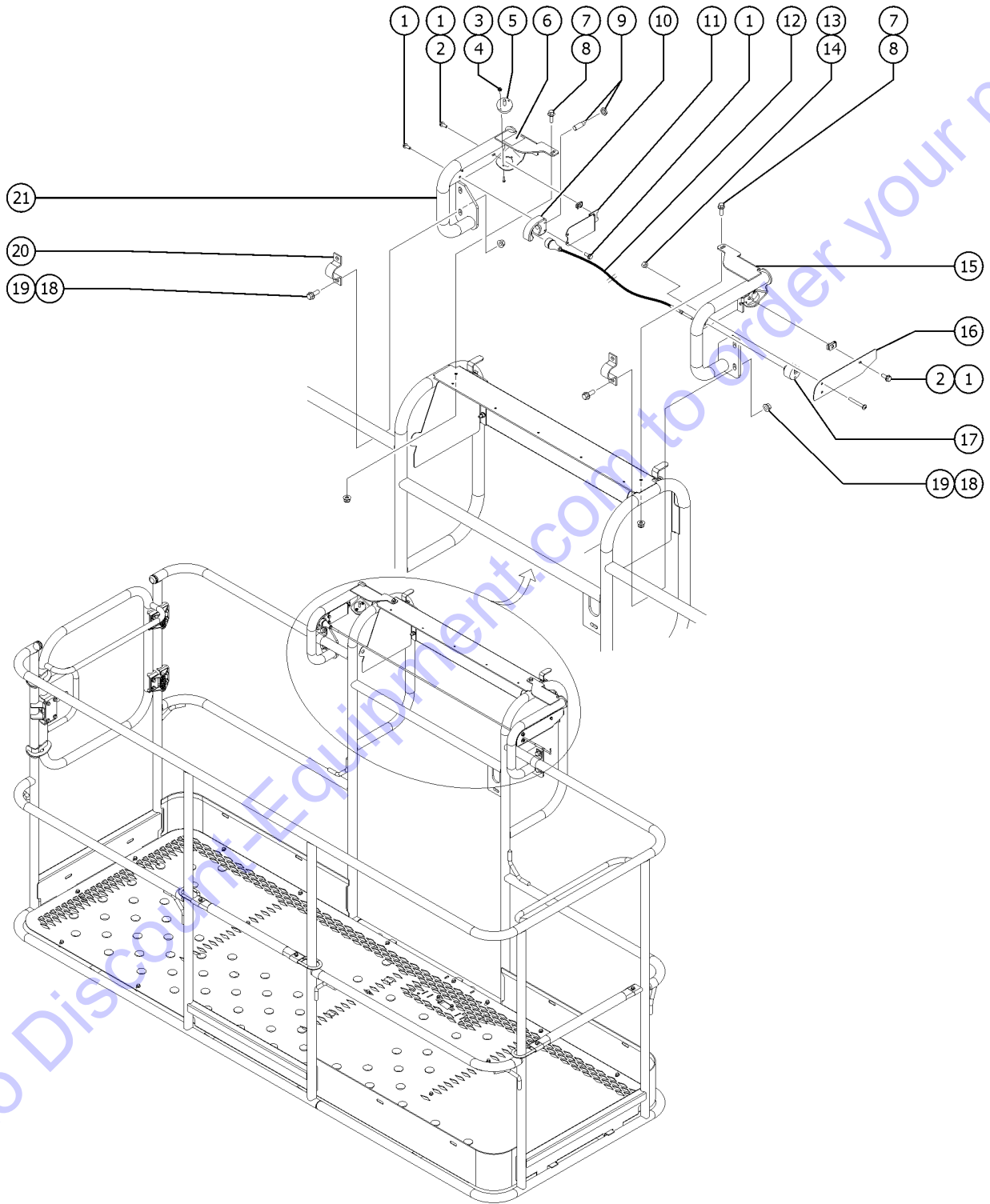
812.1 Air Line/Power to Platform

Item	Part No.	Description	Qty.
22	1274322GT	NUT,NYLOCK FLG,3/8-16,F,ZAG	4
23	824090GT	SCREW,HHF,3/8-16X1,8,ZAG	2
24	826624GT	FORMING,POWER TO PLAT	1
		(AUS Plug Only)	
25	7057GT	CONN. SQZ,1/2NPT .39-.56 MED.	1
26	6935GT	LOCKNUT,CONN, SQZ, 1/2NPT	1
		(AUS Plug Only)	
27	75069GT	T-BOX 2.75 X 4.5 X 2.5	1
27-	1284310GT	NUT,NYLOCK,10-32,A,ZAG	
28	81096GT	BRACKET,POWER TO PLAT, DOM	1
29	1257296GT	SCREW,PHPM-ST,8-32X.50,TYPE F,ZAG	4
30	1257390GT	WASHER,FLAT,#8,SAE,ZAG	4
31	1251600GT	U-BOLT, FLATTENED, 1.5DIA. X 3/8 UNC,ZAG	1
32	1275087GT	FORMING, AIR TO PLAT	1
33	49215GT	MPT,CPLR,1/4"SER,3/8"X18	1
34	1279531GT	GROMMET, SBR, 0.88 X 0.50 X 1.63 IN	1

Go to Discount-Equipment.com to order your parts



813.1 Lift Guard Contact Alarm Option



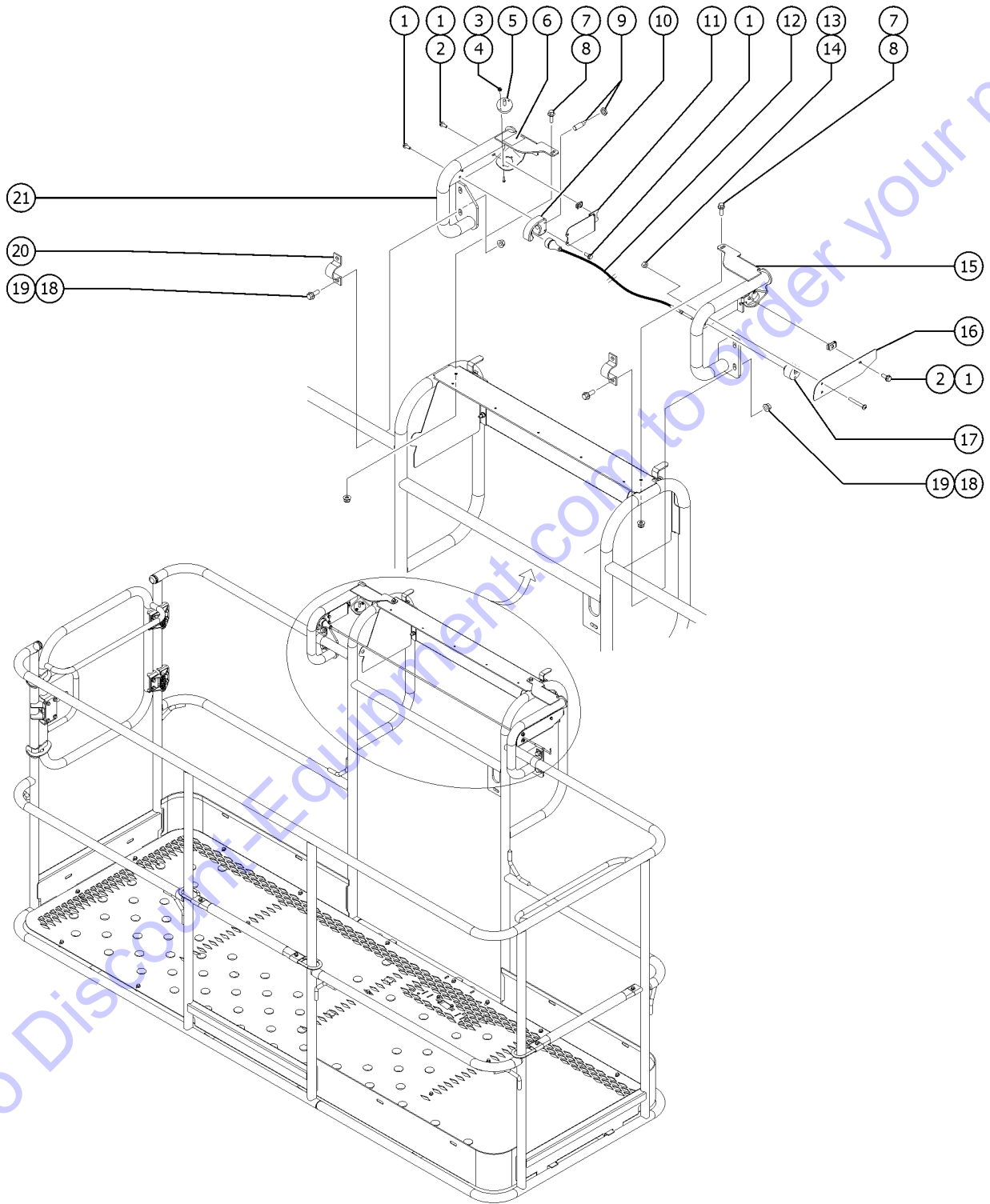
Go to DiscountEquipment.com to order your parts

813.1 Lift Guard Contact Alarm Option

Item	Part No.	Description	Qty.
A	1279134GT	KIT, LIFT GUARD CONTACT ALARM,6'-8' PLATFORM,ALC1000 From January 2017, this option became a standard installation on all models unless the customer specifically request not to have it installed.	...
B	1278108GT	HARNESS, CONTACT ALARM, S40,S60,S80
C	19274GT	RELAY,SPDT,12V(AUTO)**
D	1278121GT	MODULE, PLUS+1, OPA2
D-	824083GT	SCREW, HHF, 1/4-20 X 2.5, 8, ZAG
D-	1277924GT	NUT,NYLOCK FLG,1/4-20,F,ZAG
1	1264934GT	SCREW,HHF,10-24X.5 7
2	73575GT	SPRING CLIP,10-24,.025-.125X.468,ZAG 2
3	12344GT	NUT,NYLOCK,6-32 4
4	1256859GT	SCREW,PHPM,6-32X.875,ZAG 4
5	1278111GT	ASSEMBLY, LIGHT, CONTACT ALARM 2
5B	1285850GT	ASSEMBLY,AMBER LIGHTS,CONTACT
6	1278542GT	DECAL, INSTRUCTION, CONTACT ALARM 1
7	824078GT	SCREW,HHF,1/4-20X.75,8,ZAG 2
8	1277924GT	NUT,NYLOCK FLG,1/4-20,F,ZAG 2
9	1278119GT	ASSEMBLY,SENSOR, PROX,CONTACT ALARM 1
10	1278433GT	ASSY SENSOR W/HOUSING (Includes holder item 1277877 and sensor part 1278119) 1
10-	1277877GT	HOLDER, SENSOR
11	1277873GT	FORMING, SENSOR HOLDER 1
12	1278416GT	ASSEMBLY,CONTACT ALARM CABLE, LARGE 1
12-	1261184GT	NUT,1/4-20,8,ZAG Part of assembly 1278416
12-	1278124GT	MAGNET, 1/4-20, 15 LB. Part of assembly 1278416
12-	1278368GT	GRIP, CABLE Part of assembly 1278416
12-	1278458GT	CONTACT ALARM WIRE ASSY, LARGE Part of assembly 1278416
13	1274168GT	NUT,NYLOCK,10-32,A,ZAG 2
14	824216GT	SCREW, PHPM, 10-32 X 1.5, ZAG 2
15	1278138GT	WELDMENT, RIGHT CONTACT ALARM, LARGE 1
15-	824037GT	NUT, HH JAM, 1/4-20, A, ZAG



813.1 Lift Guard Contact Alarm Option



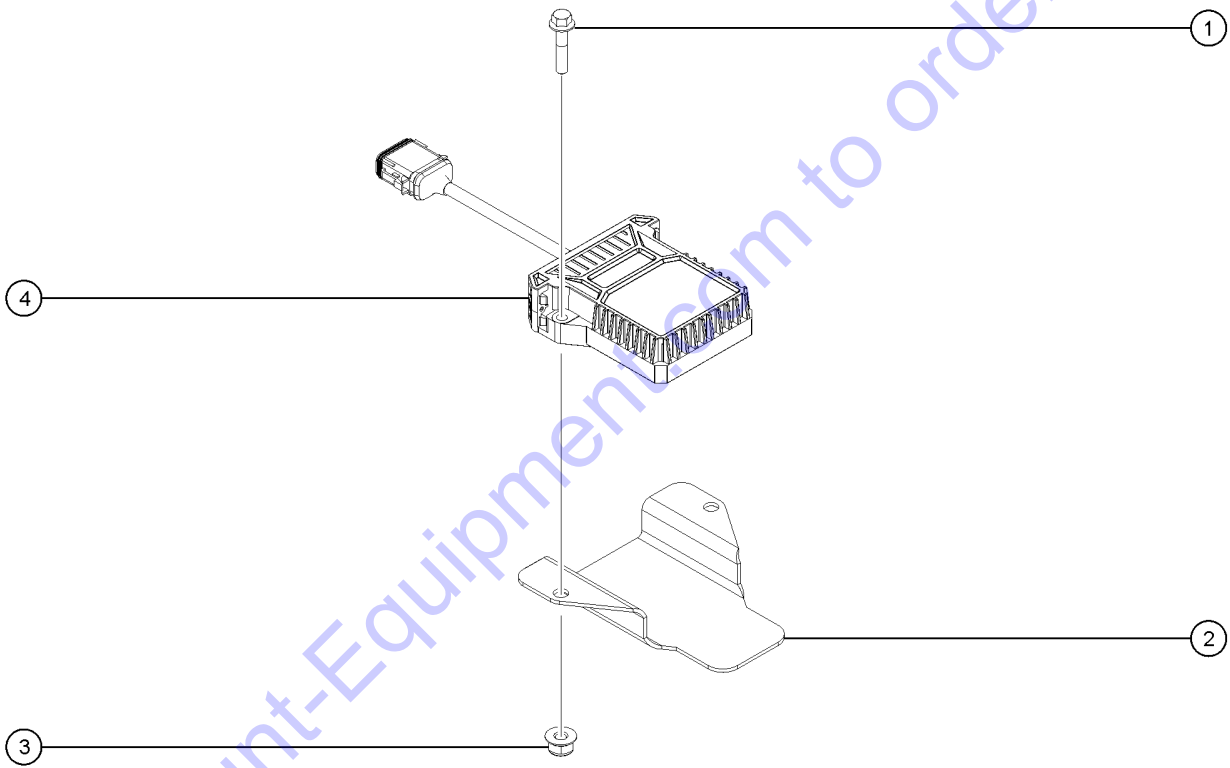
Go to DiscountEquipment.com to order your parts

813.1 Lift Guard Contact Alarm Option

Item	Part No.	Description	Qty.
15-	1277924GT	NUT,NYLOCK FLG,1/4-20,F,ZAG	
16	1277875GT	PLATE, CABLE AND WIRE COVER	1
17	1277876GT	GUIDE, CABLE	1
18	1274322GT	NUT,NYLOCK FLG,3/8-16,F,ZAG	4
19	824090GT	SCREW,HHF,3/8-16X1,8,ZAG	4
20	1278363GT	CLAMP, 1.25 INCH TUBE	2
21	1278144GT	WELDMENT, LEFT CONTACT ALARM, LARGE	1

Go to Discount-Equipment.com to order your parts



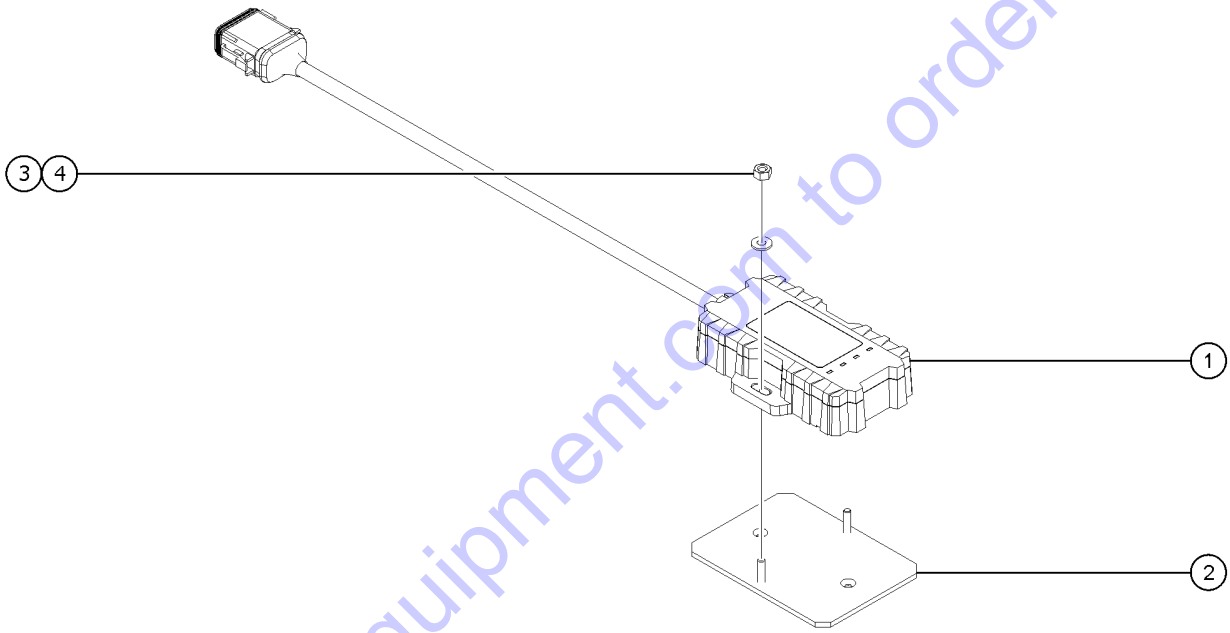


814.1 China Telematics Option, TZ200

<i>Item</i>	<i>Part No.</i>	<i>Description</i>	<i>Qty.</i>
1	824080GT	SCREW, HHF, 1/4-20 X 1.25, 8, ZAG	2
2	1305594GT	BRACKET, CHINA TELEMATICS,S85XC	1
3	1277924GT	NUT,NYLOCK FLG,1/4-20,F,ZAG	2
4	1313614GT	MODULE, TELEMATICS, TIZALINK, CHINA	1

Go to Discount-Equipment.com to order your parts





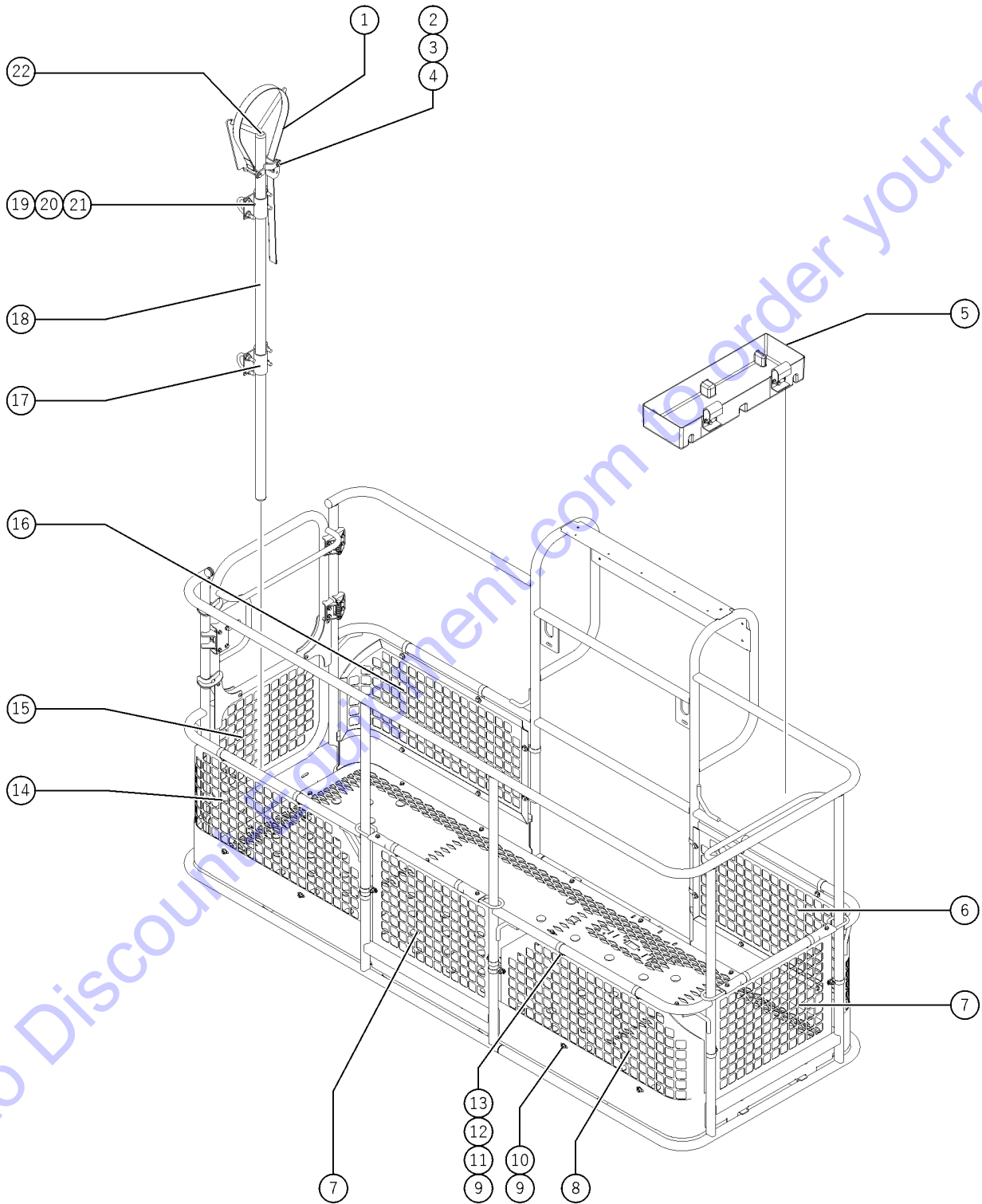
Go to Discount-Equipment.com to order your parts

Item	Part No.	Description	Qty.
1	1289520GT	MODULE, TELEMATICS, ZTR, M7, NORTH AMERICA North America	1
1B	1289521GT	MODULE, TELEMATICS, ZTR, M7, EMEA/APAC EMEA/APAC	1
1C	1289522GT	MODULE, TELEMATICS, ZTR, M7, APAC/ANZ APAC/ANZ	1
1D	1289523GT	MODULE, TELEMATICS, ZTR, M7, JAPAN Japan	1
2	1307200GT	BRACKET, TELEMATICS	1
3	1271081GT	NUT, NYLOCK, 8-32, 8, ZAG	2
4	1257390GT	WASHER, FLAT, #8, SAE, ZAG	2

Go to Discount-Equipment.com to order your parts



815.1 Platform Installation, China Option



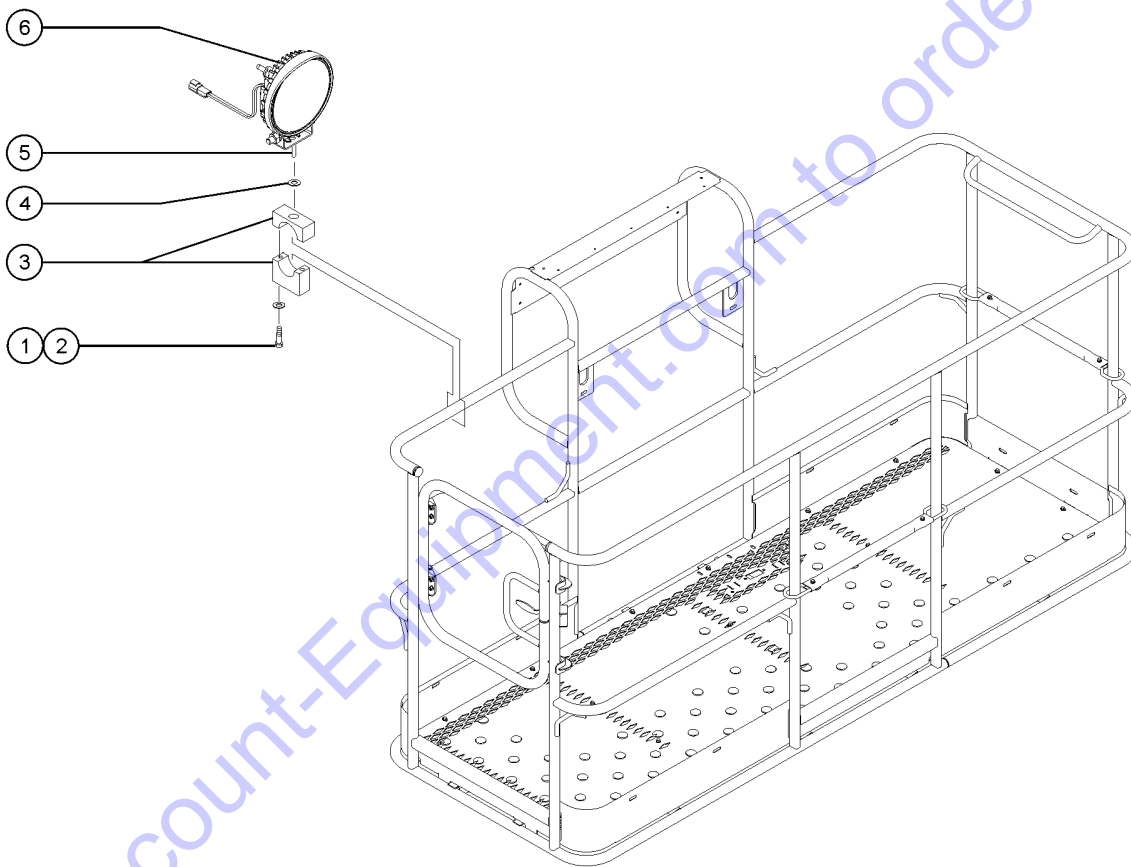
815.1 Platform Installation, China Option

Item	Part No.	Description	Qty.
1	56570GT	STRAP, CONDUIT HOLDER 60****	1
1-	65630GT	INSTRUCTIONS-PIPE CRADLE,BOOMS	
2	824083GT	SCREW, HHF, 1/4-20 X 2.5, 8, ZAG	
3		the hose lengths below reflect the length of the hose only. Refer to the 'Fittings Cross Reference' to match Genie part numbers to Parker/Ryco part numbers.	
4	1277924GT	NUT,NYLOCK FLG,1/4-20,F,ZAG	
5	9599-SGT	TOOL TRAY ACCESSORY***	1
5-	7746GT	BRACKET-TOOL TRAY MOUNTING	
6	1271019GT	PANEL, HALF MESH (8 foot Platform)	1
7	1271061GT	PANEL, HALF MESH (8 foot Platform)	1
8	1271018GT	PANEL, HALF MESH (8 foot Platform)	1
8B	1270313GT	MESH, 6' HALF,RIGHT SIDE (6 foot Platform)	
9	824027GT	NUT, TL FLG, 1/4-20, G, ZAG	
10	824085GT	SCREW, HHF, 5/16-18 X .75, 8, ZAG	
11	56424GT	CLAMP,1.25X.5 RUBBER-CUSHION	
12	824113GT	WASHER,FLAT,USS,1/4,ZAG	
13	824060GT	SCREW, HHC, 1/4-20 X 1, 8, ZAG	
14	1271040GT	PANEL, HALF MESH (8 foot Platform)	1
14B	1270316GT	PANEL, HALF MESH (6 foot Platform)	
15	1285700GT	WELDMENT, GATE, HALF MESH (used on 6' and 8' side entry platforms) (Swing Gate Weldment, refer to 602.1)	
16	1270994GT	PANEL, HALF MESH (8 foot Platform)	1
16B	1270314GT	PANEL, HALF MESH (6 foot Platform)	
17	81368GT	WELDMENT,PIPE CRADLE MOUNT	1
18	56525GT	WELDMENT, PIPE CRADLE	1
19	1251600GT	U-BOLT, FLATTENED, 1.5DIA. X 3/8 UNC,ZAG	8
20	1274322GT	NUT,NYLOCK FLG,3/8-16,F,ZAG	16
21	5397GT	WASHER,FLAT,5/16,USS,ZAG	
22	55753GT	BUMPER, PLASTIC, 1.25 O.D.	4

Go to Discworld.com to order your parts



816.1 Work Light Package



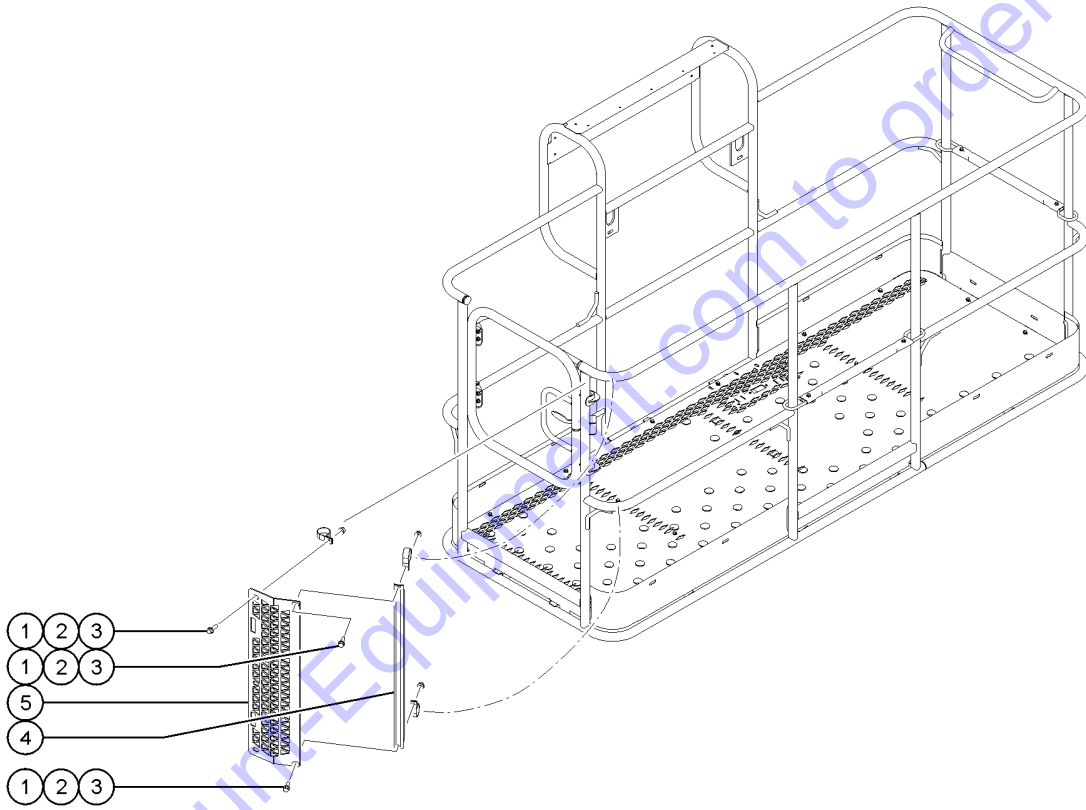
816.1 Work Light Package

Item	Part No.	Description	Qty.
1	6145GT	SCREW, HHC, 1/4-20 X 1.5	
2	6356GT	WASHER, LOCK, .25	
3	35956GT	WORK LIGHT MOUNTING BRACKET	2
4	6036GT	WASHER, LOCK, .625 PLTD	
5	824085GT	SCREW, HHF, 5/16-18 X .75, 8, ZAG	
6	1305837GT	ASSY, WORK LIGHT, LED 12V, 45W	2

Go to Discount-Equipment.com to order your parts



817.1 Latch Guard Option



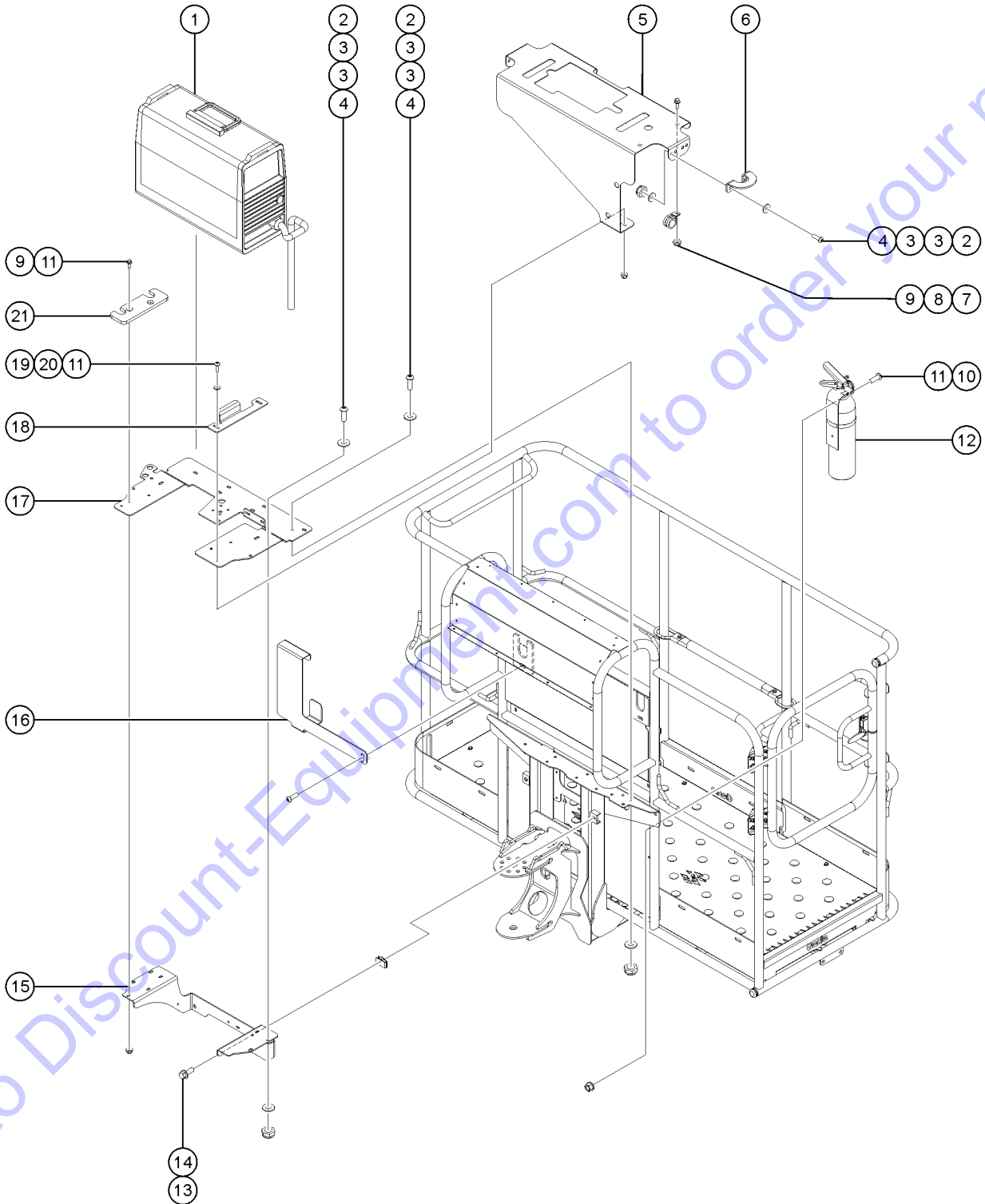
817.1 Latch Guard Option

<i>Item</i>	<i>Part No.</i>	<i>Description</i>	<i>Qty.</i>
1	824086GT	SCREW, HHF, 5/16-18 X 1, 8, ZAG	5
2	56424GT	CLAMP, 1.25X.5 RUBBER-CUSHION	5
3	1274167GT	NUT, NYLOCK FLG, 5/16-18, F, ZAG	5
4	1277966GT	TUBE, SQUARE, 1" X 1" X .125	1
5	12779525GT	GUARD, SWING GATE	1

Go to Discount-Equipment.com to order your parts



818.1 Welder Option, Platform Components

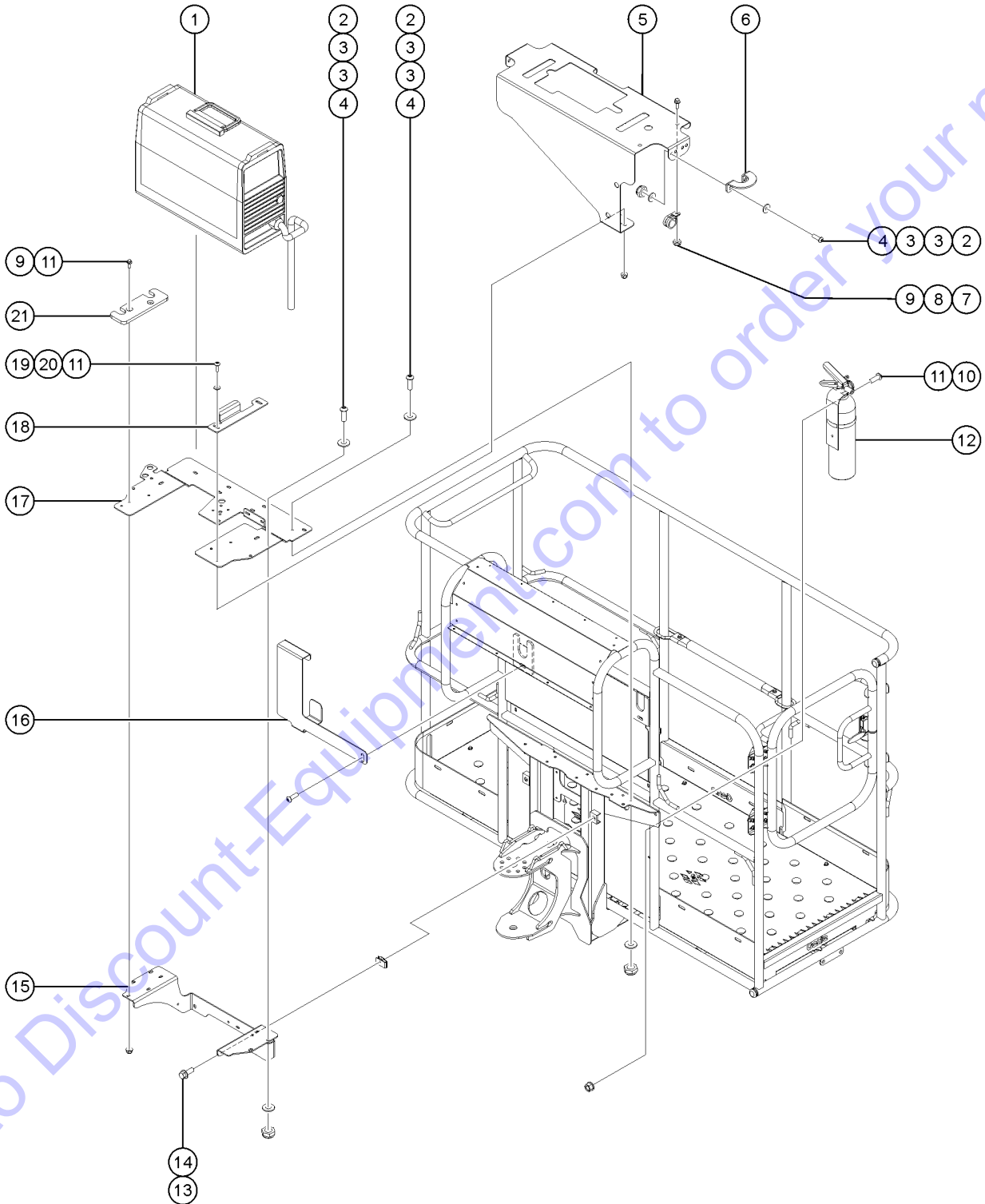


818.1 Welder Option, Platform Components

Item	Part No.	Description	Qty.
A	106275GT	KIT,WELD LEADS ASSY,V275S (Lincoln)	1
B	214621GT	SOCKET, BOOT, 3P, 30A, 4 WIRE	1
C	214620GT	SOCKET,3P,30A,4 WIRE, FEM	1
D	214622GT	PLUG, BOOT, 3P, 30A, 4 WIRE	1
E	214623GT	PLUG, 3P,30A, 4 WIRE, MALE	1
F	110276GT	FIRE SLEEVE, 1.25"	23
G	110277GT	FIRE SLEEVE, 2.0"	61
K	110276GT	FIRE SLEEVE, 1.25" (S-80 XC)	40
1	214619GT	WELDER, MILLER, CST 280	1
1B	101525GT	WELDER,INVERTEC V275-S (lincoln)	1
1B-	106141GT	SCREW,SECURITY,1/4-20 X 1.75LG	
1B-	824113GT	WASHER,FLAT,USS,1/4,ZAG	
1B-	106273GT	BIT,T-27,TORX SOCKET,SECURITY	
1C	1312271GT	WELDER,MILLER,CST 282	1
2	1277209GT	SCREW,BHC-PIN,5/16-18X.75,SS	15
2-	1277202GT	BIT,3/16,HEX SOCKET,SECURITY,1/4 SHANK	
3	825358GT	WASHER,FLAT,5/16,USS,ZAG	30
4	1283027GT	NUT,LP NYLOCK,5/16-18,2,ZAG	15
5	1277207GT	BRACKET,WELDER COVER,XC	1
6	217366GT	BRACKET,WELDER TOP	2
7	1283026GT	NUT,LP NYLOCK,1/4-20,2,ZAG (lincoln)	2
8	18666GT	CLAMP,1.00,#16 X 1/4,RUB CUSH (lincoln)	
9	824078GT	SCREW,HHF,1/4-20X.75,8,ZAG (Miller Welder)	4
9B	824078GT	SCREW,HHF,1/4-20X.75,8,ZAG (lincoln)	2
10	1262432GT	SCREW,HHC,1/4-20X.875,8,ZAG	2
11	1277924GT	NUT,NYLOCK FLG,1/4-20,F,ZAG (Miller Welder)	6
11B	1277924GT	NUT,NYLOCK FLG,1/4-20,F,ZAG (Miller Welder)	8
11C	1277924GT	NUT,NYLOCK FLG,1/4-20,F,ZAG (lincoln)	2



818.1 Welder Option, Platform Components



818.1 Welder Option, Platform Components

Item	Part No.	Description	Qty.
12	88406GT	FIRE EXTINGUISHER	1
13	824090GT	SCREW,HHF,3/8-16X1,8,ZAG	2
14	29868GT	SPRING CLIP,3/8-16,.05-.20X.73,ZAG	2
15	1277206GT	FORMING,WELD MNT SPRT,LOWER,XC	1
16	106204GT	BRACKET,V275S WELD LEADS	1
17	1276777GT	FORMING,WELD SPRT BRKT,MANIF MNT,XC	1
17-	121582GT	CLAMP,CABLE STRAIN RELIEF	
18	1277208GT	FORMING,MILLER WELDER RETENTION,XC	1
		(lincoln)	
19	106860GT	SCREW,SECURITY,1/4-20 X 1.00LG	2
		(Miller Welder)	
19-	106861GT	BIT,5/32,HEX SOCKET,SECURITY	
20	824113GT	WASHER,FLAT,USS,1/4,ZAG	2
		(Miller Welder)	
21	1274967GT	UHMW,MILLER WLDR RETENTION	2
		(Miller Welder)	
21B	1312547GT	UHMW,MILLER WELDER RETENTION	2

Go to Discount-Equipment.com to order your parts



PARTS FINDER

**Search Website
by Part Number**



**Search Manual
Library For Parts
Manual & Lookup Part
Numbers – Purchase
or Request Quote**

Search Manuals

Enter your information to help us find the right parts manual for your machine.

* Brand:

* Model:

* Serial:

* Part Number:

SEARCH

**Can't Find Part or
Manual? Request Help
by Manufacturer,
Model & Description**

Parts Order Form

Please fill in the following information to help us find the right part for your machine.

Manufacturer:	<input type="text"/>
Model:	<input type="text"/>
Description:	<input type="text"/>
Part Number:	<input type="text"/>
Quantity:	<input type="text"/>
Notes:	<input type="text"/>

Submit

Discount-Equipment.com is your online resource for quality parts & equipment.

Florida: **561-964-4949** Outside Florida TOLL FREE: **877-690-3101**

Need parts?

Click on this link: <http://www.discount-equipment.com/category/5443-parts/> and choose one of the options to help get the right parts and equipment you are looking for. Please have the machine model and serial number available in order to help us get you the correct parts. If you don't find the part on the website or on one of the online manuals, please fill out the request form and one of our experienced staff members will get back to you with a quote for the right part that your machine needs.

We sell worldwide for the brands: Genie, Terex, JLG, MultiQuip, Mikasa, Essick, Whiteman, Mayco, Toro Stone, Diamond Products, Generac Magnum, Airman, Haulotte, Barreto, Power Blanket, Nifty Lift, Atlas Copco, Chicago Pneumatic, Allmand, Miller Curber, Skyjack, Lull, Skytrak, Tsurumi, Husquvarna Target, Stow, Wacker, Sakai, Mi-T-M, Sullair, Basic, Dynapac, MBW, Weber, Bartell, Bennar Newman, Haulotte, Ditch Runner, Menegotti, Morrison, Contec, Buddy, Crown, Edco, Wyco, Bomag, Laymor, EZ Trench, Bil-Jax, F.S. Curtis, Gehl Pavers, Heli, Honda, ICS/PowerGrit, IHI, Partner, Imer, Clipper, MMD, Koshin, Rice, CH&E, General Equipment, Amida, Coleman, NAC, Gradall, Square Shooter, Kent, Stanley, Tamco, Toku, Hatz, Kohler, Robin, Wisconsin, Northrock, Oztec, Toker TK, Rol-Air, APT, Wylie, Ingersoll Rand / Doosan, Innovatech, Con X, Ammann, Mecalac, Makinex, Smith Surface Prep, Small Line, Wanco, Yanmar



www.discount-equipment.com

California Proposition 65

 **WARNING**

Operating, servicing and maintaining this equipment, passenger vehicle or off-highway motor vehicle can expose you to chemicals including engine exhaust, carbon monoxide, phthalates, and lead, which are known to the State of California to cause cancer and birth defects or other reproductive harm. These chemicals can be emitted from or contained in other various parts and systems, fluids and some component wear by-products. To minimize exposure, avoid breathing exhaust, do not idle the engine except as necessary, service your equipment and vehicle in a well-ventilated area and wear gloves or wash your hands frequently when servicing your equipment or vehicle and after operation. For more information go to www.P65Warnings.ca.gov/passenger-vehicle.

Breathing diesel engine exhaust exposes you to chemicals known to the State of California to cause cancer and birth defects or other reproductive harm.

- Always start and operate the engine in a well-ventilated area.
- If in an enclosed area, vent the exhaust to the outside.
- Do not modify or tamper with the exhaust system.
- Do not idle the engine except as necessary.

For more information go to www.P65warnings.ca.gov/diesel.