



www.discount-equipment.com

Parts Manual

Serial Number Range

S-85XC

from SN S85XCD-2002

Go to Discount-Equipment.com to order your parts

Part No. 1315822GT
Rev: A10
May 2026

PARTS FINDER

**Search Website
by Part Number**



**Search Manual
Library For Parts
Manual & Lookup Part
Numbers – Purchase
or Request Quote**

Search Manuals

Enter your information to help us find the right parts manual for your machine.

* Brand:

* Model:

* Serial:

* Part Number:

SEARCH

**Can't Find Part or
Manual? Request Help
by Manufacturer,
Model & Description**

Parts Order Form

Please fill in the following information to help us find the right part for your machine.

Manufacturer:	<input type="text"/>
Model:	<input type="text"/>
Description:	<input type="text"/>
Part Number:	<input type="text"/>
Quantity:	<input type="text"/>
Notes:	<input type="text"/>

Discount-Equipment.com is your online resource for quality parts & equipment.

Florida: **561-964-4949** Outside Florida TOLL FREE: **877-690-3101**

Need parts?

Click on this link: <http://www.discount-equipment.com/category/5443-parts/> and choose one of the options to help get the right parts and equipment you are looking for. Please have the machine model and serial number available in order to help us get you the correct parts. If you don't find the part on the website or on one of the online manuals, please fill out the request form and one of our experienced staff members will get back to you with a quote for the right part that your machine needs.

We sell worldwide for the brands: Genie, Terex, JLG, MultiQuip, Mikasa, Essick, Whiteman, Mayco, Toro Stone, Diamond Products, Generac Magnum, Airman, Haulotte, Barreto, Power Blanket, Nifty Lift, Atlas Copco, Chicago Pneumatic, Allmand, Miller Curber, Skyjack, Lull, Skytrak, Tsurumi, Husquvarna Target, Stow, Wacker, Sakai, Mi-T-M, Sullair, Basic, Dynapac, MBW, Weber, Bartell, Bennar Newman, Haulotte, Ditch Runner, Menegotti, Morrison, Contec, Buddy, Crown, Edco, Wyco, Bomag, Laymor, EZ Trench, Bil-Jax, F.S. Curtis, Gehl Pavers, Heli, Honda, ICS/PowerGrit, IHI, Partner, Imer, Clipper, MMD, Koshin, Rice, CH&E, General Equipment, Amida, Coleman, NAC, Gradall, Square Shooter, Kent, Stanley, Tamco, Toku, Hatz, Kohler, Robin, Wisconsin, Northrock, Oztec, Toker TK, Rol-Air, APT, Wylie, Ingersoll Rand / Doosan, Innovatech, Con X, Ammann, Mecalac, Makinex, Smith Surface Prep, Small Line, Wanco, Yanmar

Technical Publications

Genie has endeavored to deliver the highest degree of accuracy possible. However, continuous improvement of our products is a Genie policy. Therefore, product specifications are subject to change without notice.

Readers are encouraged to notify Genie of errors and send in suggestions for improvement. All communications will be carefully considered for future printings of this and all other manuals.

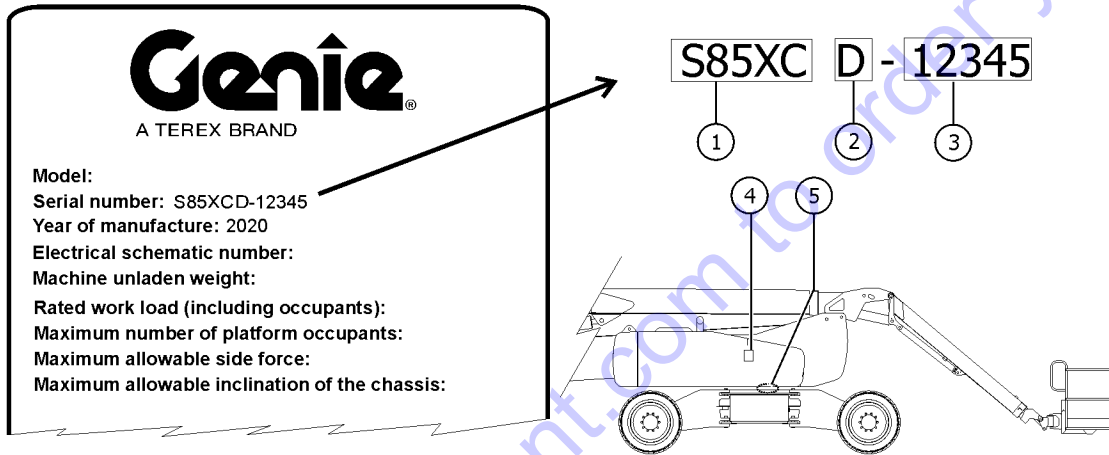
Go to Discount-Equipment.com to order your parts

Copyright © 2022 Terex Corporation

1315822GT Rev A10 May 2026
Second Edition, Second Printing

Genie is a registered trademark of Terex South Dakota, Inc. in the USA and many other countries. "S" is a trademark of Terex South Dakota, Inc.

 printed on recycled paper



- 1 Model
- 2 Facility code
- 3 Sequence number
- 4 Serial label (located under cover)
- 5 Serial number (stamped on chassis)

Go to Discount-Equipment.com to order your parts

Description	Page
001 Parts Stocking List	12
001.1 Parts Stocking List	12
100 Decals	16
101.1 Decals with Words, Hydraulic Tank Side(to SN S85XCD-3031)	16
101.2 Decals with Words, Hydraulic Tank Side(from SN S85XCD-3032)	20
102.1 Decals with Words, Chassis(to SN S85XCD-3031)	24
102.2 Decals with Words, Chassis(from SN S85XCD-3032)	26
103.1 Decals with Words, Engine Side(to SN S85XCD-3031)	28
103.2 Decals with Words, Engine Side(from SN S85XCD-3032)	30
104.1 Decals with Words, Boom(to SN S85XCD-3031)	32
104.2 Decals with Words, Boom(from SN S85XCD-3032)	34
105.1 Decals with Words, Platform(to SN S85XCD-3031)	36
105.2 Decals with Words, Platform(from SN S85XCD-3032)	38
106.1 Decals with Symbols, Hydraulic Tank Side(to SN S85XCD-3031)	40
106.2 Decals with Symbols, Hydraulic Tank Side(from SN S85XCD-3032)	44
107.1 Decals with Symbols, Chassis(to SN S85XCD-3031)	48
107.2 Decals with Symbols, Chassis(from SN S85XCD-3032)	50
108.1 Decals with Symbols, Engine Side(to SN S85XCD-3031)	52
108.2 Decals with Symbols, Engine Side(from SN S85XCD-3032)	54
109.1 Decals with Symbols, Boom(to SN S85XCD-3031)	56
109.2 Decals with Symbols, Boom(from SN S85XCD-3032)	58
110.1 Decals with Symbols, Platform(to SN S85XCD-3031)	60
110.2 Decals with Symbols, Platform(from SN S85XCD-3032)	62
200 Drive Chassis Components.....	64
201.1 Steer End	64
202.1 Axle Installation	68
203.1 Oscillation Control Valve	72
204.1 Drive Hub Assembly with Brake (to SN S85XCD-2191, from SN S85XCD-2213 to S85XCD-2412, from SN S85XCD-2427)	74
204.2 Drive Hub Assembly with Brake (PMP) (from SN S85XCD-2192 to S85XCD-2212, from SN S85XCD-2413 to S85XCD-2426)	76
300 Turntable Components.....	80
301.1 Hydraulic and Fuel Tanks - Diesel Models	80
302.1 Hydraulic Tank Side Components, to S85XCD-2952	84
302.2 Hydraulic Tank Side Components, from S85XCD-2953	90
303.1 Turntable Covers - Hydraulic Tank Side	96
304.1 Turntable Covers - Engine Side	100
305.1 Turntable Components and Swivel Drive Assembly	104
306.1 Turntable Center Components	110

Table of Contents

Description	Page
307.1 Ground Control Box - View 1	114
308.1 Ground Control Box - View 2	116
309.1 Turntable Counterweight	118
310.1 Wire Harness Diagram	120
400 Engine Components	124
401.1 Deutz TD2011L04i Engine - View 1	124
402.1 Deutz TD2011L04i Engine - View 2	128
403.1 Deutz TD2011L04i Engine - View 3	130
404.1 Deutz TD2011L04i Engine - View 4	132
405.1 Deutz TD 2.9L4 Engine - View 1	134
406.1 Deutz TD 2.9L4 Engine - View 2	138
407.1 Deutz TD 2.9L4 Engine - View 3	142
408.1 Deutz TD 2.9L4 Engine - View 4	146
409.1 Deutz TD 2.9L China III Engine - View 1	150
410.1 Deutz TD 2.9L China III Engine - View 2	154
411.1 Deutz TD 2.9L China III Engine - View 3	158
412.1 Deutz TD 2.9L China III Engine - View 4	162
413.1 TCD 2.2 Engine - View 1	166
414.1 TCD 2.2 Engine - View 2	168
415.1 TCD 2.2 Engine - View 3	172
416.1 TCD 2.2 Engine - View 4	176
417.1 TCD 2.2 Engine - View 5	180
418.1 TCD 2.2 Engine - View 6	184
419.1 Engine Tray	188
420.1 Deutz TD2.9 L4 China IV Engine, View 1	192
421.1 Deutz TD2.9 L4 China IV Engine, View 2	196
422.1 Deutz TD2.9 L4 China IV Engine, View 3	198
423.1 Deutz TD2.9 L4 China IV Engine, View 4	202
424.1 Deutz TD2.9 L4 China IV Engine, View 5	206
425.1 Deutz TD2.9 L4 China IV Engine, View 6	210
500 Boom Components	214
501.1 Cable Track Installation	214
502.1 Extension Boom Tube 1, to S85XCD-2558	218
502.2 Extension Boom Tube 1, from S85XCD-2559	222
503.1 Extension Boom Tube 2	226
504.1 Extension Boom Tube 3	228
505.1 Cable Assembly and Primary Extension Cylinder	230
506.1 Boom Link Assembly - View 1	234
507.1 Boom Link Assembly - View 2	238
508.1 Jib Boom and Platform Rotator	240

Description	Page
509.1 Platform Installation	246
510.1 Platform Overload Components	248
600 Platform Components	250
601.1 Platform Configuration	250
602.1 Platform Components	252
602.2 Platform Components, China Option	256
603.1 Platform Control Box (to SN S85XCD-2558)	260
603.2 Platform Control Box (from SN S85XCD-2559)	264
604.1 Joysticks	270
700 Hydraulic Components	272
701.1 Traction Manifold	272
702.1 Two-Speed/Brake Manifold	276
703.1 Function Enable Valve and Platform Rotator Manifold	278
704.1 Platform Manifold (from SN S85XCD-2001 to S85XCD-2742)	280
704.2 Platform Manifold (from SN S85XCD-2743)	282
705.1 Function Manifold (from SN S85XCD-2001 to S85XCD-2081)	284
705.2 Function Manifold (from SN S85XCD-2082)	290
706.1 Generator Manifold	296
707.1 Pumps	298
708.1 4WD Drive and Steer System	300
709.1 Oscillate System	304
710.1 Turntable Components	306
711.1 Boom (from SN S85XCD-2001 to S85XCD-2081)	312
711.2 Boom (from SN S85XCD-2082)	316
800 Accessories	318
801.1 Alarm, Beacon Package and Driving Lights	318
802.1 Hostile Environment Package - Ground and Platform Control Box Covers	320
803.1 Hostile Environment Package - Booms	322
804.1 Hostile Environment Package - Turntable	324
805.1 Hostile Environment Package - Engine Air Cleaners	326
806.1 Hostile Environment Package - Cylinder Bellows	328
807.1 Welder Option, Chassis Components - 7.5KW Generator View 1	330
807.2 Welder Option, Chassis Components - 13KW Generator	334
808.1 Welder Option, Hoses and Fittings - View 2	338
809.1 3K Hydraulic Generator Option	340
810.1 3K Hydraulic Generator Option - Hoses and Fittings	342
811.1 Oil Cooler Components	344
812.1 Air Line/Power to Platform	346
813.1 Lift Guard Contact Alarm Option	350

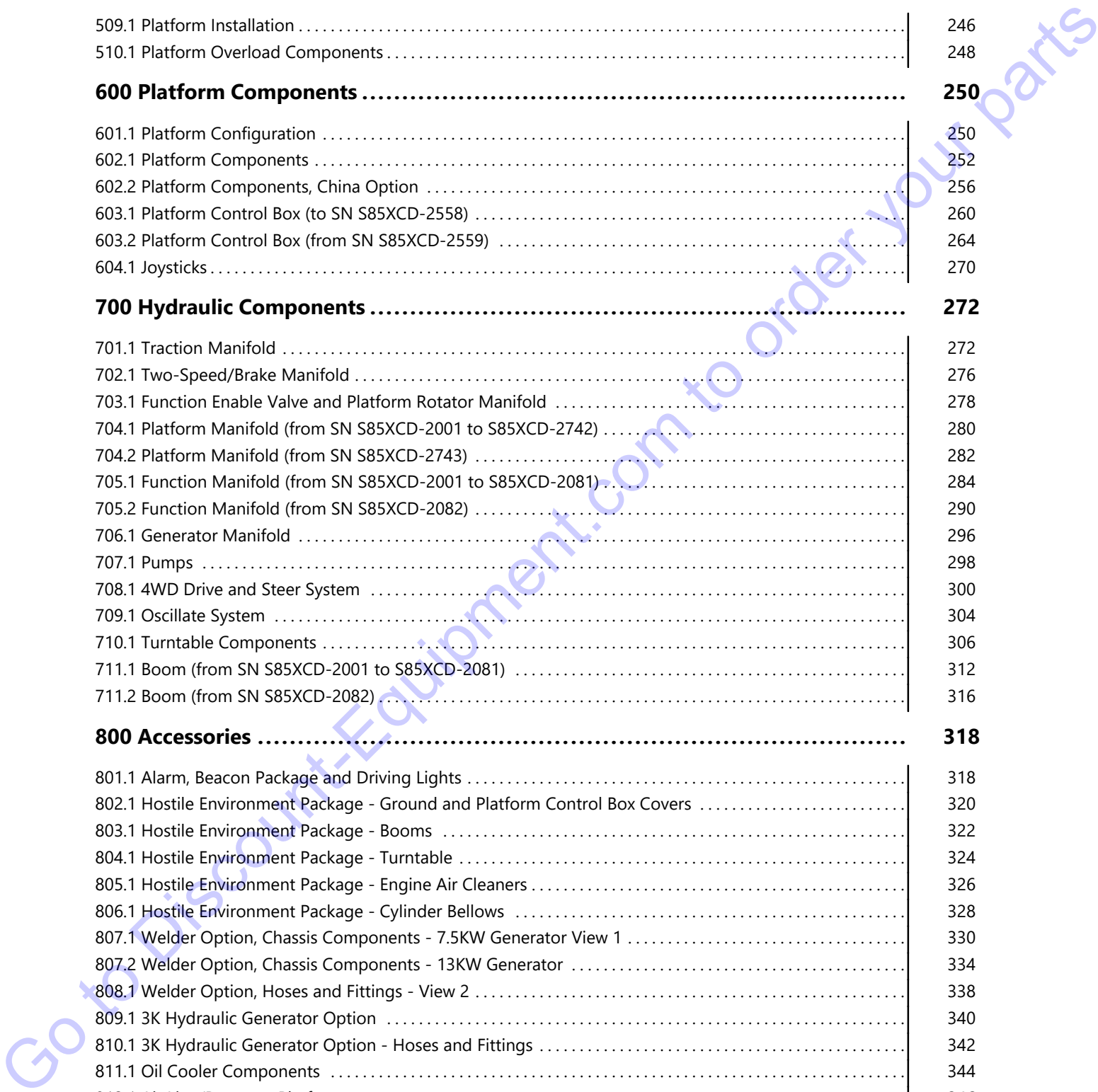


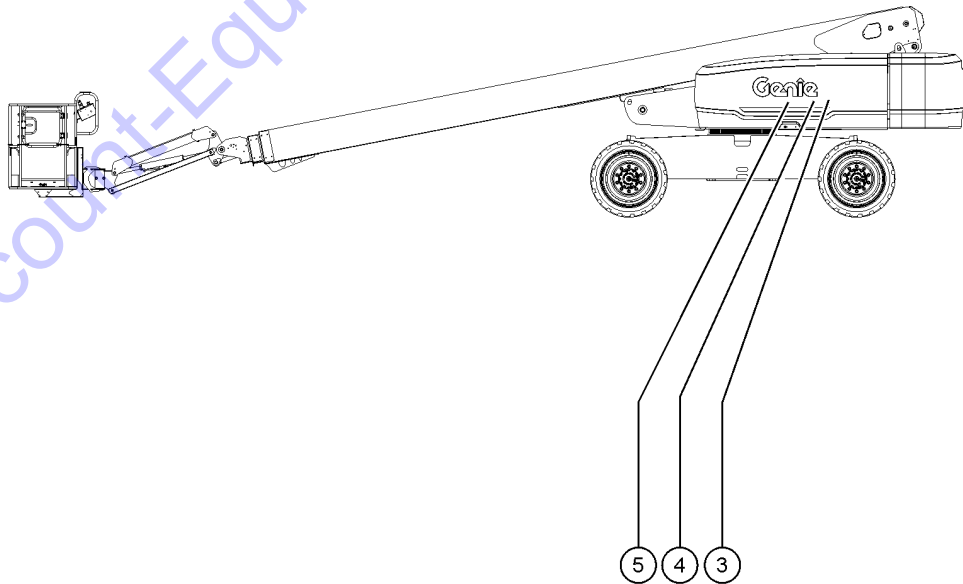
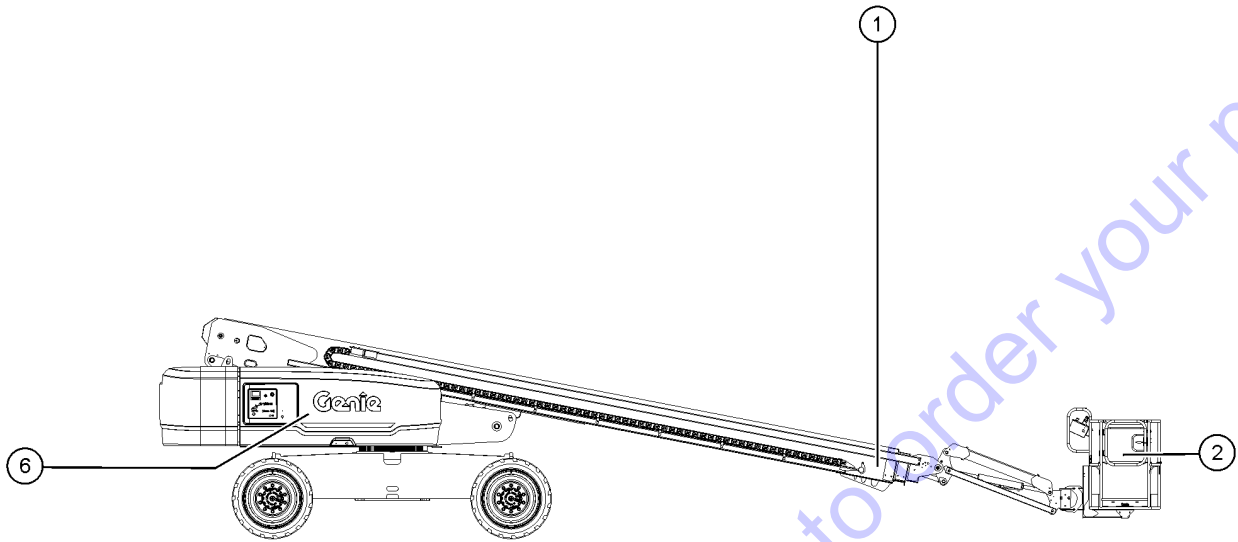
Table of Contents

Description	Page
814.1 China Telematics Option, TZ200	352
814.2 Telematics Option	354
815.1 Platform Installation, China Option	356
816.1 Work Light Package	358
817.1 Platform Accessories	360
818.1 Cold Start Package	362
819.1 Welder Option, Platform Components	364
820.1 Secondary guarding option	368
Part Number Index	370

Go to Discount-Equipment.com to order your parts

Go to Discount-Equipment.com to order your parts

001.1 Parts Stocking List

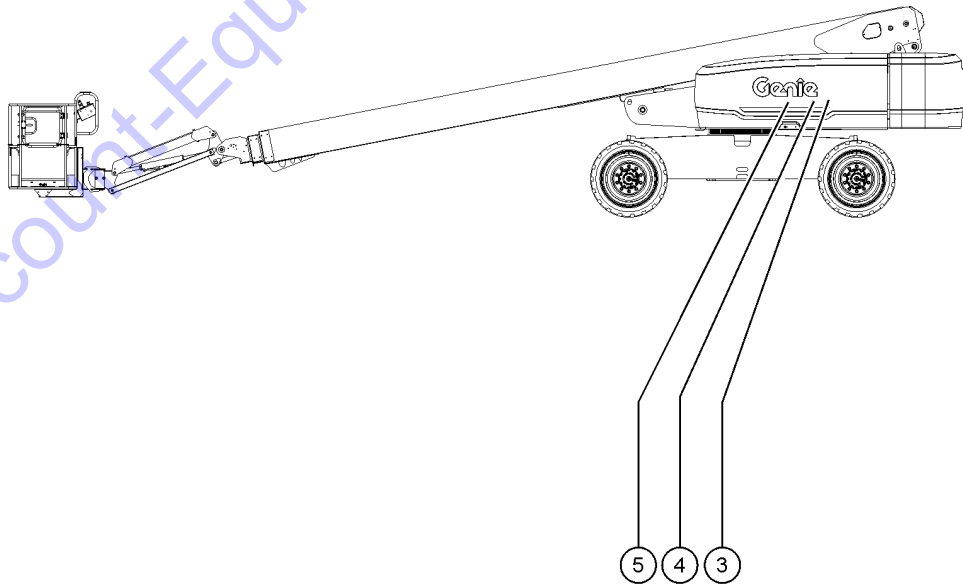
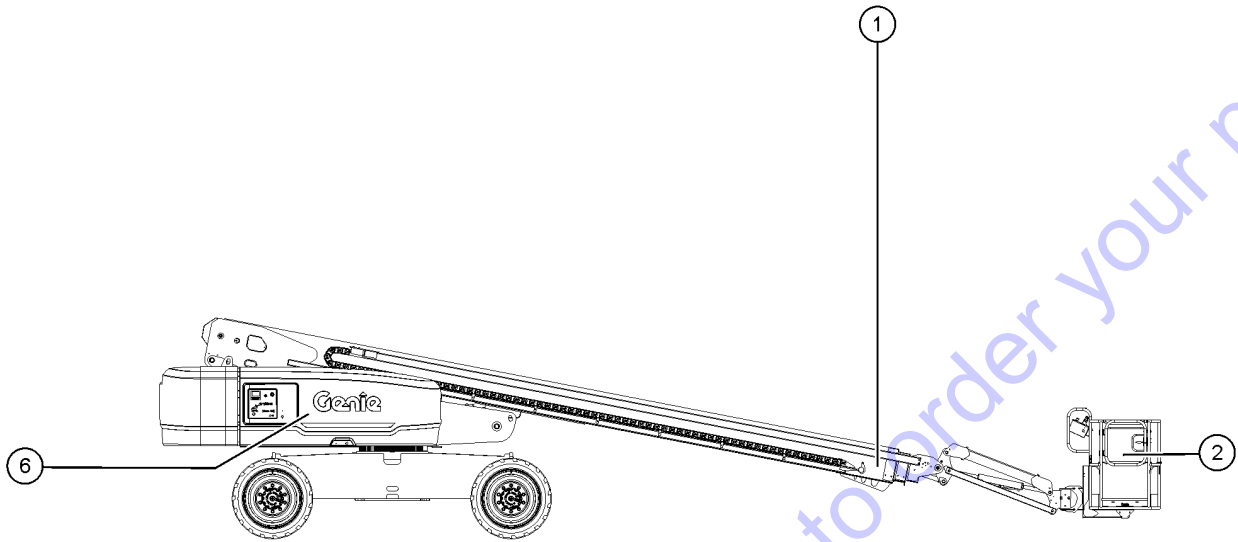


Go to Discount-Equipment.com to order your parts

Item	Part No.	Description	Qty.
A		—INSPECTION SERVICE KITS—	
A-	75097GT	CHOCK,SERVICE Lift cylinder (refer to 506.1)	
B		—GENERAL SERVICE PARTS—	
B-	1484GT	PAINT, AEROSOL, BRIGHT BLUE*** 12-ounce spray paint	
B-	1268GT	PAINT, AEROSOL, GENIE GRAY*** 12-ounce spray paint	
B-	1258567GT	PAINT, AEROSOL, TRAFFIC BLACK 12-ounce spray paint	
B-	32150GT	PAINT, WET, GENIE BLUE (1 GL)** 1-gallon	
B-	32151GT	PAINT, WET, GENIE GRAY (1GL)** 1-gallon	
B-	1257733GT	PAINT, WET, TRAFFIC BLACK(1 GL)** 1-gallon	
B-	66399GT	GREASE, DIELECTRIC 4 OZ**	
B-	60536GT	FUSE,20 AMP,MAXI	
B-	94327GT	FUSE,30 AMP	
B-	1283776GT	SEAL MARKER,CROSS CHECK,BLUE,TUBE	
B-	93500GT	PARKER DIGITAL PRESSURE GAUGE	
B-	49612GT	O-RING KIT (ORFS FITTINGS) O-ring kit, Parker	
B-	28750GT	O-RING KIT,FIELD SVC,ALL PROD* O-ring kit, SAE	
B-	33994GT	PLUG AND CAP KIT-SERVICE,37?*** Plug and cap kit, SAE	
B-	60334GT	FILTER ASSY,HIGH PRESS SAE-12	
1	1306377GT	ASSEMBLY, ANGLE SENSOR, BELLCRANK	1
2		—MANUALS—	
2-	27581GT	MANUAL, EMI SAFETY	
2-	31779GT	MANUAL,RESPON,A92.5 BOOM	
3		—DEUTZ TD2011L04i MODELS—	
3-	62425GT	FILTER,AIR CLEANER, SUPERBOOM (refer to 402.1)	
4		—DEUTZ TD 2.9L4 MODELS—	
4-	62425GT	FILTER,AIR CLEANER, SUPERBOOM (refer to 402.1)	
4-	214228GT	FILTER, DEUTZ 2.9, FUEL (refer to 408.1)	
4-	236260GT	FILTER, FUEL PRE-FILTER, SPIN-ON, DEUTZ (refer to 408.1)	



001.1 Parts Stocking List



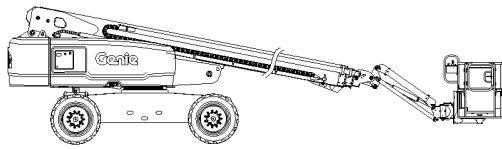
Go to Discount-Equipment.com to order your parts

Item	Part No.	Description	Qty.
4-	49924GT	FILTER,OIL,DEUTZ (refer to 405.1)	
4-	1262866GT	FAN BELT, ALTERNATOR (refer to 407.1)	
5		—GM 3.0L MODELS—	
5-	62420GT	FILTER,AIR*** (refer to 409.1)	
5-	65626GT	FILTER-FUEL, GM 3.0L ENGINE (refer to 412.1)	
5-	1271652GT	FILTER, FUEL, GM3.0L (refer to 412.1)	
5-	65623GT	FILTER-OIL, GM 3.0L ENGINE (refer to 412.1)	
5-	65621GT	BELT-FAN, GM 3.0L ENGINE (refer to 412.1)	
5-	58412GT	SPARK PLUG WIRE SET,GM 3.0 (refer to 412.1)	
6		—HYD FILTERS—	
6-	60857GT	FILTER,ELEMENT,BETA(5)=1000 All Models	
6-	1282117GT	FILTER,ELEMENT,HYD TANK,RETURN (refer to 301.1 and 302.1)	

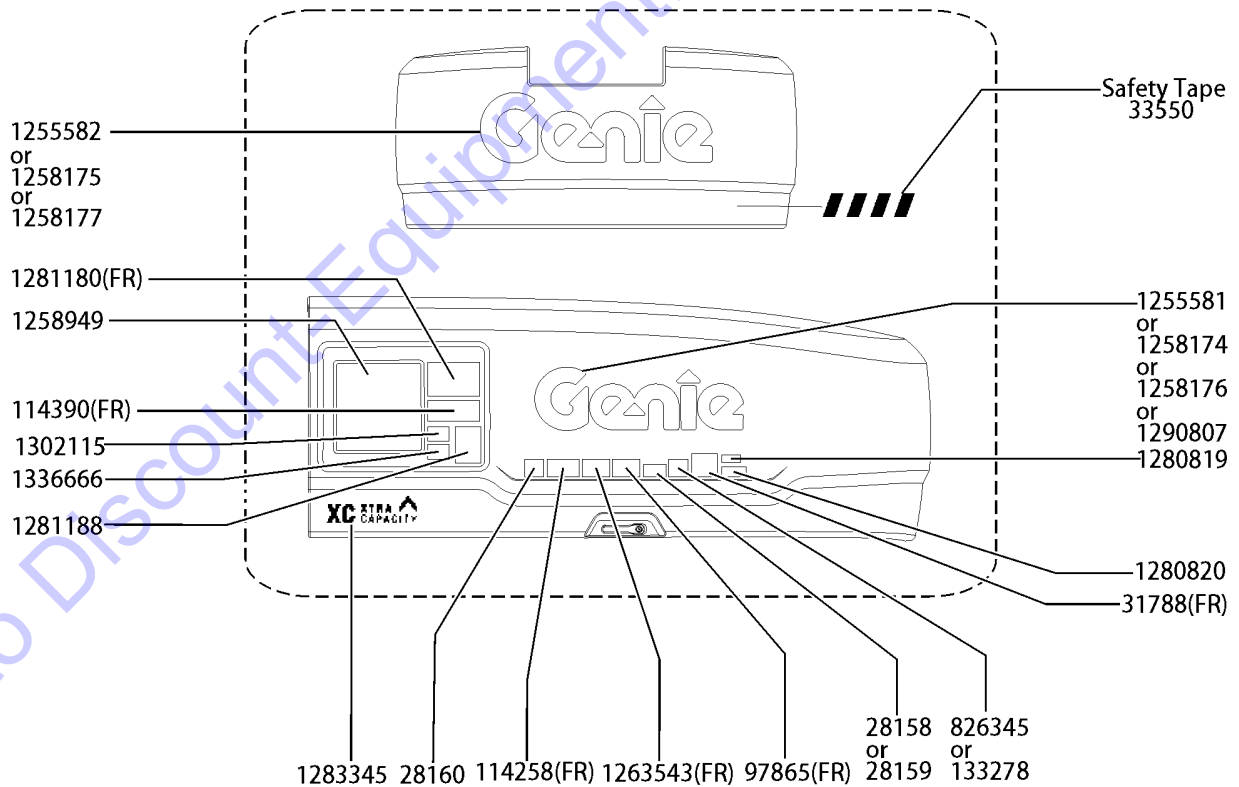
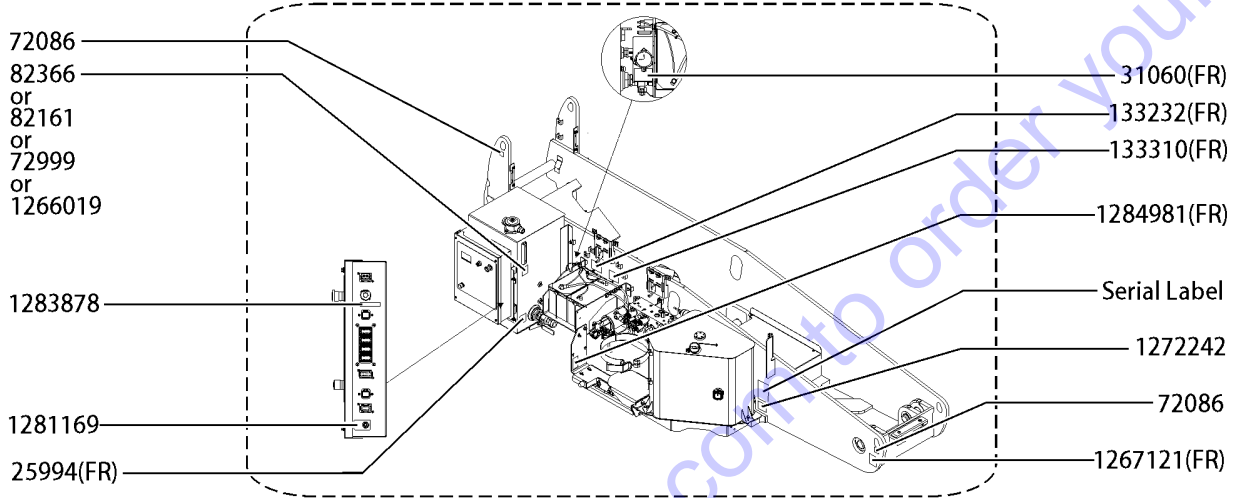
Go to Discount-Equipment.com to order your parts



101.1 Decals with Words, Hydraulic Tank Side(to SN S85XCD-3031)



NOTE:
Part numbers with "(FR)"
indicates French translation
is available



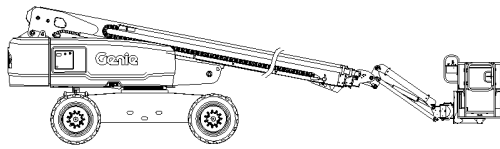
Go to DiscountEquipment.com to order your parts

101.1 Decals with Words, Hydraulic Tank Side(to SN S85XCD-3031)

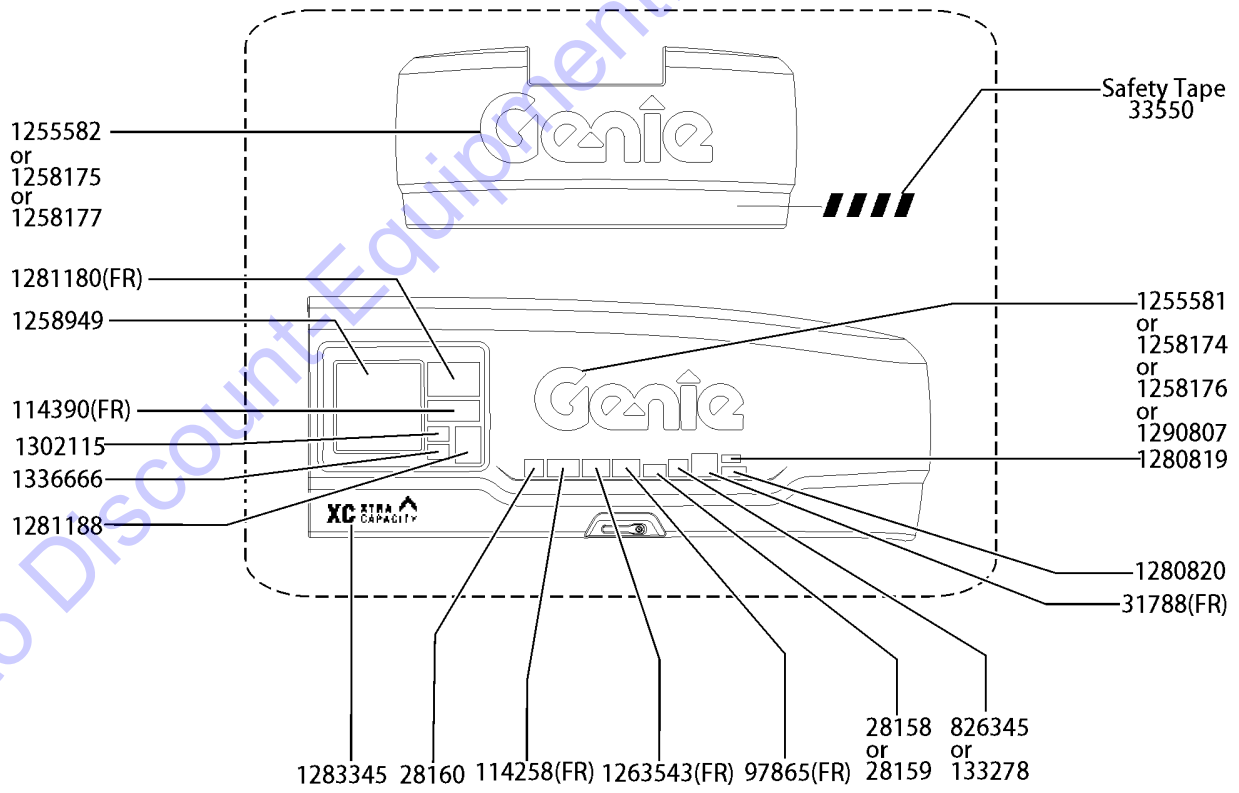
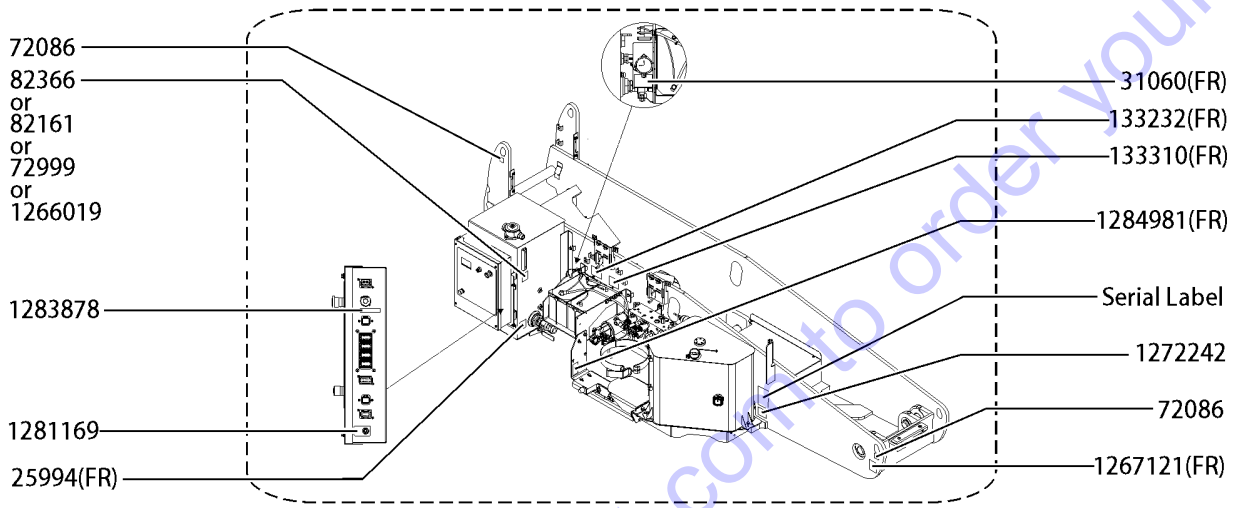
Item	Part No.	Description	Qty.
A		DECAL KIT,S8085 XC COMP,WORD,ANSI	
B		DECAL KIT,S8085 XC COMP,WORD,AUS	
C	1285294GT	INSTRUCTIONS,INSTALL,COMP,WORD	
D	33550GT	TAPE,WARNING,BLK/YEL, 50****	50
1	25994GT	DECAL,NOTICE,SHUTOFF VALVES	1
2	28158GT	DECAL,LABEL,UNLEADED GAS ONLY	1
		Option, fuel	
3	28159GT	DECAL,DIESEL	1
		Option, fuel	
4	28160GT	DECAL,LABEL,LIQUID PROPANE	1
		Option, LPG Tank	
5	31060GT	DECAL,DANGER DO NOT ALTER SWTC	1
6	31788GT	DECAL,DANGER,BATTERY SAFETY***	1
7	72086GT	DECAL,LABEL,LIFTING EYE	2
8	72999GT	DECAL,LABEL,PETRO CANADA***	1
		Option, hydraulic oil	
9	82161GT	DECAL,LABEL,UCON HYDROLUBE	1
		Option, hydraulic oil	
10	82366GT	DECAL, LABEL - CHEVRON RANDO	1
		Option, hydraulic oil	
11	97865GT	DECAL,WARN,ELECTRO HAZARD	1
12	114258GT	DECAL,DANGER,NO SMOKING	1
13	114390GT	DECAL,DANGER,ELECT HAZARD***	1
14	133232GT	DECAL,LABEL,AUX BATTERY	1
15	133278GT	DECAL,LOW/ULTRA LOW SULFR FUEL	1
		(TPEM/ROW) diesel models only	
16	133310GT	DECAL,LABEL,ENG STRT& CONTROLS	1
17	826345GT	DECAL,ULS DIESEL ONLY,TIER 4	1
		Tier 4	
18	1255581GT	DECAL,COSMETIC, 10" GENIE BLUE	1
19	1255582GT	DECAL COSMETIC,15" GENIE BLUE	1
20	1258174GT	DECAL, COSMETIC, 10", GENIE WHITE	1
21	1258175GT	DECAL COSMETIC,15" GENIE WHITE	1
22	1258176GT	DECAL, COSMETIC, 10", GENIE BLACK	1
23	1258177GT	DECAL COSMETIC,15" GENIE BLACK	1
24	1258949GT	OVERLAY GROUND CONTROLS S-BOOM JIB	1



101.1 Decals with Words, Hydraulic Tank Side(to SN S85XCD-3031)



NOTE:
Part numbers with "(FR)" indicates French translation is available



Go to DiscountEquipment.com to order your parts



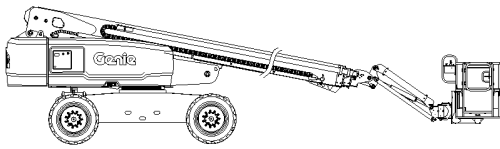
101.1 Decals with Words, Hydraulic Tank Side(to SN S85XCD-3031)

Item	Part No.	Description	Qty.
25	1263543GT	DECAL, WARNING, IMPROPER OPERATION	1
26	1266019GT	DECAL, LABEL, SHELL TELLUS Option, hydraulic oil	1
27	1267121GT	DECAL, BOOM SUPPORT	1
28	1272242G	DECAL,MACHINE REGISTRATION/OWNER TRANSFER	1
29	1280819GT	DECAL,WARNING,CANCER AND REPRODUCTIVE HARM, PROP 65 (US only)	1
30	1280820GT	DECAL,FUEL,DIESEL EXHAUST, PROP 65 (US only)	1
31	1281169GT	DECAL,RECOVERY SWITCH	1
32	1281180GT	DECAL,OPERATING INSTRUCTIONS	1
33	1281188GT	DECAL,EMERGENCY LOWERING	1
34	1283345GT	DECAL, COVER, XC XTRA CAPACITY	1
35	1283878GT	DECAL, TECHPRO LINK	1
36	1284981GT	DECAL,ACCUMULATOR EXPLOSION HAZARD,WORD	1
37	1290807GT	DECAL,COSMETIC,13.5" GENIE, WHITE	1
38	1302115GT	QR CODE GENIE AWP (Chinese market)	1
39	1336666GT	QR DECAL, DYNAMIC, GENIE 360, SERIAL HUB	1

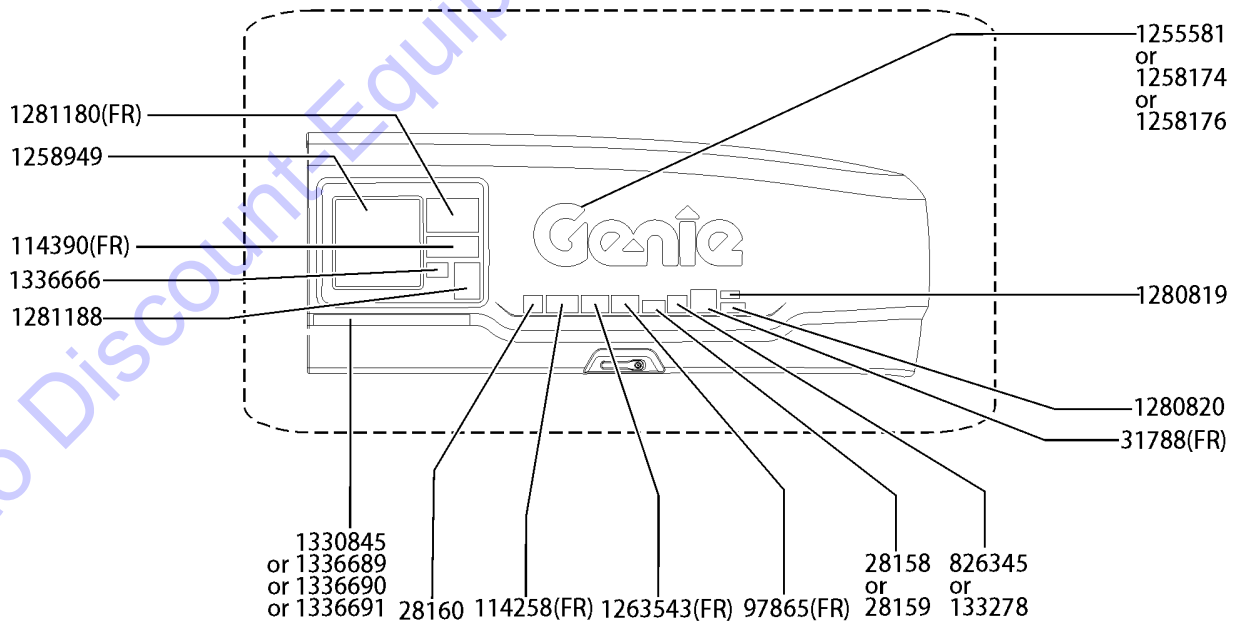
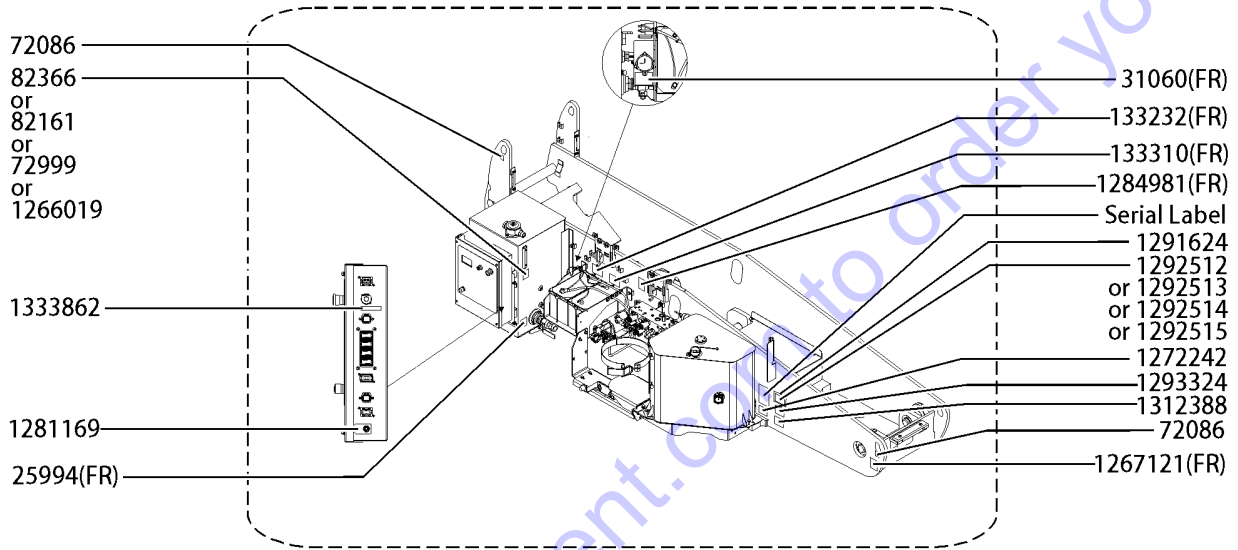
Go to Discount-Equipment.com to order your parts



101.2 Decals with Words, Hydraulic Tank Side(from SN S85XCD-3032)



NOTE:
Part numbers with "(FR)" indicates French translation is available



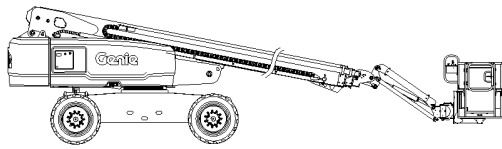
Go to DiscountEquipment.com to order your parts

101.2 Decals with Words, Hydraulic Tank Side(from SN S85XCD-3032)

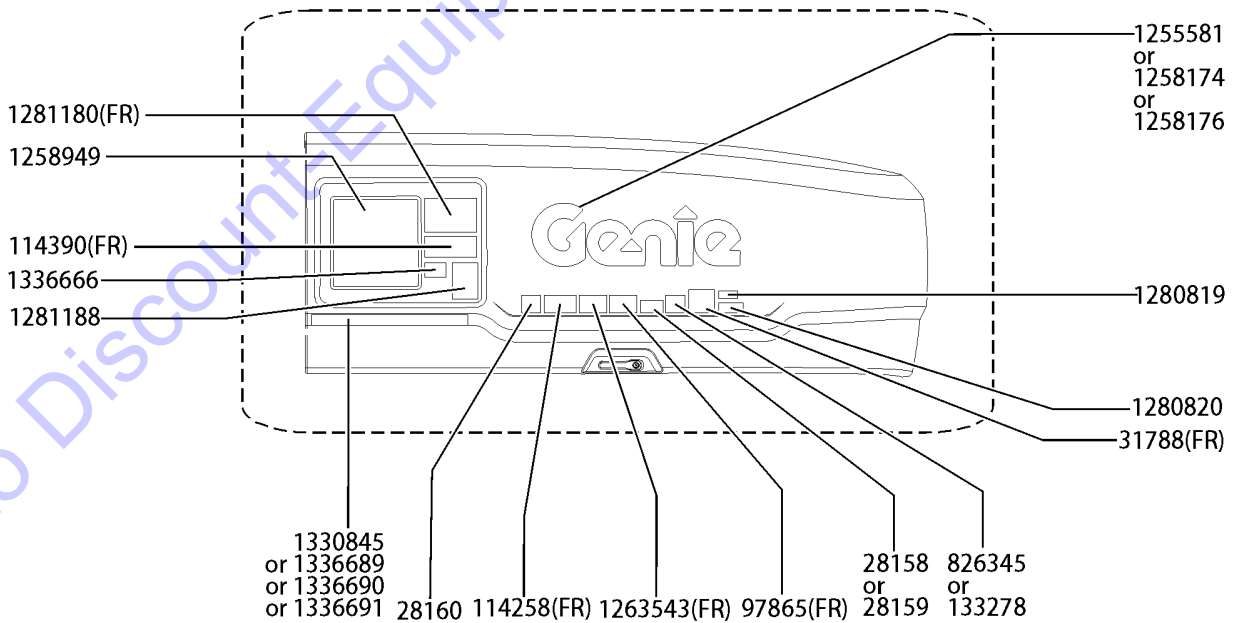
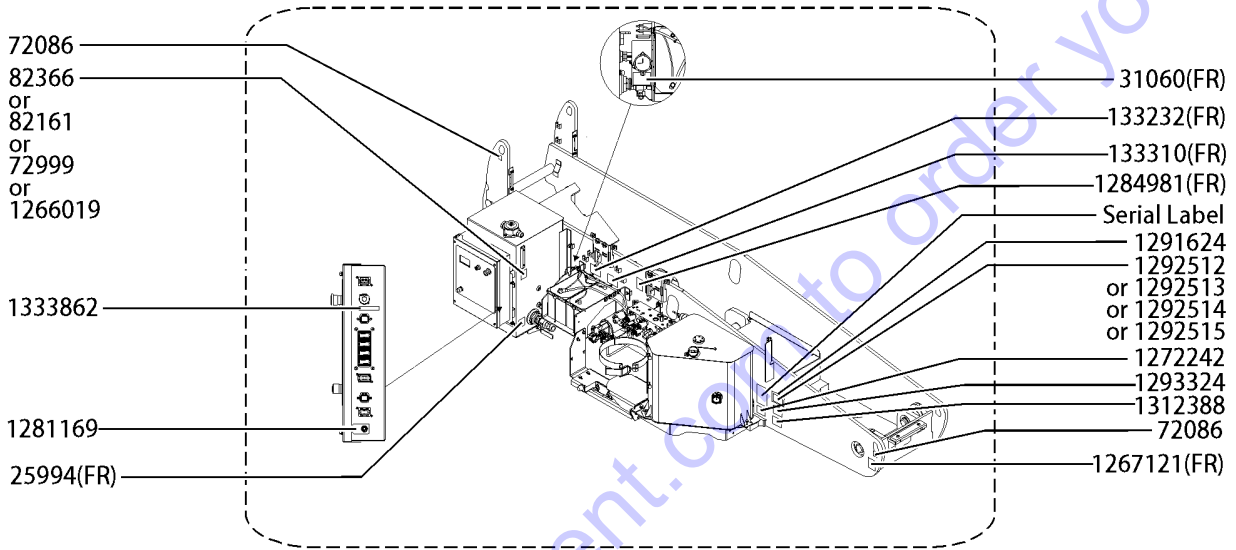
Item	Part No.	Description	Qty.
1	25994GT	DECAL,NOTICE,SHUTOFF VALVES	1
2	28158GT	DECAL,LABEL,UNLEADED GAS ONLY	1
		Option, fuel	
3	28159GT	DECAL,DIESEL	1
		Option, fuel	
4	28160GT	DECAL,LABEL,LIQUID PROPANE	1
		Option, LPG Tank	
5	31060GT	DECAL,DANGER DO NOT ALTER SWTC	1
6	31788GT	DECAL,DANGER,BATTERY SAFETY***	1
7	72086GT	DECAL,LABEL,LIFTING EYE	2
8	72999GT	DECAL,LABEL,PETRO CANADA***	1
		Option, hydraulic oil	
9	82366GT	DECAL, LABEL - CHEVRON RANDO	1
		Option, hydraulic oil	
10	82161GT	DECAL,LABEL,UCON HYDROLUBE	1
		Option, hydraulic oil	
11	97865GT	DECAL,WARN,ELECTRO HAZARD	1
12	114258GT	DECAL,DANGER,NO SMOKING	1
13	114390GT	DECAL,DANGER,ELECT HAZARD***	1
14	133232GT	DECAL,LABEL,AUX BATTERY	1
15	133278GT	DECAL,LOW/ULTRA LOW SULFR FUEL	1
		(TPEM/ROW) diesel models only	
16	133310GT	DECAL,LABEL,ENG STRT& CONTROLS	1
17	826345GT	DECAL,ULS DIESEL ONLY,TIER 4	1
		Tier 4	
18	1255581GT	DECAL,COSMETIC, 10" GENIE BLUE	1
		Blue	
19	1258174GT	DECAL, COSMETIC, 10", GENIE WHITE	1
		White	
20	1258176GT	DECAL, COSMETIC, 10", GENIE BLACK	1
		Black	
21	1258949GT	OVERLAY GROUND CONTROLS S-BOOM JIB	1
22	1263543GT	DECAL, WARNING, IMPROPER OPERATION	1
23	1266019GT	DECAL, LABEL, SHELL TELLUS	1
		Option, hydraulic oil	
24	1267121GT	DECAL, BOOM SUPPORT	1
25	1272242GT	DECAL,MACHINE REGISTRATION/OWNER TRANSFER	1
26	1280819GT	DECAL,WARNING,CANCER AND REPRODUCTIVE HARM, PROP 65	1
		(US only)	
27	1280820GT	DECAL,FUEL,DIESEL EXHAUST, PROP 65	1
		(US only)	
28	1281169GT	DECAL,RECOVERY SWITCH	1



101.2 Decals with Words, Hydraulic Tank Side(from SN S85XCD-3032)



NOTE:
Part numbers with "(FR)" indicates French translation is available



Go to DiscountEquipment.com to order your parts

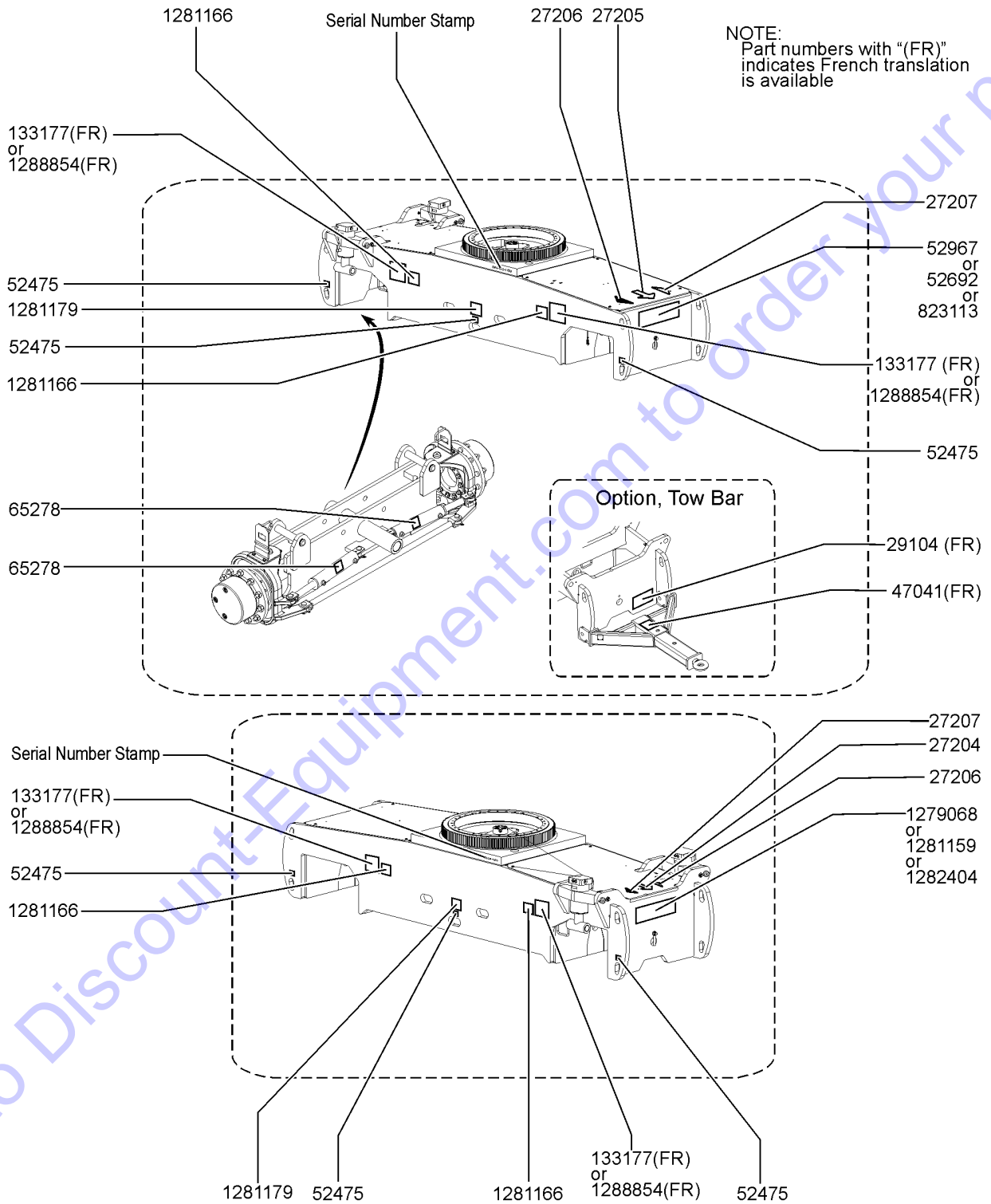
101.2 Decals with Words, Hydraulic Tank Side(from SN S85XCD-3032)

Item	Part No.	Description	Qty.
29	1281180GT	DECAL,OPERATING INSTRUCTIONS	1
30	1281188GT	DECAL,EMERGENCY LOWERING	1
31	1284981GT	DECAL,ACCUMULATOR EXPLOSION HAZARD,WORD	1
32	1291624GT	DECAL COSM,GENIE LIFT CONNECT,LEXAN COVER	1
33	1292512GT	DECAL COSM,GENIE LIFT CONNECT,ESN,SKU4-1	1
34	1292513GT	DECAL COSM,GENIE LIFT CONNECT,ESN,SKU4-2	1
35	1292514GT	DECAL COSM,GENIE LIFT CONNECT,ESN,SKU4-3	1
36	1292515GT	DECAL COSM,GENIE LIFT CONNECT,ESN,SKU4-4	1
37	1293324GT	DECAL, ICES-2/CAN-2 COMPLIANCE	1
38	1312388GT	DECAL, 13FT (4M) PLATFRM, MAX ALLOWBLE CHASSIS INCLIN, WORD	1
39	1330845GT	DECAL, COSMETIC, S-85 XC, LEFT SIDE, 696 X 46 MM	1
40	1333862GT	DECAL, COSMETIC, TECH^PRO LINK	1
41	1336666GT	QR DECAL, DYNAMIC, GENIE 360, SERIAL HUB	1
42	1336689GT	DECAL, COSMETIC, S-85 XC, LEFT SIDE, BLACK, 696 X 46 MM	1
		Black	
43	1336690GT	DECAL, COSMETIC, S-85 XC, LEFT SIDE, WHITE, 696 X 46 MM	1
		White	
44	1336691GT	DECAL, COSMETIC, S-85 XC, LEFT SIDE, BLUE, 696 X 46 MM	1
		Blue	

Go to Discount-Equipment.com to order your parts



102.1 Decals with Words, Chassis(to SN S85XCD-3031)



Go to Discount-Equipment.com to order your parts

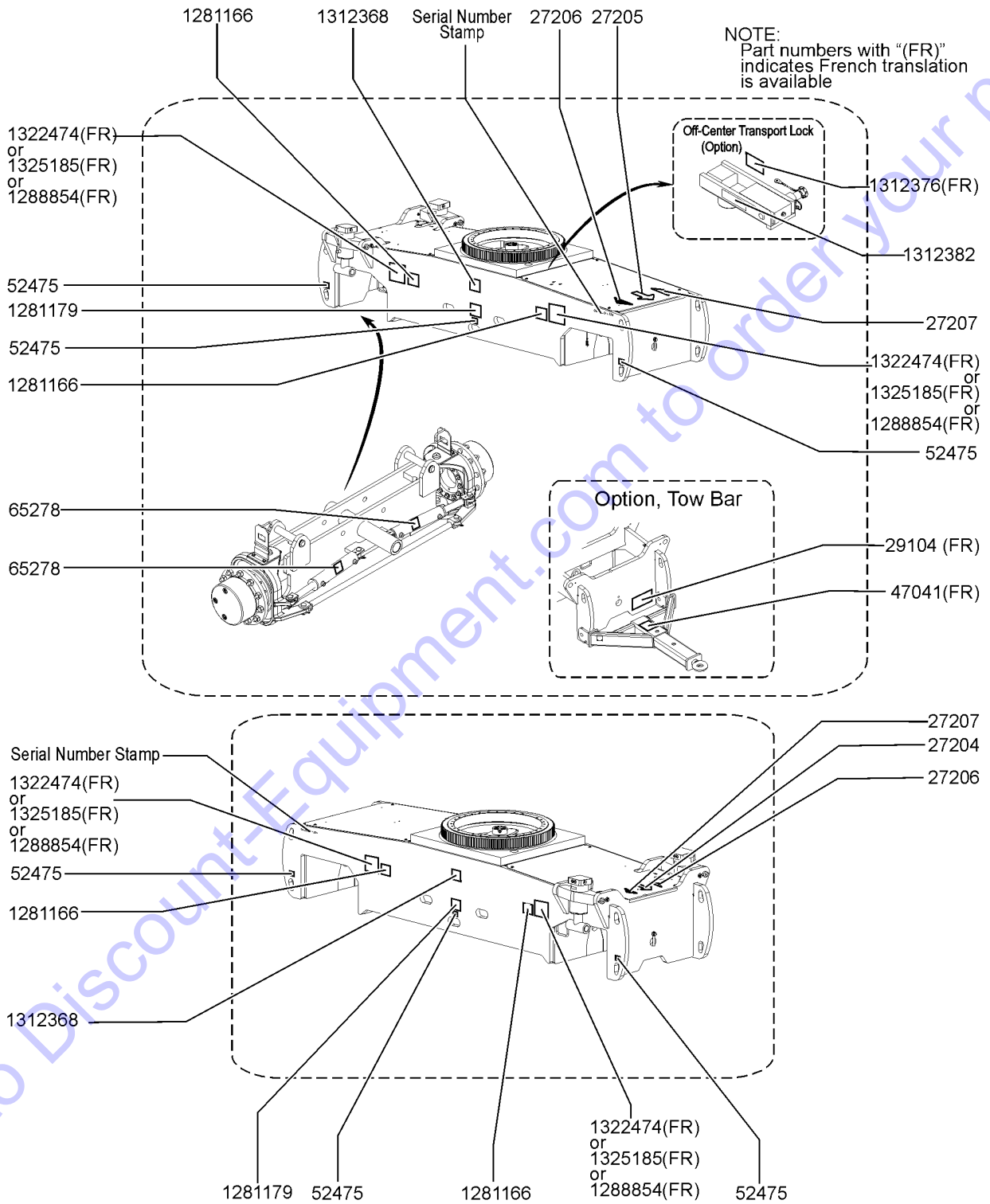
102.1 Decals with Words, Chassis(to SN S85XCD-3031)

Item	Part No.	Description	Qty.
1	27204GT	DECAL,ARROW BLUE	1
2	27205GT	DECAL,ARROW YELLOW LRG 9"	1
3	27206GT	DECAL,TRIANGLE,BLUE	2
4	27207GT	DECAL,TRIANGLE,YELLOW	2
5	29104GT	DECAL,TOWING INSTRUCTIONS	1
		Option, tow	
6	47041GT	DECAL,CAUTION,TOWING SPEED	1
		Option, tow	
7	52475GT	DECAL LABEL TRANSPORT TIE DOWN*	6
8	52692GT	DECAL,COSMETIC,4X4 BLUE	1
9	52967GT	DECAL,COSMETIC,4 X 4	1
10	65278GT	DECAL,CAUTION,NO STEP	2
11	133177GT	DECAL,DANGER/LABEL,TIRE SPECS	4
		(foam filled)	
12	823113GT	DECAL,COSM,4X4,BLACK	1
13	1279068GT	DECAL, CHASSIS, S-85 XC	1
14	1281159GT	DECAL, CHASSIS, S-85 XC, BLUE	1
15	1281166GT	DECAL,LABEL,WHEEL LOAD S85 XC	4
16	1281179GT	DECAL,TRANSPORT/LIFTING, S-80/85 XC	2
17	1282404GT	DECAL, CHASSIS, S-85 XC, BLK	1
18	1288854GT	DECAL,DANGER/LABEL,TIRE SPEC,HF	4
		(High Flotation ANSI &CSA only)	

Go to Discount-Equipment.com to order your parts



102.2 Decals with Words, Chassis(from SN S85XCD-3032)



Go to Discount-Equipment.com to order your parts

102.2 Decals with Words, Chassis(from SN S85XCD-3032)

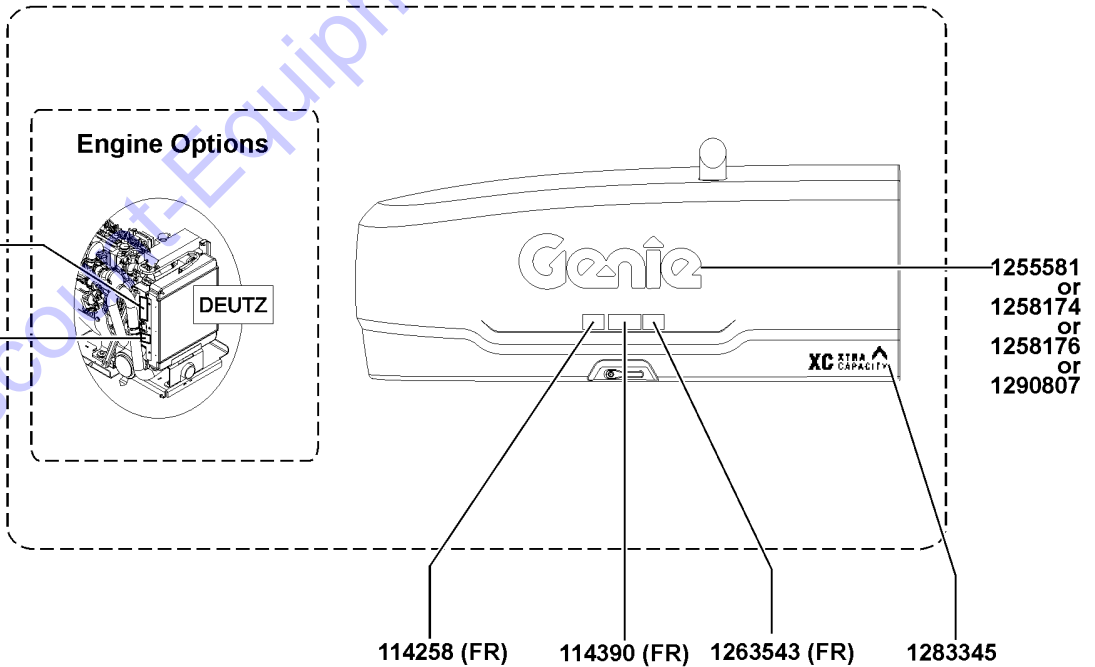
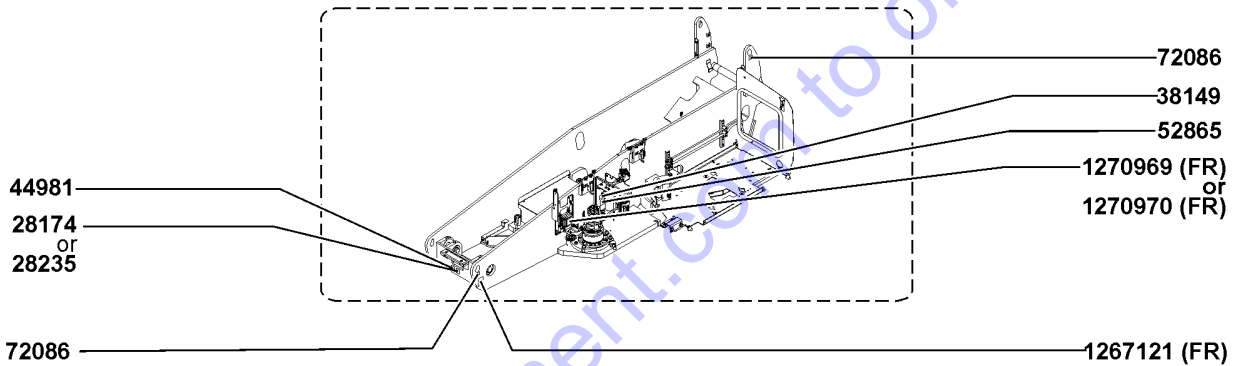
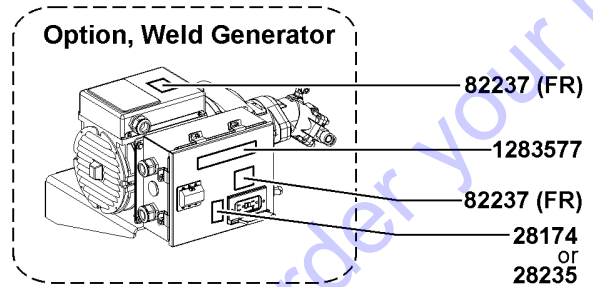
Item	Part No.	Description	Qty.
1	27204GT	DECAL,ARROW BLUE	1
2	27205GT	DECAL,ARROW YELLOW LRG 9"	1
3	27206GT	DECAL,TRIANGLE,BLUE	2
4	27207GT	DECAL,TRIANGLE,YELLOW	2
5	29104GT	DECAL,TOWING INSTRUCTIONS	1
		Option, tow	
6	47041GT	DECAL,CAUTION,TOWING SPEED	1
		Option, tow	
7	52475GT	DECAL LABEL TRANSPORT TIE DOWN*	6
8	65278GT	DECAL,CAUTION,NO STEP	2
9	1281166GT	DECAL,LABEL,WHEEL LOAD S85 XC	4
10	1281179GT	DECAL,TRANSPORT/LIFTING, S-80/85 XC	2
11	1288854GT	DECAL,DANGER/LABEL,TIRE SPEC,HF	4
		high flotation	
12	1312368GT	DECAL, SWING LOCK, 13FT (4M) PLATFORM S-85XC	2
13	1312376GT	DECAL, WARNING, CRUSHING HAZARD, WORD	1
14	1312382GT	DECAL, LOCK TRANSPORT, S85XC	1
15	1322474GT	DECAL,DANGER/NOTICE,TIRESPECS,S80/85XC,Z80	4
		foam filled tiers	
16	1325185GT	DECAL,DANGER/LABEL,TIRE SPECS	4
		solid tires	

Go to Discount-Equipment.com to order your parts



103.1 Decals with Words, Engine Side(to SN S85XCD-3031)

NOTE:
Part numbers with "(FR)" indicates French translation is available



Go to Discount Equipment. Com to order your parts

103.1 Decals with Words, Engine Side(to SN S85XCD-3031)

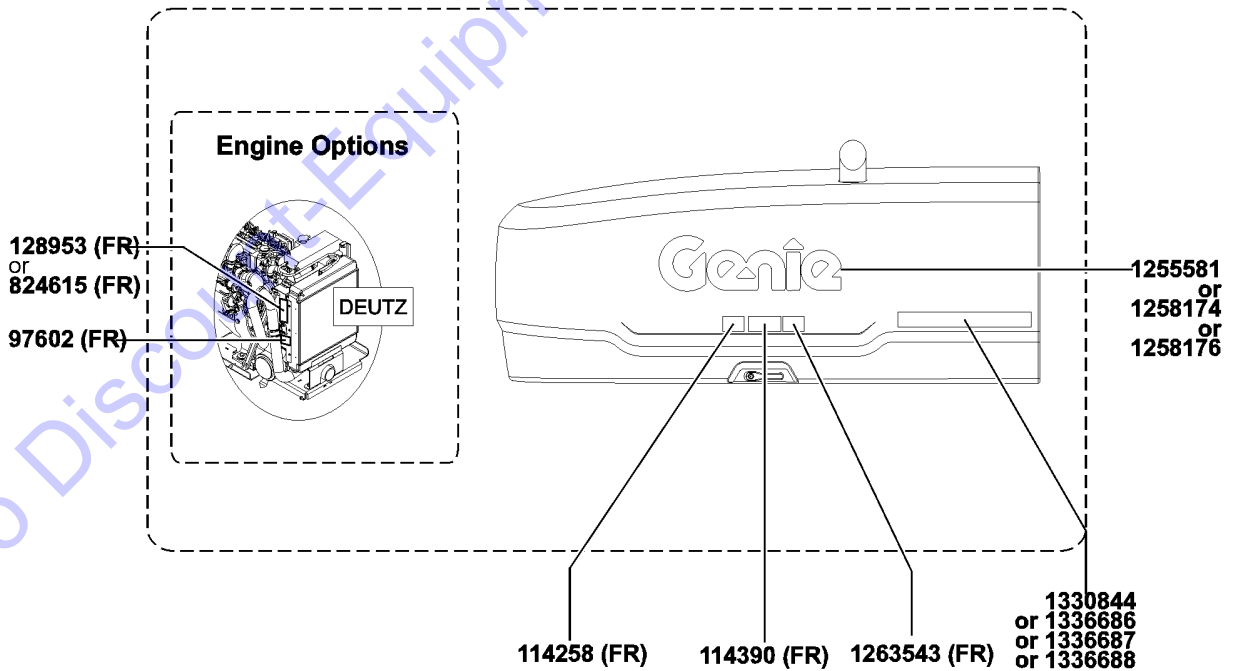
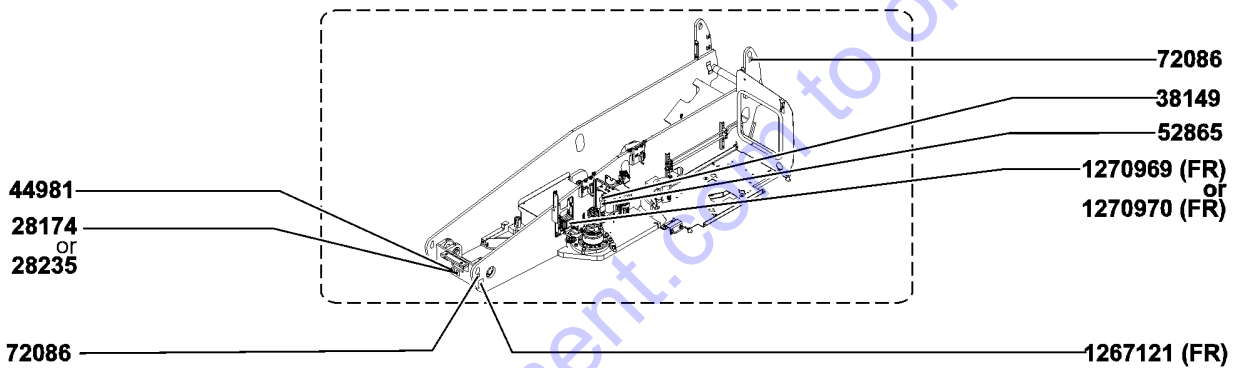
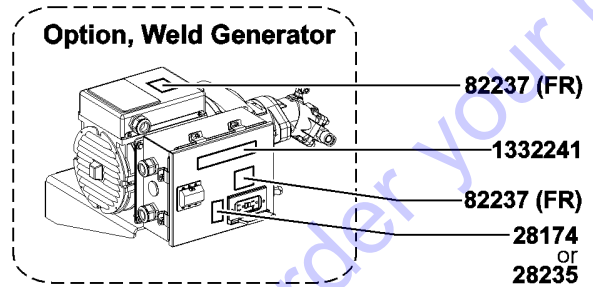
Item	Part No.	Description	Qty.
1	28174GT	DECAL, POWER TO PLATFORM 230V** Option, Power to plat	2
2	28235GT	DECAL, POWER TO PLATFORM 115V** Option, Power to plat	2
3	38149GT	DECAL LABEL PATENTS (US Only)	1
4	44981GT	DECAL,LABEL, AIR LINE 110 PSI Option, airline to plat	1
5	52865GT	DECAL,ANNUAL INSP*** (US Only)	1
6	72086GT	DECAL,LABEL,LIFTING EYE	2
7	82237GT	DECAL,DANGER,HIGH VOLTAGE (Option, Weld generator)	2
8	97602GT	DECAL,EXPLOSION HAZARD	1
9	114258GT	DECAL,DANGER,NO SMOKING	1
10	114390GT	DECAL,DANGER,ELECT HAZARD***	1
11	128953GT	DECAL,ENGINE SPEC,DEUTZ,TD2011 Deutz TD2011L04i	1
12	824615GT	DECAL,ENGINE SPEC,DEUTZ TD2.9 Deutz TD 2.9L4	1
13	1255581GT	DECAL,COSMETIC, 10" GENIE BLUE	1
14	1258174GT	DECAL, COSMETIC, 10", GENIE WHITE	1
15	1258176GT	DECAL, COSMETIC, 10", GENIE BLACK	1
16	1263543GT	DECAL, WARNING, IMPROPER OPERATION	1
17	1267121GT	DECAL, BOOM SUPPORT	1
18	1270969GT	DECAL, VEC, DEUTZ2.9T, S80 Deutz TD 2.9L4	1
19	1270970GT	DECAL, VEC, DEUTZ2011T, S80 Deutz TD2011L04i	1
20	1283345GT	DECAL, COVER, XC XTRA CAPACITY	1
21	1283577GT	DECAL, LIFT^POWER, 1X7 INCH (Option, Welder)	1
22	1290807GT	DECAL,COSMETIC,13.5" GENIE, WHITE	1

Go to DiscountSupply.com to order your parts



103.2 Decals with Words, Engine Side(from SN S85XCD-3032)

NOTE:
Part numbers with "(FR)" indicates French translation is available



Go to Discount Equipment. Com to order your parts

103.2 Decals with Words, Engine Side(from SN S85XCD-3032)

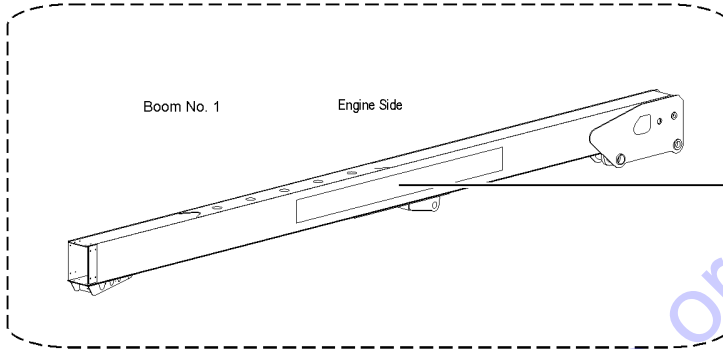
Item	Part No.	Description	Qty.
1	28174GT	DECAL, POWER TO PLATFORM 230V** Option, Power to plat	2
2	28235GT	DECAL, POWER TO PLATFORM 115V** Option, Power to plat	2
3	38149GT	DECAL LABEL PATENTS (US Only)	1
4	44981GT	DECAL,LABEL, AIR LINE 110 PSI Option, airline to plat	1
5	52865GT	DECAL,ANNUAL INSP*** (US Only)	1
6	72086GT	DECAL,LABEL,LIFTING EYE	2
7	82237GT	DECAL,DANGER,HIGH VOLTAGE (Option, Weld generator)	2
8	97602GT	DECAL,EXPLOSION HAZARD	1
9	114258GT	DECAL,DANGER,NO SMOKING	1
10	114390GT	DECAL,DANGER,ELECT HAZARD***	1
11	128953GT	DECAL,ENGINE SPEC,DEUTZ,TD2011 Deutz TD2011L04i	1
12	824615GT	DECAL,ENGINE SPEC,DEUTZ TD2.9 Deutz TD 2.9L4	1
13	1255581GT	DECAL,COSMETIC, 10" GENIE BLUE Blue	1
14	1258174GT	DECAL, COSMETIC, 10", GENIE WHITE White	1
15	1258176GT	DECAL, COSMETIC, 10", GENIE BLACK Black	1
16	1263543GT	DECAL, WARNING, IMPROPER OPERATION	1
17	1267121GT	DECAL, BOOM SUPPORT	1
18	1270969GT	DECAL, VEC, DEUTZ2.9T, S80 Deutz TD 2.9L4	1
19	1270970GT	DECAL, VEC, DEUTZ2011T, S80 Deutz TD2011L04i	1
20	1330844GT	DECAL, COSMETIC, S-85 XC, RIGHT SIDE, 696 X 46 MM	1
21	1332241GT	DECAL, COSMETIC, LIFT POWER, GENERATOR, 192 X 27 MM	1
22	1336686GT	DECAL, COSMETIC, S-85 XC, RIGHT SIDE, BLUE, 696 X 46 MM Blue	1
23	1336687GT	DECAL, COSMETIC, S-85 XC, RIGHT SIDE, BLACK, 696 X 46 MM Black	1
24	1336688GT	DECAL, COSMETIC, S-85 XC, RIGHT SIDE, WHITE, 696 X 46 MM White	1

Go to DiscountEquipment.com to order your parts



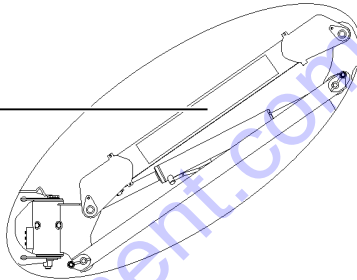
104.1 Decals with Words, Boom(to SN S85XCD-3031)

NOTE:
Part numbers with "(FR)"
indicates French translation
is available

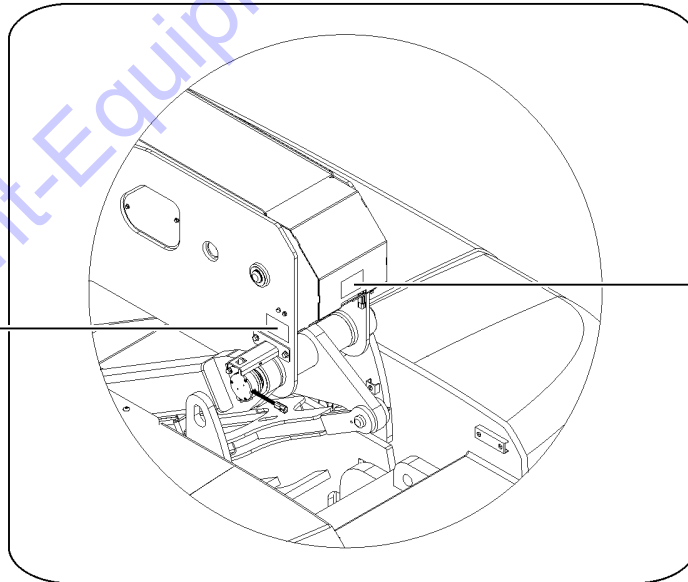


1279067
or
1281158
or
1282402

1283744



31060 (FR)



31060 (FR)

Go to Discount-Equipment.com to order your parts

104.1 Decals with Words, Boom(to SN S85XCD-3031)

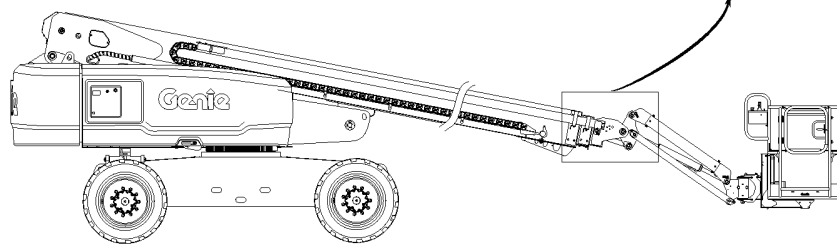
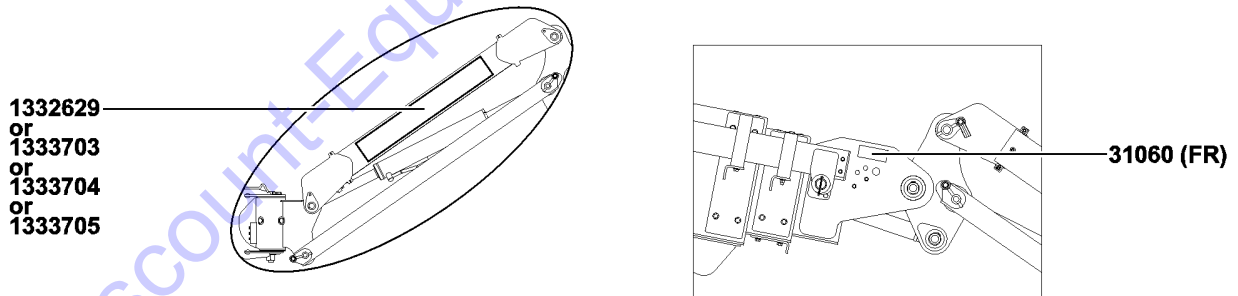
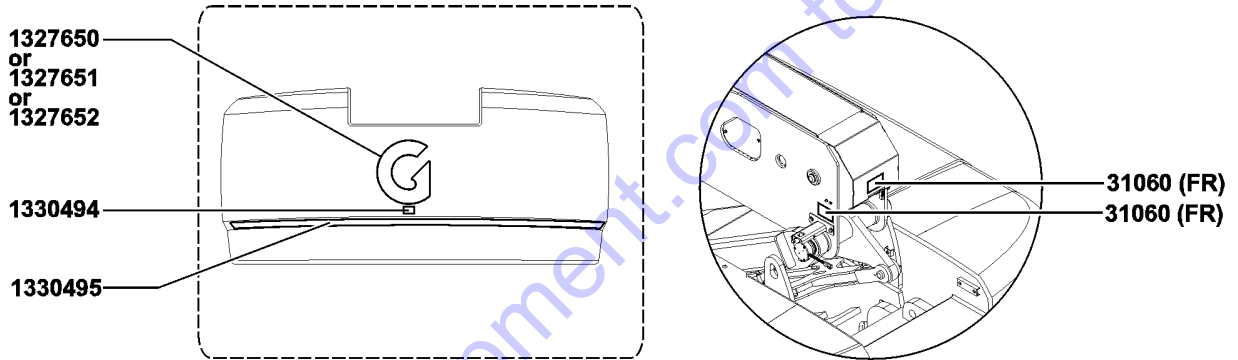
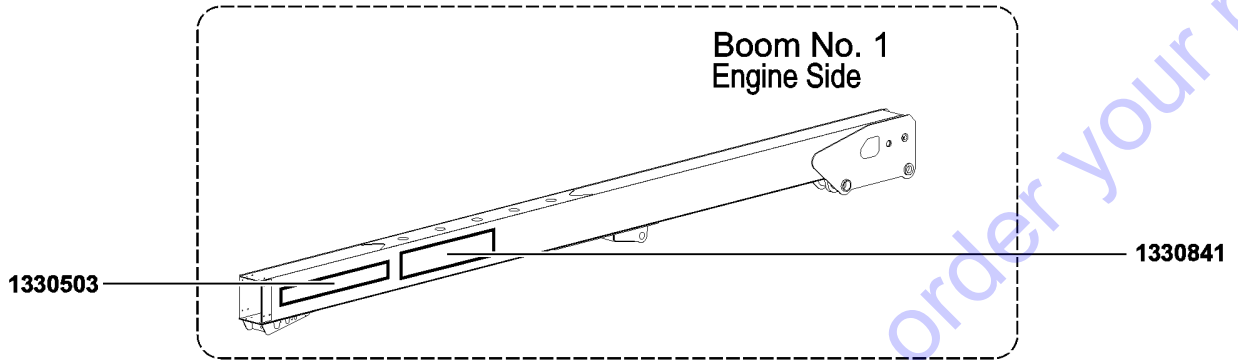
Item	Part No.	Description	Qty.
1	31060GT	DECAL,DANGER DO NOT ALTER SWTC	2
2	1279067GT	DECAL, BOOM, GENIE S-85 XC	1
3	1281158GT	DECAL, BOOM, GENIE S-85 XC, BLUE	1
4	1282402GT	DECAL, BOOM, GENIE S-85 XC, BLK	1
5	1283744GT	DECAL, LIFT^POWER	1
		(Option, welder)	

Go to Discount-Equipment.com to order your parts



104.2 Decals with Words, Boom(from SN S85XCD-3032)

NOTE:
Part numbers with "(FR)"
indicates French translation
is available



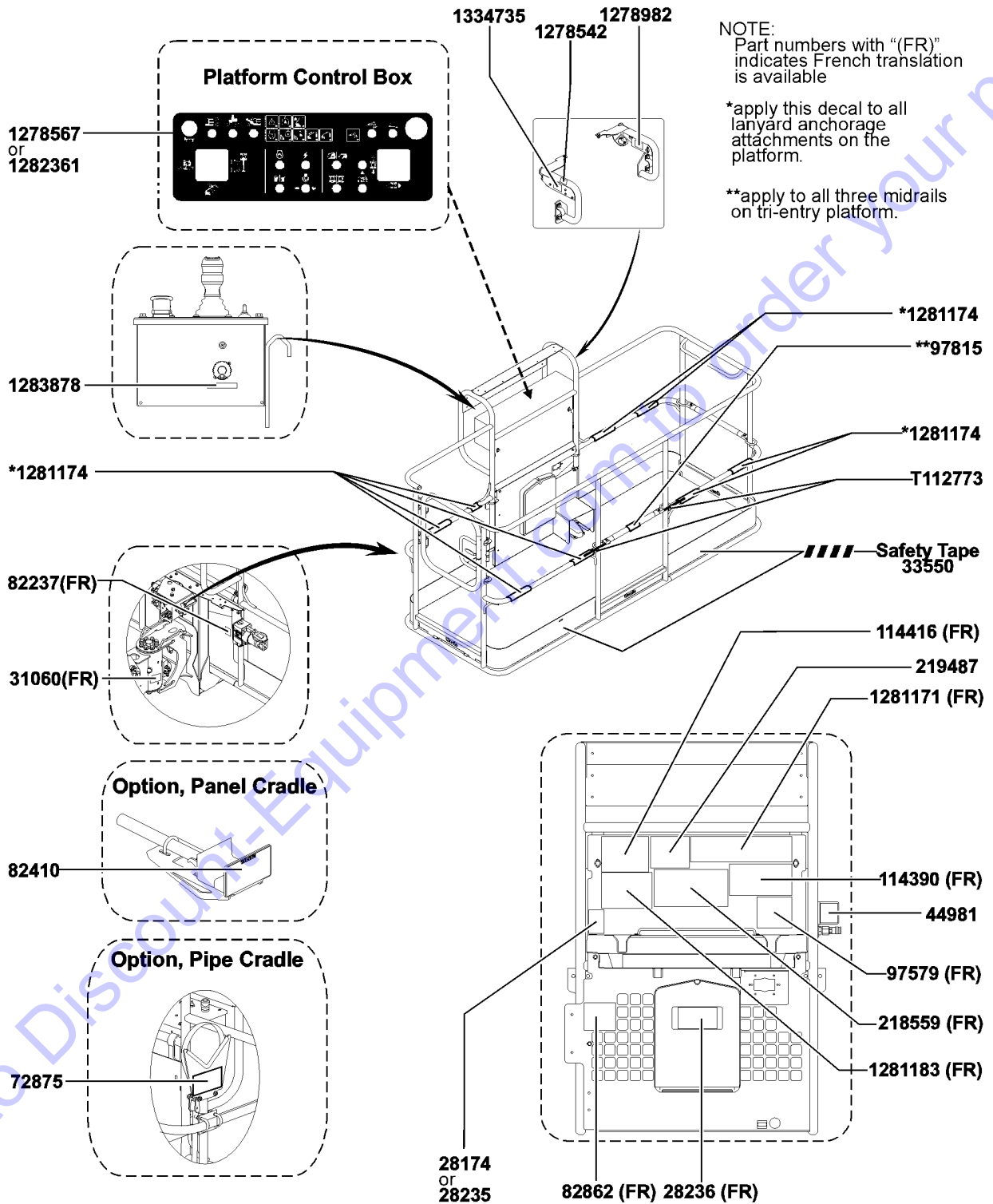
104.2 Decals with Words, Boom(from SN S85XCD-3032)

Item	Part No.	Description	Qty.
1	31060GT	DECAL,DANGER DO NOT ALTER SWTC	3
2	1327650GT	DECAL,COSMETIC,"G" WHITE	1
		White	
3	1327651GT	DECAL,COSMETIC,"G" BLUE	1
		Blue	
4	1327652GT	DECAL,COSMETIC,"G" BLACK	1
		Black	
5	1330494GT	DECAL, COSMETIC, CHEVRON, 53 X 65 MM	1
6	1330495GT	DECAL, COSMETIC, COUNTERWEIGHT STRIP, 3644 X 71 MM	1
7	1330503GT	DECAL, COSMETIC, GENIE, WHITE, 716 X 215 MM	1
8	1330841GT	DECAL, COSMETIC, S-85 XC, 1646 X 404 MM	1
9	1332629GT	DECAL, COSMETIC, LIFT POWER, JIB, 625 X 88 MM	1
10	1333703GT	DECAL, COSMETIC, LIFT POWER, JIB, WHITE, 625 X 88 MM	1
		White	
11	1333704GT	DECAL, COSMETIC, LIFT POWER, JIB, BLACK, 625 X 88 MM	1
		Black	
12	1333705GT	DECAL, COSMETIC, LIFT POWER, JIB, BLUE, 625 X 88 MM	1
		Blue	

Go to Discount-Equipment.com to order your parts



105.1 Decals with Words, Platform(to SN S85XCD-3031)



Go to Discount-Equipment.com to order your parts

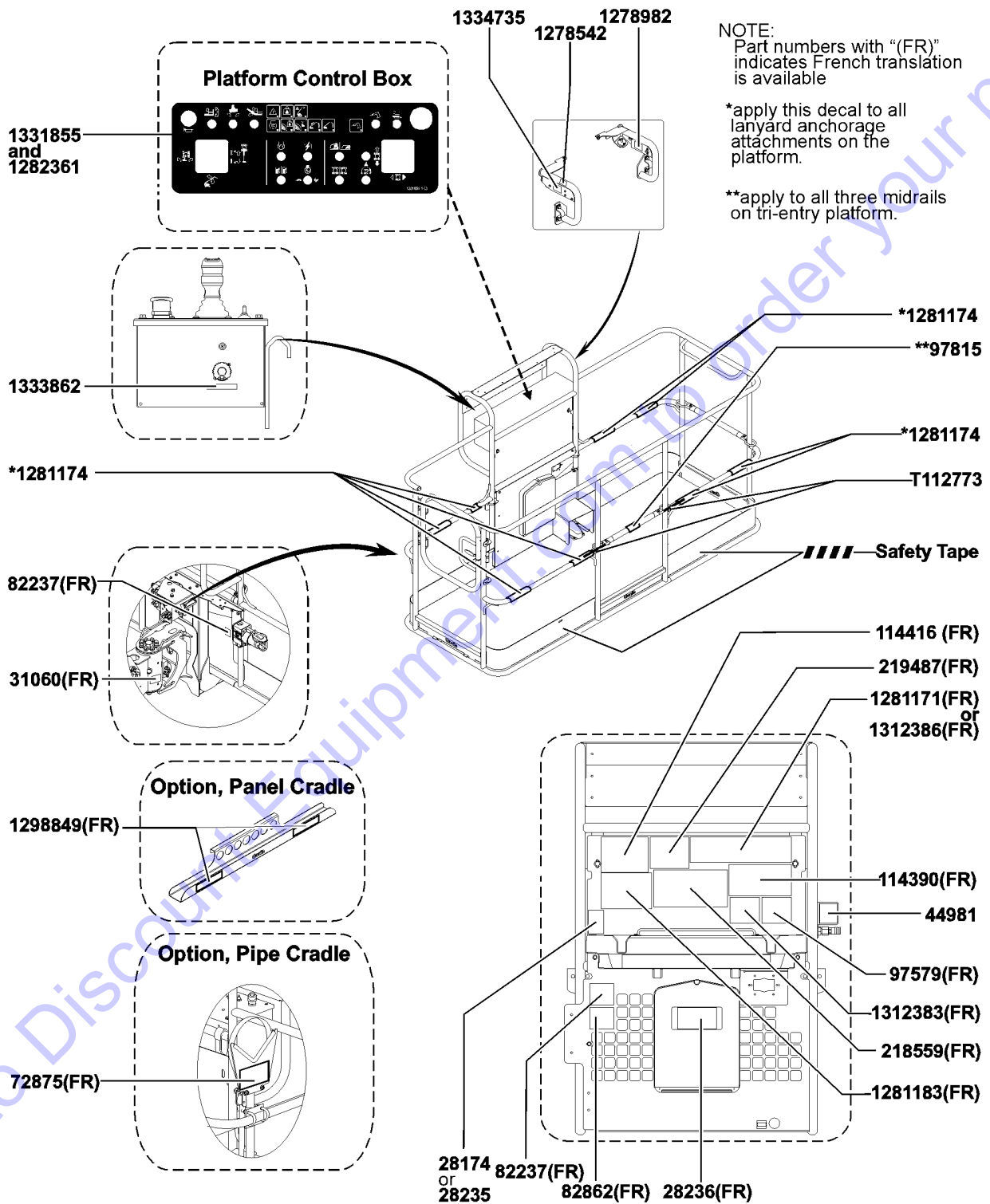
105.1 Decals with Words, Platform(to SN S85XCD-3031)

Item	Part No.	Description	Qty.
A	33550GT	TAPE,WARNING,BLK/YEL, 50'***	50
1	28174GT	DECAL, POWER TO PLATFORM 230V** Option, Power to Plat	1
2	28235GT	DECAL, POWER TO PLATFORM 115V** Option, Power to Plat	1
3	28236GT	DECAL,WARN,IMPROPER OPERATION	1
4	31060GT	DECAL,DANGER DO NOT ALTER SWTC	1
5	44981GT	DECAL,LABEL, AIR LINE 110 PSI (Option, Airline to plat)	1
6	72875GT	DECAL,WARNING,PIPE CRADLE,BOOM Option, pipe cradle	1
7	82237GT	DECAL,DANGER,HIGH VOLTAGE Option, welder	1
8	82410GT	DECAL,WARNING,PANEL CRADLE Option, panel cradle	1
9	82862GT	DECAL,FIRE EXTINGUISHER Option, welder	1
10	97579GT	DECAL,DANGER,TIP-OVER,WELDER** Option, welder	1
11	97815GT	DECAL,LABEL,LOWER MIDRAIL	1
12	114390GT	DECAL,DANGER,ELECT HAZARD***	1
13	114416GT	DECAL,DANGER,TIPOVER,TILT	1
14	218559GT	DECAL,DANGER/WARNING COMBO	1
15	219487GT	DECAL,PLATFORM OVERLOAD	1
16	1278542GT	DECAL, INSTRUCTION, CONTACT ALARM	1
17	1278567GT	OVERLAY,PLATFORM CONTROLS,S-BOOM,XC	1
18	1278982GT	DECAL, INSTRUCTION, ACTUATOR SWITCH SOCKET	1
19	1281171GT	DECAL,DANGER,CAPACITY S-85 XC,WORD	1
20	1281174GT	DECAL,LANYARD,FALL ARREST/FALL RESTRAINED	8
21	1281183GT	DECAL,WARNING,RUNAWAY MACHINE,WORD	1
22	1282361GT	DECAL,PROTECTOR,CLEAR,S-80/85 XC	1
23	1283878GT	DECAL, TECHPRO LINK	1
24	1334735GT	DECAL,DO NOT REMOVE CONTACT ALARM (AUS only, from SN S85XCD-2966)	1
25	T112773GT	TAPE, PROTECTIVE MASK	2

Go to Discount-Equipment.com to order your parts



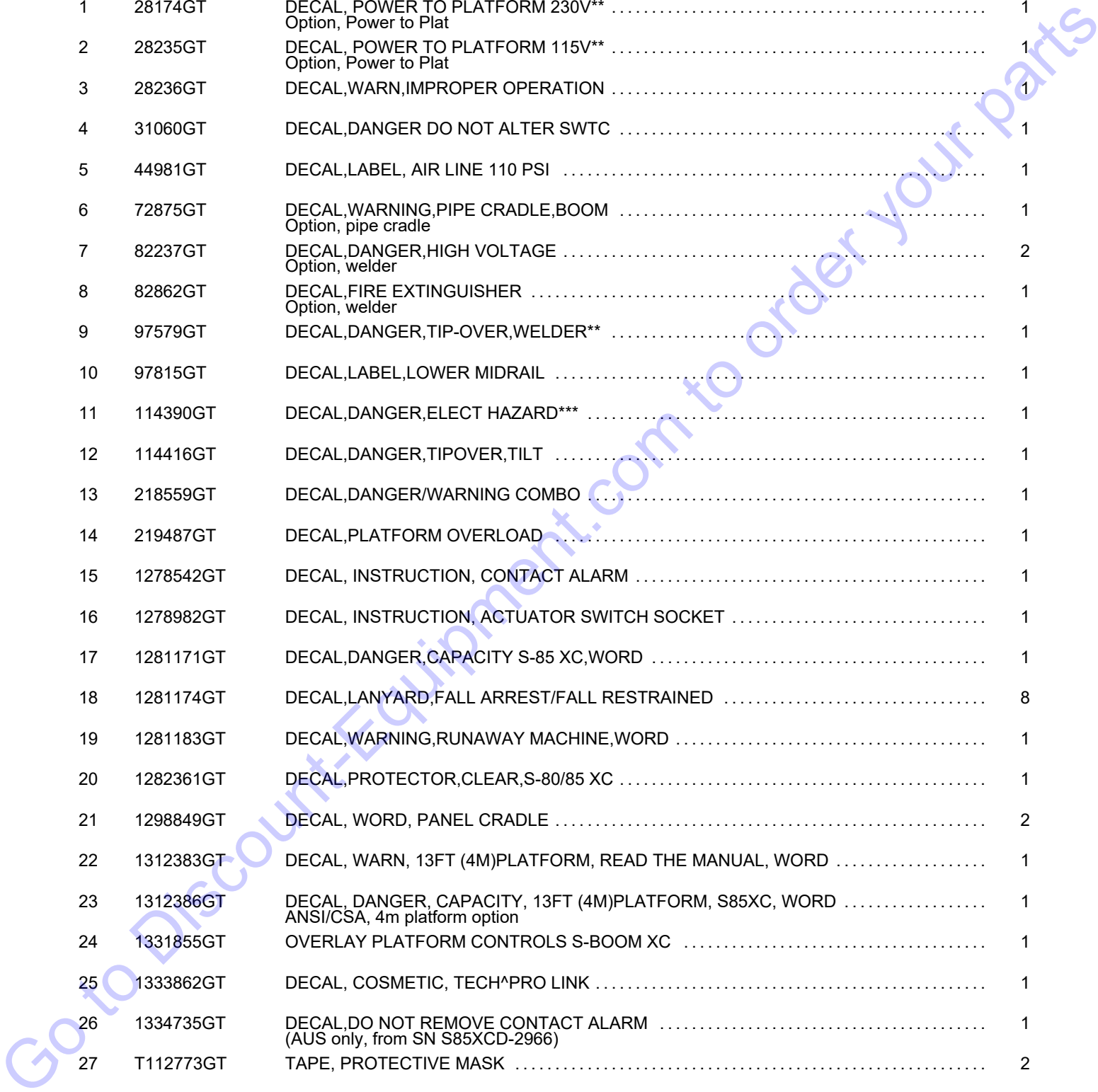
105.2 Decals with Words, Platform(from SN S85XCD-3032)



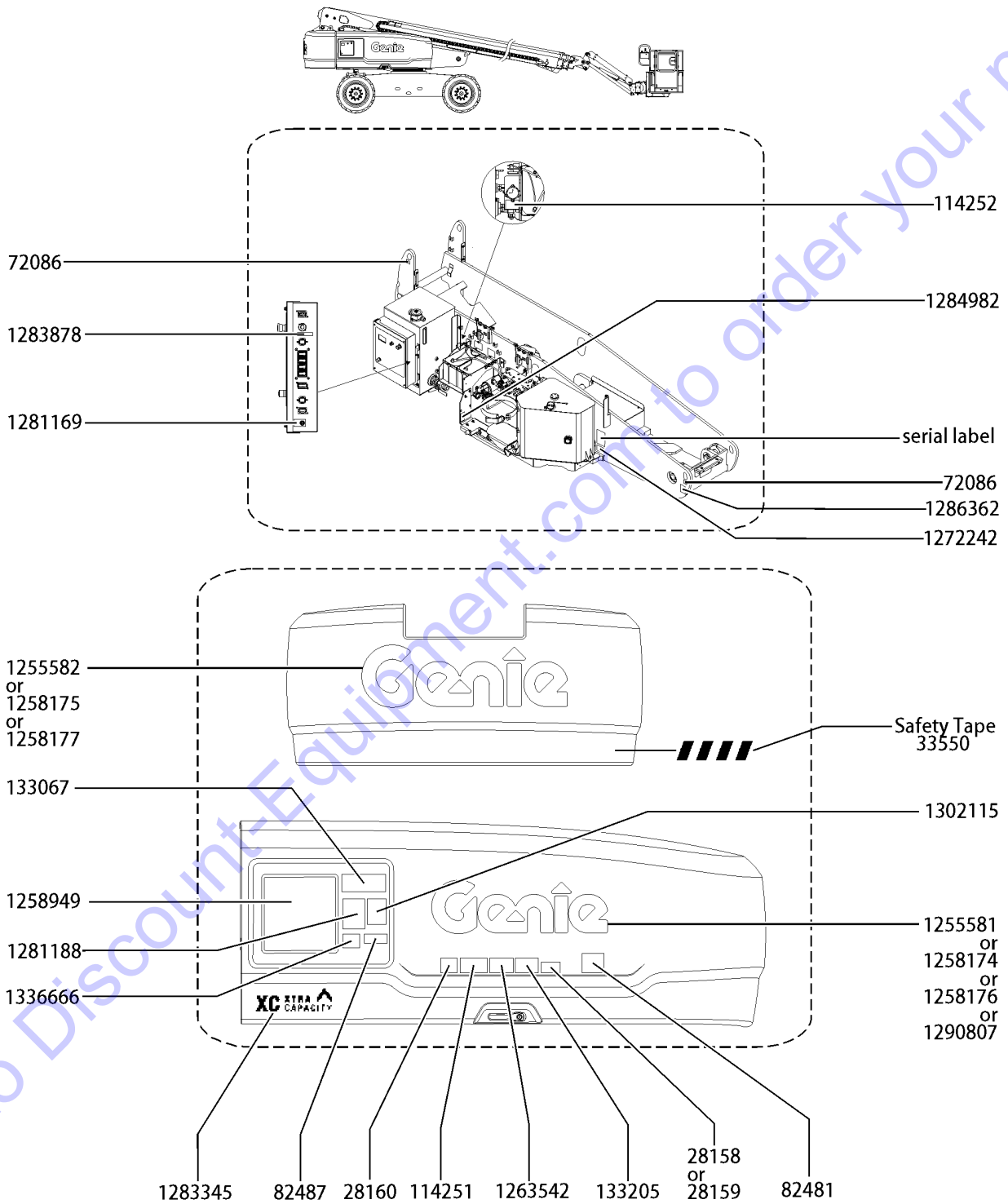
Go to Discover Equipment from to order your parts

105.2 Decals with Words, Platform(from SN S85XCD-3032)

Item	Part No.	Description	Qty.
1	28174GT	DECAL, POWER TO PLATFORM 230V** Option, Power to Plat	1
2	28235GT	DECAL, POWER TO PLATFORM 115V** Option, Power to Plat	1
3	28236GT	DECAL,WARN,IMPROPER OPERATION	1
4	31060GT	DECAL,DANGER DO NOT ALTER SWTC	1
5	44981GT	DECAL,LABEL, AIR LINE 110 PSI	1
6	72875GT	DECAL,WARNING,PIPE CRADLE,BOOM Option, pipe cradle	1
7	82237GT	DECAL,DANGER,HIGH VOLTAGE Option, welder	2
8	82862GT	DECAL,FIRE EXTINGUISHER Option, welder	1
9	97579GT	DECAL,DANGER,TIP-OVER,WELDER**	1
10	97815GT	DECAL,LABEL,LOWER MIDRAIL	1
11	114390GT	DECAL,DANGER,ELECT HAZARD***	1
12	114416GT	DECAL,DANGER,TIPOVER,TILT	1
13	218559GT	DECAL,DANGER/WARNING COMBO	1
14	219487GT	DECAL,PLATFORM OVERLOAD	1
15	1278542GT	DECAL, INSTRUCTION, CONTACT ALARM	1
16	1278982GT	DECAL, INSTRUCTION, ACTUATOR SWITCH SOCKET	1
17	1281171GT	DECAL,DANGER,CAPACITY S-85 XC,WORD	1
18	1281174GT	DECAL,LANYARD,FALL ARREST/FALL RESTRAINED	8
19	1281183GT	DECAL,WARNING,RUNAWAY MACHINE,WORD	1
20	1282361GT	DECAL,PROTECTOR,CLEAR,S-80/85 XC	1
21	1298849GT	DECAL, WORD, PANEL CRADLE	2
22	1312383GT	DECAL, WARN, 13FT (4M)PLATFORM, READ THE MANUAL, WORD	1
23	1312386GT	DECAL, DANGER, CAPACITY, 13FT (4M)PLATFORM, S85XC, WORD ANSI/CSA, 4m platform option	1
24	1331855GT	OVERLAY PLATFORM CONTROLS S-BOOM XC	1
25	1333862GT	DECAL, COSMETIC, TECH^PRO LINK	1
26	1334735GT	DECAL,DO NOT REMOVE CONTACT ALARM (AUS only, from SN S85XCD-2966)	1
27	T112773GT	TAPE, PROTECTIVE MASK	2

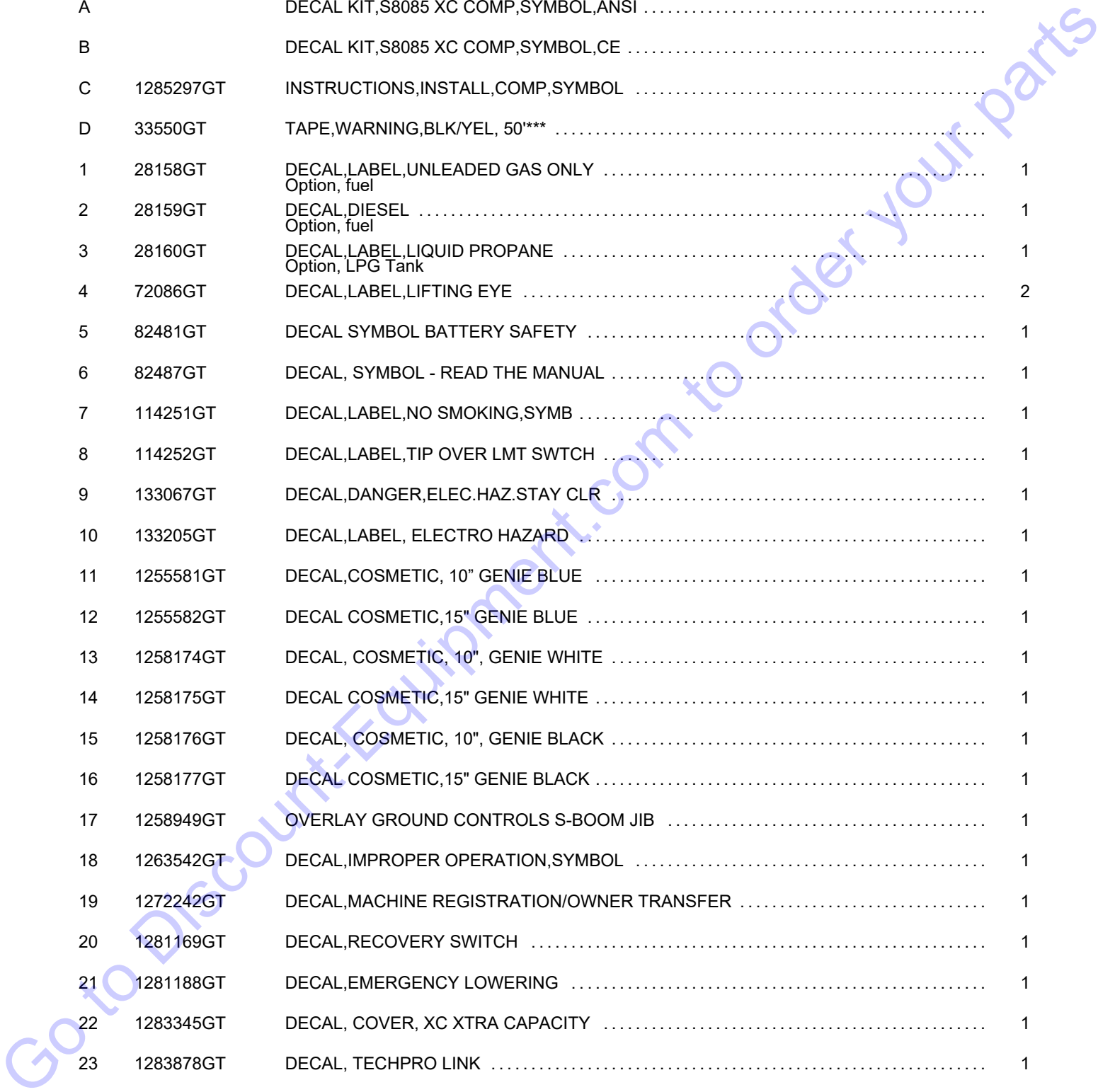


106.1 Decals with Symbols, Hydraulic Tank Side(to SN S85XCD-3031)

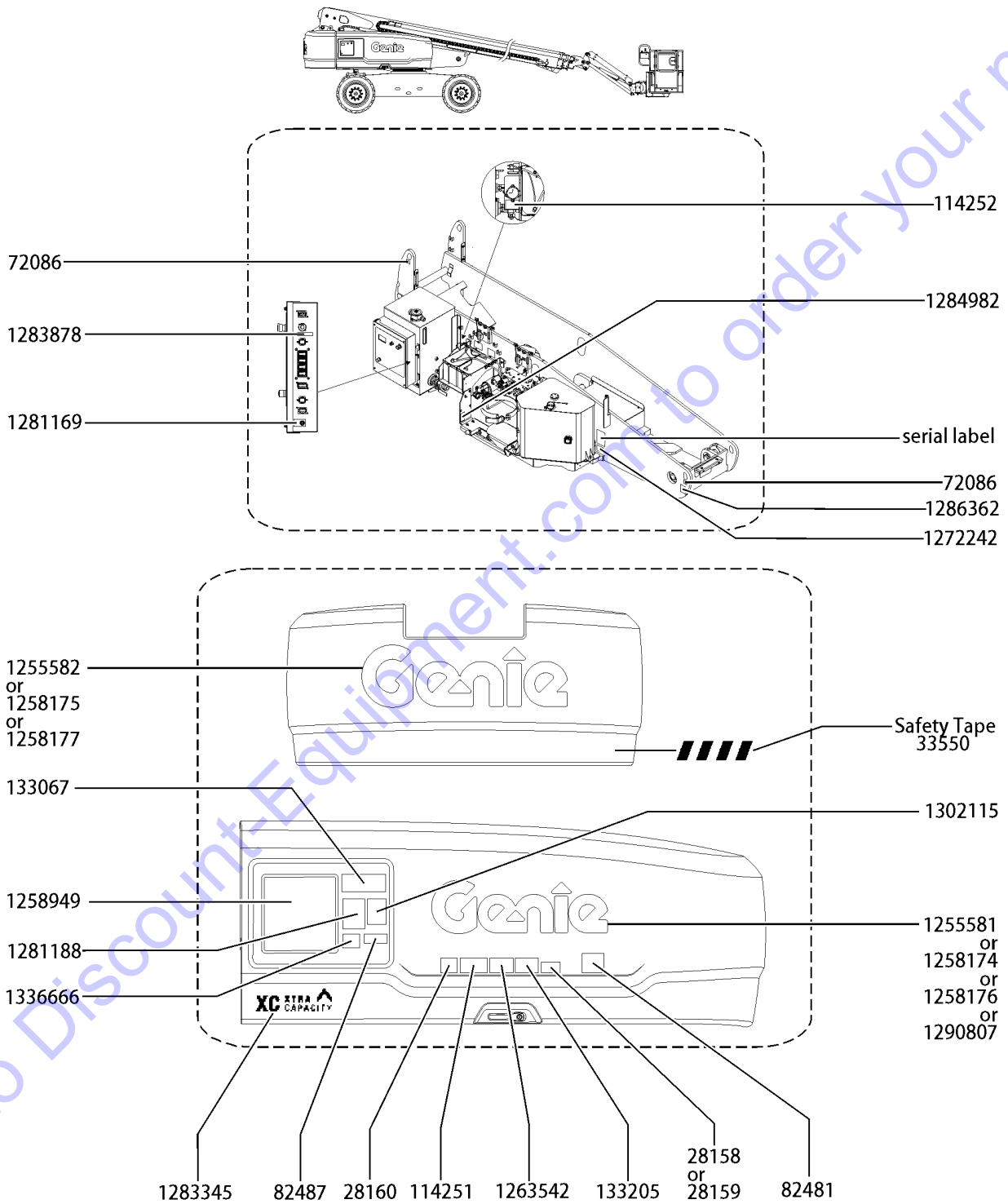


106.1 Decals with Symbols, Hydraulic Tank Side(to SN S85XCD-3031)

Item	Part No.	Description	Qty.
A		DECAL KIT,S8085 XC COMP,SYMBOL,ANSI	
B		DECAL KIT,S8085 XC COMP,SYMBOL,CE	
C	1285297GT	INSTRUCTIONS,INSTALL,COMP,SYMBOL	
D	33550GT	TAPE,WARNING,BLK/YEL, 50****	
1	28158GT	DECAL,LABEL,UNLEADED GAS ONLY	1
		Option, fuel	
2	28159GT	DECAL,DIESEL	1
		Option, fuel	
3	28160GT	DECAL,LABEL,LIQUID PROPANE	1
		Option, LPG Tank	
4	72086GT	DECAL,LABEL,LIFTING EYE	2
5	82481GT	DECAL SYMBOL BATTERY SAFETY	1
6	82487GT	DECAL, SYMBOL - READ THE MANUAL	1
7	114251GT	DECAL,LABEL,NO SMOKING,SYMB	1
8	114252GT	DECAL,LABEL,TIP OVER LMT SWTCH	1
9	133067GT	DECAL,DANGER,ELEC.HAZ.STAY CLR	1
10	133205GT	DECAL,LABEL, ELECTRO HAZARD	1
11	1255581GT	DECAL,COSMETIC, 10" GENIE BLUE	1
12	1255582GT	DECAL COSMETIC,15" GENIE BLUE	1
13	1258174GT	DECAL, COSMETIC, 10", GENIE WHITE	1
14	1258175GT	DECAL COSMETIC,15" GENIE WHITE	1
15	1258176GT	DECAL, COSMETIC, 10", GENIE BLACK	1
16	1258177GT	DECAL COSMETIC,15" GENIE BLACK	1
17	1258949GT	OVERLAY GROUND CONTROLS S-BOOM JIB	1
18	1263542GT	DECAL,IMPROPER OPERATION,SYMBOL	1
19	1272242GT	DECAL,MACHINE REGISTRATION/OWNER TRANSFER	1
20	1281169GT	DECAL,RECOVERY SWITCH	1
21	1281188GT	DECAL,EMERGENCY LOWERING	1
22	1283345GT	DECAL, COVER, XC XTRA CAPACITY	1
23	1283878GT	DECAL, TECHPRO LINK	1
24	1284982GT	DECAL,ACCUMULATOR EXPLOSION HAZARD,SYMBOL	1



106.1 Decals with Symbols, Hydraulic Tank Side(to SN S85XCD-3031)



Go to DiscountEquipment.com to order your parts

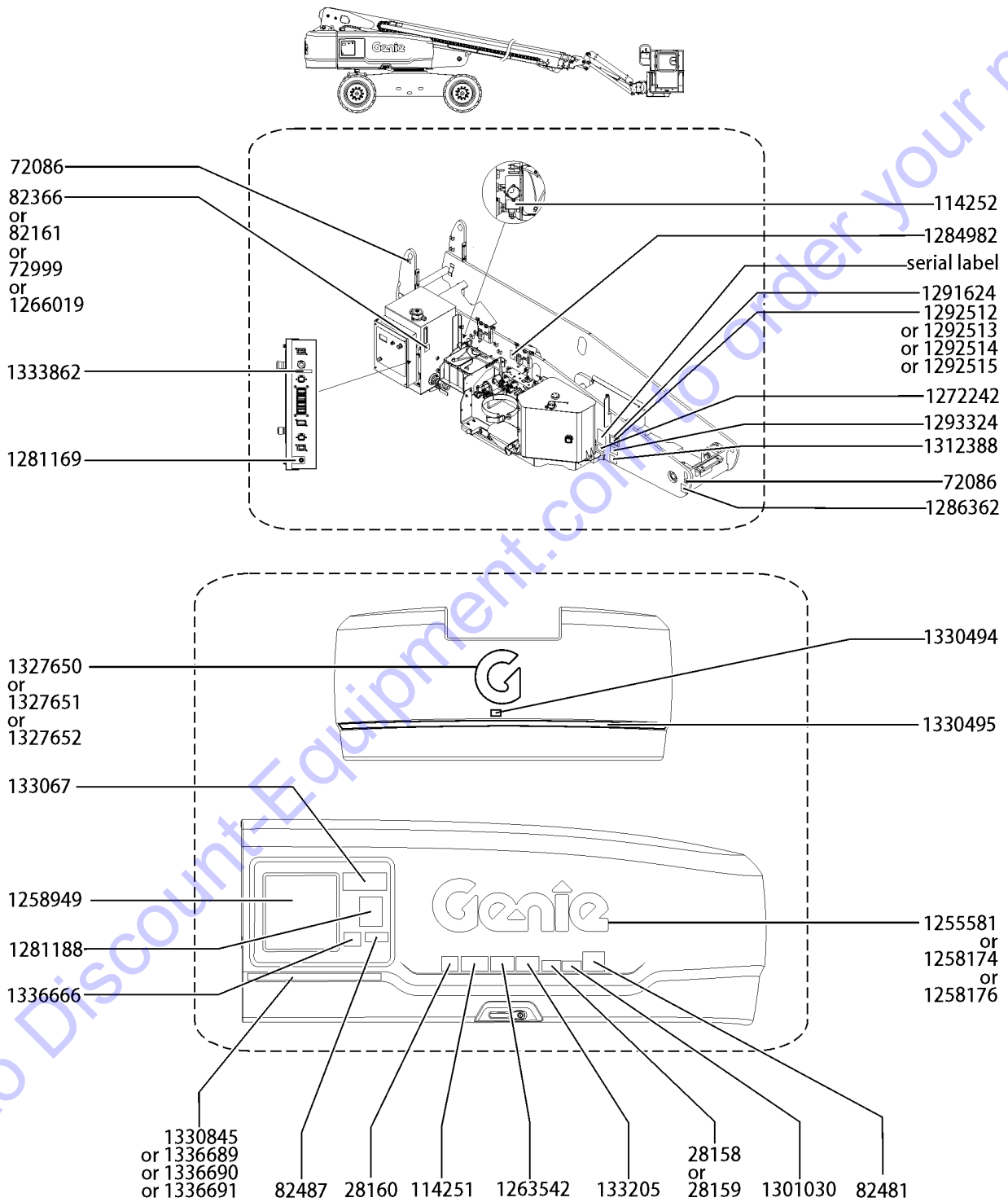
106.1 Decals with Symbols, Hydraulic Tank Side(to SN S85XCD-3031)

Item	Part No.	Description	Qty.
25	1286362GT	DECAL, BOOM SUPPORT, SYMBOL	1
26	1290807GT	DECAL,COSMETIC,13.5" GENIE, WHITE	1
27	1302115GT	QR CODE GENIE AWP	1
		(Chinese market)	
28	1336666GT	QR DECAL, DYNAMIC, GENIE 360, SERIAL HUB	1

Go to Discount-Equipment.com to order your parts



106.2 Decals with Symbols, Hydraulic Tank Side(from SN S85XCD-3032)

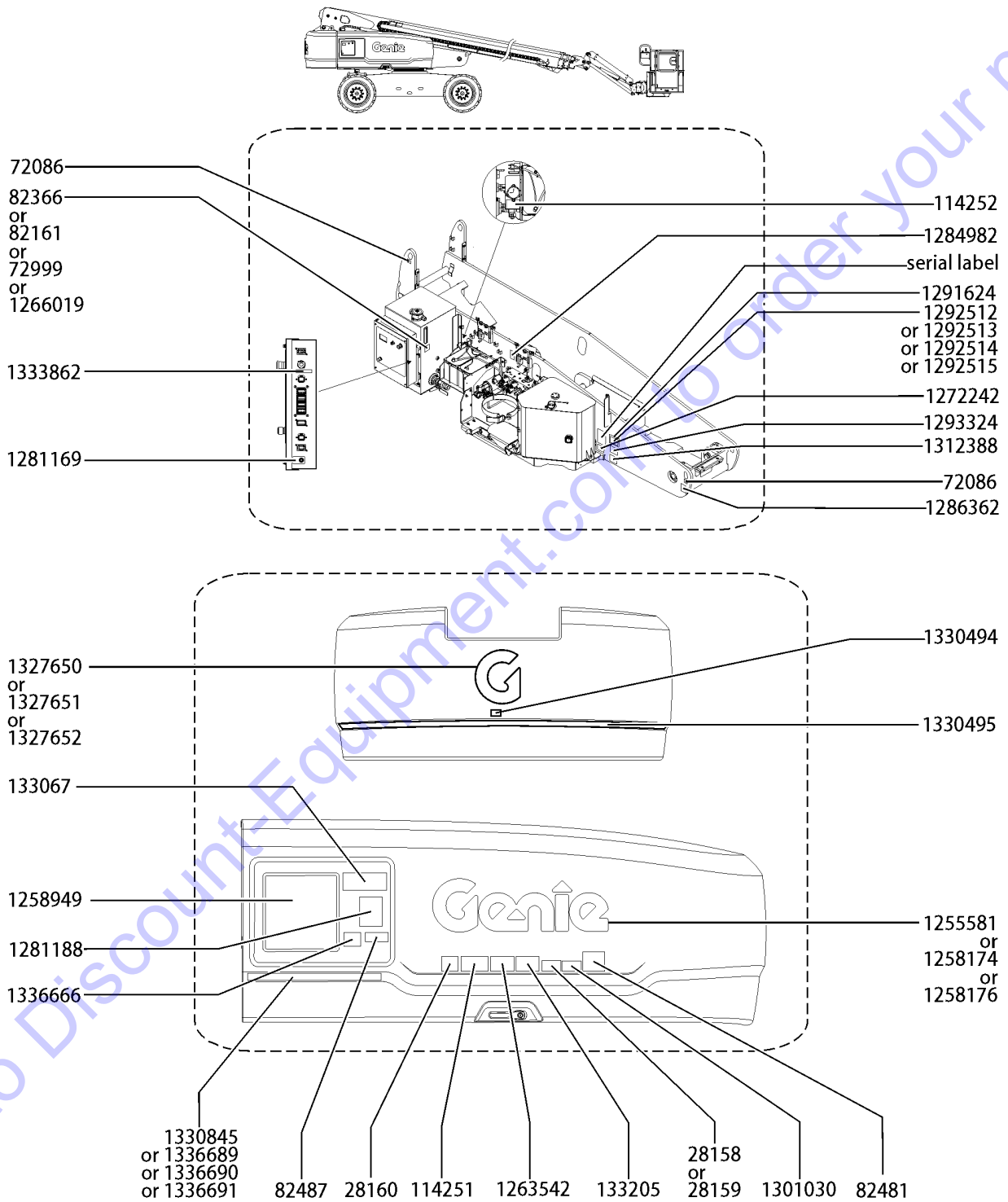


106.2 Decals with Symbols, Hydraulic Tank Side(from SN S85XCD-3032)

Item	Part No.	Description	Qty.
1	28158GT	DECAL,LABEL,UNLEADED GAS ONLY Option, fuel	1
2	28159GT	DECAL,DIESEL Option, fuel	1
3	28160GT	DECAL,LABEL,LIQUID PROPANE Option, LPG Tank	1
4	72086GT	DECAL,LABEL,LIFTING EYE	2
5	72999GT	DECAL,LABEL,PETRO CANADA*** Option, hydraulic oil	1
6	82161GT	DECAL,LABEL,UCON HYDROLUBE Option, hydraulic oil	1
7	82366GT	DECAL, LABEL - CHEVRON RANDO Option, hydraulic oil	1
8	82481GT	DECAL SYMBOL BATTERY SAFETY	1
9	82487GT	DECAL, SYMBOL - READ THE MANUAL	1
10	114251GT	DECAL,LABEL,NO SMOKING,SYMB	1
11	114252GT	DECAL,LABEL,TIP OVER LMT SWTCH	1
12	133067GT	DECAL,DANGER,ELEC.HAZ.STAY CLR	1
13	133205GT	DECAL,LABEL, ELECTRO HAZARD	1
14	1255581GT	DECAL,COSMETIC, 10" GENIE BLUE Blue	1
15	1258174GT	DECAL, COSMETIC, 10", GENIE WHITE White	1
16	1258176GT	DECAL, COSMETIC, 10", GENIE BLACK Black	1
17	1258949GT	OVERLAY GROUND CONTROLS S-BOOM JIB	1
18	1263542GT	DECAL,IMPROPER OPERATION,SYMBOL	1
19	1266019GT	DECAL, LABEL, SHELL TELLUS Option, hydraulic oil	1
20	1272242GT	DECAL,MACHINE REGISTRATION/OWNER TRANSFER	1
21	1281169GT	DECAL,RECOVERY SWITCH	1
22	1281188GT	DECAL,EMERGENCY LOWERING	1
23	1284982GT	DECAL,ACCUMULATOR EXPLOSION HAZARD,SYMBOL	1
24	1286362GT	DECAL, BOOM SUPPORT, SYMBOL	1
25	1291624GT	DECAL COSM,GENIE LIFT CONNECT,LEXAN COVER	1
26	1292512GT	DECAL COSM,GENIE LIFT CONNECT,ESN,SKU4-1	1
27	1292513GT	DECAL COSM,GENIE LIFT CONNECT,ESN,SKU4-2	1
28	1292514GT	DECAL COSM,GENIE LIFT CONNECT,ESN,SKU4-3	1



106.2 Decals with Symbols, Hydraulic Tank Side(from SN S85XCD-3032)



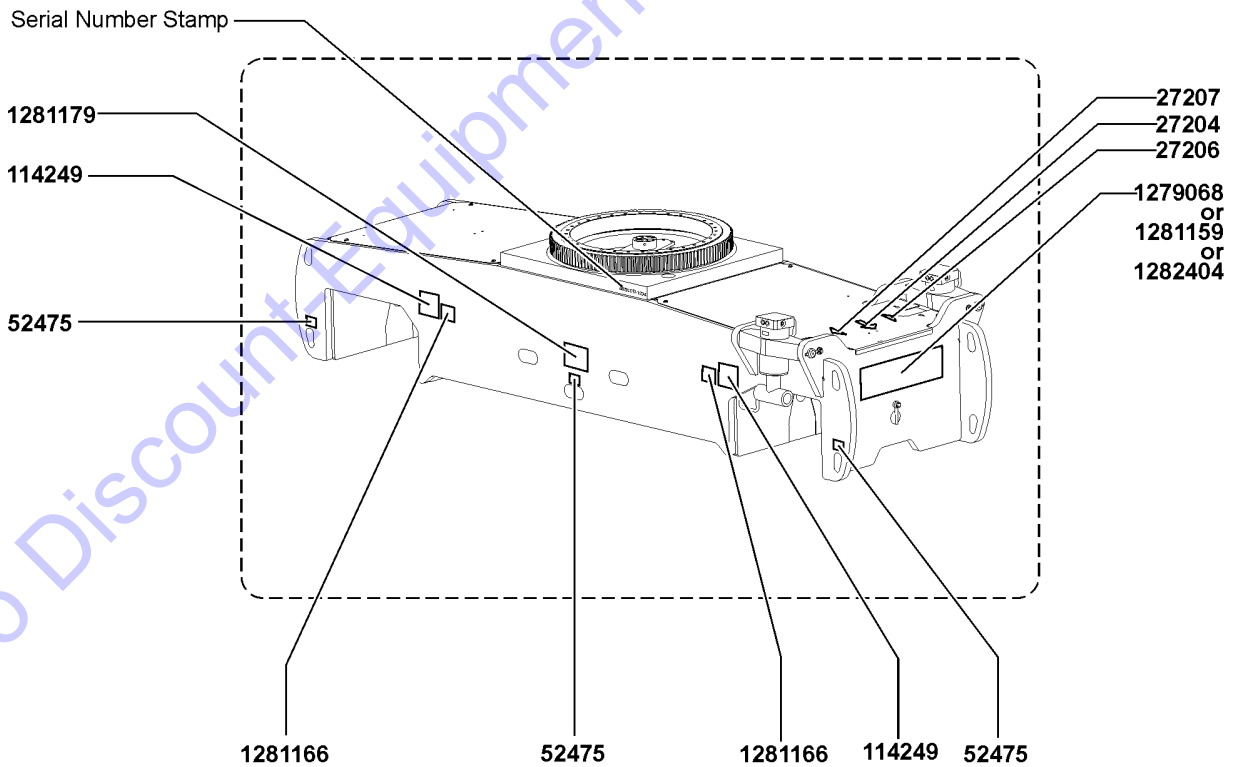
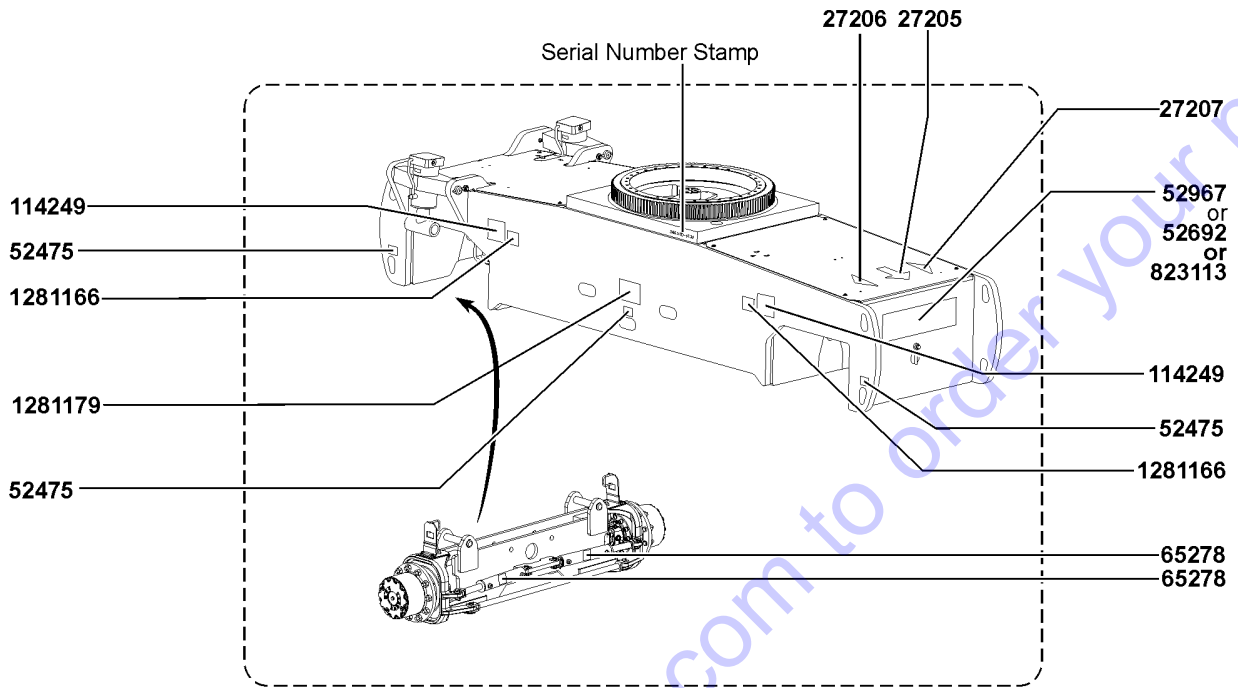
106.2 Decals with Symbols, Hydraulic Tank Side(from SN S85XCD-3032)

Item	Part No.	Description	Qty.
29	1292515GT	DECAL COSM,GENIE LIFT CONNECT,ESN,SKU4-4	1
30	1293324GT	DECAL, ICES-2/CAN-2 COMPLIANCE	1
31	1301030GT	DECAL, LABEL, ULSD DIESEL FUEL	1
32	1312388GT	DECAL, 13FT (4M) PLATFRM, MAX ALLOWBLE CHASSIS INCLIN, WORD	1
33	1327650GT	DECAL,COSMETIC,"G" WHITE	1
		White	
34	1327651GT	DECAL,COSMETIC,"G" BLUE	1
		Blue	
35	1327652GT	DECAL,COSMETIC,"G" BLACK	1
		Black	
36	1330494GT	DECAL, COSMETIC, CHEVRON, 53 X 65 MM	1
37	1330495GT	DECAL, COSMETIC, COUNTERWEIGHT STRIP, 3644 X 71 MM	1
38	1330845GT	DECAL, COSMETIC, S-85 XC, LEFT SIDE, 696 X 46 MM	1
39	1333862GT	DECAL, COSMETIC, TECH^PRO LINK	1
40	1336666GT	QR DECAL, DYNAMIC, GENIE 360, SERIAL HUB	1
41	1336689GT	DECAL, COSMETIC, S-85 XC, LEFT SIDE, BLACK, 696 X 46 MM	1
		Black	
42	1336690GT	DECAL, COSMETIC, S-85 XC, LEFT SIDE, WHITE, 696 X 46 MM	1
		White	
43	1336691GT	DECAL, COSMETIC, S-85 XC, LEFT SIDE, BLUE, 696 X 46 MM	1
		Blue	

Go to Discount-Equipment.com to order your parts



107.1 Decals with Symbols, Chassis(to SN S85XCD-3031)



Go to DiscountEquipment.com to order your parts

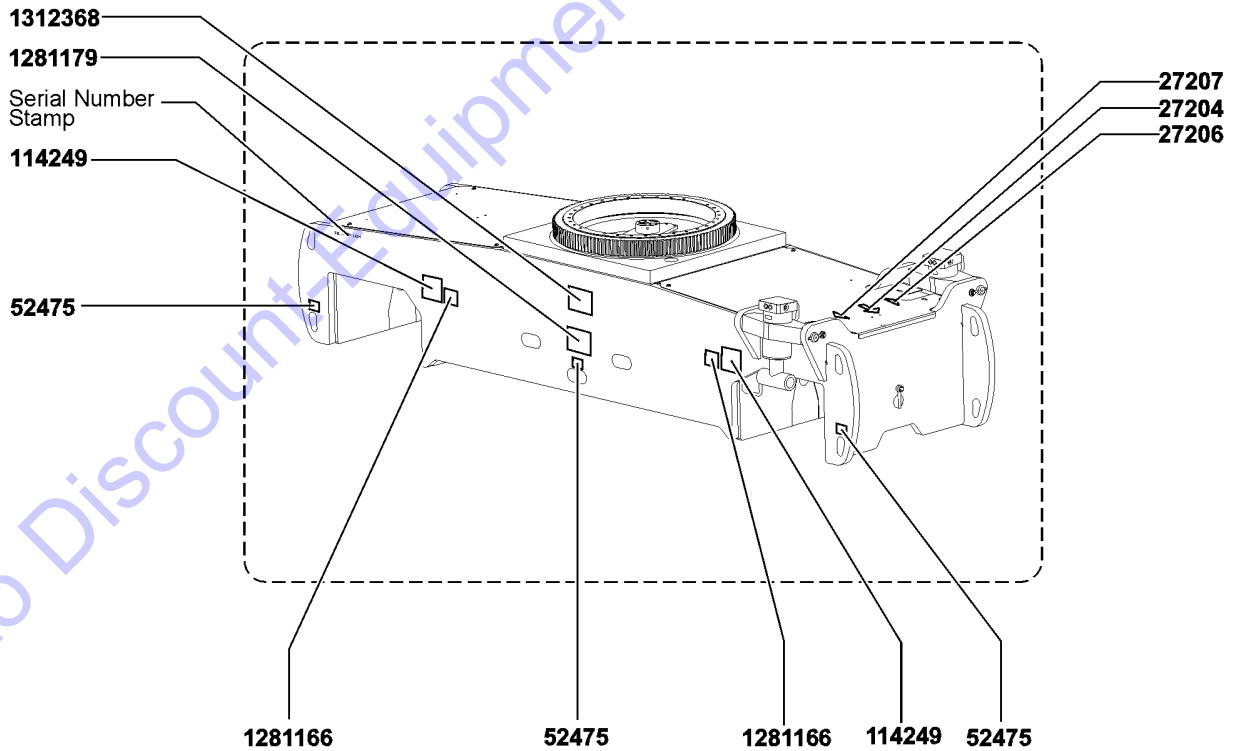
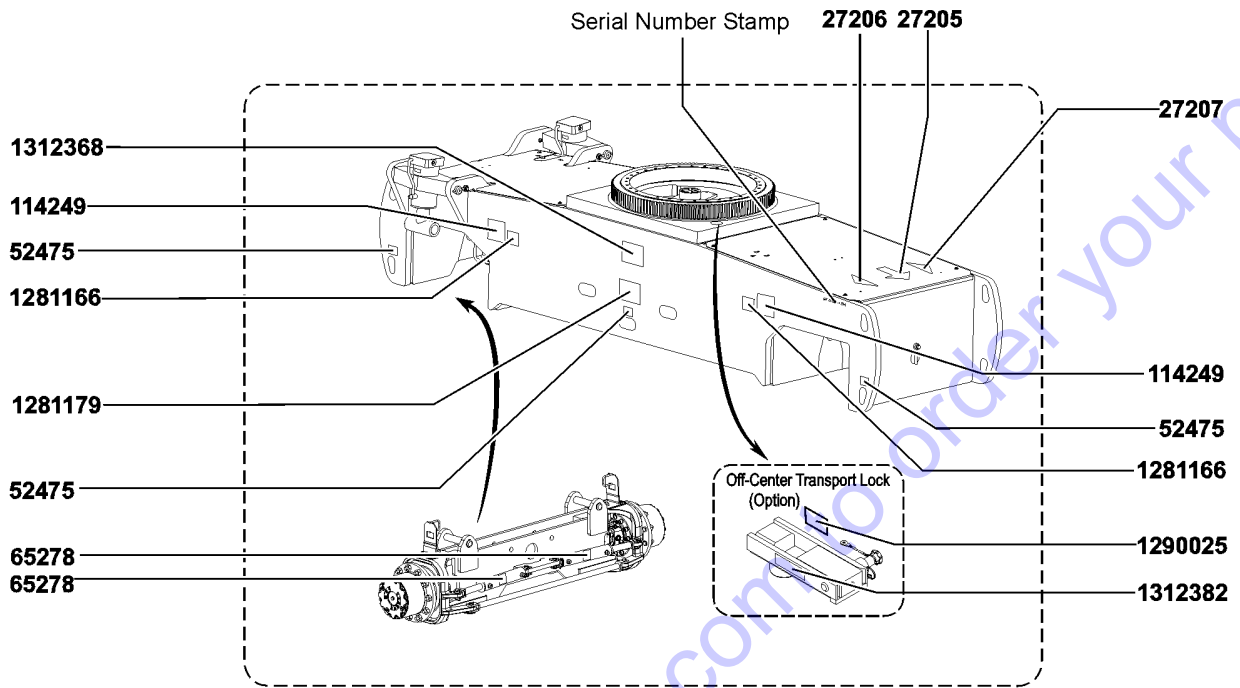
107.1 Decals with Symbols, Chassis(to SN S85XCD-3031)

Item	Part No.	Description	Qty.
1	27204GT	DECAL,ARROW BLUE	1
2	27205GT	DECAL,ARROW YELLOW LRG 9"	1
3	27206GT	DECAL,TRIANGLE,BLUE	2
4	27207GT	DECAL,TRIANGLE,YELLOW	2
5	52475GT	DECAL LABEL TRANSPORT TIE DOWN*	6
6	52692GT	DECAL,COSMETIC,4X4 BLUE	1
7	52967GT	DECAL,COSMETIC,4 X 4	1
8	65278GT	DECAL,CAUTION,NO STEP	2
9	114249GT	DECAL,LABEL,TIPOVER,TIRES,SYMB	4
10	823113GT	DECAL,COSM,4X4,BLACK	1
11	1279068GT	DECAL, CHASSIS, S-85 XC	1
12	1281159GT	DECAL, CHASSIS, S-85 XC, BLUE	1
13	1281166GT	DECAL,LABEL,WHEEL LOAD S85 XC	4
14	1281179GT	DECAL,TRANSPORT/LIFTING, S-80/85 XC	2
15	1282404GT	DECAL, CHASSIS, S-85 XC, BLK	1

Go to Discount-Equipment.com to order your parts



107.2 Decals with Symbols, Chassis(from SN S85XCD-3032)



Go to DiscountEquipment.com to order your parts

107.2 Decals with Symbols, Chassis(from SN S85XCD-3032)

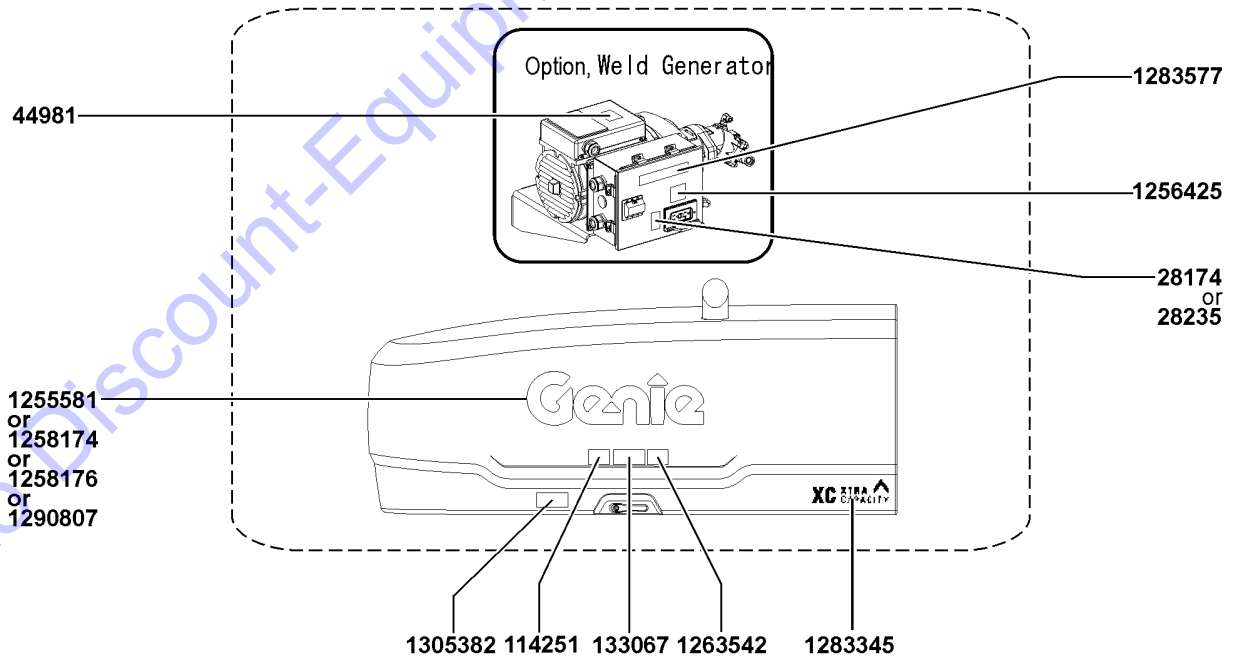
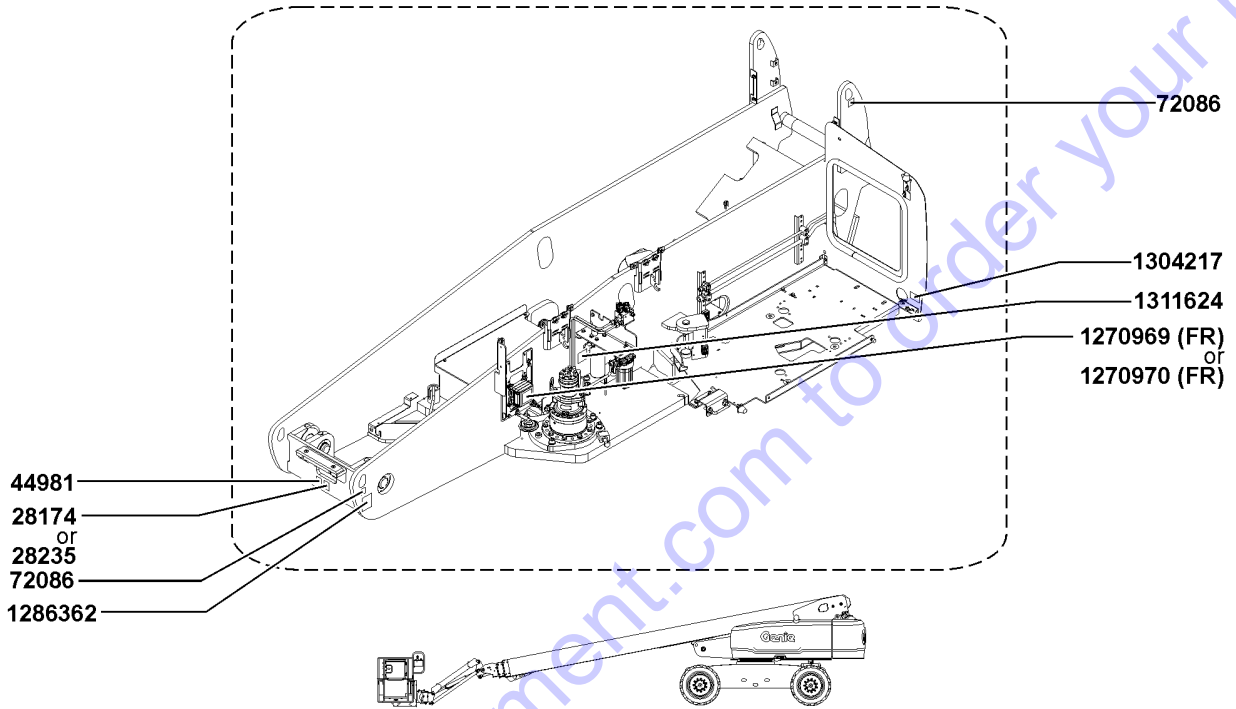
Item	Part No.	Description	Qty.
1	27204GT	DECAL,ARROW BLUE	1
2	27205GT	DECAL,ARROW YELLOW LRG 9"	1
3	27206GT	DECAL,TRIANGLE,BLUE	2
4	27207GT	DECAL,TRIANGLE,YELLOW	2
5	52475GT	DECAL LABEL TRANSPORT TIE DOWN*	6
6	65278GT	DECAL,CAUTION,NO STEP	2
7	114249GT	DECAL,LABEL,TIPOVER,TIRES,SYMB	4
8	1281166GT	DECAL,LABEL,WHEEL LOAD S85 XC	4
9	1281179GT	DECAL,TRANSPORT/LIFTING, S-80/85 XC	2
10	1290025GT	DECAL, WARNING, CRUSHING HAZARD, 35X70	1
11	1312368GT	DECAL, SWING LOCK, 13FT (4M) PLATFORM S-85XC 4m platform only	2
12	1312382GT	DECAL, LOCK TRANSPORT, S85XC	1

Go to Discount-Equipment.com to order your parts



108.1 Decals with Symbols, Engine Side(to SN S85XCD-3031)

NOTE:
Part numbers with "(FR)"
indicates French translation
is available



Go to Discount-Equipment.com to order your parts

108.1 Decals with Symbols, Engine Side(to SN S85XCD-3031)

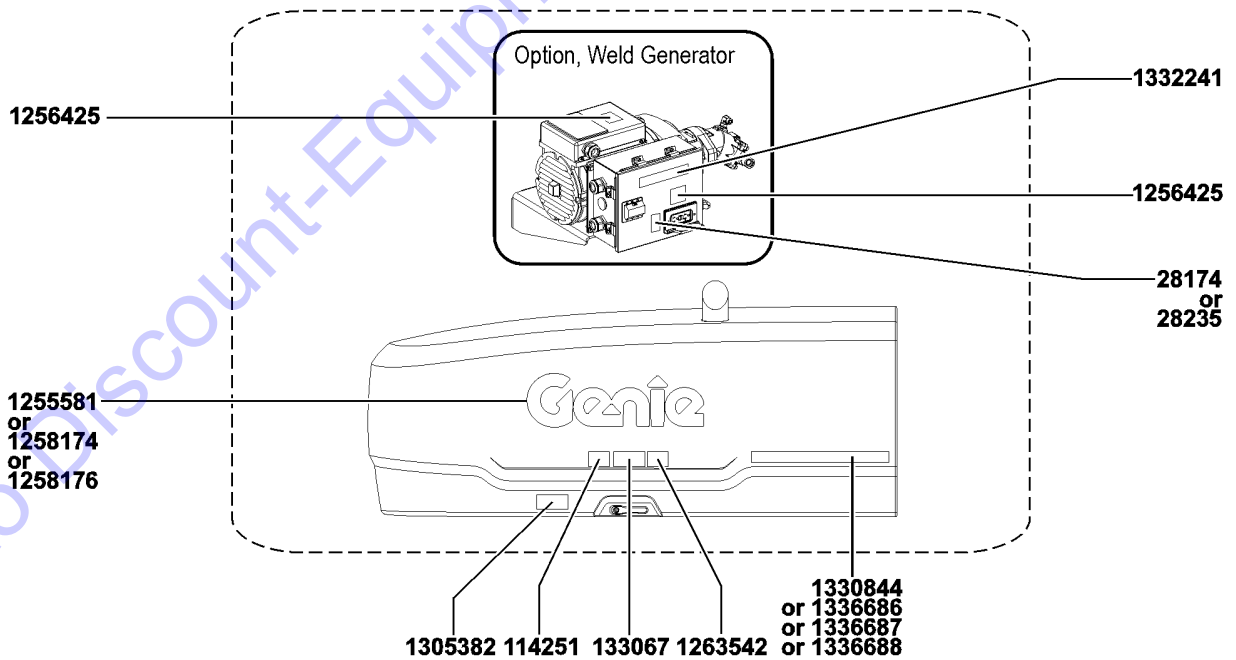
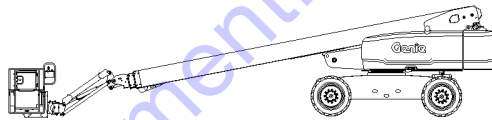
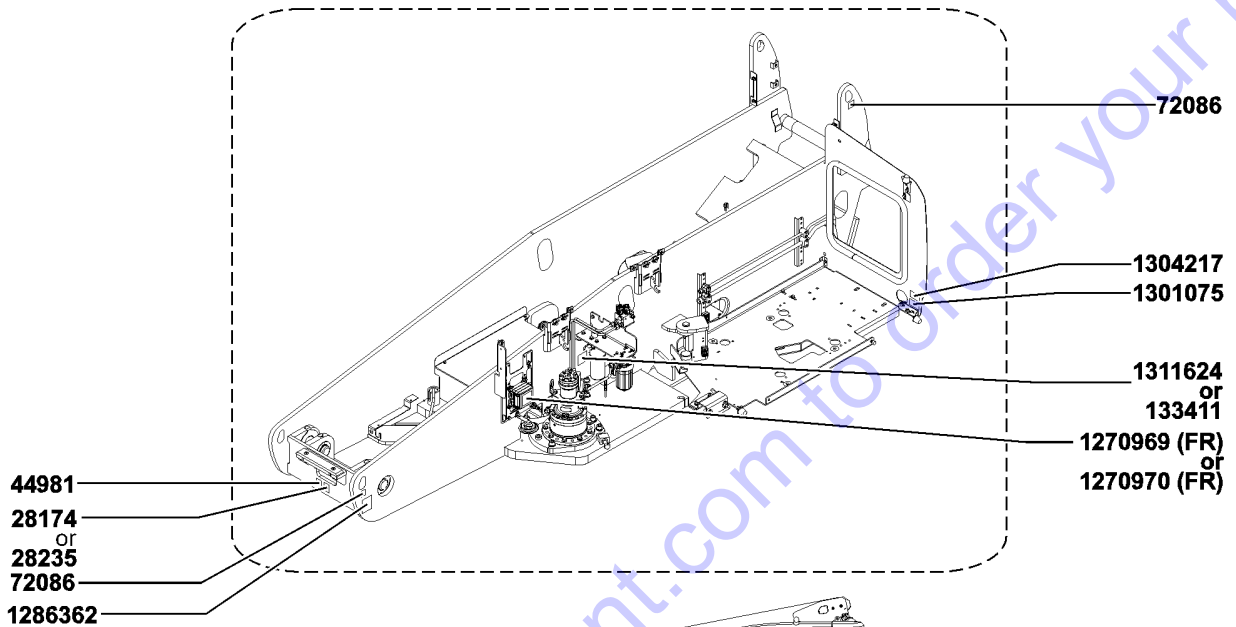
Item	Part No.	Description	Qty.
1	28174GT	DECAL, POWER TO PLATFORM 230V** Option, power to Plat	2
2	28235GT	DECAL, POWER TO PLATFORM 115V** Option, power to Plat	2
3	44981GT	DECAL,LABEL, AIR LINE 110 PSI Option, airline to Plat	2
4	72086GT	DECAL,LABEL,LIFTING EYE	2
5	114251GT	DECAL,LABEL,NO SMOKING,SYMB	1
6	133067GT	DECAL,DANGER,ELEC.HAZ.STAY CLR	1
7	1255581GT	DECAL,COSMETIC, 10" GENIE BLUE	1
8	1256425GT	DECAL, DANGER, ELECTROCUTION HAZARD, SYMBOL Option, welder	2
9	1258174GT	DECAL, COSMETIC, 10", GENIE WHITE	1
10	1258176GT	DECAL, COSMETIC, 10", GENIE BLACK	1
11	1263542GT	DECAL,IMPROPER OPERATION,SYMBOL	1
12	1270969GT	DECAL, VEC, DEUTZ2.9T, S80 Deutz TD 2.9L4	1
13	1270970GT	DECAL, VEC, DEUTZ2011T, S80 Deutz TD2011L04i	1
14	1283345GT	DECAL, COVER, XC XTRA CAPACITY	1
15	1283577GT	DECAL, LIFT^POWER, 1X7 INCH Option, welder	1
16	1286362GT	DECAL, BOOM SUPPORT, SYMBOL	1
17	1290807GT	DECAL,COSMETIC,13.5" GENIE, WHITE	1
18	1304217GT	DECAL, EXPLOSION HAZARD	1
19	1305382GT	STAGE V IDENTIFICATION LABEL	1
20	1311624GT	LABEL,DECIBEL,109DB (CE Only)	1

Go to DiscountEquipment.com to order your parts



108.2 Decals with Symbols, Engine Side(from SN S85XCD-3032)

NOTE:
Part numbers with "(FR)" indicates French translation is available



Go to Discount-Equipment.com to order your parts

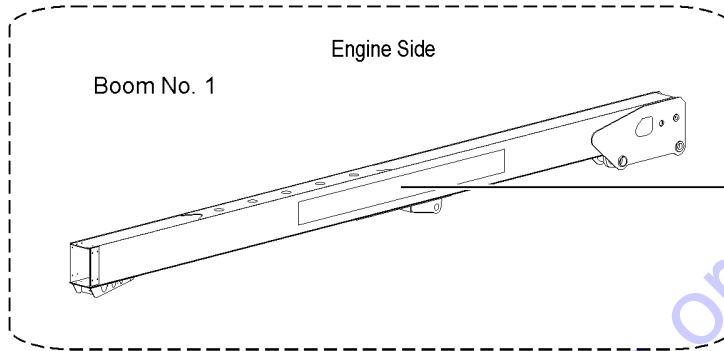
108.2 Decals with Symbols, Engine Side(from SN S85XCD-3032)

Item	Part No.	Description	Qty.
1	28174GT	DECAL, POWER TO PLATFORM 230V** Option, power to Plat	2
2	28235GT	DECAL, POWER TO PLATFORM 115V** Option, power to Plat	2
3	44981GT	DECAL,LABEL, AIR LINE 110 PSI Option, airline to Plat	2
4	72086GT	DECAL,LABEL,LIFTING EYE	2
5	114251GT	DECAL,LABEL,NO SMOKING,SYMB	1
6	133067GT	DECAL,DANGER,ELEC.HAZ.STAY CLR	1
7	133411GT	DECAL,LABEL,106 DB*** (106dB, CE only)	1
8	1255581GT	DECAL,COSMETIC, 10" GENIE BLUE Blue	1
9	1256425GT	DECAL, DANGER, ELECTROCUTION HAZARD, SYMBOL Option, welder	2
10	1258174GT	DECAL, COSMETIC, 10", GENIE WHITE White	1
11	1258176GT	DECAL, COSMETIC, 10", GENIE BLACK Black	1
12	1263542GT	DECAL,IMPROPER OPERATION,SYMBOL	1
13	1270969GT	DECAL, VEC, DEUTZ2.9T, S80 Deutz TD 2.9L4	1
14	1270970GT	DECAL, VEC, DEUTZ2011T, S80 Deutz TD2011L04i	1
15	1286362GT	DECAL, BOOM SUPPORT, SYMBOL	1
16	1301075GT	DECAL, CENTER THE RAW AIR HOSE TD2.2 Stage V and TD2.9 CN4 only, CE only	1
17	1304217GT	DECAL, EXPLOSION HAZARD TD2.2 Stage V and TD2.9 CN4 only, CE only	1
18	1305382GT	STAGE V IDENTIFICATION LABEL	1
19	1311624GT	LABEL,DECIBEL,109DB (109dB,CE Only)	1
20	1330844GT	DECAL, COSMETIC, S-85 XC, RIGHT SIDE, 696 X 46 MM	1
21	1332241GT	DECAL, COSMETIC, LIFT POWER, GENERATOR, 192 X 27 MM	1
22	1336686GT	DECAL, COSMETIC, S-85 XC, RIGHT SIDE, BLUE, 696 X 46 MM Blue	1
23	1336687GT	DECAL, COSMETIC, S-85 XC, RIGHT SIDE, BLACK, 696 X 46 MM Black	1
24	1336688GT	DECAL, COSMETIC, S-85 XC, RIGHT SIDE, WHITE, 696 X 46 MM White	1

Go to Document.com to order your parts

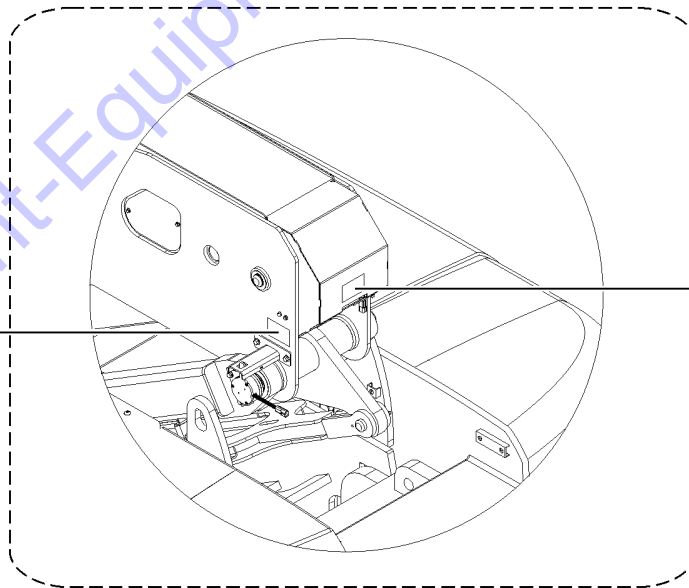
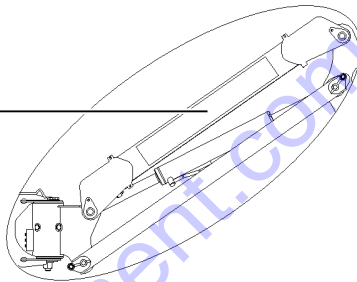


109.1 Decals with Symbols, Boom(to SN S85XCD-3031)



1279067
or
1281158
or
1282402

1283744



Go to Discount-Equipment.com to order your parts

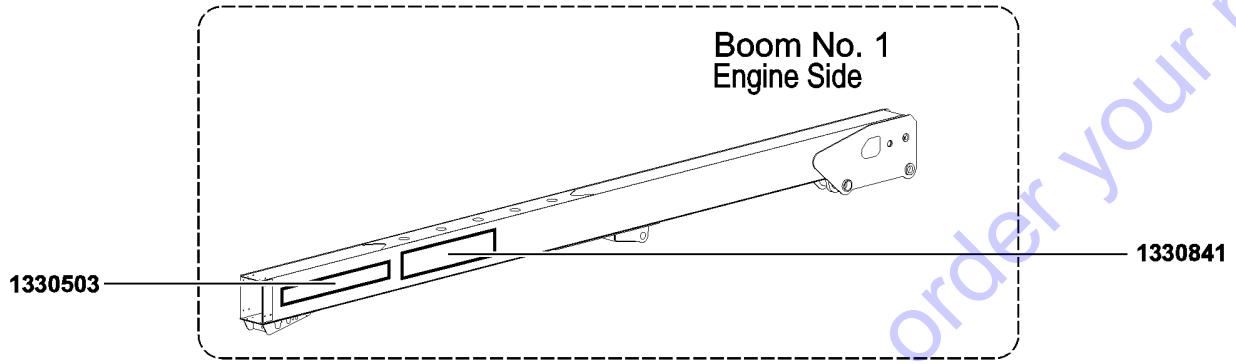
109.1 Decals with Symbols, Boom(to SN S85XCD-3031)

Item	Part No.	Description	Qty.
1	114252GT	DECAL,LABEL,TIP OVER LMT SWTCH	2
2	1279067GT	DECAL, BOOM, GENIE S-85 XC	1
3	1281158GT	DECAL, BOOM, GENIE S-85 XC, BLUE	1
4	1282402GT	DECAL, BOOM, GENIE S-85 XC, BLK	1
5	1283744GT	DECAL, LIFT^POWER	1
		(Option, welder)	

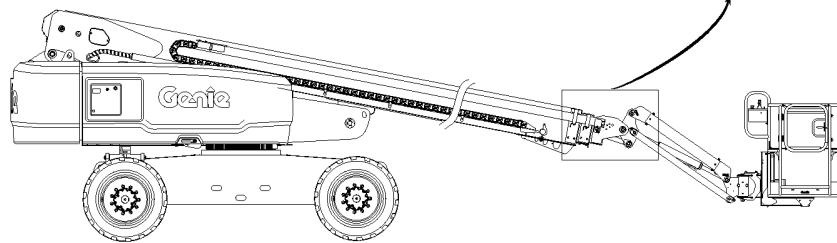
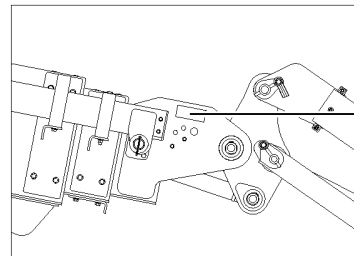
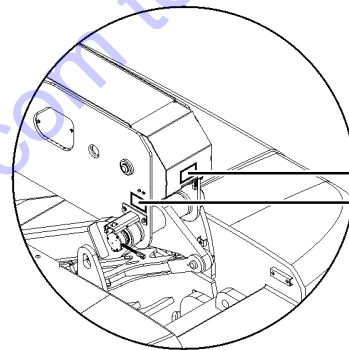
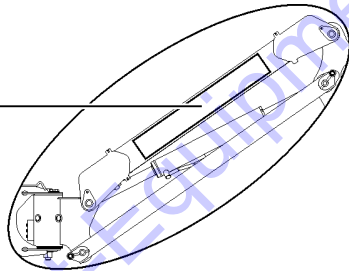
Go to Discount-Equipment.com to order your parts



109.2 Decals with Symbols, Boom(from SN S85XCD-3032)



1332629
or
1333703
or
1333704
or
1333705



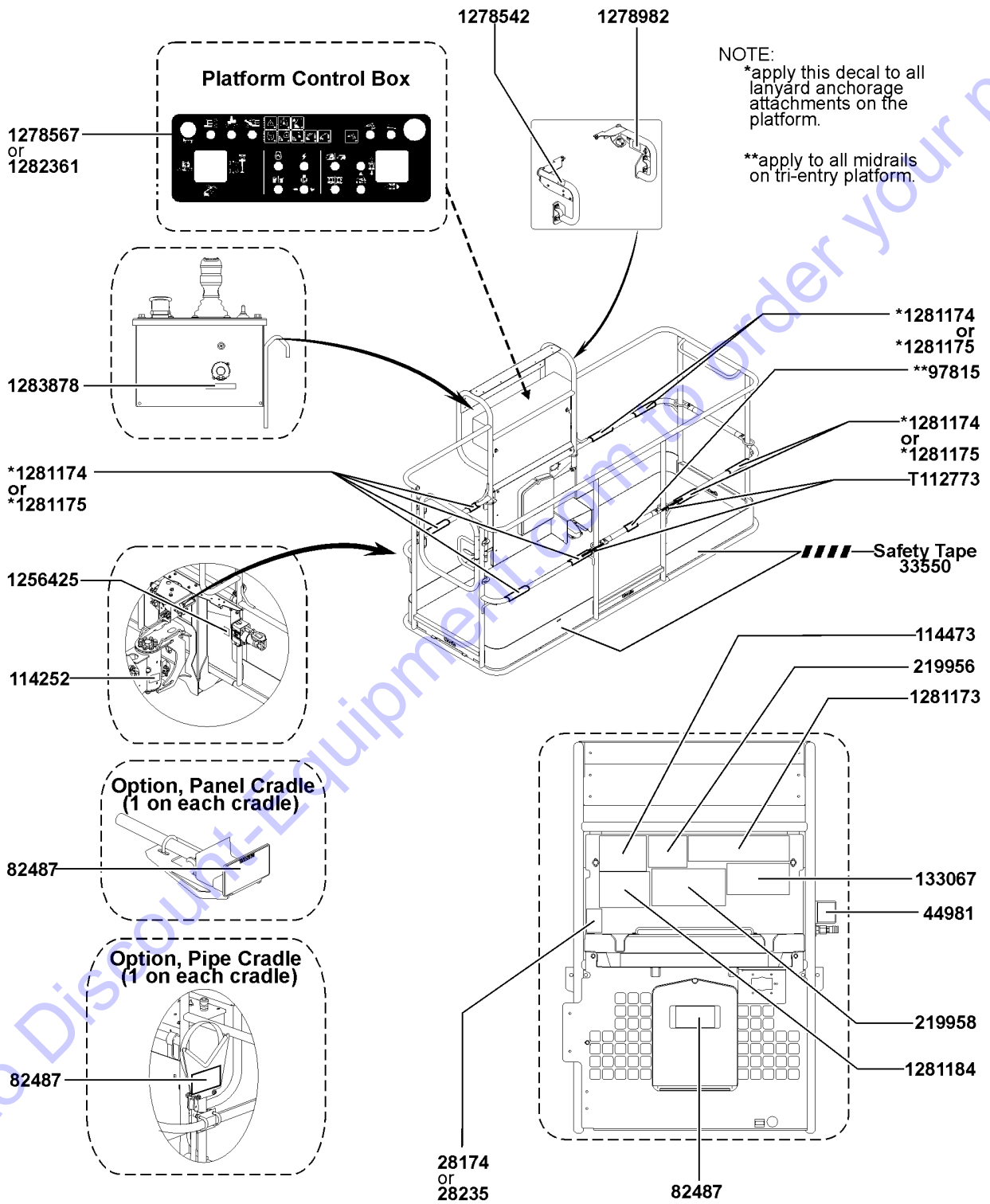
109.2 Decals with Symbols, Boom(from SN S85XCD-3032)

Item	Part No.	Description	Qty.
1	114252GT	DECAL,LABEL,TIP OVER LMT SWTCH	3
2	1330503GT	DECAL, COSMETIC, GENIE, WHITE, 716 X 215 MM	1
3	1330841GT	DECAL, COSMETIC, S-85 XC, 1646 X 404 MM	1
4	1332629GT	DECAL, COSMETIC, LIFT POWER, JIB, 625 X 88 MM	1
5	1333703GT	DECAL, COSMETIC, LIFT POWER, JIB, WHITE, 625 X 88 MM	1
6	1333704GT	DECAL, COSMETIC, LIFT POWER, JIB, BLACK, 625 X 88 MM	1
7	1333705GT	DECAL, COSMETIC, LIFT POWER, JIB, BLUE, 625 X 88 MM	1

Go to Discount-Equipment.com to order your parts



110.1 Decals with Symbols, Platform(to SN S85XCD-3031)



Go to Discount-Equipment.com to order your parts

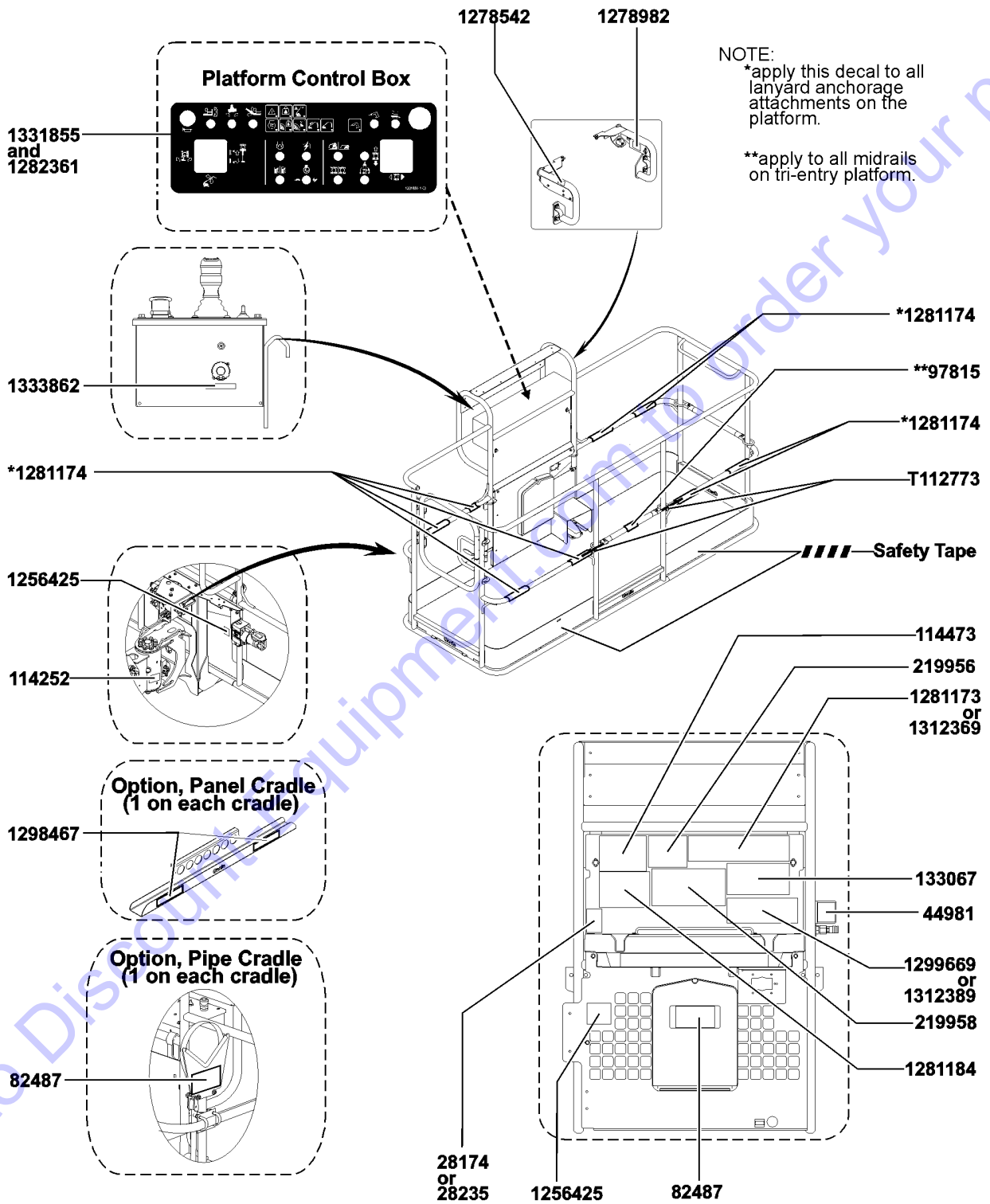
110.1 Decals with Symbols, Platform(to SN S85XCD-3031)

Item	Part No.	Description	Qty.
1	33550GT	TAPE,WARNING,BLK/YEL, 50****	50
2	28174GT	DECAL, POWER TO PLATFORM 230V** Option, Power to Plat	1
3	28235GT	DECAL, POWER TO PLATFORM 115V** Option, Power to Plat	1
4	44981GT	DECAL,LABEL, AIR LINE 110 PSI Option, airline to plat	1
5	82487GT	DECAL, SYMBOL - READ THE MANUAL	3
6	97815GT	DECAL,LABEL,LOWER MIDRAIL	1
7	114252GT	DECAL,LABEL,TIP OVER LMT SWTCH	1
8	114473GT	DECAL,DANGER,TIPOVER,TILT,SYM	1
9	133067GT	DECAL,DANGER,ELEC.HAZ.STAY CLR	1
10	219956GT	DECAL,PLATFORM OVERLOAD	1
11	219958GT	DECAL,TIP-OVER,CRUSH	1
12	1256425GT	DECAL, DANGER, ELECTROCUTION HAZARD, SYMBOL Option, welder	1
13	1278542GT	DECAL, INSTRUCTION, CONTACT ALARM	1
14	1278567GT	OVERLAY,PLATFORM CONTROLS,S-BOOM,XC	1
15	1278982GT	DECAL, INSTRUCTION, ACTUATOR SWITCH SOCKET	1
16	1281173GT	DECAL,DANGER,CAPICITY S-85 XC,SYMBOL	1
17	1281174GT	DECAL,LANYARD,FALL ARREST/FALL RESTRAINED (ANSI/CSA)	8
18	1281175GT	DECAL,LANYARD,FALL RESTRAINED (CE)	8
19	1281184GT	DECAL,WARNING,RUNAWAY MACHINE,SYMBOL	1
20	1282361GT	DECAL,PROTECTOR,CLEAR,S-80/85 XC	1
21	1283878GT	DECAL, TECHPRO LINK	1
22	T112773GT	TAPE, PROTECTIVE MASK	2

Go to Discount-Equipment.com to order your parts



110.2 Decals with Symbols, Platform(from SN S85XCD-3032)



Go to Dis... Equipment... order your parts

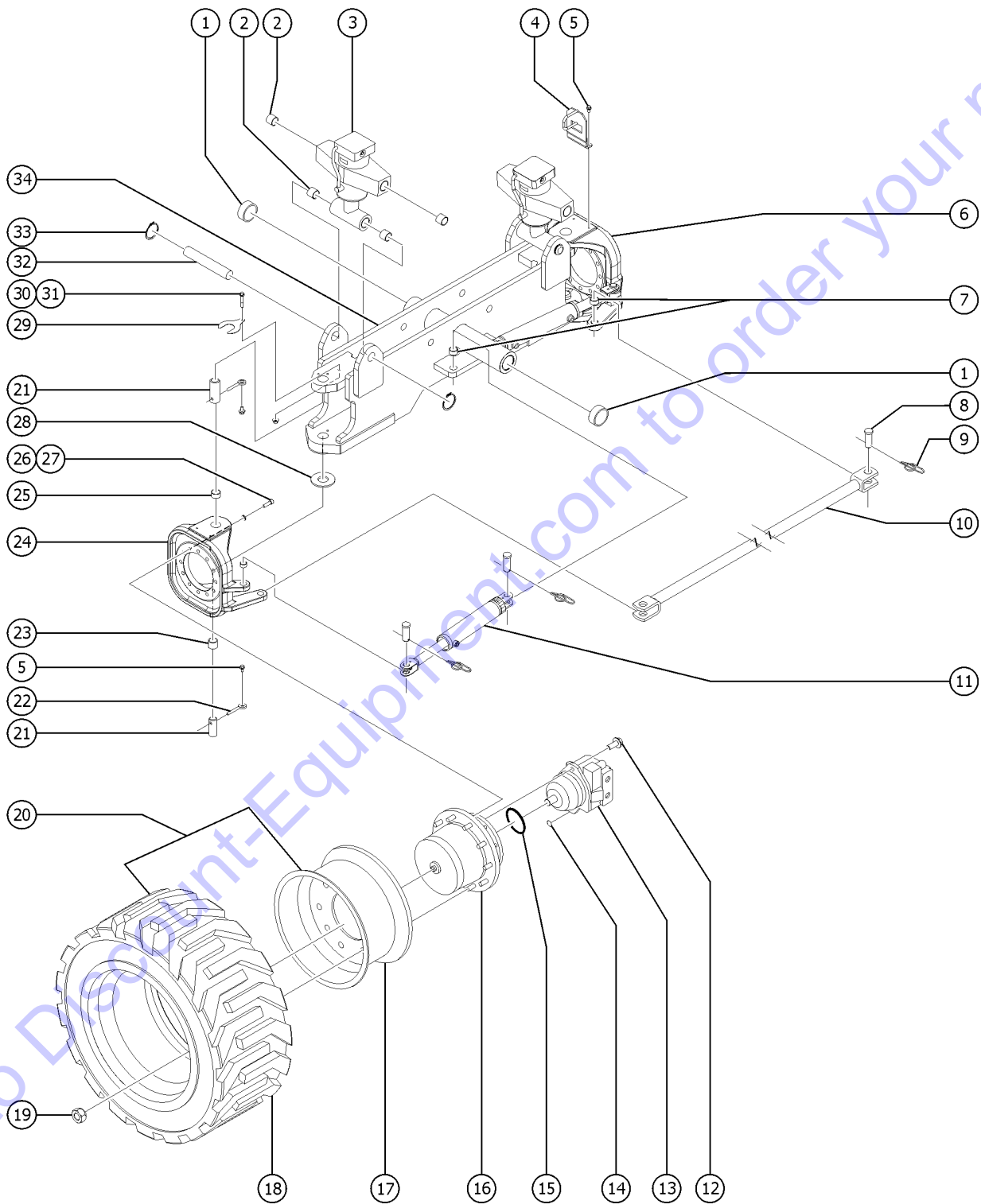
110.2 Decals with Symbols, Platform(from SN S85XCD-3032)

Item	Part No.	Description	Qty.
1	28174GT	DECAL, POWER TO PLATFORM 230V** Option, Power to Plat	1
2	28235GT	DECAL, POWER TO PLATFORM 115V** Option, Power to Plat	1
3	44981GT	DECAL,LABEL, AIR LINE 110 PSI Option, airline to plat	1
4	82487GT	DECAL, SYMBOL - READ THE MANUAL	3
5	97815GT	DECAL,LABEL,LOWER MIDRAIL	1
6	114252GT	DECAL,LABEL,TIP OVER LMT SWTCH	1
7	114473GT	DECAL,DANGER,TIPOVER,TILT,SYM	1
8	133067GT	DECAL,DANGER,ELEC.HAZ.STAY CLR	1
9	219956GT	DECAL,PLATFORM OVERLOAD	1
10	219958GT	DECAL,TIP-OVER,CRUSH	1
11	1256425GT	DECAL, DANGER, ELECTROCUTION HAZARD, SYMBOL Option, welder	2
12	1278542GT	DECAL, INSTRUCTION, CONTACT ALARM	1
13	1278982GT	DECAL, INSTRUCTION, ACTUATOR SWITCH SOCKET	1
14	1281173GT	DECAL,DANGER,CAPICITY S-85 XC,SYMBOL	1
15	1281174GT	DECAL,LANYARD,FALL ARREST/FALL RESTRAINED (ANSI/CSA)	8
16	1281184GT	DECAL,WARNING,RUNAWAY MACHINE,SYMBOL	1
17	1282361GT	DECAL,PROTECTOR,CLEAR,S-80/85 XC	1
18	1298467GT	DECAL, SYMBOL, READ THE MANUAL, 2.38x1.25	1
19	1299669GT	DECAL, WARN, 4M PLATFORM, READ THE MANUAL	1
20	1312369GT	DECAL, DANGER, CAPACITY S-85XC 13FT (4M) PLATFORM, SYMBOL 4m platform option	1
21	1312389GT	DECAL, WARN, 13FT (4M) PLATFORM, READ THE MANUAL, SYMBOL ANSI, 4m platform option	1
22	1331855GT	OVERLAY PLATFORM CONTROLS S-BOOM XC	
23	1333862GT	DECAL, COSMETIC, TECH^PRO LINK	1
24	T112773GT	TAPE, PROTECTIVE MASK	2

Go to DiscountEquipment.com to order your parts



201.1 Steer End

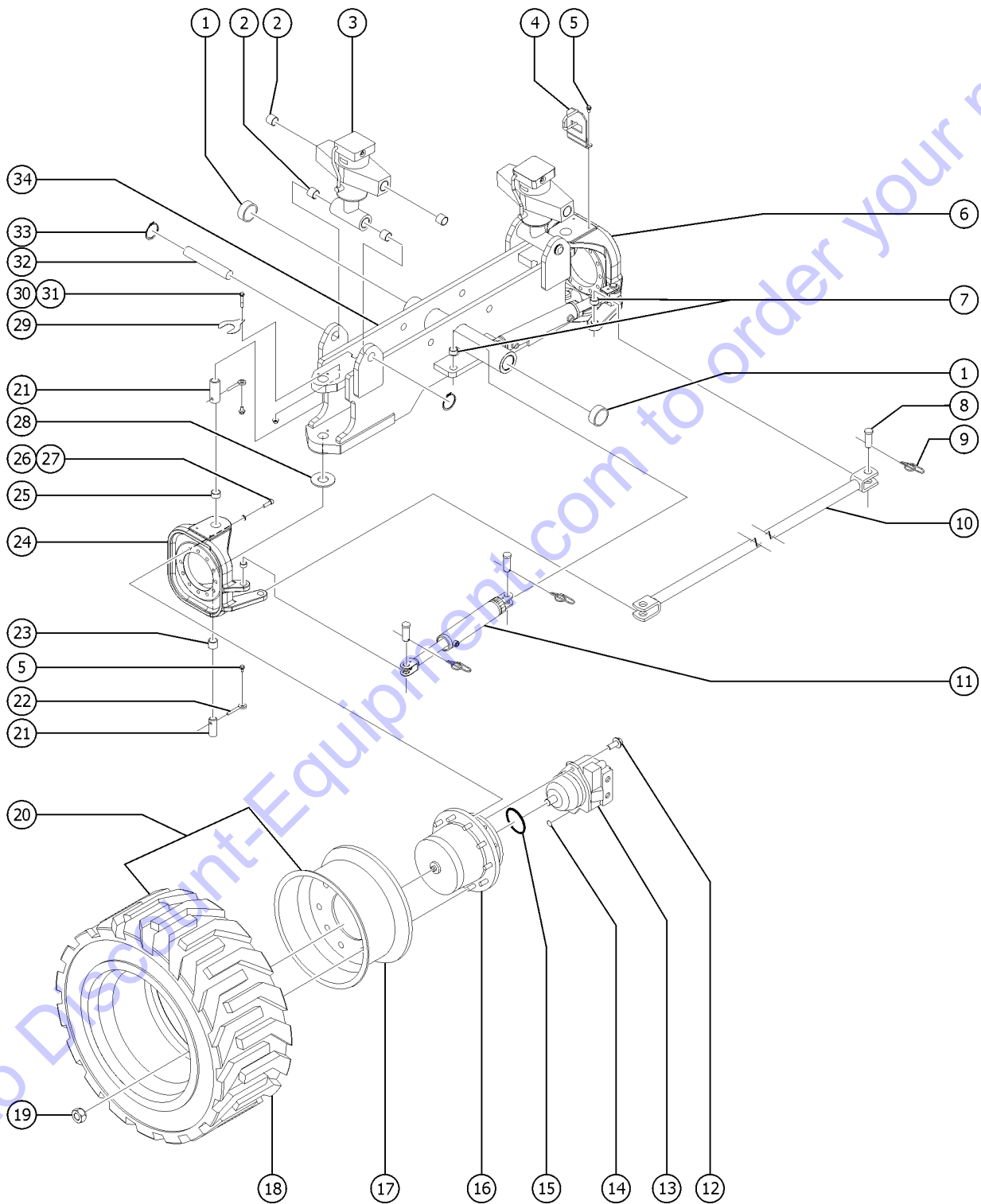


Go to Discount-Equipment.com to order your parts

Item	Part No.	Description	Qty.
1	27698GT	BEARING,2.50IDX2.75ODX2.00L	2
2	30221GT	BEARING,1.75IDX2.00ODX1.50LG	8
3	81330GT	CYLINDER,OSCILLATE***	2
3-	33428GT	VALVE,COUNTERBALANCE	
3-	43018GT	SEAL KIT (39345)	
3-	77519GT	SEAL KIT,OSC CYLINDER (81330)*	
4	1268563GT	WELDMENT, GUIDE BRACKET,YOKE	2
5	824089GT	SCREW, HHF, 3/8-16 X .75, 8, ZAG	8
6	1269323GT	ASSY,S80YOKE,W/BEARINGS,RFLR,N	1
7	25817GT	BEARING,1.00IDX1.25ODX1.00L	6
8	824127GT	PIN, CLEVIS, SAE 1.0 X 2.41, ZAG	6
9	824129GT	RUE RING,1.0,ZAG	6
10	1268565GT	WELDMENT, TIE ROD, S80, NDL	1
11	59370GT	CYLINDER,STEER	2
11-	88349GT	SEAL KIT,STEER CYL***	
12	824134GT	SCREW,HHF,M12-1.75X30,DIN6921,10.9,ZAB	4
13	101070GT	MOTOR,PISTON,2 SPEED,45CC	2
13-	106098GT	SEAL KIT,MOTOR,LC/KC***	
14	106117GT	O-RING,2-010,VITON (Mating O-ring for Brake Port)(Extremely small)	2
15	106118GT	O-RING,2-157,VITON*** (Motor to Hub O-ring)	2
16	1275746GT	WHEEL DRIVE W/BRAKE, 71:1 (Refer to 204.1), (to SN S85XCD-2191, from SN S85XCD-2213 to S85XCD-2412, from SN S85XCD-2447)	4
16B	1306188GT	WHEEL DRIVE W/BRAKE,71:1 PMP, (Refer to 204.2), (from SN S85XCD-2192 to S85XCD-2212, from SN S85XCD-2413 to S85XCD-2446)	4
17	121268GT	WHEEL,24.5 X 15.00 for 227804, 227805, 227985, 228805, 121286, 121287, 121271, 121272	
17B	121270GT	WHEEL,HF,22.5 X 14.00 for 1286371, 1286507	
18	101943GT	TIRE,18-625,16 PLY RT HBR,N-M for 227985, 228805,121271,121272	
18B	88261GT	TIRE,18-625,16 PLY,RT HBR for 227804, 227805,121286,1212	
18C	1286372GT	TIRE,41/18LLX22.5,20PR,TURF for 1286371, 1286507	



201.1 Steer End

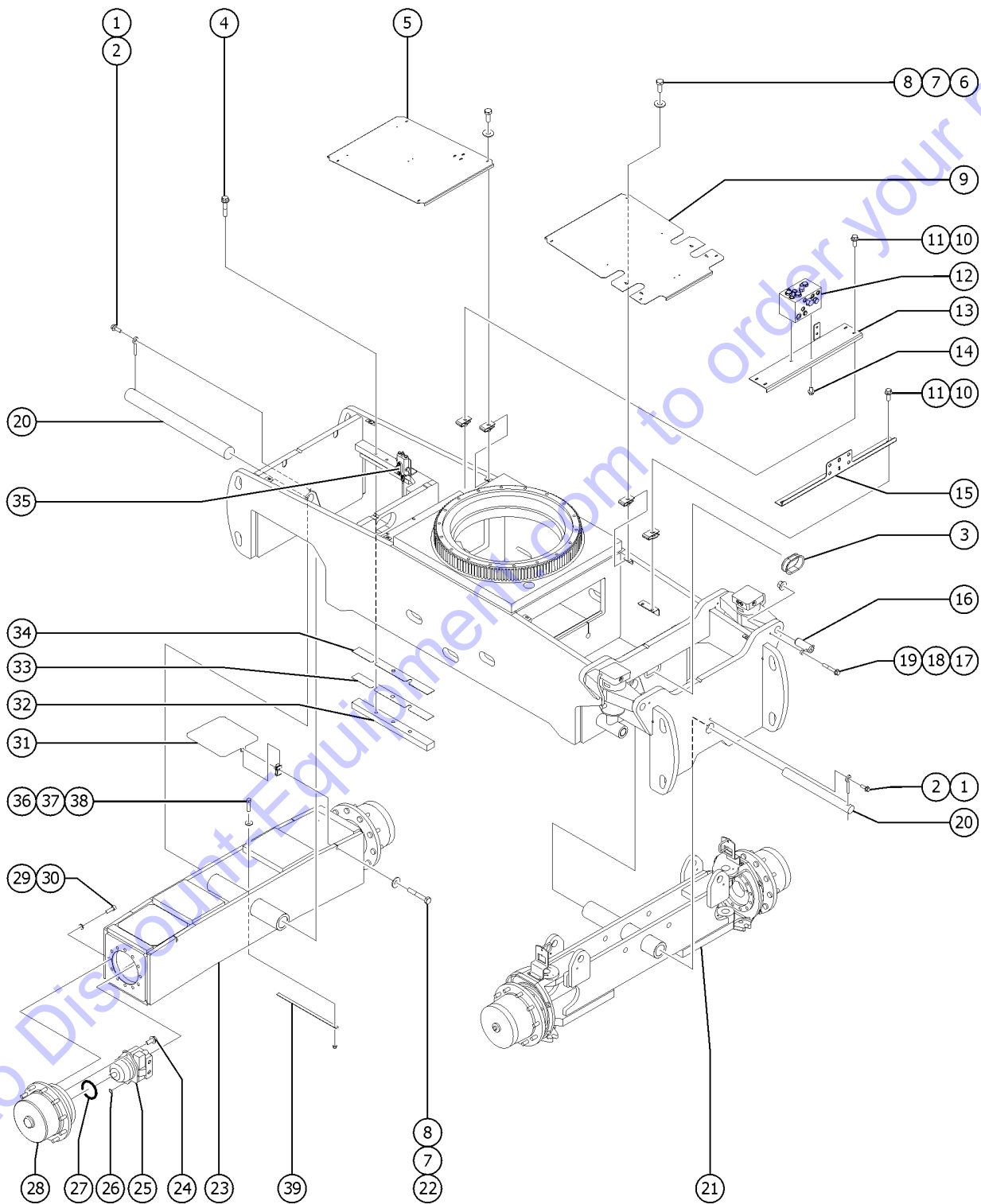


Go to Discount-Equipment.com to order your parts

Item	Part No.	Description	Qty.
19	1259931GT	NUT,LUG,3/4-16 X 7/8 RADIUS,ZA	44
20	121286GT	TIRE & WHEEL ASSY,RT LP FOAM,L	1
		RT, Foam-filled, left (11 holes)	
20B	121287GT	TIRE & WHEEL ASSY,RT LP FOAM,R	
		RT, Foam-filled, right (11 holes)	
20C	121271GT	TIRE & WHEEL ASSY,FOAM NM,LH	
		RT, Foam-filled, Non-marking, left	
20D	121272GT	TIRE & WHEEL ASSY,FOAM NM,RH	
		RT, Foam-filled, Non-marking, right	
20E	1263978GT	ASSY,TIRE,18/625,LH,EXMILE	
		EXMILE, left	
20F	1263979GT	ASSY,TIRE,18/625,RH,EXMILE	
		EXMILE, right	
21	30199GT	PIN,1.75 DIA X 4.50LG,THREADED	4
22	825019GT	ROD END,.375 X 3.69,ZAG	4
23	119620GT	BEARING,1.75IDX2.00ODX1.50L	2
24	1269321GT	ASSY,S80 YOKE W/BEARINGS,L,NDL	1
25	51144GT	BEARING,1.75IDX2.00ODX1.25L	2
26	1269593GT	SCREW,SHC,M16-2.0X55,DIN912,12.9,ZAB	24
27	825348GT	WASHER,FLAT,M16,DIN6916,HRD,ZAB	24
28	60555GT	WASHER,THRUST 5 X 1.81 BRON	2
29	88241GT	SHIM,GALVANIZED STEER YOKE	2
30	1256856GT	SCREW,HHF,3/8-16X2.5,8,ZAG	2
31	1274322GT	NUT,NYLOCK FLG,3/8-16,F,ZAG	2
32	121371GT	PIN,1.75DIA X 10.50LG,2 RING	2
33	825759GT	SNAP RING,EXTERNAL,1.75,ZAG	4
34	1269322GT	ASSY,STEER AXLE,W/BEARINGS,NDL	1

Go to Discount-Equipment.com to order your parts

202.1 Axle Installation

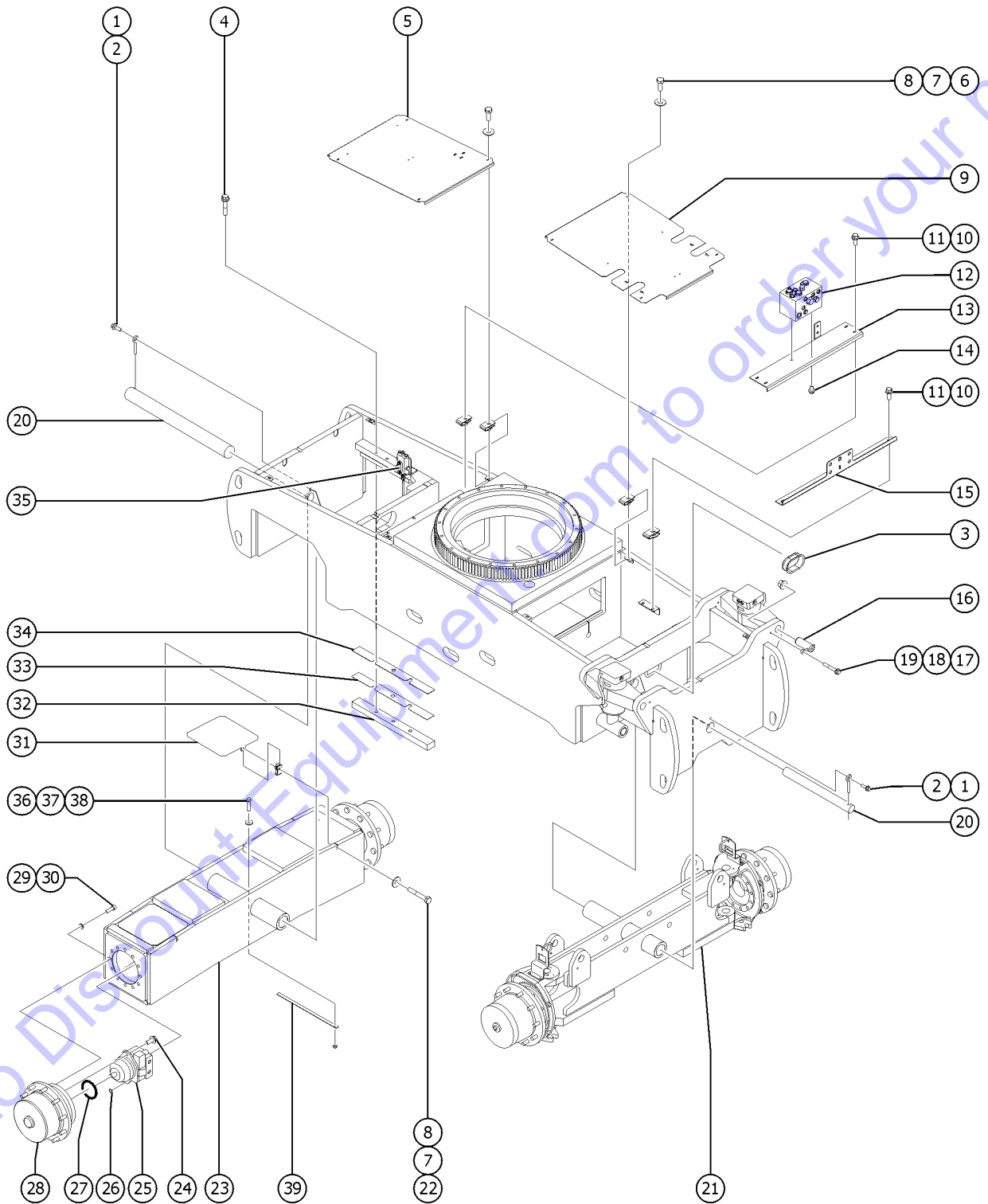


Go to DiscountEquipment.com to order your parts

Item	Part No.	Description	Qty.
1	1253498GT	SCREW,HHF,1/2-13X1.5,8,ZAG	2
2	1256267GT	ROD END,.5 X 3.75,ZAG	2
3	53387GT	GUARD, HOSE PROTECTOR	1
4	1255802GT	SCREW,HHF,1/2-13X2.5,8,ZAG	6
5	1268568GT	COVER, DRIVE CHASSIS, REAR,NDL	1
6	824078GT	SCREW,HHF,1/4-20X.75,8,ZAG	8
7	824113GT	WASHER,FLAT,USS,1/4,ZAG	12
8	56912GT	SPRING CLIP,1/4-20,.025-.15X.54,ZAG	12
9	1268569GT	COVER, DRIVE CHASSIS, FRONT,ND	1
10	824090GT	SCREW,HHF,3/8-16X1,8,ZAG	6
11	29868GT	SPRING CLIP,3/8-16,.05-.20X.73,ZAG	6
12		REF. TRACTION MANIFOLD (refer to 701.1)	
13	1268570GT	FORMING, TRAC. CONT. MAN. BRKT	1
14	237830GT	SCREW,HHF,1/2-13X1,8,ZAG	2
15	1268571GT	FORMING, BULKHEAD BRKT, NDL	1
16	81498GT	PIN,1.75DIA X 4.50LG, THREADED	4
17	1256856GT	SCREW,HHF,3/8-16X2.5,8,ZAG	4
18	825019GT	ROD END,.375 X 3.69,ZAG	4
19	1274322GT	NUT,NYLOCK FLG,3/8-16,F,ZAG	4
20	81378GT	PIN,2.50DIA X 27.63LG,1HOLE no longer available	2
21		REF. STEER END (refer to 201.1)	
22	824063GT	SCREW, HHC, 1/4-20 X 1.75, 8, ZAG	4
23	1269319GT	ASSY, NON-STEER AXLE W/BEARINGS	1
23-	27698GT	BEARING, 2.50ID X 2.75OD X 2.00L	2
24	824134GT	SCREW,HHF,M12-1.75X30,DIN6921,10.9,ZAB	4
25	101070GT	MOTOR,PISTON,2 SPEED,45CC	2
26	106117GT	O-RING,2-010,VITON (Mating O-ring for Brake Port)(Extremely small)	2
27	106118GT	O-RING,2-157,VITON*** (Motor to Hub O-ring)	2



202.1 Axle Installation



Go to DiscountEquipment.com to order your parts

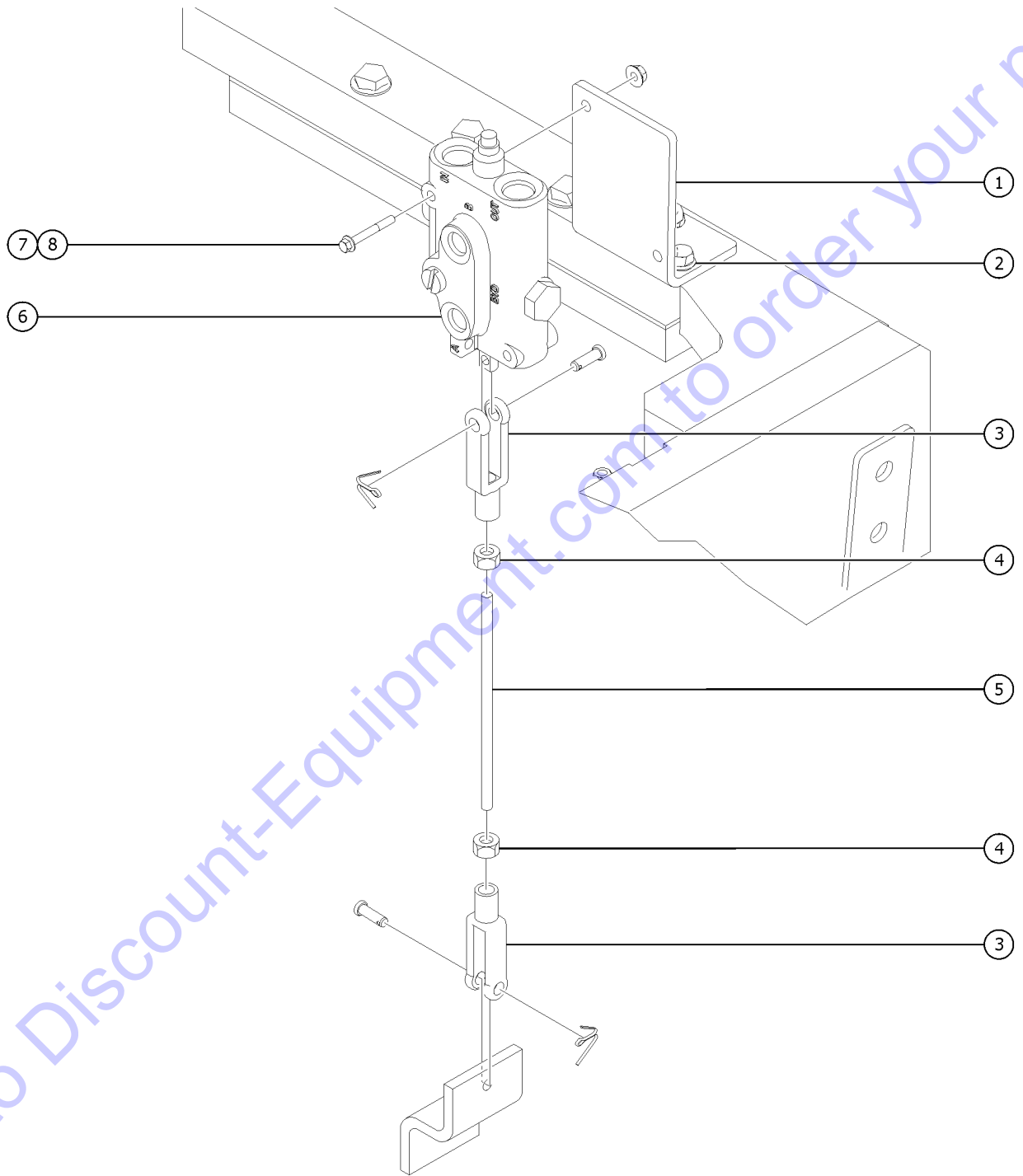
202.1 Axle Installation

Item	Part No.	Description	Qty.
28		Ref. WHEEL DRIVE W/BRAKE (refer to 204.1 & 204.2)	4
29	1269593GT	SCREW,SHC,M16-2.0X55,DIN912,12.9,ZAB	24
30	825348GT	WASHER,FLAT,M16,DIN6916,HRD,ZAB	24
31	1268573GT	FORMING, COVER, REAR AXLE, NDL	2
32	1268574GT	BAR, AXLE ROTATION STOP, OSC,N	2
33	81609GT	SHIM,AXLE ROTATION STOP,22G	2
34	81610GT	SHIM,AXLE ROTATION STOP,16G	2
35		REF. OSCILLATION CONTROL VALVE (refer to 203.1)	
36	104235GT	SCREW,HHC,1/2-13X2.25 GRD 8 optional	1
37	6095GT	WASHER,FLAT,USS,1/2",Y optional	1
38	6198GT	NUT, NYLOCK, 1/2-13 optional	1
39	107578GT	GROUND STRAP,24"LONG optional	1

Go to Discount-Equipment.com to order your parts



203.1 Oscillation Control Valve



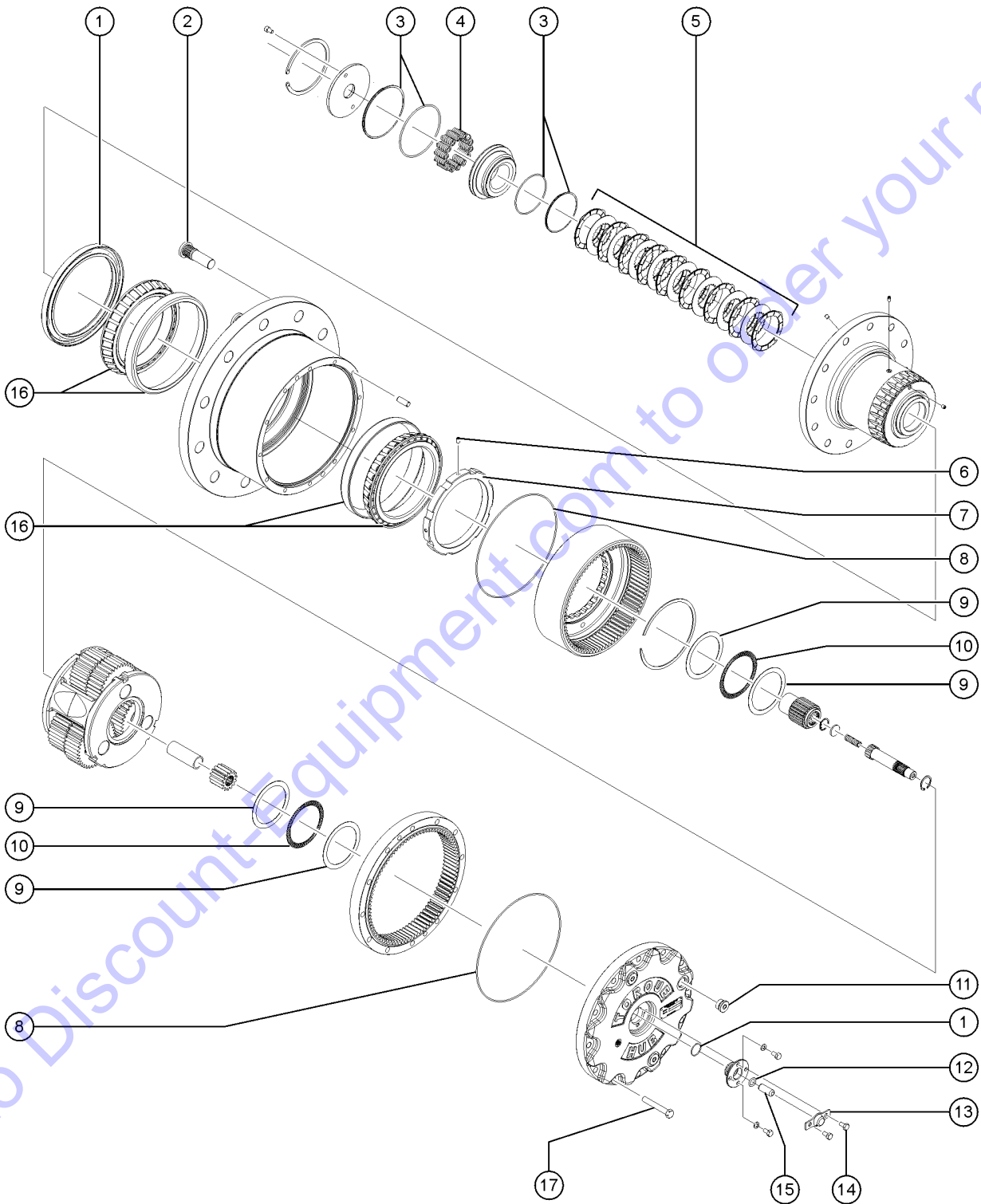
203.1 Oscillation Control Valve

Item	Part No.	Description	Qty.
1	1268575GT	FORMING, OSC. MANIFOLD MOUNT,N	1
2	824089GT	SCREW, HHF, 3/8-16 X .75, 8, ZAG	2
3	21130GT	CLEVIS YOKE-1/4-28,PLTD W/PIN	2
		(Includes clevis pin and cotter pin)	
4	824041GT	NUT, 1/4-28, 8, ZAG	2
5	1268606GT	ROD,THREADED,1/4-28X6,ZAG	1
6	49768GT	VLV,MAN,3 POS/4 WAY,CLOSE CTR*	1
7	1253485GT	SCREW,HHF,1/4-20X2,8,ZAG	2
8	824027GT	NUT, TL FLG, 1/4-20, G, ZAG	2

Go to Discount-Equipment.com to order your parts



204.1 Drive Hub Assembly with Brake (to SN S85XCD-2191, from SN S85XCD-2213 to S85XCD-2412, from SN S85XCD-2427)



Go to DiscountEquipment.com to order your parts

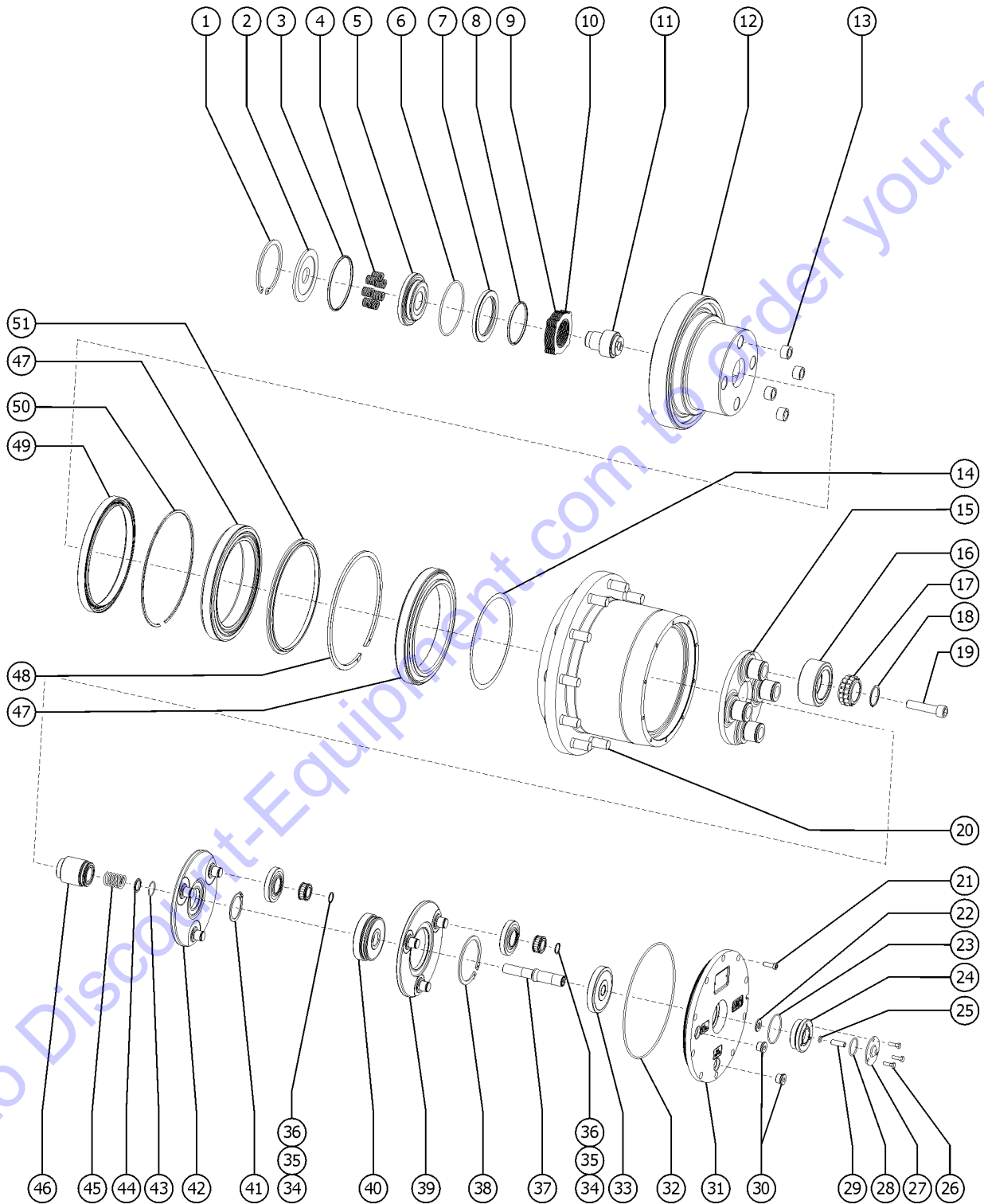
204.1 Drive Hub Assembly with Brake (to SN S85XCD-2191, from SN S85XCD-2213 to S85XCD-2412, from SN S85XCD-2427)

Item	Part No.	Description	Qty.
-	1300827GT	TORQUE HUB CAP SEAL (1275746)	2
A	1275746GT	WHEEL DRIVE W/BRAKE, 71:1	
1	T111507GT	SEAL KIT (121291)*** Includes items 8 and 12	1
2	33441GT	STUD,WHEEL,3/4-16, (34115)	11
3	106125GT	SEAL KIT, BRAKE, 4HP replaced by 106124GT	
3B	106124GT	LINING KIT, BRAKE, 4HP*** for 101585GT	
3C	1286602GT	SEAL KIT,WHEEL DRIVE W/BRAKE (101584/101585)	
4	122879GT	SPRING KIT (121291)	1
5	122878GT	BRAKE LINING KIT (121291)	1
6	146052GT	SET SCREW***	1
7	146051GT	BEARING NUT***	1
8	33990GT	O-RING, TORQUE HUB COVER (component of seal kit T111507)	2
9	58999GT	WASHER,THRUST,(33434)**	4
10	65846GT	BEARING,THRUST WASHER***	2
11	58237GT	PLUG,TORQUE HUB,DRAIN***	3
12	111363GT	O-RING,DISCONNECT ROD (111060) (component of seal kit T111507)	1
13	106122GT	CAP,DISENGAGE,4HP/4HB***	1
14	235154GT	BOLT,HEX-UNC(.250-20, .500G)	4
15	235152GT	DISENGAGE, ROD	1
16	235137GT	BEARING, TAPERED - ASSY	2
17	9990384GT	BOLT,HEX-UNC(.375-16,2.)	1

Go to Discount-Equipment.com to order your parts



204.2 Drive Hub Assembly with Brake (PMP) (from SN S85XCD-2192 to S85XCD-2212, from SN S85XCD-2413 to S85XCD-2426)

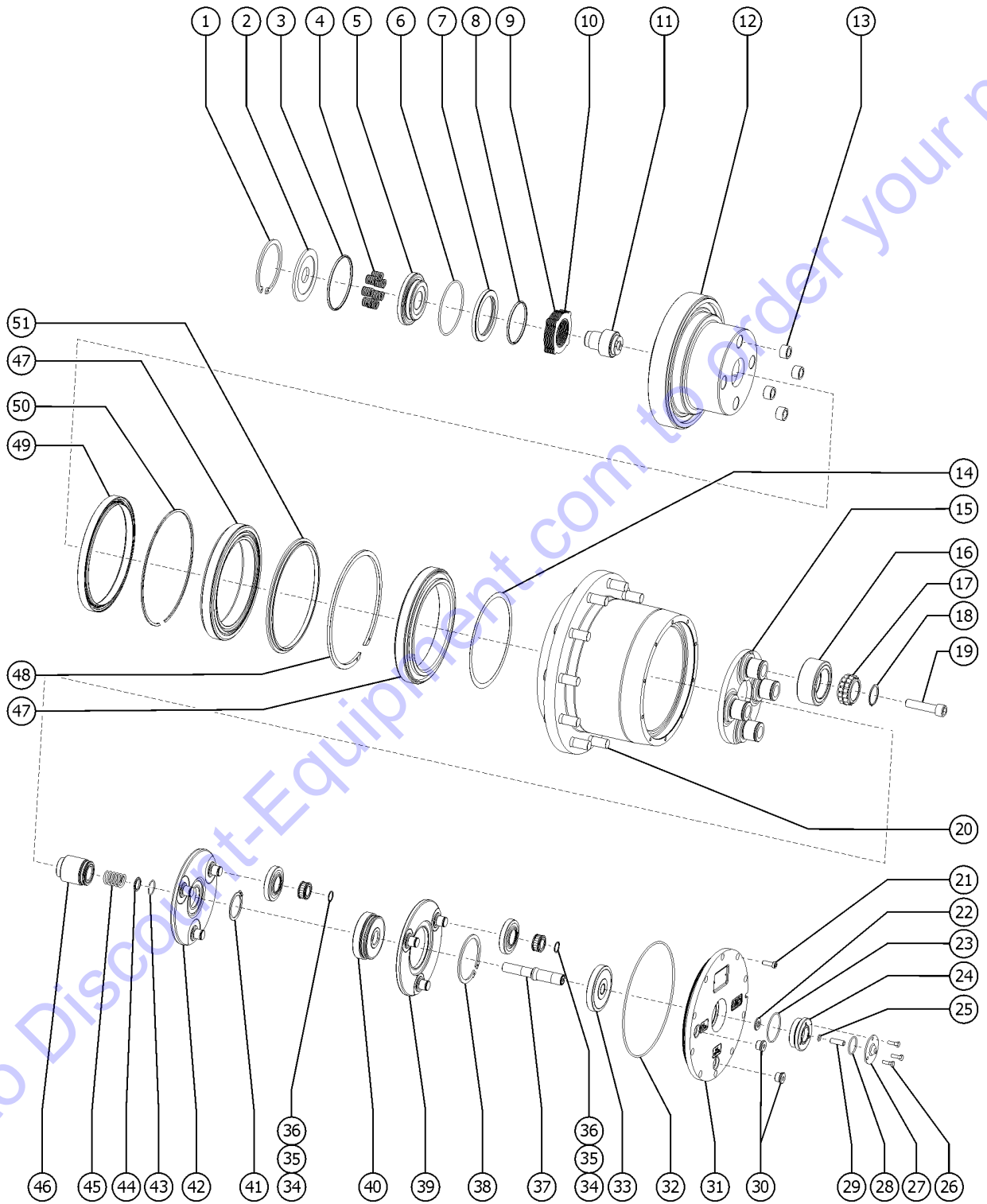


204.2 Drive Hub Assembly with Brake (PMP) (from SN S85XCD-2192 to S85XCD-2212, from SN S85XCD-2413 to S85XCD-2426)
Qty.

Item	Part No.	Description	Qty.
-	1310315GT	SERVICE KIT, WHEEL DRIVE 1306188, R10.7100.0/F	
-	1310314GT	SEAL KIT, WHEEL DRIVE 1306188	
		Includes items 3,6,8,23,25,28,32,49	
1	1325326GT	SNAP RING,AE1.0004	1
2	1325308GT	BRAKE REACTION DISC,320.0121	1
3	1310306GT	SEAL DS142 108*115.6*4.8, AT9.0067	1
4	1310293GT	SPRING-BRAKE, MOL.0128	7
5	1325313GT	BRAKE PISTON,740.0117	1
6	1310311GT	O-RING OR4437 110.7*3.53 NBR, AT5.0348	1
7	1325305GT	BRAKE LOCKING RING,040.0121	1
8	1310305GT	SEAL DS142 83*90.6*4.8, AT9.0069	1
9	1310291GT	FRICTION DISC, 320.0041	7
10	1310292GT	STEEL DISC, 320.0042	8
11	1325303GT	INPUT SHAFT PMR680C,020.0517	1
12	1325309GT	SPINDLE,660.0379	1
13	1325322GT	GUIDE BUSHING,ACC.0048	4
14	1325320GT	REGISTER SHIM,875.0298	1
15	1325316GT	PLANETARY CARRIER,750.0340	1
16	1325319GT	PLANET GEAR,835.0296	4
17	1310295GT	ROLLER BEARING-OUTPUT STAGE, CC1.0022	4
18	1310297GT	SNAP RING, AE0.0009	4
19	1310296GT	SCREW SHCS M16X70 12.9 BLACK, VC1.0155	4
20	1310290GT	STUD, WHEEL, 3/4-16 UNF, 207.0009	1
21	1310299GT	SCREW SHCS M8X20 12.9, VC2.0014	10
22	1310301GT	WASHER, RAL.0025	1
23	1310308GT	O-RING OR3225 56.82*2.62, AT5.0174	1
24	1325321GT	DISENGAGE PLUG M60X1.5,920.0028	1
25	1310312GT	O-RING ORM 10*2, AT5.0251	1
26	1310304GT	SCREW M6X20 8.8, VT1.0101	3



204.2 Drive Hub Assembly with Brake (PMP) (from SN S85XCD-2192 to S85XCD-2212, from SN S85XCD-2413 to S85XCD-2426)



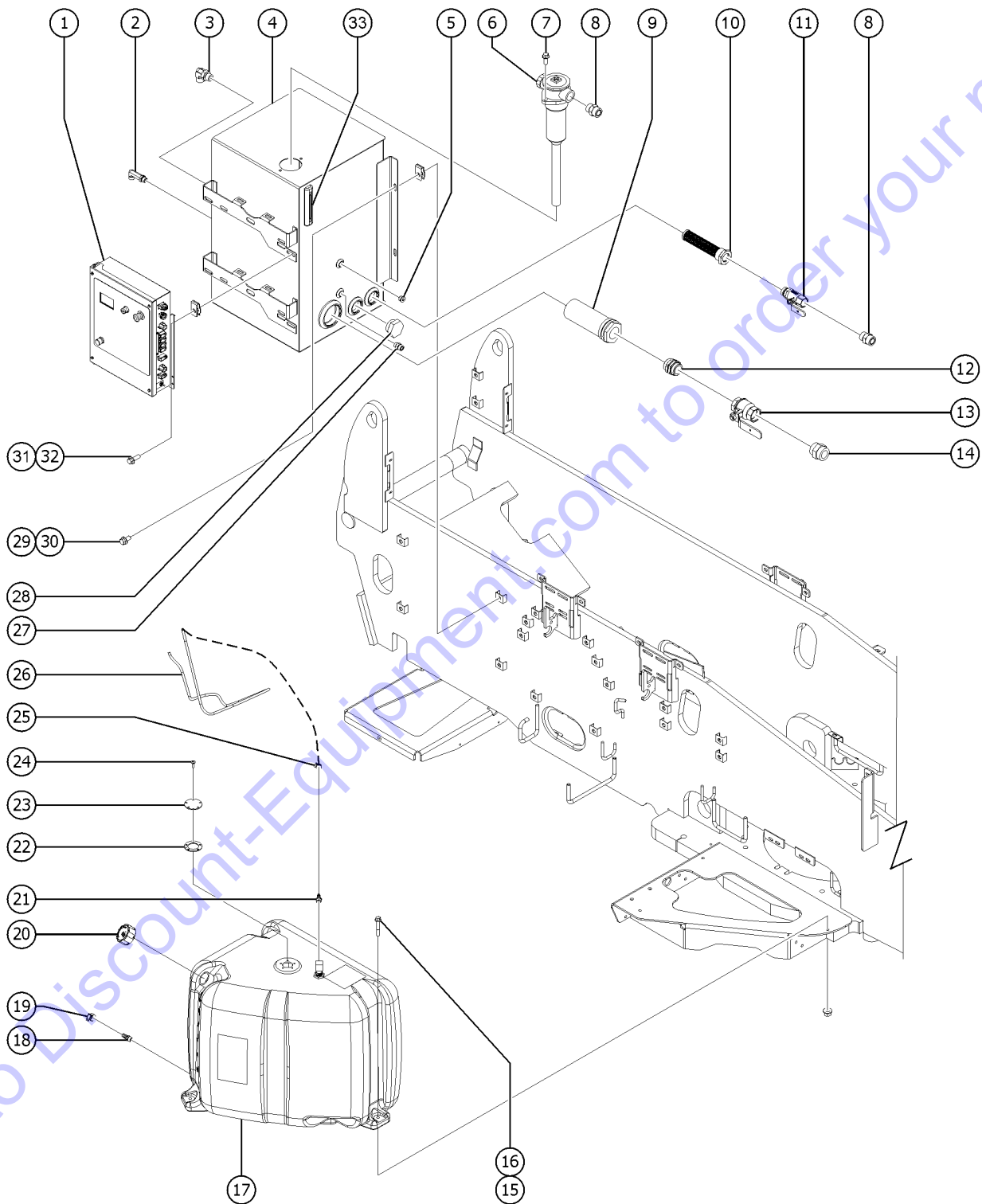
204.2 Drive Hub Assembly with Brake (PMP) (from SN S85XCD-2192 to S85XCD-2212, from SN S85XCD-2413 to S85XCD-2426)

Item	Part No.	Description	Qty.
27	1310303GT	PROTECTION, 780.0015	1
28	1310307GT	O-RING OR3131 32.99*2.62, AT5.0177	1
29	1310302GT	DOWEL PIN, SP1.0058	1
30	1310300GT	PLUG, TAP.0122	2
31	1325307GT	GEARBOX COVER,215.0490	1
32	1310309GT	O-RING OR4925 234.5*3.35 NBR, AT5.0154	1
33	1325312GT	SUN GEAR,FAST STAGE,735.0566	1
34	1325324GT	SNAP RING,AE0.0028	6
35	1310298GT	ROLLER BEARING-MIDDLE/FAST STAGE, CC1.0019	6
36	1325318GT	PLANET GEAR,INTERMEDIATE STAGE AND FAST,835.0294	6
37	1325304GT	INNER SHAFT,020.0534	1
38	1325325GT	SNAP RING,AE0.0062	1
39	1325315GT	PLANET CARRIER,FAST STAGE,750.0337	1
40	1325311GT	SUN GEAR,INTERMEDIATE STAGE,735.0565	1
41	1325323GT	SNAP RING,AE0.0027	1
42	1325314GT	PLANET CARRIER,INTERMEDIATE STAGE,750.0336	1
43	1325327GT	SNAP RING,AE1.0070	1
44	1325317GT	SLIDING RING,800.0025	1
45	1325330GT	DISENGAGE RING,MOL.0119	1
46	1325310GT	SUN GEAR,POWER STAGE,735.0564	1
47	1310294GT	ROLLER BEARING-MAIN, CU1.0054	2
48	1325329GT	SPECIAL SNAP RING,AE9.0007	1
49	1310310GT	SEAL 210*240*17.5/19, AT1.0075	1
50	1325328GT	SNAP RING,AE2.0062	1
51	1325306GT	SPACER,040.0133	1

Go to Discount-Equipment.com to order your parts



301.1 Hydraulic and Fuel Tanks - Diesel Models



Go to Discount-Equipment.com to order your parts

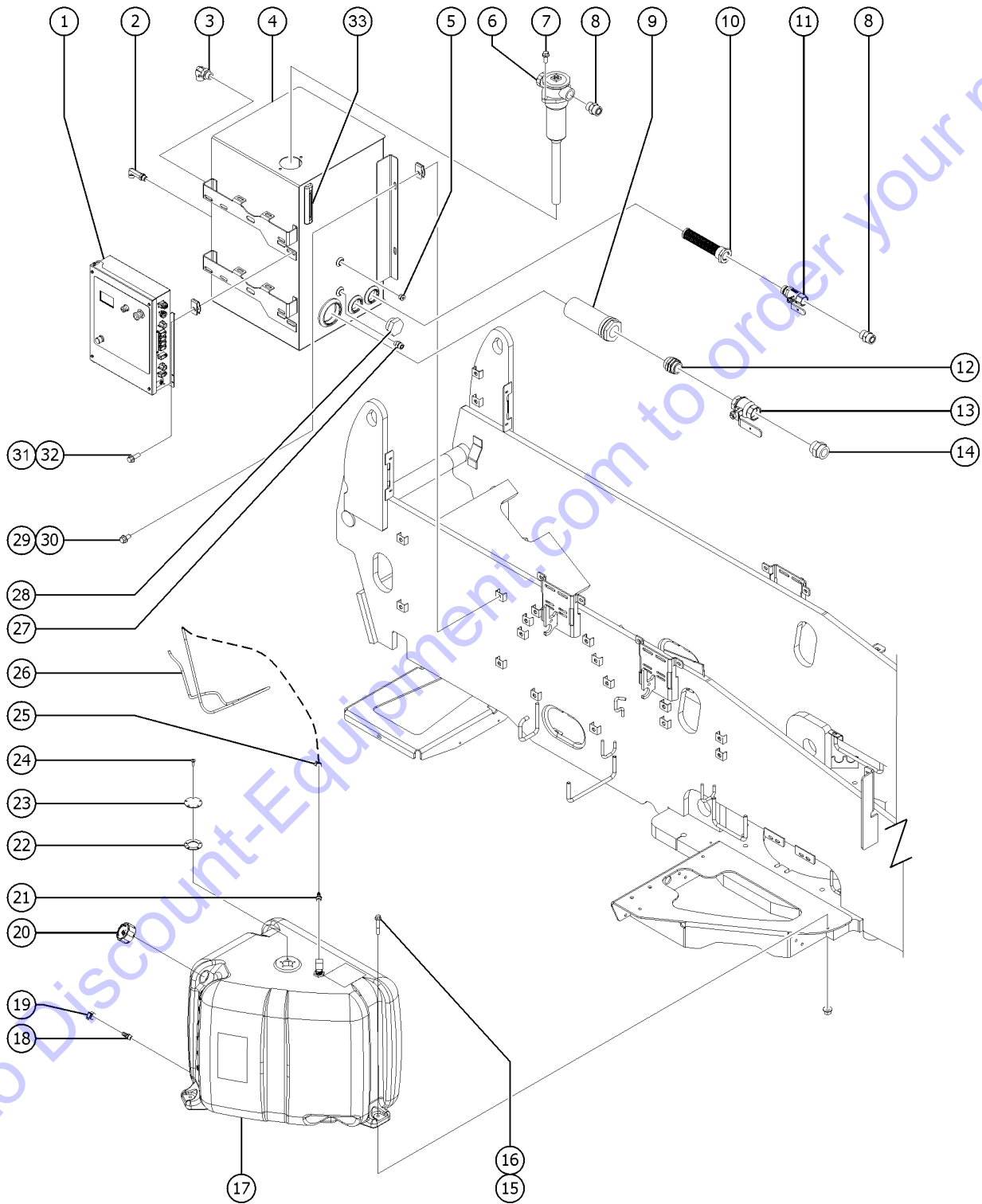
301.1 Hydraulic and Fuel Tanks - Diesel Models

Item	Part No.	Description	Qty.
1		REF. GROUND CONTROL BOX (refer to 307.1 and 308.1)	1
2	48932GT	FITTING,ELBOW,90D,520220-8***	1
3	48959GT	FITTING,ELBOW,90D,520220-12	1
4	1296083GT	TANK,HYDRAULIC 40 GAL,,S80/S85XC	1
5	59371GT	PLUG, HEX SOCKET, 090109B-8*	1
6	1310712GT	FILTER ASSY,INTANK,49GPM	1
6-	1317967GT	SEAL KIT, FILTER ASSY - INTANK, 49GPM	
6-	1283103GT	KIT, FILTER ELEMENT, HYD TANK RETURN	
6-	1282117GT	FILTER,ELEMENT,HYD TANK,RETURN	
7	824090GT	SCREW,HHF,3/8-16X1,8,ZAG	2
8	48984GT	CONN,520120-16	2
9	75257GT	STRAINER ASSY,#24 O-RING	1
10	101490GT	STRAINER,16 SAE F/24 SAE M	1
11	48996GT	VALVE, BALL, 16 MSAE-16 FSAE	1
12	75254GT	UNION,STR.THREAD 24***	1
13	75256GT	VALVE BALL,24 FSAE-24 FSAE***	1
14	61083GT	CONN,520120-24	1
15	1253478GT	SCREW,HHF,3/8-16X2,8,ZAG	3
16	1274322GT	NUT,NYLOCK FLG,3/8-16,F,ZAG	3
17	1274331GT	ASSY, FUEL TANK, 35GAL, DIESEL	1
17-	54324GT	FITTING,BULKHEAD,3/8NPT,FUELTK	
17-	823356GT	TUBE,FUEL RETURN,3/8X3/8X23.5	
17B	1274249GT	ASSY,FUEL TANK, 35 GAL, PLASTIC FS	1
17B-	1274331GT	ASSY, FUEL TANK, 35GAL, DIESEL	
17B-	54324GT	FITTING,BULKHEAD,3/8NPT,FUELTK	
17B-	1271770GT	SENSOR, FUEL LEVEL, 30" DIESEL	
17B-	823356GT	TUBE,FUEL RETURN,3/8X3/8X23.5	
18	824471GT	FITTING,3/8 NPT TO 1/2 BARB	1

Go to Discount-Equipment.com to order your parts



301.1 Hydraulic and Fuel Tanks - Diesel Models



Go to Discount-Equipment.com to order your parts

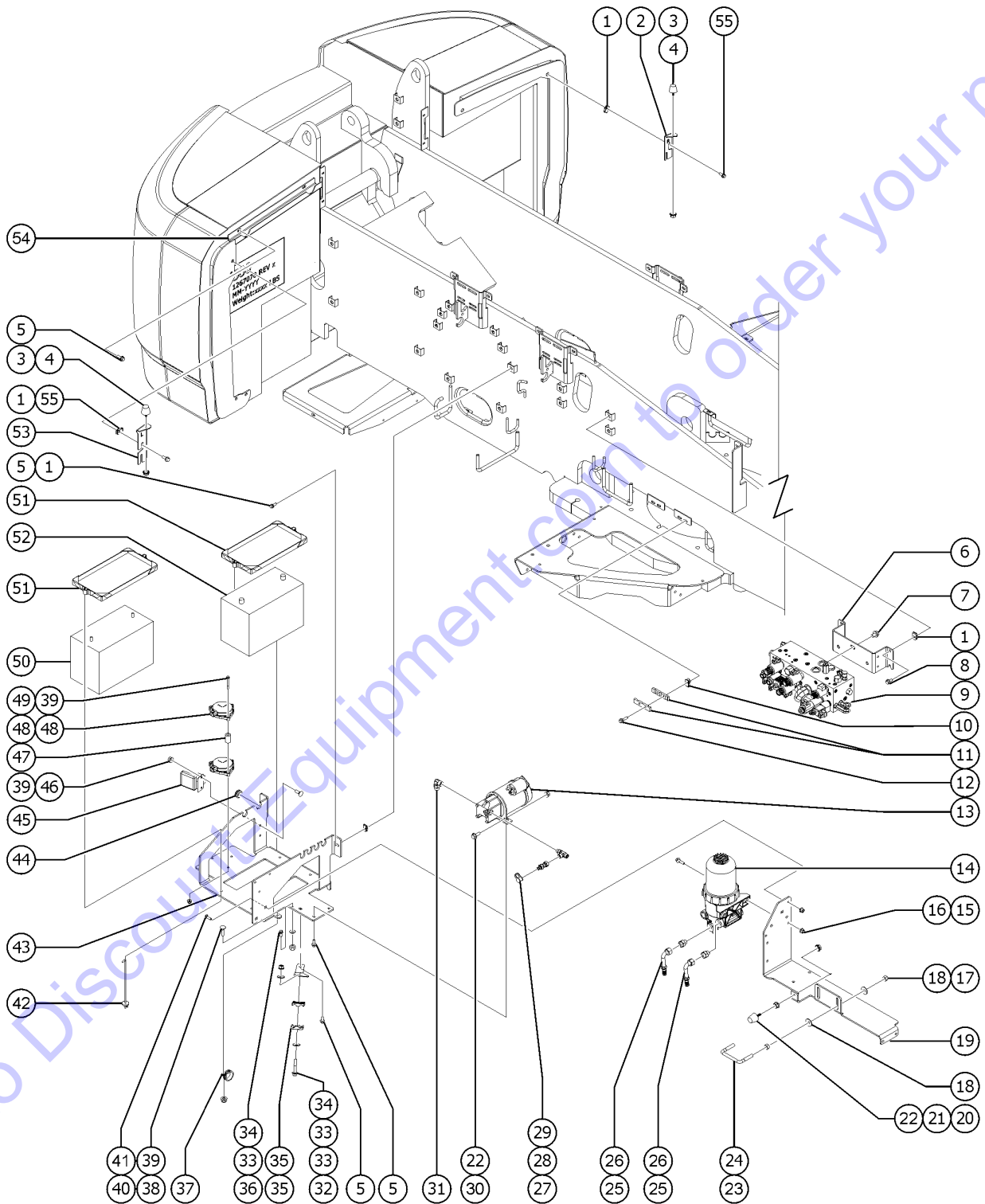
301.1 Hydraulic and Fuel Tanks - Diesel Models

Item	Part No.	Description	Qty.
19	46131GT	CLAMP,HOSE,.63" - 1.0" X .5"	1
20	101726GT	CAP,FUEL,DIESEL,1/8"VENT(GRN) no longer available, (replaced by 1316635),(to SN S85XCD-2308)	1
20B	1316635GT	CAP, FUEL, DIESEL, 0.08 IN HOLE (BLACK)	1
		(from SN S85XCD-2309)	
21	27901GT	HOSE END,BARBED,RIGID,-6-6	1
22	1271773GT	GASKET, TANK, FUEL SENSOR	1
		for 1274331	
23	1271772GT	CAP, TANK, FUEL SENSOR	1
		for 1274331	
24	1251757GT	SCREW,PHPM,10-32X.50,ZAG	5
		for 1274331	
25	81154GT	CLAMP,HOSE,SIZE .31 > .91	1
26	823420-14173GT	HOSE,FUEL,3/8,GATES RLA 141.73	1
27	48933GT	CONN,520120-8***	1
28	1282197GT	PLUG,SAE-24,EXTERNAL HEX	1
29	824089GT	SCREW, HHF, 3/8-16 X .75, 8, ZAG	4
30	29868GT	SPRING CLIP,3/8-16,.05-.20X.73,ZAG	4
31	824078GT	SCREW,HHF,1/4-20X.75,8,ZAG	4
32	56912GT	SPRING CLIP,1/4-20,.025-.15X.54,ZAG	4
33	21141GT	GAUGE-SIGHT,LHA-LGTB***	1

Go to Discount-Equipment.com to order your parts



302.1 Hydraulic Tank Side Components, to S85XCD-2952



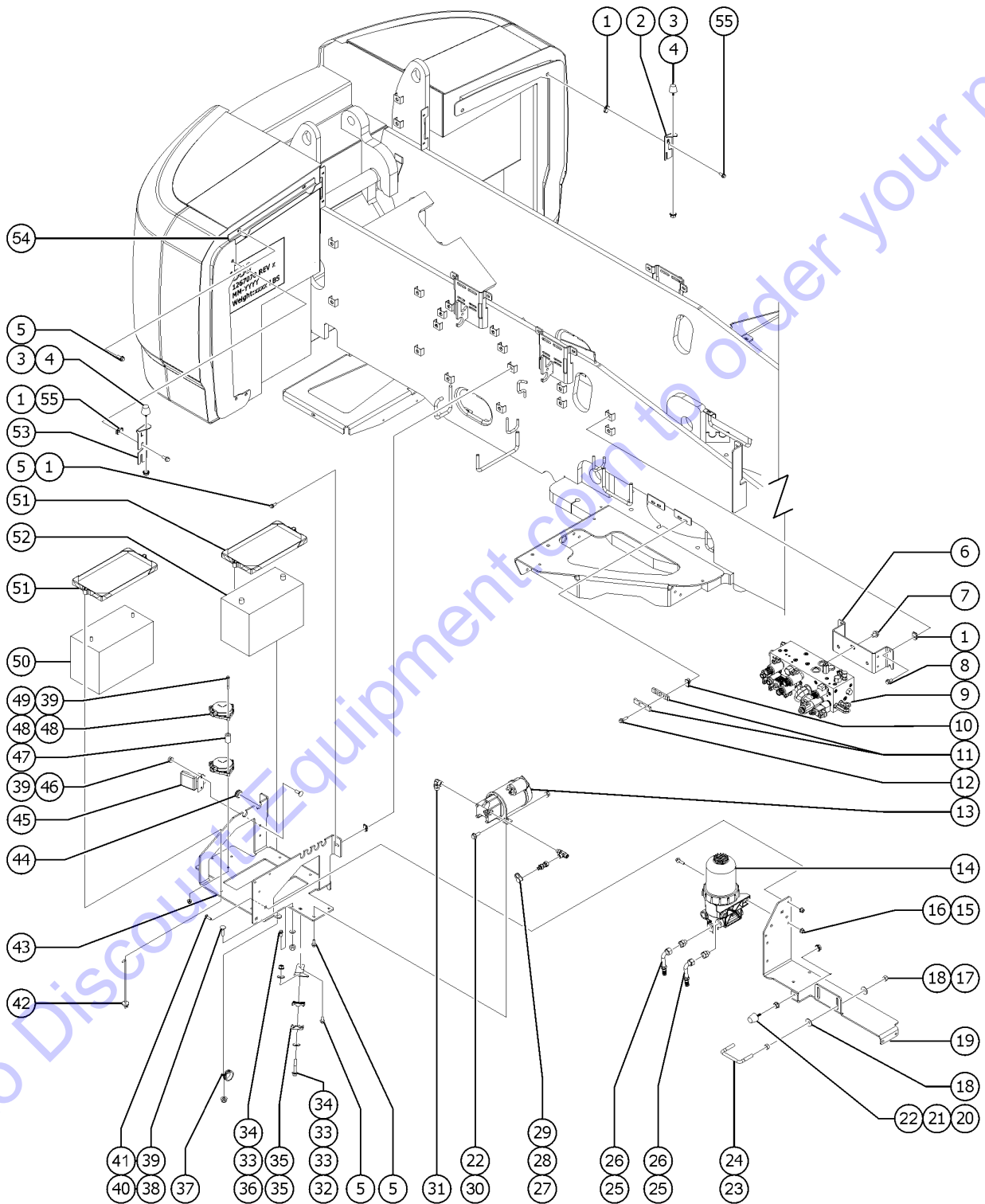
302.1 Hydraulic Tank Side Components, to S85XCD-2952

Item	Part No.	Description	Qty.
1	29868GT	SPRING CLIP,3/8-16,.05-.20X.73,ZAG	16
2	1272230GT	FORMING, BRKT, ENGINE COVER	2
3	30973GT	BUMPER,RUBBER-1 X 1.25	4
4	1255805GT	NUT,SERRATED,5/16-18,8,ZAG	
5	231088GT	SCREW,HHF,M10-1.5X20,DIN6921,10.9,ZAB	3
6	1312900GT	FORMING,MANIFOLD MOUNT	1
7	1257454GT	SCREW,HHF,1/2-13X.75,8,ZAG	3
8	824089GT	SCREW, HHF, 3/8-16 X .75, 8, ZAG	4
9		REF. FUNCTION MANIFOLD (refer to 705.1)	
10	56912GT	SPRING CLIP,1/4-20,.025-.15X.54,ZAG	4
11	121690GT	CLAMP,HALF,HARDLINE,3/8	4
12	824079GT	SCREW,HHF,1/4-20X1,8,ZAG	4
13	1307439GT	ASSY. AUX POWER UNIT, 2.1CC, 12VDC	1
13-	1307579GT	MOTOR, 12V, 2.0KW	
13-	1307582GT	SOLENOID, 12V, 150A	
13-	1307580GT	PUMP ASSY, 2.1CC	
13-	1307581GT	VALVE BLOCK, 2.1CC PUMP	
14	1286335GT	PRE-FILTER,FUEL,DEUTZ TD2.9,FH23841	1
15	824029GT	NUT, TL FLG, 3/8-16, G, ZAG Chinese Market only	2
16	824092GT	SCREW, HHF, 3/8-16 X 1.5, 8, ZAG Chinese Market only	2
17	1255804GT	NUT,JAM,1/2-13,A,ZAG	2
18	1255760GT	WASHER,FLAT,1/2,USS,ZAG	4
19	1305529GT	FORMING,BRACKET LATCH	1
20	1261277GT	RUBBER BUMPER, 1.25 X 1.25 IN	1
21	1256468GT	NUT,3/8-16,8,ZAG	1
22	1274167GT	NUT,NYLOCK FLG,5/16-18,F,ZAG	2
23	1259855GT	UBOLT, 0.4724 IN D X 4.0 IN L	1
24	1259106GT	NUT,1/2-13,8,ZAG	2

Go to DiscountEquipment.com to order your parts



302.1 Hydraulic Tank Side Components, to S85XCD-2952



Go to DiscountEquipment.com to order your parts

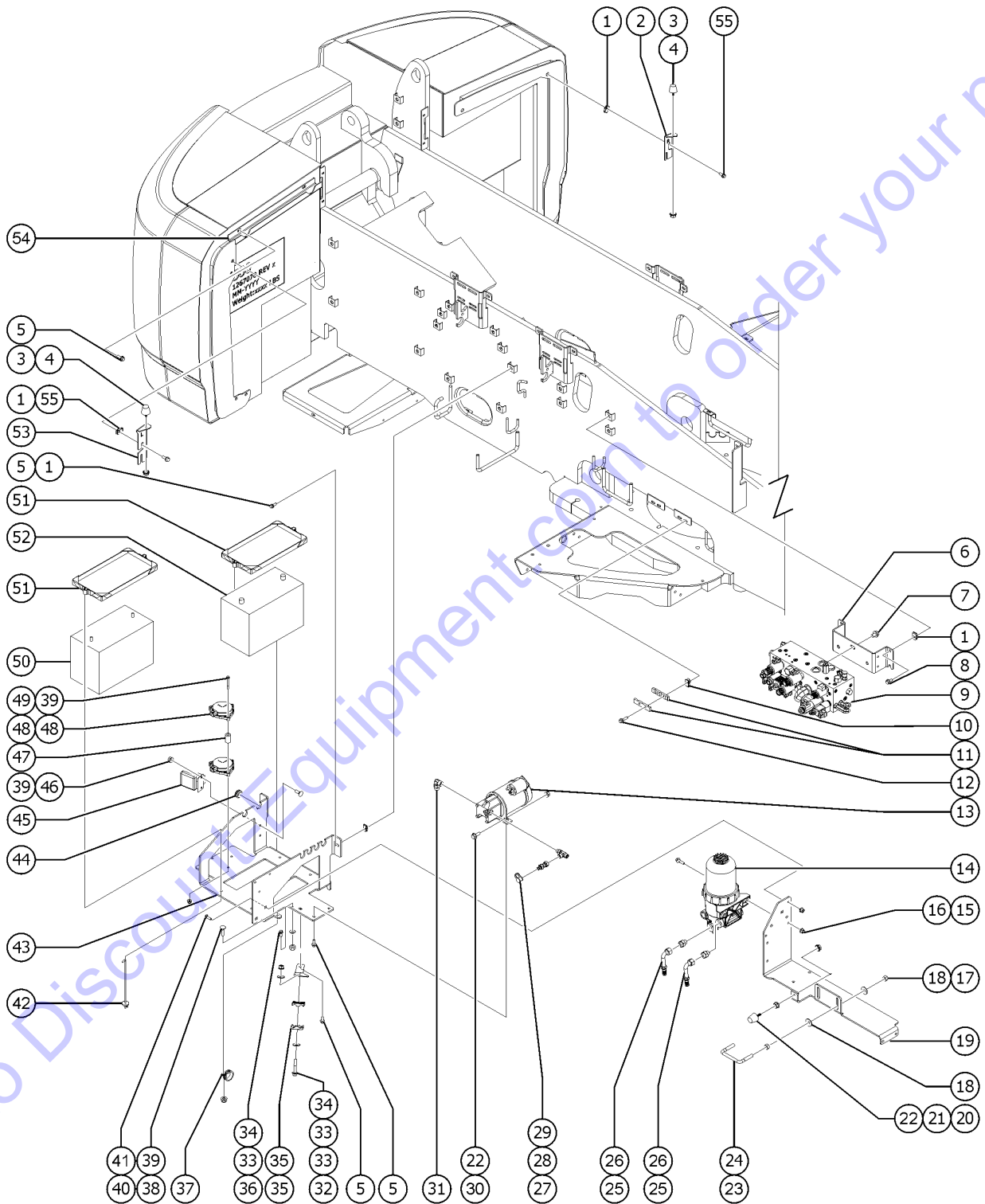
302.1 Hydraulic Tank Side Components, to S85XCD-2952

Item	Part No.	Description	Qty.
25	162207GT	FITTING,ELBOW,8GS-8FJX90S Chinese Market only	1
26	162209GT	FITTING,CONN,16MM-8MJ Chinese Market only	1
27	48918GT	TEE,RUN,520428-6	1
28	48867GT	NIPPLE,DIAGNOSTIC	1
29	48880GT	CAP,DIAGNOSTIC NIPPLE	1
30	824086GT	SCREW, HHF, 5/16-18 X 1, 8, ZAG	2
31	48932GT	FITTING,ELBOW,90D,520220-8***	1
32	824081GT	SCREW,HHF,1/4-20X1.5,8,ZAG	1
33	824113GT	WASHER,FLAT,USS,1/4,ZAG	3
34	1274165GT	NUT,NYLOCK,1/4-20,C,ZAG	2
35	78736GT	CLAMP,2 HOSE,PLASTIC	2
36	824078GT	SCREW,HHF,1/4-20X.75,8,ZAG	1
37	66031GT	CLAMP,1.88,#30X3/8,RUB CUSH	1
38	1256127GT	BOLT,CARRIAGE,1/4-20X1",GR 5,ZAG	1
39	1277924GT	NUT,NYLOCK FLG,1/4-20,F,ZAG	6
40	1255757GT	BOLT,CARRIAGE,3/8-16X1.25,5,ZAG	2
41	1274322GT	NUT,NYLOCK FLG,3/8-16,F,ZAG	9
42	45708GT	HOOK-BATT HOLD DOWN 10"LG	4
43	1306172GT	FORMING ,BATTERY TRAY XC	1
44	104570GT	GROMMET,RUBBER .688 X .25 X 1	5
45	237068GT	SEPARATOR,DUAL BATTERY,100A	1
45-	214393GT	KIT, BATT SEPARATOR, ANSI/CSA	
45-	215209GT	KIT, BATT SEPARATOR, CE	
45-	215210GT	KIT, BATT SEPARATOR, AS	
46	824124GT	BOLT, CARRIAGE, 1/4-20 X .75, 5, ZAG	2
47	8149GT	SPACER,NYLON .257 X .5 X .75"	3
48	823368GT	SENSOR,LEVEL,UNIVERSAL	2
49	824083GT	SCREW, HHF, 1/4-20 X 2.5, 8, ZAG	3

Go to Discount-Equipment.com to order your parts



302.1 Hydraulic Tank Side Components, to S85XCD-2952



Go to DiscountEquipment.com to order your parts

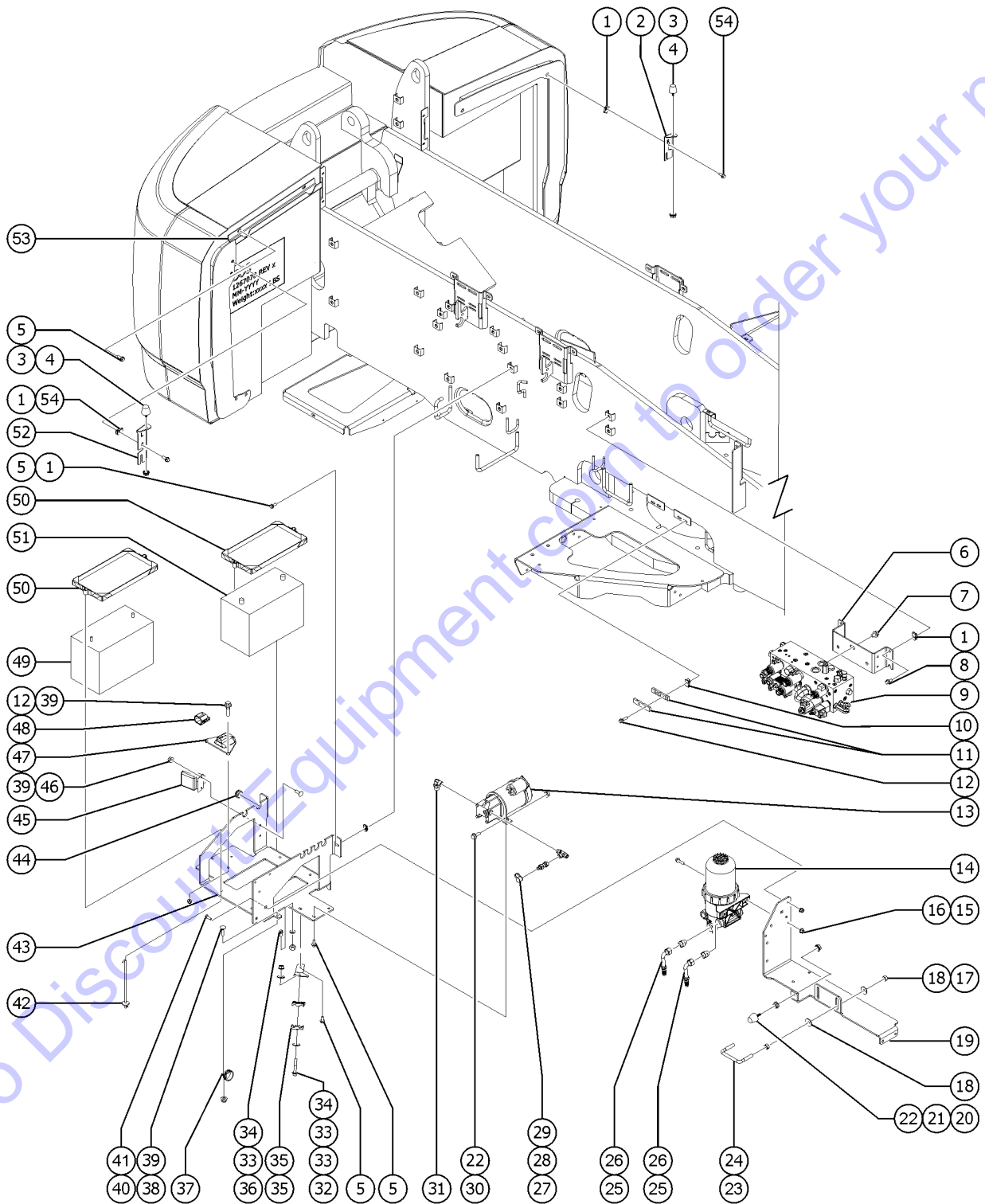
302.1 Hydraulic Tank Side Components, to S85XCD-2952

Item	Part No.	Description	Qty.
50	77694GT	BATTERY,12V DEEP CYC 5/16"STUD	1
50-	1274322GT	NUT,NYLOCK FLG,3/8-16,F,ZAG	
51	30144GT	BATTERY HOLD DOWN,GROUP 31	2
52	1306670GT	START BATTERY,12V 1000CCA	1
53	1272231GT	FORMING,BRKT,TANK COVER	2
54	1276677GT	FORMING, RAIN TRAY	1
55	1255393GT	SCREW,BHC,3/8-16X1,F835,ZAG	4

Go to Discount-Equipment.com to order your parts



302.2 Hydraulic Tank Side Components, from S85XCD-2953



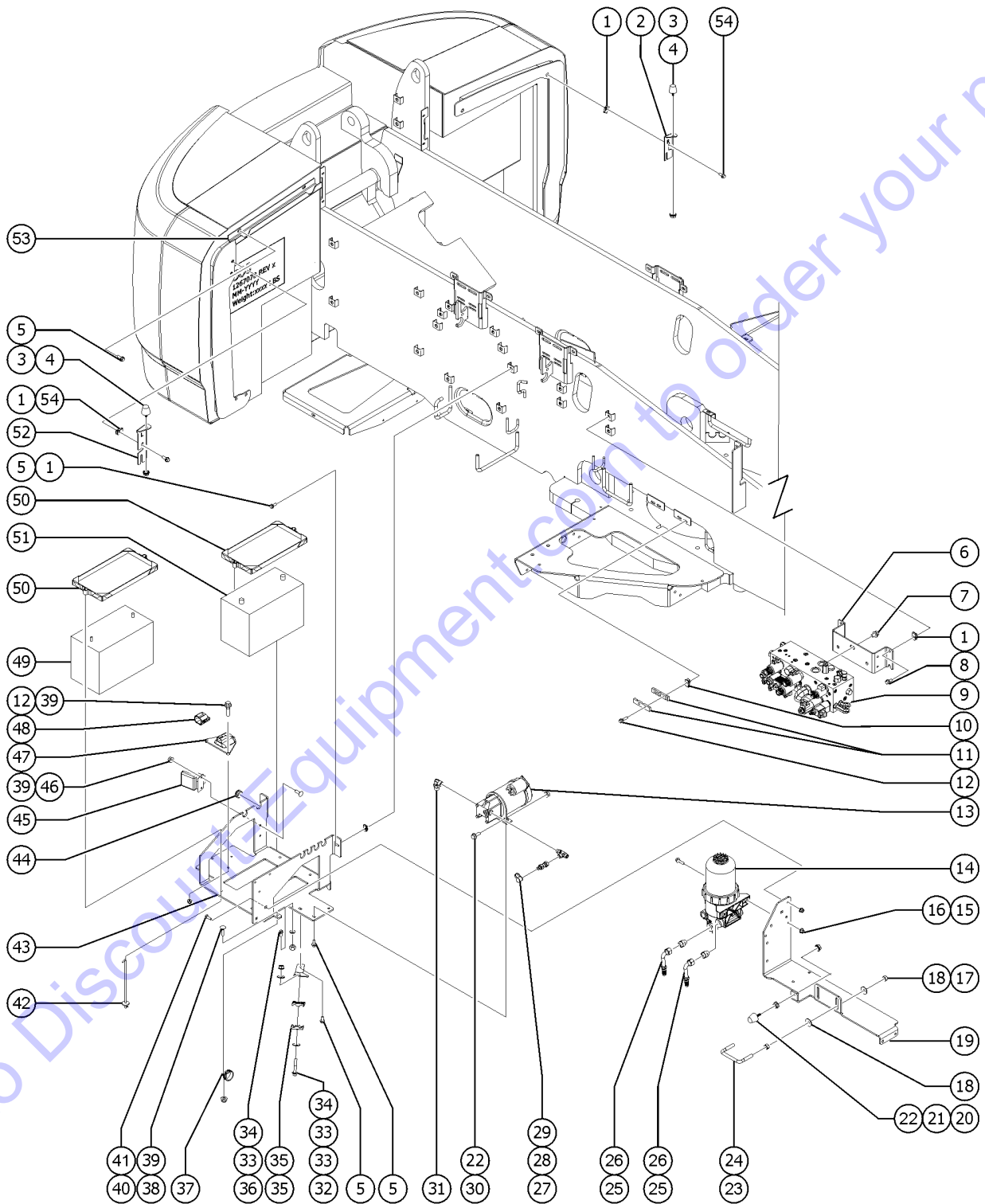
302.2 Hydraulic Tank Side Components, from S85XCD-2953

Item	Part No.	Description	Qty.
1	29868GT	SPRING CLIP,3/8-16,.05-.20X.73,ZAG	16
2	1272230GT	FORMING, BRKT, ENGINE COVER	2
3	30973GT	BUMPER,RUBBER-1 X 1.25	4
4	1255805GT	NUT,SERRATED,5/16-18,8,ZAG	
5	231088GT	SCREW,HHF,M10-1.5X20,DIN6921,10.9,ZAB	3
6	1312900GT	FORMING,MANIFOLD MOUNT	1
7	1257454GT	SCREW,HHF,1/2-13X.75,8,ZAG	3
8	824089GT	SCREW, HHF, 3/8-16 X .75, 8, ZAG	4
9		REF. FUNCTION MANIFOLD (refer to 705.1)	
10	56912GT	SPRING CLIP,1/4-20,.025-.15X.54,ZAG	4
11	121690GT	CLAMP,HALF,HARDLINE,3/8	4
12	824079GT	SCREW,HHF,1/4-20X1,8,ZAG	3
13	1307439GT	ASSY. AUX POWER UNIT, 2.1CC, 12VDC	1
13-	1307579GT	MOTOR, 12V, 2.0KW	
13-	1307582GT	SOLENOID, 12V, 150A	
13-	1307580GT	PUMP ASSY, 2.1CC	
13-	1307581GT	VALVE BLOCK, 2.1CC PUMP	
14	1286335GT	PRE-FILTER,FUEL,DEUTZ TD2.9,FH23841	1
15	824029GT	NUT, TL FLG, 3/8-16, G, ZAG Chinese Market only	2
16	824092GT	SCREW, HHF, 3/8-16 X 1.5, 8, ZAG Chinese Market only	2
17	1255804GT	NUT,JAM,1/2-13,A,ZAG	2
18	1255760GT	WASHER,FLAT,1/2,USS,ZAG	4
19	1305529GT	FORMING,BRACKET LATCH	1
20	1261277GT	RUBBER BUMPER, 1.25 X 1.25 IN	1
21	1256468GT	NUT,3/8-16,8,ZAG	1
22	1274167GT	NUT,NYLOCK FLG,5/16-18,F,ZAG	2
23	1259855GT	UBOLT, 0.4724 IN D X 4.0 IN L	1
24	1259106GT	NUT,1/2-13,8,ZAG	2

Go to Dico.com/Equipment to order your parts



302.2 Hydraulic Tank Side Components, from S85XCD-2953



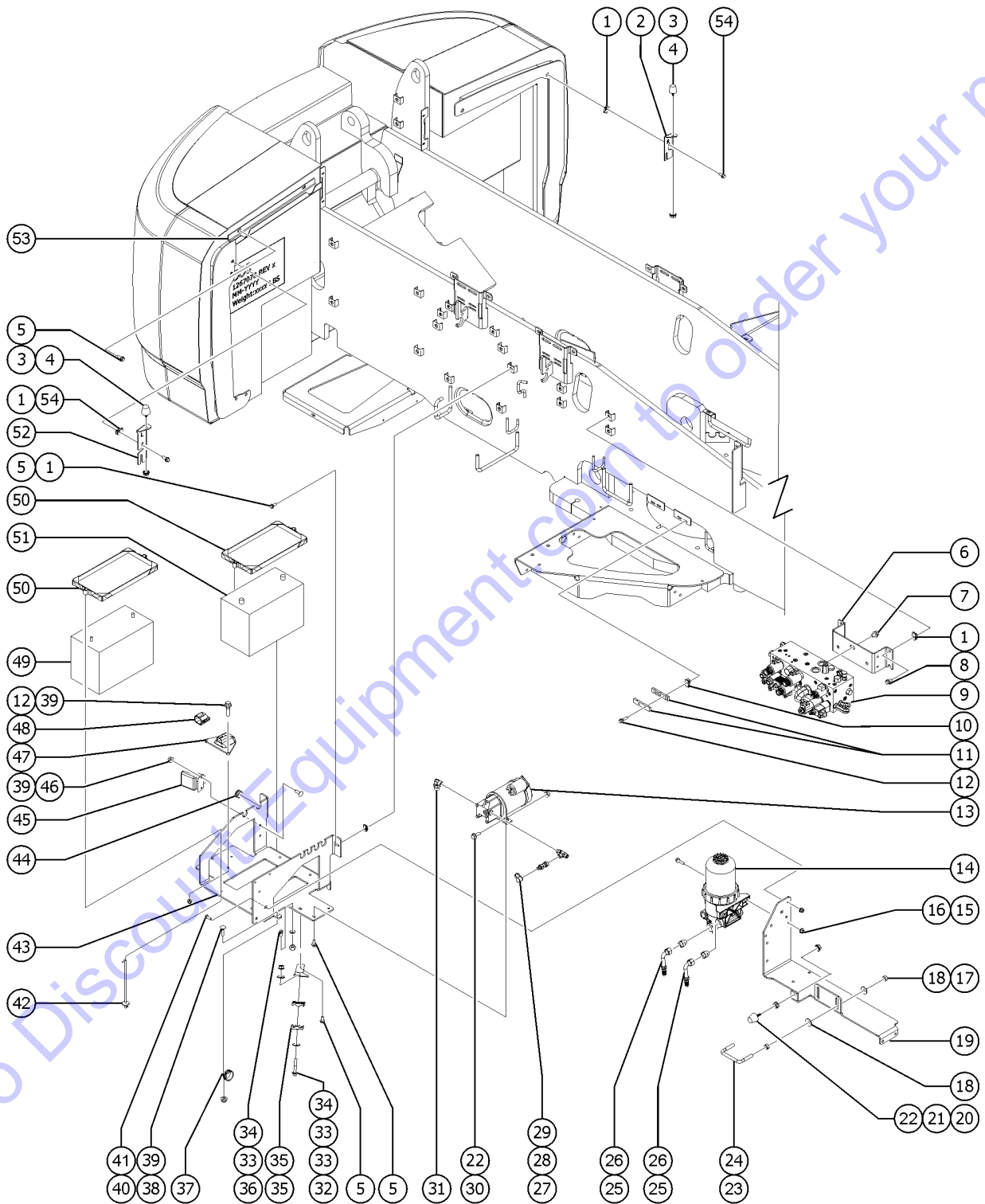
302.2 Hydraulic Tank Side Components, from S85XCD-2953

Item	Part No.	Description	Qty.
25	162207GT	FITTING,ELBOW,8GS-8FJX90S Chinese Market only	1
26	162209GT	FITTING,CONN,16MM-8MJ Chinese Market only	1
27	48918GT	TEE,RUN,520428-6	1
28	48867GT	NIPPLE,DIAGNOSTIC	1
29	48880GT	CAP,DIAGNOSTIC NIPPLE	1
30	824086GT	SCREW, HHF, 5/16-18 X 1, 8, ZAG	2
31	48932GT	FITTING,ELBOW,90D,520220-8***	1
32	824081GT	SCREW,HHF,1/4-20X1.5,8,ZAG	1
33	824113GT	WASHER,FLAT,USS,1/4,ZAG	3
34	1274165GT	NUT,NYLOCK,1/4-20,C,ZAG	2
35	78736GT	CLAMP,2 HOSE,PLASTIC	2
36	824078GT	SCREW,HHF,1/4-20X.75,8,ZAG	1
37	66031GT	CLAMP,1.88,#30X3/8,RUB CUSH	1
38	1256127GT	BOLT,CARRIAGE,1/4-20X1",GR 5,ZAG	1
39	1277924GT	NUT,NYLOCK FLG,1/4-20,F,ZAG	6
40	1255757GT	BOLT,CARRIAGE,3/8-16X1.25,5,ZAG	2
41	1274322GT	NUT,NYLOCK FLG,3/8-16,F,ZAG	9
42	45708GT	HOOK-BATT HOLD DOWN 10"LG	4
43	1306172GT	FORMING ,BATTERY TRAY XC	1
44	104570GT	GROMMET,RUBBER .688 X .25 X 1	5
45	237068GT	SEPARATOR,DUAL BATTERY,100A	1
45-	214393GT	KIT, BATT SEPARATOR, ANSI/CSA	
45-	215209GT	KIT, BATT SEPARATOR, CE	
45-	215210GT	KIT, BATT SEPARATOR, AS	
46	824124GT	BOLT, CARRIAGE, 1/4-20 X .75, 5, ZAG	2
47	1330731GT	SENSOR, TILT, DUAL CHANNEL, 2 AXIS, J1939	1
48	1302957GT	CONN, CAP, 4 WAY DT SERIES	1
49	77694GT	BATTERY,12V DEEP CYC 5/16"STUD	1

Go to Discount-Equipment.com to order your parts



302.2 Hydraulic Tank Side Components, from S85XCD-2953



Go to DiscountEquipment.com to order your parts

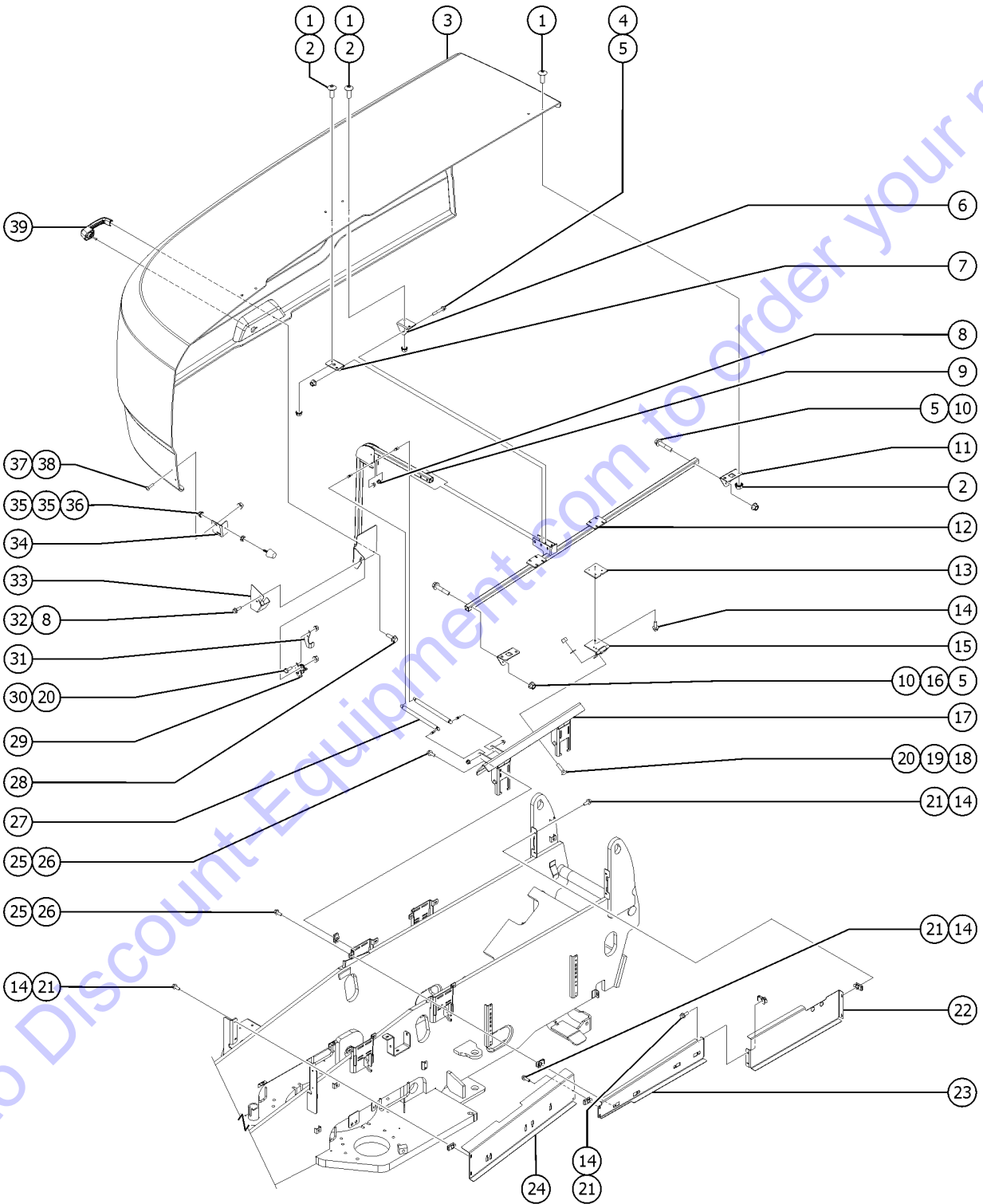
302.2 Hydraulic Tank Side Components, from S85XCD-2953

<i>Item</i>	<i>Part No.</i>	<i>Description</i>	<i>Qty.</i>
49-	1274322GT	NUT,NYLOCK FLG,3/8-16,F,ZAG	
50	30144GT	BATTERY HOLD DOWN,GROUP 31	2
51	1306670GT	START BATTERY,12V 1000CCA	1
52	1272231GT	FORMING,BRKT,TANK COVER	2
53	1276677GT	FORMING, RAIN TRAY	1
54	1255393GT	SCREW,BHC,3/8-16X1,F835,ZAG	4

Go to Discount-Equipment.com to order your parts



303.1 Turntable Covers - Hydraulic Tank Side



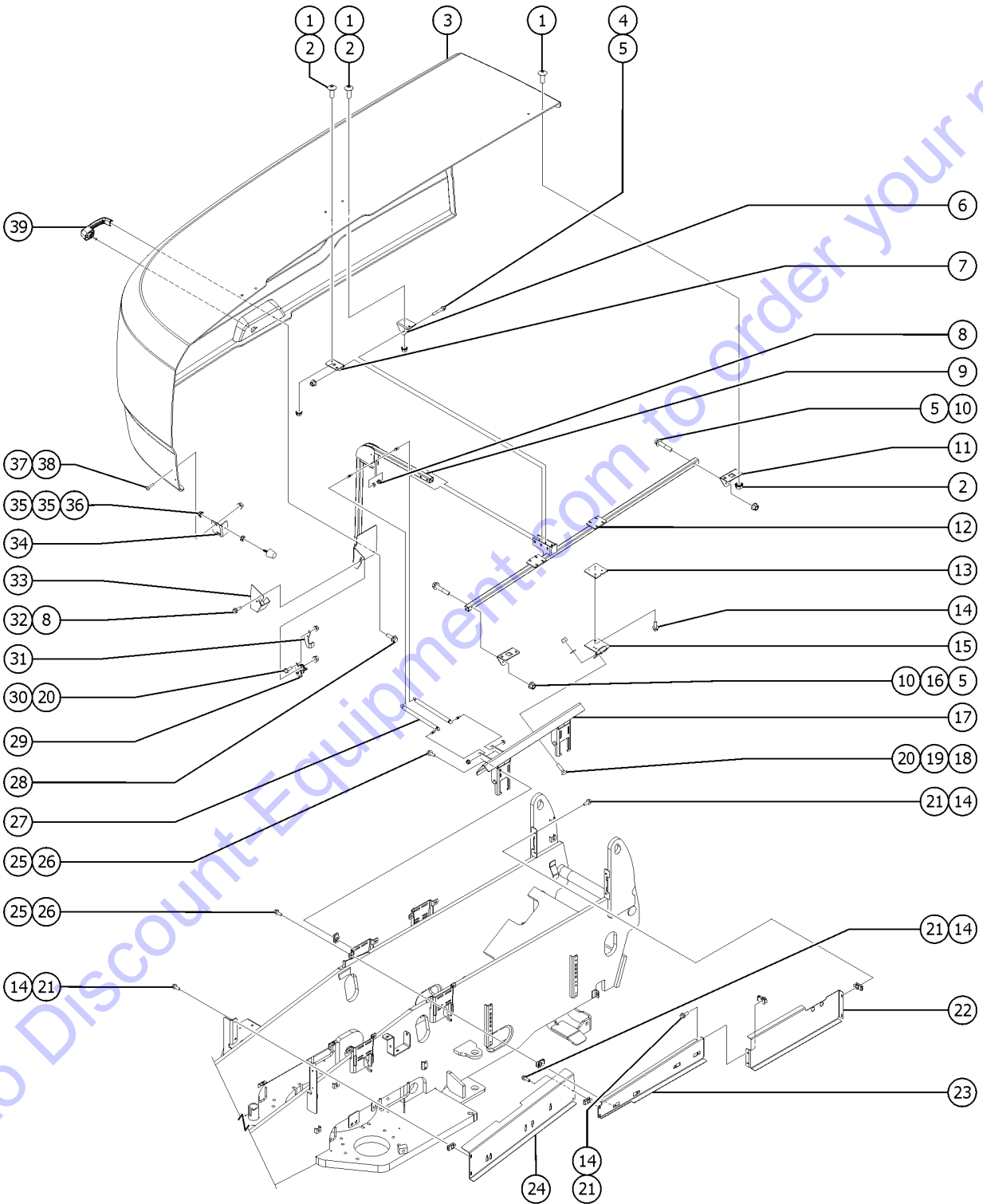
303.1 Turntable Covers - Hydraulic Tank Side

Item	Part No.	Description	Qty.
1	1261836GT	SCREW, THM, TORX, 3/8-16X1,SS	8
2	1257628GT	NUT,SERRATED,3/8-16,ZAG	8
3	1265999GT	COVER, SWING CHASSIS, TANK SIDE	1
4	1256856GT	SCREW,HHF,3/8-16X2.5,8,ZAG	3
5	1274322GT	NUT,NYLOCK FLG,3/8-16,F,ZAG	5
6	1253831GT	MOUNT, COVER SUPPORT CTR 93DEG	1
7	1253830GT	MOUNT, COVER SUPPORT CTR 86DEG	1
8	1274167GT	NUT,NYLOCK FLG,5/16-18,F,ZAG	6
9	1266895GT	WLDMT, LOWER COVER SUPPORT	1
10	1253478GT	SCREW,HHF,3/8-16X2,8,ZAG	2
11	1258723GT	MOUNT, COVER SUPPORT FRONT	1
12	1266897GT	WLDMT,HIGHER COVER SUPPORT,TS	1
13	1258724GT	SUPPORT, TAPPED HINGE	2
14	824078GT	SCREW,HHF,1/4-20X.75,8,ZAG	12
15	75073GT	HINGE,,375X.120THK.,SLOTTED	2
15-	77778GT	PLATE,HINGE SUPPORT,BLUE PAINT	2
16	1258722GT	MOUNT, COVER SUPPORT REAR	1
17	1269080GT	WELDMENT, COVER SUPPORT,TANK SIDE	1
18	1256127GT	BOLT,CARRIAGE,1/4-20X1",GR 5,ZAG	6
19	824113GT	WASHER,FLAT,USS,1/4,ZAG	6
20	1274165GT	NUT,NYLOCK,1/4-20,C,ZAG	8
21	56912GT	SPRING CLIP,1/4-20,.025-.15X.54,ZAG	8
22	1267082GT	FORMING,COVER,RIGHT BACK	1
23	1267083GT	FORMING,COVER,RIGHT MIDDLE	1
24	1280379GT	FORMING,COVER,RIGHT FRONT	1
25	824090GT	SCREW,HHF,3/8-16X1,8,ZAG	8
26	29868GT	SPRING CLIP,3/8-16,.05-.20X.73,ZAG	8
27	1323025GT	GAS STRUT, 250 LBS FORCE ***	2

Go to DiscountEquipment.com to order your parts



303.1 Turntable Covers - Hydraulic Tank Side



Go to Discount-Equipment.com to order your parts

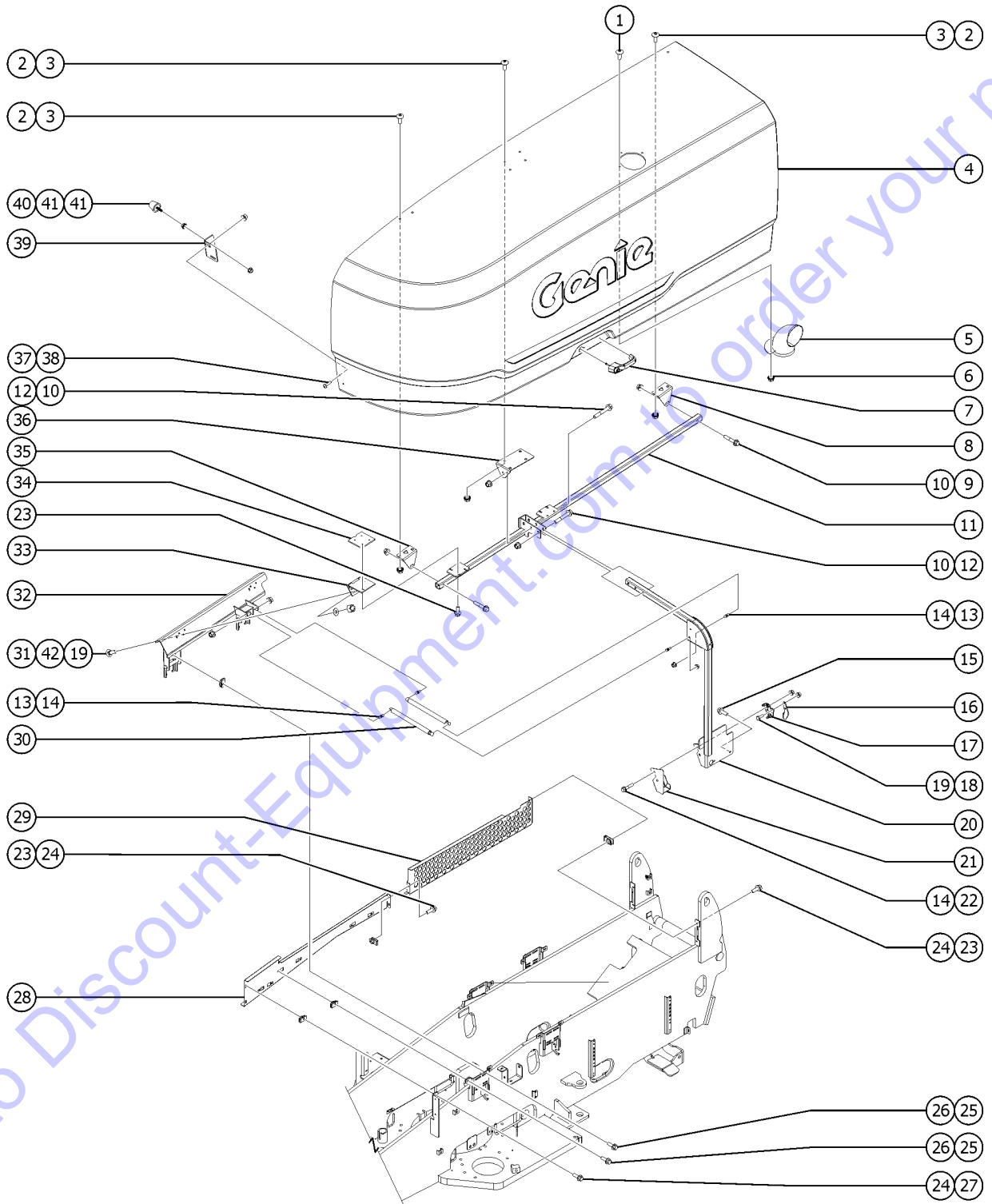
303.1 Turntable Covers - Hydraulic Tank Side

Item	Part No.	Description	Qty.
28	231532GT	SCREW,HHF,M6-1.0X20,DIN6921,10.9,ZAB	2
29	215254GT	LATCH,ROTARY,ENGINE COVER	1
30	824059GT	SCREW, HHC, 1/4-20 X .75, 8, ZAG	2
31	1262210GT	FORMING, LATCH TRIGGER, TS	1
32	1255763GT	SCREW,HHF,5/16-18X1.5,8,ZAG	2
33	1261244GT	FORMING,LATCH GUARD,TS	1
34	1271984GT	BRACKET, BUMPER	1
35	1255805GT	NUT,SERRATED,5/16-18,8,ZAG	2
36	1261277GT	RUBBER BUMPER, 1.25 X 1.25 IN	1
37	1261837GT	SCREW, THM, TORX, M6X25, ZAB	2
38	231513GT	NUT,TL FLG,M6-1.0,DIN6927,10,ZAB	2
		to SN S85XCD-2839	
38B	1283013GT	NUT,NYLOCK FLG,M6-1.0,DIN6926,10,ZAB	2
		from SN S85XCD-2840	
39	1256054GT	HANDLE, YELLOW LOCKING, CODE 455	1
39-	37947GT	KEYS,10 PACK***	
		sold separately	
39-	83093GT	KEY SINGLE***	
		sold separately	

Go to Discount-Equipment.com to order your parts



304.1 Turntable Covers - Engine Side



Go to Discount-Equipment.com to order your parts

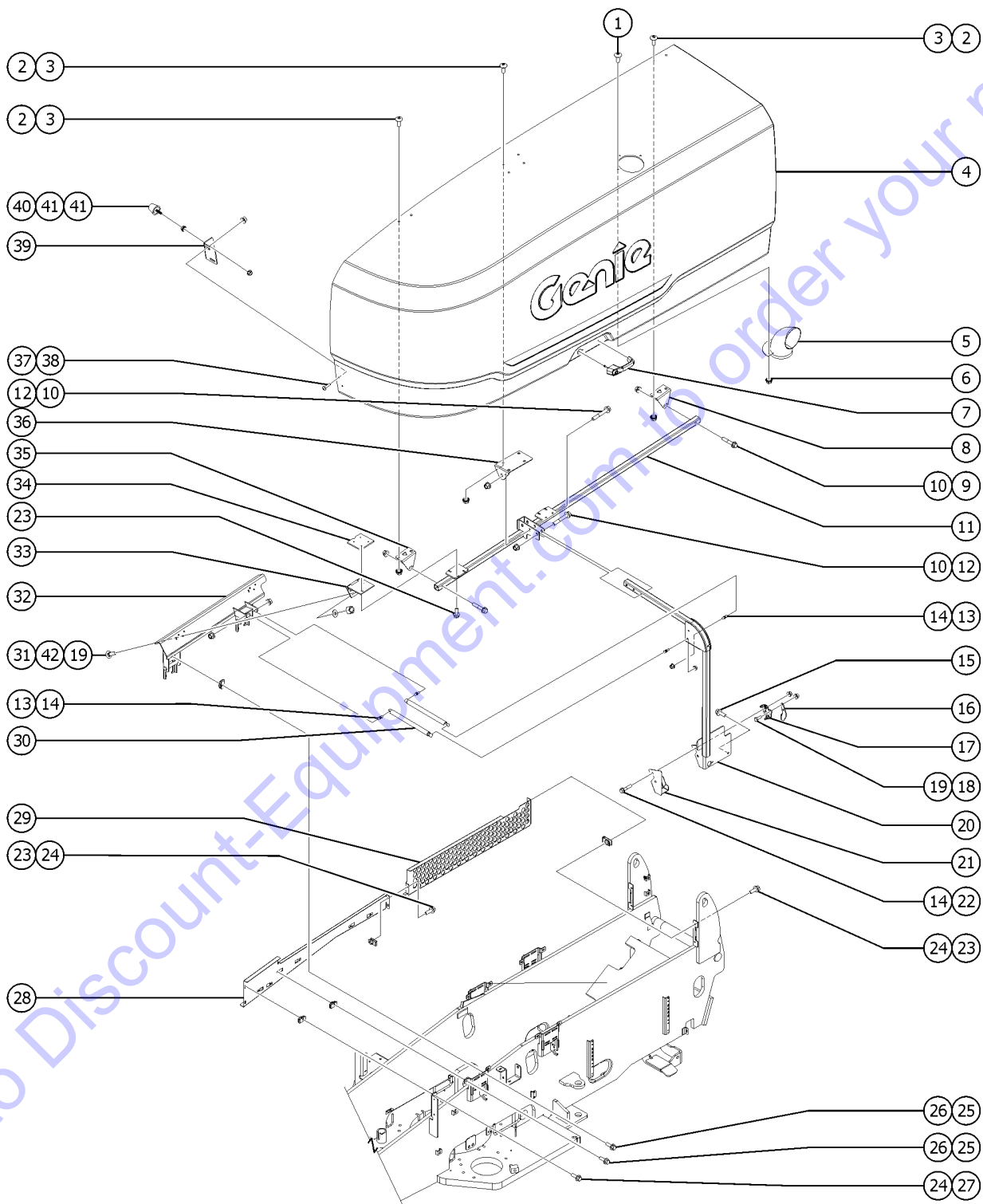
304.1 Turntable Covers - Engine Side

Item	Part No.	Description	Qty.
1	1323140GT	SCREW,THM,TORX,1/4-20X0.75,SS	3
2	1261836GT	SCREW, THM, TORX, 3/8-16X1,SS	8
3	1257628GT	NUT,SERRATED,3/8-16,ZAG	8
4	1253264GT	COVER, SWING CHASSIS, ES	1
5	101964GT	WELDMENT,EXHAUST TUBE	1
6	1256679GT	NUT,SERRATED,1/4-20,8,ZAG	3
7	1256054GT	HANDLE, YELLOW LOCKING, CODE 455	1
7-	37947GT	KEYS,10 PACK*** sold separately	
7-	83093GT	KEY SINGLE*** sold separately	
8	1258723GT	MOUNT, COVER SUPPORT FRONT	1
9	1253478GT	SCREW,HHF,3/8-16X2,8,ZAG	2
10	1274322GT	NUT,NYLOCK FLG,3/8-16,F,ZAG	5
11	1266916GT	WLDMT, HIGHER COVER SUPPORT,ES	1
12	1256856GT	SCREW,HHF,3/8-16X2.5,8,ZAG	3
13	33555GT	BALL STUD**	4
14	1274167GT	NUT,NYLOCK FLG,5/16-18,F,ZAG	6
15	231532GT	SCREW,HHF,M6-1.0X20,DIN6921,10.9,ZAB	2
16	1262211GT	FORMING, LATCH TRIGGER, ES	1
17	215254GT	LATCH,ROTARY,ENGINE COVER	1
18	824059GT	SCREW, HHC, 1/4-20 X .75, 8, ZAG	2
19	1274165GT	NUT,NYLOCK,1/4-20,C,ZAG	8
20	1267309GT	WLDMT, LOWER COVER SUPPORT	1
21	1261245GT	FORMING,LATCH GUARD,ES	1
22	1255763GT	SCREW,HHF,5/16-18X1.5,8,ZAG	2
23	824078GT	SCREW,HHF,1/4-20X.75,8,ZAG	8
24	56912GT	SPRING CLIP,1/4-20,.025-.15X.54,ZAG	6
25	824090GT	SCREW,HHF,3/8-16X1,8,ZAG	8
26	29868GT	SPRING CLIP,3/8-16,.05-.20X.73,ZAG	8

Go to Discount-Equipment.com to order your parts



304.1 Turntable Covers - Engine Side



Go to Discount-Equipment.com to order your parts



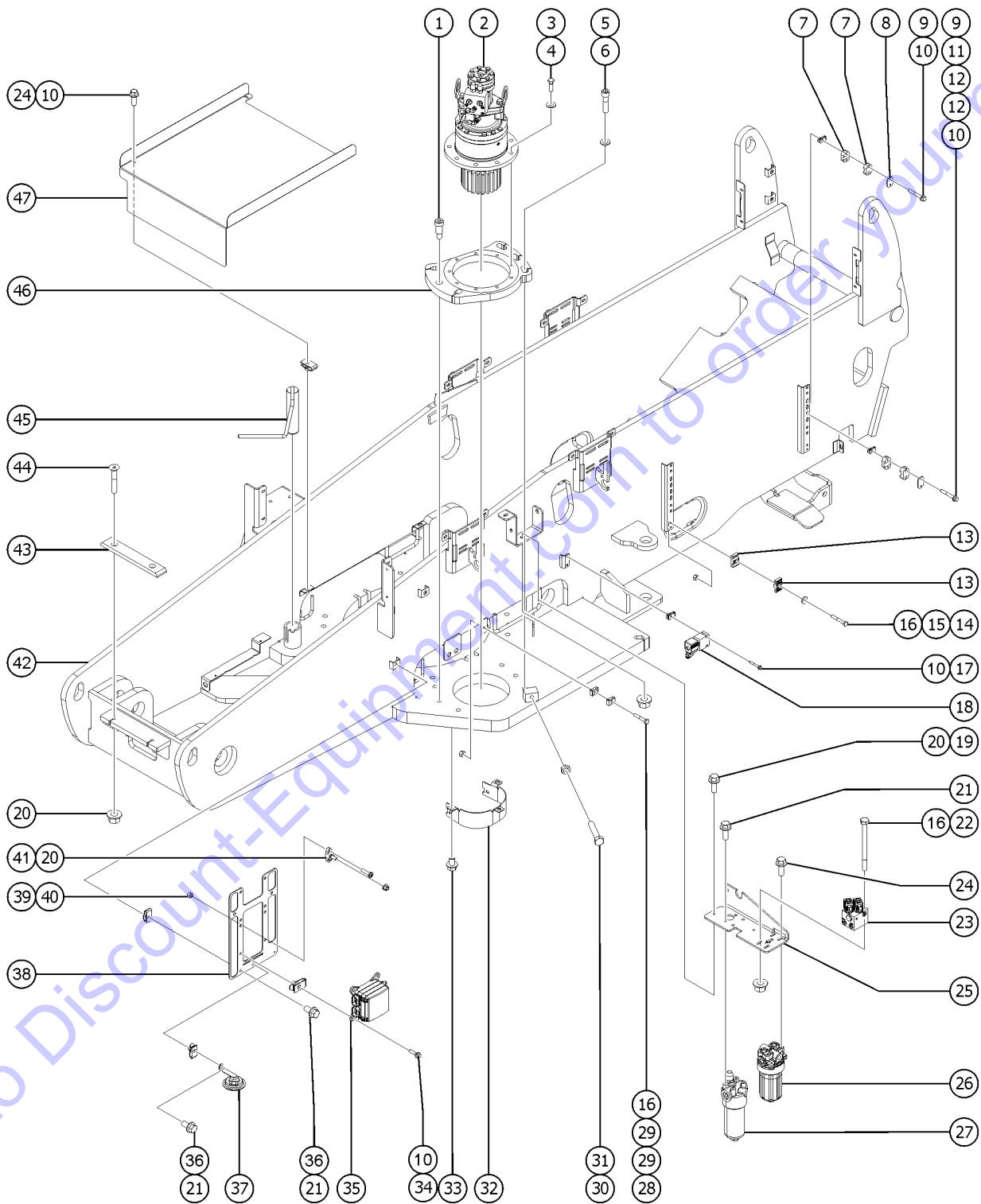
304.1 Turntable Covers - Engine Side

Item	Part No.	Description	Qty.
27	824079GT	SCREW,HHF,1/4-20X1,8,ZAG	2
28	1267081GT	FORMING,COVER,LEFT FRONT	1
29	1267080GT	FORMING,COVER,LEFT BACK	1
30	1323025GT	GAS STRUT, 250 LBS FORCE ***	2
31	1256127GT	BOLT,CARRIAGE,1/4-20X1",GR 5,ZAG	6
32	1269081GT	WELDMENT, COVER SUPPORT,ENGINE SIDE	1
33	75073GT	HINGE,.375X.120THK.,SLOTTED	2
33-	77778GT	PLATE,HINGE SUPPORT,BLUE PAINT	2
34	1258724GT	SUPPORT, TAPPED HINGE	2
35	1258722GT	MOUNT, COVER SUPPORT REAR	1
36	1278128GT	MOUNT, COVER SUPPORT, CENTER	1
37	1261837GT	SCREW, THM, TORX, M6X25, ZAB	2
38	231513GT	NUT,TL FLG,M6-1.0,DIN6927,10,ZAB	2
		to SN S85XCD-2839	
38B	1283013GT	NUT,NYLOCK FLG,M6-1.0,DIN6926,10,ZAB	2
		from SN S85XCD-2840	
39	1271984GT	BRACKET, BUMPER	1
40	1261277GT	RUBBER BUMPER, 1.25 X 1.25 IN	1
41	1255805GT	NUT,SERRATED,5/16-18,8,ZAG	2
42	824113GT	WASHER,FLAT,USS,1/4,ZAG	

Go to Discount-Equipment.com to order your parts

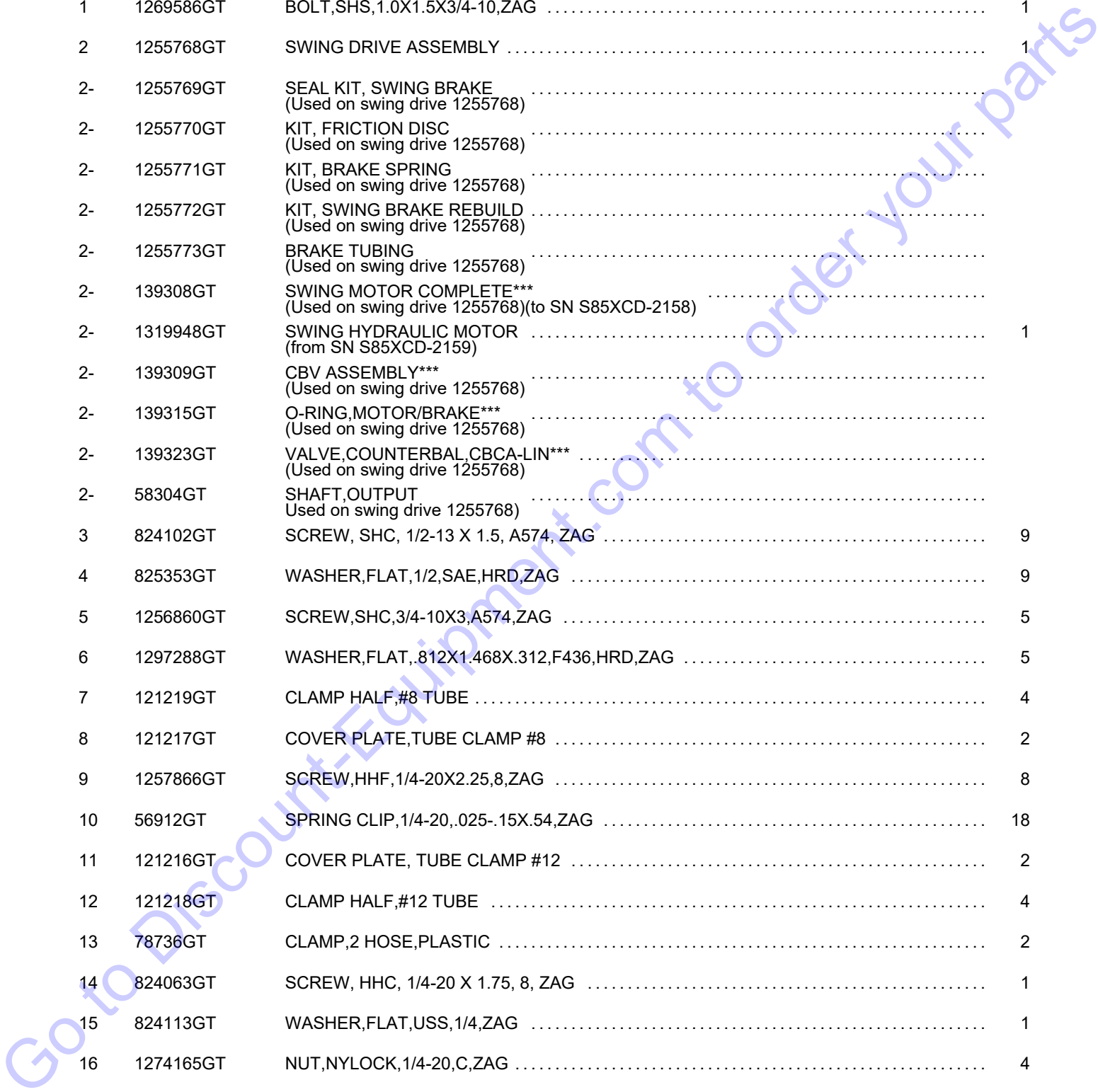


305.1 Turntable Components and Swivel Drive Assembly

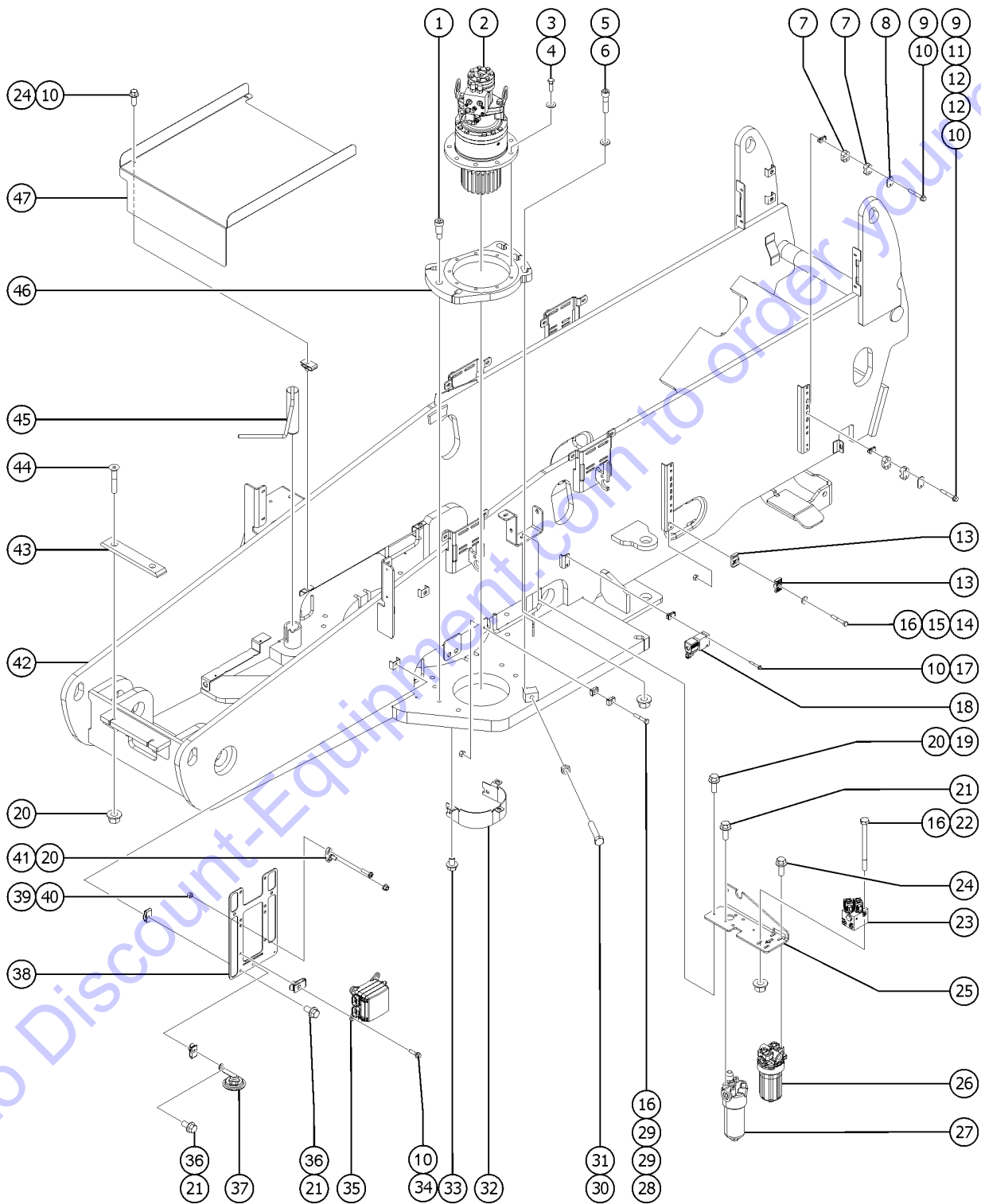


305.1 Turntable Components and Swivel Drive Assembly

Item	Part No.	Description	Qty.
1	1269586GT	BOLT,SHS,1.0X1.5X3/4-10,ZAG	1
2	1255768GT	SWING DRIVE ASSEMBLY	1
2-	1255769GT	SEAL KIT, SWING BRAKE (Used on swing drive 1255768)	
2-	1255770GT	KIT, FRICTION DISC (Used on swing drive 1255768)	
2-	1255771GT	KIT, BRAKE SPRING (Used on swing drive 1255768)	
2-	1255772GT	KIT, SWING BRAKE REBUILD (Used on swing drive 1255768)	
2-	1255773GT	BRAKE TUBING (Used on swing drive 1255768)	
2-	139308GT	SWING MOTOR COMPLETE*** (Used on swing drive 1255768)(to SN S85XCD-2158)	
2-	1319948GT	SWING HYDRAULIC MOTOR (from SN S85XCD-2159)	1
2-	139309GT	CBV ASSEMBLY*** (Used on swing drive 1255768)	
2-	139315GT	O-RING,MOTOR/BRAKE*** (Used on swing drive 1255768)	
2-	139323GT	VALVE,COUNTERBAL,CBCA-LIN*** (Used on swing drive 1255768)	
2-	58304GT	SHAFT,OUTPUT Used on swing drive 1255768)	
3	824102GT	SCREW, SHC, 1/2-13 X 1.5, A574, ZAG	9
4	825353GT	WASHER,FLAT,1/2,SAE,HRD,ZAG	9
5	1256860GT	SCREW,SHC,3/4-10X3,A574,ZAG	5
6	1297288GT	WASHER,FLAT,.812X1.468X.312,F436,HRD,ZAG	5
7	121219GT	CLAMP HALF,#8 TUBE	4
8	121217GT	COVER PLATE,TUBE CLAMP #8	2
9	1257866GT	SCREW,HHF,1/4-20X2.25,8,ZAG	8
10	56912GT	SPRING CLIP,1/4-20,.025-.15X.54,ZAG	18
11	121216GT	COVER PLATE, TUBE CLAMP #12	2
12	121218GT	CLAMP HALF,#12 TUBE	4
13	78736GT	CLAMP,2 HOSE,PLASTIC	2
14	824063GT	SCREW, HHC, 1/4-20 X 1.75, 8, ZAG	1
15	824113GT	WASHER,FLAT,USS,1/4,ZAG	1
16	1274165GT	NUT,NYLOCK,1/4-20,C,ZAG	4
17	1253485GT	SCREW,HHF,1/4-20X2,8,ZAG	2



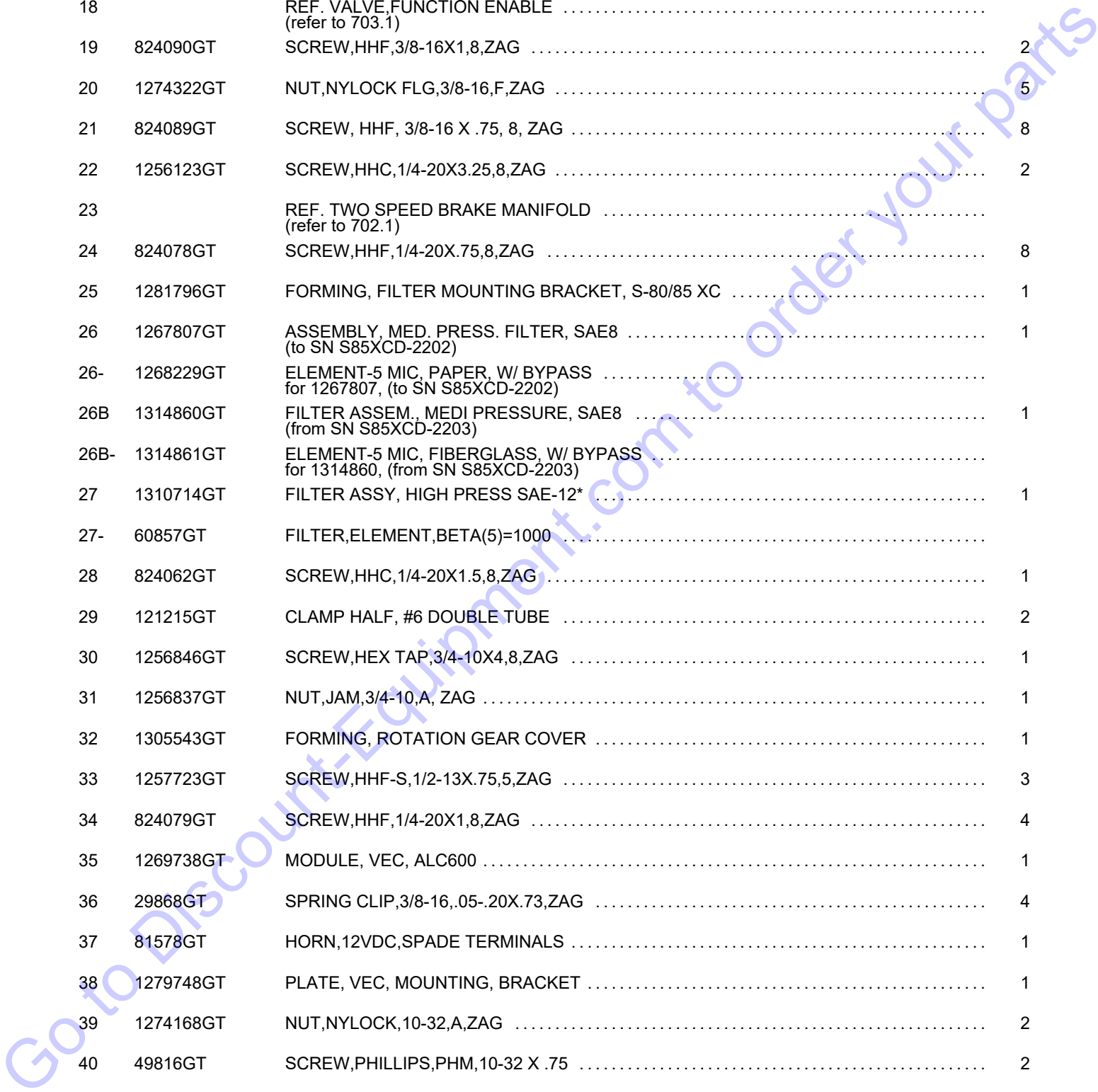
305.1 Turntable Components and Swivel Drive Assembly



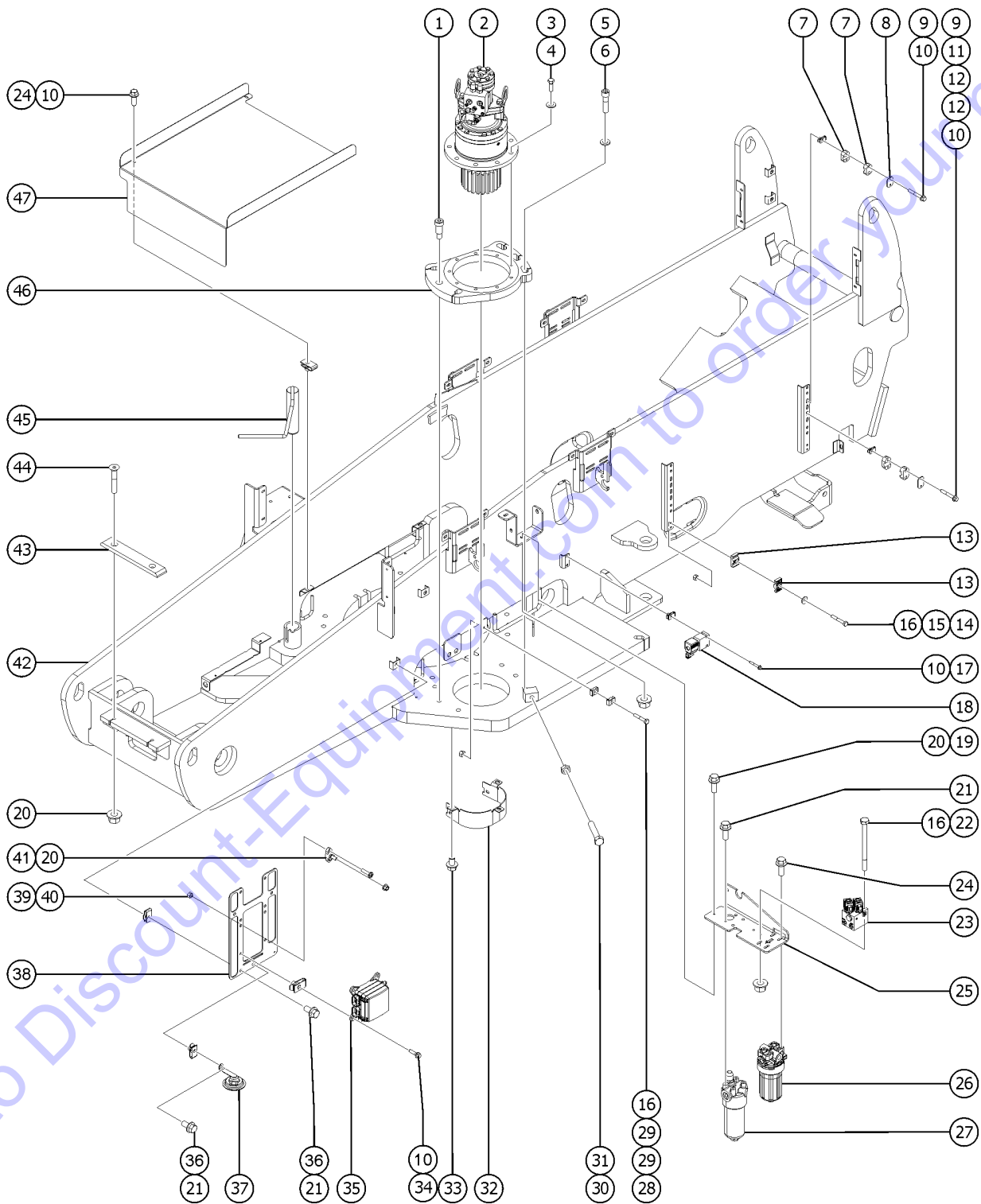
Go to Discount-Equipment.com to order your parts

305.1 Turntable Components and Swivel Drive Assembly

Item	Part No.	Description	Qty.
18		REF. VALVE,FUNCTION ENABLE (refer to 703.1)	
19	824090GT	SCREW,HHF,3/8-16X1,8,ZAG	2
20	1274322GT	NUT,NYLOCK FLG,3/8-16,F,ZAG	5
21	824089GT	SCREW, HHF, 3/8-16 X .75, 8, ZAG	8
22	1256123GT	SCREW,HHC,1/4-20X3.25,8,ZAG	2
23		REF. TWO SPEED BRAKE MANIFOLD (refer to 702.1)	
24	824078GT	SCREW,HHF,1/4-20X.75,8,ZAG	8
25	1281796GT	FORMING, FILTER MOUNTING BRACKET, S-80/85 XC	1
26	1267807GT	ASSEMBLY, MED. PRESS. FILTER, SAE8 (to SN S85XCD-2202)	1
26-	1268229GT	ELEMENT-5 MIC, PAPER, W/ BYPASS for 1267807, (to SN S85XCD-2202)	
26B	1314860GT	FILTER ASSEM., MEDI PRESSURE, SAE8 (from SN S85XCD-2203)	1
26B-	1314861GT	ELEMENT-5 MIC, FIBERGLASS, W/ BYPASS for 1314860, (from SN S85XCD-2203)	
27	1310714GT	FILTER ASSY, HIGH PRESS SAE-12*	1
27-	60857GT	FILTER,ELEMENT,BETA(5)=1000	
28	824062GT	SCREW,HHC,1/4-20X1.5,8,ZAG	1
29	121215GT	CLAMP HALF, #6 DOUBLE TUBE	2
30	1256846GT	SCREW,HEX TAP,3/4-10X4,8,ZAG	1
31	1256837GT	NUT,JAM,3/4-10,A, ZAG	1
32	1305543GT	FORMING, ROTATION GEAR COVER	1
33	1257723GT	SCREW,HHF-S,1/2-13X.75,5,ZAG	3
34	824079GT	SCREW,HHF,1/4-20X1,8,ZAG	4
35	1269738GT	MODULE, VEC, ALC600	1
36	29868GT	SPRING CLIP,3/8-16,.05-.20X.73,ZAG	4
37	81578GT	HORN,12VDC,SPADE TERMINALS	1
38	1279748GT	PLATE, VEC, MOUNTING, BRACKET	1
39	1274168GT	NUT,NYLOCK,10-32,A,ZAG	2
40	49816GT	SCREW,PHILLIPS,PHM,10-32 X .75	2
41	94982GT	STANDOFF, 3/8" BLACK	1



305.1 Turntable Components and Swivel Drive Assembly



305.1 Turntable Components and Swivel Drive Assembly

Item	Part No.	Description	Qty.
42	1308156GT	WELDMENT, S80/85XC SWING CHASSIS not available for order	1
43	41549GT	PAD,BOOM REST	1
44	1256842GT	SCREW,FHS,3/8-16X2.25,F835,ZAG	2
45	121353GT	WELDMENT, TRANSPORT LOCK	1
46	121393GT	MACHINED BACKLASH	1
47	121381PGT	FORMING, COVER, SWIVEL, PNTD replaces 121381GT	1

Go to Discount-Equipment.com to order your parts



306.1 Turntable Center Components



Go to Discount-Equipment.com to order your parts

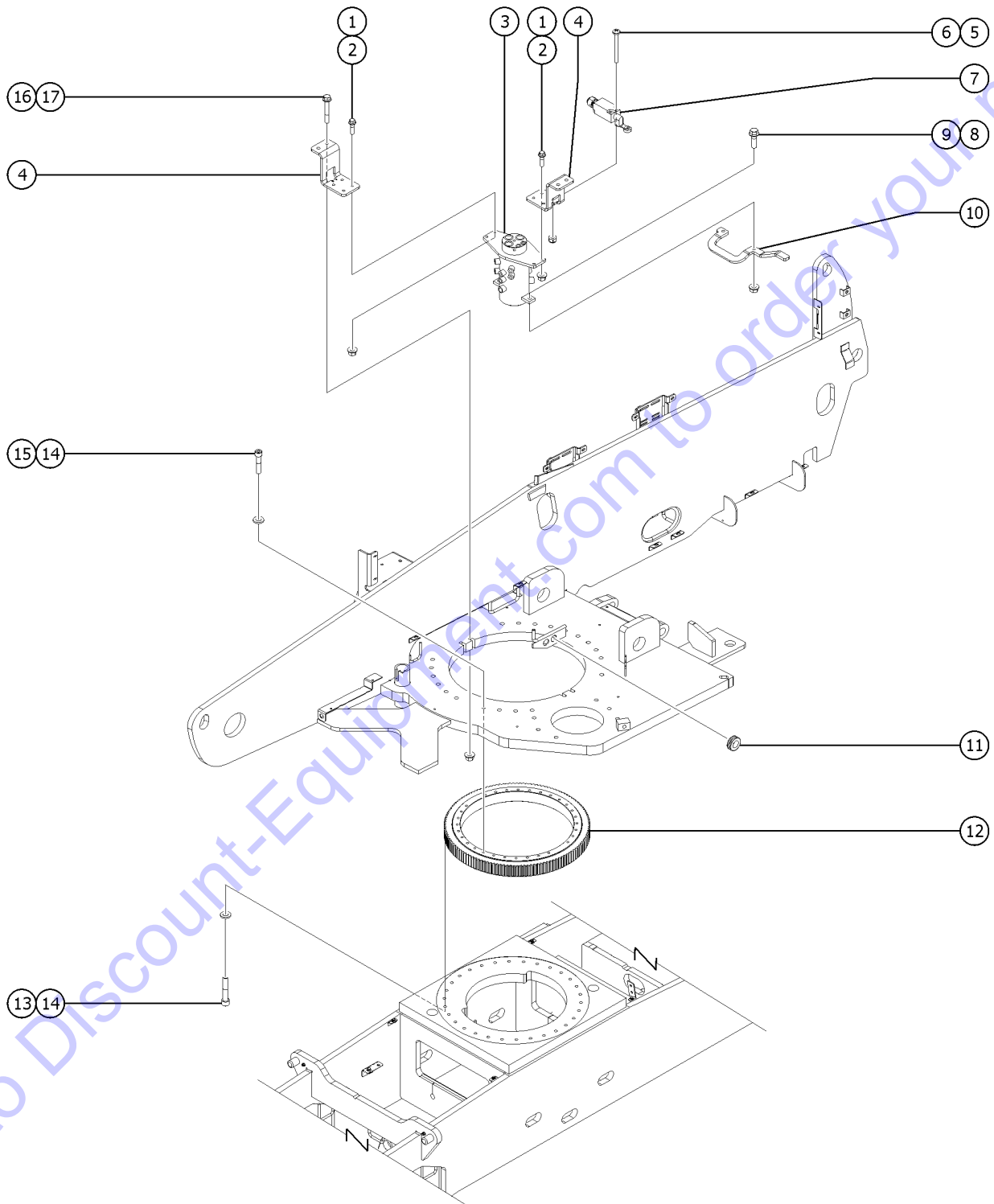
306.1 Turntable Center Components

Item	Part No.	Description	Qty.
1	824092GT	SCREW, HHF, 3/8-16 X 1.5, 8, ZAG	4
2	1274322GT	NUT, NYLOCK FLG, 3/8-16, F, ZAG	4
3	1306175GT	SWIVEL HYD 8 PORT	1
3-	1308160GT	SEAL KIT, 8-PORT SWIVEL 1306175	
3-	1308161GT	SEAL, ROTARY RING, 85×96×4.2	
3-	1308162GT	SEAL, O-RING, 84.6×5.7	
3-	1308163GT	SEAL, O-RING, 139.6×5.7	
3-	1308164GT	SEAL, O-RING, 104.6×5.7	
3-	1308172GT	SEAL, WEARING RING, 85×90×10	
3-	1308173GT	SEAL, SUPPORT RING, 85×105×3	
4	60575PGT	BRACKET, HYD. ROTATOR MOUNT MNT	2
5	1256177GT	SCREW, PHPM, 10-32 X 1.75, ZAG	2
6	1274168GT	NUT, NYLOCK, 10-32, A, ZAG	2
7		REF. HARNESS, LST10, S80/85 (Drive Enable Limit Switch) (refer to 310.1)	1
8	826171GT	SCREW, HHF, 1/2-13 X 1.75, ZAG	2
9	1251997GT	NUT, TL FLG, 1/2-13, G, ZAG	2
10	1309413GT	FORMING, SWIVEL STOP, NDL	1
11	826559GT	GROMMET, .875" ID, 1.25" OD, .188"	2
12	50035GT	BEARING, TURNTABLE	1
12-	227785GT	BEARING TURNTABLE SEAL ***	
12-	49189-6838GT	HOSE ASSY, FM SW, JIC, 4-4 (not shown)	1
12-	48887GT	ELBOW, 90D, 070202-4	1
12-	48885GT	CONNECTOR, BULKHEAD, FEMALE-4	1
12-	28646GT	ZERK, GREASE, 1/8 NPT (located under function manifold, hyd tank side)	1
13	1268596GT	SCREW, SHC, 5/8-11 X 3.5, A574, ZAG	30
14	1256182GT	WASHER, FLAT, 5/8, F436, HRD, ZAG	52
15	824107GT	SCREW, SHC, 5/8-11 X 3, A574, ZAG	22
16	1256851GT	SCREW, HHF, 1/2-13 X 3.5, 8, ZAG	4

Go to DiscountEquipment.com to order your parts



306.1 Turntable Center Components



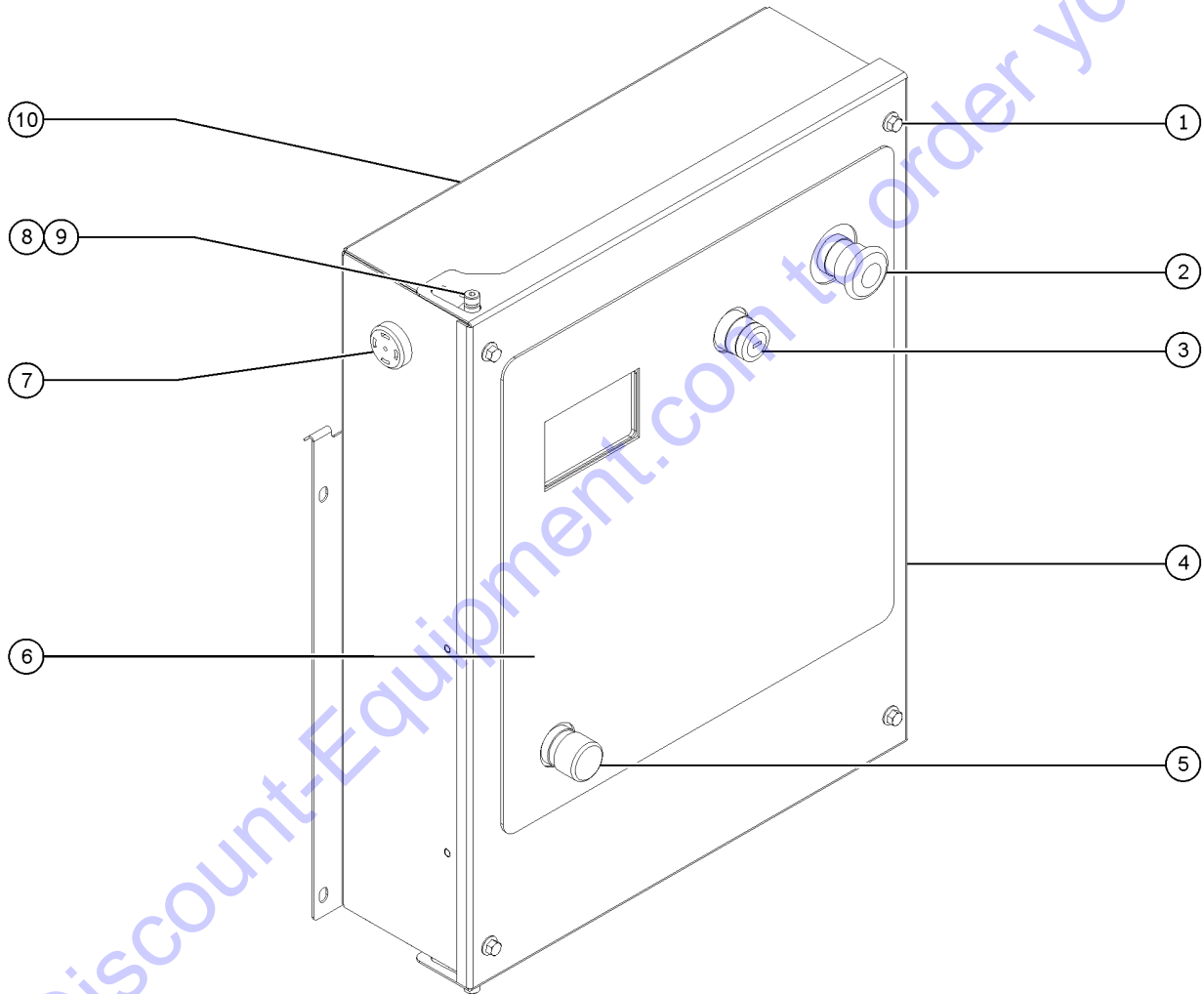
Go to Discount-Equipment.com to order your parts

306.1 Turntable Center Components

<i>Item</i>	<i>Part No.</i>	<i>Description</i>	<i>Qty.</i>
17	1274172GT	NUT,NYLOCK FLG,1/2-13,G,ZAG	4

Go to Discount-Equipment.com to order your parts

307.1 Ground Control Box - View 1

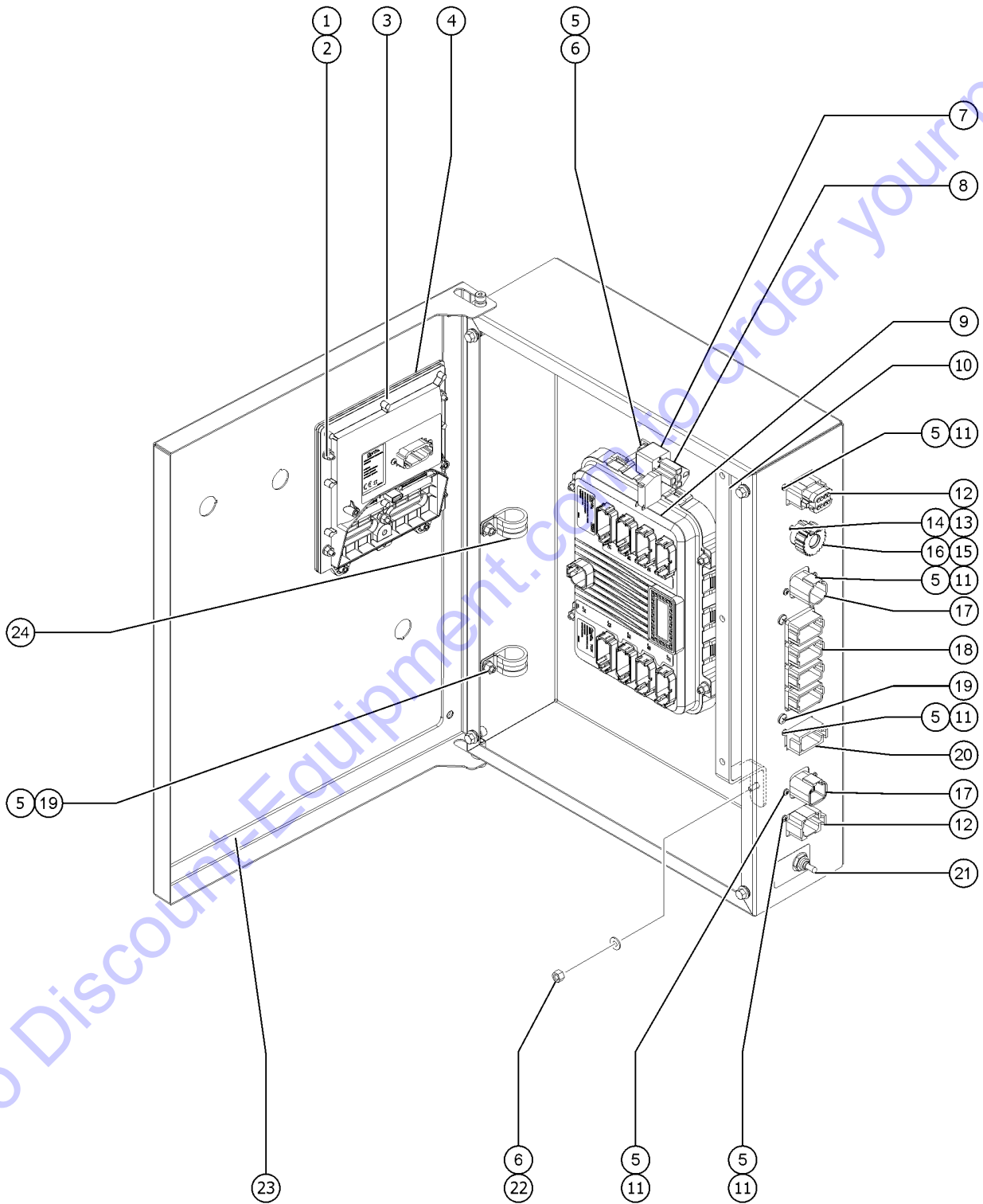


Item	Part No.	Description	Qty.
A	1290460GT	ASSEMBLY, GBOX, S-BOOM, JIB, ALC600, TELEMATICS 2.0	1
1	1256855	SCREW,HHF,1/4-20X.625,8,ZAG	4
2	66812GT	BUTTON,PUSH,RED MUSHROOM HEAD	1
2-	66817GT	E-STOP W/ NC CONTACT	
2-	66818GT	CONTACT,NC	
3	66811GT	KEYSWITCH,3POS.MNTND.DR WKEY**	1
3-	66817GT	E-STOP W/ NC CONTACT	
3-	66818GT	CONTACT,NC	
3-	66816GT	CONTACT,N.O.***	
4	1275937GT	WELDMENT LID TCON ALC600	1
5	66813GT	BUTTON,PUSH,BLACK W/SEAL***	1
5-	66821GT	BASE,WITHOUT CONTACTS	
5-	66816GT	CONTACT,N.O.***	
6	1258949GT	OVERLAY GROUND CONTROLS S-BOOM JIB	1
7	39540GT	ALARM, STEADY TONE***	1
7-	72326GT	NUT - PLASTIC, RING FOR ALARMS	
8	1257410GT	BOLT,SHS,5/16X.375X1/4-20,ZAG	2
9	218449GT	WASHER,SHOULDER,NYLON	2
10	1290450GT	WELDMENT, BOX, TCON, ALC600, TELEMATICS 2.0	1

Go to Discount-Equipment.com to order your parts



308.1 Ground Control Box - View 2



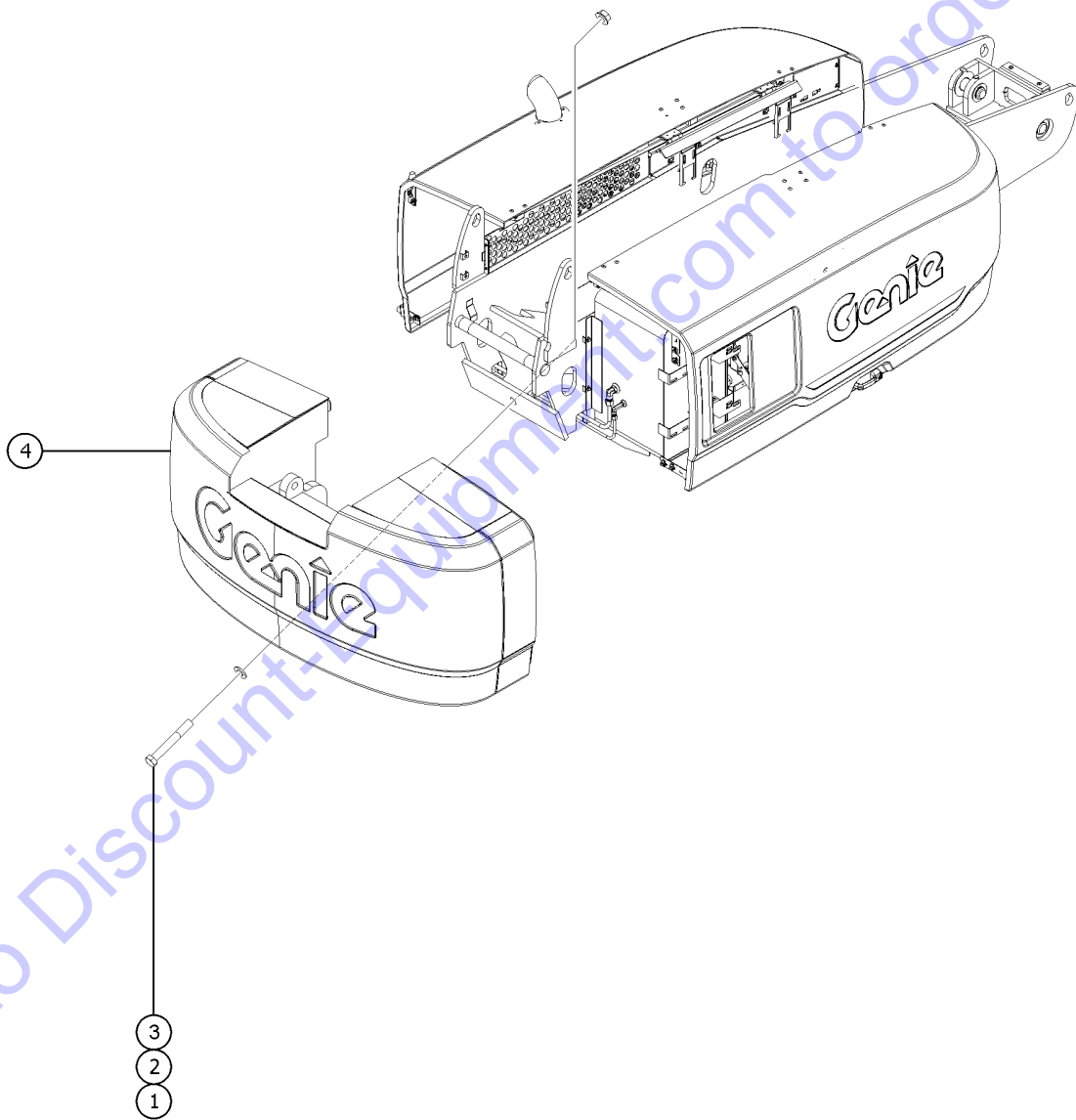
Go to DiscountEquipment.com to order your parts

Item	Part No.	Description	Qty.
1	1271081GT	NUT,NYLOCK,8-32,8,ZAG	5
2	1257390GT	WASHER,FLAT,#8,SAE,ZAG	5
3	1284522GT	ECU,DISPLAY CONTROLLER,PROGRAMMED	1
4	1268322GT	GASKET, RIBBON, DISCON (not shown)	1
5	1274164GT	NUT,NYLOCK,6-32,A,ZAG	10
6	1253185GT	WASHER,FLAT,#10,USS,ZAG	10
7	19274GT	RELAY,SPDT,12V(AUTO)**	2
8	1310252GT	CONNECTOR, RELAY SOCKET, 5PIN	2
9	1284523GT	ECU,TURNTABLE,S-XC,PROGRAMMED	1
10	119644GT	BRACKET,PBOX WIRE SUPPORT	1
11	824214GT	SCREW,PHPM,6-32X.50,ZAG	10
12	119061GT	CONN PLUG 12 WAY ENDCAP DT GY (FOR TELEMATICS)	1
12-	73730GT	CONN, RECEP, 12 WAY, DEUTSCH, DT, GRAY/FLANGE	1
13	1253477GT	SCREW,PHPM,4-40X.5,ZAG	2
14	1283012GT	NUT,NYLOCK,4-40,2,ZAG	2
15	1272123GT	DUST CAP, RECEPTACLE, 5 WAY, CIRCULAR (SERVICE PORT)	1
16	1272122GT	CONN, RECEP, 5 WAY, DEUTSCH, HD10	1
17	73717GT	CONN, RECEP, 4 WAY, DEUTSCH, DTP, FLANGE (UPPER PORT FOR POWER) (LOWER PORT FOR BOOM CABLE)	2
18	73736GT	CONN,RECEP 48 WAY,4 X 12 (ENGINE AND FUNCTION MANIFOLD)	1
19	824226GT	SCREW, PHPSH, #12-11 X .75, ZAG	4
20	73730GT	CONN, RECEP, 12 WAY, DEUTSCH, DT, GRAY/FLANGE (SENSORS)	1
21	128201GT	SWITCH TOGGLE ASSY DPDT 2P MOM	1
22	1274168GT	NUT,NYLOCK,10-32,A,ZAG	10
23	1277169GT	GASKET GBOX ALC600	1
24	18666GT	CLAMP,1.00,#16 X 1/4,RUB CUSH	2

Go to Discolor Equipment.com to order your parts



309.1 Turntable Counterweight

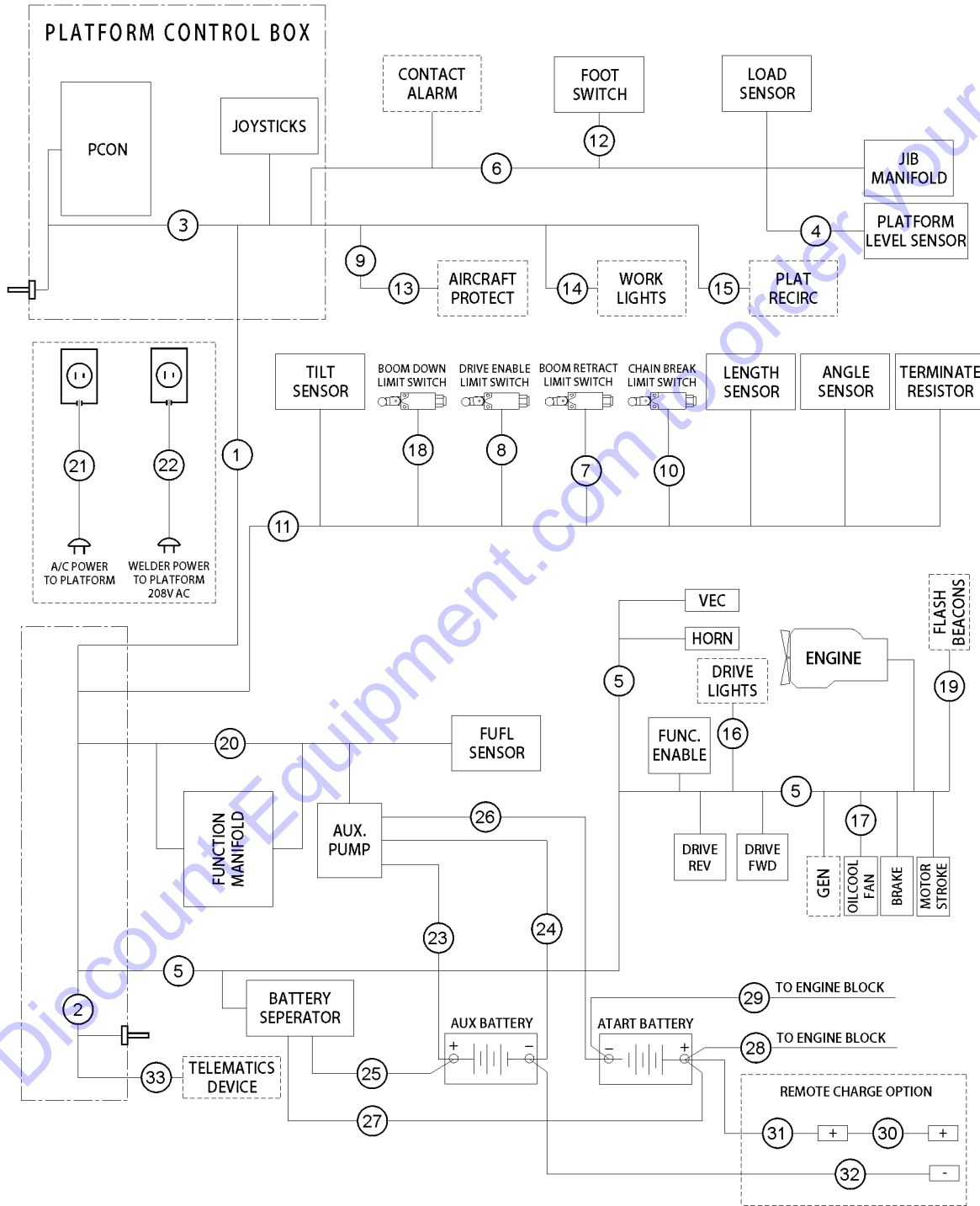


309.1 Turntable Counterweight

<i>Item</i>	<i>Part No.</i>	<i>Description</i>	<i>Qty.</i>
1	1258563GT	SCREW,HHC,1-8X7,8,ZAG	1
2	824116GT	WASHER,FLAT,1.0,F436,HRD,ZAG	2
3	824031GT	NUT, TL FLG, 1-8, G, ZAG	3
4	1272956GT	COUNTERWEIGHT, S85 XC (14,100+/- 100 lbs / 6396+/- 45 kg)	4

Go to Discount-Equipment.com to order your parts

310.1 Wire Harness Diagram



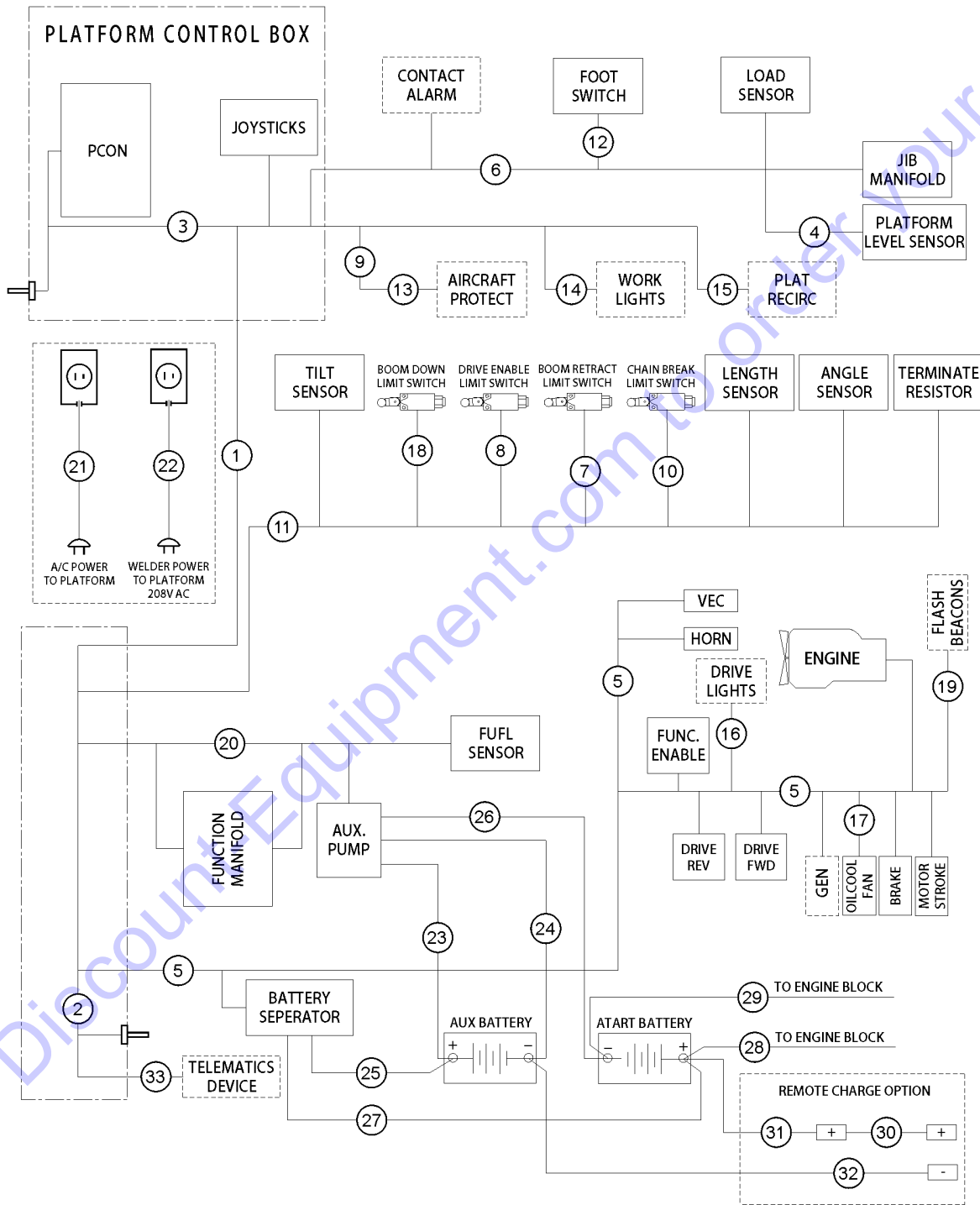
Go to DiscountEquipment.com to order your parts

310.1 Wire Harness Diagram

Item	Part No.	Description	Qty.
1	1269744GT	CABLE, BOOM, COMPOSITE, S85XC	1
1-	1280487-SGT	CABLE, COMPOSITE, J1939, 11C, 10/14/16/18(INCH)	12 62
2	1309207GT	HARNESS GBOX, ALC600, TELEMATIC 2, HW	1
3	1306212GT	HARNESS, PBOX, ALC600, XC, EPL (from SN S85XCD-2002 to S85XCD-2558)	1
3B	1324890GT	HARNESS, PBOX, ALC600, EPL (from SN S85XCD-2559)	1
4	1306211GT	HARNESS, EXT CABLE, CAN SENSOR, 18/4C	1
5	1269699GT	HARNESS, ENGINE, DEUTZ 2.9T (Deutz TD 2.9L4 China III engine)	1
5B	1269700GT	HARNESS, ENGINE, DEUTZ 2011 (Deutz TD2011L04i engine)	1
5C	1290930GT	HARNESS, DEUTZ 2.2 STAGE V, S80/85 XC (TCD 2.2 engine)	1
5D	1312884GT	HARNESS, DEUTZ 2.2 CN4, S85 XC (Deutz TD2.9 China IV engine and Deutz TD 2.9L4 engine)	1
6	1306608GT	HARNESS, PLATFORM, MANIFOLD, ALC600, EPL (from SN S85XCD-2002 to S85XCD-2558)	1
6B	1324891GT	HARN, PLATFORM MANIFOLD, EPL, JIB (from SN S85XCD-2559)	1
7	1269714GT	HARNESS, LSB1RS, S80/85 (Boom Retract Limit Switch)	1
8	1269715GT	HARNESS LST1O S80/85 (Drive Enable Limit Switch)	1
9	1269734GT	HARNESS, PROX, MANIFOLD, PLAT	1
10	1269717GT	HARNESS, LSB2S, S80/85 (Chain Break Limit Switch)	1
11	1274449GT	HARNESS, BOOM SENSORS	1
12	227618GT	ASSEMBLY, FOOTSWITCH	1
13	1269721GT	HARNESS, PROX SENSOR, ACP	1
14	1269720GT	HARNESS, LIGHTS, WORK	2
15	1269722GT	HARNESS, RECIRCULATION, PLAT	1
16	1269724GT	HARNESS, LIGHTS, DRIVE	1
17	1269725GT	HARNESS COOLER HYDRAULIC (standard)	1
17-	1254360GT	HARNESS, OIL COOLER, LIFT POWER (generator option)	1
18	1306209GT	HARNESS, LIMIT SWITCH ASSY, LST3S, S80/85XC, EPL	1
19	1269729GT	HARNESS, BEACONS, FLASHING	1
20	1269731GT	HARNESS MANIFOLD FUNCTION S80/85	1
21	1296207GT	CABLE, POWER TO PLAT, S85 XC, 12/3 CABLE	12 40



310.1 Wire Harness Diagram



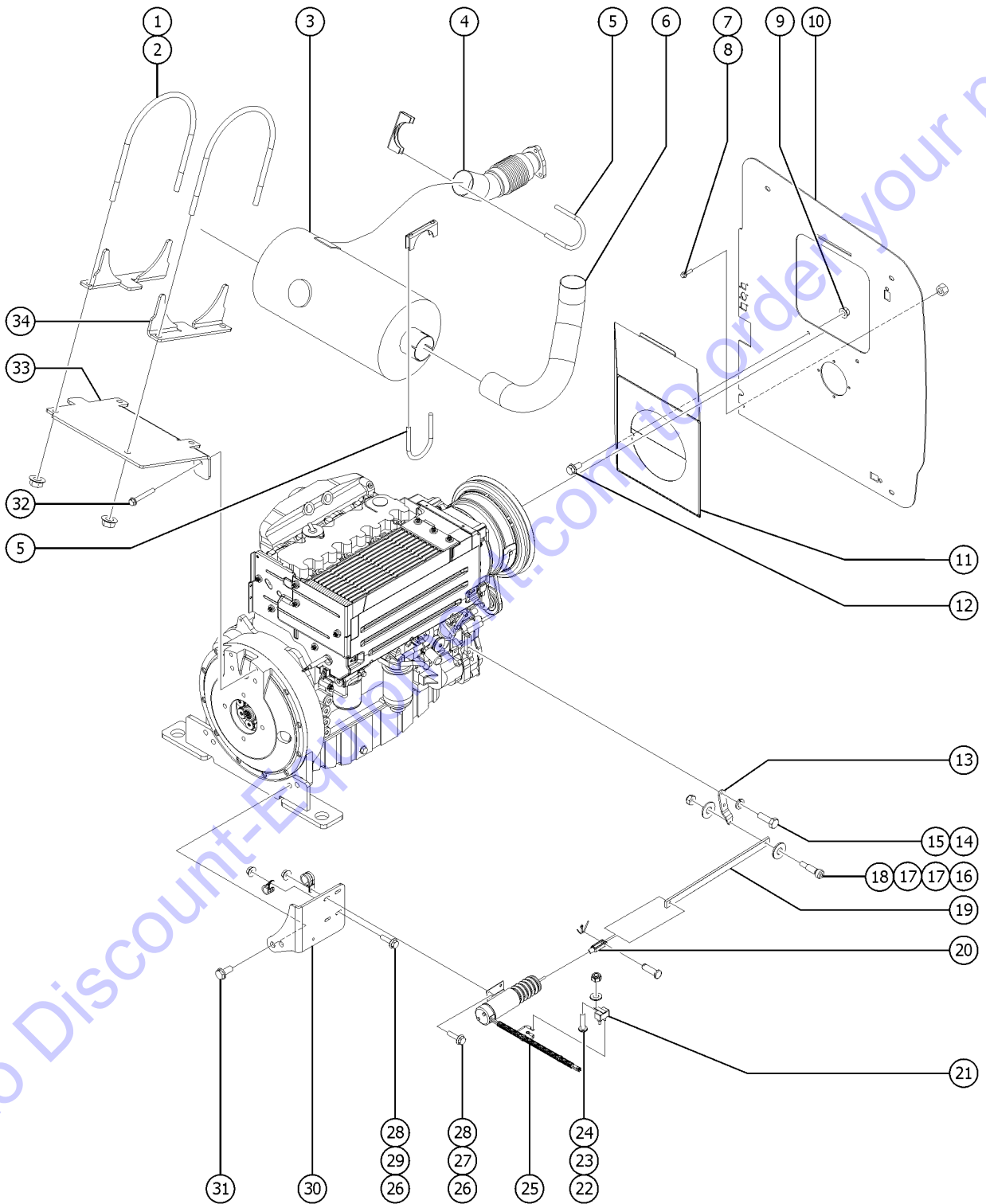
310.1 Wire Harness Diagram

Item	Part No.	Description	Qty.
22	106115GT	WIRE CABLE 8 GA/4 CON.SO	13 24
23	121619GT	HARNESS,BATT2 TO APU(+),S80	1
24	121622GT	HARNESS,BATT2 TO APU(-),S80	1
25	1279680GT	ASSEMBLY WIRE SEPARATOR BATTERY A	1
26	1274452GT	HARNESS BATTERY NEGATIVE	1
27	1279679GT	ASSEMBLY WIRE SEPARATOR BATTERY M	1
28	121474GT	BATTERY CABLE,2/0,POS,RD,123"	1
28-	826138GT	CABLE, BATTERY POS RED 136"	1
29	1281128GT	CABLE, BATTERY BLACK 2/0 122"	1
29-	1279875GT	CABLE, BATTERY BLACK 2/0 128"	1
30	1269051GT	CABLE ASSY, RED 2/0	1
31	1269060GT	CABLE, RED 2/0, 20"	1
32	1269061GT	CABLE ASSY, BLACK 2/0	1
33	1256074GT	HARNESS, HERTZ GPS, 8"	1
33B	1260526GT	HARNESS,TELEMATICS,TOPCON,36IN	1
33C	1274342GT	HARNESS, M8, ZTR, 35IN	1
33D	1261655GT	HARNESS,TELEMATICS,ZTR,M5S	1
33E	1281095GT	ASSEMBLY,TELEMATICS, TTU 2830	1

Go to Discount-Equipment.com to order your parts



401.1 Deutz TD2011L04i Engine - View 1

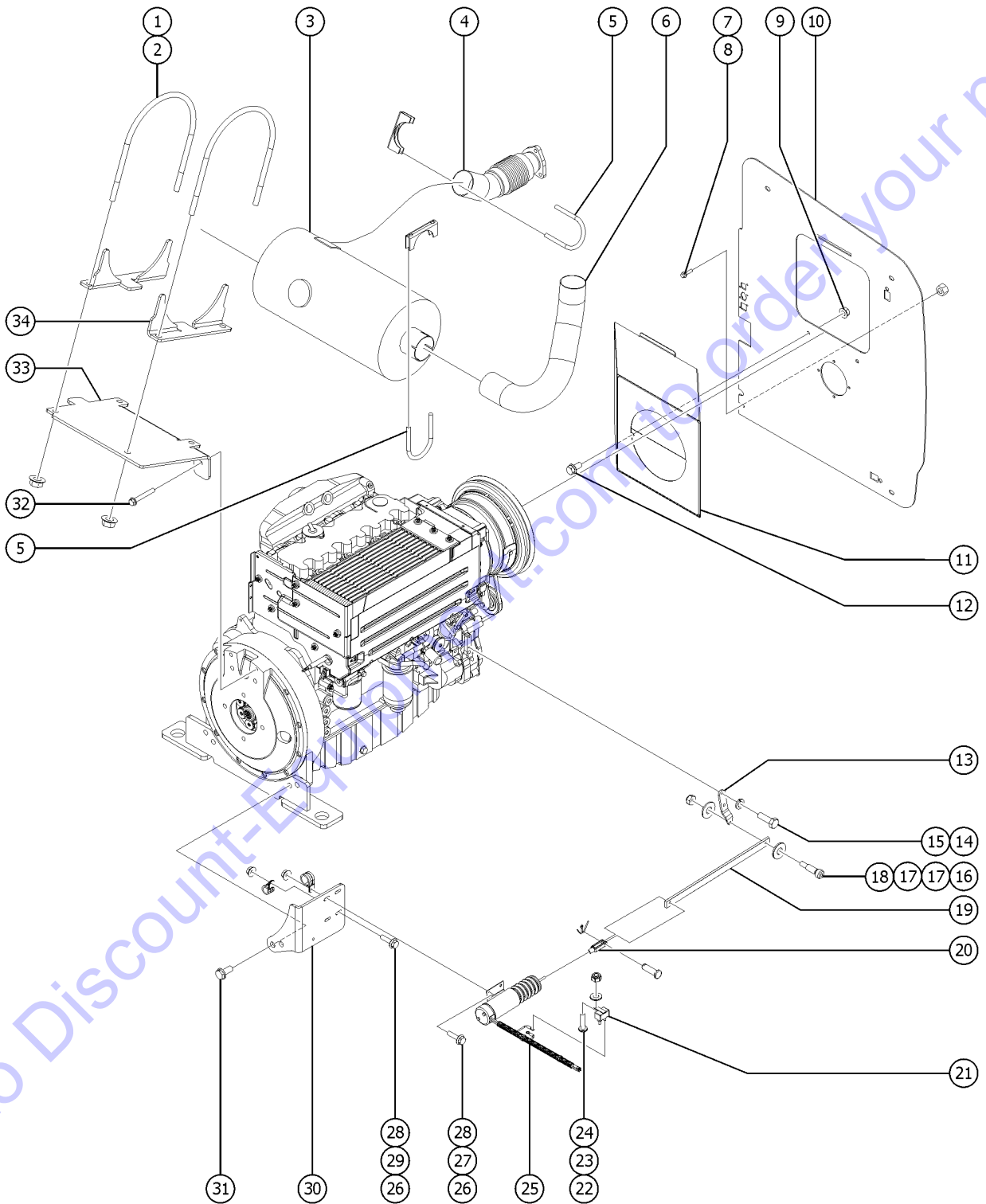


Go to Discount-Engine.com to order your parts

Item	Part No.	Description	Qty.
1	70449GT	U-BOLT,1/2-13 X 8.5	2
2	121423GT	NUT,FLG,1/2-13	4
3	70444GT	MUFFLER,2.5"INLET/OUTLET	1
4	70445GT	FLEX PIPE,EXHAUST,2.5" DIA	1
5	71911GT	CLAMP,MUFFLER, 2.50 INCH	2
6	70465GT	TAILPIPE,DEUTZ BF4L2011	1
7	824079GT	SCREW,HHF,1/4-20X1,8,ZAG	3
8	1274165GT	NUT,NYLOCK,1/4-20,C,ZAG	1
9	121422GT	NUT,HEX,FLG,3/8-16	2
10	1274053GT	PLATE, BULKHEAD, DEUTZ TD2011	1
11	121410GT	WELDMENT,COOLING AIRBOX	1
12	75051GT	SCREW,SER FLNG3/8UNCX3/4ZNYEL	2
13	50787-SGT	LEVER, GOVERNOR ACTUATOR	1
14	22578GT	SCREW,HHC,M6 X 20MM,GR8.8	2
15	49407GT	WASHER,LOCK,M6	2
16	6584GT	SCREW,SHS,10-24 X .625	1
17	6638GT	WASHER, FLAT, USS, 1/4"Y	2
18	5365GT	NUT,NYLOCK,10-24	1
19	139322GT	THROTTLE LINKAGE, DSL	1
20	21130GT	CLEVIS YOKE-1/4-28,PLTD W/PIN	1
21	128829GT	CIRCUIT BRKR 15A TYPE 2 METAL	1
22	49816GT	SCREW,PHILLIPS,PHM,10-32 X .75	1
23	6146GT	WASHER,FLAT,MS,#10,Y	1
24	6178GT	NUT, NYLOCK, 10-32, SS	1
25	121615GT	THROTTLE SOLENOID ASSY, TROMB.	1
25-	128829GT	CIRCUIT BRKR 15A TYPE 2 METAL	
26	121420GT	SCREW,HHF,1/4-20 X 1.00	4
27	18666GT	CLAMP,1.00,#16 X 1/4,RUB CUSH	1

Go to Discount-Equipment.com to order your parts

401.1 Deutz TD2011L04i Engine - View 1

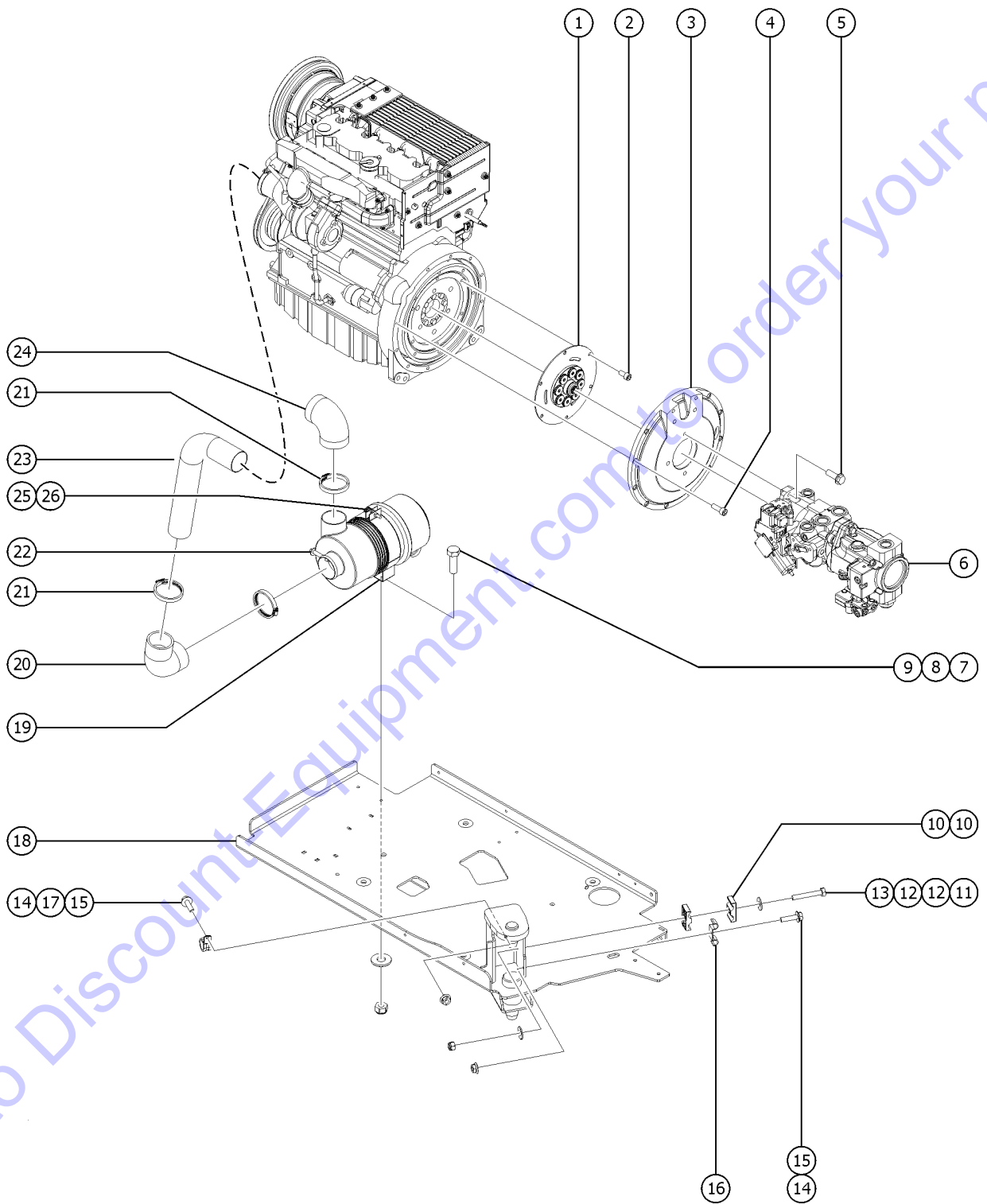


<i>Item</i>	<i>Part No.</i>	<i>Description</i>	<i>Qty.</i>
28	121421GT	NUT,FLG,1/4-20	4
29	45454GT	CLAMP,0.75,#12 X 3/8,RUB CUSH*	1
30	139321GT	FORMING, SOLENOID MOUNT***	1
31	121688GT	SCREW,HHC,FLG,M14 X 35	2
32	121430GT	SCREW,FLG HD,M10 X 70 GR12.9	2
33	70448PGT	FORMING,MUFFLER MOUNT	1
34	70483GT	FORMING,8.5' MUFFLER MOUNT	2

Go to Discount-Equipment.com to order your parts



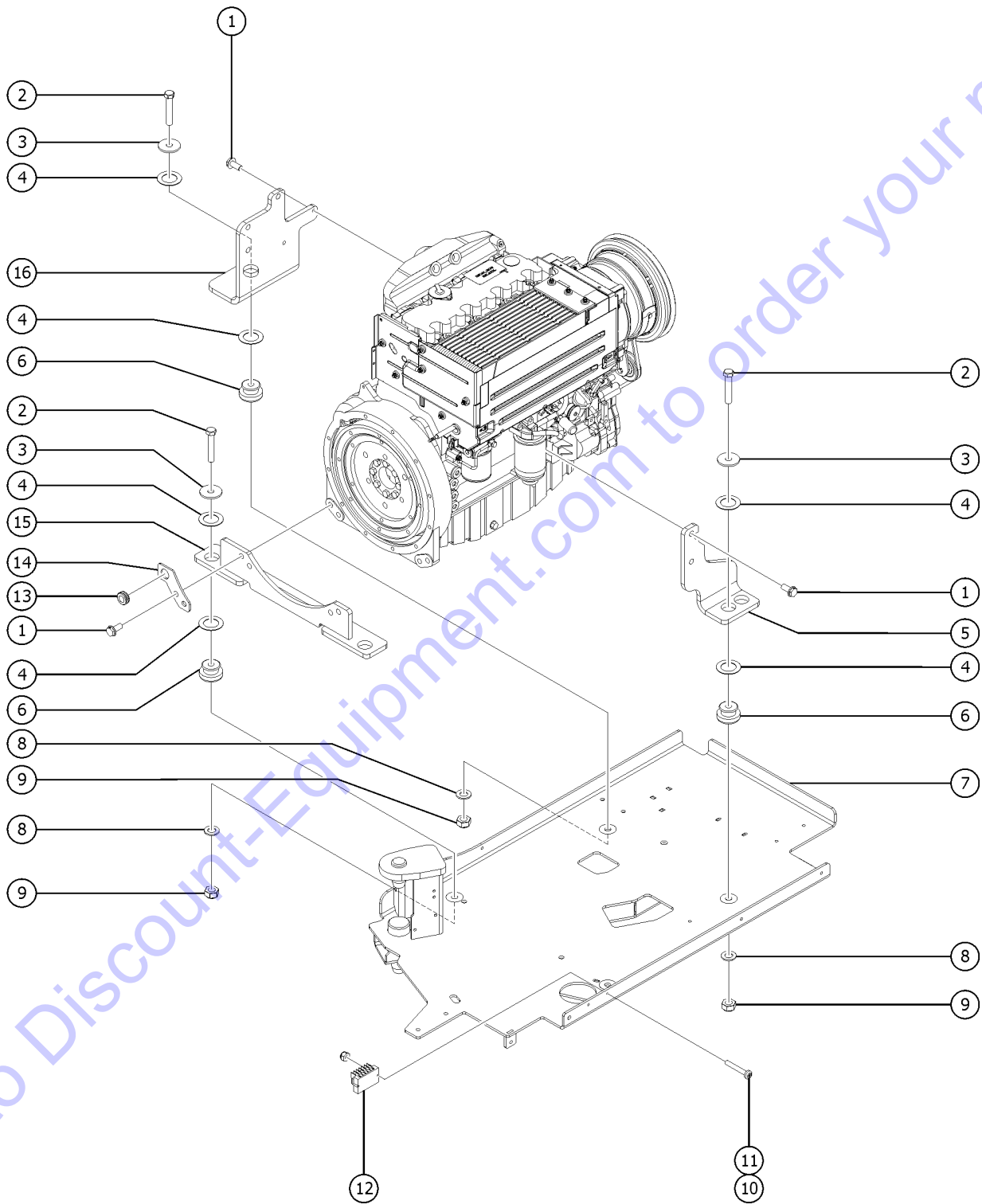
402.1 Deutz TD2011L04i Engine - View 2



Item	Part No.	Description	Qty.
1	128004GT	COUPLER,15 TOOTH,FBA,SAE8***	1
2	1255665GT	SCREW,SHC,M10-1.50X20,DIN912,12.9,ZAB	6
3	70381GT	COVER,FLYWHEEL CASTING	1
4	1255666GT	SCREW,SHC,M10-1.50X30,DIN912,1	9
5	1253498GT	SCREW,HHF,1/2-13X1.5,8,ZAG	4
6		REF. DRIVE PUMP AND FUNCTION PUMP (refer to 707.1)	1
7	13002GT	SCREW,HHC,5/16-18 X 1 GR5	2
8	5397GT	WASHER,FLAT,5/16,USS,ZAG	2
9	6782GT	NUT, NYLOCK, 5/16-18	2
10	78736GT	CLAMP,2 HOSE,PLASTIC	2
11	6637GT	SCREW,HHC,1/4-20 X 1.75	1
12	6638GT	WASHER, FLAT, USS, 1/4"Y	2
13	6091GT	NUT, NYLOCK, 1/4-20	1
14	121420GT	SCREW,HHF,1/4-20 X 1.00	2
15	121421GT	NUT,FLG,1/4-20	2
16	75289GT	CLAMP,HOSE,1/2" DOUBLE	1
17	18666GT	CLAMP,1.00,#16 X 1/4,RUB CUSH	1
18		REF. WELDMENT,ENGINE TRAY (refer to 417.1)	1
19	1309605GT	BRKT,AIR CLEANER,DONALDSON,S-BOOM	1
20	139455GT	ELBOW,AIR INTAKE,RUBBER	1
21	30489GT	CLAMP,HOSE,3.50	3
22	1309573GT	AIR CLEANER, DONADSON,G070017	1
23	121563GT	TUBE,AIR INTAKE,DEUTZ	1
24	60561GT	ELBOW,INLET,CUMMINS	1
25	1255763GT	SCREW,HHF,5/16-18X1.5,8,ZAG	1
26	1274167GT	NUT,NYLOCK FLG,5/16-18,F,ZAG	1

Go to Discount Equipment.com to order your parts

403.1 Deutz TD2011L04i Engine - View 3

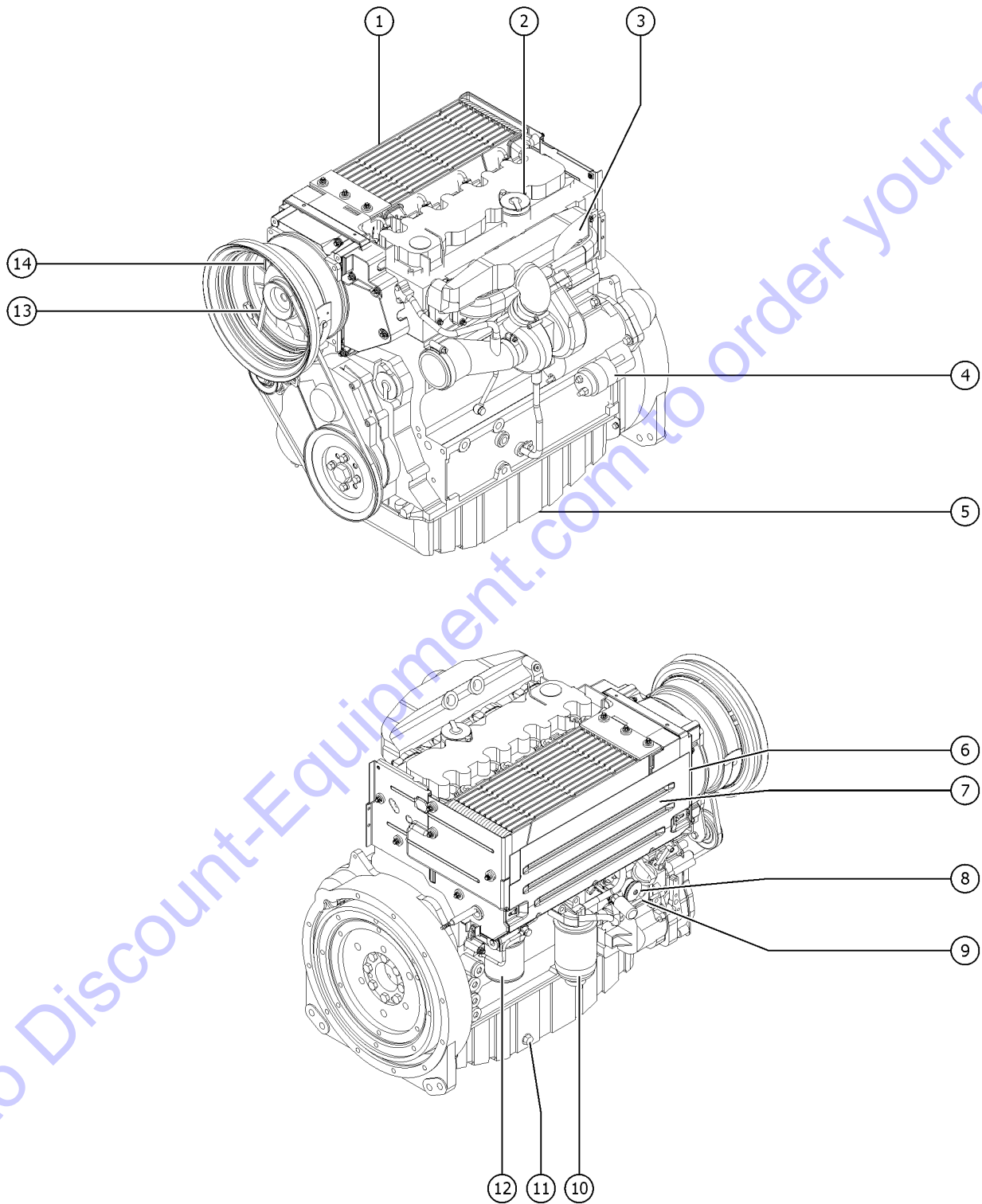


Go to Discount-Equipment.com to order your parts

Item	Part No.	Description	Qty.
1	121688GT	SCREW,HHC,FLG,M14 X 35	7
2	13003GT	SCREW,HHC,5/8-11 X 3.5 GRD.8	4
3	33418GT	WASHER,FLAT,.625 X 2.25 X.15	4
4	18596GT	WASHER,FLAT,1.56 X 2.5 X .061	8
5	70455GT	FORMING,ENGINE MOUNT	1
6	102045GT	ISOLATOR,ENGINE VIBRATION	4
7		REF. WELDMENTM, ENGINE TRAY	1
		(refer to 417.1)	
8	13064GT	WASHER,FLAT,.625 HARDENED	4
9	6024GT	NUT,NYLOCK,5/8-11	4
10	49817GT	SCREW,PHILLIPS,PHM,10-32 X1.25	2
11	6178GT	NUT, NYLOCK, 10-32, SS	2
12	89997GT	RELAY MODULE(89996,89998)	1
13	60584GT	GROMMET,RUBBER .75 X .19 X 1**	1
14	217203GT	PLATE,BRACKET,BATTERY CABLE	1
15	70456GT	WELDMENT,REAR ENGINE MOUNT	1
16	70454GT	FORMING,ENGINE MOUNT	1

Go to Discount-Equipment.com to order your parts

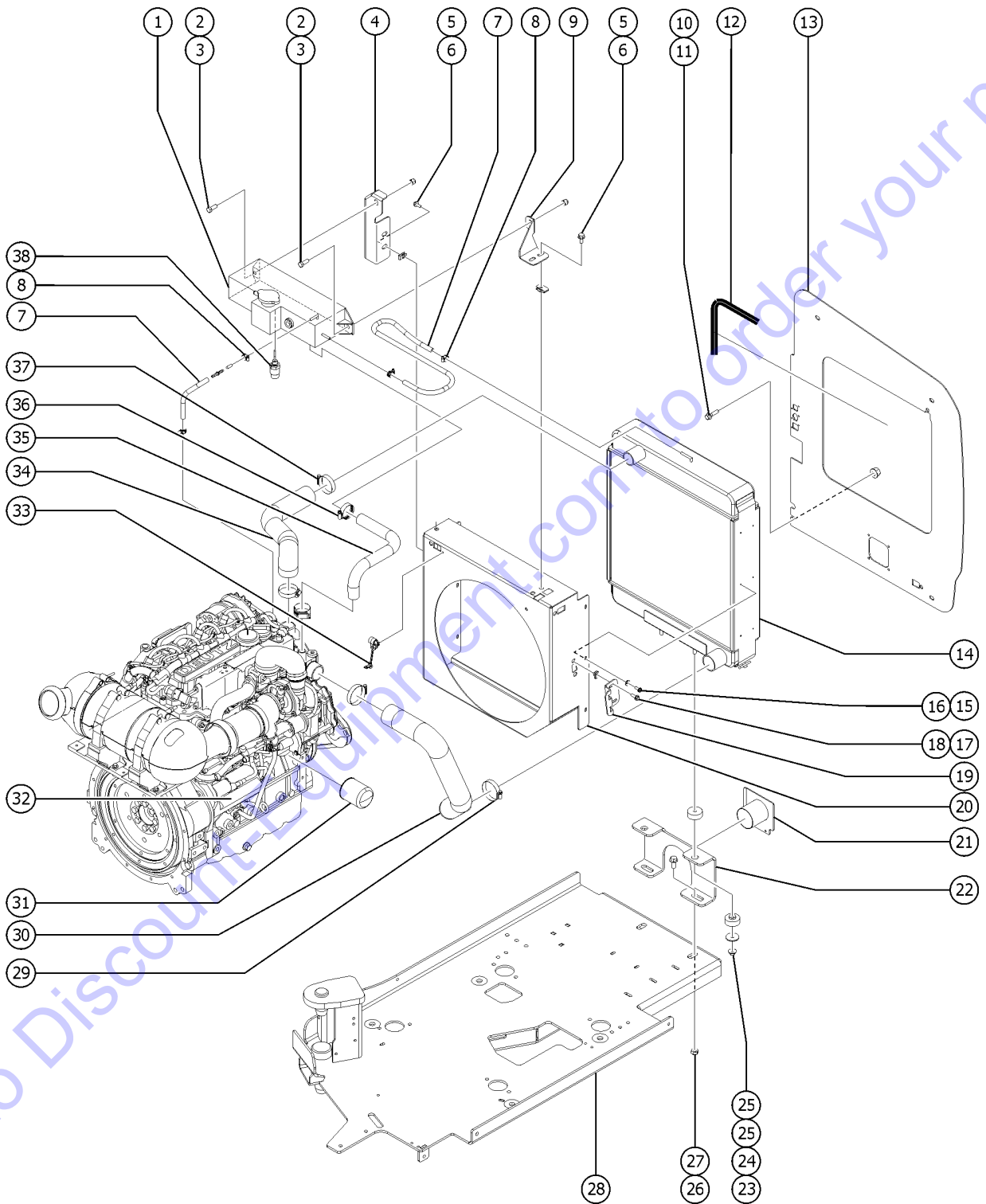
404.1 Deutz TD2011L04i Engine - View 4



Item	Part No.	Description	Qty.
A	27089GT	HOSE,5/16 FUEL,SAE 30R7 (tank to engine input line)	108
B	30490GT	HOSE,1/4 FUEL LINE,SAE 30R7 (tank to engine return line)	101
1	161189GT	Z135,DEUTZ TD2011L04I,TPEM	1
2	29557GT	CAP,OIL FILLER,DEUTZ,DIESEL ***	1
3	102590GT	EXHAUST MANIFOLD, DEUTZ F4L201	1
3-	29559GT	GASKET,EXHAUST	1
4	49915GT	SOLENOID-STARTR DEUTZF4L1011F*	1
5	102586GT	OIL PAN,DEUTZ F4L2011	1
6	1289103GT	COVER,ENGINE,TD2011 L04I	1
7	111445GT	SENDING UNIT,OIL TEMP SWCH,DTZ	1
8	30810GT	SENDING UNIT,OIL PRESSURE***	
8-	106033GT	ADAPTER,NPT 6-4	
8-	106034GT	ADAPTER,M18	
9	52352GT	DIPSTICK-F3L1011F (DEUTZ)	
10	29560GT	FILTER,FUEL/WTR SEP, DTZ 1008 (Genie genuine part. see PN 1254826 for compatible aftermarket replacement)	1
10-	1254826GT	FUEL FILTER W/SEP,DEUTZ,1008 (Genie aftermarket part. filter for Deutz F3L 1011F engine)	
10-	58566GT	FILTER HEAD (29560)	
11	102587GT	PLUG,ENGINE OIL,DEUTZ F4L2011	
12	49924GT	FILTER,OIL,DEUTZ (Genie genuine part. See PN 1255653 for compatible aftermarket replacement)	
12-	1255653GT	FILTER,OIL,DEUTZ,REPLACEMENT (Genie aftermarket part. compatible with Genie Genuine Part 49924)	
13	58630GT	V-BELT, DEUTZ TD2011LOAI	
14	58249GT	ALTERNATOR, DEUTZ,BF4L2011***	

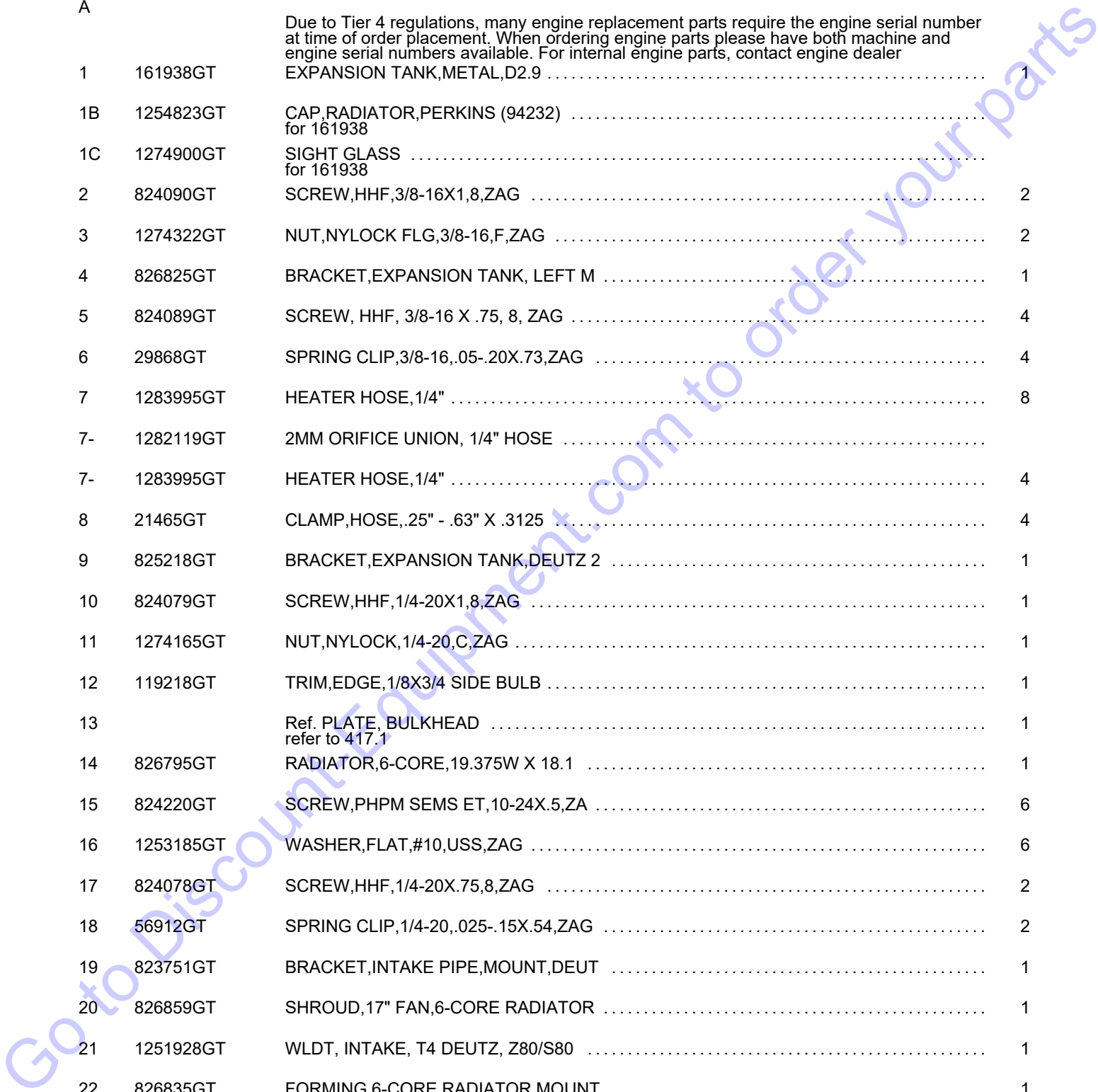
Go to DiscountEquipment.com to order your parts

405.1 Deutz TD 2.9L4 Engine - View 1

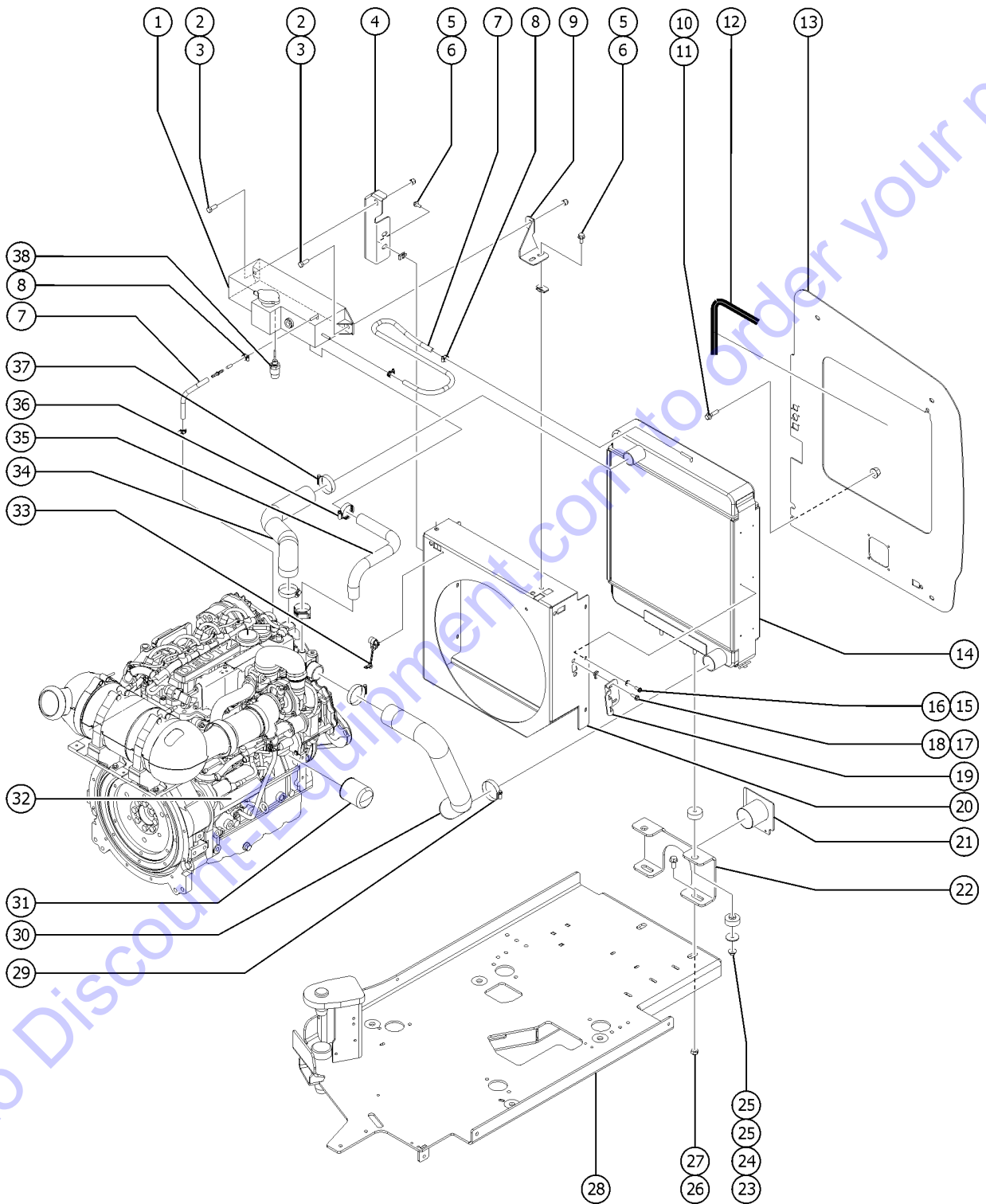


Go to DiscountEquipment.com to order your parts

Item	Part No.	Description	Qty.
A		Due to Tier 4 regulations, many engine replacement parts require the engine serial number at time of order placement. When ordering engine parts please have both machine and engine serial numbers available. For internal engine parts, contact engine dealer	
1	161938GT	EXPANSION TANK,METAL,D2.9	1
1B	1254823GT	CAP,RADIATOR,PERKINS (94232) for 161938	
1C	1274900GT	SIGHT GLASS for 161938	
2	824090GT	SCREW,HHF,3/8-16X1,8,ZAG	2
3	1274322GT	NUT,NYLOCK FLG,3/8-16,F,ZAG	2
4	826825GT	BRACKET,EXPANSION TANK, LEFT M	1
5	824089GT	SCREW, HHF, 3/8-16 X .75, 8, ZAG	4
6	29868GT	SPRING CLIP,3/8-16,.05-.20X.73,ZAG	4
7	1283995GT	HEATER HOSE,1/4"	8
7-	1282119GT	2MM ORIFICE UNION, 1/4" HOSE	
7-	1283995GT	HEATER HOSE,1/4"	4
8	21465GT	CLAMP,HOSE,.25" - .63" X .3125	4
9	825218GT	BRACKET,EXPANSION TANK,DEUTZ 2	1
10	824079GT	SCREW,HHF,1/4-20X1,8,ZAG	1
11	1274165GT	NUT,NYLOCK,1/4-20,C,ZAG	1
12	119218GT	TRIM,EDGE,1/8X3/4 SIDE BULB	1
13		Ref. PLATE, BULKHEAD refer to 417.1	1
14	826795GT	RADIATOR,6-CORE,19.375W X 18.1	1
15	824220GT	SCREW,PHPM SEMS ET,10-24X.5,ZA	6
16	1253185GT	WASHER,FLAT,#10,USS,ZAG	6
17	824078GT	SCREW,HHF,1/4-20X.75,8,ZAG	2
18	56912GT	SPRING CLIP,1/4-20,.025-.15X.54,ZAG	2
19	823751GT	BRACKET,INTAKE PIPE,MOUNT,DEUT	1
20	826859GT	SHROUD,17" FAN,6-CORE RADIATOR	1
21	1251928GT	WLDT, INTAKE, T4 DEUTZ, Z80/S80	1
22	826835GT	FORMING,6-CORE RADIATOR MOUNT	1



405.1 Deutz TD 2.9L4 Engine - View 1

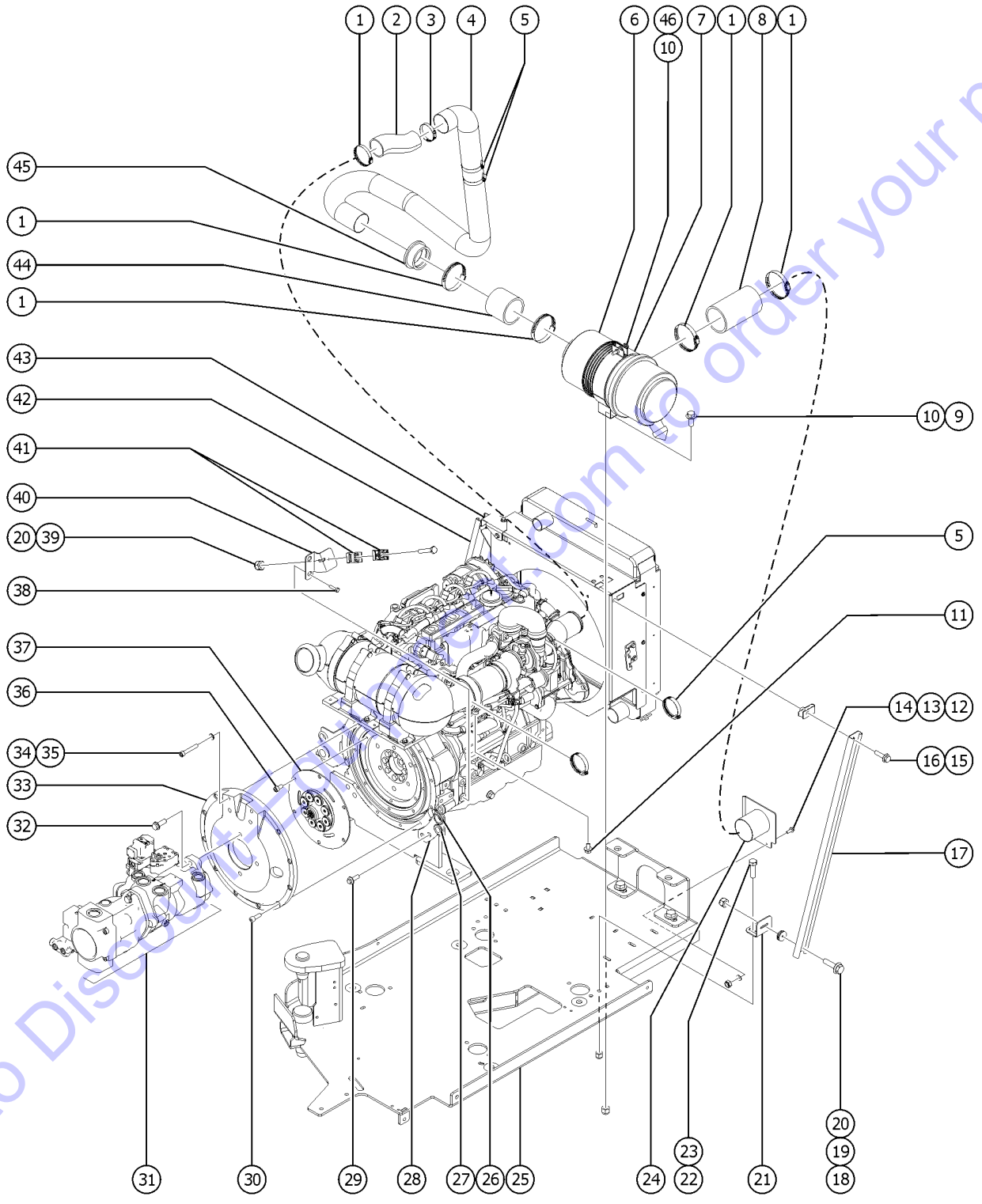


Go to DiscountEquipment.com to order your parts

Item	Part No.	Description	Qty.
23	1257628GT	NUT,SERRATED,3/8-16,ZAG	2
24	824120GT	WASHER, FLAT, .375 X 1.50 X .125, ZAG	2
25	24038GT	SHOCK MOUNT,SMALL	4
26	1283007GT	NUT,NYLOCK FLG,5/8-11,F,ZAG	2
27	1253208GT	SCREW,HHF,5/8-11X1.5,8,ZAG	2
28		REF. WELDMENT,ENGINE TRAY	
		refer to 417.1	
29	35434GT	CLAMP,HOSE,2.00***	2
30	162284GT	HOSE,LOWER RADIATOR, 2.9L DEUT	1
31	49924GT	FILTER,OIL,DEUTZ	1
31B	1255653GT	FILTER,OIL,DEUTZ,REPLACEMENT	1
32	1254594GT	STARTER,3.2KW,DEUTZ D2.9	1
33	219508GT	CLAMP, FIXED DIA, NYLON, 3/8"	1
34	162283GT	HOSE, UPPER RADIATOR, DEUTZ D	1
35	823229GT	HOSE,EXPANSION TANK,COMPENSATION	1
36	36208GT	CLAMP,HOSE,1.25***	2
37	22672GT	CLAMP,HOSE,1.75	2
38	218715GT	COOLANT LEVEL SNSR, DEUTZ D2.9/TCD3.6	1
38-	826152GT	WASHER, CRUSH, COOLANT SENSOR	

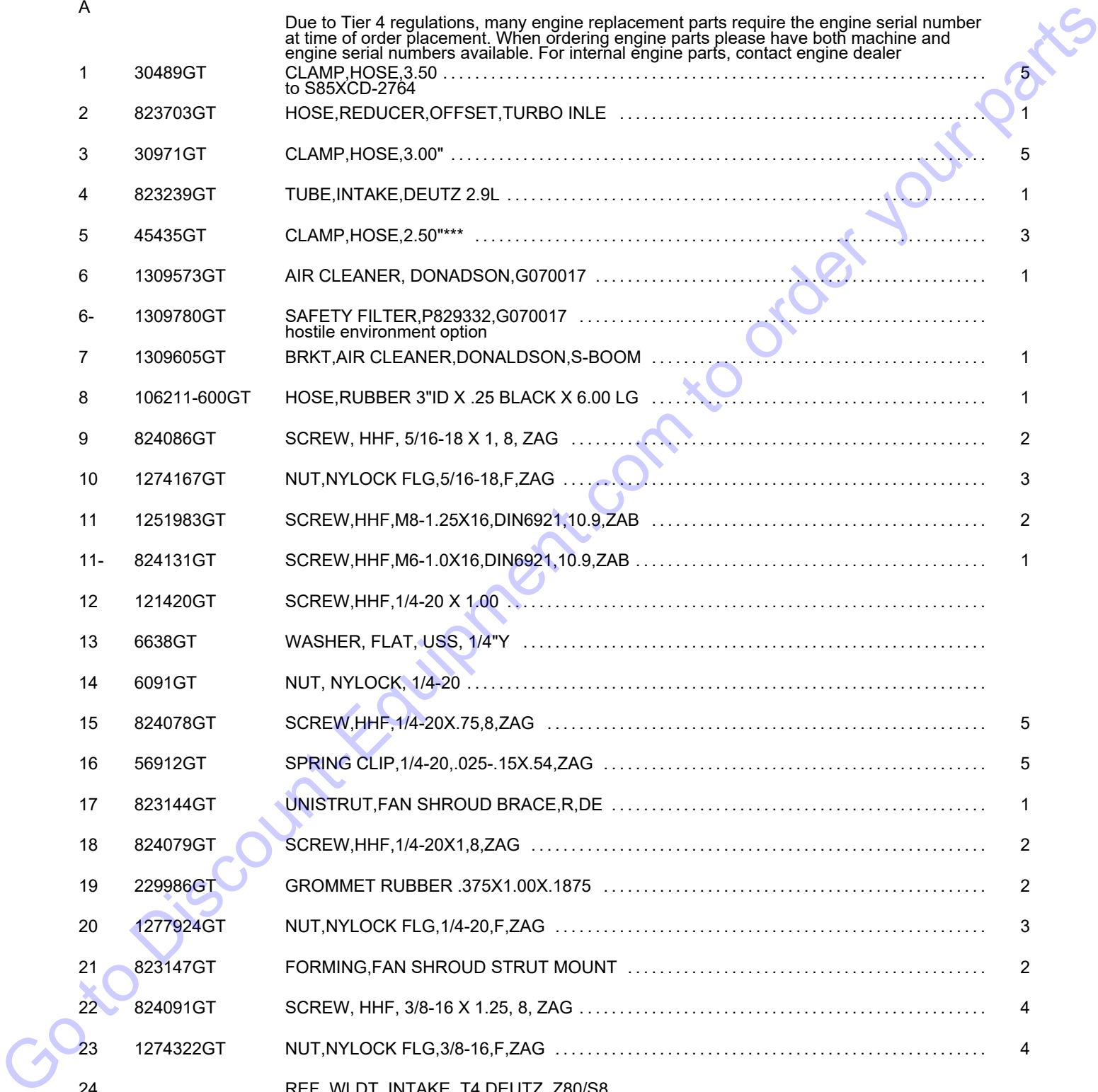
Go to Discount-Equipment.com to order your parts

406.1 Deutz TD 2.9L4 Engine - View 2

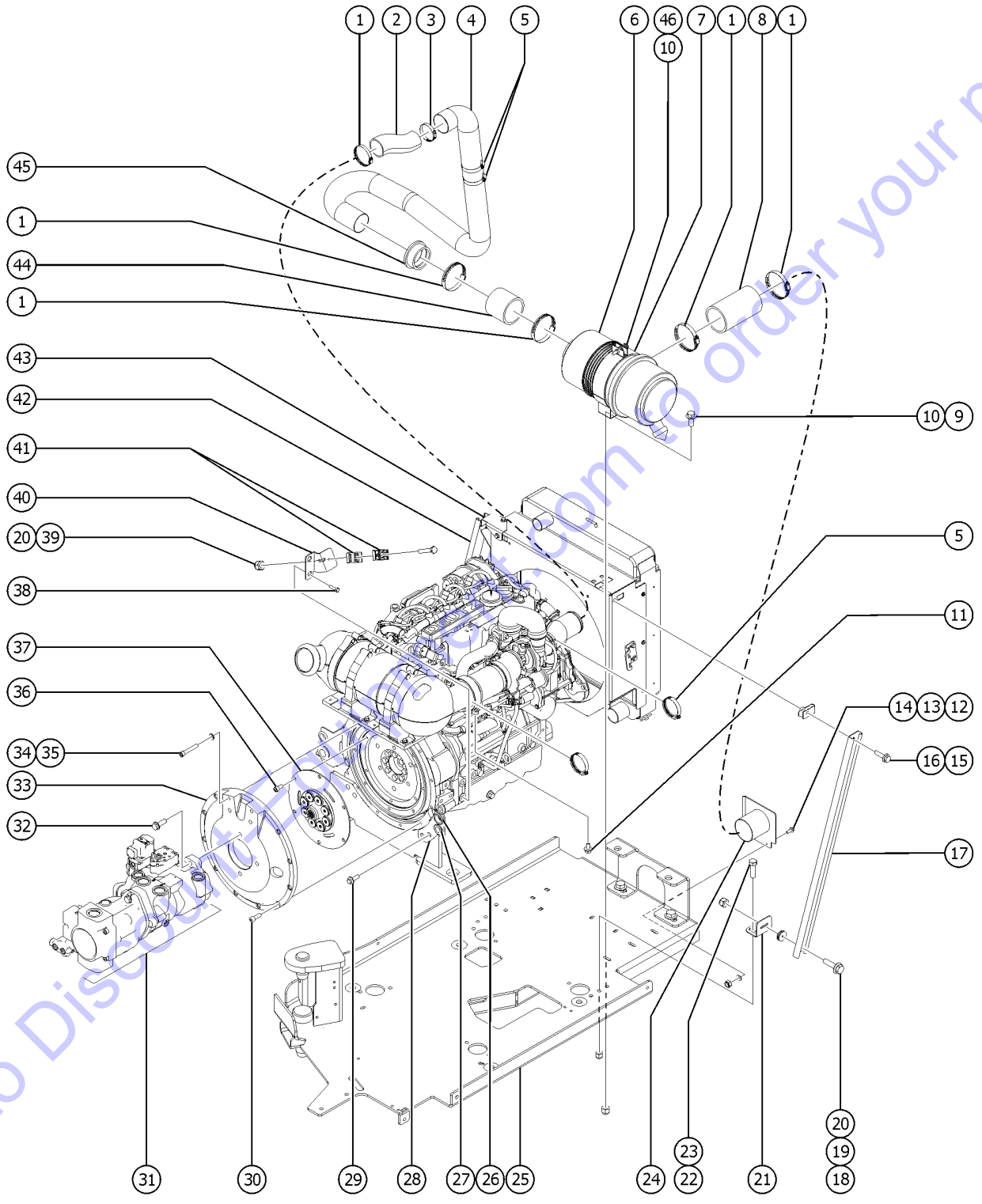


Go to DiscountParts.com to order your parts

Item	Part No.	Description	Qty.
A		Due to Tier 4 regulations, many engine replacement parts require the engine serial number at time of order placement. When ordering engine parts please have both machine and engine serial numbers available. For internal engine parts, contact engine dealer	
1	30489GT	CLAMP,HOSE,3.50 to S85XCD-2764	5
2	823703GT	HOSE,REDUCER,OFFSET,TURBO INLE	1
3	30971GT	CLAMP,HOSE,3.00"	5
4	823239GT	TUBE,INTAKE,DEUTZ 2.9L	1
5	45435GT	CLAMP,HOSE,2.50"***	3
6	1309573GT	AIR CLEANER, DONADSON,G070017	1
6-	1309780GT	SAFETY FILTER,P829332,G070017 hostile environment option	
7	1309605GT	BRKT,AIR CLEANER,DONALDSON,S-BOOM	1
8	106211-600GT	HOSE,RUBBER 3"ID X .25 BLACK X 6.00 LG	1
9	824086GT	SCREW, HHF, 5/16-18 X 1, 8, ZAG	2
10	1274167GT	NUT,NYLOCK FLG,5/16-18,F,ZAG	3
11	1251983GT	SCREW,HHF,M8-1.25X16,DIN6921,10.9,ZAB	2
11-	824131GT	SCREW,HHF,M6-1.0X16,DIN6921,10.9,ZAB	1
12	121420GT	SCREW,HHF,1/4-20 X 1.00	
13	6638GT	WASHER, FLAT, USS, 1/4"Y	
14	6091GT	NUT, NYLOCK, 1/4-20	
15	824078GT	SCREW,HHF,1/4-20X.75,8,ZAG	5
16	56912GT	SPRING CLIP,1/4-20,.025-.15X.54,ZAG	5
17	823144GT	UNISTRUT,FAN SHROUD BRACE,R,DE	1
18	824079GT	SCREW,HHF,1/4-20X1,8,ZAG	2
19	229986GT	GROMMET RUBBER .375X1.00X.1875	2
20	1277924GT	NUT,NYLOCK FLG,1/4-20,F,ZAG	3
21	823147GT	FORMING,FAN SHROUD STRUT MOUNT	2
22	824091GT	SCREW, HHF, 3/8-16 X 1.25, 8, ZAG	4
23	1274322GT	NUT,NYLOCK FLG,3/8-16,F,ZAG	4
24		REF. WLDT, INTAKE, T4 DEUTZ, Z80/S8 (refer to 405.1)	



406.1 Deutz TD 2.9L4 Engine - View 2

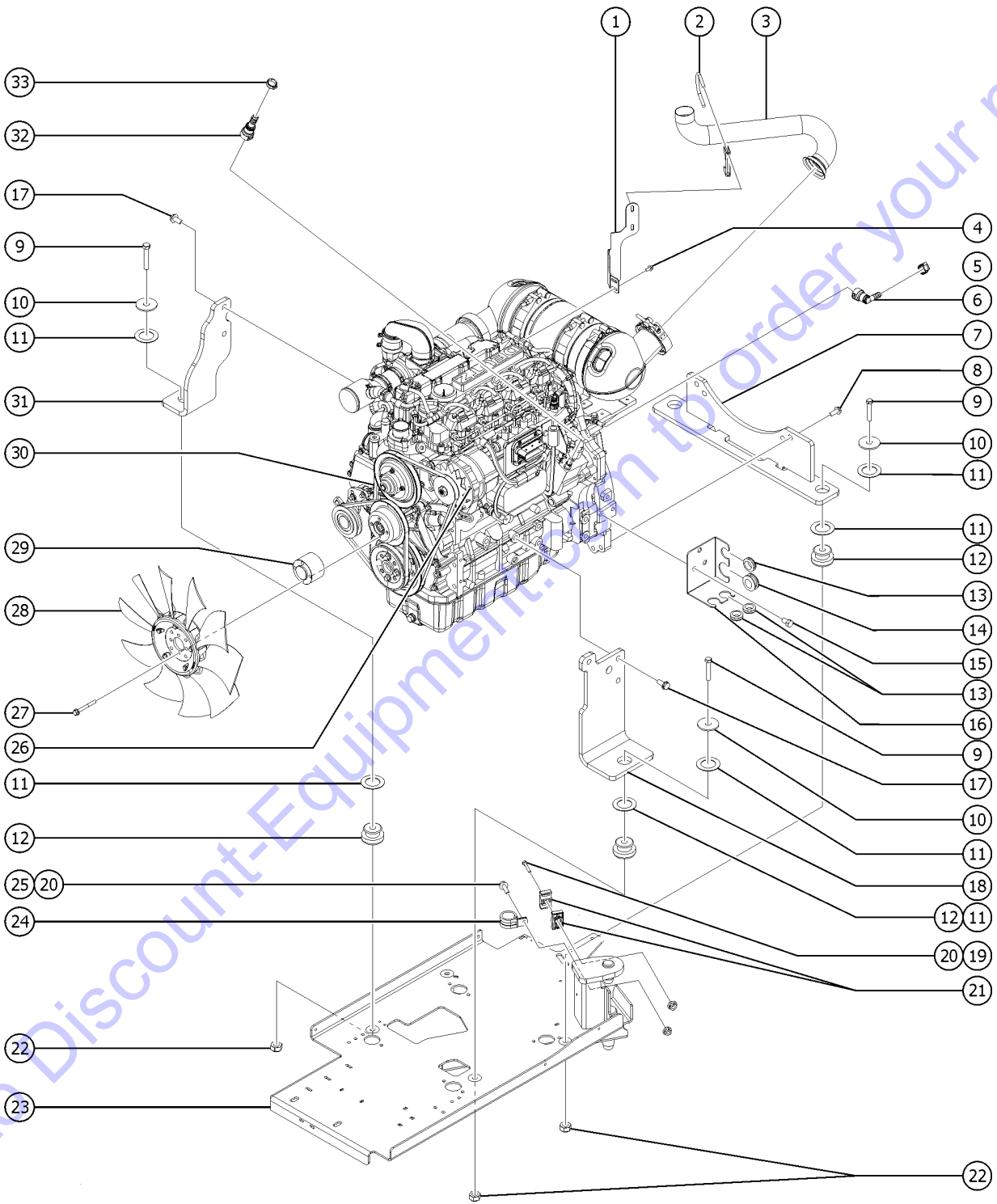


Go to DiscountParts.com to order your parts

Item	Part No.	Description	Qty.
25		REF. WELDMENT,ENGINE TRAY,2.9L DEUTZ (refer to 417.1)	
26	124962GT	GROMMET,RUBBER,1.0 X 1.25X1.5	1
27	60584GT	GROMMET,RUBBER .75 X .19 X 1**	1
28	1286137GT	PLATE,BATTERY CABLE SUPPORT	1
29	1251899GT	SCREW,HHF,M14-2.0 X 40,DIN 6921,10.9, ZAB	4
30	1255666GT	SCREW,SHC,M10-1.50X30,DIN912,1	10
31		REF.DRIVE PUMP AND FUNCTION PUMP (refer to 707.1)	
32	123167GT	FLGHCS,1/2-13X1.50,GR8,BLK PH	4
33	70381GT	COVER,FLYWHEEL CASTING	1
34	1257481GT	SCREW,SHC,M10-1.5X60,DIN912,12.9,ZAB	2
35	824145GT	WASHER, FLAT, DIN125, M10, ZAB	2
36	1255665GT	SCREW,SHC,M10-1.50X20,DIN912,12.9,ZAB	6
37	128004GT	COUPLER,15 TOOTH,FBA,SAE8***	1
38	1255806GT	SCREW,HHF,M12-1.75X20,DIN6921,10.9,ZAB	2
39	824082GT	SCREW, HHF, 1/4-20 X 1.75, 8, ZAG	1
40	825939GT	FORMING, CLAMP, BATTERY CABLE	1
41	78736GT	CLAMP,2 HOSE,PLASTIC	2
42	823143GT	UNISTRUT,FAN SHROUD BRACE,L,DE	1
43	1252687GT	BRACKET, STRUT BRACE	1
44	106211-300GT	HOSE,RUBBER 3"ID X .25 BLACK	1
45	101640GT	REDUCER,RUBBER 3.0 - 2.5	1
46	1255763GT	SCREW,HHF,5/16-18X1.5,8,ZAG	1

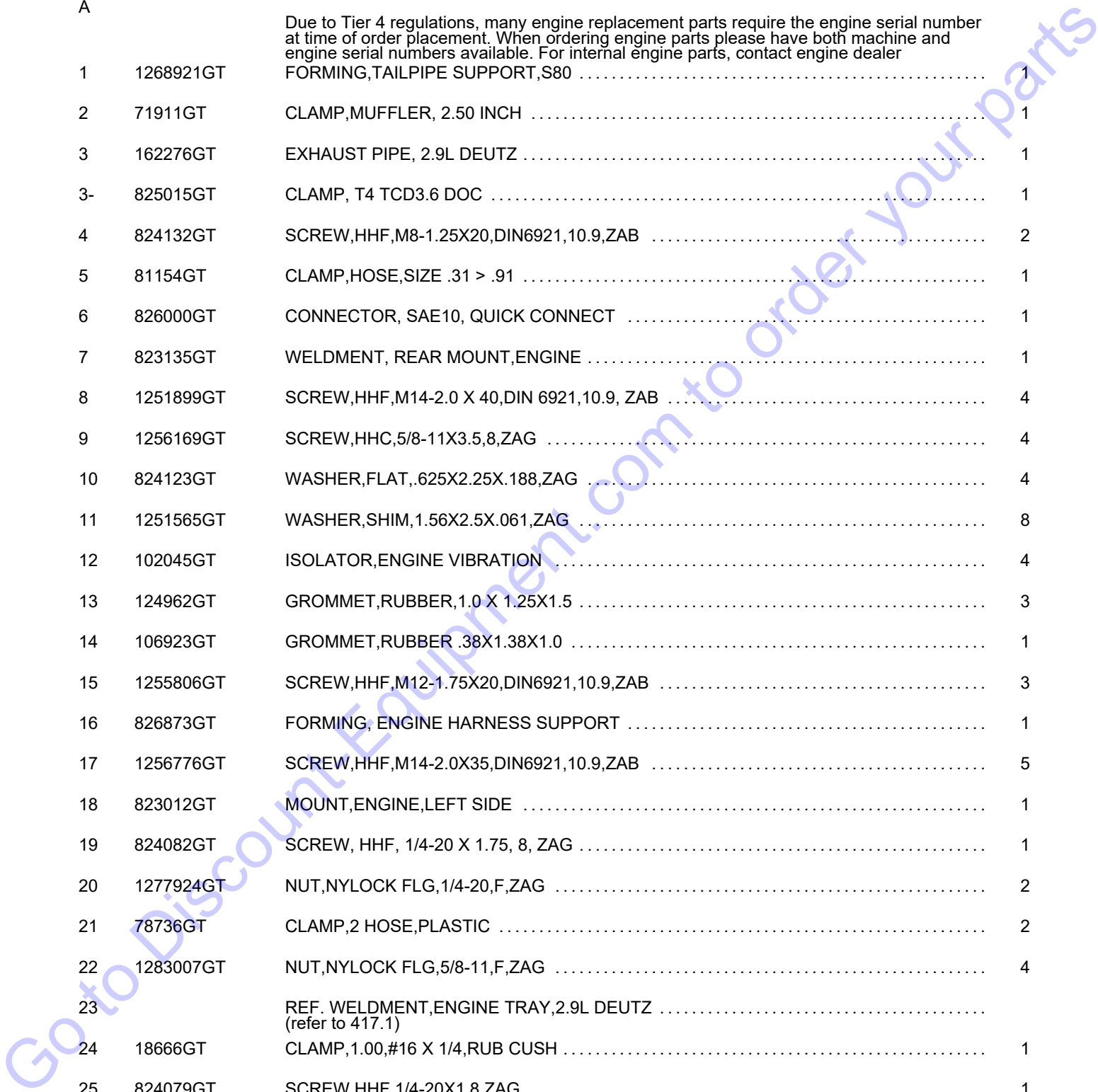
Go to DiscountEquipment.com to order your parts

407.1 Deutz TD 2.9L4 Engine - View 3

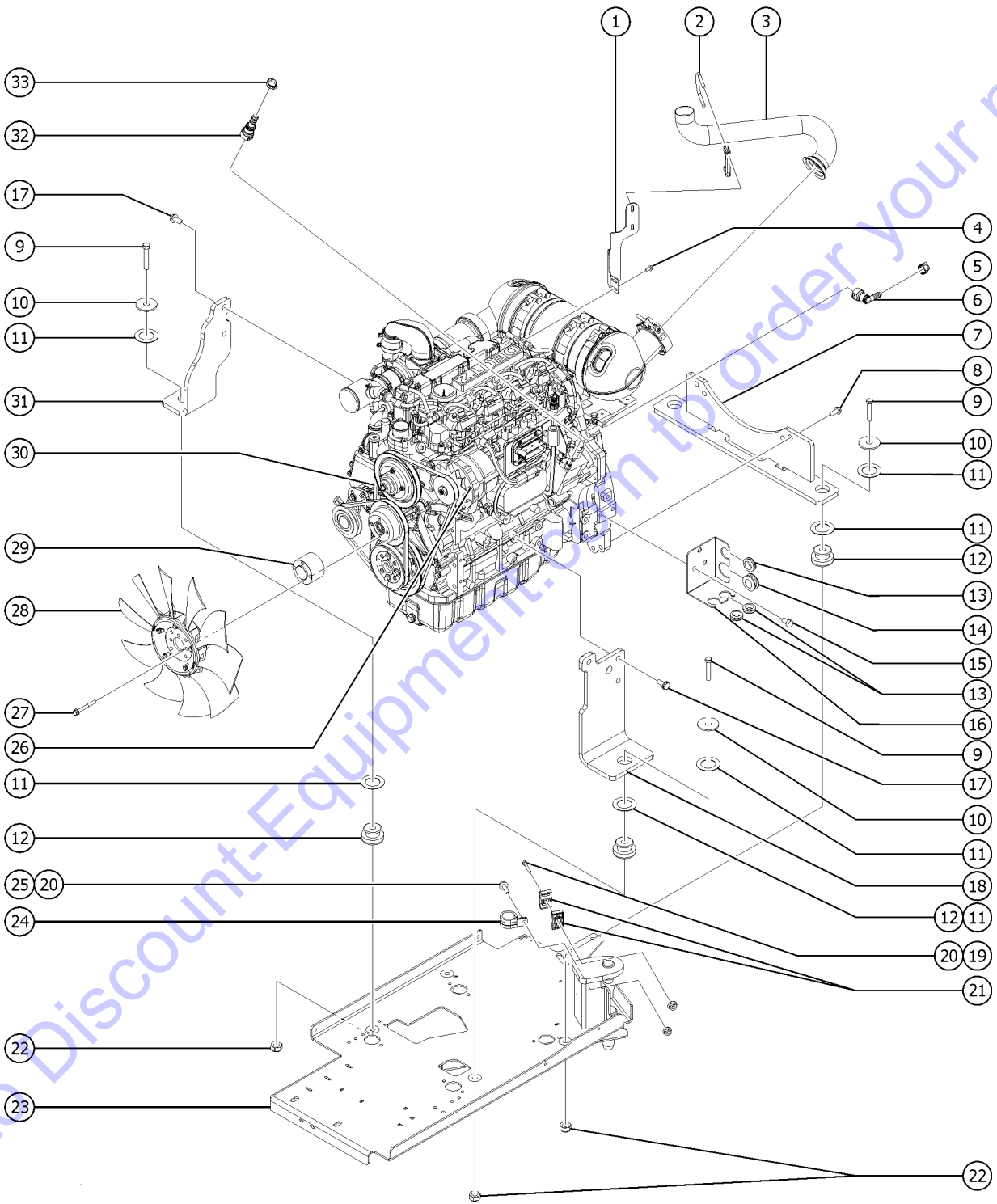


Go to Discount-Equipment.com to order your parts

Item	Part No.	Description	Qty.
A		Due to Tier 4 regulations, many engine replacement parts require the engine serial number at time of order placement. When ordering engine parts please have both machine and engine serial numbers available. For internal engine parts, contact engine dealer	
1	1268921GT	FORMING, TAILPIPE SUPPORT, S80	1
2	71911GT	CLAMP, MUFFLER, 2.50 INCH	1
3	162276GT	EXHAUST PIPE, 2.9L DEUTZ	1
3-	825015GT	CLAMP, T4 TCD3.6 DOC	1
4	824132GT	SCREW, HHF, M8-1.25X20, DIN6921, 10.9, ZAB	2
5	81154GT	CLAMP, HOSE, SIZE .31 > .91	1
6	826000GT	CONNECTOR, SAE10, QUICK CONNECT	1
7	823135GT	WELDMENT, REAR MOUNT, ENGINE	1
8	1251899GT	SCREW, HHF, M14-2.0 X 40, DIN 6921, 10.9, ZAB	4
9	1256169GT	SCREW, HHC, 5/8-11X3.5, 8, ZAG	4
10	824123GT	WASHER, FLAT, .625X2.25X.188, ZAG	4
11	1251565GT	WASHER, SHIM, 1.56X2.5X.061, ZAG	8
12	102045GT	ISOLATOR, ENGINE VIBRATION	4
13	124962GT	GROMMET, RUBBER, 1.0 X 1.25X1.5	3
14	106923GT	GROMMET, RUBBER .38X1.38X1.0	1
15	1255806GT	SCREW, HHF, M12-1.75X20, DIN6921, 10.9, ZAB	3
16	826873GT	FORMING, ENGINE HARNESS SUPPORT	1
17	1256776GT	SCREW, HHF, M14-2.0X35, DIN6921, 10.9, ZAB	5
18	823012GT	MOUNT, ENGINE, LEFT SIDE	1
19	824082GT	SCREW, HHF, 1/4-20 X 1.75, 8, ZAG	1
20	1277924GT	NUT, NYLOCK FLG, 1/4-20, F, ZAG	2
21	78736GT	CLAMP, 2 HOSE, PLASTIC	2
22	1283007GT	NUT, NYLOCK FLG, 5/8-11, F, ZAG	4
23		REF. WELDMENT, ENGINE TRAY, 2.9L DEUTZ (refer to 417.1)	
24	18666GT	CLAMP, 1.00, #16 X 1/4, RUB CUSH	1
25	824079GT	SCREW, HHF, 1/4-20X1, 8, ZAG	1



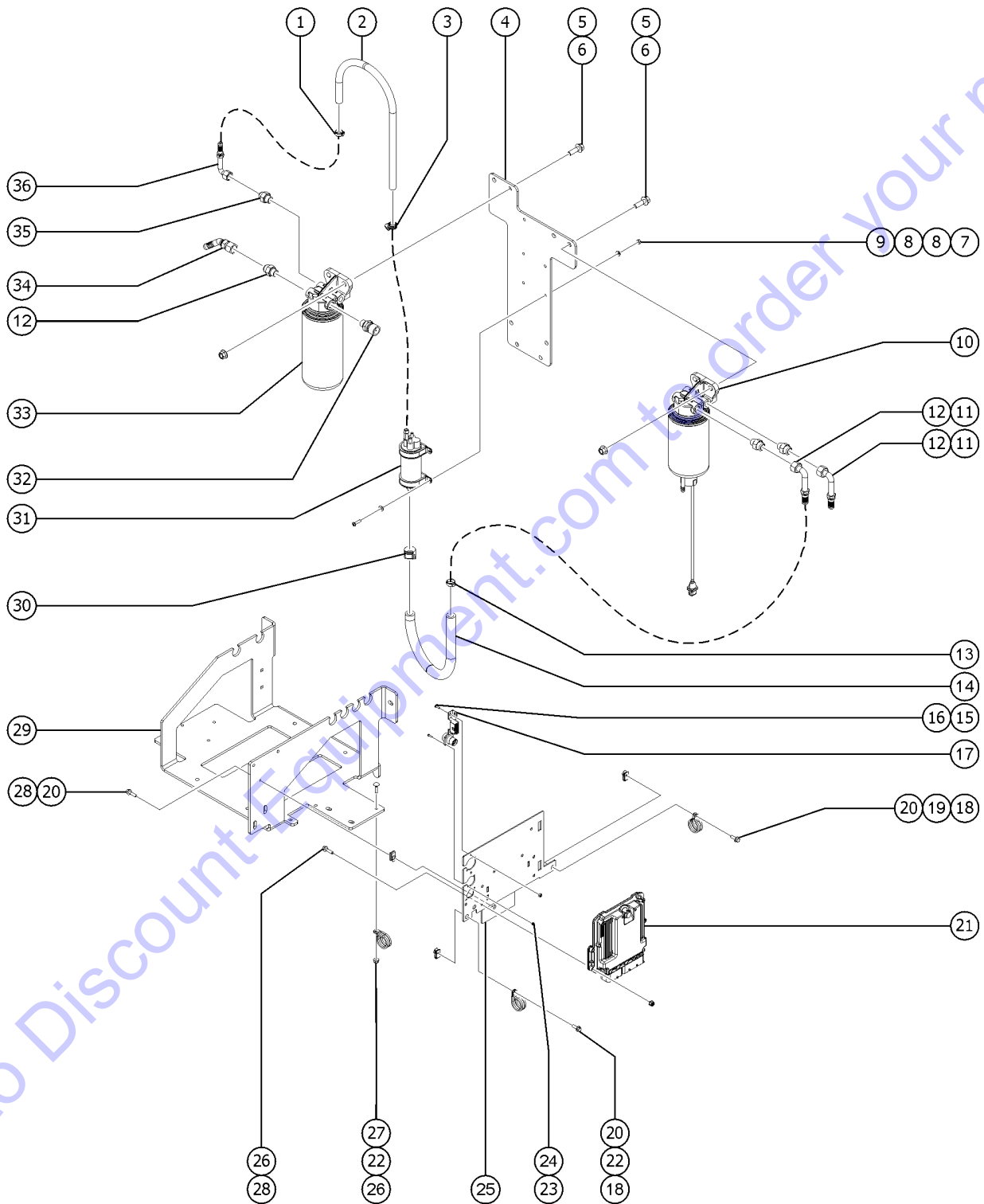
407.1 Deutz TD 2.9L4 Engine - View 3



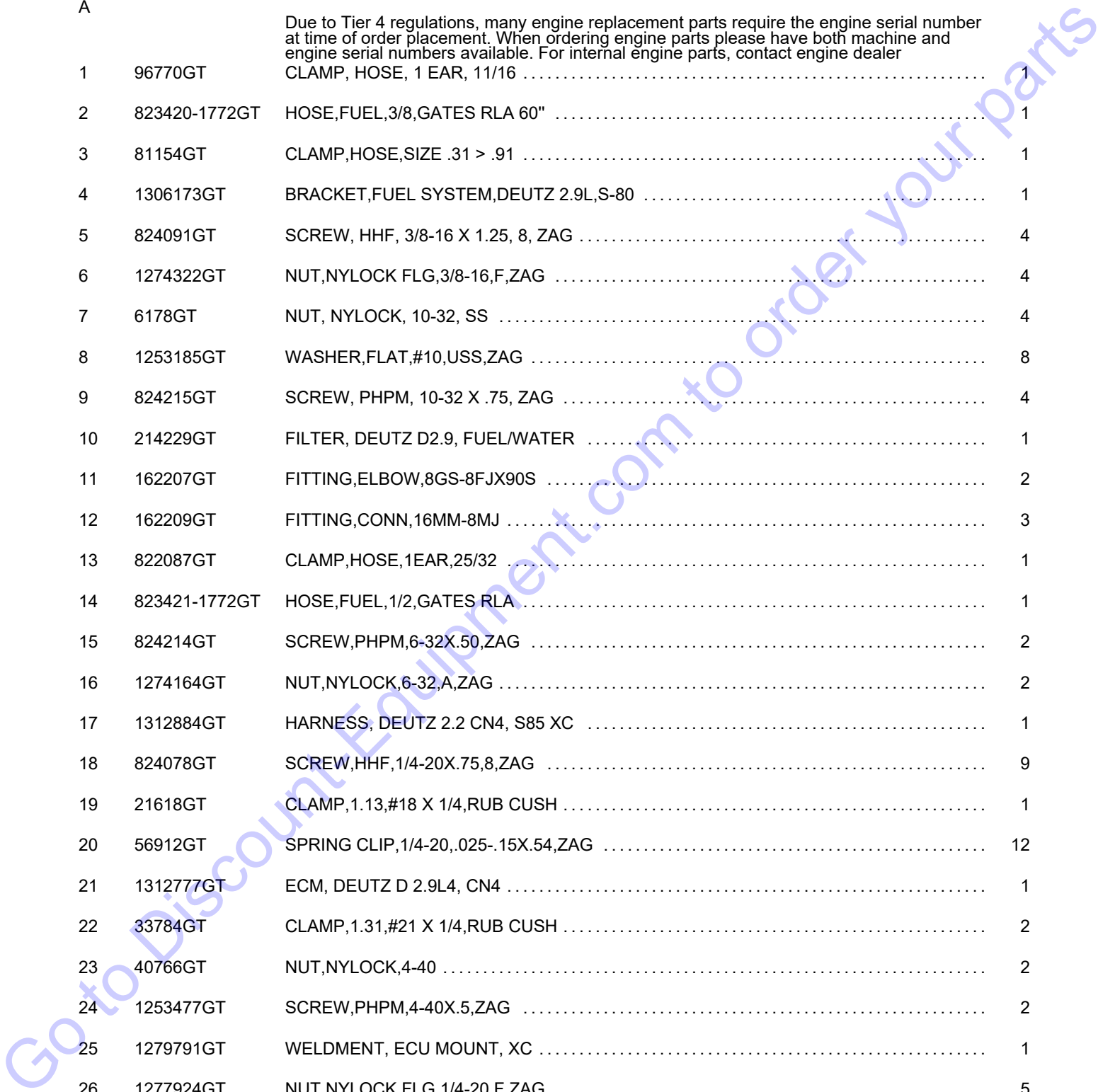
Item	Part No.	Description	Qty.
26	236251GT	ALTERNATOR,95 AMP,DEUTZ TCD3.6	1
27	1258771GT	SCREW,HHF,M8-1.25X60,DIN6921,10.9,ZAB	4
28	1251496GT	FAN,10 BLADE,17",DEUTZ 2.9L	1
29	1258641GT	SPACER, FAN, DEUTZ, 43MM LNG	1
30	1262866GT	FAN BELT, ALTERNATOR	1
31	823013GT	MOUNT,ENGINE,RIGHT SIDE	1
32	1255651GT	CONNECTOR,SAE12,QUICK CONNECT	1
33	822087GT	CLAMP,HOSE,1EAR,25/32	1

Go to Discount-Equipment.com to order your parts

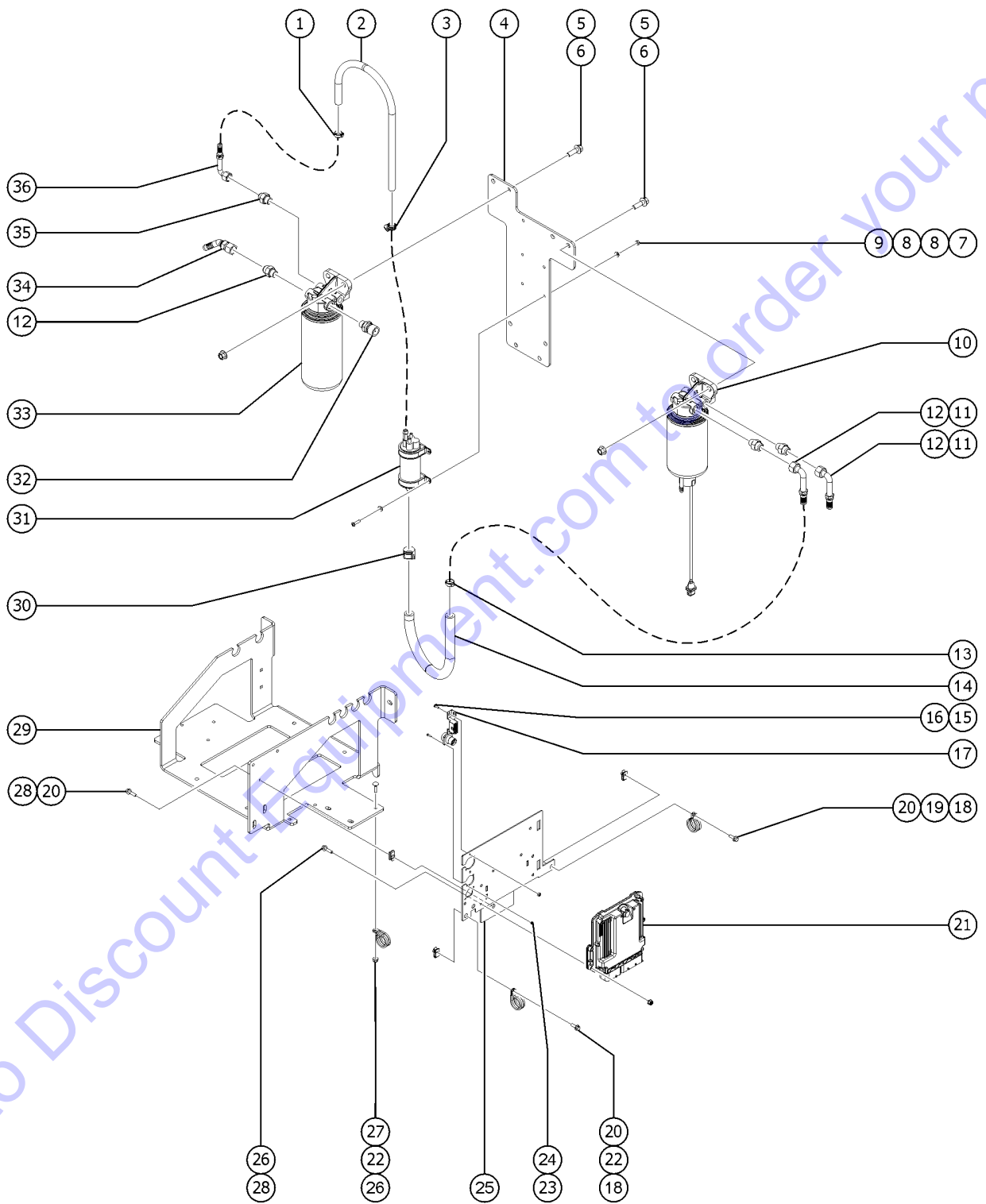
408.1 Deutz TD 2.9L4 Engine - View 4



Item	Part No.	Description	Qty.
A		Due to Tier 4 regulations, many engine replacement parts require the engine serial number at time of order placement. When ordering engine parts please have both machine and engine serial numbers available. For internal engine parts, contact engine dealer	
1	96770GT	CLAMP, HOSE, 1 EAR, 11/16	1
2	823420-1772GT	HOSE,FUEL,3/8,GATES RLA 60"	1
3	81154GT	CLAMP,HOSE,SIZE .31 > .91	1
4	1306173GT	BRACKET,FUEL SYSTEM,DEUTZ 2.9L,S-80	1
5	824091GT	SCREW, HHF, 3/8-16 X 1.25, 8, ZAG	4
6	1274322GT	NUT,NYLOCK FLG,3/8-16,F,ZAG	4
7	6178GT	NUT, NYLOCK, 10-32, SS	4
8	1253185GT	WASHER,FLAT,#10,USS,ZAG	8
9	824215GT	SCREW, PHPM, 10-32 X .75, ZAG	4
10	214229GT	FILTER, DEUTZ D2.9, FUEL/WATER	1
11	162207GT	FITTING,ELBOW,8GS-8FJX90S	2
12	162209GT	FITTING,CONN,16MM-8MJ	3
13	822087GT	CLAMP,HOSE,1EAR,25/32	1
14	823421-1772GT	HOSE,FUEL,1/2,GATES RLA	1
15	824214GT	SCREW,PHPM,6-32X.50,ZAG	2
16	1274164GT	NUT,NYLOCK,6-32,A,ZAG	2
17	1312884GT	HARNESS, DEUTZ 2.2 CN4, S85 XC	1
18	824078GT	SCREW,HHF,1/4-20X.75,8,ZAG	9
19	21618GT	CLAMP,1.13,#18 X 1/4,RUB CUSH	1
20	56912GT	SPRING CLIP,1/4-20,.025-.15X.54,ZAG	12
21	1312777GT	ECM, DEUTZ D 2.9L4, CN4	1
22	33784GT	CLAMP,1.31,#21 X 1/4,RUB CUSH	2
23	40766GT	NUT,NYLOCK,4-40	2
24	1253477GT	SCREW,PHPM,4-40X.5,ZAG	2
25	1279791GT	WELDMENT, ECU MOUNT, XC	1
26	1277924GT	NUT,NYLOCK FLG,1/4-20,F,ZAG	5



408.1 Deutz TD 2.9L4 Engine - View 4



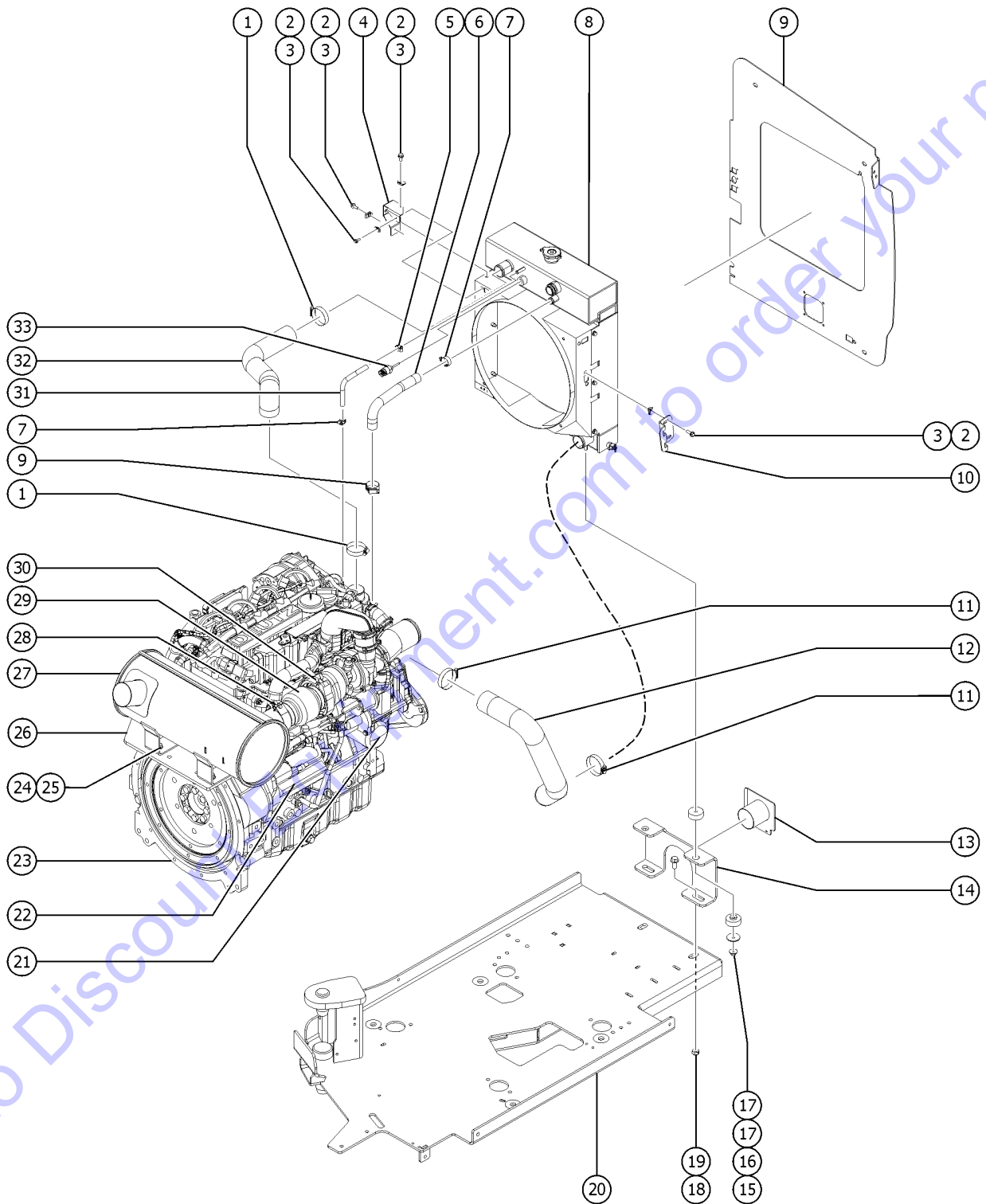
Go to DiscountEquipment.com to order your parts

Item	Part No.	Description	Qty.
27	1256127GT	BOLT,CARRIAGE,1/4-20X1",GR 5,ZAG	1
28	824079GT	SCREW,HHF,1/4-20X1,8,ZAG	7
29		Ref. FORMING ,BATTERY TRAY XC	1
		(refer to 302.1)	
30	46131GT	CLAMP,HOSE,.63" - 1.0" X .5"	1
31	236259GT	LIFT PUMP,FUEL,DEUTZ TCD3.6	1
32	824673GT	SENSOR,LOW PRESSURE,DEUTZ 2.9L	1
33	214228GT	FILTER, DEUTZ 2.9, FUEL	1
34	826357GT	FITTING,45DEG,1/2 HS X 3/4-16,JIC,SW,FEMALE,STEEL	1
35	162208GT	FITTING,CONN,16MM-6MJ	1
36	162206GT	FITTING,ELBOW,6GS-6FJX90S	1

Go to Discount-Equipment.com to order your parts

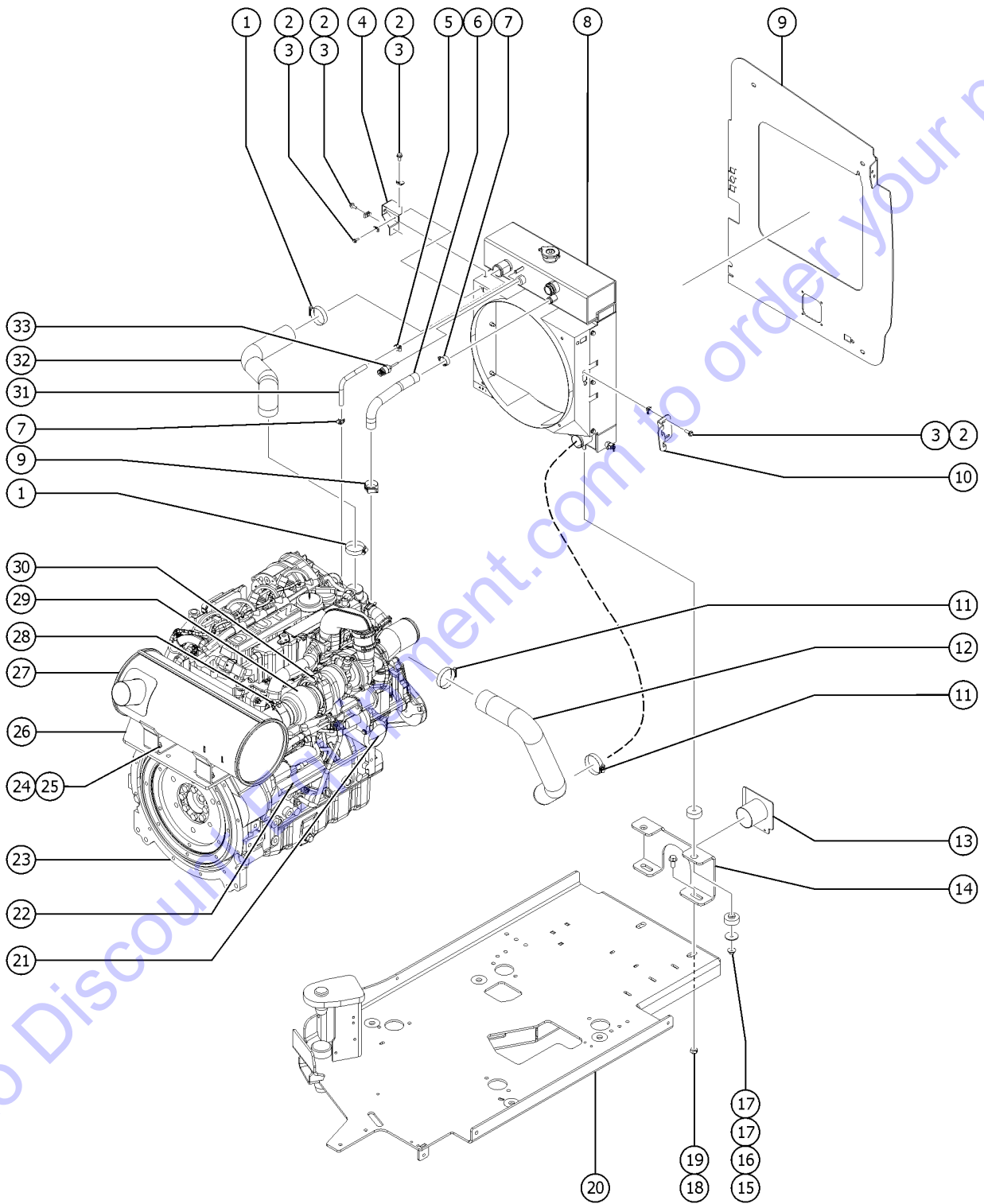


409.1 Deutz TD 2.9L China III Engine - View 1



Item	Part No.	Description	Qty.
1	22672GT	CLAMP,HOSE,1.75	2
2	824078GT	SCREW,HHF,1/4-20X.75,8,ZAG	2
3	56912GT	SPRING CLIP,1/4-20,.025-.15X.54,ZAG	2
4	1252687GT	BRACKET, STRUT BRACE	1
5	21465GT	CLAMP,HOSE,.25" - .63" X .3125	4
6	1307250GT	HOSE,UPPER SUBSIDIARY RADIATOR,DEUTZ 2.9L to S85XCD-2581	1
6B	1315469GT	HOSE,UPPER SUBSIDIARY,API RADIATOR,DEUTZ 2.9L From S85XCD-2582	1
7	36208GT	CLAMP,HOSE,1.25***	2
8	1306598GT	RADIATOR,COOLING SYSTEM,API,S85XC	1
9	1270963GT	PLATE, BULKHEAD, DEUTZ 2.9L	1
10	823751GT	BRACKET,INTAKE PIPE,MOUNT,DEUT	1
11	35434GT	CLAMP,HOSE,2.00***	2
12	1307252GT	HOSE,LOWER RADIATOR,DEUTZ 2.9L	1
13	1251928GT	WLDT, INTAKE, T4 DEUTZ, Z80/S80	1
14	1307254GT	FORMING,RADIATOR MOUNT,DEUTZ 2.9L	1
15	1257628GT	NUT,SERRATED,3/8-16,ZAG	2
16	824120GT	WASHER, FLAT, .375 X 1.50 X .125, ZAG	2
17	24038GT	SHOCK MOUNT,SMALL	4
18	1253319GT	NUT,TL FLG,5/8-11,G,ZAG	2
19	1253208GT	SCREW,HHF,5/8-11X1.5,8,ZAG	2
20		REF. WELDMENT,ENGINE TRAY refer to 417.1	
21	49924GT	FILTER,OIL,DEUTZ	1
21B	1255653GT	FILTER,OIL,DEUTZ,REPLACEMENT	1
22	1254594GT	STARTER,3.2KW,DEUTZ D2.9	1
23	1275816GT	DEUTZ,TD2.9L,CHINA III	1
24	824133GT	SCREW,HHF,M8-1.25X25,DIN6921,10.9,ZAB	4
25	237832GT	NUT,TL FLG,M8-1.25,DIN6927,10,ZAB	4
26	1307332GT	WELDMENT, MUFFLER MOUNT, DEUTZ TD2.9, S85XC	1

409.1 Deutz TD 2.9L China III Engine - View 1

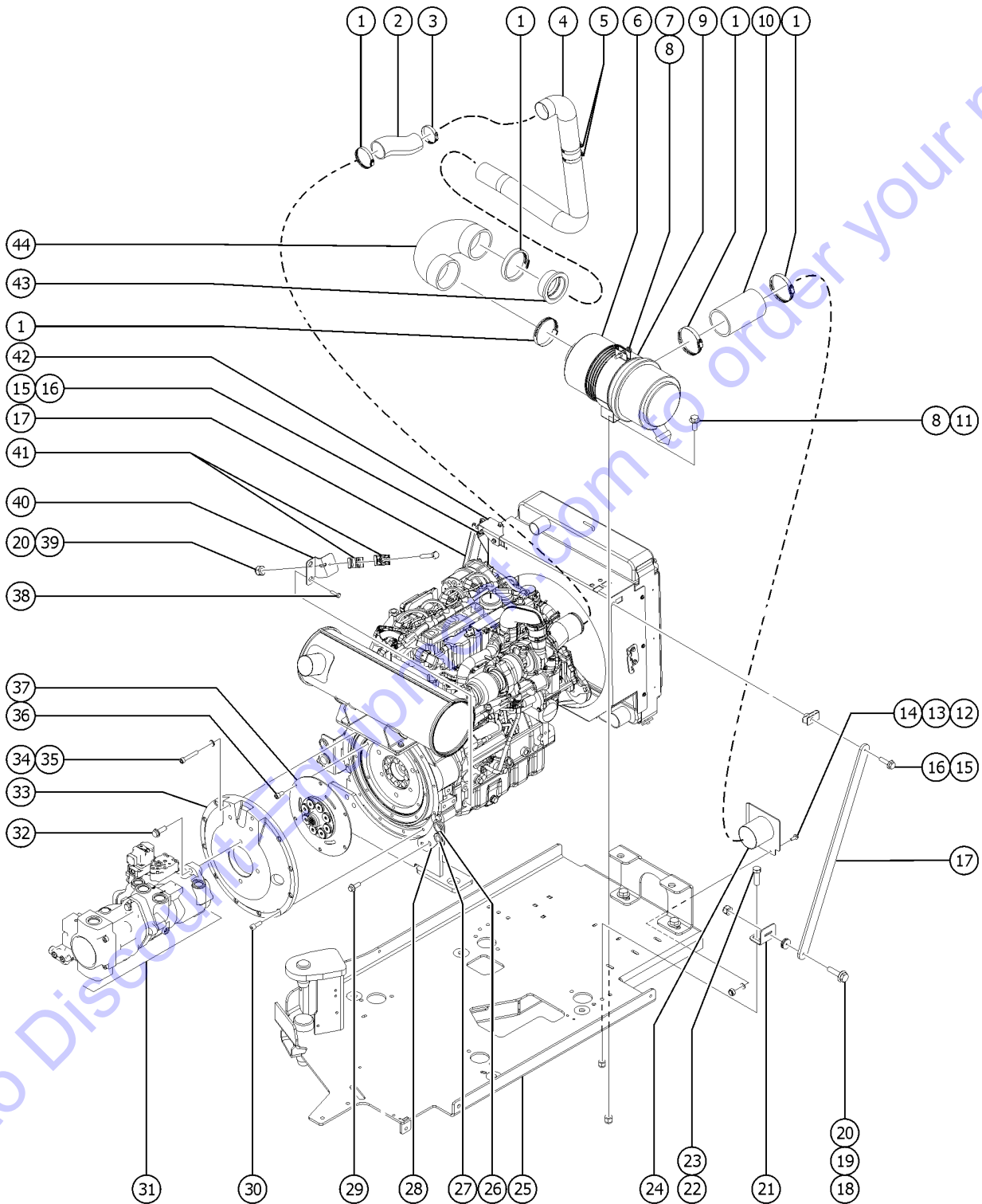


Go to DiscountPart.com to order your parts

Item	Part No.	Description	Qty.
26-	238347GT	SCREW,HHF,M10-1.5X70,DIN6921,10.9,ZAB	4
27	1307334GT	MUFFLER, DEUTZ TD2.9	1
28	1288341GT	TIGHTFIT CLAMP, TD2.9 MUFFLER	1
29	1287263GT	FLEXIBLE BELLOW PIPE, TD2.9 MUFFLER	1
30	1288342GT	V CLAMP, TD2.9 TURBO OUTLET	1
31	824600-1500GT	HOSE, HEATER, 1/4", 15"	1
32	1307249GT	HOSE,UPPER RADIATOR,DEUTZ 2.9L	1
33	218715GT	COOLANT LEVEL SNSR, DEUTZ D2.9/TCD3.6	1

Go to Discount-Equipment.com to order your parts

410.1 Deutz TD 2.9L China III Engine - View 2



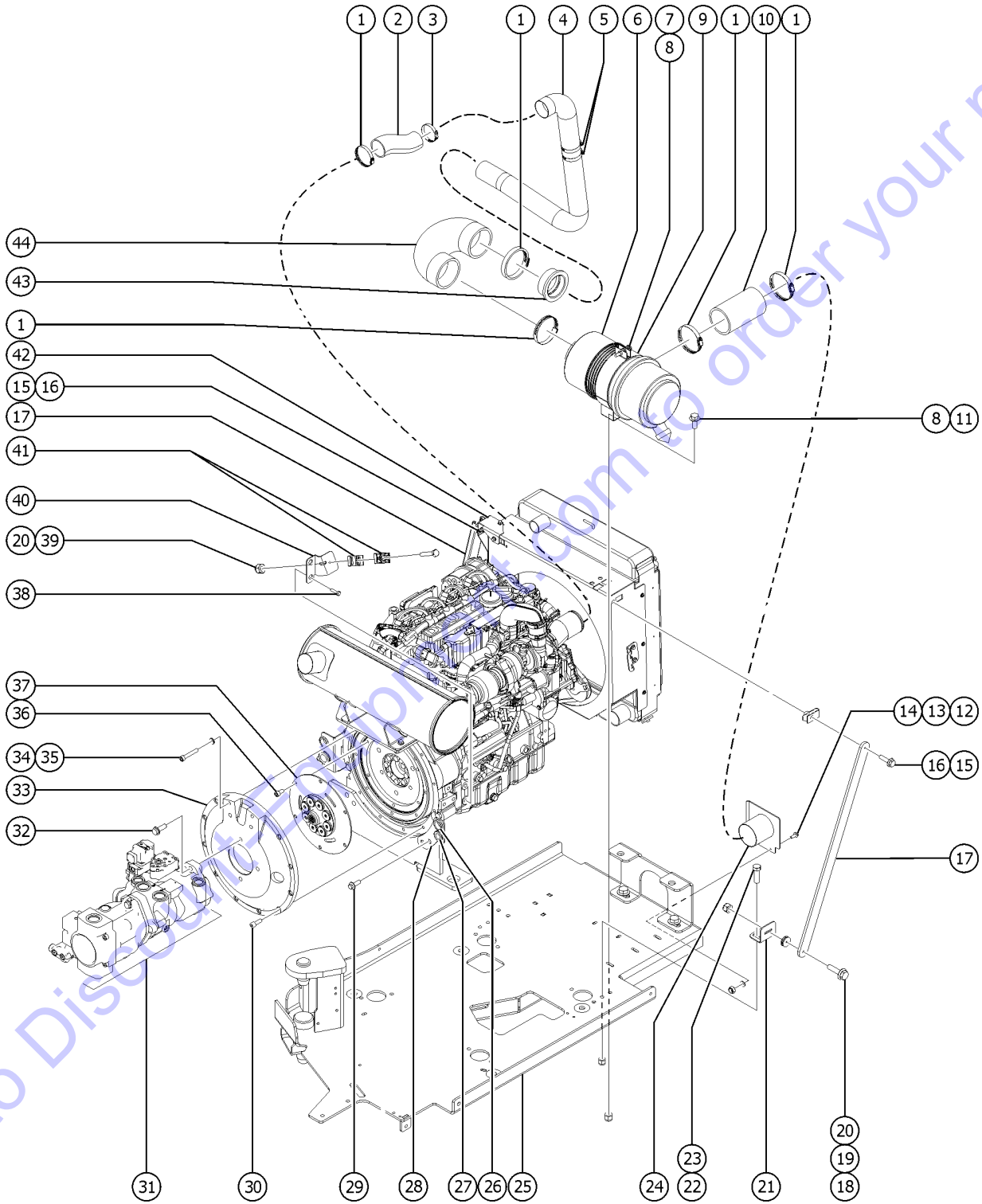
Go to DiscountParts.com to order your parts

Item	Part No.	Description	Qty.
1	30489GT	CLAMP,HOSE,3.50	5
2	823703GT	HOSE,REDUCER,OFFSET,TURBO INLE	1
3	30971GT	CLAMP,HOSE,3.00"	1
4	1307251GT	TUBE,INTAKE,DEUTZ 2.9L	1
5	45435GT	CLAMP,HOSE,2.50"****	2
6	1309573GT	AIR CLEANER, DONADSON,G070017	1
6-	1309780GT	SAFETY FILTER,P829332,G070017	
		hostile environment option	
7	1255763GT	SCREW,HHF,5/16-18X1.5,8,ZAG	1
8	1274167GT	NUT,NYLOCK FLG,5/16-18,F,ZAG	3
9	1309605GT	BRKT,AIR CLEANER,DONALDSON,S-BOOM	1
10	106211-760GT	HOSE,RUBBER 3"ID X .25 BLACK X 7.60 LG	1
11	824086GT	SCREW, HHF, 5/16-18 X 1, 8, ZAG	2
12	121420GT	SCREW,HHF,1/4-20 X 1.00	
13	6638GT	WASHER, FLAT, USS, 1/4"Y	
14	6091GT	NUT, NYLOCK, 1/4-20	
15	824078GT	SCREW,HHF,1/4-20X.75,8,ZAG	5
16	56912GT	SPRING CLIP,1/4-20,.025-.15X.54,ZAG	5
17	1307255GT	FORMING,RADIATOR SUPPORT,DEUTZ 2.9L	2
18	824079GT	SCREW,HHF,1/4-20X1,8,ZAG	2
19	229986GT	GROMMET RUBBER .375X1.00X.1875	2
20	1277924GT	NUT,NYLOCK FLG,1/4-20,F,ZAG	3
21	823147GT	FORMING,FAN SHROUD STRUT MOUNT	2
22	824091GT	SCREW, HHF, 3/8-16 X 1.25, 8, ZAG	4
23	1274322GT	NUT,NYLOCK FLG,3/8-16,F,ZAG	4
24		REF. WLDT, INTAKE, T4 DEUTZ, Z80/S8	
		(refer to 405.1)	
25		REF. WELDMENT,ENGINE TRAY,2.9L DEUTZ	
		(refer to 417.1)	
26	124962GT	GROMMET,RUBBER,1.0 X 1.25X1.5	1
27	60584GT	GROMMET,RUBBER .75 X .19 X 1**	1

Go to Discount-Equipment.com to order your parts



410.1 Deutz TD 2.9L China III Engine - View 2

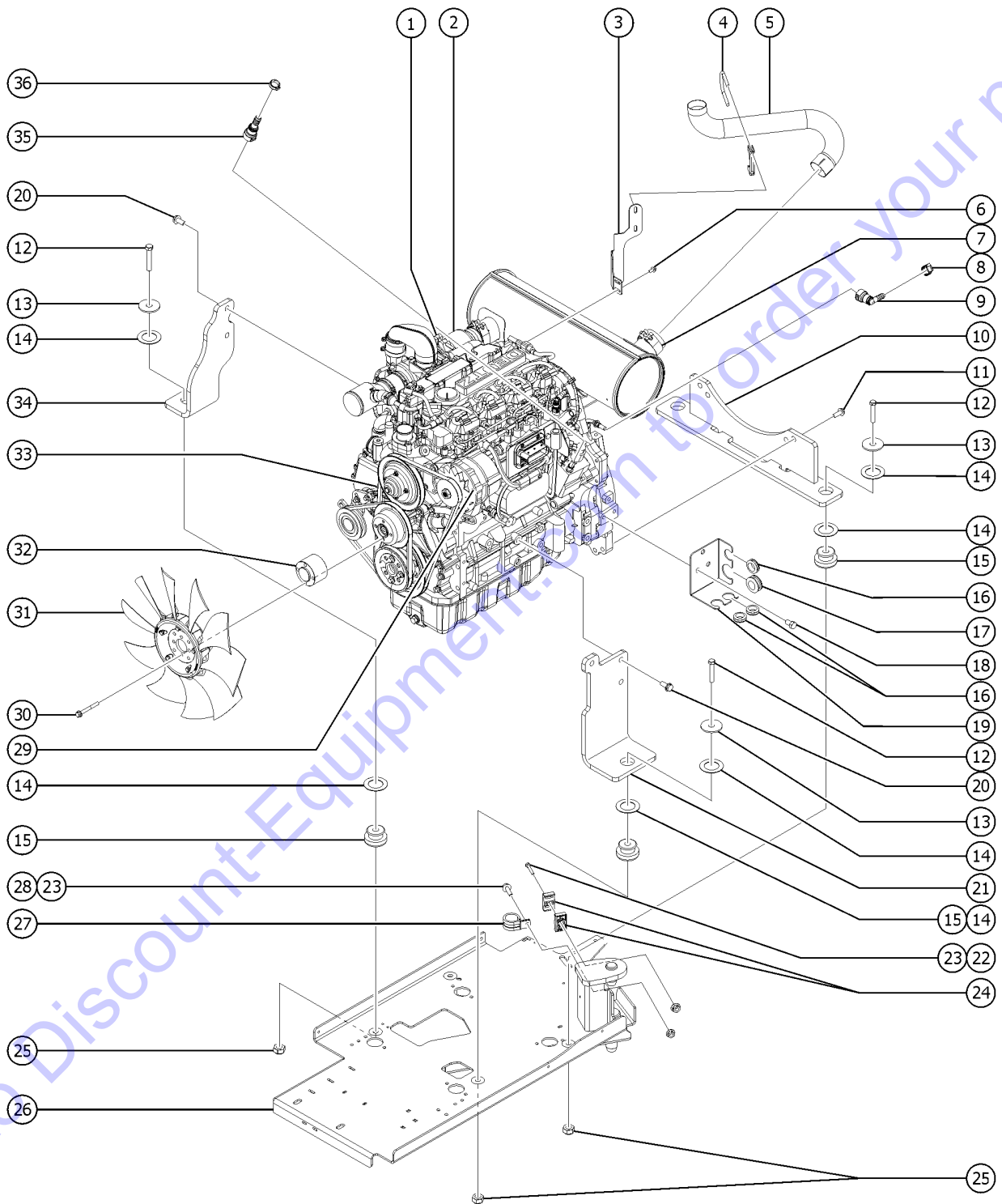


Go to DiscountParts.com to order your parts

Item	Part No.	Description	Qty.
28	1286137GT	PLATE,BATTERY CABLE SUPPORT	1
29	1251899GT	SCREW,HHF,M14-2.0 X 40,DIN 6921,10.9, ZAB	4
30	1255666GT	SCREW,SHC,M10-1.50X30,DIN912,1	10
31		REF.DRIVE PUMP AND FUNCTION PUMP	
		(refer to 707.1)	
32	123167GT	FLGHCS,1/2-13X1.50,GR8,BLK PH	4
33	70381GT	COVER,FLYWHEEL CASTING	1
34	1257481GT	SCREW,SHC,M10-1.5X60,DIN912,12.9,ZAB	2
35	824145GT	WASHER, FLAT, DIN125, M10, ZAB	2
36	1255665GT	SCREW,SHC,M10-1.50X20,DIN912,12.9,ZAB	6
37	128004GT	COUPLER,15 TOOTH,FBA,SAE8***	1
38	1255806GT	SCREW,HHF,M12-1.75X20,DIN6921,10.9,ZAB	2
39	824082GT	SCREW, HHF, 1/4-20 X 1.75, 8, ZAG	1
40	825939GT	FORMING, CLAMP, BATTERY CABLE	1
41	78736GT	CLAMP,2 HOSE,PLASTIC	2
42		Ref. BRACKET, STRUT BRACE	1
		(refer to 409.2)	
43	101640GT	REDUCER,RUBBER 3.0 - 2.5	1
44	1308141GT	HOSE, AIR INTAKE, 3.00" I.D.	1

Go to Discount-Equipment.com to order your parts

411.1 Deutz TD 2.9L China III Engine - View 3

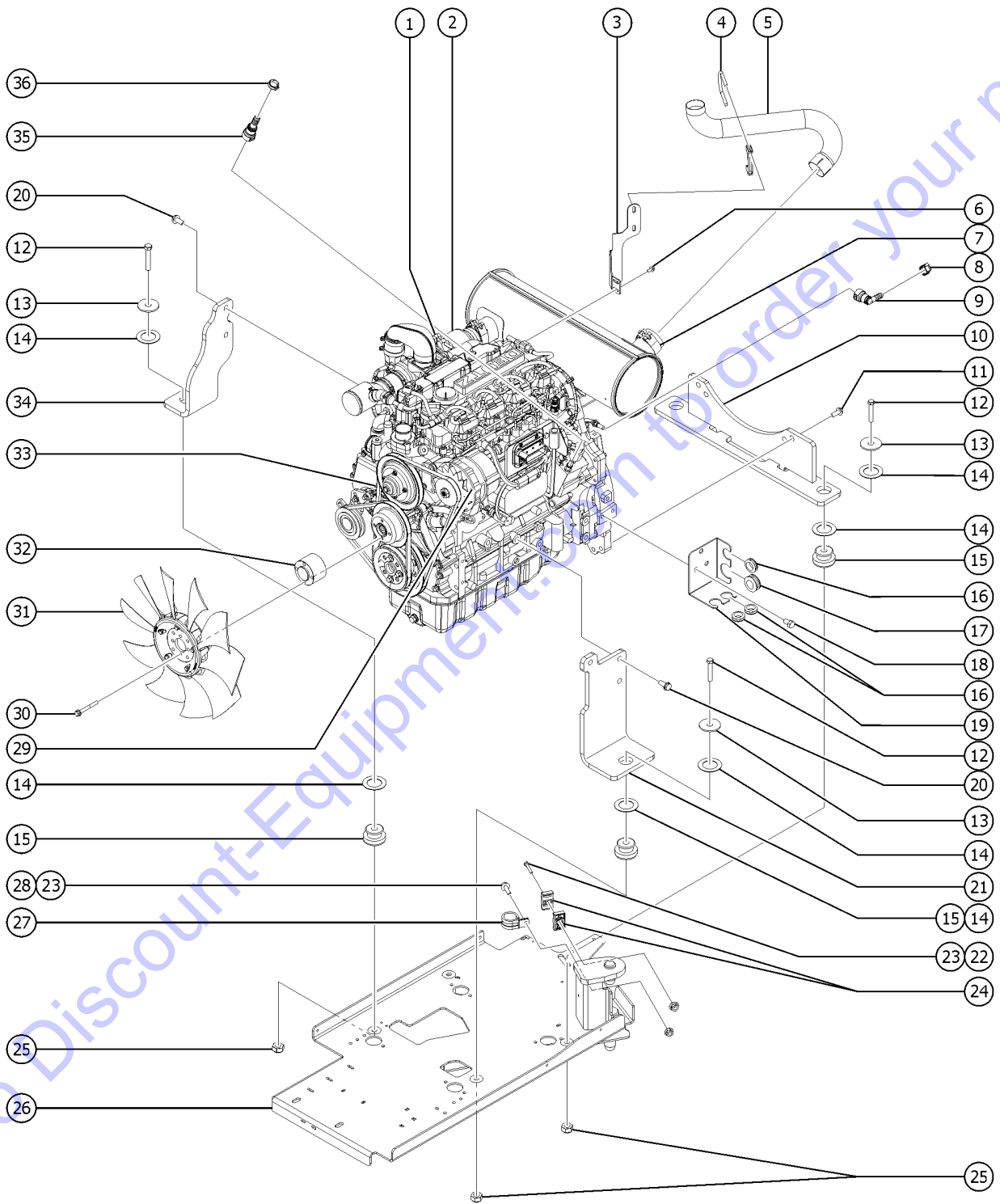


Go to Discount-Equipment.com to order your parts

Item	Part No.	Description	Qty.
1	1288342GT	V CLAMP, TD2.9 TURBO OUTLET	1
2	1287263GT	FLEXIBLE BELLOW PIPE, TD2.9 MUFFLER	1
3	1268921GT	FORMING, TAILPIPE SUPPORT, S80	1
4	71911GT	CLAMP, MUFFLER, 2.50 INCH	1
5	1307336GT	TAILPIPE, TD2.9 MUFFLER	1
6	824132GT	SCREW, HHF, M8-1.25X20, DIN6921, 10.9, ZAB	2
7	1288341GT	TIGHTFIT CLAMP, TD2.9 MUFFLER	1
8	81154GT	CLAMP, HOSE, SIZE .31 > .91	1
9	826000GT	CONNECTOR, SAE10, QUICK CONNECT	1
10	823135GT	WELDMENT, REAR MOUNT, ENGINE	1
11	1251899GT	SCREW, HHF, M14-2.0 X 40, DIN 6921, 10.9, ZAB	4
12	1256169GT	SCREW, HHC, 5/8-11X3.5, 8, ZAG	4
13	824123GT	WASHER, FLAT, .625X2.25X.188, ZAG	4
14	1251565GT	WASHER, SHIM, 1.56X2.5X.061, ZAG	8
15	102045GT	ISOLATOR, ENGINE VIBRATION	4
16	124962GT	GROMMET, RUBBER, 1.0 X 1.25X1.5	3
17	106923GT	GROMMET, RUBBER .38X1.38X1.0	1
18	1255806GT	SCREW, HHF, M12-1.75X20, DIN6921, 10.9, ZAB	3
19	826873GT	FORMING, ENGINE HARNESS SUPPORT	1
20	1256776GT	SCREW, HHF, M14-2.0X35, DIN6921, 10.9, ZAB	5
21	823012GT	MOUNT, ENGINE, LEFT SIDE	1
22	824082GT	SCREW, HHF, 1/4-20 X 1.75, 8, ZAG	1
23	1277924GT	NUT, NYLOCK FLG, 1/4-20, F, ZAG	2
24	78736GT	CLAMP, 2 HOSE, PLASTIC	2
25	1253319GT	NUT, TL FLG, 5/8-11, G, ZAG	4
26		REF. WELDMENT, ENGINE TRAY, 2.9L DEUTZ (refer to 417.1)	
27	18666GT	CLAMP, 1.00, #16 X 1/4, RUB CUSH	1
28	824079GT	SCREW, HHF, 1/4-20X1, 8, ZAG	1

Go to Discount Equipment.com to order your parts

411.1 Deutz TD 2.9L China III Engine - View 3

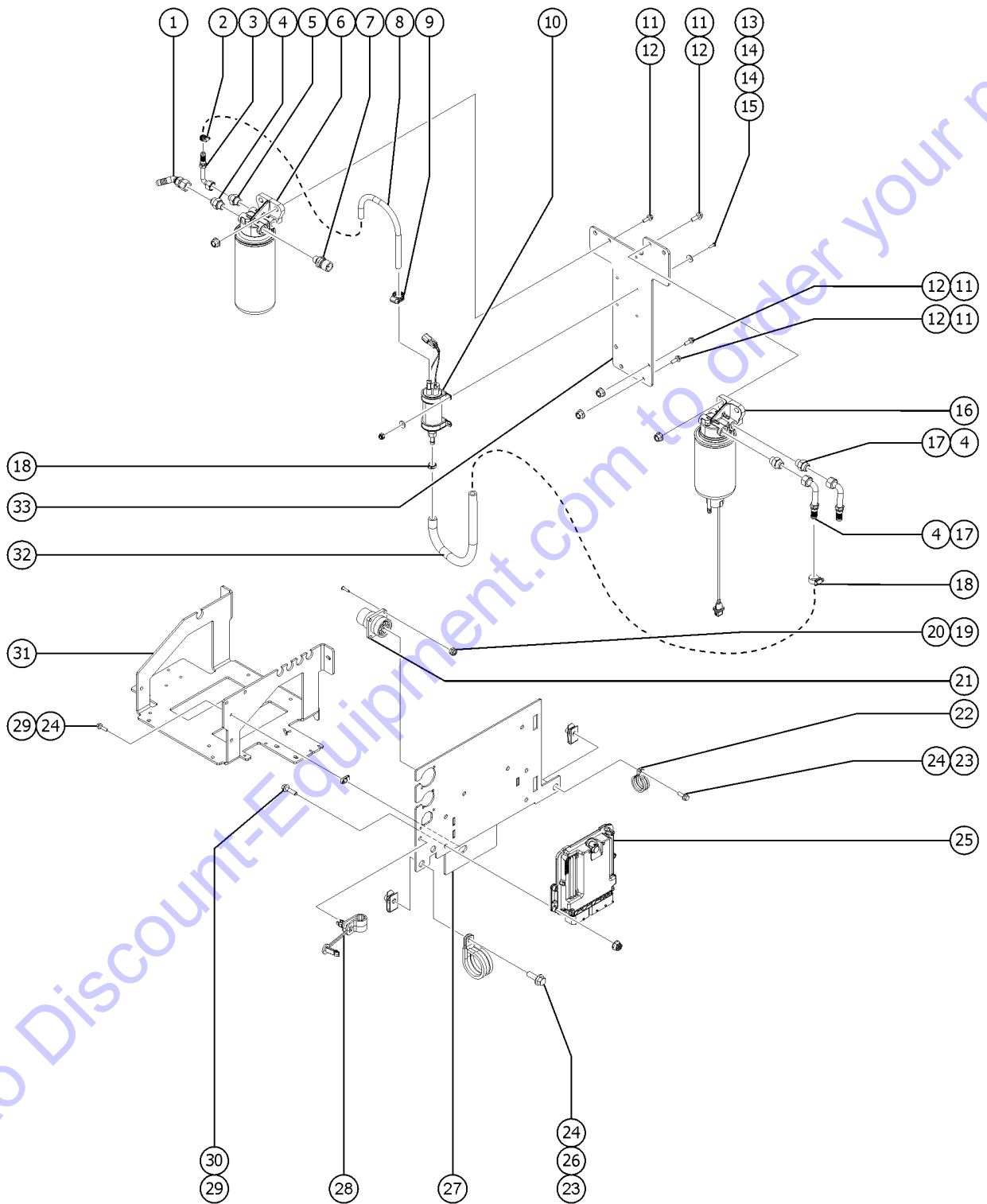


Go to Discount-Equipment.com to order your parts

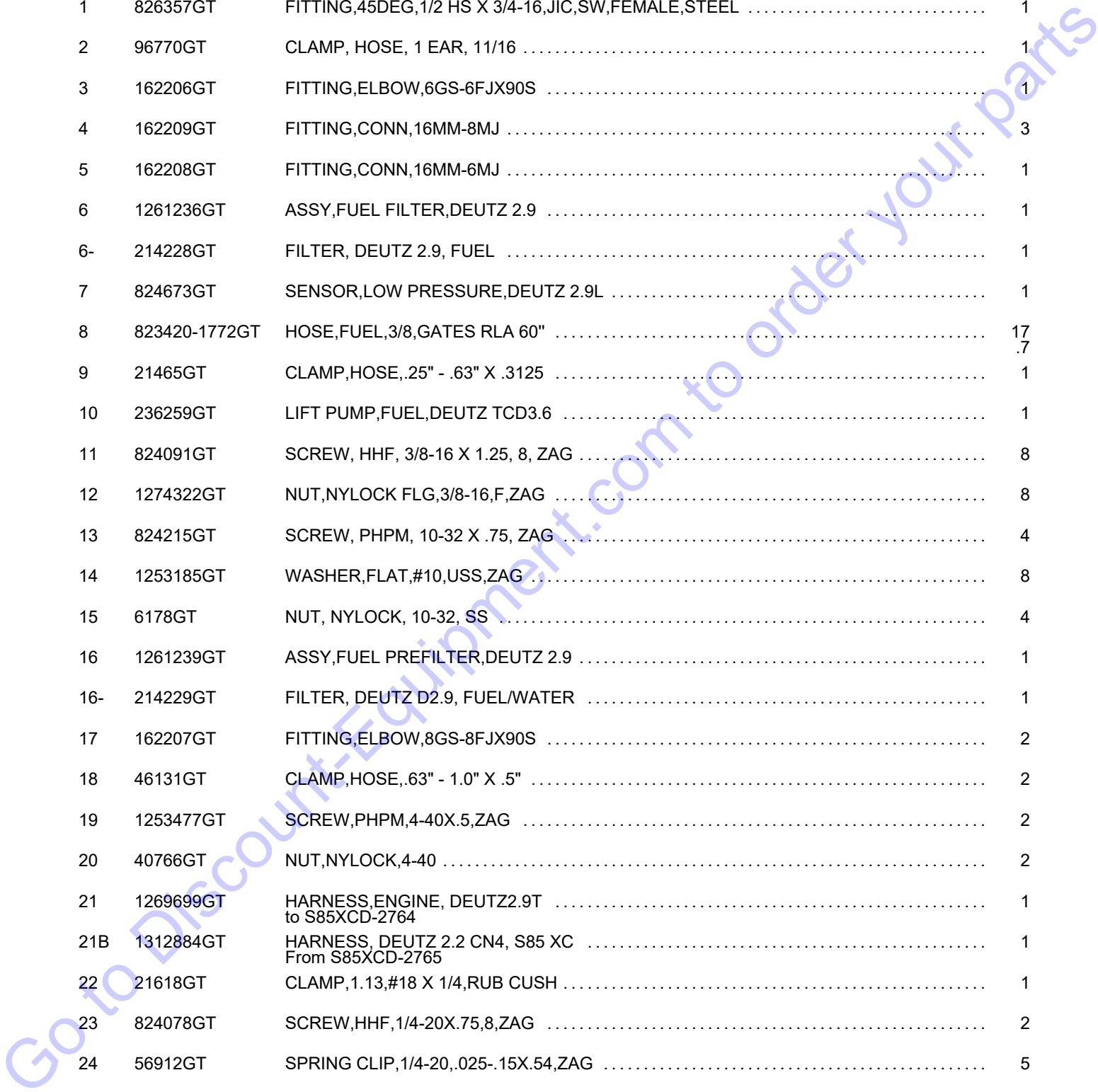
<i>Item</i>	<i>Part No.</i>	<i>Description</i>	<i>Qty.</i>
29	236251GT	ALTERNATOR,95 AMP,DEUTZ TCD3.6	1
30	1258771GT	SCREW,HHF,M8-1.25X60,DIN6921,10.9,ZAB	4
31	1251496GT	FAN,10 BLADE,17",DEUTZ 2.9L	1
32	1258641GT	SPACER, FAN, DEUTZ, 43MM LNG	1
33	1262866GT	FAN BELT, ALTERNATOR	1
34	823013GT	MOUNT,ENGINE,RIGHT SIDE	1
35	1255651GT	CONNECTOR,SAE12,QUICK CONNECT	1
36	822087GT	CLAMP,HOSE,1EAR,25/32	1

Go to Discount-Equipment.com to order your parts

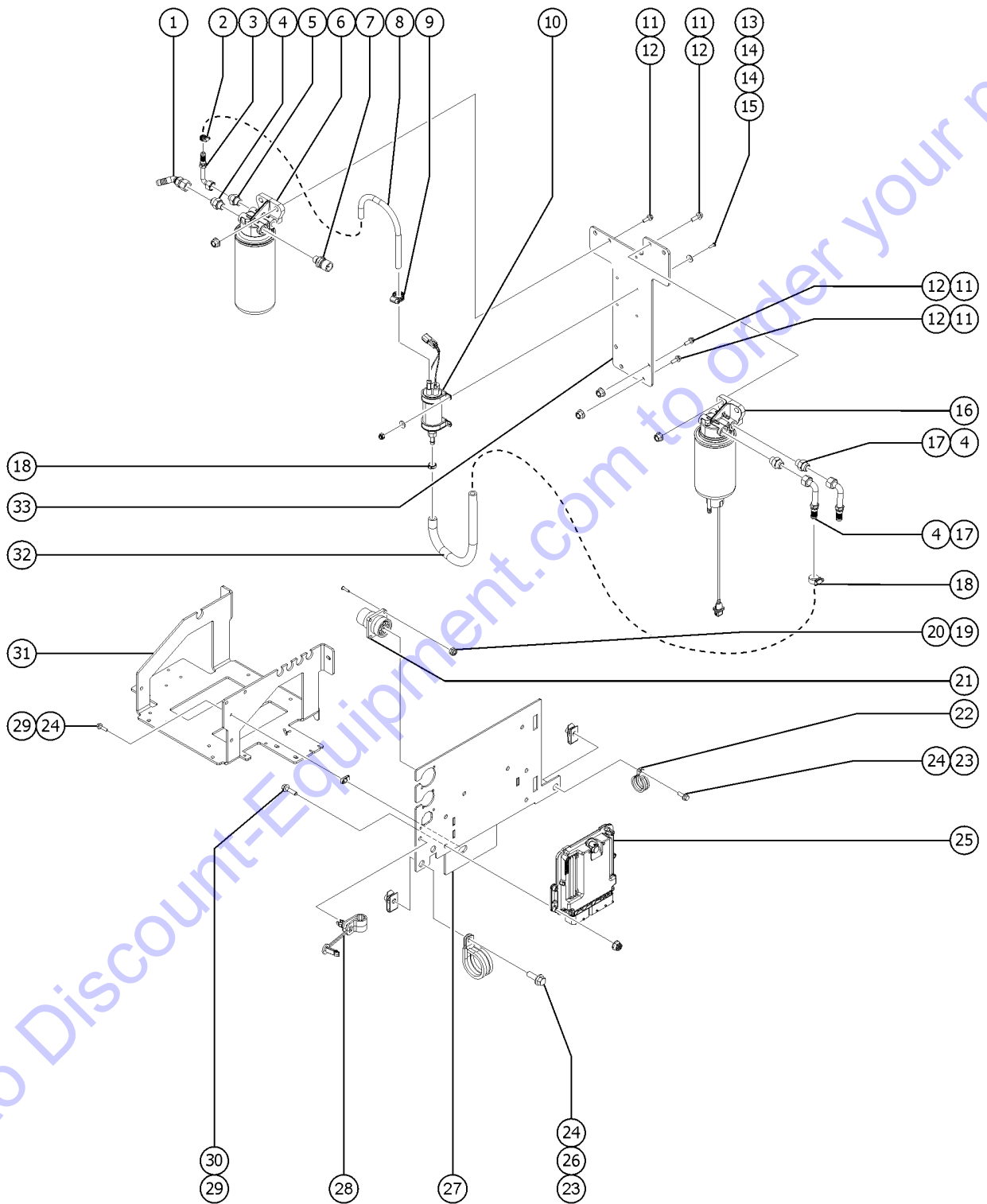
412.1 Deutz TD 2.9L China III Engine - View 4



Item	Part No.	Description	Qty.
1	826357GT	FITTING,45DEG,1/2 HS X 3/4-16,JIC,SW,FEMALE,STEEL	1
2	96770GT	CLAMP, HOSE, 1 EAR, 11/16	1
3	162206GT	FITTING,ELBOW,6GS-6FJX90S	1
4	162209GT	FITTING,CONN,16MM-8MJ	3
5	162208GT	FITTING,CONN,16MM-6MJ	1
6	1261236GT	ASSY,FUEL FILTER,DEUTZ 2.9	1
6-	214228GT	FILTER, DEUTZ 2.9, FUEL	1
7	824673GT	SENSOR,LOW PRESSURE,DEUTZ 2.9L	1
8	823420-1772GT	HOSE,FUEL,3/8,GATES RLA 60"	17.7
9	21465GT	CLAMP,HOSE,.25" - .63" X .3125	1
10	236259GT	LIFT PUMP,FUEL,DEUTZ TCD3.6	1
11	824091GT	SCREW, HHF, 3/8-16 X 1.25, 8, ZAG	8
12	1274322GT	NUT,NYLOCK FLG,3/8-16,F,ZAG	8
13	824215GT	SCREW, PHPM, 10-32 X .75, ZAG	4
14	1253185GT	WASHER,FLAT,#10,USS,ZAG	8
15	6178GT	NUT, NYLOCK, 10-32, SS	4
16	1261239GT	ASSY,FUEL PREFILTER,DEUTZ 2.9	1
16-	214229GT	FILTER, DEUTZ D2.9, FUEL/WATER	1
17	162207GT	FITTING,ELBOW,8GS-8FJX90S	2
18	46131GT	CLAMP,HOSE,.63" - 1.0" X .5"	2
19	1253477GT	SCREW,PHPM,4-40X.5,ZAG	2
20	40766GT	NUT,NYLOCK,4-40	2
21	1269699GT	HARNESS,ENGINE, DEUTZ2.9T to S85XCD-2764	1
21B	1312884GT	HARNESS, DEUTZ 2.2 CN4, S85 XC From S85XCD-2765	1
22	21618GT	CLAMP,1.13,#18 X 1/4,RUB CUSH	1
23	824078GT	SCREW,HHF,1/4-20X.75,8,ZAG	2
24	56912GT	SPRING CLIP,1/4-20,.025-.15X.54,ZAG	5
25	214795GT	ECM, Deutz D2.9 (must contact service parts to order, SN information is required)	1



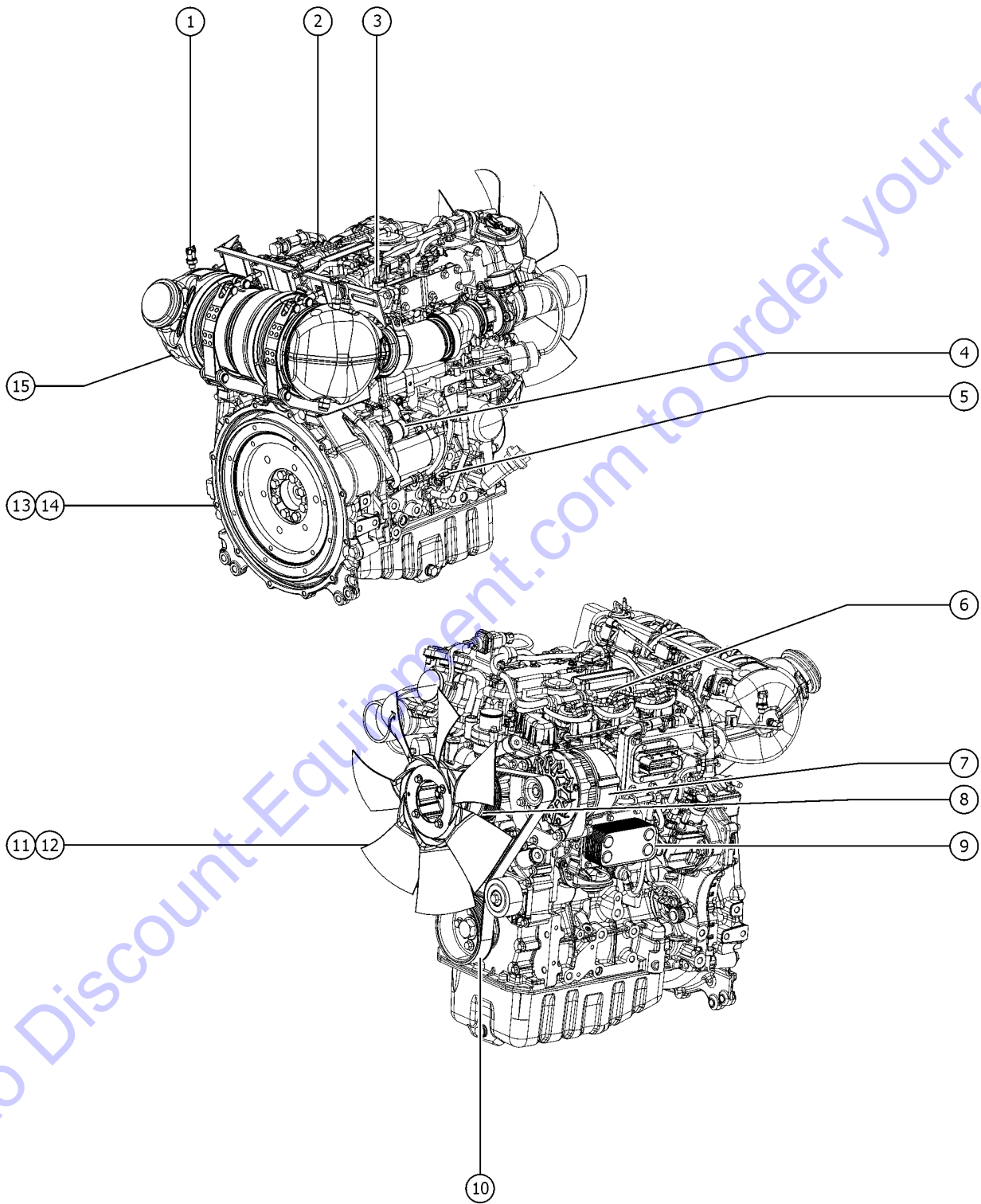
412.1 Deutz TD 2.9L China III Engine - View 4



Item	Part No.	Description	Qty.
26	33784GT	CLAMP,1.31,#21 X 1/4,RUB CUSH	2
27	1279791GT	WELDMENT, ECU MOUNT, XC	1
28	219508GT	CLAMP, FIXED DIA, NYLON, 3/8"	1
29	824079GT	SCREW,HHF,1/4-20X1,8,ZAG	7
30	1277924GT	NUT,NYLOCK FLG,1/4-20,F,ZAG	6
31		REF. FORMING, BATTERY TRAY, XC	1
		(refer to 302.1)	
32	823421GT	HOSE,FUEL,1/2,GATES RLA	17
			.7
33	1306173GT	BRACKET,FUEL SYSTEM,DEUTZ 2.9L,S-80	1

Go to Discount-Equipment.com to order your parts

413.1 TCD 2.2 Engine - View 1

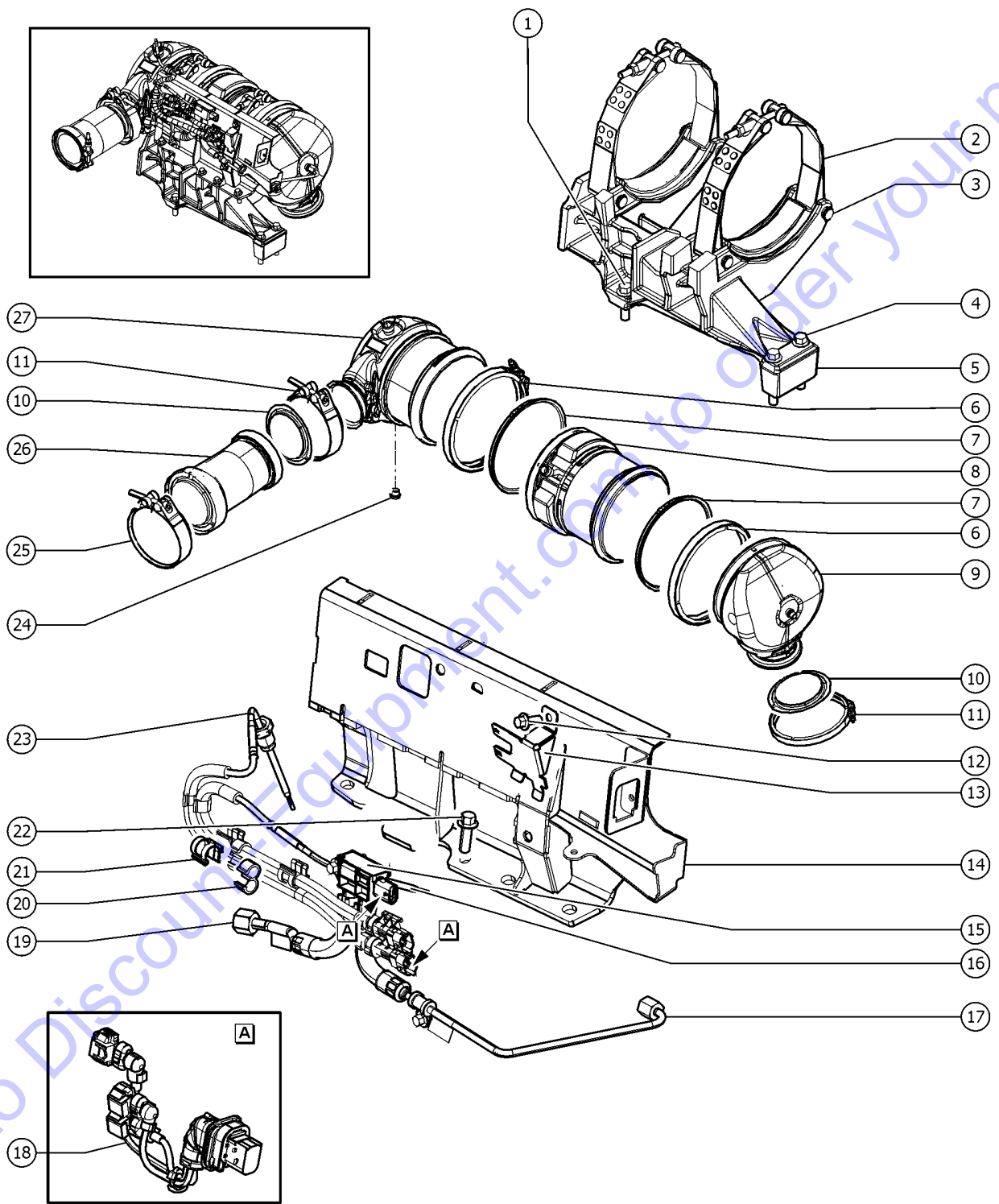


Go to Discount-Equipment.com to order your parts

Item	Part No.	Description	Qty.
A		Due to Stage V regulations, many engine replacement parts require the engine serial number at time of order placement. When ordering engine parts please have both machine and engine serial numbers available. For internal engine parts, contact engine dealer	
1	825693GT	COOLANT TEMP SENSOR,TD2.9	1
2	1261237GT	SENSOR,FUEL PRESSURE	1
2-	1262893GT	O-RING, OIL PRESSURE SENSOR	
3	1262896GT	SENSOR,INTAKE AIR PRESSURE	1
3-	1262897GT	O-RING, INTAKE AIR PRESSURE SENSOR	
4	1300704GT	STARTER	1
5	825708GT	DIPSTICK,TD2.9	1
6	1300706GT	CABLE HARNESS	1
7	07.0501.0051GT	ALTERNATOR	1
8	1300713GT	ADAPTER	1
9	1300707GT	OIL COOLER	1
10	1293934GT	Belt No longer available,(Replaced by 07.4501.0289)	1
10B	07.4501.0289GT	Belt	1
11	1294968GT	FAN, 430MM	1
12	1294091GT	HEXAGON BOLT	4
13	89785GT	RING GEAR,DEUTZ F3L2011F (please verify ring gear thickness) 0.6 inches	1
14	1262873GT	BOLT, DEUTZ FLYWHEEL	8
15		REF. DPF (refer to 414.1)	

Go to DiscountEquipment.com to order your parts

414.1 TCD 2.2 Engine - View 2

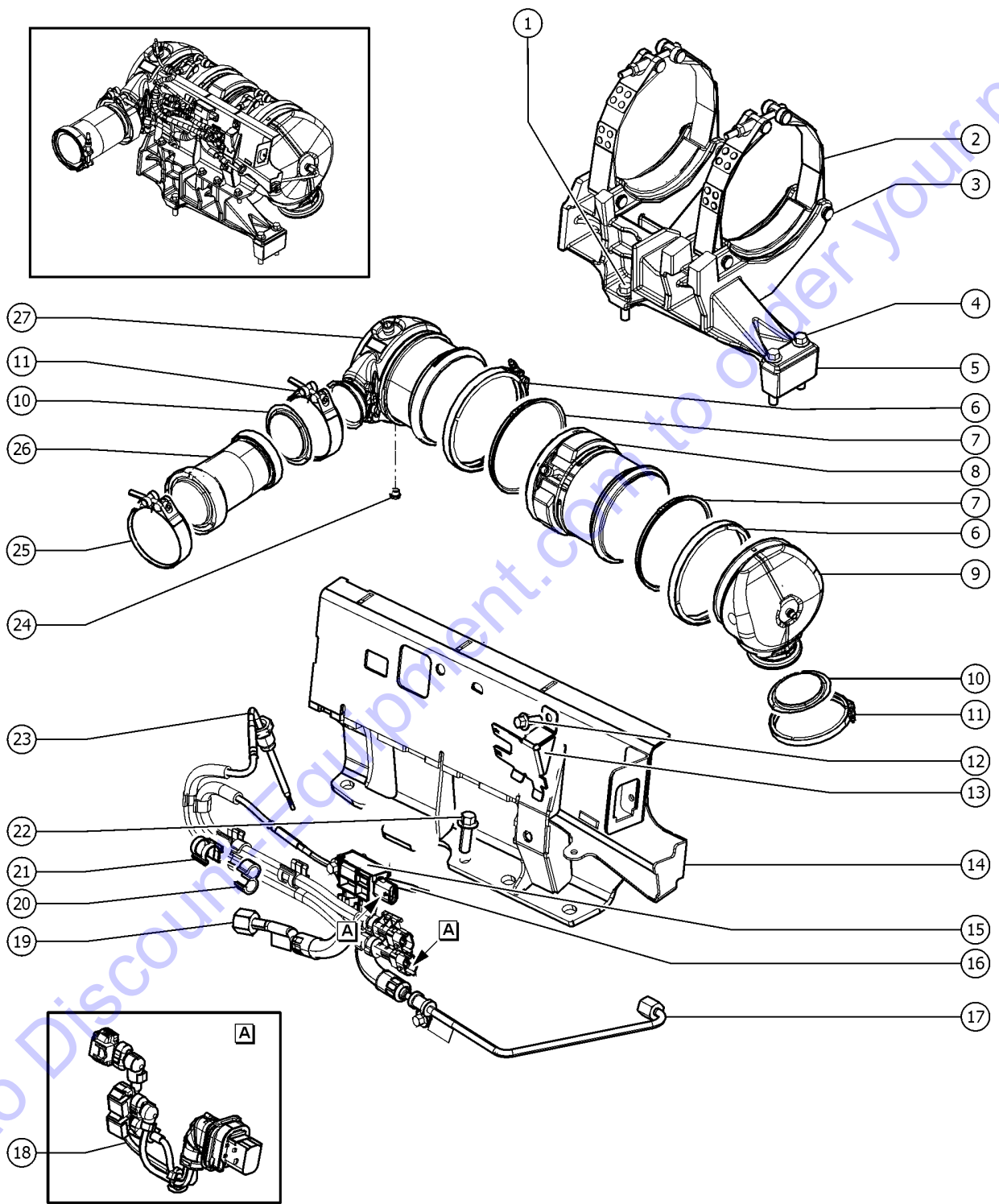


Go to Discount4kparts.com to order your parts

Item	Part No.	Description	Qty.
A		Due to Stage V regulations, many engine replacement parts require the engine serial number at time of order placement. When ordering engine parts please have both machine and engine serial numbers available. For internal engine parts, contact engine dealer	
1	1297249GT	SCREW M10x38	2
2	1297244GT	STRAP W/SCREW	2
3	1297245GT	CIRCLIP	8
4	1297251GT	SCREW M10x65	2
5	1297250GT	BRACKET	1
6	1297261GT	CLIP	2
7	1297262GT	GASKET	2
8	1297263GT	PARTICULATE FILTER	1
9	1297264GT	DPF OUTLET	1
10	1257377GT	GASKET,MIXING PIPE,TCD3.6 T4F	2
11	825015GT	CLAMP, T4 TCD3.6 DOC	2
12	1297255GT	SCREW M6x12	1
13	1297257GT	RETAINING PLATE	1
14	1297256GT	SHEET / PLATE	1
15	1297253GT	PRESSURE SENSOR	1
16	07.4501.0252GT	TEMPERATURE SENSOR	1
17	1297252GT	TUBE	1
18	1297243GT	INTERCONNECTING PIPE	1
19	1297247GT	TUBE	1
20	1297248GT	HOSE CLIP	2
21	1297254GT	CLAMP	4
22	1293871GT	HEXAGON BOLT	3
23	1257779GT	SENSOR,EXH,TEMP,TCD3.6 T4F	1
24	1297258GT	PLUG	1
25	824775GT	CLAMP,TURBO OUTLET-TURBO PIPE,	1
26	1300708GT	COMPENSATOR	1

Go to DiscountEquipment.com to order your parts

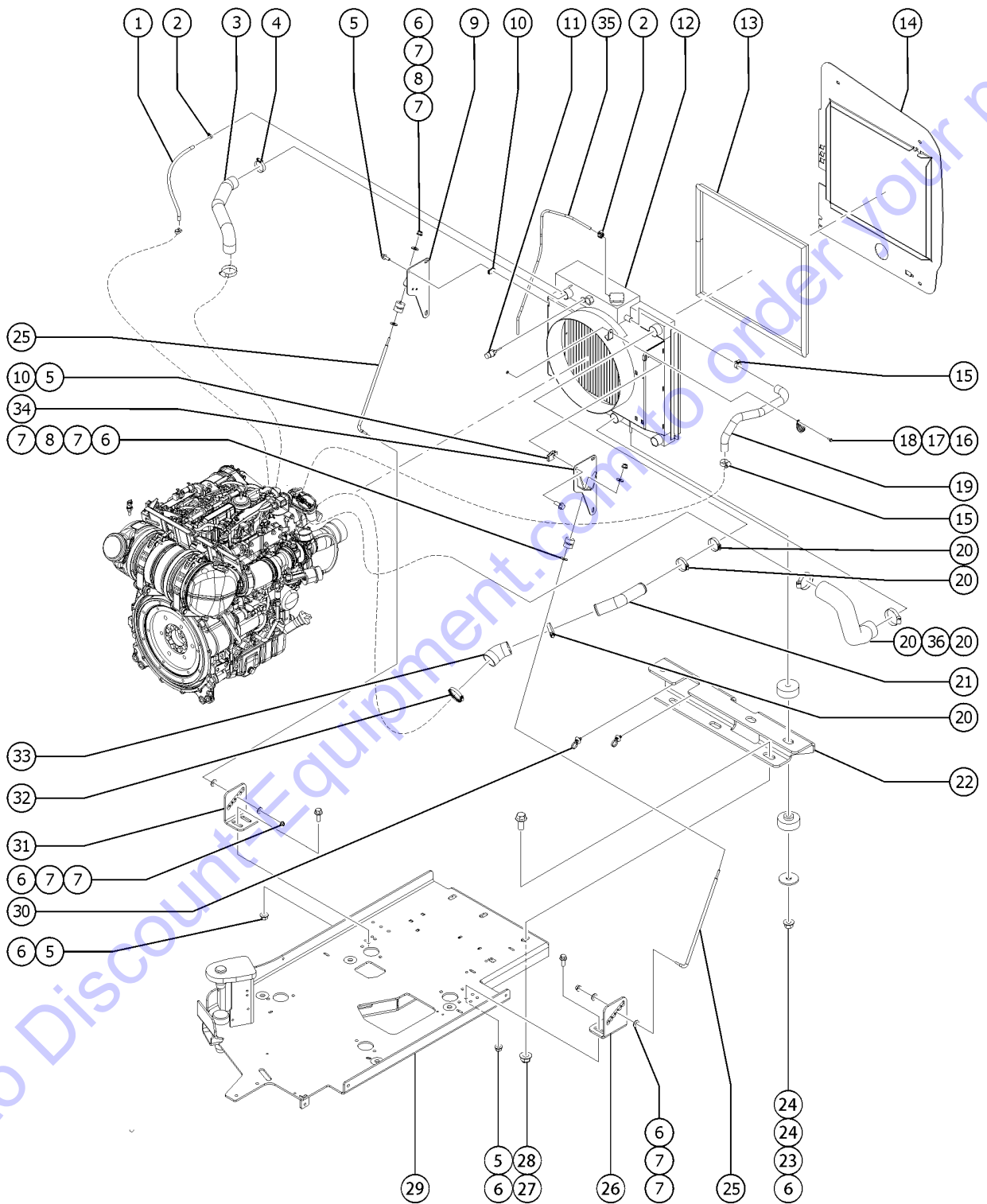
414.1 TCD 2.2 Engine - View 2



<i>Item</i>	<i>Part No.</i>	<i>Description</i>	<i>Qty.</i>
27	1297260GT	DPF INLET	1

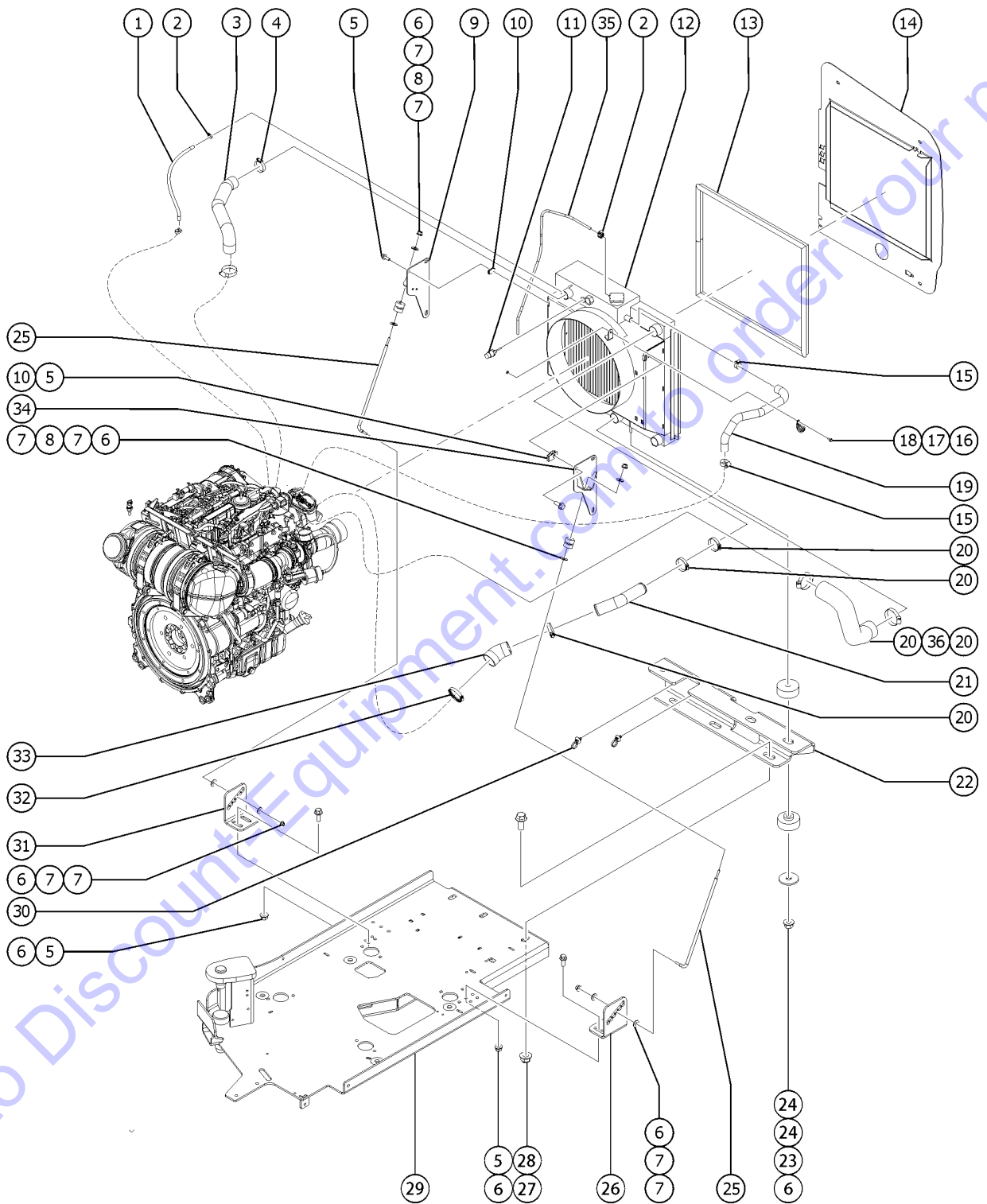
Go to Discount-Equipment.com to order your parts

415.1 TCD 2.2 Engine - View 3



Item	Part No.	Description	Qty.
A		Due to Stage V regulations, many engine replacement parts require the engine serial number at time of order placement. When ordering engine parts please have both machine and engine serial numbers available. For internal engine parts, contact engine dealer	
1	1291348GT	HOSE, VENT, 2.2L TCD	1
2	21465GT	CLAMP,HOSE,.25" - .63" X .3125	2
3	1289109GT	HOSE, UPPER RADIATOR, TCD 2.2	1
4	22672GT	CLAMP,HOSE,1.75	2
5	824090GT	SCREW,HHF,3/8-16X1,8,ZAG	2
6	1274322GT	NUT,NYLOCK FLG,3/8-16,F,ZAG	2
7	1255758GT	WASHER,FLAT,3/8,USS,ZAG	4
8	1301742GT	ISOLATOR, RADIATOR, 80 LB	2
9	1301883GT	WELDMENT, STAGE V, STRUT BRACKET, SWING SIDE	1
10	29868GT	SPRING CLIP,3/8-16,.05-.20X.73,ZAG	2
11	218715GT	COOLANT LEVEL SNSR, DEUTZ D2.9/TCD3.6	1
12	1289108GT	ASSEMBLY, RADIATOR, INTERCOOLER, TCD 2.2	1
13	119219-9300GT	GASKET, 3/4"BULB X 1/8" GAP	1
14		REF.FORMING, BAFFLE, DEUTZ 2.2L (refer to 419.1)	1
15	30348GT	CLAMP,HOSE,1.00	2
16	1256855	SCREW,HHF,1/4-20X.625,8,ZAG	1
17	33784GT	CLAMP,1.31,#21 X 1/4,RUB CUSH	1
18	1277924GT	NUT,NYLOCK FLG,1/4-20,F,ZAG	1
19	1289111GT	HOSE, COMPENSATION, TCD 2.2	1
20	35434GT	CLAMP,HOSE,2.00***	3
21	1290676GT	PIPE, CAC TO INTAKE, TCD 2.2L	1
22	1290100GT	FORMING, COOLER MOUNT, TCD 2.2L	1
23	824120GT	WASHER, FLAT, .375 X 1.50 X .125, ZAG	3
24	24038GT	SHOCK MOUNT,SMALL	6
25	1301741GT	STRUT, ROD, STAGE V	2
26	1291076GT	FORMING,FAN SHROUD STRUT MOUNT, LH	1

415.1 TCD 2.2 Engine - View 3

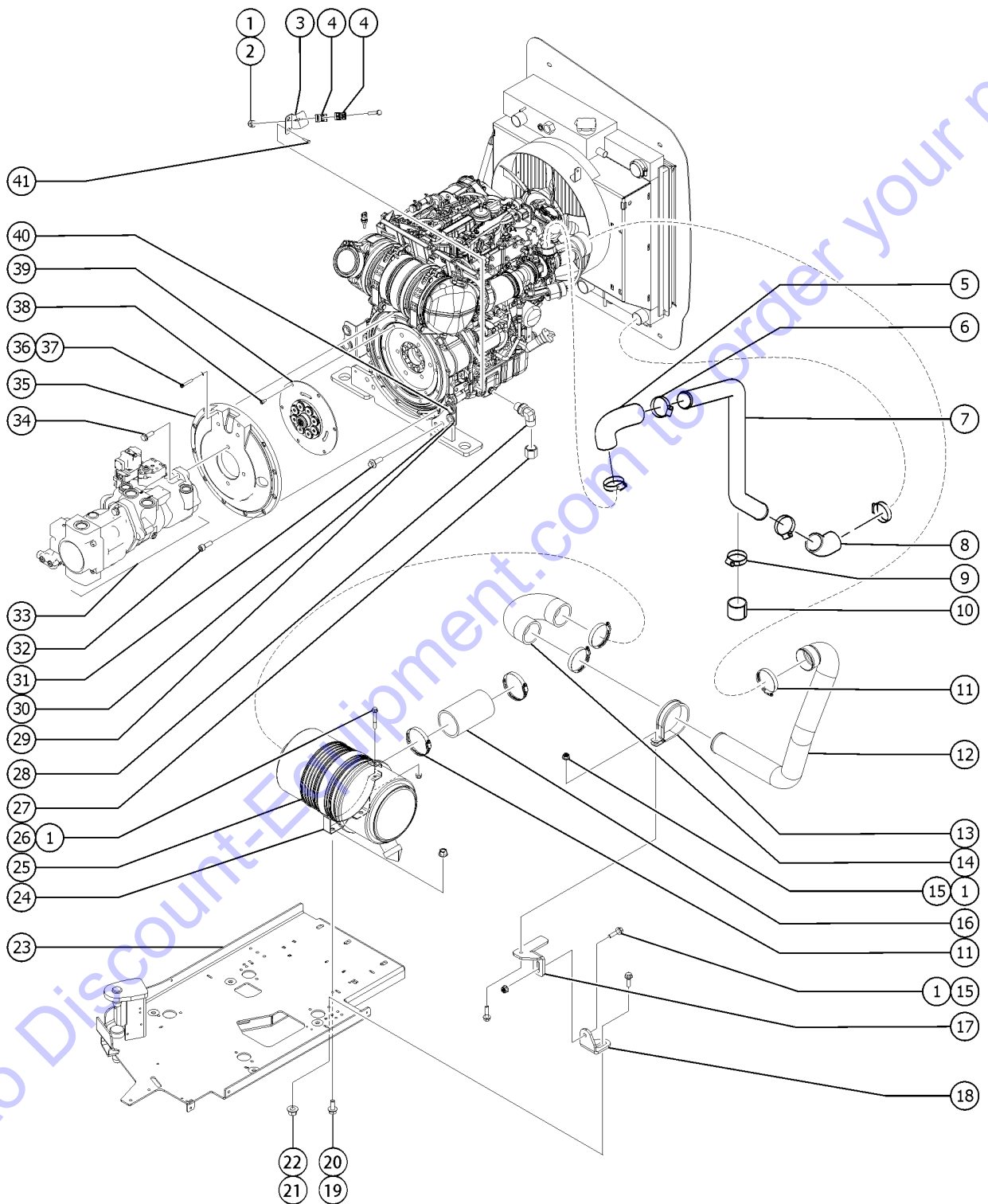


Item	Part No.	Description	Qty.
27	1283007GT	NUT,NYLOCK FLG,5/8-11,F,ZAG	3
28	1253208GT	SCREW,HHF,5/8-11X1.5,8,ZAG	3
29		REF.WELDMENT,ENGINE TRAY	1
		(refer to 419.1)	
30	110149GT	CABLE TIE,DFT MOUNT,BLK,6.5"	2
31	1299496GT	FORMING,FAN SHROUD STRUT MOUNT, RH	1
32	45435GT	CLAMP,HOSE,2.50"***	1
33	1290370GT	ADAPTER, AIR INTAKE, 2" X 2.4"	1
34	1301884GT	WELDMENT, STAGE V, STRUT BRACKET, COVER SIDE	1
35	1302463GT	TUBE, COOLANT OVER FLOW	1
36	1289110GT	HOSE, LOWER RADIATOR, TCD 2.2	1

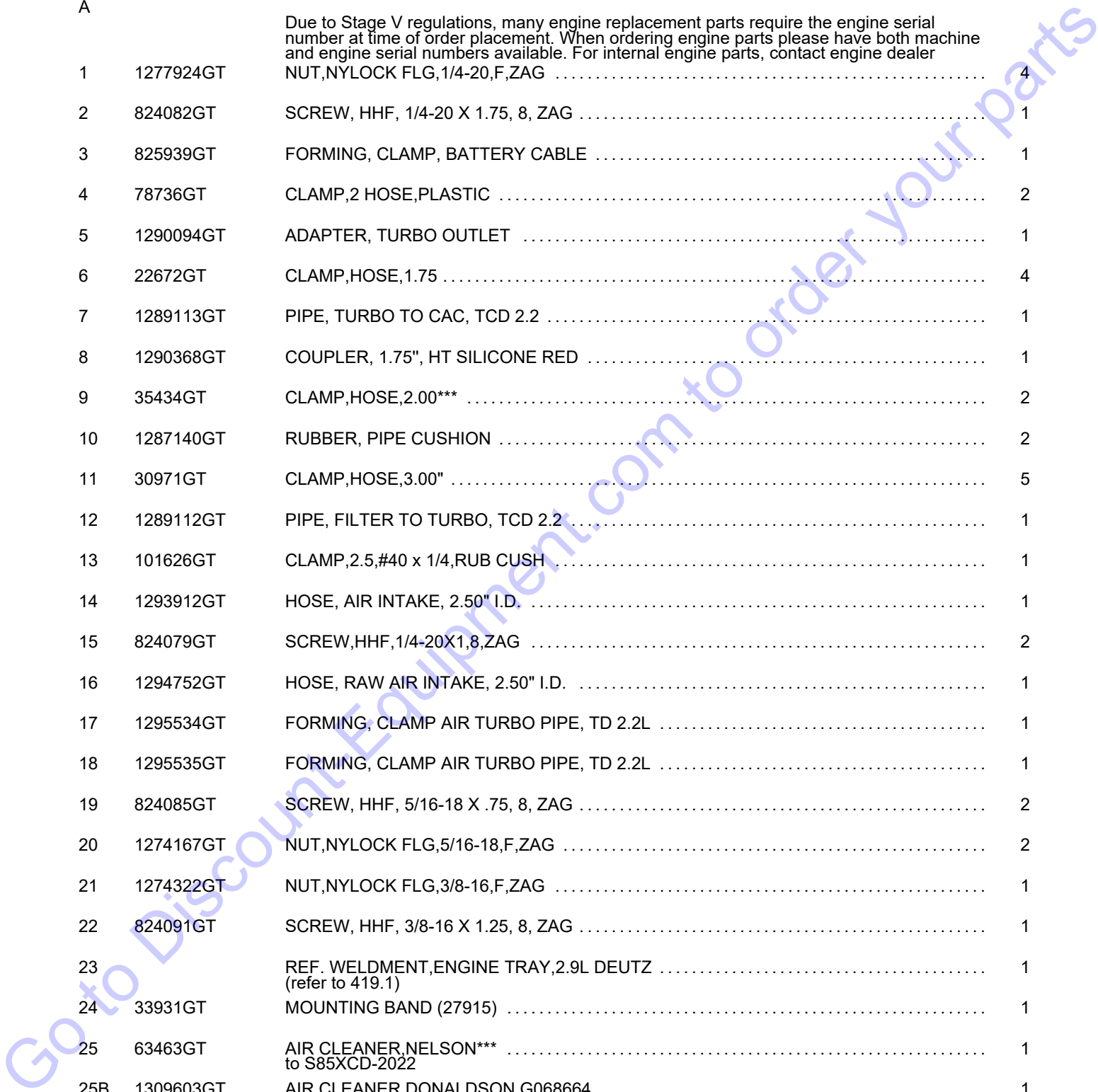
Go to Discount-Equipment.com to order your parts



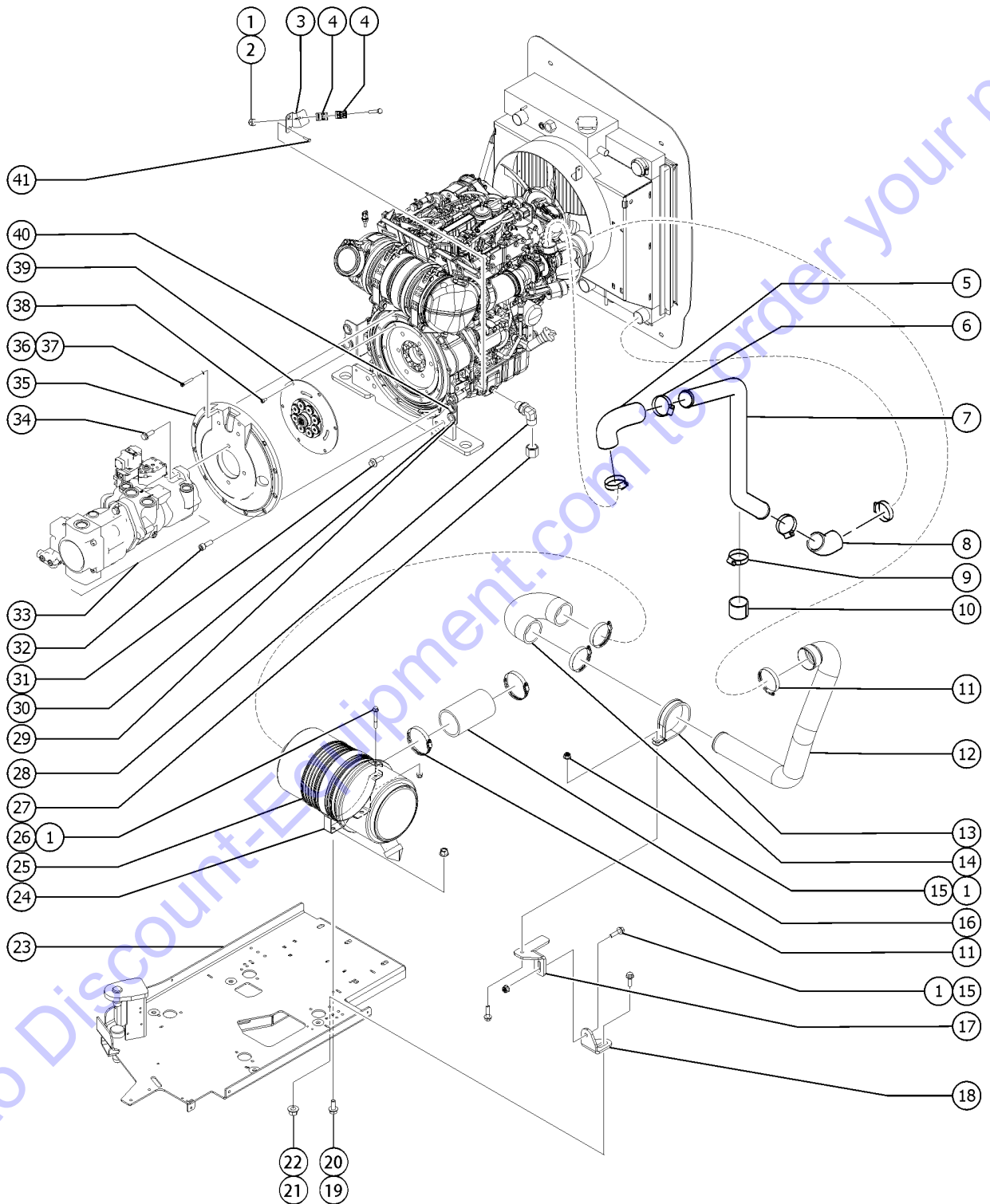
416.1 TCD 2.2 Engine - View 4



Item	Part No.	Description	Qty.
A		Due to Stage V regulations, many engine replacement parts require the engine serial number at time of order placement. When ordering engine parts please have both machine and engine serial numbers available. For internal engine parts, contact engine dealer	
1	1277924GT	NUT,NYLOCK FLG,1/4-20,F,ZAG	4
2	824082GT	SCREW, HHF, 1/4-20 X 1.75, 8, ZAG	1
3	825939GT	FORMING, CLAMP, BATTERY CABLE	1
4	78736GT	CLAMP,2 HOSE,PLASTIC	2
5	1290094GT	ADAPTER, TURBO OUTLET	1
6	22672GT	CLAMP,HOSE,1.75	4
7	1289113GT	PIPE, TURBO TO CAC, TCD 2.2	1
8	1290368GT	COUPLER, 1.75", HT SILICONE RED	1
9	35434GT	CLAMP,HOSE,2.00***	2
10	1287140GT	RUBBER, PIPE CUSHION	2
11	30971GT	CLAMP,HOSE,3.00"	5
12	1289112GT	PIPE, FILTER TO TURBO, TCD 2.2	1
13	101626GT	CLAMP,2.5,#40 x 1/4,RUB CUSH	1
14	1293912GT	HOSE, AIR INTAKE, 2.50" I.D.	1
15	824079GT	SCREW,HHF,1/4-20X1,8,ZAG	2
16	1294752GT	HOSE, RAW AIR INTAKE, 2.50" I.D.	1
17	1295534GT	FORMING, CLAMP AIR TURBO PIPE, TD 2.2L	1
18	1295535GT	FORMING, CLAMP AIR TURBO PIPE, TD 2.2L	1
19	824085GT	SCREW, HHF, 5/16-18 X .75, 8, ZAG	2
20	1274167GT	NUT,NYLOCK FLG,5/16-18,F,ZAG	2
21	1274322GT	NUT,NYLOCK FLG,3/8-16,F,ZAG	1
22	824091GT	SCREW, HHF, 3/8-16 X 1.25, 8, ZAG	1
23		REF. WELDMENT,ENGINE TRAY,2.9L DEUTZ (refer to 419.1)	1
24	33931GT	MOUNTING BAND (27915)	1
25	63463GT	AIR CLEANER,NELSON*** to S85XCD-2022	1
25B	1309603GT	AIR CLEANER,DONALDSON,G068664 from S85XCD-2023	1



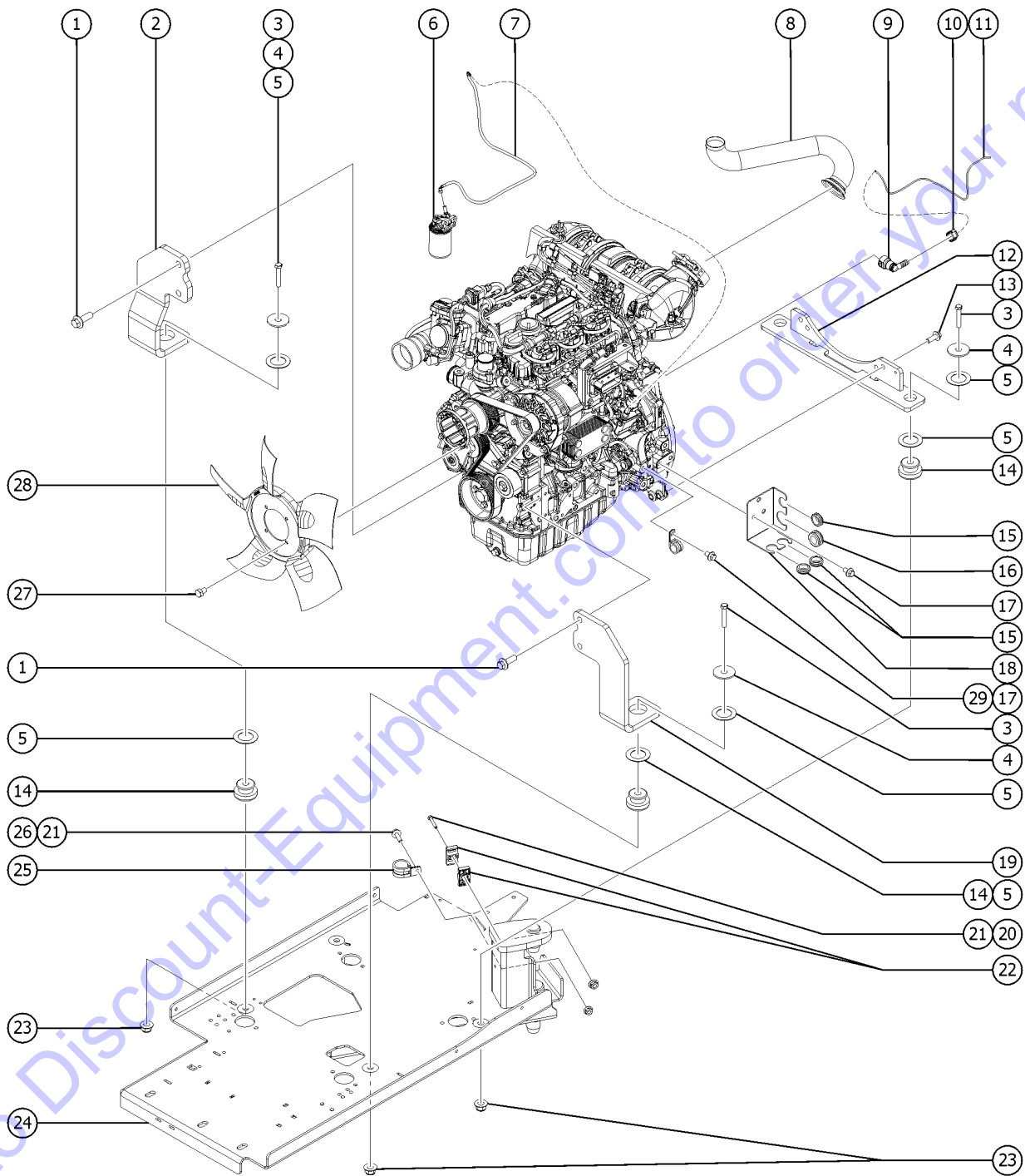
416.1 TCD 2.2 Engine - View 4



Item	Part No.	Description	Qty.
26	1253485GT	SCREW,HHF,1/4-20X2,8,ZAG	1
27	69775GT	CAP,520112-8	1
28	54428GT	FITTING,HYDRAULIC,90DEG,O-RING	1
29	60584GT	GROMMET,RUBBER .75 X .19 X 1**	1
30	1286137GT	PLATE,BATTERY CABLE SUPPORT	1
31	1251899GT	SCREW,HHF,M14-2.0 X 40,DIN 6921,10.9, ZAB	4
32	1255666GT	SCREW,SHC,M10-1.50X30,DIN912,1	10
33		REF. DRIVE PUMP AND FUNCTION PUMP	
		(refer to 707.1)	
34	123167GT	FLGHCS,1/2-13X1.50,GR8,BLK PH	2
35	70381GT	COVER,FLYWHEEL CASTING	1
36	1257481GT	SCREW,SHC,M10-1.5X60,DIN912,12.9,ZAB	2
37	824145GT	WASHER, FLAT, DIN125, M10, ZAB	2
38	1255665GT	SCREW,SHC,M10-1.50X20,DIN912,12.9,ZAB	6
39	128004GT	COUPLER,15 TOOTH,FBA,SAE8***	1
40	124962GT	GROMMET,RUBBER,1.0 X 1.25X1.5	1
41	1255806GT	SCREW,HHF,M12-1.75X20,DIN6921,10.9,ZAB	2

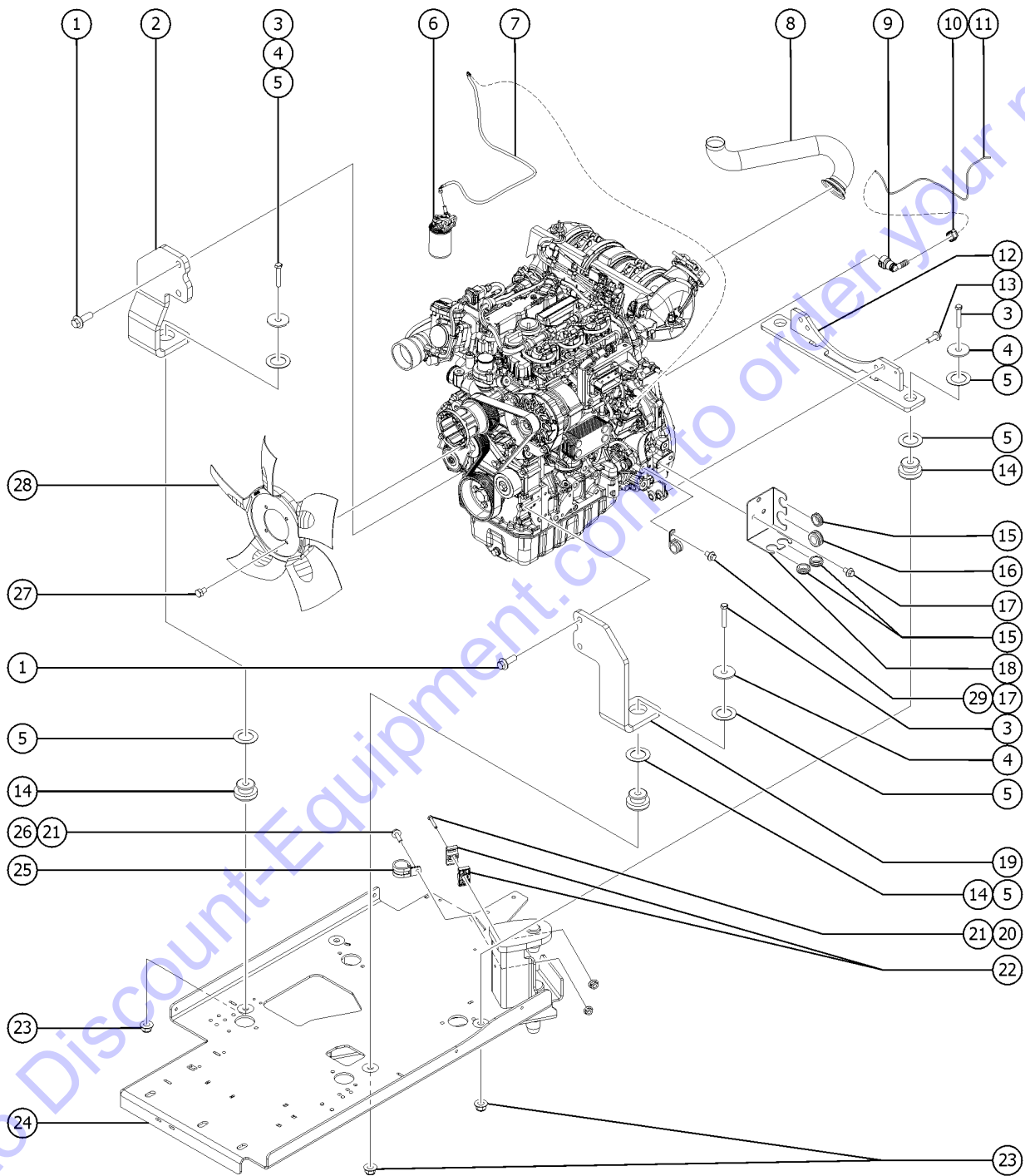
Go to Discount-Equipment.com to order your parts

417.1 TCD 2.2 Engine - View 5



Item	Part No.	Description	Qty.
A		Due to Stage V regulations, many engine replacement parts require the engine serial number at time of order placement. When ordering engine parts please have both machine and engine serial numbers available. For internal engine parts, contact engine dealer	
1	231511GT	SCREW,HHF,M12-1.75X35,DIN6921,10.9,ZAB	4
2	1290998GT	MOUNT,ENGINE,LEFT SIDE	1
3	1256169GT	SCREW,HHC,5/8-11X3.5,8,ZAG	4
4	824123GT	WASHER,FLAT,.625X2.25X.188,ZAG	4
5	1251565GT	WASHER,SHIM,1.56X2.5X.061,ZAG	8
6		Ref. Assy, Fuel Filter (refer to 418.1)	
7		Ref. HOSE ASSEMBLY - 1/2" FUEL GATES, 90 FEM, 90 FEM, 100" (refer to 418.1)	
8	1290527GT	EXHAUST PIPE, DEUTZ 2.2L	1
9	826000GT	CONNECTOR, SAE10, QUICK CONNECT	1
10	81154GT	CLAMP,HOSE,SIZE .31 > .91	1
11	1291353GT	HOSE, ENGINE TO TANK	1
12	1291075GT	WELDMENT, REAR MOUNT,ENGINE	1
13	1251899GT	SCREW,HHF,M14-2.0 X 40,DIN 6921,10.9, ZAB	4
14	102045GT	ISOLATOR,ENGINE VIBRATION	4
15	124962GT	GROMMET,RUBBER,1.0 X 1.25X1.5	3
16	106923GT	GROMMET,RUBBER .38X1.38X1.0	1
17	1255806GT	SCREW,HHF,M12-1.75X20,DIN6921,10.9,ZAB	4
18	826873GT	FORMING, ENGINE HARNESS SUPPORT	1
19	1291073GT	MOUNT,ENGINE,RIGHT SIDE	1
20	824082GT	SCREW, HHF, 1/4-20 X 1.75, 8, ZAG	1
21	1277924GT	NUT,NYLOCK FLG,1/4-20,F,ZAG	2
22	78736GT	CLAMP,2 HOSE,PLASTIC	2
23	1283007GT	NUT,NYLOCK FLG,5/8-11,F,ZAG	4
24		REF. WELDMENT,ENGINE TRAY,2.9L DEUTZ (refer to 419.1)	1
25	18666GT	CLAMP,1.00,#16 X 1/4,RUB CUSH	1
26	824079GT	SCREW,HHF,1/4-20X1,8,ZAG	1

417.1 TCD 2.2 Engine - View 5



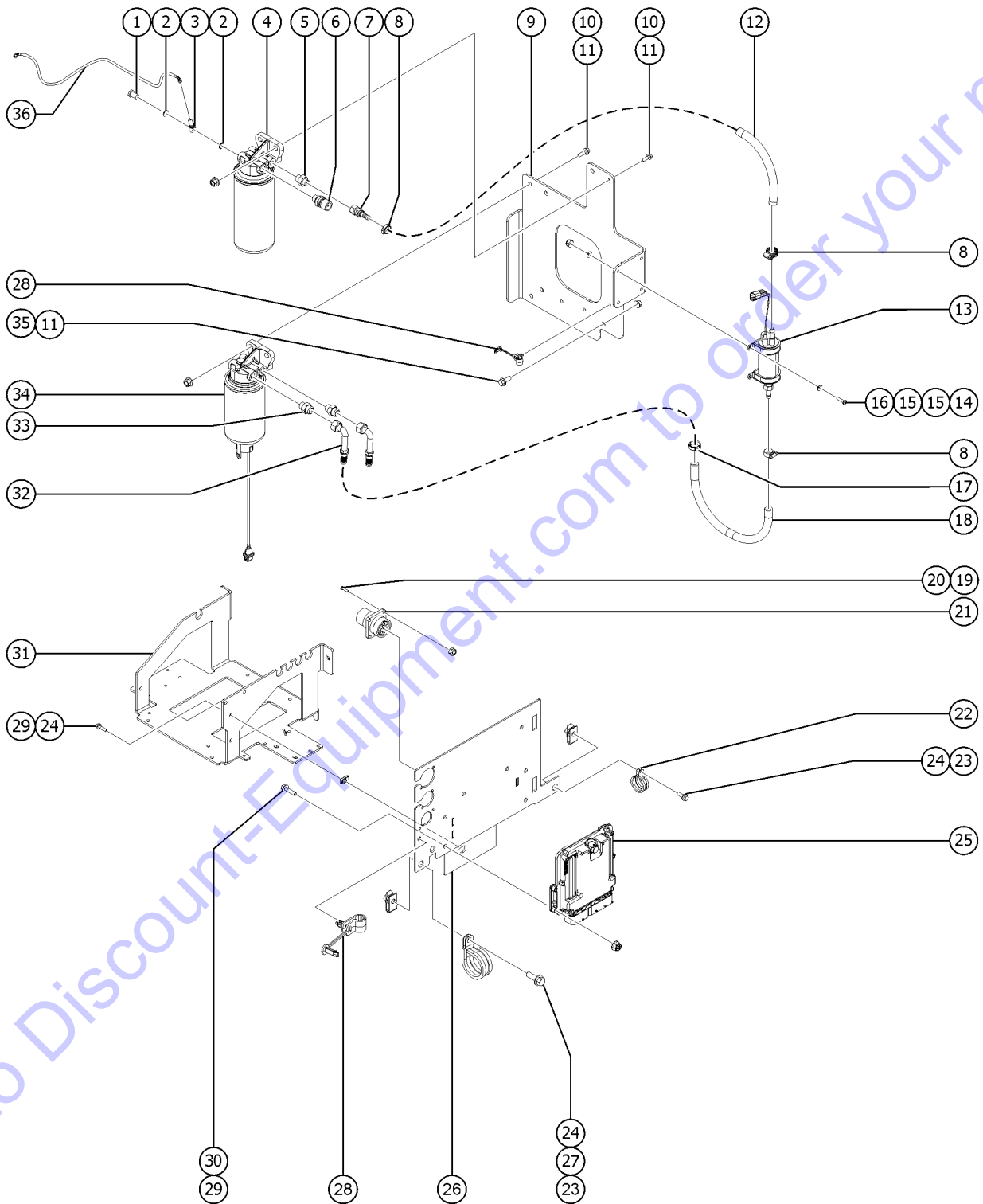
Go to Discount-Equipment.com to order your parts

<i>Item</i>	<i>Part No.</i>	<i>Description</i>	<i>Qty.</i>
27	1257704GT	SCREW,HHC,M8-1.25X12,DIN933,10.9,ZAB	4
28	1294968GT	FAN, 430MM	1
29	1328176GT	CLAMP,1.50,#24 X 7/16	1

Go to Discount-Equipment.com to order your parts



418.1 TCD 2.2 Engine - View 6

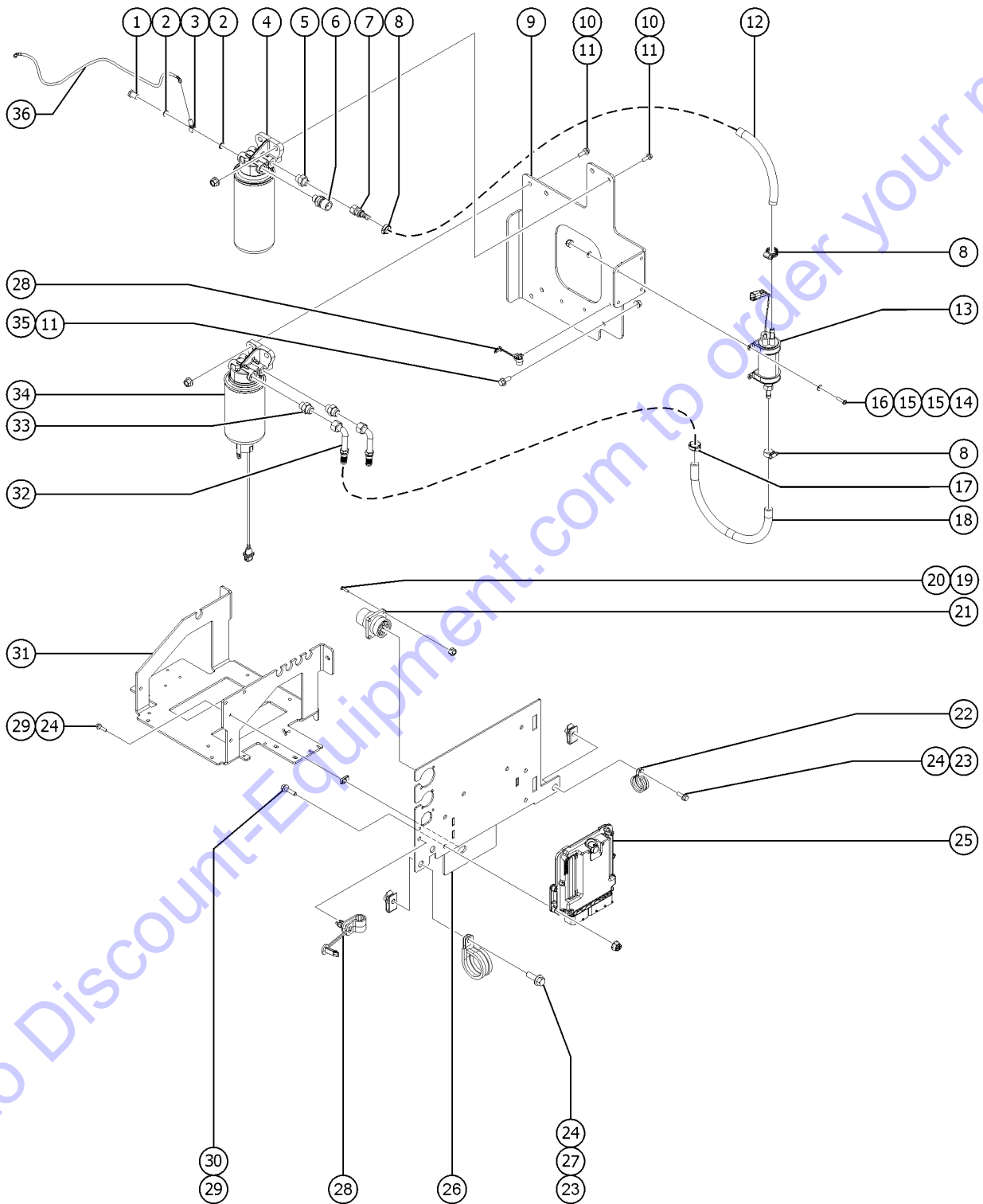


Go to Discount-Equipment.com to order your parts

Item	Part No.	Description	Qty.
A		Due to Stage V regulations, many engine replacement parts require the engine serial number at time of order placement. When ordering engine parts please have both machine and engine serial numbers available. For internal engine parts, contact engine dealer	
1	1255399GT	BOLT,BANJO,DEUTZ,QC	1
2	1255400GT	WASHER,COPPER,DEUTZ,QC	2
3	1255396GT	FITTING,FUEL,1/2,D2.9,QC	1
4	1261236GT	ASSY,FUEL FILTER,DEUTZ 2.9	1
4-	214228GT	FILTER, DEUTZ 2.9, FUEL	1
5	162208GT	FITTING,CONN,16MM-6MJ	1
6	824673GT	SENSOR,LOW PRESSURE,DEUTZ 2.9L	1
7	824351GT	FITTING,STR,3/8 HS X 9/16-18,JIC,SW,FEMALE	1
8	81154GT	CLAMP,HOSE,SIZE .31 > .91	4
9	1267313GT	BRACKET,FUEL SYSTEM,DEUTZ 2.9L	1
10	824091GT	SCREW, HHF, 3/8-16 X 1.25, 8, ZAG	4
11	1274322GT	NUT,NYLOCK FLG,3/8-16,F,ZAG	7
12	1291351GT	HOSE, PUMP TO MAIN FILTER	1
13	236259GT	LIFT PUMP,FUEL,DEUTZ TCD3.6	1
14	824215GT	SCREW, PHPM, 10-32 X .75, ZAG	4
15	1253185GT	WASHER,FLAT,#10,USS,ZAG	8
16	1274168GT	NUT,NYLOCK,10-32,A,ZAG	4
17	822087GT	CLAMP,HOSE,1EAR,25/32	2
18	1291350GT	HOSE, PRE-FILTER TO PUMP	1
19	1253477GT	SCREW,PHPM,4-40X.5,ZAG	2
20	40766GT	NUT,NYLOCK,4-40	2
21	822448GT	CONN,REC,CANN TR 12WAY,SIZE14	1
22	21618GT	CLAMP,1.13,#18 X 1/4,RUB CUSH	1
23	824078GT	SCREW,HHF,1/4-20X.75,8,ZAG	2
24	56912GT	SPRING CLIP,1/4-20,.025-.15X.54,ZAG	5
25	1296093GT	ECM, DEUTZ TCD 2.2L3, 74 hp	1

Go to DiscountEquipment.com to order your parts

418.1 TCD 2.2 Engine - View 6



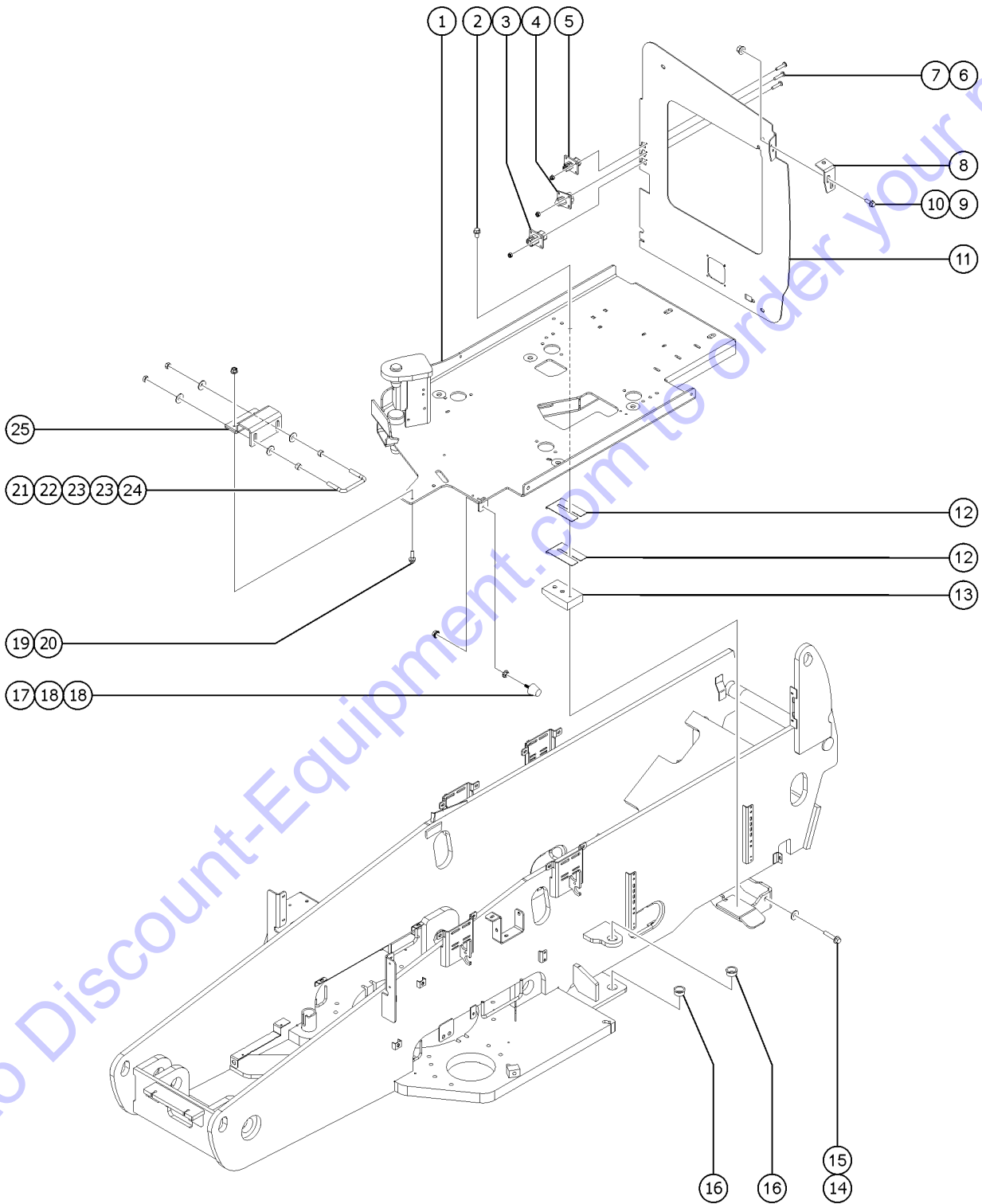
Go to Discount-Equipment.com to order your parts

Item	Part No.	Description	Qty.
26	1279791GT	WELDMENT, ECU MOUNT, XC	1
27	33784GT	CLAMP, 1.31, #21 X 1/4, RUB CUSH	2
28	219508GT	CLAMP, FIXED DIA, NYLON, 3/8"	3
29	824079GT	SCREW, HHF, 1/4-20X1,8, ZAG	7
30	1277924GT	NUT, NYLOCK FLG, 1/4-20, F, ZAG	6
31		REF. FORMING, BATTERY TRAY, XC	1
		(refer to 302.1)	
32	162207GT	FITTING, ELBOW, 8GS-8FJX90S	2
33	162209GT	FITTING, CONN, 16MM-8MJ	2
34	236260GT	FILTER, FUEL PRE-FILTER, SPIN-ON, DEUTZ	1
35	824090GT	SCREW, HHF, 3/8-16X1,8, ZAG	3
36	1299663-10000GT	HOSE ASSEMBLY - 1/2" FUEL GATES, 90 FEM, 90 FEM, 100"	1

Go to Discount-Equipment.com to order your parts



419.1 Engine Tray



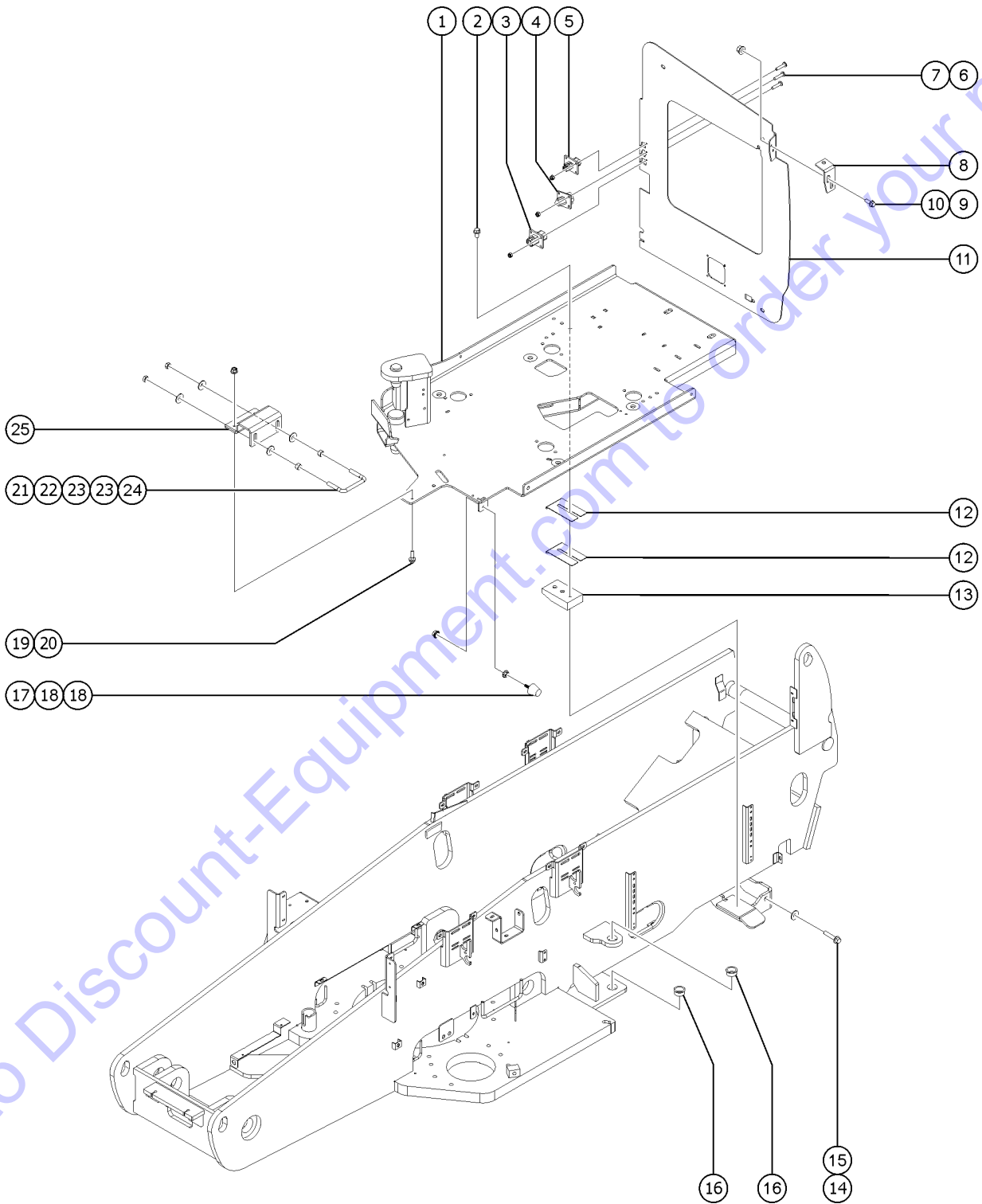
Go to Discount-Equipment.com to order your parts

419.1 Engine Tray

Item	Part No.	Description	Qty.
1	1267074GT	WELDMENT,ENGINE TRAY (Deutz TD2011L04i), US part number	1
1B	1306689GT	WELDMENT, ENGINE TRAY, S85XC, TD2011 (Deutz TD2011L04i), China part number	1
1C	1267076GT	WELDMENT,ENGINE TRAY,2.9L DEUT (Deutz TD 2.9L4 , Deutz TD 2.9L China III and TCD 2.2 engine), US part number	1
1D	1306691GT	WELDMENT, ENGINE TRAY, S85XC, TD2.9 (Deutz TD 2.9L4 , Deutz TD 2.9L China III and TCD 2.2 engine), China part number	1
2	824089GT	SCREW, HHF, 3/8-16 X .75, 8, ZAG	2
3	73723GT	CONN RECEP,FLANGED	1
4	75629GT	CONN,RECEP 3 WAY,W/FLANGE	1
5	1269704GT	CONNECTOR, RECEP, 2WAY, FL	1
6	1253490GT	SCREW,PHPM,8-32 X .75,ZAG	6
7	18605GT	NUT,NYLOCK,8-32	6
8	1298765GT	FORMING,BRKT,ENGINE SIDE COVER	1
9	1274322GT	NUT,NYLOCK FLG,3/8-16,F,ZAG	2
10	824090GT	SCREW,HHF,3/8-16X1,8,ZAG	2
11	1270963GT	PLATE, BULKHEAD, DEUTZ 2.9L (Deutz TD 2.9L4 , Deutz TD 2.9L China III and TCD 2.2 engine); to SN S85XCD-542	1
11B	1294199GT	PLATE, BULKHEAD, DEUTZ TD2.9L (Deutz TD 2.9L4 and TCD 2.2 engine) from SN S85XCD-543; (Deutz TD 2.9L China III) from SN S85XCD-543 to SN S85XCD-1819	1
11C	1311564GT	FORMING, BULKHEAD, DEUTZ 2.9L, S85XC CHINA III (Deutz TD 2.9L China III), from SN S85XCD-1820	1
11D	1274053GT	PLATE, BULKHEAD, DEUTZ TD2011 (Deutz TD2011L04i)	1
12	34344GT	SHIM,SIDE PAD 16GA. 3 X 5	2
13	81522GT	WEAR PAD,ENGINE TRAY	1
14	1256126GT	SCREW,HHF,5/8-11X2,8,ZAG	1
15	824115GT	WASHER, FLAT, USS, 5/8, ZAG	1
16	41858GT	BEARING,FL,1.51X1.75X.84LG	2
17	1261277GT	RUBBER BUMPER, 1.25 X 1.25 IN	1
18	1274167GT	NUT,NYLOCK FLG,5/16-18,F,ZAG	1
19	824091GT	SCREW, HHF, 3/8-16 X 1.25, 8, ZAG	2
20	1274322GT	NUT,NYLOCK FLG,3/8-16,F,ZAG	2
21	1259855GT	UBOLT, 0.4724 IN D X 4.0 IN L	1
22	1259106GT	NUT,1/2-13,8,ZAG	2



419.1 Engine Tray



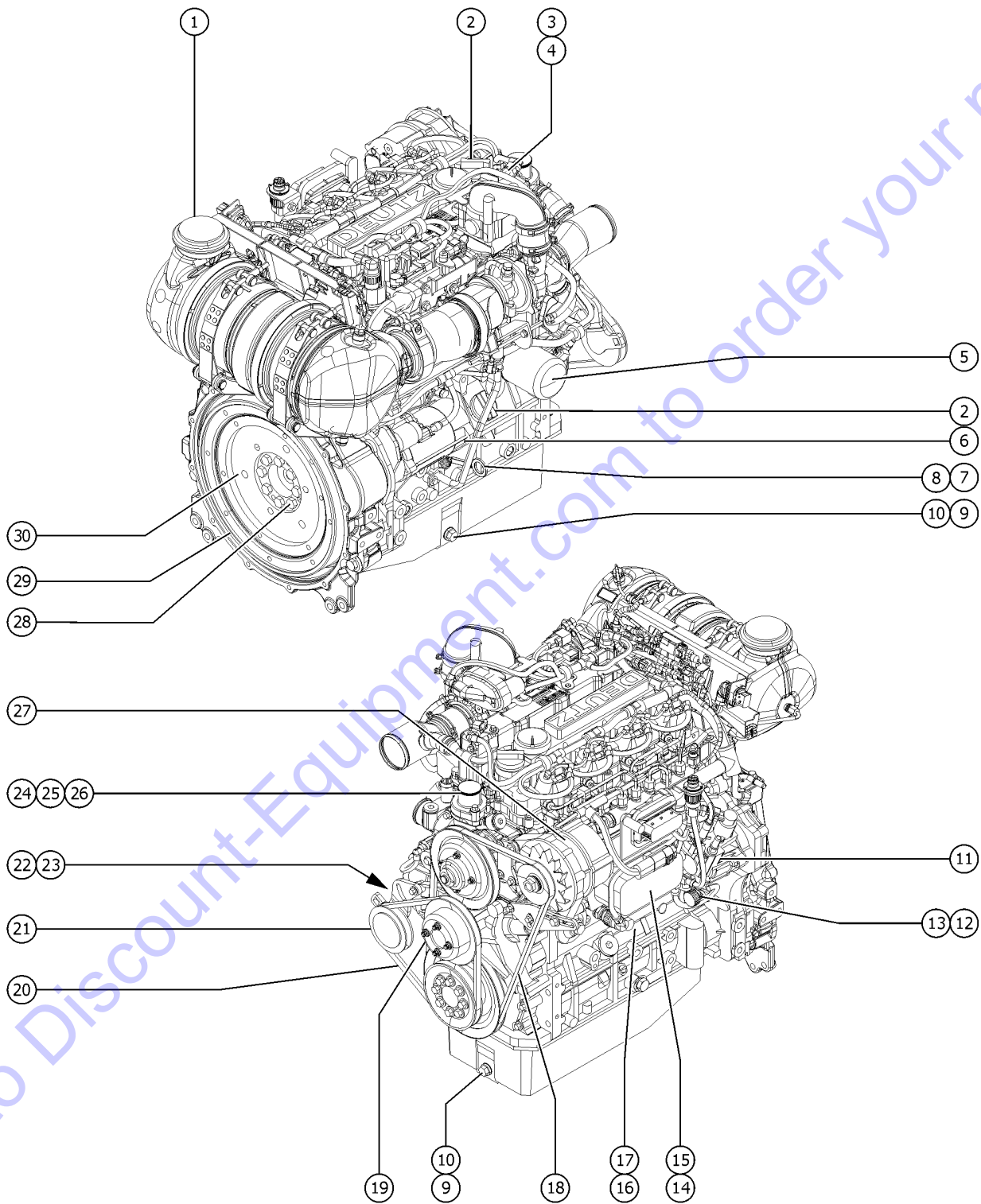
Go to Discount-Equipment.com to order your parts

419.1 Engine Tray

<i>Item</i>	<i>Part No.</i>	<i>Description</i>	<i>Qty.</i>
23	1255760GT	WASHER,FLAT,1/2,USS,ZAG	4
24	1255804GT	NUT,JAM,1/2-13,A,ZAG	2
25	1267070GT	FORMING,BRACKET,LATCH	1

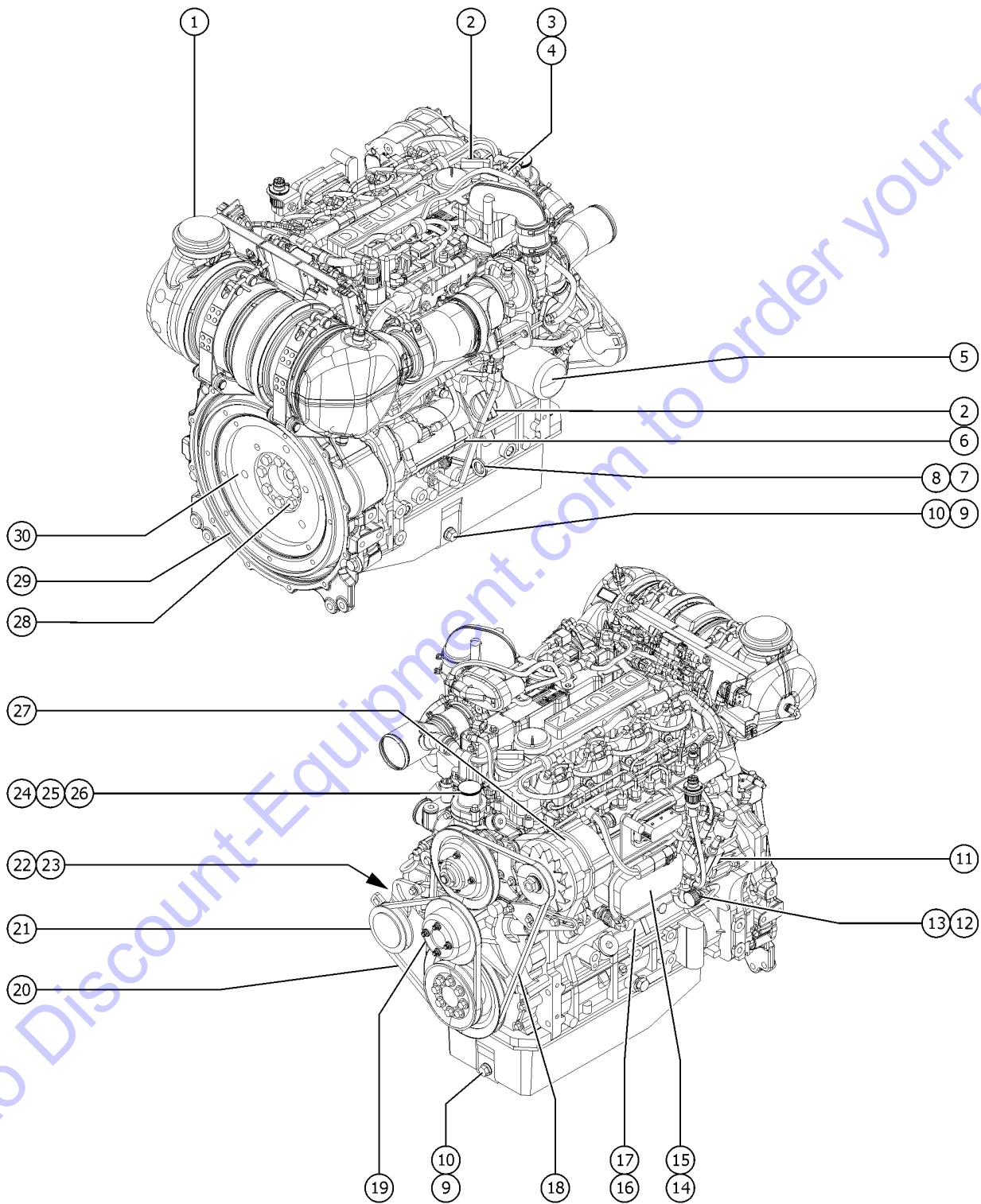
Go to Discount-Equipment.com to order your parts

420.1 Deutz TD2.9 L4 China IV Engine, View 1



Item	Part No.	Description	Qty.
A	1259717GT	MANUAL, DEUTZ D2.9 ENGINE	1
B	1262870GT	GLOW PLUG, DEUTZ	4
C	1262871GT	SEAL, FRONT ENGINE,DEUTZ	1
D	1262872GT	SEAL, REAR ENGINE,DEUTZ	1
E	1272624GT	KIT,WATER PUMP 2.9 L4 includes fasteners and 1262874 pump	1
F	1262875GT	O-RING, WATER PUMP	1
F-	1259654GT	INTAKE BREATHER	1
G	1259899GT	HARNESS, ENGINE, DEUTZ TD2.9	1
H	1277974GT	PINS,CONNECTOR,INJ HARNESS,D2.9	
1		OXIDATION CATALYST,DEUTZ (DEUTZ OXIDATION CATALYST/MUFFLER)(contact Genie Parts; engine serial number required)	
2	29557GT	CAP,OIL FILLER,DEUTZ,DIESEL ***	2
3	1262896GT	SENSOR,INTAKE AIR PRESSURE	1
4	1262897GT	O-RING, INTAKE AIR PRESSURE SENSOR	1
5	49924GT	FILTER,OIL,DEUTZ Genie Genuine Part. See PN 1255653 for compatible aftermarket replacement.	1
5B	1255653GT	FILTER,OIL,DEUTZ,REPLACEMENT Genie Aftermarket Part. Compatible with Genie Genuine Part 49924.	
6	1254594GT	STARTER,3.2KW,DEUTZ D2.9	1
6-	1262868GT	BOLT, DEUTZ STARTER not included sold seperately	
6B	825939GT	FORMING, CLAMP, BATTERY CABLE	
6B-	78736GT	CLAMP 2 HOSE,PLASTIC for 825939	
7	825708GT	DIPSTICK,TD2.9	1
8	1262881GT	ORING, OIL DIP STICK	1
9	102587GT	PLUG,ENGINE OIL,DEUTZ F4L2011	2
10	108538GT	RING / SEALING	2
11	1279653GT	PUMP,FUEL,HI PRESS,DEUTZ TD2.9	1
12	1262894GT	SENSOR,CAM/CRANKSHAFT POSITION (crankshaft)	1
13	1262895GT	O-RING, CRANKSHAFT POSITION SENSOR	1
14	1260357GT	OIL COOLER,TD2.9	1
15	1262883GT	GASKET, OIL COOLER, DEUTZ	1

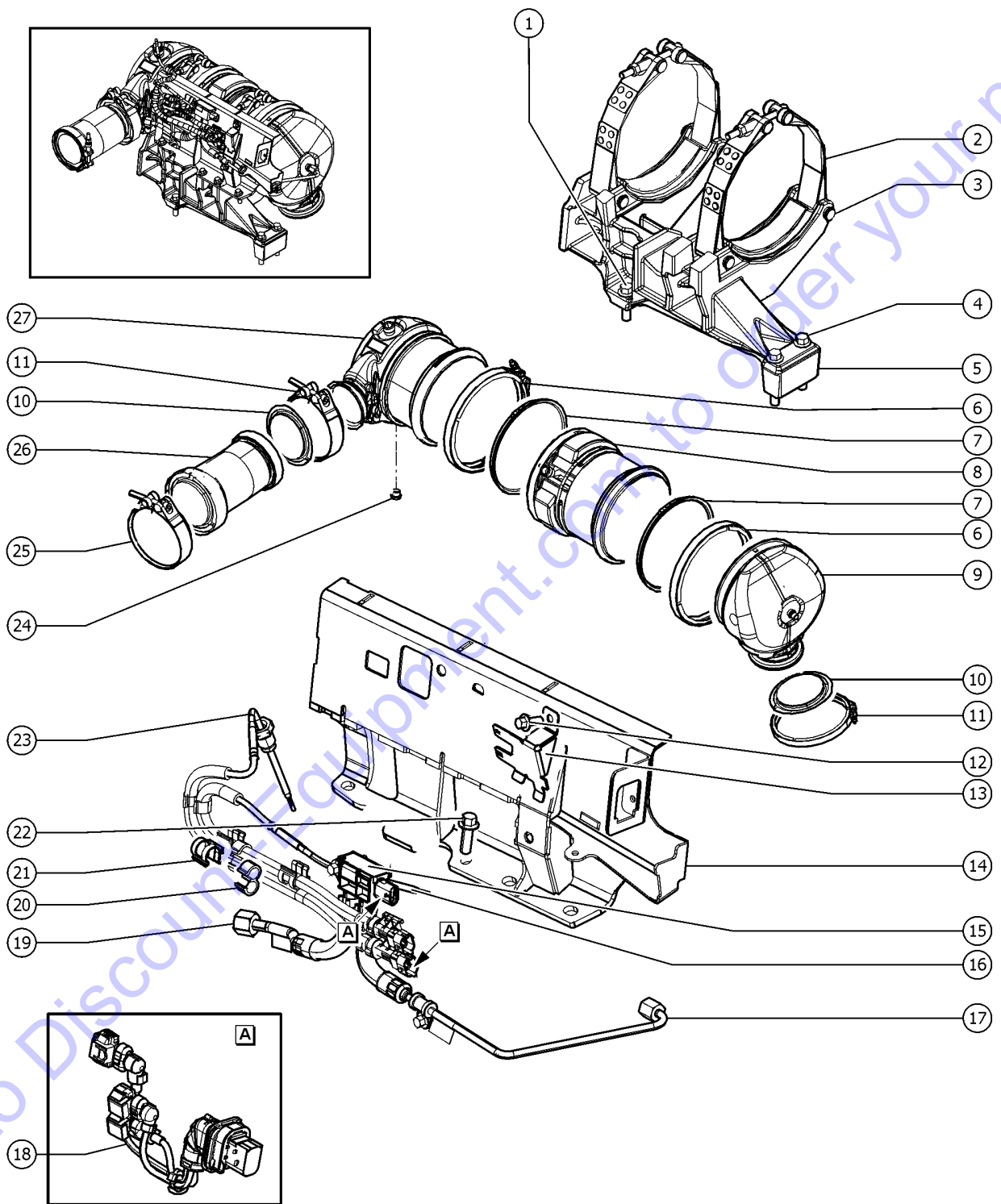
420.1 Deutz TD2.9 L4 China IV Engine, View 1



Item	Part No.	Description	Qty.
16	824673GT	SENSOR,LOW PRESSURE,DEUTZ 2.9L (oil pressure sensor)	1
17	1262893GT	O-RING, OIL PRESSURE SENSOR	1
18	1262866GT	FAN BELT, ALTERNATOR	1
19	236248GT	PULLEY ASSEMBLY,ALTERNATOR,TCD3.6	1
20	1262867GT	V-BELT, DEUTZ	1
21	1279631GT	PULLEY,BELT TENSIONER,D2.9L4	1
22	1262894GT	SENSOR,CAM/CRANKSHAFT POSITION hidden from view (camshaft)	1
23	1262899GT	O-RING, CAMSHAFT POSITION SENSOR hidden from view	1
24	1262877GT	THERMOSTAT HOUSING	1
25	1262876GT	THERMOSTAT,DEUTZ	1
26	1262878GT	GASKET, THERMOSTAT HOUSING	1
27	236251GT	ALTERNATOR,95 AMP,DEUTZ TCD3.6	1
28	1262873GT	BOLT, DEUTZ FLYWHEEL	8
29	89785GT	RING GEAR,DEUTZ F3L2011F	1
30	1259660GT	FLYWHEEL, SAE 8/10 order with item #28, PN 1262873, qty 8	1

Go to Discount-Equipment.com to order your parts

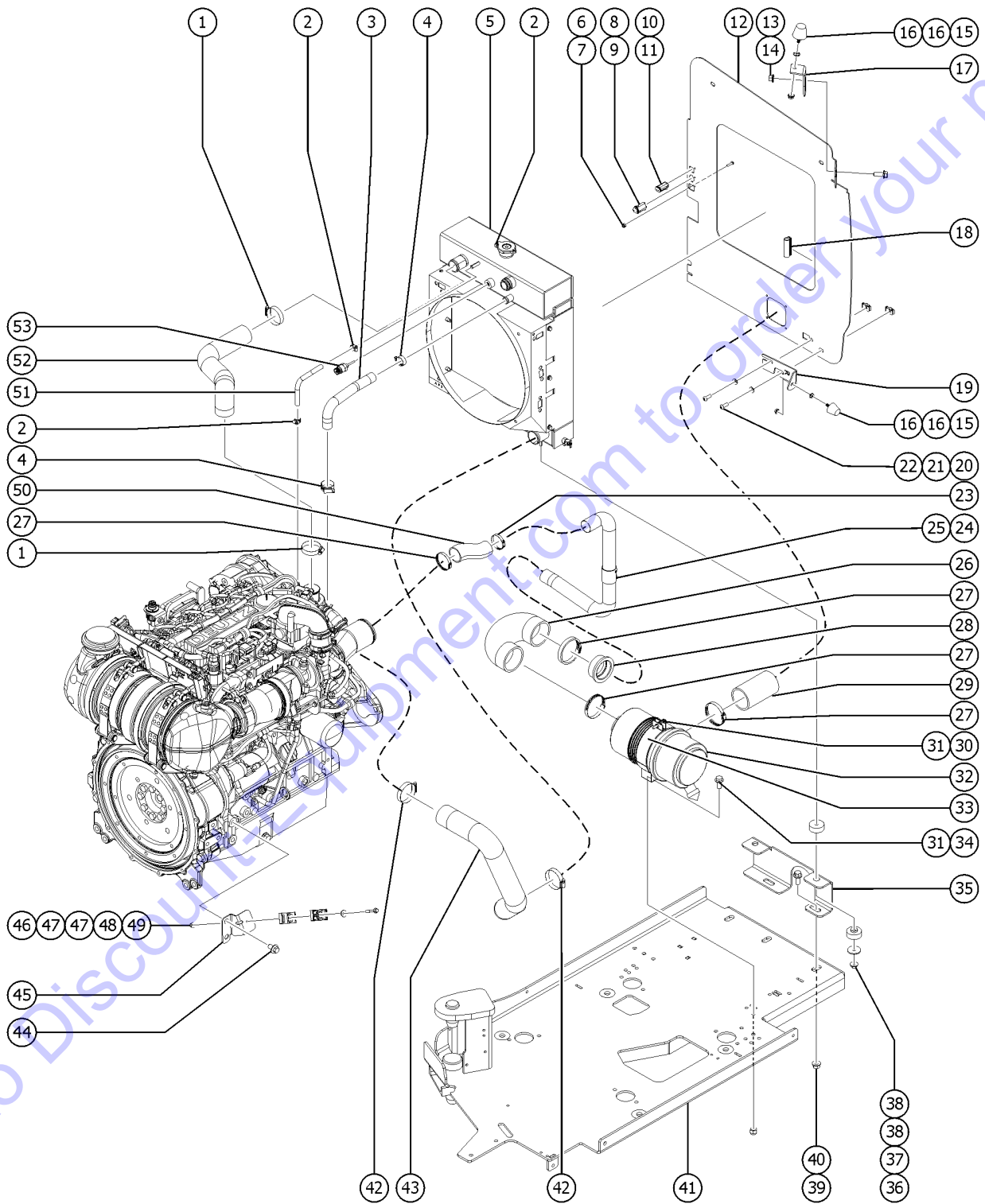
421.1 Deutz TD2.9 L4 China IV Engine, View 2



Item	Part No.	Description	Qty.
1	1297249GT	SCREW M10x38	2
2	1297244GT	STRAP W/SCREW	2
3	1297245GT	CIRCLIP	8
4	1297251GT	SCREW M10x65	2
5	1297250GT	BRACKET	1
6	1297261GT	CLIP	2
7	1297262GT	GASKET	2
8	1297263GT	PARTICULATE FILTER	1
9	1297264GT	DPF OUTLET	1
10	1257377GT	GASKET,MIXING PIPE,TCD3.6 T4F	2
11	825015GT	CLAMP, T4 TCD3.6 DOC	2
12	1297255GT	SCREW M6x12	1
13	1297257GT	RETAINING PLATE	1
14	1297256GT	SHEET / PLATE	1
15	1297253GT	PRESSURE SENSOR	1
16	07.4501.0252GT	TEMPERATURE SENSOR	1
17	1297252GT	TUBE	1
18	1297243GT	INTERCONNECTING PIPE	1
19	1297247GT	TUBE	1
20	1297248GT	HOSE CLIP	2
21	1297254GT	CLAMP	4
22	1293871GT	HEXAGON BOLT	3
23	1257779GT	SENSOR,EXH,TEMP,TCD3.6 T4F	1
24	1297258GT	PLUG	1
25	824775GT	CLAMP,TURBO OUTLET-TURBO PIPE,	1
26	1300708GT	COMPENSATOR	1
27	1297260GT	DPF INLET	1

Go to Discount-Equipment.com to order your parts

422.1 Deutz TD2.9 L4 China IV Engine, View 3

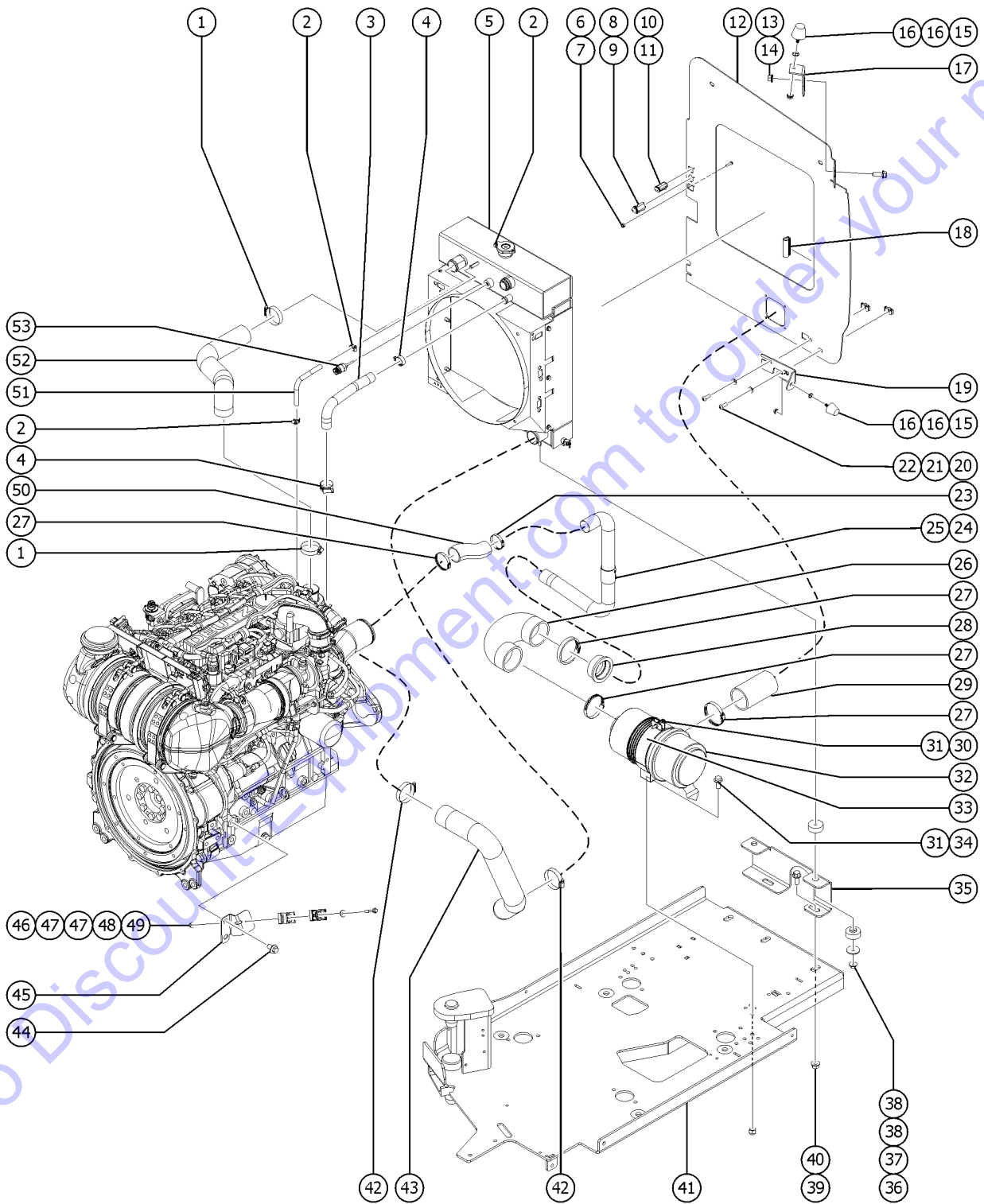


Go to DiscountEquipment.com to order your parts

Item	Part No.	Description	Qty.
1	1314055GT	CLAMP, T-BOLT, HOSE, 49mm-57mm	2
2	21465GT	CLAMP,HOSE,.25" - .63" X .3125	4
3	1315469GT	HOSE,UPPER SUBSIDIARY,API RADIATOR,DEUTZ 2.9L	1
4	1314054GT	CLAMP, CONSTANT TENSION, HOSE, 21mm-38mm	2
5	1306598GT	RADIATOR,COOLING SYSTEM,API,S85XC	1
6	18605GT	NUT,NYLOCK,8-32	1
7	1253490GT	SCREW,PHPM,8-32 X .75,ZAG	6
8	60427GT	LOCK,PLUG 3 WAY,14-18GA	6
9	119057GT	CONN PLUG 3 WAY ENDCAP DT	1
10	60425GT	LOCK,PLUG 2 WAY, 14-18GA	1
11	119056GT	CONN PLUG 2 WAY ENDCAP DT	1
12	1314924GT	FORMING, BULKHEAD, DEUTZ 2.9L, S85XC CHINA IV	1
13	824090GT	SCREW,HHF,3/8-16X1,8,ZAG	4
14	1274322GT	NUT,NYLOCK FLG,3/8-16,F,ZAG	2
15	30973GT	BUMPER,RUBBER-1 X 1.25	1
16	1255805GT	NUT,SERRATED,5/16-18,8,ZAG	2
17	1298765GT	FORMING,BRKT,ENGINE SIDE COVER	1
18	119218GT	TRIM,EDGE,1/8X3/4 SIDE BULB	1
19	1272230GT	FORMING, BRKT, ENGINE COVER	1
20	1255393GT	SCREW,BHC,3/8-16X1,F835,ZAG	2
21	826793GT	WASHER,FLAT,3/8,SAE,HRD,ZAG	2
22	29868GT	SPRING CLIP,3/8-16,.05-.20X.73,ZAG	2
23	30971GT	CLAMP,HOSE,3.00"	1
24	1315936GT	RUBBER, PIPE CUSHION	1
25	1314134GT	TUBE, AIR, CLEANER TO ENGINE, TD2.9 CHINA IV	1
26	1308141GT	HOSE, AIR INTAKE, 3.00" I.D.	1
27	30489GT	CLAMP,HOSE,3.50	4
28	101640GT	REDUCER,RUBBER 3.0 - 2.5	1

Go to Discount-Equipment.com to order your parts

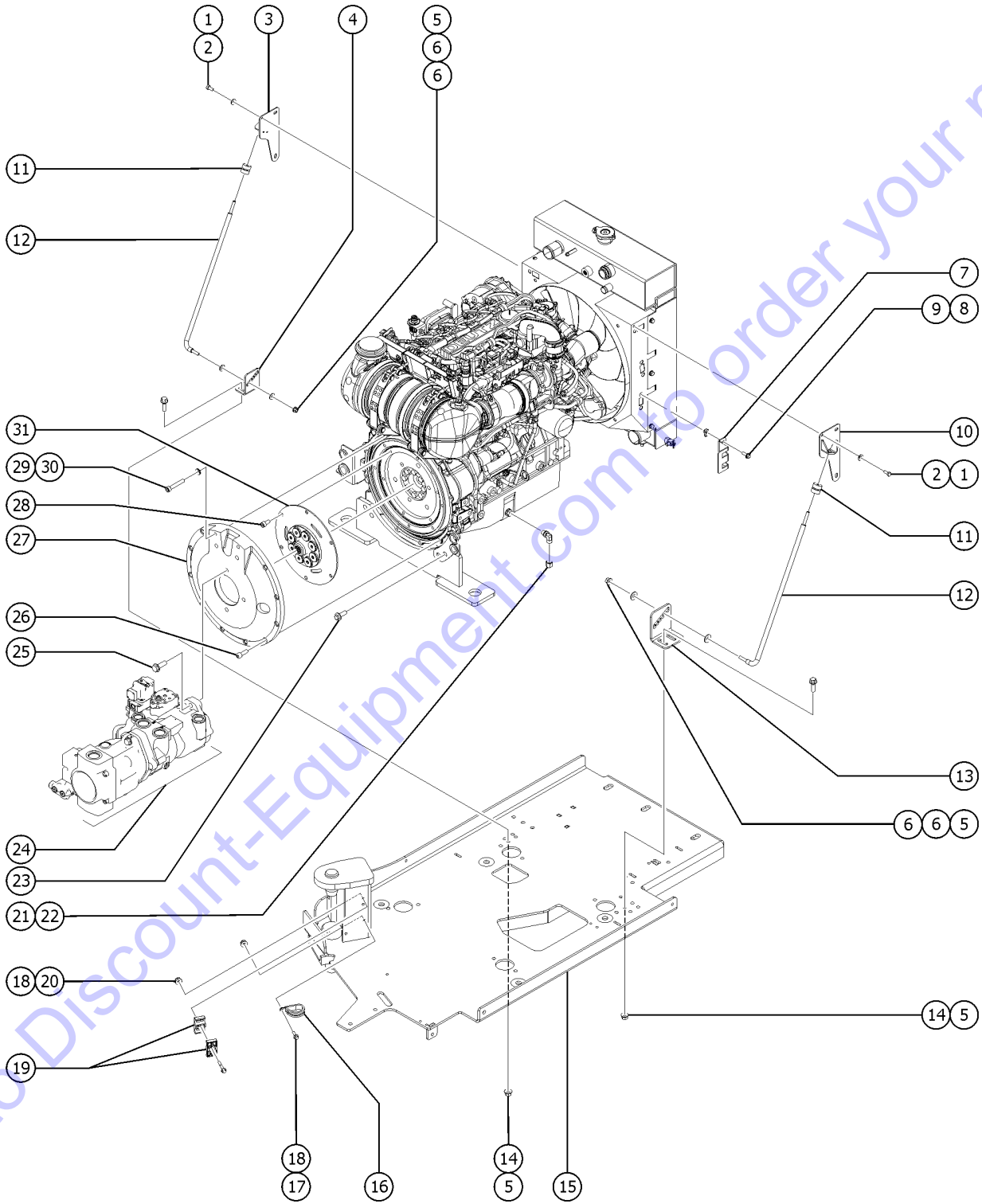
422.1 Deutz TD2.9 L4 China IV Engine, View 3



Item	Part No.	Description	Qty.
29	1314364GT	HOSE, RAW AIR INTAKE, 3" I.D., DEUTZ TD2.9 CN4	1
30	1255763GT	SCREW,HHF,5/16-18X1.5,8,ZAG	1
31	1274167GT	NUT,NYLOCK FLG,5/16-18,F,ZAG	3
32	1314342GT	FILTER,AIR INTAKE,DEUTZ TD2.9 CN4,W/SENSOR	1
33	1314829GT	BRKT,AIR CLEANER,DONALDSON,S85XC	1
34	824086GT	SCREW, HHF, 5/16-18 X 1, 8, ZAG	2
35	1314880GT	FORMING,RADIATOR MOUNT,S85XC	1
36	1257628GT	NUT,SERRATED,3/8-16,ZAG	2
37	824120GT	WASHER, FLAT, .375 X 1.50 X .125, ZAG	2
38	24038GT	SHOCK MOUNT,SMALL	4
39	1253319GT	NUT,TL FLG,5/8-11,G,ZAG	2
40	1253208GT	SCREW,HHF,5/8-11X1.5,8,ZAG	2
41	1306691GT	WELDMENT, ENGINE TRAY, S85XC, TD2.9	1
42	1314056GT	CLAMP, T-BOLT, HOSE, 57mm-65mm	2
43	1307252GT	HOSE,LOWER RADIATOR,DEUTZ 2.9L	1
44	1255806GT	SCREW,HHF,M12-1.75X20,DIN6921,10.9,ZAB	2
45	825939GT	FORMING, CLAMP, BATTERY CABLE	1
46	1277924GT	NUT,NYLOCK FLG,1/4-20,F,ZAG	1
47	78736GT	CLAMP,2 HOSE,PLASTIC	2
48	824082GT	SCREW, HHF, 1/4-20 X 1.75, 8, ZAG	1
49	824113GT	WASHER,FLAT,USS,1/4,ZAG	1
50	1314133GT	ADAPTER, AIR INTAKE, TD2.9 CHINA IV	1
51	824600GT	HOSE,HEATER,1/4" 4"	1
52	1307249GT	HOSE,UPPER RADIATOR,DEUTZ 2.9L	1
53	162210GT	SENSOR,COOLANT LEVEL,DEUTZ	1

Go to DiscountEquipment.com to order your parts

423.1 Deutz TD2.9 L4 China IV Engine, View 4



Item	Part No.	Description	Qty.
1	824135GT	SCREW,HHC,M8-1.25X20,DIN933,10.9,ZAB	2
2	824144GT	WASHER,FLAT,M8,DIN125,ZAB	2
3	1314189GT	WELDMENT, CHINA IV, STRUT BRACKET, SWING SIDE	1
4	1291076GT	FORMING,FAN SHROUD STRUT MOUNT, LH	1
5	1274322GT	NUT,NYLOCK FLG,3/8-16,F,ZAG	6
6	1255758GT	WASHER,FLAT,3/8,USS,ZAG	4
7	1314190GT	FORMING, INTAKE PIPE MOUNT, DEUTZ TD2.9,CHINA IV	1
8	824078GT	SCREW,HHF,1/4-20X.75,8,ZAG	2
9	56912GT	SPRING CLIP,1/4-20,.025-.15X.54,ZAG	2
10	1314167GT	WELDMENT, CHINA IV, STRUT BRACKET, COVER SIDE	1
11	1301742GT	ISOLATOR, RADIATOR, 80 LB	2
12	1301741GT	STRUT, ROD, STAGE V	2
13	1299496GT	FORMING,FAN SHROUD STRUT MOUNT, RH	1
14	824091GT	SCREW, HHF, 3/8-16 X 1.25, 8, ZAG	4
15		Ref. WELDMENT, ENGINE TRAY, S85XC, TD2.9 refer to 422.1	1
16	21619GT	CLAMP,1.50,#24 X 1/4,RUB CUSH	1
17	824079GT	SCREW,HHF,1/4-20X1,8,ZAG	1
18	1277924GT	NUT,NYLOCK FLG,1/4-20,F,ZAG	3
19	78736GT	CLAMP,2 HOSE,PLASTIC	2
20	824082GT	SCREW, HHF, 1/4-20 X 1.75, 8, ZAG	1
21	69775GT	CAP,520112-8	1
22	54428GT	FITTING,HYDRAULIC,90DEG,O-RING	1
23	1251899GT	SCREW,HHF,M14-2.0 X 40,DIN 6921,10.9, ZAB	2
24		Ref. DRIVE PUMP AND FUNCTION PUMP refer to 707.1	1
25	123167GT	FLGHCS,1/2-13X1.50,GR8,BLK PH	4
26	1255666GT	SCREW,SHC,M10-1.50X30,DIN912,1	10
27	70381GT	COVER,FLYWHEEL CASTING	1
28	1255665GT	SCREW,SHC,M10-1.50X20,DIN912,12.9,ZAB	6

Go to DiscountEquipment.com to order your parts

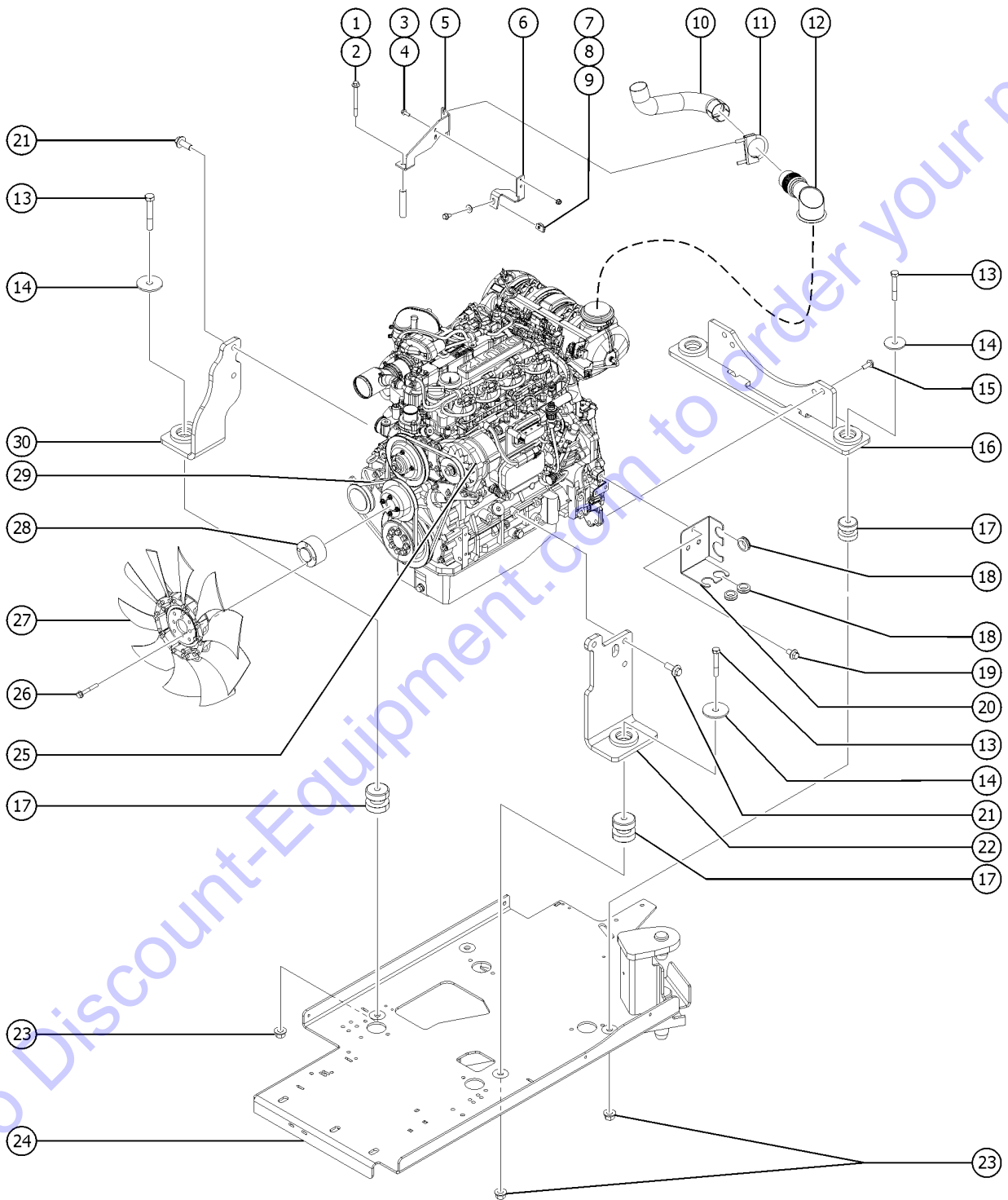
423.1 Deutz TD2.9 L4 China IV Engine, View 4

<i>Item</i>	<i>Part No.</i>	<i>Description</i>	<i>Qty.</i>
29	1257481GT	SCREW,SHC,M10-1.5X60,DIN912,12.9,ZAB	2
30	824145GT	WASHER, FLAT, DIN125, M10, ZAB	2
31	128004GT	COUPLER,15 TOOTH,FBA,SAE8***	1

Go to Discount-Equipment.com to order your parts

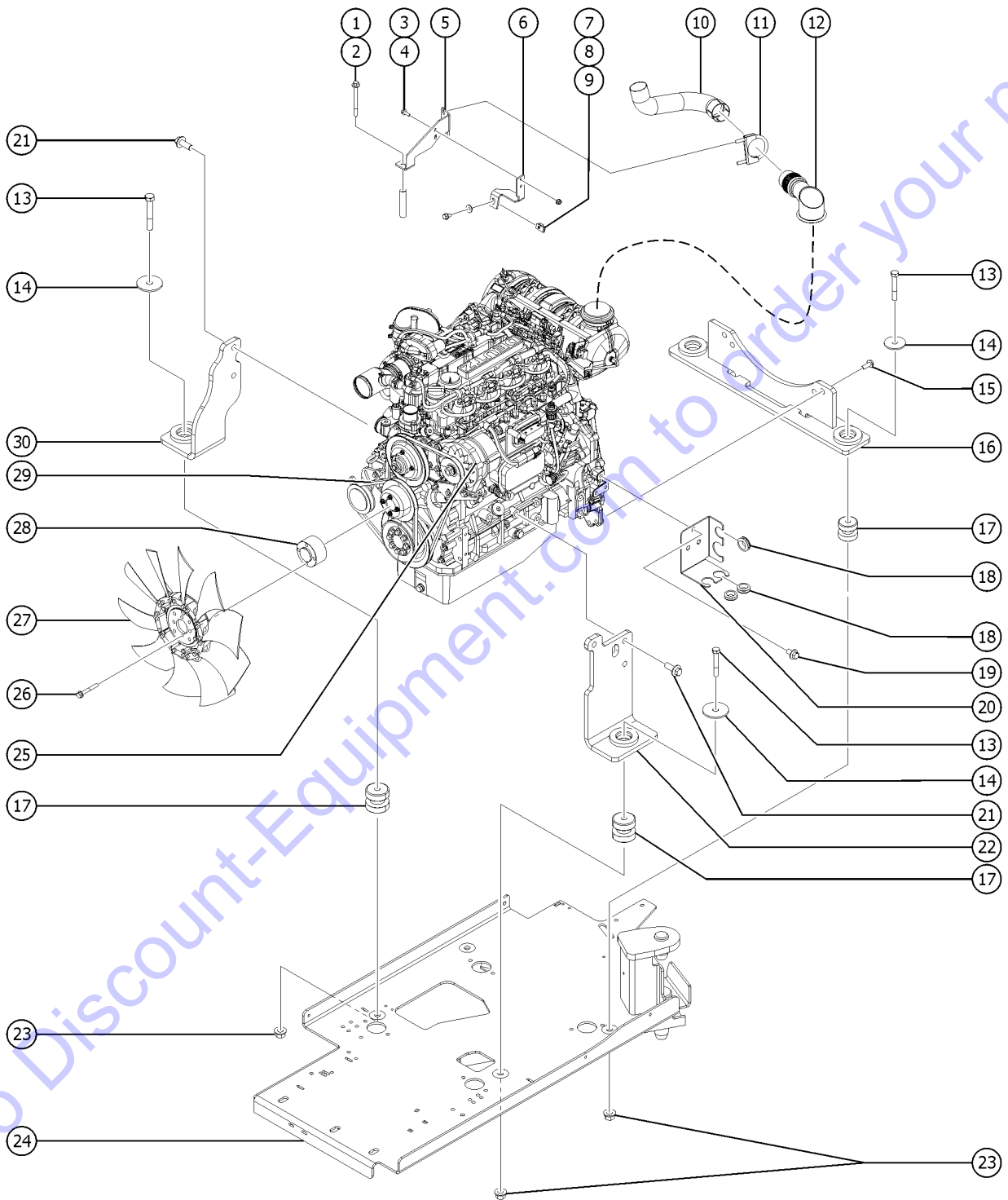


424.1 Deutz TD2.9 L4 China IV Engine, View 5



Item	Part No.	Description	Qty.
1	237244GT	SCREW,HHF,M12-1.75X120,IFI 536,10.9,ZAB	1
2	1315985GT	TUBE,CDS,.79 X.51 X 4 LG	1
3	824133GT	SCREW,HHF,M8-1.25X25,DIN6921,10.9,ZAB	2
4	237832GT	NUT,TL FLG,M8-1.25,DIN6927,10,ZAB	2
5	1315986GT	FORMING, EXHAUST SUPPORT I, TD2.9 CN4,S85XC	1
6	1315987GT	FORMING, EXHAUST SUPPORT II, TD2.9 CN4,S85XC	1
7	29868GT	SPRING CLIP,3/8-16,.05-.20X.73,ZAG	1
8	1255758GT	WASHER,FLAT,3/8,USS,ZAG	1
9	824089GT	SCREW, HHF, 3/8-16 X .75, 8, ZAG	1
10	1315915GT	PIPE,EXHAUST,TD2.9 CN4,S85XC	1
11	71911GT	CLAMP,MUFFLER, 2.50 INCH	1
12	1315897GT	WELDMENT,EXHAUST PIPE,TD2.9 CN4	1
13	1256170GT	SCREW,HHC,5/8-11X4,8,ZAG	4
14	1314140GT	WASHER,FLAT,72mmX17mmX5mm	4
15		Ref. SCREW,HHF,M14-2.0 X 40,DIN 6921,10.9, ZAB refer to 423.1	4
16	1313525GT	WELDMENT, REAR MOUNT,ENGINE	1
17	1314138GT	ISOLATOR,DEUTZ TD2.9 CN4,22003-12	4
18	124962GT	GROMMET,RUBBER,1.0 X 1.25X1.5	3
19	1255806GT	SCREW,HHF,M12-1.75X20,DIN6921,10.9,ZAB	3
20	826873GT	FORMING, ENGINE HARNESS SUPPORT	1
21	1256776GT	SCREW,HHF,M14-2.0X35,DIN6921,10.9,ZAB	5
22	1313527GT	WELDMENT,ENGINE MOUNT,LEFT	1
23	1253319GT	NUT,TL FLG,5/8-11,G,ZAG	4
24		Ref. WELDMENT, ENGINE TRAY, S85XC, TD2.9 refer to 422.1	1
25	236251GT	ALTERNATOR,95 AMP,DEUTZ TCD3.6	1
26	1258771GT	SCREW,HHF,M8-1.25X60,DIN6921,10.9,ZAB	4
27	1251496GT	FAN,10 BLADE,17",DEUTZ 2.9L	1
28	1258641GT	SPACER, FAN, DEUTZ, 43MM LNG	1

424.1 Deutz TD2.9 L4 China IV Engine, View 5

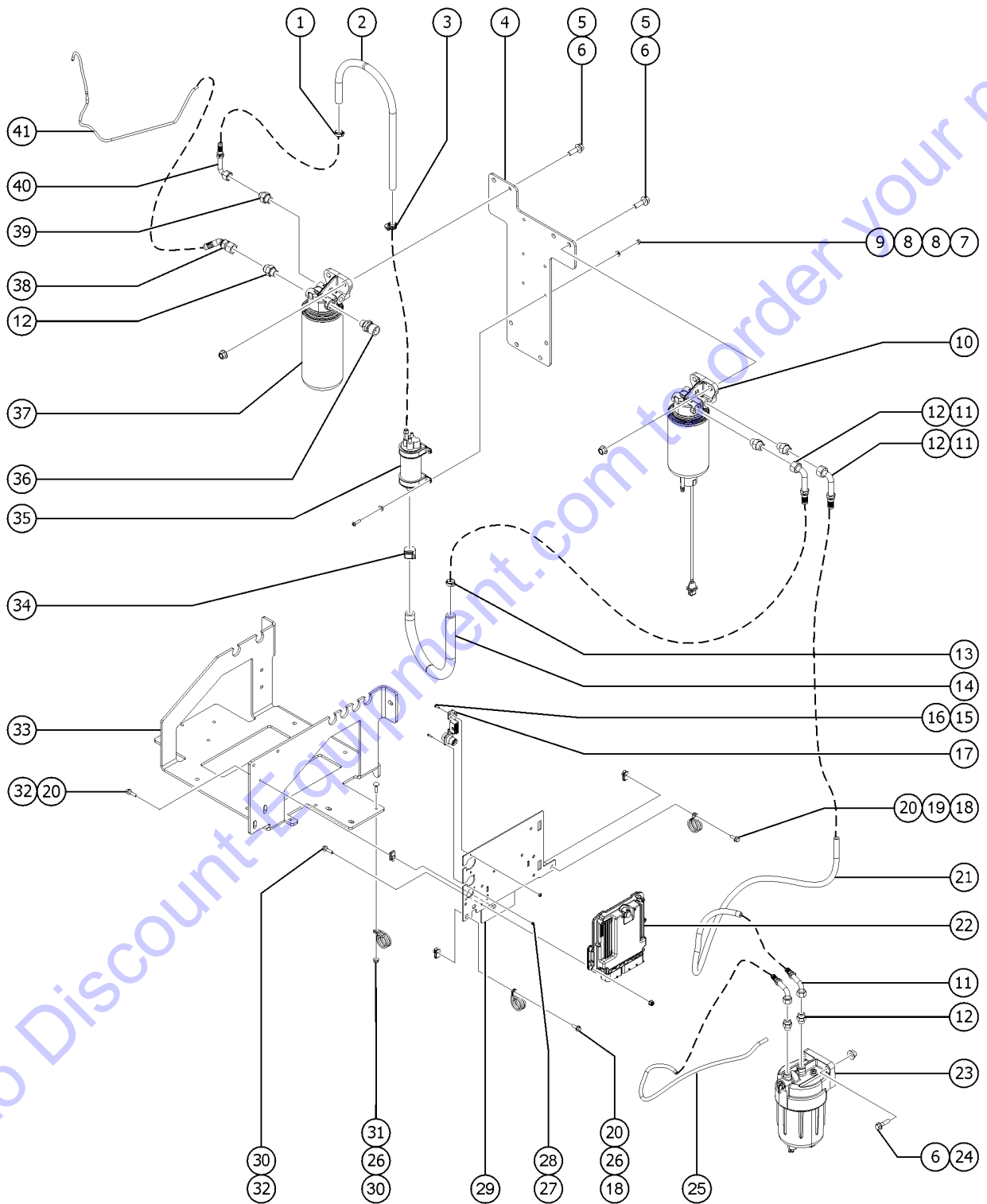


424.1 Deutz TD2.9 L4 China IV Engine, View 5

<i>Item</i>	<i>Part No.</i>	<i>Description</i>	<i>Qty.</i>
29	1262866GT	FAN BELT, ALTERNATOR	1
30	1313526GT	WELDMENT,ENGINE MOUNT,RIGHT	1

Go to Discount-Equipment.com to order your parts

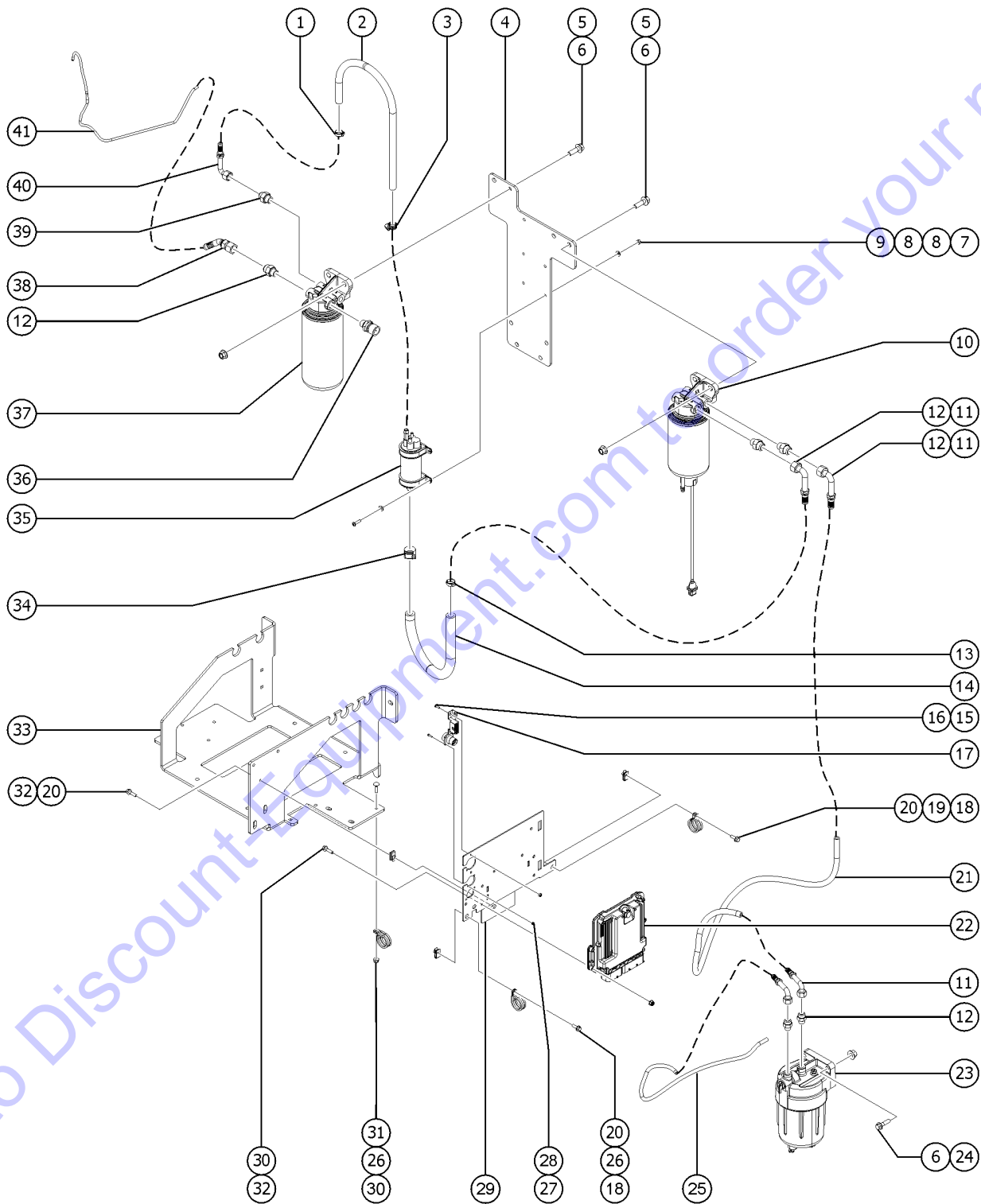
425.1 Deutz TD2.9 L4 China IV Engine, View 6



Item	Part No.	Description	Qty.
1	96770GT	CLAMP, HOSE, 1 EAR, 11/16	1
2	823420-1772GT	HOSE,FUEL,3/8,GATES RLA 60"	1
3	81154GT	CLAMP,HOSE,SIZE .31 > .91	1
4	1306173GT	BRACKET,FUEL SYSTEM,DEUTZ 2.9L,S-80	1
5	824091GT	SCREW, HHF, 3/8-16 X 1.25, 8, ZAG	4
6	1274322GT	NUT,NYLOCK FLG,3/8-16,F,ZAG	6
7	6178GT	NUT, NYLOCK, 10-32, SS	4
8	1253185GT	WASHER,FLAT,#10,USS,ZAG	8
9	824215GT	SCREW, PHPM, 10-32 X .75, ZAG	4
10	236260GT	FILTER, FUEL PRE-FILTER, SPIN-ON, DEUTZ	1
11	162207GT	FITTING,ELBOW,8GS-8FJX90S	4
12	162209GT	FITTING,CONN,16MM-8MJ	5
13	822087GT	CLAMP,HOSE,1EAR,25/32	1
14	823421-1772GT	HOSE,FUEL,1/2,GATES RLA	1
15	824214GT	SCREW,PHPM,6-32X.50,ZAG	2
16	1274164GT	NUT,NYLOCK,6-32,A,ZAG	2
17	1312884GT	HARNESS, DEUTZ 2.2 CN4, S85 XC	1
18	824078GT	SCREW,HHF,1/4-20X.75,8,ZAG	5
19	21618GT	CLAMP,1.13,#18 X 1/4,RUB CUSH	2
20	56912GT	SPRING CLIP,1/4-20,.025-.15X.54,ZAG	8
21	823421-6693GT	HOSE,FUEL,1/2,GATES RLA 66.93	1
22	1312777GT	ECM, DEUTZ D 2.9L4, CN4	1
23	1312115GT	ASSEMBLY, FUEL FILTER/W SEPERATOR, CHINA IV	1
24	824092GT	SCREW, HHF, 3/8-16 X 1.5, 8, ZAG	2
25	823421-5511GT	HOSE,FUEL,1/2,GATES RLA 55.11	1
26	33784GT	CLAMP,1.31,#21 X 1/4,RUB CUSH	3
27	40766GT	NUT,NYLOCK,4-40	2
28	1253477GT	SCREW,PHPM,4-40X.5,ZAG	2

Go to DiscountEquipment.com to order your parts

425.1 Deutz TD2.9 L4 China IV Engine, View 6

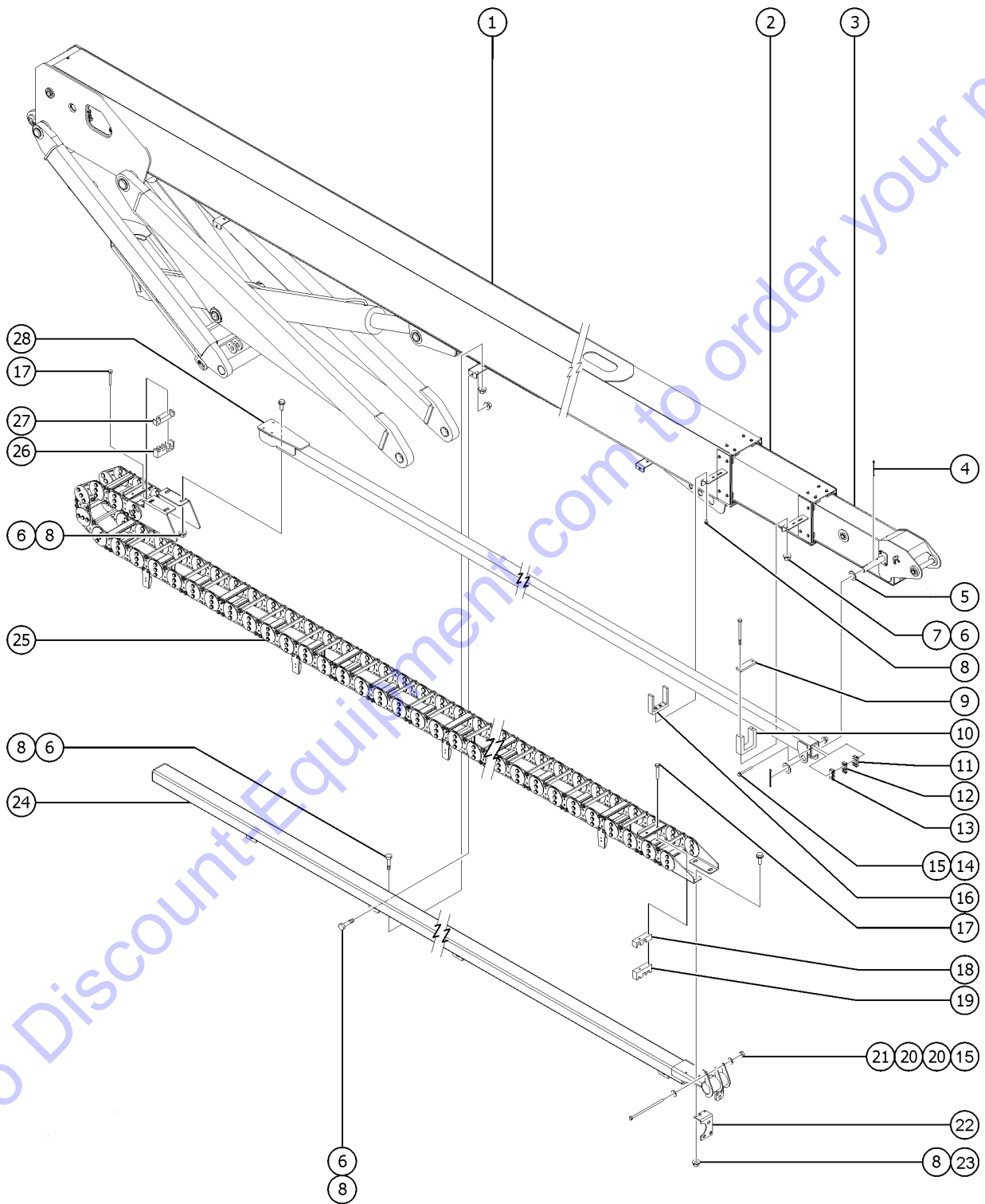


Go to DiscountEquipment.com to order your parts

Item	Part No.	Description	Qty.
29	1279791GT	WELDMENT, ECU MOUNT, XC	1
30	1277924GT	NUT,NYLOCK FLG,1/4-20,F,ZAG	5
31	1256127GT	BOLT,CARRIAGE,1/4-20X1",GR 5,ZAG	1
32	824079GT	SCREW,HHF,1/4-20X1,8,ZAG	7
33		Ref. FORMING ,BATTERY TRAY XC	1
		(refer to 302.1)	
34	46131GT	CLAMP,HOSE,.63" - 1.0" X .5"	1
35	236259GT	LIFT PUMP,FUEL,DEUTZ TCD3.6	1
36	824673GT	SENSOR,LOW PRESSURE,DEUTZ 2.9L	1
37	1261236GT	ASSY,FUEL FILTER,DEUTZ 2.9	1
37-	214228GT	FILTER, DEUTZ 2.9, FUEL	1
38	826357GT	FITTING,45DEG,1/2 HS X 3/4-16,JIC,SW,FEMALE,STEEL	1
39	162208GT	FITTING,CONN,16MM-6MJ	1
40	162206GT	FITTING,ELBOW,6GS-6FJX90S	1
41	823421-11800GT	HOSE,FUEL,1/2,GATES RLA 118	1

Go to Discount-Equipment.com to order your parts

501.1 Cable Track Installation



Go to DiscountEquipment.com to order your parts

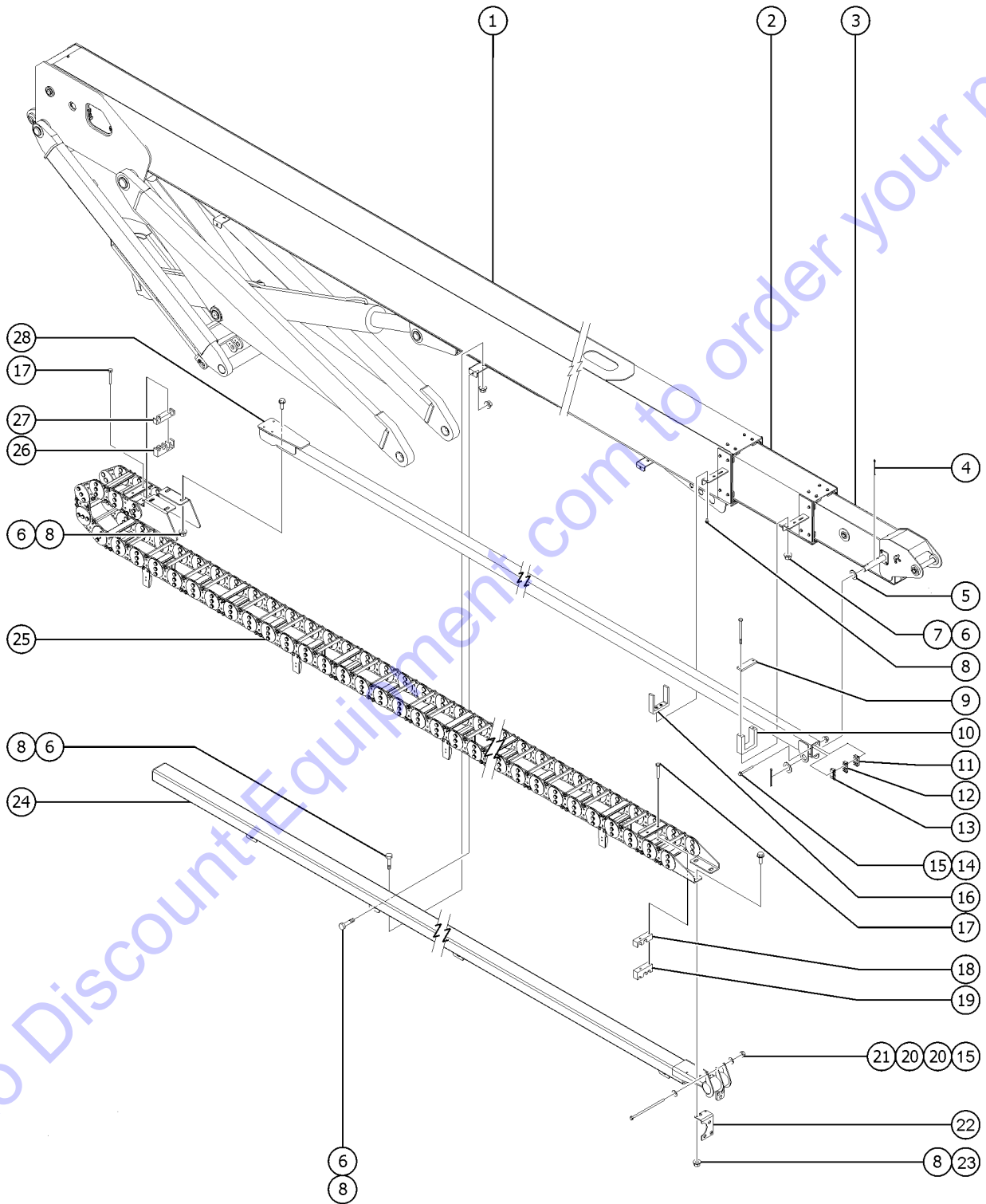
501.1 Cable Track Installation

Item	Part No.	Description	Qty.
1		REF. BOOM NUMBER 1 (refer to 502.1)	1
2		REF. BOOM NUMBER 2 (refer to 503.1)	1
3		REF. BOOM NUMBER 3 (refer to 504.1)	1
4	42079GT	PIN,COTTER,.156 X 2.5	2
5	1251565GT	WASHER,SHIM,1.56X2.5X.061,ZAG	2
6	1274322GT	NUT,NYLOCK FLG,3/8-16,F,ZAG	12
7	1255391GT	SCREW,HHC,3/8-16X7,8,ZAG	2
8	824090GT	SCREW,HHF,3/8-16X1,8,ZAG	20
9	81342GT	WEAR PAD,5.5 X 1.75 X .5	1
10	81341GT	WEAR PAD,CABLE TRACK PULL TUBE	1
11	1288009GT	CLAMP,PULL TUBE,RIGHT,OPTIONS	1
12	1288010GT	CLAMP,PULL TUBE,CENTER	1
13	1288011GT	CLAMP,PULL TUBE,LEFT	1
14	1257867GT	SCREW,HHF,1/4-20X3.5,8,ZAG	2
15	1277924GT	NUT,NYLOCK FLG,1/4-20,F,ZAG	3
16	81340GT	WEAR PAD ASSEMBLY,CABLE TRACK	1
17	1256123GT	SCREW,HHC,1/4-20X3.25,8,ZAG	4
17B	50160GT	SCREW,HHC,1/4-20 X 3.75 (Welder and Air Line options)	4
18	1283306GT	CLAMP, OPTIONS, CABLE TRACK	1
19	1288012GT	CLAMP,CABLE TRACK	1
23	824091GT	SCREW, HHF, 3/8-16 X 1.25, 8, ZAG	2
20	824113GT	WASHER,FLAT,USS,1/4,ZAG	1
21	1268605GT	SCREW,HHC,1/4-20X6,8,ZAG	1
22	1283938GT	FORMING,ARCTIC KIT,BULKHEAD	1
24	1308928GT	WELDMENT,CABLE TRACK TRAY	1
25	1308956GT	S85XC CABLE TRACK, CDKS095,75 LINK to S85XCD-2556	1
25-	1311783GT	LINK,STEEL,CDKS0910,CABLE TRACK	
25-	1311790GT	PIN,CDKS0911	

Go to Discount-Equipment.com to order your parts



501.1 Cable Track Installation



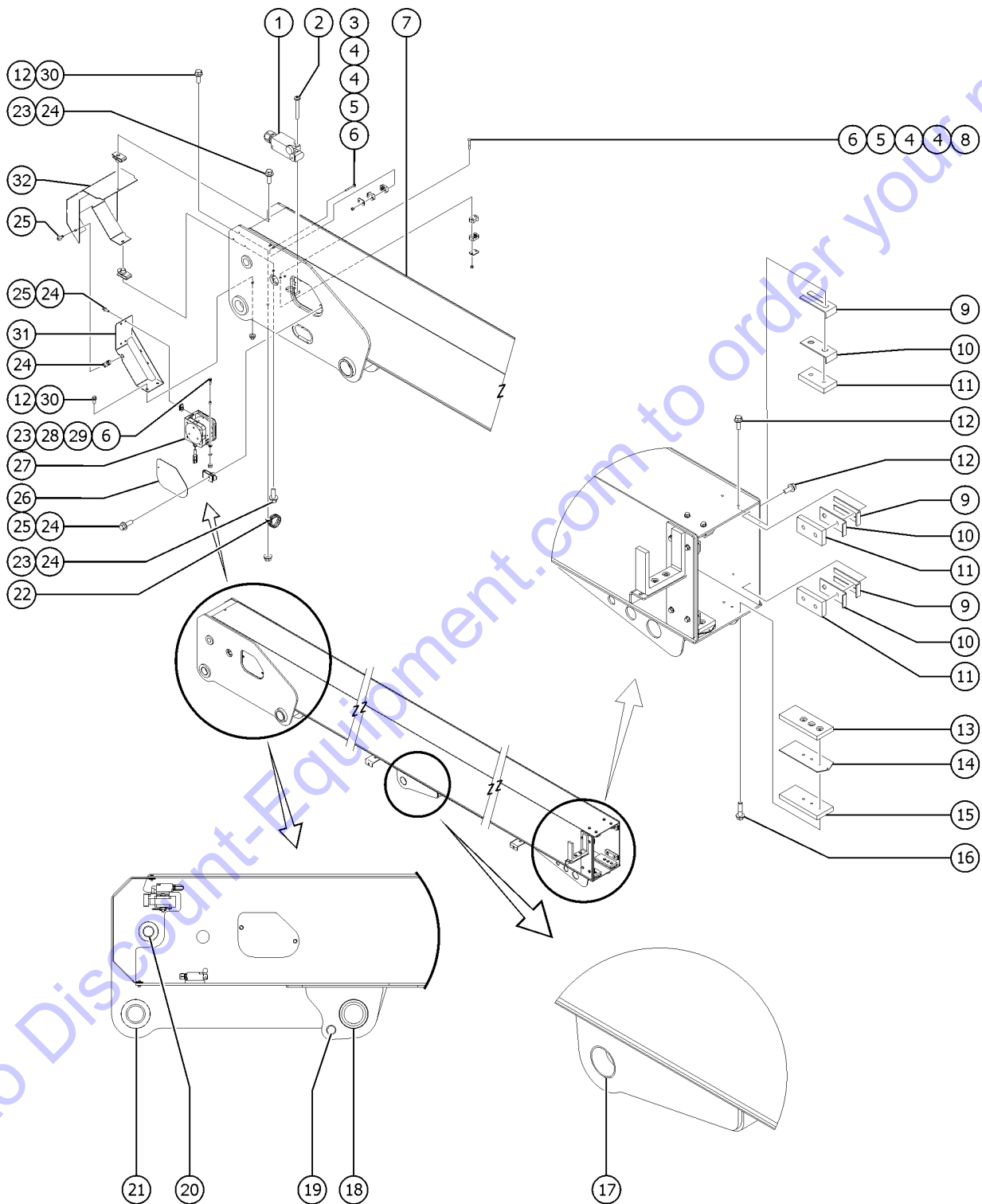
501.1 Cable Track Installation

Item	Part No.	Description	Qty.
25-	1311791GT	RETAINER,CDKS0912	
25-	1311793GT	CROSS BAR,CDKS0950	
25-	1311812GT	BRACKET SET,CDKS0962	
25-	1311839GT	CLAMP PLATE,CDKS 0970	
25-	1311843GT	GUIDE FINGER,CDKS 0914	
25-	1311845GT	GUIDE PLATE,CDKS 0915	
25-	1311847GT	SEPARATOR,CDKS 0916	
25B	1325407GT	CABLE TRACK,SX110-1,70 LINK from S85XCD-2557	1
26	1283304GT	CLAMP,CABLE TRACK,WK LT	1
27	1288013GT	CLAMP,CABLE TRACK,OPTIONS	1
28	121063GT	WELDMENT, LONG GUIDE TUBE	1

Go to Discount-Equipment.com to order your parts



502.1 Extension Boom Tube 1, to S85XCD-2558

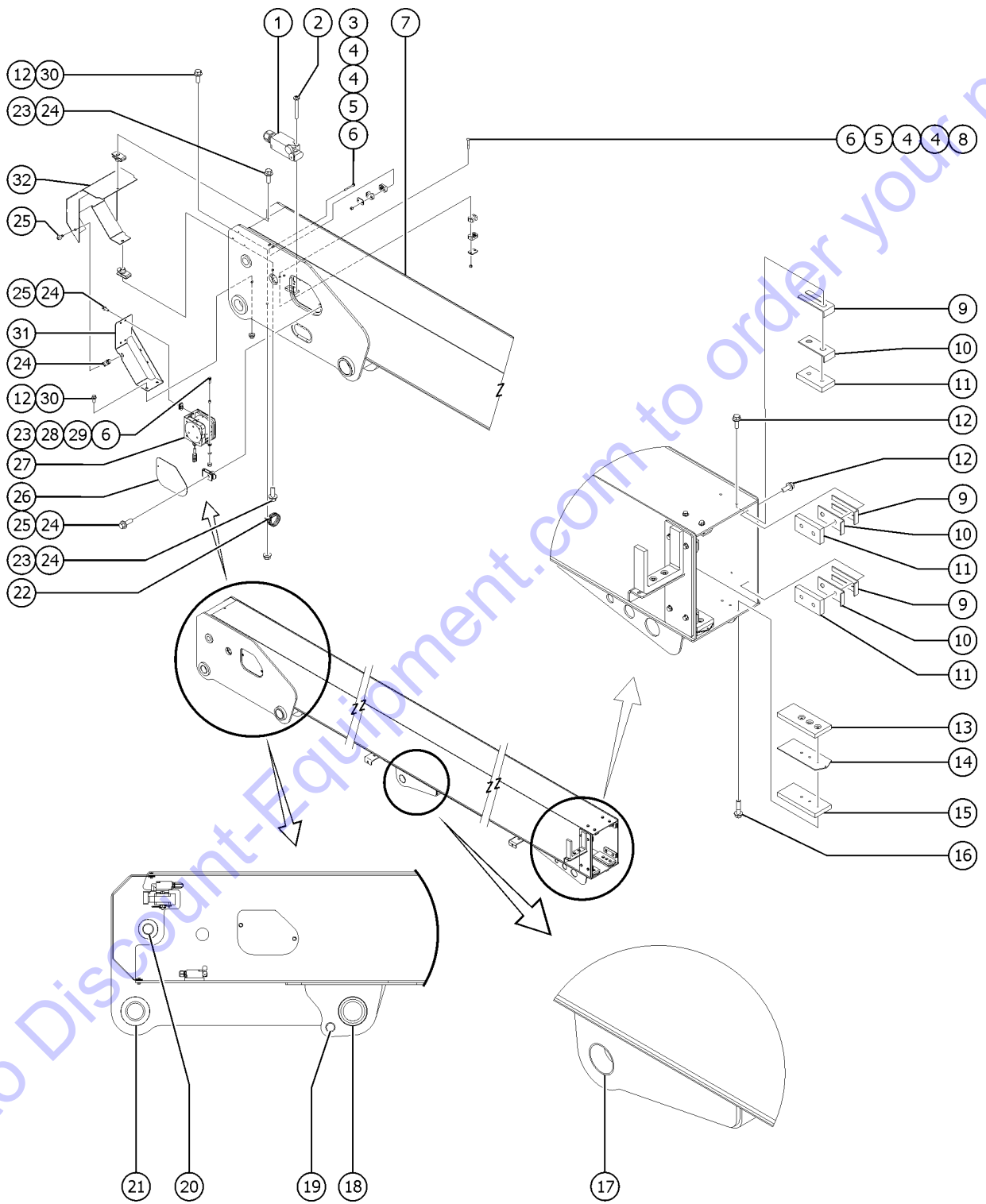


502.1 Extension Boom Tube 1, to S85XCD-2558

Item	Part No.	Description	Qty.
1	88356-13107GT	SWITCH,LIMIT,TABULATE,BLUE Switch activated when cables are not evenly balanced.	1
2	824216GT	SCREW, PHPM, 10-32 X 1.5, ZAG	2
3	824083GT	SCREW, HHF, 1/4-20 X 2.5, 8, ZAG	2
4	117310GT	CLAMP HALF SET,SINGLE,5/8" TUBE	4
5	117312GT	CLAMP CVR PLATE,SINGLE,GRP 2	2
6	1274165GT	NUT,NYLOCK,1/4-20,C,ZAG	5
7	1307730GT	ASSEMBLY,BOOM #1	1
8	824083GT	SCREW, HHF, 1/4-20 X 2.5, 8, ZAG	2
9	1276017GT	SHIM,WEAR PAD,7 X 1.5,16GA	6
10	1276018GT	SHIM,WEAR PAD,7 X 1.5,14GA	6
11	1273674GT	WEAR PAD,7 X 1.5 X .875 W/INSERT	6
12	824067GT	SCREW, HHC, 3/8-16 X 1, 8, ZAG	15
13	1276021GT	WEAR PAD,7 X 3 X .625 W/INSERT	2
14	60304GT	SHIM,WEAR PAD,7 X 3,12GA	4
15	121164GT	BAR,SPACER	2
16	824092GT	SCREW, HHF, 3/8-16 X 1.5, 8, ZAG	4
17	27697GT	BEARING,2.50IDX2.75ODX1.50L	2
18	121754GT	BEARING,3.00IDX3.50DX2.25LG	2
19	119619GT	BEARING,1.5 ID X 1.75 ODX1.5L	1
20	110876GT	BEARING,1.5"ID X 1.75OD X1.25L	2
21	101559GT	BEARING,FL,2.50IDX2.75ODX1.61L	2
22	61745GT	CLAMP,2.25,#36 X 3/8,RUB CUSH	1
23	824079GT	SCREW,HHF,1/4-20X1,8,ZAG	3
24	56912GT	SPRING CLIP,1/4-20,.025-.15X.54,ZAG	11
25	824078GT	SCREW,HHF,1/4-20X.75,8,ZAG	9
26	121029GT	COVER PLATE,BOOM	2
27	1325538GT	SERVICE KIT, LENGTH TRANSDUCER, BAUMER, S80/85XC Replaces 1278666GT	
28	35732GT	SPACER,TUBE,1/4 X 3/8 **	1



502.1 Extension Boom Tube 1, to S85XCD-2558



502.1 Extension Boom Tube 1, to S85XCD-2558

<i>Item</i>	<i>Part No.</i>	<i>Description</i>	<i>Qty.</i>
29	824113GT	WASHER,FLAT,USS,1/4,ZAG	1
30	1274322GT	NUT,NYLOCK FLG,3/8-16,F,ZAG	3
31	1274633GT	WELDMENT, STRING POT MOUNT	1
32	1277597GT	WELDMENT, COVER, PRIMARY BOOM	1

Go to Discount-Equipment.com to order your parts

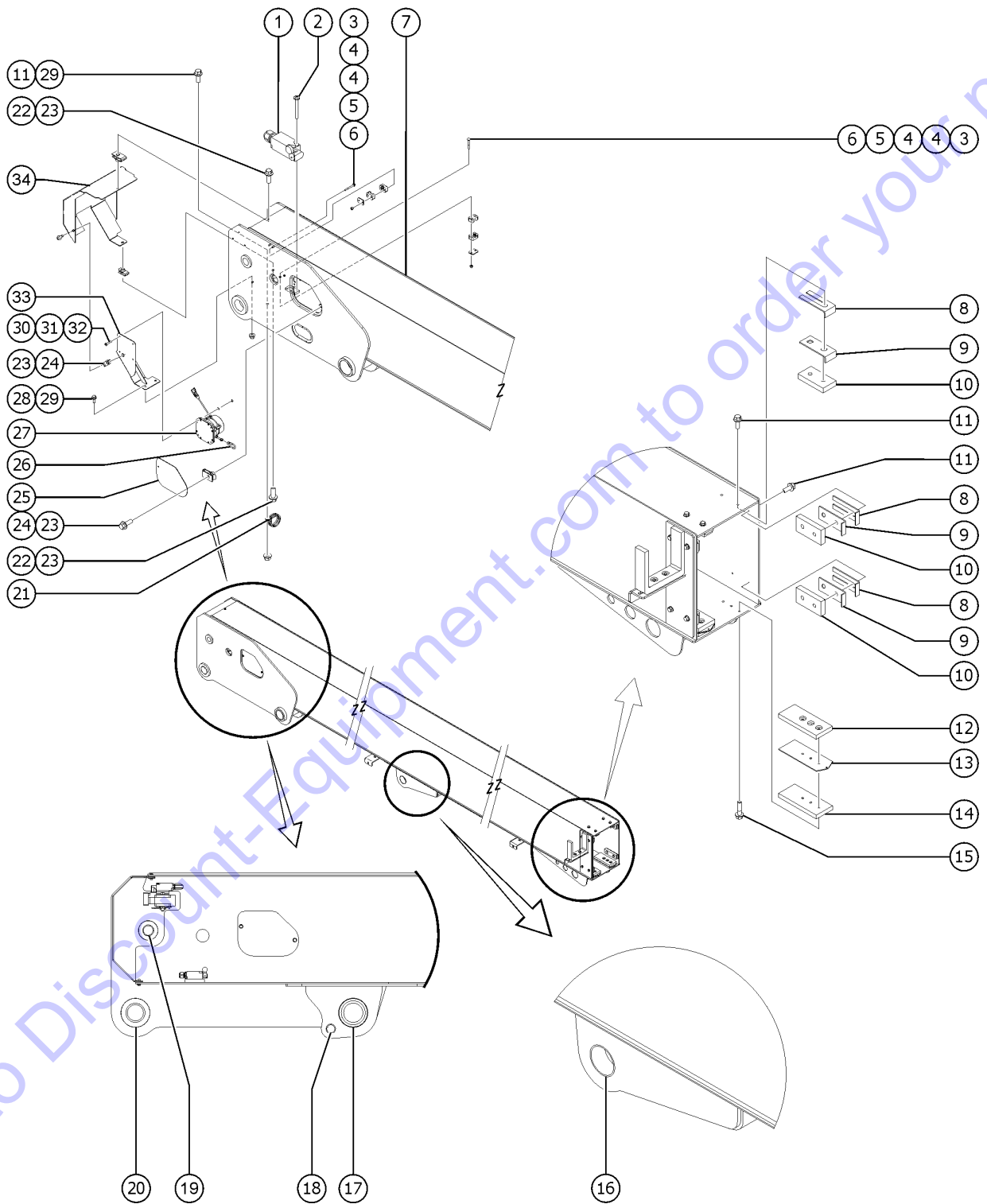
502.2 Extension Boom Tube 1, from S85XCD-2559

Item	Part No.	Description	Qty.
1	88356-13107GT	SWITCH,LIMIT,TABULATE,BLUE Switch activated when cables are not evenly balanced.	1
2	824216GT	SCREW, PHPM, 10-32 X 1.5, ZAG	2
3	824083GT	SCREW, HHF, 1/4-20 X 2.5, 8, ZAG	2
4	117310GT	CLAMP HALF SET,SINGLE,5/8" TUBE	4
5	117312GT	CLAMP CVR PLATE,SINGLE,GRP 2	2
6	1274165GT	NUT,NYLOCK,1/4-20,C,ZAG	5
7	1307730GT	ASSEMBLY,BOOM #1	1
8	1276017GT	SHIM,WEAR PAD,7 X 1.5,16GA	6
9	1276018GT	SHIM,WEAR PAD,7 X 1.5,14GA	6
10	1273674GT	WEAR PAD,7 X 1.5 X .875 W/INSERT	6
11	824067GT	SCREW, HHC, 3/8-16 X 1, 8, ZAG	15
12	1276021GT	WEAR PAD,7 X 3 X .625 W/INSERT	2
13	60304GT	SHIM,WEAR PAD,7 X 3,12GA	4
14	121164GT	BAR,SPACER	2
15	824092GT	SCREW, HHF, 3/8-16 X 1.5, 8, ZAG	4
16	27697GT	BEARING,2.50IDX2.75ODX1.50L	2
17	121754GT	BEARING,3.00IDX3.50DX2.25LG	2
18	119619GT	BEARING,1.5 ID X 1.75 ODX1.5L	1
19	110876GT	BEARING,1.5"ID X 1.75OD X1.25L	2
20	101559GT	BEARING,FL,2.50IDX2.75ODX1.61L	2
21	61745GT	CLAMP,2.25,#36 X 3/8,RUB CUSH	1
22	824079GT	SCREW,HHF,1/4-20X1,8,ZAG	3
23	56912GT	SPRING CLIP,1/4-20,.025-.15X.54,ZAG	11
24	824078GT	SCREW,HHF,1/4-20X.75,8,ZAG	9
25	121029GT	COVER PLATE,BOOM	2
26	1323139GT	CARABINER, 1/4 X 2.375, 170 LBS CAPACIT	1
27	1319559GT	LENGTH TRANSDUCER, 400 IN, CAN ID 47	1
28	824090GT	SCREW,HHF,3/8-16X1,8,ZAG	1

Go to DiscountEquipment.com to order your parts



502.2 Extension Boom Tube 1, from S85XCD-2559

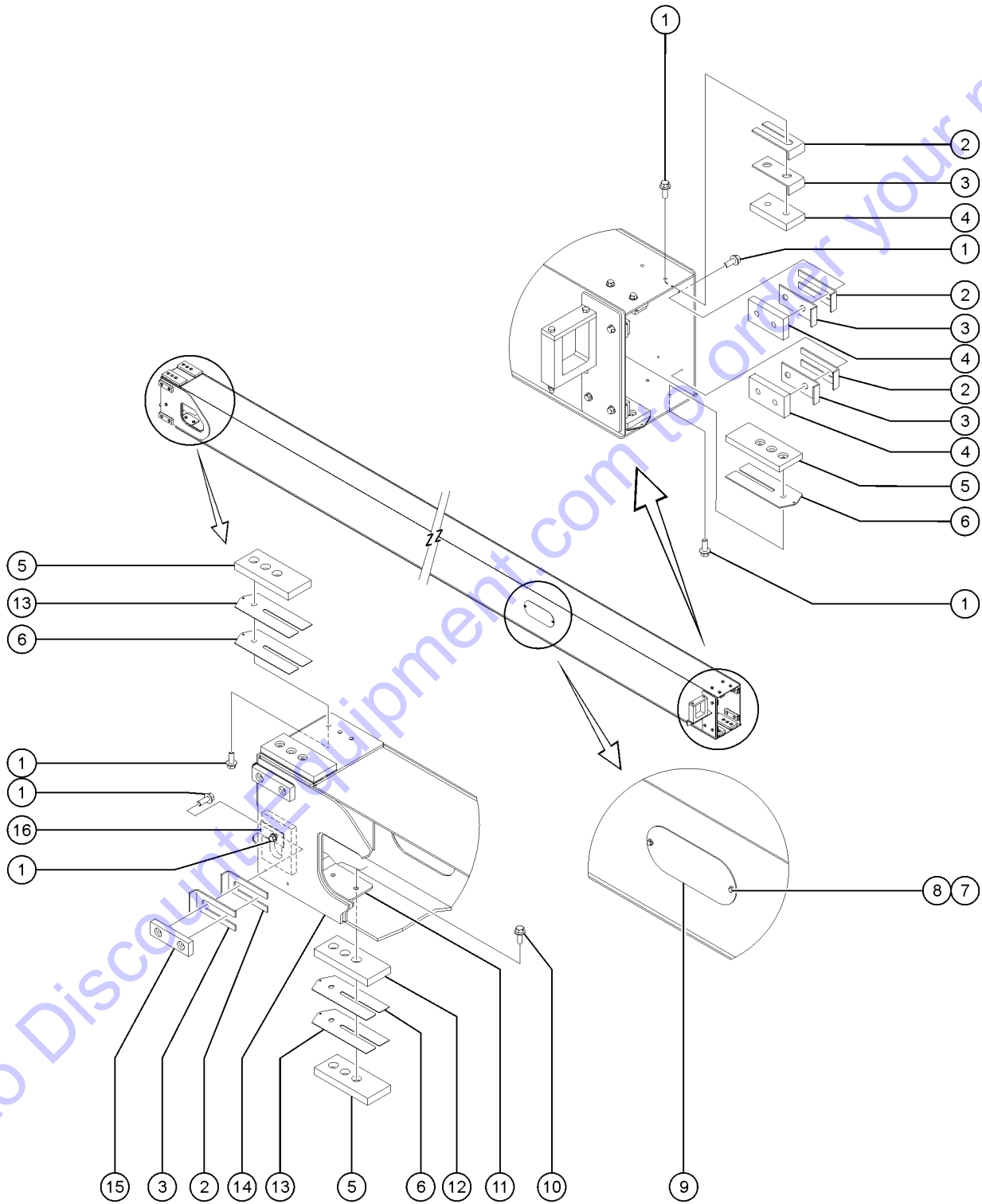


502.2 Extension Boom Tube 1, from S85XCD-2559

Item	Part No.	Description	Qty.
29	1274322GT	NUT,NYLOCK FLG,3/8-16,F,ZAG	3
30	826516GT	SCREW, PHPM, 10-32 X 1.0, ZAG	4
31	1253185GT	WASHER,FLAT,#10,USS,ZAG	4
32	1274168GT	NUT,NYLOCK,10-32,A,ZAG	4
33	1321041GT	WELDMENT, SENSOR MOUNT	1
34	1321271GT	WELDMENT, COVER, MAST #1	1

Go to Discount-Equipment.com to order your parts

503.1 Extension Boom Tube 2



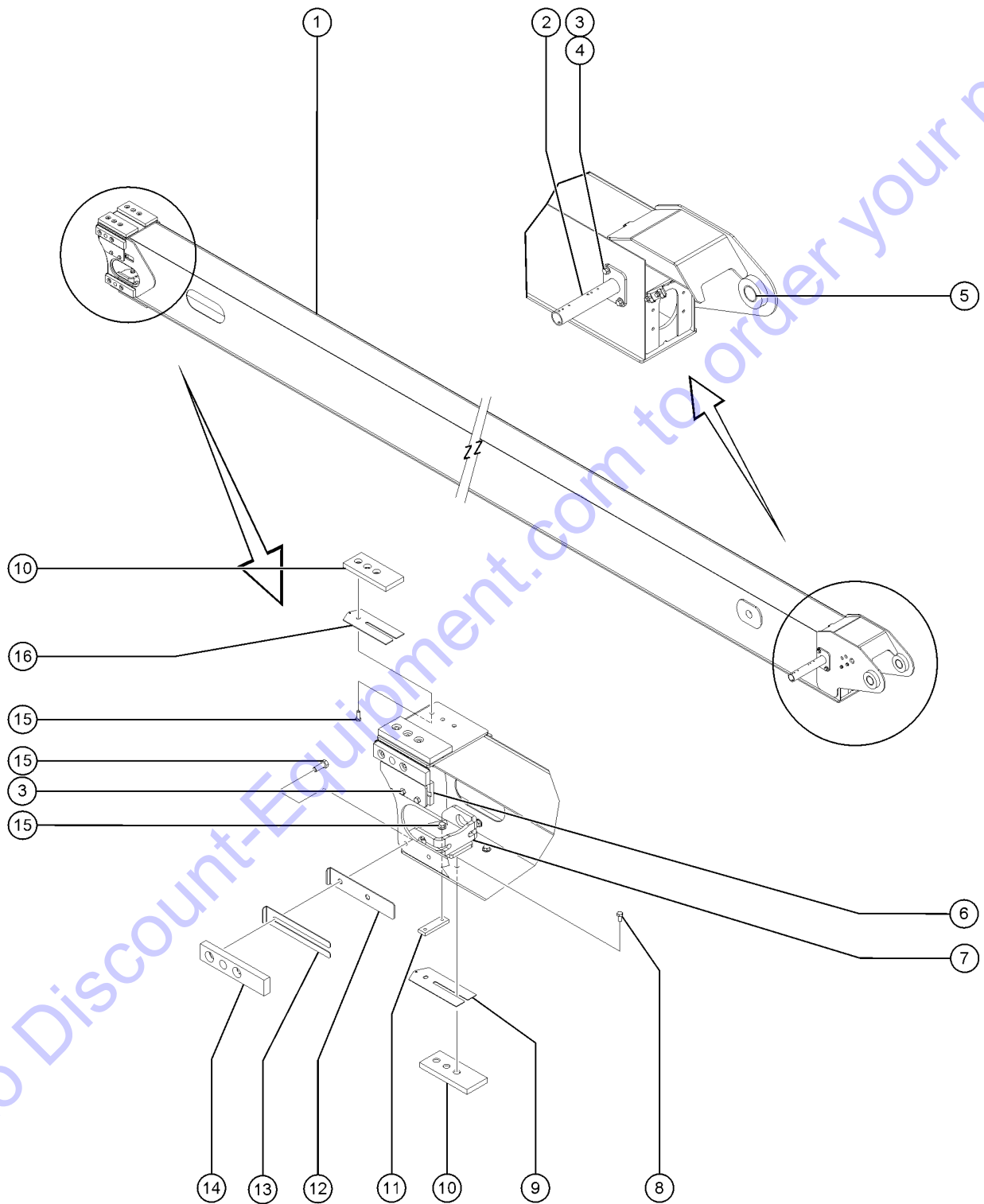
503.1 Extension Boom Tube 2

Item	Part No.	Description	Qty.
1	824090GT	SCREW,HHF,3/8-16X1,8,ZAG	30
2	1276017GT	SHIM,WEAR PAD,7 X 1.5,16GA	10
3	1276018GT	SHIM,WEAR PAD,7 X 1.5,14GA	10
4	1273674GT	WEAR PAD,7 X 1.5 X .875 W/INSERT	6
5	1276021GT	WEAR PAD,7 X 3 X .625 W/INSERT	5
6	60840GT	SHIM,WEAR PAD,7 X 3,16GA	5
7	824078GT	SCREW,HHF,1/4-20X.75,8,ZAG	4
8	56912GT	SPRING CLIP,1/4-20,.025-.15X.54,ZAG	4
9	77884GT	COVER,BOOM SECTION #2	2
10	824092GT	SCREW, HHF, 3/8-16 X 1.5, 8, ZAG	2
11	121045GT	FORMING,LS RAMP	1
12	121164GT	BAR,SPACER	1
13	60304GT	SHIM,WEAR PAD,7 X 3,12GA	5
14	1273689GT	WELDMENT,BOOM #2	1
15	1276019GT	WEAR PAD,7 X 1.5 X .625 W/INSERT	4
16	121658GT	CAP,EXTENSION	2

Go to Discount-Equipment.com to order your parts



504.1 Extension Boom Tube 3



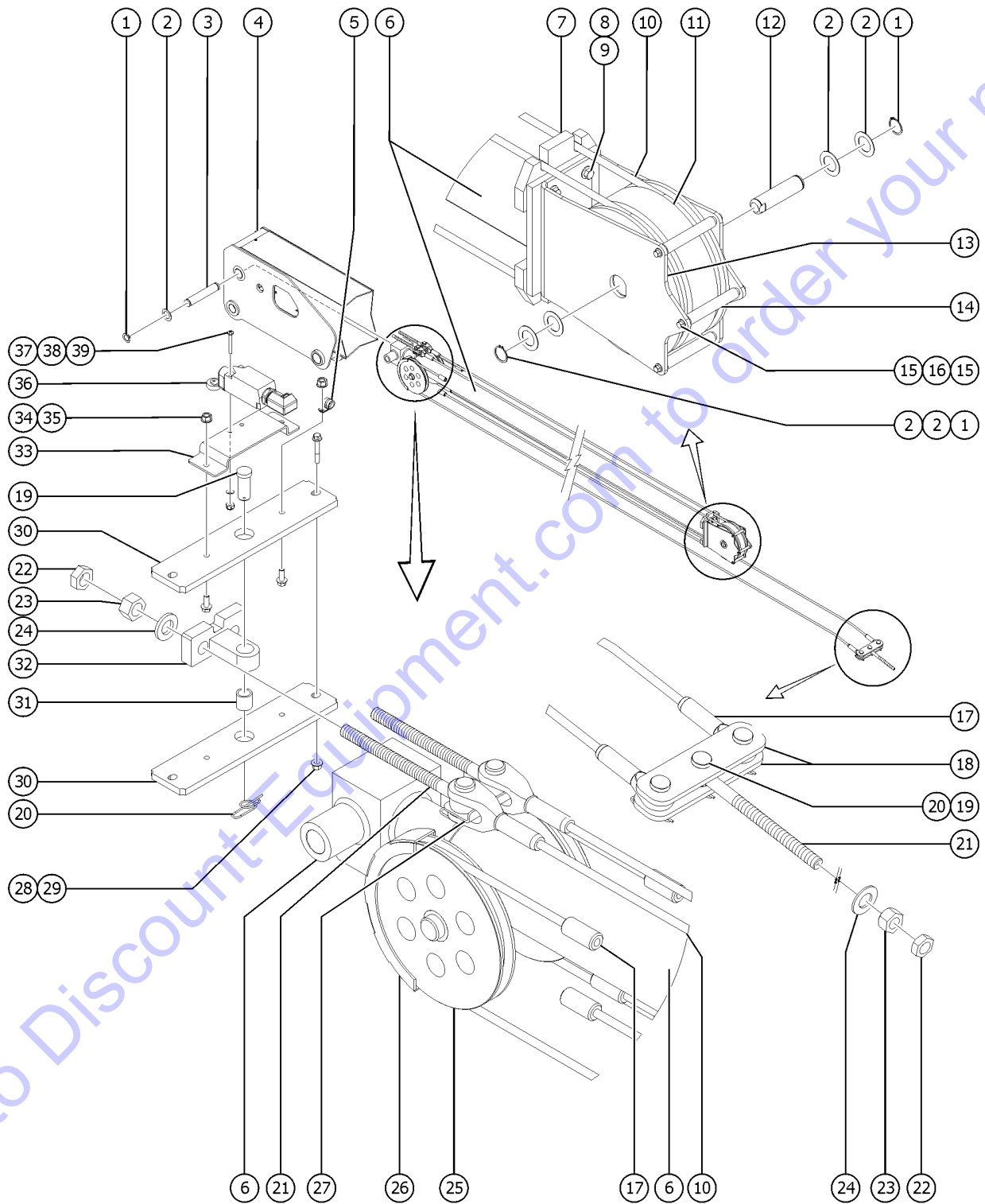
504.1 Extension Boom Tube 3

Item	Part No.	Description	Qty.
1	1273678GT	ASSEMBLY,BOOM #3 includes bearings	1
2	81347GT	WELDMENT,TRACK PULL TUBE PIVOT	1
3	824068GT	SCREW, HHC, 3/8-16 X 1.25, 8, ZAG	4
4	1274322GT	NUT,NYLOCK FLG,3/8-16,F,ZAG	2
5	1273706GT	BEARING,1.5IDX1.75ODX1.825L	2
6	121163GT	PLATE,CABLE BLOCK	2
7	1274348GT	WELDMENT,EXTENSION BRACKET	1
8	824089GT	SCREW, HHF, 3/8-16 X .75, 8, ZAG	4
9	60840GT	SHIM,WEAR PAD,7 X 3,16GA	2
10	1276021GT	WEAR PAD,7 X 3 X .625 W/INSERT	4
11	1264897GT	PLATE,TAP BLOCK	1
12	1276017GT	SHIM,WEAR PAD,7 X 1.5,16GA	4
13	1276018GT	SHIM,WEAR PAD,7 X 1.5,14GA	4
14	1276019GT	WEAR PAD,7 X 1.5 X .625 W/INSERT	4
15	824090GT	SCREW,HHF,3/8-16X1,8,ZAG	14
16	60304GT	SHIM,WEAR PAD,7 X 3,12GA	2

Go to Discount-Equipment.com to order your parts



505.1 Cable Assembly and Primary Extension Cylinder



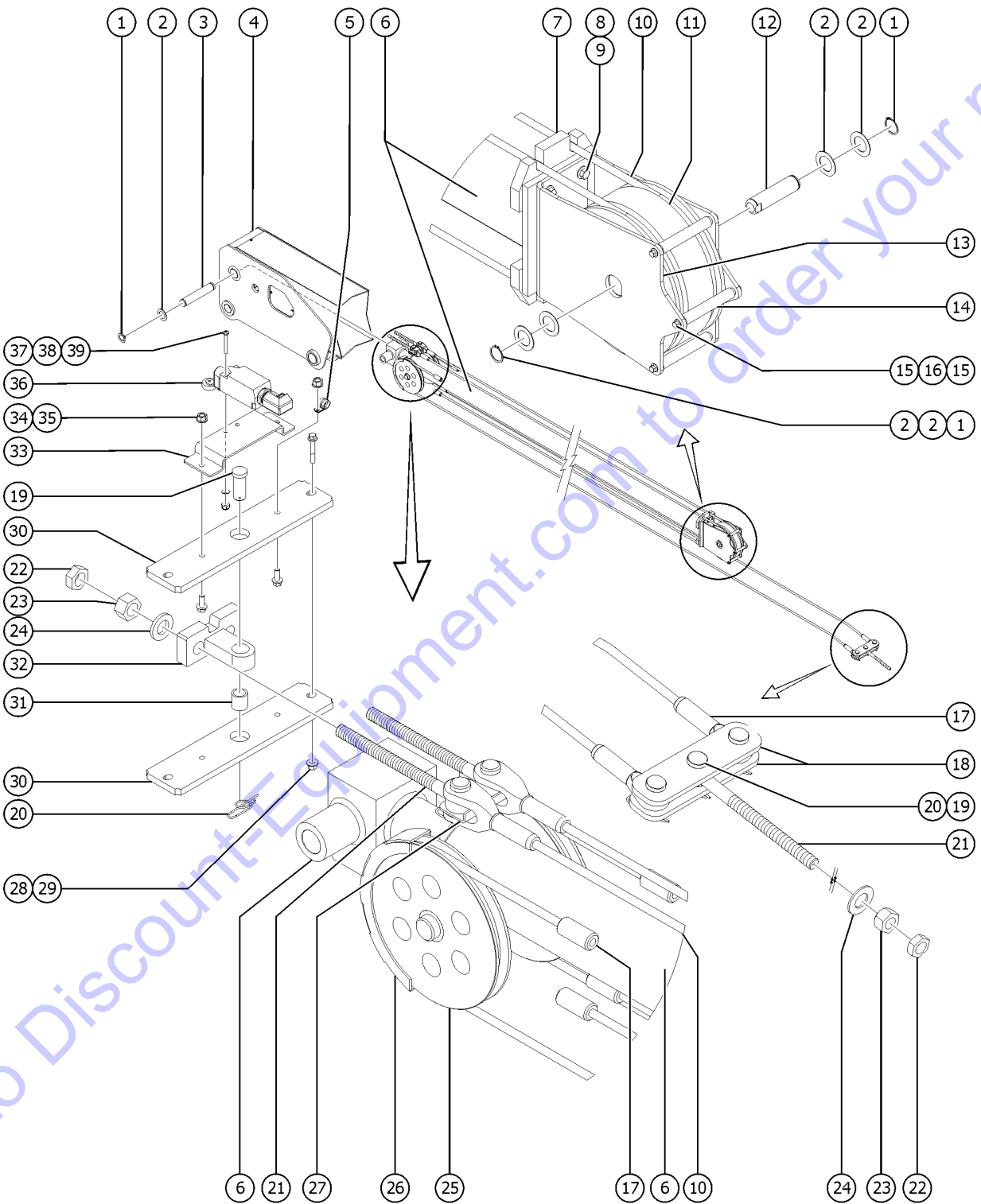
505.1 Cable Assembly and Primary Extension Cylinder

Item	Part No.	Description	Qty.
1	825796GT	SNAP RING,EXTERNAL,1.50,ZAG	4
2	1251565GT	WASHER,SHIM,1.56X2.5X.061,ZAG	6
3	121034GT	PIN,1.500 X 15.000,2 RINGS	1
4		REF. BOOM NUMBER 1 (refer to 502.1)	
5	6833GT	CLAMP,0.50,#8 X 1/4,RUB CUSH	1
6	1304000GT	CYLINDER, PRIMARY EXTENSION	1
6-	1304001GT	SEAL KIT, EXTEND CYLINDER 1304000	
6-	1274314GT	CACA-LHN-1200	
6-	1274315GT	CABG-LHN-1200	
7	121155GT	GUIDE,EXT. CABLES	2
8	1253478GT	SCREW,HHF,3/8-16X2,8,ZAG	4
9	1274322GT	NUT,NYLOCK FLG,3/8-16,F,ZAG	4
10	1274252GT	CABLE ASSY,EXTEND	2
11	1274251GT	SHEAVE,EXTEND	1
12	121156GT	PIN,DIA. 1.50 X 5.875	1
13	121146GT	FORMING,BRACKET,EXTEND SHEAVE	1
14	121670GT	ROLLER,1/2" PVC	3
15	824078GT	SCREW,HHF,1/4-20X.75,8,ZAG	6
16	121671GT	ROLLER,1/2" ALUMINUM	3
17	232844GT	CABLE ASSEMBLY,RETRACT SET	1
18	121044GT	PLATE,RETRACT CABLE EQUALIZER	2
19	826379GT	PIN,CLEVIS,1X2.250,ZAG	4
20	824129GT	RUE RING,1.0,ZAG	5
21	77656GT	ROD END,CABLE	3
21-	1274252GT	CABLE ASSY,EXTEND	
22	1256837GT	NUT,JAM,3/4-10,A, ZAG	3
23	1268597GT	NUT,3/4-10,8,ZAG	3
24	1256863GT	WASHER,FLAT,.75,F436,HRD,ZAG	3

Go to Discount-Equipment.com to order your parts



505.1 Cable Assembly and Primary Extension Cylinder



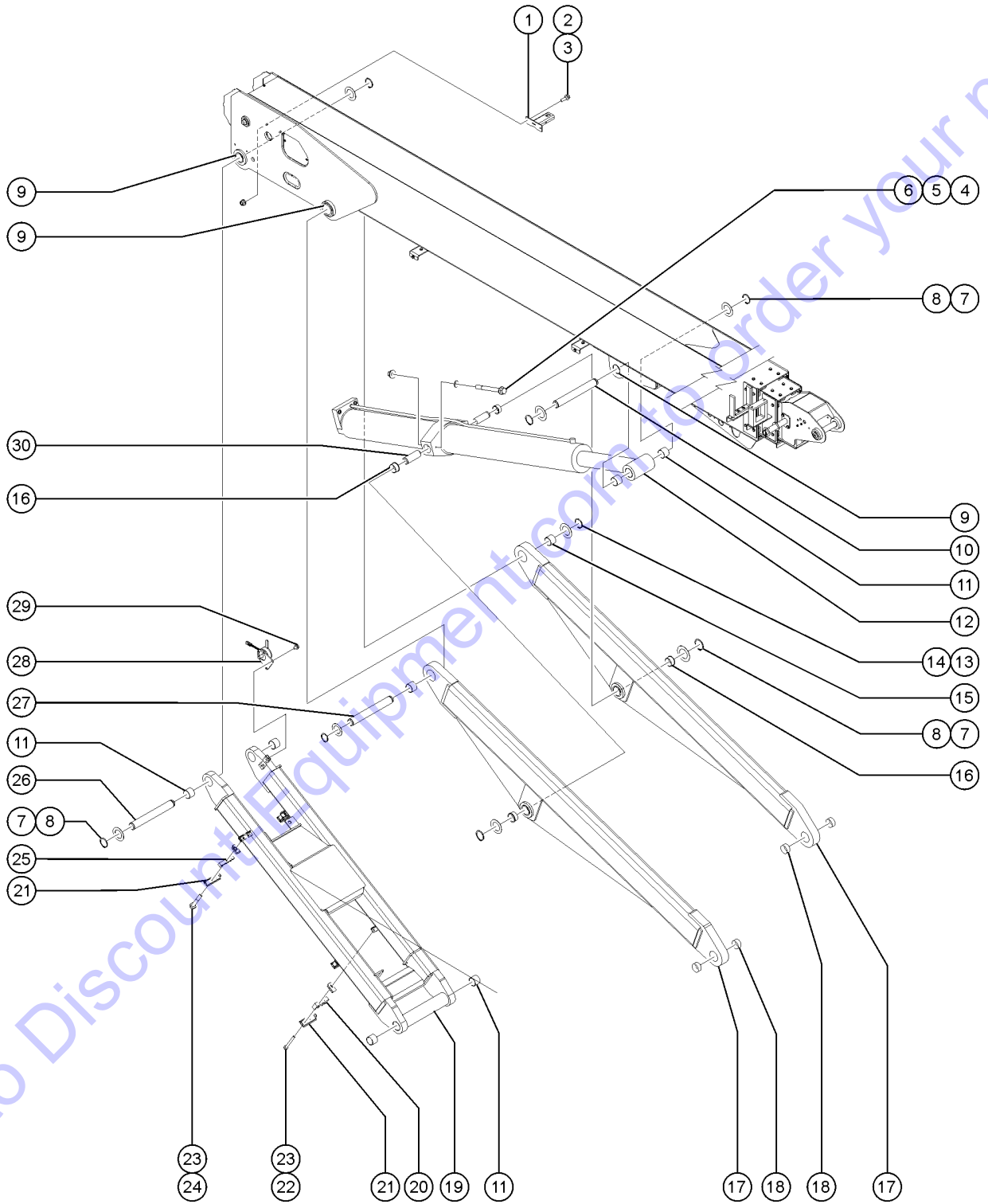
505.1 Cable Assembly and Primary Extension Cylinder

Item	Part No.	Description	Qty.
25	88568GT	SHEAVE,RETRACT CABLE(SMALLER)	2
26	1274868GT	WELDMENT, RETRACT SHEAVE COVER	1
		to SN S85XCD-2756	
26-	824078GT	SCREW,HHF,1/4-20X.75,8,ZAG	
26B	1334222GT	WELDMENT,RETRACT SHEAVE COVER	1
		from SN S85XCD-2757	
26B-	824089GT	SCREW, HHF, 3/8-16 X .75, 8, ZAG	
27	121189GT	PLATE,ANTIROTATION	1
28	1274166GT	NUT,NYLOCK,3/8-16,C,ZAG	2
29	1256856GT	SCREW,HHF,3/8-16X2.5,8,ZAG	2
30	121028GT	PLATE,ROCKER	2
31	25817GT	BEARING,1.00IDX1.25ODX1.00L	1
32	121181GT	MACH.,PIVOT PLATE WELDMENT	1
		(Rev D of 121181GT replaces 121180GT)	
33	77653GT	FORMING,LIMIT SWITCH BRACKET	1
34	1274165GT	NUT,NYLOCK,1/4-20,C,ZAG	2
35	824089GT	SCREW, HHF, 3/8-16 X .75, 8, ZAG	2
36		REF. SWITCH,LIMIT,TABULATE,BLUE	1
		(Chain Break Limit Switch) (refer to 502.1)	
37	824216GT	SCREW, PHPM, 10-32 X 1.5, ZAG	2
38	1253185GT	WASHER,FLAT,#10,USS,ZAG	2
39	1283005GT	NUT,NYLOCK FLG,10-32,A,ZAG	2

Go to Discount-Equipment.com to order your parts



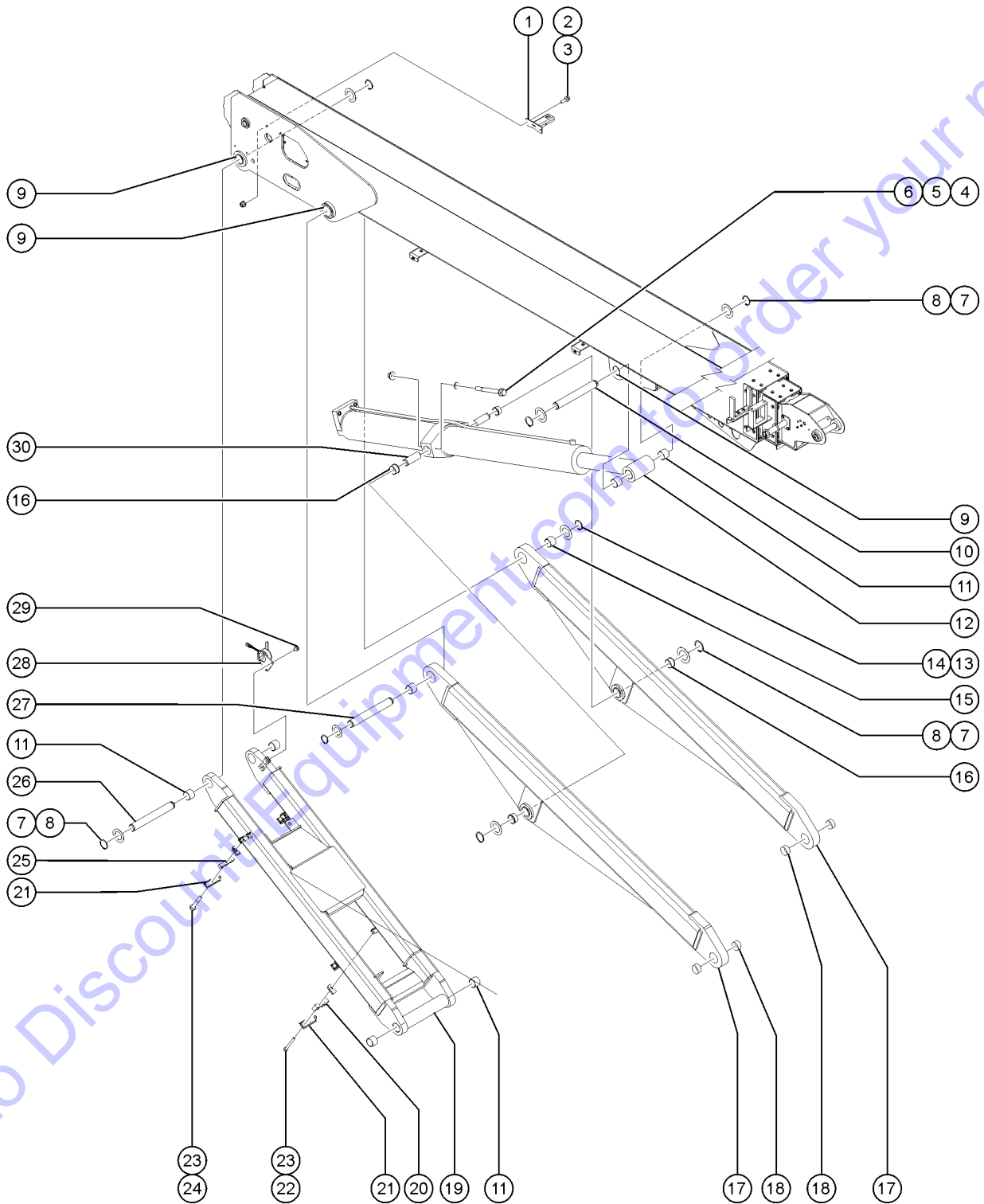
506.1 Boom Link Assembly - View 1



Item	Part No.	Description	Qty.
1	1277859GT	WELDMENT,SENSOR RETAINER,PRIMARY	1
2	824091GT	SCREW, HHF, 3/8-16 X 1.25, 8, ZAG	2
3	1274322GT	NUT,NYLOCK FLG,3/8-16,F,ZAG	2
4	1256112GT	SCREW,HHC,1/2-13X6,8,ZAG	2
5	824146GT	WASHER, FLAT, DIN125, M12, ZAB	2
6	1274172GT	NUT,NYLOCK FLG,1/2-13,G,ZAG	2
7	825760GT	SNAP RING,EXTERNAL,2.50,ZAG	6
8	1288285GT	WASHER,SHIM,2.5X3.25X.062,ZAG	6
9		REF. BEARING	
		(refer to 502.1)	
10	121031GT	PIN,2.50 X 12.200,2 RINGS	1
11	27698GT	BEARING,2.50IDX2.75ODX2.00L	6
12	1303998GT	CYLINDER,LIFT,S80/85,XC	1
12-	1303999GT	SEAL KIT, LIFT CYLINDER 1303998	
12-	27698GT	BEARING,2.50IDX2.75ODX2.00L	
12-	60984GT	VALVE COUNTERBAL.CBB-D-LJN@5000	
12-	1273414GT	VALVE,COUNTERBALANCE,CBCB-LHN 3500	
12-	75064GT	VALVE, COUNTERBALANCE, CWCG-LGN.5000	
12-	75097GT	CHOCK,SERVICE	
13	825762GT	SNAP RING,EXTERNAL,3.0,ZAG	2
14	1258728GT	WASHER,FLAT,3.062X4.5X.05,ZAG	2
18	121399GT	BEARING,2.50IDX2.75OBX1.25LG	4
15	121406GT	BEARING,3.00IDX3.25ODX2.50LG	2
16	101566GT	BEARING,FL,2.50IDX2.75ODX1.36L	4
17	1273328GT	ASSEMBLY,LONG LINK, METRIC	2
		includes bearings	
19	1273449GT	ASSEMBLY, SHORT LINK, METRIC	1
		includes bearings	
20	1277861GT	CLAMP,ES,SHORT LINK	3
21	121089GT	CLAMP, TOP, SHORT LINK	5
22	1256803GT	SCREW,HHC,1/4-20X2.75,8,ZAG	6

Go to DiscountEquipment.com to order your parts

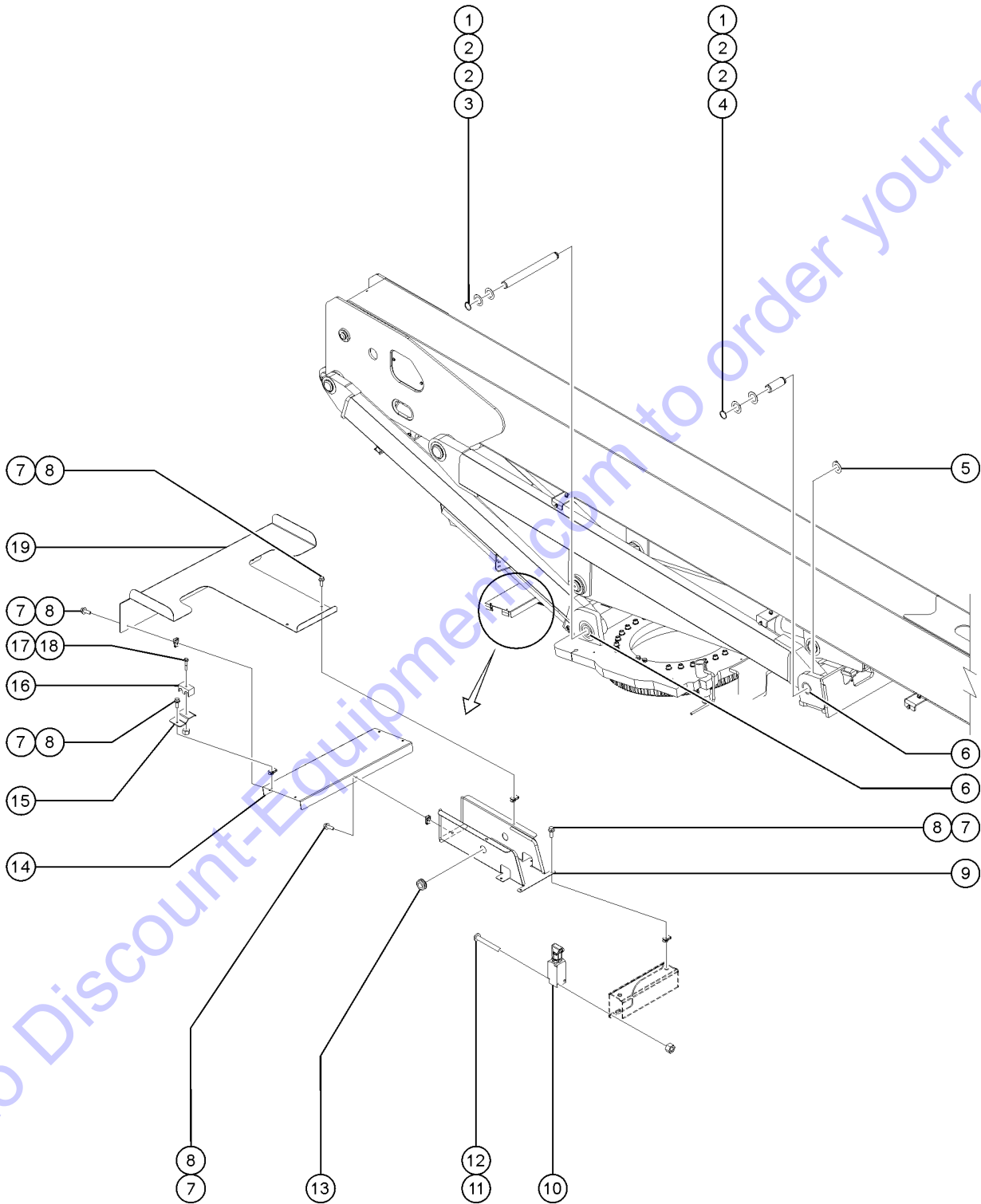
506.1 Boom Link Assembly - View 1



Item	Part No.	Description	Qty.
23	56912GT	SPRING CLIP,1/4-20,.025-.15X.54,ZAG	10
24	824064GT	SCREW, HHC, 1/4-20 X 2.25, 8, ZAG	4
25	1283305GT	CLAMP, TS, SHORT LINK	2
26	1277777GT	PIN,2.500 X 19.750,2 RINGS,1 HOLE	1
27	121033GT	PIN,3.000 X 21.500,2 RINGS	1
28	1277869GT	ASSEMBLY,ROTARY SENSOR MOUNT	1
28-	1275625GT	CARRIER,SENSOR,PRIMARY Not for sale individually, order appropriate assembled sensor	
28-	237242GT	SCREW,FHS,M3-0.5X8,DIN7991,10.9,ZAB	2
28-	237241GT	SCREW,FHS,M3-0.5X14,DIN7991,10.9,ZAB	2
28-	1268505GT	HOUSING, SENSOR, PRIMARY Not for sale individually, order appropriate assembled sensor	
28-	1253815GT	SNAP RING,EXTERNAL,2.00,ZAG	
28-	1277775GT	PLATE,SENSOR MAG RETAINER Not for sale individually, order appropriate assembled sensor	
28-	1277776GT	PIN,GUIDE,SENSOR MOUNT	
29	1256857GT	SCREW,HHF,3/8-16X.625,8,ZAG	2
30	1274338GT	PIN,2.50DIA.X6.25LG.,1 RING,1 HOLE	2

Go to Discount-Equipment.com to order your parts

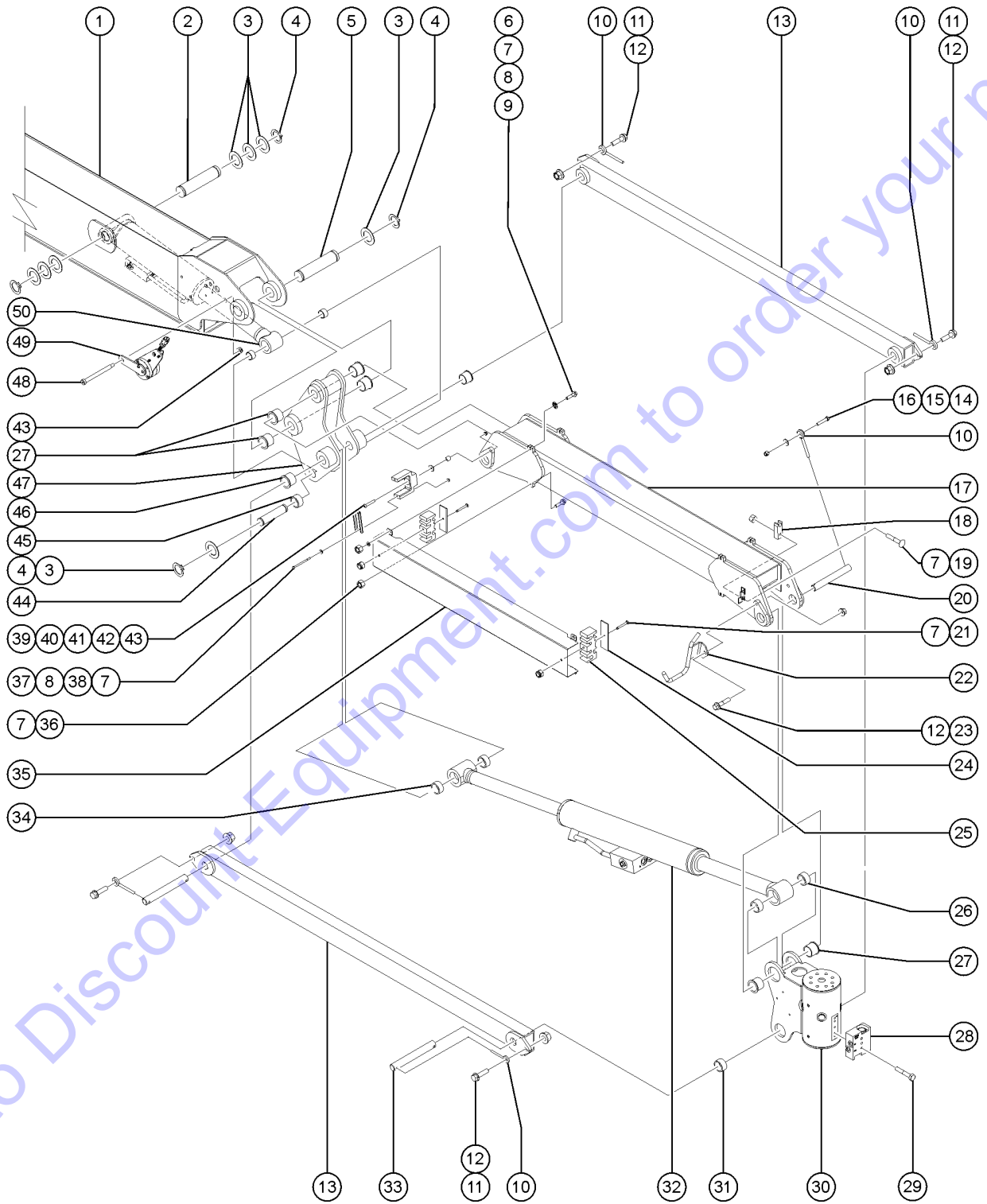
507.1 Boom Link Assembly - View 2



Item	Part No.	Description	Qty.
1	825760GT	SNAP RING,EXTERNAL,2.50,ZAG	6
2	1256111GT	WASHER,SHIM,2.5X4X.062,ZAG	12
3	121388GT	PIN,2.50DIAX24.50,2RINGS,TAPER	1
4	121387GT	PIN,2.50DIAX7.00,2 RINGS,TAPER	2
5	121869GT	FORMING,LINK THRUST WASHER	4
6	121399GT	BEARING,2.50IDX2.75OBX1.25LG	6
7	824078GT	SCREW,HHF,1/4-20X.75,8,ZAG	10
8	56912GT	SPRING CLIP,1/4-20,.025-.15X.54,ZAG	10
9	121822GT	WELDMENT,CABLE GUIDE	1
10	1280395GT	HARNES LST3S S80/85 (Boom Down Limit Switch) (refer to 316.1 or 317.1)	1
11	824216GT	SCREW, PHPM, 10-32 X 1.5, ZAG	2
12	1274168GT	NUT,NYLOCK,10-32,A,ZAG	2
13	104570GT	GROMMET,RUBBER .688 X .25 X 1	1
14	121819GT	FORMING,CABLE SUPPORT	1
15	219393GT	FORMING,BRACKET BATTERY CABLE	1
16	70289GT	CLAMP,LINK,LH WELD WIRE	1
17	824081GT	SCREW,HHF,1/4-20X1.5,8,ZAG	1
18	1274165GT	NUT,NYLOCK,1/4-20,C,ZAG	1
19	1275052GT	FORMING, CABLE COVER	1

Go to Discount-Equipment.com to order your parts

508.1 Jib Boom and Platform Rotator



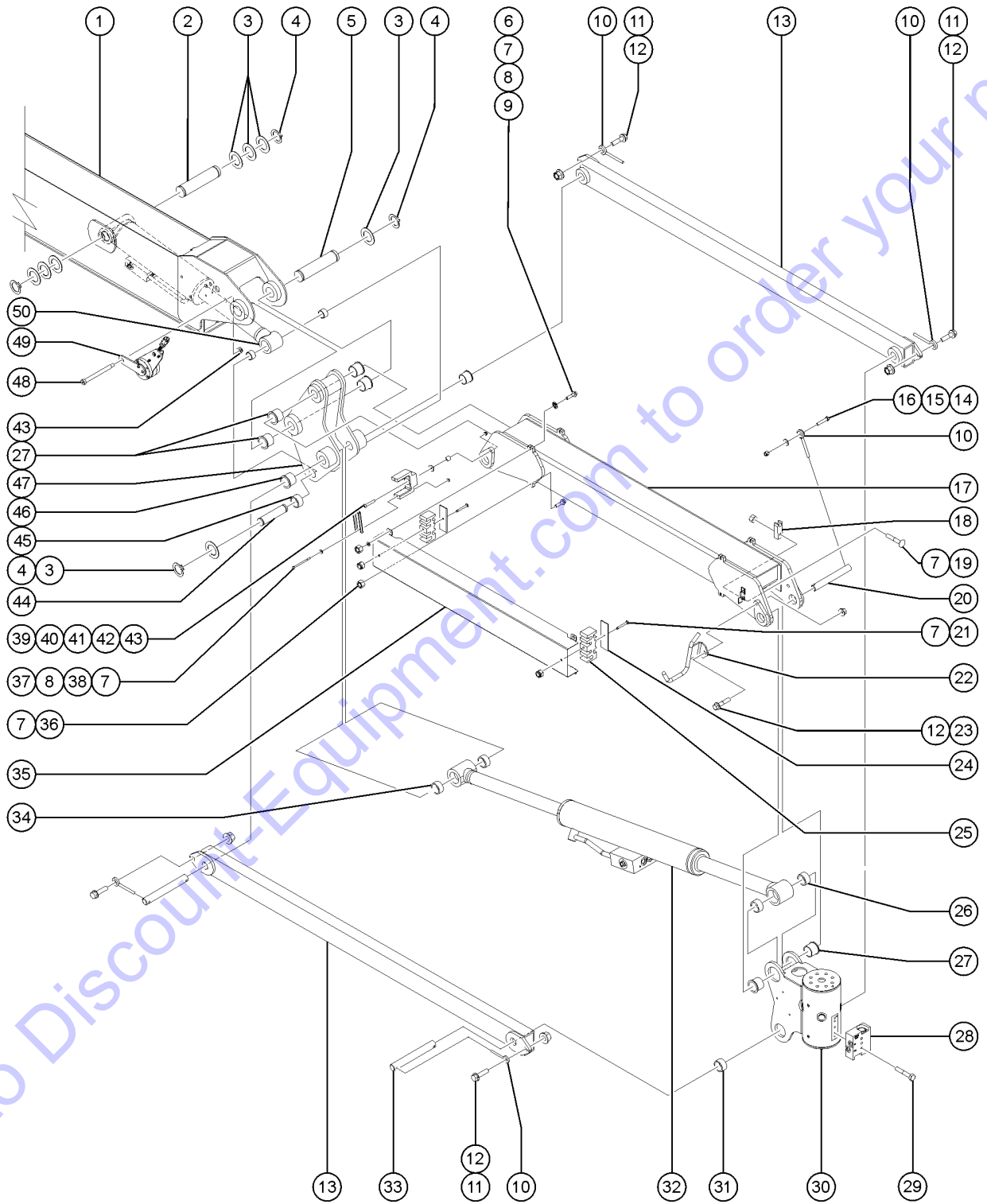
Go to DiscountEquipment.com to order your parts

Item	Part No.	Description	Qty.
-	61283GT	SLEAVING,PARKER TEK,2.00"	
1		REF. BOOM TUBE 3	
		(refer to 504.1)	
2	1279567GT	PIN, 1.50DIA X 8.50LG, 2RING	
3	1251565GT	WASHER,SHIM,1.56X2.5X.061,ZAG	10
4	825796GT	SNAP RING,EXTERNAL,1.50,ZAG	6
5	1307726GT	PIN,1.50DIA X 10.25LG,2RING,1THRD	1
6	824079GT	SCREW,HHF,1/4-20X1,8,ZAG	4
7	238135GT	PUSHNUT RETAINER, 1/4" X 1/2"OD, ZINC	4
8	824113GT	WASHER,FLAT,USS,1/4,ZAG	8
9	1277924GT	NUT,NYLOCK FLG,1/4-20,F,ZAG	10
10	825019GT	ROD END,.375 X 3.69,ZAG	6
11	824092GT	SCREW, HHF, 3/8-16 X 1.5, 8, ZAG	4
12	1274322GT	NUT,NYLOCK FLG,3/8-16,F,ZAG	4
13	1274511GT	MACHINING, COMPRESSION LINK	2
14	1253478GT	SCREW,HHF,3/8-16X2,8,ZAG	2
15	1255758GT	WASHER,FLAT,3/8,USS,ZAG	2
16	1274166GT	NUT,NYLOCK,3/8-16,C,ZAG	2
17	1269424GT	MACHINING, JIB ARM, 5 FT.	1
18	1269642GT	CLAMP, HOSE	2
19	1255756GT	BOLT,CARRIAGE,1/4-20X1.5,5,ZAG	2
20	76695GT	PIN,1.50 DIA X 8.75"LG,1HOLE	2
21	1256180GT	BOLT,CARRIAGE,1/4-20X2.75,5,ZAG	2
22	1286171GT	WELDMENT, JIB HOSE GUIDE	1
23	824093GT	SCREW, HHF, 3/8-16 X 1.75, 8, ZAG	1
24	128483GT	BACKING PLATE, HOSE BLOCK, JIB	2
25	1283307GT	CLAMP, JIB HOSE/CABLE	2
26	88280GT	BEARING,1.5IDX1.75ODX0.75L	2
27	214226GT	BEARING,FL,1.75IDX2.00ODX1.61L	4

Go to DiscountEquipment.com to order your parts



508.1 Jib Boom and Platform Rotator



Go to DiscountEquipment.com to order your parts

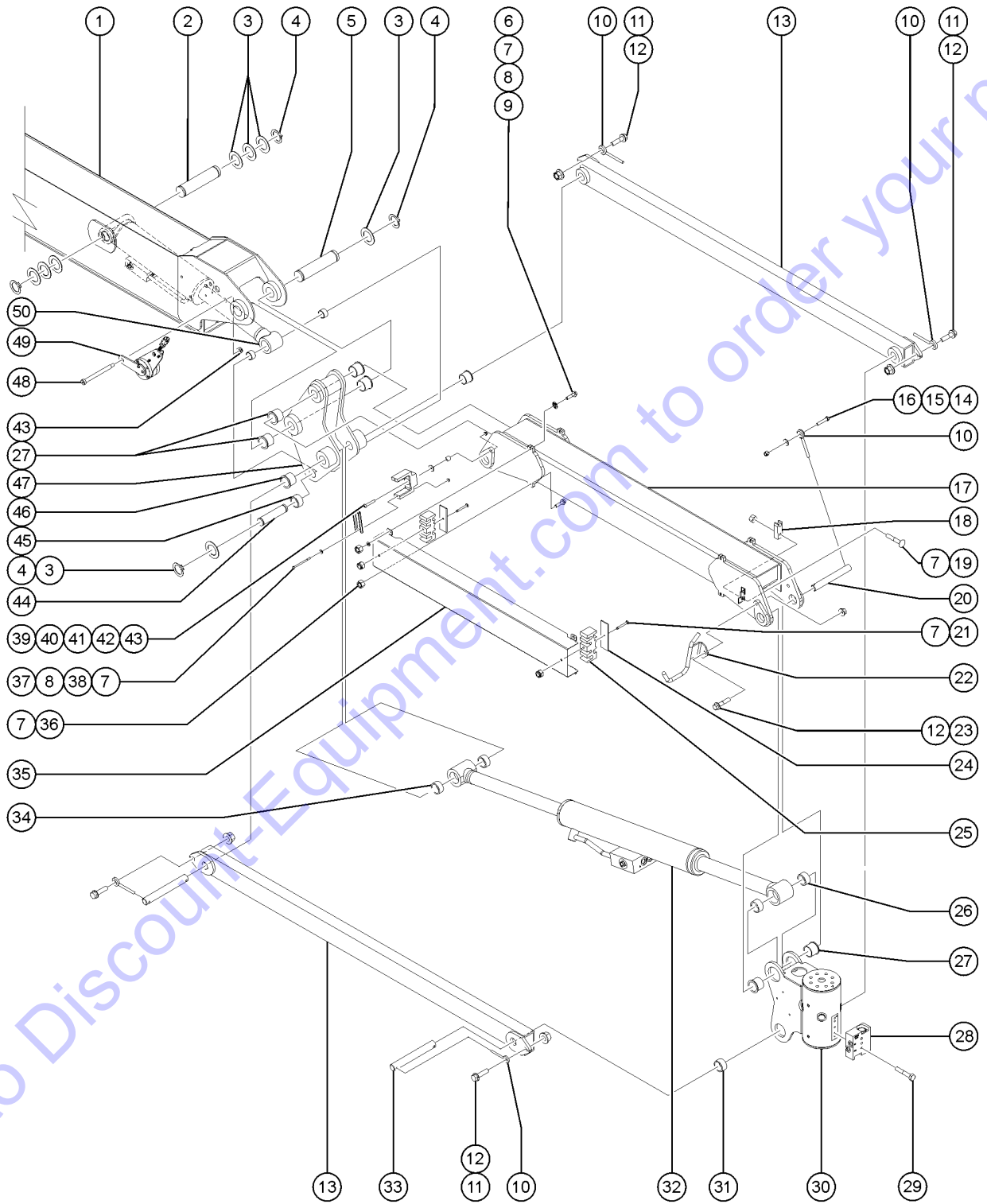
508.1 Jib Boom and Platform Rotator

Item	Part No.	Description	Qty.
28		REF. ROTATOR MANIFOLD (refer to 703.1)	1
29	824081GT	SCREW,HHF,1/4-20X1.5,8,ZAG	3
30	214225GT	ROTATOR,PLATFORM,15K,JIB to S85XCD-2451	1
30-	226542GT	SEAL KIT, 15K ROTATOR	
30-	88516GT	SCREW,BLEEDER,M5X0.8	
30B	1314839GT	ROTATOR, PLATFORM,15K from S85XCD-2452	1
30B-	1314840GT	SEAL KIT, 15K ROTATOR	
31	30222GT	BEARING,FL,1.25IDX1.41ODX1.50L	2
32	1276820GT	CYLINDER, JIB	1
32-	1268011GT	SEAL KIT FOR JIB CYLINDER	
33	81175GT	PIN,1.25DIAX14.45LG,2HOLE	2
34	30220GT	BEARING,1.25ID X 1.5OD X 0.69L	2
35	1269367GT	FORMING, HOSE COVER	1
36	824080GT	SCREW, HHF, 1/4-20 X 1.25, 8, ZAG	2
37	824065GT	SCREW,HHC,1/4-20X4,8,ZAG	2
38	1265019GT	FORMING, CABLE GUIDE	1
39	1256110GT	SCREW,BHC,3/8-16X2.25,F835,ZAG	2
40	1284573GT	GUIDE,CABLE,UHMW	1
41	233509GT	WASHER,FLAT,M10X30X2.5,DIN9021,ZAB	1
42	101932GT	TUBE, RD., STL., DOM .75 X .437 X .78	1
43	1283028GT	NUT,LP NYLOCK,3/8-16,2,ZAG	3
44	1276484GT	PIN, 1.50X5.625, 2 RING	1
45	18396GT	BEARING,1.5IDX1.75ODX1.0L	4
46	128268GT	BEARING,FL, 1.25X1.5X2.13	2
47	238330GT	MACH. JIB BELLCRANK	1
48	1310738GT	BOLT,SHS,1/2X4.0X3/8-16,ZAG	2
49	1306377GT	ASSEMBLY, ANGLE SENSOR, BELLCRANK	1
50	1311457GT	CYLINDER,PLATFORM LEVEL	1

Go to DiscountEquipment.com to order your parts



508.1 Jib Boom and Platform Rotator



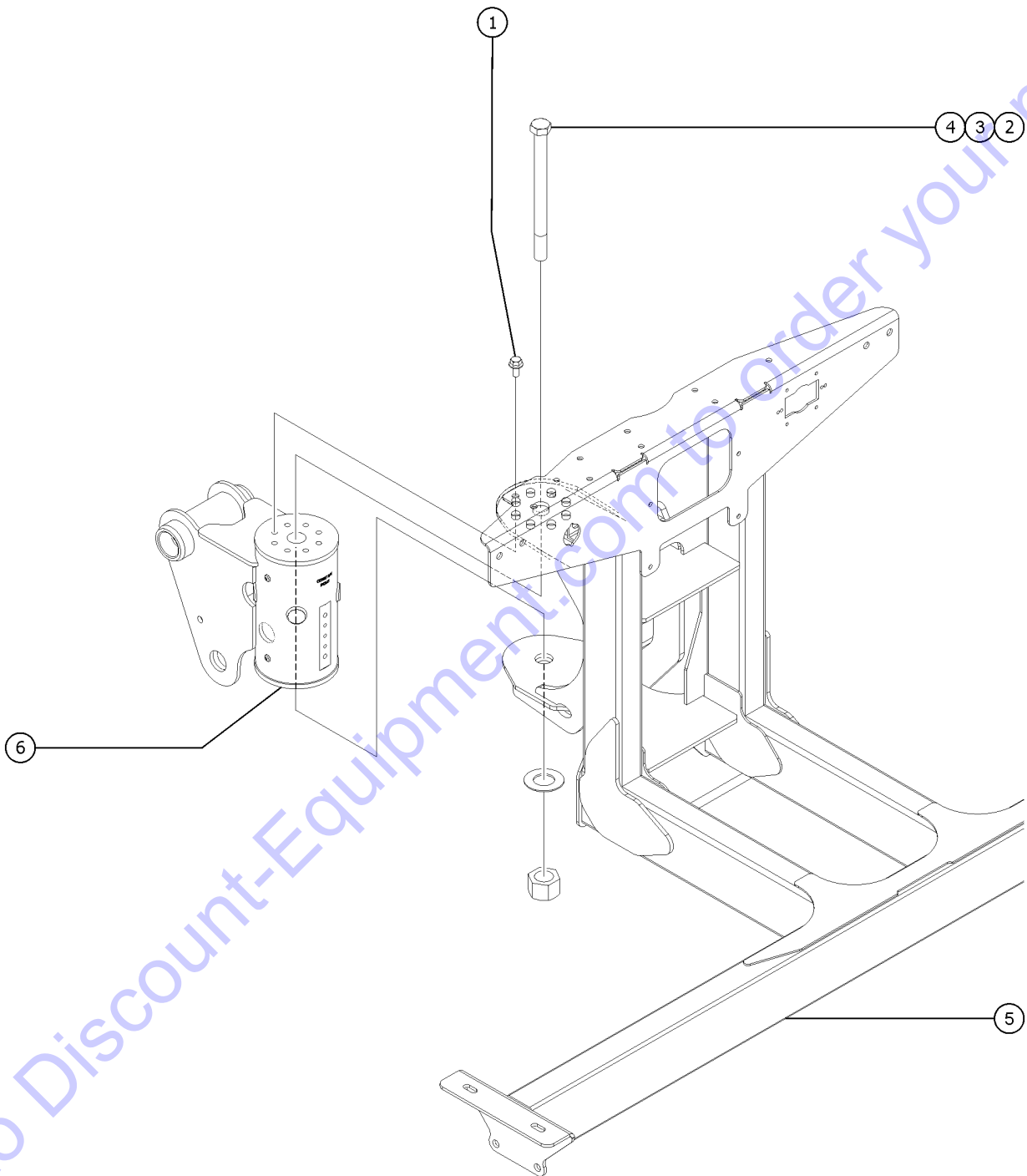
Go to DiscountEquipment.com to order your parts

508.1 Jib Boom and Platform Rotator

<i>Item</i>	<i>Part No.</i>	<i>Description</i>	<i>Qty.</i>
50-	1279049GT	SEAL KIT, CYLINDER, LEVEL	1
50-	61602GT	VALVE,COUNTERBAL.CBBB-LHN@3500	
50-	54065GT	VALVE,COUNTERBALANCE,3500***	

Go to Discount-Equipment.com to order your parts

509.1 Platform Installation



Go to Discount-Equipment.com to order your parts

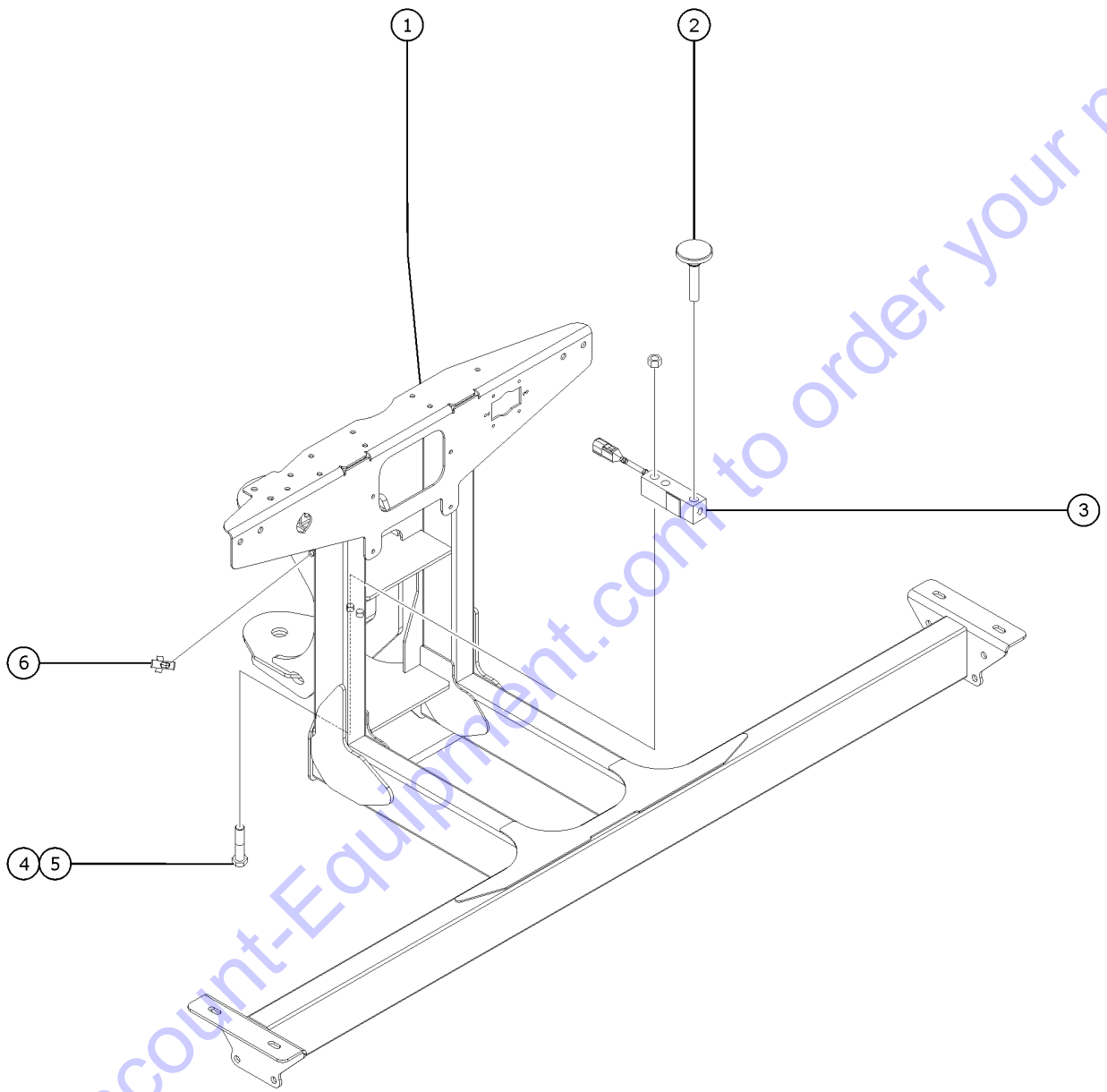
509.1 Platform Installation

Item	Part No.	Description	Qty.
1	1256843GT	SCREW,HHC,1/2-13X1.25,8,ZAG	8
2	824075GT	SCREW, HHC, 1-8 X 12.75, 5, ZAG	1
3	824116GT	WASHER,FLAT,1.0,F436,HRD,ZAG	1
4	1283024GT	NUT,NYLOCK,1-8,8,ZAG	1
5		REF. PLATFORM MOUNT	
		(refer to 602.1)	
6		REF. PLATFORM ROTATOR	
		(refer to 508.1)	

Go to Discount-Equipment.com to order your parts



510.1 Platform Overload Components



Go to Discount-Equipment.com to order your parts

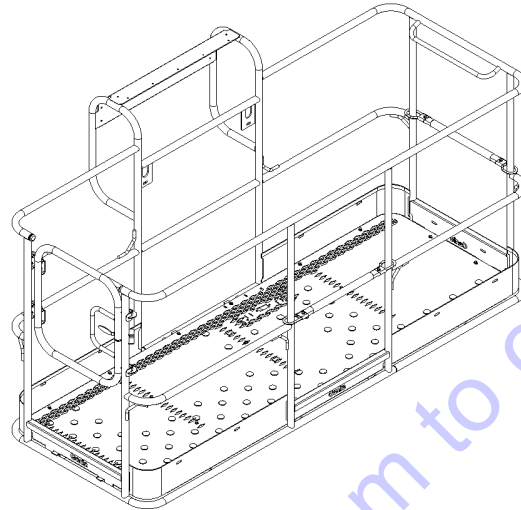
510.1 Platform Overload Components

Item	Part No.	Description	Qty.
A	1274068GT	ASSEMBLY,PLAT SUPPORT,15K,LS	1
1		REF. WELDMENT, PLATFORM SUPPORT, 15 (refer to 602.1)	1
2	1270337GT	LEVELING MOUNT, SWIVEL, 1/2-20X2, SS	1
3	1270278GT	LOAD CELL, J1939, 650KG/1433LB (1280949GT) NOTE: install with arrows pointing downwards (Calibration required after replacement)	1
4	1257464GT	SCREW,HHC,1/2-13X2.5,8,ZAG	2
5	1259106GT	NUT,1/2-13,8,ZAG	2
6	105214GT	CABLE TIE MOUNT, WINGED	2

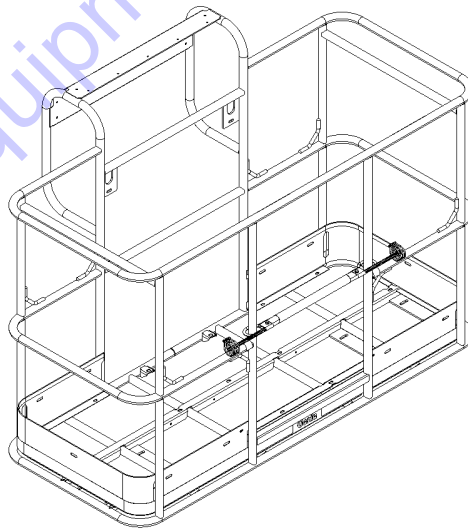
Go to Discount-Equipment.com to order your parts



601.1 Platform Configuration



(1) Side Swing Gate Platform



(2) Front Single Entry Platform

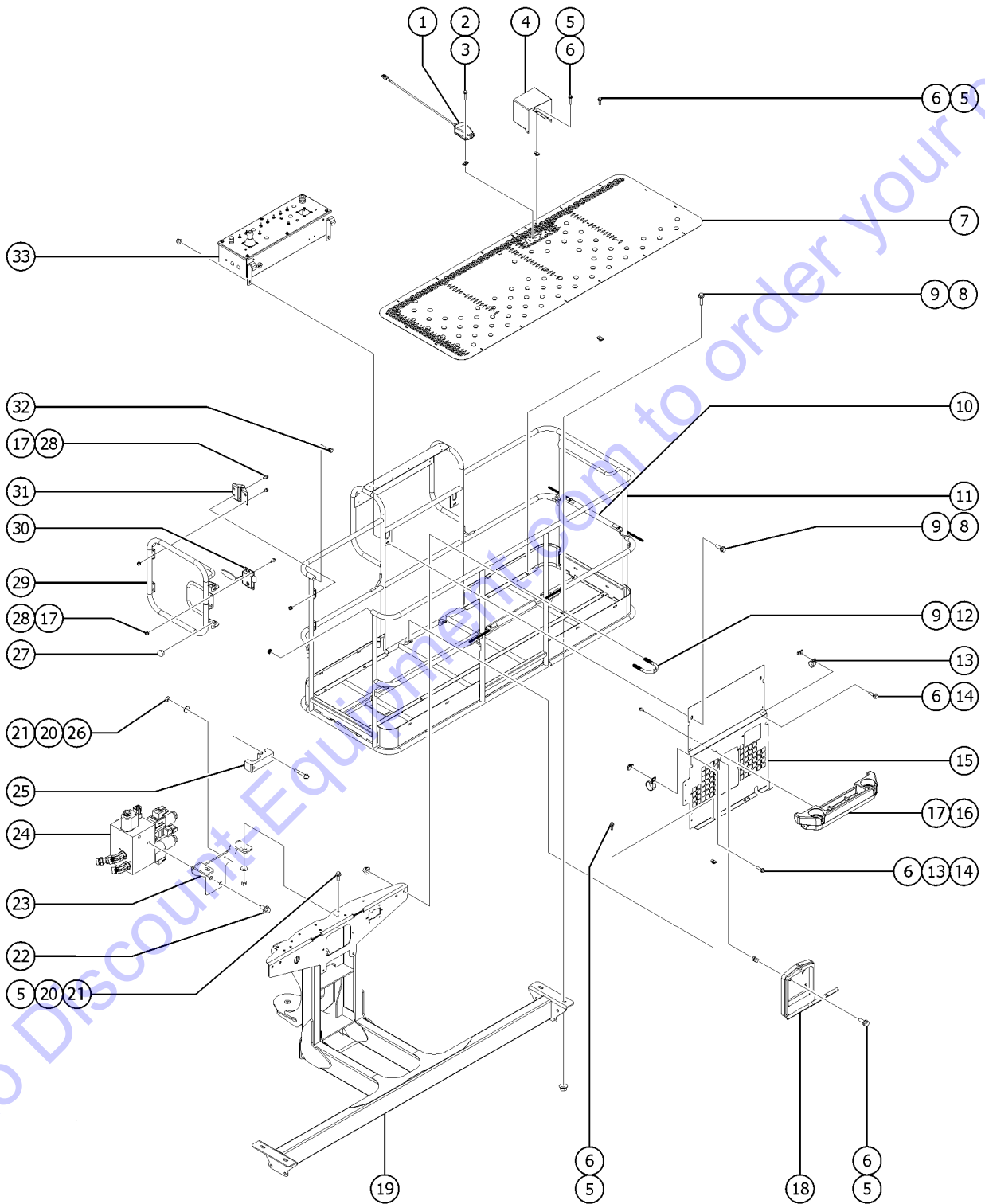
Go to Discount-Equipment.com to order your parts

Item	Part No.	Description	Qty.
A-		PLAT ASSY,8' W/SIDE GATE,S80/85 XC ANSI WORD USA and Canadian models	
B-		PLAT ASSY,8' W/SIDE GATE,S80/85 XC CE European models	
C-		PLAT ASSY,8' W/SIDE GATE,S80/85 XC AUS Australian models	
D-		PLAT ASSY,8' W/SIDE GATE,S80/85 XC ANSI SYM Asia and South America models	
1	1272304GT	ASSY,8FT PLAT TRI LG,BLANK W/SIDE SWING GATE front and side entry	
1-	1274859GT	ASSY,8' PLAT WELDMNT W/SIDE GATE flooring and decal plate not included (refer to 602.1)	
1B	1272303GT	ASSY,6FT PLAT DUAL LG,BLANK W/SIDE SWING GATE front and side entry	
2	160809GT	ASSY,6FT PLATFORM,NO DECALS single entry	
2-	73900GT	WELDMNT,6 FT PLATFORM flooring and decal plate not included (refer to 602.1)	

Go to Discount-Equipment.com to order your parts

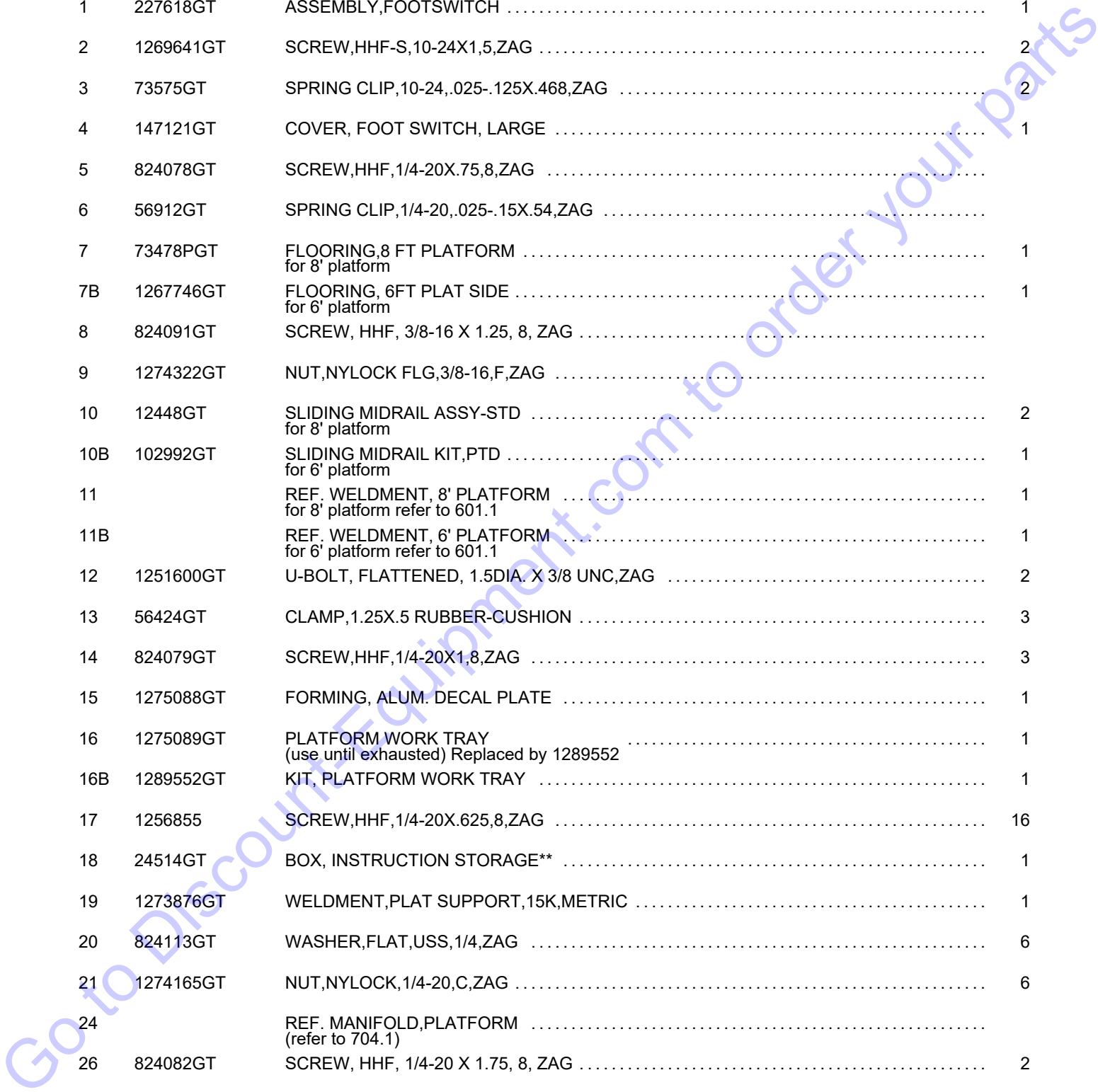


602.1 Platform Components

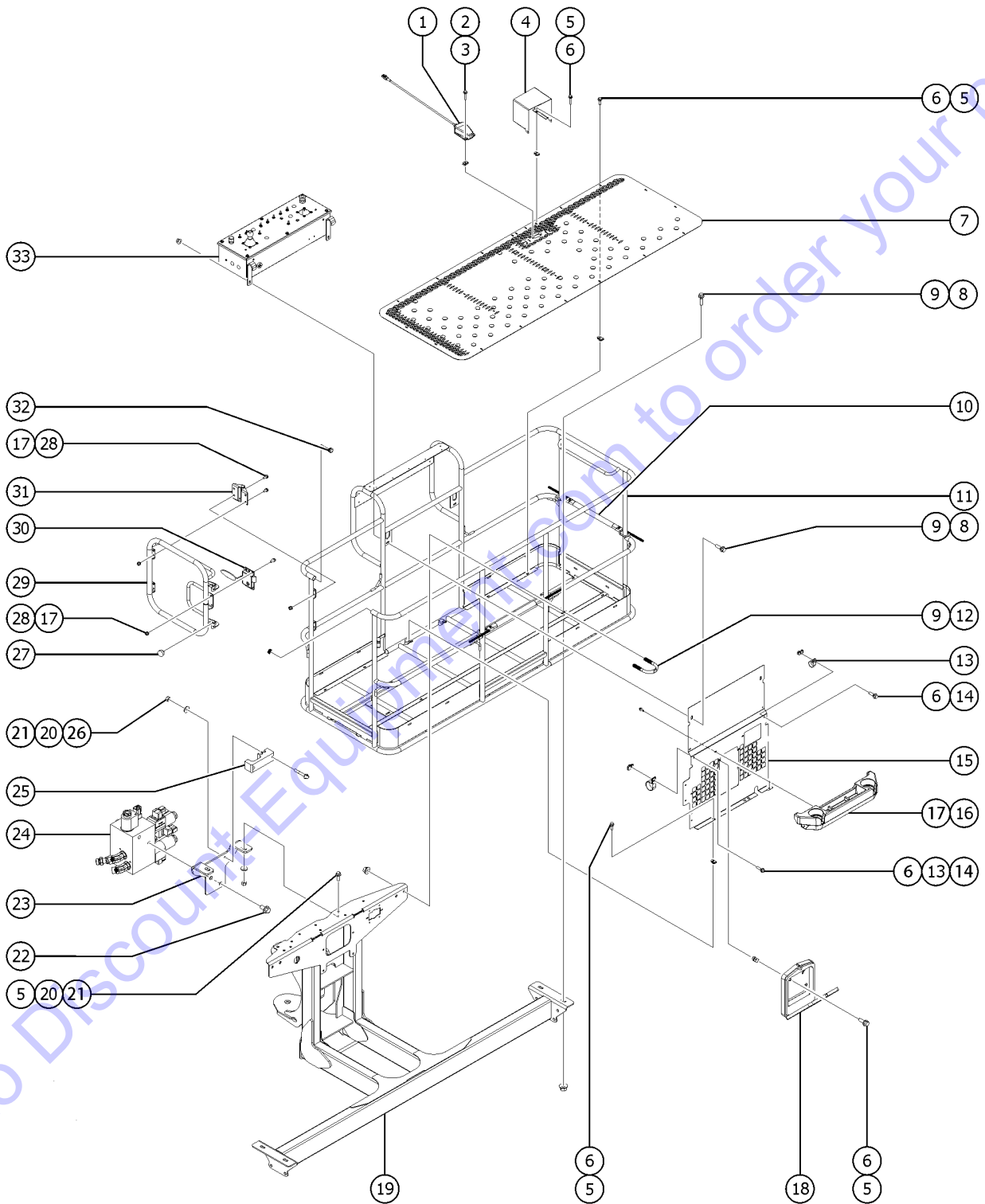


602.1 Platform Components

Item	Part No.	Description	Qty.
1	227618GT	ASSEMBLY,FOOTSWITCH	1
2	1269641GT	SCREW,HHF-S,10-24X1.5,ZAG	2
3	73575GT	SPRING CLIP,10-24,.025-.125X.468,ZAG	2
4	147121GT	COVER, FOOT SWITCH, LARGE	1
5	824078GT	SCREW,HHF,1/4-20X.75,8,ZAG	
6	56912GT	SPRING CLIP,1/4-20,.025-.15X.54,ZAG	
7	73478PGT	FLOORING,8 FT PLATFORM for 8' platform	1
7B	1267746GT	FLOORING, 6FT PLAT SIDE for 6' platform	1
8	824091GT	SCREW, HHF, 3/8-16 X 1.25, 8, ZAG	
9	1274322GT	NUT,NYLOCK FLG,3/8-16,F,ZAG	
10	12448GT	SLIDING MIDRAIL ASSY-STD for 8' platform	2
10B	102992GT	SLIDING MIDRAIL KIT,PTD for 6' platform	1
11		REF. WELDMENT, 8' PLATFORM for 8' platform refer to 601.1	1
11B		REF. WELDMENT, 6' PLATFORM for 6' platform refer to 601.1	1
12	1251600GT	U-BOLT, FLATTENED, 1.5DIA. X 3/8 UNC,ZAG	2
13	56424GT	CLAMP,1.25X.5 RUBBER-CUSHION	3
14	824079GT	SCREW,HHF,1/4-20X1,8,ZAG	3
15	1275088GT	FORMING, ALUM. DECAL PLATE	1
16	1275089GT	PLATFORM WORK TRAY (use until exhausted) Replaced by 1289552	1
16B	1289552GT	KIT, PLATFORM WORK TRAY	1
17	1256855	SCREW,HHF,1/4-20X.625,8,ZAG	16
18	24514GT	BOX, INSTRUCTION STORAGE**	1
19	1273876GT	WELDMENT,PLAT SUPPORT,15K,METRIC	1
20	824113GT	WASHER,FLAT,USS,1/4,ZAG	6
21	1274165GT	NUT,NYLOCK,1/4-20,C,ZAG	6
24		REF. MANIFOLD,PLATFORM (refer to 704.1)	
26	824082GT	SCREW, HHF, 1/4-20 X 1.75, 8, ZAG	2
23	1303426GT	PLATE, PLATFORM MANIFOLD	1



602.1 Platform Components

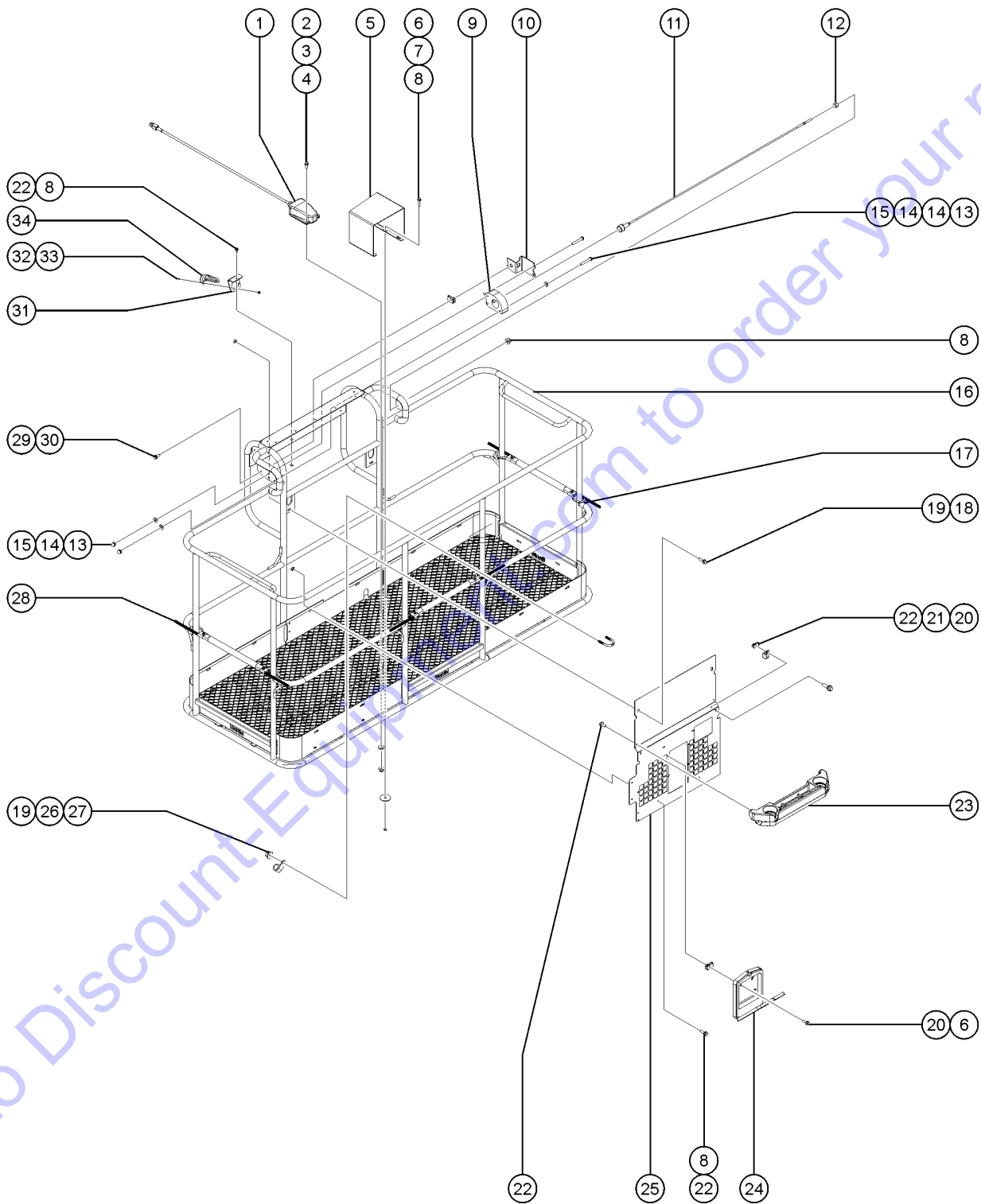


602.1 Platform Components

Item	Part No.	Description	Qty.
25	1316296GT	CLAMP,CABLE STRAIN RELIEF	1
25B	T115766GT	CLAMP,STRAIN RELIEF,WK LT (Worklight option)	
22	824089GT	SCREW, HHF, 3/8-16 X .75, 8, ZAG	2
27	43392GT	BUMPER,BATTERY BOX & RAILS	2
28	1277924GT	NUT,NYLOCK FLG,1/4-20,F,ZAG	12
29	1265397GT	WELDMENT, SWING GATE	1
30	1267747GT	LATCH, SWING GATE	1
31	104804GT	HINGE, SPRING, LONG LEG	2
32	55753GT	BUMPER, PLASTIC, 1.25 O.D.	2
33		REF. PLATFORM CONTROL BOX ASSEMBLY (refer to 603.1)	

Go to Discount-Equipment.com to order your parts

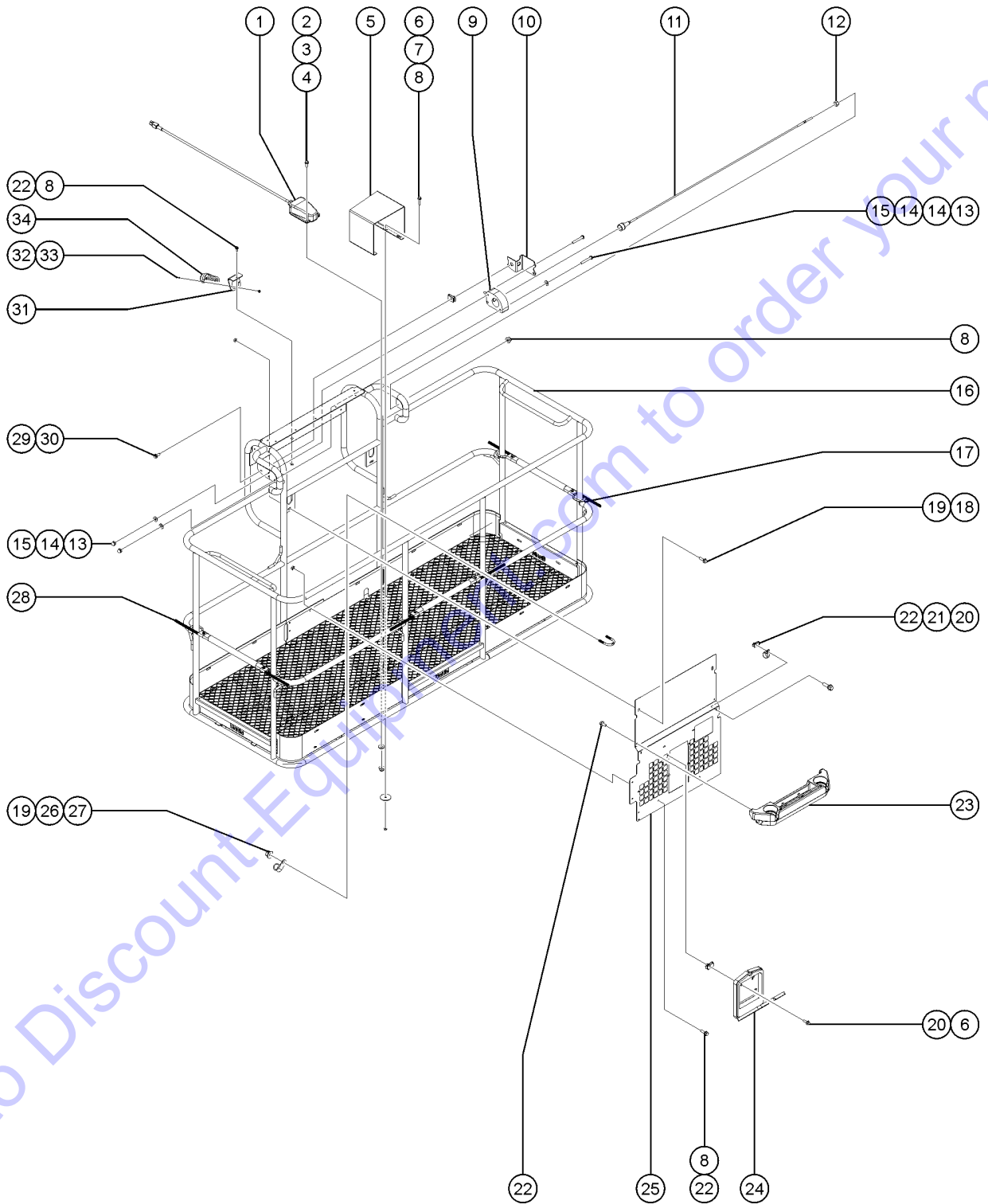




Go to DiscountEquipment.com to order your parts

Item	Part No.	Description	Qty.
1	227618GT	ASSEMBLY,FOOTSWITCH	1
2	1269641GT	SCREW,HHF-S,10-24X1.5,ZAG	2
3	1307740GT	WASHER,FLAT,#10,ZINC	2
4	1283004GT	NUT,NYLOCK FLG,10-24,A,ZAG	2
5	1306706GT	COVER,FOOT SWITCH ,LARGE	1
6	824078GT	SCREW,HHF,1/4-20X.75,8,ZAG	8
7	824113GT	WASHER,FLAT,USS,1/4,ZAG	4
8	1277924GT	NUT,NYLOCK FLG,1/4-20,F,ZAG	8
9	1332974GT	ASSY, SENSOR W/ HOUSING	1
10	1331488GT	FORMING, SENSOR HOLDER	1
11	1306900GT	CONTACT ALARM WIRE ASSY, LARGE	1
12	1261184GT	NUT,1/4-20,8,ZAG	1
13	1280278GT	SCREW,PHPM,10-24X1.375,ZAG	3
14	1253185GT	WASHER,FLAT,#10,USS,ZAG	4
15	1307739GT	Nut,#10-24 Nickel Plated Acorn	3
16	1306251GT	WELDMNT, SIDE-ENTRY PLATFORM, 8' (8 foot platform)	1
16B	1306354GT	WELDMNT,6 FT PLATFORM (6 foot platform)	1
17	T112773GT	TAPE, PROTECTIVE MASK	6
18	824091GT	SCREW, HHF, 3/8-16 X 1.25, 8, ZAG	2
19	1274322GT	NUT,NYLOCK FLG,3/8-16,F,ZAG	6
20	56912GT	SPRING CLIP,1/4-20,.025-.15X.54,ZAG	6
21	56424GT	CLAMP,1.25X.5 RUBBER-CUSHION	2
22	1256855GT	SCREW,HHF,1/4-20X.625,8,ZAG	9
23	1275089GT	PLATFORM WORK TRAY (use until exhausted) Replaced by 1289552	1
23B	1289552GT	KIT, PLATFORM WORK TRAY	1
24	24514GT	BOX, INSTRUCTION STORAGE**	1
25	1306707GT	FORMING,ALUM,DECAL PLATE	1
26	67897GT	CLAMP,0.56,#9 X 3/8,RUB CUSH	1





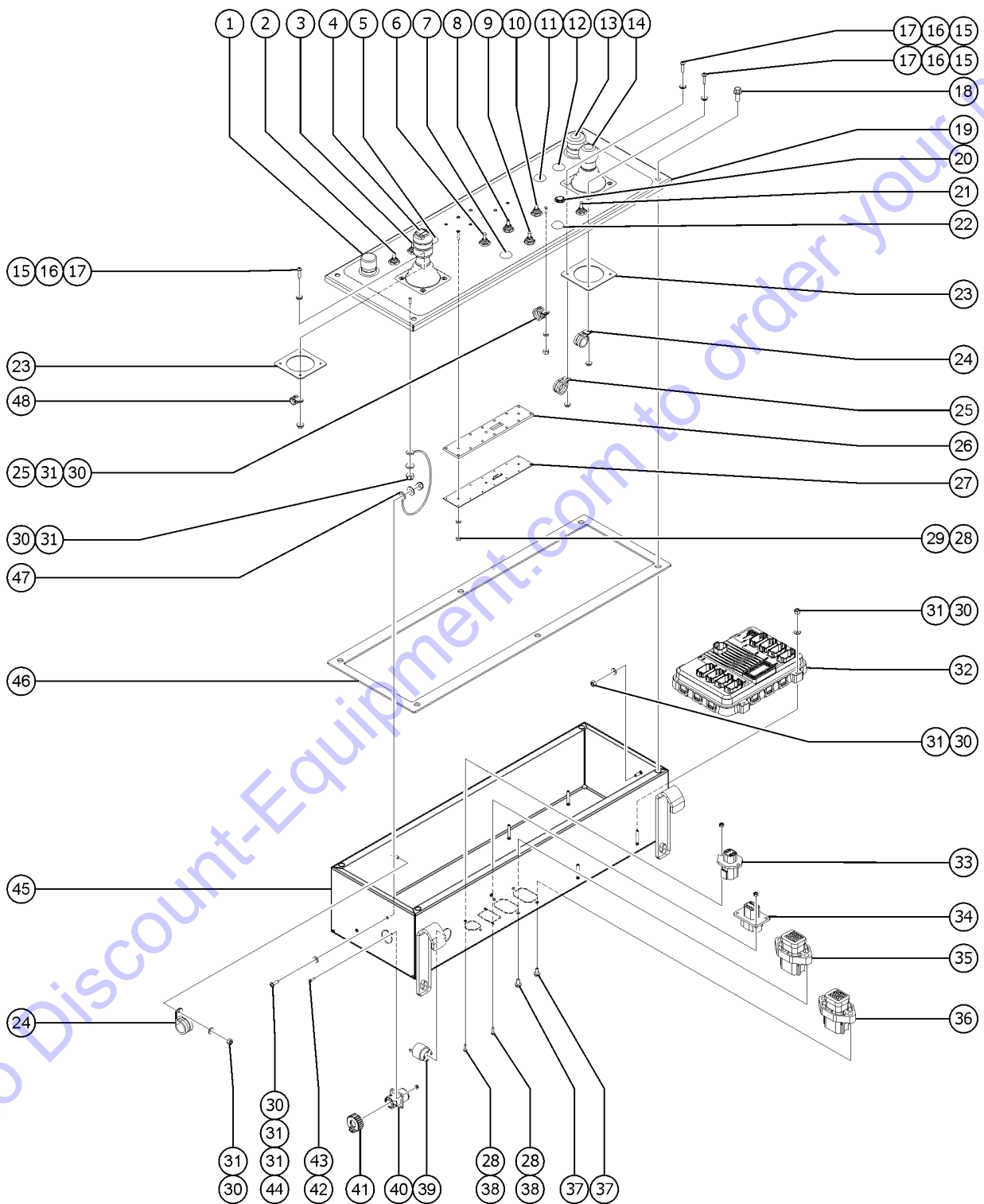
Go to DiscountEquipment.com to order your parts

Item	Part No.	Description	Qty.
27	1251600GT	U-BOLT, FLATTENED, 1.5DIA. X 3/8 UNC,ZAG	2
28	53471GT	WIRE LOOM,3/8 NYLON,HI TEMP PROVIDE LENGTH WHEN ORDERING	6
29	1264934GT	SCREW,HHF,10-24X.5	1
30	73575GT	SPRING CLIP,10-24,.025-.125X.468,ZAG	1
31	1306957GT	FORMING,LIGHT BRKT	1
32	1259259GT	SCREW,PHPM,6-32X.75,ZAG	2
33	12344GT	NUT,NYLOCK,6-32	2
34	1309080GT	ASSEMBLY, LIGHT, CONTACT ALARM (to S85XCD-2001)	1
34B	1314557GT	ASSEMBLY, LIGHT, CONTACT ALARM,CHINA (from S85XCD-2002)	1

Go to Discount-Equipment.com to order your parts



603.1 Platform Control Box (to SN S85XCD-2558)

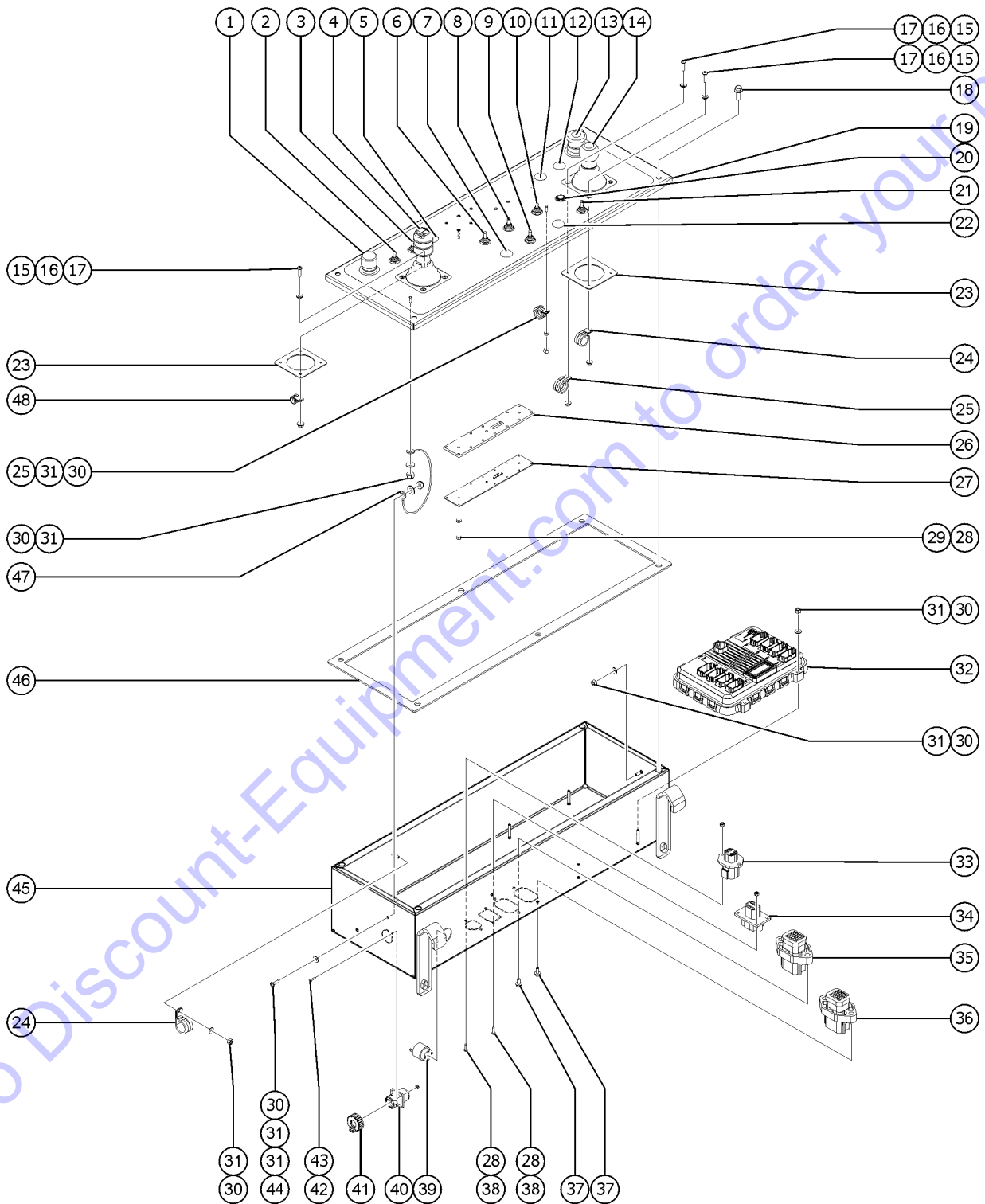


603.1 Platform Control Box (to SN S85XCD-2558)

Item	Part No.	Description	Qty.
A	1313760GT	ASSEMBLY, PBOX, S-BOOM, JIB, S65/85XC	1
1	66813GT	BUTTON,PUSH,BLACK W/SEAL ***	1
1-	66815GT	BASE, W/1 N.O. CONTACTS***	
2	128200GT	SWITCH TOGGLE ASSY SPDT 3P MOM (platform level up/down)	1
3	128200GT	SWITCH TOGGLE ASSY SPDT 3P MOM (platform rotate left /right)	1
4		REF. JOYSTICK (refer to 604.1)	
5	128200GT	SWITCH TOGGLE ASSY SPDT 3P MOM (jib up/down)	1
6	128200GT	SWITCH TOGGLE ASSY SPDT 3P MOM (engine start)	1
7	229567GT	PLUG,SANTOPRENE .5 BLACK DOME	1
8	128203GT	SWITCH TOGGLE ASSY SPDT 2P MOM (emergency power)	1
9	128204GT	SWITCH TOGGLE ASSY SPDT 2P MNT (engine RPM select)	1
10	128204GT	SWITCH TOGGLE ASSY SPDT 2P MNT (drive speed select)	1
11	229567GT	PLUG,SANTOPRENE .5 BLACK DOME	1
11B	128204GT	SWITCH TOGGLE ASSY SPDT 2P MNT (Models with Generator option)	1
12	229567GT	PLUG,SANTOPRENE .5 BLACK DOME	1
12B	128203GT	SWITCH TOGGLE ASSY SPDT 2P MOM (Models with Aircraft Protection package)	1
13	66812GT	BUTTON,PUSH,RED MUSHROOM HEAD	1
13-	146478GT	BOOT(BELLOWS),E-STOP,BLACK	
13-	66817GT	E-STOP W/ NC CONTACT	
14		REF. JOYSTICK Drive joystick needs to be ordered separately; (refer to 604.1)	
15	139338GT	SCREW PH M5-0.8X20 DIN 7500CE	8
16	1269498GT	SHOULDER WASHER, NYLON	8
17	1255753GT	NUT,FLG,M5-0.8,DIN6923,8,ZAB	3
18	824078GT	SCREW,HHF,1/4-20X.75,8,ZAG	4
19	1282472GT	WELDMENT, LID, CONTROLS, PLATFORM	1
20	218165GT	LIGHT,INDICATOR,RED 12V H-BRI	1
21	128200GT	SWITCH TOGGLE ASSY SPDT 3P MOM (drive enable)	1
22	229567GT	PLUG,SANTOPRENE .5 BLACK DOME	1



603.1 Platform Control Box (to SN S85XCD-2558)



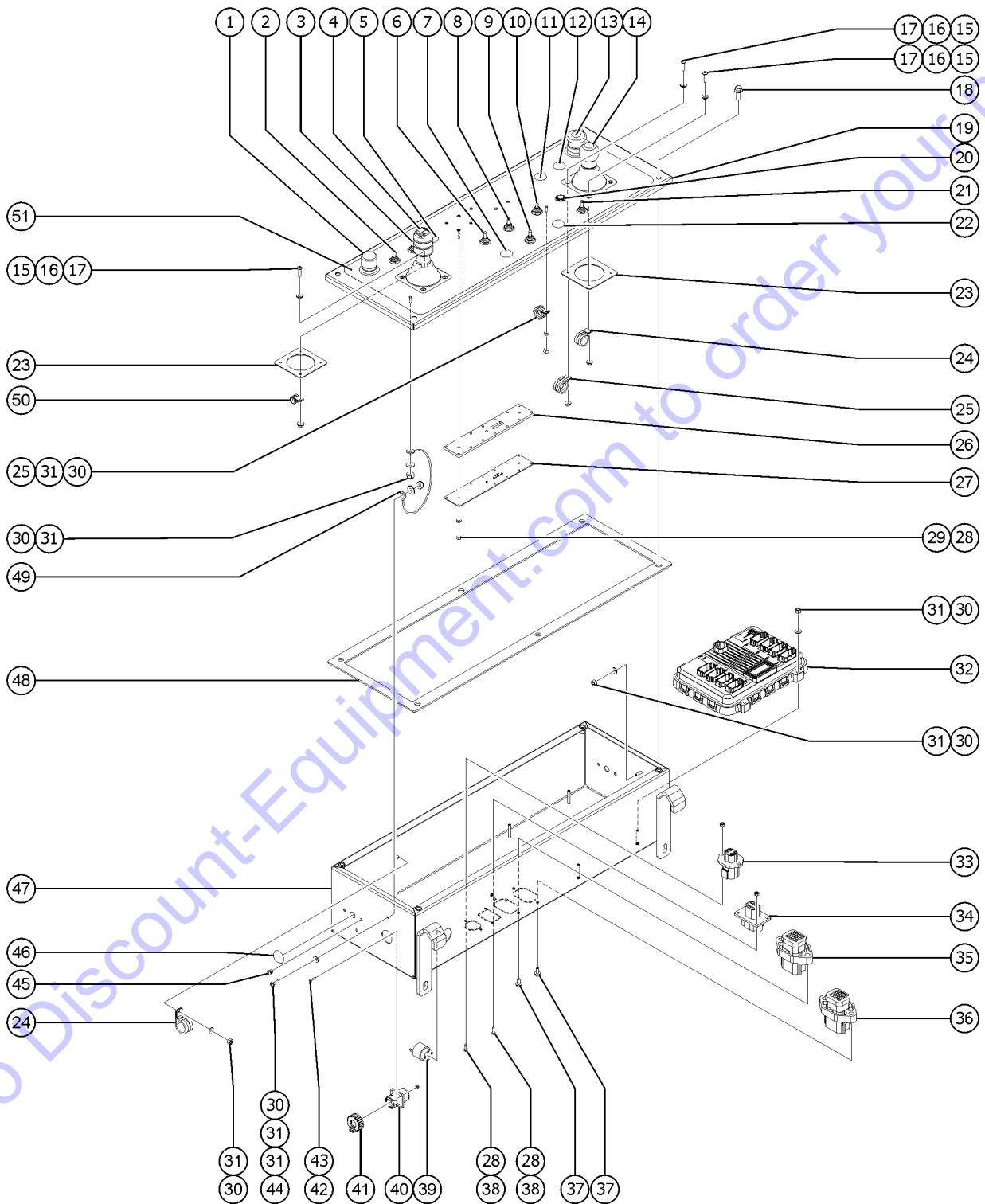
603.1 Platform Control Box (to SN S85XCD-2558)

Item	Part No.	Description	Qty.
23	1269497GT	GASKET, ISOLATION, JOYSTICK	2
24	18666GT	CLAMP,1.00,#16 X 1/4,RUB CUSH	3
25	13268GT	CLAMP,0.75,#12 X 1/4,RUB CUSH	2
		(No longer used at this location)	
26	1278613GT	SPACER, XC PLATFORM INDICATORS	1
27	1278612GT	PCBA, XC PLATFORM INDICATORS	1
28	1274164GT	NUT,NYLOCK,6-32,A,ZAG	7
29	822224GT	WASHER, NYLON #10, 0.093	3
30	1274168GT	NUT,NYLOCK,10-32,A,ZAG	12
31	1253185GT	WASHER,FLAT,#10,USS,ZAG	13
32	1284524GT	ECU, PLATFORM, S-XC, PROGRAMMED	1
		(Contact Genie Parts Sales with full model)	
33	73717GT	CONN, RECEP, 4 WAY, DEUTSCH, DTP, FLANGE	1
34	87755GT	CONN, RECEP, 8 WAY, DEUTSCH, DT, GRAY/FLANGE	1
35	1265862GT	CONN, RECEP, 18 WAY, DEUTSCH, DTV, GRAY/FLANGE	1
36	226948GT	CONN, RECEP, 18 WAY, DEUTSCH, DTV, BLACK/FLANGE	1
37	218457GT	SCREW,HHF,M5X12,DIN6921,10.9,Z	4
38	824214GT	SCREW,PHPM,6-32X.50,ZAG	4
39	39540GT	ALARM, STEADY TONE***	1
40	1272122GT	CONN, RECEP, 5 WAY, DEUTSCH, HD10	1
41	1272123GT	DUST CAP, RECEPTACLE, 5 WAY, CIRCULAR	1
42	1253477GT	SCREW,PHPM,4-40X.5,ZAG	2
43	40766GT	NUT,NYLOCK,4-40	2
44	1257227GT	SCREW,PHPM,10-32X.625,ZAG	1
45	1279851GT	WELDMENT,BOX,PLATFORM CONTROL,XC	1
46	81488GT	GASKET,PLATFORM CONTROL BOX	1
47	1258952GT	LANYARD, BOX, CONTROL, PLATFORM	2
48	6833GT	CLAMP,0.50,#8 X 1/4,RUB CUSH	1

Go to DiscountEquipment.com to order your parts



603.2 Platform Control Box (from SN S85XCD-2559)



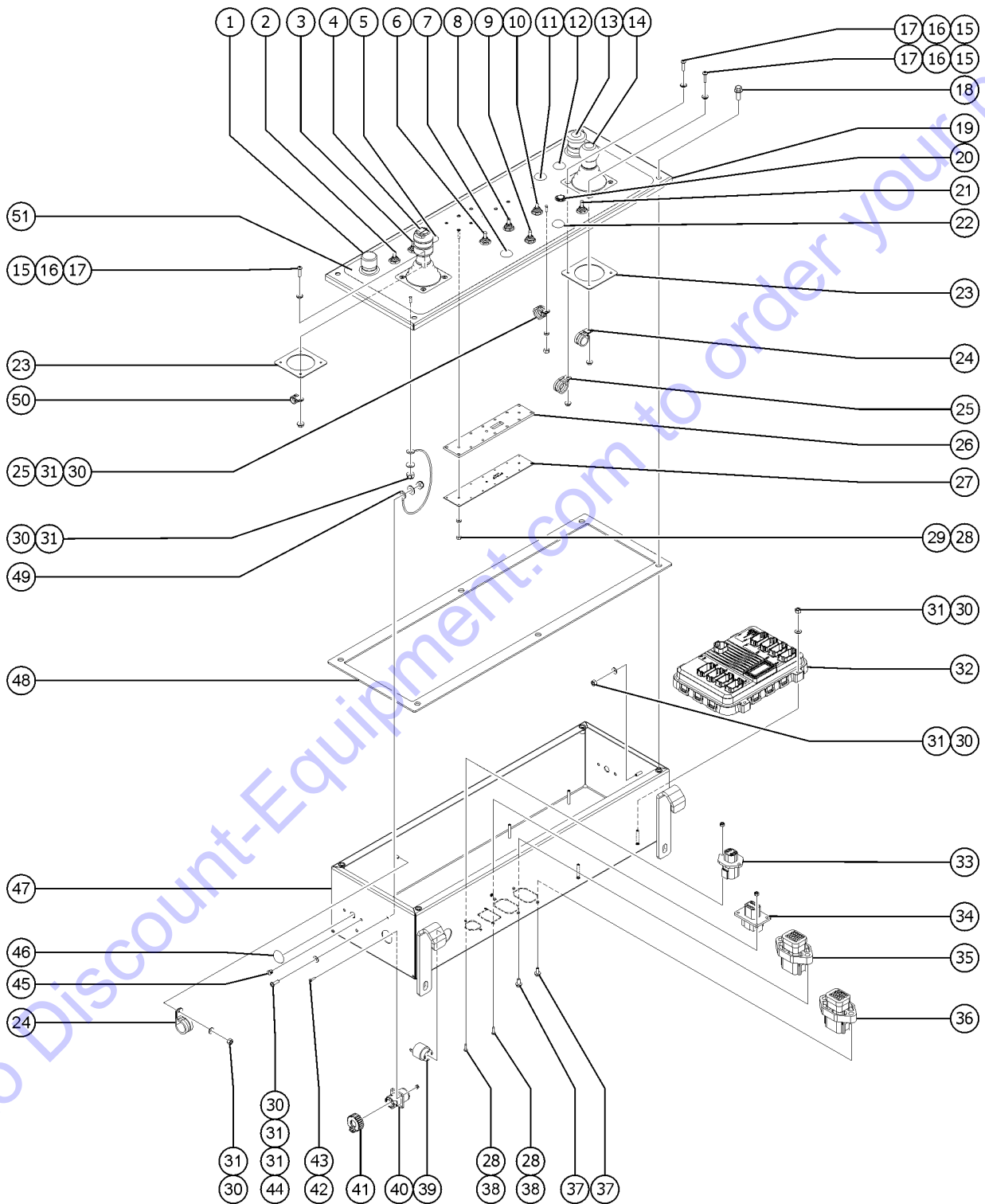
Go to Discount-Equipment.com to order your parts

603.2 Platform Control Box (from SN S85XCD-2559)

Item	Part No.	Description	Qty.
A	1326045GT	ASSEMBLY,PBOX,S-BOOM,JIB,S65/85XC (Complete), (to SN S85XCD-2965)	1
B	1330629GT	ASSEMBLY,PBOX,S-BOOM,JIB,S65/85XC (Complete), (from SN S85XCD-2966)	1
1	66813GT	BUTTON,PUSH,BLACK W/SEAL***	1
1-	66815GT	BASE, W/1 N.O. CONTACTS***	
2	128200GT	SWITCH TOGGLE ASSY SPDT 3P MOM (platform level up/down)	1
3	128200GT	SWITCH TOGGLE ASSY SPDT 3P MOM (platform rotate left /right)	1
4		REF. JOYSTICK (refer to 604.1)	
5	229567GT	PLUG,SANTOPRENE .5 BLACK DOME (jib up/down)	1
6	128200GT	SWITCH TOGGLE ASSY SPDT 3P MOM (engine start)	1
7	229567GT	PLUG,SANTOPRENE .5 BLACK DOME	1
8	128203GT	SWITCH TOGGLE ASSY SPDT 2P MOM (emergency power)	1
9	128204GT	SWITCH TOGGLE ASSY SPDT 2P MNT (engine RPM select)	1
10	128204GT	SWITCH TOGGLE ASSY SPDT 2P MNT (drive speed select)	1
11	229567GT	PLUG,SANTOPRENE .5 BLACK DOME	1
11B	128204GT	SWITCH TOGGLE ASSY SPDT 2P MNT (Models with Generator option)	1
12	229567GT	PLUG,SANTOPRENE .5 BLACK DOME	1
12B	128203GT	SWITCH TOGGLE ASSY SPDT 2P MOM (Models with Aircraft Protection package)	1
13	66812GT	BUTTON,PUSH,RED MUSHROOM HEAD	1
13-	146478GT	BOOT(BELLOWS),E-STOP,BLACK	
13-	66817GT	E-STOP W/ NC CONTACT	
14		REF. JOYSTICK Drive joystick needs to be ordered separately; (refer to 604.1)	
15	139338GT	SCREW PH M5-0.8X20 DIN 7500CE	8
16	1269498GT	SHOULDER WASHER, NYLON	8
17	1255753GT	NUT,FLG,M5-0.8,DIN6923,8,ZAB	3
18	824078GT	SCREW,HHF,1/4-20X.75,8,ZAG	4
19	1282472GT	WELDMENT, LID, CONTROLS, PLATFORM	1
20	218165GT	LIGHT,INDICATOR,RED 12V H-BRI	1
21	128200GT	SWITCH TOGGLE ASSY SPDT 3P MOM (drive enable)	1



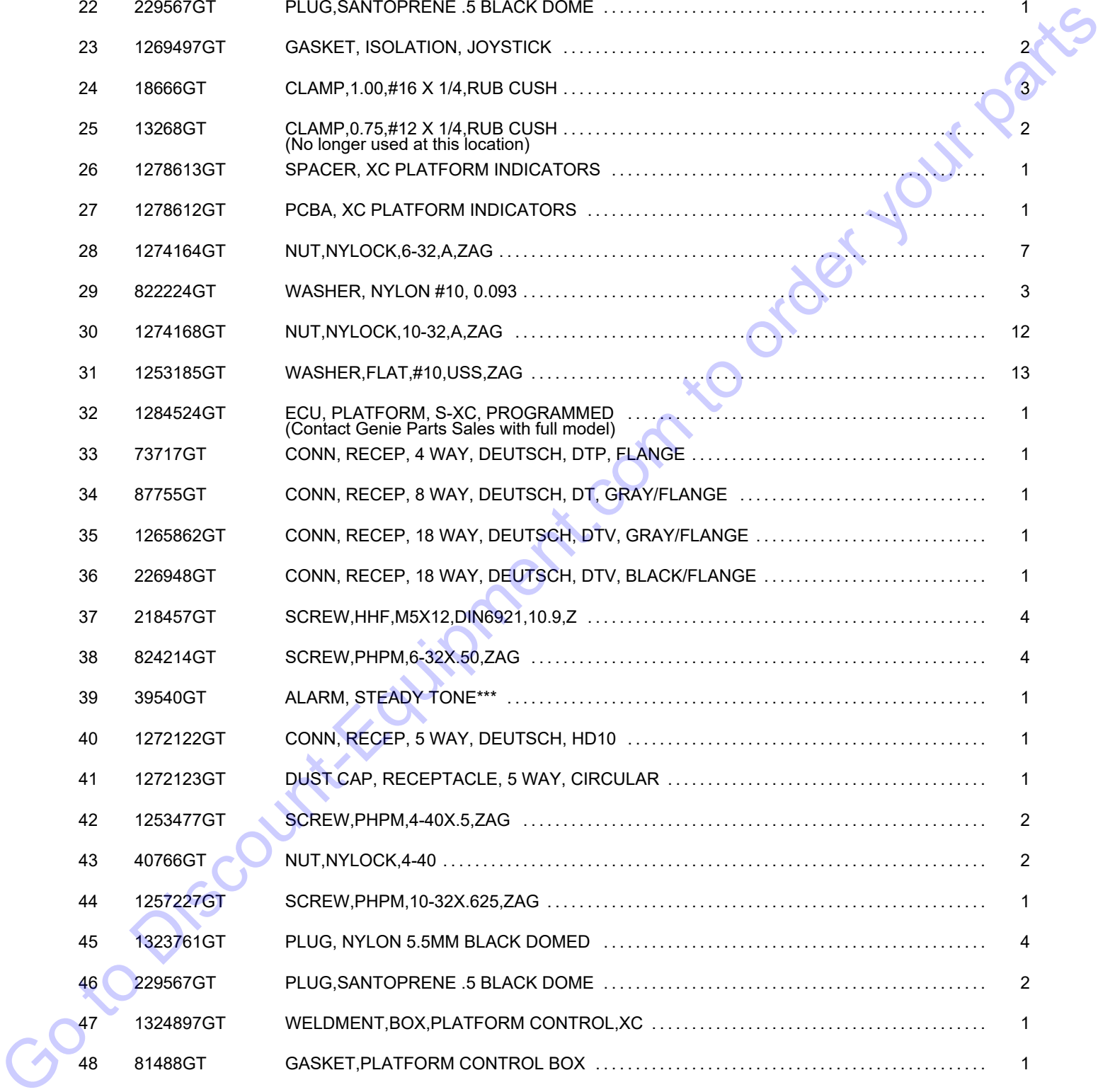
603.2 Platform Control Box (from SN S85XCD-2559)



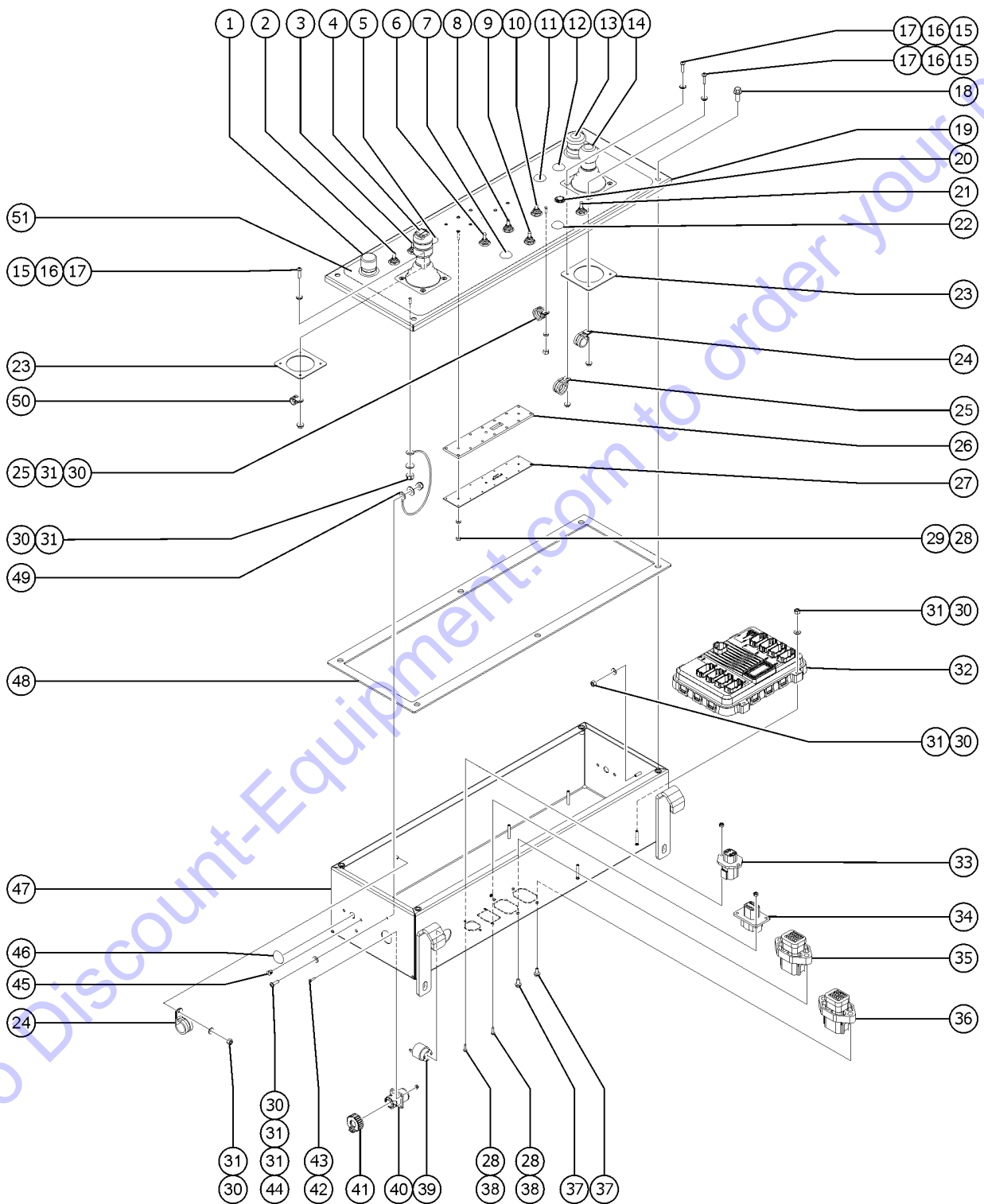
Go to Discount-Equipment.com to order your parts

603.2 Platform Control Box (from SN S85XCD-2559)

Item	Part No.	Description	Qty.
22	229567GT	PLUG,SANTOPRENE .5 BLACK DOME	1
23	1269497GT	GASKET, ISOLATION, JOYSTICK	2
24	18666GT	CLAMP,1.00,#16 X 1/4,RUB CUSH	3
25	13268GT	CLAMP,0.75,#12 X 1/4,RUB CUSH	2
		(No longer used at this location)	
26	1278613GT	SPACER, XC PLATFORM INDICATORS	1
27	1278612GT	PCBA, XC PLATFORM INDICATORS	1
28	1274164GT	NUT,NYLOCK,6-32,A,ZAG	7
29	822224GT	WASHER, NYLON #10, 0.093	3
30	1274168GT	NUT,NYLOCK,10-32,A,ZAG	12
31	1253185GT	WASHER,FLAT,#10,USS,ZAG	13
32	1284524GT	ECU, PLATFORM, S-XC, PROGRAMMED	1
		(Contact Genie Parts Sales with full model)	
33	73717GT	CONN, RECEP, 4 WAY, DEUTSCH, DTP, FLANGE	1
34	87755GT	CONN, RECEP, 8 WAY, DEUTSCH, DT, GRAY/FLANGE	1
35	1265862GT	CONN, RECEP, 18 WAY, DEUTSCH, DTV, GRAY/FLANGE	1
36	226948GT	CONN, RECEP, 18 WAY, DEUTSCH, DTV, BLACK/FLANGE	1
37	218457GT	SCREW,HHF,M5X12,DIN6921,10.9,Z	4
38	824214GT	SCREW,PHPM,6-32X.50,ZAG	4
39	39540GT	ALARM, STEADY TONE***	1
40	1272122GT	CONN, RECEP, 5 WAY, DEUTSCH, HD10	1
41	1272123GT	DUST CAP, RECEPTACLE, 5 WAY, CIRCULAR	1
42	1253477GT	SCREW,PHPM,4-40X.5,ZAG	2
43	40766GT	NUT,NYLOCK,4-40	2
44	1257227GT	SCREW,PHPM,10-32X.625,ZAG	1
45	1323761GT	PLUG, NYLON 5.5MM BLACK DOMED	4
46	229567GT	PLUG,SANTOPRENE .5 BLACK DOME	2
47	1324897GT	WELDMENT,BOX,PLATFORM CONTROL,XC	1
48	81488GT	GASKET,PLATFORM CONTROL BOX	1
49	1258952GT	LANYARD, BOX, CONTROL, PLATFORM	2



603.2 Platform Control Box (from SN S85XCD-2559)



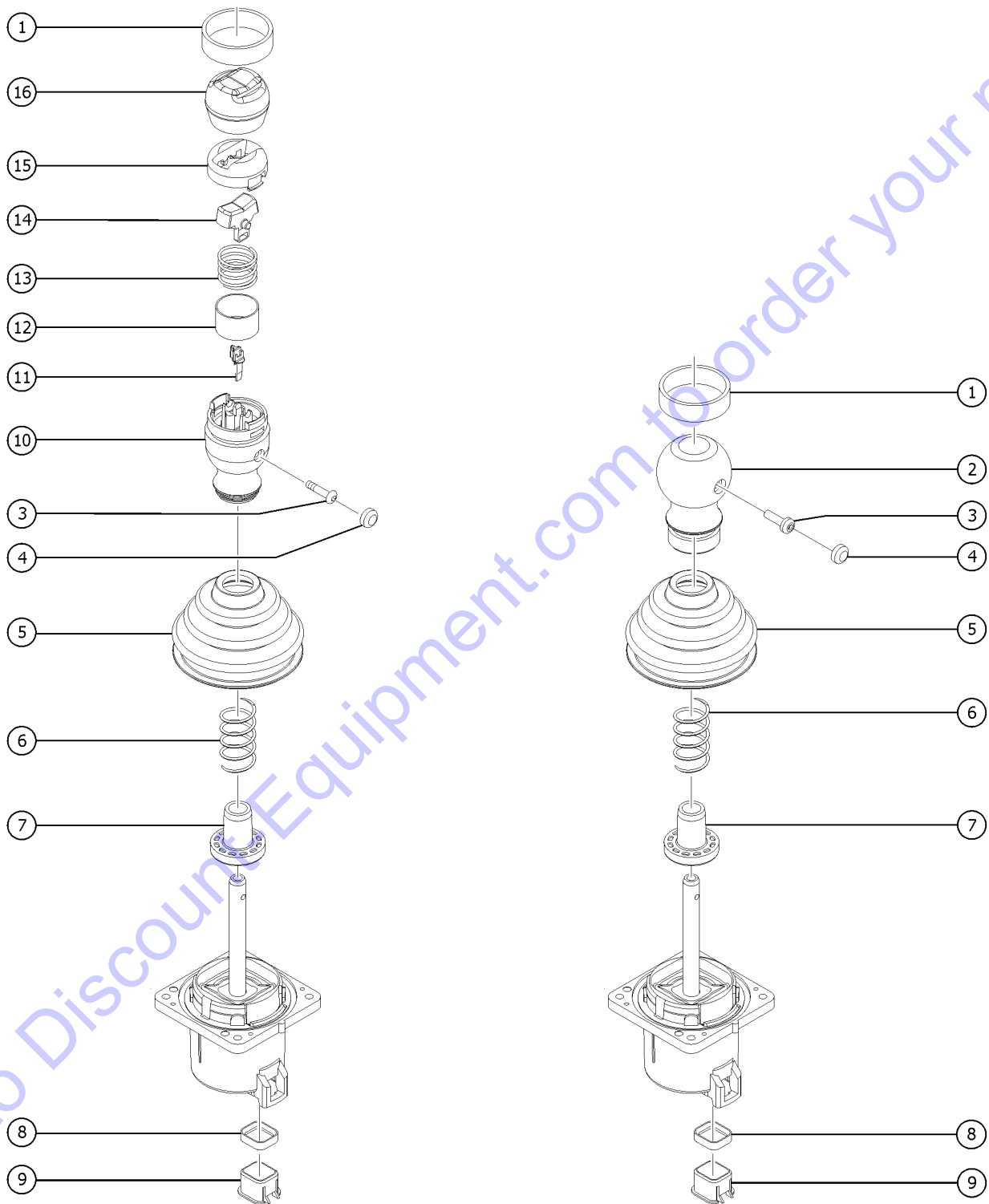
603.2 Platform Control Box (from SN S85XCD-2559)

Item	Part No.	Description	Qty.
50	6833GT	CLAMP,0.50,#8 X 1/4,RUB CUSH	1
51	1278567GT	OVERLAY,PLATFORM CONTROLS,S-BOOM,XC (refer to 105.1, 110.1, to SN S85XCD-2965)	1
51B	1331855GT	OVERLAY PLATFORM CONTROLS S-BOOM XC (refer to 105.2, 110.2, from SN S85XCD-2966)	1

Go to Discount-Equipment.com to order your parts



604.1 Joysticks

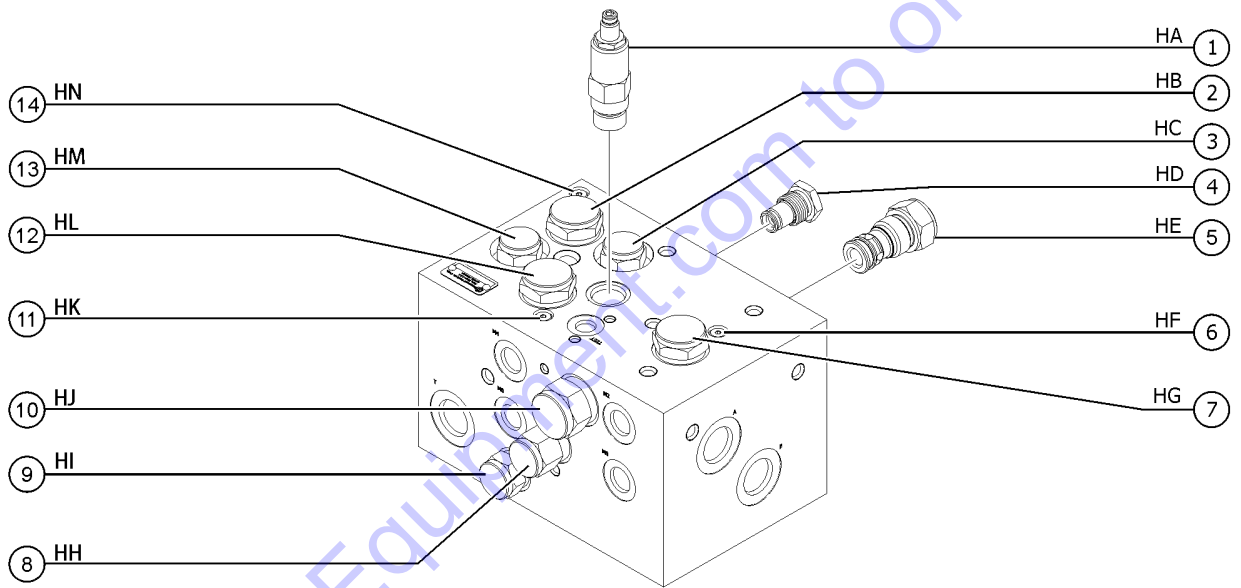


604.1 Joysticks

Item	Part No.	Description	Qty.
A-	1275259GT	JOYSTICK, ISOLATED, 2 AXIS ROCKER OEM joystick (calibration required after replacement) includes gasket part 1269497 and shoulder washer part 1269498 (refer to 603.1)	1
B-	1275248GT	JOYSTICK, ISOLATED, 2 AXIS OEM joystick (calibration required after replacement) includes gasket part 1269497 and	1
C-	1275258GT	JOYSTICK, ISOLATED, ASSY, ROCKER OEM joystick (calibration required after replacement) includes gasket part 1269497 and	1
D-	83098GT	TERM,AMP MTE,SOC,22-26 GA BULK shoulder washer part 1269498 (refer to 603.1)	1
1	1335662GT	SHRINK TUBE; BLUE, 3:1, 40MM X 0.5"LG replaces 1271713GT	2
2	62392GT	KNOB,JOYSTICK, 62390/62391	1
3	T112626GT	SCREW, PHM, #6-32 X .625 ZINC	1
4	1269499GT	PLUG, JOYSTICK HANDLE	2
5	139598GT	BOOT,JOYSTICK	1
6		SPRING,JOYSTK CENTR,62390/91 (no longer available from supplier)	
7	119915GT	COLLAR, JOYSTICK, CENTER	1
8	128000GT	SEAL, CONNECTOR (DT JOYSTICKS)	1
9	128001GT	SLEEVE,CONNECTOR,DT JOYSTICKS	1
10	75449GT	KNOB,ROCKER JOYSTICK 75565	1
11	75448GT	SUPPORT,SENSOR,JOYSTICK	1
12	75447GT	SWITCH SHIELD,ROCK JOYSTK75565	1
13	75446GT	SPRING,SWITCH CENTERING,75565	1
14	75445GT	ROCKER ASSY.,MAGNETIC 75565	1
15	75444GT	ROCKER,RETAINER, 75565	1
16	75443GT	BOOT, ROCKER JOYSTICK 75565	1

Go to DiscountEquipment.com to order your parts

701.1 Traction Manifold



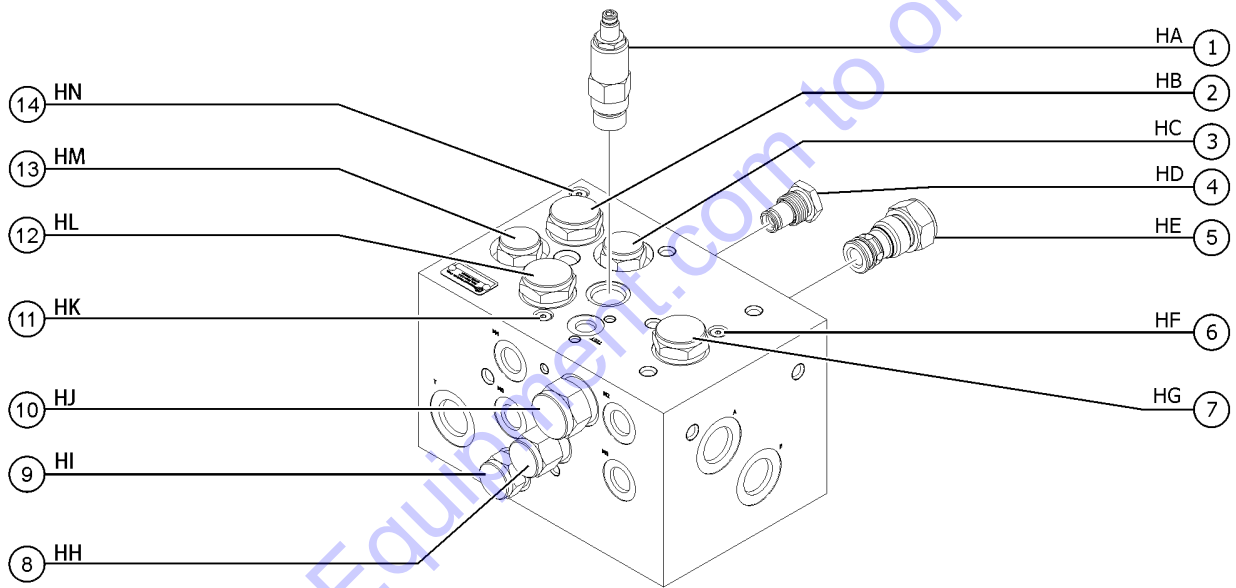
Go to Discount-Equipment.com to order your parts

Item	Part No.	Description	Qty.
A	139712GT	MANIFOLD,TRACTION,4WD*** (complete)	
A-	1287434GT	PLUG,SAE #03 (139712) Plug for ORIFICE, 0.040"	
B	28750GT	O-RING KIT,FIELD SVC,ALL PROD*	
C	49612GT	O-RING KIT (ORFS FITTINGS)	
D	33994GT	PLUG AND CAP KIT-SERVICE,37?***	
E	49613GT	PLUG AND CAP KIT-SERVICE,ORFS*	
1	139718GT	VALVE, RELIEF, 280PSI HA, Charge pressure circuit	
1-	139512GT	SEAL KIT, VALVE	
2	139717GT	VALVE, FLOW DIVIDE/COMB,24GPM HB, Controls flow to non-steer end drive motors in forward and reverse.	
2-	139512GT	SEAL KIT, VALVE	
3	139527GT	VALVE, CHECK, 5PSI HC, Steer end drive motor circuit	
3-	139528GT	SEAL KIT, VALVE	
4	139527GT	VALVE, CHECK, 5PSI HD, Non-steer end drive motor circuit	
4-	139528GT	SEAL KIT, VALVE	
5	139716GT	VALVE, CHECK HE, Non-steer end drive motor circuit	
5-	139727GT	SEAL KIT, VALVE	
6	139719GT	ORIFICE, 0.040" HF, Equalizes pressure on both sides of HF, Equalizes pressure of flow divider/combiner	
7	139508GT	VALVE, FLOW DIVIDE/COMBINE 1:1 HG, Controls flow to flow divider/combiner valves 2 and 12	
7-	139512GT	SEAL KIT, VALVE	
8	139715GT	VALVE, SHUTTLE, FIXED HH, Steer end drive motor circuit	
8-	139512GT	SEAL KIT, VALVE	
9	139527GT	VALVE, CHECK, 5PSI HI, Steer end drive motor circuit	
9-	139528GT	SEAL KIT, VALVE	
10	139716GT	VALVE, CHECK HJ, Charge pressure circuit that directs hot oil out of low pressure side of drive pump	
10-	139727GT	SEAL KIT, VALVE	
11	139719GT	ORIFICE, 0.040" HK, Equalizes pressure on both sides of the flow divider/combiner valve item 12	
12	139717GT	VALVE, FLOW DIVIDE/COMB,24GPM HL, Controls flow to steer end motors in forward and reverse	
12-	139512GT	SEAL KIT, VALVE	

Go to Discount Equipment.com to order your parts



701.1 Traction Manifold



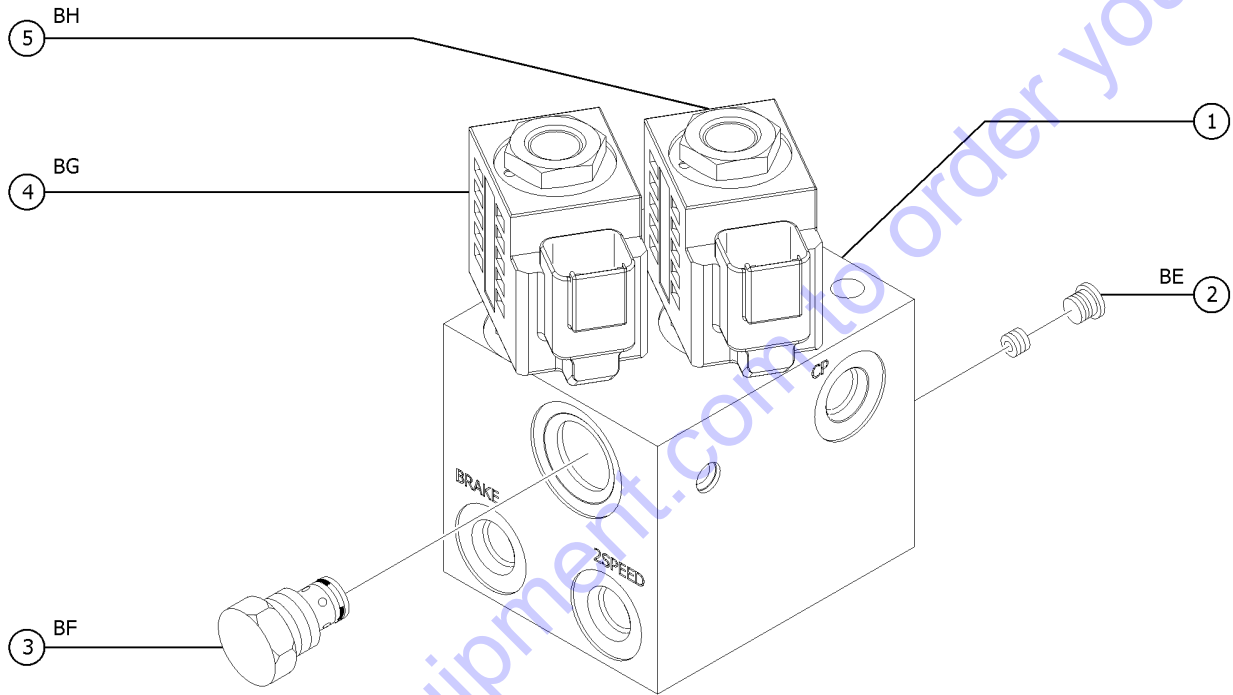
Go to Discount-Equipment.com to order your parts

701.1 Traction Manifold

<i>Item</i>	<i>Part No.</i>	<i>Description</i>	<i>Qty.</i>
13	139527GT	VALVE, CHECK, 5PSI HM, Non-steer end drive motor circuit	
13-	139528GT	SEAL KIT, VALVE	
14	139719GT	ORIFICE, 0.040" HN, Equalizes pressure on both sides of flow divider/combiner valve item 2	

Go to Discount-Equipment.com to order your parts

702.1 Two-Speed/Brake Manifold



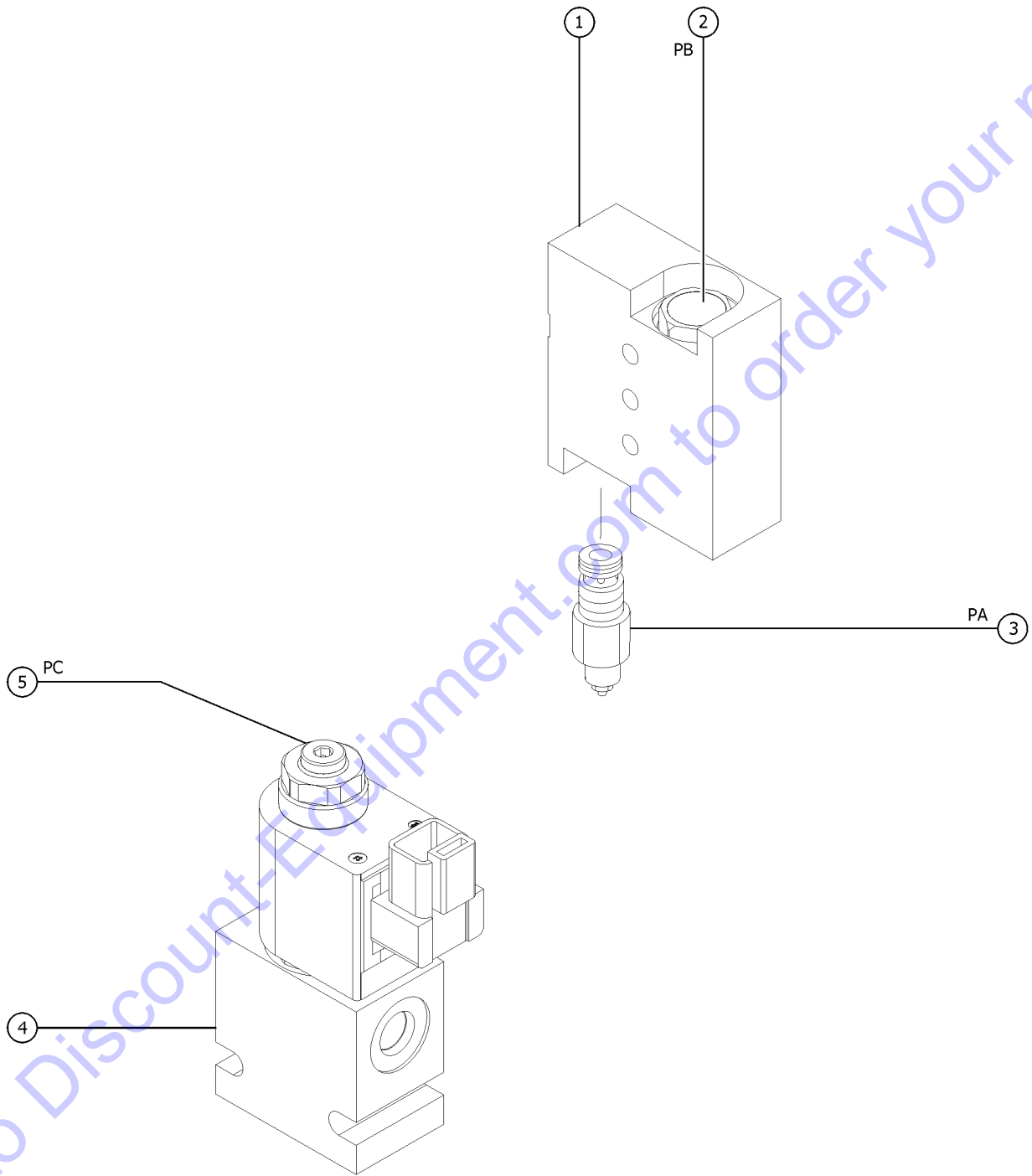
702.1 Two-Speed/Brake Manifold

Item	Part No.	Description	Qty.
1	1283179GT	MANIFOLD,BRAKE,2-SPEED (Complete)	
1-	1285623GT	SCREEN KIT (1283179)	
2	219245GT	ORIFICE PLUG .025 DIA. BE, Turntable rotaton brake release	
3	35726GT	VALVE,HYDRAULIC CHECK BF, Brake release circuit	
3-	161145GT	SEAL KIT,CHECK VALVE 219246	
4	219247GT	VALVE, SOLENOID	
4-	219243GT	COIL, SOLENOID VALVE, 10V BG, Brake release	
4-	161144GT	SEAL KIT,SOLENOID VALVE 219247	
4-	94759GT	NUT,SOLENOID	
5	219247GT	VALVE, SOLENOID	
5-	161144GT	SEAL KIT,SOLENOID VALVE 219247	
5-	219243GT	COIL, SOLENOID VALVE, 10V BH, Two speed motor shift;	
5-	94759GT	NUT,SOLENOID	

Go to Discount-Equipment.com to order your parts



703.1 Function Enable Valve and Platform Rotator Manifold



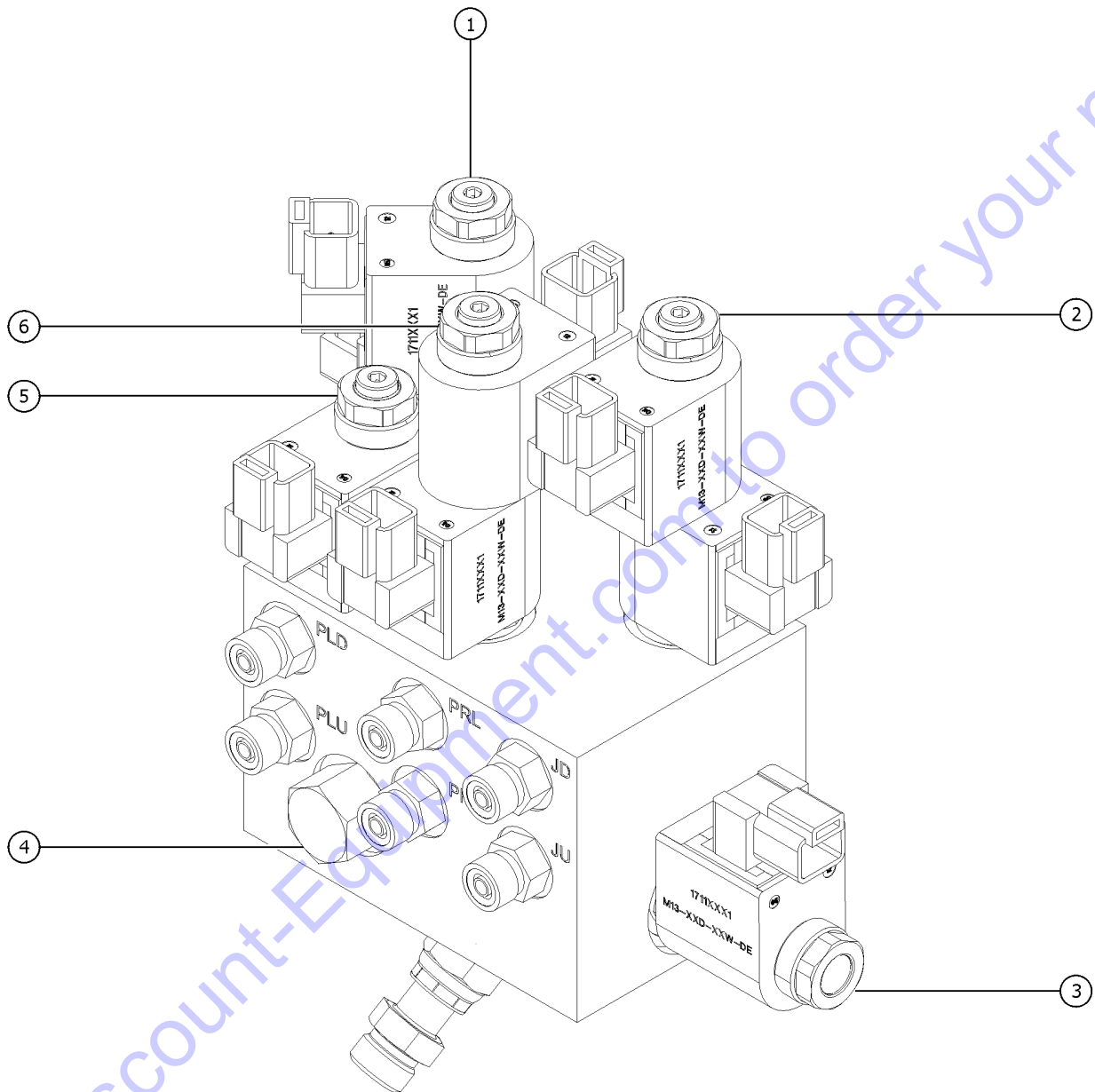
703.1 Function Enable Valve and Platform Rotator Manifold

Item	Part No.	Description	Qty.
1	1270810GT	MANIFOLD, ROTATOR, CB (Complete)	
1-	62507GT	O-RING, ROTATOR MANIFOLD	
2	62506GT	VALVE - COUNTERBALANCE** PB, Platform rotate left	
2-	43018GT	SEAL KIT (39345)	
3	62506GT	VALVE - COUNTERBALANCE** PA, Platform rotate right	
3-	43018GT	SEAL KIT (39345)	
4	218144GT	VALVE, FUNCTION ENABLE, ZX135 (Complete)	
5	107742GT	VALVE, SOLENOID 2 POS 2 WAY PC, Differential sensing	
5-	89770GT	SEAL KIT, SOLENOID VALVE	
5-	89733GT	COIL SOLENOID VALVE***	

Go to Discount-Equipment.com to order your parts



704.1 Platform Manifold (from SN S85XCD-2001 to S85XCD-2742)

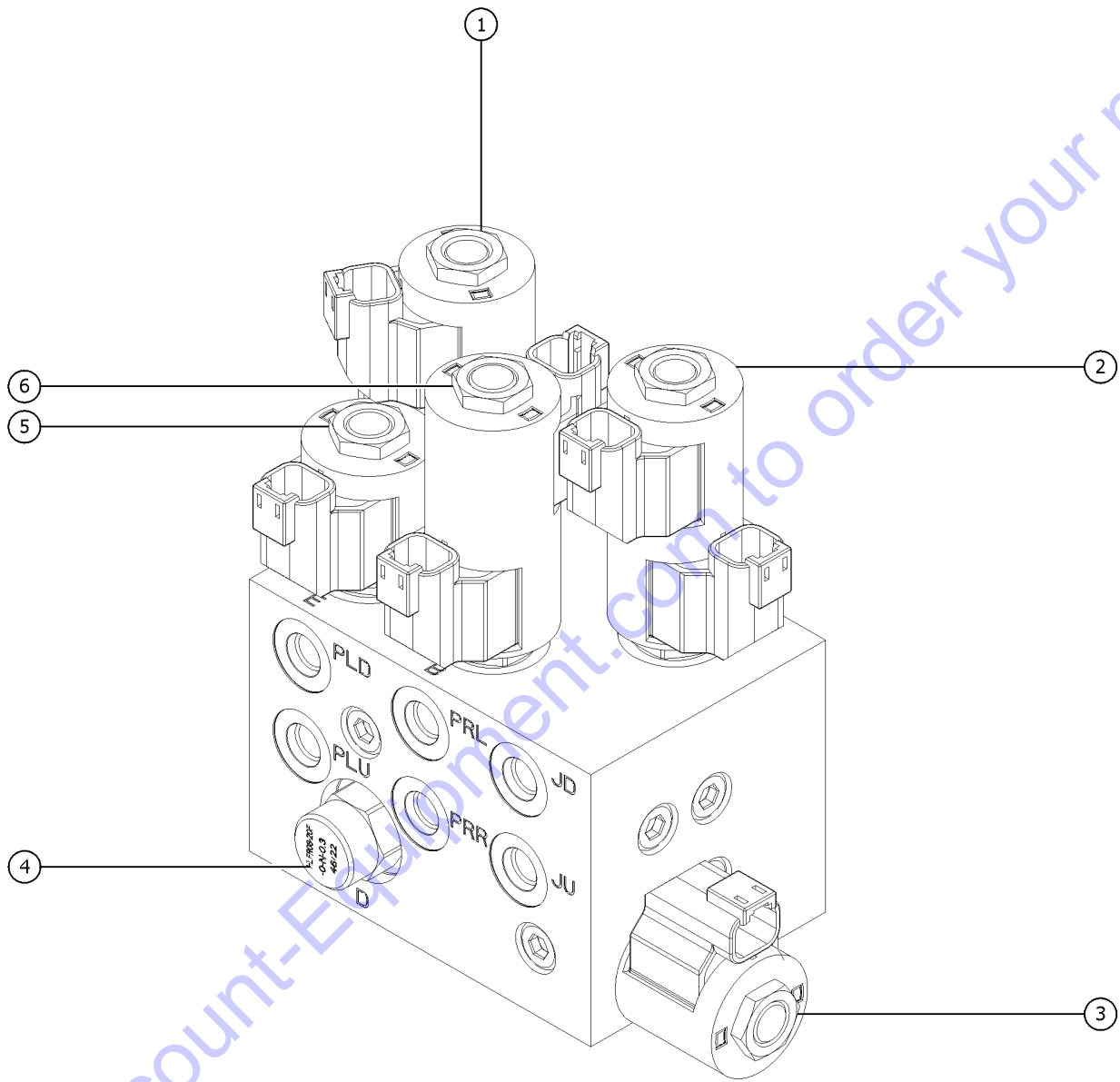


704.1 Platform Manifold (from SN S85XCD-2001 to S85XCD-2742)

Item	Part No.	Description	Qty.
A	1303389GT	MANIFOLD, E-LEVEL, JIB (Complete)	
1	1314181GT	VALVE, PROPORTIONAL Platform level proportional valve	1
1-	122120GT	SEAL KIT, SOLENOID VALVE	
1-	1314555GT	COIL, SOLENOID VALVE, 20W	
1-	1314556GT	KIT, COIL & NUT	
2	1314181GT	VALVE, PROPORTIONAL Jib up/down	1
2-	122120GT	SEAL KIT, SOLENOID VALVE	
2-	1314555GT	COIL, SOLENOID VALVE, 20W	
2-	1314556GT	KIT, COIL & NUT	
3	1314182GT	VALVE, SPOOL	
3-	122120GT	SEAL KIT, SOLENOID VALVE	
3-	122148GT	COIL, SOLENOID VALVE,20W	
3-	106079GT	KIT, COIL & NUT SAUER EDH VALVE	
4	31099GT	VALVE, FLOW REGULATOR Platform rotate flow Control,0.3 gpm	1
4-	74902GT	SEAL KIT, VALVE	
5	1314183GT	VALVE, SPOOL Platform level up/down	1
5-	1314554GT	SEAL KIT, SOLENOID VALVE	
5-	122148GT	COIL, SOLENOID VALVE,20W	
5-	106079GT	KIT, COIL & NUT SAUER EDH VALVE	
6	122121GT	SOLENOID VALVE Platform rotate CW/CCW	1
6-	122120GT	SEAL KIT, SOLENOID VALVE	
6-	122148GT	COIL, SOLENOID VALVE,20W	
6-	52943GT	NUT, SOLENOID VALVE COIL	

Go to DiscountEquipment.com to order your parts

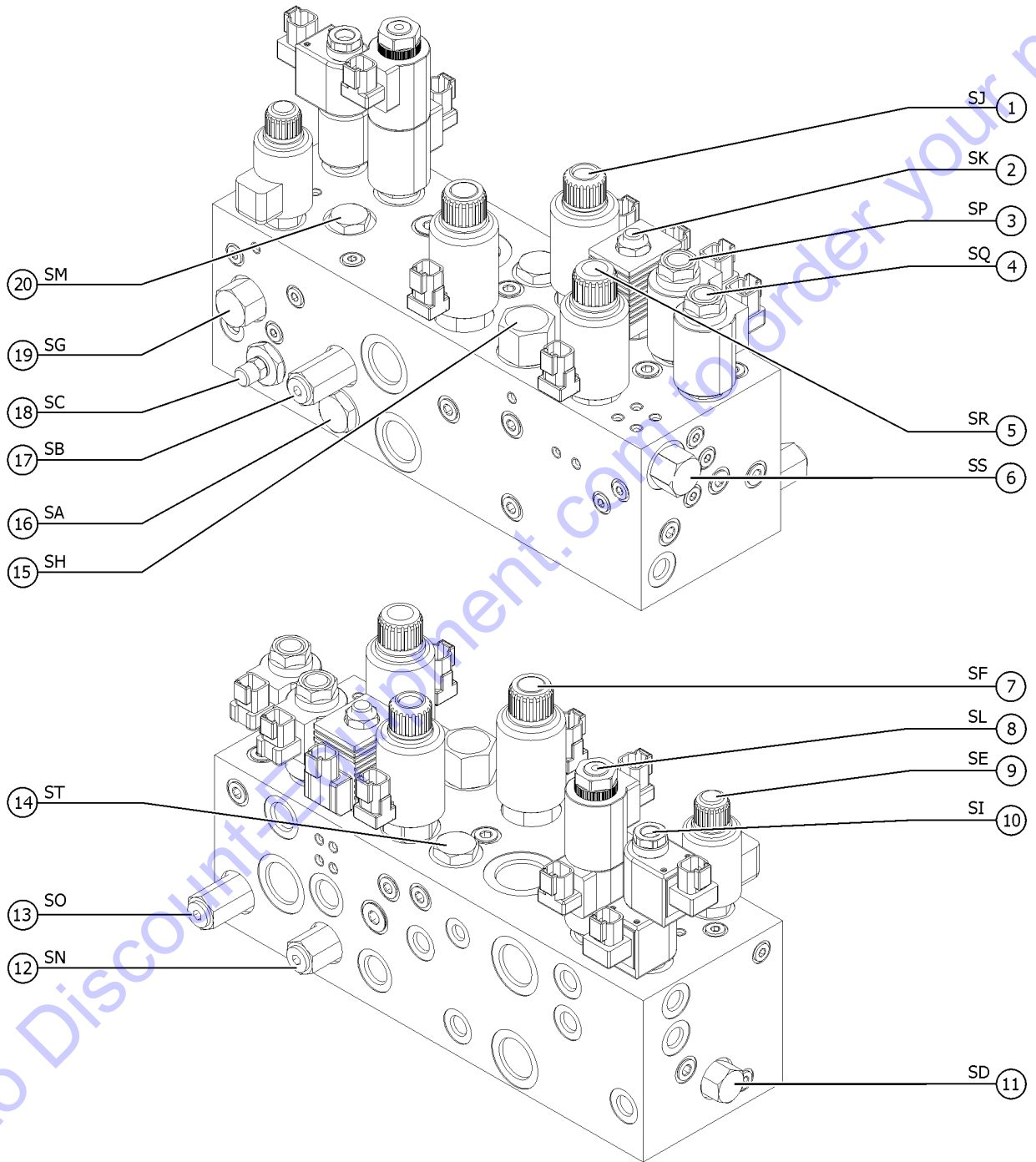
704.2 Platform Manifold (from SN S85XCD-2743)



Item	Part No.	Description	Qty.
A	1322695GT	MANIFOLD,E-LEVEL,JIB	1
1	1324467GT	VALVE,PROPORTIONAL	1
1-	1324468GT	SEAL KIT,SOLENOID VALVE	1
1-	1324469GT	KIT,COIL & NUT	1
2	1324467GT	VALVE,PROPORTIONAL	1
2-	1324468GT	SEAL KIT,SOLENOID VALVE	1
2-	1324469GT	KIT,COIL & NUT	1
3	1324470GT	VALVE,SPOOL	1
3-	1324471GT	SEALKIT,SOLENOID VALVE	1
3-	1324472GT	KIT,COIL & NUT	1
4	1324473GT	VELVE,FLOW REGULATOR	1
4-	1324474GT	SEAL KIT,VALVE	1
5	1324475GT	VALVE ,SPOOL	1
5-	1324476GT	SEALKIT,SOLENOID VALVE	1
5-	1324477GT	KIT,COIL & NUT	1
6	1324478GT	SOLENOID VALVE	1
6-	1324479GT	SEALKIT,SOLENOID VALVE	1
6-	1324480GT	KIT,COIL & NUT	1

Go to Discount-Equipment.com to order your parts

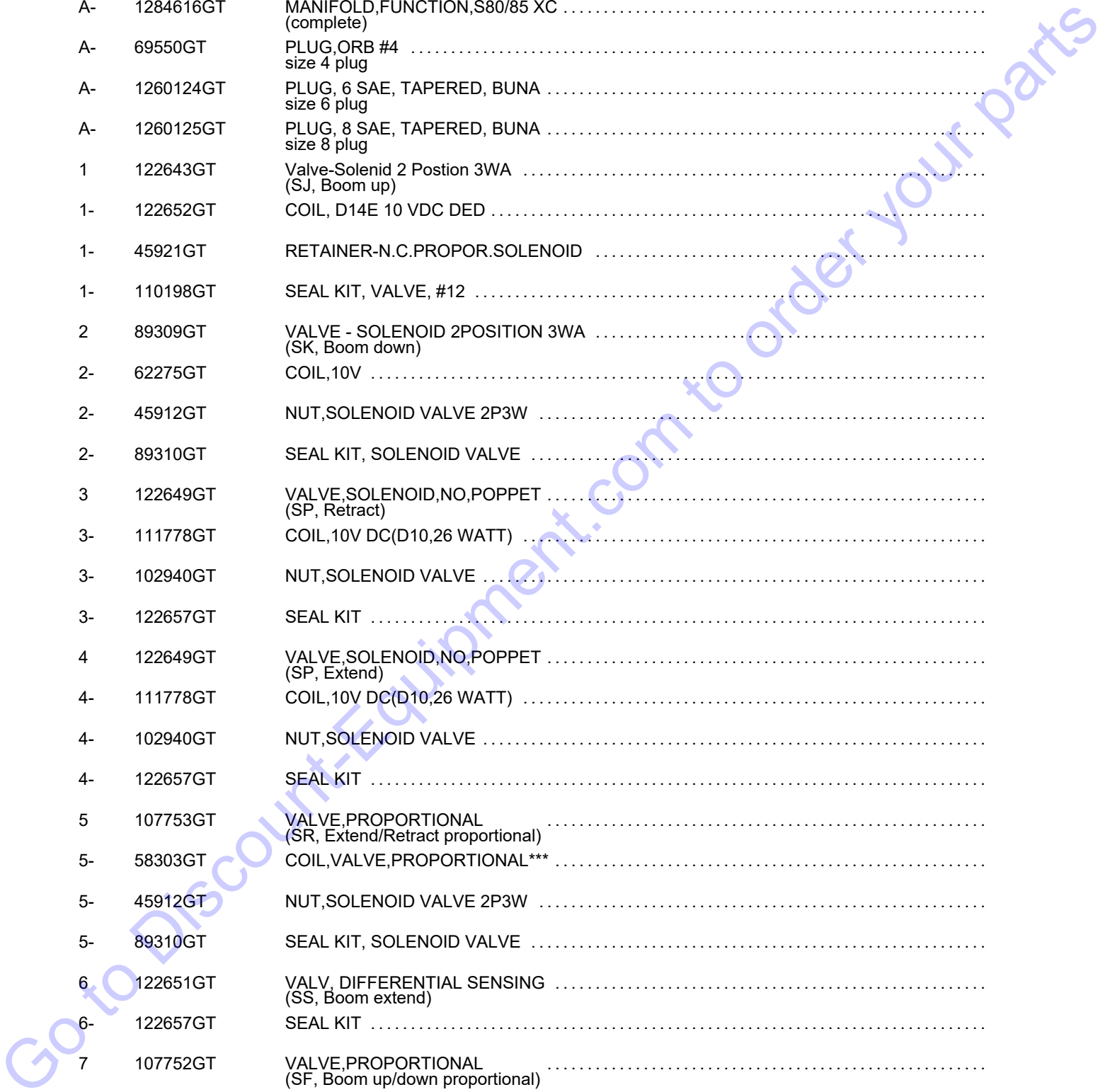
705.1 Function Manifold (from SN S85XCD-2001 to S85XCD-2081)



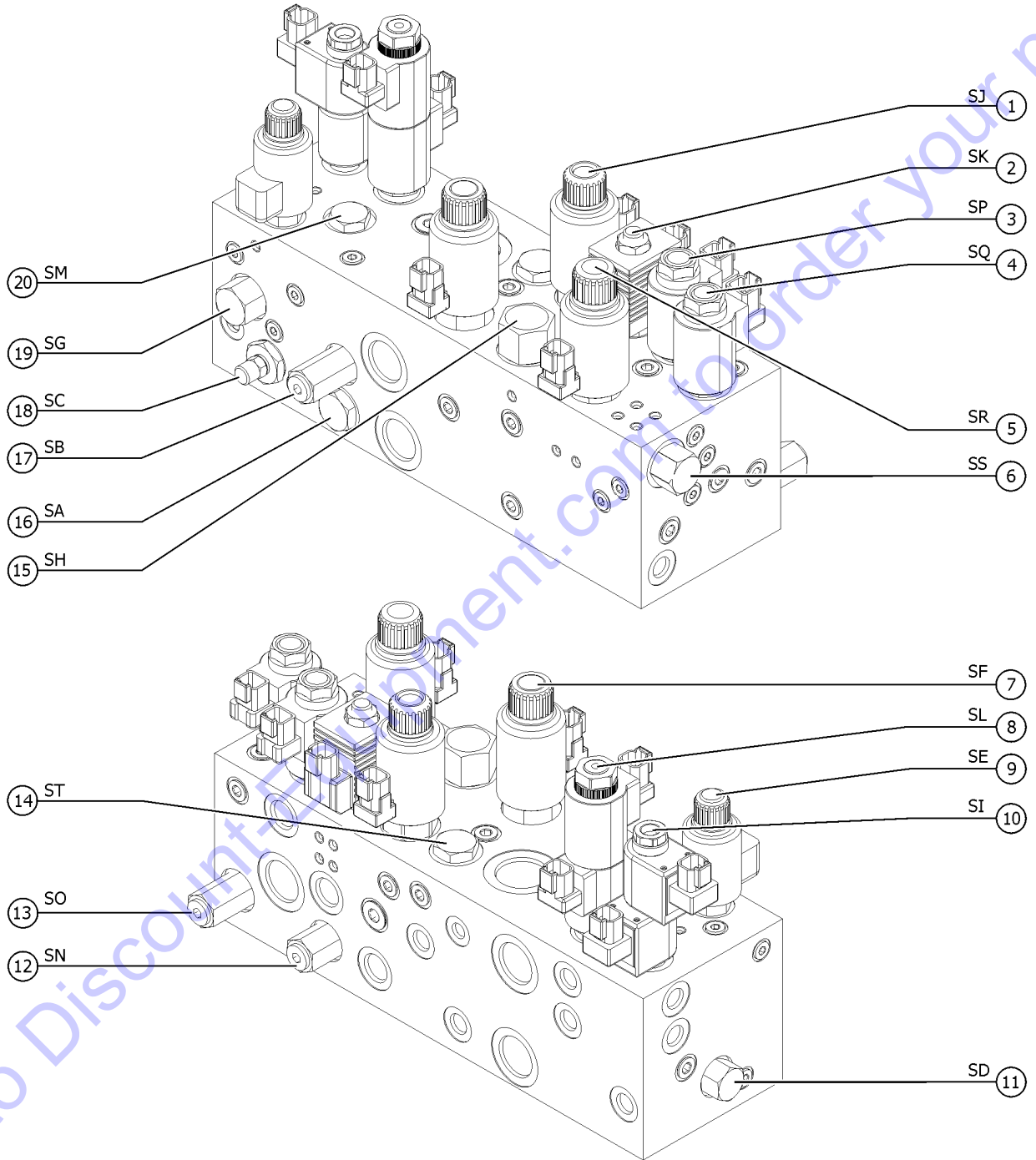
Go to DiscountHydraulic.com to order your parts

705.1 Function Manifold (from SN S85XCD-2001 to S85XCD-2081)

Item	Part No.	Description	Qty.
A-	1284616GT	MANIFOLD,FUNCTION,S80/85 XC (complete)	
A-	69550GT	PLUG,ORB #4 size 4 plug	
A-	1260124GT	PLUG, 6 SAE, TAPERED, BUNA size 6 plug	
A-	1260125GT	PLUG, 8 SAE, TAPERED, BUNA size 8 plug	
1	122643GT	Valve-Solenid 2 Postion 3WA (SJ, Boom up)	
1-	122652GT	COIL, D14E 10 VDC DED	
1-	45921GT	RETAINER-N.C.PROPOR.SOLENOID	
1-	110198GT	SEAL KIT, VALVE, #12	
2	89309GT	VALVE - SOLENOID 2POSITION 3WA (SK, Boom down)	
2-	62275GT	COIL,10V	
2-	45912GT	NUT,SOLENOID VALVE 2P3W	
2-	89310GT	SEAL KIT, SOLENOID VALVE	
3	122649GT	VALVE,SOLENOID,NO,POPPET (SP, Retract)	
3-	111778GT	COIL,10V DC(D10,26 WATT)	
3-	102940GT	NUT,SOLENOID VALVE	
3-	122657GT	SEAL KIT	
4	122649GT	VALVE,SOLENOID,NO,POPPET (SP, Extend)	
4-	111778GT	COIL,10V DC(D10,26 WATT)	
4-	102940GT	NUT,SOLENOID VALVE	
4-	122657GT	SEAL KIT	
5	107753GT	VALVE,PROPORTIONAL (SR, Extend/Retract proportional)	
5-	58303GT	COIL,VALVE,PROPORTIONAL***	
5-	45912GT	NUT,SOLENOID VALVE 2P3W	
5-	89310GT	SEAL KIT, SOLENOID VALVE	
6	122651GT	VALV, DIFFERENTIAL SENSING (SS, Boom extend)	
6-	122657GT	SEAL KIT	
7	107752GT	VALVE,PROPORTIONAL (SF, Boom up/down proportional)	
7-	58303GT	COIL,VALVE,PROPORTIONAL***	



705.1 Function Manifold (from SN S85XCD-2001 to S85XCD-2081)



Go to DiscountHydraulic.com to order your parts

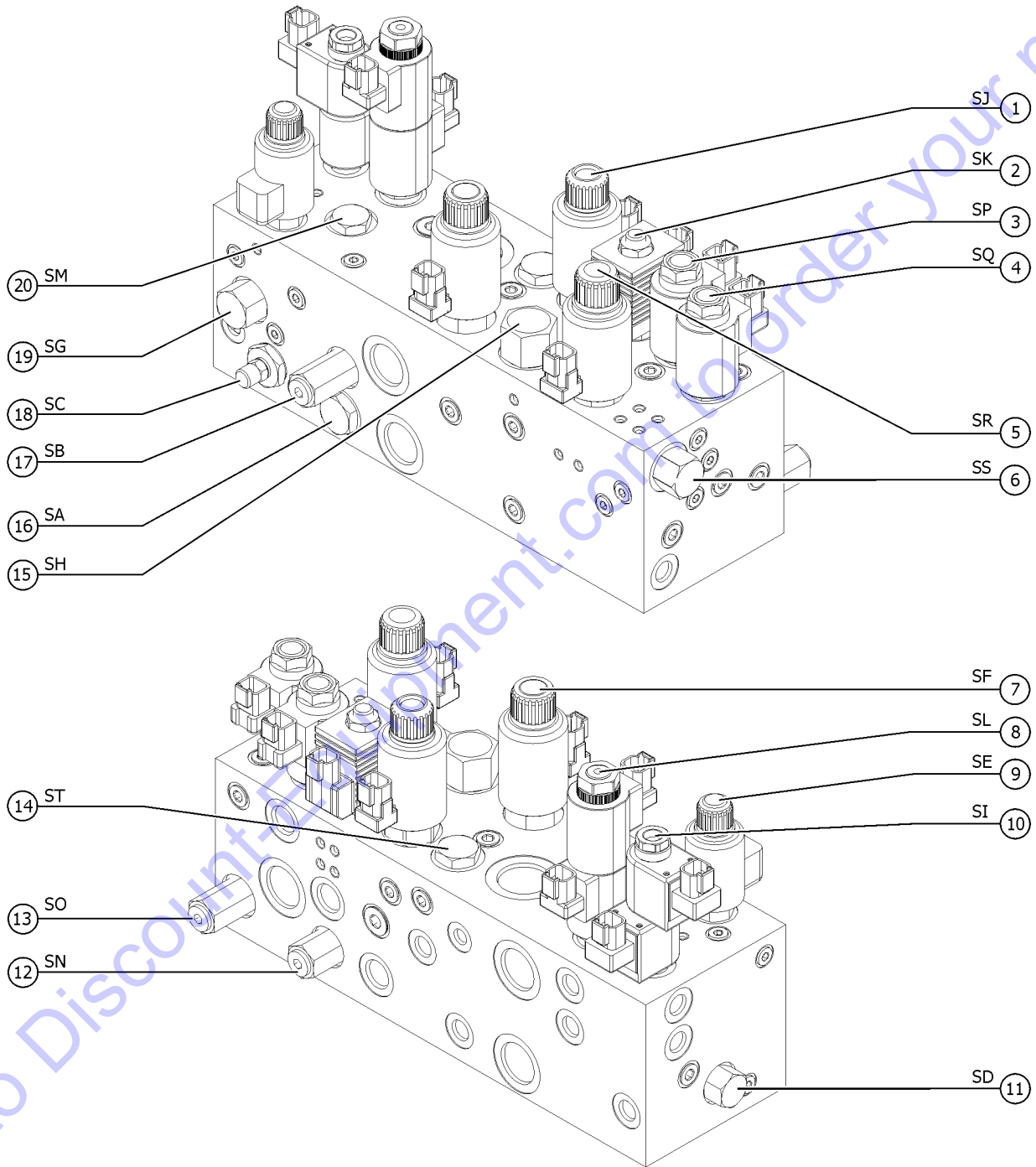
705.1 Function Manifold (from SN S85XCD-2001 to S85XCD-2081)

Item	Part No.	Description	Qty.
7-	45921GT	RETAINER-N.C.PROPOR.SOLENOID	
7-	110198GT	SEAL KIT, VALVE, #12	
8	122647GT	SOLENOID VALVE SPOOL TYPE	
		(SL, Steering directional)	
8-	111778GT	COIL,10V DC(D10,26 WATT)	
8-	122653GT	Coil Nut	
8-	122657GT	SEAL KIT	
9	102528GT	VALVE,PROPORTIONAL	
		(SE, Swing proportional)	
9-	89737GT	COIL, PROPORTIONAL VALVE***	
9-	89738GT	NUT, PROPORTIONAL VALVE	
9-	89312GT	SEAL KIT, SOLENOID VALVE	
9-	102526GT	O-RING, PROPORTIONAL VALVE	
		(between coil and nut)	
10	122645GT	SOLENOID VALVE,SPOOL TYPE	
		(SI, Swing directional)	
10-	89733GT	COIL SOLENOID VALVE***	
10-	102940GT	NUT,SOLENOID VALVE	
10-	122120GT	SEAL KIT, SOLENOID VALVE	
11	19060GT	VALVE,FLOW REGULATOR	
		(SD, Oscilate flow control)	
11-	74902GT	SEAL KIT, VALVE	
12	77501GT	VALVE,RELIEF 2600 PSI (70242)	
		(SN, Boom down relief)	
12-	74902GT	SEAL KIT, VALVE	
13	110209GT	VALVE, RELIEF, 2400 PSI	
		(SO, Boom extend relief)	
13-	74902GT	SEAL KIT, VALVE	
14	122656GT	VALVE, CHECK, 30 PSI	
		(ST, Return check valve)	
14-	110194GT	SEAL KIT, VALVE, #10	
15	122650GT	VALV, DIFFERENTIAL SENSING	
		(SH, Primary lift)	
15-	122660GT	Seal Kit	
16	122646GT	BYPASS VALVE RELIEF	
		(SA, Back flow check function pump)	
16-	110194GT	SEAL KIT, VALVE, #10	
17	52715GT	VALVE,RELIEF 3200 PSI	
		(SB, System main relief)	

Go to Discount Equipment.com to order your parts



705.1 Function Manifold (from SN S85XCD-2001 to S85XCD-2081)



Go to Discount.com to order your parts

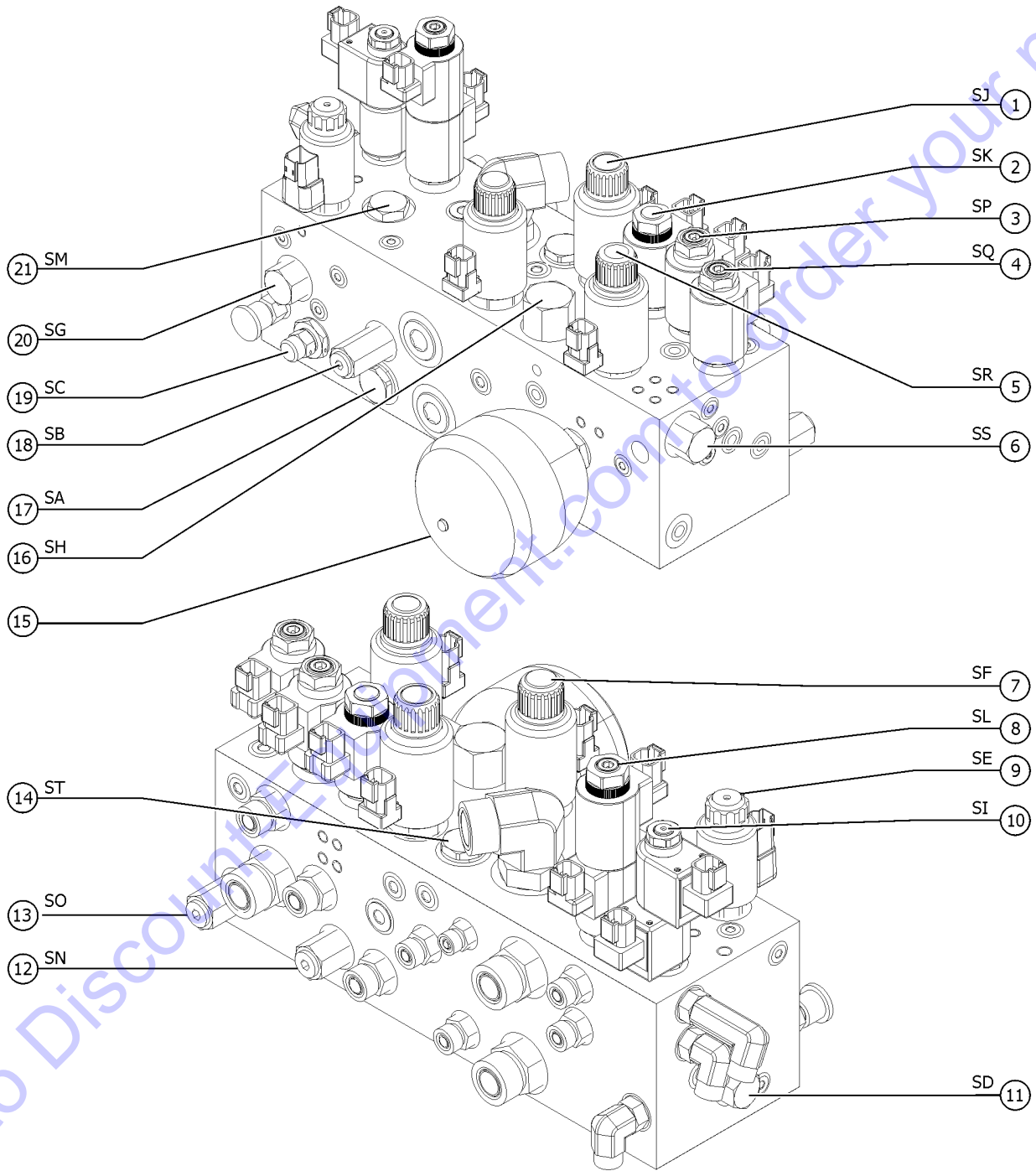
705.1 Function Manifold (from SN S85XCD-2001 to S85XCD-2081)

Item	Part No.	Description	Qty.
17-	74902GT	SEAL KIT, VALVE	
18	122644GT	PRESSURE REDUCING VALVE	
		(SC, Oscilate pressure control)	
18-	122657GT	SEAL KIT	
19	52714GT	VALVE,DIFFERENTIAL SENSING	
		(SG, Differential sensing. TT rotate)	
19-	74902GT	SEAL KIT, VALVE	
20	122641GT	VALVE,FLOW REGULATOR	
		(SM, Steering flow control)	
20-	74902GT	SEAL KIT, VALVE	

Go to Discount-Equipment.com to order your parts

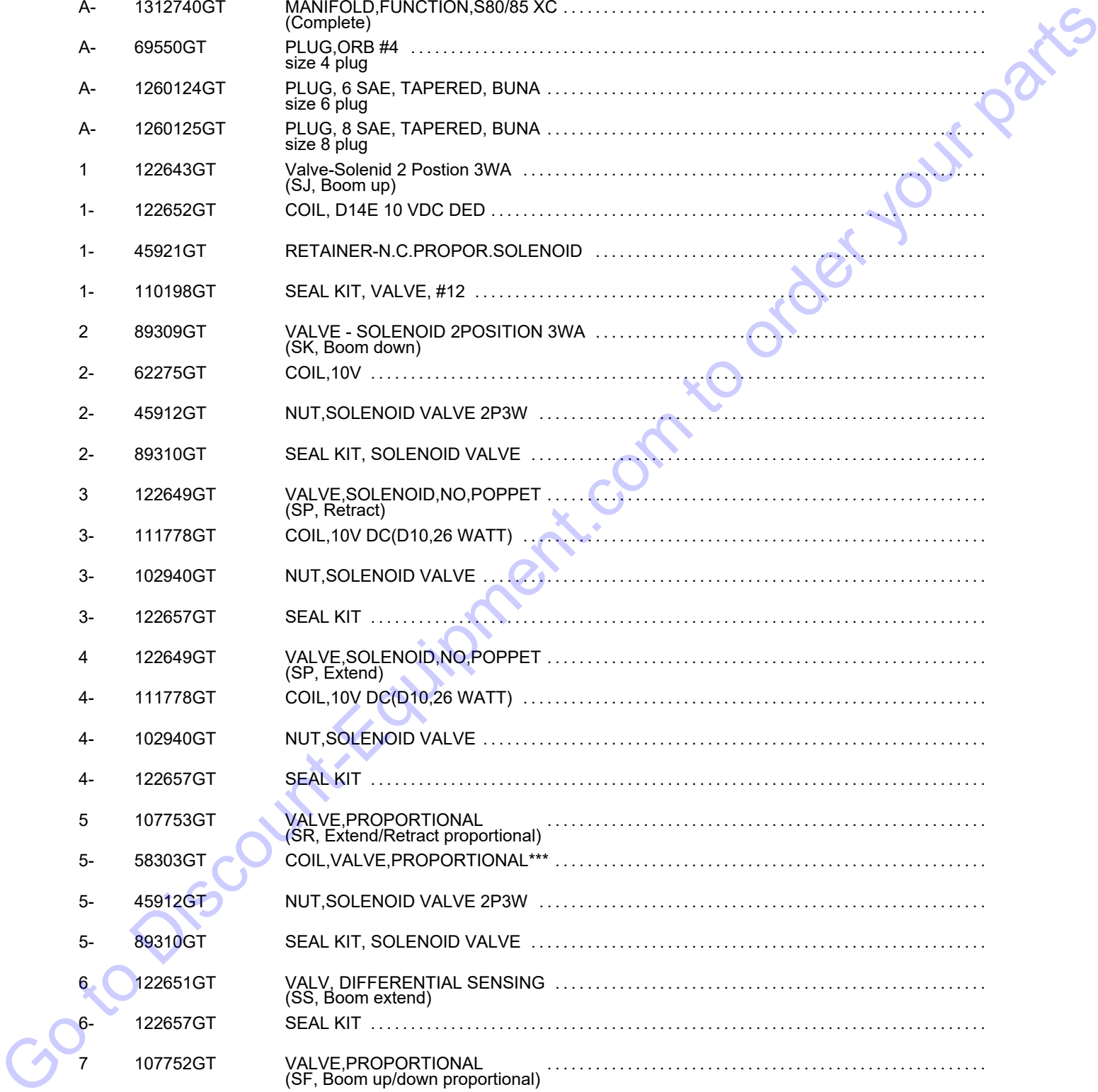


705.2 Function Manifold (from SN S85XCD-2082)

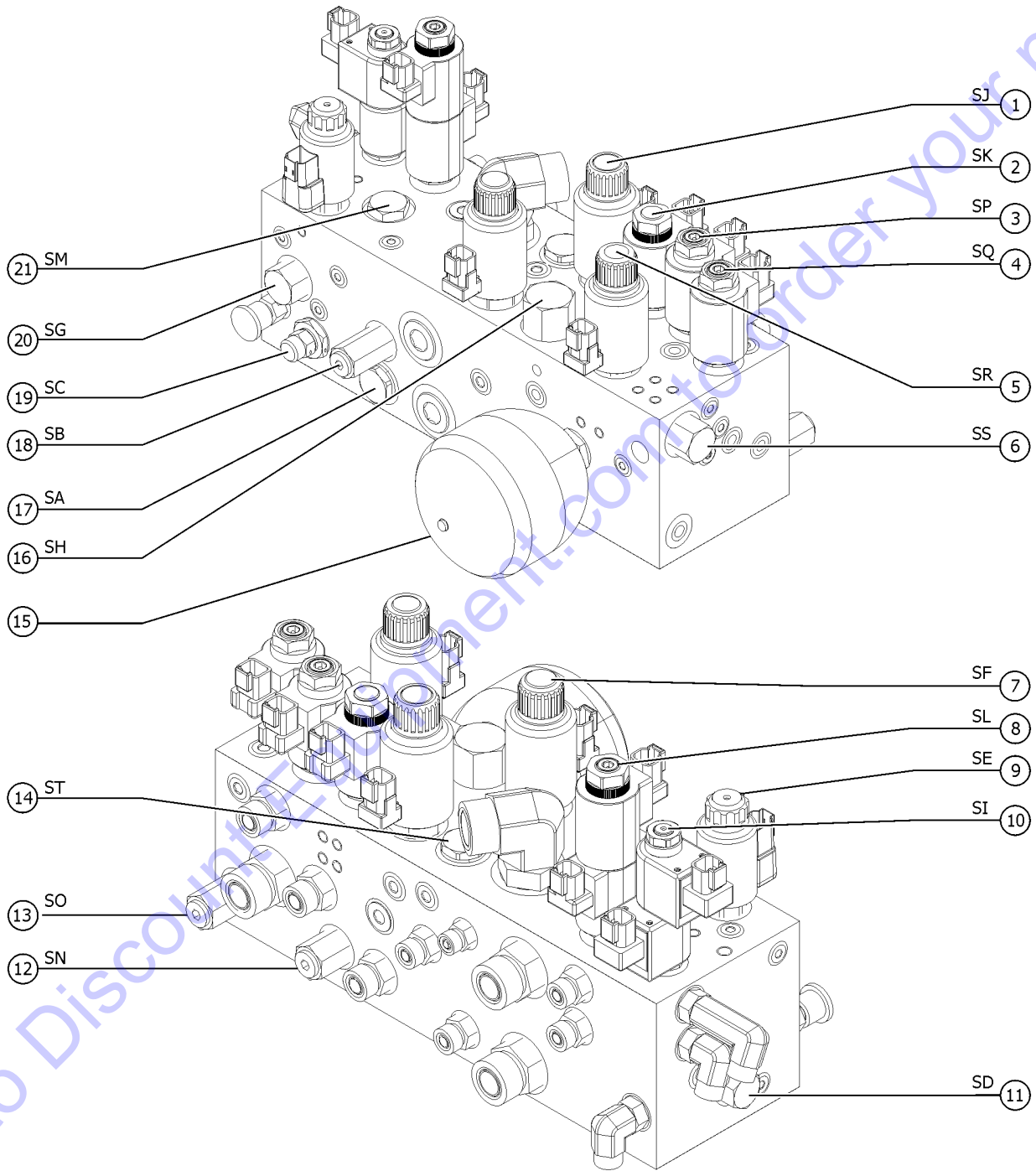


Go to DiscountHydraulics.com to order your parts

Item	Part No.	Description	Qty.
A-	1312740GT	MANIFOLD,FUNCTION,S80/85 XC (Complete)	
A-	69550GT	PLUG,ORB #4 size 4 plug	
A-	1260124GT	PLUG, 6 SAE, TAPERED, BUNA size 6 plug	
A-	1260125GT	PLUG, 8 SAE, TAPERED, BUNA size 8 plug	
1	122643GT	Valve-Solenid 2 Postion 3WA (SJ, Boom up)	
1-	122652GT	COIL, D14E 10 VDC DED	
1-	45921GT	RETAINER-N.C.PROPOR.SOLENOID	
1-	110198GT	SEAL KIT, VALVE, #12	
2	89309GT	VALVE - SOLENOID 2POSITION 3WA (SK, Boom down)	
2-	62275GT	COIL,10V	
2-	45912GT	NUT,SOLENOID VALVE 2P3W	
2-	89310GT	SEAL KIT, SOLENOID VALVE	
3	122649GT	VALVE,SOLENOID,NO,POPPET (SP, Retract)	
3-	111778GT	COIL,10V DC(D10,26 WATT)	
3-	102940GT	NUT,SOLENOID VALVE	
3-	122657GT	SEAL KIT	
4	122649GT	VALVE,SOLENOID,NO,POPPET (SP, Extend)	
4-	111778GT	COIL,10V DC(D10,26 WATT)	
4-	102940GT	NUT,SOLENOID VALVE	
4-	122657GT	SEAL KIT	
5	107753GT	VALVE,PROPORTIONAL (SR, Extend/Retract proportional)	
5-	58303GT	COIL,VALVE,PROPORTIONAL***	
5-	45912GT	NUT,SOLENOID VALVE 2P3W	
5-	89310GT	SEAL KIT, SOLENOID VALVE	
6	122651GT	VALV, DIFFERENTIAL SENSING (SS, Boom extend)	
6-	122657GT	SEAL KIT	
7	107752GT	VALVE,PROPORTIONAL (SF, Boom up/down proportional)	
7-	58303GT	COIL,VALVE,PROPORTIONAL***	



705.2 Function Manifold (from SN S85XCD-2082)



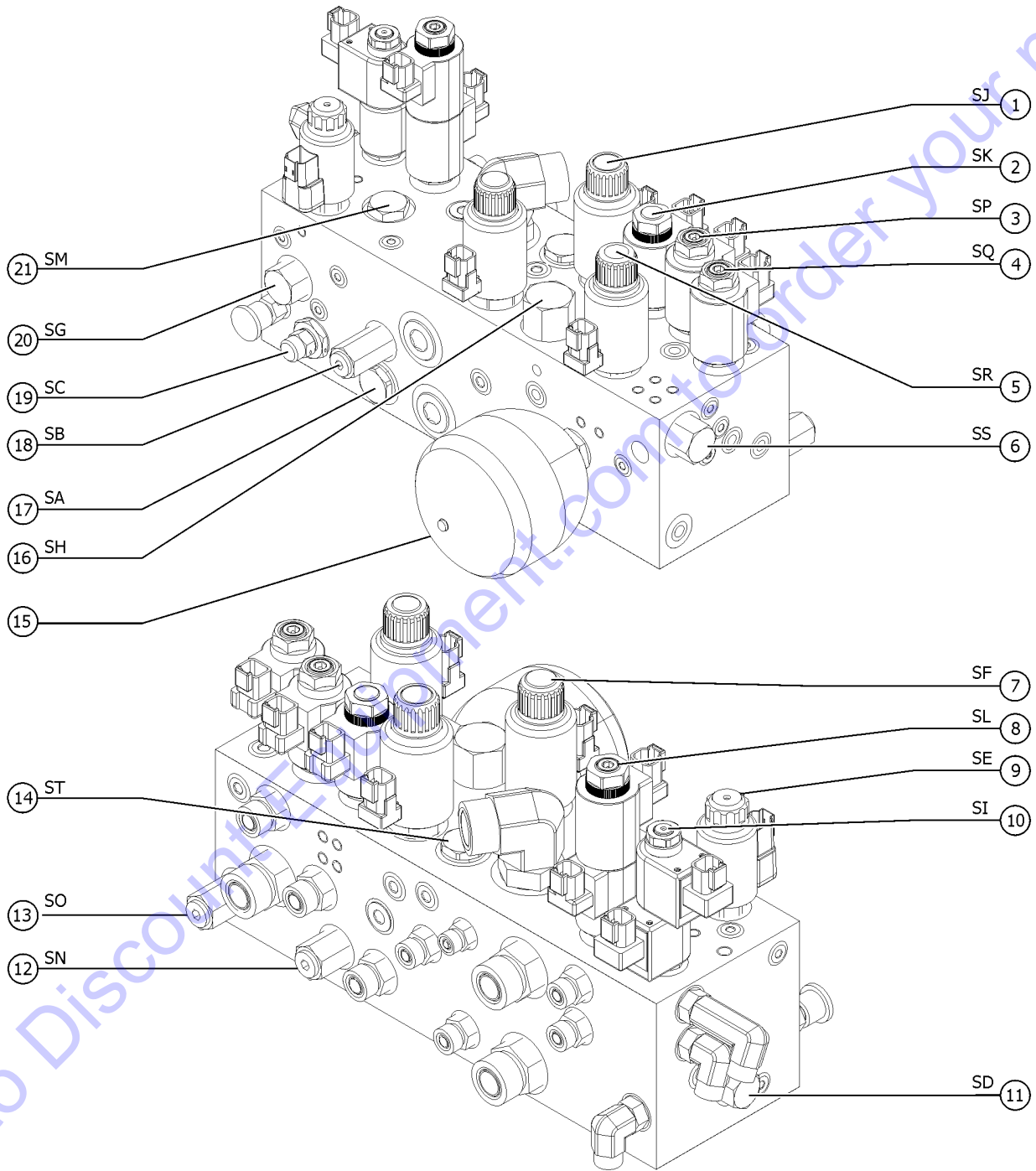
Go to DiscountHydraulics.com to order your parts

Item	Part No.	Description	Qty.
7-	45921GT	RETAINER-N.C.PROPOR.SOLENOID	
7-	110198GT	SEAL KIT, VALVE, #12	
8	122647GT	SOLENOID VALVE SPOOL TYPE	
		(SL, Steering directional)	
8-	111778GT	COIL, 10V DC(D10,26 WATT)	
8-	122653GT	Coil Nut	
8-	122657GT	SEAL KIT	
9	102528GT	VALVE,PROPORTIONAL	
		(SE, Swing proportional)	
9-	89737GT	COIL, PROPORTIONAL VALVE***	
9-	89738GT	NUT, PROPORTIONAL VALVE	
9-	89312GT	SEAL KIT, SOLENOID VALVE	
9-	102526GT	O-RING, PROPORTIONAL VALVE	
		(between coil and nut)	
10	122645GT	SOLENOID VALVE,SPOOL TYPE	
		(SI, Swing directional)	
10-	89733GT	COIL SOLENOID VALVE***	
10-	102940GT	NUT,SOLENOID VALVE	
10-	122120GT	SEAL KIT, SOLENOID VALVE	
11	19060GT	VALVE,FLOW REGULATOR	
		(SD, Oscilate flow control)	
11-	74902GT	SEAL KIT, VALVE	
12	77501GT	VALVE,RELIEF 2600 PSI (70242)	
		(SN, Boom down relief)	
12-	74902GT	SEAL KIT, VALVE	
13	110209GT	VALVE, RELIEF, 2400 PSI	
		(SO, Boom extend relief)	
13-	74902GT	SEAL KIT, VALVE	
14	122656GT	VALVE, CHECK, 30 PSI	
		(ST, Return check valve)	
14-	110194GT	SEAL KIT, VALVE, #10	
15	1312118	ACCUMULATOR, 30CU.IN, 725 PSI	
16	122650GT	VALV, DIFFERENTIAL SENSING	
		(SH, Primary lift)	
16-	122660GT	Seal Kit	
17	122646GT	BYPASS VALVE RELIEF	
		(SA, Back flow check function pump)	
17-	110194GT	SEAL KIT, VALVE, #10	

Go to Discount Equipment.com to order your parts



705.2 Function Manifold (from SN S85XCD-2082)



Go to DiscountHydraulics.com to order your parts

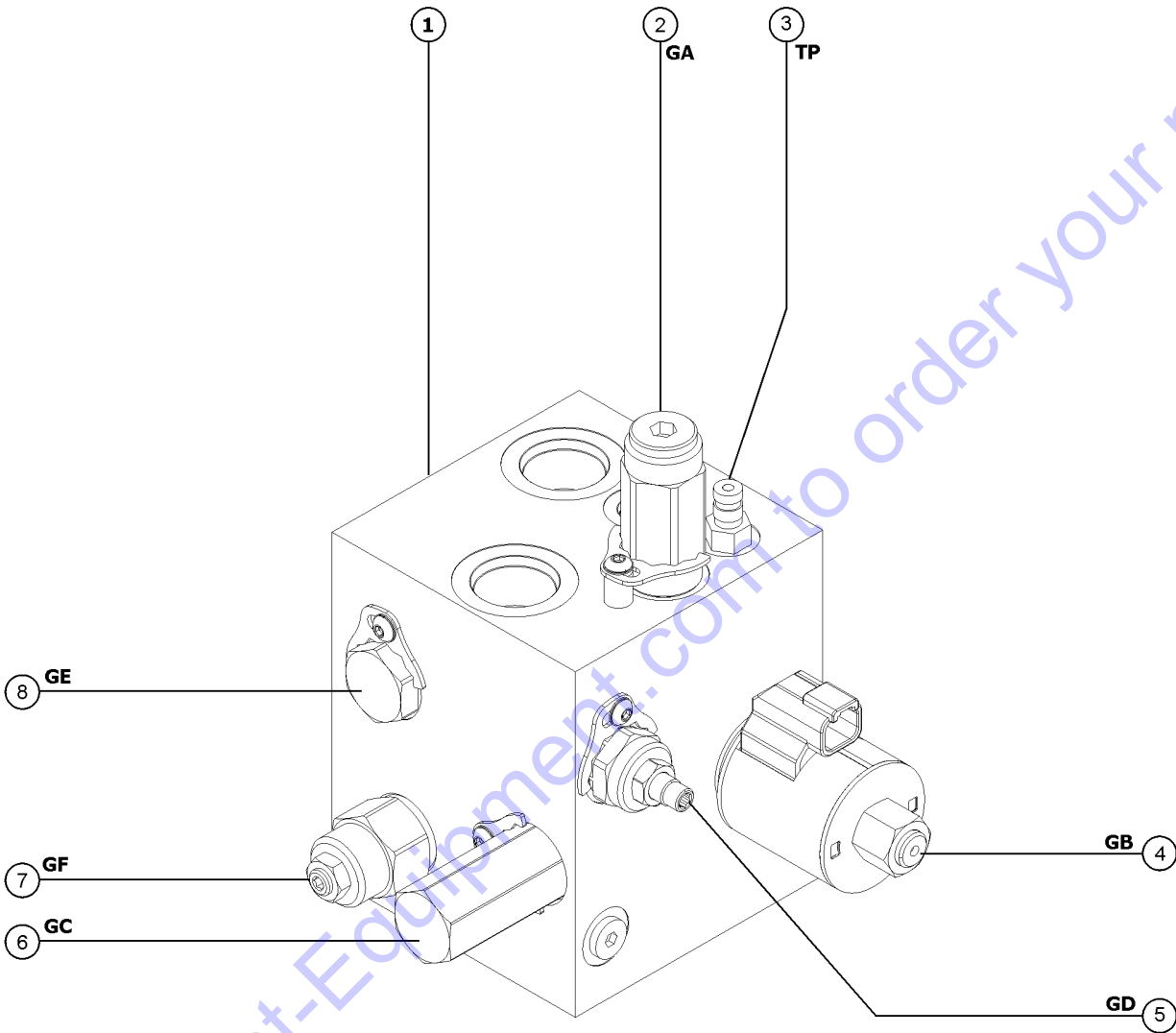
705.2 Function Manifold (from SN S85XCD-2082)

Item	Part No.	Description	Qty.
18	52715GT	VALVE,RELIEF 3200 PSI (SB, System main relief)	
18-	74902GT	SEAL KIT, VALVE	
19	122644GT	PRESSURE REDUCING VALVE (SC, Oscilate pressure control)	
19-	122657GT	SEAL KIT	
20	52714GT	VALVE,DIFFERENTIAL SENSING (SG, Differential sensing. TT rotate)	
20-	74902GT	SEAL KIT, VALVE	
21	122641GT	VALVE,FLOW REGULATOR (SM, Steering flow control)	
21-	74902GT	SEAL KIT, VALVE	

Go to Discount-Equipment.com to order your parts



706.1 Generator Manifold



Go to Discount-Equipment.com to order your parts

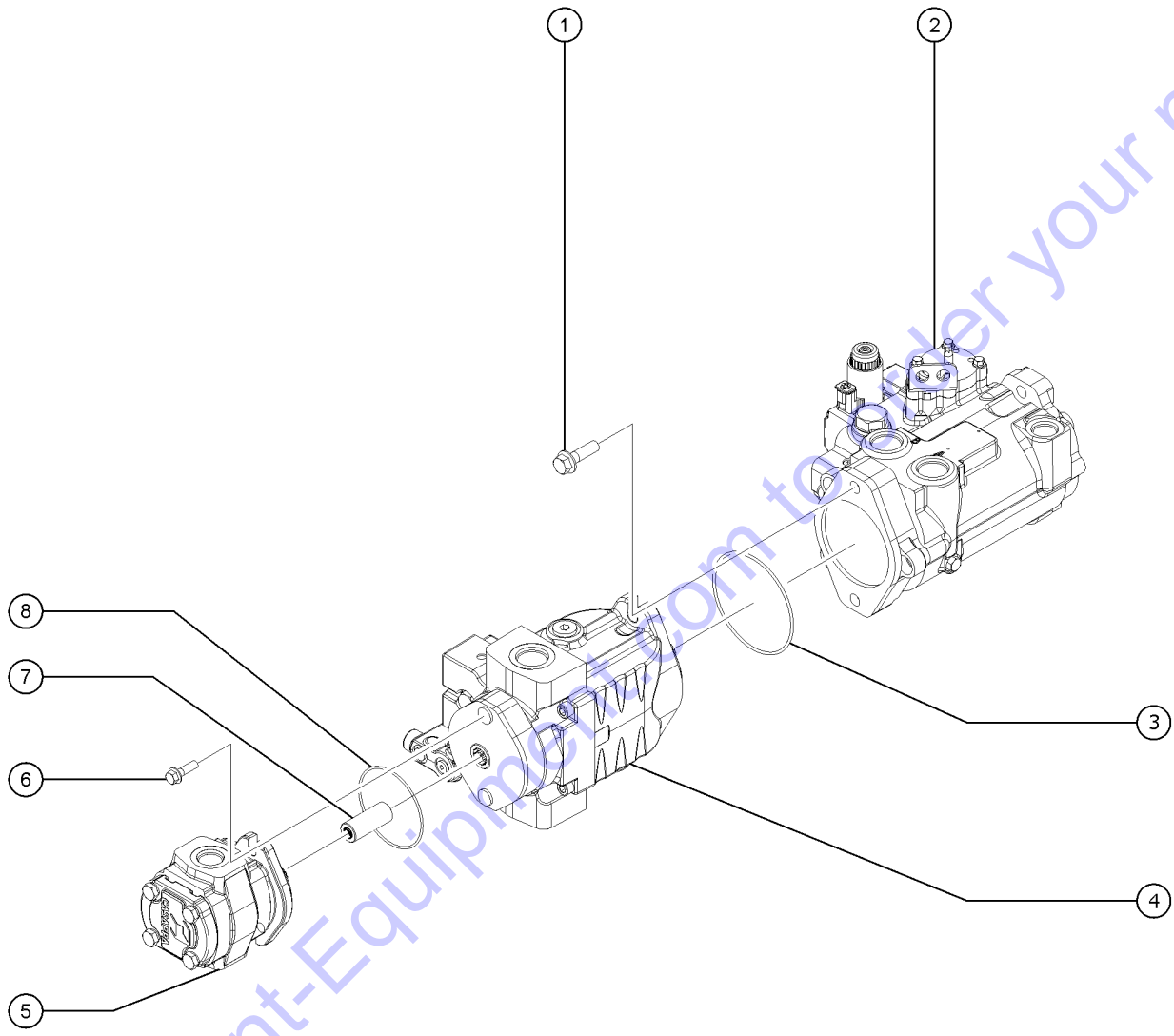
706.1 Generator Manifold

Item	Part No.	Description	Qty.
A	115048GT	#6 PLUG	3
A	1285147GT	PLUG, PORT, SAE4, 6103004	1
1	1281789GT	MANIFOLD, HYD, LIFT POWER, WELDER GENERATOR (Complete)	1
2	1285141GT	VALVE, RELIEF, RV50-26H-0-P-50/36	
2-	1285145GT	KIT, LOCKDOWN, HYD VALVE, 5965000.1000M	
3	48997GT	NIPPLE,DIAGNOSTIC,#4	1
3-	48880GT	CAP,DIAGNOSTIC NIPPLE	
4	1285143GT	VALVE, SOLENOID, HSV10-21-0-U-0	1
4-	97469GT	COIL#10 E-COIL,10V ZENER DIODE	
4-	1285144GT	KIT, LOCKDOWN, HYD VALVE, 5965000.1063	
5	1285142GT	VALVE, NEEDLE, NV10-22A-0-N	1
5-	1285146GT	KIT, LOCKDOWN, HYD VALVE, 5965000.1000	
6	75462GT	VALVE,DIFFERENTIAL SENSE230PSI	1
6-	62337GT	SEAL KIT, VALVE	
6-	1285146GT	KIT, LOCKDOWN, HYD VALVE, 5965000.1000	
7	1284399GT	VALVE, COUNTERBALANCE, 3:1 1000PSI, CBEA-LIN	1
8	62127GT	VALVE-CHECK,SIZE 10(59599)	1
8-	1285146GT	KIT, LOCKDOWN, HYD VALVE, 5965000.1000	

Go to Discount-Equipment.com to order your parts



707.1 Pumps

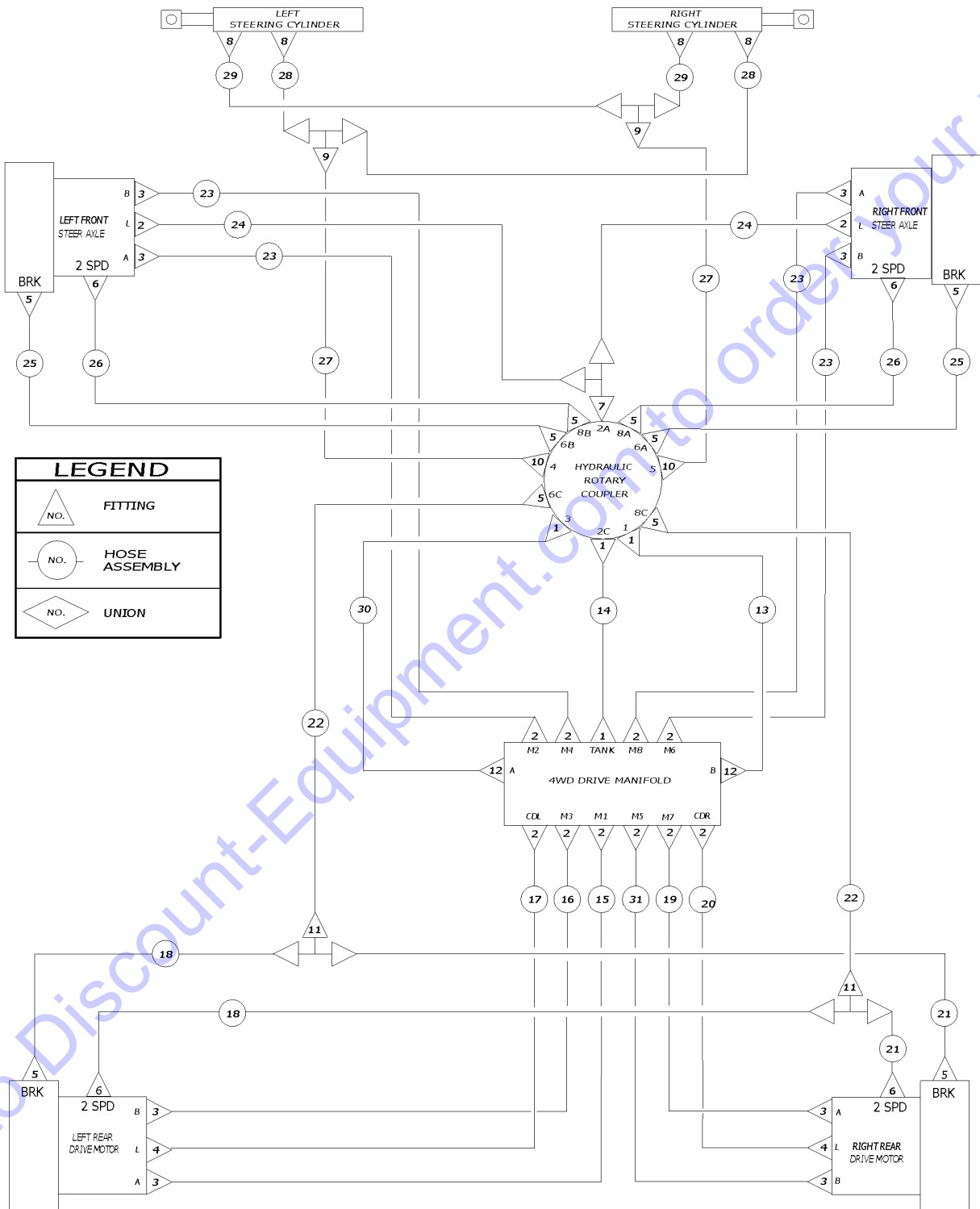


Go to Discount-Equipment.com to order your parts

Item	Part No.	Description	Qty.
1	826171GT	SCREW,HHF,1/2-13X1.75,ZAG	2
2	1270946GT	PUMP, DRIVE, M46 HC (to SN S85XCD-2349)	1
2-	29739GT	SEAL KIT,SAUER-DANFOSS M46*** (to SN S85XCD-2349)	
2-	1272536GT	KIT, EDC REPLACEMENT, SAUER M46 (to SN S85XCD-2349)	
2B	1316047GT	PUMP,DRIVE,HP3G46,13 TOOTH AUX (from SN S85XCD-2350)	1
2B-	1316048GT	SEAL KIT, HP3G46,13 TOOTH AUX (from SN S85XCD-2350)	
3	52087GT	O-RING,2-044 BUNA***	1
4	1280967GT	PUMP, FUNCTION, 38CC LS, 12V PASSTHRU (Deutz TCD2.2 engine, TD 2.9L Tier IV engine, TD2011 L04i ROW engine), (TD 2.9 China III engine, to SN S85XCD-1767)	1
4-	122669GT	SEAL KIT	1
4B	1272553GT	PUMP,FUNCTION,45CC (TD 2.9 China III engine, from S85XCD-1768), (TD 2.9 China IV engine)	
5	139799GT	PUMP,LIFT,1 SECTION (Welder and 3K generator Option, to S85XCD-2432)	1
5-	147550GT	KIT, SEAL, PUMP, 1 SECTION	
5B	1320736GT	PUMP,Lift Power,23CC GEAR (Welder and 3K generator Option, from S85XCD-2433)	1
5B-	1321126GT	KIT,SEAL,PUMP,23CC	
6	824091GT	SCREW, HHF, 3/8-16 X 1.25, 8, ZAG	2
		(Welder and 3K generator Option)	
7	1284038GT	COUPLER,SPLINED,11 TOOTH, K FRAME	1
		(Welder and 3K generator Option)	
8	83141GT	O-RING, .103 X 3.237, NBR/NTRL, 90D	1

Go to Discount-Equipment.com to order your parts

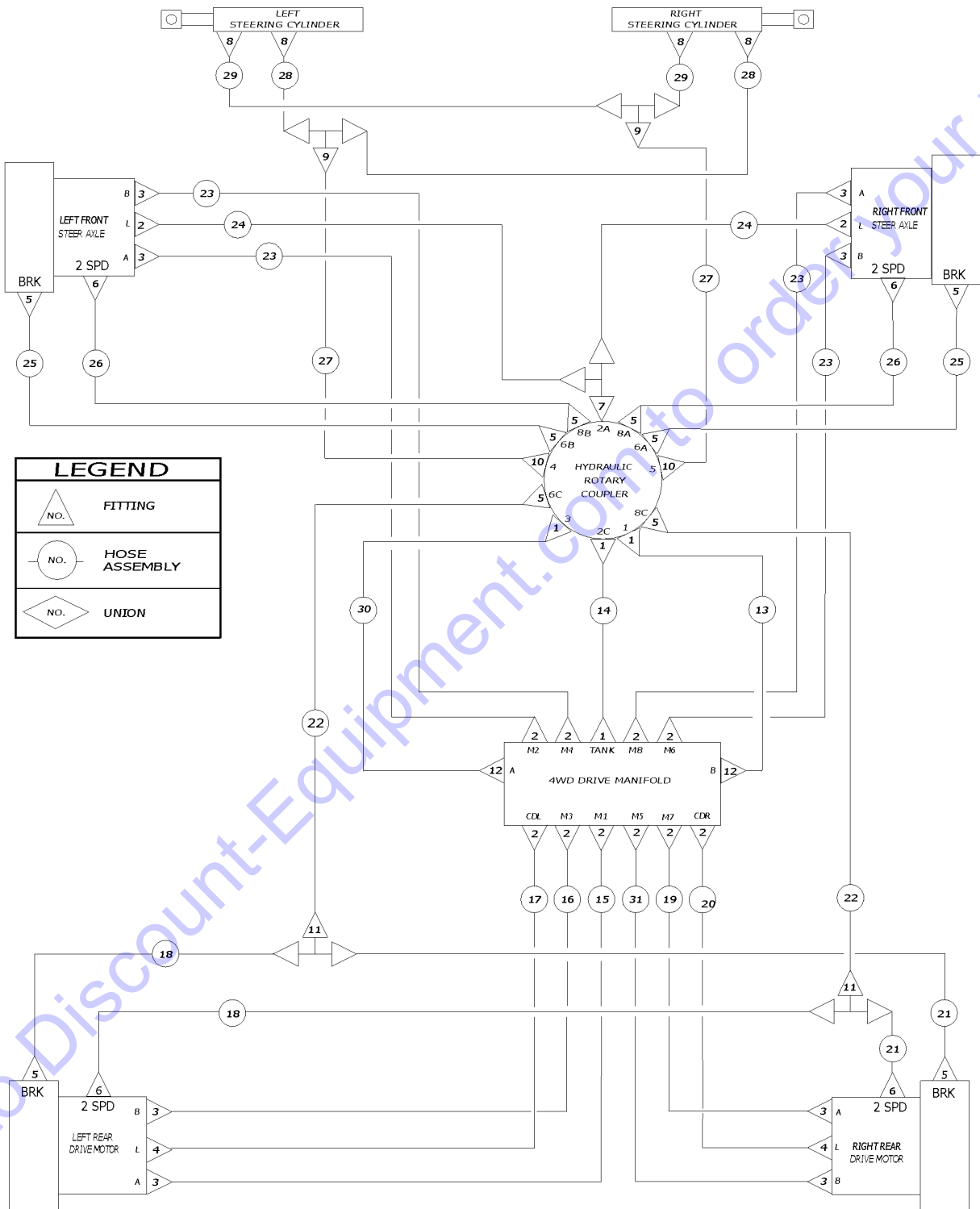
708.1 4WD Drive and Steer System



Item	Part No.	Description	Qty.
1	48960GT	FITTING,CONN,520120-12***	4
2	48933GT	CONN,520120-8***	12
3	48948GT	CONN,520120-8-12	8
4	48932GT	FITTING,ELBOW,90D,520220-8***	2
5	48905GT	CONNECTOR, 520120-4	10
6	48911GT	ELBOW,90D,520220-4-6***	4
7	48936GT	TEE,BRANCH,520429-8	1
8	48915GT	ELBOW,90D,520220-6	4
9	89449GT	FITTING, BRANCH BULKHEAD	2
10	48916GT	CONN, 520120-6	2
11	48909GT	TEE,BULKHEAD,RUN,520958-4	2
12	48959GT	FITTING,ELBOW,90D,520220-12	2
13	89871-2448GT	HOSE ASSY,3/4,STR FEM,STR FEM	1
14	49149-2526GT	HOSE ASSY,3/4,STR FEM,STR FEM	1
15	75278-4829GT	HOSE ASSY,1/2,90 FEM,STR FEM	1
16	75278-5229GT	HOSE ASSY,1/2,90 FEM,STR FEM	1
17	49183-5092GT	HOSE ASSY,1/2,STR FEM,STR FEM*	1
18	49119-4578GT	HOSE ASSY,1/4,STR FEM,STR FEM	2
19	75278-4729GT	HOSE ASSY,1/2,90 FEM,STR FEM	1
20	49183-4692GT	HOSE ASSY,1/2,STR FEM,STR FEM	1
21	49117-5391GT	HOSE ASSY,1/4,90 FEM,STR FEM	2
22	49116-3137GT	HOSE ASSY,1/4,45 FEM,STR FEM	2
23	81812-14692GT	ASSY, HOSE, HYD, -8, 4250, STR, STR	4
24	49141-11463GT	ASSY,HOSE,HYD,-6,3000,STR,STR	2
25	49117-11491GT	HOSE ASSY,1/4,90 FEM,STR FEM**	2
26	49119-11378GT	HOSE ASSY,1/4,STR FEM,STR FEM	2
27	49130-2957GT	HOSE ASSEMBLY,3/8	2
28	49128-2409GT	HOSE ASSEMBLY,3/8"	2

Go to DocuPrint-Equipment.com to order your parts

708.1 4WD Drive and Steer System



LEGEND	
	FITTING
	HOSE ASSEMBLY
	UNION

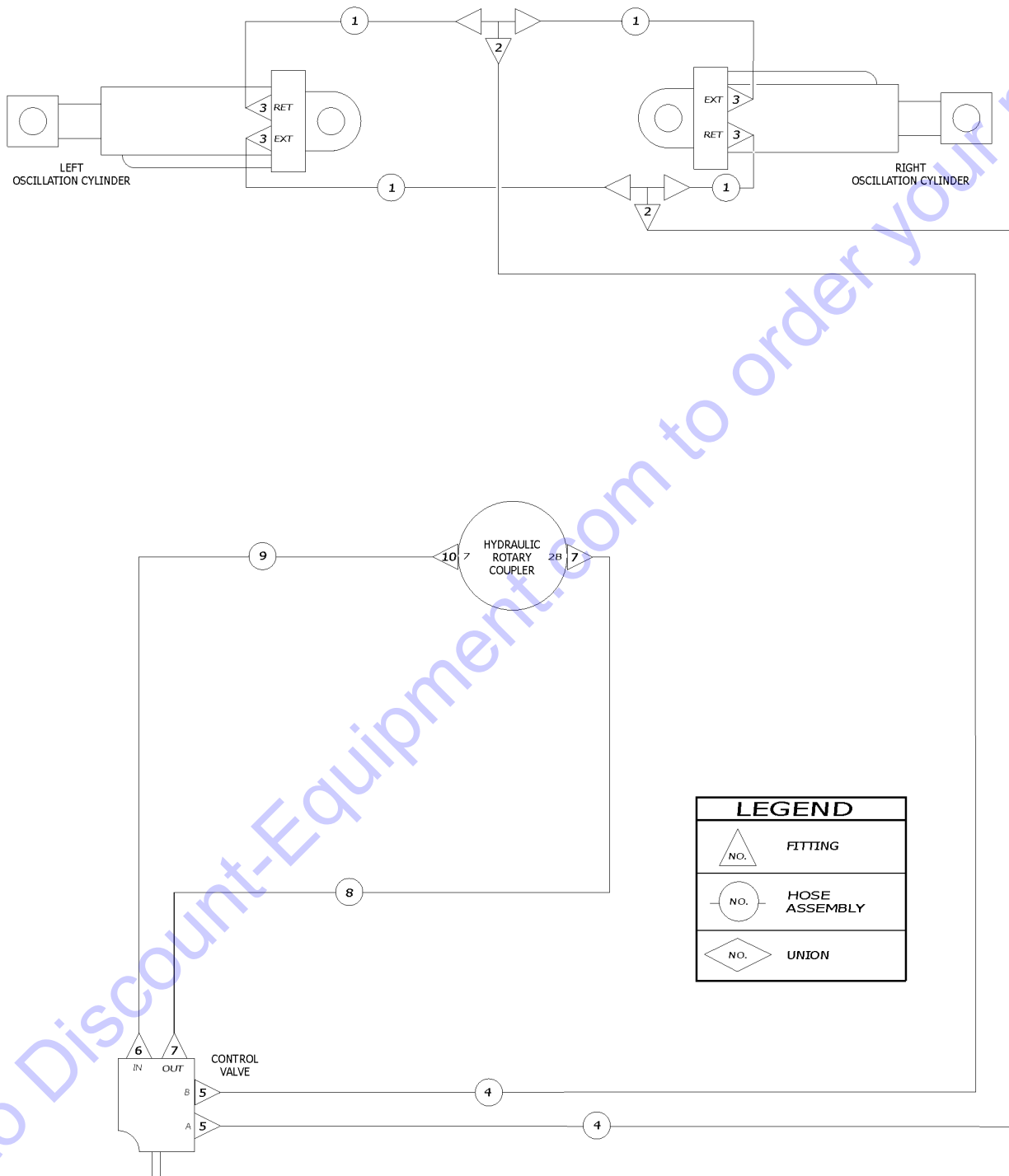
Go to Discount-Equipment.com to order your parts

708.1 4WD Drive and Steer System

Item	Part No.	Description	Qty.
29	49128-3709GT	HOSE ASSEMBLY,3/8"	2
30	49117-4891GT	HOSE ASSY,1/4,90 FEM,STR FEM	1
31	75278-5029GT	HOSE ASSY,1/2,90 FEM,STR FEM	1

Go to Discount-Equipment.com to order your parts

709.1 Oscillate System



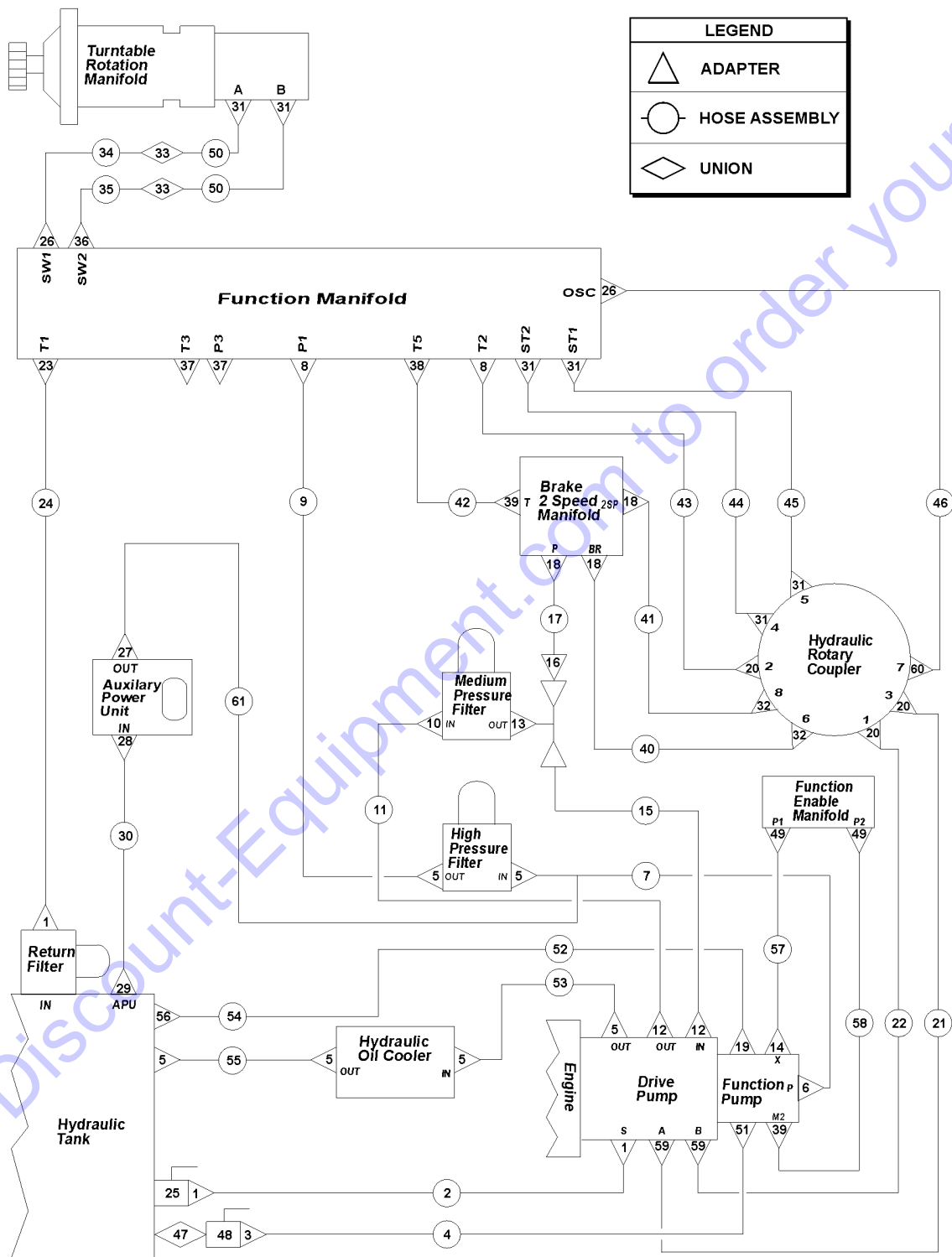
709.1 Oscillate System

Item	Part No.	Description	Qty.
1	49128-4209GT	HOSE ASSY,3/8,90D	4
2	89449GT	FITTING, BRANCH BULKHEAD	2
3	48920GT	ELBOW,45D,520320-6	4
4	49130-8382GT	HOSE ASSY,FEM SW,6-6	2
5	48915GT	ELBOW,90D,520220-6	2
6	48914GT	CONN,520120-4-8	1
7	48930GT	CONN,520120-6-8	2
8	49128-4509GT	HOSE ASSY,3/8" 90 FEM,STR FEM	1
9	49117-4891GT	HOSE ASSY,1/4,90 FEM,STR FEM	1
10	49418GT	FITTING,ELBOW,45D,520320-4-6**	1

Go to Discount-Equipment.com to order your parts



710.1 Turntable Components



Go to Discount-Equipment.com to order your parts

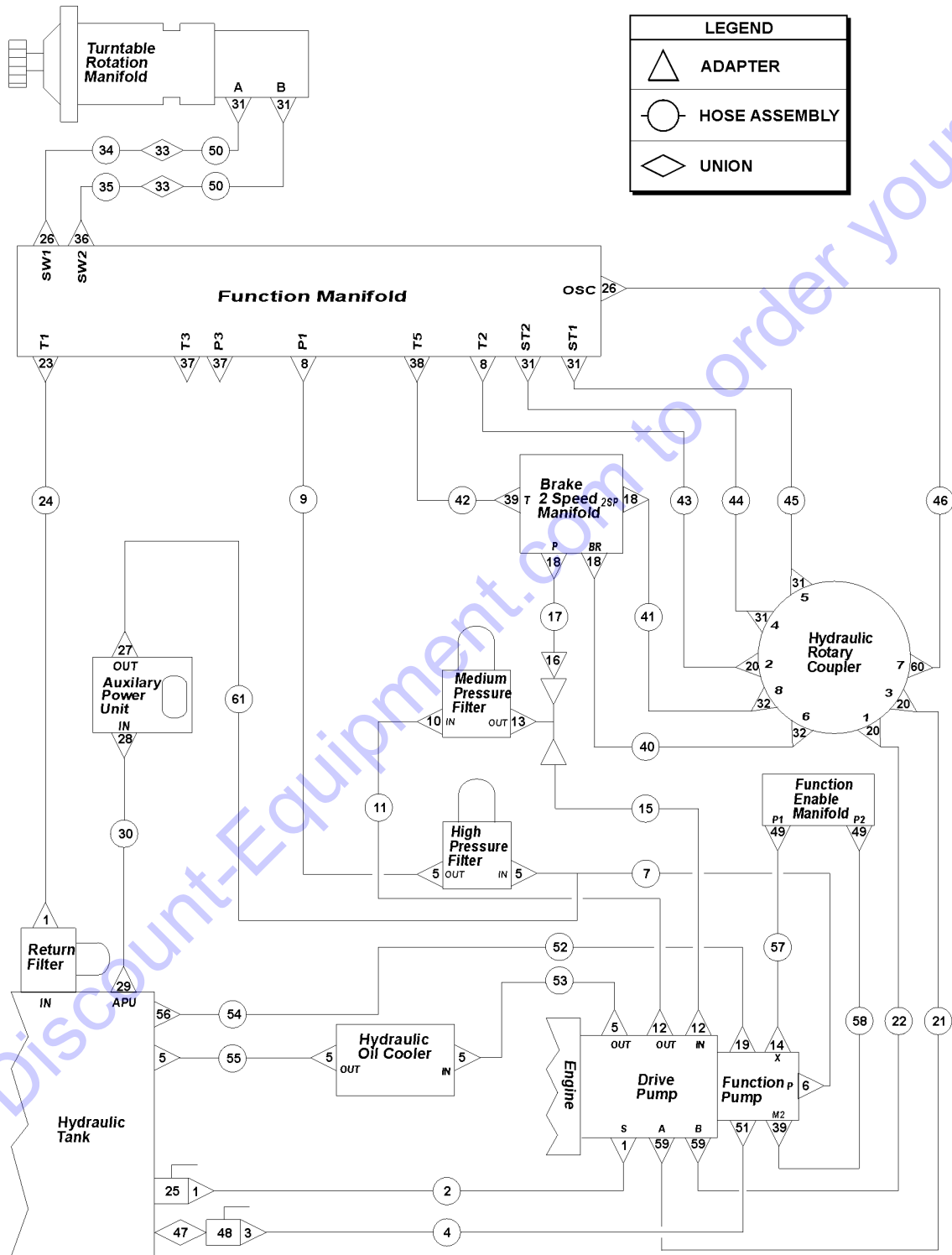
710.1 Turntable Components

Item	Part No.	Description	Qty.
1	48984GT	CONN,520120-16	3
2	88942-9554GT	HOSE ASSY,1",90 FEM,STR FEM	1
3	61083GT	CONN,520120-24	1
4	1310740-9725GT	HOSE ASSY,1-1/2,90 FEM,STR FEM	1
5	48959GT	FITTING,ELBOW,90D,520220-12	4
6	48977GT	CONN,520120-12-16	1
7	94374-4755GT	ASSY,HOSE,HYD,-8,3000,STR,45	1
8	48960GT	FITTING,CONN,520120-12***	1
8-	48963GT	FITTING,ELBOW,45D,520320-12	
		(Welder option)	
8-	48964GT	FITTING,TEE,RUN,SWIVEL,520432-12	
		(Welder option)	
9	89871-5348GT	HOSE ASSY,3/4,STR FEM,STR FEM	1
10	48933GT	CONN,520120-8***	1
11	49143-4754GT	ASSY,HOSE,HYD,-6,3000,STR,STR	1
12	48976GT	ELBOW,90D,520220-12-16	2
13	48935GT	TEE,RUN, 520428-8	1
14	48912GT	CONN,520120-4-6***	1
15	49143-3354GT	ASSY,HOSE,HYD,-6,3000,STR,STR	1
16	139231GT	REDUCER,520123-8-6	1
17	101929-1809GT	ASSY,HOSE,HYD,-8,3000,STR,90	1
18	48927GT	CONN,520120-6-4	3
19	48946GT	CONN,520120-8-10	1
20	48963GT	FITTING,ELBOW,45D,520320-12	3
21	89871-5848GT	HOSE ASSY,3/4,STR FEM	1
22	89871-5648GT	HOSE ASSY,3/4,STR FEM	1
23	48983GT	ELBOW,90D,520220-16	1
24	88942-6754GT	HOSE ASSY,1,90 FEM,STR FEM	1
25	48996GT	VALVE, BALL, 16 MSAE-16 FSAE	1
26	48915GT	ELBOW,90D,520220-6	2

Go to Discount-Equipment.com to order your parts



710.1 Turntable Components



Go to Discount-Equipment.com to order your parts

710.1 Turntable Components

Item	Part No.	Description	Qty.
27	48918GT	TEE,RUN,520428-6	1
28	48932GT	FITTING,ELBOW,90D,520220-8***	1
29	48933GT	CONN,520120-8***	1
30	49183-2692GT	HOSE ASSY,1/2,STR FEM,STR FEM*	1
31	48916GT	CONN, 520120-6	7
32	48928GT	ELBOW,45D,520320-6-4	2
33	61321GT	ELBOW,90D,BLKHD,ORFS-6-6 W/NUT	2
34	121685GT	HYD TUBE,SWING DRIVE #1	1
35	121684GT	HYD TUBE,SWING DRIVE #2	1
36	56003GT	ELBOW,90D,LONG,521520-6	1
37	87172GT	PLUG,HEX SOCKET,090109B-12	2
38	48905GT	CONNECTOR, 520120-4	1
39	48904GT	ELBOW, 90D, 520220-4 (Deutz and Perkins models)	2
40	1282287GT	HYD TUBE,BRAKE	1
41	1282286GT	HYD TUBE,2-SPEED	1
42	49117-6191GT	HOSE ASSY,1/4,90 FEM,STR FEM	1
43	49149-3126GT	HOSE ASSY,3/4,45 FEM,STR FEM	1
44	1327891GT	HYD TUBE,STEER TUBE #2	1
45	1327892GT	HYD TUBE,STEER TUBE #1	1
46	1327884GT	HYD TUBE,OSC TUBE	1
47	75254GT	UNION,STR.THREAD 24***	1
48	75256GT	VALVE BALL,24 FSAE-24 FSAE***	1
49	48907GT	ELBOW,45D,520320-4 (Deutz and Perkins models)	2
50	49128-2609GT	HOSE ASSEMBLY,3/8"	2
51	121777GT	CONN,070121-24-24	1
52	49143-2829GT	HOSE ASSY,1/2,90 FEM,STR FEMM*	1
53	49151-3548GT	HOSE ASSY,3/4,STR FEM,STR FEM	1
54	121366GT	HYD TUBE,FUNCTION CASE	1

Go to Discount-Equipment.com to order your parts



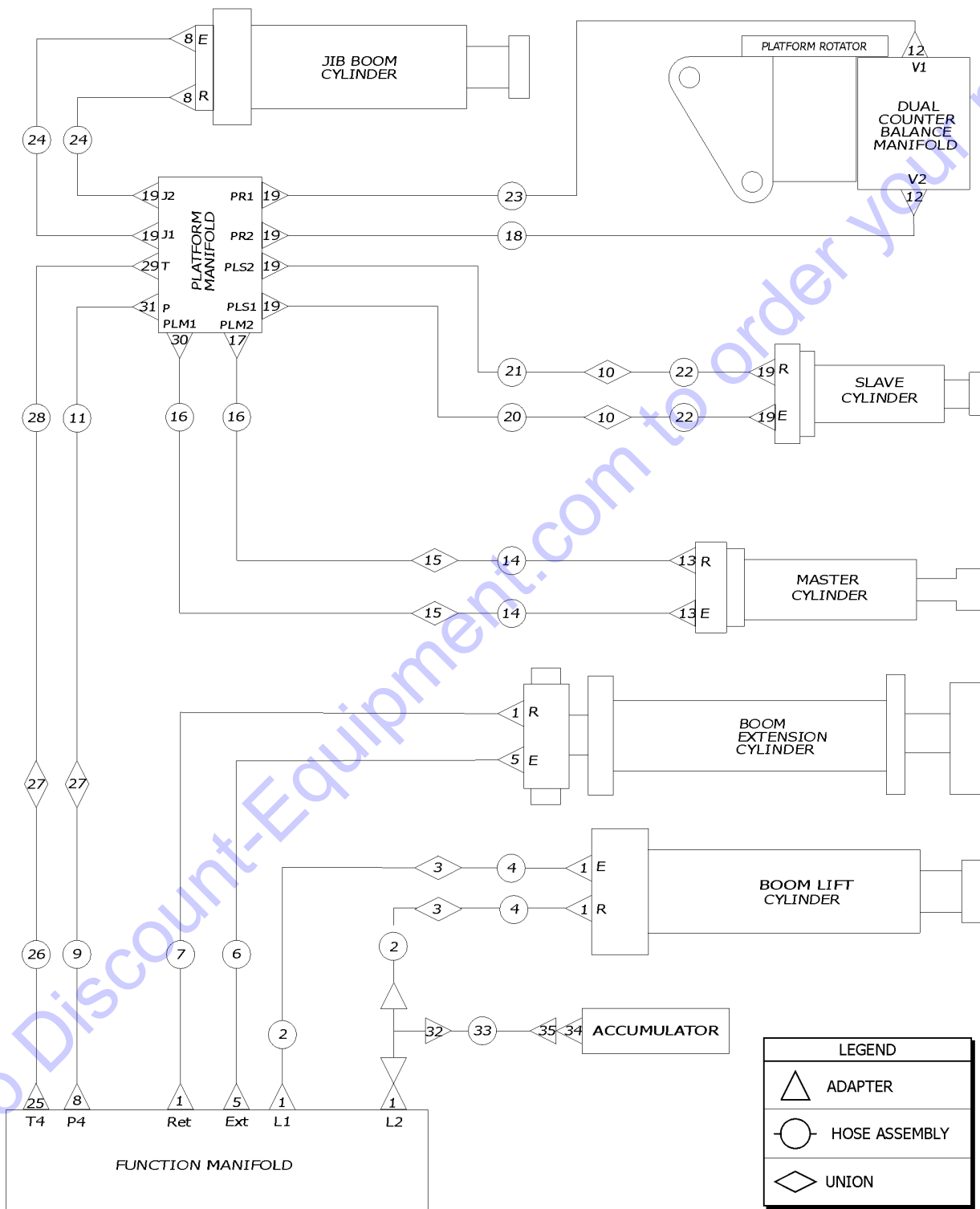
710.1 Turntable Components

<i>Item</i>	<i>Part No.</i>	<i>Description</i>	<i>Qty.</i>
55	49151-1898GT	HOSE ASSY,3/4,STR FEM,STR FEM	1
56	75614GT	ELBOW,90D,LONG,521520-8	1
57	49117-1967GT	ASSY, HOSE, HYD, -4, 3250, 90, STR	1
58	49119-1768GT	ASSY, HOSE, HYD, -4, 3250, STR, STR	1
59	48946GT	CONN,520120-8-10	2
60	48920GT	ELBOW,45D,520320-6	1
61	49128-7600GT	HOSE ASSY,3/8,90 FEM,STR FEM	1

Go to Discount-Equipment.com to order your parts



711.1 Boom (from SN S85XCD-2001 to S85XCD-2081)



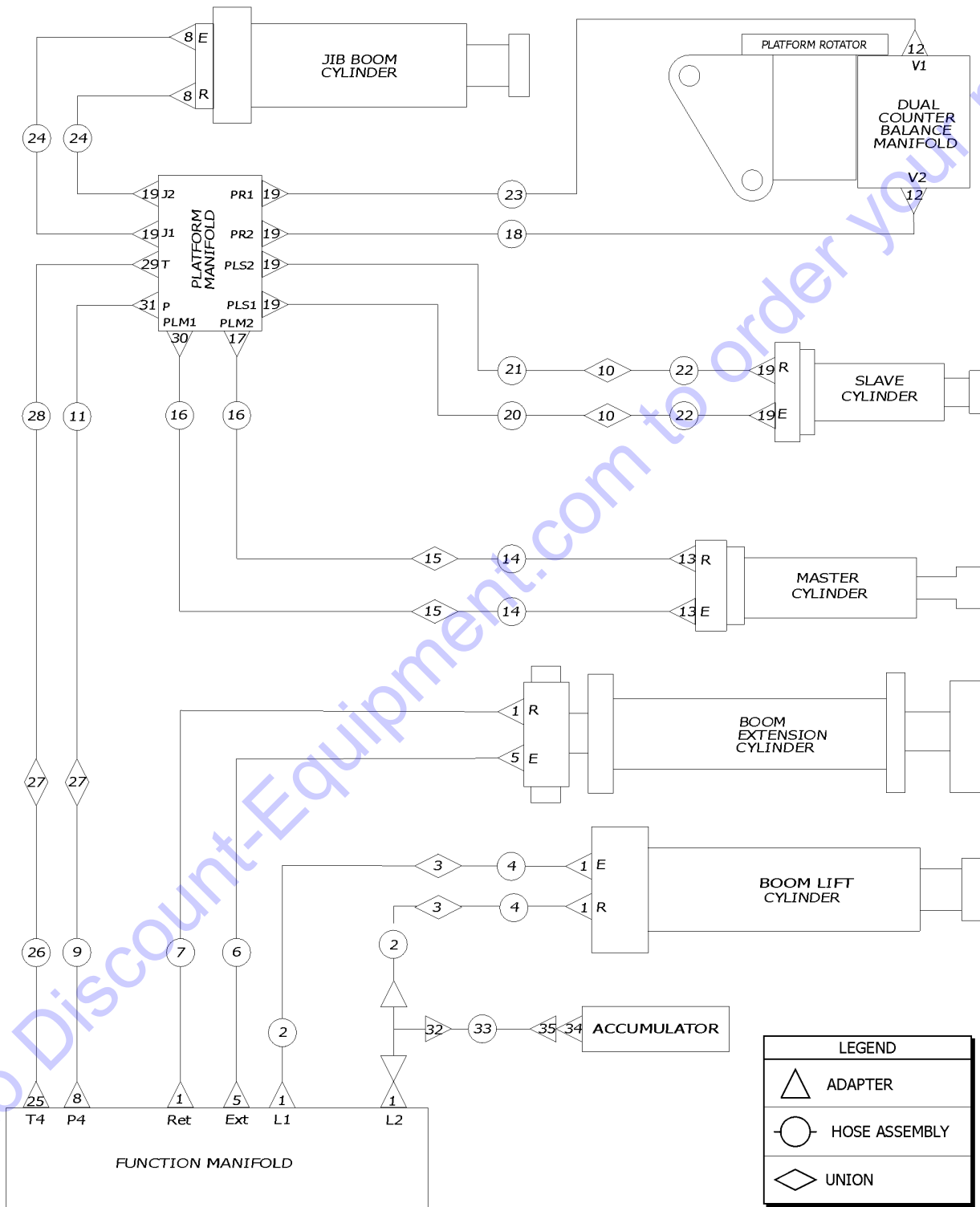
711.1 Boom (from SN S85XCD-2001 to S85XCD-2081)

Item	Part No.	Description	Qty.
-	1297451GT	FITTING, ORFS, STR, 125 MICRON SCREEN, SAE -6 service part	
1	48933GT	CONN,520120-8***	6
2	49137-14429GT	ASSY,HOSE,HYD,-6,3000,STR,90	2
3	48894GT	CONN,BULKHEAD,520601-8	2
4	49137-5041GT	HOSE ASSY,1/2,90L FEM,STR FEM	2
5	48960GT	FITTING,CONN,520120-12***	2
6	102313-17526GT	HOSE ASSY,3/4,45 FEM,STR FEM	1
7	49141-17463GT	HOSE ASSY,1/2,45 FEM,STR FEM	1
8	48916GT	CONN, 520120-6	3
9	49130-51182GT	ASSY,HOSE,HYD,-4,3250,STR,90	1
10	61079GT	ELBOW,90D,BULKHEAD,520701-4	2
11	49128-73609GT	ASSY,HOSE,HYD,-6,3000,STR,STR	1
12	48907GT	ELBOW,45D,520320-4	2
13	48926GT	FITTING,ELBOW,90D,520220-6-4	3
14	49130-34182GT	ASSY,HOSE,HYD,-4,3250,STR,90	2
15	61265GT	CONN,BULKHEAD,520801,-6	2
16	1288893-73582GT	ASSY,HOSE,HYD,-12,4000,STR,90	2
17	61259GT	ELBOW,90D,LONG,521520-4	1
18	49116-2637GT	HOSE ASSY,1/4,45 FEM,STR FEM	1
19	48905GT	CONNECTOR, 520120-4	8
20	49117-12291GT	ASSY,HOSE,HYD,-6,5000,STR,STR	1
21	121787-12291GT	ASSY,HOSE,HYD,-8,3000,STR,90	1
22	49119-2478GT	HOSE ASSEMBLY, 1/4, STRAIGHT FEMAL	2
23	49116-2437GT	HOSE ASSY,1/4,45 FEM,STR FEM	1
24	49119-4978GT	ASSY, HOSE, HYD, 3250, -4, STR, STR	2
25	48916GT	CONN, 520120-6	1
26	49128-50409GT	HOSE ASSY,3/8,90 FEM,STR FEM	1
27	61321GT	ELBOW,90D,BLKHD,ORFS-6-6 W/NUT	2

Go to DiscountEquipment.com to order your parts



711.1 Boom (from SN S85XCD-2001 to S85XCD-2081)



Go to Discount-Equipment.com to order your parts

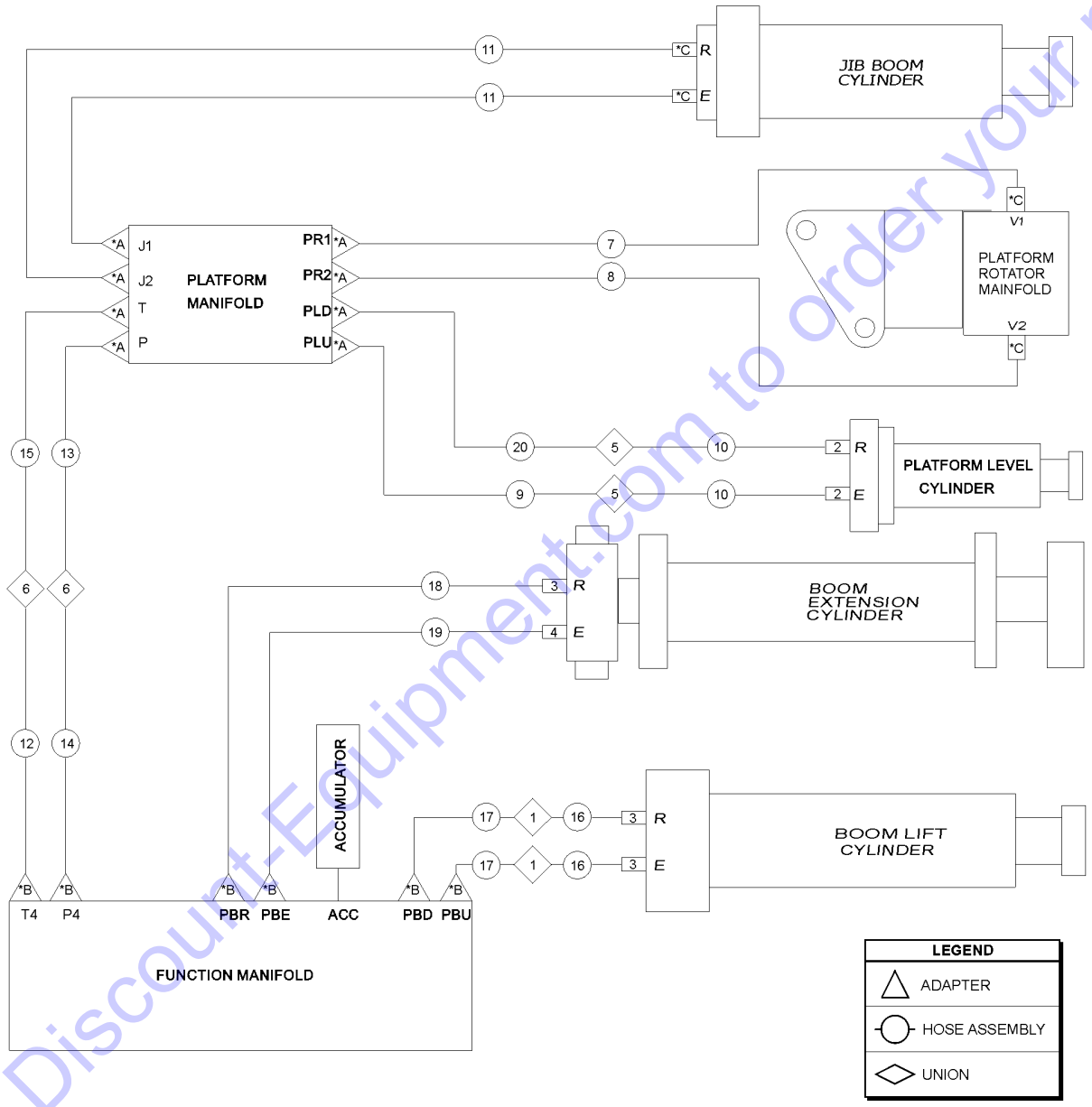
711.1 Boom (from SN S85XCD-2001 to S85XCD-2081)

Item	Part No.	Description	Qty.
28	49130-70782GT	ASSY,HOSE,HYD,-4,3250,STR,STR	1
29	48920GT	ELBOW,45D,520320-6	1
30	48904GT	ELBOW, 90D, 520220-4	1
31	48928GT	ELBOW,45D,520320-6-4	1
32	48938GT	FITTING,TEE,RUN,SWIVEL520432-8	1
33	49131-2309GT	ASSY,HOSE,HYD,-6,3000,STR,90	1
34	48915GT	ELBOW,90D,520220-6	1
35	1284927GT	FITTING,FEM ORB,FEM ORB,-6-6	1

Go to Discount-Equipment.com to order your parts



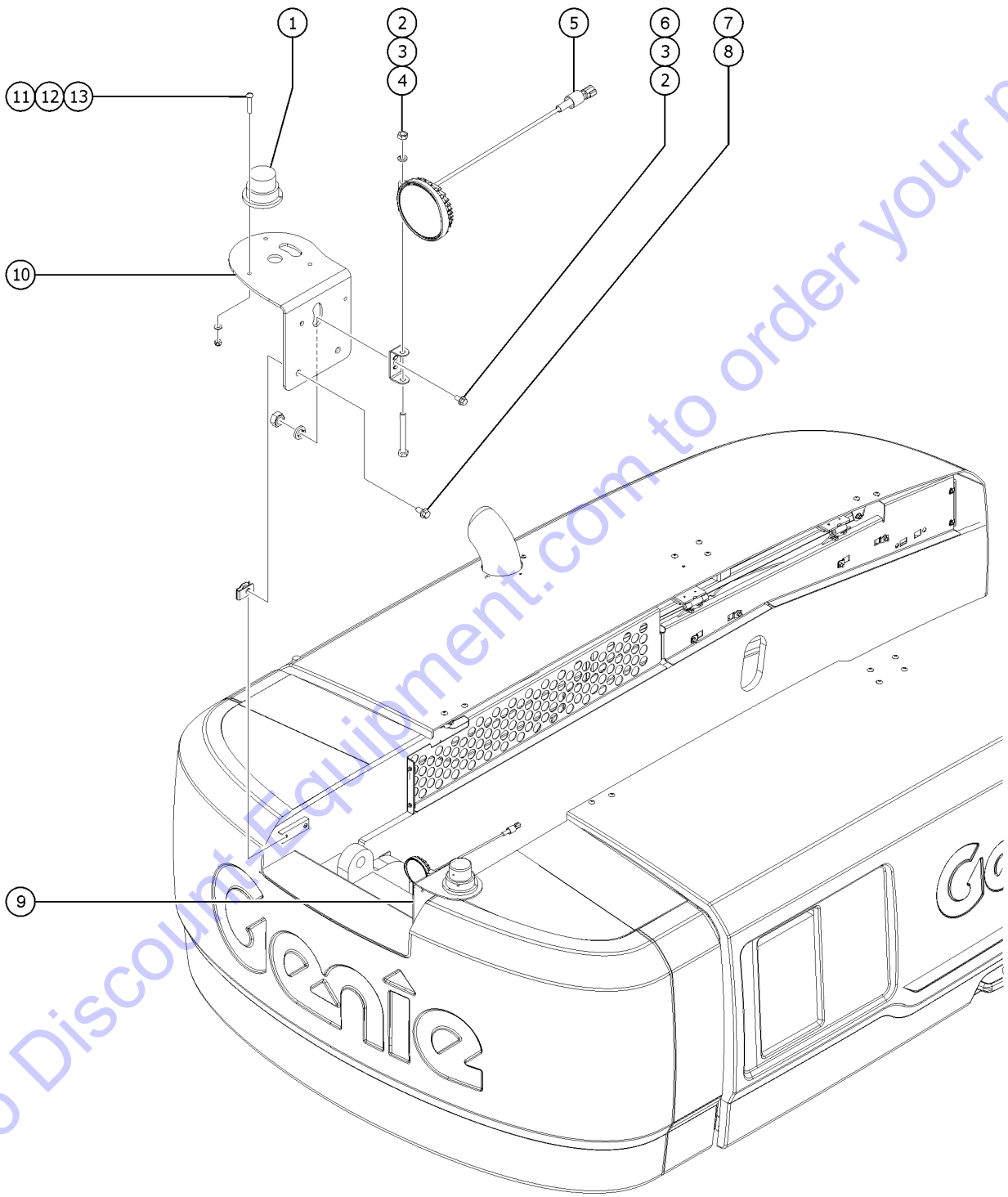
711.2 Boom (from SN S85XCD-2082)



Item	Part No.	Description	Qty.
1	48894GT	CONN,BULKHEAD,520601-8 service part	2
2	48905GT	CONNECTOR, 520120-4	2
3	48933GT	CONN,520120-8***	3
4	48960GT	FITTING,CONN,520120-12***	1
5	61079GT	ELBOW,90D,BULKHEAD,520701-4	2
6	61321GT	ELBOW,90D,BLKHD,ORFS-6-6 W/NUT	2
7	49116-2437GT	HOSE ASSY,1/4,45 FEM,STR FEM	1
8	49116-2637GT	HOSE ASSY,1/4,45 FEM,STR FEM	1
9	49117-12291GT	ASSY,HOSE,HYD,-6,5000,STR,STR	1
10	49119-2478GT	HOSE ASSEMBLY, 1/4, STRAIGHT FEMAL	2
11	49119-4978GT	ASSY, HOSE, HYD, 3250, -4, STR, STR	2
12	49128-50409GT	HOSE ASSY,3/8,90 FEM,STR FEM	1
13	1290346-73609GT	ASSY, HOSE, HYD, -6, 5000, STR, 90	1
14	101929-51182GT	ASSY, HOSE, HYD, -6, 5000, STR, STR	1
15	49130-70782GT	ASSY,HOSE,HYD,-4,3250,STR,STR	1
16	49137-5041GT	HOSE ASSY,1/2,90L FEM,STR FEM	2
17	49137-14429GT	ASSY,HOSE,HYD,-6,3000,STR,90	2
18	49141-17463GT	HOSE ASSY,1/2,45 FEM,STR FEM	1
19	102313-17526GT	HOSE ASSY,3/4,45 FEM,STR FEM	1
20	121787-12291GT	ASSY,HOSE,HYD,-8,3000,STR,90	1

Go to DiscountEquipment.com to order your parts

801.1 Alarm, Beacon Package and Driving Lights



Go to Discount Equipment.com to order your parts

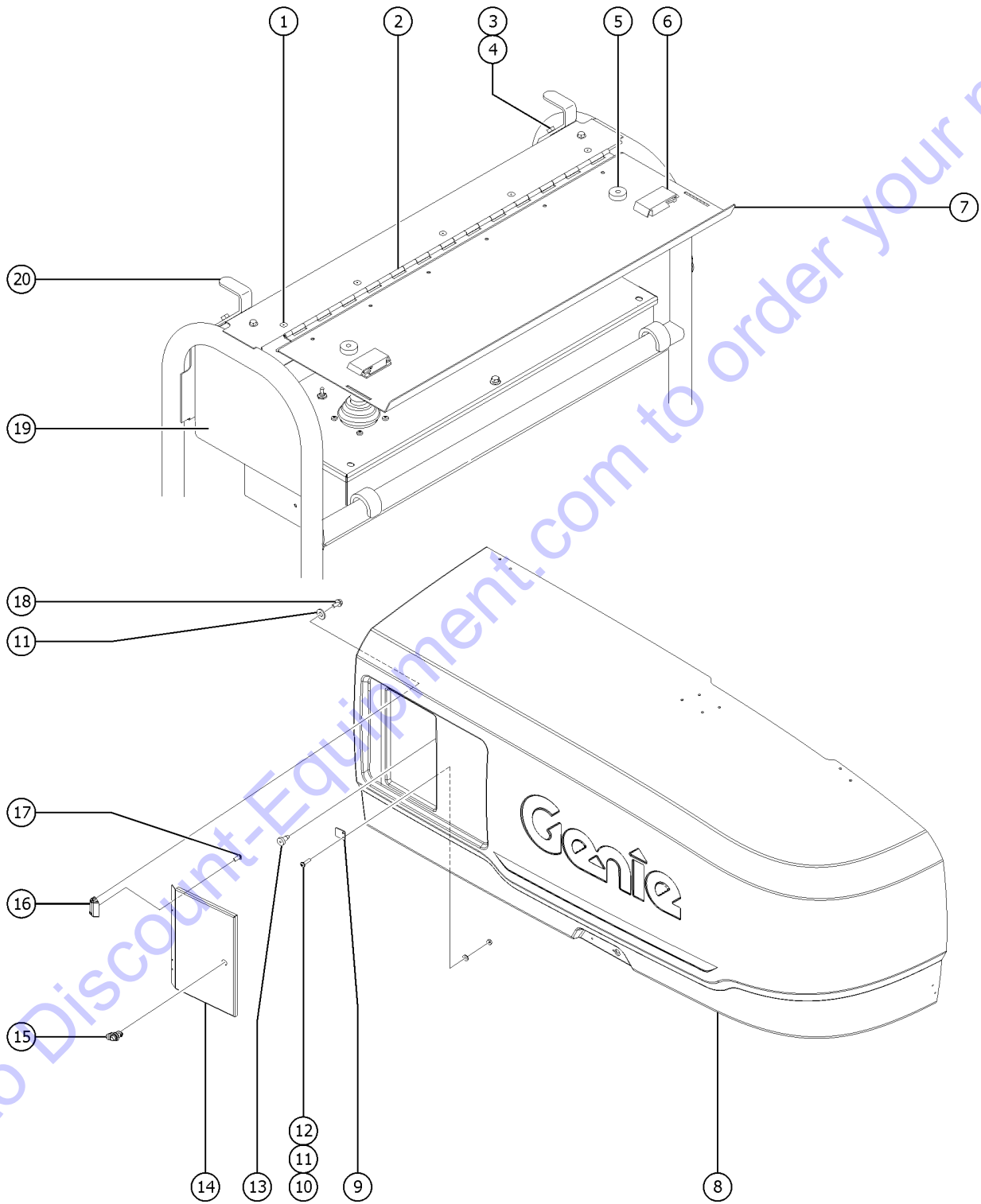
801.1 Alarm, Beacon Package and Driving Lights

Item	Part No.	Description	Qty.
1	121804GT	ASSY,FLASHING BEACON 2008	2
2	22571GT	NUT,HEX,M8 X 1.25	2
3	49408GT	WASHER,LOCK,M8	4
4	75185GT	SCREW,HHC,M8X1.25X 70MM,GR8.8	2
5	1306812GT	ASSY,DRIVE LIGHT,12V LED	2
6	49379GT	SCREW,HHC,M8 X 1.25 X 25	
7	824089GT	SCREW, HHF, 3/8-16 X .75, 8, ZAG	
8	29868GT	SPRING CLIP,3/8-16,.05-.20X.73,ZAG	4
9	1310191GT	FORMING, LIGHT/BEACON BRKT,RH right side	1
10	1310192GT	FORMING, LIGHT/BEACON BRKT,LH left side	1
11	825352GT	SCREW,PHPM,10-32X1.25,ZAG	6
12	1253185GT	WASHER,FLAT,#10,USS,ZAG	6
13	1283005GT	NUT,NYLOCK FLG,10-32,A,ZAG	6

Go to Discount-Equipment.com to order your parts



802.1 Hostile Environment Package - Ground and Platform Control Box Covers



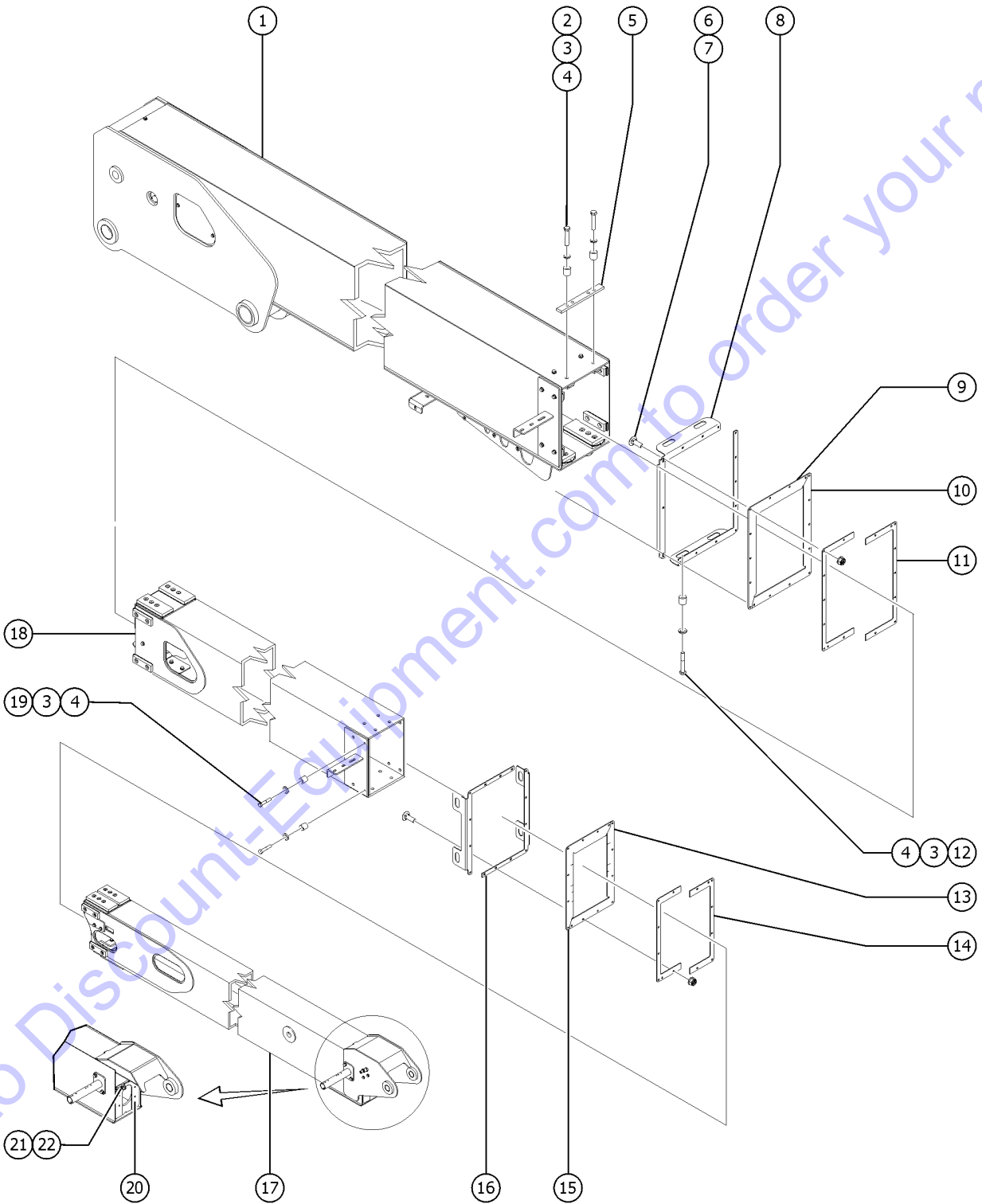
802.1 Hostile Environment Package - Ground and Platform Control Box Covers

Item	Part No.	Description	Qty.
1	54486GT	RIVET,ALUM,ALUM,3/16BUTTONHEAD	11
2	111526GT	HINGE,PLAT CONTROL BOX COVER	1
3	824078GT	SCREW,HHF,1/4-20X.75,8,ZAG	8
4	824027GT	NUT, TL FLG, 1/4-20, G, ZAG	8
5	43392GT	BUMPER,BATTERY BOX & RAILS	2
6	30468GT	LATCH,SLIDE, FLUSH MOUNT STYLE	2
7	102785PGT	CONTROL BOX COVER,LID,PTD	1
8		REF. COVER, SWING CHASSIS, TS	1
		(refer to 304.1)	
9	1261001GT	STRIKER, LATCH	1
10	824215GT	SCREW, PHPM, 10-32 X .75, ZAG	2
11	1253185GT	WASHER,FLAT,#10,USS,ZAG	6
12	1256804GT	NUT,10-32,ZAG	2
13	34619GT	BUMPER,RUBBER***	2
14	1284272GT	FORMING,CONTROL BOX COVER,ALC600	1
15	1259583GT	LATCH, PUSH BUTTON	1
16	1259584GT	HINGE, CONSTANT TORQUE	2
17	1257227GT	SCREW,PHPM,10-32X.625,ZAG	4
18	218457GT	SCREW,HHF,M5X12,DIN6921,10.9,Z	4
19	88607PGT	COVER,CONTROL BOX LEFT SIDE***	1
19-	88606PGT	COVER,CONTROL BOX RIGHT SIDE**	1
20	102786PGT	FORMING,LATCH,CTRL BOX LID PTD	2

Go to Discount-Equipment.com to order your parts



803.1 Hostile Environment Package - Booms



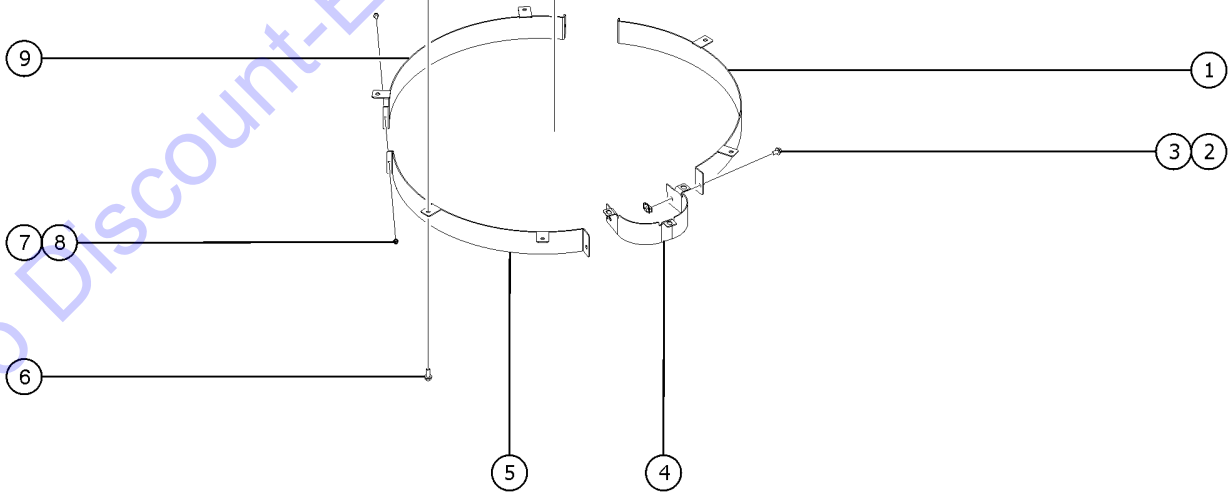
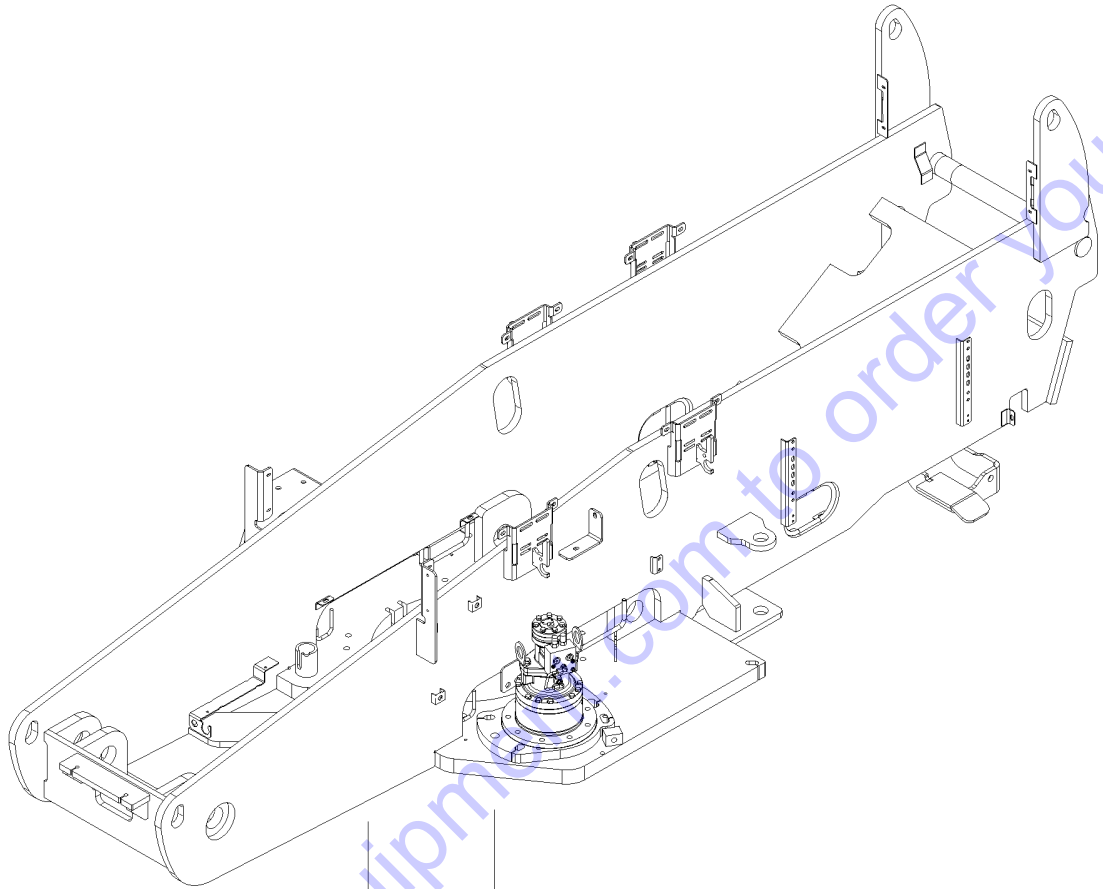
803.1 Hostile Environment Package - Booms

Item	Part No.	Description	Qty.
1		REF. BOOM TUBE 1 (refer to 502.1)	
2	1252978GT	SCREW,HHC,3/8-16X2.25,8,ZAG	2
3	824110GT	WASHER, LOCK, 3/8, ZAG	8
4	101932GT	TUBE, RD., STL., DOM .75 X .437 X .78	8
5	121173GT	SPACER,BOOM WIPER TOP	2
6	824124GT	BOLT, CARRIAGE, 1/4-20 X .75, 5, ZAG	30
7	1277924GT	NUT,NYLOCK FLG,1/4-20,F,ZAG	30
8	1280076GT	FORMING, BRKT, WIPER 1 TO 2, S-80/85 XC	2
9	1280072GT	WIPER, RUBBER S-80/85 XC SEC #1, TOP	1
10	1280073GT	WIPER, RUBBER S-80/85 XC SEC #1, BOT	1
11	121167GT	PLATE,WIPER BACKING,BOOM #1	2
12	824069GT	SCREW, HHC, 3/8-16 X 2.5, 8, ZAG	2
13	1280075GT	WIPER, RUBBER S-80/85 XC SEC #2, BOT	1
14	121170GT	PLATE,BACKING WIPER 2 TO 3	2
15	1280074GT	WIPER, RUBBER S-80/85 XC SEC #2, TOP	1
16	1280077GT	FORMING, BRKT, WIPER 2 TO 3, S-80/85 XC	2
17		REF. BOOM TUBE 3 (refer to 504.1)	
18		REF.. BOOM TUBE 2 (refer to 503.1)	
19	1256108GT	SCREW,HHC,3/8-16X2,8,ZAG	4
20	1274869GT	FORMING, DEBRIS COVER, SEC #3	1
21	824078GT	SCREW,HHF,1/4-20X.75,8,ZAG	4
22	56912GT	SPRING CLIP,1/4-20,.025-.15X.54,ZAG	4

Go to DiscountEquipment.com to order your parts



804.1 Hostile Environment Package - Turntable



Go to Discount-Equipment.com to order your parts

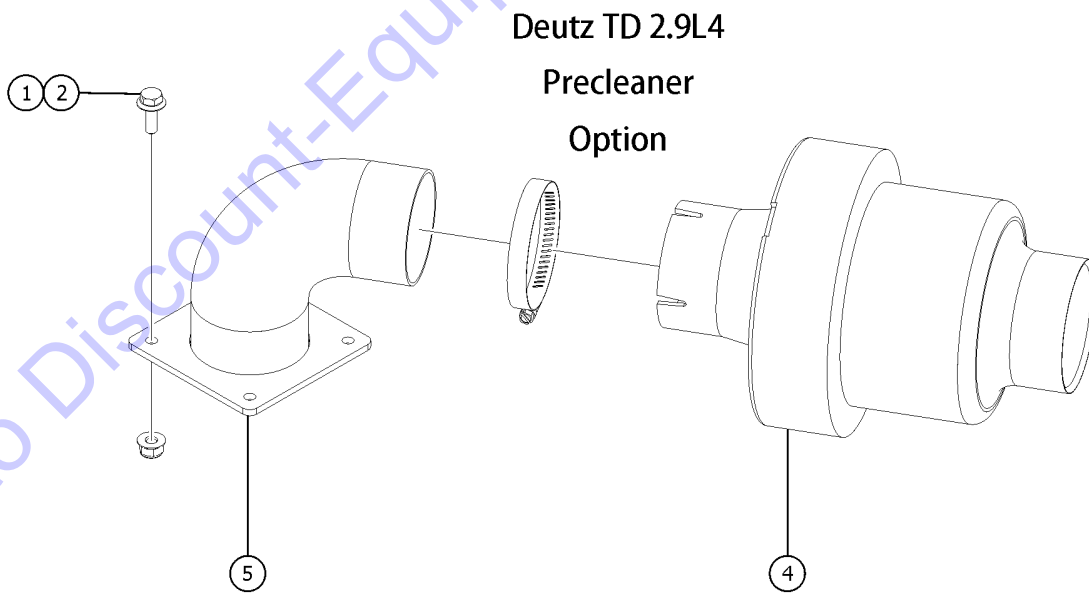
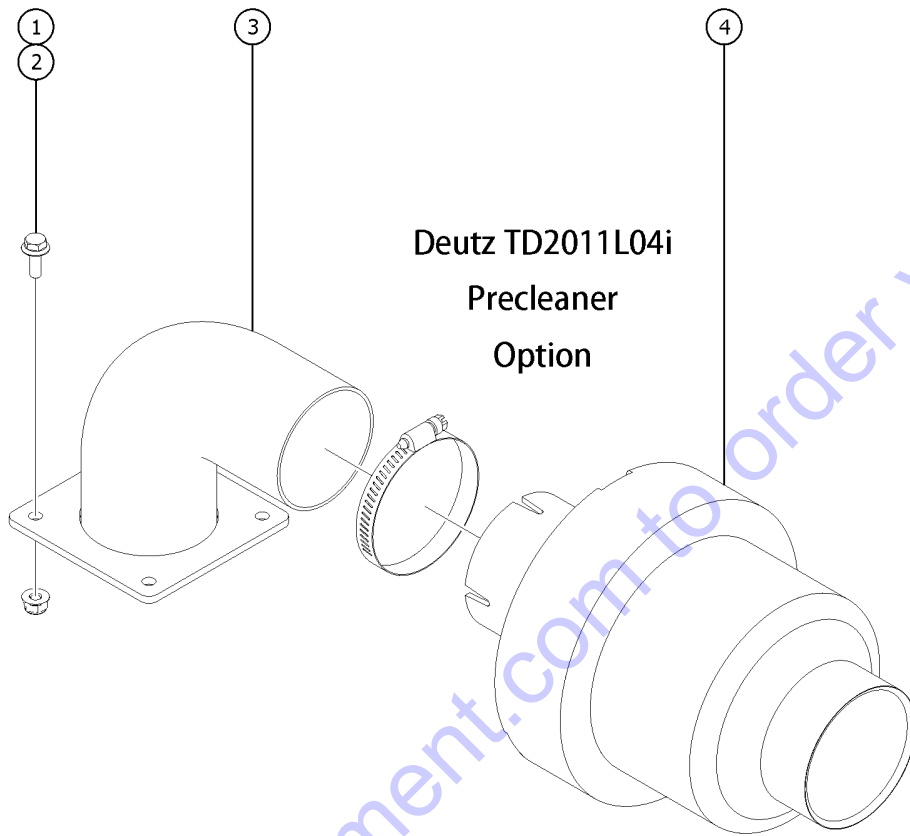
804.1 Hostile Environment Package - Turntable

Item	Part No.	Description	Qty.
1	1305530GT	COVER,RING GEAR, FRONT	1
2	824089GT	SCREW, HHF, 3/8-16 X .75, 8, ZAG	2
3	29868GT	SPRING CLIP,3/8-16,.05-.20X.73,ZAG	2
4		Ref. FORMING, ROTATION GEAR COVER	1
		refer to 305.1	
5	1305531GT	COVER,RING GEAR, REAR	1
6	824090GT	SCREW,HHF,3/8-16X1,8,ZAG	6
7	1277924GT	NUT,NYLOCK FLG,1/4-20,F,ZAG	2
8	824078GT	SCREW,HHF,1/4-20X.75,8,ZAG	2
9	1307055GT	COVER,RING GEAR, SIDE	1

Go to Discount-Equipment.com to order your parts



805.1 Hostile Environment Package - Engine Air Cleaners



Go to Discount-Equipment.com to order your parts

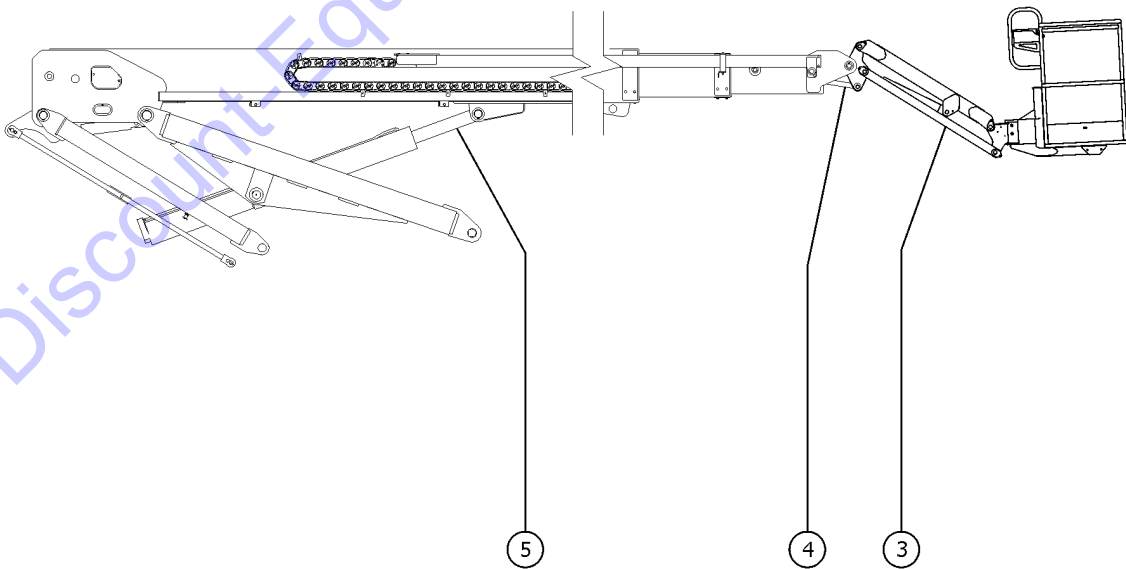
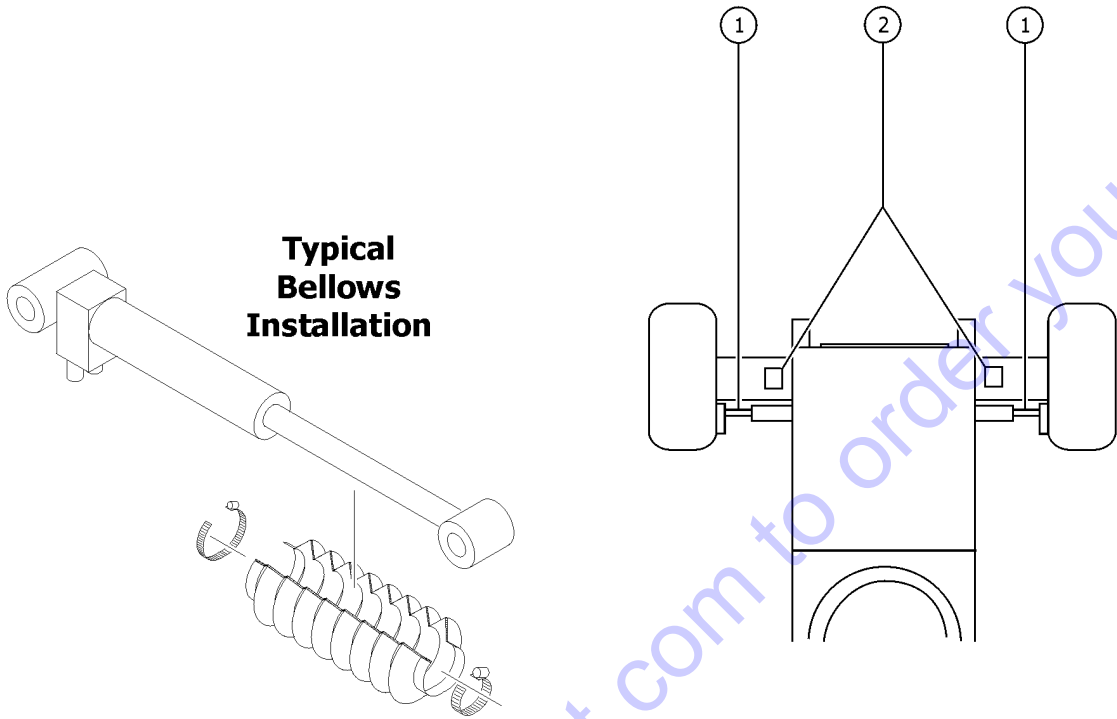
805.1 Hostile Environment Package - Engine Air Cleaners

Item	Part No.	Description	Qty.
1	824078GT	SCREW,HHF,1/4-20X.75,8,ZAG	4
2	1277924GT	NUT,NYLOCK FLG,1/4-20,F,ZAG	4
3	121413GT	WELDMENT,PRECLEANER MT,DEUTZ	1
4	89959GT	PRECLEANER,INLINE 3"	1
		(Includes clamp)	
5	825948GT	WELDMENT, PRECLEANER MT, DEUTZ/PERKINS	1

Go to Discount-Equipment.com to order your parts



806.1 Hostile Environment Package - Cylinder Bellows



Go to DiscountEquipment.com to order your parts

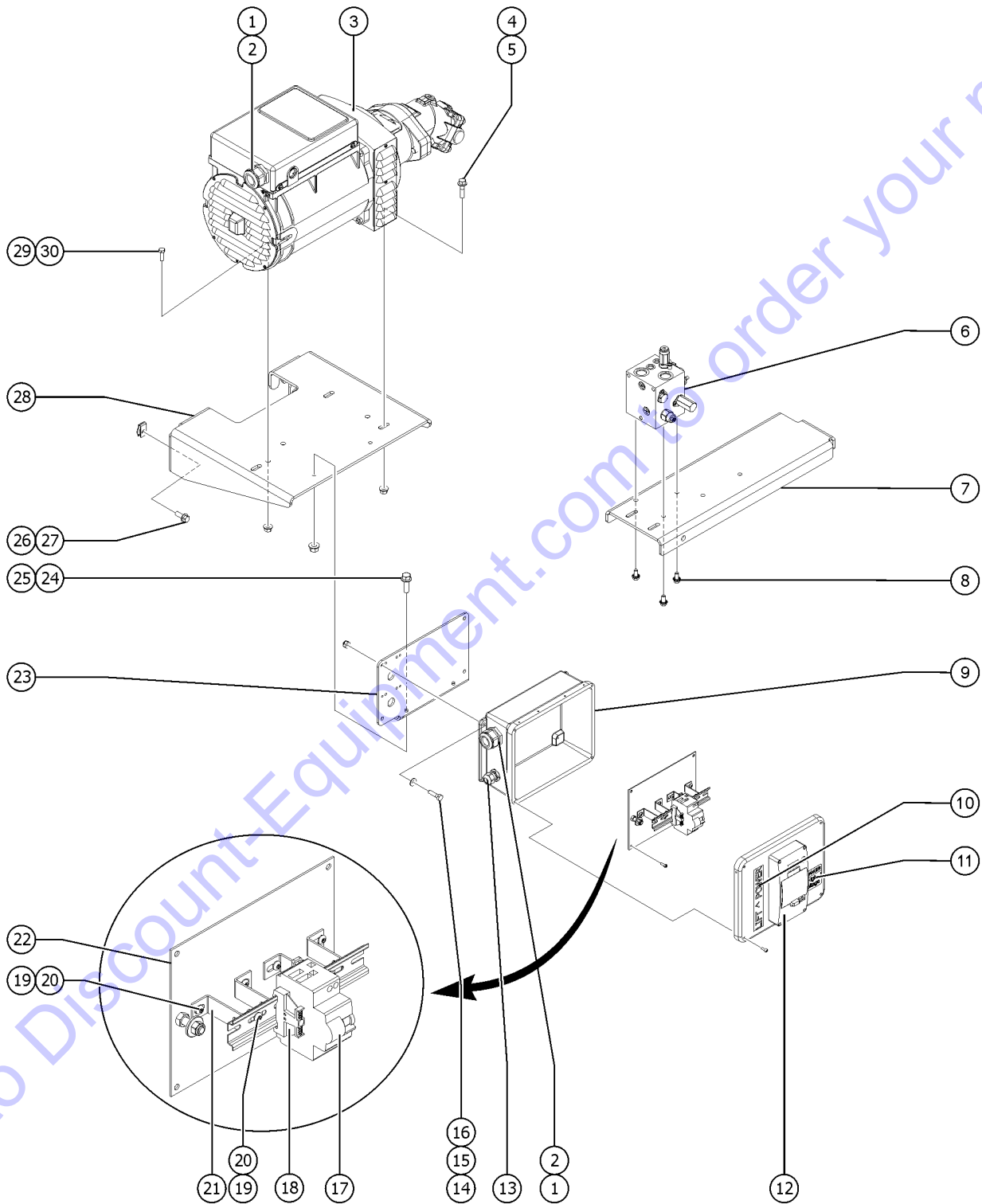
806.1 Hostile Environment Package - Cylinder Bellows

Item	Part No.	Description	Qty.
1	34533GT	COVER,PROTECTIVE,STEER CYL	2
1-	30971GT	CLAMP,HOSE,3.00"	
1-	35434GT	CLAMP,HOSE,2.00***	
2	81700GT	COVER,PROTECTIVE,OSC.CYLINDER	2
2-	45345GT	CLAMP,HOSE,2.50****	
2-	35432GT	CLAMP,HOSE,6.50	
3	1279801GT	BELLOWS, JIB CYLINDER	1
3-	34955GT	CLAMP, HOSE, 5.00	
3-	35434GT	CLAMP,HOSE,2.00***	
4	1279802GT	BELLOWS, PLATFORM LEVEL CYLINDER	1
4-	1280080GT	PLATE, BACKING BELLOWS, S-80/85 XC	1
4-	1271757GT	SCREW,PHPM,10-32X.50,ZAG	
4-	30971GT	CLAMP,HOSE,3.00"	
4-	23405GT	NUTSERT,10-32 STEEL CAD PLTD	
4-	1256312GT	WASHER,LOCK,#10,ZAG	
5	1279799GT	BELLOWS, LIFT CYLINDER	1
5-	31523GT	CLAMP,HOSE,8.50 DIA***	
5-	34955GT	CLAMP, HOSE, 5.00	

Go to Discount-Equipment.com to order your parts



807.1 Welder Option, Chassis Components - 7.5KW Generator View 1



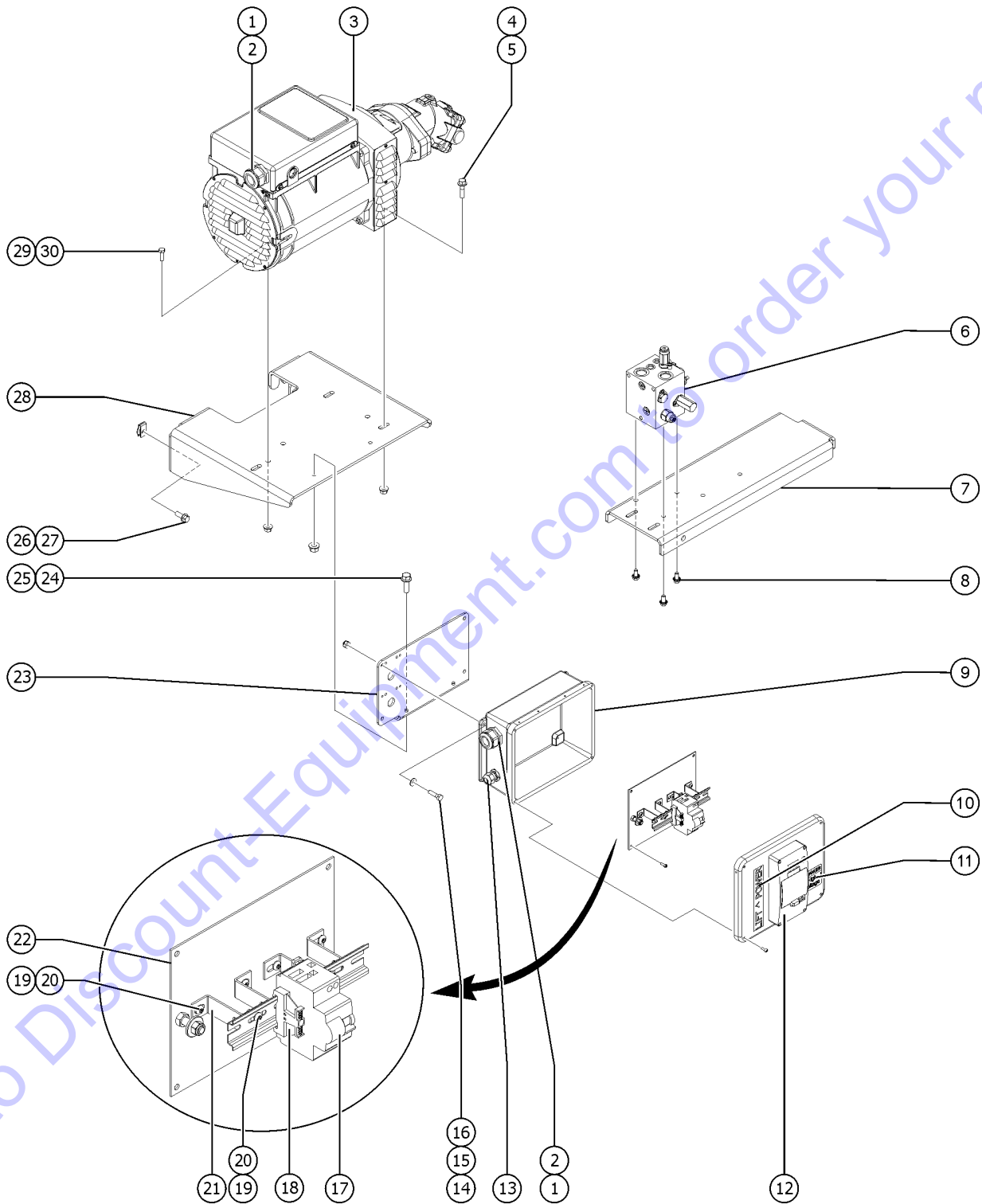
Go to Discount-Equipment.com to order your parts

807.1 Welder Option, Chassis Components - 7.5KW Generator View 1

Item	Part No.	Description	Qty.
1	20776GT	CABLE SQUEEZE CONN.	1
2	18665GT	LOCKNUT,ELECTRIC,1" NPT	1
3	1279871GT	GEN,7.5kW,230VAC,1PH,50HZ,AUS,S80	1
4	824091GT	SCREW, HHF, 3/8-16 X 1.25, 8, ZAG	2
5	1274322GT	NUT,NYLOCK FLG,3/8-16,F,ZAG	2
6		REF. MANIFOLD,HYD,LIFTPOWER,WELDER GENERATOR refer to 706.1	1
7		REF. FORMING,BRACKET,LATCH refer to 302.1	1
8	1257721GT	SCREW,HHF-S,3/8-16X.75,8,ZAG	3
9	1289554GT	BOX, AUS JBOX, CIRCUIT BREAKER	1
10	1283577GT	DECAL, LIFT^POWER, 1X7 INCH	1
11	82237GT	DECAL,DANGER,HIGH VOLTAGE	1
12	1258687GT	MOUNTING COVER KIT WITH NEON	1
13	1287081GT	CORD GRIP, CLICK 20, BLACK, 0.276-0.512	1
14	824060GT	SCREW, HHC, 1/4-20 X 1, 8, ZAG	4
15	824113GT	WASHER,FLAT,USS,1/4,ZAG	4
16	1277924GT	NUT,NYLOCK FLG,1/4-20,F,ZAG	4
17	1258674GT	RCBO, 16A/30MA TRIP, 1P	1
18	74913GT	END STOP, DIN RAIL,SCREW CLAMP	2
19	54365GT	SCREW,PHIL,PHM,10-32 X .5,SSTL	6
20	6178GT	NUT, NYLOCK, 10-32, SS	6
21	1258689GT	BRACKET,DIN RAIL SUPPORT	2
22	1258688GT	PANEL,AUSSY ENCLOSURE BACK	1
23	111576GT	FORMING,CONTROLBOX MT,WELD GEN	1
24	1274167GT	NUT,NYLOCK FLG,5/16-18,F,ZAG	2
25	824086GT	SCREW, HHF, 5/16-18 X 1, 8, ZAG	2
26	824090GT	SCREW,HHF,3/8-16X1,8,ZAG	4
27	29868GT	SPRING CLIP,3/8-16,.05-.20X.73,ZAG	4
28	1268186GT	BRACKET, GENERATOR 12 KW	1



807.1 Welder Option, Chassis Components - 7.5KW Generator View 1

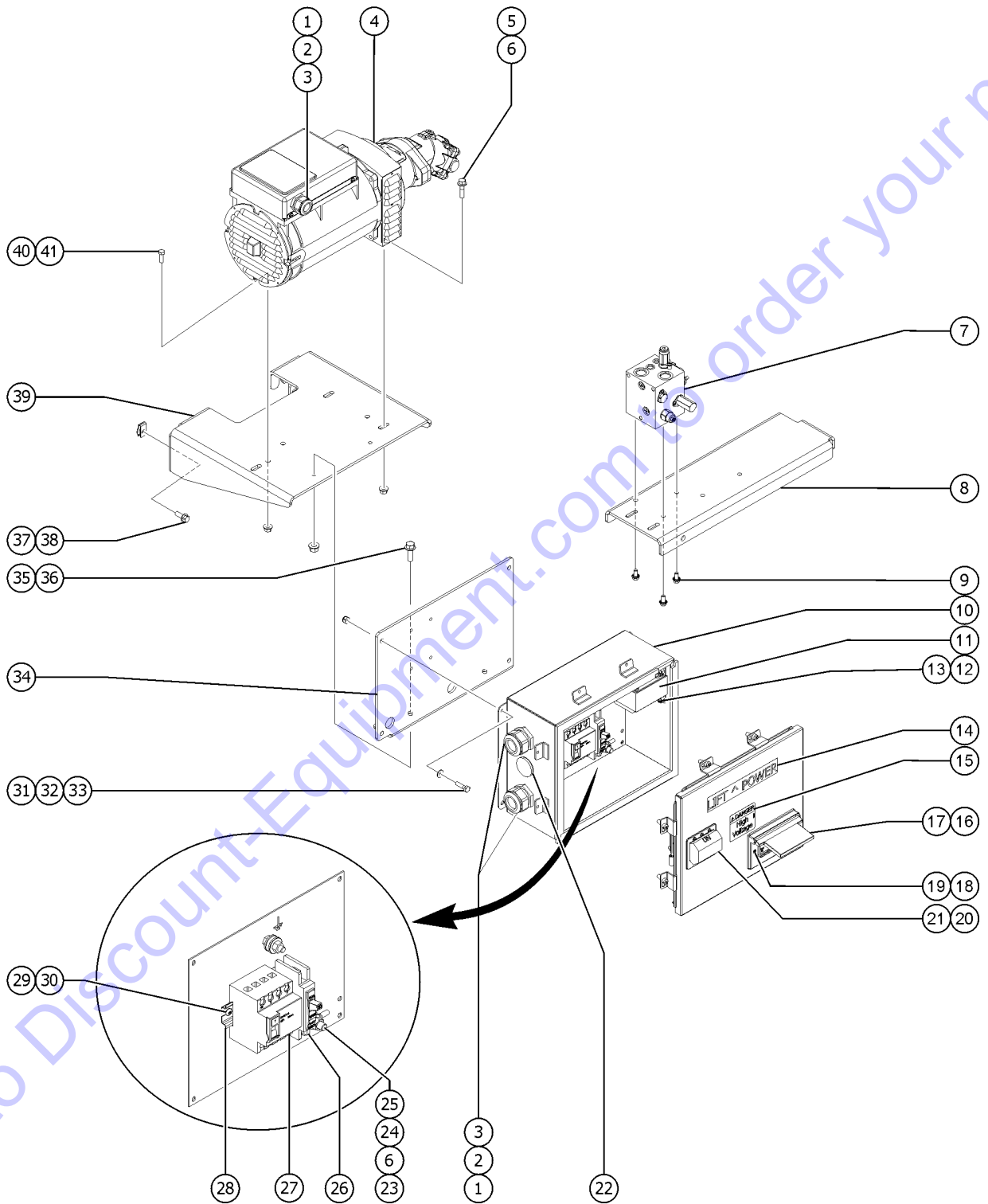


807.1 Welder Option, Chassis Components - 7.5KW Generator View 1

<i>Item</i>	<i>Part No.</i>	<i>Description</i>	<i>Qty.</i>
29	1255538GT	SCREW,HHC,M8-1.25X30,DIN933,10.9,ZAB	1
30	1283014GT	NUT,NYLOCK FLG,M8-1.25,DIN6926,10,ZAB	1

Go to Discount-Equipment.com to order your parts

807.2 Welder Option, Chassis Components - 13KW Generator



Go to Discount-Equipment.com to order your parts

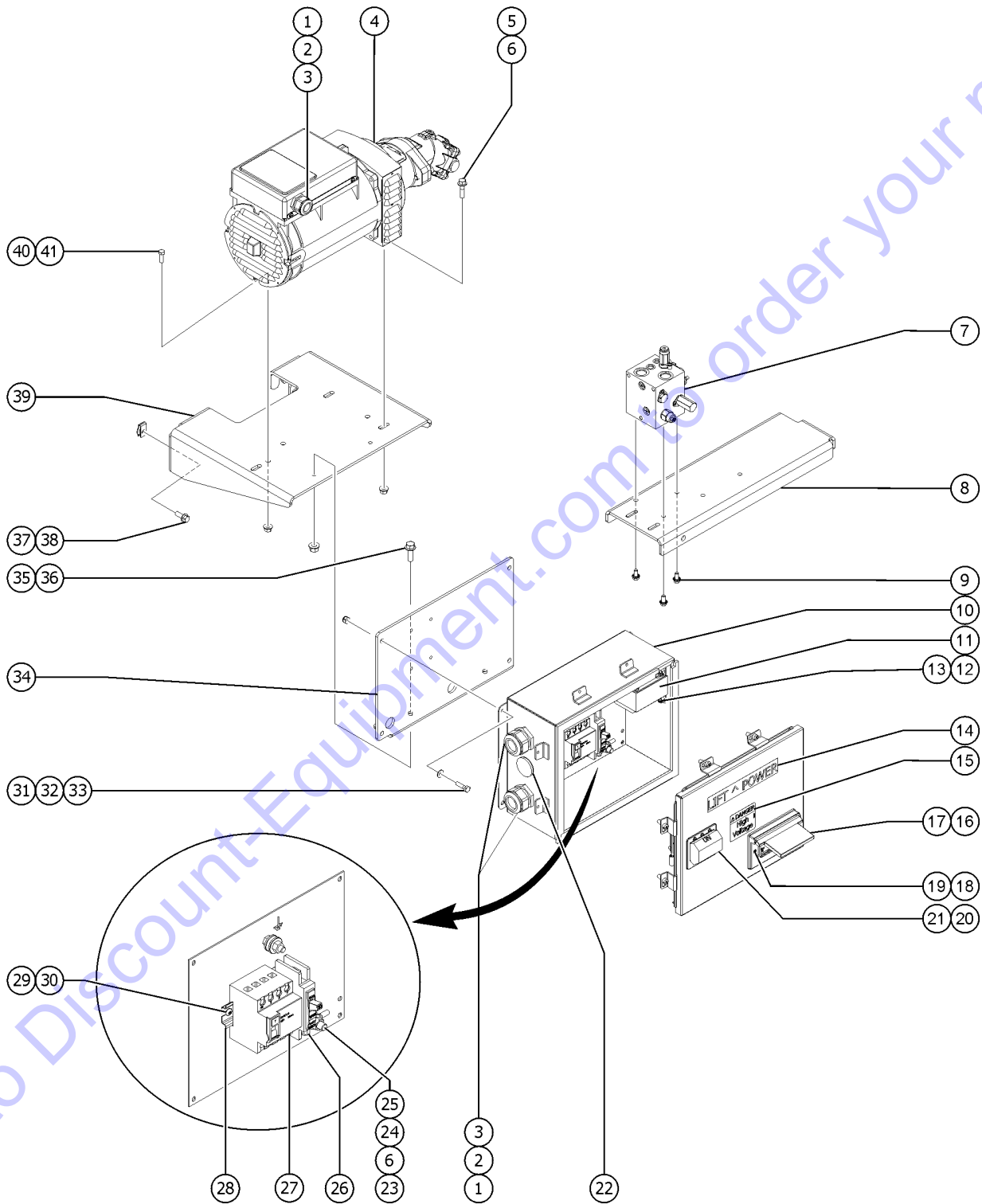
807.2 Welder Option, Chassis Components - 13KW Generator

Item	Part No.	Description	Qty.
1	20776GT	CABLE SQUEEZE CONN.	3
2	106104GT	O-RING,SEAL RING,1" NPT	3
3	18665GT	LOCKNUT,ELECTRIC,1" NPT	3
4	1281786GT	GENERATOR, HYD, 13KW 60HZ, 240V 3PH	1
5	824091GT	SCREW, HHF, 3/8-16 X 1.25, 8, ZAG	2
6	1274322GT	NUT,NYLOCK FLG,3/8-16,F,ZAG	2
7		REF. MANIFOLD,HYD,LIFTPOWER,WELDER GENERATOR refer to 706.1	1
8		REF. FORMING,BRACKET,LATCH refer to 302.1	1
9	1257721GT	SCREW,HHF-S,3/8-16X.75,8,ZAG	3
10	1283843GT	ENCLOSURE, JBOX, 12X10	1
11	1282963GT	TRANSFORMER, 139 TO 120 VOLT	1
12	1270665GT	SCREW,HHF,10-24X.625,5,ZAG	4
13	1274170GT	NUT, NYLOCK, 10-24, A, ZAG	4
14	1283577GT	DECAL, LIFT^POWER, 1X7 INCH	1
15	82237GT	DECAL,DANGER,HIGH VOLTAGE	1
16	74006GT	COVER,GFCI,HORIZONTAL,WEATHER	1
17	80543GT	RECEPTACLE, 120VAC, 20A, GFCI	1
18	63375GT	SCREW,FHPM,6-32 X .75,ZAG	2
19	12344GT	NUT,NYLOCK,6-32	2
20	1276672GT	BOOT, ENVIRO, 3PH CIRCUIT BREAKER	1
21	1276986GT	CIRCUIT BREAKER,MAGTRIP,3PH,40A	1
22	106495GT	PLUG,1/2" HUBBLE	1
23	94982GT	STANDOFF, 3/8" BLACK	1
24	1257227GT	SCREW,PHPM,10-32X.625,ZAG	2
25	1283005GT	NUT,NYLOCK FLG,10-32,A,ZAG	2
26	106073GT	CIRCUIT BREAKER,20A,SINGLE PH	1
27	824617GT	CIRCUIT BREAKER,GFCI,3PH,63A,30mA TRIP	1
28	825737GT	DIN RAIL,4.60"	1

Go to Discount-Equipment.com to order your parts



807.2 Welder Option, Chassis Components - 13KW Generator



Go to Discount-Equipment.com to order your parts



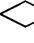
807.2 Welder Option, Chassis Components - 13KW Generator

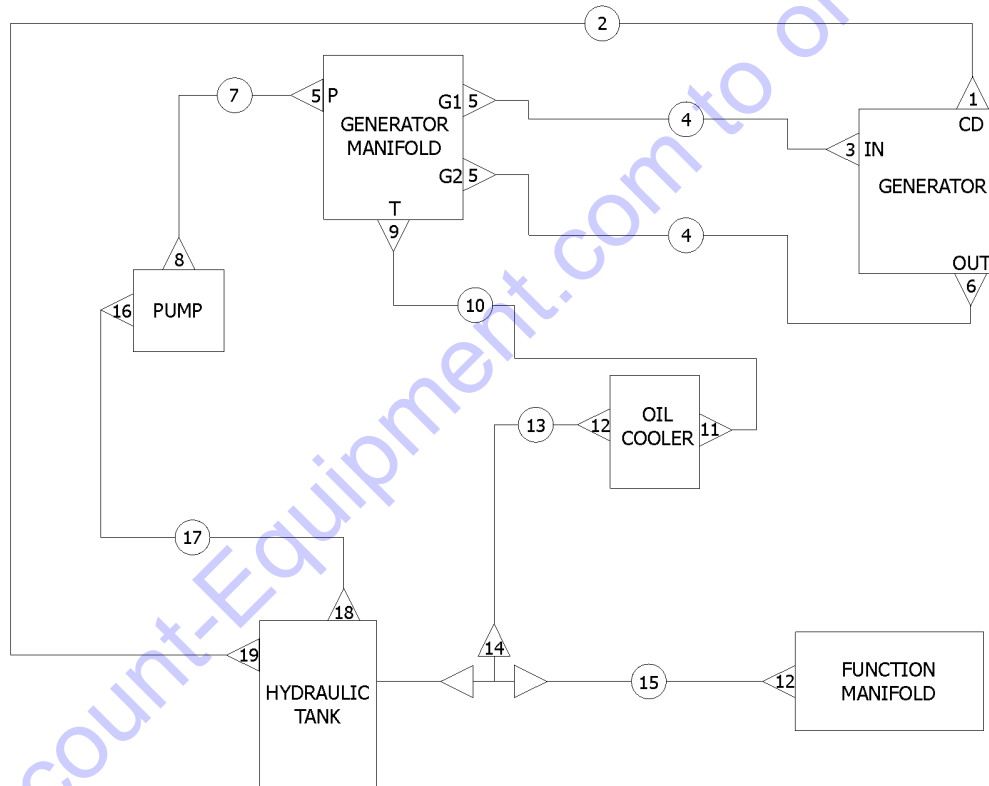
Item	Part No.	Description	Qty.
29	54365GT	SCREW,PHIL,PHM,10-32 X .5,SSTL	2
30	6178GT	NUT, NYLOCK, 10-32, SS	2
31	824059GT	SCREW, HHC, 1/4-20 X .75, 8, ZAG	4
32	824113GT	WASHER,FLAT,USS,1/4,ZAG	4
33	1277924GT	NUT,NYLOCK FLG,1/4-20,F,ZAG	4
34	1283841GT	FORMING, MOUNT, JBOX 12X10	1
35	824086GT	SCREW, HHF, 5/16-18 X 1, 8, ZAG	2
36	1274167GT	NUT,NYLOCK FLG,5/16-18,F,ZAG	2
37	824090GT	SCREW,HHF,3/8-16X1,8,ZAG	2
38	29868GT	SPRING CLIP,3/8-16,.05-.20X.73,ZAG	2
39	1268186GT	BRACKET, GENERATOR 12 KW	1
40	1255538GT	SCREW,HHC,M8-1.25X30,DIN933,10.9,ZAB	1
41	1283014GT	NUT,NYLOCK FLG,M8-1.25,DIN6926,10,ZAB	1

Go to Discount-Equipment.com to order your parts



808.1 Welder Option, Hoses and Fittings - View 2

LEGEND	
	ADAPTER
	HOSE ASSEMBLY
	UNION



Go to Discount-Equipment.com to order your parts

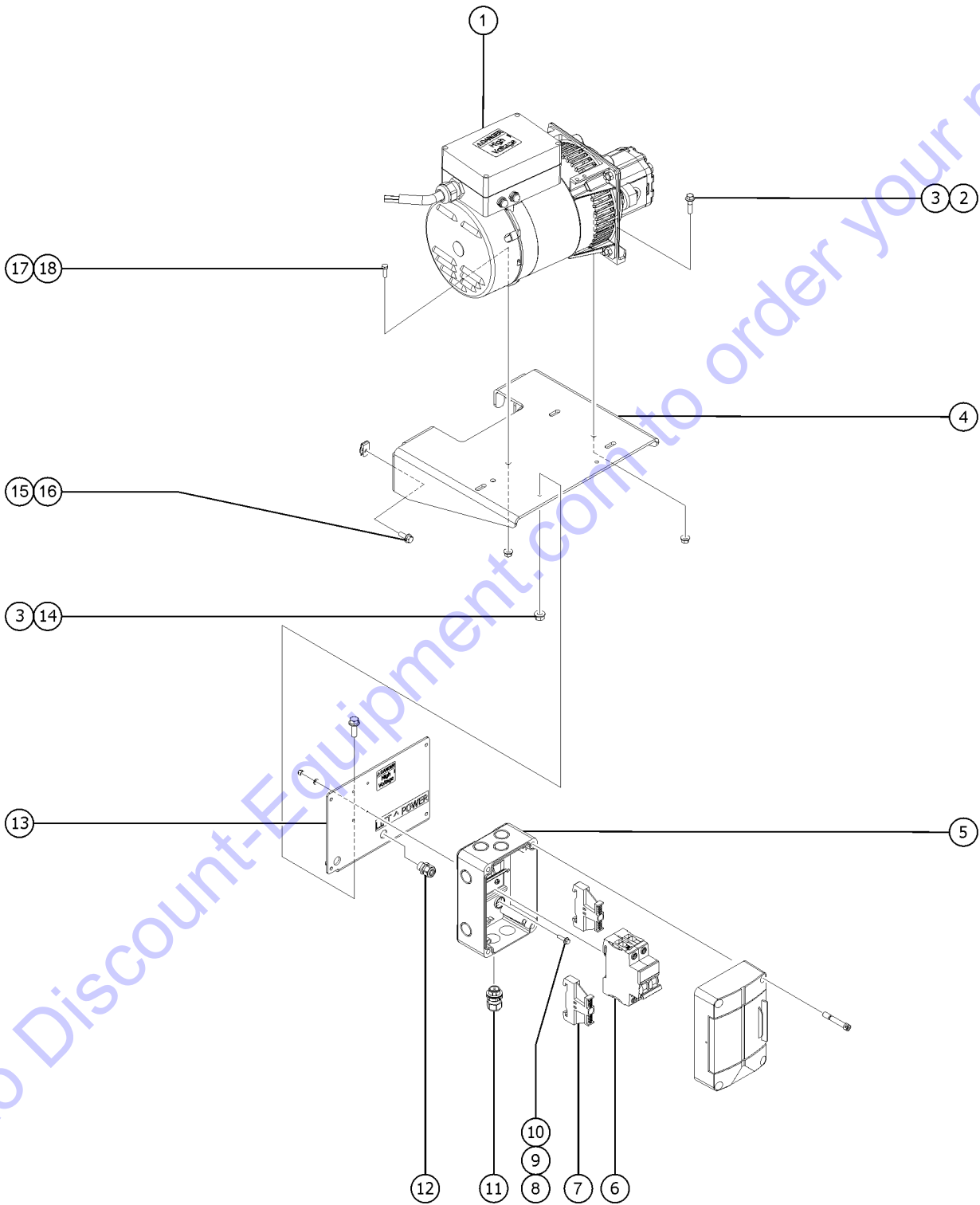
808.1 Welder Option, Hoses and Fittings - View 2

Item	Part No.	Description	Qty.
1	48915GT	ELBOW,90D,520220-6	1
2	49128-4029GT	HOSE ASSY,3/8,90 FEM,STR FEM	1
3	48975GT	CONN,520120-12-10	1
4	89871-2898GT	HOSE ASSY,3/4,STR FEM,STR FEM	2
5	48963GT	FITTING,ELBOW,45D,520320-12	3
6	48974GT	ELBOW,90D,520220-12-10	1
7	94374-9730GT	HOSE ASSY,3/4,90 FEM,STR FEM	1
8	48960GT	FITTING,CONN,520120-12***	1
9	48992GT	ELBOW,45D,520320-16-12	1
10	88942-6654GT	ASSY, HOSE, HYD, -16, 250, STR, 90	1
11	48985GT	ELBOW,45D,520320-16	1
12	48983GT	ELBOW,90D,520220-16	2
13	88949-4328GT	ASSY, HOSE, HYD, -16, 250, STR, STR	1
14	1283576GT	TEE, BRANCH, -16M-16F-16M, ORFS	1
15	88942-6754GT	HOSE ASSY,1,90 FEM,STR FEM	1
16	88936GT	CONN,520120-20-16	1
17	88943-9136GT	HOSE ASSY,1.25 INCH,90 FEM,STR FEM	1
18	61083GT	CONN,520120-24	1
19	48929GT	FITTING,ELBOW,90D,520220-6-8	

Go to Discount-Equipment.com to order your parts



809.1 3K Hydraulic Generator Option



Go to Discount-Equipment.com to order your parts


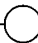
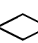
809.1 3K Hydraulic Generator Option

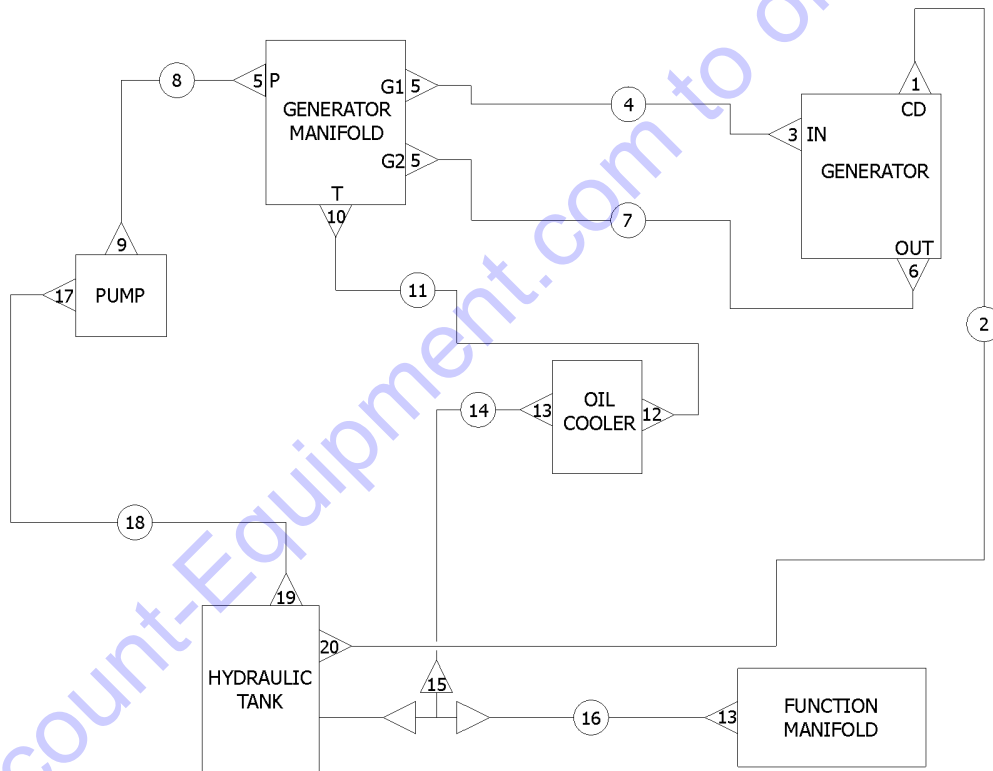
Item	Part No.	Description	Qty.
1	1279869GT	GEN, 3.0 kW, 50Hz, DUAL VOLTAGE	1
1-	824220GT	SCREW,PHPM SEMS ET,10-24X.5,ZA	
2	824087GT	SCREW, HHF, 5/16-18 X 1.25, 8, ZAG	2
3	1274167GT	NUT,NYLOCK FLG,5/16-18,F,ZAG	4
4	1268186GT	BRACKET, GENERATOR 12 KW	1
5	1269086GT	ENCLOSURE, FUSE, MODULAR, 100x150x96, IP65	1
5-	74913GT	END STOP, DIN RAIL,SCREW CLAMP	2
6	231868GT	RCBO,16A,30MA,6KA 110/230VAC	1
7	74913GT	END STOP, DIN RAIL,SCREW CLAMP	2
8	218458GT	SCREW,HHF,M5-0.8X20,DIN6921,10.9,ZAB	4
9	826215GT	WASHER,FLAT,M5,DIN125,ZAB	4
10	1283020GT	NUT,NYLOCK,M5-0.8,DIN985,10,ZAB	4
11	1287081GT	CORD GRIP, CLICK 20, BLACK, 0.276-0.512	2
12	7057GT	CONN. SQZ,1/2NPT .39-.56 MED.	2
13	1283841GT	FORMING, MOUNT, JBOX 12X10	1
14	824086GT	SCREW, HHF, 5/16-18 X 1, 8, ZAG	2
15	824090GT	SCREW,HHF,3/8-16X1,8,ZAG	4
16	29868GT	SPRING CLIP,3/8-16,.05-.20X.73,ZAG	4
17	1255538GT	SCREW,HHC,M8-1.25X30,DIN933,10.9,ZAB	1
18	1283014GT	NUT,NYLOCK FLG,M8-1.25,DIN6926,10,ZAB	1

Go to Discount-Equipment.com to order your parts



810.1 3K Hydraulic Generator Option - Hoses and Fittings

LEGEND	
	ADAPTER
	HOSE ASSEMBLY
	UNION



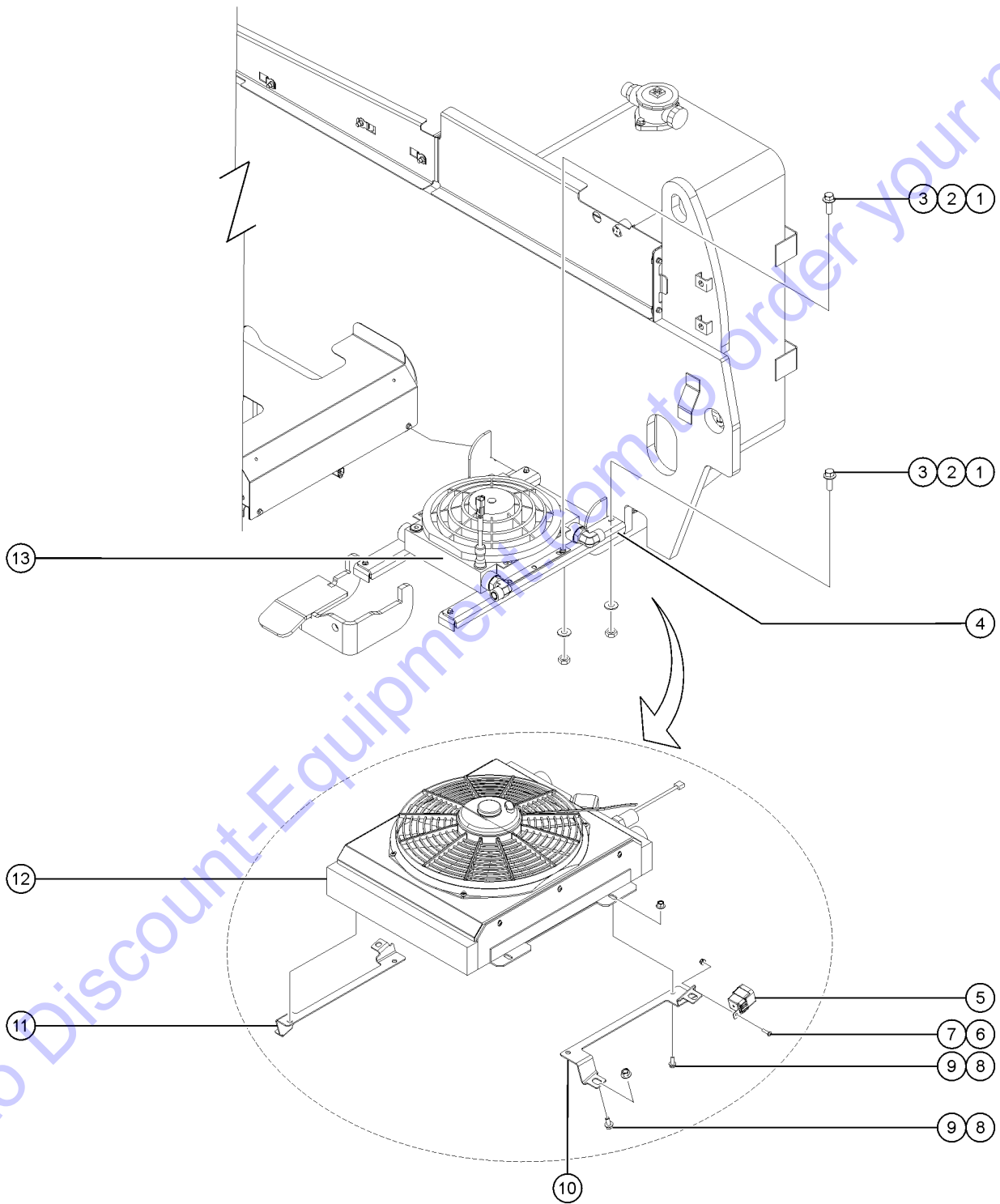
810.1 3K Hydraulic Generator Option - Hoses and Fittings

Item	Part No.	Description	Qty.
1	48915GT	ELBOW,90D,520220-6	1
2	49128-4029GT	HOSE ASSY,3/8,90 FEM,STR FEM	1
3	48946GT	CONN,520120-8-10	1
4	54085-2918GT	HOSE ASSY,1/2,90 FEM,STR FEM	1
5	48963GT	FITTING,ELBOW,45D,520320-12	3
6	54283GT	ELBOW,90D,520220-8-10	1
7	102355-3163GT	ASSY, HOSE, HYD, -8, 3000, STR, 45	1
8	94374-9730GT	HOSE ASSY,3/4,90 FEM,STR FEM	1
9	48960GT	FITTING,CONN,520120-12***	1
10	49519GT	CONN,520120-16-12	1
11	88942-6654GT	ASSY, HOSE, HYD, -16, 250, STR, 90	1
12	48985GT	ELBOW,45D,520320-16	1
13	48983GT	ELBOW,90D,520220-16	2
14	88949-4328GT	ASSY, HOSE, HYD, -16, 250, STR, STR	1
15	1283576GT	TEE, BRANCH, -16M-16F-16M, ORFS	1
16	88942-6754GT	HOSE ASSY,1,90 FEM,STR FEM	1
17	88936GT	CONN,520120-20-16	1
18	88943-9136GT	HOSE ASSY,1.25 INCH,90 FEM,STR FEM	1
19	61083GT	CONN,520120-24	1
20	48984GT	CONN,520120-16	1

Go to DiscountEquipment.com to order your parts



811.1 Oil Cooler Components



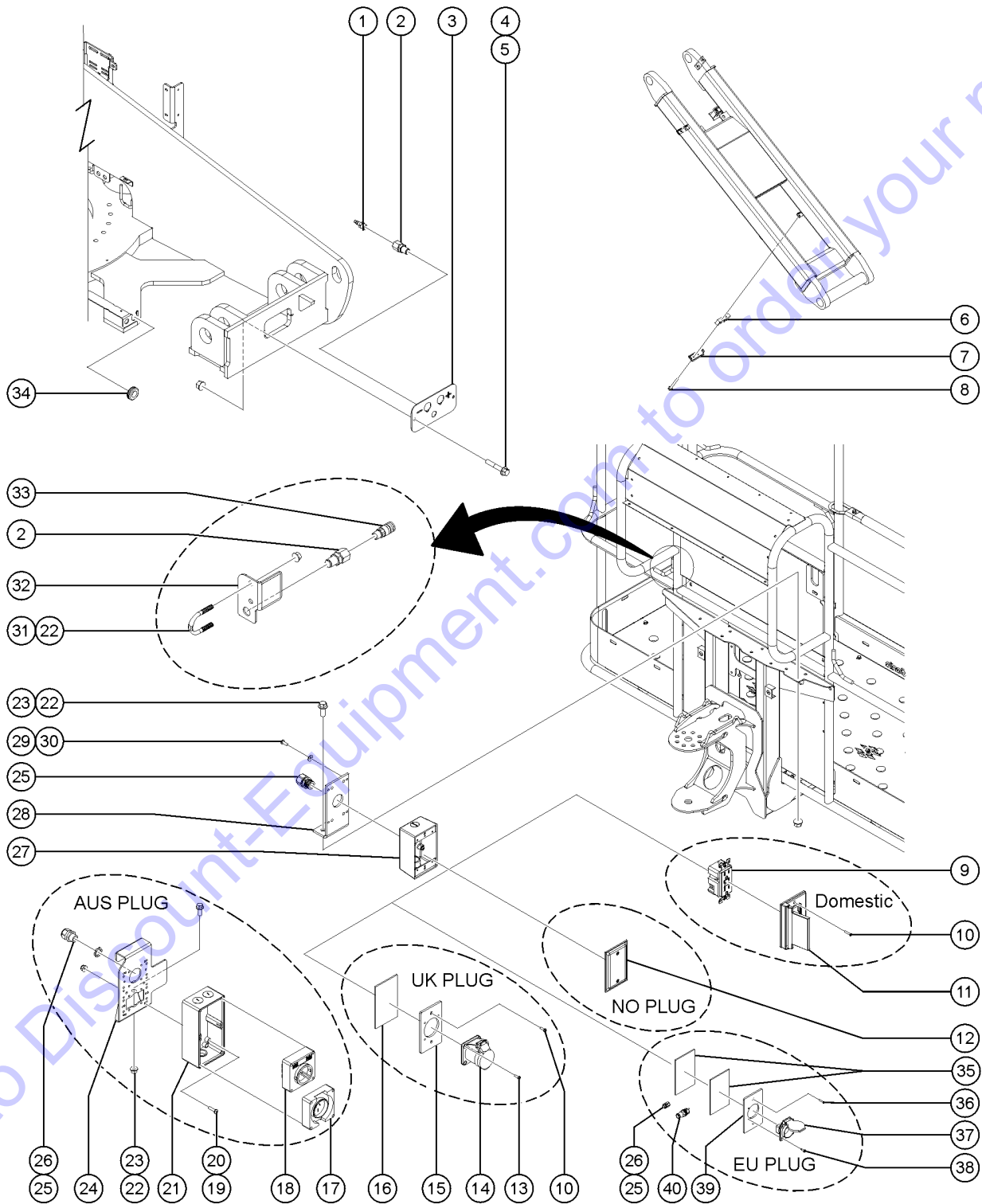
811.1 Oil Cooler Components

Item	Part No.	Description	Qty.
1	824078GT	SCREW,HHF,1/4-20X.75,8,ZAG	8
2	824113GT	WASHER,FLAT,USS,1/4,ZAG	8
3	1274165GT	NUT,NYLOCK,1/4-20,C,ZAG	8
4	121389GT	FORMING,OIL COOLER SUPPORT	2
5	1254360GT	HARNESS, OIL COOLER, LIFT POWER (relay included)	1
5-	60521GT	RELAY,SEALED 30/40 AMP	
6	824215GT	SCREW, PHPM, 10-32 X .75, ZAG	1
7	1283005GT	NUT,NYLOCK FLG,10-32,A,ZAG	1
8	824090GT	SCREW,HHF,3/8-16X1,8,ZAG	8
9	1274322GT	NUT,NYLOCK FLG,3/8-16,F,ZAG	8
10	1285868GT	FORMING, OIL COOLER SUPPORT, LH	1
11	1285869GT	FORMING, OIL COOLER SUPPORT, RH	1
12	1284196GT	OIL COOLER, W/FAN, 12VDC, 22.5 X 18.5, RCP (models with Welder / 3K Generator option) (measures 17 inches x 21 inches)	1
12-	48985GT	ELBOW,45D,520320-16	2
12-	1284240GT	ASSEMBLY, SHROUD, RCP COOLER	
12-	1284241GT	COOLER CORE, RCP, 22.5x18.5	
12-	1284242GT	ASSEMBLY, FAN, COOLER, RCP	
12-	1284243GT	TEMP SWITCH, 145F, 3/8 NPT	
13	71259GT	OIL COOLER W/FAN, 12VDC (standard) (models without generator option) (measures 13 inches x 13 inches)	1
13-	75854GT	FAN - VENTED	
13-	75855GT	THERMOSTAT -OIL COOLER (71259)	
13-	48992GT	ELBOW,45D,520320-16-12	
13-	49519GT	CONN,520120-16-12	

Go to DiscountEquipment.com to order your parts



812.1 Air Line/Power to Platform

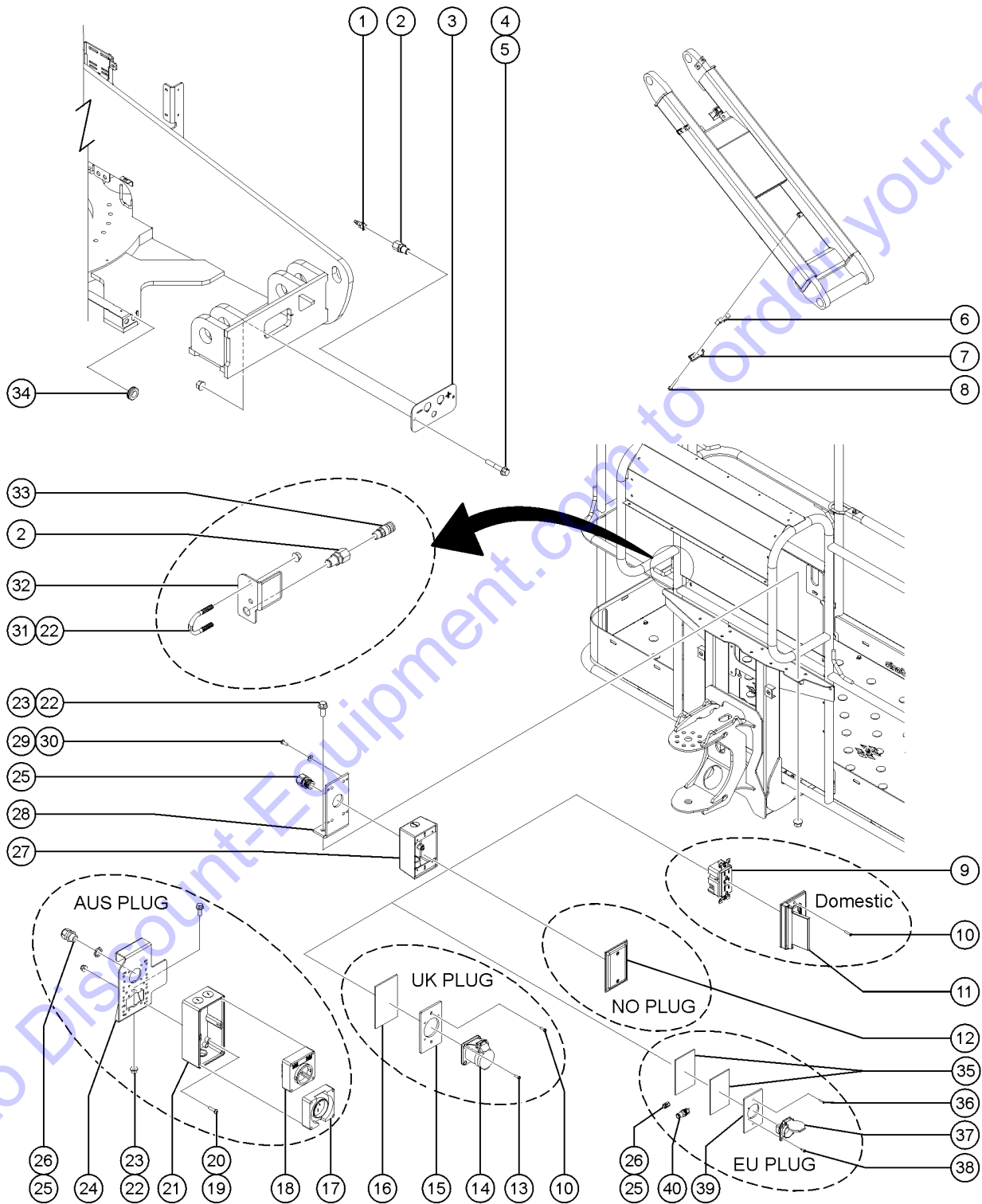


812.1 Air Line/Power to Platform

Item	Part No.	Description	Qty.
A	T109692GT	AIRLINE ASSY, S85	13
B	144161GT	PLUG,POWER,UK,16AMP,3PIN UK Plug	1
C	1269052GT	SHRINK TUBE, CAP, BLACK, 0.86" No Plug	1
D	7057GT	CONN. SQZ,1/2NPT .39-.56 MED.	
E	119403GT	CONN,PLUG 120 AC/15A DOMESTIC Domestic	1
F	6935GT	LOCKNUT,CONN, SQZ, 1/2NPT	
G	28174GT	DECAL, POWER TO PLATFORM 230V** EU Plug	2
1	49214GT	MALE PIPE THD,1/4" SER,3/8"X18	1
2	49212GT	FEMALE BULKHEAD CONNECTOR-8	2
3	121595GT	PLATE,WELD OPTION	1
4	824081GT	SCREW,HHF,1/4-20X1.5,8,ZAG	2
5	824027GT	NUT, TL FLG, 1/4-20, G, ZAG	2
6	121085GT	CLAMP,ELEC,SHORT LINK	2
7		Ref. CLAMP, TOP,SHORT LINK (refer to 506.1)	
8	1256123GT	SCREW,HHC,1/4-20X3.25,8,ZAG	4
9	13585GT	OUTLET 110V	1
10	1253489GT	SCREW,FHPM,6-32 X .75,ZAG	2
11	74006GT	COVER,GFCI,HORIZONTAL,WEATHER	1
12	10777GT	COVER, BLANK	1
13	1255788GT	SCREW,FHPM,8-32X.375,ZAG	4
14	T112560GT	RECEPTACLE,UK,110 VOLT	1
15	T112561GT	PLATE,UK POWER TO PLATFORM	1
16	74052GT	MAGNET, 1/4-20, 15 LB.	1
17	1284975GT	SOCKET OUTLET 1P+N+E 250V 15A (AUS Plug Only)	1
18	1284974GT	SWITCH, 7KW, AUS (AUS Plug Only)	1
19	824215GT	SCREW, PHPM, 10-32 X .75, ZAG (AUS Plug Only)	4
20	1283005GT	NUT,NYLOCK FLG,10-32,A,ZAG (AUS Plug Only)	4
21	1284973GT	T-BOX, AUS, 2 GANG (AUS Plug Only)	1



812.1 Air Line/Power to Platform



Go to Discount-Equipment.com to order your parts

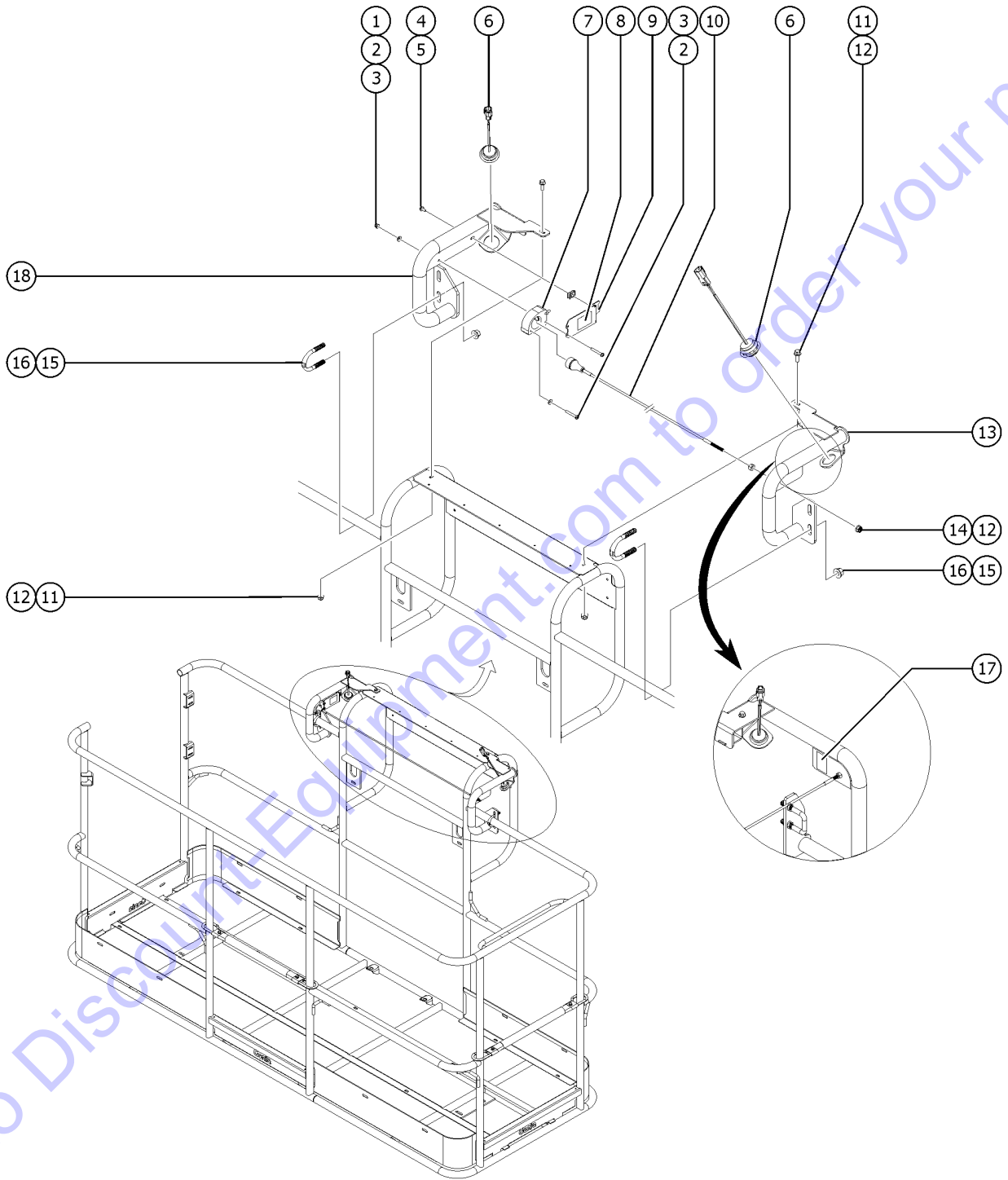
812.1 Air Line/Power to Platform

Item	Part No.	Description	Qty.
21-	1284977GT	HARNESS, JUMPER TBOX. AUS (AUS Plug Only)	1
22	1274322GT	NUT,NYLOCK FLG,3/8-16,F,ZAG	4
23	824090GT	SCREW,HHF,3/8-16X1,8,ZAG	2
24	826624GT	FORMING,POWER TO PLAT (AUS Plug Only)	1
25	7057GT	CONN. SQZ,1/2NPT .39-.56 MED.	2
26	6935GT	LOCKNUT,CONN, SQZ, 1/2NPT (AUS Plug,EU Plug)	2
27	75069GT	T-BOX 2.75 X 4.5 X 2.5	1
27-	1284310GT	NUT,NYLOCK,10-32,A,ZAG	
27B	1310379GT	T-BOX 2.75 X 4.5 X 2.5 (EU Plug)	1
27B-	13597GT	GRIP, CABLE (EU Plug)	1
27B-	45845GT	TERMINAL, RING, #10 YELLOW (EU Plug)	1
27B-	55089GT	WIRE, 14GA, GREEN/YELLOW, THHN*** (EU Plug)	1
28	81096GT	BRACKET,POWER TO PLAT, DOM	1
28B	1311043GT	NUT,NYLOCK,6-32 (EU Plug)	1
29	1257296GT	SCREW,PHPM-ST,8-32X.50,TYPE F,ZAG	4
30	1257390GT	WASHER,FLAT,#8,SAE,ZAG	4
31	1251600GT	U-BOLT, FLATTENED, 1.5DIA. X 3/8 UNC,ZAG	1
32	1275087GT	FORMING, AIR TO PLAT	1
33	49215GT	MPT,CPLR,1/4"SER,3/8"X18	1
34	1279531GT	GROMMET, SBR, 0.88 X 0.50 X 1.63 IN	1
35	74052GT	MAGNET, 1/4-20, 15 LB.	2
36	1253489GT	SCREW,FHPM,6-32 X .75,ZAG	2
37	66353GT	RECEPTACLE, DIN, 220V 50A	1
38	57075GT	SCREW, PHIL, 8-32 X .50, SELF TAP	4
39	236966GT	PLATE,EURO POWER TO PLATFORM	1
40	1280665GT	PLUG, TYPE F, 230V, 50HZ, 16A, IP44	1

Go to Discount-Equipment.com to order your parts



813.1 Lift Guard Contact Alarm Option



Go to DiscountEquipment.com to order your parts

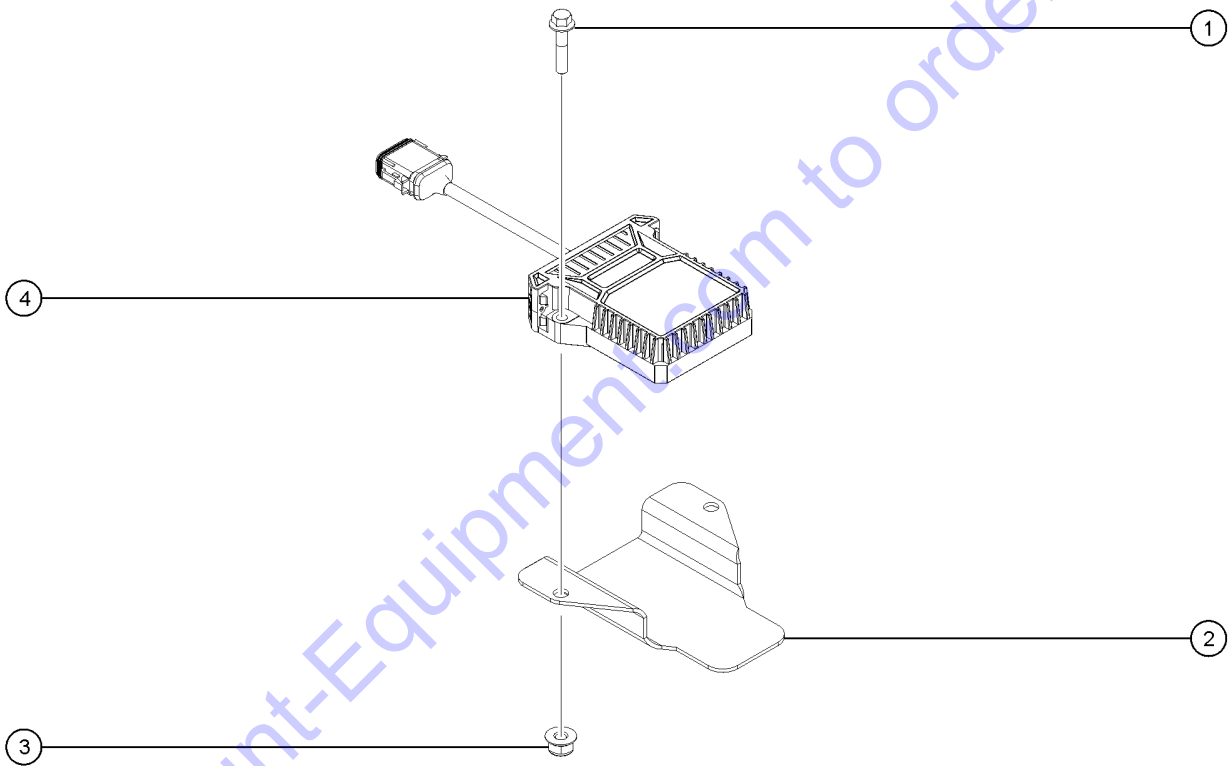
813.1 Lift Guard Contact Alarm Option

Item	Part No.	Description	Qty.
1	1307739GT	Nut,#10-24 Nickel Plated Acorn	3
2	1253185GT	WASHER,FLAT,#10,USS,ZAG	5
3	1280278GT	SCREW,PHPM,10-24X1.375,ZAG	3
4	1264934GT	SCREW,HHF,10-24X.5	1
5	73575GT	SPRING CLIP,10-24,.025-.125X.468,ZAG	1
6	1308384GT	ASSY, LIGHTS, 12/24 V CONTACT ALARM, AMBER	1
7	1307644GT	ASSY, SENSOR W/ HOUSING	1
8	1278542GT	DECAL, INSTRUCTION, CONTACT ALARM	1
9	1277873GT	FORMING, SENSOR HOLDER	1
10	1306900GT	CONTACT ALARM WIRE ASSY, LARGE	1
11	824078GT	SCREW,HHF,1/4-20X.75,8,ZAG	2
12	1277924GT	NUT,NYLOCK FLG,1/4-20,F,ZAG	3
13	1310066GT	WELDMENT, RIGHT CONTACT ALARM, LARGE	1
14	1261184GT	NUT,1/4-20,8,ZAG	1
15	1274322GT	NUT,NYLOCK FLG,3/8-16,F,ZAG	4
16	1251600GT	U-BOLT, FLATTENED, 1.5DIA. X 3/8 UNC,ZAG	2
17	1278982GT	DECAL, INSTRUCTION, ACTUATOR SWITCH SOCKET	1
18	1310064GT	WELDMENT, LEFT CONTACT ALARM, LARGE	1

Go to Discount-Equipment.com to order your parts



814.1 China Telematics Option, TZ200



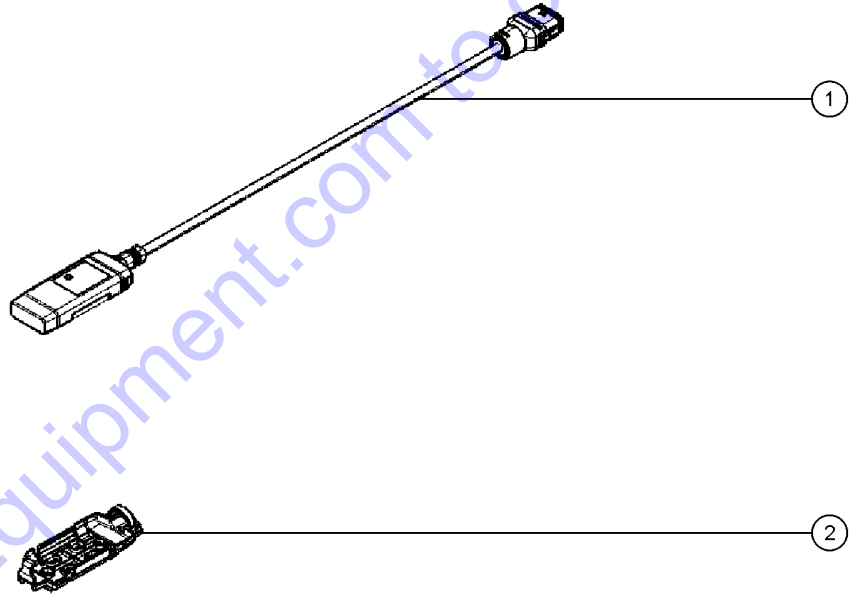
Go to Discount-Equipment.com to order your parts

814.1 China Telematics Option, TZ200

<i>Item</i>	<i>Part No.</i>	<i>Description</i>	<i>Qty.</i>
1	824080GT	SCREW, HHF, 1/4-20 X 1.25, 8, ZAG	2
2	1305594GT	BRACKET, CHINA TELEMATICS,S85XC	1
3	1277924GT	NUT,NYLOCK FLG,1/4-20,F,ZAG	2
4	1313614GT	MODULE, TELEMATICS, TIZALINK, CHINA	1

Go to Discount-Equipment.com to order your parts





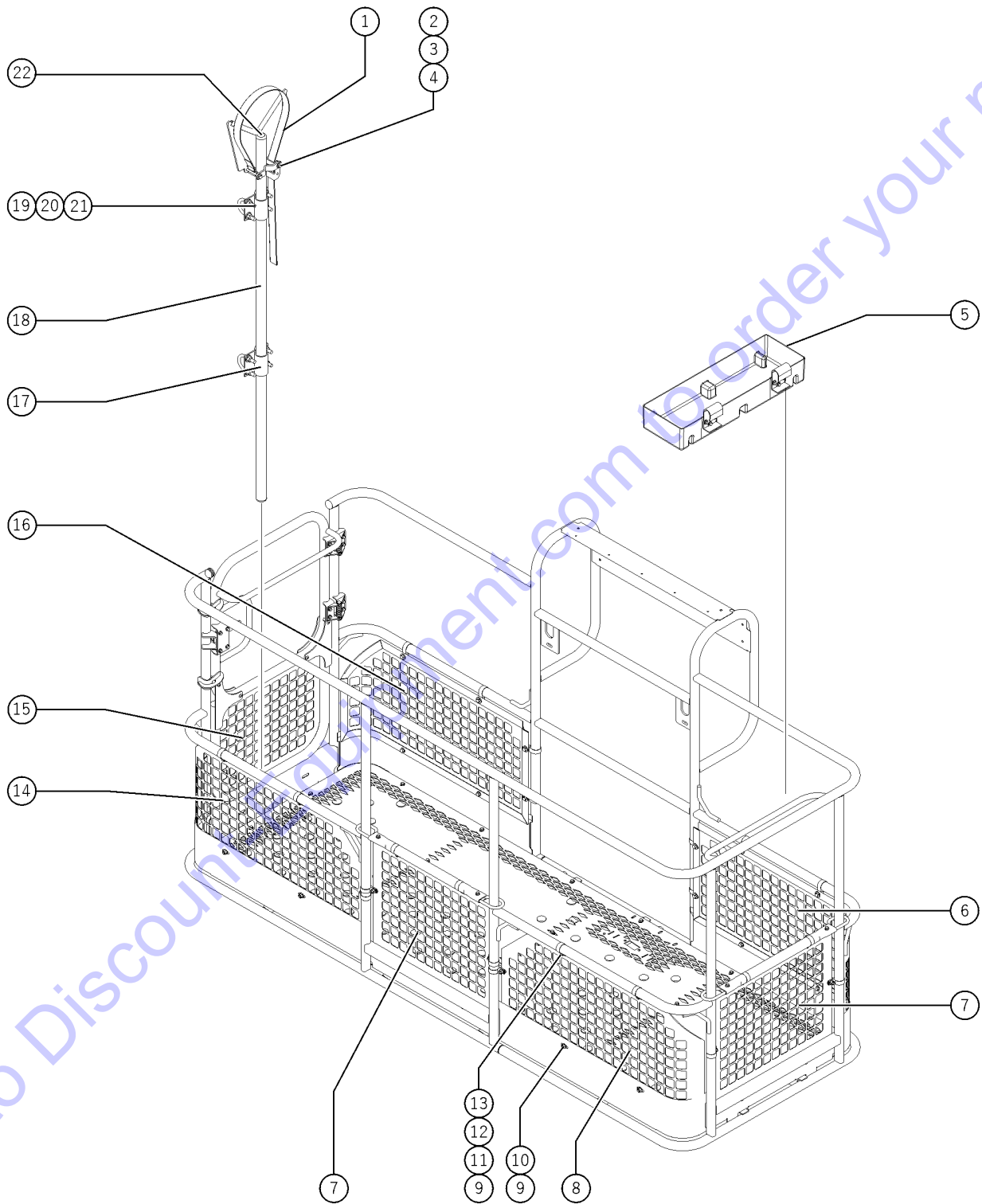
Go to Discount-Equipment.com to order your parts

<i>Item</i>	<i>Part No.</i>	<i>Description</i>	<i>Qty.</i>
1	1332235GT	MODULE, TELEMATICS, TU700	1
2	1333319GT	BRACKET, TELEMATICS	1

Go to Discount-Equipment.com to order your parts



815.1 Platform Installation, China Option



Go to DiscountPart.com to order your parts

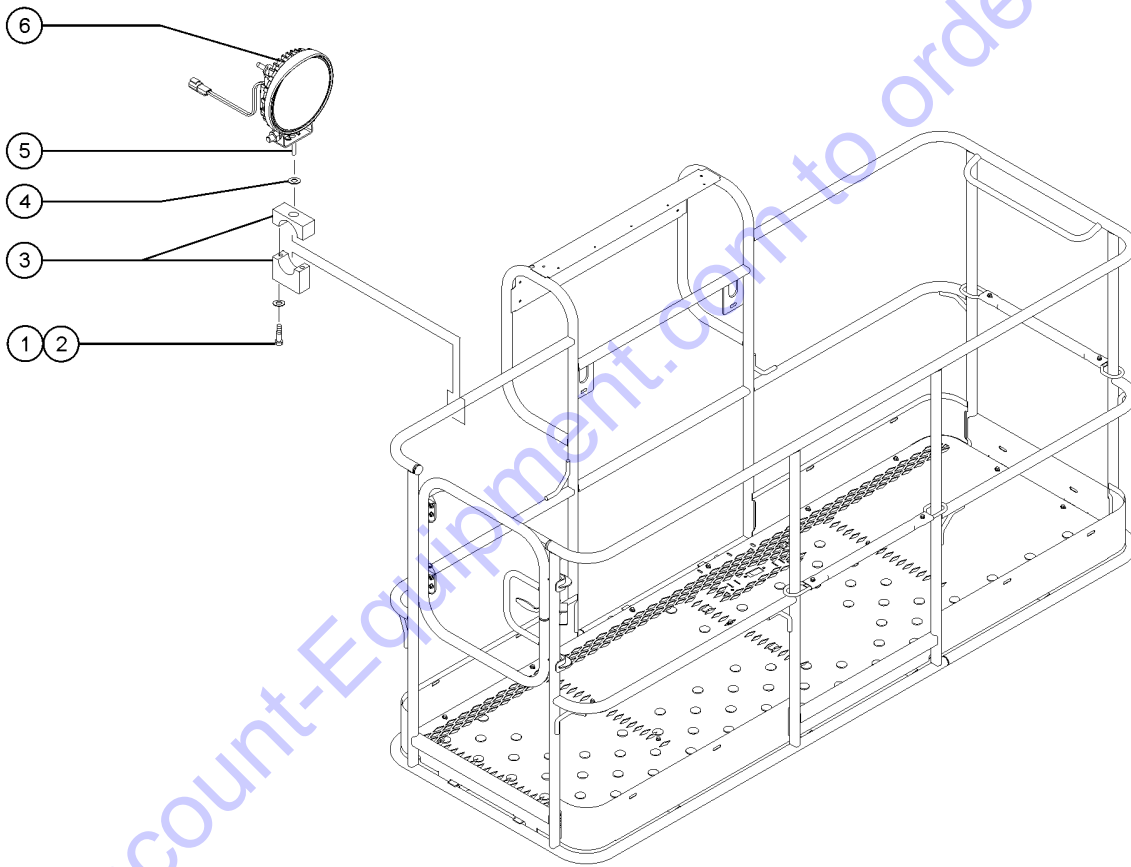
815.1 Platform Installation, China Option

Item	Part No.	Description	Qty.
1	56570GT	STRAP, CONDUIT HOLDER 60****	1
1-	65630GT	INSTRUCTIONS-PIPE CRADLE,BOOMS	
2	824083GT	SCREW, HHF, 1/4-20 X 2.5, 8, ZAG	
3		the hose lengths below reflect the length of the hose only. Refer to the 'Fittings Cross Reference' to match Genie part numbers to Parker/Ryco part numbers.	
4	1277924GT	NUT,NYLOCK FLG,1/4-20,F,ZAG	
5	9599-SGT	TOOL TRAY ACCESSORY***	1
5-	7746GT	BRACKET-TOOL TRAY MOUNTING	
6	1271019GT	PANEL, HALF MESH (8 foot Platform)	1
7	1271061GT	PANEL, HALF MESH (8 foot Platform)	1
8	1271018GT	PANEL, HALF MESH (8 foot Platform)	1
8B	1270313GT	MESH, 6' HALF,RIGHT SIDE (6 foot Platform)	
9	824027GT	NUT, TL FLG, 1/4-20, G, ZAG	
10	824085GT	SCREW, HHF, 5/16-18 X .75, 8, ZAG	
11	56424GT	CLAMP,1.25X.5 RUBBER-CUSHION	
12	824113GT	WASHER,FLAT,USS,1/4,ZAG	
13	824060GT	SCREW, HHC, 1/4-20 X 1, 8, ZAG	
14	1271040GT	PANEL, HALF MESH (8 foot Platform)	1
14B	1270316GT	PANEL, HALF MESH (6 foot Platform)	1
15	1285700GT	WELDMENT, GATE, HALF MESH (used on 6' and 8' side entry platforms) (Swing Gate Weldment, refer to 602.1)	
16	1270994GT	PANEL, HALF MESH (8 foot Platform)	1
16B	1270314GT	PANEL, HALF MESH (6 foot Platform)	1
17	81368GT	WELDMENT,PIPE CRADLE MOUNT	1
18	56525GT	WELDMENT, PIPE CRADLE	1
19	1251600GT	U-BOLT, FLATTENED, 1.5DIA. X 3/8 UNC,ZAG	8
20	1274322GT	NUT,NYLOCK FLG,3/8-16,F,ZAG	16
21	5397GT	WASHER,FLAT,5/16,USS,ZAG	
22	55753GT	BUMPER, PLASTIC, 1.25 O.D.	4

Go to Discworld.com to order your parts



816.1 Work Light Package



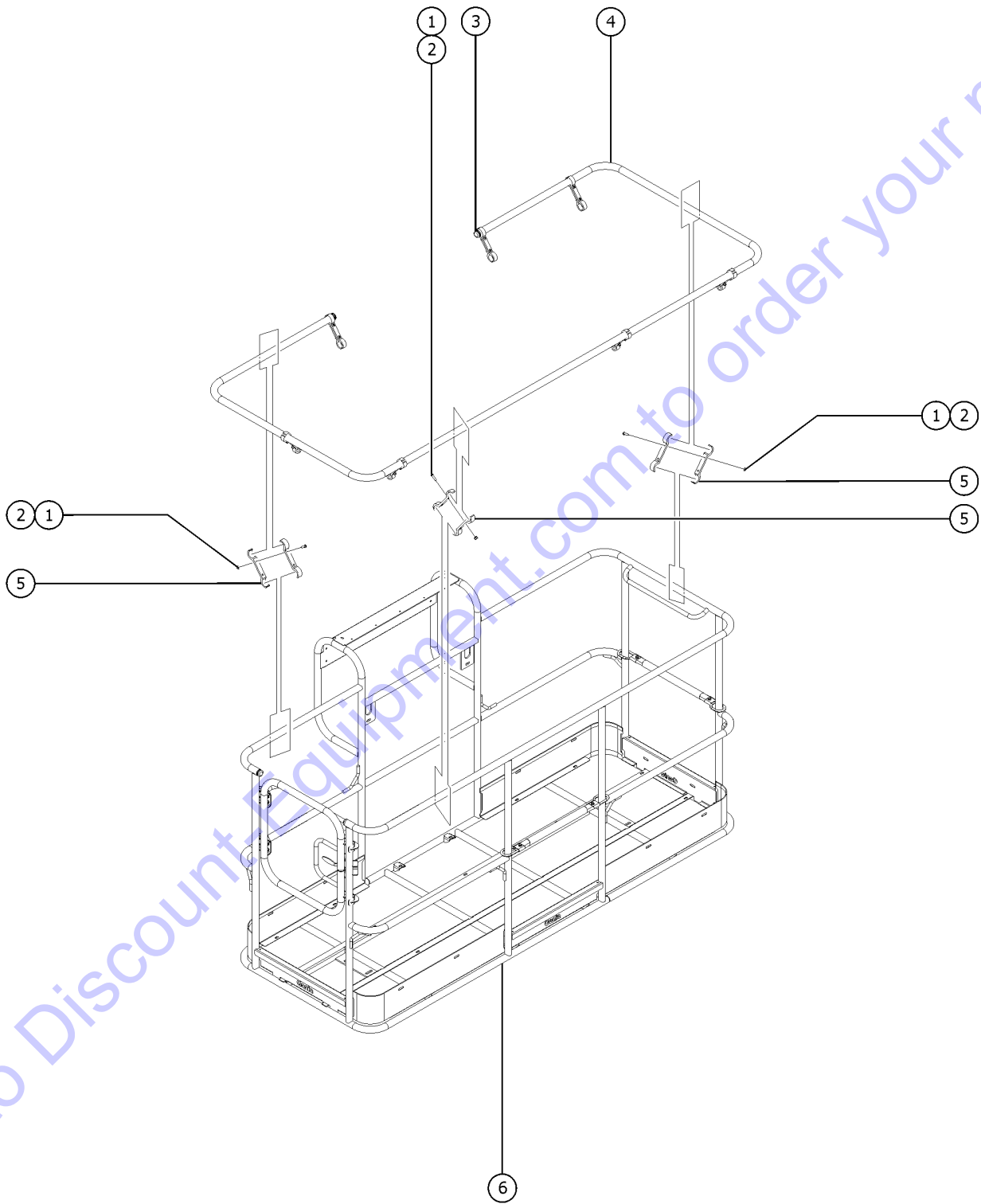
816.1 Work Light Package

Item	Part No.	Description	Qty.
1	6145GT	SCREW, HHC, 1/4-20 X 1.5	
2	6356GT	WASHER, LOCK, .25	
3	35956GT	WORK LIGHT MOUNTING BRACKET	2
4	6036GT	WASHER, LOCK, .625 PLTD	
5	824085GT	SCREW, HHF, 5/16-18 X .75, 8, ZAG	
6	1305837GT	ASSY, WORK LIGHT, LED 12V, 45W	2

Go to Discount-Equipment.com to order your parts



817.1 Platform Accessories



817.1 Platform Accessories

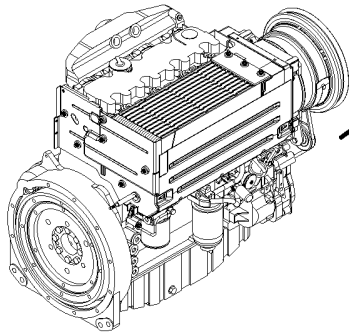
Item	Part No.	Description	Qty.
1	824227GT	SCREW, BHC, 1/4-20 X 1, ZAG	20
2	824027GT	NUT, TL FLG, 1/4-20, G, ZAG	20
3	55753GT	BUMPER, PLASTIC, 1.25 O.D.	2
4	53805GT	TUBE,RD,STL,BENT,240" LONG***	1
5	122073GT	SUPPORT, RAILING	20
6		Ref. PLATFORM	1
		(refer to 602.1)	

Go to Discount-Equipment.com to order your parts

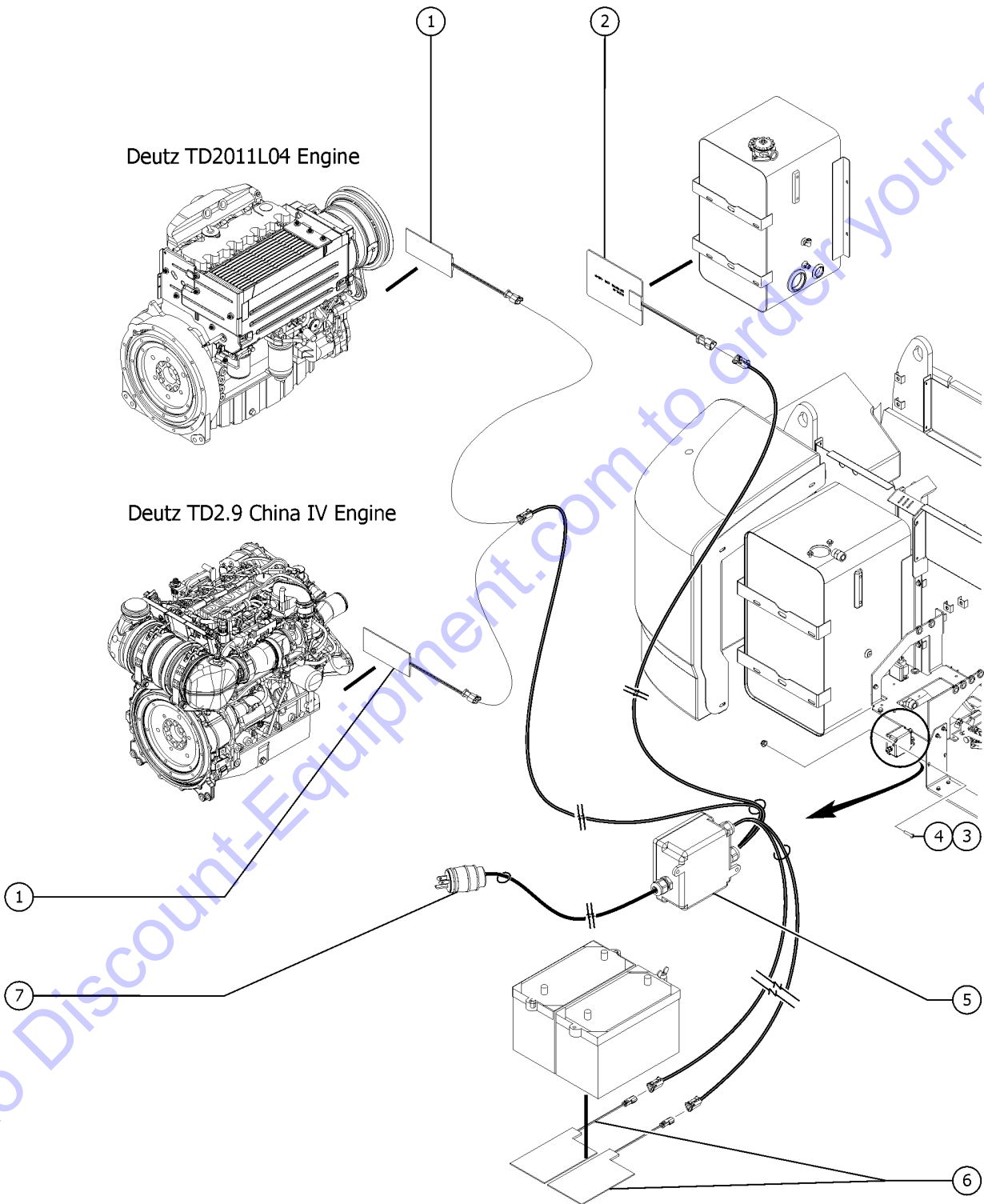
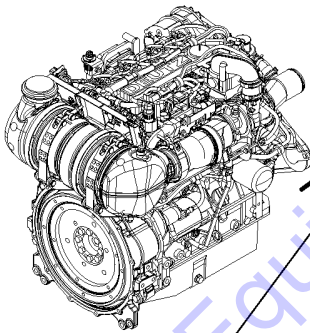


818.1 Cold Start Package

Deutz TD2011L04 Engine



Deutz TD2.9 China IV Engine



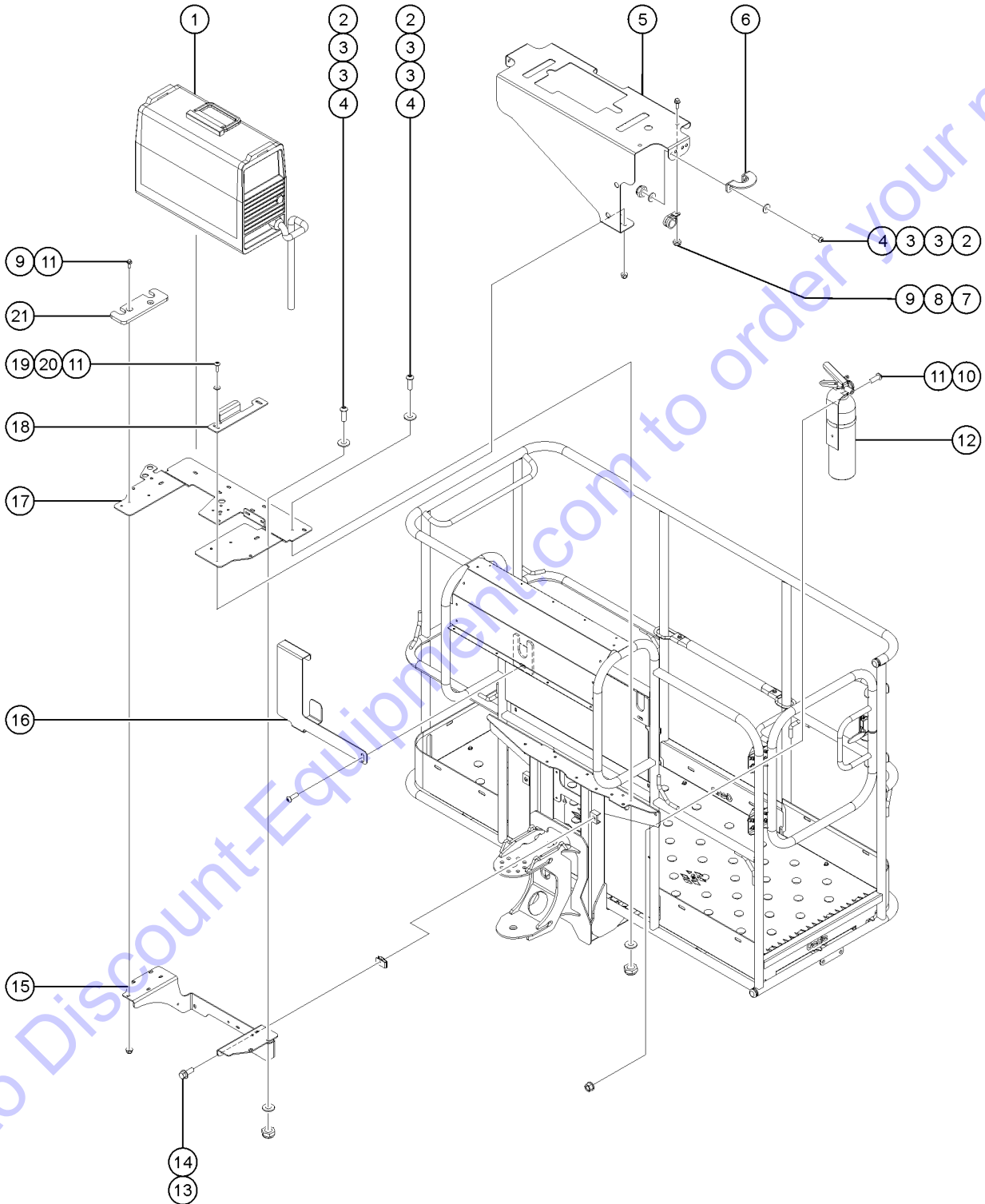
818.1 Cold Start Package

Item	Part No.	Description	Qty.
1	216662GT	HARNES,ENG/HYD HEATER,120V (120V)	1
1B	1259708GT	ASSY,ENGINE HEATER,240V (240V)	1
2	216612GT	ASSY,120V HEATER, HYD TANK (120V)	1
2B	216611GT	ASSY,240V HEATER, HYD TANK (240V)	1
3	826516GT	SCREW, PHPM, 10-32 X 1.0, ZAG	2
4	1283005GT	NUT,NYLOCK FLG,10-32,A,ZAG	2
5	214249GT	COLD WEATHER 120V J BOX ASSY (120V)	1
5B	237711GT	COLD WEATHER 240V J BOX ASSY (240V)	1
6	216617GT	ASSY, BATTERY HEATER, 120V (120V)	2
6B	216618GT	ASSY BATTERY HEATER,240V (240V)	2
7	216645GT	HARNES, 120V POWER CORD, 12" (120V) includes items 6	1
7B	1332867GT	HARNES, 240V POWER CORD, 12" (240V) includes items 6	1

Go to Discount-Equipment.com to order your parts



819.1 Welder Option, Platform Components



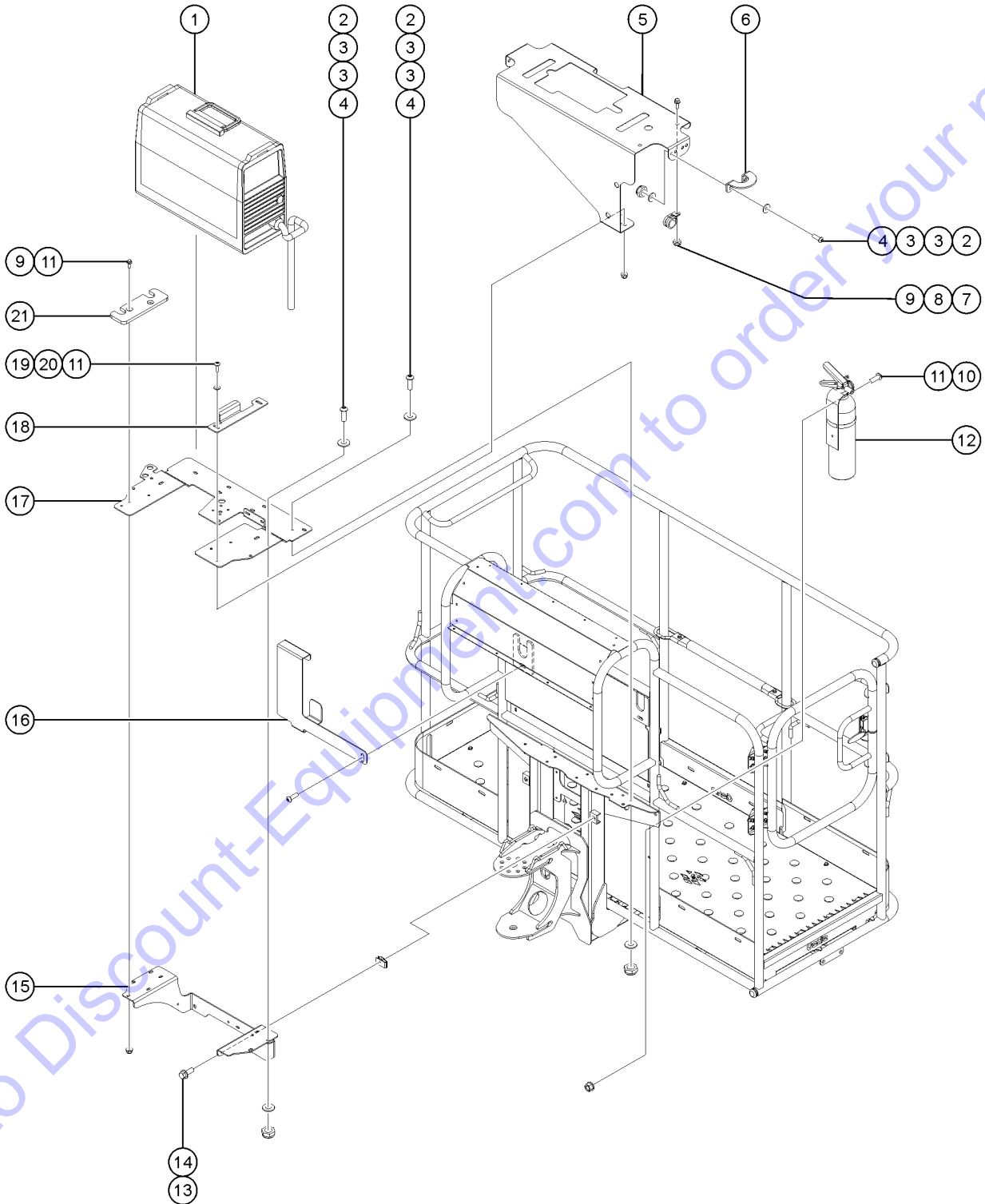
Go to Discount-Equipment.com to order your parts

819.1 Welder Option, Platform Components

Item	Part No.	Description	Qty.
A	106275GT	KIT,WELD LEADS ASSY,V275S (Lincoln)	1
B	214621GT	SOCKET, BOOT, 3P, 30A, 4 WIRE	1
C	214620GT	SOCKET,3P,30A,4 WIRE, FEM	1
D	214622GT	PLUG, BOOT, 3P, 30A, 4 WIRE	1
E	214623GT	PLUG, 3P,30A, 4 WIRE, MALE	1
F	110276GT	FIRE SLEEVE, 1.25"	23
G	110277GT	FIRE SLEEVE, 2.0"	61
K	110276GT	FIRE SLEEVE, 1.25" (S-80 XC)	40
1	214619GT	WELDER, MILLER, CST 280	1
1B	101525GT	WELDER,INVERTEC V275-S (lincoln)	1
1B-	106141GT	SCREW,SECURITY,1/4-20 X 1.75LG	
1B-	824113GT	WASHER,FLAT,USS,1/4,ZAG	
1B-	106273GT	BIT,T-27,TORX SOCKET,SECURITY	
1C	1312271GT	WELDER,MILLER,CST 282	1
2	1277209GT	SCREW,BHC-PIN,5/16-18X.75,SS	15
2-	1277202GT	BIT,3/16,HEX SOCKET,SECURITY,1/4 SHANK	
3	825358GT	WASHER,FLAT,5/16,USS,ZAG	30
4	1283027GT	NUT,LP NYLOCK,5/16-18,2,ZAG	15
5	1277207GT	BRACKET,WELDER COVER,XC	1
6	217366GT	BRACKET,WELDER TOP	2
7	1283026GT	NUT,LP NYLOCK,1/4-20,2,ZAG (lincoln)	2
8	18666GT	CLAMP,1.00,#16 X 1/4,RUB CUSH (lincoln)	
9	824078GT	SCREW,HHF,1/4-20X.75,8,ZAG (Miller Welder)	4
9B	824078GT	SCREW,HHF,1/4-20X.75,8,ZAG (lincoln)	2
10	1262432GT	SCREW,HHC,1/4-20X.875,8,ZAG	2
11	1277924GT	NUT,NYLOCK FLG,1/4-20,F,ZAG (Miller Welder)	6
11B	1277924GT	NUT,NYLOCK FLG,1/4-20,F,ZAG (Miller Welder)	8
11C	1277924GT	NUT,NYLOCK FLG,1/4-20,F,ZAG (lincoln)	2



819.1 Welder Option, Platform Components



Go to Discount-Equipment.com to order your parts

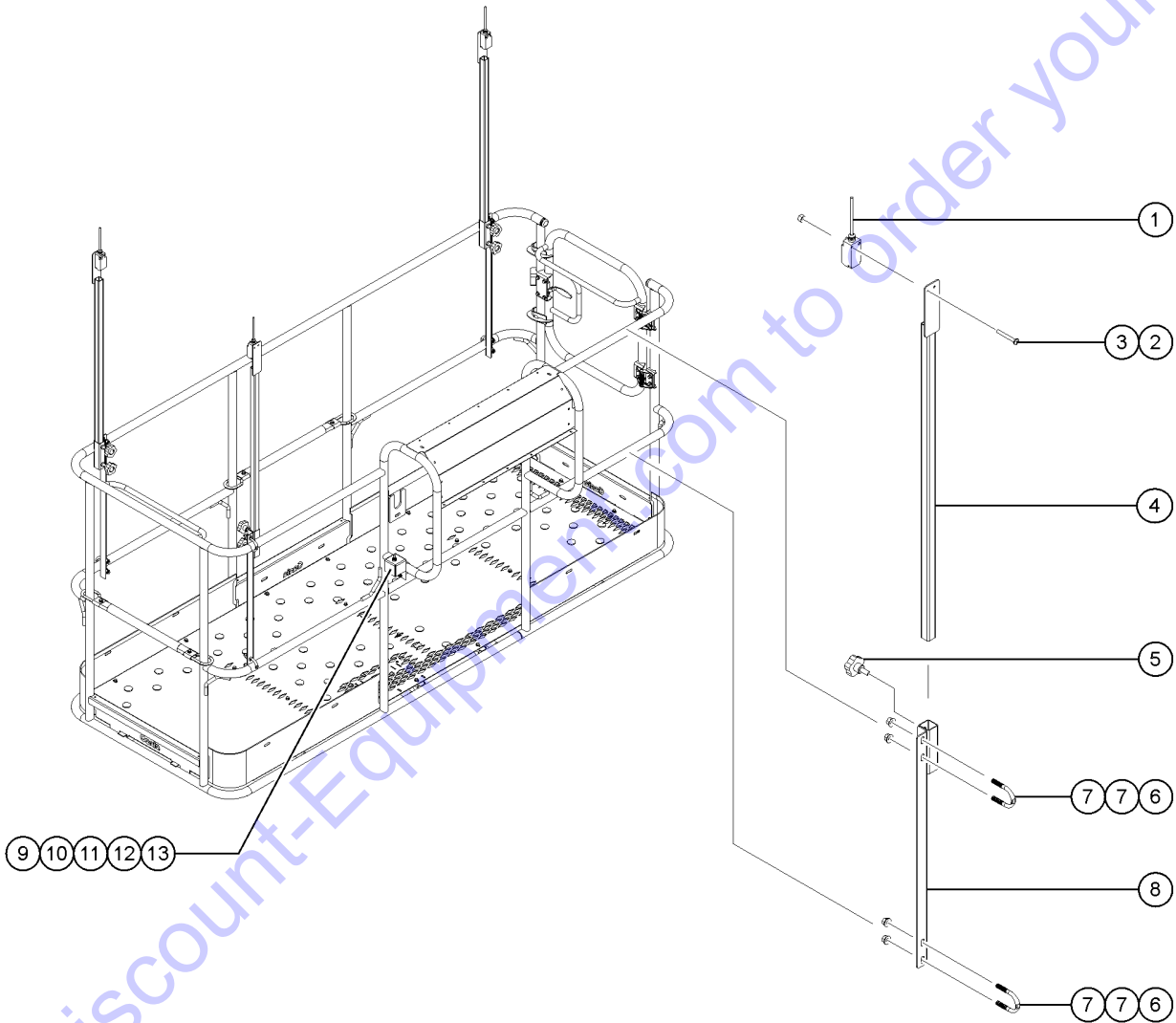
819.1 Welder Option, Platform Components

Item	Part No.	Description	Qty.
12	88406GT	FIRE EXTINGUISHER	1
13	824090GT	SCREW,HHF,3/8-16X1,8,ZAG	2
14	29868GT	SPRING CLIP,3/8-16,.05-.20X.73,ZAG	2
15	1277206GT	FORMING,WELD MNT SPRT,LOWER,XC	1
16	106204GT	BRACKET,V275S WELD LEADS	1
17	1276777GT	FORMING,WELD SPRT BRKT,MANIF MNT,XC	1
17-	1316296GT	CLAMP,CABLE STRAIN RELIEF	
18	1277208GT	FORMING,MILLER WELDER RETENTION,XC	1
		(lincoln)	
19	106860GT	SCREW,SECURITY,1/4-20 X 1.00LG	2
		(Miller Welder)	
19-	106861GT	BIT,5/32,HEX SOCKET,SECURITY	
20	824113GT	WASHER,FLAT,USS,1/4,ZAG	2
		(Miller Welder)	
21	1274967GT	UHMW,MILLER WLDR RETENTION	2
		(Miller Welder)	
21B	1312547GT	UHMW,MILLER WELDER RETENTION	2

Go to Discount-Equipment.com to order your parts



820.1 Secondary guarding option



820.1 Secondary guarding option

Item	Part No.	Description	Qty.
-	1328324GT	HARNESS, SECONDARY GUARDING	1
-	1328645GT	FOOTSWITCH RECOVERY	1
1	1328323GT	ASSEMBLY, LIMIT SWITCH, BOOMS	1
1-	39907GT	WIRE CABLE, 18/2 SJO, BULK	85
1-	1275412GT	TERMINAL,BULLET RECEP 1 PIN, 18-16GA	1
1-	1275413GT	TERMINAL,BULLET PLUG 1 PIN, 18-16GA	1
1-	76450GT	CONN.SQZ,PG 11,.07-.26,W/ORING	1
1-	1282133GT	LIMIT SWITCH, ZCP29+ZCE08+ZCPEG11	1
2	824216GT	SCREW, PHPM, 10-32 X 1.5, ZAG	2
3	1274168GT	NUT,NYLOCK,10-32,A,ZAG	2
4	1329147GT	WELDMENT,INSIDE UPRIGHT,BOOM	1
5	1279778GT	5-LOBE-KNOB 3/8-16X1	2
6	1251600GT	U-BOLT, FLATTENED, 1.5DIA. X 3/8 UNC,ZAG	2
7	1274322GT	NUT,NYLOCK FLG,3/8-16,F,ZAG	4
8	1329144GT	WELDMENT,OUTSIDE UPRIGHT ,BOOM	1
9	1328584GT	COVER, SWITCH TOGGLE	1
10	128203GT	SWITCH TOGGLE ASSY SPDT 2P MOM	1
11	1278363GT	CLAMP, 1.25 INCH TUBE	1
12	1256855GT	SCREW,HHF,1/4-20X.625,8,ZAG	2
13	1277924GT	NUT,NYLOCK FLG,1/4-20,F,ZAG	2

Go to Discount-Equipment.com to order your parts



PARTS FINDER

**Search Website
by Part Number**



**Search Manual
Library For Parts
Manual & Lookup Part
Numbers – Purchase
or Request Quote**

Search Manuals

Enter your information to help us find the right parts manual for your machine.

* Brand:

* Model:

* Serial:

* Part Number:

SEARCH

**Can't Find Part or
Manual? Request Help
by Manufacturer,
Model & Description**

Parts Order Form

Please fill in the following information to help us find the right part for your machine.

Manufacturer:	<input type="text"/>
Model:	<input type="text"/>
Description:	<input type="text"/>
Part Number:	<input type="text"/>
Quantity:	<input type="text"/>
Notes:	<input type="text"/>

Submit

Discount-Equipment.com is your online resource for quality parts & equipment.

Florida: **561-964-4949** Outside Florida TOLL FREE: **877-690-3101**

Need parts?

Click on this link: <http://www.discount-equipment.com/category/5443-parts/> and choose one of the options to help get the right parts and equipment you are looking for. Please have the machine model and serial number available in order to help us get you the correct parts. If you don't find the part on the website or on one of the online manuals, please fill out the request form and one of our experienced staff members will get back to you with a quote for the right part that your machine needs.

We sell worldwide for the brands: Genie, Terex, JLG, MultiQuip, Mikasa, Essick, Whiteman, Mayco, Toro Stone, Diamond Products, Generac Magnum, Airman, Haulotte, Barreto, Power Blanket, Nifty Lift, Atlas Copco, Chicago Pneumatic, Allmand, Miller Curber, Skyjack, Lull, Skytrak, Tsurumi, Husquvarna Target, Stow, Wacker, Sakai, Mi-T-M, Sullair, Basic, Dynapac, MBW, Weber, Bartell, Bennar Newman, Haulotte, Ditch Runner, Menegotti, Morrison, Contec, Buddy, Crown, Edco, Wyco, Bomag, Laymor, EZ Trench, Bil-Jax, F.S. Curtis, Gehl Pavers, Heli, Honda, ICS/PowerGrit, IHI, Partner, Imer, Clipper, MMD, Koshin, Rice, CH&E, General Equipment, Amida, Coleman, NAC, Gradall, Square Shooter, Kent, Stanley, Tamco, Toku, Hatz, Kohler, Robin, Wisconsin, Northrock, Oztec, Toker TK, Rol-Air, APT, Wylie, Ingersoll Rand / Doosan, Innovatech, Con X, Ammann, Mecalac, Makinex, Smith Surface Prep, Small Line, Wanco, Yanmar



www.discount-equipment.com

California Proposition 65

 **WARNING**

Operating, servicing and maintaining this equipment, passenger vehicle or off-highway motor vehicle can expose you to chemicals including engine exhaust, carbon monoxide, phthalates, and lead, which are known to the State of California to cause cancer and birth defects or other reproductive harm. These chemicals can be emitted from or contained in other various parts and systems, fluids and some component wear by-products. To minimize exposure, avoid breathing exhaust, do not idle the engine except as necessary, service your equipment and vehicle in a well-ventilated area and wear gloves or wash your hands frequently when servicing your equipment or vehicle and after operation. For more information go to www.P65Warnings.ca.gov/passenger-vehicle.

Breathing diesel engine exhaust exposes you to chemicals known to the State of California to cause cancer and birth defects or other reproductive harm.

- Always start and operate the engine in a well-ventilated area.
- If in an enclosed area, vent the exhaust to the outside.
- Do not modify or tamper with the exhaust system.
- Do not idle the engine except as necessary.

For more information go to www.P65warnings.ca.gov/diesel.