

### ENGINE SYSTEM

- Isuzu® 4JJ1T
- Diesel fueled
- EPA Final Tier 4
- 4 cylinder
- Series turbocharged
- 3.0 L displacement
- Power @ 2,000 rpm: 73 hp (54 kW)
- Air filter: Dry type cartridge

### Fuel System

- TC-rated fuel tank
- Fuel tank capacity—gal (L):
  - Total: 173 (654.9)
  - Usable: 160 (605)
- Fuel consumption rate: 3.55 gph (13.44 Lph)
- Minimum run time: 45 hr
- Fuel filter: Spin-on

### Cooling System

- Liquid cooled
- Capable of operating at -40 to 100 °F (-40 to 37.8 °C) ambient
- Coolant capacity: 6.3 qt (6.0 L)

### Lubrication System

- Oil filter: Spin-on
- 500-hr service interval\*\*

*\*Data based on engine manufacturer and field test data after 100-hr engine break-in period. Actual results may vary, according to factors such as age and maintenance of equipment, environmental conditions, and fuel density. For fuel and maintenance recommendations, see owner's manual.*

*\*\*For maximum service interval, replace oil filter after 50-hr break-in period. For oil filter model number, see parts manual.*

### HEATER

- Type: Flameless, self-contained
- Heat produced: Up to 485,000 BTU/hr (142.1 kW/hr)
- Temperature range: 120–180 °F (48.9–82.2 °C)
- Air flow: 2,650–5,500 ft<sup>3</sup>/min (807.7–1,676.4 m<sup>3</sup>/min)
- Air discharge: Two 12 in (30.5 cm) outlets
- Efficiency: Up to 92%
- Heat transfer fluid (HTF):
  - Pump: Variable displacement piston pump
  - Tank capacity: 14 gal (53 L)
  - System capacity: 25 gal (95 L)
  - Hydraulic oil type: Mobile DTE10 ISO VG68



Picture shown may not reflect actual configuration.

### HYDRAULIC LOOP

- Pump: Metaris 63 cc variable displacement piston pump
- Two hydraulic oil filters – 9 and 20 microns

### SAFETY

- Self-contained
- Automatic shutdown for high hydraulic oil temperature, high hydraulic oil pressure, engine overspeed, low engine oil, low fuel, and low hydraulic oil
- 110% containment

### ENCLOSURE

- Material: Steel with powder coat
- Fully lockable – including control box door, service access doors, and fuel fill
- Rear storage for two 12-in×50-ft air ducts
- Operating and safety decals
- Document holder with owner's manual – includes wiring diagrams

### TRAILER

- 2-5/16 in ball hitch—adjustable height
- Lift jacks
- Electric brakes
- Transportation tie downs
- Forklift tubes
- DOT approved lights: Tail, brakes, and directionals
- One 6,000 lb (2,721.6 kg) axle
- Tires: 16 in (40.6 cm)

### CONTROLS

- Murphy controller
- TFT color graphic LCD display with LED backlight
- Operating temperature range: -22 to 149 °F (-30 to 65 °C)

### BATTERIES

- Two 12 V, 950 CCA, wet cell batteries
  - Electrical system rating: 12 V

### OPTIONS\*

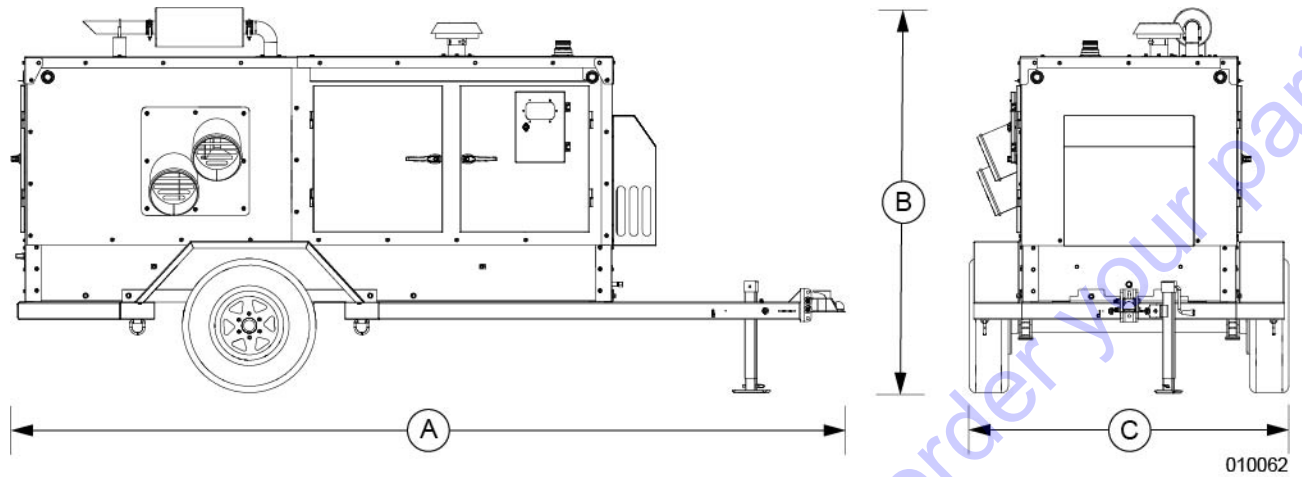
- Spare tire and carrier
- 60/40 coolant
- Rear stabilizer jacks
- One 20 in (50.8 cm) air discharge outlet
- 2-5/16 in. BULLDOG® hitch – adjustable height
- 3 in. ring – adjustable height

*\*Additional options may be available. Contact a sales representative or the factory for current options.*



[www.discount-equipment.com](http://www.discount-equipment.com)

**DIMENSIONS**



A	B	C
191 in (4.85 m)	88 in (2.24 m)	72 in (1.83 m)

**WEIGHT**

- Dry: 5,540 lb (2,513 kg)
- Operating: 6,400 lb (2,903 kg)

**WARRANTY**

1 year, unlimited hours

**CODES AND STANDARDS**

Generac Mobile products are designed to the following standards:



TIER 4 FINAL  
EMISSIONS



NATM



TRANSPORT CANADA



[www.discount-equipment.com](http://www.discount-equipment.com)

**TO PURCHASE THIS PRODUCT PLEASE CONTACT US**



**Equipment Financing and  
Extended Warranties Available**



**Discount-Equipment.com is your online resource for  
commercial and industrial quality parts and equipment sales.**

**561-964-4949**

**visit us on line @ [www.discount-equipment.com](http://www.discount-equipment.com)**

Select an option below to find your Equipment

**Search by Manufacturer**

**Search by Product Type**

**Request a Quote**

We sell worldwide for the brands: Genie, Terex, JLG, MultiQuip, Mikasa, Essick, Whiteman, Mayco, Toro Stone, Diamond Products, Generac Magnum, Airman, Haulotte, Barreto, Power Blanket, Nifty Lift, Atlas Copco, Chicago Pneumatic, Allmand, Miller Curber, Skyjack, Lull, Skytrak, Tsurumi, Husquvarna Target, Stow, Wacker, Sakai, Mi-T-M, Sullair, Basic, Dynapac, MBW, Weber, Bartell, Bennar Newman, Haulotte, Ditch Runner, Menegotti, Morrison, Contec, Buddy, Crown, Edco, Wyco, Bomag, Laymor, EZ Trench, Bil-Jax, F.S. Curtis, Gehl Pavers, Heli, Honda, ICS/PowerGrit, IHI, Partner, Imer, Clipper, MMD, Koshin, Rice, CH&E, General Equipment, Amida, Coleman, NAC, Gradall, Square Shooter, Kent, Stanley, Tamco, Toku, Hatz, Kohler, Robin, Wisconsin, Northrock, Oztec, Toker TK, Rol-Air, APT, Wylie, Ingersoll Rand / Doosan, Innovatech, Con X, Ammann, Mecalac, Makinex, Smith Surface Prep, Small Line, Wanco, Yanmar