

MODELS | SJ 3220 SJ 3226 SJ 4626 SJ 4632



# Parts Manual

SJIII Conventional Series (ANSI/CSA & KC)

Part No. 155181AE February 2014



**This manual is based on Serial Numbers:**

SJIII 3320 60 002 259 to 60 003 131

SJIII 3226 27 006 432 to 27 010 423

SJIII 46xx 70 007 139 to 70 010 916  
(excluding 70 010 111 and 70 010 112)

Please refer to the website - [www.skyjack.com](http://www.skyjack.com) for older Serial Numbers.

**Skyjack Service Center**

3451 Swenson Ave. St. Charles,  
Illinois, 60174 USA  
Phone: 630-262-0005  
Toll Free: 1-800-275-9522  
Fax: 630-262-0006  
Email: [service@skyjack.com](mailto:service@skyjack.com)

**Parts (North America)**

Toll Free: 1-800-965-4626  
Toll Free Fax: 1-888-782-4825  
E-mail: [parts@skyjack.com](mailto:parts@skyjack.com)

**Skyjack Australia Pty Ltd.**

4 Coates Place  
Wetherill Park  
New South Wales 2164  
Australia  
Tel: +61 (0) 28786 3200  
Fax: +61(0) 28786 3222

**Parts & Service (Europe)**

Unit 1 Maes Y Clawdd  
Maesbury Road Industrial Estate  
Oswestry, Shropshire SY10 8NN UK  
Phone: +44-1691-676-235  
Fax: +44-1691-676-238  
E-mail: [info@skyjackeurope.co.uk](mailto:info@skyjackeurope.co.uk)

**Skyjack Brasil**

Alameda Júpiter, 710  
Loteamento American Park Empresarial  
Indaiatuba, SP, Brasil 13347-653  
Tel: +55 19 3936 0132

# DC Electric Scissor Lifts Conventional Series Parts Manual

## General

The information contained in this section is designed to aid the user in locating and identifying replacement parts. Component parts of various assemblies and sub-assemblies comprising the work platform are illustrated and accompanied by a descriptive parts list. Exploded drawings are used to show relative location of component parts in disassembly order. If a part cannot be found in this section, order by work platform model number and serial number, giving a complete description of the part.

## Parts Ordering Information

When ordering replacement parts, the complete part number and description should be used to ensure proper identification and delivery of the desired item. This complete identification should also be used when requesting equipment information.

## Method of Listing

Parts are listed in order according to the reference number shown in the illustration, followed by a full description based upon the "NOUN FIRST" method. That is, the noun name of the part is listed first, then the modifying description information which serves to specifically identify the item. For example: PIN, Clevis. Assemblies or groups are shown at the beginning of a parts list and are identified with the letter references A, B, C, etc. Individual parts in these lists have corresponding letters after their description to identify which assembly or group it is used in. Individual parts without identifying letters are used in all the assemblies or group shown at the beginning of the parts list. Descriptions preceded with an (\*) indicates a serviceable component or attaching hardware for the higher level assembly. If

an index number initially starts with the letter "K", for example "K1", means it's a kit. Any item(s) included in a kit will not have an index number.

## Quantities (Units Per Assy.)

The quantities of each part that are required to complete the assembly. If quantity is (AR), it is understood that the quantity may vary when aerial platform is equipped with certain options. Order quantity as needed.

## Hardware

Standard screws, washers, nuts, etc. are not identified by a reference number. These parts are known as COMMON HARDWARE items and appear indented under the major items with which they are used. They should be ordered separately as listed, since they are not component parts of the pieces they attach to.

## How to Order Repair Parts

1. Address all orders to your local SKYJACK dealer.
2. Specify model and serial number of the work platform (found on the serial number plate).
3. List the quantity needed.
4. List the length needed (if bulk item).
5. List the part number and description as shown in this manual for each item.
6. Show billing and shipping address and name of individual if possible.
7. Suggest best routing.

CUSTOMER \_\_\_\_\_

DEALER \_\_\_\_\_

MODEL NUMBER \_\_\_\_\_

SERIAL NUMBER \_\_\_\_\_

DATE PURCHASED \_\_\_\_\_

**Use Only Skyjack Authorized Replacement Parts!**

## **Notes**

## Table of Contents

### 1.0 Platform Related Parts

1.1 Entrance Gates and Chains .....	8
1.2 Gate Latch Assembly .....	11
1.3 Side Railings - Rigid .....	12
1.4 Side Railings - Hinged.....	14
1.5 Extension Platform Railing Assembly .....	16
1.6 Extension Slide Railing.....	18
1.7 Quick Release Pins .....	19
1.8 Main Platform Assembly.....	20
1.9 Extension Platform Assembly .....	22
1.10 Extension Cylinder Mounting Hardware .....	24
1.11 Extension Cylinder Assembly .....	25
1.12 Hose Connections - Powered Extension (Models 3220/4626).....	26
1.13 Hose Connections - Powered Extension (Model 4626 ANSI/CSA) .....	28
1.14 Powered Extension Platform Directional Manifold Assembly.....	30
1.15 Platform Control Console Assembly.....	32
1.16a Enable Controller Assembly.....	34
1.16b Enable Controller Assembly .....	36
1.17 Platform Control Console - Powered Extension Platform Cables .....	38
1.18 Extension Platform Control Console.....	39
1.19 Extension Platform Harness.....	40
1.20 Platform AC Outlet.....	41
1.21 Control Cable Assemblies.....	43

### 2.0 Scissor Related Parts

2.1 Scissor Stack Assembly (Model 3220) .....	44
2.2 Scissor Stack Assembly (Model 3226/4626) .....	46
2.3 Scissor Stack Assembly (Model 4632) .....	48
2.4 Scissor Stack Assembly - Mounting Hardware .....	50
2.5 Scissor Stack Assembly - Connecting Hardware .....	52
2.6 Limit Switch Assembly (Scissor Stack).....	54
2.7 Lift Cylinder and Mounting Hardware .....	56
2.8 Holding Valve Assembly (Model 3220).....	58
2.9 Holding Valve Assembly (Model 3226/4626/4632).....	60

### 3.0 Base Related Parts

3.1 Base Assembly.....	62
3.2 Pothole Protection Device.....	66
3.3 Wheel and Brake Assembly .....	70
3.4 Tie Rod Assembly .....	72
3.5 Steer Cylinder Assembly.....	73
3.6 Pin Brake Cylinder Assembly.....	74
3.7 Rear Drive Manifold Assembly .....	75
3.8 Brake Release Manifold Assembly (Models 46xx).....	76
3.9 Front Hub and Spindle Assembly.....	77
3.10 Hydraulic Hose Connections - Pin Brake (Models 322x) .....	78
3.11 Hydraulic Hose Connections - Disc Brake (Models 46xx).....	80
3.12 Base Control Console .....	82

## Table of Contents

### 4.0 Hydraulic Tray Related Parts

4.1 Hydraulic/Electrical Tray Assembly .....	84
4.2 Main Manifold Assembly .....	88
4.3 Pump and Motor Assembly.....	90
4.4 Proportional Manifold Assembly .....	91
4.5 Hydraulic Hose Connections (Hydraulic/Electrical Tray).....	92

### 5.0 Battery Tray Related Parts

5.1 Battery Tray Assembly.....	94
5.2 Battery Charger Assembly .....	97

### 6.0 Electrical Related Parts

6.1 Electrical Panel Hardware Assembly .....	98
6.2 Electrical Panel Hardware Assembly (ANSI/CSA EE Rated).....	100
6.3 Main Manifold Harness.....	102
6.4 Rear Manifold Harness.....	103
6.5 Horn/Flashing Light and Tilt Switch Harnesses.....	104
6.6 Holding Valve, Charger Cutout, and Pressure Switch Harnesses .....	105

### 7.0 Optional Equipment

7.1 24VDC Inverter Assembly (ANSI/CSA) .....	106
7.2 Labels - Inverter .....	108
7.3 Air Hose to Platform Assembly .....	109
7.4 Work Light Option .....	110
7.5 Flashing Amber Light Option .....	111
7.6 Dual Flashing Amber Light Option (Diagonal).....	112
7.7 Platform Control Console - Long Cable Option (ANSI/CSA).....	114
7.8 Supergrip Wheels Assembly (Models 322x).....	116
7.9 Supergrip Wheels Assembly (Models 46xx) .....	117
7.10 Pipe Rack Assembly (ANSI/CSA) .....	118

### 8.0 Labels

8.1 Label Kit.....	119
8.2 Labels - Platform Control Console .....	121
8.3 Labels - Miscellaneous.....	122
8.4 Labels - Left & Right Sides (Chassis).....	124
8.5 Labels - Chassis (Front & Top).....	126
8.6 Labels - Rear (Scissor and Platform) .....	127
8.7 Labels - Rear (Chassis) .....	128

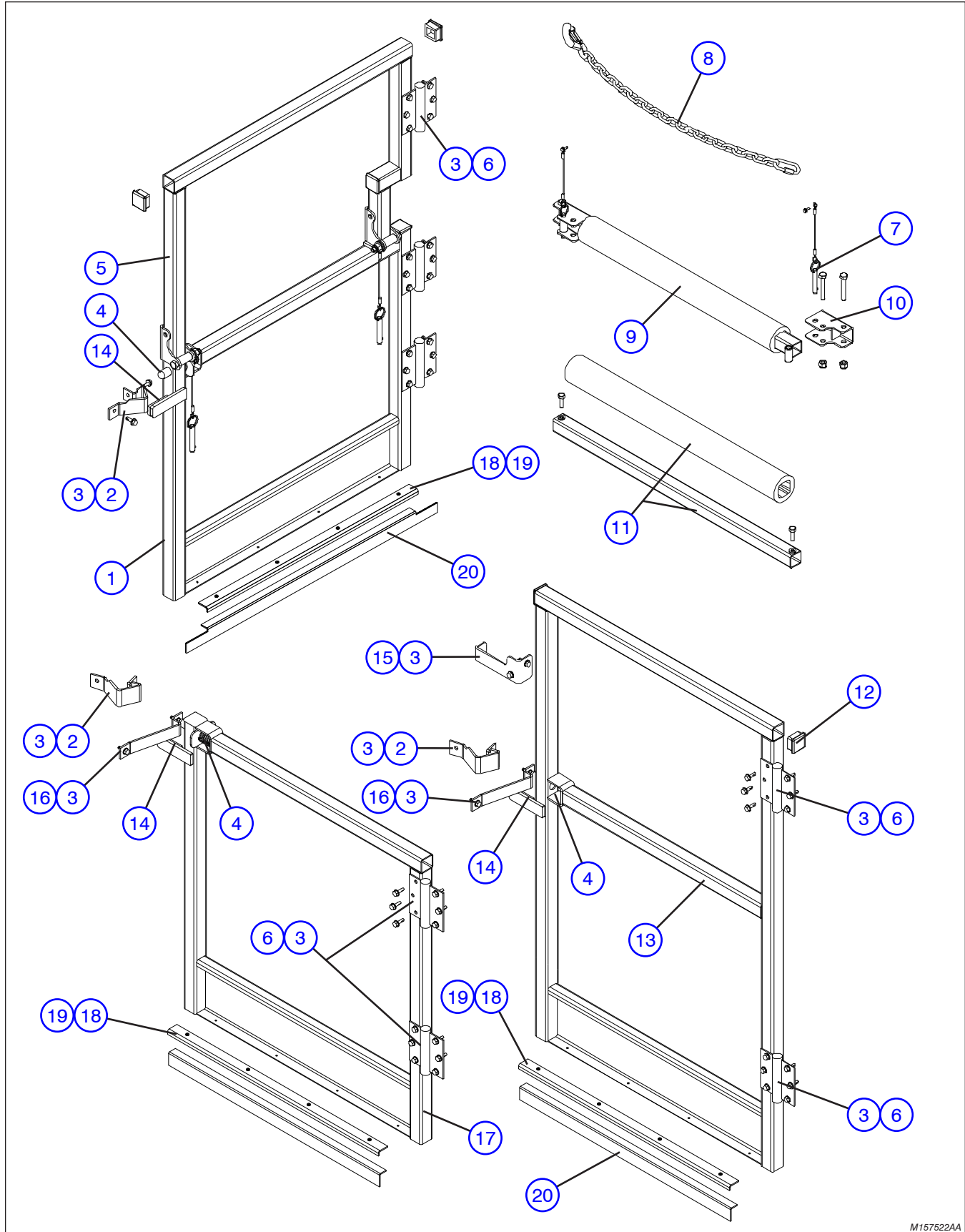
### 9.0 Tables

9.1 Fluid Table .....	129
-----------------------	-----

## Notes

1.1 Entrance Gates and Chains

AB



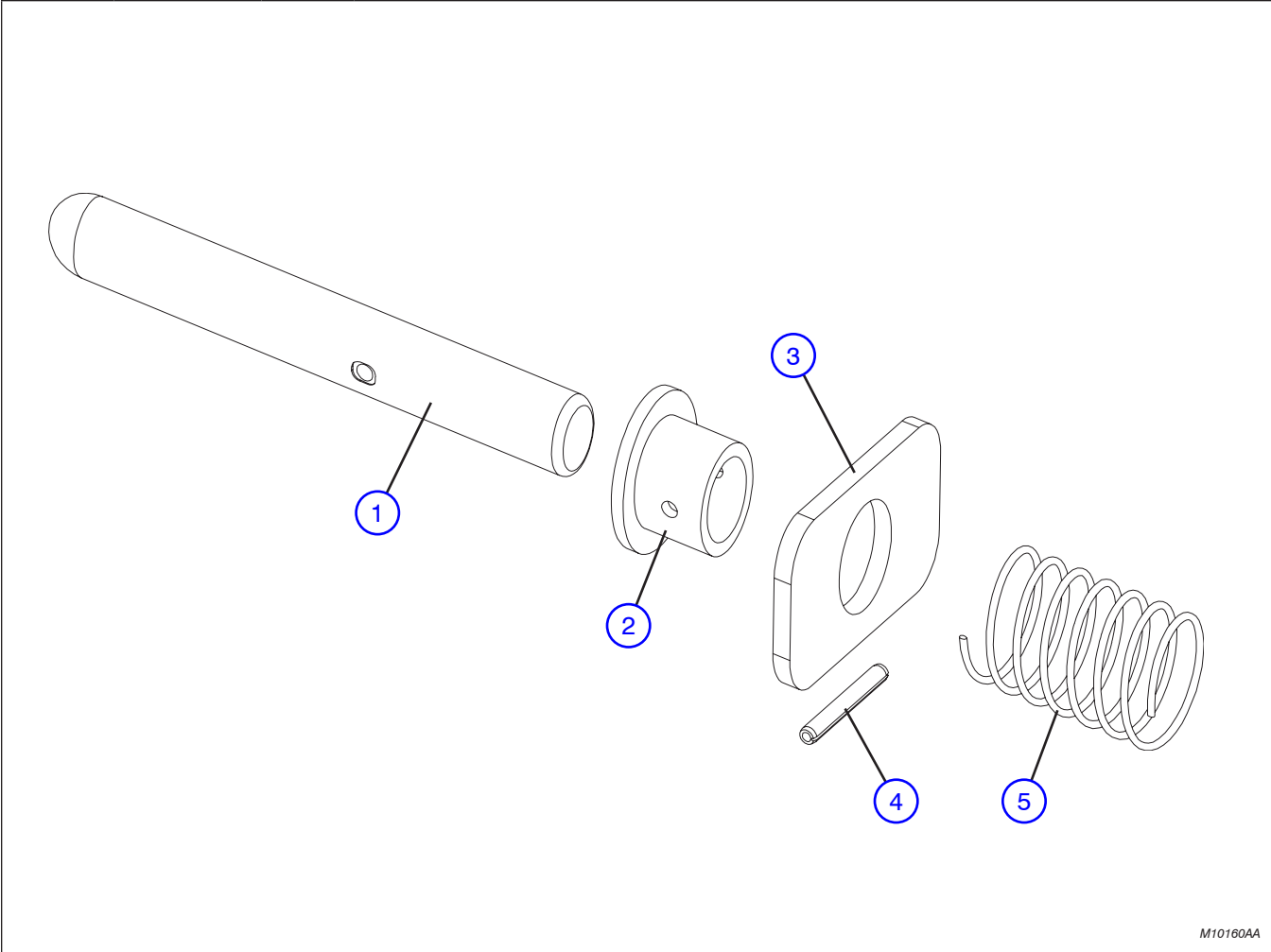
M157522AA





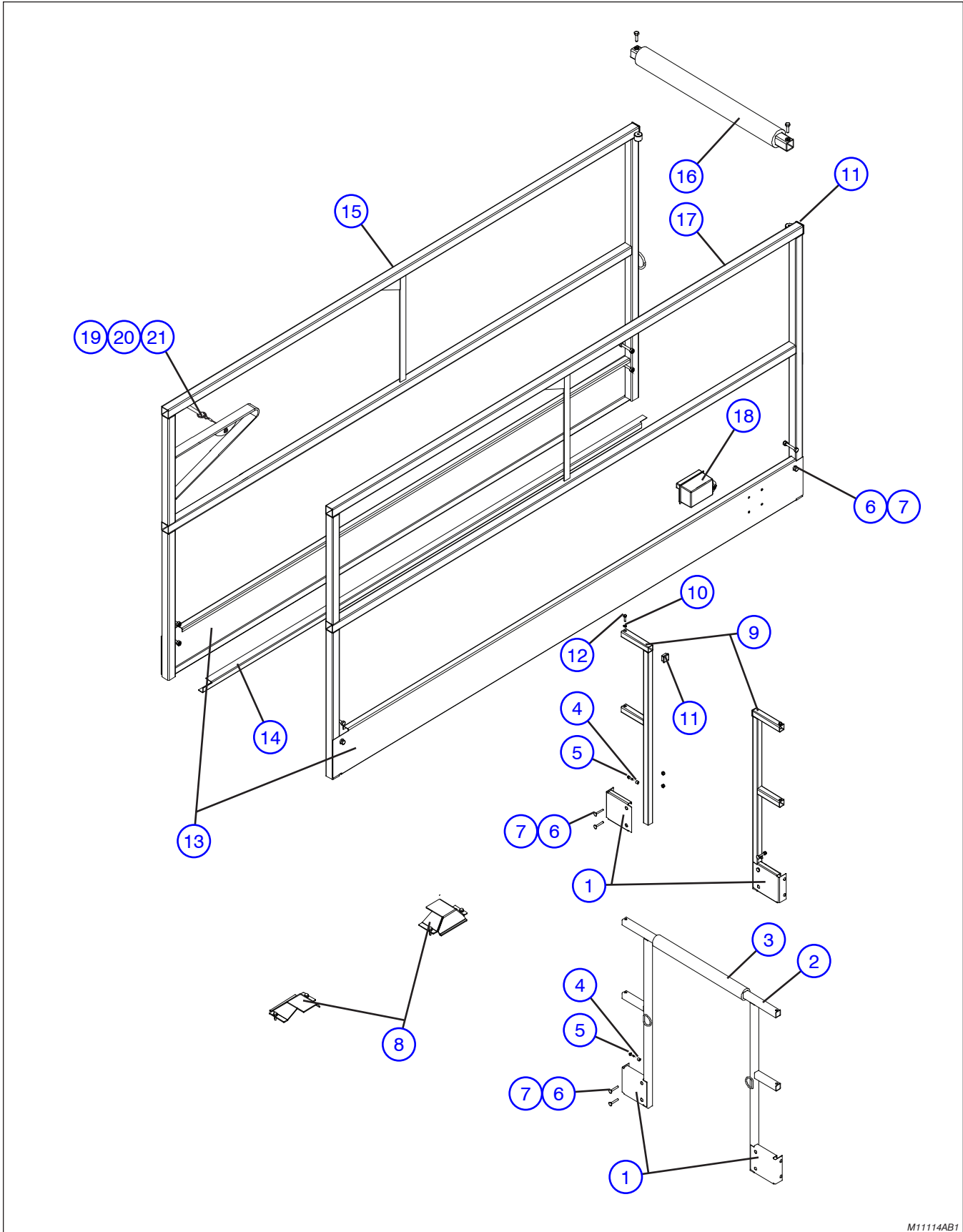
Index No.	Skyjack Part No.	Qty.	Description
1	128471	1	GATE, Full (Hinged - bottom)
2	110693	1	PLATE, Stop gate latch ( <b>Models 46xx</b> )
3	103632	AR	SCREW, Self tapping (1/4"-14 x 3/4")
4	(Ref.)	-	GATE LATCH ASSEMBLY (For components, refer to Section 1.2)
5	128473	1	GATE, Full (Hinged - top)
6	117277	2	HINGE, Spring
7	(Ref.)	2	QUICK RELEASE LARGE/SMALL LOOP PIN ASSEMBLY (For components, refer to Section 1.7)
8	106893	-	CHAIN, Entry Assembly (If equipped) ( <b>ANSI/CSA</b> )
	106896	1	• CHAIN
	100297	1	• LINK, Quick screw
	127103	1	• LINK, Lap
	100493	1	• LATCH, Chain snap
9	130273	1	UPPER HINGED RAIL ASSEMBLY
10	130270	2	• MOUNT, Railing end weldment
	125354	1	• TUBE, Hinged top rail
	125691	1	• PADDING, Entry rail
	103872	AR	• BOLT, Hex head (3/8"-16 x 2.25", Grade 5)
	104606	AR	• NUT, Hex nylon lock (3/8-16)
	112327	2	• SCREW, Self tapping (#8-18 x 1/2")
11	125703	1	FIXED UPPER RAIL ASSEMBLY
	103540	1	• TUBE, Top rail
	125691	1	• PADDING, Entry rail
	103864	2	• BOLT, Hex head (5/16"-18 x 1", Grade 5)
	103404	2	• WASHER, Lock (5/16")
12	100702	AR	PLUG, Tube
13	125510	1	GATE, Full (Solid)
14	125577	1	PAD, Adhesive rubber foam
15	125687	-	ADDITIONAL GATE STOP ASSEMBLY ( <b>Model 3220</b> )
	125686	1	• STOP, Additional gate
	103632	2	• SCREW, Self tapping (1/4"-14 x 3/4")
16	125526	1	STRIKE, Gate stop ( <b>Models 322x</b> )
17	125461	1	GATE, Half
18	119942	1	CLAMP, Aluminum door sweep ( <b>KC</b> )
19	119945	4	RIVET, Wide head ( <b>KC</b> )
20	119940	1	STRIP, Door sweep rubber ( <b>KC</b> )

## **Notes**



M10160AA

Index No.	Skyjack Part No.	Qty.	Description
-	110824	-	GATE LATCH ASSEMBLY
1	109377	1	• PIN, Latch
2	105312	1	• GUIDE, Nylon spring
3	105307	1	• PLATE, Gate latch release
4	100950	1	• PIN, Roll (1/8" x 1")
5	103107	1	• SPRING, Compression

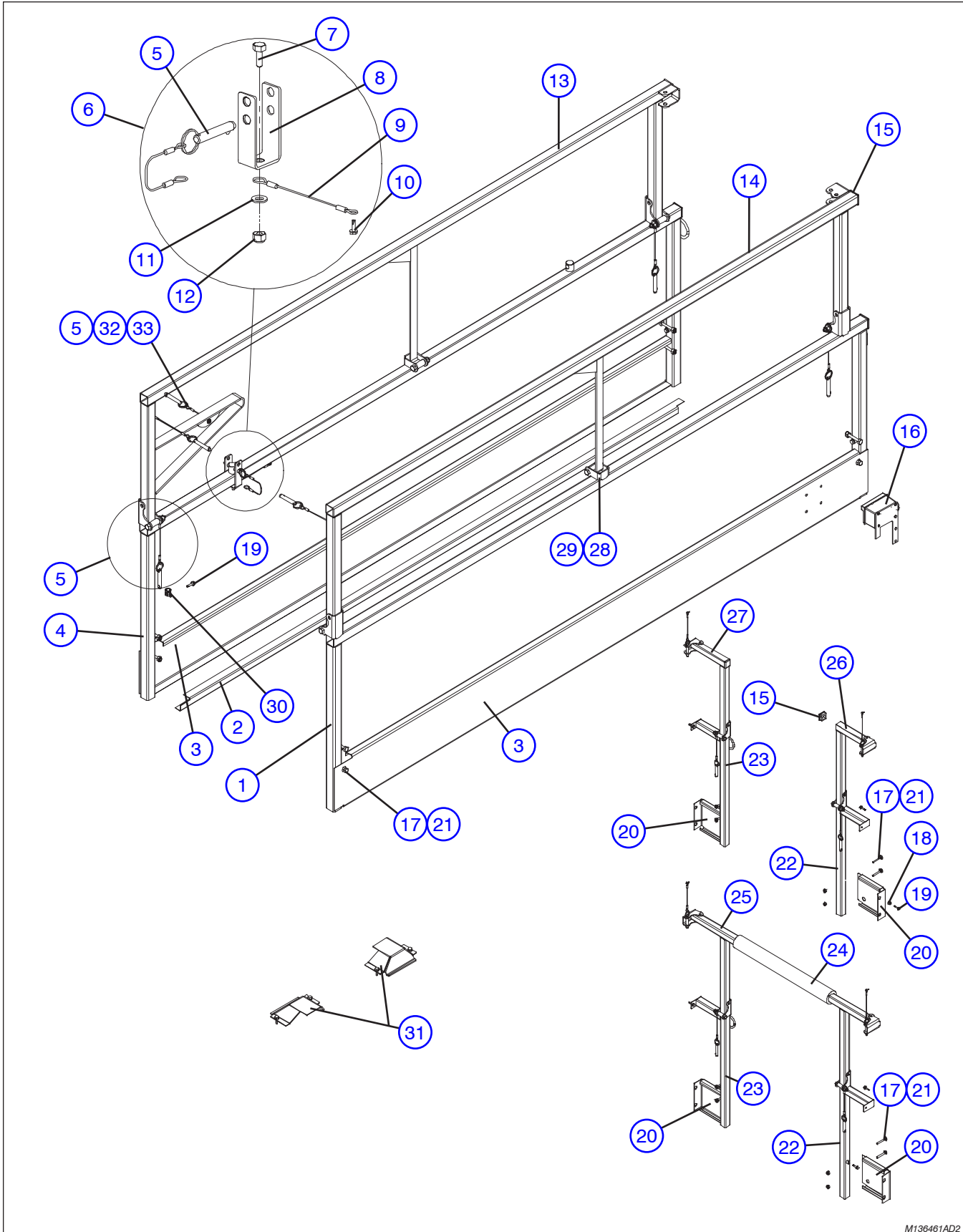


M11114AB1

Index No.	Skyjack Part No.	Qty.	Description
1	128719	2	KICK PLATE, End entrance <b>(Models 46xx)</b>
2	128722	1	WELDMENT, End entrance railing <b>(Models 46xx)</b>
3	104183	1	PAD, Entry Railing <b>(Models 46xx)</b>
4	112329	4	BOLT, Self tapping (1/4"-14 x 1")
5	125580	4	SPACER, Railing retainer
6	103984	8	NUT, Hex lock (5/16"-18, Grade 5)
7	127437	8	BOLT, Carriage (5/16"-18 x 2")
8	(Ref.)	-	GUARD, Cable (For components, refer to Section 1.8)
9	130111	2	WELDMENT, End entrance railing (Full gate) <b>(Models 46xx)</b>
10	103404	2	WASHER, Lock (5/16")
11	100702	2	PLUG, Plastic tube
12	103864	2	BOLT, Hex head (5/16"-18 x 1", Grade 5)
13	157778	2	PLATE, Kick (Universal)
14	125448	1	GUARD, Cable
15	125504	1	RAILING, Rigid (Right hand)
16	(Ref.)	-	ENTRANCE GATE AND CHAINS (For components, refer to Section 1.1)
17	125503	1	RAILING, Rigid (Left hand)
18	(Ref.)	-	OUTLET, Platform AC (For components, refer to Section 1.20)
19	(Ref.)	-	QUICK RELEASE LARGE OR SMALL LOOP PIN ASSEMBLY (For components, refer to Section 1.7)
20	139641	1	RIVET, Pop (1/4" diameter x 0.615") (If equipped)
21	103995	1	WASHER, Flat (1/4") (If equipped)

1.4 Side Railings - Hinged

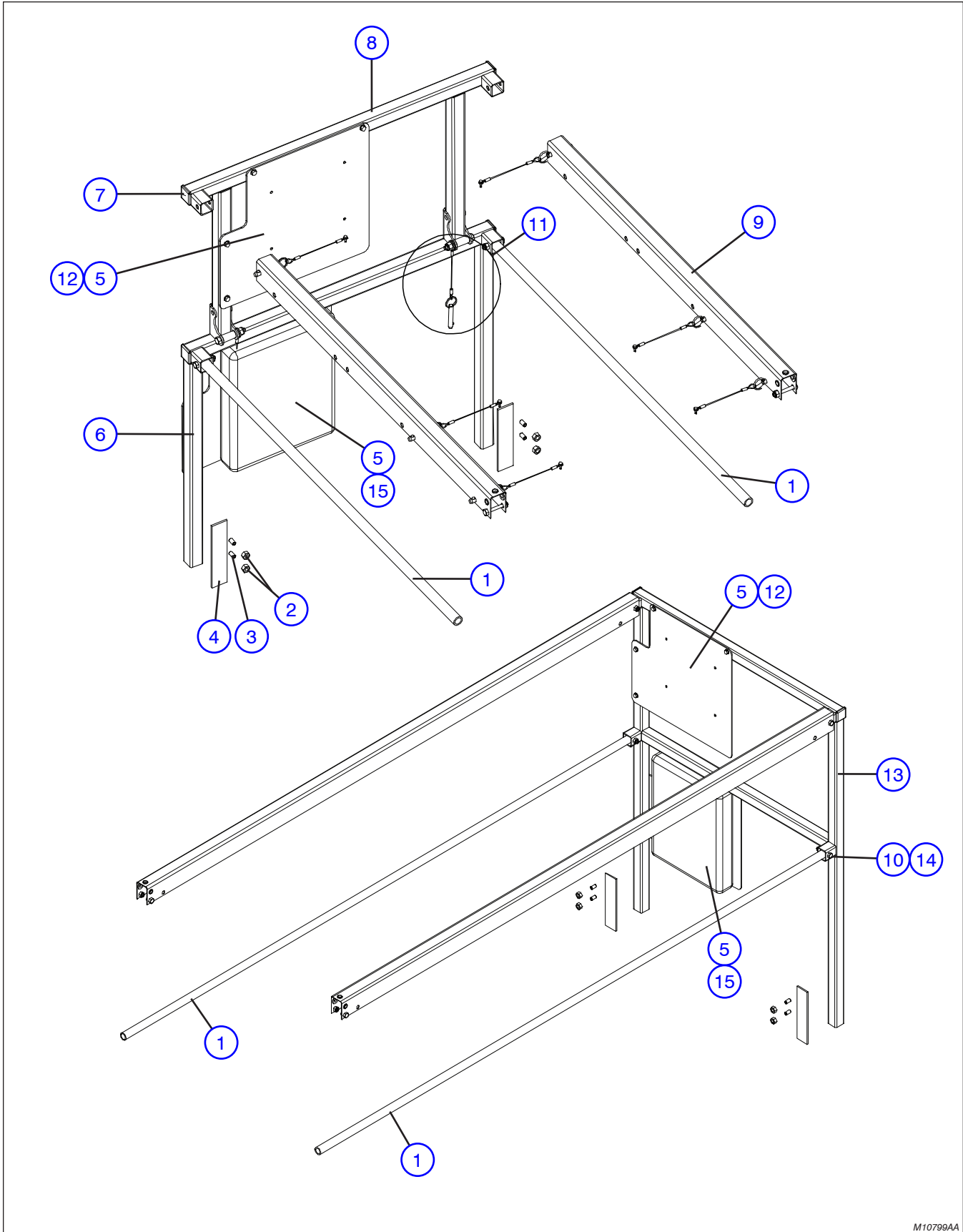
AD



M136461AD2

Index No.	Skyjack Part No.	Qty.	Description
1	128399	1	RAILING, Side lower (Left hand)
2	125448	1	GUARD, Cable
3	157778	2	PLATE, Kick (Universal)
4	128400	1	RAILING, Side lower (Right hand)
5	(Ref.)	-	QUICK RELEASE LARGE/SMALL LOOP PIN ASSEMBLY (For components, refer to Section 1.7)
6	129795	1	CABLE CLAMP ASSEMBLY
7	103887	1	• BOLT, Hex head (5/16"-18 x 3/4", Grade 5)
8	113164	1	• CLAMP, Cable
9	105807	1	• LANYARD (6")
10	112327	1	• SCREW, Self tapping (#8-18 x 1/2")
11	103996	1	• WASHER, Flat (5/16")
12	103984	1	• NUT, Hex nylon (5/16"-18, Grade 5)
13	128366	1	RAILING, Side upper (Right hand)
14	128365	1	RAILING, Side upper (Left hand)
15	100702	2	PLUG, Plastic tube (1.25" x 1.25")
16	(Ref.)	-	OUTLET, Platform AC (For components, refer to Section 1.20)
17	127437	8	BOLT, Carriage (5/16"-18 x 2")
18	125580	4	SPACER, Railing retainer
19	112329	5	BOLT, Self tapping (1/4"-14 x 1")
20	128719	2	KICK PLATE, End entrance (Models 46xx)
21	103984	8	NUT, Hex lock (5/16"-18, Grade 5)
22	128710	1	RAILING, End entrance lower (Left hand) (Models 46xx)
23	128709	1	RAILING, End Entrance lower (Right hand) (Models 46xx)
24	104183	1	PAD, Entry railing
25	128364	1	RAILING, End entrance top (Models 46xx)
26	128480	1	RAILING, End entrance upper (Left hand) (Models 46xx)
27	128481	1	RAILING, End entrance upper (Right hand) (Models 46xx)
28	103872	2	BOLT, Hex head (3/8"-16 x 2.25", Grade 5)
29	104606	6	NUT, Hex lock (3/8"-16, Grade B)
30	103024	1	CLIP, Single (G8)
31	(Ref.)	-	GUARD, Cable (For components, refer to Section 1.8)
32	139641	1	RIVET, Pop (1/4" diameter x 0.615") (If equipped)
33	103995	1	WASHER, Flat (1/4") (If equipped)

### 1.5 Extension Platform Railing Assembly

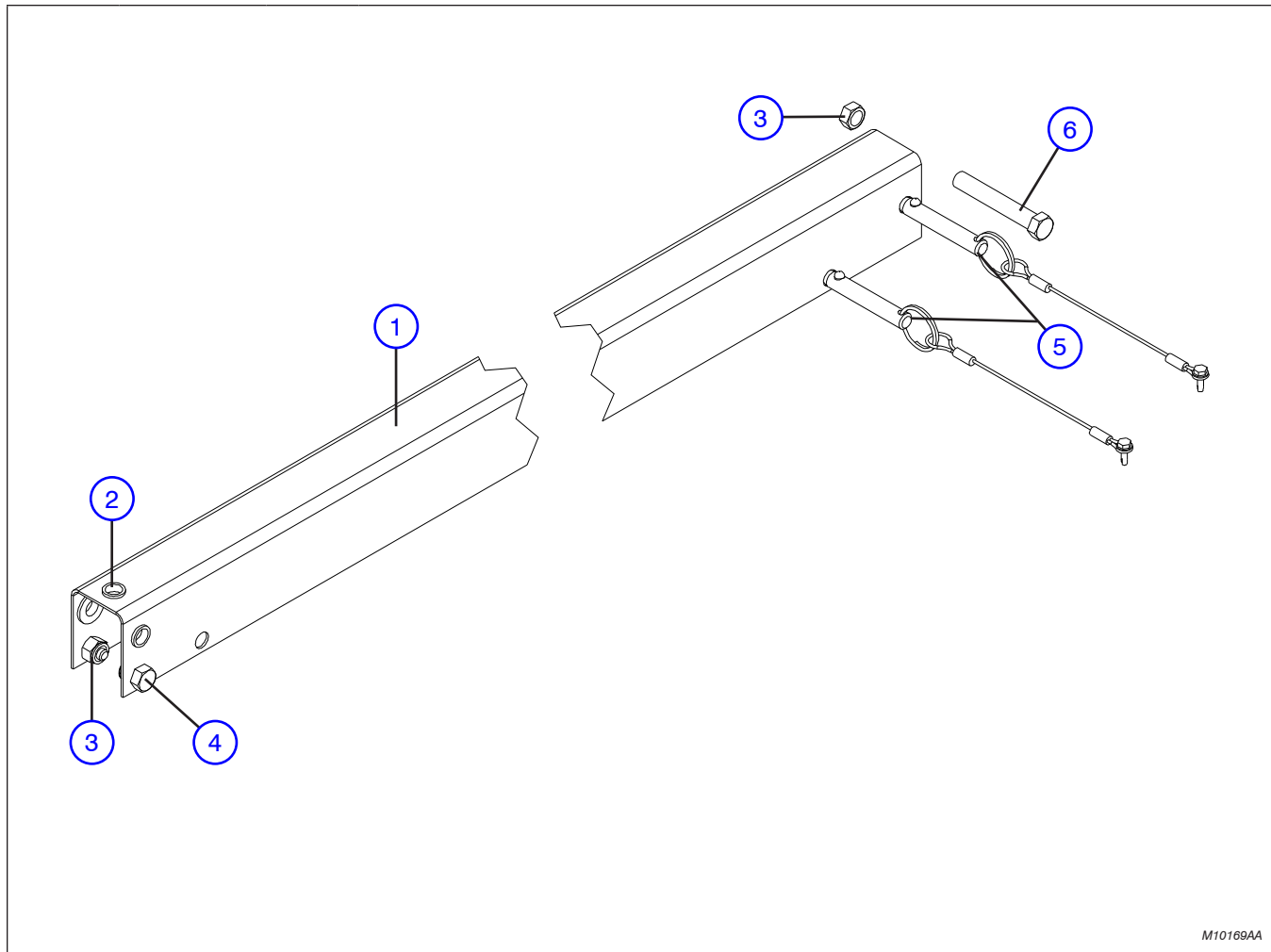


M10799AA



Index No.	Skyjack Part No.	Qty.	Description
<b>A</b>	125635	1	MANUAL EXTENSION PLATFORM (Rigid) <b>(Model 3220)</b>
<b>B</b>	128470	1	MANUAL EXTENSION PLATFORM (Hinged) <b>(Model 32XX)</b>
<b>C</b>	125705	1	POWERED EXTENSION PLATFORM (Rigid) <b>(Model 3220)</b>
<b>D</b>	132540	1	POWERED EXTENSION PLATFORM (Hinged) <b>(Model 3220)</b>
<b>E</b>	130435	1	MANUAL EXTENSION PLATFORM (Rigid) <b>(Model 4620)</b>
<b>F</b>	130346	1	MANUAL EXTENSION PLATFORM (Hinged) <b>(Model 4626 &amp; 4632)</b>
<b>G</b>	132968	1	POWERED EXTENSION PLATFORM (Rigid) <b>(Model 4620)</b>
<b>H</b>	132969	1	POWERED EXTENSION PLATFORM (Hinged) <b>(Model 4626)</b>
1	103796	2	• MIDRAIL, Extension platform, <b>A, B</b>
	106394	2	• MIDRAIL, Extension platform (6'), <b>C, D, G, H</b>
	130347	2	• MIDRAIL, Extension platform, <b>E, F</b>
2	103978	4	• NUT, Hex head (3/8"-16, Grade B)
3	104625	4	• SCREW, Set (3/8"-16 x 5/8")
4	106950	2	• PLATE, Extension platform railing retaining
5	130229	2	• PLATE, Info/Warning/Manual box
6	128468	1	• RAILING, Extension platform lower, <b>B, D</b>
	128359	1	• RAILING, Extension platform lower, <b>F, H</b>
7	100702	AR	• PLUG, Plastic tube (1.25" x 1.25")
8	128469	1	• RAILING, Extension platform upper, <b>B, D</b>
	128360	1	• RAILING, Extension platform upper, <b>F, H</b>
9	(Ref.)	-	• EXTENSION SLIDE RAILING (For components, refer to Figure 1.6)
10	103885	2	• BOLT, Hex head (5/16"-18 x 1.75")
11	(Ref.)	AR	• QUICK RELEASE LARGE/SMALL LOOP PIN ASSEMBLY (For components, refer to Figure 1.7)
12	103632	4	• BOLT, Self tapping (1/4"-14 x 3/4")
13	125502	1	• RAILING, Extension platform, <b>A, C</b>
	128452	1	• RAILING, Extension platform, <b>E, G</b>
14	103984	2	• NUT, Hex nylon lock (5/16"-18)
15	130231	1	• MANUAL BOX ASSEMBLY
	117293	1	• • BOX, Manual
	125968	4	• • NUT, Hex flange Lock (#10-32)
	103962	4	• • SCREW, Round head machine (#10-32 x 1/2")

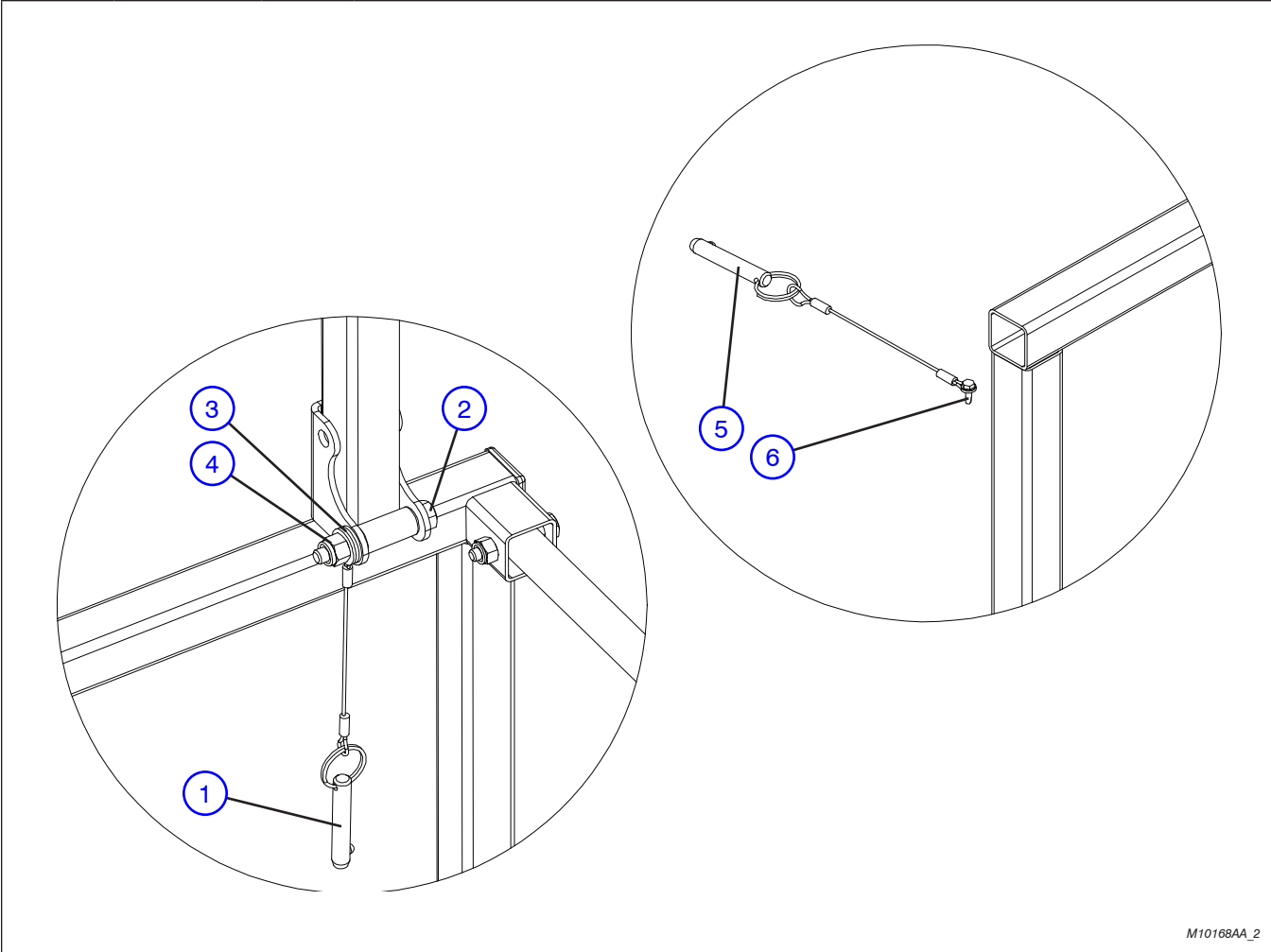
## 1.6 Extension Slide Railing



M10169AA

Index No.	Skyjack Part No.	Qty.	Description
<b>A</b>	125481	2	Manual extension platform handrail (hinged, 3') <b>(Model 322x)</b>
<b>B</b>	125666	2	Manual extension platform handrail (rigid, 3') <b>(Model 322x)</b>
<b>C</b>	130348	2	Manual extension platform handrail (hinged, 3') <b>(Model 4626/4632)</b>
<b>D</b>	125667	2	Powered extension platform handrail (rigid, 6') <b>(Model 322x)</b>
<b>E</b>	128458	2	Powered extension platform handrail (hinged, 6') <b>(Model 3220/4626)</b>
1	125480	1	• HANDRAIL, Extension, <b>A, B</b>
	130349	1	• HANDRAIL, Extension, <b>C</b>
	125561	1	• HANDRAIL, Extension, <b>D, E</b>
2	103550	3	• PLUG, Handrail slide
3	103984	AR	• NUT, Hex lock (5/16"-18, Grade B)
4	103845	2	• BOLT, Hex head (5/16"-18 x 1/2", Grade 5)
5	(Ref.)	AR	• QUICK RELEASE LARGE/SMALL LOOP PIN ASSEMBLY (For components, refer to Section 1.7)
6	103865	1	• BOLT, Hex head (5/16"-18 x 2", Grade 5), <b>B, D</b>

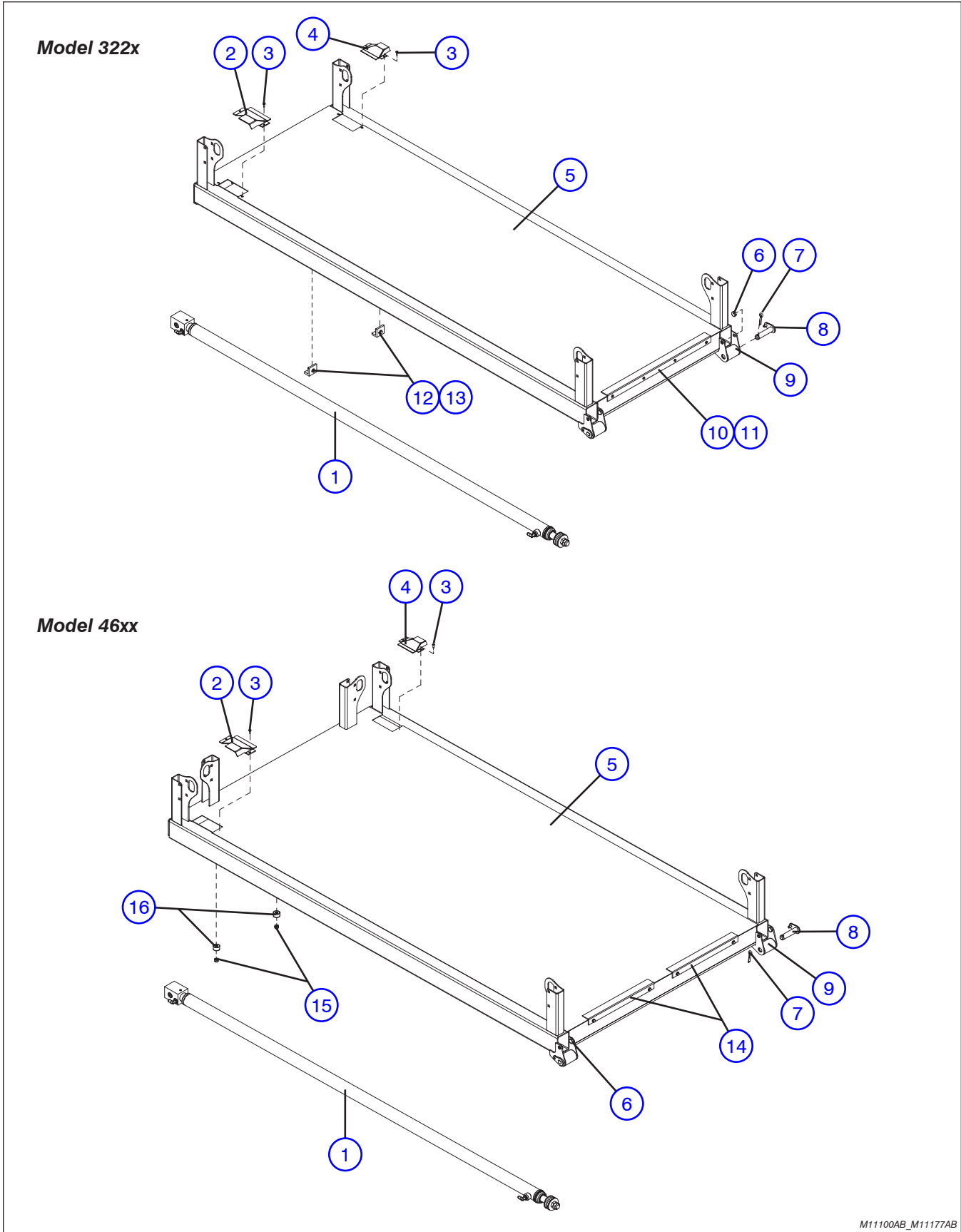
1.7 Quick Release Pins



M10168AA\_2

Index No.	Skyjack Part No.	Qty.	Description
1	124548	1	QUICK RELEASE LARGE LOOP PIN ASSEMBLY
	100509	1	• PIN, Quick release (3/8" diameter x 2")
	105807	1	• LANYARD, Plastic coated (6")
2	103873	1	BOLT, Hex head (3/8"-16 x 2.5", Grade 5)
3	103472	2	WASHER, Flat (3/8")
4	104606	1	NUT, Hex lock (3/8"-16, Grade B)
5	124547	2	QUICK RELEASE SMALL LOOP PIN ASSEMBLY
	100509	1	• PIN, Quick release (3/8" diameter x 2")
	105807	1	• LANYARD, Plastic coated (6")
6	112327	1	BOLT, Self tapping (#8-18 x 1/2")

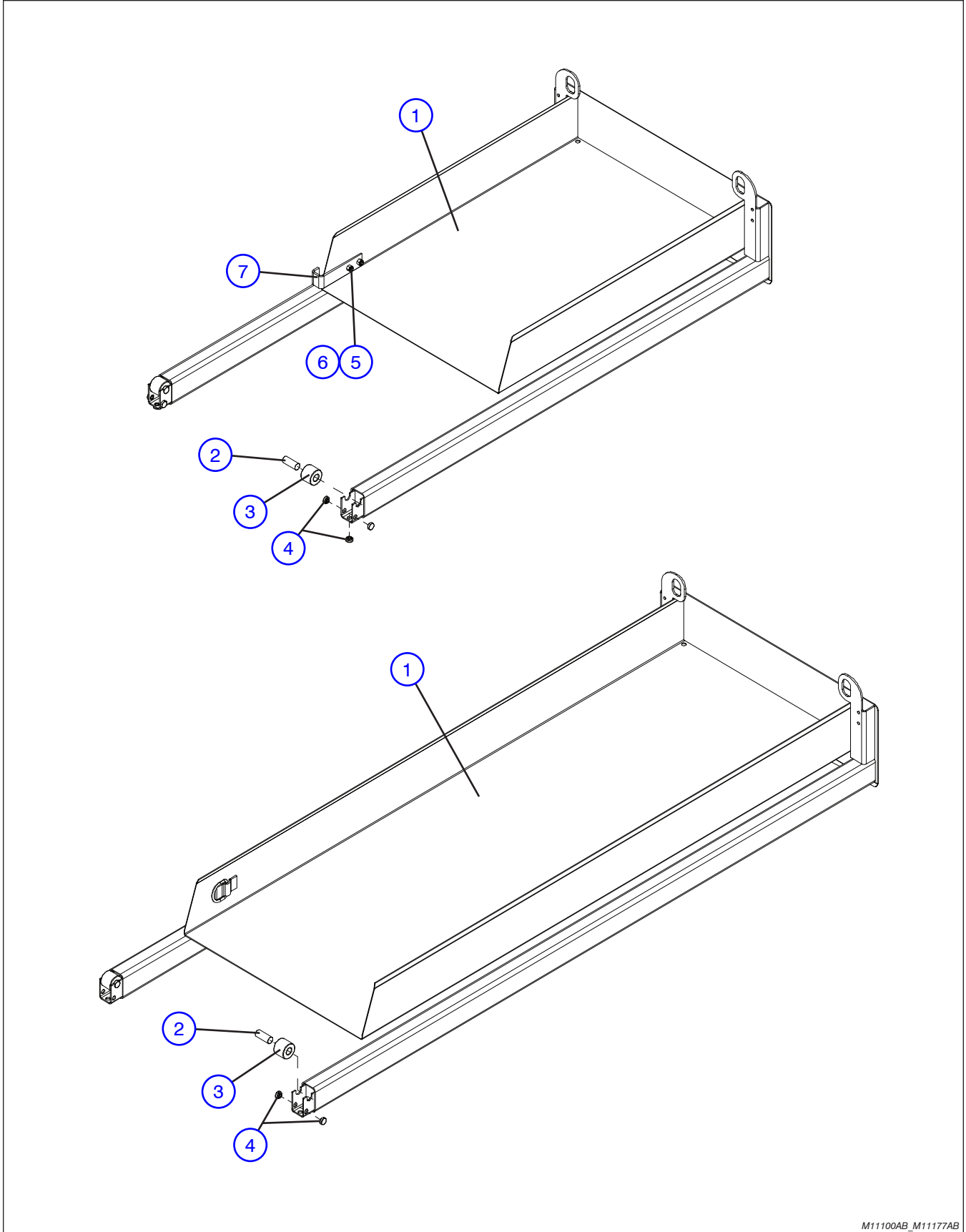
# 1.8 Main Platform Assembly



M11100AB\_M11177AB

Index No.	Skyjack Part No.	Qty.	Description
1	(Ref.)	AR	EXTENSION CYLINDER ASSEMBLY (For components, refer to Section 1.11)
2	125495	1	COVER, Cable guard (Left hand)
3	132042	4	RIVET, Pop (1/4" diameter x 5/8")
4	125494	1	COVER, Cable guard (Right hand)
5	151016	1	WELDMENT, Platform (Manual extension platform) <b>(Model 3220)</b>
	153281	1	WELDMENT, Platform (Powered extension platform) <b>(Model 3220)</b>
	151017	1	WELDMENT, Platform (Manual extension platform) <b>(Model 3226)</b>
	151024	1	WELDMENT, Platform (Manual extension platform) <b>(Models 46xx)</b>
	133977	1	WELDMENT, Platform (Powered extension platform) <b>(Model 4626 ANSI/CSA)</b>
6	125433	4	BUSHING, Slider
7	121874	2	PIN, Cotter (1/4" x 1.5")
8	125422	2	PIN, Rollout
9	125455	2	ROLLER, Wide
10	108773	1	ANGLE, Slider (1.125" x 1.375" x 1/8" x 22") <b>(Models 322x)</b>
11	112327	2	BOLT, Self tapping (#8-18 x 1/2") <b>(Model 3220)</b>
12	112329	2	BOLT, Self tapping (1/4"-14 x 1/2") <b>(Model 3220)</b>
13	125466	2	BUMPER, Platform <b>(Model 3220)</b>
14	134559	2	ANGLE, Slider <b>(Models 46xx)</b>
	112327	4	SCREW, Hex head self tapping (#8-14 x 1/2")
15	104606	2	NUT, Hex nylon lock (3/8"-16, Grade 5)
16	130689	2	BUMPER, Platform <b>(Model 4632)</b>

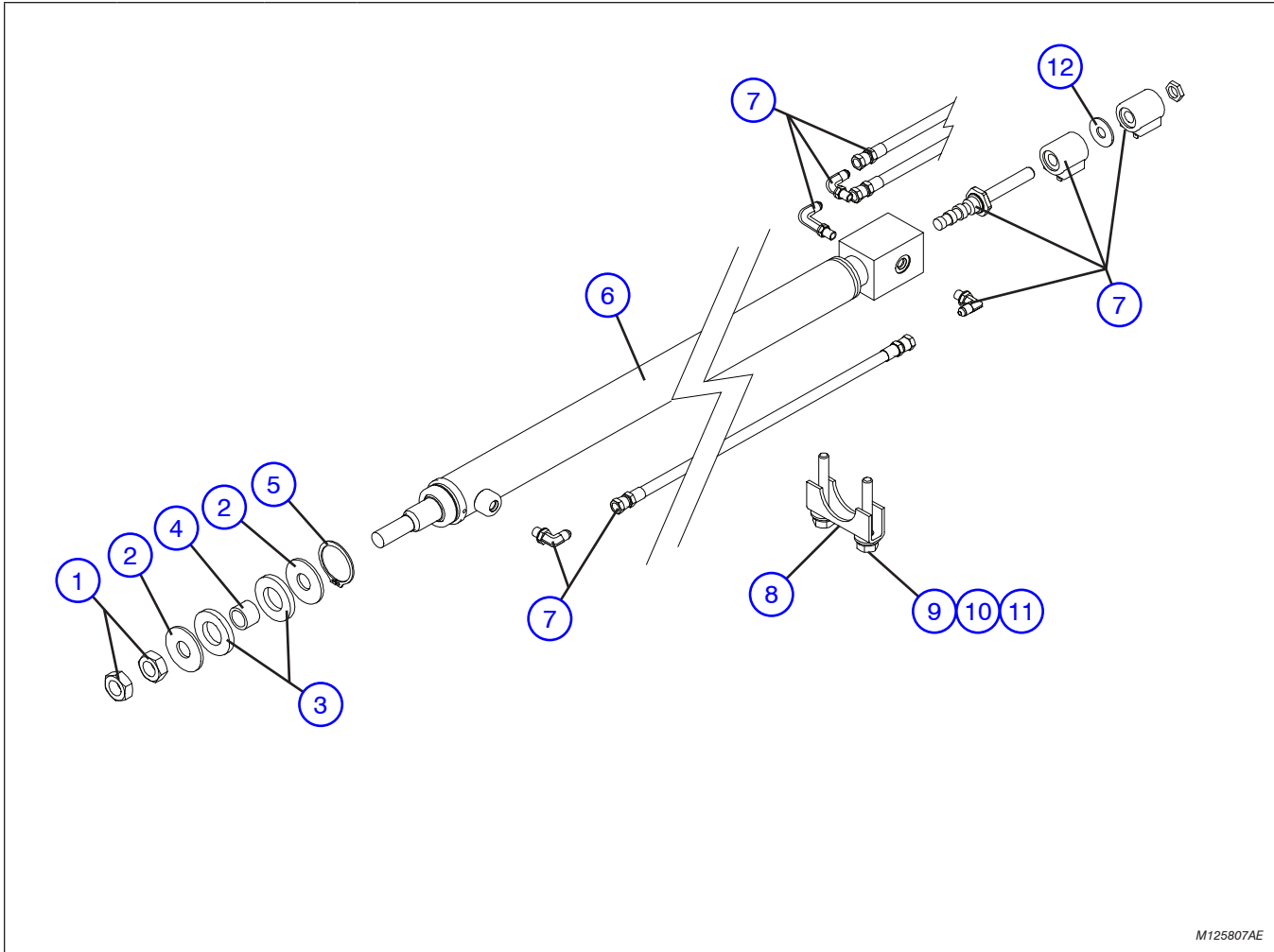
## 1.9 Extension Platform Assembly



M11100AB\_M11177AB

Index No.	Skyjack Part No.	Qty.	Description
<b>A</b>	151019	1	MANUAL EXTENSION PLATFORM ASSEMBLY (3') ( <b>Models 322x</b> )
<b>B</b>	153285	1	POWERED EXTENSION PLATFORM ASSEMBLY (6') ( <b>Model 3220</b> )
<b>C</b>	151026	1	MANUAL EXTENSION PLATFORM ASSEMBLY (4') ( <b>Models 46xx</b> )
<b>D</b>	155868	1	POWERED EXTENSION PLATFORM ASSEMBLY (6') ( <b>Model 4626 ANSI/CSA</b> )
<b>1</b>	151018	1	• WELDMENT, Manual extension platform, <b>A</b>
	151025	1	• WELDMENT, Manual extension platform, <b>C</b>
	153280	1	• WELDMENT, Powered extension platform, <b>B</b>
	155861	1	• WELDMENT, Powered extension platform, <b>D</b>
<b>2</b>	125424	2	• • PIN, Roll out
<b>3</b>	125431	2	• • ROLLER, Narrow
<b>4</b>	125433	6	• BUSHING, Slider
<b>5</b>	300064	2	• BOLT, Button head (5/16"-18 x 3/4"), <b>A, C</b>
<b>6</b>	103984	2	• NUT, Hex lock (5/16"-18, Grade 5), <b>A, C</b>
<b>7</b>	133037	1	• STOP, Extension platform, <b>A, C</b>

## 1.10 Extension Cylinder Mounting Hardware

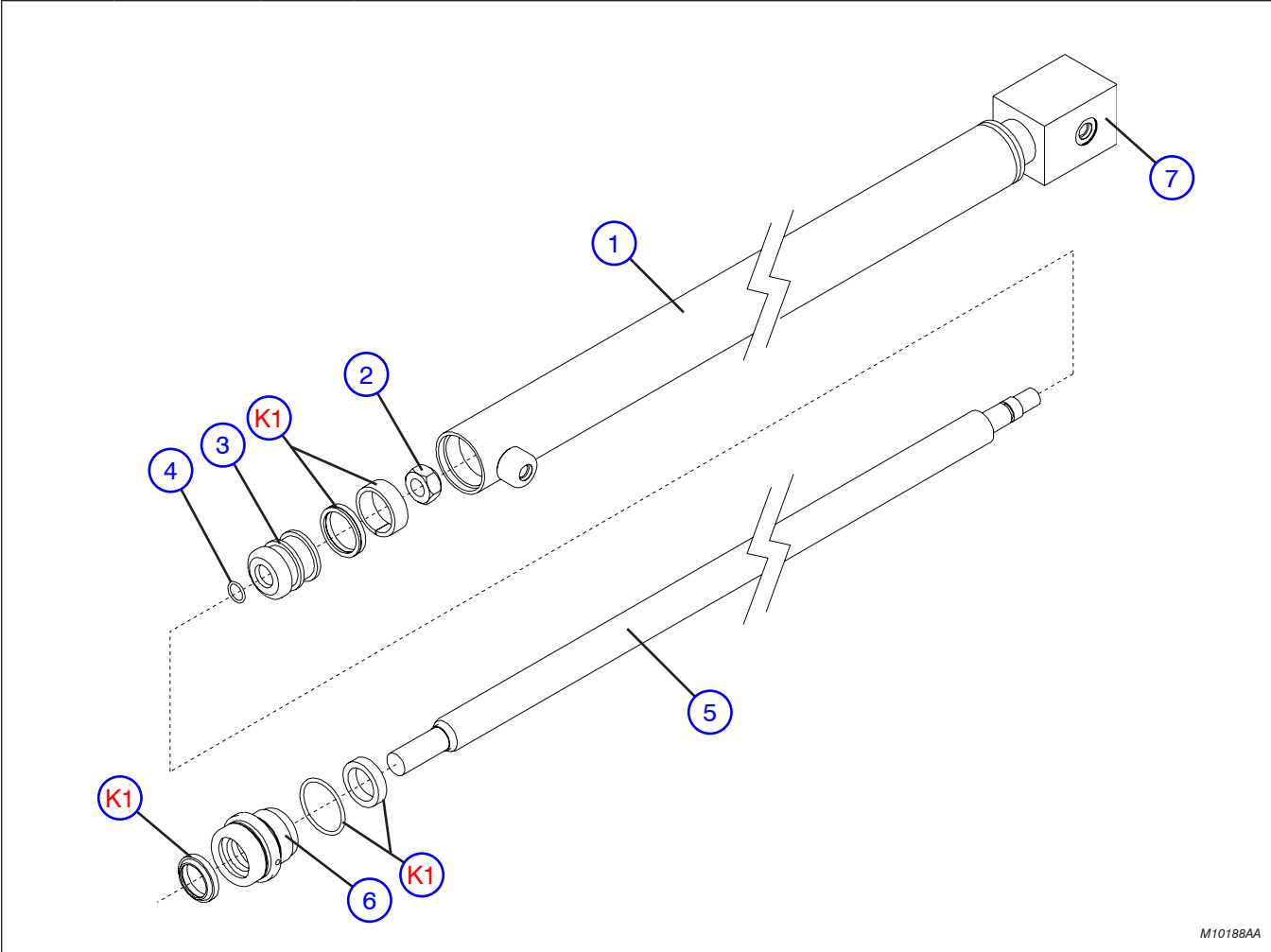


M125807AE

Index No.	Skyjack Part No.	Qty.	Description
1	106450	2	NUT, Hex head jam (3/4"-16, Grade 5)
2	113304	2	WASHER, Flat steel plated (3/4")
3	113305	2	INSULATOR, Hydraulic extension platform noise
4	125664	1	SPACER, Hydraulic extension platform spacer
5	106446	1	RING, Retaining (#N1400-0175)
6	(Ref.)	1	EXTENSION CYLINDER ASSEMBLY (For components, refer to Section 1.11)
7	(Ref)	-	HOSE AND FITTINGS, Hydraulic (For components, refer to Section 1.12)
8	113653	AR	CLAMP, Pipe (1.125")
9	103996	AR	WASHER, Flat (5/16" SAE)
10	103404	AR	WASHER, Lock (5/16")
11	103865	AR	BOLT, Hex head (5/16"-18 x 2", Grade 5)
12	148271	1	SPACER, Coil



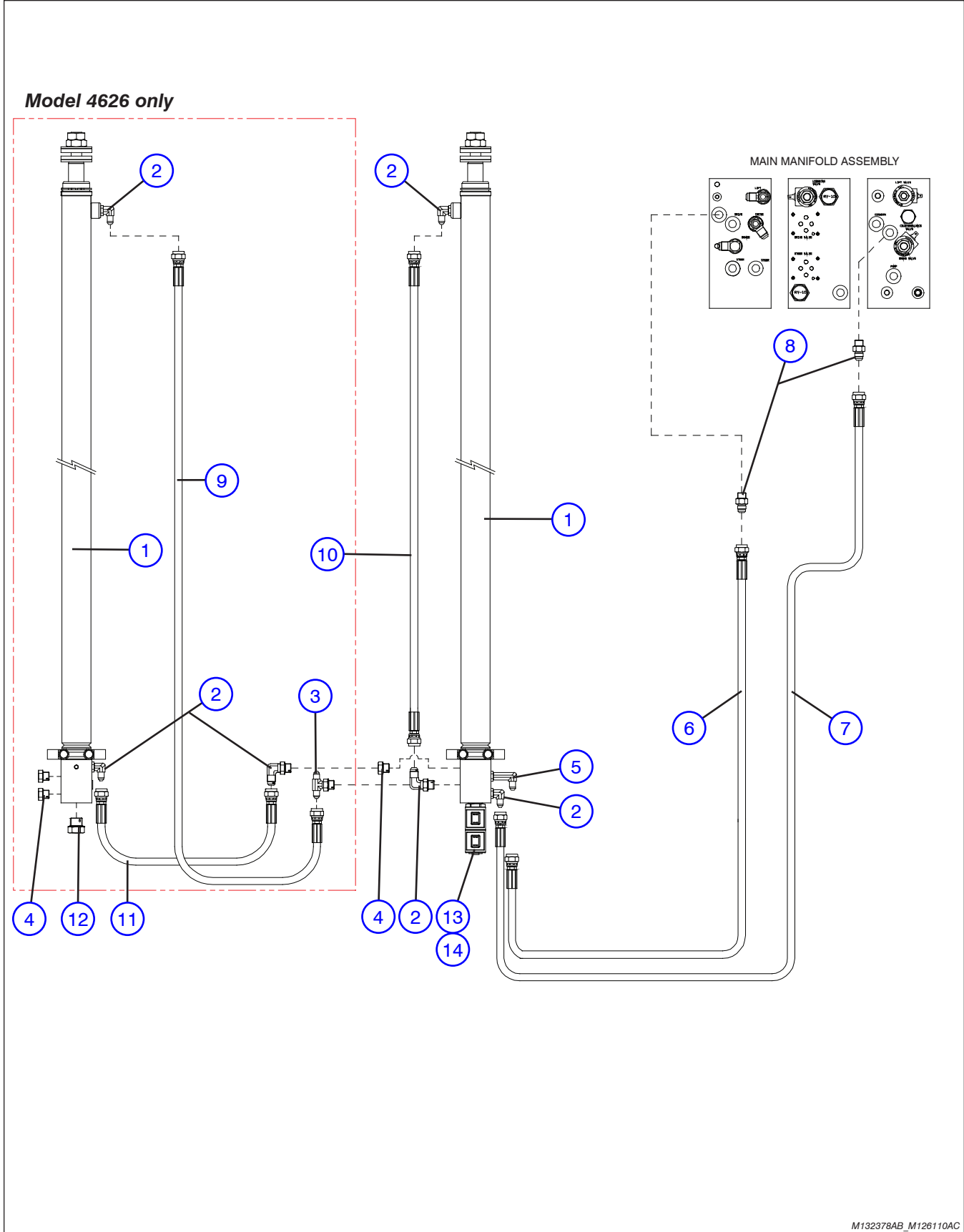
1.11 Extension Cylinder Assembly



M10188AA

Index No.	Skyjack Part No.	Qty.	Description
-	127100	1	EXTENSION CYLINDER ASSEMBLY (6')
1	127099	1	• WELDMENT, Cylinder barrel
2	103830	1	• NUT, Hex head (5/8"-11, Grade C)
3	117942	1	• PISTON
4	110976	1	• SEAL, O-ring
5	127097	1	• ROD
6	125698	1	• GLAND
7	108052	1	• PLUG, Expander (Inside block)
K1	107396	AR	KIT, Seal repair

**1.12 Hose Connections - Powered Extension (Models 3220/4626)**

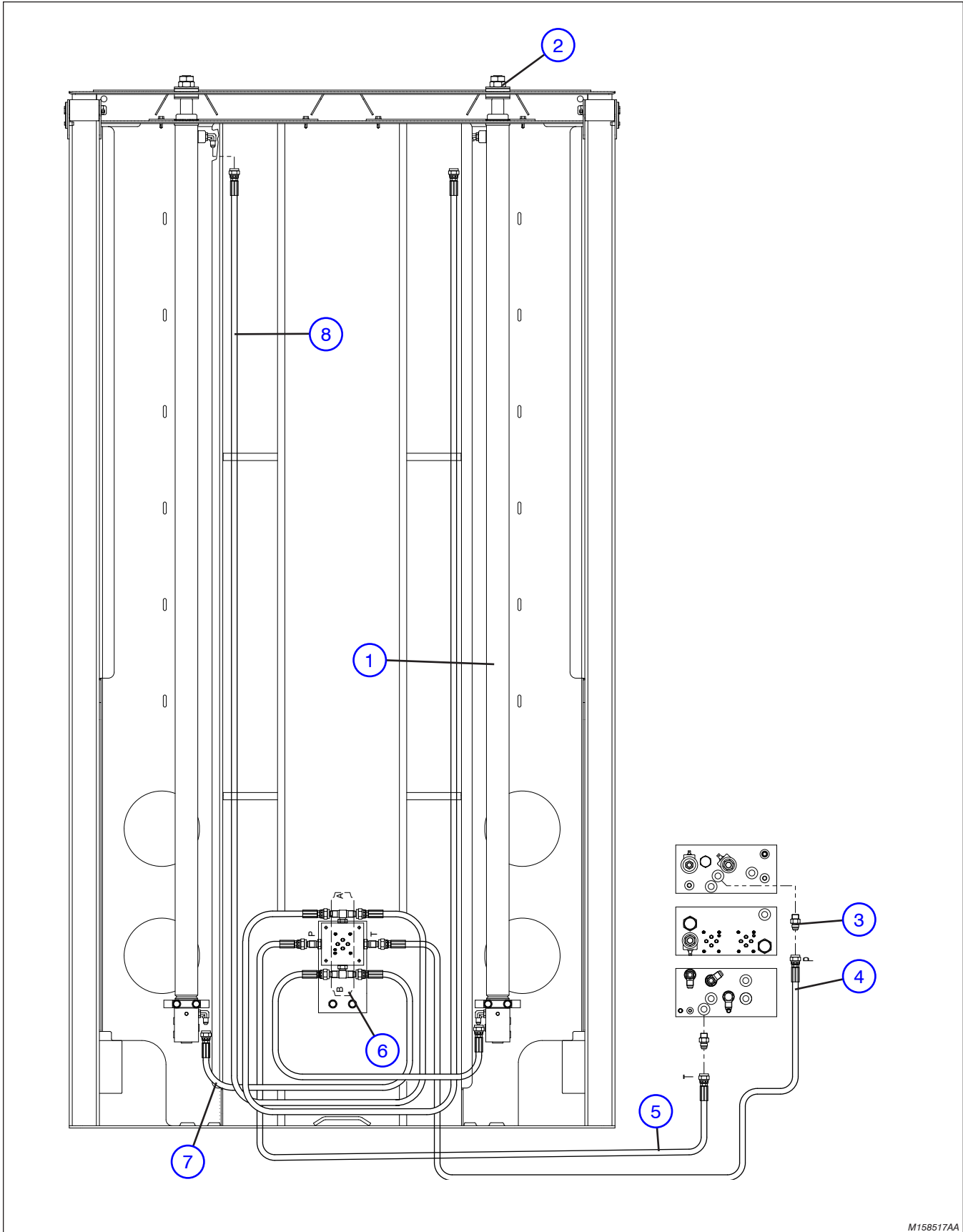


M132378AB\_M126110AC

Index No.	Skyjack Part No.	Qty.	Description
<b>A</b>	-	-	HYDRAULIC HOSE CONNECTION ( <b>Model 3220</b> )
<b>B</b>	-	-	HYDRAULIC HOSE CONNECTION (For model 4626 ANSI/CSA with serial number 70008166 & below)
1	(Ref.)	AR	EXTENSION CYLINDER ASSEMBLY (For components, refer to Section 1.11)
2	125883	AR	FITTING, Elbow 90° (04 JICM - 04 ORBM)
3	132463	1	FITTING, Tee (04MJ04MB04MJ), <b>B</b>
4	108507	AR	PLUG, Hydraulic
5	126366	1	FITTING, Elbow 90° (#4 o-ring - #4 flare)
6	127995	300"	HOSE (1/4" diameter) (Return line), <b>A</b>
	132459	380"	HOSE (1/4" diameter) (Return line), <b>B</b>
7	127994	312"	HOSE (1/4" diameter) (Supply line), <b>A</b>
	132460	392"	HOSE (1/4" diameter) (Supply line), <b>B</b>
8	(Ref.)	-	FITTINGS, Main manifold (For components, refer to Section 4.2)
9	132462	103"	HOSE (1/4" diameter), <b>B</b>
10	125828	72.75"	HOSE (3/16" diameter)
11	132461	31"	HOSE (1/4" diameter), <b>B</b>
12	115320	1	PLUG, Hydraulic, <b>B</b>
13	103605	2	SOLENOID (24V) (If equipped)
14	113953	1	VALVE (If equipped)

1.13 Hose Connections - Powered Extension (Model 4626 ANSI/CSA)

AC

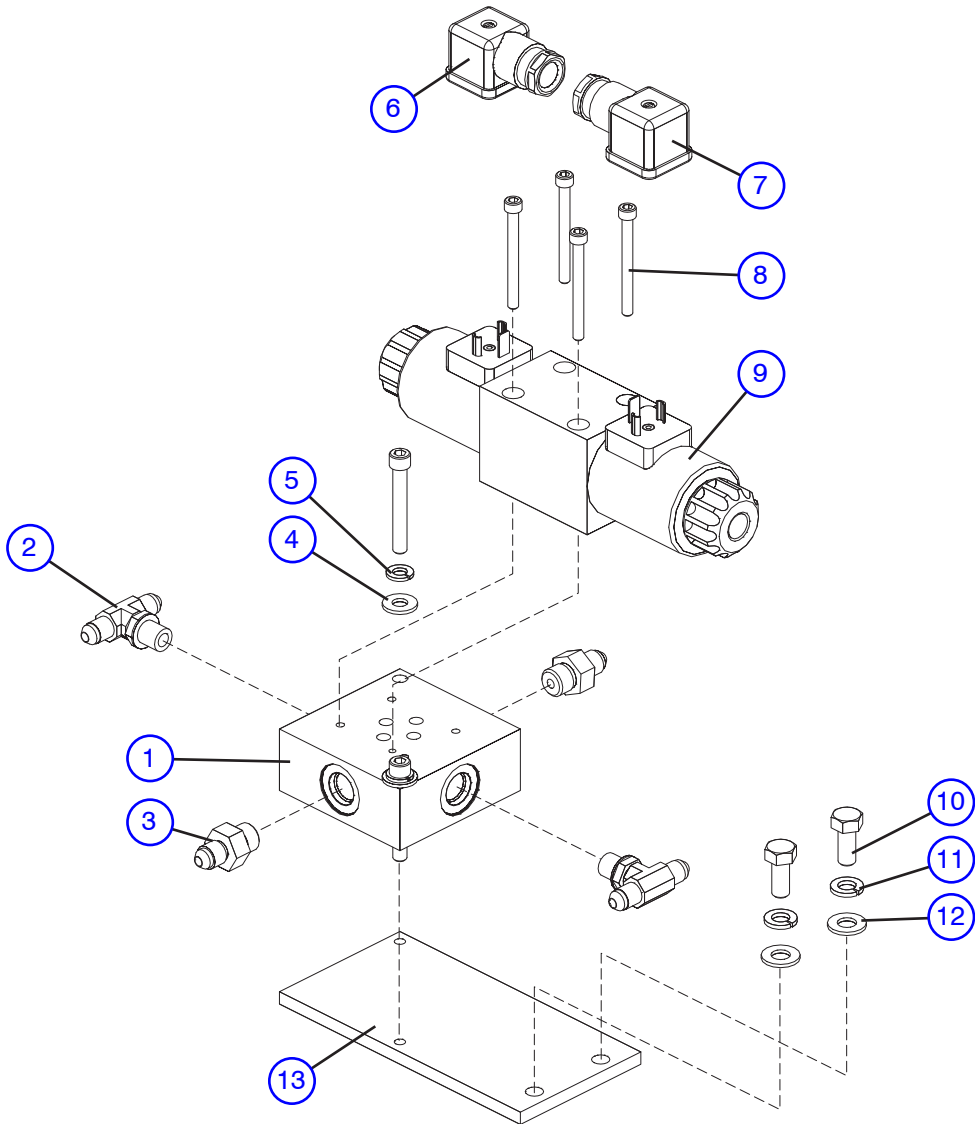


M158517AA

**AC**

**1.13 Hose Connections - Powered Extension (Model 4626 ANSI/CSA)**

Index No.	Skyjack Part No.	Qty.	Description
<b>(For SJ 4626 ANSI/CSA with serial number 70008167 &amp; above)</b>			
1	(Ref.)	2	CYLINDER ASSEMBLY (Powered extension platform) (For components, refer to Section 1.11)
2	(Ref.)	-	HARDWARE, Extension cylinder mounting (For components, refer to Section 1.10)
3	(Ref.)	-	FITTINGS, Main manifold (For components, refer to Section 4.2)
4	132460	1	HOSE ASSEMBLY (Pressure)
5	132459	1	HOSE ASSEMBLY (Tank)
6	(Ref.)	1	POWERED EXTENSION DIRECTIONAL MANIFOLD ASSEMBLY (For components, refer to Section 1.12)
7	132461	2	HOSE ASSEMBLY (Extend)
8	132462	2	HOSE ASSEMBLY (Retract)

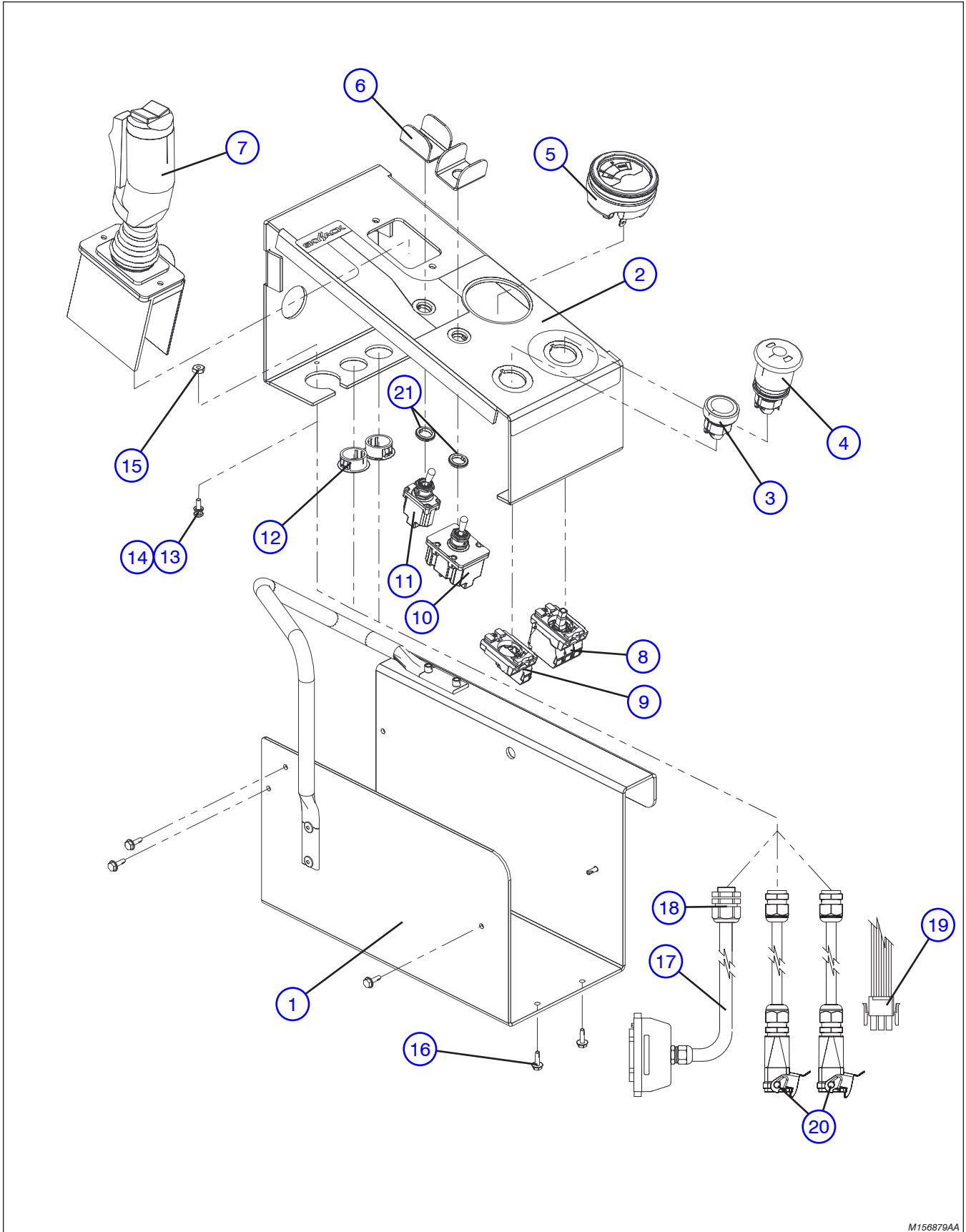


M155909AB1

Index No.	Skyjack Part No.	Qty.	Description
-	158516	-	DIRECTIONAL MANIFOLD ASSEMBLY <b>(For SJ 4626 ANSI/CSA with serial number 70008167 &amp; above)</b>
1	155021	1	• BLOCK, Manifold
2	148490	2	• FITTING, Branch tee (04 JICM - 04 JICM - 06 ORBM)
3	701956	2	• FITTING, Straight (04 JICM - 06 ORBM)
4	103995	2	• WASHER, Flat (1/4")
5	104000	2	• WASHER, Lock (1/4")
6	127316	1	• CONNECTOR, Solenoid (Grey with diode)
7	127315	1	• CONNECTOR, Solenoid (Black with diode)
8	103920	4	• SCREW, Socket head cap (#10-24 x 2")
9	153334	1	• VALVE ASSEMBLY (Directional 24V spool)
	153335	2	• • COIL, 24V (Spool valve)
10	103887	2	• BOLT, Hex head (5/16"-18 x 3/4", Grade 5)
11	103404	2	• WASHER, Lock (1/4")
12	103996	2	• WASHER, Flat (1/4")
13	155025	1	• PLATE, Mounting

1.15 Platform Control Console Assembly

AB

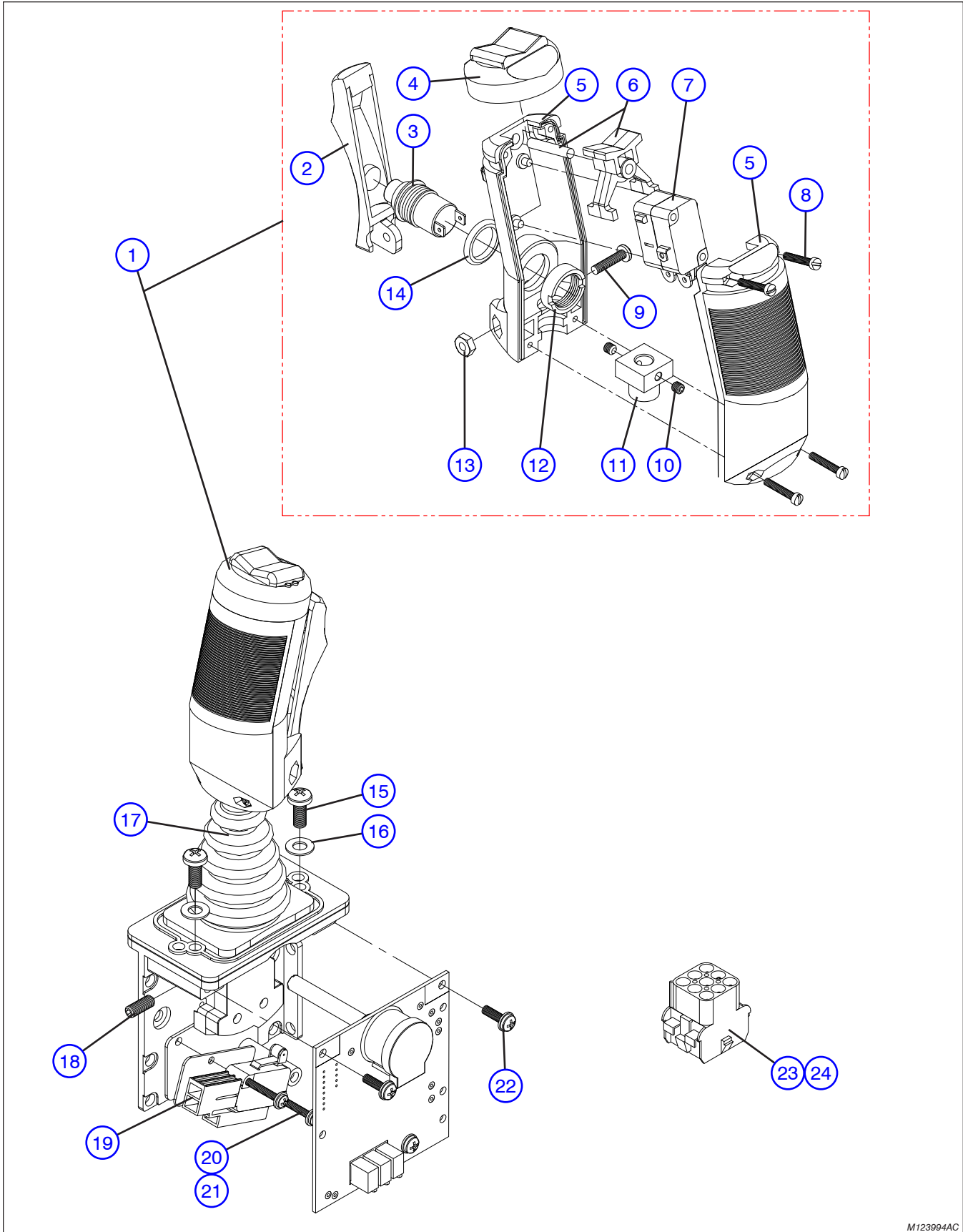


M156879AA



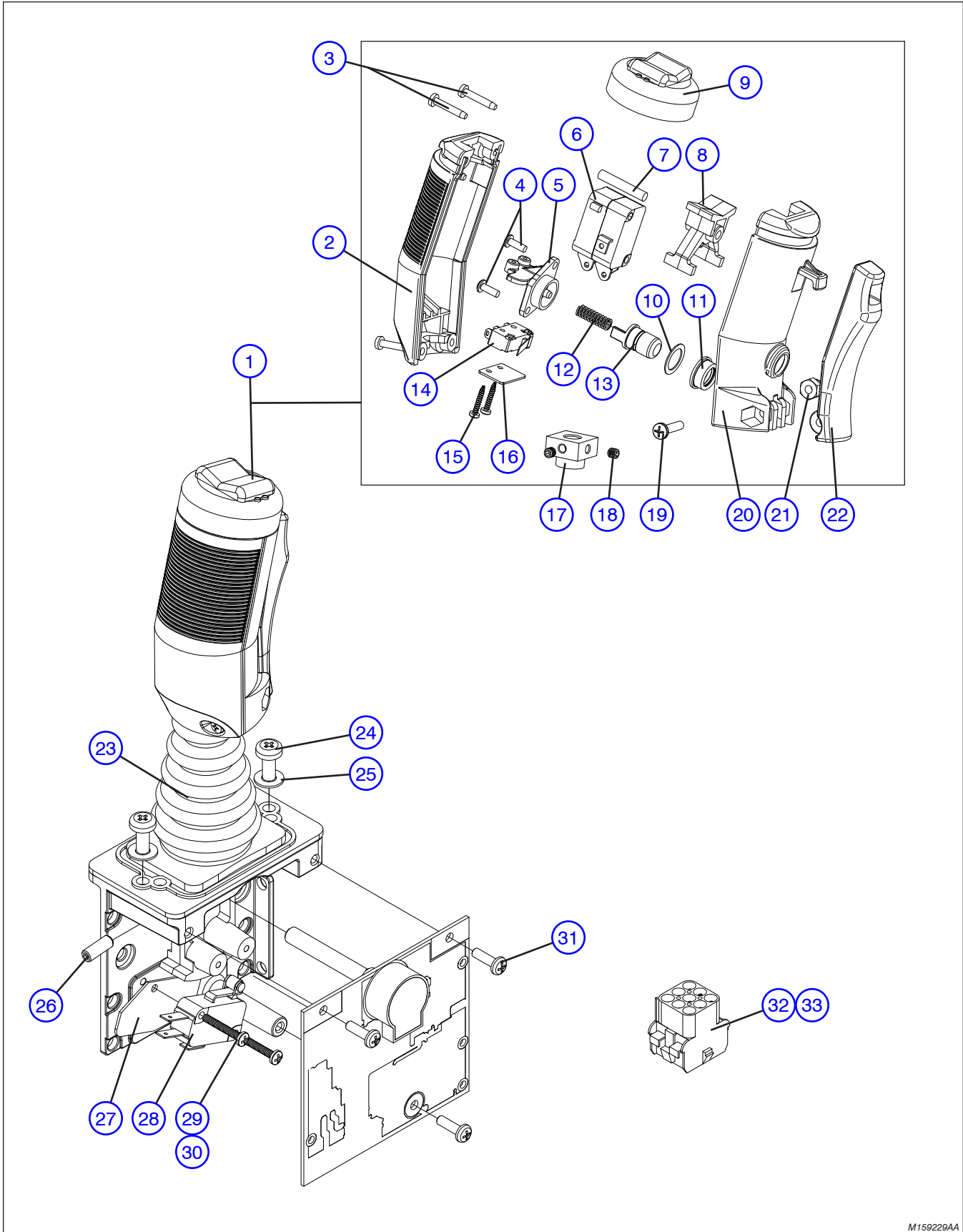
Index No.	Skyjack Part No.	Qty.	Description
<b>A</b>	156879	-	CONTROL CONSOLE ASSEMBLY
<b>B</b>	156953	-	CONTROL CONSOLE ASSEMBLY (with powered extension platform)
1	147373	1	• CONTROL CONSOLE (Bottom)
2	156923	1	• CONTROL CONSOLE (Top)
3	147058	1	• HEAD, Pushbutton (Horn)
4	147051	1	• HEAD, Emergency stop
5	122093	1	• INDICATOR, Battery charge
6	111181	2	• GUARD, Toggle switch
7	(Ref.)	-	• ENABLE CONTROLLER ASSEMBLY (For components, refer to Section 1.16a or Section 1.16b)
8	-	-	• SWITCH ASSEMBLY, Emergency stop
	147056	1	• • LATCH
	147053	2	• • BLOCK, N.C. contact
	147061	1	• • LED BLOCK, 24V (red)
9	-	-	• SWITCH ASSEMBLY, Horn
	147056	1	• • LATCH
	147054	1	• • BLOCK, N.O. contact
10	116382	1	• SWITCH, Toggle (4NT1-1)
11	115574	1	• SWITCH, Toggle (1NT1-2)
12	102956	2	• PLUG (7/8" hole), <b>A</b>
13	103957	1	• SCREW, Round head machine (#8-32 x 1/2")
14	112249	1	• WASHER, Lock (#8)
15	103986	1	• NUT, Hex head (#8-32)
16	112327	9	• SCREW, Hex head self tapping (#8-18 x 1/2")
17	(Ref.)	-	• CONTROL CABLE ASSEMBLY (16 pin) (For components, refer to Section 1.21)
18	300788	1	• STRAIN RELIEF
19	116993	1	• HOUSING, Male connector (9 pin) (to controller harness)
20	(Ref.)	-	CABLE, Powered extension platform (For components, refer to Section 1.17)
21	144016	2	• SEAL, Panel bushing

### 1.16a Enable Controller Assembly



M123994AC

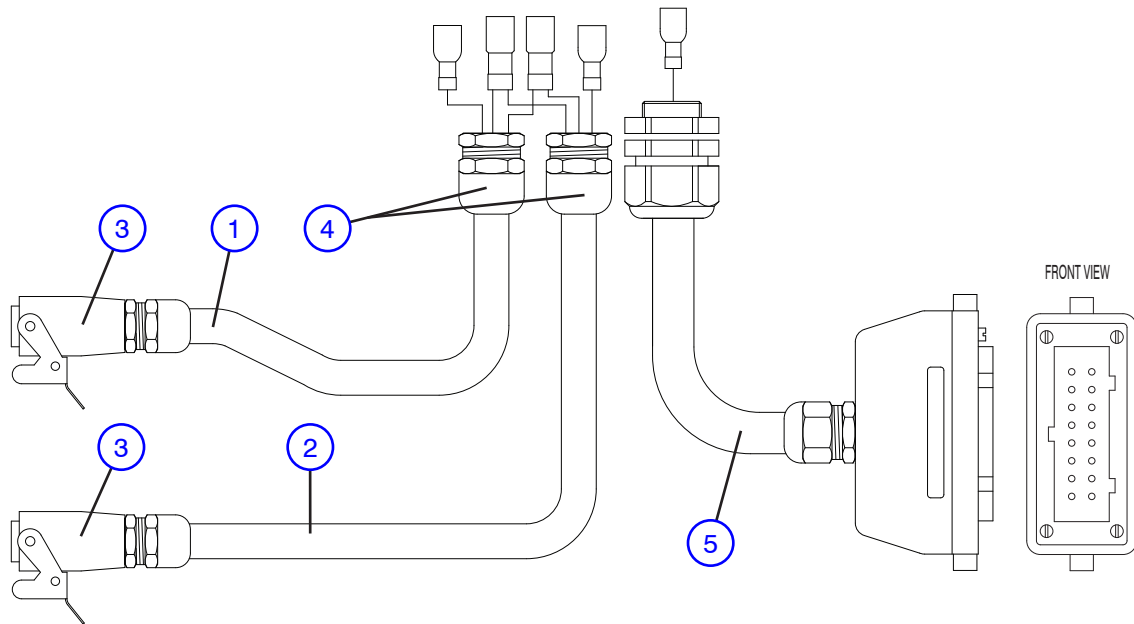
Index No.	Skyjack Part No.	Qty.	Description
-	123994	-	ENABLE CONTROLLER ASSEMBLY (For SJ 3220 with serial number 60002917 & below) (For SJ 3226 with serial number 27009465 & below) (For SJ 46xx with serial number 70010172 & below)
1	122849	1	<ul style="list-style-type: none"> <li>• HANDLE, Assembly</li> </ul>
2	122873	1	<ul style="list-style-type: none"> <li>• • LEVER, Trigger</li> </ul>
3	122872	1	<ul style="list-style-type: none"> <li>• • SWITCH, Enable pushbutton</li> </ul>
4	122874	1	<ul style="list-style-type: none"> <li>• • CAP, Rubber</li> </ul>
5	134112	1	<ul style="list-style-type: none"> <li>• • KIT, Handle</li> </ul>
6	122876	1	<ul style="list-style-type: none"> <li>• • ROCKER ASSEMBLY</li> </ul>
7	122877	2	<ul style="list-style-type: none"> <li>• • MICRO SWITCH ASSEMBLY</li> </ul>
8	122879	4	<ul style="list-style-type: none"> <li>• • SCREW, Controller handle</li> </ul>
9	122959	1	<ul style="list-style-type: none"> <li>• • SCREW, Controller lever</li> </ul>
10	122960	2	<ul style="list-style-type: none"> <li>• • SCREW, Set</li> </ul>
11	122961	1	<ul style="list-style-type: none"> <li>• • COUPLING (8 mm)</li> </ul>
12	122963	1	<ul style="list-style-type: none"> <li>• • NUT, Pushbutton</li> </ul>
13	122964	1	<ul style="list-style-type: none"> <li>• • NUT, Controller lever</li> </ul>
14	122965	1	<ul style="list-style-type: none"> <li>• • FITTING, O-ring</li> </ul>
15	122846	2	<ul style="list-style-type: none"> <li>• SCREW</li> </ul>
16	122847	2	<ul style="list-style-type: none"> <li>• WASHER</li> </ul>
17	127179	1	<ul style="list-style-type: none"> <li>• BOOT &amp; GASKET</li> </ul>
18	147312	1	<ul style="list-style-type: none"> <li>• SETSCREW</li> </ul>
19	122869	1	<ul style="list-style-type: none"> <li>• SWITCH, Micro</li> </ul>
20	147313	2	<ul style="list-style-type: none"> <li>• SCREW, Switch micro</li> </ul>
21	122870	2	<ul style="list-style-type: none"> <li>• WASHER, Switch micro</li> </ul>
22	122867	3	<ul style="list-style-type: none"> <li>• SCREW, Circuit board</li> </ul>
23	122840	1	<ul style="list-style-type: none"> <li>• MALE CONNECTOR ASSEMBLY (9 pin)</li> </ul>
	116993	1	<ul style="list-style-type: none"> <li>• • HOUSING, Male connector (9 pin)</li> </ul>
	116990	9	<ul style="list-style-type: none"> <li>• • PIN, Female wire</li> </ul>
24	122841	1	<ul style="list-style-type: none"> <li>• FEMALE CONNECTOR ASSEMBLY (9 pin)</li> </ul>
	122839	1	<ul style="list-style-type: none"> <li>• • HOUSING, Female connector (9 pin)</li> </ul>
	116989	9	<ul style="list-style-type: none"> <li>• • PIN, Male wire</li> </ul>



M159229AA

Index No.	Skyjack Part No.	Qty.	Description
-	159229	1	ENABLE CONTROLLER ASSEMBLY (For SJ 3220 with serial number 60002918 & above) (For SJ 3226 with serial number 27009466 & above) (For SJ 46xx with serial number 70010173 & above)
1	159055	1	• HANDLE ASSEMBLY
2	159057	1	• • HANDLE, Front half
3	122879	4	• • SCREW, Controller handle
4	159065	2	• • SCREW, Plastite (#4-20 x 5/16")
5	159060	1	• • HOLDER, Micro switch
6	159613	1	• • ROCKER MICRO ASSEMBLY
7	141341	1	• • AXLE, Rocker
8	154717	1	• • ROCKER
9	122874	1	• • CAP, Rubber
10	159063	1	• • WASHER
11	159062	1	• • BOOT, Plunger switch
12	159064	1	• • SPRING
13	159061	1	• • SWITCH, Plunger
14	159067	1	• • SWITCH, Lever micro
15	159066	2	• • SCREW, Plastite (#2-28 x 1/2")
16	159068	1	• • INSULATOR, Micro
17	122961	1	• • COUPLING (8mm)
18	122960	2	• • SCREW, Set
19	154718	1	• • SCREW (#6-32 x 5/8")
20	159058	1	• • HANDLE, Back half
21	122964	1	• • NUT, Controller lever
22	159059	1	• • LEVER, Trigger
23	127179	1	• BOOT & GASKET
24	122846	2	• SCREW
25	122847	2	• WASHER
26	147312	1	• SETSCREW
27	159618	1	• INSULATOR
28	122869	1	• SWITCH, Micro
29	147313	2	• SCREW, Switch micro
30	122870	2	• WASHER
31	122867	3	• SCREW, Circuit board
32	122840	1	• MALE CONNECTOR ASSEMBLY (9 pin)
	116993	1	• • HOUSING, Male connector (9 pin)
	116990	9	• • PIN, Female wire
33	122841	1	• FEMALE CONNECTOR ASSEMBLY (9 pin)
	122839	1	• • HOUSING, Connector Female 9 pin
	116989	9	• • PIN, Male wire

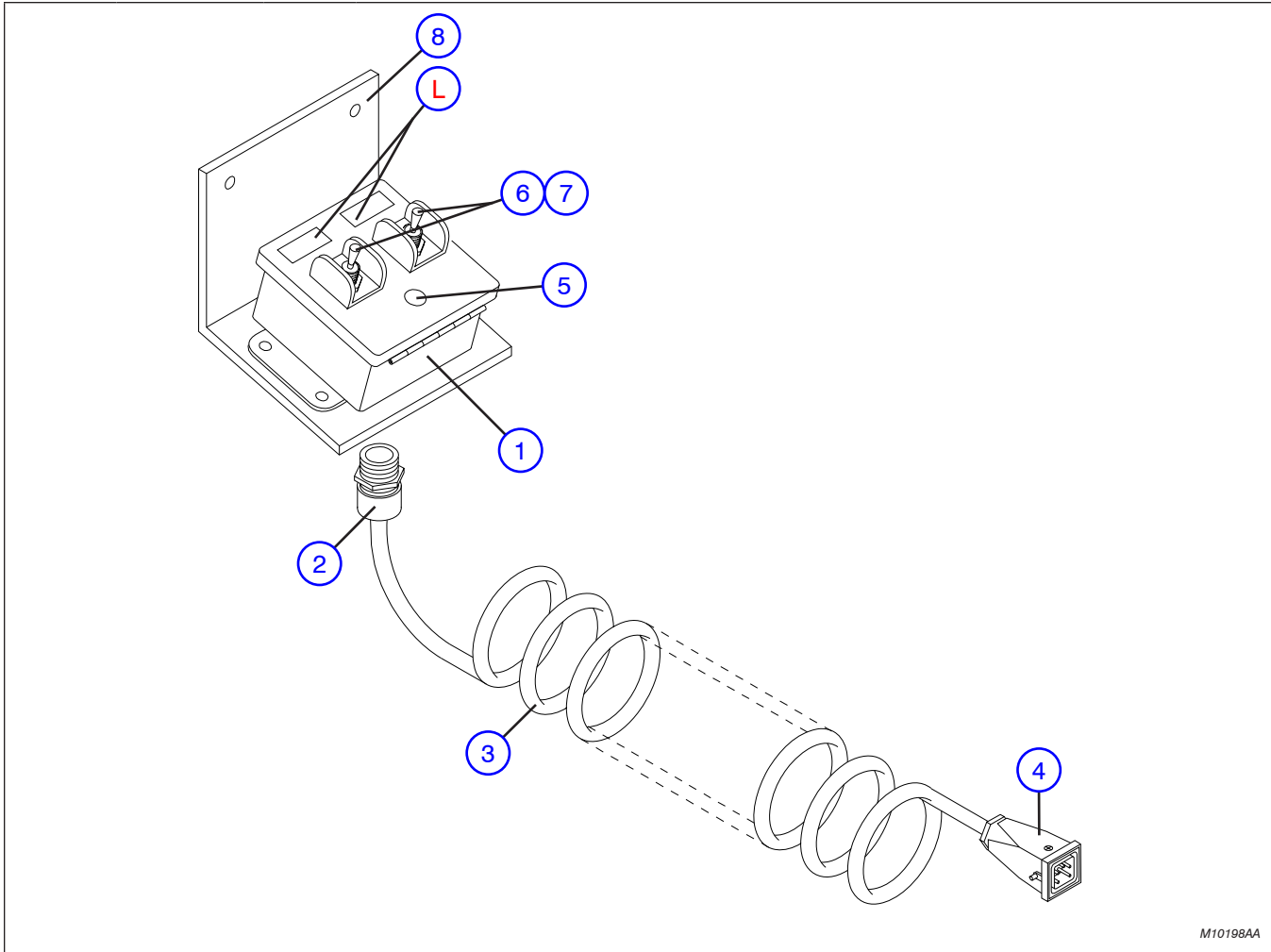
### 1.17 Platform Control Console - Powered Extension Platform Cables



M146620AB\_1

Index No.	Skyjack Part No.	Qty.	Description
1	103257	27"	CABTIRE (18/3)
2	103255	27"	CABTIRE (18/4)
3	107711	2	FEMALE CONNECTOR ASSEMBLY (5 pin)
4	103036	2	STRAIN RELIEF
5	(Ref.)	-	CONTROL CABLE ASSEMBLY (16 pin) (For components, refer to Section 1.21)

1.18 Extension Platform Control Console

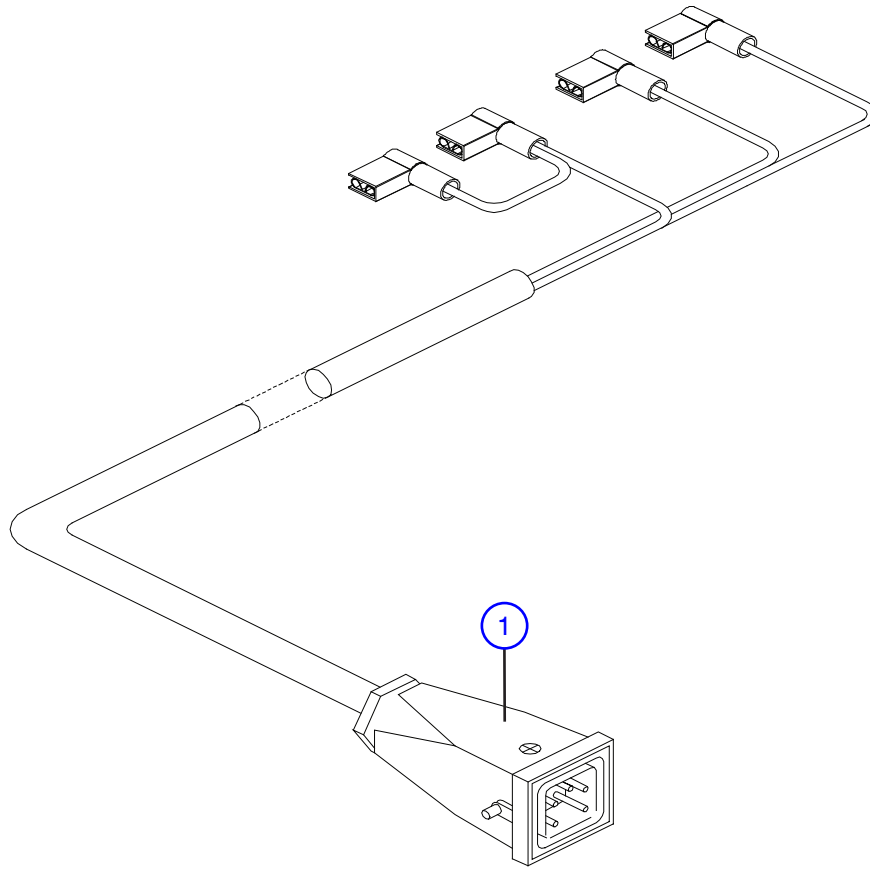


M10198AA

Index No.	Skyjack Part No.	Qty.	Description
-	129781	-	CONTROL CONSOLE ASSEMBLY (Extension platform)
1	115539	1	• BOX, Control
2	103041	1	• STRAIN RELIEF (1/2")
3	106401	1	• CORD (18/3)
4	107712	1	• MALE CONNECTOR ASSEMBLY (5 pin)
	103567	1	• • HOUSING, Male (with strain relief)
	132790	1	• • • HOUSING, Male
	132110	1	• • • STRAIN RELIEF
	103569	1	• • INSERT, Male
5	114377	1	• PLUG, Plastic (1/2")
6	102853	2	• SWITCH, Toggle
7	111181	2	• GUARD, Toggle switch
8	129837	1	PLATE, Control console mounting (Hinged railings)
	117188	1	PLATE, Control console mounting (Rigid railings)
	112467	1	• PLUNGER, Stubby pull-ring
L	(Ref.)	-	LABELS (Refer to Section 8.1)

1.19 Extension Platform Harness

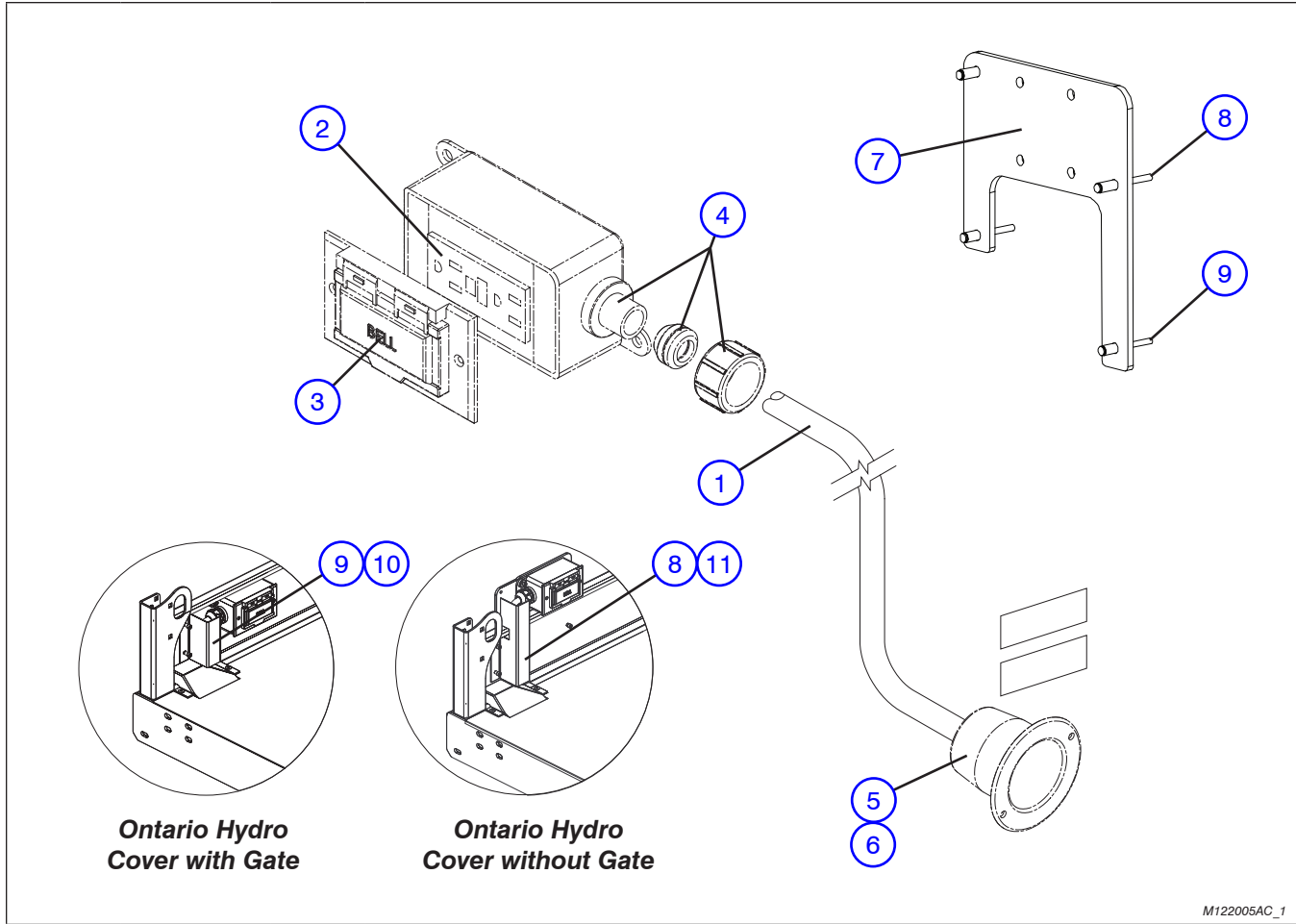
AC



M10208AB\_1

Index No.	Skyjack Part No.	Qty.	Description
A	126109	-	HARNESS, Extension platform (Model 3220 ANSI/CSA)
B	114829	-	HARNESS, Extension platform (Model 4626 ANSI/CSA)
1	107712	1	<ul style="list-style-type: none"> <li>CONNECTOR, Male (5 pin)</li> </ul>

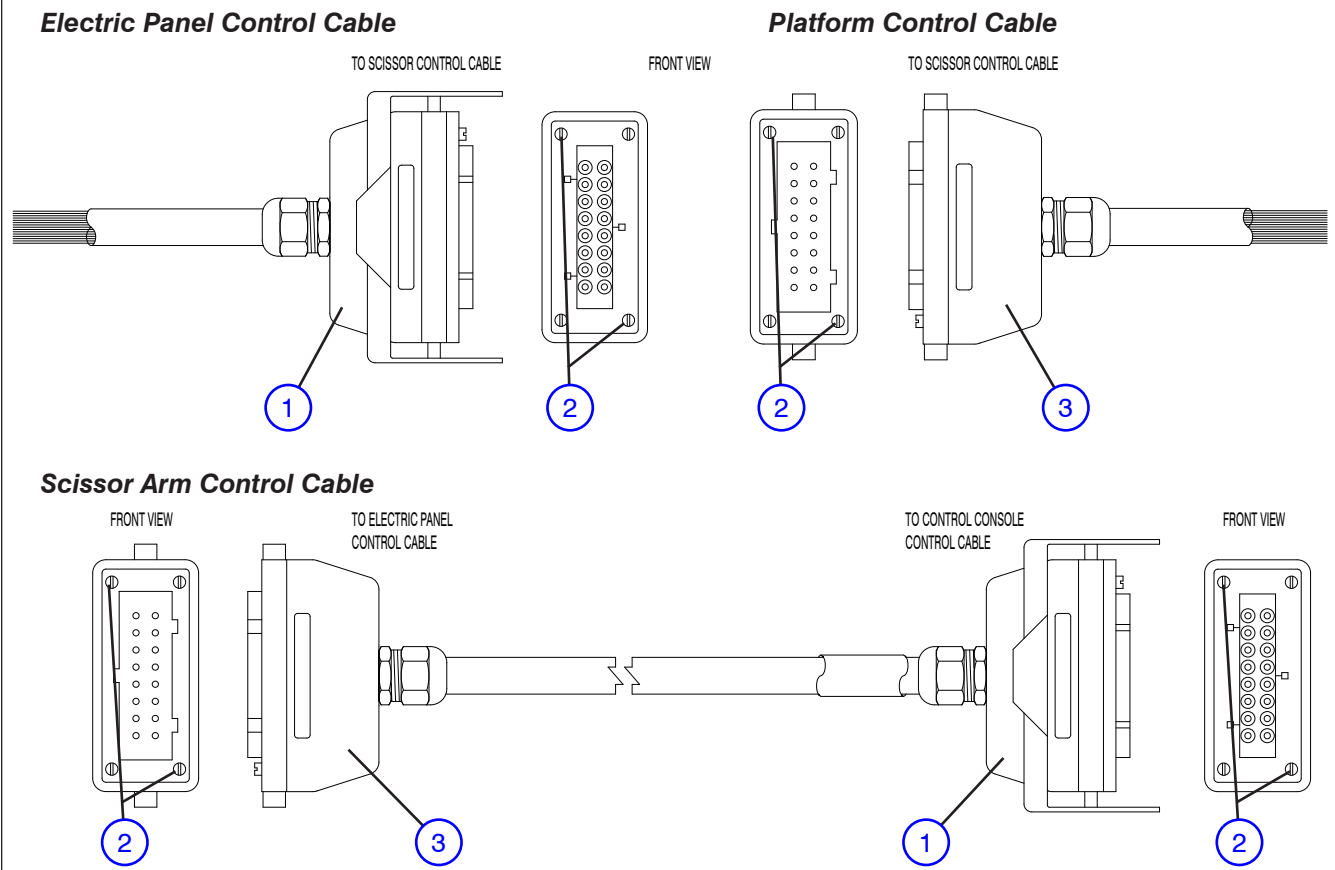




M122005AC\_1

Index No.	Skyjack Part No.	Qty.	Description
1	105269	342" 420" 516"	CORD (14/3) <b>(Model 3220 ANSI/CSA)</b> CORD (14/3) <b>(Models xx26 ANSI/CSA)</b> CORD (14/3) <b>(Model 4632 ANSI/CSA)</b>
	117542	408" 492" 588"	CORD (14/3) <b>(Model 3220 KC)</b> CORD (14/3) <b>(Models xx26 KC)</b> CORD (14/3) <b>(Model 4632 KC)</b>
2	109698	1	RECEPTACLE, GFI (125V)
	112327	4	BOLT, Self tapping (#8-18 x 1/2")
3	109699	1	PLATE, Weatherproof cover
	114678	2	SCREW, Machine (#6-32 x 1/2")
4	136328	1	BOX, Outlet (with strain relief)
5	105271	1	PLUG, 3-Prong recessed
	119913	2	RIVET, Pop (5/32")
6	113227	1	SEAL, 110V Seal tite cover
7	132007	1	PLATE, Outlet Box Support (If equipped) <b>(Models 322x)</b>
8	134140	2	RIVET, Pop (1/4" diameter x 0.740")
9	139641	2	RIVET, Pop (1/4" diameter x 0.615")
10	156636	1	COVER, Ontario Hydro 110 (with gate) <b>(ANSI/CSA)</b>
11	156634	1	COVER, Ontario Hydro 110 (without gate) <b>(ANSI/CSA)</b>

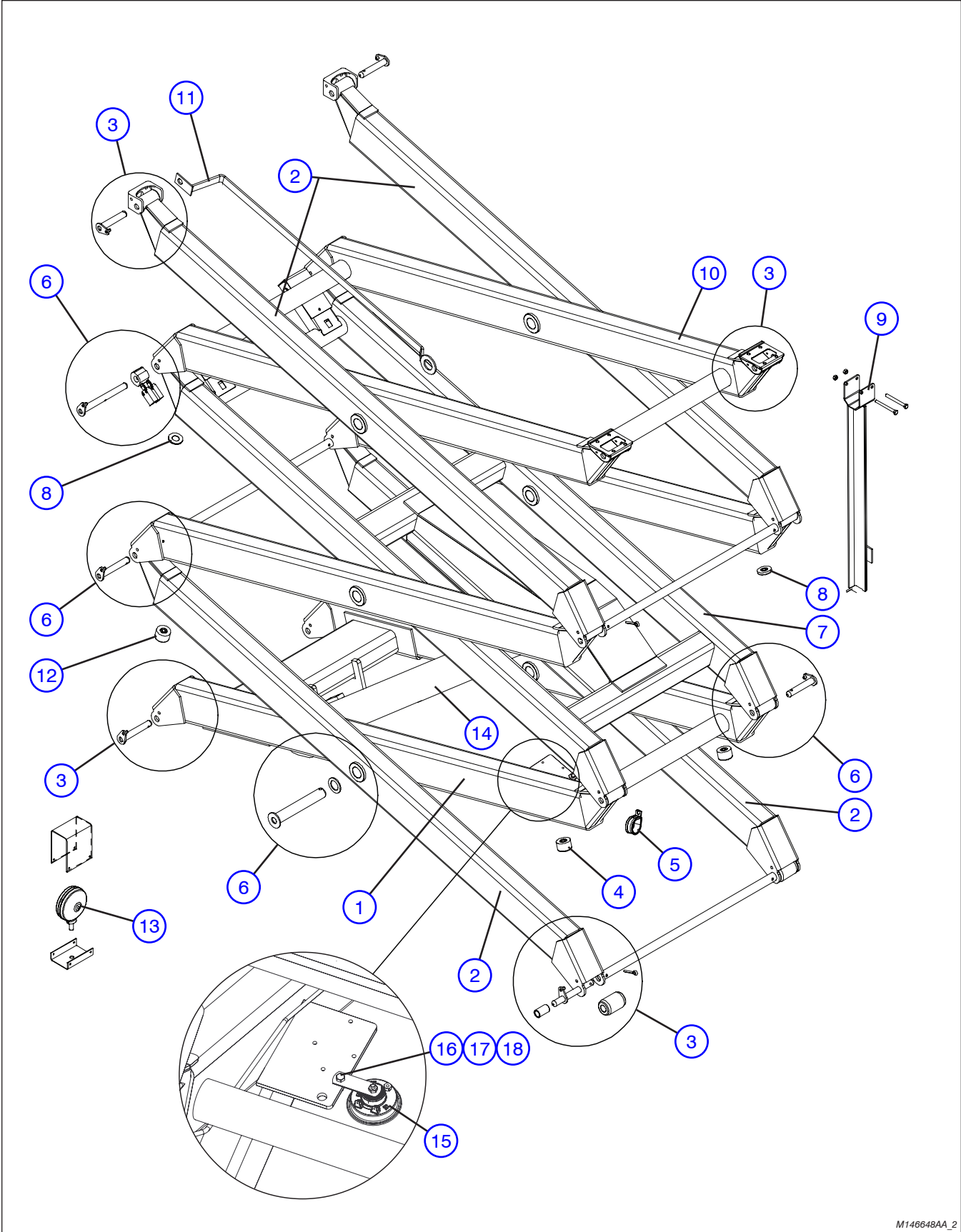
## **Notes**



M146601AA2

Index No.	Skyjack Part No.	Qty.	Description
<b>A</b>	156893	-	PLATFORM CONTROL CABLE ASSEMBLY
<b>B</b>	146650	-	SCISSOR ARM CONTROL CABLE ASSEMBLY (Model xx20)
<b>C</b>	146599	-	SCISSOR ARM CONTROL CABLE ASSEMBLY (Model xx26)
<b>D</b>	146600	-	SCISSOR ARM CONTROL CABLE ASSEMBLY (Model xx32)
<b>E</b>	146585	-	ELECTRIC PANEL CONTROL CABLE ASSEMBLY (Non-EE Rated)
	159307	-	ELECTRIC PANEL CONTROL CABLE ASSEMBLY (EE Rated)
<b>1</b>	107821	1	CONNECTOR, Female (16 pin)
	103565	1	• HOUSING, Female
	103573	1	• INSERT, Female
<b>2</b>	119727	2	PIN, Code, <b>A, E</b>
		4	PIN, Code, <b>B, C, D</b>
<b>3</b>	107820	1	CONNECTOR, Male (16 pin)
	103564	1	• HOUSING, Male
	103574	1	• INSERT, Male

**2.1 Scissor Stack Assembly (Model 3220)**

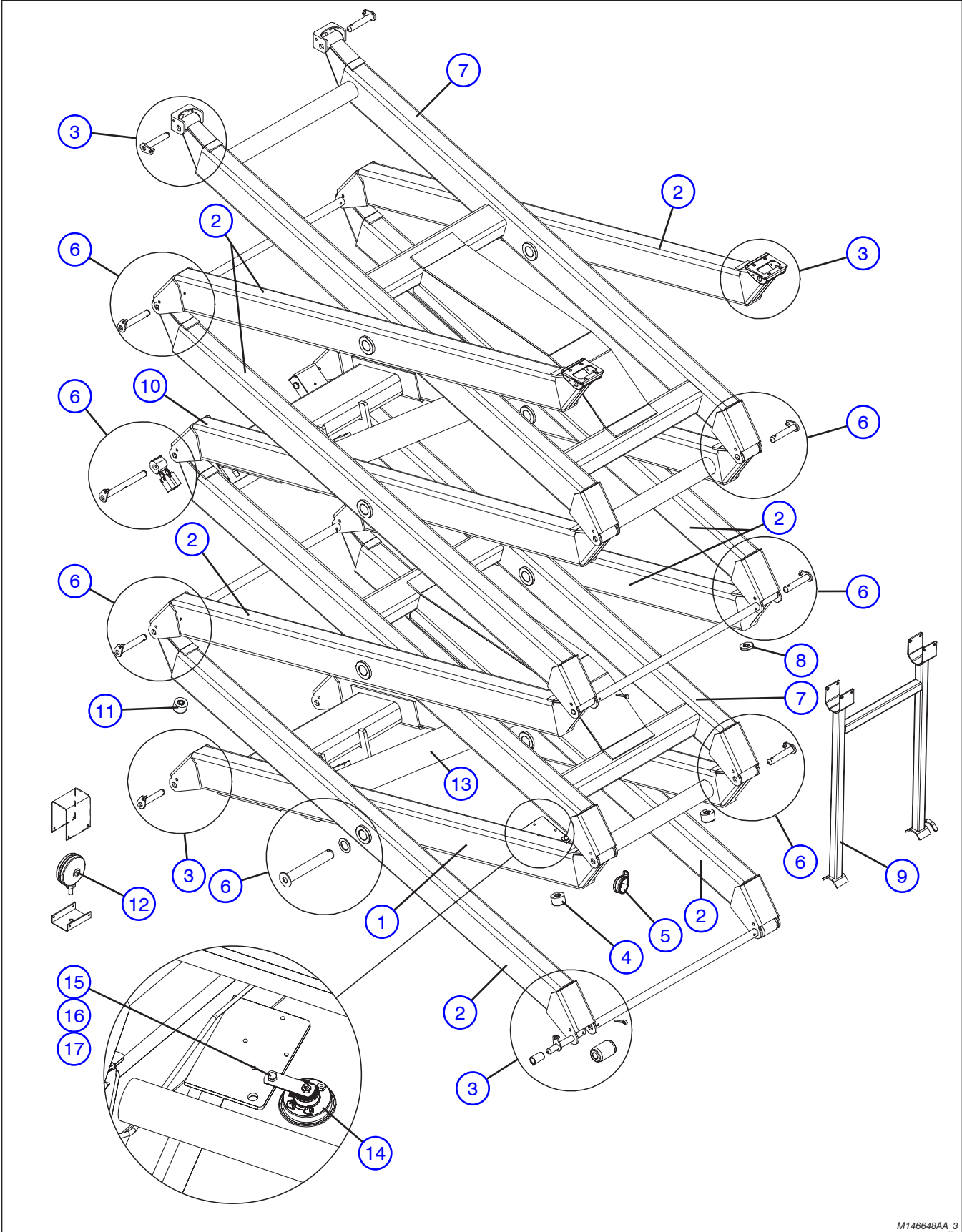


M146648AA\_2

Index No.	Skyjack Part No.	Qty.	Description
<b>A</b>	-	-	SCISSOR STACK ASSEMBLY <b>(Model 3220 ANSI/CSA)</b>
	125997	-	(without powered extension platform)
	132580	-	(with powered extension platform)
<b>B</b>	-	-	SCISSOR STACK ASSEMBLY <b>(Model 3220 KC)</b>
	126687	-	(without powered extension platform)
	158202	-	(with powered extension platform)
1	126329	1	SCISSOR LEVEL, Inside cylinder bottom
2	125902	6	SCISSOR ARMS, Outside
3	(Ref.)	-	SCISSOR STACK MOUNTING ASSEMBLY (For components, refer to Section 2.4)
4	130841	2	SCISSOR FIRST LEVEL BUMPER ASSEMBLY (Front)
	130840	1	• BUMPER, Scissor bottom
	123713	1	• BOLT, Hex head (M12-1.25 x 16mm)
	600426	1	• WASHER, Flat (M12)
5	103078	AR	CLIP, Double (G10)
	122501	AR	• SCREW, Hex head machine (3/8"-16 x 5/8")
6	(Ref.)	-	HARDWARE, Scissor arm assembly connecting (For components, refer to Section 2.5)
7	120731	1	SCISSOR LEVEL, Inside cylinder top
8	121860	AR	BUMPER, Scissor arm
9	123344	1	WELDMENT, Safety bar
	103984	AR	• NUT, Hex lock (5/16"-18, Grade 5)
	122006	AR	• BOLT, Hex head (5/16"-18 x 3.25", Grade 5)
	123354	1	SCISSOR LEVEL, Inside
11	121907	AR	WELDMENT, Cable carrier
12	130889	2	SCISSOR FIRST LEVEL BUMPER ASSEMBLY (Rear)
	130840	1	• BUMPER, Scissor bottom
	123713	1	• BOLT, Hex head (M12-1.25 x 16mm)
	131953	1	• WASHER, Flat (7/8")
	(Ref.)	-	FLASHING LIGHT ASSEMBLY (For components, refer to Section 7.5)
14	(Ref.)	-	LIFT CYLINDER (For components, refer to Section 2.7)
15	146649	1	HORN, Low tone (24V)
16	103857	1	BOLT, Hex head (1/4"-20 x 1", Grade 5)
17	103995	1	WASHER, Flat (1/4")
18	115649	1	NUT, Hex nylon lock (1/4"-20, Grade 5)



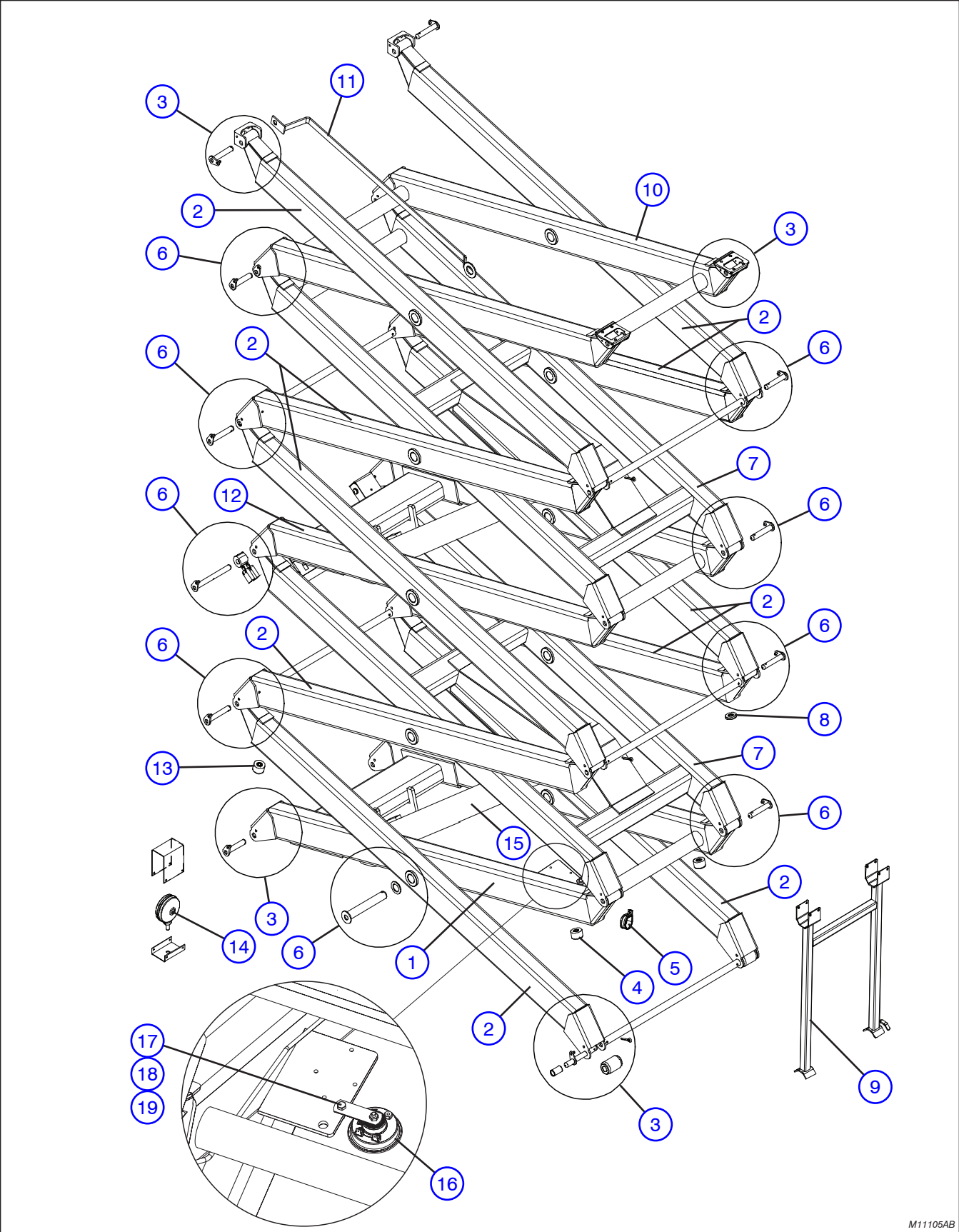
**2.2 Scissor Stack Assembly (Model 3226/4626)**



M146648AA\_3

Index No.	Skyjack Part No.	Qty.	Description
<b>A</b>	125965	-	SCISSOR STACK ASSEMBLY (Model 3226 ANSI/CSA)
<b>B</b>	134348	-	SCISSOR STACK ASSEMBLY (Model 4626 ANSI/CSA)
<b>C</b>	128842	-	SCISSOR STACK ASSEMBLY (Model 3226 KC)
<b>D</b>	158089	-	SCISSOR STACK ASSEMBLY (Model 4626 KC)
1	126329	1	SCISSOR LEVEL, Inside cylinder bottom, <b>A, C</b>
	130254	1	SCISSOR LEVEL, Inside cylinder bottom, <b>B, D</b>
2	125902	8	SCISSOR ARMS, Outside
3	(Ref.)	-	SCISSOR STACK MOUNTING ASSEMBLY (For components, refer to Section 2.4)
4	130841	2	SCISSOR FIRST LEVEL BUMPER ASSEMBLY (Front)
	130840	1	• BUMPER, Scissor bottom
	123713	1	• BOLT, Hex head (M12-1.25 x 16mm)
	600426	1	• WASHER, Flat (M12)
5	103078	AR	CLIP, Double (G10)
	122501	AR	• SCREW, Hex head machine (3/8"-16 x 5/8")
6	(Ref.)	-	HARDWARE, Scissor arm assembly connecting (For components, refer to Section 2.5)
7	120731	2	SCISSOR LEVEL, Inside cylinder top, <b>A, C</b>
	120657	2	SCISSOR LEVEL, Inside cylinder top, <b>B, D</b>
8	121860	AR	BUMPER, Scissor arm
9	123344	1	WELDMENT, Safety bar, <b>A</b>
	123324	1	WELDMENT, Safety bar, <b>B</b>
	103984	AR	• NUT, Hex lock (5/16"-18, Grade 5)
	122006	AR	• BOLT, Hex head (5/16"-18 x 3.25", Grade 5)
10	123352	1	SCISSOR LEVEL, Inside cylinder bottom, <b>A, C</b>
	130829	1	SCISSOR LEVEL, Inside cylinder bottom, <b>B, D</b>
11	130889	2	SCISSOR FIRST LEVEL BUMPER ASSEMBLY (Rear)
	130840	1	• BUMPER, Scissor bottom
	123713	1	• BOLT, Hex head (M12-1.25 x 16mm)
	131953	1	• WASHER, Flat (7/8")
12	(Ref.)	-	FLASHING AMBER LIGHT ASSEMBLY (For components, refer to Section 7.5)
13	(Ref.)	-	LIFT CYLINDER (For components, refer to Section 2.7)
14	146649	1	HORN, Low tone (24V)
15	103857	1	BOLT, Hex head (1/4"-20 x 1", Grade 5)
16	103995	1	WASHER, Flat (1/4")
17	115649	1	NUT, Hex nylon lock (1/4"-20, Grade 5)

**2.3 Scissor Stack Assembly (Model 4632)**



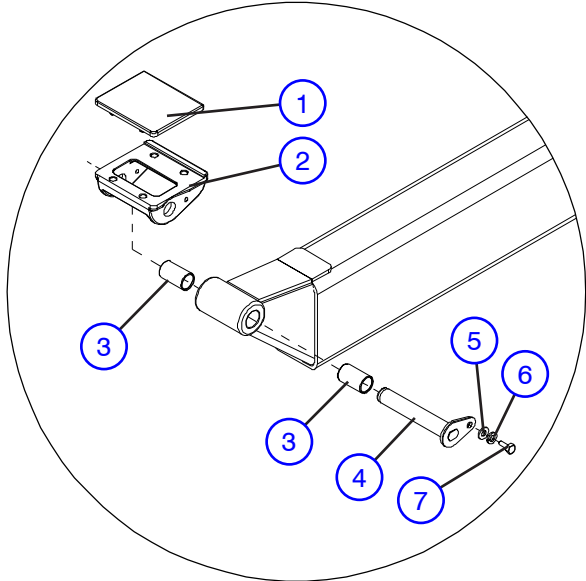
M11105AB



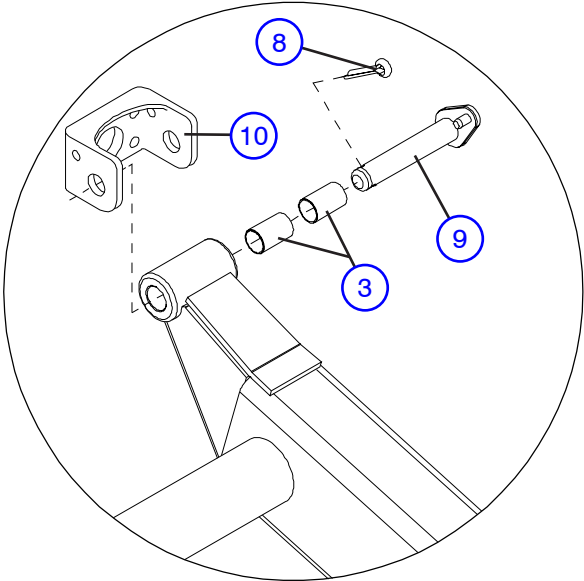
Index No.	Skyjack Part No.	Qty.	Description
<b>A</b>	134799	-	SCISSOR STACK ASSEMBLY (Model 4632 ANSI/CSA)
<b>B</b>	158090	-	SCISSOR STACK ASSEMBLY (Model 4632 KC)
1	130254	1	SCISSOR LEVEL, Inside cylinder bottom
2	125902	10	SCISSOR ARMS, Outside
3	(Ref.)	-	SCISSOR STACK MOUNTING ASSEMBLY (For components, refer to Section 2.4)
4	130841	2	SCISSOR FIRST LEVEL BUMPER ASSEMBLY (Front)
	130840	1	• BUMPER, Scissor bottom
	123713	1	• BOLT, Hex head (M12-1.25 x 16mm)
	600426	1	• WASHER, Flat (M12)
5	103078	AR	CLIP, Double (G10)
	122501	AR	• SCREW, Hex head machine (3/8"-16 x 5/8")
6	(Ref.)	-	HARDWARE, Scissor arm assembly connecting (For components, refer to Section 2.5)
7	120657	2	SCISSOR LEVEL, Inside cylinder top
8	121860	AR	BUMPER, Scissor arm
9	123324	1	WELDMENT, Safety bar
	103984	4	• NUT, Hex lock (5/16"-18, Grade B)
	122006	4	• BOLT, Hex head (5/16"-18 x 3.25", Grade 5)
10	132610	1	SCISSOR LEVEL, Upper inside
11	134749	1	WELDMENT, Cable carrier
12	130829	1	SCISSOR LEVEL, Inside cylinder bottom
13	130889	2	SCISSOR FIRST LEVEL BUMPER ASSEMBLY (Rear)
	130840	1	• BUMPER, Scissor bottom
	123713	1	• BOLT, Hex head (M12-1.25 x 16mm)
	131953	1	• WASHER, Flat (7/8")
14	(Ref.)	-	FLASHING AMBER LIGHT ASSEMBLY (For components, refer to Section 7.5)
15	(Ref.)	-	LIFT CYLINDER (For components, refer to Section 2.7)
16	146649	1	HORN, Low tone (24V)
17	103857	1	BOLT, Hex head (1/4"-20 x 1", Grade 5)
18	103995	1	WASHER, Flat (1/4")
19	115649	1	NUT, Hex nylon lock (1/4"-20, Grade 5)

**2.4 Scissor Stack Assembly - Mounting Hardware**

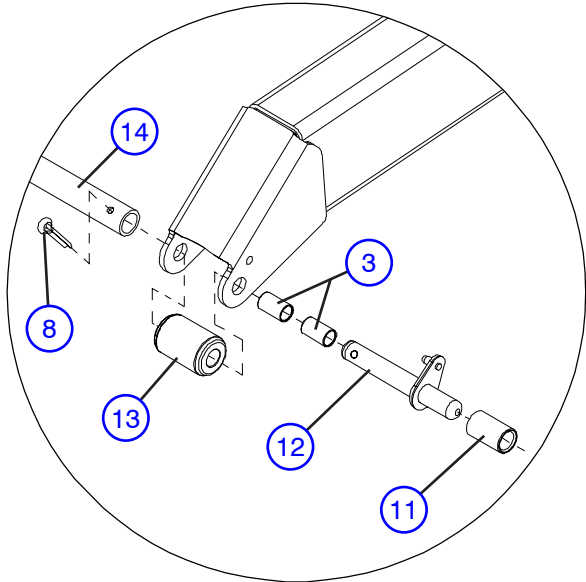
**Top Slider Assembly**



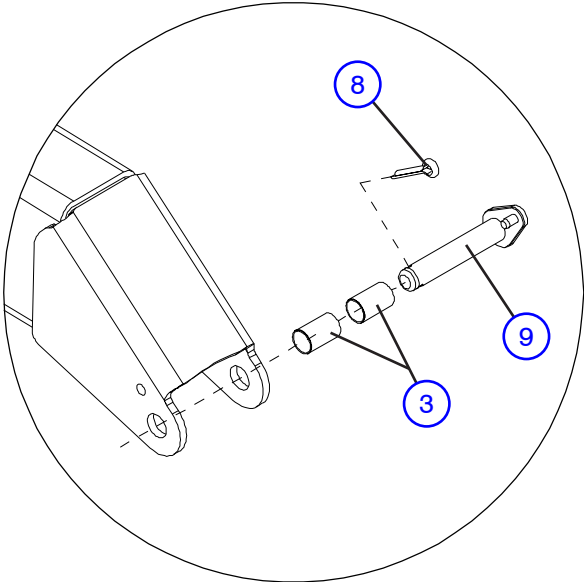
**Top Mounting Bracket Assembly**



**Bottom Slider Assembly**



**Bottom End Pin Assembly**

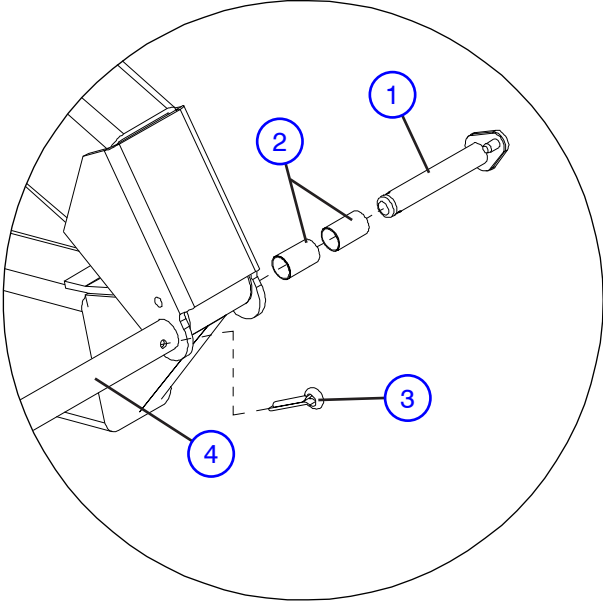


M11302AA

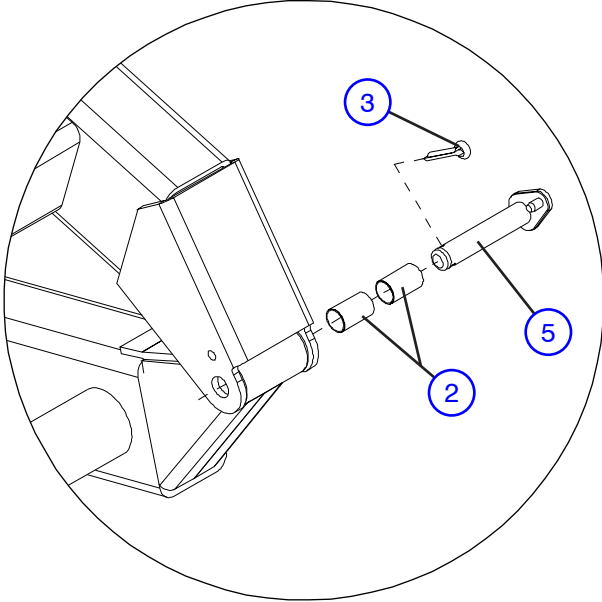
Index No.	Skyjack Part No.	Qty.	Description
1	120772	1	PAD, Slider
2	120771	1	BRACKET, Top slider <b>(Models 3220, 3226, 4620 &amp; 4632)</b>
	134049	1	BRACKET, Top slider <b>(Model 4626)</b>
3	123430	2	BUSHING, Fiberglide (3/4" inner diameter x 1.5")
4	123416	1	PIN, Top slider <b>(Models 322x)</b>
	121685	1	PIN, Top slider <b>(Models 46xx)</b>
5	103995	1	WASHER, Flat (1/4")
6	104000	1	WASHER, Lock (1/4")
7	103892	1	BOLT, Hex head (1/4"-20 x 5/8")
8	121874	8	PIN, Cotter (1/4" x 1.5")
9	120958	1	PIN (3/4" diameter x 4") (without cable carrier weldment)
	121676	1	PIN (3/4" diameter x 4.25") (with cable carrier weldment)
10	125470	2	CASTING, Platform mounting bracket <b>(Models 322x/4632)</b>
	134065	2	CASTING, Platform mounting bracket <b>(Model 4626)</b>
11	121856	1	SPACER, Bottom roller pin
12	121604	1	PIN, Bottom roller
13	120697	14	ROLLER, Scissor
14	121605	3	TUBE, Outside scissor arms cross member <b>(Models 322x)</b>
	121672	3	TUBE, Outside scissor arms cross member <b>(Models 46xx)</b>

**2.5 Scissor Stack Assembly - Connecting Hardware**

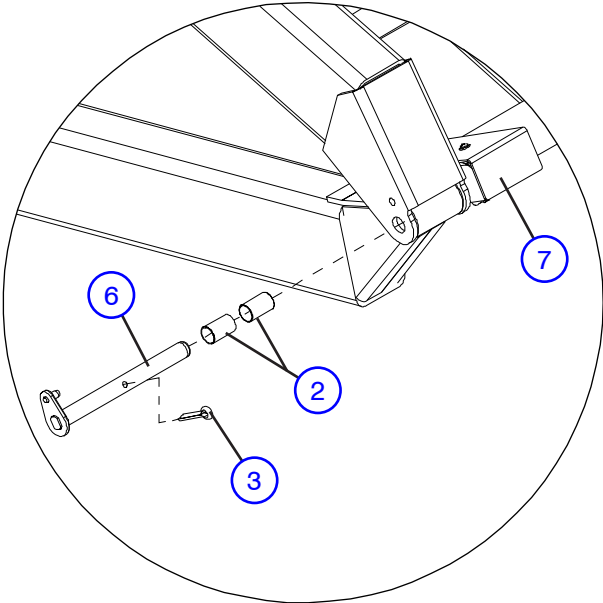
**Outside End Pin Assembly  
(with Cross Member Tube)**



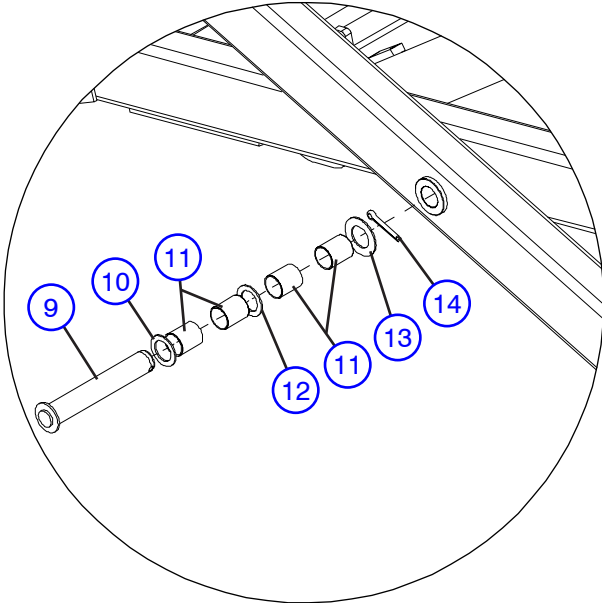
**Inside End Pin Assembly  
(without Cross member Tube)**



**Limit Switch Pin Assembly**



**Center Pin Assembly**

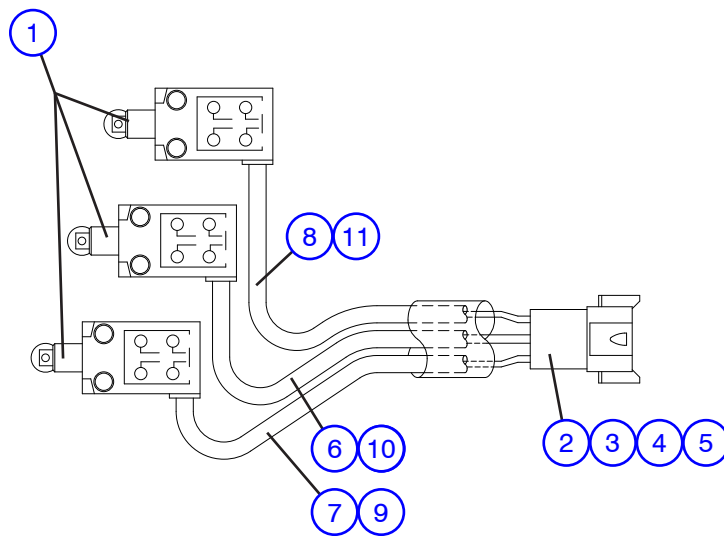
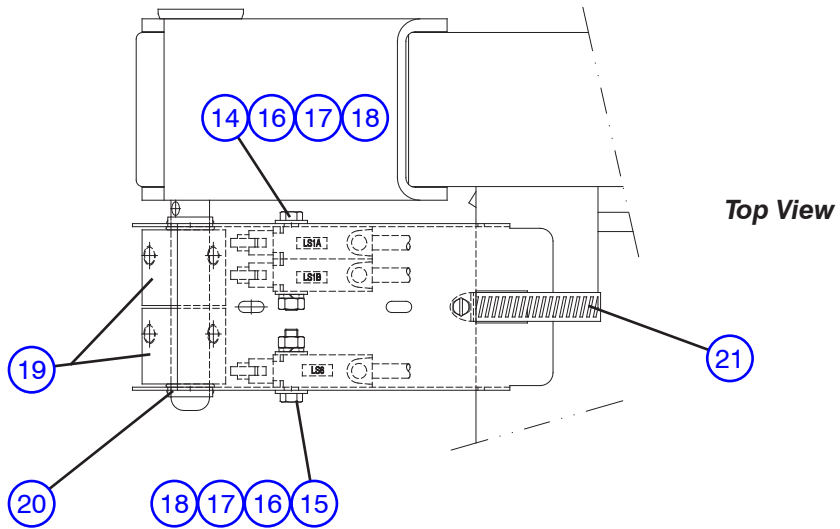
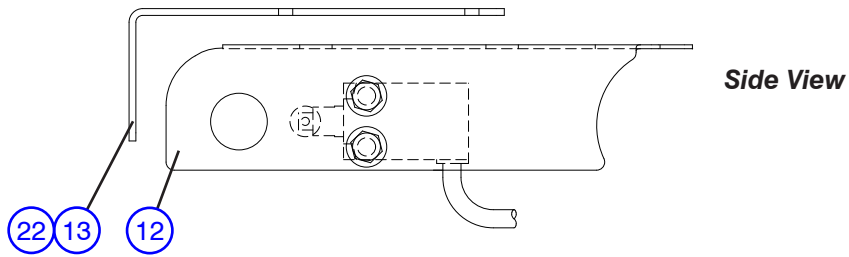


M11303AA

Index No.	Skyjack Part No.	Qty.	Description
1	121674	4	PIN, Outside scissor
2	123430	2	BUSHING, Fiberglide (3/4" inner diameter x 1.5")
3	121874	1	PIN, Cotter (1/4" x 1.5")
4	121605	1	TUBE, Outside scissor arms cross member <b>(Models 322x)</b>
	121672	1	TUBE, Outside scissor arms cross member <b>(Models 46xx)</b>
5	128250	1	PIN, Inside scissor
6	121677	1	PIN, Limit switch
7	<b>(Ref.)</b>	-	LIMIT SWITCH ASSEMBLY <b>(For components, refer to Section 2.6)</b>
8	128256	AR	CENTER PIN ASSEMBLY (without cable carrier weldment)
	130385	AR	CENTER PIN ASSEMBLY (with cable carrier weldment)
9	120673	1	<ul style="list-style-type: none"> <li>• PIN, Center</li> </ul>
10	101520	1	<ul style="list-style-type: none"> <li>• WASHER, Nylon (1.28 I.D. x 2 O.D. x 0.12)</li> </ul>
11	123431	4	<ul style="list-style-type: none"> <li>• BUSHING, Fiberglide (1.25" x 1.8125")</li> </ul>
12	121703	1	<ul style="list-style-type: none"> <li>• SPACER, Bearing thrust fiberglide (1.25 inner diameter)</li> </ul>
13	122502	1	<ul style="list-style-type: none"> <li>• WASHER, Flat (1.25" I.D. x 2.25" O.D.) (without cable carrier weldment)</li> </ul>
14	121875	1	<ul style="list-style-type: none"> <li>• PIN, Cotter (5/16" diameter x 2")</li> </ul>

2.6 Limit Switch Assembly (Scissor Stack)

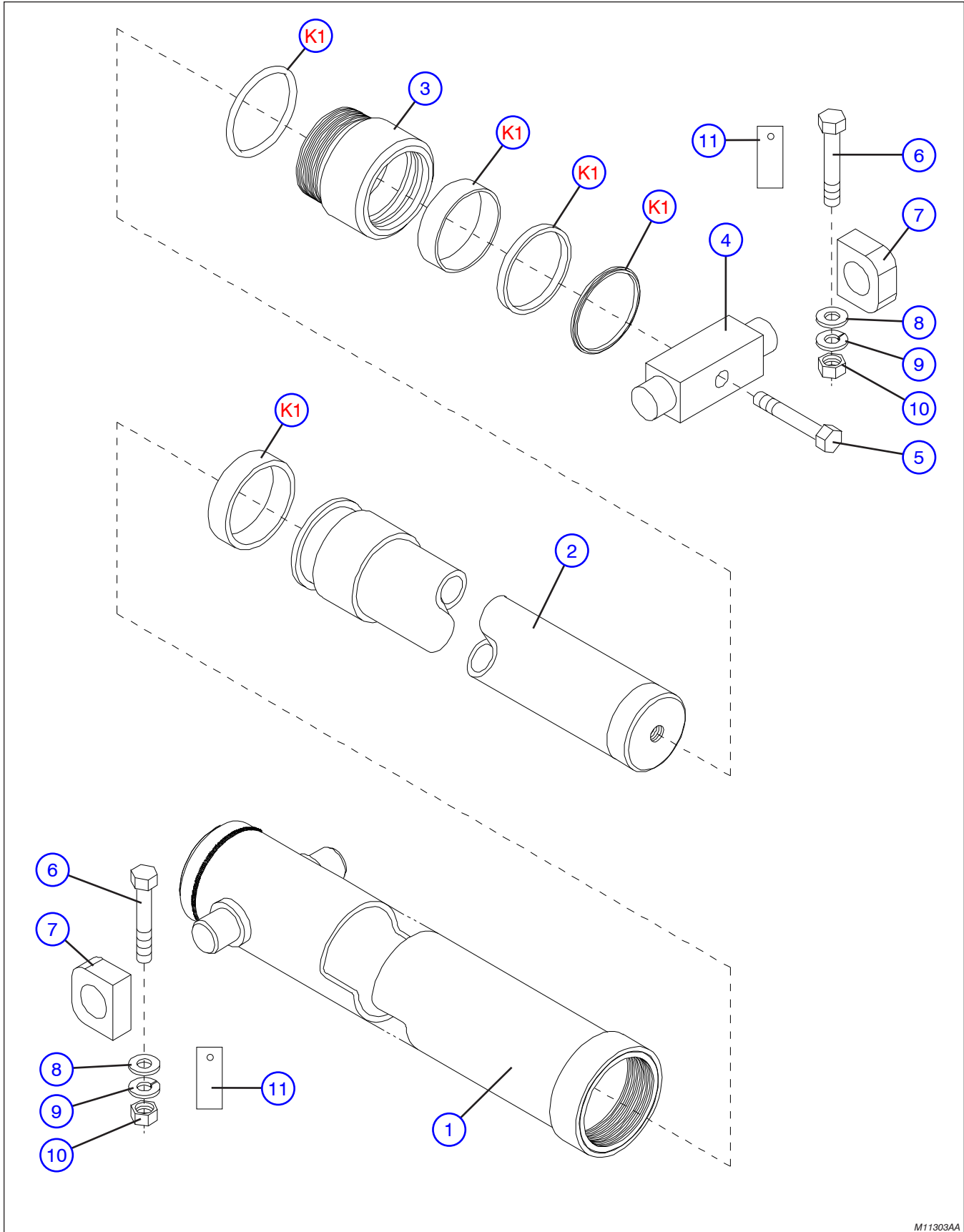
AB



M132237AB\_1

Index No.	Skyjack Part No.	Qty.	Description
<b>A</b>	132236	1	HIGH SPEED/POTHOLE LIMIT SWITCH ASSEMBLY <b>(ANSI/CSA)</b>
<b>B</b>	156401	1	HIGH SPEED/POTHOLE LIMIT SWITCH ASSEMBLY <b>(KC)</b>
1	121975	3	• SWITCH, Drilled sealed limit
2	117582	1	• CONNECTOR, Receptacle (8 pin)
3	117584	1	• CONNECTOR, Receptacle (8 pin, wedge)
4	117590	6	• CONNECTOR, Contact pin (16-18), <b>A</b>
		8	• CONNECTOR, Contact pin (16-18), <b>B</b>
5	117594	2	• CONNECTOR, Sealing plug , <b>A</b>
6	113018	1	• MARKER, Brady wire (#18)
7	113021	1	• MARKER, Brady wire (#21)
8	113071	1	• MARKER, Brady wire (#71)
9	145963	1	• LABEL, LS1A
10	145964	1	• LABEL, LS1B
11	145965	1	• LABEL, LS6
12	121867	1	BRACKET, Limit switch
13	121868	1	GUARD, Limit switch
14	103860	2	BOLT, Hex head (1/4"-20 x 1.75", Grade 5)
15	103858	2	BOLT, Hex head (1/4"-20 x 1.25", Grade 5)
16	104000	4	WASHER, Lock (1/4", NOM x 0.06)
17	103995	8	WASHER, Flat (1/4" SAE)
18	103980	4	NUT, Hex head (1/4"- 20, Grade B)
19	100967	2	CAM, Limit switch
20	121908	2	BUSHING, Snap-in (3/4" inner diameter)
21	121869	1	CLAMP, Gear #40 (2.5")
22	-	-	HARDWARE, Limit switch guard
	104694	4	WASHER, Flat (#10)
	104185	2	WASHER, Lock (#10)
	104003	2	NUT, Hex machine (#10)
	120094	2	BOLT, Hex Head machine (#10-32 x 5/8")

## 2.7 Lift Cylinder and Mounting Hardware

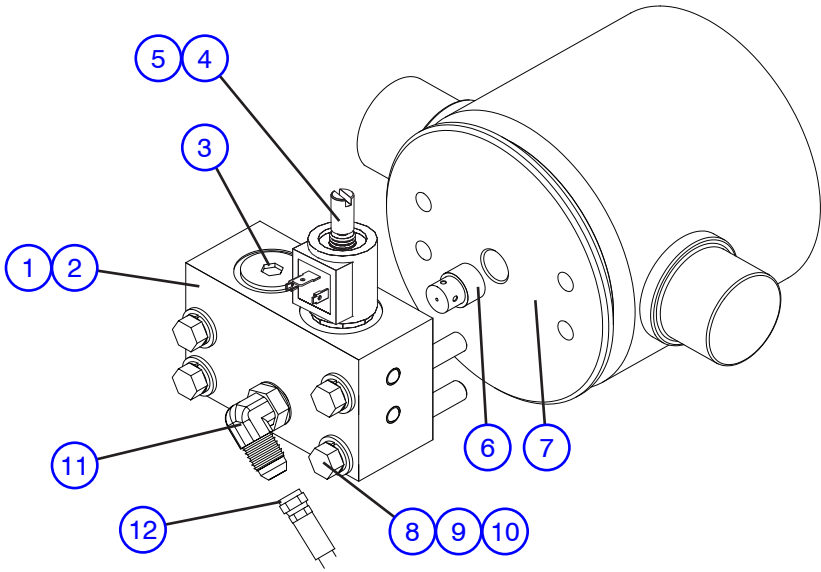


M11303AA

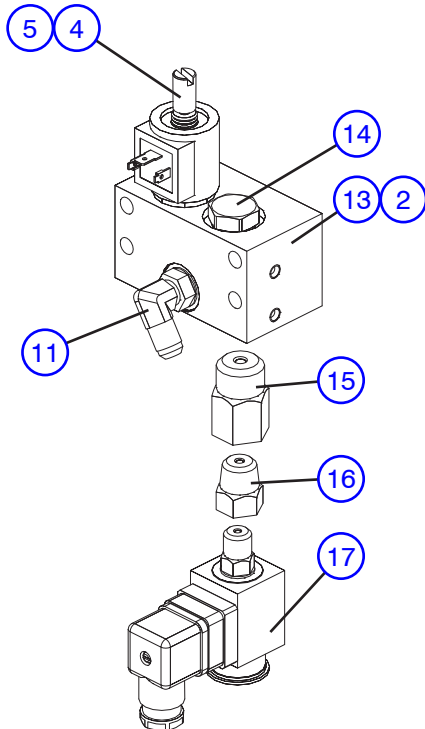


## 2.7 Lift Cylinder and Mounting Hardware

Index No.	Skyjack Part No.	Qty.	Description
-	120989	-	LIFT CYLINDER ASSEMBLY
1	120993	1	• WELDMENT, Barrel
2	120991	1	• ROD, Piston
3	121096	1	• GLAND, Front head
4	121668	1	• TRUNNION
5	105686	1	• BOLT (3/4"-16 x 3", Grade 5)
6	103869	4	BOLT, Hex head (5/16"-18 x 4.5", Grade 5)
7	123808	4	BEARING BLOCK ASSEMBLY
	101076	1	• BLOCK
	100904	1	• BUSHING
8	103996	4	WASHER, Flat (5/16" SAE)
9	103404	4	WASHER, Lock (5/16" NOM x 0.07)
10	100397	4	NUT, Hex head (5/16"-18, Grade 5)
11	130337	AR	SHIM, Bearing block (16 GA) (If equipped)
	130387	AR	SHIM, Bearing block (18 GA) (If equipped)
	130388	AR	SHIM, Bearing block (22 GA) (If equipped)
K1	121097	1	KIT, Seal repair



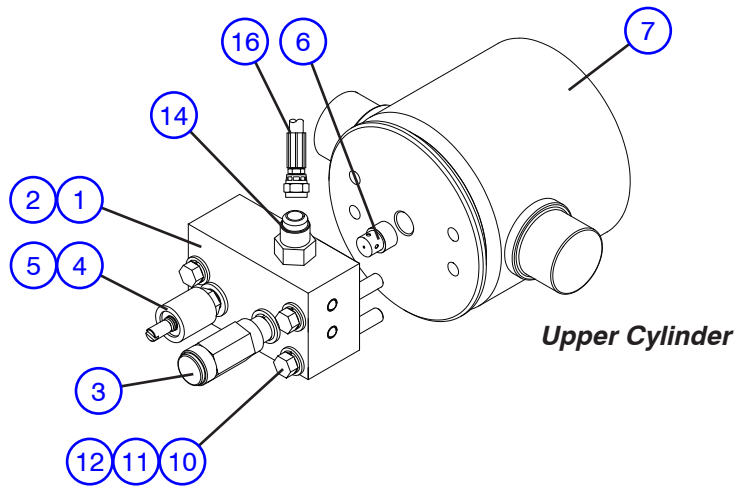
**Holding Valve without Pressure Switch**



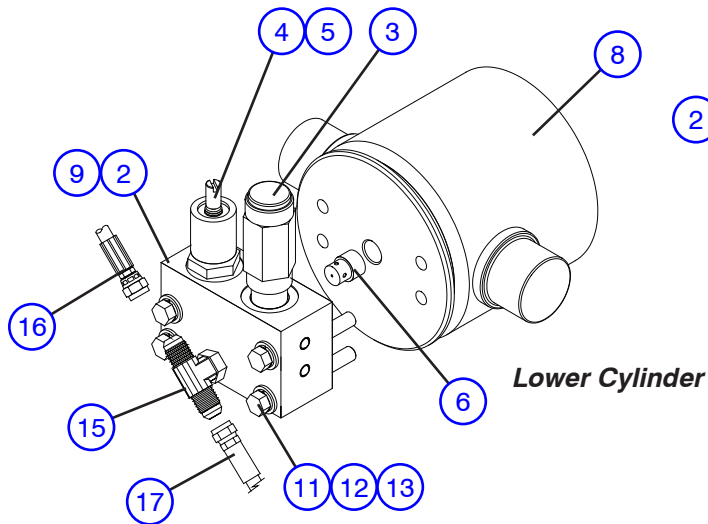
**Holding Valve with Pressure Switch**

M126686AB

Index No.	Skyjack Part No.	Qty.	Description
1	106689	1	HOLDING VALVE BLOCK ASSEMBLY <b>(ANSI/CSA)</b>
	111314	1	• BLOCK, Manifold
	108052	2	• PLUG, Expander
2	103403	1	SEAL, O-ring
3	104437	1	PLUG, Manifold
4	104493	1	COIL (24 volt)
5	107269	1	VALVE, Holding (N.C.)
6	105281	1	ORIFICE
7	(Ref.)	-	LIFT CYLINDER ASSEMBLY (For components, refer to Section 2.7)
8	103931	4	BOLT, Socket (5/16"-18 x 2", Grade 5) <b>(ANSI/CSA)</b>
	108429	4	BOLT, Socket (5/16"-18 x 2.5", Grade 5) <b>(KC)</b>
9	103996	4	WASHER, Flat (5/16")
10	104637	4	WASHER, Lock-high collar (5/16")
11	114578	1	FITTING, Elbow (06 JICM - 04 ORBM)
12	104657	1	HOSE ASSEMBLY (Manifold to lift cylinder)
13	113799	1	HOLDING VALVE BLOCK ASSEMBLY <b>(KC)</b>
	113845	1	• BLOCK, Manifold
	108052	2	• PLUG, Expander
14	113801	1	PLUG
15	106554	1	FITTING, Boss pipe (with o-ring)
16	136284	1	FITTING, Straight (1/4" NPTF - 1/4" NPTM)
17	102863	1	SWITCH, Pressure

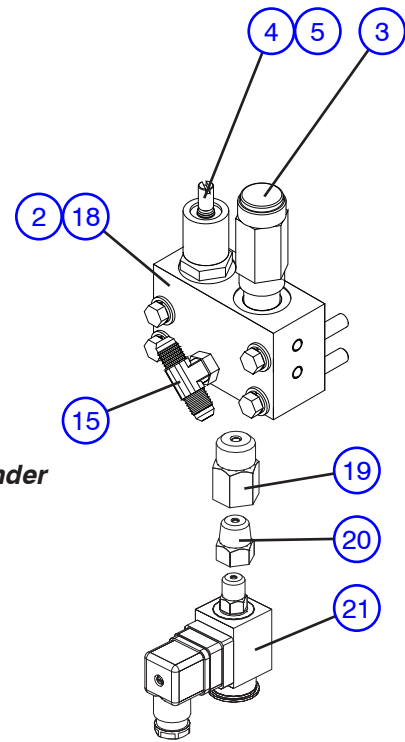


Upper Cylinder



Lower Cylinder

Holding Valve without Pressure Switch

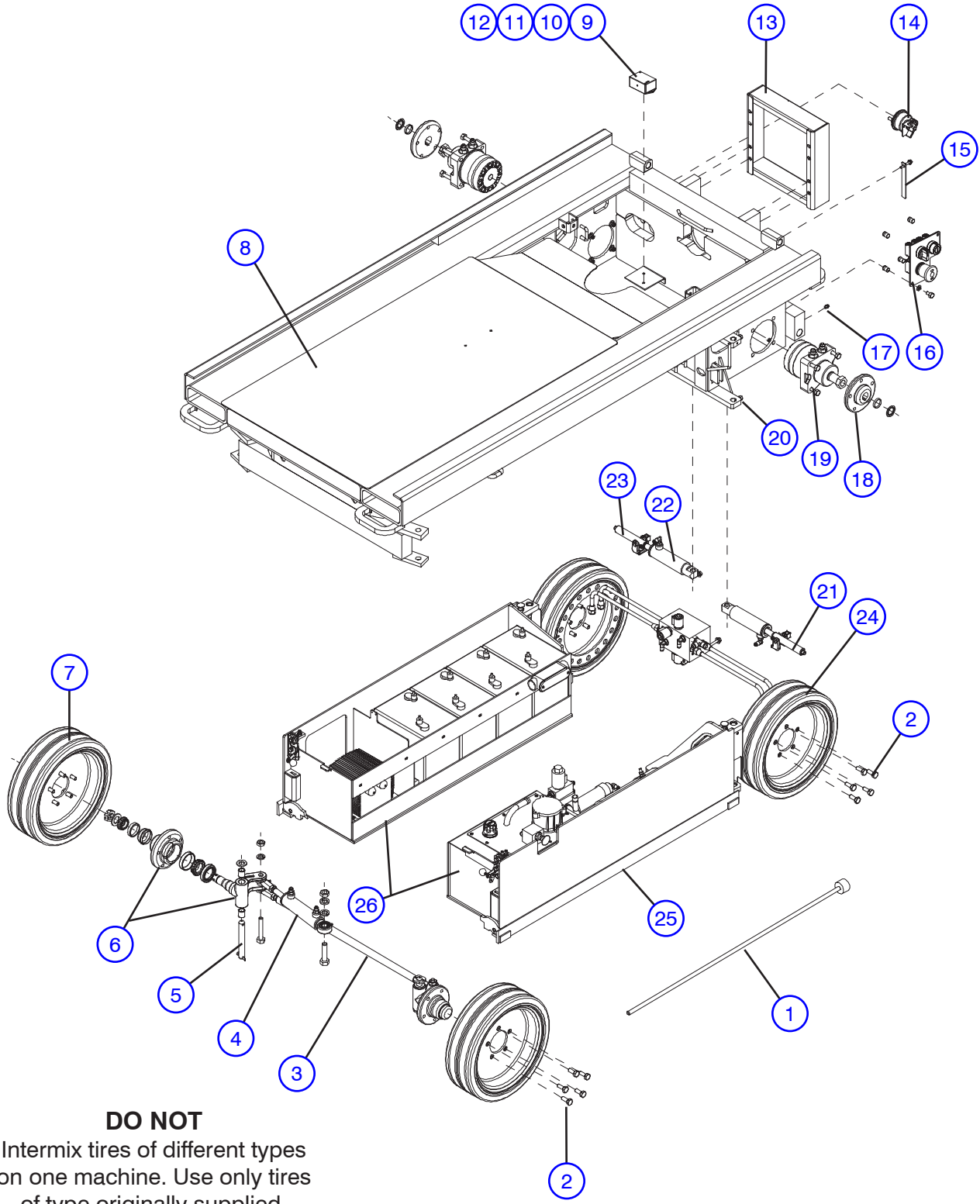


Holding Valve with Pressure Switch

M128839AA

Index No.	Skyjack Part No.	Qty.	Description
1	108778	1	BLOCK, Upper holding valve
	111320	1	• BLOCK, Manifold
	108052	3	• PLUG, Expander
2	103403	2	SEAL, O-ring
3	106557	2	VALVE, Relief
4	107269	2	VALVE, Holding (N.C.)
5	104493	2	COIL, 24 Volt
6	105281	2	ORIFICE, One way
7	(Ref.)	-	LIFT CYLINDER ASSEMBLY (Upper cylinder) (For components, refer to Section 2.7)
8	(Ref.)	-	LIFT CYLINDER ASSEMBLY (Lower cylinder) (For components, refer to Section 2.7)
9	106688	1	BLOCK, Lower holding valve (ANSI/CSA)
	111316	1	• BLOCK, Manifold
	108052	2	• PLUG, Expander
10	108429	4	BOLT, Hex head (5/16"-18 x 2.5")
11	103996	8	WASHER, Flat (5/16" SAE)
12	104637	8	WASHER, Lock (5/16" x 0.09)
13	103931	4	BOLT, Socket (5/16"-18 x 2", Grade 5)
14	103069	1	FITTING, Straight (06 JICM - 06 ORBM) (Upper lift cylinder)
15	114579	1	FITTING, Tee (06 JICM - 06 JICM - 06 ORBM)
16	102635	1	HOSE ASSEMBLY (Upper lift cylinder to lower lift cylinder)
17	104657	1	HOSE ASSEMBLY (Lower lift cylinder to main manifold)
18	113799	1	BLOCK, Lower holding valve (KC)
	113845	1	• BLOCK, Manifold
	108052	2	• PLUG, Expander
19	106554	1	FITTING, Boss pipe (with o-ring)
20	136284	1	FITTING, Straight (1/4" NPTF - 1/4" NPTM)
21	102863	1	SWITCH, Pressure

**3.1 Base Assembly**



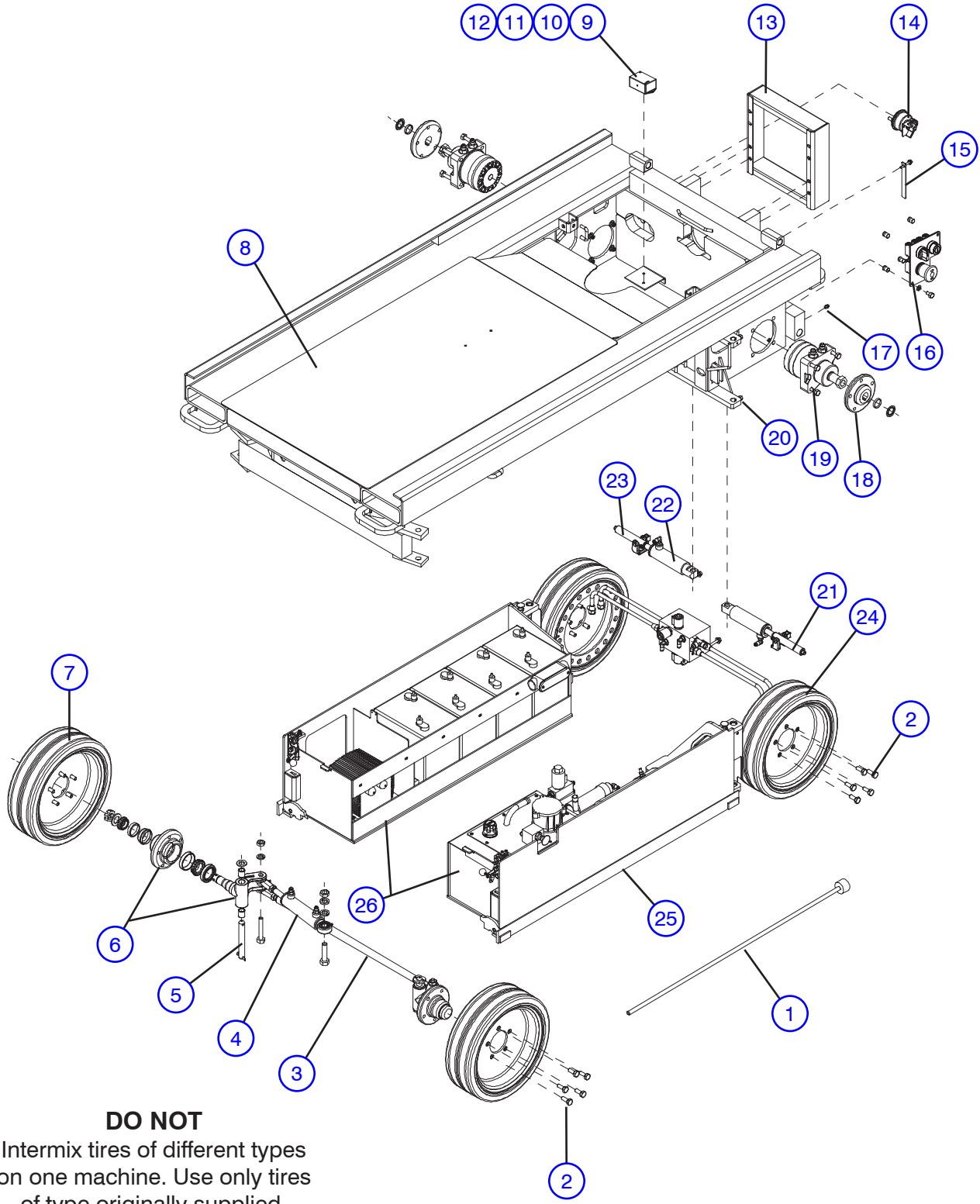
**DO NOT**  
Intermix tires of different types  
on one machine. Use only tires  
of type originally supplied.

M11107AB

Index No.	Skyjack Part No.	Qty.	Description
1	132769	1	BAR ASSEMBLY (Emergency lowering)
	132477	1	• BAR, Emergency lowering access
	119920	2	• CLIP, Spring coated
	103991	2	• WASHER, Flat (#8)
	132768	2	• RIVET, Pop (5/32" diameter x 0.435")
	124160	2	• PIN, Locking
2	103199	20	BOLT, Wheel
3	(Ref.)	-	TIE ROD ASSEMBLY (For components, refer to Section 3.4)
4	(Ref.)	-	STEER CYLINDER ASSEMBLY (For components, refer to Section 3.5)
5	125730	2	KING PIN ASSEMBLY
	100120	1	• PIN, Axle king
	100825	1	• PIN (1/4" x 1.1875")
	103478	1	• PIN, Cotter (1/4" x 1.25")
	104129	1	• WASHER, Bronze
6	(Ref.)	-	FRONT AXLE HUB & SPINDLE ASSEMBLY (For components, refer to Section 3.9)
7	125785	2	WHEEL ASSEMBLY (Front) (ITL)
	132285	2	WHEEL ASSEMBLY (Front) (Carlisle)
8	155926	1	WELDMENT, Base (Model 3220)
	155925	1	WELDMENT, Base (Model 3220 with powered extension platform)
		1	WELDMENT, Base (Model 3226)
	158981	1	WELDMENT, Base (Model 46xx with S/N 70009804 & Above)
	136494	1	WELDMENT, Base (Model 46xx with S/N 70009803 & Below)
9	146658	1	SWITCH, Tilt (Model 322x)
	146661	1	SWITCH, Tilt (Model 46xx)
10	120094	2	• SCREW, Round head machine (#10-32 x 5/8")
11	104003	2	• NUT, Hex head (#10-32)
12	104185	2	• WASHER, Lock (#10)
13	130192	1	LADDER (Model 3220/4620)
	151961	1	LADDER (Model 3226/4626/4632)
	103999	4	WASHER, Lock (3/8")
	103472	4	WASHER, Flat (3/8")
	103473	4	BOLT, Hex head (3/8"-16 x 1", Grade 5)
14	119725	1	SWITCH, Main power disconnect
	108714	1	• KIT, Battery switch lockout
15	115005	1	STATIC STRAP ASSEMBLY
	115420	1	• STRAP, Ground
	101632	1	• BOLT, Hex head (3/8"-16 x 3/4")
	103999	1	• WASHER, Lock (3/8" NOM)
	103978	1	• NUT, Hex head (3/8"-16)

Parts list continued on the following page.

3.1 Base Assembly (Continued)



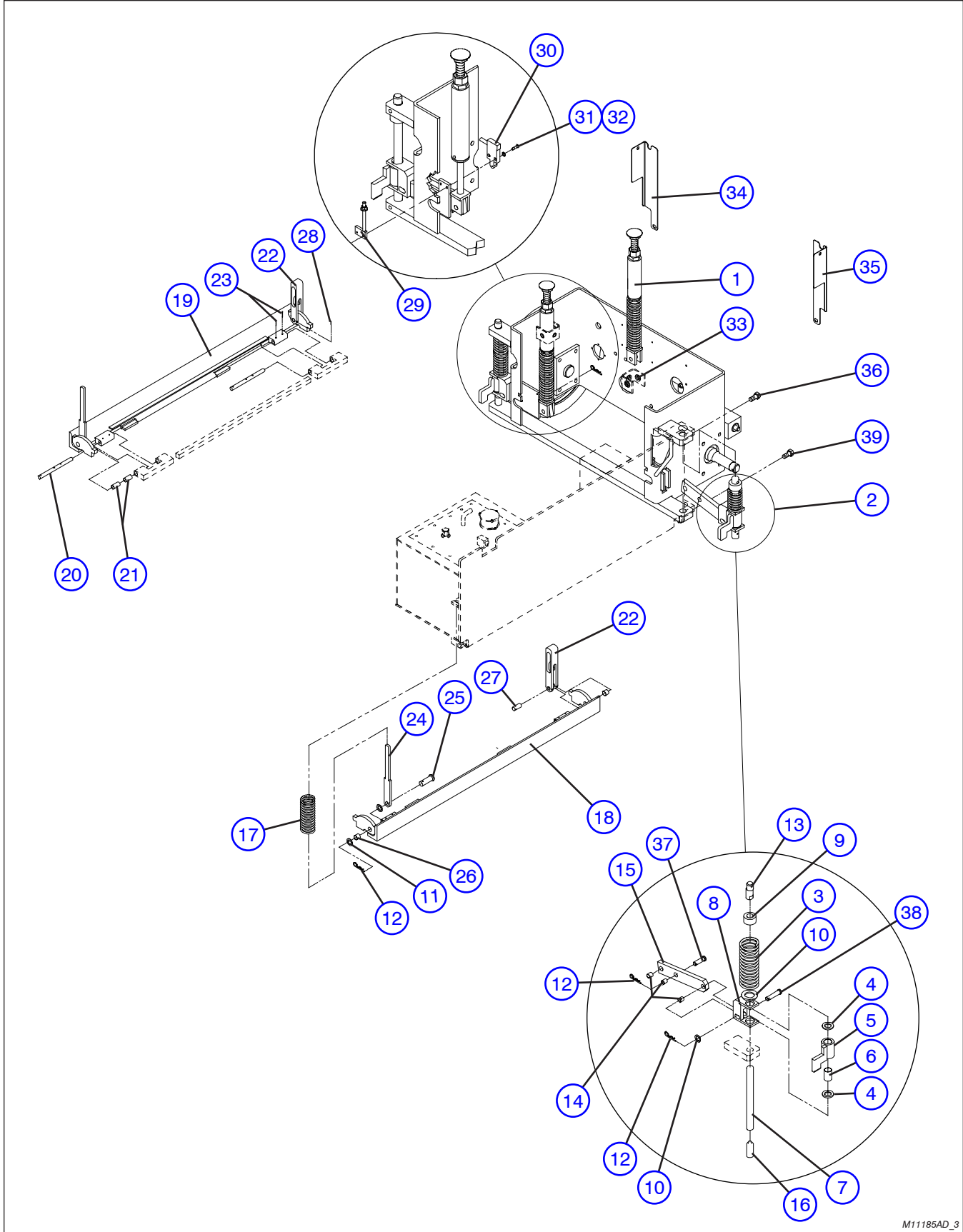
**DO NOT**  
Intermix tires of different types  
on one machine. Use only tires  
of type originally supplied.

M11107AB



Index No.	Skyjack Part No.	Qty.	Description
			<b>Parts list continued from the previous page.</b>
16	(Ref.)	-	BASE CONTROL CONSOLE ASSEMBLY (For components, refer to Section 3.12)
17	102027	2	FITTING, Grease
18	(Ref.)	-	REAR AXLE HUB ASSEMBLY (For components, refer to Section 3.3)
19	(Ref.)	-	MOTOR, Wheel drive (For components, refer to Section 3.3)
20	141751	4	SET SCREW, Square head, cup point (3/8"-16 x 3/4", Grade 5)
21	124228	1	WELDMENT, Brake pin (Left hand)
	159801	1	• BOLT, Socket head (zinc, 1/4"-20 x 1.25")
	104000	1	• WASHER, Lock (1/4")
	103983	1	• NUT, Jam (1/4"-20)
22	(Ref.)	-	PIN BRAKE CYLINDER ASSEMBLY (For components, refer to Section 3.6)
23	124229	1	WELDMENT, Brake pin (Right hand)
	159801	1	• BOLT, Socket head (zinc, 1/4"-20 x 1.25")
	104000	1	• WASHER, Lock (1/4")
	103983	1	• NUT, Jam (1/4"-20)
24	(Ref.)	-	REAR WHEEL ASSEMBLY (For components, refer to Section 3.3)
25	(Ref.)	-	POTHOLE PROTECTION DEVICE ASSEMBLY (For components, refer to Section 3.2)
26	(Ref.)	-	BATTERY TRAY ASSEMBLY (For components, refer to Section 5.1)
	(Ref.)	-	HYDRAULIC/ELECTRIC TRAY ASSEMBLY (For components, refer to Section 4.1)
L	(Ref.)	-	LABELS (Refer to Section 8.1)

3.2 Pothole Protection Device

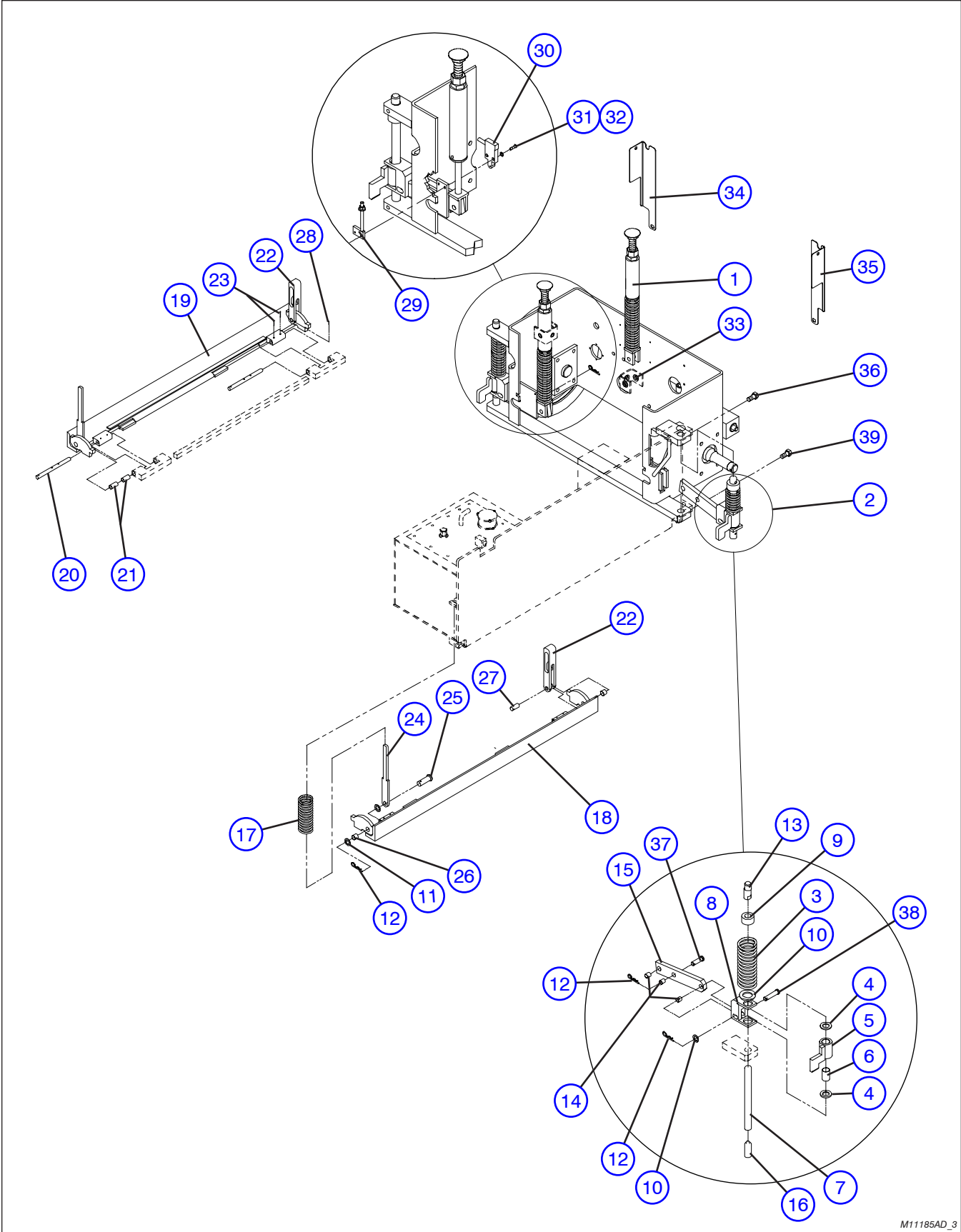


M11185AD\_3

### 3.2 Pothole Protection Device

Index No.	Skyjack Part No.	Qty.	Description
1	136417	1	COMPRESSION ROD ASSEMBLY
2	125776	2	CAM LOCK ASSEMBLY
3	119314	2	• SPRING, Cam lock
4	119728	4	• WASHER, Driver
5	119499	2	• LOCK, Cam
6	118778	2	• BUSHING, Cam lock
7	118730	2	• PIN, Lever Bar guide
8	118718	2	• DRIVER, Lock
	119843	2	• PIN, Spring (3/32" x 1.375")
9	118729	2	• PIN, Locator
10	139698	1	• WASHER, Flat (3/4")
11	119313	8	WASHER, Flat (7/16")
12	119325	8	PIN, Clotter
13	(Ref.)	2	PIN, Eccentric (For components, refer to Section 4.1 & Section 5.1)
14	119312	6	BUSHING (7/16" x 1/2")
15	147903	2	BAR, Lever
16	(Ref.)	2	PIN, Lower tray (For components, refer to Section 4.1 & Section 5.1)
17	119321	2	SPRING, Kicker
18	126709	1	WELDMENT, Hydraulic tray angle
19	126710	1	WELDMENT, Battery tray angle
20	119339	4	PIN, Angle
21	119316	16	BUSHING (3/8" x 5/8")
22	119029	2	LOCK, Tray cam
23	119319	8	PIN, Spring (3/32" x 5/8")
24	119322	2	PLATE, Kicker
25	118689	2	PIN, Kicker clevis
26	119318	4	BUSHING (7/16" x 3/8")
27	118690	2	PIN, Lock
28	119315	2	PIN, Spring (3/32" x 7/8")
			<b>Parts list continued on the following page.</b>

**3.2 Pothole Protection Device (Continued)**



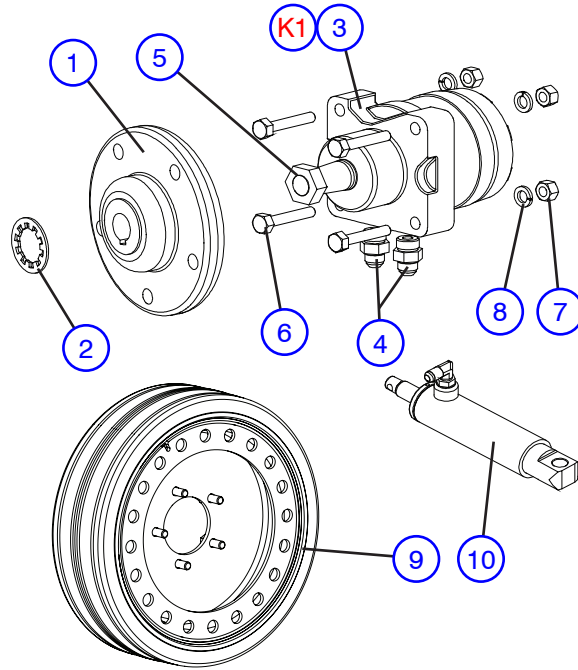
M11185AD\_3

### 3.2 Pothole Protection Device (Continued)

Index No.	Skyjack Part No.	Qty.	Description
			<b>Parts list continued from the previous page.</b>
29	129430	2	MOUNT, Limit switch
	103983	4	• NUT, Hex jam (1/4")
	103995	4	• WASHER, Flat (1/4")
30	-	1	POTHOLE DEVICE LIMIT SWITCH ASSEMBLY
	125887	1	• SWITCH, Limit (Battery tray)
	125885	1	• SWITCH, Limit (Hydraulic tray)
	-	1	POTHOLE DEVICE LIMIT SWITCH ASSEMBLY <b>(ANSI/CSA EE rated)</b>
	126051	1	• SWITCH, Limit (Battery tray)
	126060	1	• SWITCH, Limit (Hydraulic tray)
31	149581	4	SOCKET HEAD CAP SCREW (#8-32 x 1.25")
32	138765	4	NUT, Hex nylon lock (#8-32, Grade 5)
33	103550	6	PLUG, Slider
34	130049	1	FLAP WELDMENT, Hydraulic tray
35	130047	1	FLAP WELDMENT, Battery tray
36	-	-	HARDWARE, Flap weldment retaining
	104000	4	• WASHER, Lock (1/4")
	103995	4	• WASHER, Flat (1/4")
	103855	4	• BOLT, Hex head (1/4"-20 x 1/2")
37	130209	4	PIN, Lever
38	132530	2	PIN, Tray spring guide
39	118992	2	MOUNT, Limit switch
	112248	4	BOLT, Machine (#8-32 x 1")
	104185	4	WASHER, Lock (#10 NOM)

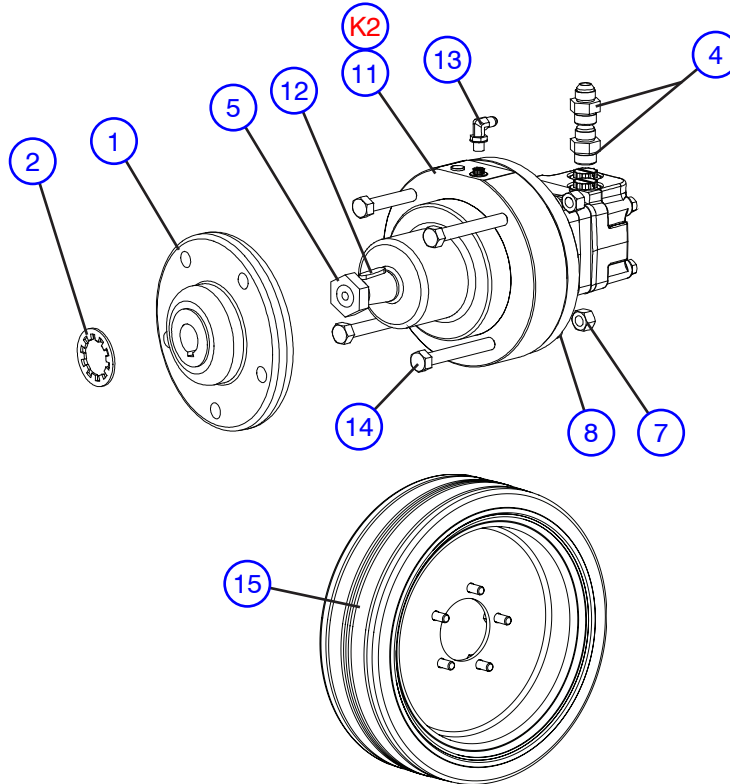
**3.3 Wheel and Brake Assembly**

**Pin Brake (Models 32xx)**



M10211AC M120220AA M125786AA

**Disc Brake (Models 46xx)**

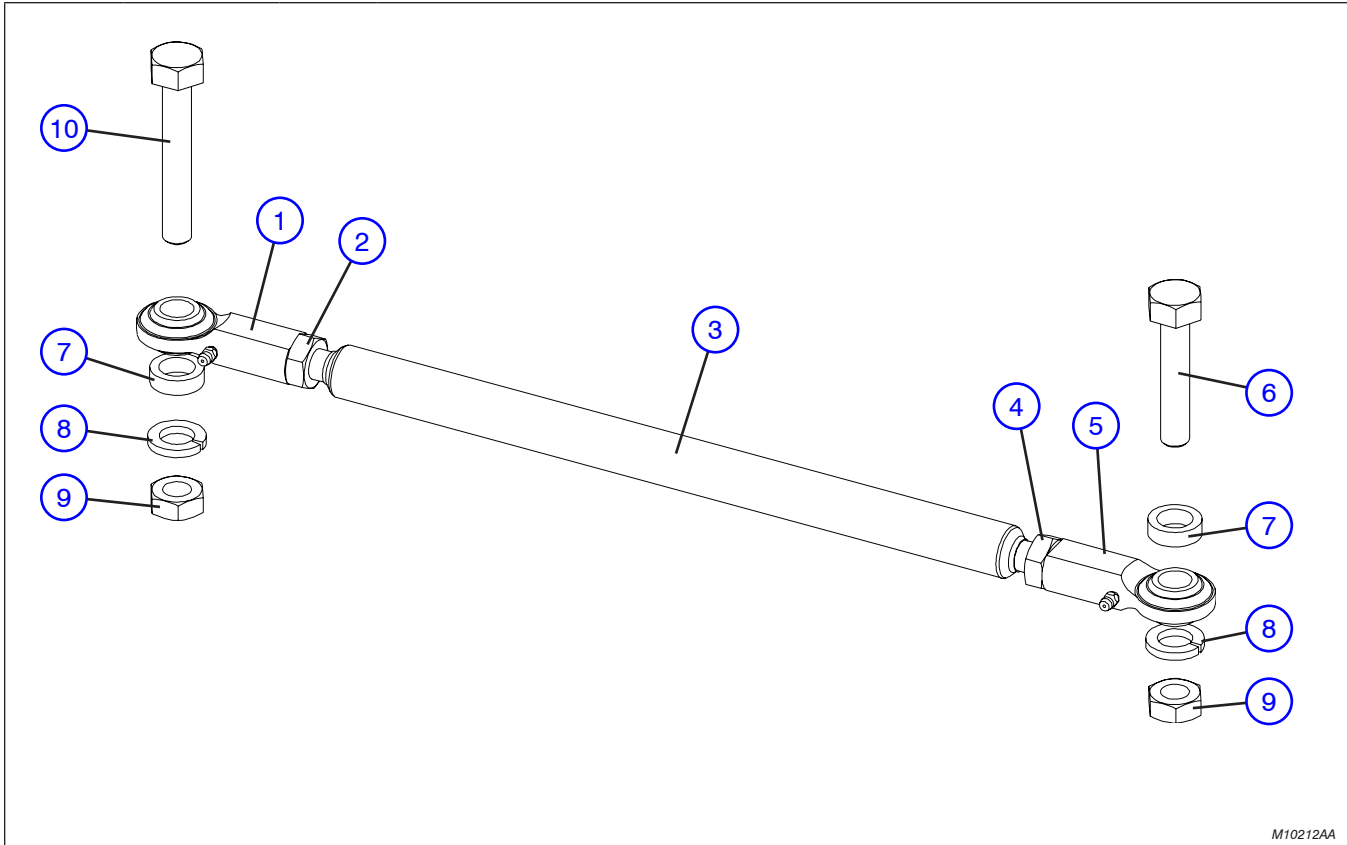


M11543AB M125785AA

### 3.3 Wheel and Brake Assembly

Index No.	Skyjack Part No.	Qty.	Description
1	125795	1	REAR HUB ASSEMBLY
	107912	1	• HUB, Rear (1.25" shaft)
2	103789	1	WASHER, Lock toothed (1")
3	103129	1	MOTOR, Hydraulic wheel drive
4	103071	2	FITTING, Straight (08 JICM - 10 ORBM)
5	106451	1	NUT, Hex jam (1"-20)
6	108818	4	BOLT, Hex head (1/2"-13 x 2.75")
7	103471	4	NUT, Hex head (1/2"-13)
8	103470	4	WASHER, Lock (1/2")
9	125786	2	WHEEL ASSEMBLY, Rear (ITL)
	132284	2	WHEEL ASSEMBLY, Rear (Carlisle)
10	(Ref.)	-	PIN BRAKE CYLINDER ASSEMBLY (For components, refer to Section 3.6)
11	134573	1	MOTOR, Wheel (with internal disc brake)
12	137462	1	KEY
13	125883	1	FITTING, Elbow 90° (04 JICM - 04 ORBM)
14	125525	4	BOLT, Hex head (1/2"-13 x 3.5")
15	125785	2	WHEEL ASSEMBLY (ITL)
	132285	2	WHEEL ASSEMBLY (Carlisle)
K1	104212	1	KIT, Seal
K2	139735	1	KIT, Seal

### 3.4 Tie Rod Assembly

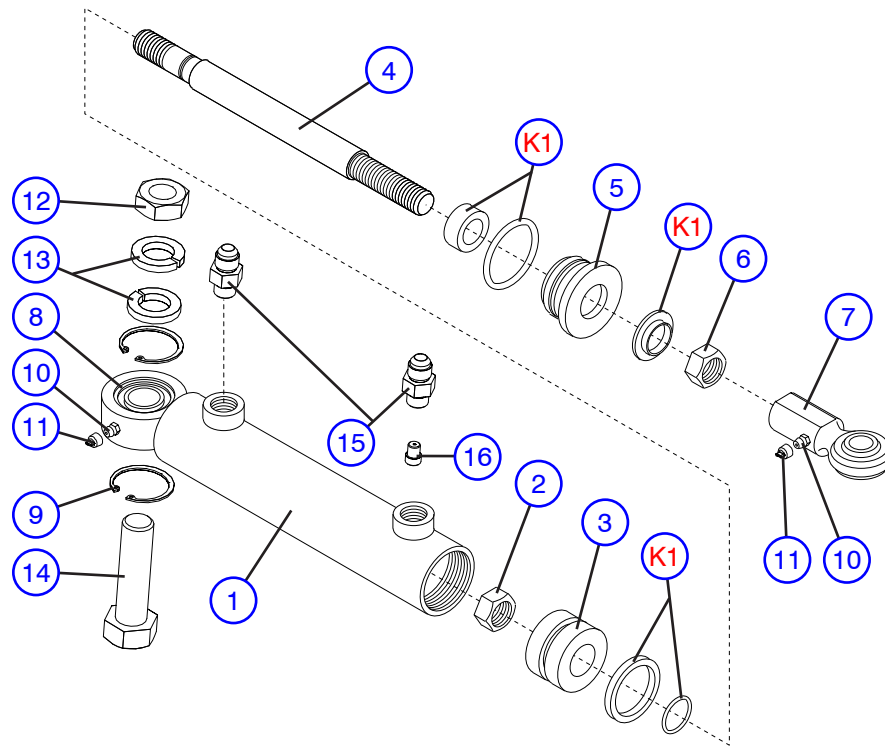


M10212AA

Index No.	Skyjack Part No.	Qty.	Description
<b>A</b>	125728	1	TIE ROD ASSEMBLY (Models 322x)
<b>B</b>	130183	1	TIE ROD ASSEMBLY (Models 46xx)
-	125472	1	• ROD, Tie, <b>A</b>
	130182	1	• ROD, Tie, <b>B</b>
<b>1</b>	115281	1	• • END, Female (Left hand thread)
<b>2</b>	100855	1	• • NUT, Hex head jam (5/8"-18) (Left hand)
<b>3</b>	125469	1	• • BAR, Tie rod, <b>A</b>
	130181	1	• • BAR, Tie rod, <b>B</b>
<b>4</b>	100846	1	• • NUT, Hex head jam (5/8"-18) (Right hand)
<b>5</b>	100847	1	• • END, Female (Right hand thread)
<b>6</b>	125747	1	• BOLT, Hex head (5/8"-11 x 2.75")
<b>7</b>	100856	2	• SPACER
<b>8</b>	103998	2	• WASHER, Lock (5/8")
<b>9</b>	103982	2	• NUT, Hex head (5/8"-11)
<b>10</b>	107797	1	• BOLT, Hex head (5/8"-11 x 3.5")



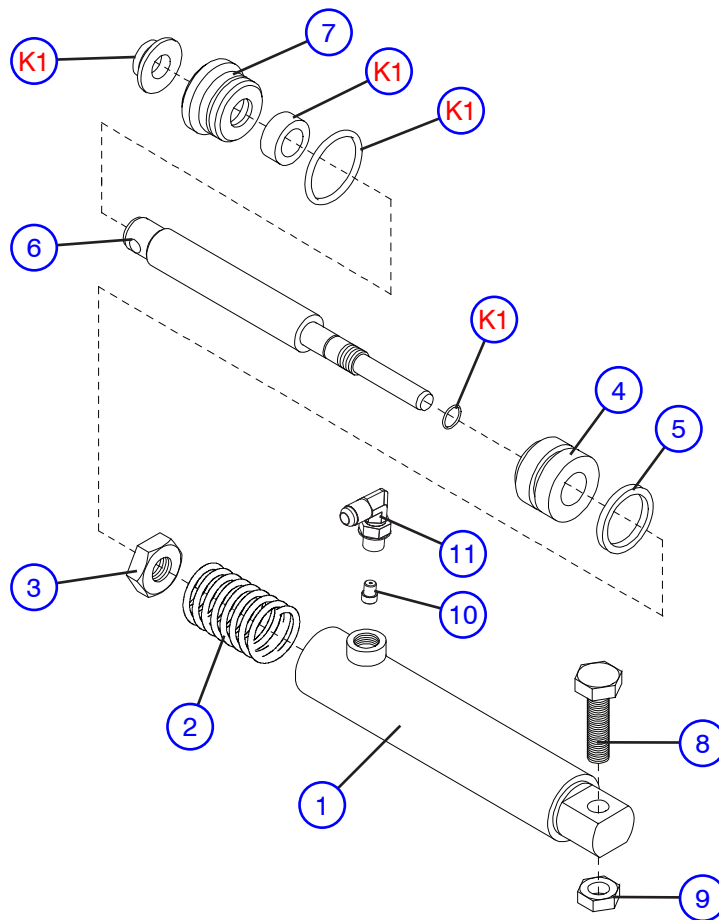
### 3.5 Steer Cylinder Assembly



M125729AA

Index No.	Skyjack Part No.	Qty.	Description
-	120236	-	STEER CYLINDER ASSEMBLY
1	120235	1	• BARREL, Steer cylinder
2	103830	1	• NUT, Lock (5/8"-11, Grade C)
3	118844	1	• PISTON
4	117047	1	• ROD, Piston
5	120148	1	• GLAND, Cylinder
6	100846	1	• NUT, Jam (5/8"-18)
7	100847	1	• END, Cylinder rod
8	102025	1	• BEARING, Spherical
9	104114	2	• RING, Retaining
10	103513	1	• FITTING, Grease
11	132565	2	• CAP, Grease fitting
12	100252	1	NUT, Hex head jam (3/4"-10)
13	104002	2	WASHER, Lock (3/4")
14	119310	1	BOLT, Hex head (3/4"-10 X 2.75")
15	103069	2	FITTING, Straight (06 JICM - 06 ORBM)
16	105811	1	ORIFICE (0.040" diameter)
K1	105816	1	KIT, Seal repair

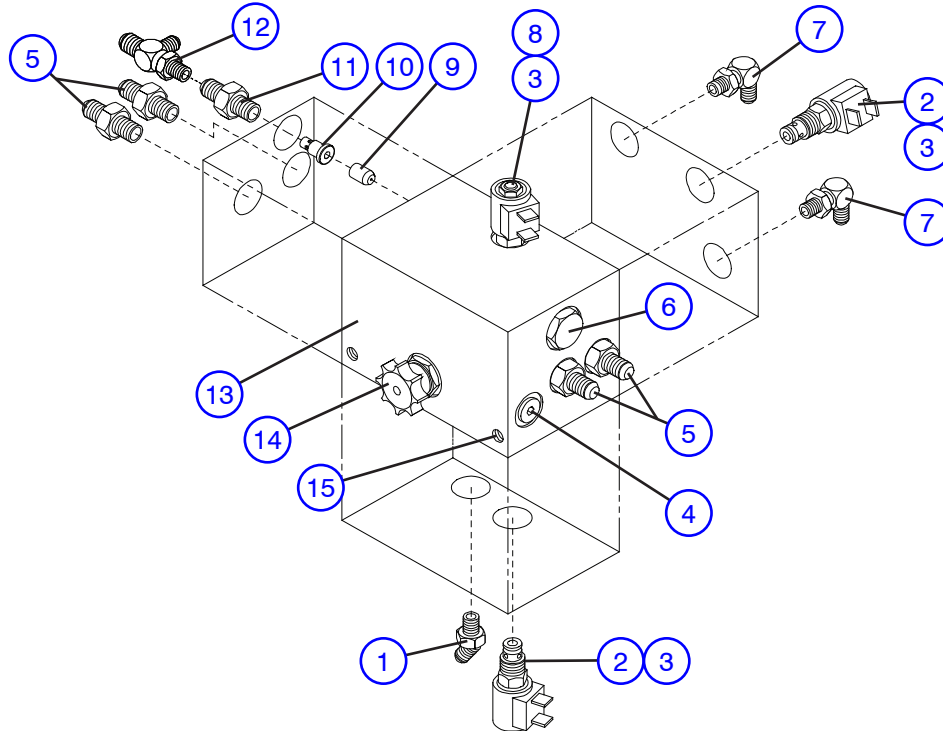
### 3.6 Pin Brake Cylinder Assembly



M120220AA1

Index No.	Skyjack Part No.	Qty.	Description
-	120220	-	PIN BRAKE CYLINDER ASSEMBLY
1	120153	1	• BARREL, Brake cylinder
2	102844	1	• SPRING, Brake return
3	103830	1	• NUT, Lock (5/8"-11, Grade C)
4	121178	1	• PISTON
5	111295	1	• SEAL, Piston
6	120154	1	• ROD, Brake
7	120148	1	• GLAND
10	105811	1	• ORIFICE (0.040" diameter)
11	114578	1	• FITTING, Elbow 90° (06 JICM - 06 ORBM)
8	103897	1	BOLT, Hex head (5/8"-11 x 2")
9	103982	1	NUT, Hex head (5/8"-11)
K1	105816	1	KIT, Seal repair

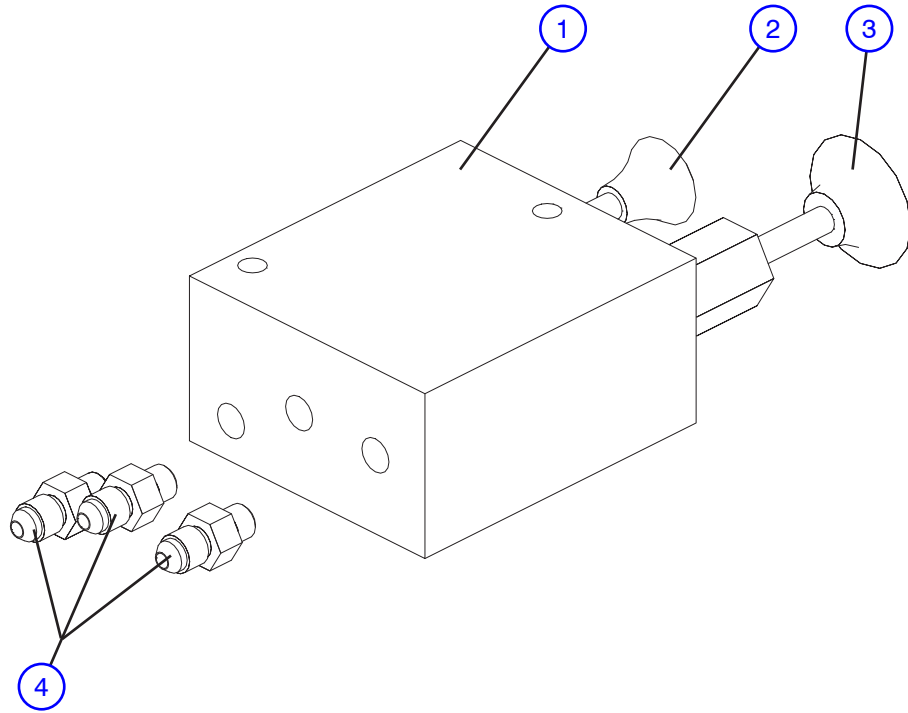
### 3.7 Rear Drive Manifold Assembly



M11542AA

Index No.	Skyjack Part No.	Qty.	Description
<b>A</b>	108301	-	REAR DRIVE MANIFOLD ASSEMBLY ( <b>Models 322x</b> )
<b>B</b>	136531	-	REAR DRIVE MANIFOLD ASSEMBLY ( <b>Models 46xx</b> )
1	114580	1	• FITTING, Elbow 45° (06 JICM - 06 ORBM)
2	103623	2	• VALVE, N.O. (Speed)
3	103605	3	• COIL (24 volt)
4	104437	1	• PLUG, O-ring
5	104402	4	• FITTING, Straight (08 JICM - 06 ORBM)
6	103354	1	• VALVE, Flow (Divider/Combiner)
7	114578	2	• FITTING, Elbow 90° (06 JICM - 06 ORBM)
8	104132	1	• VALVE, N.C. (Differential)
9	104434	1	• ORIFICE (0.040" diameter)
10	137127	1	• ORIFICE, One way (0.020" diameter), <b>B</b>
11	139223	1	• FITTING, Straight connector (#6 SAE -#4 JIC), <b>B</b>
12	114581	1	• FITTING, Tee (06 JICM - 06 ORBMS - 06 JICM), <b>A</b>
13	108195	1	• BLOCK, Manifold
	108052	8	• • PLUG, Expander
14	103136	1	• VALVE, Free-wheeling
15	103874	2	BOLT, Hex head (3/8"-16 x 2.75")
	126028	2	SPACER, Tube ( <b>Model 3220</b> )
	103999	2	WASHER, Lock (3/8")
	103472	2	WASHER, Flat (3/8" SAE)

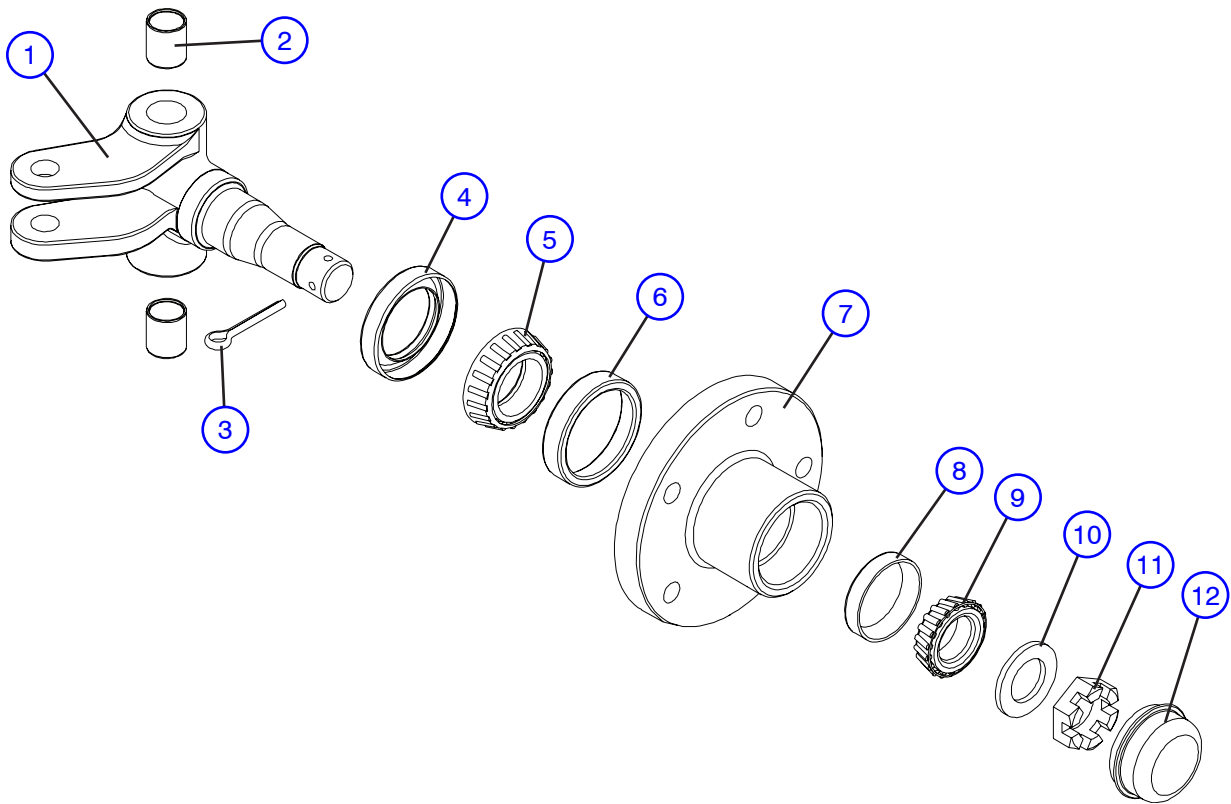
### 3.8 Brake Release Manifold Assembly (Models 46xx)



M136540AA1

Index No.	Skyjack Part No.	Qty.	Description
-	136540	1	BRAKE RELEASE MANIFOLD ASSEMBLY (Model 46xx)
1	146563	1	• BLOCK, Brake manifold
2	146561	1	• VALVE ASSEMBLY
	146562	1	• • VALVE HANDLE
3	146559	1	• PUMP ASSEMBLY
	146560	1	• • PUMP HANDLE
4	701954	3	• FITTING, Straight (4 JIC)
-	-	-	HARDWARE, Brake release manifold
	125741	2	• BOLT, Hex head (3/8"-16 x 7/8", Grade 8)
	103472	2	• WASHER, Flat (3/8")
	103999	2	• WASHER, Lock (3/8")
K1	146564	1	• KIT, Seal

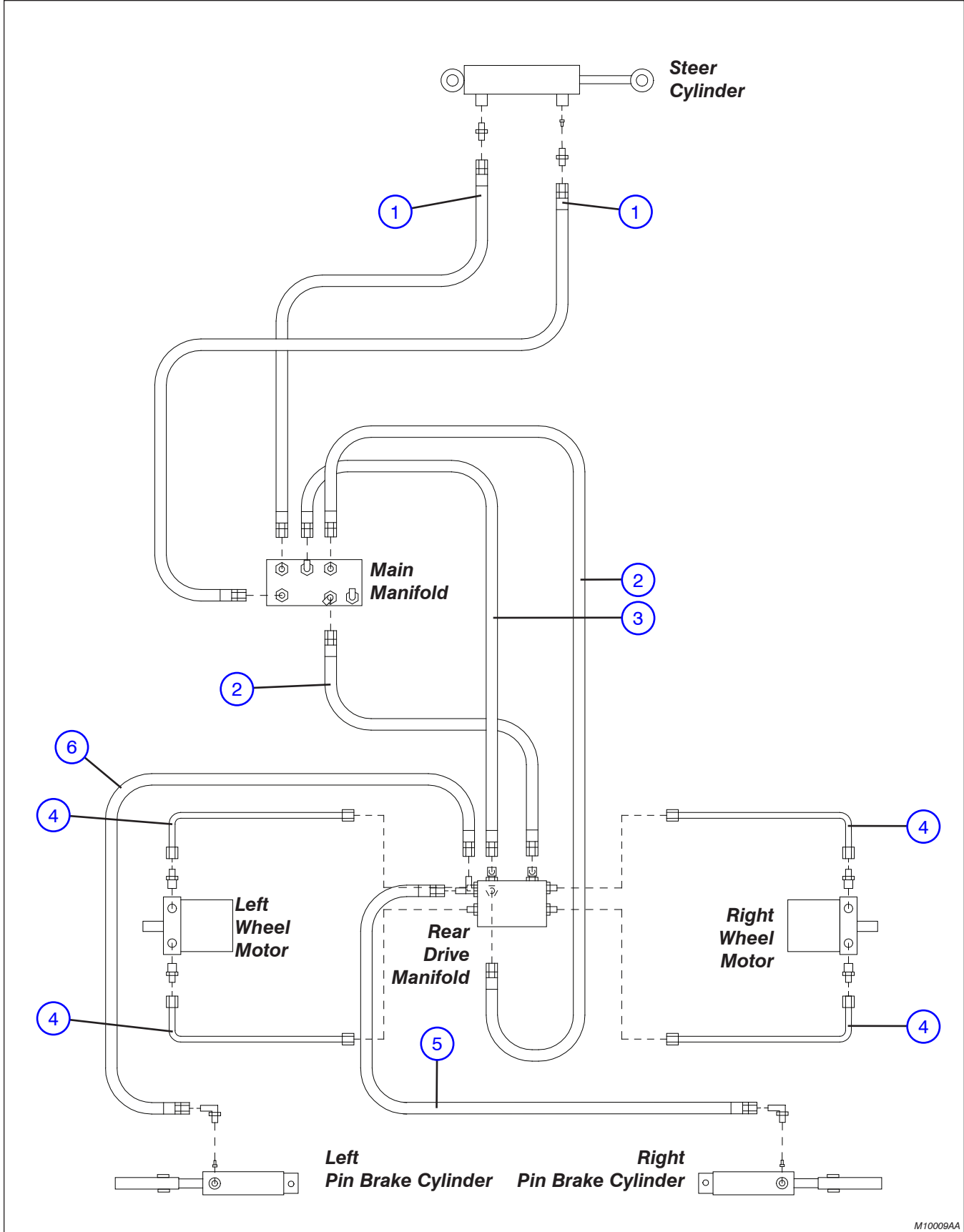
### 3.9 Front Hub and Spindle Assembly



M10210AA

Index No.	Skyjack Part No.	Qty.	Description
-	125792	-	FRONT HUB & SPINDLE ASSEMBLY
1	125806	1	• SPINDLE, Casting
2	100050	2	• BUSHING, Fiberglide
-	107909	1	• FRONT HUB ASSEMBLY
3	103085	1	• • PIN, Cotter
4	103144	1	• • SEAL, Grease
5	103009	1	• • BEARING, Inner cone
6	102978	1	• • BEARING, Inner cup
7	102833	1	• • HUB, Front (5 bolt)
8	102977	1	• • BEARING, Outer cup
9	103003	1	• • BEARING, Outer cone
10	102829	1	• • WASHER, Flat
11	102749	1	• • NUT, Castle (1-14)
12	102865	1	• • CAP, Dust

**3.10 Hydraulic Hose Connections - Pin Brake (Models 322x)**

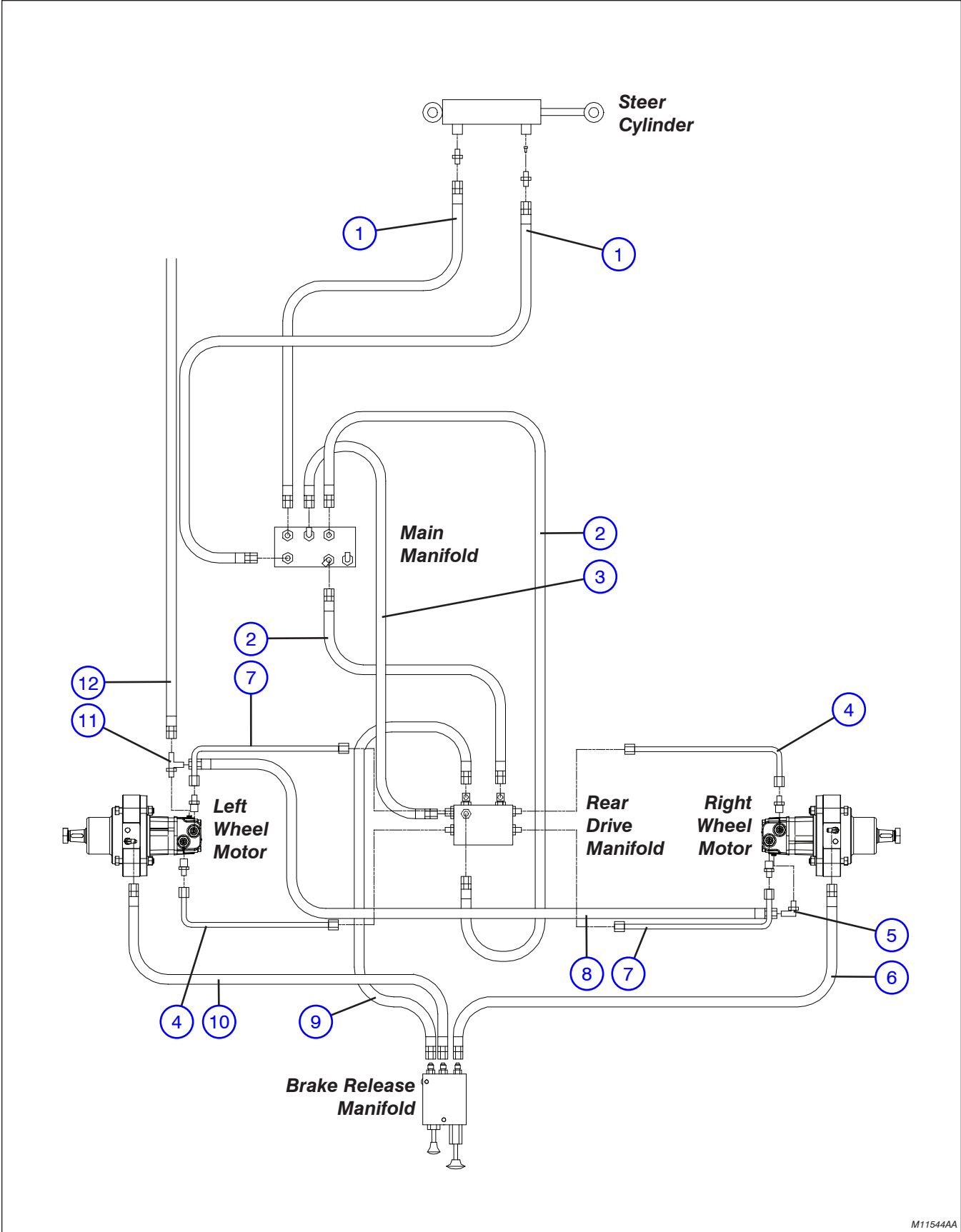


M10009AA

### 3.10 Hydraulic Hose Connections - Pin Brake (Models 322x)

Index No.	Skyjack Part No.	Qty.	Description
1	119833	2	HOSE ASSEMBLY (Steer)
2	102611	2	HOSE ASSEMBLY (Drive)
3	104487	1	HOSE ASSEMBLY (Brake supply)
4	125497	4	TUBE ASSEMBLY (Drive motor)
5	102540	1	HOSE ASSEMBLY (Right brake)
6	126015	1	HOSE ASSEMBLY (Left brake)

**3.11 Hydraulic Hose Connections - Disc Brake (Models 46xx)**



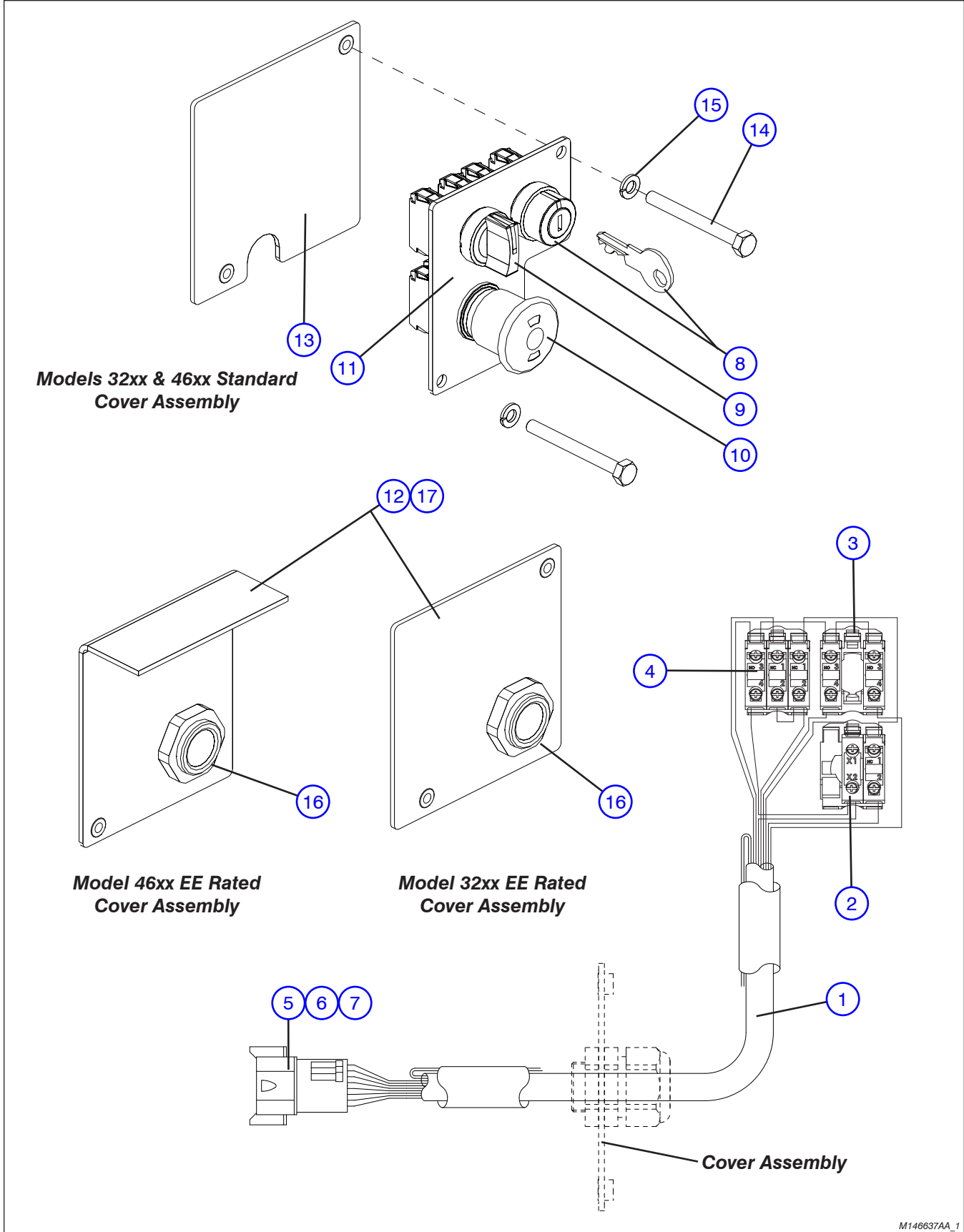
M11544AA



### 3.11 Hydraulic Hose Connections - Disc Brake (Model 46xx)

Index No.	Skyjack Part No.	Qty.	Description
1	119833	2	HOSE ASSEMBLY (Steer)
2	104656	2	HOSE ASSEMBLY (Drive)
3	137175	1	HOSE ASSEMBLY (Brake supply)
4	136569	2	HOSE ASSEMBLY (Wheel motor)
5	113348	1	FITTING, Elbow 90° (#515-6-4)
6	136573	1	HOSE ASSEMBLY (Right brake)
7	136568	2	HOSE ASSEMBLY (Wheel motor)
8	136576	1	HOSE ASSEMBLY (Right motor drain)
9	136572	1	HOSE ASSEMBLY (Brake release manifold)
10	137636	1	HOSE ASSEMBLY (Left brake)
11	121602	1	FITTING, Tee (06 JICM - 04 ORBM - 06 JICM)
12	138133	1	HOSE ASSEMBLY (Main case drain)

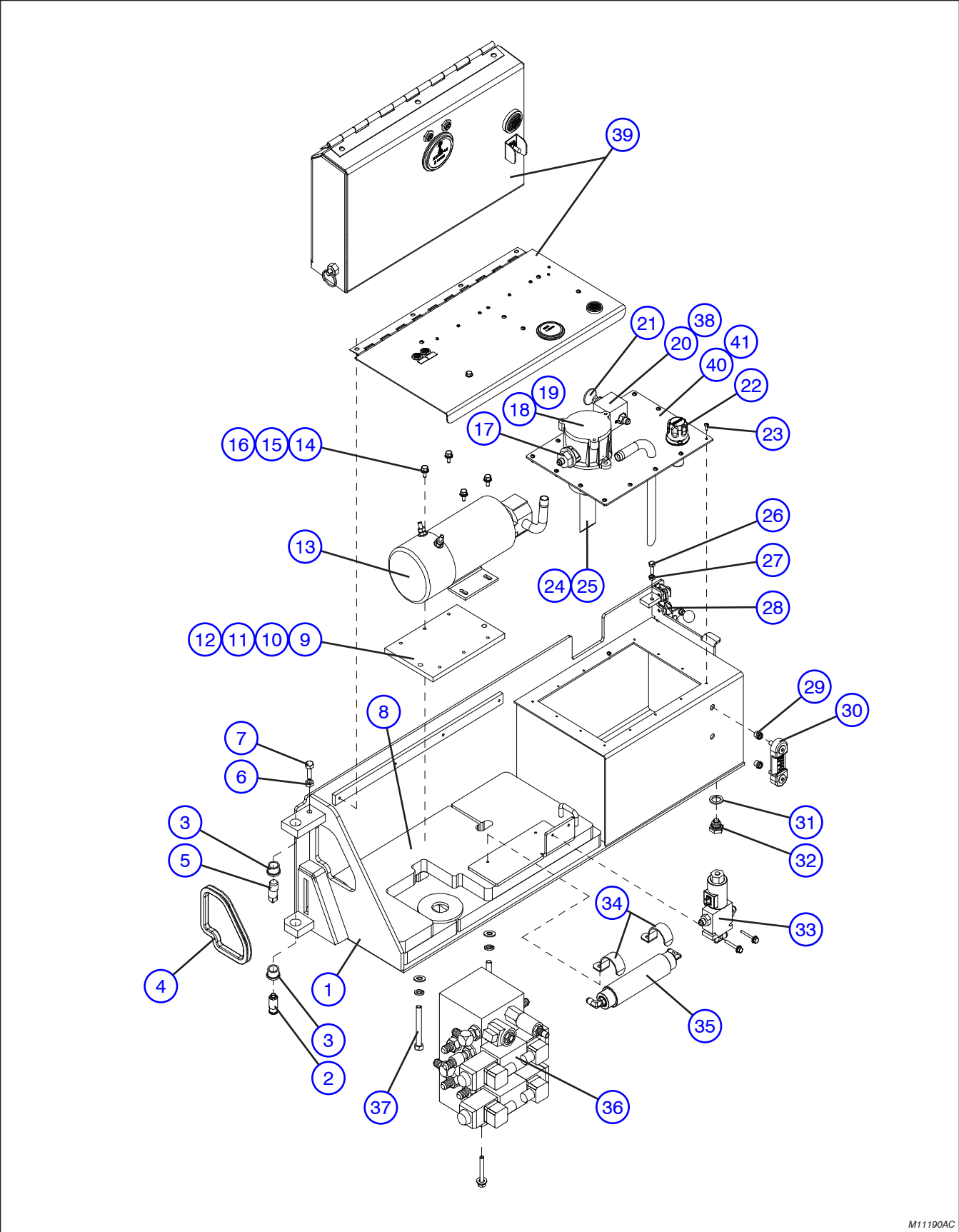
**3.12 Base Control Console**



M146637AA\_1

Index No.	Skyjack Part No.	Qty.	Description
<b>A</b>	146597	-	BASE CONTROL CONSOLE ASSEMBLY
<b>B</b>	147995	-	BASE CONTROL CONSOLE ASSEMBLY <b>(Models 322x ANSI/CSA EE rated)</b>
<b>C</b>	147994	-	BASE CONTROL CONSOLE ASSEMBLY <b>(Models 46xx ANSI/CSA EE rated)</b>
<b>1</b>	149553	1	• HARNESS, Base control
<b>2</b>	-	-	• • SWITCH, Emergency stop
	147056	1	• • • LATCH
	147053	1	• • • BLOCK, Contact (N.C.)
	147061	1	• • • LED BLOCK, 24V (Red)
<b>3</b>	-	-	• • SWITCH, Selector
	147056	1	• • • LATCH
	147054	2	• • • BLOCK, Contact (N.O.)
<b>4</b>	-	-	• • KEY SWITCH
	147056	1	• • • LATCH
	147053	2	• • • BLOCK, Contact (N.C.)
	147054	1	• • • BLOCK, Contact (N.O.)
<b>5</b>	117582	1	• • RECEPTACLE (8 pin)
<b>6</b>	117584	1	• • CONNECTOR, Wedge (8 pin)
<b>7</b>	117590	8	• • CONNECTOR, Contact pin (16-18)
<b>8</b>	149536	1	• SWITCH HEAD, Selector key
	104466	1	• KEY (#455)
<b>9</b>	147069	1	• SWITCH HEAD, Selector
<b>10</b>	147051	1	• SWITCH HEAD, Emergency stop
<b>11</b>	130862	1	• PLATE, Mount (Base controls)
<b>12</b>	147997	1	• COVER ASSEMBLY (Base controls), <b>B</b>
	147976	1	• COVER ASSEMBLY (Base controls), <b>C</b>
<b>13</b>	132706	1	COVER ASSEMBLY (Base controls) <b>(Models 322x), A</b>
	136536	1	COVER ASSEMBLY (Base controls) <b>(Models 46xx), A</b>
<b>14</b>	127284	2	BOLT, Hex head (1/4"-20 x 2.5", Grade 5)
<b>15</b>	104000	2	WASHER, Lock (1/4"), <b>A, B</b>
	117953	2	WASHER, Seal (1/4"), <b>B, C</b>
<b>16</b>	300788	1	STRAIN RELIEF (LTF 21), <b>B, C</b>
<b>17</b>	126784	34"	RUBBER, Self-seal, <b>B, C</b>

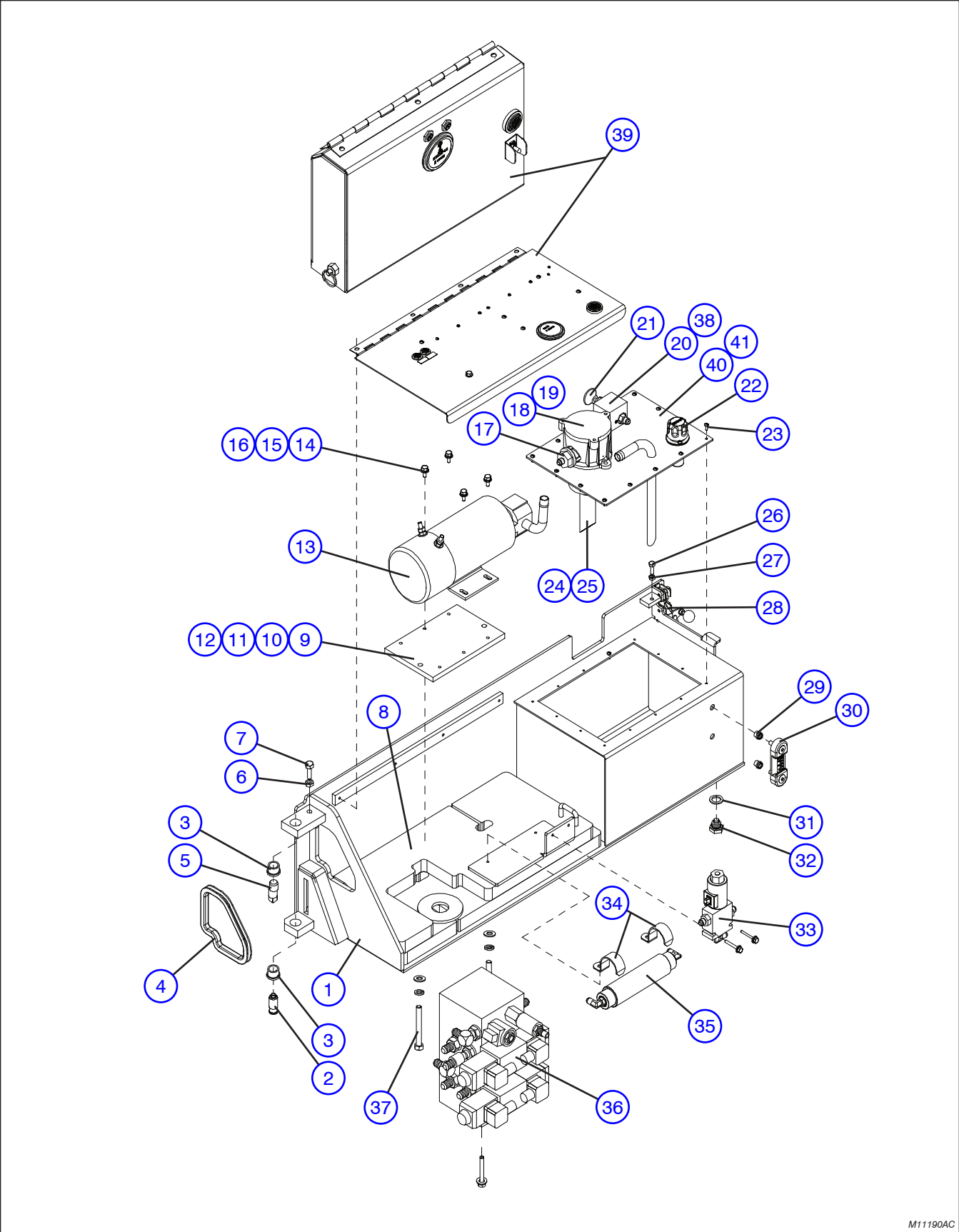
4.1 Hydraulic/Electrical Tray Assembly



M11190AC

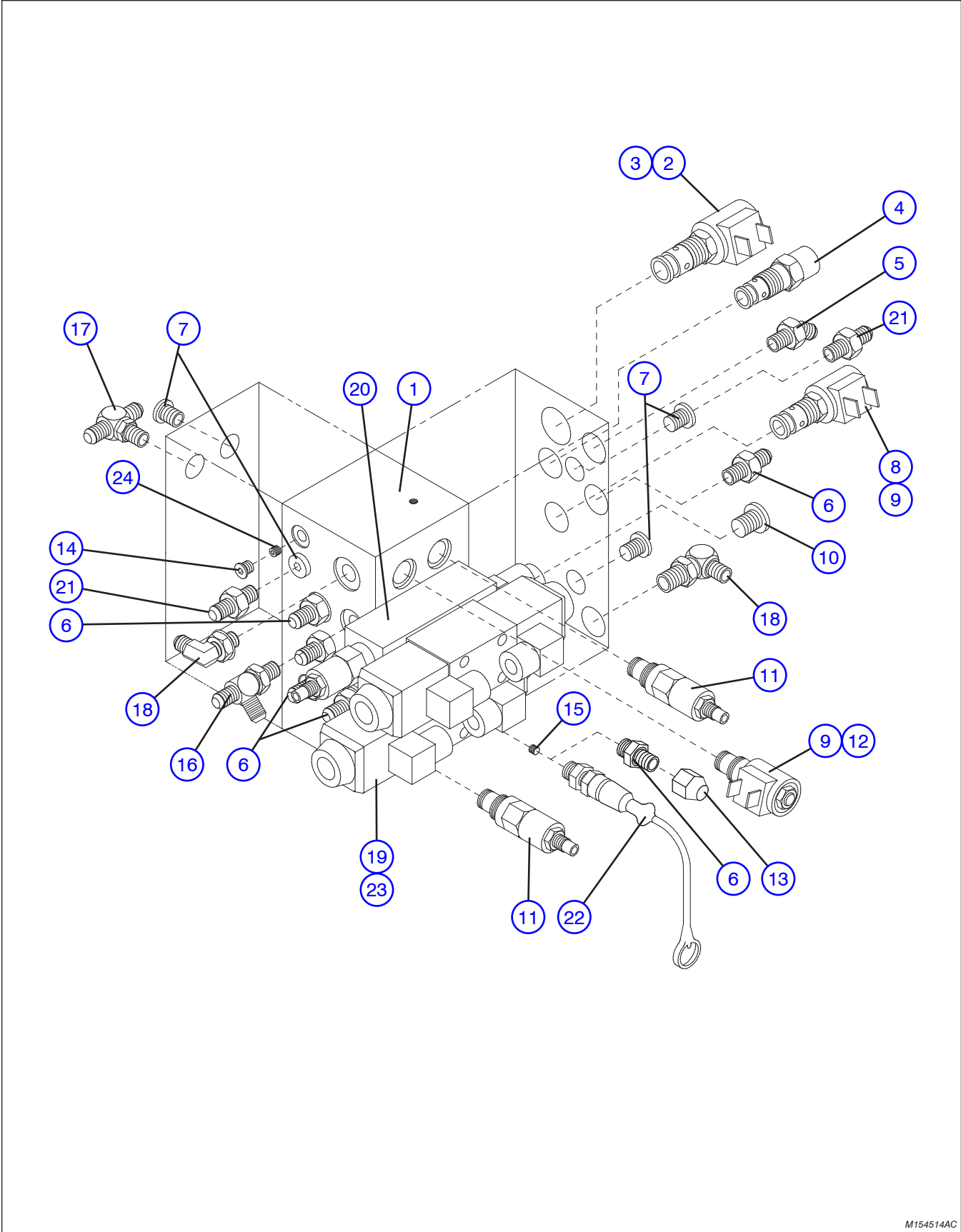
Index No.	Skyjack Part No.	Qty.	Description
1	125443	1	WELDMENT, Hydraulic/electric tray
	125735	1	WELDMENT, Hydraulic/electric tray <b>(ANSI/CSA EE rated)</b>
2	118983	1	PIN, Tray bottom
3	100335	2	BUSHING, Bronze
4	125821	1	TRIM, Protective
5	100446	1	PIN, Tray upper eccentric
6	107949	1	NUT, Hex jam (1/2"-13)
7	125798	1	BOLT, Carriage (1/2"-13 x 1.5", Grade 5)
8	132767	1	WEIGHT ASSEMBLY
9	119020	1	PLATE, Motor mounting
10	127060	2	BOLT, Hex head (1/2"-13 x 4", Grade 5)
11	103468	2	WASHER, Flat (1/2")
12	103470	2	WASHER, Lock (1/2")
13	(Ref.)	-	PUMP AND MOTOR ASSEMBLY (For components, refer to Section 4.3)
14	103887	4	BOLT, Hex head (5/16"-18 x 3/4")
15	103404	4	WASHER, Flat (5/16")
16	103996	4	WASHER, Lock (5/16")
17	109052	1	FITTING, Connector (#12 ORB - #6)
18	109568	1	RETURN FILTER ASSEMBLY
	104254	1	• ELEMENT, Filter
	123022	1	• SEAL, O-ring
	123021	1	• COVER
	123020	1	• SPRING
	122973	1	• CASTING, Aluminum
	121571	1	• SCREW, Set
	122969	3	• BOLT, Washer combined
	122968	1	• CASING, Filter
19	-	-	HARDWARE, Return filter assembly
	103864	2	• BOLT, Hex head (5/16"-18 x 1")
	103984	2	• NUT, Hex lock (5/16"-18, Grade 5)
20	107493	1	MANIFOLD, Lowering valve
21	107271	1	VALVE
22	102693	1	CAP WITH GASKET, Filler/Breather
	103962	3	SCREW, Machine (#10-32 x 1/2")
23	103962	14	SCREW, Machine (#10-32 x 1/2")
24	103320	1	CLAMP, Worm (#16)
25	102918	1	HOSE, Tank (1")
26	111804	1	BOLT, Carriage (3/8"-16 x 1", Grade 5)
27	108575	1	NUT, Hex jam (3/8"-16, Grade B)
			<b>Parts list continued on the following page.</b>

4.1 Hydraulic/Electrical Tray Assembly (Continued)



M11190AC

Index No.	Skyjack Part No.	Qty.	Description
			<b>Parts list continued from the previous page.</b>
28	119609	1	ROTARY LATCH ASSEMBLY
	112307	1	• LATCH, Rotary
	111534	1	• KNOB, Latch
	103857	1	• BOLT, Hex head (1/4"-20 x 1", Grade 5)
	104000	1	• WASHER, Lock (1/4")
	103864	3	• BOLT, Hex head (5/16"-18 x 1", Grade 5)
	103980	1	• NUT, Hex head (1/4"-20, Grade 5)
29	124311	2	INSERT, Threaded (not needed with gauge assembly)
30	103236	1	GAUGE, Oil level/temperature
31	120190	1	SEAL, Magnetic drain plug
32	117701	1	THREAD STRAIGHT MAGNETIC PLUG ASSEMBLY
	149606	1	• PLUG, Thread straight magnetic
	120190	1	• SEAL, Thread straight magnetic plug
33	(Ref.)	-	PROPORTIONAL CONTROL VALVE ASSEMBLY (For components, refer to Section 4.4)
34	102971	2	BRACKET, Cylinder mounting
	103855	2	• BOLT, Hex head (1/4"-20 x 1/2", Grade 5)
	104000	2	• WASHER, Lock (1/4")
	103995	2	• WASHER, Flat (1/4")
35	124291	1	CYLINDER, Cushion
36	(Ref.)	-	MAIN MANIFOLD ASSEMBLY (For components, refer to Section 4.2)
	103873	1	• BOLT, Hex head (3/8"-16 x 2.5", Grade 5)
	103472	1	• WASHER, Flat (3/8")
	103999	1	• WASHER, Lock (3/8")
37	133940	2	BOLT, Hex head (1/2"-13 x 3.75", Grade 5)
38	103069	1	FITTING, Straight (06 JICM - 06 ORBM)
39	(Ref.)	-	ELECTRICAL PANEL ASSEMBLY (For components, refer to Section 6.1 or Section 6.2)
40	109267	1	COVER, Hydraulic tank
41	148298	1	GASKET, Hydraulic tank
42	114578	2	FITTING, Elbow 90° (06 JICM - 06 ORBM)

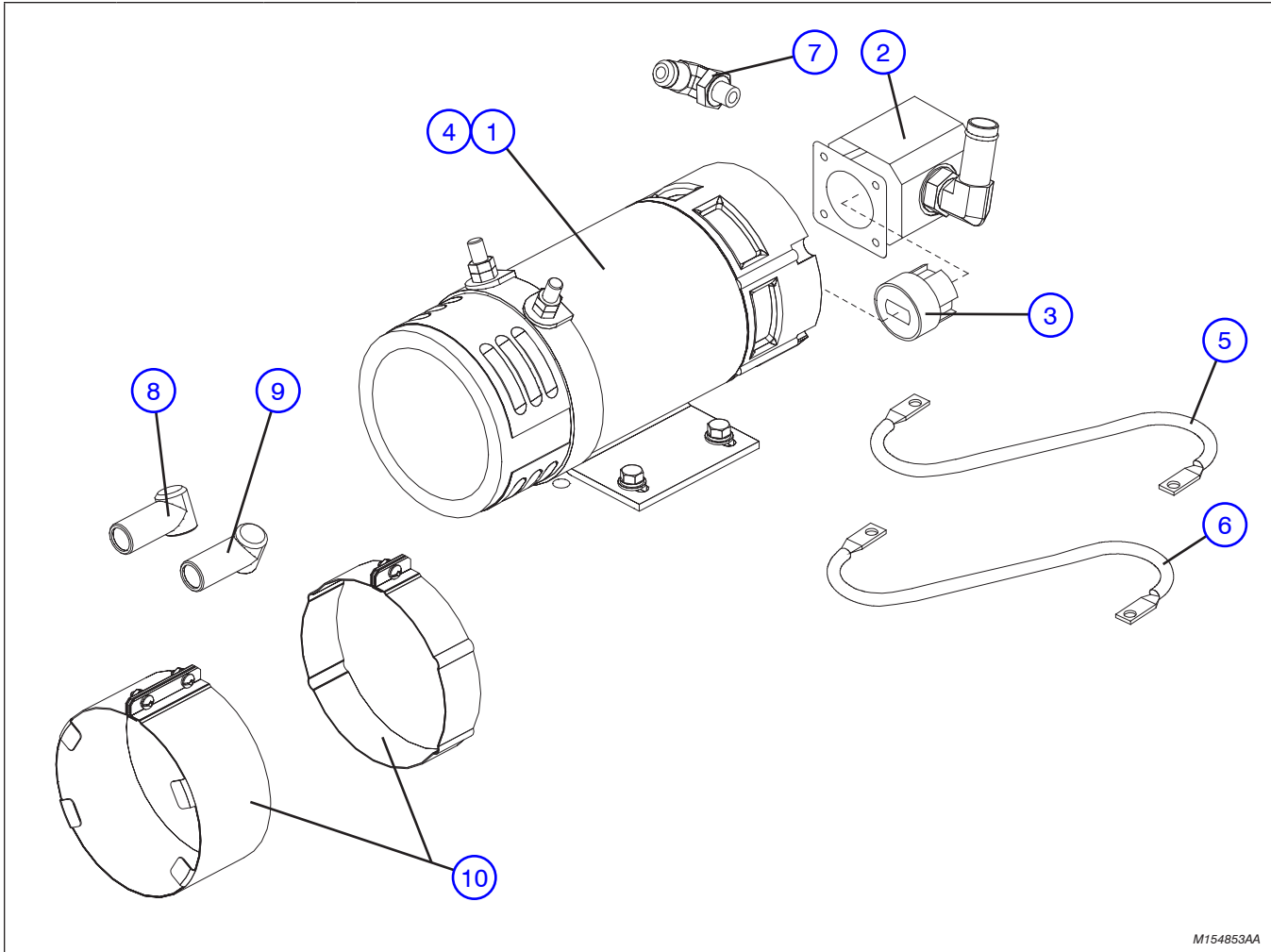


M154514AC



Index No.	Skyjack Part No.	Qty.	Description
-	154514	1	MAIN MANIFOLD ASSEMBLY
-	124253	-	• MANIFOLD ASSEMBLY (without directional valves)
1	107354	1	• • BLOCK, Manifold
	108052	9	• • • PLUG, Expander
2	106273	1	• • VALVE, 3-Way (Lift)
3	105610	1	• • COIL, 24 Volt
4	147889	1	• • VALVE, Counterbalance
5	114580	1	• • FITTING, Elbow 45° (06 JICM - 06 ORBM)
6	103069	6	• • FITTING, Straight (06 JICM - 06 ORBM)
7	104437	6	• • FITTING, Plug (06 ORBM)
8	103623	1	• • VALVE, 3-Way (Brake)
9	103605	2	• • COIL (24 volt)
10	115320	1	• • FITTING, Plug (#8)
11	104534	2	• • VALVE, Relief
12	103655	1	• • VALVE (N.C.)
13	107666	1	• • NUT, Cap (06 JICF) <b>(ANSI/CSA)</b>
14	102856	1	• • PLUG (#3) <b>(Models 322x)</b>
15	104419	1	• • PLUG (1/16 NPT)
16	114581	1	• • FITTING, Tee (06 JICM - 06 ORBMS - 06 JICM)
17	114579	1	• • FITTING, Tee (06 JICM - 06 JICM - 06 ORBM)
18	114578	2	• • FITTING, Elbow 90° (06 JICM - 04 ORBM)
19	153334	2	• • VALVE, Directional D03 spool (Drive & Steer)
	153335	2	• • • COIL (24 volt)
	103920	8	• • BOLT, Socket head (#10-24 x 2", Grade 5)
20	-	1	DRIVE CROSS OVER RELIEF VALVE ASSEMBLY (option)
	121877	1	• RELIEF VALVES, Cross over
	103923	4	• BOLT, Socket head (#10-24 x 3.5", Grade 5)
21	701956	2	FITTING, Straight (04 JICM - 06 ORBM) (Powered extension platform)
22	122420	1	KIT, Quick disconnect <b>(KC)</b>
	122385	1	• COUPLER
	114521	1	• COVER, Dust
	122428	1	• FITTING, Straight (06 ORBM - 06 ORBM)
23	119825	4	CONNECTOR (with diode)
24	105530	1	ORIFICE (1/16" NPT x 0.081" I.D.) <b>(Model 4632)</b>

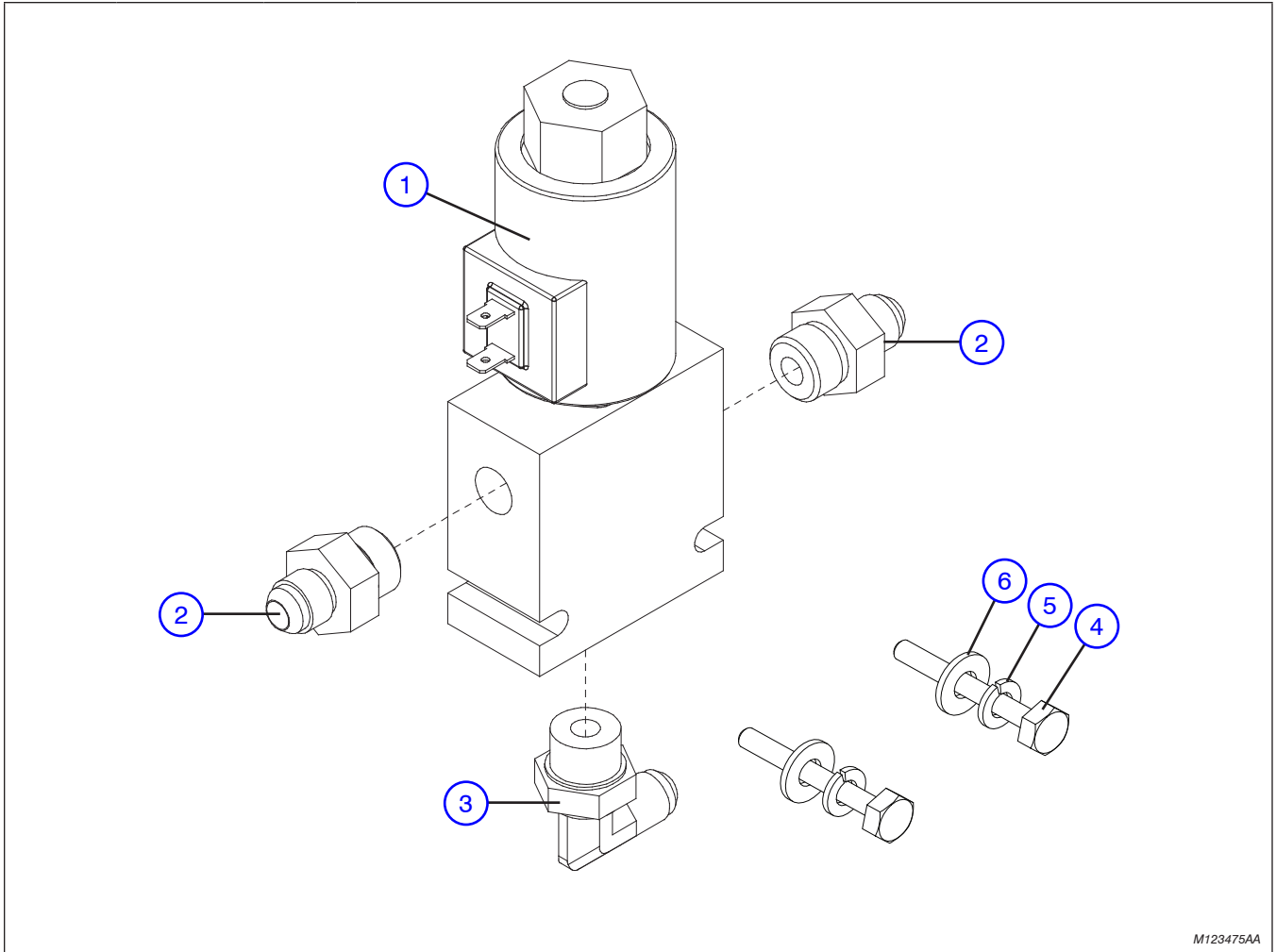
### 4.3 Pump and Motor Assembly



M154853AA

Index No.	Skyjack Part No.	Qty.	Description
<b>A</b>	147276	1	PUMP & MOTOR ASSEMBLY <b>(Model 3220/4620 &amp; all EE rated)</b>
<b>B</b>	147099	1	PUMP & MOTOR ASSEMBLY <b>(Model 3226/4626/4632, exclude EE rated)</b>
1	147664	1	• MOTOR (24 VDC)
2	147661	1	• PUMP, Hydraulic, <b>A</b>
	147662	1	• PUMP, Hydraulic, <b>B</b>
3	147663	1	• COUPLER (includes seals)
4	-	1	HARDWARE, Motor replacement
	122967	1	• BRUSH KIT (includes brushes and springs)
5	124323	1	CABLE (Motor to main contactor)
	122566	1	CABLE (Motor to main contactor) <b>(ANSI/CSA EE rated)</b>
6	(Ref.)	1	CABLE, Motor/Battery <b>(For components, refer to Section 5.1)</b>
7	102665	1	FITTING, Elbow 90° (06 JICM - 08 ORBM)
8	117407	1	INSULATOR, Boot (Black) <b>(ANSI/CSA EE rated)</b>
9	117408	1	INSULATOR, Boot (Red) <b>(ANSI/CSA EE rated)</b>
10	129962	1	KIT, Motor band <b>(ANSI/CSA EE rated)</b>

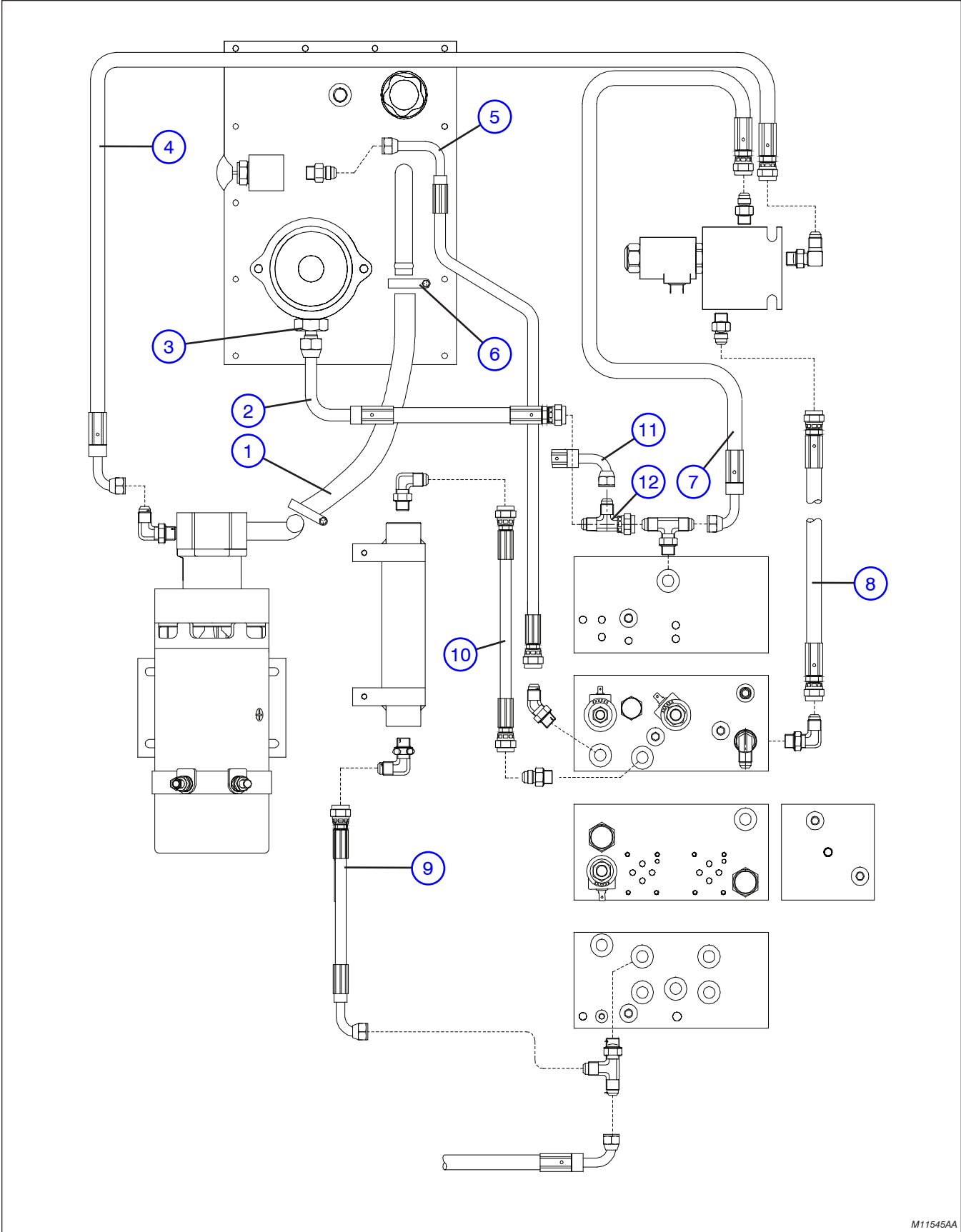
#### 4.4 Proportional Manifold Assembly



M123475AA

Index No.	Skyjack Part No.	Qty.	Description
-	132761	1	PROPORTIONAL MANIFOLD ASSEMBLY
1	132750	1	• MANIFOLD ASSEMBLY
	132748	1	• • BLOCK, Manifold
	132749	1	• • VALVE, Control
	115370	1	• • COIL (24 volt)
2	103070	2	• FITTING, Straight (06 JICM - 08 ORBM)
3	102665	1	• FITTING, Elbow 90° (06 JICM - 08 ORBM)
4	103860	2	BOLT, Hex head (1/4"-20 x 1.75", Grade 5)
5	104000	2	WASHER, Lock (1/4")
6	103995	2	WASHER, Flat (1/4")

**4.5 Hydraulic Hose Connections (Hydraulic/Electrical Tray)**

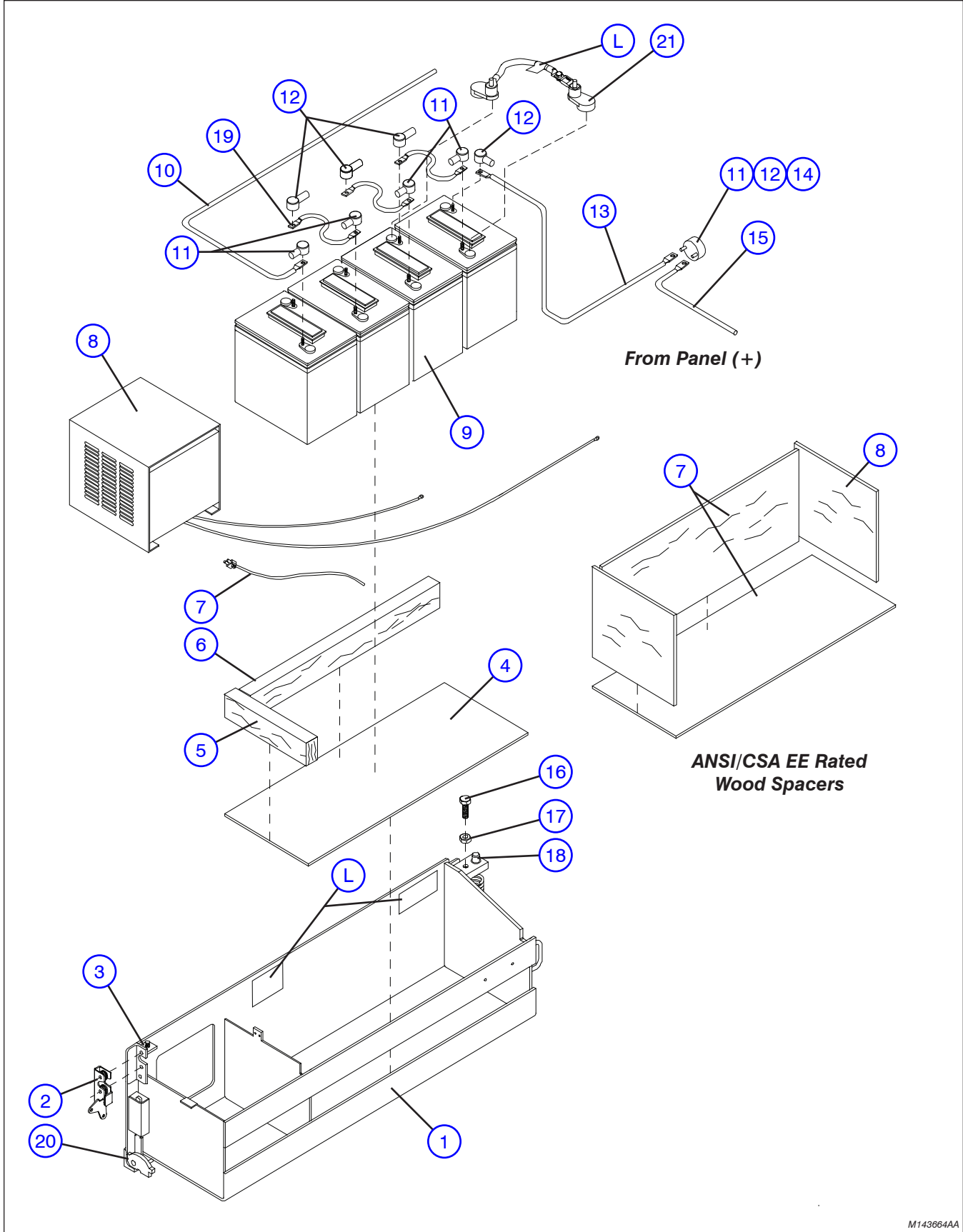


M11545AA

#### 4.5 Hydraulic Hose Connections (Hydraulic/Electrical Tray)

Index No.	Skyjack Part No.	Qty.	Description
1	119851	1	HOSE, Suction (3/4")
2	136563	1	HOSE ASSEMBLY (Filter to main manifold)
3	109052	1	FITTING, Connector (#12 ORB - #6)
4	106412	1	HOSE ASSEMBLY (Pump to proportional control valve)
5	112631	1	HOSE ASSEMBLY (Manual lowering valve)
6	114402	2	CLAMP, Worm (#12)
7	107732	1	HOSE ASSEMBLY (Proportional control valve to return filter)
8	106413	1	HOSE ASSEMBLY (Main manifold to proportional control valve)
9	126331	1	HOSE ASSEMBLY (Cushion cylinder)
10	102647	1	HOSE ASSEMBLY (Cushion cylinder)
11	(Ref.)	1	HOSE ASSEMBLY <b>(Models 46xx)</b> (For components, refer to Section 3.11)
12	702382	1	FITTING, Tee-run swivel (#6 JIC) <b>(Models 46xx)</b>

**5.1 Battery Tray Assembly**



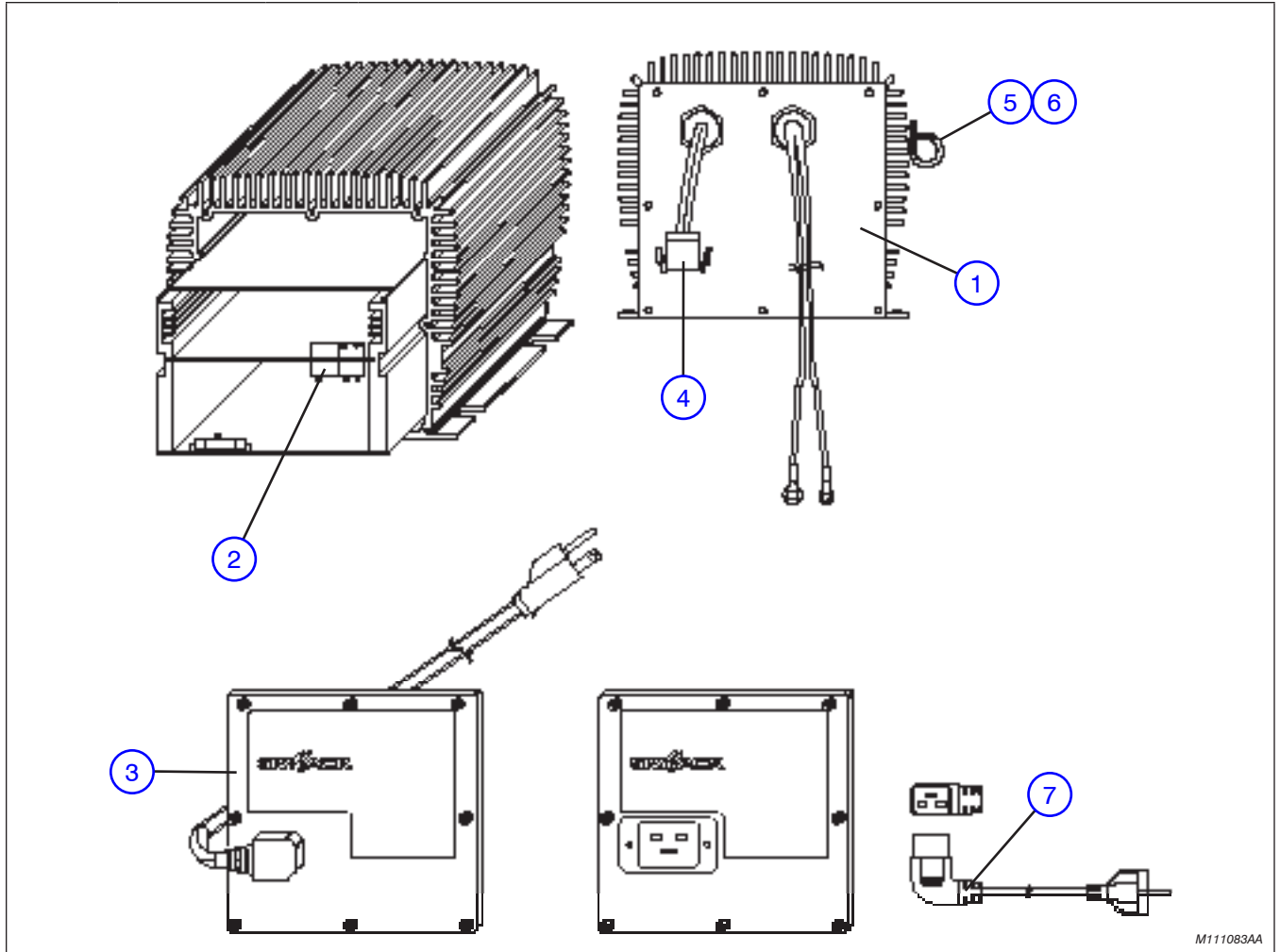
M143664AA

Index No.	Skyjack Part No.	Qty.	Description
1	143665	1	WELDMENT, Battery tray
2	119608	1	LATCH ASSEMBLY
	111955	1	LATCH ASSEMBLY <b>(ANSI/CSA EE rated)</b>
	112308	1	• LATCH, Rotary
	102781	1	• LATCH, Rotary <b>(ANSI/CSA EE rated)</b>
	111534	1	• KNOB, Latch
	103857	1	• BOLT, Hex head (1/4"-20 x 1", Grade 5)
	104000	1	• WASHER, Lock (1/4")
	103864	3	• BOLT, Hex head (5/16"-18 x 1", Grade 5)
	103404	1	• WASHER, Lock (5/16") <b>(ANSI/CSA EE rated)</b>
	103980	1	• NUT, Hex head (1/4"-20, Grade 5)
	119528	1	TRAY LOCK ASSEMBLY <b>(ANSI/CSA EE rated)</b>
	104049	1	• BRACKET, Tray lock
	104051	1	• CAM, Lock
	103886	1	• BOLT, Hex head (5/16"-18 x 1.5", Grade 5)
3	111804	1	BOLT, Carriage (3/8"-16 x 1", Grade 5)
	108575	1	NUT, Jam (3/8"-16, Grade 5)
4	100440	1	PLYWOOD (3/8 x 10.5 x 28.5)
5	111423	1	SPACER, Wood (2 x 3 x 11)
6	100442	1	SPACER, Wood (2 x 3 x 28) (U2200)
7	113655	3	PLYWOOD (1/4 x 9.5 x 29) <b>(ANSI/CSA EE Rated)</b>
8	113654	5	PLYWOOD (1/4 x 9.5 x 10.5) <b>(ANSI/CSA EE Rated)</b>
7	(Ref.)	1	HARNESS, Charger cutout (For components, refer to Section 6.6)
8	(Ref.)	1	BATTERY CHARGER ASSEMBLY (For components, refer to Section 5.2)
9	106552	4	BATTERY, 6V (U2500)
	103480	4	BATTERY, 6V (U2200)
10	124324	1	CABLE (Battery to pump/motor assembly)
11	117407	2	INSULATOR, Boot (Black)
12	117408	2	INSULATOR, Boot (Red)
13	143663	1	CABLE (Main disconnect switch to battery)
14	(Ref.)	-	MAIN DISCONNECT SWITCH ASSEMBLY (For components, refer to Section 3.1)
15	119550	1	CABLE (Main disconnect switch to main contactor)
	126049	1	CABLE (Main disconnect switch to main contactor) <b>(ANSI/CSA EE rated)</b>
16	125798	1	BOLT, Carriage (1/2"-13 x 1.5", Grade 5)
17	107949	1	NUT, Jam (1/2"-13)
18	-	-	PIN ASSEMBLY (Tray upper)
	100335	1	• BUSHING, Bronze
	100446	1	• PIN, Eccentric
	-	-	PIN ASSEMBLY (Tray lower)
	100335	1	• BUSHING, Bronze
	118983	1	• PIN, Tray bottom
19	120425	2	CABLE, Battery jumper
20	(Ref.)	-	POTHOLE PROTECTION DEVICE ASSEMBLY (For components, refer to Section 3.2)
21	137243	1	CABLE, Battery
	310517	1	• FUSE (300 Amp)
L	(Ref.)	-	LABELS (Refer to Section 8.1)

## **Notes**



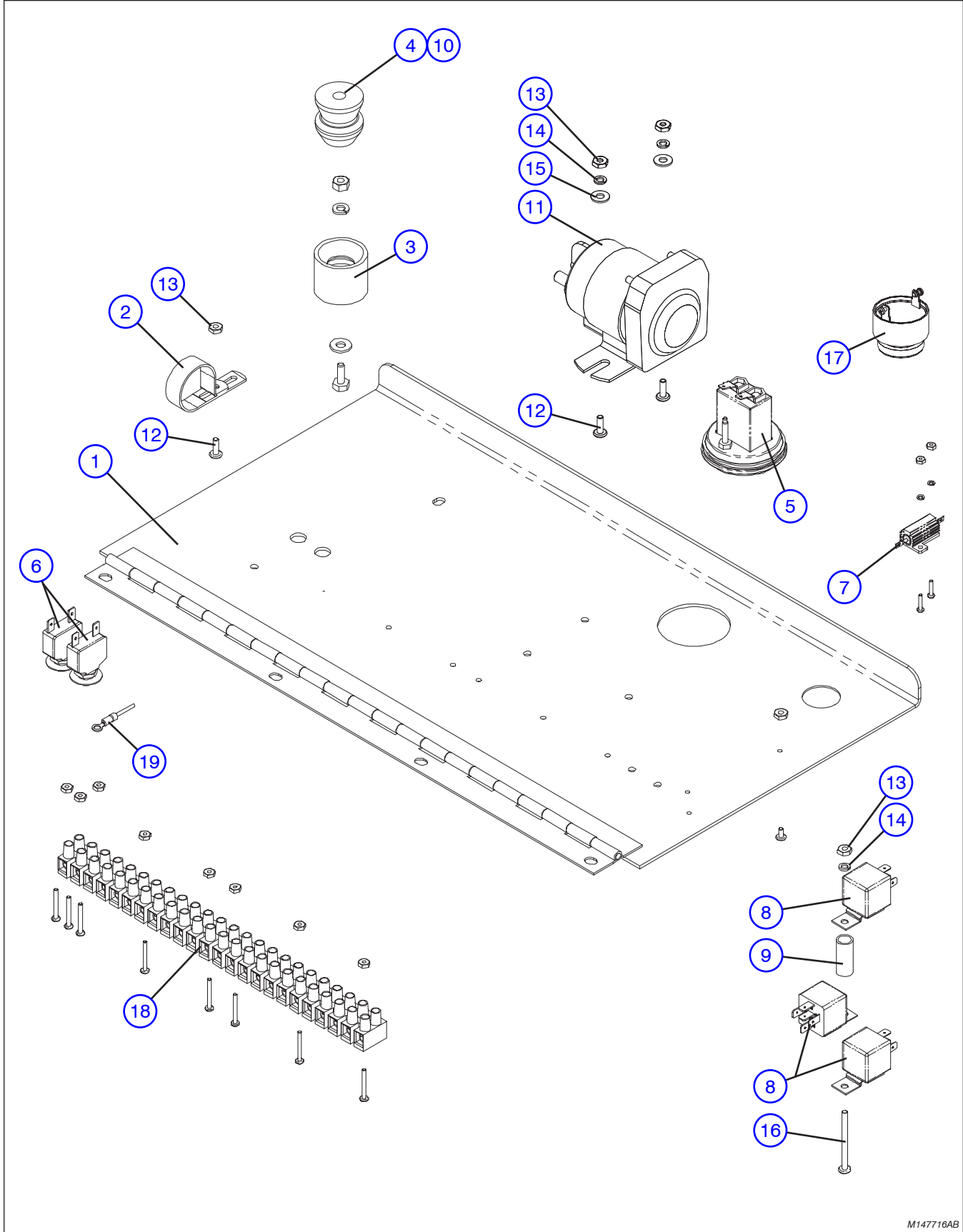
## 5.2 Battery Charger Assembly



M111083AA

Index No.	Skyjack Part No.	Qty.	Description
1	128537	1	CHARGER, 110V Battery (24VDC) <b>(ANSI/CSA)</b>
	152070	1	CHARGER, 220V Battery (24VDC) <b>(KC)</b>
2	127154	1	• RELAY, Interlock
3	147674	1	FRONTPLATE ASSEMBLY (with hardwired cord) <b>(ANSI/CSA)</b>
4	115391	1	PLUG, Charger cutout
5	123764	1	CLIP, Single (#10, G6)
6	129702	1	SCREW, SF (#10)
7	120790	1	CORD, 220V Charger (with plug) <b>(KC)</b>

**6.1 Electrical Panel Hardware Assembly**

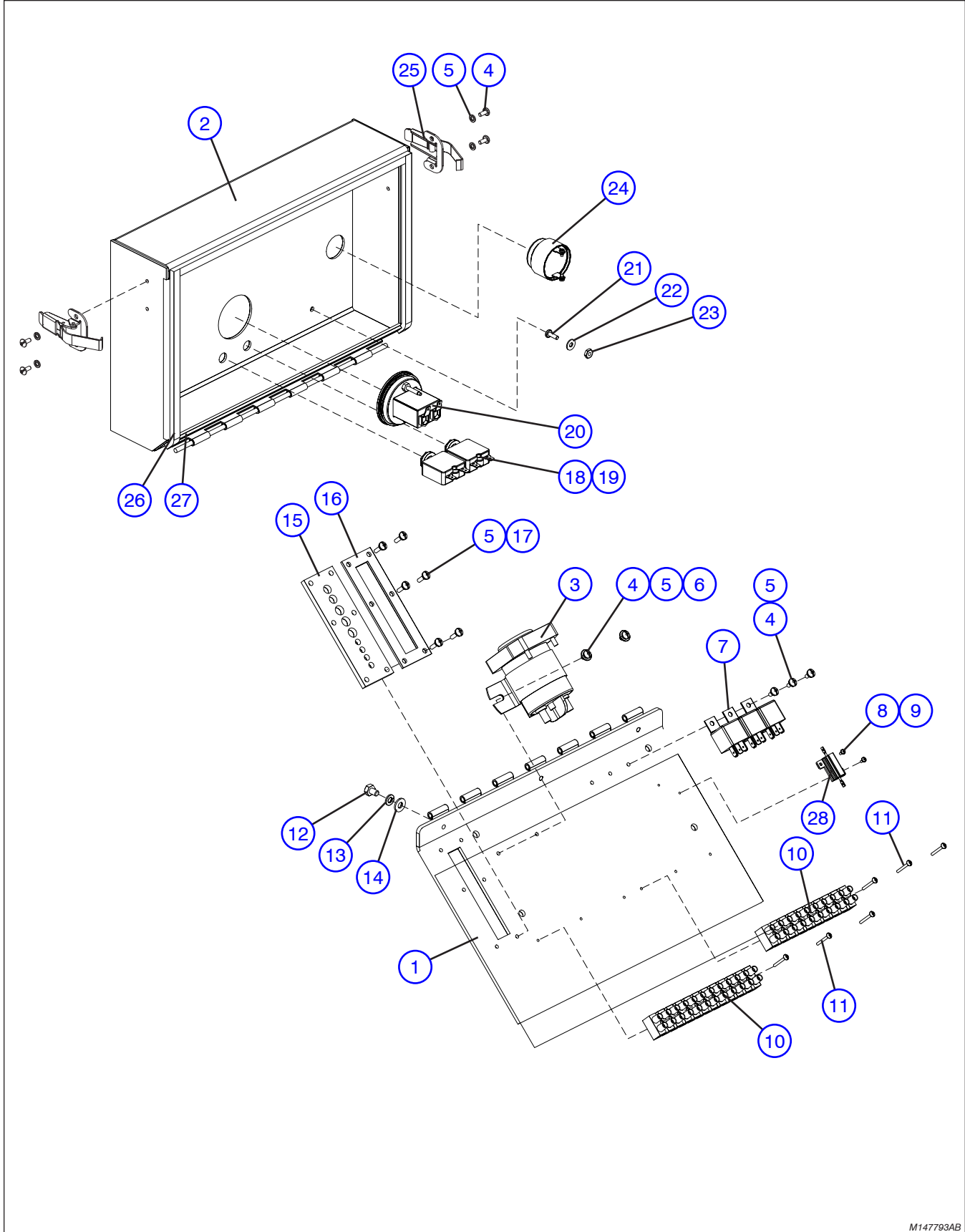


M147716AB

Index No.	Skyjack Part No.	Qty.	Description
<b>A</b>	146642	-	ELECTRICAL PANEL HARDWARE ASSEMBLY (ANSI/CSA)
<b>B</b>	156398	-	ELECTRICAL PANEL HARDWARE ASSEMBLY (KC)
1	132661	1	• WELDMENT, Control panel, <b>A</b>
	156399	1	• WELDMENT, Control panel, <b>B</b>
	112495	4	• BOLT, Hex head (1/4"-20 x 3/8", Grade 5)
2	132794	1	• CLAMP
3	125893	1	• BUMPER, Rubber female
	103892	1	• BOLT, Hex head (1/4"-20 x 5/8", Grade 5)
	103995	1	• WASHER, Flat (1/4")
	104000	1	• WASHER, Lock (1/4")
	103980	1	• NUT, Hex head (1/4"-20, Grade 5)
4	125892	1	• BUMPER, Rubber male
5	103336	1	• HOURMETER
6	117325	2	• CIRCUIT BREAKER (15 Amp)
7	146644	1	• RESISTOR (30 Ohm, 25 watt)
	116066	2	• SCREW, Round head machine (#4-40 x 1/2")
	116068	2	• WASHER, Lock (#4)
	116067	2	• NUT, Hex (#4-40)
8	108589	3	• RELAY (24 volt), <b>A</b>
		4	• RELAY (24 volt), <b>B</b>
9	116711	1	• SPACER, Relay stand-off
10	112449	4	• BOLT, Machine (1/4"-20 x 1", Grade 5)
11	146475	1	• CONTACTOR, Solenoid
12	103962	4	• SCREW, Round head machine (#10-32 x 1/2")
13	104003	5	• NUT, Hex head (#10-32)
14	104185	3	• WASHER, Lock (#10)
15	104694	2	• WASHER, Flat (#10)
16	104546	1	• SCREW, Round head (#10-32 x 2")
17	103057	1	• BEEPER (4-28VDC), <b>A</b>
		2	• BEEPER (4-28VDC), <b>B</b>
18	103011	3	• BLOCK, Terminal
	103956	8	• SCREW, Round head (#6-32 x 1")
	103985	8	• NUT, Hex head (#6-32)
19	147374	1	• HARNESS, Ground ("02")

6.2 Electrical Panel Hardware Assembly (ANSI/CSA EE Rated)

AB

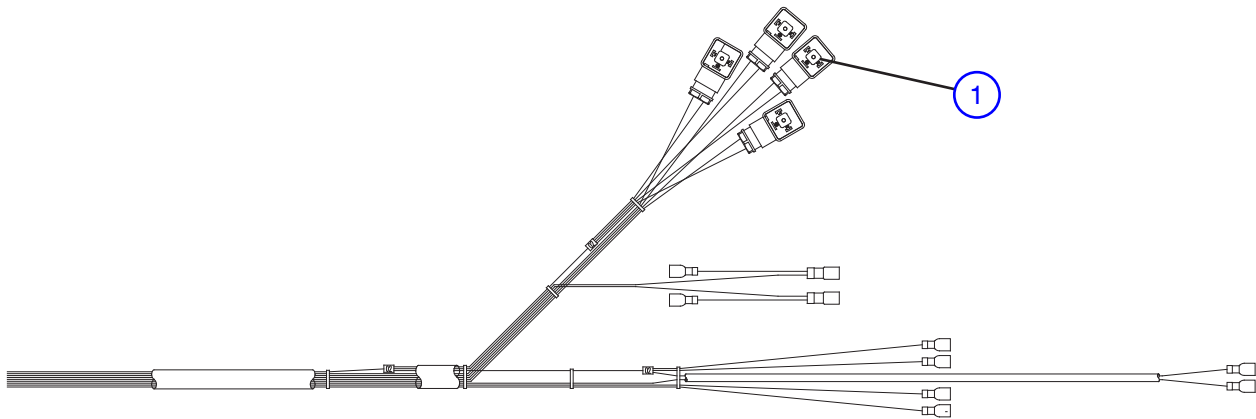


M147793AB

Index No.	Skyjack Part No.	Qty.	Description
-	147793	-	ELECTRICAL PANEL HARDWARE ASSEMBLY (ANSI/CSA EE rated)
1	147981	1	• WELDMENT, Panel
2	147985	1	• WELDMENT, Panel box
3	146475	1	• CONTACTOR, Solenoid
4	115545	9	• SCREW, Round head machine (#10-32 x 3/8")
5	104185	15	• WASHER, Lock (#10)
6	104694	2	• WASHER, Flat (#10)
7	108589	3	• RELAY, Sealed (24V)
8	125694	2	• SCREW, Round head machine (#4-40 x 1/4")
9	116068	2	• WASHER, Lock (#4)
10	103011	1	• BLOCK, Terminal
11	103956	6	• SCREW, Round head machine (#6-32 x 1")
12	112495	3	• BOLT, Hex head (1/4"-20 x 3/8", Grade 5)
13	104000	3	• WASHER, Lock (1/4")
14	103995	3	• WASHER, Flat (1/4")
15	147977	1	• GASKET (9 hole)
16	125613	1	• GASKET, Cover
17	120094	6	• SCREW, Round head machine (#10-32 x 5/8")
18	117325	2	• BREAKER, Circuit (15 amp)
19	117954	2	• WASHER, Seal (7/16")
20	103336	1	• HOUR METER
21	103962	1	• SCREW, Round head machine (#10-32 x 1/2")
22	117952	1	• WASHER, Seal (#10)
23	104003	1	• NUT, Hex head (#10-32)
24	103057	1	• BEEPER (Slow pulse, 4-28VDC)
25	127821	2	• CLAMP, Hook
26	126783	32"	• RUBBER, Self-seal
27	126784	14"	• RUBBER, Self-seal
28	146644	1	RESISTOR (30 ohms)

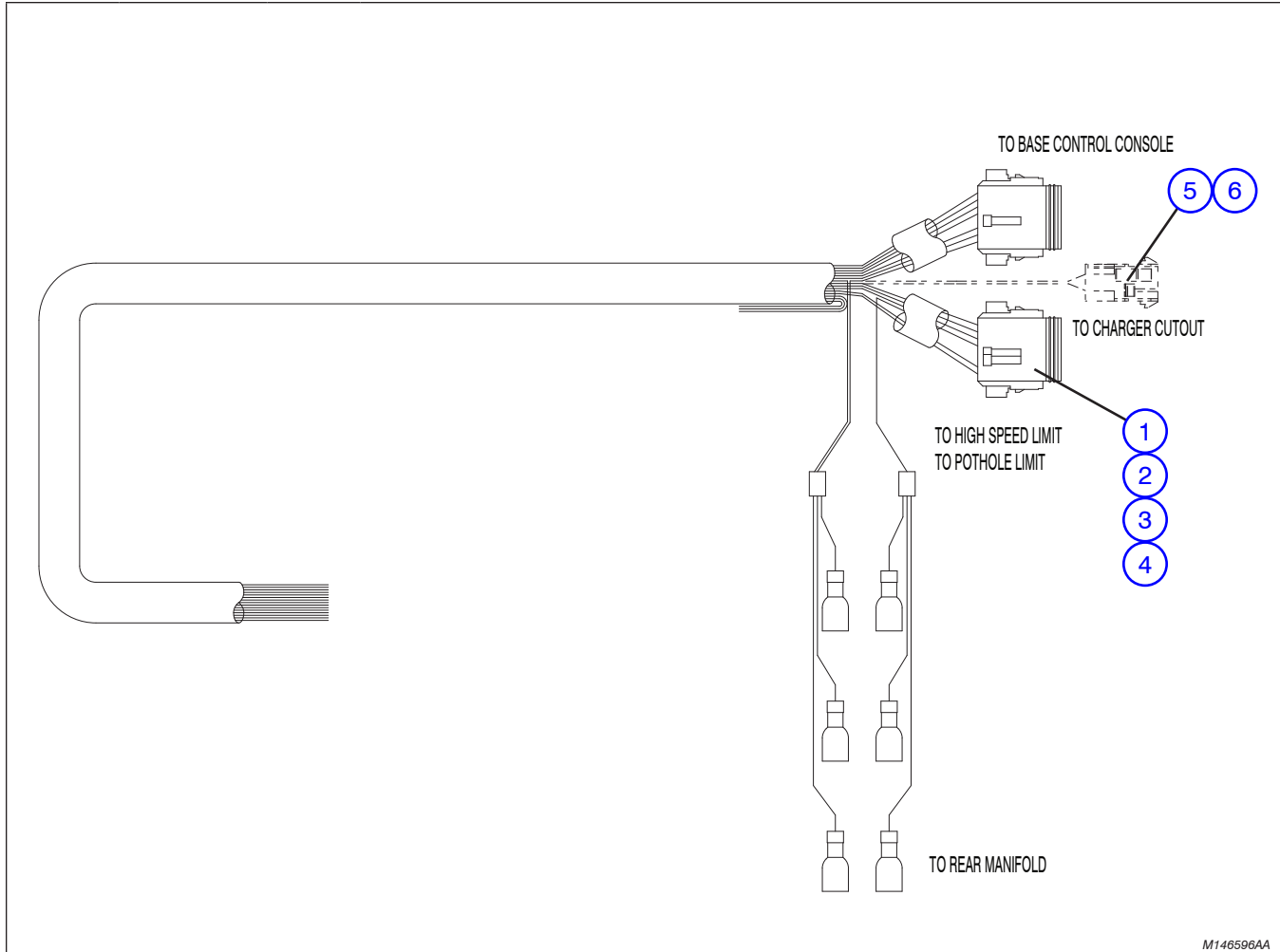
6.3 Main Manifold Harness

AB



M146669AA

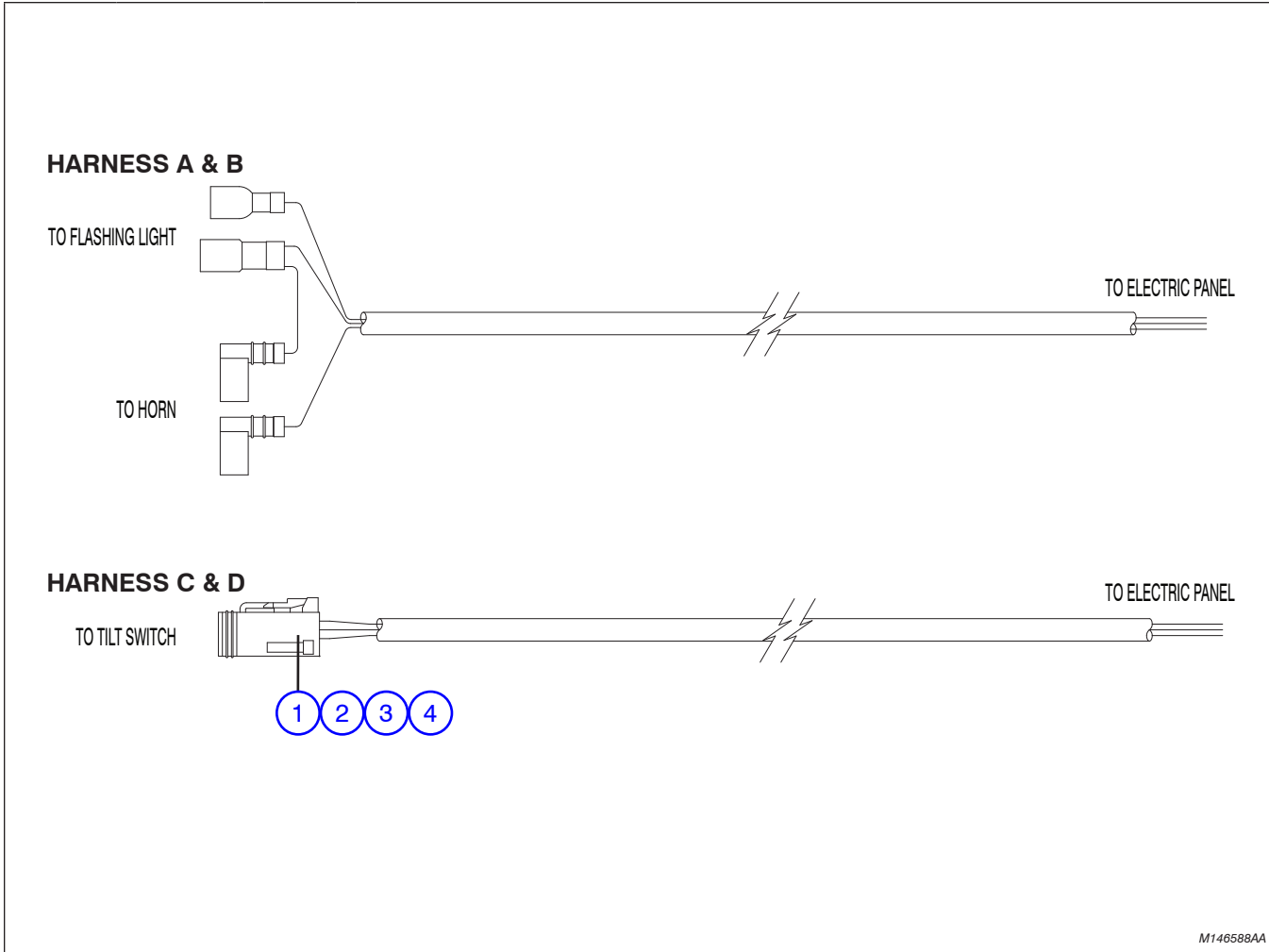
Index No.	Skyjack Part No.	Qty.	Description
-	146669	1	HARNESS, Main manifold
1	119825	4	<ul style="list-style-type: none"> <li>CONNECTOR, Solenoid (with diode)</li> </ul>



M146596AA

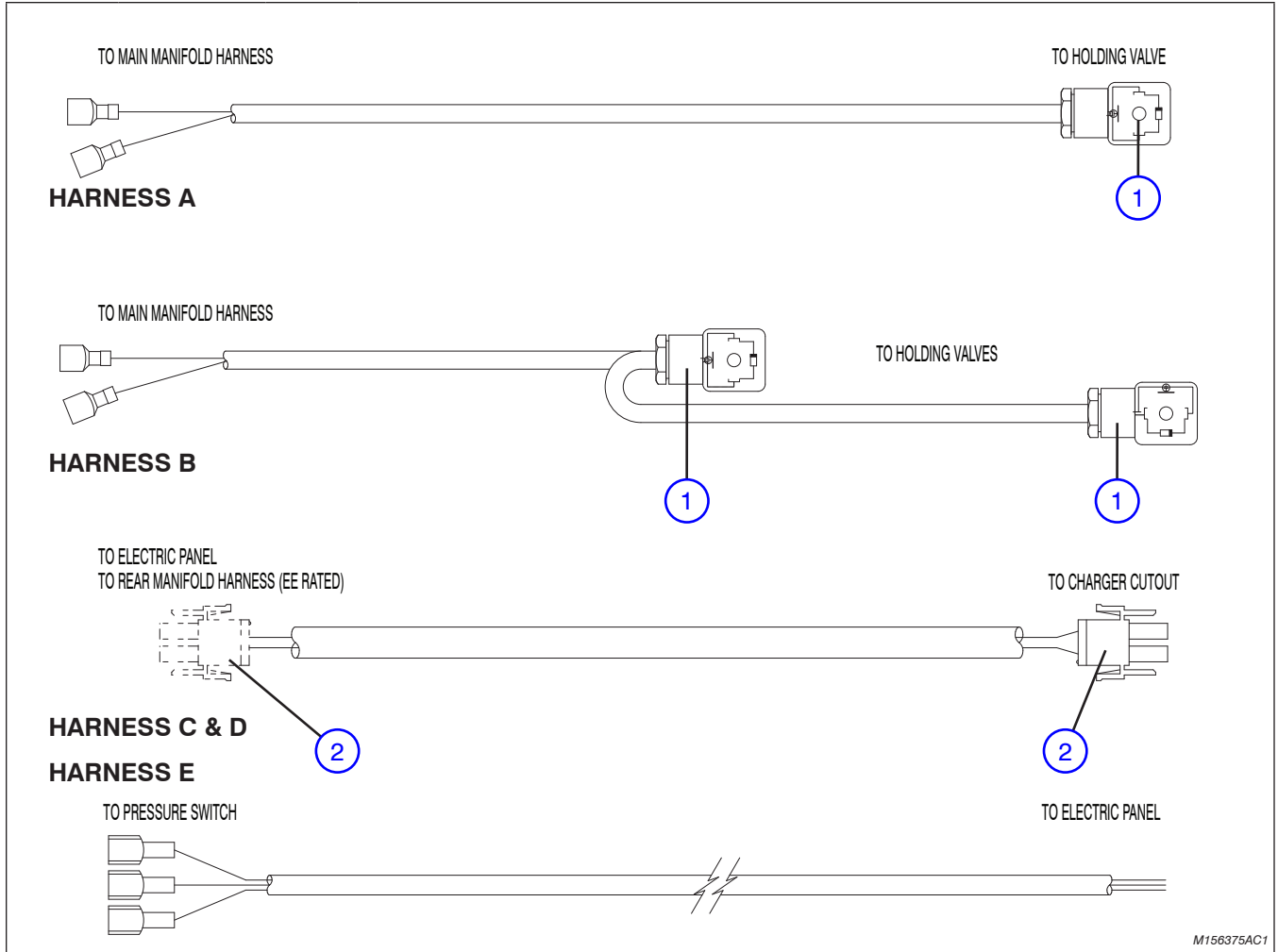
Index No.	Skyjack Part No.	Qty.	Description
<b>A</b>	149585	1	HARNESS, Rear manifold ( <b>ANSI/CSA</b> )
<b>B</b>	147979	1	HARNESS, Rear manifold ( <b>ANSI/CSA EE rated</b> )
<b>C</b>	156427	1	HARNESS, Rear manifold ( <b>KC</b> )
1	117583	2	• CONNECTOR, Plug (8 pin)
2	117585	2	• CONNECTOR, Plug wedge (8 pin)
3	117593	13	• CONNECTOR, Contact socket (14-16), <b>A, B</b>
		15	• CONNECTOR, Contact socket (14-16), <b>C</b>
4	117594	6	• CONNECTOR, Sealing plug, <b>A, B</b>
		3	• CONNECTOR, Sealing plug, <b>C</b>
5	115391	1	• RECEPTACLE, Female (2 pole) <b>B</b>
6	116989	2	• PIN, Male wire, <b>B</b>

## 6.5 Horn/Flashing Light and Tilt Switch Harnesses



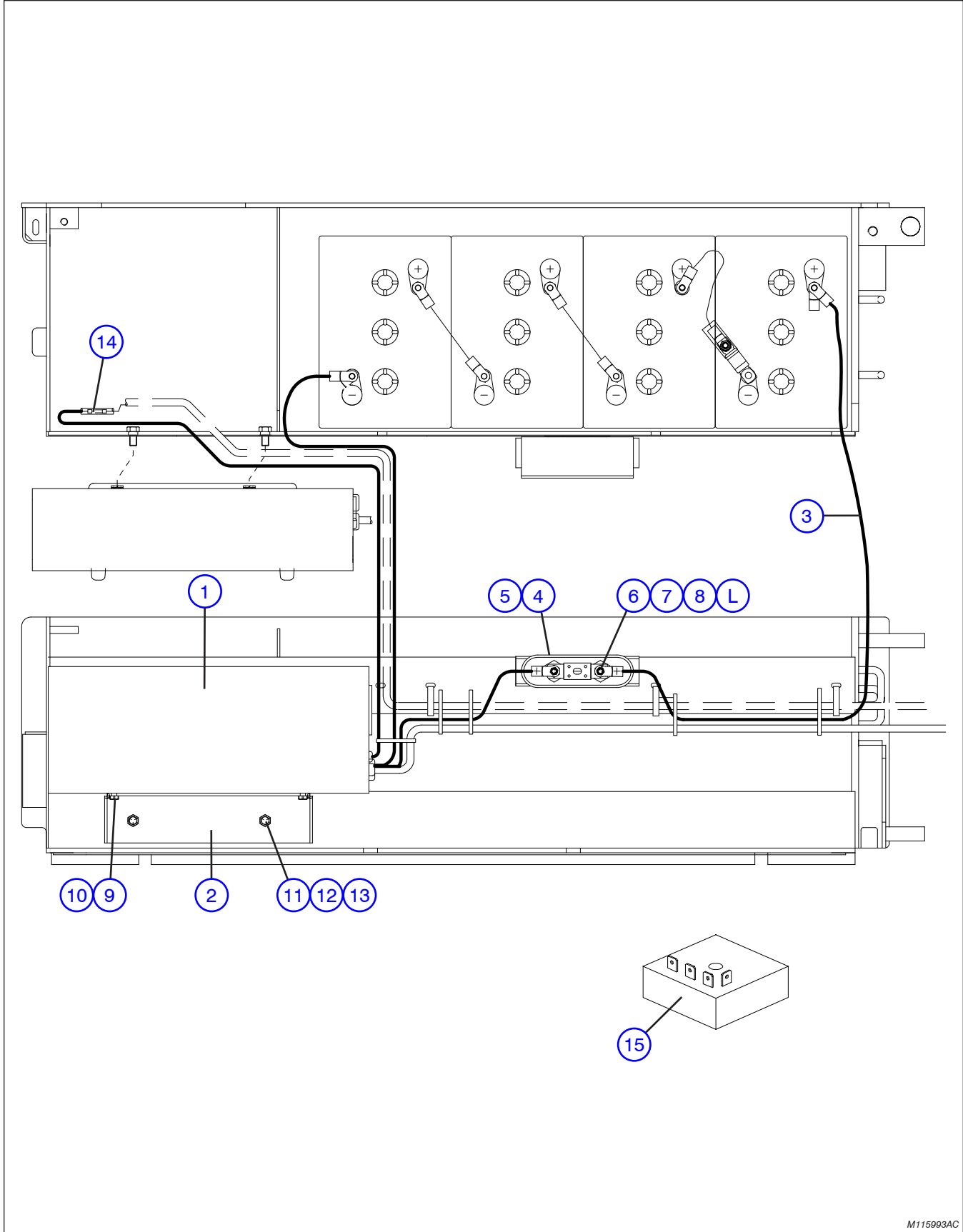
Index No.	Skyjack Part No.	Qty.	Description
<b>A</b>	146588	1	HARNESS, Horn/Flashing light
<b>B</b>	147988	1	HARNESS, Horn/Flashing light <b>(ANSI/CSA EE rated)</b>
<b>C</b>	146574	1	HARNESS, Tilt switch
<b>D</b>	147989	1	HARNESS, Tilt switch <b>(ANSI/CSA EE rated)</b>
1	117579	1	• CONNECTOR, Plug (4 pin)
2	117581	1	• CONNECTOR, Plug wedge (4 pin)
3	117591	3	• CONNECTOR, Contact socket (16-18)
4	117594	2	• CONNECTOR, Sealing plug





Index No.	Skyjack Part No.	Qty.	Description
<b>A</b>	129171	1	HARNESS, Holding valve (Model 3220)
<b>B</b>	129170	1	HARNESS, Holding valve (Model 3226/4626/4632)
<b>C</b>	132869	1	HARNESS, Charger cutout
<b>D</b>	157463	2	HARNESS, Charger cutout (ANSI/CSA EE rated)
<b>E</b>	156375	1	HARNESS, Pressure switch (KC)
1	127315	1	• CONNECTOR, Solenoid with diode, <b>A</b>
		2	• CONNECTOR, Solenoid with diode, <b>B</b>
2	116992	1	• CONNECTOR, Male plug (2 pin), <b>C</b>
		2	• CONNECTOR, Male plug (2 pin), <b>D</b>

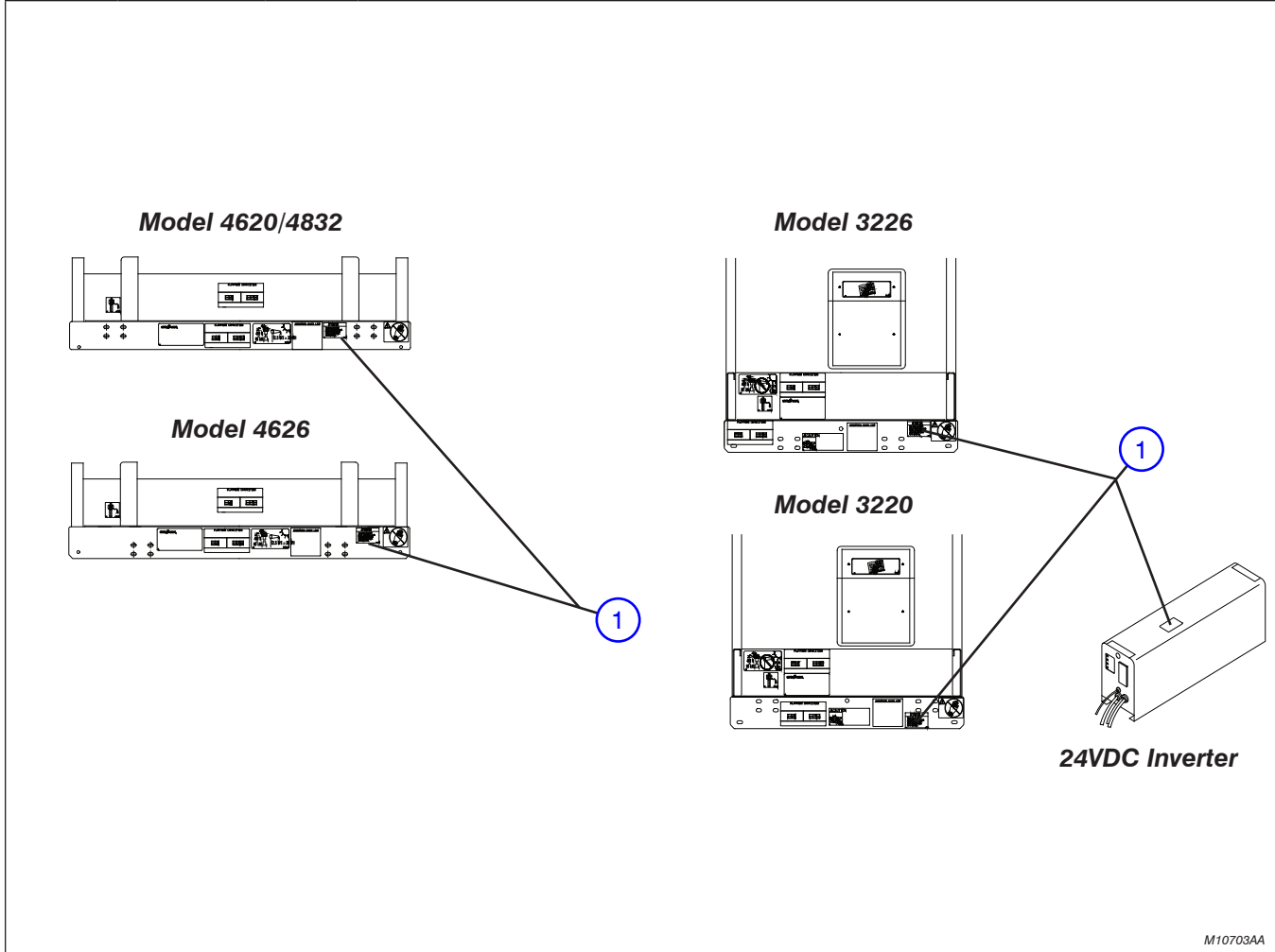
**7.1 24VDC Inverter Assembly (ANSI/CSA)**



M115993AC

Index No.	Skyjack Part No.	Qty.	Description
1	135990	-	INVERTER, 24VDC (120VAC @ 60 Hz) <b>(ANSI/CSA)</b>
2	129145	1	SUPPORT, Inverter
3	159320	1	CABLE (1/4 x 30 x 5/16, #4GA)
4	119061	1	FUSE BOX, Cover
5	110853	2	BOLT, FHCS Zinc (1/4"- 20 x 0.63)
6	103068	2	INSULATOR, Fuse
7	146442	1	FUSE (100 Amp)
8	112495	2	BOLT, Hex head (1/4"-20 x 3/8", Grade 5)
9	103855	4	BOLT, Hex head (1/4"-20 x 1/2", Grade 5)
10	104000	4	WASHER, Luck (1/4")
11	103473	2	BOLT, Hex head (3/8"-16 x 1", Grade 5)
12	104606	2	NUT, Hex lock (3/8"-16, Grade B)
13	103999	2	WASHER, Lock (1/4")
14	108503	1	CONNECTOR, Blue butt (#14-16)
15	137417	1	RELAY, Inverter timer cutoff
L	146454	1	LABEL, Inverter fuse (100 A)

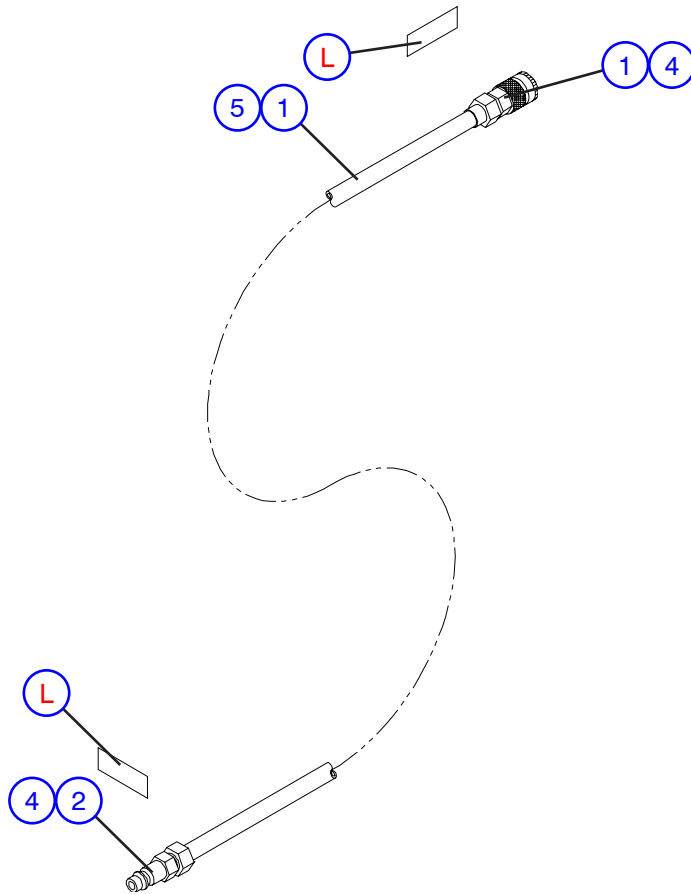
**7.2 Labels - Inverter**



M10703AA

Index No.	Skyjack Part No.	Qty.	Description
1	130115	AR	LABEL, Inverter Switch

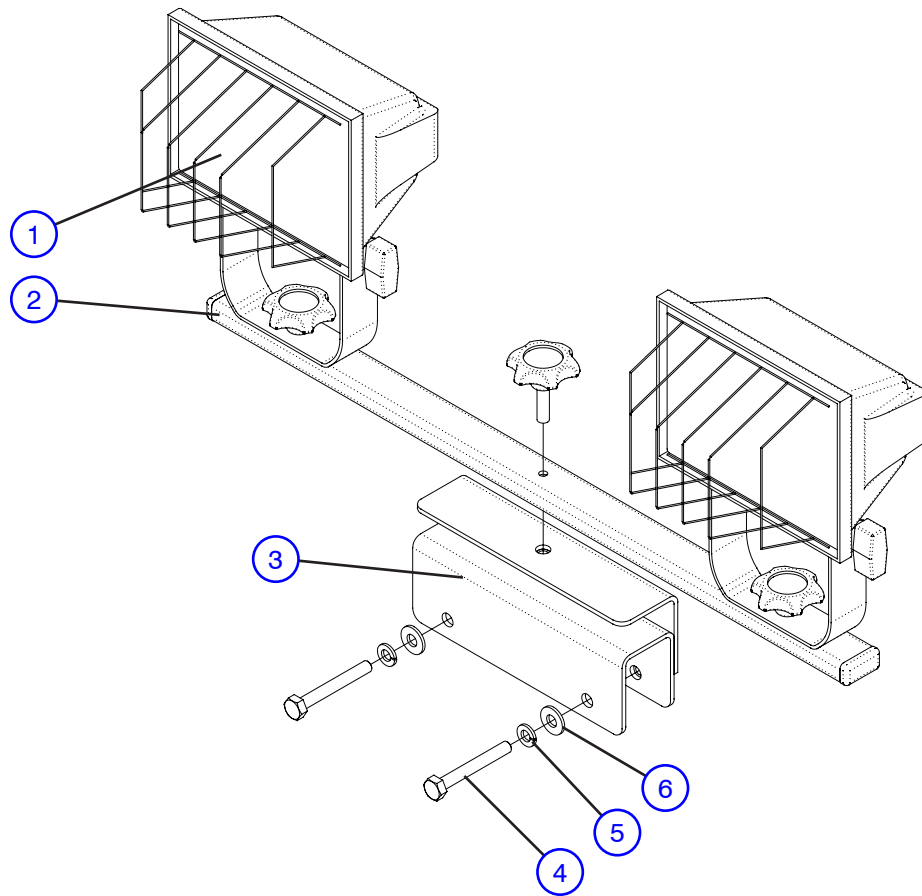
### 7.3 Air Hose to Platform Assembly



M10199AA

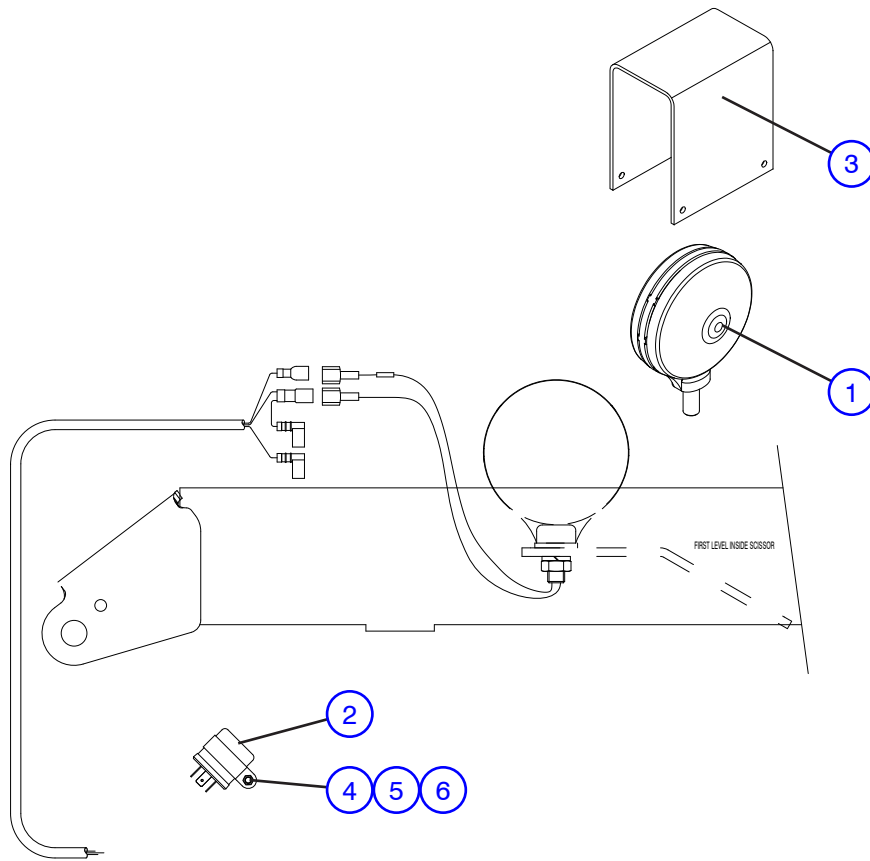
Index No.	Skyjack Part No.	Qty.	Description
-	-	1	AIR TO PLATFORM HOSE ASSEMBLY
1	107882	1	• FITTING, Female disconnect
2	107883	1	• FITTING, Male disconnect
3	107884	324"	• HOSE, Air (1/2") ( <b>Model 3220</b> )
	107884	396"	• HOSE, Air (1/2") ( <b>Model 3226</b> )
	107884	666"	• HOSE, Air (1/2") ( <b>Model 4632</b> )
4	109050	2	• FITTING, Hose barb
5	107886	2	• CLAMP, Hose
L	138212	2	LABEL, Connect air here

## 7.4 Work Light Option



M137979AB

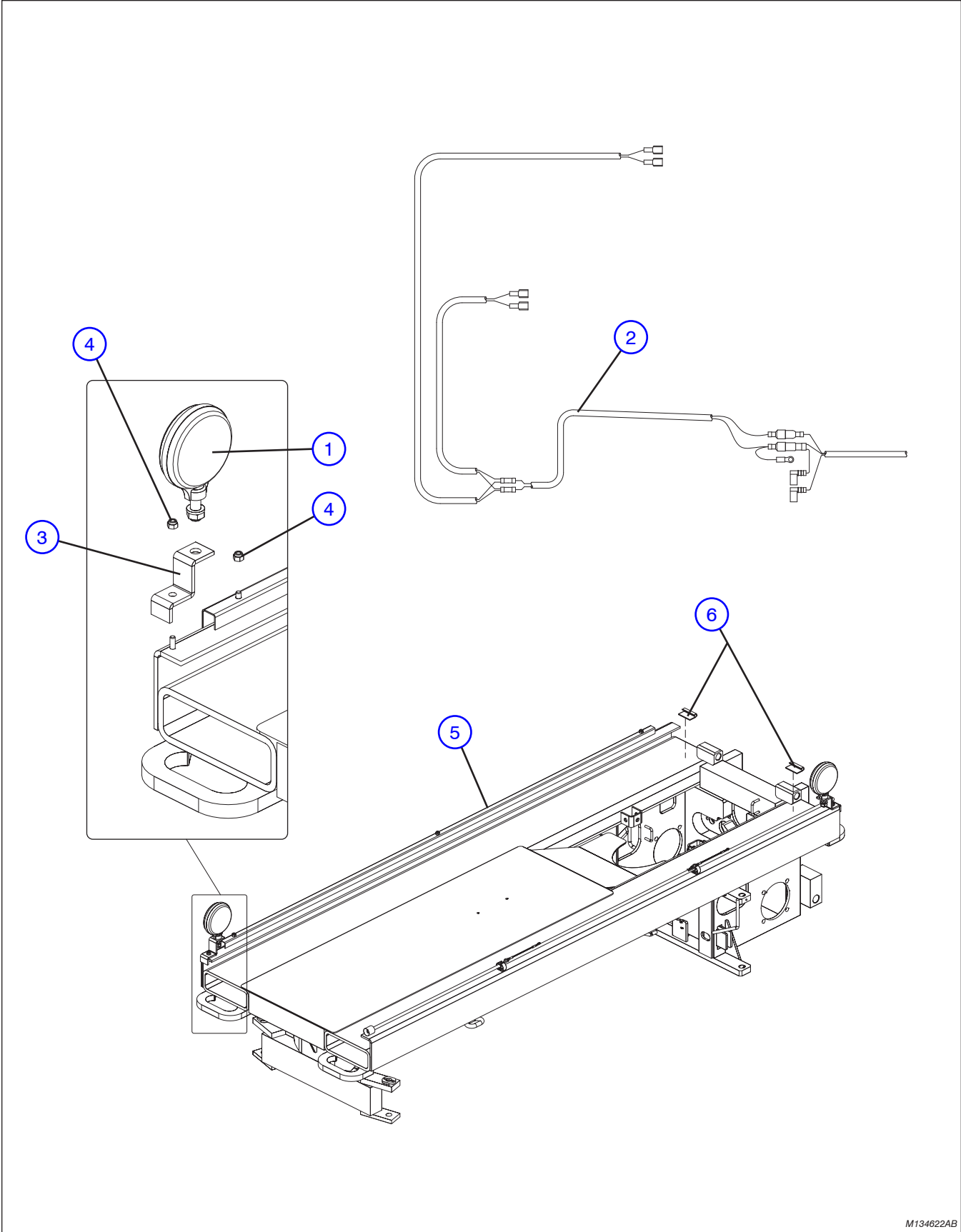
Index No.	Skyjack Part No.	Qty.	Description
-	137979	-	WORK LIGHT ASSEMBLY
1	141732	1	• BULB, Halogen (150 watt, 78 mm)
2	141701	1	• WORK LIGHT, Dual halogen (250 watt)
3	138050	1	• BRACKET, Work light
4	103861	2	• BOLT, Hex head (1/4"-20 x 2", Grade 5)
5	104000	2	• WASHER, Lock (1/4")
6	103995	2	• WASHER, Flat (1/4")



M147348AA

Index No.	Skyjack Part No.	Qty.	Description
<b>A</b>	132241	1	FLASHING AMBER LIGHT OPTION ( <b>KC</b> )
<b>B</b>	147348	1	FLASHING AMBER LIGHT OPTION ( <b>ANSI/CSA</b> )
<b>C</b>	147990	1	FLASHING AMBER LIGHT OPTION ( <b>ANSI/CSA EE rated</b> )
<b>1</b>	121477	1	• LIGHT, Beacon (24 volt), <b>A</b>
	126111	1	• LIGHT, Beacon (24 volt), <b>B, C</b>
	121533	1	• • LENS, Amber
	146153	1	• • BULB
<b>2</b>	103743	1	• FLASHER (12, 24 volt), <b>B, C</b>
<b>3</b>	123180	1	• LIGHT COVER ASSEMBLY, <b>C</b>
	123177	1	• • COVER, Light
	123178	1	• • BRACKET, Light
	120094	4	• • BOLT, Machine (#10-32 x 5/8")
	104003	4	• • NUT, Machine (#10-32, Grade B)
	104694	4	• • WASHER, Flat (#10 SAE)
	104185	4	• • WASHER, Lock (#10 NOM)
<b>4</b>	132793	1	• CLAMP, Plastic (1.25"), <b>B, C</b>
<b>5</b>	103962	1	• BOLT, Machine (#10-32 x 1/2"), <b>B</b>
<b>6</b>	104003	1	• NUT, Machine (#10-32, Grade B), <b>B</b>

**7.6 Dual Flashing Amber Light Option (Diagonal)**



M134622AB

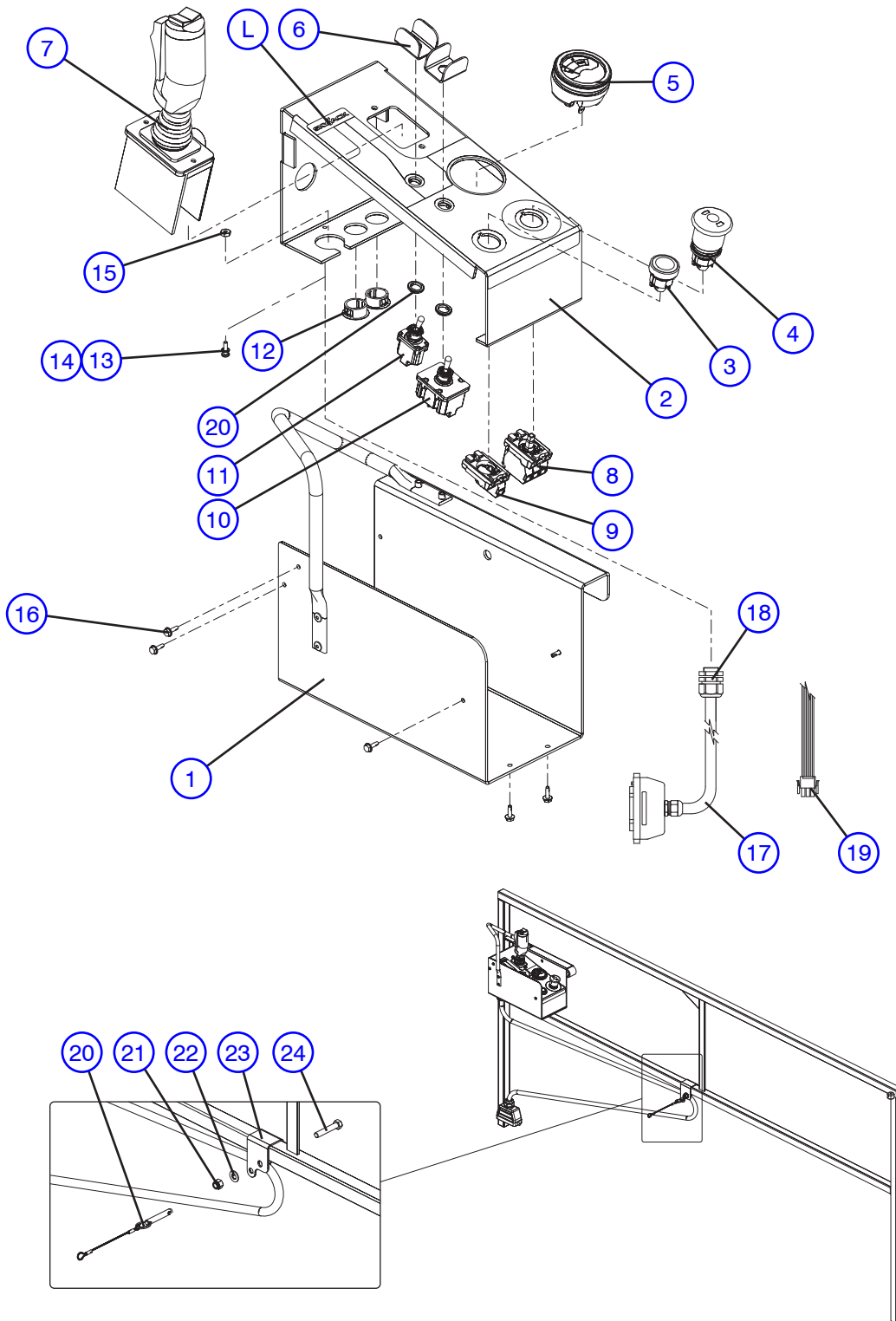


**7.6 Dual Flashing Amber Light Option (Diagonal)**

Index No.	Skyjack Part No.	Qty.	Description
1	126111	2	FLASHING AMBER LIGHT ASSEMBLY
	121477	1	• LIGHT, Beacon
	121533	1	• • LENS, Amber
	146153	1	• • BULB (24 volt)
2	134587	1	HARNESS, Dual flashing light
3	156695	2	BRACKET, Flashing light
4	115649	5	NUT, Hex nylon lock (1/4"-20, Grade 5)
5	134715	1	GUARD, Cable (Modified)
6	108791	2	CLIP, Cord (Adhesive back)

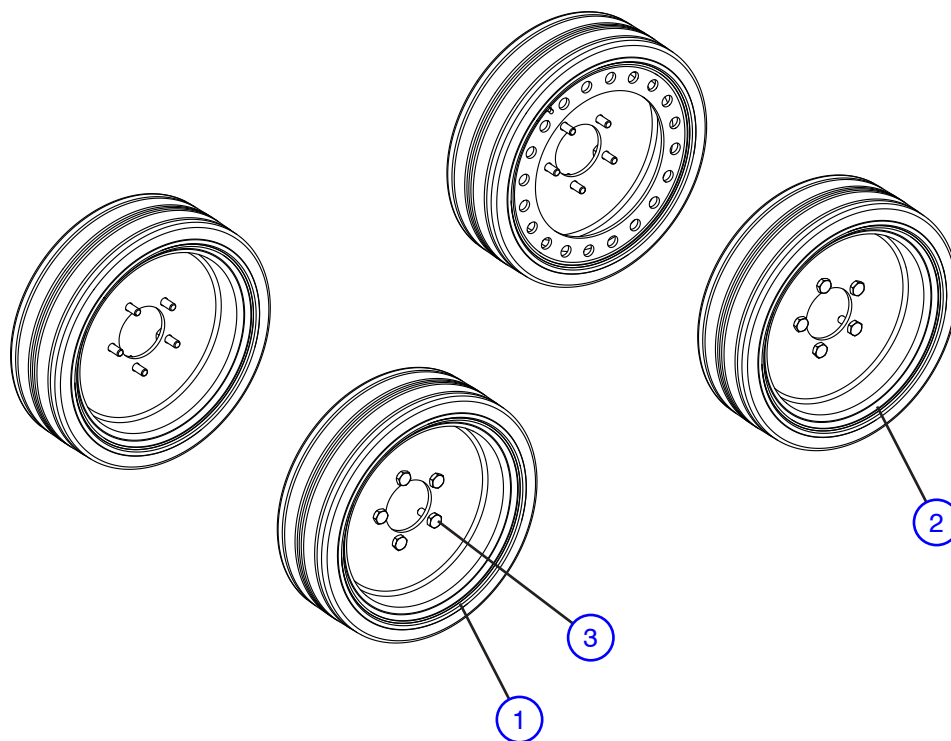
7.7 Platform Control Console - Long Cable Option (ANSI/CSA)

AB



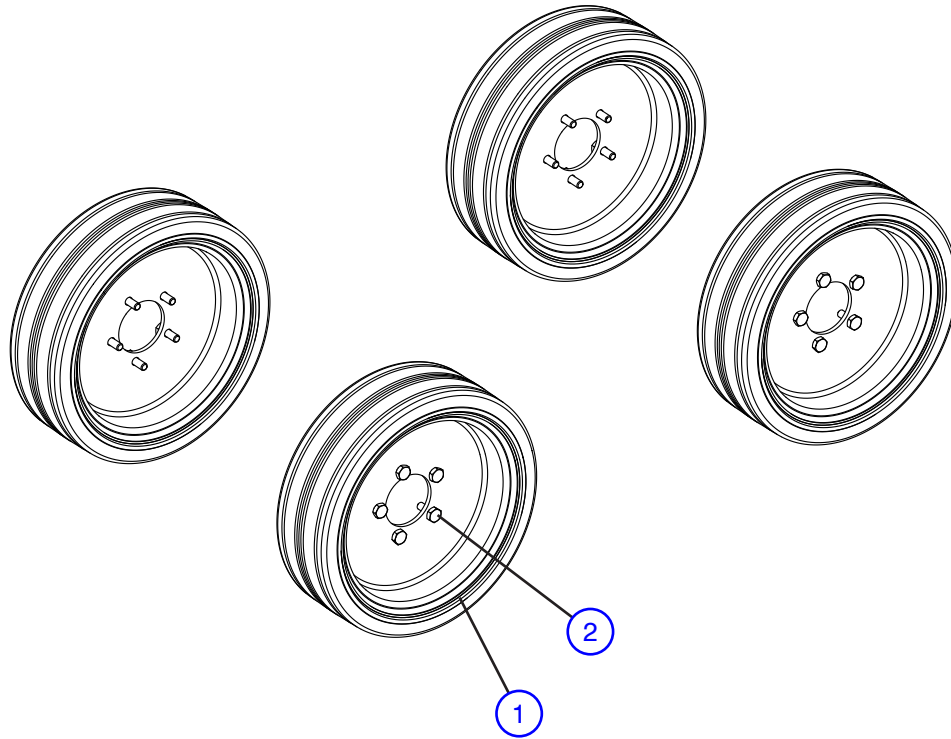
M158042AB

Index No.	Skyjack Part No.	Qty.	Description
-	156991	-	LONG CABLE CONTROL CONSOLE ASSEMBLY
1	147373	1	• CONTROL CONSOLE (Bottom)
2	156923	1	• CONTROL CONSOLE (Top)
3	147058	1	• HEAD, Pushbutton (Horn)
4	147051	1	• HEAD, Emergency stop
5	122093	1	• INDICATOR, Battery charge
6	111181	2	• GUARD, Toggle switch
7	123994	1	• ENABLE CONTROLLER ASSEMBLY
8	-	-	• SWITCH ASSEMBLY, Emergency stop
	147056	1	• • LATCH
	147053	2	• • BLOCK, N.C. contact
	147061	1	• • LED BLOCK, 24V (red)
9	-	-	• SWITCH ASSEMBLY, Horn
	147056	1	• • LATCH
	147054	1	• • BLOCK, N.O. contact
10	116382	1	• SWITCH, Toggle (4NT1-1)
11	115574	1	• SWITCH, Toggle (1NT1-2)
12	102956	2	• PLUG (7/8" hole)
13	103957	1	• SCREW, Round head machine (#8-32 x 1/2")
14	112249	1	• WASHER, Lock (#8)
15	103986	1	• NUT, Hex head (#8-32)
16	112327	9	• SCREW, Hex head self tapping (#8-18 x 1/2")
17	156993	1	• CONTROL CABLE ASSEMBLY (16 pin)
	107820	1	• • CONNECTOR, Male (16 pin)
	119727	2	• • PIN, Code
18	300788	1	• STRAIN RELIEF
19	116993	1	• HOUSING, Male connector (9 pin)
20	144016	2	• SEAL, Panel bushing
21	124548	1	LARGE LOOP PIN QUICK RELEASE ASSEMBLY
22	104606	1	NUT, Hex nylon lock (3/8"-16, Grade 5)
23	103472	1	WASHER, Flat (3/8")
24	158209	1	CLAMP, Control cable railing
25	103596	1	BOLT, Hex head (3/8"-16 x 2", Grade 5)
L	156885	1	LABEL, Platform control console



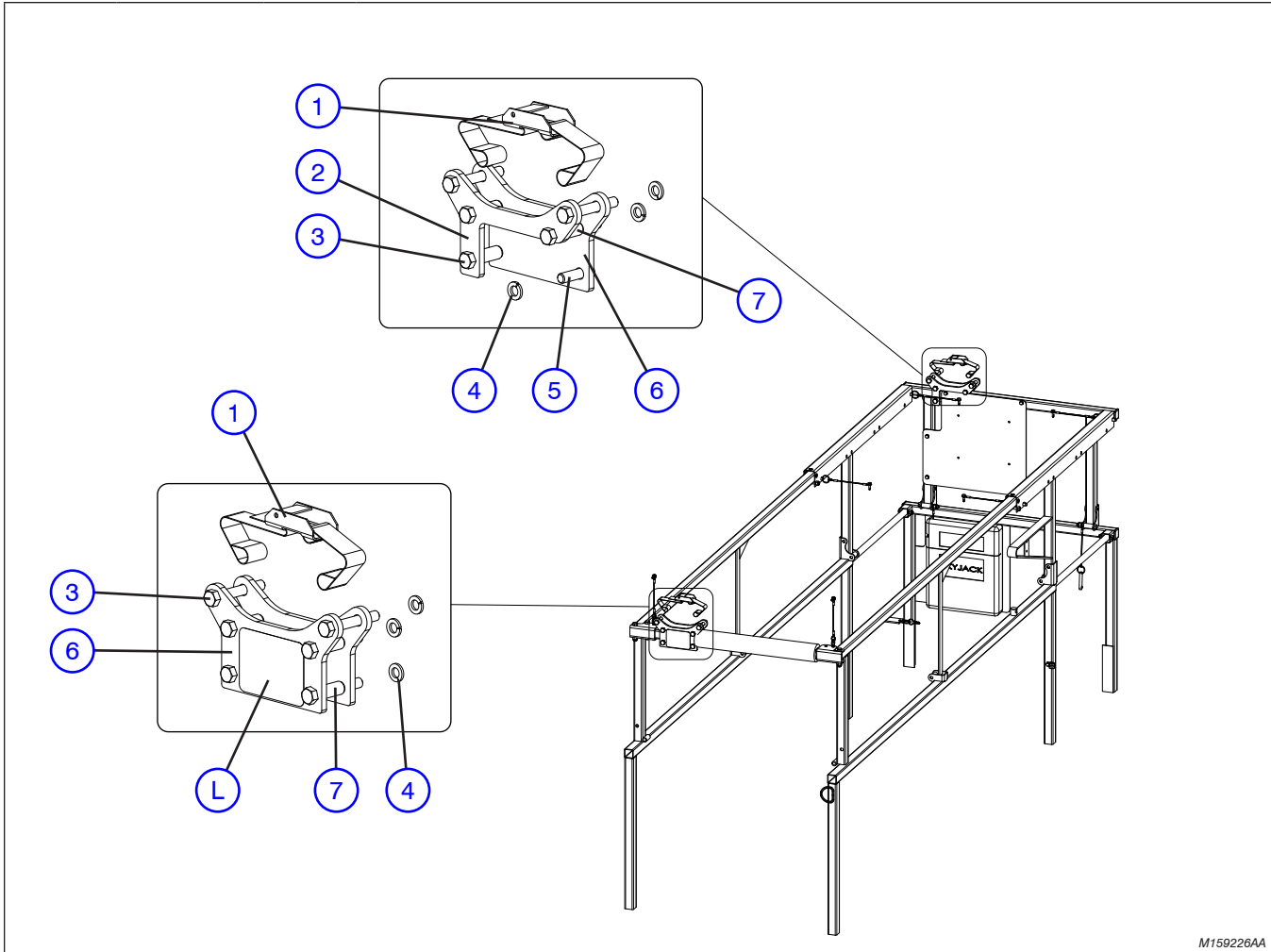
M158934AA

Index No.	Skyjack Part No.	Qty.	Description
<b>A</b>	158934	-	SUPERGRIP WHEELS ASSEMBLY (White)
<b>B</b>	158935	-	SUPERGRIP WHEELS ASSEMBLY (Grey)
1	158757	2	<ul style="list-style-type: none"> <li>• WHEEL, Front supergrip, <b>A</b></li> </ul>
	158759	2	<ul style="list-style-type: none"> <li>• WHEEL, Front supergrip, <b>B</b></li> </ul>
2	158758	2	<ul style="list-style-type: none"> <li>• WHEEL, Rear supergrip, <b>A</b></li> </ul>
	158760	2	<ul style="list-style-type: none"> <li>• WHEEL, Rear supergrip, <b>B</b></li> </ul>
3	103199	20	<ul style="list-style-type: none"> <li>• BOLT, Wheel</li> </ul>



M158936AA

Index No.	Skyjack Part No.	Qty.	Description
<b>A</b>	158936	-	SUPERGRIP WHEELS ASSEMBLY (White)
<b>B</b>	158937	-	SUPERGRIP WHEELS ASSEMBLY (Grey)
1	158757	4	<ul style="list-style-type: none"> <li>• WHEEL, Supergrip, <b>A</b></li> <li>• WHEEL, Supergrip, <b>B</b></li> <li>• BOLT, Wheel</li> </ul>
	158759	4	
2	103199	20	



M159226AA

Index No.	Skyjack Part No.	Qty.	Description
-	-	-	Available with Chain Entrance Only
<b>A</b>	133595	1	PIPE RACK ASSEMBLY (Rear Mount)
<b>B</b>	133596	1	PIPE RACK ASSEMBLY (Front Mount)
1	130359	1	• STRAP, Cam buckle
2	133593	1	• PLATE, Pipe rack, <b>B</b>
3	103873	6	• BOLT, Hex head (3/8"-16 x 2.5", Grade 5), <b>A</b>
		5	• BOLT, Hex head (3/8"-16 x 2.5", Grade 5), <b>B</b>
4	103999	6	• WASHER, Lock (3/8")
5	101297	1	• BOLT, Hex head (3/8"-16 x 1.25", Grade 5), <b>B</b>
6	133594	2	• PLATE, Pipe rack, <b>A</b>
		1	• PLATE, Pipe rack, <b>B</b>
7	133598	4	• SPACER, <b>A</b>
		3	• SPACER, <b>B</b>
L	130234	2	• LABEL, <b>A</b>
		1	• LABEL, <b>B</b>

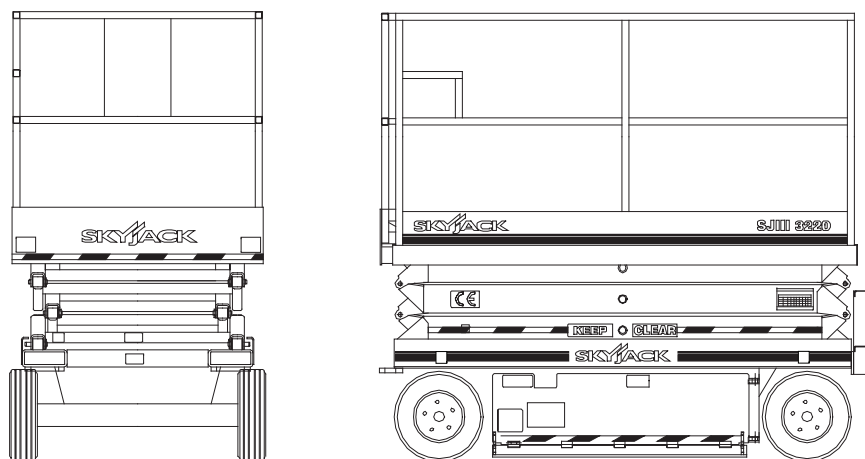
### 8.1 Label Kit

The label kit, Part Number 157561, is for models SJIII 3220, 3226, 4626 & 4632. It contains labels that are common to all machines.

It excludes:

- serial numbers
- name plate
- stripes
- tape
- platform capacities
- model designations
- side force/no wind
- all special options

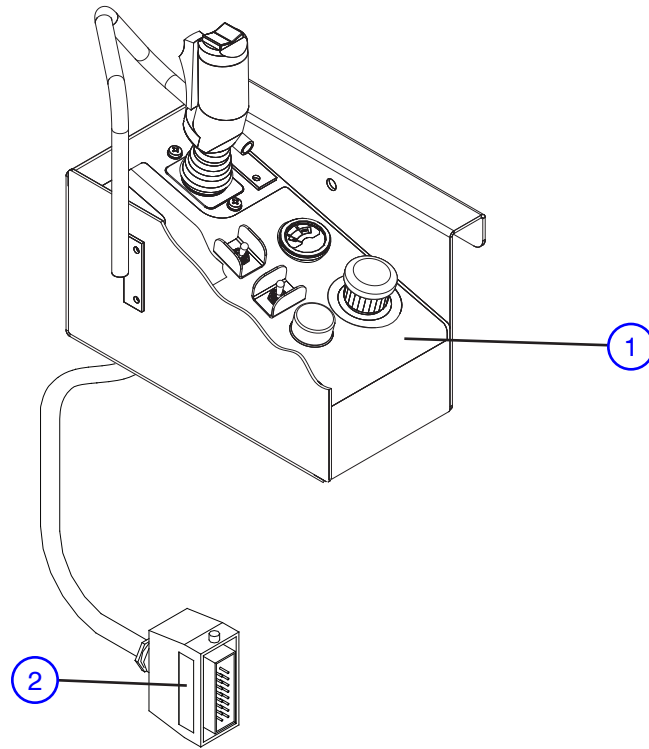
Supply model number, country and language when ordering complete machine labels.



## **Notes**



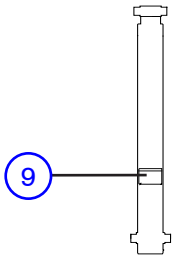
## 8.2 Labels - Platform Control Console



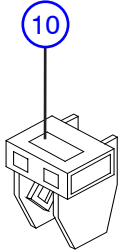
M11555AA

Index No.	Skyjack Part No.	Qty.	Description
			(To order a complete label kit, refer to Section 8.1)
1	156885	1	LABEL, Platform control console
2	118711	2	LABEL, "Hydraulic proportional"

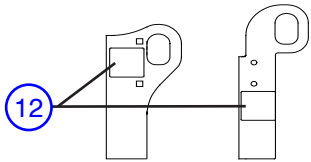
8.3 Labels - Miscellaneous



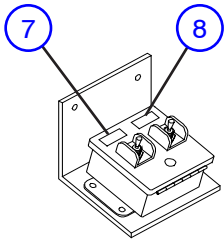
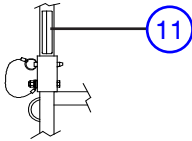
LIFT CYLINDER



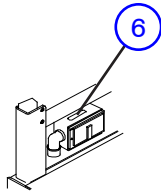
CROSS MEMBER 1ST LEVEL  
INSIDE SCISSORS



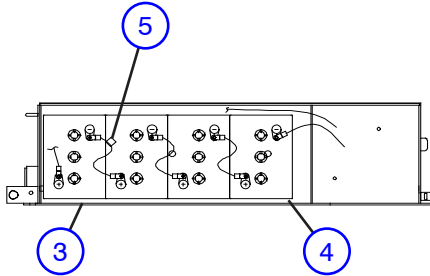
RAILING PINS



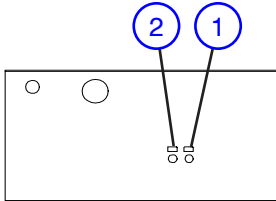
CONTROL CONSOLE -  
POWER EXTENSION PLATFORM



OUTLET BOX



BATTERY TRAY

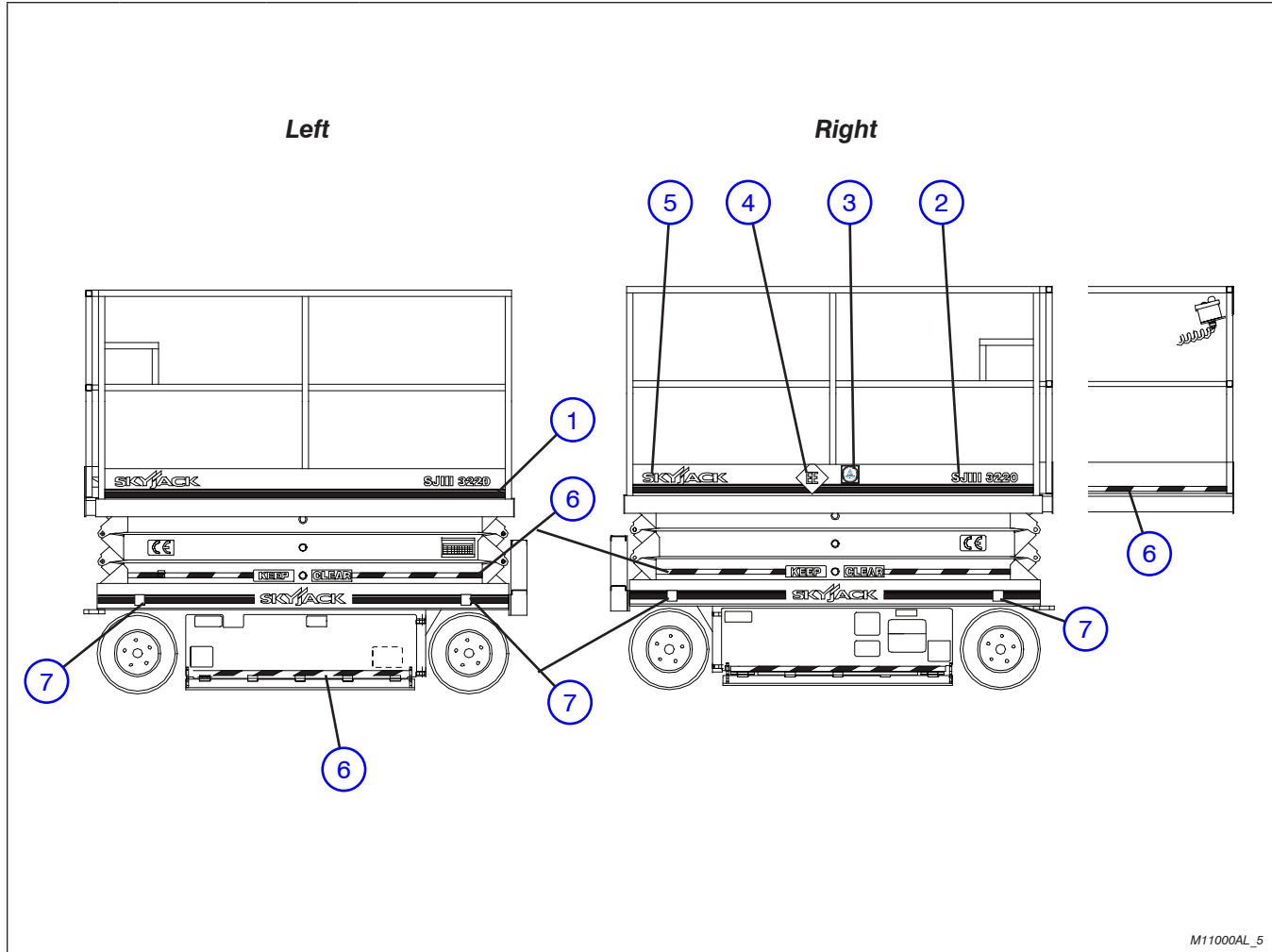


ELECTRICAL PANEL

M11027AA

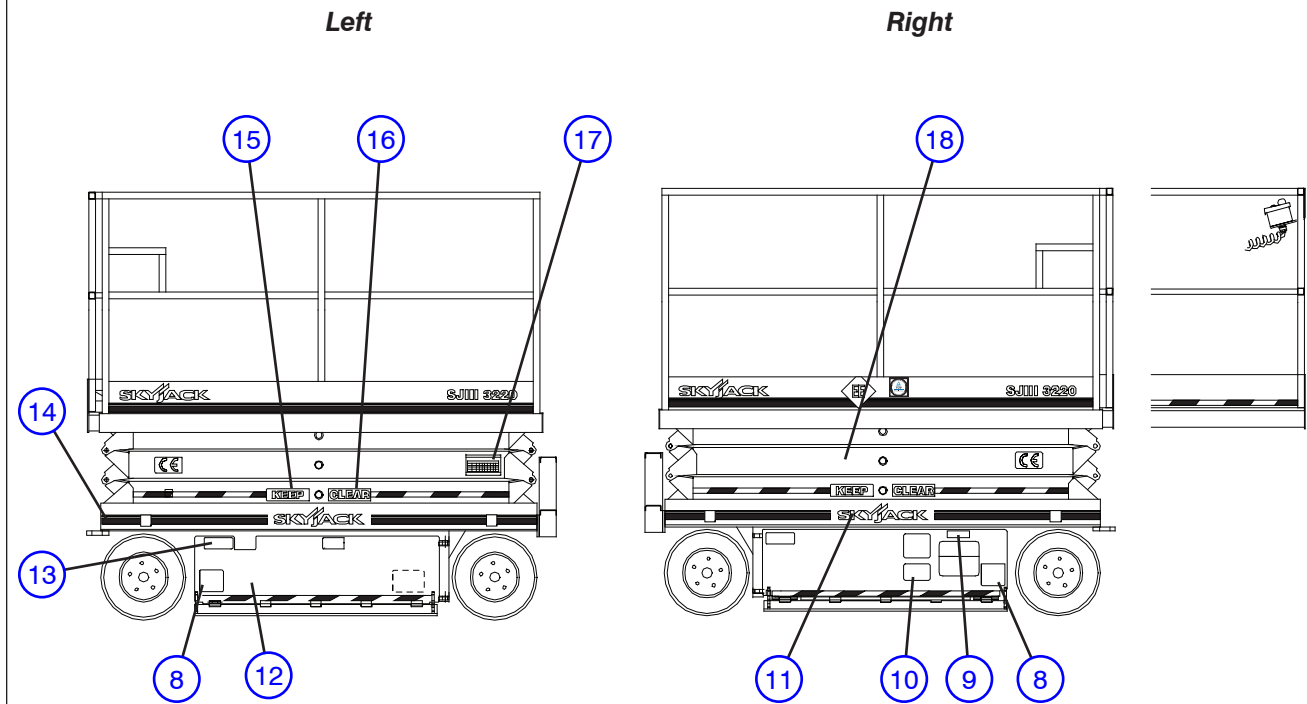
### 8.3 Labels - Miscellaneous

Index No.	Skyjack Part No.	Qty.	Description
			(To order a complete label kit, refer to Section 8.1)
1	117387	1	LABEL, Push to reset powered
2	117389	1	LABEL, Push to reset ground
3	137278	1	LABEL, 300A Fuse (battery tray)
4	126032	1	LABEL, Warning "Wood Spacers" (U2200)
	126220	1	LABEL, Warning "Wood Spacers" (U2500)
5	137276	1	LABEL, 300A + Warning (In-line fuse)
6	123274	1	LABEL, 110 VAC <b>(EE rated)</b>
7	132004	1	LABEL, Enable (Powered extension platform) <b>(not included in kit)</b>
8	132003	1	LABEL, Platform extend/retract (Powered extension platform) <b>(not included in kit)</b>
9	157792	2	LABEL, Orifice decal
10	109442	1	LABEL, Emergency lowering procedure <b>(not included in kit)</b>
11	126056	2	LABEL, Warning, falling hazard (Vertical)
	126057	10	LABEL, Warning, falling hazard (Horizontal) <b>(Model 322x)</b>
	126057	12	LABEL, Warning, falling hazard (Horizontal) <b>(Model 46xx)</b>
12	130018	6	LABEL, Safety lanyard



M11000AL\_5

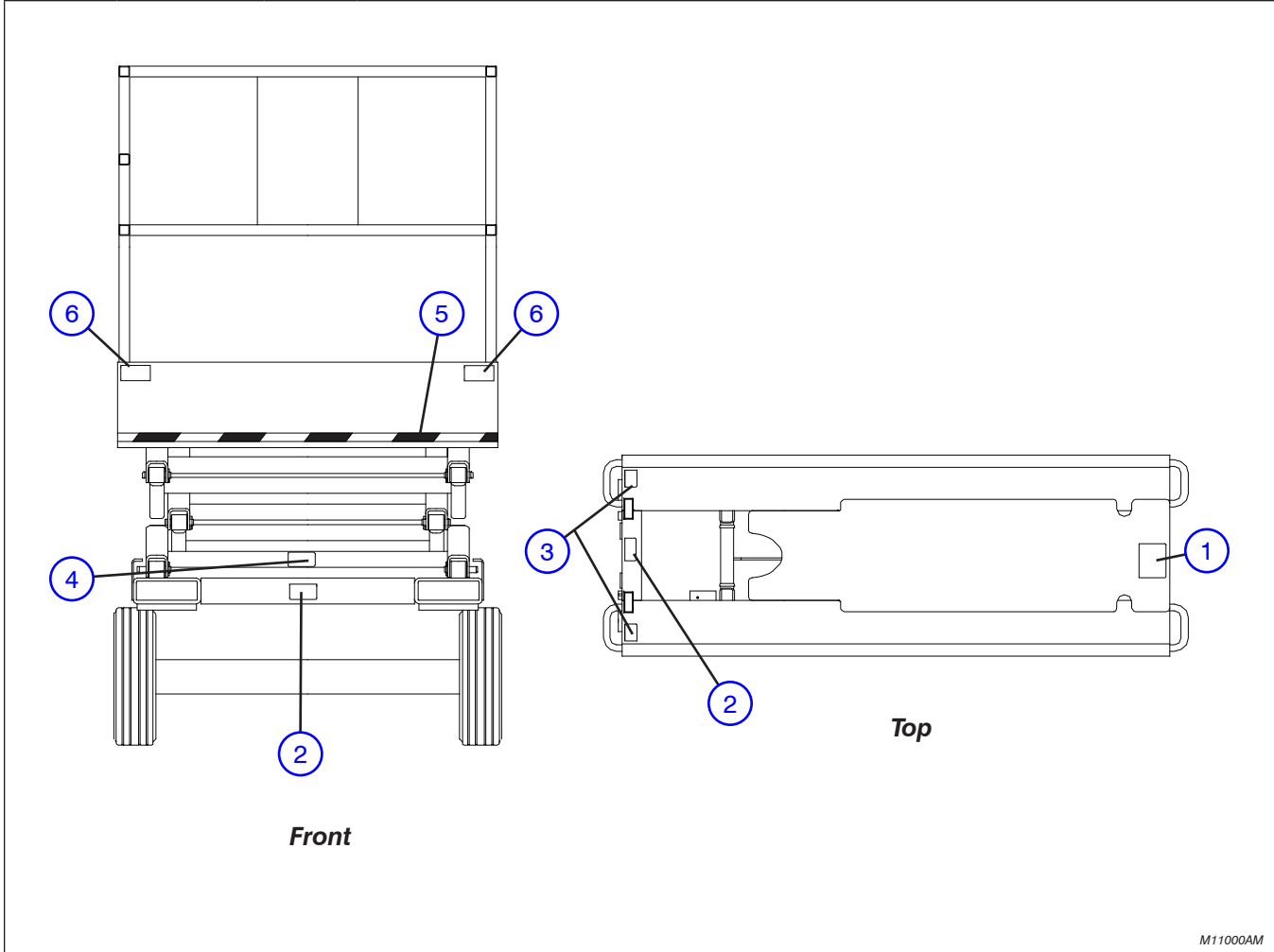
Index No.	Skyjack Part No.	Qty.	Description
			(To order a complete label kit, refer to Section 8.1)
1	103125	AR	STRIPE, White/Blue (not included in kit)
2	129796	2	LABEL, Model designation (SJIII 3220)
	129798	2	LABEL, Model designation (SJIII 3226)
	129800	2	LABEL, Model designation (SJIII 4626)
	132376	2	LABEL, Model designation (SJIII 4632)
	154889	-	(All model designation labels are not included in kit)
	154888	2	LABEL KIT (EE rated) (not included in kit)
3	154888	2	• LABEL, TUV (EE rated) (not included in kit)
4	104589	2	• LABEL, EE (EE rated) (not included in kit)
5	129758	2	LABEL, SKYJACK LOGO (small, blue)
6	119803	AR	TAPE, Caution (1") (not included in kit)
7	132396	4	LABEL, Wheel load (Model 322x) (not included in kit)
	132394	4	LABEL, Wheel load (Model 46xx) (not included in kit)
			Parts list continued on the previous page.



M11000AL\_5

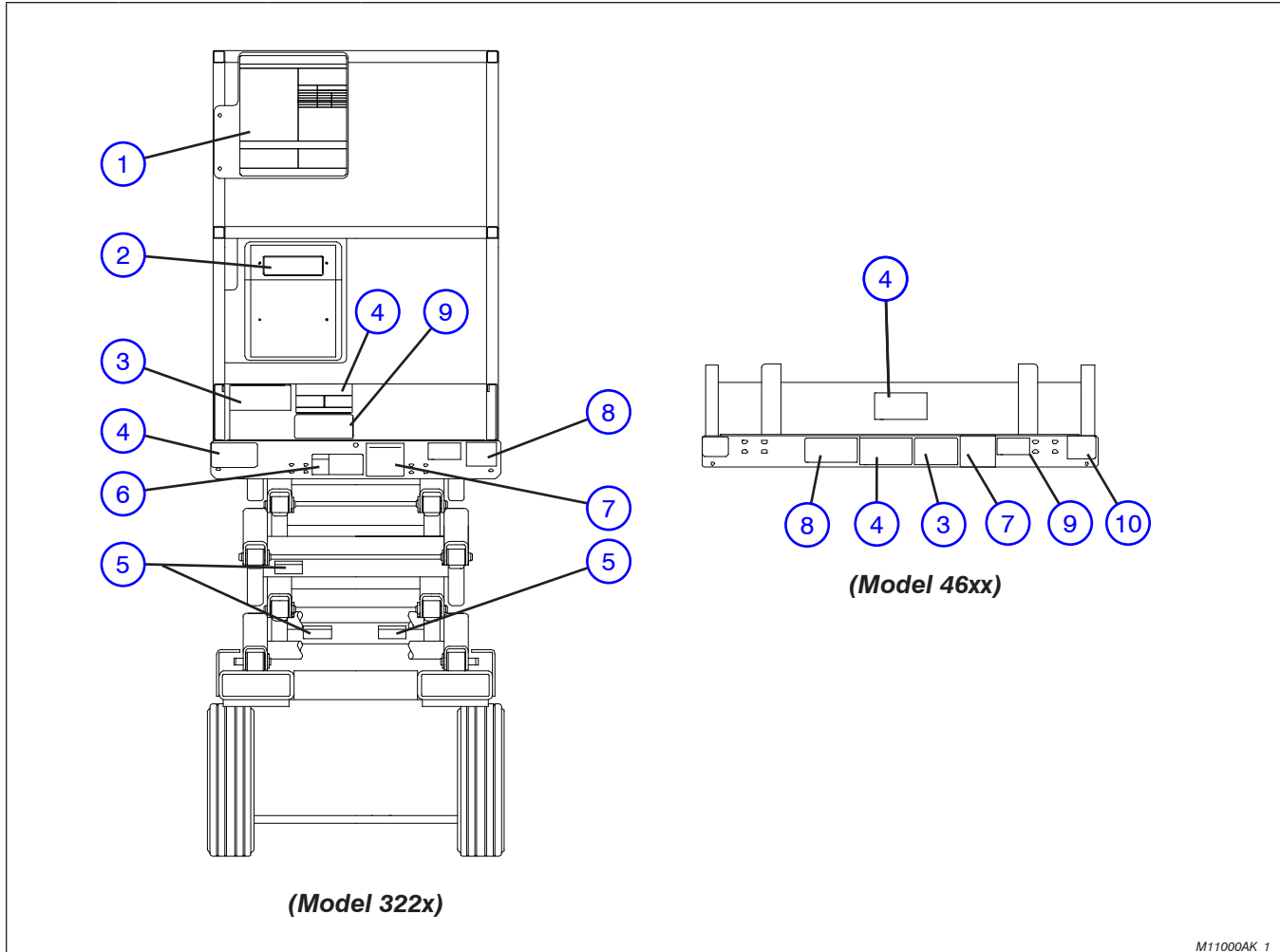
Index No.	Skyjack Part No.	Qty.	Description
<b>Parts list continued from the previous page.</b>			
8	119866	4	LABEL, Danger, pinch hand/foot
9	110334	1	LABEL, Battery charger connection in tray (if equipped)
10	154872	1	LABEL, Warning, do not disconnect <b>(EE rated)</b> (not included in kit)
11	129759	2	LABEL, SKYJACK LOGO (small)
12	114378	1	LABEL, Hydraulic system oil (inside tray)
	102961	1	LABEL, "Use Hydraulic Oil ATF Dextron III"
13	109442	1	LABEL, Emergency lowering procedure
14	103110	AR	STRIPE, Red/Blue/Red (not included in kit)
15	129838	2	LABEL, Keep
16	129839	2	LABEL, Clear
17	156441	1	LABEL, Annual inspection
18	139855	2	LABEL, Keep clear <b>(Model 46xx KC)</b>

### 8.5 Labels - Chassis (Front & Top)



M11000AM

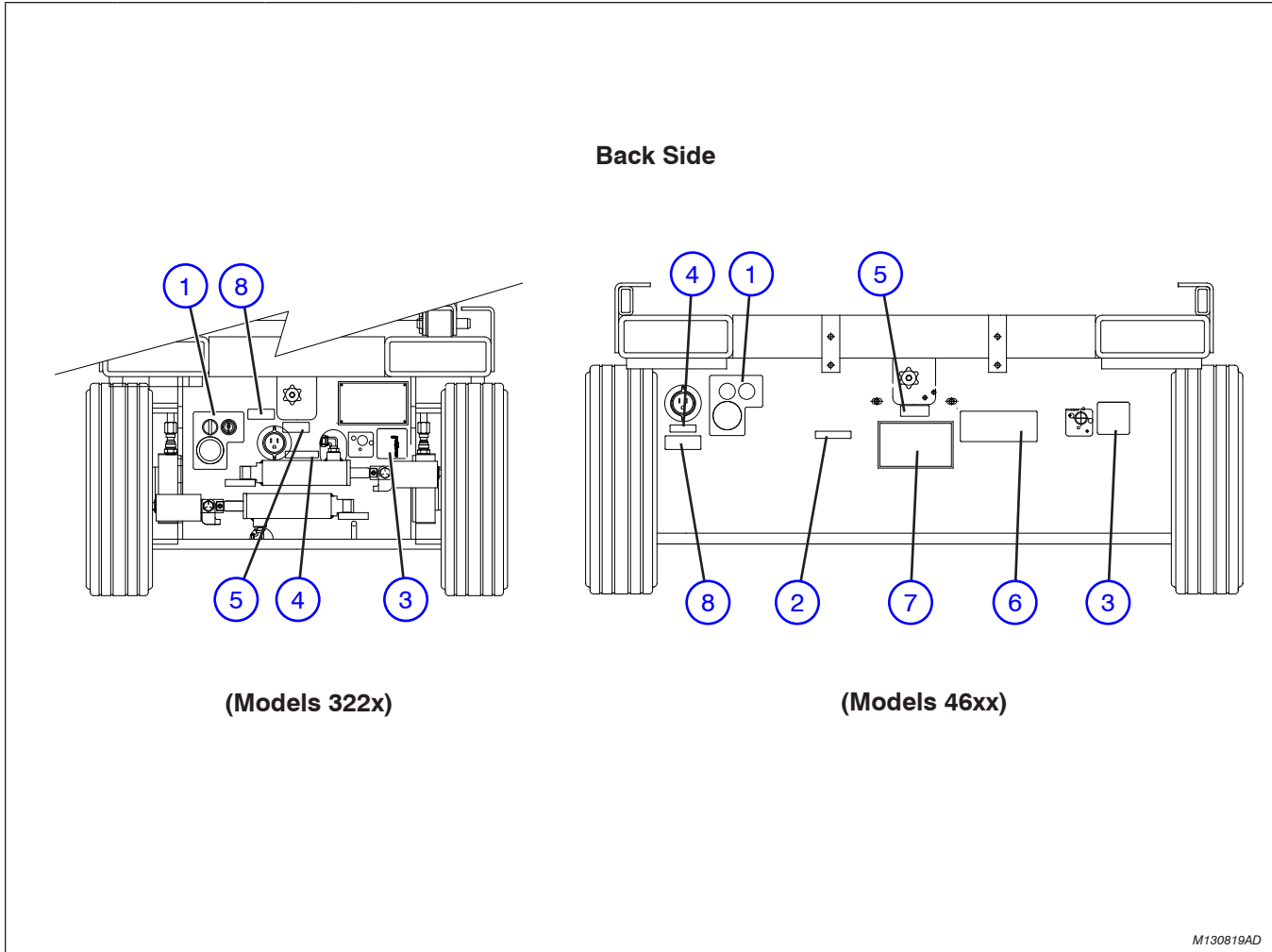
Index No.	Skyjack Part No.	Qty.	Description
(To order a complete label kit, refer to Section 8.1)			
1	106406	1	LABEL, Maintenance support
2	124767	2	LABEL, Lift point/tie down
3	102896	2	LABEL, Forklift boot
4	127711	1	LABEL, Place safety bar here
5	119803	AR	TAPE, Caution (1") (not included in kit)
6	137988	2	LABEL, Crush/pinch/hazard



M11000AK\_1

Index No.	Skyjack Part No.	Qty.	Description
(To order a complete label kit, refer to Section 8.1)			
1	146526	1	LABEL, Danger/Warning
2	123628	1	LABEL, Manual enclosed
3	124465	1	LABEL, Side force/outdoor <b>(All except model 4632 KC) (not included in kit)</b>
4	134460	1	LABEL, Side force/outdoor <b>(Model 4632 KC) (not included in kit)</b>
	130373	2	LABEL, Platform capacities (Manual extension) <b>(Model 3220)</b>
	130374	2	LABEL, Platform capacities (Powered extension) <b>(Model 3220)</b>
	130318	2	LABEL, Platform capacities <b>(Model 3226)</b>
	130315	2	LABEL, Platform capacities <b>(Model 4626 ANSI/CSA)</b>
	156239	2	LABEL, Platform capacities <b>(Model 4626 KC)</b>
	132333	2	LABEL, Platform capacities <b>(Model 4632 ANSI/CSA)</b>
	155961	2	LABEL, Platform capacities <b>(Model 4632 KC)</b> <b>(All platform capacity labels are not included in kit)</b>
5	156613	3	LABEL, Do not alter
6	106515	1	LABEL, Caution brake <b>(Models 322x) (not included in kit)</b>
7	106691	1	LABEL, Operator's checklist
8	156310	1	LABEL, Standards compliance <b>(ANSI/CSA) (not included in kit)</b>
9	146022	1	LABEL, California proposition 65 warning <b>(not included in kit)</b>
10	124362	1	LABEL, Do not wear jewelry

## 8.7 Labels - Rear (Chassis)



Index No.	Skyjack Part No.	Qty.	Description
(To order a complete label kit, refer to Section 8.1)			
1	146443	1	LABEL, Base control
2	138212	1	LABEL , Connect Air Supply (if equipped)
3	119674	1	LABEL, Emergency main power disconnect
4	138211	1	LABEL, Connect platform AC supply
5	103297	1	LABEL, Free-wheeling valve <b>(not included in kit)</b>
6	136989	1	LABEL, , Caution brake <b>(Models 46xx) (not included in kit)</b>
7	(Ref.)	-	NAMEPLATE, Serial number <b>(Contact factory)</b> <b>(All serial # nameplate labels are not included in kit)</b>
8	123274	2	LABEL, AC connection in hazardous locations <b>(EE rated) (not included in kit)</b>



9.1 Fluid Table

Model	*Qty. (Liters)	*Qty. (Gallons)	Oil Type	Skyjack Part No.
3215	10.9	2.9	ATF Dexron III	119309
3219				
3220	30	7.93		
3226				
4620				
4626				
4632				
6826				
6832				

60611AB

\*All fuel capacity quantities are in standard liter or US gallons (liquid).

## **Notes**





Reliable lift solutions by people who care.

[www.skyjack.com](http://www.skyjack.com)